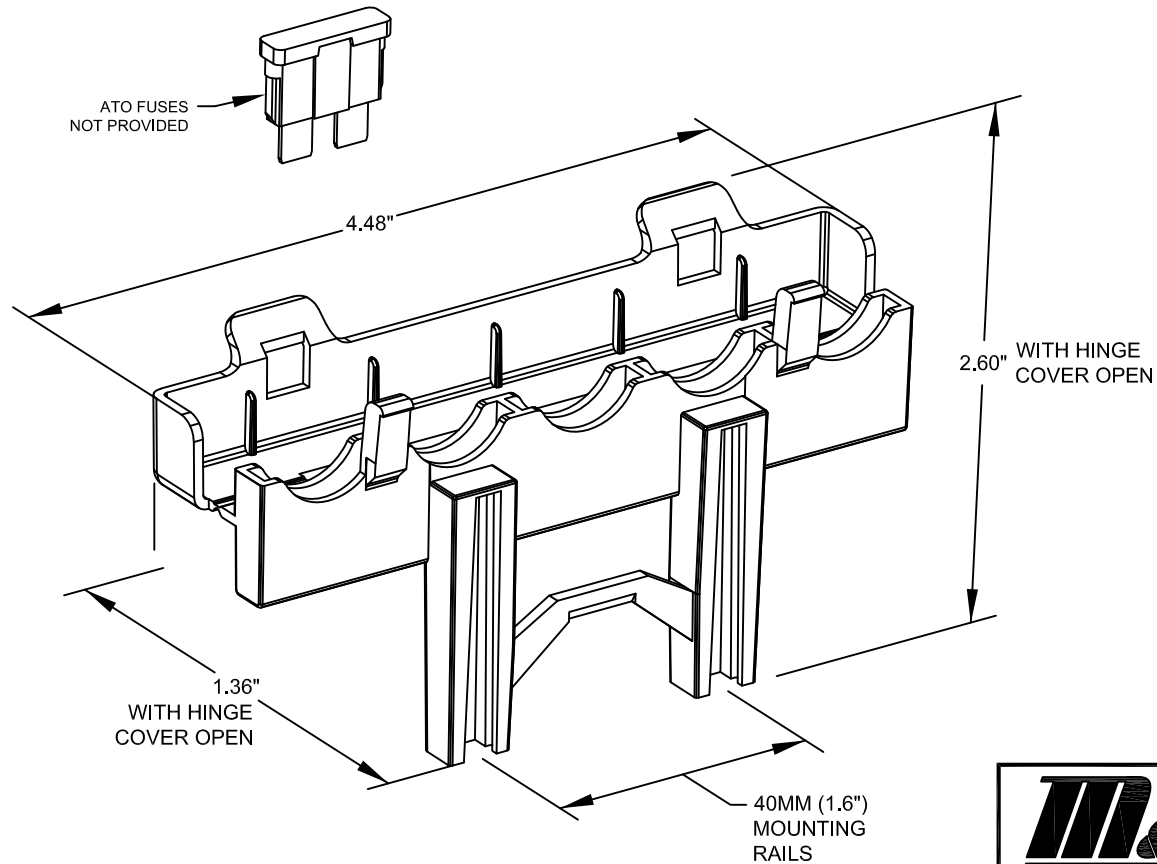


5-WAY SPARE FUSE HOLDER WITH 40MM MOUNTING RAILS

- THIS 5-WAY SPARE FUSE HOLDER ALLOWS SPARE FUSES TO BE STOWED AND ATTACHED DIRECTLY TO AN ATO SERIES FUSE BLOCK WITH AVAILABLE 40MM MOUNTING RAILS.
- THE CUSTOMER MUST DETERMINE IF THERE IS SUFFICIENT CLEARANCE TO MOUNT THIS FUSE HOLDER TO THE FUSE BLOCK. SEE PAGE 2.
- FUSES ARE NOT PROVIDED.



M&H ELECTRIC
FABRICATORS, INC.
AUTOMOTIVE WIRING SYSTEMS
(562) 926-9552 www.wiringharness.com

TITLE

INSTRUCTION SHEET
5-WAY SPARE FUSE HOLDER
WITH 40MM MOUNTING RAILS

DWG NO.

92974681

SHEET NO.

1 OF 3

VERIFY FUSE HOLDER CLEARANCE

BEFORE PROCEEDING, VERIFY FUSE BLOCK HAS ENOUGH CLEARANCE IN THE VEHICLE TO ATTACH THE 5-WAY FUSE HOLDER. SEE FIGURES 1, 2 & 3.

NOTE: FUSE BLOCK SHOWN IS FOR REFERENCE ONLY. YOUR FUSE BLOCK MAY LOOK DIFFERENT BUT CLEARANCE WILL STILL NEED TO BE VERIFIED. SEE PAGE 3.

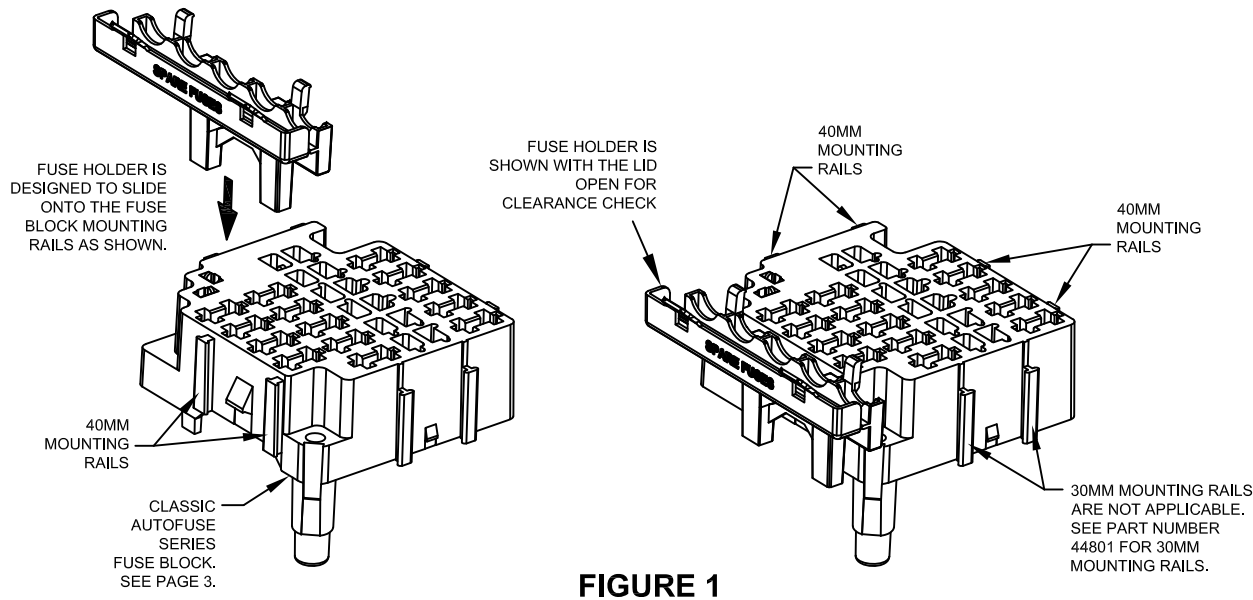
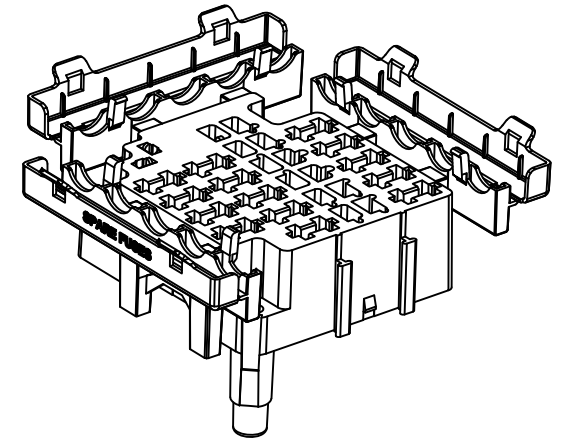


FIGURE 1



NOTE: THREE FUSE HOLDERS ARE SHOWN FOR REFERENCE. KIT ONLY INCLUDES ONE FUSE HOLDER. ADDITIONAL FUSE HOLDERS CAN BE PURCHASED IF DESIRED. FUSE BLOCK SHOWN HAS THREE 40MM MOUNTING RAIL OPTIONS. OTHER FUSE BLOCKS MAY HAVE LESS. SEE PAGE 3.

FIGURE 2

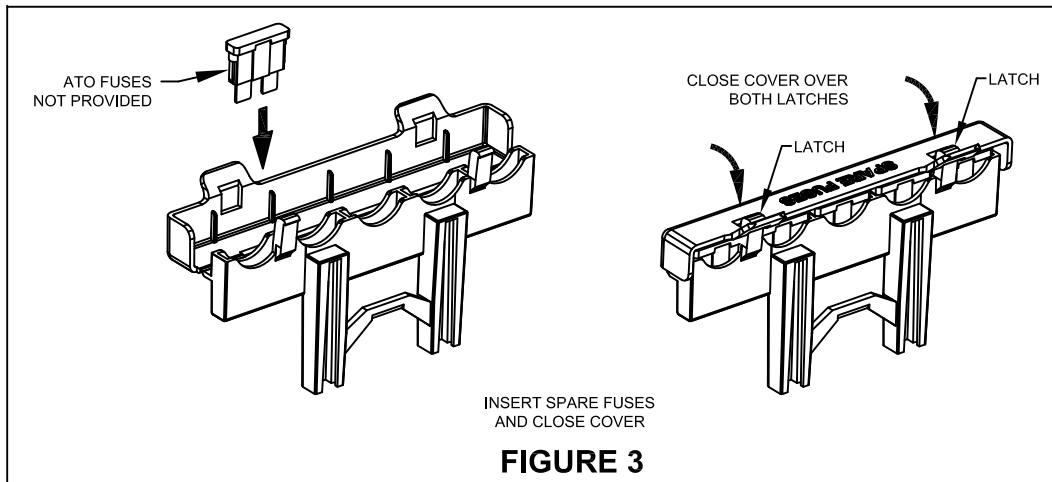


FIGURE 3

NOTE:
CUSTOMER MUST DETERMINE IF THERE IS SUFFICIENT SPACE TO ATTACH THE FUSE HOLDER TO THE ATO FUSE BLOCK AFTER DASH HARNESS HAS BEEN INSTALLED IN VEHICLE.

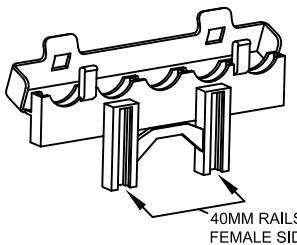


TITLE
INSTRUCTION SHEET
5-WAY SPARE FUSE HOLDER
WITH 40MM MOUNTING RAILS

DWG NO. **92974681** SHEET NO. 2 OF 3

5-WAY SPARE FUSE HOLDER ATTACHMENT OPTIONS TO CLASSIC AUTOFUSE SERIES DASH HARNESSSES

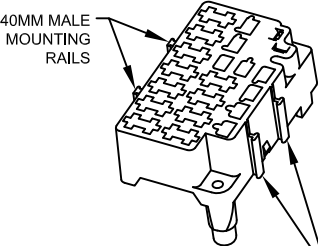
(SEE CATALOG APPLICATIONS FOR SPECIFIC DASH HARNESS PART NUMBERS USING THESE FUSE BLOCKS)



40MM RAILS FEMALE SIDE

THIS FUSE HOLDER CAN BE ATTACHED TO THESE ATO SERIES FUSE BLOCKS USED ON CLASSIC AUTOFUSE SERIES DASH HARNESSSES & ACCESSORY FUSE BLOCK BELOW

THIS ATO SERIES FUSE BLOCK IS USED ON THE FOLLOWING CAR LINES:

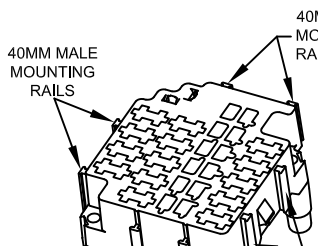


40MM MALE MOUNTING RAILS

30MM MALE MOUNTING RAILS ARE NOT APPLICABLE. SEE PART NUMBER 44801 FOR 30MM FUSE HOLDER.

<p><u>1964-67 GM "A" BODY:</u></p> <ul style="list-style-type: none"> • CHEVELLE / EL CAMINO • SKYLARK / GS • GTO / LEMANS • CUTLASS / 442
<p><u>1963-67 GM "B" BODY:</u></p> <ul style="list-style-type: none"> • IMPALA • CAPRICE • BISCAYNE • BEL AIR • AND OTHER CHEVY PASSENGER MODELS
<p><u>1967 GM "F" BODY:</u></p> <ul style="list-style-type: none"> • CAMARO • FIREBIRD
<p><u>1967-69 "Z" BODY:</u></p> <ul style="list-style-type: none"> • CORVAIR

THIS ATO SERIES FUSE BLOCK IS USED ON THE FOLLOWING CAR LINES:



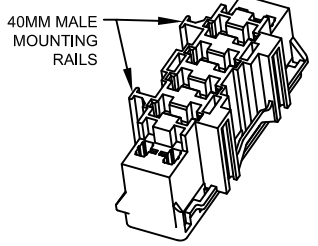
40MM MALE MOUNTING RAILS

40MM MALE MOUNTING RAILS

30MM MALE MOUNTING RAILS ARE NOT APPLICABLE. SEE PART NUMBER 44801 FOR 30MM FUSE HOLDER.

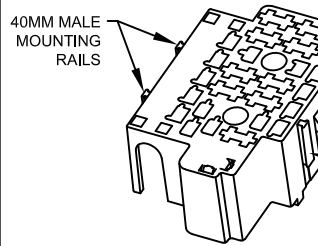
<p><u>1968-77 GM "A" BODY:</u></p> <ul style="list-style-type: none"> • CHEVELLE / EL CAMINO • MONTE CARLO • SKYLARK /GS • GTO / LEMANS • CUTLASS / 442
<p><u>1968-71 GM "B" BODY:</u></p> <ul style="list-style-type: none"> • IMPALA • CAPRICE • BISCAYNE • BEL AIR • AND OTHER CHEVY PASSENGER MODELS
<p><u>1968-79 GM "F" BODY:</u></p> <ul style="list-style-type: none"> • CAMARO • FIREBIRD • 68 & 69 ALREADY COMPLETE
<p><u>1968-74 GM "X" BODY:</u></p> <ul style="list-style-type: none"> • CHEVY II / NOVA
<p><u>1968-78 GM "Y" BODY:</u></p> <ul style="list-style-type: none"> • CORVETTE

6-WAY FUSE BLOCK KIT PART # 41359



40MM MALE MOUNTING RAILS

THIS ATO SERIES FUSE BLOCK IS USED ON THE FOLLOWING CAR LINES:

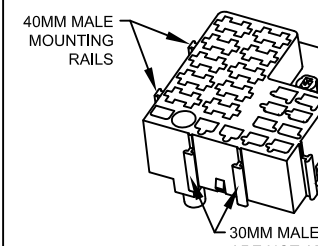


40MM MALE MOUNTING RAILS

40MM MALE MOUNTING RAILS

<p><u>1960-66 GM "Z" BODY:</u></p> <ul style="list-style-type: none"> • CORVAIR CAR & TRUCK
<p><u>1960-66 CHEVY TRUCK:</u></p> <ul style="list-style-type: none"> • C & K MODEL

THIS ATO SERIES FUSE BLOCK IS USED ON THE FOLLOWING CAR LINES:



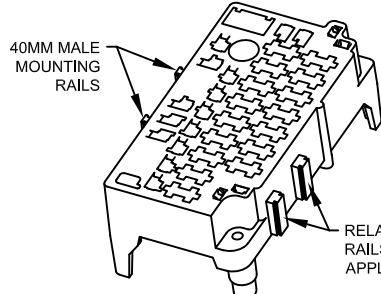
40MM MALE MOUNTING RAILS

30MM MALE MOUNTING RAILS ARE NOT APPLICABLE. SEE PART NUMBER 44801 FOR 30MM FUSE HOLDER.

<p><u>1958-62 GM "B" BODY:</u></p> <ul style="list-style-type: none"> • IMPALA • BEL AIR • BISCAYNE • CAPRICE
<p><u>1962-67 GM "X" BODY:</u></p> <ul style="list-style-type: none"> • CHEVY II / NOVA
<p><u>1958-67 GM "Y" BODY:</u></p> <ul style="list-style-type: none"> • CORVETTE

THIS ATO SERIES FUSE BLOCK IS USED ON THE FOLLOWING CAR LINES:

1967-72 CHEVY TRUCK

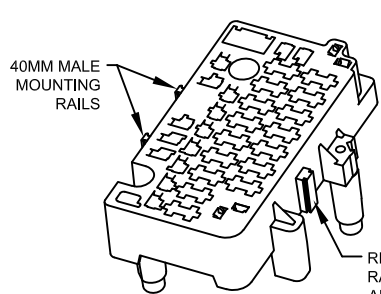


40MM MALE MOUNTING RAILS

RELAY MOUNTING RAILS ARE NOT APPLICABLE

THIS ATO SERIES FUSE BLOCK IS USED ON THE FOLLOWING CAR LINES:

1973-78 CHEVY TRUCK



40MM MALE MOUNTING RAILS

RELAY MOUNTING RAIL IS NOT APPLICABLE

NOTE:
 CUSTOMER MUST DETERMINE IF THERE IS SUFFICIENT SPACE TO ATTACH THE FUSE HOLDER TO THE ATO FUSE BLOCK AFTER DASH HARNESS HAS BEEN INSTALLED IN VEHICLE.



TITLE
 INSTRUCTION SHEET
 5-WAY SPARE FUSE HOLDER
 WITH 40MM MOUNTING RAILS