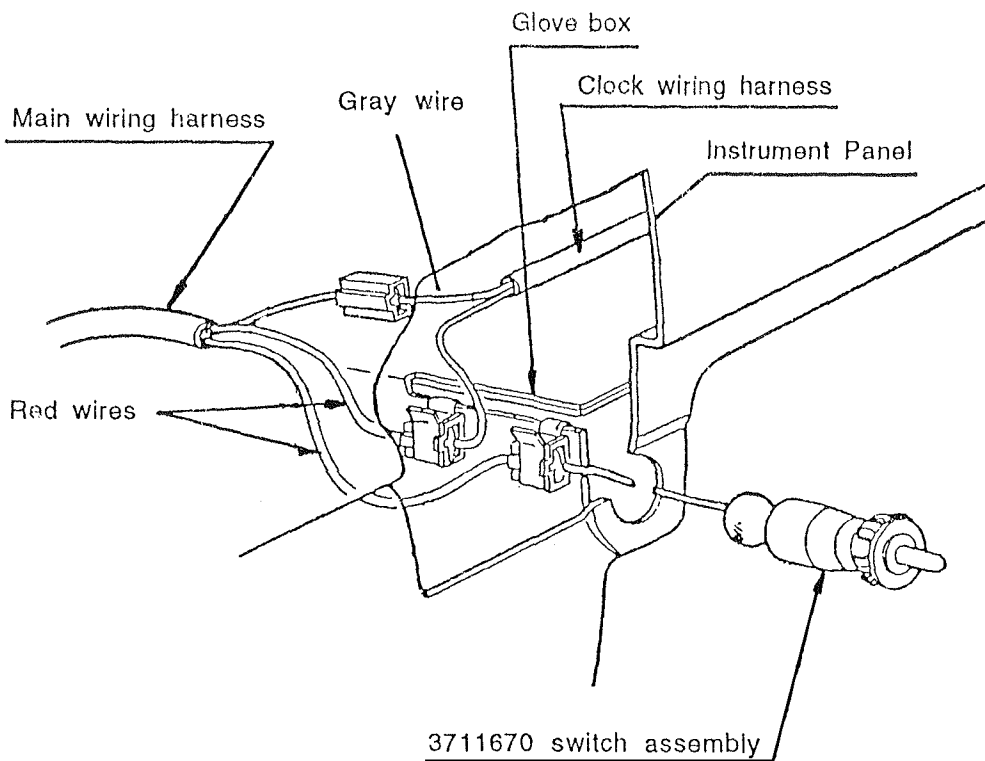


**M&H Electric Fabricators, Inc.**  
 AUTOMOTIVE WIRING SYSTEMS  
 Phone (562) 928-9552 Fax (562) 928-9572

TITLE  
 INSTRUCTION SHEET  
 GLOVE BOX LIGHT HARNESS  
 1955 CHEVROLET

DWG NO.  
**92963419**



**M&H Electric Fabricators, Inc.**  
 AUTOMOTIVE WIRING SYSTEMS  
 Phone (562) 928-9552 Fax (562) 928-9572

TITLE  
 INSTRUCTION SHEET  
 GLOVE BOX LIGHT HARNESS  
 1955 CHEVROLET

DWG NO.  
**92963419**