



# **Electrical Restoration Products**

**Master Catalog**

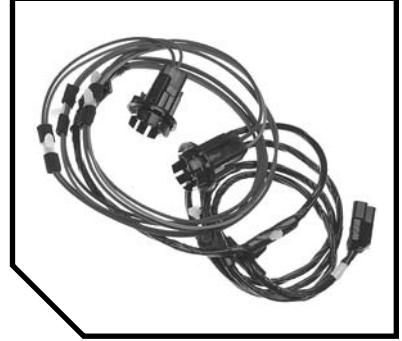
**Phone 562.926.9552**

**Fax 562.926.9572**

**sparky@wiringharness.com**

**[www.wiringharness.com](http://www.wiringharness.com)**

## **WIRING HARNESSES**



## **BATTERY CABLES**



## **SWITCHES**



## **Buy with Confidence !**

### **Made in the U.S.A.**

All of our harnesses are hand assembled in the U.S.A.

### **Correct Color Wires**

Our harnesses always match the original factory color codes and gauge sizes. We use U.S.A. made Cross Linked Polyethylene type GXL wire which is much more tolerant to heat than the original PVC type GPT wire that was used from the factory.

### **Dip Soldered (when applicable)**

All terminals are dip soldered (when applicable) to limit resistance loss.

### **Correct Connectors & Terminals**

With over 300,000 connectors and terminals in stock you can be sure the harness you receive will look identical to the original.

### **Correct Non-Adhesive & Cloth Tapes**

All harnesses are wrapped with the correct non-adhesive or cloth woven tapes to assure a 100% factory appearance.

### **Technical Support**

We don't expect our customers to be "wiring-wizards", you can call us direct with any technical questions you may have.

### **Custom Modifications**

Custom modifications are available to allow you to convert from an external regulated alternator to an internal regulated alternator. This modification is available for most '63 and up GM cars and trucks. We can also convert many of our engine harnesses to work with H.E.I. distributors and electric chokes. Our modifications retain the factory appearance. Call our Customer Service Department for more details.

### **Reproduction Switches**

We manufacture an extensive line of reproduction switches. These include Turn Signal, Backup Light, Neutral Safety, Wiper, Headlight Switches and others. As with all of our restoration products our switches will fit and function perfectly, just like the originals.

### **Guarantee & Warranty**

We are so confident in the quality of all of our restoration products that we offer the following guarantee and warranty. If you are not 100% satisfied with the quality of any of our restoration products we will give you a full refund. Just return the unused item within 30 days of receipt for a full refund. We also offer a full 1 year replacement warranty on all of the products we sell (see our product warranty sheet for more info).

### **Method of Payment**

We accept Visa, Master Card, American Express and Discover. If you prefer to pre-pay your order, we accept Money Orders, Cashiers Checks or Personal Checks.

### **LIGHTING KITS**



### **1 WIRE IGNITION**



### **HARNESS TAPE**



***"M&H Harnesses are perfect reproductions created with correct color wires from Original GM wiring schematics".***

**MUSCLECAR ENTHUSIAST  
MAGAZINE**

# **[www.wiringharness.com](http://www.wiringharness.com)**

# **How to Reach Us**

**Normal Business Hours:**

**Monday - Friday 7:00 AM to 4:30 PM PST**

**We are closed weekends & most major holidays**

**Dealer Order Line**

**562.926.9552**

**24 Hour Fax Order Line**

**562.926.9572**

**Tech Support Line**

**562.926.9562**

**e-mail:**

**[sparky@wiringharness.com](mailto:sparky@wiringharness.com)**

**Website:**

**[www.wiringharness.com](http://www.wiringharness.com)**

**Mailing & Shipping Address:**

**M&H Electric Fabricators, Inc.**

**13537 Alondra Blvd.**

**Santa Fe Springs, CA 90670 USA**

**\* An RMA (Return Material Authorization) is required before making any returns.**

**Requests for catalogs in electronic format such as Excel or Adobe Acrobat should be e-mailed to [dave@wiringharness.com](mailto:dave@wiringharness.com)**

# Table of Contents

<b>Section 1</b>	<b>AMC</b>	<b>Section 12</b>	<b>Corvette</b>
<b>Section 2</b>	<b>Buick Passenger</b>	<b>Section 13</b>	<b>Cutlass/4-4-2/F-85</b>
<b>Section 3</b>	<b>Cadillac</b>	<b>Section 14</b>	<b>Impala/Bel Air/58-63 El Camino</b>
<b>Section 4</b>	<b>Camaro</b>	<b>Section 15</b>	<b>Firebird</b>
<b>Section 5</b>	<b>Chevelle/El Camino/ Monte Carlo</b>	<b>Section 16</b>	<b>GMC Truck</b>
<b>Section 6</b>	<b>Chevy II/Nova</b>	<b>Section 17</b>	<b>GTO/Le Mans/Tempest</b>
<b>Section 7</b>	<b>Chevy Passenger</b>	<b>Section 18</b>	<b>Oldsmobile Passenger</b>
<b>Section 8</b>	<b>Chevy Truck</b>	<b>Section 19</b>	<b>Pontiac Fullsize/ Grand Prix</b>
<b>Section 9</b>	<b>Chrysler Products</b> <i>(Non-Exclusive, Available to All Customers)</i>	<b>Section 20</b>	<b>Skylark/Special/GS</b>
<b>Section 10</b>	<b>Chrysler Products</b> <i>(Distributed Exclusively by Year One Inc.)</i>	<b>Section 21</b>	<b>Wire &amp; Components</b>
<b>Section 11</b>	<b>Corvair</b>	<b>Section 22</b>	<b>Product Announcements &amp; Technical Bulletins</b>

GM®, Buick®, Cadillac®, Chevrolet®, GMC®, Pontiac® and Oldsmobile® vehicle names are registered trademarks of the General Motors Corporation and are used in this catalog for reference and identification purposes only. Items in this catalog are sold without sponsorship or endorsement of the General Motors Corporation.

MOPAR®, JEEP®, DODGE®, HEMI®, PLYMOUTH®, RAM®, SRT®, CHRYSLER® and related logos, vehicle model names and trade dress are trademarks of Fiat Chrysler Automobiles used under license. © 2023 Fiat Chrysler Automobiles

# ***Section 1***

**AMC**

Part Number	Year	Description	Price	*Rev.
<b>AIR CONDITIONING HARNESS</b>				
43912	1968	<b>AIR CONDITIONING HARNESS</b> AMX & Javelin, Includes Heater Wiring	\$198.00	
43912	1969	<b>AIR CONDITIONING HARNESS</b> AMX & Javelin, Includes Heater Wiring	\$198.00	
43912	1970	<b>AIR CONDITIONING HARNESS</b> AMX & Javelin, Includes Heater Wiring	\$198.00	
<b>BACKUP LAMP HARNESS</b>				
40068	1969	<b>BACKUP LAMP HARNESS</b> Manual Trans	\$53.00	
40067	1970	<b>BACKUP LAMP HARNESS</b> Manual Trans	\$53.00	
40067	1971	<b>BACKUP LAMP HARNESS</b> Manual Trans	\$53.00	
<b>BREAKERLESS SE SINGLE WIRE ELECTRONIC IGNITION</b>				
38131	1965	<b>BREAKERLESS SE SINGLE WIRE ELECTRONIC IGNITION KIT</b> For 1957-74 Breaker Point Distributors With Windowed Type Distributor Cap	\$179.00	
38131	1966	<b>BREAKERLESS SE SINGLE WIRE ELECTRONIC IGNITION KIT</b> For 1957-74 Breaker Point Distributors With Windowed Type Distributor Cap	\$179.00	
38131	1967	<b>BREAKERLESS SE SINGLE WIRE ELECTRONIC IGNITION KIT</b> For 1957-74 Breaker Point Distributors With Windowed Type Distributor Cap	\$179.00	
38131	1968	<b>BREAKERLESS SE SINGLE WIRE ELECTRONIC IGNITION KIT</b> For 1957-74 Breaker Point Distributors With Windowed Type Distributor Cap	\$179.00	
38131	1969	<b>BREAKERLESS SE SINGLE WIRE ELECTRONIC IGNITION KIT</b> For 1957-74 Breaker Point Distributors With Windowed Type Distributor Cap	\$179.00	
38131	1970	<b>BREAKERLESS SE SINGLE WIRE ELECTRONIC IGNITION KIT</b> For 1957-74 Breaker Point Distributors With Windowed Type Distributor Cap	\$179.00	
38131	1971	<b>BREAKERLESS SE SINGLE WIRE ELECTRONIC IGNITION KIT</b> For 1957-74 Breaker Point Distributors With Windowed Type Distributor Cap	\$179.00	
38131	1972	<b>BREAKERLESS SE SINGLE WIRE ELECTRONIC IGNITION KIT</b> For 1957-74 Breaker Point Distributors With Windowed Type Distributor Cap	\$179.00	
38131	1973	<b>BREAKERLESS SE SINGLE WIRE ELECTRONIC IGNITION KIT</b> For 1957-74 Breaker Point Distributors With Windowed Type Distributor Cap	\$179.00	
38131	1974	<b>BREAKERLESS SE SINGLE WIRE ELECTRONIC IGNITION KIT</b> For 1957-74 Breaker Point Distributors With Windowed Type Distributor Cap	\$179.00	
<b>BULKHEAD CONNECTOR MOUNTING BUSHING</b>				
03197998	1970	<b>BULKHEAD CONNECTOR MOUNTING BUSHING</b> This Plastic Bushing Installs Into The Dash Harness Bulkhead Connector Allowing It To Be Attached To The Firewall, 2 Required Note: Used on vehicles when fuse block does not attach directly to bulkhead connector.	\$18.00	N
03197998	1971	<b>BULKHEAD CONNECTOR MOUNTING BUSHING</b> This Plastic Bushing Installs Into The Dash Harness Bulkhead Connector Allowing It To Be Attached To The Firewall, 2 Required Note: Used on vehicles when fuse block does not attach directly to bulkhead connector.	\$18.00	N
03197998	1972	<b>BULKHEAD CONNECTOR MOUNTING BUSHING</b> This Plastic Bushing Installs Into The Dash Harness Bulkhead Connector Allowing It To Be Attached To The Firewall, 2 Required Note: Used on vehicles when fuse block does not attach directly to bulkhead connector.	\$18.00	N
03197998	1973	<b>BULKHEAD CONNECTOR MOUNTING BUSHING</b> This Plastic Bushing Installs Into The Dash Harness Bulkhead Connector Allowing It To Be Attached To The Firewall, 2 Required Note: Used on vehicles when fuse block does not attach directly to bulkhead connector.	\$18.00	N
03197998	1974	<b>BULKHEAD CONNECTOR MOUNTING BUSHING</b> This Plastic Bushing Installs Into The Dash Harness Bulkhead Connector Allowing It To Be Attached To The Firewall, 2 Required Note: Used on vehicles when fuse block does not attach directly to bulkhead connector.	\$18.00	N
03197998	1975	<b>BULKHEAD CONNECTOR MOUNTING BUSHING</b> This Plastic Bushing Installs Into The Dash Harness Bulkhead Connector Allowing It To Be Attached To The Firewall, 2 Required Note: Used on vehicles when fuse block does not attach directly to bulkhead connector.	\$18.00	N
03197998	1976	<b>BULKHEAD CONNECTOR MOUNTING BUSHING</b> This Plastic Bushing Installs Into The Dash Harness Bulkhead Connector Allowing It To Be Attached To The Firewall, 2 Required Note: Used on vehicles when fuse block does not attach directly to bulkhead connector.	\$18.00	N

Part Number	Year	Description	Price	*Rev.
03197998	1977	<b>BULKHEAD CONNECTOR MOUNTING BUSHING</b> This Plastic Bushing Installs Into The Dash Harness Bulkhead Connector Allowing It To Be Attached To The Firewall, 2 Required Note: Used on vehicles when fuse block does not attach directly to bulkhead connector.	\$18.00	N
03197998	1978	<b>BULKHEAD CONNECTOR MOUNTING BUSHING</b> This Plastic Bushing Installs Into The Dash Harness Bulkhead Connector Allowing It To Be Attached To The Firewall, 2 Required Note: Used on vehicles when fuse block does not attach directly to bulkhead connector.	\$18.00	N
03197998	1979	<b>BULKHEAD CONNECTOR MOUNTING BUSHING</b> This Plastic Bushing Installs Into The Dash Harness Bulkhead Connector Allowing It To Be Attached To The Firewall, 2 Required Note: Used on vehicles when fuse block does not attach directly to bulkhead connector.	\$18.00	N
03197998	1980	<b>BULKHEAD CONNECTOR MOUNTING BUSHING</b> This Plastic Bushing Installs Into The Dash Harness Bulkhead Connector Allowing It To Be Attached To The Firewall, 2 Required Note: Used on vehicles when fuse block does not attach directly to bulkhead connector.	\$18.00	N
03197998	1981	<b>BULKHEAD CONNECTOR MOUNTING BUSHING</b> This Plastic Bushing Installs Into The Dash Harness Bulkhead Connector Allowing It To Be Attached To The Firewall, 2 Required Note: Used on vehicles when fuse block does not attach directly to bulkhead connector.	\$18.00	N
03197998	1982	<b>BULKHEAD CONNECTOR MOUNTING BUSHING</b> This Plastic Bushing Installs Into The Dash Harness Bulkhead Connector Allowing It To Be Attached To The Firewall, 2 Required Note: Used on vehicles when fuse block does not attach directly to bulkhead connector.	\$18.00	N
03197998	1983	<b>BULKHEAD CONNECTOR MOUNTING BUSHING</b> This Plastic Bushing Installs Into The Dash Harness Bulkhead Connector Allowing It To Be Attached To The Firewall, 2 Required Note: Used on vehicles when fuse block does not attach directly to bulkhead connector.	\$18.00	N
<b>CARGO AREA LAMP HARNESS</b>				
38899	1970	<b>CARGO AREA LAMP HARNESS</b> Ambassador And Rebel Wagons, Late Production Cars With Plastic Dome Lamp Housing	\$34.00	
38899	1971	<b>CARGO AREA LAMP HARNESS</b> Ambassador And Matador Wagon	\$34.00	
38899	1972	<b>CARGO AREA LAMP HARNESS</b> Ambassador And Matador Wagon	\$34.00	
38899	1973	<b>CARGO AREA LAMP HARNESS</b> Ambassador And Matador Wagon	\$34.00	
38899	1974	<b>CARGO AREA LAMP HARNESS</b> Ambassador And Matador Wagon	\$34.00	
<b>CENTER DOME LAMP HARNESS</b>				
33665	1967	<b>CENTER DOME LAMP HARNESS</b> American, 2 & 4 Door Sedan & Wagon	\$40.00	
33665	1968	<b>CENTER DOME LAMP HARNESS</b> American, 2 & 4 Door Sedan & Wagon	\$40.00	
33665	1969	<b>CENTER DOME LAMP HARNESS</b> American, 2 & 4 Door Sedan & Wagon	\$40.00	
33665	1970	<b>CENTER DOME LAMP HARNESS</b> Ambassador And Rebel Except Hardtop, early production cars with metal dome lamp housing	\$40.00	
38898	1970	<b>CENTER DOME LAMP HARNESS</b> Ambassador And Rebel Except Hardtop, Late Production Cars With Plastic Dome Lamp Housing	\$40.00	
38898	1970	<b>CENTER DOME LAMP HARNESS</b> Gremlin	\$40.00	
38897	1970	<b>CENTER DOME LAMP HARNESS</b> Hornet 2 And 4 Door Sedans	\$40.00	
38898	1971	<b>CENTER DOME LAMP HARNESS</b> Ambassador	\$40.00	
38898	1971	<b>CENTER DOME LAMP HARNESS</b> Gremlin	\$40.00	
38897	1971	<b>CENTER DOME LAMP HARNESS</b> Hornet 2 And 4 Door Sedans	\$40.00	
38903	1971	<b>CENTER DOME LAMP HARNESS</b> Hornet 4 Door Wagon	\$40.00	
38901	1971	<b>CENTER DOME LAMP HARNESS</b> Javelin, Javelin AMX	\$40.00	
38898	1971	<b>CENTER DOME LAMP HARNESS</b> Matador Except Hardtop	\$40.00	
38898	1972	<b>CENTER DOME LAMP HARNESS</b> Ambassador	\$40.00	
38898	1972	<b>CENTER DOME LAMP HARNESS</b> Gremlin	\$40.00	
38897	1972	<b>CENTER DOME LAMP HARNESS</b> Hornet 2 And 4 Door Sedans	\$40.00	
38903	1972	<b>CENTER DOME LAMP HARNESS</b> Hornet 4 Door Wagon	\$40.00	
38901	1972	<b>CENTER DOME LAMP HARNESS</b> Javelin, Javelin AMX	\$40.00	
38898	1972	<b>CENTER DOME LAMP HARNESS</b> Matador Except Hardtop	\$40.00	

Part Number	Year	Description	Price	*Rev.
38898	1973	<b>CENTER DOME LAMP HARNESS</b> Ambassador	\$40.00	
38898	1973	<b>CENTER DOME LAMP HARNESS</b> Gremlin	\$40.00	
38897	1973	<b>CENTER DOME LAMP HARNESS</b> Hornet 2 And 4 Door Sedans	\$40.00	
38903	1973	<b>CENTER DOME LAMP HARNESS</b> Hornet 4 Door Hatchback & 4 Door Wagon	\$40.00	
38901	1973	<b>CENTER DOME LAMP HARNESS</b> Javelin, Javelin AMX	\$40.00	
38898	1973	<b>CENTER DOME LAMP HARNESS</b> Matador Except Hardtop	\$40.00	
38898	1974	<b>CENTER DOME LAMP HARNESS</b> Gremlin	\$40.00	
38897	1974	<b>CENTER DOME LAMP HARNESS</b> Hornet 2 And 4 Door Sedans	\$40.00	
38903	1974	<b>CENTER DOME LAMP HARNESS</b> Hornet 4 Door Hatchback & 4 Door Wagon	\$40.00	
38901	1974	<b>CENTER DOME LAMP HARNESS</b> Javelin, Javelin AMX	\$40.00	
38898	1974	<b>CENTER DOME LAMP HARNESS</b> Matador Except Hardtop	\$40.00	
38898	1975	<b>CENTER DOME LAMP HARNESS</b> Gremlin	\$40.00	
38897	1975	<b>CENTER DOME LAMP HARNESS</b> Hornet 2 And 4 Door Sedans	\$40.00	
38903	1975	<b>CENTER DOME LAMP HARNESS</b> Hornet 4 Door Hatchback & 4 Door Wagon	\$40.00	
38898	1975	<b>CENTER DOME LAMP HARNESS</b> Matador All Except 2 Door Coupe	\$40.00	
<b>CHOKE WIRE</b>				
38917	1973	<b>CHOKE WIRE</b> Matador, Javelin, Javelin AMX And Ambassador, 360 Or 401 Engines With 4 Barrel Carb	\$21.00	
38917	1974	<b>CHOKE WIRE</b> Matador, Javelin, Javelin AMX And Ambassador, 360 Or 401 Engines With 4 Barrel Carb	\$21.00	
38917	1975	<b>CHOKE WIRE</b> Matador, All	\$21.00	
<b>CLOCK HARNESS</b>				
40083	1968	<b>CLOCK HARNESS</b> AMX & Javelin, Fuse Panel To Clock	\$18.00	
40083	1969	<b>CLOCK HARNESS</b> AMX & Javelin, Fuse Panel To Clock	\$18.00	
40083	1970	<b>CLOCK HARNESS</b> AMX & Javelin, Fuse Panel To Clock	\$18.00	
<b>CLOCK LAMP WIRE</b>				
40111	1967	<b>CLOCK LAMP WIRE</b> All, Dash Harness Panel Lamp Connector To Clock	\$18.00	
40111	1968	<b>CLOCK LAMP WIRE</b> All, Dash Harness Panel Lamp Connector To Clock	\$18.00	
40111	1969	<b>CLOCK LAMP WIRE</b> All, Dash Harness Panel Lamp Connector To Clock	\$18.00	
40111	1970	<b>CLOCK LAMP WIRE</b> All, Dash Harness Panel Lamp Connector To Clock	\$18.00	
<b>CONSOLE GEAR SELECTOR LAMP HARNESS</b>				
40100	1967	<b>CONSOLE GEAR SELECTOR LAMP HARNESS</b> All, From Neutral Safety & Backup Lamp Switch Harness To Console Gear Select Indicator	\$40.00	
40100	1968	<b>CONSOLE GEAR SELECTOR LAMP HARNESS</b> All, From Neutral Safety & Backup Lamp Switch Harness To Console Gear Select Indicator	\$40.00	
40100	1969	<b>CONSOLE GEAR SELECTOR LAMP HARNESS</b> All, From Neutral Safety & Backup Lamp Switch Harness To Console Gear Select Indicator	\$40.00	
40100	1970	<b>CONSOLE GEAR SELECTOR LAMP HARNESS</b> All, From Neutral Safety & Backup Lamp Switch Harness To Console Gear Select Indicator	\$40.00	
<b>CONSOLE LAMP HARNESS</b>				
40082	1969	<b>CONSOLE LAMP HARNESS</b> AMX & Javelin	\$40.00	
40087	1970	<b>CONSOLE LAMP HARNESS</b> AMX & Javelin	\$40.00	
<b>COURTESY LAMP HARNESS-UNDER DASH</b>				
40098	1969	<b>COURTESY LAMP HARNESS, UNDER DASH</b> American, All	\$73.00	
40109	1969	<b>COURTESY LAMP HARNESS, UNDER DASH</b> AMX & Javelin	\$73.00	
<b>DASH AND ENGINE COMPARTMENT HARNESS</b>				
23250	1968	<b>DASH AND ENGINE COMPARTMENT HARNESS</b> AMX & Javelin, V/8, With 6 Terminals In The Ignition Switch Connector	\$649.00	



Part Number	Year	Description	Price	*Rev.
23265	1968	<b>DASH AND ENGINE COMPARTMENT HARNESS</b> AMX & Javelin, V/8, With 7 Terminals In The Ignition Switch Connector	\$649.00	
40074	1969	<b>DASH AND ENGINE COMPARTMENT HARNESS</b> Rambler American, V/8, All	\$649.00	
23270	1969	<b>DASH AND ENGINE COMPARTMENT HARNESS</b> AMX & Javelin, V/8	\$649.00	
23240	1970	<b>DASH AND ENGINE COMPARTMENT HARNESS</b> AMX & Javelin, V/8, Parking Lamp With 2-Wire Pin & Sleeve Molded Connector And 6 Wires At The Dash Side Of Rear Lamp	\$649.00	
40089	1970	<b>DASH AND ENGINE COMPARTMENT HARNESS</b> AMX & Javelin, V/8, Parking Lamp With 3-Wire 90 Degree Molded Type Connector And 6 Wires At The Dash Side Of Rear Lamp	\$649.00	
23260	1970	<b>DASH AND ENGINE COMPARTMENT HARNESS</b> AMX & Javelin, V/8, Parking Lamp With 2-Wire Pin & Sleeve Molded Connector And 7 Wires At The Dash Side Of Rear Lamp	\$649.00	
23245	1970	<b>DASH AND ENGINE COMPARTMENT HARNESS</b> AMX & Javelin, V/8, Parking Lamp With 3-Wire 90 Degree Molded Type Connector And 7 Wires At The Dash Side Of Rear Lamp	\$649.00	
40080	1970	<b>DASH AND ENGINE COMPARTMENT HARNESS</b> Rebel, V/8	\$649.00	
38299	1971	<b>DASH AND ENGINE COMPARTMENT HARNESS</b> Javelin & Javelin AMX, V/8, With 120 M.P.H. Speedometer	\$649.00	
23255	1971	<b>DASH AND ENGINE COMPARTMENT HARNESS</b> Javelin & Javelin AMX, V/8, With 140 M.P.H. Speedometer	\$649.00	
<b>DASH HARNESS</b>				
40116	1971	<b>DASH HARNESS</b> Hornet & Gremlin, 6 Cylinder & V/8, All Note: 6 Cylinder Items Are Not Returnable.	\$623.00	
38904	1972	<b>DASH HARNESS</b> Javelin & Javelin AMX, 6 Cylinder And V/8, With Warning Lights, Usually With 120 M.P.H. Speedometer, Without Seat Belt Note: Brake Light Switch Is Bracket Mounted. 6 Cylinder Items Are Not Returnable.	\$556.00	C
38909	1972	<b>DASH HARNESS</b> Javelin & Javelin AMX, 6 Cylinder And V/8, With Warning Lights, Usually With 120 M.P.H. Speedometer, Without Seat Belt Note: Brake Light Switch Is Push Rod Mounted. 6 Cylinder Items Are Not Returnable.	\$556.00	C
38911	1972	<b>DASH HARNESS</b> Javelin & Javelin AMX, 6 Cylinder And V/8, With Warning Lights, Usually With 120 M.P.H. Speedometer, With Seat Belt Warning, Note: Brake Light Switch Is Push Rod Mounted. 6 Cylinder Items Are Not Returnable.	\$556.00	C
38905	1972	<b>DASH HARNESS</b> Javelin & Javelin AMX, V/8, With Gauges, Usually With 140 M.P.H. Speedometer, Without Seat Belt Warning, Brake Light Switch Is Note: Brake Light Switch Is Bracket Mounted.	\$556.00	C
38910	1972	<b>DASH HARNESS</b> Javelin & Javelin AMX, V/8, With Gauges, Usually With 140 M.P.H. Speedometer, Without Seat Belt Warning, Brake Light Switch Is Note: Brake Light Switch Is Push Rod Mounted.	\$556.00	C
38912	1972	<b>DASH HARNESS</b> Javelin & Javelin AMX, V/8, With Gauges, Usually With 140 M.P.H. Speedometer, With Seat Belt Warning, Brake Light Switch Is Note: Brake Light Switch Is Push Rod Mounted.	\$556.00	C
38918	1973	<b>DASH HARNESS</b> Javelin & Javelin AMX, 6 Cylinder And V/8 With 120 M.P.H. Speedometer Note: 6 Cylinder Items Are Not Returnable.	\$556.00	
38919	1973	<b>DASH HARNESS</b> Javelin & Javelin AMX, V/8 With 140 M.P.H. Speedometer Note: With Ammeter Gauge.	\$556.00	
<b>DOOR JAM SWITCH EXTENSION-FRONT</b>				
40072	1967	<b>DOOR JAM SWITCH EXTENSION-FRONT</b> All, From Door Jam Switch To Courtesy Lamp Harness	\$40.00	
40072	1968	<b>DOOR JAM SWITCH EXTENSION-FRONT</b> All, From Door Jam Switch To Courtesy Lamp Harness	\$40.00	
40072	1969	<b>DOOR JAM SWITCH EXTENSION-FRONT</b> All, From Door Jam Switch To Courtesy Lamp Harness	\$40.00	
<b>ENGINE AND FORWARD LAMP HARNESS</b>				
40115	1971	<b>ENGINE AND FORWARD LAMP HARNESS</b> Hornet, V/8, All	\$596.00	
<b>ENGINE HARNESS</b>				
38906	1972	<b>ENGINE HARNESS</b> Javelin & Javelin AMX, V/8 With 120 M.P.H. Speedometer Without Seat Belt Warning	\$251.00	

Part Number	Year	Description	Price	*Rev.
38907	1972	<b>ENGINE HARNESS</b> Javelin & Javelin AMX, V/8 With 140 M.P.H. Speedometer Without Seat Belt Warning	\$251.00	
38913	1972	<b>ENGINE HARNESS</b> Javelin & Javelin AMX, V/8 With 120 M.P.H. Speedometer With Seat Bealt Warning	\$251.00	
38914	1972	<b>ENGINE HARNESS</b> Javelin & Javelin AMX, V/8 With 140 M.P.H. Speedometer With Seat Bealt Warning	\$251.00	
38915	1973	<b>ENGINE HARNESS</b> Javelin & Javelin AMX, V/8 With 120 M.P.H. Speedometer Note: With Warning Light.	\$264.00	
38916	1973	<b>ENGINE HARNESS</b> Javelin & Javelin AMX, V/8 With 140 M.P.H. Speedometer Note: With Ammeter Gauge.	\$264.00	
38920	1974	<b>ENGINE HARNESS</b> Javelin & Javelin AMX, V/8 With 120 M.P.H. Speedometer	\$264.00	
38921	1974	<b>ENGINE HARNESS</b> Javelin & Javelin AMX, V/8 With 140 M.P.H. Speedometer	\$264.00	
<b>FORWARD LAMP HARNESS</b>				
38908	1972	<b>FORWARD LAMP HARNESS</b> Javelin & Javelin AMX	\$279.00	
40091	1973	<b>FORWARD LAMP HARNESS</b> Javelin & Javelin AMX	\$279.00	
40118	1974	<b>FORWARD LAMP HARNESS</b> Javelin & Javelin AMX	\$279.00	
<b>FRONT SIDE MARKER LAMP EXTENTION</b>				
40105	1970	<b>FRONT SIDE MARKER LAMP EXTENTION</b> Ambassador & Rebel	\$41.00	
40106	1970	<b>FRONT SIDE MARKER LAMP EXTENTION</b> AMX, Gremlin, Hornet & Javelin	\$41.00	
<b>GROUND WIRE</b>				
40084	1967	<b>GROUND WIRE</b> All, Motor Mount To Crossmember	\$18.00	
40084	1968	<b>GROUND WIRE</b> All, Motor Mount To Crossmember	\$18.00	
40084	1969	<b>GROUND WIRE</b> All, Motor Mount To Crossmember	\$18.00	
40084	1970	<b>GROUND WIRE</b> All, Motor Mount To Crossmember	\$18.00	
40084	1971	<b>GROUND WIRE</b> All, Motor Mount To Crossmember	\$18.00	
40084	1972	<b>GROUND WIRE</b> All, Motor Mount To Crossmember	\$18.00	
40084	1973	<b>GROUND WIRE</b> All, Motor Mount To Crossmember	\$18.00	
40084	1974	<b>GROUND WIRE</b> All, Motor Mount To Crossmember	\$18.00	
40085	1975	<b>GROUND WIRE</b> All, Motor Mount To Crossmember	\$18.00	
40085	1976	<b>GROUND WIRE</b> All, Motor Mount To Crossmember	\$18.00	
40085	1977	<b>GROUND WIRE</b> 6 Cyl. Only (Except Pacer With 4 Spd. Trans) , Motor Mount To Crossmember Note: 6 Cylinder Items Are Not Returnable.	\$18.00	
40084	1977	<b>GROUND WIRE</b> V/8, Motor Mount To Crossmember	\$18.00	
40085	1978	<b>GROUND WIRE</b> 6 Cyl. Only (Except Pacer With 4 Spd. Trans) , Motor Mount To Crossmember Note: 6 Cylinder Items Are Not Returnable.	\$18.00	
40084	1978	<b>GROUND WIRE</b> V/8, Motor Mount To Crossmember	\$18.00	
40085	1979	<b>GROUND WIRE</b> 6 Cyl. Only (Except Pacer With 4 Spd. Trans) , Motor Mount To Crossmember Note: 6 Cylinder Items Are Not Returnable.	\$18.00	
40084	1979	<b>GROUND WIRE</b> V/8, Motor Mount To Crossmember	\$18.00	
40085	1980	<b>GROUND WIRE</b> 6 Cyl. Only (Except Pacer With 4 Spd. Trans) , Motor Mount To Crossmember Note: 6 Cylinder Items Are Not Returnable.	\$18.00	
40085	1981	<b>GROUND WIRE</b> 6 Cyl. Only (Except Pacer With 4 Spd. Trans) , Motor Mount To Crossmember Note: 6 Cylinder Items Are Not Returnable.	\$18.00	

Part Number	Year	Description	Price	*Rev.
<b>HARNESS TAPE</b>				
R0058272	1965	HARNESS TAPE 3/4" Vinyl (100 Ft. Roll) Non-Adhesive	\$12.00	
R0058276	1965	HARNESS TAPE 1" Vinyl (100 Ft. Roll) Non-Adhesive	\$13.00	
R0067108	1965	HARNESS TAPE 1 1/4" Vinyl (100 Ft. Roll) Non-Adhesive	\$15.00	
R0058272	1966	HARNESS TAPE 3/4" Vinyl (100 Ft. Roll) Non-Adhesive	\$12.00	
R0058276	1966	HARNESS TAPE 1" Vinyl (100 Ft. Roll) Non-Adhesive	\$13.00	
R0067108	1966	HARNESS TAPE 1 1/4" Vinyl (100 Ft. Roll) Non-Adhesive	\$15.00	
R0058272	1967	HARNESS TAPE 3/4" Vinyl (100 Ft. Roll) Non-Adhesive	\$12.00	
R0058276	1967	HARNESS TAPE 1" Vinyl (100 Ft. Roll) Non-Adhesive	\$13.00	
R0067108	1967	HARNESS TAPE 1 1/4" Vinyl (100 Ft. Roll) Non-Adhesive	\$15.00	
R0058272	1968	HARNESS TAPE 3/4" Vinyl (100 Ft. Roll) Non-Adhesive	\$12.00	
R0058276	1968	HARNESS TAPE 1" Vinyl (100 Ft. Roll) Non-Adhesive	\$13.00	
R0067108	1968	HARNESS TAPE 1 1/4" Vinyl (100 Ft. Roll) Non-Adhesive	\$15.00	
R0058272	1969	HARNESS TAPE 3/4" Vinyl (100 Ft. Roll) Non-Adhesive	\$12.00	
R0058276	1969	HARNESS TAPE 1" Vinyl (100 Ft. Roll) Non-Adhesive	\$13.00	
R0067108	1969	HARNESS TAPE 1 1/4" Vinyl (100 Ft. Roll) Non-Adhesive	\$15.00	
R0058272	1970	HARNESS TAPE 3/4" Vinyl (100 Ft. Roll) Non-Adhesive	\$12.00	
R0058276	1970	HARNESS TAPE 1" Vinyl (100 Ft. Roll) Non-Adhesive	\$13.00	
R0067108	1970	HARNESS TAPE 1 1/4" Vinyl (100 Ft. Roll) Non-Adhesive	\$15.00	
R0058272	1971	HARNESS TAPE 3/4" Vinyl (100 Ft. Roll) Non-Adhesive	\$12.00	
R0058276	1971	HARNESS TAPE 1" Vinyl (100 Ft. Roll) Non-Adhesive	\$13.00	
R0067108	1971	HARNESS TAPE 1 1/4" Vinyl (100 Ft. Roll) Non-Adhesive	\$15.00	
R0058272	1972	HARNESS TAPE 3/4" Vinyl (100 Ft. Roll) Non-Adhesive	\$12.00	
R0058276	1972	HARNESS TAPE 1" Vinyl (100 Ft. Roll) Non-Adhesive	\$13.00	
R0067108	1972	HARNESS TAPE 1 1/4" Vinyl (100 Ft. Roll) Non-Adhesive	\$15.00	
R0058272	1973	HARNESS TAPE 3/4" Vinyl (100 Ft. Roll) Non-Adhesive	\$12.00	
R0058276	1973	HARNESS TAPE 1" Vinyl (100 Ft. Roll) Non-Adhesive	\$13.00	
R0067108	1973	HARNESS TAPE 1 1/4" Vinyl (100 Ft. Roll) Non-Adhesive	\$15.00	
R0058272	1974	HARNESS TAPE 3/4" Vinyl (100 Ft. Roll) Non-Adhesive	\$12.00	
R0058276	1974	HARNESS TAPE 1" Vinyl (100 Ft. Roll) Non-Adhesive	\$13.00	
R0067108	1974	HARNESS TAPE 1 1/4" Vinyl (100 Ft. Roll) Non-Adhesive	\$15.00	
R0058272	1975	HARNESS TAPE 3/4" Vinyl (100 Ft. Roll) Non-Adhesive	\$12.00	
R0058276	1975	HARNESS TAPE 1" Vinyl (100 Ft. Roll) Non-Adhesive	\$13.00	
R0067108	1975	HARNESS TAPE 1 1/4" Vinyl (100 Ft. Roll) Non-Adhesive	\$15.00	
<b>HEATER CONTROL PANEL LAMP WIRE</b>				
40112	1968	HEATER CONTROL PANEL LAMP WIRE Ambassador, AMX, Javelin & Rebel. Dash Harness Panel Lamp Connector To Heater Control Panel	\$21.00	
40112	1969	HEATER CONTROL PANEL LAMP WIRE Ambassador, AMX, Javelin & Rebel. Dash Harness Panel Lamp Connector To Heater Control Panel	\$21.00	
40112	1970	HEATER CONTROL PANEL LAMP WIRE Ambassador, AMX, Javelin & Rebel. Dash Harness Panel Lamp Connector To Heater Control Panel	\$21.00	
<b>INSTRUMENT VOLTAGE REGULATOR</b>				
39549	1965	INSTRUMENT VOLTAGE REGULATOR Classic	\$58.00	
39549	1966	INSTRUMENT VOLTAGE REGULATOR American & Classic	\$58.00	
39549	1967	INSTRUMENT VOLTAGE REGULATOR Marlin, Matador & Rebel	\$58.00	
39549	1968	INSTRUMENT VOLTAGE REGULATOR AMX, Javelin, Matador & Rebel	\$58.00	
39549	1969	INSTRUMENT VOLTAGE REGULATOR AMX, Javelin, Matador & Rebel	\$58.00	

Part Number	Year	Description	Price	*Rev.
39549	1970	INSTRUMENT VOLTAGE REGULATOR AMX, Javelin, Matador & Rebel	\$58.00	
39549	1971	INSTRUMENT VOLTAGE REGULATOR Matador	\$58.00	
39549	1972	INSTRUMENT VOLTAGE REGULATOR Matador	\$58.00	
39549	1973	INSTRUMENT VOLTAGE REGULATOR Matador	\$58.00	
39549	1974	INSTRUMENT VOLTAGE REGULATOR Matador	\$58.00	
39549	1975	INSTRUMENT VOLTAGE REGULATOR Matador	\$58.00	
39549	1976	INSTRUMENT VOLTAGE REGULATOR Matador	\$58.00	
39549	1977	INSTRUMENT VOLTAGE REGULATOR Matador	\$58.00	
39549	1978	INSTRUMENT VOLTAGE REGULATOR Matador	\$58.00	
<b>KICKDOWN HARNESS</b>				
40086	1967	KICKDOWN HARNESS Auto Trans, All	\$34.00	
40086	1968	KICKDOWN HARNESS Auto Trans, All	\$34.00	
40086	1969	KICKDOWN HARNESS Auto Trans, All	\$34.00	
40086	1970	KICKDOWN HARNESS Auto Trans, All	\$34.00	
40086	1971	KICKDOWN HARNESS Auto Trans, All	\$34.00	
<b>LOW FUEL WARNING LAMP HARNESS</b>				
38896	1970	LOW FUEL WARNING LAMP HARNESS All Models, With Lamp	\$74.00	
38902	1971	LOW FUEL WARNING LAMP HARNESS Javelin & Javelin AMX, Without Lamp	\$59.00	
<b>NEUTRAL SAFETY AND BACKUP LAMP SWITCH HARNESS</b>				
40110	1968	NEUTRAL SAFETY AND BACKUP LAMP SWITCH HARNESS AMX, Javelin	\$86.00	
40099	1970	NEUTRAL SAFETY AND BACKUP LAMP SWITCH HARNESS AMX, Javelin, With Floor Gear Shift	\$86.00	
40099	1971	NEUTRAL SAFETY AND BACKUP LAMP SWITCH HARNESS Javelin & Javelin AMX, With Floor Gear Shift	\$86.00	
<b>PARKING BRAKE WARNING LAMP HARNESS</b>				
40103	1967	PARKING BRAKE WARNING LAMP HARNESS Ambassador, Marlin & Rebel	\$66.00	
40101	1968	PARKING BRAKE WARNING LAMP HARNESS American, AMX, Javelin & Ambassador	\$66.00	
40101	1969	PARKING BRAKE WARNING LAMP HARNESS American, AMX, Javelin & Ambassador	\$66.00	
40103	1970	PARKING BRAKE WARNING LAMP HARNESS Ambassador, AMX, Hornet, Javelin & Rebel	\$66.00	
<b>RALLY PAC FUSIBLE LINK</b>				
40088	1968	RALLY PAC FUSIBLE LINK AMX & Javelin, With Rally Pac Gauges Note: Fusible Link Between Alternator "Batt" Terminal To 5/16 Stud On Junction Block.	\$21.00	
40088	1969	RALLY PAC FUSIBLE LINK AMX & Javelin, With Rally Pac Gauges Note: Fusible Link Between Alternator "Batt" Terminal To 5/16 Stud On Junction Block.	\$21.00	
40088	1970	RALLY PAC FUSIBLE LINK AMX & Javelin, With Rally Pac Gauges Note: Fusible Link Between Alternator "Batt" Terminal To 5/16 Stud On Junction Block.	\$21.00	
<b>RALLY PAC GAUGE GROUND HARNESS</b>				
40113	1968	RALLY PAC GAUGE GROUND HARNESS AMX, Javelin Note: Ground Harness From Rally Pac Gauges To Cigarette Lighter Ground Connector.	\$30.00	
40113	1969	RALLY PAC GAUGE GROUND HARNESS AMX, Javelin Note: Ground Harness From Rally Pac Gauges To Cigarette Lighter Ground Connector.	\$30.00	
40113	1970	RALLY PAC GAUGE GROUND HARNESS AMX, Javelin Note: Ground Harness From Rally Pac Gauges To Cigarette Lighter Ground Connector.	\$30.00	
<b>RALLY PAC GAUGE HARNESS</b>				
40070	1968	RALLY PAC GAUGE HARNESS AMX, Javelin	\$173.00	
33635	1969	RALLY PAC GAUGE HARNESS AMX, Javelin	\$173.00	
33625	1970	RALLY PAC GAUGE HARNESS AMX, Javelin	\$173.00	

Part Number	Year	Description	Price	*Rev.
<b>RALLY PAC GAUGE LAMP HARNESS</b>				
40114	1968	<b>RALLY PAC GAUGE LAMP HARNESS</b> AMX, Javelin Note: Lamp Harness From Gauges To Panel Lamp Connector, Includes Lamp Sockets.	\$33.00	
40114	1969	<b>RALLY PAC GAUGE LAMP HARNESS</b> AMX, Javelin Note: Lamp Harness From Gauges To Panel Lamp Connector, Includes Lamp Sockets.	\$33.00	
40114	1970	<b>RALLY PAC GAUGE LAMP HARNESS</b> AMX, Javelin Note: Lamp Harness From Gauges To Panel Lamp Connector, Includes Lamp Sockets.	\$33.00	
<b>REAR LAMP HARNESS</b>				
40073	1967	<b>REAR LAMP HARNESS</b> Rambler American, 2 Door Hardtop	\$272.00	
40078	1968	<b>REAR LAMP HARNESS</b> AMX	\$272.00	
40079	1968	<b>REAR LAMP HARNESS</b> Javelin	\$272.00	
40073	1968	<b>REAR LAMP HARNESS</b> Rambler American, 2 Door Hardtop	\$272.00	
40078	1969	<b>REAR LAMP HARNESS</b> AMX	\$272.00	
40079	1969	<b>REAR LAMP HARNESS</b> Javelin	\$272.00	
40073	1969	<b>REAR LAMP HARNESS</b> Rambler American, 2 Door Hardtop	\$272.00	
40069	1970	<b>REAR LAMP HARNESS</b> AMX	\$272.00	
40071	1970	<b>REAR LAMP HARNESS</b> Javelin	\$272.00	
40158	1970	<b>REAR LAMP HARNESS</b> Rebel 2 Door Note: (Type 1) Tail Lamp Housing Connector Inside Rubber Grommet.	\$272.00	
40157	1970	<b>REAR LAMP HARNESS</b> Rebel 2 Door Note: (Type 2) Tail Lamp Housing Connector Has 7 Inch Wire Harness Inside Trunk.	\$272.00	
40117	1971	<b>REAR LAMP HARNESS</b> Hornet, 2 Door & 4 Door	\$272.00	
40077	1971	<b>REAR LAMP HARNESS</b> Javelin & Javelin AMX	\$272.00	
40076	1972	<b>REAR LAMP HARNESS</b> Javelin & Javelin AMX	\$272.00	
40075	1973	<b>REAR LAMP HARNESS</b> Javelin & Javelin AMX	\$272.00	
40075	1974	<b>REAR LAMP HARNESS</b> Javelin & Javelin AMX	\$272.00	
<b>REAR SIDE MARKER LAMP EXTENSION</b>				
40104	1970	<b>REAR SIDE MARKER LAMP EXTENSION</b> Ambassador & Rebel 2 & 4 Door, AMX, Javelin & Gremlin	\$21.00	
<b>STARTER CABLE</b>				
44265	1967	<b>STARTER CABLE</b> American, Rebel, Marlin, Ambassador, Starter Solenoid To Starter Motor	\$66.00	N
44265	1968	<b>STARTER CABLE</b> American, Rebel, Ambassador, Starter Solenoid To Starter Motor	\$66.00	N
44265	1969	<b>STARTER CABLE</b> Rambler American, Rebel, Starter Solenoid To Starter Motor	\$66.00	N
40102	1970	<b>STARTER CABLE</b> Ambassador, AMX, Javelin & Rebel. V/8, Starter Solenoid To Starter Motor	\$66.00	
40102	1973	<b>STARTER CABLE</b> Ambassador, Javelin, Javelin AMX & Matador. V/8, Starter Solenoid To Starter Motor	\$66.00	
<b>TACHOMETER HARNESS</b>				
39659	1968	<b>TACHOMETER HARNESS</b> Javelin, AMX	\$79.00	
39660	1969	<b>TACHOMETER HARNESS</b> Javelin, AMX	\$79.00	
39661	1969	<b>TACHOMETER HARNESS</b> Rambler, SC (With Sun ST635 Tachometer)	\$86.00	
39660	1970	<b>TACHOMETER HARNESS</b> Javelin, AMX	\$79.00	
39662	1970	<b>TACHOMETER HARNESS</b> Rebel Machine	\$86.00	
38900	1971	<b>TACHOMETER HARNESS</b> Hornet, Sc-360	\$79.00	
39663	1971	<b>TACHOMETER HARNESS</b> Javelin & Javelin AMX	\$79.00	
39663	1972	<b>TACHOMETER HARNESS</b> Javelin & Javelin AMX	\$79.00	
39663	1973	<b>TACHOMETER HARNESS</b> Javelin & Javelin AMX	\$79.00	

AMC



Phone (562) 926-9552  
Fax (562) 926-9572

Part Number	Year	Description	Price	*Rev.
39663	1974	TACHOMETER HARNESS Javelin & Javelin AMX	\$79.00	
<b>TURN SIGNAL SWITCH</b>				
01893592	1968	TURN SIGNAL SWITCH All Models With Manual Trans Or Floor Shift Auto Trans With Hazard Lamp In Low Position Note: This Is A Service Part, Adapter Pigtail Included And Is Required For Some Applications.	\$58.00	
01893592	1969	TURN SIGNAL SWITCH All Models With Manual Trans Or Floor Shift Auto Trans With Hazard Lamp In Low Position Note: This Is A Service Part, Adapter Pigtail Included And Is Required For Some Applications.	\$58.00	

# ***Section 2***

## ***Buick Passenger***

Part Number	Year	Description	Price	*Rev.
<b>ALTERNATOR CONVERSION KIT</b>				
27555	1963	<b>ALTERNATOR CONVERSION KIT</b> External To Internal Regulator Conversion Harness ("SI" Series) Note: For Use With 1972-84 Non-Serpentine Belt ("SI" Series) Internal Regulated Alternators.	\$29.00	
37787	1963	<b>ALTERNATOR CONVERSION KIT</b> External To Internal Regulator Conversion Harness ("CS" Series) Note: For Use With Serpentine Belt ("CS" Series) Internal Regulated Alternators.	\$34.00	
27555	1964	<b>ALTERNATOR CONVERSION KIT</b> External To Internal Regulator Conversion Harness ("SI" Series) Note: For Use With 1972-84 Non-Serpentine Belt ("SI" Series) Internal Regulated Alternators.	\$29.00	
37787	1964	<b>ALTERNATOR CONVERSION KIT</b> External To Internal Regulator Conversion Harness ("CS" Series) Note: For Use With Serpentine Belt ("CS" Series) Internal Regulated Alternators.	\$34.00	
27555	1965	<b>ALTERNATOR CONVERSION KIT</b> External To Internal Regulator Conversion Harness ("SI" Series) Note: For Use With 1972-84 Non-Serpentine Belt ("SI" Series) Internal Regulated Alternators.	\$29.00	
37787	1965	<b>ALTERNATOR CONVERSION KIT</b> External To Internal Regulator Conversion Harness ("CS" Series) Note: For Use With Serpentine Belt ("CS" Series) Internal Regulated Alternators.	\$34.00	
27555	1966	<b>ALTERNATOR CONVERSION KIT</b> External To Internal Regulator Conversion Harness ("SI" Series) Note: For Use With 1972-84 Non-Serpentine Belt ("SI" Series) Internal Regulated Alternators.	\$29.00	
37787	1966	<b>ALTERNATOR CONVERSION KIT</b> External To Internal Regulator Conversion Harness ("CS" Series) Note: For Use With Serpentine Belt ("CS" Series) Internal Regulated Alternators.	\$34.00	
27555	1967	<b>ALTERNATOR CONVERSION KIT</b> External To Internal Regulator Conversion Harness ("SI" Series) Note: For Use With 1972-84 Non-Serpentine Belt ("SI" Series) Internal Regulated Alternators.	\$29.00	
37787	1967	<b>ALTERNATOR CONVERSION KIT</b> External To Internal Regulator Conversion Harness ("CS" Series) Note: For Use With Serpentine Belt ("CS" Series) Internal Regulated Alternators.	\$34.00	
27555	1968	<b>ALTERNATOR CONVERSION KIT</b> External To Internal Regulator Conversion Harness ("SI" Series) Note: For Use With 1972-84 Non-Serpentine Belt ("SI" Series) Internal Regulated Alternators.	\$29.00	
37787	1968	<b>ALTERNATOR CONVERSION KIT</b> External To Internal Regulator Conversion Harness ("CS" Series) Note: For Use With Serpentine Belt ("CS" Series) Internal Regulated Alternators.	\$34.00	
27555	1969	<b>ALTERNATOR CONVERSION KIT</b> External To Internal Regulator Conversion Harness ("SI" Series) Note: For Use With 1972-84 Non-Serpentine Belt ("SI" Series) Internal Regulated Alternators.	\$29.00	
37787	1969	<b>ALTERNATOR CONVERSION KIT</b> External To Internal Regulator Conversion Harness ("CS" Series) Note: For Use With Serpentine Belt ("CS" Series) Internal Regulated Alternators.	\$34.00	
27555	1970	<b>ALTERNATOR CONVERSION KIT</b> External To Internal Regulator Conversion Harness ("SI" Series) Note: For Use With 1972-84 Non-Serpentine Belt ("SI" Series) Internal Regulated Alternators.	\$29.00	
37787	1970	<b>ALTERNATOR CONVERSION KIT</b> External To Internal Regulator Conversion Harness ("CS" Series) Note: For Use With Serpentine Belt ("CS" Series) Internal Regulated Alternators.	\$34.00	
27555	1971	<b>ALTERNATOR CONVERSION KIT</b> External To Internal Regulator Conversion Harness ("SI" Series) Note: For Use With 1972-84 Non-Serpentine Belt ("SI" Series) Internal Regulated Alternators.	\$29.00	
37787	1971	<b>ALTERNATOR CONVERSION KIT</b> External To Internal Regulator Conversion Harness ("CS" Series) Note: For Use With Serpentine Belt ("CS" Series) Internal Regulated Alternators.	\$34.00	
27555	1972	<b>ALTERNATOR CONVERSION KIT</b> External To Internal Regulator Conversion Harness ("SI" Series) Note: For Use With 1972-84 Non-Serpentine Belt ("SI" Series) Internal Regulated Alternators.	\$29.00	
37787	1972	<b>ALTERNATOR CONVERSION KIT</b> External To Internal Regulator Conversion Harness ("CS" Series) Note: For Use With Serpentine Belt ("CS" Series) Internal Regulated Alternators.	\$34.00	
27555	1973	<b>ALTERNATOR CONVERSION KIT</b> External To Internal Regulator Conversion Harness ("SI" Series) Note: For Use With 1972-84 Non-Serpentine Belt ("SI" Series) Internal Regulated Alternators.	\$29.00	
37787	1973	<b>ALTERNATOR CONVERSION KIT</b> External To Internal Regulator Conversion Harness ("CS" Series) Note: For Use With Serpentine Belt ("CS" Series) Internal Regulated Alternators.	\$34.00	
27555	1974	<b>ALTERNATOR CONVERSION KIT</b> External To Internal Regulator Conversion Harness ("SI" Series) Note: For Use With 1972-84 Non-Serpentine Belt ("SI" Series) Internal Regulated Alternators.	\$29.00	
37787	1974	<b>ALTERNATOR CONVERSION KIT</b> External To Internal Regulator Conversion Harness ("CS" Series) Note: For Use With Serpentine Belt ("CS" Series) Internal Regulated Alternators.	\$34.00	



Part Number	Year	Description	Price	*Rev.
<b>ASSEMBLY MANUAL</b>				
42300	1962	ASSEMBLY MANUAL Factory Assembly Instruction Guide	\$32.00	
42301	1969	ASSEMBLY MANUAL Factory Assembly Instruction Guide Note: Contains Buick Fullsize & Riviera.	\$32.00	
36365	1970	ASSEMBLY MANUAL Factory Assembly Instruction Guide	\$32.00	
36367	1972	ASSEMBLY MANUAL Factory Assembly Instruction Guide	\$32.00	
42302	1973	ASSEMBLY MANUAL Factory Assembly Instruction Guide	\$32.00	
<b>BATTERY CABLE JUMPER</b>				
26870	1962	BATTERY CABLE JUMPER Pos, Junction Block To Starter, Electra	\$69.00	
26870	1962	BATTERY CABLE JUMPER Pos, Junction Block To Starter, Invicta	\$69.00	
26870	1962	BATTERY CABLE JUMPER Pos, Junction Block To Starter, Le Sabre	\$69.00	
31940	1963	BATTERY CABLE JUMPER Pos, Junction Block To Starter, All	\$69.00	
31930	1965	BATTERY CABLE JUMPER Pos, Junction Block To Starter, Electra	\$69.00	
31930	1965	BATTERY CABLE JUMPER Pos, Junction Block To Starter, Wildcat	\$69.00	
31930	1966	BATTERY CABLE JUMPER Pos, Junction Block To Starter, Electra	\$69.00	
31930	1966	BATTERY CABLE JUMPER Pos, Junction Block To Starter, Riviera	\$69.00	
31930	1966	BATTERY CABLE JUMPER Pos, Junction Block To Starter, Wildcat	\$69.00	
<b>BATTERY CABLE-NEGATIVE</b>				
31005	1954	BATTERY CABLE, TOP POST Neg, All	\$69.00	
31005	1955	BATTERY CABLE, TOP POST Neg, All	\$69.00	
31005	1956	BATTERY CABLE, TOP POST Neg, All	\$69.00	
31020	1957	BATTERY CABLE, TOP POST Neg, All	\$69.00	
31005	1958	BATTERY CABLE, TOP POST Neg, All	\$69.00	
31005	1959	BATTERY CABLE, TOP POST Neg, All	\$69.00	
31005	1960	BATTERY CABLE, TOP POST Neg, All	\$69.00	
31035	1961	BATTERY CABLE, TOP POST Neg, Electra	\$69.00	
31035	1961	BATTERY CABLE, TOP POST Neg, Invicta	\$69.00	
31035	1961	BATTERY CABLE, TOP POST Neg, Le Sabre	\$69.00	
31005	1962	BATTERY CABLE, TOP POST Neg, Electra	\$69.00	
31005	1962	BATTERY CABLE, TOP POST Neg, Invicta	\$69.00	
31005	1962	BATTERY CABLE, TOP POST Neg, Le Sabre	\$69.00	
31915	1963	BATTERY CABLE, TOP POST Neg, Riviera	\$69.00	
31910	1963	BATTERY CABLE, TOP POST Neg, Wildcat 425 C.I.	\$69.00	
04520	1964	BATTERY CABLE, SPRING RING Neg, Le Sabre (Except Wagon)	\$69.00	
05460	1965	BATTERY CABLE, SPRING RING Neg, Le Sabre	\$69.00	
05340	1966	BATTERY CABLE, SPRING RING Neg, Electra	\$69.00	
05340	1966	BATTERY CABLE, SPRING RING Neg, Le Sabre	\$69.00	
05340	1966	BATTERY CABLE, SPRING RING Neg, Riviera	\$69.00	
05340	1966	BATTERY CABLE, SPRING RING Neg, Wildcat	\$69.00	
<b>BATTERY CABLE-POSITIVE</b>				
31895	1953	BATTERY CABLE, TOP POST Pos, Battery To Junction Block	\$69.00	
31920	1963	BATTERY CABLE, TOP POST Pos, Battery To Junction Block, Riviera	\$69.00	
04205	1964	BATTERY CABLE, TOP POST Pos, Battery To Junction Block, Electra, Without HD Cooling	\$69.00	
31920	1964	BATTERY CABLE, TOP POST Pos, Battery To Junction Block, Riviera	\$69.00	
04205	1964	BATTERY CABLE, TOP POST Pos, Battery To Junction Block, Wildcat, Without HD Cooling	\$69.00	
31870	1965	BATTERY CABLE, TOP POST Pos, Battery To Junction Block, Electra	\$69.00	

Part Number	Year	Description	Price	*Rev.
23665	1965	<b>BATTERY CABLE, SPRING RING</b> Pos, Le Sabre	\$69.00	
31920	1965	<b>BATTERY CABLE, TOP POST</b> Pos, Battery To Junction Block, Riviera	\$69.00	
31870	1965	<b>BATTERY CABLE, TOP POST</b> Pos, Battery To Junction Block, Wildcat	\$69.00	
31890	1966	<b>BATTERY CABLE, SPRING RING</b> Pos, Electra	\$69.00	
23665	1966	<b>BATTERY CABLE, SPRING RING</b> Pos, Le Sabre	\$69.00	
31890	1966	<b>BATTERY CABLE, SPRING RING</b> Pos, Riviera	\$69.00	
31890	1966	<b>BATTERY CABLE, SPRING RING</b> Pos, Wildcat	\$69.00	
<b>CIRCUIT BREAKER</b>				
04849850	1962	<b>CIRCUIT BREAKER, 40 AMP</b> Power Seat, Windows & Tailgate Window	\$14.00	
04849850	1963	<b>CIRCUIT BREAKER, 40 AMP</b> Power Seat, Windows & Tailgate Window	\$14.00	
04849850	1965	<b>CIRCUIT BREAKER, 40 AMP</b> Power Seat & Windows	\$14.00	
<b>COURTESY LAMP HARNESS</b>				
41559	1960	<b>COURTESY LAMP HARNESS</b> Center Roof Mounted Dome Lamp, Lesabre 2 Door Hardtop, 2 & 4 Door Sedan	\$60.00	
41559	1960	<b>COURTESY LAMP HARNESS</b> Center Roof Mounted Dome Lamp, Invicta 2 Door Hardtop & 4 Door Sedan	\$60.00	
41559	1960	<b>COURTESY LAMP HARNESS</b> Center Roof Mounted Dome Lamp, Electra 4 Door Sedan	\$60.00	
32335	1960	<b>COURTESY LAMP HARNESS</b> Dual Overhead Lights, Electra 2 & 4 Door Hardtop And Electra 225 2 Door Hardtop	\$60.00	
08780	1961	<b>COURTESY LAMP HARNESS</b> Side Roof Rail Lamp, Electra 2 & 4 Door Hardtop	\$63.00	
08780	1962	<b>COURTESY LAMP HARNESS</b> Side Roof Rail Lamp, Electra 2 Door Hardtop	\$63.00	
06880	1965	<b>COURTESY LAMP HARNESS</b> Center Roof Mounted Dome Lamp, Lesabre And Wildcat 2 & 4 Door Hardtops	\$34.00	
06880	1965	<b>COURTESY LAMP HARNESS</b> Center Roof Mounted Dome Lamp, Lesabre And Wildcat 2 & 4 Door Hardtops	\$34.00	
<b>HARNESS TAPE</b>				
R0058272	1953	<b>HARNESS TAPE</b> 3/4" Vinyl (100 Ft. Roll) Non-Adhesive	\$12.00	
R0058276	1953	<b>HARNESS TAPE</b> 1" Vinyl (100 Ft. Roll) Non-Adhesive	\$13.00	
R0067108	1953	<b>HARNESS TAPE</b> 1 1/4" Vinyl (100 Ft. Roll) Non-Adhesive	\$15.00	
R0058272	1954	<b>HARNESS TAPE</b> 3/4" Vinyl (100 Ft. Roll) Non-Adhesive	\$12.00	
R0058276	1954	<b>HARNESS TAPE</b> 1" Vinyl (100 Ft. Roll) Non-Adhesive	\$13.00	
R0067108	1954	<b>HARNESS TAPE</b> 1 1/4" Vinyl (100 Ft. Roll) Non-Adhesive	\$15.00	
R0058272	1955	<b>HARNESS TAPE</b> 3/4" Vinyl (100 Ft. Roll) Non-Adhesive	\$12.00	
R0058276	1955	<b>HARNESS TAPE</b> 1" Vinyl (100 Ft. Roll) Non-Adhesive	\$13.00	
R0067108	1955	<b>HARNESS TAPE</b> 1 1/4" Vinyl (100 Ft. Roll) Non-Adhesive	\$15.00	
R0058272	1956	<b>HARNESS TAPE</b> 3/4" Vinyl (100 Ft. Roll) Non-Adhesive	\$12.00	
R0058276	1956	<b>HARNESS TAPE</b> 1" Vinyl (100 Ft. Roll) Non-Adhesive	\$13.00	
R0067108	1956	<b>HARNESS TAPE</b> 1 1/4" Vinyl (100 Ft. Roll) Non-Adhesive	\$15.00	
R0058272	1957	<b>HARNESS TAPE</b> 3/4" Vinyl (100 Ft. Roll) Non-Adhesive	\$12.00	
R0058276	1957	<b>HARNESS TAPE</b> 1" Vinyl (100 Ft. Roll) Non-Adhesive	\$13.00	
R0067108	1957	<b>HARNESS TAPE</b> 1 1/4" Vinyl (100 Ft. Roll) Non-Adhesive	\$15.00	
R0058272	1958	<b>HARNESS TAPE</b> 3/4" Vinyl (100 Ft. Roll) Non-Adhesive	\$12.00	
R0058276	1958	<b>HARNESS TAPE</b> 1" Vinyl (100 Ft. Roll) Non-Adhesive	\$13.00	
R0067108	1958	<b>HARNESS TAPE</b> 1 1/4" Vinyl (100 Ft. Roll) Non-Adhesive	\$15.00	
R0058272	1959	<b>HARNESS TAPE</b> 3/4" Vinyl (100 Ft. Roll) Non-Adhesive	\$12.00	
R0058276	1959	<b>HARNESS TAPE</b> 1" Vinyl (100 Ft. Roll) Non-Adhesive	\$13.00	
R0067108	1959	<b>HARNESS TAPE</b> 1 1/4" Vinyl (100 Ft. Roll) Non-Adhesive	\$15.00	
R0058272	1960	<b>HARNESS TAPE</b> 3/4" Vinyl (100 Ft. Roll) Non-Adhesive	\$12.00	

Part Number	Year	Description	Price	*Rev.
R0058276	1960	<b>HARNESS TAPE</b> 1" Vinyl (100 Ft. Roll) Non-Adhesive	\$13.00	
R0067108	1960	<b>HARNESS TAPE</b> 1 1/4" Vinyl (100 Ft. Roll) Non-Adhesive	\$15.00	
R0058272	1961	<b>HARNESS TAPE</b> 3/4" Vinyl (100 Ft. Roll) Non-Adhesive	\$12.00	
R0058276	1961	<b>HARNESS TAPE</b> 1" Vinyl (100 Ft. Roll) Non-Adhesive	\$13.00	
R0067108	1961	<b>HARNESS TAPE</b> 1 1/4" Vinyl (100 Ft. Roll) Non-Adhesive	\$15.00	
R0058272	1962	<b>HARNESS TAPE</b> 3/4" Vinyl (100 Ft. Roll) Non-Adhesive	\$12.00	
R0058276	1962	<b>HARNESS TAPE</b> 1" Vinyl (100 Ft. Roll) Non-Adhesive	\$13.00	
R0067108	1962	<b>HARNESS TAPE</b> 1 1/4" Vinyl (100 Ft. Roll) Non-Adhesive	\$15.00	
R0058272	1963	<b>HARNESS TAPE</b> 3/4" Vinyl (100 Ft. Roll) Non-Adhesive	\$12.00	
R0058276	1963	<b>HARNESS TAPE</b> 1" Vinyl (100 Ft. Roll) Non-Adhesive	\$13.00	
R0067108	1963	<b>HARNESS TAPE</b> 1 1/4" Vinyl (100 Ft. Roll) Non-Adhesive	\$15.00	
R0058272	1964	<b>HARNESS TAPE</b> 3/4" Vinyl (100 Ft. Roll) Non-Adhesive	\$12.00	
R0058276	1964	<b>HARNESS TAPE</b> 1" Vinyl (100 Ft. Roll) Non-Adhesive	\$13.00	
R0067108	1964	<b>HARNESS TAPE</b> 1 1/4" Vinyl (100 Ft. Roll) Non-Adhesive	\$15.00	
R0058272	1965	<b>HARNESS TAPE</b> 3/4" Vinyl (100 Ft. Roll) Non-Adhesive	\$12.00	
R0058276	1965	<b>HARNESS TAPE</b> 1" Vinyl (100 Ft. Roll) Non-Adhesive	\$13.00	
R0067108	1965	<b>HARNESS TAPE</b> 1 1/4" Vinyl (100 Ft. Roll) Non-Adhesive	\$15.00	
R0058272	1966	<b>HARNESS TAPE</b> 3/4" Vinyl (100 Ft. Roll) Non-Adhesive	\$12.00	
R0058276	1966	<b>HARNESS TAPE</b> 1" Vinyl (100 Ft. Roll) Non-Adhesive	\$13.00	
R0067108	1966	<b>HARNESS TAPE</b> 1 1/4" Vinyl (100 Ft. Roll) Non-Adhesive	\$15.00	
R0058272	1967	<b>HARNESS TAPE</b> 3/4" Vinyl (100 Ft. Roll) Non-Adhesive	\$12.00	
R0058276	1967	<b>HARNESS TAPE</b> 1" Vinyl (100 Ft. Roll) Non-Adhesive	\$13.00	
R0067108	1967	<b>HARNESS TAPE</b> 1 1/4" Vinyl (100 Ft. Roll) Non-Adhesive	\$15.00	
R0058272	1968	<b>HARNESS TAPE</b> 3/4" Vinyl (100 Ft. Roll) Non-Adhesive	\$12.00	
R0058276	1968	<b>HARNESS TAPE</b> 1" Vinyl (100 Ft. Roll) Non-Adhesive	\$13.00	
R0067108	1968	<b>HARNESS TAPE</b> 1 1/4" Vinyl (100 Ft. Roll) Non-Adhesive	\$15.00	
R0058272	1969	<b>HARNESS TAPE</b> 3/4" Vinyl (100 Ft. Roll) Non-Adhesive	\$12.00	
R0058276	1969	<b>HARNESS TAPE</b> 1" Vinyl (100 Ft. Roll) Non-Adhesive	\$13.00	
R0067108	1969	<b>HARNESS TAPE</b> 1 1/4" Vinyl (100 Ft. Roll) Non-Adhesive	\$15.00	
R0058272	1970	<b>HARNESS TAPE</b> 3/4" Vinyl (100 Ft. Roll) Non-Adhesive	\$12.00	
R0058276	1970	<b>HARNESS TAPE</b> 1" Vinyl (100 Ft. Roll) Non-Adhesive	\$13.00	
R0067108	1970	<b>HARNESS TAPE</b> 1 1/4" Vinyl (100 Ft. Roll) Non-Adhesive	\$15.00	
R0058272	1971	<b>HARNESS TAPE</b> 3/4" Vinyl (100 Ft. Roll) Non-Adhesive	\$12.00	
R0058276	1971	<b>HARNESS TAPE</b> 1" Vinyl (100 Ft. Roll) Non-Adhesive	\$13.00	
R0067108	1971	<b>HARNESS TAPE</b> 1 1/4" Vinyl (100 Ft. Roll) Non-Adhesive	\$15.00	
R0058272	1972	<b>HARNESS TAPE</b> 3/4" Vinyl (100 Ft. Roll) Non-Adhesive	\$12.00	
R0058276	1972	<b>HARNESS TAPE</b> 1" Vinyl (100 Ft. Roll) Non-Adhesive	\$13.00	
R0067108	1972	<b>HARNESS TAPE</b> 1 1/4" Vinyl (100 Ft. Roll) Non-Adhesive	\$15.00	
R0058272	1973	<b>HARNESS TAPE</b> 3/4" Vinyl (100 Ft. Roll) Non-Adhesive	\$12.00	
R0058276	1973	<b>HARNESS TAPE</b> 1" Vinyl (100 Ft. Roll) Non-Adhesive	\$13.00	
R0067108	1973	<b>HARNESS TAPE</b> 1 1/4" Vinyl (100 Ft. Roll) Non-Adhesive	\$15.00	
R0058272	1974	<b>HARNESS TAPE</b> 3/4" Vinyl (100 Ft. Roll) Non-Adhesive	\$12.00	
R0058276	1974	<b>HARNESS TAPE</b> 1" Vinyl (100 Ft. Roll) Non-Adhesive	\$13.00	
R0067108	1974	<b>HARNESS TAPE</b> 1 1/4" Vinyl (100 Ft. Roll) Non-Adhesive	\$15.00	
<b>HEADLAMP DIMMER SWITCH</b>				
01997023	1959	<b>HEADLAMP DIMMER SWITCH</b> Without Autronic Eye	\$16.00	N
01997023	1960	<b>HEADLAMP DIMMER SWITCH</b> Without Autronic Eye	\$16.00	N

Part Number	Year	Description	Price	*Rev.
<b>IGNITION BALLAST RESISTOR</b>				
01957154	1954	IGNITION BALLAST RESISTOR All	\$12.00	N
01957154	1955	IGNITION BALLAST RESISTOR All	\$12.00	N
01957154	1956	IGNITION BALLAST RESISTOR All	\$12.00	N
01957154	1957	IGNITION BALLAST RESISTOR All	\$12.00	N
01957154	1958	IGNITION BALLAST RESISTOR All	\$12.00	N
01957154	1959	IGNITION BALLAST RESISTOR All	\$12.00	N
<b>IGNITION CYLINDER AND KEYS</b>				
20071252	1969	IGNITION CYLINDER AND KEYS Chrome, Lesabre, Wildcat, Electra, Riviera	\$18.50	N
20071252	1970	IGNITION CYLINDER AND KEYS Chrome, Lesabre, Wildcat, Electra, Riviera	\$18.50	N
20071252	1971	IGNITION CYLINDER AND KEYS Chrome, Lesabre, Centurion, Electra, Riviera	\$18.50	N
20071252	1972	IGNITION CYLINDER AND KEYS Chrome, Lesabre, Centurion, Electra, Riviera	\$18.50	N
20071252	1973	IGNITION CYLINDER AND KEYS Chrome, Lesabre, Centurion, Electra, Riviera	\$18.50	N
20071252	1974	IGNITION CYLINDER AND KEYS Chrome, Lesabre, Electra, Riviera	\$18.50	N
20071252	1975	IGNITION CYLINDER AND KEYS Chrome, Lesabre, Electra, Riviera	\$18.50	N
20071252	1976	IGNITION CYLINDER AND KEYS Chrome, Lesabre, Electra, Riviera	\$18.50	N
20071252	1977	IGNITION CYLINDER AND KEYS Chrome, Lesabre, Electra, Riviera	\$18.50	N
07833759	1978	IGNITION CYLINDER AND KEYS Chrome, Electra, Lesabre, Riviera, 2nd Design, Used On Columns With Lock Cylinder Retaining Screw	\$18.50	N
20071252	1978	IGNITION CYLINDER AND KEYS Chrome, Lesabre, Electra, Riviera, 1st Design, Used On Columns Without Lock Cylinder Retaining Screw	\$18.50	N
07833759	1979	IGNITION CYLINDER AND KEYS Chrome, Electra, Lesabre, Riviera	\$18.50	N
07833759	1980	IGNITION CYLINDER AND KEYS Chrome, Electra, Lesabre, Riviera	\$18.50	N
07833759	1981	IGNITION CYLINDER AND KEYS Chrome, Electra, Lesabre, Riviera	\$18.50	N
07833759	1982	IGNITION CYLINDER AND KEYS Chrome, Electra, Lesabre, Riviera	\$18.50	N
07833759	1983	IGNITION CYLINDER AND KEYS Chrome, Electra, Lesabre, Riviera	\$18.50	N
07833759	1984	IGNITION CYLINDER AND KEYS Chrome, Electra, Lesabre, Riviera	\$18.50	N
07833759	1985	IGNITION CYLINDER AND KEYS Chrome, Electra, Lesabre, Riviera	\$18.50	N
<b>IGNITION SWITCH</b>				
01990110	1969	IGNITION SWITCH All, With Tilt	\$14.00	N
01990110	1970	IGNITION SWITCH All, With Tilt	\$14.00	N
01990110	1971	IGNITION SWITCH All, With Tilt	\$14.00	N
01990110	1972	IGNITION SWITCH All, With Tilt	\$14.00	N
01990110	1973	IGNITION SWITCH All, With Tilt	\$14.00	N
01990110	1974	IGNITION SWITCH All, With Tilt	\$14.00	N
01990110	1975	IGNITION SWITCH All, With Tilt	\$14.00	N
01990110	1976	IGNITION SWITCH All, With Tilt	\$14.00	N
01990110	1977	IGNITION SWITCH All, With Tilt	\$14.00	N
01990110	1978	IGNITION SWITCH All, With Tilt	\$14.00	N
01990110	1979	IGNITION SWITCH All, With Tilt	\$14.00	N
01990110	1980	IGNITION SWITCH All, With Tilt	\$14.00	N
01990110	1981	IGNITION SWITCH All, With Tilt	\$14.00	N
01990110	1982	IGNITION SWITCH All, With Tilt	\$14.00	N
01990110	1983	IGNITION SWITCH All, With Tilt	\$14.00	N
01990110	1984	IGNITION SWITCH All, With Tilt	\$14.00	N
01990110	1985	IGNITION SWITCH All, With Tilt	\$14.00	N
01990110	1986	IGNITION SWITCH All, With Tilt	\$14.00	N

Part Number	Year	Description	Price	*Rev.
01990110	1987	<b>IGNITION SWITCH</b> All, With Tilt	\$14.00	N
01990110	1988	<b>IGNITION SWITCH</b> All, With Tilt	\$14.00	N
01990110	1989	<b>IGNITION SWITCH</b> All, With Tilt	\$14.00	N
01990110	1990	<b>IGNITION SWITCH</b> All, With Tilt	\$14.00	N
<b>INSTRUMENT GAUGE CLUSTER CLIP KIT</b>				
08986000	1976	<b>CLIP KIT</b> Century, Regal, Le Sabre, Electra, Riviera, Skylark, All, Instrument Gauge Cluster / Printed Circuit Board Retaining Clip Note: Replaces Original GM Part Number 08986000, Includes 12 Clips Per Kit.	\$14.00	N
08986000	1977	<b>CLIP KIT</b> Century, Regal, Le Sabre, Electra, Riviera, Skylark, All, Instrument Gauge Cluster / Printed Circuit Board Retaining Clip Note: Replaces Original GM Part Number 08986000, Includes 12 Clips Per Kit.	\$14.00	N
08986000	1978	<b>CLIP KIT</b> Century, Regal, Le Sabre, Electra, Riviera, Skylark, All, Instrument Gauge Cluster / Printed Circuit Board Retaining Clip Note: Replaces Original GM Part Number 08986000, Includes 12 Clips Per Kit.	\$14.00	N
08986000	1979	<b>CLIP KIT</b> Century, Regal, Le Sabre, Electra, Riviera, Skylark, All, Instrument Gauge Cluster / Printed Circuit Board Retaining Clip Note: Replaces Original GM Part Number 08986000, Includes 12 Clips Per Kit.	\$14.00	N
08986000	1980	<b>CLIP KIT</b> Century, Regal, Le Sabre, Electra, Riviera, Skylark, All, Instrument Gauge Cluster / Printed Circuit Board Retaining Clip Note: Replaces Original GM Part Number 08986000, Includes 12 Clips Per Kit.	\$14.00	N
08986000	1981	<b>CLIP KIT</b> Century, Regal, Le Sabre, Electra, Riviera, Skylark, All, Instrument Gauge Cluster / Printed Circuit Board Retaining Clip Note: Replaces Original GM Part Number 08986000, Includes 12 Clips Per Kit.	\$14.00	N
08986000	1982	<b>CLIP KIT</b> Regal, Le Sabre, Electra, Riviera, Skylark, All, Instrument Gauge Cluster / Printed Circuit Board Retaining Clip Note: Replaces Original GM Part Number 08986000, Includes 12 Clips Per Kit.	\$14.00	N
08986000	1983	<b>CLIP KIT</b> Regal, Le Sabre, Electra, Riviera, Skylark, All, Instrument Gauge Cluster / Printed Circuit Board Retaining Clip Note: Replaces Original GM Part Number 08986000, Includes 12 Clips Per Kit.	\$14.00	N
08986000	1984	<b>CLIP KIT</b> Regal, Le Sabre, Riviera, Skylark, All, Instrument Gauge Cluster / Printed Circuit Board Retaining Clip Note: Replaces Original GM Part Number 08986000, Includes 12 Clips Per Kit.	\$14.00	N
08986000	1985	<b>CLIP KIT</b> Regal, Le Sabre, Riviera, Skylark, All, Instrument Gauge Cluster / Printed Circuit Board Retaining Clip Note: Replaces Original GM Part Number 08986000, Includes 12 Clips Per Kit.	\$14.00	N
08986000	1986	<b>CLIP KIT</b> Regal, Electra, All, Instrument Gauge Cluster / Printed Circuit Board Retaining Clip Note: Replaces Original GM Part Number 08986000, Includes 12 Clips Per Kit.	\$14.00	N
08986000	1987	<b>CLIP KIT</b> Regal, Electra, All, Instrument Gauge Cluster / Printed Circuit Board Retaining Clip Note: Replaces Original GM Part Number 08986000, Includes 12 Clips Per Kit.	\$14.00	N
08986000	1988	<b>CLIP KIT</b> Le Sabre Wagon, All, Instrument Gauge Cluster / Printed Circuit Board Retaining Clip Note: Replaces Original GM Part Number 08986000, Includes 12 Clips Per Kit.	\$14.00	N
08986000	1989	<b>CLIP KIT</b> Le Sabre Wagon, All, Instrument Gauge Cluster / Printed Circuit Board Retaining Clip Note: Replaces Original GM Part Number 08986000, Includes 12 Clips Per Kit.	\$14.00	N
08986000	1990	<b>CLIP KIT</b> Le Sabre Wagon, All, Instrument Gauge Cluster / Printed Circuit Board Retaining Clip Note: Replaces Original GM Part Number 08986000, Includes 12 Clips Per Kit.	\$14.00	N
<b>KICKDOWN SWITCH</b>				
01242101	1968	<b>KICKDOWN SWITCH</b> Lesabre, Electra, Wildcat, Riviera, TH400, Auto Trans	\$19.00	
01242101	1969	<b>KICKDOWN SWITCH</b> Lesabre, Electra, Wildcat, Riviera, TH400, Auto Trans	\$19.00	

Part Number	Year	Description	Price	*Rev.
01242101	1970	<b>KICKDOWN SWITCH</b> Lesabre, Electra, Wildcat, Riviera, TH400, Auto Trans	\$19.00	
01242101	1971	<b>KICKDOWN SWITCH</b> Centurion, Lesabre, Electra, Riviera, TH400, Auto Trans	\$19.00	
01242101	1972	<b>KICKDOWN SWITCH</b> Centurion, Lesabre, Electra, Riviera, TH400, Auto Trans	\$19.00	
01242101	1973	<b>KICKDOWN SWITCH</b> Centurion, Lesabre, Electra, Riviera, TH400, Auto Trans	\$19.00	
01242101	1974	<b>KICKDOWN SWITCH</b> Lesabre, Electra, Riviera, TH400, Auto Trans	\$19.00	
01242101	1975	<b>KICKDOWN SWITCH</b> Lesabre, Electra, Riviera, TH400, Auto Trans	\$19.00	
01242101	1976	<b>KICKDOWN SWITCH</b> Lesabre, Electra, Riviera, TH400, Auto Trans	\$19.00	
01242101	1977	<b>KICKDOWN SWITCH</b> Lesabre, Electra, TH400, Auto Trans	\$19.00	
01242101	1978	<b>KICKDOWN SWITCH</b> Lesabre, Electra, TH400, Auto Trans	\$19.00	
01242101	1979	<b>KICKDOWN SWITCH</b> Lesabre, Electra, TH400, Auto Trans	\$19.00	
01242101	1980	<b>KICKDOWN SWITCH</b> Lesabre, Electra, TH400, Auto Trans	\$19.00	
01242101	1981	<b>KICKDOWN SWITCH</b> Lesabre, Electra, TH400, Auto Trans	\$19.00	
<b>POWER ACCESSORY FEED WIRE</b>				
08770	1961	<b>POWER ACCESSORY FEED WIRE</b> Power Window, Kick Panel To Power Window Harness	\$13.00	
08770	1962	<b>POWER ACCESSORY FEED WIRE</b> Power Window, Kick Panel To Power Window Harness	\$13.00	
<b>POWER DOOR LOCK SWITCH</b>				
01725099	1971	<b>POWER DOOR LOCK SWITCH</b> Lesabre, Centurion, Electra, Estate Wagon, 1 Button	\$62.00	M
01725099	1971	<b>POWER DOOR LOCK SWITCH</b> Electra Custom, Riviera, Without Deluxe Arm Rest, 1 Button	\$62.00	M
01725099	1972	<b>POWER DOOR LOCK SWITCH</b> Lesabre, Centurion, Electra, Estate Wagon, 1 Button	\$62.00	M
01725099	1973	<b>POWER DOOR LOCK SWITCH</b> Lesabre, Centurion, Electra, Estate Wagon, Riviera, 1 Button	\$62.00	M
01725099	1974	<b>POWER DOOR LOCK SWITCH</b> Lesabre, Electra, Estate Wagon, Riviera, 1 Button	\$62.00	M
01725099	1975	<b>POWER DOOR LOCK SWITCH</b> Lesabre, Electra, Estate Wagon, Riviera, 1 Button	\$62.00	M
01725099	1973	<b>POWER DOOR LOCK SWITCH</b> Electra Custom, Without Power Windows, 1 Button	\$62.00	M
01725099	1974	<b>POWER DOOR LOCK SWITCH</b> Electra Custom, Without Power Windows, 1 Button	\$62.00	M
01725099	1976	<b>POWER DOOR LOCK SWITCH</b> Lesabre, Electra, Estate Wagon, 1 Button	\$62.00	M
20043224	1977	<b>POWER DOOR LOCK SWITCH</b> Le Sabre, Without Power Windows	\$9.00	N
20043224	1978	<b>POWER DOOR LOCK SWITCH</b> Le Sabre, Without Power Windows	\$9.00	N
20043224	1979	<b>POWER DOOR LOCK SWITCH</b> Le Sabre, Without Power Windows	\$9.00	N
<b>POWER WINDOW HARNESS</b>				
08530	1959	<b>POWER WINDOW HARNESS</b> Electra, Invicta & Lesabre 2 Door Hardtops , Front Door & Rear Quarter Window, R.H.	\$291.00	
08535	1959	<b>POWER WINDOW HARNESS</b> Electra, Invicta & Lesabre 2 Door Hardtops , Front Door & Rear Quarter Window, L.H. With Power Seat Feed Wire	\$344.00	
31200	1959	<b>POWER WINDOW HARNESS</b> Electra 225 4 Door Hardtop & Sedan, Front & Rear Door, R.H.	\$291.00	
31200	1959	<b>POWER WINDOW HARNESS</b> Electra, Invicta & Lesabre 4 Door Hardtop & Sedans, Front & Rear Door, R.H.	\$291.00	
08545	1959	<b>POWER WINDOW HARNESS</b> Electra, Invicta & Lesabre Convertible, Front Door & Rear Quarter Window, L.H. With Power Seat Feed Wire	\$359.00	
08540	1959	<b>POWER WINDOW HARNESS</b> Electra, Invicta & Lesabre Convertible, Front Door & Rear Quarter Window, R.H.	\$291.00	
08520	1959	<b>POWER WINDOW JUMPER HARNESS</b> Left To Right Side Door & Quarter Window	\$113.00	
08520	1960	<b>POWER WINDOW JUMPER HARNESS</b> Left To Right Side Door & Quarter Window	\$113.00	
08765	1961	<b>POWER WINDOW HARNESS</b> Front Left & Right Doors	\$305.00	
08765	1962	<b>POWER WINDOW HARNESS</b> Front Left & Right Doors	\$305.00	
08945	1962	<b>POWER WINDOW HARNESS</b> Lesabre 4 Door Sedan, Left Rear Door	\$132.00	
08940	1962	<b>POWER WINDOW HARNESS</b> Lesabre 4 Door Sedan, Right Rear Door	\$132.00	
08945	1963	<b>POWER WINDOW HARNESS</b> Lesabre 4 Door Sedan, Left Rear Door	\$132.00	
08940	1963	<b>POWER WINDOW HARNESS</b> Lesabre 4 Door Sedan, Right Rear Door	\$132.00	

Part Number	Year	Description	Price	*Rev.
06640	1963	<b>POWER WINDOW HARNESS</b> Lesabre 2 Door Hardtop & Wildcat 2 Door Coupe, Left Rear Quarter Window	\$119.00	
06635	1963	<b>POWER WINDOW HARNESS</b> Lesabre 2 Door Hardtop & Wildcat 2 Door Coupe, Right Rear Quarter Window	\$119.00	
07170	1963	<b>POWER WINDOW MOTOR EXTENSION</b> Rear Quarter Window Harness To Motor, 2 Required Per Car	\$25.00	
08945	1964	<b>POWER WINDOW HARNESS</b> Lesabre & Wildcat 4 Door Sedan, Left Rear Door	\$132.00	
08940	1964	<b>POWER WINDOW HARNESS</b> Lesabre & Wildcat 4 Door Sedan, Right Rear Door	\$132.00	
07170	1964	<b>POWER WINDOW MOTOR EXTENSION</b> Rear Quarter Window Harness To Motor, 2 Required Per Car	\$25.00	
08045	1965	<b>POWER WINDOW HARNESS</b> All Coupe & Sport Coupe Quarter Windows (LH & RH)	\$212.00	
07370	1965	<b>POWER WINDOW HARNESS</b> Electra, Lesabre & Wildcat Convertible Qtr. Windows (LH & RH)	\$173.00	
08045	1966	<b>POWER WINDOW HARNESS</b> All Coupe & Sport Coupe Quarter Windows (LH & RH)	\$212.00	
07370	1966	<b>POWER WINDOW HARNESS</b> Electra, Lesabre & Wildcat Convertible Qtr. Windows (LH & RH)	\$173.00	
08045	1967	<b>POWER WINDOW HARNESS</b> All Coupe & Sport Coupe Quarter Windows (LH & RH)	\$212.00	
<b>POWER WINDOW MOTOR ADAPTER HARNESS</b>				
36954	1958	<b>POWER WINDOW MOTOR ADAPTER HARNESS</b> Adapts "T" Shaped Motor Connector To Side By Side Blade Type Motor Connector	\$22.00	C
36954	1959	<b>POWER WINDOW MOTOR ADAPTER HARNESS</b> Adapts "T" Shaped Motor Connector To Side By Side Blade Type Motor Connector	\$22.00	C
36954	1960	<b>POWER WINDOW MOTOR ADAPTER HARNESS</b> Adapts "T" Shaped Motor Connector To Side By Side Blade Type Motor Connector	\$22.00	C
36954	1961	<b>POWER WINDOW MOTOR ADAPTER HARNESS</b> Adapts "T" Shaped Motor Connector To Side By Side Blade Type Motor Connector	\$22.00	C
36954	1962	<b>POWER WINDOW MOTOR ADAPTER HARNESS</b> Adapts "T" Shaped Motor Connector To Side By Side Blade Type Motor Connector	\$22.00	C
36954	1963	<b>POWER WINDOW MOTOR ADAPTER HARNESS</b> Adapts "T" Shaped Motor Connector To Side By Side Blade Type Motor Connector	\$22.00	C
36954	1964	<b>POWER WINDOW MOTOR ADAPTER HARNESS</b> Adapts "T" Shaped Motor Connector To Side By Side Blade Type Motor Connector	\$22.00	C
36954	1965	<b>POWER WINDOW MOTOR ADAPTER HARNESS</b> Adapts "T" Shaped Motor Connector To Side By Side Blade Type Motor Connector	\$22.00	C
36954	1966	<b>POWER WINDOW MOTOR ADAPTER HARNESS</b> Adapts "T" Shaped Motor Connector To Side By Side Blade Type Motor Connector	\$22.00	C
36954	1967	<b>POWER WINDOW MOTOR ADAPTER HARNESS</b> Adapts "T" Shaped Motor Connector To Side By Side Blade Type Motor Connector	\$22.00	C
36954	1968	<b>POWER WINDOW MOTOR ADAPTER HARNESS</b> Adapts "T" Shaped Motor Connector To Side By Side Blade Type Motor Connector	\$22.00	C
36954	1969	<b>POWER WINDOW MOTOR ADAPTER HARNESS</b> Adapts "T" Shaped Motor Connector To Side By Side Blade Type Motor Connector	\$22.00	C
36954	1970	<b>POWER WINDOW MOTOR ADAPTER HARNESS</b> Adapts "T" Shaped Motor Connector To Side By Side Blade Type Motor Connector	\$22.00	C
36954	1971	<b>POWER WINDOW MOTOR ADAPTER HARNESS</b> Adapts "T" Shaped Motor Connector To Side By Side Blade Type Motor Connector	\$22.00	C
36954	1972	<b>POWER WINDOW MOTOR ADAPTER HARNESS</b> Adapts "T" Shaped Motor Connector To Side By Side Blade Type Motor Connector	\$22.00	C
36954	1973	<b>POWER WINDOW MOTOR ADAPTER HARNESS</b> Adapts "T" Shaped Motor Connector To Side By Side Blade Type Motor Connector	\$22.00	C
36954	1974	<b>POWER WINDOW MOTOR ADAPTER HARNESS</b> Adapts "T" Shaped Motor Connector To Side By Side Blade Type Motor Connector	\$22.00	C
<b>POWER WINDOW SWITCH</b>				
04432790	1958	<b>POWER WINDOW SWITCH</b> Limited, Roadmaster, 1 Button, Round Corner Style, Chrome	\$49.00	M
04432790	1959	<b>POWER WINDOW SWITCH</b> All, Except Lesabre 2dr Sedan, 1 Button, Round Corner Style, Chrome	\$49.00	M

Part Number	Year	Description	Price	*Rev.
04432790	1960	<b>POWER WINDOW SWITCH</b> All, Except Lesabre 2dr Sedan, 1 Button, Round Corner Style, Chrome	\$49.00	M
04432790	1961	<b>POWER WINDOW SWITCH</b> Electra Hardtop, Invicta, Lesabre, 1 Button, Round Corner Style, Chrome	\$49.00	M
04432793	1961	<b>POWER WINDOW SWITCH</b> Electra, 2 Button, Round Corner Style, Chrome	\$61.00	M
04432790	1962	<b>POWER WINDOW SWITCH</b> Electra, Invicta, Special, 1 Button, Round Corner Style, Chrome	\$49.00	M
04432793	1962	<b>POWER WINDOW SWITCH</b> Electra, 2 Button, Round Corner Style, Chrome	\$61.00	M
04432793	1963	<b>POWER WINDOW SWITCH</b> Riviera, 2 Button, Round Corner Style, Chrome	\$61.00	M
04432793	1964	<b>POWER WINDOW SWITCH</b> Riviera, 2 Button, Round Corner Style, Chrome	\$61.00	M
04432790	1965	<b>POWER WINDOW SWITCH</b> Riviera, Except Deluxe Arm Rest, 1 Button, Round Corner Style, Chrome	\$49.00	M
04432791	1965	<b>POWER WINDOW SWITCH</b> Riviera, Except Deluxe Arm Rest, 4 Button, Round Corner Style, Chrome	\$67.00	M
04432790	1966	<b>POWER WINDOW SWITCH</b> Riviera, Except Deluxe Arm Rest, 1 Button, Round Corner Style, Chrome	\$49.00	M
04432791	1966	<b>POWER WINDOW SWITCH</b> Riviera, Except Deluxe Arm Rest, 4 Button, Round Corner Style, Chrome	\$67.00	M
04432790	1967	<b>POWER WINDOW SWITCH</b> Riviera, Except Deluxe Arm Rest, 1 Button, Round Corner Style, Chrome	\$49.00	M
04432791	1967	<b>POWER WINDOW SWITCH</b> Riviera, Except Deluxe Arm Rest, 4 Button, Round Corner Style, Chrome	\$67.00	M
04432790	1968	<b>POWER WINDOW SWITCH</b> Riviera, Except Deluxe Arm Rest, 1 Button, Round Corner Style, Chrome	\$49.00	M
04432791	1968	<b>POWER WINDOW SWITCH</b> Riviera, Except Deluxe Arm Rest, 4 Button, Round Corner Style, Chrome	\$67.00	M
01725094	1971	<b>POWER WINDOW SWITCH</b> 1 Button, Square Corner Style, Chrome	\$21.00	M
01725094	1971	<b>POWER WINDOW SWITCH</b> Riviera, Without Deluxe Arm Rest, 1 Button, Square Corner Style, Chrome	\$21.00	M
01731231	1971	<b>POWER WINDOW SWITCH</b> Lesabre, Centurion, Estate Wagon, Electra, 4 Button, Square Corner Style, Chrome	\$75.00	M
01725094	1972	<b>POWER WINDOW SWITCH</b> 1 Button, Square Corner Style, Chrome	\$21.00	M
01725094	1972	<b>POWER WINDOW SWITCH</b> Riviera, Without Deluxe Arm Rest, 1 Button, Square Corner Style, Chrome	\$21.00	M
01731231	1972	<b>POWER WINDOW SWITCH</b> Lesabre, Centurion, Estate Wagon, Electra, 4 Button, Square Corner Style, Chrome	\$75.00	M
01725094	1973	<b>POWER WINDOW SWITCH</b> Riviera, 1 Button, Square Corner Style, Chrome	\$21.00	M
01725094	1973	<b>POWER WINDOW SWITCH</b> Electra, 1 Button, Square Corner Style, Chrome	\$21.00	M
01725094	1973	<b>POWER WINDOW SWITCH</b> Lesabre, 1 Button, Square Corner Style, Chrome	\$21.00	M
01725094	1973	<b>POWER WINDOW SWITCH</b> Centurion, 1 Button, Square Corner Style, Chrome	\$21.00	M
01725094	1973	<b>POWER WINDOW SWITCH</b> Estate Wagon, 1 Button, Square Corner Style, Chrome	\$21.00	M
01731231	1973	<b>POWER WINDOW SWITCH</b> Lesabre, Centurion, Estate Wagon, Electra, 4 Button, Square Corner Style, Chrome	\$75.00	M
01731231	1973	<b>POWER WINDOW SWITCH</b> Riviera, 4 Button, Square Corner Style, Chrome	\$75.00	M
01725094	1974	<b>POWER WINDOW SWITCH</b> Riviera, 1 Button, Square Corner Style, Chrome	\$21.00	M
01725094	1974	<b>POWER WINDOW SWITCH</b> Electra, 1 Button, Square Corner Style, Chrome	\$21.00	M
01725094	1974	<b>POWER WINDOW SWITCH</b> Lesabre, 1 Button, Square Corner Style, Chrome	\$21.00	M
01725094	1974	<b>POWER WINDOW SWITCH</b> Centurion, 1 Button, Square Corner Style, Chrome	\$21.00	M
01725094	1974	<b>POWER WINDOW SWITCH</b> Estate Wagon, 1 Button, Square Corner Style, Chrome	\$21.00	M
01731231	1974	<b>POWER WINDOW SWITCH</b> Lesabre, Estate Wagon, Electra, 4 Button, Square Corner Style, Chrome	\$75.00	M
01725092	1974	<b>POWER WINDOW SWITCH</b> Riviera, With Standard Trim, 2 Button, Square Corner Style, Chrome	\$53.00	M



Part Number	Year	Description	Price	*Rev.
01725094	1975	<b>POWER WINDOW SWITCH</b> Lesabre, 1 Button, Square Corner Style, Chrome	\$21.00	M
01725094	1975	<b>POWER WINDOW SWITCH</b> Centurion, 1 Button, Square Corner Style, Chrome	\$21.00	M
01725094	1975	<b>POWER WINDOW SWITCH</b> Estate Wagon, 1 Button, Square Corner Style, Chrome	\$21.00	M
01731231	1975	<b>POWER WINDOW SWITCH</b> Lesabre, Estate Wagon, 4 Button, Square Corner Style, Chrome	\$75.00	M
01725094	1976	<b>POWER WINDOW SWITCH</b> Lesabre, 1 Button, Square Corner Style, Chrome	\$21.00	M
01725094	1976	<b>POWER WINDOW SWITCH</b> Centurion, 1 Button, Square Corner Style, Chrome	\$21.00	M
01725094	1976	<b>POWER WINDOW SWITCH</b> Estate Wagon, 1 Button, Square Corner Style, Chrome	\$21.00	M
01731231	1976	<b>POWER WINDOW SWITCH</b> Lesabre, Estate Wagon, 4 Button, Square Corner Style, Chrome	\$75.00	M
01725094	1977	<b>POWER WINDOW SWITCH</b> Lesabre, 1 Button, Square Corner Style, Chrome	\$21.00	M
01725094	1977	<b>POWER WINDOW SWITCH</b> Centurion, 1 Button, Square Corner Style, Chrome	\$21.00	M
01725094	1977	<b>POWER WINDOW SWITCH</b> Estate Wagon, 1 Button, Square Corner Style, Chrome	\$21.00	M
01731231	1977	<b>POWER WINDOW SWITCH</b> Lesabre, Estate Wagon, 4 Button, Square Corner Style, Chrome	\$75.00	M
01725092	1977	<b>POWER WINDOW SWITCH</b> Lesabre, 2 Button, Square Corner Style, Chrome	\$53.00	M
01725094	1978	<b>POWER WINDOW SWITCH</b> Lesabre, 1 Button, Square Corner Style, Chrome	\$21.00	M
01725094	1978	<b>POWER WINDOW SWITCH</b> Centurion, 1 Button, Square Corner Style, Chrome	\$21.00	M
01725094	1978	<b>POWER WINDOW SWITCH</b> Estate Wagon, 1 Button, Square Corner Style, Chrome	\$21.00	M
01731231	1978	<b>POWER WINDOW SWITCH</b> Lesabre, Estate Wagon, 4 Button, Square Corner Style, Chrome	\$75.00	M
01725092	1978	<b>POWER WINDOW SWITCH</b> Lesabre, 2 Button, Square Corner Style, Chrome	\$53.00	M
<b>TRUNK LAMP EXTENSION WIRE</b>				
36239	1971	<b>TRUNK LAMP EXTENSION WIRE</b> Trunk Lamp To Rear Lamp Harness Connector, All Lesabre & Centurion	\$25.00	
<b>TURN SIGNAL LEVER WIPER SWITCH</b>				
22510733	1982	<b>TURN SIGNAL LEVER WIPER SWITCH</b> All, Black, With Pulse Wipers, Without Cruise Control	\$20.00	N
22510732	1982	<b>TURN SIGNAL LEVER WIPER SWITCH</b> All, Black, Without Pulse Wipers, Without Cruise Control	\$20.00	N
22510144	1982	<b>TURN SIGNAL LEVER WIPER SWITCH</b> All, Chrome, With Pulse Wipers, Without Cruise Control	\$20.00	N
22510733	1983	<b>TURN SIGNAL LEVER WIPER SWITCH</b> All, Black, With Pulse Wipers, Without Cruise Control	\$20.00	N
22510732	1983	<b>TURN SIGNAL LEVER WIPER SWITCH</b> All, Black, Without Pulse Wipers, Without Cruise Control	\$20.00	N
22510144	1983	<b>TURN SIGNAL LEVER WIPER SWITCH</b> All, Chrome, With Pulse Wipers, Without Cruise Control	\$20.00	N
22510733	1984	<b>TURN SIGNAL LEVER WIPER SWITCH</b> All, Black, With Pulse Wipers, Without Cruise Control	\$20.00	N
22510732	1984	<b>TURN SIGNAL LEVER WIPER SWITCH</b> All, Black, Without Pulse Wipers, Without Cruise Control	\$20.00	N
22510144	1984	<b>TURN SIGNAL LEVER WIPER SWITCH</b> All, Chrome, With Pulse Wipers, Without Cruise Control	\$20.00	N
22510733	1985	<b>TURN SIGNAL LEVER WIPER SWITCH</b> All, Black, With Pulse Wipers, Without Cruise Control	\$20.00	N
22510732	1985	<b>TURN SIGNAL LEVER WIPER SWITCH</b> All, Black, Without Pulse Wipers, Without Cruise Control	\$20.00	N
22510144	1985	<b>TURN SIGNAL LEVER WIPER SWITCH</b> All, Chrome, With Pulse Wipers, Without Cruise Control	\$20.00	N
22510733	1986	<b>TURN SIGNAL LEVER WIPER SWITCH</b> All, Black, With Pulse Wipers, Without Cruise Control	\$20.00	N
22510732	1986	<b>TURN SIGNAL LEVER WIPER SWITCH</b> All, Black, Without Pulse Wipers, Without Cruise Control	\$20.00	N
22510144	1986	<b>TURN SIGNAL LEVER WIPER SWITCH</b> All, Chrome, With Pulse Wipers, Without Cruise Control	\$20.00	N
22510733	1987	<b>TURN SIGNAL LEVER WIPER SWITCH</b> All, Black, With Pulse Wipers, Without Cruise Control	\$20.00	N
22510732	1987	<b>TURN SIGNAL LEVER WIPER SWITCH</b> All, Black, Without Pulse Wipers, Without Cruise Control	\$20.00	N
22510144	1987	<b>TURN SIGNAL LEVER WIPER SWITCH</b> All, Chrome, With Pulse Wipers, Without Cruise Control	\$20.00	N
22510144	1988	<b>TURN SIGNAL LEVER WIPER SWITCH</b> All, Chrome, With Pulse Wipers, Without Cruise Control	\$20.00	N
22510144	1989	<b>TURN SIGNAL LEVER WIPER SWITCH</b> All, Chrome, With Pulse Wipers, Without Cruise Control	\$20.00	N
22510144	1990	<b>TURN SIGNAL LEVER WIPER SWITCH</b> All, Chrome, With Pulse Wipers, Without Cruise Control	\$20.00	N
<b>TURN SIGNAL SWITCH</b>				
07800482	1967	<b>TURN SIGNAL SWITCH</b> All, Except Column Shift A/T, Without Cornering Lamps (Delco Type, White Or Green)	\$50.00	

Note: Emergency Flasher Actuator Hole In Outer Cover Is Shaped Like A Doghouse.

Part Number	Year	Description	Price	*Rev.
05698897	1967	<b>TURN SIGNAL SWITCH</b> Column Shift A/T, (Delco Type, Black, White Or Green) Without Tilt, Without Cornering Lamps Note: Emergency Flasher Actuator Hole In Outer Cover Is Shaped Like A Doghouse.	\$50.00	
05698897	1967	<b>TURN SIGNAL SWITCH</b> Column Shift A/T, (Delco Type, Black, White Or Green) With Tilt, Without Cornering Lamps Note: Emergency Flasher Actuator Hole In Outer Cover Is Shaped Like A Doghouse.	\$50.00	
07800482	1968	<b>TURN SIGNAL SWITCH</b> All, Except Column Shift A/T, Without Cornering Lamps (Delco Type, White Or Green) Note: Emergency Flasher Actuator Hole In Outer Cover Is Shaped Like A Doghouse.	\$50.00	
05698897	1968	<b>TURN SIGNAL SWITCH</b> Column Shift A/T, (Delco Type, Black, White Or Green) Without Tilt, Without Cornering Lamps Note: Emergency Flasher Actuator Hole In Outer Cover Is Shaped Like A Doghouse.	\$50.00	
05698897	1968	<b>TURN SIGNAL SWITCH</b> Column Shift A/T, (Delco Type, Black, White Or Green) With Tilt, Without Cornering Lamps Note: Emergency Flasher Actuator Hole In Outer Cover Is Shaped Like A Doghouse.	\$50.00	
<b>WINDSHIELD WASHER PUMP</b>				
04919332	1963	<b>WINDSHIELD WASHER PUMP</b> Lesabre, Wildcat, With Single Speed Wiper Motor	\$60.00	N
04919332	1964	<b>WINDSHIELD WASHER PUMP</b> Lesabre, Wildcat, With Single Speed Wiper Motor	\$60.00	N
04919332	1965	<b>WINDSHIELD WASHER PUMP</b> Lesabre, Wildcat, With Single Speed Wiper Motor	\$60.00	N
<b>WINDSHIELD WIPER SWITCH</b>				
01993543	1959	<b>WINDSHIELD WIPER SWITCH</b> 2 Speed With Washer	\$45.00	M
01993543	1961	<b>WINDSHIELD WIPER SWITCH</b> 2 Speed With Washer	\$45.00	M
01993543	1962	<b>WINDSHIELD WIPER SWITCH</b> 2 Speed With Washer	\$45.00	M
01993371	1967	<b>WINDSHIELD WIPER SWITCH</b> Buick Passenger, Lesabre, Electra, Wildcat, With Washer	\$65.00	
<b>WIRING JUNCTION BLOCK</b>				
01865535	1940	<b>WIRING JUNCTION BLOCK</b> 3-Terminal, Headlamp Wire Junction	\$12.00	N
01998756	1940	<b>WIRING JUNCTION BLOCK</b> 4-Terminal, Headlamp Wire Junction	\$13.00	N
01998757	1940	<b>WIRING JUNCTION BLOCK</b> 5-Terminal, Headlamp Wire Junction	\$19.00	N
01865535	1941	<b>WIRING JUNCTION BLOCK</b> 3-Terminal, Headlamp Wire Junction	\$12.00	N
01998756	1941	<b>WIRING JUNCTION BLOCK</b> 4-Terminal, Headlamp Wire Junction	\$13.00	N
01998757	1941	<b>WIRING JUNCTION BLOCK</b> 5-Terminal, Headlamp Wire Junction	\$19.00	N
01865535	1942	<b>WIRING JUNCTION BLOCK</b> 3-Terminal, Headlamp Wire Junction	\$12.00	N
01998756	1942	<b>WIRING JUNCTION BLOCK</b> 4-Terminal, Headlamp Wire Junction	\$13.00	N
01998757	1942	<b>WIRING JUNCTION BLOCK</b> 5-Terminal, Headlamp Wire Junction	\$19.00	N
01865535	1943	<b>WIRING JUNCTION BLOCK</b> 3-Terminal, Headlamp Wire Junction	\$12.00	N
01998756	1943	<b>WIRING JUNCTION BLOCK</b> 4-Terminal, Headlamp Wire Junction	\$13.00	N
01998757	1943	<b>WIRING JUNCTION BLOCK</b> 5-Terminal, Headlamp Wire Junction	\$19.00	N
01865535	1944	<b>WIRING JUNCTION BLOCK</b> 3-Terminal, Headlamp Wire Junction	\$12.00	N
01998756	1944	<b>WIRING JUNCTION BLOCK</b> 4-Terminal, Headlamp Wire Junction	\$13.00	N
01998757	1944	<b>WIRING JUNCTION BLOCK</b> 5-Terminal, Headlamp Wire Junction	\$19.00	N
01865535	1945	<b>WIRING JUNCTION BLOCK</b> 3-Terminal, Headlamp Wire Junction	\$12.00	N
01998756	1945	<b>WIRING JUNCTION BLOCK</b> 4-Terminal, Headlamp Wire Junction	\$13.00	N
01998757	1945	<b>WIRING JUNCTION BLOCK</b> 5-Terminal, Headlamp Wire Junction	\$19.00	N
01865535	1946	<b>WIRING JUNCTION BLOCK</b> 3-Terminal, Headlamp Wire Junction	\$12.00	N
01998756	1946	<b>WIRING JUNCTION BLOCK</b> 4-Terminal, Headlamp Wire Junction	\$13.00	N
01998757	1946	<b>WIRING JUNCTION BLOCK</b> 5-Terminal, Headlamp Wire Junction	\$19.00	N
01865535	1947	<b>WIRING JUNCTION BLOCK</b> 3-Terminal, Headlamp Wire Junction	\$12.00	N
01998756	1947	<b>WIRING JUNCTION BLOCK</b> 4-Terminal, Headlamp Wire Junction	\$13.00	N

Part Number	Year	Description	Price	*Rev.
01998757	1947	<b>WIRING JUNCTION BLOCK</b> 5-Terminal, Headlamp Wire Junction	\$19.00	N
01865535	1948	<b>WIRING JUNCTION BLOCK</b> 3-Terminal, Headlamp Wire Junction	\$12.00	N
01998756	1948	<b>WIRING JUNCTION BLOCK</b> 4-Terminal, Headlamp Wire Junction	\$13.00	N
01998757	1948	<b>WIRING JUNCTION BLOCK</b> 5-Terminal, Headlamp Wire Junction	\$19.00	N
01865535	1949	<b>WIRING JUNCTION BLOCK</b> 3-Terminal, Headlamp Wire Junction	\$12.00	N
01998756	1949	<b>WIRING JUNCTION BLOCK</b> 4-Terminal, Headlamp Wire Junction	\$13.00	N
01998757	1949	<b>WIRING JUNCTION BLOCK</b> 5-Terminal, Headlamp Wire Junction	\$19.00	N
01865535	1950	<b>WIRING JUNCTION BLOCK</b> 3-Terminal, Headlamp Wire Junction	\$12.00	N
01998756	1950	<b>WIRING JUNCTION BLOCK</b> 4-Terminal, Headlamp Wire Junction	\$13.00	N
01998757	1950	<b>WIRING JUNCTION BLOCK</b> 5-Terminal, Headlamp Wire Junction	\$19.00	N
01865535	1951	<b>WIRING JUNCTION BLOCK</b> 3-Terminal, Headlamp Wire Junction	\$12.00	N
01998756	1951	<b>WIRING JUNCTION BLOCK</b> 4-Terminal, Headlamp Wire Junction	\$13.00	N
01998757	1951	<b>WIRING JUNCTION BLOCK</b> 5-Terminal, Headlamp Wire Junction	\$19.00	N
01865535	1952	<b>WIRING JUNCTION BLOCK</b> 3-Terminal, Headlamp Wire Junction	\$12.00	N
01998756	1952	<b>WIRING JUNCTION BLOCK</b> 4-Terminal, Headlamp Wire Junction	\$13.00	N
01998757	1952	<b>WIRING JUNCTION BLOCK</b> 5-Terminal, Headlamp Wire Junction	\$19.00	N
01865535	1953	<b>WIRING JUNCTION BLOCK</b> 3-Terminal, Headlamp Wire Junction	\$12.00	N
01998756	1953	<b>WIRING JUNCTION BLOCK</b> 4-Terminal, Headlamp Wire Junction	\$13.00	N
01998757	1953	<b>WIRING JUNCTION BLOCK</b> 5-Terminal, Headlamp Wire Junction	\$19.00	N
01865535	1954	<b>WIRING JUNCTION BLOCK</b> 3-Terminal, Headlamp Wire Junction	\$12.00	N
01998756	1954	<b>WIRING JUNCTION BLOCK</b> 4-Terminal, Headlamp Wire Junction	\$13.00	N
01998757	1954	<b>WIRING JUNCTION BLOCK</b> 5-Terminal, Headlamp Wire Junction	\$19.00	N

# ***Section 3***

## ***Cadillac***

Part Number	Year	Description	Price	*Rev.
<b>AIR CONDITIONING COMPRESSOR EXTENSION HARNESS</b>				
40895	1966	<b>AIR CONDITIONING COMPRESSOR EXTENSION HARNESS</b> All, From Compressor To Forward Lamp Harness	\$87.00	
40895	1966	<b>AIR CONDITIONING COMPRESSOR EXTENSION HARNESS</b> All, From Compressor To Forward Lamp Harness	\$87.00	
<b>AIR CONDITIONING HARNESS</b>				
19920	1958	<b>AIR CONDITIONING HARNESS</b>	\$180.00	
27690	1959	<b>AIR CONDITIONING HARNESS</b>	\$166.00	
<b>BATTERY CABLE</b>				
41354	1963	<b>BATTERY CABLE, SPRING RING</b> Neg	\$65.00	N
41353	1963	<b>BATTERY CABLE, SPRING RING</b> Pos	\$65.00	N
41354	1964	<b>BATTERY CABLE, SPRING RING</b> Neg	\$65.00	N
29435	1964	<b>BATTERY CABLE, SPRING RING</b> Pos	\$65.00	N
41354	1965	<b>BATTERY CABLE, SPRING RING</b> Neg, 28 Inches Long	\$65.00	N
29485	1965	<b>BATTERY CABLE, SPRING RING</b> Neg, 40 Inches Long	\$65.00	N
29450	1965	<b>BATTERY CABLE, SPRING RING</b> Pos, 42-1/2 Inches Long	\$65.00	N
29435	1965	<b>BATTERY CABLE, SPRING RING</b> Pos, 52-1/2 Inches Long	\$65.00	N
29485	1966	<b>BATTERY CABLE, SPRING RING</b> Neg, Except 75 Series Fleetwood	\$65.00	N
29450	1966	<b>BATTERY CABLE, SPRING RING</b> Pos, Except 75 Series Fleetwood	\$65.00	N
02925	1967	<b>BATTERY CABLE, SPRING RING</b> Neg, Eldorado	\$65.00	N
29470	1967	<b>BATTERY CABLE, SPRING RING</b> Pos, Eldorado	\$140.00	N
29485	1967	<b>BATTERY CABLE, SPRING RING</b> Neg, Except 75 Series Eldorado And Fleetwood	\$65.00	N
29450	1967	<b>BATTERY CABLE, SPRING RING</b> Pos, Except 75 Series Eldorado And Fleetwood	\$65.00	N
27235	1968	<b>BATTERY CABLE, SPRING RING</b> Neg, Eldorado	\$65.00	N
27225	1968	<b>BATTERY CABLE, SPRING RING</b> Pos, Eldorado	\$65.00	N
27230	1968	<b>BATTERY CABLE, SPRING RING</b> Neg, Except Eldorado	\$65.00	N
44309	1968	<b>BATTERY CABLE, SPRING RING</b> Pos, Except Eldorado	\$65.00	N
27235	1969	<b>BATTERY CABLE, SPRING RING</b> Neg, Eldorado	\$65.00	N
27225	1969	<b>BATTERY CABLE, SPRING RING</b> Pos, Eldorado	\$65.00	N
44311	1969	<b>BATTERY CABLE, SPRING RING</b> Neg, Except Eldorado	\$65.00	N
44310	1969	<b>BATTERY CABLE, SPRING RING</b> Pos, Except Eldorado	\$65.00	N
27235	1970	<b>BATTERY CABLE, SPRING RING</b> Neg, Eldorado	\$65.00	N
27225	1970	<b>BATTERY CABLE, SPRING RING</b> Pos, Eldorado	\$65.00	N
44310	1970	<b>BATTERY CABLE, SPRING RING</b> Pos, Except Eldorado	\$65.00	N
44311	1970	<b>BATTERY CABLE, SPRING RING</b> Neg, Except Eldorado	\$65.00	N
<b>COURTESY LAMP HARNESS</b>				
41559	1960	<b>COURTESY LAMP HARNESS</b> All 62 Series, Center Roof Mounted Dome Lamp	\$60.00	
<b>DASH HARNESS</b>				
22890	1957	<b>DASH AND ENGINE COMPARTMENT HARNESS</b> Note: Customer Must Supply Their Original Fuseblock And Turn Signal Switch Connector.	\$1367.00	
19910	1957	<b>DASH AND ENGINE COMPARTMENT HARNESS</b> Eldorado Brougham, Model 7059 Only Note: Customer Must Supply Their Original Fuseblock And Turn Signal Switch Connector.	\$1367.00	
19915	1958	<b>DASH AND ENGINE COMPARTMENT HARNESS</b> NOTE: customer must supply their original fuseblock and turn signal switch connector.	\$1367.00	
22615	1959	<b>DASH AND FORWARD LAMP HARNESS</b> NOTE: customer must supply their original fuseblock and turn signal switch connector.	\$1058.00	
22095	1959	<b>DASH INSTRUMENT CLUSTER HARNESS</b> Upper Half	\$332.00	
22100	1959	<b>DASH INSTRUMENT CLUSTER HARNESS</b> Lower Half	\$245.00	

Part Number	Year	Description	Price	*Rev.
28995	1960	<b>DASH AND FORWARD LAMP HARNESS</b> NOTE: customer must supply their original fuseblock and turn signal switch connector.	\$1125.00	
29005	1960	<b>DASH INSTRUMENT CLUSTER HARNESS</b> Upper Half	\$332.00	
29020	1960	<b>DASH INSTRUMENT CLUSTER HARNESS</b> Lower Half, Without A/C	\$276.00	
29025	1960	<b>DASH INSTRUMENT CLUSTER HARNESS</b> Lower Half, With A/C	\$276.00	
29045	1961	<b>DASH HARNESS</b> With A/C, Except Fleetwood (Series 75) & Commercial Chassis NOTE: customer must supply their original fuseblock, bulkhead and turn signal switch connectors.	\$993.00	
29000	1961	<b>DASH HARNESS</b> Without A/C, Except Fleetwood Series 75 & Commercial Chassis NOTE: customer must supply their original fuseblock, bulkhead and turn signal switch connectors.	\$993.00	
28745	1962	<b>DASH HARNESS</b> With A/C, Except Fleetwood (Series 75) & Commercial Chassis NOTE: customer must supply their original fuseblock, bulkhead and turn signal switch connectors.	\$993.00	
29050	1962	<b>DASH HARNESS</b> Without A/C, Except Fleetwood Series 75 & Commercial Chassis NOTE: customer must supply their original fuseblock, bulkhead and turn signal switch connectors.	\$993.00	
28655	1963	<b>DASH HARNESS</b> With A/C, Except Fleetwood (Series 75) & Commercial Chassis NOTE: customer must supply their original fuseblock, bulkhead and turn signal switch connectors.	\$993.00	
29055	1963	<b>DASH HARNESS</b> Without A/C, Except Fleetwood Series 75 & Commercial Chassis NOTE: customer must supply their original fuseblock, bulkhead and turn signal switch connectors.	\$993.00	
28660	1964	<b>DASH HARNESS</b> With A/C, Except Fleetwood (Series 75) & Commercial Chassis NOTE: customer must supply their original fuseblock, bulkhead and turn signal switch connectors.	\$993.00	
29060	1964	<b>DASH HARNESS</b> Without A/C, Except Fleetwood Series 75 & Commercial Chassis NOTE: customer must supply their original fuseblock, bulkhead and turn signal switch connectors.	\$1035.00	
28735	1965	<b>DASH HARNESS</b> With A/C, Except Fleetwood Sedan, Limousine (Series 75) NOTE: customer must supply their original fuseblock and bulkhead connector. Tape connectors for twilight sentinel when used on cars not equipped with twilight sentinel.	\$1035.00	
29065	1965	<b>DASH HARNESS</b> Without A/C, Except Fleetwood Sedan, Limousine (Series 75) NOTE: customer must supply their original fuseblock and bulkhead connector. Tape connectors for twilight sentinel when used on cars not equipped with twilight sentinel.	\$993.00	
28725	1966	<b>DASH HARNESS</b> With A/C, (Early) Bef. Eng.#251240, Exc. Fleetwood Series 75 Note: Customer Must Supply Their Original Fuseblock and Bulkhead Connector.	\$993.00	
29075	1966	<b>DASH HARNESS</b> Without A/C, (Early) Bef. Eng.#251240, Exc. Fleetwood (75) Note: Customer Must Supply Their Original Fuseblock and Bulkhead Connector.	\$993.00	
28730	1966	<b>DASH HARNESS</b> With A/C, (Late) Aft. Eng.#251239, Exc. Fleetwood Series 75 Note: Customer Must Supply Their Original Fuseblock.	\$993.00	
29070	1966	<b>DASH HARNESS</b> Without A/C, (Late) Aft. Eng.#251239, Exc. Fleetwood (75) Note: Customer Must Supply Their Original Fuseblock.	\$993.00	
28740	1967	<b>DASH HARNESS</b> With A/C, Except Eldorado Note: Customer Must Supply Their Original Fuseblock.	\$1026.00	
28900	1967	<b>DASH AND ENGINE COMPARTMENT HARNESS</b> Eldorado, With A/C, Without Starter & Coil Wires Note: Customer Must Supply Their Original Fuseblock.	\$1026.00	
28885	1968	<b>DASH HARNESS</b> With A/C, Except Eldorado & Commercial Chassis Note: Customer Must Supply Their Original Fuseblock.	\$1026.00	
29030	1968	<b>DASH AND ENGINE COMPARTMENT HARNESS</b> Eldorado, With A/C & Twilight Sentinel Note: Customer Must Supply Their Original Fuseblock.	\$1026.00	
28880	1969	<b>DASH HARNESS</b> With A/C, Except Commercial Chassis Note: Customer Must Supply Their Original Fuseblock.	\$1058.00	
28890	1970	<b>DASH HARNESS</b> With A/C, Except Commercial Chassis Note: Customer Must Supply Their Original Fuseblock.	\$1104.00	
<b>ENGINE HARNESS</b>				
22090	1959	<b>ENGINE HARNESS</b> Ignition Switch To Engine, All	\$207.00	

Part Number	Year	Description	Price	*Rev.
27705	1960	<b>ENGINE HARNESS</b> Ignition Switch To Engine, All	\$207.00	
28290	1961	<b>ENGINE HARNESS</b> Ignition Switch To Engine, Except Fleetwood (Series 75)	\$207.00	
27705	1961	<b>ENGINE HARNESS</b> Ignition Switch To Engine, Fleetwood (Series 75)	\$207.00	
28290	1962	<b>ENGINE HARNESS</b> Ignition Switch To Engine, Except Fleetwood (Series 75)	\$207.00	
27705	1962	<b>ENGINE HARNESS</b> Ignition Switch To Engine, Fleetwood (Series 75)	\$207.00	
28315	1963	<b>ENGINE HARNESS</b> Ignition Switch To Engine, All	\$228.00	
28295	1964	<b>ENGINE HARNESS</b> Ignition Switch To Engine, All	\$228.00	
28720	1965	<b>ENGINE HARNESS</b> Ignition Switch To Engine, Except Fleetwood (Series 75)	\$228.00	
29080	1966	<b>ENGINE HARNESS</b> Without Seat Warmer, Early 1st Design, Before Engine #251240 Note: Requires Use Of Customers Original Harness.	\$249.00	
29095	1966	<b>ENGINE HARNESS</b> Without Seat Warmer, Late 2nd Design, After Engine #251239 Note: Requires Use Of Customers Original Harness.	\$249.00	
29085	1966	<b>ENGINE HARNESS</b> With Seat Warmer, Early 1st Design, Before Engine #215484 Note: Requires Use Of Customers Original Harness.	\$249.00	
29090	1966	<b>ENGINE HARNESS</b> With Seat Warmer, Late 1st Design, Aft. Eng#215483 To 251240 Note: Requires Use Of Customers Original Harness.	\$249.00	
29100	1966	<b>ENGINE HARNESS</b> With Seat Warmer, Late 2nd Design, After Engine #251239 Note: Requires Use Of Customers Original Harness.	\$249.00	
28625	1967	<b>ENGINE HARNESS</b> Except Eldorado	\$249.00	
23575	1968	<b>ENGINE COMPARTMENT HARNESS</b> With A/C, Except Eldorado	\$690.00	
23580	1969	<b>ENGINE COMPARTMENT HARNESS</b> With A/C, Except Eldorado	\$690.00	
28610	1969	<b>ENGINE COMPARTMENT HARNESS</b> With A/C, Eldorado	\$690.00	
28600	1970	<b>ENGINE COMPARTMENT HARNESS</b> With A/C, Except Eldorado	\$690.00	
28605	1970	<b>ENGINE COMPARTMENT HARNESS</b> With A/C, Eldorado	\$690.00	
<b>FORWARD LAMP HARNESS</b>				
38382	1961	<b>FORWARD LAMP HARNESS</b>	\$413.00	
29015	1961	<b>FORWARD LAMP EXTENSION HARNESS</b>	\$413.00	
38383	1962	<b>FORWARD LAMP HARNESS</b>	\$413.00	
28320	1962	<b>FORWARD LAMP EXTENSION HARNESS</b>	\$413.00	
28350	1963	<b>FORWARD LAMP HARNESS</b> With A/C, Except Fleetwood (Series 75)	\$442.00	
28355	1964	<b>FORWARD LAMP HARNESS</b> With A/C, Except Fleetwood (Series 75)	\$442.00	
29110	1965	<b>FORWARD LAMP HARNESS</b> With A/C	\$442.00	
29105	1965	<b>FORWARD LAMP HARNESS</b> Without A/C	\$442.00	
28620	1966	<b>FORWARD LAMP AND AIR CONDITIONING HARNESS</b> All	\$442.00	
28615	1967	<b>FORWARD LAMP AND AIR CONDITIONING HARNESS</b> Except Eldorado	\$442.00	
<b>GENERATOR TO REGULATOR HARNESS</b>				
27700	1959	<b>GENERATOR TO REGULATOR HARNESS</b> All	\$63.00	
27700	1960	<b>GENERATOR TO REGULATOR HARNESS</b> All	\$63.00	
28305	1961	<b>GENERATOR TO REGULATOR HARNESS</b> All	\$63.00	
28305	1962	<b>GENERATOR TO REGULATOR HARNESS</b> All	\$63.00	
28310	1963	<b>GENERATOR TO REGULATOR HARNESS</b> All	\$63.00	
28310	1964	<b>GENERATOR TO REGULATOR HARNESS</b> All	\$63.00	
28630	1965	<b>GENERATOR TO REGULATOR HARNESS</b> Except Fleetwood (Series 75)	\$56.00	
28310	1965	<b>GENERATOR TO REGULATOR HARNESS</b> Fleetwood (Series 75)	\$63.00	
28630	1966	<b>GENERATOR TO REGULATOR HARNESS</b> All	\$56.00	
28630	1967	<b>GENERATOR TO REGULATOR HARNESS</b> Except Eldorado	\$56.00	

Part Number	Year	Description	Price	*Rev.
<b>HARNESS TAPE</b>				
R0058272	1957	HARNESS TAPE 3/4" Vinyl (100 Ft. Roll) Non-Adhesive	\$12.00	
R0058276	1957	HARNESS TAPE 1" Vinyl (100 Ft. Roll) Non-Adhesive	\$13.00	
R0067108	1957	HARNESS TAPE 1 1/4" Vinyl (100 Ft. Roll) Non-Adhesive	\$15.00	
R0058272	1958	HARNESS TAPE 3/4" Vinyl (100 Ft. Roll) Non-Adhesive	\$12.00	
R0058276	1958	HARNESS TAPE 1" Vinyl (100 Ft. Roll) Non-Adhesive	\$13.00	
R0067108	1958	HARNESS TAPE 1 1/4" Vinyl (100 Ft. Roll) Non-Adhesive	\$15.00	
R0058272	1959	HARNESS TAPE 3/4" Vinyl (100 Ft. Roll) Non-Adhesive	\$12.00	
R0058276	1959	HARNESS TAPE 1" Vinyl (100 Ft. Roll) Non-Adhesive	\$13.00	
R0067108	1959	HARNESS TAPE 1 1/4" Vinyl (100 Ft. Roll) Non-Adhesive	\$15.00	
R0058272	1960	HARNESS TAPE 3/4" Vinyl (100 Ft. Roll) Non-Adhesive	\$12.00	
R0058276	1960	HARNESS TAPE 1" Vinyl (100 Ft. Roll) Non-Adhesive	\$13.00	
R0067108	1960	HARNESS TAPE 1 1/4" Vinyl (100 Ft. Roll) Non-Adhesive	\$15.00	
R0058272	1961	HARNESS TAPE 3/4" Vinyl (100 Ft. Roll) Non-Adhesive	\$12.00	
R0058276	1961	HARNESS TAPE 1" Vinyl (100 Ft. Roll) Non-Adhesive	\$13.00	
R0067108	1961	HARNESS TAPE 1 1/4" Vinyl (100 Ft. Roll) Non-Adhesive	\$15.00	
R0058272	1962	HARNESS TAPE 3/4" Vinyl (100 Ft. Roll) Non-Adhesive	\$12.00	
R0058276	1962	HARNESS TAPE 1" Vinyl (100 Ft. Roll) Non-Adhesive	\$13.00	
R0067108	1962	HARNESS TAPE 1 1/4" Vinyl (100 Ft. Roll) Non-Adhesive	\$15.00	
R0058272	1963	HARNESS TAPE 3/4" Vinyl (100 Ft. Roll) Non-Adhesive	\$12.00	
R0058276	1963	HARNESS TAPE 1" Vinyl (100 Ft. Roll) Non-Adhesive	\$13.00	
R0067108	1963	HARNESS TAPE 1 1/4" Vinyl (100 Ft. Roll) Non-Adhesive	\$15.00	
R0058272	1964	HARNESS TAPE 3/4" Vinyl (100 Ft. Roll) Non-Adhesive	\$12.00	
R0058276	1964	HARNESS TAPE 1" Vinyl (100 Ft. Roll) Non-Adhesive	\$13.00	
R0067108	1964	HARNESS TAPE 1 1/4" Vinyl (100 Ft. Roll) Non-Adhesive	\$15.00	
R0058272	1965	HARNESS TAPE 3/4" Vinyl (100 Ft. Roll) Non-Adhesive	\$12.00	
R0058276	1965	HARNESS TAPE 1" Vinyl (100 Ft. Roll) Non-Adhesive	\$13.00	
R0067108	1965	HARNESS TAPE 1 1/4" Vinyl (100 Ft. Roll) Non-Adhesive	\$15.00	
R0058272	1966	HARNESS TAPE 3/4" Vinyl (100 Ft. Roll) Non-Adhesive	\$12.00	
R0058276	1966	HARNESS TAPE 1" Vinyl (100 Ft. Roll) Non-Adhesive	\$13.00	
R0067108	1966	HARNESS TAPE 1 1/4" Vinyl (100 Ft. Roll) Non-Adhesive	\$15.00	
R0058272	1967	HARNESS TAPE 3/4" Vinyl (100 Ft. Roll) Non-Adhesive	\$12.00	
R0058276	1967	HARNESS TAPE 1" Vinyl (100 Ft. Roll) Non-Adhesive	\$13.00	
R0067108	1967	HARNESS TAPE 1 1/4" Vinyl (100 Ft. Roll) Non-Adhesive	\$15.00	
R0058272	1968	HARNESS TAPE 3/4" Vinyl (100 Ft. Roll) Non-Adhesive	\$12.00	
R0058276	1968	HARNESS TAPE 1" Vinyl (100 Ft. Roll) Non-Adhesive	\$13.00	
R0067108	1968	HARNESS TAPE 1 1/4" Vinyl (100 Ft. Roll) Non-Adhesive	\$15.00	
R0058272	1969	HARNESS TAPE 3/4" Vinyl (100 Ft. Roll) Non-Adhesive	\$12.00	
R0058276	1969	HARNESS TAPE 1" Vinyl (100 Ft. Roll) Non-Adhesive	\$13.00	
R0067108	1969	HARNESS TAPE 1 1/4" Vinyl (100 Ft. Roll) Non-Adhesive	\$15.00	
R0058272	1970	HARNESS TAPE 3/4" Vinyl (100 Ft. Roll) Non-Adhesive	\$12.00	
R0058276	1970	HARNESS TAPE 1" Vinyl (100 Ft. Roll) Non-Adhesive	\$13.00	
R0067108	1970	HARNESS TAPE 1 1/4" Vinyl (100 Ft. Roll) Non-Adhesive	\$15.00	
R0058272	1971	HARNESS TAPE 3/4" Vinyl (100 Ft. Roll) Non-Adhesive	\$12.00	
R0058276	1971	HARNESS TAPE 1" Vinyl (100 Ft. Roll) Non-Adhesive	\$13.00	
R0067108	1971	HARNESS TAPE 1 1/4" Vinyl (100 Ft. Roll) Non-Adhesive	\$15.00	
R0058272	1972	HARNESS TAPE 3/4" Vinyl (100 Ft. Roll) Non-Adhesive	\$12.00	



Part Number	Year	Description	Price	*Rev.
R0058276	1972	<b>HARNESSTAPE</b> 1" Vinyl (100 Ft. Roll) Non-Adhesive	\$13.00	
R0067108	1972	<b>HARNESSTAPE</b> 1 1/4" Vinyl (100 Ft. Roll) Non-Adhesive	\$15.00	
R0058272	1973	<b>HARNESSTAPE</b> 3/4" Vinyl (100 Ft. Roll) Non-Adhesive	\$12.00	
R0058276	1973	<b>HARNESSTAPE</b> 1" Vinyl (100 Ft. Roll) Non-Adhesive	\$13.00	
R0067108	1973	<b>HARNESSTAPE</b> 1 1/4" Vinyl (100 Ft. Roll) Non-Adhesive	\$15.00	
<b>HEADLAMP-PARKING AND CORNERING LAMP EXTENSION</b>				
28595	1965	<b>HEADLAMP, PARKING AND CORNERING LAMP EXTENSION</b> Except Fleetwood (Series 75), 2 Required Per Car	\$53.00	
<b>IGNITION CYLINDER AND KEYS</b>				
20071252	1969	<b>IGNITION CYLINDER AND KEYS</b> Chrome, All	\$18.50	N
20071252	1970	<b>IGNITION CYLINDER AND KEYS</b> Chrome, All	\$18.50	N
20071252	1971	<b>IGNITION CYLINDER AND KEYS</b> Chrome, All	\$18.50	N
20071252	1972	<b>IGNITION CYLINDER AND KEYS</b> Chrome, All	\$18.50	N
20071252	1973	<b>IGNITION CYLINDER AND KEYS</b> Chrome, All	\$18.50	N
20071252	1974	<b>IGNITION CYLINDER AND KEYS</b> Chrome, All	\$18.50	N
20071252	1975	<b>IGNITION CYLINDER AND KEYS</b> Chrome, All	\$18.50	N
20071252	1976	<b>IGNITION CYLINDER AND KEYS</b> Chrome, All	\$18.50	N
20071252	1977	<b>IGNITION CYLINDER AND KEYS</b> Chrome, All	\$18.50	N
20071252	1978	<b>IGNITION CYLINDER AND KEYS</b> Chrome, All, 1st Design, Used On Columns Without Lock Cylinder Retaining Screw	\$18.50	N
07833759	1978	<b>IGNITION CYLINDER AND KEYS</b> Chrome, All, 2nd Design, Used On Columns With Lock Cylinder Retaining Screw	\$18.50	N
07833759	1979	<b>IGNITION CYLINDER AND KEYS</b> Chrome, All	\$18.50	N
07833759	1980	<b>IGNITION CYLINDER AND KEYS</b> Chrome, All	\$18.50	N
07833759	1981	<b>IGNITION CYLINDER AND KEYS</b> Chrome, All	\$18.50	N
07833759	1982	<b>IGNITION CYLINDER AND KEYS</b> Chrome, All	\$18.50	N
07833759	1983	<b>IGNITION CYLINDER AND KEYS</b> Chrome, All	\$18.50	N
07833759	1984	<b>IGNITION CYLINDER AND KEYS</b> Chrome, Eldorado, Seville	\$18.50	N
07833759	1985	<b>IGNITION CYLINDER AND KEYS</b> Chrome, Eldorado, Seville	\$18.50	N
<b>IGNITION SWITCH</b>				
01990110	1969	<b>IGNITION SWITCH</b> All, With Tilt	\$14.00	N
01990110	1970	<b>IGNITION SWITCH</b> All, With Tilt	\$14.00	N
01990110	1971	<b>IGNITION SWITCH</b> All, With Tilt	\$14.00	N
01990110	1972	<b>IGNITION SWITCH</b> All, With Tilt	\$14.00	N
01990110	1973	<b>IGNITION SWITCH</b> All, With Tilt	\$14.00	N
01990110	1974	<b>IGNITION SWITCH</b> All, With Tilt	\$14.00	N
01990110	1975	<b>IGNITION SWITCH</b> All, With Tilt	\$14.00	N
01990110	1976	<b>IGNITION SWITCH</b> All, With Tilt	\$14.00	N
01990110	1977	<b>IGNITION SWITCH</b> All, With Tilt	\$14.00	N
01990110	1978	<b>IGNITION SWITCH</b> All, With Tilt	\$14.00	N
01990110	1979	<b>IGNITION SWITCH</b> All, With Tilt	\$14.00	N
01990110	1980	<b>IGNITION SWITCH</b> All, With Tilt	\$14.00	N
01990110	1981	<b>IGNITION SWITCH</b> All, With Tilt	\$14.00	N
01990110	1982	<b>IGNITION SWITCH</b> All, With Tilt	\$14.00	N
01990110	1983	<b>IGNITION SWITCH</b> All, With Tilt	\$14.00	N
01990110	1984	<b>IGNITION SWITCH</b> All, With Tilt	\$14.00	N
01990110	1985	<b>IGNITION SWITCH</b> All, With Tilt	\$14.00	N

Part Number	Year	Description	Price	*Rev.
<b>INSTRUMENT GAUGE CLUSTER CLIP KIT</b>				
08986000	1976	<b>CLIP KIT</b> All, Instrument Gauge Cluster / Printed Circuit Board Retaining Clip Note: Replaces Original GM Part Number 08986000, Includes 12 Clips Per Kit.	\$14.00	N
08986000	1977	<b>CLIP KIT</b> All, Instrument Gauge Cluster / Printed Circuit Board Retaining Clip Note: Replaces Original GM Part Number 08986000, Includes 12 Clips Per Kit.	\$14.00	N
08986000	1978	<b>CLIP KIT</b> All, Instrument Gauge Cluster / Printed Circuit Board Retaining Clip Note: Replaces Original GM Part Number 08986000, Includes 12 Clips Per Kit.	\$14.00	N
08986000	1979	<b>CLIP KIT</b> All, Instrument Gauge Cluster / Printed Circuit Board Retaining Clip Note: Replaces Original GM Part Number 08986000, Includes 12 Clips Per Kit.	\$14.00	N
08986000	1980	<b>CLIP KIT</b> All, Instrument Gauge Cluster / Printed Circuit Board Retaining Clip Note: Replaces Original GM Part Number 08986000, Includes 12 Clips Per Kit.	\$14.00	N
08986000	1981	<b>CLIP KIT</b> All, Instrument Gauge Cluster / Printed Circuit Board Retaining Clip Note: Replaces Original GM Part Number 08986000, Includes 12 Clips Per Kit.	\$14.00	N
08986000	1982	<b>CLIP KIT</b> Eldorado, Seville, All, Instrument Gauge Cluster / Printed Circuit Board Retaining Clip Note: Replaces Original GM Part Number 08986000, Includes 12 Clips Per Kit.	\$14.00	N
08986000	1983	<b>CLIP KIT</b> Eldorado, Seville, All, Instrument Gauge Cluster / Printed Circuit Board Retaining Clip Note: Replaces Original GM Part Number 08986000, Includes 12 Clips Per Kit.	\$14.00	N
08986000	1984	<b>CLIP KIT</b> Eldorado, Seville, All, Instrument Gauge Cluster / Printed Circuit Board Retaining Clip Note: Replaces Original GM Part Number 08986000, Includes 12 Clips Per Kit.	\$14.00	N
08986000	1985	<b>CLIP KIT</b> Eldorado, Seville, All, Instrument Gauge Cluster / Printed Circuit Board Retaining Clip Note: Replaces Original GM Part Number 08986000, Includes 12 Clips Per Kit.	\$14.00	N
<b>POWER FEED WIRE</b>				
08150	1965	<b>POWER FEED WIRE</b> Bucket Seat Adjuster	\$35.00	
08150	1966	<b>POWER FEED WIRE</b> Bucket Seat Adjuster	\$35.00	
08150	1967	<b>POWER FEED WIRE</b> Bucket Seat Adjuster	\$35.00	
08150	1968	<b>POWER FEED WIRE</b> Bucket Seat Adjuster	\$35.00	
<b>REAR LAMP INTERMEDIATE HARNESS</b>				
07240	1965	<b>REAR LAMP INTERMEDIATE HARNESS</b> All Models, Except Fleetwood 4 Door Sedan, Limousine & Commercial Chassis	\$207.00	
07240	1966	<b>REAR LAMP INTERMEDIATE HARNESS</b> All Models, Except Fleetwood 4 Door Sedan, Limousine & Commercial Chassis	\$207.00	
<b>SPEAKER WIRE</b>				
07275	1965	<b>SPEAKER WIRE</b> Rear Speakers	\$29.00	
07275	1966	<b>SPEAKER WIRE</b> Rear Speakers	\$29.00	
07275	1967	<b>SPEAKER WIRE</b> Rear Speakers	\$29.00	
07275	1968	<b>SPEAKER WIRE</b> Rear Speakers	\$29.00	
07275	1969	<b>SPEAKER WIRE</b> Rear Speakers	\$29.00	
07275	1970	<b>SPEAKER WIRE</b> Rear Speakers	\$29.00	
<b>STARTER EXTENSION HARNESS</b>				
29009	1964	<b>STARTER EXTENSION HARNESS</b>	\$74.00	
29009	1965	<b>STARTER EXTENSION HARNESS</b>	\$74.00	

Part Number	Year	Description	Price	*Rev.
26750	1967	<b>STARTER MOTOR JUMPER HARNESS</b> Eldorado, Dash To Starter Motor Extension	\$116.00	
29010	1968	<b>STARTER EXTENSION HARNESS</b> Eldorado, Starter Solenoid To Engine Harness Connector	\$72.00	
29010	1969	<b>STARTER EXTENSION HARNESS</b> Eldorado, Starter Solenoid To Engine Harness Connector	\$72.00	
29010	1970	<b>STARTER EXTENSION HARNESS</b> Eldorado, Starter Solenoid To Engine Harness Connector	\$72.00	
29010	1971	<b>STARTER EXTENSION HARNESS</b> All With 80 Amp Gen., Eldorado With 42 & 63 Amp Gen.	\$72.00	
29010	1972	<b>STARTER EXTENSION HARNESS</b> All With 80 Amp Gen., Eldorado With 42 & 63 Amp Gen.	\$72.00	
29010	1973	<b>STARTER EXTENSION HARNESS</b> Eldorado, With 42 & 63 Amp Gen.	\$72.00	
<b>WIRING JUNCTION BLOCK</b>				
01865535	1941	<b>WIRING JUNCTION BLOCK</b> 3-Terminal, Headlamp Wire Junction	\$12.00	N
01998756	1941	<b>WIRING JUNCTION BLOCK</b> 4-Terminal, Headlamp Wire Junction	\$13.00	N
01998757	1941	<b>WIRING JUNCTION BLOCK</b> 5-Terminal, Headlamp Wire Junction	\$19.00	N
01865535	1946	<b>WIRING JUNCTION BLOCK</b> 3-Terminal, Headlamp Wire Junction	\$12.00	N
01998756	1946	<b>WIRING JUNCTION BLOCK</b> 4-Terminal, Headlamp Wire Junction	\$13.00	N
01998757	1946	<b>WIRING JUNCTION BLOCK</b> 5-Terminal, Headlamp Wire Junction	\$19.00	N
01865535	1947	<b>WIRING JUNCTION BLOCK</b> 3-Terminal, Headlamp Wire Junction	\$12.00	N
01998756	1947	<b>WIRING JUNCTION BLOCK</b> 4-Terminal, Headlamp Wire Junction	\$13.00	N
01998757	1947	<b>WIRING JUNCTION BLOCK</b> 5-Terminal, Headlamp Wire Junction	\$19.00	N
01865535	1948	<b>WIRING JUNCTION BLOCK</b> 3-Terminal, Headlamp Wire Junction	\$12.00	N
01998756	1948	<b>WIRING JUNCTION BLOCK</b> 4-Terminal, Headlamp Wire Junction	\$13.00	N
01998757	1948	<b>WIRING JUNCTION BLOCK</b> 5-Terminal, Headlamp Wire Junction	\$19.00	N
01998756	1951	<b>WIRING JUNCTION BLOCK</b> 4-Terminal, Headlamp Wire Junction	\$13.00	N
01998757	1951	<b>WIRING JUNCTION BLOCK</b> 5-Terminal, Headlamp Wire Junction	\$19.00	N
01998756	1952	<b>WIRING JUNCTION BLOCK</b> 4-Terminal, Headlamp Wire Junction	\$13.00	N
01998757	1952	<b>WIRING JUNCTION BLOCK</b> 5-Terminal, Headlamp Wire Junction	\$19.00	N
01998756	1953	<b>WIRING JUNCTION BLOCK</b> 4-Terminal, Headlamp Wire Junction	\$13.00	N
01998757	1953	<b>WIRING JUNCTION BLOCK</b> 5-Terminal, Headlamp Wire Junction	\$19.00	N
01998756	1954	<b>WIRING JUNCTION BLOCK</b> 4-Terminal, Headlamp Wire Junction	\$13.00	N
01998757	1954	<b>WIRING JUNCTION BLOCK</b> 5-Terminal, Headlamp Wire Junction	\$19.00	N

# ***Section 4***

## ***Camaro***

# **Classic Auto Fuse Series Dash Harnesses**

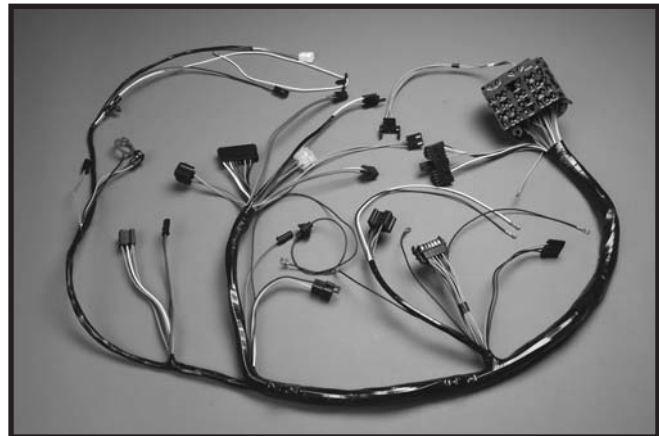
**Now Available for 1968-1969 Camaro's**

**Factory replacement style Dash Harnesses with ATO Type fuse blocks**

**No cutting, modifying of any sort required !**

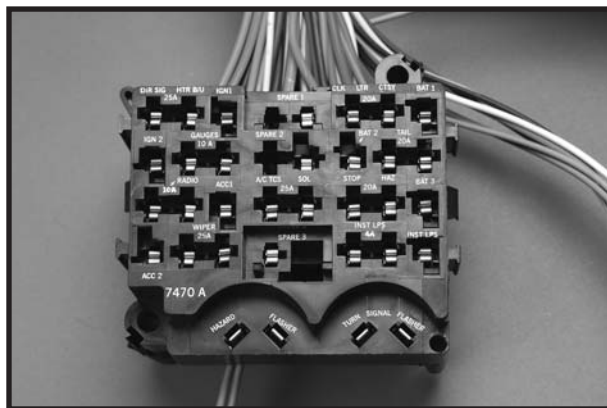
Our new Classic Auto Fuse Series Dash Harnesses allow the professional restorer to maintain the easy plug and play function of original factory type harnesses, while converting the entire fuse block to an Auto Fuse Series (ATO Type) fuse block. The Classic Auto Fuse Series Dash Harnesses give restorers the flexibility to add additional power circuits, without the installation headaches normally associated with this type of fuse box conversion.

The plug and play Classic Auto Fuse Series Dash Harnesses are a first in the industry. Don't be fooled by clever advertising and claims by others that their do-it-yourself harnesses are easy to install. There is no other product like this on the market anywhere.



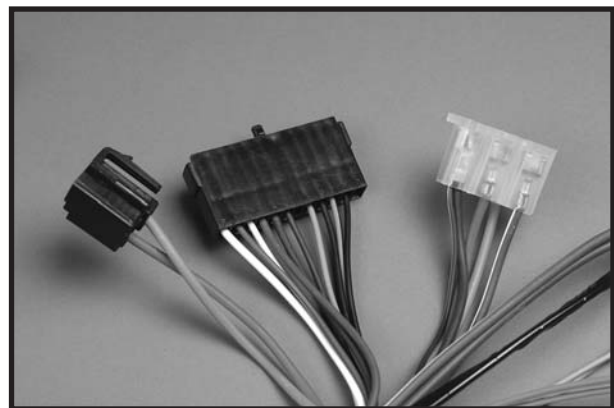
***There is no cutting, modifying or altering of any sort required. Just plug it in and turn it on, it's that simple. The Classic Auto Fuse Dash Harnesses are completely compatible with the remaining harnesses in the car; couple that with our world renowned technical support for the finest product money can buy.***

*Browse our catalog for specific applications, part numbers and prices*



#### **Features an ATO Type Fuse Block**

ATO Type Fuse Block with additional, fully integrated power ports allow the restorer to easily tap power for aftermarket electronic devices such as audio accessories, electric fans & ignition boxes.



#### **Features Factory Type Connectors**

Original factory type connectors are used on every wire. Wire colors match the OEM specs, but heavier gauge wires are used on the appropriate power circuits to accommodate aftermarket accessories.

# Classic Auto Fuse Series Dash Harnesses

## Check Out These Outstanding Features

### • Upgraded Main Power Circuits

The main power circuits have been upgraded to ensure the extra capacity of the new Classic Auto Fuse Series fuse block. No need to worry about splicing onto existing fuses and circuits for aftermarket type accessories and overloading the fuse.

### • Three Constant Battery Power Accessory Ports

Original Glass Series fuse boxes have only one port. These 3 ports supply constant battery power regardless of the ignition switch position. Each of these ports has a maximum fuse capacity of 10 amps.

### • One Instrument Cluster Lamps Accessory Port

Original Glass Series fuse boxes have only one port. This port is used to access the rheostat circuit on the headlamp switch, so the optional lamps connected to this port will dim and brighten with the dash lamps. This port has a maximum fuse capacity of 1 amp which is perfect for night lights in tachs and gauges etc.

### • Two Ignition Power Accessory Ports

Original Glass Series fuse boxes have only one port. These 2 ports supply switched battery power when the ignition switch is in the run position only. Each of these ports has a maximum fuse capacity of 5 amps.

### • Two Accessory Power Accessory Ports

Original Glass Series fuse boxes have only one port. These two ports supply switched battery power when the ignition switch is in the run or accessory position only. Each of these ports has a maximum fuse capacity of 5 amps.

### • Three Spare Fuse Ports

These three Spare Fuse Ports have an undefined fuse rating that can be designed by the customer based on the individual need and each port can handle up to 20 amps per cavity. If all three are not used, restorers may increase the remaining individual fuse ratings up to 30 amps for the remaining one to two cavities. In order to use these spare fuses, the optional kit part number 39383 "Spare Fuse Power Wiring Extension Harness" will be required. Instructions are included with this kit.

## Optional Items for Classic Auto Fuse Series Dash Harnesses



### Spare Fuse Power Wiring Extension Harness

Used to add the functionality of the three extra spare fuses if desired. If this kit is not purchased the three spare fuses will not function.

Part Number 39383 1968-1969 Camaro Retail \$70.00



### Accessory Connector and Terminal Kit

The connectors and terminals in this kit are used to access the front of the Classic Auto Fuse Series fuse block accessory ports, while maintaining the indexing capability of the cavities on the fuse block. Use of this kit helps ensure that you do not plug accessories into the wrong port.

Part Number 39384 1968-1969 Camaro Retail \$24.00



### Glass Fuse Series Accessory Adapter Kit

This kit is used to convert any old accessory style indexed connectors designed to plug into a specific port on the old Glass Fuse Series fuse block. The adapters allow you to plug the leads into the appropriate port on the new Classic Auto Fuse Series fuse block without any modifications to the old accessory leads. The best part is that you will still have the extra accessory ports designed into the new Classic Auto Fuse Series Dash Harnesses for new or aftermarket options without sacrificing valuable accessory ports on the fuse block.

Part Number 39385 1968-1969 Camaro Retail \$63.00



### Fuse & Flasher Kit

Contains two flashers, one complete set of ATO fuses, plus one spare of each amperage. Does not contain fuses for the three spare cavities.

Part Number 39464 1968 Camaro Retail \$27.00  
Part Number 39466 1969 Camaro Retail \$27.00

Part Number	Year	Description	Price	*Rev.
<b>AIR CONDITIONING COMPRESSOR GROUND WIRE</b>				
12975	1969	AIR CONDITIONING COMPRESSOR GROUND WIRE	\$18.00	
12975	1970	AIR CONDITIONING COMPRESSOR GROUND WIRE	\$18.00	
12975	1971	AIR CONDITIONING COMPRESSOR GROUND WIRE	\$18.00	
12975	1972	AIR CONDITIONING COMPRESSOR GROUND WIRE	\$18.00	
12975	1973	AIR CONDITIONING COMPRESSOR GROUND WIRE	\$18.00	
12975	1974	AIR CONDITIONING COMPRESSOR GROUND WIRE	\$18.00	
12975	1975	AIR CONDITIONING COMPRESSOR GROUND WIRE V/8	\$18.00	
12975	1976	AIR CONDITIONING COMPRESSOR GROUND WIRE V/8	\$18.00	
37995	1977	AIR CONDITIONING COMPRESSOR GROUND WIRE V/8	\$15.00	
37995	1978	AIR CONDITIONING COMPRESSOR GROUND WIRE V/8	\$15.00	
37995	1979	AIR CONDITIONING COMPRESSOR GROUND WIRE V/8	\$15.00	
<b>AIR CONDITIONING HARNESS</b>				
10750	1967	AIR CONDITIONING HARNESS Without Low Blower Switch, Includes Heater Wiring	\$173.00	
29925	1967	AIR CONDITIONING HARNESS With Low Blower Switch (Early Design),Includes Heater Wiring	\$186.00	
12095	1968	AIR CONDITIONING HARNESS Includes Heater Wiring	\$173.00	
13015	1969	AIR CONDITIONING HARNESS Includes Heater Wiring	\$173.00	
15200	1970	AIR CONDITIONING HARNESS Includes Heater Wiring	\$193.00	
15435	1971	AIR CONDITIONING HARNESS Includes Heater Wiring	\$208.00	
16395	1972	AIR CONDITIONING HARNESS Includes Heater Wiring	\$208.00	
37799	1973	AIR CONDITIONING HARNESS Early Before 1/5/73, With 4 Contact A/C Relay Connection, Includes Heater Wiring	\$208.00	
37801	1973	AIR CONDITIONING HARNESS Late After 1/5/73, With 5 Contact A/C Relay Connection, Includes Heater Wiring	\$199.00	
00990	1973	AIR CONDITIONING EXTENSION HARNESS Compressor To A/C Harness	\$59.00	
37800	1974	AIR CONDITIONING HARNESS Includes Heater Wiring	\$221.00	
00990	1974	AIR CONDITIONING EXTENSION HARNESS Compressor To A/C Harness	\$59.00	
16610	1975	AIR CONDITIONING HARNESS Early, Before 6/6/75, With Ambient Sensor Switch, Includes Heater Wiring	\$212.00	
17140	1975	AIR CONDITIONING HARNESS Late, After 6/6/75, With Pressure Cutout Switch, Includes Heater Wiring	\$212.00	
00990	1975	AIR CONDITIONING EXTENSION HARNESS Early, Before 6/6/75, Compressor To A/C Harness	\$59.00	
37992	1975	AIR CONDITIONING EXTENSION HARNESS Late, After 6/6/75, 6 Cylinder, Compressor To A/C Harness Note: 6 Cylinder Items Are Not Returnable.	\$21.00	
37993	1975	AIR CONDITIONING EXTENSION HARNESS Late, After 6/6/75, V/8, Compressor To A/C Harness	\$21.00	
17140	1976	AIR CONDITIONING HARNESS Includes Heater Wiring	\$212.00	
37992	1976	AIR CONDITIONING EXTENSION HARNESS 6 Cylinder, Compressor To A/C Harness Note: 6 Cylinder Items Are Not Returnable.	\$21.00	
37993	1976	AIR CONDITIONING EXTENSION HARNESS V/8, Compressor To A/C Harness	\$21.00	
37992	1977	AIR CONDITIONING EXTENSION HARNESS 6 Cylinder, Compressor To A/C Harness Note: 6 Cylinder Items Are Not Returnable.	\$21.00	
37994	1977	AIR CONDITIONING EXTENSION HARNESS V/8, Compressor To A/C Harness, With Idle Stop Solenoid Lead Wire	\$59.00	
37992	1978	AIR CONDITIONING EXTENSION HARNESS 6 Cylinder, Compressor To A/C Harness Note: 6 Cylinder Items Are Not Returnable.	\$21.00	
37994	1978	AIR CONDITIONING EXTENSION HARNESS V/8, Compressor To A/C Harness, With Idle Stop Solenoid Lead Wire	\$59.00	
37991	1979	AIR CONDITIONING HARNESS Includes Heater Wiring	\$233.00	

Part Number	Year	Description	Price	*Rev.
37992	1979	<b>AIR CONDITIONING EXTENSION HARNESS</b> 6 Cylinder, Compressor To A/C Harness Note: 6 Cylinder Items Are Not Returnable.	\$21.00	
37994	1979	<b>AIR CONDITIONING EXTENSION HARNESS</b> V/8, Compressor To A/C Harness, With Idle Stop Solenoid Lead Wire	\$59.00	
<b>AIR CONDITIONING POWER FEED WIRE</b>				
10970	1967	<b>AIR CONDITIONING POWER FEED WIRE</b> Horn Relay To A/C Fuse	\$22.00	
10970	1968	<b>AIR CONDITIONING POWER FEED WIRE</b> Horn Relay To A/C Fuse	\$22.00	
10970	1969	<b>AIR CONDITIONING POWER FEED WIRE</b> Horn Relay To A/C Fuse	\$22.00	
10970	1970	<b>AIR CONDITIONING POWER FEED WIRE</b> Horn Relay To A/C Fuse	\$22.00	
10970	1971	<b>AIR CONDITIONING POWER FEED WIRE</b> Horn Relay To A/C Fuse	\$22.00	
16405	1972	<b>AIR CONDITIONING POWER FEED WIRE</b> Horn Relay To A/C Fuse	\$22.00	
<b>AIR INDUCTION</b>				
36268	1980	<b>AIR INDUCTION KICKDOWN HARNESS</b> Kickdown Switch & Fusebox To Solenoid Extension	\$43.00	
36270	1980	<b>AIR INDUCTION SOLENOID EXTENSION</b> Hood Solenoid To Kickdown Harness	\$23.00	
<b>ALTERNATOR CONVERSION KIT</b>				
27555	1967	<b>ALTERNATOR CONVERSION KIT</b> External To Internal Regulator Conversion Harness ("SI" Series) Note: For Use With 1972-84 Non-Serpentine Belt ("SI" Series) Internal Regulated Alternators.	\$29.00	
37787	1967	<b>ALTERNATOR CONVERSION KIT</b> External To Internal Regulator Conversion Harness ("CS" Series) Note: For Use With Serpentine Belt ("CS" Series) Internal Regulated Alternators.	\$34.00	
27555	1968	<b>ALTERNATOR CONVERSION KIT</b> External To Internal Regulator Conversion Harness ("SI" Series) Note: For Use With 1972-84 Non-Serpentine Belt ("SI" Series) Internal Regulated Alternators.	\$29.00	
37787	1968	<b>ALTERNATOR CONVERSION KIT</b> External To Internal Regulator Conversion Harness ("CS" Series) Note: For Use With Serpentine Belt ("CS" Series) Internal Regulated Alternators.	\$34.00	
27555	1969	<b>ALTERNATOR CONVERSION KIT</b> External To Internal Regulator Conversion Harness ("SI" Series) Note: For Use With 1972-84 Non-Serpentine Belt ("SI" Series) Internal Regulated Alternators.	\$29.00	
37787	1969	<b>ALTERNATOR CONVERSION KIT</b> External To Internal Regulator Conversion Harness ("CS" Series) Note: For Use With Serpentine Belt ("CS" Series) Internal Regulated Alternators.	\$34.00	
27555	1970	<b>ALTERNATOR CONVERSION KIT</b> External To Internal Regulator Conversion Harness ("SI" Series) Note: For Use With 1972-84 Non-Serpentine Belt ("SI" Series) Internal Regulated Alternators.	\$29.00	
37787	1970	<b>ALTERNATOR CONVERSION KIT</b> External To Internal Regulator Conversion Harness ("CS" Series) Note: For Use With Serpentine Belt ("CS" Series) Internal Regulated Alternators.	\$34.00	
27555	1971	<b>ALTERNATOR CONVERSION KIT</b> External To Internal Regulator Conversion Harness ("SI" Series) Note: For Use With 1972-84 Non-Serpentine Belt ("SI" Series) Internal Regulated Alternators.	\$29.00	
37787	1971	<b>ALTERNATOR CONVERSION KIT</b> External To Internal Regulator Conversion Harness ("CS" Series) Note: For Use With Serpentine Belt ("CS" Series) Internal Regulated Alternators.	\$34.00	
27555	1972	<b>ALTERNATOR CONVERSION KIT</b> External To Internal Regulator Conversion Harness ("SI" Series) Note: For Use With 1972-84 Non-Serpentine Belt ("SI" Series) Internal Regulated Alternators.	\$29.00	
37787	1972	<b>ALTERNATOR CONVERSION KIT</b> External To Internal Regulator Conversion Harness ("CS" Series) Note: For Use With Serpentine Belt ("CS" Series) Internal Regulated Alternators.	\$34.00	
37796	1973	<b>ALTERNATOR CONVERSION KIT</b> Internal Regulator "SI" Series Alternator To "CS" Series (Serpentine Belt) Alternator Note: For Use With Serpentine Belt ("CS130" Or "CS144" Type) Internal Regulated Alternators.	\$26.00	
37796	1974	<b>ALTERNATOR CONVERSION KIT</b> Internal Regulator "SI" Series Alternator To "CS" Series (Serpentine Belt) Alternator Note: For Use With Serpentine Belt ("CS130" Or "CS144" Type) Internal Regulated Alternators.	\$26.00	
37796	1975	<b>ALTERNATOR CONVERSION KIT</b> Internal Regulator "SI" Series Alternator To "CS" Series (Serpentine Belt) Alternator Note: For Use With Serpentine Belt ("CS130" Or "CS144" Type) Internal Regulated Alternators.	\$26.00	



Part Number	Year	Description	Price	*Rev.
37796	1976	<b>ALTERNATOR CONVERSION KIT</b> Internal Regulator "SI" Series Alternator To "CS" Series (Serpentine Belt) Alternator Note: For Use With Serpentine Belt ("CS130" Or "CS144" Type) Internal Regulated Alternators.	\$26.00	
37796	1977	<b>ALTERNATOR CONVERSION KIT</b> Internal Regulator "SI" Series Alternator To "CS" Series (Serpentine Belt) Alternator Note: For Use With Serpentine Belt ("CS130" Or "CS144" Type) Internal Regulated Alternators.	\$26.00	
37796	1978	<b>ALTERNATOR CONVERSION KIT</b> Internal Regulator "SI" Series Alternator To "CS" Series (Serpentine Belt) Alternator Note: For Use With Serpentine Belt ("CS130" Or "CS144" Type) Internal Regulated Alternators.	\$26.00	
37796	1979	<b>ALTERNATOR CONVERSION KIT</b> Internal Regulator "SI" Series Alternator To "CS" Series (Serpentine Belt) Alternator Note: For Use With Serpentine Belt ("CS130" Or "CS144" Type) Internal Regulated Alternators.	\$26.00	
37796	1980	<b>ALTERNATOR CONVERSION KIT</b> Internal Regulator "SI" Series Alternator To "CS" Series (Serpentine Belt) Alternator Note: For Use With Serpentine Belt ("CS130" Or "CS144" Type) Internal Regulated Alternators.	\$26.00	
37796	1981	<b>ALTERNATOR CONVERSION KIT</b> Internal Regulator "SI" Series Alternator To "CS" Series (Serpentine Belt) Alternator Note: For Use With Serpentine Belt ("CS130" Or "CS144" Type) Internal Regulated Alternators.	\$26.00	
37796	1982	<b>ALTERNATOR CONVERSION KIT</b> Internal Regulator "SI" Series Alternator To "CS" Series (Serpentine Belt) Alternator Note: For Use With Serpentine Belt ("CS130" Or "CS144" Type) Internal Regulated Alternators.	\$26.00	
37796	1983	<b>ALTERNATOR CONVERSION KIT</b> Internal Regulator "SI" Series Alternator To "CS" Series (Serpentine Belt) Alternator Note: For Use With Serpentine Belt ("CS130" Or "CS144" Type) Internal Regulated Alternators.	\$26.00	
37796	1984	<b>ALTERNATOR CONVERSION KIT</b> Internal Regulator "SI" Series Alternator To "CS" Series (Serpentine Belt) Alternator Note: For Use With Serpentine Belt ("CS130" Or "CS144" Type) Internal Regulated Alternators.	\$26.00	
37796	1985	<b>ALTERNATOR CONVERSION KIT</b> Internal Regulator "SI" Series Alternator To "CS" Series (Serpentine Belt) Alternator Note: For Use With Serpentine Belt ("CS130" Or "CS144" Type) Internal Regulated Alternators.	\$26.00	
37796	1986	<b>ALTERNATOR CONVERSION KIT</b> Internal Regulator "SI" Series Alternator To "CS" Series (Serpentine Belt) Alternator Note: For Use With Serpentine Belt ("CS130" Or "CS144" Type) Internal Regulated Alternators.	\$26.00	
<b>ASH TRAY LAMP WIRE</b>				
35125	1967	<b>ASH TRAY LAMP WIRE</b> Wire & Socket, Does Not Include Ash Tray Socket Retainer Note: Customer Must Use Original Bracket And Shield Assembly.	\$21.00	C
<b>ASSEMBLY MANUAL</b>				
36278	1967	<b>ASSEMBLY MANUAL</b> Factory Assembly Instruction Guide	\$32.00	
36279	1968	<b>ASSEMBLY MANUAL</b> Factory Assembly Instruction Guide	\$32.00	
36280	1969	<b>ASSEMBLY MANUAL</b> Factory Assembly Instruction Guide	\$32.00	
36281	1970	<b>ASSEMBLY MANUAL</b> Factory Assembly Instruction Guide	\$32.00	
36282	1971	<b>ASSEMBLY MANUAL</b> Factory Assembly Instruction Guide	\$32.00	
36283	1972	<b>ASSEMBLY MANUAL</b> Factory Assembly Instruction Guide	\$32.00	
36284	1973	<b>ASSEMBLY MANUAL</b> Factory Assembly Instruction Guide	\$32.00	
36285	1974	<b>ASSEMBLY MANUAL</b> Factory Assembly Instruction Guide	\$32.00	
36286	1975	<b>ASSEMBLY MANUAL</b> Factory Assembly Instruction Guide	\$32.00	
36287	1976	<b>ASSEMBLY MANUAL</b> Factory Assembly Instruction Guide	\$32.00	
36288	1977	<b>ASSEMBLY MANUAL</b> Factory Assembly Instruction Guide	\$32.00	
36289	1978	<b>ASSEMBLY MANUAL</b> Factory Assembly Instruction Guide	\$32.00	
36290	1979	<b>ASSEMBLY MANUAL</b> Factory Assembly Instruction Guide	\$32.00	
36291	1980	<b>ASSEMBLY MANUAL</b> Factory Assembly Instruction Guide	\$32.00	

Part Number	Year	Description	Price	*Rev.
36292	1982	<b>ASSEMBLY MANUAL</b> Factory Assembly Instruction Guide	\$32.00	
36293	1986	<b>ASSEMBLY MANUAL</b> Factory Assembly Instruction Guide	\$32.00	
<b>BACKUP LAMP SWITCH</b>				
01993413	1967	<b>BACKUP LAMP SWITCH</b> Manual Trans	\$64.00	
01993413	1968	<b>BACKUP LAMP SWITCH</b> Manual Trans	\$64.00	
03943657	1969	<b>BACKUP LAMP SWITCH</b> Manual Trans	\$53.00	
03943657	1970	<b>BACKUP LAMP SWITCH</b> Manual Trans	\$53.00	
03943657	1971	<b>BACKUP LAMP SWITCH</b> Manual Trans	\$53.00	
03943657	1972	<b>BACKUP LAMP SWITCH</b> Manual Trans	\$53.00	
<b>BACKUP LAMP SWITCH EXTENSION HARNESS</b>				
10665	1967	<b>BACKUP LAMP SWITCH EXTENSION HARNESS</b> Manual Trans, Dash To Backup Lamp Switch At Firewall	\$31.00	
10665	1968	<b>BACKUP LAMP SWITCH EXTENSION HARNESS</b> Manual Trans, Dash To Backup Lamp Switch At Firewall	\$31.00	
<b>BACKUP LAMP SWITCH MOUNTING BRACKET</b>				
37650	1967	<b>BACKUP LAMP SWITCH MOUNTING BRACKET</b> With Muncie 4 Speed Transmission	\$29.00	
37650	1968	<b>BACKUP LAMP SWITCH MOUNTING BRACKET</b> With Muncie 4 Speed Transmission	\$29.00	
<b>BACKUP LAMP SWITCH MOUNTING KIT</b>				
39504	1967	<b>BACKUP LAMP SWITCH MOUNTING KIT</b> With Muncie 4 Speed Transmission Note: Kit Contains The Bracket, Rod With 2 Clips, Shield & Bolts.	\$46.00	
39504	1968	<b>BACKUP LAMP SWITCH MOUNTING KIT</b> With Muncie 4 Speed Transmission Note: Kit Contains The Bracket, Rod With 2 Clips, Shield & Bolts.	\$46.00	
<b>BATTERY CABLE JUNCTION BLOCK</b>				
03882795	1967	<b>BATTERY CABLE JUNCTION BLOCK</b> For Positive Cable Secondary Lead	\$11.00	
03882795	1968	<b>BATTERY CABLE JUNCTION BLOCK</b> For Positive Cable Secondary Lead	\$11.00	
03882795	1969	<b>BATTERY CABLE JUNCTION BLOCK</b> For Positive Cable Secondary Lead	\$11.00	
03882795	1970	<b>BATTERY CABLE JUNCTION BLOCK</b> For Positive Cable Secondary Lead	\$11.00	
03882795	1971	<b>BATTERY CABLE JUNCTION BLOCK</b> For Positive Cable Secondary Lead	\$11.00	
<b>BATTERY CABLE-NEGATIVE</b>				
05055	1967	<b>BATTERY CABLE, SPRING RING</b> Neg, 6 Cylinder, Without A/C Note: 6 Cylinder Items Are Not Returnable.	\$69.00	
09100	1967	<b>BATTERY CABLE, SPRING RING</b> Neg, 6 Cylinder, With A/C Note: 6 Cylinder Items Are Not Returnable.	\$69.00	
09195	1967	<b>BATTERY CABLE, SPRING RING</b> Neg, V/8, All With Standard Battery	\$69.00	
04865	1967	<b>BATTERY CABLE, SPRING RING</b> Neg, V/8, All With Heavy Duty Battery	\$69.00	
05035	1968	<b>BATTERY CABLE, SPRING RING</b> Neg, 6 Cylinder, Without A/C, With Standard Battery Note: 6 Cylinder Items Are Not Returnable.	\$69.00	
04865	1968	<b>BATTERY CABLE, SPRING RING</b> Neg, 6 Cylinder, Without A/C, With Heavy Duty Battery Note: 6 Cylinder Items Are Not Returnable.	\$69.00	
09930	1968	<b>BATTERY CABLE, SPRING RING</b> Neg, 6 Cylinder, With A/C, With Standard Battery Note: 6 Cylinder Items Are Not Returnable.	\$69.00	
04830	1968	<b>BATTERY CABLE, SPRING RING</b> Neg, 6 Cylinder, With A/C, With Heavy Duty Battery Note: 6 Cylinder Items Are Not Returnable.	\$69.00	
09195	1968	<b>BATTERY CABLE, SPRING RING</b> Neg, V/8, Without A/C, Prior To 8/28/67, Standard Battery	\$69.00	
04865	1968	<b>BATTERY CABLE, SPRING RING</b> Neg, V/8, Without A/C, From 8/28/67, Standard Battery	\$69.00	
04830	1968	<b>BATTERY CABLE, SPRING RING</b> Neg, V/8, All With A/C & Heavy Duty Battery	\$69.00	
18875	1969	<b>BATTERY CABLE, SPRING RING</b> Neg, 6 Cylinder, Without A/C, With Standard Battery Note: 6 Cylinder Items Are Not Returnable.	\$69.00	

Part Number	Year	Description	Price	*Rev.
13200	1969	<b>BATTERY CABLE, SIDE POST</b> Neg, 6 Cylinder, Without A/C, With Side Mount Type Battery Note: 6 Cylinder Items Are Not Returnable.	\$74.00	
12555	1969	<b>BATTERY CABLE, SPRING RING</b> Neg, 6 Cylinder, With A/C, With Standard Battery Note: 6 Cylinder Items Are Not Returnable.	\$69.00	
15235	1969	<b>BATTERY CABLE, SIDE POST</b> Neg, 6 Cylinder, With A/C, With Side Mount Type Battery Note: 6 Cylinder Items Are Not Returnable.	\$74.00	
12570	1969	<b>BATTERY CABLE, SPRING RING</b> Neg, V/8, 307 C.I., With Heavy Duty Battery	\$69.00	
12560	1969	<b>BATTERY CABLE, SPRING RING</b> Neg, V/8, 302-350 C.I., With Heavy Duty Battery	\$69.00	
12565	1969	<b>BATTERY CABLE, SPRING RING</b> Neg, V/8, 396-427 C.I., With Heavy Duty Battery	\$69.00	
13195	1969	<b>BATTERY CABLE, SIDE POST</b> Neg, V/8, 307 C.I., Side Mount Type Battery	\$74.00	
36030	1969	<b>BATTERY CABLE, SIDE POST</b> Neg, V/8, 396-427 C.I., Side Mount Type Battery	\$74.00	
15030	1970	<b>BATTERY CABLE, SIDE POST</b> Neg, 6 Cylinder, Without A/C Note: 6 Cylinder Items Are Not Returnable.	\$74.00	
12555	1970	<b>BATTERY CABLE, SPRING RING</b> Neg, 6 Cylinder, With A/C Note: 6 Cylinder Items Are Not Returnable.	\$69.00	
15035	1970	<b>BATTERY CABLE, SIDE POST</b> Neg, V/8, All	\$74.00	
22810	1971	<b>BATTERY CABLE, SIDE POST</b> Neg, 6 Cylinder Note: 6 Cylinder Items Are Not Returnable.	\$74.00	
22815	1971	<b>BATTERY CABLE, SIDE POST</b> Neg, V/8, Except 350 C.I. Special High Perf. & 402 C.I.	\$74.00	
29445	1971	<b>BATTERY CABLE, SIDE POST</b> Neg, V/8, 350 C.I. Special High Performance & 402 C.I.	\$74.00	
22810	1972	<b>BATTERY CABLE, SIDE POST</b> Neg, 6 Cylinder Note: 6 Cylinder Items Are Not Returnable.	\$74.00	
22815	1972	<b>BATTERY CABLE, SIDE POST</b> Neg, V/8, Except 350 C.I. Special High Perf. & 402 C.I.	\$74.00	
29445	1972	<b>BATTERY CABLE, SIDE POST</b> Neg, V/8, 350 C.I. Special High Performance & 402 C.I.	\$74.00	
22810	1973	<b>BATTERY CABLE, SIDE POST</b> Neg, 6 Cylinder Note: 6 Cylinder Items Are Not Returnable.	\$74.00	
22815	1973	<b>BATTERY CABLE, SIDE POST</b> Neg, V/8, 307 C.I.	\$74.00	
29445	1973	<b>BATTERY CABLE, SIDE POST</b> Neg, V/8, 350 C.I.	\$74.00	
22810	1974	<b>BATTERY CABLE, SIDE POST</b> Neg, 6 Cylinder Note: 6 Cylinder Items Are Not Returnable.	\$74.00	
29445	1974	<b>BATTERY CABLE, SIDE POST</b> Neg, V/8	\$74.00	
29465	1975	<b>BATTERY CABLE, SIDE POST</b> Neg, 6 Cylinder Note: 6 Cylinder Items Are Not Returnable.	\$74.00	
29445	1975	<b>BATTERY CABLE, SIDE POST</b> Neg, V/8	\$74.00	
29465	1976	<b>BATTERY CABLE, SIDE POST</b> Neg, 6 Cylinder Note: 6 Cylinder Items Are Not Returnable.	\$74.00	
29445	1976	<b>BATTERY CABLE, SIDE POST</b> Neg, V/8	\$74.00	
29465	1977	<b>BATTERY CABLE, SIDE POST</b> Neg, 6 Cylinder Note: 6 Cylinder Items Are Not Returnable.	\$74.00	
29445	1977	<b>BATTERY CABLE, SIDE POST</b> Neg, V/8	\$74.00	
29465	1978	<b>BATTERY CABLE, SIDE POST</b> Neg, 6 Cylinder Note: 6 Cylinder Items Are Not Returnable.	\$74.00	
29445	1978	<b>BATTERY CABLE, SIDE POST</b> Neg, V/8	\$74.00	
<b>BATTERY CABLE-POSITIVE</b>				
10700	1967	<b>BATTERY CABLE, SPRING RING</b> Pos, 6 Cylinder Note: 6 Cylinder Items Are Not Returnable.	\$69.00	
10705	1967	<b>BATTERY CABLE, SPRING RING</b> Pos, V/8, Except 396 C.I.	\$69.00	
18820	1967	<b>BATTERY CABLE, SPRING RING</b> Pos, V/8, 396 C.I.	\$69.00	

Part Number	Year	Description	Price	*Rev.
10700	1968	<b>BATTERY CABLE, SPRING RING</b> Pos, 6 Cylinder, With Standard Battery Note: 6 Cylinder Items Are Not Returnable.	\$69.00	
09935	1968	<b>BATTERY CABLE, SPRING RING</b> Pos, 6 Cylinder, With Heavy Duty Battery Note: 6 Cylinder Items Are Not Returnable.	\$69.00	
10705	1968	<b>BATTERY CABLE, SPRING RING</b> Pos, V/8, Except 396 C.I., Prior To 8/28/67	\$69.00	
10710	1968	<b>BATTERY CABLE, SPRING RING</b> Pos, V/8, Except 396 C.I., From 8/28/67	\$69.00	
18820	1968	<b>BATTERY CABLE, SPRING RING</b> Pos, V/8, 396 C.I.	\$69.00	
10700	1969	<b>BATTERY CABLE, SPRING RING</b> Pos, 6 Cylinder, With Standard Battery Note: 6 Cylinder Items Are Not Returnable.	\$69.00	
13230	1969	<b>BATTERY CABLE, SIDE POST</b> Pos, 6 Cylinder, With Side Mount Type Battery Note: 6 Cylinder Items Are Not Returnable.	\$74.00	
10705	1969	<b>BATTERY CABLE, SPRING RING</b> Pos, V/8, 302-350 C.I., With Heavy Duty Battery	\$69.00	
10710	1969	<b>BATTERY CABLE, SPRING RING</b> Pos, V/8, 307 C.I., With Heavy Duty Battery	\$69.00	
18820	1969	<b>BATTERY CABLE, SPRING RING</b> Pos, V/8, 396-427 C.I., With Standard Battery	\$69.00	
12585	1969	<b>BATTERY CABLE, SPRING RING</b> Pos, V/8, 396 C.I., With Heavy Duty Battery	\$69.00	
13235	1969	<b>BATTERY CABLE, SIDE POST</b> Pos, V/8, Except 396-427 C.I., With Side Mount Type Battery	\$74.00	
13240	1969	<b>BATTERY CABLE, SIDE POST</b> Pos, V/8, 396-427 C.I., With Side Mount Type Battery	\$74.00	
15020	1970	<b>BATTERY CABLE, SIDE POST</b> Pos, 6 Cylinder Note: 6 Cylinder Items Are Not Returnable.	\$74.00	
15025	1970	<b>BATTERY CABLE, SIDE POST</b> Pos, V/8	\$74.00	
22820	1971	<b>BATTERY CABLE, SIDE POST</b> Pos, 6 Cylinder Note: 6 Cylinder Items Are Not Returnable.	\$74.00	
22805	1971	<b>BATTERY CABLE, SIDE POST</b> Pos, V/8, Except 350 C.I. Special High Perf. & 402 C.I.	\$74.00	
36031	1971	<b>BATTERY CABLE, SIDE POST</b> Pos, V/8, 350 C.I. Special High Performance & 402 C.I.	\$74.00	
22795	1972	<b>BATTERY CABLE, SIDE POST</b> Pos, 6 Cylinder Note: 6 Cylinder Items Are Not Returnable.	\$74.00	
22800	1972	<b>BATTERY CABLE, SIDE POST</b> Pos, V/8, Except 350 C.I. Special High Perf. & 402 C.I.	\$74.00	
22645	1972	<b>BATTERY CABLE, SIDE POST</b> Pos, V/8, 350 C.I. Special High Performance & 402 C.I.	\$74.00	
22650	1973	<b>BATTERY CABLE, SIDE POST</b> Pos, 6 Cylinder, Prior To 2/21/73 Note: 6 Cylinder Items Are Not Returnable.	\$74.00	
22795	1973	<b>BATTERY CABLE, SIDE POST</b> Pos, 6 Cylinder, From 2/21/73 Note: 6 Cylinder Items Are Not Returnable.	\$74.00	
22800	1973	<b>BATTERY CABLE, SIDE POST</b> Pos, V/8, 307 C.I.	\$74.00	
22645	1973	<b>BATTERY CABLE, SIDE POST</b> Pos, V/8, 350 C.I.	\$74.00	
22650	1974	<b>BATTERY CABLE, SIDE POST</b> Pos, 6 Cylinder Note: 6 Cylinder Items Are Not Returnable.	\$74.00	
22645	1974	<b>BATTERY CABLE, SIDE POST</b> Pos, V/8	\$74.00	
29455	1975	<b>BATTERY CABLE, SIDE POST</b> Pos, 6 Cylinder Note: 6 Cylinder Items Are Not Returnable.	\$74.00	
22645	1975	<b>BATTERY CABLE, SIDE POST</b> Pos, V/8	\$74.00	
29455	1976	<b>BATTERY CABLE, SIDE POST</b> Pos, 6 Cylinder Note: 6 Cylinder Items Are Not Returnable.	\$74.00	
22645	1976	<b>BATTERY CABLE, SIDE POST</b> Pos, V/8	\$74.00	
29455	1977	<b>BATTERY CABLE, SIDE POST</b> Pos, 6 Cylinder Note: 6 Cylinder Items Are Not Returnable.	\$74.00	
22645	1977	<b>BATTERY CABLE, SIDE POST</b> Pos, V/8	\$74.00	
29455	1978	<b>BATTERY CABLE, SIDE POST</b> Pos, 6 Cylinder, Prior To 11/4/78 Note: 6 Cylinder Items Are Not Returnable.	\$74.00	

Part Number	Year	Description	Price	*Rev.
22645	1978	BATTERY CABLE, SIDE POST Pos, V/8, Prior 11/4/78	\$74.00	
<b>BREAKERLESS SE SINGLE WIRE ELECTRONIC IGNITION</b>				
38131	1967	BREAKERLESS SE SINGLE WIRE ELECTRONIC IGNITION KIT For 1957-74 Breaker Point Distributors With Windowed Type Distributor Cap	\$179.00	
38131	1968	BREAKERLESS SE SINGLE WIRE ELECTRONIC IGNITION KIT For 1957-74 Breaker Point Distributors With Windowed Type Distributor Cap	\$179.00	
38131	1969	BREAKERLESS SE SINGLE WIRE ELECTRONIC IGNITION KIT For 1957-74 Breaker Point Distributors With Windowed Type Distributor Cap	\$179.00	
38131	1970	BREAKERLESS SE SINGLE WIRE ELECTRONIC IGNITION KIT For 1957-74 Breaker Point Distributors With Windowed Type Distributor Cap	\$179.00	
38131	1971	BREAKERLESS SE SINGLE WIRE ELECTRONIC IGNITION KIT For 1957-74 Breaker Point Distributors With Windowed Type Distributor Cap	\$179.00	
38131	1972	BREAKERLESS SE SINGLE WIRE ELECTRONIC IGNITION KIT For 1957-74 Breaker Point Distributors With Windowed Type Distributor Cap	\$179.00	
38131	1973	BREAKERLESS SE SINGLE WIRE ELECTRONIC IGNITION KIT For 1957-74 Breaker Point Distributors With Windowed Type Distributor Cap	\$179.00	
38131	1974	BREAKERLESS SE SINGLE WIRE ELECTRONIC IGNITION KIT For 1957-74 Breaker Point Distributors With Windowed Type Distributor Cap	\$179.00	
<b>CIRCUIT BREAKER</b>				
04749164	1967	CIRCUIT BREAKER, 10 AMP Rally Sport Headlamp	\$18.00	
04850166	1967	CIRCUIT BREAKER, 30 AMP Power Top & Windows	\$14.00	
04850166	1968	CIRCUIT BREAKER, 30 AMP Power Top & Windows	\$14.00	
04850166	1969	CIRCUIT BREAKER, 30 AMP Power Top & Windows	\$14.00	
04850166	1973	CIRCUIT BREAKER, 30 AMP Power Door Locks & Windows	\$14.00	
04850166	1974	CIRCUIT BREAKER, 30 AMP Power Door Locks & Windows	\$14.00	
04850166	1975	CIRCUIT BREAKER, 30 AMP Power Door Locks & Windows	\$14.00	
04850166	1976	CIRCUIT BREAKER, 30 AMP Power Door Locks & Windows	\$14.00	
04850166	1977	CIRCUIT BREAKER, 30 AMP Power Door Locks & Windows	\$14.00	
04850166	1978	CIRCUIT BREAKER, 30 AMP Power Door Locks & Windows	\$14.00	
04850166	1979	CIRCUIT BREAKER, 30 AMP Power Door Locks & Windows	\$14.00	
<b>CLASSIC AUTO FUSE SERIES-FUSE AND FLASHER KIT</b>				
39464	1968	CLASSIC AUTO FUSE SERIES-FUSE AND FLASHER KIT Contains Two Flashers And A Complete Set Of ATO Fuses With One Spare Of Each Amperage Note: Used Only With Classic Auto Fuse Series Updated Dash Harnesses, See Dash Harnesses For Applications.	\$27.00	
39466	1969	CLASSIC AUTO FUSE SERIES-FUSE AND FLASHER KIT Contains Two Flashers And A Complete Set Of ATO Fuses With One Spare Of Each Amperage Note: Used Only With Classic Auto Fuse Series Updated Dash Harnesses, See Dash Harnesses For Applications.	\$27.00	
<b>CLASSIC AUTO FUSE SERIES-OPTIONAL KIT</b>				
39384	1968	CLASSIC AUTO FUSE SERIES-OPTIONAL KIT Accessory Connector And Terminal Kit Note: Connectors And Terminals To Use In The Classic Auto Fuse Series Fuse Block Accessory Ports.	\$24.00	
39385	1968	CLASSIC AUTO FUSE SERIES-OPTIONAL KIT Glass Fuse Series Accessory Adapter Kit Note: Adapter To Convert Original Glass Fusebox Style Accessory Connectors For Use With The Updated Classic Auto Fuse Series Fuseblock.	\$63.00	
39383	1968	CLASSIC AUTO FUSE SERIES-OPTIONAL KIT Spare Fuse Power Wiring Extension Harness Note: Used To Add The Functionality Of The Three Extra Spare Fuses.	\$70.00	
39384	1969	CLASSIC AUTO FUSE SERIES-OPTIONAL KIT Accessory Connector And Terminal Kit Note: Connectors And Terminals To Use In The Classic Auto Fuse Series Fuse Block Accessory Ports.	\$24.00	
39385	1969	CLASSIC AUTO FUSE SERIES-OPTIONAL KIT Glass Fuse Series Accessory Adapter Kit Note: Adapter To Convert Original Glass Fusebox Style Accessory Connectors For Use With The Updated Classic Auto Fuse Series Fuseblock.	\$63.00	

Part Number	Year	Description	Price	*Rev.
39383	1969	<b>CLASSIC AUTO FUSE SERIES-OPTIONAL KIT</b> Spare Fuse Power Wiring Extension Harness Note: Used To Add The Functionality Of The Three Extra Spare Fuses.	\$70.00	
<b>CLOCK HARNESS</b>				
10855	1967	<b>CLOCK HARNESS</b> Console Mounted Clock, Without Gauges	\$51.00	
11960	1968	<b>CLOCK HARNESS</b> Console Mounted Clock, Without Gauges	\$51.00	
11960	1969	<b>CLOCK HARNESS</b> Console Mounted Clock, Without Gauges	\$51.00	
12965	1969	<b>CLOCK HARNESS</b> Dash Mounted Clock, Without Gauges	\$51.00	
17500	1970	<b>CLOCK HARNESS</b> Dash Mounted Clock	\$27.00	
17500	1971	<b>CLOCK HARNESS</b> Dash Mounted Clock	\$27.00	
17500	1972	<b>CLOCK HARNESS</b> Dash Mounted Clock	\$27.00	
17500	1973	<b>CLOCK HARNESS</b> Dash Mounted Clock	\$27.00	
17500	1974	<b>CLOCK HARNESS</b> Dash Mounted Clock	\$27.00	
17500	1975	<b>CLOCK HARNESS</b> Dash Mounted Clock	\$27.00	
17500	1976	<b>CLOCK HARNESS</b> Dash Mounted Clock	\$27.00	
17500	1977	<b>CLOCK HARNESS</b> Dash Mounted Clock	\$27.00	
17500	1978	<b>CLOCK HARNESS</b> Dash Mounted Clock	\$27.00	
17500	1979	<b>CLOCK HARNESS</b> Dash Mounted Clock	\$27.00	
36267	1980	<b>CLOCK AND GLOVE BOX LAMP HARNESS</b> Dash Mounted Clock	\$44.00	
<b>CONSOLE GAUGE BACKING PLATES</b>				
36405	1968	<b>CONSOLE GAUGE BACKING PLATES</b> The Four Console Gauges Mount To These Plates	\$60.00	
36405	1969	<b>CONSOLE GAUGE BACKING PLATES</b> The Four Console Gauges Mount To These Plates	\$60.00	
<b>CONSOLE GAUGE CONVERSION HARNESS</b>				
32640	1967	<b>CONSOLE GAUGE CONVERSION HARNESS</b> For Original Column Shift Auto Trans	\$166.00	
32635	1967	<b>CONSOLE GAUGE CONVERSION HARNESS</b> For Original Console Shift Auto Trans	\$147.00	
32630	1967	<b>CONSOLE GAUGE CONVERSION HARNESS</b> For Original Manual Trans	\$147.00	
32655	1968	<b>CONSOLE GAUGE CONVERSION HARNESS</b> For Original Column Shift Auto Trans	\$166.00	
32650	1968	<b>CONSOLE GAUGE CONVERSION HARNESS</b> For Original Console Shift Auto Trans	\$147.00	
32645	1968	<b>CONSOLE GAUGE CONVERSION HARNESS</b> For Original Manual Trans	\$147.00	
32670	1969	<b>CONSOLE GAUGE CONVERSION HARNESS</b> For Original Column Shift Auto Trans	\$166.00	
32665	1969	<b>CONSOLE GAUGE CONVERSION HARNESS</b> For Original Console Shift Auto Trans	\$147.00	
32660	1969	<b>CONSOLE GAUGE CONVERSION HARNESS</b> For Original Manual Trans	\$147.00	
<b>CONSOLE GAUGE TERMINALS</b>				
36206	1967	<b>CONSOLE GAUGE TERMINALS</b> Terminals To Insure Correct Electrical Connection To Harness	\$64.00	
36206	1968	<b>CONSOLE GAUGE TERMINALS</b> Terminals To Insure Correct Electrical Connection To Harness	\$64.00	
36206	1969	<b>CONSOLE GAUGE TERMINALS</b> Terminals To Insure Correct Electrical Connection To Harness	\$64.00	
<b>CONSOLE HARNESS</b>				
10790	1967	<b>CONSOLE HARNESS</b> Auto Trans	\$74.00	
10795	1967	<b>CONSOLE HARNESS</b> Auto Trans, With Gauges	\$113.00	
10800	1967	<b>CONSOLE HARNESS</b> Manual Trans	\$26.00	
10805	1967	<b>CONSOLE HARNESS</b> Manual Trans, With Gauges	\$87.00	
11945	1968	<b>CONSOLE HARNESS</b> Auto Trans	\$74.00	
11950	1968	<b>CONSOLE HARNESS</b> Auto Trans, With Gauges	\$113.00	
11940	1968	<b>CONSOLE HARNESS</b> Manual Trans	\$26.00	
11955	1968	<b>CONSOLE HARNESS</b> Manual Trans, With Gauges	\$87.00	
17510	1969	<b>CONSOLE HARNESS</b> Auto Trans	\$74.00	
13085	1969	<b>CONSOLE HARNESS</b> Auto Trans, With Gauges	\$113.00	

Part Number	Year	Description	Price	*Rev.
17505	1969	<b>CONSOLE HARNESS</b> Manual Trans	\$26.00	
13090	1969	<b>CONSOLE HARNESS</b> Manual Trans, With Gauges	\$87.00	
17515	1970	<b>CONSOLE HARNESS</b> Auto Trans	\$60.00	
17505	1970	<b>CONSOLE HARNESS</b> Manual Trans	\$26.00	
17515	1971	<b>CONSOLE HARNESS</b> Auto Trans	\$60.00	
17505	1971	<b>CONSOLE HARNESS</b> Manual Trans	\$26.00	
17515	1972	<b>CONSOLE HARNESS</b> Early Production, Auto Trans With Neutral Safety Switch Mounted In Console. Note: Neutral Safety Switch Mounted In Console.	\$60.00	
17505	1972	<b>CONSOLE HARNESS</b> All Manual Trans & Late Production Auto Trans With Neutral Safety Switch Mounted On Steering Column Note: Neutral Safety Switch Mounted On Steering Column.	\$26.00	
15650	1979	<b>CONSOLE HARNESS</b> Auto Trans, Shift Plate Indicator	\$26.00	
15650	1980	<b>CONSOLE HARNESS</b> Auto Trans, Shift Plate Indicator	\$26.00	
<b>COURTESY LAMP HARNESS</b>				
13875	1967	<b>COURTESY LAMP HARNESS</b> Deluxe Interior, Rear Seat, Upper Panels	\$52.00	
13870	1967	<b>COURTESY LAMP HARNESS</b> Center Roof Mounted Dome Light	\$32.00	
17525	1967	<b>COURTESY LAMP HARNESS</b> Under Dash, Convertible	\$48.00	
08300	1967	<b>COURTESY LAMP HARNESS</b> Under Dash, Coupe	\$43.00	
13870	1968	<b>COURTESY LAMP HARNESS</b> Center Roof Mounted Dome Light	\$32.00	
33820	1968	<b>COURTESY LAMP HARNESS</b> Under Dash, Convertible	\$48.00	
08300	1968	<b>COURTESY LAMP HARNESS</b> Under Dash, Coupe	\$43.00	
13870	1969	<b>COURTESY LAMP HARNESS</b> Center Roof Mounted Dome Light	\$32.00	
14295	1969	<b>COURTESY LAMP HARNESS</b> Under Dash, Coupe Only	\$43.00	
17575	1970	<b>COURTESY LAMP HARNESS</b> Center Roof Mounted Dome Light	\$40.00	
15170	1970	<b>COURTESY LAMP HARNESS</b> Under Dash	\$48.00	
17575	1971	<b>COURTESY LAMP HARNESS</b> Center Roof Mounted Dome Light	\$40.00	
15170	1971	<b>COURTESY LAMP HARNESS</b> Under Dash	\$48.00	
17575	1972	<b>COURTESY LAMP HARNESS</b> Center Roof Mounted Dome Light	\$40.00	
15170	1972	<b>COURTESY LAMP HARNESS</b> Under Dash	\$48.00	
17575	1973	<b>COURTESY LAMP HARNESS</b> Center Roof Mounted Dome Light	\$40.00	
36230	1973	<b>COURTESY LAMP HARNESS</b> Under Dash	\$52.00	
40042	1974	<b>COURTESY LAMP HARNESS</b> Center Roof Mounted Dome Light	\$48.00	
36230	1974	<b>COURTESY LAMP HARNESS</b> Under Dash	\$52.00	
40130	1975	<b>COURTESY LAMP HARNESS</b> Center Roof Mounted Dome Light	\$48.00	
36230	1975	<b>COURTESY LAMP HARNESS</b> Under Dash	\$52.00	
40130	1976	<b>COURTESY LAMP HARNESS</b> Center Roof Mounted Dome Light	\$48.00	
36230	1976	<b>COURTESY LAMP HARNESS</b> Under Dash	\$52.00	
40130	1977	<b>COURTESY LAMP HARNESS</b> Center Roof Mounted Dome Light	\$48.00	
36230	1977	<b>COURTESY LAMP HARNESS</b> Under Dash	\$52.00	
36230	1978	<b>COURTESY LAMP HARNESS</b> Under Dash	\$52.00	
36230	1979	<b>COURTESY LAMP HARNESS</b> Under Dash	\$52.00	
<b>COURTESY LAMP MOUNTING BRACKET-UNDER DASH</b>				
04876930	1967	<b>COURTESY LAMP MOUNTING BRACKET, UNDER DASH</b> Left Or Right Side, 2 Required Per Car	\$11.00	
04876930	1968	<b>COURTESY LAMP MOUNTING BRACKET, UNDER DASH</b> Left Or Right Side, 2 Required Per Car	\$11.00	
04876930	1969	<b>COURTESY LAMP MOUNTING BRACKET, UNDER DASH</b> Left Or Right Side, 2 Required Per Car	\$11.00	

Part Number	Year	Description	Price	*Rev.
<b>COURTESY LAMP SWITCH JUMPER HARNESS</b>				
36038	1973	<b>COURTESY LAMP SWITCH JUMPER HARNESS</b> Driver Side, Door Jamb Switch To Dash Harness	\$17.00	
36039	1973	<b>COURTESY LAMP SWITCH JUMPER HARNESS</b> Passenger Side, Door Jamb Switch To Dash Harness	\$12.00	
36038	1974	<b>COURTESY LAMP SWITCH JUMPER HARNESS</b> Driver Side, Door Jamb Switch To Dash Harness	\$17.00	
36039	1974	<b>COURTESY LAMP SWITCH JUMPER HARNESS</b> Passenger Side, Door Jamb Switch To Dash Harness	\$12.00	
36038	1975	<b>COURTESY LAMP SWITCH JUMPER HARNESS</b> Driver Side, Door Jamb Switch To Dash Harness	\$17.00	
36039	1975	<b>COURTESY LAMP SWITCH JUMPER HARNESS</b> Passenger Side, Door Jamb Switch To Dash Harness	\$12.00	
36038	1976	<b>COURTESY LAMP SWITCH JUMPER HARNESS</b> Driver Side, Door Jamb Switch To Dash Harness	\$17.00	
36039	1976	<b>COURTESY LAMP SWITCH JUMPER HARNESS</b> Passenger Side, Door Jamb Switch To Dash Harness	\$12.00	
36038	1977	<b>COURTESY LAMP SWITCH JUMPER HARNESS</b> Driver Side, Door Jamb Switch To Dash Harness	\$17.00	
36039	1977	<b>COURTESY LAMP SWITCH JUMPER HARNESS</b> Passenger Side, Door Jamb Switch To Dash Harness	\$12.00	
36038	1978	<b>COURTESY LAMP SWITCH JUMPER HARNESS</b> Driver Side, Door Jamb Switch To Dash Harness	\$17.00	
36039	1978	<b>COURTESY LAMP SWITCH JUMPER HARNESS</b> Passenger Side, Door Jamb Switch To Dash Harness	\$12.00	
36038	1979	<b>COURTESY LAMP SWITCH JUMPER HARNESS</b> Driver Side, Door Jamb Switch To Dash Harness	\$17.00	
36039	1979	<b>COURTESY LAMP SWITCH JUMPER HARNESS</b> Passenger Side, Door Jamb Switch To Dash Harness	\$12.00	
36038	1980	<b>COURTESY LAMP SWITCH JUMPER HARNESS</b> Driver Side, Door Jamb Switch To Dash Harness	\$17.00	
36039	1980	<b>COURTESY LAMP SWITCH JUMPER HARNESS</b> Passenger Side, Door Jamb Switch To Dash Harness	\$12.00	
<b>COWL INDUCTION HARNESS</b>				
13135	1969	<b>COWL INDUCTION HARNESS</b>	\$66.00	
<b>CRUISE CONTROL HARNESS</b>				
10775	1967	<b>CRUISE CONTROL HARNESS</b>	\$94.00	
11885	1968	<b>CRUISE CONTROL HARNESS</b>	\$101.00	
13185	1969	<b>CRUISE CONTROL HARNESS</b>	\$94.00	
13185	1970	<b>CRUISE CONTROL HARNESS</b>	\$94.00	
<b>DASH HARNESS</b>				
10220	1967	<b>DASH HARNESS</b> Column Shift, Auto Trans	\$524.00	
10780	1967	<b>DASH HARNESS</b> Column Shift, Manual Trans	\$524.00	
10785	1967	<b>DASH HARNESS</b> Console Shift, Auto Trans	\$524.00	
17535	1967	<b>DASH HARNESS</b> Console Shift, Auto Trans With Gauges	\$538.00	
10990	1967	<b>DASH HARNESS</b> Console Shift, Manual Trans	\$524.00	
10995	1967	<b>DASH HARNESS</b> Console Shift, Manual Trans With Gauges	\$538.00	
18005	1968	<b>DASH HARNESS</b> Column Shift, Auto Trans	\$572.00	
39386	1968	<b>DASH HARNESS-CLASSIC AUTO FUSE SERIES</b> Column Shift, Auto Trans Note: With Updated Modern ATO Series Fuseblock. Uses Fuse & Flasher Kit # 39464. Also See Optional Accessory Kits.	\$632.00	
11840	1968	<b>DASH HARNESS</b> Column Shift, Manual Trans	\$572.00	
39387	1968	<b>DASH HARNESS-CLASSIC AUTO FUSE SERIES</b> Column Shift, Manual Trans Note: With Updated Modern ATO Series Fuseblock. Uses Fuse & Flasher Kit # 39464. Also See Optional Accessory Kits.	\$632.00	
11850	1968	<b>DASH HARNESS</b> Console Shift, Auto Trans	\$572.00	
39388	1968	<b>DASH HARNESS-CLASSIC AUTO FUSE SERIES</b> Console Shift, Auto Trans Note: With Updated Modern ATO Series Fuseblock. Uses Fuse & Flasher Kit # 39464. Also See Optional Accessory Kits.	\$632.00	
11860	1968	<b>DASH HARNESS</b> Console Shift, Auto Trans With Gauges	\$572.00	
39389	1968	<b>DASH HARNESS-CLASSIC AUTO FUSE SERIES</b> Console Shift, Auto Trans With Gauges Note: With Updated Modern ATO Series Fuseblock. Uses Fuse & Flasher Kit # 39464. Also See Optional Accessory Kits.	\$632.00	
11845	1968	<b>DASH HARNESS</b> Console Shift, Manual Trans	\$572.00	
39390	1968	<b>DASH HARNESS-CLASSIC AUTO FUSE SERIES</b> Console Shift, Manual Trans Note: With Updated Modern ATO Series Fuseblock. Uses Fuse & Flasher Kit # 39464. Also See Optional Accessory Kits.	\$632.00	
11855	1968	<b>DASH HARNESS</b> Console Shift, Manual Trans With Gauges	\$572.00	



Part Number	Year	Description	Price	*Rev.
39391	1968	<b>DASH HARNESS-CLASSIC AUTO FUSE SERIES</b> Console Shift, Manual Trans With Gauges Note: With Updated Modern ATO Series Fuseblock. Uses Fuse & Flasher Kit # 39464. Also See Optional Accessory Kits.	\$632.00	
12065	1968	<b>DASH HARNESS</b> Floor Shift, Auto Trans (Without Console)	\$572.00	
39392	1968	<b>DASH HARNESS-CLASSIC AUTO FUSE SERIES</b> Floor Shift, Auto Trans (Without Console) Note: With Updated Modern ATO Series Fuseblock. Uses Fuse & Flasher Kit # 39464. Also See Optional Accessory Kits.	\$632.00	
13025	1969	<b>DASH HARNESS</b> Column Shift, Auto Or Manual Trans	\$572.00	
39393	1969	<b>DASH HARNESS-CLASSIC AUTO FUSE SERIES</b> Column Shift, Auto Or Manual Trans Note: With Updated Modern ATO Series Fuseblock. Uses Fuse & Flasher Kit # 39466. Also See Optional Accessory Kits.	\$632.00	
13115	1969	<b>DASH HARNESS</b> Column Shift, Auto Or Manual Trans With A/C	\$572.00	
39394	1969	<b>DASH HARNESS-CLASSIC AUTO FUSE SERIES</b> Column Shift, Auto Or Manual Trans With A/C Note: With Updated Modern ATO Series Fuseblock. Uses Fuse & Flasher Kit # 39466. Also See Optional Accessory Kits.	\$632.00	
13205	1969	<b>DASH HARNESS</b> Column Shift, Auto Or Manual Trans With Tach & Center Fuel Gauge, All	\$572.00	
39395	1969	<b>DASH HARNESS-CLASSIC AUTO FUSE SERIES</b> Column Shift, Auto Or Manual Trans With Tach & Center Fuel Gauge, All Note: With Updated Modern ATO Series Fuseblock. Uses Fuse & Flasher Kit # 39466. Also See Optional Accessory Kits.	\$632.00	
13035	1969	<b>DASH HARNESS</b> Console Shift, Auto Trans	\$572.00	
39396	1969	<b>DASH HARNESS-CLASSIC AUTO FUSE SERIES</b> Console Shift, Auto Trans Note: With Updated Modern ATO Series Fuseblock. Uses Fuse & Flasher Kit # 39466. Also See Optional Accessory Kits.	\$632.00	
13125	1969	<b>DASH HARNESS</b> Console Shift, Auto Trans With A/C	\$572.00	
39397	1969	<b>DASH HARNESS-CLASSIC AUTO FUSE SERIES</b> Console Shift, Auto Trans With A/C Note: With Updated Modern ATO Series Fuseblock. Uses Fuse & Flasher Kit # 39466. Also See Optional Accessory Kits.	\$632.00	
13225	1969	<b>DASH HARNESS</b> Console Shift, Auto Trans With Gauges & Tachometer, All	\$572.00	
39398	1969	<b>DASH HARNESS-CLASSIC AUTO FUSE SERIES</b> Console Shift, Auto Trans With Gauges & Tachometer, All Note: With Updated Modern ATO Series Fuseblock. Uses Fuse & Flasher Kit # 39466. Also See Optional Accessory Kits.	\$632.00	
13215	1969	<b>DASH HARNESS</b> Console Shift, Auto Trans With Tach, Center Fuel Gauge & Warning Lights	\$572.00	
39399	1969	<b>DASH HARNESS-CLASSIC AUTO FUSE SERIES</b> Console Shift, Auto Trans With Tach, Center Fuel Gauge & Warning Lights Note: With Updated Modern ATO Series Fuseblock. Uses Fuse & Flasher Kit # 39466. Also See Optional Accessory Kits.	\$632.00	
13030	1969	<b>DASH HARNESS</b> Console Shift, Manual Trans	\$572.00	
39400	1969	<b>DASH HARNESS-CLASSIC AUTO FUSE SERIES</b> Console Shift, Manual Trans Note: With Updated Modern ATO Series Fuseblock. Uses Fuse & Flasher Kit # 39466. Also See Optional Accessory Kits.	\$632.00	
13120	1969	<b>DASH HARNESS</b> Console Shift, Manual Trans With A/C	\$572.00	
39401	1969	<b>DASH HARNESS-CLASSIC AUTO FUSE SERIES</b> Console Shift, Manual Trans With A/C Note: With Updated Modern ATO Series Fuseblock. Uses Fuse & Flasher Kit # 39466. Also See Optional Accessory Kits.	\$632.00	
13220	1969	<b>DASH HARNESS</b> Console Shift, Manual Trans With Gauges & Tachometer, All	\$572.00	
39402	1969	<b>DASH HARNESS-CLASSIC AUTO FUSE SERIES</b> Console Shift, Manual Trans With Gauges & Tachometer, All Note: With Updated Modern ATO Series Fuseblock. Uses Fuse & Flasher Kit # 39466. Also See Optional Accessory Kits.	\$632.00	
13210	1969	<b>DASH HARNESS</b> Console Shift, Manual Trans With Tach, Center Fuel Gauge & Warning Lights	\$572.00	
39403	1969	<b>DASH HARNESS-CLASSIC AUTO FUSE SERIES</b> Console Shift, Manual Trans With Tach, Center Fuel Gauge & Warning Lights Note: With Updated Modern ATO Series Fuseblock. Uses Fuse & Flasher Kit # 39466. Also See Optional Accessory Kits.	\$632.00	
35915	1970	<b>DASH HARNESS</b> Column Shift, Auto Trans	\$524.00	
35916	1970	<b>DASH HARNESS</b> Column Shift, Auto Trans With A/C	\$524.00	
35917	1970	<b>DASH HARNESS</b> Console Shift, Auto Trans	\$497.00	
35918	1970	<b>DASH HARNESS</b> Console Shift, Manual Trans	\$497.00	
35919	1970	<b>DASH HARNESS</b> Floor Shift, Manual Trans	\$510.00	
35920	1970	<b>DASH HARNESS</b> Floor Shift, Manual Trans With A/C	\$497.00	

Part Number	Year	Description	Price	*Rev.
14975	1970	<b>DASH INSTRUMENT CLUSTER HARNESS</b> All With Warning Lights	\$159.00	
14985	1970	<b>DASH INSTRUMENT CLUSTER HARNESS</b> All With Gauges	\$159.00	
35921	1971	<b>DASH HARNESS</b> All	\$497.00	
15365	1971	<b>DASH INSTRUMENT CLUSTER HARNESS</b> With Warning Lights	\$159.00	
15370	1971	<b>DASH INSTRUMENT CLUSTER HARNESS</b> With Gauges	\$159.00	
35922	1972	<b>DASH HARNESS</b> All, Except Early Production Console Shift Auto Trans With Neutral Safety Switch Mounted In Console. Note: Neutral Safety Switch Mounted On Steering Column.	\$524.00	
35923	1972	<b>DASH HARNESS</b> Early Production, Console Shift, Auto Trans With Neutral Safety Switch Mounted In Console Note: Neutral Safety Switch Mounted In Console.	\$510.00	
34920	1972	<b>DASH INSTRUMENT CLUSTER HARNESS</b> With Warning Lights	\$186.00	
33870	1972	<b>DASH INSTRUMENT CLUSTER HARNESS</b> With Warning Lights & Seat Belt Warning	\$199.00	
16325	1972	<b>DASH INSTRUMENT CLUSTER HARNESS</b> With Gauges	\$173.00	
16525	1972	<b>DASH INSTRUMENT CLUSTER HARNESS</b> With Gauges & Seat Belt Warning	\$186.00	
16555	1973	<b>DASH HARNESS</b> With Warning Lights	\$656.00	
16560	1973	<b>DASH HARNESS</b> With Gauges	\$616.00	
18700	1974	<b>DASH HARNESS</b> With Warning Lights	\$762.00	
18705	1974	<b>DASH HARNESS</b> With Gauges	\$722.00	
18710	1975	<b>DASH HARNESS</b> With Warning Lights, 1st Design, With Seatbelt Ignition Interlock Relay	\$788.00	
36020	1975	<b>DASH HARNESS</b> With Warning Lights, 2nd Design, Without Seatbelt Ignition Interlock Relay	\$762.00	
36015	1975	<b>DASH HARNESS</b> With Gauges, 1st Design, With Seatbelt Ignition Interlock Relay	\$788.00	
36019	1975	<b>DASH HARNESS</b> With Gauges, 2nd Design, Without Seatbelt Ignition Interlock Relay	\$762.00	
38079	1976	<b>DASH HARNESS</b> With Warning Lights	\$748.00	
38080	1976	<b>DASH HARNESS</b> With Gauges	\$748.00	
36018	1977	<b>DASH HARNESS</b> With Warning Lights	\$748.00	
36017	1977	<b>DASH HARNESS</b> With Gauges	\$748.00	
37999	1978	<b>DASH HARNESS</b> With Warning Lights	\$762.00	
37998	1978	<b>DASH HARNESS</b> With Gauges	\$748.00	
38001	1979	<b>DASH HARNESS</b> Auto Trans, With Warning Lights Note: 1979 Camaro Did Not Contain A Neutral Safety Switch, The Steering Column Contains A Mechanical Lockout To Prevent Starter Engagement.	\$768.00	
38000	1979	<b>DASH HARNESS</b> Auto Trans, With Gauges Note: 1979 Camaro Did Not Contain A Neutral Safety Switch, The Steering Column Contains A Mechanical Lockout To Prevent Starter Engagement.	\$748.00	
38003	1979	<b>DASH HARNESS</b> Manual Trans, With Warning Lights	\$768.00	
38002	1979	<b>DASH HARNESS</b> Manual Trans, With Gauges	\$768.00	
<b>DISTRIBUTOR WIRE</b>				
36057	1967	<b>DISTRIBUTOR WIRE</b> Distributor Points To Coil Negative Terminal, V/8 Note: Fits All GM V/8 Points Type Distributors From Approx. 1957 To 1974.	\$18.00	C
36057	1968	<b>DISTRIBUTOR WIRE</b> Distributor Points To Coil Negative Terminal, V/8 Note: Fits All GM V/8 Points Type Distributors From Approx. 1957 To 1974.	\$18.00	C
36057	1969	<b>DISTRIBUTOR WIRE</b> Distributor Points To Coil Negative Terminal, V/8 Note: Fits All GM V/8 Points Type Distributors From Approx. 1957 To 1974.	\$18.00	C
36057	1970	<b>DISTRIBUTOR WIRE</b> Distributor Points To Coil Negative Terminal, V/8 Note: Fits All GM V/8 Points Type Distributors From Approx. 1957 To 1974.	\$18.00	C

Part Number	Year	Description	Price	*Rev.
36057	1971	<b>DISTRIBUTOR WIRE</b> Distributor Points To Coil Negative Terminal, V/8 Note: Fits All GM V/8 Points Type Distributors From Approx. 1957 To 1974.	\$18.00	C
36057	1972	<b>DISTRIBUTOR WIRE</b> Distributor Points To Coil Negative Terminal, V/8 Note: Fits All GM V/8 Points Type Distributors From Approx. 1957 To 1974.	\$18.00	C
36057	1973	<b>DISTRIBUTOR WIRE</b> Distributor Points To Coil Negative Terminal, V/8 Note: Fits All GM V/8 Points Type Distributors From Approx. 1957 To 1974.	\$18.00	C
36057	1974	<b>DISTRIBUTOR WIRE</b> Distributor Points To Coil Negative Terminal, V/8 Note: Fits All GM V/8 Points Type Distributors From Approx. 1957 To 1974.	\$18.00	C
<b>DOME LIGHT LENS</b>				
06279669	1967	<b>DOME LIGHT LENS</b> Note: Manufactured With Original GM Tooling, Not A Reproduction Part.	\$6.00	
06279669	1968	<b>DOME LIGHT LENS</b> Note: Manufactured With Original GM Tooling, Not A Reproduction Part.	\$6.00	
06279669	1969	<b>DOME LIGHT LENS</b> Note: Manufactured With Original GM Tooling, Not A Reproduction Part.	\$6.00	
<b>ENGINE HARNESS</b>				
11260	1967	<b>ENGINE HARNESS</b> 6 Cylinder Note: 6 Cylinder Items Are Not Returnable.	\$140.00	
11290	1967	<b>ENGINE HARNESS</b> V/8	\$129.00	
38926	1967	<b>ENGINE HARNESS-HEI</b> V/8 Note: This Harness Is Modified For Use With An HEI Distributor.	\$144.00	
11295	1967	<b>ENGINE HARNESS</b> V/8, With Gauges	\$129.00	
38946	1967	<b>ENGINE HARNESS-HEI</b> V/8, With Gauges Note: This Harness Is Modified For Use With An HEI Distributor.	\$144.00	
11300	1967	<b>ENGINE HARNESS</b> 396 C.I.	\$132.00	
38966	1967	<b>ENGINE HARNESS-HEI</b> 396 C.I. Note: This Harness Is Modified For Use With An HEI Distributor.	\$147.00	
11305	1967	<b>ENGINE HARNESS</b> 396 C.I., With Gauges	\$132.00	
39000	1967	<b>ENGINE HARNESS-HEI</b> 396 C.I., With Gauges Note: This Harness Is Modified For Use With An HEI Distributor.	\$147.00	
11815	1968	<b>ENGINE HARNESS</b> 6 Cylinder Note: 6 Cylinder Items Are Not Returnable.	\$140.00	
12010	1968	<b>ENGINE HARNESS</b> 6 Cylinder, With Idle Stop Solenoid Note: 6 Cylinder Items Are Not Returnable.	\$140.00	
11820	1968	<b>ENGINE HARNESS</b> V/8	\$126.00	
38923	1968	<b>ENGINE HARNESS-HEI</b> V/8 Note: This Harness Is Modified For Use With An HEI Distributor.	\$141.00	
12080	1968	<b>ENGINE HARNESS</b> 396 C.I.	\$126.00	
38930	1968	<b>ENGINE HARNESS-HEI</b> 396 C.I. Note: This Harness Is Modified For Use With An HEI Distributor.	\$141.00	
12025	1968	<b>ENGINE HARNESS</b> V/8 & 396 C.I., With Gauges	\$126.00	
38932	1968	<b>ENGINE HARNESS-HEI</b> V/8 & 396 C.I. With Gauges Note: This Harness Is Modified For Use With An HEI Distributor.	\$141.00	
11815	1969	<b>ENGINE HARNESS</b> 6 Cylinder Note: 6 Cylinder Items Are Not Returnable.	\$140.00	
12010	1969	<b>ENGINE HARNESS</b> 6 Cylinder, With Idle Stop Solenoid Note: 6 Cylinder Items Are Not Returnable.	\$140.00	
12970	1969	<b>ENGINE HARNESS</b> V/8	\$126.00	

Part Number	Year	Description	Price	*Rev.
38925	1969	<b>ENGINE HARNESS-HEI</b> V/8 Note: This Harness Is Modified For Use With An HEI Distributor.	\$141.00	
13170	1969	<b>ENGINE HARNESS</b> V/8, With Idle Stop Solenoid	\$132.00	
39001	1969	<b>ENGINE HARNESS-HEI</b> V/8, With Idle Stop Solenoid Note: This Harness Is Modified For Use With An HEI Distributor.	\$147.00	
12080	1969	<b>ENGINE HARNESS</b> 396 C.I.	\$126.00	
38930	1969	<b>ENGINE HARNESS-HEI</b> 396 C.I. Note: This Harness Is Modified For Use With An HEI Distributor.	\$141.00	
13175	1969	<b>ENGINE HARNESS</b> 396 C.I., With Idle Stop Solenoid	\$132.00	
39016	1969	<b>ENGINE HARNESS-HEI</b> 396 C.I. With Idle Stop Solenoid Note: This Harness Is Modified For Use With An HEI Distributor.	\$147.00	
17545	1969	<b>ENGINE HARNESS</b> V/8 & 396 C.I., With Gauges	\$126.00	
38924	1969	<b>ENGINE HARNESS-HEI</b> V/8 & 396 C.I., With Gauges Note: This Harness Is Modified For Use With An HEI Distributor.	\$141.00	
13180	1969	<b>ENGINE HARNESS</b> V/8 & 396 C.I., With Gauges & Idle Stop Solenoid	\$132.00	
38996	1969	<b>ENGINE HARNESS-HEI</b> V/8 & 396 C.I. With Gauges & Idle Stop Solenoid Note: This Harness Is Modified For Use With An HEI Distributor.	\$147.00	
14945	1970	<b>ENGINE HARNESS</b> 6 Cylinder, Auto Trans Note: 6 Cylinder Items Are Not Returnable.	\$226.00	
14935	1970	<b>ENGINE HARNESS</b> 6 Cylinder, Manual Trans Note: 6 Cylinder Items Are Not Returnable.	\$226.00	
14955	1970	<b>ENGINE HARNESS</b> V/8, Auto Trans	\$199.00	
38968	1970	<b>ENGINE HARNESS-HEI</b> V/8, Auto Trans Note: This Harness Is Modified For Use With An HEI Distributor.	\$214.00	
15255	1970	<b>ENGINE HARNESS</b> V/8, TH-400 Auto Trans Only	\$226.00	
39052	1970	<b>ENGINE HARNESS-HEI</b> V/8, TH-400 Auto Trans Only Note: This Harness Is Modified For Use With An HEI Distributor.	\$241.00	
14940	1970	<b>ENGINE HARNESS</b> V/8, Manual Trans	\$199.00	
39002	1970	<b>ENGINE HARNESS-HEI</b> V/8, Manual Trans Note: This Harness Is Modified For Use With An HEI Distributor.	\$214.00	
14960	1970	<b>ENGINE HARNESS</b> 396-454 C.I., Auto Trans	\$226.00	
39038	1970	<b>ENGINE HARNESS-HEI</b> 396-454 C.I., Auto Trans Note: This Harness Is Modified For Use With An HEI Distributor.	\$241.00	
14950	1970	<b>ENGINE HARNESS</b> 396-454 C.I., Manual Trans	\$212.00	
39069	1970	<b>ENGINE HARNESS-HEI</b> 396-454 C.I., Manual Trans Note: This Harness Is Modified For Use With An HEI Distributor.	\$227.00	
15390	1971	<b>ENGINE HARNESS</b> 6 Cylinder, Auto Trans Note: 6 Cylinder Items Are Not Returnable.	\$236.00	
15380	1971	<b>ENGINE HARNESS</b> 6 Cylinder, Manual Trans Note: 6 Cylinder Items Are Not Returnable.	\$236.00	
15485	1971	<b>ENGINE HARNESS</b> V/8, Auto Trans	\$212.00	
38977	1971	<b>ENGINE HARNESS-HEI</b> V/8, Auto Trans Note: This Harness Is Modified For Use With An HEI Distributor.	\$229.00	
15385	1971	<b>ENGINE HARNESS</b> V/8, Manual Trans	\$212.00	
39017	1971	<b>ENGINE HARNESS-HEI</b> V/8, Manual Trans Note: This Harness Is Modified For Use With An HEI Distributor.	\$229.00	
15450	1971	<b>ENGINE HARNESS</b> V/8, TH400 Auto Trans Only	\$226.00	
39090	1971	<b>ENGINE HARNESS-HEI</b> V/8, TH400 Auto Trans Only Note: This Harness Is Modified For Use With An HEI Distributor.	\$243.00	

Part Number	Year	Description	Price	*Rev.
15445	1971	<b>ENGINE HARNESS</b> 396-454 C.I., Auto Trans	\$226.00	
39089	1971	<b>ENGINE HARNESS-HEI</b> 396-454 C.I., Auto Trans Note: This Harness Is Modified For Use With An HEI Distributor.	\$243.00	
15395	1971	<b>ENGINE HARNESS</b> 396-454 C.I. Manual Trans	\$226.00	
39070	1971	<b>ENGINE HARNESS-HEI</b> 396-454 C.I. Manual Trans Note: This Harness Is Modified For Use With An HEI Distributor.	\$243.00	
16330	1972	<b>ENGINE HARNESS</b> 6 Cylinder Note: 6 Cylinder Items Are Not Returnable.	\$290.00	
16335	1972	<b>ENGINE HARNESS</b> V/8 Note: Manual Trans Requires Use Of #17355 T.C.S. Extension.	\$264.00	
16350	1972	<b>ENGINE HARNESS</b> V/8 With Gauges Note: Manual Trans Requires Use Of #17355 T.C.S. Extension.	\$264.00	
16355	1972	<b>ENGINE HARNESS</b> V/8 TH400 Auto Trans With Gauges	\$278.00	
16345	1972	<b>ENGINE HARNESS</b> 396-454 C.I., Auto Trans	\$278.00	
16365	1972	<b>ENGINE HARNESS</b> 396-454 C.I., Auto Trans With Gauges	\$278.00	
16340	1972	<b>ENGINE HARNESS</b> 396-454 C.I., Manual Trans	\$264.00	
16360	1972	<b>ENGINE HARNESS</b> 396-454 C.I., Manual Trans With Gauges	\$278.00	
17015	1973	<b>ENGINE HARNESS</b> 6 Cylinder Note: 6 Cylinder Items Are Not Returnable.	\$304.00	
15500	1973	<b>ENGINE HARNESS</b> V/8 Note: Manual Trans Requires Use Of Part #17365 T.C.S. Extension.	\$278.00	
15505	1973	<b>ENGINE HARNESS</b> V/8, With Gauges Note: Manual Trans Requires Use Of Part #17365 T.C.S. Extension.	\$278.00	
16565	1973	<b>ENGINE HARNESS</b> V/8, TH-400 Auto Trans Only	\$290.00	
16570	1973	<b>ENGINE HARNESS</b> V/8, TH-400 Auto Trans & Gauges	\$290.00	
38008	1974	<b>ENGINE HARNESS</b> 6 Cylinder, Auto Trans, With Warning Lights Note: 6 Cylinder Items Are Not Returnable.	\$304.00	
16595	1974	<b>ENGINE HARNESS</b> 6 Cylinder, Manual Trans, With Warning Lights Note: 6 Cylinder Items Are Not Returnable.	\$304.00	
22605	1974	<b>ENGINE HARNESS</b> V/8, Auto Trans	\$279.00	
22590	1974	<b>ENGINE HARNESS</b> V/8, Auto Trans With Gauges	\$278.00	
22585	1974	<b>ENGINE HARNESS</b> V/8, TH400 Auto Trans Only	\$304.00	
36009	1974	<b>ENGINE HARNESS</b> V/8, TH-400 Auto Trans With H.E.I.	\$285.00	
22600	1974	<b>ENGINE HARNESS</b> V/8, TH400 Auto Trans With Gauges	\$297.00	
36010	1974	<b>ENGINE HARNESS</b> V/8, TH-400 Auto Trans With Gauges & H.E.I.	\$285.00	
22610	1974	<b>ENGINE HARNESS</b> V/8, Manual Trans	\$290.00	
36012	1974	<b>ENGINE HARNESS</b> V/8, Manual Trans With H.E.I.	\$297.00	
22595	1974	<b>ENGINE HARNESS</b> V/8, Manual Trans With Gauges	\$290.00	
36013	1974	<b>ENGINE HARNESS</b> V/8, Manual Trans With Gauges & H.E.I.	\$297.00	
18615	1975	<b>ENGINE HARNESS</b> 6 Cylinder, Except Integrated Cylinder Head Note: 6 Cylinder Items Are Not Returnable.	\$317.00	
18610	1975	<b>ENGINE HARNESS</b> 6 Cylinder, With Integrated Cylinder Head Note: 6 Cylinder Items Are Not Returnable.	\$317.00	
18680	1975	<b>ENGINE HARNESS</b> V/8, All	\$290.00	
35990	1976	<b>ENGINE HARNESS</b> 6 Cylinder Note: 6 Cylinder Items Are Not Returnable.	\$304.00	
18680	1976	<b>ENGINE HARNESS</b> V/8, All	\$290.00	

Part Number	Year	Description	Price	*Rev.
35989	1977	<b>ENGINE HARNESS</b> 6 Cylinder, Except California Emission Option Note: 6 Cylinder Items Are Not Returnable.	\$290.00	
35988	1977	<b>ENGINE HARNESS</b> 6 Cylinder, With California Emission Option Note: 6 Cylinder Items Are Not Returnable.	\$290.00	
36007	1977	<b>ENGINE HARNESS</b> V/8, All	\$264.00	
35981	1978	<b>ENGINE HARNESS</b> 6 Cylinder, Except California Emission Option Note: 6 Cylinder Items Are Not Returnable.	\$303.00	
35980	1978	<b>ENGINE HARNESS</b> 6 Cylinder, With California Emission Option Note: 6 Cylinder Items Are Not Returnable.	\$303.00	
36007	1978	<b>ENGINE HARNESS</b> V/8, Except California Emission Option	\$264.00	
36027	1978	<b>ENGINE HARNESS</b> V/8, With California Emission Option	\$290.00	
35986	1979	<b>ENGINE HARNESS</b> 6 Cylinder, Except California Emission Option Note: 6 Cylinder Items Are Not Returnable.	\$330.00	
35985	1979	<b>ENGINE HARNESS</b> 6 Cylinder, With California Emission Option Note: 6 Cylinder Items Are Not Returnable.	\$330.00	
36007	1979	<b>ENGINE HARNESS</b> V/8, Except California Emission Option	\$264.00	
36025	1979	<b>ENGINE HARNESS</b> V/8, With California Emission Option	\$264.00	
38010	1980	<b>ENGINE HARNESS</b> V/6, 229 C.I.	\$304.00	
36029	1980	<b>ENGINE HARNESS</b> V/8, 267, 305, 350 C.I.	\$278.00	
<b>FORWARD LAMP HARNESS</b>				
11425	1967	<b>FORWARD LAMP HARNESS</b> 6 Cylinder, Rally Sport Note: 6 Cylinder Items Are Not Returnable.	\$332.00	
11410	1967	<b>FORWARD LAMP HARNESS</b> 6 Cylinder, Standard Note: 6 Cylinder Items Are Not Returnable.	\$251.00	
11430	1967	<b>FORWARD LAMP HARNESS</b> V/8, Rally Sport	\$291.00	
39015	1967	<b>FORWARD LAMP HARNESS-INT REG ALT DRIVER SIDE</b> V/8, Rally Sport Note: Modified For Driver Side Mounted 1972-84 Non-Serpentine Belt ("SI" Series) Internal Regulated Alternators.	\$316.00	
39168	1967	<b>FORWARD LAMP HARNESS-INT REG ALT PASSENGER SIDE</b> V/8, Rally Sport Note: Modified For Passenger Side Mounted 1972-84 Non-Serpentine Belt ("SI" Series) Internal Regulated Alternators.	\$326.00	
11435	1967	<b>FORWARD LAMP HARNESS</b> V/8, Rally Sport With Gauges	\$298.00	
38995	1967	<b>FORWARD LAMP HARNESS-INT REG ALT DRIVER SIDE</b> V/8, Rally Sport With Gauges Note: Modified For Driver Side Mounted 1972-84 Non-Serpentine Belt ("SI" Series) Internal Regulated Alternators.	\$323.00	
39169	1967	<b>FORWARD LAMP HARNESS-INT REG ALT PASSENGER SIDE</b> V/8, Rally Sport With Gauges Note: Modified For Passenger Side Mounted 1972-84 Non-Serpentine Belt ("SI" Series) Internal Regulated Alternators.	\$333.00	
11415	1967	<b>FORWARD LAMP HARNESS</b> V/8, Standard	\$226.00	
38973	1967	<b>FORWARD LAMP HARNESS-INT REG ALT DRIVER SIDE</b> V/8, Standard Note: Modified For Driver Side Mounted 1972-84 Non-Serpentine Belt ("SI" Series) Internal Regulated Alternators.	\$251.00	
39037	1967	<b>FORWARD LAMP HARNESS-INT REG ALT PASSENGER SIDE</b> V/8, Standard Note: Modified For Passenger Side Mounted 1972-84 Non-Serpentine Belt ("SI" Series) Internal Regulated Alternators.	\$261.00	
11420	1967	<b>FORWARD LAMP HARNESS</b> V/8, Standard With Gauges	\$226.00	
39027	1967	<b>FORWARD LAMP HARNESS-INT REG ALT DRIVER SIDE</b> V/8, Standard With Gauges Note: Modified For Driver Side Mounted 1972-84 Non-Serpentine Belt ("SI" Series) Internal Regulated Alternators.	\$251.00	
39227	1967	<b>FORWARD LAMP HARNESS-INT REG ALT PASSENGER SIDE</b> V/8, Standard With Gauges Note: Modified For Passenger Side Mounted 1972-84 Non-Serpentine Belt ("SI" Series) Internal Regulated Alternators.	\$261.00	
11895	1968	<b>FORWARD LAMP HARNESS</b> 6 Cylinder, Rally Sport Note: 6 Cylinder Items Are Not Returnable.	\$276.00	
11825	1968	<b>FORWARD LAMP HARNESS</b> 6 Cylinder, Standard Note: 6 Cylinder Items Are Not Returnable.	\$276.00	

Part Number	Year	Description	Price	*Rev.
39170	1968	<b>FORWARD LAMP HARNESS-INT REG ALT DRIVER SIDE</b> 6 Cylinder, Standard Note: 6 Cylinder Items Are Not Returnable.	\$301.00	
11900	1968	<b>FORWARD LAMP HARNESS</b> V/8, Rally Sport	\$239.00	
39088	1968	<b>FORWARD LAMP HARNESS-INT REG ALT DRIVER SIDE</b> V/8, Rally Sport Note: Modified For Driver Side Mounted 1972-84 Non-Serpentine Belt ("SI" Series) Internal Regulated Alternators.	\$264.00	
39133	1968	<b>FORWARD LAMP HARNESS-INT REG ALT PASSENGER SIDE</b> V/8, Rally Sport Note: Modified For Passenger Side Mounted 1972-84 Non-Serpentine Belt ("SI" Series) Internal Regulated Alternators.	\$274.00	
11905	1968	<b>FORWARD LAMP HARNESS</b> V/8, Rally Sport With Gauges	\$239.00	
39028	1968	<b>FORWARD LAMP HARNESS-INT REG ALT DRIVER SIDE</b> V/8, Rally Sport With Gauges Note: Modified For Driver Side Mounted 1972-84 Non-Serpentine Belt ("SI" Series) Internal Regulated Alternators.	\$264.00	
39171	1968	<b>FORWARD LAMP HARNESS-INT REG ALT PASSENGER SIDE</b> V/8, Rally Sport With Gauges Note: Modified For Passenger Side Mounted 1972-84 Non-Serpentine Belt ("SI" Series) Internal Regulated Alternators.	\$274.00	
11830	1968	<b>FORWARD LAMP HARNESS</b> V/8, Standard	\$239.00	
38961	1968	<b>FORWARD LAMP HARNESS-INT REG ALT DRIVER SIDE</b> V/8, Standard Note: Modified For Driver Side Mounted 1972-84 Non-Serpentine Belt ("SI" Series) Internal Regulated Alternators.	\$264.00	
38970	1968	<b>FORWARD LAMP HARNESS-INT REG ALT PASSENGER SIDE</b> V/8, Standard Note: Modified For Passenger Side Mounted 1972-84 Non-Serpentine Belt ("SI" Series) Internal Regulated Alternators.	\$274.00	
11835	1968	<b>FORWARD LAMP HARNESS</b> V/8, Standard With Gauges	\$239.00	
38987	1968	<b>FORWARD LAMP HARNESS-INT REG ALT DRIVER SIDE</b> V/8, Standard With Gauges Note: Modified For Driver Side Mounted 1972-84 Non-Serpentine Belt ("SI" Series) Internal Regulated Alternators.	\$264.00	
39229	1968	<b>FORWARD LAMP HARNESS-INT REG ALT PASSENGER SIDE</b> V/8, Standard With Gauges Note: Modified For Passenger Side Mounted 1972-84 Non-Serpentine Belt ("SI" Series) Internal Regulated Alternators.	\$274.00	
12995	1969	<b>FORWARD LAMP HARNESS</b> 6 Cylinder Note: 6 Cylinder Items Are Not Returnable.	\$276.00	
13000	1969	<b>FORWARD LAMP HARNESS</b> V/8	\$239.00	
38933	1969	<b>FORWARD LAMP HARNESS-INT REG ALT PASSENGER SIDE</b> V/8 Note: Modified For Passenger Side Mounted 1972-84 Non-Serpentine Belt ("SI" Series) Internal Regulated Alternators.	\$274.00	
13005	1969	<b>FORWARD LAMP HARNESS</b> V/8 With Gauges	\$239.00	
38951	1969	<b>FORWARD LAMP HARNESS-INT REG ALT PASSENGER SIDE</b> V/8 With Gauges Note: Modified For Passenger Side Mounted 1972-84 Non-Serpentine Belt ("SI" Series) Internal Regulated Alternators.	\$274.00	
14865	1970	<b>FORWARD LAMP HARNESS</b> 6 Cylinder Note: 6 Cylinder Items Are Not Returnable.	\$291.00	
14870	1970	<b>FORWARD LAMP HARNESS</b> V/8	\$265.00	
39108	1970	<b>FORWARD LAMP HARNESS-INT REG ALT PASSENGER SIDE</b> V/8 Note: Modified For Passenger Side Mounted 1972-84 Non-Serpentine Belt ("SI" Series) Internal Regulated Alternators.	\$300.00	
15195	1970	<b>FORWARD LAMP HARNESS</b> V/8, With A/C	\$265.00	
39135	1970	<b>FORWARD LAMP HARNESS-INT REG ALT PASSENGER SIDE</b> V/8, With A/C Note: Modified For Passenger Side Mounted 1972-84 Non-Serpentine Belt ("SI" Series) Internal Regulated Alternators.	\$300.00	
14875	1970	<b>FORWARD LAMP HARNESS</b> V/8, With Gauges, All	\$265.00	
39109	1970	<b>FORWARD LAMP HARNESS-INT REG ALT PASSENGER SIDE</b> V/8, With Gauges, All Note: Modified For Passenger Side Mounted 1972-84 Non-Serpentine Belt ("SI" Series) Internal Regulated Alternators.	\$300.00	
15320	1971	<b>FORWARD LAMP HARNESS</b> 6 Cylinder Note: 6 Cylinder Items Are Not Returnable.	\$332.00	
15405	1971	<b>FORWARD LAMP HARNESS</b> V/8	\$265.00	
39029	1971	<b>FORWARD LAMP HARNESS-INT REG ALT PASSENGER SIDE</b> V/8 Note: Modified For Passenger Side Mounted 1972-84 Non-Serpentine Belt ("SI" Series) Internal Regulated Alternators.	\$300.00	
15330	1971	<b>FORWARD LAMP HARNESS</b> V/8, With Gauges	\$265.00	
39053	1971	<b>FORWARD LAMP HARNESS-INT REG ALT PASSENGER SIDE</b> V/8, With Gauges Note: Modified For Passenger Side Mounted 1972-84 Non-Serpentine Belt ("SI" Series) Internal Regulated Alternators.	\$300.00	

Part Number	Year	Description	Price	*Rev.
16370	1972	FORWARD LAMP HARNESS All Models	\$265.00	
16550	1973	FORWARD LAMP HARNESS All Models	\$265.00	
16585	1974	FORWARD LAMP HARNESS All Models	\$304.00	
36028	1975	FORWARD LAMP HARNESS All Models, Without Seatbelt Ignition Interlock Relay	\$291.00	
18685	1975	FORWARD LAMP HARNESS All Models, With Seatbelt Ignition Interlock Relay	\$318.00	
36026	1976	FORWARD LAMP HARNESS All Models	\$291.00	
36026	1977	FORWARD LAMP HARNESS All Models	\$291.00	
36023	1978	FORWARD LAMP HARNESS All Models	\$291.00	
36021	1979	FORWARD LAMP HARNESS All Models	\$291.00	
36021	1980	FORWARD LAMP HARNESS All Models	\$291.00	
36022	1981	FORWARD LAMP HARNESS All Models	\$291.00	
<b>FUEL TANK SENDER WIRE</b>				
18915	1967	FUEL TANK SENDER WIRE	\$22.00	
18915	1968	FUEL TANK SENDER WIRE	\$22.00	
18910	1969	FUEL TANK SENDER WIRE	\$22.00	
33825	1970	FUEL TANK SENDER WIRE	\$23.00	
33825	1971	FUEL TANK SENDER WIRE	\$23.00	
33835	1972	FUEL TANK SENDER WIRE	\$23.00	
33835	1973	FUEL TANK SENDER WIRE	\$23.00	
36275	1974	FUEL TANK SENDER WIRE	\$25.00	
36272	1975	FUEL TANK SENDER WIRE	\$23.00	
36272	1976	FUEL TANK SENDER WIRE	\$23.00	
36272	1977	FUEL TANK SENDER WIRE	\$23.00	
36269	1978	FUEL TANK SENDER WIRE	\$32.00	
36269	1979	FUEL TANK SENDER WIRE	\$32.00	
36269	1980	FUEL TANK SENDER WIRE	\$32.00	
<b>FUEL TANK SENDING UNIT</b>				
06428068	1967	FUEL TANK SENDING UNIT 3/8" Fuel Line, Single Line	\$43.00	N
06428069	1967	FUEL TANK SENDING UNIT 5/16" Fuel Line, Single Line	\$43.00	N
06428845	1968	FUEL TANK SENDING UNIT 3/8" Fuel Line, Single Line	\$43.00	N
06428844	1968	FUEL TANK SENDING UNIT 5/16" Fuel Line, Single Line	\$43.00	N
06428845	1969	FUEL TANK SENDING UNIT 3/8" Fuel Line, Single Line	\$43.00	N
06428322	1969	FUEL TANK SENDING UNIT 3/8" Fuel Line, With 2nd Vent Line	\$43.00	N
06428844	1969	FUEL TANK SENDING UNIT 5/16" Fuel Line, Single Line	\$43.00	N
06428800	1970	FUEL TANK SENDING UNIT 3/8" Fuel Line	\$43.00	N
06428800	1971	FUEL TANK SENDING UNIT 3/8" Fuel Line	\$43.00	N
06428800	1972	FUEL TANK SENDING UNIT 3/8" Fuel Line	\$43.00	N
06428800	1973	FUEL TANK SENDING UNIT 3/8" Fuel Line	\$43.00	N
<b>GLOVE BOX LAMP EXTENSION HARNESS</b>				
17530	1970	GLOVE BOX LAMP EXTENSION HARNESS Without A/C, Plugs Into Glove Box Lamp Switch Assembly	\$23.00	
15290	1970	GLOVE BOX LAMP EXTENSION HARNESS With A/C Only, Plugs Into Glove Box Lamp Switch Assembly	\$23.00	
17530	1971	GLOVE BOX LAMP EXTENSION HARNESS Without A/C, Plugs Into Glove Box Lamp Switch Assembly	\$23.00	
15290	1971	GLOVE BOX LAMP EXTENSION HARNESS With A/C Only, Plugs Into Glove Box Lamp Switch Assembly	\$23.00	
17530	1972	GLOVE BOX LAMP EXTENSION HARNESS Without A/C, Plugs Into Glove Box Lamp Switch Assembly	\$23.00	
15290	1972	GLOVE BOX LAMP EXTENSION HARNESS With A/C Only, Plugs Into Glove Box Lamp Switch Assembly	\$23.00	
17530	1973	GLOVE BOX LAMP EXTENSION HARNESS Without A/C, Plugs Into Glove Box Lamp Switch Assembly	\$23.00	



Part Number	Year	Description	Price	*Rev.
15290	1973	<b>GLOVE BOX LAMP EXTENSION HARNESS</b> With A/C Only, Plugs Into Glove Box Lamp Switch Assembly	\$23.00	
17530	1974	<b>GLOVE BOX LAMP EXTENSION HARNESS</b> Without A/C, Plugs Into Glove Box Lamp Switch Assembly	\$23.00	
15290	1974	<b>GLOVE BOX LAMP EXTENSION HARNESS</b> With A/C Only, Plugs Into Glove Box Lamp Switch Assembly	\$23.00	
17530	1975	<b>GLOVE BOX LAMP EXTENSION HARNESS</b> Without A/C, Plugs Into Glove Box Lamp Switch Assembly	\$23.00	
15290	1975	<b>GLOVE BOX LAMP EXTENSION HARNESS</b> With A/C Only, Plugs Into Glove Box Lamp Switch Assembly	\$23.00	
17530	1976	<b>GLOVE BOX LAMP EXTENSION HARNESS</b> Without A/C, Plugs Into Glove Box Lamp Switch Assembly	\$23.00	
15290	1976	<b>GLOVE BOX LAMP EXTENSION HARNESS</b> With A/C Only, Plugs Into Glove Box Lamp Switch Assembly	\$23.00	
17530	1977	<b>GLOVE BOX LAMP EXTENSION HARNESS</b> Without A/C, Plugs Into Glove Box Lamp Switch Assembly	\$23.00	
15290	1977	<b>GLOVE BOX LAMP EXTENSION HARNESS</b> With A/C Only, Plugs Into Glove Box Lamp Switch Assembly	\$23.00	
17530	1978	<b>GLOVE BOX LAMP EXTENSION HARNESS</b> Without A/C, Plugs Into Glove Box Lamp Switch Assembly	\$23.00	
15290	1978	<b>GLOVE BOX LAMP EXTENSION HARNESS</b> With A/C Only, Plugs Into Glove Box Lamp Switch Assembly	\$23.00	
17530	1979	<b>GLOVE BOX LAMP EXTENSION HARNESS</b> Without A/C, Plugs Into Glove Box Lamp Switch Assembly	\$23.00	
15290	1979	<b>GLOVE BOX LAMP EXTENSION HARNESS</b> With A/C Only, Plugs Into Glove Box Lamp Switch Assembly	\$23.00	
<b>GLOVE BOX LAMP KIT</b>				
18000	1967	<b>GLOVE BOX LAMP KIT</b> Socket, Bulb & Wire	\$24.00	
18000	1968	<b>GLOVE BOX LAMP KIT</b> Socket, Bulb & Wire	\$24.00	
18000	1969	<b>GLOVE BOX LAMP KIT</b> Socket, Bulb & Wire	\$24.00	
<b>GLOVE BOX LAMP SWITCH ASSEMBLY</b>				
36134	1970	<b>GLOVE BOX LAMP SWITCH ASSEMBLY</b> Socket, Bulb & Wire	\$26.00	
36134	1971	<b>GLOVE BOX LAMP SWITCH ASSEMBLY</b> Socket, Bulb & Wire	\$26.00	
36134	1972	<b>GLOVE BOX LAMP SWITCH ASSEMBLY</b> Socket, Bulb & Wire	\$26.00	
36134	1973	<b>GLOVE BOX LAMP SWITCH ASSEMBLY</b> Socket, Bulb & Wire	\$26.00	
36134	1974	<b>GLOVE BOX LAMP SWITCH ASSEMBLY</b> Socket, Bulb & Wire	\$26.00	
36134	1975	<b>GLOVE BOX LAMP SWITCH ASSEMBLY</b> Socket, Bulb & Wire	\$26.00	
36134	1976	<b>GLOVE BOX LAMP SWITCH ASSEMBLY</b> Socket, Bulb & Wire	\$26.00	
36134	1977	<b>GLOVE BOX LAMP SWITCH ASSEMBLY</b> Socket, Bulb & Wire	\$26.00	
36134	1978	<b>GLOVE BOX LAMP SWITCH ASSEMBLY</b> Socket, Bulb & Wire	\$26.00	
36134	1979	<b>GLOVE BOX LAMP SWITCH ASSEMBLY</b> Socket, Bulb & Wire	\$26.00	
36136	1980	<b>GLOVE BOX LAMP SWITCH ASSEMBLY</b> Switch, Bulb & Terminals	\$25.00	
36136	1981	<b>GLOVE BOX LAMP SWITCH ASSEMBLY</b> Switch, Bulb & Terminals	\$25.00	
<b>GROUND STRAP</b>				
27930	1977	<b>GROUND STRAP</b> Valve Cover	\$16.00	
27930	1978	<b>GROUND STRAP</b> Valve Cover	\$16.00	
<b>GROUND STRAP KIT</b>				
27365	1967	<b>GROUND STRAP KIT</b> 6 Cylinder, For Engine & Subframe Grounding Note: 6 Cylinder Items Are Not Returnable.	\$14.00	
27370	1967	<b>GROUND STRAP KIT</b> V/8, For Engine & Subframe Grounding	\$22.00	
27365	1968	<b>GROUND STRAP KIT</b> 6 Cylinder, For Engine & Subframe Grounding Note: 6 Cylinder Items Are Not Returnable.	\$14.00	
27370	1968	<b>GROUND STRAP KIT</b> V/8, For Engine & Subframe Grounding	\$22.00	
27375	1969	<b>GROUND STRAP KIT</b> 6 Cylinder, For Engine & Subframe Grounding Note: 6 Cylinder Items Are Not Returnable.	\$22.00	
27380	1969	<b>GROUND STRAP KIT</b> V/8, For Engine & Subframe Grounding	\$28.00	
<b>GROUND WIRE</b>				
01655	1967	<b>GROUND WIRE</b> Voltage Regulator	\$18.00	
01655	1968	<b>GROUND WIRE</b> Voltage Regulator	\$18.00	

Part Number	Year	Description	Price	*Rev.
01655	1969	<b>GROUND WIRE</b> Voltage Regulator	\$18.00	
<b>GROUND WIRE-DISTRIBUTOR POINT PLATE</b>				
38298	1967	<b>GROUND WIRE, DISTRIBUTOR POINT PLATE</b> From Distributor Point Plate To Distributor Housing Note: Replaces Spot Welded Wire Asm On Point Plate Side. Fits All GM V/8 Point Type Distributors From Approx. 1957-1974.	\$17.00	C
38298	1968	<b>GROUND WIRE, DISTRIBUTOR POINT PLATE</b> From Distributor Point Plate To Distributor Housing Note: Replaces Spot Welded Wire Asm On Point Plate Side. Fits All GM V/8 Point Type Distributors From Approx. 1957-1974.	\$17.00	C
38298	1969	<b>GROUND WIRE, DISTRIBUTOR POINT PLATE</b> From Distributor Point Plate To Distributor Housing Note: Replaces Spot Welded Wire Asm On Point Plate Side. Fits All GM V/8 Point Type Distributors From Approx. 1957-1974.	\$17.00	C
38298	1970	<b>GROUND WIRE, DISTRIBUTOR POINT PLATE</b> From Distributor Point Plate To Distributor Housing Note: Replaces Spot Welded Wire Asm On Point Plate Side. Fits All GM V/8 Point Type Distributors From Approx. 1957-1974.	\$17.00	C
38298	1971	<b>GROUND WIRE, DISTRIBUTOR POINT PLATE</b> From Distributor Point Plate To Distributor Housing Note: Replaces Spot Welded Wire Asm On Point Plate Side. Fits All GM V/8 Point Type Distributors From Approx. 1957-1974.	\$17.00	C
38298	1972	<b>GROUND WIRE, DISTRIBUTOR POINT PLATE</b> From Distributor Point Plate To Distributor Housing Note: Replaces Spot Welded Wire Asm On Point Plate Side. Fits All GM V/8 Point Type Distributors From Approx. 1957-1974.	\$17.00	C
38298	1973	<b>GROUND WIRE, DISTRIBUTOR POINT PLATE</b> From Distributor Point Plate To Distributor Housing Note: Replaces Spot Welded Wire Asm On Point Plate Side. Fits All GM V/8 Point Type Distributors From Approx. 1957-1974.	\$17.00	C
38298	1974	<b>GROUND WIRE, DISTRIBUTOR POINT PLATE</b> From Distributor Point Plate To Distributor Housing Note: Replaces Spot Welded Wire Asm On Point Plate Side. Fits All GM V/8 Point Type Distributors From Approx. 1957-1974.	\$17.00	C
<b>HARNESS TAPE</b>				
R0058272	1967	<b>HARNESS TAPE</b> 3/4" Vinyl (100 Ft. Roll) Non-Adhesive	\$12.00	
R0058276	1967	<b>HARNESS TAPE</b> 1" Vinyl (100 Ft. Roll) Non-Adhesive	\$13.00	
R0067108	1967	<b>HARNESS TAPE</b> 1 1/4" Vinyl (100 Ft. Roll) Non-Adhesive	\$15.00	
R0058272	1968	<b>HARNESS TAPE</b> 3/4" Vinyl (100 Ft. Roll) Non-Adhesive	\$12.00	
R0058276	1968	<b>HARNESS TAPE</b> 1" Vinyl (100 Ft. Roll) Non-Adhesive	\$13.00	
R0067108	1968	<b>HARNESS TAPE</b> 1 1/4" Vinyl (100 Ft. Roll) Non-Adhesive	\$15.00	
R0058272	1969	<b>HARNESS TAPE</b> 3/4" Vinyl (100 Ft. Roll) Non-Adhesive	\$12.00	
R0058276	1969	<b>HARNESS TAPE</b> 1" Vinyl (100 Ft. Roll) Non-Adhesive	\$13.00	
R0067108	1969	<b>HARNESS TAPE</b> 1 1/4" Vinyl (100 Ft. Roll) Non-Adhesive	\$15.00	
R0058272	1970	<b>HARNESS TAPE</b> 3/4" Vinyl (100 Ft. Roll) Non-Adhesive	\$12.00	
R0058276	1970	<b>HARNESS TAPE</b> 1" Vinyl (100 Ft. Roll) Non-Adhesive	\$13.00	
R0067108	1970	<b>HARNESS TAPE</b> 1 1/4" Vinyl (100 Ft. Roll) Non-Adhesive	\$15.00	
R0058272	1971	<b>HARNESS TAPE</b> 3/4" Vinyl (100 Ft. Roll) Non-Adhesive	\$12.00	
R0058276	1971	<b>HARNESS TAPE</b> 1" Vinyl (100 Ft. Roll) Non-Adhesive	\$13.00	
R0067108	1971	<b>HARNESS TAPE</b> 1 1/4" Vinyl (100 Ft. Roll) Non-Adhesive	\$15.00	
R0058272	1972	<b>HARNESS TAPE</b> 3/4" Vinyl (100 Ft. Roll) Non-Adhesive	\$12.00	
R0058276	1972	<b>HARNESS TAPE</b> 1" Vinyl (100 Ft. Roll) Non-Adhesive	\$13.00	
R0067108	1972	<b>HARNESS TAPE</b> 1 1/4" Vinyl (100 Ft. Roll) Non-Adhesive	\$15.00	
R0058272	1973	<b>HARNESS TAPE</b> 3/4" Vinyl (100 Ft. Roll) Non-Adhesive	\$12.00	
R0058276	1973	<b>HARNESS TAPE</b> 1" Vinyl (100 Ft. Roll) Non-Adhesive	\$13.00	
R0067108	1973	<b>HARNESS TAPE</b> 1 1/4" Vinyl (100 Ft. Roll) Non-Adhesive	\$15.00	
R0058272	1974	<b>HARNESS TAPE</b> 3/4" Vinyl (100 Ft. Roll) Non-Adhesive	\$12.00	
R0058276	1974	<b>HARNESS TAPE</b> 1" Vinyl (100 Ft. Roll) Non-Adhesive	\$13.00	
R0067108	1974	<b>HARNESS TAPE</b> 1 1/4" Vinyl (100 Ft. Roll) Non-Adhesive	\$15.00	
R0058272	1975	<b>HARNESS TAPE</b> 3/4" Vinyl (100 Ft. Roll) Non-Adhesive	\$12.00	
R0058276	1975	<b>HARNESS TAPE</b> 1" Vinyl (100 Ft. Roll) Non-Adhesive	\$13.00	
R0067108	1975	<b>HARNESS TAPE</b> 1 1/4" Vinyl (100 Ft. Roll) Non-Adhesive	\$15.00	
R0058272	1976	<b>HARNESS TAPE</b> 3/4" Vinyl (100 Ft. Roll) Non-Adhesive	\$12.00	

Part Number	Year	Description	Price	*Rev.
R0058276	1976	<b>HARNESS TAPE</b> 1" Vinyl (100 Ft. Roll) Non-Adhesive	\$13.00	
R0067108	1976	<b>HARNESS TAPE</b> 1 1/4" Vinyl (100 Ft. Roll) Non-Adhesive	\$15.00	
R0058272	1977	<b>HARNESS TAPE</b> 3/4" Vinyl (100 Ft. Roll) Non-Adhesive	\$12.00	
R0058276	1977	<b>HARNESS TAPE</b> 1" Vinyl (100 Ft. Roll) Non-Adhesive	\$13.00	
R0067108	1977	<b>HARNESS TAPE</b> 1 1/4" Vinyl (100 Ft. Roll) Non-Adhesive	\$15.00	
R0058272	1978	<b>HARNESS TAPE</b> 3/4" Vinyl (100 Ft. Roll) Non-Adhesive	\$12.00	
R0058276	1978	<b>HARNESS TAPE</b> 1" Vinyl (100 Ft. Roll) Non-Adhesive	\$13.00	
R0067108	1978	<b>HARNESS TAPE</b> 1 1/4" Vinyl (100 Ft. Roll) Non-Adhesive	\$15.00	
R0058272	1979	<b>HARNESS TAPE</b> 3/4" Vinyl (100 Ft. Roll) Non-Adhesive	\$12.00	
R0058276	1979	<b>HARNESS TAPE</b> 1" Vinyl (100 Ft. Roll) Non-Adhesive	\$13.00	
R0067108	1979	<b>HARNESS TAPE</b> 1 1/4" Vinyl (100 Ft. Roll) Non-Adhesive	\$15.00	
R0058272	1980	<b>HARNESS TAPE</b> 3/4" Vinyl (100 Ft. Roll) Non-Adhesive	\$12.00	
R0058276	1980	<b>HARNESS TAPE</b> 1" Vinyl (100 Ft. Roll) Non-Adhesive	\$13.00	
R0067108	1980	<b>HARNESS TAPE</b> 1 1/4" Vinyl (100 Ft. Roll) Non-Adhesive	\$15.00	
R0058272	1981	<b>HARNESS TAPE</b> 3/4" Vinyl (100 Ft. Roll) Non-Adhesive	\$12.00	
R0058276	1981	<b>HARNESS TAPE</b> 1" Vinyl (100 Ft. Roll) Non-Adhesive	\$13.00	
R0067108	1981	<b>HARNESS TAPE</b> 1 1/4" Vinyl (100 Ft. Roll) Non-Adhesive	\$15.00	
<b>HEADLAMP WASHER PUMP EXTENSION</b>				
17585	1969	<b>HEADLAMP WASHER PUMP EXTENSION</b> Rally Sport, From Wiper Motor To Headlight Washer Pump (Set Of 2)	\$18.00	
<b>HEADLIGHT SWITCH</b>				
01995179	1967	<b>HEADLIGHT SWITCH</b>	\$20.00	N
01995179	1968	<b>HEADLIGHT SWITCH</b> Except Rallysport	\$20.00	N
01995191	1968	<b>HEADLIGHT SWITCH</b> Rallysport Note: Not Exact Replacement, But Can Be Used In Place Of Original Switch Number 01995176.	\$39.00	N
01995216	1969	<b>HEADLIGHT SWITCH</b> Except Rallysport	\$20.00	N
01995191	1969	<b>HEADLIGHT SWITCH</b> Rallysport Note: Not Exact Replacement, But Can Be Used In Place Of Original Switch Number 01995176.	\$39.00	N
01995216	1970	<b>HEADLIGHT SWITCH</b>	\$20.00	N
01995216	1971	<b>HEADLIGHT SWITCH</b>	\$20.00	N
01995216	1972	<b>HEADLIGHT SWITCH</b>	\$20.00	N
01995216	1973	<b>HEADLIGHT SWITCH</b>	\$20.00	N
01995216	1974	<b>HEADLIGHT SWITCH</b>	\$20.00	N
01995216	1975	<b>HEADLIGHT SWITCH</b>	\$20.00	N
01995216	1976	<b>HEADLIGHT SWITCH</b>	\$20.00	N
01995216	1977	<b>HEADLIGHT SWITCH</b>	\$20.00	N
01995216	1978	<b>HEADLIGHT SWITCH</b>	\$20.00	N
01995216	1979	<b>HEADLIGHT SWITCH</b>	\$20.00	N
01995216	1980	<b>HEADLIGHT SWITCH</b>	\$20.00	N
01995216	1981	<b>HEADLIGHT SWITCH</b>	\$20.00	N
<b>HEATER BLOWER MOTOR RESISTOR</b>				
03929052	1967	<b>HEATER BLOWER MOTOR RESISTOR</b> Without A/C	\$15.00	N
03929052	1968	<b>HEATER BLOWER MOTOR RESISTOR</b> Without A/C	\$15.00	N
03929052	1969	<b>HEATER BLOWER MOTOR RESISTOR</b> Without A/C	\$15.00	N
03929052	1970	<b>HEATER BLOWER MOTOR RESISTOR</b> Without A/C	\$15.00	N
03929052	1971	<b>HEATER BLOWER MOTOR RESISTOR</b> Without A/C	\$15.00	N
03929052	1972	<b>HEATER BLOWER MOTOR RESISTOR</b> Without A/C	\$15.00	N

Part Number	Year	Description	Price	*Rev.
03929052	1973	HEATER BLOWER MOTOR RESISTOR Without A/C	\$15.00	N
03929052	1974	HEATER BLOWER MOTOR RESISTOR Without A/C	\$15.00	N
03929052	1975	HEATER BLOWER MOTOR RESISTOR Without A/C	\$15.00	N
03929052	1976	HEATER BLOWER MOTOR RESISTOR Without A/C	\$15.00	N
03929052	1977	HEATER BLOWER MOTOR RESISTOR Without A/C	\$15.00	N
03929052	1978	HEATER BLOWER MOTOR RESISTOR Without A/C	\$15.00	N
03929052	1979	HEATER BLOWER MOTOR RESISTOR Without A/C	\$15.00	N
03929052	1980	HEATER BLOWER MOTOR RESISTOR Without A/C	\$15.00	N
03929052	1981	HEATER BLOWER MOTOR RESISTOR Without A/C	\$15.00	N
03929052	1982	HEATER BLOWER MOTOR RESISTOR Without A/C	\$15.00	N
03929052	1983	HEATER BLOWER MOTOR RESISTOR Without A/C	\$15.00	N
<b>HEATER HARNESS</b>				
33875	1973	HEATER HARNESS Without A/C	\$52.00	
33875	1974	HEATER HARNESS Without A/C	\$52.00	
33875	1975	HEATER HARNESS Without A/C	\$52.00	
33875	1976	HEATER HARNESS Without A/C	\$52.00	
33875	1977	HEATER HARNESS Without A/C	\$52.00	
33875	1978	HEATER HARNESS Without A/C	\$52.00	
33875	1979	HEATER HARNESS Without A/C	\$52.00	
33875	1980	HEATER HARNESS Without A/C	\$52.00	
<b>HOOD AIR INTAKE LOUVER SWITCH</b>				
01242101	1980	HOOD AIR INTAKE LOUVER SWITCH Z-28	\$19.00	
01242101	1981	HOOD AIR INTAKE LOUVER SWITCH Z-28	\$19.00	
<b>HOOD LAMP REPLACEMENT KIT</b>				
18410	1967	HOOD LAMP KIT Under Hood, Includes Socket, Wire & Bulb	\$60.00	C
18410	1968	HOOD LAMP KIT Under Hood, Includes Socket, Wire & Bulb	\$60.00	C
18410	1969	HOOD LAMP KIT Under Hood, Includes Socket, Wire & Bulb	\$60.00	C
18410	1970	HOOD LAMP KIT Under Hood, Includes Socket, Wire & Bulb	\$60.00	C
18410	1971	HOOD LAMP KIT Under Hood, Includes Socket, Wire & Bulb	\$60.00	C
18410	1972	HOOD LAMP KIT Under Hood, Includes Socket, Wire & Bulb	\$60.00	C
18410	1973	HOOD LAMP KIT Under Hood, Includes Socket, Wire & Bulb	\$60.00	C
18410	1974	HOOD LAMP KIT Under Hood, Includes Socket, Wire & Bulb	\$60.00	C
18410	1975	HOOD LAMP KIT Under Hood, Includes Socket, Wire & Bulb	\$60.00	C
18410	1976	HOOD LAMP KIT Under Hood, Includes Socket, Wire & Bulb	\$60.00	C
18410	1977	HOOD LAMP KIT Under Hood, Includes Socket, Wire & Bulb	\$60.00	C
<b>HORN WIRE</b>				
38011	1974	HORN WIRE With Dual Horns	\$22.00	
38011	1975	HORN WIRE With Dual Horns	\$22.00	
38011	1976	HORN WIRE With Dual Horns	\$22.00	
38012	1977	HORN WIRE With Dual Horns	\$23.00	
38013	1978	HORN WIRE With Dual Horns	\$22.00	
38013	1979	HORN WIRE With Dual Horns	\$22.00	
38013	1980	HORN WIRE With Dual Horns	\$22.00	
<b>IDLE STOP SOLENOID WIRE</b>				
17495	1970	IDLE STOP SOLENOID WIRE All V/8, Except Big Block With Manual Trans	\$17.00	

Part Number	Year	Description	Price	*Rev.
<b>IGNITION CYLINDER AND KEYS</b>				
20071252	1969	IGNITION CYLINDER AND KEYS Chrome, All	\$18.50	N
20071252	1970	IGNITION CYLINDER AND KEYS Chrome, All	\$18.50	N
20071252	1971	IGNITION CYLINDER AND KEYS Chrome, All	\$18.50	N
20071252	1972	IGNITION CYLINDER AND KEYS Chrome, All	\$18.50	N
20071252	1973	IGNITION CYLINDER AND KEYS Chrome, All	\$18.50	N
20071252	1974	IGNITION CYLINDER AND KEYS Chrome, All	\$18.50	N
20071252	1975	IGNITION CYLINDER AND KEYS Chrome, All	\$18.50	N
20071252	1976	IGNITION CYLINDER AND KEYS Chrome, All	\$18.50	N
20071252	1977	IGNITION CYLINDER AND KEYS Chrome, All	\$18.50	N
20071252	1978	IGNITION CYLINDER AND KEYS Chrome, All, 1st Design, Used On Columns Without Lock Cylinder Retaining Screw	\$18.50	N
07833759	1978	IGNITION CYLINDER AND KEYS Chrome, All, 2nd Design, Used On Columns With Lock Cylinder Retaining Screw	\$18.50	N
07833759	1979	IGNITION CYLINDER AND KEYS Chrome, All	\$18.50	N
07833759	1980	IGNITION CYLINDER AND KEYS Chrome, All	\$18.50	N
07833759	1981	IGNITION CYLINDER AND KEYS Chrome, All	\$18.50	N
07833759	1982	IGNITION CYLINDER AND KEYS Chrome, All	\$18.50	N
07833759	1983	IGNITION CYLINDER AND KEYS Chrome, All	\$18.50	N
07833759	1984	IGNITION CYLINDER AND KEYS Chrome, All	\$18.50	N
07833759	1985	IGNITION CYLINDER AND KEYS Chrome, All	\$18.50	N
07833759	1986	IGNITION CYLINDER AND KEYS Chrome, All	\$18.50	N
07833759	1987	IGNITION CYLINDER AND KEYS Chrome, All	\$18.50	N
07833759	1988	IGNITION CYLINDER AND KEYS Chrome, All	\$18.50	N
<b>IGNITION SWITCH</b>				
01990110	1969	IGNITION SWITCH All, With Tilt	\$14.00	N
01990110	1970	IGNITION SWITCH All, With Tilt	\$14.00	N
01990110	1971	IGNITION SWITCH All, With Tilt	\$14.00	N
01990110	1972	IGNITION SWITCH All, With Tilt	\$14.00	N
01990110	1973	IGNITION SWITCH All, With Tilt	\$14.00	N
01990110	1974	IGNITION SWITCH All, With Tilt	\$14.00	N
01990110	1975	IGNITION SWITCH All, With Tilt	\$14.00	N
01990110	1976	IGNITION SWITCH All, With Tilt	\$14.00	N
01990110	1977	IGNITION SWITCH All, With Tilt	\$14.00	N
01990110	1978	IGNITION SWITCH All, With Tilt	\$14.00	N
01990110	1979	IGNITION SWITCH All, With Tilt	\$14.00	N
01990110	1980	IGNITION SWITCH All, With Tilt	\$14.00	N
01990110	1981	IGNITION SWITCH All, With Tilt	\$14.00	N
01990110	1982	IGNITION SWITCH All, With Tilt	\$14.00	N
01990110	1983	IGNITION SWITCH All, With Tilt	\$14.00	N
<b>INSTRUMENT GAUGE CLUSTER CLIP KIT</b>				
08986000	1976	CLIP KIT All, Instrument Gauge Cluster / Printed Circuit Board Retaining Clip Note: Replaces Original GM Part Number 08986000, Includes 12 Clips Per Kit.	\$14.00	N
08986000	1977	CLIP KIT All, Instrument Gauge Cluster / Printed Circuit Board Retaining Clip Note: Replaces Original GM Part Number 08986000, Includes 12 Clips Per Kit.	\$14.00	N

Part Number	Year	Description	Price	*Rev.
08986000	1978	<b>CLIP KIT</b> All, Instrument Gauge Cluster / Printed Circuit Board Retaining Clip Note: Replaces Original GM Part Number 08986000, Includes 12 Clips Per Kit.	\$14.00	N
08986000	1979	<b>CLIP KIT</b> All, Instrument Gauge Cluster / Printed Circuit Board Retaining Clip Note: Replaces Original GM Part Number 08986000, Includes 12 Clips Per Kit.	\$14.00	N
08986000	1980	<b>CLIP KIT</b> All, Instrument Gauge Cluster / Printed Circuit Board Retaining Clip Note: Replaces Original GM Part Number 08986000, Includes 12 Clips Per Kit.	\$14.00	N
08986000	1981	<b>CLIP KIT</b> All, Instrument Gauge Cluster / Printed Circuit Board Retaining Clip Note: Replaces Original GM Part Number 08986000, Includes 12 Clips Per Kit.	\$14.00	N
08986000	1982	<b>CLIP KIT</b> All, Instrument Gauge Cluster / Printed Circuit Board Retaining Clip Note: Replaces Original GM Part Number 08986000, Includes 12 Clips Per Kit.	\$14.00	N
08986000	1983	<b>CLIP KIT</b> All, Instrument Gauge Cluster / Printed Circuit Board Retaining Clip Note: Replaces Original GM Part Number 08986000, Includes 12 Clips Per Kit.	\$14.00	N
08986000	1984	<b>CLIP KIT</b> All, Instrument Gauge Cluster / Printed Circuit Board Retaining Clip Note: Replaces Original GM Part Number 08986000, Includes 12 Clips Per Kit.	\$14.00	N
08986000	1985	<b>CLIP KIT</b> All, Instrument Gauge Cluster / Printed Circuit Board Retaining Clip Note: Replaces Original GM Part Number 08986000, Includes 12 Clips Per Kit.	\$14.00	N
08986000	1986	<b>CLIP KIT</b> All, Instrument Gauge Cluster / Printed Circuit Board Retaining Clip Note: Replaces Original GM Part Number 08986000, Includes 12 Clips Per Kit.	\$14.00	N
08986000	1987	<b>CLIP KIT</b> All, Instrument Gauge Cluster / Printed Circuit Board Retaining Clip Note: Replaces Original GM Part Number 08986000, Includes 12 Clips Per Kit.	\$14.00	N
08986000	1988	<b>CLIP KIT</b> All, Instrument Gauge Cluster / Printed Circuit Board Retaining Clip Note: Replaces Original GM Part Number 08986000, Includes 12 Clips Per Kit.	\$14.00	N
08986000	1989	<b>CLIP KIT</b> All, Instrument Gauge Cluster / Printed Circuit Board Retaining Clip Note: Replaces Original GM Part Number 08986000, Includes 12 Clips Per Kit.	\$14.00	N
<b>KICKDOWN EXTENSION HARNESS</b>				
17565	1971	<b>KICKDOWN EXTENSION HARNESS</b> TH400 Auto Trans, Gas Pedal Switch To Engine Harness	\$32.00	
17565	1972	<b>KICKDOWN EXTENSION HARNESS</b> TH400 Auto Trans, Gas Pedal Switch To Engine Harness	\$32.00	
17565	1973	<b>KICKDOWN EXTENSION HARNESS</b> TH400 Auto Trans, Gas Pedal Switch To Engine Harness	\$32.00	
17565	1974	<b>KICKDOWN EXTENSION HARNESS</b> TH400 Auto Trans, Gas Pedal Switch To Engine Harness	\$32.00	
<b>KICKDOWN HARNESS</b>				
06085	1967	<b>KICKDOWN HARNESS</b> TH400 Auto Trans, Carburetor Switch To Trans	\$46.00	
06145	1968	<b>KICKDOWN HARNESS</b> TH400 Auto Trans, Carburetor Switch To Trans	\$43.00	
06145	1969	<b>KICKDOWN HARNESS</b> TH400 Auto Trans, Carburetor Switch To Trans	\$43.00	
<b>KICKDOWN SWITCH</b>				
01242101	1970	<b>KICKDOWN SWITCH</b> TH400 Auto Trans	\$19.00	
01242101	1971	<b>KICKDOWN SWITCH</b> TH400 Auto Trans	\$19.00	
01242101	1972	<b>KICKDOWN SWITCH</b> TH400 Auto Trans	\$19.00	
01242101	1973	<b>KICKDOWN SWITCH</b> TH400 Auto Trans	\$19.00	
01242101	1974	<b>KICKDOWN SWITCH</b> TH400 Auto Trans	\$19.00	

Part Number	Year	Description	Price	*Rev.
01242101	1975	KICKDOWN SWITCH TH400 Auto Trans	\$19.00	
<b>LOW FUEL INDICATOR LENS</b>				
06457873	1967	<b>LOW FUEL INDICATOR LENS</b> Used When Converting From Warning Lights To Gauges Note: Manufactured With Original GM Tooling, Not A Reproduction Part.	\$11.00	C
06457873	1968	<b>LOW FUEL INDICATOR LENS</b> Used When Converting From Warning Lights To Gauges Note: Manufactured With Original GM Tooling, Not A Reproduction Part.	\$11.00	C
<b>LOW FUEL INDICATOR MODULE</b>				
37651	1967	<b>LOW FUEL INDICATOR MODULE</b> Replacement Adjustable Low Fuel Warning Module Note: Includes Module, Harness, Low Fuel Indicator Lens Part Number 06457873 And Instructions. Replaces Original Non-Adjustable Console Gauge Mounted Low Fuel Indicator Unit.	\$75.00	C
37651	1968	<b>LOW FUEL INDICATOR MODULE</b> Replacement Adjustable Low Fuel Warning Module Note: Includes Module, Harness, Low Fuel Indicator Lens Part Number 06457873 And Instructions. Replaces Original Non-Adjustable Console Gauge Mounted Low Fuel Indicator Unit.	\$75.00	C
500274	1967	<b>LOW FUEL INDICATOR MODULE</b> Generic "Adjustable" Low Fuel Warning Module Note: A Complete Electronic Control Unit To Activate A Warning Lamp Or Relay When Fuel Level Drops Below A User Adjustable Level. Includes instruction sheet.	\$64.00	C
500274	1968	<b>LOW FUEL INDICATOR MODULE</b> Generic "Adjustable" Low Fuel Warning Module Note: A Complete Electronic Control Unit To Activate A Warning Lamp Or Relay When Fuel Level Drops Below A User Adjustable Level. Includes instruction sheet.	\$64.00	C
500274	1969	<b>LOW FUEL INDICATOR MODULE</b> Generic "Adjustable" Low Fuel Warning Module Note: A Complete Electronic Control Unit To Activate A Warning Lamp Or Relay When Fuel Level Drops Below A User Adjustable Level. Includes instruction sheet.	\$64.00	C
500274	1970	<b>LOW FUEL INDICATOR MODULE</b> Generic "Adjustable" Low Fuel Warning Module Note: A Complete Electronic Control Unit To Activate A Warning Lamp Or Relay When Fuel Level Drops Below A User Adjustable Level. Includes instruction sheet.	\$64.00	C
500274	1971	<b>LOW FUEL INDICATOR MODULE</b> Generic "Adjustable" Low Fuel Warning Module Note: A Complete Electronic Control Unit To Activate A Warning Lamp Or Relay When Fuel Level Drops Below A User Adjustable Level. Includes instruction sheet.	\$64.00	C
500274	1972	<b>LOW FUEL INDICATOR MODULE</b> Generic "Adjustable" Low Fuel Warning Module Note: A Complete Electronic Control Unit To Activate A Warning Lamp Or Relay When Fuel Level Drops Below A User Adjustable Level. Includes instruction sheet.	\$64.00	C
500274	1973	<b>LOW FUEL INDICATOR MODULE</b> Generic "Adjustable" Low Fuel Warning Module Note: A Complete Electronic Control Unit To Activate A Warning Lamp Or Relay When Fuel Level Drops Below A User Adjustable Level. Includes instruction sheet.	\$64.00	C
500274	1974	<b>LOW FUEL INDICATOR MODULE</b> Generic "Adjustable" Low Fuel Warning Module Note: A Complete Electronic Control Unit To Activate A Warning Lamp Or Relay When Fuel Level Drops Below A User Adjustable Level. Includes instruction sheet.	\$64.00	C
500274	1975	<b>LOW FUEL INDICATOR MODULE</b> Generic "Adjustable" Low Fuel Warning Module Note: A Complete Electronic Control Unit To Activate A Warning Lamp Or Relay When Fuel Level Drops Below A User Adjustable Level. Includes instruction sheet.	\$64.00	C
500274	1976	<b>LOW FUEL INDICATOR MODULE</b> Generic "Adjustable" Low Fuel Warning Module Note: A Complete Electronic Control Unit To Activate A Warning Lamp Or Relay When Fuel Level Drops Below A User Adjustable Level. Includes instruction sheet.	\$64.00	C
500274	1977	<b>LOW FUEL INDICATOR MODULE</b> Generic "Adjustable" Low Fuel Warning Module Note: A Complete Electronic Control Unit To Activate A Warning Lamp Or Relay When Fuel Level Drops Below A User Adjustable Level. Includes instruction sheet.	\$64.00	C
<b>NEUTRAL SAFETY AND BACKUP LAMP SWITCH</b>				
03900503	1967	<b>NEUTRAL SAFETY AND BACKUP LAMP SWITCH</b> With Console Shift Pg Auto Trans	\$75.00	
03909591	1967	<b>NEUTRAL SAFETY AND BACKUP LAMP SWITCH</b> With Console Shift TH 350-400 Auto Trans	\$75.00	
01994235	1969	<b>NEUTRAL SAFETY AND BACKUP LAMP SWITCH</b> With Column Shift Auto Trans, All	\$19.00	
01994235	1970	<b>NEUTRAL SAFETY AND BACKUP LAMP SWITCH</b> With Column Shift Auto Trans, All	\$19.00	

Part Number	Year	Description	Price	*Rev.
01994235	1971	<b>NEUTRAL SAFETY AND BACKUP LAMP SWITCH</b> With Column Shift Auto Trans, All	\$19.00	
01994235	1972	<b>NEUTRAL SAFETY AND BACKUP LAMP SWITCH</b> With Column Shift Auto Trans, All	\$19.00	
01994235	1973	<b>NEUTRAL SAFETY AND BACKUP LAMP SWITCH</b> With Column Shift Auto Trans, All	\$19.00	
01994163	1974	<b>NEUTRAL SAFETY AND BACKUP LAMP SWITCH</b> With Auto Trans, All	\$19.00	
01994163	1975	<b>NEUTRAL SAFETY AND BACKUP LAMP SWITCH</b> With Auto Trans, All	\$19.00	
01994163	1976	<b>NEUTRAL SAFETY AND BACKUP LAMP SWITCH</b> With Auto Trans, All	\$19.00	
01994163	1977	<b>NEUTRAL SAFETY AND BACKUP LAMP SWITCH</b> With Auto Trans, All	\$19.00	
01994163	1978	<b>NEUTRAL SAFETY AND BACKUP LAMP SWITCH</b> With Auto Trans, All	\$19.00	
01994163	1979	<b>NEUTRAL SAFETY AND BACKUP LAMP SWITCH</b> With Auto Trans, All	\$19.00	
<b>NEUTRAL SAFETY SWITCH</b>				
01993494	1969	<b>NEUTRAL SAFETY SWITCH</b> With Manual Trans Note: Includes Rod, 2 Retaining Clips, 2 Bushings And Bolt.	\$65.00	
03983965	1970	<b>NEUTRAL SAFETY SWITCH</b> With Manual Trans (Clutch Pedal Activated) Note: Includes Correct Camaro Mounting Bracket 03961589.	\$58.00	C
03983965	1971	<b>NEUTRAL SAFETY SWITCH</b> With Manual Trans (Clutch Pedal Activated) Note: Includes Correct Camaro Mounting Bracket 03961589.	\$58.00	C
03983965	1972	<b>NEUTRAL SAFETY SWITCH</b> With Manual Trans (Clutch Pedal Activated) Note: Includes Correct Camaro Mounting Bracket 03961589.	\$58.00	C
03983965	1973	<b>NEUTRAL SAFETY SWITCH</b> With Manual Trans (Clutch Pedal Activated) Note: Includes Correct Camaro Mounting Bracket 03961589.	\$58.00	C
03983965	1974	<b>NEUTRAL SAFETY SWITCH</b> With Manual Trans (Clutch Pedal Activated) Note: Includes Correct Camaro Mounting Bracket 03961589.	\$58.00	C
03983965	1975	<b>NEUTRAL SAFETY SWITCH</b> With Manual Trans (Clutch Pedal Activated) Note: Includes Correct Camaro Mounting Bracket 03961589.	\$58.00	C
03983965	1976	<b>NEUTRAL SAFETY SWITCH</b> With Manual Trans (Clutch Pedal Activated) Note: Includes Correct Camaro Mounting Bracket 03961589.	\$58.00	C
03983965	1977	<b>NEUTRAL SAFETY SWITCH</b> With Manual Trans (Clutch Pedal Activated) Note: Includes Correct Camaro Mounting Bracket 03961589.	\$58.00	C
03983965	1978	<b>NEUTRAL SAFETY SWITCH</b> With Manual Trans (Clutch Pedal Activated) Note: Includes Correct Camaro Mounting Bracket 03961589.	\$58.00	C
<b>NEUTRAL SAFETY SWITCH EXTENSION HARNESS</b>				
15230	1970	<b>NEUTRAL SAFETY SWITCH EXTENSION HARNESS</b> Manual Trans, From Dash To Clutch Switch	\$25.00	
15230	1971	<b>NEUTRAL SAFETY SWITCH EXTENSION HARNESS</b> Manual Trans, From Dash To Clutch Switch	\$25.00	
15230	1972	<b>NEUTRAL SAFETY SWITCH EXTENSION HARNESS</b> Manual Trans, From Dash To Clutch Switch	\$25.00	
15230	1973	<b>NEUTRAL SAFETY SWITCH EXTENSION HARNESS</b> Manual Trans, From Dash To Clutch Switch	\$25.00	
<b>NEUTRAL SAFETY SWITCH HARNESS</b>				
36273	1976	<b>NEUTRAL SAFETY SWITCH HARNESS</b> Manual Trans	\$30.00	
36273	1977	<b>NEUTRAL SAFETY SWITCH HARNESS</b> Manual Trans	\$30.00	
36273	1978	<b>NEUTRAL SAFETY SWITCH HARNESS</b> Manual Trans	\$30.00	
<b>POWER ACCESSORY FEED WIRE</b>				
10755	1967	<b>POWER ACCESSORY FEED WIRE</b> Horn Relay To Power Window & Power Top Circuit Breaker	\$15.00	
14040	1967	<b>POWER ACCESSORY FEED WIRE</b> Power Window & Power Top, Circuit Breaker To Harness	\$25.00	
10755	1968	<b>POWER ACCESSORY FEED WIRE</b> Horn Relay To Power Window & Power Top Circuit Breaker	\$15.00	
14040	1968	<b>POWER ACCESSORY FEED WIRE</b> Power Window & Power Top, Circuit Breaker To Harness	\$25.00	
10755	1969	<b>POWER ACCESSORY FEED WIRE</b> Horn Relay To Power Window & Power Top Circuit Breaker	\$15.00	
14305	1969	<b>POWER ACCESSORY FEED WIRE</b> Power Window & Power Top, Circuit Breaker To Harness	\$17.00	
10755	1970	<b>POWER ACCESSORY FEED WIRE</b> Horn Relay To Power Window & Power Top Circuit Breaker	\$15.00	



Part Number	Year	Description	Price	*Rev.
10755	1971	<b>POWER ACCESSORY FEED WIRE</b> Horn Relay To Power Window & Power Top Circuit Breaker	\$15.00	
<b>POWER DOOR LOCK SWITCH</b>				
01725099	1973	<b>POWER DOOR LOCK SWITCH</b> 1 Button	\$62.00	
01725099	1974	<b>POWER DOOR LOCK SWITCH</b> 1 Button	\$62.00	
01725099	1975	<b>POWER DOOR LOCK SWITCH</b> 1 Button	\$62.00	
01725099	1976	<b>POWER DOOR LOCK SWITCH</b> 1 Button	\$62.00	
01725099	1977	<b>POWER DOOR LOCK SWITCH</b> 1 Button	\$62.00	
<b>POWER SEAT ADJUSTER FEED HARNESS</b>				
14260	1968	<b>POWER SEAT ADJUSTER FEED HARNESS</b> Power Seat To Power Feed & Power Top Harness Connectors	\$63.00	
<b>POWER SEAT HARNESS</b>				
14255	1968	<b>POWER SEAT HARNESS</b> 4-Way, Drivers Side	\$166.00	
14255	1969	<b>POWER SEAT HARNESS</b> 4-Way, Drivers Side	\$166.00	
<b>POWER TOP HARNESS</b>				
14035	1967	<b>POWER TOP HARNESS</b> Convertible	\$78.00	
14035	1968	<b>POWER TOP HARNESS</b> Convertible	\$78.00	
14310	1969	<b>POWER TOP HARNESS</b> Convertible	\$78.00	
<b>POWER TOP SWITCH</b>				
03906118	1967	<b>POWER TOP SWITCH</b> With Power Convertible Top Note: This Is The Removable "Black Knob" Type Switch, This Allows Customers With Original Removable "Chrome Knob" Type Switches To Reuse Their Original "Chrome Knob" To Retain An Original Appearance.	\$66.00	
03906118	1968	<b>POWER TOP SWITCH</b> With Power Convertible Top Note: This Is The Removable "Black Knob" Type Switch, This Allows Customers With Original Removable "Chrome Knob" Type Switches To Reuse Their Original "Chrome Knob" To Retain An Original Appearance.	\$66.00	
<b>POWER WINDOW HARNESS</b>				
13790	1967	<b>POWER WINDOW HARNESS</b> Driver Side Door & Under Dash Crossover	\$219.00	
13795	1967	<b>POWER WINDOW HARNESS</b> Passenger Side Door	\$101.00	
14070	1967	<b>POWER WINDOW HARNESS</b> Rear Quarter Window (2 Required Per Car)	\$74.00	
14207	1968	<b>POWER WINDOW HARNESS</b> Driver Side Door & Under Dash Crossover	\$219.00	
14290	1968	<b>POWER WINDOW HARNESS</b> Passenger Side Door	\$101.00	
14070	1968	<b>POWER WINDOW HARNESS</b> Rear Quarter Window (2 Required Per Car)	\$74.00	
14300	1969	<b>POWER WINDOW HARNESS</b> Driver Side Door & Under Dash Crossover	\$219.00	
14290	1969	<b>POWER WINDOW HARNESS</b> Passenger Side Door	\$101.00	
14070	1969	<b>POWER WINDOW HARNESS</b> Rear Quarter Window (2 Required Per Car)	\$74.00	
39311	1976	<b>POWER WINDOW HARNESS</b> From Console Mounted Power Window Switch To Intermediate Rear Lamp Harness	\$119.00	
39311	1977	<b>POWER WINDOW HARNESS</b> From Console Mounted Power Window Switch To Intermediate Rear Lamp Harness	\$119.00	
39311	1978	<b>POWER WINDOW HARNESS</b> From Console Mounted Power Window Switch To Intermediate Rear Lamp Harness	\$119.00	
39311	1979	<b>POWER WINDOW HARNESS</b> From Console Mounted Power Window Switch To Intermediate Rear Lamp Harness	\$119.00	
39311	1980	<b>POWER WINDOW HARNESS</b> From Console Mounted Power Window Switch To Intermediate Rear Lamp Harness	\$119.00	
39311	1981	<b>POWER WINDOW HARNESS</b> From Console Mounted Power Window Switch To Intermediate Rear Lamp Harness	\$119.00	
<b>POWER WINDOW MOTOR ADAPTER HARNESS</b>				
36954	1967	<b>POWER WINDOW MOTOR ADAPTER HARNESS</b> Adapts "T" Shaped Motor Connector To Side By Side Blade Type Motor Connector	\$22.00	C

Part Number	Year	Description	Price	*Rev.
36954	1968	<b>POWER WINDOW MOTOR ADAPTER HARNESS</b> Adapts "T" Shaped Motor Connector To Side By Side Blade Type Motor Connector	\$22.00	C
36954	1969	<b>POWER WINDOW MOTOR ADAPTER HARNESS</b> Adapts "T" Shaped Motor Connector To Side By Side Blade Type Motor Connector	\$22.00	C
36954	1970	<b>POWER WINDOW MOTOR ADAPTER HARNESS</b> Adapts "T" Shaped Motor Connector To Side By Side Blade Type Motor Connector	\$22.00	C
36954	1971	<b>POWER WINDOW MOTOR ADAPTER HARNESS</b> Adapts "T" Shaped Motor Connector To Side By Side Blade Type Motor Connector	\$22.00	C
36954	1972	<b>POWER WINDOW MOTOR ADAPTER HARNESS</b> Adapts "T" Shaped Motor Connector To Side By Side Blade Type Motor Connector	\$22.00	C
36954	1973	<b>POWER WINDOW MOTOR ADAPTER HARNESS</b> Adapts "T" Shaped Motor Connector To Side By Side Blade Type Motor Connector	\$22.00	C
36954	1974	<b>POWER WINDOW MOTOR ADAPTER HARNESS</b> Adapts "T" Shaped Motor Connector To Side By Side Blade Type Motor Connector	\$22.00	C
36954	1975	<b>POWER WINDOW MOTOR ADAPTER HARNESS</b> Adapts "T" Shaped Motor Connector To Side By Side Blade Type Motor Connector	\$22.00	C
<b>POWER WINDOW RELAY AND ADAPTER HARNESS</b>				
39440	1967	<b>POWER WINDOW RELAY AND ADAPTER HARNESS</b> Includes New Standard Type Relay And Adapter To Mate To Factory Harness	\$40.00	
39440	1968	<b>POWER WINDOW RELAY AND ADAPTER HARNESS</b> Includes New Standard Type Relay And Adapter To Mate To Factory Harness	\$40.00	
39440	1969	<b>POWER WINDOW RELAY AND ADAPTER HARNESS</b> Includes New Standard Type Relay And Adapter To Mate To Factory Harness	\$40.00	
39440	1973	<b>POWER WINDOW RELAY AND ADAPTER HARNESS</b> Includes New Standard Type Relay And Adapter To Mate To Factory Harness	\$40.00	
39440	1974	<b>POWER WINDOW RELAY AND ADAPTER HARNESS</b> Includes New Standard Type Relay And Adapter To Mate To Factory Harness	\$40.00	
39440	1975	<b>POWER WINDOW RELAY AND ADAPTER HARNESS</b> Includes New Standard Type Relay And Adapter To Mate To Factory Harness	\$40.00	
<b>POWER WINDOW SWITCH</b>				
04432790	1967	<b>POWER WINDOW SWITCH</b> 1 Button, Round Corner Style, Chrome	\$49.00	
04432791	1967	<b>POWER WINDOW SWITCH</b> 4 Button, Round Corner Style, Chrome	\$67.00	
04432790	1968	<b>POWER WINDOW SWITCH</b> 1 Button, Round Corner Style, Chrome	\$49.00	
04432791	1968	<b>POWER WINDOW SWITCH</b> 4 Button, Round Corner Style, Chrome	\$67.00	
04432790	1969	<b>POWER WINDOW SWITCH</b> 1 Button, Round Corner Style, Chrome	\$49.00	
04432791	1969	<b>POWER WINDOW SWITCH</b> 4 Button, Round Corner Style, Chrome	\$67.00	
04432793	1973	<b>POWER WINDOW SWITCH</b> 2 Button, Round Corner Style, Chrome	\$61.00	
04432793	1974	<b>POWER WINDOW SWITCH</b> 2 Button, Round Corner Style, Chrome	\$61.00	
04432793	1975	<b>POWER WINDOW SWITCH</b> 2 Button, Round Corner Style, Chrome	\$61.00	
04432793	1976	<b>POWER WINDOW SWITCH</b> 2 Button, Round Corner Style, Chrome	\$61.00	
01725092	1976	<b>POWER WINDOW SWITCH</b> 2 Button, Square Corner Style, Chrome	\$53.00	M
01725092	1977	<b>POWER WINDOW SWITCH</b> 2 Button, Square Corner Style, Chrome	\$53.00	M
04432793	1977	<b>POWER WINDOW SWITCH</b> 2 Button, Round Corner Style, Chrome	\$61.00	M
01725092	1978	<b>POWER WINDOW SWITCH</b> 2 Button, Square Corner Style, Chrome	\$53.00	M
01725092	1979	<b>POWER WINDOW SWITCH</b> 2 Button, Square Corner Style, Chrome	\$53.00	M
01725092	1980	<b>POWER WINDOW SWITCH</b> 2 Button, Square Corner Style, Chrome	\$53.00	M
01725092	1981	<b>POWER WINDOW SWITCH</b> 2 Button, Square Corner Style, Chrome	\$53.00	M
<b>RALLY SPORT EXTENSION HARNESS</b>				
11200	1967	<b>RALLY SPORT EXTENSION HARNESS</b> With In-Line Diode, Forward Lamp Harness To Light & Ignition Switch	\$49.00	

Part Number	Year	Description	Price	*Rev.
<b>REAR LAMP HARNESS</b>				
14080	1967	REAR LAMP HARNESS Convertible, Rally Sport	\$193.00	
14075	1967	REAR LAMP HARNESS Convertible, Standard	\$193.00	
14090	1967	REAR LAMP HARNESS Coupe, Rally Sport, With Under Dash Courtesy Lamps	\$193.00	
14085	1967	REAR LAMP HARNESS Coupe, Standard	\$193.00	
14095	1967	REAR LAMP HARNESS Coupe, Standard, With Under Dash Courtesy Lamps	\$193.00	
14215	1968	REAR LAMP HARNESS Convertible, Rally Sport	\$212.00	
14210	1968	REAR LAMP HARNESS Convertible, Standard	\$206.00	
14205	1968	REAR LAMP HARNESS Coupe, Rally Sport, With Under Dash Courtesy Lamps	\$212.00	
14195	1968	REAR LAMP HARNESS Coupe, Standard	\$206.00	
14200	1968	REAR LAMP HARNESS Coupe, Standard, With Under Dash Courtesy Lamps	\$206.00	
14340	1969	REAR LAMP INTERMEDIATE HARNESS Convertible, Dash To Quarter Panel	\$127.00	
14330	1969	REAR LAMP INTERMEDIATE HARNESS Coupe, Dash To Quarter Panel	\$106.00	
14335	1969	REAR LAMP INTERMEDIATE HARNESS Coupe, With Under Dash Courtesy Lamps, Dash To Quarter Panel	\$113.00	
14350	1969	REAR LAMP HARNESS Rear Panel, Rally Sport	\$173.00	
14345	1969	REAR LAMP HARNESS Rear Panel, Standard	\$173.00	
17170	1970	REAR LAMP INTERMEDIATE HARNESS Dash To Quarter Panel	\$138.00	
14440	1970	REAR LAMP HARNESS Rear Panel, All	\$180.00	
17170	1971	REAR LAMP INTERMEDIATE HARNESS Dash To Quarter Panel	\$138.00	
14440	1971	REAR LAMP HARNESS Rear Panel, All	\$180.00	
17170	1972	REAR LAMP INTERMEDIATE HARNESS Without Seat Belt Warning, Dash To Quarter Panel	\$138.00	
35924	1972	REAR LAMP INTERMEDIATE HARNESS With Seat Belt Warning, Dash To Quarter Panel	\$157.00	
14440	1972	REAR LAMP HARNESS Rear Panel, All	\$180.00	
35924	1973	REAR LAMP INTERMEDIATE HARNESS Dash To Quarter Panel	\$157.00	
14440	1973	REAR LAMP HARNESS Rear Panel, All	\$180.00	
21240	1974	REAR LAMP INTERMEDIATE HARNESS With Pwr Windows & Door Locks & Seatbelt Ignition Interlock, Dash To Qtr Panel	\$275.00	
Note: Customer Must Supply Some Of Their Original Connectors To Build This Harness.				
<b>REAR WINDOW DEFROSTER HARNESS</b>				
13785	1967	REAR WINDOW DEFROSTER HARNESS	\$59.00	
14180	1968	REAR WINDOW DEFROSTER HARNESS	\$59.00	
17555	1969	REAR WINDOW DEFROSTER HARNESS	\$59.00	
14515	1970	REAR WINDOW DEFROSTER HARNESS	\$80.00	
14515	1971	REAR WINDOW DEFROSTER HARNESS	\$80.00	
14515	1972	REAR WINDOW DEFROSTER HARNESS	\$80.00	
14515	1973	REAR WINDOW DEFROSTER HARNESS	\$80.00	
14515	1974	REAR WINDOW DEFROSTER HARNESS	\$80.00	
14515	1975	REAR WINDOW DEFROSTER HARNESS	\$80.00	
14515	1976	REAR WINDOW DEFROSTER HARNESS	\$80.00	
14515	1977	REAR WINDOW DEFROSTER HARNESS	\$80.00	
14515	1978	REAR WINDOW DEFROSTER HARNESS	\$80.00	
35984	1979	REAR WINDOW DEFROSTER HARNESS Dash Side	\$120.00	
<b>REPAIR PIGTAIL-FOR POWER WINDOW SWITCH</b>				
36048	1967	REPAIR PIGTAIL, FOR POWER WINDOW SWITCH For Single Power Window Switches, Connector & Wire	\$25.00	
36048	1968	REPAIR PIGTAIL, FOR POWER WINDOW SWITCH For Single Power Window Switches, Connector & Wire	\$25.00	
36048	1969	REPAIR PIGTAIL, FOR POWER WINDOW SWITCH For Single Power Window Switches, Connector & Wire	\$25.00	

Part Number	Year	Description	Price	*Rev.
<b>SPEAKER HARNESS</b>				
18510	1967	<b>SPEAKER HARNESS</b> Single Rear Seat Speaker	\$53.00	
33425	1967	<b>SPEAKER HARNESS</b> Front Stereo Speakers	\$59.00	
08210	1967	<b>SPEAKER HARNESS</b> Rear Stereo Speakers	\$53.00	
33430	1967	<b>SPEAKER HARNESS</b> 4 Stereo Speakers, Front & Rear	\$83.00	
18510	1968	<b>SPEAKER HARNESS</b> Single Rear Seat Speaker	\$53.00	
33425	1968	<b>SPEAKER HARNESS</b> Front Stereo Speakers	\$59.00	
08210	1968	<b>SPEAKER HARNESS</b> Rear Stereo Speakers	\$53.00	
33430	1968	<b>SPEAKER HARNESS</b> 4 Stereo Speakers, Front & Rear	\$83.00	
33425	1969	<b>SPEAKER HARNESS</b> Front Stereo Speakers	\$59.00	
08210	1969	<b>SPEAKER HARNESS</b> Rear Stereo Speakers	\$53.00	
33430	1969	<b>SPEAKER HARNESS</b> 4 Stereo Speakers, Front & Rear	\$83.00	
<b>SPEED WARNING HARNESS</b>				
11050	1967	<b>SPEED WARNING HARNESS</b>	\$25.00	
11935	1968	<b>SPEED WARNING HARNESS</b>	\$25.00	
13130	1969	<b>SPEED WARNING HARNESS</b>	\$25.00	
<b>STEERING COLUMN ADAPTER HARNESS</b>				
36882	1967	<b>STEERING COLUMN ADAPTER HARNESS</b> For 1969-1974 GM & Ididit Columns (Exc. Flaming River) To Stock Dash Harness Note: Adapts Horn, Directionals, Hazard Flashers To Stock 9-Pin T/L Dash Connector.	\$27.00	
38127	1967	<b>STEERING COLUMN ADAPTER HARNESS</b> For 1975 & Up GM & Flaming River Columns (Exc. Ididit) To Stock Dash Harness Note: Adapts Horn, Directionals, Hazard Flashers To Stock 9-Pin T/L Dash Connector.	\$27.00	
36882	1968	<b>STEERING COLUMN ADAPTER HARNESS</b> For 1969-1974 GM & Ididit Columns (Exc. Flaming River) To Stock Dash Harness Note: Adapts Horn, Directionals, Hazard Flashers To Stock 9-Pin T/L Dash Connector.	\$27.00	
38127	1968	<b>STEERING COLUMN ADAPTER HARNESS</b> For 1975 & Up GM & Flaming River Columns (Exc. Ididit) To Stock Dash Harness Note: Adapts Horn, Directionals, Hazard Flashers To Stock 9-Pin T/L Dash Connector.	\$27.00	
<b>STEREO MULTIPLEX ADAPTER HARNESS</b>				
35940	1968	<b>STEREO MULTIPLEX ADAPTER HARNESS</b>	\$43.00	
<b>STEREO TAPE PLAYER AND MULTIPLEX SPEAKER EXT.</b>				
35939	1968	<b>STEREO TAPE PLAYER AND MULTIPLEX SPEAKER EXT.</b>	\$59.00	
35939	1969	<b>STEREO TAPE PLAYER AND MULTIPLEX SPEAKER EXT.</b>	\$59.00	
<b>STOP LAMP SWITCH</b>				
01261219	1967	<b>STOP LAMP SWITCH</b> Without Cruise	\$5.80	N
01261219	1968	<b>STOP LAMP SWITCH</b> Without Cruise	\$5.80	N
01261219	1969	<b>STOP LAMP SWITCH</b> Without Cruise	\$5.80	N
01261219	1970	<b>STOP LAMP SWITCH</b> Without Cruise	\$5.80	N
01261219	1971	<b>STOP LAMP SWITCH</b> Without Cruise	\$5.80	N
01261219	1972	<b>STOP LAMP SWITCH</b> Without Cruise	\$5.80	N
01261219	1973	<b>STOP LAMP SWITCH</b> Without Cruise	\$5.80	N
01261219	1974	<b>STOP LAMP SWITCH</b> Without Cruise	\$5.80	N
01261219	1975	<b>STOP LAMP SWITCH</b> Without Cruise	\$5.80	N
01261219	1976	<b>STOP LAMP SWITCH</b> Without Power Brakes Or Cruise	\$5.80	N
01261219	1977	<b>STOP LAMP SWITCH</b> Without Power Brakes Or Cruise	\$5.80	N
01261219	1978	<b>STOP LAMP SWITCH</b> Without Power Brakes Or Cruise	\$5.80	N

Part Number	Year	Description	Price	*Rev.
01261219	1979	<b>STOP LAMP SWITCH</b> Without Power Brakes Or Cruise	\$5.80	N
01261219	1980	<b>STOP LAMP SWITCH</b> Without Power Brakes Or Cruise	\$5.80	N
01261219	1981	<b>STOP LAMP SWITCH</b> Without Power Brakes Or Cruise	\$5.80	N
01261219	1982	<b>STOP LAMP SWITCH</b> With Manual Trans, Without Cruise	\$5.80	N
01261219	1983	<b>STOP LAMP SWITCH</b> With Manual Trans, Without Cruise	\$5.80	N
01261219	1984	<b>STOP LAMP SWITCH</b> With Manual Trans, Without Cruise	\$5.80	N
01261219	1985	<b>STOP LAMP SWITCH</b> With Manual Trans, Without Cruise	\$5.80	N
01261219	1986	<b>STOP LAMP SWITCH</b> With Manual Trans, Without Cruise	\$5.80	N
<b>TACHOMETER CONVERSION HARNESS</b>				
33970	1969	<b>TACHOMETER CONVERSION HARNESS</b> For Adding A Tachometer To A Car THat Did Not Have A Tachometer Or Gauges.	\$35.00	
<b>TACHOMETER FILTER EXTENSION WIRE</b>				
38014	1977	<b>TACHOMETER FILTER EXTENSION WIRE</b> 6 Cyl. 250 C.I. (L6), Tachometer Filter To Distributor Ext. Note: 6 Cylinder Items Are Not Returnable.	\$32.00	
35987	1978	<b>TACHOMETER FILTER EXTENSION WIRE</b> 6 Cyl. 250 C.I. (L6), Tachometer Filter To Distributor Ext. Note: 6 Cylinder Items Are Not Returnable.	\$32.00	
35987	1979	<b>TACHOMETER FILTER EXTENSION WIRE</b> 6 Cyl. 250 C.I. (L6), Tachometer Filter To Distributor Ext. Note: 6 Cylinder Items Are Not Returnable.	\$32.00	
35987	1980	<b>TACHOMETER FILTER EXTENSION WIRE</b> 231 C.I. V/6 (Ld5), Tachometer Filter To Distributor Extension	\$32.00	
<b>TACHOMETER LEAD WIRE</b>				
36271	1976	<b>TACHOMETER LEAD WIRE</b> Dash Harness To Tachometer Filter	\$32.00	
36271	1977	<b>TACHOMETER LEAD WIRE</b> Dash Harness To Tachometer Filter	\$32.00	
36271	1978	<b>TACHOMETER LEAD WIRE</b> Dash Harness To Tachometer Filter	\$32.00	
36271	1979	<b>TACHOMETER LEAD WIRE</b> Dash Harness To Tachometer Filter	\$32.00	
36271	1980	<b>TACHOMETER LEAD WIRE</b> Dash Harness To Tachometer Filter	\$32.00	
<b>TCS TEMPERATURE CONTROLLED SPARK JUMPER WIRE</b>				
15410	1971	<b>TCS TEMP. CONTROLLED SPARK JUMPER WIRE</b> With Single Terminal Temp. Control Switch	\$17.00	
15415	1971	<b>TCS TEMP. CONTROLLED SPARK JUMPER WIRE</b> With Double Terminal Temp. Sender UNits, A/C Without Gauges	\$17.00	
<b>TCS TRANSMISSION SWITCH EXTENSION</b>				
17355	1972	<b>TCS TRANSMISSION SWITCH EXTENSION</b> Manual Trans, From Engine Harness To Trans Switch Note: Used With #16335, #16350 & #16330 Engine Harnesses.	\$49.00	
17365	1973	<b>TCS TRANSMISSION SWITCH EXTENSION</b> Manual Trans, From Engine Harness To Trans Switch Note: Used With #15500 And #15505 Engine Harnesses.	\$49.00	
<b>TEMPERATURE SENDING UNIT WIRE REPAIR KIT</b>				
34620	1967	<b>TEMPERATURE SENDING UNIT WIRE REPAIR KIT</b>	\$20.00	
34620	1968	<b>TEMPERATURE SENDING UNIT WIRE REPAIR KIT</b>	\$20.00	
34620	1969	<b>TEMPERATURE SENDING UNIT WIRE REPAIR KIT</b>	\$20.00	
34620	1970	<b>TEMPERATURE SENDING UNIT WIRE REPAIR KIT</b>	\$20.00	
34620	1971	<b>TEMPERATURE SENDING UNIT WIRE REPAIR KIT</b>	\$20.00	
34620	1972	<b>TEMPERATURE SENDING UNIT WIRE REPAIR KIT</b>	\$20.00	
34620	1973	<b>TEMPERATURE SENDING UNIT WIRE REPAIR KIT</b>	\$20.00	
34620	1974	<b>TEMPERATURE SENDING UNIT WIRE REPAIR KIT</b>	\$20.00	
34620	1975	<b>TEMPERATURE SENDING UNIT WIRE REPAIR KIT</b>	\$20.00	
34620	1976	<b>TEMPERATURE SENDING UNIT WIRE REPAIR KIT</b>	\$20.00	
34620	1977	<b>TEMPERATURE SENDING UNIT WIRE REPAIR KIT</b>	\$20.00	
34620	1978	<b>TEMPERATURE SENDING UNIT WIRE REPAIR KIT</b>	\$20.00	

Part Number	Year	Description	Price	*Rev.
34620	1979	TEMPERATURE SENDING UNIT WIRE REPAIR KIT	\$20.00	
<b>TRANSISTOR IGNITION HARNESS</b>				
33215	1967	TRANSISTOR IGNITION EXTENSION HARNESS Ignition Switch To Main T.I. Harness	\$22.00	
33215	1968	TRANSISTOR IGNITION EXTENSION HARNESS Ignition Switch To Main T.I. Harness	\$22.00	
36053	1969	TRANSISTOR IGNITION AMPLIFIER EXTENSION From Internal Circuit Board To Inline Transistor Ignition Harness Connector	\$92.00	
23015	1969	TRANSISTOR IGNITION COIL GROUND WIRE	\$14.00	
23060	1969	TRANSISTOR IGNITION EXTENSION HARNESS Ignition Switch To T.I. Harness, Dealer Installed Original Equip	\$22.00	
23140	1969	TRANSISTOR IGNITION EXTENSION WIRE Bulkhead Conn. To Amplifier Harn, Dealer Service Replacement	\$14.00	
23020	1969	TRANSISTOR IGNITION HARNESS	\$159.00	
<b>TRANSISTOR IGNITION REPLACEMENT MODULE</b>				
32270	1967	TRANSISTOR IGNITION REPLACEMENT MODULE Replaces Original Circuit Board In Amplifier	\$189.00	
32270	1968	TRANSISTOR IGNITION REPLACEMENT MODULE Replaces Original Circuit Board In Amplifier	\$189.00	
32270	1969	TRANSISTOR IGNITION REPLACEMENT MODULE Replaces Original Circuit Board In Amplifier	\$189.00	
<b>TRUNK LAMP ASSEMBLY</b>				
28175	1967	TRUNK LAMP ASSEMBLY Convertible, Includes Extension Harness	\$48.00	
28180	1967	TRUNK LAMP ASSEMBLY Coupe, Includes Extension Harness	\$43.00	
28175	1968	TRUNK LAMP ASSEMBLY Convertible, Includes Extension Harness	\$48.00	
28180	1968	TRUNK LAMP ASSEMBLY Coupe, Includes Extension Harness	\$43.00	
28175	1969	TRUNK LAMP ASSEMBLY Convertible, Includes Extension Harness	\$48.00	
28180	1969	TRUNK LAMP ASSEMBLY Coupe, Includes Extension Harness	\$43.00	
28185	1970	TRUNK LAMP ASSEMBLY All, Includes Extension Harness	\$48.00	
28185	1971	TRUNK LAMP ASSEMBLY All, Includes Extension Harness	\$48.00	
28185	1972	TRUNK LAMP ASSEMBLY All, Includes Extension Harness	\$48.00	
28185	1973	TRUNK LAMP ASSEMBLY All, Includes Extension Harness	\$48.00	
28185	1974	TRUNK LAMP ASSEMBLY All, Includes Extension Harness	\$48.00	
28185	1975	TRUNK LAMP ASSEMBLY All, Includes Extension Harness	\$48.00	
28185	1976	TRUNK LAMP ASSEMBLY All, Includes Extension Harness	\$48.00	
28185	1977	TRUNK LAMP ASSEMBLY All, Includes Extension Harness	\$48.00	
28185	1978	TRUNK LAMP ASSEMBLY All, Includes Extension Harness	\$48.00	
28185	1979	TRUNK LAMP ASSEMBLY All, Includes Extension Harness	\$48.00	
28185	1980	TRUNK LAMP ASSEMBLY All, Includes Extension Harness	\$48.00	
28185	1981	TRUNK LAMP ASSEMBLY All, Includes Extension Harness	\$48.00	
<b>TRUNK LAMP EXTENSION HARNESS</b>				
28195	1967	TRUNK LAMP EXTENSION HARNESS Convertible	\$20.00	
28210	1967	TRUNK LAMP EXTENSION HARNESS Coupe	\$15.00	
28195	1968	TRUNK LAMP EXTENSION HARNESS Convertible	\$20.00	
28210	1968	TRUNK LAMP EXTENSION HARNESS Coupe	\$15.00	
28195	1969	TRUNK LAMP EXTENSION HARNESS Convertible	\$20.00	
28210	1969	TRUNK LAMP EXTENSION HARNESS Coupe	\$15.00	
15225	1970	TRUNK LAMP EXTENSION HARNESS All	\$21.00	
14535	1971	TRUNK LAMP EXTENSION HARNESS All	\$28.00	
14535	1972	TRUNK LAMP EXTENSION HARNESS All	\$28.00	
14535	1973	TRUNK LAMP EXTENSION HARNESS All	\$28.00	
14535	1974	TRUNK LAMP EXTENSION HARNESS All	\$28.00	
14535	1975	TRUNK LAMP EXTENSION HARNESS All	\$28.00	

Part Number	Year	Description	Price	*Rev.
14535	1976	TRUNK LAMP EXTENSION HARNESS All	\$28.00	
14535	1977	TRUNK LAMP EXTENSION HARNESS All	\$28.00	
<b>TURN SIGNAL LEVER WIPER SWITCH</b>				
22510733	1982	TURN SIGNAL LEVER WIPER SWITCH Black, With Pulse Wipers, Without Cruise Control	\$20.00	N
22510732	1982	TURN SIGNAL LEVER WIPER SWITCH Black, Without Pulse Wipers, Without Cruise Control	\$20.00	N
22510144	1982	TURN SIGNAL LEVER WIPER SWITCH Chrome, With Pulse Wipers, Without Cruise Control	\$20.00	N
22510733	1983	TURN SIGNAL LEVER WIPER SWITCH Black, With Pulse Wipers, Without Cruise Control	\$20.00	N
22510732	1983	TURN SIGNAL LEVER WIPER SWITCH Black, Without Pulse Wipers, Without Cruise Control	\$20.00	N
22510144	1983	TURN SIGNAL LEVER WIPER SWITCH Chrome, With Pulse Wipers, Without Cruise Control	\$20.00	N
25111262	1984	TURN SIGNAL LEVER WIPER SWITCH Black, With Pulse Wipers, With Cruise Control	\$26.00	N
22510733	1984	TURN SIGNAL LEVER WIPER SWITCH Black, With Pulse Wipers, Without Cruise Control	\$20.00	N
22510732	1984	TURN SIGNAL LEVER WIPER SWITCH Black, Without Pulse Wipers, Without Cruise Control	\$20.00	N
22510144	1984	TURN SIGNAL LEVER WIPER SWITCH Chrome, With Pulse Wipers, Without Cruise Control	\$20.00	N
25111262	1985	TURN SIGNAL LEVER WIPER SWITCH Black, With Pulse Wipers, With Cruise Control	\$26.00	N
22510733	1985	TURN SIGNAL LEVER WIPER SWITCH Black, With Pulse Wipers, Without Cruise Control	\$20.00	N
22510732	1985	TURN SIGNAL LEVER WIPER SWITCH Black, Without Pulse Wipers, Without Cruise Control	\$20.00	N
22510144	1985	TURN SIGNAL LEVER WIPER SWITCH Chrome, With Pulse Wipers, Without Cruise Control	\$20.00	N
25111262	1986	TURN SIGNAL LEVER WIPER SWITCH Black, With Pulse Wipers, With Cruise Control	\$26.00	N
22510733	1986	TURN SIGNAL LEVER WIPER SWITCH Black, With Pulse Wipers, Without Cruise Control	\$20.00	N
22510732	1986	TURN SIGNAL LEVER WIPER SWITCH Black, Without Pulse Wipers, Without Cruise Control	\$20.00	N
22510144	1986	TURN SIGNAL LEVER WIPER SWITCH Chrome, With Pulse Wipers, Without Cruise Control	\$20.00	N
25111262	1987	TURN SIGNAL LEVER WIPER SWITCH Black, With Pulse Wipers, With Cruise Control	\$26.00	N
22510733	1987	TURN SIGNAL LEVER WIPER SWITCH Black, With Pulse Wipers, Without Cruise Control	\$20.00	N
22510732	1987	TURN SIGNAL LEVER WIPER SWITCH Black, Without Pulse Wipers, Without Cruise Control	\$20.00	N
22510144	1987	TURN SIGNAL LEVER WIPER SWITCH Chrome, With Pulse Wipers, Without Cruise Control	\$20.00	N
25111262	1988	TURN SIGNAL LEVER WIPER SWITCH Black, With Pulse Wipers, With Cruise Control	\$26.00	N
22510733	1988	TURN SIGNAL LEVER WIPER SWITCH Black, With Pulse Wipers, Without Cruise Control	\$20.00	N
22510732	1988	TURN SIGNAL LEVER WIPER SWITCH Black, Without Pulse Wipers, Without Cruise Control	\$20.00	N
25111262	1989	TURN SIGNAL LEVER WIPER SWITCH Black, With Pulse Wipers, With Cruise Control	\$26.00	N
22510733	1989	TURN SIGNAL LEVER WIPER SWITCH Black, With Pulse Wipers, Without Cruise Control	\$20.00	N
22510732	1989	TURN SIGNAL LEVER WIPER SWITCH Black, Without Pulse Wipers, Without Cruise Control	\$20.00	N
<b>TURN SIGNAL SWITCH</b>				
01893592	1967	TURN SIGNAL SWITCH Without Tilt, (Delco-Remy), Replaces Delco Part# D6211 Note: This Is A Service Part, Adapter Pigtail Included And Is Required For Some Applications.	\$58.00	
07800482	1967	TURN SIGNAL SWITCH Without Column Shift A/T, Without Tilt, (Delco Type, Black, White Or Green) Note: Emergency Flasher Actuator Hole In Outer Cover Is Shaped Like A Doghouse.	\$50.00	
07800482	1967	TURN SIGNAL SWITCH Without Column Shift A/T, With Tilt, (Delco Type, Black, White Or Green) Note: Emergency Flasher Actuator Hole In Outer Cover Is Shaped Like A Doghouse.	\$50.00	
05698897	1967	TURN SIGNAL SWITCH With Column Shift A/T, Without Tilt, (Delco Type, Black, White Or Green) Note: Emergency Flasher Actuator Hole In Outer Cover Is Shaped Like A Doghouse.	\$50.00	
05698897	1967	TURN SIGNAL SWITCH With Column Shift A/T, With Tilt, (Delco Type, Black, White Or Green) Note: Emergency Flasher Actuator Hole In Outer Cover Is Shaped Like A Doghouse.	\$50.00	
01893592	1968	TURN SIGNAL SWITCH Without Tilt, (Delco-Remy), Replaces Delco Part# D6211 Note: This Is A Service Part, Adapter Pigtail Included And Is Required For Some Applications.	\$58.00	

Part Number	Year	Description	Price	*Rev.
07800482	1968	<b>TURN SIGNAL SWITCH</b> Without Column Shift A/T, Without Tilt, (Delco Type, Black, White Or Green) Note: Emergency Flasher Actuator Hole In Outer Cover Is Shaped Like A Doghouse.	\$50.00	
07800482	1968	<b>TURN SIGNAL SWITCH</b> Without Column Shift A/T, With Tilt, (Delco Type, Black, White Or Green) Note: Emergency Flasher Actuator Hole In Outer Cover Is Shaped Like A Doghouse.	\$50.00	
05698897	1968	<b>TURN SIGNAL SWITCH</b> With Column Shift A/T, Without Tilt, (Delco Type, Black, White Or Green) Note: Emergency Flasher Actuator Hole In Outer Cover Is Shaped Like A Doghouse.	\$50.00	
05698897	1968	<b>TURN SIGNAL SWITCH</b> With Column Shift A/T,With Tilt, (Delco Type, Black, White Or Green) Note: Emergency Flasher Actuator Hole In Outer Cover Is Shaped Like A Doghouse.	\$50.00	
01997938	1969	<b>TURN SIGNAL SWITCH, CORRECT PART</b> Note: Correct Part, No Adapter Pigtail Required.	\$56.00	
01893588	1969	<b>TURN SIGNAL SWITCH, SERVICE PART</b> Replaces Delco Part# D6208 Note: This Is A Service Part, Adapter Pigtail Included Is Required For Installation.	\$58.00	
01997938	1970	<b>TURN SIGNAL SWITCH, CORRECT PART</b> Note: Correct Part, No Adapter Pigtail Required.	\$56.00	
01893588	1970	<b>TURN SIGNAL SWITCH, SERVICE PART</b> Replaces Delco Part# D6208 Note: This Is A Service Part, Adapter Pigtail Included Is Required For Installation.	\$58.00	
01997938	1971	<b>TURN SIGNAL SWITCH, CORRECT PART</b> Note: Correct Part, No Adapter Pigtail Required.	\$56.00	
01893588	1971	<b>TURN SIGNAL SWITCH, SERVICE PART</b> Replaces Delco Part# D6208 Note: This Is A Service Part, Adapter Pigtail Included Is Required For Installation.	\$58.00	
01997938	1972	<b>TURN SIGNAL SWITCH, CORRECT PART</b> Note: Correct Part, No Adapter Pigtail Required.	\$56.00	
01893588	1972	<b>TURN SIGNAL SWITCH, SERVICE PART</b> Replaces Delco Part# D6208 Note: This Is A Service Part, Adapter Pigtail Included Is Required For Installation.	\$58.00	
01997938	1973	<b>TURN SIGNAL SWITCH, CORRECT PART</b> Note: Correct Part, No Adapter Pigtail Required.	\$56.00	
01893588	1973	<b>TURN SIGNAL SWITCH, SERVICE PART</b> Replaces Delco Part# D6208 Note: This Is A Service Part, Adapter Pigtail Included Is Required For Installation.	\$58.00	
01997938	1974	<b>TURN SIGNAL SWITCH, CORRECT PART</b> Note: Correct Part, No Adapter Pigtail Required.	\$56.00	
01893588	1974	<b>TURN SIGNAL SWITCH, SERVICE PART</b> Replaces Delco Part# D6208 Note: This Is A Service Part, Adapter Pigtail Included Is Required For Installation.	\$58.00	
01997938	1975	<b>TURN SIGNAL SWITCH, CORRECT PART</b> Note: Correct Part, No Adapter Pigtail Required.	\$56.00	
01893588	1975	<b>TURN SIGNAL SWITCH, SERVICE PART</b> Replaces Delco Part# D6208 Note: This Is A Service Part, Adapter Pigtail Included Is Required For Installation.	\$58.00	
01997938	1976	<b>TURN SIGNAL SWITCH, CORRECT PART</b> Note: Correct Part, No Adapter Pigtail Required.	\$56.00	
01893588	1976	<b>TURN SIGNAL SWITCH, SERVICE PART</b> Replaces Delco Part# D6208 Note: This Is A Service Part, Adapter Pigtail Included Is Required For Installation.	\$58.00	
01997983	1977	<b>TURN SIGNAL SWITCH</b> Replaces Delco Part# D6222	\$32.00	
01997983	1978	<b>TURN SIGNAL SWITCH</b> Replaces Delco Part# D6222	\$32.00	
01997983	1979	<b>TURN SIGNAL SWITCH</b> Replaces Delco Part# D6222	\$32.00	
01997983	1980	<b>TURN SIGNAL SWITCH</b> Replaces Delco Part# D6222	\$32.00	
01997983	1981	<b>TURN SIGNAL SWITCH</b> Replaces Delco Part# D6222	\$32.00	
01995963	1989	<b>TURN SIGNAL SWITCH</b> Replaces Delco Part# D6210A	\$56.00	



Part Number	Year	Description	Price	*Rev.
01995963	1990	<b>TURN SIGNAL SWITCH</b> Replaces Delco Part# D6210A	\$56.00	
01995963	1991	<b>TURN SIGNAL SWITCH</b> Replaces Delco Part# D6210A	\$56.00	
01995963	1992	<b>TURN SIGNAL SWITCH</b> Replaces Delco Part# D6210A	\$56.00	
01995963	1993	<b>TURN SIGNAL SWITCH</b> Replaces Delco Part# D6210A	\$56.00	
01995963	1994	<b>TURN SIGNAL SWITCH</b> Replaces Delco Part# D6210A	\$56.00	
01995963	1995	<b>TURN SIGNAL SWITCH</b> Replaces Delco Part# D6210A	\$56.00	
01995963	1996	<b>TURN SIGNAL SWITCH</b> Replaces Delco Part# D6210A	\$56.00	
01995963	1997	<b>TURN SIGNAL SWITCH</b> Replaces Delco Part# D6210A	\$56.00	
01995963	1998	<b>TURN SIGNAL SWITCH</b> Replaces Delco Part# D6210A	\$56.00	
01995963	1999	<b>TURN SIGNAL SWITCH</b> Replaces Delco Part# D6210A	\$56.00	
<b>WINDSHIELD WASHER PUMP</b>				
04919332	1967	<b>WINDSHIELD WASHER PUMP</b> All	\$60.00	N
04919332	1968	<b>WINDSHIELD WASHER PUMP</b> All	\$60.00	N
04919332	1969	<b>WINDSHIELD WASHER PUMP</b> All	\$60.00	N
04919332	1970	<b>WINDSHIELD WASHER PUMP</b> Without Recessed Park Wipers	\$60.00	N
04919332	1971	<b>WINDSHIELD WASHER PUMP</b> Without Recessed Park Wipers	\$60.00	N
04919332	1972	<b>WINDSHIELD WASHER PUMP</b> Without Recessed Park Wipers	\$60.00	N
04919332	1973	<b>WINDSHIELD WASHER PUMP</b> Without Recessed Park Wipers	\$60.00	N
04919332	1974	<b>WINDSHIELD WASHER PUMP</b> Without Recessed Park Wipers	\$60.00	N
<b>WINDSHIELD WIPER MOTOR</b>				
04911476	1967	<b>WINDSHIELD WIPER MOTOR</b> 2-Speed, 3-Terminal Type Motor	\$92.00	N
44609	1967	<b>WINDSHIELD WIPER MOTOR</b> 2-Speed, 4-Terminal Type Motor	\$106.00	N
Note: This Can Be Used In Place Of The 3-Terminal Motor. The 4th Terminal Is A Keyed Hot From Wiper Fuse In Fuse Box And May Or May Not Be Used In Some Applications.				
<b>WINDSHIELD WIPER SWITCH</b>				
01993395	1967	<b>WINDSHIELD WIPER SWITCH</b>	\$35.00	
01993395	1968	<b>WINDSHIELD WIPER SWITCH</b>	\$35.00	
01993464	1969	<b>WINDSHIELD WIPER SWITCH</b>	\$35.00	

# ***Section 5***

***Cheveller***

***El Camino***

***Monte Carlo***

# **Classic Auto Fuse Series Dash Harnesses**

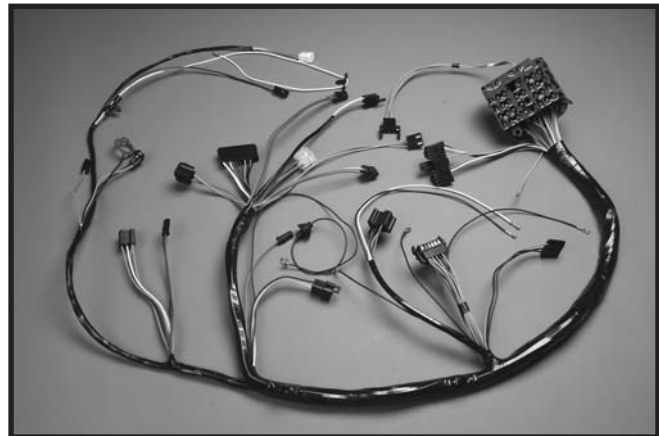
**Now Available for 1968-1972 Chevelle & El Camino**

**Factory replacement style Dash Harnesses with ATO Type fuse blocks**

**No cutting, modifying of any sort required !**

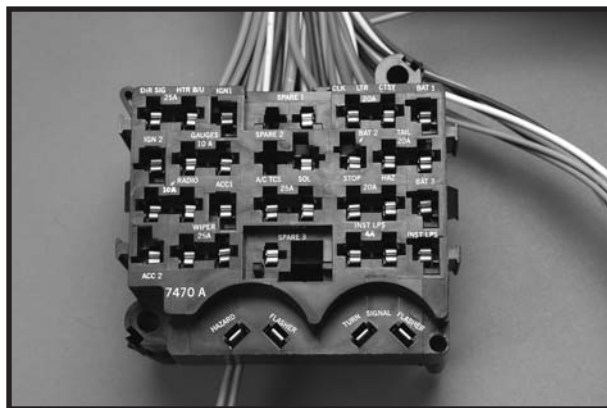
Our new Classic Auto Fuse Series Dash Harnesses allow the professional restorer to maintain the easy plug and play function of original factory type harnesses, while converting the entire fuse block to an Auto Fuse Series (ATO Type) fuse block. The Classic Auto Fuse Series Dash Harnesses give restorers the flexibility to add additional power circuits, without the installation headaches normally associated with this type of fuse box conversion.

The plug and play Classic Auto Fuse Series Dash Harnesses are a first in the industry. Don't be fooled by clever advertising and claims by others that their do-it-yourself harnesses are easy to install. There is no other product like this on the market anywhere.



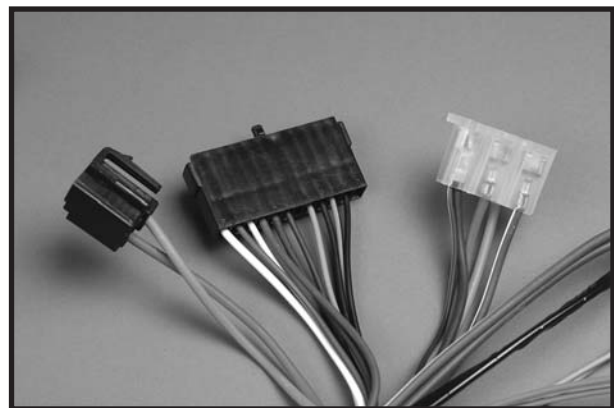
***There is no cutting, modifying or altering of any sort required. Just plug it in and turn it on, it's that simple. The Classic Auto Fuse Dash Harnesses are completely compatible with the remaining harnesses in the car; couple that with our world renowned technical support for the finest product money can buy.***

*Browse our catalog for specific applications, part numbers and prices*



#### **Features an ATO Type Fuse Block**

ATO Type Fuse Block with additional, fully integrated power ports allow the restorer to easily tap power for aftermarket electronic devices such as audio accessories, electric fans & ignition boxes.



#### **Features Factory Type Connectors**

Original factory type connectors are used on every wire. Wire colors match the OEM specs, but heavier gauge wires are used on the appropriate power circuits to accommodate aftermarket accessories.

# Classic Auto Fuse Series Dash Harnesses

## Check Out These Outstanding Features

### • Upgraded Main Power Circuits

The main power circuits have been upgraded to ensure the extra capacity of the new Classic Auto Fuse Series fuse block. No need to worry about splicing onto existing fuses and circuits for aftermarket type accessories and overloading the fuse.

### • Three Constant Battery Power Accessory Ports

Original Glass Series fuse boxes have only one port. These 3 ports supply constant battery power regardless of the ignition switch position. Each of these ports has a maximum fuse capacity of 10 amps.

### • One Instrument Cluster Lamps Accessory Port

Original Glass Series fuse boxes have only one port. This port is used to access the rheostat circuit on the headlamp switch, so the optional lamps connected to this port will dim and brighten with the dash lamps. This port has a maximum fuse capacity of 1 amp which is perfect for night lights in tachs and gauges etc.

### • Two Ignition Power Accessory Ports

Original Glass Series fuse boxes have only one port. These 2 ports supply switched battery power when the ignition switch is in the run position only. Each of these ports has a maximum fuse capacity of 5 amps.

### • Two Accessory Power Accessory Ports

Original Glass Series fuse boxes have only one port. These two ports supply switched battery power when the ignition switch is in the run or accessory position only. Each of these ports has a maximum fuse capacity of 5 amps.

### • Three Spare Fuse Ports

These three Spare Fuse Ports have an undefined fuse rating that can be designed by the customer based on the individual need and each port can handle up to 20 amps per cavity. If all three are not used, restorers may increase the remaining individual fuse ratings up to 30 amps for the remaining one to two cavities. In order to use these spare fuses, the optional kit part number 39383 "Spare Fuse Power Wiring Extension Harness" will be required. Instructions are included with this kit.

## Optional Items for Classic Auto Fuse Series Dash Harnesses



### Spare Fuse Power Wiring Extension Harness

Used to add the functionality of the three extra spare fuses if desired. If this kit is not purchased the three spare fuses will not function.  
Part Number 39383 1968-1972 Chevelle/El Camino Retail \$70.00



### Accessory Connector and Terminal Kit

The connectors and terminals in this kit are used to access the front of the Classic Auto Fuse Series fuse block accessory ports, while maintaining the indexing capability of the cavities on the fuse block. Use of this kit helps ensure that you do not plug accessories into the wrong port.  
Part Number 39384 1968-1972 Chevelle/El Camino Retail \$24.00



### Glass Fuse Series Accessory Adapter Kit

This kit is used to convert any old accessory style indexed connectors designed to plug into a specific port on the old Glass Fuse Series fuse block. The adapters allow you to plug the leads into the appropriate port on the new Classic Auto Fuse Series fuse block without any modifications to the old accessory leads. The best part is that you will still have the extra accessory ports designed into the new Classic Auto Fuse Series Dash Harnesses for new or aftermarket options without sacrificing valuable accessory ports on the fuse block.  
Part Number 39385 1968-1972 Chevelle/El Camino Retail \$63.00



### Fuse & Flasher Kit

Contains two flashers, one complete set of ATO fuses, plus one spare of each amperage. Does not contain fuses for the three spare cavities.  
Part Number 39464 1968 Chevelle/El Camino Retail \$27.00  
Part Number 39466 1969 Chevelle/El Camino Retail \$27.00  
Part Number 39463 1970 Chevelle/El Camino Retail \$27.00  
Part Number 39466 1971 Chevelle/El Camino Retail \$27.00  
Part Number 39465 1972 Chevelle/El Camino Retail \$28.00

Part Number	Year	Description	Price	*Rev.
<b>AIR CONDITIONING COMPRESSOR EXTENSION HARNESS</b>				
00990	1973	<b>AIR CONDITIONING COMPRESSOR EXTENSION HARNESS</b> All, From Compressor To Main A/C Harness	\$59.00	
00990	1974	<b>AIR CONDITIONING COMPRESSOR EXTENSION HARNESS</b> All, From Compressor To Main A/C Harness	\$59.00	
41626	1975	<b>AIR CONDITIONING COMPRESSOR EXTENSION HARNESS</b> 6 Cylinder, From Compressor To Main A/C Harness Note: 6 Cylinder Items Are Not Returnable.	\$59.00	
00990	1975	<b>AIR CONDITIONING COMPRESSOR EXTENSION HARNESS</b> V/8, From Compressor To Main A/C Harness	\$59.00	
41627	1976	<b>AIR CONDITIONING COMPRESSOR EXTENSION HARNESS</b> 6 Cylinder, From Compressor To Main A/C Harness Note: 6 Cylinder Items Are Not Returnable.	\$59.00	
00990	1976	<b>AIR CONDITIONING COMPRESSOR EXTENSION HARNESS</b> V/8, From Compressor To Main A/C Harness	\$59.00	
41628	1977	<b>AIR CONDITIONING COMPRESSOR EXTENSION HARNESS</b> 6 Cylinder, From Compressor To Main A/C Harness Note: 6 Cylinder Items Are Not Returnable.	\$59.00	
41629	1977	<b>AIR CONDITIONING COMPRESSOR EXTENSION HARNESS</b> V/8, From Compressor To Main A/C Harness	\$48.00	
41630	1980	<b>AIR CONDITIONING COMPRESSOR EXTENSION HARNESS</b> V/6, 231 C.I. Turbo, From Compressor To Main A/C Harness	\$67.00	
41631	1981	<b>AIR CONDITIONING COMPRESSOR EXTENSION HARNESS</b> V/6, 231 C.I. Turbo, From Compressor To Main A/C Harness Note: 1978-1982 Compressor Wiring Is Part Of Engine Harness, Except For 1980-81 V/6, 231 C.i. Turbo Cars.	\$67.00	
<b>AIR CONDITIONING HARNESS</b>				
04945	1964	<b>AIR CONDITIONING HARNESS</b> With Factory Installed Under Dash Mounted A/C	\$153.00	
04940	1964	<b>AIR CONDITIONING HARNESS</b> Includes Heater Wiring	\$166.00	
04895	1965	<b>AIR CONDITIONING HARNESS</b> Includes Heater Wiring	\$149.00	
04895	1966	<b>AIR CONDITIONING HARNESS</b> Separate A/C Wiring, Only Used When A/C Wiring Is Not Part Of Dash & Engine Harnesses	\$149.00	
10770	1967	<b>AIR CONDITIONING HARNESS</b> Includes Heater Wiring	\$158.00	
11880	1968	<b>AIR CONDITIONING HARNESS</b> Includes Heater Wiring	\$184.00	
12955	1969	<b>AIR CONDITIONING HARNESS</b> Includes Heater Wiring	\$184.00	
14965	1970	<b>AIR CONDITIONING HARNESS</b> Includes Heater Wiring	\$184.00	
15440	1971	<b>AIR CONDITIONING HARNESS</b> Includes Heater Wiring	\$184.00	
28235	1971	<b>AIR CONDITIONING ANTI-DIESEL RELAY FEED WIRE</b> From Fuse Box To A/C Harness	\$15.00	
16465	1972	<b>AIR CONDITIONING HARNESS</b> Includes Heater Wiring	\$184.00	
41632	1973	<b>AIR CONDITIONING HARNESS</b> Main, Engine Compartment Note: Customer Must Supply Their Original Firewall Grommet.	\$228.00	
41633	1973	<b>AIR CONDITIONING EXTENSION HARNESS</b> Blower Switch, Under Dash	\$60.00	
41499	1974	<b>AIR CONDITIONING HARNESS</b> Main, Engine Compartment Note: Customer Must Supply Their Original Firewall Grommet.	\$228.00	
41498	1974	<b>AIR CONDITIONING EXTENSION HARNESS</b> Blower Switch, Under Dash	\$60.00	
41636	1975	<b>AIR CONDITIONING HARNESS</b> Main, Engine Compartment Note: Customer Must Supply Their Original Firewall Grommet.	\$228.00	
41498	1975	<b>AIR CONDITIONING EXTENSION HARNESS</b> Blower Switch, Under Dash	\$60.00	
41636	1976	<b>AIR CONDITIONING HARNESS</b> Main, Engine Compartment Note: Customer Must Supply Their Original Firewall Grommet.	\$228.00	
41498	1976	<b>AIR CONDITIONING EXTENSION HARNESS</b> Blower Switch, Under Dash	\$60.00	
41634	1977	<b>AIR CONDITIONING HARNESS</b> Main, Engine Compartment Note: Customer Must Supply Their Original Firewall Grommet.	\$228.00	
41498	1977	<b>AIR CONDITIONING EXTENSION HARNESS</b> Blower Switch, Under Dash	\$60.00	
41635	1978	<b>AIR CONDITIONING HARNESS</b> Main, Engine Compartment Note: Compressor Wiring Is Part Of Engine Harness.	\$228.00	
41916	1978	<b>AIR CONDITIONING EXTENSION HARNESS</b> Blower Switch, Under Dash	\$125.00	
41635	1979	<b>AIR CONDITIONING HARNESS</b> Main, Engine Compartment Note: Compressor Wiring Is Part Of Engine Harness.	\$228.00	

Part Number	Year	Description	Price	*Rev.
41916	1979	<b>AIR CONDITIONING EXTENSION HARNESS</b> Blower Switch, Under Dash	\$125.00	
41930	1980	<b>AIR CONDITIONING HARNESS</b> Main, Engine Compartment Note: Compressor Wiring Is Part Of Engine Harness, Except For Turbo Cars.	\$228.00	
41916	1980	<b>AIR CONDITIONING EXTENSION HARNESS</b> Blower Switch, Under Dash	\$125.00	
41982	1981	<b>AIR CONDITIONING HARNESS</b> Main, Engine Compartment, V/6, 231 C.I. Turbo & All V/8 Note: Compressor Wiring Is Part Of Engine Harness, Except For Turbo Cars.	\$228.00	
41937	1981	<b>AIR CONDITIONING HARNESS</b> Main, Engine Compartment, All V/6, Without Turbo Note: Compressor Wiring Is Part Of Engine Harness, Except For Turbo Cars.	\$228.00	
41936	1981	<b>AIR CONDITIONING EXTENSION HARNESS</b> Blower Switch, Under Dash	\$125.00	
41982	1982	<b>AIR CONDITIONING HARNESS</b> Main, Engine Compartment Note: Compressor Wiring Is Part Of Engine Harness.	\$228.00	
41936	1982	<b>AIR CONDITIONING EXTENSION HARNESS</b> Blower Switch, Under Dash, Without Diesel	\$125.00	
41980	1982	<b>AIR CONDITIONING EXTENSION HARNESS</b> Blower Switch, Under Dash, With Diesel	\$228.00	
<b>AIR CONDITIONING POWER FEED WIRE</b>				
28225	1964	<b>AIR CONDITIONING POWER FEED WIRE</b> From Starter Solenoid To A/C Fuse, All Except Malibu SS	\$22.00	
43554	1964	<b>AIR CONDITIONING POWER FEED WIRE</b> From Horn Relay To A/C Fuse, Malibu SS	\$23.00	
43554	1965	<b>AIR CONDITIONING POWER FEED WIRE</b> From Horn Relay To A/C Fuse	\$23.00	
43554	1966	<b>AIR CONDITIONING POWER FEED WIRE</b> From Horn Relay To A/C Fuse	\$23.00	
05165	1967	<b>AIR CONDITIONING POWER FEED WIRE</b> From Horn Relay To A/C Fuse	\$23.00	
10970	1968	<b>AIR CONDITIONING POWER FEED WIRE</b> From Horn Relay To A/C Fuse	\$22.00	
10970	1969	<b>AIR CONDITIONING POWER FEED WIRE</b> From Horn Relay To A/C Fuse	\$22.00	
10970	1970	<b>AIR CONDITIONING POWER FEED WIRE</b> From Horn Relay To A/C Fuse, Chevelle & El Camino	\$22.00	
28545	1970	<b>AIR CONDITIONING POWER FEED WIRE</b> From Horn Relay To A/C Fuse, Monte Carlo	\$24.00	
10970	1971	<b>AIR CONDITIONING POWER FEED WIRE</b> From Horn Relay To A/C Fuse, Chevelle & El Camino	\$22.00	
28545	1971	<b>AIR CONDITIONING POWER FEED WIRE</b> From Horn Relay To A/C Fuse, Monte Carlo	\$24.00	
16405	1972	<b>AIR CONDITIONING POWER FEED WIRE</b> From Horn Relay To A/C Fuse, All	\$22.00	
41500	1973	<b>AIR CONDITIONING POWER FEED WIRE</b> From Horn Relay To A/C Fuse, All	\$27.00	
41500	1974	<b>AIR CONDITIONING POWER FEED WIRE</b> From Horn Relay To A/C Fuse, All	\$27.00	
<b>ALTERNATOR CONVERSION KIT</b>				
27555	1964	<b>ALTERNATOR CONVERSION KIT</b> External To Internal Regulator Conversion Harness ("SI" Series) Note: For Use With 1972-84 Non-Serpentine Belt ("SI" Series) Internal Regulated Alternators.	\$29.00	
37787	1964	<b>ALTERNATOR CONVERSION KIT</b> External To Internal Regulator Conversion Harness ("CS" Series) Note: For Use With Serpentine Belt ("CS" Series) Internal Regulated Alternators.	\$34.00	
27555	1965	<b>ALTERNATOR CONVERSION KIT</b> External To Internal Regulator Conversion Harness ("SI" Series) Note: For Use With 1972-84 Non-Serpentine Belt ("SI" Series) Internal Regulated Alternators.	\$29.00	
37787	1965	<b>ALTERNATOR CONVERSION KIT</b> External To Internal Regulator Conversion Harness ("CS" Series) Note: For Use With Serpentine Belt ("CS" Series) Internal Regulated Alternators.	\$34.00	
27555	1966	<b>ALTERNATOR CONVERSION KIT</b> External To Internal Regulator Conversion Harness ("SI" Series) Note: For Use With 1972-84 Non-Serpentine Belt ("SI" Series) Internal Regulated Alternators.	\$29.00	
37787	1966	<b>ALTERNATOR CONVERSION KIT</b> External To Internal Regulator Conversion Harness ("CS" Series) Note: For Use With Serpentine Belt ("CS" Series) Internal Regulated Alternators.	\$34.00	
27555	1967	<b>ALTERNATOR CONVERSION KIT</b> External To Internal Regulator Conversion Harness ("SI" Series) Note: For Use With 1972-84 Non-Serpentine Belt ("SI" Series) Internal Regulated Alternators.	\$29.00	
37787	1967	<b>ALTERNATOR CONVERSION KIT</b> External To Internal Regulator Conversion Harness ("CS" Series) Note: For Use With Serpentine Belt ("CS" Series) Internal Regulated Alternators.	\$34.00	
27555	1968	<b>ALTERNATOR CONVERSION KIT</b> External To Internal Regulator Conversion Harness ("SI" Series) Note: For Use With 1972-84 Non-Serpentine Belt ("SI" Series) Internal Regulated Alternators.	\$29.00	

Part Number	Year	Description	Price	*Rev.
37787	1968	<b>ALTERNATOR CONVERSION KIT</b> External To Internal Regulator Conversion Harness ("CS" Series) Note: For Use With Serpentine Belt ("CS" Series) Internal Regulated Alternators.	\$34.00	
27555	1969	<b>ALTERNATOR CONVERSION KIT</b> External To Internal Regulator Conversion Harness ("SI" Series) Note: For Use With 1972-84 Non-Serpentine Belt ("SI" Series) Internal Regulated Alternators.	\$29.00	
37787	1969	<b>ALTERNATOR CONVERSION KIT</b> External To Internal Regulator Conversion Harness ("CS" Series) Note: For Use With Serpentine Belt ("CS" Series) Internal Regulated Alternators.	\$34.00	
27555	1970	<b>ALTERNATOR CONVERSION KIT</b> External To Internal Regulator Conversion Harness ("SI" Series) Note: For Use With 1972-84 Non-Serpentine Belt ("SI" Series) Internal Regulated Alternators.	\$29.00	
37787	1970	<b>ALTERNATOR CONVERSION KIT</b> External To Internal Regulator Conversion Harness ("CS" Series) Note: For Use With Serpentine Belt ("CS" Series) Internal Regulated Alternators.	\$34.00	
27555	1971	<b>ALTERNATOR CONVERSION KIT</b> External To Internal Regulator Conversion Harness ("SI" Series) Note: For Use With 1972-84 Non-Serpentine Belt ("SI" Series) Internal Regulated Alternators.	\$29.00	
37787	1971	<b>ALTERNATOR CONVERSION KIT</b> External To Internal Regulator Conversion Harness ("CS" Series) Note: For Use With Serpentine Belt ("CS" Series) Internal Regulated Alternators.	\$34.00	
27555	1972	<b>ALTERNATOR CONVERSION KIT</b> External To Internal Regulator Conversion Harness ("SI" Series) Note: For Use With 1972-84 Non-Serpentine Belt ("SI" Series) Internal Regulated Alternators.	\$29.00	
37787	1972	<b>ALTERNATOR CONVERSION KIT</b> External To Internal Regulator Conversion Harness ("CS" Series) Note: For Use With Serpentine Belt ("CS" Series) Internal Regulated Alternators.	\$34.00	
37796	1973	<b>ALTERNATOR CONVERSION KIT</b> Internal Regulator "SI" Series Alternator To "CS130 or CS144" Series (Serpentine Belt) Alternator Note: For Use With Serpentine Belt ("CS130" Or "CS144" Type) Internal Regulated Alternators.	\$26.00	
39472	1973	<b>ALTERNATOR CONVERSION KIT</b> Internal Regulator "SI" Series Alternator To "CS130D" Series (Serpentine Belt) Alternator Note: For Use With Serpentine Belt ("CS130D" Type) Internal Regulated Alternators.	\$27.00	
39472	1974	<b>ALTERNATOR CONVERSION KIT</b> Internal Regulator "SI" Series Alternator To "CS130D" Series (Serpentine Belt) Alternator Note: For Use With Serpentine Belt ("CS130D" Type) Internal Regulated Alternators.	\$27.00	
39472	1975	<b>ALTERNATOR CONVERSION KIT</b> Internal Regulator "SI" Series Alternator To "CS130D" Series (Serpentine Belt) Alternator Note: For Use With Serpentine Belt ("CS130D" Type) Internal Regulated Alternators.	\$27.00	
39472	1976	<b>ALTERNATOR CONVERSION KIT</b> Internal Regulator "SI" Series Alternator To "CS130D" Series (Serpentine Belt) Alternator Note: For Use With Serpentine Belt ("CS130D" Type) Internal Regulated Alternators.	\$27.00	
39472	1977	<b>ALTERNATOR CONVERSION KIT</b> Internal Regulator "SI" Series Alternator To "CS130D" Series (Serpentine Belt) Alternator Note: For Use With Serpentine Belt ("CS130D" Type) Internal Regulated Alternators.	\$27.00	
39472	1978	<b>ALTERNATOR CONVERSION KIT</b> Internal Regulator "SI" Series Alternator To "CS130D" Series (Serpentine Belt) Alternator Note: For Use With Serpentine Belt ("CS130D" Type) Internal Regulated Alternators.	\$27.00	
39472	1979	<b>ALTERNATOR CONVERSION KIT</b> Internal Regulator "SI" Series Alternator To "CS130D" Series (Serpentine Belt) Alternator Note: For Use With Serpentine Belt ("CS130D" Type) Internal Regulated Alternators.	\$27.00	
39472	1980	<b>ALTERNATOR CONVERSION KIT</b> Internal Regulator "SI" Series Alternator To "CS130D" Series (Serpentine Belt) Alternator Note: For Use With Serpentine Belt ("CS130D" Type) Internal Regulated Alternators.	\$27.00	
39472	1981	<b>ALTERNATOR CONVERSION KIT</b> Internal Regulator "SI" Series Alternator To "CS130D" Series (Serpentine Belt) Alternator Note: For Use With Serpentine Belt ("CS130D" Type) Internal Regulated Alternators.	\$27.00	
39472	1982	<b>ALTERNATOR CONVERSION KIT</b> Internal Regulator "SI" Series Alternator To "CS130D" Series (Serpentine Belt) Alternator Note: For Use With Serpentine Belt ("CS130D" Type) Internal Regulated Alternators.	\$27.00	

Part Number	Year	Description	Price	*Rev.
39472	1983	<b>ALTERNATOR CONVERSION KIT</b> Internal Regulator "SI" Series Alternator To "CS130D" Series (Serpentine Belt) Alternator Note: For Use With Serpentine Belt ("CS130D" Type) Internal Regulated Alternators.	\$27.00	
39472	1984	<b>ALTERNATOR CONVERSION KIT</b> Internal Regulator "SI" Series Alternator To "CS130D" Series (Serpentine Belt) Alternator Note: For Use With Serpentine Belt ("CS130D" Type) Internal Regulated Alternators.	\$27.00	
39472	1985	<b>ALTERNATOR CONVERSION KIT</b> Internal Regulator "SI" Series Alternator To "CS130D" Series (Serpentine Belt) Alternator Note: For Use With Serpentine Belt ("CS130D" Type) Internal Regulated Alternators.	\$27.00	
39472	1986	<b>ALTERNATOR CONVERSION KIT</b> Internal Regulator "SI" Series Alternator To "CS130D" Series (Serpentine Belt) Alternator Note: For Use With Serpentine Belt ("CS130D" Type) Internal Regulated Alternators.	\$27.00	
37796	1974	<b>ALTERNATOR CONVERSION KIT</b> Internal Regulator "SI" Series Alternator To "CS130 or CS144" Series (Serpentine Belt) Alternator Note: For Use With Serpentine Belt ("CS130" Or "CS144" Type) Internal Regulated Alternators.	\$26.00	
37796	1975	<b>ALTERNATOR CONVERSION KIT</b> Internal Regulator "SI" Series Alternator To "CS130 or CS144" Series (Serpentine Belt) Alternator Note: For Use With Serpentine Belt ("CS130" Or "CS144" Type) Internal Regulated Alternators.	\$26.00	
37796	1976	<b>ALTERNATOR CONVERSION KIT</b> Internal Regulator "SI" Series Alternator To "CS130 or CS144" Series (Serpentine Belt) Alternator Note: For Use With Serpentine Belt ("CS130" Or "CS144" Type) Internal Regulated Alternators.	\$26.00	
37796	1977	<b>ALTERNATOR CONVERSION KIT</b> Internal Regulator "SI" Series Alternator To "CS130 or CS144" Series (Serpentine Belt) Alternator Note: For Use With Serpentine Belt ("CS130" Or "CS144" Type) Internal Regulated Alternators.	\$26.00	
37796	1978	<b>ALTERNATOR CONVERSION KIT</b> Internal Regulator "SI" Series Alternator To "CS130 or CS144" Series (Serpentine Belt) Alternator Note: For Use With Serpentine Belt ("CS130" Or "CS144" Type) Internal Regulated Alternators.	\$26.00	
37796	1979	<b>ALTERNATOR CONVERSION KIT</b> Internal Regulator "SI" Series Alternator To "CS130 or CS144" Series (Serpentine Belt) Alternator Note: For Use With Serpentine Belt ("CS130" Or "CS144" Type) Internal Regulated Alternators.	\$26.00	
37796	1980	<b>ALTERNATOR CONVERSION KIT</b> Internal Regulator "SI" Series Alternator To "CS130 or CS144" Series (Serpentine Belt) Alternator Note: For Use With Serpentine Belt ("CS130" Or "CS144" Type) Internal Regulated Alternators.	\$26.00	
37796	1981	<b>ALTERNATOR CONVERSION KIT</b> Internal Regulator "SI" Series Alternator To "CS130 or CS144" Series (Serpentine Belt) Alternator Note: For Use With Serpentine Belt ("CS130" Or "CS144" Type) Internal Regulated Alternators.	\$26.00	
37796	1982	<b>ALTERNATOR CONVERSION KIT</b> Internal Regulator "SI" Series Alternator To "CS130 or CS144" Series (Serpentine Belt) Alternator Note: For Use With Serpentine Belt ("CS130" Or "CS144" Type) Internal Regulated Alternators.	\$26.00	
37796	1983	<b>ALTERNATOR CONVERSION KIT</b> Internal Regulator "SI" Series Alternator To "CS130 or CS144" Series (Serpentine Belt) Alternator Note: For Use With Serpentine Belt ("CS130" Or "CS144" Type) Internal Regulated Alternators.	\$26.00	
37796	1984	<b>ALTERNATOR CONVERSION KIT</b> Internal Regulator "SI" Series Alternator To "CS130 or CS144" Series (Serpentine Belt) Alternator Note: For Use With Serpentine Belt ("CS130" Or "CS144" Type) Internal Regulated Alternators.	\$26.00	
37796	1985	<b>ALTERNATOR CONVERSION KIT</b> Internal Regulator "SI" Series Alternator To "CS130 or CS144" Series (Serpentine Belt) Alternator Note: For Use With Serpentine Belt ("CS130" Or "CS144" Type) Internal Regulated Alternators.	\$26.00	
37796	1986	<b>ALTERNATOR CONVERSION KIT</b> Internal Regulator "SI" Series Alternator To "CS130 or CS144" Series (Serpentine Belt) Alternator Note: For Use With Serpentine Belt ("CS130" Or "CS144" Type) Internal Regulated Alternators.	\$26.00	
<b>ALTERNATOR POWER FEED WIRE</b>				
41670	1964	<b>ALTERNATOR POWER FEED WIRE</b> Used With Regular Production Option Code (RPO) K81, (62 Amp Alternator), From Horn Relay To Alternator	\$40.00	



Part Number	Year	Description	Price	*Rev.
41670	1965	<b>ALTERNATOR POWER FEED WIRE</b> Used With Regular Production Option Code (RPO) K81, (62 Amp Alternator), From Horn Relay To Alternator	\$40.00	
41670	1966	<b>ALTERNATOR POWER FEED WIRE</b> Used With Regular Production Option Code (RPO) K81, (62 Amp Alternator), From Horn Relay To Alternator	\$40.00	
<b>ASH TRAY LAMP WIRE</b>				
12950	1970	<b>ASH TRAY LAMP WIRE</b> Fiber Optic Note: Lead Only With Crimped Brass Terminals, Does Not Include Lamp Socket Or Ash Tray Retainer.	\$30.00	
12950	1971	<b>ASH TRAY LAMP WIRE</b> Fiber Optic Note: Lead Only With Crimped Brass Terminals, Does Not Include Lamp Socket Or Ash Tray Retainer.	\$30.00	
12950	1972	<b>ASH TRAY LAMP WIRE</b> Fiber Optic Note: Lead Only With Crimped Brass Terminals, Does Not Include Lamp Socket Or Ash Tray Retainer.	\$30.00	
12950	1973	<b>ASH TRAY LAMP WIRE</b> Fiber Optic Note: Lead Only With Crimped Brass Terminals, Does Not Include Lamp Socket Or Ash Tray Retainer.	\$30.00	
12950	1974	<b>ASH TRAY LAMP WIRE</b> Fiber Optic Note: Lead Only With Crimped Brass Terminals, Does Not Include Lamp Socket Or Ash Tray Retainer.	\$30.00	
12950	1975	<b>ASH TRAY LAMP WIRE</b> Fiber Optic Note: Lead Only With Crimped Brass Terminals, Does Not Include Lamp Socket Or Ash Tray Retainer.	\$30.00	
12950	1976	<b>ASH TRAY LAMP WIRE</b> Fiber Optic Note: Lead Only With Crimped Brass Terminals, Does Not Include Lamp Socket Or Ash Tray Retainer.	\$30.00	
12950	1977	<b>ASH TRAY LAMP WIRE</b> Fiber Optic Note: Lead Only With Crimped Brass Terminals, Does Not Include Lamp Socket Or Ash Tray Retainer.	\$30.00	
<b>ASSEMBLY MANUAL</b>				
36294	1964	<b>ASSEMBLY MANUAL</b> Factory Assembly Instruction Guide	\$32.00	
36295	1965	<b>ASSEMBLY MANUAL</b> Factory Assembly Instruction Guide	\$32.00	
36296	1966	<b>ASSEMBLY MANUAL</b> Factory Assembly Instruction Guide	\$32.00	
36297	1967	<b>ASSEMBLY MANUAL</b> Factory Assembly Instruction Guide	\$32.00	
36298	1968	<b>ASSEMBLY MANUAL</b> Factory Assembly Instruction Guide	\$32.00	
36299	1969	<b>ASSEMBLY MANUAL</b> Factory Assembly Instruction Guide	\$32.00	
36300	1970	<b>ASSEMBLY MANUAL</b> Factory Assembly Instruction Guide	\$32.00	
36301	1971	<b>ASSEMBLY MANUAL</b> Factory Assembly Instruction Guide	\$32.00	
36302	1972	<b>ASSEMBLY MANUAL</b> Factory Assembly Instruction Guide	\$32.00	
<b>BACKUP LAMP HARNESS</b>				
41829	1974	<b>BACKUP LAMP HARNESS</b> Monte Carlo, From Rear Lamp Harness To Backup Lamps Note: Includes Wire For Fuel Sender & License Lamp.	\$101.00	
41829	1975	<b>BACKUP LAMP HARNESS</b> Monte Carlo, From Rear Lamp Harness To Backup Lamps Note: Includes Wire For Fuel Sender & License Lamp.	\$101.00	
<b>BACKUP LAMP SWITCH</b>				
01993661	1964	<b>BACKUP LAMP SWITCH</b> 4 Speed, Manual Trans	\$64.00	
01993307	1965	<b>BACKUP LAMP SWITCH</b> 4 Speed, Manual Trans	\$64.00	
01993307	1966	<b>BACKUP LAMP SWITCH</b> 4 Speed, Manual Trans	\$64.00	
01993307	1967	<b>BACKUP LAMP SWITCH</b> 4 Speed, Manual Trans	\$64.00	
01993307	1968	<b>BACKUP LAMP SWITCH</b> 4 Speed, Manual Trans	\$64.00	
03943657	1969	<b>BACKUP LAMP SWITCH</b> Manual Trans	\$53.00	
03943657	1970	<b>BACKUP LAMP SWITCH</b> Manual Trans	\$53.00	
03943657	1971	<b>BACKUP LAMP SWITCH</b> Manual Trans	\$53.00	
03943657	1972	<b>BACKUP LAMP SWITCH</b> Manual Trans	\$53.00	

Part Number	Year	Description	Price	*Rev.
<b>BACKUP LAMP SWITCH EXTENSION HARNESS</b>				
05100	1964	<b>BACKUP LAMP SWITCH EXTENSION HARNESS</b> Manual Trans, From Dash To Backup Lamp Switch At Firewall	\$54.00	
19240	1965	<b>BACKUP LAMP SWITCH EXTENSION HARNESS</b> Manual Trans, From Dash To Backup Lamp Switch At Firewall	\$31.00	
19240	1966	<b>BACKUP LAMP SWITCH EXTENSION HARNESS</b> Manual Trans, From Dash To Backup Lamp Switch At Firewall	\$31.00	
10665	1967	<b>BACKUP LAMP SWITCH EXTENSION HARNESS</b> Manual Trans, From Dash To Backup Lamp Switch At Firewall	\$31.00	
10665	1968	<b>BACKUP LAMP SWITCH EXTENSION HARNESS</b> Manual Trans, From Dash To Backup Lamp Switch At Firewall	\$31.00	
41867	1978	<b>BACKUP LAMP SWITCH EXTENSION HARNESS</b> Manual Trans, From Dash To Backup Lamp Switch	\$49.00	
41895	1979	<b>BACKUP LAMP SWITCH EXTENSION HARNESS</b> Manual Trans, From Dash To Backup Lamp Switch	\$49.00	
41895	1980	<b>BACKUP LAMP SWITCH EXTENSION HARNESS</b> Manual Trans, From Dash To Backup Lamp Switch	\$49.00	
41943	1981	<b>BACKUP LAMP SWITCH EXTENSION HARNESS</b> Manual Trans, From Dash To Backup Lamp Switch	\$49.00	
<b>BACKUP LAMP SWITCH MOUNTING BRACKET</b>				
37650	1964	<b>BACKUP LAMP SWITCH MOUNTING BRACKET</b> With Muncie 4 Speed Transmission Note: Included In Item Number 39504.	\$29.00	
37650	1965	<b>BACKUP LAMP SWITCH MOUNTING BRACKET</b> With Muncie 4 Speed Transmission Note: Included In Item Number 39504.	\$29.00	
37650	1966	<b>BACKUP LAMP SWITCH MOUNTING BRACKET</b> With Muncie 4 Speed Transmission Note: Included In Item Number 39504.	\$29.00	
37650	1967	<b>BACKUP LAMP SWITCH MOUNTING BRACKET</b> With Muncie 4 Speed Transmission Note: Included In Item Number 39504.	\$29.00	
37650	1968	<b>BACKUP LAMP SWITCH MOUNTING BRACKET</b> With Muncie 4 Speed Transmission Note: Included In Item Number 39504.	\$29.00	
<b>BACKUP LAMP SWITCH MOUNTING KIT</b>				
39504	1964	<b>BACKUP LAMP SWITCH MOUNTING KIT</b> With Muncie 4 Speed Transmission Note: Kit Contains The Bracket, Rod With 2 Clips, Shield & Bolts.	\$46.00	
39504	1965	<b>BACKUP LAMP SWITCH MOUNTING KIT</b> With Muncie 4 Speed Transmission Note: Kit Contains The Bracket, Rod With 2 Clips, Shield & Bolts.	\$46.00	
39504	1966	<b>BACKUP LAMP SWITCH MOUNTING KIT</b> With Muncie 4 Speed Transmission Note: Kit Contains The Bracket, Rod With 2 Clips, Shield & Bolts.	\$46.00	
39504	1967	<b>BACKUP LAMP SWITCH MOUNTING KIT</b> With Muncie 4 Speed Transmission Note: Kit Contains The Bracket, Rod With 2 Clips, Shield & Bolts.	\$46.00	
39504	1968	<b>BACKUP LAMP SWITCH MOUNTING KIT</b> With Muncie 4 Speed Transmission Note: Kit Contains The Bracket, Rod With 2 Clips, Shield & Bolts.	\$46.00	
<b>BATTERY CABLE JUNCTION BLOCK</b>				
03882795	1965	<b>BATTERY CABLE JUNCTION BLOCK</b> For Positive Cable Secondary Lead Note: This Item Is Mounted On Radiator Support Behind Battery.	\$11.00	
03882795	1966	<b>BATTERY CABLE JUNCTION BLOCK</b> For Positive Cable Secondary Lead Note: This Item Is Mounted On Radiator Support Behind Battery.	\$11.00	
03882795	1967	<b>BATTERY CABLE JUNCTION BLOCK</b> For Positive Cable Secondary Lead Note: This Item Is Mounted On Radiator Support Behind Battery.	\$11.00	
03882795	1968	<b>BATTERY CABLE JUNCTION BLOCK</b> For Positive Cable Secondary Lead Note: This Item Is Mounted On Radiator Support Behind Battery.	\$11.00	
03882795	1969	<b>BATTERY CABLE JUNCTION BLOCK</b> For Positive Cable Secondary Lead Note: This Item Is Mounted On Radiator Support Behind Battery.	\$11.00	
03882795	1970	<b>BATTERY CABLE JUNCTION BLOCK</b> For Positive Cable Secondary Lead Note: This Item Is Mounted On Radiator Support Behind Battery.	\$11.00	
03882795	1971	<b>BATTERY CABLE JUNCTION BLOCK</b> For Positive Cable Secondary Lead Note: This Item Is Mounted On Radiator Support Behind Battery.	\$11.00	

Part Number	Year	Description	Price	*Rev.
<b>BATTERY CABLE-NEGATIVE</b>				
04840	1964	<b>BATTERY CABLE, SPRING RING</b> Neg, 6 Cylinder Note: 6 Cylinder Items Are Not Returnable.	\$69.00	
04850	1964	<b>BATTERY CABLE, SPRING RING</b> Neg, V/8	\$69.00	
05500	1965	<b>BATTERY CABLE, SPRING RING</b> Neg, 6 Cylinder Note: 6 Cylinder Items Are Not Returnable.	\$69.00	
04830	1965	<b>BATTERY CABLE, SPRING RING</b> Neg, V/8, With Standard Battery Note: Used On Batteries With Negative Post Close To Radiator.	\$69.00	
05515	1965	<b>BATTERY CABLE, SPRING RING</b> Neg, V/8, With Heavy Duty Battery Note: Used On Batteries With Negative Post Close To Passenger Fender.	\$69.00	
09215	1966	<b>BATTERY CABLE, SPRING RING</b> Neg, 6 Cylinder Note: 6 Cylinder Items Are Not Returnable.	\$69.00	
05515	1966	<b>BATTERY CABLE, SPRING RING</b> Neg, V/8, All	\$69.00	
09130	1967	<b>BATTERY CABLE, SPRING RING</b> Neg, 6 Cylinder & V/8, With Standard Battery Note: 6 Cylinder Items Are Not Returnable.	\$69.00	
09155	1967	<b>BATTERY CABLE, SPRING RING</b> Neg, 6 Cylinder & V/8, With Heavy Duty Battery Note: 6 Cylinder Items Are Not Returnable.	\$69.00	
09940	1968	<b>BATTERY CABLE, SPRING RING</b> Neg, 6 Cylinder Note: 6 Cylinder Items Are Not Returnable.	\$69.00	
12455	1968	<b>BATTERY CABLE, SPRING RING</b> Neg, V/8, Except 396 C.I.	\$69.00	
12445	1968	<b>BATTERY CABLE, SPRING RING</b> Neg, V/8, 396 C.I.	\$69.00	
12540	1969	<b>BATTERY CABLE, SPRING RING</b> Neg, 6 Cylinder Note: 6 Cylinder Items Are Not Returnable.	\$69.00	
12535	1969	<b>BATTERY CABLE, SPRING RING</b> Neg, V/8, Except 396 C.I.	\$69.00	
12550	1969	<b>BATTERY CABLE, SPRING RING</b> Neg, V/8, 396 C.I.	\$69.00	
12540	1970	<b>BATTERY CABLE, SPRING RING</b> Neg, 6 Cylinder, Chevelle Note: 6 Cylinder Items Are Not Returnable.	\$69.00	
14810	1970	<b>BATTERY CABLE, SIDE POST</b> Neg, 6 Cylinder, Chevelle, With Side Mount Type Battery Note: 6 Cylinder Items Are Not Returnable.	\$74.00	
14660	1970	<b>BATTERY CABLE, SPRING RING</b> Neg, V/8, Chevelle	\$69.00	
21755	1970	<b>BATTERY CABLE, SIDE POST</b> Neg, V/8, Chevelle, With Side Mount Type Battery	\$74.00	
14665	1970	<b>BATTERY CABLE, SPRING RING</b> Neg, V/8, Monte Carlo, 350 C.I.	\$69.00	
14660	1970	<b>BATTERY CABLE, SPRING RING</b> Neg, V/8, Monte Carlo, 396 C.I.	\$69.00	
21760	1970	<b>BATTERY CABLE, SIDE POST</b> Neg, V8, Monte Carlo, With Side Mount Type Battery	\$74.00	
22675	1971	<b>BATTERY CABLE, SIDE POST</b> Neg, 6 Cylinder, Chevelle Note: 6 Cylinder Items Are Not Returnable.	\$74.00	
22665	1971	<b>BATTERY CABLE, SIDE POST</b> Neg, V/8, Chevelle, 307-350 C.I.	\$74.00	
22735	1971	<b>BATTERY CABLE, SIDE POST</b> Neg, V/8, Chevelle, 396-454 C.I.	\$74.00	
22685	1971	<b>BATTERY CABLE, SIDE POST</b> Neg, V/8, Monte Carlo, All	\$74.00	
22675	1972	<b>BATTERY CABLE, SIDE POST</b> Neg, 6 Cylinder, Chevelle Note: 6 Cylinder Items Are Not Returnable.	\$74.00	
22665	1972	<b>BATTERY CABLE, SIDE POST</b> Neg, V/8, Chevelle, 307-350 C.I.	\$74.00	
22735	1972	<b>BATTERY CABLE, SIDE POST</b> Neg, V/8, Chevelle, 396-454 C.I.	\$74.00	
22685	1972	<b>BATTERY CABLE, SIDE POST</b> Neg, V/8, Monte Carlo, All	\$74.00	
22675	1973	<b>BATTERY CABLE, SIDE POST</b> Neg, 6 Cylinder, Chevelle Note: 6 Cylinder Items Are Not Returnable.	\$74.00	
22665	1973	<b>BATTERY CABLE, SIDE POST</b> Neg, V/8, Chevelle	\$74.00	
22685	1973	<b>BATTERY CABLE, SIDE POST</b> Neg, V/8, Monte Carlo, All	\$74.00	

Part Number	Year	Description	Price	*Rev.
22675	1974	<b>BATTERY CABLE, SIDE POST</b> Neg, 6 Cylinder, Chevelle Note: 6 Cylinder Items Are Not Returnable.	\$74.00	
22665	1974	<b>BATTERY CABLE, SIDE POST</b> Neg, V/8, Chevelle	\$74.00	
22685	1974	<b>BATTERY CABLE, SIDE POST</b> Neg, V/8, Monte Carlo, All	\$74.00	
41791	1975	<b>BATTERY CABLE, SIDE POST</b> Neg, 6 Cylinder, Chevelle Note: 6 Cylinder Items Are Not Returnable.	\$74.00	
22665	1975	<b>BATTERY CABLE, SIDE POST</b> Neg, V/8, Chevelle	\$74.00	
22685	1975	<b>BATTERY CABLE, SIDE POST</b> Neg, V/8, Monte Carlo, All	\$74.00	
41791	1976	<b>BATTERY CABLE, SIDE POST</b> Neg, 6 Cylinder, Chevelle Note: 6 Cylinder Items Are Not Returnable.	\$74.00	
22735	1976	<b>BATTERY CABLE, SIDE POST</b> Neg, V/8, Chevelle	\$74.00	
22685	1976	<b>BATTERY CABLE, SIDE POST</b> Neg, V/8, Monte Carlo, All	\$74.00	
41791	1977	<b>BATTERY CABLE, SIDE POST</b> Neg, 6 Cylinder, Chevelle Note: 6 Cylinder Items Are Not Returnable.	\$74.00	
22735	1977	<b>BATTERY CABLE, SIDE POST</b> Neg, V/8, Chevelle	\$74.00	
22685	1977	<b>BATTERY CABLE, SIDE POST</b> Neg, V/8, Monte Carlo, All	\$74.00	
41814	1978	<b>BATTERY CABLE, SIDE POST</b> Neg, V/6, 200 C.I.	\$87.00	
41856	1978	<b>BATTERY CABLE, SIDE POST</b> Neg, V/6, 231 C.I.	\$87.00	
22735	1978	<b>BATTERY CABLE, SIDE POST</b> Neg, V/8	\$74.00	
41814	1979	<b>BATTERY CABLE, SIDE POST</b> Neg, V/6, 200 C.I.	\$87.00	
41856	1979	<b>BATTERY CABLE, SIDE POST</b> Neg, V/6, 231 C.I.	\$87.00	
22735	1979	<b>BATTERY CABLE, SIDE POST</b> Neg, V/8	\$74.00	
41814	1980	<b>BATTERY CABLE, SIDE POST</b> Neg, V/6, 200 C.I.	\$87.00	
41926	1980	<b>BATTERY CABLE, SIDE POST</b> Neg, V/6, 231 C.I.	\$87.00	
22735	1980	<b>BATTERY CABLE, SIDE POST</b> Neg, V/8	\$74.00	
41814	1981	<b>BATTERY CABLE, SIDE POST</b> Neg, V/6, 200 C.I.	\$87.00	
41926	1981	<b>BATTERY CABLE, SIDE POST</b> Neg, V/6, 231 C.I.	\$87.00	
22735	1981	<b>BATTERY CABLE, SIDE POST</b> Neg, V/8	\$74.00	
41814	1982	<b>BATTERY CABLE, SIDE POST</b> Neg, V/6, 229 C.I.	\$87.00	
41926	1982	<b>BATTERY CABLE, SIDE POST</b> Neg, V/6, 231 C.I.	\$87.00	
22735	1982	<b>BATTERY CABLE, SIDE POST</b> Neg, V/8	\$74.00	
<b>BATTERY CABLE-POSITIVE</b>				
41973	1982	<b>BATTERY CABLE, SIDE POST</b> Neg, 263 C.I. Diesel, Driver Side, Negative Post To Engine Block	\$87.00	
41972	1982	<b>BATTERY CABLE, SIDE POST</b> Neg, 263 C.I. Diesel, Passenger Side, Negative Post To Engine Block	\$87.00	
41924	1982	<b>BATTERY CABLE, SIDE POST</b> Neg, 350 C.I. Diesel, Without Heavy Duty Battery, Driver Side, Negative Post To Engine Block Note: This Is A 2 Gauge Cable.	\$87.00	
41928	1982	<b>BATTERY CABLE, SIDE POST</b> Neg, 350 C.I. Diesel, With Heavy Duty Battery, Driver Side, Negative Post To Engine Block Note: This Is A 0 Gauge Cable.	\$87.00	
41923	1982	<b>BATTERY CABLE, SIDE POST</b> Neg, 350 C.I. Diesel, Without Heavy Duty Battery, Passenger Side, Negative Post To Engine Block Note: This Is A 2 Gauge Cable.	\$87.00	
41929	1982	<b>BATTERY CABLE, SIDE POST</b> Neg, 350 C.I. Diesel, With Heavy Duty Battery, Passenger Side, Negative Post To Engine Block Note: This Is A 0 Gauge Cable.	\$87.00	
04810	1964	<b>BATTERY CABLE, SPRING RING</b> Pos, 6 Cylinder Note: 6 Cylinder Items Are Not Returnable.	\$69.00	

Part Number	Year	Description	Price	*Rev.
05415	1964	<b>BATTERY CABLE, SPRING RING</b> Pos, V/8	\$69.00	
05495	1965	<b>BATTERY CABLE, SPRING RING</b> Pos, 6 Cylinder Note: 6 Cylinder Items Are Not Returnable.	\$69.00	
05490	1965	<b>BATTERY CABLE, SPRING RING</b> Pos, V/8, 283 C.I., With Standard Battery Note: Used On Batteries With Positive Post Close To Passenger Fender.	\$69.00	
36976	1965	<b>BATTERY CABLE, SPRING RING</b> Pos, V/8, 396 C.I. Note: Used On Batteries With Positive Post Close To Radiator.	\$69.00	
05510	1965	<b>BATTERY CABLE, SPRING RING</b> Pos, V/8, All With Heavy Duty Battery Note: Used On Batteries With Positive Post Close To Radiator.	\$69.00	
09220	1966	<b>BATTERY CABLE, SPRING RING</b> Pos, 6 Cylinder Note: 6 Cylinder Items Are Not Returnable.	\$69.00	
09225	1966	<b>BATTERY CABLE, SPRING RING</b> Pos, V/8, With Heavy Duty Battery, Except 396 C.I. Note: Used On Batteries With Positive Post Close To Passenger Fender.	\$69.00	
09830	1966	<b>BATTERY CABLE, SPRING RING</b> Pos, V/8, With Standard Battery & All 396 C.I. Note: Used On Batteries With Positive Post Close To Radiator.	\$69.00	
10715	1967	<b>BATTERY CABLE, SPRING RING</b> Pos, 6 Cylinder Note: 6 Cylinder Items Are Not Returnable.	\$69.00	
10705	1967	<b>BATTERY CABLE, SPRING RING</b> Pos, V/8, Except 396 C.I.	\$69.00	
10725	1967	<b>BATTERY CABLE, SPRING RING</b> Pos, V/8, 396 C.I.	\$69.00	
09945	1968	<b>BATTERY CABLE, SPRING RING</b> Pos, 6 Cylinder Note: 6 Cylinder Items Are Not Returnable.	\$69.00	
09950	1968	<b>BATTERY CABLE, SPRING RING</b> Pos, V/8, Except 396 C.I.	\$69.00	
12450	1968	<b>BATTERY CABLE, SPRING RING</b> Pos, V/8, 396 C.I.	\$69.00	
12590	1969	<b>BATTERY CABLE, SPRING RING</b> Pos, 6 Cylinder Note: 6 Cylinder Items Are Not Returnable.	\$69.00	
09950	1969	<b>BATTERY CABLE, SPRING RING</b> Pos, V/8, Except 396 C.I.	\$69.00	
12595	1969	<b>BATTERY CABLE, SPRING RING</b> Pos, V/8, 396 C.I.	\$69.00	
12600	1970	<b>BATTERY CABLE, SPRING RING</b> Pos, 6 Cylinder, Chevelle Note: 6 Cylinder Items Are Not Returnable.	\$69.00	
14790	1970	<b>BATTERY CABLE, SIDE POST</b> Pos, 6 Cylinder, Chevelle, With Side Mount Type Battery Note: 6 Cylinder Items Are Not Returnable.	\$74.00	
14635	1970	<b>BATTERY CABLE, SPRING RING</b> Pos, V/8, Chevelle	\$69.00	
21740	1970	<b>BATTERY CABLE, SIDE POST</b> Pos, V/8, Chevelle, With Side Mount Type Battery	\$74.00	
14630	1970	<b>BATTERY CABLE, SPRING RING</b> Pos, V/8, Monte Carlo, 350 C.I.	\$69.00	
14635	1970	<b>BATTERY CABLE, SPRING RING</b> Pos, V/8, Monte Carlo, 396-454 C.I.	\$69.00	
21745	1970	<b>BATTERY CABLE, SIDE POST</b> Pos, V/8, Monte Carlo, All With Side Mount Type Battery	\$74.00	
22655	1971	<b>BATTERY CABLE, SIDE POST</b> Pos, 6 Cylinder Note: 6 Cylinder Items Are Not Returnable.	\$74.00	
22660	1971	<b>BATTERY CABLE, SIDE POST</b> Pos, V/8, Chevelle, 307-350 C.I.	\$74.00	
22680	1971	<b>BATTERY CABLE, SIDE POST</b> Pos, V/8, Chevelle, 396-454 C.I.	\$74.00	
28955	1971	<b>BATTERY CABLE, SIDE POST</b> Pos, V/8, Monte Carlo, All	\$74.00	
22640	1972	<b>BATTERY CABLE, SIDE POST</b> Pos, 6 Cylinder Note: 6 Cylinder Items Are Not Returnable.	\$74.00	
28970	1972	<b>BATTERY CABLE, SIDE POST</b> Pos, V/8, Chevelle, 307-350 C.I.	\$74.00	
28980	1972	<b>BATTERY CABLE, SIDE POST</b> Pos, V/8, Chevelle, 396-454 C.I.	\$74.00	
28975	1972	<b>BATTERY CABLE, SIDE POST</b> Pos, V/8, Monte Carlo, All	\$74.00	
41750	1973	<b>BATTERY CABLE, SIDE POST</b> Pos, 6 Cylinder, Chevelle Note: 6 Cylinder Items Are Not Returnable.	\$74.00	

Part Number	Year	Description	Price	*Rev.
41751	1973	<b>BATTERY CABLE, SIDE POST</b> Pos, V/8, Chevelle	\$74.00	
41752	1973	<b>BATTERY CABLE, SIDE POST</b> Pos, V/8, Monte Carlo	\$74.00	
41750	1974	<b>BATTERY CABLE, SIDE POST</b> Pos, 6 Cylinder, Chevelle Note: 6 Cylinder Items Are Not Returnable.	\$74.00	
41751	1974	<b>BATTERY CABLE, SIDE POST</b> Pos, V/8, Chevelle	\$74.00	
41752	1974	<b>BATTERY CABLE, SIDE POST</b> Pos, V/8, Monte Carlo	\$74.00	
41789	1975	<b>BATTERY CABLE, SIDE POST</b> Pos, 6 Cylinder, Chevelle Note: 6 Cylinder Items Are Not Returnable.	\$74.00	
41790	1975	<b>BATTERY CABLE, SIDE POST</b> Pos, V/8, Chevelle	\$74.00	
41410	1975	<b>BATTERY CABLE, SIDE POST</b> Pos, V/8, Monte Carlo	\$74.00	
41789	1976	<b>BATTERY CABLE, SIDE POST</b> Pos, 6 Cylinder, Chevelle Note: 6 Cylinder Items Are Not Returnable.	\$74.00	
41790	1976	<b>BATTERY CABLE, SIDE POST</b> Pos, V/8, Chevelle	\$74.00	
41410	1976	<b>BATTERY CABLE, SIDE POST</b> Pos, V/8, Monte Carlo	\$74.00	
41789	1977	<b>BATTERY CABLE, SIDE POST</b> Pos, 6 Cylinder, Chevelle Note: 6 Cylinder Items Are Not Returnable.	\$74.00	
41790	1977	<b>BATTERY CABLE, SIDE POST</b> Pos, V/8, Chevelle	\$74.00	
41410	1977	<b>BATTERY CABLE, SIDE POST</b> Pos, V/8, Monte Carlo	\$74.00	
41823	1978	<b>BATTERY CABLE, SIDE POST</b> Pos, V/6, 200 C.I. & All V/8	\$87.00	
41920	1978	<b>BATTERY CABLE, SIDE POST</b> Pos, V/6, 231 C.I.	\$87.00	
41823	1979	<b>BATTERY CABLE, SIDE POST</b> Pos, V/6, 200 C.I. & All V/8	\$87.00	
41920	1979	<b>BATTERY CABLE, SIDE POST</b> Pos, V/6, 231 C.I.	\$87.00	
41823	1980	<b>BATTERY CABLE, SIDE POST</b> Pos, V/6, 200 C.I. & All V/8	\$87.00	
41934	1980	<b>BATTERY CABLE, SIDE POST</b> Pos, V/6, 231 C.I.	\$87.00	
41823	1981	<b>BATTERY CABLE, SIDE POST</b> Pos, V/6, 200 C.I. & All V/8	\$87.00	
41934	1981	<b>BATTERY CABLE, SIDE POST</b> Pos, V/6, 231 C.I.	\$87.00	
41823	1982	<b>BATTERY CABLE, SIDE POST</b> Pos, V/6, 229 C.I. & All V/8	\$87.00	
41934	1982	<b>BATTERY CABLE, SIDE POST</b> Pos, V/6, 231 C.I.	\$87.00	
41971	1982	<b>BATTERY CABLE, SIDE POST</b> Pos, Diesel, Without Heavy Duty Battery, Driver Side Battery + Post To Passenger Side Battery + Post Note: This Is A 2 Gauge Cable.	\$87.00	
41927	1982	<b>BATTERY CABLE, SIDE POST</b> Pos, Diesel, With Heavy Duty Battery, Driver Side Battery + Post To Passenger Side Battery + Post Note: This Is A 0 Gauge Cable.	\$87.00	
41925	1982	<b>BATTERY CABLE, SIDE POST</b> Pos, Diesel, Battery To Starter	\$87.00	
<b>BREAKERLESS SE SINGLE WIRE ELECTRONIC IGNITION</b>				
38131	1964	<b>BREAKERLESS SE SINGLE WIRE ELECTRONIC IGNITION KIT</b> For 1957-74 Breaker Point Distributors With Windowed Type Distributor Cap	\$179.00	
38131	1965	<b>BREAKERLESS SE SINGLE WIRE ELECTRONIC IGNITION KIT</b> For 1957-74 Breaker Point Distributors With Windowed Type Distributor Cap	\$179.00	
38131	1966	<b>BREAKERLESS SE SINGLE WIRE ELECTRONIC IGNITION KIT</b> For 1957-74 Breaker Point Distributors With Windowed Type Distributor Cap	\$179.00	
38131	1967	<b>BREAKERLESS SE SINGLE WIRE ELECTRONIC IGNITION KIT</b> For 1957-74 Breaker Point Distributors With Windowed Type Distributor Cap	\$179.00	
38131	1968	<b>BREAKERLESS SE SINGLE WIRE ELECTRONIC IGNITION KIT</b> For 1957-74 Breaker Point Distributors With Windowed Type Distributor Cap	\$179.00	
38131	1969	<b>BREAKERLESS SE SINGLE WIRE ELECTRONIC IGNITION KIT</b> For 1957-74 Breaker Point Distributors With Windowed Type Distributor Cap	\$179.00	
38131	1970	<b>BREAKERLESS SE SINGLE WIRE ELECTRONIC IGNITION KIT</b> For 1957-74 Breaker Point Distributors With Windowed Type Distributor Cap	\$179.00	

Part Number	Year	Description	Price	*Rev.
38131	1971	<b>BREAKERLESS SE SINGLE WIRE ELECTRONIC IGNITION KIT</b> For 1957-74 Breaker Point Distributors With Windowed Type Distributor Cap	\$179.00	
38131	1972	<b>BREAKERLESS SE SINGLE WIRE ELECTRONIC IGNITION KIT</b> For 1957-74 Breaker Point Distributors With Windowed Type Distributor Cap	\$179.00	
38131	1973	<b>BREAKERLESS SE SINGLE WIRE ELECTRONIC IGNITION KIT</b> For 1957-74 Breaker Point Distributors With Windowed Type Distributor Cap	\$179.00	
38131	1974	<b>BREAKERLESS SE SINGLE WIRE ELECTRONIC IGNITION KIT</b> For 1957-74 Breaker Point Distributors With Windowed Type Distributor Cap	\$179.00	
<b>CIRCUIT BREAKER</b>				
04850166	1964	<b>CIRCUIT BREAKER, 30 AMP</b> Power Seat, Windows, Tailgate Window & Top	\$14.00	
04850166	1965	<b>CIRCUIT BREAKER, 30 AMP</b> Power Seat, Windows, Tailgate Window & Top	\$14.00	
04850166	1966	<b>CIRCUIT BREAKER, 30 AMP</b> Power Seat, Windows, Tailgate Window & Top	\$14.00	
04850166	1967	<b>CIRCUIT BREAKER, 30 AMP</b> Power Seat, Windows, Tailgate Window & Top	\$14.00	
04850166	1968	<b>CIRCUIT BREAKER, 30 AMP</b> Power Seat, Windows, Tailgate Window & Top	\$14.00	
04850166	1969	<b>CIRCUIT BREAKER, 30 AMP</b> Power Seat, Windows, Tailgate Window & Top	\$14.00	
04850166	1970	<b>CIRCUIT BREAKER, 30 AMP</b> Power Seat, Windows, Tailgate Window & Top	\$14.00	
04850166	1971	<b>CIRCUIT BREAKER, 30 AMP</b> Power Seat, Windows, Tailgate Window & Top	\$14.00	
<b>CLASSIC AUTO FUSE SERIES-FUSE AND FLASHER KIT</b>				
39464	1968	<b>CLASSIC AUTO FUSE SERIES-FUSE AND FLASHER KIT</b> Contains Two Flashers And A Complete Set Of ATO Fuses With One Spare Of Each Amperage Note: Used Only With Classic Auto Fuse Series Updated Dash Harnesses, See Dash Harnesses For Applications.	\$27.00	
39466	1969	<b>CLASSIC AUTO FUSE SERIES-FUSE AND FLASHER KIT</b> Contains Two Flashers And A Complete Set Of ATO Fuses With One Spare Of Each Amperage Note: Used Only With Classic Auto Fuse Series Updated Dash Harnesses, See Dash Harnesses For Applications.	\$27.00	
39463	1970	<b>CLASSIC AUTO FUSE SERIES-FUSE AND FLASHER KIT</b> Contains Two Flashers And A Complete Set Of ATO Fuses With One Spare Of Each Amperage Note: Used Only With Classic Auto Fuse Series Updated Dash Harnesses.	\$27.00	
39466	1971	<b>CLASSIC AUTO FUSE SERIES-FUSE AND FLASHER KIT</b> Contains Two Flashers And A Complete Set Of ATO Fuses With One Spare Of Each Amperage Note: Used Only With Classic Auto Fuse Series Updated Dash Harnesses, See Dash Harnesses For Applications.	\$27.00	
39465	1972	<b>CLASSIC AUTO FUSE SERIES-FUSE AND FLASHER KIT</b> Contains Two Flashers And A Complete Set Of ATO Fuses With One Spare Of Each Amperage Note: Used Only With Classic Auto Fuse Series Updated Dash Harnesses.	\$28.00	
<b>CLASSIC AUTO FUSE SERIES-OPTIONAL KIT</b>				
39383	1968	<b>CLASSIC AUTO FUSE SERIES-OPTIONAL KIT</b> Spare Fuse Power Wiring Extension Harness Note: Used To Add The Functionality Of The Three Extra Spare Fuses.	\$70.00	
39383	1969	<b>CLASSIC AUTO FUSE SERIES-OPTIONAL KIT</b> Spare Fuse Power Wiring Extension Harness Note: Used To Add The Functionality Of The Three Extra Spare Fuses.	\$70.00	
39383	1970	<b>CLASSIC AUTO FUSE SERIES-OPTIONAL KIT</b> Spare Fuse Power Wiring Extension Harness Note: Used To Add The Functionality Of The Three Extra Spare Fuses.	\$70.00	
39383	1971	<b>CLASSIC AUTO FUSE SERIES-OPTIONAL KIT</b> Spare Fuse Power Wiring Extension Harness Note: Used To Add The Functionality Of The Three Extra Spare Fuses.	\$70.00	
39383	1972	<b>CLASSIC AUTO FUSE SERIES-OPTIONAL KIT</b> Spare Fuse Power Wiring Extension Harness Note: Used To Add The Functionality Of The Three Extra Spare Fuses.	\$70.00	
39384	1968	<b>CLASSIC AUTO FUSE SERIES-OPTIONAL KIT</b> Accessory Connector And Terminal Kit Note: Connectors And Terminals To Use In The Classic Auto Fuse Series Fuse Block Accessory Ports.	\$24.00	
39384	1969	<b>CLASSIC AUTO FUSE SERIES-OPTIONAL KIT</b> Accessory Connector And Terminal Kit Note: Connectors And Terminals To Use In The Classic Auto Fuse Series Fuse Block Accessory Ports.	\$24.00	
39384	1970	<b>CLASSIC AUTO FUSE SERIES-OPTIONAL KIT</b> Accessory Connector And Terminal Kit Note: Connectors And Terminals To Use In The Classic Auto Fuse Series Fuse Block Accessory Ports.	\$24.00	

Part Number	Year	Description	Price	*Rev.
39384	1971	<b>CLASSIC AUTO FUSE SERIES-OPTIONAL KIT</b> Accessory Connector And Terminal Kit Note: Connectors And Terminals To Use In The Classic Auto Fuse Series Fuse Block Accessory Ports.	\$24.00	
39384	1972	<b>CLASSIC AUTO FUSE SERIES-OPTIONAL KIT</b> Accessory Connector And Terminal Kit Note: Connectors And Terminals To Use In The Classic Auto Fuse Series Fuse Block Accessory Ports.	\$24.00	
39385	1968	<b>CLASSIC AUTO FUSE SERIES-OPTIONAL KIT</b> Glass Fuse Series Accessory Adapter Kit Note: Adapter To Convert Original Glass Fusebox Style Accessory Connectors For Use With The Updated Classic Auto Fuse Series Fuseblock.	\$63.00	
39385	1969	<b>CLASSIC AUTO FUSE SERIES-OPTIONAL KIT</b> Glass Fuse Series Accessory Adapter Kit Note: Adapter To Convert Original Glass Fusebox Style Accessory Connectors For Use With The Updated Classic Auto Fuse Series Fuseblock.	\$63.00	
39385	1970	<b>CLASSIC AUTO FUSE SERIES-OPTIONAL KIT</b> Glass Fuse Series Accessory Adapter Kit Note: Adapter To Convert Original Glass Fusebox Style Accessory Connectors For Use With The Updated Classic Auto Fuse Series Fuseblock.	\$63.00	
39385	1971	<b>CLASSIC AUTO FUSE SERIES-OPTIONAL KIT</b> Glass Fuse Series Accessory Adapter Kit Note: Adapter To Convert Original Glass Fusebox Style Accessory Connectors For Use With The Updated Classic Auto Fuse Series Fuseblock.	\$63.00	
39385	1972	<b>CLASSIC AUTO FUSE SERIES-OPTIONAL KIT</b> Glass Fuse Series Accessory Adapter Kit Note: Adapter To Convert Original Glass Fusebox Style Accessory Connectors For Use With The Updated Classic Auto Fuse Series Fuseblock.	\$63.00	
<b>CLOCK AND DIGITAL FUEL CONSUMPTION METER HARNESS</b>				
41793	1975	<b>CLOCK AND DIGITAL FUEL CONSUMPTION METER HARNESS</b> From Fuse Block To Clock & Digital Fuel Consumption Meter	\$67.00	
<b>CLOCK HARNESS</b>				
18275	1964	<b>CLOCK HARNESS</b> Top Of Dash Mounted Clock	\$29.00	
18275	1965	<b>CLOCK HARNESS</b> Top Of Dash Mounted Clock	\$29.00	
41680	1966	<b>CLOCK HARNESS</b> Used With Accessory Type In Dash Clock	\$29.00	
18275	1966	<b>CLOCK HARNESS</b> Top Of Dash Mounted Clock	\$29.00	
41684	1967	<b>CLOCK HARNESS</b> Floor Mounted Clock	\$42.00	
01365	1968	<b>CLOCK HARNESS</b> Dash Mounted Clock	\$26.00	
41692	1968	<b>CLOCK HARNESS</b> Right Hand Drive ( Export Only), Dash Mounted Clock	\$29.00	
01365	1969	<b>CLOCK HARNESS</b> Dash Mounted Clock	\$26.00	
41692	1969	<b>CLOCK HARNESS</b> Right Hand Drive ( Export Only), Dash Mounted Clock	\$29.00	
18600	1970	<b>CLOCK HARNESS</b> Dash Mounted Clock, With Sweep Speedometer	\$27.00	
18600	1971	<b>CLOCK HARNESS</b> Dash Mounted Clock, With Sweep Speedometer	\$27.00	
18600	1972	<b>CLOCK HARNESS</b> Dash Mounted Clock, With Sweep Speedometer	\$27.00	
41877	1979	<b>CLOCK HARNESS</b> Radio, Digital Clock, From Fuse Block To Radio	\$33.00	
41877	1980	<b>CLOCK HARNESS</b> Radio, Digital Clock, From Fuse Block To Radio	\$33.00	
<b>COMPUTER CARB CONTROL PWR FEED AND LAMP HARNESS</b>				
41880	1979	<b>COMPUTER CARB CONTROL POWER FEED AND LAMP HARNESS</b> From Ignition Cavity On Fuse Block To Ecm Harness	\$41.00	
<b>COMPUTER ECM FEED HARNESS</b>				
41908	1980	<b>COMPUTER ECM FEED HARNESS</b> V/6, 231 C.I., With Warning Lights, From Fuse Block To Ecm Harness	\$65.00	
41909	1980	<b>COMPUTER ECM FEED HARNESS</b> V/6, 231 C.I., With Gauges, From Fuse Block To Ecm Harness	\$65.00	
41910	1980	<b>COMPUTER ECM FEED HARNESS</b> V/6, 231 C.I., With Turbo, From Fuse Block To Ecm Harness	\$65.00	
41900	1980	<b>COMPUTER ECM FEED HARNESS</b> V/8, With Warning Lights, From Fuse Block To Ecm Harness	\$65.00	
41899	1980	<b>COMPUTER ECM FEED HARNESS</b> V/8, With Gauges, From Fuse Block To Ecm Harness	\$65.00	
<b>COMPUTER ECM HARNESS</b>				
41933	1979	<b>COMPUTER ECM HARNESS</b> Dash Side	\$175.00	



Part Number	Year	Description	Price	*Rev.
41932	1979	<b>COMPUTER ECM HARNESS</b> Engine Side Note: Customer Must Supply Us With Their Original Harness.	\$367.00	
41931	1980	<b>COMPUTER ECM HARNESS</b> V/6, 231 C.I., Except Turbo Note: Customer Must Supply Us With Their Original Harness.	\$386.00	
41935	1980	<b>COMPUTER ECM HARNESS</b> V/6, 231 C.I., With Turbo Note: Customer Must Supply Us With Their Original Harness.	\$386.00	
41946	1980	<b>COMPUTER ECM HARNESS</b> V/8 Note: Customer Must Supply Us With Their Original Harness.	\$386.00	
41955	1981	<b>COMPUTER ECM HARNESS</b> V/6, 229 C.I., Auto Trans Note: Customer Must Supply Us With Their Original Harness.	\$400.00	
41954	1981	<b>COMPUTER ECM HARNESS</b> V/6, 229 C.I., Manual Trans Note: Customer Must Supply Us With Their Original Harness.	\$400.00	
41983	1981	<b>COMPUTER ECM HARNESS</b> V/6, 231 C.I., Without Turbo Note: Customer Must Supply Us With Their Original Harness.	\$400.00	
41976	1981	<b>COMPUTER ECM HARNESS</b> V/6, 231 C.I., With Turbo Note: Customer Must Supply Us With Their Original Harness.	\$400.00	
41953	1981	<b>COMPUTER ECM HARNESS</b> V/8, 267 C.I. & 305 C.I. Engines Note: Customer Must Supply Us With Their Original Harness.	\$400.00	
41956	1981	<b>COMPUTER ECM HARNESS</b> V/8, 350 C.I. Note: Customer Must Supply Us With Their Original Harness.	\$400.00	
41964	1982	<b>COMPUTER ECM HARNESS</b> V/6, 229 C.I. Note: Customer Must Supply Us With Their Original Harness.	\$400.00	
41978	1982	<b>COMPUTER ECM HARNESS</b> V/6, 231 C.I. Note: Customer Must Supply Us With Their Original Harness.	\$400.00	
41965	1982	<b>COMPUTER ECM HARNESS</b> V/8, 267 C.I. Note: Customer Must Supply Us With Their Original Harness.	\$400.00	
41989	1982	<b>COMPUTER ECM HARNESS</b> V/8, 305 C.I. Note: Customer Must Supply Us With Their Original Harness.	\$400.00	
41967	1982	<b>COMPUTER ECM HARNESS</b> V/8, 350 C.I. Note: Customer Must Supply Us With Their Original Harness.	\$400.00	
<b>COMPUTER EGR RELAY HARNESS</b>				
41984	1981	<b>COMPUTER EGR RELAY HARNESS</b> V/6, 231 C.I., From Egr Cut-Out Relay To Ecm Harness	\$65.00	
<b>COMPUTER ELECTRONIC SPARK CONTROL HARNESS</b>				
41914	1980	<b>COMPUTER ELECTRONIC SPARK CONTROL HARNESS</b> V/6, 231 C.I. Turbo, Without Closed Loop Emission System, From Esc Module To Ecm Harness Note: Customer Must Supply Us With Their Original Harness.	\$63.00	
41913	1980	<b>COMPUTER ELECTRONIC SPARK CONTROL HARNESS</b> V/6, 231 C.I. Turbo, With Closed Loop Emission System, From Esc Module To Ecm Harness Note: Customer Must Supply Us With Their Original Harness.	\$63.00	
41381	1980	<b>COMPUTER ELECTRONIC SPARK CONTROL POWER JUMPER HARNESS</b> V/6, 231 C.I. Turbo, Without Closed Loop Emission System, From Engine Harness To Esc Harness	\$63.00	
41977	1981	<b>COMPUTER ELECTRONIC SPARK CONTROL HARNESS</b> V/6, 231 C.I., With Turbo From Instrument Panel Jumper To Esc Controller	\$63.00	
<b>CONSOLE EXTENSION HARNESS</b>				
09665	1966	<b>CONSOLE EXTENSION HARNESS</b> Auto Trans	\$45.00	
09670	1966	<b>CONSOLE EXTENSION HARNESS</b> All, Clock And Courtesy Light, From Dash To Console Harness	\$32.00	
10590	1967	<b>CONSOLE EXTENSION HARNESS</b> Auto Trans, From Dash To Neutral Safety & Back Up Switch On Shifter	\$45.00	
11475	1967	<b>CONSOLE EXTENSION HARNESS</b> All, Clock And Courtesy Light, From Dash To Console Harness	\$32.00	

Part Number	Year	Description	Price	*Rev.
11930	1968	CONSOLE EXTENSION HARNESS Auto Trans	\$59.00	
11920	1968	CONSOLE EXTENSION HARNESS Manual Trans	\$26.00	
28190	1969	CONSOLE EXTENSION HARNESS Auto Trans	\$59.00	
11920	1969	CONSOLE EXTENSION HARNESS Manual Trans	\$26.00	
28190	1970	CONSOLE EXTENSION HARNESS Auto Trans	\$59.00	
11920	1970	CONSOLE EXTENSION HARNESS Manual Trans	\$26.00	
28190	1971	CONSOLE EXTENSION HARNESS Auto Trans	\$59.00	
11920	1971	CONSOLE EXTENSION HARNESS Manual Trans	\$26.00	
28190	1972	CONSOLE EXTENSION HARNESS Auto Trans	\$59.00	
11920	1972	CONSOLE EXTENSION HARNESS Manual Trans	\$26.00	
41748	1973	CONSOLE EXTENSION HARNESS Auto Trans, From Fuse Block To Console Shift Indicator Plate Lamp Harness	\$32.00	

### CONSOLE HARNESS

04985	1964	CONSOLE HARNESS Auto Trans	\$84.00	
04990	1964	CONSOLE HARNESS Manual Trans	\$32.00	
05910	1965	CONSOLE HARNESS Auto Trans	\$84.00	
04990	1965	CONSOLE HARNESS Manual Trans	\$32.00	
09680	1966	CONSOLE HARNESS Auto Trans	\$71.00	
09675	1966	CONSOLE HARNESS Manual Trans	\$71.00	
11485	1967	CONSOLE HARNESS Auto Trans, Clock & Courtesy Light	\$71.00	
11480	1967	CONSOLE HARNESS Manual Trans, Clock & Courtesy Light	\$64.00	
11925	1968	CONSOLE HARNESS Auto Trans	\$64.00	
11915	1968	CONSOLE HARNESS Manual Trans	\$39.00	
11925	1969	CONSOLE HARNESS Auto Trans	\$64.00	
11915	1969	CONSOLE HARNESS Manual Trans	\$39.00	
11925	1970	CONSOLE HARNESS Auto Trans	\$64.00	
11915	1970	CONSOLE HARNESS Manual Trans	\$39.00	
11925	1971	CONSOLE HARNESS Auto Trans	\$64.00	
11915	1971	CONSOLE HARNESS Manual Trans	\$39.00	
11925	1972	CONSOLE HARNESS Auto Trans	\$64.00	
11915	1972	CONSOLE HARNESS Manual Trans	\$39.00	
41749	1973	CONSOLE SHIFT INDICATOR LAMP HARNESS Auto Trans, From Shift Indicator Plate To Console Extension Harness	\$35.00	

### CORNERING LAMP EXTENSION HARNESS

41947	1981	CORNERING LAMP INNER EXTENSION HARNESS Monte Carlo, From Turn Signal Switch To Outer Extension Harness	\$32.00	
41881	1981	CORNERING LAMP OUTER EXTENSION HARNESS Monte Carlo, From Forward Lamp Harness To Inner Extension Harness	\$32.00	
41947	1982	CORNERING LAMP INNER EXTENSION HARNESS Monte Carlo, From Turn Signal Switch To Outer Extension Harness	\$32.00	
41881	1982	CORNERING LAMP OUTER EXTENSION HARNESS Monte Carlo, From Forward Lamp Harness To Inner Extension Harness	\$32.00	

### COURTESY LAMP HARNESS

07130	1964	COURTESY LAMP HARNESS El Camino, Center Roof Mounted Dome Lamp Note: Customer Must Reuse Their Original Plastic Connector.	\$35.00	
06880	1964	COURTESY LAMP HARNESS Center Roof Mounted Dome Lamp, Sedan	\$34.00	
06885	1964	COURTESY LAMP HARNESS Center Roof Mounted Dome Lamp, Sport Coupe	\$33.00	

Part Number	Year	Description	Price	*Rev.
07100	1964	<b>COURTESY LAMP HARNESS</b> Wagon, Center Roof Mounted Dome Lamp Note: Customer Must Reuse Their Original Plastic Connector.	\$35.00	
28450	1964	<b>COURTESY LAMP HARNESS</b> Under Dash	\$53.00	
07055	1964	<b>COURTESY LAMP HARNESS</b> 4 Door, From Rear Door Jamb Switches To Roof Mounted Dome Lamp Harness	\$48.00	
07840	1965	<b>COURTESY LAMP HARNESS</b> El Camino, Center Roof Mounted Dome Lamp Note: Customer Must Reuse Their Original Plastic Connector.	\$32.00	
07575	1965	<b>COURTESY LAMP HARNESS</b> Center Roof Mounted Dome Lamp, Sedan	\$40.00	
07580	1965	<b>COURTESY LAMP HARNESS</b> Center Roof Mounted Dome Lamp, Sport Coupe	\$33.00	
07835	1965	<b>COURTESY LAMP HARNESS</b> Wagon, Center Roof Mounted Dome Lamp Note: Customer Must Reuse Their Original Plastic Connector.	\$40.00	
39621	1965	<b>COURTESY LAMP HARNESS</b> Under Dash, Except Convertible	\$52.00	
28450	1965	<b>COURTESY LAMP HARNESS</b> Under Dash, Convertible	\$53.00	
07650	1965	<b>COURTESY LAMP HARNESS</b> 4 Door, From Rear Door Jamb Switches To Roof Mounted Dome Lamp Harness	\$48.00	
07840	1966	<b>COURTESY LAMP HARNESS</b> El Camino, Center Roof Mounted Dome Lamp Note: Customer Must Reuse Their Original Plastic Connector.	\$32.00	
17590	1966	<b>COURTESY LAMP HARNESS</b> Center Roof Mounted Dome Lamp, Sedan	\$33.00	
17600	1966	<b>COURTESY LAMP HARNESS</b> Center Roof Mounted Dome Lamp, Sport Coupe	\$27.00	
07835	1966	<b>COURTESY LAMP HARNESS</b> Wagon, Center Roof Mounted Dome Lamp Note: Customer Must Reuse Their Original Plastic Connector.	\$40.00	
28490	1966	<b>COURTESY LAMP HARNESS</b> Under Dash	\$46.00	
07650	1966	<b>COURTESY LAMP HARNESS</b> 4 Door, From Rear Door Jamb Switches To Roof Mounted Dome Lamp Harness	\$48.00	
07840	1967	<b>COURTESY LAMP HARNESS</b> El Camino, Center Roof Mounted Dome Lamp Note: Customer Must Reuse Their Original Plastic Connector.	\$32.00	
17590	1967	<b>COURTESY LAMP HARNESS</b> Center Roof Mounted Dome Lamp, Sedan	\$33.00	
17600	1967	<b>COURTESY LAMP HARNESS</b> Center Roof Mounted Dome Lamp, Sport Coupe	\$27.00	
07835	1967	<b>COURTESY LAMP HARNESS</b> Wagon, Center Roof Mounted Dome Lamp Note: Customer Must Reuse Their Original Plastic Connector.	\$40.00	
28490	1967	<b>COURTESY LAMP HARNESS</b> Under Dash	\$46.00	
07650	1967	<b>COURTESY LAMP HARNESS</b> 4 Door, From Rear Door Jamb Switches To Roof Mounted Dome Lamp Harness	\$48.00	
41700	1968	<b>COURTESY LAMP HARNESS</b> El Camino, Center Roof Mounted Dome Lamp	\$33.00	
40526	1968	<b>COURTESY LAMP HARNESS</b> Center Roof Mounted Dome Lamp, 4 Door Sedan	\$46.00	
40523	1968	<b>COURTESY LAMP HARNESS</b> 4 Door Sedan & Hardtop, From Rear Door Jamb Switches To Dome Lamp Harness	\$46.00	
41705	1968	<b>COURTESY LAMP HARNESS</b> Wagon, From Rear Door Jamb Switches To Dome Lamp Harness	\$46.00	
30205	1968	<b>COURTESY LAMP HARNESS</b> Center Roof Mounted Dome Lamp, Except Sedan	\$30.00	
28530	1968	<b>COURTESY LAMP HARNESS</b> Under Dash	\$49.00	
41700	1969	<b>COURTESY LAMP HARNESS</b> El Camino, Center Roof Mounted Dome Lamp	\$33.00	
40523	1969	<b>COURTESY LAMP HARNESS</b> 4 Door Sedan & Hardtop, From Rear Door Jamb Switches To Dome Lamp Harness	\$46.00	
30205	1969	<b>COURTESY LAMP HARNESS</b> Center Roof Mounted Dome Lamp, Except Sedan	\$30.00	
28950	1969	<b>COURTESY LAMP HARNESS</b> Under Dash	\$49.00	
41700	1970	<b>COURTESY LAMP HARNESS</b> El Camino, Center Roof Mounted Dome Lamp	\$33.00	
40523	1970	<b>COURTESY LAMP HARNESS</b> 4 Door Sedan, From Rear Door Jamb Switches To Dome Lamp Harness	\$46.00	
30205	1970	<b>COURTESY LAMP HARNESS</b> Center Roof Mounted Dome Lamp, Except Sedan	\$30.00	
28950	1970	<b>COURTESY LAMP HARNESS</b> Under Dash	\$49.00	

Part Number	Year	Description	Price	*Rev.
41700	1971	<b>COURTESY LAMP HARNESS</b> El Camino, Center Roof Mounted Dome Lamp	\$33.00	
41723	1971	<b>COURTESY LAMP HARNESS</b> 4 Door Sedan, From Rear Door Jamb Switches To Dome Lamp Harness	\$46.00	
30205	1971	<b>COURTESY LAMP HARNESS</b> Center Roof Mounted Dome Lamp, Except Sedan	\$30.00	
15295	1971	<b>COURTESY LAMP HARNESS</b> Under Dash	\$53.00	
41700	1972	<b>COURTESY LAMP HARNESS</b> El Camino, Center Roof Mounted Dome Lamp	\$33.00	
41723	1972	<b>COURTESY LAMP HARNESS</b> 4 Door Sedan, From Rear Door Jamb Switches To Dome Lamp Harness	\$46.00	
30205	1972	<b>COURTESY LAMP HARNESS</b> Center Roof Mounted Dome Lamp, Except Sedan	\$30.00	
15295	1972	<b>COURTESY LAMP HARNESS</b> Under Dash	\$53.00	
40765	1973	<b>COURTESY LAMP HARNESS</b> Wagon, Center Roof Mounted Dome Lamp	\$48.00	
40766	1973	<b>COURTESY LAMP HARNESS</b> All, Except Wagon & El Camino, Center Roof Mounted Dome Lamp	\$35.00	
41845	1973	<b>COURTESY LAMP HARNESS</b> El Camino, Center Roof Mounted Dome Lamp	\$35.00	
40698	1973	<b>COURTESY LAMP HARNESS</b> Wagon, Rear Header Courtesy Lamp	\$33.00	
40733	1974	<b>COURTESY LAMP HARNESS</b> Wagon, Center Roof Mounted Dome Lamp	\$46.00	
40766	1974	<b>COURTESY LAMP HARNESS</b> All, Except Wagon & El Camino, Center Roof Mounted Dome Lamp	\$35.00	
41845	1974	<b>COURTESY LAMP HARNESS</b> El Camino, Center Roof Mounted Dome Lamp	\$35.00	
40698	1974	<b>COURTESY LAMP HARNESS</b> Wagon, Rear Header Courtesy Lamp	\$33.00	
40733	1975	<b>COURTESY LAMP HARNESS</b> Wagon, Center Roof Mounted Dome Lamp	\$46.00	
40766	1975	<b>COURTESY LAMP HARNESS</b> All, Except Wagon & El Camino, Center Roof Mounted Dome Lamp	\$35.00	
41845	1975	<b>COURTESY LAMP HARNESS</b> El Camino, Center Roof Mounted Dome Lamp	\$35.00	
40415	1975	<b>COURTESY LAMP HARNESS</b> All, Wagon, Rear Header Courtesy Lamp	\$33.00	
41663	1976	<b>COURTESY LAMP HARNESS</b> El Camino, Roof Mounted Dome Lamp	\$35.00	
40733	1976	<b>COURTESY LAMP HARNESS</b> Wagon, Center Roof Mounted Dome Lamp	\$46.00	
40766	1976	<b>COURTESY LAMP HARNESS</b> All, Except Wagon & El Camino, Center Roof Mounted Dome Lamp	\$35.00	
40415	1976	<b>COURTESY LAMP HARNESS</b> All, Wagon, Rear Header Courtesy Lamp	\$33.00	
41663	1977	<b>COURTESY LAMP HARNESS</b> El Camino, Roof Mounted Dome Lamp	\$35.00	
40733	1977	<b>COURTESY LAMP HARNESS</b> Wagon, Center Roof Mounted Dome Lamp	\$46.00	
40766	1977	<b>COURTESY LAMP HARNESS</b> All, Except Wagon & El Camino, Center Roof Mounted Dome Lamp	\$35.00	
40415	1977	<b>COURTESY LAMP HARNESS</b> All, Wagon, Rear Header Courtesy Lamp	\$33.00	
41997	1978	<b>COURTESY LAMP HARNESS</b> All, Except Coupe, With Roof Mounted Dome Lamp, Without Reading Lamp	\$46.00	
41999	1978	<b>COURTESY LAMP HARNESS</b> All, Coupe, With Roof Mounted Dome Lamp, Without Reading Lamp	\$46.00	
42001	1978	<b>COURTESY LAMP HARNESS</b> Wagon, Rear Header Courtesy Lamp, Without Reading Lamp	\$46.00	
42029	1978	<b>COURTESY LAMP HARNESS</b> Wagon, Rear Header Courtesy Lamp, With Reading Lamp	\$46.00	
41998	1978	<b>COURTESY LAMP HARNESS</b> All, Except Coupe, With Roof Mounted Dome Lamp & Reading Lamp	\$46.00	
42000	1978	<b>COURTESY LAMP HARNESS</b> All, Coupe, With Roof Mounted Dome Lamp & Reading Lamp	\$46.00	
42034	1978	<b>COURTESY LAMP HARNESS</b> Coupe With Removable Roof & Sail Panel Mounted Dome Lamps	\$46.00	
40413	1978	<b>COURTESY LAMP JUMPER HARNESS</b> All, Connects Dome Lamp To Reading Lamp Sockets	\$26.00	
41997	1979	<b>COURTESY LAMP HARNESS</b> All, Except Coupe, With Roof Mounted Dome Lamp, Without Reading Lamp	\$46.00	
41999	1979	<b>COURTESY LAMP HARNESS</b> All, Coupe, With Roof Mounted Dome Lamp, Without Reading Lamp	\$46.00	
42001	1979	<b>COURTESY LAMP HARNESS</b> Wagon, Rear Header Courtesy Lamp, Without Reading Lamp	\$46.00	

Part Number	Year	Description	Price	*Rev.
42029	1979	<b>COURTESY LAMP HARNESS</b> Wagon, Rear Header Courtesy Lamp, With Reading Lamp	\$46.00	
41998	1979	<b>COURTESY LAMP HARNESS</b> All, Except Coupe, With Roof Mounted Dome Lamp & Reading Lamp	\$46.00	
42000	1979	<b>COURTESY LAMP HARNESS</b> All, Coupe, With Roof Mounted Dome Lamp & Reading Lamp	\$46.00	
42034	1979	<b>COURTESY LAMP HARNESS</b> Coupe With Removable Roof & Sail Panel Mounted Dome Lamps	\$46.00	
40413	1979	<b>COURTESY LAMP JUMPER HARNESS</b> All, Connects Dome Lamp To Reading Lamp Sockets	\$26.00	
42018	1980	<b>COURTESY LAMP DOOR JAMB SWITCH WIRE</b> 4 Door, Connects Rear Door Jamb Switch To Front Door Jamb Switch ( 2 Required Per Car)	\$26.00	
41997	1980	<b>COURTESY LAMP HARNESS</b> All, Except Coupe, With Roof Mounted Dome Lamp, Without Reading Lamp	\$46.00	
41999	1980	<b>COURTESY LAMP HARNESS</b> All, Coupe, With Roof Mounted Dome Lamp, Without Reading Lamp	\$46.00	
42001	1980	<b>COURTESY LAMP HARNESS</b> Wagon, Rear Header Courtesy Lamp, Without Reading Lamp	\$46.00	
41998	1980	<b>COURTESY LAMP HARNESS</b> All, Except Coupe, With Roof Mounted Dome Lamp & Reading Lamp	\$46.00	
42034	1980	<b>COURTESY LAMP HARNESS</b> Coupe With Removable Roof & Sail Panel Mounted Dome Lamps	\$46.00	
40413	1980	<b>COURTESY LAMP JUMPER HARNESS</b> All, Connects Dome Lamp To Reading Lamp Sockets	\$26.00	
42018	1981	<b>COURTESY LAMP DOOR JAMB SWITCH WIRE</b> 4 Door, Connects Rear Door Jamb Switch To Front Door Jamb Switch ( 2 Required Per Car)	\$26.00	
41997	1981	<b>COURTESY LAMP HARNESS</b> All, With Roof Mounted Dome Lamp, Without Reading Lamp	\$46.00	
42001	1981	<b>COURTESY LAMP HARNESS</b> Wagon, Rear Header Courtesy Lamp	\$46.00	
41998	1981	<b>COURTESY LAMP HARNESS</b> All, Except Coupe, With Roof Mounted Dome Lamp & Reading Lamp	\$46.00	
42034	1981	<b>COURTESY LAMP HARNESS</b> Coupe With Removable Roof & Sail Panel Mounted Dome Lamps	\$46.00	
40413	1981	<b>COURTESY LAMP JUMPER HARNESS</b> All, Connects Dome Lamp To Reading Lamp Sockets	\$26.00	
42018	1982	<b>COURTESY LAMP DOOR JAMB SWITCH WIRE</b> 4 Door, Connects Rear Door Jamb Switch To Front Door Jamb Switch ( 2 Required Per Car)	\$26.00	
41997	1982	<b>COURTESY LAMP HARNESS</b> All, With Roof Mounted Dome Lamp, Without Reading Lamp	\$46.00	
42001	1982	<b>COURTESY LAMP HARNESS</b> Wagon, Rear Header Courtesy Lamp	\$46.00	
41998	1982	<b>COURTESY LAMP HARNESS</b> All, Except Coupe, With Roof Mounted Dome Lamp & Reading Lamp	\$46.00	
42034	1982	<b>COURTESY LAMP HARNESS</b> Coupe With Removable Roof & Sail Panel Mounted Dome Lamps	\$46.00	
40413	1982	<b>COURTESY LAMP JUMPER HARNESS</b> All, Connects Dome Lamp To Reading Lamp Sockets	\$26.00	
<b>COURTESY LAMP MOUNTING BRACKET-UNDER DASH</b>				
04876930	1964	<b>COURTESY LAMP MOUNTING BRACKET, UNDER DASH</b> Left Or Right Side, 2 Required Per Car	\$11.00	
04876930	1965	<b>COURTESY LAMP MOUNTING BRACKET, UNDER DASH</b> Left Or Right Side, 2 Required Per Car	\$11.00	
04876930	1966	<b>COURTESY LAMP MOUNTING BRACKET, UNDER DASH</b> Left Or Right Side, 2 Required Per Car	\$11.00	
04876930	1967	<b>COURTESY LAMP MOUNTING BRACKET, UNDER DASH</b> Left Or Right Side, 2 Required Per Car	\$11.00	
04876930	1968	<b>COURTESY LAMP MOUNTING BRACKET, UNDER DASH</b> Left Or Right Side, 2 Required Per Car	\$11.00	
04876930	1969	<b>COURTESY LAMP MOUNTING BRACKET, UNDER DASH</b> Left Or Right Side, 2 Required Per Car	\$11.00	
04876930	1970	<b>COURTESY LAMP MOUNTING BRACKET, UNDER DASH</b> Left Or Right Side, 2 Required Per Car	\$11.00	
<b>COWL INDUCTION HARNESS</b>				
05005	1970	<b>COWL INDUCTION HARNESS</b>	\$64.00	
05005	1971	<b>COWL INDUCTION HARNESS</b>	\$64.00	
05005	1972	<b>COWL INDUCTION HARNESS</b>	\$64.00	
<b>COWL INDUCTION HOOD DOOR SWITCH</b>				
01242101	1970	<b>COWL INDUCTION HOOD DOOR SWITCH</b> Mounts To Bracket Near Gas Pedal	\$19.00	
01242101	1971	<b>COWL INDUCTION HOOD DOOR SWITCH</b> Mounts To Bracket Near Gas Pedal	\$19.00	
01242101	1972	<b>COWL INDUCTION HOOD DOOR SWITCH</b> Mounts To Bracket Near Gas Pedal	\$19.00	

Part Number	Year	Description	Price	*Rev.
<b>CRUISE CONTROL HARNESS</b>				
41675	1965	CRUISE CONTROL HARNESS	\$87.00	
41675	1966	CRUISE CONTROL HARNESS	\$87.00	
41683	1967	CRUISE CONTROL HARNESS Only Used With Accessory Dealer Installed Cruise Control	\$87.00	
10775	1967	CRUISE CONTROL HARNESS	\$94.00	
41683	1968	CRUISE CONTROL HARNESS Only Used With Accessory Dealer Installed Cruise Control	\$87.00	
11885	1968	CRUISE CONTROL HARNESS	\$101.00	
13185	1969	CRUISE CONTROL HARNESS	\$94.00	
13185	1970	CRUISE CONTROL HARNESS	\$94.00	
13185	1971	CRUISE CONTROL HARNESS	\$94.00	
13185	1972	CRUISE CONTROL HARNESS	\$94.00	
41762	1973	CRUISE CONTROL HARNESS	\$133.00	
41762	1974	CRUISE CONTROL HARNESS	\$133.00	
41762	1975	CRUISE CONTROL HARNESS	\$133.00	
41762	1976	CRUISE CONTROL HARNESS	\$133.00	
41815	1977	CRUISE CONTROL HARNESS	\$133.00	
41863	1978	CRUISE CONTROL HARNESS	\$133.00	
41905	1979	CRUISE CONTROL HARNESS With Transmission Torque Converter Clutch (T.C.C..) Note: Harness With (T.C.C..) Does Not Connect To Stop Lamp Switch.	\$133.00	
41863	1979	CRUISE CONTROL HARNESS Without Transmission Torque Converter Clutch (T.C.C..) Note: Harness Without (T.C.C..) Connects To Stop Lamp Switch.	\$133.00	
41905	1980	CRUISE CONTROL HARNESS With Transmission Torque Converter Clutch (T.C.C..) Note: Harness With (T.C.C..) Does Not Connect To Stop Lamp Switch.	\$133.00	
41906	1980	CRUISE CONTROL HARNESS Without Transmission Torque Converter Clutch (T.C.C..) Note: Harness Without (T.C.C..) Connects To Stop Lamp Switch.	\$133.00	
41938	1981	CRUISE CONTROL HARNESS	\$133.00	
41938	1982	CRUISE CONTROL HARNESS Without Diesel	\$133.00	
41957	1982	CRUISE CONTROL HARNESS With Diesel	\$133.00	
<b>DASH HARNESS</b>				
05780	1964	DASH HARNESS With Warning Lights	\$554.00	
05785	1964	DASH HARNESS With Gauges	\$554.00	
41667	1964	DASH HARNESS Right Hand Drive (Export Only)	\$643.00	
05955	1965	DASH HARNESS With Warning Lights	\$554.00	
05960	1965	DASH HARNESS With Gauges	\$554.00	
41676	1965	DASH HARNESS Right Hand Drive (Export Only)	\$643.00	
09455	1966	DASH HARNESS Column Shift, With Warning Lights	\$554.00	
10200	1966	DASH HARNESS Column Shift, With Warning Lights & Integrated A/C Note: A/C Wiring Is Incorporated Into The Dash And Engine Harnesses.	\$554.00	
17605	1966	DASH HARNESS Console Shift, With Warning Lights	\$554.00	
10210	1966	DASH HARNESS Console Shift, With Warning Lights & Integrated A/C Note: A/C Wiring Is Incorporated Into The Dash And Engine Harnesses.	\$554.00	
09460	1966	DASH HARNESS All With Gauges Note: For Column Shift Auto Trans, Use #28485 Neutral Safety Switch Jumper.	\$554.00	
10205	1966	DASH HARNESS All With Gauges & Integrated A/C Note: A/C Wiring Is Incorporated Into The Dash And Engine Harnesses. Column Shift Auto Trans Cars Will Also Require Part #28485 Neutral Safety Switch Jumper.	\$554.00	
41676	1966	DASH HARNESS Right Hand Drive (Export Only)	\$643.00	

Part Number	Year	Description	Price	*Rev.
10540	1967	<b>DASH HARNESS</b> With Warning Lights Note: Column Shift Auto Trans Cars Will Also Require Part #28485 Neutral Safety Jumper.	\$554.00	
10535	1967	<b>DASH HARNESS</b> With Gauges Note: Couolumn Shift Auto Trans Cars Will Also Require Part #28485 Neutral Safety Jumper.	\$554.00	
41681	1967	<b>DASH HARNESS</b> Right Hand Drive (Export Only)	\$643.00	
11760	1968	<b>DASH HARNESS</b> With Warning Lights	\$567.00	
39404	1968	<b>DASH HARNESS-CLASSIC AUTO FUSE SERIES</b> With Warning Lights Note: With Updated Modern ATO Series Fuseblock. Uses Fuse & Flasher Kit # 39464. Also See Optional Accessory Kits.	\$632.00	
11780	1968	<b>DASH HARNESS</b> With Gauges	\$567.00	
39405	1968	<b>DASH HARNESS-CLASSIC AUTO FUSE SERIES</b> With Gauges Note: With Updated Modern ATO Series Fuseblock. Uses Fuse & Flasher Kit # 39464. Also See Optional Accessory Kits.	\$632.00	
41686	1968	<b>DASH HARNESS</b> Right Hand Drive (Export Only)	\$643.00	
17410	1969	<b>DASH HARNESS</b> With Warning Lights	\$567.00	
39406	1969	<b>DASH HARNESS-CLASSIC AUTO FUSE SERIES</b> With Warning Lights Note: With Updated Modern ATO Series Fuseblock. Uses Fuse & Flasher Kit # 39466. Also See Optional Accessory Kits.	\$632.00	
12935	1969	<b>DASH HARNESS</b> With Warning Lights & A/C	\$567.00	
39407	1969	<b>DASH HARNESS-CLASSIC AUTO FUSE SERIES</b> With Warning Lights & A/C Note: With Updated Modern ATO Series Fuseblock. Uses Fuse & Flasher Kit # 39466. Also See Optional Accessory Kits.	\$632.00	
12980	1969	<b>DASH HARNESS</b> With Gauges	\$567.00	
39408	1969	<b>DASH HARNESS-CLASSIC AUTO FUSE SERIES</b> With Gauges Note: With Updated Modern ATO Series Fuseblock. Uses Fuse & Flasher Kit # 39466. Also See Optional Accessory Kits.	\$632.00	
12985	1969	<b>DASH HARNESS</b> With Gauges & A/C	\$567.00	
39409	1969	<b>DASH HARNESS-CLASSIC AUTO FUSE SERIES</b> With Gauges & A/C Note: With Updated Modern ATO Series Fuseblock. Uses Fuse & Flasher Kit # 39466. Also See Optional Accessory Kits.	\$632.00	
41694	1969	<b>DASH HARNESS</b> Right Hand Drive (Export Only)	\$643.00	
15075	1970	<b>DASH HARNESS</b> Round Gauge, With Warning Lights	\$567.00	
39410	1970	<b>DASH HARNESS-CLASSIC AUTO FUSE SERIES</b> Round Gauge, With Warning Lights Note: With Updated Modern ATO Series Fuseblock. Uses Fuse & Flasher Kit # 39463. Also See Optional Accessory Kits.	\$632.00	
15065	1970	<b>DASH HARNESS</b> Round Gauge, With Gauges	\$567.00	
39377	1970	<b>DASH HARNESS-CLASSIC AUTO FUSE SERIES</b> Round Gauge, With Gauges Note: With Updated Modern ATO Series Fuseblock. Uses Fuse & Flasher Kit # 39463. Also See Optional Accessory Kits.	\$632.00	
14710	1970	<b>DASH HARNESS</b> Sweep Style Speedometer, With Column Shift, Except A/C	\$567.00	
42783	1970	<b>DASH HARNESS-CLASSIC AUTO FUSE SERIES</b> Sweep Style Speedometer, With Column Shift, Except A/C Note: With Updated Modern ATO Series Fuseblock. Uses Fuse & Flasher Kit# 39463 Also See Optional Accessory Kits.	\$632.00	
14730	1970	<b>DASH HARNESS</b> Sweep Style Speedometer, With Column Shift & A/C	\$567.00	
42784	1970	<b>DASH HARNESS-CLASSIC AUTO FUSE SERIES</b> Sweep Style Speedometer, With Column Shift & A/C Note: With Updated Modern ATO Series Fuseblock. Uses Fuse & Flasher Kit# 39463 Also See Optional Accessory Kits.	\$632.00	
14720	1970	<b>DASH HARNESS</b> With Sweep Style Speedometer	\$567.00	
39412	1970	<b>DASH HARNESS-CLASSIC AUTO FUSE SERIES</b> With Sweep Style Speedometer Note: With Updated Modern ATO Series Fuseblock. Uses Fuse & Flasher Kit # 39463 Also See Optional Accessory Kits.	\$632.00	
15265	1971	<b>DASH HARNESS</b> Round Gauge, With Warning Lights	\$567.00	
39413	1971	<b>DASH HARNESS-CLASSIC AUTO FUSE SERIES</b> Round Gauge, With Warning Lights Note: With Updated Modern ATO Series Fuseblock. Uses Fuse & Flasher Kit # 39466. Also See Optional Accessory Kits.	\$632.00	
15270	1971	<b>DASH HARNESS</b> Round Gauge, With Gauges	\$581.00	
39414	1971	<b>DASH HARNESS-CLASSIC AUTO FUSE SERIES</b> Round Gauge, With Gauges Note: With Updated Modern ATO Series Fuseblock. Uses Fuse & Flasher Kit # 39466. Also See Optional Accessory Kits.	\$632.00	
16290	1971	<b>DASH HARNESS</b> With Sweep Style Speedometer	\$593.00	

Part Number	Year	Description	Price	*Rev.
39415	1971	<b>DASH HARNESS-CLASSIC AUTO FUSE SERIES</b> With Sweep Style Speedometer Note: With Updated Modern ATO Series Fuseblock. Uses Fuse & Flasher Kit # 39466. Also See Optional Accessory Kits.	\$632.00	
16420	1972	<b>DASH HARNESS</b> Round Gauge, With Warning Lights	\$632.00	
39416	1972	<b>DASH HARNESS-CLASSIC AUTO FUSE SERIES</b> Round Gauge, With Warning Lights Note: With Updated Modern ATO Series Fuseblock. Uses Fuse & Flasher Kit # 39465. Also See Optional Accessory Kits.	\$632.00	
16425	1972	<b>DASH HARNESS</b> Round Gauge, With Gauges	\$599.00	
39417	1972	<b>DASH HARNESS-CLASSIC AUTO FUSE SERIES</b> Round Gauge, With Gauges Note: With Updated Modern ATO Series Fuseblock. Uses Fuse & Flasher Kit # 39465. Also See Optional Accessory Kits.	\$632.00	
16505	1972	<b>DASH HARNESS</b> Round Gauge, With Warning Lights & Seat Belt Warning	\$632.00	
39418	1972	<b>DASH HARNESS-CLASSIC AUTO FUSE SERIES</b> Round Gauge, With Warning Lights & Seat Belt Warning Note: With Updated Modern ATO Series Fuseblock. Uses Fuse & Flasher Kit # 39465. Also See Optional Accessory Kits.	\$632.00	
16510	1972	<b>DASH HARNESS</b> Round Gauge, With Gauges & Seat Belt Warning	\$606.00	
39419	1972	<b>DASH HARNESS-CLASSIC AUTO FUSE SERIES</b> Round Gauge, With Gauges & Seat Belt Warning Note: With Updated Modern ATO Series Fuseblock. Uses Fuse & Flasher Kit # 39465. Also See Optional Accessory Kits.	\$632.00	
17405	1972	<b>DASH HARNESS</b> With Sweep Style Speedometer	\$632.00	
39420	1972	<b>DASH HARNESS-CLASSIC AUTO FUSE SERIES</b> With Sweep Style Speedometer Note: With Updated ATO Series Fuseblock. Uses Fuse & Flasher Kit # 39465. Also See Optional Accessory Kits.	\$632.00	
16985	1972	<b>DASH HARNESS</b> With Sweep Style Speedometer & Seat Belt Warning	\$632.00	
39421	1972	<b>DASH HARNESS-CLASSIC AUTO FUSE SERIES</b> With Sweep Style Speedometer & Seat Belt Warning Note: With Updated ATO Series Fuseblock. Uses Fuse & Flasher Kit # 39465. Also See Optional Accessory Kits.	\$632.00	
41740	1973	<b>DASH HARNESS</b> Lower Half, With Warning Lights (Includes Fuse Box)	\$696.00	
41741	1973	<b>DASH INSTRUMENT CLUSTER HARNESS</b> Upper Half, With Sweep Style Speedometer Note: Customer Must Supply Their Original 36 Pin Instrument Cluster Connector.	\$342.00	
41742	1973	<b>DASH INSTRUMENT CLUSTER HARNESS</b> Upper Half, Round Gauge, With Warning Lights Note: Customer Must Supply Their Original 36 Pin Instrument Cluster Connector.	\$342.00	
15490	1973	<b>DASH HARNESS</b> Lower Half, With Gauges (Includes Fuse Box)	\$696.00	
15495	1973	<b>DASH INSTRUMENT CLUSTER HARNESS</b> Upper Half, All, With Gauges Note: Customer Must Supply Their Original 36 Pin Instrument Cluster Connector.	\$342.00	
41770	1974	<b>DASH HARNESS</b> With Sweep Style Speedometer	\$773.00	
41491	1974	<b>DASH HARNESS</b> Round Gauge, With Warning Lights	\$773.00	
20740	1974	<b>DASH HARNESS</b> All, With Gauges	\$728.00	
41776	1975	<b>DASH HARNESS</b> With Sweep Style Speedometer	\$801.00	
41777	1975	<b>DASH HARNESS</b> Round Gauge, With Warning Lights	\$768.00	
41778	1975	<b>DASH HARNESS</b> All, With Gauges	\$768.00	
41798	1976	<b>DASH HARNESS</b> With Sweep Style Speedometer	\$781.00	
41799	1976	<b>DASH HARNESS</b> Round Gauge, With Warning Lights	\$815.00	
41800	1976	<b>DASH HARNESS</b> All, With Gauges	\$815.00	
41808	1977	<b>DASH HARNESS</b> With Sweep Style Speedometer	\$781.00	
41809	1977	<b>DASH HARNESS</b> Round Gauge, With Warning Lights	\$781.00	
41810	1977	<b>DASH HARNESS</b> All, With Gauges	\$781.00	
41820	1978	<b>DASH HARNESS</b> With Warning Lights, Except Monte Carlo Note: Customer Must Supply Us With Their Original Harness.	\$715.00	
41821	1978	<b>DASH HARNESS</b> Monte Carlo, With Warning Lights Note: Customer Must Supply Us With Their Original Harness.	\$715.00	
18055	1978	<b>DASH HARNESS</b> All, With Gauges Note: Customer Must Supply Us With Their Original Harness.	\$715.00	
41902	1979	<b>DASH HARNESS</b> With Warning Lights, Except Monte Carlo Note: Customer Must Supply Us With Their Original Harness.	\$715.00	



Part Number	Year	Description	Price	*Rev.
41903	1979	<b>DASH HARNESS</b> Monte Carlo, With Warning Lights Note: Customer Must Supply Us With Their Original Harness.	\$715.00	
41901	1979	<b>DASH HARNESS</b> All, With Gauges Note: Customer Must Supply Us With Their Original Harness.	\$715.00	
41891	1980	<b>DASH HARNESS</b> Manual Trans, With Warning Lamps, Except Monte Carlo Note: Customer Must Supply Us With Their Original Harness.	\$715.00	
41893	1980	<b>DASH HARNESS</b> Auto Trans, With Warning Lamps, Except Monte Carlo Note: Customer Must Supply Us With Their Original Harness.	\$715.00	
41894	1980	<b>DASH HARNESS</b> All, Monte Carlo, With Warning Lights Note: Customer Must Supply Us With Their Original Harness.	\$715.00	
41892	1980	<b>DASH HARNESS</b> All, With Gauges Note: Customer Must Supply Us With Their Original Harness.	\$715.00	
41962	1981	<b>DASH HARNESS</b> All, Auto Trans, With Warning Lights Note: Customer Must Supply Us With Their Original Harness.	\$715.00	
41961	1981	<b>DASH HARNESS</b> All, Manual Trans, With Warning Lights Note: Customer Must Supply Us With Their Original Harness.	\$715.00	
41963	1981	<b>DASH HARNESS</b> All, Auto Trans, With Gauges Note: Customer Must Supply Us With Their Original Harness.	\$715.00	
41960	1981	<b>DASH HARNESS</b> All, Manual Trans, With Gauges Note: Customer Must Supply Us With Their Original Harness.	\$715.00	
41985	1982	<b>DASH HARNESS</b> All, With Warning Lights Note: Customer Must Supply Us With Their Original Harness.	\$715.00	
41986	1982	<b>DASH HARNESS</b> All, With Gauges Note: Customer Must Supply Us With Their Original Harness.	\$715.00	
<b>DISTRIBUTOR WIRE</b>				
36057	1964	<b>DISTRIBUTOR WIRE</b> Distributor Points To Coil Negative Terminal, V/8 Note: Fits All GM V/8 Points Type Distributors From Approx. 1957 To 1974.	\$18.00	C
36057	1965	<b>DISTRIBUTOR WIRE</b> Distributor Points To Coil Negative Terminal, V/8 Note: Fits All GM V/8 Points Type Distributors From Approx. 1957 To 1974.	\$18.00	C
36057	1966	<b>DISTRIBUTOR WIRE</b> Distributor Points To Coil Negative Terminal, V/8 Note: Fits All GM V/8 Points Type Distributors From Approx. 1957 To 1974.	\$18.00	C
36057	1967	<b>DISTRIBUTOR WIRE</b> Distributor Points To Coil Negative Terminal, V/8 Note: Fits All GM V/8 Points Type Distributors From Approx. 1957 To 1974.	\$18.00	C
36057	1968	<b>DISTRIBUTOR WIRE</b> Distributor Points To Coil Negative Terminal, V/8 Note: Fits All GM V/8 Points Type Distributors From Approx. 1957 To 1974.	\$18.00	C
36057	1969	<b>DISTRIBUTOR WIRE</b> Distributor Points To Coil Negative Terminal, V/8 Note: Fits All GM V/8 Points Type Distributors From Approx. 1957 To 1974.	\$18.00	C
36057	1970	<b>DISTRIBUTOR WIRE</b> Distributor Points To Coil Negative Terminal, V/8 Note: Fits All GM V/8 Points Type Distributors From Approx. 1957 To 1974.	\$18.00	C
36057	1971	<b>DISTRIBUTOR WIRE</b> Distributor Points To Coil Negative Terminal, V/8 Note: Fits All GM V/8 Points Type Distributors From Approx. 1957 To 1974.	\$18.00	C
36057	1972	<b>DISTRIBUTOR WIRE</b> Distributor Points To Coil Negative Terminal, V/8 Note: Fits All GM V/8 Points Type Distributors From Approx. 1957 To 1974.	\$18.00	C
36057	1973	<b>DISTRIBUTOR WIRE</b> Distributor Points To Coil Negative Terminal, V/8 Note: Fits All GM V/8 Points Type Distributors From Approx. 1957 To 1974.	\$18.00	C
36057	1974	<b>DISTRIBUTOR WIRE</b> Distributor Points To Coil Negative Terminal, V/8 Note: Fits All GM V/8 Points Type Distributors From Approx. 1957 To 1974.	\$18.00	C

Part Number	Year	Description	Price	*Rev.
<b>DOME LIGHT LENS</b>				
06279669	1965	<b>DOME LIGHT LENS</b> Note: Manufactured With Original GM Tooling, Not A Reproduction Part.	\$6.00	
06279669	1966	<b>DOME LIGHT LENS</b> Note: Manufactured With Original GM Tooling, Not A Reproduction Part.	\$6.00	
06279669	1967	<b>DOME LIGHT LENS</b> Note: Manufactured With Original GM Tooling, Not A Reproduction Part.	\$6.00	
<b>DOOR JAMB SWITCH HARNESS</b>				
41847	1973	<b>DOOR JAMB SWITCH HARNESS</b> All, Front Crossover, Without Power Windows Or Door Locks	\$74.00	
40712	1974	<b>DOOR JAMB SWITCH HARNESS</b> All, Front Crossover, Without Power Windows Or Door Locks	\$74.00	
40712	1975	<b>DOOR JAMB SWITCH HARNESS</b> All, Front Crossover, Without Power Windows Or Door Locks	\$74.00	
40712	1976	<b>DOOR JAMB SWITCH HARNESS</b> All, Front Crossover, Without Power Windows Or Door Locks	\$74.00	
40712	1977	<b>DOOR JAMB SWITCH HARNESS</b> All, Front Crossover, Without Power Windows Or Door Locks	\$74.00	
42005	1978	<b>DOOR JAMB SWITCH HARNESS</b> All, Front Crossover, Without Power Windows Or Door Locks	\$74.00	
42005	1979	<b>DOOR JAMB SWITCH HARNESS</b> All, Front Crossover, Without Power Windows Or Door Locks	\$74.00	
42005	1980	<b>DOOR JAMB SWITCH HARNESS</b> All, Front Crossover, Without Power Windows Or Door Locks	\$74.00	
42005	1981	<b>DOOR JAMB SWITCH HARNESS</b> All, Front Crossover, Without Power Windows Or Door Locks	\$74.00	
42005	1982	<b>DOOR JAMB SWITCH HARNESS</b> All, Front Crossover, Without Power Windows Or Door Locks	\$74.00	
<b>ENGINE HARNESS</b>				
17750	1964	<b>ENGINE HARNESS</b> 6 Cylinder, With Warning Lights Note: 6 Cylinder Items Are Not Returnable.	\$166.00	
33115	1964	<b>ENGINE HARNESS</b> 6 Cylinder, With Gauges Note: 6 Cylinder Items Are Not Returnable.	\$166.00	
05730	1964	<b>ENGINE HARNESS</b> V/8, With Warning Lights	\$144.00	
38988	1964	<b>ENGINE HARNESS-HEI</b> V/8, With Warning Lights Note: This Harness Is Modified For Use With An HEI Distributor.	\$159.00	
05735	1964	<b>ENGINE HARNESS</b> V/8, With Gauges	\$144.00	
38957	1964	<b>ENGINE HARNESS-HEI</b> V/8, With Gauges Note: This Harness Is Modified For Use With An HEI Distributor.	\$159.00	
05965	1965	<b>ENGINE HARNESS</b> 6 Cylinder, With Warning Lights Note: 6 Cylinder Items Are Not Returnable.	\$145.00	
05975	1965	<b>ENGINE HARNESS</b> 6 Cylinder, With Gauges Note: 6 Cylinder Items Are Not Returnable.	\$149.00	
05970	1965	<b>ENGINE HARNESS</b> V/8, With Warning Lights	\$144.00	
38936	1965	<b>ENGINE HARNESS-HEI</b> V/8, With Warning Lights Note: This Harness Is Modified For Use With An HEI Distributor.	\$159.00	
17610	1965	<b>ENGINE HARNESS</b> V/8, With Gauges	\$144.00	
38953	1965	<b>ENGINE HARNESS-HEI</b> V/8, With Gauges Note: This Harness Is Modified For Use With An HEI Distributor.	\$159.00	
06140	1965	<b>ENGINE HARNESS</b> 396, With Gauges (Z16 Models)	\$144.00	
39072	1965	<b>ENGINE HARNESS-HEI</b> 396, With Gauges (Z16 Models) Note: This Harness Is Modified For Use With An HEI Distributor.	\$159.00	
41677	1965	<b>ENGINE HARNESS</b> V/8, 327, L76 & L79 Option Code, (350 & 365 Hp) Engines Only, With Warning Lights	\$144.00	
41312	1965	<b>ENGINE HARNESS-HEI</b> V/8, 327, L76 & L79 Option Code, (350 & 365 Hp) Engines Only, With Warning Lights Note: This Harness Is Modified For Use With An HEI Distributor.	\$167.00	

Part Number	Year	Description	Price	*Rev.
41678	1965	<b>ENGINE HARNESS</b> V/8, 327, L76 & L79 Option Code, (350 & 365 Hp) Engines Only, With Gauges	\$144.00	
41314	1965	<b>ENGINE HARNESS-HEI</b> V/8, 327, L76 & L79 Option Code, (350 & 365 Hp) Engines Only, With Gauges Note: This Harness Is Modified For Use With An HEI Distributor.	\$167.00	
05965	1966	<b>ENGINE HARNESS</b> 6 Cylinder, With Warning Lights Note: 6 Cylinder Items Are Not Returnable.	\$145.00	
14025	1966	<b>ENGINE HARNESS</b> 6 Cylinder, With Warning Lights & Integrated A/C Note: 6 Cylinder Items Are Not Returnable.	\$219.00	
05975	1966	<b>ENGINE HARNESS</b> 6 Cylinder, With Gauges Note: 6 Cylinder Items Are Not Returnable.	\$149.00	
14020	1966	<b>ENGINE HARNESS</b> 6 Cylinder, With Gauges & Integrated A/C Note: 6 Cylinder Items Are Not Returnable.	\$219.00	
05970	1966	<b>ENGINE HARNESS</b> V/8, 283-327 C.I., With Warning Lights	\$144.00	
38936	1966	<b>ENGINE HARNESS-HEI</b> V/8, 283-327 C.I., With Warning Lights Note: This Harness Is Modified For Use With An HEI Distributor.	\$159.00	
09510	1966	<b>ENGINE HARNESS</b> V/8, 283-327 C.I., With Warning Lights & Integrated A/C Note: A/C Wiring Is Integrated Into The Dash And Engine Harnesses.	\$199.00	
39073	1966	<b>ENGINE HARNESS-HEI</b> V/8, 283-327 C.I., With Warning Lights & Integrated A/C Note: This Harness Is Modified For Use With An HEI Distributor. A/C Wiring Is Integrated Into The Dash And Engine Harnesses.	\$217.00	
17610	1966	<b>ENGINE HARNESS</b> V/8, 283-327 C.I. With Gauges	\$144.00	
38953	1966	<b>ENGINE HARNESS-HEI</b> V/8, 283-327 C.I. With Gauges Note: This Harness Is Modified For Use With An HEI Distributor.	\$159.00	
10440	1966	<b>ENGINE HARNESS</b> V/8, 283-327 C.I. With Gauges & Integrated A/C Note: A/C Wiring Is Integrated Into The Dash And Engine Harnesses.	\$219.00	
39091	1966	<b>ENGINE HARNESS-HEI</b> V/8, 283-327 C.I. With Gauges & Integrated A/C Note: This Harness Is Modified For Use With An HEI Distributor. A/C Wiring Is Integrated Into The Dash And Engine Harnesses.	\$236.00	
10605	1966	<b>ENGINE HARNESS</b> V/8, 327 C.I., 350 H.P. Special High Perf.	\$159.00	
38974	1966	<b>ENGINE HARNESS-HEI</b> V/8, 327 C.I., 350 H.P. Special High Perf. Note: This Harness Is Modified For Use With An HEI Distributor.	\$174.00	
10610	1966	<b>ENGINE HARNESS</b> V/8, 327 C.I., 350 H.P. Special High Perf. With Integrated A/C Note: A/C Wiring Is Integrated Into The Dash And Engine Harnesses.	\$219.00	
39137	1966	<b>ENGINE HARNESS-HEI</b> V/8, 327 C.I., 350 H.P. Special High Perf. With Integrated A/C Note: This Harness Is Modified For Use With An HEI Distributor. A/C Wiring Is Integrated Into The Dash And Engine Harnesses.	\$236.00	
17385	1966	<b>ENGINE HARNESS</b> V/8, 327 C.I., 350 H.P. Special High Perf. With Gauges	\$147.00	
39040	1966	<b>ENGINE HARNESS-HEI</b> V/8, 327 C.I., 350 H.P. Special High Perf. With Gauges Note: This Harness Is Modified For Use With An HEI Distributor.	\$164.00	
18605	1966	<b>ENGINE HARNESS</b> V/8, 327 C.I., 350 H.P. Spec. High Perf. With Gauges & Integrated A/C Note: A/C Wiring Is Integrated Into The Dash And Engine Harnesses.	\$219.00	
39231	1966	<b>ENGINE HARNESS-HEI</b> V/8, 327 C.I., 350 H.P. Spec. High Perf. With Gauges & Integrated A/C Note: This Harness Is Modified For Use With An HEI Distributor. A/C Wiring Is Integrated Into The Dash And Engine Harnesses.	\$236.00	
09630	1966	<b>ENGINE HARNESS</b> 396 C.I., With Warning Lights	\$144.00	
38955	1966	<b>ENGINE HARNESS-HEI</b> 396 C.I., With Warning Lights Note: This Harness Is Modified For Use With An HEI Distributor.	\$159.00	
09515	1966	<b>ENGINE HARNESS</b> 396 C.I., With Warning Lights & Integrated A/C Note: A/C Wiring Is Integrated Into The Dash And Engine Harnesses.	\$219.00	
39039	1966	<b>ENGINE HARNESS-HEI</b> 396 C.I., With Warning Lights & Integrated A/C Note: This Harness Is Modified For Use With An HEI Distributor. A/C Wiring Is Integrated Into The Dash And Engine Harnesses.	\$234.00	

Part Number	Year	Description	Price	*Rev.
10430	1966	<b>ENGINE HARNESS</b> 396 C.I., With Gauges	\$144.00	
38963	1966	<b>ENGINE HARNESS-HEI</b> 396 C.I., With Gauges Note: This Harness Is Modified For Use With An HEI Distributor.	\$159.00	
10450	1966	<b>ENGINE HARNESS</b> 396 C.I., With Gauges & Integrated A/C Note: A/C Wiring Is Integrated Into The Dash And Engine Harnesses.	\$219.00	
39074	1966	<b>ENGINE HARNESS-HEI</b> 396 C.I., With Gauges & Integrated A/C Note: This Harness Is Modified For Use With An HEI Distributor. A/C Wiring Is Integrated Into The Dash And Engine Harnesses.	\$234.00	
11255	1967	<b>ENGINE HARNESS</b> 6 Cylinder, With Warning Lights Note: 6 Cylinder Items Are Not Returnable.	\$173.00	
41685	1967	<b>ENGINE HARNESS</b> 6 Cylinder, Right Hand Drive, Export Note: 6 Cylinder Items Are Not Returnable.	\$198.00	
11280	1967	<b>ENGINE HARNESS</b> Small Block V/8, With Warning Lights	\$147.00	
38935	1967	<b>ENGINE HARNESS-HEI</b> Small Block V/8, With Warning Lights Note: This Harness Is Modified For Use With An HEI Distributor.	\$162.00	
11285	1967	<b>ENGINE HARNESS</b> Small Block V/8, With Gauges	\$147.00	
38989	1967	<b>ENGINE HARNESS-HEI</b> Small Block V/8, With Gauges Note: This Harness Is Modified For Use With An HEI Distributor.	\$162.00	
10565	1967	<b>ENGINE HARNESS</b> Big Block V/8, With Warning Lights	\$147.00	
38937	1967	<b>ENGINE HARNESS-HEI</b> Big Block V/8, With Warning Lights Note: This Harness Is Modified For Use With An HEI Distributor.	\$162.00	
10570	1967	<b>ENGINE HARNESS</b> Big Block V/8, With Gauges	\$147.00	
38983	1967	<b>ENGINE HARNESS-HEI</b> Big Block V/8, With Gauges Note: This Harness Is Modified For Use With An HEI Distributor.	\$162.00	
14015	1968	<b>ENGINE HARNESS</b> 6 Cylinder, With Warning Lights Note: 6 Cylinder Items Are Not Returnable.	\$159.00	
12005	1968	<b>ENGINE HARNESS</b> 6 Cylinder, With Warning Lights & Idle Stop Solenoid Note: 6 Cylinder Items Are Not Returnable.	\$159.00	
41687	1968	<b>ENGINE HARNESS</b> 6 Cylinder, Right Hand Drive, Export Note: 6 Cylinder Items Are Not Returnable.	\$198.00	
11805	1968	<b>ENGINE HARNESS</b> Small Block V/8, With Warning Lights	\$147.00	
38959	1968	<b>ENGINE HARNESS-HEI</b> Small Block V/8, With Warning Lights Note: This Harness Is Modified For Use With An HEI Distributor.	\$162.00	
12070	1968	<b>ENGINE HARNESS</b> Big Block V/8, With Warning Lights	\$147.00	
38947	1968	<b>ENGINE HARNESS-HEI</b> Big Block V/8, With Warning Lights Note: This Harness Is Modified For Use With An HEI Distributor.	\$162.00	
12075	1968	<b>ENGINE HARNESS</b> Small & Big Block V/8, With Gauges	\$147.00	
38978	1968	<b>ENGINE HARNESS-HEI</b> Small & Big Block V/8, With Gauges Note: This Harness Is Modified For Use With An HEI Distributor.	\$162.00	
12000	1968	<b>ENGINE HARNESS</b> Small & Big Block V/8, With Gauges & Idle Stop Solenoid Note: Idle Stop Circuit Can Also Be Used For An Electric Choke.	\$159.00	
39077	1968	<b>ENGINE HARNESS-HEI</b> Small & Big Block V/8, With Gauges & Idle Stop Solenoid Note: This Harness Is Modified For Use With An HEI Distributor. Idle Stop Circuit Can Also Be Used For An Electric Choke.	\$174.00	
14015	1969	<b>ENGINE HARNESS</b> 6 Cylinder, With Warning Lights Note: 6 Cylinder Items Are Not Returnable.	\$159.00	
12005	1969	<b>ENGINE HARNESS</b> 6 Cylinder, With Warning Lights & Idle Stop Solenoid Note: 6 Cylinder Items Are Not Returnable.	\$159.00	
41687	1969	<b>ENGINE HARNESS</b> 6 Cylinder, Right Hand Drive, Export Note: 6 Cylinder Items Are Not Returnable.	\$198.00	
17615	1969	<b>ENGINE HARNESS</b> Small Block V/8, With Warning Lights	\$147.00	

Part Number	Year	Description	Price	*Rev.
38960	1969	<b>ENGINE HARNESS-HEI</b> Small Block V/8, With Warning Lights Note: This Harness Is Modified For Use With An HEI Distributor.	\$162.00	
13160	1969	<b>ENGINE HARNESS</b> Small Block V/8, With Warning Lights & Idle Stop Solenoid Note: Idle Stop Circuit Can Also Be Used For An Electric Choke.	\$147.00	
39012	1969	<b>ENGINE HARNESS-HEI</b> Small Block V/8, With Warning Lights & Idle Stop Solenoid Note: This Harness Is Modified For Use With An HEI Distributor. Idle Stop Circuit Can Also Be Used For An Electric Choke.	\$174.00	
17620	1969	<b>ENGINE HARNESS</b> Small Block V/8, With Gauges Note: With Original Pin Type Oil Pressure Sending Unit.	\$147.00	
39004	1969	<b>ENGINE HARNESS-HEI</b> Small Block V/8, With Gauges Note: This Harness Is Modified For Use With An HEI Distributor And Original Pin Type Oil Pressure Sending Units.	\$162.00	
17625	1969	<b>ENGINE HARNESS</b> Small Block V/8, With Gauges & Idle Stop Solenoid Note: With Original Pin Type Oil Pressure Sending Unit. Idle Stop Circuit Can Also Be Used For An Electric Choke.	\$159.00	
39232	1969	<b>ENGINE HARNESS-HEI</b> Small Block V/8, With Gauges & Idle Stop Solenoid Note: This Harness Is Modified For Use With An HEI Distributor And Original Pin Type Oil Pressure Sending Units. Idle Stop Circuit Can Also Be Used For An Electric Choke.	\$174.00	
12070	1969	<b>ENGINE HARNESS</b> Big Block V/8, With Warning Lights	\$147.00	
38947	1969	<b>ENGINE HARNESS-HEI</b> Big Block V/8, With Warning Lights Note: This Harness Is Modified For Use With An HEI Distributor.	\$162.00	
13150	1969	<b>ENGINE HARNESS</b> Big Block V/8, With Warning Lights & Idle Stop Solenoid Note: Idle Stop Circuit Can Also Be Used For An Electric Choke.	\$147.00	
39011	1969	<b>ENGINE HARNESS-HEI</b> Big Block V/8, With Warning Lights & Idle Stop Solenoid Note: This Harness Is Modified For Use With An HEI Distributor. Idle Stop Circuit Can Also Be Used For An Electric Choke.	\$162.00	
17630	1969	<b>ENGINE HARNESS</b> Big Block V/8, With Gauges Note: With Original Pin Type Oil Pressure Sending Unit.	\$147.00	
38939	1969	<b>ENGINE HARNESS-HEI</b> Big Block V/8, With Gauges Note: This Harness Is Modified For Use With An HEI Distributor And Original Pin Type Oil Pressure Sending Units.	\$162.00	
13155	1969	<b>ENGINE HARNESS</b> Big Block V/8, With Gauges & Idle Stop Solenoid Note: With Original Pin Type Oil Pressure Sending Unit. Idle Stop Circuit Can Also Be Used For An Electric Choke.	\$147.00	
39022	1969	<b>ENGINE HARNESS-HEI</b> Big Block V/8, With Gauges & Idle Stop Solenoid Note: This Harness Is Modified For Use With An HEI Distributor And Original Pin Type Oil Pressure Sending Units. Idle Stop Circuit Can Also Be Used For An Electric Choke.	\$162.00	
14695	1970	<b>ENGINE HARNESS</b> 6 Cylinder, With Auto Trans Note: 6 Cylinder Items Are Not Returnable.	\$219.00	
15085	1970	<b>ENGINE HARNESS</b> 6 Cylinder, With Manual Trans Note: 6 Cylinder Items Are Not Returnable.	\$219.00	
14700	1970	<b>ENGINE HARNESS</b> Small Block V/8, With Auto Trans	\$199.00	
38934	1970	<b>ENGINE HARNESS-HEI</b> Small Block V/8, With Auto Trans Note: This Harness Is Modified For Use With An HEI Distributor.	\$214.00	
15090	1970	<b>ENGINE HARNESS</b> Small Block V/8, With Manual Trans	\$199.00	
39023	1970	<b>ENGINE HARNESS-HEI</b> Small Block V/8, With Manual Trans Note: This Harness Is Modified For Use With An HEI Distributor.	\$214.00	
15100	1970	<b>ENGINE HARNESS</b> Big Block V/8, With Auto Trans	\$219.00	
38928	1970	<b>ENGINE HARNESS-HEI</b> Big Block V/8, With Auto Trans Note: This Harness Is Modified For Use With An HEI Distributor.	\$234.00	
15095	1970	<b>ENGINE HARNESS</b> Big Block V/8, With Manual Trans	\$199.00	
38931	1970	<b>ENGINE HARNESS-HEI</b> Big Block V/8, With Manual Trans Note: This Harness Is Modified For Use With An HEI Distributor.	\$214.00	
17640	1971	<b>ENGINE HARNESS</b> 6 Cylinder, With Auto Trans Note: 6 Cylinder Items Are Not Returnable.	\$233.00	

Part Number	Year	Description	Price	*Rev.
17635	1971	<b>ENGINE HARNESS</b> 6 Cylinder, With Manual Trans Note: 6 Cylinder Items Are Not Returnable.	\$233.00	
17435	1971	<b>ENGINE HARNESS</b> Small Block V/8, With Auto Trans	\$206.00	
38948	1971	<b>ENGINE HARNESS-HEI</b> Small Block V/8, With Auto Trans Note: This Harness Is Modified For Use With An HEI Distributor.	\$221.00	
17455	1971	<b>ENGINE HARNESS</b> Small Block V/8, With Manual Trans	\$226.00	
39041	1971	<b>ENGINE HARNESS-HEI</b> Small Block V/8, With Manual Trans Note: This Harness Is Modified For Use With An HEI Distributor.	\$241.00	
17440	1971	<b>ENGINE HARNESS</b> Small Block V/8, 350 C.I., With TH-400 Auto Trans	\$226.00	
39031	1971	<b>ENGINE HARNESS-HEI</b> Small Block V/8, 350 C.I., With TH-400 Auto Trans Note: This Harness Is Modified For Use With An HEI Distributor.	\$241.00	
17445	1971	<b>ENGINE HARNESS</b> Big Block V/8, With Auto Trans	\$219.00	
38975	1971	<b>ENGINE HARNESS-HEI</b> Big Block V/8, With Auto Trans Note: This Harness Is Modified For Use With An HEI Distributor.	\$234.00	
17450	1971	<b>ENGINE HARNESS</b> Big Block V/8, With Manual Trans	\$212.00	
38990	1971	<b>ENGINE HARNESS-HEI</b> Big Block V/8, With Manual Trans Note: This Harness Is Modified For Use With An HEI Distributor.	\$227.00	
16430	1972	<b>ENGINE HARNESS</b> 6 Cylinder, All Note: 6 Cylinder Items Are Not Returnable.	\$286.00	
16435	1972	<b>ENGINE HARNESS</b> Small Block V/8, With Warning Lights Note: Manual Trans Requires Use Of Part #17365 T.C.S. Extension.	\$252.00	
41330	1972	<b>ENGINE HARNESS-HEI</b> Small Block V/8, With Warning Lights Note: This Harness Is Modified For Use With An HEI Distributor. Manual Trans Requires Use Of Part #17365 T.C.S. Extension.	\$272.00	
41640	1972	<b>ENGINE HARNESS-SI SERIES INT REG ALT PASSENGER SIDE</b> Small Block V/8, With Warning Lights Note: Manual Trans Also Requires Part 17365 TCS Extension. Harness Must Be Used With A Forward Lamp Harness Modified For An Int Regulated Alt. If Using Your Original Forward Lamp An Adapter & Instructions Are Included To Alter Your Original Harness.	\$290.00	
41641	1972	<b>ENGINE HARNESS-HEI AND SI SERIES INT REG ALT PASSENGER SIDE</b> Small Block V/8, With Warning Lights Note: Manual Trans Also Requires Part 17365 TCS Extension. Harness Must Be Used With A Forward Lamp Harness Modified For An Int Regulated Alt. If Using Your Original Forward Lamp An Adapter & Instructions Are Included To Alter Your Original Harness.	\$304.00	
16450	1972	<b>ENGINE HARNESS</b> Small Block V/8, With Gauges Note: Manual Trans Requires Use Of Part #17365 T.C.S. Extension.	\$252.00	
41332	1972	<b>ENGINE HARNESS-HEI</b> Small Block V/8, With Gauges Note: This Harness Is Modified For Use With An HEI Distributor. Manual Trans Requires Use Of Part #17365 T.C.S. Extension.	\$272.00	
41642	1972	<b>ENGINE HARNESS-SI SERIES INT REG ALT PASSENGER SIDE</b> Small Block V/8, With Gauges Note: Manual Trans Also Requires Part 17365 TCS Extension. Harness Must Be Used With A Forward Lamp Harness Modified For An Int Regulated Alt. If Using Your Original Forward Lamp An Adapter & Instructions Are Included To Alter Your Original Harness.	\$290.00	
41643	1972	<b>ENGINE HARNESS-HEI AND SI SERIES INT REG ALT PASSENGER SIDE</b> Small Block V/8, With Gauges Note: Manual Trans Also Requires Part 17365 TCS Extension. Harness Must Be Used With A Forward Lamp Harness Modified For An Int Regulated Alt. If Using Your Original Forward Lamp An Adapter & Instructions Are Included To Alter Your Original Harness.	\$304.00	
17490	1972	<b>ENGINE HARNESS</b> Small Block V/8, With TH-400 Auto Trans & Warning Lights	\$252.00	
41334	1972	<b>ENGINE HARNESS-HEI</b> Small Block V/8, With TH-400 Auto Trans & Warning Lights Note: This Harness Is Modified For Use With An HEI Distributor.	\$272.00	
41644	1972	<b>ENGINE HARNESS-SI SERIES INT REG ALT PASSENGER SIDE</b> Small Block V/8, With TH-400 Auto Trans & Warning Lights Note: This Harness Is To Be Used With A Forward Lamp Harness Modified For An Internal Regulated Alt. If Customer Is Not Changing The Original Forward Lamp Harness, An Adapter And Instruction Sheet Is Included To Alter The Factory Harness.	\$290.00	

Part Number	Year	Description	Price	*Rev.
41645	1972	<b>ENGINE HARNESS-HEI AND SI SERIES INT REG ALT PASSENGER SIDE</b> Small Block V/8, With TH-400 Auto Trans & Warning Lights Note: Harness Is Modified For Use With An HEI Distributor. It Must Be Used With A Forward Lamp Harness Modified For Internal Regulated Alt. If Using Your Original Forward Lamp, An Adapter & Instructions Are Included To Alter Your Original Harness.	\$304.00	
17645	1972	<b>ENGINE HARNESS</b> Small Block V/8, With TH-400 Auto Trans & Gauges	\$252.00	
41335	1972	<b>ENGINE HARNESS-HEI</b> Small Block V/8, With TH-400 Auto Trans & Gauges Note: This Harness Is Modified For Use With An HEI Distributor.	\$272.00	
41646	1972	<b>ENGINE HARNESS-SI SERIES INT REG ALT PASSENGER SIDE</b> Small Block V/8, With TH-400 Auto Trans & Gauges Note: This Harness Is To Be Used With A Forward Lamp Harness Modified For An Internal Regulated Alt. If Customer Is Not Changing The Original Forward Lamp Harness, An Adapter And Instruction Sheet Is Included To Alter The Factory Harness.	\$290.00	
41647	1972	<b>ENGINE HARNESS-HEI AND SI SERIES INT REG ALT PASSENGER SIDE</b> Small Block V/8, With TH-400 Auto Trans & Gauges Note: Harness Is Modified For Use With An HEI Distributor. It Must Be Used With A Forward Lamp Harness Modified For Internal Regulated Alt. If Using Your Original Forward Lamp, An Adapter & Instructions Are Included To Alter Your Original Harness.	\$304.00	
17430	1972	<b>ENGINE HARNESS</b> Big Block V/8, With Auto Trans & Warning Lights	\$252.00	
41336	1972	<b>ENGINE HARNESS-HEI</b> Big Block V/8, With Auto Trans & Warning Lights Note: This Harness Is Modified For Use With An HEI Distributor.	\$272.00	
41648	1972	<b>ENGINE HARNESS-SI SERIES INT REG ALT PASSENGER SIDE</b> Big Block V/8, With Auto Trans & Warning Lights Note: This Harness Is To Be Used With A Forward Lamp Harness Modified For An Internal Regulated Alt. If Customer Is Not Changing The Original Forward Lamp Harness, An Adapter And Instruction Sheet Is Included To Alter The Factory Harness.	\$290.00	
41649	1972	<b>ENGINE HARNESS-HEI AND SI SERIES INT REG ALT PASSENGER SIDE</b> Big Block V/8, With Auto Trans & Warning Lights Note: Harness Is Modified For Use With An HEI Distributor. It Must Be Used With A Forward Lamp Harness Modified For Internal Regulated Alt. If Using Your Original Forward Lamp, An Adapter & Instructions Are Included To Alter Your Original Harness.	\$304.00	
17415	1972	<b>ENGINE HARNESS</b> Big Block V/8, With Auto Trans & Gauges	\$252.00	
41338	1972	<b>ENGINE HARNESS-HEI</b> Big Block V/8, With Auto Trans & Gauges Note: This Harness Is Modified For Use With An HEI Distributor.	\$272.00	
41650	1972	<b>ENGINE HARNESS-SI SERIES INT REG ALT PASSENGER SIDE</b> Big Block V/8, With Auto Trans & Gauges Note: This Harness Is To Be Used With A Forward Lamp Harness Modified For An Internal Regulated Alt. If Customer Is Not Changing The Original Forward Lamp Harness, An Adapter And Instruction Sheet Is Included To Alter The Factory Harness.	\$290.00	
41651	1972	<b>ENGINE HARNESS-HEI AND SI SERIES INT REG ALT PASSENGER SIDE</b> Big Block V/8, With Auto Trans & Gauges Note: Harness Is Modified For Use With An HEI Distributor. It Must Be Used With A Forward Lamp Harness Modified For Internal Regulated Alt. If Using Your Original Forward Lamp, An Adapter & Instructions Are Included To Alter Your Original Harness.	\$304.00	
17425	1972	<b>ENGINE HARNESS</b> Big Block V/8, With Manual Trans & Warning Lights	\$252.00	
41340	1972	<b>ENGINE HARNESS-HEI</b> Big Block V/8, With Manual Trans & Warning Lights Note: This Harness Is Modified For Use With An HEI Distributor.	\$272.00	
41652	1972	<b>ENGINE HARNESS-SI SERIES INT REG ALT PASSENGER SIDE</b> Big Block V/8, With Manual Trans & Warning Lights Note: This Harness Is To Be Used With A Forward Lamp Harness Modified For An Internal Regulated Alt. If Customer Is Not Changing The Original Forward Lamp Harness, An Adapter And Instruction Sheet Is Included To Alter The Factory Harness.	\$290.00	
41653	1972	<b>ENGINE HARNESS-HEI AND SI SERIES INT REG ALT PASSENGER SIDE</b> Big Block V/8, With Manual Trans & Warning Lights Note: Harness Is Modified For Use With An HEI Distributor. It Must Be Used With A Forward Lamp Harness Modified For Internal Regulated Alt. If Using Your Original Forward Lamp, An Adapter & Instructions Are Included To Alter Your Original Harness.	\$304.00	
17420	1972	<b>ENGINE HARNESS</b> Big Block V/8, With Manual Trans & Gauges	\$252.00	
41342	1972	<b>ENGINE HARNESS-HEI</b> Big Block V/8, With Manual Trans & Gauges Note: This Harness Is Modified For Use With An HEI Distributor.	\$272.00	

Part Number	Year	Description	Price	*Rev.
41654	1972	<b>ENGINE HARNESS-SI SERIES INT REG ALT PASSENGER SIDE</b> Big Block V/8, With Manual Trans & Gauges Note: This Harness Is To Be Used With A Forward Lamp Harness Modified For An Internal Regulated Alt. If Customer Is Not Changing The Original Forward Lamp Harness, An Adapter And Instruction Sheet Is Included To Alter The Factory Harness.	\$290.00	
41655	1972	<b>ENGINE HARNESS-HEI AND SI SERIES INT REG ALT PASSENGER SIDE</b> Big Block V/8, With Manual Trans & Gauges Note: Harness Is Modified For Use With An HEI Distributor. It Must Be Used With A Forward Lamp Harness Modified For Internal Regulated Alt. If Using Your Original Forward Lamp, An Adapter & Instructions Are Included To Alter Your Original Harness.	\$304.00	
17015	1973	<b>ENGINE HARNESS</b> 6 Cylinder, All Note: 6 Cylinder Items Are Not Returnable.	\$304.00	
15500	1973	<b>ENGINE HARNESS</b> Small Block V/8, With Warning Lights Note: Manual Trans Requires Use Of Part #17365 T.C.S. Extension.	\$278.00	
41318	1973	<b>ENGINE HARNESS-HEI</b> Small Block V/8, With Warning Lights Note: This Harness Is Modified For Use With An HEI Distributor. Manual Trans Requires Use Of Part #17365 T.C.S. Extension.	\$294.00	
15505	1973	<b>ENGINE HARNESS</b> Small Block V/8, With Gauges Note: Manual Trans Requires Use Of Part #17355 T.C.S. Extension.	\$278.00	
41320	1973	<b>ENGINE HARNESS-HEI</b> Small Block V/8, With Gauges Note: This Harness Is Modified For Use With An HEI Distributor. Manual Trans Requires Use Of Part #17355 T.C.S. Extension.	\$294.00	
16565	1973	<b>ENGINE HARNESS</b> Small Block V/8, With TH-400 Auto Trans & Warning Lights	\$290.00	
41322	1973	<b>ENGINE HARNESS-HEI</b> Small Block V/8, With TH-400 Auto Trans & Warning Lights Note: This Harness Is Modified For Use With An HEI Distributor.	\$306.00	
16570	1973	<b>ENGINE HARNESS</b> Small Block V/8, With TH-400 Auto Trans & Gauges	\$290.00	
41323	1973	<b>ENGINE HARNESS-HEI</b> Small Block V/8, With TH-400 Auto Trans & Gauges Note: This Harness Is Modified For Use With An HEI Distributor.	\$306.00	
19010	1973	<b>ENGINE HARNESS</b> Big Block V/8, With Auto Trans & Warning Lights	\$290.00	
41316	1973	<b>ENGINE HARNESS-HEI</b> Big Block V/8, With Auto Trans & Warning Lights Note: This Harness Is Modified For Use With An HEI Distributor.	\$306.00	
19005	1973	<b>ENGINE HARNESS</b> Big Block V/8, With Manual Trans & Warning Lights	\$317.00	
41324	1973	<b>ENGINE HARNESS-HEI</b> Big Block V/8, With Manual Trans & Warning Lights Note: This Harness Is Modified For Use With An HEI Distributor.	\$333.00	
19020	1973	<b>ENGINE HARNESS</b> Big Block V/8, With Auto Trans & Gauges	\$290.00	
41326	1973	<b>ENGINE HARNESS-HEI</b> Big Block V/8, With Auto Trans & Gauges Note: This Harness Is Modified For Use With An HEI Distributor.	\$306.00	
19015	1973	<b>ENGINE HARNESS</b> Big Block V/8, With Manual Trans & Gauges	\$317.00	
41328	1973	<b>ENGINE HARNESS-HEI</b> Big Block V/8, With Manual Trans & Gauges Note: This Harness Is Modified For Use With An HEI Distributor.	\$333.00	
38008	1974	<b>ENGINE HARNESS</b> 6 Cylinder, With Auto Trans & Warning Lights Note: 6 Cylinder Items Are Not Returnable.	\$304.00	
41794	1974	<b>ENGINE HARNESS</b> 6 Cylinder, With Auto Trans & Gauges Note: 6 Cylinder Items Are Not Returnable.	\$304.00	
16595	1974	<b>ENGINE HARNESS</b> 6 Cylinder, With Manual Trans & Warning Lights Note: 6 Cylinder Items Are Not Returnable.	\$304.00	
41795	1974	<b>ENGINE HARNESS</b> 6 Cylinder, With Manual Trans & Gauges Note: 6 Cylinder Items Are Not Returnable.	\$304.00	
22605	1974	<b>ENGINE HARNESS</b> Small Block V/8, With Auto Trans & Warning Lights	\$279.00	
41493	1974	<b>ENGINE HARNESS-HEI</b> Small Block V/8, With Auto Trans & Warning Lights Note: This Harness Is For Use With An HEI Distributor.	\$290.00	
22610	1974	<b>ENGINE HARNESS</b> Small Block V/8, With Manual Trans & Warning Lights	\$290.00	
41344	1974	<b>ENGINE HARNESS-HEI</b> Small Block V/8, With Manual Trans & Warning Lights Note: This Harness Is Modified For Use With An HEI Distributor.	\$304.00	



Part Number	Year	Description	Price	*Rev.
22590	1974	<b>ENGINE HARNESS</b> Small Block V/8, With Auto Trans & Gauges	\$278.00	
41785	1974	<b>ENGINE HARNESS-HEI</b> Small Block V/8, With Auto Trans & Gauges Note: This Harness Is For Use With An HEI Distributor.	\$304.00	
22595	1974	<b>ENGINE HARNESS</b> Small Block V/8, With Manual Trans & Gauges	\$290.00	
41346	1974	<b>ENGINE HARNESS-HEI</b> Small Block V/8, With Manual Trans & Gauges Note: This Harness Is Modified For Use With An HEI Distributor.	\$304.00	
19010	1974	<b>ENGINE HARNESS</b> Big Block V/8, With Auto Trans & Warning Lights	\$290.00	
41637	1974	<b>ENGINE HARNESS-HEI</b> Big Block V/8, With Auto Trans & Warning Lights Note: This Harness Is Modified For Use With An HEI Distributor.	\$304.00	
19005	1974	<b>ENGINE HARNESS</b> Big Block V/8, With Manual Trans & Warning Lights	\$317.00	
41786	1974	<b>ENGINE HARNESS-HEI</b> Big Block V/8, With Manual Trans & Warning Lights Note: This Harness Is For Use With An HEI Distributor.	\$317.00	
19020	1974	<b>ENGINE HARNESS</b> Big Block V/8, With Auto Trans & Gauges	\$290.00	
41788	1974	<b>ENGINE HARNESS-HEI</b> Big Block V/8, With Auto Trans & Gauges Note: This Harness Is For Use With An HEI Distributor.	\$317.00	
19015	1974	<b>ENGINE HARNESS</b> Big Block V/8, With Manual Trans & Gauges	\$317.00	
41787	1974	<b>ENGINE HARNESS-HEI</b> Big Block V/8, With Manual Trans & Gauges Note: This Harness Is For Use With An HEI Distributor.	\$317.00	
18615	1975	<b>ENGINE HARNESS</b> 6 Cylinder, Except Integrated Cylinder Head Note: 6 Cylinder Items Are Not Returnable.	\$317.00	
18610	1975	<b>ENGINE HARNESS</b> 6 Cylinder, With Integrated Cylinder Head Note: 6 Cylinder Items Are Not Returnable.	\$317.00	
18680	1975	<b>ENGINE HARNESS</b> V/8, Without TH-400 Auto Trans	\$290.00	
19045	1975	<b>ENGINE HARNESS</b> V/8, With TH-400 Auto Trans	\$290.00	
35990	1976	<b>ENGINE HARNESS</b> 6 Cylinder, All Note: 6 Cylinder Items Are Not Returnable.	\$304.00	
36007	1976	<b>ENGINE HARNESS</b> V/8, All	\$264.00	
35989	1977	<b>ENGINE HARNESS</b> 6 Cylinder, Without California Emissions Note: 6 Cylinder Items Are Not Returnable.	\$290.00	
35988	1977	<b>ENGINE HARNESS</b> 6 Cylinder, With California Emissions Note: 6 Cylinder Items Are Not Returnable.	\$290.00	
36007	1977	<b>ENGINE HARNESS</b> V/8, All	\$264.00	
41865	1978	<b>ENGINE HARNESS</b> V/6, With Warning Lights	\$396.00	
41864	1978	<b>ENGINE HARNESS</b> V/6, With Gauges, Except California Emissions	\$396.00	
41870	1978	<b>ENGINE HARNESS</b> V/6, With Gauges & California Emissions	\$396.00	
41557	1978	<b>ENGINE HARNESS</b> V/8, 305 C.I., Without California Emissions, Or All With 350 C.I. V/8	\$331.00	
41817	1978	<b>ENGINE HARNESS</b> V/8, 305 C.I., With California Emissions	\$396.00	
41871	1979	<b>ENGINE HARNESS</b> V/6, 200 C.I., All	\$396.00	
41872	1979	<b>ENGINE HARNESS</b> V/6, 231 C.I., With Warning Lights	\$396.00	
41873	1979	<b>ENGINE HARNESS</b> V/6, 231 C.I., With Gauges	\$396.00	
41458	1979	<b>ENGINE HARNESS</b> V/8	\$396.00	
41904	1979	<b>ENGINE HARNESS</b> V/8, With Transmission Torque Converter Clutch (T.C.C..)	\$396.00	
41883	1980	<b>ENGINE HARNESS</b> V/6, 229 C.I., With Warning Lights, Except TH200C Computer Controlled Auto Transmission	\$436.00	
41884	1980	<b>ENGINE HARNESS</b> V/6, 229 C.I., With Gauges, Except TH200C Computer Controlled Auto Transmission	\$436.00	
41911	1980	<b>ENGINE HARNESS</b> V/6, 229 C.I., With Warning Lights & TH200C Computer Controlled Auto Transmission	\$436.00	

Part Number	Year	Description	Price	*Rev.
41912	1980	ENGINE HARNESS V/6, 229 C.I., With Gauges & TH200C Computer Controlled Auto Transmission	\$436.00	
41885	1980	ENGINE HARNESS V/6, 231 C.I., With Warning Lights, Except Turbo	\$436.00	
41886	1980	ENGINE HARNESS V/6, 231 C.I., With Gauges, Except Turbo	\$436.00	
41907	1980	ENGINE HARNESS V/6, 231 C.I., With Warning Lights & Turbo	\$436.00	
41915	1980	ENGINE HARNESS V/6, 231 C.I., With Gauges & Turbo	\$436.00	
41887	1980	ENGINE HARNESS V/8, With Warning Lights, Except TH200C Computer Controlled Auto Transmission	\$436.00	
41888	1980	ENGINE HARNESS V/8, With Gauges, Except TH200C Computer Controlled Auto Transmission	\$436.00	
41890	1980	ENGINE HARNESS V/8, With Gauges & TH200C Computer Controlled Auto Transmission	\$436.00	
41897	1980	ENGINE HARNESS V/8, With Warning Lights & TH200C Computer Controlled Auto Transmission	\$463.00	
41949	1981	ENGINE HARNESS V/6, 229 C.I. With Warning Lights	\$436.00	
41950	1981	ENGINE HARNESS V/6, 229 C.I. With Gauges	\$436.00	
41951	1981	ENGINE HARNESS V/6, 231 C.I. With Warning Lights	\$436.00	
41952	1981	ENGINE HARNESS V/6, 231 C.I. With Gauges	\$436.00	
41944	1981	ENGINE HARNESS V/6, 231 C.I. Turbo, Monte Carlo, With Warning Lights	\$436.00	
41945	1981	ENGINE HARNESS V/6, 231 C.I. Turbo, Monte Carlo, With Gauges	\$436.00	
38815	1981	ENGINE HARNESS V/8, With Warning Lights	\$436.00	
38816	1981	ENGINE HARNESS V/8, With Gauges	\$436.00	
41968	1982	ENGINE HARNESS V/6, 229 C.I., With Warning Lights	\$436.00	
41969	1982	ENGINE HARNESS V/6, 229 C.I., With Gauges	\$436.00	
41987	1982	ENGINE HARNESS V/6, 231 C.I., With Warning Lights	\$436.00	
41988	1982	ENGINE HARNESS V/6, 231 C.I., With Gauges	\$436.00	
41970	1982	ENGINE HARNESS V/8, With Warning Lights	\$436.00	
41435	1982	ENGINE HARNESS V/8, With Gauges	\$436.00	
<b>ERG CUTOUT JUMPER HARNESS</b>				
41958	1982	ERG CUTOUT JUMPER HARNESS V/6, 231 C.I. Only	\$34.00	
<b>FORWARD LAMP HARNESS</b>				
05745	1964	FORWARD LAMP HARNESS All, With Warning Lights	\$247.00	
39030	1964	FORWARD LAMP HARNESS-INT REG ALT DRIVER SIDE All, With Warning Lights Note: Modified For Driver Side Mounted 1972-84 Non-Serpentine Belt ("SI" Series) Internal Regulated Alternators.	\$275.00	
39230	1964	FORWARD LAMP HARNESS-INT REG ALT PASSENGER SIDE All, With Warning Lights Note: Modified For Passenger Side Mounted 1972-84 Non-Serpentine Belt ("SI" Series) Internal Regulated Alternators.	\$286.00	
05740	1964	FORWARD LAMP HARNESS All, With Gauges	\$247.00	
39071	1964	FORWARD LAMP HARNESS-INT REG ALT DRIVER SIDE All, With Gauges Note: Modified For Driver Side Mounted 1972-84 Non-Serpentine Belt ("SI" Series) Internal Regulated Alternators.	\$275.00	
39136	1964	FORWARD LAMP HARNESS-INT REG ALT PASSENGER SIDE All, With Gauges Note: Modified For Passenger Side Mounted 1972-84 Non-Serpentine Belt ("SI" Series) Internal Regulated Alternators.	\$286.00	
30925	1964	FORWARD LAMP EXTENSION HARNESS Los Angeles Built Cars With Power Brakes, Bulkhead To Front Lamp Harness	\$69.00	
18010	1965	FORWARD LAMP HARNESS All, With Warning Lights	\$247.00	
38991	1965	FORWARD LAMP HARNESS-INT REG ALT DRIVER SIDE All, With Warning Lights Note: Modified For Driver Side Mounted 1972-84 Non-Serpentine Belt ("SI" Series) Internal Regulated Alternators.	\$275.00	
39172	1965	FORWARD LAMP HARNESS-INT REG ALT PASSENGER SIDE All, With Warning Lights Note: Modified For Passenger Side Mounted 1972-84 Non-Serpentine Belt ("SI" Series) Internal Regulated Alternators.	\$286.00	
09400	1965	FORWARD LAMP HARNESS All, With Gauges	\$247.00	

Part Number	Year	Description	Price	*Rev.
38992	1965	<b>FORWARD LAMP HARNESS-INT REG ALT DRIVER SIDE</b> All, With Gauges Note: Modified For Driver Side Mounted 1972-84 Non-Serpentine Belt ("SI" Series) Internal Regulated Alternators.	\$275.00	
39054	1965	<b>FORWARD LAMP HARNESS-INT REG ALT PASSENGER SIDE</b> All, With Gauges Note: Modified For Passenger Side Mounted 1972-84 Non-Serpentine Belt ("SI" Series) Internal Regulated Alternators.	\$286.00	
28410	1965	<b>FORWARD LAMP EXTENSION HARNESS</b> Los Angeles Built Cars With Power Brakes, Bulkhead To Front Lamp Harness	\$69.00	
10060	1966	<b>FORWARD LAMP HARNESS</b> All, With Warning Lights	\$247.00	
38981	1966	<b>FORWARD LAMP HARNESS-INT REG ALT DRIVER SIDE</b> All, With Warning Lights Note: Modified For Driver Side Mounted 1972-84 Non-Serpentine Belt ("SI" Series) Internal Regulated Alternators.	\$275.00	
39092	1966	<b>FORWARD LAMP HARNESS-INT REG ALT PASSENGER SIDE</b> All, With Warning Lights Note: Modified For Passenger Side Mounted 1972-84 Non-Serpentine Belt ("SI" Series) Internal Regulated Alternators.	\$286.00	
10065	1966	<b>FORWARD LAMP HARNESS</b> All, With Gauges	\$247.00	
39003	1966	<b>FORWARD LAMP HARNESS-INT REG ALT DRIVER SIDE</b> All, With Gauges Note: Modified For Driver Side Mounted 1972-84 Non-Serpentine Belt ("SI" Series) Internal Regulated Alternators.	\$275.00	
39174	1966	<b>FORWARD LAMP HARNESS-INT REG ALT PASSENGER SIDE</b> All, With Gauges Note: Modified For Passenger Side Mounted 1972-84 Non-Serpentine Belt ("SI" Series) Internal Regulated Alternators.	\$286.00	
28410	1966	<b>FORWARD LAMP EXTENSION HARNESS</b> Los Angeles Built Cars With Power Brakes, Bulkhead To Front Lamp Harness	\$69.00	
17395	1967	<b>FORWARD LAMP HARNESS</b> All, With Warning Lights	\$247.00	
38958	1967	<b>FORWARD LAMP HARNESS-INT REG ALT DRIVER SIDE</b> All, With Warning Lights Note: Modified For Driver Side Mounted 1972-84 Non-Serpentine Belt ("SI" Series) Internal Regulated Alternators.	\$275.00	
39110	1967	<b>FORWARD LAMP HARNESS-INT REG ALT PASSENGER SIDE</b> All, With Warning Lights Note: Modified For Passenger Side Mounted 1972-84 Non-Serpentine Belt ("SI" Series) Internal Regulated Alternators.	\$286.00	
11515	1967	<b>FORWARD LAMP HARNESS</b> All, With Gauges	\$247.00	
39018	1967	<b>FORWARD LAMP HARNESS-INT REG ALT DRIVER SIDE</b> All, With Gauges Note: Modified For Driver Side Mounted 1972-84 Non-Serpentine Belt ("SI" Series) Internal Regulated Alternators.	\$275.00	
39138	1967	<b>FORWARD LAMP HARNESS-INT REG ALT PASSENGER SIDE</b> All, With Gauges Note: Modified For Passenger Side Mounted 1972-84 Non-Serpentine Belt ("SI" Series) Internal Regulated Alternators.	\$286.00	
11770	1968	<b>FORWARD LAMP HARNESS</b> 6 Cylinder Note: 6 Cylinder Items Are Not Returnable.	\$303.00	
41688	1968	<b>FORWARD LAMP HARNESS</b> 6 Cylinder, Right Hand Drive, Export Note: 6 Cylinder Items Are Not Returnable.	\$330.00	
11775	1968	<b>FORWARD LAMP HARNESS</b> V/8, With Warning Lights	\$259.00	
38997	1968	<b>FORWARD LAMP HARNESS-INT REG ALT DRIVER SIDE</b> V/8, With Warning Lights Note: Modified For Driver Side Mounted 1972-84 Non-Serpentine Belt ("SI" Series) Internal Regulated Alternators.	\$288.00	
39093	1968	<b>FORWARD LAMP HARNESS-INT REG ALT PASSENGER SIDE</b> V/8, With Warning Lights Note: Modified For Passenger Side Mounted 1972-84 Non-Serpentine Belt ("SI" Series) Internal Regulated Alternators.	\$299.00	
11810	1968	<b>FORWARD LAMP HARNESS</b> V/8, With Gauges	\$273.00	
39076	1968	<b>FORWARD LAMP HARNESS-INT REG ALT DRIVER SIDE</b> V/8, With Gauges Note: Modified For Driver Side Mounted 1972-84 Non-Serpentine Belt ("SI" Series) Internal Regulated Alternators.	\$301.00	
39175	1968	<b>FORWARD LAMP HARNESS-INT REG ALT PASSENGER SIDE</b> V/8, With Gauges Note: Modified For Passenger Side Mounted 1972-84 Non-Serpentine Belt ("SI" Series) Internal Regulated Alternators.	\$312.00	
14005	1969	<b>FORWARD LAMP HARNESS</b> 6 Cylinder Note: 6 Cylinder Items Are Not Returnable.	\$317.00	
41693	1969	<b>FORWARD LAMP HARNESS</b> 6 Cylinder, Right Hand Drive, Export Note: 6 Cylinder Items Are Not Returnable.	\$345.00	
18015	1969	<b>FORWARD LAMP HARNESS</b> V/8, With Warning Lights	\$273.00	
41656	1969	<b>FORWARD LAMP HARNESS-INT REG ALT DRIVER SIDE</b> V/8, With Warning Lights Note: Modified For Driver Side Mounted 1972-84 Non-Serpentine Belt ("SI" Series) Internal Regulated Alternators.	\$288.00	C

Part Number	Year	Description	Price	*Rev.
38976	1969	<b>FORWARD LAMP HARNESS-INT REG ALT PASSENGER SIDE</b> V/8, With Warning Lights Note: Modified For Passenger Side Mounted 1972-84 Non-Serpentine Belt ("SI" Series) Internal Regulated Alternators.	\$312.00	
12960	1969	<b>FORWARD LAMP HARNESS</b> V/8, With Gauges	\$273.00	
39176	1969	<b>FORWARD LAMP HARNESS-INT REG ALT DRIVER SIDE</b> V/8, With Gauges	\$332.00	
38962	1969	<b>FORWARD LAMP HARNESS-INT REG ALT PASSENGER SIDE</b> V/8, With Gauges Note: Modified For Passenger Side Mounted 1972-84 Non-Serpentine Belt ("SI" Series) Internal Regulated Alternators.	\$312.00	
14680	1970	<b>FORWARD LAMP HARNESS</b> 6 Cylinder, Chevelle & El Camino Note: 6 Cylinder Items Are Not Returnable.	\$358.00	
15160	1970	<b>FORWARD LAMP HARNESS</b> V/8, Chevelle & El Camino, With Warning Lights, Without A/C, Except 396-454 C.I. Engines	\$273.00	
38998	1970	<b>FORWARD LAMP HARNESS-INT REG ALT PASSENGER SIDE</b> V/8, Chevelle & El Camino, With Warning Lights, Without A/C, Except 396-454 C.I. Engines Note: Modified For Passenger Side Mounted 1972-84 Non-Serpentine Belt ("SI" Series) Internal Regulated Alternators.	\$312.00	
14685	1970	<b>FORWARD LAMP HARNESS</b> V/8, Chevelle & El Camino, With Warning Lights & A/C, Or All 396-454 C.I. With Warning Lights	\$273.00	
39019	1970	<b>FORWARD LAMP HARNESS-INT REG ALT PASSENGER SIDE</b> V/8, Chevelle & El Camino, With Warning Lights & A/C, Or All 396-454 C.I. With Warning Lights Note: Modified For Passenger Side Mounted 1972-84 Non-Serpentine Belt ("SI" Series) Internal Regulated Alternators.	\$312.00	
14690	1970	<b>FORWARD LAMP HARNESS</b> V/8, Chevelle & El Camino, All With Gauges	\$273.00	
38940	1970	<b>FORWARD LAMP HARNESS-INT REG ALT PASSENGER SIDE</b> V/8, Chevelle & El Camino, All With Gauges Note: Modified For Passenger Side Mounted 1972-84 Non-Serpentine Belt ("SI" Series) Internal Regulated Alternators.	\$312.00	
15165	1970	<b>FORWARD LAMP HARNESS</b> V/8, Monte Carlo, With Warning Lights	\$299.00	
39139	1970	<b>FORWARD LAMP HARNESS-INT REG ALT PASSENGER SIDE</b> V/8, Monte Carlo, With Warning Lights Note: Modified For Passenger Side Mounted 1972-84 Non-Serpentine Belt ("SI" Series) Internal Regulated Alternators.	\$338.00	
15010	1970	<b>FORWARD LAMP HARNESS</b> V/8, Monte Carlo, With Warning Lights & A/C	\$299.00	
39233	1970	<b>FORWARD LAMP HARNESS-INT REG ALT PASSENGER SIDE</b> V/8, Monte Carlo, With Warning Lights & A/C Note: Modified For Passenger Side Mounted 1972-84 Non-Serpentine Belt ("SI" Series) Internal Regulated Alternators.	\$338.00	
17650	1970	<b>FORWARD LAMP HARNESS</b> V/8, Monte Carlo, All With Gauges	\$299.00	
39234	1970	<b>FORWARD LAMP HARNESS-INT REG ALT PASSENGER SIDE</b> V/8, Monte Carlo, All With Gauges Note: Modified For Passenger Side Mounted 1972-84 Non-Serpentine Belt ("SI" Series) Internal Regulated Alternators.	\$338.00	
14010	1971	<b>FORWARD LAMP HARNESS</b> 6 Cylinder, Chevelle & El Camino Note: 6 Cylinder Items Are Not Returnable.	\$358.00	
17465	1971	<b>FORWARD LAMP HARNESS</b> V/8, Chevelle & El Camino, With Warning Lights	\$285.00	
39094	1971	<b>FORWARD LAMP HARNESS-INT REG ALT PASSENGER SIDE</b> V/8, Chevelle & El Camino, With Warning Lights Note: Modified For Passenger Side Mounted 1972-84 Non-Serpentine Belt ("SI" Series) Internal Regulated Alternators.	\$325.00	
15275	1971	<b>FORWARD LAMP HARNESS</b> V/8, Chevelle & El Camino, With Warning Lights & A/C	\$285.00	
39140	1971	<b>FORWARD LAMP HARNESS-INT REG ALT PASSENGER SIDE</b> V/8, Chevelle & El Camino, With Warning Lights & A/C Note: Modified For Passenger Side Mounted 1972-84 Non-Serpentine Belt ("SI" Series) Internal Regulated Alternators.	\$325.00	
17460	1971	<b>FORWARD LAMP HARNESS</b> V/8, Chevelle & El Camino, All With Gauges	\$285.00	
39005	1971	<b>FORWARD LAMP HARNESS-INT REG ALT PASSENGER SIDE</b> V/8, Chevelle & El Camino, All With Gauges Note: Modified For Passenger Side Mounted 1972-84 Non-Serpentine Belt ("SI" Series) Internal Regulated Alternators.	\$325.00	
17475	1971	<b>FORWARD LAMP HARNESS</b> V/8, Monte Carlo, With Warning Lights	\$299.00	
39235	1971	<b>FORWARD LAMP HARNESS-INT REG ALT PASSENGER SIDE</b> V/8, Monte Carlo, With Warning Lights Note: Modified For Passenger Side Mounted 1972-84 Non-Serpentine Belt ("SI" Series) Internal Regulated Alternators.	\$338.00	
17480	1971	<b>FORWARD LAMP HARNESS</b> V/8, Monte Carlo, With Warning Lights & A/C	\$299.00	
39237	1971	<b>FORWARD LAMP HARNESS-INT REG ALT PASSENGER SIDE</b> V/8, Monte Carlo, With Warning Lights & A/C Note: Modified For Passenger Side Mounted 1972-84 Non-Serpentine Belt ("SI" Series) Internal Regulated Alternators.	\$338.00	
17470	1971	<b>FORWARD LAMP HARNESS</b> V/8, Monte Carlo, All With Gauges	\$299.00	
39236	1971	<b>FORWARD LAMP HARNESS-INT REG ALT PASSENGER SIDE</b> V/8, Monte Carlo, All With Gauges Note: Modified For Passenger Side Mounted 1972-84 Non-Serpentine Belt ("SI" Series) Internal Regulated Alternators.	\$338.00	

Part Number	Year	Description	Price	*Rev.
18540	1971	<b>FORWARD PARK AND MARKER LAMP EXTENSION</b> Monte Carlo (2 Required Per Car)	\$59.00	
16455	1972	<b>FORWARD LAMP HARNESS</b> Chevelle & El Camino	\$278.00	
41638	1972	<b>FORWARD LAMP HARNESS-SI SERIES INT REG ALT</b> Chevelle & El Camino Note: This Harness Must Be Used Together With A New Engine Harness Also Modified For Int. Reg. Alt.	\$343.00	
16460	1972	<b>FORWARD LAMP HARNESS</b> Monte Carlo	\$304.00	
41639	1972	<b>FORWARD LAMP HARNESS-SI SERIES INT REG ALT</b> Monte Carlo Note: This Harness Must Be Used Together With A New Engine Harness Also Modified For Int. Reg. Alt.	\$343.00	
19035	1973	<b>FORWARD LAMP HARNESS</b> Chevelle & El Camino	\$290.00	
41764	1973	<b>FORWARD LAMP HARNESS</b> Laguna	\$304.00	
41744	1973	<b>FORWARD LAMP HARNESS</b> Monte Carlo	\$304.00	
19040	1974	<b>FORWARD LAMP HARNESS</b> Chevelle & El Camino Note: Customer Must Reuse Their Original Plastic Connector For The Seat Belt Ignition Interlock Override Switch.	\$331.00	
41768	1974	<b>FORWARD LAMP HARNESS</b> Laguna Note: Customer Must Reuse Their Original Plastic Connector For The Seat Belt Ignition Interlock Override Switch.	\$331.00	
41492	1974	<b>FORWARD LAMP HARNESS</b> Monte Carlo Note: Customer Must Reuse Their Original Plastic Connector For The Seat Belt Ignition Interlock Override Switch.	\$331.00	
41779	1975	<b>FORWARD LAMP HARNESS</b> Chevelle & El Camino Note: Customer Must Reuse Their Original Plastic Connector For The Seat Belt Ignition Interlock Override Switch.	\$357.00	
41782	1975	<b>FORWARD LAMP HARNESS</b> Laguna Note: Customer Must Reuse Their Original Plastic Connector For The Seat Belt Ignition Interlock Override Switch.	\$357.00	
41780	1975	<b>FORWARD LAMP HARNESS</b> Monte Carlo Note: Customer Must Reuse Their Original Plastic Connector For The Seat Belt Ignition Interlock Override Switch.	\$357.00	
41801	1976	<b>FORWARD LAMP HARNESS</b> Chevelle & El Camino, With Round Headlamps	\$357.00	
41802	1976	<b>FORWARD LAMP HARNESS</b> Chevelle & El Camino, With Rectangular Headlamps	\$357.00	
41804	1976	<b>FORWARD LAMP HARNESS</b> Laguna	\$357.00	
41803	1976	<b>FORWARD LAMP HARNESS</b> Monte Carlo	\$357.00	
41811	1977	<b>FORWARD LAMP HARNESS</b> Chevelle & El Camino, With Round Headlamps	\$357.00	
41812	1977	<b>FORWARD LAMP HARNESS</b> Chevelle & El Camino, With Rectangular Headlamps	\$357.00	
41813	1977	<b>FORWARD LAMP HARNESS</b> Monte Carlo	\$357.00	
41558	1978	<b>FORWARD LAMP HARNESS</b> All, Except Monte Carlo Note: Customer Must Supply Us With Their Original Harness.	\$396.00	
41822	1978	<b>FORWARD LAMP HARNESS</b> Monte Carlo Note: Customer Must Supply Us With Their Original Harness.	\$528.00	
41878	1979	<b>FORWARD LAMP HARNESS</b> All, Except Monte Carlo Note: Customer Must Supply Us With Their Original Harness.	\$528.00	
41879	1979	<b>FORWARD LAMP HARNESS</b> Monte Carlo	\$528.00	
41878	1980	<b>FORWARD LAMP HARNESS</b> All, Except Monte Carlo Note: Customer Must Supply Us With Their Original Harness.	\$528.00	
41882	1980	<b>FORWARD LAMP HARNESS</b> Monte Carlo Note: Customer Must Supply Us With Their Original Harness.	\$528.00	
41948	1981	<b>FORWARD LAMP HARNESS</b> All, Except Monte Carlo Note: Customer Must Supply Us With Their Original Harness.	\$528.00	
41939	1981	<b>FORWARD LAMP HARNESS</b> Monte Carlo, Without Cornering Lamps	\$528.00	
41940	1981	<b>FORWARD LAMP HARNESS</b> Monte Carlo, With Cornering Lamps	\$528.00	
41966	1982	<b>FORWARD LAMP HARNESS</b> All, Except Monte Carlo	\$528.00	
41939	1982	<b>FORWARD LAMP HARNESS</b> Monte Carlo, Without Cornering Lamps	\$528.00	
41940	1982	<b>FORWARD LAMP HARNESS</b> Monte Carlo, With Cornering Lamps	\$528.00	

Part Number	Year	Description	Price	*Rev.
<b>FUEL SYSTEM WATER SENSOR HARNESS</b>				
42048	1982	FUEL SYSTEM WATER SENSOR HARNESS Diesel, From Rear Body Harness To Water Sensor	\$48.00	
<b>FUEL TANK SENDER WIRE</b>				
28495	1967	FUEL TANK SENDER WIRE Chevelle	\$25.00	
28480	1967	FUEL TANK SENDER WIRE El Camino & Wagon	\$26.00	
28540	1968	FUEL TANK SENDER WIRE Chevelle	\$25.00	
28535	1968	FUEL TANK SENDER WIRE El Camino	\$25.00	
11910	1968	FUEL TANK SENDER WIRE Wagon	\$30.00	
28540	1969	FUEL TANK SENDER WIRE Chevelle	\$25.00	
28535	1969	FUEL TANK SENDER WIRE El Camino	\$25.00	
11910	1969	FUEL TANK SENDER WIRE Wagon	\$30.00	
28940	1970	FUEL TANK SENDER WIRE Chevelle	\$25.00	
28535	1970	FUEL TANK SENDER WIRE El Camino	\$25.00	
11910	1970	FUEL TANK SENDER WIRE Wagon	\$30.00	
28945	1970	FUEL TANK SENDER WIRE Monte Carlo	\$25.00	
28940	1971	FUEL TANK SENDER WIRE Chevelle	\$25.00	
28535	1971	FUEL TANK SENDER WIRE El Camino	\$25.00	
11910	1971	FUEL TANK SENDER WIRE Wagon	\$30.00	
28945	1971	FUEL TANK SENDER WIRE Monte Carlo	\$25.00	
28940	1972	FUEL TANK SENDER WIRE Chevelle	\$25.00	
28535	1972	FUEL TANK SENDER WIRE El Camino	\$25.00	
11910	1972	FUEL TANK SENDER WIRE Wagon	\$30.00	
28945	1972	FUEL TANK SENDER WIRE Monte Carlo	\$25.00	
41739	1973	FUEL TANK SENDER WIRE All, Except Wagon & El Camino Note: 1973-1982 Wagon Fuel Sender Wire Is Part Of Rear Lamp Harness.	\$35.00	
41757	1973	FUEL TANK SENDER WIRE El Camino	\$35.00	
41772	1974	FUEL TANK SENDER WIRE Chevelle, Coupe & Sedan Note: 1974-1975 Monte Carlo Fuel Sender Wire Is Part Of Backup Lamp Harness. 1973-1982 Wagon Fuel Sender Wire Is Part Of Rear Lamp Harness.	\$35.00	
41757	1974	FUEL TANK SENDER WIRE El Camino	\$35.00	
41772	1975	FUEL TANK SENDER WIRE Chevelle, Coupe & Sedan Note: 1974-1975 Monte Carlo Fuel Sender Wire Is Part Of Backup Lamp Harness. 1973-1982 Wagon Fuel Sender Wire Is Part Of Rear Lamp Harness.	\$35.00	
41757	1975	FUEL TANK SENDER WIRE El Camino	\$35.00	
41772	1976	FUEL TANK SENDER WIRE All, Coupe & Sedan Note: 1973-1982 Wagon Fuel Sender Wire Is Part Of Rear Lamp Harness.	\$35.00	
41757	1976	FUEL TANK SENDER WIRE El Camino	\$35.00	
41772	1977	FUEL TANK SENDER WIRE All, Coupe & Sedan Note: 1973-1982 Wagon Fuel Sender Wire Is Part Of Rear Lamp Harness.	\$35.00	
41757	1977	FUEL TANK SENDER WIRE El Camino	\$35.00	
41919	1978	FUEL TANK SENDER WIRE All, Except Wagon & El Camino Note: 1973-1982 Wagon Fuel Sender Wire Is Part Of Rear Lamp Harness.	\$40.00	
41860	1978	FUEL TANK SENDER WIRE El Camino	\$40.00	
41919	1979	FUEL TANK SENDER WIRE All, Except Wagon & El Camino	\$40.00	
41860	1979	FUEL TANK SENDER WIRE El Camino	\$40.00	
41919	1980	FUEL TANK SENDER WIRE All, Except Wagon & El Camino Note: 1973-1982 Wagon Fuel Sender Wire Is Part Of Rear Lamp Harness.	\$40.00	
41860	1980	FUEL TANK SENDER WIRE El Camino	\$40.00	

Part Number	Year	Description	Price	*Rev.
41919	1981	<b>FUEL TANK SENDER WIRE</b> All, Except Wagon & El Camino Note: 1973-1982 Wagon Fuel Sender Wire Is Part Of Rear Lamp Harness.	\$40.00	
41860	1981	<b>FUEL TANK SENDER WIRE</b> El Camino	\$40.00	
41919	1982	<b>FUEL TANK SENDER WIRE</b> All, Except Wagon & El Camino Note: 1973-1982 Wagon Fuel Sender Wire Is Part Of Rear Lamp Harness.	\$40.00	
41860	1982	<b>FUEL TANK SENDER WIRE</b> El Camino	\$40.00	
<b>FUEL TANK SENDING UNIT</b>				
06425600	1964	<b>FUEL TANK SENDING UNIT</b> 3/8" Fuel Line, Except 3 Seat Station Wagon	\$43.00	N
05642836	1964	<b>FUEL TANK SENDING UNIT</b> 5/16" Fuel Line, Except 3 Seat Station Wagon	\$43.00	N
06426973	1965	<b>FUEL TANK SENDING UNIT</b> 3/8" Fuel Line	\$43.00	N
06428067	1965	<b>FUEL TANK SENDING UNIT</b> 5/16" Fuel Line	\$43.00	N
06426973	1966	<b>FUEL TANK SENDING UNIT</b> 3/8" Fuel Line	\$43.00	N
06428067	1966	<b>FUEL TANK SENDING UNIT</b> 5/16" Fuel Line	\$43.00	N
06426973	1967	<b>FUEL TANK SENDING UNIT</b> 3/8" Fuel Line	\$43.00	N
06428067	1967	<b>FUEL TANK SENDING UNIT</b> 5/16" Fuel Line	\$43.00	N
06428034	1968	<b>FUEL TANK SENDING UNIT</b> 3/8" Fuel Line, Single Outlet, Except Wagon	\$43.00	N
06428034	1969	<b>FUEL TANK SENDING UNIT</b> 3/8" Fuel Line, Single Outlet, Except Wagon	\$43.00	N
06428035	1969	<b>FUEL TANK SENDING UNIT</b> 3/8" Fuel Line, With 2nd Vent Line, Except Wagon	\$43.00	N
06428034	1970	<b>FUEL TANK SENDING UNIT</b> 3/8" Fuel Line, Single Outlet, Except Wagon	\$43.00	N
06428035	1970	<b>FUEL TANK SENDING UNIT</b> 3/8" Fuel Line, With 2nd Vent Line, Except Wagon	\$43.00	N
06428845	1970	<b>FUEL TANK SENDING UNIT</b> V/8 Wagon, With A/C, 3/8" Fuel Line, Single Line	\$43.00	N
06428838	1971	<b>FUEL TANK SENDING UNIT</b> 3/8" Fuel Line, Single Outlet, Except Wagon	\$43.00	N
06428837	1971	<b>FUEL TANK SENDING UNIT</b> 3/8" Fuel Line, With 2nd Vent Line, Except Wagon	\$43.00	N
06428838	1972	<b>FUEL TANK SENDING UNIT</b> 3/8" Fuel Line, Single Outlet, Except Wagon	\$43.00	N
06428837	1972	<b>FUEL TANK SENDING UNIT</b> 3/8" Fuel Line, With 2nd Vent Line, Except Wagon	\$43.00	N
19180450	1978	<b>FUEL TANK SENDING UNIT</b> El Camino, 3/8" Fuel Line, With 17.5 Gallon Fuel Tank Note: 19180450 Is The Latest GM Replacement Part Number For Original 25000932.	\$77.00	N
19180451	1978	<b>FUEL TANK SENDING UNIT</b> El Camino, 3/8" Fuel Line, With 22 Gallon Fuel Tank Note: 19180451 Is The Latest GM Replacement Part Number For Original 25001076.	\$77.00	N
19180450	1979	<b>FUEL TANK SENDING UNIT</b> El Camino, 3/8" Fuel Line, With 17.5 Gallon Fuel Tank Note: 19180450 Is The Latest GM Replacement Part Number For Original 25000932.	\$77.00	N
19180451	1979	<b>FUEL TANK SENDING UNIT</b> El Camino, 3/8" Fuel Line, With 22 Gallon Fuel Tank Note: 19180451 Is The Latest GM Replacement Part Number For Original 25001076.	\$77.00	N
19180450	1980	<b>FUEL TANK SENDING UNIT</b> El Camino, 3/8" Fuel Line, With 17.5 Gallon Fuel Tank Note: 19180450 Is The Latest GM Replacement Part Number For Original 25000932.	\$77.00	N
19180451	1980	<b>FUEL TANK SENDING UNIT</b> El Camino, 3/8" Fuel Line, With 22 Gallon Fuel Tank Note: 19180451 Is The Latest GM Replacement Part Number For Original 25001076.	\$77.00	N

Part Number	Year	Description	Price	*Rev.
19180450	1981	<b>FUEL TANK SENDING UNIT</b> El Camino, 3/8" Fuel Line, With 17.5 Gallon Fuel Tank Note: 19180450 Is The Latest GM Replacement Part Number For Original 25000932.	\$77.00	N
19180451	1981	<b>FUEL TANK SENDING UNIT</b> El Camino, 3/8" Fuel Line, With 22 Gallon Fuel Tank Note: 19180451 Is The Latest GM Replacement Part Number For Original 25001076.	\$77.00	N
19180450	1982	<b>FUEL TANK SENDING UNIT</b> El Camino, 3/8" Fuel Line, With 17.5 Gallon Fuel Tank Note: 19180450 Is The Latest GM Replacement Part Number For Original 25000932.	\$77.00	N
19180451	1982	<b>FUEL TANK SENDING UNIT</b> El Camino, 3/8" Fuel Line, With 22 Gallon Fuel Tank Note: 19180451 Is The Latest GM Replacement Part Number For Original 25001076.	\$77.00	N
19180450	1983	<b>FUEL TANK SENDING UNIT</b> El Camino, 3/8" Fuel Line, With 17.5 Gallon Fuel Tank Note: 19180450 Is The Latest GM Replacement Part Number For Original 25000932.	\$77.00	N
19180451	1983	<b>FUEL TANK SENDING UNIT</b> El Camino, 3/8" Fuel Line, With 22 Gallon Fuel Tank Note: 19180451 Is The Latest GM Replacement Part Number For Original 25001076.	\$77.00	N
19180450	1984	<b>FUEL TANK SENDING UNIT</b> El Camino, 3/8" Fuel Line, With 17.5 Gallon Fuel Tank Note: 19180450 Is The Latest GM Replacement Part Number For Original 25000932.	\$77.00	N
19180451	1984	<b>FUEL TANK SENDING UNIT</b> El Camino, 3/8" Fuel Line, With 22 Gallon Fuel Tank Note: 19180451 Is The Latest GM Replacement Part Number For Original 25001076.	\$77.00	N
19180450	1985	<b>FUEL TANK SENDING UNIT</b> El Camino, 3/8" Fuel Line, With 17.5 Gallon Fuel Tank Note: 19180450 Is The Latest GM Replacement Part Number For Original 25000932.	\$77.00	N
19180451	1985	<b>FUEL TANK SENDING UNIT</b> El Camino, 3/8" Fuel Line, With 22 Gallon Fuel Tank Note: 19180451 Is The Latest GM Replacement Part Number For Original 25001076.	\$77.00	N
19180450	1986	<b>FUEL TANK SENDING UNIT</b> El Camino, 3/8" Fuel Line, With 17.5 Gallon Fuel Tank Note: 19180450 Is The Latest GM Replacement Part Number For Original 25000932.	\$77.00	N
19180451	1986	<b>FUEL TANK SENDING UNIT</b> El Camino, 3/8" Fuel Line, With 22 Gallon Fuel Tank Note: 19180451 Is The Latest GM Replacement Part Number For Original 25001076.	\$77.00	N
19180450	1987	<b>FUEL TANK SENDING UNIT</b> El Camino, 3/8" Fuel Line, With 17.5 Gallon Fuel Tank Note: 19180450 Is The Latest GM Replacement Part Number For Original 25000932.	\$77.00	N
19180451	1987	<b>FUEL TANK SENDING UNIT</b> El Camino, 3/8" Fuel Line, With 22 Gallon Fuel Tank Note: 19180451 Is The Latest GM Replacement Part Number For Original 25001076.	\$77.00	N
<b>GLOVE BOX LAMP HARNESS</b>				
33830	1970	<b>GLOVE BOX LAMP HARNESS</b> Plugs Into Glove Box Light Switch Assembly Note: This Harness Is Used When Adding The Glove Box Lamp Option To Vehicles With Their Original Dash Harness.	\$25.00	
33830	1971	<b>GLOVE BOX LAMP HARNESS</b> Plugs Into Glove Box Light Switch Assembly Note: This Harness Is Used When Adding The Glove Box Lamp Option To Vehicles With Their Original Dash Harness.	\$25.00	
<b>GLOVE BOX LAMP KIT</b>				
18000	1964	<b>GLOVE BOX LAMP KIT</b> Socket, Bulb & Wire	\$24.00	
18000	1965	<b>GLOVE BOX LAMP KIT</b> Socket, Bulb & Wire	\$24.00	
18000	1966	<b>GLOVE BOX LAMP KIT</b> Socket, Bulb & Wire	\$24.00	
18000	1967	<b>GLOVE BOX LAMP KIT</b> Socket, Bulb & Wire	\$24.00	
18000	1968	<b>GLOVE BOX LAMP KIT</b> Socket, Bulb & Wire	\$24.00	
18000	1969	<b>GLOVE BOX LAMP KIT</b> Socket, Bulb & Wire	\$24.00	
<b>GROUND STRAP KIT</b>				
27420	1964	<b>GROUND STRAP KIT</b> 6 Cylinder Note: 6 Cylinder Items Are Not Returnable.	\$22.00	
27425	1964	<b>GROUND STRAP KIT</b> V/8	\$23.00	
27420	1965	<b>GROUND STRAP KIT</b> 6 Cylinder Note: 6 Cylinder Items Are Not Returnable.	\$22.00	
27425	1965	<b>GROUND STRAP KIT</b> V/8	\$23.00	



Part Number	Year	Description	Price	*Rev.
27430	1966	<b>GROUND STRAP KIT</b> 6 Cylinder Note: 6 Cylinder Items Are Not Returnable.	\$25.00	
27435	1966	<b>GROUND STRAP KIT</b> V/8	\$29.00	
27445	1967	<b>GROUND STRAP KIT</b> 6 Cylinder Note: 6 Cylinder Items Are Not Returnable.	\$27.00	
27440	1967	<b>GROUND STRAP KIT</b> V/8	\$29.00	
27445	1968	<b>GROUND STRAP KIT</b> 6 Cylinder Note: 6 Cylinder Items Are Not Returnable.	\$27.00	
27440	1968	<b>GROUND STRAP KIT</b> V/8	\$29.00	
27445	1969	<b>GROUND STRAP KIT</b> 6 Cylinder Note: 6 Cylinder Items Are Not Returnable.	\$27.00	
27440	1969	<b>GROUND STRAP KIT</b> V/8	\$29.00	
<b>GROUND WIRE</b>				
01655	1964	<b>GROUND WIRE</b> Instrument Cluster, From Brake & Clutch Pedal Bracket To Cluster	\$18.00	
01655	1964	<b>GROUND WIRE</b> Voltage Regulator, From Radiator Support To Regulator	\$18.00	
01655	1965	<b>GROUND WIRE</b> Instrument Cluster, From Brake & Clutch Pedal Bracket To Cluster	\$18.00	
01655	1965	<b>GROUND WIRE</b> Voltage Regulator, From Radiator Support To Regulator	\$18.00	
07295	1965	<b>GROUND WIRE</b> Power Seat	\$21.00	
01655	1966	<b>GROUND WIRE</b> Instrument Cluster, From Brake & Clutch Pedal Bracket To Cluster	\$18.00	
01655	1966	<b>GROUND WIRE</b> Voltage Regulator, From Radiator Support To Regulator	\$18.00	
07295	1966	<b>GROUND WIRE</b> Power Seat	\$21.00	
01655	1967	<b>GROUND WIRE</b> Instrument Cluster, From Brake & Clutch Pedal Bracket To Cluster	\$18.00	
01655	1967	<b>GROUND WIRE</b> Voltage Regulator, From Radiator Support To Regulator	\$18.00	
41696	1967	<b>GROUND WIRE</b> Stereo Tape Player	\$27.00	
07295	1967	<b>GROUND WIRE</b> Power Seat	\$21.00	
20460	1968	<b>GROUND WIRE</b> Instrument Cluster, From Parking Brake Release Bracket To Cluster	\$17.00	
01655	1968	<b>GROUND WIRE</b> Voltage Regulator, From Radiator Support To Regulator	\$18.00	
41696	1968	<b>GROUND WIRE</b> Stereo Tape Player	\$27.00	
07295	1968	<b>GROUND WIRE</b> Power Seat	\$21.00	
01655	1969	<b>GROUND WIRE</b> Voltage Regulator, From Radiator Support To Regulator	\$18.00	
41696	1969	<b>GROUND WIRE</b> Stereo Tape Player	\$27.00	
07295	1969	<b>GROUND WIRE</b> Power Seat	\$21.00	
07295	1970	<b>GROUND WIRE</b> Power Seat	\$21.00	
07295	1971	<b>GROUND WIRE</b> Power Seat	\$21.00	
07295	1972	<b>GROUND WIRE</b> Power Seat	\$21.00	
40724	1973	<b>GROUND WIRE</b> Power Seat	\$21.00	
40724	1974	<b>GROUND WIRE</b> Power Seat	\$21.00	
01655	1974	<b>GROUND WIRE</b> Cruise Control	\$18.00	
01655	1975	<b>GROUND WIRE</b> Cruise Control	\$18.00	
40724	1975	<b>GROUND WIRE</b> Power Seat	\$21.00	
01655	1976	<b>GROUND WIRE</b> Cruise Control	\$18.00	
40724	1976	<b>GROUND WIRE</b> Power Seat	\$21.00	
40863	1977	<b>GROUND WIRE</b> Vanity Mirror, Passenger Side Sunshade	\$17.00	
40724	1977	<b>GROUND WIRE</b> Power Seat	\$21.00	
40487	1977	<b>GROUND WIRE</b> All, Blower Motor	\$21.00	
01655	1977	<b>GROUND WIRE</b> Cruise Control	\$18.00	

Part Number	Year	Description	Price	*Rev.
01655	1978	<b>GROUND WIRE</b> Cruise Control	\$18.00	
41921	1979	<b>GROUND WIRE</b> Cruise Control	\$21.00	
41921	1980	<b>GROUND WIRE</b> Cruise Control	\$21.00	
41921	1981	<b>GROUND WIRE</b> Cruise Control	\$21.00	
41921	1982	<b>GROUND WIRE</b> Cruise Control	\$21.00	
<b>GROUND WIRE HARNESS</b>				
41922	1979	<b>GROUND WIRE HARNESS</b> Heater Cars Only, Heater Vent Door Ground Wires	\$21.00	
41922	1980	<b>GROUND WIRE HARNESS</b> Heater Cars Only, Heater Vent Door Ground Wires	\$21.00	
41922	1981	<b>GROUND WIRE HARNESS</b> Heater Cars Only, Heater Vent Door Ground Wires	\$21.00	
41922	1982	<b>GROUND WIRE HARNESS</b> Heater Cars Only, Heater Vent Door Ground Wires	\$21.00	
<b>GROUND WIRE-DISTRIBUTOR POINT PLATE</b>				
38298	1964	<b>GROUND WIRE, DISTRIBUTOR POINT PLATE</b> From Distributor Point Plate To Distributor Housing, For Vacuum Advance Note: Replaces Spot Welded Wire Asm On Point Plate Side. Fits All GM V/8 Point Type Distributors From Approx. 1957-1974.	\$17.00	C
38298	1965	<b>GROUND WIRE, DISTRIBUTOR POINT PLATE</b> From Distributor Point Plate To Distributor Housing, For Vacuum Advance Note: Replaces Spot Welded Wire Asm On Point Plate Side. Fits All GM V/8 Point Type Distributors From Approx. 1957-1974.	\$17.00	C
38298	1966	<b>GROUND WIRE, DISTRIBUTOR POINT PLATE</b> From Distributor Point Plate To Distributor Housing, For Vacuum Advance Note: Replaces Spot Welded Wire Asm On Point Plate Side. Fits All GM V/8 Point Type Distributors From Approx. 1957-1974.	\$17.00	C
38298	1967	<b>GROUND WIRE, DISTRIBUTOR POINT PLATE</b> From Distributor Point Plate To Distributor Housing, For Vacuum Advance Note: Replaces Spot Welded Wire Asm On Point Plate Side. Fits All GM V/8 Point Type Distributors From Approx. 1957-1974.	\$17.00	C
38298	1968	<b>GROUND WIRE, DISTRIBUTOR POINT PLATE</b> From Distributor Point Plate To Distributor Housing, For Vacuum Advance Note: Replaces Spot Welded Wire Asm On Point Plate Side. Fits All GM V/8 Point Type Distributors From Approx. 1957-1974.	\$17.00	C
38298	1969	<b>GROUND WIRE, DISTRIBUTOR POINT PLATE</b> From Distributor Point Plate To Distributor Housing, For Vacuum Advance Note: Replaces Spot Welded Wire Asm On Point Plate Side. Fits All GM V/8 Point Type Distributors From Approx. 1957-1974.	\$17.00	C
38298	1970	<b>GROUND WIRE, DISTRIBUTOR POINT PLATE</b> From Distributor Point Plate To Distributor Housing, For Vacuum Advance Note: Replaces Spot Welded Wire Asm On Point Plate Side. Fits All GM V/8 Point Type Distributors From Approx. 1957-1974.	\$17.00	C
38298	1971	<b>GROUND WIRE, DISTRIBUTOR POINT PLATE</b> From Distributor Point Plate To Distributor Housing, For Vacuum Advance Note: Replaces Spot Welded Wire Asm On Point Plate Side. Fits All GM V/8 Point Type Distributors From Approx. 1957-1974.	\$17.00	C
38298	1972	<b>GROUND WIRE, DISTRIBUTOR POINT PLATE</b> From Distributor Point Plate To Distributor Housing, For Vacuum Advance Note: Replaces Spot Welded Wire Asm On Point Plate Side. Fits All GM V/8 Point Type Distributors From Approx. 1957-1974.	\$17.00	C
38298	1973	<b>GROUND WIRE, DISTRIBUTOR POINT PLATE</b> From Distributor Point Plate To Distributor Housing, For Vacuum Advance Note: Replaces Spot Welded Wire Asm On Point Plate Side. Fits All GM V/8 Point Type Distributors From Approx. 1957-1974.	\$17.00	C
38298	1974	<b>GROUND WIRE, DISTRIBUTOR POINT PLATE</b> From Distributor Point Plate To Distributor Housing, For Vacuum Advance Note: Replaces Spot Welded Wire Asm On Point Plate Side. Fits All GM V/8 Point Type Distributors From Approx. 1957-1974.	\$17.00	C
<b>HARNESS TAPE</b>				
R0058272	1964	<b>HARNESS TAPE</b> 3/4" Vinyl (100 Ft. Roll) Non-Adhesive	\$12.00	
R0058276	1964	<b>HARNESS TAPE</b> 1" Vinyl (100 Ft. Roll) Non-Adhesive	\$13.00	
R0067108	1964	<b>HARNESS TAPE</b> 1 1/4" Vinyl (100 Ft. Roll) Non-Adhesive	\$15.00	
R0058272	1965	<b>HARNESS TAPE</b> 3/4" Vinyl (100 Ft. Roll) Non-Adhesive	\$12.00	
R0058276	1965	<b>HARNESS TAPE</b> 1" Vinyl (100 Ft. Roll) Non-Adhesive	\$13.00	
R0067108	1965	<b>HARNESS TAPE</b> 1 1/4" Vinyl (100 Ft. Roll) Non-Adhesive	\$15.00	

Part Number	Year	Description	Price	*Rev.
R0058272	1966	HARNESS TAPE 3/4" Vinyl (100 Ft. Roll) Non-Adhesive	\$12.00	
R0058276	1966	HARNESS TAPE 1" Vinyl (100 Ft. Roll) Non-Adhesive	\$13.00	
R0067108	1966	HARNESS TAPE 1 1/4" Vinyl (100 Ft. Roll) Non-Adhesive	\$15.00	
R0058272	1967	HARNESS TAPE 3/4" Vinyl (100 Ft. Roll) Non-Adhesive	\$12.00	
R0058276	1967	HARNESS TAPE 1" Vinyl (100 Ft. Roll) Non-Adhesive	\$13.00	
R0067108	1967	HARNESS TAPE 1 1/4" Vinyl (100 Ft. Roll) Non-Adhesive	\$15.00	
R0058272	1968	HARNESS TAPE 3/4" Vinyl (100 Ft. Roll) Non-Adhesive	\$12.00	
R0058276	1968	HARNESS TAPE 1" Vinyl (100 Ft. Roll) Non-Adhesive	\$13.00	
R0067108	1968	HARNESS TAPE 1 1/4" Vinyl (100 Ft. Roll) Non-Adhesive	\$15.00	
R0058272	1969	HARNESS TAPE 3/4" Vinyl (100 Ft. Roll) Non-Adhesive	\$12.00	
R0058276	1969	HARNESS TAPE 1" Vinyl (100 Ft. Roll) Non-Adhesive	\$13.00	
R0067108	1969	HARNESS TAPE 1 1/4" Vinyl (100 Ft. Roll) Non-Adhesive	\$15.00	
R0058272	1970	HARNESS TAPE 3/4" Vinyl (100 Ft. Roll) Non-Adhesive	\$12.00	
R0058276	1970	HARNESS TAPE 1" Vinyl (100 Ft. Roll) Non-Adhesive	\$13.00	
R0067108	1970	HARNESS TAPE 1 1/4" Vinyl (100 Ft. Roll) Non-Adhesive	\$15.00	
R0058272	1971	HARNESS TAPE 3/4" Vinyl (100 Ft. Roll) Non-Adhesive	\$12.00	
R0058276	1971	HARNESS TAPE 1" Vinyl (100 Ft. Roll) Non-Adhesive	\$13.00	
R0067108	1971	HARNESS TAPE 1 1/4" Vinyl (100 Ft. Roll) Non-Adhesive	\$15.00	
R0058272	1972	HARNESS TAPE 3/4" Vinyl (100 Ft. Roll) Non-Adhesive	\$12.00	
R0058276	1972	HARNESS TAPE 1" Vinyl (100 Ft. Roll) Non-Adhesive	\$13.00	
R0067108	1972	HARNESS TAPE 1 1/4" Vinyl (100 Ft. Roll) Non-Adhesive	\$15.00	
R0058272	1973	HARNESS TAPE 3/4" Vinyl (100 Ft. Roll) Non-Adhesive	\$12.00	
R0058276	1973	HARNESS TAPE 1" Vinyl (100 Ft. Roll) Non-Adhesive	\$13.00	
R0067108	1973	HARNESS TAPE 1 1/4" Vinyl (100 Ft. Roll) Non-Adhesive	\$15.00	
R0058272	1974	HARNESS TAPE 3/4" Vinyl (100 Ft. Roll) Non-Adhesive	\$12.00	
R0058276	1974	HARNESS TAPE 1" Vinyl (100 Ft. Roll) Non-Adhesive	\$13.00	
R0067108	1974	HARNESS TAPE 1 1/4" Vinyl (100 Ft. Roll) Non-Adhesive	\$15.00	
R0058272	1975	HARNESS TAPE 3/4" Vinyl (100 Ft. Roll) Non-Adhesive	\$12.00	
R0058276	1975	HARNESS TAPE 1" Vinyl (100 Ft. Roll) Non-Adhesive	\$13.00	
R0067108	1975	HARNESS TAPE 1 1/4" Vinyl (100 Ft. Roll) Non-Adhesive	\$15.00	
R0058272	1976	HARNESS TAPE 3/4" Vinyl (100 Ft. Roll) Non-Adhesive	\$12.00	
R0058276	1976	HARNESS TAPE 1" Vinyl (100 Ft. Roll) Non-Adhesive	\$13.00	
R0067108	1976	HARNESS TAPE 1 1/4" Vinyl (100 Ft. Roll) Non-Adhesive	\$15.00	
R0058272	1977	HARNESS TAPE 3/4" Vinyl (100 Ft. Roll) Non-Adhesive	\$12.00	
R0058276	1977	HARNESS TAPE 1" Vinyl (100 Ft. Roll) Non-Adhesive	\$13.00	
R0067108	1977	HARNESS TAPE 1 1/4" Vinyl (100 Ft. Roll) Non-Adhesive	\$15.00	
R0058272	1978	HARNESS TAPE 3/4" Vinyl (100 Ft. Roll) Non-Adhesive	\$12.00	
R0058276	1978	HARNESS TAPE 1" Vinyl (100 Ft. Roll) Non-Adhesive	\$13.00	
R0067108	1978	HARNESS TAPE 1 1/4" Vinyl (100 Ft. Roll) Non-Adhesive	\$15.00	
R0058272	1979	HARNESS TAPE 3/4" Vinyl (100 Ft. Roll) Non-Adhesive	\$12.00	
R0058276	1979	HARNESS TAPE 1" Vinyl (100 Ft. Roll) Non-Adhesive	\$13.00	
R0067108	1979	HARNESS TAPE 1 1/4" Vinyl (100 Ft. Roll) Non-Adhesive	\$15.00	
R0058272	1980	HARNESS TAPE 3/4" Vinyl (100 Ft. Roll) Non-Adhesive	\$12.00	
R0058276	1980	HARNESS TAPE 1" Vinyl (100 Ft. Roll) Non-Adhesive	\$13.00	
R0067108	1980	HARNESS TAPE 1 1/4" Vinyl (100 Ft. Roll) Non-Adhesive	\$15.00	
R0058272	1981	HARNESS TAPE 3/4" Vinyl (100 Ft. Roll) Non-Adhesive	\$12.00	
R0058276	1981	HARNESS TAPE 1" Vinyl (100 Ft. Roll) Non-Adhesive	\$13.00	

Part Number	Year	Description	Price	*Rev.
R0067108	1981	<b>HARNESS TAPE</b> 1 1/4" Vinyl (100 Ft. Roll) Non-Adhesive	\$15.00	
R0058272	1982	<b>HARNESS TAPE</b> 3/4" Vinyl (100 Ft. Roll) Non-Adhesive	\$12.00	
R0058276	1982	<b>HARNESS TAPE</b> 1" Vinyl (100 Ft. Roll) Non-Adhesive	\$13.00	
R0067108	1982	<b>HARNESS TAPE</b> 1 1/4" Vinyl (100 Ft. Roll) Non-Adhesive	\$15.00	
R0058272	1983	<b>HARNESS TAPE</b> 3/4" Vinyl (100 Ft. Roll) Non-Adhesive	\$12.00	
R0058276	1983	<b>HARNESS TAPE</b> 1" Vinyl (100 Ft. Roll) Non-Adhesive	\$13.00	
R0067108	1983	<b>HARNESS TAPE</b> 1 1/4" Vinyl (100 Ft. Roll) Non-Adhesive	\$15.00	
R0058272	1984	<b>HARNESS TAPE</b> 3/4" Vinyl (100 Ft. Roll) Non-Adhesive	\$12.00	
R0058276	1984	<b>HARNESS TAPE</b> 1" Vinyl (100 Ft. Roll) Non-Adhesive	\$13.00	
R0067108	1984	<b>HARNESS TAPE</b> 1 1/4" Vinyl (100 Ft. Roll) Non-Adhesive	\$15.00	
R0058272	1985	<b>HARNESS TAPE</b> 3/4" Vinyl (100 Ft. Roll) Non-Adhesive	\$12.00	
R0058276	1985	<b>HARNESS TAPE</b> 1" Vinyl (100 Ft. Roll) Non-Adhesive	\$13.00	
R0067108	1985	<b>HARNESS TAPE</b> 1 1/4" Vinyl (100 Ft. Roll) Non-Adhesive	\$15.00	
R0058272	1986	<b>HARNESS TAPE</b> 3/4" Vinyl (100 Ft. Roll) Non-Adhesive	\$12.00	
R0058276	1986	<b>HARNESS TAPE</b> 1" Vinyl (100 Ft. Roll) Non-Adhesive	\$13.00	
R0067108	1986	<b>HARNESS TAPE</b> 1 1/4" Vinyl (100 Ft. Roll) Non-Adhesive	\$15.00	
R0058272	1987	<b>HARNESS TAPE</b> 3/4" Vinyl (100 Ft. Roll) Non-Adhesive	\$12.00	
R0058276	1987	<b>HARNESS TAPE</b> 1" Vinyl (100 Ft. Roll) Non-Adhesive	\$13.00	
R0067108	1987	<b>HARNESS TAPE</b> 1 1/4" Vinyl (100 Ft. Roll) Non-Adhesive	\$15.00	
<b>HEADLIGHT EXTENSION HARNESS</b>				
39668	1976	<b>HEADLIGHT EXTENSION HARNESS</b> From Forward Lamp Harness To Sealed Beam Headlamps Note: 2 Required Per Car.	\$60.00	
41807	1976	<b>HEADLIGHT EXTENSION HARNESS</b> For Export Use Only, From Forward Lamp Harness To Sealed Beam Headlamps Note: 2 Required Per Car.	\$60.00	
39668	1977	<b>HEADLIGHT EXTENSION HARNESS</b> From Forward Lamp Harness To Sealed Beam Headlamps Note: 2 Required Per Car.	\$60.00	
41807	1977	<b>HEADLIGHT EXTENSION HARNESS</b> For Export Use Only, From Forward Lamp Harness To Sealed Beam Headlamps Note: 2 Required Per Car.	\$60.00	
<b>HEADLIGHT SWITCH</b>				
01995179	1964	<b>HEADLIGHT SWITCH</b>	\$20.00	N
01995179	1965	<b>HEADLIGHT SWITCH</b>	\$20.00	N
01995179	1966	<b>HEADLIGHT SWITCH</b>	\$20.00	N
01995179	1967	<b>HEADLIGHT SWITCH</b>	\$20.00	N
01995179	1968	<b>HEADLIGHT SWITCH</b>	\$20.00	N
01995179	1969	<b>HEADLIGHT SWITCH</b>	\$20.00	N
01995216	1970	<b>HEADLIGHT SWITCH</b>	\$20.00	N
01995179	1971	<b>HEADLIGHT SWITCH</b>	\$20.00	N
01995179	1972	<b>HEADLIGHT SWITCH</b>	\$20.00	N
01995179	1973	<b>HEADLIGHT SWITCH</b>	\$20.00	N
01995216	1974	<b>HEADLIGHT SWITCH</b>	\$20.00	N
01995216	1975	<b>HEADLIGHT SWITCH</b>	\$20.00	N
01995216	1976	<b>HEADLIGHT SWITCH</b>	\$20.00	N
01995216	1977	<b>HEADLIGHT SWITCH</b>	\$20.00	N
01995216	1978	<b>HEADLIGHT SWITCH</b>	\$20.00	N
01995216	1979	<b>HEADLIGHT SWITCH</b>	\$20.00	N

Part Number	Year	Description	Price	*Rev.
01995216	1980	HEADLIGHT SWITCH	\$20.00	N
01995216	1981	HEADLIGHT SWITCH	\$20.00	N
01995216	1982	HEADLIGHT SWITCH	\$20.00	N
01995216	1983	HEADLIGHT SWITCH	\$20.00	N
01995216	1984	HEADLIGHT SWITCH	\$20.00	N
01995216	1985	HEADLIGHT SWITCH	\$20.00	N
01995216	1986	HEADLIGHT SWITCH	\$20.00	N
01995216	1987	HEADLIGHT SWITCH	\$20.00	N
01995216	1988	HEADLIGHT SWITCH	\$20.00	N
<b>HEATER BLOWER MOTOR RESISTOR</b>				
03929052	1964	HEATER BLOWER MOTOR RESISTOR Without A/C	\$15.00	N
03929052	1965	HEATER BLOWER MOTOR RESISTOR Without A/C	\$15.00	N
03929052	1966	HEATER BLOWER MOTOR RESISTOR Without A/C	\$15.00	N
03929052	1967	HEATER BLOWER MOTOR RESISTOR Without A/C	\$15.00	N
03929052	1968	HEATER BLOWER MOTOR RESISTOR Without A/C	\$15.00	N
03929052	1969	HEATER BLOWER MOTOR RESISTOR Without A/C	\$15.00	N
03929052	1970	HEATER BLOWER MOTOR RESISTOR Without A/C	\$15.00	N
03929052	1971	HEATER BLOWER MOTOR RESISTOR Without A/C	\$15.00	N
03929052	1972	HEATER BLOWER MOTOR RESISTOR Without A/C	\$15.00	N
03929052	1973	HEATER BLOWER MOTOR RESISTOR Without A/C	\$15.00	N
03929052	1974	HEATER BLOWER MOTOR RESISTOR Without A/C	\$15.00	N
03929052	1975	HEATER BLOWER MOTOR RESISTOR Without A/C	\$15.00	N
<b>HEATER BLOWER MOTOR SWITCH</b>				
03963743	1970	HEATER BLOWER MOTOR SWITCH Without A/C Note: Once our current stock runs out, this item will be discontinued.	\$58.00	
03963743	1971	HEATER BLOWER MOTOR SWITCH Without A/C Note: Once our current stock runs out, this item will be discontinued.	\$58.00	
03963743	1972	HEATER BLOWER MOTOR SWITCH Without A/C Note: Once our current stock runs out, this item will be discontinued.	\$58.00	
<b>HEATER HARNESS</b>				
41689	1968	HEATER HARNESS Right Hand Drive (Export Only), Without A/C, From Blower Resister To Heater Switch	\$53.00	
41695	1969	HEATER HARNESS Right Hand Drive (Export Only), Without A/C, From Blower Resister To Heater Switch	\$53.00	
41747	1973	HEATER HARNESS Without A/C, From Blower Resistor To Heater Extension Harness	\$94.00	
41763	1973	HEATER HARNESS EXTENSION Without A/C, From Blower Switch To Heater Harness	\$41.00	
41765	1973	HEATER HARNESS EXTENSION Without A/C, From Heater Harness To Low Blower Delay Switch	\$30.00	
41747	1974	HEATER HARNESS Without A/C, From Blower Resistor To Heater Extension Harness	\$94.00	
41763	1974	HEATER HARNESS EXTENSION Without A/C, From Blower Switch To Heater Harness	\$41.00	
41765	1974	HEATER HARNESS EXTENSION Without A/C, From Heater Harness To Low Blower Delay Switch	\$30.00	
41747	1975	HEATER HARNESS Without A/C, From Blower Resistor To Heater Extension Harness	\$94.00	
41763	1975	HEATER HARNESS EXTENSION Without A/C, From Blower Switch To Heater Harness	\$41.00	
41792	1975	HEATER HARNESS EXTENSION Without A/C, From Heater Harness To Low Blower Delay Switch	\$41.00	
41747	1976	HEATER HARNESS Without A/C, From Blower Resistor To Heater Extension Harness	\$94.00	
41763	1976	HEATER HARNESS EXTENSION Without A/C, From Blower Switch To Heater Harness	\$41.00	
41806	1976	HEATER HARNESS EXTENSION Without A/C, From Heater Harness To Low Blower Delay Switch	\$30.00	
41818	1977	HEATER HARNESS Without A/C, From Blower Resistor To Heater Extension Harness	\$94.00	

Part Number	Year	Description	Price	*Rev.
41763	1977	HEATER HARNESS EXTENSION Without A/C, From Blower Switch To Heater Harness	\$41.00	
41917	1978	HEATER HARNESS Without A/C, From Blower Motor To Blower Switch Harness	\$94.00	
41918	1978	HEATER HARNESS Without A/C, From Blower Switch, Under Dash	\$94.00	
41917	1979	HEATER HARNESS Without A/C, From Blower Motor To Blower Switch Harness	\$94.00	
41918	1979	HEATER HARNESS Without A/C, From Blower Switch, Under Dash	\$94.00	
41917	1980	HEATER HARNESS Without A/C, From Blower Motor To Blower Switch Harness	\$94.00	
41918	1980	HEATER HARNESS Without A/C, From Blower Switch, Under Dash	\$94.00	
41917	1981	HEATER HARNESS Without A/C, From Blower Motor To Blower Switch Harness	\$94.00	
41942	1981	HEATER HARNESS Without A/C, From Blower Switch, Under Dash	\$94.00	
41917	1982	HEATER HARNESS Without A/C, From Blower Motor To Blower Switch Harness	\$94.00	
41942	1982	HEATER HARNESS Without A/C, From Blower Switch, Under Dash	\$94.00	
<b>HOOD LAMP REPLACEMENT KIT</b>				
18410	1964	HOOD LAMP KIT Under Hood, Includes Socket, Wire & Bulb	\$60.00	C
18410	1965	HOOD LAMP KIT Under Hood, Includes Socket, Wire & Bulb	\$60.00	C
18410	1966	HOOD LAMP KIT Under Hood, Includes Socket, Wire & Bulb	\$60.00	C
18410	1967	HOOD LAMP KIT Under Hood, Includes Socket, Wire & Bulb	\$60.00	C
18410	1968	HOOD LAMP KIT Under Hood, Includes Socket, Wire & Bulb	\$60.00	C
18410	1969	HOOD LAMP KIT Under Hood, Includes Socket, Wire & Bulb	\$60.00	C
18410	1970	HOOD LAMP KIT Under Hood, Includes Socket, Wire & Bulb	\$60.00	C
18410	1971	HOOD LAMP KIT Under Hood, Includes Socket, Wire & Bulb	\$60.00	C
18410	1972	HOOD LAMP KIT Under Hood, Includes Socket, Wire & Bulb	\$60.00	C
18410	1973	HOOD LAMP KIT Under Hood, Includes Socket, Wire & Bulb	\$60.00	C
18410	1974	HOOD LAMP KIT Under Hood, Includes Socket, Wire & Bulb	\$60.00	C
18410	1975	HOOD LAMP KIT Under Hood, Includes Socket, Wire & Bulb	\$60.00	C
18410	1976	HOOD LAMP KIT Under Hood, Includes Socket, Wire & Bulb	\$60.00	C
18410	1977	HOOD LAMP KIT Under Hood, Includes Socket, Wire & Bulb	\$60.00	C
<b>HORN WIRE</b>				
41673	1965	HORN WIRE All With Low Note Horn, Option Code U03 Note: Used Only With Low Note Horn, (Option Code U03) Mounted On Driver Side Inner Fender Skirt.	\$23.00	
41577	1966	HORN WIRE All With Low Note Horn, Option Code U03 Note: Used Only With Low Note Horn, (Option Code U03) Mounted Under Lip Of Driver Side Fender.	\$23.00	
01395	1967	HORN WIRE All With Low Note Horn, Option Code U03 Note: Used Only With Low Note Horn, (Option Code U03) Mounted On Driver Side Inner Fender Skirt.	\$22.00	
41691	1968	HORN WIRE All With Low Note Horn, Option Code U03 Note: Used On Cars With The Low Note Horn Option Code U03 Where Horn Is Mounted On Lower Section Of The Hood Catch Support Bracket.	\$22.00	
27735	1968	HORN WIRE All With Single Horn	\$21.00	
27740	1968	HORN WIRE All With Dual Horns	\$21.00	
27735	1969	HORN WIRE All With Single Horn	\$21.00	
27740	1969	HORN WIRE All With Dual Horns	\$21.00	
15055	1970	HORN WIRE All With Single Horn	\$21.00	
27730	1970	HORN WIRE All With Dual Horns	\$21.00	
15055	1971	HORN WIRE All With Single Horn	\$21.00	
27730	1971	HORN WIRE All With Dual Horns	\$21.00	
01690	1973	HORN WIRE All With Dual Horns	\$26.00	
01690	1974	HORN WIRE All With Dual Horns	\$26.00	
41797	1975	HORN WIRE All With Dual Horns	\$25.00	

Part Number	Year	Description	Price	*Rev.
41758	1976	<b>HORN WIRE</b> All With Dual Horns, Except Laguna	\$26.00	
41797	1976	<b>HORN WIRE</b> Dual Horns, Laguna	\$25.00	
41758	1977	<b>HORN WIRE</b> All With Dual Horns	\$26.00	
<b>IDLE STOP SOLENOID JUMPER WIRE</b>				
41889	1979	<b>IDLE STOP SOLENOID JUMPER WIRE</b> Fast Idle Soleniod Note: Idle Stop Circuit Can Also Be Used For An Electric Choke.	\$21.00	
<b>IDLE STOP SOLENOID WIRE</b>				
17495	1970	<b>IDLE STOP SOLENOID WIRE</b> All V/8, Except Big Block With Manual Trans Note: Idle Stop Circuit Can Also Be Used For An Electric Choke.	\$17.00	
<b>IGNITION CYLINDER AND KEYS</b>				
20071252	1969	<b>IGNITION CYLINDER AND KEYS</b> Chrome, All	\$18.50	N
20071252	1970	<b>IGNITION CYLINDER AND KEYS</b> Chrome, All	\$18.50	N
20071252	1971	<b>IGNITION CYLINDER AND KEYS</b> Chrome, All	\$18.50	N
20071252	1972	<b>IGNITION CYLINDER AND KEYS</b> Chrome, All	\$18.50	N
20071252	1973	<b>IGNITION CYLINDER AND KEYS</b> Chrome, All	\$18.50	N
20071252	1974	<b>IGNITION CYLINDER AND KEYS</b> Chrome, All	\$18.50	N
20071252	1975	<b>IGNITION CYLINDER AND KEYS</b> Chrome, All	\$18.50	N
20071252	1976	<b>IGNITION CYLINDER AND KEYS</b> Chrome, All	\$18.50	N
20071252	1977	<b>IGNITION CYLINDER AND KEYS</b> Chrome, All	\$18.50	N
20071252	1978	<b>IGNITION CYLINDER AND KEYS</b> Chrome, All, 1st Design, Used On Columns Without Lock Cylinder Retaining Screw	\$18.50	N
07833759	1978	<b>IGNITION CYLINDER AND KEYS</b> Chrome, Malibu, El Camino, Monte Carlo, 2nd Design, Used On Columns With Lock Cylinder Retaining Screw	\$18.50	N
07833759	1979	<b>IGNITION CYLINDER AND KEYS</b> Chrome, Malibu, El Camino, Monte Carlo	\$18.50	N
07833759	1980	<b>IGNITION CYLINDER AND KEYS</b> Chrome, Malibu, El Camino, Monte Carlo	\$18.50	N
07833759	1981	<b>IGNITION CYLINDER AND KEYS</b> Chrome, Malibu, El Camino, Monte Carlo	\$18.50	N
07833759	1982	<b>IGNITION CYLINDER AND KEYS</b> Chrome, Malibu, El Camino, Monte Carlo	\$18.50	N
07833759	1983	<b>IGNITION CYLINDER AND KEYS</b> Chrome, Malibu, El Camino, Monte Carlo	\$18.50	N
07833759	1984	<b>IGNITION CYLINDER AND KEYS</b> Chrome, El Camino, Monte Carlo	\$18.50	N
07833759	1985	<b>IGNITION CYLINDER AND KEYS</b> Chrome, El Camino, Monte Carlo	\$18.50	N
07833759	1986	<b>IGNITION CYLINDER AND KEYS</b> Chrome, El Camino, Monte Carlo	\$18.50	N
07833759	1987	<b>IGNITION CYLINDER AND KEYS</b> Chrome, El Camino, Monte Carlo	\$18.50	N
07833759	1988	<b>IGNITION CYLINDER AND KEYS</b> Chrome, El Camino, Monte Carlo	\$18.50	N
<b>IGNITION SWITCH</b>				
44205	1964	<b>IGNITION SWITCH KIT</b> Note: Includes Ignition Switch, Connector And Instructions.	\$37.00	N
44205	1965	<b>IGNITION SWITCH KIT</b> Note: Includes Ignition Switch, Connector And Instructions.	\$37.00	N
01990110	1969	<b>IGNITION SWITCH</b> All, With Tilt	\$14.00	N
01990110	1970	<b>IGNITION SWITCH</b> All, With Tilt	\$14.00	N
01990110	1971	<b>IGNITION SWITCH</b> All, With Tilt	\$14.00	N
01990110	1972	<b>IGNITION SWITCH</b> All, With Tilt	\$14.00	N
01990110	1973	<b>IGNITION SWITCH</b> All, With Tilt	\$14.00	N
01990110	1974	<b>IGNITION SWITCH</b> All, With Tilt	\$14.00	N
01990110	1975	<b>IGNITION SWITCH</b> All, With Tilt	\$14.00	N
01990110	1976	<b>IGNITION SWITCH</b> All, With Tilt	\$14.00	N
01990110	1977	<b>IGNITION SWITCH</b> All, With Tilt	\$14.00	N

Part Number	Year	Description	Price	*Rev.
01990110	1978	<b>IGNITION SWITCH</b> All, With Tilt	\$14.00	N
01990110	1979	<b>IGNITION SWITCH</b> All, With Tilt	\$14.00	N
01990110	1980	<b>IGNITION SWITCH</b> All, With Tilt	\$14.00	N
01990110	1981	<b>IGNITION SWITCH</b> All, With Tilt	\$14.00	N
01990110	1982	<b>IGNITION SWITCH</b> All, With Tilt	\$14.00	N
01990110	1983	<b>IGNITION SWITCH</b> All, With Tilt	\$14.00	N
01990110	1984	<b>IGNITION SWITCH</b> All, With Tilt	\$14.00	N
01990110	1985	<b>IGNITION SWITCH</b> All, With Tilt	\$14.00	N
01990110	1986	<b>IGNITION SWITCH</b> All, With Tilt	\$14.00	N
01990110	1987	<b>IGNITION SWITCH</b> All, With Tilt	\$14.00	N
01990110	1988	<b>IGNITION SWITCH</b> All, With Tilt	\$14.00	N
<b>INSTRUMENT GAUGE CLUSTER CLIP KIT</b>				
08986000	1976	<b>CLIP KIT</b> Malibu, El Camino, Monte Carlo, All, Instrument Gauge Cluster / Printed Circuit Board Retaining Clip Note: Replaces Original GM Part Number 08986000, Includes 12 Clips Per Kit.	\$14.00	N
08986000	1977	<b>CLIP KIT</b> Malibu, El Camino, Monte Carlo, All, Instrument Gauge Cluster / Printed Circuit Board Retaining Clip Note: Replaces Original GM Part Number 08986000, Includes 12 Clips Per Kit.	\$14.00	N
08986000	1978	<b>CLIP KIT</b> Malibu, El Camino, Monte Carlo, All, Instrument Gauge Cluster / Printed Circuit Board Retaining Clip Note: Replaces Original GM Part Number 08986000, Includes 12 Clips Per Kit.	\$14.00	N
08986000	1979	<b>CLIP KIT</b> Malibu, El Camino, Monte Carlo, All, Instrument Gauge Cluster / Printed Circuit Board Retaining Clip Note: Replaces Original GM Part Number 08986000, Includes 12 Clips Per Kit.	\$14.00	N
08986000	1980	<b>CLIP KIT</b> Malibu, El Camino, Monte Carlo, All, Instrument Gauge Cluster / Printed Circuit Board Retaining Clip Note: Replaces Original GM Part Number 08986000, Includes 12 Clips Per Kit.	\$14.00	N
08986000	1981	<b>CLIP KIT</b> Malibu, El Camino, Monte Carlo, All, Instrument Gauge Cluster / Printed Circuit Board Retaining Clip Note: Replaces Original GM Part Number 08986000, Includes 12 Clips Per Kit.	\$14.00	N
08986000	1982	<b>CLIP KIT</b> Malibu, El Camino, Monte Carlo, All, Instrument Gauge Cluster / Printed Circuit Board Retaining Clip Note: Replaces Original GM Part Number 08986000, Includes 12 Clips Per Kit.	\$14.00	N
08986000	1983	<b>CLIP KIT</b> Malibu, El Camino, Monte Carlo, All, Instrument Gauge Cluster / Printed Circuit Board Retaining Clip Note: Replaces Original GM Part Number 08986000, Includes 12 Clips Per Kit.	\$14.00	N
08986000	1984	<b>CLIP KIT</b> El Camino, Monte Carlo, All, Instrument Gauge Cluster / Printed Circuit Board Retaining Clip Note: Replaces Original GM Part Number 08986000, Includes 12 Clips Per Kit.	\$14.00	N
08986000	1985	<b>CLIP KIT</b> El Camino, Monte Carlo, All, Instrument Gauge Cluster / Printed Circuit Board Retaining Clip Note: Replaces Original GM Part Number 08986000, Includes 12 Clips Per Kit.	\$14.00	N
08986000	1986	<b>CLIP KIT</b> El Camino, Monte Carlo, All, Instrument Gauge Cluster / Printed Circuit Board Retaining Clip Note: Replaces Original GM Part Number 08986000, Includes 12 Clips Per Kit.	\$14.00	N
08986000	1987	<b>CLIP KIT</b> El Camino, Monte Carlo, All, Instrument Gauge Cluster / Printed Circuit Board Retaining Clip Note: Replaces Original GM Part Number 08986000, Includes 12 Clips Per Kit.	\$14.00	N
08986000	1988	<b>CLIP KIT</b> El Camino, Monte Carlo, All, Instrument Gauge Cluster / Printed Circuit Board Retaining Clip Note: Replaces Original GM Part Number 08986000, Includes 12 Clips Per Kit.	\$14.00	N



Part Number	Year	Description	Price	*Rev.
<b>KICKDOWN HARNESS</b>				
06145	1965	<b>KICKDOWN HARNESS</b> TH400 Auto Trans	\$43.00	
06145	1966	<b>KICKDOWN HARNESS</b> TH400 Auto Trans	\$43.00	
06145	1967	<b>KICKDOWN HARNESS</b> TH400 Auto Trans	\$43.00	
11980	1968	<b>KICKDOWN HARNESS</b> TH400 Auto Trans	\$48.00	
11980	1969	<b>KICKDOWN HARNESS</b> TH400 Auto Trans	\$48.00	
17565	1971	<b>KICKDOWN EXTENSION HARNESS</b> TH400 Auto Trans, From Gas Pedal Switch To Engine Harness	\$32.00	
17565	1972	<b>KICKDOWN EXTENSION HARNESS</b> TH400 Auto Trans, From Gas Pedal Switch To Engine Harness	\$32.00	
41754	1973	<b>KICKDOWN EXTENSION HARNESS</b> TH400 Auto Trans, From Gas Pedal Switch To Engine Harness	\$43.00	
41754	1974	<b>KICKDOWN EXTENSION HARNESS</b> TH400 Auto Trans, From Gas Pedal Switch To Engine Harness	\$43.00	
41754	1975	<b>KICKDOWN EXTENSION HARNESS</b> TH400 Auto Trans, From Gas Pedal Switch To Engine Harness	\$43.00	
<b>KICKDOWN SWITCH</b>				
01242101	1970	<b>KICKDOWN SWITCH</b> TH400 Auto Trans	\$19.00	
01242101	1971	<b>KICKDOWN SWITCH</b> TH400 Auto Trans	\$19.00	
01242101	1972	<b>KICKDOWN SWITCH</b> TH400 Auto Trans	\$19.00	
01242101	1973	<b>KICKDOWN SWITCH</b> TH400 Auto Trans	\$19.00	
01242101	1974	<b>KICKDOWN SWITCH</b> TH400 Auto Trans	\$19.00	
01242101	1975	<b>KICKDOWN SWITCH</b> TH400 Auto Trans	\$19.00	
<b>LICENSE LAMP HARNESS</b>				
41995	1978	<b>LICENSE LAMP HARNESS</b> Wagon, Without Electric Tailgate Release Note: Customer Must Supply Their Original Harness.	\$41.00	
41996	1978	<b>LICENSE LAMP HARNESS</b> Wagon, With Electric Tailgate Release Note: Customer Must Supply Their Original Harness.	\$41.00	
42032	1978	<b>LICENSE LAMP HARNESS</b> El Camino Note: Customer Must Supply Their Original Harness.	\$41.00	
41995	1979	<b>LICENSE LAMP HARNESS</b> Wagon, Without Electric Tailgate Release Note: Customer Must Supply Their Original Harness.	\$41.00	
41996	1979	<b>LICENSE LAMP HARNESS</b> Wagon, With Electric Tailgate Release Note: Customer Must Supply Their Original Harness.	\$41.00	
42032	1979	<b>LICENSE LAMP HARNESS</b> El Camino Note: Customer Must Supply Their Original Harness.	\$41.00	
41995	1980	<b>LICENSE LAMP HARNESS</b> Wagon, Without Electric Tailgate Release Note: Customer Must Supply Their Original Harness.	\$41.00	
41996	1980	<b>LICENSE LAMP HARNESS</b> Wagon, With Electric Tailgate Release Note: Customer Must Supply Their Original Harness.	\$41.00	
42032	1980	<b>LICENSE LAMP HARNESS</b> El Camino Note: Customer Must Supply Their Original Harness.	\$41.00	
41995	1981	<b>LICENSE LAMP HARNESS</b> Wagon, Without Electric Tailgate Release Note: Customer Must Supply Their Original Harness.	\$41.00	
41996	1981	<b>LICENSE LAMP HARNESS</b> Wagon, With Electric Tailgate Release Note: Customer Must Supply Their Original Harness.	\$41.00	
42032	1981	<b>LICENSE LAMP HARNESS</b> El Camino Note: Customer Must Supply Their Original Harness.	\$41.00	
41995	1982	<b>LICENSE LAMP HARNESS</b> Wagon, Without Electric Tailgate Release Note: Customer Must Supply Their Original Harness.	\$41.00	
41996	1982	<b>LICENSE LAMP HARNESS</b> Wagon, With Electric Tailgate Release Note: Customer Must Supply Their Original Harness.	\$41.00	

Part Number	Year	Description	Price	*Rev.
42032	1982	<b>LICENSE LAMP HARNESS</b> El Camino Note: Customer Must Supply Their Original Harness.	\$41.00	
<b>LOW FUEL INDICATOR MODULE</b>				
500274	1964	<b>LOW FUEL INDICATOR MODULE</b> Generic "Adjustable" Low Fuel Warning Module Note: A Complete Electronic Control Unit To Activate A Warning Lamp Or Relay When Fuel Level Drops Below A User Adjustable Level. Includes instruction sheet.	\$64.00	C
500274	1965	<b>LOW FUEL INDICATOR MODULE</b> Generic "Adjustable" Low Fuel Warning Module Note: A Complete Electronic Control Unit To Activate A Warning Lamp Or Relay When Fuel Level Drops Below A User Adjustable Level. Includes instruction sheet.	\$64.00	C
500274	1966	<b>LOW FUEL INDICATOR MODULE</b> Generic "Adjustable" Low Fuel Warning Module Note: A Complete Electronic Control Unit To Activate A Warning Lamp Or Relay When Fuel Level Drops Below A User Adjustable Level. Includes instruction sheet.	\$64.00	C
500274	1967	<b>LOW FUEL INDICATOR MODULE</b> Generic "Adjustable" Low Fuel Warning Module Note: A Complete Electronic Control Unit To Activate A Warning Lamp Or Relay When Fuel Level Drops Below A User Adjustable Level. Includes instruction sheet.	\$64.00	C
500274	1968	<b>LOW FUEL INDICATOR MODULE</b> Generic "Adjustable" Low Fuel Warning Module Note: A Complete Electronic Control Unit To Activate A Warning Lamp Or Relay When Fuel Level Drops Below A User Adjustable Level. Includes instruction sheet.	\$64.00	C
500274	1969	<b>LOW FUEL INDICATOR MODULE</b> Generic "Adjustable" Low Fuel Warning Module Note: A Complete Electronic Control Unit To Activate A Warning Lamp Or Relay When Fuel Level Drops Below A User Adjustable Level. Includes instruction sheet.	\$64.00	C
500274	1970	<b>LOW FUEL INDICATOR MODULE</b> Generic "Adjustable" Low Fuel Warning Module Note: A Complete Electronic Control Unit To Activate A Warning Lamp Or Relay When Fuel Level Drops Below A User Adjustable Level. Includes instruction sheet.	\$64.00	C
500274	1971	<b>LOW FUEL INDICATOR MODULE</b> Generic "Adjustable" Low Fuel Warning Module Note: A Complete Electronic Control Unit To Activate A Warning Lamp Or Relay When Fuel Level Drops Below A User Adjustable Level. Includes instruction sheet.	\$64.00	C
500274	1972	<b>LOW FUEL INDICATOR MODULE</b> Generic "Adjustable" Low Fuel Warning Module Note: A Complete Electronic Control Unit To Activate A Warning Lamp Or Relay When Fuel Level Drops Below A User Adjustable Level. Includes instruction sheet.	\$64.00	C
500274	1973	<b>LOW FUEL INDICATOR MODULE</b> Generic "Adjustable" Low Fuel Warning Module Note: A Complete Electronic Control Unit To Activate A Warning Lamp Or Relay When Fuel Level Drops Below A User Adjustable Level. Includes instruction sheet.	\$64.00	C
500274	1974	<b>LOW FUEL INDICATOR MODULE</b> Generic "Adjustable" Low Fuel Warning Module Note: A Complete Electronic Control Unit To Activate A Warning Lamp Or Relay When Fuel Level Drops Below A User Adjustable Level. Includes instruction sheet.	\$64.00	C
500274	1975	<b>LOW FUEL INDICATOR MODULE</b> Generic "Adjustable" Low Fuel Warning Module Note: A Complete Electronic Control Unit To Activate A Warning Lamp Or Relay When Fuel Level Drops Below A User Adjustable Level. Includes instruction sheet.	\$64.00	C
500274	1976	<b>LOW FUEL INDICATOR MODULE</b> Generic "Adjustable" Low Fuel Warning Module Note: A Complete Electronic Control Unit To Activate A Warning Lamp Or Relay When Fuel Level Drops Below A User Adjustable Level. Includes instruction sheet.	\$64.00	C
500274	1977	<b>LOW FUEL INDICATOR MODULE</b> Generic "Adjustable" Low Fuel Warning Module Note: A Complete Electronic Control Unit To Activate A Warning Lamp Or Relay When Fuel Level Drops Below A User Adjustable Level. Includes instruction sheet.	\$64.00	C
<b>MAP LIGHT HARNESS</b>				
41720	1969	<b>MAP LIGHT HARNESS EXTENSION HARNESS</b> From Fuse Box To Interior Rear View Mirror Connector	\$33.00	
40868	1970	<b>MAP LIGHT HARNESS EXTENSION HARNESS</b> From Fuse Box To Interior Rear View Mirror Connector	\$33.00	
41852	1971	<b>MAP LIGHT HARNESS EXTENSION HARNESS</b> From Fuse Box To Interior Rear View Mirror Connector	\$33.00	
41852	1972	<b>MAP LIGHT HARNESS EXTENSION HARNESS</b> From Fuse Box To Interior Rear View Mirror Connector	\$33.00	
41846	1973	<b>MAP LIGHT HARNESS</b> From Fuse Block To Map Lamp	\$33.00	

Part Number	Year	Description	Price	*Rev.
41846	1974	MAP LIGHT HARNESS From Fuse Block To Map Lamp	\$33.00	
41846	1975	MAP LIGHT HARNESS From Fuse Block To Map Lamp	\$33.00	
41666	1976	MAP LIGHT HARNESS From Fuse Block To Map Lamp	\$33.00	
41666	1977	MAP LIGHT HARNESS From Fuse Block To Map Lamp	\$33.00	
<b>NEUTRAL SAFETY AND BACKUP LAMP SWITCH</b>				
01993658	1964	NEUTRAL SAFETY AND BACKUP LAMP SWITCH With Console Shift Powerglide Auto Trans	\$55.00	M
01993320	1965	NEUTRAL SAFETY AND BACKUP LAMP SWITCH With Column Shift TH350-400 Auto Trans	\$12.00	
01993696	1965	NEUTRAL SAFETY AND BACKUP LAMP SWITCH With Console Shift Powerglide Auto Trans	\$64.00	
01993321	1965	NEUTRAL SAFETY AND BACKUP LAMP SWITCH With Console Shift TH350-400 Auto Trans	\$55.00	
01993320	1966	NEUTRAL SAFETY AND BACKUP LAMP SWITCH With Column Shift TH350-400 Auto Trans	\$12.00	
01993696	1966	NEUTRAL SAFETY AND BACKUP LAMP SWITCH With Console Shift Powerglide Auto Trans	\$64.00	
01993321	1966	NEUTRAL SAFETY AND BACKUP LAMP SWITCH With Console Shift TH350-400 Auto Trans	\$55.00	
01993696	1967	NEUTRAL SAFETY AND BACKUP LAMP SWITCH With Console Shift Powerglide Auto Trans	\$64.00	
01993321	1967	NEUTRAL SAFETY AND BACKUP LAMP SWITCH With Console Shift TH350-400 Auto Trans	\$55.00	
01994235	1969	NEUTRAL SAFETY AND BACKUP LAMP SWITCH With Column Shift Auto Trans, All	\$19.00	
01994235	1970	NEUTRAL SAFETY AND BACKUP LAMP SWITCH With Column Shift Auto Trans, All	\$19.00	
01994235	1971	NEUTRAL SAFETY AND BACKUP LAMP SWITCH With Column Shift Auto Trans, All	\$19.00	
01994235	1972	NEUTRAL SAFETY AND BACKUP LAMP SWITCH With Column Shift Auto Trans, All	\$19.00	
01994235	1973	NEUTRAL SAFETY AND BACKUP LAMP SWITCH With Column Shift Auto Trans, All	\$19.00	
01994163	1974	NEUTRAL SAFETY AND BACKUP LAMP SWITCH With Auto Trans, All	\$19.00	
01994163	1975	NEUTRAL SAFETY AND BACKUP LAMP SWITCH With Auto Trans, All	\$19.00	
01994163	1976	NEUTRAL SAFETY AND BACKUP LAMP SWITCH With Auto Trans, All	\$19.00	
<b>NEUTRAL SAFETY SWITCH</b>				
01993490	1969	NEUTRAL SAFETY SWITCH With Manual Trans (Clutch Pedal Activated)	\$65.00	
03983966	1970	NEUTRAL SAFETY SWITCH Chevelle, El Camino, Monte Carlo, With Manual Trans (Clutch Pedal Activated) Note: Includes Correct Mounting Bracket 03961590.	\$65.00	C
03986841	1971	NEUTRAL SAFETY SWITCH With Manual Trans (Clutch Pedal Activated) Note: Includes Correct Chevelle Mounting Bracket 03961590.	\$58.00	C
03986841	1972	NEUTRAL SAFETY SWITCH With Manual Trans (Clutch Pedal Activated) Note: Includes Correct Chevelle Mounting Bracket 03961590.	\$58.00	C
<b>NEUTRAL SAFETY SWITCH EXTENSION HARNESS</b>				
28240	1969	NEUTRAL SAFETY SWITCH EXTENSION HARNESS With Manual Trans, From Dash To Clutch Switch	\$33.00	
28240	1970	NEUTRAL SAFETY SWITCH EXTENSION HARNESS With Manual Trans, From Dash To Clutch Switch	\$33.00	
28240	1971	NEUTRAL SAFETY SWITCH EXTENSION HARNESS With Manual Trans, From Dash To Clutch Switch	\$33.00	
28240	1972	NEUTRAL SAFETY SWITCH EXTENSION HARNESS With Manual Trans, From Dash To Clutch Switch	\$33.00	
28240	1973	NEUTRAL SAFETY SWITCH EXTENSION HARNESS With Manual Trans, From Dash To Clutch Switch	\$33.00	
36273	1974	NEUTRAL SAFETY SWITCH EXTENSION HARNESS With Manual Trans, From Dash To Clutch Switch	\$30.00	
36273	1975	NEUTRAL SAFETY SWITCH EXTENSION HARNESS With Manual Trans, From Dash To Clutch Switch	\$30.00	
36273	1976	NEUTRAL SAFETY SWITCH EXTENSION HARNESS With Manual Trans, From Dash To Clutch Switch	\$30.00	
36273	1977	NEUTRAL SAFETY SWITCH EXTENSION HARNESS With Manual Trans, From Dash To Clutch Switch	\$30.00	
<b>NEUTRAL SAFETY SWITCH JUMPER</b>				
28485	1966	NEUTRAL SAFETY SWITCH JUMPER From Dash Harness To Column Mounted Neutral Safety Switch Note: This Jumper Is Necessary For Coulmn Shift Auto Trans.	\$25.00	
28485	1967	NEUTRAL SAFETY SWITCH JUMPER From Dash Harness To Column Mounted Neutral Safety Switch Note: This Jumper Is Necessary For Coulmn Shift Auto Trans.	\$25.00	

Part Number	Year	Description	Price	*Rev.
28485	1968	<b>NEUTRAL SAFETY SWITCH JUMPER</b> From Dash Harness To Column Mounted Neutral Safety Switch Note: This Jumper Is Necessary For Coulmn Shift Auto Trans.	\$25.00	
<b>OVERDRIVE HARNESS</b>				
41671	1964	<b>OVERDRIVE HARNESS</b> 6 Cylinder Note: 6 Cylinder Items Are Not Returnable.	\$132.00	
41672	1964	<b>OVERDRIVE HARNESS</b> V/8	\$132.00	
37785	1964	<b>OVERDRIVE EXTENSION HARNESS</b> From Overdrive Harness To Transmission	\$80.00	
19065	1965	<b>OVERDRIVE HARNESS</b> 6 Cylinder Note: 6 Cylinder Items Are Not Returnable.	\$132.00	
19055	1965	<b>OVERDRIVE HARNESS</b> V/8	\$132.00	
37785	1965	<b>OVERDRIVE EXTENSION HARNESS</b> From Overdrive Harness To Transmission	\$80.00	
19065	1966	<b>OVERDRIVE HARNESS</b> 6 Cylinder Note: 6 Cylinder Items Are Not Returnable.	\$132.00	
19055	1966	<b>OVERDRIVE HARNESS</b> V/8	\$132.00	
04800	1966	<b>OVERDRIVE EXTENSION HARNESS</b> From Overdrive Harness To Transmission	\$67.00	
19060	1967	<b>OVERDRIVE HARNESS</b> 6 Cylinder Note: 6 Cylinder Items Are Not Returnable.	\$132.00	
41682	1967	<b>OVERDRIVE HARNESS</b> V/8	\$132.00	
04800	1967	<b>OVERDRIVE EXTENSION HARNESS</b> From Overdrive Harness To Transmission	\$67.00	
11970	1968	<b>OVERDRIVE HARNESS</b> 6 Cylinder Note: 6 Cylinder Items Are Not Returnable.	\$132.00	
11975	1968	<b>OVERDRIVE HARNESS</b> V/8	\$132.00	
04800	1968	<b>OVERDRIVE EXTENSION HARNESS</b> From Overdrive Harness To Transmission	\$67.00	
11970	1969	<b>OVERDRIVE HARNESS</b> 6 Cylinder Note: 6 Cylinder Items Are Not Returnable.	\$132.00	
11975	1969	<b>OVERDRIVE HARNESS</b> V/8	\$132.00	
04800	1969	<b>OVERDRIVE EXTENSION HARNESS</b> From Overdrive Harness To Transmission	\$67.00	
<b>PARKING LAMP HARNESS</b>				
41745	1973	<b>PARKING LAMP HARNESS</b> Monte Carlo, From Forward Lamp Harness To Parking Lamp (2 Required Per Car)	\$60.00	
41769	1974	<b>PARKING LAMP HARNESS</b> Monte Carlo, From Forward Lamp Harness To Parking & Marker Lamp (2 Required Per Car)	\$60.00	
41769	1975	<b>PARKING LAMP HARNESS</b> Monte Carlo, From Forward Lamp Harness To Parking & Marker Lamp (2 Required Per Car)	\$60.00	
<b>POWER ACCESSORY FEED WIRE</b>				
28230	1964	<b>POWER ACCESSORY FEED WIRE</b> From Starter Solenoid To Firewall Circuit Breaker, All Power Accessories	\$26.00	
06940	1964	<b>POWER ACCESSORY FEED WIRE</b> Power Feed, From Circuit Breaker To Power Seat Harness	\$26.00	
28430	1965	<b>POWER ACCESSORY FEED WIRE</b> From Horn Relay To Circuit Breaker, All Power Accessories	\$18.00	
07590	1965	<b>POWER ACCESSORY FEED WIRE</b> Power Feed, From Circuit Breaker To Power Seat Harness	\$26.00	
28430	1966	<b>POWER ACCESSORY FEED WIRE</b> From Horn Relay To Circuit Breaker, All Power Accessories	\$18.00	
07590	1966	<b>POWER ACCESSORY FEED WIRE</b> Power Feed, From Circuit Breaker To Power Seat Harness	\$26.00	
10755	1967	<b>POWER ACCESSORY FEED WIRE</b> From Horn Relay To Circuit Breaker, All Power Accessories	\$15.00	
07590	1967	<b>POWER ACCESSORY FEED WIRE</b> Power Feed, From Circuit Breaker To Power Seat Harness	\$26.00	
14175	1968	<b>POWER ACCESSORY FEED WIRE</b> From Circuit Breaker Power Feed To Power Seat Harness Note: Connects Item #35550 To Power Seat Harness.	\$17.00	
35550	1968	<b>POWER ACCESSORY FEED WIRE</b> From Circuit Breaker To Main Harness, Power Window, Top Or Seat	\$18.00	
40025	1968	<b>POWER ACCESSORY, IGNITION FEED WIRE</b> From Ignition Cavity On Fuse Block To Power Window Harness	\$17.00	

Part Number	Year	Description	Price	*Rev.
28220	1968	<b>POWER ACCESSORY FEED WIRE</b> From Horn Relay To Circuit Breaker, Used With All Power Accessories	\$17.00	
14175	1969	<b>POWER ACCESSORY FEED WIRE</b> From Circuit Breaker Power Feed To Power Seat Harness Note: Connects Item #35550 To Power Seat Harness.	\$17.00	
35550	1969	<b>POWER ACCESSORY FEED WIRE</b> From Circuit Breaker To Main Harness, Power Window, Top Or Seat	\$18.00	
40025	1969	<b>POWER ACCESSORY, IGNITION FEED WIRE</b> From Ignition Cavity On Fuse Block To Power Window Harness	\$17.00	
28220	1969	<b>POWER ACCESSORY FEED WIRE</b> From Horn Relay To Circuit Breaker, Used With All Power Accessories	\$17.00	
14175	1970	<b>POWER ACCESSORY FEED WIRE</b> From Circuit Breaker Power Feed To Power Seat Harness Note: Connects Item #28215 Or 36861 To Power Seat Harness.	\$17.00	
10755	1970	<b>POWER ACCESSORY FEED WIRE</b> Monte Carlo, From Horn Relay To Circuit Breaker, Used With All Power Accessories	\$15.00	
14325	1970	<b>POWER ACCESSORY, IGNITION FEED WIRE</b> From Ignition Cavity On Fuse Block To Power Window Harness	\$17.00	
28220	1970	<b>POWER ACCESSORY FEED WIRE</b> From Horn Relay To Circuit Breaker, Used With All Power Accessories	\$17.00	
28215	1970	<b>POWER ACCESSORY FEED WIRE, 1 CAVITY CONNECTOR</b> From Circuit Breaker To Main Harness, Power Window, Top Or Seat Note: Used With One Power Option Only, Windows Or Seat Or Top.	\$20.00	
36861	1970	<b>POWER ACCESSORY FEED WIRE, 3 CAVITY CONNECTOR</b> From Circuit Breaker To Main Harness, Power Window, Top & Seat Note: Used With Multiple Power Options, Windows, Seat And/Or Top.	\$27.00	
14175	1971	<b>POWER ACCESSORY FEED WIRE</b> From Circuit Breaker Power Feed To Power Seat Harness Note: Connects Item #28215 Or 36861 To Power Seat Harness.	\$17.00	
14325	1971	<b>POWER ACCESSORY, IGNITION FEED WIRE</b> From Ignition Cavity On Fuse Block To Power Window Harness	\$17.00	
10755	1971	<b>POWER ACCESSORY FEED WIRE</b> Monte Carlo, From Horn Relay To Circuit Breaker, Used With All Power Accessories	\$15.00	
28220	1971	<b>POWER ACCESSORY FEED WIRE</b> From Horn Relay To Circuit Breaker, Used With All Power Accessories	\$17.00	
28215	1971	<b>POWER ACCESSORY FEED WIRE, 1 CAVITY CONNECTOR</b> From Circuit Breaker To Main Harness, Power Window, Top Or Seat Note: Used With One Power Option Only, Windows Or Seat Or Top.	\$20.00	
36861	1971	<b>POWER ACCESSORY FEED WIRE, 3 CAVITY CONNECTOR</b> From Circuit Breaker To Main Harness, Power Window, Top & Seat Note: Used With Multiple Power Options, Windows, Seat And/Or Top.	\$27.00	
14175	1972	<b>POWER ACCESSORY FEED WIRE</b> From Circuit Breaker Power Feed To Power Seat Harness	\$17.00	
40776	1973	<b>POWER ACCESSORY FEED WIRE</b> From Power Seat Harness To Ignition Feed Wire	\$21.00	
40768	1973	<b>POWER ACCESSORY FEED WIRE</b> From Battery Fused Cavity In Fuse Block To Power Seat And/Or Door Lock Harness	\$26.00	
40776	1974	<b>POWER ACCESSORY FEED WIRE</b> From Power Seat Harness To Ignition Feed Wire	\$21.00	
40768	1974	<b>POWER ACCESSORY FEED WIRE</b> From Battery Fused Cavity In Fuse Block To Power Seat And/Or Door Lock Harness	\$26.00	
40416	1975	<b>POWER ACCESSORY FEED WIRE</b> From Ignition & Power Feed Jumper To Power Seat Harness	\$27.00	
40768	1975	<b>POWER ACCESSORY FEED WIRE</b> From Battery Fused Cavity In Fuse Block To Power Seat And/Or Door Lock Harness	\$26.00	
40423	1976	<b>POWER ACCESSORY FEED WIRE</b> From Ignition & Power Feed Jumper To Power Seat Harness	\$27.00	
40768	1976	<b>POWER ACCESSORY FEED WIRE</b> From Battery Fused Cavity In Fuse Block To Power Seat And/Or Door Lock Harness	\$26.00	
40423	1977	<b>POWER ACCESSORY FEED WIRE</b> From Ignition & Power Feed Jumper To Power Seat Harness	\$27.00	
40768	1977	<b>POWER ACCESSORY FEED WIRE</b> From Battery Fused Cavity In Fuse Block To Power Seat And/Or Door Lock Harness	\$26.00	
42020	1978	<b>POWER ACCESSORY FEED WIRE</b> From Junction Block To Power Seat Harness	\$25.00	
42004	1978	<b>POWER ACCESSORY FEED WIRE</b> From Battery Fused Cavity In Fuse Block To Power Accessories	\$25.00	

Part Number	Year	Description	Price	*Rev.
42031	1978	<b>POWER ACCESSORY FEED WIRE</b> From Ignition Cavity In Fuse Block To Sun Roof Harness	\$25.00	
42020	1979	<b>POWER ACCESSORY FEED WIRE</b> From Junction Block To Power Seat Harness	\$25.00	
42004	1979	<b>POWER ACCESSORY FEED WIRE</b> From Battery Fused Cavity In Fuse Block To Power Accessories	\$25.00	
42031	1979	<b>POWER ACCESSORY FEED WIRE</b> From Ignition Cavity In Fuse Block To Sun Roof Harness	\$25.00	
42020	1980	<b>POWER ACCESSORY FEED WIRE</b> From Junction Block To Power Seat Harness	\$25.00	
42004	1980	<b>POWER ACCESSORY FEED WIRE</b> From Battery Fused Cavity In Fuse Block To Power Accessories	\$25.00	
42031	1980	<b>POWER ACCESSORY FEED WIRE</b> From Ignition Cavity In Fuse Block To Sun Roof Harness	\$25.00	
42020	1981	<b>POWER ACCESSORY FEED WIRE</b> From Junction Block To Power Seat Harness	\$25.00	
42004	1981	<b>POWER ACCESSORY FEED WIRE</b> From Battery Fused Cavity In Fuse Block To Power Accessories	\$25.00	
42031	1981	<b>POWER ACCESSORY FEED WIRE</b> From Ignition Cavity In Fuse Block To Sun Roof Harness	\$25.00	
42020	1982	<b>POWER ACCESSORY FEED WIRE</b> From Junction Block To Power Seat Harness	\$25.00	
42004	1982	<b>POWER ACCESSORY FEED WIRE</b> From Battery Fused Cavity In Fuse Block To Power Accessories	\$25.00	
<b>POWER ANTENNA HARNESS</b>				
39627	1966	<b>POWER ANTENNA HARNESS</b> From Antenna Switch To Fuse Box	\$50.00	
32520	1966	<b>POWER ANTENNA HARNESS</b> Rear Power Antenna, All Except Convertible, From Switch To Antenna	\$41.00	
32525	1966	<b>POWER ANTENNA HARNESS</b> Rear Power Antenna, Convertible, From Switch To Antenna	\$41.00	
41866	1978	<b>POWER ANTENNA HARNESS</b> From Battery Cavity In Fuse Block To Relay	\$48.00	
41866	1979	<b>POWER ANTENNA HARNESS</b> From Battery Cavity In Fuse Block To Relay	\$48.00	
41866	1980	<b>POWER ANTENNA HARNESS</b> From Battery Cavity In Fuse Block To Relay	\$48.00	
41866	1981	<b>POWER ANTENNA HARNESS</b> From Battery Cavity In Fuse Block To Relay	\$48.00	
41866	1982	<b>POWER ANTENNA HARNESS</b> From Battery Cavity In Fuse Block To Relay	\$48.00	
<b>POWER DOOR LOCK HARNESS</b>				
40349	1970	<b>POWER DOOR LOCK HARNESS</b> Driver Side Door & Crossover, Coupe & Convertible Note: Customer Must Reuse Their Original Plastic Connector For Door Jamb Switch.	\$221.00	
40348	1970	<b>POWER DOOR LOCK HARNESS</b> Passenger Side Door, Coupe & Convertible Note: Customer Must Reuse Their Original Plastic Connector For Door Jamb Switch.	\$137.00	
40748	1970	<b>POWER DOOR LOCK HARNESS</b> Driver Side Door & Crossover, El Camino Note: Customer Must Reuse Their Original Plastic Connector For Door Jamb Switch.	\$212.00	
40749	1970	<b>POWER DOOR LOCK HARNESS</b> Passenger Side Door, El Camino Note: Customer Must Reuse Their Original Plastic Connector For Door Jamb Switch.	\$186.00	
40560	1970	<b>POWER DOOR LOCK HARNESS</b> 4 Door, Driver Side Front Door And Under Dash Crossover	\$212.00	
40561	1970	<b>POWER DOOR LOCK HARNESS</b> 4 Door, Passenger Side Front Door	\$180.00	
40551	1970	<b>POWER DOOR LOCK HARNESS</b> 4 Door Sport Sedan, From Rear Door Lock Solenoid To Intermediate Door Lock Harness, (2 Required Per Car )	\$60.00	
40552	1970	<b>POWER DOOR LOCK HARNESS</b> 4 Door, Except Sport Sedan, From Rear Door Lock Solenoid To Intermediate Door Lock Harness, (2 Required Per Car )	\$60.00	
40548	1970	<b>POWER DOOR LOCK INTERMEDIATE HARNESS</b> 4 Door Sport Sedan, From Under Dash To Rear Door Lock Solenoid Harness, (2 Required Per Car )	\$101.00	
40747	1970	<b>POWER DOOR LOCK INTERMEDIATE HARNESS</b> 4 Door, Except Sport Sedan, From Under Dash To Rear Door Lock Solenoid Harness, (2 Required Per Car )	\$87.00	
40349	1971	<b>POWER DOOR LOCK HARNESS</b> Driver Side Door & Crossover, Coupe & Convertible Note: Customer Must Reuse Their Original Plastic Connector For Door Jamb Switch.	\$221.00	
40348	1971	<b>POWER DOOR LOCK HARNESS</b> Passenger Side Door, Coupe & Convertible Note: Customer Must Reuse Their Original Plastic Connector For Door Jamb Switch.	\$137.00	
40748	1971	<b>POWER DOOR LOCK HARNESS</b> Driver Side Door & Crossover, El Camino Note: Customer Must Reuse Their Original Plastic Connector For Door Jamb Switch.	\$212.00	
40749	1971	<b>POWER DOOR LOCK HARNESS</b> Passenger Side Door, El Camino Note: Customer Must Reuse Their Original Plastic Connector For Door Jamb Switch.	\$186.00	

Part Number	Year	Description	Price	*Rev.
40560	1971	<b>POWER DOOR LOCK HARNESS</b> 4 Door, Driver Side Front Door And Under Dash Crossover	\$212.00	
40561	1971	<b>POWER DOOR LOCK HARNESS</b> 4 Door, Passenger Side Front Door	\$180.00	
40551	1971	<b>POWER DOOR LOCK HARNESS</b> 4 Door Sport Sedan, From Rear Door Lock Solenoid To Intermediate Door Lock Harness, (2 Required Per Car )	\$60.00	
40552	1971	<b>POWER DOOR LOCK HARNESS</b> 4 Door, Except Sport Sedan, From Rear Door Lock Solenoid To Intermediate Door Lock Harness, (2 Required Per Car )	\$60.00	
40794	1971	<b>POWER DOOR LOCK INTERMEDIATE HARNESS</b> 4 Door, Sport Sedan, Driver Side, From Under Dash To Rear Door Lock Solenoid Harness	\$60.00	
40548	1971	<b>POWER DOOR LOCK INTERMEDIATE HARNESS</b> 4 Door Sport Sedan, Passenger Side, From Under Dash To Rear Door Lock Solenoid Harness	\$101.00	
40795	1971	<b>POWER DOOR LOCK INTERMEDIATE HARNESS</b> 4 Door, Except Sport Sedan, Driver Side, From Under Dash To Rear Door Lock Solenoid Harness	\$60.00	
40747	1971	<b>POWER DOOR LOCK INTERMEDIATE HARNESS</b> 4 Door, Except Sport Sedan, Passenger Side, From Under Dash To Rear Door Lock Solenoid Harness	\$87.00	
40349	1972	<b>POWER DOOR LOCK HARNESS</b> Driver Side Door & Crossover, Coupe & Convertible Note: Customer Must Reuse Their Original Plastic Connector For Door Jamb Switch.	\$221.00	
40348	1972	<b>POWER DOOR LOCK HARNESS</b> Passenger Side Door, Coupe & Convertible Note: Customer Must Reuse Their Original Plastic Connector For Door Jamb Switch.	\$137.00	
40748	1972	<b>POWER DOOR LOCK HARNESS</b> Driver Side Door & Crossover, El Camino Note: Customer Must Reuse Their Original Plastic Connector For Door Jamb Switch.	\$212.00	
40749	1972	<b>POWER DOOR LOCK HARNESS</b> Passenger Side Door, El Camino Note: Customer Must Reuse Their Original Plastic Connector For Door Jamb Switch.	\$186.00	
40560	1972	<b>POWER DOOR LOCK HARNESS</b> 4 Door, Driver Side Front Door And Under Dash Crossover	\$212.00	
40561	1972	<b>POWER DOOR LOCK HARNESS</b> 4 Door, Passenger Side Front Door	\$180.00	
40548	1972	<b>POWER DOOR LOCK INTERMEDIATE HARNESS</b> 4 Door Sport Sedan, Passenger Side, From Under Dash To Rear Door Lock Solenoid Harness	\$101.00	
40794	1972	<b>POWER DOOR LOCK INTERMEDIATE HARNESS</b> 4 Door, Sport Sedan, Driver Side, From Under Dash To Rear Door Lock Solenoid Harness	\$60.00	
40747	1972	<b>POWER DOOR LOCK INTERMEDIATE HARNESS</b> 4 Door, Except Sport Sedan, Passenger Side, From Under Dash To Rear Door Lock Solenoid Harness	\$87.00	
40551	1972	<b>POWER DOOR LOCK HARNESS</b> 4 Door Sport Sedan, From Rear Door Lock Solenoid To Intermediate Door Lock Harness, (2 Required Per Car )	\$60.00	
40552	1972	<b>POWER DOOR LOCK HARNESS</b> 4 Door, Except Sport Sedan, From Rear Door Lock Solenoid To Intermediate Door Lock Harness, (2 Required Per Car )	\$60.00	
40795	1972	<b>POWER DOOR LOCK INTERMEDIATE HARNESS</b> 4 Door, Except Sport Sedan, Driver Side, From Under Dash To Rear Door Lock Solenoid Harness	\$60.00	
40779	1973	<b>POWER DOOR LOCK HARNESS</b> All, Without Power Windows, From Under Dash Crossover (Includes Courtesy Lamp Door Jamb Switch Wiring)	\$80.00	
40761	1973	<b>POWER DOOR LOCK HARNESS</b> 2 Door Models, All, Driver Or Passenger Side Note: 2 Required Per Car.	\$106.00	
40762	1973	<b>POWER DOOR LOCK HARNESS</b> 4 Door Models, All, Driver Or Passenger Side Front Door Note: 2 Required Per Car.	\$106.00	
40764	1973	<b>POWER DOOR LOCK HARNESS</b> Rear Door, 4 Door Models, All, Driver Or Passenger Side (2 Required Per Car)	\$60.00	
40715	1974	<b>POWER DOOR LOCK HARNESS</b> Center Crossover, Without Power Windows, (Includes Courtesy Lamp Door Jamb Switch Wiring)	\$106.00	
40761	1974	<b>POWER DOOR LOCK HARNESS</b> 2 Door Models, All, Driver Or Passenger Side Note: 2 Required Per Car.	\$106.00	
40762	1974	<b>POWER DOOR LOCK HARNESS</b> 4 Door Models, All, Driver Or Passenger Side Front Door Note: 2 Required Per Car.	\$106.00	
40764	1974	<b>POWER DOOR LOCK HARNESS</b> Rear Door, 4 Door Models, All, Driver Or Passenger Side (2 Required Per Car)	\$60.00	

Part Number	Year	Description	Price	*Rev.
40715	1975	<b>POWER DOOR LOCK HARNESS</b> Center Crossover, Without Power Windows, (Includes Courtesy Lamp Door Jamb Switch Wiring)	\$106.00	
40761	1975	<b>POWER DOOR LOCK HARNESS</b> 2 Door Models, All, Driver Or Passenger Side Note: 2 Required Per Car.	\$106.00	
40762	1975	<b>POWER DOOR LOCK HARNESS</b> 4 Door Models, All, Driver Or Passenger Side Front Door Note: 2 Required Per Car.	\$106.00	
40764	1975	<b>POWER DOOR LOCK HARNESS</b> Rear Door, 4 Door Models, All, Driver Or Passenger Side (2 Required Per Car)	\$60.00	
40424	1976	<b>POWER DOOR LOCK HARNESS</b> Center Crossover, Without Power Windows, (Includes Courtesy Lamp Door Jamb Switch Wiring)	\$106.00	
40409	1976	<b>POWER DOOR LOCK HARNESS</b> 2 Door, Driver Or Passenger Side Note: 2 Required Per Car.	\$106.00	
40410	1976	<b>POWER DOOR LOCK HARNESS</b> 4 Door, Driver Or Passenger Side Front Door	\$106.00	
40412	1976	<b>POWER DOOR LOCK HARNESS</b> Rear Door, 4 Door, Driver Or Passenger Side	\$60.00	
40858	1977	<b>POWER DOOR LOCK HARNESS</b> Center Crossover, Without Power Windows, (Includes Courtesy Lamp Door Jamb Switch Wiring)	\$106.00	
40859	1977	<b>POWER DOOR LOCK HARNESS</b> 2 Door, Driver Or Passenger Side (2 Required Per Car)	\$106.00	
40860	1977	<b>POWER DOOR LOCK HARNESS</b> 4 Door, Driver Or Passenger Side Front Door (2 Required Per Car)	\$106.00	
40861	1977	<b>POWER DOOR LOCK HARNESS</b> Rear Door, 4 Door, Driver Or Passenger Side (2 Required Per Car)	\$60.00	
42006	1978	<b>POWER DOOR LOCK HARNESS</b> Center Crossover, Without Power Windows, (Includes Courtesy Lamp Door Jamb Switch Wiring)	\$106.00	
42015	1978	<b>POWER DOOR LOCK HARNESS</b> 2 Door, Driver Or Passenger Side (2 Required Per Car)	\$106.00	
42016	1978	<b>POWER DOOR LOCK HARNESS</b> 4 Door, Driver Or Passenger Side Front Door (2 Required Per Car) Note: Customer Must Supply Their Original Harness.	\$106.00	
42017	1978	<b>POWER DOOR LOCK HARNESS</b> Rear Door, 4 Door, Driver Or Passenger Side (2 Required Per Car) Note: Customer Must Supply Their Original Harness.	\$60.00	
42006	1979	<b>POWER DOOR LOCK HARNESS</b> Center Crossover, Without Power Windows, (Includes Courtesy Lamp Door Jamb Switch Wiring)	\$106.00	
42015	1979	<b>POWER DOOR LOCK HARNESS</b> 2 Door, Driver Or Passenger Side (2 Required Per Car)	\$106.00	
42016	1979	<b>POWER DOOR LOCK HARNESS</b> 4 Door, Driver Or Passenger Side Front Door (2 Required Per Car) Note: Customer Must Supply Their Original Harness.	\$106.00	
42017	1979	<b>POWER DOOR LOCK HARNESS</b> Rear Door, 4 Door, Driver Or Passenger Side (2 Required Per Car) Note: Customer Must Supply Their Original Harness.	\$60.00	
42006	1980	<b>POWER DOOR LOCK HARNESS</b> Center Crossover, Without Power Windows, (Includes Courtesy Lamp Door Jamb Switch Wiring)	\$106.00	
42015	1980	<b>POWER DOOR LOCK HARNESS</b> 2 Door, Driver Or Passenger Side (2 Required Per Car)	\$106.00	
42045	1980	<b>POWER DOOR LOCK HARNESS</b> 4 Door, Driver Or Passenger Side Front Door (2 Required Per Car) Note: Customer Must Supply Their Original Harness.	\$106.00	
42017	1980	<b>POWER DOOR LOCK HARNESS</b> Rear Door, 4 Door, Driver Or Passenger Side (2 Required Per Car) Note: Customer Must Supply Their Original Harness.	\$60.00	
42015	1981	<b>POWER DOOR LOCK HARNESS</b> 2 Door, Driver Or Passenger Side (2 Required Per Car)	\$106.00	



Part Number	Year	Description	Price	*Rev.
42045	1981	<b>POWER DOOR LOCK HARNESS</b> 4 Door, Driver Or Passenger Side Front Door (2 Required Per Car) Note: Customer Must Supply Their Original Harness.	\$106.00	
42017	1981	<b>POWER DOOR LOCK HARNESS</b> Rear Door, 4 Door, Driver Or Passenger Side (2 Required Per Car) Note: Customer Must Supply Their Original Harness.	\$60.00	
42006	1981	<b>POWER DOOR LOCK HARNESS</b> Center Crossover, Without Power Windows, (Includes Courtesy Lamp Door Jamb Switch Wiring)	\$106.00	
42006	1982	<b>POWER DOOR LOCK HARNESS</b> Center Crossover, Without Power Windows, (Includes Courtesy Lamp Door Jamb Switch Wiring)	\$106.00	
42015	1982	<b>POWER DOOR LOCK HARNESS</b> 2 Door, Driver Or Passenger Side (2 Required Per Car)	\$106.00	
42045	1982	<b>POWER DOOR LOCK HARNESS</b> 4 Door, Driver Or Passenger Side Front Door (2 Required Per Car) Note: Customer Must Supply Their Original Harness.	\$106.00	
42017	1982	<b>POWER DOOR LOCK HARNESS</b> Rear Door, 4 Door, Driver Or Passenger Side (2 Required Per Car) Note: Customer Must Supply Their Original Harness.	\$60.00	
<b>POWER DOOR LOCK SWITCH</b>				
01725099	1973	<b>POWER DOOR LOCK SWITCH</b> 1 Button	\$62.00	
01725099	1974	<b>POWER DOOR LOCK SWITCH</b> 1 Button	\$62.00	
01725099	1975	<b>POWER DOOR LOCK SWITCH</b> 1 Button	\$62.00	
01725099	1976	<b>POWER DOOR LOCK SWITCH</b> 1 Button	\$62.00	
20031475	1977	<b>POWER DOOR LOCK SWITCH</b>	\$62.00	N
<b>POWER SEAT BACK LOCK HARNESS</b>				
40750	1970	<b>POWER SEAT BACK LOCK HARNESS</b> All, From Seat Back Lock Relay To Power Door Lock Harness	\$132.00	
40752	1970	<b>POWER SEAT BACK LOCK EXTENSION WIRE</b> All, With Bucket Seats, Connects Solenoid In Seat To Seat Back Lock Main Harness (2 Required Per Car )	\$41.00	
14510	1970	<b>POWER SEAT BACK LOCK EXTENSION WIRE</b> All, Without Bucket Seats, Connects Solenoid In Seat To Seat Back Lock Main Harness (2 Required Per Car )	\$41.00	
40750	1971	<b>POWER SEAT BACK LOCK HARNESS</b> All, From Seat Back Lock Relay To Power Door Lock Harness	\$132.00	
40752	1971	<b>POWER SEAT BACK LOCK EXTENSION WIRE</b> All, With Bucket Seats, Connects Solenoid In Seat To Seat Back Lock Main Harness (2 Required Per Car )	\$41.00	
14510	1971	<b>POWER SEAT BACK LOCK EXTENSION WIRE</b> All, Without Bucket Seats, Connects Solenoid In Seat To Seat Back Lock Main Harness (2 Required Per Car )	\$41.00	
40750	1972	<b>POWER SEAT BACK LOCK HARNESS</b> All, From Seat Back Lock Relay To Power Door Lock Harness	\$132.00	
40752	1972	<b>POWER SEAT BACK LOCK EXTENSION WIRE</b> All, With Bucket Seats, Connects Solenoid In Seat To Seat Back Lock Main Harness (2 Required Per Car )	\$41.00	
14510	1972	<b>POWER SEAT BACK LOCK EXTENSION WIRE</b> All, Without Bucket Seats, Connects Solenoid In Seat To Seat Back Lock Main Harness (2 Required Per Car )	\$41.00	
40722	1973	<b>POWER SEAT BACK LOCK HARNESS</b> 2 Door Models, Except Monte Carlo, Under Dash Crossover Note: Customer Must Reuse Their Original Plastic Connector For Door Jamb Switch.	\$41.00	
40721	1973	<b>POWER SEAT BACK LOCK EXTENSION</b> 2 Door Models, Except Monte Carlo, From Under Dash To Seat Back Lock Harness In Seat (2 Required Per Car )	\$41.00	
<b>POWER SEAT HARNESS</b>				
06950	1964	<b>POWER SEAT HARNESS</b> 4 Way Bucket, Drivers Side Note: Customer Must Reuse Their Original Plastic Connector For Master Switch.	\$166.00	
06945	1964	<b>POWER SEAT HARNESS</b> 4 Way Bench Note: Customer Must Reuse Their Original Plastic Connector For Master Switch.	\$173.00	
07600	1965	<b>POWER SEAT HARNESS</b> 4 Way Bucket, Drivers Side Note: Customer Must Reuse Their Original Plastic Connector For Master Switch.	\$159.00	

Part Number	Year	Description	Price	*Rev.
07595	1965	<b>POWER SEAT HARNESS</b> 4-Way Bench Note: Customer Must Reuse Their Original Plastic Connector For Master Switch.	\$166.00	
07020	1966	<b>POWER SEAT HARNESS</b> 4 Way Bucket, Drivers Side Note: Customer Must Reuse Their Original Plastic Connector For Master Switch.	\$159.00	
07595	1966	<b>POWER SEAT HARNESS</b> 4-Way Bench Note: Customer Must Reuse Their Original Plastic Connector For Master Switch.	\$166.00	
07020	1967	<b>POWER SEAT HARNESS</b> 4 Way Bucket, Drivers Side Note: Customer Must Reuse Their Original Plastic Connector For Master Switch.	\$159.00	
32325	1967	<b>POWER SEAT HARNESS</b> 4-Way Bench Note: Customer Must Reuse Their Original Plastic Connector For Master Switch.	\$166.00	
07020	1968	<b>POWER SEAT HARNESS</b> 4 Way Bucket, Drivers Side Note: Customer Must Reuse Their Original Plastic Connector For Master Switch.	\$159.00	
32325	1968	<b>POWER SEAT HARNESS</b> 4-Way Bench Note: Customer Must Reuse Their Original Plastic Connector For Master Switch.	\$166.00	
07020	1969	<b>POWER SEAT HARNESS</b> 4 Way Bucket, Drivers Side Note: Customer Must Reuse Their Original Plastic Connector For Master Switch.	\$159.00	
32325	1969	<b>POWER SEAT HARNESS</b> 4-Way Bench Note: Customer Must Reuse Their Original Plastic Connector For Master Switch.	\$166.00	
07020	1970	<b>POWER SEAT HARNESS</b> 4 Way Bucket, Drivers Side Note: Customer Must Reuse Their Original Plastic Connector For Master Switch.	\$159.00	
14435	1970	<b>POWER SEAT HARNESS</b> 4 Way Bench Note: Customer Must Reuse Their Original Plastic Connector For Master Switch.	\$176.00	
07020	1971	<b>POWER SEAT HARNESS</b> 4 Way Bucket, Drivers Side Note: Customer Must Reuse Their Original Plastic Connector For Master Switch.	\$159.00	
14435	1971	<b>POWER SEAT HARNESS</b> 4 Way Bench Note: Customer Must Reuse Their Original Plastic Connector For Master Switch.	\$176.00	
07020	1972	<b>POWER SEAT HARNESS</b> 4 Way Bucket, Drivers Side Note: Customer Must Reuse Their Original Plastic Connector For Master Switch.	\$159.00	
14435	1972	<b>POWER SEAT HARNESS</b> 4 Way Bench Note: Customer Must Reuse Their Original Plastic Connector For Master Switch.	\$176.00	
40793	1973	<b>POWER SEAT HARNESS</b> All, With Bucket Seat, Drivers Side Note: Customer Must Reuse Their Original Plastic Connector For Master Switch.	\$179.00	
40727	1973	<b>POWER SEAT HARNESS</b> All, With Bench Seat Note: Customer Must Reuse Their Original Plastic Connector For Master Switch.	\$190.00	
40793	1974	<b>POWER SEAT HARNESS</b> All, With Bucket Seat, Drivers Side Note: Customer Must Reuse Their Original Plastic Connector For Master Switch.	\$179.00	
40727	1974	<b>POWER SEAT HARNESS</b> All, With Bench Seat Note: Customer Must Reuse Their Original Plastic Connector For Master Switch.	\$190.00	
40793	1975	<b>POWER SEAT HARNESS</b> All, With Bucket Seat, Drivers Side Note: Customer Must Reuse Their Original Plastic Connector For Master Switch.	\$179.00	
40727	1975	<b>POWER SEAT HARNESS</b> All, With Bench Seat Note: Customer Must Reuse Their Original Plastic Connector For Master Switch.	\$190.00	
40418	1976	<b>POWER SEAT HARNESS</b> All, With Bucket Seat, Drivers Side Note: Customer Must Reuse Their Original Plastic Connector For Master Switch.	\$167.00	
40417	1976	<b>POWER SEAT HARNESS</b> All, With Bench Seat Note: Customer Must Reuse Their Original Plastic Connector For Master Switch.	\$173.00	
40418	1977	<b>POWER SEAT HARNESS</b> All, With Bucket Seat, Drivers Side Note: Customer Must Reuse Their Original Plastic Connector For Master Switch.	\$167.00	

Part Number	Year	Description	Price	*Rev.
40417	1977	<b>POWER SEAT HARNESS</b> All, With Bench Seat Note: Customer Must Reuse Their Original Plastic Connector For Master Switch.	\$173.00	
41660	1978	<b>POWER SEAT HARNESS</b> All, With Bucket Seat Note: Customer Must Reuse Their Original Plastic Connector For Master Switch.	\$173.00	
41659	1978	<b>POWER SEAT HARNESS</b> All, With Bench Seat Note: Customer Must Reuse Their Original Plastic Connector For Master Switch.	\$173.00	
41660	1979	<b>POWER SEAT HARNESS</b> All, With Bucket Seat Note: Customer Must Reuse Their Original Plastic Connector For Master Switch.	\$173.00	
41659	1979	<b>POWER SEAT HARNESS</b> All, With Bench Seat Note: Customer Must Reuse Their Original Plastic Connector For Master Switch.	\$173.00	
42044	1980	<b>POWER SEAT HARNESS</b> With 6 Way Power Seat Note: Customer Must Reuse Their Original Plastic Connector For Master Switch.	\$98.00	
42043	1980	<b>POWER SEAT JUMPER HARNESS</b> With 6 Way Power Seat, Relay To Motor	\$22.00	
42044	1981	<b>POWER SEAT HARNESS</b> With 6 Way Power Seat Note: Customer Must Reuse Their Original Plastic Connector For Master Switch.	\$98.00	
42043	1981	<b>POWER SEAT JUMPER HARNESS</b> With 6 Way Power Seat, Relay To Motor	\$22.00	
42044	1982	<b>POWER SEAT HARNESS</b> With 6 Way Power Seat Note: Customer Must Reuse Their Original Plastic Connector For Master Switch.	\$98.00	
<b>POWER SEAT MOTOR RELAY AND ADAPTER HARNESS</b>				
40146	1964	<b>POWER SEAT MOTOR RELAY AND ADAPTER HARNESS</b> Includes New Aftermarket Relay And Adapter To Mate To Factory Harness Without Any Harness Modifications	\$74.00	
40146	1965	<b>POWER SEAT MOTOR RELAY AND ADAPTER HARNESS</b> Includes New Aftermarket Relay And Adapter To Mate To Factory Harness Without Any Harness Modifications	\$74.00	
40146	1966	<b>POWER SEAT MOTOR RELAY AND ADAPTER HARNESS</b> Includes New Aftermarket Relay And Adapter To Mate To Factory Harness Without Any Harness Modifications	\$74.00	
40146	1967	<b>POWER SEAT MOTOR RELAY AND ADAPTER HARNESS</b> Includes New Aftermarket Relay And Adapter To Mate To Factory Harness Without Any Harness Modifications	\$74.00	
40146	1968	<b>POWER SEAT MOTOR RELAY AND ADAPTER HARNESS</b> Includes New Aftermarket Relay And Adapter To Mate To Factory Harness Without Any Harness Modifications	\$74.00	
40146	1969	<b>POWER SEAT MOTOR RELAY AND ADAPTER HARNESS</b> Includes New Aftermarket Relay And Adapter To Mate To Factory Harness Without Any Harness Modifications	\$74.00	
40146	1970	<b>POWER SEAT MOTOR RELAY AND ADAPTER HARNESS</b> Includes New Aftermarket Relay And Adapter To Mate To Factory Harness Without Any Harness Modifications	\$74.00	
40146	1971	<b>POWER SEAT MOTOR RELAY AND ADAPTER HARNESS</b> Includes New Aftermarket Relay And Adapter To Mate To Factory Harness Without Any Harness Modifications	\$74.00	
40146	1972	<b>POWER SEAT MOTOR RELAY AND ADAPTER HARNESS</b> Includes New Aftermarket Relay And Adapter To Mate To Factory Harness Without Any Harness Modifications	\$74.00	
40146	1973	<b>POWER SEAT MOTOR RELAY AND ADAPTER HARNESS</b> Includes New Aftermarket Relay And Adapter To Mate To Factory Harness Without Any Harness Modifications	\$74.00	
40146	1974	<b>POWER SEAT MOTOR RELAY AND ADAPTER HARNESS</b> Includes New Aftermarket Relay And Adapter To Mate To Factory Harness Without Any Harness Modifications	\$74.00	
40146	1975	<b>POWER SEAT MOTOR RELAY AND ADAPTER HARNESS</b> Includes New Aftermarket Relay And Adapter To Mate To Factory Harness Without Any Harness Modifications	\$74.00	
<b>POWER TAILGATE RELAY AND ADAPTER HARNESS</b>				
39440	1967	<b>POWER TAILGATE RELAY AND ADAPTER HARNESS</b> Includes New Aftermarket Relay And Adapter To Mate To Factory Harness Without Any Harness Modifications	\$40.00	
39440	1968	<b>POWER TAILGATE RELAY AND ADAPTER HARNESS</b> Includes New Aftermarket Relay And Adapter To Mate To Factory Harness Without Any Harness Modifications	\$40.00	
39440	1969	<b>POWER TAILGATE RELAY AND ADAPTER HARNESS</b> Includes New Aftermarket Relay And Adapter To Mate To Factory Harness Without Any Harness Modifications	\$40.00	
39440	1970	<b>POWER TAILGATE RELAY AND ADAPTER HARNESS</b> Includes New Aftermarket Relay And Adapter To Mate To Factory Harness Without Any Harness Modifications	\$40.00	

Part Number	Year	Description	Price	*Rev.
39440	1971	<b>POWER TAILGATE RELAY AND ADAPTER HARNESS</b> Includes New Aftermarket Relay And Adapter To Mate To Factory Harness Without Any Harness Modifications	\$40.00	
39440	1972	<b>POWER TAILGATE RELAY AND ADAPTER HARNESS</b> Includes New Aftermarket Relay And Adapter To Mate To Factory Harness Without Any Harness Modifications	\$40.00	
<b>POWER TAILGATE WINDOW HARNESS</b>				
41669	1964	<b>POWER TAILGATE WINDOW HARNESS</b> Wagon, Under Dash, From Switch To Ribbon Cable (Body) Note: Customer Must Reuse Their Original Plastic Connector That Attaches This Harness To The Ribbon Cable.	\$82.00	
28505	1965	<b>POWER TAILGATE WINDOW HARNESS</b> Wagon, Under Dash, From Switch To Ribbon Cable (Body) Note: Customer Must Reuse Their Original Plastic Connector That Attaches This Harness To The Ribbon Cable.	\$79.00	
28505	1966	<b>POWER TAILGATE WINDOW HARNESS</b> Wagon, Under Dash, From Switch To Ribbon Cable (Body) Note: Customer Must Reuse Their Original Plastic Connector That Attaches This Harness To The Ribbon Cable.	\$79.00	
28505	1967	<b>POWER TAILGATE WINDOW HARNESS</b> Wagon, Under Dash, Without Power Side Windows & Ignition Relay, From Switch To Ribbon Cable (Body) Note: Customer Must Reuse Their Original Plastic Connector That Attaches This Harness To The Ribbon Cable.	\$79.00	
32470	1967	<b>POWER TAILGATE WINDOW HARNESS</b> Wagon, Under Dash, Without Power Side Windows, With Ignition Relay, From Switch To Ribbon Cable (Body) Note: Customer Must Reuse Their Original Plastic Connector That Attaches This Harness To The Ribbon Cable.	\$113.00	
41699	1967	<b>POWER TAILGATE WINDOW HARNESS</b> Wagon, Under Dash, With Power Side Windows, From Switch To Ribbon Cable (Body) Note: Customer Must Reuse Their Original Plastic Connector That Attaches This Harness To The Ribbon Cable.	\$79.00	
41701	1968	<b>POWER TAILGATE WINDOW HARNESS</b> Wagon, Under Dash, Without Power Side Windows, From Switch To Body Harness	\$79.00	
41706	1968	<b>POWER TAILGATE WINDOW HARNESS</b> Wagon, Under Dash, With Power Side Windows, From Switch To Body Harness	\$79.00	
41715	1969	<b>POWER TAILGATE WINDOW HARNESS</b> Wagon, Under Dash, Without Power Side Windows, From Switch To Body Harness	\$79.00	
41716	1969	<b>POWER TAILGATE WINDOW HARNESS</b> Wagon, Under Dash, With Power Side Windows, From Switch To Body Harness	\$79.00	
41722	1969	<b>POWER TAILGATE WINDOW EXTENSION HARNESS</b> Wagon, From Tailgate Window Cutout Switch To Tailgate Window Harness	\$79.00	
41729	1970	<b>POWER TAILGATE WINDOW HARNESS</b> Wagon, Under Dash, Without Power Side Windows, From Switch To Body Harness	\$79.00	
41730	1970	<b>POWER TAILGATE WINDOW HARNESS</b> Wagon, Under Dash, With Power Side Windows, From Switch To Body Harness	\$79.00	
40796	1970	<b>POWER TAILGATE WINDOW EXTENSION HARNESS</b> From Tailgate Window Cutout Switch To Tailgate Window Harness	\$40.00	
41851	1971	<b>POWER TAILGATE WINDOW HARNESS</b> Wagon, Under Dash, Without Power Side Windows, From Switch To Body Harness	\$79.00	
41850	1971	<b>POWER TAILGATE WINDOW HARNESS</b> Wagon, Under Dash, With Power Side Windows, From Switch To Body Harness	\$79.00	
40796	1971	<b>POWER TAILGATE WINDOW EXTENSION HARNESS</b> From Tailgate Window Cutout Switch To Tailgate Window Harness	\$40.00	
41851	1972	<b>POWER TAILGATE WINDOW HARNESS</b> Wagon, Under Dash, Without Power Side Windows, From Switch To Body Harness	\$79.00	
41850	1972	<b>POWER TAILGATE WINDOW HARNESS</b> Wagon, Under Dash, With Power Side Windows, From Switch To Body Harness	\$79.00	
40796	1972	<b>POWER TAILGATE WINDOW EXTENSION HARNESS</b> From Tailgate Window Cutout Switch To Tailgate Window Harness	\$40.00	
<b>POWER TAILGATE WINDOW SWITCH</b>				
03906118	1964	<b>POWER TAILGATE WINDOW SWITCH</b> Station Wagon, With Power Tail Gate Window Note: This Is The Removable "Black Knob" Type Switch, This Allows Customers With Original Removable "Chrome Knob" Type Switches To Reuse Their Original "Chrome Knob" To Retain An Original Appearance.	\$66.00	

Part Number	Year	Description	Price	*Rev.
03906118	1965	<b>POWER TAILGATE WINDOW SWITCH</b> Station Wagon, With Power Tail Gate Window Note: This Is The Removable "Black Knob" Type Switch, This Allows Customers With Original Removable "Chrome Knob" Type Switches To Reuse Their Original "Chrome Knob" To Retain An Original Appearance.	\$66.00	
03906118	1966	<b>POWER TAILGATE WINDOW SWITCH</b> Station Wagon, With Power Tail Gate Window Note: This Is The Removable "Black Knob" Type Switch, This Allows Customers With Original Removable "Chrome Knob" Type Switches To Reuse Their Original "Chrome Knob" To Retain An Original Appearance.	\$66.00	
03906118	1967	<b>POWER TAILGATE WINDOW SWITCH</b> Station Wagon, With Power Tail Gate Window Note: This Is The Removable "Black Knob" Type Switch, This Allows Customers With Original Removable "Chrome Knob" Type Switches To Reuse Their Original "Chrome Knob" To Retain An Original Appearance.	\$66.00	
03906118	1968	<b>POWER TAILGATE WINDOW SWITCH</b> Station Wagon, With Power Tail Gate Window Note: This Is The Removable "Black Knob" Type Switch, This Allows Customers With Original Removable "Chrome Knob" Type Switches To Reuse Their Original "Chrome Knob" To Retain An Original Appearance.	\$66.00	
<b>POWER TOP HARNESS</b>				
22015	1964	<b>POWER TOP HARNESS</b> Convertible, Under Dash, From Switch To Ribbon Cable (Body)	\$75.00	
06080	1965	<b>POWER TOP HARNESS</b> Convertible, Under Dash, From Switch To Ribbon Cable (Body)	\$75.00	
06080	1966	<b>POWER TOP HARNESS</b> Convertible, Under Dash, From Switch To Ribbon Cable (Body)	\$75.00	
06080	1967	<b>POWER TOP HARNESS</b> Convertible, Under Dash, From Switch To Ribbon Cable (Body)	\$75.00	
21940	1968	<b>POWER TOP HARNESS</b> Convertible, Under Dash, From Switch To Power Top Motor	\$79.00	
21930	1969	<b>POWER TOP HARNESS</b> Convertible, Under Dash, From Switch To Power Top Motor	\$79.00	
35715	1970	<b>POWER TOP HARNESS</b> Convertible, Under Dash, From Switch To Intermediate Body Harness	\$75.00	
35715	1971	<b>POWER TOP HARNESS</b> Convertible, Under Dash, From Switch To Intermediate Body Harness	\$75.00	
35715	1972	<b>POWER TOP HARNESS</b> Convertible, Under Dash, From Switch To Intermediate Body Harness	\$75.00	
<b>POWER TOP SWITCH</b>				
03906118	1964	<b>POWER TOP SWITCH</b> With Power Convertible Top Note: This Is The Removable "Black Knob" Type Switch, This Allows Customers With Original Removable "Chrome Knob" Type Switches To Reuse Their Original "Chrome Knob" To Retain An Original Appearance.	\$66.00	
03906118	1965	<b>POWER TOP SWITCH</b> With Power Convertible Top Note: This Is The Removable "Black Knob" Type Switch, This Allows Customers With Original Removable "Chrome Knob" Type Switches To Reuse Their Original "Chrome Knob" To Retain An Original Appearance.	\$66.00	
03906118	1966	<b>POWER TOP SWITCH</b> With Power Convertible Top Note: This Is The Removable "Black Knob" Type Switch, This Allows Customers With Original Removable "Chrome Knob" Type Switches To Reuse Their Original "Chrome Knob" To Retain An Original Appearance.	\$66.00	
03906118	1967	<b>POWER TOP SWITCH</b> With Power Convertible Top Note: This Is The Removable "Black Knob" Type Switch, This Allows Customers With Original Removable "Chrome Knob" Type Switches To Reuse Their Original "Chrome Knob" To Retain An Original Appearance.	\$66.00	
03906118	1968	<b>POWER TOP SWITCH</b> With Power Convertible Top Note: This Is The Removable "Black Knob" Type Switch, This Allows Customers With Original Removable "Chrome Knob" Type Switches To Reuse Their Original "Chrome Knob" To Retain An Original Appearance.	\$66.00	
<b>POWER WINDOW HARNESS</b>				
06960	1964	<b>POWER WINDOW HARNESS</b> Driver Side Door, Except 2 Door Wagon & El Camino	\$212.00	
07145	1964	<b>POWER WINDOW HARNESS</b> Driver Side Door & Crossover, El Camino & All 2 Door Wagons	\$226.00	
06965	1964	<b>POWER WINDOW INTERMEDIATE HARNESS</b> Under Dash, Crossover, Except 2 Door Wagon & El Camino Note: Customer Must Reuse Their Original Connector That Attaches This Harness To Ribbon Cable.	\$132.00	
06955	1964	<b>POWER WINDOW HARNESS</b> Passenger Side Door, All	\$147.00	
06985	1964	<b>POWER WINDOW HARNESS</b> Quarter Window, Chevelle 2 Door Sedan (2 Required Per Car) Note: Customer Must Reuse Their Original Connector That Attaches This Harness To Ribbon Cable.	\$63.00	
06990	1964	<b>POWER WINDOW HARNESS</b> Quarter Window, Malibu, Sport Coupe (2 Required Per Car) Note: Customer Must Reuse Their Original Connector That Attaches This Harness To Ribbon Cable.	\$87.00	

Part Number	Year	Description	Price	*Rev.
06995	1964	<b>POWER WINDOW HARNESS</b> Quarter Window, Malibu, Convertible (2 Required Per Car) Note: Customer Must Reuse Their Original Connector That Attaches This Harness To Ribbon Cable.	\$87.00	
07200	1964	<b>POWER WINDOW HARNESS</b> Rear Door, 4 Door, Driver Or Passenger Side (2 Req. Per Car) Note: Customer Must Supply Their Original Rubber Door Jamb Boot.	\$153.00	
07170	1964	<b>POWER WINDOW MOTOR EXTENSION</b> From Rear Quarter Window Harness To Motor, Coupe (2 Req. Per Car)	\$25.00	
07005	1964	<b>POWER WINDOW MOTOR EXTENSION</b> From Rear Quarter Window Harness To Motor, Convertible (2 Req. Per Car)	\$32.00	
07610	1965	<b>POWER WINDOW HARNESS</b> Driver Side Door, Except 2 Door Wagon & El Camino	\$219.00	
07145	1965	<b>POWER WINDOW HARNESS</b> Driver Side Door & Crossover, El Camino & All 2 Door Wagons	\$226.00	
07615	1965	<b>POWER WINDOW INTERMEDIATE HARNESS</b> Under Dash, Crossover, Except 2 Door Wagon & El Camino Note: Customer Must Reuse Their Original Connector That Attaches This Harness To Ribbon Cable.	\$212.00	
07605	1965	<b>POWER WINDOW HARNESS</b> Passenger Side Door, All	\$147.00	
07635	1965	<b>POWER WINDOW HARNESS</b> Quarter Window, Chevelle 2 Door (2 Required Per Car) Note: Customer Must Reuse Their Original Connector That Attaches This Harness To Ribbon Cable.	\$105.00	
07640	1965	<b>POWER WINDOW HARNESS</b> Quarter Window, Sport Coupe (2 Required Per Car) Note: Customer Must Reuse Their Original Connector That Attaches This Harness To Ribbon Cable.	\$87.00	
07695	1965	<b>POWER WINDOW HARNESS</b> Quarter Window, Convertible (2 Required Per Car) Note: Customer Must Reuse Their Original Connector That Attaches This Harness To Ribbon Cable.	\$87.00	
07630	1965	<b>POWER WINDOW HARNESS</b> Rear Door, 4 Door, Driver Or Passenger Side (2 Req. Per Car) Note: Customer Must Supply Their Original Rubber Door Jamb Boot.	\$153.00	
07655	1965	<b>POWER WINDOW MOTOR EXTENSION</b> From Rear Quarter Window Harness To Motor, Coupe (2 Req. Per Car)	\$25.00	
07660	1965	<b>POWER WINDOW MOTOR EXTENSION</b> From Rear Quarter Window Harness To Motor, Convertible (2 Req. Per Car)	\$25.00	
08260	1966	<b>POWER WINDOW HARNESS</b> Driver Side Door, Except 2 Door Wagon & El Camino	\$212.00	
07145	1966	<b>POWER WINDOW HARNESS</b> Driver Side Door & Crossover, El Camino & All 2 Door Wagons	\$226.00	
07615	1966	<b>POWER WINDOW INTERMEDIATE HARNESS</b> Under Dash, Crossover, Except 2 Door Wagon & El Camino Note: Customer Must Reuse Their Original Connector That Attaches This Harness To Ribbon Cable.	\$212.00	
27310	1966	<b>POWER WINDOW HARNESS</b> Passenger Side Door, All	\$147.00	
07635	1966	<b>POWER WINDOW HARNESS</b> Quarter Window, Chevelle 2 Door (2 Required Per Car) Note: Customer Must Reuse Their Original Connector That Attaches This Harness To Ribbon Cable.	\$105.00	
07640	1966	<b>POWER WINDOW HARNESS</b> Quarter Window, Sport Coupe (2 Required Per Car) Note: Customer Must Reuse Their Original Connector That Attaches This Harness To Ribbon Cable.	\$87.00	
07695	1966	<b>POWER WINDOW HARNESS</b> Quarter Window, Convertible (2 Required Per Car) Note: Customer Must Reuse Their Original Connector That Attaches This Harness To Ribbon Cable.	\$87.00	
32485	1966	<b>POWER WINDOW HARNESS</b> Rear Door, 4 Door Hardtop, Driver Side Note: Customer Must Supply Their Original Rubber Door Jamb Boot.	\$153.00	
32480	1966	<b>POWER WINDOW HARNESS</b> Rear Door, 4 Door Hardtop, Passenger Side Note: Customer Must Supply Their Original Rubber Door Jamb Boot.	\$153.00	
07630	1966	<b>POWER WINDOW HARNESS</b> Rear Door, 4 Door, Except Hardtop, Driver Or Passenger Side (2 Req. Per Car) Note: Customer Must Supply Their Original Rubber Door Jamb Boot.	\$153.00	
07655	1966	<b>POWER WINDOW MOTOR EXTENSION</b> From Rear Quarter Window Harness To Motor, Coupe (2 Req. Per Car)	\$25.00	
07660	1966	<b>POWER WINDOW MOTOR EXTENSION</b> From Rear Quarter Window Harness To Motor, Convertible (2 Req. Per Car)	\$25.00	
08260	1967	<b>POWER WINDOW HARNESS</b> Driver Side Door, Except El Camino	\$212.00	
30955	1967	<b>POWER WINDOW HARNESS</b> Driver Side Door & Crossover, El Camino	\$219.00	
07615	1967	<b>POWER WINDOW INTERMEDIATE HARNESS</b> Under Dash, Crossover, Except El Camino, Without Ignition Relay Note: Customer Must Reuse Their Original Connector That Attaches This Harness To Ribbon Cable.	\$212.00	

Part Number	Year	Description	Price	*Rev.
32455	1967	<b>POWER WINDOW INTERMEDIATE HARNESS</b> Under Dash, Crossover, Except El Camino, With Ignition Relay Note: Customer Must Reuse Their Original Connector That Attaches This Harness To Ribbon Cable.	\$226.00	
27310	1967	<b>POWER WINDOW HARNESS</b> Passenger Side Door, All	\$147.00	
07640	1967	<b>POWER WINDOW HARNESS</b> Quarter Window, All Coupes (2 Required Per Car) Note: Customer Must Reuse Their Original Connector That Attaches This Harness To Ribbon Cable.	\$87.00	
07695	1967	<b>POWER WINDOW HARNESS</b> Quarter Window, Convertible (2 Required Per Car) Note: Customer Must Reuse Their Original Connector That Attaches This Harness To Ribbon Cable.	\$87.00	
32485	1967	<b>POWER WINDOW HARNESS</b> Rear Door, 4 Door Hardtop, Driver Side Note: Customer Must Supply Their Original Rubber Door Jamb Boot.	\$153.00	
32480	1967	<b>POWER WINDOW HARNESS</b> Rear Door, 4 Door Hardtop, Passenger Side Note: Customer Must Supply Their Original Rubber Door Jamb Boot.	\$153.00	
07630	1967	<b>POWER WINDOW HARNESS</b> Rear Door, 4 Door, Except Hardtop, Driver Or Passenger Side (2 Req. Per Car) Note: Customer Must Supply Their Original Rubber Door Jamb Boot.	\$153.00	
07655	1967	<b>POWER WINDOW MOTOR EXTENSION</b> From Rear Quarter Window Harness To Motor, Coupe (2 Req. Per Car)	\$25.00	
07660	1967	<b>POWER WINDOW MOTOR EXTENSION</b> From Rear Quarter Window Harness To Motor, Convertible (2 Req. Per Car)	\$25.00	
31135	1968	<b>POWER WINDOW HARNESS</b> Driver Side Door, Except El Camino	\$219.00	
38522	1968	<b>POWER WINDOW HARNESS</b> Driver Side Door, El Camino	\$219.00	
14165	1968	<b>POWER WINDOW HARNESS</b> Passenger Side Door, All	\$147.00	
14170	1968	<b>POWER WINDOW HARNESS</b> Quarter Windows & Intermediate Body	\$186.00	
41704	1968	<b>POWER WINDOW HARNESS</b> Rear Door, 4 Door, Sport Sedan, Driver Or Passenger Side (2 Required Per Car) Note: Customer Must Supply Their Original Rubber Door Jamb Boot.	\$153.00	
14190	1968	<b>POWER WINDOW HARNESS</b> Rear Door, 4 Door, Except Sport Sedan, Driver Or Passenger Side (2 Required Per Car) Note: Customer Must Supply Their Original Rubber Door Jamb Boot.	\$153.00	
40524	1968	<b>POWER WINDOW INTERMEDIATE HARNESS</b> Wagon & 4 Door, From Driver Side Front Door Harness To Harness In Rear Doors	\$153.00	
39470	1969	<b>POWER WINDOW HARNESS</b> Driver Side Door And Under Dash Crossover, Coupe & Convertible	\$264.00	
40034	1969	<b>POWER WINDOW HARNESS</b> Driver Side Door, El Camino	\$264.00	
37817	1969	<b>POWER WINDOW HARNESS</b> Passenger Side Door, Coupe & Convertible	\$147.00	
37819	1969	<b>POWER WINDOW HARNESS</b> Passenger Side Door, El Camino & Wagon	\$153.00	
14405	1969	<b>POWER WINDOW HARNESS</b> Quarter Windows & Intermediate Body	\$186.00	
40541	1969	<b>POWER WINDOW HARNESS</b> Rear Door, 4 Door Sport Sedan, (2 Required Per Car) Note: Customer Must Supply Their Original Rubber Door Jamb Boot.	\$153.00	
40542	1969	<b>POWER WINDOW HARNESS</b> Rear Door, 4 Door Except Sport Sedan, (2 Required Per Car) Note: Customer Must Supply Their Original Rubber Door Jamb Boot.	\$153.00	
14410	1969	<b>POWER WINDOW INTERMEDIATE HARNESS</b> Wagon & 4 Door, From Driver Side Front Door Harness To Rear Door Harness	\$153.00	
31140	1970	<b>POWER WINDOW HARNESS</b> Driver Side Door And Under Dash Crossover, Coupe & Convertible	\$264.00	
40906	1970	<b>POWER WINDOW HARNESS</b> Driver Side Door, El Camino	\$251.00	
14470	1970	<b>POWER WINDOW HARNESS</b> Passenger Side Door, Coupe & Convertible	\$147.00	
40554	1970	<b>POWER WINDOW HARNESS</b> 4 Door, Driver Side Front Door And Under Dash	\$251.00	
40555	1970	<b>POWER WINDOW HARNESS</b> Passenger Side Door, El Camino & 4 Door	\$147.00	
14505	1970	<b>POWER WINDOW HARNESS</b> Quarter Windows & Intermediate Body	\$186.00	
40550	1970	<b>POWER WINDOW HARNESS</b> Rear Door, 4 Door Sport Sedan, (2 Required Per Car) Note: Customer Must Supply Their Original Rubber Door Jamb Boot.	\$147.00	

Part Number	Year	Description	Price	*Rev.
14445	1970	<b>POWER WINDOW HARNESS</b> Rear Door, 4 Door, Except Sport Sedan, (2 Required Per Car) Note: Customer Must Supply Their Original Rubber Door Jamb Boot.	\$147.00	
40549	1970	<b>POWER WINDOW INTERMEDIATE HARNESS</b> 4 Door Sport Sedan, From Driver Side Front Door Harness To Rear Door Harness	\$153.00	
14450	1970	<b>POWER WINDOW INTERMEDIATE HARNESS</b> 4 Door, Except Sport Sedan, From Driver Side Front Door Harness To Rear Door Harness	\$153.00	
31140	1971	<b>POWER WINDOW HARNESS</b> Driver Side Door And Under Dash Crossover, Coupe & Convertible	\$264.00	
40906	1971	<b>POWER WINDOW HARNESS</b> Driver Side Door, El Camino	\$251.00	
40811	1971	<b>POWER WINDOW HARNESS</b> 4 Door Sedan, Driver Side Front Door	\$251.00	
14470	1971	<b>POWER WINDOW HARNESS</b> Passenger Side Door, Coupe & Convertible	\$147.00	
40555	1971	<b>POWER WINDOW HARNESS</b> Passenger Side Door, El Camino	\$147.00	
14505	1971	<b>POWER WINDOW HARNESS</b> Quarter Windows & Intermediate Body	\$186.00	
40801	1971	<b>POWER WINDOW HARNESS</b> Rear Door, 4 Door Sport Sedan, (2 Required Per Car) Note: Customer Must Supply Their Original Rubber Door Jamb Boot.	\$147.00	
40802	1971	<b>POWER WINDOW HARNESS</b> Rear Door, 4 Door Sedan, Except Sport Sedan, (2 Required Per Car) Note: Customer Must Supply Their Original Rubber Door Jamb Boot.	\$147.00	
40549	1971	<b>POWER WINDOW INTERMEDIATE HARNESS</b> 4 Door Sport Sedan, From Driver Side Front Door Harness To Rear Door Harness	\$153.00	
14450	1971	<b>POWER WINDOW INTERMEDIATE HARNESS</b> 4 Door, Except Sport Sedan, From Driver Side Front Door Harness To Rear Door Harness	\$153.00	
39471	1972	<b>POWER WINDOW HARNESS</b> Driver Side Door And Under Dash Crossover, Coupe & Convertible	\$264.00	
40906	1972	<b>POWER WINDOW HARNESS</b> Driver Side Door, El Camino	\$251.00	
40811	1972	<b>POWER WINDOW HARNESS</b> 4 Door Sedan, Driver Side Front Door	\$251.00	
14470	1972	<b>POWER WINDOW HARNESS</b> Passenger Side Door, Coupe & Convertible	\$147.00	
40555	1972	<b>POWER WINDOW HARNESS</b> Passenger Side Door, El Camino	\$147.00	
14505	1972	<b>POWER WINDOW HARNESS</b> Quarter Windows & Intermediate Body	\$186.00	
40801	1972	<b>POWER WINDOW HARNESS</b> Rear Door, 4 Door Sport Sedan, (2 Required Per Car) Note: Customer Must Supply Their Original Rubber Door Jamb Boot.	\$147.00	
40802	1972	<b>POWER WINDOW HARNESS</b> Rear Door, 4 Door Sedan, Except Sport Sedan, (2 Required Per Car) Note: Customer Must Supply Their Original Rubber Door Jamb Boot.	\$147.00	
40549	1972	<b>POWER WINDOW INTERMEDIATE HARNESS</b> 4 Door Sport Sedan, From Driver Side Front Door Harness To Rear Door Harness	\$153.00	
14450	1972	<b>POWER WINDOW INTERMEDIATE HARNESS</b> 4 Door, Except Sport Sedan, From Driver Side Front Door Harness To Rear Door Harness	\$153.00	
40786	1973	<b>POWER WINDOW HARNESS</b> Under Dash Crossover, 2 Door Models, Without Power Door Locks Note: Includes Courtesy Lamp Door Jamb Switch Wiring.	\$290.00	
40792	1973	<b>POWER WINDOW HARNESS</b> Under Dash Crossover, 2 Door Models, With Power Door Locks Note: Includes Courtesy Lamp Door Jamb Switch Wiring.	\$290.00	
40770	1973	<b>POWER WINDOW HARNESS</b> Under Dash Crossover, 4 Door Models, Without Power Door Locks Note: Includes Courtesy Lamp Door Jamb Switch Wiring.	\$290.00	
40791	1973	<b>POWER WINDOW HARNESS</b> Under Dash Crossover, 4 Door Models, With Power Door Locks Note: Includes Courtesy Lamp Door Jamb Switch Wiring.	\$290.00	
40771	1973	<b>POWER WINDOW HARNESS</b> Driver Side Front Door, 2 Door Models Note: Customer Must Supply Their Original Rubber Door Jamb Boot.	\$251.00	
40772	1973	<b>POWER WINDOW HARNESS</b> Driver Side Front Door, 4 Door Models Note: Customer Must Supply Their Original Rubber Door Jamb Boot.	\$251.00	



Part Number	Year	Description	Price	*Rev.
40773	1973	<b>POWER WINDOW HARNESS</b> Passenger Side Front Door, 2 Door Models Note: Customer Must Supply Their Original Rubber Door Jamb Boot.	\$251.00	
40774	1973	<b>POWER WINDOW HARNESS</b> Passenger Side Front Door, 4 Door Models Note: Customer Must Supply Their Original Rubber Door Jamb Boot.	\$251.00	
40775	1973	<b>POWER WINDOW HARNESS</b> Rear Door, 4 Door Models, Driver Or Passenger Side Note: Customer Must Supply Their Original Rubber Door Jamb Boot.	\$251.00	
40718	1974	<b>POWER WINDOW HARNESS</b> Center Crossover, 2 Door Models Note: Includes Courtesy Lamp Door Jamb Switch Wiring.	\$290.00	
40719	1974	<b>POWER WINDOW HARNESS</b> Center Crossover, 4 Door Models Note: Includes Courtesy Lamp Door Jamb Switch Wiring.	\$290.00	
40717	1974	<b>POWER WINDOW HARNESS</b> Center Crossover, All, With Power Door Locks Note: Includes Courtesy Lamp Door Jamb Switch Wiring.	\$290.00	
40771	1974	<b>POWER WINDOW HARNESS</b> Driver Side Front Door, 2 Door Models Note: Customer Must Supply Their Original Rubber Door Jamb Boot.	\$251.00	
40772	1974	<b>POWER WINDOW HARNESS</b> Driver Side Front Door, 4 Door Models Note: Customer Must Supply Their Original Rubber Door Jamb Boot.	\$251.00	
40773	1974	<b>POWER WINDOW HARNESS</b> Passenger Side Front Door, 2 Door Models Note: Customer Must Supply Their Original Rubber Door Jamb Boot.	\$251.00	
40774	1974	<b>POWER WINDOW HARNESS</b> Passenger Side Front Door, 4 Door Models Note: Customer Must Supply Their Original Rubber Door Jamb Boot.	\$251.00	
40775	1974	<b>POWER WINDOW HARNESS</b> Rear Door, 4 Door Models, Driver Or Passenger Side Note: Customer Must Supply Their Original Rubber Door Jamb Boot.	\$251.00	
40718	1975	<b>POWER WINDOW HARNESS</b> Center Crossover, 2 Door Models Note: Includes Courtesy Lamp Door Jamb Switch Wiring.	\$290.00	
40719	1975	<b>POWER WINDOW HARNESS</b> Center Crossover, 4 Door Models Note: Includes Courtesy Lamp Door Jamb Switch Wiring.	\$290.00	
40717	1975	<b>POWER WINDOW HARNESS</b> Center Crossover, All, With Power Door Locks Note: Includes Courtesy Lamp Door Jamb Switch Wiring.	\$290.00	
40771	1975	<b>POWER WINDOW HARNESS</b> Driver Side Front Door, 2 Door Models Note: Customer Must Supply Their Original Rubber Door Jamb Boot.	\$251.00	
40772	1975	<b>POWER WINDOW HARNESS</b> Driver Side Front Door, 4 Door Models Note: Customer Must Supply Their Original Rubber Door Jamb Boot.	\$251.00	
40773	1975	<b>POWER WINDOW HARNESS</b> Passenger Side Front Door, 2 Door Models Note: Customer Must Supply Their Original Rubber Door Jamb Boot.	\$251.00	
40774	1975	<b>POWER WINDOW HARNESS</b> Passenger Side Front Door, 4 Door Models Note: Customer Must Supply Their Original Rubber Door Jamb Boot.	\$251.00	
40775	1975	<b>POWER WINDOW HARNESS</b> Rear Door, 4 Door Models, Driver Or Passenger Side (2 Required Per Car) Note: Customer Must Supply Their Original Rubber Door Jamb Boot.	\$251.00	
40427	1976	<b>POWER WINDOW HARNESS</b> Center Crossover, 2 Door Models, Without Power Door Locks Note: Includes Courtesy Lamp Door Jamb Switch Wiring.	\$290.00	
40425	1976	<b>POWER WINDOW HARNESS</b> Center Crossover, 2 Door Models, With Power Door Locks Note: Includes Courtesy Lamp Door Jamb Switch Wiring.	\$290.00	
40428	1976	<b>POWER WINDOW HARNESS</b> Center Crossover, 4 Door Models, Without Power Door Locks Note: Includes Courtesy Lamp Door Jamb Switch Wiring.	\$290.00	
40426	1976	<b>POWER WINDOW HARNESS</b> Center Crossover, 4 Door Models, With Power Door Locks Note: Includes Courtesy Lamp Door Jamb Switch Wiring.	\$290.00	
40405	1976	<b>POWER WINDOW HARNESS</b> Driver Side Front Door, 2 Door Models Note: Customer Must Supply Their Original Rubber Door Jamb Boot.	\$251.00	

Part Number	Year	Description	Price	*Rev.
40406	1976	<b>POWER WINDOW HARNESS</b> Driver Side Front Door, 4 Door Models Note: Customer Must Supply Their Original Rubber Door Jamb Boot.	\$251.00	
40402	1976	<b>POWER WINDOW HARNESS</b> Passenger Side Front Door, 2 Door Models Note: Customer Must Supply Their Original Rubber Door Jamb Boot.	\$251.00	
40403	1976	<b>POWER WINDOW HARNESS</b> Passenger Side Front Door, 4 Door Models Note: Customer Must Supply Their Original Rubber Door Jamb Boot.	\$251.00	
40408	1976	<b>POWER WINDOW HARNESS</b> Rear Door, 4 Door Cars, Driver Or Passenger Side Note: Customer Must Supply Their Original Rubber Door Jamb Boot.	\$251.00	
40427	1977	<b>POWER WINDOW HARNESS</b> Center Crossover, 2 Door, Without Power Door Locks Note: Includes Courtesy Lamp Door Jamb Switch Wiring.	\$290.00	
40857	1977	<b>POWER WINDOW HARNESS</b> Center Crossover, 2 Door, With Power Door Locks Note: Includes Courtesy Lamp Door Jamb Switch Wiring.	\$290.00	
40428	1977	<b>POWER WINDOW HARNESS</b> Center Crossover, 4 Door, Without Power Door Locks Note: Includes Courtesy Lamp Door Jamb Switch Wiring.	\$290.00	
40856	1977	<b>POWER WINDOW HARNESS</b> Center Crossover, 4 Door, With Power Door Locks Note: Includes Courtesy Lamp Door Jamb Switch Wiring.	\$290.00	
40405	1977	<b>POWER WINDOW HARNESS</b> Driver Side Front Door, 2 Door Models Note: Customer Must Supply Their Original Rubber Door Jamb Boot.	\$251.00	
40406	1977	<b>POWER WINDOW HARNESS</b> Driver Side Front Door, 4 Door Models Note: Customer Must Supply Their Original Rubber Door Jamb Boot.	\$251.00	
40402	1977	<b>POWER WINDOW HARNESS</b> Passenger Side Front Door, 2 Door Models Note: Customer Must Supply Their Original Rubber Door Jamb Boot.	\$251.00	
40403	1977	<b>POWER WINDOW HARNESS</b> Passenger Side Front Door, 4 Door Models Note: Customer Must Supply Their Original Rubber Door Jamb Boot.	\$251.00	
40408	1977	<b>POWER WINDOW HARNESS</b> Rear Door, 4 Door Models, Driver Or Passenger Side Note: Customer Must Supply Their Original Rubber Door Jamb Boot.	\$251.00	
42007	1978	<b>POWER WINDOW HARNESS</b> Center Crossover, 2 Door Models, Without Power Door Locks Note: Includes Courtesy Lamp Door Jamb Switch Wiring.	\$290.00	
42009	1978	<b>POWER WINDOW HARNESS</b> Center Crossover, 2 Door Models, With Power Door Locks Note: Includes Courtesy Lamp Door Jamb Switch Wiring. Customer To Supply Plastic Conduit, Or Can Be Made Without Conduit. Customer To Supply Seat Belt Warning Harness Mating Connector.	\$290.00	
42008	1978	<b>POWER WINDOW HARNESS</b> Center Crossover, 4 Door Models, Without Power Door Locks Note: Includes Courtesy Lamp Door Jamb Switch Wiring.	\$290.00	
42010	1978	<b>POWER WINDOW HARNESS</b> Center Crossover, 4 Door Models, With Power Door Locks Note: Includes Courtesy Lamp Door Jamb Switch Wiring.	\$290.00	
42012	1978	<b>POWER WINDOW HARNESS</b> Driver Side Front Door, 2 Door Models Note: Customer Must Supply Their Original Rubber Door Jamb Boot.	\$158.00	
42013	1978	<b>POWER WINDOW HARNESS</b> Driver Side Front Door, 4 Door Models Note: Customer Must Supply Their Original Rubber Door Jamb Boot.	\$158.00	
42011	1978	<b>POWER WINDOW HARNESS</b> Passenger Side Front Door, All Note: Customer Must Supply Their Original Rubber Door Jamb Boot.	\$145.00	
42028	1978	<b>POWER WINDOW HARNESS</b> Rear Door, 4 Door Models, Except Wagon, Passenger Or Driver Side (2 Required Per Car) Note: Customer Must Supply Their Original Rubber Door Jamb Boot.	\$145.00	
42014	1978	<b>POWER WINDOW HARNESS</b> Rear Door, Wagon, Passenger Or Driver Side (2 Required Per Car) Note: Customer Must Supply Their Original Rubber Door Jamb Boot.	\$145.00	
42007	1979	<b>POWER WINDOW HARNESS</b> Center Crossover, 2 Door Models, Without Power Door Locks Note: Includes Courtesy Lamp Door Jamb Switch Wiring.	\$290.00	

Part Number	Year	Description	Price	*Rev.
42009	1979	<b>POWER WINDOW HARNESS</b> Center Crossover, 2 Door Models, With Power Door Locks Note: Includes Courtesy Lamp Door Jamb Switch Wiring. Customer To Supply Plastic Conduit, Or Can Be Made Without Conduit. Customer To Supply Seat Belt Warning Harness Mating Connector.	\$290.00	
42008	1979	<b>POWER WINDOW HARNESS</b> Center Crossover, 4 Door Models, Without Power Door Locks Note: Includes Courtesy Lamp Door Jamb Switch Wiring.	\$290.00	
42010	1979	<b>POWER WINDOW HARNESS</b> Center Crossover, 4 Door Models, With Power Door Locks Note: Includes Courtesy Lamp Door Jamb Switch Wiring.	\$290.00	
42039	1979	<b>POWER WINDOW HARNESS</b> Driver Side Front Door, 2 Door Models Note: Customer Must Supply Their Original Rubber Door Jamb Boot.	\$158.00	
42040	1979	<b>POWER WINDOW HARNESS</b> Driver Side Front Door, 4 Door Models Note: Customer Must Supply Their Original Rubber Door Jamb Boot.	\$158.00	
42038	1979	<b>POWER WINDOW HARNESS</b> Passenger Side Front Door, All Note: Customer Must Supply Their Original Rubber Door Jamb Boot.	\$158.00	
42028	1979	<b>POWER WINDOW HARNESS</b> Rear Door, 4 Door Models, Except Wagon, Passenger Or Driver Side (2 Required Per Car) Note: Customer Must Supply Their Original Rubber Door Jamb Boot.	\$145.00	
42014	1979	<b>POWER WINDOW HARNESS</b> Rear Door, Wagon, Passenger Or Driver Side (2 Required Per Car) Note: Customer Must Supply Their Original Rubber Door Jamb Boot.	\$145.00	
42007	1980	<b>POWER WINDOW HARNESS</b> Center Crossover, 2 Door Models, Without Power Door Locks Note: Includes Courtesy Lamp Door Jamb Switch Wiring.	\$290.00	
42009	1980	<b>POWER WINDOW HARNESS</b> Center Crossover, 2 Door Models, With Power Door Locks Note: Includes Courtesy Lamp Door Jamb Switch Wiring. Customer To Supply Plastic Conduit, Or Can Be Made Without Conduit. Customer To Supply Seat Belt Warning Harness Mating Connector.	\$290.00	
42008	1980	<b>POWER WINDOW HARNESS</b> Center Crossover, 4 Door Models, Without Power Door Locks Note: Includes Courtesy Lamp Door Jamb Switch Wiring.	\$290.00	
42010	1980	<b>POWER WINDOW HARNESS</b> Center Crossover, 4 Door Models, With Power Door Locks Note: Includes Courtesy Lamp Door Jamb Switch Wiring.	\$290.00	
42039	1980	<b>POWER WINDOW HARNESS</b> Driver Side Front Door, 2 Door Models Note: Customer Must Supply Their Original Rubber Door Jamb Boot.	\$158.00	
42040	1980	<b>POWER WINDOW HARNESS</b> Driver Side Front Door, 4 Door Models Note: Customer Must Supply Their Original Rubber Door Jamb Boot.	\$158.00	
42038	1980	<b>POWER WINDOW HARNESS</b> Passenger Side Front Door, All Note: Customer Must Supply Their Original Rubber Door Jamb Boot.	\$158.00	
42028	1980	<b>POWER WINDOW HARNESS</b> Rear Door, 4 Door Models, Except Wagon, Passenger Or Driver Side (2 Required Per Car) Note: Customer Must Supply Their Original Rubber Door Jamb Boot.	\$145.00	
42014	1980	<b>POWER WINDOW HARNESS</b> Rear Door, Wagon, Passenger Or Driver Side (2 Required Per Car) Note: Customer Must Supply Their Original Rubber Door Jamb Boot.	\$145.00	
42007	1981	<b>POWER WINDOW HARNESS</b> Center Crossover, 2 Door Models, Without Power Door Locks Note: Includes Courtesy Lamp Door Jamb Switch Wiring.	\$290.00	
42009	1981	<b>POWER WINDOW HARNESS</b> Center Crossover, 2 Door Models, With Power Door Locks Note: Includes Courtesy Lamp Door Jamb Switch Wiring. Customer To Supply Plastic Conduit, Or Can Be Made Without Conduit. Customer To Supply Seat Belt Warning Harness Mating Connector.	\$290.00	
42008	1981	<b>POWER WINDOW HARNESS</b> Center Crossover, 4 Door Models, Without Power Door Locks Note: Includes Courtesy Lamp Door Jamb Switch Wiring.	\$290.00	
42010	1981	<b>POWER WINDOW HARNESS</b> Center Crossover, 4 Door Models, With Power Door Locks Note: Includes Courtesy Lamp Door Jamb Switch Wiring.	\$290.00	
42039	1981	<b>POWER WINDOW HARNESS</b> Driver Side Front Door, 2 Door Models Note: Customer Must Supply Their Original Rubber Door Jamb Boot.	\$158.00	

Part Number	Year	Description	Price	*Rev.
42040	1981	<b>POWER WINDOW HARNESS</b> Driver Side Front Door, 4 Door Models Note: Customer Must Supply Their Original Rubber Door Jamb Boot.	\$158.00	
42038	1981	<b>POWER WINDOW HARNESS</b> Passenger Side Front Door, All Note: Customer Must Supply Their Original Rubber Door Jamb Boot.	\$158.00	
42014	1981	<b>POWER WINDOW HARNESS</b> Rear Door, 4 Door Models, Passenger Or Driver Side (2 Required Per Car) Note: Customer Must Supply Their Original Rubber Door Jamb Boot.	\$145.00	
42007	1982	<b>POWER WINDOW HARNESS</b> Center Crossover, 2 Door Models, Without Power Door Locks Note: Includes Courtesy Lamp Door Jamb Switch Wiring.	\$290.00	
42009	1982	<b>POWER WINDOW HARNESS</b> Center Crossover, 2 Door Models, With Power Door Locks Note: Includes Courtesy Lamp Door Jamb Switch Wiring. Customer To Supply Plastic Conduit, Or Can Be Made Without Conduit. Customer To Supply Seat Belt Warning Harness Mating Connector.	\$290.00	
42008	1982	<b>POWER WINDOW HARNESS</b> Center Crossover, 4 Door Models, Without Power Door Locks Note: Includes Courtesy Lamp Door Jamb Switch Wiring.	\$290.00	
42010	1982	<b>POWER WINDOW HARNESS</b> Center Crossover, 4 Door Models, With Power Door Locks Note: Includes Courtesy Lamp Door Jamb Switch Wiring.	\$290.00	
42039	1982	<b>POWER WINDOW HARNESS</b> Driver Side Front Door, 2 Door Models Note: Customer Must Supply Their Original Rubber Door Jamb Boot.	\$158.00	
42040	1982	<b>POWER WINDOW HARNESS</b> Driver Side Front Door, 4 Door Models Note: Customer Must Supply Their Original Rubber Door Jamb Boot.	\$158.00	
42038	1982	<b>POWER WINDOW HARNESS</b> Passenger Side Front Door, All Note: Customer Must Supply Their Original Rubber Door Jamb Boot.	\$158.00	
42014	1982	<b>POWER WINDOW HARNESS</b> Rear Door, 4 Door Models, Passenger Or Driver Side (2 Required Per Car) Note: Customer Must Supply Their Original Rubber Door Jamb Boot.	\$145.00	
<b>POWER WINDOW MOTOR ADAPTER HARNESS</b>				
36954	1964	<b>POWER WINDOW MOTOR ADAPTER HARNESS</b> Adapts "T" Shaped Motor Connector To Side By Side Blade Type Motor Connector	\$22.00	C
36954	1965	<b>POWER WINDOW MOTOR ADAPTER HARNESS</b> Adapts "T" Shaped Motor Connector To Side By Side Blade Type Motor Connector	\$22.00	C
36954	1966	<b>POWER WINDOW MOTOR ADAPTER HARNESS</b> Adapts "T" Shaped Motor Connector To Side By Side Blade Type Motor Connector	\$22.00	C
36954	1967	<b>POWER WINDOW MOTOR ADAPTER HARNESS</b> Adapts "T" Shaped Motor Connector To Side By Side Blade Type Motor Connector	\$22.00	C
36954	1968	<b>POWER WINDOW MOTOR ADAPTER HARNESS</b> Adapts "T" Shaped Motor Connector To Side By Side Blade Type Motor Connector	\$22.00	C
36954	1969	<b>POWER WINDOW MOTOR ADAPTER HARNESS</b> Adapts "T" Shaped Motor Connector To Side By Side Blade Type Motor Connector	\$22.00	C
36954	1970	<b>POWER WINDOW MOTOR ADAPTER HARNESS</b> Adapts "T" Shaped Motor Connector To Side By Side Blade Type Motor Connector	\$22.00	C
36954	1971	<b>POWER WINDOW MOTOR ADAPTER HARNESS</b> Adapts "T" Shaped Motor Connector To Side By Side Blade Type Motor Connector	\$22.00	C
36954	1972	<b>POWER WINDOW MOTOR ADAPTER HARNESS</b> Adapts "T" Shaped Motor Connector To Side By Side Blade Type Motor Connector	\$22.00	C
36954	1973	<b>POWER WINDOW MOTOR ADAPTER HARNESS</b> Adapts "T" Shaped Motor Connector To Side By Side Blade Type Motor Connector	\$22.00	C
36954	1974	<b>POWER WINDOW MOTOR ADAPTER HARNESS</b> Adapts "T" Shaped Motor Connector To Side By Side Blade Type Motor Connector	\$22.00	C
36954	1975	<b>POWER WINDOW MOTOR ADAPTER HARNESS</b> Adapts "T" Shaped Motor Connector To Side By Side Blade Type Motor Connector	\$22.00	C
<b>POWER WINDOW RELAY AND ADAPTER HARNESS</b>				
39440	1967	<b>POWER WINDOW RELAY AND ADAPTER HARNESS</b> Includes New Aftermarket Relay And Adapter To Mate To Factory Harness Without Any Harness Modifications	\$40.00	

Part Number	Year	Description	Price	*Rev.
39440	1968	<b>POWER WINDOW RELAY AND ADAPTER HARNESS</b> Includes New Aftermarket Relay And Adapter To Mate To Factory Harness Without Any Harness Modifications	\$40.00	
39440	1969	<b>POWER WINDOW RELAY AND ADAPTER HARNESS</b> Includes New Aftermarket Relay And Adapter To Mate To Factory Harness Without Any Harness Modifications	\$40.00	
39440	1970	<b>POWER WINDOW RELAY AND ADAPTER HARNESS</b> Includes New Aftermarket Relay And Adapter To Mate To Factory Harness Without Any Harness Modifications	\$40.00	
39440	1971	<b>POWER WINDOW RELAY AND ADAPTER HARNESS</b> Includes New Aftermarket Relay And Adapter To Mate To Factory Harness Without Any Harness Modifications	\$40.00	
39440	1972	<b>POWER WINDOW RELAY AND ADAPTER HARNESS</b> Includes New Aftermarket Relay And Adapter To Mate To Factory Harness Without Any Harness Modifications	\$40.00	

**POWER WINDOW SWITCH**

04432790	1964	<b>POWER WINDOW SWITCH</b> 1 Button, Round Corner Style, Chrome	\$49.00	
04432791	1964	<b>POWER WINDOW SWITCH</b> 4 Button, Round Corner Style, Chrome	\$67.00	
04432790	1965	<b>POWER WINDOW SWITCH</b> 1 Button, Round Corner Style, Chrome	\$49.00	
04432791	1965	<b>POWER WINDOW SWITCH</b> 4 Button, Round Corner Style, Chrome	\$67.00	
04432790	1966	<b>POWER WINDOW SWITCH</b> 1 Button, Round Corner Style, Chrome	\$49.00	
04432791	1966	<b>POWER WINDOW SWITCH</b> 4 Button, Round Corner Style, Chrome	\$67.00	
04432790	1967	<b>POWER WINDOW SWITCH</b> 1 Button, Round Corner Style, Chrome	\$49.00	
04432791	1967	<b>POWER WINDOW SWITCH</b> 4 Button, Round Corner Style, Chrome	\$67.00	
04432790	1968	<b>POWER WINDOW SWITCH</b> 1 Button, Round Corner Style, Chrome	\$49.00	
04432791	1968	<b>POWER WINDOW SWITCH</b> 4 Button, Round Corner Style, Chrome	\$67.00	
04432790	1969	<b>POWER WINDOW SWITCH</b> 1 Button, Round Corner Style, Chrome	\$49.00	
04432791	1969	<b>POWER WINDOW SWITCH</b> 4 Button, Round Corner Style, Chrome	\$67.00	
04432790	1970	<b>POWER WINDOW SWITCH</b> 1 Button, Round Corner Style, Chrome	\$49.00	
04432791	1970	<b>POWER WINDOW SWITCH</b> 4 Button, Round Corner Style, Chrome	\$67.00	
01725094	1971	<b>POWER WINDOW SWITCH</b> 1 Button, Square Corner Style, Chrome	\$21.00	
01731231	1971	<b>POWER WINDOW SWITCH</b> 4 Button, Square Corner Style, Chrome	\$75.00	
01725092	1971	<b>POWER WINDOW SWITCH</b> 2 Button, Square Corner Style, Chrome	\$53.00	
01725094	1972	<b>POWER WINDOW SWITCH</b> 1 Button, Square Corner Style, Chrome	\$21.00	
01731231	1972	<b>POWER WINDOW SWITCH</b> 4 Button, Square Corner Style, Chrome	\$75.00	
01725092	1972	<b>POWER WINDOW SWITCH</b> 2 Button, Square Corner Style, Chrome	\$53.00	
01725094	1973	<b>POWER WINDOW SWITCH</b> 1 Button, Square Corner Style, Chrome	\$21.00	
01731231	1973	<b>POWER WINDOW SWITCH</b> 4 Button, Square Corner Style, Chrome	\$75.00	
01725092	1973	<b>POWER WINDOW SWITCH</b> 2 Button, Square Corner Style, Chrome	\$53.00	
01725094	1974	<b>POWER WINDOW SWITCH</b> 1 Button, Square Corner Style, Chrome	\$21.00	
01731231	1974	<b>POWER WINDOW SWITCH</b> 4 Button, Square Corner Style, Chrome	\$75.00	
01725092	1974	<b>POWER WINDOW SWITCH</b> 2 Button, Square Corner Style, Chrome	\$53.00	
01725094	1975	<b>POWER WINDOW SWITCH</b> 1 Button, Square Corner Style, Chrome	\$21.00	
01731231	1975	<b>POWER WINDOW SWITCH</b> 4 Button, Square Corner Style, Chrome	\$75.00	
01725092	1975	<b>POWER WINDOW SWITCH</b> 2 Button, Square Corner Style, Chrome	\$53.00	
01725094	1976	<b>POWER WINDOW SWITCH</b> 1 Button, Square Corner Style, Chrome	\$21.00	
01731231	1976	<b>POWER WINDOW SWITCH</b> 4 Button, Square Corner Style, Chrome	\$75.00	
01725092	1976	<b>POWER WINDOW SWITCH</b> 2 Button, Square Corner Style, Chrome	\$53.00	
01725094	1977	<b>POWER WINDOW SWITCH</b> 1 Button, Square Corner Style, Chrome	\$21.00	
01731231	1977	<b>POWER WINDOW SWITCH</b> 4 Button, Square Corner Style, Chrome	\$75.00	M
01725092	1977	<b>POWER WINDOW SWITCH</b> 2 Button, Square Corner Style, Chrome	\$53.00	
01725094	1978	<b>POWER WINDOW SWITCH</b> 1 Button, Square Corner Style, Chrome	\$21.00	
01725092	1978	<b>POWER WINDOW SWITCH</b> 2 Button, Square Corner Style, Chrome	\$53.00	

Part Number	Year	Description	Price	*Rev.
20061549	1982	POWER WINDOW SWITCH 2-Button	\$14.00	N
20061549	1983	POWER WINDOW SWITCH 2-Button	\$14.00	N
20061549	1984	POWER WINDOW SWITCH 2-Button	\$14.00	N
20061549	1985	POWER WINDOW SWITCH 2-Button	\$14.00	N
20061549	1986	POWER WINDOW SWITCH 2-Button	\$14.00	N
20061549	1987	POWER WINDOW SWITCH 2-Button	\$14.00	N
20061549	1988	POWER WINDOW SWITCH 2-Button	\$14.00	N
<b>RADIO AND SPEAKER HARNESS</b>				
36251	1970	RADIO AND SPEAKER HARNESS With 4 Speaker Stereo, All Except El Camino	\$145.00	
36251	1971	RADIO AND SPEAKER HARNESS With 4 Speaker Stereo, All Except El Camino	\$145.00	
36251	1972	RADIO AND SPEAKER HARNESS With 4 Speaker Stereo, All Except El Camino	\$145.00	
<b>RADIO POWER FEED HARNESS</b>				
41690	1968	RADIO POWER FEED HARNESS Right Hand Drive (Export Only), From Fuse Block To Radio	\$46.00	
41690	1969	RADIO POWER FEED HARNESS Right Hand Drive (Export Only), From Fuse Block To Radio	\$46.00	
<b>REAR DOOR WARNING LAMP HARNESS</b>				
39609	1964	REAR DOOR WARNING LAMP HARNESS 4 Door, Sedan & Wagon, From Rear Door Jamb Switches To Dash	\$66.00	
<b>REAR LAMP HARNESS</b>				
07175	1964	REAR LAMP HARNESS Coupe, Without Backup Lights	\$174.00	
07180	1964	REAR LAMP HARNESS Coupe, With Backup Lights	\$174.00	
07185	1964	REAR LAMP HARNESS Convertible	\$174.00	
07120	1964	REAR LAMP HARNESS El Camino, Without Backup Lights	\$180.00	
07125	1964	REAR LAMP HARNESS El Camino, With Backup Lights	\$174.00	
07080	1964	REAR LAMP HARNESS Wagon, Without Backup Lights Or Power Tailgate Window	\$212.00	
07090	1964	REAR LAMP HARNESS Wagon, Without Backup Lights, With Power Tailgate Window Note: Customer Must Supply Their Original Rubber Boot At Tailgate From Their Original Harness.	\$252.00	
07085	1964	REAR LAMP HARNESS Wagon, With Backup Lights, Without Power Tailgate Window	\$239.00	
07150	1964	REAR LAMP HARNESS Wagon, With Backup Lights & Power Tailgate Window Note: Customer Must Supply Their Original Rubber Boot At Tailgate From Their Original Harness.	\$252.00	
07095	1964	REAR LAMP HARNESS Wagon, With Backup Lights, Power Tailgate Window & Dual Front & Rear Window Control Switch Note: The Extra Window Control Switch Is Located In The Left Rear Quarter Trim Panel. Customer Must Supply Their Original Rubber Boot At Tailgate From Their Original Harness.	\$279.00	
07545	1965	REAR LAMP HARNESS Coupe, Without Backup Lights	\$180.00	
07550	1965	REAR LAMP HARNESS Coupe, With Backup Lights	\$174.00	
07555	1965	REAR LAMP HARNESS Convertible	\$174.00	
07810	1965	REAR LAMP HARNESS El Camino, Without Backup Lights	\$180.00	
07800	1965	REAR LAMP HARNESS El Camino, With Backup Lights	\$174.00	
07795	1965	REAR LAMP HARNESS Wagon, Without Backup Lights & Power Tailgate Window	\$252.00	
07815	1965	REAR LAMP HARNESS Wagon, Without Backup Lights, With Power Tailgate Window Note: Customer Must Supply Their Original Rubber Boot At Tailgate From Their Original Harness.	\$252.00	
07805	1965	REAR LAMP HARNESS Wagon, With Backup Lights, Without Power Tailgate Window	\$239.00	
07820	1965	REAR LAMP HARNESS Wagon, With Backup Lights & Power Tailgate Window Note: Customer Must Supply Their Original Rubber Boot At Tailgate From Their Original Harness.	\$233.00	
07825	1965	REAR LAMP HARNESS Wagon, With Backup Lights, Power Tailgate Window & Dual Front & Rear Window Control Switch Note: The Extra Window Control Switch Is Located In The Left Rear Quarter Trim Panel. Customer Must Supply Their Original Rubber Boot At Tailgate From Their Original Harness.	\$279.00	

Part Number	Year	Description	Price	*Rev.
08240	1966	REAR LAMP HARNESS Coupe	\$174.00	
17655	1966	REAR LAMP HARNESS Convertible	\$174.00	
08255	1966	REAR LAMP HARNESS El Camino	\$180.00	
40092	1966	REAR LAMP HARNESS Wagon, With Power Tailgate Window Note: Customer Must Supply Their Original Rubber Boot At Tailgate From Their Original Harness.	\$343.00	
41679	1966	REAR LAMP HARNESS Wagon, Without Power Tailgate Window	\$331.00	
13925	1967	REAR LAMP HARNESS Coupe	\$174.00	
13930	1967	REAR LAMP HARNESS Convertible	\$174.00	
14060	1967	REAR LAMP HARNESS El Camino	\$180.00	
39498	1967	REAR LAMP HARNESS Wagon, With Power Tailgate Window Note: Customer Must Supply Their Original Rubber Boot At Tailgate From Their Original Harness.	\$331.00	
41698	1967	REAR LAMP HARNESS Wagon, Without Power Tailgate Window	\$317.00	
41709	1968	REAR LAMP HARNESS Wagon, All, Without Power Tailgate Window	\$233.00	
14110	1968	REAR LAMP INTERMEDIATE HARNESS El Camino, From Dash To Rear Lamp Harness	\$132.00	
40522	1968	REAR LAMP INTERMEDIATE HARNESS Wagon, Except 9-Passenger & Nomad Custom 3 Seat, With Power Tailgate Window, From Dash To Rear Lamp Harness	\$226.00	
41710	1968	REAR LAMP HARNESS Wagon, All, With Power Tailgate Window Note: Customer Must Supply Their Original Rubber Boot At Tailgate From Their Original Harness.	\$290.00	
41702	1968	REAR LAMP INTERMEDIATE HARNESS Wagon, 9-Passenger, With Power Tailgate Window, From Dash To Rear Lamp Harness	\$252.00	
41721	1968	REAR LAMP INTERMEDIATE HARNESS Wagon, Nomad Custom 3 Seat, With Power Tailgate Window, From Dash To Rear Lamp Harness	\$239.00	
40521	1968	REAR LAMP INTERMEDIATE HARNESS Wagon, All, Without Power Tailgate Window, From Dash To Rear Lamp Harness	\$226.00	
17660	1968	REAR LAMP HARNESS Chevelle Deluxe, 2 Door (Back-Up Lights In Taillight Lens)	\$226.00	
17665	1968	REAR LAMP HARNESS Chevelle Deluxe, 4 Door (Back-Up Lights In Taillight Lens)	\$226.00	
17670	1968	REAR LAMP HARNESS Malibu, 4 Door (Back-Up Lights Mounted In Bumper)	\$219.00	
17675	1968	REAR LAMP HARNESS Sport Coupe (Back-Up Lights Mounted In Bumper)	\$219.00	
17680	1968	REAR LAMP HARNESS Convertible (Back-Up Lights Mounted In Bumper)	\$239.00	
17685	1968	REAR LAMP HARNESS Rear Panel, El Camino, Without Side Marker Lamps	\$199.00	
14115	1968	REAR LAMP HARNESS Rear Panel, El Camino, With Side Marker Lamps	\$219.00	
17700	1969	REAR LAMP INTERMEDIATE HARNESS Coupe, From Dash To Rear Lamp Harness	\$132.00	
17710	1969	REAR LAMP INTERMEDIATE HARNESS Convertible, From Dash To Rear Lamp Harness	\$132.00	
14320	1969	REAR LAMP INTERMEDIATE HARNESS El Camino, From Dash To Rear Lamp Harness	\$145.00	
17705	1969	REAR LAMP INTERMEDIATE HARNESS 4 Door Sedan, From Dash To Rear Lamp Harness	\$145.00	
41712	1969	REAR LAMP INTERMEDIATE HARNESS Wagon, Nomad, Greenbrier, Without Power Tailgate Window, From Dash To Rear Lamp Harness	\$173.00	
41714	1969	REAR LAMP INTERMEDIATE HARNESS Wagon, Nomad, Greenbrier, With Power Tailgate Window, From Dash To Rear Lamp Harness	\$199.00	
41713	1969	REAR LAMP INTERMEDIATE HARNESS Wagon, Concours, With Power Tailgate Window, From Dash To Rear Lamp Harness	\$226.00	
17690	1969	REAR LAMP HARNESS Trunk, Chevelle, All	\$145.00	
14230	1969	REAR LAMP HARNESS Rear Panel, El Camino Note: Customer Must Reuse Their Original Rubber Boot At Tailgate From Their Original Harness.	\$211.00	
41708	1969	REAR LAMP HARNESS Wagon, Nomad, Greenbrier, Without Power Tailgate Window	\$212.00	
41839	1969	REAR LAMP HARNESS Wagon, Nomad, Greenbrier, With Power Tailgate Window Note: Customer Must Supply Their Original Rubber Boot At Tailgate & Connector For Window Switch.	\$245.00	
41732	1969	REAR LAMP HARNESS Wagon, Concours, With Power Tailgate Window Note: Customer Must Supply Their Original Rubber Boot At Tailgate From Their Original Harness.	\$245.00	
17715	1970	REAR LAMP INTERMEDIATE HARNESS Coupe, From Dash To Rear Lamp Harness	\$126.00	

Part Number	Year	Description	Price	*Rev.
19950	1970	<b>REAR LAMP INTERMEDIATE HARNESS</b> Convertible, From Dash To Rear Lamp Harness	\$158.00	
14500	1970	<b>REAR LAMP INTERMEDIATE HARNESS</b> El Camino, From Dash To Rear Lamp Harness	\$145.00	
41724	1970	<b>REAR LAMP INTERMEDIATE HARNESS</b> Wagon, 6 Passenger, Without Power Tailgate Window, From Dash To Rear Lamp Harness	\$180.00	
41725	1970	<b>REAR LAMP INTERMEDIATE HARNESS</b> Wagon, 6 Passenger, With Power Tailgate Window, From Dash To Rear Lamp Harness	\$239.00	
41728	1970	<b>REAR LAMP INTERMEDIATE HARNESS</b> Wagon, All, 9 Passenger, From Dash To Rear Lamp Harness	\$265.00	
14745	1970	<b>REAR LAMP HARNESS</b> Trunk, Chevelle, All	\$184.00	
14485	1970	<b>REAR LAMP HARNESS</b> Rear Panel, El Camino Note: Customer Must Reuse Their Original Rubber Boot At Tailgate From Their Original Harness.	\$211.00	
34005	1970	<b>REAR LAMP HARNESS</b> Monte Carlo, Rear Panel	\$225.00	
41841	1970	<b>REAR LAMP HARNESS</b> Wagon, 6 Passenger, Without Power Tailgate Window Note: Customer Must Reuse Their Original Rubber Boot At Tailgate From Their Original Harness.	\$226.00	
41848	1970	<b>REAR LAMP HARNESS</b> Wagon, All, With Power Tailgate Window Note: Customer Must Supply Their Original Rubber Boot At Tailgate From Their Original Harness.	\$239.00	
17715	1971	<b>REAR LAMP INTERMEDIATE HARNESS</b> Coupe, From Dash To Rear Lamp Harness	\$126.00	
19950	1971	<b>REAR LAMP INTERMEDIATE HARNESS</b> Convertible, From Dash To Rear Lamp Harness	\$158.00	
14500	1971	<b>REAR LAMP INTERMEDIATE HARNESS</b> El Camino, From Dash To Rear Lamp Harness	\$145.00	
41724	1971	<b>REAR LAMP INTERMEDIATE HARNESS</b> Wagon, 6 Passenger, Without Power Tailgate Window, From Dash To Rear Lamp Harness	\$180.00	
41725	1971	<b>REAR LAMP INTERMEDIATE HARNESS</b> Wagon, 6 Passenger, With Power Tailgate Window, From Dash To Rear Lamp Harness	\$239.00	
41849	1971	<b>REAR LAMP INTERMEDIATE HARNESS</b> Wagon, All, 9 Passenger, From Dash To Rear Lamp Harness	\$265.00	
17695	1971	<b>REAR LAMP HARNESS</b> Trunk, Chevelle, All	\$184.00	
14485	1971	<b>REAR LAMP HARNESS</b> Rear Panel, El Camino Note: Customer Must Reuse Their Original Rubber Boot At Tailgate From Their Original Harness.	\$211.00	
34005	1971	<b>REAR LAMP HARNESS</b> Monte Carlo, Rear Panel	\$225.00	
41841	1971	<b>REAR LAMP HARNESS</b> Wagon, 6 Passenger, Without Power Tailgate Window Note: Customer Must Reuse Their Original Rubber Boot At Tailgate From Their Original Harness.	\$226.00	
41848	1971	<b>REAR LAMP HARNESS</b> Wagon, All, With Power Tailgate Window Note: Customer Must Supply Their Original Rubber Boot At Tailgate From Their Original Harness.	\$239.00	
17715	1972	<b>REAR LAMP INTERMEDIATE HARNESS</b> Coupe, Without Seat Belt Warning, From Dash To Rear Lamp Harness	\$126.00	
36412	1972	<b>REAR LAMP INTERMEDIATE HARNESS</b> Coupe, With Seat Belt Warning, From Dash To Rear Lamp Harness	\$184.00	
36411	1972	<b>REAR LAMP INTERMEDIATE HARNESS</b> Convertible, Without Seat Belt Warning, From Dash To Rear Lamp Harness	\$158.00	
17720	1972	<b>REAR LAMP INTERMEDIATE HARNESS</b> Convertible, With Seat Belt Warning, From Dash To Rear Lamp Harness	\$172.00	
14500	1972	<b>REAR LAMP INTERMEDIATE HARNESS</b> El Camino, Without Seat Belt Warning, From Dash To Rear Lamp Harness	\$145.00	
36413	1972	<b>REAR LAMP INTERMEDIATE HARNESS</b> El Camino, With Seat Belt Warning, From Dash To Rear Lamp Harness	\$184.00	
41724	1972	<b>REAR LAMP INTERMEDIATE HARNESS</b> Wagon, 6 Passenger, Without Power Tailgate Window & Seat Belt Warning, From Dash To Rear Lamp Harness	\$180.00	
41853	1972	<b>REAR LAMP INTERMEDIATE HARNESS</b> Wagon, 6 Passenger, Without Power Tailgate Window, With Seat Belt Warning, From Dash To Rear Lamp Harness	\$226.00	
41725	1972	<b>REAR LAMP INTERMEDIATE HARNESS</b> Wagon, 6 Passenger, With Power Tailgate Window, Except Seat Belt Warning, From Dash To Rear Lamp Harness	\$239.00	
41855	1972	<b>REAR LAMP INTERMEDIATE HARNESS</b> Wagon, 6 Passenger, With Power Tailgate Window & Seat Belt Warning, From Dash To Rear Lamp Harness	\$239.00	



Part Number	Year	Description	Price	*Rev.
41849	1972	<b>REAR LAMP INTERMEDIATE HARNESS</b> Wagon, All, 9 Passenger, Without Seat Belt Warning, From Dash To Rear Lamp Harness	\$265.00	
41854	1972	<b>REAR LAMP INTERMEDIATE HARNESS</b> Wagon, All, 9 Passenger, With Seat Belt Warning, From Dash To Rear Lamp Harness	\$265.00	
17695	1972	<b>REAR LAMP HARNESS</b> Trunk, Chevelle, All	\$184.00	
14485	1972	<b>REAR LAMP HARNESS</b> Rear Panel, El Camino Note: Customer Must Reuse Their Original Rubber Boot At Tailgate From Their Original Harness.	\$211.00	
34005	1972	<b>REAR LAMP HARNESS</b> Monte Carlo, Rear Panel	\$225.00	
41841	1972	<b>REAR LAMP HARNESS</b> Wagon, 6 Passenger, Without Power Tailgate Window Note: Customer Must Reuse Their Original Rubber Boot At Tailgate From Their Original Harness.	\$226.00	
41848	1972	<b>REAR LAMP HARNESS</b> Wagon, All, With Power Tailgate Window Note: Customer Must Supply Their Original Rubber Boot At Tailgate From Their Original Harness.	\$239.00	
40759	1973	<b>REAR LAMP INTERMEDIATE HARNESS</b> All, Except Wagon & El Camino, From Dash To Rear Lamp Harness	\$193.00	
41844	1973	<b>REAR LAMP INTERMEDIATE HARNESS</b> El Camino, From Dash To Rear Lamp Harness Note: Customer Must Supply Us With Their Original Harness.	\$166.00	
40760	1973	<b>REAR LAMP INTERMEDIATE HARNESS</b> Wagon, From Dash To Rear Lamp Harness	\$199.00	
41842	1973	<b>REAR LAMP HARNESS</b> Chevelle, Coupe & Sedan	\$237.00	
41755	1973	<b>REAR LAMP HARNESS</b> El Camino, In Rear Bumper Note: Customer Must Supply Us With Their Original Harness.	\$237.00	
41828	1973	<b>REAR SIDE MARKER LAMP HARNESS</b> El Camino, From Passenger Side Rear Marker Lamp To Rear Lamp Intermediate Harness	\$60.00	
41843	1973	<b>REAR LAMP HARNESS</b> Monte Carlo, Rear Panel	\$237.00	
40787	1973	<b>REAR LAMP HARNESS</b> Wagon, Rear Body, From Intermediate Harness To Rear Lamp Harness In Bumper Note: Customer Must Supply Us With Their Original Harness.	\$113.00	
41753	1973	<b>REAR LAMP HARNESS</b> Wagon, In Rear Bumper Note: Customer Must Supply Us With Their Original Harness.	\$225.00	
40759	1974	<b>REAR LAMP INTERMEDIATE HARNESS</b> All, Except Wagon & El Camino, From Dash To Rear Lamp Harness	\$193.00	
41832	1974	<b>REAR LAMP INTERMEDIATE HARNESS</b> El Camino, From Dash To Rear Lamp Harness Note: Customer Must Supply Us With Their Original Harness.	\$166.00	
40760	1974	<b>REAR LAMP INTERMEDIATE HARNESS</b> Wagon, From Dash To Rear Lamp Harness	\$199.00	
41830	1974	<b>REAR LAMP HARNESS</b> Coupe & Sedan, Except Monte Carlo, Rear Panel	\$251.00	
41755	1974	<b>REAR LAMP HARNESS</b> El Camino, In Rear Bumper Note: Customer Must Supply Us With Their Original Harness.	\$237.00	
41833	1974	<b>REAR SIDE MARKER LAMP HARNESS</b> El Camino, From Passenger Side Rear Marker Lamp To Rear Lamp Intermediate Harness	\$53.00	
41827	1974	<b>REAR LAMP HARNESS</b> Monte Carlo, Rear Panel	\$251.00	
40787	1974	<b>REAR LAMP HARNESS</b> Wagon, Rear Body, From Intermediate Harness To Rear Lamp Harness In Bumper Note: Customer Must Supply Us With Their Original Harness.	\$113.00	
41771	1974	<b>REAR LAMP HARNESS</b> Wagon, In Rear Bumper Note: Customer Must Supply Us With Their Original Harness.	\$219.00	
40399	1975	<b>REAR LAMP INTERMEDIATE HARNESS</b> All, Except Wagon & El Camino, From Dash To Rear Lamp Harness	\$226.00	
41832	1975	<b>REAR LAMP INTERMEDIATE HARNESS</b> El Camino, From Dash To Rear Lamp Harness Note: Customer Must Supply Us With Their Original Harness.	\$166.00	
40414	1975	<b>REAR LAMP INTERMEDIATE HARNESS</b> Wagon, From Dash To Rear Lamp Harness	\$199.00	
41834	1975	<b>REAR LAMP HARNESS</b> Coupe & Sedan, Except Monte Carlo, Rear Panel	\$251.00	

Part Number	Year	Description	Price	*Rev.
41796	1975	<b>REAR LAMP HARNESS</b> El Camino, In Rear Bumper Note: Customer Must Supply Us With Their Original Harness.	\$337.00	
41833	1975	<b>REAR SIDE MARKER LAMP HARNESS</b> El Camino, From Passenger Side Rear Marker Lamp To Rear Lamp Intermediate Harness	\$53.00	
41827	1975	<b>REAR LAMP HARNESS</b> Monte Carlo, Rear Panel	\$251.00	
40787	1975	<b>REAR LAMP HARNESS</b> Wagon, Rear Body, From Intermediate Harness To Rear Lamp Harness In Bumper Note: Customer Must Supply Us With Their Original Harness.	\$113.00	
41771	1975	<b>REAR LAMP HARNESS</b> Wagon, In Rear Bumper Note: Customer Must Supply Us With Their Original Harness.	\$219.00	
40399	1976	<b>REAR LAMP INTERMEDIATE HARNESS</b> All, Except Wagon & El Camino, From Dash To Rear Lamp Harness	\$226.00	
41661	1976	<b>REAR LAMP INTERMEDIATE HARNESS</b> El Camino, From Dash To Rear Lamp Harness Note: Customer Must Supply Us With Their Original Harness.	\$199.00	
40414	1976	<b>REAR LAMP INTERMEDIATE HARNESS</b> Wagon, From Dash To Rear Lamp Harness	\$199.00	
41658	1976	<b>REAR LAMP HARNESS</b> Coupe & Sedan, Except Monte Carlo, Rear Panel	\$251.00	
41796	1976	<b>REAR LAMP HARNESS</b> El Camino, In Rear Bumper Note: Customer Must Supply Us With Their Original Harness.	\$337.00	
41662	1976	<b>REAR SIDE MARKER LAMP HARNESS</b> El Camino, From Passenger Side Rear Marker Lamp To Rear Lamp Intermediate Harness	\$53.00	
41657	1976	<b>REAR LAMP HARNESS</b> Monte Carlo, Rear Panel	\$251.00	
40787	1976	<b>REAR LAMP HARNESS</b> Wagon, Rear Body, From Intermediate Harness To Rear Lamp Harness In Bumper Note: Customer Must Supply Us With Their Original Harness.	\$113.00	
41771	1976	<b>REAR LAMP HARNESS</b> Wagon, In Rear Bumper Note: Customer Must Supply Us With Their Original Harness.	\$219.00	
40399	1977	<b>REAR LAMP INTERMEDIATE HARNESS</b> All, Except Wagon & El Camino, From Dash To Rear Lamp Harness	\$226.00	
41661	1977	<b>REAR LAMP INTERMEDIATE HARNESS</b> El Camino, From Dash To Rear Lamp Harness Note: Customer Must Supply Us With Their Original Harness.	\$199.00	
40414	1977	<b>REAR LAMP INTERMEDIATE HARNESS</b> Wagon, From Dash To Rear Lamp Harness	\$199.00	
41658	1977	<b>REAR LAMP HARNESS</b> Coupe & Sedan, Except Monte Carlo, Rear Panel	\$251.00	
41796	1977	<b>REAR LAMP HARNESS</b> El Camino, In Rear Bumper Note: Customer Must Supply Us With Their Original Harness.	\$337.00	
41662	1977	<b>REAR SIDE MARKER LAMP HARNESS</b> El Camino, From Passenger Side Rear Marker Lamp To Rear Lamp Intermediate Harness	\$53.00	
41990	1977	<b>REAR LAMP HARNESS</b> Monte Carlo, Rear Panel	\$251.00	
40787	1977	<b>REAR LAMP HARNESS</b> Wagon, Rear Body, From Intermediate Harness To Rear Lamp Harness In Bumper Note: Customer Must Supply Us With Their Original Harness.	\$113.00	
41771	1977	<b>REAR LAMP HARNESS</b> Wagon, In Rear Bumper Note: Customer Must Supply Us With Their Original Harness.	\$219.00	
41991	1978	<b>REAR LAMP INTERMEDIATE HARNESS</b> All, Except El Camino, From Dash To Rear Lamp Harness	\$211.00	
41992	1978	<b>REAR LAMP INTERMEDIATE HARNESS</b> El Camino, Front Section, From Dash To Rear Body Section	\$145.00	
41861	1978	<b>REAR LAMP INTERMEDIATE HARNESS</b> El Camino, Rear Section, From Front Section To Rear Lamp Harness Note: Customer Must Supply Us With Their Original Harness.	\$132.00	
41993	1978	<b>REAR LAMP HARNESS</b> Coupe & Sedan, Except Monte Carlo, Rear Panel	\$436.00	
41858	1978	<b>REAR LAMP HARNESS</b> El Camino, In Rear Bumper Note: Customer Must Supply Us With Their Original Harness.	\$211.00	
41994	1978	<b>REAR LAMP HARNESS</b> Monte Carlo, Rear Panel	\$436.00	

Part Number	Year	Description	Price	*Rev.
42041	1978	<b>REAR LAMP HARNESS</b> Wagon, Rear Body, From Intermediate Harness To Rear Lamp Harness In Bumper	\$158.00	
41826	1978	<b>REAR LAMP HARNESS</b> Wagon, In Rear Bumper Note: Customer Must Supply Us With Their Original Harness.	\$317.00	
41991	1979	<b>REAR LAMP INTERMEDIATE HARNESS</b> All, Except El Camino, From Dash To Rear Lamp Harness	\$211.00	
41992	1979	<b>REAR LAMP INTERMEDIATE HARNESS</b> El Camino, Front Section, From Dash To Rear Body Section	\$145.00	
41861	1979	<b>REAR LAMP INTERMEDIATE HARNESS</b> El Camino, Rear Section, From Front Section To Rear Lamp Harness Note: Customer Must Supply Us With Their Original Harness.	\$132.00	
42042	1979	<b>REAR LAMP HARNESS</b> Coupe & Sedan, Except Monte Carlo, Rear Panel Note: Customer Must Supply Us With Their Original Harness.	\$436.00	
41875	1979	<b>REAR LAMP HARNESS</b> El Camino, In Rear Bumper Note: Customer Must Supply Us With Their Original Harness.	\$410.00	
42036	1979	<b>REAR LAMP HARNESS</b> Monte Carlo, Rear Panel	\$436.00	
42041	1979	<b>REAR LAMP HARNESS</b> Wagon, Rear Body, From Intermediate Harness To Rear Lamp Harness In Bumper	\$158.00	
41874	1979	<b>REAR LAMP HARNESS</b> Wagon, In Rear Bumper Note: Customer Must Supply Us With Their Original Harness.	\$317.00	
41991	1980	<b>REAR LAMP INTERMEDIATE HARNESS</b> All, Except El Camino, From Dash To Rear Lamp Harness	\$211.00	
41992	1980	<b>REAR LAMP INTERMEDIATE HARNESS</b> El Camino, Front Section, From Dash To Rear Body Section	\$145.00	
41861	1980	<b>REAR LAMP INTERMEDIATE HARNESS</b> El Camino, Rear Section, From Front Section To Rear Lamp Harness Note: Customer Must Supply Us With Their Original Harness.	\$132.00	
42042	1980	<b>REAR LAMP HARNESS</b> Coupe & Sedan, Except Monte Carlo, Rear Panel Note: Customer Must Supply Us With Their Original Harness.	\$436.00	
41875	1980	<b>REAR LAMP HARNESS</b> El Camino, In Rear Bumper Note: Customer Must Supply Us With Their Original Harness.	\$410.00	
42037	1980	<b>REAR LAMP HARNESS</b> Monte Carlo, Rear Panel Note: Customer Must Supply Us With Their Original Harness.	\$436.00	
42041	1980	<b>REAR LAMP HARNESS</b> Wagon, Rear Body, From Intermediate Harness To Rear Lamp Harness In Bumper	\$158.00	
41874	1980	<b>REAR LAMP HARNESS</b> Wagon, In Rear Bumper Note: Customer Must Supply Us With Their Original Harness.	\$317.00	
41991	1981	<b>REAR LAMP INTERMEDIATE HARNESS</b> All, Except El Camino, From Dash To Rear Lamp Harness	\$211.00	
41992	1981	<b>REAR LAMP INTERMEDIATE HARNESS</b> El Camino, Front Section, From Dash To Rear Body Section	\$145.00	
41861	1981	<b>REAR LAMP INTERMEDIATE HARNESS</b> El Camino, Rear Section, From Front Section To Rear Lamp Harness Note: Customer Must Supply Us With Their Original Harness.	\$132.00	
42047	1981	<b>REAR LAMP HARNESS</b> Coupe & Sedan, Except Monte Carlo, Rear Panel	\$436.00	
41875	1981	<b>REAR LAMP HARNESS</b> El Camino, In Rear Bumper Note: Customer Must Supply Us With Their Original Harness.	\$410.00	
42046	1981	<b>REAR LAMP HARNESS</b> Monte Carlo, Rear Panel	\$436.00	
42041	1981	<b>REAR LAMP HARNESS</b> Wagon, Rear Body, From Intermediate Harness To Rear Lamp Harness In Bumper	\$158.00	
41874	1981	<b>REAR LAMP HARNESS</b> Wagon, In Rear Bumper Note: Customer Must Supply Us With Their Original Harness.	\$317.00	
41991	1982	<b>REAR LAMP INTERMEDIATE HARNESS</b> All, Except El Camino, From Dash To Rear Lamp Harness	\$211.00	
41992	1982	<b>REAR LAMP INTERMEDIATE HARNESS</b> El Camino, Front Section, From Dash To Rear Body Section	\$145.00	
41861	1982	<b>REAR LAMP INTERMEDIATE HARNESS</b> El Camino, Rear Section, From Front Section To Rear Lamp Harness Note: Customer Must Supply Us With Their Original Harness.	\$132.00	

Part Number	Year	Description	Price	*Rev.
42047	1982	<b>REAR LAMP HARNESS</b> Without Diesel, Except Monte Carlo, Rear Panel	\$436.00	
42051	1982	<b>REAR LAMP HARNESS</b> With Diesel, Except Monte Carlo, Rear Panel	\$463.00	
42046	1982	<b>REAR LAMP HARNESS</b> Monte Carlo, Without Diesel, Rear Panel	\$436.00	
42050	1982	<b>REAR LAMP HARNESS</b> Monte Carlo, With Diesel, Rear Panel	\$463.00	
41875	1982	<b>REAR LAMP HARNESS</b> El Camino, In Rear Bumper Note: Customer Must Supply Us With Their Original Harness.	\$410.00	
42041	1982	<b>REAR LAMP HARNESS</b> Wagon, Without Diesel, Rear Body, From Intermediate Harness To Rear Lamp Harness In Bumper	\$158.00	
42049	1982	<b>REAR LAMP HARNESS</b> Wagon, With Diesel, Rear Body, From Intermediate Harness To Rear Lamp Harness In Bumper	\$158.00	
41874	1982	<b>REAR LAMP HARNESS</b> Wagon, In Rear Bumper Note: Customer Must Supply Us With Their Original Harness.	\$317.00	
<b>REAR WINDOW DEFROSTER HARNESS</b>				
36070	1964	<b>REAR WINDOW DEFROSTER HARNESS</b> From Dash Switch To Blower Motor	\$60.00	
36070	1965	<b>REAR WINDOW DEFROSTER HARNESS</b> From Dash Switch To Blower Motor	\$60.00	
36070	1966	<b>REAR WINDOW DEFROSTER HARNESS</b> From Dash Switch To Blower Motor	\$60.00	
36070	1967	<b>REAR WINDOW DEFROSTER HARNESS</b> From Dash Switch To Blower Motor	\$60.00	
14185	1968	<b>REAR WINDOW DEFROSTER HARNESS</b> Except Wagon, From Dash Switch To Blower Motor	\$67.00	
41711	1968	<b>REAR WINDOW DEFROSTER HARNESS</b> Wagon, From Dash Switch To Blower Motor	\$80.00	
14415	1969	<b>REAR WINDOW DEFROSTER HARNESS</b> Except Wagon, From Dash Switch To Blower Motor	\$67.00	
41719	1969	<b>REAR WINDOW DEFROSTER HARNESS</b> Wagon, From Dash Switch To Blower Motor	\$80.00	
14555	1970	<b>REAR WINDOW DEFROSTER HARNESS</b> Except Wagon, From Dash Switch To Blower Motor	\$80.00	
41731	1970	<b>REAR WINDOW DEFROSTER HARNESS</b> Wagon, From Dash Switch To Blower Motor	\$80.00	
19445	1970	<b>REAR WINDOW DEFROSTER WIRE</b> Resistance Wire, Used With Blower Type Defroster Note: This Wire Is Included In Our Harness #14555.	\$80.00	
14555	1971	<b>REAR WINDOW DEFROSTER HARNESS</b> Except Wagon, From Dash Switch To Blower Motor	\$80.00	
41731	1971	<b>REAR WINDOW DEFROSTER HARNESS</b> Wagon, From Dash Switch To Blower Motor	\$80.00	
14555	1972	<b>REAR WINDOW DEFROSTER HARNESS</b> Except Wagon, From Dash Switch To Blower Motor	\$80.00	
41731	1972	<b>REAR WINDOW DEFROSTER HARNESS</b> Wagon, From Dash Switch To Blower Motor	\$80.00	
41759	1973	<b>REAR WINDOW DEFROSTER HARNESS</b> Fuse Block To Extension Harness Note: Customer Must Reuse Their Original 3 Terminal Plastic Connector On Cluster End Of Harness.	\$80.00	
41760	1973	<b>REAR WINDOW DEFROSTER EXTENSION HARNESS</b> Defroster Harness To Switch Note: Customer Must Reuse Their Original 3 Terminal Plastic Connector On Cluster End Of Harness.	\$80.00	
40781	1973	<b>REAR WINDOW DEFROSTER HARNESS</b> Rear Section, Under Dash To Blower Motor	\$58.00	
41775	1974	<b>REAR WINDOW DEFROSTER HARNESS</b> From Dash Switch To Fuse Block	\$71.00	
40781	1974	<b>REAR WINDOW DEFROSTER HARNESS</b> From Under Dash To Blower Motor	\$58.00	
41775	1975	<b>REAR WINDOW DEFROSTER HARNESS</b> From Dash Switch To Fuse Block	\$71.00	
40781	1975	<b>REAR WINDOW DEFROSTER HARNESS</b> From Under Dash To Blower Motor	\$58.00	
41775	1976	<b>REAR WINDOW DEFROSTER HARNESS</b> Blower Type Defroster, From Dash Switch To Fuse Block	\$71.00	
40781	1976	<b>REAR WINDOW DEFROSTER HARNESS</b> Blower Type Defroster, From Under Dash To Blower Motor	\$58.00	
41805	1976	<b>REAR WINDOW DEFROSTER HARNESS</b> Electric Type Defroster, From Dash Switch To Circuit Breaker	\$95.00	
40767	1976	<b>REAR WINDOW DEFROSTER HARNESS</b> Electric Type Defroster, From Dash To Rear Window	\$51.00	
41775	1977	<b>REAR WINDOW DEFROSTER HARNESS</b> Blower Type Defroster, From Dash Switch To Fuse Block	\$71.00	
40781	1977	<b>REAR WINDOW DEFROSTER HARNESS</b> Blower Type Defroster, From Dash To Blower Motor	\$58.00	
41816	1977	<b>REAR WINDOW DEFROSTER HARNESS</b> Electric Type Defroster, From Dash Switch To Fuse Block	\$95.00	
40767	1977	<b>REAR WINDOW DEFROSTER HARNESS</b> Electric Type Defroster, From Dash To Rear Window	\$51.00	
41775	1978	<b>REAR WINDOW DEFROSTER HARNESS</b> Blower Type Defroster, From Dash Switch To Fuse Block	\$71.00	
42025	1978	<b>REAR WINDOW DEFROSTER HARNESS</b> Blower Type Defroster, From Dash To Blower Motor	\$80.00	

Part Number	Year	Description	Price	*Rev.
41857	1978	<b>REAR WINDOW DEFROSTER HARNESS</b> Electric Type Defroster, From Fuse Block To Dash Switch	\$80.00	
42024	1978	<b>REAR WINDOW DEFROSTER HARNESS</b> Electric Type Defroster, Without Removable Roof, From Dash To Rear Window	\$80.00	
42033	1978	<b>REAR WINDOW DEFROSTER HARNESS</b> Electric Type Defroster, With Removable Roof, From Dash To Rear Window	\$80.00	
42035	1978	<b>REAR WINDOW DEFROSTER HARNESS</b> Wagon, With Heated Liftgate Window, From Dash To Rear Window	\$80.00	
41825	1979	<b>REAR WINDOW DEFROSTER HARNESS</b> Blower Type Defroster, From Fuse Block To Blower Switch	\$80.00	
42025	1979	<b>REAR WINDOW DEFROSTER HARNESS</b> Blower Type Defroster, From Dash To Blower Motor	\$80.00	
41857	1979	<b>REAR WINDOW DEFROSTER HARNESS</b> Electric Type Defroster, From Fuse Block To Dash Switch	\$80.00	
42024	1979	<b>REAR WINDOW DEFROSTER HARNESS</b> Electric Type Defroster, Without Removable Roof, From Dash To Rear Window	\$80.00	
42033	1979	<b>REAR WINDOW DEFROSTER HARNESS</b> Electric Type Defroster, With Removable Roof, From Dash To Rear Window	\$80.00	
42035	1979	<b>REAR WINDOW DEFROSTER HARNESS</b> Wagon, With Heated Liftgate Window, From Dash To Rear Window	\$80.00	
41825	1980	<b>REAR WINDOW DEFROSTER HARNESS</b> Blower Type Defroster, From Fuse Block To Blower Switch	\$80.00	
42025	1980	<b>REAR WINDOW DEFROSTER HARNESS</b> Blower Type Defroster, From Dash To Blower Motor	\$80.00	
41898	1980	<b>REAR WINDOW DEFROSTER HARNESS</b> Electric Type Defroster, From Fuse Block To Dash Switch	\$80.00	
42024	1980	<b>REAR WINDOW DEFROSTER HARNESS</b> Electric Type Defroster, Without Removable Roof, From Dash To Rear Window	\$80.00	
42033	1980	<b>REAR WINDOW DEFROSTER HARNESS</b> Electric Type Defroster, With Removable Roof, From Dash To Rear Window	\$80.00	
42035	1980	<b>REAR WINDOW DEFROSTER HARNESS</b> Wagon, With Heated Liftgate Window, From Dash To Rear Window	\$80.00	
41941	1981	<b>REAR WINDOW DEFROSTER HARNESS</b> Electric Type Defroster, From Fuse Block To Dash Switch	\$80.00	
42024	1981	<b>REAR WINDOW DEFROSTER HARNESS</b> Electric Type Defroster, Without Removable Roof, From Dash To Rear Window	\$80.00	
42033	1981	<b>REAR WINDOW DEFROSTER HARNESS</b> Electric Type Defroster, With Removable Roof, From Dash To Rear Window	\$80.00	
42035	1981	<b>REAR WINDOW DEFROSTER HARNESS</b> Wagon, With Heated Liftgate Window, From Dash To Rear Window	\$80.00	
41941	1982	<b>REAR WINDOW DEFROSTER HARNESS</b> Electric Type Defroster, From Fuse Block To Dash Switch	\$80.00	
42024	1982	<b>REAR WINDOW DEFROSTER HARNESS</b> Electric Type Defroster, Without Removable Roof, From Dash To Rear Window	\$80.00	
42033	1982	<b>REAR WINDOW DEFROSTER HARNESS</b> Electric Type Defroster, With Removable Roof, From Dash To Rear Window	\$80.00	
42035	1982	<b>REAR WINDOW DEFROSTER HARNESS</b> Wagon, With Heated Liftgate Window, From Dash To Rear Window	\$80.00	
<b>REPAIR PIGTAIL-FOR POWER WINDOW SWITCH</b>				
36048	1964	<b>REPAIR PIGTAIL, FOR POWER WINDOW SWITCH</b> For Single Power Window Switches, Includes Connector & Wire	\$25.00	
36048	1965	<b>REPAIR PIGTAIL, FOR POWER WINDOW SWITCH</b> For Single Power Window Switches, Includes Connector & Wire	\$25.00	
36048	1966	<b>REPAIR PIGTAIL, FOR POWER WINDOW SWITCH</b> For Single Power Window Switches, Includes Connector & Wire	\$25.00	
36048	1967	<b>REPAIR PIGTAIL, FOR POWER WINDOW SWITCH</b> For Single Power Window Switches, Includes Connector & Wire	\$25.00	
36048	1968	<b>REPAIR PIGTAIL, FOR POWER WINDOW SWITCH</b> For Single Power Window Switches, Includes Connector & Wire	\$25.00	
36048	1969	<b>REPAIR PIGTAIL, FOR POWER WINDOW SWITCH</b> For Single Power Window Switches, Includes Connector & Wire	\$25.00	
36048	1970	<b>REPAIR PIGTAIL, FOR POWER WINDOW SWITCH</b> For Single Power Window Switches, Includes Connector & Wire	\$25.00	
<b>SEAT BELT WARNING HARNESS</b>				
41761	1972	<b>SEAT BELT WARNING HARNESS</b> Manual Trans, From Dash Harness To Parking Brake Relay	\$80.00	
19955	1972	<b>SEAT BELT WARNING EXTENSION HARNESS</b> From Intermediate Body Connector To Seat Belt Retractor	\$52.00	
41756	1973	<b>SEAT BELT WARNING HARNESS</b> Manual Trans, From Dash Harness To Parking Brake Relay	\$80.00	

Part Number	Year	Description	Price	*Rev.
40701	1973	<b>SEAT BELT WARNING HARNESS</b> All, Passenger Side, From Seat Sensor Switch To Seat Belt Retractor	\$34.00	
40702	1973	<b>SEAT BELT WARNING HARNESS</b> All, Driver Side, From Under Dash To Seat Belt Retractor	\$34.00	
41783	1974	<b>SEAT BELT IGNITION INTERLOCK WARNING EXTENSION HARNESS</b> With 3 Speed Manual Trans, From Warning Switch On Column To Clutch Start Switch	\$66.00	
41784	1974	<b>SEAT BELT IGNITION INTERLOCK WARNING EXTENSION HARNESS</b> With 4 Speed Manual Trans, From Warning Relay To Clutch Start Switch	\$66.00	
41831	1974	<b>SEAT BELT IGNITION INTERLOCK WARNING HARNESS</b> El Camino, From Right & Left Retractor To Seat Sensor Switch	\$52.00	
41837	1974	<b>SEAT BELT IGNITION INTERLOCK WARNING HARNESS</b> With Bench Seat, Harness Located On Passenger Side Front End And Under Body Note: Customer Must Supply Us With Their Original Harness.	\$132.00	
41838	1974	<b>SEAT BELT IGNITION INTERLOCK WARNING HARNESS</b> With Bucket Seat, Harness Located On Passenger Side Front End And Under Body Note: Customer Must Supply Us With Their Original Harness.	\$132.00	
40716	1974	<b>SEAT BELT IGNITION INTERLOCK WARNING HARNESS</b> With Bucket Seats, In Passenger Side Seat Note: Customer Must Supply Us With Their Original Harness.	\$52.00	
41835	1974	<b>SEAT BELT IGNITION INTERLOCK WARNING HARNESS</b> With Standard Bench Seat, In Seat Note: Customer Must Supply Us With Their Original Harness.	\$65.00	
41836	1974	<b>SEAT BELT IGNITION INTERLOCK WARNING HARNESS</b> With Reclining Split Bench Seat, In Seat Note: Customer Must Supply Us With Their Original Harness.	\$65.00	
41831	1975	<b>SEAT BELT IGNITION INTERLOCK WARNING HARNESS</b> El Camino, From Right & Left Retractor To Seat Sensor Switch	\$52.00	
40421	1975	<b>SEAT BELT IGNITION INTERLOCK WARNING HARNESS</b> All, Dash Harness To Timer & Buzzer Note: Customer Must Reuse Their Original Single Wire Plastic Connector That Attaches This Harness To The Instrument Panel Harness.	\$80.00	
40422	1975	<b>SEAT BELT IGNITION INTERLOCK WARNING HARNESS</b> All, From Driver Side Seat Belt Retractor To Seat Belt Warning Harness	\$53.00	
40438	1976	<b>SEAT BELT WARNING JUMPER</b> All, From Buzzer To Driver Side Seat Belt Retractor	\$41.00	
40438	1977	<b>SEAT BELT WARNING JUMPER</b> All, From Buzzer To Driver Side Seat Belt Retractor	\$41.00	
42019	1978	<b>SEAT BELT WARNING EXTENSION HARNESS</b> All, From Buzzer Ground To Seat Belt Buckle	\$35.00	
42019	1979	<b>SEAT BELT WARNING EXTENSION HARNESS</b> All, From Buzzer Ground To Seat Belt Buckle	\$35.00	
42019	1980	<b>SEAT BELT WARNING EXTENSION HARNESS</b> All, From Buzzer Ground To Seat Belt Buckle	\$35.00	
42019	1981	<b>SEAT BELT WARNING EXTENSION HARNESS</b> All, From Buzzer Ground To Seat Belt Buckle	\$35.00	
42019	1982	<b>SEAT BELT WARNING EXTENSION HARNESS</b> All, From Buzzer Ground To Seat Belt Buckle	\$35.00	
<b>SPEAKER HARNESS</b>				
06905	1964	<b>SPEAKER WIRE</b> Except Wagon, Single Rear Seat Speaker, From Radio To Speaker	\$25.00	
07155	1964	<b>SPEAKER HARNESS</b> Wagon, Single Rear Seat Speaker, From Radio To Speaker	\$32.00	
20375	1965	<b>SPEAKER WIRE</b> Convertible, With Stereo, Rear Speaker Ground, From Speaker To Body Note: When Using A Factory Stereo, 2 Of These Wires Are Required.	\$21.00	
08115	1965	<b>SPEAKER WIRE</b> Except Convertible, Single Rear Seat Speaker, From Radio To Speaker	\$32.00	
07885	1965	<b>SPEAKER HARNESS</b> Wagon, Single Rear Seat Speaker, From Radio To Speaker	\$32.00	
33430	1965	<b>SPEAKER HARNESS</b> 4 Stereo Speakers, From Radio To Front & Rear Speakers	\$83.00	
18510	1965	<b>SPEAKER HARNESS</b> All, From Radio To Speaker Fader Control	\$53.00	
08115	1966	<b>SPEAKER WIRE</b> Except Convertible, Single Rear Seat Speaker, From Radio To Speaker	\$32.00	
38419	1966	<b>SPEAKER HARNESS</b> Wagon, Single Rear Seat Speaker, From Radio To Speaker	\$32.00	
05855	1966	<b>SPEAKER WIRE</b> Convertible, Single Rear Seat Speaker, From Radio To Speaker	\$32.00	
38864	1966	<b>SPEAKER WIRE</b> Convertible, Rear Seat Speaker Ground, From Speaker To Body Note: When Using A Factory Stereo, 2 Of These Wires Are Required.	\$23.00	
33430	1966	<b>SPEAKER HARNESS</b> 4 Stereo Speakers, From Radio To Front & Rear Speakers	\$83.00	

Part Number	Year	Description	Price	*Rev.
18510	1966	<b>SPEAKER HARNESS</b> All, From Radio To Speaker Fader Control	\$53.00	
05855	1967	<b>SPEAKER WIRE</b> Convertible, Single Rear Seat Speaker, From Radio To Speaker	\$32.00	
09315	1967	<b>SPEAKER HARNESS</b> With Stereo Tape Player, From Radio Rear Seat Speakers	\$53.00	
38864	1967	<b>SPEAKER WIRE</b> Convertible, Rear Seat Speaker Ground, From Speaker To Body Note: When Using A Factory Stereo, 2 Of These Wires Are Required.	\$23.00	
08115	1967	<b>SPEAKER WIRE</b> Except Convertible, Single Rear Seat Speaker, From Radio To Speaker	\$32.00	
08210	1967	<b>SPEAKER HARNESS</b> Except Wagon, From Radio To Rear Stereo Speakers	\$53.00	
38419	1967	<b>SPEAKER HARNESS</b> Wagon, Single Rear Seat Speaker, From Radio To Speaker	\$32.00	
41697	1967	<b>SPEAKER HARNESS</b> Wagon, With Stereo, From Radio To Rear Seat Speakers	\$48.00	
33430	1967	<b>SPEAKER HARNESS</b> 4 Stereo Speakers, From Radio To Front & Rear Speakers	\$83.00	
18510	1967	<b>SPEAKER HARNESS</b> All, From Radio To Speaker Fader Control	\$53.00	
05855	1968	<b>SPEAKER WIRE</b> Convertible, Single Rear Seat Speaker, From Radio To Speaker	\$32.00	
09315	1968	<b>SPEAKER HARNESS</b> With Stereo Tape Player, From Radio Rear Seat Speakers	\$53.00	
40492	1968	<b>SPEAKER WIRE</b> Convertible, Rear Seat Speaker Ground, From Speaker To Body Note: When Using A Factory Stereo, 2 Of These Wires Are Required.	\$21.00	
08115	1968	<b>SPEAKER WIRE</b> Except Convertible, Single Rear Seat Speaker, From Radio To Speaker	\$32.00	
08210	1968	<b>SPEAKER HARNESS</b> Except Wagon, From Radio To Rear Stereo Speakers	\$53.00	
41703	1968	<b>SPEAKER HARNESS</b> Wagon, Single Rear Seat Speaker, From Radio To Speaker	\$34.00	
41707	1968	<b>SPEAKER HARNESS</b> Wagon, With Stereo, From Radio To Rear Seat Speakers	\$52.00	
33430	1968	<b>SPEAKER HARNESS</b> 4 Stereo Speakers, From Radio To Front & Rear Speakers	\$83.00	
18510	1968	<b>SPEAKER HARNESS</b> All, From Radio To Speaker Fader Control	\$53.00	
05855	1969	<b>SPEAKER WIRE</b> Convertible, Single Rear Seat Speaker, From Radio To Speaker	\$32.00	
09315	1969	<b>SPEAKER HARNESS</b> With Stereo Tape Player, From Radio Rear Seat Speakers	\$53.00	
40492	1969	<b>SPEAKER WIRE</b> Convertible, Rear Seat Speaker Ground, From Speaker To Body Note: When Using A Factory Stereo, 2 Of These Wires Are Required.	\$21.00	
41707	1969	<b>SPEAKER HARNESS</b> Wagon, With Stereo, From Radio To Rear Seat Speakers	\$52.00	
40889	1969	<b>SPEAKER HARNESS</b> Wagon, Single Rear Seat Speaker, From Radio To Speaker	\$52.00	
41717	1969	<b>SPEAKER HARNESS</b> Except Wagon & El Camino, From Radio To Rear Stereo Speakers	\$52.00	
41718	1969	<b>SPEAKER HARNESS</b> Except Wagon & El Camino, From Radio To Rear Speaker	\$32.00	
33430	1969	<b>SPEAKER HARNESS</b> 4 Stereo Speakers, From Radio To Front & Rear Speakers	\$83.00	
18510	1969	<b>SPEAKER HARNESS</b> All, From Radio To Speaker Fader Control	\$53.00	
20730	1970	<b>SPEAKER HARNESS</b> AM, AM/FM With Single Center Dash Speaker & Single Rear Seat Speaker, Without A/C, From Radio To Fader Control Note: This Harness Is Used On Vehicles With U80 Option Code.	\$101.00	
20735	1970	<b>SPEAKER HARNESS</b> AM/FM With Left & Right Dash Speakers & Single Rear Seat Speaker, With A/C, From Radio To Fader Control Note: This Harness Is Used On A/C Equiped Cars With U80 Option Code.	\$113.00	
41578	1970	<b>SPEAKER HARNESS</b> Coupe & Sedan, From Radio To Single Rear Seat Speaker Note: This Harness Is Used On Vehicles With U80 Option Code.	\$63.00	
41726	1970	<b>SPEAKER HARNESS</b> Wagon, With Stereo, From Radio To Rear Seat Speakers Note: This Harness Is Used On Vehicles With U79, Um1 Or Um2 Option Code.	\$60.00	
41727	1970	<b>SPEAKER HARNESS</b> All, With Stereo, Except Wagon, From Radio To Rear Seat Speakers Note: This Harness Is Used On Vehicles With U79, Um1 Or Um2 Option Code.	\$60.00	
41840	1970	<b>SPEAKER HARNESS</b> Convertible, From Radio To Single Rear Seat Speaker Note: This Harness Is Used On Vehicles With U80 Option Code.	\$60.00	

Part Number	Year	Description	Price	*Rev.
40492	1970	<b>SPEAKER WIRE</b> Convertible, Rear Seat Speaker Ground, From Speaker To Body Note: When Using A Factory Stereo, 2 Of These Wires Are Required.	\$21.00	
20725	1970	<b>SPEAKER HARNESS</b> AM, AM/FM, From Radio To Single Center Dash Speaker	\$40.00	
38529	1970	<b>SPEAKER HARNESS</b> AM, AM/FM, From Radio To Left & Right Front Speakers, Used In A/C Equiped Cars	\$61.00	
36251	1970	<b>SPEAKER HARNESS</b> With 4 Speaker Stereo, All Except El Camino, From Radio To Front & Rear Speakers	\$145.00	
05855	1970	<b>SPEAKER WIRE</b> Used With Accessory, Dealer Installed Speaker, From Radio To Rear Seat Speaker	\$32.00	
18510	1970	<b>SPEAKER HARNESS</b> All, From Radio To Speaker Fader Control	\$53.00	
20730	1971	<b>SPEAKER HARNESS</b> AM, AM/FM With Single Center Dash Speaker & Single Rear Seat Speaker, Without A/C, From Radio To Fader Control Note: This Harness Is Used On Vehicles With U80 Option Code.	\$101.00	
41738	1971	<b>SPEAKER HARNESS</b> AM/FM With Left & Right Dash Speakers & Single Rear Seat Speaker, With A/C, From Radio To Fader Control Note: This Harness Is Used On A/C Equiped Cars With Radio Speaker Option U80.	\$101.00	
41578	1971	<b>SPEAKER HARNESS</b> Wagon, From Radio To Single Rear Seat Speaker Note: This Harness Is Used On Vehicles With U80 Option Code.	\$63.00	
41726	1971	<b>SPEAKER HARNESS</b> Wagon, With Stereo, From Radio To Rear Seat Speakers Note: This Harness Is Used On Vehicles With U79, Um1 Or Um2 Option Code.	\$60.00	
40799	1971	<b>SPEAKER HARNESS</b> All, Except Wagon, From Radio To Single Rear Seat Speaker Note: This Harness Is Used On Vehicles With U80 Option Code.	\$52.00	
20725	1971	<b>SPEAKER HARNESS</b> AM, AM/FM, From Radio To Single Center Dash Speaker	\$40.00	
38529	1971	<b>SPEAKER HARNESS</b> AM, AM/FM, From Radio To Left & Right Front Speakers, Used In A/C Equiped Cars	\$61.00	
36251	1971	<b>SPEAKER HARNESS</b> With 4 Speaker Stereo, All Except El Camino, From Radio To Front & Rear Speakers	\$145.00	
05855	1971	<b>SPEAKER WIRE</b> Used With Accessory, Dealer Installed Speaker, From Radio To Rear Seat Speaker	\$32.00	
20730	1972	<b>SPEAKER HARNESS</b> AM, Push Button, With Single Center Dash Speaker & Single Rear Seat Speaker, From Radio To Fader Control Note: This Harness Is Used On Vehicles With U63 Option Code.	\$101.00	
39550	1972	<b>SPEAKER HARNESS</b> AM, Push Button, From Radio To Left & Right Front Speakers, Used In A/C Equiped Cars Note: This Harness Is Used On A/C Equiped Cars With Radio Option U63.	\$101.00	
41746	1972	<b>SPEAKER HARNESS</b> AM/FM, From Radio To Left & Right Front Speakers & Single Rear Seat Speaker, Used In A/C Equiped Cars Note: This Harness Is Used On A/C Equiped Cars With Radio Option U79 & U80.	\$98.00	
39511	1972	<b>SPEAKER HARNESS</b> AM, AM/FM With Single Center Dash Speaker & Single Rear Seat Speaker, From Radio To Dash Harness Note: This Harness Is Used On Cars With Radio Speaker Option U80.	\$87.00	
41578	1972	<b>SPEAKER HARNESS</b> Wagon, From Radio To Single Rear Seat Speaker Note: This Harness Is Used On Vehicles With U80 Option Code.	\$63.00	
41726	1972	<b>SPEAKER HARNESS</b> Wagon, With Stereo, From Radio To Rear Seat Speakers Note: This Harness Is Used On Vehicles With U79, Um1 Or Um2 Option Code.	\$60.00	
40799	1972	<b>SPEAKER HARNESS</b> All, Except Wagon, From Radio To Single Rear Seat Speaker Note: This Harness Is Used On Vehicles With U80 Option Code.	\$52.00	
20725	1972	<b>SPEAKER HARNESS</b> AM, AM/FM, From Radio To Single Center Dash Speaker	\$40.00	
36251	1972	<b>SPEAKER HARNESS</b> With 4 Speaker Stereo, All Except El Camino, From Radio To Front & Rear Speakers	\$145.00	
39318	1973	<b>SPEAKER HARNESS</b> AM, From Radio To Center Dash Speaker	\$35.00	
41743	1973	<b>SPEAKER HARNESS</b> Stereo, Without Tape Player, From Radio To Left & Right Front Speakers	\$52.00	



Part Number	Year	Description	Price	*Rev.
40782	1973	<b>SPEAKER HARNESS</b> Single Rear Speaker, Except Wagon, From Radio To Speaker	\$33.00	
40783	1973	<b>SPEAKER HARNESS</b> Wagon, Single Rear Speaker, From Radio To Speaker	\$52.00	
40784	1973	<b>SPEAKER HARNESS</b> With Stereo, Rear Seat Speakers, Except Wagon, From Radio To Speakers	\$101.00	
40785	1973	<b>SPEAKER HARNESS</b> Wagon, With Stereo, From Radio To Rear Speakers	\$52.00	
39318	1974	<b>SPEAKER HARNESS</b> AM, From Radio To Center Dash Speaker	\$35.00	
41743	1974	<b>SPEAKER HARNESS</b> Stereo, Without Tape Player, From Radio To Left & Right Front Speakers	\$52.00	
40782	1974	<b>SPEAKER HARNESS</b> Single Rear Speaker, Except Wagon, From Radio To Speaker	\$33.00	
40783	1974	<b>SPEAKER HARNESS</b> Wagon, Single Rear Speaker, From Radio To Speaker	\$52.00	
40784	1974	<b>SPEAKER HARNESS</b> With Stereo, Rear Seat Speakers, Except Wagon, From Radio To Speakers	\$101.00	
40785	1974	<b>SPEAKER HARNESS</b> Wagon, With Stereo, From Radio To Rear Speakers	\$52.00	
39318	1975	<b>SPEAKER HARNESS</b> AM, From Radio To Center Dash Speaker	\$35.00	
41743	1975	<b>SPEAKER HARNESS</b> Stereo, Without Tape Player, From Radio To Left & Right Front Speakers	\$52.00	
40784	1975	<b>SPEAKER HARNESS</b> With Stereo, Rear Seat Speakers, Except Wagon, From Radio To Speakers	\$101.00	
40785	1975	<b>SPEAKER HARNESS</b> Wagon, With Stereo, From Radio To Rear Speakers	\$52.00	
40782	1975	<b>SPEAKER HARNESS</b> Single Rear Speaker, Except Wagon, From Radio To Speaker	\$33.00	
40783	1975	<b>SPEAKER HARNESS</b> Wagon, Single Rear Speaker, From Radio To Speaker	\$52.00	
39318	1976	<b>SPEAKER HARNESS</b> AM,AM/FM, Pushbutton, From Radio To Center Dash Speaker	\$35.00	
41743	1976	<b>SPEAKER HARNESS</b> Stereo, From Radio To Left & Right Front Speakers	\$52.00	
41665	1976	<b>SPEAKER HARNESS</b> El Camino, From Radio To Rear Stereo Speakers	\$52.00	
40784	1976	<b>SPEAKER HARNESS</b> With Stereo, Rear Seat Speakers, Except Wagon, From Radio To Speakers	\$101.00	
40785	1976	<b>SPEAKER HARNESS</b> Wagon, With Stereo, From Radio To Rear Speakers	\$52.00	
40782	1976	<b>SPEAKER HARNESS</b> Single Rear Speaker, Except Wagon, From Radio To Speaker	\$33.00	
40783	1976	<b>SPEAKER HARNESS</b> Wagon, Single Rear Speaker, From Radio To Speaker	\$52.00	
41665	1977	<b>SPEAKER HARNESS</b> El Camino, From Radio To Rear Stereo Speakers	\$52.00	
40785	1977	<b>SPEAKER HARNESS</b> Wagon, With Stereo, From Radio To Rear Speakers	\$52.00	
40782	1977	<b>SPEAKER HARNESS</b> Single Rear Speaker, Except Wagon, From Radio To Speaker	\$33.00	
40783	1977	<b>SPEAKER HARNESS</b> Wagon, Single Rear Speaker, From Radio To Speaker	\$52.00	
39318	1977	<b>SPEAKER HARNESS</b> AM,AM/FM, Pushbutton, From Radio To Center Dash Speaker	\$35.00	
41743	1977	<b>SPEAKER HARNESS</b> Stereo, From Radio To Left & Right Front Speakers	\$52.00	
41824	1978	<b>SPEAKER HARNESS</b> Stereo, Except El Camino, From Radio To Right & Left Front Speakers	\$67.00	
41868	1978	<b>SPEAKER HARNESS</b> Stereo, El Camino, From Radio To Right & Left Front Speakers	\$67.00	
42022	1978	<b>SPEAKER HARNESS</b> With Stereo, Except Wagon & El Camino, From Radio To Rear Seat Speakers	\$67.00	
42023	1978	<b>SPEAKER HARNESS</b> With Stereo, Wagon, From Radio To Rear Seat Speakers	\$67.00	
42021	1978	<b>SPEAKER HARNESS</b> All, Without Stereo, From Radio To Rear Seat Speaker	\$33.00	
42022	1979	<b>SPEAKER HARNESS</b> With Stereo, Except Wagon & El Camino, From Radio To Rear Seat Speakers	\$67.00	
41824	1979	<b>SPEAKER HARNESS</b> Stereo, Except El Camino, From Radio To Right & Left Front Speakers	\$67.00	
41868	1979	<b>SPEAKER HARNESS</b> Stereo, El Camino, From Radio To Right & Left Front Speakers	\$67.00	
42023	1979	<b>SPEAKER HARNESS</b> With Stereo, Wagon, From Radio To Rear Seat Speakers	\$67.00	
42021	1979	<b>SPEAKER HARNESS</b> All, Without Stereo, From Radio To Rear Seat Speaker	\$33.00	

Part Number	Year	Description	Price	*Rev.
41824	1980	<b>SPEAKER HARNESS</b> Stereo, Except El Camino, From Radio To Right & Left Front Speakers	\$67.00	
41868	1980	<b>SPEAKER HARNESS</b> Stereo, El Camino, From Radio To Right & Left Front Speakers	\$67.00	
42022	1980	<b>SPEAKER HARNESS</b> With Stereo, Except Wagon & El Camino, From Radio To Rear Seat Speakers	\$67.00	
42023	1980	<b>SPEAKER HARNESS</b> With Stereo, Wagon, From Radio To Rear Seat Speakers	\$67.00	
42021	1980	<b>SPEAKER HARNESS</b> All, Without Stereo, From Radio To Rear Seat Speaker	\$33.00	
42022	1981	<b>SPEAKER HARNESS</b> With Stereo, Except Wagon & El Camino, From Radio To Rear Seat Speakers	\$67.00	
42023	1981	<b>SPEAKER HARNESS</b> With Stereo, Wagon, From Radio To Rear Seat Speakers	\$67.00	
42021	1981	<b>SPEAKER HARNESS</b> All, Without Stereo, From Radio To Rear Seat Speaker	\$33.00	
41824	1981	<b>SPEAKER HARNESS</b> Stereo, Except El Camino, From Radio To Right & Left Front Speakers	\$67.00	
41868	1981	<b>SPEAKER HARNESS</b> Stereo, El Camino, From Radio To Right & Left Front Speakers	\$67.00	
41824	1982	<b>SPEAKER HARNESS</b> Stereo, Except El Camino, From Radio To Right & Left Front Speakers	\$67.00	
41868	1982	<b>SPEAKER HARNESS</b> Stereo, El Camino, From Radio To Right & Left Front Speakers	\$67.00	
42022	1982	<b>SPEAKER HARNESS</b> With Stereo, Except Wagon & El Camino, From Radio To Rear Seat Speakers	\$67.00	
42023	1982	<b>SPEAKER HARNESS</b> With Stereo, Wagon, From Radio To Rear Seat Speakers	\$67.00	
42021	1982	<b>SPEAKER HARNESS</b> All, Without Stereo, From Radio To Rear Seat Speaker	\$33.00	
<b>SPEED WARNING HARNESS</b>				
11045	1966	<b>SPEED WARNING HARNESS</b> From Fuse Block To Warning Buzzer	\$22.00	
11045	1967	<b>SPEED WARNING HARNESS</b> From Fuse Block To Warning Buzzer	\$22.00	
17735	1968	<b>SPEED WARNING HARNESS</b> From Fuse Block To Warning Buzzer	\$22.00	
17730	1969	<b>SPEED WARNING HARNESS</b> From Fuse Block To Warning Buzzer	\$22.00	
<b>STEERING COLUMN ADAPTER HARNESS</b>				
37542	1964	<b>STEERING COLUMN ADAPTER HARNESS</b> For 1969-1974 GM & Ididit Columns (Exc. Flaming River) To Stock Dash Harness Note: Adapts Horn, Directionals, & Adds Hazard Flashers To Stock 8 Pin T/L Dash Connector.	\$50.00	
37009	1964	<b>STEERING COLUMN ADAPTER HARNESS</b> For 1975 & Up GM & Flaming River Columns (Exc. Ididit) To Stock Dash Harness Note: Adapts Horn, Directionals, & Adds Hazard Flashers To Stock 8 Pin T/L Dash Connector.	\$52.00	
37542	1965	<b>STEERING COLUMN ADAPTER HARNESS</b> For 1969-1974 GM & Ididit Columns (Exc. Flaming River) To Stock Dash Harness Note: Adapts Horn, Directionals, & Adds Hazard Flashers To Stock 8 Pin T/L Dash Connector.	\$50.00	
37009	1965	<b>STEERING COLUMN ADAPTER HARNESS</b> For 1975 & Up GM & Flaming River Columns (Exc. Ididit) To Stock Dash Harness Note: Adapts Horn, Directionals, & Adds Hazard Flashers To Stock 8 Pin T/L Dash Connector.	\$52.00	
37542	1966	<b>STEERING COLUMN ADAPTER HARNESS</b> For 1969-1974 GM & Ididit Columns (Exc. Flaming River) To Stock Dash Harness Note: Adapts Horn, Directionals, & Adds Hazard Flashers To Stock 8 Pin T/L Dash Connector.	\$50.00	
37009	1966	<b>STEERING COLUMN ADAPTER HARNESS</b> For 1975 & Up GM & Flaming River Columns (Exc. Ididit) To Stock Dash Harness Note: Adapts Horn, Directionals, & Adds Hazard Flashers To Stock 8 Pin T/L Dash Connector.	\$52.00	
36882	1967	<b>STEERING COLUMN ADAPTER HARNESS</b> For 1969-1974 GM & Ididit Columns (Exc. Flaming River) To Stock Dash Harness Note: Adapts Horn, Directionals, & Adds Hazard Flashers To Stock 9 Pin T/L Dash Connector.	\$27.00	
38127	1967	<b>STEERING COLUMN ADAPTER HARNESS</b> For 1975 & Up GM & Flaming River Columns (Exc. Ididit) To Stock Dash Harness Note: Adapts Horn, Directionals, & Adds Hazard Flashers To Stock 9 Pin T/L Dash Connector.	\$27.00	

Part Number	Year	Description	Price	*Rev.
36882	1968	<b>STEERING COLUMN ADAPTER HARNESS</b> For 1969-1974 GM & Ididit Columns (Exc. Flaming River) To Stock Dash Harness Note: Adapts Horn, Directionals, & Adds Hazard Flashers To Stock 9 Pin T/L Dash Connector.	\$27.00	
38127	1968	<b>STEERING COLUMN ADAPTER HARNESS</b> For 1975 & Up GM & Flaming River Columns (Exc. Ididit) To Stock Dash Harness Note: Adapts Horn, Directionals, & Adds Hazard Flashers To Stock 9 Pin T/L Dash Connector.	\$27.00	
<b>STOP LAMP SWITCH</b>				
01261219	1964	<b>STOP LAMP SWITCH</b> Without Cruise	\$5.80	N
01261219	1965	<b>STOP LAMP SWITCH</b> Without Cruise	\$5.80	N
01261219	1966	<b>STOP LAMP SWITCH</b> Without Cruise	\$5.80	N
01261219	1967	<b>STOP LAMP SWITCH</b> Without Cruise	\$5.80	N
01261219	1968	<b>STOP LAMP SWITCH</b> Without Cruise	\$5.80	N
01261219	1969	<b>STOP LAMP SWITCH</b> Without Cruise	\$5.80	N
01261219	1970	<b>STOP LAMP SWITCH</b> Without Cruise	\$5.80	N
01261219	1971	<b>STOP LAMP SWITCH</b> Without Cruise	\$5.80	N
01261219	1972	<b>STOP LAMP SWITCH</b> Without Cruise	\$5.80	N
01261219	1973	<b>STOP LAMP SWITCH</b> Without Cruise	\$5.80	N
01261219	1974	<b>STOP LAMP SWITCH</b> Without Cruise	\$5.80	N
01261219	1975	<b>STOP LAMP SWITCH</b> Without Cruise	\$5.80	N
01261219	1976	<b>STOP LAMP SWITCH</b> Without Power Brakes Or Cruise	\$5.80	N
01261219	1977	<b>STOP LAMP SWITCH</b> Without Power Brakes Or Cruise	\$5.80	N
01261219	1978	<b>STOP LAMP SWITCH</b> Without Power Brakes Or Cruise	\$5.80	N
01261219	1979	<b>STOP LAMP SWITCH</b> Without Power Brakes Or Cruise	\$5.80	N
01261219	1980	<b>STOP LAMP SWITCH</b> Without Power Brakes Or Cruise	\$5.80	N
<b>SUN ROOF HARNESS</b>				
40725	1973	<b>SUN ROOF HARNESS</b> 2 Door, All, Without Power Windows, From Ignition Relay To Sun Roof Switch	\$67.00	
40723	1973	<b>SUN ROOF HARNESS</b> 2 Door, All, With Power Windows, From Ignition Relay To Sun Roof Switch	\$67.00	
40725	1974	<b>SUN ROOF HARNESS</b> 2 Door, All, Without Power Windows, From Ignition Relay To Sun Roof Switch	\$67.00	
40723	1974	<b>SUN ROOF HARNESS</b> 2 Door, All, With Power Windows, From Ignition Relay To Sun Roof Switch	\$67.00	
40419	1975	<b>SUN ROOF HARNESS</b> 2 Door, All, Without Power Windows, From Ignition Relay To Sun Roof Switch	\$101.00	
40420	1975	<b>SUN ROOF HARNESS</b> 2 Door, All, With Power Windows, From Ignition Relay To Sun Roof Switch	\$106.00	
40439	1976	<b>SUN ROOF HARNESS</b> 2 Door, All, Without Power Windows, From Ignition Relay To Sun Roof Switch	\$101.00	
40440	1976	<b>SUN ROOF HARNESS</b> 2 Door, All, With Power Windows, From Ignition Relay To Sun Roof Switch	\$106.00	
40439	1977	<b>SUN ROOF HARNESS</b> 2 Door, All, Without Power Windows, From Ignition Relay To Sun Roof Switch	\$101.00	
40440	1977	<b>SUN ROOF HARNESS</b> 2 Door, All, With Power Windows, From Ignition Relay To Sun Roof Switch	\$106.00	
42002	1978	<b>SUN ROOF HARNESS</b> 2 Door, All, From Actuating Motor To Sun Roof Switch	\$106.00	
42002	1979	<b>SUN ROOF HARNESS</b> 2 Door, All, From Actuating Motor To Sun Roof Switch	\$106.00	
42002	1980	<b>SUN ROOF HARNESS</b> 2 Door, All, From Actuating Motor To Sun Roof Switch	\$106.00	
42002	1981	<b>SUN ROOF HARNESS</b> 2 Door, All, From Actuating Motor To Sun Roof Switch	\$106.00	

Part Number	Year	Description	Price	*Rev.
<b>TACHOMETER HARNESS</b>				
04950	1964	<b>TACHOMETER HARNESS</b> In Dash Mounted, From Fuse Block & Coil To Tachometer	\$50.00	
05170	1964	<b>TACHOMETER HARNESS</b> Steering Column Mounted, From Fuse Block & Coil To Tachometer	\$52.00	
05905	1965	<b>TACHOMETER HARNESS</b> In Dash Mounted, From Fuse Block & Coil To Tachometer	\$50.00	
09710	1966	<b>TACHOMETER HARNESS</b> In Front Of Dash Mounted, From Fuse Block & Coil To Tachometer	\$60.00	
41494	1966	<b>TACHOMETER HARNESS</b> In Front Of Dash Mounted, From Circuit Board To #09710 Tach Harness Note: This Is The Harness That Is Normally Part Of The Factory Original Tach Assembly. Reproduction Tachs May Already Include This Harness.	\$60.00	
10985	1967	<b>TACHOMETER HARNESS</b> In Front Of Dash Mounted, From Fuse Block & Coil To Tachometer	\$60.00	
41494	1967	<b>TACHOMETER HARNESS</b> In Front Of Dash Mounted, From Circuit Board To #10985 Tach Harness Note: This Is The Harness That Is Normally Part Of The Factory Original Tach Assembly. Reproduction Tachs May Already Include This Harness.	\$60.00	
11060	1967	<b>TACHOMETER TURN SIGNAL LEAD WIRES</b> From Dash Harness Turn Signal Switch Connector To Tach Harness Note: Used Only When Adding An Original Or Reproduction Tachometer To A Non Gauge Dash Wiring Harness.	\$17.00	
36271	1975	<b>TACHOMETER EXTENSION</b> From Dash Harness To Tach Connection On HEI Distributor Cap	\$32.00	
40898	1978	<b>TACHOMETER FILTER EXTENSION WIRE</b> From Tach Connection On HEI Distributor Cap To Tach Filter	\$38.00	
40898	1979	<b>TACHOMETER FILTER EXTENSION WIRE</b> From Tach Connection On HEI Distributor Cap To Tach Filter	\$38.00	
40898	1980	<b>TACHOMETER FILTER EXTENSION WIRE</b> From Tach Connection On HEI Distributor Cap To Tach Filter	\$38.00	
40898	1981	<b>TACHOMETER FILTER EXTENSION WIRE</b> From Tach Connection On HEI Distributor Cap To Tach Filter	\$38.00	
40898	1982	<b>TACHOMETER FILTER EXTENSION WIRE</b> From Tach Connection On HEI Distributor Cap To Tach Filter	\$38.00	
<b>TAILGATE AJAR WARNING LAMP HARNESS</b>				
40696	1973	<b>TAILGATE AJAR WARNING LAMP HARNESS</b> Wagon, Front Section, Without Electric Tailgate Release Or Rear Window Defroster, From Dash To Tailgate Warning Lamp	\$48.00	
40697	1973	<b>TAILGATE AJAR WARNING LAMP HARNESS</b> Wagon, Rear Section, Without Electric Tailgate Release Or Rear Window Defroster, From Tailgate Warning Lamp Harness Front Note: Customer Must Supply Their Original Rubber Boot.	\$48.00	
40699	1973	<b>TAILGATE AJAR WARNING LAMP HARNESS</b> Wagon, Front Section, With Electric Tailgate Release, From Dash To Tailgate Warning Lamp Harness Rear Section	\$48.00	
40700	1973	<b>TAILGATE AJAR WARNING LAMP HARNESS</b> Wagon, Rear Section, With Electric Tailgate Release Or Rear Window Defroster, From Tailgate Warning Lamp Harness Front Note: Customer Must Supply Their Original Rubber Boot.	\$48.00	
40709	1973	<b>TAILGATE AJAR WARNING LAMP HARNESS</b> Wagon, Front Section, With Rear Window Defroster, Except Electric Tailgate Release, From Dash To Tailgate Warning Lamp	\$48.00	
40710	1973	<b>TAILGATE AJAR WARNING LAMP HARNESS</b> Wagon, Front Section, With Rear Window Defroster & Electric Tailgate Release, From Dash To Tailgate Warning Lamp Harness	\$48.00	
40711	1973	<b>TAILGATE AJAR WARNING LAMP HARNESS</b> Wagon, Rear Section, With Rear Window Defroster & Electric Tailgate Release, From Tailgate Warning Lamp Harness Front Note: Customer Must Supply Their Original Rubber Boot.	\$48.00	
40696	1974	<b>TAILGATE AJAR WARNING LAMP HARNESS</b> Wagon, Front Section, Without Electric Tailgate Release Or Rear Window Defroster, From Dash To Tailgate Warning Lamp	\$48.00	
40697	1974	<b>TAILGATE AJAR WARNING LAMP HARNESS</b> Wagon, Rear Section, Without Electric Tailgate Release Or Rear Window Defroster, From Tailgate Warning Lamp Harness Front Note: Customer Must Supply Their Original Rubber Boot.	\$48.00	
40699	1974	<b>TAILGATE AJAR WARNING LAMP HARNESS</b> Wagon, Front Section, With Electric Tailgate Release, From Dash To Tailgate Warning Lamp Harness Rear Section	\$48.00	

Part Number	Year	Description	Price	*Rev.
40700	1974	<b>TAILGATE AJAR WARNING LAMP HARNESS</b> Wagon, Rear Section, With Electric Tailgate Release Or Rear Window Defroster, From Tailgate Warning Lamp Harness Front Note: Customer Must Supply Their Original Rubber Boot.	\$48.00	
40709	1974	<b>TAILGATE AJAR WARNING LAMP HARNESS</b> Wagon, Front Section, With Rear Window Defroster, Except Electric Tailgate Release, From Dash To Tailgate Warning Lamp	\$48.00	
40710	1974	<b>TAILGATE AJAR WARNING LAMP HARNESS</b> Wagon, Front Section, With Rear Window Defroster & Electric Tailgate Release, From Dash To Tailgate Warning Lamp Harness	\$48.00	
40711	1974	<b>TAILGATE AJAR WARNING LAMP HARNESS</b> Wagon, Rear Section, With Rear Window Defroster & Electric Tailgate Release, From Tailgate Warning Lamp Harness Front Note: Customer Must Supply Their Original Rubber Boot.	\$48.00	
40696	1975	<b>TAILGATE AJAR WARNING LAMP HARNESS</b> Wagon, Front Section, Without Electric Tailgate Release Or Rear Window Defroster, From Dash To Tailgate Warning Lamp	\$48.00	
40697	1975	<b>TAILGATE AJAR WARNING LAMP HARNESS</b> Wagon, Rear Section, Without Electric Tailgate Release Or Rear Window Defroster, From Tailgate Warning Lamp Harness Front Note: Customer Must Supply Their Original Rubber Boot.	\$48.00	
40699	1975	<b>TAILGATE AJAR WARNING LAMP HARNESS</b> Wagon, Front Section, With Electric Tailgate Release, From Dash To Tailgate Warning Lamp Harness Rear Section	\$48.00	
40700	1975	<b>TAILGATE AJAR WARNING LAMP HARNESS</b> Wagon, Rear Section, With Electric Tailgate Release Or Rear Window Defroster, From Tailgate Warning Lamp Harness Front Note: Customer Must Supply Their Original Rubber Boot.	\$48.00	
40709	1975	<b>TAILGATE AJAR WARNING LAMP HARNESS</b> Wagon, Front Section, With Rear Window Defroster, From Dash To Tailgate Warning Lamp Harness Rear Section	\$48.00	
40710	1975	<b>TAILGATE AJAR WARNING LAMP HARNESS</b> Wagon, Front Section, With Rear Window Defroster & Electric Tailgate Release, From Dash To Tailgate Warning Lamp Harness	\$48.00	
40711	1975	<b>TAILGATE AJAR WARNING LAMP HARNESS</b> Wagon, Rear Section, With Rear Window Defroster & Electric Tailgate Release, From Tailgate Warning Lamp Harness Front Note: Customer Must Supply Their Original Rubber Boot.	\$48.00	
40430	1976	<b>TAILGATE AJAR WARNING LAMP HARNESS</b> Wagon, Front Section, Without Electric Tailgate Release, From Dash To Tailgate Warning Lamp Harness Rear Section	\$48.00	
40431	1976	<b>TAILGATE AJAR WARNING LAMP HARNESS</b> Wagon, Rear Section, Without Electric Tailgate Release Or Rear Window Defroster, From Tailgate Warning Lamp Harness Front Note: Customer Must Supply Their Original Rubber Boot & The Plastic Connector That Attaches This Harness To The Front Harness.	\$60.00	
40432	1976	<b>TAILGATE AJAR WARNING LAMP HARNESS</b> Wagon, Front Section, With Electric Tailgate Release, From Dash To Tailgate Warning Lamp Harness Rear Section	\$48.00	
40433	1976	<b>TAILGATE AJAR WARNING LAMP HARNESS</b> Wagon, Rear Section, With Electric Tailgate Release Or Rear Window Defroster, From Tailgate Warning Lamp Harness Front Note: Customer Must Supply Their Original Rubber Boot.	\$60.00	
41664	1976	<b>TAILGATE AJAR WARNING LAMP HARNESS</b> Wagon, Front Section, With Blower Type Rear Window Defroster, From Dash To Tailgate Warning Lamp Harness Rear Section	\$60.00	
40434	1976	<b>TAILGATE AJAR WARNING LAMP HARNESS</b> Wagon, Front Section, With Blower Type Rear Window Defroster & Electric Tailgate Release, From Dash To Tailgate Warning Lamp	\$60.00	
40435	1976	<b>TAILGATE AJAR WARNING LAMP HARNESS</b> Wagon, Rear Section, With Blower Type Rear Window Defroster & Electric Tailgate Release, From Tailgate Warning Lamp Harness Note: Customer Must Supply Their Original Rubber Boot.	\$67.00	
40430	1977	<b>TAILGATE AJAR WARNING LAMP HARNESS</b> Wagon, Front Section, Without Electric Tailgate Release, From Dash To Tailgate Warning Lamp Harness Rear Section	\$48.00	
40431	1977	<b>TAILGATE AJAR WARNING LAMP HARNESS</b> Wagon, Rear Section, Without Electric Tailgate Release Or Rear Window Defroster, From Tailgate Warning Lamp Harness Front Note: Customer Must Supply Their Original Rubber Boot & The Plastic Connector That Attaches This Harness To The Front Harness.	\$60.00	
40432	1977	<b>TAILGATE AJAR WARNING LAMP HARNESS</b> Wagon, Front Section, With Electric Tailgate Release, From Dash To Tailgate Warning Lamp Harness Rear Section	\$48.00	

Part Number	Year	Description	Price	*Rev.
40433	1977	<b>TAILGATE AJAR WARNING LAMP HARNESS</b> Wagon, Rear Section, With Electric Tailgate Release Or Rear Window Defroster, From Tailgate Warning Lamp Harness Front Note: Customer Must Supply Their Original Rubber Boot.	\$60.00	
41664	1977	<b>TAILGATE AJAR WARNING LAMP HARNESS</b> Wagon, Front Section, With Blower Type Rear Window Defroster, From Dash To Tailgate Warning Lamp Harness Rear Section	\$60.00	
40434	1977	<b>TAILGATE AJAR WARNING LAMP HARNESS</b> Wagon, Front Section, With Blower Type Rear Window Defroster & Electric Tailgate Release, From Dash To Tailgate Warning Lamp	\$60.00	
40435	1977	<b>TAILGATE AJAR WARNING LAMP HARNESS</b> Wagon, Rear Section, With Blower Type Rear Window Defroster & Electric Tailgate Release, From Tailgate Warning Lamp Harness Note: Customer Must Supply Their Original Rubber Boot.	\$67.00	
<b>TAILGATE ELECTRIC RELEASE HARNESS</b>				
41766	1973	<b>TAILGATE ELECTRIC RELEASE HARNESS</b> Wagon, Without 3 Speed Trans, From Dash Switch To Warning Lamp Front Harness	\$60.00	
41767	1973	<b>TAILGATE ELECTRIC RELEASE HARNESS</b> Wagon, With 3 Speed Trans, From Dash Switch To Warning Lamp Front Harness	\$67.00	
41773	1974	<b>TAILGATE ELECTRIC RELEASE HARNESS</b> Wagon, Without 3 Speed Trans, From Dash Switch To Warning Lamp Front Harness	\$60.00	
41767	1974	<b>TAILGATE ELECTRIC RELEASE HARNESS</b> Wagon, With 3 Speed Trans, From Dash Switch To Warning Lamp Front Harness	\$67.00	
41773	1975	<b>TAILGATE ELECTRIC RELEASE HARNESS</b> Wagon, Without Gauges, From Dash Switch To Warning Lamp Front Harness	\$60.00	
41774	1975	<b>TAILGATE ELECTRIC RELEASE HARNESS</b> Wagon, With Gauges, From Dash Switch To Warning Lamp Front Harness	\$60.00	
41773	1976	<b>TAILGATE ELECTRIC RELEASE HARNESS</b> Wagon, Without Gauges, From Dash Switch To Warning Lamp Front Harness	\$60.00	
41774	1976	<b>TAILGATE ELECTRIC RELEASE HARNESS</b> Wagon, With Gauges, From Dash Switch To Warning Lamp Front Harness	\$60.00	
41773	1977	<b>TAILGATE ELECTRIC RELEASE HARNESS</b> Wagon, Without Gauges, From Dash Switch To Warning Lamp Front Harness	\$60.00	
41774	1977	<b>TAILGATE ELECTRIC RELEASE HARNESS</b> Wagon, With Gauges, From Dash Switch To Warning Lamp Front Harness	\$60.00	
42030	1978	<b>TAILGATE ELECTRIC RELEASE WIRE</b> Wagon, Front Section, From Dash Switch To Rear Liftgate Harness	\$32.00	
42030	1979	<b>TAILGATE ELECTRIC RELEASE WIRE</b> Wagon, Front Section, From Dash Switch To Rear Liftgate Harness	\$32.00	
42030	1980	<b>TAILGATE ELECTRIC RELEASE WIRE</b> Wagon, Front Section, From Dash Switch To Rear Liftgate Harness	\$32.00	
42030	1981	<b>TAILGATE ELECTRIC RELEASE WIRE</b> Wagon, Front Section, From Dash Switch To Rear Liftgate Harness	\$32.00	
42030	1982	<b>TAILGATE ELECTRIC RELEASE WIRE</b> Wagon, Front Section, From Dash Switch To Rear Liftgate Harness	\$32.00	
<b>TAPE PLAYER HARNESS</b>				
41734	1970	<b>TAPE PLAYER HARNESS</b> With Stereo Radio, From Radio To Tape Player Note: This Harness Is Used With Radio Option U79.	\$105.00	
15145	1970	<b>TAPE PLAYER HARNESS</b> From Tape Player To Speaker Wiring Note: This Harness Is Used With The Under Dash Mounted Tape Player.	\$101.00	
15150	1970	<b>TAPE PLAYER HARNESS</b> With AM, AM/FM Push Button Radio, From Tape Player To Speaker Wiring Note: This Harness Is Used With Radio Option U63 Or U69 With The U80 Rear Speaker Option.	\$101.00	
41734	1971	<b>TAPE PLAYER HARNESS</b> With Stereo, From Radio To Tape Player	\$105.00	
41735	1971	<b>TAPE PLAYER HARNESS</b> Without Radio, From Tape Player To Speaker Wiring	\$101.00	
41736	1971	<b>TAPE PLAYER HARNESS</b> With AM, AM/FM Push Button Radio, From Tape Player To Radio Note: This Harness Is Used With Radio Option U63 Or U69.	\$101.00	

Part Number	Year	Description	Price	*Rev.
41734	1972	<b>TAPE PLAYER HARNESS</b> With Stereo, From Radio To Tape Player	\$105.00	
41735	1972	<b>TAPE PLAYER HARNESS</b> Without Radio, From Tape Player To Speaker Wiring	\$101.00	
41736	1972	<b>TAPE PLAYER HARNESS</b> With AM, AM/FM Push Button Radio, From Tape Player To Radio Note: This Harness Is Used With Radio Option U63 Or U69.	\$101.00	
<b>TCC COLD INHIBIT JUMPER HARNESS</b>				
41981	1982	<b>TCC COLD INHIBIT JUMPER HARNESS</b> V/8, 350 C.I. Diesel, With TH2004r Trans, From Engine Harness To Headbolt Temp Switch	\$41.00	
<b>TCS JUMPER WIRE-ENGINE HARNESS</b>				
17740	1971	<b>TCS JUMPER WIRE, ENGINE HARNESS</b> From Engine Harness To Passenger Side Temp Sending Unit, With Gauges Or A/C Only	\$20.00	
<b>TCS TRANSMISSION SWITCH EXTENSION</b>				
17365	1972	<b>TCS TRANSMISSION SWITCH EXTENSION</b> Manual Trans, From Engine Harness To Trans Switch Note: Used With #16430, #16435 And #16450 Engine Harnesses.	\$49.00	
17355	1973	<b>TCS TRANSMISSION SWITCH EXTENSION</b> Manual Trans, From Engine Harness To Trans Switch Note: Used With #16375, #16380 & #16385 Engine Harnesses.	\$49.00	
<b>TILT COLUMN ADAPTER HARNESS</b>				
04430	1964	<b>TILT COLUMN ADAPTER HARNESS</b> Turn Signal Switch Adapter, With Factory Type Tilt Column	\$50.00	
04430	1965	<b>TILT COLUMN ADAPTER HARNESS</b> Turn Signal Switch Adapter, With Factory Type Tilt Column	\$50.00	
04430	1966	<b>TILT COLUMN ADAPTER HARNESS</b> Turn Signal Switch Adapter, With Factory Type Tilt Column	\$50.00	
<b>TRANSISTOR IGNITION HARNESS</b>				
21260	1964	<b>TRANSISTOR IGNITION HARNESS</b> From Amplifier To Extension Harness	\$101.00	
33225	1964	<b>TRANSISTOR IGNITION AMPLIFIER EXTENSION</b> From Internal Circuit Board To Amplifier Housing Connector	\$53.00	
21270	1964	<b>TRANSISTOR IGNITION EXTENSION HARNESS</b> From Starter Motor To Coil & Distributor	\$118.00	
21265	1964	<b>TRANSISTOR IGNITION POWER FEED HARNESS</b> From Ignition Switch To Extension Harness	\$25.00	
28365	1965	<b>TRANSISTOR IGNITION HARNESS</b> From Amplifier To Extension Harness	\$94.00	
33225	1965	<b>TRANSISTOR IGNITION AMPLIFIER EXTENSION</b> From Internal Circuit Board To Amplifier Housing Connector	\$53.00	
21270	1965	<b>TRANSISTOR IGNITION EXTENSION HARNESS</b> From Starter Motor To Coil & Distributor	\$118.00	
28435	1965	<b>TRANSISTOR IGNITION POWER FEED HARNESS</b> From Ignition Switch To Extension Harness	\$30.00	
28475	1966	<b>TRANSISTOR IGNITION HARNESS</b> From Amplifier To Extension Harness	\$94.00	
33225	1966	<b>TRANSISTOR IGNITION AMPLIFIER EXTENSION</b> From Internal Circuit Board To Amplifier Housing Connector	\$53.00	
28385	1966	<b>TRANSISTOR IGNITION EXTENSION HARNESS</b> From Starter Motor To Coil & Distributor	\$113.00	
28460	1966	<b>TRANSISTOR IGNITION POWER FEED HARNESS</b> From Ignition Switch To Extension Harness	\$30.00	
<b>TRANSISTOR IGNITION REPLACEMENT MODULE</b>				
32270	1964	<b>TRANSISTOR IGNITION REPLACEMENT MODULE</b> Replaces Original Circuit Board In Amplifier	\$189.00	
32270	1965	<b>TRANSISTOR IGNITION REPLACEMENT MODULE</b> Replaces Original Circuit Board In Amplifier	\$189.00	
32270	1966	<b>TRANSISTOR IGNITION REPLACEMENT MODULE</b> Replaces Original Circuit Board In Amplifier	\$189.00	
<b>TRUNK LAMP ASSEMBLY</b>				
36379	1966	<b>TRUNK LAMP ASSEMBLY</b> Includes Extension Harness	\$48.00	
36379	1967	<b>TRUNK LAMP ASSEMBLY</b> Includes Extension Harness	\$48.00	
35520	1968	<b>TRUNK LAMP ASSEMBLY</b> Includes Extension Harness	\$52.00	
35520	1969	<b>TRUNK LAMP ASSEMBLY</b> Includes Extension Harness	\$52.00	
36380	1970	<b>TRUNK LAMP ASSEMBLY</b> Includes Extension Harness	\$43.00	
36380	1971	<b>TRUNK LAMP ASSEMBLY</b> Includes Extension Harness	\$43.00	
36380	1972	<b>TRUNK LAMP ASSEMBLY</b> Includes Extension Harness	\$43.00	
36381	1973	<b>TRUNK LAMP ASSEMBLY</b> Includes Extension Harness	\$48.00	
36381	1974	<b>TRUNK LAMP ASSEMBLY</b> Includes Extension Harness	\$48.00	

Part Number	Year	Description	Price	*Rev.
36381	1975	TRUNK LAMP ASSEMBLY Includes Extension Harness	\$48.00	
36381	1976	TRUNK LAMP ASSEMBLY Includes Extension Harness	\$48.00	
<b>TRUNK LAMP EXTENSION HARNESS</b>				
10455	1966	TRUNK LAMP EXTENSION HARNESS All	\$23.00	
10455	1967	TRUNK LAMP EXTENSION HARNESS All	\$23.00	
28210	1968	TRUNK LAMP EXTENSION HARNESS Coupe	\$15.00	
28525	1968	TRUNK LAMP EXTENSION HARNESS Convertible	\$18.00	
28210	1969	TRUNK LAMP EXTENSION HARNESS Coupe	\$15.00	
28525	1969	TRUNK LAMP EXTENSION HARNESS Convertible	\$18.00	
28525	1970	TRUNK LAMP EXTENSION HARNESS Convertible	\$18.00	
42027	1978	TRUNK LAMP EXTENSION HARNESS All	\$60.00	
42027	1979	TRUNK LAMP EXTENSION HARNESS All	\$60.00	
42027	1980	TRUNK LAMP EXTENSION HARNESS All	\$60.00	
42027	1981	TRUNK LAMP EXTENSION HARNESS All	\$60.00	
42027	1982	TRUNK LAMP EXTENSION HARNESS All	\$60.00	
<b>TRUNK RELEASE HARNESS</b>				
41144	1970	TRUNK RELEASE HARNESS From Fuse Box To Trunk Release Switch	\$48.00	
40347	1970	TRUNK RELEASE HARNESS From Trunk Release Switch To Solenoid	\$35.00	
41144	1971	TRUNK RELEASE HARNESS From Fuse Box To Trunk Release Switch	\$48.00	
40347	1971	TRUNK RELEASE HARNESS From Trunk Release Switch To Solenoid	\$35.00	
41144	1972	TRUNK RELEASE HARNESS From Fuse Box To Trunk Release Switch	\$48.00	
40347	1972	TRUNK RELEASE HARNESS From Trunk Release Switch To Solenoid	\$35.00	
41144	1973	TRUNK RELEASE HARNESS From Fuse Box To Trunk Release Switch	\$48.00	
40777	1973	TRUNK RELEASE HARNESS From Trunk Release Switch To Solenoid	\$48.00	
41737	1974	TRUNK RELEASE HARNESS From Fuse Block To Trunk Release Switch	\$48.00	
40777	1974	TRUNK RELEASE HARNESS From Trunk Release Switch To Solenoid	\$48.00	
41737	1975	TRUNK RELEASE HARNESS From Fuse Block To Trunk Release Switch	\$48.00	
40777	1975	TRUNK RELEASE HARNESS From Trunk Release Switch To Solenoid	\$48.00	
41737	1976	TRUNK RELEASE HARNESS From Fuse Block To Trunk Release Switch	\$48.00	
40777	1976	TRUNK RELEASE HARNESS From Trunk Release Switch To Solenoid	\$48.00	
41819	1977	TRUNK RELEASE HARNESS From Fuse Block To Trunk Release Switch	\$48.00	
40777	1977	TRUNK RELEASE HARNESS From Trunk Release Switch To Solenoid	\$48.00	
41859	1978	TRUNK RELEASE HARNESS From Fuse Block To Trunk Release Switch	\$41.00	
42026	1978	TRUNK RELEASE HARNESS From Trunk Release Switch To Solenoid	\$41.00	
41859	1979	TRUNK RELEASE HARNESS From Fuse Block To Trunk Release Switch	\$41.00	
42026	1979	TRUNK RELEASE HARNESS From Trunk Release Switch To Solenoid	\$41.00	
41859	1980	TRUNK RELEASE HARNESS From Fuse Block To Trunk Release Switch	\$41.00	
42026	1980	TRUNK RELEASE HARNESS From Trunk Release Switch To Solenoid	\$41.00	
41859	1981	TRUNK RELEASE HARNESS From Fuse Block To Trunk Release Switch	\$41.00	
42026	1981	TRUNK RELEASE HARNESS From Trunk Release Switch To Solenoid	\$41.00	
41859	1982	TRUNK RELEASE HARNESS From Fuse Block To Trunk Release Switch	\$41.00	
42026	1982	TRUNK RELEASE HARNESS From Trunk Release Switch To Solenoid	\$41.00	
<b>TURN SIGNAL LEVER WIPER SWITCH</b>				
22510733	1982	TURN SIGNAL LEVER WIPER SWITCH Malibu, El Camino, Monte Carlo, Black, With Pulse Wipers, Without Cruise Control	\$20.00	N
22510732	1982	TURN SIGNAL LEVER WIPER SWITCH Malibu, El Camino, Monte Carlo, Black, Without Pulse Wipers, Without Cruise Control	\$20.00	N



Part Number	Year	Description	Price	*Rev.
22510144	1982	<b>TURN SIGNAL LEVER WIPER SWITCH</b> Malibu, El Camino, Monte Carlo, Chrome, With Pulse Wipers, Without Cruise Control	\$20.00	N
22510733	1983	<b>TURN SIGNAL LEVER WIPER SWITCH</b> Malibu, El Camino, Monte Carlo, Black, With Pulse Wipers, Without Cruise Control	\$20.00	N
22510732	1983	<b>TURN SIGNAL LEVER WIPER SWITCH</b> Malibu, El Camino, Monte Carlo, Black, Without Pulse Wipers, Without Cruise Control	\$20.00	N
22510144	1983	<b>TURN SIGNAL LEVER WIPER SWITCH</b> Malibu, El Camino, Monte Carlo, Chrome, With Pulse Wipers, Without Cruise Control	\$20.00	N
22510733	1984	<b>TURN SIGNAL LEVER WIPER SWITCH</b> El Camino, Monte Carlo, Black, With Pulse Wipers, Without Cruise Control	\$20.00	N
22510732	1984	<b>TURN SIGNAL LEVER WIPER SWITCH</b> El Camino, Monte Carlo, Black, Without Pulse Wipers, Without Cruise Control	\$20.00	N
22510144	1984	<b>TURN SIGNAL LEVER WIPER SWITCH</b> El Camino, Monte Carlo, Chrome, With Pulse Wipers, Without Cruise Control	\$20.00	N
25111262	1985	<b>TURN SIGNAL LEVER WIPER SWITCH</b> El Camino, Monte Carlo, Black, With Pulse Wipers, With Cruise Control	\$26.00	N
22510733	1985	<b>TURN SIGNAL LEVER WIPER SWITCH</b> El Camino, Monte Carlo, Black, With Pulse Wipers, Without Cruise Control	\$20.00	N
22510732	1985	<b>TURN SIGNAL LEVER WIPER SWITCH</b> El Camino, Monte Carlo, Black, Without Pulse Wipers, Without Cruise Control	\$20.00	N
22510144	1985	<b>TURN SIGNAL LEVER WIPER SWITCH</b> El Camino, Monte Carlo, Chrome, With Pulse Wipers, Without Cruise Control	\$20.00	N
25111262	1986	<b>TURN SIGNAL LEVER WIPER SWITCH</b> El Camino, Monte Carlo, Black, With Pulse Wipers, With Cruise Control	\$26.00	N
22510733	1986	<b>TURN SIGNAL LEVER WIPER SWITCH</b> El Camino, Monte Carlo, Black, With Pulse Wipers, Without Cruise Control	\$20.00	N
22510732	1986	<b>TURN SIGNAL LEVER WIPER SWITCH</b> El Camino, Monte Carlo, Black, Without Pulse Wipers, Without Cruise Control	\$20.00	N
22510144	1986	<b>TURN SIGNAL LEVER WIPER SWITCH</b> El Camino, Monte Carlo, Chrome, With Pulse Wipers, Without Cruise Control	\$20.00	N
25111262	1987	<b>TURN SIGNAL LEVER WIPER SWITCH</b> El Camino, Monte Carlo, Black, With Pulse Wipers, With Cruise Control	\$26.00	N
22510733	1987	<b>TURN SIGNAL LEVER WIPER SWITCH</b> El Camino, Monte Carlo, Black, With Pulse Wipers, Without Cruise Control	\$20.00	N
22510732	1987	<b>TURN SIGNAL LEVER WIPER SWITCH</b> El Camino, Monte Carlo, Black, Without Pulse Wipers, Without Cruise Control	\$20.00	N
22510144	1987	<b>TURN SIGNAL LEVER WIPER SWITCH</b> El Camino, Monte Carlo, Chrome, With Pulse Wipers, Without Cruise Control	\$20.00	N
25111262	1988	<b>TURN SIGNAL LEVER WIPER SWITCH</b> El Camino, Monte Carlo, Black, With Pulse Wipers, With Cruise Control	\$26.00	N
22510733	1988	<b>TURN SIGNAL LEVER WIPER SWITCH</b> El Camino, Monte Carlo, Black, With Pulse Wipers, Without Cruise Control	\$20.00	N
22510732	1988	<b>TURN SIGNAL LEVER WIPER SWITCH</b> El Camino, Monte Carlo, Black, Without Pulse Wipers, Without Cruise Control	\$20.00	N
22510144	1988	<b>TURN SIGNAL LEVER WIPER SWITCH</b> El Camino, Monte Carlo, Chrome, With Pulse Wipers, Without Cruise Control	\$20.00	N
<b>TURN SIGNAL SWITCH</b>				
00383033	1964	<b>TURN SIGNAL SWITCH</b> Without Tilt (Stamped "BPC"), Replaces Delco Part# D6200	\$138.00	
00911051	1964	<b>TURN SIGNAL SWITCH</b> Without Tilt (Stamped "Guide"), Replaces Delco Part# D6203	\$50.00	N
01993624	1964	<b>TURN SIGNAL SWITCH</b> With Tilt, Replaces Delco Part# D6220	\$71.00	
00387115	1965	<b>TURN SIGNAL SWITCH</b> Without Tilt (Stamped "BPC"), Replaces Delco Part# D6200	\$96.00	
00911051	1965	<b>TURN SIGNAL SWITCH</b> Without Tilt (Stamped "Guide"), Replaces Delco Part# D6203	\$50.00	N
01993624	1965	<b>TURN SIGNAL SWITCH</b> With Tilt, Replaces Delco Part# D6220	\$71.00	
00387115	1966	<b>TURN SIGNAL SWITCH</b> Without Tilt (Stamped "BPC"), Replaces Delco Part# D6200	\$96.00	

Part Number	Year	Description	Price	*Rev.
00911051	1966	<b>TURN SIGNAL SWITCH</b> Without Tilt (Stamped "Guide"), Replaces Delco Part# D6203	\$50.00	N
01993624	1966	<b>TURN SIGNAL SWITCH</b> With Tilt, Replaces Delco Part# D6220	\$71.00	
01893592	1967	<b>TURN SIGNAL SWITCH</b> (Delco-Remy), Replaces Delco Part# D6211 Note: This Is A Service Part, Adapter Pigtail Included And Is Required For Some Applications.	\$58.00	
07800482	1967	<b>TURN SIGNAL SWITCH</b> Without Column Shift A/T, Without Tilt, (Delco Type, Black, White Or Green) Note: Emergency Flasher Actuator Hole In Outer Cover Is Shaped Like A Doghouse.	\$50.00	
07800482	1967	<b>TURN SIGNAL SWITCH</b> Without Column Shift A/T, With Tilt, (Delco Type, Black, White Or Green) Note: Emergency Flasher Actuator Hole In Outer Cover Is Shaped Like A Doghouse.	\$50.00	
05698897	1967	<b>TURN SIGNAL SWITCH</b> With Column Shift A/T, Without Tilt, (Delco Type, Black, White Or Green) Note: Emergency Flasher Actuator Hole In Outer Cover Is Shaped Like A Doghouse.	\$50.00	
05698897	1967	<b>TURN SIGNAL SWITCH</b> With Column Shift A/T, With Tilt, (Delco Type, Black, White Or Green) Note: Emergency Flasher Actuator Hole In Outer Cover Is Shaped Like A Doghouse.	\$50.00	
01893592	1968	<b>TURN SIGNAL SWITCH</b> (Delco-Remy), Replaces Delco Part# D6211 Note: This Is A Service Part, Adapter Pigtail Included And Is Required For Some Applications.	\$58.00	
07800482	1968	<b>TURN SIGNAL SWITCH</b> Without Column Shift A/T, Without Tilt, (Delco Type, Black, White Or Green) Note: Emergency Flasher Actuator Hole In Outer Cover Is Shaped Like A Doghouse.	\$50.00	
07800482	1968	<b>TURN SIGNAL SWITCH</b> Without Column Shift A/T, With Tilt, (Delco Type, Black, White Or Green) Note: Emergency Flasher Actuator Hole In Outer Cover Is Shaped Like A Doghouse.	\$50.00	
05698897	1968	<b>TURN SIGNAL SWITCH</b> With Column Shift A/T, Without Tilt, (Delco Type, Black, White Or Green) Note: Emergency Flasher Actuator Hole In Outer Cover Is Shaped Like A Doghouse.	\$50.00	
05698897	1968	<b>TURN SIGNAL SWITCH</b> With Column Shift A/T, With Tilt, (Delco Type, Black, White Or Green) Note: Emergency Flasher Actuator Hole In Outer Cover Is Shaped Like A Doghouse.	\$50.00	
01997938	1969	<b>TURN SIGNAL SWITCH, CORRECT PART</b> Note: Correct Part, No Adapter Pigtail Required.	\$56.00	
01893588	1969	<b>TURN SIGNAL SWITCH, SERVICE PART</b> Replaces Delco Part# D6208 Note: This Is A Service Part, Adapter Pigtail Included Is Required For Installation.	\$58.00	
01997983	1969	<b>TURN SIGNAL SWITCH, SERVICE PART</b> Replaces Delco Part# D6222 Note: This Is A Service Part, Adapter Pigtail Included Is Required For Installation.	\$32.00	
01997938	1970	<b>TURN SIGNAL SWITCH, CORRECT PART</b> Note: Correct Part, No Adapter Pigtail Required.	\$56.00	
01893588	1970	<b>TURN SIGNAL SWITCH, SERVICE PART</b> Replaces Delco Part# D6208 Note: This Is A Service Part, Adapter Pigtail Included Is Required For Installation.	\$58.00	
01997983	1970	<b>TURN SIGNAL SWITCH, SERVICE PART</b> Replaces Delco Part# D6222 Note: This Is A Service Part, Adapter Pigtail Included Is Required For Installation.	\$32.00	
01997938	1971	<b>TURN SIGNAL SWITCH, CORRECT PART</b> Note: Correct Part, No Adapter Pigtail Required.	\$56.00	
01893588	1971	<b>TURN SIGNAL SWITCH, SERVICE PART</b> Replaces Delco Part# D6208 Note: This Is A Service Part, Adapter Pigtail Included Is Required For Installation.	\$58.00	
01997983	1971	<b>TURN SIGNAL SWITCH, SERVICE PART</b> Replaces Delco Part# D6222 Note: This Is A Service Part, Adapter Pigtail Included Is Required For Installation.	\$32.00	
01997938	1972	<b>TURN SIGNAL SWITCH, CORRECT PART</b> Note: Correct Part, No Adapter Pigtail Required.	\$56.00	

Part Number	Year	Description	Price	*Rev.
01893588	1972	<b>TURN SIGNAL SWITCH, SERVICE PART</b> Replaces Delco Part# D6208 Note: This Is A Service Part, Adapter Pigtail Included Is Required For Installation.	\$58.00	
01997983	1972	<b>TURN SIGNAL SWITCH, SERVICE PART</b> Replaces Delco Part# D6222 Note: This Is A Service Part, Adapter Pigtail Included Is Required For Installation.	\$32.00	
01997938	1973	<b>TURN SIGNAL SWITCH, CORRECT PART</b> Note: Correct Part, No Adapter Pigtail Required.	\$56.00	
01893588	1973	<b>TURN SIGNAL SWITCH, SERVICE PART</b> Replaces Delco Part# D6208 Note: This Is A Service Part, Adapter Pigtail Included Is Required For Installation.	\$58.00	
01997983	1973	<b>TURN SIGNAL SWITCH, SERVICE PART</b> Replaces Delco Part# D6222 Note: This Is A Service Part, Adapter Pigtail Included Is Required For Installation.	\$32.00	
01997938	1974	<b>TURN SIGNAL SWITCH, CORRECT PART</b> Note: Correct Part, No Adapter Pigtail Required.	\$56.00	
01893588	1974	<b>TURN SIGNAL SWITCH, SERVICE PART</b> Replaces Delco Part# D6208 Note: This Is A Service Part, Adapter Pigtail Included Is Required For Installation.	\$58.00	
01997983	1974	<b>TURN SIGNAL SWITCH, SERVICE PART</b> Replaces Delco Part# D6222 Note: This Is A Service Part, Adapter Pigtail Included Is Required For Installation.	\$32.00	
01997938	1975	<b>TURN SIGNAL SWITCH, CORRECT PART</b> Note: Correct Part, No Adapter Pigtail Required.	\$56.00	
01893588	1975	<b>TURN SIGNAL SWITCH, SERVICE PART</b> Replaces Delco Part# D6208 Note: This Is A Service Part, Adapter Pigtail Included Is Required For Installation.	\$58.00	
01997983	1975	<b>TURN SIGNAL SWITCH, SERVICE PART</b> Replaces Delco Part# D6222 Note: This Is A Service Part, Adapter Pigtail Included Is Required For Installation.	\$32.00	
01997938	1976	<b>TURN SIGNAL SWITCH, CORRECT PART</b> Note: Correct Part, No Adapter Pigtail Required.	\$56.00	
01893588	1976	<b>TURN SIGNAL SWITCH, SERVICE PART</b> Replaces Delco Part# D6208 Note: This Is A Service Part, Adapter Pigtail Included Is Required For Installation.	\$58.00	
01997983	1976	<b>TURN SIGNAL SWITCH, SERVICE PART</b> Replaces Delco Part# D6222 Note: This Is A Service Part, Adapter Pigtail Included Is Required For Installation.	\$32.00	
01997983	1977	<b>TURN SIGNAL SWITCH</b> Replaces Delco Part# D6222	\$32.00	
<b>VANITY MIRROR LAMP HARNESS</b>				
40441	1977	<b>VANITY MIRROR LAMP HARNESS</b> All, Passenger Side Sunshade, From Fuse Block To Sunshade Lamp	\$42.00	
42003	1978	<b>VANITY MIRROR LAMP HARNESS</b> All, Passenger Side Sunshade, From Fuse Block To Sunshade Lamp	\$33.00	
42003	1979	<b>VANITY MIRROR LAMP HARNESS</b> All, Passenger Side Sunshade, From Fuse Block To Sunshade Lamp	\$33.00	
42003	1980	<b>VANITY MIRROR LAMP HARNESS</b> All, Passenger Side Sunshade, From Fuse Block To Sunshade Lamp	\$33.00	
42003	1981	<b>VANITY MIRROR LAMP HARNESS</b> All, Passenger Side Sunshade, From Fuse Block To Sunshade Lamp	\$33.00	
42003	1982	<b>VANITY MIRROR LAMP HARNESS</b> All, Passenger Side Sunshade, From Fuse Block To Sunshade Lamp	\$33.00	
<b>VOLTAGE REGULATOR ADAPTER HARNESS</b>				
02115	1965	<b>VOLTAGE REGULATOR ADAPTER HARNESS</b> With 62 Amp Alternator, From Field Terminal On Voltage Regulator To Chassis Ground (Includes Inline Diode) Note: Only Used With Original Solid State Voltage Regulator #1116368 As A Safe Guard To Prevent Voltage Regulator Transistor Failure.	\$52.00	
<b>WINDSHIELD WASHER JAR FLUID LEVEL HARNESS</b>				
40030	1970	<b>WINDSHIELD WASHER JAR FLUID LEVEL INDICATOR HARNESS</b> Bulb Socket & Wire Asm, From Sending Unit In Washer Jar To Wiper Motor Note: This Harness Is Designed To Splice Onto Windshield Washer Wire At Pump.	\$34.00	

Part Number	Year	Description	Price	*Rev.
41389	1970	<b>WINDSHIELD WASHER JAR FLUID LEVEL INDICATOR HARNESS</b> Bulb Socket & Wire Asm, From Sending Unit In Washer Jar To Wiper Motor Note: This Harness Is Designed To Plug Into Windshield Wiper Harness.	\$34.00	
<b>WINDSHIELD WASHER PUMP</b>				
04919332	1964	<b>WINDSHIELD WASHER PUMP</b> All	\$60.00	N
04919332	1965	<b>WINDSHIELD WASHER PUMP</b> All	\$60.00	N
04919332	1966	<b>WINDSHIELD WASHER PUMP</b> All	\$60.00	N
04919332	1967	<b>WINDSHIELD WASHER PUMP</b> All	\$60.00	N
04919332	1968	<b>WINDSHIELD WASHER PUMP</b> Without Recessed Park Wipers	\$60.00	N
04919332	1969	<b>WINDSHIELD WASHER PUMP</b> Without Recessed Park Wipers	\$60.00	N
04919332	1970	<b>WINDSHIELD WASHER PUMP</b> Without Recessed Park Wipers	\$60.00	N
04919332	1971	<b>WINDSHIELD WASHER PUMP</b> Without Recessed Park Wipers	\$60.00	N
04919332	1972	<b>WINDSHIELD WASHER PUMP</b> Without Recessed Park Wipers	\$60.00	N
<b>WINDSHIELD WIPER JUMPER HARNESS</b>				
41974	1980	<b>WINDSHIELD WIPER JUMPER HARNESS</b> V/6, 231c.i., From Forward Lamp Harness To Wiper Motor	\$48.00	
<b>WINDSHIELD WIPER MOTOR</b>				
04911476	1964	<b>WINDSHIELD WIPER MOTOR</b> 2-Speed, 3-Terminal Type Motor	\$92.00	N
44609	1964	<b>WINDSHIELD WIPER MOTOR</b> 2-Speed, 4-Terminal Type Motor Note: This Can Be Used In Place Of The 3-Terminal Motor. The 4th Terminal Is A Keyed Hot From Wiper Fuse In Fuse Box And May Or May Not Be Used In Some Applications.	\$106.00	N
04911476	1965	<b>WINDSHIELD WIPER MOTOR</b> 2-Speed, 3-Terminal Type Motor	\$92.00	N
44609	1965	<b>WINDSHIELD WIPER MOTOR</b> 2-Speed, 4-Terminal Type Motor Note: This Can Be Used In Place Of The 3-Terminal Motor. The 4th Terminal Is A Keyed Hot From Wiper Fuse In Fuse Box And May Or May Not Be Used In Some Applications.	\$106.00	N
04911476	1966	<b>WINDSHIELD WIPER MOTOR</b> 2-Speed, 3-Terminal Type Motor	\$92.00	N
44609	1966	<b>WINDSHIELD WIPER MOTOR</b> 2-Speed, 4-Terminal Type Motor Note: This Can Be Used In Place Of The 3-Terminal Motor. The 4th Terminal Is A Keyed Hot From Wiper Fuse In Fuse Box And May Or May Not Be Used In Some Applications.	\$106.00	N
04911476	1967	<b>WINDSHIELD WIPER MOTOR</b> 2-Speed, 3-Terminal Type Motor	\$92.00	N
44609	1967	<b>WINDSHIELD WIPER MOTOR</b> 2-Speed, 4-Terminal Type Motor Note: This Can Be Used In Place Of The 3-Terminal Motor. The 4th Terminal Is A Keyed Hot From Wiper Fuse In Fuse Box And May Or May Not Be Used In Some Applications.	\$106.00	N
<b>WINDSHIELD WIPER SWITCH</b>				
01993633	1964	<b>WINDSHIELD WIPER SWITCH</b> Single Speed, With Washer Note: Once our current stock runs out, this item will be discontinued.	\$46.00	
01993632	1964	<b>WINDSHIELD WIPER SWITCH</b> 2 Speed, With Washer (1st Design), Used With #40910 Wiper Harness Note: 01993665 2nd Design Wiper Switch With Straight Terminals On Back Of Switch, Is Not Currently Available From M&H. Once our current stock of 01993632 runs out, this item will be discontinued.	\$46.00	
01993680	1965	<b>WINDSHIELD WIPER SWITCH</b> Single Speed, With Washer	\$52.00	
01993678	1965	<b>WINDSHIELD WIPER SWITCH</b> 2 Speed, With Washer	\$52.00	
01993679	1966	<b>WINDSHIELD WIPER SWITCH</b> 2 Speed, With Washer	\$52.00	
01993395	1967	<b>WINDSHIELD WIPER SWITCH</b> 2 Speed, With Washer	\$35.00	
01993443	1968	<b>WINDSHIELD WIPER SWITCH</b> Without Recess Park	\$52.00	
01993442	1968	<b>WINDSHIELD WIPER SWITCH</b> With Recess Park	\$52.00	
01993464	1969	<b>WINDSHIELD WIPER SWITCH</b> Without Recess Park	\$35.00	
01993465	1969	<b>WINDSHIELD WIPER SWITCH</b> With Recess Park	\$52.00	
01993464	1970	<b>WINDSHIELD WIPER SWITCH</b> Without Recess Park	\$35.00	
01993465	1970	<b>WINDSHIELD WIPER SWITCH</b> With Recess Park	\$52.00	

Part Number	Year	Description	Price	*Rev.
01993464	1971	<b>WINDSHIELD WIPER SWITCH</b> Without Recess Park	\$35.00	
01993465	1971	<b>WINDSHIELD WIPER SWITCH</b> With Recess Park	\$52.00	
01994180	1972	<b>WINDSHIELD WIPER SWITCH</b> Without Recess Park	\$46.00	
01994131	1972	<b>WINDSHIELD WIPER SWITCH</b> With Recess Park	\$45.00	
01994123	1973	<b>WINDSHIELD WIPER SWITCH</b> Except Pulse Wiper Note: Once our current stock runs out, this item will be discontinued.	\$58.00	
01994123	1974	<b>WINDSHIELD WIPER SWITCH</b> Except Pulse Wiper Note: Once our current stock runs out, this item will be discontinued.	\$58.00	
01994123	1975	<b>WINDSHIELD WIPER SWITCH</b> Except Pulse Wiper Note: Once our current stock runs out, this item will be discontinued.	\$58.00	
01994123	1976	<b>WINDSHIELD WIPER SWITCH</b> Except Pulse Wiper Note: Once our current stock runs out, this item will be discontinued.	\$58.00	
01994123	1977	<b>WINDSHIELD WIPER SWITCH</b> Except Pulse Wiper Note: Once our current stock runs out, this item will be discontinued.	\$58.00	
<b>WIPER MOTOR HARNESS</b>				
28420	1964	<b>WIPER MOTOR HARNESS</b> Single Speed, With Washer Motor Option	\$32.00	
28440	1964	<b>WIPER MOTOR HARNESS</b> 2 Speed, With Washer Motor Option Note: Used With The 01993665 2nd Design Wiper Switch With Straight Terminals On Back Of Switch.	\$35.00	
40910	1964	<b>WIPER MOTOR HARNESS</b> 2 Speed, With Washer Motor Option Note: Used With The 01993632 1st Design Wiper Switch With 90 Degree Terminals On Back Of Switch.	\$37.00	
41668	1964	<b>WIPER MOTOR HARNESS</b> Right Hand Drive, (Export Only)	\$41.00	
28415	1965	<b>WIPER MOTOR HARNESS</b> Single Speed, With Washer Motor Option	\$41.00	
28425	1965	<b>WIPER MOTOR HARNESS</b> 2 Speed, With Washer Motor Option	\$43.00	
41674	1965	<b>WIPER MOTOR HARNESS</b> Right Hand Drive, (Export Only)	\$41.00	
28465	1966	<b>WIPER MOTOR HARNESS</b> 2 Speed, With Washer Motor Option, From Wiper Motor To Wiper Motor Extension Harness	\$43.00	
28470	1966	<b>WIPER MOTOR EXTENSION HARNESS</b> 2 Speed Wiper, From Wiper Motor Harness To Wiper Switch	\$26.00	
28255	1970	<b>WIPER MOTOR HARNESS</b> Electro-Tip Demand Wipers Note: Customer Must Reuse Their Original Plastic 4 Cavity Connector & Also 2 Cavity Washer Pump Connector.	\$74.00	
41781	1975	<b>WIPER MOTOR HARNESS</b> With Pulse Wipers, From Wiper Switch To Wiper Motor	\$74.00	
41781	1976	<b>WIPER MOTOR HARNESS</b> With Pulse Wipers, From Wiper Switch To Wiper Motor	\$74.00	
41781	1977	<b>WIPER MOTOR HARNESS</b> With Pulse Wipers, From Wiper Switch To Wiper Motor	\$74.00	
41862	1978	<b>WIPER MOTOR HARNESS</b> With Pulse Wipers, From Wiper Switch To Wiper Motor	\$74.00	
41876	1979	<b>WIPER MOTOR HARNESS</b> With Pulse Wipers, From Wiper Switch To Wiper Motor	\$74.00	
41896	1980	<b>WIPER MOTOR HARNESS</b> With Pulse Wipers, From Wiper Switch To Wiper Motor	\$40.00	
41896	1981	<b>WIPER MOTOR HARNESS</b> With Pulse Wipers, From Wiper Switch To Wiper Motor	\$40.00	
41959	1982	<b>WIPER MOTOR HARNESS</b> With Pulse Wipers, From Wiper Switch To Wiper Motor	\$40.00	

# ***Section 7***

***Chevy II / Nova***

Part Number	Year	Description	Price	*Rev.
<b>AIR CONDITIONING GROMMET</b>				
03791444	1962	<b>AIR CONDITIONING GROMMET</b> Located On The Radiator Core Support	\$11.00	
03791444	1963	<b>AIR CONDITIONING GROMMET</b> Located On The Radiator Core Support	\$11.00	
03793794	1963	<b>AIR CONDITIONING GROMMET</b> A/C Lines And Wiring Pass Through This Grommet At The Firewall	\$29.00	
03791444	1964	<b>AIR CONDITIONING GROMMET</b> Located On The Radiator Core Support	\$11.00	
03793794	1964	<b>AIR CONDITIONING GROMMET</b> A/C Lines And Wiring Pass Through This Grommet At The Firewall	\$29.00	
03791444	1965	<b>AIR CONDITIONING GROMMET</b> Located On The Radiator Core Support	\$11.00	
03793794	1965	<b>AIR CONDITIONING GROMMET</b> A/C Lines And Wiring Pass Through This Grommet At The Firewall	\$29.00	
<b>AIR CONDITIONING HARNESS</b>				
36139	1962	<b>AIR CONDITIONING HARNESS</b> 4 & 6 Cylinder, Includes Heater Wiring Note: 6 Cylinder Items Are Not Returnable.	\$173.00	
36252	1962	<b>AIR CONDITIONING HARNESS</b> V/8, Includes Heater Wiring	\$159.00	
36072	1963	<b>AIR CONDITIONING HARNESS</b> 4 & 6 Cylinder, Includes Heater Wiring Note: 6 Cylinder Items Are Not Returnable.	\$173.00	
23035	1963	<b>AIR CONDITIONING HARNESS</b> V/8, Includes Heater Wiring	\$159.00	
23035	1964	<b>AIR CONDITIONING HARNESS</b> Includes Heater Wiring	\$159.00	
18520	1965	<b>AIR CONDITIONING HARNESS</b> Includes Heater Wiring	\$145.00	
09575	1966	<b>AIR CONDITIONING HARNESS</b> Includes Heater Wiring	\$145.00	
09575	1967	<b>AIR CONDITIONING HARNESS</b> Includes Heater Wiring	\$145.00	
12100	1968	<b>AIR CONDITIONING HARNESS</b> Includes Heater Wiring	\$193.00	
13015	1969	<b>AIR CONDITIONING HARNESS</b> Includes Heater Wiring	\$173.00	
13015	1970	<b>AIR CONDITIONING HARNESS</b> Includes Heater Wiring	\$173.00	
15430	1971	<b>AIR CONDITIONING HARNESS</b> Includes Heater Wiring	\$199.00	
16400	1972	<b>AIR CONDITIONING HARNESS</b> Includes Heater Wiring	\$199.00	
18620	1973	<b>AIR CONDITIONING HARNESS</b> Includes Heater Wiring	\$221.00	
00990	1973	<b>AIR CONDITIONING EXTENSION HARNESS</b> Compressor To A/C Harness	\$59.00	
18620	1974	<b>AIR CONDITIONING HARNESS</b> Includes Heater Wiring	\$221.00	
00990	1974	<b>AIR CONDITIONING EXTENSION HARNESS</b> Compressor To A/C Harness	\$59.00	
<b>AIR CONDITIONING POWER FEED WIRE</b>				
19830	1962	<b>AIR CONDITIONING POWER FEED WIRE</b> 4 & 6 Cylinder, Starter Solenoid To A/C Harness Note: 6 Cylinder Items Are Not Returnable.	\$25.00	
33800	1962	<b>AIR CONDITIONING POWER FEED WIRE</b> V/8, Starter Solenoid To A/C Harness	\$22.00	
19830	1963	<b>AIR CONDITIONING POWER FEED WIRE</b> 4 & 6 Cylinder, Starter Solenoid To A/C Harness Note: 6 Cylinder Items Are Not Returnable.	\$25.00	
33800	1963	<b>AIR CONDITIONING POWER FEED WIRE</b> V/8, Starter Solenoid To A/C Harness	\$22.00	
28225	1964	<b>AIR CONDITIONING POWER FEED WIRE</b> 6 Cylinder, Starter Solenoid To A/C Harness Note: 6 Cylinder Items Are Not Returnable.	\$22.00	
36111	1964	<b>AIR CONDITIONING POWER FEED WIRE</b> V/8, Starter Solenoid To A/C Harness	\$27.00	
00995	1965	<b>AIR CONDITIONING POWER FEED WIRE</b> Horn Relay To A/C Fuse	\$23.00	
00995	1966	<b>AIR CONDITIONING POWER FEED WIRE</b> Horn Relay To A/C Fuse	\$23.00	
36112	1967	<b>AIR CONDITIONING POWER FEED WIRE</b> Horn Relay To A/C Fuse	\$25.00	
10970	1968	<b>AIR CONDITIONING POWER FEED WIRE</b> Horn Relay To A/C Fuse	\$22.00	
10970	1969	<b>AIR CONDITIONING POWER FEED WIRE</b> Horn Relay To A/C Fuse	\$22.00	
10970	1970	<b>AIR CONDITIONING POWER FEED WIRE</b> Horn Relay To A/C Fuse	\$22.00	
10970	1971	<b>AIR CONDITIONING POWER FEED WIRE</b> Horn Relay To A/C Fuse	\$22.00	

Part Number	Year	Description	Price	*Rev.
33865	1972	AIR CONDITIONING POWER FEED WIRE Horn Relay To A/C Fuse	\$25.00	
<b>AIR CONDITIONING RELAY GROUND WIRE</b>				
36258	1962	AIR CONDITIONING RELAY GROUND WIRE	\$18.00	
36258	1963	AIR CONDITIONING RELAY GROUND WIRE	\$18.00	
36258	1964	AIR CONDITIONING RELAY GROUND WIRE	\$18.00	
36258	1965	AIR CONDITIONING RELAY GROUND WIRE	\$18.00	
<b>ALTERNATOR CONVERSION KIT</b>				
27555	1963	<b>ALTERNATOR CONVERSION KIT</b> External To Internal Regulator Conversion Harness ("SI" Series) Note: For Use With 1972-84 Non-Serpentine Belt ("SI" Series) Internal Regulated Alternators.	\$29.00	
37787	1963	<b>ALTERNATOR CONVERSION KIT</b> External To Internal Regulator Conversion Harness ("CS" Series) Note: For Use With Serpentine Belt ("CS" Series) Internal Regulated Alternators.	\$34.00	
27555	1964	<b>ALTERNATOR CONVERSION KIT</b> External To Internal Regulator Conversion Harness ("SI" Series) Note: For Use With 1972-84 Non-Serpentine Belt ("SI" Series) Internal Regulated Alternators.	\$29.00	
37787	1964	<b>ALTERNATOR CONVERSION KIT</b> External To Internal Regulator Conversion Harness ("CS" Series) Note: For Use With Serpentine Belt ("CS" Series) Internal Regulated Alternators.	\$34.00	
27555	1965	<b>ALTERNATOR CONVERSION KIT</b> External To Internal Regulator Conversion Harness ("SI" Series) Note: For Use With 1972-84 Non-Serpentine Belt ("SI" Series) Internal Regulated Alternators.	\$29.00	
37787	1965	<b>ALTERNATOR CONVERSION KIT</b> External To Internal Regulator Conversion Harness ("CS" Series) Note: For Use With Serpentine Belt ("CS" Series) Internal Regulated Alternators.	\$34.00	
27555	1966	<b>ALTERNATOR CONVERSION KIT</b> External To Internal Regulator Conversion Harness ("SI" Series) Note: For Use With 1972-84 Non-Serpentine Belt ("SI" Series) Internal Regulated Alternators.	\$29.00	
37787	1966	<b>ALTERNATOR CONVERSION KIT</b> External To Internal Regulator Conversion Harness ("CS" Series) Note: For Use With Serpentine Belt ("CS" Series) Internal Regulated Alternators.	\$34.00	
27555	1967	<b>ALTERNATOR CONVERSION KIT</b> External To Internal Regulator Conversion Harness ("SI" Series) Note: For Use With 1972-84 Non-Serpentine Belt ("SI" Series) Internal Regulated Alternators.	\$29.00	
37787	1967	<b>ALTERNATOR CONVERSION KIT</b> External To Internal Regulator Conversion Harness ("CS" Series) Note: For Use With Serpentine Belt ("CS" Series) Internal Regulated Alternators.	\$34.00	
27555	1968	<b>ALTERNATOR CONVERSION KIT</b> External To Internal Regulator Conversion Harness ("SI" Series) Note: For Use With 1972-84 Non-Serpentine Belt ("SI" Series) Internal Regulated Alternators.	\$29.00	
37787	1968	<b>ALTERNATOR CONVERSION KIT</b> External To Internal Regulator Conversion Harness ("CS" Series) Note: For Use With Serpentine Belt ("CS" Series) Internal Regulated Alternators.	\$34.00	
27555	1969	<b>ALTERNATOR CONVERSION KIT</b> External To Internal Regulator Conversion Harness ("SI" Series) Note: For Use With 1972-84 Non-Serpentine Belt ("SI" Series) Internal Regulated Alternators.	\$29.00	
37787	1969	<b>ALTERNATOR CONVERSION KIT</b> External To Internal Regulator Conversion Harness ("CS" Series) Note: For Use With Serpentine Belt ("CS" Series) Internal Regulated Alternators.	\$34.00	
27555	1970	<b>ALTERNATOR CONVERSION KIT</b> External To Internal Regulator Conversion Harness ("SI" Series) Note: For Use With 1972-84 Non-Serpentine Belt ("SI" Series) Internal Regulated Alternators.	\$29.00	
37787	1970	<b>ALTERNATOR CONVERSION KIT</b> External To Internal Regulator Conversion Harness ("CS" Series) Note: For Use With Serpentine Belt ("CS" Series) Internal Regulated Alternators.	\$34.00	
27555	1971	<b>ALTERNATOR CONVERSION KIT</b> External To Internal Regulator Conversion Harness ("SI" Series) Note: For Use With 1972-84 Non-Serpentine Belt ("SI" Series) Internal Regulated Alternators.	\$29.00	
37787	1971	<b>ALTERNATOR CONVERSION KIT</b> External To Internal Regulator Conversion Harness ("CS" Series) Note: For Use With Serpentine Belt ("CS" Series) Internal Regulated Alternators.	\$34.00	
27555	1972	<b>ALTERNATOR CONVERSION KIT</b> External To Internal Regulator Conversion Harness ("SI" Series) Note: For Use With 1972-84 Non-Serpentine Belt ("SI" Series) Internal Regulated Alternators.	\$29.00	
37787	1972	<b>ALTERNATOR CONVERSION KIT</b> External To Internal Regulator Conversion Harness ("CS" Series) Note: For Use With Serpentine Belt ("CS" Series) Internal Regulated Alternators.	\$34.00	



Part Number	Year	Description	Price	*Rev.
<b>ASSEMBLY MANUAL</b>				
36303	1962	<b>ASSEMBLY MANUAL</b> Factory Assembly Instruction Guide	\$32.00	
36304	1963	<b>ASSEMBLY MANUAL</b> Factory Assembly Instruction Guide	\$32.00	
36305	1964	<b>ASSEMBLY MANUAL</b> Factory Assembly Instruction Guide	\$32.00	
36306	1965	<b>ASSEMBLY MANUAL</b> Factory Assembly Instruction Guide	\$32.00	
36307	1966	<b>ASSEMBLY MANUAL</b> Factory Assembly Instruction Guide	\$32.00	
36308	1967	<b>ASSEMBLY MANUAL</b> Factory Assembly Instruction Guide	\$32.00	
36309	1968	<b>ASSEMBLY MANUAL</b> Factory Assembly Instruction Guide	\$32.00	
36310	1969	<b>ASSEMBLY MANUAL</b> Factory Assembly Instruction Guide	\$32.00	
36311	1970	<b>ASSEMBLY MANUAL</b> Factory Assembly Instruction Guide	\$32.00	
36312	1971	<b>ASSEMBLY MANUAL</b> Factory Assembly Instruction Guide	\$32.00	
36313	1972	<b>ASSEMBLY MANUAL</b> Factory Assembly Instruction Guide	\$32.00	
<b>BACKUP LAMP SWITCH</b>				
01998728	1962	<b>BACKUP LAMP SWITCH</b> 4 Speed, Manual Trans	\$64.00	
01997929	1963	<b>BACKUP LAMP SWITCH</b> 4 Speed, Manual Trans (Stamped 929)	\$64.00	
01993661	1964	<b>BACKUP LAMP SWITCH</b> 4-Speed, Manual Trans	\$64.00	
01993307	1965	<b>BACKUP LAMP SWITCH</b> 4 Speed, Manual Trans	\$64.00	
01993307	1966	<b>BACKUP LAMP SWITCH</b> 4 Speed, Manual Trans	\$64.00	
01993307	1967	<b>BACKUP LAMP SWITCH</b> 4 Speed, Manual Trans	\$64.00	
01993413	1968	<b>BACKUP LAMP SWITCH</b> 4 Speed, Manual Trans	\$64.00	
03943657	1969	<b>BACKUP LAMP SWITCH</b> Manual Trans	\$53.00	
03943657	1970	<b>BACKUP LAMP SWITCH</b> Manual Trans	\$53.00	
03943657	1971	<b>BACKUP LAMP SWITCH</b> Manual Trans	\$53.00	
03943657	1972	<b>BACKUP LAMP SWITCH</b> Manual Trans	\$53.00	
<b>BACKUP LAMP SWITCH EXTENSION HARNESS</b>				
27315	1962	<b>BACKUP LAMP SWITCH EXTENSION HARNESS</b> Auto Trans, Switch To Rear Body Connector	\$22.00	
28160	1962	<b>BACKUP LAMP SWITCH EXTENSION HARNESS</b> Manual Trans, Switch To Rear Body Connector	\$41.00	
27315	1963	<b>BACKUP LAMP SWITCH EXTENSION HARNESS</b> All Trans Without Gauges, Switch To Rear Body Connector	\$22.00	
28335	1963	<b>BACKUP LAMP SWITCH EXTENSION HARNESS</b> Manual Trans, Switch To Part# 27315 Backup Extension Harness	\$33.00	
37101	1964	<b>BACKUP LAMP SWITCH EXTENSION HARNESS</b> Auto Trans, Switch To Rear Body Connector	\$29.00	
33805	1964	<b>BACKUP LAMP SWITCH EXTENSION HARNESS</b> Manual Trans, Fuse Panel To Rear Body Connector	\$33.00	
37101	1965	<b>BACKUP LAMP SWITCH EXTENSION HARNESS</b> Auto Trans, Switch To Rear Body Connector	\$29.00	
33805	1965	<b>BACKUP LAMP SWITCH EXTENSION HARNESS</b> Manual Trans, Fuse Panel To Rear Body Connector	\$33.00	
01400	1966	<b>BACKUP LAMP SWITCH EXTENSION HARNESS</b> Auto Trans, Switch To Rear Body Connector	\$33.00	
33805	1966	<b>BACKUP LAMP SWITCH EXTENSION HARNESS</b> Manual Trans, Fuse Panel To Rear Body Connector	\$33.00	
33805	1967	<b>BACKUP LAMP SWITCH EXTENSION HARNESS</b> Manual Trans, Fuse Panel To Rear Body Connector	\$33.00	
10665	1968	<b>BACKUP LAMP SWITCH EXTENSION HARNESS</b> All Manual Trans	\$31.00	
<b>BACKUP LAMP SWITCH MOUNTING BRACKET</b>				
37650	1964	<b>BACKUP LAMP SWITCH MOUNTING BRACKET</b> With Muncie 4 Speed Transmission	\$29.00	
37650	1965	<b>BACKUP LAMP SWITCH MOUNTING BRACKET</b> With Muncie 4 Speed Transmission	\$29.00	
37650	1966	<b>BACKUP LAMP SWITCH MOUNTING BRACKET</b> With Muncie 4 Speed Transmission	\$29.00	
37650	1967	<b>BACKUP LAMP SWITCH MOUNTING BRACKET</b> With Muncie 4 Speed Transmission	\$29.00	
37650	1968	<b>BACKUP LAMP SWITCH MOUNTING BRACKET</b> With Muncie 4 Speed Transmission	\$29.00	

Part Number	Year	Description	Price	*Rev.
<b>BACKUP LAMP SWITCH MOUNTING KIT</b>				
39504	1964	<b>BACKUP LAMP SWITCH MOUNTING KIT</b> With Muncie 4 Speed Transmission Note: Kit Contains The Bracket, Rod With 2 Clips, Shield & Bolts.	\$46.00	
39504	1965	<b>BACKUP LAMP SWITCH MOUNTING KIT</b> With Muncie 4 Speed Transmission Note: Kit Contains The Bracket, Rod With 2 Clips, Shield & Bolts.	\$46.00	
39504	1966	<b>BACKUP LAMP SWITCH MOUNTING KIT</b> With Muncie 4 Speed Transmission Note: Kit Contains The Bracket, Rod With 2 Clips, Shield & Bolts.	\$46.00	
39504	1967	<b>BACKUP LAMP SWITCH MOUNTING KIT</b> With Muncie 4 Speed Transmission Note: Kit Contains The Bracket, Rod With 2 Clips, Shield & Bolts.	\$46.00	
39504	1968	<b>BACKUP LAMP SWITCH MOUNTING KIT</b> With Muncie 4 Speed Transmission Note: Kit Contains The Bracket, Rod With 2 Clips, Shield & Bolts.	\$46.00	
<b>BATTERY CABLE JUNCTION BLOCK</b>				
03882795	1968	<b>BATTERY CABLE JUNCTION BLOCK</b> For Positive Cable Secondary Lead	\$11.00	
03882795	1969	<b>BATTERY CABLE JUNCTION BLOCK</b> For Positive Cable Secondary Lead	\$11.00	
03882795	1970	<b>BATTERY CABLE JUNCTION BLOCK</b> For Positive Cable Secondary Lead	\$11.00	
03882795	1971	<b>BATTERY CABLE JUNCTION BLOCK</b> For Positive Cable Secondary Lead	\$11.00	
<b>BATTERY CABLE-NEGATIVE</b>				
03515	1962	<b>BATTERY CABLE, SPRING RING</b> Neg, All	\$69.00	
04170	1963	<b>BATTERY CABLE, SPRING RING</b> Neg, 4 Cylinder	\$69.00	
03500	1963	<b>BATTERY CABLE, SPRING RING</b> Neg, 6 Cylinder, Without A/C Note: 6 Cylinder Items Are Not Returnable.	\$69.00	
04170	1963	<b>BATTERY CABLE, SPRING RING</b> Neg, 6 Cylinder, With A/C Note: 6 Cylinder Items Are Not Returnable.	\$69.00	
03515	1963	<b>BATTERY CABLE, SPRING RING</b> Neg, V/8, Except 327 C.I.	\$69.00	
03720	1963	<b>BATTERY CABLE, SPRING RING</b> Neg, V/8, 327 C.I.	\$69.00	
04170	1964	<b>BATTERY CABLE, SPRING RING</b> Neg, 4 & 6 Cylinder Note: 6 Cylinder Items Are Not Returnable.	\$69.00	
03515	1964	<b>BATTERY CABLE, SPRING RING</b> Neg, V/8	\$69.00	
03515	1965	<b>BATTERY CABLE, SPRING RING</b> Neg, All	\$69.00	
09190	1966	<b>BATTERY CABLE, SPRING RING</b> Neg, 4 & 6 Cylinder, Without A/C Note: 6 Cylinder Items Are Not Returnable.	\$69.00	
09795	1966	<b>BATTERY CABLE, SPRING RING</b> Neg, 6 Cylinder, With A/C Note: 6 Cylinder Items Are Not Returnable.	\$69.00	
09190	1966	<b>BATTERY CABLE, SPRING RING</b> Neg, V/8	\$69.00	
05290	1967	<b>BATTERY CABLE, SPRING RING</b> Neg, 4 & 6 Cylinder, Without A/C Note: 6 Cylinder Items Are Not Returnable.	\$69.00	
09795	1967	<b>BATTERY CABLE, SPRING RING</b> Neg, 6 Cylinder, With A/C Note: 6 Cylinder Items Are Not Returnable.	\$69.00	
09195	1967	<b>BATTERY CABLE, SPRING RING</b> Neg, V/8, All	\$69.00	
12505	1968	<b>BATTERY CABLE, SPRING RING</b> Neg, 4 Cylinder	\$69.00	
05035	1968	<b>BATTERY CABLE, SPRING RING</b> Neg, 6 Cylinder, Without A/C, With Standard Battery Note: 6 Cylinder Items Are Not Returnable.	\$69.00	
04865	1968	<b>BATTERY CABLE, SPRING RING</b> Neg, 6 Cylinder, All With Heavy Duty Battery Note: 6 Cylinder Items Are Not Returnable.	\$69.00	
09930	1968	<b>BATTERY CABLE, SPRING RING</b> Neg, 6 Cylinder, With A/C, With Standard Battery Note: 6 Cylinder Items Are Not Returnable.	\$69.00	
05145	1968	<b>BATTERY CABLE, SPRING RING</b> Neg, V/8, Except 396 C.I., Without A/C	\$69.00	
04830	1968	<b>BATTERY CABLE, SPRING RING</b> Neg, V/8, Except 396 C.I., With A/C	\$69.00	

Part Number	Year	Description	Price	*Rev.
22700	1968	<b>BATTERY CABLE, SPRING RING</b> Neg, V/8, 396 C.I., All	\$69.00	
04865	1969	<b>BATTERY CABLE, SPRING RING</b> Neg, 4 & 6 Cylinder, Without A/C Note: 6 Cylinder Items Are Not Returnable.	\$69.00	
04830	1969	<b>BATTERY CABLE, SPRING RING</b> Neg, 6 Cylinder, With A/C Note: 6 Cylinder Items Are Not Returnable.	\$69.00	
22305	1969	<b>BATTERY CABLE, SPRING RING</b> Neg, V/8, Except 396 C.I.	\$69.00	
12565	1969	<b>BATTERY CABLE, SPRING RING</b> Neg, V/8, 396 C.I.	\$69.00	
22315	1970	<b>BATTERY CABLE, SIDE POST</b> Neg, 4 Cylinder, With Side Mount Type Battery	\$74.00	
18875	1970	<b>BATTERY CABLE, SPRING RING</b> Neg, 6 Cylinder Note: 6 Cylinder Items Are Not Returnable.	\$69.00	
22310	1970	<b>BATTERY CABLE, SIDE POST</b> Neg, 6 Cylinder, With Side Mount Type Battery Note: 6 Cylinder Items Are Not Returnable.	\$74.00	
22305	1970	<b>BATTERY CABLE, SPRING RING</b> Neg, V/8, Except 396 C.I.	\$69.00	
22330	1970	<b>BATTERY CABLE, SIDE POST</b> Neg, V/8, All With Side Mount Type Battery	\$74.00	
22235	1970	<b>BATTERY CABLE, SPRING RING</b> Neg, V/8, 396 C.I.	\$69.00	
22980	1971	<b>BATTERY CABLE, SIDE POST</b> Neg, 6 Cylinder Note: 6 Cylinder Items Are Not Returnable.	\$74.00	
22985	1971	<b>BATTERY CABLE, SIDE POST</b> Neg, V/8	\$74.00	
22980	1972	<b>BATTERY CABLE, SIDE POST</b> Neg, 6 Cylinder Note: 6 Cylinder Items Are Not Returnable.	\$74.00	
22985	1972	<b>BATTERY CABLE, SIDE POST</b> Neg, V/8, 307 C.I.	\$74.00	
22995	1972	<b>BATTERY CABLE, SIDE POST</b> Neg, V/8, 350 C.I.	\$74.00	
<b>BATTERY CABLE-POSITIVE</b>				
03730	1962	<b>BATTERY CABLE, SPRING RING</b> Pos, 4 & 6 Cylinder Note: 6 Cylinder Items Are Not Returnable.	\$69.00	
03905	1962	<b>BATTERY CABLE, SPRING RING</b> Pos, V/8, With Alternator	\$69.00	
03725	1962	<b>BATTERY CABLE, SPRING RING</b> Pos, V/8, With Generator	\$69.00	
03730	1963	<b>BATTERY CABLE, SPRING RING</b> Pos, 4 & 6 Cylinder Note: 6 Cylinder Items Are Not Returnable.	\$69.00	
04370	1963	<b>BATTERY CABLE, SPRING RING</b> Pos, V/8, 283 C.I.	\$69.00	
03905	1963	<b>BATTERY CABLE, SPRING RING</b> Pos, V/8, 327 C.I.	\$69.00	
05095	1964	<b>BATTERY CABLE, SPRING RING</b> Pos, 4 & 6 Cylinder, Without A/C Note: 6 Cylinder Items Are Not Returnable.	\$69.00	
05530	1964	<b>BATTERY CABLE, SPRING RING</b> Pos, 6 Cylinder, With A/C Note: 6 Cylinder Items Are Not Returnable.	\$69.00	
05530	1964	<b>BATTERY CABLE, SPRING RING</b> Pos, V/8	\$69.00	
05095	1965	<b>BATTERY CABLE, SPRING RING</b> Pos, 4 & 6 Cylinder Note: 6 Cylinder Items Are Not Returnable.	\$69.00	
05530	1965	<b>BATTERY CABLE, SPRING RING</b> Pos, V/8	\$69.00	
36975	1965	<b>BATTERY CABLE, SPRING RING</b> Pos, V/8, With 250hp Or 300hp 327c.i.	\$69.00	
05095	1966	<b>BATTERY CABLE, SPRING RING</b> Pos, 4 & 6 Cylinder Note: 6 Cylinder Items Are Not Returnable.	\$69.00	
05530	1966	<b>BATTERY CABLE, SPRING RING</b> Pos, V/8	\$69.00	
36975	1966	<b>BATTERY CABLE, SPRING RING</b> Pos, V/8, With 250hp Or 300hp 327c.i.	\$69.00	
22160	1967	<b>BATTERY CABLE, SPRING RING</b> Pos, 4 & 6 Cylinder, Without A/C Note: 6 Cylinder Items Are Not Returnable.	\$69.00	
22165	1967	<b>BATTERY CABLE, SPRING RING</b> Pos, V/8, Without A/C	\$69.00	

Part Number	Year	Description	Price	*Rev.
10715	1967	<b>BATTERY CABLE, SPRING RING</b> Pos, 6 Cylinder & V/8, With A/C Note: 6 Cylinder Items Are Not Returnable.	\$69.00	
09935	1968	<b>BATTERY CABLE, SPRING RING</b> Pos, 4 & 6 Cylinder Note: 6 Cylinder Items Are Not Returnable.	\$69.00	
10710	1968	<b>BATTERY CABLE, SPRING RING</b> Pos, V/8, Except 396 C.I.	\$69.00	
18820	1968	<b>BATTERY CABLE, SPRING RING</b> Pos, V/8, 396 C.I.	\$69.00	
09935	1969	<b>BATTERY CABLE, SPRING RING</b> Pos, 4 & 6 Cylinder Note: 6 Cylinder Items Are Not Returnable.	\$69.00	
10710	1969	<b>BATTERY CABLE, SPRING RING</b> Pos, V/8, Except 396 C.I.	\$69.00	
12585	1969	<b>BATTERY CABLE, SPRING RING</b> Pos, V/8, 396 C.I.	\$69.00	
10700	1970	<b>BATTERY CABLE, SPRING RING</b> Pos, 4 & 6 Cylinder Note: 6 Cylinder Items Are Not Returnable.	\$69.00	
22325	1970	<b>BATTERY CABLE, SIDE POST</b> Pos, 4 & 6 Cylinder, With Side Mount Type Battery Note: 6 Cylinder Items Are Not Returnable.	\$74.00	
12450	1970	<b>BATTERY CABLE, SPRING RING</b> Pos, V/8, Except 396 C.I.	\$69.00	
22320	1970	<b>BATTERY CABLE, SIDE POST</b> Pos, V/8, All With Side Mount Type Battery	\$74.00	
22710	1970	<b>BATTERY CABLE, SPRING RING</b> Pos, V/8, 396 C.I.	\$69.00	
22965	1971	<b>BATTERY CABLE, SIDE POST</b> Pos, 6 Cylinder Note: 6 Cylinder Items Are Not Returnable.	\$74.00	
22940	1971	<b>BATTERY CABLE, SIDE POST</b> Pos, V/8	\$74.00	
22650	1972	<b>BATTERY CABLE, SIDE POST</b> Pos, 6 Cylinder Note: 6 Cylinder Items Are Not Returnable.	\$74.00	
22975	1972	<b>BATTERY CABLE, SIDE POST</b> Pos, V/8, 307 C.I.	\$74.00	
22970	1972	<b>BATTERY CABLE, SIDE POST</b> Pos, V/8, 350 C.I.	\$74.00	
<b>BREAKERLESS SE SINGLE WIRE ELECTRONIC IGNITION</b>				
38131	1962	<b>BREAKERLESS SE SINGLE WIRE ELECTRONIC IGNITION KIT</b> For 1957-74 Breaker Point Distributors With Windowed Type Distributor Cap	\$179.00	
38131	1963	<b>BREAKERLESS SE SINGLE WIRE ELECTRONIC IGNITION KIT</b> For 1957-74 Breaker Point Distributors With Windowed Type Distributor Cap	\$179.00	
38131	1964	<b>BREAKERLESS SE SINGLE WIRE ELECTRONIC IGNITION KIT</b> For 1957-74 Breaker Point Distributors With Windowed Type Distributor Cap	\$179.00	
38131	1965	<b>BREAKERLESS SE SINGLE WIRE ELECTRONIC IGNITION KIT</b> For 1957-74 Breaker Point Distributors With Windowed Type Distributor Cap	\$179.00	
38131	1966	<b>BREAKERLESS SE SINGLE WIRE ELECTRONIC IGNITION KIT</b> For 1957-74 Breaker Point Distributors With Windowed Type Distributor Cap	\$179.00	
38131	1967	<b>BREAKERLESS SE SINGLE WIRE ELECTRONIC IGNITION KIT</b> For 1957-74 Breaker Point Distributors With Windowed Type Distributor Cap	\$179.00	
38131	1968	<b>BREAKERLESS SE SINGLE WIRE ELECTRONIC IGNITION KIT</b> For 1957-74 Breaker Point Distributors With Windowed Type Distributor Cap	\$179.00	
38131	1969	<b>BREAKERLESS SE SINGLE WIRE ELECTRONIC IGNITION KIT</b> For 1957-74 Breaker Point Distributors With Windowed Type Distributor Cap	\$179.00	
38131	1970	<b>BREAKERLESS SE SINGLE WIRE ELECTRONIC IGNITION KIT</b> For 1957-74 Breaker Point Distributors With Windowed Type Distributor Cap	\$179.00	
38131	1971	<b>BREAKERLESS SE SINGLE WIRE ELECTRONIC IGNITION KIT</b> For 1957-74 Breaker Point Distributors With Windowed Type Distributor Cap	\$179.00	
38131	1972	<b>BREAKERLESS SE SINGLE WIRE ELECTRONIC IGNITION KIT</b> For 1957-74 Breaker Point Distributors With Windowed Type Distributor Cap	\$179.00	
38131	1973	<b>BREAKERLESS SE SINGLE WIRE ELECTRONIC IGNITION KIT</b> For 1957-74 Breaker Point Distributors With Windowed Type Distributor Cap	\$179.00	
38131	1974	<b>BREAKERLESS SE SINGLE WIRE ELECTRONIC IGNITION KIT</b> For 1957-74 Breaker Point Distributors With Windowed Type Distributor Cap	\$179.00	

Part Number	Year	Description	Price	*Rev.
<b>CIRCUIT BREAKER</b>				
04850166	1967	<b>CIRCUIT BREAKER, 30 AMP</b> Wagon Power Tailgate Window	\$14.00	
04850166	1975	<b>CIRCUIT BREAKER, 30 AMP</b> Power Door Locks & Windows	\$14.00	
04850166	1976	<b>CIRCUIT BREAKER, 30 AMP</b> Power Door Locks & Windows	\$14.00	
04850166	1977	<b>CIRCUIT BREAKER, 30 AMP</b> Power Door Locks & Windows	\$14.00	
04850166	1978	<b>CIRCUIT BREAKER, 30 AMP</b> Power Door Locks & Windows	\$14.00	
04850166	1979	<b>CIRCUIT BREAKER, 30 AMP</b> Power Door Locks & Windows	\$14.00	
<b>CLOCK HARNESS</b>				
18275	1964	<b>CLOCK HARNESS</b> Dash Mounted	\$29.00	
01365	1968	<b>CLOCK HARNESS</b> Dash Mounted	\$26.00	
01365	1969	<b>CLOCK HARNESS</b> Dash Mounted	\$26.00	
01365	1970	<b>CLOCK HARNESS</b> Dash Mounted	\$26.00	
01365	1971	<b>CLOCK HARNESS</b> Dash Mounted	\$26.00	
01365	1972	<b>CLOCK HARNESS</b> Dash Mounted	\$26.00	
<b>CONSOLE GAUGE BACKING PLATES</b>				
36405	1968	<b>CONSOLE GAUGE BACKING PLATES</b> The Four Console Gauges Mount To These Plates	\$60.00	
36405	1969	<b>CONSOLE GAUGE BACKING PLATES</b> The Four Console Gauges Mount To These Plates	\$60.00	
36405	1970	<b>CONSOLE GAUGE BACKING PLATES</b> The Four Console Gauges Mount To These Plates	\$60.00	
36405	1971	<b>CONSOLE GAUGE BACKING PLATES</b> The Four Console Gauges Mount To These Plates	\$60.00	
36405	1972	<b>CONSOLE GAUGE BACKING PLATES</b> The Four Console Gauges Mount To These Plates	\$60.00	
36405	1973	<b>CONSOLE GAUGE BACKING PLATES</b> The Four Console Gauges Mount To These Plates	\$60.00	
36405	1974	<b>CONSOLE GAUGE BACKING PLATES</b> The Four Console Gauges Mount To These Plates	\$60.00	
<b>CONSOLE GAUGE TERMINALS</b>				
36206	1968	<b>CONSOLE GAUGE TERMINALS</b> Terminals To Insure Correct Electrical Connection To Harness	\$64.00	
36206	1969	<b>CONSOLE GAUGE TERMINALS</b> Terminals To Insure Correct Electrical Connection To Harness	\$64.00	
36206	1970	<b>CONSOLE GAUGE TERMINALS</b> Terminals To Insure Correct Electrical Connection To Harness	\$64.00	
36206	1971	<b>CONSOLE GAUGE TERMINALS</b> Terminals To Insure Correct Electrical Connection To Harness	\$64.00	
36206	1972	<b>CONSOLE GAUGE TERMINALS</b> Terminals To Insure Correct Electrical Connection To Harness	\$64.00	
36206	1973	<b>CONSOLE GAUGE TERMINALS</b> Terminals To Insure Correct Electrical Connection To Harness	\$64.00	
36206	1974	<b>CONSOLE GAUGE TERMINALS</b> Terminals To Insure Correct Electrical Connection To Harness	\$64.00	
<b>CONSOLE HARNESS</b>				
28925	1963	<b>CONSOLE EXTENSION HARNESS</b> Auto Trans	\$46.00	
06450	1963	<b>CONSOLE HARNESS</b> With Courtesy Lamps	\$48.00	
28925	1964	<b>CONSOLE EXTENSION HARNESS</b> Auto Trans	\$46.00	
06450	1964	<b>CONSOLE HARNESS</b> With Courtesy Lamps	\$48.00	
05890	1965	<b>CONSOLE HARNESS</b> Auto Trans	\$57.00	
05890	1966	<b>CONSOLE HARNESS</b> Auto Trans	\$57.00	
01350	1967	<b>CONSOLE HARNESS</b> Auto Trans	\$57.00	
01355	1968	<b>CONSOLE HARNESS</b> With Console Gauges	\$65.00	
01355	1969	<b>CONSOLE HARNESS</b> With Console Gauges	\$65.00	
01355	1970	<b>CONSOLE HARNESS</b> With Console Gauges	\$65.00	
01355	1971	<b>CONSOLE HARNESS</b> With Console Gauges	\$65.00	
01355	1972	<b>CONSOLE HARNESS</b> With Console Gauges	\$65.00	
40153	1973	<b>CONSOLE HARNESS</b> With Console Gauges	\$74.00	
40153	1974	<b>CONSOLE HARNESS</b> With Console Gauges	\$74.00	
40153	1975	<b>CONSOLE HARNESS</b> With Console Gauges	\$74.00	

Part Number	Year	Description	Price	*Rev.
40154	1976	CONSOLE HARNESS With Console Gauges	\$81.00	
<b>COURTESY LAMP HARNESS</b>				
38511	1962	COURTESY LAMP HARNESS Deluxe Models, With Door Jamb Switches, Center Roof Mounted Dome Lamp.	\$24.00	N
08890	1962	COURTESY LAMP HARNESS Under Dash	\$56.00	
38511	1963	COURTESY LAMP HARNESS Deluxe Models, With Door Jamb Switches, Center Roof Mounted Dome Lamp.	\$24.00	N
08890	1963	COURTESY LAMP HARNESS Under Dash	\$56.00	
38511	1964	COURTESY LAMP HARNESS Deluxe Models, With Door Jamb Switches, Center Roof Mounted Dome Lamp.	\$24.00	N
<b>COURTESY LAMP MOUNTING BRACKET-UNDER DASH</b>				
04876930	1962	COURTESY LAMP MOUNTING BRACKET, UNDER DASH Left Or Right Side, 2 Required Per Car	\$11.00	
04876930	1963	COURTESY LAMP MOUNTING BRACKET, UNDER DASH Left Or Right Side, 2 Required Per Car	\$11.00	
04876930	1968	COURTESY LAMP MOUNTING BRACKET, UNDER DASH Left Or Right Side, 2 Required Per Car	\$11.00	
04876930	1969	COURTESY LAMP MOUNTING BRACKET, UNDER DASH Left Or Right Side, 2 Required Per Car	\$11.00	
04876930	1970	COURTESY LAMP MOUNTING BRACKET, UNDER DASH Left Or Right Side, 2 Required Per Car	\$11.00	
04876930	1971	COURTESY LAMP MOUNTING BRACKET, UNDER DASH Left Or Right Side, 2 Required Per Car	\$11.00	
04876930	1972	COURTESY LAMP MOUNTING BRACKET, UNDER DASH Left Or Right Side, 2 Required Per Car	\$11.00	
<b>DASH HARNESS</b>				
03995	1962	DASH HARNESS Auto Trans	\$473.00	
19025	1962	DASH HARNESS Manual Trans	\$492.00	
04960	1963	DASH HARNESS With Warning Lights	\$473.00	
01315	1963	DASH HARNESS With Gauges	\$473.00	
04960	1964	DASH HARNESS With Warning Lights	\$473.00	
01315	1964	DASH HARNESS With Gauges	\$473.00	
05670	1965	DASH HARNESS With Warning Lights	\$473.00	
09320	1965	DASH HARNESS With Gauges	\$473.00	
09585	1966	DASH HARNESS All	\$473.00	
10890	1967	DASH HARNESS All	\$473.00	
18545	1968	DASH EXTENSION HARNESS Glove Box & Heater Lamps	\$48.00	
01340	1968	DASH HARNESS Column Shift, Auto Trans	\$572.00	
12050	1968	DASH HARNESS Console Shift, Auto Trans	\$572.00	
12055	1968	DASH HARNESS Console Shift, Auto Trans With Gauges	\$609.00	
12060	1968	DASH HARNESS Console Shift, Manual Trans With Gauges	\$572.00	
18635	1968	DASH HARNESS Manual Trans, All Without Gauges	\$572.00	
13060	1969	DASH HARNESS Column Shift Auto Trans & All Manual Trans	\$572.00	
13110	1969	DASH HARNESS Column Shift Auto Trans & All Manual Trans With A/C	\$572.00	
13070	1969	DASH HARNESS Console Shift, Auto Trans	\$572.00	
13065	1969	DASH HARNESS Console Shift, Auto Trans With Gauges	\$572.00	
13075	1969	DASH HARNESS Console Shift, Manual Trans With Gauges	\$572.00	
14755	1970	DASH HARNESS Column Shift, Auto Trans Or Floor Shift Manual Trans	\$578.00	
14760	1970	DASH HARNESS Console Shift, Auto Trans	\$609.00	
14770	1970	DASH HARNESS Console Shift, Auto Trans With Gauges	\$578.00	
14775	1970	DASH HARNESS Console Shift, Manual Trans With Gauges	\$578.00	
33840	1971	DASH HARNESS Column Shift Auto Trans & All Manual Trans Without Gauges	\$578.00	
33845	1971	DASH HARNESS Console Shift, Auto Trans	\$609.00	
33850	1971	DASH HARNESS Console Shift, Auto Trans With Gauges	\$582.00	

Part Number	Year	Description	Price	*Rev.
33855	1971	<b>DASH HARNESS</b> Console Shift, Manual Trans With Gauges	\$578.00	
16825	1972	<b>DASH HARNESS</b> With Warning Lights	\$602.00	
17000	1972	<b>DASH HARNESS</b> With Warning Lights & Seat Belt Warning	\$676.00	
16830	1972	<b>DASH HARNESS</b> With Gauges	\$639.00	
17005	1972	<b>DASH HARNESS</b> With Gauges & Seat Belt Warning	\$676.00	
18715	1973	<b>DASH HARNESS</b> With Warning Lights	\$622.00	
16540	1973	<b>DASH HARNESS</b> With Gauges	\$639.00	
18660	1974	<b>DASH HARNESS</b> With Warning Lights	\$658.00	
18655	1974	<b>DASH HARNESS</b> With Gauges	\$658.00	
<b>DISTRIBUTOR WIRE</b>				
36057	1962	<b>DISTRIBUTOR WIRE</b> Distributor Points To Coil Negative Terminal, V/8 Note: Fits All GM V/8 Points Type Distributors From Approx. 1957 To 1974.	\$18.00	C
36057	1963	<b>DISTRIBUTOR WIRE</b> Distributor Points To Coil Negative Terminal, V/8 Note: Fits All GM V/8 Points Type Distributors From Approx. 1957 To 1974.	\$18.00	C
36057	1964	<b>DISTRIBUTOR WIRE</b> Distributor Points To Coil Negative Terminal, V/8 Note: Fits All GM V/8 Points Type Distributors From Approx. 1957 To 1974.	\$18.00	C
36057	1965	<b>DISTRIBUTOR WIRE</b> Distributor Points To Coil Negative Terminal, V/8 Note: Fits All GM V/8 Points Type Distributors From Approx. 1957 To 1974.	\$18.00	C
36057	1966	<b>DISTRIBUTOR WIRE</b> Distributor Points To Coil Negative Terminal, V/8 Note: Fits All GM V/8 Points Type Distributors From Approx. 1957 To 1974.	\$18.00	C
36057	1967	<b>DISTRIBUTOR WIRE</b> Distributor Points To Coil Negative Terminal, V/8 Note: Fits All GM V/8 Points Type Distributors From Approx. 1957 To 1974.	\$18.00	C
36057	1968	<b>DISTRIBUTOR WIRE</b> Distributor Points To Coil Negative Terminal, V/8 Note: Fits All GM V/8 Points Type Distributors From Approx. 1957 To 1974.	\$18.00	C
36057	1969	<b>DISTRIBUTOR WIRE</b> Distributor Points To Coil Negative Terminal, V/8 Note: Fits All GM V/8 Points Type Distributors From Approx. 1957 To 1974.	\$18.00	C
36057	1970	<b>DISTRIBUTOR WIRE</b> Distributor Points To Coil Negative Terminal, V/8 Note: Fits All GM V/8 Points Type Distributors From Approx. 1957 To 1974.	\$18.00	C
36057	1971	<b>DISTRIBUTOR WIRE</b> Distributor Points To Coil Negative Terminal, V/8 Note: Fits All GM V/8 Points Type Distributors From Approx. 1957 To 1974.	\$18.00	C
36057	1972	<b>DISTRIBUTOR WIRE</b> Distributor Points To Coil Negative Terminal, V/8 Note: Fits All GM V/8 Points Type Distributors From Approx. 1957 To 1974.	\$18.00	C
36057	1973	<b>DISTRIBUTOR WIRE</b> Distributor Points To Coil Negative Terminal, V/8 Note: Fits All GM V/8 Points Type Distributors From Approx. 1957 To 1974.	\$18.00	C
36057	1974	<b>DISTRIBUTOR WIRE</b> Distributor Points To Coil Negative Terminal, V/8 Note: Fits All GM V/8 Points Type Distributors From Approx. 1957 To 1974.	\$18.00	C
<b>DOMELAMP HARNESS</b>				
07755	1965	<b>DOMELAMP HARNESS</b> With Separate Door Jamb Switch Connection	\$34.00	
07760	1965	<b>DOMELAMP HARNESS</b> Plugs Into Rear Lamp Harness	\$27.00	
07755	1966	<b>DOMELAMP HARNESS</b> With Separate Door Jamb Switch Connection	\$34.00	
07760	1966	<b>DOMELAMP HARNESS</b> Plugs Into Rear Lamp Harness	\$27.00	
07755	1967	<b>DOMELAMP HARNESS</b> With Separate Door Jamb Switch Connection	\$34.00	
07760	1967	<b>DOMELAMP HARNESS</b> Plugs Into Rear Lamp Harness	\$27.00	
40156	1969	<b>DOMELAMP HARNESS</b> 2 Door	\$34.00	
40155	1970	<b>DOMELAMP HARNESS</b> 2 Door	\$40.00	
40155	1971	<b>DOMELAMP HARNESS</b> 2 Door	\$40.00	
40155	1972	<b>DOMELAMP HARNESS</b> 2 Door	\$40.00	

Part Number	Year	Description	Price	*Rev.
<b>DOME LIGHT LENS</b>				
06279669	1962	<b>DOME LIGHT LENS</b> Note: Manufactured With Original GM Tooling, Not A Reproduction Part.	\$6.00	
06279669	1963	<b>DOME LIGHT LENS</b> Note: Manufactured With Original GM Tooling, Not A Reproduction Part.	\$6.00	
06279669	1964	<b>DOME LIGHT LENS</b> Note: Manufactured With Original GM Tooling, Not A Reproduction Part.	\$6.00	
06279669	1965	<b>DOME LIGHT LENS</b> Note: Manufactured With Original GM Tooling, Not A Reproduction Part.	\$6.00	
06279669	1966	<b>DOME LIGHT LENS</b> Note: Manufactured With Original GM Tooling, Not A Reproduction Part.	\$6.00	
06279669	1967	<b>DOME LIGHT LENS</b> Note: Manufactured With Original GM Tooling, Not A Reproduction Part.	\$6.00	
06279669	1968	<b>DOME LIGHT LENS</b> Note: Manufactured With Original GM Tooling, Not A Reproduction Part.	\$6.00	
06279669	1969	<b>DOME LIGHT LENS</b> Note: Manufactured With Original GM Tooling, Not A Reproduction Part.	\$6.00	
06279669	1970	<b>DOME LIGHT LENS</b> Note: Manufactured With Original GM Tooling, Not A Reproduction Part.	\$6.00	
<b>ENGINE HARNESS</b>				
23030	1962	<b>ENGINE HARNESS</b> 4 Cylinder	\$140.00	
04970	1962	<b>ENGINE HARNESS</b> 6 Cylinder Note: 6 Cylinder Items Are Not Returnable.	\$114.00	
04295	1962	<b>ENGINE HARNESS</b> V/8	\$114.00	
38927	1962	<b>ENGINE HARNESS-HEI</b> V/8 Note: This Harness Is Modified For Use With An HEI Distributor.	\$129.00	
23030	1963	<b>ENGINE HARNESS</b> 4 Cylinder	\$140.00	
04970	1963	<b>ENGINE HARNESS</b> 6 Cylinder Note: 6 Cylinder Items Are Not Returnable.	\$114.00	
05750	1963	<b>ENGINE HARNESS</b> 6 Cylinder, With Gauges Note: 6 Cylinder Items Are Not Returnable.	\$114.00	
04295	1963	<b>ENGINE HARNESS</b> V/8	\$114.00	
38927	1963	<b>ENGINE HARNESS-HEI</b> V/8 Note: This Harness Is Modified For Use With An HEI Distributor.	\$129.00	
01345	1963	<b>ENGINE HARNESS</b> V/8, With Gauges	\$114.00	
38956	1963	<b>ENGINE HARNESS-HEI</b> V/8, With Gauges Note: This Harness Is Modified For Use With An HEI Distributor.	\$129.00	
23030	1964	<b>ENGINE HARNESS</b> 4 Cylinder	\$140.00	
04970	1964	<b>ENGINE HARNESS</b> 6 Cylinder Note: 6 Cylinder Items Are Not Returnable.	\$114.00	
05750	1964	<b>ENGINE HARNESS</b> 6 Cylinder, With Gauges Note: 6 Cylinder Items Are Not Returnable.	\$114.00	
04295	1964	<b>ENGINE HARNESS</b> V/8	\$114.00	
38927	1964	<b>ENGINE HARNESS-HEI</b> V/8 Note: This Harness Is Modified For Use With An HEI Distributor.	\$129.00	
01345	1964	<b>ENGINE HARNESS</b> V/8, With Gauges	\$114.00	
38956	1964	<b>ENGINE HARNESS-HEI</b> V/8, With Gauges Note: This Harness Is Modified For Use With An HEI Distributor.	\$129.00	



Part Number	Year	Description	Price	*Rev.
23030	1965	<b>ENGINE HARNESS</b> 4 Cylinder	\$140.00	
04970	1965	<b>ENGINE HARNESS</b> 6 Cylinder Note: 6 Cylinder Items Are Not Returnable.	\$114.00	
05750	1965	<b>ENGINE HARNESS</b> 6 Cylinder, With Gauges Note: 6 Cylinder Items Are Not Returnable.	\$114.00	
04295	1965	<b>ENGINE HARNESS</b> V/8	\$114.00	
38927	1965	<b>ENGINE HARNESS-HEI</b> V/8 Note: This Harness Is Modified For Use With An HEI Distributor.	\$129.00	
01345	1965	<b>ENGINE HARNESS</b> V/8, With Gauges	\$114.00	
38956	1965	<b>ENGINE HARNESS-HEI</b> V/8, With Gauges Note: This Harness Is Modified For Use With An HEI Distributor.	\$129.00	
23030	1966	<b>ENGINE HARNESS</b> 4 Cylinder	\$140.00	
04970	1966	<b>ENGINE HARNESS</b> 6 Cylinder Note: 6 Cylinder Items Are Not Returnable.	\$114.00	
04295	1966	<b>ENGINE HARNESS</b> V/8	\$114.00	
38927	1966	<b>ENGINE HARNESS-HEI</b> V/8 Note: This Harness Is Modified For Use With An HEI Distributor.	\$129.00	
10935	1967	<b>ENGINE HARNESS</b> 4 Cylinder	\$140.00	
11245	1967	<b>ENGINE HARNESS</b> 6 Cylinder Note: 6 Cylinder Items Are Not Returnable.	\$140.00	
11270	1967	<b>ENGINE HARNESS</b> V/8	\$114.00	
38945	1967	<b>ENGINE HARNESS-HEI</b> V/8 Note: This Harness Is Modified For Use With An HEI Distributor.	\$129.00	
11815	1968	<b>ENGINE HARNESS</b> 4 & 6 Cylinder Note: 6 Cylinder Items Are Not Returnable.	\$140.00	
11820	1968	<b>ENGINE HARNESS</b> V/8	\$126.00	
38923	1968	<b>ENGINE HARNESS-HEI</b> V/8 Note: This Harness Is Modified For Use With An HEI Distributor.	\$141.00	
12080	1968	<b>ENGINE HARNESS</b> 396 C.I.	\$126.00	
38930	1968	<b>ENGINE HARNESS-HEI</b> 396 C.I. Note: This Harness Is Modified For Use With An HEI Distributor.	\$141.00	
12025	1968	<b>ENGINE HARNESS</b> V/8 & 396 C.I. With Gauges	\$126.00	
38932	1968	<b>ENGINE HARNESS-HEI</b> V/8 & 396 C.I. With Gauges Note: This Harness Is Modified For Use With An HEI Distributor.	\$141.00	
11815	1969	<b>ENGINE HARNESS</b> 4 & 6 Cylinder Note: 6 Cylinder Items Are Not Returnable.	\$140.00	
12010	1969	<b>ENGINE HARNESS</b> 6 Cylinder, With Idle Stop Solenoid Note: 6 Cylinder Items Are Not Returnable.	\$140.00	
12970	1969	<b>ENGINE HARNESS</b> V/8	\$126.00	
38925	1969	<b>ENGINE HARNESS-HEI</b> V/8 Note: This Harness Is Modified For Use With An HEI Distributor.	\$141.00	
13170	1969	<b>ENGINE HARNESS</b> V/8, With Idle Stop Solenoid	\$132.00	
39001	1969	<b>ENGINE HARNESS-HEI</b> V/8, With Idle Stop Solenoid Note: This Harness Is Modified For Use With An HEI Distributor.	\$147.00	
23025	1969	<b>ENGINE HARNESS</b> 396 C.I.	\$126.00	
39120	1969	<b>ENGINE HARNESS-HEI</b> 396 C.I. Note: This Harness Is Modified For Use With An HEI Distributor.	\$141.00	
13175	1969	<b>ENGINE HARNESS</b> 396 C.I. With Idle Stop Solenoid	\$132.00	

Part Number	Year	Description	Price	*Rev.
39016	1969	<b>ENGINE HARNESS-HEI</b> 396 C.I. With Idle Stop Solenoid Note: This Harness Is Modified For Use With An HEI Distributor.	\$147.00	
17545	1969	<b>ENGINE HARNESS</b> V/8 & 396 C.I., With Gauges	\$126.00	
38924	1969	<b>ENGINE HARNESS-HEI</b> V/8 & 396 C.I., With Gauges Note: This Harness Is Modified For Use With An HEI Distributor.	\$141.00	
13180	1969	<b>ENGINE HARNESS</b> V/8 & 396 C.I. With Gauges & Idle Stop Solenoid	\$132.00	
38996	1969	<b>ENGINE HARNESS-HEI</b> V/8 & 396 C.I. With Gauges & Idle Stop Solenoid Note: This Harness Is Modified For Use With An HEI Distributor.	\$147.00	
14895	1970	<b>ENGINE HARNESS</b> 6 Cylinder, Auto Trans Note: 6 Cylinder Items Are Not Returnable.	\$212.00	
14885	1970	<b>ENGINE HARNESS</b> 6 Cylinder, Manual Trans Note: 6 Cylinder Items Are Not Returnable.	\$212.00	
14900	1970	<b>ENGINE HARNESS</b> V/8, Auto Trans	\$198.00	
38994	1970	<b>ENGINE HARNESS-HEI</b> V/8, Auto Trans Note: This Harness Is Modified For Use With An HEI Distributor.	\$213.00	
39198	1970	<b>ENGINE HARNESS-HEI</b> V8, With TH400 Auto Trans And Warning Lights Note: This Harness Is Modified For Use With An HEI Distributor.	\$234.00	
14890	1970	<b>ENGINE HARNESS</b> V/8, Auto Trans With Gauges	\$198.00	
39121	1970	<b>ENGINE HARNESS-HEI</b> V/8, Auto Trans With Gauges Note: This Harness Is Modified For Use With An HEI Distributor.	\$213.00	
14910	1970	<b>ENGINE HARNESS</b> V/8, Manual Trans	\$198.00	
39101	1970	<b>ENGINE HARNESS-HEI</b> V/8, Manual Trans Note: This Harness Is Modified For Use With An HEI Distributor.	\$213.00	
14920	1970	<b>ENGINE HARNESS</b> V/8, Manual Trans With Gauges	\$212.00	
39193	1970	<b>ENGINE HARNESS-HEI</b> V/8, Manual Trans With Gauges Note: This Harness Is Modified For Use With An HEI Distributor.	\$227.00	
14905	1970	<b>ENGINE HARNESS</b> 396 C.I., Auto Trans	\$219.00	
39151	1970	<b>ENGINE HARNESS-HEI</b> 396 C.I., Auto Trans Note: This Harness Is Modified For Use With An HEI Distributor.	\$234.00	
14930	1970	<b>ENGINE HARNESS</b> 396 C.I., Auto Trans With Gauges	\$212.00	
39195	1970	<b>ENGINE HARNESS-HEI</b> 396 C.I., Auto Trans With Gauges Note: This Harness Is Modified For Use With An HEI Distributor.	\$227.00	
14915	1970	<b>ENGINE HARNESS</b> 396 C.I., Manual Trans	\$198.00	
39281	1970	<b>ENGINE HARNESS-HEI</b> 396 C.I., Manual Trans Note: This Harness Is Modified For Use With An HEI Distributor.	\$213.00	
14925	1970	<b>ENGINE HARNESS</b> 396 C.I., Manual Trans With Gauges	\$198.00	
39194	1970	<b>ENGINE HARNESS-HEI</b> 396 C.I., Manual Trans With Gauges Note: This Harness Is Modified For Use With An HEI Distributor.	\$213.00	
18480	1971	<b>ENGINE HARNESS</b> 6 Cylinder, Auto Trans Note: 6 Cylinder Items Are Not Returnable.	\$272.00	
18475	1971	<b>ENGINE HARNESS</b> 6 Cylinder, Manual Trans Note: 6 Cylinder Items Are Not Returnable.	\$272.00	
41135	1971	<b>ENGINE HARNESS</b> V/8, Auto Trans	\$219.00	
10595	1971	<b>ENGINE HARNESS</b> V/8, Auto Trans, With Gauges	\$233.00	
38993	1971	<b>ENGINE HARNESS-HEI</b> V/8, Auto Trans, With Gauges Note: This Harness Is Modified For Use With An HEI Distributor.	\$248.00	
41136	1971	<b>ENGINE HARNESS</b> V/8, Manual Trans	\$219.00	
18485	1971	<b>ENGINE HARNESS</b> V/8, Manual Trans, With Gauges	\$233.00	

Part Number	Year	Description	Price	*Rev.
39200	1971	<b>ENGINE HARNESS-HEI</b> V/8, Manual Trans, With Gauges Note: This Harness Is Modified For Use With An HEI Distributor.	\$248.00	
16375	1972	<b>ENGINE HARNESS</b> 6 Cylinder Note: 6 Cylinder Items Are Not Returnable.	\$284.00	
16380	1972	<b>ENGINE HARNESS</b> V/8 Note: Manual Trans Requires Use Of #17355 T.C.S. Extension.	\$233.00	
16385	1972	<b>ENGINE HARNESS</b> V/8 With Gauges Note: Manual Trans Requires Use Of #17355 T.C.S. Extension.	\$251.00	
17015	1973	<b>ENGINE HARNESS</b> 6 Cylinder Note: 6 Cylinder Items Are Not Returnable.	\$304.00	
15500	1973	<b>ENGINE HARNESS</b> V/8 Note: Manual Trans Requires Use Of Part #17365 T.C.S. Extension.	\$278.00	
15505	1973	<b>ENGINE HARNESS</b> V/8, With Gauges Note: Manual Trans Requires Use Of Part #17355 T.C.S. Extension.	\$278.00	
16595	1974	<b>ENGINE HARNESS</b> 6 Cylinder Note: 6 Cylinder Items Are Not Returnable.	\$304.00	
22605	1974	<b>ENGINE HARNESS</b> V/8, Auto Trans	\$279.00	
22590	1974	<b>ENGINE HARNESS</b> V/8, Auto Trans With Gauges	\$278.00	
22610	1974	<b>ENGINE HARNESS</b> V/8, Manual Trans	\$290.00	
22595	1974	<b>ENGINE HARNESS</b> V/8, Manual Trans With Gauges	\$290.00	
18615	1975	<b>ENGINE HARNESS</b> 6 Cylinder, Except Integrated Cylinder Head Note: 6 Cylinder Items Are Not Returnable.	\$317.00	
18610	1975	<b>ENGINE HARNESS</b> 6 Cylinder, With Integrated Cylinder Head Note: 6 Cylinder Items Are Not Returnable.	\$317.00	
18680	1975	<b>ENGINE HARNESS</b> V/8, All Without Seat Belt Ignition Interlock	\$290.00	
<b>FORWARD LAMP HARNESS</b>				
03690	1962	<b>FORWARD LAMP HARNESS</b> With Generator	\$237.00	
03900	1962	<b>FORWARD LAMP HARNESS</b> With Alternator & Screw Type Regulator (Original Type)	\$251.00	
04965	1963	<b>FORWARD LAMP HARNESS</b> All	\$225.00	
38942	1963	<b>FORWARD LAMP HARNESS-INT REG ALT DRIVER SIDE</b> All Note: Modified For Driver Side Mounted 1972-84 Non-Serpentine Belt ("SI" Series) Internal Regulated Alternators.	\$250.00	
39044	1963	<b>FORWARD LAMP HARNESS-INT REG ALT PASSENGER SIDE</b> All Note: Modified For Passenger Side Mounted 1972-84 Non-Serpentine Belt ("SI" Series) Internal Regulated Alternators.	\$260.00	
04965	1964	<b>FORWARD LAMP HARNESS</b> All	\$225.00	
38942	1964	<b>FORWARD LAMP HARNESS-INT REG ALT DRIVER SIDE</b> All Note: Modified For Driver Side Mounted 1972-84 Non-Serpentine Belt ("SI" Series) Internal Regulated Alternators.	\$250.00	
39044	1964	<b>FORWARD LAMP HARNESS-INT REG ALT PASSENGER SIDE</b> All Note: Modified For Passenger Side Mounted 1972-84 Non-Serpentine Belt ("SI" Series) Internal Regulated Alternators.	\$260.00	
05865	1965	<b>FORWARD LAMP HARNESS</b> All	\$225.00	
39010	1965	<b>FORWARD LAMP HARNESS-INT REG ALT DRIVER SIDE</b> All Note: Modified For Driver Side Mounted 1972-84 Non-Serpentine Belt ("SI" Series) Internal Regulated Alternators.	\$250.00	
39278	1965	<b>FORWARD LAMP HARNESS-INT REG ALT PASSENGER SIDE</b> All Note: Modified For Passenger Side Mounted 1972-84 Non-Serpentine Belt ("SI" Series) Internal Regulated Alternators.	\$260.00	
09590	1966	<b>FORWARD LAMP HARNESS</b> All	\$225.00	
38964	1966	<b>FORWARD LAMP HARNESS-INT REG ALT DRIVER SIDE</b> All Note: Modified For Driver Side Mounted 1972-84 Non-Serpentine Belt ("SI" Series) Internal Regulated Alternators.	\$250.00	
39191	1966	<b>FORWARD LAMP HARNESS-INT REG ALT PASSENGER SIDE</b> All Note: Modified For Passenger Side Mounted 1972-84 Non-Serpentine Belt ("SI" Series) Internal Regulated Alternators.	\$260.00	

Part Number	Year	Description	Price	*Rev.
11400	1967	<b>FORWARD LAMP HARNESS</b> All	\$225.00	
38965	1967	<b>FORWARD LAMP HARNESS-INT REG ALT DRIVER SIDE</b> All Note: Modified For Driver Side Mounted 1972-84 Non-Serpentine Belt ("SI" Series) Internal Regulated Alternators.	\$250.00	
39119	1967	<b>FORWARD LAMP HARNESS-INT REG ALT PASSENGER SIDE</b> All Note: Modified For Passenger Side Mounted 1972-84 Non-Serpentine Belt ("SI" Series) Internal Regulated Alternators.	\$260.00	
12030	1968	<b>FORWARD LAMP HARNESS</b> 6 Cylinder Note: 6 Cylinder Items Are Not Returnable.	\$290.00	
18460	1968	<b>FORWARD LAMP HARNESS</b> V/8	\$264.00	
39080	1968	<b>FORWARD LAMP HARNESS-INT REG ALT DRIVER SIDE</b> V/8 Note: Modified For Driver Side Mounted 1972-84 Non-Serpentine Belt ("SI" Series) Internal Regulated Alternators.	\$303.00	
39192	1968	<b>FORWARD LAMP HARNESS-INT REG ALT PASSENGER SIDE</b> V/8 Note: Modified For Passenger Side Mounted 1972-84 Non-Serpentine Belt ("SI" Series) Internal Regulated Alternators.	\$313.00	
12035	1968	<b>FORWARD LAMP HARNESS</b> V/8 With Gauges	\$278.00	
39279	1968	<b>FORWARD LAMP HARNESS-INT REG ALT DRIVER SIDE</b> V/8 With Gauges Note: Modified For Driver Side Mounted 1972-84 Non-Serpentine Belt ("SI" Series) Internal Regulated Alternators.	\$303.00	
39280	1968	<b>FORWARD LAMP HARNESS-INT REG ALT PASSENGER SIDE</b> V/8 With Gauges Note: Modified For Passenger Side Mounted 1972-84 Non-Serpentine Belt ("SI" Series) Internal Regulated Alternators.	\$313.00	
13010	1969	<b>FORWARD LAMP HARNESS</b> 6 Cylinder Note: 6 Cylinder Items Are Not Returnable.	\$290.00	
18465	1969	<b>FORWARD LAMP HARNESS</b> V/8	\$278.00	
39100	1969	<b>FORWARD LAMP HARNESS-INT REG ALT PASSENGER SIDE</b> V/8 Note: Modified For Passenger Side Mounted 1972-84 Non-Serpentine Belt ("SI" Series) Internal Regulated Alternators.	\$313.00	
12990	1969	<b>FORWARD LAMP HARNESS</b> V/8 With Gauges	\$278.00	
39150	1969	<b>FORWARD LAMP HARNESS-INT REG ALT PASSENGER SIDE</b> V/8 With Gauges Note: Modified For Passenger Side Mounted 1972-84 Non-Serpentine Belt ("SI" Series) Internal Regulated Alternators.	\$313.00	
15040	1970	<b>FORWARD LAMP HARNESS</b> 6 Cylinder Note: 6 Cylinder Items Are Not Returnable.	\$298.00	
15050	1970	<b>FORWARD LAMP HARNESS</b> V/8	\$286.00	
39036	1970	<b>FORWARD LAMP HARNESS-INT REG ALT PASSENGER SIDE</b> V/8 Note: Modified For Passenger Side Mounted 1972-84 Non-Serpentine Belt ("SI" Series) Internal Regulated Alternators.	\$321.00	
33815	1970	<b>FORWARD LAMP HARNESS</b> V/8 With A/C	\$286.00	
39196	1970	<b>FORWARD LAMP HARNESS-INT REG ALT PASSENGER SIDE</b> V/8 With A/C Note: Modified For Passenger Side Mounted 1972-84 Non-Serpentine Belt ("SI" Series) Internal Regulated Alternators.	\$321.00	
15045	1970	<b>FORWARD LAMP HARNESS</b> V/8 With Gauges, All	\$286.00	
39197	1970	<b>FORWARD LAMP HARNESS-INT REG ALT PASSENGER SIDE</b> V/8 With Gauges, All Note: Modified For Passenger Side Mounted 1972-84 Non-Serpentine Belt ("SI" Series) Internal Regulated Alternators.	\$321.00	
15305	1971	<b>FORWARD LAMP HARNESS</b> 6 Cylinder Note: 6 Cylinder Items Are Not Returnable.	\$298.00	
18495	1971	<b>FORWARD LAMP HARNESS</b> V/8	\$286.00	
39049	1971	<b>FORWARD LAMP HARNESS-INT REG ALT PASSENGER SIDE</b> V/8 Note: Modified For Passenger Side Mounted 1972-84 Non-Serpentine Belt ("SI" Series) Internal Regulated Alternators.	\$321.00	
16285	1971	<b>FORWARD LAMP HARNESS</b> V/8 With Gauges	\$286.00	
39282	1971	<b>FORWARD LAMP HARNESS-INT REG ALT PASSENGER SIDE</b> V/8 With Gauges Note: Modified For Passenger Side Mounted 1972-84 Non-Serpentine Belt ("SI" Series) Internal Regulated Alternators.	\$333.00	
16390	1972	<b>FORWARD LAMP HARNESS</b> All	\$251.00	
16545	1973	<b>FORWARD LAMP HARNESS</b> All	\$278.00	
16590	1974	<b>FORWARD LAMP HARNESS</b> All	\$286.00	

Part Number	Year	Description	Price	*Rev.
<b>FUEL TANK SENDER WIRE</b>				
39704	1968	FUEL TANK SENDER WIRE	\$25.00	
39704	1969	FUEL TANK SENDER WIRE	\$25.00	
39704	1970	FUEL TANK SENDER WIRE	\$25.00	
39704	1971	FUEL TANK SENDER WIRE	\$25.00	
39704	1972	FUEL TANK SENDER WIRE	\$25.00	
40603	1973	FUEL TANK SENDER WIRE	\$33.00	
40603	1974	FUEL TANK SENDER WIRE	\$33.00	
40603	1975	FUEL TANK SENDER WIRE	\$33.00	
40603	1976	FUEL TANK SENDER WIRE	\$33.00	
40603	1977	FUEL TANK SENDER WIRE	\$33.00	
40603	1978	FUEL TANK SENDER WIRE	\$33.00	
40603	1979	FUEL TANK SENDER WIRE	\$33.00	
<b>FUEL TANK SENDING UNIT</b>				
06426299	1962	FUEL TANK SENDING UNIT 3/8" Fuel Line	\$43.00	N
06428066	1962	FUEL TANK SENDING UNIT 5/16" Fuel Line	\$43.00	N
06426299	1963	FUEL TANK SENDING UNIT 3/8" Fuel Line	\$43.00	N
06428066	1963	FUEL TANK SENDING UNIT 5/16" Fuel Line	\$43.00	N
06426299	1964	FUEL TANK SENDING UNIT 3/8" Fuel Line	\$43.00	N
06428066	1964	FUEL TANK SENDING UNIT 5/16" Fuel Line	\$43.00	N
06426299	1965	FUEL TANK SENDING UNIT 3/8" Fuel Line	\$43.00	N
06428066	1965	FUEL TANK SENDING UNIT 5/16" Fuel Line	\$43.00	N
06426500	1966	FUEL TANK SENDING UNIT 3/8" Fuel Line	\$43.00	N
06426499	1966	FUEL TANK SENDING UNIT 5/16" Fuel Line	\$43.00	N
06426500	1967	FUEL TANK SENDING UNIT 3/8" Fuel Line	\$43.00	N
06426499	1967	FUEL TANK SENDING UNIT 5/16" Fuel Line	\$43.00	N
06428845	1968	FUEL TANK SENDING UNIT 3/8" Fuel Line, Single Line	\$43.00	N
06428844	1968	FUEL TANK SENDING UNIT 5/16" Fuel Line, Single Line	\$43.00	N
06428845	1969	FUEL TANK SENDING UNIT 3/8" Fuel Line, Single Line	\$43.00	N
06428322	1969	FUEL TANK SENDING UNIT 3/8" Fuel Line, With 2nd Vent Line	\$43.00	N
06428844	1969	FUEL TANK SENDING UNIT 5/16" Fuel Line, Single Line	\$43.00	N
06428845	1970	FUEL TANK SENDING UNIT 3/8" Fuel Line, Single Line	\$43.00	N
06428322	1970	FUEL TANK SENDING UNIT 3/8" Fuel Line, With 2nd Vent Line	\$43.00	N
06428844	1970	FUEL TANK SENDING UNIT 5/16" Fuel Line, Single Line	\$43.00	N
06428845	1971	FUEL TANK SENDING UNIT 3/8" Fuel Line, Single Line	\$43.00	N
06428322	1971	FUEL TANK SENDING UNIT 3/8" Fuel Line, With 2nd Vent Line	\$43.00	N
06428844	1971	FUEL TANK SENDING UNIT 5/16" Fuel Line, Single Line	\$43.00	N
06428845	1972	FUEL TANK SENDING UNIT 3/8" Fuel Line, Single Line	\$43.00	N
06428322	1972	FUEL TANK SENDING UNIT 3/8" Fuel Line, With 2nd Vent Line	\$43.00	N
06428844	1972	FUEL TANK SENDING UNIT 5/16" Fuel Line, Single Line	\$43.00	N
<b>GENERATOR JUMPER HARNESS</b>				
03935	1962	GENERATOR JUMPER HARNESS Generator To Alternator & Screw Type Regulator (Original Type)	\$60.00	
<b>GLOVE BOX LAMP KIT</b>				
18000	1962	GLOVE BOX LAMP KIT Socket, Bulb & Wire	\$24.00	
18000	1963	GLOVE BOX LAMP KIT Socket, Bulb & Wire	\$24.00	
18000	1964	GLOVE BOX LAMP KIT Socket, Bulb & Wire	\$24.00	

Part Number	Year	Description	Price	*Rev.
18000	1965	<b>GLOVE BOX LAMP KIT</b> Socket, Bulb & Wire	\$24.00	
18000	1966	<b>GLOVE BOX LAMP KIT</b> Socket, Bulb & Wire	\$24.00	
18000	1967	<b>GLOVE BOX LAMP KIT</b> Socket, Bulb & Wire	\$24.00	
18000	1968	<b>GLOVE BOX LAMP KIT</b> Socket, Bulb & Wire	\$24.00	
18000	1969	<b>GLOVE BOX LAMP KIT</b> Socket, Bulb & Wire	\$24.00	
18000	1970	<b>GLOVE BOX LAMP KIT</b> Socket, Bulb & Wire	\$24.00	
18000	1971	<b>GLOVE BOX LAMP KIT</b> Socket, Bulb & Wire	\$24.00	
18000	1972	<b>GLOVE BOX LAMP KIT</b> Socket, Bulb & Wire	\$24.00	
18000	1973	<b>GLOVE BOX LAMP KIT</b> Socket, Bulb & Wire	\$24.00	
18000	1974	<b>GLOVE BOX LAMP KIT</b> Socket, Bulb & Wire	\$24.00	
<b>GROUND STRAP KIT</b>				
34975	1963	<b>GROUND STRAP KIT</b> 4 Cylinder	\$16.00	
34980	1963	<b>GROUND STRAP KIT</b> 6 Cylinder Note: 6 Cylinder Items Are Not Returnable.	\$16.00	
34985	1964	<b>GROUND STRAP KIT</b> 4 Cylinder	\$20.00	
34980	1964	<b>GROUND STRAP KIT</b> 6 Cylinder Note: 6 Cylinder Items Are Not Returnable.	\$16.00	
34990	1964	<b>GROUND STRAP KIT</b> V/8	\$16.00	
34980	1965	<b>GROUND STRAP KIT</b> 4 & 6 Cylinder Note: 6 Cylinder Items Are Not Returnable.	\$16.00	
34990	1965	<b>GROUND STRAP KIT</b> V/8	\$16.00	
34985	1966	<b>GROUND STRAP KIT</b> 4 Cylinder	\$20.00	
34980	1966	<b>GROUND STRAP KIT</b> 6 Cylinder Note: 6 Cylinder Items Are Not Returnable.	\$16.00	
34990	1966	<b>GROUND STRAP KIT</b> V/8	\$16.00	
34995	1967	<b>GROUND STRAP KIT</b> 4 Cylinder	\$20.00	
35000	1967	<b>GROUND STRAP KIT</b> 6 Cylinder Note: 6 Cylinder Items Are Not Returnable.	\$16.00	
35005	1967	<b>GROUND STRAP KIT</b> V/8	\$16.00	
35010	1968	<b>GROUND STRAP KIT</b> 4 & 6 Cylinder Note: 6 Cylinder Items Are Not Returnable.	\$16.00	
35015	1968	<b>GROUND STRAP KIT</b> V/8	\$23.00	
35020	1969	<b>GROUND STRAP KIT</b> 4 & 6 Cylinder Note: 6 Cylinder Items Are Not Returnable.	\$24.00	
27380	1969	<b>GROUND STRAP KIT</b> V/8	\$28.00	
<b>GROUND WIRE-DISTRIBUTOR POINT PLATE</b>				
38298	1962	<b>GROUND WIRE, DISTRIBUTOR POINT PLATE</b> From Distributor Point Plate To Distributor Housing Note: Replaces Spot Welded Wire Asm On Point Plate Side. Fits All GM V/8 Point Type Distributors From Approx. 1957-1974.	\$17.00	C
38298	1963	<b>GROUND WIRE, DISTRIBUTOR POINT PLATE</b> From Distributor Point Plate To Distributor Housing Note: Replaces Spot Welded Wire Asm On Point Plate Side. Fits All GM V/8 Point Type Distributors From Approx. 1957-1974.	\$17.00	C
38298	1964	<b>GROUND WIRE, DISTRIBUTOR POINT PLATE</b> From Distributor Point Plate To Distributor Housing Note: Replaces Spot Welded Wire Asm On Point Plate Side. Fits All GM V/8 Point Type Distributors From Approx. 1957-1974.	\$17.00	C
38298	1965	<b>GROUND WIRE, DISTRIBUTOR POINT PLATE</b> From Distributor Point Plate To Distributor Housing Note: Replaces Spot Welded Wire Asm On Point Plate Side. Fits All GM V/8 Point Type Distributors From Approx. 1957-1974.	\$17.00	C
38298	1966	<b>GROUND WIRE, DISTRIBUTOR POINT PLATE</b> From Distributor Point Plate To Distributor Housing Note: Replaces Spot Welded Wire Asm On Point Plate Side. Fits All GM V/8 Point Type Distributors From Approx. 1957-1974.	\$17.00	C
38298	1967	<b>GROUND WIRE, DISTRIBUTOR POINT PLATE</b> From Distributor Point Plate To Distributor Housing Note: Replaces Spot Welded Wire Asm On Point Plate Side. Fits All GM V/8 Point Type Distributors From Approx. 1957-1974.	\$17.00	C

Part Number	Year	Description	Price	*Rev.
38298	1968	<b>GROUND WIRE, DISTRIBUTOR POINT PLATE</b> From Distributor Point Plate To Distributor Housing Note: Replaces Spot Welded Wire Asm On Point Plate Side. Fits All GM V/8 Point Type Distributors From Approx. 1957-1974.	\$17.00	C
38298	1969	<b>GROUND WIRE, DISTRIBUTOR POINT PLATE</b> From Distributor Point Plate To Distributor Housing Note: Replaces Spot Welded Wire Asm On Point Plate Side. Fits All GM V/8 Point Type Distributors From Approx. 1957-1974.	\$17.00	C
38298	1970	<b>GROUND WIRE, DISTRIBUTOR POINT PLATE</b> From Distributor Point Plate To Distributor Housing Note: Replaces Spot Welded Wire Asm On Point Plate Side. Fits All GM V/8 Point Type Distributors From Approx. 1957-1974.	\$17.00	C
38298	1971	<b>GROUND WIRE, DISTRIBUTOR POINT PLATE</b> From Distributor Point Plate To Distributor Housing Note: Replaces Spot Welded Wire Asm On Point Plate Side. Fits All GM V/8 Point Type Distributors From Approx. 1957-1974.	\$17.00	C
38298	1972	<b>GROUND WIRE, DISTRIBUTOR POINT PLATE</b> From Distributor Point Plate To Distributor Housing Note: Replaces Spot Welded Wire Asm On Point Plate Side. Fits All GM V/8 Point Type Distributors From Approx. 1957-1974.	\$17.00	C
38298	1973	<b>GROUND WIRE, DISTRIBUTOR POINT PLATE</b> From Distributor Point Plate To Distributor Housing Note: Replaces Spot Welded Wire Asm On Point Plate Side. Fits All GM V/8 Point Type Distributors From Approx. 1957-1974.	\$17.00	C
38298	1974	<b>GROUND WIRE, DISTRIBUTOR POINT PLATE</b> From Distributor Point Plate To Distributor Housing Note: Replaces Spot Welded Wire Asm On Point Plate Side. Fits All GM V/8 Point Type Distributors From Approx. 1957-1974.	\$17.00	C
<b>HARNESS TAPE</b>				
R0058272	1962	<b>HARNESS TAPE</b> 3/4" Vinyl (100 Ft. Roll) Non-Adhesive	\$12.00	
R0058276	1962	<b>HARNESS TAPE</b> 1" Vinyl (100 Ft. Roll) Non-Adhesive	\$13.00	
R0067108	1962	<b>HARNESS TAPE</b> 1 1/4" Vinyl (100 Ft. Roll) Non-Adhesive	\$15.00	
R0058272	1963	<b>HARNESS TAPE</b> 3/4" Vinyl (100 Ft. Roll) Non-Adhesive	\$12.00	
R0058276	1963	<b>HARNESS TAPE</b> 1" Vinyl (100 Ft. Roll) Non-Adhesive	\$13.00	
R0067108	1963	<b>HARNESS TAPE</b> 1 1/4" Vinyl (100 Ft. Roll) Non-Adhesive	\$15.00	
R0058272	1964	<b>HARNESS TAPE</b> 3/4" Vinyl (100 Ft. Roll) Non-Adhesive	\$12.00	
R0058276	1964	<b>HARNESS TAPE</b> 1" Vinyl (100 Ft. Roll) Non-Adhesive	\$13.00	
R0067108	1964	<b>HARNESS TAPE</b> 1 1/4" Vinyl (100 Ft. Roll) Non-Adhesive	\$15.00	
R0058272	1965	<b>HARNESS TAPE</b> 3/4" Vinyl (100 Ft. Roll) Non-Adhesive	\$12.00	
R0058276	1965	<b>HARNESS TAPE</b> 1" Vinyl (100 Ft. Roll) Non-Adhesive	\$13.00	
R0067108	1965	<b>HARNESS TAPE</b> 1 1/4" Vinyl (100 Ft. Roll) Non-Adhesive	\$15.00	
R0058272	1966	<b>HARNESS TAPE</b> 3/4" Vinyl (100 Ft. Roll) Non-Adhesive	\$12.00	
R0058276	1966	<b>HARNESS TAPE</b> 1" Vinyl (100 Ft. Roll) Non-Adhesive	\$13.00	
R0067108	1966	<b>HARNESS TAPE</b> 1 1/4" Vinyl (100 Ft. Roll) Non-Adhesive	\$15.00	
R0058272	1967	<b>HARNESS TAPE</b> 3/4" Vinyl (100 Ft. Roll) Non-Adhesive	\$12.00	
R0058276	1967	<b>HARNESS TAPE</b> 1" Vinyl (100 Ft. Roll) Non-Adhesive	\$13.00	
R0067108	1967	<b>HARNESS TAPE</b> 1 1/4" Vinyl (100 Ft. Roll) Non-Adhesive	\$15.00	
R0058272	1968	<b>HARNESS TAPE</b> 3/4" Vinyl (100 Ft. Roll) Non-Adhesive	\$12.00	
R0058276	1968	<b>HARNESS TAPE</b> 1" Vinyl (100 Ft. Roll) Non-Adhesive	\$13.00	
R0067108	1968	<b>HARNESS TAPE</b> 1 1/4" Vinyl (100 Ft. Roll) Non-Adhesive	\$15.00	
R0058272	1969	<b>HARNESS TAPE</b> 3/4" Vinyl (100 Ft. Roll) Non-Adhesive	\$12.00	
R0058276	1969	<b>HARNESS TAPE</b> 1" Vinyl (100 Ft. Roll) Non-Adhesive	\$13.00	
R0067108	1969	<b>HARNESS TAPE</b> 1 1/4" Vinyl (100 Ft. Roll) Non-Adhesive	\$15.00	
R0058272	1970	<b>HARNESS TAPE</b> 3/4" Vinyl (100 Ft. Roll) Non-Adhesive	\$12.00	
R0058276	1970	<b>HARNESS TAPE</b> 1" Vinyl (100 Ft. Roll) Non-Adhesive	\$13.00	
R0067108	1970	<b>HARNESS TAPE</b> 1 1/4" Vinyl (100 Ft. Roll) Non-Adhesive	\$15.00	
R0058272	1971	<b>HARNESS TAPE</b> 3/4" Vinyl (100 Ft. Roll) Non-Adhesive	\$12.00	
R0058276	1971	<b>HARNESS TAPE</b> 1" Vinyl (100 Ft. Roll) Non-Adhesive	\$13.00	
R0067108	1971	<b>HARNESS TAPE</b> 1 1/4" Vinyl (100 Ft. Roll) Non-Adhesive	\$15.00	
R0058272	1972	<b>HARNESS TAPE</b> 3/4" Vinyl (100 Ft. Roll) Non-Adhesive	\$12.00	
R0058276	1972	<b>HARNESS TAPE</b> 1" Vinyl (100 Ft. Roll) Non-Adhesive	\$13.00	

Part Number	Year	Description	Price	*Rev.
R0067108	1972	HARNESS TAPE 1 1/4" Vinyl (100 Ft. Roll) Non-Adhesive	\$15.00	
R0058272	1973	HARNESS TAPE 3/4" Vinyl (100 Ft. Roll) Non-Adhesive	\$12.00	
R0058276	1973	HARNESS TAPE 1" Vinyl (100 Ft. Roll) Non-Adhesive	\$13.00	
R0067108	1973	HARNESS TAPE 1 1/4" Vinyl (100 Ft. Roll) Non-Adhesive	\$15.00	
R0058272	1974	HARNESS TAPE 3/4" Vinyl (100 Ft. Roll) Non-Adhesive	\$12.00	
R0058276	1974	HARNESS TAPE 1" Vinyl (100 Ft. Roll) Non-Adhesive	\$13.00	
R0067108	1974	HARNESS TAPE 1 1/4" Vinyl (100 Ft. Roll) Non-Adhesive	\$15.00	
R0058272	1975	HARNESS TAPE 3/4" Vinyl (100 Ft. Roll) Non-Adhesive	\$12.00	
R0058276	1975	HARNESS TAPE 1" Vinyl (100 Ft. Roll) Non-Adhesive	\$13.00	
R0067108	1975	HARNESS TAPE 1 1/4" Vinyl (100 Ft. Roll) Non-Adhesive	\$15.00	
R0058272	1976	HARNESS TAPE 3/4" Vinyl (100 Ft. Roll) Non-Adhesive	\$12.00	
R0058276	1976	HARNESS TAPE 1" Vinyl (100 Ft. Roll) Non-Adhesive	\$13.00	
R0067108	1976	HARNESS TAPE 1 1/4" Vinyl (100 Ft. Roll) Non-Adhesive	\$15.00	
R0058272	1977	HARNESS TAPE 3/4" Vinyl (100 Ft. Roll) Non-Adhesive	\$12.00	
R0058276	1977	HARNESS TAPE 1" Vinyl (100 Ft. Roll) Non-Adhesive	\$13.00	
R0067108	1977	HARNESS TAPE 1 1/4" Vinyl (100 Ft. Roll) Non-Adhesive	\$15.00	
R0058272	1978	HARNESS TAPE 3/4" Vinyl (100 Ft. Roll) Non-Adhesive	\$12.00	
R0058276	1978	HARNESS TAPE 1" Vinyl (100 Ft. Roll) Non-Adhesive	\$13.00	
R0067108	1978	HARNESS TAPE 1 1/4" Vinyl (100 Ft. Roll) Non-Adhesive	\$15.00	
R0058272	1979	HARNESS TAPE 3/4" Vinyl (100 Ft. Roll) Non-Adhesive	\$12.00	
R0058276	1979	HARNESS TAPE 1" Vinyl (100 Ft. Roll) Non-Adhesive	\$13.00	
R0067108	1979	HARNESS TAPE 1 1/4" Vinyl (100 Ft. Roll) Non-Adhesive	\$15.00	
<b>HEADLAMP DIMMER SWITCH</b>				
01997028	1962	HEADLAMP DIMMER SWITCH	\$7.50	N
01997028	1963	HEADLAMP DIMMER SWITCH	\$7.50	N
01997028	1964	HEADLAMP DIMMER SWITCH	\$7.50	N
01997028	1965	HEADLAMP DIMMER SWITCH	\$7.50	N
01997028	1966	HEADLAMP DIMMER SWITCH	\$7.50	N
01997028	1967	HEADLAMP DIMMER SWITCH	\$7.50	N
<b>HEADLIGHT SWITCH</b>				
01995096	1962	HEADLIGHT SWITCH All	\$31.00	
01995096	1963	HEADLIGHT SWITCH All	\$31.00	
01995096	1964	HEADLIGHT SWITCH All	\$31.00	
01995179	1964	HEADLIGHT SWITCH	\$20.00	N
01995179	1965	HEADLIGHT SWITCH	\$20.00	N
01995179	1966	HEADLIGHT SWITCH	\$20.00	N
01995179	1967	HEADLIGHT SWITCH	\$20.00	N
01995179	1968	HEADLIGHT SWITCH	\$20.00	N
01995179	1969	HEADLIGHT SWITCH	\$20.00	N
01995179	1970	HEADLIGHT SWITCH	\$20.00	N
01995179	1971	HEADLIGHT SWITCH	\$20.00	N
01995179	1972	HEADLIGHT SWITCH	\$20.00	N
01995179	1973	HEADLIGHT SWITCH	\$20.00	N
01995216	1974	HEADLIGHT SWITCH	\$20.00	N
01995216	1975	HEADLIGHT SWITCH	\$20.00	N
01995216	1976	HEADLIGHT SWITCH	\$20.00	N



Part Number	Year	Description	Price	*Rev.
01995216	1977	HEADLIGHT SWITCH	\$20.00	N
01995216	1978	HEADLIGHT SWITCH	\$20.00	N
01995216	1979	HEADLIGHT SWITCH	\$20.00	N
<b>HEATER BLOWER MOTOR RESISTOR</b>				
03929052	1962	HEATER BLOWER MOTOR RESISTOR Without A/C	\$15.00	N
03929052	1963	HEATER BLOWER MOTOR RESISTOR Without A/C	\$15.00	N
03929052	1964	HEATER BLOWER MOTOR RESISTOR Without A/C	\$15.00	N
03929052	1965	HEATER BLOWER MOTOR RESISTOR Without A/C	\$15.00	N
03929052	1966	HEATER BLOWER MOTOR RESISTOR Without A/C	\$15.00	N
03929052	1967	HEATER BLOWER MOTOR RESISTOR Without A/C	\$15.00	N
03929052	1968	HEATER BLOWER MOTOR RESISTOR Without A/C	\$15.00	N
03929052	1969	HEATER BLOWER MOTOR RESISTOR Without A/C	\$15.00	N
03929052	1970	HEATER BLOWER MOTOR RESISTOR Without A/C	\$15.00	N
03929052	1971	HEATER BLOWER MOTOR RESISTOR Without A/C	\$15.00	N
03929052	1972	HEATER BLOWER MOTOR RESISTOR Without A/C	\$15.00	N
03929052	1973	HEATER BLOWER MOTOR RESISTOR Without A/C	\$15.00	N
03929052	1974	HEATER BLOWER MOTOR RESISTOR Without A/C	\$15.00	N
03929052	1975	HEATER BLOWER MOTOR RESISTOR Without A/C	\$15.00	N
03929052	1976	HEATER BLOWER MOTOR RESISTOR Without A/C	\$15.00	N
03929052	1977	HEATER BLOWER MOTOR RESISTOR Without A/C	\$15.00	N
03929052	1978	HEATER BLOWER MOTOR RESISTOR Without A/C	\$15.00	N
03929052	1979	HEATER BLOWER MOTOR RESISTOR Without A/C	\$15.00	N
<b>HEATER HARNESS</b>				
01520	1962	HEATER HARNESS Without A/C	\$27.00	
01520	1963	HEATER HARNESS Without A/C	\$27.00	
01520	1964	HEATER HARNESS Without A/C	\$27.00	
01520	1965	HEATER HARNESS Without A/C	\$27.00	
<b>HOOD LAMP REPLACEMENT KIT</b>				
18410	1964	HOOD LAMP KIT Under Hood, Includes Socket, Wire & Bulb	\$60.00	C
18410	1965	HOOD LAMP KIT Under Hood, Includes Socket, Wire & Bulb	\$60.00	C
18410	1966	HOOD LAMP KIT Under Hood, Includes Socket, Wire & Bulb	\$60.00	C
18410	1967	HOOD LAMP KIT Under Hood, Includes Socket, Wire & Bulb	\$60.00	C
18410	1968	HOOD LAMP KIT Under Hood, Includes Socket, Wire & Bulb	\$60.00	C
18410	1969	HOOD LAMP KIT Under Hood, Includes Socket, Wire & Bulb	\$60.00	C
18410	1970	HOOD LAMP KIT Under Hood, Includes Socket, Wire & Bulb	\$60.00	C
18410	1971	HOOD LAMP KIT Under Hood, Includes Socket, Wire & Bulb	\$60.00	C
18410	1972	HOOD LAMP KIT Under Hood, Includes Socket, Wire & Bulb	\$60.00	C
18410	1973	HOOD LAMP KIT Under Hood, Includes Socket, Wire & Bulb	\$60.00	C
18410	1974	HOOD LAMP KIT Under Hood, Includes Socket, Wire & Bulb	\$60.00	C
18410	1975	HOOD LAMP KIT Under Hood, Includes Socket, Wire & Bulb	\$60.00	C
18410	1976	HOOD LAMP KIT Under Hood, Includes Socket, Wire & Bulb	\$60.00	C
18410	1977	HOOD LAMP KIT Under Hood, Includes Socket, Wire & Bulb	\$60.00	C
<b>IDLE STOP SOLENOID WIRE</b>				
17495	1970	IDLE STOP SOLENOID WIRE All V/8, Except Big Block With Manual Trans	\$17.00	
<b>IGNITION CYLINDER AND KEYS</b>				
20071252	1969	IGNITION CYLINDER AND KEYS Chrome, All	\$18.50	N

Part Number	Year	Description	Price	*Rev.
20071252	1970	IGNITION CYLINDER AND KEYS Chrome, All	\$18.50	N
20071252	1971	IGNITION CYLINDER AND KEYS Chrome, All	\$18.50	N
20071252	1972	IGNITION CYLINDER AND KEYS Chrome, All	\$18.50	N
20071252	1973	IGNITION CYLINDER AND KEYS Chrome, All	\$18.50	N
20071252	1974	IGNITION CYLINDER AND KEYS Chrome, All	\$18.50	N
20071252	1975	IGNITION CYLINDER AND KEYS Chrome, All	\$18.50	N
20071252	1976	IGNITION CYLINDER AND KEYS Chrome, All	\$18.50	N
20071252	1977	IGNITION CYLINDER AND KEYS Chrome, All	\$18.50	N
20071252	1978	IGNITION CYLINDER AND KEYS Chrome, All, 1st Design, Used On Columns Without Lock Cylinder Retaining Screw	\$18.50	N
07833759	1978	IGNITION CYLINDER AND KEYS Chrome, All, 2nd Design, Used On Columns With Lock Cylinder Retaining Screw	\$18.50	N
07833759	1979	IGNITION CYLINDER AND KEYS Chrome, All	\$18.50	N
<b>IGNITION SWITCH</b>				
01116626	1962	IGNITION SWITCH	\$24.00	N
01116626	1963	IGNITION SWITCH	\$24.00	N
01116626	1964	IGNITION SWITCH	\$24.00	N
44205	1965	IGNITION SWITCH KIT Note: Includes Ignition Switch, Connector And Instructions.	\$37.00	N
01990110	1969	IGNITION SWITCH All, With Tilt	\$14.00	N
01990110	1970	IGNITION SWITCH All, With Tilt	\$14.00	N
01990110	1971	IGNITION SWITCH All, With Tilt	\$14.00	N
01990110	1972	IGNITION SWITCH All, With Tilt	\$14.00	N
01990110	1973	IGNITION SWITCH All, With Tilt	\$14.00	N
01990110	1974	IGNITION SWITCH All, With Tilt	\$14.00	N
01990110	1975	IGNITION SWITCH All, With Tilt	\$14.00	N
01990110	1976	IGNITION SWITCH All, With Tilt	\$14.00	N
01990110	1977	IGNITION SWITCH All, With Tilt	\$14.00	N
01990110	1978	IGNITION SWITCH All, With Tilt	\$14.00	N
01990110	1979	IGNITION SWITCH All, With Tilt	\$14.00	N
<b>INSTRUMENT GAUGE CLUSTER CLIP KIT</b>				
08986000	1976	CLIP KIT All, Instrument Gauge Cluster / Printed Circuit Board Retaining Clip Note: Replaces Original GM Part Number 08986000, Includes 12 Clips Per Kit.	\$14.00	N
08986000	1977	CLIP KIT All, Instrument Gauge Cluster / Printed Circuit Board Retaining Clip Note: Replaces Original GM Part Number 08986000, Includes 12 Clips Per Kit.	\$14.00	N
08986000	1978	CLIP KIT All, Instrument Gauge Cluster / Printed Circuit Board Retaining Clip Note: Replaces Original GM Part Number 08986000, Includes 12 Clips Per Kit.	\$14.00	N
08986000	1979	CLIP KIT All, Instrument Gauge Cluster / Printed Circuit Board Retaining Clip Note: Replaces Original GM Part Number 08986000, Includes 12 Clips Per Kit.	\$14.00	N
<b>KICKDOWN HARNESS</b>				
06145	1968	KICKDOWN HARNESS TH400 Auto Trans	\$43.00	
06145	1969	KICKDOWN HARNESS TH400 Auto Trans	\$43.00	
<b>KICKDOWN SWITCH</b>				
01242101	1970	KICKDOWN SWITCH TH400 Auto Trans	\$19.00	

Part Number	Year	Description	Price	*Rev.
<b>LOW FUEL INDICATOR MODULE</b>				
500274	1962	<b>LOW FUEL INDICATOR MODULE</b> Generic "Adjustable" Low Fuel Warning Module Note: A Complete Electronic Control Unit To Activate A Warning Lamp Or Relay When Fuel Level Drops Below A User Adjustable Level. Includes instruction sheet.	\$64.00	C
500274	1963	<b>LOW FUEL INDICATOR MODULE</b> Generic "Adjustable" Low Fuel Warning Module Note: A Complete Electronic Control Unit To Activate A Warning Lamp Or Relay When Fuel Level Drops Below A User Adjustable Level. Includes instruction sheet.	\$64.00	C
500274	1964	<b>LOW FUEL INDICATOR MODULE</b> Generic "Adjustable" Low Fuel Warning Module Note: A Complete Electronic Control Unit To Activate A Warning Lamp Or Relay When Fuel Level Drops Below A User Adjustable Level. Includes instruction sheet.	\$64.00	C
500274	1965	<b>LOW FUEL INDICATOR MODULE</b> Generic "Adjustable" Low Fuel Warning Module Note: A Complete Electronic Control Unit To Activate A Warning Lamp Or Relay When Fuel Level Drops Below A User Adjustable Level. Includes instruction sheet.	\$64.00	C
500274	1966	<b>LOW FUEL INDICATOR MODULE</b> Generic "Adjustable" Low Fuel Warning Module Note: A Complete Electronic Control Unit To Activate A Warning Lamp Or Relay When Fuel Level Drops Below A User Adjustable Level. Includes instruction sheet.	\$64.00	C
500274	1967	<b>LOW FUEL INDICATOR MODULE</b> Generic "Adjustable" Low Fuel Warning Module Note: A Complete Electronic Control Unit To Activate A Warning Lamp Or Relay When Fuel Level Drops Below A User Adjustable Level. Includes instruction sheet.	\$64.00	C
500274	1968	<b>LOW FUEL INDICATOR MODULE</b> Generic "Adjustable" Low Fuel Warning Module Note: A Complete Electronic Control Unit To Activate A Warning Lamp Or Relay When Fuel Level Drops Below A User Adjustable Level. Includes instruction sheet.	\$64.00	C
500274	1969	<b>LOW FUEL INDICATOR MODULE</b> Generic "Adjustable" Low Fuel Warning Module Note: A Complete Electronic Control Unit To Activate A Warning Lamp Or Relay When Fuel Level Drops Below A User Adjustable Level. Includes instruction sheet.	\$64.00	C
500274	1970	<b>LOW FUEL INDICATOR MODULE</b> Generic "Adjustable" Low Fuel Warning Module Note: A Complete Electronic Control Unit To Activate A Warning Lamp Or Relay When Fuel Level Drops Below A User Adjustable Level. Includes instruction sheet.	\$64.00	C
500274	1971	<b>LOW FUEL INDICATOR MODULE</b> Generic "Adjustable" Low Fuel Warning Module Note: A Complete Electronic Control Unit To Activate A Warning Lamp Or Relay When Fuel Level Drops Below A User Adjustable Level. Includes instruction sheet.	\$64.00	C
500274	1972	<b>LOW FUEL INDICATOR MODULE</b> Generic "Adjustable" Low Fuel Warning Module Note: A Complete Electronic Control Unit To Activate A Warning Lamp Or Relay When Fuel Level Drops Below A User Adjustable Level. Includes instruction sheet.	\$64.00	C
500274	1973	<b>LOW FUEL INDICATOR MODULE</b> Generic "Adjustable" Low Fuel Warning Module Note: A Complete Electronic Control Unit To Activate A Warning Lamp Or Relay When Fuel Level Drops Below A User Adjustable Level. Includes instruction sheet.	\$64.00	C
500274	1974	<b>LOW FUEL INDICATOR MODULE</b> Generic "Adjustable" Low Fuel Warning Module Note: A Complete Electronic Control Unit To Activate A Warning Lamp Or Relay When Fuel Level Drops Below A User Adjustable Level. Includes instruction sheet.	\$64.00	C
<b>NEUTRAL SAFETY AND BACKUP LAMP SWITCH</b>				
01993659	1962	<b>NEUTRAL SAFETY AND BACKUP LAMP SWITCH</b> With Column Shift Powerglide Auto Trans	\$12.00	
01993659	1963	<b>NEUTRAL SAFETY AND BACKUP LAMP SWITCH</b> With Column Shift Powerglide Auto Trans	\$12.00	
01993659	1964	<b>NEUTRAL SAFETY AND BACKUP LAMP SWITCH</b> With Column Shift Powerglide Auto Trans	\$12.00	
01993659	1965	<b>NEUTRAL SAFETY AND BACKUP LAMP SWITCH</b> With Column Shift Powerglide Auto Trans	\$12.00	
01993696	1965	<b>NEUTRAL SAFETY AND BACKUP LAMP SWITCH</b> With Console Shift Powerglide Auto Trans	\$64.00	
01993659	1966	<b>NEUTRAL SAFETY AND BACKUP LAMP SWITCH</b> With Column Shift Powerglide Auto Trans	\$12.00	
01993696	1966	<b>NEUTRAL SAFETY AND BACKUP LAMP SWITCH</b> With Console Shift Powerglide Auto Trans	\$64.00	
01993696	1967	<b>NEUTRAL SAFETY AND BACKUP LAMP SWITCH</b> With Console Shift Powerglide Auto Trans	\$64.00	
03900503	1968	<b>NEUTRAL SAFETY AND BACKUP LAMP SWITCH</b> With Console Shift Pg Auto Trans	\$75.00	
03909591	1968	<b>NEUTRAL SAFETY AND BACKUP LAMP SWITCH</b> With Console Shift TH 350-400 Auto Trans	\$75.00	

Part Number	Year	Description	Price	*Rev.
01994235	1969	<b>NEUTRAL SAFETY AND BACKUP LAMP SWITCH</b> With Column Shift Auto Trans, All	\$19.00	
03900503	1969	<b>NEUTRAL SAFETY AND BACKUP LAMP SWITCH</b> With Console Shift Pg Auto Trans	\$75.00	
03909591	1969	<b>NEUTRAL SAFETY AND BACKUP LAMP SWITCH</b> With Console Shift TH 350-400 Auto Trans	\$75.00	
01994235	1970	<b>NEUTRAL SAFETY AND BACKUP LAMP SWITCH</b> With Column Shift Auto Trans, All	\$19.00	
03900503	1970	<b>NEUTRAL SAFETY AND BACKUP LAMP SWITCH</b> With Console Shift Pg Auto Trans	\$75.00	
03909591	1970	<b>NEUTRAL SAFETY AND BACKUP LAMP SWITCH</b> With Console Shift TH 350-400 Auto Trans	\$75.00	
01994235	1971	<b>NEUTRAL SAFETY AND BACKUP LAMP SWITCH</b> With Column Shift Auto Trans, All	\$19.00	
03900503	1971	<b>NEUTRAL SAFETY AND BACKUP LAMP SWITCH</b> With Console Shift Pg Auto Trans	\$75.00	
03909591	1971	<b>NEUTRAL SAFETY AND BACKUP LAMP SWITCH</b> With Console Shift TH 350-400 Auto Trans	\$75.00	
01994235	1972	<b>NEUTRAL SAFETY AND BACKUP LAMP SWITCH</b> With Column Shift Auto Trans, All	\$19.00	
03900503	1972	<b>NEUTRAL SAFETY AND BACKUP LAMP SWITCH</b> With Console Shift Pg Auto Trans	\$75.00	
03909591	1972	<b>NEUTRAL SAFETY AND BACKUP LAMP SWITCH</b> With Console Shift TH 350-400 Auto Trans	\$75.00	
<b>NEUTRAL SAFETY SWITCH</b>				
01993494	1969	<b>NEUTRAL SAFETY SWITCH</b> With Manual Trans Note: Includes Rod, 2 Retaining Clips, 2 Bushings And Bolt.	\$65.00	
03983965	1970	<b>NEUTRAL SAFETY SWITCH</b> With Manual Trans (Clutch Pedal Activated) Note: 03983965 Switch Included In Kit Is Correct, However Mounting Tower 03961589 Also Provided Does Not Work On This Application. Original Mounting Tower Must Be Reused.	\$58.00	C
03983965	1971	<b>NEUTRAL SAFETY SWITCH</b> With Manual Trans (Clutch Pedal Activated) Note: 03983965 Switch Included In Kit Is Correct, However Mounting Tower 03961589 Also Provided Does Not Work On This Application. Original Mounting Tower Must Be Reused.	\$58.00	C
03983965	1972	<b>NEUTRAL SAFETY SWITCH</b> With Manual Trans (Clutch Pedal Activated) Note: 03983965 Switch Included In Kit Is Correct, However Mounting Tower 03961589 Also Provided Does Not Work On This Application. Original Mounting Tower Must Be Reused.	\$58.00	C
03983965	1973	<b>NEUTRAL SAFETY SWITCH</b> With Manual Trans (Clutch Pedal Activated) Note: 03983965 Switch Included In Kit Is Correct, However Mounting Tower 03961589 Also Provided Does Not Work On This Application. Original Mounting Tower Must Be Reused.	\$58.00	C
03983965	1974	<b>NEUTRAL SAFETY SWITCH</b> With Manual Trans (Clutch Pedal Activated) Note: 03983965 Switch Included In Kit Is Correct, However Mounting Tower 03961589 Also Provided Does Not Work On This Application. Original Mounting Tower Must Be Reused.	\$58.00	C
03983965	1975	<b>NEUTRAL SAFETY SWITCH</b> With Manual Trans (Clutch Pedal Activated) Note: 03983965 Switch Included In Kit Is Correct, However Mounting Tower 03961589 Also Provided Does Not Work On This Application. Original Mounting Tower Must Be Reused.	\$58.00	C
03983965	1976	<b>NEUTRAL SAFETY SWITCH</b> With Manual Trans (Clutch Pedal Activated) Note: 03983965 Switch Included In Kit Is Correct, However Mounting Tower 03961589 Also Provided Does Not Work On This Application. Original Mounting Tower Must Be Reused.	\$58.00	N
03983965	1977	<b>NEUTRAL SAFETY SWITCH</b> With Manual Trans (Clutch Pedal Activated) Note: 03983965 Switch Included In Kit Is Correct, However Mounting Tower 03961589 Also Provided Does Not Work On This Application. Original Mounting Tower Must Be Reused.	\$58.00	N
03983965	1978	<b>NEUTRAL SAFETY SWITCH</b> With Manual Trans (Clutch Pedal Activated) Note: 03983965 Switch Included In Kit Is Correct, However Mounting Tower 03961589 Also Provided Does Not Work On This Application. Original Mounting Tower Must Be Reused.	\$58.00	N

Part Number	Year	Description	Price	*Rev.
03983965	1979	<b>NEUTRAL SAFETY SWITCH</b> With Manual Trans (Clutch Pedal Activated) Note: 03983965 Switch Included In Kit Is Correct, However Mounting Tower 03961589 Also Provided Does Not Work On This Application. Original Mounting Tower Must Be Reused.	\$58.00	N
<b>NEUTRAL SAFETY SWITCH EXTENSION HARNESS</b>				
15230	1970	<b>NEUTRAL SAFETY SWITCH EXTENSION HARNESS</b> Manual Trans, From Dash To Clutch Switch	\$25.00	
<b>PARKING BRAKE WARNING LAMP HARNESS</b>				
15205	1970	<b>PARKING BRAKE WARNING LAMP HARNESS</b>	\$13.00	
15205	1971	<b>PARKING BRAKE WARNING LAMP HARNESS</b>	\$13.00	
15205	1972	<b>PARKING BRAKE WARNING LAMP HARNESS</b>	\$13.00	
<b>POWER DOOR LOCK SWITCH</b>				
01725099	1973	<b>POWER DOOR LOCK SWITCH</b> 1 Button	\$62.00	
01725099	1974	<b>POWER DOOR LOCK SWITCH</b> 1 Button	\$62.00	
01725099	1975	<b>POWER DOOR LOCK SWITCH</b> 1 Button	\$62.00	
01725099	1976	<b>POWER DOOR LOCK SWITCH</b> 1 Button	\$62.00	
01725099	1977	<b>POWER DOOR LOCK SWITCH</b> 1 Button	\$62.00	
01725099	1979	<b>POWER DOOR LOCK SWITCH</b> 1 Button	\$62.00	M
<b>POWER WINDOW MOTOR ADAPTER HARNESS</b>				
36954	1962	<b>POWER WINDOW MOTOR ADAPTER HARNESS</b> Adapts "T" Shaped Motor Connector To Side By Side Blade Type Motor Connector	\$22.00	C
36954	1963	<b>POWER WINDOW MOTOR ADAPTER HARNESS</b> Adapts "T" Shaped Motor Connector To Side By Side Blade Type Motor Connector	\$22.00	C
36954	1964	<b>POWER WINDOW MOTOR ADAPTER HARNESS</b> Adapts "T" Shaped Motor Connector To Side By Side Blade Type Motor Connector	\$22.00	C
36954	1965	<b>POWER WINDOW MOTOR ADAPTER HARNESS</b> Adapts "T" Shaped Motor Connector To Side By Side Blade Type Motor Connector	\$22.00	C
36954	1966	<b>POWER WINDOW MOTOR ADAPTER HARNESS</b> Adapts "T" Shaped Motor Connector To Side By Side Blade Type Motor Connector	\$22.00	C
36954	1967	<b>POWER WINDOW MOTOR ADAPTER HARNESS</b> Adapts "T" Shaped Motor Connector To Side By Side Blade Type Motor Connector	\$22.00	C
36954	1968	<b>POWER WINDOW MOTOR ADAPTER HARNESS</b> Adapts "T" Shaped Motor Connector To Side By Side Blade Type Motor Connector	\$22.00	C
36954	1969	<b>POWER WINDOW MOTOR ADAPTER HARNESS</b> Adapts "T" Shaped Motor Connector To Side By Side Blade Type Motor Connector	\$22.00	C
36954	1970	<b>POWER WINDOW MOTOR ADAPTER HARNESS</b> Adapts "T" Shaped Motor Connector To Side By Side Blade Type Motor Connector	\$22.00	C
36954	1971	<b>POWER WINDOW MOTOR ADAPTER HARNESS</b> Adapts "T" Shaped Motor Connector To Side By Side Blade Type Motor Connector	\$22.00	C
36954	1972	<b>POWER WINDOW MOTOR ADAPTER HARNESS</b> Adapts "T" Shaped Motor Connector To Side By Side Blade Type Motor Connector	\$22.00	C
36954	1973	<b>POWER WINDOW MOTOR ADAPTER HARNESS</b> Adapts "T" Shaped Motor Connector To Side By Side Blade Type Motor Connector	\$22.00	C
36954	1974	<b>POWER WINDOW MOTOR ADAPTER HARNESS</b> Adapts "T" Shaped Motor Connector To Side By Side Blade Type Motor Connector	\$22.00	C
36954	1975	<b>POWER WINDOW MOTOR ADAPTER HARNESS</b> Adapts "T" Shaped Motor Connector To Side By Side Blade Type Motor Connector	\$22.00	C
<b>POWER WINDOW SWITCH</b>				
04432790	1964	<b>POWER WINDOW SWITCH</b> 1 Button, Round Corner Style, Chrome	\$49.00	
04432793	1964	<b>POWER WINDOW SWITCH</b> 2 Button, Round Corner Style, Chrome. 2-Door Wagons	\$61.00	
04432791	1964	<b>POWER WINDOW SWITCH</b> 4 Button, Round Corner Style, Chrome	\$67.00	
04432790	1965	<b>POWER WINDOW SWITCH</b> 1 Button, Round Corner Style, Chrome	\$49.00	

Part Number	Year	Description	Price	*Rev.
04432793	1965	POWER WINDOW SWITCH 2 Button, Round Corner Style, Chrome. 2-Door Wagons	\$61.00	
04432791	1965	POWER WINDOW SWITCH 4 Button, Round Corner Style, Chrome	\$67.00	
04432790	1966	POWER WINDOW SWITCH 1 Button, Round Corner Style, Chrome	\$49.00	
04432793	1966	POWER WINDOW SWITCH 2 Button, Round Corner Style, Chrome. 2-Door Wagons	\$61.00	
04432791	1966	POWER WINDOW SWITCH 4 Button, Round Corner Style, Chrome	\$67.00	
04432790	1967	POWER WINDOW SWITCH 1 Button, Round Corner Style, Chrome	\$49.00	
04432793	1967	POWER WINDOW SWITCH 2 Button, Round Corner Style, Chrome. 2-Door Wagons	\$61.00	
04432791	1967	POWER WINDOW SWITCH 4 Button, Round Corner Style, Chrome	\$67.00	
04432790	1968	POWER WINDOW SWITCH 1 Button, Round Corner Style, Chrome	\$49.00	
04432793	1968	POWER WINDOW SWITCH 2 Button, Round Corner Style, Chrome. 2-Door Wagons	\$61.00	
04432791	1968	POWER WINDOW SWITCH 4 Button, Round Corner Style, Chrome	\$67.00	
04432790	1969	POWER WINDOW SWITCH 1 Button, Round Corner Style, Chrome	\$49.00	
04432793	1969	POWER WINDOW SWITCH 2 Button, Round Corner Style, Chrome. 2-Door Wagons	\$61.00	
04432791	1969	POWER WINDOW SWITCH 4 Button, Round Corner Style, Chrome	\$67.00	
04432790	1970	POWER WINDOW SWITCH 1 Button, Round Corner Style, Chrome	\$49.00	
04432793	1970	POWER WINDOW SWITCH 2 Button, Round Corner Style, Chrome. 2-Door Wagons	\$61.00	
04432791	1970	POWER WINDOW SWITCH 4 Button, Round Corner Style, Chrome	\$67.00	
01725094	1975	POWER WINDOW SWITCH 1 Button, Square Corner Style, Chrome	\$21.00	M
01731231	1975	POWER WINDOW SWITCH 4 Button, Square Corner Style, Chrome	\$75.00	M
01725092	1975	POWER WINDOW SWITCH 2 Button, Square Corner Style, Chrome	\$53.00	M
01725094	1976	POWER WINDOW SWITCH 1 Button, Square Corner Style, Chrome	\$21.00	M
01731231	1976	POWER WINDOW SWITCH 4 Button, Square Corner Style, Chrome	\$75.00	M
01725092	1976	POWER WINDOW SWITCH 2 Button, Square Corner Style, Chrome	\$53.00	M
01725094	1977	POWER WINDOW SWITCH 1 Button, Square Corner Style, Chrome	\$21.00	M
01731231	1977	POWER WINDOW SWITCH 4 Button, Square Corner Style, Chrome	\$75.00	M
01725092	1977	POWER WINDOW SWITCH 2 Button, Square Corner Style, Chrome	\$53.00	M
01725094	1978	POWER WINDOW SWITCH 1 Button, Square Corner Style, Chrome	\$21.00	M
01731231	1978	POWER WINDOW SWITCH 4 Button, Square Corner Style, Chrome	\$75.00	M
01725092	1978	POWER WINDOW SWITCH 2 Button, Square Corner Style, Chrome	\$53.00	M
01725094	1979	POWER WINDOW SWITCH 1 Button, Square Corner Style, Chrome, 4 Door Sedan	\$21.00	M
01731231	1979	POWER WINDOW SWITCH 4 Button, Square Corner Style, Chrome	\$75.00	M
01725092	1979	POWER WINDOW SWITCH 2 Button, Square Corner Style, Chrome	\$53.00	M
<b>REAR LAMP HARNESS</b>				
28155	1962	REAR LAMP EXTENSION HARNESS Rear Lamp Harness To Backup Lamps, All	\$29.00	
01305	1962	REAR LAMP HARNESS Coupe, Except Wagons	\$184.00	
01310	1962	REAR LAMP HARNESS Convertible	\$193.00	
28155	1963	REAR LAMP EXTENSION HARNESS Rear Lamp Harness To Backup Lamps, All	\$29.00	
17375	1963	REAR LAMP HARNESS Coupe, Except Wagons	\$179.00	
17380	1963	REAR LAMP HARNESS Convertible	\$198.00	
37098	1964	REAR LAMP EXTENSION HARNESS Rear Lamp Harness To Backup Lamps, All	\$29.00	
17375	1964	REAR LAMP HARNESS Except Wagons	\$179.00	
07225	1965	REAR LAMP HARNESS Except Wagons	\$184.00	
17215	1966	REAR LAMP HARNESS Except Wagons	\$179.00	
17215	1967	REAR LAMP HARNESS Except Wagons	\$179.00	
01320	1968	REAR LAMP HARNESS	\$237.00	
20585	1968	REAR LAMP HARNESS With Under Dash Courtesy Lamps	\$262.00	
18515	1969	REAR LAMP HARNESS Left Side Tail Lamps	\$153.00	

Part Number	Year	Description	Price	*Rev.
18530	1969	<b>REAR LAMP HARNESS</b> Left Side Taillamps, With Under Dash Courtesy Lamps	\$199.00	
34965	1969	<b>REAR LAMP EXTENSION HARNESS</b> Right Side Taillamps	\$99.00	
21225	1970	<b>REAR LAMP HARNESS</b> Left Side Tail Lamps	\$153.00	
20975	1970	<b>REAR LAMP HARNESS</b> Left Side Tail Lamps, With Under Dash Courtesy Lamps	\$199.00	
34965	1970	<b>REAR LAMP EXTENSION HARNESS</b> Right Side Taillamps	\$99.00	
21225	1971	<b>REAR LAMP HARNESS</b> Left Side Tail Lamps	\$153.00	
20975	1971	<b>REAR LAMP HARNESS</b> Left Side Tail Lamps, With Under Dash Courtesy Lamps	\$199.00	
34965	1971	<b>REAR LAMP EXTENSION HARNESS</b> Right Side Taillamps	\$99.00	
21225	1972	<b>REAR LAMP HARNESS</b> Left Side Tail Lamps	\$153.00	
20975	1972	<b>REAR LAMP HARNESS</b> Left Side Tail Lamps, With Under Dash Courtesy Lamps	\$199.00	
20935	1972	<b>REAR LAMP HARNESS</b> Left Side Tail Lamps, With Seat Belt Warning	\$201.00	
20930	1972	<b>REAR LAMP HARNESS</b> Left Side, With Seat Belt Warn. & Under Dash Courtesy Lamps	\$219.00	
18535	1972	<b>REAR LAMP EXTENSION HARNESS</b> Right Side Tail Lamps	\$99.00	
20960	1973	<b>REAR LAMP INTERMEDIATE HARNESS</b>	\$173.00	
20955	1973	<b>REAR LAMP INTERMEDIATE HARNESS</b> With Under Dash Courtesy Lamps	\$206.00	
20965	1973	<b>REAR LAMP HARNESS</b>	\$153.00	
21235	1974	<b>REAR LAMP HARNESS</b>	\$153.00	
<b>REAR WINDOW DEFROSTER HARNESS</b>				
14420	1969	<b>REAR WINDOW DEFROSTER HARNESS</b>	\$59.00	
14420	1970	<b>REAR WINDOW DEFROSTER HARNESS</b>	\$59.00	
14420	1971	<b>REAR WINDOW DEFROSTER HARNESS</b>	\$59.00	
14420	1972	<b>REAR WINDOW DEFROSTER HARNESS</b>	\$59.00	
<b>SPEAKER HARNESS</b>				
18510	1965	<b>SPEAKER HARNESS</b> To Single Rear Seat Speaker	\$53.00	
18510	1966	<b>SPEAKER HARNESS</b> To Single Rear Seat Speaker	\$53.00	
18510	1967	<b>SPEAKER HARNESS</b> To Single Rear Seat Speaker	\$53.00	
18510	1968	<b>SPEAKER HARNESS</b> To Single Rear Seat Speaker	\$53.00	
33430	1968	<b>SPEAKER HARNESS</b> 4 Stereo Speakers, Front & Rear	\$83.00	
33430	1969	<b>SPEAKER HARNESS</b> 4 Stereo Speakers, Front & Rear	\$83.00	
<b>SPEED WARNING HARNESS</b>				
11050	1967	<b>SPEED WARNING HARNESS</b>	\$25.00	
13130	1969	<b>SPEED WARNING HARNESS</b>	\$25.00	
<b>STEERING COLUMN ADAPTER HARNESS</b>				
37616	1962	<b>STEERING COLUMN ADAPTER HARNESS</b> For 1969-74 GM & Ididit Columns (Exc. Flaming River) To Stock Dash Harness Note: Adapts Horn, Directionals, Hazard Flashers To Stock 6-Way Dash Connector.	\$50.00	
38124	1962	<b>STEERING COLUMN ADAPTER HARNESS</b> For 1975 & Up GM & Flaming River Columns (Exc. Ididit) To Stock Dash Harness Note: Adapts Horn, Directionals, Hazard Flashers To Stock 6-Way Dash Connector.	\$53.00	
37618	1963	<b>STEERING COLUMN ADAPTER HARNESS</b> For 1969-74 GM & Ididit Columns (Exc. Flaming River) To Stock Dash Harness Note: Adapts Horn, Directionals, Hazard Flashers To Stock 8-Way Dash Connector.	\$50.00	
38125	1963	<b>STEERING COLUMN ADAPTER HARNESS</b> For 1975 & Up GM & Flaming River Columns (Exc. Ididit) To Stock Dash Harness Note: Adapts Horn, Directionals, Hazard Flashers To Stock 8-Way Dash Connector.	\$51.00	
37618	1964	<b>STEERING COLUMN ADAPTER HARNESS</b> For 1969-74 GM & Ididit Columns (Exc. Flaming River) To Stock Dash Harness Note: Adapts Horn, Directionals, Hazard Flashers To Stock 8-Way Dash Connector.	\$50.00	

Part Number	Year	Description	Price	*Rev.
38125	1964	<b>STEERING COLUMN ADAPTER HARNESS</b> For 1975 & Up GM & Flaming River Columns (Exc. Ididit) To Stock Dash Harness Note: Adapts Horn, Directionals, Hazard Flashers To Stock 8-Way Dash Connector.	\$51.00	
37618	1965	<b>STEERING COLUMN ADAPTER HARNESS</b> For 1969-74 GM & Ididit Columns (Exc. Flaming River) To Stock Dash Harness Note: Adapts Horn, Directionals, Hazard Flashers To Stock 8-Way Dash Connector.	\$50.00	
38125	1965	<b>STEERING COLUMN ADAPTER HARNESS</b> For 1975 & Up GM & Flaming River Columns (Exc. Ididit) To Stock Dash Harness Note: Adapts Horn, Directionals, Hazard Flashers To Stock 8-Way Dash Connector.	\$51.00	
37542	1966	<b>STEERING COLUMN ADAPTER HARNESS</b> For 1969-1974 GM & Ididit Columns (Exc. Flaming River) To Stock Dash Harness Note: Adapts Horn, Directionals, Hazard Flashers To Stock 8 Pin T/L Dash Connector.	\$50.00	
37009	1966	<b>STEERING COLUMN ADAPTER HARNESS</b> For 1975 & Up GM & Flaming River Columns (Exc. Ididit) To Stock Dash Harness Note: Adapts Horn, Directionals, Hazard Flashers To Stock 8 Pin Dash Connector.	\$52.00	
36882	1967	<b>STEERING COLUMN ADAPTER HARNESS</b> For 1969-1974 GM & Ididit Columns (Exc. Flaming River) To Stock Dash Harness Note: Adapts Horn, Directionals, Hazard Flashers To Stock 9-Pin T/L Dash Connector.	\$27.00	
38127	1967	<b>STEERING COLUMN ADAPTER HARNESS</b> For 1975 & Up GM & Flaming River Columns (Exc. Ididit) To Stock Dash Harness Note: Adapts Horn, Directionals, Hazard Flashers To Stock 9-Pin T/L Dash Connector.	\$27.00	
36882	1968	<b>STEERING COLUMN ADAPTER HARNESS</b> For 1969-1974 GM & Ididit Columns (Exc. Flaming River) To Stock Dash Harness Note: Adapts Horn, Directionals, Hazard Flashers To Stock 9-Pin T/L Dash Connector.	\$27.00	
38127	1968	<b>STEERING COLUMN ADAPTER HARNESS</b> For 1975 & Up GM & Flaming River Columns (Exc. Ididit) To Stock Dash Harness Note: Adapts Horn, Directionals, Hazard Flashers To Stock 9-Pin T/L Dash Connector.	\$27.00	
<b>STOP LAMP SWITCH</b>				
01261219	1962	<b>STOP LAMP SWITCH</b> Without Cruise	\$5.80	N
01261219	1963	<b>STOP LAMP SWITCH</b> Without Cruise	\$5.80	N
01261219	1964	<b>STOP LAMP SWITCH</b> Without Cruise	\$5.80	N
01261219	1965	<b>STOP LAMP SWITCH</b> Without Cruise	\$5.80	N
01261219	1966	<b>STOP LAMP SWITCH</b> Without Cruise	\$5.80	N
01261219	1967	<b>STOP LAMP SWITCH</b> Without Cruise	\$5.80	N
01261219	1968	<b>STOP LAMP SWITCH</b> Without Cruise	\$5.80	N
01261219	1969	<b>STOP LAMP SWITCH</b> Without Cruise	\$5.80	N
01261219	1970	<b>STOP LAMP SWITCH</b> Without Cruise	\$5.80	N
01261219	1971	<b>STOP LAMP SWITCH</b> Without Cruise	\$5.80	N
01261219	1972	<b>STOP LAMP SWITCH</b> Without Cruise	\$5.80	N
01261219	1973	<b>STOP LAMP SWITCH</b> Without Cruise	\$5.80	N
01261219	1974	<b>STOP LAMP SWITCH</b> Without Cruise	\$5.80	N
01261219	1975	<b>STOP LAMP SWITCH</b> Without Cruise	\$5.80	N
01261219	1976	<b>STOP LAMP SWITCH</b> Without Power Brakes Or Cruise	\$5.80	N
01261219	1977	<b>STOP LAMP SWITCH</b> Without Power Brakes Or Cruise	\$5.80	N
01261219	1978	<b>STOP LAMP SWITCH</b> Without Power Brakes Or Cruise	\$5.80	N
01261219	1979	<b>STOP LAMP SWITCH</b> Without Power Brakes Or Cruise	\$5.80	N
<b>TACHOMETER HARNESS</b>				
01525	1962	<b>TACHOMETER HARNESS</b>	\$69.00	
01530	1963	<b>TACHOMETER HARNESS</b>	\$50.00	
01535	1964	<b>TACHOMETER HARNESS</b>	\$50.00	



Part Number	Year	Description	Price	*Rev.
01535	1965	TACHOMETER HARNESS Dash Mounted	\$50.00	
01540	1965	TACHOMETER HARNESS Steering Column Mounted	\$60.00	
01540	1966	TACHOMETER HARNESS Steering Column Mounted	\$60.00	
<b>TCS TRANSMISSION SWITCH EXTENSION</b>				
17355	1972	TCS TRANSMISSION SWITCH EXTENSION Manual Trans, From Engine Harness To Trans Switch Note: Used With #16375, #16380 & #16385 Engine Harness.	\$49.00	
17355	1973	TCS TRANSMISSION SWITCH EXTENSION Manual Trans, From Engine Harness To Trans Switch Note: Used With #15500 & #15505 Engine Harness.	\$49.00	
<b>TEMPERATURE SENDING UNIT WIRE REPAIR KIT</b>				
34620	1962	TEMPERATURE SENDING UNIT WIRE REPAIR KIT	\$20.00	
34620	1963	TEMPERATURE SENDING UNIT WIRE REPAIR KIT	\$20.00	
34620	1964	TEMPERATURE SENDING UNIT WIRE REPAIR KIT	\$20.00	
34620	1965	TEMPERATURE SENDING UNIT WIRE REPAIR KIT	\$20.00	
34620	1966	TEMPERATURE SENDING UNIT WIRE REPAIR KIT	\$20.00	
34620	1967	TEMPERATURE SENDING UNIT WIRE REPAIR KIT	\$20.00	
34620	1968	TEMPERATURE SENDING UNIT WIRE REPAIR KIT	\$20.00	
34620	1969	TEMPERATURE SENDING UNIT WIRE REPAIR KIT	\$20.00	
34620	1970	TEMPERATURE SENDING UNIT WIRE REPAIR KIT	\$20.00	
34620	1971	TEMPERATURE SENDING UNIT WIRE REPAIR KIT	\$20.00	
34620	1972	TEMPERATURE SENDING UNIT WIRE REPAIR KIT	\$20.00	
34620	1973	TEMPERATURE SENDING UNIT WIRE REPAIR KIT	\$20.00	
34620	1974	TEMPERATURE SENDING UNIT WIRE REPAIR KIT	\$20.00	
34620	1975	TEMPERATURE SENDING UNIT WIRE REPAIR KIT	\$20.00	
<b>TRANSISTOR IGNITION HARNESS</b>				
27565	1966	TRANSISTOR IGNITION HARNESS Amplifier To Extension Harness (Part# 27570)	\$98.00	
33225	1966	TRANSISTOR IGNITION AMPLIFIER EXTENSION From Internal Circuit Board To Amplifier Housing Connector	\$53.00	
27570	1966	TRANSISTOR IGNITION EXTENSION HARNESS Starter Motor, Coil & Distributor	\$113.00	
21265	1966	TRANSISTOR IGNITION POWER FEED HARNESS Ignition Switch To Extension Harness (Part# 27570)	\$25.00	
<b>TRANSISTOR IGNITION REPLACEMENT MODULE</b>				
32270	1966	TRANSISTOR IGNITION REPLACEMENT MODULE Replaces Original Circuit Board In Amplifier	\$189.00	
<b>TRUNK LAMP ASSEMBLY</b>				
36379	1966	TRUNK LAMP ASSEMBLY Includes Extension Harness	\$48.00	
36379	1967	TRUNK LAMP ASSEMBLY Includes Extension Harness	\$48.00	
36380	1968	TRUNK LAMP ASSEMBLY Includes Extension Harness	\$43.00	
36380	1969	TRUNK LAMP ASSEMBLY Includes Extension Harness	\$43.00	
36380	1970	TRUNK LAMP ASSEMBLY Includes Extension Harness	\$43.00	
36380	1971	TRUNK LAMP ASSEMBLY Includes Extension Harness	\$43.00	
36380	1972	TRUNK LAMP ASSEMBLY Includes Extension Harness	\$43.00	
36380	1973	TRUNK LAMP ASSEMBLY Includes Extension Harness	\$43.00	
36380	1974	TRUNK LAMP ASSEMBLY Includes Extension Harness	\$43.00	
<b>TRUNK LAMP EXTENSION HARNESS</b>				
28210	1968	TRUNK LAMP EXTENSION HARNESS Coupe	\$15.00	
28210	1969	TRUNK LAMP EXTENSION HARNESS Coupe	\$15.00	
28210	1970	TRUNK LAMP EXTENSION HARNESS Coupe	\$15.00	
28210	1971	TRUNK LAMP EXTENSION HARNESS Coupe	\$15.00	
28210	1972	TRUNK LAMP EXTENSION HARNESS Coupe	\$15.00	

Part Number	Year	Description	Price	*Rev.
28210	1973	TRUNK LAMP EXTENSION HARNESS Coupe	\$15.00	
28210	1974	TRUNK LAMP EXTENSION HARNESS Coupe	\$15.00	
<b>TURN SIGNAL SWITCH</b>				
03765110	1962	TURN SIGNAL SWITCH	\$23.00	
00898197	1963	TURN SIGNAL SWITCH All	\$65.00	N
00898197	1964	TURN SIGNAL SWITCH 1st Design	\$65.00	N
00910821	1964	TURN SIGNAL SWITCH 2nd Design	\$56.00	N
00910821	1965	TURN SIGNAL SWITCH Without Tilt	\$56.00	N
00387115	1966	TURN SIGNAL SWITCH Without Tilt (Stamped "BPC"), Replaces Delco Part# D6200 Note: This Switch Has A Metal Base.	\$96.00	
00911051	1966	TURN SIGNAL SWITCH Without Tilt (Stamped "Guide"), Replaces Delco Part# D6203	\$50.00	N
01893592	1967	TURN SIGNAL SWITCH (Delco-Remy), Replaces Delco Part# D6211 Note: This Is A Service Part, Adapter Pigtail Included And Is Required For Some Applications.	\$58.00	
07800482	1967	TURN SIGNAL SWITCH Without Column Shift A/T, Without Tilt, (Delco Type, Black, White Or Green) Note: Emergency Flasher Actuator Hole In Outer Cover Is Shaped Like A Doghouse.	\$50.00	
07800482	1967	TURN SIGNAL SWITCH Without Column Shift A/T, With Tilt, (Delco Type, Black, White Or Green) Note: Emergency Flasher Actuator Hole In Outer Cover Is Shaped Like A Doghouse.	\$50.00	
05698897	1967	TURN SIGNAL SWITCH With Column Shift A/T, Without Tilt, (Delco Type, Black, White Or Green) Note: Emergency Flasher Actuator Hole In Outer Cover Is Shaped Like A Doghouse.	\$50.00	
05698897	1967	TURN SIGNAL SWITCH With Column Shift A/T, With Tilt, (Delco Type, Black, White Or Green) Note: Emergency Flasher Actuator Hole In Outer Cover Is Shaped Like A Doghouse.	\$50.00	
01893592	1968	TURN SIGNAL SWITCH (Delco-Remy), Replaces Delco Part# D6211 Note: This Is A Service Part, Adapter Pigtail Included And Is Required For Some Applications.	\$58.00	
07800482	1968	TURN SIGNAL SWITCH Without Column Shift A/T, Without Tilt, (Delco Type, Black, White Or Green) Note: Emergency Flasher Actuator Hole In Outer Cover Is Shaped Like A Doghouse.	\$50.00	
07800482	1968	TURN SIGNAL SWITCH Without Column Shift A/T, With Tilt, (Delco Type, Black, White Or Green) Note: Emergency Flasher Actuator Hole In Outer Cover Is Shaped Like A Doghouse.	\$50.00	
05698897	1968	TURN SIGNAL SWITCH With Column Shift A/T, Without Tilt, (Delco Type, Black, White Or Green) Note: Emergency Flasher Actuator Hole In Outer Cover Is Shaped Like A Doghouse.	\$50.00	
05698897	1968	TURN SIGNAL SWITCH With Column Shift A/T, With Tilt, (Delco Type, Black, White Or Green) Note: Emergency Flasher Actuator Hole In Outer Cover Is Shaped Like A Doghouse.	\$50.00	
01997938	1969	TURN SIGNAL SWITCH, CORRECT PART Note: Correct Part, No Adapter Pigtail Required.	\$56.00	
01893588	1969	TURN SIGNAL SWITCH, SERVICE PART Replaces Delco Part# D6208 Note: This Is A Service Part, Adapter Pigtail Included Is Required For Installation.	\$58.00	
01997983	1969	TURN SIGNAL SWITCH, SERVICE PART Replaces Delco Part# D6222 Note: This Is A Service Part, Adapter Pigtail Included Is Required For Installation.	\$32.00	
01997938	1970	TURN SIGNAL SWITCH, CORRECT PART Note: Correct Part, No Adapter Pigtail Required.	\$56.00	
01893588	1970	TURN SIGNAL SWITCH, SERVICE PART Replaces Delco Part# D6208 Note: This Is A Service Part, Adapter Pigtail Included Is Required For Installation.	\$58.00	
01997983	1970	TURN SIGNAL SWITCH, SERVICE PART Replaces Delco Part# D6222 Note: This Is A Service Part, Adapter Pigtail Included Is Required For Installation.	\$32.00	

Part Number	Year	Description	Price	*Rev.
01997938	1971	<b>TURN SIGNAL SWITCH, CORRECT PART</b> Note: Correct Part, No Adapter Pigtail Required.	\$56.00	
01893588	1971	<b>TURN SIGNAL SWITCH, SERVICE PART</b> Replaces Delco Part# D6208 Note: This Is A Service Part, Adapter Pigtail Included Is Required For Installation.	\$58.00	
01997983	1971	<b>TURN SIGNAL SWITCH, SERVICE PART</b> Replaces Delco Part# D6222 Note: This Is A Service Part, Adapter Pigtail Included Is Required For Installation.	\$32.00	
01997938	1972	<b>TURN SIGNAL SWITCH, CORRECT PART</b> Note: Correct Part, No Adapter Pigtail Required.	\$56.00	
01893588	1972	<b>TURN SIGNAL SWITCH, SERVICE PART</b> Replaces Delco Part# D6208 Note: This Is A Service Part, Adapter Pigtail Included Is Required For Installation.	\$58.00	
01997983	1972	<b>TURN SIGNAL SWITCH, SERVICE PART</b> Replaces Delco Part# D6222 Note: This Is A Service Part, Adapter Pigtail Included Is Required For Installation.	\$32.00	
<b>VOLTAGE REGULATOR ADAPTER HARNESS</b>				
02115	1965	<b>VOLTAGE REGULATOR ADAPTER HARNESS</b> With 62 Amp Alternator, From Field Terminal On Voltage Regulator To Chassis Ground (Includes Inline Diode) Note: Only Used With Original Solid State Voltage Regulator #1116368 As A Safe Guard To Prevent Voltage Regulator Transistor Failure.	\$52.00	
<b>WINDSHIELD WASHER PUMP</b>				
04919332	1963	<b>WINDSHIELD WASHER PUMP</b> All	\$60.00	N
04919332	1964	<b>WINDSHIELD WASHER PUMP</b> All	\$60.00	N
04919332	1965	<b>WINDSHIELD WASHER PUMP</b> All	\$60.00	N
04919332	1966	<b>WINDSHIELD WASHER PUMP</b> All	\$60.00	N
04919332	1967	<b>WINDSHIELD WASHER PUMP</b> All	\$60.00	N
04919332	1968	<b>WINDSHIELD WASHER PUMP</b> All	\$60.00	N
04919332	1969	<b>WINDSHIELD WASHER PUMP</b> Without Recessed Park Wipers	\$60.00	N
04919332	1970	<b>WINDSHIELD WASHER PUMP</b> Without Recessed Park Wipers	\$60.00	N
04919332	1971	<b>WINDSHIELD WASHER PUMP</b> Without Recessed Park Wipers	\$60.00	N
04919332	1972	<b>WINDSHIELD WASHER PUMP</b> Without Recessed Park Wipers	\$60.00	N
04919332	1973	<b>WINDSHIELD WASHER PUMP</b> Without Recessed Park Wipers	\$60.00	N
04919332	1974	<b>WINDSHIELD WASHER PUMP</b> Without Recessed Park Wipers	\$60.00	N
<b>WINDSHIELD WIPER MOTOR</b>				
04911476	1963	<b>WINDSHIELD WIPER MOTOR</b> 2-Speed, 3-Terminal Type Motor	\$92.00	N
44609	1963	<b>WINDSHIELD WIPER MOTOR</b> 2-Speed, 4-Terminal Type Motor Note: This Can Be Used In Place Of The 3-Terminal Motor. The 4th Terminal Is A Keyed Hot From Wiper Fuse In Fuse Box And May Or May Not Be Used In Some Applications.	\$106.00	N
04911476	1964	<b>WINDSHIELD WIPER MOTOR</b> 2-Speed, 3-Terminal Type Motor	\$92.00	N
44609	1964	<b>WINDSHIELD WIPER MOTOR</b> 2-Speed, 4-Terminal Type Motor Note: This Can Be Used In Place Of The 3-Terminal Motor. The 4th Terminal Is A Keyed Hot From Wiper Fuse In Fuse Box And May Or May Not Be Used In Some Applications.	\$106.00	N
04911476	1965	<b>WINDSHIELD WIPER MOTOR</b> 2-Speed, 3-Terminal Type Motor	\$92.00	N
44609	1965	<b>WINDSHIELD WIPER MOTOR</b> 2-Speed, 4-Terminal Type Motor Note: This Can Be Used In Place Of The 3-Terminal Motor. The 4th Terminal Is A Keyed Hot From Wiper Fuse In Fuse Box And May Or May Not Be Used In Some Applications.	\$106.00	N
04911476	1966	<b>WINDSHIELD WIPER MOTOR</b> 2-Speed, 3-Terminal Type Motor	\$92.00	N
44609	1966	<b>WINDSHIELD WIPER MOTOR</b> 2-Speed, 4-Terminal Type Motor Note: This Can Be Used In Place Of The 3-Terminal Motor. The 4th Terminal Is A Keyed Hot From Wiper Fuse In Fuse Box And May Or May Not Be Used In Some Applications.	\$106.00	N
04911476	1967	<b>WINDSHIELD WIPER MOTOR</b> 2-Speed, 3-Terminal Type Motor	\$92.00	N

Part Number	Year	Description	Price	*Rev.
44609	1967	<b>WINDSHIELD WIPER MOTOR</b> 2-Speed, 4-Terminal Type Motor Note: This Can Be Used In Place Of The 3-Terminal Motor. The 4th Terminal Is A Keyed Hot From Wiper Fuse In Fuse Box And May Or May Not Be Used In Some Applications.	\$106.00	N
<b>WINDSHIELD WIPER SWITCH</b>				
01993541	1962	<b>WINDSHIELD WIPER SWITCH</b> Single Speed, With Washer	\$45.00	
01993541	1963	<b>WINDSHIELD WIPER SWITCH</b> Single Speed, With Washer	\$45.00	
01993584	1963	<b>WINDSHIELD WIPER SWITCH</b> Two Speed, With Washer	\$52.00	
01993541	1964	<b>WINDSHIELD WIPER SWITCH</b> Single Speed, With Washer	\$45.00	
01993584	1964	<b>WINDSHIELD WIPER SWITCH</b> Two Speed, With Washer	\$52.00	
01993680	1965	<b>WINDSHIELD WIPER SWITCH</b> Single Speed, With Washer	\$52.00	
01993679	1965	<b>WINDSHIELD WIPER SWITCH</b> 2 Speed, With Washer	\$52.00	
01993680	1966	<b>WINDSHIELD WIPER SWITCH</b> Single Speed, With Washer	\$52.00	
01993679	1966	<b>WINDSHIELD WIPER SWITCH</b> 2 Speed, With Washer	\$52.00	
01993395	1967	<b>WINDSHIELD WIPER SWITCH</b>	\$35.00	
01993395	1968	<b>WINDSHIELD WIPER SWITCH</b>	\$35.00	
01993464	1969	<b>WINDSHIELD WIPER SWITCH</b>	\$35.00	
01993464	1970	<b>WINDSHIELD WIPER SWITCH</b>	\$35.00	
01993464	1971	<b>WINDSHIELD WIPER SWITCH</b>	\$35.00	
01994180	1972	<b>WINDSHIELD WIPER SWITCH</b>	\$46.00	
01994180	1973	<b>WINDSHIELD WIPER SWITCH</b>	\$46.00	
01994180	1974	<b>WINDSHIELD WIPER SWITCH</b>	\$46.00	
01994180	1975	<b>WINDSHIELD WIPER SWITCH</b>	\$46.00	M
01994180	1976	<b>WINDSHIELD WIPER SWITCH</b> Without Pulse Wipers	\$46.00	M
<b>WIPER MOTOR HARNESS</b>				
36113	1962	<b>WIPER MOTOR HARNESS</b> 2 Speed	\$38.00	
20045	1963	<b>WIPER MOTOR HARNESS</b> 2 Speed Wiper & Washer	\$38.00	
36114	1964	<b>WIPER MOTOR HARNESS</b> 2 Speed	\$32.00	
30175	1965	<b>WIPER MOTOR HARNESS</b> 2 Speed Wipers	\$32.00	
30175	1966	<b>WIPER MOTOR HARNESS</b> 2 Speed Wipers	\$32.00	

# ***Section 7***

## ***Chevy Passenger***

Part Number	Year	Description	Price	*Rev.
<b>ACCESSORY FUSEBLOCK-POWER FEED HARNESS</b>				
06280	1955	<b>ACCESSORY FUSEBLOCK, POWER FEED HARNESS</b> Lights, Battery & Ignition Power To Optional Fuseblock	\$26.00	
<b>AIR CONDITIONING LEAD WIRE</b>				
06300	1955	<b>AIR CONDITIONING LEAD WIRE</b> Fuse Panel To Blower Switch	\$17.00	
06375	1955	<b>AIR CONDITIONING COMPRESSOR LEAD WIRE</b> A/C Relay To Compressor	\$17.00	
06385	1955	<b>AIR CONDITIONING CONTROL LEAD WIRE</b> A/C Relay To Thermostat Switch	\$17.00	
06380	1955	<b>AIR CONDITIONING CONTROL LEAD WIRE</b> Fuse Panel To A/C Relay	\$17.00	
<b>ALTERNATOR CONVERSION HARNESS</b>				
20125	1955	<b>ALTERNATOR CONVERSION HARNESS</b> V/8, External Regulated Alternator, Driver Side Mounted	\$87.00	
20130	1955	<b>ALTERNATOR CONVERSION HARNESS</b> V/8, Internal Regulated Alternator, Driver Side Mounted	\$74.00	
20135	1956	<b>ALTERNATOR CONVERSION HARNESS</b> V/8, External Regulated Alternator, Driver Side Mounted	\$87.00	
20140	1956	<b>ALTERNATOR CONVERSION HARNESS</b> V/8, Internal Regulated Alternator, Driver Side Mounted	\$74.00	
20145	1957	<b>ALTERNATOR CONVERSION HARNESS</b> V/8, External Regulated Alternator, Driver Side Mounted	\$90.00	
20150	1957	<b>ALTERNATOR CONVERSION HARNESS</b> V/8, Internal Regulated Alternator, Driver Side Mounted	\$80.00	
<b>ASSEMBLY MANUAL</b>				
36314	1955	<b>ASSEMBLY MANUAL</b> Factory Assembly Instruction Guide	\$32.00	
36315	1956	<b>ASSEMBLY MANUAL</b> Factory Assembly Instruction Guide	\$32.00	
36316	1957	<b>ASSEMBLY MANUAL</b> Factory Assembly Instruction Guide	\$32.00	
<b>BACKUP LAMP HARNESS</b>				
20155	1955	<b>BACKUP LAMP HARNESS</b> From Fuse Panel And Backup Switch To Backup Lights	\$52.00	
20155	1956	<b>BACKUP LAMP HARNESS</b> From Fuse Panel And Backup Switch To Backup Lights	\$52.00	
20160	1957	<b>BACKUP LAMP HARNESS</b> From Fuse Panel & Backup Switch To Backup Light Connections	\$40.00	
<b>BATTERY CABLE-NEGATIVE</b>				
21610	1957	<b>BATTERY CABLE, TOP POST</b> Neg, 6 Cylinder, Without A/C Note: 6 Cylinder Items Are Not Returnable.	\$63.00	
22930	1957	<b>BATTERY CABLE, TOP POST</b> Neg, V/8 Without A/C	\$63.00	
29400	1957	<b>BATTERY CABLE, TOP POST</b> Neg, All With A/C	\$63.00	
<b>BATTERY CABLE-POSITIVE</b>				
21600	1955	<b>BATTERY CABLE, TOP POST</b> Pos, 6 Cylinder, All Note: 6 Cylinder Items Are Not Returnable.	\$63.00	
21650	1955	<b>BATTERY CABLE, TOP POST</b> Pos, V/8, All	\$63.00	
21600	1956	<b>BATTERY CABLE, TOP POST</b> Pos, 6 Cylinder, All Note: 6 Cylinder Items Are Not Returnable.	\$63.00	
21650	1956	<b>BATTERY CABLE, TOP POST</b> Pos, V/8, All	\$63.00	
21605	1957	<b>BATTERY CABLE, TOP POST</b> Pos, 6 Cylinder, All Note: 6 Cylinder Items Are Not Returnable.	\$63.00	
21665	1957	<b>BATTERY CABLE, TOP POST</b> Pos, V/8, All	\$63.00	
<b>BATTERY GROUND STRAP</b>				
21595	1955	<b>BATTERY GROUND STRAP</b> Neg, 6 Cylinder, All (Braided Strap Type) Note: 6 Cylinder Items Are Not Returnable.	\$63.00	
06345	1955	<b>BATTERY GROUND STRAP</b> Neg, V/8 With A/C (Braided Strap Type)	\$63.00	
21595	1955	<b>BATTERY GROUND STRAP</b> Neg, V/8 Without A/C (Braided Strap Type)	\$63.00	
21595	1956	<b>BATTERY GROUND STRAP</b> Neg, 6 Cylinder, All (Braided Strap Type) Note: 6 Cylinder Items Are Not Returnable.	\$63.00	
06345	1956	<b>BATTERY GROUND STRAP</b> Neg, V/8 With A/C (Braided Strap Type)	\$63.00	
21595	1956	<b>BATTERY GROUND STRAP</b> Neg, V/8 Without A/C (Braided Strap Type)	\$63.00	

Part Number	Year	Description	Price	*Rev.
<b>BREAKERLESS SE SINGLE WIRE ELECTRONIC IGNITION</b>				
38131	1955	<b>BREAKERLESS SE SINGLE WIRE ELECTRONIC IGNITION KIT</b> For 1957-74 Breaker Point Distributors With Windowed Type Distributor Cap	\$179.00	
38131	1956	<b>BREAKERLESS SE SINGLE WIRE ELECTRONIC IGNITION KIT</b> For 1957-74 Breaker Point Distributors With Windowed Type Distributor Cap	\$179.00	
38131	1957	<b>BREAKERLESS SE SINGLE WIRE ELECTRONIC IGNITION KIT</b> For 1957-74 Breaker Point Distributors With Windowed Type Distributor Cap	\$179.00	
<b>CIRCUIT BREAKER</b>				
04849850	1955	<b>CIRCUIT BREAKER, 40 AMP</b> Power Seat, Windows & Tailgate Window	\$14.00	
04849850	1956	<b>CIRCUIT BREAKER, 40 AMP</b> Power Seat, Windows & Tailgate Window	\$14.00	
04849850	1957	<b>CIRCUIT BREAKER, 40 AMP</b> Power Seat, Windows & Tailgate Window	\$14.00	
<b>CLOCK</b>				
03710648	1955	<b>CLOCK</b>	\$137.00	N
03710648	1956	<b>CLOCK</b>	\$137.00	N
03733684	1957	<b>CLOCK</b>	\$145.00	N
<b>CLOCK HARNESS</b>				
02295	1955	<b>CLOCK HARNESS</b> Dash Mounted	\$27.00	
01095	1956	<b>CLOCK HARNESS</b> Dash Mounted	\$27.00	
02515	1957	<b>CLOCK HARNESS</b> Dash Mounted, Right Hand Drive	\$27.00	
02445	1957	<b>CLOCK HARNESS</b> Dash Mounted	\$27.00	
<b>COIL TO DISTRIBUTOR LOW TENSION LEAD WIRE</b>				
02300	1955	<b>COIL TO DISTRIBUTOR LOW TENSION LEAD WIRE</b> 6 Cylinder Note: 6 Cylinder Items Are Not Returnable.	\$13.00	
30510	1955	<b>COIL TO DISTRIBUTOR LOW TENSION LEAD WIRE</b> V/8	\$15.00	
02300	1956	<b>COIL TO DISTRIBUTOR LOW TENSION LEAD WIRE</b> 6 Cylinder Note: 6 Cylinder Items Are Not Returnable.	\$13.00	
30510	1956	<b>COIL TO DISTRIBUTOR LOW TENSION LEAD WIRE</b> V/8	\$15.00	
02300	1957	<b>COIL TO DISTRIBUTOR LOW TENSION LEAD WIRE</b> 6 Cylinder Note: 6 Cylinder Items Are Not Returnable.	\$13.00	
30515	1957	<b>COIL TO DISTRIBUTOR LOW TENSION LEAD WIRE</b> V/8	\$17.00	
<b>COMPASS LAMP HARNESS</b>				
37816	1955	<b>COMPASS LAMP HARNESS</b>	\$27.00	
37816	1956	<b>COMPASS LAMP HARNESS</b>	\$27.00	
37816	1957	<b>COMPASS LAMP HARNESS</b>	\$27.00	
<b>COURTESY LAMP HARNESS</b>				
30110	1955	<b>COURTESY LAMP HARNESS</b> Under Dash (Includes Mounting Bracket)	\$52.00	
30110	1956	<b>COURTESY LAMP HARNESS</b> Under Dash (Includes Mounting Bracket)	\$52.00	
30115	1957	<b>COURTESY LAMP HARNESS</b> Under Dash (Includes Mounting Bracket)	\$52.00	
<b>COURTESY LAMP MOUNTING BRACKET-UNDER DASH</b>				
04876930	1955	<b>COURTESY LAMP MOUNTING BRACKET, UNDER DASH</b> Left Or Right Side, 2 Required Per Car	\$11.00	
04876930	1956	<b>COURTESY LAMP MOUNTING BRACKET, UNDER DASH</b> Left Or Right Side, 2 Required Per Car	\$11.00	
04876930	1957	<b>COURTESY LAMP MOUNTING BRACKET, UNDER DASH</b> Left Or Right Side, 2 Required Per Car	\$11.00	
<b>DASH AND FORWARD LAMP HARNESS</b>				
18550	1955	<b>DASH AND FORWARD LAMP HARNESS</b> With Stock Generator	\$272.00	
20115	1955	<b>DASH AND FORWARD LAMP HARNESS</b> With External Regulated Alternator, Driver Side Mounted	\$332.00	
20120	1955	<b>DASH AND FORWARD LAMP HARNESS</b> With Internal Regulated Alternator, Driver Side Mounted	\$286.00	

Part Number	Year	Description	Price	*Rev.
36040	1955	<b>DASH AND FORWARD LAMP HARNESS</b> With Dakota Digital Dash, Includes Wiring For Control Box	\$371.00	
<b>DASH HARNESS</b>				
02275	1956	<b>DASH HARNESS</b> Standard, Without Radio & Heater	\$291.00	
02235	1956	<b>DASH HARNESS</b> Deluxe, With Radio & Heater	\$265.00	
36042	1956	<b>DASH HARNESS</b> With Dakota Digital Dash, Includes Wiring For Control Box	\$371.00	
38696	1957	<b>DASH HARNESS</b> Right Hand Drive	\$325.00	
02575	1957	<b>DASH HARNESS</b> Standard, Without Radio & Heater	\$291.00	
02600	1957	<b>DASH HARNESS</b> Deluxe, With Radio & Heater	\$265.00	
36044	1957	<b>DASH HARNESS</b> With Dakota Digital Dash, Includes Wiring For Control Box	\$371.00	
<b>DASH PANEL LAMP KIT</b>				
36390	1955	<b>DASH PANEL LAMP KIT</b> Includes 6 Metal & 2 Plastic Light Sockets For Dash Panel	\$46.00	
<b>DISTRIBUTOR WIRE</b>				
36057	1955	<b>DISTRIBUTOR WIRE</b> Distributor Points To Coil Negative Terminal, V/8 Note: Fits All GM V/8 Points Type Distributors From Approx. 1957 To 1974.	\$18.00	C
36057	1956	<b>DISTRIBUTOR WIRE</b> Distributor Points To Coil Negative Terminal, V/8 Note: Fits All GM V/8 Points Type Distributors From Approx. 1957 To 1974.	\$18.00	C
36057	1957	<b>DISTRIBUTOR WIRE</b> Distributor Points To Coil Negative Terminal, V/8 Note: Fits All GM V/8 Points Type Distributors From Approx. 1957 To 1974.	\$18.00	C
<b>DOOR JAMB SWITCH</b>				
04598597	1941	<b>DOOR JAMB SWITCH</b>	\$21.00	N
04598597	1942	<b>DOOR JAMB SWITCH</b>	\$21.00	N
04598597	1946	<b>DOOR JAMB SWITCH</b>	\$21.00	N
04598597	1947	<b>DOOR JAMB SWITCH</b>	\$21.00	N
04598597	1948	<b>DOOR JAMB SWITCH</b>	\$21.00	N
04598597	1949	<b>DOOR JAMB SWITCH</b>	\$21.00	N
04598597	1950	<b>DOOR JAMB SWITCH</b>	\$21.00	N
04598597	1951	<b>DOOR JAMB SWITCH</b>	\$21.00	N
04598597	1952	<b>DOOR JAMB SWITCH</b>	\$21.00	N
04598597	1953	<b>DOOR JAMB SWITCH</b>	\$21.00	N
04598597	1954	<b>DOOR JAMB SWITCH</b>	\$21.00	N
04598597	1955	<b>DOOR JAMB SWITCH</b>	\$21.00	N
04598597	1956	<b>DOOR JAMB SWITCH</b>	\$21.00	N
04826444	1957	<b>DOOR JAMB SWITCH</b>	\$22.00	N
<b>ENGINE HARNESS</b>				
02325	1955	<b>ENGINE HARNESS</b> 6 Cylinder, Auto Trans Note: 6 Cylinder Items Are Not Returnable.	\$118.00	
02320	1955	<b>ENGINE HARNESS</b> 6 Cylinder, Manual Trans Note: 6 Cylinder Items Are Not Returnable.	\$101.00	
06370	1955	<b>ENGINE HARNESS</b> V/8, Auto Trans	\$101.00	
06330	1955	<b>ENGINE HARNESS</b> V/8, Auto Trans & A/C	\$101.00	
30231	1955	<b>ENGINE HARNESS</b> V/8, Auto Trans, With H.E.I.	\$113.00	
20165	1955	<b>ENGINE HARNESS</b> V/8, Manual Trans	\$94.00	
06335	1955	<b>ENGINE HARNESS</b> V/8, Manual Trans & A/C	\$106.00	
30230	1955	<b>ENGINE HARNESS</b> V/8, Manual Trans, With H.E.I.	\$101.00	
02290	1956	<b>ENGINE HARNESS</b> 6 Cylinder, Auto Trans Note: 6 Cylinder Items Are Not Returnable.	\$120.00	



Part Number	Year	Description	Price	*Rev.
20170	1956	<b>ENGINE HARNESS</b> 6 Cylinder, Manual Trans Note: 6 Cylinder Items Are Not Returnable.	\$101.00	
02455	1956	<b>ENGINE HARNESS</b> V/8, Auto Trans	\$101.00	
02240	1956	<b>ENGINE HARNESS</b> V/8, Auto Trans & Dual 4 Barrel Carbs	\$120.00	
02365	1956	<b>ENGINE HARNESS</b> V/8, Auto Trans & A/C	\$120.00	
30233	1956	<b>ENGINE HARNESS</b> V/8, Auto Trans, With H.E.I.	\$113.00	
02460	1956	<b>ENGINE HARNESS</b> V/8, Manual Trans	\$101.00	
02260	1956	<b>ENGINE HARNESS</b> V/8, Manual Trans & Dual 4 Barrel Carbs	\$120.00	
02360	1956	<b>ENGINE HARNESS</b> V/8, Manual Trans & A/C	\$120.00	
30232	1956	<b>ENGINE HARNESS</b> V/8, Manual Trans, With H.E.I.	\$113.00	
02580	1957	<b>ENGINE HARNESS</b> 6 Cylinder, Auto Trans Note: 6 Cylinder Items Are Not Returnable.	\$113.00	
02605	1957	<b>ENGINE HARNESS</b> 6 Cylinder, Manual Trans Note: 6 Cylinder Items Are Not Returnable.	\$101.00	
02585	1957	<b>ENGINE HARNESS</b> V/8, Auto Trans	\$101.00	
02620	1957	<b>ENGINE HARNESS</b> V/8, Auto Trans & Dual 4 Barrel Carbs	\$120.00	
02645	1957	<b>ENGINE HARNESS</b> V/8, Auto Trans & Fuel Injection	\$120.00	
30235	1957	<b>ENGINE HARNESS</b> V/8, Auto Trans, With H.E.I.	\$101.00	
02610	1957	<b>ENGINE HARNESS</b> V/8, Manual Trans	\$101.00	
02615	1957	<b>ENGINE HARNESS</b> V/8, Manual Trans & Dual 4 Barrel Carbs	\$120.00	
20175	1957	<b>ENGINE HARNESS</b> V/8, Manual Trans & Fuel Injection	\$113.00	
30234	1957	<b>ENGINE HARNESS</b> V/8, Manual Trans, With H.E.I.	\$106.00	
<b>FORWARD LAMP HARNESS</b>				
02250	1956	<b>FORWARD LAMP HARNESS</b> With Stock Generator	\$140.00	
20180	1956	<b>FORWARD LAMP HARNESS</b> External Regulated Alternator, Driver Side Mounted	\$186.00	
20185	1956	<b>FORWARD LAMP HARNESS</b> Internal Regulated Alternator, Driver Side Mounted	\$166.00	
20190	1957	<b>FORWARD LAMP HARNESS</b> 6 Cyl, With Stock Generator Note: 6 Cylinder Items Are Not Returnable.	\$147.00	
20195	1957	<b>FORWARD LAMP HARNESS</b> 6 Cyl, External Regulated Alternator, Driver Side Mounted Note: 6 Cylinder Items Are Not Returnable.	\$199.00	
20200	1957	<b>FORWARD LAMP HARNESS</b> 6 Cyl, Internal Regulated Alternator, Driver Side Mounted Note: 6 Cylinder Items Are Not Returnable.	\$186.00	
02505	1957	<b>FORWARD LAMP HARNESS</b> V/8, With Stock Generator	\$140.00	
20205	1957	<b>FORWARD LAMP HARNESS</b> V/8, External Regulated Alternator, Driver Side Mounted	\$186.00	
20210	1957	<b>FORWARD LAMP HARNESS</b> V/8, Internal Regulated Alternator, Driver Side Mounted	\$166.00	
02440	1957	<b>FORWARD LAMP HARNESS</b> Front Parking Light Bar Extension	\$53.00	
<b>FUEL TANK SENDING UNIT</b>				
01516280	1941	<b>FUEL TANK SENDING UNIT</b> Original Style, Without Fuel Pickup Tube	\$43.00	N
01516280	1942	<b>FUEL TANK SENDING UNIT</b> Original Style, Without Fuel Pickup Tube	\$43.00	N
01516280	1946	<b>FUEL TANK SENDING UNIT</b> Original Style, Without Fuel Pickup Tube	\$43.00	N

Part Number	Year	Description	Price	*Rev.
01516280	1947	FUEL TANK SENDING UNIT Original Style, Without Fuel Pickup Tube	\$43.00	N
01516280	1948	FUEL TANK SENDING UNIT Original Style, Without Fuel Pickup Tube	\$43.00	N
01516280	1949	FUEL TANK SENDING UNIT Original Style, Without Fuel Pickup Tube	\$43.00	N
01518032	1949	FUEL TANK SENDING UNIT Sedan Delivery, Station Wagon, Original Style, Without Fuel Pickup Tube	\$43.00	N
01516280	1950	FUEL TANK SENDING UNIT Original Style, Without Fuel Pickup Tube	\$43.00	N
01518032	1950	FUEL TANK SENDING UNIT Sedan Delivery, Station Wagon, Original Style, Without Fuel Pickup Tube	\$43.00	N
01516280	1951	FUEL TANK SENDING UNIT Original Style, Without Fuel Pickup Tube	\$43.00	N
01518032	1951	FUEL TANK SENDING UNIT Sedan Delivery, Station Wagon, Original Style, Without Fuel Pickup Tube	\$43.00	N
01516280	1952	FUEL TANK SENDING UNIT Original Style, Without Fuel Pickup Tube	\$43.00	N
01518032	1952	FUEL TANK SENDING UNIT Sedan Delivery, Station Wagon, Original Style, Without Fuel Pickup Tube	\$43.00	N
01517761	1953	FUEL TANK SENDING UNIT Original Style, Without Fuel Pickup Tube	\$43.00	N
01518032	1953	FUEL TANK SENDING UNIT Sedan Delivery, Station Wagon, Original Style, Without Fuel Pickup Tube	\$43.00	N
01517761	1954	FUEL TANK SENDING UNIT Original Style, Without Fuel Pickup Tube	\$43.00	N
01518032	1954	FUEL TANK SENDING UNIT Sedan Delivery, Station Wagon, Original Style, Without Fuel Pickup Tube	\$43.00	N
01518784	1955	FUEL TANK SENDING UNIT 3/8" Fuel Line	\$43.00	N
01518776	1955	FUEL TANK SENDING UNIT 5/16" Fuel Line	\$43.00	N

Part Number	Year	Description	Price	*Rev.
01518774	1955	<b>FUEL TANK SENDING UNIT</b> 9 Passenger Station Wagon, 5/16" Fuel Line	\$55.00	N
01518180	1955	<b>FUEL TANK SENDING UNIT</b> Sedan Delivery, Station Wagon, 3/8" Fuel Line, Except 9 Passenger Wagon	\$47.00	N
01518775	1955	<b>FUEL TANK SENDING UNIT</b> Sedan Delivery, Station Wagon, 5/16" Fuel Line, Except 9 Passenger Wagon	\$47.00	N
01518784	1956	<b>FUEL TANK SENDING UNIT</b> 3/8" Fuel Line	\$43.00	N
01518776	1956	<b>FUEL TANK SENDING UNIT</b> 5/16" Fuel Line	\$43.00	N
01518774	1956	<b>FUEL TANK SENDING UNIT</b> 9 Passenger Station Wagon, 5/16" Fuel Line	\$55.00	N
01518180	1956	<b>FUEL TANK SENDING UNIT</b> Sedan Delivery, Station Wagon, 3/8" Fuel Line, Except 9 Passenger Wagon	\$47.00	N
01518775	1956	<b>FUEL TANK SENDING UNIT</b> Sedan Delivery, Station Wagon, 5/16" Fuel Line, Except 9 Passenger Wagon	\$47.00	N
01518784	1957	<b>FUEL TANK SENDING UNIT</b> 3/8" Fuel Line	\$43.00	N
01518776	1957	<b>FUEL TANK SENDING UNIT</b> 5/16" Fuel Line	\$43.00	N
01518774	1957	<b>FUEL TANK SENDING UNIT</b> 9 Passenger Station Wagon, 5/16" Fuel Line	\$55.00	N
01518180	1957	<b>FUEL TANK SENDING UNIT</b> Sedan Delivery, Station Wagon, 3/8" Fuel Line, Except 9 Passenger Wagon	\$47.00	N
01518775	1957	<b>FUEL TANK SENDING UNIT</b> Sedan Delivery, Station Wagon, 5/16" Fuel Line, Except 9 Passenger Wagon	\$47.00	N
<b>FUSE PANEL KIT</b>				
37138	1955	<b>FUSE PANEL KIT</b> ATO Replacement Fuse Panel For The Stock Glass Fuse Panel	\$166.00	
37139	1956	<b>FUSE PANEL KIT</b> ATO Replacement Fuse Panel For The Stock Glass Fuse Panel	\$166.00	
37139	1957	<b>FUSE PANEL KIT</b> ATO Replacement Fuse Panel For The Stock Glass Fuse Panel	\$166.00	
<b>GAS TANK LEAD WIRE</b>				
02305	1955	<b>GAS TANK LEAD WIRE</b> 7.5 Inch, All 9 Passenger Wagons	\$19.00	
02305	1956	<b>GAS TANK LEAD WIRE</b> 7.5 Inch, All 9 Passenger Wagons	\$19.00	
02475	1957	<b>GAS TANK LEAD WIRE</b> 7.5 Inch, All 9 Passenger Wagons	\$19.00	

Part Number	Year	Description	Price	*Rev.
<b>GLOVE BOX LAMP KIT</b>				
30165	1955	GLOVE BOX LAMP KIT Socket, Bulb & Wire	\$27.00	
20220	1956	GLOVE BOX LAMP KIT Socket, Bulb & Wire	\$27.00	
20220	1957	GLOVE BOX LAMP KIT Socket, Bulb & Wire	\$27.00	
<b>GROUND WIRE-DISTRIBUTOR POINT PLATE</b>				
38298	1955	GROUND WIRE, DISTRIBUTOR POINT PLATE From Distributor Point Plate To Distributor Housing Note: Replaces Spot Welded Wire Asm On Point Plate Side. Fits All GM V/8 Point Type Distributors From Approx. 1957-1974.	\$17.00	C
38298	1956	GROUND WIRE, DISTRIBUTOR POINT PLATE From Distributor Point Plate To Distributor Housing Note: Replaces Spot Welded Wire Asm On Point Plate Side. Fits All GM V/8 Point Type Distributors From Approx. 1957-1974.	\$17.00	C
38298	1957	GROUND WIRE, DISTRIBUTOR POINT PLATE From Distributor Point Plate To Distributor Housing Note: Replaces Spot Welded Wire Asm On Point Plate Side. Fits All GM V/8 Point Type Distributors From Approx. 1957-1974.	\$17.00	C
<b>HARNESSTAPE</b>				
R0058272	1955	HARNESSTAPE 3/4" Vinyl (100 Ft. Roll) Non-Adhesive	\$12.00	
R0058276	1955	HARNESSTAPE 1" Vinyl (100 Ft. Roll) Non-Adhesive	\$13.00	
R0067108	1955	HARNESSTAPE 1 1/4" Vinyl (100 Ft. Roll) Non-Adhesive	\$15.00	
R0058272	1956	HARNESSTAPE 3/4" Vinyl (100 Ft. Roll) Non-Adhesive	\$12.00	
R0058276	1956	HARNESSTAPE 1" Vinyl (100 Ft. Roll) Non-Adhesive	\$13.00	
R0067108	1956	HARNESSTAPE 1 1/4" Vinyl (100 Ft. Roll) Non-Adhesive	\$15.00	
R0058272	1957	HARNESSTAPE 3/4" Vinyl (100 Ft. Roll) Non-Adhesive	\$12.00	
R0058276	1957	HARNESSTAPE 1" Vinyl (100 Ft. Roll) Non-Adhesive	\$13.00	
R0067108	1957	HARNESSTAPE 1 1/4" Vinyl (100 Ft. Roll) Non-Adhesive	\$15.00	
<b>HEADLAMP DIMMER SWITCH</b>				
01997008	1929	HEADLAMP DIMMER SWITCH	\$12.00	N
01997008	1930	HEADLAMP DIMMER SWITCH	\$12.00	N
01997008	1931	HEADLAMP DIMMER SWITCH	\$12.00	N
01997008	1932	HEADLAMP DIMMER SWITCH	\$12.00	N
01997008	1933	HEADLAMP DIMMER SWITCH	\$12.00	N
01997008	1934	HEADLAMP DIMMER SWITCH	\$12.00	N
01997008	1935	HEADLAMP DIMMER SWITCH	\$12.00	N
01997008	1936	HEADLAMP DIMMER SWITCH	\$12.00	N
01997008	1937	HEADLAMP DIMMER SWITCH	\$12.00	N
01997008	1938	HEADLAMP DIMMER SWITCH	\$12.00	N
01997008	1939	HEADLAMP DIMMER SWITCH	\$12.00	N
01997008	1940	HEADLAMP DIMMER SWITCH	\$12.00	N
01997008	1941	HEADLAMP DIMMER SWITCH	\$12.00	N
01997008	1942	HEADLAMP DIMMER SWITCH	\$12.00	N
01997008	1946	HEADLAMP DIMMER SWITCH	\$12.00	N
01997008	1947	HEADLAMP DIMMER SWITCH	\$12.00	N
01997008	1948	HEADLAMP DIMMER SWITCH	\$12.00	N
01997008	1949	HEADLAMP DIMMER SWITCH	\$12.00	N
01997008	1950	HEADLAMP DIMMER SWITCH	\$12.00	N
01997008	1951	HEADLAMP DIMMER SWITCH	\$12.00	N
01997008	1952	HEADLAMP DIMMER SWITCH	\$12.00	N
01997008	1953	HEADLAMP DIMMER SWITCH	\$12.00	N
01997008	1954	HEADLAMP DIMMER SWITCH	\$12.00	N
01997008	1955	HEADLAMP DIMMER SWITCH 6 Volt	\$12.00	N

Part Number	Year	Description	Price	*Rev.
01997021	1955	HEADLAMP DIMMER SWITCH 12 Volt	\$19.00	N
01997021	1956	HEADLAMP DIMMER SWITCH	\$19.00	N
01997023	1957	HEADLAMP DIMMER SWITCH	\$16.00	N
<b>HEADLIGHT BUCKET EXTENSION HARNESS</b>				
20225	1955	HEADLIGHT BUCKET EXTENSION HARNESS Set Of 2	\$48.00	
20225	1956	HEADLIGHT BUCKET EXTENSION HARNESS Set Of 2	\$48.00	
20230	1957	HEADLIGHT BUCKET EXTENSION HARNESS Set Of 2	\$53.00	
<b>HEADLIGHT SWITCH</b>				
01995041	1940	HEADLIGHT SWITCH Snap On Terminal Note: Used On Vehicles With A Fused Dome, Stop Lamp, & Glove Box Light Circuit.	\$62.00	N
01995041	1941	HEADLIGHT SWITCH Snap On Terminal Note: Used On Vehicles With A Fused Dome, Stop Lamp, & Glove Box Light Circuit.	\$62.00	N
01995041	1942	HEADLIGHT SWITCH Snap On Terminal Note: Used On Vehicles With A Fused Dome, Stop Lamp, & Glove Box Light Circuit.	\$62.00	N
01995041	1946	HEADLIGHT SWITCH Snap On Terminal Note: Used On Vehicles With A Fused Dome, Stop Lamp, & Glove Box Light Circuit.	\$62.00	N
01995041	1947	HEADLIGHT SWITCH Snap On Terminal Note: Used On Vehicles With A Fused Dome, Stop Lamp, & Glove Box Light Circuit.	\$62.00	N
01995031	1947	HEADLIGHT SWITCH With Screw Terminals Note: Used On Vehicles Without A Fused Dome, Stop Lamp, & Glove Box Light Circuit.	\$62.00	N
01995041	1948	HEADLIGHT SWITCH Snap On Terminal Note: Used On Vehicles With A Fused Dome, Stop Lamp, & Glove Box Light Circuit.	\$62.00	N
01995031	1948	HEADLIGHT SWITCH With Screw Terminals Note: Used On Vehicles Without A Fused Dome, Stop Lamp, & Glove Box Light Circuit.	\$62.00	N
01995041	1949	HEADLIGHT SWITCH Snap On Terminal Note: Used On Vehicles With A Fused Dome, Stop Lamp, & Glove Box Light Circuit.	\$62.00	N
01995031	1949	HEADLIGHT SWITCH With Screw Terminals Note: Used On Vehicles Without A Fused Dome, Stop Lamp, & Glove Box Light Circuit.	\$62.00	N
01995041	1950	HEADLIGHT SWITCH Snap On Terminal Note: Used On Vehicles With A Fused Dome, Stop Lamp, & Glove Box Light Circuit.	\$62.00	N
01995031	1950	HEADLIGHT SWITCH With Screw Terminals Note: Used On Vehicles Without A Fused Dome, Stop Lamp, & Glove Box Light Circuit.	\$62.00	N
01995041	1951	HEADLIGHT SWITCH Snap On Terminal Note: Used On Vehicles With A Fused Dome, Stop Lamp, & Glove Box Light Circuit.	\$62.00	N
01995041	1952	HEADLIGHT SWITCH Snap On Terminal Note: Used On Vehicles With A Fused Dome, Stop Lamp, & Glove Box Light Circuit.	\$62.00	N
01995041	1953	HEADLIGHT SWITCH Snap On Terminal Note: Used On Vehicles With A Fused Dome, Stop Lamp, & Glove Box Light Circuit.	\$62.00	N
01995041	1954	HEADLIGHT SWITCH Snap On Terminal Note: Used On Vehicles With A Fused Dome, Stop Lamp, & Glove Box Light Circuit.	\$62.00	N
01995041	1955	HEADLIGHT SWITCH 6 Volt, Snap On Terminal Note: Used On Vehicles With A Fused Dome, Stop Lamp, & Glove Box Light Circuit.	\$62.00	N
01995082	1955	HEADLIGHT SWITCH	\$45.00	
01995082	1956	HEADLIGHT SWITCH	\$45.00	
01995096	1957	HEADLIGHT SWITCH	\$31.00	
<b>HEATER AND RADIO ACCESSORY HARNESS</b>				
20270	1956	HEATER AND RADIO ACCESSORY HARNESS Use With Dash #02275 When Adding Heater & Radio	\$70.00	
02590	1957	HEATER AND RADIO ACCESSORY HARNESS Use With Dash #02575 When Adding Heater & Radio	\$67.00	

Part Number	Year	Description	Price	*Rev.
<b>HEATER BLOWER MOTOR LEAD WIRE</b>				
06295	1955	HEATER BLOWER MOTOR LEAD WIRE Heater Switch To Blower Motor Connector	\$15.00	
<b>HEATER BLOWER MOTOR POWER WIRE</b>				
06290	1955	HEATER BLOWER MOTOR POWER WIRE Fuse Panel To Heater Switch	\$15.00	
<b>HEATER BLOWER MOTOR RESISTOR</b>				
03929052	1938	HEATER BLOWER MOTOR RESISTOR Without A/C	\$15.00	N
03929052	1939	HEATER BLOWER MOTOR RESISTOR Without A/C	\$15.00	N
03929052	1940	HEATER BLOWER MOTOR RESISTOR Without A/C	\$15.00	N
03929052	1941	HEATER BLOWER MOTOR RESISTOR Without A/C	\$15.00	N
03929052	1942	HEATER BLOWER MOTOR RESISTOR Without A/C	\$15.00	N
03929052	1946	HEATER BLOWER MOTOR RESISTOR Without A/C	\$15.00	N
03929052	1947	HEATER BLOWER MOTOR RESISTOR Without A/C	\$15.00	N
03929052	1948	HEATER BLOWER MOTOR RESISTOR Without A/C	\$15.00	N
03929052	1949	HEATER BLOWER MOTOR RESISTOR Without A/C	\$15.00	N
03929052	1950	HEATER BLOWER MOTOR RESISTOR Without A/C	\$15.00	N
03929052	1951	HEATER BLOWER MOTOR RESISTOR Without A/C	\$15.00	N
03929052	1952	HEATER BLOWER MOTOR RESISTOR Without A/C	\$15.00	N
03929052	1953	HEATER BLOWER MOTOR RESISTOR Without A/C	\$15.00	N
03929052	1954	HEATER BLOWER MOTOR RESISTOR Without A/C	\$15.00	N
03929052	1955	HEATER BLOWER MOTOR RESISTOR Without A/C	\$15.00	N
03929052	1956	HEATER BLOWER MOTOR RESISTOR Without A/C	\$15.00	N
03929052	1957	HEATER BLOWER MOTOR RESISTOR Without A/C	\$15.00	N
<b>HEATER BLOWER MOTOR SWITCH</b>				
03132945	1955	HEATER BLOWER MOTOR SWITCH 2-Speed	\$41.00	N
03132945	1956	HEATER BLOWER MOTOR SWITCH 2-Speed	\$41.00	N
<b>HEATER BLOWER MOTOR WIRE</b>				
02520	1957	HEATER BLOWER MOTOR WIRE Deluxe Heater Only, Heater Resistor To Blower Motor Connector	\$19.00	
<b>IGNITION BALLAST RESISTOR</b>				
01957154	1955	IGNITION BALLAST RESISTOR All, Without F.i., Or Dual 4 Barrel Carburetors	\$12.00	N
01957154	1956	IGNITION BALLAST RESISTOR All, Without F.i., Or Dual 4 Barrel Carburetors	\$12.00	N
01957154	1957	IGNITION BALLAST RESISTOR All, Without F.i., Or Dual 4 Barrel Carburetors	\$12.00	N
<b>IGNITION SWITCH</b>				
01116551	1947	IGNITION SWITCH	\$41.00	N
01116551	1948	IGNITION SWITCH	\$41.00	N
01116551	1949	IGNITION SWITCH	\$41.00	N
01116551	1950	IGNITION SWITCH	\$41.00	N
01116469	1951	IGNITION SWITCH 6 Volt	\$54.00	N
01116469	1952	IGNITION SWITCH 6 Volt	\$54.00	N
01116514	1955	IGNITION SWITCH	\$50.00	N
01116514	1956	IGNITION SWITCH	\$50.00	N
<b>LAMP ASSEMBLY</b>				
06305	1955	LAMP ASSEMBLY Deluxe Heater & A/C Control Panel, Fuse Panel To Heater	\$13.00	
02245	1956	LAMP ASSEMBLY Auto Trans Column Shift Indicator Lamp	\$13.00	
20280	1957	LAMP ASSEMBLY Heater Control Panel Lamp	\$13.00	

Part Number	Year	Description	Price	*Rev.
<b>LICENSE PLATE LAMP ASSEMBLY</b>				
34635	1955	<b>LICENSE PLATE LAMP ASSEMBLY</b> (Some Models May Require 2)	\$18.00	
34635	1956	<b>LICENSE PLATE LAMP ASSEMBLY</b> (Some Models May Require 2)	\$18.00	
34635	1957	<b>LICENSE PLATE LAMP ASSEMBLY</b> (Some Models May Require 2)	\$18.00	
<b>LOW FUEL INDICATOR MODULE</b>				
500274	1955	<b>LOW FUEL INDICATOR MODULE</b> Generic "Adjustable" Low Fuel Warning Module Note: A Complete Electronic Control Unit To Activate A Warning Lamp Or Relay When Fuel Level Drops Below A User Adjustable Level. Includes instruction sheet.	\$64.00	C
500274	1956	<b>LOW FUEL INDICATOR MODULE</b> Generic "Adjustable" Low Fuel Warning Module Note: A Complete Electronic Control Unit To Activate A Warning Lamp Or Relay When Fuel Level Drops Below A User Adjustable Level. Includes instruction sheet.	\$64.00	C
500274	1957	<b>LOW FUEL INDICATOR MODULE</b> Generic "Adjustable" Low Fuel Warning Module Note: A Complete Electronic Control Unit To Activate A Warning Lamp Or Relay When Fuel Level Drops Below A User Adjustable Level. Includes instruction sheet.	\$64.00	C
<b>NEUTRAL SAFETY SWITCH</b>				
01998182	1955	<b>NEUTRAL SAFETY SWITCH</b> Powerglide Trans	\$25.00	N
01998182	1956	<b>NEUTRAL SAFETY SWITCH</b> Powerglide Trans	\$25.00	N
01998173	1957	<b>NEUTRAL SAFETY SWITCH</b> Powerglide Trans	\$24.00	N
<b>OVERDRIVE HARNESS</b>				
06360	1955	<b>OVERDRIVE HARNESS</b> 6 Cylinder Note: 6 Cylinder Items Are Not Returnable.	\$140.00	
06410	1955	<b>OVERDRIVE HARNESS</b> V/8	\$140.00	
02370	1956	<b>OVERDRIVE HARNESS</b> 6 Cylinder Note: 6 Cylinder Items Are Not Returnable.	\$140.00	
02380	1956	<b>OVERDRIVE HARNESS</b> V/8	\$140.00	
02480	1957	<b>OVERDRIVE HARNESS</b> 6 Cylinder Note: 6 Cylinder Items Are Not Returnable.	\$140.00	
02485	1957	<b>OVERDRIVE HARNESS</b> V/8	\$140.00	
02535	1957	<b>OVERDRIVE HARNESS</b> V/8, With Dual 4 Barrel Carbs	\$140.00	
<b>PARKING LAMP AND LEAD WIRE</b>				
26900	1955	<b>PARKING LAMP AND LEAD WIRE</b> Set Of 2	\$48.00	
26900	1956	<b>PARKING LAMP AND LEAD WIRE</b> Set Of 2	\$48.00	
<b>POWER FEED WIRE</b>				
06320	1955	<b>POWER FEED WIRE</b> 6 Cyl., Starter Solenoid To Power Top Connector Note: 6 Cylinder Items Are Not Returnable.	\$18.00	
06315	1955	<b>POWER FEED WIRE</b> V/8, Starter Solenoid To Power Top Connector	\$18.00	
06320	1956	<b>POWER FEED WIRE</b> 6 Cyl., Starter Solenoid To Power Top Connector Note: 6 Cylinder Items Are Not Returnable.	\$18.00	
02350	1956	<b>POWER FEED WIRE</b> 6 Cyl., Starter Solenoid To Power Acc. Circuit Breaker (Used On Cars With Power Windows And/Or Power Seats) Note: 6 Cylinder Items Are Not Returnable.	\$18.00	
06315	1956	<b>POWER FEED WIRE</b> V/8, Starter Solenoid To Power Top Connector	\$18.00	
02355	1956	<b>POWER FEED WIRE</b> V/8, Starter Solenoid To Power Acc. Circuit Breaker Note: Used On Cars With Power Windows And/Or Power Seats.	\$20.00	
02495	1957	<b>POWER FEED WIRE</b> 6 Cyl., Starter Solenoid To Rear Body Connector (For Power Seats, Windows And Top) Note: 6 Cylinder Items Are Not Returnable.	\$20.00	

Part Number	Year	Description	Price	*Rev.
02490	1957	<b>POWER FEED WIRE</b> V/8, Starter Solenoid To Rear Body Connector Note: Used On Cars With Power Windows And Top.	\$18.00	
<b>POWER SEAT FEED HARNESS</b>				
32890	1956	<b>POWER SEAT FEED HARNESS</b> All, From Starter Solenoid Power Feed To Seat Harness	\$60.00	
31710	1957	<b>POWER SEAT FEED HARNESS</b> All, From Starter Solenoid Power Feed To Seat Harness	\$60.00	
<b>POWER SEAT HARNESS</b>				
34220	1955	<b>POWER SEAT HARNESS</b> All	\$60.00	
34220	1956	<b>POWER SEAT HARNESS</b> All	\$60.00	
31715	1957	<b>POWER SEAT HARNESS</b> All	\$60.00	
<b>POWER WINDOW HARNESS</b>				
34225	1955	<b>POWER WINDOW HARNESS</b> 150 2 Door Sedan (Model 1211) & 210 2 Door Sedan (Model1011)	\$401.00	
34225	1955	<b>POWER WINDOW HARNESS</b> 210 Club Coupe (Model 1011A) & Belair 2 Dr Sdn (Model 1011D)	\$401.00	
34195	1955	<b>POWER WINDOW HARNESS</b> 210 2 Door Wagon (Model 1063F)	\$385.00	
34190	1955	<b>POWER WINDOW HARNESS</b> 210 Sport Coupe (Model 1037) & Belair Sport Cpe (Model1037D)	\$401.00	
34210	1955	<b>POWER WINDOW HARNESS</b> All 4 Door Sedans & Wagons	\$401.00	
34185	1955	<b>POWER WINDOW HARNESS</b> Belair Convertible (Model 1067DTX)	\$414.00	
34775	1955	<b>POWER WINDOW HARNESS</b> Nomad (Model 1064DF)	\$265.00	
31190	1955	<b>POWER WINDOW JUMPER</b> Adapts 1955-56 Harness To Use 1957 & Up Type Motor	\$22.00	
31700	1956	<b>POWER WINDOW HARNESS</b> 210 2 Door Sedan (Model 1011) & 2 Dr Club Coupe (Model1011A)	\$401.00	
31755	1956	<b>POWER WINDOW HARNESS</b> 210 2 Door Wagon (Model 1063F)	\$401.00	
31765	1956	<b>POWER WINDOW HARNESS</b> 210 4 Door Sedan (Model 1019) & 4 Door Wagon (Model 1062F)	\$401.00	
31765	1956	<b>POWER WINDOW HARNESS</b> 210 4 Door Wagon, 9 Pass. (Model 1062FC)	\$401.00	
31775	1956	<b>POWER WINDOW HARNESS</b> 210 Sport Coupe (Model 1037) & Belair Sport Cpe (Model1037D)	\$401.00	
31760	1956	<b>POWER WINDOW HARNESS</b> 210 Sport Sedan (Model 1039) & Belair Sport Sdn (Model1039D)	\$401.00	
31700	1956	<b>POWER WINDOW HARNESS</b> Belair 2 Door Sedan (Model 1011D)	\$401.00	
31765	1956	<b>POWER WINDOW HARNESS</b> Belair 4 Door Sedan (Model 1019D) & 4 Dr Wagon (Model1062DF)	\$401.00	
31780	1956	<b>POWER WINDOW HARNESS</b> Belair Convertible (Model 1067D)	\$414.00	
31770	1956	<b>POWER WINDOW HARNESS</b> Belair Nomad (Model 1064DF)	\$265.00	
31190	1956	<b>POWER WINDOW JUMPER</b> Adapts 1955-56 Harness To Use 1957 & Up Type Motor	\$22.00	
31735	1957	<b>POWER WINDOW HARNESS</b> 210 2 Door Sedan (Model 1011) & 2 Dr Club Coupe (Model1011A)	\$401.00	
31705	1957	<b>POWER WINDOW HARNESS</b> 210 2 Door Wagon (Model 1063F)	\$401.00	
31690	1957	<b>POWER WINDOW HARNESS</b> 210 4 Door Sedan (Model 1019) & 4 Door Wagon (Model 1062F)	\$401.00	
31690	1957	<b>POWER WINDOW HARNESS</b> 210 4 Door Wagon, 9 Pass. (Model 1062FC)	\$401.00	
31720	1957	<b>POWER WINDOW HARNESS</b> 210 Sport Coupe (Model 1037) & Belair Sport Cpe (Model1037D)	\$401.00	
31730	1957	<b>POWER WINDOW HARNESS</b> 210 Sport Sedan (Model 1039) & Belair Sport Sdn (Model1039D)	\$401.00	
31735	1957	<b>POWER WINDOW HARNESS</b> Belair 2 Door Sedan (Model 1011D)	\$401.00	
31690	1957	<b>POWER WINDOW HARNESS</b> Belair 4 Door Sedan (Model 1019D) & 4 Dr Wagon (Model1062DF)	\$401.00	
31740	1957	<b>POWER WINDOW HARNESS</b> Belair Convertible (Model 1067D)	\$414.00	
31725	1957	<b>POWER WINDOW HARNESS</b> Belair Nomad (Model 1064DF)	\$265.00	
<b>REAR BODY GROMMET REPAIR KIT</b>				
27765	1955	<b>REAR BODY GROMMET REPAIR KIT</b> Tube & Grommet Only (Set Of 2)	\$38.00	
27770	1955	<b>REAR BODY GROMMET AND PIGTAIL REPAIR KIT</b> Tube, Grommet & Lamp Socket Pigtail (Set Of 2)	\$52.00	



Part Number	Year	Description	Price	*Rev.
27765	1956	REAR BODY GROMMET REPAIR KIT Tube & Grommet Only (Set Of 2)	\$38.00	
27770	1956	REAR BODY GROMMET AND PIGTAIL REPAIR KIT Tube, Grommet & Lamp Socket Pigtail (Set Of 2)	\$52.00	
27775	1957	REAR BODY GROMMET REPAIR KIT Tube & Grommet Only (Set Of 2)	\$38.00	
27780	1957	REAR BODY GROMMET AND PIGTAIL REPAIR KIT Tube, Grommet & Lamp Socket Pigtail Kit (Set Of 2)	\$52.00	
<b>REAR LAMP HARNESS</b>				
36244	1955	REAR LAMP HARNESS 150 2 Door Sedan (Model 1211) & Utility Sedan (Model 1211B)	\$212.00	
36245	1955	REAR LAMP HARNESS 150 4 Door Sedan (Model 1219)	\$239.00	
36246	1955	REAR LAMP HARNESS 150 2 Door Wagon (Model 1263F) & Sedan Delivery (Model 1271)	\$226.00	
31170	1955	REAR LAMP HARNESS 210 2 Door Sedan (Model 1011) & Belair 2 Dr Sdn (Model1011D)	\$199.00	
36246	1955	REAR LAMP HARNESS 210 2 Door Wagon (Model 1063F) & 4 Door Wagon (Model 1062F)	\$226.00	
36240	1955	REAR LAMP HARNESS 210 4 Door Sedan (Model 1019) & Belair 4 Dr Sdn (Model1019D)	\$212.00	
31170	1955	REAR LAMP HARNESS 210 Sport Coupe (Model 1037) & Club Coupe (Model 1011A)	\$199.00	
36247	1955	REAR LAMP HARNESS Belair 4 Door Wagon (Model 1062df)	\$239.00	
36243	1955	REAR LAMP HARNESS Belair Convertible (Model 1067d)	\$272.00	
36241	1955	REAR LAMP HARNESS Belair Sport Coupe (Model 1037D)	\$199.00	
36242	1955	REAR LAMP HARNESS Belair Nomad Wagon (Model 1064DF)	\$259.00	
20235	1956	REAR LAMP HARNESS 150 2 Door Sedan (Model 1211) & Utility Sedan (Model 1211B)	\$212.00	
08315	1956	REAR LAMP HARNESS 150 2 Door Wagon (Model 1263F) & Sedan Delivery (Model 1271)	\$239.00	
20240	1956	REAR LAMP HARNESS 150 4 Door Sedan (Model 1219)	\$239.00	
07040	1956	REAR LAMP HARNESS 210 2 Door Sedan (Model 1011) & Belair 2 Dr Sdn (Model1011D)	\$193.00	
20245	1956	REAR LAMP HARNESS 210 4 Door Sedan (Model 1019) & Belair 4 Dr Sdn (Model1019D)	\$239.00	
08305	1956	REAR LAMP HARNESS 210 2 Door Wagon (Model 1063F) & 4 Door Wagon (Model 1062F)	\$239.00	
08325	1956	REAR LAMP HARNESS 210 4 Door Wagon, 9 Pass. (Model 1062FC)	\$239.00	
07040	1956	REAR LAMP HARNESS 210 Sport Coupe (Model 1037) & Club Coupe (Model 1011A)	\$193.00	
20250	1956	REAR LAMP HARNESS 210 Sport Sedan (Model 1039) & Belair Sport Sdn (Model1039D)	\$212.00	
08310	1956	REAR LAMP HARNESS Belair 4 Door Wagon, 9 Pass. (Model 1062df)	\$252.00	
07045	1956	REAR LAMP HARNESS Belair Convertible (Model 1067d)	\$265.00	
07040	1956	REAR LAMP HARNESS Belair Sport Coupe (Model 1037D)	\$193.00	
08320	1956	REAR LAMP HARNESS Belair Nomad Wagon (Model 1064DF)	\$239.00	
08355	1957	REAR LAMP HARNESS 150 2 Door Sedan (Model 1211) & Utility Sedan (Model 1211B)	\$212.00	
08345	1957	REAR LAMP HARNESS 150 2 Door Wagon (Model 1263F) & Sedan Delivery (Model 1271)	\$239.00	
20255	1957	REAR LAMP HARNESS 150 4 Door Sedan (Model 1219)	\$212.00	
08360	1957	REAR LAMP HARNESS 210 2 Door Sedan (Model 1011) & Club Coupe (Model 1011A)	\$193.00	
32340	1957	REAR LAMP HARNESS 210 4 Door Sedan (Model 1019)	\$212.00	
08365	1957	REAR LAMP HARNESS 210 2 Door Wagon (Model 1063F)	\$226.00	
08350	1957	REAR LAMP HARNESS 210 4 Door Wagon (Model 1062F)	\$239.00	
31695	1957	REAR LAMP HARNESS 210 4 Door Wagon, 9 Pass. (Model 1062FC)	\$252.00	
08330	1957	REAR LAMP HARNESS 210 Sport Coupe (Model 1037) & Belair Sport Cpe (Model1037D)	\$193.00	
08370	1957	REAR LAMP HARNESS 210 Sport Sedan (Model1039) & Belair Sport Sdn (Model1039D)	\$239.00	
08360	1957	REAR LAMP HARNESS Belair 2 Door Sedan (Model 1011D)	\$193.00	
08340	1957	REAR LAMP HARNESS Belair 4 Door Sedan (Model 1019D)	\$212.00	

Part Number	Year	Description	Price	*Rev.
20260	1957	<b>REAR LAMP HARNESS</b> Belair 4 Door Wagon (Model 1062df)	\$226.00	
08335	1957	<b>REAR LAMP HARNESS</b> Belair Convertible (Model 1067d)	\$252.00	
20265	1957	<b>REAR LAMP HARNESS</b> Belair Nomad Wagon (Model 1064DF)	\$252.00	
<b>STARTER BUTTON SWITCH</b>				
01996055	1949	<b>STARTER BUTTON SWITCH</b> Dash Mounted, Chrome Button, With Retainer	\$50.00	N
01996055	1950	<b>STARTER BUTTON SWITCH</b> Dash Mounted, Chrome Button, With Retainer	\$50.00	N
01996055	1951	<b>STARTER BUTTON SWITCH</b> Dash Mounted, Chrome Button, With Retainer	\$50.00	N
01996055	1952	<b>STARTER BUTTON SWITCH</b> Dash Mounted, Chrome Button, With Retainer	\$50.00	N
<b>STARTER SWITCH</b>				
00820052	1938	<b>STARTER SWITCH</b> Foot Operated, On Starter	\$24.00	N
00820052	1939	<b>STARTER SWITCH</b> Foot Operated, On Starter	\$24.00	N
00820052	1940	<b>STARTER SWITCH</b> Foot Operated, On Starter	\$24.00	N
00820052	1941	<b>STARTER SWITCH</b> Foot Operated, On Starter	\$24.00	N
00820052	1942	<b>STARTER SWITCH</b> Foot Operated, On Starter	\$24.00	N
00820052	1946	<b>STARTER SWITCH</b> Foot Operated, On Starter	\$24.00	N
00820052	1947	<b>STARTER SWITCH</b> Foot Operated, On Starter	\$24.00	N
00820052	1948	<b>STARTER SWITCH</b> Foot Operated, On Starter	\$24.00	N
<b>STEERING COLUMN ADAPTER HARNESS</b>				
35130	1955	<b>STEERING COLUMN ADAPTER HARNESS</b> For 1964-66 GM Column (Without Tilt Only) To Stock Dash	\$41.00	
35775	1955	<b>STEERING COLUMN ADAPTER HARNESS</b> For 1969-74 GM Column & Ididit Column (Except Flaming River) To Stock Dash	\$50.00	
13593	1955	<b>STEERING COLUMN ADAPTER HARNESS</b> For 1975 & Up GM Column & Flaming River Column (Except Ididit) To Stock Dash	\$50.00	
35780	1956	<b>STEERING COLUMN ADAPTER HARNESS</b> For 1969-74 GM Column & Ididit Column (Except Flaming River) To Stock Dash	\$50.00	
34160	1956	<b>STEERING COLUMN ADAPTER HARNESS</b> For 1975 & Up GM Column & Flaming River Column (Except Ididit) To Stock Dash	\$50.00	
35785	1957	<b>STEERING COLUMN ADAPTER HARNESS</b> For 1969-74 GM & Ididit Columns (Exc. Flaming River) To Stock Dash	\$50.00	
		Note: Adapts Horn, Directionals, Hazard Flasher To Stock Dash Harness.		
13597	1957	<b>STEERING COLUMN ADAPTER HARNESS</b> For 1975 & Up GM & Flaming River Columns (Exc. Ididit) To Stock Dash	\$51.00	
		Note: Adapts Horn, Directionals, Hazard Flasher To Stock Dash Harness.		
<b>STOP LAMP SWITCH</b>				
01997922	1942	<b>STOP LAMP SWITCH</b>	\$8.00	N
01997922	1946	<b>STOP LAMP SWITCH</b>	\$8.00	N
01997922	1947	<b>STOP LAMP SWITCH</b>	\$8.00	N
01997922	1948	<b>STOP LAMP SWITCH</b>	\$8.00	N
01997922	1949	<b>STOP LAMP SWITCH</b>	\$8.00	N
01997922	1950	<b>STOP LAMP SWITCH</b>	\$8.00	N
01997921	1951	<b>STOP LAMP SWITCH</b>	\$8.00	N
01997921	1952	<b>STOP LAMP SWITCH</b>	\$8.00	N
01997921	1953	<b>STOP LAMP SWITCH</b>	\$8.00	N
01997921	1954	<b>STOP LAMP SWITCH</b> Except Power Brakes	\$8.00	N
<b>TEMPERATURE SENDING UNIT WIRE REPAIR KIT</b>				
34620	1956	<b>TEMPERATURE SENDING UNIT WIRE REPAIR KIT</b>	\$20.00	
34620	1957	<b>TEMPERATURE SENDING UNIT WIRE REPAIR KIT</b>	\$20.00	

Part Number	Year	Description	Price	*Rev.
<b>TRUNK LAMP ASSEMBLY</b>				
36383	1955	TRUNK LAMP ASSEMBLY	\$48.00	
36383	1956	TRUNK LAMP ASSEMBLY	\$48.00	
36383	1957	TRUNK LAMP ASSEMBLY	\$48.00	
<b>TURN SIGNAL SWITCH</b>				
00897125	1953	TURN SIGNAL HOUSING BUCKET ASSEMBLY Complete With Turn Signal Switch	\$135.00	N
00897125	1954	TURN SIGNAL HOUSING BUCKET ASSEMBLY Complete With Turn Signal Switch	\$135.00	N
05947677	1953	TURN SIGNAL SWITCH	\$27.00	M
05947677	1954	TURN SIGNAL SWITCH	\$27.00	M
05946119	1955	TURN SIGNAL SWITCH	\$27.00	
05947081	1956	TURN SIGNAL SWITCH Note: Includes A Loose Piece 6 Way Connector.	\$27.00	
05948447	1957	TURN SIGNAL SWITCH Note: Includes A Loose Piece 6 Way Connector.	\$27.00	
<b>WINDSHIELD WIPER EXTENSION</b>				
06355	1955	WINDSHIELD WIPER EXTENSION Power Wire, Ballast Resistor To Electric Wiper Motor	\$16.00	
06355	1956	WINDSHIELD WIPER EXTENSION Power Wire, Ballast Resistor To Electric Wiper Motor	\$16.00	
<b>WIRING JUNCTION BLOCK</b>				
01865535	1937	WIRING JUNCTION BLOCK 3-Terminal, Headlamp Wire Junction	\$12.00	N
01998756	1937	WIRING JUNCTION BLOCK 4-Terminal, Headlamp Wire Junction	\$13.00	N
01998757	1937	WIRING JUNCTION BLOCK 5-Terminal, Headlamp Wire Junction	\$19.00	N
01865535	1938	WIRING JUNCTION BLOCK 3-Terminal, Headlamp Wire Junction	\$12.00	N
01998756	1938	WIRING JUNCTION BLOCK 4-Terminal, Headlamp Wire Junction	\$13.00	N
01998757	1938	WIRING JUNCTION BLOCK 5-Terminal, Headlamp Wire Junction	\$19.00	N
01865535	1939	WIRING JUNCTION BLOCK 3-Terminal, Headlamp Wire Junction	\$12.00	N
01998756	1939	WIRING JUNCTION BLOCK 4-Terminal, Headlamp Wire Junction	\$13.00	N
01998757	1939	WIRING JUNCTION BLOCK 5-Terminal, Headlamp Wire Junction	\$19.00	N
01998756	1940	WIRING JUNCTION BLOCK 4-Terminal, Headlamp Wire Junction	\$13.00	N
01998757	1940	WIRING JUNCTION BLOCK 5-Terminal, Headlamp Wire Junction	\$19.00	N
01998756	1941	WIRING JUNCTION BLOCK 4-Terminal, Headlamp Wire Junction	\$13.00	N
01998757	1941	WIRING JUNCTION BLOCK 5-Terminal, Headlamp Wire Junction	\$19.00	N
01998756	1942	WIRING JUNCTION BLOCK 4-Terminal, Headlamp Wire Junction	\$13.00	N
01998757	1942	WIRING JUNCTION BLOCK 5-Terminal, Headlamp Wire Junction	\$19.00	N
01998756	1943	WIRING JUNCTION BLOCK 4-Terminal, Headlamp Wire Junction	\$13.00	N
01998757	1943	WIRING JUNCTION BLOCK 5-Terminal, Headlamp Wire Junction	\$19.00	N
01998756	1944	WIRING JUNCTION BLOCK 4-Terminal, Headlamp Wire Junction	\$13.00	N
01998757	1944	WIRING JUNCTION BLOCK 5-Terminal, Headlamp Wire Junction	\$19.00	N
01998756	1945	WIRING JUNCTION BLOCK 4-Terminal, Headlamp Wire Junction	\$13.00	N
01998757	1945	WIRING JUNCTION BLOCK 5-Terminal, Headlamp Wire Junction	\$19.00	N
01998756	1946	WIRING JUNCTION BLOCK 4-Terminal, Headlamp Wire Junction	\$13.00	N
01998757	1946	WIRING JUNCTION BLOCK 5-Terminal, Headlamp Wire Junction	\$19.00	N
01998756	1947	WIRING JUNCTION BLOCK 4-Terminal, Headlamp Wire Junction	\$13.00	N
01998757	1947	WIRING JUNCTION BLOCK 5-Terminal, Headlamp Wire Junction	\$19.00	N
01998756	1948	WIRING JUNCTION BLOCK 4-Terminal, Headlamp Wire Junction	\$13.00	N
01998757	1948	WIRING JUNCTION BLOCK 5-Terminal, Headlamp Wire Junction	\$19.00	N
01998756	1949	WIRING JUNCTION BLOCK 4-Terminal, Headlamp Wire Junction	\$13.00	N

Chevy Passenger



Phone (562) 926-9552

Fax (562) 926-9572

Part Number	Year	Description	Price	*Rev.
01998757	1949	WIRING JUNCTION BLOCK 5-Terminal, Headlamp Wire Junction	\$19.00	N
01998756	1950	WIRING JUNCTION BLOCK 4-Terminal, Headlamp Wire Junction	\$13.00	N
01998757	1950	WIRING JUNCTION BLOCK 5-Terminal, Headlamp Wire Junction	\$19.00	N
01998756	1951	WIRING JUNCTION BLOCK 4-Terminal, Headlamp Wire Junction	\$13.00	N
01998757	1951	WIRING JUNCTION BLOCK 5-Terminal, Headlamp Wire Junction	\$19.00	N
01998756	1952	WIRING JUNCTION BLOCK 4-Terminal, Headlamp Wire Junction	\$13.00	N
01998757	1952	WIRING JUNCTION BLOCK 5-Terminal, Headlamp Wire Junction	\$19.00	N
01998756	1953	WIRING JUNCTION BLOCK 4-Terminal, Headlamp Wire Junction	\$13.00	N
01998757	1953	WIRING JUNCTION BLOCK 5-Terminal, Headlamp Wire Junction	\$19.00	N
01998756	1954	WIRING JUNCTION BLOCK 4-Terminal, Headlamp Wire Junction	\$13.00	N
01998757	1954	WIRING JUNCTION BLOCK 5-Terminal, Headlamp Wire Junction	\$19.00	N

# ***Section 8***

# ***Chevy Truck***

# **Classic Auto Fuse Series Dash Harnesses**

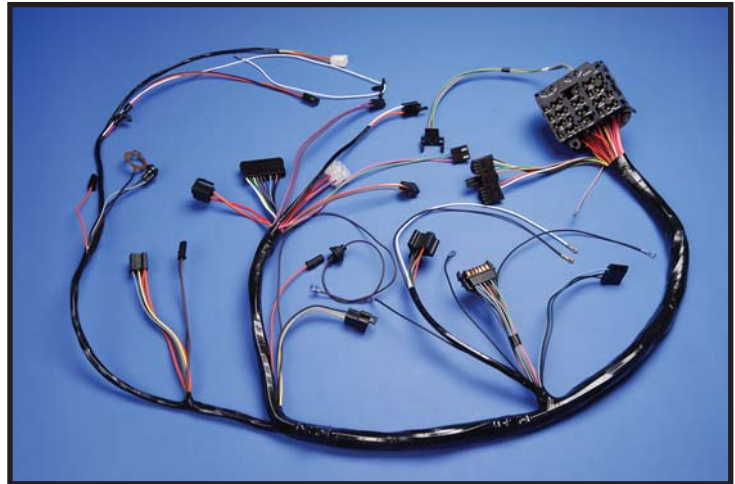
**Now Available for 1967-1978 Chevy Trucks**

**Factory Replacement Style Dash Harnesses with ATO Type Fuse Blocks**

**No cutting, modifying or altering of any sort required**

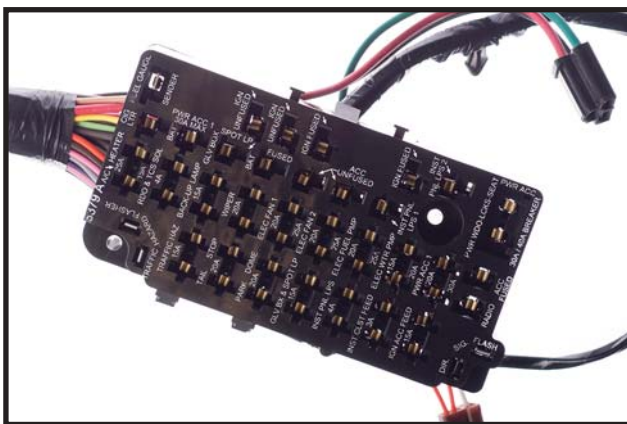
Our new Classic Auto Fuse Series Dash Harnesses allow the professional restorer to maintain the plug and play functionality of the original factory type harnesses, while converting the entire fuse block to an Auto Fuse Series (ATO Type) fuse block. The Classic Auto Fuse Series Dash Harnesses give restorers the flexibility to add additional power circuits, without the installation headaches normally associated with this type of fuse box conversion.

The plug and play Classic Auto Fuse Series Dash Harness are a first in the industry. Don't be fooled by clever advertising and claims by others that their do-it-yourself harnesses are easy to install. There is no other product like this on the market, anywhere.



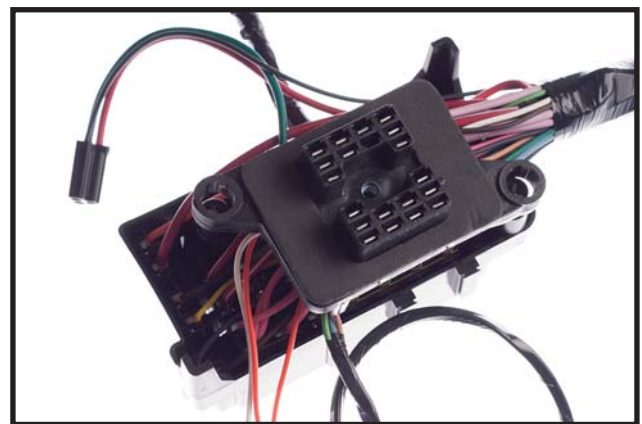
***There is no cutting, modifying or altering of any sort required. Just plug it in and turn it on, it's that simple. The Classic Auto Fuse Dash Harnesses are completely compatible with the remaining harnesses in the car; couple that with our world renowned Free technical support for the finest product money can buy.***

See our Chevy Truck Catalog Listings for Part Numbers, Fitment & Pricing



## **ATO Type Fuse Block**

ATO Type Fuse Block with additional, fully integrated power ports allows the restorer to easily tap power for aftermarket electronic devices such as electric radiator fans, fuel pumps & ignition boxes.



## **Original Factory Bulkhead Connector**

An Original Factory Bulkhead Connector is used on the back of the ATO Fuse Block. This allows the restorer to maintain the plug & play functionality of factory original style Engine & Forward Harnesses.

# Classic Auto Fuse Series Dash Harnesses

## Check Out These Outstanding Features

### Easy Installation

The Classic Auto Fuse Series Dash Harnesses install just like the factory originals. No modifications are required to any of the other harnesses in the car. Stock wiring diagrams and Assembly Manuals can be used to aid in the installation, as the wire colors match the original GM color code specifications.

### Upgraded Main Power Circuits

The main power circuits have been upgraded to ensure the extra capacity of the new Classic Auto Fuse Series fuse block. No need to worry about splicing on to existing fuses and circuits for aftermarket type accessories and overloading the fuse.

### One 30 Amp Fuse Port

This port can be used for power seats, power windows, power door locks or other accessories. This port has a maximum fuse capacity of 30 amps.

### Three Separate 25 Amp Fuse Ports

These three ports can be used for a single electric radiator fan, a dual electric fan setup, an electric fuel pump or other accessories. Each of these ports has a maximum fuse capacity of 25 amps.

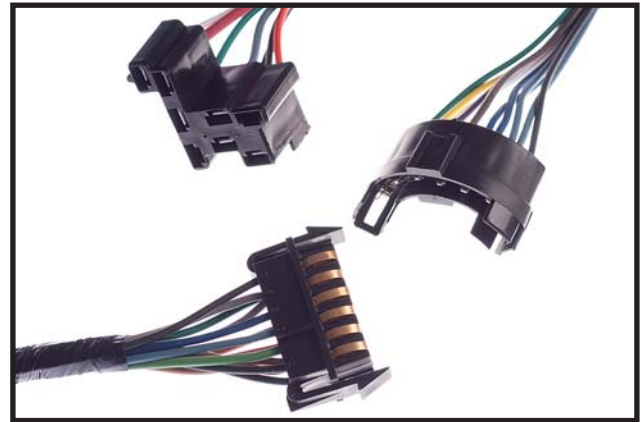
### One 20 Amp Fuse Port

This port can be used for an electric water pump or other accessories. This port has a maximum fuse capacity of 20 amps.

### One 40 Amp Circuit Breaker Port

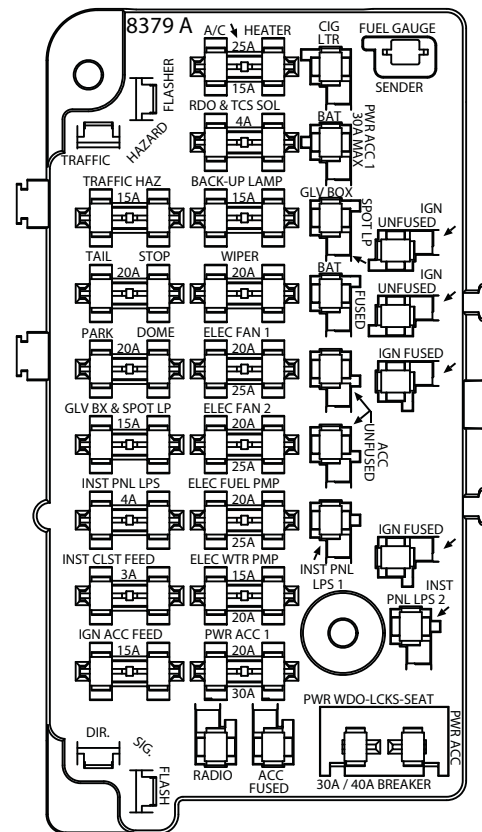
This port can be used for power seats, power windows, power door locks or other accessories. This port is designed for a circuit breaker, but a fuse may be used in place of a circuit breaker should you choose to.

**All of Our Wiring Harnesses are  
Hand Assembled in the USA!**



### GXL Wire & Original Factory Type Connectors

We use U.S.A. made Cross Linked Polyethylene type GXL wire which is much more tolerant to heat than the original PVC type GPT wire that was used from the factory. Wire colors match the OEM specs and Original Factory Type Connectors are used on every wire.



Example of a Classic Auto Fuse Series ATO Type Fuse Block. Design varies based on year of vehicle.

Part Number	Year	Description	Price	*Rev.
<b>ACCESSORY FUSEBLOCK-POWER FEED HARNESS</b>				
06280	1955	ACCESSORY FUSEBLOCK, POWER FEED HARNESS Lights, Battery & Ignition Power To Optional Fuseblock	\$26.00	
42800	1956	ACCESSORY FUSEBLOCK, POWER FEED HARNESS Lights, Battery & Ignition Power To Optional Fuseblock	\$37.00	
42801	1957	ACCESSORY FUSEBLOCK, POWER FEED HARNESS Lights, Battery & Ignition Power To Optional Fuseblock	\$37.00	
42801	1958	ACCESSORY FUSEBLOCK, POWER FEED HARNESS Lights, Battery & Ignition Power To Optional Fuseblock	\$37.00	
42801	1959	ACCESSORY FUSEBLOCK, POWER FEED HARNESS Lights, Battery & Ignition Power To Optional Fuseblock	\$37.00	
<b>AIR CONDITIONING CONTROL ASSEMBLY</b>				
01222890	1967	AIR CONDITIONING CONTROL ASSEMBLY With A/C, Complete With Fan Switch	\$185.00	N
01222890	1968	AIR CONDITIONING CONTROL ASSEMBLY With A/C, Complete With Fan Switch	\$185.00	N
01222890	1969	AIR CONDITIONING CONTROL ASSEMBLY With A/C, Complete With Fan Switch	\$185.00	N
01222890	1970	AIR CONDITIONING CONTROL ASSEMBLY With A/C, Complete With Fan Switch	\$185.00	N
01222890	1971	AIR CONDITIONING CONTROL ASSEMBLY With A/C, Complete With Fan Switch	\$185.00	N
01222890	1972	AIR CONDITIONING CONTROL ASSEMBLY With A/C, Complete With Fan Switch	\$185.00	N
<b>AIR CONDITIONING EXTENSION HARNESS</b>				
20840	1965	AIR CONDITIONING EXTENSION HARNESS Blower Switch Wire Assembly	\$18.00	
20840	1966	AIR CONDITIONING EXTENSION HARNESS Blower Switch Wire Assembly	\$18.00	
41617	1967	AIR CONDITIONING EXTENSION HARNESS Blower Switch Wire Assembly	\$24.00	N
39731	1973	AIR CONDITIONING EXTENSION HARNESS Suburban, With Overhead A/C, Blower Switch Harness To Blower Motor	\$42.00	M
39735	1973	AIR CONDITIONING EXTENSION HARNESS Compressor To A/C Harness	\$63.00	M
39731	1974	AIR CONDITIONING EXTENSION HARNESS Suburban, With Overhead A/C, Blower Switch Harness To Blower Motor	\$42.00	M
39735	1974	AIR CONDITIONING EXTENSION HARNESS Compressor To A/C Harness	\$63.00	M
39777	1975	AIR CONDITIONING EXTENSION HARNESS All, Except 1/2-Ton With 250 6 Cyl, Compressor To A/C Harness Note: 6 Cylinder Items Are Not Returnable.	\$63.00	M
39790	1975	AIR CONDITIONING EXTENSION HARNESS Suburban, With Overhead A/C, Blower Switch Harness To Blower Motor	\$42.00	M
39817	1976	AIR CONDITIONING EXTENSION HARNESS All 2 Wheel Drive, & 1/2, 3/4-Ton 4 Wheel Drive, Compressor To A/C Harness	\$35.00	M
39790	1976	AIR CONDITIONING EXTENSION HARNESS Suburban, With Overhead A/C, Blower Switch Harness To Blower Motor	\$42.00	M
39652	1977	AIR CONDITIONING EXTENSION HARNESS All 2 Wheel Drive, & 1/2, 3/4-Ton 4 Wheel Drive, With 350 & 400 V/8, Compressor To A/C Harness	\$83.00	M
39817	1977	AIR CONDITIONING EXTENSION HARNESS All 2 Wheel Drive, & 1/2, 3/4-Ton 4 Wheel Drive, With 454 V/8, Compressor To A/C Harness	\$35.00	M
39790	1977	AIR CONDITIONING EXTENSION HARNESS Suburban, With Overhead A/C, Blower Switch Harness To Blower Motor	\$42.00	M
39652	1978	AIR CONDITIONING EXTENSION HARNESS All 2 Wheel Drive, & 1/2, 3/4-Ton 4 Wheel Drive, With 350 & 400 V/8, Compressor To A/C Harness	\$83.00	M
39817	1978	AIR CONDITIONING EXTENSION HARNESS All 2 Wheel Drive, & 1/2, 3/4-Ton 4 Wheel Drive, With 454 V/8, Compressor To A/C Harness	\$35.00	M
39790	1978	AIR CONDITIONING EXTENSION HARNESS Suburban, With Overhead A/C, Blower Switch Harness To Blower Motor	\$42.00	M
39876	1978	AIR CONDITIONING EXTENSION HARNESS 1/2 Ton Models, With 250 6 Cyl. Compressor To A/C Harness	\$63.00	M
39879	1978	AIR CONDITIONING EXTENSION HARNESS 2 Wheel Drives, With Diesel, Compressor To A/C Harness	\$42.00	M
39901	1979	AIR CONDITIONING EXTENSION HARNESS All 2 Wheel Drive, & 1/2, 3/4-Ton 4 Wheel Drive, With 350 & 400 V/8, Compressor To A/C Harness	\$50.00	M
39900	1979	AIR CONDITIONING EXTENSION HARNESS 2 Wheel Drive 1-Ton, With 454 V/8, Compressor To A/C Harness	\$42.00	M
39790	1979	AIR CONDITIONING EXTENSION HARNESS Suburban, With Overhead A/C, Blower Switch Harness To Blower Motor	\$42.00	M
39876	1979	AIR CONDITIONING EXTENSION HARNESS 1/2 Ton Models, With 250 6 Cyl. Compressor To A/C Harness	\$63.00	M



Part Number	Year	Description	Price	*Rev.
39879	1979	<b>AIR CONDITIONING EXTENSION HARNESS</b> 2 Wheel Drive 1/2 Ton, With Diesel, Compressor To A/C Harness	\$42.00	M
39902	1979	<b>AIR CONDITIONING EXTENSION HARNESS</b> 2 Wheel Drives, With Diesel, Compressor To Fast Idle Relay	\$63.00	M
39909	1979	<b>AIR CONDITIONING EXTENSION HARNESS</b> 2 Wheel Drive 1/2 & 3/4-Ton, With 454 V/8, Compressor To A/C Harness	\$50.00	M
39790	1980	<b>AIR CONDITIONING EXTENSION HARNESS</b> Suburban, With Overhead A/C, Blower Switch Harness To Blower Motor	\$42.00	M
39876	1980	<b>AIR CONDITIONING EXTENSION HARNESS</b> 1/2 Ton Models, With 250 6 Cyl. Compressor To A/C Harness Note: 6 Cylinder Items Are Not Returnable.	\$63.00	M
39902	1980	<b>AIR CONDITIONING EXTENSION HARNESS</b> 2 Wheel Drive 1/2 Ton, With Diesel, Compressor To Fast Idle Relay	\$63.00	M
39355	1980	<b>AIR CONDITIONING EXTENSION HARNESS</b> With V/8 & Fast Idle Solenoid, Except 454 V/8, Compressor To A/C Harness	\$63.00	M
39933	1980	<b>AIR CONDITIONING EXTENSION HARNESS</b> With V/8, Without Fast Idle Solenoid, Except 454 V/8, Compressor To A/C Harness	\$63.00	M
39930	1980	<b>AIR CONDITIONING EXTENSION HARNESS</b> With 454 V/8, Without Fast Idle Solenoid, Compressor To A/C Harness	\$63.00	M
39931	1980	<b>AIR CONDITIONING EXTENSION HARNESS</b> With 454 V/8 & Fast Idle Solenoid, Compressor To A/C Harness	\$63.00	M
39790	1981	<b>AIR CONDITIONING EXTENSION HARNESS</b> Suburban, With Overhead A/C, Blower Switch Harness To Blower Motor	\$42.00	M
39876	1981	<b>AIR CONDITIONING EXTENSION HARNESS</b> 1/2 Ton Models, With 250 6 Cyl , Compressor To A/C Harness Note: 6 Cylinder Items Are Not Returnable.	\$63.00	M
39902	1981	<b>AIR CONDITIONING EXTENSION HARNESS</b> 2 Wheel Drives, With Diesel, With Federal Emissions, Compressor To Fast Idle Relay	\$63.00	M
39930	1981	<b>AIR CONDITIONING EXTENSION HARNESS</b> With 454 V/8, Without Fast Idle Solenoid, Compressor To A/C Harness	\$63.00	M
39355	1981	<b>AIR CONDITIONING EXTENSION HARNESS</b> Suburban 1/2 Ton, With 3 Spd Auto Trans & Overhead A/C, Compressor To A/C Harness	\$63.00	M
39956	1981	<b>AIR CONDITIONING EXTENSION HARNESS</b> With V/8, Without Fast Idle Solenoid, Except 454 V/8, Compressor To A/C Harness	\$63.00	M
39967	1981	<b>AIR CONDITIONING EXTENSION HARNESS</b> With V/8 & Fast Idle Solenoid, Except 454 V/8, Compressor To A/C Harness	\$63.00	M
39931	1981	<b>AIR CONDITIONING EXTENSION HARNESS</b> With 454 V/8 & Fast Idle Solenoid, Compressor To A/C Harness	\$63.00	M
39978	1981	<b>AIR CONDITIONING EXTENSION HARNESS</b> 2 Wheel Drives, With Diesel, Compressor To A/C Harness	\$63.00	M
39876	1982	<b>AIR CONDITIONING EXTENSION HARNESS</b> 1/2 Ton Models, With 250 6 Cyl. Compressor To A/C Harness Note: 6 Cylinder Items Are Not Returnable.	\$63.00	M
39930	1982	<b>AIR CONDITIONING EXTENSION HARNESS</b> With 454 V/8, Without Fast Idle Solenoid, Compressor To A/C Harness	\$63.00	M
39355	1982	<b>AIR CONDITIONING EXTENSION HARNESS</b> Suburban 1/2 Ton, With 3 Spd Auto Trans & Overhead A/C, Compressor To A/C Harness	\$63.00	M
39956	1982	<b>AIR CONDITIONING EXTENSION HARNESS</b> With V/8, Without Fast Idle Solenoid, Except 454 V/8, Compressor To A/C Harness	\$63.00	M
39995	1982	<b>AIR CONDITIONING EXTENSION HARNESS</b> With Diesel, Compressor To A/C Harness	\$63.00	M
39790	1982	<b>AIR CONDITIONING EXTENSION HARNESS</b> Suburban, With Overhead A/C, Blower Switch Harness To Blower Motor	\$42.00	M
39967	1982	<b>AIR CONDITIONING EXTENSION HARNESS</b> With V/8 & Fast Idle Solenoid, Compressor To A/C Harness	\$63.00	M
<b>AIR CONDITIONING HARNESS</b>				
20820	1962	<b>AIR CONDITIONING HARNESS</b> Includes Heater Wiring	\$153.00	
20820	1963	<b>AIR CONDITIONING HARNESS</b> Includes Heater Wiring	\$153.00	
20815	1964	<b>AIR CONDITIONING HARNESS</b> Includes Heater Wiring	\$153.00	
19965	1965	<b>AIR CONDITIONING HARNESS</b> Includes Heater Wiring	\$153.00	
19965	1966	<b>AIR CONDITIONING HARNESS</b> Includes Heater Wiring	\$153.00	
20825	1967	<b>AIR CONDITIONING HARNESS</b> Includes Heater Wiring	\$153.00	

Part Number	Year	Description	Price	*Rev.
20835	1968	<b>AIR CONDITIONING HARNESS</b> Includes Heater Wiring	\$153.00	
35260	1969	<b>AIR CONDITIONING HARNESS</b> Includes Heater Wiring	\$159.00	
35260	1970	<b>AIR CONDITIONING HARNESS</b> Includes Heater Wiring	\$159.00	
20805	1971	<b>AIR CONDITIONING HARNESS</b> Includes Heater Wiring	\$173.00	
35260	1972	<b>AIR CONDITIONING HARNESS</b> Includes Heater Wiring	\$159.00	
39303	1973	<b>AIR CONDITIONING HARNESS</b> Includes Heater Wiring	\$270.00	M
39727	1973	<b>AIR CONDITIONING HARNESS</b> Suburban, With Overhead A/C, Fuse Panel To Blower Switch	\$133.00	M
39727	1974	<b>AIR CONDITIONING HARNESS</b> Suburban, With Overhead A/C, Fuse Panel To Blower Switch	\$133.00	M
39759	1974	<b>AIR CONDITIONING HARNESS</b> Includes Heater Wiring	\$291.00	M
39727	1975	<b>AIR CONDITIONING HARNESS</b> Suburban, With Overhead A/C, Fuse Panel To Blower Switch	\$133.00	M
39776	1975	<b>AIR CONDITIONING HARNESS</b> Includes Heater Wiring	\$291.00	M
39727	1976	<b>AIR CONDITIONING HARNESS</b> Suburban, With Overhead A/C, Fuse Panel To Blower Switch	\$133.00	M
39827	1976	<b>AIR CONDITIONING HARNESS</b> Includes Heater Wiring	\$291.00	M
39727	1977	<b>AIR CONDITIONING HARNESS</b> Suburban, With Overhead A/C, Fuse Panel To Blower Switch	\$133.00	M
39653	1977	<b>AIR CONDITIONING HARNESS</b> Includes Heater Wiring	\$291.00	M
39727	1978	<b>AIR CONDITIONING HARNESS</b> Suburban, With Overhead A/C, Fuse Panel To Blower Switch	\$133.00	M
39859	1978	<b>AIR CONDITIONING HARNESS</b> Includes Heater Wiring, (1st Design) Note: with a/c temp. control switch mounted on evaporator inlet pipe support bracket.	\$291.00	M
39356	1978	<b>AIR CONDITIONING HARNESS</b> Includes Heater Wiring, (2nd Design) Note: with a/c temp. control switch mounted near top of accumulator bottle.	\$291.00	M
39883	1979	<b>AIR CONDITIONING HARNESS</b> Suburban, With Overhead A/C, Fuse Panel To Blower Switch	\$133.00	M
39356	1979	<b>AIR CONDITIONING HARNESS</b> Includes Heater Wiring	\$291.00	M
39883	1980	<b>AIR CONDITIONING HARNESS</b> Suburban, With Overhead A/C, Fuse Panel To Blower Switch	\$133.00	M
39356	1980	<b>AIR CONDITIONING HARNESS</b> Includes Heater Wiring	\$291.00	M
39936	1981	<b>AIR CONDITIONING HARNESS</b> Suburban, With Overhead A/C, Fuse Panel To Blower Switch	\$133.00	M
39937	1981	<b>AIR CONDITIONING HARNESS</b> Includes Heater Wiring	\$291.00	M
39937	1982	<b>AIR CONDITIONING HARNESS</b> Includes Heater Wiring	\$291.00	M
39997	1982	<b>AIR CONDITIONING HARNESS</b> Suburban, With Overhead A/C, Fuse Panel To Blower Switch	\$133.00	M
<b>ALTERNATOR CONVERSION HARNESS</b>				
30380	1947	<b>ALTERNATOR CONVERSION HARNESS</b> Generator To Internal Regulated Alternator	\$53.00	
30380	1948	<b>ALTERNATOR CONVERSION HARNESS</b> Generator To Internal Regulated Alternator	\$53.00	
30380	1949	<b>ALTERNATOR CONVERSION HARNESS</b> Generator To Internal Regulated Alternator	\$53.00	
30380	1950	<b>ALTERNATOR CONVERSION HARNESS</b> Generator To Internal Regulated Alternator	\$53.00	
30380	1951	<b>ALTERNATOR CONVERSION HARNESS</b> Generator To Internal Regulated Alternator	\$53.00	
30380	1952	<b>ALTERNATOR CONVERSION HARNESS</b> Generator To Internal Regulated Alternator	\$53.00	
30380	1953	<b>ALTERNATOR CONVERSION HARNESS</b> Generator To Internal Regulated Alternator	\$53.00	
30370	1954	<b>ALTERNATOR CONVERSION HARNESS</b> Generator To Internal Regulated Alternator	\$53.00	
30370	1955	<b>ALTERNATOR CONVERSION HARNESS</b> Generator To Internal Regulated Alternator, 1st. Series Note: For Use With Original 6 Volt Electrical System (1st Series).	\$53.00	
30360	1955	<b>ALTERNATOR CONVERSION HARNESS</b> V/8, Generator To Internal Regulated Alternator, 2nd. Series Note: For Use With Original 12 Volt Electrical System (2nd Series).	\$74.00	
30360	1956	<b>ALTERNATOR CONVERSION HARNESS</b> V/8, Generator To Internal Regulated Alternator	\$74.00	
30320	1957	<b>ALTERNATOR CONVERSION HARNESS</b> V/8, Generator To Internal Regulated Alternator	\$74.00	
30320	1958	<b>ALTERNATOR CONVERSION HARNESS</b> V/8, Generator To Internal Regulated Alternator	\$74.00	
30320	1959	<b>ALTERNATOR CONVERSION HARNESS</b> V/8, Generator To Internal Regulated Alternator	\$74.00	

Part Number	Year	Description	Price	*Rev.
31560	1960	<b>ALTERNATOR CONVERSION HARNESS</b> V/8, Generator To Internal Regulated Alternator Note: Due To The Design Of Your Original Dash Harness For Generator Wiring, It Is Not Possible To Make The Generator Light Work When Using Our Alternator Conversion Harness.	\$80.00	
31560	1961	<b>ALTERNATOR CONVERSION HARNESS</b> V/8, Generator To Internal Regulated Alternator Note: Due To The Design Of Your Original Dash Harness For Generator Wiring, It Is Not Possible To Make The Generator Light Work When Using Our Alternator Conversion Harness.	\$80.00	
31560	1962	<b>ALTERNATOR CONVERSION HARNESS</b> V/8, Generator To Internal Regulated Alternator Note: Due To The Design Of Your Original Dash Harness For Generator Wiring, It Is Not Possible To Make The Generator Light Work When Using Our Alternator Conversion Harness.	\$80.00	
<b>ALTERNATOR CONVERSION KIT</b>				
27555	1963	<b>ALTERNATOR CONVERSION KIT</b> External To Internal Regulator Conversion Harness ("SI" Series) Note: For Use With 1972-84 Non-Serpentine Belt ("SI" Series) Internal Regulated Alternators.	\$29.00	
37787	1963	<b>ALTERNATOR CONVERSION KIT</b> External To Internal Regulator Conversion Harness ("CS" Series) Note: For Use With Serpentine Belt ("CS" Series) Internal Regulated Alternators.	\$34.00	
27555	1964	<b>ALTERNATOR CONVERSION KIT</b> External To Internal Regulator Conversion Harness ("SI" Series) Note: For Use With 1972-84 Non-Serpentine Belt ("SI" Series) Internal Regulated Alternators.	\$29.00	
37787	1964	<b>ALTERNATOR CONVERSION KIT</b> External To Internal Regulator Conversion Harness ("CS" Series) Note: For Use With Serpentine Belt ("CS" Series) Internal Regulated Alternators.	\$34.00	
27555	1965	<b>ALTERNATOR CONVERSION KIT</b> External To Internal Regulator Conversion Harness ("SI" Series) Note: For Use With 1972-84 Non-Serpentine Belt ("SI" Series) Internal Regulated Alternators.	\$29.00	
37787	1965	<b>ALTERNATOR CONVERSION KIT</b> External To Internal Regulator Conversion Harness ("CS" Series) Note: For Use With Serpentine Belt ("CS" Series) Internal Regulated Alternators.	\$34.00	
27555	1966	<b>ALTERNATOR CONVERSION KIT</b> External To Internal Regulator Conversion Harness ("SI" Series) Note: For Use With 1972-84 Non-Serpentine Belt ("SI" Series) Internal Regulated Alternators.	\$29.00	
37787	1966	<b>ALTERNATOR CONVERSION KIT</b> External To Internal Regulator Conversion Harness ("CS" Series) Note: For Use With Serpentine Belt ("CS" Series) Internal Regulated Alternators.	\$34.00	
27555	1967	<b>ALTERNATOR CONVERSION KIT</b> External To Internal Regulator Conversion Harness ("SI" Series) Note: For Use With 1972-84 Non-Serpentine Belt ("SI" Series) Internal Regulated Alternators.	\$29.00	
37787	1967	<b>ALTERNATOR CONVERSION KIT</b> External To Internal Regulator Conversion Harness ("CS" Series) Note: For Use With Serpentine Belt ("CS" Series) Internal Regulated Alternators.	\$34.00	
27555	1968	<b>ALTERNATOR CONVERSION KIT</b> External To Internal Regulator Conversion Harness ("SI" Series) Note: For Use With 1972-84 Non-Serpentine Belt ("SI" Series) Internal Regulated Alternators.	\$29.00	
37787	1968	<b>ALTERNATOR CONVERSION KIT</b> External To Internal Regulator Conversion Harness ("CS" Series) Note: For Use With Serpentine Belt ("CS" Series) Internal Regulated Alternators.	\$34.00	
27555	1969	<b>ALTERNATOR CONVERSION KIT</b> External To Internal Regulator Conversion Harness ("SI" Series) Note: For Use With 1972-84 Non-Serpentine Belt ("SI" Series) Internal Regulated Alternators.	\$29.00	
37787	1969	<b>ALTERNATOR CONVERSION KIT</b> External To Internal Regulator Conversion Harness ("CS" Series) Note: For Use With Serpentine Belt ("CS" Series) Internal Regulated Alternators.	\$34.00	
27555	1970	<b>ALTERNATOR CONVERSION KIT</b> External To Internal Regulator Conversion Harness ("SI" Series) Note: For Use With 1972-84 Non-Serpentine Belt ("SI" Series) Internal Regulated Alternators.	\$29.00	
37787	1970	<b>ALTERNATOR CONVERSION KIT</b> External To Internal Regulator Conversion Harness ("CS" Series) Note: For Use With Serpentine Belt ("CS" Series) Internal Regulated Alternators.	\$34.00	
27555	1971	<b>ALTERNATOR CONVERSION KIT</b> External To Internal Regulator Conversion Harness ("SI" Series) Note: For Use With 1972-84 Non-Serpentine Belt ("SI" Series) Internal Regulated Alternators.	\$29.00	
37787	1971	<b>ALTERNATOR CONVERSION KIT</b> External To Internal Regulator Conversion Harness ("CS" Series) Note: For Use With Serpentine Belt ("CS" Series) Internal Regulated Alternators.	\$34.00	
27555	1972	<b>ALTERNATOR CONVERSION KIT</b> External To Internal Regulator Conversion Harness ("SI" Series) Note: For Use With 1972-84 Non-Serpentine Belt ("SI" Series) Internal Regulated Alternators.	\$29.00	
37787	1972	<b>ALTERNATOR CONVERSION KIT</b> External To Internal Regulator Conversion Harness ("CS" Series) Note: For Use With Serpentine Belt ("CS" Series) Internal Regulated Alternators.	\$34.00	

Part Number	Year	Description	Price	*Rev.
37796	1975	<b>ALTERNATOR CONVERSION KIT</b> Internal Regulator "SI" Series Alternator To "CS" Series (Serpentine Belt) Alternator Note: For Use With Serpentine Belt ("CS130" Or "CS144" Type) Internal Regulated Alternators.	\$26.00	M
<b>AMMETER GAUGE</b>				
01500928	1947	<b>AMMETER GAUGE</b> Red Needle	\$74.00	N
01500928	1948	<b>AMMETER GAUGE</b> Red Needle	\$74.00	N
01501198	1949	<b>AMMETER GAUGE</b> White Needle	\$74.00	N
01501198	1950	<b>AMMETER GAUGE</b> White Needle	\$74.00	N
01501198	1951	<b>AMMETER GAUGE</b> White Needle	\$74.00	N
01501198	1952	<b>AMMETER GAUGE</b> White Needle	\$74.00	N
01501198	1953	<b>AMMETER GAUGE</b> White Needle	\$74.00	N
01501471	1954	<b>AMMETER GAUGE</b>	\$74.00	N
01501471	1955	<b>AMMETER GAUGE</b> 1st Series	\$74.00	N
01501740	1955	<b>AMMETER GAUGE</b> Used Only With Electric Type Temperature Gauge	\$85.00	N
01501735	1955	<b>AMMETER GAUGE</b> Used Only With Mechanical Type Temperature Gauge	\$85.00	N
01501740	1956	<b>AMMETER GAUGE</b> Used Only With Electric Type Temperature Gauge	\$85.00	N
01501735	1956	<b>AMMETER GAUGE</b> Used Only With Mechanical Type Temperature Gauge	\$85.00	N
01501740	1957	<b>AMMETER GAUGE</b> Used Only With Electric Type Temperature Gauge	\$85.00	N
01501735	1957	<b>AMMETER GAUGE</b> Used Only With Mechanical Type Temperature Gauge	\$85.00	N
01501740	1958	<b>AMMETER GAUGE</b> Used Only With Electric Type Temperature Gauge	\$85.00	N
01501735	1958	<b>AMMETER GAUGE</b> Used Only With Mechanical Type Temperature Gauge	\$85.00	N
01501740	1959	<b>AMMETER GAUGE</b> Used Only With Electric Type Temperature Gauge	\$85.00	N
01501735	1959	<b>AMMETER GAUGE</b> Used Only With Mechanical Type Temperature Gauge	\$85.00	N
01501949	1960	<b>AMMETER GAUGE</b>	\$74.00	N
01501949	1961	<b>AMMETER GAUGE</b>	\$74.00	N
01501949	1962	<b>AMMETER GAUGE</b>	\$74.00	N
01501949	1963	<b>AMMETER GAUGE</b>	\$74.00	N
01502803	1964	<b>AMMETER GAUGE</b>	\$74.00	N
01502803	1965	<b>AMMETER GAUGE</b>	\$74.00	N
01502803	1966	<b>AMMETER GAUGE</b>	\$74.00	N
01503428	1967	<b>AMMETER GAUGE</b>	\$47.00	N
44220	1967	<b>AMMETER GAUGE</b> With -40 / +40 Numeric Face Plate Note: This Is A Replacement For OEM Gauge 01503428 (With Discharge & Charge Graduations) In Trucks With Factory Gauge Type Clusters.	\$39.00	N
01503428	1968	<b>AMMETER GAUGE</b>	\$47.00	N
44220	1968	<b>AMMETER GAUGE</b> With -40 / +40 Numeric Face Plate Note: This Is A Replacement For OEM Gauge 01503428 (With Discharge & Charge Graduations) In Trucks With Factory Gauge Type Clusters.	\$39.00	N
01503428	1969	<b>AMMETER GAUGE</b>	\$47.00	N
44220	1969	<b>AMMETER GAUGE</b> With -40 / +40 Numeric Face Plate Note: This Is A Replacement For OEM Gauge 01503428 (With Discharge & Charge Graduations) In Trucks With Factory Gauge Type Clusters.	\$39.00	N
01503428	1970	<b>AMMETER GAUGE</b>	\$47.00	N
44220	1970	<b>AMMETER GAUGE</b> With -40 / +40 Numeric Face Plate Note: This Is A Replacement For OEM Gauge 01503428 (With Discharge & Charge Graduations) In Trucks With Factory Gauge Type Clusters.	\$39.00	N
01503428	1971	<b>AMMETER GAUGE</b>	\$47.00	N

Part Number	Year	Description	Price	*Rev.
44220	1971	<b>AMMETER GAUGE</b> With -40 / +40 Numeric Face Plate Note: This Is A Replacement For OEM Gauge 01503428 (With Discharge & Charge Graduations) In Trucks With Factory Gauge Type Clusters.	\$39.00	N
01503428	1972	<b>AMMETER GAUGE</b>	\$47.00	N
44220	1972	<b>AMMETER GAUGE</b> With -40 / +40 Numeric Face Plate Note: This Is A Replacement For OEM Gauge 01503428 (With Discharge & Charge Graduations) In Trucks With Factory Gauge Type Clusters.	\$39.00	N
06474468	1973	<b>AMMETER GAUGE</b> Fire Orange Needle	\$39.00	N
06474468	1974	<b>AMMETER GAUGE</b> Fire Orange Needle	\$39.00	N
06474468	1975	<b>AMMETER GAUGE</b> Fire Orange Needle	\$39.00	N
<b>ASSEMBLY MANUAL</b>				
36385	1947	<b>ASSEMBLY MANUAL</b> Factory Assembly Instruction Guide	\$42.00	
36385	1948	<b>ASSEMBLY MANUAL</b> Factory Assembly Instruction Guide	\$42.00	
36385	1949	<b>ASSEMBLY MANUAL</b> Factory Assembly Instruction Guide	\$42.00	
36385	1950	<b>ASSEMBLY MANUAL</b> Factory Assembly Instruction Guide	\$42.00	
36385	1951	<b>ASSEMBLY MANUAL</b> Factory Assembly Instruction Guide	\$42.00	
36385	1952	<b>ASSEMBLY MANUAL</b> Factory Assembly Instruction Guide	\$42.00	
36385	1953	<b>ASSEMBLY MANUAL</b> Factory Assembly Instruction Guide	\$42.00	
36385	1954	<b>ASSEMBLY MANUAL</b> Factory Assembly Instruction Guide	\$42.00	
41482	1955	<b>ASSEMBLY MANUAL</b> Factory Assembly Instruction Guide Note: This Is A Original Uncut Manual Containing Unedited Data And GM Part Numbers.	\$42.00	
36386	1955	<b>ASSEMBLY MANUAL</b> Factory Assembly Instruction Guide Note: This Manual Is A Edited And Cut Version Without Original GM Part Numbers. If You Have A 1955 Chevy Truck It Is Recommended That You Use The Unedited #41482 Assembly Manual.	\$42.00	
36386	1956	<b>ASSEMBLY MANUAL</b> Factory Assembly Instruction Guide Note: This Manual Is A Edited And Cut Version Without Original GM Part Numbers.	\$42.00	
36386	1957	<b>ASSEMBLY MANUAL</b> Factory Assembly Instruction Guide Note: This Manual Is A Edited And Cut Version Without Original GM Part Numbers.	\$42.00	
36386	1958	<b>ASSEMBLY MANUAL</b> Factory Assembly Instruction Guide Note: This Manual Is A Edited And Cut Version Without Original GM Part Numbers.	\$42.00	
36386	1959	<b>ASSEMBLY MANUAL</b> Factory Assembly Instruction Guide Note: This Manual Is A Edited And Cut Version Without Original GM Part Numbers.	\$42.00	
36387	1960	<b>ASSEMBLY MANUAL</b> Factory Assembly Instruction Guide	\$42.00	
36387	1961	<b>ASSEMBLY MANUAL</b> Factory Assembly Instruction Guide	\$42.00	
36387	1962	<b>ASSEMBLY MANUAL</b> Factory Assembly Instruction Guide	\$42.00	
36387	1963	<b>ASSEMBLY MANUAL</b> Factory Assembly Instruction Guide	\$42.00	
36387	1964	<b>ASSEMBLY MANUAL</b> Factory Assembly Instruction Guide	\$42.00	
36387	1965	<b>ASSEMBLY MANUAL</b> Factory Assembly Instruction Guide	\$42.00	
36387	1966	<b>ASSEMBLY MANUAL</b> Factory Assembly Instruction Guide	\$42.00	
36388	1967	<b>ASSEMBLY MANUAL</b> Factory Assembly Instruction Guide	\$51.00	
36388	1968	<b>ASSEMBLY MANUAL</b> Factory Assembly Instruction Guide	\$51.00	
36388	1969	<b>ASSEMBLY MANUAL</b> Factory Assembly Instruction Guide	\$51.00	
36388	1970	<b>ASSEMBLY MANUAL</b> Factory Assembly Instruction Guide	\$51.00	
36388	1971	<b>ASSEMBLY MANUAL</b> Factory Assembly Instruction Guide	\$51.00	
36388	1972	<b>ASSEMBLY MANUAL</b> Factory Assembly Instruction Guide	\$51.00	
39354	1982	<b>ASSEMBLY MANUAL</b> Factory Assembly Instruction Guide	\$54.00	M

Part Number	Year	Description	Price	*Rev.
<b>AUXILIARY BATTERY GROUND WIRE</b>				
44138	1968	<b>AUXILIARY BATTERY GROUND WIRE</b> All, With Dual Auxiliary Camper Battery Option, Secondary Battery Negative Post To Ground	\$30.00	N
44138	1969	<b>AUXILIARY BATTERY GROUND WIRE</b> All, With Dual Auxiliary Camper Battery Option, Secondary Battery Negative Post To Ground	\$30.00	N
44138	1970	<b>AUXILIARY BATTERY GROUND WIRE</b> All, With Dual Auxiliary Camper Battery Option, Secondary Battery Negative Post To Ground	\$30.00	N
44138	1971	<b>AUXILIARY BATTERY GROUND WIRE</b> All, With Dual Auxiliary Camper Battery Option, Secondary Battery Negative Post To Ground	\$30.00	N
44138	1972	<b>AUXILIARY BATTERY GROUND WIRE</b> All, With Dual Auxiliary Camper Battery Option, Secondary Battery Negative Post To Ground	\$30.00	N
39716	1973	<b>AUXILIARY BATTERY GROUND WIRE</b> All, With Dual Auxiliary Camper Battery Option, Secondary Battery Negative Post To Ground	\$30.00	M
39716	1974	<b>AUXILIARY BATTERY GROUND WIRE</b> All, With Dual Auxiliary Camper Battery Option, Secondary Battery Negative Post To Ground	\$30.00	M
39716	1975	<b>AUXILIARY BATTERY GROUND WIRE</b> All, With Dual Auxiliary Camper Battery Option, Secondary Battery Negative Post To Ground	\$30.00	M
39716	1976	<b>AUXILIARY BATTERY GROUND WIRE</b> All, With Dual Auxiliary Camper Battery Option, Secondary Battery Negative Post To Ground	\$30.00	M
39716	1977	<b>AUXILIARY BATTERY GROUND WIRE</b> All, With Dual Auxiliary Camper Battery Option, Secondary Battery Negative Post To Ground	\$30.00	M
39716	1978	<b>AUXILIARY BATTERY GROUND WIRE</b> All, With Dual Auxiliary Camper Battery Option, Secondary Battery Negative Post To Ground	\$30.00	M
39716	1979	<b>AUXILIARY BATTERY GROUND WIRE</b> All, With Dual Auxiliary Camper Battery Option, Secondary Battery Negative Post To Ground	\$30.00	M
39716	1980	<b>AUXILIARY BATTERY GROUND WIRE</b> All, With Dual Auxiliary Camper Battery Option, Secondary Battery Negative Post To Ground	\$30.00	M
39941	1981	<b>AUXILIARY BATTERY GROUND WIRE</b> All, With Dual Auxiliary Camper Battery Option, Secondary Battery Negative Post To Ground	\$30.00	M
39941	1982	<b>AUXILIARY BATTERY GROUND WIRE</b> All, With Dual Auxiliary Camper Battery Option, Secondary Battery Negative Post To Ground	\$30.00	M
<b>AUXILIARY BATTERY HARNESS</b>				
37450	1968	<b>AUXILIARY BATTERY HARNESS</b> All, With Dual Auxiliary Camper Battery Option, Secondary Battery To Junction Block & Relay	\$67.00	N
37450	1969	<b>AUXILIARY BATTERY HARNESS</b> All, With Dual Auxiliary Camper Battery Option, Secondary Battery To Junction Block & Relay	\$67.00	N
42950	1970	<b>AUXILIARY BATTERY HARNESS</b> All, With Dual Auxiliary Camper Battery Option, Secondary Battery To Junction Block & Relay	\$67.00	N
42950	1971	<b>AUXILIARY BATTERY HARNESS</b> All, With Dual Auxiliary Camper Battery Option, Secondary Battery To Junction Block & Relay	\$67.00	N
42950	1972	<b>AUXILIARY BATTERY HARNESS</b> All, With Dual Auxiliary Camper Battery Option, Secondary Battery To Junction Block & Relay	\$67.00	N
39720	1973	<b>AUXILIARY BATTERY HARNESS</b> All, With Dual Auxiliary Camper Battery Option, Secondary Battery To Junction Block & Relay	\$132.00	M
39720	1974	<b>AUXILIARY BATTERY HARNESS</b> All, With Dual Auxiliary Camper Battery Option, Secondary Battery To Junction Block & Relay	\$132.00	M
39785	1975	<b>AUXILIARY BATTERY HARNESS</b> All, With Dual Auxiliary Camper Battery Option, Secondary Battery To Junction Block & Relay	\$132.00	M
39812	1976	<b>AUXILIARY BATTERY HARNESS</b> All, With Dual Auxiliary Camper Battery Option, Secondary Battery To Junction Block & Relay	\$132.00	M
39812	1977	<b>AUXILIARY BATTERY HARNESS</b> All, With Dual Auxiliary Camper Battery Option, Secondary Battery To Junction Block & Relay	\$132.00	M
39812	1978	<b>AUXILIARY BATTERY HARNESS</b> All, With Dual Auxiliary Camper Battery Option, Secondary Battery To Junction Block & Relay	\$132.00	M

Part Number	Year	Description	Price	*Rev.
39884	1979	<b>AUXILIARY BATTERY HARNESS</b> All, With Dual Auxiliary Camper Battery Option, Secondary Battery To Junction Block & Relay	\$132.00	M
39884	1980	<b>AUXILIARY BATTERY HARNESS</b> All, With Dual Auxiliary Camper Battery Option, Secondary Battery To Junction Block & Relay	\$132.00	M
39942	1981	<b>AUXILIARY BATTERY HARNESS</b> All, With Dual Auxiliary Camper Battery Option, Secondary Battery To Junction Block & Relay	\$132.00	M
39942	1982	<b>AUXILIARY BATTERY HARNESS</b> All, With Dual Auxiliary Camper Battery Option, Secondary Battery To Junction Block & Relay	\$132.00	M
<b>BACKUP LAMP EXTENSION HARNESS</b>				
30645	1962	<b>BACKUP LAMP EXTENSION HARNESS</b> Firewall To Rear Frame Connector	\$27.00	
30645	1963	<b>BACKUP LAMP EXTENSION HARNESS</b> Firewall To Rear Frame Connector	\$27.00	
30645	1964	<b>BACKUP LAMP EXTENSION HARNESS</b> Firewall To Rear Frame Connector	\$27.00	
30645	1965	<b>BACKUP LAMP EXTENSION HARNESS</b> Firewall To Rear Frame Connector	\$27.00	
30645	1966	<b>BACKUP LAMP EXTENSION HARNESS</b> Firewall To Rear Frame Connector	\$27.00	
<b>BACKUP LAMP HARNESS</b>				
19930	1962	<b>BACKUP LAMP HARNESS</b> Rear Frame Connector To Backup Lamps, Except Suburban	\$30.00	
19930	1963	<b>BACKUP LAMP HARNESS</b> Rear Frame Connector To Backup Lamps, Except Suburban	\$30.00	
19930	1964	<b>BACKUP LAMP HARNESS</b> Rear Frame Connector To Backup Lamps, Except Suburban	\$30.00	
19930	1965	<b>BACKUP LAMP HARNESS</b> Rear Frame Connector To Backup Lamps, Except Suburban	\$30.00	
19930	1966	<b>BACKUP LAMP HARNESS</b> Rear Frame Connector To Backup Lamps, Except Suburban	\$30.00	
<b>BACKUP LAMP SWITCH HARNESS</b>				
39770	1974	<b>BACKUP LAMP SWITCH HARNESS</b> With 4 Speed Trans, Backup Lamp Switch To Extension Harness	\$48.00	M
37500	1975	<b>BACKUP LAMP SWITCH HARNESS</b> With 4 Speed Trans, Backup Lamp Switch To Extension Harness	\$48.00	M
37500	1976	<b>BACKUP LAMP SWITCH HARNESS</b> With 4 Speed Trans, Backup Lamp Switch To Extension Harness	\$48.00	M
37500	1977	<b>BACKUP LAMP SWITCH HARNESS</b> With 4 Speed Trans, Backup Lamp Switch To Extension Harness	\$48.00	M
37500	1978	<b>BACKUP LAMP SWITCH HARNESS</b> With 4 Speed Trans, Backup Lamp Switch To Extension Harness	\$48.00	M
37500	1979	<b>BACKUP LAMP SWITCH HARNESS</b> With 4 Speed Trans, Backup Lamp Switch To Extension Harness	\$48.00	M
37500	1980	<b>BACKUP LAMP SWITCH HARNESS</b> With 4 Speed Trans, Backup Lamp Switch To Extension Harness	\$48.00	M
39989	1981	<b>BACKUP LAMP SWITCH HARNESS</b> With 4 Speed Trans, Switch To Extension Harness	\$48.00	M
39989	1982	<b>BACKUP LAMP SWITCH HARNESS</b> With 4 Speed Trans, Except New Process, Switch To Extension Harness	\$48.00	M
37537	1982	<b>BACKUP LAMP SWITCH HARNESS</b> With New Process 4 Speed Trans, Switch To Extension Harness	\$48.00	M
<b>BATTERY CABLE JUNCTION BLOCK</b>				
03882795	1967	<b>BATTERY CABLE JUNCTION BLOCK</b> For Positive Cable Secondary Lead, Also Used With Auxiliary Camper Battery Harness	\$11.00	N
03882795	1968	<b>BATTERY CABLE JUNCTION BLOCK</b> For Positive Cable Secondary Lead, Also Used With Auxiliary Camper Battery Harness	\$11.00	N
03882795	1969	<b>BATTERY CABLE JUNCTION BLOCK</b> For Positive Cable Secondary Lead, Also Used With Auxiliary Camper Battery Harness	\$11.00	N
03882795	1970	<b>BATTERY CABLE JUNCTION BLOCK</b> For Positive Cable Secondary Lead, Also Used With Auxiliary Camper Battery Harness	\$11.00	N
03882795	1971	<b>BATTERY CABLE JUNCTION BLOCK</b> For Positive Cable Secondary Lead, Also Used With Auxiliary Camper Battery Harness	\$11.00	N
03882795	1972	<b>BATTERY CABLE JUNCTION BLOCK</b> For Positive Cable Secondary Lead, Also Used With Auxiliary Camper Battery Harness	\$11.00	N
<b>BATTERY CABLE-NEGATIVE</b>				
03005	1960	<b>BATTERY CABLE, SPRING RING</b> Neg, 6 Cylinder Note: 6 Cylinder Items Are Not Returnable.	\$69.00	
03000	1960	<b>BATTERY CABLE, SPRING RING</b> Neg, V/8	\$69.00	

Part Number	Year	Description	Price	*Rev.
03720	1961	<b>BATTERY CABLE, SPRING RING</b> Neg, All	\$69.00	
04135	1962	<b>BATTERY CABLE, SPRING RING</b> Neg, 6 Cylinder Note: 6 Cylinder Items Are Not Returnable.	\$69.00	
03720	1962	<b>BATTERY CABLE, SPRING RING</b> Neg, V/8	\$69.00	
04135	1963	<b>BATTERY CABLE, SPRING RING</b> Neg, 6 Cylinder, Except Accessory A/C Note: 6 Cylinder Items Are Not Returnable.	\$69.00	
03005	1963	<b>BATTERY CABLE, SPRING RING</b> Neg, 6 Cylinder, With Accessory A/C Note: 6 Cylinder Items Are Not Returnable.	\$69.00	
03720	1963	<b>BATTERY CABLE, SPRING RING</b> Neg, V/8	\$69.00	
05515	1964	<b>BATTERY CABLE, SPRING RING</b> Neg, 6 Cylinder Note: 6 Cylinder Items Are Not Returnable.	\$69.00	
04870	1964	<b>BATTERY CABLE, SPRING RING</b> Neg, V/8	\$69.00	
05515	1965	<b>BATTERY CABLE, SPRING RING</b> Neg, 6 Cylinder Note: 6 Cylinder Items Are Not Returnable.	\$69.00	
04870	1965	<b>BATTERY CABLE, SPRING RING</b> Neg, V/8	\$69.00	
05515	1966	<b>BATTERY CABLE, SPRING RING</b> Neg, 6 Cylinder Note: 6 Cylinder Items Are Not Returnable.	\$69.00	
04870	1966	<b>BATTERY CABLE, SPRING RING</b> Neg, V/8	\$69.00	
<b>BATTERY CABLE-POSITIVE</b>				
30615	1955	<b>BATTERY CABLE, TOP POST</b> Pos, 6 Cylinder Note: 6 Cylinder Items Are Not Returnable.	\$63.00	
29405	1955	<b>BATTERY CABLE, TOP POST</b> Pos, V/8	\$63.00	
30615	1956	<b>BATTERY CABLE, TOP POST</b> Pos, 6 Cylinder Note: 6 Cylinder Items Are Not Returnable.	\$63.00	
29405	1956	<b>BATTERY CABLE, TOP POST</b> Pos, V/8	\$63.00	
30615	1957	<b>BATTERY CABLE, TOP POST</b> Pos, 6 Cylinder Note: 6 Cylinder Items Are Not Returnable.	\$63.00	
29405	1957	<b>BATTERY CABLE, TOP POST</b> Pos, V/8	\$63.00	
30615	1958	<b>BATTERY CABLE, TOP POST</b> Pos, 6 Cylinder Note: 6 Cylinder Items Are Not Returnable.	\$63.00	
29405	1958	<b>BATTERY CABLE, TOP POST</b> Pos, V/8, With Auto Trans	\$63.00	
30610	1958	<b>BATTERY CABLE, TOP POST</b> Pos, V/8, With Manual Trans	\$63.00	
30615	1959	<b>BATTERY CABLE, TOP POST</b> Pos, 6 Cylinder Note: 6 Cylinder Items Are Not Returnable.	\$63.00	
29405	1959	<b>BATTERY CABLE, TOP POST</b> Pos, V/8, With Auto Trans	\$63.00	
30610	1959	<b>BATTERY CABLE, TOP POST</b> Pos, V/8, With Manual Trans	\$63.00	
21290	1960	<b>BATTERY CABLE, SPRING RING</b> Pos, All	\$69.00	
21350	1961	<b>BATTERY CABLE, SPRING RING</b> Pos, All	\$69.00	
21350	1962	<b>BATTERY CABLE, SPRING RING</b> Pos, All	\$69.00	
03930	1963	<b>BATTERY CABLE, SPRING RING</b> Pos, All, With A/C	\$69.00	
21125	1963	<b>BATTERY CABLE, SPRING RING</b> Pos, All, Without A/C	\$69.00	
03930	1964	<b>BATTERY CABLE, SPRING RING</b> Pos, All, With A/C	\$69.00	
21125	1964	<b>BATTERY CABLE, SPRING RING</b> Pos, All, Without A/C	\$69.00	
03930	1965	<b>BATTERY CABLE, SPRING RING</b> Pos, All, With A/C	\$69.00	
21125	1965	<b>BATTERY CABLE, SPRING RING</b> Pos, All, Without A/C	\$69.00	
03930	1966	<b>BATTERY CABLE, SPRING RING</b> Pos, All, With A/C	\$69.00	
21125	1966	<b>BATTERY CABLE, SPRING RING</b> Pos, All, Without A/C	\$69.00	



Part Number	Year	Description	Price	*Rev.
<b>BATTERY GROUND STRAP</b>				
21595	1955	<b>BATTERY GROUND STRAP</b> Neg, 6 Cylinder & V/8 Note: 6 Cylinder Items Are Not Returnable.	\$63.00	
21595	1956	<b>BATTERY GROUND STRAP</b> Neg, 6 Cylinder & V/8 Note: 6 Cylinder Items Are Not Returnable.	\$63.00	
21595	1957	<b>BATTERY GROUND STRAP</b> Neg, 6 Cylinder & V/8 Note: 6 Cylinder Items Are Not Returnable.	\$63.00	
21595	1958	<b>BATTERY GROUND STRAP</b> Neg, 6 Cylinder & V/8 Note: 6 Cylinder Items Are Not Returnable.	\$63.00	
21595	1959	<b>BATTERY GROUND STRAP</b> Neg, 6 Cylinder & V/8 Note: 6 Cylinder Items Are Not Returnable.	\$63.00	
<b>BRAKE WARNING SWITCH JUMPER</b>				
39757	1973	<b>BRAKE WARNING SWITCH JUMPER</b> 2 Wheel Drive, Brake Warning Switch To Front Light Harness	\$34.00	M
39758	1973	<b>BRAKE WARNING SWITCH JUMPER</b> 4 Wheel Drive, Brake Warning Switch To Front Light Harness	\$34.00	M
39757	1974	<b>BRAKE WARNING SWITCH JUMPER</b> 2 Wheel Drive, Brake Warning Switch To Front Light Harness	\$34.00	M
39758	1974	<b>BRAKE WARNING SWITCH JUMPER</b> 4 Wheel Drive, Brake Warning Switch To Front Light Harness	\$34.00	M
39757	1975	<b>BRAKE WARNING SWITCH JUMPER</b> 2 Wheel Drive, Brake Warning Switch To Front Light Harness	\$34.00	M
39758	1975	<b>BRAKE WARNING SWITCH JUMPER</b> 4 Wheel Drive, Brake Warning Switch To Front Light Harness	\$34.00	M
39757	1976	<b>BRAKE WARNING SWITCH JUMPER</b> 2 Wheel Drive, Brake Warning Switch To Front Light Harness	\$34.00	M
39758	1976	<b>BRAKE WARNING SWITCH JUMPER</b> 4 Wheel Drive, Brake Warning Switch To Front Light Harness	\$34.00	M
39757	1977	<b>BRAKE WARNING SWITCH JUMPER</b> 2 Wheel Drive, Brake Warning Switch To Front Light Harness	\$34.00	M
39758	1977	<b>BRAKE WARNING SWITCH JUMPER</b> 4 Wheel Drive, Brake Warning Switch To Front Light Harness	\$34.00	M
39862	1978	<b>BRAKE WARNING SWITCH JUMPER</b> 2 Wheel Drive, Brake Warning Switch To Front Light Harness	\$41.00	M
39863	1978	<b>BRAKE WARNING SWITCH JUMPER</b> 4 Wheel Drive, Brake Warning Switch To Front Light Harness	\$41.00	M
39862	1979	<b>BRAKE WARNING SWITCH JUMPER</b> 2 Wheel Drive, Brake Warning Switch To Front Light Harness	\$41.00	M
39863	1979	<b>BRAKE WARNING SWITCH JUMPER</b> 4 Wheel Drive, Brake Warning Switch To Front Light Harness	\$41.00	M
39862	1980	<b>BRAKE WARNING SWITCH JUMPER</b> 2 Wheel Drive, Brake Warning Switch To Front Light Harness	\$41.00	M
39863	1980	<b>BRAKE WARNING SWITCH JUMPER</b> 4 Wheel Drive, Brake Warning Switch To Front Light Harness	\$41.00	M
39862	1981	<b>BRAKE WARNING SWITCH JUMPER</b> 2 Wheel Drive, Brake Warning Switch To Front Light Harness	\$41.00	M
39863	1981	<b>BRAKE WARNING SWITCH JUMPER</b> 4 Wheel Drive, Brake Warning Switch To Front Light Harness	\$41.00	M
39862	1982	<b>BRAKE WARNING SWITCH JUMPER</b> 2 Wheel Drive, Brake Warning Switch To Front Light Harness	\$41.00	M
39863	1982	<b>BRAKE WARNING SWITCH JUMPER</b> 4 Wheel Drive, Brake Warning Switch To Front Light Harness	\$41.00	M
<b>BREAKERLESS SE SINGLE WIRE ELECTRONIC IGNITION</b>				
38131	1957	<b>BREAKERLESS SE SINGLE WIRE ELECTRONIC IGNITION KIT</b> For 1957-74 Breaker Point Distributors With Windowed Type Distributor Cap	\$179.00	
38131	1958	<b>BREAKERLESS SE SINGLE WIRE ELECTRONIC IGNITION KIT</b> For 1957-74 Breaker Point Distributors With Windowed Type Distributor Cap	\$179.00	
38131	1959	<b>BREAKERLESS SE SINGLE WIRE ELECTRONIC IGNITION KIT</b> For 1957-74 Breaker Point Distributors With Windowed Type Distributor Cap	\$179.00	
38131	1960	<b>BREAKERLESS SE SINGLE WIRE ELECTRONIC IGNITION KIT</b> For 1957-74 Breaker Point Distributors With Windowed Type Distributor Cap	\$179.00	
38131	1961	<b>BREAKERLESS SE SINGLE WIRE ELECTRONIC IGNITION KIT</b> For 1957-74 Breaker Point Distributors With Windowed Type Distributor Cap	\$179.00	
38131	1962	<b>BREAKERLESS SE SINGLE WIRE ELECTRONIC IGNITION KIT</b> For 1957-74 Breaker Point Distributors With Windowed Type Distributor Cap	\$179.00	
38131	1963	<b>BREAKERLESS SE SINGLE WIRE ELECTRONIC IGNITION KIT</b> For 1957-74 Breaker Point Distributors With Windowed Type Distributor Cap	\$179.00	
38131	1964	<b>BREAKERLESS SE SINGLE WIRE ELECTRONIC IGNITION KIT</b> For 1957-74 Breaker Point Distributors With Windowed Type Distributor Cap	\$179.00	

Part Number	Year	Description	Price	*Rev.
38131	1965	<b>BREAKERLESS SE SINGLE WIRE ELECTRONIC IGNITION KIT</b> For 1957-74 Breaker Point Distributors With Windowed Type Distributor Cap	\$179.00	
38131	1966	<b>BREAKERLESS SE SINGLE WIRE ELECTRONIC IGNITION KIT</b> For 1957-74 Breaker Point Distributors With Windowed Type Distributor Cap	\$179.00	
38131	1967	<b>BREAKERLESS SE SINGLE WIRE ELECTRONIC IGNITION KIT</b> For 1957-74 Breaker Point Distributors With Windowed Type Distributor Cap	\$179.00	
38131	1968	<b>BREAKERLESS SE SINGLE WIRE ELECTRONIC IGNITION KIT</b> For 1957-74 Breaker Point Distributors With Windowed Type Distributor Cap	\$179.00	
38131	1969	<b>BREAKERLESS SE SINGLE WIRE ELECTRONIC IGNITION KIT</b> For 1957-74 Breaker Point Distributors With Windowed Type Distributor Cap	\$179.00	
38131	1970	<b>BREAKERLESS SE SINGLE WIRE ELECTRONIC IGNITION KIT</b> For 1957-74 Breaker Point Distributors With Windowed Type Distributor Cap	\$179.00	
38131	1971	<b>BREAKERLESS SE SINGLE WIRE ELECTRONIC IGNITION KIT</b> For 1957-74 Breaker Point Distributors With Windowed Type Distributor Cap	\$179.00	
38131	1972	<b>BREAKERLESS SE SINGLE WIRE ELECTRONIC IGNITION KIT</b> For 1957-74 Breaker Point Distributors With Windowed Type Distributor Cap	\$179.00	
38131	1973	<b>BREAKERLESS SE SINGLE WIRE ELECTRONIC IGNITION KIT</b> For 1957-74 Breaker Point Distributors With Windowed Type Distributor Cap	\$179.00	M
38131	1974	<b>BREAKERLESS SE SINGLE WIRE ELECTRONIC IGNITION KIT</b> For 1957-74 Breaker Point Distributors With Windowed Type Distributor Cap	\$179.00	M
<b>CAMPER HARNESS</b>				
40043	1976	<b>CAMPER HARNESS</b> Blazer Chinook, Rear Lamp Harness On Blazer, To Wiring Harness On Camper	\$120.00	M
40043	1977	<b>CAMPER HARNESS</b> Blazer Chinook, Rear Lamp Harness On Blazer, To Wiring Harness On Camper	\$120.00	M
<b>CAMPER POWER FEED WIRE</b>				
39788	1975	<b>CAMPER POWER FEED WIRE</b> Battery Junction Block To Wiring Harness On Camper	\$34.00	M
39811	1976	<b>CAMPER POWER FEED WIRE</b> Battery Junction Block To Wiring Harness On Camper	\$34.00	M
39811	1977	<b>CAMPER POWER FEED WIRE</b> Battery Junction Block To Wiring Harness On Camper	\$34.00	M
39811	1978	<b>CAMPER POWER FEED WIRE</b> Battery Junction Block To Wiring Harness On Camper	\$34.00	M
39811	1979	<b>CAMPER POWER FEED WIRE</b> Battery Junction Block To Wiring Harness On Camper	\$34.00	M
39919	1980	<b>CAMPER POWER FEED WIRE</b> Battery Junction Block To Wiring Harness On Camper	\$34.00	M
39919	1981	<b>CAMPER POWER FEED WIRE</b> Battery Junction Block To Wiring Harness On Camper	\$34.00	M
39919	1982	<b>CAMPER POWER FEED WIRE</b> Battery Junction Block To Wiring Harness On Camper	\$34.00	M
<b>CAMPER REAR LAMP HARNESS</b>				
39717	1973	<b>CAMPER REAR LAMP HARNESS</b> All With Camper Option, Rear Lamp Harness On Truck, To Tail Lamp Harness On Camper Note: this harness is universal, it can be used with all types of campers.	\$101.00	M
39717	1974	<b>CAMPER REAR LAMP HARNESS</b> All With Camper Option, Rear Lamp Harness On Truck, To Tail Lamp Harness On Camper Note: this harness is universal, it can be used with all types of campers.	\$101.00	M
39784	1975	<b>CAMPER REAR LAMP HARNESS</b> All With Camper Option, Rear Lamp Harness On Truck, To Tail Lamp Harness On Camper Note: this harness is universal, it can be used with all types of campers.	\$101.00	M
39784	1976	<b>CAMPER REAR LAMP HARNESS</b> All With Camper Option, Rear Lamp Harness On Truck, To Tail Lamp Harness On Camper Note: this harness is universal, it can be used with all types of campers.	\$101.00	M
39784	1977	<b>CAMPER REAR LAMP HARNESS</b> All With Camper Option, Rear Lamp Harness On Truck, To Tail Lamp Harness On Camper Note: this harness is universal, it can be used with all types of campers.	\$101.00	M
39784	1978	<b>CAMPER REAR LAMP HARNESS</b> All With Camper Option, Rear Lamp Harness On Truck, To Tail Lamp Harness On Camper Note: this harness is universal, it can be used with all types of campers.	\$101.00	M

Part Number	Year	Description	Price	*Rev.
39784	1979	<b>CAMPER REAR LAMP HARNESS</b> All With Camper Option, Rear Lamp Harness On Truck, To Tail Lamp Harness On Camper Note: this harness is universal, it can be used with all types of campers.	\$101.00	M
39784	1980	<b>CAMPER REAR LAMP HARNESS</b> All With Camper Option, Rear Lamp Harness On Truck, To Tail Lamp Harness On Camper Note: this harness is universal, it can be used with all types of campers.	\$101.00	M
39784	1981	<b>CAMPER REAR LAMP HARNESS</b> All With Camper Option, Rear Lamp Harness On Truck, To Tail Lamp Harness On Camper Note: this harness is universal, it can be used with all types of campers.	\$101.00	M
39784	1982	<b>CAMPER REAR LAMP HARNESS</b> All With Camper Option, Rear Lamp Harness On Truck, To Tail Lamp Harness On Camper Note: this harness is universal, it can be used with all types of campers.	\$101.00	M
<b>CARGO LAMP HARNESS</b>				
30850	1969	<b>CARGO LAMP HARNESS</b> External, Above Cab Rear Window	\$48.00	
30850	1970	<b>CARGO LAMP HARNESS</b> External, Above Cab Rear Window	\$48.00	
30850	1971	<b>CARGO LAMP HARNESS</b> External, Above Cab Rear Window	\$48.00	
30850	1972	<b>CARGO LAMP HARNESS</b> External, Above Cab Rear Window	\$48.00	
39715	1973	<b>CARGO LAMP HARNESS</b> 2 Door Trucks, With Cargo Lamp Option	\$92.00	M
39733	1973	<b>CARGO LAMP HARNESS</b> 4 Door Trucks, With Cargo Lamp Option	\$92.00	M
39715	1974	<b>CARGO LAMP HARNESS</b> 2 Door Trucks, With Cargo Lamp Option	\$92.00	M
39733	1974	<b>CARGO LAMP HARNESS</b> 4 Door Trucks, With Cargo Lamp Option	\$92.00	M
39715	1975	<b>CARGO LAMP HARNESS</b> 2 Door Trucks, With Cargo Lamp Option	\$92.00	M
39733	1975	<b>CARGO LAMP HARNESS</b> 4 Door Trucks, With Cargo Lamp Option	\$92.00	M
39715	1976	<b>CARGO LAMP HARNESS</b> 2 Door Trucks, With Cargo Lamp Option	\$92.00	M
39804	1976	<b>CARGO LAMP HARNESS</b> 4 Door Trucks, With Cargo Lamp Option	\$92.00	M
39804	1977	<b>CARGO LAMP HARNESS</b> 4 Door Trucks, With Cargo Lamp Option	\$92.00	M
39850	1977	<b>CARGO LAMP HARNESS</b> 2 Door Trucks, With Cargo Lamp Option	\$92.00	M
39804	1978	<b>CARGO LAMP HARNESS</b> 4 Door Trucks, With Cargo Lamp Option	\$92.00	M
39850	1978	<b>CARGO LAMP HARNESS</b> 2 Door Trucks, With Cargo Lamp Option	\$92.00	M
39804	1979	<b>CARGO LAMP HARNESS</b> 4 Door Trucks, With Cargo Lamp Option	\$92.00	M
39850	1979	<b>CARGO LAMP HARNESS</b> 2 Door Trucks, With Cargo Lamp Option	\$92.00	M
39804	1980	<b>CARGO LAMP HARNESS</b> 4 Door Trucks, With Cargo Lamp Option	\$92.00	M
39850	1980	<b>CARGO LAMP HARNESS</b> 2 Door Trucks, With Cargo Lamp Option	\$92.00	M
39804	1981	<b>CARGO LAMP HARNESS</b> 4 Door Trucks, With Cargo Lamp Option	\$92.00	M
39850	1981	<b>CARGO LAMP HARNESS</b> 2 Door Trucks, With Cargo Lamp Option	\$92.00	M
39804	1982	<b>CARGO LAMP HARNESS</b> 4 Door Trucks, With Cargo Lamp Option	\$92.00	M
39850	1982	<b>CARGO LAMP HARNESS</b> 2 Door Trucks, With Cargo Lamp Option	\$92.00	M
<b>CARGO LAMP SWITCH</b>				
03959232	1969	<b>CARGO LAMP SWITCH</b>	\$19.50	N
03959232	1970	<b>CARGO LAMP SWITCH</b>	\$19.50	N
03959232	1971	<b>CARGO LAMP SWITCH</b>	\$19.50	N
03959232	1972	<b>CARGO LAMP SWITCH</b>	\$19.50	N
00329821	1973	<b>CARGO LAMP SWITCH</b>	\$27.00	N
00329821	1974	<b>CARGO LAMP SWITCH</b>	\$27.00	N
00339880	1975	<b>CARGO LAMP SWITCH</b>	\$21.00	N
00339880	1976	<b>CARGO LAMP SWITCH</b>	\$21.00	N
00339880	1977	<b>CARGO LAMP SWITCH</b>	\$21.00	N
00339880	1978	<b>CARGO LAMP SWITCH</b>	\$21.00	N

Part Number	Year	Description	Price	*Rev.
00339880	1979	CARGO LAMP SWITCH	\$21.00	N
00339880	1980	CARGO LAMP SWITCH	\$21.00	N
00339880	1981	CARGO LAMP SWITCH	\$21.00	N
00339880	1982	CARGO LAMP SWITCH	\$21.00	N
00339880	1983	CARGO LAMP SWITCH	\$21.00	N
00339880	1984	CARGO LAMP SWITCH	\$21.00	N
00339880	1985	CARGO LAMP SWITCH	\$21.00	N
00339880	1986	CARGO LAMP SWITCH	\$21.00	N
00339880	1987	CARGO LAMP SWITCH RV Body Style	\$21.00	N
<b>CIGARETTE LIGHTER WIRE</b>				
19935	1960	CIGARETTE LIGHTER WIRE	\$14.00	
19935	1961	CIGARETTE LIGHTER WIRE	\$14.00	
19935	1962	CIGARETTE LIGHTER WIRE	\$14.00	
19935	1963	CIGARETTE LIGHTER WIRE	\$14.00	
19935	1964	CIGARETTE LIGHTER WIRE	\$14.00	
19935	1965	CIGARETTE LIGHTER WIRE	\$14.00	
19935	1966	CIGARETTE LIGHTER WIRE	\$14.00	
<b>CIRCUIT BREAKER</b>				
04850166	1973	CIRCUIT BREAKER, 30 AMP Power Tailgate Window, Blazer, Jimmy & Suburban	\$14.00	M
04850166	1974	CIRCUIT BREAKER, 30 AMP Power Tailgate Window, Blazer, Jimmy & Suburban	\$14.00	M
04850166	1975	CIRCUIT BREAKER, 30 AMP Power Tailgate Window, Blazer, Jimmy & Suburban	\$14.00	M
04850166	1976	CIRCUIT BREAKER, 30 AMP Power Tailgate Window, Blazer, Jimmy & Suburban	\$14.00	M
04850166	1977	CIRCUIT BREAKER, 30 AMP Power Tailgate Window, Blazer, Jimmy & Suburban	\$14.00	M
04850166	1978	CIRCUIT BREAKER, 30 AMP Power Tailgate Window, Blazer, Jimmy & Suburban	\$14.00	M
<b>CLASSIC AUTO FUSE SERIES-11-WAY CONNECTOR KIT</b>				
41355	1967	CLASSIC AUTO FUSE SERIES-11-WAY CONNECTOR KIT Includes Male & Female Connectors And Terminals Note: Used With 1967-78 Chevy Truck Classic Auto Fuse Series ATO Fuse Type Dash Harnesses.	\$26.00	
41355	1968	CLASSIC AUTO FUSE SERIES-11-WAY CONNECTOR KIT Includes Male & Female Connectors And Terminals Note: Used With 1967-78 Chevy Truck Classic Auto Fuse Series ATO Fuse Type Dash Harnesses.	\$26.00	
41355	1969	CLASSIC AUTO FUSE SERIES-11-WAY CONNECTOR KIT Includes Male & Female Connectors And Terminals Note: Used With 1967-78 Chevy Truck Classic Auto Fuse Series ATO Fuse Type Dash Harnesses.	\$26.00	
41355	1970	CLASSIC AUTO FUSE SERIES-11-WAY CONNECTOR KIT Includes Male & Female Connectors And Terminals Note: Used With 1967-78 Chevy Truck Classic Auto Fuse Series ATO Fuse Type Dash Harnesses.	\$26.00	
41355	1971	CLASSIC AUTO FUSE SERIES-11-WAY CONNECTOR KIT Includes Male & Female Connectors And Terminals Note: Used With 1967-78 Chevy Truck Classic Auto Fuse Series ATO Fuse Type Dash Harnesses.	\$26.00	
41355	1972	CLASSIC AUTO FUSE SERIES-11-WAY CONNECTOR KIT Includes Male & Female Connectors And Terminals Note: Used With 1967-78 Chevy Truck Classic Auto Fuse Series ATO Fuse Type Dash Harnesses.	\$26.00	
41355	1973	CLASSIC AUTO FUSE SERIES-11-WAY CONNECTOR KIT Includes Male & Female Connectors And Terminals Note: Used With 1967-78 Chevy Truck Classic Auto Fuse Series ATO Fuse Type Dash Harnesses.	\$26.00	M
41355	1974	CLASSIC AUTO FUSE SERIES-11-WAY CONNECTOR KIT Includes Male & Female Connectors And Terminals Note: Used With 1967-78 Chevy Truck Classic Auto Fuse Series ATO Fuse Type Dash Harnesses.	\$26.00	M
41355	1975	CLASSIC AUTO FUSE SERIES-11-WAY CONNECTOR KIT Includes Male & Female Connectors And Terminals Note: Used With 1967-78 Chevy Truck Classic Auto Fuse Series ATO Fuse Type Dash Harnesses.	\$26.00	M
41355	1976	CLASSIC AUTO FUSE SERIES-11-WAY CONNECTOR KIT Includes Male & Female Connectors And Terminals Note: Used With 1967-78 Chevy Truck Classic Auto Fuse Series ATO Fuse Type Dash Harnesses.	\$26.00	M
41355	1977	CLASSIC AUTO FUSE SERIES-11-WAY CONNECTOR KIT Includes Male & Female Connectors And Terminals Note: Used With 1967-78 Chevy Truck Classic Auto Fuse Series ATO Fuse Type Dash Harnesses.	\$26.00	M

Part Number	Year	Description	Price	*Rev.
41355	1978	<b>CLASSIC AUTO FUSE SERIES-11-WAY CONNECTOR KIT</b> Includes Male & Female Connectors And Terminals Note: Used With 1967-78 Chevy Truck Classic Auto Fuse Series ATO Fuse Type Dash Harnesses.	\$26.00	M
<b>CLASSIC AUTO FUSE SERIES-6-WAY ACCESSORY KIT</b>				
41359	1967	<b>CLASSIC AUTO FUSE SERIES-6-WAY ACCESSORY FUSEBLOCK KIT</b> Includes 6-Way Accessory Fuseblock, & Terminal Bus Bars Note: Used With 1967-78 Chevy Truck Classic Auto Fuse Series ATO Fuse Type Dash Harnesses.	\$21.00	
41359	1968	<b>CLASSIC AUTO FUSE SERIES-6-WAY ACCESSORY FUSEBLOCK KIT</b> Includes 6-Way Accessory Fuseblock, & Terminal Bus Bars Note: Used With 1967-78 Chevy Truck Classic Auto Fuse Series ATO Fuse Type Dash Harnesses.	\$21.00	
41359	1969	<b>CLASSIC AUTO FUSE SERIES-6-WAY ACCESSORY FUSEBLOCK KIT</b> Includes 6-Way Accessory Fuseblock, & Terminal Bus Bars Note: Used With 1967-78 Chevy Truck Classic Auto Fuse Series ATO Fuse Type Dash Harnesses.	\$21.00	
41359	1970	<b>CLASSIC AUTO FUSE SERIES-6-WAY ACCESSORY FUSEBLOCK KIT</b> Includes 6-Way Accessory Fuseblock, & Terminal Bus Bars Note: Used With 1967-78 Chevy Truck Classic Auto Fuse Series ATO Fuse Type Dash Harnesses.	\$21.00	
41359	1971	<b>CLASSIC AUTO FUSE SERIES-6-WAY ACCESSORY FUSEBLOCK KIT</b> Includes 6-Way Accessory Fuseblock, & Terminal Bus Bars Note: Used With 1967-78 Chevy Truck Classic Auto Fuse Series ATO Fuse Type Dash Harnesses.	\$21.00	
41359	1972	<b>CLASSIC AUTO FUSE SERIES-6-WAY ACCESSORY FUSEBLOCK KIT</b> Includes 6-Way Accessory Fuseblock, & Terminal Bus Bars Note: Used With 1967-78 Chevy Truck Classic Auto Fuse Series ATO Fuse Type Dash Harnesses.	\$21.00	
41359	1973	<b>CLASSIC AUTO FUSE SERIES-6-WAY ACCESSORY FUSEBLOCK KIT</b> Includes 6-Way Accessory Fuseblock, & Terminal Bus Bars Note: Used With 1967-78 Chevy Truck Classic Auto Fuse Series ATO Fuse Type Dash Harnesses.	\$21.00	M
41359	1974	<b>CLASSIC AUTO FUSE SERIES-6-WAY ACCESSORY FUSEBLOCK KIT</b> Includes 6-Way Accessory Fuseblock, & Terminal Bus Bars Note: Used With 1967-78 Chevy Truck Classic Auto Fuse Series ATO Fuse Type Dash Harnesses.	\$21.00	M
41359	1975	<b>CLASSIC AUTO FUSE SERIES-6-WAY ACCESSORY FUSEBLOCK KIT</b> Includes 6-Way Accessory Fuseblock, & Terminal Bus Bars Note: Used With 1967-78 Chevy Truck Classic Auto Fuse Series ATO Fuse Type Dash Harnesses.	\$21.00	M
41359	1976	<b>CLASSIC AUTO FUSE SERIES-6-WAY ACCESSORY FUSEBLOCK KIT</b> Includes 6-Way Accessory Fuseblock, & Terminal Bus Bars Note: Used With 1967-78 Chevy Truck Classic Auto Fuse Series ATO Fuse Type Dash Harnesses.	\$21.00	M
41359	1977	<b>CLASSIC AUTO FUSE SERIES-6-WAY ACCESSORY FUSEBLOCK KIT</b> Includes 6-Way Accessory Fuseblock, & Terminal Bus Bars Note: Used With 1967-78 Chevy Truck Classic Auto Fuse Series ATO Fuse Type Dash Harnesses.	\$21.00	M
41359	1978	<b>CLASSIC AUTO FUSE SERIES-6-WAY ACCESSORY FUSEBLOCK KIT</b> Includes 6-Way Accessory Fuseblock, & Terminal Bus Bars Note: Used With 1967-78 Chevy Truck Classic Auto Fuse Series ATO Fuse Type Dash Harnesses.	\$21.00	M
<b>CLASSIC AUTO FUSE SERIES-FUSE AND FLASHER KIT</b>				
40355	1967	<b>CLASSIC AUTO FUSE SERIES-FUSE AND FLASHER KIT</b> Includes Flashers, Fuses & Circuit Breakers, Also Includes 1 Each Spare Fuse Note: Used With 1967-72 Chevy Truck Classic Auto Fuse Series ATO Fuse Type Dash Harnesses.	\$40.00	
40355	1968	<b>CLASSIC AUTO FUSE SERIES-FUSE AND FLASHER KIT</b> Includes Flashers, Fuses & Circuit Breakers, Also Includes 1 Each Spare Fuse Note: Used With 1967-72 Chevy Truck Classic Auto Fuse Series ATO Fuse Type Dash Harnesses.	\$40.00	
40355	1969	<b>CLASSIC AUTO FUSE SERIES-FUSE AND FLASHER KIT</b> Includes Flashers, Fuses & Circuit Breakers, Also Includes 1 Each Spare Fuse Note: Used With 1967-72 Chevy Truck Classic Auto Fuse Series ATO Fuse Type Dash Harnesses.	\$40.00	
40355	1970	<b>CLASSIC AUTO FUSE SERIES-FUSE AND FLASHER KIT</b> Includes Flashers, Fuses & Circuit Breakers, Also Includes 1 Each Spare Fuse Note: Used With 1967-72 Chevy Truck Classic Auto Fuse Series ATO Fuse Type Dash Harnesses.	\$40.00	

Part Number	Year	Description	Price	*Rev.
40355	1971	<b>CLASSIC AUTO FUSE SERIES-FUSE AND FLASHER KIT</b> Includes Flashers, Fuses & Circuit Breakers, Also Includes 1 Each Spare Fuse Note: Used With 1967-72 Chevy Truck Classic Auto Fuse Series ATO Fuse Type Dash Harnesses.	\$40.00	
40355	1972	<b>CLASSIC AUTO FUSE SERIES-FUSE AND FLASHER KIT</b> Includes Flashers, Fuses & Circuit Breakers, Also Includes 1 Each Spare Fuse Note: Used With 1967-72 Chevy Truck Classic Auto Fuse Series ATO Fuse Type Dash Harnesses.	\$40.00	
40356	1973	<b>CLASSIC AUTO FUSE SERIES-FUSE AND FLASHER KIT</b> Includes Flashers, Fuses & Circuit Breakers, Also Includes 1 Each Spare Fuse Note: Used With 1973-74 Chevy Truck Classic Auto Fuse Series ATO Fuse Type Dash Harnesses.	\$40.00	M
40356	1974	<b>CLASSIC AUTO FUSE SERIES-FUSE AND FLASHER KIT</b> Includes Flashers, Fuses & Circuit Breakers, Also Includes 1 Each Spare Fuse Note: Used With 1973-74 Chevy Truck Classic Auto Fuse Series ATO Fuse Type Dash Harnesses.	\$40.00	M
40357	1975	<b>CLASSIC AUTO FUSE SERIES-FUSE AND FLASHER KIT</b> Includes Flashers, Fuses & Circuit Breakers, Also Includes 1 Each Spare Fuse Note: Used With 1975-78 Chevy Truck Classic Auto Fuse Series ATO Fuse Type Dash Harnesses.	\$40.00	M
40357	1976	<b>CLASSIC AUTO FUSE SERIES-FUSE AND FLASHER KIT</b> Includes Flashers, Fuses & Circuit Breakers, Also Includes 1 Each Spare Fuse Note: Used With 1975-78 Chevy Truck Classic Auto Fuse Series ATO Fuse Type Dash Harnesses.	\$40.00	M
40357	1977	<b>CLASSIC AUTO FUSE SERIES-FUSE AND FLASHER KIT</b> Includes Flashers, Fuses & Circuit Breakers, Also Includes 1 Each Spare Fuse Note: Used With 1975-78 Chevy Truck Classic Auto Fuse Series ATO Fuse Type Dash Harnesses.	\$40.00	M
40357	1978	<b>CLASSIC AUTO FUSE SERIES-FUSE AND FLASHER KIT</b> Includes Flashers, Fuses & Circuit Breakers, Also Includes 1 Each Spare Fuse Note: Used With 1975-78 Chevy Truck Classic Auto Fuse Series ATO Fuse Type Dash Harnesses.	\$40.00	M
<b>CLASSIC AUTO FUSE SERIES-FUSEBLOCK CONN KIT</b>				
41358	1967	<b>CLASSIC AUTO FUSE SERIES-FRONT OF FUSEBLOCK ACCESSORY CONNECTOR KIT</b> Includes Front Of Fuseblock Accessory Connectors & Terminals Note: Used With 1967-78 Chevy Truck Classic Auto Fuse Series ATO Fuse Type Dash Harnesses.	\$33.00	
41358	1968	<b>CLASSIC AUTO FUSE SERIES-FRONT OF FUSEBLOCK ACCESSORY CONNECTOR KIT</b> Includes Front Of Fuseblock Accessory Connectors & Terminals Note: Used With 1967-78 Chevy Truck Classic Auto Fuse Series ATO Fuse Type Dash Harnesses.	\$33.00	
41358	1969	<b>CLASSIC AUTO FUSE SERIES-FRONT OF FUSEBLOCK ACCESSORY CONNECTOR KIT</b> Includes Front Of Fuseblock Accessory Connectors & Terminals Note: Used With 1967-78 Chevy Truck Classic Auto Fuse Series ATO Fuse Type Dash Harnesses.	\$33.00	
41358	1970	<b>CLASSIC AUTO FUSE SERIES-FRONT OF FUSEBLOCK ACCESSORY CONNECTOR KIT</b> Includes Front Of Fuseblock Accessory Connectors & Terminals Note: Used With 1967-78 Chevy Truck Classic Auto Fuse Series ATO Fuse Type Dash Harnesses.	\$33.00	
41358	1971	<b>CLASSIC AUTO FUSE SERIES-FRONT OF FUSEBLOCK ACCESSORY CONNECTOR KIT</b> Includes Front Of Fuseblock Accessory Connectors & Terminals Note: Used With 1967-78 Chevy Truck Classic Auto Fuse Series ATO Fuse Type Dash Harnesses.	\$33.00	
41358	1972	<b>CLASSIC AUTO FUSE SERIES-FRONT OF FUSEBLOCK ACCESSORY CONNECTOR KIT</b> Includes Front Of Fuseblock Accessory Connectors & Terminals Note: Used With 1967-78 Chevy Truck Classic Auto Fuse Series ATO Fuse Type Dash Harnesses.	\$33.00	
41358	1973	<b>CLASSIC AUTO FUSE SERIES-FRONT OF FUSEBLOCK ACCESSORY CONNECTOR KIT</b> Includes Front Of Fuseblock Accessory Connectors & Terminals Note: Used With 1967-78 Chevy Truck Classic Auto Fuse Series ATO Fuse Type Dash Harnesses.	\$33.00	M
41358	1974	<b>CLASSIC AUTO FUSE SERIES-FRONT OF FUSEBLOCK ACCESSORY CONNECTOR KIT</b> Includes Front Of Fuseblock Accessory Connectors & Terminals Note: Used With 1967-78 Chevy Truck Classic Auto Fuse Series ATO Fuse Type Dash Harnesses.	\$33.00	M
41358	1975	<b>CLASSIC AUTO FUSE SERIES-FRONT OF FUSEBLOCK ACCESSORY CONNECTOR KIT</b> Includes Front Of Fuseblock Accessory Connectors & Terminals Note: Used With 1967-78 Chevy Truck Classic Auto Fuse Series ATO Fuse Type Dash Harnesses.	\$33.00	M

Part Number	Year	Description	Price	*Rev.
41358	1976	<b>CLASSIC AUTO FUSE SERIES-FRONT OF FUSEBLOCK ACCESSORY CONNECTOR KIT</b> Includes Front Of Fuseblock Accessory Connectors & Terminals Note: Used With 1967-78 Chevy Truck Classic Auto Fuse Series ATO Fuse Type Dash Harnesses.	\$33.00	M
41358	1977	<b>CLASSIC AUTO FUSE SERIES-FRONT OF FUSEBLOCK ACCESSORY CONNECTOR KIT</b> Includes Front Of Fuseblock Accessory Connectors & Terminals Note: Used With 1967-78 Chevy Truck Classic Auto Fuse Series ATO Fuse Type Dash Harnesses.	\$33.00	M
41358	1978	<b>CLASSIC AUTO FUSE SERIES-FRONT OF FUSEBLOCK ACCESSORY CONNECTOR KIT</b> Includes Front Of Fuseblock Accessory Connectors & Terminals Note: Used With 1967-78 Chevy Truck Classic Auto Fuse Series ATO Fuse Type Dash Harnesses.	\$33.00	M
<b>CLASSIC AUTO FUSE SERIES-RELAY AND CONNECTOR KIT</b>				
41356	1967	<b>CLASSIC AUTO FUSE SERIES-RELAY AND CONNECTOR KIT</b> Includes Relay, 5-Way Relay Connector, Terminals & Secondary Lock Note: Used With 1967-78 Chevy Truck Classic Auto Fuse Series ATO Fuse Type Dash Harnesses.	\$24.00	
41356	1968	<b>CLASSIC AUTO FUSE SERIES-RELAY AND CONNECTOR KIT</b> Includes Relay, 5-Way Relay Connector, Terminals & Secondary Lock Note: Used With 1967-78 Chevy Truck Classic Auto Fuse Series ATO Fuse Type Dash Harnesses.	\$24.00	
41356	1969	<b>CLASSIC AUTO FUSE SERIES-RELAY AND CONNECTOR KIT</b> Includes Relay, 5-Way Relay Connector, Terminals & Secondary Lock Note: Used With 1967-78 Chevy Truck Classic Auto Fuse Series ATO Fuse Type Dash Harnesses.	\$24.00	
41356	1970	<b>CLASSIC AUTO FUSE SERIES-RELAY AND CONNECTOR KIT</b> Includes Relay, 5-Way Relay Connector, Terminals & Secondary Lock Note: Used With 1967-78 Chevy Truck Classic Auto Fuse Series ATO Fuse Type Dash Harnesses.	\$24.00	
41356	1971	<b>CLASSIC AUTO FUSE SERIES-RELAY AND CONNECTOR KIT</b> Includes Relay, 5-Way Relay Connector, Terminals & Secondary Lock Note: Used With 1967-78 Chevy Truck Classic Auto Fuse Series ATO Fuse Type Dash Harnesses.	\$24.00	
41356	1972	<b>CLASSIC AUTO FUSE SERIES-RELAY AND CONNECTOR KIT</b> Includes Relay, 5-Way Relay Connector, Terminals & Secondary Lock Note: Used With 1967-78 Chevy Truck Classic Auto Fuse Series ATO Fuse Type Dash Harnesses.	\$24.00	
41356	1973	<b>CLASSIC AUTO FUSE SERIES-RELAY AND CONNECTOR KIT</b> Includes Relay, 5-Way Relay Connector, Terminals & Secondary Lock Note: Used With 1967-78 Chevy Truck Classic Auto Fuse Series ATO Fuse Type Dash Harnesses.	\$24.00	M
41356	1974	<b>CLASSIC AUTO FUSE SERIES-RELAY AND CONNECTOR KIT</b> Includes Relay, 5-Way Relay Connector, Terminals & Secondary Lock Note: Used With 1967-78 Chevy Truck Classic Auto Fuse Series ATO Fuse Type Dash Harnesses.	\$24.00	M
41356	1975	<b>CLASSIC AUTO FUSE SERIES-RELAY AND CONNECTOR KIT</b> Includes Relay, 5-Way Relay Connector, Terminals & Secondary Lock Note: Used With 1967-78 Chevy Truck Classic Auto Fuse Series ATO Fuse Type Dash Harnesses.	\$24.00	M
41356	1976	<b>CLASSIC AUTO FUSE SERIES-RELAY AND CONNECTOR KIT</b> Includes Relay, 5-Way Relay Connector, Terminals & Secondary Lock Note: Used With 1967-78 Chevy Truck Classic Auto Fuse Series ATO Fuse Type Dash Harnesses.	\$24.00	M
41356	1977	<b>CLASSIC AUTO FUSE SERIES-RELAY AND CONNECTOR KIT</b> Includes Relay, 5-Way Relay Connector, Terminals & Secondary Lock Note: Used With 1967-78 Chevy Truck Classic Auto Fuse Series ATO Fuse Type Dash Harnesses.	\$24.00	M
41356	1978	<b>CLASSIC AUTO FUSE SERIES-RELAY AND CONNECTOR KIT</b> Includes Relay, 5-Way Relay Connector, Terminals & Secondary Lock Note: Used With 1967-78 Chevy Truck Classic Auto Fuse Series ATO Fuse Type Dash Harnesses.	\$24.00	M
<b>CLOCK</b>				
06499466	1973	<b>CLOCK</b> Dash Mounted	\$100.00	N
06499466	1974	<b>CLOCK</b> Dash Mounted	\$100.00	N
06499466	1975	<b>CLOCK</b> Dash Mounted	\$100.00	N
06499466	1976	<b>CLOCK</b> Dash Mounted	\$100.00	N
06499466	1977	<b>CLOCK</b> Dash Mounted	\$100.00	N
06499466	1978	<b>CLOCK</b> Dash Mounted	\$100.00	N

Part Number	Year	Description	Price	*Rev.
06499466	1979	<b>CLOCK</b> Dash Mounted	\$100.00	N
25080399	1981	<b>CLOCK</b> Dash Mounted	\$112.00	N
25080399	1982	<b>CLOCK</b> Dash Mounted	\$112.00	N
25080399	1983	<b>CLOCK</b> Dash Mounted	\$112.00	N
25080399	1984	<b>CLOCK</b> Dash Mounted	\$112.00	N
25080399	1985	<b>CLOCK</b> Dash Mounted	\$112.00	N
25080399	1986	<b>CLOCK</b> Dash Mounted	\$112.00	N
25080399	1987	<b>CLOCK</b> Dash Mounted	\$112.00	N
25080399	1988	<b>CLOCK</b> Dash Mounted	\$112.00	N
<b>CLOCK WIRE</b>				
39724	1973	<b>CLOCK WIRE</b> Fuse Panel To Optional In Dash Clock	\$30.00	M
39724	1974	<b>CLOCK WIRE</b> Fuse Panel To Optional In Dash Clock	\$30.00	M
39724	1975	<b>CLOCK WIRE</b> Fuse Panel To Optional In Dash Clock	\$30.00	M
39724	1976	<b>CLOCK WIRE</b> Fuse Panel To Optional In Dash Clock	\$30.00	M
39724	1977	<b>CLOCK WIRE</b> Fuse Panel To Optional In Dash Clock	\$30.00	M
39856	1978	<b>CLOCK WIRE</b> Fuse Panel To Optional In Dash Clock	\$30.00	M
39882	1979	<b>CLOCK WIRE</b> Fuse Panel To Optional In Dash Clock	\$30.00	M
39882	1980	<b>CLOCK WIRE</b> Fuse Panel To Optional In Dash Clock	\$30.00	M
39882	1981	<b>CLOCK WIRE</b> Fuse Panel To Optional In Dash Clock	\$30.00	M
39882	1982	<b>CLOCK WIRE</b> Fuse Panel To Optional In Dash Clock	\$30.00	M
<b>COMPLETE WIRING SET</b>				
30905	1947	<b>COMPLETE WIRING SET</b> See Note Note: Includes Additional Wiring For Directional Lamps & Options. Set Includes Dash, Engine, Forward Lamp, Gas Tank Sender, Headlight Bucket, Rear Lamp Extension & Turn Signal Harnesses. Comes Complete With A Wiring Schematic.	\$357.00	
30905	1948	<b>COMPLETE WIRING SET</b> See Note Note: Includes Additional Wiring For Directional Lamps & Options. Set Includes Dash, Engine, Forward Lamp, Gas Tank Sender, Headlight Bucket, Rear Lamp Extension & Turn Signal Harnesses. Comes Complete With A Wiring Schematic.	\$357.00	
30905	1949	<b>COMPLETE WIRING SET</b> See Note Note: Includes Additional Wiring For Directional Lamps & Options. Set Includes Dash, Engine, Forward Lamp, Gas Tank Sender, Headlight Bucket, Rear Lamp Extension & Turn Signal Harnesses. Comes Complete With A Wiring Schematic.	\$357.00	
05053	1950	<b>COMPLETE WIRING SET</b> See Note Note: Includes Additional Wiring For Directional Lamps & Options. Set Includes Dash, Engine, Forward Lamp, Gas Tank Sender, Headlight Bucket, Rear Lamp Extension & Turn Signal Harnesses. Comes Complete With A Wiring Schematic.	\$317.00	
05053	1951	<b>COMPLETE WIRING SET</b> See Note Note: Includes Additional Wiring For Directional Lamps & Options. Set Includes Dash, Engine, Forward Lamp, Gas Tank Sender, Headlight Bucket, Rear Lamp Extension & Turn Signal Harnesses. Comes Complete With A Wiring Schematic.	\$317.00	
05053	1952	<b>COMPLETE WIRING SET</b> See Note Note: Includes Additional Wiring For Directional Lamps & Options. Set Includes Dash, Engine, Forward Lamp, Gas Tank Sender, Headlight Bucket, Rear Lamp Extension & Turn Signal Harnesses. Comes Complete With A Wiring Schematic.	\$317.00	
05053	1953	<b>COMPLETE WIRING SET</b> See Note Note: Includes Additional Wiring For Directional Lamps & Options. Set Includes Dash, Engine, Forward Lamp, Gas Tank Sender, Headlight Bucket, Rear Lamp Extension & Turn Signal Harnesses. Comes Complete With A Wiring Schematic.	\$317.00	
30910	1954	<b>COMPLETE WIRING SET</b> See Note Note: Includes Additional Wiring For Directional Lamps & Options. Set Includes Dash, Engine, Forward Lamp, Gas Tank Sender, Headlight Bucket, Rear Lamp Extension & Turn Signal Harnesses. Comes Complete With A Wiring Schematic.	\$357.00	
30910	1955	<b>COMPLETE WIRING SET</b> Original 6 Volt System (1 St. Design), See Note Note: Includes Additional Wiring For Directional Lamps & Options. Set Includes Dash, Engine, Forward Lamp, Gas Tank Sender, Headlight Bucket, Rear Lamp Extension & Turn Signal Harnesses. Comes Complete With A Wiring Schematic.	\$357.00	
18935	1955	<b>COMPLETE WIRING SET</b> 6 Cylinder, Original 12 Volt System (2nd Design), See Note Note: 6 Cylinder Items Are Not Returnable.	\$411.00	



Part Number	Year	Description	Price	*Rev.
18940	1955	<b>COMPLETE WIRING SET</b> V/8, Original 12 Volt System, See Note Note: Includes Additional Wiring For Directional Lamps & Options. Set Includes Dash, Engine, Forward Lamp, Gas Tank Sender, Headlight Bucket, Rear Lamp Extension & Turn Signal Harnesses. Comes Complete With A Wiring Schematic.	\$411.00	
30250	1955	<b>COMPLETE WIRING SET</b> V/8, With Internal Regulator Alternator & H.E.I., 12 Volt, See Note Note: Includes Additional Wiring For Directional Lamps & Options. Set Includes Dash, Engine, Forward Lamp, Gas Tank Sender, Headlight Bucket, Rear Lamp Extension & Turn Signal Harnesses. Comes Complete With A Wiring Schematic.	\$424.00	
18935	1956	<b>COMPLETE WIRING SET</b> 6 Cylinder, See Note Note: 6 Cylinder Items Are Not Returnable.	\$411.00	
18940	1956	<b>COMPLETE WIRING SET</b> V/8, See Note Note: Includes Additional Wiring For Directional Lamps & Options. Set Includes Dash, Engine, Forward Lamp, Gas Tank Sender, Headlight Bucket, Rear Lamp Extension & Turn Signal Harnesses. Comes Complete With A Wiring Schematic.	\$411.00	
30250	1956	<b>COMPLETE WIRING SET</b> V/8, With Internal Regulator Alternator & H.E.I., See Note Note: Includes Additional Wiring For Directional Lamps & Options. Set Includes Dash, Engine, Forward Lamp, Gas Tank Sender, Headlight Bucket, Rear Lamp Extension & Turn Signal Harnesses. Comes Complete With A Wiring Schematic.	\$424.00	
26695	1957	<b>COMPLETE WIRING SET</b> 6 Cylinder, See Note Note: 6 Cylinder Items Are Not Returnable.	\$424.00	
18950	1957	<b>COMPLETE WIRING SET</b> V/8, See Note Note: Includes Wiring For Directional Lamps & Options, as well as Dash, Engine, Forward Lamp, Gas Tank Sender, Headlight Bucket, Rear Lamp Ext. & Turn Signal Harnesses. Includes A Wiring Schematic. You May Need Ignition Switch Adapter Part #37444.	\$424.00	
30255	1957	<b>COMPLETE WIRING SET</b> V/8, With Internal Regulator Alternator & H.E.I., See Note Note: Includes Wiring For Directional Lamps & Options, as well as Dash, Engine, Forward Lamp, Gas Tank Sender, Headlight Bucket, Rear Lamp Ext. & Turn Signal Harnesses. Includes A Wiring Schematic. You May Need Ignition Switch Adapter Part #37444.	\$424.00	
18955	1958	<b>COMPLETE WIRING SET</b> 6 Cylinder, Auto Trans, See Note Note: 6 Cylinder Items Are Not Returnable.	\$424.00	C
43931	1958	<b>COMPLETE WIRING SET</b> 6 Cylinder, Manual Trans, See Note Note: 6 Cylinder Items Are Not Returnable.	\$424.00	N
18960	1958	<b>COMPLETE WIRING SET</b> V/8, See Note Note: Includes Wiring For Directional Lamps & Options, as well as Dash, Engine, Forward Lamp, Gas Tank Sender, Headlight Bucket, Rear Lamp Ext. & Turn Signal Harnesses. Includes A Wiring Schematic. You May Need Ignition Switch Adapter Part #37444.	\$424.00	
30260	1958	<b>COMPLETE WIRING SET</b> V/8, With Internal Regulator Alternator & H.E.I., See Note Note: Includes Wiring For Directional Lamps & Options, as well as Dash, Engine, Forward Lamp, Gas Tank Sender, Headlight Bucket, Rear Lamp Ext. & Turn Signal Harnesses. Includes A Wiring Schematic. You May Need Ignition Switch Adapter Part #37444.	\$424.00	
18955	1959	<b>COMPLETE WIRING SET</b> 6 Cylinder, Auto Trans, See Note Note: 6 Cylinder Items Are Not Returnable.	\$424.00	C
43931	1959	<b>COMPLETE WIRING SET</b> 6 Cylinder, Manual Trans, See Note Note: 6 Cylinder Items Are Not Returnable.	\$424.00	N
18960	1959	<b>COMPLETE WIRING SET</b> V/8, See Note Note: Includes Wiring For Directional Lamps & Options, as well as Dash, Engine, Forward Lamp, Gas Tank Sender, Headlight Bucket, Rear Lamp Ext. & Turn Signal Harnesses. Includes A Wiring Schematic. You May Need Ignition Switch Adapter Part #37444.	\$424.00	
30260	1959	<b>COMPLETE WIRING SET</b> V/8, With Internal Regulator Alternator & H.E.I., See Note Note: Includes Wiring For Directional Lamps & Options, as well as Dash, Engine, Forward Lamp, Gas Tank Sender, Headlight Bucket, Rear Lamp Ext. & Turn Signal Harnesses. Includes A Wiring Schematic. You May Need Ignition Switch Adapter Part #37444.	\$424.00	
<b>COURTESY AND DOME LAMP EXTENSION HARNESS</b>				
31680	1967	<b>COURTESY AND DOME LAMP EXTENSION HARNESS</b> Activates Under Dash Courtesy Lamps And/Or Dome Lamps	\$22.00	
31680	1968	<b>COURTESY AND DOME LAMP EXTENSION HARNESS</b> Activates Under Dash Courtesy Lamps And/Or Dome Lamps	\$22.00	
31680	1969	<b>COURTESY AND DOME LAMP EXTENSION HARNESS</b> Activates Under Dash Courtesy Lamps And/Or Dome Lamps	\$22.00	

Part Number	Year	Description	Price	*Rev.
31680	1970	<b>COURTESY AND DOME LAMP EXTENSION HARNESS</b> Activates Under Dash Courtesy Lamps And/Or Dome Lamps	\$22.00	
31680	1971	<b>COURTESY AND DOME LAMP EXTENSION HARNESS</b> Activates Under Dash Courtesy Lamps And/Or Dome Lamps	\$22.00	
31680	1972	<b>COURTESY AND DOME LAMP EXTENSION HARNESS</b> Activates Under Dash Courtesy Lamps And/Or Dome Lamps	\$22.00	
<b>COURTESY LAMP HARNESS</b>				
31685	1967	<b>COURTESY LAMP HARNESS</b> Under Dash	\$46.00	
31685	1968	<b>COURTESY LAMP HARNESS</b> Under Dash	\$46.00	
31685	1969	<b>COURTESY LAMP HARNESS</b> Under Dash	\$46.00	
31685	1970	<b>COURTESY LAMP HARNESS</b> Under Dash	\$46.00	
31685	1971	<b>COURTESY LAMP HARNESS</b> Under Dash	\$46.00	
31685	1972	<b>COURTESY LAMP HARNESS</b> Under Dash	\$46.00	
<b>CRUISE CONTROL CLUTCH SWITCH JUMPER WIRE</b>				
39996	1982	<b>CRUISE CONTROL CLUTCH SWITCH JUMPER WIRE</b> With Manual Trans, Without Clutch Switch	\$30.00	M
<b>CRUISE CONTROL HARNESS</b>				
35255	1969	<b>CRUISE CONTROL HARNESS</b>	\$105.00	
35255	1970	<b>CRUISE CONTROL HARNESS</b>	\$105.00	
<b>DASH HARNESS</b>				
02465	1955	<b>DASH HARNESS</b> With Generator	\$193.00	
02465	1956	<b>DASH HARNESS</b> With Generator	\$193.00	
02750	1957	<b>DASH HARNESS</b> With Generator	\$193.00	
02750	1958	<b>DASH HARNESS</b> With Generator	\$193.00	
02750	1959	<b>DASH HARNESS</b> With Generator	\$193.00	
03130	1960	<b>DASH HARNESS</b> Without Gauges	\$450.00	
38028	1960	<b>DASH HARNESS</b> With Gauges	\$396.00	
02995	1960	<b>DASH INSTRUMENT CLUSTER HARNESS</b> With Ammeter Gauge	\$113.00	
02940	1960	<b>DASH INSTRUMENT CLUSTER HARNESS</b> With Generator Light	\$113.00	
03625	1961	<b>DASH HARNESS</b> All	\$383.00	
02995	1961	<b>DASH INSTRUMENT CLUSTER HARNESS</b> With Ammeter Gauge	\$113.00	
02940	1961	<b>DASH INSTRUMENT CLUSTER HARNESS</b> With Generator Light	\$113.00	
03985	1962	<b>DASH HARNESS</b> All	\$396.00	
30800	1962	<b>DASH INSTRUMENT CLUSTER HARNESS</b> With Gauges	\$113.00	
04100	1962	<b>DASH INSTRUMENT CLUSTER HARNESS</b> With Gauges & Overspeed Warning Light	\$132.00	
03660	1962	<b>DASH INSTRUMENT CLUSTER HARNESS</b> Without Gauges	\$113.00	
04420	1963	<b>DASH HARNESS</b> With Gauges	\$370.00	
30800	1963	<b>DASH INSTRUMENT CLUSTER HARNESS</b> With Gauges	\$113.00	
04100	1963	<b>DASH INSTRUMENT CLUSTER HARNESS</b> With Gauges & Overspeed Warning Light	\$132.00	
22525	1963	<b>DASH HARNESS</b> Without Gauges	\$383.00	
03660	1963	<b>DASH INSTRUMENT CLUSTER HARNESS</b> Without Gauges	\$113.00	
18965	1964	<b>DASH HARNESS</b> With Gauges	\$370.00	
04685	1964	<b>DASH INSTRUMENT CLUSTER HARNESS</b> With Gauges	\$105.00	
04690	1964	<b>DASH INSTRUMENT CLUSTER HARNESS</b> With Gauges & Overspeed Warning Light	\$113.00	
04700	1964	<b>DASH HARNESS</b> Without Gauges	\$383.00	
04680	1964	<b>DASH INSTRUMENT CLUSTER HARNESS</b> Without Gauges	\$113.00	
18965	1965	<b>DASH HARNESS</b> With Gauges	\$370.00	
04685	1965	<b>DASH INSTRUMENT CLUSTER HARNESS</b> With Gauges	\$105.00	
04690	1965	<b>DASH INSTRUMENT CLUSTER HARNESS</b> With Gauges & Overspeed Warning Light	\$113.00	
04700	1965	<b>DASH HARNESS</b> Without Gauges	\$383.00	

Part Number	Year	Description	Price	*Rev.
04680	1965	<b>DASH INSTRUMENT CLUSTER HARNESS</b> Without Gauges	\$113.00	
22570	1966	<b>DASH HARNESS</b> With Gauges	\$383.00	
04685	1966	<b>DASH INSTRUMENT CLUSTER HARNESS</b> With Gauges	\$105.00	
04690	1966	<b>DASH INSTRUMENT CLUSTER HARNESS</b> With Gauges & Overspeed Warning Light	\$113.00	
22560	1966	<b>DASH HARNESS</b> Without Gauges	\$370.00	
04680	1966	<b>DASH INSTRUMENT CLUSTER HARNESS</b> Without Gauges	\$113.00	
33915	1967	<b>DASH HARNESS</b> Pickup, With Gauges	\$488.00	
40358	1967	<b>DASH HARNESS-CLASSIC AUTO FUSE SERIES</b> Pickup, With Gauges Note: With Updated Modern ATO Series Fuseblock. Use Fuse & Flasher Kit # 40355. Also See Optional Classic Auto Fuse Accessory Kits.	\$538.00	
33920	1967	<b>DASH HARNESS</b> Pickup, Without Gauges	\$501.00	
40359	1967	<b>DASH HARNESS-CLASSIC AUTO FUSE SERIES</b> Pickup, Without Gauges Note: With Updated Modern ATO Series Fuseblock. Use Fuse & Flasher Kit # 40355. Also See Optional Classic Auto Fuse Accessory Kits.	\$538.00	
33905	1967	<b>DASH HARNESS</b> Panel & Suburban, With Gauges	\$545.00	
40360	1967	<b>DASH HARNESS-CLASSIC AUTO FUSE SERIES</b> Panel & Suburban, With Gauges Note: With Updated Modern ATO Series Fuseblock. Use Fuse & Flasher Kit # 40355. Also See Optional Classic Auto Fuse Accessory Kits.	\$570.00	
33910	1967	<b>DASH HARNESS</b> Panel & Suburban, Without Gauges	\$570.00	
40361	1967	<b>DASH HARNESS-CLASSIC AUTO FUSE SERIES</b> Panel & Suburban, Without Gauges Note: With Updated Modern ATO Series Fuseblock. Use Fuse & Flasher Kit # 40355. Also See Optional Classic Auto Fuse Accessory Kits.	\$596.00	
33915	1968	<b>DASH HARNESS</b> Pickup, With Gauges	\$488.00	
40358	1968	<b>DASH HARNESS-CLASSIC AUTO FUSE SERIES</b> Pickup, With Gauges Note: With Updated Modern ATO Series Fuseblock. Use Fuse & Flasher Kit # 40355. Also See Optional Classic Auto Fuse Accessory Kits.	\$538.00	
33920	1968	<b>DASH HARNESS</b> Pickup, Without Gauges	\$501.00	
40359	1968	<b>DASH HARNESS-CLASSIC AUTO FUSE SERIES</b> Pickup, Without Gauges Note: With Updated Modern ATO Series Fuseblock. Use Fuse & Flasher Kit # 40355. Also See Optional Classic Auto Fuse Accessory Kits.	\$538.00	
33905	1968	<b>DASH HARNESS</b> Panel & Suburban, With Gauges	\$545.00	
40360	1968	<b>DASH HARNESS-CLASSIC AUTO FUSE SERIES</b> Panel & Suburban, With Gauges Note: With Updated Modern ATO Series Fuseblock. Use Fuse & Flasher Kit # 40355. Also See Optional Classic Auto Fuse Accessory Kits.	\$570.00	
33910	1968	<b>DASH HARNESS</b> Panel & Suburban, Without Gauges	\$570.00	
40361	1968	<b>DASH HARNESS-CLASSIC AUTO FUSE SERIES</b> Panel & Suburban, Without Gauges Note: With Updated Modern ATO Series Fuseblock. Use Fuse & Flasher Kit # 40355. Also See Optional Classic Auto Fuse Accessory Kits.	\$596.00	
30100	1969	<b>DASH HARNESS</b> Pickup & Blazer, With Gauges	\$476.00	
40366	1969	<b>DASH HARNESS-CLASSIC AUTO FUSE SERIES</b> Pickup & Blazer, With Gauges Note: With Updated Modern ATO Series Fuseblock. Use Fuse & Flasher Kit # 40355. Also See Optional Classic Auto Fuse Accessory Kits.	\$526.00	
30105	1969	<b>DASH HARNESS</b> Pickup & Blazer, Without Gauges	\$476.00	
40367	1969	<b>DASH HARNESS-CLASSIC AUTO FUSE SERIES</b> Pickup & Blazer, Without Gauges Note: With Updated Modern ATO Series Fuseblock. Use Fuse & Flasher Kit # 40355. Also See Optional Classic Auto Fuse Accessory Kits.	\$526.00	
30090	1969	<b>DASH HARNESS</b> Panel & Suburban, With Gauges	\$545.00	
40368	1969	<b>DASH HARNESS-CLASSIC AUTO FUSE SERIES</b> Panel & Suburban, With Gauges Note: With Updated Modern ATO Series Fuseblock. Use Fuse & Flasher Kit # 40355. Also See Optional Classic Auto Fuse Accessory Kits.	\$570.00	
30095	1969	<b>DASH HARNESS</b> Panel & Suburban, Without Gauges	\$570.00	

Part Number	Year	Description	Price	*Rev.
40369	1969	<b>DASH HARNESS-CLASSIC AUTO FUSE SERIES</b> Panel & Suburban, Without Gauges Note: With Updated Modern ATO Series Fuseblock. Use Fuse & Flasher Kit # 40355. Also See Optional Classic Auto Fuse Accessory Kits.	\$596.00	
30100	1970	<b>DASH HARNESS</b> With Gauges	\$476.00	
40366	1970	<b>DASH HARNESS-CLASSIC AUTO FUSE SERIES</b> With Gauges Note: With Updated Modern ATO Series Fuseblock. Use Fuse & Flasher Kit # 40355. Also See Optional Classic Auto Fuse Accessory Kits.	\$526.00	
30105	1970	<b>DASH HARNESS</b> Without Gauges	\$476.00	
40367	1970	<b>DASH HARNESS-CLASSIC AUTO FUSE SERIES</b> Without Gauges Note: With Updated Modern ATO Series Fuseblock. Use Fuse & Flasher Kit # 40355. Also See Optional Classic Auto Fuse Accessory Kits.	\$526.00	
30100	1971	<b>DASH HARNESS</b> With Gauges	\$476.00	
40366	1971	<b>DASH HARNESS-CLASSIC AUTO FUSE SERIES</b> With Gauges Note: With Updated Modern ATO Series Fuseblock. Use Fuse & Flasher Kit # 40355. Also See Optional Classic Auto Fuse Accessory Kits.	\$526.00	
30105	1971	<b>DASH HARNESS</b> Without Gauges	\$476.00	
40367	1971	<b>DASH HARNESS-CLASSIC AUTO FUSE SERIES</b> Without Gauges Note: With Updated Modern ATO Series Fuseblock. Use Fuse & Flasher Kit # 40355. Also See Optional Classic Auto Fuse Accessory Kits.	\$526.00	
30100	1972	<b>DASH HARNESS</b> With Gauges	\$476.00	
40366	1972	<b>DASH HARNESS-CLASSIC AUTO FUSE SERIES</b> With Gauges Note: With Updated Modern ATO Series Fuseblock. Use Fuse & Flasher Kit # 40355. Also See Optional Classic Auto Fuse Accessory Kits.	\$526.00	
30105	1972	<b>DASH HARNESS</b> Without Gauges	\$476.00	
40367	1972	<b>DASH HARNESS-CLASSIC AUTO FUSE SERIES</b> Without Gauges Note: With Updated Modern ATO Series Fuseblock. Use Fuse & Flasher Kit # 40355. Also See Optional Classic Auto Fuse Accessory Kits.	\$526.00	
37491	1973	<b>DASH HARNESS</b> With Warning Lights	\$735.00	M
40376	1973	<b>DASH HARNESS-CLASSIC AUTO FUSE SERIES</b> With Warning Lights Note: With Updated Modern ATO Series Fuseblock. Use Fuse & Flasher Kit # 40356. Also See Optional Classic Auto Fuse Accessory Kits.	\$758.00	M
35927	1973	<b>DASH HARNESS</b> With Gauges	\$735.00	M
40377	1973	<b>DASH HARNESS-CLASSIC AUTO FUSE SERIES</b> With Gauges Note: With Updated Modern ATO Series Fuseblock. Use Fuse & Flasher Kit # 40356. Also See Optional Classic Auto Fuse Accessory Kits.	\$758.00	M
37509	1974	<b>DASH HARNESS</b> With Warning Lights	\$748.00	M
40378	1974	<b>DASH HARNESS-CLASSIC AUTO FUSE SERIES</b> With Warning Lights Note: With Updated Modern ATO Series Fuseblock. Use Fuse & Flasher Kit # 40356. Also See Optional Classic Auto Fuse Accessory Kits.	\$758.00	M
37510	1974	<b>DASH HARNESS</b> With Gauges	\$735.00	M
40379	1974	<b>DASH HARNESS-CLASSIC AUTO FUSE SERIES</b> With Gauges Note: With Updated Modern ATO Series Fuseblock. Use Fuse & Flasher Kit # 40356. Also See Optional Classic Auto Fuse Accessory Kits.	\$758.00	M
37511	1975	<b>DASH HARNESS</b> With Warning Lights	\$735.00	M
40380	1975	<b>DASH HARNESS-CLASSIC AUTO FUSE SERIES</b> With Warning Lights Note: With Updated Modern ATO Series Fuseblock. Use Fuse & Flasher Kit # 40357. Also See Optional Classic Auto Fuse Accessory Kits.	\$758.00	M
37512	1975	<b>DASH HARNESS</b> With Gauges	\$735.00	M
40381	1975	<b>DASH HARNESS-CLASSIC AUTO FUSE SERIES</b> With Gauges Note: With Updated Modern ATO Series Fuseblock. Use Fuse & Flasher Kit # 40357. Also See Optional Classic Auto Fuse Accessory Kits.	\$758.00	M

Part Number	Year	Description	Price	*Rev.
35933	1976	<b>DASH HARNESS</b> With Warning Lights	\$735.00	M
40382	1976	<b>DASH HARNESS-CLASSIC AUTO FUSE SERIES</b> With Warning Lights Note: With Updated Modern ATO Series Fuseblock. Use Fuse & Flasher Kit # 40357. Also See Optional Classic Auto Fuse Accessory Kits.	\$758.00	M
35934	1976	<b>DASH HARNESS</b> With Gauges	\$735.00	M
40383	1976	<b>DASH HARNESS-CLASSIC AUTO FUSE SERIES</b> With Gauges Note: With Updated Modern ATO Series Fuseblock. Use Fuse & Flasher Kit # 40357. Also See Optional Classic Auto Fuse Accessory Kits.	\$758.00	M
37514	1977	<b>DASH HARNESS</b> With Warning Lights	\$735.00	M
40384	1977	<b>DASH HARNESS-CLASSIC AUTO FUSE SERIES</b> With Warning Lights Note: With Updated Modern ATO Series Fuseblock. Use Fuse & Flasher Kit # 40357. Also See Optional Classic Auto Fuse Accessory Kits.	\$758.00	M
37515	1977	<b>DASH HARNESS</b> With Gauges	\$748.00	M
40385	1977	<b>DASH HARNESS-CLASSIC AUTO FUSE SERIES</b> With Gauges Note: With Updated Modern ATO Series Fuseblock. Use Fuse & Flasher Kit # 40357. Also See Optional Classic Auto Fuse Accessory Kits.	\$758.00	M
40054	1977	<b>DASH HARNESS</b> With Diesel	\$748.00	M
40386	1977	<b>DASH HARNESS-CLASSIC AUTO FUSE SERIES</b> With Diesel Note: With Updated Modern ATO Series Fuseblock. Use Fuse & Flasher Kit # 40357. Also See Optional Classic Auto Fuse Accessory Kits.	\$758.00	M
38138	1978	<b>DASH HARNESS</b> With Warning Lights	\$768.00	M
40387	1978	<b>DASH HARNESS-CLASSIC AUTO FUSE SERIES</b> With Warning Lights Note: With Updated Modern ATO Series Fuseblock. Use Fuse & Flasher Kit # 40357. Also See Optional Classic Auto Fuse Accessory Kits.	\$758.00	M
37517	1978	<b>DASH HARNESS</b> With Gauges	\$735.00	M
40388	1978	<b>DASH HARNESS-CLASSIC AUTO FUSE SERIES</b> With Gauges Note: With Updated Modern ATO Series Fuseblock. Use Fuse & Flasher Kit # 40357. Also See Optional Classic Auto Fuse Accessory Kits.	\$758.00	M
38139	1978	<b>DASH HARNESS</b> With Diesel	\$768.00	M
40389	1978	<b>DASH HARNESS-CLASSIC AUTO FUSE SERIES</b> With Diesel Note: With Updated Modern ATO Series Fuseblock. Use Fuse & Flasher Kit # 40357. Also See Optional Classic Auto Fuse Accessory Kits.	\$758.00	M
38142	1979	<b>DASH HARNESS</b> With Warning Lights	\$787.00	M
38152	1979	<b>DASH HARNESS</b> 6 Cylinder, With Gauges Note: 6 Cylinder Items Are Not Returnable.	\$787.00	M
38143	1979	<b>DASH HARNESS</b> V/8, With Gauges	\$735.00	M
38142	1980	<b>DASH HARNESS</b> With Warning Lights	\$787.00	M
38152	1980	<b>DASH HARNESS</b> 6 Cylinder, With Gauges Note: 6 Cylinder Items Are Not Returnable.	\$787.00	M
38143	1980	<b>DASH HARNESS</b> V/8, With Gauges	\$735.00	M
38146	1981	<b>DASH HARNESS</b> With Warning Lights	\$748.00	M
38147	1981	<b>DASH HARNESS</b> 6 Cylinder, With Gauges Note: 6 Cylinder Items Are Not Returnable.	\$787.00	M
38148	1981	<b>DASH HARNESS</b> V/8, With Gauges	\$735.00	M
38146	1982	<b>DASH HARNESS</b> With Warning Lights	\$748.00	M
38147	1982	<b>DASH HARNESS</b> 6 Cylinder, With Gauges Note: 6 Cylinder Items Are Not Returnable.	\$787.00	M
38148	1982	<b>DASH HARNESS</b> V/8, With Gauges	\$735.00	M

Part Number	Year	Description	Price	*Rev.
<b>DISTRIBUTOR WIRE</b>				
36057	1957	<b>DISTRIBUTOR WIRE</b> Distributor Points To Coil Negative Terminal, V/8 Note: Fits All GM V/8 Points Type Distributors From Approx. 1957 To 1974.	\$18.00	C
36057	1958	<b>DISTRIBUTOR WIRE</b> Distributor Points To Coil Negative Terminal, V/8 Note: Fits All GM V/8 Points Type Distributors From Approx. 1957 To 1974.	\$18.00	C
36057	1959	<b>DISTRIBUTOR WIRE</b> Distributor Points To Coil Negative Terminal, V/8 Note: Fits All GM V/8 Points Type Distributors From Approx. 1957 To 1974.	\$18.00	C
36057	1960	<b>DISTRIBUTOR WIRE</b> Distributor Points To Coil Negative Terminal, V/8 Note: Fits All GM V/8 Points Type Distributors From Approx. 1957 To 1974.	\$18.00	C
36057	1961	<b>DISTRIBUTOR WIRE</b> Distributor Points To Coil Negative Terminal, V/8 Note: Fits All GM V/8 Points Type Distributors From Approx. 1957 To 1974.	\$18.00	C
36057	1962	<b>DISTRIBUTOR WIRE</b> Distributor Points To Coil Negative Terminal, V/8 Note: Fits All GM V/8 Points Type Distributors From Approx. 1957 To 1974.	\$18.00	C
36057	1963	<b>DISTRIBUTOR WIRE</b> Distributor Points To Coil Negative Terminal, V/8 Note: Fits All GM V/8 Points Type Distributors From Approx. 1957 To 1974.	\$18.00	C
36057	1964	<b>DISTRIBUTOR WIRE</b> Distributor Points To Coil Negative Terminal, V/8 Note: Fits All GM V/8 Points Type Distributors From Approx. 1957 To 1974.	\$18.00	C
36057	1965	<b>DISTRIBUTOR WIRE</b> Distributor Points To Coil Negative Terminal, V/8 Note: Fits All GM V/8 Points Type Distributors From Approx. 1957 To 1974.	\$18.00	C
36057	1966	<b>DISTRIBUTOR WIRE</b> Distributor Points To Coil Negative Terminal, V/8 Note: Fits All GM V/8 Points Type Distributors From Approx. 1957 To 1974.	\$18.00	C
36057	1967	<b>DISTRIBUTOR WIRE</b> Distributor Points To Coil Negative Terminal, V/8 Note: Fits All GM V/8 Points Type Distributors From Approx. 1957 To 1974.	\$18.00	C
36057	1968	<b>DISTRIBUTOR WIRE</b> Distributor Points To Coil Negative Terminal, V/8 Note: Fits All GM V/8 Points Type Distributors From Approx. 1957 To 1974.	\$18.00	C
36057	1969	<b>DISTRIBUTOR WIRE</b> Distributor Points To Coil Negative Terminal, V/8 Note: Fits All GM V/8 Points Type Distributors From Approx. 1957 To 1974.	\$18.00	C
36057	1970	<b>DISTRIBUTOR WIRE</b> Distributor Points To Coil Negative Terminal, V/8 Note: Fits All GM V/8 Points Type Distributors From Approx. 1957 To 1974.	\$18.00	C
36057	1971	<b>DISTRIBUTOR WIRE</b> Distributor Points To Coil Negative Terminal, V/8 Note: Fits All GM V/8 Points Type Distributors From Approx. 1957 To 1974.	\$18.00	C
36057	1972	<b>DISTRIBUTOR WIRE</b> Distributor Points To Coil Negative Terminal, V/8 Note: Fits All GM V/8 Points Type Distributors From Approx. 1957 To 1974.	\$18.00	C
36057	1973	<b>DISTRIBUTOR WIRE</b> Distributor Points To Coil Negative Terminal, V/8 Note: Fits All GM V/8 Points Type Distributors From Approx. 1957 To 1974.	\$18.00	C
36057	1974	<b>DISTRIBUTOR WIRE</b> Distributor Points To Coil Negative Terminal, V/8 Note: Fits All GM V/8 Points Type Distributors From Approx. 1957 To 1974.	\$18.00	C
<b>DOME LAMP EXTENSION HARNESS</b>				
39714	1973	<b>DOME LAMP EXTENSION HARNESS</b> All Trucks, Except Blazer & Jimmy, Front Door Jamb Switch To Cargo Lamp Or Roof Dome Lamp Harness	\$106.00	M
39738	1973	<b>DOME LAMP EXTENSION HARNESS</b> Blazer & Jimmy, Front Door Jamb Switch To Roof Dome Lamp Harness	\$106.00	M
39714	1974	<b>DOME LAMP EXTENSION HARNESS</b> All Trucks, Except Blazer & Jimmy, Front Door Jamb Switch To Cargo Lamp Or Roof Dome Lamp Harness	\$106.00	M
39738	1974	<b>DOME LAMP EXTENSION HARNESS</b> Blazer & Jimmy, Front Door Jamb Switch To Roof Dome Lamp Harness	\$106.00	M
39714	1975	<b>DOME LAMP EXTENSION HARNESS</b> All Trucks, Except Blazer & Jimmy, Front Door Jamb Switch To Cargo Lamp Or Dome Lamp Harness	\$106.00	M
39738	1975	<b>DOME LAMP EXTENSION HARNESS</b> Blazer & Jimmy, Front Door Jamb Switch To Dome Lamp Harness	\$106.00	M

Part Number	Year	Description	Price	*Rev.
39714	1976	<b>DOMELAMP EXTENSION HARNESS</b> All, Front Door Jamb Switch To Cargo Lamp Or Dome Lamp Harness	\$106.00	M
39714	1977	<b>DOMELAMP EXTENSION HARNESS</b> All, Front Door Jamb Switch To Cargo Lamp Or Dome Lamp Harness	\$106.00	M
39714	1978	<b>DOMELAMP EXTENSION HARNESS</b> All, Front Door Jamb Switch To Cargo Lamp Or Dome Lamp Harness	\$106.00	M
39346	1979	<b>DOMELAMP EXTENSION HARNESS</b> All, Front Door Jamb Switch To Cargo Lamp Or Dome Lamp Harness	\$106.00	M
39346	1980	<b>DOMELAMP EXTENSION HARNESS</b> All, Front Door Jamb Switch To Cargo Lamp Or Dome Lamp Harness	\$106.00	M
39346	1981	<b>DOMELAMP EXTENSION HARNESS</b> All, Front Door Jamb Switch To Cargo Lamp Or Dome Lamp Harness	\$106.00	M
39346	1982	<b>DOMELAMP EXTENSION HARNESS</b> All, Front Door Jamb Switch To Cargo Lamp Or Dome Lamp Harness	\$106.00	M
39346	1982	<b>DOMELAMP EXTENSION HARNESS</b> All, Front Door Jamb Switch To Cargo Lamp Or Dome Lamp Harness	\$106.00	M
<b>DOMELAMP HARNESS</b>				
34890	1955	<b>DOMELAMP HARNESS</b> Overhead	\$26.00	
34890	1956	<b>DOMELAMP HARNESS</b> Overhead	\$26.00	
34890	1957	<b>DOMELAMP HARNESS</b> Overhead	\$26.00	
34890	1958	<b>DOMELAMP HARNESS</b> Overhead	\$26.00	
34890	1959	<b>DOMELAMP HARNESS</b> Overhead	\$26.00	
30620	1960	<b>DOMELAMP HARNESS</b> Overhead	\$26.00	
30620	1961	<b>DOMELAMP HARNESS</b> Overhead	\$26.00	
30620	1962	<b>DOMELAMP HARNESS</b> Overhead	\$26.00	
30620	1963	<b>DOMELAMP HARNESS</b> Overhead	\$26.00	
30620	1964	<b>DOMELAMP HARNESS</b> Overhead	\$26.00	
30620	1965	<b>DOMELAMP HARNESS</b> Overhead	\$26.00	
30620	1966	<b>DOMELAMP HARNESS</b> Overhead	\$26.00	
32750	1967	<b>DOMELAMP HARNESS</b> Overhead, Also See Courtesy & Dome Lamp Extension	\$26.00	
32750	1968	<b>DOMELAMP HARNESS</b> Overhead, Also See Courtesy & Dome Lamp Extension	\$26.00	
32750	1969	<b>DOMELAMP HARNESS</b> Overhead, Also See Courtesy & Dome Lamp Extension	\$26.00	
32750	1970	<b>DOMELAMP HARNESS</b> Overhead, Also See Courtesy & Dome Lamp Extension	\$26.00	
32750	1971	<b>DOMELAMP HARNESS</b> Overhead, Also See Courtesy & Dome Lamp Extension	\$26.00	
32750	1972	<b>DOMELAMP HARNESS</b> Overhead, Also See Courtesy & Dome Lamp Extension	\$26.00	
39347	1973	<b>DOMELAMP HARNESS</b> All 2 Door Trucks, Except Blazer & Jimmy, Roof Dome Lamp To Extension Harness	\$41.00	M
39737	1973	<b>DOMELAMP HARNESS</b> Blazer & Jimmy, Roof Dome Lamp To Extension Harness	\$48.00	M
39732	1973	<b>DOMELAMP HARNESS</b> 4 Door Trucks, Roof Dome Lamp To Extension Harness	\$48.00	M
39748	1973	<b>DOMELAMP HARNESS</b> Suburban, Front & Rear Roof Dome Lamps, Includes Extension Harness	\$60.00	M
39347	1974	<b>DOMELAMP HARNESS</b> All 2 Door Trucks, Except Blazer & Jimmy, Roof Dome Lamp To Extension Harness	\$41.00	M
39737	1974	<b>DOMELAMP HARNESS</b> Blazer & Jimmy, Roof Dome Lamp To Extension Harness	\$48.00	M
39732	1974	<b>DOMELAMP HARNESS</b> 4 Door Trucks, Roof Dome Lamp To Extension Harness	\$48.00	M
39760	1974	<b>DOMELAMP HARNESS</b> Suburban, Front & Rear Roof Dome Lamp, Without Overhead A/C	\$60.00	M
39761	1974	<b>DOMELAMP HARNESS</b> Suburban, Front & Rear Roof Dome Lamp, With Overhead A/C	\$60.00	M
39347	1975	<b>DOMELAMP HARNESS</b> All 2 Door Trucks, Except Blazer & Jimmy, Roof Dome Lamp To Extension Harness	\$41.00	M
39737	1975	<b>DOMELAMP HARNESS</b> Blazer & Jimmy, Dome Lamp To Extension Harness	\$48.00	M

Part Number	Year	Description	Price	*Rev.
39775	1975	<b>DOMELAMP HARNESS</b> 4 Door Trucks, Roof Dome Lamp To Extension Harness	\$48.00	M
39760	1975	<b>DOMELAMP HARNESS</b> Suburban, Front & Rear Roof Dome Lamp, Without Overhead A/C	\$60.00	M
39761	1975	<b>DOMELAMP HARNESS</b> Suburban, Front & Rear Roof Dome Lamp, With Overhead A/C	\$60.00	M
39347	1976	<b>DOMELAMP HARNESS</b> All 2 Door Trucks, Except Blazer & Jimmy, Roof Dome Lamp To Extension Harness	\$41.00	M
39805	1976	<b>DOMELAMP HARNESS</b> All Trucks, Except Blazer & Jimmy, Dome & Cargo Lamp Jumper, Extension Harness To Dome/Cargo Lamp	\$41.00	M
39799	1976	<b>DOMELAMP HARNESS</b> Blazer & Jimmy, Extension Harness To Dome Lamp On Removable Top	\$41.00	M
39831	1976	<b>DOMELAMP HARNESS</b> Blazer & Jimmy, Cab Mounted Roof Dome Lamp To Extension Harness	\$53.00	M
39760	1976	<b>DOMELAMP HARNESS</b> Suburban, Front & Rear Roof Dome Lamp, Without Overhead A/C	\$60.00	M
39761	1976	<b>DOMELAMP HARNESS</b> Suburban, Front & Rear Roof Dome Lamp, With Overhead A/C	\$60.00	M
39775	1976	<b>DOMELAMP HARNESS</b> 4 Door Trucks, Roof Dome Lamp To Extension Harness	\$48.00	M
39347	1977	<b>DOMELAMP HARNESS</b> All 2 Door Trucks, Except Blazer & Jimmy, Roof Dome Lamp To Extension Harness	\$41.00	M
39760	1977	<b>DOMELAMP HARNESS</b> Suburban, Front & Rear Roof Dome Lamp, Without Overhead A/C	\$60.00	M
39761	1977	<b>DOMELAMP HARNESS</b> Suburban, Front & Rear Roof Dome Lamp, With Overhead A/C	\$60.00	M
39775	1977	<b>DOMELAMP HARNESS</b> 4 Door Trucks, Roof Dome Lamp To Extension Harness	\$48.00	M
39799	1977	<b>DOMELAMP HARNESS</b> Blazer & Jimmy, Extension Harness To Dome Lamp On Removable Top	\$41.00	M
39805	1977	<b>DOMELAMP HARNESS</b> All Trucks, Except Blazer & Jimmy, Dome & Cargo Lamp Jumper, Extension Harness To Dome/Cargo Lamp	\$41.00	M
39831	1977	<b>DOMELAMP HARNESS</b> Blazer & Jimmy, Cab Mounted Roof Dome Lamp To Extension Harness	\$53.00	M
39347	1978	<b>DOMELAMP HARNESS</b> All 2 Door Trucks, Except Blazer & Jimmy, Roof Dome Lamp To Extension Harness	\$41.00	M
39760	1978	<b>DOMELAMP HARNESS</b> Suburban, Front & Rear Roof Dome Lamp, Without Overhead A/C	\$60.00	M
39805	1978	<b>DOMELAMP HARNESS</b> All Trucks, Except Blazer & Jimmy, Dome & Cargo Lamp Jumper, Extension Harness To Dome/Cargo Lamp	\$41.00	M
39799	1978	<b>DOMELAMP HARNESS</b> Blazer & Jimmy, Extension Harness To Dome Lamp On Removable Top	\$41.00	M
39831	1978	<b>DOMELAMP HARNESS</b> Blazer & Jimmy, Cab Mounted Roof Dome Lamp To Extension Harness	\$53.00	M
39761	1978	<b>DOMELAMP HARNESS</b> Suburban, Front & Rear Roof Dome Lamp, With Overhead A/C	\$60.00	M
39775	1978	<b>DOMELAMP HARNESS</b> 4 Door Trucks, Roof Dome Lamp To Extension Harness	\$48.00	M
39347	1979	<b>DOMELAMP HARNESS</b> All 2 Door Trucks, Except Blazer & Jimmy, Roof Dome Lamp To Extension Harness	\$41.00	M
39805	1979	<b>DOMELAMP HARNESS</b> All Trucks, Except Blazer & Jimmy, Dome & Cargo Lamp Jumper, Extension Harness To Dome/Cargo Lamp	\$41.00	M
39799	1979	<b>DOMELAMP HARNESS</b> Blazer & Jimmy, Extension Harness To Dome Lamp On Removable Top	\$41.00	M
39831	1979	<b>DOMELAMP HARNESS</b> Blazer & Jimmy, Cab Mounted Roof Dome Lamp To Extension Harness	\$53.00	M
39760	1979	<b>DOMELAMP HARNESS</b> Suburban, Front & Rear Roof Dome Lamp, Without Overhead A/C	\$60.00	M
39761	1979	<b>DOMELAMP HARNESS</b> Suburban, Front & Rear Roof Dome Lamp, With Overhead A/C	\$60.00	M
39775	1979	<b>DOMELAMP HARNESS</b> 4 Door Trucks, Roof Dome Lamp To Extension Harness	\$48.00	M
39347	1980	<b>DOMELAMP HARNESS</b> All 2 Door Trucks, Except Blazer & Jimmy, Roof Dome Lamp To Extension Harness	\$41.00	M
39799	1980	<b>DOMELAMP HARNESS</b> Blazer & Jimmy, Extension Harness To Dome Lamp On Removable Top	\$41.00	M
39831	1980	<b>DOMELAMP HARNESS</b> Blazer & Jimmy, Cab Mounted Roof Dome Lamp To Extension Harness	\$53.00	M



Part Number	Year	Description	Price	*Rev.
39760	1980	<b>DOMELAMP HARNESS</b> Suburban, Front & Rear Roof Dome Lamp, Without Overhead A/C	\$60.00	M
39775	1980	<b>DOMELAMP HARNESS</b> 4 Door Trucks, Roof Dome Lamp To Extension Harness	\$48.00	M
39761	1980	<b>DOMELAMP HARNESS</b> Suburban, Front & Rear Roof Dome Lamp, With Overhead A/C	\$60.00	M
39347	1981	<b>DOMELAMP HARNESS</b> All 2 Door Trucks, Except Blazer & Jimmy, Roof Dome Lamp To Extension Harness	\$41.00	M
39799	1981	<b>DOMELAMP HARNESS</b> Blazer & Jimmy, Extension Harness To Dome Lamp On Removable Top	\$41.00	M
39831	1981	<b>DOMELAMP HARNESS</b> Blazer & Jimmy, Cab Mounted Roof Dome Lamp To Extension Harness	\$53.00	M
39760	1981	<b>DOMELAMP HARNESS</b> Suburban, Front & Rear Roof Dome Lamp, Without Overhead A/C	\$60.00	M
39775	1981	<b>DOMELAMP HARNESS</b> 4 Door Trucks, Roof Dome Lamp To Extension Harness	\$48.00	M
39761	1981	<b>DOMELAMP HARNESS</b> Suburban, Front & Rear Roof Dome Lamp, With Overhead A/C	\$60.00	M
39347	1982	<b>DOMELAMP HARNESS</b> All 2 Door Trucks, Except Blazer & Jimmy, Roof Dome Lamp To Extension Harness	\$41.00	M
39831	1982	<b>DOMELAMP HARNESS</b> Blazer & Jimmy, Cab Mounted Roof Dome Lamp To Extension Harness	\$53.00	M
39761	1982	<b>DOMELAMP HARNESS</b> Suburban, Front & Rear Roof Dome Lamp, With Overhead A/C	\$60.00	M
39760	1982	<b>DOMELAMP HARNESS</b> Suburban, Front & Rear Roof Dome Lamp, Without Overhead A/C	\$60.00	M
39775	1982	<b>DOMELAMP HARNESS</b> 4 Door Trucks, Roof Dome Lamp To Extension Harness	\$48.00	M
41592	1984	<b>DOMELAMP HARNESS</b>	\$53.00	M
41592	1985	<b>DOMELAMP HARNESS</b>	\$53.00	M
41592	1986	<b>DOMELAMP HARNESS</b>	\$53.00	M
41592	1987	<b>DOMELAMP HARNESS</b>	\$53.00	M
41592	1988	<b>DOMELAMP HARNESS</b>	\$53.00	M
41592	1989	<b>DOMELAMP HARNESS</b>	\$53.00	M
41592	1990	<b>DOMELAMP HARNESS</b>	\$53.00	M
41592	1991	<b>DOMELAMP HARNESS</b>	\$53.00	M
<b>DOMELIGHT LENS</b>				
02973210	1960	<b>DOMELIGHT LENS</b> Note: Manufactured Using Original GM Tooling.	\$4.00	
02973210	1961	<b>DOMELIGHT LENS</b> Note: Manufactured Using Original GM Tooling.	\$4.00	
02973210	1962	<b>DOMELIGHT LENS</b> Note: Manufactured Using Original GM Tooling.	\$4.00	
02973210	1963	<b>DOMELIGHT LENS</b> Note: Manufactured Using Original GM Tooling.	\$4.00	
02973210	1964	<b>DOMELIGHT LENS</b> Note: Manufactured Using Original GM Tooling.	\$4.00	
02973210	1965	<b>DOMELIGHT LENS</b> Note: Manufactured Using Original GM Tooling.	\$4.00	
02973210	1966	<b>DOMELIGHT LENS</b> Note: Manufactured Using Original GM Tooling.	\$4.00	
02973210	1967	<b>DOMELIGHT LENS</b> Note: Manufactured Using Original GM Tooling.	\$4.00	
02973210	1968	<b>DOMELIGHT LENS</b> Note: Manufactured Using Original GM Tooling.	\$4.00	
02973210	1969	<b>DOMELIGHT LENS</b> Note: Manufactured Using Original GM Tooling.	\$4.00	

Part Number	Year	Description	Price	*Rev.
02973210	1970	<b>DOME LIGHT LENS</b> Note: Manufactured Using Original GM Tooling.	\$4.00	
02973210	1971	<b>DOME LIGHT LENS</b> Note: Manufactured Using Original GM Tooling.	\$4.00	
02973210	1972	<b>DOME LIGHT LENS</b> Note: Manufactured Using Original GM Tooling.	\$4.00	
<b>ELECTRONIC SPARK CONTROL EXTENSION HARNESS</b>				
37535	1981	<b>ELECTRONIC SPARK CONTROL EXTENSION HARNESS</b> 1/2 & 3/4-Ton, With 305 V/8, Distributor To Electronic Spark Control Harness	\$67.00	M
37535	1982	<b>ELECTRONIC SPARK CONTROL EXTENSION HARNESS</b> 1/2 & 3/4-Ton, With 305 V/8, Engine Code H, & 700R4, Or TH350 Trans, Distributor To Electronic Spark Control Harness	\$67.00	M
<b>ENGINE HARNESS</b>				
06400	1955	<b>ENGINE HARNESS</b> 6 Cylinder, Auto Trans (12 Volt) Note: 6 Cylinder Items Are Not Returnable.	\$110.00	
06395	1955	<b>ENGINE HARNESS</b> 6 Cylinder, Manual Trans (12 Volt) Note: 6 Cylinder Items Are Not Returnable.	\$96.00	
02285	1955	<b>ENGINE HARNESS</b> V/8, Auto Trans	\$105.00	
30290	1955	<b>ENGINE HARNESS</b> V/8, Auto Trans, With H.E.I.	\$119.00	
02385	1955	<b>ENGINE HARNESS</b> V/8, Manual Trans	\$92.00	
30295	1955	<b>ENGINE HARNESS</b> V/8, Manual Trans, With H.E.I.	\$119.00	
02395	1956	<b>ENGINE HARNESS</b> 6 Cylinder, Auto Trans Note: 6 Cylinder Items Are Not Returnable.	\$124.00	
02390	1956	<b>ENGINE HARNESS</b> 6 Cylinder, Manual Trans Note: 6 Cylinder Items Are Not Returnable.	\$110.00	
02405	1956	<b>ENGINE HARNESS</b> V/8, Auto Trans	\$105.00	
30290	1956	<b>ENGINE HARNESS</b> V/8, Auto Trans, With H.E.I.	\$119.00	
02425	1956	<b>ENGINE HARNESS</b> V/8, Manual Trans	\$105.00	
30295	1956	<b>ENGINE HARNESS</b> V/8, Manual Trans, With H.E.I.	\$119.00	
02570	1957	<b>ENGINE HARNESS</b> 6 Cylinder, Auto Trans, Also See Ignition Switch Adapter Note: 6 Cylinder Items Are Not Returnable.	\$124.00	
02550	1957	<b>ENGINE HARNESS</b> 6 Cylinder, Manual Trans, Also See Ignition Switch Adapter Note: 6 Cylinder Items Are Not Returnable.	\$110.00	
02560	1957	<b>ENGINE HARNESS</b> V/8, Auto Trans, Also See Ignition Switch Adapter Note: The Ignition Switch Adapter #37444 Allows 1957-59 Chevy Truck Engine Harnesses To Be Connected To The Reproduction Ignition Switch Available For 1955-56 Chevy Trucks And Cars.	\$119.00	
30310	1957	<b>ENGINE HARNESS</b> V/8, Auto Trans, With H.E.I., Also See Ignition Switch Adapter Note: The Ignition Switch Adapter #37444 Allows 1957-59 Chevy Truck Engine Harnesses To Be Connected To The Reproduction Ignition Switch Available For 1955-56 Chevy Trucks And Cars.	\$119.00	
02565	1957	<b>ENGINE HARNESS</b> V/8, Manual Trans, Also See Ignition Switch Adapter Note: The Ignition Switch Adapter #37444 Allows 1957-59 Chevy Truck Engine Harnesses To Be Connected To The Reproduction Ignition Switch Available For 1955-56 Chevy Trucks And Cars.	\$119.00	
30315	1957	<b>ENGINE HARNESS</b> V/8, Manual Trans, With H.E.I., Also See Ignition Switch Adapter Note: The Ignition Switch Adapter #37444 Allows 1957-59 Chevy Truck Engine Harnesses To Be Connected To The Reproduction Ignition Switch Available For 1955-56 Chevy Trucks And Cars.	\$119.00	
02910	1958	<b>ENGINE HARNESS</b> 6 Cylinder, Auto Trans, Also See Ignition Switch Adapter Note: 6 Cylinder Items Are Not Returnable.	\$124.00	
02905	1958	<b>ENGINE HARNESS</b> 6 Cylinder, Manual Trans, Also See Ignition Switch Adapter Note: 6 Cylinder Items Are Not Returnable.	\$110.00	

Part Number	Year	Description	Price	*Rev.
02735	1958	<b>ENGINE HARNESS</b> V/8, Auto Trans, Also See Ignition Switch Adapter Note: The Ignition Switch Adapter #37444 Allows 1957-59 Chevy Truck Engine Harnesses To Be Connected To The Reproduction Ignition Switch Available For 1955-56 Chevy Trucks And Cars.	\$119.00	
30310	1958	<b>ENGINE HARNESS</b> V/8, Auto Trans, With H.E.I., Also See Ignition Switch Adapter Note: The Ignition Switch Adapter #37444 Allows 1957-59 Chevy Truck Engine Harnesses To Be Connected To The Reproduction Ignition Switch Available For 1955-56 Chevy Trucks And Cars.	\$119.00	
30810	1958	<b>ENGINE HARNESS</b> V/8, Manual Trans, Also See Ignition Switch Adapter Note: The Ignition Switch Adapter #37444 Allows 1957-59 Chevy Truck Engine Harnesses To Be Connected To The Reproduction Ignition Switch Available For 1955-56 Chevy Trucks And Cars.	\$119.00	
02790	1958	<b>ENGINE HARNESS</b> V/8, Manual Trans, With Overspeed Governor Lt, Also See Ignition Switch Adapter Note: The Ignition Switch Adapter #37444 Allows 1957-59 Chevy Truck Engine Harnesses To Be Connected To The Reproduction Ignition Switch Available For 1955-56 Chevy Trucks And Cars.	\$172.00	
30315	1958	<b>ENGINE HARNESS</b> V/8, Manual Trans, With H.E.I., Also See Ignition Switch Adapter Note: The Ignition Switch Adapter #37444 Allows 1957-59 Chevy Truck Engine Harnesses To Be Connected To The Reproduction Ignition Switch Available For 1955-56 Chevy Trucks And Cars.	\$119.00	
02910	1959	<b>ENGINE HARNESS</b> 6 Cylinder, Auto Trans, Also See Ignition Switch Adapter Note: 6 Cylinder Items Are Not Returnable.	\$124.00	
02905	1959	<b>ENGINE HARNESS</b> 6 Cylinder, Manual Trans, Also See Ignition Switch Adapter Note: 6 Cylinder Items Are Not Returnable.	\$110.00	
02735	1959	<b>ENGINE HARNESS</b> V/8, Auto Trans, Also See Ignition Switch Adapter Note: The Ignition Switch Adapter #37444 Allows 1957-59 Chevy Truck Engine Harnesses To Be Connected To The Reproduction Ignition Switch Available For 1955-56 Chevy Trucks And Cars.	\$119.00	
30310	1959	<b>ENGINE HARNESS</b> V/8, Auto Trans, With H.E.I., Also See Ignition Switch Adapter Note: The Ignition Switch Adapter #37444 Allows 1957-59 Chevy Truck Engine Harnesses To Be Connected To The Reproduction Ignition Switch Available For 1955-56 Chevy Trucks And Cars.	\$119.00	
30810	1959	<b>ENGINE HARNESS</b> V/8, Manual Trans, Also See Ignition Switch Adapter Note: The Ignition Switch Adapter #37444 Allows 1957-59 Chevy Truck Engine Harnesses To Be Connected To The Reproduction Ignition Switch Available For 1955-56 Chevy Trucks And Cars.	\$119.00	
02790	1959	<b>ENGINE HARNESS</b> V/8, Manual Trans, With Overspeed Governor Lt, Also See Ignition Switch Adapter Note: The Ignition Switch Adapter #37444 Allows 1957-59 Chevy Truck Engine Harnesses To Be Connected To The Reproduction Ignition Switch Available For 1955-56 Chevy Trucks And Cars.	\$172.00	
30315	1959	<b>ENGINE HARNESS</b> V/8, Manual Trans, With H.E.I., Also See Ignition Switch Adapter Note: The Ignition Switch Adapter #37444 Allows 1957-59 Chevy Truck Engine Harnesses To Be Connected To The Reproduction Ignition Switch Available For 1955-56 Chevy Trucks And Cars.	\$119.00	
38030	1960	<b>ENGINE HARNESS</b> 6 Cylinder, Without Gauges Note: 6 Cylinder Items Are Not Returnable.	\$119.00	
38038	1960	<b>ENGINE HARNESS</b> 6 Cylinder, With Gauges Note: 6 Cylinder Items Are Not Returnable.	\$119.00	
38037	1960	<b>ENGINE HARNESS</b> V/8, Without Gauges	\$119.00	
39122	1960	<b>ENGINE HARNESS-HEI</b> V/8, Without Gauges Note: This Harness Is Modified For Use With An HEI Distributor.	\$134.00	
38031	1960	<b>ENGINE HARNESS</b> V/8, With Gauges	\$119.00	
38032	1960	<b>ENGINE HARNESS</b> V/8, 348 C.I., With Gauges	\$119.00	
03085	1961	<b>ENGINE HARNESS</b> 6 Cylinder Note: 6 Cylinder Items Are Not Returnable.	\$132.00	
03050	1961	<b>ENGINE HARNESS</b> V/8	\$132.00	
39061	1961	<b>ENGINE HARNESS-HEI</b> V/8 Note: This Harness Is Modified For Use With An HEI Distributor.	\$147.00	
04050	1962	<b>ENGINE HARNESS</b> 6 Cylinder, With Gauges Note: 6 Cylinder Items Are Not Returnable.	\$119.00	

Part Number	Year	Description	Price	*Rev.
04045	1962	<b>ENGINE HARNESS</b> 6 Cylinder, Without Gauges Note: 6 Cylinder Items Are Not Returnable.	\$119.00	
38075	1962	<b>ENGINE HARNESS</b> V/8, With Gauges	\$119.00	
39202	1962	<b>ENGINE HARNESS-HEI</b> V/8, With Gauges Note: This Harness Is Modified For Use With An HEI Distributor.	\$145.00	
03655	1962	<b>ENGINE HARNESS</b> V/8, Without Gauges	\$105.00	
39201	1962	<b>ENGINE HARNESS-HEI</b> V/8, Without Gauges Note: This Harness Is Modified For Use With An HEI Distributor.	\$120.00	
04110	1963	<b>ENGINE HARNESS</b> 6 Cylinder, With Gauges Note: 6 Cylinder Items Are Not Returnable.	\$105.00	
20650	1963	<b>ENGINE HARNESS</b> 6 Cylinder, Without Gauges Note: 6 Cylinder Items Are Not Returnable.	\$105.00	
04305	1963	<b>ENGINE HARNESS</b> V/8, With Gauges	\$119.00	
39081	1963	<b>ENGINE HARNESS-HEI</b> V/8, With Gauges Note: This Harness Is Modified For Use With An HEI Distributor.	\$147.00	
04710	1963	<b>ENGINE HARNESS</b> V/8, Without Gauges	\$105.00	
38967	1963	<b>ENGINE HARNESS-HEI</b> V/8, Without Gauges Note: This Harness Is Modified For Use With An HEI Distributor.	\$120.00	
04110	1964	<b>ENGINE HARNESS</b> 6 Cylinder, With Gauges Note: 6 Cylinder Items Are Not Returnable.	\$105.00	
20650	1964	<b>ENGINE HARNESS</b> 6 Cylinder, Without Gauges Note: 6 Cylinder Items Are Not Returnable.	\$105.00	
30830	1964	<b>ENGINE HARNESS</b> V/8, With Gauges	\$105.00	
38969	1964	<b>ENGINE HARNESS-HEI</b> V/8, With Gauges Note: This Harness Is Modified For Use With An HEI Distributor.	\$120.00	
05160	1964	<b>ENGINE HARNESS</b> V/8, With Gauges & Overspeed Warning	\$132.00	
04710	1964	<b>ENGINE HARNESS</b> V/8, Without Gauges	\$105.00	
38967	1964	<b>ENGINE HARNESS-HEI</b> V/8, Without Gauges Note: This Harness Is Modified For Use With An HEI Distributor.	\$120.00	
04110	1965	<b>ENGINE HARNESS</b> 6 Cylinder, With Gauges Note: 6 Cylinder Items Are Not Returnable.	\$105.00	
20650	1965	<b>ENGINE HARNESS</b> 6 Cylinder, Without Gauges Note: 6 Cylinder Items Are Not Returnable.	\$105.00	
30830	1965	<b>ENGINE HARNESS</b> V/8, With Gauges	\$105.00	
38969	1965	<b>ENGINE HARNESS-HEI</b> V/8, With Gauges Note: This Harness Is Modified For Use With An HEI Distributor.	\$120.00	
05160	1965	<b>ENGINE HARNESS</b> V/8, With Gauges & Overspeed Warning	\$132.00	
04710	1965	<b>ENGINE HARNESS</b> V/8, Without Gauges	\$105.00	
38967	1965	<b>ENGINE HARNESS-HEI</b> V/8, Without Gauges Note: This Harness Is Modified For Use With An HEI Distributor.	\$120.00	
04110	1966	<b>ENGINE HARNESS</b> 6 Cylinder, With Gauges Note: 6 Cylinder Items Are Not Returnable.	\$105.00	
20650	1966	<b>ENGINE HARNESS</b> 6 Cylinder, Without Gauges Note: 6 Cylinder Items Are Not Returnable.	\$105.00	
30830	1966	<b>ENGINE HARNESS</b> V/8, With Gauges	\$105.00	
38969	1966	<b>ENGINE HARNESS-HEI</b> V/8, With Gauges Note: This Harness Is Modified For Use With An HEI Distributor.	\$120.00	
05160	1966	<b>ENGINE HARNESS</b> V/8, With Gauges & Overspeed Warning	\$132.00	
04710	1966	<b>ENGINE HARNESS</b> V/8, Without Gauges	\$105.00	

Part Number	Year	Description	Price	*Rev.
38967	1966	<b>ENGINE HARNESS-HEI</b> V/8, Without Gauges Note: This Harness Is Modified For Use With An HEI Distributor.	\$120.00	
23420	1967	<b>ENGINE HARNESS</b> 6 Cylinder, Auto Trans Note: 6 Cylinder Items Are Not Returnable.	\$184.00	
21980	1967	<b>ENGINE HARNESS</b> 6 Cylinder, Manual Trans Note: 6 Cylinder Items Are Not Returnable.	\$145.00	
23425	1967	<b>ENGINE HARNESS</b> V/8, Auto Trans	\$145.00	
39007	1967	<b>ENGINE HARNESS-HEI</b> V/8, Auto Trans Note: This Harness Is Modified For Use With An HEI Distributor.	\$160.00	
21245	1967	<b>ENGINE HARNESS</b> V/8, Manual Trans	\$158.00	
39153	1967	<b>ENGINE HARNESS-HEI</b> V/8, Manual Trans Note: This Harness Is Modified For Use With An HEI Distributor.	\$173.00	
20665	1968	<b>ENGINE HARNESS</b> 6 Cylinder, Auto Trans Note: 6 Cylinder Items Are Not Returnable.	\$172.00	
23430	1968	<b>ENGINE HARNESS</b> 6 Cylinder, Manual Trans Note: 6 Cylinder Items Are Not Returnable.	\$172.00	
06420	1968	<b>ENGINE HARNESS</b> V/8, Auto Trans	\$158.00	
38943	1968	<b>ENGINE HARNESS-HEI</b> V/8, Auto Trans Note: This Harness Is Modified For Use With An HEI Distributor.	\$173.00	
21985	1968	<b>ENGINE HARNESS</b> V/8, Manual Trans	\$158.00	
38971	1968	<b>ENGINE HARNESS-HEI</b> V/8, Manual Trans Note: This Harness Is Modified For Use With An HEI Distributor.	\$173.00	
20655	1968	<b>ENGINE HARNESS</b> V/8, 396 C.I., Auto Trans	\$172.00	
39026	1968	<b>ENGINE HARNESS-HEI</b> V/8, 396 C.I., Auto Trans Note: This Harness Is Modified For Use With An HEI Distributor.	\$187.00	
20660	1968	<b>ENGINE HARNESS</b> V/8, 396 C.I., Manual Trans	\$184.00	
39205	1968	<b>ENGINE HARNESS-HEI</b> V/8, 396 C.I., Manual Trans Note: This Harness Is Modified For Use With An HEI Distributor.	\$199.00	
20665	1969	<b>ENGINE HARNESS</b> 6 Cylinder, Auto Trans Note: 6 Cylinder Items Are Not Returnable.	\$172.00	
23430	1969	<b>ENGINE HARNESS</b> 6 Cylinder, Manual Trans Note: 6 Cylinder Items Are Not Returnable.	\$172.00	
06420	1969	<b>ENGINE HARNESS</b> V/8, Auto Trans	\$158.00	
38943	1969	<b>ENGINE HARNESS-HEI</b> V/8, Auto Trans Note: This Harness Is Modified For Use With An HEI Distributor.	\$173.00	
21985	1969	<b>ENGINE HARNESS</b> V/8, Manual Trans	\$158.00	
38971	1969	<b>ENGINE HARNESS-HEI</b> V/8, Manual Trans Note: This Harness Is Modified For Use With An HEI Distributor.	\$173.00	
20655	1969	<b>ENGINE HARNESS</b> V/8, 396 C.I., Auto Trans	\$172.00	
39026	1969	<b>ENGINE HARNESS-HEI</b> V/8, 396 C.I., Auto Trans Note: This Harness Is Modified For Use With An HEI Distributor.	\$187.00	
20660	1969	<b>ENGINE HARNESS</b> V/8, 396 C.I., Manual Trans	\$184.00	
39205	1969	<b>ENGINE HARNESS-HEI</b> V/8, 396 C.I., Manual Trans Note: This Harness Is Modified For Use With An HEI Distributor.	\$199.00	
23435	1970	<b>ENGINE HARNESS</b> 6 Cylinder, Auto Trans Note: 6 Cylinder Items Are Not Returnable.	\$172.00	
20850	1970	<b>ENGINE HARNESS</b> 6 Cylinder, Manual Trans Note: 6 Cylinder Items Are Not Returnable.	\$172.00	
31520	1970	<b>ENGINE HARNESS</b> V/8, Auto Trans	\$158.00	

Part Number	Year	Description	Price	*Rev.
38922	1970	<b>ENGINE HARNESS-HEI</b> V/8, Auto Trans Note: This Harness Is Modified For Use With An HEI Distributor.	\$173.00	
20795	1970	<b>ENGINE HARNESS</b> V/8, Manual Trans	\$158.00	
38950	1970	<b>ENGINE HARNESS-HEI</b> V/8, Manual Trans Note: This Harness Is Modified For Use With An HEI Distributor.	\$173.00	
23230	1970	<b>ENGINE HARNESS</b> V/8, 396 C.I., Auto Trans	\$172.00	
38954	1970	<b>ENGINE HARNESS-HEI</b> V/8, 396 C.I., Auto Trans Note: This Harness Is Modified For Use With An HEI Distributor.	\$187.00	
21945	1970	<b>ENGINE HARNESS</b> V/8, 396 C.I., Manual Trans	\$184.00	
39062	1970	<b>ENGINE HARNESS-HEI</b> V/8, 396 C.I., Manual Trans Note: This Harness Is Modified For Use With An HEI Distributor.	\$199.00	
23435	1971	<b>ENGINE HARNESS</b> 6 Cylinder, Auto Trans Note: 6 Cylinder Items Are Not Returnable.	\$172.00	
20850	1971	<b>ENGINE HARNESS</b> 6 Cylinder, Manual Trans Note: 6 Cylinder Items Are Not Returnable.	\$172.00	
31520	1971	<b>ENGINE HARNESS</b> V/8, Auto Trans	\$158.00	
38922	1971	<b>ENGINE HARNESS-HEI</b> V/8, Auto Trans Note: This Harness Is Modified For Use With An HEI Distributor.	\$173.00	
20795	1971	<b>ENGINE HARNESS</b> V/8, Manual Trans	\$158.00	
38950	1971	<b>ENGINE HARNESS-HEI</b> V/8, Manual Trans Note: This Harness Is Modified For Use With An HEI Distributor.	\$173.00	
23230	1971	<b>ENGINE HARNESS</b> V/8, 396 C.I., Auto Trans	\$172.00	
38954	1971	<b>ENGINE HARNESS-HEI</b> V/8, 396 C.I., Auto Trans Note: This Harness Is Modified For Use With An HEI Distributor.	\$187.00	
21945	1971	<b>ENGINE HARNESS</b> V/8, 396 C.I., Manual Trans	\$184.00	
39062	1971	<b>ENGINE HARNESS-HEI</b> V/8, 396 C.I., Manual Trans Note: This Harness Is Modified For Use With An HEI Distributor.	\$199.00	
23435	1972	<b>ENGINE HARNESS</b> 6 Cylinder, Auto Trans Note: 6 Cylinder Items Are Not Returnable.	\$172.00	
20850	1972	<b>ENGINE HARNESS</b> 6 Cylinder, Manual Trans Note: 6 Cylinder Items Are Not Returnable.	\$172.00	
31520	1972	<b>ENGINE HARNESS</b> V/8, Auto Trans	\$158.00	
38922	1972	<b>ENGINE HARNESS-HEI</b> V/8, Auto Trans Note: This Harness Is Modified For Use With An HEI Distributor.	\$173.00	
20795	1972	<b>ENGINE HARNESS</b> V/8, Manual Trans	\$158.00	
38950	1972	<b>ENGINE HARNESS-HEI</b> V/8, Manual Trans Note: This Harness Is Modified For Use With An HEI Distributor.	\$173.00	
23230	1972	<b>ENGINE HARNESS</b> V/8, 396 C.I., Auto Trans	\$172.00	
38954	1972	<b>ENGINE HARNESS-HEI</b> V/8, 396 C.I., Auto Trans Note: This Harness Is Modified For Use With An HEI Distributor.	\$187.00	
21945	1972	<b>ENGINE HARNESS</b> V/8, 396 C.I., Manual Trans	\$184.00	
39062	1972	<b>ENGINE HARNESS-HEI</b> V/8, 396 C.I., Manual Trans Note: This Harness Is Modified For Use With An HEI Distributor.	\$199.00	
35928	1973	<b>ENGINE HARNESS</b> 6 Cylinder, All Note: 6 Cylinder Items Are Not Returnable.	\$318.00	M
37458	1973	<b>ENGINE HARNESS</b> V/8, 307, 350 C.I., Auto Trans, Without Gauges	\$305.00	M
40136	1973	<b>ENGINE HARNESS-HEI</b> V/8, 307, 350 C.I., Auto Trans, Without Gauges Note: This Harness Is Modified For Use With An HEI Distributor.	\$322.00	M
37459	1973	<b>ENGINE HARNESS</b> V/8, 307, 350 C.I., Auto Trans, With Gauges	\$305.00	M

Part Number	Year	Description	Price	*Rev.
39158	1973	<b>ENGINE HARNESS-HEI</b> V/8, 307, 350 C.I., Auto Trans, With Gauges Note: This Harness Is Modified For Use With An HEI Distributor.	\$322.00	M
37456	1973	<b>ENGINE HARNESS</b> V/8, 307, 350 C.I., Manual Trans, Without Gauges	\$305.00	M
40134	1973	<b>ENGINE HARNESS-HEI</b> V/8, 307, 350 C.I., Manual Trans, Without Gauges Note: This Harness Is Modified For Use With An HEI Distributor.	\$322.00	M
37457	1973	<b>ENGINE HARNESS</b> V/8, 307, 350 C.I., Manual Trans, With Gauges	\$305.00	M
40135	1973	<b>ENGINE HARNESS-HEI</b> V/8, 307, 350 C.I., Manual Trans, With Gauges Note: This Harness Is Modified For Use With An HEI Distributor.	\$322.00	M
37462	1973	<b>ENGINE HARNESS</b> V/8, 454 C.I., Auto Trans, Without Gauges	\$305.00	M
40139	1973	<b>ENGINE HARNESS-HEI</b> V/8, 454 C.I., Auto Trans, Without Gauges Note: This Harness Is Modified For Use With An HEI Distributor.	\$322.00	M
37463	1973	<b>ENGINE HARNESS</b> V/8, 454 C.I., Auto Trans, With Gauges	\$305.00	M
39209	1973	<b>ENGINE HARNESS-HEI</b> V/8, 454 C.I., Auto Trans, With Gauges Note: This Harness Is Modified For Use With An HEI Distributor.	\$322.00	M
37460	1973	<b>ENGINE HARNESS</b> V/8, 454 C.I., Manual Trans, Without Gauges	\$305.00	M
40137	1973	<b>ENGINE HARNESS-HEI</b> V/8, 454 C.I., Manual Trans, Without Gauges Note: This Harness Is Modified For Use With An HEI Distributor.	\$322.00	M
37461	1973	<b>ENGINE HARNESS</b> V/8, 454 C.I., Manual Trans, With Gauges	\$305.00	M
40138	1973	<b>ENGINE HARNESS-HEI</b> V/8, 454 C.I., Manual Trans, With Gauges Note: This Harness Is Modified For Use With An HEI Distributor.	\$322.00	M
35977	1974	<b>ENGINE HARNESS</b> 6 Cylinder, All Note: 6 Cylinder Items Are Not Returnable.	\$359.00	M
37481	1974	<b>ENGINE HARNESS</b> V/8, 350 C.I., Auto Trans, Without Gauges	\$344.00	M
40140	1974	<b>ENGINE HARNESS-HEI</b> V/8, 350 C.I., Auto Trans, Without Gauges Note: This Harness Is Modified For Use With An HEI Distributor.	\$344.00	M
37482	1974	<b>ENGINE HARNESS</b> V/8, 350 C.I., Auto Trans, With Gauges	\$344.00	M
39210	1974	<b>ENGINE HARNESS-HEI</b> V/8, 350 C.I., Auto Trans, With Gauges Note: This Harness Is Modified For Use With An HEI Distributor.	\$344.00	M
38871	1974	<b>ENGINE HARNESS</b> V/8, 350 C.I., Manual Trans, Without Gauges	\$344.00	M
40144	1974	<b>ENGINE HARNESS-HEI</b> V/8, 350 C.I., Manual Trans, Without Gauges Note: This Harness Is Modified For Use With An HEI Distributor.	\$344.00	M
37480	1974	<b>ENGINE HARNESS</b> V/8, 350 C.I., Manual Trans, With Gauges	\$344.00	M
40143	1974	<b>ENGINE HARNESS-HEI</b> V/8, 350 C.I., Manual Trans, With Gauges Note: This Harness Is Modified For Use With An HEI Distributor.	\$344.00	M
37484	1974	<b>ENGINE HARNESS</b> V/8, 454 C.I., Without Gauges	\$344.00	M
40141	1974	<b>ENGINE HARNESS-HEI</b> V/8, 454 C.I., Without Gauges Note: This Harness Is Modified For Use With An HEI Distributor.	\$344.00	M
37485	1974	<b>ENGINE HARNESS</b> V/8, 454 C.I., With Gauges	\$344.00	M
40142	1974	<b>ENGINE HARNESS-HEI</b> V/8, 454 C.I., With Gauges Note: This Harness Is Modified For Use With An HEI Distributor.	\$344.00	M
35935	1975	<b>ENGINE HARNESS</b> 6 Cylinder, All Note: 6 Cylinder Items Are Not Returnable.	\$374.00	M
37496	1975	<b>ENGINE HARNESS</b> V/8, 350, 400 C.I., Without Gauges	\$344.00	M
37497	1975	<b>ENGINE HARNESS</b> V/8, 350, 400 C.I., With Gauges	\$344.00	M
37498	1975	<b>ENGINE HARNESS</b> V/8, 454 C.I., Without Gauges & California Emission System	\$344.00	M
38872	1975	<b>ENGINE HARNESS</b> V/8, 454 C.I., With Gauges, Without California Emission System	\$344.00	M
37502	1975	<b>ENGINE HARNESS</b> V/8, 454 C.I., 1/2 Ton, Without Gauges, With California Emission System	\$344.00	M

Part Number	Year	Description	Price	*Rev.
37503	1975	<b>ENGINE HARNESS</b> V/8, 454 C.I., 1/2 Ton, With Gauges & California Emission System	\$344.00	M
37506	1975	<b>ENGINE HARNESS</b> V/8, 454 C.I., 3/4 & 1-Ton, Without Gauges, With California Emission System	\$344.00	M
37507	1975	<b>ENGINE HARNESS</b> V/8, 454 C.I., 3/4 & 1-Ton, With Gauges & California Emission System	\$344.00	M
35954	1976	<b>ENGINE HARNESS</b> 6 Cylinder, 250 C.I. Note: 6 Cylinder Items Are Not Returnable.	\$374.00	M
35932	1976	<b>ENGINE HARNESS</b> 6 Cylinder, 292 C.I. Note: 6 Cylinder Items Are Not Returnable.	\$359.00	M
38135	1976	<b>ENGINE HARNESS</b> V/8, 350, 400 C.I.	\$318.00	M
35967	1976	<b>ENGINE HARNESS</b> V/8, 454 C.I., With Heavy Duty Chassis	\$344.00	M
35968	1976	<b>ENGINE HARNESS</b> V/8, 454 C.I., Without Heavy Duty Chassis	\$358.00	M
35969	1977	<b>ENGINE HARNESS</b> 6 Cylinder, 250 C.I. Note: 6 Cylinder Items Are Not Returnable.	\$374.00	M
37516	1977	<b>ENGINE HARNESS</b> 6 Cylinder, 292 C.I. Note: 6 Cylinder Items Are Not Returnable.	\$374.00	M
38136	1977	<b>ENGINE HARNESS</b> V/8, 305, 350, 400 C.I.	\$318.00	M
35970	1977	<b>ENGINE HARNESS</b> V/8, 454 C.I., Except Heavy Duty Chassis	\$358.00	M
35972	1977	<b>ENGINE HARNESS</b> V/8, 454 C.I., With Heavy Duty Chassis	\$318.00	M
35975	1978	<b>ENGINE HARNESS</b> 6 Cylinder, 250 C.I., Without California Emissions, & All 292 C.I. Note: 6 Cylinder Items Are Not Returnable.	\$374.00	M
35911	1978	<b>ENGINE HARNESS</b> 6 Cylinder, 250 C.I., With California Emissions Note: 6 Cylinder Items Are Not Returnable.	\$374.00	M
38140	1978	<b>ENGINE HARNESS</b> V/8, 305, 350, 400 C.I.	\$332.00	M
35973	1978	<b>ENGINE HARNESS</b> V/8, 454 C.I.	\$332.00	M
37520	1979	<b>ENGINE HARNESS</b> 6 Cylinder, 250 C.I. Note: 6 Cylinder Items Are Not Returnable.	\$387.00	M
37522	1979	<b>ENGINE HARNESS</b> 6 Cylinder, 292 C.I. Note: 6 Cylinder Items Are Not Returnable.	\$387.00	M
22630	1979	<b>ENGINE HARNESS</b> V/8, 454 C.I.	\$332.00	M
38144	1979	<b>ENGINE HARNESS</b> V/8, 305, 350, 400 C.I.	\$332.00	M
37520	1980	<b>ENGINE HARNESS</b> 6 Cylinder, 250 C.I. Note: 6 Cylinder Items Are Not Returnable.	\$387.00	M
37522	1980	<b>ENGINE HARNESS</b> 6 Cylinder, 292 C.I. Note: 6 Cylinder Items Are Not Returnable.	\$387.00	M
38144	1980	<b>ENGINE HARNESS</b> V/8, 305, 350, 400 C.I.	\$332.00	M
22630	1980	<b>ENGINE HARNESS</b> V/8, 454 C.I.	\$332.00	M
37528	1981	<b>ENGINE HARNESS</b> 6 Cylinder, 250 C.I. Note: 6 Cylinder Items Are Not Returnable.	\$387.00	M
37531	1981	<b>ENGINE HARNESS</b> 6 Cylinder, 292 C.I. Note: 6 Cylinder Items Are Not Returnable.	\$401.00	M
37530	1981	<b>ENGINE HARNESS</b> V/8, 305, 350 C.I.	\$332.00	M
37529	1981	<b>ENGINE HARNESS</b> V/8, 454 C.I.	\$344.00	M
37528	1982	<b>ENGINE HARNESS</b> 6 Cylinder, 250 C.I., With California Emissions Note: 6 Cylinder Items Are Not Returnable.	\$387.00	M
37531	1982	<b>ENGINE HARNESS</b> 6 Cylinder, 292 C.I. Note: 6 Cylinder Items Are Not Returnable.	\$401.00	M



Part Number	Year	Description	Price	*Rev.
37539	1982	<b>ENGINE HARNESS</b> 6 Cylinder, 250 C.I., Without California Emissions Note: 6 Cylinder Items Are Not Returnable.	\$401.00	M
37530	1982	<b>ENGINE HARNESS</b> V/8, 305, 350 C.I., With Electric Choke	\$332.00	M
38149	1982	<b>ENGINE HARNESS</b> V/8, 305, 350 C.I., Without Electric Choke	\$332.00	M
37529	1982	<b>ENGINE HARNESS</b> V/8, 454 C.I.	\$344.00	M
38883	1982	<b>ENGINE HARNESS EXTENSION</b> Diesel, Glow Plug Relay To Engine Harness	\$133.00	M
<b>ENGINE INDICATOR LAMP HARNESS</b>				
37538	1982	<b>ENGINE INDICATOR LAMP HARNESS</b> Diesel, Fuse Block To Dash Indicator Warning Lamps	\$147.00	M
<b>FORWARD LAMP HARNESS</b>				
06350	1955	<b>FORWARD LAMP HARNESS</b> 6 Cylinder, With Stock Generator, (12 Volt) Note: 6 Cylinder Items Are Not Returnable.	\$119.00	
02415	1955	<b>FORWARD LAMP HARNESS</b> V/8, With Stock Generator, (12 Volt)	\$119.00	
35035	1955	<b>FORWARD LAMP HARNESS</b> V/8, With Stock Generator, (12 Volt) & Directional Leads	\$132.00	
02400	1956	<b>FORWARD LAMP HARNESS</b> 6 Cylinder, With Stock Generator Note: 6 Cylinder Items Are Not Returnable.	\$132.00	
35045	1956	<b>FORWARD LAMP HARNESS</b> 6 Cylinder, With Stock Generator & Directional Leads Note: 6 Cylinder Items Are Not Returnable.	\$132.00	
02415	1956	<b>FORWARD LAMP HARNESS</b> V/8, With Stock Generator	\$119.00	
35030	1956	<b>FORWARD LAMP HARNESS</b> V/8, With Stock Generator & Directional Leads	\$132.00	
02555	1957	<b>FORWARD LAMP HARNESS</b> With Stock Generator	\$119.00	
35040	1957	<b>FORWARD LAMP HARNESS</b> With Stock Generator & Directional Leads	\$119.00	
30860	1957	<b>FORWARD LAMP HARNESS</b> With Stock Heavy Duty Generator	\$132.00	
02715	1958	<b>FORWARD LAMP HARNESS</b> With Stock Generator	\$119.00	
35055	1958	<b>FORWARD LAMP HARNESS</b> With Stock Generator & Directional Leads	\$119.00	
30805	1958	<b>FORWARD LAMP HARNESS</b> With Stock Heavy Duty Generator	\$132.00	
02715	1959	<b>FORWARD LAMP HARNESS</b> With Stock Generator	\$119.00	
35055	1959	<b>FORWARD LAMP HARNESS</b> With Stock Generator & Directional Leads	\$119.00	
02960	1960	<b>FORWARD LAMP AND GENERATOR HARNESS</b> Without Gauges Note: Requires Part #03065 To Complete Voltage Regulator Wiring.	\$140.00	
02990	1960	<b>FORWARD LAMP AND GENERATOR HARNESS</b> With Gauges Note: Requires Part #03065 To Complete Voltage Regulator Wiring.	\$153.00	
03065	1960	<b>FORWARD LAMP EXTENSION HARNESS</b> Generator To Voltage Regulator Note: Not Needed If Using Alternator Conversion Harness.	\$49.00	
03590	1961	<b>FORWARD LAMP AND GENERATOR HARNESS</b>	\$147.00	
03590	1962	<b>FORWARD LAMP AND GENERATOR HARNESS</b>	\$147.00	
04025	1962	<b>FORWARD LAMP AND ALTERNATOR HARNESS</b> With Original Type (1962 Only) Voltage Regulator	\$147.00	
04715	1963	<b>FORWARD LAMP HARNESS</b> With Gauges	\$140.00	
39020	1963	<b>FORWARD LAMP HARNESS-INT REG ALT DRIVER SIDE</b> With Gauges Note: Modified For Driver Side Mounted 1972-84 Non-Serpentine Belt ("SI" Series) Internal Regulated Alternators.	\$165.00	
39102	1963	<b>FORWARD LAMP HARNESS-INT REG ALT PASSENGER SIDE</b> With Gauges Note: Modified For Passenger Side Mounted 1972-84 Non-Serpentine Belt ("SI" Series) Internal Regulated Alternators.	\$175.00	
04125	1963	<b>FORWARD LAMP HARNESS</b> Without Gauges	\$140.00	
39025	1963	<b>FORWARD LAMP HARNESS-INT REG ALT DRIVER SIDE</b> Without Gauges Note: Modified For Driver Side Mounted 1972-84 Non-Serpentine Belt ("SI" Series) Internal Regulated Alternators.	\$165.00	
39284	1963	<b>FORWARD LAMP HARNESS-INT REG ALT PASSENGER SIDE</b> Without Gauges Note: Modified For Passenger Side Mounted 1972-84 Non-Serpentine Belt ("SI" Series) Internal Regulated Alternators.	\$175.00	
04715	1964	<b>FORWARD LAMP HARNESS</b> With Gauges	\$140.00	

Part Number	Year	Description	Price	*Rev.
39020	1964	<b>FORWARD LAMP HARNESS-INT REG ALT DRIVER SIDE</b> With Gauges Note: Modified For Driver Side Mounted 1972-84 Non-Serpentine Belt ("SI" Series) Internal Regulated Alternators.	\$165.00	
39102	1964	<b>FORWARD LAMP HARNESS-INT REG ALT PASSENGER SIDE</b> With Gauges Note: Modified For Passenger Side Mounted 1972-84 Non-Serpentine Belt ("SI" Series) Internal Regulated Alternators.	\$175.00	
04125	1964	<b>FORWARD LAMP HARNESS</b> Without Gauges	\$140.00	
39025	1964	<b>FORWARD LAMP HARNESS-INT REG ALT DRIVER SIDE</b> Without Gauges Note: Modified For Driver Side Mounted 1972-84 Non-Serpentine Belt ("SI" Series) Internal Regulated Alternators.	\$165.00	
39284	1964	<b>FORWARD LAMP HARNESS-INT REG ALT PASSENGER SIDE</b> Without Gauges Note: Modified For Passenger Side Mounted 1972-84 Non-Serpentine Belt ("SI" Series) Internal Regulated Alternators.	\$175.00	
04715	1965	<b>FORWARD LAMP HARNESS</b> With Gauges	\$140.00	
39020	1965	<b>FORWARD LAMP HARNESS-INT REG ALT DRIVER SIDE</b> With Gauges Note: Modified For Driver Side Mounted 1972-84 Non-Serpentine Belt ("SI" Series) Internal Regulated Alternators.	\$165.00	
39102	1965	<b>FORWARD LAMP HARNESS-INT REG ALT PASSENGER SIDE</b> With Gauges Note: Modified For Passenger Side Mounted 1972-84 Non-Serpentine Belt ("SI" Series) Internal Regulated Alternators.	\$175.00	
04125	1965	<b>FORWARD LAMP HARNESS</b> Without Gauges	\$140.00	
39025	1965	<b>FORWARD LAMP HARNESS-INT REG ALT DRIVER SIDE</b> Without Gauges Note: Modified For Driver Side Mounted 1972-84 Non-Serpentine Belt ("SI" Series) Internal Regulated Alternators.	\$165.00	
39284	1965	<b>FORWARD LAMP HARNESS-INT REG ALT PASSENGER SIDE</b> Without Gauges Note: Modified For Passenger Side Mounted 1972-84 Non-Serpentine Belt ("SI" Series) Internal Regulated Alternators.	\$175.00	
04715	1966	<b>FORWARD LAMP HARNESS</b> With Gauges	\$140.00	
39020	1966	<b>FORWARD LAMP HARNESS-INT REG ALT DRIVER SIDE</b> With Gauges Note: Modified For Driver Side Mounted 1972-84 Non-Serpentine Belt ("SI" Series) Internal Regulated Alternators.	\$165.00	
39102	1966	<b>FORWARD LAMP HARNESS-INT REG ALT PASSENGER SIDE</b> With Gauges Note: Modified For Passenger Side Mounted 1972-84 Non-Serpentine Belt ("SI" Series) Internal Regulated Alternators.	\$175.00	
04125	1966	<b>FORWARD LAMP HARNESS</b> Without Gauges	\$140.00	
39025	1966	<b>FORWARD LAMP HARNESS-INT REG ALT DRIVER SIDE</b> Without Gauges Note: Modified For Driver Side Mounted 1972-84 Non-Serpentine Belt ("SI" Series) Internal Regulated Alternators.	\$165.00	
39284	1966	<b>FORWARD LAMP HARNESS-INT REG ALT PASSENGER SIDE</b> Without Gauges Note: Modified For Passenger Side Mounted 1972-84 Non-Serpentine Belt ("SI" Series) Internal Regulated Alternators.	\$175.00	
21250	1967	<b>FORWARD LAMP HARNESS</b> With Gauges	\$264.00	
39045	1967	<b>FORWARD LAMP HARNESS-INT REG ALT DRIVER SIDE</b> With Gauges Note: Modified For Driver Side Mounted 1972-84 Non-Serpentine Belt ("SI" Series) Internal Regulated Alternators.	\$289.00	
39203	1967	<b>FORWARD LAMP HARNESS-INT REG ALT PASSENGER SIDE</b> With Gauges Note: Modified For Passenger Side Mounted 1972-84 Non-Serpentine Belt ("SI" Series) Internal Regulated Alternators.	\$299.00	
23440	1967	<b>FORWARD LAMP HARNESS</b> Without Gauges	\$264.00	
39124	1967	<b>FORWARD LAMP HARNESS-INT REG ALT DRIVER SIDE</b> Without Gauges Note: Modified For Driver Side Mounted 1972-84 Non-Serpentine Belt ("SI" Series) Internal Regulated Alternators.	\$289.00	
39285	1967	<b>FORWARD LAMP HARNESS-INT REG ALT PASSENGER SIDE</b> Without Gauges Note: Modified For Passenger Side Mounted 1972-84 Non-Serpentine Belt ("SI" Series) Internal Regulated Alternators.	\$299.00	
22500	1968	<b>FORWARD LAMP HARNESS</b> With Gauges, Without Side Marker Lights	\$264.00	
39125	1968	<b>FORWARD LAMP HARNESS-INT REG ALT DRIVER SIDE</b> With Gauges, Without Side Marker Lights Note: Modified For Driver Side Mounted 1972-84 Non-Serpentine Belt ("SI" Series) Internal Regulated Alternators.	\$289.00	
39204	1968	<b>FORWARD LAMP HARNESS-INT REG ALT PASSENGER SIDE</b> With Gauges, Without Side Marker Lights Note: Modified For Passenger Side Mounted 1972-84 Non-Serpentine Belt ("SI" Series) Internal Regulated Alternators.	\$299.00	
22490	1968	<b>FORWARD LAMP HARNESS</b> Without Gauges, Without Side Marker Lights	\$264.00	
39154	1968	<b>FORWARD LAMP HARNESS-INT REG ALT DRIVER SIDE</b> Without Gauges, Without Side Marker Lights Note: Modified For Driver Side Mounted 1972-84 Non-Serpentine Belt ("SI" Series) Internal Regulated Alternators.	\$289.00	
39286	1968	<b>FORWARD LAMP HARNESS-INT REG ALT PASSENGER SIDE</b> Without Gauges, Without Side Marker Lights Note: Modified For Passenger Side Mounted 1972-84 Non-Serpentine Belt ("SI" Series) Internal Regulated Alternators.	\$299.00	

Part Number	Year	Description	Price	*Rev.
22220	1969	<b>FORWARD LAMP HARNESS</b> With Gauges, With Side Marker Lights	\$264.00	
38929	1969	<b>FORWARD LAMP HARNESS-INT REG ALT DRIVER SIDE</b> With Gauges, With Side Marker Lights Note: Modified For Driver Side Mounted 1972-84 Non-Serpentine Belt ("SI" Series) Internal Regulated Alternators.	\$289.00	
39155	1969	<b>FORWARD LAMP HARNESS-INT REG ALT PASSENGER SIDE</b> With Gauges, With Side Marker Lights Note: Modified For Passenger Side Mounted 1972-84 Non-Serpentine Belt ("SI" Series) Internal Regulated Alternators.	\$299.00	
22500	1969	<b>FORWARD LAMP HARNESS</b> With Gauges, Without Side Marker Lights	\$264.00	
39125	1969	<b>FORWARD LAMP HARNESS-INT REG ALT DRIVER SIDE</b> With Gauges, Without Side Marker Lights Note: Modified For Driver Side Mounted 1972-84 Non-Serpentine Belt ("SI" Series) Internal Regulated Alternators.	\$289.00	
39204	1969	<b>FORWARD LAMP HARNESS-INT REG ALT PASSENGER SIDE</b> With Gauges, Without Side Marker Lights Note: Modified For Passenger Side Mounted 1972-84 Non-Serpentine Belt ("SI" Series) Internal Regulated Alternators.	\$299.00	
23445	1969	<b>FORWARD LAMP HARNESS</b> Without Gauges, With Side Marker Lights	\$264.00	
39021	1969	<b>FORWARD LAMP HARNESS-INT REG ALT DRIVER SIDE</b> Without Gauges, With Side Marker Lights Note: Modified For Driver Side Mounted 1972-84 Non-Serpentine Belt ("SI" Series) Internal Regulated Alternators.	\$289.00	
39207	1969	<b>FORWARD LAMP HARNESS-INT REG ALT PASSENGER SIDE</b> Without Gauges, With Side Marker Lights Note: Modified For Passenger Side Mounted 1972-84 Non-Serpentine Belt ("SI" Series) Internal Regulated Alternators.	\$299.00	
37665	1969	<b>FORWARD LAMP HARNESS</b> Without Gauges, Without Side Marker Lights	\$304.00	
22220	1970	<b>FORWARD LAMP HARNESS</b> With Gauges	\$264.00	
38929	1970	<b>FORWARD LAMP HARNESS-INT REG ALT DRIVER SIDE</b> With Gauges Note: Modified For Driver Side Mounted 1972-84 Non-Serpentine Belt ("SI" Series) Internal Regulated Alternators.	\$289.00	
39155	1970	<b>FORWARD LAMP HARNESS-INT REG ALT PASSENGER SIDE</b> With Gauges Note: Modified For Passenger Side Mounted 1972-84 Non-Serpentine Belt ("SI" Series) Internal Regulated Alternators.	\$299.00	
23445	1970	<b>FORWARD LAMP HARNESS</b> Without Gauges	\$264.00	
39021	1970	<b>FORWARD LAMP HARNESS-INT REG ALT DRIVER SIDE</b> Without Gauges Note: Modified For Driver Side Mounted 1972-84 Non-Serpentine Belt ("SI" Series) Internal Regulated Alternators.	\$289.00	
39207	1970	<b>FORWARD LAMP HARNESS-INT REG ALT PASSENGER SIDE</b> Without Gauges Note: Modified For Passenger Side Mounted 1972-84 Non-Serpentine Belt ("SI" Series) Internal Regulated Alternators.	\$299.00	
22220	1971	<b>FORWARD LAMP HARNESS</b> With Gauges	\$264.00	
38929	1971	<b>FORWARD LAMP HARNESS-INT REG ALT DRIVER SIDE</b> With Gauges Note: Modified For Driver Side Mounted 1972-84 Non-Serpentine Belt ("SI" Series) Internal Regulated Alternators.	\$289.00	
39155	1971	<b>FORWARD LAMP HARNESS-INT REG ALT PASSENGER SIDE</b> With Gauges Note: Modified For Passenger Side Mounted 1972-84 Non-Serpentine Belt ("SI" Series) Internal Regulated Alternators.	\$299.00	
23445	1971	<b>FORWARD LAMP HARNESS</b> Without Gauges	\$264.00	
39021	1971	<b>FORWARD LAMP HARNESS-INT REG ALT DRIVER SIDE</b> Without Gauges Note: Modified For Driver Side Mounted 1972-84 Non-Serpentine Belt ("SI" Series) Internal Regulated Alternators.	\$289.00	
39207	1971	<b>FORWARD LAMP HARNESS-INT REG ALT PASSENGER SIDE</b> Without Gauges Note: Modified For Passenger Side Mounted 1972-84 Non-Serpentine Belt ("SI" Series) Internal Regulated Alternators.	\$299.00	
22220	1972	<b>FORWARD LAMP HARNESS</b> With Gauges	\$264.00	
38929	1972	<b>FORWARD LAMP HARNESS-INT REG ALT DRIVER SIDE</b> With Gauges Note: Modified For Driver Side Mounted 1972-84 Non-Serpentine Belt ("SI" Series) Internal Regulated Alternators.	\$289.00	
39155	1972	<b>FORWARD LAMP HARNESS-INT REG ALT PASSENGER SIDE</b> With Gauges Note: Modified For Passenger Side Mounted 1972-84 Non-Serpentine Belt ("SI" Series) Internal Regulated Alternators.	\$299.00	
23445	1972	<b>FORWARD LAMP HARNESS</b> Without Gauges	\$264.00	
39021	1972	<b>FORWARD LAMP HARNESS-INT REG ALT DRIVER SIDE</b> Without Gauges Note: Modified For Driver Side Mounted 1972-84 Non-Serpentine Belt ("SI" Series) Internal Regulated Alternators.	\$289.00	
39207	1972	<b>FORWARD LAMP HARNESS-INT REG ALT PASSENGER SIDE</b> Without Gauges Note: Modified For Passenger Side Mounted 1972-84 Non-Serpentine Belt ("SI" Series) Internal Regulated Alternators.	\$299.00	
35925	1973	<b>FORWARD LAMP HARNESS</b>	\$304.00	M
35925	1974	<b>FORWARD LAMP HARNESS</b>	\$304.00	M
35971	1975	<b>FORWARD LAMP HARNESS</b>	\$290.00	M

Part Number	Year	Description	Price	*Rev.
35971	1976	FORWARD LAMP HARNESS	\$290.00	M
35971	1977	FORWARD LAMP HARNESS	\$290.00	M
35971	1978	FORWARD LAMP HARNESS	\$290.00	M
35971	1979	FORWARD LAMP HARNESS	\$290.00	M
37524	1980	FORWARD LAMP HARNESS With Rectangular Headlights	\$304.00	M
35971	1980	FORWARD LAMP HARNESS With Round Headlights	\$290.00	M
37526	1981	FORWARD LAMP HARNESS With Single Headlights	\$330.00	M
37527	1981	FORWARD LAMP HARNESS With Dual Headlights	\$317.00	M
38150	1982	FORWARD LAMP HARNESS With Single Headlights	\$317.00	M
38151	1982	FORWARD LAMP HARNESS With Dual Headlights	\$317.00	M
<b>FOUR WHEEL DRIVE INDICATOR LAMP EXT HARNESS</b>				
39842	1977	FOUR WHEEL DRIVE INDICATOR LAMP EXTENSION HARNESS With Auto Trans, Transfer Case Switch To Indicator Lamp Harness	\$53.00	M
39842	1978	FOUR WHEEL DRIVE INDICATOR LAMP EXTENSION HARNESS With Auto Trans, Transfer Case Switch To Indicator Lamp Harness	\$53.00	M
39842	1979	FOUR WHEEL DRIVE INDICATOR LAMP EXTENSION HARNESS With Auto Trans, Transfer Case Switch To Indicator Lamp Harness	\$53.00	M
<b>FRONT CORNER MARKER LAMP HARNESS</b>				
39746	1973	FRONT CORNER MARKER LAMP HARNESS Stakebed & Flatbed	\$60.00	M
39746	1974	FRONT CORNER MARKER LAMP HARNESS Stakebed & Flatbed	\$60.00	M
39746	1975	FRONT CORNER MARKER LAMP HARNESS Stakebed & Flatbed	\$60.00	M
39746	1976	FRONT CORNER MARKER LAMP HARNESS 1-Ton, Stakebed & Flatbed, With 135.5 In. Wheel Base	\$60.00	M
39746	1977	FRONT CORNER MARKER LAMP HARNESS 1-Ton, Stakebed & Flatbed, With 135.5 In. Wheel Base	\$60.00	M
39746	1978	FRONT CORNER MARKER LAMP HARNESS 1-Ton, Stakebed & Flatbed, With 135.5 In. Wheel Base	\$60.00	M
39746	1979	FRONT CORNER MARKER LAMP HARNESS 1-Ton, Stakebed & Flatbed, With 135.5 In. Wheel Base	\$60.00	M
39746	1980	FRONT CORNER MARKER LAMP HARNESS 1-Ton, Stakebed & Flatbed, With 135.5 In. Wheel Base	\$60.00	M
39746	1981	FRONT CORNER MARKER LAMP HARNESS 1-Ton, Stakebed & Flatbed, With 135.5 In. Wheel Base	\$60.00	M
39746	1982	FRONT CORNER MARKER LAMP HARNESS 1-Ton, Stakebed & Flatbed, With 135.5 In. Wheel Base	\$60.00	M
<b>FUEL GAUGE</b>				
44222	1947	FUEL GAUGE 12 Volt, Red Needle Note: GM Did Not Sell This Gauge Originally, This Gauge Is For Vehicles Converted Over To 12 Volts, But Still Maintains The Original Appearance.	\$74.00	N
01516973	1947	FUEL GAUGE 6 Volt, Red Needle	\$74.00	N
44222	1948	FUEL GAUGE 12 Volt, Red Needle Note: GM Did Not Sell This Gauge Originally, This Gauge Is For Vehicles Converted Over To 12 Volts, But Still Maintains The Original Appearance.	\$74.00	N
01516973	1948	FUEL GAUGE 6 Volt, Red Needle	\$74.00	N
44229	1949	FUEL GAUGE 12 Volt, White Needle Note: GM Did Not Sell This Gauge Originally, This Gauge Is For Vehicles Converted Over To 12 Volts, But Still Maintains The Original Appearance.	\$74.00	N
01517169	1949	FUEL GAUGE 6 Volt, White Needle	\$74.00	N
44229	1950	FUEL GAUGE 12 Volt, White Needle Note: GM Did Not Sell This Gauge Originally, This Gauge Is For Vehicles Converted Over To 12 Volts, But Still Maintains The Original Appearance.	\$74.00	N
01517169	1950	FUEL GAUGE 6 Volt, White Needle	\$74.00	N
44229	1951	FUEL GAUGE 12 Volt, White Needle Note: GM Did Not Sell This Gauge Originally, This Gauge Is For Vehicles Converted Over To 12 Volts, But Still Maintains The Original Appearance.	\$74.00	N
01517169	1951	FUEL GAUGE 6 Volt, White Needle	\$74.00	N

Part Number	Year	Description	Price	*Rev.
44229	1952	<b>FUEL GAUGE</b> 12 Volt, White Needle Note: GM Did Not Sell This Gauge Originally, This Gauge Is For Vehicles Converted Over To 12 Volts, But Still Maintains The Original Appearance.	\$74.00	N
01517169	1952	<b>FUEL GAUGE</b> 6 Volt, White Needle	\$74.00	N
44229	1953	<b>FUEL GAUGE</b> 12 Volt, White Needle Note: GM Did Not Sell This Gauge Originally, This Gauge Is For Vehicles Converted Over To 12 Volts, But Still Maintains The Original Appearance.	\$74.00	N
01517169	1953	<b>FUEL GAUGE</b> 6 Volt, White Needle	\$74.00	N
01517880	1954	<b>FUEL GAUGE</b> 6 Volt	\$74.00	N
44236	1955	<b>FUEL GAUGE</b> 12 Volt	\$74.00	N
44236	1955	<b>FUEL GAUGE</b> 1st Series, 12 Volt	\$74.00	N
01517880	1955	<b>FUEL GAUGE</b> 1st Series, 6 Volt	\$74.00	N
01518462	1955	<b>FUEL GAUGE</b>	\$85.00	N
01518462	1956	<b>FUEL GAUGE</b>	\$85.00	N
01518462	1957	<b>FUEL GAUGE</b>	\$85.00	N
01518462	1958	<b>FUEL GAUGE</b>	\$85.00	N
01518462	1959	<b>FUEL GAUGE</b>	\$85.00	N
05644548	1960	<b>FUEL GAUGE</b>	\$74.00	N
05644548	1961	<b>FUEL GAUGE</b>	\$74.00	N
05644548	1962	<b>FUEL GAUGE</b>	\$74.00	N
05644548	1963	<b>FUEL GAUGE</b>	\$74.00	N
05644735	1964	<b>FUEL GAUGE</b> With Gauges	\$74.00	N
05644488	1964	<b>FUEL GAUGE</b> With Warning Lights	\$74.00	N
05644735	1965	<b>FUEL GAUGE</b> With Gauges	\$74.00	N
05644488	1965	<b>FUEL GAUGE</b> With Warning Lights	\$74.00	N
05644735	1966	<b>FUEL GAUGE</b> With Gauges	\$74.00	N
05644488	1966	<b>FUEL GAUGE</b> With Warning Lights	\$74.00	N
06457910	1967	<b>FUEL GAUGE</b>	\$47.00	N
06457910	1968	<b>FUEL GAUGE</b>	\$47.00	N
06457910	1969	<b>FUEL GAUGE</b>	\$47.00	N
06457910	1970	<b>FUEL GAUGE</b>	\$47.00	N
06457910	1971	<b>FUEL GAUGE</b>	\$47.00	N
06457910	1972	<b>FUEL GAUGE</b>	\$47.00	N
06431698	1973	<b>FUEL GAUGE</b> Fire Orange Needle, With Tachometer	\$54.00	N
06431731	1973	<b>FUEL GAUGE</b> Fire Orange Needle, Without Tachometer	\$54.00	N
06431698	1974	<b>FUEL GAUGE</b> Fire Orange Needle, With Tachometer	\$54.00	N
06431731	1974	<b>FUEL GAUGE</b> Fire Orange Needle, Without Tachometer	\$54.00	N
06432019	1975	<b>FUEL GAUGE</b> Fire Orange Needle, Unleaded Fuel Only, With Tachometer	\$54.00	N
06431698	1975	<b>FUEL GAUGE</b> Fire Orange Needle, With Tachometer	\$54.00	N
06431731	1975	<b>FUEL GAUGE</b> Fire Orange Needle, Without Tachometer	\$54.00	N
06432326	1976	<b>FUEL GAUGE</b> Fire Orange Needle, Unleaded Fuel Only, Without Tachometer	\$54.00	N
06432019	1976	<b>FUEL GAUGE</b> Fire Orange Needle, Unleaded Fuel Only, With Tachometer	\$54.00	N
06431698	1976	<b>FUEL GAUGE</b> Fire Orange Needle, With Tachometer	\$54.00	N
06432170	1976	<b>FUEL GAUGE</b> Fire Orange Needle, Without Tachometer	\$54.00	N
06432326	1977	<b>FUEL GAUGE</b> Fire Orange Needle, Unleaded Fuel Only, Without Tachometer	\$54.00	N
06432019	1977	<b>FUEL GAUGE</b> Fire Orange Needle, Unleaded Fuel Only, With Tachometer	\$54.00	N
06431698	1977	<b>FUEL GAUGE</b> Fire Orange Needle, With Tachometer	\$54.00	N

Part Number	Year	Description	Price	*Rev.
06432170	1977	<b>FUEL GAUGE</b> Fire Orange Needle, Without Tachometer	\$54.00	N
06432326	1978	<b>FUEL GAUGE</b> Fire Orange Needle, Unleaded Fuel Only, Without Tachometer	\$54.00	N
06432019	1978	<b>FUEL GAUGE</b> Fire Orange Needle, Unleaded Fuel Only, With Tachometer	\$54.00	N
06431698	1978	<b>FUEL GAUGE</b> Fire Orange Needle, With Tachometer	\$54.00	N
06432170	1978	<b>FUEL GAUGE</b> Fire Orange Needle, Without Tachometer	\$54.00	N
06432326	1979	<b>FUEL GAUGE</b> 1st Design, Fire Orange Needle, Unleaded Fuel Only, Without Tachometer	\$54.00	N
06432019	1979	<b>FUEL GAUGE</b> 1st Design, Fire Orange Needle, Unleaded Fuel Only, With Tachometer	\$54.00	N
06431698	1979	<b>FUEL GAUGE</b> 1st Design, Fire Orange Needle, With Tachometer	\$54.00	N
06432170	1979	<b>FUEL GAUGE</b> 1st Design, Fire Orange Needle, Without Tachometer	\$54.00	N
06433358	1979	<b>FUEL GAUGE</b> 2nd Design, Light Orange Needle, Unleaded Fuel Only, Without Tachometer	\$54.00	N
06432844	1979	<b>FUEL GAUGE</b> 2nd Design, Light Orange Needle, With Tachometer	\$54.00	N
06433358	1980	<b>FUEL GAUGE</b> Light Orange Needle, Unleaded Fuel Only, Without Tachometer	\$54.00	N
06432844	1980	<b>FUEL GAUGE</b> Light Orange Needle, With Tachometer	\$54.00	N
06433358	1981	<b>FUEL GAUGE</b> Light Orange Needle, Unleaded Fuel Only, Without Tachometer	\$54.00	N
06432844	1981	<b>FUEL GAUGE</b> Light Orange Needle, With Tachometer	\$54.00	N
06433358	1982	<b>FUEL GAUGE</b> Light Orange Needle, Unleaded Fuel Only, Without Tachometer	\$54.00	N
06432844	1982	<b>FUEL GAUGE</b> Light Orange Needle, With Tachometer	\$54.00	N
06433358	1983	<b>FUEL GAUGE</b> Light Orange Needle, Unleaded Fuel Only, Without Tachometer	\$54.00	N
06432844	1983	<b>FUEL GAUGE</b> Light Orange Needle, With Tachometer	\$54.00	N
06433358	1984	<b>FUEL GAUGE</b> Light Orange Needle, Unleaded Fuel Only, Without Tachometer	\$54.00	N
06432844	1984	<b>FUEL GAUGE</b> Light Orange Needle, With Tachometer	\$54.00	N
06433358	1985	<b>FUEL GAUGE</b> Light Orange Needle, Unleaded Fuel Only, Without Tachometer	\$54.00	N
06432844	1985	<b>FUEL GAUGE</b> Light Orange Needle, With Tachometer	\$54.00	N
06433358	1986	<b>FUEL GAUGE</b> Light Orange Needle, Unleaded Fuel Only, Without Tachometer	\$54.00	N
06432844	1986	<b>FUEL GAUGE</b> Light Orange Needle, With Tachometer	\$54.00	N
06433358	1987	<b>FUEL GAUGE</b> Light Orange Needle, Unleaded Fuel Only, Without Tachometer	\$54.00	N
06432844	1987	<b>FUEL GAUGE</b> Light Orange Needle, With Tachometer	\$54.00	N
<b>FUEL TANK SELECTOR SWITCH HARNESS</b>				
39756	1973	<b>FUEL TANK SELECTOR SWITCH HARNESS</b> All, With 3 Wires In Connector At Firewall, Dash Switch To Firewall	\$80.00	C
39756	1974	<b>FUEL TANK SELECTOR SWITCH HARNESS</b> All, With 3 Wires In Connector At Firewall, Dash Switch To Firewall	\$80.00	C
39756	1975	<b>FUEL TANK SELECTOR SWITCH HARNESS</b> All, With 3 Wires In Connector At Firewall, Dash Switch To Firewall	\$80.00	C
39357	1980	<b>FUEL TANK SELECTOR SWITCH HARNESS</b> All, Dash Switch To Firewall	\$80.00	M
40019	1982	<b>FUEL TANK SELECTOR SWITCH HARNESS</b> All, Dash Switch To Firewall, (2nd Design), Firewall Connector Has 2 Wires In A -"T" -Shaped Pattern	\$80.00	M
<b>FUEL TANK SENDER WIRE</b>				
23045	1955	<b>FUEL TANK SENDER WIRE</b>	\$17.00	
23045	1955	<b>FUEL TANK SENDER WIRE</b>	\$17.00	
23045	1956	<b>FUEL TANK SENDER WIRE</b>	\$17.00	
22510	1957	<b>FUEL TANK SENDER WIRE</b>	\$17.00	
22510	1958	<b>FUEL TANK SENDER WIRE</b>	\$17.00	
22510	1959	<b>FUEL TANK SENDER WIRE</b>	\$17.00	
38069	1960	<b>FUEL TANK SENDER WIRE</b>	\$17.00	
38069	1961	<b>FUEL TANK SENDER WIRE</b>	\$17.00	

Part Number	Year	Description	Price	*Rev.
43980	1962	FUEL TANK SENDER WIRE	\$22.00	
43980	1963	FUEL TANK SENDER WIRE	\$22.00	
19960	1964	FUEL TANK SENDER WIRE	\$22.00	
19960	1965	FUEL TANK SENDER WIRE	\$22.00	
19960	1966	FUEL TANK SENDER WIRE	\$22.00	
23570	1967	FUEL TANK SENDER WIRE Except Panel & Suburban	\$22.00	
36249	1967	FUEL TANK SENDER EXTENSION, PANEL AND SUBURBAN Sender To #36237 Rear License Plate & Fuel Tank Harness	\$17.00	
23570	1968	FUEL TANK SENDER WIRE Except Panel & Suburban	\$22.00	
36249	1968	FUEL TANK SENDER EXTENSION, PANEL AND SUBURBAN Sender To #36237 Rear License Plate & Fuel Tank Harness	\$17.00	
37652	1969	FUEL TANK SENDER WIRE Blazer	\$27.00	
23570	1969	FUEL TANK SENDER WIRE Except Panel & Suburban	\$22.00	
36249	1969	FUEL TANK SENDER EXTENSION, PANEL AND SUBURBAN Sender To #36237 Rear License Plate & Fuel Tank Harness	\$17.00	
37652	1970	FUEL TANK SENDER WIRE Blazer	\$27.00	
23570	1970	FUEL TANK SENDER WIRE Except Panel & Suburban	\$22.00	
36249	1970	FUEL TANK SENDER EXTENSION, PANEL AND SUBURBAN Sender To #36237 Rear License Plate & Fuel Tank Harness	\$17.00	
37652	1971	FUEL TANK SENDER WIRE Blazer	\$27.00	
23570	1971	FUEL TANK SENDER WIRE Except Panel & Suburban	\$22.00	
36249	1971	FUEL TANK SENDER EXTENSION, PANEL AND SUBURBAN Sender To #36237 Rear License Plate & Fuel Tank Harness	\$17.00	
37652	1972	FUEL TANK SENDER WIRE Blazer	\$27.00	
23570	1972	FUEL TANK SENDER WIRE Except Panel & Suburban	\$22.00	
36249	1972	FUEL TANK SENDER EXTENSION, PANEL AND SUBURBAN Sender To #36237 Rear License Plate & Fuel Tank Harness	\$17.00	
39739	1973	FUEL TANK SENDER EXTENSION WIRE Blazer	\$35.00	N
39739	1974	FUEL TANK SENDER EXTENSION WIRE Blazer	\$35.00	N
39739	1975	FUEL TANK SENDER EXTENSION WIRE Blazer	\$35.00	N
39739	1976	FUEL TANK SENDER EXTENSION WIRE Blazer	\$35.00	N
39739	1977	FUEL TANK SENDER EXTENSION WIRE Blazer	\$35.00	N
39739	1978	FUEL TANK SENDER EXTENSION WIRE Blazer	\$35.00	N
39739	1979	FUEL TANK SENDER EXTENSION WIRE Blazer	\$35.00	N
39739	1980	FUEL TANK SENDER EXTENSION WIRE Blazer	\$35.00	N
<b>FUEL TANK SENDING UNIT</b>				
01517500	1947	FUEL TANK SENDING UNIT Original Style, No Fuel Pick-Up Tube Note: Includes Gaskets, No Filter Sock Included As It Is Separate.	\$39.00	N
06428049	1947	FUEL TANK SENDING UNIT Replacement, With Fuel Pick-Up Tube, Includes Gaskets & Filter Sock Note: In 1947 To 1953 The Pick-Up Tube Was A Separate Item, See 01517500. On 1954 To 1959 This Is A Stock Unit But Can Also Replace 1947 To 1953.	\$39.00	N
01517500	1948	FUEL TANK SENDING UNIT Original Style, No Fuel Pick-Up Tube Note: Includes Gaskets, No Filter Sock Included As It Is Separate.	\$39.00	N
06428049	1948	FUEL TANK SENDING UNIT Replacement, With Fuel Pick-Up Tube, Includes Gaskets & Filter Sock Note: In 1947 To 1953 The Pick-Up Tube Was A Separate Item, See 01517500. On 1954 To 1959 This Is A Stock Unit But Can Also Replace 1947 To 1953.	\$39.00	N
01517500	1949	FUEL TANK SENDING UNIT Original Style, No Fuel Pick-Up Tube Note: Includes Gaskets, No Filter Sock Included As It Is Separate.	\$39.00	N
06428049	1949	FUEL TANK SENDING UNIT Replacement, With Fuel Pick-Up Tube, Includes Gaskets & Filter Sock Note: In 1947 To 1953 The Pick-Up Tube Was A Separate Item, See 01517500. On 1954 To 1959 This Is A Stock Unit But Can Also Replace 1947 To 1953.	\$39.00	N

Part Number	Year	Description	Price	*Rev.
01517500	1950	<b>FUEL TANK SENDING UNIT</b> Original Style, No Fuel Pick-Up Tube Note: Includes Gaskets, No Filter Sock Included As It Is Separate.	\$39.00	N
06428049	1950	<b>FUEL TANK SENDING UNIT</b> Replacement, With Fuel Pick-Up Tube, Includes Gaskets & Filter Sock Note: In 1947 To 1953 The Pick-Up Tube Was A Separate Item, See 01517500. On 1954 To 1959 This Is A Stock Unit But Can Also Replace 1947 To 1953.	\$39.00	N
01517500	1951	<b>FUEL TANK SENDING UNIT</b> Original Style, No Fuel Pick-Up Tube Note: Includes Gaskets, No Filter Sock Included As It Is Separate.	\$39.00	N
06428049	1951	<b>FUEL TANK SENDING UNIT</b> Replacement, With Fuel Pick-Up Tube, Includes Gaskets & Filter Sock Note: In 1947 To 1953 The Pick-Up Tube Was A Separate Item, See 01517500. On 1954 To 1959 This Is A Stock Unit But Can Also Replace 1947 To 1953.	\$39.00	N
01517500	1952	<b>FUEL TANK SENDING UNIT</b> Original Style, No Fuel Pick-Up Tube Note: Includes Gaskets, No Filter Sock Included As It Is Separate.	\$39.00	N
06428049	1952	<b>FUEL TANK SENDING UNIT</b> Replacement, With Fuel Pick-Up Tube, Includes Gaskets & Filter Sock Note: In 1947 To 1953 The Pick-Up Tube Was A Separate Item, See 01517500. On 1954 To 1959 This Is A Stock Unit But Can Also Replace 1947 To 1953.	\$39.00	N
01517500	1953	<b>FUEL TANK SENDING UNIT</b> Original Style, No Fuel Pick-Up Tube Note: Includes Gaskets, No Filter Sock Included As It Is Separate.	\$39.00	N
06428049	1953	<b>FUEL TANK SENDING UNIT</b> Replacement, With Fuel Pick-Up Tube, Includes Gaskets & Filter Sock Note: In 1947 To 1953 The Pick-Up Tube Was A Separate Item, See 01517500. On 1954 To 1959 This Is A Stock Unit But Can Also Replace 1947 To 1953.	\$39.00	N
06428049	1954	<b>FUEL TANK SENDING UNIT</b> Includes Gaskets & Filter Sock	\$39.00	N
06428049	1955	<b>FUEL TANK SENDING UNIT</b> Includes Gaskets & Filter Sock	\$39.00	N
06428049	1956	<b>FUEL TANK SENDING UNIT</b> Includes Gaskets & Filter Sock	\$39.00	N
06428049	1957	<b>FUEL TANK SENDING UNIT</b> Includes Gaskets & Filter Sock	\$39.00	N
06428049	1958	<b>FUEL TANK SENDING UNIT</b> Includes Gaskets & Filter Sock	\$39.00	N
06428049	1959	<b>FUEL TANK SENDING UNIT</b> Includes Gaskets & Filter Sock	\$39.00	N
06428058	1960	<b>FUEL TANK SENDING UNIT</b> Includes Gaskets & Filter Sock	\$39.00	N
06428058	1961	<b>FUEL TANK SENDING UNIT</b> Includes Gaskets & Filter Sock	\$39.00	N
06428058	1962	<b>FUEL TANK SENDING UNIT</b> Includes Gaskets & Filter Sock	\$39.00	N
06428058	1963	<b>FUEL TANK SENDING UNIT</b> Includes Gaskets & Filter Sock	\$39.00	N
06428058	1964	<b>FUEL TANK SENDING UNIT</b> Includes Gaskets & Filter Sock	\$39.00	N
06428058	1965	<b>FUEL TANK SENDING UNIT</b> Includes Gaskets & Filter Sock	\$39.00	N
06428058	1966	<b>FUEL TANK SENDING UNIT</b> Includes Gaskets & Filter Sock	\$39.00	N
06428362	1967	<b>FUEL TANK SENDING UNIT</b> 6 Cylinder, Includes Gaskets And Filter Sock	\$39.00	N
06428271	1967	<b>FUEL TANK SENDING UNIT</b> Suburban, Includes Gaskets And Filter Sock	\$39.00	N
06428361	1967	<b>FUEL TANK SENDING UNIT</b> V/8, Includes Gaskets And Filter Sock	\$39.00	N
06428362	1968	<b>FUEL TANK SENDING UNIT</b> 6 Cylinder, Includes Gaskets And Filter Sock	\$39.00	N
06428271	1968	<b>FUEL TANK SENDING UNIT</b> Suburban, Includes Gaskets And Filter Sock	\$39.00	N
06428361	1968	<b>FUEL TANK SENDING UNIT</b> V/8, Includes Gaskets And Filter Sock	\$39.00	N
06428362	1969	<b>FUEL TANK SENDING UNIT</b> 6 Cylinder, Includes Gaskets And Filter Sock	\$39.00	N
06428271	1969	<b>FUEL TANK SENDING UNIT</b> Blazer, Suburban, Includes Gaskets And Filter Sock	\$39.00	N
06428361	1969	<b>FUEL TANK SENDING UNIT</b> V/8, Includes Gaskets And Filter Sock	\$39.00	N
06428362	1970	<b>FUEL TANK SENDING UNIT</b> 6 Cylinder, Includes Gaskets And Filter Sock	\$39.00	N
06428271	1970	<b>FUEL TANK SENDING UNIT</b> Blazer, Suburban, Includes Gaskets And Filter Sock	\$39.00	N
06428361	1970	<b>FUEL TANK SENDING UNIT</b> V/8, Includes Gaskets And Filter Sock	\$39.00	N
06428362	1971	<b>FUEL TANK SENDING UNIT</b> 6 Cylinder, Includes Gaskets And Filter Sock	\$39.00	N



Part Number	Year	Description	Price	*Rev.
06428271	1971	<b>FUEL TANK SENDING UNIT</b> Blazer, Suburban, Includes Gaskets And Filter Sock	\$39.00	N
06428361	1971	<b>FUEL TANK SENDING UNIT</b> V/8, Includes Gaskets And Filter Sock	\$39.00	N
06429117	1972	<b>FUEL TANK SENDING UNIT</b> Auto Trans, Includes Gaskets And Filter Sock	\$39.00	N
06428271	1972	<b>FUEL TANK SENDING UNIT</b> Blazer, Suburban, Includes Gaskets And Filter Sock	\$39.00	N
06429116	1972	<b>FUEL TANK SENDING UNIT</b> Manual Trans, Includes Gaskets And Filter Sock	\$39.00	N
06429389	1973	<b>FUEL TANK SENDING UNIT</b> Suburban, 1/2, 3/4 Ton, 2 Wheel Drive, With 350 V/8 (Except Automatic Transmission, 32 Gallon Tank)	\$62.00	N
		3 Outlets		
06429389	1973	<b>FUEL TANK SENDING UNIT</b> Suburban, Blazer, 1/2, 3/4 Ton, 2 & 4 Wheel Drive, (Except 32 Gallon Tank)	\$62.00	N
		3 Outlets		
25000610	1973	<b>FUEL TANK SENDING UNIT</b> Truck, 1/2 Ton, (250, 305, 307, 350), 2 Wheel Drive, (With H.D Chassis) (Except L.P. Gas)	\$62.00	N
		2 Outlets		
25000612	1973	<b>FUEL TANK SENDING UNIT</b> Truck, 1/2 Ton, 2 Wheel Drive, (250, 307, 350), (With Auxiliary Tank)	\$62.00	N
		2 Outlets		
25000610	1973	<b>FUEL TANK SENDING UNIT</b> Truck, 1/2 Ton, 4 Wheel Drive	\$62.00	N
		2 Outlets		
25000612	1973	<b>FUEL TANK SENDING UNIT</b> Truck, 1/2, 3/4 Ton, 4 Wheel Drive, (E.E.S. With Auxiliary Tank)	\$62.00	N
		2 Outlets		
25000611	1973	<b>FUEL TANK SENDING UNIT</b> Truck, 1/2, 3/4, 1-Ton, (350), 2 Wheel Drive, (With Auto Trans, E.E.S.)	\$62.00	N
		3 Outlets		
25000613	1973	<b>FUEL TANK SENDING UNIT</b> Truck, 1/2, 3/4, 1-Ton, (454), 2 Wheel Drive, (With E.E.S. Auxiliary Tank)	\$62.00	N
		3 Outlets		
25000611	1973	<b>FUEL TANK SENDING UNIT</b> Truck, 1/2, 3/4, 1-Ton, (454), 2 Wheel Drive, (With E.E.S.)	\$62.00	N
		3 Outlets		
06429439	1973	<b>FUEL TANK SENDING UNIT</b> Truck, 3/4 Ton, 4 Wheel Drive, (Except E.E.S.)	\$62.00	N
		1 Outlet		
25000610	1973	<b>FUEL TANK SENDING UNIT</b> Truck, 3/4 Ton, 4 Wheel Drive, (With E.E.S.)	\$62.00	N
		2 Outlets		
25000610	1973	<b>FUEL TANK SENDING UNIT</b> Truck, 3/4, 1-Ton, (250, 292, 307, 350), 2 Wheel Drive, (With E. E.S.)	\$62.00	N
		2 Outlets		
25000612	1973	<b>FUEL TANK SENDING UNIT</b> Truck, 3/4, 1-Ton, 2 Wheel Drive, (292, 307, 350), (E.E.S. With Auxiliary Tank)	\$62.00	N
		2 Outlets		
06429439	1973	<b>FUEL TANK SENDING UNIT</b> Truck, 3/4, 1-Ton, 2 Wheel Drive, (Except E.E.S., 454)	\$62.00	N
		1 Outlet		
06429389	1974	<b>FUEL TANK SENDING UNIT</b> Blazer, 1/2 Ton, 2 & 4 Wheel Drive, With 250 6 Cylinder (Except 31 Gallon Tank)	\$62.00	N
		3 Outlets		
06429389	1974	<b>FUEL TANK SENDING UNIT</b> Suburban, 1/2 Ton, 2 Wheel Drive, With 250 6 Cylinder (Except 31, 40 Gallon Tank)	\$62.00	N
		3 Outlets		
06429389	1974	<b>FUEL TANK SENDING UNIT</b> Suburban, Blazer, 1/2, 3/4 Ton, 2 & 4 Wheel Drive, With 305, 350 V/8 (Except Automatic Transmission, 31 or 40 Gallon Tank)	\$62.00	N
		3 Outlets		

Part Number	Year	Description	Price	*Rev.
25000610	1974	<b>FUEL TANK SENDING UNIT</b> Truck, 1/2 Ton, (250, 305, 307, 350), 2 Wheel Drive, (With H.D Chassis) (Except L.P. Gas) 2 Outlets	\$62.00	N
25000612	1974	<b>FUEL TANK SENDING UNIT</b> Truck, 1/2 Ton, 2 Wheel Drive, (250, 307, 350), (With Auxiliary Tank) 2 Outlets	\$62.00	N
06429439	1974	<b>FUEL TANK SENDING UNIT</b> Truck, 1/2 Ton, 2 Wheel Drive, With L.P. Gas 1 Outlet	\$62.00	N
25000610	1974	<b>FUEL TANK SENDING UNIT</b> Truck, 1/2 Ton, 4 Wheel Drive 2 Outlets	\$62.00	N
25000612	1974	<b>FUEL TANK SENDING UNIT</b> Truck, 1/2, 3/4 Ton, 4 Wheel Drive, (E.E.S. With Auxiliary Tank) 2 Outlets	\$62.00	N
25000613	1974	<b>FUEL TANK SENDING UNIT</b> Truck, 1/2, 3/4, 1-Ton, (454), 2 Wheel Drive, (With E.E.S. Auxiliary Tank) 3 Outlets	\$62.00	N
25000611	1974	<b>FUEL TANK SENDING UNIT</b> Truck, 1/2, 3/4, 1-Ton, (454), 2 Wheel Drive, (With E.E.S.) 3 Outlets	\$62.00	N
06429439	1974	<b>FUEL TANK SENDING UNIT</b> Truck, 3/4 Ton, 4 Wheel Drive, (Except E.E.S.) 1 Outlet	\$62.00	N
25000610	1974	<b>FUEL TANK SENDING UNIT</b> Truck, 3/4 Ton, 4 Wheel Drive, (With E.E.S.) 2 Outlets	\$62.00	N
25000610	1974	<b>FUEL TANK SENDING UNIT</b> Truck, 3/4, 1-Ton, (250, 292, 307, 350), 2 Wheel Drive, (With E. E.S.) 2 Outlets	\$62.00	N
25000612	1974	<b>FUEL TANK SENDING UNIT</b> Truck, 3/4, 1-Ton, 2 Wheel Drive, (292, 307, 350), (E.E.S. With Auxiliary Tank) 2 Outlets	\$62.00	N
06429439	1974	<b>FUEL TANK SENDING UNIT</b> Truck, 3/4, 1-Ton, 2 Wheel Drive, (Except E.E.S., 454) 1 Outlet	\$62.00	N
06429389	1975	<b>FUEL TANK SENDING UNIT</b> Blazer, 1/2 Ton, 2 & 4 Wheel Drive, With 250 6 Cylinder (Except 31 Gallon Tank) 3 Outlets	\$62.00	N
06429389	1975	<b>FUEL TANK SENDING UNIT</b> Suburban, 1/2 Ton, 2 Wheel Drive, With 250 6 Cylinder (Except 31, 40 Gallon Tank) 3 Outlets	\$62.00	N
06429389	1975	<b>FUEL TANK SENDING UNIT</b> Suburban, Blazer, 1/2, 3/4 Ton, 2 & 4 Wheel Drive, With 305, 350 V/8 (Except Automatic Transmission, 31 or 40 Gallon Tank) 3 Outlets	\$62.00	N
25000610	1975	<b>FUEL TANK SENDING UNIT</b> Truck, 1/2 Ton, (250, 305, 307, 350), 2 Wheel Drive, (With H.D Chassis) (Except L.P. Gas) 2 Outlets	\$62.00	N
25000611	1975	<b>FUEL TANK SENDING UNIT</b> Truck, 1/2 Ton, (454), 2 Wheel Drive, (With H.D. Chassis) 3 Outlets	\$62.00	N
25000612	1975	<b>FUEL TANK SENDING UNIT</b> Truck, 1/2 Ton, 2 Wheel Drive, (350 With Auxiliary Tank) (Except 117.5 W.B.) 2 Outlets	\$62.00	N
06429439	1975	<b>FUEL TANK SENDING UNIT</b> Truck, 1/2 Ton, 2 Wheel Drive, With L.P. Gas 1 Outlet	\$62.00	N
25000610	1975	<b>FUEL TANK SENDING UNIT</b> Truck, 1/2 Ton, 4 Wheel Drive 2 Outlets	\$62.00	N

Part Number	Year	Description	Price	*Rev.
25000613	1975	<b>FUEL TANK SENDING UNIT</b> Truck, 1/2, 3/4 Ton, (Fleetside, Wideside) (350, 400), 4 Wheel Drive, (With Auto Trans) 3 Outlets	\$62.00	N
25000611	1975	<b>FUEL TANK SENDING UNIT</b> Truck, 1/2, 3/4, 1-Ton, (350, 400), 4 Wheel Drive, (With Auto Trans) 3 Outlets	\$62.00	N
25000613	1975	<b>FUEL TANK SENDING UNIT</b> Truck, 1/2, 3/4, 1-Ton, (Fleetside) (454), 2 Wheel Drive, (Except 117.5 W.B.) 3 Outlets	\$62.00	N
06429439	1975	<b>FUEL TANK SENDING UNIT</b> Truck, 3/4 Ton, 4 Wheel Drive, (Except E.E.S.) 1 Outlet	\$62.00	N
25000610	1975	<b>FUEL TANK SENDING UNIT</b> Truck, 3/4 Ton, 4 Wheel Drive, (With E.E.S.) 2 Outlets	\$62.00	N
25000610	1975	<b>FUEL TANK SENDING UNIT</b> Truck, 3/4, 1-Ton, (250, 292, 307, 350), 2 Wheel Drive, (With E.E.S.) 2 Outlets	\$62.00	N
25000610	1975	<b>FUEL TANK SENDING UNIT</b> Truck, 3/4, 1-Ton, (292, 350), 2 Wheel Drive, (Except 25 Gallon Tank) 2 Outlets	\$62.00	N
25000611	1975	<b>FUEL TANK SENDING UNIT</b> Truck, 3/4, 1-Ton, (454), 2 Wheel Drive, (Except 25 Gallon Tank) 3 Outlets	\$62.00	N
06429439	1975	<b>FUEL TANK SENDING UNIT</b> Truck, 3/4, 1-Ton, 2 Wheel Drive, (Except E.E.S., 454) 1 Outlet	\$62.00	N
06429389	1975	<b>FUEL TANK SENDING UNIT</b> Truck, 3/4, 1-Ton, 2 Wheel Drive, With 292 6 Cylinder or 350 V/8, With 25 Gallon Tank 3 Outlets	\$62.00	N
06429389	1976	<b>FUEL TANK SENDING UNIT</b> Blazer, 1/2 Ton, 2 & 4 Wheel Drive, With 250 6 Cylinder (Except 31 Gallon Tank) 3 Outlets	\$62.00	N
06429389	1976	<b>FUEL TANK SENDING UNIT</b> Suburban, 1/2 Ton, 2 Wheel Drive, With 250 6 Cylinder (Except 31, 40 Gallon Tank) 3 Outlets	\$62.00	N
06429389	1976	<b>FUEL TANK SENDING UNIT</b> Suburban, Blazer, 1/2, 3/4 Ton, 2 & 4 Wheel Drive, With 305, 350 V/8 (Except Automatic Transmission, 31 or 40 Gallon Tank) 3 Outlets	\$62.00	N
25000610	1976	<b>FUEL TANK SENDING UNIT</b> Truck, 1/2 Ton, (250, 305, 307, 350), 2 Wheel Drive, (With H.D Chassis) (Except L.P. Gas) 2 Outlets	\$62.00	N
25000611	1976	<b>FUEL TANK SENDING UNIT</b> Truck, 1/2 Ton, (454), 2 Wheel Drive, (With H.D. Chassis) 3 Outlets	\$62.00	N
25000613	1976	<b>FUEL TANK SENDING UNIT</b> Truck, 1/2, 3/4 Ton, (Fleetside, Wideside) (350, 400), 4 Wheel Drive, (With Auto Trans) 3 Outlets	\$62.00	N
25000612	1976	<b>FUEL TANK SENDING UNIT</b> Truck, 1/2, 3/4 Ton, 4 Wheel Drive, (350) (With Auxiliary Tank) (Except Auto Trans) 2 Outlets	\$62.00	N
25000612	1976	<b>FUEL TANK SENDING UNIT</b> Truck, 1/2, 3/4, 1 Ton, 2 Wheel Drive, (292, 350) (With Auxiliary Tank) 2 Outlets	\$62.00	N
25000610	1976	<b>FUEL TANK SENDING UNIT</b> Truck, 1/2, 3/4, 1-Ton, (250, 292), 4 Wheel Drive 2 Outlets	\$62.00	N

Part Number	Year	Description	Price	*Rev.
25000611	1976	<b>FUEL TANK SENDING UNIT</b> Truck, 1/2, 3/4, 1-Ton, (350, 400), 4 Wheel Drive, (With Auto Trans) 3 Outlets	\$62.00	N
25000610	1976	<b>FUEL TANK SENDING UNIT</b> Truck, 1/2, 3/4, 1-Ton, (350), 4 Wheel Drive, (Except Auto Trans) 2 Outlets	\$62.00	N
25000613	1976	<b>FUEL TANK SENDING UNIT</b> Truck, 1/2, 3/4, 1-Ton, (454), 2 Wheel Drive, (With Auxiliary Tank) 3 Outlets	\$62.00	N
25000612	1976	<b>FUEL TANK SENDING UNIT</b> Truck, 3/4 Ton, 4 Wheel Drive, (292) (With Auxiliary Tank) 2 Outlets	\$62.00	N
25000610	1976	<b>FUEL TANK SENDING UNIT</b> Truck, 3/4, 1-Ton, (292, 350), 2 Wheel Drive, (Except 25 Gallon Tank) 2 Outlets	\$62.00	N
25000611	1976	<b>FUEL TANK SENDING UNIT</b> Truck, 3/4, 1-Ton, (454), 2 Wheel Drive, (Except 25 Gallon Tank) 3 Outlets	\$62.00	N
06429389	1976	<b>FUEL TANK SENDING UNIT</b> Truck, 3/4, 1-Ton, 2 Wheel Drive, With 292 6 Cylinder or 350 V/8, With 25 Gallon Tank 3 Outlets	\$62.00	N
06429389	1977	<b>FUEL TANK SENDING UNIT</b> Blazer, 1/2 Ton, 2 & 4 Wheel Drive, With 250 6 Cylinder (Except 31 Gallon Tank) 3 Outlets	\$62.00	N
06429389	1977	<b>FUEL TANK SENDING UNIT</b> Suburban, 1/2 Ton, 2 Wheel Drive, With 250 6 Cylinder (Except 31, 40 Gallon Tank) 3 Outlets	\$62.00	N
06429389	1977	<b>FUEL TANK SENDING UNIT</b> Suburban, Blazer, 1/2, 3/4 Ton, 2 & 4 Wheel Drive, With 305, 350 V/8 (Except Automatic Transmission, 31 or 40 Gallon Tank) 3 Outlets	\$62.00	N
25000612	1977	<b>FUEL TANK SENDING UNIT</b> Truck, 1 Ton, 4 Wheel Drive, (With Auxiliary Tank) 2 Outlets	\$62.00	N
25000610	1977	<b>FUEL TANK SENDING UNIT</b> Truck, 1/2 Ton, (250, 305, 307, 350), 2 Wheel Drive, (With H.D Chassis) (Except L.P. Gas) 2 Outlets	\$62.00	N
25000610	1977	<b>FUEL TANK SENDING UNIT</b> Truck, 1/2 Ton, (250, 305, 350), 2 Wheel Drive, (Except H.D Chassis) 2 Outlets	\$62.00	N
25000611	1977	<b>FUEL TANK SENDING UNIT</b> Truck, 1/2 Ton, (454), 2 Wheel Drive, (Except H.D. Chassis) 3 Outlets	\$62.00	N
25000613	1977	<b>FUEL TANK SENDING UNIT</b> Truck, 1/2 Ton, (454), 2 Wheel Drive, (With Auxiliary Tank) (Except H.D.Chassis) 3 Outlets	\$62.00	N
25000611	1977	<b>FUEL TANK SENDING UNIT</b> Truck, 1/2 Ton, (454), 2 Wheel Drive, (With H.D. Chassis) 3 Outlets	\$62.00	N
25000613	1977	<b>FUEL TANK SENDING UNIT</b> Truck, 1/2, 3/4 Ton, (Fleetside, Wideside) (350, 400), 4 Wheel Drive, (With Auto Trans) 3 Outlets	\$62.00	N
25000612	1977	<b>FUEL TANK SENDING UNIT</b> Truck, 1/2, 3/4 Ton, 4 Wheel Drive, (350) (With Auxiliary Tank) (Except Auto Trans) 2 Outlets	\$62.00	N
25000612	1977	<b>FUEL TANK SENDING UNIT</b> Truck, 1/2, 3/4, 1 Ton, 2 Wheel Drive, (292, 350) (With Auxiliary Tank) 2 Outlets	\$62.00	N
25000610	1977	<b>FUEL TANK SENDING UNIT</b> Truck, 1/2, 3/4, 1-Ton, (250, 292), 4 Wheel Drive 2 Outlets	\$62.00	N

Part Number	Year	Description	Price	*Rev.
25000611	1977	<b>FUEL TANK SENDING UNIT</b> Truck, 1/2, 3/4, 1-Ton, (350, 400), 4 Wheel Drive, (With Auto Trans) 3 Outlets	\$62.00	N
25000610	1977	<b>FUEL TANK SENDING UNIT</b> Truck, 1/2, 3/4, 1-Ton, (350), 4 Wheel Drive, (Except Auto Trans) 2 Outlets	\$62.00	N
25000613	1977	<b>FUEL TANK SENDING UNIT</b> Truck, 1/2, 3/4, 1-Ton, (454), 2 Wheel Drive, (With Auxiliary Tank) 3 Outlets	\$62.00	N
25000612	1977	<b>FUEL TANK SENDING UNIT</b> Truck, 3/4 Ton, 4 Wheel Drive, (292) (With Auxiliary Tank) 2 Outlets	\$62.00	N
25000610	1977	<b>FUEL TANK SENDING UNIT</b> Truck, 3/4, 1-Ton, (292, 350), 2 Wheel Drive, (Except 25 Gallon Tank) 2 Outlets	\$62.00	N
25000611	1977	<b>FUEL TANK SENDING UNIT</b> Truck, 3/4, 1-Ton, (454), 2 Wheel Drive, (Except 25 Gallon Tank) 3 Outlets	\$62.00	N
06429389	1977	<b>FUEL TANK SENDING UNIT</b> Truck, 3/4, 1-Ton, 2 Wheel Drive, With 292 6 Cylinder or 350 V/8, With 25 Gallon Tank 3 Outlets	\$62.00	N
25001483	1978	<b>FUEL TANK SENDING UNIT</b> Suburban, Blazer, 1/2, 3/4 Ton, 250, 305, 350, (With Manual Trans), 2 & 4 Wheel Drive, (Except 31, 41 Gallon California) 3 Outlets	\$68.00	N
25000612	1978	<b>FUEL TANK SENDING UNIT</b> Truck, 1/2 Ton (250, 350), 2 Wheel Drive, (With Auxiliary Tank, H.D. Suspension) (Except California) 2 Outlets	\$62.00	N
25000610	1978	<b>FUEL TANK SENDING UNIT</b> Truck, 1/2 Ton, (250, 350), 2 Wheel Drive, (With H.D Chassis) (Except California) 2 Outlets	\$62.00	N
25000610	1978	<b>FUEL TANK SENDING UNIT</b> Truck, 1/2, 3/4, 1-Ton, (250, 292), 4 Wheel Drive, (Except California) 2 Outlets	\$62.00	N
25000613	1978	<b>FUEL TANK SENDING UNIT</b> Truck, 1/2, 3/4, 1-Ton, (350), 4 Wheel Drive, (With Auto Trans, Auxiliary Tank) (Except California) 3 Outlets	\$62.00	N
25000610	1978	<b>FUEL TANK SENDING UNIT</b> Truck, 1/2, 3/4, 1-Ton, (350), 4 Wheel Drive, (With Manual Trans) (MC1, M20), (Except California) 2 Outlets	\$62.00	N
25000611	1978	<b>FUEL TANK SENDING UNIT</b> Truck, 1/2, 3/4, 1-Ton, (350), With Auto Trans (M38, M40), 4 Wheel Drive, (Except California) 3 Outlets	\$62.00	N
25000611	1978	<b>FUEL TANK SENDING UNIT</b> Truck, 1/2, 3/4, 1-Ton, (400), 4 Wheel Drive, (Except California) 3 Outlets	\$62.00	N
25000613	1978	<b>FUEL TANK SENDING UNIT</b> Truck, 1/2, 3/4, 1-Ton, (400), 4 Wheel Drive, (With Auxiliary Tank) (Except California) 3 Outlets	\$62.00	N
25000613	1978	<b>FUEL TANK SENDING UNIT</b> Truck, 1/2, 3/4, 1-Ton, (454), 2 Wheel Drive, (With Auxiliary Tank) (Except California) 3 Outlets	\$62.00	N
25000611	1978	<b>FUEL TANK SENDING UNIT</b> Truck, 1/2, 3/4, 1-Ton, (454), 2 Wheel Drive, (With H.D. Suspension) (Except California Rear Mounted Fuel Tank) 3 Outlets	\$62.00	N
25000612	1978	<b>FUEL TANK SENDING UNIT</b> Truck, 1/2, 3/4, 1-Ton, 4 Wheel Drive, With MT, (MC1, M20), (With Auxiliary Tank) (Except California) 2 Outlets	\$62.00	N

Part Number	Year	Description	Price	*Rev.
25000612	1978	<b>FUEL TANK SENDING UNIT</b> Truck, 3/4 Ton (Crew Cab) (292, 350), 2 Wheel Drive, (With Auxiliary Tank) 2 Outlets	\$62.00	N
25000612	1978	<b>FUEL TANK SENDING UNIT</b> Truck, 3/4, 1-Ton (250, 350), 2 Wheel Drive, (With Auxiliary Tank) (Except California) 2 Outlets	\$62.00	N
25000612	1978	<b>FUEL TANK SENDING UNIT</b> Truck, 3/4, 1-Ton (292), 4 Wheel Drive, (Auxiliary Tank) (Except California) 2 Outlets	\$62.00	N
25000610	1978	<b>FUEL TANK SENDING UNIT</b> Truck, 3/4, 1-Ton, (292, 350), 2 Wheel Drive, (Except California, Rear Mounted Tank) 2 Outlets	\$62.00	N
25001483	1978	<b>FUEL TANK SENDING UNIT</b> Truck, 3/4, 1-Ton, 250, 292, 350, 2 & 4 Wheel Drive, (With Rear Mounted Tank) (Except California) 3 Outlets	\$68.00	N
25001483	1979	<b>FUEL TANK SENDING UNIT</b> Suburban, Blazer, 1/2 Ton, 250, 2 & 4 Wheel Drive, (With 20 Gallon Tank) 3 Outlets	\$68.00	N
25001483	1979	<b>FUEL TANK SENDING UNIT</b> Suburban, Blazer, 1/2, 3/4 Ton, 305, 350, 2 & 4 Wheel Drive, (With Manual Trans, 20 Gallon Tank) 3 Outlets	\$68.00	N
25000610	1979	<b>FUEL TANK SENDING UNIT</b> Truck, 1-Ton, (292), 2 & 4 Wheel Drive, (Except California, Rear Mounted Tank) 2 Outlets	\$62.00	N
25000613	1979	<b>FUEL TANK SENDING UNIT</b> Truck, 1-Ton, (350), 2 & 4 Wheel Drive, (With Auto Trans, California) 3 Outlets	\$62.00	N
25000611	1979	<b>FUEL TANK SENDING UNIT</b> Truck, 1-Ton, (350), With Auto Trans, 2 & 4 Wheel Drive, (Except California, Rear Mounted Tank) 3 Outlets	\$62.00	N
25000610	1979	<b>FUEL TANK SENDING UNIT</b> Truck, 1-Ton, (350), With Manual Trans (M20), 2 & 4 Wheel Drive, (Except California, Rear Mounted Tank) 2 Outlets	\$62.00	N
25000611	1979	<b>FUEL TANK SENDING UNIT</b> Truck, 1-Ton, (400, 454), 2 & 4 Wheel Drive, (Except California, Rear Mounted Tank) 3 Outlets	\$62.00	N
25000613	1979	<b>FUEL TANK SENDING UNIT</b> Truck, 1-Ton, (400, 454), 2 & 4 Wheel Drive, (With California) 3 Outlets	\$62.00	N
25000613	1979	<b>FUEL TANK SENDING UNIT</b> Truck, 1/2, 3/4 Ton, (305, 350), 2 & 4 Wheel Drive, (With Auto Trans) 3 Outlets	\$62.00	N
25000613	1979	<b>FUEL TANK SENDING UNIT</b> Truck, 1/2, 3/4 Ton, (400), 4 Wheel Drive 3 Outlets	\$62.00	N
25000613	1979	<b>FUEL TANK SENDING UNIT</b> Truck, 1/2, 3/4 Ton, (454), 2 Wheel Drive, (With Auto Trans) 3 Outlets	\$62.00	N
25000611	1979	<b>FUEL TANK SENDING UNIT</b> Truck, 1/2, 3/4, 1-Ton, (350), With Auto Trans (M38, M40), 4 Wheel Drive, (Primary Tank), (Except California) 3 Outlets	\$62.00	N
25000611	1979	<b>FUEL TANK SENDING UNIT</b> Truck, 1/2, 3/4, 1-Ton, (400), 4 Wheel Drive, (Except California) 3 Outlets	\$62.00	N
25000612	1979	<b>FUEL TANK SENDING UNIT</b> Truck, 1/2, 3/4, 1-Ton, 4 Wheel Drive, With MT, (MC1, M20), (With Auxiliary Tank) (Except California) 2 Outlets	\$62.00	N

Part Number	Year	Description	Price	*Rev.
25000612	1979	<b>FUEL TANK SENDING UNIT</b> Truck, 3/4, 1-Ton (292), 4 Wheel Drive, (Auxiliary Tank) (Except California) 2 Outlets	\$62.00	N
25001483	1979	<b>FUEL TANK SENDING UNIT</b> Truck, 3/4, 1-Ton, 250, 292, 2 & 4 Wheel Drive, (With Rear Mounted Tank) 3 Outlets	\$68.00	N
25001483	1979	<b>FUEL TANK SENDING UNIT</b> Truck, 3/4, 1-Ton, 350, 2 & 4 Wheel Drive, (With Manual Trans, Rear Mounted Tank) 3 Outlets	\$68.00	N
25001483	1980	<b>FUEL TANK SENDING UNIT</b> Suburban, Blazer, 1/2 Ton, 250, 2 & 4 Wheel Drive 3 Outlets	\$68.00	N
25001483	1980	<b>FUEL TANK SENDING UNIT</b> Suburban, Blazer, 1/2, 3/4 Ton, 305, 350, 2 & 4 Wheel Drive, (With Manual Trans) 3 Outlets	\$68.00	N
25002009	1980	<b>FUEL TANK SENDING UNIT</b> Truck, 1/2, 3/4 Ton, (250, 292) With Auxiliary Tank 2 Outlets	\$77.00	N
25002010	1980	<b>FUEL TANK SENDING UNIT</b> Truck, 1/2, 3/4 Ton, 305, 350, 2 & 4 Wheel Drive, (With Auxiliary Tank) (Except Diesel) 3 Outlets	\$62.00	N
25002006	1980	<b>FUEL TANK SENDING UNIT</b> Truck, 1/2, 3/4, 1-Ton, (250, 292), 2 & 4 Wheel Drive, (Except Rear Mounted Tank) 2 Outlets	\$77.00	N
25002007	1980	<b>FUEL TANK SENDING UNIT</b> Truck, 1/2, 3/4, 1-Ton, 305, 350, 400, 454W, 2 & 4 Wheel Drive, (Except Rear Mounted Tank) 3 Outlets	\$77.00	N
25001483	1980	<b>FUEL TANK SENDING UNIT</b> Truck, 3/4, 1-Ton, 250, 292, 2 & 4 Wheel Drive, (With Rear Mounted Tank) 3 Outlets	\$68.00	N
25001483	1980	<b>FUEL TANK SENDING UNIT</b> Truck, 3/4, 1-Ton, 350, 2 & 4 Wheel Drive, (With Manual Trans, Rear Mounted Tank) 3 Outlets	\$68.00	N
25002010	1980	<b>FUEL TANK SENDING UNIT</b> Truck, 3/4, 1-Ton, 350, 400, 4 Wheel Drive, (With Auxiliary Tank) 3 Outlets	\$62.00	N
25002010	1980	<b>FUEL TANK SENDING UNIT</b> Truck, 3/4, 1-Ton, 350, 454, 2 Wheel Drive, (With Auxiliary Tank) 3 Outlets	\$62.00	N
25001483	1981	<b>FUEL TANK SENDING UNIT</b> Blazer, 1/2 Ton, 250, 2 & 4 Wheel Drive, (Except 117 Liter Tank) 3 Outlets	\$68.00	N
25002009	1981	<b>FUEL TANK SENDING UNIT</b> Truck, 1/2, 3/4 Ton, (292) With Auxiliary Tank 2 Outlets	\$77.00	N
25002010	1981	<b>FUEL TANK SENDING UNIT</b> Truck, 1/2, 3/4 Ton, 305, 350L, 2 & 4 Wheel Drive 3 Outlets	\$62.00	N
25002007	1981	<b>FUEL TANK SENDING UNIT</b> Truck, 1/2, 3/4 Ton, 350L-M, 4 Wheel Drive, (With Auxiliary Tank) 3 Outlets	\$77.00	N
25002006	1981	<b>FUEL TANK SENDING UNIT</b> Truck, 1/2, 3/4, 1-Ton, (250, 292), 2 & 4 Wheel Drive, (Except Rear Mounted Tank) 2 Outlets	\$77.00	N
25002007	1981	<b>FUEL TANK SENDING UNIT</b> Truck, 1/2, 3/4, 1-Ton, 350L-M, 454W, 2 Wheel Drive, (With Auxiliary Tank) 3 Outlets	\$77.00	N
25002010	1981	<b>FUEL TANK SENDING UNIT</b> Truck, 3/4 Ton, 350M, 4 Wheel Drive, (With California) 3 Outlets	\$62.00	N

Part Number	Year	Description	Price	*Rev.
25001483	1981	<b>FUEL TANK SENDING UNIT</b> Truck, 3/4, 1-Ton, 250, 292, 2 & 4 Wheel Drive, (With Rear Mounted Tank) 3 Outlets	\$68.00	N
25002010	1981	<b>FUEL TANK SENDING UNIT</b> Truck, 3/4, 1-Ton, 350M, 454W, 2 Wheel Drive, (With California) 3 Outlets	\$62.00	N
25001483	1982	<b>FUEL TANK SENDING UNIT</b> Blazer, 1/2 Ton, 250, 2 & 4 Wheel Drive, (Except 117 Liter Tank) 3 Outlets	\$68.00	N
25002009	1982	<b>FUEL TANK SENDING UNIT</b> Truck, 1/2, 3/4, 1-Ton, (250, 292), 2 & 4 Wheel Drive 2 Outlets	\$77.00	N
25002006	1982	<b>FUEL TANK SENDING UNIT</b> Truck, 1/2, 3/4, 1-Ton, (292), 2 & 4 Wheel Drive, With Auxiliary Tank 2 Outlets	\$77.00	N
25002010	1982	<b>FUEL TANK SENDING UNIT</b> Truck, 1/2, 3/4, 1-Ton, 305, 350, 454, 2 & 4 Wheel Drive 3 Outlets	\$62.00	N
25002007	1982	<b>FUEL TANK SENDING UNIT</b> Truck, 1/2, 3/4, 1-Ton, 305, 350L, 350M, 454, 2 & 4 Wheel Drive, (Auxiliary Tank) 3 Outlets	\$77.00	N
25002009	1983	<b>FUEL TANK SENDING UNIT</b> Truck, 1/2, 3/4, 1-Ton, (250, 292), 2 & 4 Wheel Drive 2 Outlets	\$77.00	N
25002006	1983	<b>FUEL TANK SENDING UNIT</b> Truck, 1/2, 3/4, 1-Ton, (292), 2 & 4 Wheel Drive, With Auxiliary Tank 2 Outlets	\$77.00	N
25002010	1983	<b>FUEL TANK SENDING UNIT</b> Truck, 1/2, 3/4, 1-Ton, 305, 350, 454, 2 & 4 Wheel Drive 3 Outlets	\$62.00	N
25002007	1983	<b>FUEL TANK SENDING UNIT</b> Truck, 1/2, 3/4, 1-Ton, 305, 350L, 350M, 454, 2 & 4 Wheel Drive, (Auxiliary Tank) 3 Outlets	\$77.00	N
25002009	1984	<b>FUEL TANK SENDING UNIT</b> Truck, 1/2, 3/4, 1-Ton, (250, 292), 2 & 4 Wheel Drive 2 Outlets	\$77.00	N
25002006	1984	<b>FUEL TANK SENDING UNIT</b> Truck, 1/2, 3/4, 1-Ton, (292), 2 & 4 Wheel Drive, With Auxiliary Tank 2 Outlets	\$77.00	N
25002010	1984	<b>FUEL TANK SENDING UNIT</b> Truck, 1/2, 3/4, 1-Ton, 305, 350, 454, 2 & 4 Wheel Drive 3 Outlets	\$62.00	N
25002007	1984	<b>FUEL TANK SENDING UNIT</b> Truck, 1/2, 3/4, 1-Ton, 305, 350L, 350M, 454, 2 & 4 Wheel Drive, (Auxiliary Tank) 3 Outlets	\$77.00	N
25002007	1985	<b>FUEL TANK SENDING UNIT</b> Truck, 1/2, 3/4 Ton, 4.3N, 305F-H, 350L, 2 & 4 Wheel Drive, (Auxiliary Tank) 3 Outlets	\$77.00	N
25002010	1985	<b>FUEL TANK SENDING UNIT</b> Truck, 1/2, 3/4, 1-Ton, 6 Cylinder, V/8 (Primary Tank) 3 Outlets	\$62.00	N
25002007	1986	<b>FUEL TANK SENDING UNIT</b> Truck, 1/2, 3/4 Ton, 4.3N, 305F-H, 350L, 2 & 4 Wheel Drive, (Auxiliary Tank) 3 Outlets	\$77.00	N
25002010	1986	<b>FUEL TANK SENDING UNIT</b> Truck, 1/2, 3/4, 1-Ton, 6 Cylinder, V/8 (Primary Tank) 3 Outlets	\$62.00	N
25002007	1987	<b>FUEL TANK SENDING UNIT</b> Truck, 1/2, 3/4 Ton, 292T, 350M, 454W, 2 & 4 Wheel Drive, (With Auxiliary Tank) 3 Outlets	\$77.00	N



Part Number	Year	Description	Price	*Rev.
25002010	1987	<b>FUEL TANK SENDING UNIT</b> Truck, 1/2, 3/4, 1-Ton, 292T, 350M, 454W Engines (Primary Tank) 3 Outlets	\$62.00	N
25002007	1988	<b>FUEL TANK SENDING UNIT</b> Truck, 1/2, 3/4 Ton, 292T, 350M, 454W, 2 & 4 Wheel Drive, (With Auxiliary Tank) 3 Outlets	\$77.00	N
25002010	1988	<b>FUEL TANK SENDING UNIT</b> Truck, 3/4, 1-Ton, 292T, 350M, 454W Engines (Primary Tank) 3 Outlets	\$62.00	N
25002007	1989	<b>FUEL TANK SENDING UNIT</b> Truck, 1/2, 3/4 Ton, 292T, 350M, 454W, 2 & 4 Wheel Drive, (With Auxiliary Tank) 3 Outlets	\$77.00	N
25002010	1989	<b>FUEL TANK SENDING UNIT</b> Truck, 3/4, 1-Ton, 292T, 350M, 454W Engines (Primary Tank) 3 Outlets	\$62.00	N
<b>GAUGE CLUSTER ASSEMBLY</b>				
44245	1947	<b>GAUGE CLUSTER ASSEMBLY</b> 6 Cylinder, 12 Volt, 0-30 Lbs. Oil Gauge, 100-212 Temperature Gauge, Red Needle	\$445.00	N
44246	1947	<b>GAUGE CLUSTER ASSEMBLY</b> 6 Cylinder, 12 Volt, 0-30 Lbs. Oil Gauge, 100-220 Temperature Gauge, Red Needle	\$445.00	N
44243	1947	<b>GAUGE CLUSTER ASSEMBLY</b> 6 Cylinder, 6 Volt, 0-30 Lbs. Oil Gauge, 100-212 Temperature Gauge, Red Needle	\$445.00	N
44241	1947	<b>GAUGE CLUSTER ASSEMBLY</b> 6 Cylinder, 6 Volt, 0-30 Lbs. Oil Gauge, 100-220 Temperature Gauge, Red Needle	\$445.00	N
44244	1947	<b>GAUGE CLUSTER ASSEMBLY</b> V/8, 12 Volt, 0-60 Lbs. Oil Gauge, 100-212 Temperature Gauge, Red Needle	\$445.00	N
44242	1947	<b>GAUGE CLUSTER ASSEMBLY</b> V/8, 12 Volt, 0-60 Lbs. Oil Gauge, 100-220 Temperature Gauge, Red Needle	\$445.00	N
44245	1948	<b>GAUGE CLUSTER ASSEMBLY</b> 6 Cylinder, 12 Volt, 0-30 Lbs. Oil Gauge, 100-212 Temperature Gauge, Red Needle	\$445.00	N
44246	1948	<b>GAUGE CLUSTER ASSEMBLY</b> 6 Cylinder, 12 Volt, 0-30 Lbs. Oil Gauge, 100-220 Temperature Gauge, Red Needle	\$445.00	N
44243	1948	<b>GAUGE CLUSTER ASSEMBLY</b> 6 Cylinder, 6 Volt, 0-30 Lbs. Oil Gauge, 100-212 Temperature Gauge, Red Needle	\$445.00	N
44241	1948	<b>GAUGE CLUSTER ASSEMBLY</b> 6 Cylinder, 6 Volt, 0-30 Lbs. Oil Gauge, 100-220 Temperature Gauge, Red Needle	\$445.00	N
44244	1948	<b>GAUGE CLUSTER ASSEMBLY</b> V/8, 12 Volt, 0-60 Lbs. Oil Gauge, 100-212 Temperature Gauge, Red Needle	\$445.00	N
44242	1948	<b>GAUGE CLUSTER ASSEMBLY</b> V/8, 12 Volt, 0-60 Lbs. Oil Gauge, 100-220 Temperature Gauge, Red Needle	\$445.00	N
44251	1949	<b>GAUGE CLUSTER ASSEMBLY</b> 6 Cylinder, 12 Volt, 0-30 Lbs. Oil Gauge, 100-212 Temperature Gauge, White Needle	\$445.00	N
44252	1949	<b>GAUGE CLUSTER ASSEMBLY</b> 6 Cylinder, 12 Volt, 0-30 Lbs. Oil Gauge, 100-220 Temperature Gauge, White Needle	\$445.00	N
44249	1949	<b>GAUGE CLUSTER ASSEMBLY</b> 6 Cylinder, 6 Volt, 0-30 Lbs. Oil Gauge, 100-212 Temperature Gauge, White Needle	\$445.00	N
44247	1949	<b>GAUGE CLUSTER ASSEMBLY</b> 6 Cylinder, 6 Volt, 0-30 Lbs. Oil Gauge, 100-220 Temperature Gauge, White Needle	\$445.00	N
44250	1949	<b>GAUGE CLUSTER ASSEMBLY</b> V/8, 12 Volt, 0-60 Lbs. Oil Gauge, 100-212 Temperature Gauge, White Needle	\$445.00	N
44248	1949	<b>GAUGE CLUSTER ASSEMBLY</b> V/8, 12 Volt, 0-60 Lbs. Oil Gauge, 100-220 Temperature Gauge, White Needle	\$445.00	N
44251	1950	<b>GAUGE CLUSTER ASSEMBLY</b> 6 Cylinder, 12 Volt, 0-30 Lbs. Oil Gauge, 100-212 Temperature Gauge, White Needle	\$445.00	N
44252	1950	<b>GAUGE CLUSTER ASSEMBLY</b> 6 Cylinder, 12 Volt, 0-30 Lbs. Oil Gauge, 100-220 Temperature Gauge, White Needle	\$445.00	N

Part Number	Year	Description	Price	*Rev.
44249	1950	<b>GAUGE CLUSTER ASSEMBLY</b> 6 Cylinder, 6 Volt, 0-30 Lbs. Oil Gauge, 100-212 Temperature Gauge, White Needle	\$445.00	N
44247	1950	<b>GAUGE CLUSTER ASSEMBLY</b> 6 Cylinder, 6 Volt, 0-30 Lbs. Oil Gauge, 100-220 Temperature Gauge, White Needle	\$445.00	N
44250	1950	<b>GAUGE CLUSTER ASSEMBLY</b> V/8, 12 Volt, 0-60 Lbs. Oil Gauge, 100-212 Temperature Gauge, White Needle	\$445.00	N
44248	1950	<b>GAUGE CLUSTER ASSEMBLY</b> V/8, 12 Volt, 0-60 Lbs. Oil Gauge, 100-220 Temperature Gauge, White Needle	\$445.00	N
44251	1951	<b>GAUGE CLUSTER ASSEMBLY</b> 6 Cylinder, 12 Volt, 0-30 Lbs. Oil Gauge, 100-212 Temperature Gauge, White Needle	\$445.00	N
44252	1951	<b>GAUGE CLUSTER ASSEMBLY</b> 6 Cylinder, 12 Volt, 0-30 Lbs. Oil Gauge, 100-220 Temperature Gauge, White Needle	\$445.00	N
44249	1951	<b>GAUGE CLUSTER ASSEMBLY</b> 6 Cylinder, 6 Volt, 0-30 Lbs. Oil Gauge, 100-212 Temperature Gauge, White Needle	\$445.00	N
44247	1951	<b>GAUGE CLUSTER ASSEMBLY</b> 6 Cylinder, 6 Volt, 0-30 Lbs. Oil Gauge, 100-220 Temperature Gauge, White Needle	\$445.00	N
44250	1951	<b>GAUGE CLUSTER ASSEMBLY</b> V/8, 12 Volt, 0-60 Lbs. Oil Gauge, 100-212 Temperature Gauge, White Needle	\$445.00	N
44248	1951	<b>GAUGE CLUSTER ASSEMBLY</b> V/8, 12 Volt, 0-60 Lbs. Oil Gauge, 100-220 Temperature Gauge, White Needle	\$445.00	N
44251	1952	<b>GAUGE CLUSTER ASSEMBLY</b> 6 Cylinder, 12 Volt, 0-30 Lbs. Oil Gauge, 100-212 Temperature Gauge, White Needle	\$445.00	N
44252	1952	<b>GAUGE CLUSTER ASSEMBLY</b> 6 Cylinder, 12 Volt, 0-30 Lbs. Oil Gauge, 100-220 Temperature Gauge, White Needle	\$445.00	N
44249	1952	<b>GAUGE CLUSTER ASSEMBLY</b> 6 Cylinder, 6 Volt, 0-30 Lbs. Oil Gauge, 100-212 Temperature Gauge, White Needle	\$445.00	N
44247	1952	<b>GAUGE CLUSTER ASSEMBLY</b> 6 Cylinder, 6 Volt, 0-30 Lbs. Oil Gauge, 100-220 Temperature Gauge, White Needle	\$445.00	N
44250	1952	<b>GAUGE CLUSTER ASSEMBLY</b> V/8, 12 Volt, 0-60 Lbs. Oil Gauge, 100-212 Temperature Gauge, White Needle	\$445.00	N
44248	1952	<b>GAUGE CLUSTER ASSEMBLY</b> V/8, 12 Volt, 0-60 Lbs. Oil Gauge, 100-220 Temperature Gauge, White Needle	\$445.00	N
44251	1953	<b>GAUGE CLUSTER ASSEMBLY</b> 6 Cylinder, 12 Volt, 0-30 Lbs. Oil Gauge, 100-212 Temperature Gauge, White Needle	\$445.00	N
44252	1953	<b>GAUGE CLUSTER ASSEMBLY</b> 6 Cylinder, 12 Volt, 0-30 Lbs. Oil Gauge, 100-220 Temperature Gauge, White Needle	\$445.00	N
44249	1953	<b>GAUGE CLUSTER ASSEMBLY</b> 6 Cylinder, 6 Volt, 0-30 Lbs. Oil Gauge, 100-212 Temperature Gauge, White Needle	\$445.00	N
44247	1953	<b>GAUGE CLUSTER ASSEMBLY</b> 6 Cylinder, 6 Volt, 0-30 Lbs. Oil Gauge, 100-220 Temperature Gauge, White Needle	\$445.00	N
44250	1953	<b>GAUGE CLUSTER ASSEMBLY</b> V/8, 12 Volt, 0-60 Lbs. Oil Gauge, 100-212 Temperature Gauge, White Needle	\$445.00	N
44248	1953	<b>GAUGE CLUSTER ASSEMBLY</b> V/8, 12 Volt, 0-60 Lbs. Oil Gauge, 100-220 Temperature Gauge, White Needle	\$445.00	N
44258	1954	<b>GAUGE CLUSTER ASSEMBLY</b> 6 Cylinder, 12 Volt, Complete Assembly	\$445.00	N
44257	1954	<b>GAUGE CLUSTER ASSEMBLY</b> 6 Cylinder, 6 Volt, Complete Assembly	\$445.00	N
44259	1954	<b>GAUGE CLUSTER ASSEMBLY</b> V/8, 12 Volt, Complete Assembly	\$445.00	N
44258	1955	<b>GAUGE CLUSTER ASSEMBLY</b> 1st Series, 6 Cylinder, 12 Volt, Complete Assembly	\$445.00	N
44257	1955	<b>GAUGE CLUSTER ASSEMBLY</b> 1st Series, 6 Cylinder, 6 Volt, Complete Assembly	\$445.00	N
44259	1955	<b>GAUGE CLUSTER ASSEMBLY</b> 1st Series, V/8, 12 Volt, Complete Assembly	\$445.00	N
44260	1955	<b>GAUGE CLUSTER ASSEMBLY</b> Complete Assembly With Speedometer & Gauges Note: This Kit Uses The 1956-59 Electric Type Temperature Gauge.	\$660.00	N
44261	1955	<b>GAUGE CLUSTER ASSEMBLY</b> Complete Assembly With Speedometer & Gauges Note: This Kit Uses The 1955 2nd Series Mechanical Type Temperature Gauge.	\$660.00	N

Part Number	Year	Description	Price	*Rev.
44260	1956	<b>GAUGE CLUSTER ASSEMBLY</b> Complete Assembly With Speedometer & Gauges Note: This Kit Uses The 1956-59 Electric Type Temperature Gauge.	\$660.00	N
44261	1956	<b>GAUGE CLUSTER ASSEMBLY</b> Complete Assembly With Speedometer & Gauges Note: This Kit Uses The 1955 2nd Series Mechanical Type Temperature Gauge.	\$660.00	N
44260	1957	<b>GAUGE CLUSTER ASSEMBLY</b> Complete Assembly With Speedometer & Gauges Note: This Kit Uses The 1956-59 Electric Type Temperature Gauge.	\$660.00	N
44261	1957	<b>GAUGE CLUSTER ASSEMBLY</b> Complete Assembly With Speedometer & Gauges Note: This Kit Uses The 1955 2nd Series Mechanical Type Temperature Gauge.	\$660.00	N
44260	1958	<b>GAUGE CLUSTER ASSEMBLY</b> Complete Assembly With Speedometer & Gauges Note: This Kit Uses The 1956-59 Electric Type Temperature Gauge.	\$660.00	N
44261	1958	<b>GAUGE CLUSTER ASSEMBLY</b> Complete Assembly With Speedometer & Gauges Note: This Kit Uses The 1955 2nd Series Mechanical Type Temperature Gauge.	\$660.00	N
44260	1959	<b>GAUGE CLUSTER ASSEMBLY</b> Complete Assembly With Speedometer & Gauges Note: This Kit Uses The 1956-59 Electric Type Temperature Gauge.	\$660.00	N
44261	1959	<b>GAUGE CLUSTER ASSEMBLY</b> Complete Assembly With Speedometer & Gauges Note: This Kit Uses The 1955 2nd Series Mechanical Type Temperature Gauge.	\$660.00	N
44262	1967	<b>GAUGE CLUSTER ASSEMBLY</b> V/8, With Gauges & 5000 RPM Tachometer	\$707.00	N
44263	1967	<b>GAUGE CLUSTER ASSEMBLY</b> V/8, With Gauges & 8000 RPM Tachometer	\$707.00	N
06457882	1967	<b>GAUGE CLUSTER ASSEMBLY</b> With Gauges, Without Tachometer	\$584.00	N
44262	1968	<b>GAUGE CLUSTER ASSEMBLY</b> V/8, With Gauges & 5000 RPM Tachometer	\$707.00	N
44263	1968	<b>GAUGE CLUSTER ASSEMBLY</b> V/8, With Gauges & 8000 RPM Tachometer	\$707.00	N
06457882	1968	<b>GAUGE CLUSTER ASSEMBLY</b> With Gauges, Without Tachometer	\$584.00	N
06457909	1969	<b>GAUGE CLUSTER ASSEMBLY</b> V/8, With Gauges & 5000 RPM Tachometer Note: Complete Gauge Cluster Assembly, Assembled.	\$707.00	N
44264	1969	<b>GAUGE CLUSTER ASSEMBLY</b> V/8, With Gauges & 8000 RPM Tachometer Note: Complete Gauge Cluster Assembly, Assembled.	\$707.00	N
06458263	1969	<b>GAUGE CLUSTER ASSEMBLY</b> With Gauges, Without Tachometer Note: Complete Gauge Cluster Assembly, Assembled.	\$584.00	N
06457909	1970	<b>GAUGE CLUSTER ASSEMBLY</b> V/8, With Gauges & 5000 RPM Tachometer Note: Complete Gauge Cluster Assembly, Assembled.	\$707.00	N
44264	1970	<b>GAUGE CLUSTER ASSEMBLY</b> V/8, With Gauges & 8000 RPM Tachometer Note: Complete Gauge Cluster Assembly, Assembled.	\$707.00	N
06458263	1970	<b>GAUGE CLUSTER ASSEMBLY</b> With Gauges, Without Tachometer Note: Complete Gauge Cluster Assembly, Assembled.	\$584.00	N
06457909	1971	<b>GAUGE CLUSTER ASSEMBLY</b> V/8, With Gauges & 5000 RPM Tachometer Note: Complete Gauge Cluster Assembly, Assembled.	\$707.00	N
44264	1971	<b>GAUGE CLUSTER ASSEMBLY</b> V/8, With Gauges & 8000 RPM Tachometer Note: Complete Gauge Cluster Assembly, Assembled.	\$707.00	N
06458263	1971	<b>GAUGE CLUSTER ASSEMBLY</b> With Gauges, Without Tachometer Note: Complete Gauge Cluster Assembly, Assembled.	\$584.00	N
06457909	1972	<b>GAUGE CLUSTER ASSEMBLY</b> V/8, With Gauges & 5000 RPM Tachometer Note: Complete Gauge Cluster Assembly, Assembled.	\$707.00	N
44264	1972	<b>GAUGE CLUSTER ASSEMBLY</b> V/8, With Gauges & 8000 RPM Tachometer Note: Complete Gauge Cluster Assembly, Assembled.	\$707.00	N
06458263	1972	<b>GAUGE CLUSTER ASSEMBLY</b> With Gauges, Without Tachometer Note: Complete Gauge Cluster Assembly, Assembled.	\$584.00	N
<b>GLOVE BOX LAMP KIT</b>				
18000	1955	<b>GLOVE BOX LAMP KIT</b> Socket, Bulb & Wire	\$24.00	
18000	1956	<b>GLOVE BOX LAMP KIT</b> Socket, Bulb & Wire	\$24.00	

Part Number	Year	Description	Price	*Rev.
18000	1957	<b>GLOVE BOX LAMP KIT</b> Socket, Bulb & Wire	\$24.00	
18000	1958	<b>GLOVE BOX LAMP KIT</b> Socket, Bulb & Wire	\$24.00	
18000	1959	<b>GLOVE BOX LAMP KIT</b> Socket, Bulb & Wire	\$24.00	
18000	1960	<b>GLOVE BOX LAMP KIT</b> Socket, Bulb & Wire	\$24.00	
18000	1961	<b>GLOVE BOX LAMP KIT</b> Socket, Bulb & Wire	\$24.00	
18000	1962	<b>GLOVE BOX LAMP KIT</b> Socket, Bulb & Wire	\$24.00	
18000	1963	<b>GLOVE BOX LAMP KIT</b> Socket, Bulb & Wire	\$24.00	
18000	1964	<b>GLOVE BOX LAMP KIT</b> Socket, Bulb & Wire	\$24.00	
18000	1965	<b>GLOVE BOX LAMP KIT</b> Socket, Bulb & Wire	\$24.00	
18000	1966	<b>GLOVE BOX LAMP KIT</b> Socket, Bulb & Wire	\$24.00	
23190	1967	<b>GLOVE BOX LAMP KIT</b> Socket, Bulb & Wire	\$34.00	
23190	1968	<b>GLOVE BOX LAMP KIT</b> Socket, Bulb & Wire	\$34.00	
23190	1969	<b>GLOVE BOX LAMP KIT</b> Socket, Bulb & Wire	\$34.00	
23190	1970	<b>GLOVE BOX LAMP KIT</b> Socket, Bulb & Wire	\$34.00	
23190	1971	<b>GLOVE BOX LAMP KIT</b> Socket, Bulb & Wire	\$34.00	
23190	1972	<b>GLOVE BOX LAMP KIT</b> Socket, Bulb & Wire	\$34.00	
<b>GROUND STRAP</b>				
22920	1955	<b>GROUND STRAP</b> 2nd Series, 12 Volt, Starter To Frame	\$32.00	N
22920	1956	<b>GROUND STRAP</b> Starter To Frame	\$32.00	N
22920	1957	<b>GROUND STRAP</b> Starter To Frame	\$32.00	N
22920	1958	<b>GROUND STRAP</b> Starter To Frame	\$32.00	N
22920	1959	<b>GROUND STRAP</b> Starter To Frame	\$32.00	N
<b>GROUND WIRE-DISTRIBUTOR POINT PLATE</b>				
38298	1957	<b>GROUND WIRE, DISTRIBUTOR POINT PLATE</b> From Distributor Point Plate To Distributor Housing Note: Replaces Spot Welded Wire Asm On Point Plate Side. Fits All GM V/8 Point Type Distributors From Approx. 1957-1974.	\$17.00	C
38298	1958	<b>GROUND WIRE, DISTRIBUTOR POINT PLATE</b> From Distributor Point Plate To Distributor Housing Note: Replaces Spot Welded Wire Asm On Point Plate Side. Fits All GM V/8 Point Type Distributors From Approx. 1957-1974.	\$17.00	C
38298	1959	<b>GROUND WIRE, DISTRIBUTOR POINT PLATE</b> From Distributor Point Plate To Distributor Housing Note: Replaces Spot Welded Wire Asm On Point Plate Side. Fits All GM V/8 Point Type Distributors From Approx. 1957-1974.	\$17.00	C
38298	1960	<b>GROUND WIRE, DISTRIBUTOR POINT PLATE</b> From Distributor Point Plate To Distributor Housing Note: Replaces Spot Welded Wire Asm On Point Plate Side. Fits All GM V/8 Point Type Distributors From Approx. 1957-1974.	\$17.00	C
38298	1961	<b>GROUND WIRE, DISTRIBUTOR POINT PLATE</b> From Distributor Point Plate To Distributor Housing Note: Replaces Spot Welded Wire Asm On Point Plate Side. Fits All GM V/8 Point Type Distributors From Approx. 1957-1974.	\$17.00	C
38298	1962	<b>GROUND WIRE, DISTRIBUTOR POINT PLATE</b> From Distributor Point Plate To Distributor Housing Note: Replaces Spot Welded Wire Asm On Point Plate Side. Fits All GM V/8 Point Type Distributors From Approx. 1957-1974.	\$17.00	C
38298	1963	<b>GROUND WIRE, DISTRIBUTOR POINT PLATE</b> From Distributor Point Plate To Distributor Housing Note: Replaces Spot Welded Wire Asm On Point Plate Side. Fits All GM V/8 Point Type Distributors From Approx. 1957-1974.	\$17.00	C
38298	1964	<b>GROUND WIRE, DISTRIBUTOR POINT PLATE</b> From Distributor Point Plate To Distributor Housing Note: Replaces Spot Welded Wire Asm On Point Plate Side. Fits All GM V/8 Point Type Distributors From Approx. 1957-1974.	\$17.00	C
38298	1965	<b>GROUND WIRE, DISTRIBUTOR POINT PLATE</b> From Distributor Point Plate To Distributor Housing Note: Replaces Spot Welded Wire Asm On Point Plate Side. Fits All GM V/8 Point Type Distributors From Approx. 1957-1974.	\$17.00	C
38298	1966	<b>GROUND WIRE, DISTRIBUTOR POINT PLATE</b> From Distributor Point Plate To Distributor Housing Note: Replaces Spot Welded Wire Asm On Point Plate Side. Fits All GM V/8 Point Type Distributors From Approx. 1957-1974.	\$17.00	C
38298	1967	<b>GROUND WIRE, DISTRIBUTOR POINT PLATE</b> From Distributor Point Plate To Distributor Housing Note: Replaces Spot Welded Wire Asm On Point Plate Side. Fits All GM V/8 Point Type Distributors From Approx. 1957-1974.	\$17.00	C
38298	1968	<b>GROUND WIRE, DISTRIBUTOR POINT PLATE</b> From Distributor Point Plate To Distributor Housing Note: Replaces Spot Welded Wire Asm On Point Plate Side. Fits All GM V/8 Point Type Distributors From Approx. 1957-1974.	\$17.00	C

Part Number	Year	Description	Price	*Rev.
38298	1969	<b>GROUND WIRE, DISTRIBUTOR POINT PLATE</b> From Distributor Point Plate To Distributor Housing Note: Replaces Spot Welded Wire Asm On Point Plate Side. Fits All GM V/8 Point Type Distributors From Approx. 1957-1974.	\$17.00	C
38298	1970	<b>GROUND WIRE, DISTRIBUTOR POINT PLATE</b> From Distributor Point Plate To Distributor Housing Note: Replaces Spot Welded Wire Asm On Point Plate Side. Fits All GM V/8 Point Type Distributors From Approx. 1957-1974.	\$17.00	C
38298	1971	<b>GROUND WIRE, DISTRIBUTOR POINT PLATE</b> From Distributor Point Plate To Distributor Housing Note: Replaces Spot Welded Wire Asm On Point Plate Side. Fits All GM V/8 Point Type Distributors From Approx. 1957-1974.	\$17.00	C
38298	1972	<b>GROUND WIRE, DISTRIBUTOR POINT PLATE</b> From Distributor Point Plate To Distributor Housing Note: Replaces Spot Welded Wire Asm On Point Plate Side. Fits All GM V/8 Point Type Distributors From Approx. 1957-1974.	\$17.00	C
38298	1973	<b>GROUND WIRE, DISTRIBUTOR POINT PLATE</b> From Distributor Point Plate To Distributor Housing Note: Replaces Spot Welded Wire Asm On Point Plate Side. Fits All GM V/8 Point Type Distributors From Approx. 1957-1974.	\$17.00	C
38298	1974	<b>GROUND WIRE, DISTRIBUTOR POINT PLATE</b> From Distributor Point Plate To Distributor Housing Note: Replaces Spot Welded Wire Asm On Point Plate Side. Fits All GM V/8 Point Type Distributors From Approx. 1957-1974.	\$17.00	C
<b>HARNESS TAPE</b>				
R0058272	1947	<b>HARNESS TAPE</b> 3/4" Vinyl (100 Ft. Roll) Non-Adhesive	\$12.00	
R0058276	1947	<b>HARNESS TAPE</b> 1" Vinyl (100 Ft. Roll) Non-Adhesive	\$13.00	
R0067108	1947	<b>HARNESS TAPE</b> 1 1/4" Vinyl (100 Ft. Roll) Non-Adhesive	\$15.00	
R0058272	1948	<b>HARNESS TAPE</b> 3/4" Vinyl (100 Ft. Roll) Non-Adhesive	\$12.00	
R0058276	1948	<b>HARNESS TAPE</b> 1" Vinyl (100 Ft. Roll) Non-Adhesive	\$13.00	
R0067108	1948	<b>HARNESS TAPE</b> 1 1/4" Vinyl (100 Ft. Roll) Non-Adhesive	\$15.00	
R0058272	1949	<b>HARNESS TAPE</b> 3/4" Vinyl (100 Ft. Roll) Non-Adhesive	\$12.00	
R0058276	1949	<b>HARNESS TAPE</b> 1" Vinyl (100 Ft. Roll) Non-Adhesive	\$13.00	
R0067108	1949	<b>HARNESS TAPE</b> 1 1/4" Vinyl (100 Ft. Roll) Non-Adhesive	\$15.00	
R0058272	1950	<b>HARNESS TAPE</b> 3/4" Vinyl (100 Ft. Roll) Non-Adhesive	\$12.00	
R0058276	1950	<b>HARNESS TAPE</b> 1" Vinyl (100 Ft. Roll) Non-Adhesive	\$13.00	
R0067108	1950	<b>HARNESS TAPE</b> 1 1/4" Vinyl (100 Ft. Roll) Non-Adhesive	\$15.00	
R0058272	1951	<b>HARNESS TAPE</b> 3/4" Vinyl (100 Ft. Roll) Non-Adhesive	\$12.00	
R0058276	1951	<b>HARNESS TAPE</b> 1" Vinyl (100 Ft. Roll) Non-Adhesive	\$13.00	
R0067108	1951	<b>HARNESS TAPE</b> 1 1/4" Vinyl (100 Ft. Roll) Non-Adhesive	\$15.00	
R0058272	1952	<b>HARNESS TAPE</b> 3/4" Vinyl (100 Ft. Roll) Non-Adhesive	\$12.00	
R0058276	1952	<b>HARNESS TAPE</b> 1" Vinyl (100 Ft. Roll) Non-Adhesive	\$13.00	
R0067108	1952	<b>HARNESS TAPE</b> 1 1/4" Vinyl (100 Ft. Roll) Non-Adhesive	\$15.00	
R0058272	1953	<b>HARNESS TAPE</b> 3/4" Vinyl (100 Ft. Roll) Non-Adhesive	\$12.00	
R0058276	1953	<b>HARNESS TAPE</b> 1" Vinyl (100 Ft. Roll) Non-Adhesive	\$13.00	
R0067108	1953	<b>HARNESS TAPE</b> 1 1/4" Vinyl (100 Ft. Roll) Non-Adhesive	\$15.00	
R0058272	1954	<b>HARNESS TAPE</b> 3/4" Vinyl (100 Ft. Roll) Non-Adhesive	\$12.00	
R0058276	1954	<b>HARNESS TAPE</b> 1" Vinyl (100 Ft. Roll) Non-Adhesive	\$13.00	
R0067108	1954	<b>HARNESS TAPE</b> 1 1/4" Vinyl (100 Ft. Roll) Non-Adhesive	\$15.00	
R0058272	1955	<b>HARNESS TAPE</b> 3/4" Vinyl (100 Ft. Roll) Non-Adhesive	\$12.00	
R0058276	1955	<b>HARNESS TAPE</b> 1" Vinyl (100 Ft. Roll) Non-Adhesive	\$13.00	
R0067108	1955	<b>HARNESS TAPE</b> 1 1/4" Vinyl (100 Ft. Roll) Non-Adhesive	\$15.00	
R0058272	1956	<b>HARNESS TAPE</b> 3/4" Vinyl (100 Ft. Roll) Non-Adhesive	\$12.00	
R0058276	1956	<b>HARNESS TAPE</b> 1" Vinyl (100 Ft. Roll) Non-Adhesive	\$13.00	
R0067108	1956	<b>HARNESS TAPE</b> 1 1/4" Vinyl (100 Ft. Roll) Non-Adhesive	\$15.00	
R0058272	1957	<b>HARNESS TAPE</b> 3/4" Vinyl (100 Ft. Roll) Non-Adhesive	\$12.00	
R0058276	1957	<b>HARNESS TAPE</b> 1" Vinyl (100 Ft. Roll) Non-Adhesive	\$13.00	
R0067108	1957	<b>HARNESS TAPE</b> 1 1/4" Vinyl (100 Ft. Roll) Non-Adhesive	\$15.00	
R0058272	1958	<b>HARNESS TAPE</b> 3/4" Vinyl (100 Ft. Roll) Non-Adhesive	\$12.00	

Part Number	Year	Description	Price	*Rev.
R0058276	1958	HARNESS TAPE 1" Vinyl (100 Ft. Roll) Non-Adhesive	\$13.00	
R0067108	1958	HARNESS TAPE 1 1/4" Vinyl (100 Ft. Roll) Non-Adhesive	\$15.00	
R0058272	1959	HARNESS TAPE 3/4" Vinyl (100 Ft. Roll) Non-Adhesive	\$12.00	
R0058276	1959	HARNESS TAPE 1" Vinyl (100 Ft. Roll) Non-Adhesive	\$13.00	
R0067108	1959	HARNESS TAPE 1 1/4" Vinyl (100 Ft. Roll) Non-Adhesive	\$15.00	
R0058272	1960	HARNESS TAPE 3/4" Vinyl (100 Ft. Roll) Non-Adhesive	\$12.00	
R0058276	1960	HARNESS TAPE 1" Vinyl (100 Ft. Roll) Non-Adhesive	\$13.00	
R0067108	1960	HARNESS TAPE 1 1/4" Vinyl (100 Ft. Roll) Non-Adhesive	\$15.00	
R0058272	1961	HARNESS TAPE 3/4" Vinyl (100 Ft. Roll) Non-Adhesive	\$12.00	
R0058276	1961	HARNESS TAPE 1" Vinyl (100 Ft. Roll) Non-Adhesive	\$13.00	
R0067108	1961	HARNESS TAPE 1 1/4" Vinyl (100 Ft. Roll) Non-Adhesive	\$15.00	
R0058272	1962	HARNESS TAPE 3/4" Vinyl (100 Ft. Roll) Non-Adhesive	\$12.00	
R0058276	1962	HARNESS TAPE 1" Vinyl (100 Ft. Roll) Non-Adhesive	\$13.00	
R0067108	1962	HARNESS TAPE 1 1/4" Vinyl (100 Ft. Roll) Non-Adhesive	\$15.00	
R0058272	1963	HARNESS TAPE 3/4" Vinyl (100 Ft. Roll) Non-Adhesive	\$12.00	
R0058276	1963	HARNESS TAPE 1" Vinyl (100 Ft. Roll) Non-Adhesive	\$13.00	
R0067108	1963	HARNESS TAPE 1 1/4" Vinyl (100 Ft. Roll) Non-Adhesive	\$15.00	
R0058272	1964	HARNESS TAPE 3/4" Vinyl (100 Ft. Roll) Non-Adhesive	\$12.00	
R0058276	1964	HARNESS TAPE 1" Vinyl (100 Ft. Roll) Non-Adhesive	\$13.00	
R0067108	1964	HARNESS TAPE 1 1/4" Vinyl (100 Ft. Roll) Non-Adhesive	\$15.00	
R0058272	1965	HARNESS TAPE 3/4" Vinyl (100 Ft. Roll) Non-Adhesive	\$12.00	
R0058276	1965	HARNESS TAPE 1" Vinyl (100 Ft. Roll) Non-Adhesive	\$13.00	
R0067108	1965	HARNESS TAPE 1 1/4" Vinyl (100 Ft. Roll) Non-Adhesive	\$15.00	
R0058272	1966	HARNESS TAPE 3/4" Vinyl (100 Ft. Roll) Non-Adhesive	\$12.00	
R0058276	1966	HARNESS TAPE 1" Vinyl (100 Ft. Roll) Non-Adhesive	\$13.00	
R0067108	1966	HARNESS TAPE 1 1/4" Vinyl (100 Ft. Roll) Non-Adhesive	\$15.00	
R0058272	1967	HARNESS TAPE 3/4" Vinyl (100 Ft. Roll) Non-Adhesive	\$12.00	
R0058276	1967	HARNESS TAPE 1" Vinyl (100 Ft. Roll) Non-Adhesive	\$13.00	
R0067108	1967	HARNESS TAPE 1 1/4" Vinyl (100 Ft. Roll) Non-Adhesive	\$15.00	
R0058272	1968	HARNESS TAPE 3/4" Vinyl (100 Ft. Roll) Non-Adhesive	\$12.00	
R0058276	1968	HARNESS TAPE 1" Vinyl (100 Ft. Roll) Non-Adhesive	\$13.00	
R0067108	1968	HARNESS TAPE 1 1/4" Vinyl (100 Ft. Roll) Non-Adhesive	\$15.00	
R0058272	1969	HARNESS TAPE 3/4" Vinyl (100 Ft. Roll) Non-Adhesive	\$12.00	
R0058276	1969	HARNESS TAPE 1" Vinyl (100 Ft. Roll) Non-Adhesive	\$13.00	
R0067108	1969	HARNESS TAPE 1 1/4" Vinyl (100 Ft. Roll) Non-Adhesive	\$15.00	
R0058272	1970	HARNESS TAPE 3/4" Vinyl (100 Ft. Roll) Non-Adhesive	\$12.00	
R0058276	1970	HARNESS TAPE 1" Vinyl (100 Ft. Roll) Non-Adhesive	\$13.00	
R0067108	1970	HARNESS TAPE 1 1/4" Vinyl (100 Ft. Roll) Non-Adhesive	\$15.00	
R0058272	1971	HARNESS TAPE 3/4" Vinyl (100 Ft. Roll) Non-Adhesive	\$12.00	
R0058276	1971	HARNESS TAPE 1" Vinyl (100 Ft. Roll) Non-Adhesive	\$13.00	
R0067108	1971	HARNESS TAPE 1 1/4" Vinyl (100 Ft. Roll) Non-Adhesive	\$15.00	
R0058272	1972	HARNESS TAPE 3/4" Vinyl (100 Ft. Roll) Non-Adhesive	\$12.00	
R0058276	1972	HARNESS TAPE 1" Vinyl (100 Ft. Roll) Non-Adhesive	\$13.00	
R0067108	1972	HARNESS TAPE 1 1/4" Vinyl (100 Ft. Roll) Non-Adhesive	\$15.00	
R0058272	1973	HARNESS TAPE 3/4" Vinyl (100 Ft. Roll) Non-Adhesive	\$12.00	M
R0058276	1973	HARNESS TAPE 1" Vinyl (100 Ft. Roll) Non-Adhesive	\$13.00	M
R0067108	1973	HARNESS TAPE 1 1/4" Vinyl (100 Ft. Roll) Non-Adhesive	\$15.00	M

Part Number	Year	Description	Price	*Rev.
R0058272	1974	HARNESS TAPE 3/4" Vinyl (100 Ft. Roll) Non-Adhesive	\$12.00	M
R0058276	1974	HARNESS TAPE 1" Vinyl (100 Ft. Roll) Non-Adhesive	\$13.00	M
R0067108	1974	HARNESS TAPE 1 1/4" Vinyl (100 Ft. Roll) Non-Adhesive	\$15.00	M
R0058272	1975	HARNESS TAPE 3/4" Vinyl (100 Ft. Roll) Non-Adhesive	\$12.00	M
R0058276	1975	HARNESS TAPE 1" Vinyl (100 Ft. Roll) Non-Adhesive	\$13.00	M
R0067108	1975	HARNESS TAPE 1 1/4" Vinyl (100 Ft. Roll) Non-Adhesive	\$15.00	M
R0058272	1976	HARNESS TAPE 3/4" Vinyl (100 Ft. Roll) Non-Adhesive	\$12.00	M
R0058276	1976	HARNESS TAPE 1" Vinyl (100 Ft. Roll) Non-Adhesive	\$13.00	M
R0067108	1976	HARNESS TAPE 1 1/4" Vinyl (100 Ft. Roll) Non-Adhesive	\$15.00	M
R0058272	1977	HARNESS TAPE 3/4" Vinyl (100 Ft. Roll) Non-Adhesive	\$12.00	M
R0058276	1977	HARNESS TAPE 1" Vinyl (100 Ft. Roll) Non-Adhesive	\$13.00	M
R0067108	1977	HARNESS TAPE 1 1/4" Vinyl (100 Ft. Roll) Non-Adhesive	\$15.00	M
R0058272	1978	HARNESS TAPE 3/4" Vinyl (100 Ft. Roll) Non-Adhesive	\$12.00	M
R0058276	1978	HARNESS TAPE 1" Vinyl (100 Ft. Roll) Non-Adhesive	\$13.00	M
R0067108	1978	HARNESS TAPE 1 1/4" Vinyl (100 Ft. Roll) Non-Adhesive	\$15.00	M
R0058272	1979	HARNESS TAPE 3/4" Vinyl (100 Ft. Roll) Non-Adhesive	\$12.00	M
R0058276	1979	HARNESS TAPE 1" Vinyl (100 Ft. Roll) Non-Adhesive	\$13.00	M
R0067108	1979	HARNESS TAPE 1 1/4" Vinyl (100 Ft. Roll) Non-Adhesive	\$15.00	M
R0058272	1980	HARNESS TAPE 3/4" Vinyl (100 Ft. Roll) Non-Adhesive	\$12.00	M
R0058276	1980	HARNESS TAPE 1" Vinyl (100 Ft. Roll) Non-Adhesive	\$13.00	M
R0067108	1980	HARNESS TAPE 1 1/4" Vinyl (100 Ft. Roll) Non-Adhesive	\$15.00	M
R0058272	1981	HARNESS TAPE 3/4" Vinyl (100 Ft. Roll) Non-Adhesive	\$12.00	M
R0058276	1981	HARNESS TAPE 1" Vinyl (100 Ft. Roll) Non-Adhesive	\$13.00	M
R0067108	1981	HARNESS TAPE 1 1/4" Vinyl (100 Ft. Roll) Non-Adhesive	\$15.00	M
R0058272	1982	HARNESS TAPE 3/4" Vinyl (100 Ft. Roll) Non-Adhesive	\$12.00	M
R0058276	1982	HARNESS TAPE 1" Vinyl (100 Ft. Roll) Non-Adhesive	\$13.00	M
R0067108	1982	HARNESS TAPE 1 1/4" Vinyl (100 Ft. Roll) Non-Adhesive	\$15.00	M
R0058272	1983	HARNESS TAPE 3/4" Vinyl (100 Ft. Roll) Non-Adhesive	\$12.00	M
R0058276	1983	HARNESS TAPE 1" Vinyl (100 Ft. Roll) Non-Adhesive	\$13.00	M
R0067108	1983	HARNESS TAPE 1 1/4" Vinyl (100 Ft. Roll) Non-Adhesive	\$15.00	M
R0058272	1984	HARNESS TAPE 3/4" Vinyl (100 Ft. Roll) Non-Adhesive	\$12.00	M
R0058276	1984	HARNESS TAPE 1" Vinyl (100 Ft. Roll) Non-Adhesive	\$13.00	M
R0067108	1984	HARNESS TAPE 1 1/4" Vinyl (100 Ft. Roll) Non-Adhesive	\$15.00	M
R0058272	1985	HARNESS TAPE 3/4" Vinyl (100 Ft. Roll) Non-Adhesive	\$12.00	M
R0058276	1985	HARNESS TAPE 1" Vinyl (100 Ft. Roll) Non-Adhesive	\$13.00	M
R0067108	1985	HARNESS TAPE 1 1/4" Vinyl (100 Ft. Roll) Non-Adhesive	\$15.00	M
R0058272	1986	HARNESS TAPE 3/4" Vinyl (100 Ft. Roll) Non-Adhesive	\$12.00	M
R0058276	1986	HARNESS TAPE 1" Vinyl (100 Ft. Roll) Non-Adhesive	\$13.00	M
R0067108	1986	HARNESS TAPE 1 1/4" Vinyl (100 Ft. Roll) Non-Adhesive	\$15.00	M
R0058272	1987	HARNESS TAPE 3/4" Vinyl (100 Ft. Roll) Non-Adhesive	\$12.00	M
R0058276	1987	HARNESS TAPE 1" Vinyl (100 Ft. Roll) Non-Adhesive	\$13.00	M
R0067108	1987	HARNESS TAPE 1 1/4" Vinyl (100 Ft. Roll) Non-Adhesive	\$15.00	M
R0058272	1988	HARNESS TAPE 3/4" Vinyl (100 Ft. Roll) Non-Adhesive	\$12.00	M
R0058276	1988	HARNESS TAPE 1" Vinyl (100 Ft. Roll) Non-Adhesive	\$13.00	M
R0067108	1988	HARNESS TAPE 1 1/4" Vinyl (100 Ft. Roll) Non-Adhesive	\$15.00	M
R0058272	1989	HARNESS TAPE 3/4" Vinyl (100 Ft. Roll) Non-Adhesive	\$12.00	M
R0058276	1989	HARNESS TAPE 1" Vinyl (100 Ft. Roll) Non-Adhesive	\$13.00	M

Part Number	Year	Description	Price	*Rev.
R0067108	1989	HARNESS TAPE 1 1/4" Vinyl (100 Ft. Roll) Non-Adhesive	\$15.00	M
R0058272	1990	HARNESS TAPE 3/4" Vinyl (100 Ft. Roll) Non-Adhesive	\$12.00	M
R0058276	1990	HARNESS TAPE 1" Vinyl (100 Ft. Roll) Non-Adhesive	\$13.00	M
R0067108	1990	HARNESS TAPE 1 1/4" Vinyl (100 Ft. Roll) Non-Adhesive	\$15.00	M
R0058272	1991	HARNESS TAPE 3/4" Vinyl (100 Ft. Roll) Non-Adhesive	\$12.00	M
R0058276	1991	HARNESS TAPE 1" Vinyl (100 Ft. Roll) Non-Adhesive	\$13.00	M
R0067108	1991	HARNESS TAPE 1 1/4" Vinyl (100 Ft. Roll) Non-Adhesive	\$15.00	M
<b>HEADLAMP DIMMER SWITCH</b>				
01997008	1929	HEADLAMP DIMMER SWITCH	\$12.00	N
01997008	1930	HEADLAMP DIMMER SWITCH	\$12.00	N
01997008	1931	HEADLAMP DIMMER SWITCH	\$12.00	N
01997008	1932	HEADLAMP DIMMER SWITCH	\$12.00	N
01997008	1933	HEADLAMP DIMMER SWITCH	\$12.00	N
01997008	1934	HEADLAMP DIMMER SWITCH	\$12.00	N
01997008	1935	HEADLAMP DIMMER SWITCH	\$12.00	N
01997008	1936	HEADLAMP DIMMER SWITCH	\$12.00	N
01997008	1937	HEADLAMP DIMMER SWITCH	\$12.00	N
01997008	1938	HEADLAMP DIMMER SWITCH	\$12.00	N
01997008	1939	HEADLAMP DIMMER SWITCH	\$12.00	N
01997008	1940	HEADLAMP DIMMER SWITCH	\$12.00	N
01997008	1941	HEADLAMP DIMMER SWITCH	\$12.00	N
01997008	1942	HEADLAMP DIMMER SWITCH	\$12.00	N
01997008	1946	HEADLAMP DIMMER SWITCH	\$12.00	N
01997008	1947	HEADLAMP DIMMER SWITCH	\$12.00	N
01997008	1948	HEADLAMP DIMMER SWITCH	\$12.00	N
01997008	1949	HEADLAMP DIMMER SWITCH	\$12.00	N
01997008	1950	HEADLAMP DIMMER SWITCH	\$12.00	N
01997008	1951	HEADLAMP DIMMER SWITCH	\$12.00	N
01997008	1952	HEADLAMP DIMMER SWITCH	\$12.00	N
01997008	1953	HEADLAMP DIMMER SWITCH	\$12.00	N
01997008	1954	HEADLAMP DIMMER SWITCH	\$12.00	N
01997008	1955	HEADLAMP DIMMER SWITCH 6 Volt	\$12.00	N
01997021	1955	HEADLAMP DIMMER SWITCH 12 Volt	\$19.00	N
01997021	1956	HEADLAMP DIMMER SWITCH	\$19.00	N
01997023	1957	HEADLAMP DIMMER SWITCH	\$16.00	N
01997023	1958	HEADLAMP DIMMER SWITCH	\$16.00	N
01997023	1959	HEADLAMP DIMMER SWITCH	\$16.00	N
01997023	1960	HEADLAMP DIMMER SWITCH	\$16.00	N
01997028	1961	HEADLAMP DIMMER SWITCH	\$7.50	N
01997028	1962	HEADLAMP DIMMER SWITCH	\$7.50	N
01997028	1963	HEADLAMP DIMMER SWITCH	\$7.50	N
01997028	1964	HEADLAMP DIMMER SWITCH	\$7.50	N
01997023	1965	HEADLAMP DIMMER SWITCH Without 4 Wheel Drive	\$16.00	N
01997028	1965	HEADLAMP DIMMER SWITCH	\$7.50	N
01997023	1966	HEADLAMP DIMMER SWITCH Without 4 Wheel Drive	\$16.00	N
01997028	1966	HEADLAMP DIMMER SWITCH	\$7.50	N
01997028	1967	HEADLAMP DIMMER SWITCH	\$7.50	N



Part Number	Year	Description	Price	*Rev.
01997028	1968	HEADLAMP DIMMER SWITCH	\$7.50	N
01997028	1969	HEADLAMP DIMMER SWITCH	\$7.50	N
01997028	1970	HEADLAMP DIMMER SWITCH	\$7.50	N
07844166	1984	HEADLAMP DIMMER SWITCH Column Mounted	\$13.00	N
07844166	1985	HEADLAMP DIMMER SWITCH Column Mounted	\$13.00	N
07844166	1986	HEADLAMP DIMMER SWITCH Column Mounted	\$13.00	N
07844166	1987	HEADLAMP DIMMER SWITCH Column Mounted Note: RV Model, Square Body Style.	\$13.00	N
07844166	1988	HEADLAMP DIMMER SWITCH Column Mounted Note: RV Model, Square Body Style.	\$13.00	N
07844166	1989	HEADLAMP DIMMER SWITCH Column Mounted Note: RV Model, Square Body Style.	\$13.00	N
07844166	1990	HEADLAMP DIMMER SWITCH Column Mounted Note: RV Model, Square Body Style.	\$13.00	N
07844166	1991	HEADLAMP DIMMER SWITCH Column Mounted Note: RV Model, Square Body Style.	\$13.00	N
<b>HEADLAMP EXTENSION HARNESS</b>				
03340	1960	HEADLAMP EXTENSION HARNESS Dual Headlights, Front Grill Extension	\$98.00	
03340	1961	HEADLAMP EXTENSION HARNESS Dual Headlights, Front Grill Extension	\$98.00	
20690	1962	HEADLAMP EXTENSION HARNESS Single Headlights, Front Grill Extension	\$94.00	
04720	1963	HEADLAMP EXTENSION HARNESS Single Headlights, Front Grill Extension	\$80.00	
04720	1964	HEADLAMP EXTENSION HARNESS Single Headlights, Front Grill Extension	\$80.00	
04720	1965	HEADLAMP EXTENSION HARNESS Single Headlights, Front Grill Extension	\$80.00	
04720	1966	HEADLAMP EXTENSION HARNESS Single Headlights, Front Grill Extension	\$80.00	
<b>HEADLIGHT BUCKET EXTENSION HARNESS</b>				
20225	1955	HEADLIGHT BUCKET EXTENSION HARNESS Set Of 2	\$48.00	
20225	1956	HEADLIGHT BUCKET EXTENSION HARNESS Set Of 2	\$48.00	
20225	1957	HEADLIGHT BUCKET EXTENSION HARNESS Set Of 2	\$48.00	
19645	1958	HEADLIGHT BUCKET EXTENSION HARNESS Set Of 2	\$63.00	
19645	1959	HEADLIGHT BUCKET EXTENSION HARNESS Set Of 2	\$63.00	
<b>HEADLIGHT SWITCH</b>				
01995041	1947	HEADLIGHT SWITCH Snap On Terminal Note: Used On Vehicles With A Fused Dome, Stop Lamp, & Glove Box Light Circuit.	\$62.00	N
01995031	1947	HEADLIGHT SWITCH With Screw Terminals Note: Used On Vehicles Without A Fused Dome, Stop Lamp, & Glove Box Light Circuit.	\$62.00	N
01995041	1948	HEADLIGHT SWITCH Snap On Terminal Note: Used On Vehicles With A Fused Dome, Stop Lamp, & Glove Box Light Circuit.	\$62.00	N
01995031	1948	HEADLIGHT SWITCH With Screw Terminals Note: Used On Vehicles Without A Fused Dome, Stop Lamp, & Glove Box Light Circuit.	\$62.00	N
01995041	1949	HEADLIGHT SWITCH Snap On Terminal Note: Used On Vehicles With A Fused Dome, Stop Lamp, & Glove Box Light Circuit.	\$62.00	N
01995031	1949	HEADLIGHT SWITCH With Screw Terminals Note: Used On Vehicles Without A Fused Dome, Stop Lamp, & Glove Box Light Circuit.	\$62.00	N
01995041	1950	HEADLIGHT SWITCH Snap On Terminal Note: Used On Vehicles With A Fused Dome, Stop Lamp, & Glove Box Light Circuit.	\$62.00	N
01995031	1950	HEADLIGHT SWITCH With Screw Terminals Note: Used On Vehicles Without A Fused Dome, Stop Lamp, & Glove Box Light Circuit.	\$62.00	N

Part Number	Year	Description	Price	*Rev.
01995041	1951	<b>HEADLIGHT SWITCH</b> Snap On Terminal Note: Used On Vehicles With A Fused Dome, Stop Lamp, & Glove Box Light Circuit.	\$62.00	N
01995041	1952	<b>HEADLIGHT SWITCH</b> Snap On Terminal Note: Used On Vehicles With A Fused Dome, Stop Lamp, & Glove Box Light Circuit.	\$62.00	N
01995041	1953	<b>HEADLIGHT SWITCH</b> Snap On Terminal Note: Used On Vehicles With A Fused Dome, Stop Lamp, & Glove Box Light Circuit.	\$62.00	N
01995041	1954	<b>HEADLIGHT SWITCH</b> Snap On Terminal Note: Used On Vehicles With A Fused Dome, Stop Lamp, & Glove Box Light Circuit.	\$62.00	N
01995041	1955	<b>HEADLIGHT SWITCH</b> 6 Volt, Snap On Terminal Note: Used On Vehicles With A Fused Dome, Stop Lamp, & Glove Box Light Circuit.	\$62.00	N
01995082	1955	<b>HEADLIGHT SWITCH</b> 12 Volt	\$45.00	
01995082	1956	<b>HEADLIGHT SWITCH</b> All	\$45.00	
01995082	1957	<b>HEADLIGHT SWITCH</b> All	\$45.00	
01995082	1958	<b>HEADLIGHT SWITCH</b> All	\$45.00	
01995082	1959	<b>HEADLIGHT SWITCH</b> All	\$45.00	
01995096	1960	<b>HEADLIGHT SWITCH</b> All	\$31.00	
01995096	1961	<b>HEADLIGHT SWITCH</b> All	\$31.00	
01995096	1962	<b>HEADLIGHT SWITCH</b> All	\$31.00	
01995096	1963	<b>HEADLIGHT SWITCH</b> All	\$31.00	
01995179	1964	<b>HEADLIGHT SWITCH</b>	\$20.00	N
01995179	1965	<b>HEADLIGHT SWITCH</b>	\$20.00	N
01995179	1966	<b>HEADLIGHT SWITCH</b>	\$20.00	N
01995179	1967	<b>HEADLIGHT SWITCH</b>	\$20.00	N
01995179	1968	<b>HEADLIGHT SWITCH</b>	\$20.00	N
01995179	1969	<b>HEADLIGHT SWITCH</b>	\$20.00	N
01995179	1970	<b>HEADLIGHT SWITCH</b>	\$20.00	N
01995179	1971	<b>HEADLIGHT SWITCH</b>	\$20.00	N
01995179	1972	<b>HEADLIGHT SWITCH</b>	\$20.00	N
01995216	1973	<b>HEADLIGHT SWITCH</b>	\$20.00	N
01995216	1974	<b>HEADLIGHT SWITCH</b>	\$20.00	N
01995216	1975	<b>HEADLIGHT SWITCH</b>	\$20.00	N
01995216	1976	<b>HEADLIGHT SWITCH</b>	\$20.00	N
01995216	1977	<b>HEADLIGHT SWITCH</b>	\$20.00	N
01995216	1978	<b>HEADLIGHT SWITCH</b>	\$20.00	N
01995216	1979	<b>HEADLIGHT SWITCH</b>	\$20.00	N
01995216	1980	<b>HEADLIGHT SWITCH</b>	\$20.00	N
01995216	1981	<b>HEADLIGHT SWITCH</b>	\$20.00	N
01995216	1982	<b>HEADLIGHT SWITCH</b>	\$20.00	N
01995216	1983	<b>HEADLIGHT SWITCH</b>	\$20.00	N
01995216	1984	<b>HEADLIGHT SWITCH</b>	\$20.00	N
01995216	1985	<b>HEADLIGHT SWITCH</b>	\$20.00	N
01995216	1986	<b>HEADLIGHT SWITCH</b>	\$20.00	N
01995216	1987	<b>HEADLIGHT SWITCH</b> RV Body Style	\$20.00	N
01995216	1988	<b>HEADLIGHT SWITCH</b> RV Body Style	\$20.00	N
01995216	1989	<b>HEADLIGHT SWITCH</b> RV Body Style	\$20.00	N
01995216	1990	<b>HEADLIGHT SWITCH</b> RV Body Style	\$20.00	N
01995216	1991	<b>HEADLIGHT SWITCH</b> RV Body Style	\$20.00	N

Part Number	Year	Description	Price	*Rev.
<b>HEATER BLOWER MOTOR RESISTOR</b>				
03929052	1938	HEATER BLOWER MOTOR RESISTOR Without A/C	\$15.00	N
03929052	1939	HEATER BLOWER MOTOR RESISTOR Without A/C	\$15.00	N
03929052	1940	HEATER BLOWER MOTOR RESISTOR Without A/C	\$15.00	N
03929052	1941	HEATER BLOWER MOTOR RESISTOR Without A/C	\$15.00	N
03929052	1942	HEATER BLOWER MOTOR RESISTOR Without A/C	\$15.00	N
03929052	1946	HEATER BLOWER MOTOR RESISTOR Without A/C	\$15.00	N
03929052	1947	HEATER BLOWER MOTOR RESISTOR Without A/C	\$15.00	N
03929052	1948	HEATER BLOWER MOTOR RESISTOR Without A/C	\$15.00	N
03929052	1949	HEATER BLOWER MOTOR RESISTOR Without A/C	\$15.00	N
03929052	1950	HEATER BLOWER MOTOR RESISTOR Without A/C	\$15.00	N
03929052	1951	HEATER BLOWER MOTOR RESISTOR Without A/C	\$15.00	N
03929052	1952	HEATER BLOWER MOTOR RESISTOR Without A/C	\$15.00	N
03929052	1953	HEATER BLOWER MOTOR RESISTOR Without A/C	\$15.00	N
03929052	1954	HEATER BLOWER MOTOR RESISTOR Without A/C	\$15.00	N
03929052	1955	HEATER BLOWER MOTOR RESISTOR Without A/C	\$15.00	N
03929052	1956	HEATER BLOWER MOTOR RESISTOR Without A/C	\$15.00	N
03929052	1957	HEATER BLOWER MOTOR RESISTOR Without A/C	\$15.00	N
03929052	1958	HEATER BLOWER MOTOR RESISTOR Without A/C	\$15.00	N
03929052	1959	HEATER BLOWER MOTOR RESISTOR Without A/C	\$15.00	N
03929052	1960	HEATER BLOWER MOTOR RESISTOR Without A/C	\$15.00	N
03929052	1961	HEATER BLOWER MOTOR RESISTOR Without A/C	\$15.00	N
03929052	1962	HEATER BLOWER MOTOR RESISTOR Without A/C	\$15.00	N
03929052	1963	HEATER BLOWER MOTOR RESISTOR Without A/C	\$15.00	N
03929052	1964	HEATER BLOWER MOTOR RESISTOR Without A/C	\$15.00	N
03929052	1965	HEATER BLOWER MOTOR RESISTOR Without A/C	\$15.00	N
03929052	1966	HEATER BLOWER MOTOR RESISTOR Without A/C	\$15.00	N
03929052	1967	HEATER BLOWER MOTOR RESISTOR Without A/C	\$15.00	N
03929052	1968	HEATER BLOWER MOTOR RESISTOR Without A/C	\$15.00	N
03929052	1969	HEATER BLOWER MOTOR RESISTOR Without A/C	\$15.00	N
03929052	1970	HEATER BLOWER MOTOR RESISTOR Without A/C	\$15.00	N
03929052	1971	HEATER BLOWER MOTOR RESISTOR Without A/C	\$15.00	N
03929052	1972	HEATER BLOWER MOTOR RESISTOR Without A/C	\$15.00	N
03929052	1982	HEATER BLOWER MOTOR RESISTOR Suburban, Auxiliary Blower Motor, Without A/C	\$15.00	N
03929052	1983	HEATER BLOWER MOTOR RESISTOR Suburban, Auxiliary Blower Motor, Without A/C	\$15.00	N
03929052	1984	HEATER BLOWER MOTOR RESISTOR Suburban, Auxiliary Blower Motor, Without A/C	\$15.00	N
03929052	1985	HEATER BLOWER MOTOR RESISTOR Suburban, Auxiliary Blower Motor, Without A/C	\$15.00	N
03929052	1986	HEATER BLOWER MOTOR RESISTOR Suburban, Auxiliary Blower Motor, Without A/C	\$15.00	N
03929052	1987	HEATER BLOWER MOTOR RESISTOR Suburban, Auxiliary Blower Motor, Without A/C	\$15.00	N
03929052	1988	HEATER BLOWER MOTOR RESISTOR Suburban, Auxiliary Blower Motor, Without A/C	\$15.00	N
03929052	1989	HEATER BLOWER MOTOR RESISTOR Suburban, Auxiliary Blower Motor, Without A/C	\$15.00	N
03929052	1990	HEATER BLOWER MOTOR RESISTOR Suburban, Auxiliary Blower Motor, Without A/C	\$15.00	N
03929052	1991	HEATER BLOWER MOTOR RESISTOR Suburban, Auxiliary Blower Motor, Without A/C	\$15.00	N
<b>HEATER BLOWER MOTOR SWITCH</b>				
03757698	1955	HEATER BLOWER MOTOR SWITCH With Deluxe Heater	\$39.00	N
03757698	1956	HEATER BLOWER MOTOR SWITCH With Deluxe Heater	\$39.00	N

Part Number	Year	Description	Price	*Rev.
03757698	1957	HEATER BLOWER MOTOR SWITCH With Deluxe Heater	\$39.00	N
03757698	1958	HEATER BLOWER MOTOR SWITCH With Deluxe Heater	\$39.00	N
03757698	1959	HEATER BLOWER MOTOR SWITCH With Deluxe Heater	\$39.00	N
03840039	1964	HEATER BLOWER MOTOR SWITCH With Deluxe Heater, Without A/C	\$13.00	
03840039	1965	HEATER BLOWER MOTOR SWITCH With Deluxe Heater, Without A/C	\$13.00	
03840039	1966	HEATER BLOWER MOTOR SWITCH With Deluxe Heater, Without A/C	\$13.00	
03840039	1967	HEATER BLOWER MOTOR SWITCH Without A/C	\$13.00	
03857992	1967	HEATER BLOWER MOTOR SWITCH With A/C	\$17.00	
03840039	1968	HEATER BLOWER MOTOR SWITCH Without A/C	\$13.00	
03857992	1968	HEATER BLOWER MOTOR SWITCH With A/C	\$17.00	
03840039	1969	HEATER BLOWER MOTOR SWITCH Without A/C	\$13.00	
03857992	1969	HEATER BLOWER MOTOR SWITCH With A/C	\$17.00	
03840039	1970	HEATER BLOWER MOTOR SWITCH Without A/C	\$13.00	
03857992	1970	HEATER BLOWER MOTOR SWITCH With A/C	\$17.00	
03840039	1971	HEATER BLOWER MOTOR SWITCH Without A/C	\$13.00	
03857992	1971	HEATER BLOWER MOTOR SWITCH With A/C	\$17.00	
03857992	1972	HEATER BLOWER MOTOR SWITCH With A/C	\$17.00	
03840039	1972	HEATER BLOWER MOTOR SWITCH Without A/C	\$13.00	
<b>HEATER BLOWER MOTOR WIRE</b>				
30775	1964	HEATER BLOWER MOTOR WIRE Fuse Block To Blower Switch	\$18.00	
30775	1965	HEATER BLOWER MOTOR WIRE Fuse Block To Blower Switch	\$18.00	
30775	1966	HEATER BLOWER MOTOR WIRE Fuse Block To Blower Switch	\$18.00	
<b>HEATER CONTROL LAMP WIRE</b>				
19940	1964	HEATER CONTROL LAMP WIRE Deluxe Heater, Without A/C	\$18.00	
19940	1965	HEATER CONTROL LAMP WIRE Deluxe Heater, Without A/C	\$18.00	
19940	1966	HEATER CONTROL LAMP WIRE Deluxe Heater, Without A/C	\$18.00	
40132	1967	HEATER CONTROL LAMP WIRE Deluxe Heater, Without A/C	\$26.00	
40132	1968	HEATER CONTROL LAMP WIRE Deluxe Heater, Without A/C	\$26.00	
<b>HEATER HARNESS</b>				
38071	1960	HEATER HARNESS Standard 2 Speed Heater, Without A/C	\$40.00	
38071	1961	HEATER HARNESS Standard 2 Speed Heater, Without A/C	\$40.00	
38071	1962	HEATER HARNESS Standard 2 Speed Heater, Without A/C	\$40.00	
41474	1963	HEATER HARNESS Standard 2 Speed Heater, Without A/C	\$45.00	
19970	1964	HEATER HARNESS Standard 2 Speed Heater, Without A/C	\$40.00	
19925	1964	HEATER HARNESS Deluxe 3 Speed Heater, Without A/C	\$40.00	
19970	1965	HEATER HARNESS Standard 2 Speed Heater, Without A/C	\$40.00	
19925	1965	HEATER HARNESS Deluxe 3 Speed Heater, Without A/C	\$40.00	
19970	1966	HEATER HARNESS Standard 2 Speed Heater, Without A/C	\$40.00	
19925	1966	HEATER HARNESS Deluxe 3 Speed Heater, Without A/C	\$40.00	
28520	1967	HEATER HARNESS Without A/C	\$40.00	
28520	1968	HEATER HARNESS Without A/C	\$40.00	
23470	1969	HEATER HARNESS Without A/C	\$40.00	
23470	1970	HEATER HARNESS Without A/C	\$40.00	
23470	1971	HEATER HARNESS Without A/C	\$40.00	
23470	1972	HEATER HARNESS Without A/C	\$40.00	
39707	1973	HEATER HARNESS Except Heavy Duty Heater, Without A/C, (For Use With 3 Terminal Heater Resistor)	\$80.00	M

Part Number	Year	Description	Price	*Rev.
39305	1973	<b>HEATER HARNESS</b> With Heavy Duty Heater, Without A/C, (For Use With 4 Terminal Heater Resistor)	\$94.00	M
39707	1974	<b>HEATER HARNESS</b> Except Heavy Duty Heater, Without A/C, (For Use With 3 Terminal Heater Resistor)	\$80.00	M
39305	1974	<b>HEATER HARNESS</b> With Heavy Duty Heater, Without A/C, (For Use With 4 Terminal Heater Resistor)	\$94.00	M
39707	1975	<b>HEATER HARNESS</b> Except Heavy Duty Heater, Without A/C, (For Use With 3 Terminal Heater Resistor)	\$80.00	M
39305	1975	<b>HEATER HARNESS</b> With Heavy Duty Heater, Without A/C, (For Use With 4 Terminal Heater Resistor)	\$94.00	M
39707	1976	<b>HEATER HARNESS</b> Except Heavy Duty Heater, Without A/C, (For Use With 3 Terminal Heater Resistor)	\$80.00	M
39305	1976	<b>HEATER HARNESS</b> With Heavy Duty Heater, Without A/C, (For Use With 4 Terminal Heater Resistor)	\$94.00	M
39815	1976	<b>HEATER HARNESS</b> All Suburban, & 2 Wheel Drive Blazer & Jimmy, With Rear Auxiliary Heater	\$87.00	M
39707	1977	<b>HEATER HARNESS</b> Except Heavy Duty Heater, Without A/C, (For Use With 3 Terminal Heater Resistor)	\$80.00	M
39305	1977	<b>HEATER HARNESS</b> With Heavy Duty Heater, Without A/C, (For Use With 4 Terminal Heater Resistor)	\$94.00	M
39815	1977	<b>HEATER HARNESS</b> All Suburban, & 2 Wheel Drive Blazer & Jimmy, With Rear Auxiliary Heater	\$87.00	M
39707	1978	<b>HEATER HARNESS</b> Except Heavy Duty Heater, Without A/C, (For Use With 3 Terminal Heater Resistor)	\$80.00	M
39305	1978	<b>HEATER HARNESS</b> With Heavy Duty Heater, Without A/C, (For Use With 4 Terminal Heater Resistor)	\$94.00	M
39815	1978	<b>HEATER HARNESS</b> All Suburban, & 2 Wheel Drive Blazer & Jimmy, With Rear Auxiliary Heater	\$87.00	M
39707	1979	<b>HEATER HARNESS</b> Except Heavy Duty Heater, Without A/C, (For Use With 3 Terminal Heater Resistor)	\$80.00	M
39305	1979	<b>HEATER HARNESS</b> With Heavy Duty Heater, Without A/C, (For Use With 4 Terminal Heater Resistor)	\$94.00	M
39910	1979	<b>HEATER HARNESS</b> All Suburban, & 2 Wheel Drive Blazer & Jimmy, With Rear Auxiliary Heater	\$87.00	M
39707	1980	<b>HEATER HARNESS</b> Except Heavy Duty Heater, Without A/C, (For Use With 3 Terminal Heater Resistor)	\$80.00	M
39305	1980	<b>HEATER HARNESS</b> With Heavy Duty Heater, Without A/C, (For Use With 4 Terminal Heater Resistor)	\$94.00	M
39910	1980	<b>HEATER HARNESS</b> All Suburban, & 2 Wheel Drive Blazer & Jimmy, With Rear Auxiliary Heater	\$87.00	M
39910	1981	<b>HEATER HARNESS</b> All Suburban, & 2 Wheel Drive Blazer & Jimmy, With Rear Auxiliary Heater	\$87.00	M
39934	1981	<b>HEATER HARNESS</b> Except Heavy Duty Heater, Without A/C, (For Use With 3 Terminal Heater Resistor)	\$80.00	M
39935	1981	<b>HEATER HARNESS</b> With Heavy Duty Heater, Without A/C, (For Use With 4 Terminal Heater Resistor)	\$87.00	M
39934	1982	<b>HEATER HARNESS</b> Except Heavy Duty Heater, Without A/C, (For Use With 3 Terminal Heater Resistor)	\$80.00	M
39935	1982	<b>HEATER HARNESS</b> With Heavy Duty Heater, Without A/C, (For Use With 4 Terminal Heater Resistor)	\$87.00	M
<b>HOOD LAMP HARNESS</b>				
38070	1960	<b>HOOD LAMP HARNESS</b> For Park & Directional Lights In Hood	\$67.00	
38070	1961	<b>HOOD LAMP HARNESS</b> For Park & Directional Lights In Hood	\$67.00	
38082	1962	<b>HOOD LAMP HARNESS</b> For Park & Directional Lights In Hood	\$67.00	
02667	1963	<b>HOOD LAMP HARNESS</b> For Park & Directional Lights In Hood	\$67.00	

Part Number	Year	Description	Price	*Rev.
02667	1964	HOOD LAMP HARNESS For Park & Directional Lights In Hood	\$67.00	
02667	1965	HOOD LAMP HARNESS For Park & Directional Lights In Hood	\$67.00	
02667	1966	HOOD LAMP HARNESS For Park & Directional Lights In Hood	\$67.00	
<b>HORN WIRE</b>				
39706	1974	HORN WIRE Used With Hi Note Horn	\$30.00	M
39789	1975	HORN WIRE Used With Hi Note Horn	\$30.00	M
<b>IDLE SPEED SWITCH HARNESS</b>				
37523	1979	IDLE SPEED SWITCH HARNESS 1-Ton Truck, With V/8	\$66.00	M
37523	1980	IDLE SPEED SWITCH HARNESS 1-Ton Truck, With V/8	\$66.00	M
<b>IDLE STOP SOLENOID JUMPER WIRE</b>				
40013	1982	IDLE STOP SOLENOID JUMPER WIRE Idle Stop Solenoid To A/C Harness	\$26.00	M
<b>IGNITION BALLAST RESISTOR</b>				
01957154	1955	IGNITION BALLAST RESISTOR All, 12 Volt	\$12.00	N
01957154	1956	IGNITION BALLAST RESISTOR All	\$12.00	N
01957154	1957	IGNITION BALLAST RESISTOR All	\$12.00	N
01957154	1958	IGNITION BALLAST RESISTOR All	\$12.00	N
01957154	1959	IGNITION BALLAST RESISTOR All	\$12.00	N
<b>IGNITION CYLINDER AND KEYS</b>				
20071252	1973	IGNITION CYLINDER AND KEYS Chrome, All	\$18.50	N
20071252	1974	IGNITION CYLINDER AND KEYS Chrome, All	\$18.50	N
20071252	1975	IGNITION CYLINDER AND KEYS Chrome, All	\$18.50	N
20071252	1976	IGNITION CYLINDER AND KEYS Chrome, All	\$18.50	N
20071252	1977	IGNITION CYLINDER AND KEYS Chrome, All	\$18.50	N
20071252	1978	IGNITION CYLINDER AND KEYS Chrome, All, 1st Design, Used On Columns Without Lock Cylinder Retaining Screw	\$18.50	N
07833759	1978	IGNITION CYLINDER AND KEYS Chrome, All, 2nd Design, Used On Columns With Lock Cylinder Retaining Screw	\$18.50	N
07833759	1979	IGNITION CYLINDER AND KEYS Chrome, All	\$18.50	N
07833759	1980	IGNITION CYLINDER AND KEYS Chrome, All	\$18.50	N
07833759	1981	IGNITION CYLINDER AND KEYS Chrome, All	\$18.50	N
07833759	1982	IGNITION CYLINDER AND KEYS Chrome, All	\$18.50	N
07833759	1983	IGNITION CYLINDER AND KEYS Chrome, All	\$18.50	N
07833759	1984	IGNITION CYLINDER AND KEYS Chrome, All	\$18.50	N
07833759	1985	IGNITION CYLINDER AND KEYS Chrome, All	\$18.50	N
07833759	1986	IGNITION CYLINDER AND KEYS Chrome, All	\$18.50	N
07833759	1987	IGNITION CYLINDER AND KEYS Chrome, All	\$18.50	N
07833759	1988	IGNITION CYLINDER AND KEYS Chrome, All	\$18.50	N
07833759	1989	IGNITION CYLINDER AND KEYS Chrome, All	\$18.50	N
07833759	1990	IGNITION CYLINDER AND KEYS Chrome, All	\$18.50	N
07833759	1991	IGNITION CYLINDER AND KEYS Chrome, All	\$18.50	N
<b>IGNITION SWITCH</b>				
01116464	1947	IGNITION SWITCH	\$39.00	N
01116464	1948	IGNITION SWITCH	\$39.00	N
01116464	1949	IGNITION SWITCH	\$39.00	N
01116464	1950	IGNITION SWITCH	\$39.00	N
01116464	1951	IGNITION SWITCH	\$39.00	N

Part Number	Year	Description	Price	*Rev.
01116464	1952	IGNITION SWITCH	\$39.00	N
01116464	1953	IGNITION SWITCH	\$39.00	N
01116469	1954	IGNITION SWITCH 6 Volt	\$54.00	N
01116469	1955	IGNITION SWITCH 1st Series, 6 Volt	\$54.00	N
01116514	1955	IGNITION SWITCH V/8	\$50.00	N
01116514	1956	IGNITION SWITCH V/8	\$50.00	N
01116570	1957	IGNITION SWITCH 6 Cylinder, With Automatic Transmission	\$62.00	N
01116570	1957	IGNITION SWITCH V/8	\$62.00	N
01116570	1958	IGNITION SWITCH 6 Cylinder, With Automatic Transmission	\$62.00	N
01116570	1958	IGNITION SWITCH V/8	\$62.00	N
01116570	1959	IGNITION SWITCH 6 Cylinder, With Automatic Transmission	\$62.00	N
01116570	1959	IGNITION SWITCH V/8	\$62.00	N
44206	1960	IGNITION SWITCH KIT Note: Includes Wiring Adapter, Ignition Switch And Instructions.	\$54.00	N
44206	1961	IGNITION SWITCH KIT Note: Includes Wiring Adapter, Ignition Switch And Instructions.	\$54.00	N
01116626	1962	IGNITION SWITCH	\$24.00	N
01116626	1963	IGNITION SWITCH	\$24.00	N
01116626	1964	IGNITION SWITCH	\$24.00	N
01116626	1965	IGNITION SWITCH	\$24.00	N
01116626	1966	IGNITION SWITCH	\$24.00	N
01116712	1967	IGNITION SWITCH	\$18.00	N
01116712	1968	IGNITION SWITCH	\$18.00	N
01116712	1969	IGNITION SWITCH	\$18.00	N
01116712	1970	IGNITION SWITCH	\$18.00	N
01116712	1971	IGNITION SWITCH	\$18.00	N
01116712	1972	IGNITION SWITCH	\$18.00	N
01990110	1973	IGNITION SWITCH All, With Tilt	\$14.00	N
01990110	1974	IGNITION SWITCH All, With Tilt	\$14.00	N
01990110	1975	IGNITION SWITCH All, With Tilt	\$14.00	N
01990110	1976	IGNITION SWITCH All, With Tilt	\$14.00	N
01990110	1977	IGNITION SWITCH All, With Tilt	\$14.00	N
01990110	1978	IGNITION SWITCH All, With Tilt	\$14.00	N
01990110	1979	IGNITION SWITCH All, With Tilt	\$14.00	N
01990110	1980	IGNITION SWITCH All, With Tilt	\$14.00	N
01990110	1981	IGNITION SWITCH All, With Tilt	\$14.00	N
01990110	1982	IGNITION SWITCH All, With Tilt	\$14.00	N
01990110	1983	IGNITION SWITCH All, With Tilt	\$14.00	N
01990110	1984	IGNITION SWITCH All, With Tilt	\$14.00	N
01990110	1985	IGNITION SWITCH All, With Tilt	\$14.00	N
01990110	1986	IGNITION SWITCH All, With Tilt	\$14.00	N
01990110	1987	IGNITION SWITCH All, With Tilt Note: Used On R & V Body Styles.	\$14.00	N
01990110	1988	IGNITION SWITCH All, With Tilt Note: Used On R & V Body Styles.	\$14.00	N
01990110	1989	IGNITION SWITCH All, With Tilt Note: Used On R & V Body Styles.	\$14.00	N

Part Number	Year	Description	Price	*Rev.
01990110	1990	<b>IGNITION SWITCH</b> All, With Tilt Note: Used On R & V Body Styles.	\$14.00	N
01990110	1991	<b>IGNITION SWITCH</b> All, With Tilt Note: Used On R & V Body Styles.	\$14.00	N
01990110	1992	<b>IGNITION SWITCH</b> All, With Tilt	\$14.00	N
01990110	1993	<b>IGNITION SWITCH</b> All, With Tilt	\$14.00	N
01990110	1994	<b>IGNITION SWITCH</b> All, With Tilt	\$14.00	N
<b>IGNITION SWITCH ADAPTER</b>				
37444	1957	<b>IGNITION SWITCH ADAPTER</b> For Using 1955-56 Ignition Switch In 1957-59 Chevy Trucks Note: Allows 1957-59 Chevy Truck Engine Harnesses To Be Connected To The Reproduction Ignition Switch Available For 1955-56 Chevy Trucks & Cars.	\$25.00	
37444	1958	<b>IGNITION SWITCH ADAPTER</b> For Using 1955-56 Ignition Switch In 1957-59 Chevy Trucks Note: Allows 1957-59 Chevy Truck Engine Harnesses To Be Connected To The Reproduction Ignition Switch Available For 1955-56 Chevy Trucks & Cars.	\$25.00	
37444	1959	<b>IGNITION SWITCH ADAPTER</b> For Using 1955-56 Ignition Switch In 1957-59 Chevy Trucks Note: Allows 1957-59 Chevy Truck Engine Harnesses To Be Connected To The Reproduction Ignition Switch Available For 1955-56 Chevy Trucks & Cars.	\$25.00	
<b>INSTRUMENT GAUGE CLUSTER CLIP KIT</b>				
08986000	1973	<b>CLIP KIT</b> All, Instrument Gauge Cluster / Printed Circuit Board Retaining Clip Note: Replaces Original GM Part Number 08986000, Includes 12 Clips Per Kit.	\$14.00	N
08986000	1974	<b>CLIP KIT</b> All, Instrument Gauge Cluster / Printed Circuit Board Retaining Clip Note: Replaces Original GM Part Number 08986000, Includes 12 Clips Per Kit.	\$14.00	N
08986000	1975	<b>CLIP KIT</b> All, Instrument Gauge Cluster / Printed Circuit Board Retaining Clip Note: Replaces Original GM Part Number 08986000, Includes 12 Clips Per Kit.	\$14.00	N
08986000	1976	<b>CLIP KIT</b> All, Instrument Gauge Cluster / Printed Circuit Board Retaining Clip Note: Replaces Original GM Part Number 08986000, Includes 12 Clips Per Kit.	\$14.00	N
08986000	1977	<b>CLIP KIT</b> All, Instrument Gauge Cluster / Printed Circuit Board Retaining Clip Note: Replaces Original GM Part Number 08986000, Includes 12 Clips Per Kit.	\$14.00	N
08986000	1978	<b>CLIP KIT</b> All, Instrument Gauge Cluster / Printed Circuit Board Retaining Clip Note: Replaces Original GM Part Number 08986000, Includes 12 Clips Per Kit.	\$14.00	N
08986000	1979	<b>CLIP KIT</b> All, Instrument Gauge Cluster / Printed Circuit Board Retaining Clip Note: Replaces Original GM Part Number 08986000, Includes 12 Clips Per Kit.	\$14.00	N
08986000	1980	<b>CLIP KIT</b> All, Instrument Gauge Cluster / Printed Circuit Board Retaining Clip Note: Replaces Original GM Part Number 08986000, Includes 12 Clips Per Kit.	\$14.00	N
08986000	1981	<b>CLIP KIT</b> All, Instrument Gauge Cluster / Printed Circuit Board Retaining Clip Note: Replaces Original GM Part Number 08986000, Includes 12 Clips Per Kit.	\$14.00	N
08986000	1982	<b>CLIP KIT</b> All, Instrument Gauge Cluster / Printed Circuit Board Retaining Clip Note: Replaces Original GM Part Number 08986000, Includes 12 Clips Per Kit.	\$14.00	N
08986000	1983	<b>CLIP KIT</b> All, Instrument Gauge Cluster / Printed Circuit Board Retaining Clip Note: Replaces Original GM Part Number 08986000, Includes 12 Clips Per Kit.	\$14.00	N



Part Number	Year	Description	Price	*Rev.
08986000	1984	<b>CLIP KIT</b> All, Instrument Gauge Cluster / Printed Circuit Board Retaining Clip Note: Replaces Original GM Part Number 08986000, Includes 12 Clips Per Kit.	\$14.00	N
08986000	1985	<b>CLIP KIT</b> All, Instrument Gauge Cluster / Printed Circuit Board Retaining Clip Note: Replaces Original GM Part Number 08986000, Includes 12 Clips Per Kit.	\$14.00	N
08986000	1986	<b>CLIP KIT</b> All, Instrument Gauge Cluster / Printed Circuit Board Retaining Clip Note: Replaces Original GM Part Number 08986000, Includes 12 Clips Per Kit.	\$14.00	N
08986000	1987	<b>CLIP KIT</b> All, Instrument Gauge Cluster / Printed Circuit Board Retaining Clip Note: Replaces Original GM Part Number 08986000, Includes 12 Clips Per Kit.	\$14.00	N
08986000	1988	<b>CLIP KIT</b> All, Instrument Gauge Cluster / Printed Circuit Board Retaining Clip Note: Replaces Original GM Part Number 08986000, Includes 12 Clips Per Kit.	\$14.00	N
08986000	1989	<b>CLIP KIT</b> All, Instrument Gauge Cluster / Printed Circuit Board Retaining Clip Note: Replaces Original GM Part Number 08986000, Includes 12 Clips Per Kit.	\$14.00	N
08986000	1990	<b>CLIP KIT</b> All, Instrument Gauge Cluster / Printed Circuit Board Retaining Clip Note: Replaces Original GM Part Number 08986000, Includes 12 Clips Per Kit.	\$14.00	N
<b>INSTRUMENT GAUGE CLUSTER LENS</b>				
00158368	1955	<b>INSTRUMENT GAUGE CLUSTER LENS</b>	\$58.00	N
00158368	1956	<b>INSTRUMENT GAUGE CLUSTER LENS</b>	\$58.00	N
00158368	1957	<b>INSTRUMENT GAUGE CLUSTER LENS</b>	\$58.00	N
00158368	1958	<b>INSTRUMENT GAUGE CLUSTER LENS</b>	\$58.00	N
00158368	1959	<b>INSTRUMENT GAUGE CLUSTER LENS</b>	\$58.00	N
05656305	1960	<b>INSTRUMENT GAUGE CLUSTER LENS</b> With Gauges	\$56.00	N
05656320	1960	<b>INSTRUMENT GAUGE CLUSTER LENS</b> With Warning Lights	\$56.00	N
05656305	1961	<b>INSTRUMENT GAUGE CLUSTER LENS</b> With Gauges	\$56.00	N
05656320	1961	<b>INSTRUMENT GAUGE CLUSTER LENS</b> With Warning Lights	\$56.00	N
05656305	1962	<b>INSTRUMENT GAUGE CLUSTER LENS</b> With Gauges	\$56.00	N
05656320	1962	<b>INSTRUMENT GAUGE CLUSTER LENS</b> With Warning Lights	\$56.00	N
05656305	1963	<b>INSTRUMENT GAUGE CLUSTER LENS</b> With Gauges	\$56.00	N
05656320	1963	<b>INSTRUMENT GAUGE CLUSTER LENS</b> With Warning Lights	\$56.00	N
06408208	1964	<b>INSTRUMENT GAUGE CLUSTER LENS</b> With Gauges	\$39.00	N
06408516	1964	<b>INSTRUMENT GAUGE CLUSTER LENS</b> With Warning Lights	\$39.00	N
06408208	1965	<b>INSTRUMENT GAUGE CLUSTER LENS</b> With Gauges	\$39.00	N
06408516	1965	<b>INSTRUMENT GAUGE CLUSTER LENS</b> With Warning Lights	\$39.00	N
06408208	1966	<b>INSTRUMENT GAUGE CLUSTER LENS</b> With Gauges	\$39.00	N
06408516	1966	<b>INSTRUMENT GAUGE CLUSTER LENS</b> With Warning Lights	\$39.00	N
06458266	1967	<b>INSTRUMENT GAUGE CLUSTER LENS</b> With Gauges & Tachometer, Without Vacuum Gauge	\$44.00	N
44274	1967	<b>INSTRUMENT GAUGE CLUSTER LENS</b> With Gauges, Tachometer & Vacuum Gauge	\$44.00	N
06458264	1967	<b>INSTRUMENT GAUGE CLUSTER LENS</b> With Gauges, Without Tachometer Or Vacuum Gauge	\$44.00	N
06430776	1967	<b>INSTRUMENT GAUGE CLUSTER LENS</b> With Warning Lights	\$40.00	N
06458266	1968	<b>INSTRUMENT GAUGE CLUSTER LENS</b> With Gauges & Tachometer, Without Vacuum Gauge	\$44.00	N
44274	1968	<b>INSTRUMENT GAUGE CLUSTER LENS</b> With Gauges, Tachometer & Vacuum Gauge	\$44.00	N
06458264	1968	<b>INSTRUMENT GAUGE CLUSTER LENS</b> With Gauges, Without Tachometer Or Vacuum Gauge	\$44.00	N
06430776	1968	<b>INSTRUMENT GAUGE CLUSTER LENS</b> With Warning Lights	\$40.00	N
06458266	1969	<b>INSTRUMENT GAUGE CLUSTER LENS</b> With Gauges & Tachometer, Without Vacuum Gauge	\$44.00	N

Part Number	Year	Description	Price	*Rev.
44274	1969	INSTRUMENT GAUGE CLUSTER LENS With Gauges, Tachometer & Vacuum Gauge	\$44.00	N
06458264	1969	INSTRUMENT GAUGE CLUSTER LENS With Gauges, Without Tachometer Or Vacuum Gauge	\$44.00	N
06430776	1969	INSTRUMENT GAUGE CLUSTER LENS With Warning Lights	\$40.00	N
06458266	1970	INSTRUMENT GAUGE CLUSTER LENS With Gauges & Tachometer, Without Vacuum Gauge	\$44.00	N
44274	1970	INSTRUMENT GAUGE CLUSTER LENS With Gauges, Tachometer & Vacuum Gauge	\$44.00	N
06458264	1970	INSTRUMENT GAUGE CLUSTER LENS With Gauges, Without Tachometer Or Vacuum Gauge	\$44.00	N
06430776	1970	INSTRUMENT GAUGE CLUSTER LENS With Warning Lights	\$40.00	N
06458266	1971	INSTRUMENT GAUGE CLUSTER LENS With Gauges & Tachometer, Without Vacuum Gauge	\$44.00	N
44274	1971	INSTRUMENT GAUGE CLUSTER LENS With Gauges, Tachometer & Vacuum Gauge	\$44.00	N
06458264	1971	INSTRUMENT GAUGE CLUSTER LENS With Gauges, Without Tachometer Or Vacuum Gauge	\$44.00	N
06430776	1971	INSTRUMENT GAUGE CLUSTER LENS With Warning Lights	\$40.00	N
06458266	1972	INSTRUMENT GAUGE CLUSTER LENS With Gauges & Tachometer, Without Vacuum Gauge	\$44.00	N
44274	1972	INSTRUMENT GAUGE CLUSTER LENS With Gauges, Tachometer & Vacuum Gauge	\$44.00	N
06458264	1972	INSTRUMENT GAUGE CLUSTER LENS With Gauges, Without Tachometer Or Vacuum Gauge	\$44.00	N
06430776	1972	INSTRUMENT GAUGE CLUSTER LENS With Warning Lights	\$40.00	N
25017378	1973	INSTRUMENT GAUGE CLUSTER LENS With Gauges & Clock	\$50.00	N
06497473	1973	INSTRUMENT GAUGE CLUSTER LENS With Gauges, Without Clock	\$50.00	N
06497472	1973	INSTRUMENT GAUGE CLUSTER LENS With Warning Lights	\$47.00	N
25017378	1974	INSTRUMENT GAUGE CLUSTER LENS With Gauges & Clock	\$50.00	N
06497473	1974	INSTRUMENT GAUGE CLUSTER LENS With Gauges, Without Clock	\$50.00	N
06497472	1974	INSTRUMENT GAUGE CLUSTER LENS With Warning Lights	\$47.00	N
25017378	1975	INSTRUMENT GAUGE CLUSTER LENS With Gauges & Clock	\$50.00	N
06497473	1975	INSTRUMENT GAUGE CLUSTER LENS With Gauges, Without Clock	\$50.00	N
06497472	1975	INSTRUMENT GAUGE CLUSTER LENS With Warning Lights	\$47.00	N
25017378	1976	INSTRUMENT GAUGE CLUSTER LENS With Gauges & Clock	\$50.00	N
06497473	1976	INSTRUMENT GAUGE CLUSTER LENS With Gauges, Without Clock	\$50.00	N
06497472	1976	INSTRUMENT GAUGE CLUSTER LENS With Warning Lights	\$47.00	N
25017378	1977	INSTRUMENT GAUGE CLUSTER LENS With Gauges & Clock	\$50.00	N
06497473	1977	INSTRUMENT GAUGE CLUSTER LENS With Gauges, Without Clock	\$50.00	N
06497472	1977	INSTRUMENT GAUGE CLUSTER LENS With Warning Lights	\$47.00	N
25017378	1978	INSTRUMENT GAUGE CLUSTER LENS With Gauges & Clock	\$50.00	N
06497473	1978	INSTRUMENT GAUGE CLUSTER LENS With Gauges, Without Clock	\$50.00	N
06497472	1978	INSTRUMENT GAUGE CLUSTER LENS With Warning Lights	\$47.00	N
25017378	1979	INSTRUMENT GAUGE CLUSTER LENS With Gauges & Clock	\$50.00	N
06497473	1979	INSTRUMENT GAUGE CLUSTER LENS With Gauges, Without Clock	\$50.00	N
06497472	1979	INSTRUMENT GAUGE CLUSTER LENS With Warning Lights	\$47.00	N
25017378	1980	INSTRUMENT GAUGE CLUSTER LENS With Gauges & Clock	\$50.00	N
06497473	1980	INSTRUMENT GAUGE CLUSTER LENS With Gauges, Without Clock	\$50.00	N
06497472	1980	INSTRUMENT GAUGE CLUSTER LENS With Warning Lights	\$47.00	N
25044306	1981	INSTRUMENT GAUGE CLUSTER LENS With Gauges & Clock	\$50.00	N
06497473	1981	INSTRUMENT GAUGE CLUSTER LENS With Gauges, Without Clock	\$50.00	N
06497472	1981	INSTRUMENT GAUGE CLUSTER LENS With Warning Lights	\$47.00	N
25044306	1982	INSTRUMENT GAUGE CLUSTER LENS With Gauges & Clock	\$50.00	N
06497473	1982	INSTRUMENT GAUGE CLUSTER LENS With Gauges, Without Clock	\$50.00	N
06497472	1982	INSTRUMENT GAUGE CLUSTER LENS With Warning Lights	\$47.00	N
25044306	1983	INSTRUMENT GAUGE CLUSTER LENS With Gauges & Clock	\$50.00	N
06497473	1983	INSTRUMENT GAUGE CLUSTER LENS With Gauges, Without Clock	\$50.00	N

Part Number	Year	Description	Price	*Rev.
06497472	1983	INSTRUMENT GAUGE CLUSTER LENS With Warning Lights	\$47.00	N
25044306	1984	INSTRUMENT GAUGE CLUSTER LENS With Gauges & Clock	\$50.00	N
06497473	1984	INSTRUMENT GAUGE CLUSTER LENS With Gauges, Without Clock	\$50.00	N
06497472	1984	INSTRUMENT GAUGE CLUSTER LENS With Warning Lights	\$47.00	N
25044306	1985	INSTRUMENT GAUGE CLUSTER LENS With Gauges & Clock	\$50.00	N
06497473	1985	INSTRUMENT GAUGE CLUSTER LENS With Gauges, Without Clock	\$50.00	N
06497472	1985	INSTRUMENT GAUGE CLUSTER LENS With Warning Lights	\$47.00	N
25044306	1986	INSTRUMENT GAUGE CLUSTER LENS With Gauges & Clock	\$50.00	N
06497473	1986	INSTRUMENT GAUGE CLUSTER LENS With Gauges, Without Clock	\$50.00	N
06497472	1986	INSTRUMENT GAUGE CLUSTER LENS With Warning Lights	\$47.00	N
25044306	1987	INSTRUMENT GAUGE CLUSTER LENS With Gauges & Clock	\$50.00	N
06497473	1987	INSTRUMENT GAUGE CLUSTER LENS With Gauges, Without Clock	\$50.00	N
06497472	1987	INSTRUMENT GAUGE CLUSTER LENS With Warning Lights	\$47.00	N
<b>INSTRUMENT GAUGE DASH BEZEL</b>				
01500923	1947	INSTRUMENT GAUGE DASH BEZEL Chrome Note: 2 Required Per Vehicle.	\$12.00	N
01500923	1948	INSTRUMENT GAUGE DASH BEZEL Chrome Note: 2 Required Per Vehicle.	\$12.00	N
01500923	1949	INSTRUMENT GAUGE DASH BEZEL Chrome Note: 2 Required Per Vehicle.	\$12.00	N
01500923	1950	INSTRUMENT GAUGE DASH BEZEL Chrome Note: 2 Required Per Vehicle.	\$12.00	N
01500923	1951	INSTRUMENT GAUGE DASH BEZEL Chrome Note: 2 Required Per Vehicle.	\$12.00	N
01500923	1952	INSTRUMENT GAUGE DASH BEZEL Chrome Note: 2 Required Per Vehicle.	\$12.00	N
01500923	1953	INSTRUMENT GAUGE DASH BEZEL Chrome Note: 2 Required Per Vehicle.	\$12.00	N
01582659	1954	INSTRUMENT GAUGE DASH BEZEL Chrome, Chevrolet Truck Note: 2 Required Per Vehicle.	\$28.00	N
01582659	1955	INSTRUMENT GAUGE DASH BEZEL Chrome, 1st Series Chevrolet Truck Note: 2 Required Per Vehicle.	\$28.00	N
01583687	1955	INSTRUMENT GAUGE DASH BEZEL Chrome, Chevrolet Truck	\$53.00	N
01583687	1956	INSTRUMENT GAUGE DASH BEZEL Chrome, Chevrolet Truck	\$53.00	N
01583687	1957	INSTRUMENT GAUGE DASH BEZEL Chrome, Chevrolet Truck	\$53.00	N
01583687	1958	INSTRUMENT GAUGE DASH BEZEL Chrome, Chevrolet Truck	\$53.00	N
01583687	1959	INSTRUMENT GAUGE DASH BEZEL Chrome, Chevrolet Truck	\$53.00	N
06482927	1967	INSTRUMENT GAUGE DASH BEZEL With Gauges, Black With Chrome Trim	\$54.00	N
06482927	1968	INSTRUMENT GAUGE DASH BEZEL With Gauges, Black With Chrome Trim	\$54.00	N
06491404	1969	INSTRUMENT GAUGE DASH BEZEL With Gauges, Black With Chrome Trim	\$54.00	N
06491402	1969	INSTRUMENT GAUGE DASH BEZEL Without Gauges, Black With Chrome Trim	\$50.00	N
06491404	1970	INSTRUMENT GAUGE DASH BEZEL With Gauges, Black With Chrome Trim	\$54.00	N
06491402	1970	INSTRUMENT GAUGE DASH BEZEL Without Gauges, Black With Chrome Trim	\$50.00	N
06491404	1971	INSTRUMENT GAUGE DASH BEZEL With Gauges, Black With Chrome Trim	\$54.00	N
06491402	1971	INSTRUMENT GAUGE DASH BEZEL Without Gauges, Black With Chrome Trim	\$50.00	N
06491404	1972	INSTRUMENT GAUGE DASH BEZEL With Gauges, Black With Chrome Trim	\$54.00	N
06491402	1972	INSTRUMENT GAUGE DASH BEZEL Without Gauges, Black With Chrome Trim	\$50.00	N

Part Number	Year	Description	Price	*Rev.
<b>KICKDOWN HARNESS</b>				
20900	1967	<b>KICKDOWN HARNESS</b> TH400 Auto Trans, With Carb Mounted Kickdown Switch	\$43.00	
20900	1968	<b>KICKDOWN HARNESS</b> TH400 Auto Trans, With Carb Mounted Kickdown Switch	\$43.00	
20895	1969	<b>KICKDOWN HARNESS</b> TH400 Auto Trans, With Carb Mounted Kickdown Switch	\$48.00	
20890	1970	<b>KICKDOWN HARNESS</b> TH400 Auto Trans, With Carb Mounted Kickdown Switch, Without T.C.S.	\$94.00	
Note: Kickdown Harness, TH400 With T.C.S., See Transmission Controlled Spark Harness.				
40039	1971	<b>KICKDOWN HARNESS</b> TH400 Auto Trans	\$52.00	
40040	1971	<b>KICKDOWN EXTENSION HARNESS</b> TH400 Auto Trans	\$33.00	
40039	1972	<b>KICKDOWN HARNESS</b> TH400 Auto Trans	\$52.00	
40040	1972	<b>KICKDOWN EXTENSION HARNESS</b> TH400 Auto Trans	\$33.00	
39722	1973	<b>KICKDOWN HARNESS</b> With 454 V/8 & TH400 Trans, Dash Side	\$67.00	M
39721	1973	<b>KICKDOWN EXTENSION HARNESS</b> With 454 V/8 & 400 Trans, Transmission Switch To Dash Kickdown Harness	\$41.00	M
39722	1974	<b>KICKDOWN HARNESS</b> With 454 V/8 & TH400 Trans, Dash Side	\$67.00	M
39721	1974	<b>KICKDOWN EXTENSION HARNESS</b> With 454 V/8 & TH400 Trans, Transmission Switch To Kickdown Harness	\$41.00	M
39786	1975	<b>KICKDOWN HARNESS</b> With 454 V/8 & TH400 Trans, Dash Side	\$67.00	M
39360	1975	<b>KICKDOWN EXTENSION HARNESS</b> With 454 V/8 & TH400 Trans, Transmission Switch To Kickdown Harness	\$41.00	M
39786	1976	<b>KICKDOWN HARNESS</b> With 454 V/8 & TH400 Trans, Dash Side	\$67.00	M
39360	1976	<b>KICKDOWN EXTENSION HARNESS</b> With 454 V/8 & TH400 Trans, Transmission Switch To Kickdown Harness	\$41.00	M
39786	1977	<b>KICKDOWN HARNESS</b> With 454 V/8 & TH400 Trans, Dash Side	\$67.00	M
39360	1977	<b>KICKDOWN EXTENSION HARNESS</b> With 454 V/8 & TH400 Trans, Transmission Switch To Kickdown Harness	\$41.00	M
39786	1978	<b>KICKDOWN HARNESS</b> With 454 V/8 & TH400 Trans, Dash Side	\$67.00	M
39360	1978	<b>KICKDOWN EXTENSION HARNESS</b> With 454 V/8 & TH400 Trans, Transmission Switch To Kickdown Harness	\$41.00	M
39359	1979	<b>KICKDOWN HARNESS</b> With 454 V/8 & TH400 Trans, Dash Side	\$67.00	M
39360	1979	<b>KICKDOWN EXTENSION HARNESS</b> With 454 V/8 & TH400 Trans, Transmission Switch To Kickdown Harness	\$41.00	M
39359	1980	<b>KICKDOWN HARNESS</b> With 454 V/8 & TH400 Trans, Dash Side	\$67.00	M
39360	1980	<b>KICKDOWN EXTENSION HARNESS</b> With 454 V/8 & TH400 Trans, Transmission Switch To Kickdown Harness	\$41.00	M
39359	1981	<b>KICKDOWN HARNESS</b> With 454 V/8 & TH400 Trans, Dash Side	\$67.00	M
39360	1981	<b>KICKDOWN EXTENSION HARNESS</b> With 454 V/8 & TH400 Trans, Transmission Switch To Kickdown Harness	\$41.00	M
39359	1982	<b>KICKDOWN HARNESS</b> With 454 V/8 & TH400 Trans, Dash Side	\$67.00	M
39360	1982	<b>KICKDOWN EXTENSION HARNESS</b> With 454 V/8 & TH400 Trans, Transmission Switch To Kickdown Harness	\$41.00	M
<b>KICKDOWN SWITCH</b>				
01242101	1971	<b>KICKDOWN SWITCH</b> M40 Auto Trans	\$19.00	
01242101	1972	<b>KICKDOWN SWITCH</b> M40 Auto Trans	\$19.00	
01242101	1973	<b>KICKDOWN SWITCH</b> M40 Auto Trans	\$19.00	
01242101	1974	<b>KICKDOWN SWITCH</b> M40 Auto Trans	\$19.00	
01242101	1975	<b>KICKDOWN SWITCH</b> M40 Auto Trans	\$19.00	
01242101	1976	<b>KICKDOWN SWITCH</b> M40 Auto Trans	\$19.00	
01242101	1977	<b>KICKDOWN SWITCH</b> M40 Auto Trans	\$19.00	
01242101	1978	<b>KICKDOWN SWITCH</b> M40 Auto Trans	\$19.00	

Part Number	Year	Description	Price	*Rev.
01242101	1979	<b>KICKDOWN SWITCH</b> M40 Auto Trans	\$19.00	
01242101	1980	<b>KICKDOWN SWITCH</b> M40 Auto Trans	\$19.00	
01242101	1981	<b>KICKDOWN SWITCH</b> M40 Auto Trans	\$19.00	
01242101	1982	<b>KICKDOWN SWITCH</b> M40 Auto Trans	\$19.00	
01242101	1983	<b>KICKDOWN SWITCH</b> M40 Auto Trans	\$19.00	
01242101	1984	<b>KICKDOWN SWITCH</b> M40 Auto Trans	\$19.00	
01242101	1985	<b>KICKDOWN SWITCH</b> M40 Auto Trans	\$19.00	
01242101	1986	<b>KICKDOWN SWITCH</b> M40 Auto Trans	\$19.00	
01242101	1987	<b>KICKDOWN SWITCH</b> M40 Auto Trans Note: Used On R & V Models, Square Body Style.	\$19.00	
01242101	1988	<b>KICKDOWN SWITCH</b> M40 Auto Trans Note: Used On R & V Models, Square Body Style.	\$19.00	
01242101	1989	<b>KICKDOWN SWITCH</b> M40 Auto Trans Note: Used On R & V Models, Square Body Style.	\$19.00	
<b>LICENSE LAMP HARNESS</b>				
39725	1973	<b>LICENSE LAMP HARNESS</b> All Trucks, With Painted Step Bumper & Dual License Lamps	\$48.00	M
39725	1974	<b>LICENSE LAMP HARNESS</b> All Trucks, With Painted Step Bumper & Dual License Lamps	\$48.00	M
39725	1975	<b>LICENSE LAMP HARNESS</b> All Trucks, With Painted Step Bumper & Dual License Lamps	\$48.00	M
39725	1976	<b>LICENSE LAMP HARNESS</b> All Trucks With Painted Step Bumper & Dual License Lamps	\$48.00	M
39725	1977	<b>LICENSE LAMP HARNESS</b> All Trucks With Painted Step Bumper & Dual License Lamps	\$48.00	M
39872	1978	<b>LICENSE LAMP HARNESS</b> All Trucks With Painted Step Bumper & Dual License Lamps	\$48.00	M
39872	1979	<b>LICENSE LAMP HARNESS</b> All Trucks With Painted Step Bumper & Dual License Lamps	\$48.00	M
39912	1980	<b>LICENSE LAMP HARNESS</b> All Trucks, With Painted Step Bumper & Dual License Lamps	\$67.00	M
39912	1981	<b>LICENSE LAMP HARNESS</b> All Trucks, With Painted Step Bumper & Dual License Lamps	\$67.00	M
39912	1982	<b>LICENSE LAMP HARNESS</b> All Trucks, With Painted Step Bumper & Dual License Lamps	\$67.00	M
<b>LICENSE LAMP WIRE</b>				
39814	1975	<b>LICENSE LAMP WIRE</b> All, 3/4 & 1-Ton, With Rear Mounted Gas Tank, Without Pickup Bed	\$21.00	M
39814	1976	<b>LICENSE LAMP WIRE</b> All, 3/4 & 1-Ton, With Rear Mounted Gas Tank, Without Pickup Bed	\$21.00	M
39814	1977	<b>LICENSE LAMP WIRE</b> All, 3/4 & 1-Ton, With Rear Mounted Gas Tank, Without Pickup Bed	\$21.00	M
<b>LICENSE PLATE LAMP LEAD WIRE</b>				
38068	1960	<b>LICENSE PLATE LAMP LEAD WIRE</b> Panel & Suburban With Panel Type Rear Doors, From License Lamp To Rear Body Harness (Includes Original Style Door Jamb	\$20.00	
38068	1961	<b>LICENSE PLATE LAMP LEAD WIRE</b> Panel Or Suburban With Panel Type Rear Doors, From License Lamp To Rear Body Harness (Includes Original Style Door Jamb	\$20.00	
38068	1962	<b>LICENSE PLATE LAMP LEAD WIRE</b> Panel & Suburban With Panel Type Rear Doors, From License Lamp To Rear Body Harness (Includes Original Style Door Jamb	\$20.00	
38068	1963	<b>LICENSE PLATE LAMP LEAD WIRE</b> Panel & Suburban With Panel Type Rear Doors, From License Lamp To Rear Body Harness (Includes Original Style Door Jamb	\$20.00	
<b>LOW FUEL INDICATOR MODULE</b>				
500274	1947	<b>LOW FUEL INDICATOR MODULE</b> Generic "Adjustable" Low Fuel Warning Module Note: A Complete Electronic Control Unit To Activate A Warning Lamp Or Relay When Fuel Level Drops Below A User Adjustable Level. Includes instruction sheet.	\$64.00	C
500274	1948	<b>LOW FUEL INDICATOR MODULE</b> Generic "Adjustable" Low Fuel Warning Module Note: A Complete Electronic Control Unit To Activate A Warning Lamp Or Relay When Fuel Level Drops Below A User Adjustable Level. Includes instruction sheet.	\$64.00	C

Part Number	Year	Description	Price	*Rev.
500274	1949	<b>LOW FUEL INDICATOR MODULE</b> Generic "Adjustable" Low Fuel Warning Module Note: A Complete Electronic Control Unit To Activate A Warning Lamp Or Relay When Fuel Level Drops Below A User Adjustable Level. Includes instruction sheet.	\$64.00	C
500274	1950	<b>LOW FUEL INDICATOR MODULE</b> Generic "Adjustable" Low Fuel Warning Module Note: A Complete Electronic Control Unit To Activate A Warning Lamp Or Relay When Fuel Level Drops Below A User Adjustable Level. Includes instruction sheet.	\$64.00	C
500274	1951	<b>LOW FUEL INDICATOR MODULE</b> Generic "Adjustable" Low Fuel Warning Module Note: A Complete Electronic Control Unit To Activate A Warning Lamp Or Relay When Fuel Level Drops Below A User Adjustable Level. Includes instruction sheet.	\$64.00	C
500274	1952	<b>LOW FUEL INDICATOR MODULE</b> Generic "Adjustable" Low Fuel Warning Module Note: A Complete Electronic Control Unit To Activate A Warning Lamp Or Relay When Fuel Level Drops Below A User Adjustable Level. Includes instruction sheet.	\$64.00	C
500274	1953	<b>LOW FUEL INDICATOR MODULE</b> Generic "Adjustable" Low Fuel Warning Module Note: A Complete Electronic Control Unit To Activate A Warning Lamp Or Relay When Fuel Level Drops Below A User Adjustable Level. Includes instruction sheet.	\$64.00	C
500274	1954	<b>LOW FUEL INDICATOR MODULE</b> Generic "Adjustable" Low Fuel Warning Module Note: A Complete Electronic Control Unit To Activate A Warning Lamp Or Relay When Fuel Level Drops Below A User Adjustable Level. Includes instruction sheet.	\$64.00	C
500274	1955	<b>LOW FUEL INDICATOR MODULE</b> Generic "Adjustable" Low Fuel Warning Module Note: A Complete Electronic Control Unit To Activate A Warning Lamp Or Relay When Fuel Level Drops Below A User Adjustable Level. Includes instruction sheet.	\$64.00	C
500274	1956	<b>LOW FUEL INDICATOR MODULE</b> Generic "Adjustable" Low Fuel Warning Module Note: A Complete Electronic Control Unit To Activate A Warning Lamp Or Relay When Fuel Level Drops Below A User Adjustable Level. Includes instruction sheet.	\$64.00	C
500274	1957	<b>LOW FUEL INDICATOR MODULE</b> Generic "Adjustable" Low Fuel Warning Module Note: A Complete Electronic Control Unit To Activate A Warning Lamp Or Relay When Fuel Level Drops Below A User Adjustable Level. Includes instruction sheet.	\$64.00	C
500274	1958	<b>LOW FUEL INDICATOR MODULE</b> Generic "Adjustable" Low Fuel Warning Module Note: A Complete Electronic Control Unit To Activate A Warning Lamp Or Relay When Fuel Level Drops Below A User Adjustable Level. Includes instruction sheet.	\$64.00	C
500274	1959	<b>LOW FUEL INDICATOR MODULE</b> Generic "Adjustable" Low Fuel Warning Module Note: A Complete Electronic Control Unit To Activate A Warning Lamp Or Relay When Fuel Level Drops Below A User Adjustable Level. Includes instruction sheet.	\$64.00	C
500274	1960	<b>LOW FUEL INDICATOR MODULE</b> Generic "Adjustable" Low Fuel Warning Module Note: A Complete Electronic Control Unit To Activate A Warning Lamp Or Relay When Fuel Level Drops Below A User Adjustable Level. Includes instruction sheet.	\$64.00	C
500274	1961	<b>LOW FUEL INDICATOR MODULE</b> Generic "Adjustable" Low Fuel Warning Module Note: A Complete Electronic Control Unit To Activate A Warning Lamp Or Relay When Fuel Level Drops Below A User Adjustable Level. Includes instruction sheet.	\$64.00	C
500274	1962	<b>LOW FUEL INDICATOR MODULE</b> Generic "Adjustable" Low Fuel Warning Module Note: A Complete Electronic Control Unit To Activate A Warning Lamp Or Relay When Fuel Level Drops Below A User Adjustable Level. Includes instruction sheet.	\$64.00	C
500274	1963	<b>LOW FUEL INDICATOR MODULE</b> Generic "Adjustable" Low Fuel Warning Module Note: A Complete Electronic Control Unit To Activate A Warning Lamp Or Relay When Fuel Level Drops Below A User Adjustable Level. Includes instruction sheet.	\$64.00	C
500274	1964	<b>LOW FUEL INDICATOR MODULE</b> Generic "Adjustable" Low Fuel Warning Module Note: A Complete Electronic Control Unit To Activate A Warning Lamp Or Relay When Fuel Level Drops Below A User Adjustable Level. Includes instruction sheet.	\$64.00	C
500274	1965	<b>LOW FUEL INDICATOR MODULE</b> Generic "Adjustable" Low Fuel Warning Module Note: A Complete Electronic Control Unit To Activate A Warning Lamp Or Relay When Fuel Level Drops Below A User Adjustable Level. Includes instruction sheet.	\$64.00	C

Part Number	Year	Description	Price	*Rev.
500274	1966	<b>LOW FUEL INDICATOR MODULE</b> Generic "Adjustable" Low Fuel Warning Module Note: A Complete Electronic Control Unit To Activate A Warning Lamp Or Relay When Fuel Level Drops Below A User Adjustable Level. Includes instruction sheet.	\$64.00	C
500274	1967	<b>LOW FUEL INDICATOR MODULE</b> Generic "Adjustable" Low Fuel Warning Module Note: A Complete Electronic Control Unit To Activate A Warning Lamp Or Relay When Fuel Level Drops Below A User Adjustable Level. Includes instruction sheet.	\$64.00	C
500274	1968	<b>LOW FUEL INDICATOR MODULE</b> Generic "Adjustable" Low Fuel Warning Module Note: A Complete Electronic Control Unit To Activate A Warning Lamp Or Relay When Fuel Level Drops Below A User Adjustable Level. Includes instruction sheet.	\$64.00	C
500274	1969	<b>LOW FUEL INDICATOR MODULE</b> Generic "Adjustable" Low Fuel Warning Module Note: A Complete Electronic Control Unit To Activate A Warning Lamp Or Relay When Fuel Level Drops Below A User Adjustable Level. Includes instruction sheet.	\$64.00	C
500274	1970	<b>LOW FUEL INDICATOR MODULE</b> Generic "Adjustable" Low Fuel Warning Module Note: A Complete Electronic Control Unit To Activate A Warning Lamp Or Relay When Fuel Level Drops Below A User Adjustable Level. Includes instruction sheet.	\$64.00	C
500274	1971	<b>LOW FUEL INDICATOR MODULE</b> Generic "Adjustable" Low Fuel Warning Module Note: A Complete Electronic Control Unit To Activate A Warning Lamp Or Relay When Fuel Level Drops Below A User Adjustable Level. Includes instruction sheet.	\$64.00	C
500274	1972	<b>LOW FUEL INDICATOR MODULE</b> Generic "Adjustable" Low Fuel Warning Module Note: A Complete Electronic Control Unit To Activate A Warning Lamp Or Relay When Fuel Level Drops Below A User Adjustable Level. Includes instruction sheet.	\$64.00	C

**MARKER LAMP HARNESS**

39723	1973	<b>MARKER LAMP HARNESS</b> All Trucks, With Roof Mounted Cab Lights	\$106.00	M
39723	1974	<b>MARKER LAMP HARNESS</b> All Trucks, With Roof Mounted Cab Lights	\$106.00	M
39723	1975	<b>MARKER LAMP HARNESS</b> All Trucks, With Roof Mounted Cab Lights	\$106.00	M
39723	1976	<b>MARKER LAMP HARNESS</b> All Trucks, With Roof Mounted Cab Lights	\$106.00	M
39723	1977	<b>MARKER LAMP HARNESS</b> All Trucks, With Roof Mounted Cab Lights	\$106.00	M
39723	1978	<b>MARKER LAMP HARNESS</b> All Trucks, With Roof Mounted Cab Lights	\$106.00	M
39723	1979	<b>MARKER LAMP HARNESS</b> All Trucks, With Roof Mounted Cab Lights	\$106.00	M
39723	1980	<b>MARKER LAMP HARNESS</b> All Trucks, With Roof Mounted Cab Lights	\$106.00	M
39723	1981	<b>MARKER LAMP HARNESS</b> All Trucks, With Roof Mounted Cab Lights	\$106.00	M
39723	1982	<b>MARKER LAMP HARNESS</b> All Trucks, With Roof Mounted Cab Lights	\$106.00	M

**NEUTRAL SAFETY AND BACKUP LAMP SWITCH**

01993659	1960	<b>NEUTRAL SAFETY AND BACKUP LAMP SWITCH</b> With Column Shift Powerglide Auto Trans	\$12.00	
01993320	1960	<b>NEUTRAL SAFETY AND BACKUP LAMP SWITCH</b> With Column Shift TH350-400 Auto Trans	\$12.00	
01993659	1961	<b>NEUTRAL SAFETY AND BACKUP LAMP SWITCH</b> With Column Shift Powerglide Auto Trans	\$12.00	
01993320	1961	<b>NEUTRAL SAFETY AND BACKUP LAMP SWITCH</b> With Column Shift TH350-400 Auto Trans	\$12.00	
01993659	1962	<b>NEUTRAL SAFETY AND BACKUP LAMP SWITCH</b> With Column Shift Powerglide Auto Trans	\$12.00	
01993320	1962	<b>NEUTRAL SAFETY AND BACKUP LAMP SWITCH</b> With Column Shift TH350-400 Auto Trans	\$12.00	
01993659	1963	<b>NEUTRAL SAFETY AND BACKUP LAMP SWITCH</b> With Column Shift Powerglide Auto Trans	\$12.00	
01993320	1963	<b>NEUTRAL SAFETY AND BACKUP LAMP SWITCH</b> With Column Shift TH350-400 Auto Trans	\$12.00	
01993659	1964	<b>NEUTRAL SAFETY AND BACKUP LAMP SWITCH</b> With Column Shift Powerglide Auto Trans	\$12.00	
01993320	1964	<b>NEUTRAL SAFETY AND BACKUP LAMP SWITCH</b> With Column Shift TH350-400 Auto Trans	\$12.00	
01993659	1965	<b>NEUTRAL SAFETY AND BACKUP LAMP SWITCH</b> With Column Shift Powerglide Auto Trans	\$12.00	
01993320	1965	<b>NEUTRAL SAFETY AND BACKUP LAMP SWITCH</b> With Column Shift TH350-400 Auto Trans	\$12.00	
01993659	1966	<b>NEUTRAL SAFETY AND BACKUP LAMP SWITCH</b> With Column Shift Powerglide Auto Trans	\$12.00	
01993320	1966	<b>NEUTRAL SAFETY AND BACKUP LAMP SWITCH</b> With Column Shift TH350-400 Auto Trans	\$12.00	
01993659	1967	<b>NEUTRAL SAFETY AND BACKUP LAMP SWITCH</b> With Column Shift Powerglide Auto Trans	\$12.00	
01993320	1967	<b>NEUTRAL SAFETY AND BACKUP LAMP SWITCH</b> With Column Shift TH350-400 Auto Trans	\$12.00	

Part Number	Year	Description	Price	*Rev.
01993659	1968	NEUTRAL SAFETY AND BACKUP LAMP SWITCH With Column Shift Powerglide Auto Trans	\$12.00	
01993320	1968	NEUTRAL SAFETY AND BACKUP LAMP SWITCH With Column Shift TH350-400 Auto Trans	\$12.00	
01993659	1969	NEUTRAL SAFETY AND BACKUP LAMP SWITCH With Column Shift Powerglide Auto Trans	\$12.00	
01993320	1969	NEUTRAL SAFETY AND BACKUP LAMP SWITCH With Column Shift TH350-400 Auto Trans	\$12.00	
01993659	1970	NEUTRAL SAFETY AND BACKUP LAMP SWITCH With Column Shift Powerglide Auto Trans	\$12.00	
01993320	1970	NEUTRAL SAFETY AND BACKUP LAMP SWITCH With Column Shift TH350-400 Auto Trans	\$12.00	
01993659	1971	NEUTRAL SAFETY AND BACKUP LAMP SWITCH With Column Shift Powerglide Auto Trans	\$12.00	
01993320	1971	NEUTRAL SAFETY AND BACKUP LAMP SWITCH With Column Shift TH350-400 Auto Trans	\$12.00	
01993659	1972	NEUTRAL SAFETY AND BACKUP LAMP SWITCH With Column Shift Powerglide Auto Trans	\$12.00	
01993320	1972	NEUTRAL SAFETY AND BACKUP LAMP SWITCH With Column Shift TH350-400 Auto Trans	\$12.00	
01994235	1973	NEUTRAL SAFETY AND BACKUP LAMP SWITCH With Column Shift TH350-400 Auto Trans	\$19.00	M
01994235	1974	NEUTRAL SAFETY AND BACKUP LAMP SWITCH With Column Shift TH350-400 Auto Trans	\$19.00	M
01994235	1975	NEUTRAL SAFETY AND BACKUP LAMP SWITCH With Column Shift TH350-400 Auto Trans	\$19.00	M
01994163	1976	NEUTRAL SAFETY AND BACKUP LAMP SWITCH With Auto Trans, All	\$19.00	M
01994163	1977	NEUTRAL SAFETY AND BACKUP LAMP SWITCH With Auto Trans, All	\$19.00	M
01994163	1978	NEUTRAL SAFETY AND BACKUP LAMP SWITCH With Auto Trans, All	\$19.00	M
01994163	1979	NEUTRAL SAFETY AND BACKUP LAMP SWITCH With Auto Trans, All	\$19.00	M
01994163	1980	NEUTRAL SAFETY AND BACKUP LAMP SWITCH With Auto Trans, All	\$19.00	M
<b>OIL PRESSURE GAUGE</b>				
01507088	1947	OIL PRESSURE GAUGE 0-30 Lbs., Red Needle	\$74.00	N
44226	1947	OIL PRESSURE GAUGE 0-60 Lbs., Red Needle Note: GM Did Not Sell This Gauge Originally, This Gauge Has A Range From 0-60 Lbs, But Still Maintains The Original Appearance.	\$74.00	N
01507088	1948	OIL PRESSURE GAUGE 0-30 Lbs., Red Needle	\$74.00	N
44226	1948	OIL PRESSURE GAUGE 0-60 Lbs., Red Needle Note: GM Did Not Sell This Gauge Originally, This Gauge Has A Range From 0-60 Lbs, But Still Maintains The Original Appearance.	\$74.00	N
01507401	1949	OIL PRESSURE GAUGE 0-30 Lbs, White Needle	\$74.00	N
01507963	1949	OIL PRESSURE GAUGE 0-60 Lbs, White Needle	\$74.00	N
01507401	1950	OIL PRESSURE GAUGE 0-30 Lbs, White Needle	\$74.00	N
01507963	1950	OIL PRESSURE GAUGE 0-60 Lbs, White Needle	\$74.00	N
01507401	1951	OIL PRESSURE GAUGE 0-30 Lbs, White Needle	\$74.00	N
01507963	1951	OIL PRESSURE GAUGE 0-60 Lbs, White Needle	\$74.00	N
01507401	1952	OIL PRESSURE GAUGE 0-30 Lbs, White Needle	\$74.00	N
01507963	1952	OIL PRESSURE GAUGE 0-60 Lbs, White Needle	\$74.00	N
01507401	1953	OIL PRESSURE GAUGE 0-30 Lbs, White Needle	\$74.00	N
01507963	1953	OIL PRESSURE GAUGE 0-60 Lbs, White Needle	\$74.00	N
01508014	1954	OIL GAUGE	\$74.00	N
01508014	1955	OIL GAUGE 1st Series	\$74.00	N
01508246	1955	OIL GAUGE	\$85.00	N
01508246	1956	OIL GAUGE	\$85.00	N
01508246	1957	OIL GAUGE	\$85.00	N
01508246	1958	OIL GAUGE	\$85.00	N
01508246	1959	OIL GAUGE	\$85.00	N
01509021	1960	OIL GAUGE	\$74.00	N
01509021	1961	OIL GAUGE	\$74.00	N
01509021	1962	OIL GAUGE	\$74.00	N



Part Number	Year	Description	Price	*Rev.
01509021	1963	<b>OIL GAUGE</b>	\$74.00	N
01582460	1964	<b>OIL GAUGE</b>	\$74.00	N
01582460	1965	<b>OIL GAUGE</b>	\$74.00	N
01582460	1966	<b>OIL GAUGE</b>	\$74.00	N
06460746	1967	<b>OIL PRESSURE GAUGE</b> 0-60 Lbs.	\$70.00	N
44221	1967	<b>OIL PRESSURE GAUGE</b> With 0-60 Lbs. Numeric Face Plate Note: This Is A Replacement For OEM Gauge 06460746 (With Low & High Graduations) In Trucks With Factory Gauge Type Clusters.	\$54.00	N
06460746	1968	<b>OIL PRESSURE GAUGE</b> 0-60 Lbs.	\$70.00	N
44221	1968	<b>OIL PRESSURE GAUGE</b> With 0-60 Lbs. Numeric Face Plate Note: This Is A Replacement For OEM Gauge 06460746 (With Low & High Graduations) In Trucks With Factory Gauge Type Clusters.	\$54.00	N
06460746	1969	<b>OIL PRESSURE GAUGE</b> 0-60 Lbs.	\$70.00	N
44221	1969	<b>OIL PRESSURE GAUGE</b> With 0-60 Lbs. Numeric Face Plate Note: This Is A Replacement For OEM Gauge 06460746 (With Low & High Graduations) In Trucks With Factory Gauge Type Clusters.	\$54.00	N
06460746	1970	<b>OIL PRESSURE GAUGE</b> 0-60 Lbs.	\$70.00	N
44221	1970	<b>OIL PRESSURE GAUGE</b> With 0-60 Lbs. Numeric Face Plate Note: This Is A Replacement For OEM Gauge 06460746 (With Low & High Graduations) In Trucks With Factory Gauge Type Clusters.	\$54.00	N
06460746	1971	<b>OIL PRESSURE GAUGE</b> 0-60 Lbs.	\$70.00	N
44221	1971	<b>OIL PRESSURE GAUGE</b> With 0-60 Lbs. Numeric Face Plate Note: This Is A Replacement For OEM Gauge 06460746 (With Low & High Graduations) In Trucks With Factory Gauge Type Clusters.	\$54.00	N
06460746	1972	<b>OIL PRESSURE GAUGE</b> 0-60 Lbs.	\$70.00	N
44221	1972	<b>OIL PRESSURE GAUGE</b> With 0-60 Lbs. Numeric Face Plate Note: This Is A Replacement For OEM Gauge 06460746 (With Low & High Graduations) In Trucks With Factory Gauge Type Clusters.	\$54.00	N
06463341	1973	<b>OIL PRESSURE GAUGE</b> Fire Orange Needle, Mechanical Type	\$54.00	N
06463341	1974	<b>OIL PRESSURE GAUGE</b> Fire Orange Needle, Mechanical Type	\$54.00	N
06463341	1975	<b>OIL PRESSURE GAUGE</b> Fire Orange Needle, Mechanical Type	\$54.00	N
06463341	1976	<b>OIL PRESSURE GAUGE</b> Fire Orange Needle, Mechanical Type	\$54.00	N
06463341	1977	<b>OIL PRESSURE GAUGE</b> Fire Orange Needle, Mechanical Type	\$54.00	N
25025164	1978	<b>OIL PRESSURE GAUGE</b> Fire Orange Needle, Electric Type	\$54.00	N
25025164	1979	<b>OIL PRESSURE GAUGE</b> 1st Design, Fire Orange Needle, Electric Type	\$54.00	N
25025563	1979	<b>OIL PRESSURE GAUGE</b> 2nd Design, Light Orange Needle, Electric Type	\$54.00	N
25025563	1980	<b>OIL PRESSURE GAUGE</b> Light Orange Needle, Electric Type	\$54.00	N
25025563	1981	<b>OIL PRESSURE GAUGE</b> Light Orange Needle, Electric Type	\$54.00	N
25025563	1982	<b>OIL PRESSURE GAUGE</b> Light Orange Needle, Electric Type	\$54.00	N
25025563	1983	<b>OIL PRESSURE GAUGE</b> Light Orange Needle, Electric Type	\$54.00	N
25025563	1984	<b>OIL PRESSURE GAUGE</b> Light Orange Needle, Electric Type	\$54.00	N
25025563	1985	<b>OIL PRESSURE GAUGE</b> Light Orange Needle, Electric Type	\$54.00	N
25025563	1986	<b>OIL PRESSURE GAUGE</b> Light Orange Needle, Electric Type	\$54.00	N
25025563	1987	<b>OIL PRESSURE GAUGE</b> Light Orange Needle, Electric Type	\$54.00	N
<b>OVERDRIVE HARNESS</b>				
02280	1955	<b>OVERDRIVE HARNESS</b> V/8	\$132.00	
02280	1956	<b>OVERDRIVE HARNESS</b> V/8	\$132.00	
02545	1957	<b>OVERDRIVE HARNESS</b> V/8	\$132.00	

Part Number	Year	Description	Price	*Rev.
<b>POWER ACCESSORY FEED WIRE</b>				
20560	1973	<b>POWER ACCESSORY FEED WIRE</b> Suburban, Blazer & Jimmy, Junction Block To Circuit Breaker, Power Tailgate Window	\$27.00	M
20560	1974	<b>POWER ACCESSORY FEED WIRE</b> Suburban, Blazer & Jimmy, Junction Block To Circuit Breaker, Power Tailgate Window	\$27.00	M
39787	1975	<b>POWER ACCESSORY FEED WIRE</b> Suburban, Blazer & Jimmy, Junction Block To Circuit Breaker, Power Tailgate Window	\$27.00	M
39787	1976	<b>POWER ACCESSORY FEED WIRE</b> Suburban, Blazer & Jimmy, Junction Block To Circuit Breaker, Power Tailgate Window	\$27.00	M
39736	1977	<b>POWER ACCESSORY FEED WIRE</b> 2 Door Models, Junction Block To Power Window Circuit Breaker	\$27.00	M
39832	1977	<b>POWER ACCESSORY FEED WIRE</b> Suburban, Blazer & Jimmy, Junction Block To Circuit Breaker, Power Tailgate Window	\$34.00	M
39736	1978	<b>POWER ACCESSORY FEED WIRE</b> 2 Door Models, Junction Block To Power Window Circuit Breaker	\$27.00	M
39832	1978	<b>POWER ACCESSORY FEED WIRE</b> Suburban, Blazer & Jimmy, Junction Block To Circuit Breaker, Power Tailgate Window	\$34.00	M
40023	1979	<b>POWER ACCESSORY FEED WIRE</b> Fuse Box To Power Window Or Power Tailgate Window	\$27.00	M
40023	1980	<b>POWER ACCESSORY FEED WIRE</b> Fuse Box To Power Window Or Power Tailgate Window	\$27.00	M
40023	1981	<b>POWER ACCESSORY FEED WIRE</b> Fuse Box To Power Window Or Power Tailgate Window	\$27.00	M
<b>POWER DOOR LOCK HARNESS</b>				
39845	1977	<b>POWER DOOR LOCK HARNESS</b> 2 Door Models, Body Crossover, With Power Door Locks, Except Power Windows	\$272.00	M
39848	1977	<b>POWER DOOR LOCK HARNESS</b> 2 Door Models, Driver Side Or Passenger Side Door, With Power Door Locks, Except Power Windows	\$210.00	
39845	1978	<b>POWER DOOR LOCK HARNESS</b> 2 Door Models, Body Crossover, With Power Door Locks, Except Power Windows	\$272.00	M
39851	1978	<b>POWER DOOR LOCK HARNESS</b> 2 Door Models, Driver Side Or Passenger Side Door, With Power Door Locks, Except Power Windows	\$210.00	
39897	1979	<b>POWER DOOR LOCK HARNESS</b> 2 Door Models, Body Crossover, With Power Door Locks, Except Power Windows	\$272.00	M
39899	1979	<b>POWER DOOR LOCK HARNESS</b> 2 Door Models, Driver Side Or Passenger Side Door, With Power Door Locks, Except Power Windows	\$210.00	
39897	1980	<b>POWER DOOR LOCK HARNESS</b> 2 Door Models, Body Crossover, With Power Door Locks, Except Power Windows	\$272.00	M
39892	1980	<b>POWER DOOR LOCK HARNESS</b> 4 Door Models, Body Crossover, With Power Door Locks, Except Power Windows	\$272.00	M
39893	1980	<b>POWER DOOR LOCK HARNESS</b> 4 Door Models, Driver Side Or Passenger Side Rear Door, With Power Door Locks, Except Power Windows Note: Customer Must Reuse Their Original Rubber Door Jamb Boot.	\$75.00	
39899	1980	<b>POWER DOOR LOCK HARNESS</b> All Models, Driver Side Or Passenger Side Front Door, With Power Door Locks, Except Power Windows	\$210.00	
39951	1981	<b>POWER DOOR LOCK HARNESS</b> 2 Door Models, Body Crossover, With Power Door Locks, Except Power Windows	\$272.00	M
39949	1981	<b>POWER DOOR LOCK HARNESS</b> 4 Door Models, Body Crossover, With Power Door Locks, Except Power Windows	\$272.00	M
39893	1981	<b>POWER DOOR LOCK HARNESS</b> 4 Door Models, Driver Side Or Passenger Side Rear Door, With Power Door Locks, Except Power Windows Note: Customer Must Reuse Their Original Rubber Door Jamb Boot.	\$75.00	
39899	1981	<b>POWER DOOR LOCK HARNESS</b> All Models, Driver Side Or Passenger Side Front Door, With Power Door Locks, Except Power Windows	\$210.00	
39951	1982	<b>POWER DOOR LOCK HARNESS</b> 2 Door Models, Body Crossover, With Power Door Locks, Except Power Windows	\$272.00	M
39949	1982	<b>POWER DOOR LOCK HARNESS</b> 4 Door Models, Body Crossover, With Power Door Locks, Except Power Windows	\$272.00	M

Part Number	Year	Description	Price	*Rev.
39893	1982	<b>POWER DOOR LOCK HARNESS</b> 4 Door Models, Driver Side Or Passenger Side Rear Door, With Power Door Locks, Except Power Windows Note: Customer Must Reuse Their Original Rubber Door Jamb Boot.	\$75.00	
39899	1982	<b>POWER DOOR LOCK HARNESS</b> All Models, Driver Side Or Passenger Side Front Door, With Power Door Locks, Except Power Windows	\$210.00	
39951	1983	<b>POWER DOOR LOCK HARNESS</b> 2 Door Models, Body Crossover, With Power Door Locks, Except Power Windows	\$272.00	M
39949	1983	<b>POWER DOOR LOCK HARNESS</b> 4 Door Models, Body Crossover, With Power Door Locks, Except Power Windows	\$272.00	M
39893	1983	<b>POWER DOOR LOCK HARNESS</b> 4 Door Models, Driver Side Or Passenger Side Rear Door, With Power Door Locks, Except Power Windows Note: Customer Must Reuse Their Original Rubber Door Jamb Boot.	\$75.00	
39893	1983	<b>POWER DOOR LOCK HARNESS</b> 4 Door Models, Driver Side Or Passenger Side Rear Door, With Power Door Locks, Except Power Windows Note: Customer Must Reuse Their Original Rubber Door Jamb Boot.	\$75.00	
39899	1983	<b>POWER DOOR LOCK HARNESS</b> All Models, Driver Side Or Passenger Side Front Door, With Power Door Locks, Except Power Windows	\$210.00	
39951	1984	<b>POWER DOOR LOCK HARNESS</b> 2 Door Models, Body Crossover, With Power Door Locks, Except Power Windows	\$272.00	M
39949	1984	<b>POWER DOOR LOCK HARNESS</b> 4 Door Models, Body Crossover, With Power Door Locks, Except Power Windows	\$272.00	M
39893	1984	<b>POWER DOOR LOCK HARNESS</b> 4 Door Models, Driver Side Or Passenger Side Rear Door, With Power Door Locks, Except Power Windows Note: Customer Must Reuse Their Original Rubber Door Jamb Boot.	\$75.00	
39899	1984	<b>POWER DOOR LOCK HARNESS</b> All Models, Driver Side Or Passenger Side Front Door, With Power Door Locks, Except Power Windows	\$210.00	
44176	1985	<b>POWER DOOR LOCK HARNESS</b> 2 Door Models, Body Crossover, With Power Door Locks, Except Power Windows	\$272.00	M
44177	1985	<b>POWER DOOR LOCK HARNESS</b> 4 Door Models, Body Crossover, With Power Door Locks, Except Power Windows	\$272.00	M
39893	1985	<b>POWER DOOR LOCK HARNESS</b> 4 Door Models, Driver Side Or Passenger Side Rear Door, With Power Door Locks, Except Power Windows Note: Customer Must Reuse Their Original Rubber Door Jamb Boot.	\$75.00	
39899	1985	<b>POWER DOOR LOCK HARNESS</b> All Models, Driver Side Or Passenger Side Front Door, With Power Door Locks, Except Power Windows	\$210.00	
44176	1986	<b>POWER DOOR LOCK HARNESS</b> 2 Door Models, Body Crossover, With Power Door Locks, Except Power Windows	\$272.00	M
44177	1986	<b>POWER DOOR LOCK HARNESS</b> 4 Door Models, Body Crossover, With Power Door Locks, Except Power Windows	\$272.00	M
39893	1986	<b>POWER DOOR LOCK HARNESS</b> 4 Door Models, Driver Side Or Passenger Side Rear Door, With Power Door Locks, Except Power Windows Note: Customer Must Reuse Their Original Rubber Door Jamb Boot.	\$75.00	
39899	1986	<b>POWER DOOR LOCK HARNESS</b> All Models, Driver Side Or Passenger Side Front Door, With Power Door Locks, Except Power Windows	\$210.00	
44183	1987	<b>POWER DOOR LOCK HARNESS</b> 2 Door Models, Body Crossover, With Power Door Locks, Except Power Windows	\$272.00	M
44185	1987	<b>POWER DOOR LOCK HARNESS</b> 4 Door Models, Body Crossover, With Power Door Locks, Except Power Windows	\$272.00	M
44186	1987	<b>POWER DOOR LOCK HARNESS</b> 4 Door Models, Driver Side Or Passenger Side Rear Door, With Power Door Locks, Except Power Windows Note: Customer Must Reuse Their Original Rubber Door Jamb Boot.	\$75.00	
44184	1987	<b>POWER DOOR LOCK HARNESS</b> All Models, Driver Side Or Passenger Side Front Door, With Power Door Locks, Except Power Windows	\$210.00	
44185	1988	<b>POWER DOOR LOCK HARNESS</b> 4 Door Models, Body Crossover, With Power Door Locks, Except Power Windows	\$272.00	M

Part Number	Year	Description	Price	*Rev.
44184	1988	<b>POWER DOOR LOCK HARNESS</b> 4 Door Models, Driver Side Or Passenger Side Front Door, With Power Door Locks, Except Power Windows	\$210.00	
44186	1988	<b>POWER DOOR LOCK HARNESS</b> 4 Door Models, Driver Side Or Passenger Side Rear Door, With Power Door Locks, Except Power Windows Note: Customer Must Reuse Their Original Rubber Door Jamb Boot.	\$75.00	
44185	1989	<b>POWER DOOR LOCK HARNESS</b> 4 Door Models, Body Crossover, With Power Door Locks, Except Power Windows	\$272.00	M
44184	1989	<b>POWER DOOR LOCK HARNESS</b> 4 Door Models, Driver Side Or Passenger Side Front Door, With Power Door Locks, Except Power Windows	\$210.00	
44186	1989	<b>POWER DOOR LOCK HARNESS</b> 4 Door Models, Driver Side Or Passenger Side Rear Door, With Power Door Locks, Except Power Windows Note: Customer Must Reuse Their Original Rubber Door Jamb Boot.	\$75.00	
44185	1990	<b>POWER DOOR LOCK HARNESS</b> 4 Door Models, Body Crossover, With Power Door Locks, Except Power Windows	\$272.00	M
44184	1990	<b>POWER DOOR LOCK HARNESS</b> 4 Door Models, Driver Side Or Passenger Side Front Door, With Power Door Locks, Except Power Windows	\$210.00	
44186	1990	<b>POWER DOOR LOCK HARNESS</b> 4 Door Models, Driver Side Or Passenger Side Rear Door, With Power Door Locks, Except Power Windows Note: Customer Must Reuse Their Original Rubber Door Jamb Boot.	\$75.00	
44185	1991	<b>POWER DOOR LOCK HARNESS</b> 4 Door Models, Body Crossover, With Power Door Locks, Except Power Windows	\$272.00	M
44184	1991	<b>POWER DOOR LOCK HARNESS</b> 4 Door Models, Driver Side Or Passenger Side Front Door, With Power Door Locks, Except Power Windows	\$210.00	
44186	1991	<b>POWER DOOR LOCK HARNESS</b> 4 Door Models, Driver Side Or Passenger Side Rear Door, With Power Door Locks, Except Power Windows Note: Customer Must Reuse Their Original Rubber Door Jamb Boot.	\$75.00	
<b>POWER DOOR LOCK SWITCH</b>				
01725099	1977	<b>POWER DOOR LOCK SWITCH</b> 1 Button	\$62.00	M
01725099	1978	<b>POWER DOOR LOCK SWITCH</b> 1 Button	\$62.00	M
20031475	1979	<b>POWER DOOR LOCK SWITCH</b> 1-Button	\$62.00	N
20031475	1980	<b>POWER DOOR LOCK SWITCH</b> 1-Button	\$62.00	N
20031475	1981	<b>POWER DOOR LOCK SWITCH</b> 1-Button	\$62.00	N
20043224	1982	<b>POWER DOOR LOCK SWITCH</b> 1-Button	\$9.00	N
20043224	1983	<b>POWER DOOR LOCK SWITCH</b> 1-Button	\$9.00	N
20043224	1984	<b>POWER DOOR LOCK SWITCH</b> 1-Button	\$9.00	N
20043224	1985	<b>POWER DOOR LOCK SWITCH</b> 1-Button	\$9.00	N
20043224	1986	<b>POWER DOOR LOCK SWITCH</b> 1-Button	\$9.00	N
20043224	1987	<b>POWER DOOR LOCK SWITCH</b> 1-Button, RV Body Style	\$9.00	N
20043224	1988	<b>POWER DOOR LOCK SWITCH</b> 1-Button, RV Body Style	\$9.00	N
20043224	1989	<b>POWER DOOR LOCK SWITCH</b> 1-Button, RV Body Style	\$9.00	N
20043224	1990	<b>POWER DOOR LOCK SWITCH</b> 1-Button, RV Body Style	\$9.00	N
20043224	1991	<b>POWER DOOR LOCK SWITCH</b> 1-Button, RV Body Style	\$9.00	N
<b>POWER TAILGATE WINDOW HARNESS</b>				
39728	1973	<b>POWER TAILGATE WINDOW HARNESS</b> Suburban, Blazer & Jimmy, Dash Switch To Intermediate Body Harness	\$113.00	M
39729	1973	<b>POWER TAILGATE WINDOW HARNESS</b> Suburban, Blazer & Jimmy, Intermediate Body Harness	\$127.00	M
39768	1974	<b>POWER TAILGATE WINDOW HARNESS</b> Suburban, Blazer & Jimmy, Dash Switch To Intermediate Body Harness	\$113.00	M
39768	1975	<b>POWER TAILGATE WINDOW HARNESS</b> Suburban, Blazer & Jimmy, Dash Switch To Intermediate Body Harness	\$113.00	M
39803	1976	<b>POWER TAILGATE WINDOW HARNESS</b> Suburban, Blazer & Jimmy, Dash Switch To Intermediate Body Harness	\$113.00	M

Part Number	Year	Description	Price	*Rev.
39833	1977	<b>POWER TAILGATE WINDOW HARNESS</b> Suburban, Blazer & Jimmy, Dash Switch To Intermediate Body Harness	\$113.00	M
39830	1977	<b>POWER TAILGATE WINDOW HARNESS</b> Suburban, Blazer & Jimmy, Intermediate Body Harness	\$127.00	M
39833	1978	<b>POWER TAILGATE WINDOW HARNESS</b> Suburban, Blazer & Jimmy, Dash Switch To Intermediate Body Harness	\$113.00	M
39861	1978	<b>POWER TAILGATE WINDOW HARNESS</b> Suburban, Intermediate Body Harness	\$127.00	M
39864	1978	<b>POWER TAILGATE WINDOW HARNESS</b> Blazer & Jimmy, Intermediate Body Harness	\$127.00	M
39888	1979	<b>POWER TAILGATE WINDOW HARNESS</b> Suburban, Blazer & Jimmy, Dash Switch To Intermediate Body Harness	\$113.00	M
39885	1979	<b>POWER TAILGATE WINDOW HARNESS</b> 4 Wheel Drive Suburban, Intermediate Body Harness	\$127.00	M
39886	1979	<b>POWER TAILGATE WINDOW HARNESS</b> Blazer & Jimmy, Intermediate Body Harness	\$127.00	M
39887	1979	<b>POWER TAILGATE WINDOW HARNESS</b> 2 Wheel Drive Suburban, Intermediate Body Harness	\$127.00	M
39888	1980	<b>POWER TAILGATE WINDOW HARNESS</b> Suburban, Blazer & Jimmy, Dash Switch To Intermediate Body Harness	\$113.00	M
39920	1980	<b>POWER TAILGATE WINDOW HARNESS</b> 4 Wheel Drive Suburban, Intermediate Body Harness	\$127.00	M
39921	1980	<b>POWER TAILGATE WINDOW HARNESS</b> Blazer & Jimmy, Intermediate Body Harness	\$127.00	M
39922	1980	<b>POWER TAILGATE WINDOW HARNESS</b> 2 Wheel Drive Suburban, Intermediate Body Harness	\$127.00	M
39888	1981	<b>POWER TAILGATE WINDOW HARNESS</b> Suburban, Blazer & Jimmy, Dash Switch To Intermediate Body Harness	\$113.00	M
39971	1981	<b>POWER TAILGATE WINDOW HARNESS</b> Suburban, 4 Wheel Drive , Intermediate Body Harness	\$127.00	M
39972	1981	<b>POWER TAILGATE WINDOW HARNESS</b> Blazer & Jimmy, Intermediate Body Harness	\$127.00	M
39973	1981	<b>POWER TAILGATE WINDOW HARNESS</b> 2 Wheel Drive Suburban, Intermediate Body Harness	\$127.00	M
39990	1982	<b>POWER TAILGATE WINDOW HARNESS</b> Suburban, Blazer & Jimmy, Dash Switch To Intermediate Body Harness, (1st Design) Note: this harness has a 3 wire plastic connector where it plugs into body harness.	\$113.00	M
40010	1982	<b>POWER TAILGATE WINDOW HARNESS</b> Suburban, Intermediate Body Harness, (1st Design) Note: this harness has a 3 wire rubber molded connector where it plugs into dash switch harness.	\$127.00	M
40011	1982	<b>POWER TAILGATE WINDOW HARNESS</b> Blazer & Jimmy, Intermediate Body Harness, (1st Design) Note: this harness has a 3 wire rubber molded connector where it plugs into dash switch harness.	\$127.00	M
40018	1982	<b>POWER TAILGATE WINDOW HARNESS</b> Suburban, Blazer & Jimmy, Dash Switch To Intermediate Body Harness, (2nd Design) Note: This Harness Has A 2 Wire Rubber Molded Connector Where It Plugs Into Body Harness.	\$113.00	M
40016	1982	<b>POWER TAILGATE WINDOW HARNESS</b> Blazer & Jimmy, Intermediate Body Harness, (2nd Design) Note: this harness has a 2 wire rubber molded connector where it plugs into dash switch harness.	\$127.00	M
40017	1982	<b>POWER TAILGATE WINDOW HARNESS</b> Suburban, Intermediate Body Harness, (2nd Design) Note: this harness has a 2 wire rubber molded connector where it plugs into dash switch harness.	\$127.00	M
<b>POWER WINDOW DOOR BOOT</b>				
12010247	1977	<b>POWER WINDOW OR POWER DOOR LOCK DOOR BOOT</b> Front Door, Each Boot Comes With 2 Metal Mounting Flanges, 2 Boots Required Per Truck Note: Used On All C & K Models, Square Body Style.	\$12.00	N
12010247	1978	<b>POWER WINDOW OR POWER DOOR LOCK DOOR BOOT</b> Front Door, Each Boot Comes With 2 Metal Mounting Flanges, 2 Boots Required Per Truck Note: Used On All C & K Models, Square Body Style.	\$12.00	N
12010247	1979	<b>POWER WINDOW OR POWER DOOR LOCK DOOR BOOT</b> Front Door, Each Boot Comes With 2 Metal Mounting Flanges, 2 Boots Required Per Truck Note: Used On All C & K Models, Square Body Style.	\$12.00	N
12010247	1980	<b>POWER WINDOW OR POWER DOOR LOCK DOOR BOOT</b> Front Door, Each Boot Comes With 2 Metal Mounting Flanges, 2 Boots Required Per Truck Note: Used On All C & K Models, Square Body Style.	\$12.00	N
12010247	1981	<b>POWER WINDOW OR POWER DOOR LOCK DOOR BOOT</b> Front Door, Each Boot Comes With 2 Metal Mounting Flanges, 2 Boots Required Per Truck Note: Used On All C & K Models, Square Body Style.	\$12.00	N

Part Number	Year	Description	Price	*Rev.
12010247	1982	<b>POWER WINDOW OR POWER DOOR LOCK DOOR BOOT</b> Front Door, Each Boot Comes With 2 Metal Mounting Flanges, 2 Boots Required Per Truck Note: Used On All C & K Models, Square Body Style.	\$12.00	N
12010247	1983	<b>POWER WINDOW OR POWER DOOR LOCK DOOR BOOT</b> Front Door, Each Boot Comes With 2 Metal Mounting Flanges, 2 Boots Required Per Truck Note: Used On All C & K Models, Square Body Style.	\$12.00	N
12010247	1984	<b>POWER WINDOW OR POWER DOOR LOCK DOOR BOOT</b> Front Door, Each Boot Comes With 2 Metal Mounting Flanges, 2 Boots Required Per Truck Note: Used On All C & K Models, Square Body Style.	\$12.00	N
12010247	1985	<b>POWER WINDOW OR POWER DOOR LOCK DOOR BOOT</b> Front Door, Each Boot Comes With 2 Metal Mounting Flanges, 2 Boots Required Per Truck Note: Used On All C & K Models, Square Body Style.	\$12.00	N
12010247	1986	<b>POWER WINDOW OR POWER DOOR LOCK DOOR BOOT</b> Front Door, Each Boot Comes With 2 Metal Mounting Flanges, 2 Boots Required Per Truck Note: Used On All C & K Models, Square Body Style.	\$12.00	N
12010247	1987	<b>POWER WINDOW OR POWER DOOR LOCK DOOR BOOT</b> Front Door, Each Boot Comes With 2 Metal Mounting Flanges, 2 Boots Required Per Truck Note: Used On R & V Models, Square Body Style.	\$12.00	N
12010247	1988	<b>POWER WINDOW OR POWER DOOR LOCK DOOR BOOT</b> Front Door, Each Boot Comes With 2 Metal Mounting Flanges, 2 Boots Required Per Truck Note: Used On R & V Models, Square Body Style.	\$12.00	N
12010247	1989	<b>POWER WINDOW OR POWER DOOR LOCK DOOR BOOT</b> Front Door, Each Boot Comes With 2 Metal Mounting Flanges, 2 Boots Required Per Truck Note: Used On R & V Models, Square Body Style.	\$12.00	N
12010247	1990	<b>POWER WINDOW OR POWER DOOR LOCK DOOR BOOT</b> Front Door, Each Boot Comes With 2 Metal Mounting Flanges, 2 Boots Required Per Truck Note: Used On R & V Models, Square Body Style.	\$12.00	N
12010247	1991	<b>POWER WINDOW OR POWER DOOR LOCK DOOR BOOT</b> Front Door, Each Boot Comes With 2 Metal Mounting Flanges, 2 Boots Required Per Truck Note: Used On R & V Models, Square Body Style.	\$12.00	N
<b>POWER WINDOW HARNESS</b>				
39844	1977	<b>POWER WINDOW HARNESS</b> 2 Door Models, Body Crossover, With Power Windows, Except Power Door Locks	\$278.00	
39846	1977	<b>POWER WINDOW HARNESS</b> 2 Door Models, Driver Side Door, With Power Windows, Except Power Door Locks	\$210.00	
39847	1977	<b>POWER WINDOW HARNESS</b> 2 Door Models, Passenger Side Door, With Power Windows, Except Power Door Locks	\$210.00	
39824	1977	<b>POWER WINDOW HARNESS</b> 2 Door Models, Body Crossover, With Power Windows & Power Door Locks	\$278.00	
39825	1977	<b>POWER WINDOW HARNESS</b> 2 Door Models, Driver Side Door, With Power Windows And Power Door Locks	\$235.00	
39826	1977	<b>POWER WINDOW HARNESS</b> 2 Door Models, Passenger Side Door, With Power Windows And Power Door Locks	\$235.00	
39858	1978	<b>POWER WINDOW HARNESS</b> 2 Door Models, Body Crossover, With Power Windows, Except Power Door Locks	\$278.00	
39852	1978	<b>POWER WINDOW HARNESS</b> 2 Door Models, Driver Side Door, With Power Windows, Except Power Door Locks	\$210.00	
39853	1978	<b>POWER WINDOW HARNESS</b> 2 Door Models, Passenger Side Door, With Power Windows, Except Power Door Locks	\$210.00	
39857	1978	<b>POWER WINDOW HARNESS</b> 2 Door Models, Body Crossover, With Power Windows And Power Door Locks	\$278.00	
39854	1978	<b>POWER WINDOW HARNESS</b> 2 Door Models, Driver Side Door, With Power Windows And Power Door Locks	\$235.00	
39855	1978	<b>POWER WINDOW HARNESS</b> 2 Door Models, Passenger Side Door, With Power Windows And Power Door Locks	\$235.00	

Part Number	Year	Description	Price	*Rev.
38200	1979	<b>POWER WINDOW HARNESS</b> 2 Door Models, Body Crossover, With Power Windows, Except Power Door Locks	\$278.00	M
39852	1979	<b>POWER WINDOW HARNESS</b> 2 Door Models, Driver Side Door, With Power Windows, Except Power Door Locks	\$210.00	
38199	1979	<b>POWER WINDOW HARNESS</b> 2 Door Models, Passenger Side Door, With Power Windows, Except Power Door Locks	\$210.00	
38195	1979	<b>POWER WINDOW HARNESS</b> 2 Door Models, Body Crossover, With Power Windows And Power Door Locks	\$278.00	M
38196	1979	<b>POWER WINDOW HARNESS</b> 2 Door Models, Driver Side Door, With Power Windows And Power Door Locks	\$235.00	
38197	1979	<b>POWER WINDOW HARNESS</b> 2 Door Models, Passenger Side Door, With Power Windows And Power Door Locks	\$235.00	
38200	1980	<b>POWER WINDOW HARNESS</b> 2 Door Models, Body Crossover, With Power Windows, Except Power Door Locks	\$278.00	M
39889	1980	<b>POWER WINDOW HARNESS</b> 4 Door Models, Body Crossover, With Power Windows, Except Power Door Locks	\$278.00	
39852	1980	<b>POWER WINDOW HARNESS</b> 2 Door Models, Driver Side Door, With Power Windows, Except Power Door Locks	\$210.00	
39891	1980	<b>POWER WINDOW HARNESS</b> 4 Door Models, Driver Side Front Door, With Power Windows, Except Power Door Locks	\$210.00	
38199	1980	<b>POWER WINDOW HARNESS</b> All Models, Passenger Side Front Door, With Power Windows, Except Power Door Locks	\$210.00	
39890	1980	<b>POWER WINDOW HARNESS</b> 4 Door Models, Driver Side Or Passenger Side Rear Door, With Power Windows, Except Power Door Locks Note: Customer Must Reuse Their Original Rubber Door Jamb Boot.	\$90.00	
38195	1980	<b>POWER WINDOW HARNESS</b> 2 Door Models, Body Crossover, With Power Windows And Power Door Locks	\$278.00	M
39894	1980	<b>POWER WINDOW HARNESS</b> 4 Door Models, Body Crossover, With Power Windows And Power Door Locks	\$278.00	
38196	1980	<b>POWER WINDOW HARNESS</b> 2 Door Models, Driver Side Door, With Power Windows And Power Door Locks	\$235.00	
39895	1980	<b>POWER WINDOW HARNESS</b> 4 Door Models, Driver Side Front Door, With Power Windows And Power Door Locks	\$235.00	
38197	1980	<b>POWER WINDOW HARNESS</b> All Models, Passenger Side Front Door, With Power Windows And Power Door Locks	\$235.00	
39896	1980	<b>POWER WINDOW HARNESS</b> 4 Door Models, Driver Side Or Passenger Side Rear Door, With Power Windows And Power Door Locks Note: Customer Must Reuse Their Original Rubber Door Jamb Boot.	\$90.00	
39974	1981	<b>POWER WINDOW HARNESS</b> 2 Door Models, Body Crossover, With Power Windows, Except Power Door Locks	\$278.00	M
39976	1981	<b>POWER WINDOW HARNESS</b> 4 Door Models, Body Crossover, With Power Windows, Except Power Door Locks	\$278.00	
39852	1981	<b>POWER WINDOW HARNESS</b> 2 Door Models, Driver Side Door, With Power Windows, Except Power Door Locks	\$210.00	
39891	1981	<b>POWER WINDOW HARNESS</b> 4 Door Models, Driver Side Front Door, With Power Windows, Except Power Door Locks	\$210.00	
38199	1981	<b>POWER WINDOW HARNESS</b> All Models, Passenger Side Front Door, With Power Windows, Except Power Door Locks	\$210.00	
39890	1981	<b>POWER WINDOW HARNESS</b> 4 Door Models, Driver Side Or Passenger Side Rear Door, With Power Windows, Except Power Door Locks Note: Customer Must Reuse Their Original Rubber Door Jamb Boot.	\$90.00	
39977	1981	<b>POWER WINDOW HARNESS</b> 2 Door Models, Body Crossover, With Power Windows And Power Door Locks	\$278.00	M
39975	1981	<b>POWER WINDOW HARNESS</b> 4 Door Models, Body Crossover, With Power Windows And Power Door Locks	\$278.00	

Part Number	Year	Description	Price	*Rev.
38196	1981	<b>POWER WINDOW HARNESS</b> 2 Door Models, Driver Side Door, With Power Windows And Power Door Locks	\$235.00	
39895	1981	<b>POWER WINDOW HARNESS</b> 4 Door Models, Driver Side Front Door, With Power Windows And Power Door Locks	\$235.00	
38197	1981	<b>POWER WINDOW HARNESS</b> All Models, Passenger Side Front Door, With Power Windows And Power Door Locks	\$235.00	
39896	1981	<b>POWER WINDOW HARNESS</b> 4 Door Models, Driver Side Or Passenger Side Rear Door, With Power Windows And Power Door Locks Note: Customer Must Reuse Their Original Rubber Door Jamb Boot.	\$90.00	
39952	1982	<b>POWER WINDOW HARNESS</b> 2 Door Models, Body Crossover, With Power Windows, Except Power Door Locks	\$278.00	M
39948	1982	<b>POWER WINDOW HARNESS</b> 4 Door Models, Body Crossover, With Power Windows, Except Power Door Locks	\$278.00	
39958	1982	<b>POWER WINDOW HARNESS</b> 2 Door Models, Driver Side Door, With Power Windows, Except Power Door Locks	\$210.00	
39960	1982	<b>POWER WINDOW HARNESS</b> 4 Door Models, Driver Side Front Door, With Power Windows, Except Power Door Locks	\$210.00	
39965	1982	<b>POWER WINDOW HARNESS</b> All Models, Passenger Side Front Door, With Power Windows, Except Power Door Locks	\$210.00	
39959	1982	<b>POWER WINDOW HARNESS</b> 4 Door Models, Driver Side Rear Door, With Power Windows, Except Power Door Locks Note: Customer Must Reuse Their Original Rubber Door Jamb Boot.	\$90.00	
40014	1982	<b>POWER WINDOW HARNESS</b> 4 Door Models, Passenger Side Rear Door, With Power Windows, Except Power Door Locks Note: Customer Must Reuse Their Original Rubber Door Jamb Boot.	\$90.00	
40029	1982	<b>POWER WINDOW HARNESS</b> 2 Door Models, Body Crossover, With Power Windows And Power Door Locks	\$278.00	M
39950	1982	<b>POWER WINDOW HARNESS</b> 4 Door Models, Body Crossover, With Power Windows And Power Door Locks	\$278.00	
39963	1982	<b>POWER WINDOW HARNESS</b> 2 Door Models, Driver Side Door, With Power Windows And Power Door Locks	\$235.00	
39961	1982	<b>POWER WINDOW HARNESS</b> 4 Door Models, Driver Side Front Door, With Power Windows And Power Door Locks	\$235.00	
39964	1982	<b>POWER WINDOW HARNESS</b> All Models, Passenger Side Front Door, With Power Windows And Power Door Locks	\$235.00	
39962	1982	<b>POWER WINDOW HARNESS</b> 4 Door Models, Driver Side Rear Door, With Power Windows And Power Door Locks Note: Customer Must Reuse Their Original Rubber Door Jamb Boot.	\$110.00	
40015	1982	<b>POWER WINDOW HARNESS</b> 4 Door Models, Passenger Side Rear Door, With Power Windows And Power Door Locks Note: Customer Must Reuse Their Original Rubber Door Jamb Boot.	\$110.00	
39952	1983	<b>POWER WINDOW HARNESS</b> 2 Door Models, Body Crossover, With Power Windows, Except Power Door Locks	\$278.00	M
39948	1983	<b>POWER WINDOW HARNESS</b> 4 Door Models, Body Crossover, With Power Windows, Except Power Door Locks	\$278.00	
39958	1983	<b>POWER WINDOW HARNESS</b> 2 Door Models, Driver Side Door, With Power Windows, Except Power Door Locks	\$210.00	
39960	1983	<b>POWER WINDOW HARNESS</b> 4 Door Models, Driver Side Front Door, With Power Windows, Except Power Door Locks	\$210.00	
39965	1983	<b>POWER WINDOW HARNESS</b> All Models, Passenger Side Front Door, With Power Windows, Except Power Door Locks	\$210.00	
39959	1983	<b>POWER WINDOW HARNESS</b> 4 Door Models, Driver Side Rear Door, With Power Windows, Except Power Door Locks Note: Customer Must Reuse Their Original Rubber Door Jamb Boot.	\$90.00	



Part Number	Year	Description	Price	*Rev.
40014	1983	<b>POWER WINDOW HARNESS</b> 4 Door Models, Passenger Side Rear Door, With Power Windows, Except Power Door Locks Note: Customer Must Reuse Their Original Rubber Door Jamb Boot.	\$90.00	
40029	1983	<b>POWER WINDOW HARNESS</b> 2 Door Models, Body Crossover, With Power Windows And Power Door Locks	\$278.00	M
39950	1983	<b>POWER WINDOW HARNESS</b> 4 Door Models, Body Crossover, With Power Windows And Power Door Locks	\$278.00	
39963	1983	<b>POWER WINDOW HARNESS</b> 2 Door Models, Driver Side Door, With Power Windows And Power Door Locks	\$235.00	
39961	1983	<b>POWER WINDOW HARNESS</b> 4 Door Models, Driver Side Front Door, With Power Windows And Power Door Locks	\$235.00	
39964	1983	<b>POWER WINDOW HARNESS</b> All Models, Passenger Side Front Door, With Power Windows And Power Door Locks	\$235.00	
39962	1983	<b>POWER WINDOW HARNESS</b> 4 Door Models, Driver Side Rear Door, With Power Windows And Power Door Locks Note: Customer Must Reuse Their Original Rubber Door Jamb Boot.	\$110.00	
40015	1983	<b>POWER WINDOW HARNESS</b> 4 Door Models, Passenger Side Rear Door, With Power Windows And Power Door Locks Note: Customer Must Reuse Their Original Rubber Door Jamb Boot.	\$110.00	
39952	1984	<b>POWER WINDOW HARNESS</b> 2 Door Models, Body Crossover, With Power Windows, Except Power Door Locks	\$278.00	M
39948	1984	<b>POWER WINDOW HARNESS</b> 4 Door Models, Body Crossover, With Power Windows, Except Power Door Locks	\$278.00	
39958	1984	<b>POWER WINDOW HARNESS</b> 2 Door Models, Driver Side Door, With Power Windows, Except Power Door Locks	\$210.00	
39960	1984	<b>POWER WINDOW HARNESS</b> 4 Door Models, Driver Side Front Door, With Power Windows, Except Power Door Locks	\$210.00	
39965	1984	<b>POWER WINDOW HARNESS</b> All Models, Passenger Side Front Door, With Power Windows, Except Power Door Locks	\$210.00	
39959	1984	<b>POWER WINDOW HARNESS</b> 4 Door Models, Driver Side Rear Door, With Power Windows, Except Power Door Locks Note: Customer Must Reuse Their Original Rubber Door Jamb Boot.	\$90.00	
40014	1984	<b>POWER WINDOW HARNESS</b> 4 Door Models, Passenger Side Rear Door, With Power Windows, Except Power Door Locks Note: Customer Must Reuse Their Original Rubber Door Jamb Boot.	\$90.00	
40029	1984	<b>POWER WINDOW HARNESS</b> 2 Door Models, Body Crossover, With Power Windows And Power Door Locks	\$278.00	M
39950	1984	<b>POWER WINDOW HARNESS</b> 4 Door Models, Body Crossover, With Power Windows And Power Door Locks	\$278.00	
39963	1984	<b>POWER WINDOW HARNESS</b> 2 Door Models, Driver Side Door, With Power Windows And Power Door Locks	\$235.00	
39961	1984	<b>POWER WINDOW HARNESS</b> 4 Door Models, Driver Side Front Door, With Power Windows And Power Door Locks	\$235.00	
39964	1984	<b>POWER WINDOW HARNESS</b> All Models, Passenger Side Front Door, With Power Windows And Power Door Locks	\$235.00	
44163	1984	<b>POWER WINDOW HARNESS</b> 4 Door Models, Driver Side Rear Door, With Power Windows And Power Door Locks Note: Customer Must Reuse Their Original Rubber Door Jamb Boot.	\$110.00	
44164	1984	<b>POWER WINDOW HARNESS</b> 4 Door Models, Passenger Side Rear Door, With Power Windows And Power Door Locks Note: Customer Must Reuse Their Original Rubber Door Jamb Boot.	\$110.00	
44165	1985	<b>POWER WINDOW HARNESS</b> 2 Door Models, Body Crossover, With Power Windows, Except Power Door Locks	\$278.00	M
44172	1985	<b>POWER WINDOW HARNESS</b> 4 Door Models, Body Crossover, With Power Windows, Except Power Door Locks	\$278.00	

Part Number	Year	Description	Price	*Rev.
44166	1985	<b>POWER WINDOW HARNESS</b> 2 Door Models, Driver Side Door, With Power Windows, Except Power Door Locks	\$210.00	
44173	1985	<b>POWER WINDOW HARNESS</b> 4 Door Models, Driver Side Front Door, With Power Windows, Except Power Door Locks	\$210.00	
44167	1985	<b>POWER WINDOW HARNESS</b> All Models, Passenger Side Front Door, With Power Windows, Except Power Door Locks	\$210.00	
44174	1985	<b>POWER WINDOW HARNESS</b> 4 Door Models, Driver Side Rear Door, With Power Windows, Except Power Door Locks Note: Customer Must Reuse Their Original Rubber Door Jamb Boot.	\$90.00	
44175	1985	<b>POWER WINDOW HARNESS</b> 4 Door Models, Passenger Side Rear Door, With Power Windows, Except Power Door Locks Note: Customer Must Reuse Their Original Rubber Door Jamb Boot.	\$90.00	
44001	1985	<b>POWER WINDOW HARNESS</b> 2 Door Models, Body Crossover, With Power Windows And Power Door Locks	\$278.00	
44168	1985	<b>POWER WINDOW HARNESS</b> 4 Door Models, Body Crossover, With Power Windows And Power Door Locks	\$278.00	
44002	1985	<b>POWER WINDOW HARNESS</b> 2 Door Models, Driver Side Door, With Power Windows And Power Door Locks	\$235.00	
44169	1985	<b>POWER WINDOW HARNESS</b> 4 Door Models, Driver Side Front Door, With Power Windows And Power Door Locks	\$235.00	
44003	1985	<b>POWER WINDOW HARNESS</b> All Models, Passenger Side Front Door, With Power Windows And Power Door Locks	\$235.00	
44170	1985	<b>POWER WINDOW HARNESS</b> 4 Door Models, Driver Side Rear Door, With Power Windows And Power Door Locks Note: Customer Must Reuse Their Original Rubber Door Jamb Boot.	\$110.00	
44171	1985	<b>POWER WINDOW HARNESS</b> 4 Door Models, Passenger Side Rear Door, With Power Windows And Power Door Locks Note: Customer Must Reuse Their Original Rubber Door Jamb Boot.	\$110.00	
44165	1986	<b>POWER WINDOW HARNESS</b> 2 Door Models, Body Crossover, With Power Windows, Except Power Door Locks	\$278.00	M
44172	1986	<b>POWER WINDOW HARNESS</b> 4 Door Models, Body Crossover, With Power Windows, Except Power Door Locks	\$278.00	
44166	1986	<b>POWER WINDOW HARNESS</b> 2 Door Models, Driver Side Door, With Power Windows, Except Power Door Locks	\$210.00	
44173	1986	<b>POWER WINDOW HARNESS</b> 4 Door Models, Driver Side Front Door, With Power Windows, Except Power Door Locks	\$210.00	
44167	1986	<b>POWER WINDOW HARNESS</b> All Models, Passenger Side Front Door, With Power Windows, Except Power Door Locks	\$210.00	
44174	1986	<b>POWER WINDOW HARNESS</b> 4 Door Models, Driver Side Rear Door, With Power Windows, Except Power Door Locks Note: Customer Must Reuse Their Original Rubber Door Jamb Boot.	\$90.00	
44175	1986	<b>POWER WINDOW HARNESS</b> 4 Door Models, Passenger Side Rear Door, With Power Windows, Except Power Door Locks Note: Customer Must Reuse Their Original Rubber Door Jamb Boot.	\$90.00	
44001	1986	<b>POWER WINDOW HARNESS</b> 2 Door Models, Body Crossover, With Power Windows And Power Door Locks	\$278.00	
44168	1986	<b>POWER WINDOW HARNESS</b> 4 Door Models, Body Crossover, With Power Windows And Power Door Locks	\$278.00	
44002	1986	<b>POWER WINDOW HARNESS</b> 2 Door Models, Driver Side Door, With Power Windows And Power Door Locks	\$235.00	
44169	1986	<b>POWER WINDOW HARNESS</b> 4 Door Models, Driver Side Front Door, With Power Windows And Power Door Locks	\$235.00	
44003	1986	<b>POWER WINDOW HARNESS</b> All Models, Passenger Side Front Door, With Power Windows And Power Door Locks	\$235.00	

Part Number	Year	Description	Price	*Rev.
44170	1986	<b>POWER WINDOW HARNESS</b> 4 Door Models, Driver Side Rear Door, With Power Windows And Power Door Locks Note: Customer Must Reuse Their Original Rubber Door Jamb Boot.	\$110.00	
44171	1986	<b>POWER WINDOW HARNESS</b> 4 Door Models, Passenger Side Rear Door, With Power Windows And Power Door Locks Note: Customer Must Reuse Their Original Rubber Door Jamb Boot.	\$110.00	
44165	1987	<b>POWER WINDOW HARNESS</b> 2 Door Models, Body Crossover, With Power Windows, Except Power Door Locks	\$278.00	M
44172	1987	<b>POWER WINDOW HARNESS</b> 4 Door Models, Body Crossover, With Power Windows, Except Power Door Locks	\$278.00	
44166	1987	<b>POWER WINDOW HARNESS</b> 2 Door Models, Driver Side Door, With Power Windows, Except Power Door Locks	\$210.00	
44173	1987	<b>POWER WINDOW HARNESS</b> 4 Door Models, Driver Side Front Door, With Power Windows, Except Power Door Locks	\$210.00	
44167	1987	<b>POWER WINDOW HARNESS</b> All Models, Passenger Side Front Door, With Power Windows, Except Power Door Locks	\$210.00	
44174	1987	<b>POWER WINDOW HARNESS</b> 4 Door Models, Driver Side Rear Door, With Power Windows, Except Power Door Locks Note: Customer Must Reuse Their Original Rubber Door Jamb Boot.	\$90.00	
44175	1987	<b>POWER WINDOW HARNESS</b> 4 Door Models, Passenger Side Rear Door, With Power Windows, Except Power Door Locks Note: Customer Must Reuse Their Original Rubber Door Jamb Boot.	\$90.00	
44178	1987	<b>POWER WINDOW HARNESS</b> 2 Door Models, Body Crossover, With Power Windows And Power Door Locks	\$278.00	M
44181	1987	<b>POWER WINDOW HARNESS</b> 4 Door Models, Body Crossover, With Power Windows And Power Door Locks	\$278.00	
44179	1987	<b>POWER WINDOW HARNESS</b> 2 Door Models, Driver Side Door, With Power Windows And Power Door Locks	\$235.00	
44182	1987	<b>POWER WINDOW HARNESS</b> 4 Door Models, Driver Side Front Door, With Power Windows And Power Door Locks	\$235.00	
44180	1987	<b>POWER WINDOW HARNESS</b> All Models, Passenger Side Front Door, With Power Windows And Power Door Locks	\$235.00	
44170	1987	<b>POWER WINDOW HARNESS</b> 4 Door Models, Driver Side Rear Door, With Power Windows And Power Door Locks Note: Customer Must Reuse Their Original Rubber Door Jamb Boot.	\$110.00	
44171	1987	<b>POWER WINDOW HARNESS</b> 4 Door Models, Passenger Side Rear Door, With Power Windows And Power Door Locks Note: Customer Must Reuse Their Original Rubber Door Jamb Boot.	\$110.00	
44165	1988	<b>POWER WINDOW HARNESS</b> Blazer & Jimmy, Body Crossover, With Power Windows, Except Power Door Locks	\$278.00	M
44172	1988	<b>POWER WINDOW HARNESS</b> 4 Door Models, Body Crossover, With Power Windows, Except Power Door Locks	\$278.00	
44166	1988	<b>POWER WINDOW HARNESS</b> Blazer & Jimmy, Driver Side Door, With Power Windows, Except Power Door Locks	\$210.00	
44173	1988	<b>POWER WINDOW HARNESS</b> 4 Door Models, Driver Side Front Door, With Power Windows, Except Power Door Locks	\$210.00	
44167	1988	<b>POWER WINDOW HARNESS</b> All Models, Passenger Side Front Door, With Power Windows, Except Power Door Locks	\$210.00	
44174	1988	<b>POWER WINDOW HARNESS</b> 4 Door Models, Driver Side Rear Door, With Power Windows, Except Power Door Locks Note: Customer Must Reuse Their Original Rubber Door Jamb Boot.	\$90.00	
44175	1988	<b>POWER WINDOW HARNESS</b> 4 Door Models, Passenger Side Rear Door, With Power Windows, Except Power Door Locks Note: Customer Must Reuse Their Original Rubber Door Jamb Boot.	\$90.00	

Part Number	Year	Description	Price	*Rev.
44178	1988	<b>POWER WINDOW HARNESS</b> Blazer & Jimmy, Body Crossover, With Power Windows And Power Door Locks	\$278.00	M
44181	1988	<b>POWER WINDOW HARNESS</b> 4 Door Models, Body Crossover, With Power Windows And Power Door Locks	\$278.00	
44179	1988	<b>POWER WINDOW HARNESS</b> Blazer & Jimmy, Driver Side Door, With Power Windows And Power Door Locks	\$235.00	
44182	1988	<b>POWER WINDOW HARNESS</b> 4 Door Models, Driver Side Front Door, With Power Windows And Power Door Locks	\$235.00	
44180	1988	<b>POWER WINDOW HARNESS</b> All Models, Passenger Side Front Door, With Power Windows And Power Door Locks	\$235.00	
44170	1988	<b>POWER WINDOW HARNESS</b> 4 Door Models, Driver Side Rear Door, With Power Windows And Power Door Locks Note: Customer Must Reuse Their Original Rubber Door Jamb Boot.	\$110.00	
44171	1988	<b>POWER WINDOW HARNESS</b> 4 Door Models, Passenger Side Rear Door, With Power Windows And Power Door Locks Note: Customer Must Reuse Their Original Rubber Door Jamb Boot.	\$110.00	
44165	1989	<b>POWER WINDOW HARNESS</b> Blazer & Jimmy, Body Crossover, With Power Windows, Except Power Door Locks	\$278.00	M
44166	1989	<b>POWER WINDOW HARNESS</b> Blazer & Jimmy, Driver Side Door, With Power Windows, Except Power Door Locks	\$210.00	
44167	1989	<b>POWER WINDOW HARNESS</b> Blazer & Jimmy, Passenger Side Front Door, With Power Windows, Except Power Door Locks	\$210.00	
44178	1989	<b>POWER WINDOW HARNESS</b> Blazer & Jimmy, Body Crossover, With Power Windows And Power Door Locks	\$278.00	M
44181	1989	<b>POWER WINDOW HARNESS</b> 4 Door Models, Body Crossover, With Power Windows And Power Door Locks	\$278.00	
44179	1989	<b>POWER WINDOW HARNESS</b> Blazer & Jimmy, Driver Side Door, With Power Windows And Power Door Locks	\$235.00	
44182	1989	<b>POWER WINDOW HARNESS</b> 4 Door Models, Driver Side Front Door, With Power Windows And Power Door Locks	\$235.00	
44180	1989	<b>POWER WINDOW HARNESS</b> All Models, Passenger Side Front Door, With Power Windows And Power Door Locks	\$235.00	
44170	1989	<b>POWER WINDOW HARNESS</b> 4 Door Models, Driver Side Rear Door, With Power Windows And Power Door Locks Note: Customer Must Reuse Their Original Rubber Door Jamb Boot.	\$110.00	
44171	1989	<b>POWER WINDOW HARNESS</b> 4 Door Models, Passenger Side Rear Door, With Power Windows And Power Door Locks Note: Customer Must Reuse Their Original Rubber Door Jamb Boot.	\$110.00	
44165	1990	<b>POWER WINDOW HARNESS</b> Blazer & Jimmy, Body Crossover, With Power Windows, Except Power Door Locks	\$278.00	M
44166	1990	<b>POWER WINDOW HARNESS</b> Blazer & Jimmy, Driver Side Door, With Power Windows, Except Power Door Locks	\$210.00	
44167	1990	<b>POWER WINDOW HARNESS</b> Blazer & Jimmy, Passenger Side Front Door, With Power Windows, Except Power Door Locks	\$210.00	
44178	1990	<b>POWER WINDOW HARNESS</b> Blazer & Jimmy, Body Crossover, With Power Windows And Power Door Locks	\$278.00	M
44181	1990	<b>POWER WINDOW HARNESS</b> 4 Door Models, Body Crossover, With Power Windows And Power Door Locks	\$278.00	
44179	1990	<b>POWER WINDOW HARNESS</b> Blazer & Jimmy, Driver Side Door, With Power Windows And Power Door Locks	\$235.00	
44182	1990	<b>POWER WINDOW HARNESS</b> 4 Door Models, Driver Side Front Door, With Power Windows And Power Door Locks	\$235.00	
44180	1990	<b>POWER WINDOW HARNESS</b> All Models, Passenger Side Front Door, With Power Windows And Power Door Locks	\$235.00	

Part Number	Year	Description	Price	*Rev.
44170	1990	<b>POWER WINDOW HARNESS</b> 4 Door Models, Driver Side Rear Door, With Power Windows And Power Door Locks Note: Customer Must Reuse Their Original Rubber Door Jamb Boot.	\$110.00	
44171	1990	<b>POWER WINDOW HARNESS</b> 4 Door Models, Passenger Side Rear Door, With Power Windows And Power Door Locks Note: Customer Must Reuse Their Original Rubber Door Jamb Boot.	\$110.00	
44165	1991	<b>POWER WINDOW HARNESS</b> Blazer & Jimmy, Body Crossover, With Power Windows, Except Power Door Locks	\$278.00	M
44166	1991	<b>POWER WINDOW HARNESS</b> Blazer & Jimmy, Driver Side Door, With Power Windows, Except Power Door Locks	\$210.00	
44167	1991	<b>POWER WINDOW HARNESS</b> Blazer & Jimmy, Passenger Side Front Door, With Power Windows, Except Power Door Locks	\$210.00	
44178	1991	<b>POWER WINDOW HARNESS</b> Blazer & Jimmy, Body Crossover, With Power Windows And Power Door Locks	\$278.00	M
44181	1991	<b>POWER WINDOW HARNESS</b> 4 Door Models, Body Crossover, With Power Windows And Power Door Locks	\$278.00	
44179	1991	<b>POWER WINDOW HARNESS</b> Blazer & Jimmy, Driver Side Door, With Power Windows And Power Door Locks	\$235.00	
44182	1991	<b>POWER WINDOW HARNESS</b> 4 Door Models, Driver Side Front Door, With Power Windows And Power Door Locks	\$235.00	
44180	1991	<b>POWER WINDOW HARNESS</b> All Models, Passenger Side Front Door, With Power Windows And Power Door Locks	\$235.00	
44170	1991	<b>POWER WINDOW HARNESS</b> 4 Door Models, Driver Side Rear Door, With Power Windows And Power Door Locks Note: Customer Must Reuse Their Original Rubber Door Jamb Boot.	\$110.00	
44171	1991	<b>POWER WINDOW HARNESS</b> 4 Door Models, Passenger Side Rear Door, With Power Windows And Power Door Locks Note: Customer Must Reuse Their Original Rubber Door Jamb Boot.	\$110.00	
<b>POWER WINDOW SWITCH</b>				
01725094	1977	<b>POWER WINDOW SWITCH</b> 1 Button, Square Corner Style, Chrome	\$21.00	M
01725092	1977	<b>POWER WINDOW SWITCH</b> 2 Button, Square Corner Style, Chrome	\$53.00	M
01725094	1978	<b>POWER WINDOW SWITCH</b> 1 Button, Square Corner Style, Chrome	\$21.00	M
01725092	1978	<b>POWER WINDOW SWITCH</b> 2 Button, Square Corner Style, Chrome	\$53.00	M
01725094	1979	<b>POWER WINDOW SWITCH</b> 1 Button, Square Corner Style, Chrome	\$21.00	M
01731231	1979	<b>POWER WINDOW SWITCH</b> 4 Button, Square Corner Style, Chrome	\$75.00	M
01725092	1979	<b>POWER WINDOW SWITCH</b> 2 Button, Square Corner Style, Chrome	\$53.00	M
01725094	1980	<b>POWER WINDOW SWITCH</b> 1 Button, Square Corner Style, Chrome	\$21.00	M
01731231	1980	<b>POWER WINDOW SWITCH</b> 4 Button, Square Corner Style, Chrome	\$75.00	M
01725092	1980	<b>POWER WINDOW SWITCH</b> 2 Button, Square Corner Style, Chrome	\$53.00	M
01725092	1981	<b>POWER WINDOW SWITCH</b> 2 Button, Square Corner Style, Chrome	\$53.00	M
20061549	1981	<b>POWER WINDOW SWITCH</b> 2-Button	\$14.00	N
01725094	1981	<b>POWER WINDOW SWITCH</b> 1 Button, Square Corner Style, Chrome	\$21.00	M
20043940	1981	<b>POWER WINDOW SWITCH</b> 1-Button	\$9.00	N
01731231	1981	<b>POWER WINDOW SWITCH</b> 4 Button, Square Corner Style, Chrome	\$75.00	M
20043940	1982	<b>POWER WINDOW SWITCH</b> 1-Button	\$9.00	N
20061549	1982	<b>POWER WINDOW SWITCH</b> 2-Button	\$14.00	N
20106968	1982	<b>POWER WINDOW SWITCH</b> 4-Button	\$19.00	N
20043940	1983	<b>POWER WINDOW SWITCH</b> 1-Button	\$9.00	N
20061549	1983	<b>POWER WINDOW SWITCH</b> 2-Button	\$14.00	N
20106968	1983	<b>POWER WINDOW SWITCH</b> 4-Button	\$19.00	N
20043940	1984	<b>POWER WINDOW SWITCH</b> 1-Button	\$9.00	N

Part Number	Year	Description	Price	*Rev.
20061549	1984	POWER WINDOW SWITCH 2-Button	\$14.00	N
20106968	1984	POWER WINDOW SWITCH 4-Button	\$19.00	N
20043940	1985	POWER WINDOW SWITCH 1-Button	\$9.00	N
20061549	1985	POWER WINDOW SWITCH 2-Button	\$14.00	N
20106968	1985	POWER WINDOW SWITCH 4-Button	\$19.00	N
20043940	1986	POWER WINDOW SWITCH 1-Button	\$9.00	N
20061549	1986	POWER WINDOW SWITCH 2-Button	\$14.00	N
20106968	1986	POWER WINDOW SWITCH 4-Button	\$19.00	N
20043940	1987	POWER WINDOW SWITCH 1-Button, RV Body Style	\$9.00	N
20061549	1987	POWER WINDOW SWITCH 2-Button, RV Body Style	\$14.00	N
20106968	1987	POWER WINDOW SWITCH 4-Button, RV Body Style	\$19.00	N
20043940	1988	POWER WINDOW SWITCH 1-Button, RV Body Style	\$9.00	N
20061549	1988	POWER WINDOW SWITCH 2-Button, RV Body Style	\$14.00	N
20106968	1988	POWER WINDOW SWITCH 4-Button, RV Body Style	\$19.00	N
20043940	1989	POWER WINDOW SWITCH 1-Button, RV Body Style	\$9.00	N
20061549	1989	POWER WINDOW SWITCH 2-Button, RV Body Style	\$14.00	N
20106968	1989	POWER WINDOW SWITCH 4-Button, RV Body Style	\$19.00	N
20043940	1990	POWER WINDOW SWITCH 1-Button, RV Body Style	\$9.00	N
20061549	1990	POWER WINDOW SWITCH 2-Button, RV Body Style	\$14.00	N
20106968	1990	POWER WINDOW SWITCH 4-Button, RV Body Style	\$19.00	N
20043940	1991	POWER WINDOW SWITCH 1-Button, RV Body Style	\$9.00	N
20061549	1991	POWER WINDOW SWITCH 2-Button, RV Body Style	\$14.00	N
20106968	1991	POWER WINDOW SWITCH 4-Button, RV Body Style	\$19.00	N
<b>PRINTED CIRCUIT BOARD</b>				
06290459	1967	PRINTED CIRCUIT BOARD With Gauges And Tach	\$42.00	N
06290458	1967	PRINTED CIRCUIT BOARD With Gauges, Without Tach	\$42.00	N
06290457	1967	PRINTED CIRCUIT BOARD With Warning Lights	\$42.00	N
06290459	1968	PRINTED CIRCUIT BOARD With Gauges And Tach	\$42.00	N
06290458	1968	PRINTED CIRCUIT BOARD With Gauges, Without Tach	\$42.00	N
06290457	1968	PRINTED CIRCUIT BOARD With Warning Lights	\$42.00	N
06290459	1969	PRINTED CIRCUIT BOARD With Gauges And Tach	\$42.00	N
06290458	1969	PRINTED CIRCUIT BOARD With Gauges, Without Tach	\$42.00	N
06290457	1969	PRINTED CIRCUIT BOARD With Warning Lights	\$42.00	N
06290459	1970	PRINTED CIRCUIT BOARD With Gauges And Tach	\$42.00	N
06290458	1970	PRINTED CIRCUIT BOARD With Gauges, Without Tach	\$42.00	N
06290457	1970	PRINTED CIRCUIT BOARD With Warning Lights	\$42.00	N
06290459	1971	PRINTED CIRCUIT BOARD With Gauges And Tach	\$42.00	N
06290458	1971	PRINTED CIRCUIT BOARD With Gauges, Without Tach	\$42.00	N
06290457	1971	PRINTED CIRCUIT BOARD With Warning Lights	\$42.00	N
06290459	1972	PRINTED CIRCUIT BOARD With Gauges And Tach	\$42.00	N
06290458	1972	PRINTED CIRCUIT BOARD With Gauges, Without Tach	\$42.00	N
06290457	1972	PRINTED CIRCUIT BOARD With Warning Lights	\$42.00	N
25044898	1981	PRINTED CIRCUIT BOARD With Gauges And Tach	\$54.00	N
25044897	1981	PRINTED CIRCUIT BOARD With Gauges, Without Tach	\$54.00	N
25044898	1982	PRINTED CIRCUIT BOARD With Gauges And Tach	\$54.00	N
25044897	1982	PRINTED CIRCUIT BOARD With Gauges, Without Tach	\$54.00	N
25044898	1983	PRINTED CIRCUIT BOARD With Gauges And Tach	\$54.00	N

Part Number	Year	Description	Price	*Rev.
25044897	1983	PRINTED CIRCUIT BOARD With Gauges, Without Tach	\$54.00	N
25044898	1984	PRINTED CIRCUIT BOARD With Gauges And Tach	\$54.00	N
25044897	1984	PRINTED CIRCUIT BOARD With Gauges, Without Tach	\$54.00	N
25044898	1985	PRINTED CIRCUIT BOARD With Gauges And Tach	\$54.00	N
25044897	1985	PRINTED CIRCUIT BOARD With Gauges, Without Tach	\$54.00	N
25044898	1986	PRINTED CIRCUIT BOARD With Gauges And Tach	\$54.00	N
25044897	1986	PRINTED CIRCUIT BOARD With Gauges, Without Tach	\$54.00	N
25044898	1987	PRINTED CIRCUIT BOARD With Gauges And Tach Note: For RV Model Square Body Style.	\$54.00	N
25044897	1987	PRINTED CIRCUIT BOARD With Gauges, Without Tach Note: For RV Model Square Body Style.	\$54.00	N
<b>RADIO POWER WIRE</b>				
39578	1960	RADIO POWER WIRE	\$26.00	
39578	1961	RADIO POWER WIRE	\$26.00	
39578	1962	RADIO POWER WIRE	\$26.00	
39578	1963	RADIO POWER WIRE	\$26.00	
39578	1964	RADIO POWER WIRE	\$26.00	
39578	1965	RADIO POWER WIRE	\$26.00	
39578	1966	RADIO POWER WIRE	\$26.00	
32120	1967	RADIO POWER WIRE	\$23.00	
32120	1968	RADIO POWER WIRE	\$23.00	
32120	1969	RADIO POWER WIRE	\$23.00	
32120	1970	RADIO POWER WIRE	\$23.00	
32120	1971	RADIO POWER WIRE	\$23.00	
32120	1972	RADIO POWER WIRE	\$23.00	
39708	1973	RADIO POWER WIRE Fuse Box To Radio, Except Stereo	\$53.00	M
39708	1974	RADIO POWER WIRE Fuse Box To Radio, Except Stereo	\$53.00	M
<b>REAR BODY LIGHT HARNESS KIT</b>				
38166	1957	REAR BODY LIGHT HARNESS KIT Complete, Cameo Only	\$374.00	
<b>REAR FENDER MARKER LAMP HARNESS</b>				
39742	1973	REAR FENDER MARKER LAMP HARNESS Dually, With Rear Fender Marker Lamps	\$219.00	M
39742	1974	REAR FENDER MARKER LAMP HARNESS Dually, With Rear Fender Marker Lamps	\$219.00	M
39742	1975	REAR FENDER MARKER LAMP HARNESS Dually, With Rear Fender Marker Lamps	\$219.00	M
39742	1976	REAR FENDER MARKER LAMP HARNESS Dually, With Rear Fender Marker Lamps	\$219.00	M
39742	1977	REAR FENDER MARKER LAMP HARNESS Dually, With Rear Fender Marker Lamps	\$219.00	M
39742	1978	REAR FENDER MARKER LAMP HARNESS Dually, With Rear Fender Marker Lamps	\$219.00	M
<b>REAR LAMP HARNESS</b>				
38158	1955	REAR BODY LIGHT HARNESS KIT Complete, Cameo Only	\$374.00	
23135	1955	REAR LAMP HARNESS Single Tail & Brake Lights Only	\$59.00	
34370	1955	REAR LAMP HARNESS Dual Tail, Brake & Directional Lights	\$149.00	
34370	1955	REAR LAMP HARNESS Dual Tail, Brake & Directional Lights	\$149.00	
34155	1955	REAR LAMP LONG BED EXTENSION HARNESS Set Of 2	\$28.00	
38164	1956	REAR BODY LIGHT HARNESS KIT Complete, Cameo Only	\$389.00	
23135	1956	REAR LAMP HARNESS Single Tail & Brake Lights Only	\$59.00	
34350	1956	REAR LAMP HARNESS Dual Tail, Brake & Directional Lights	\$149.00	
34155	1956	REAR LAMP LONG BED EXTENSION HARNESS Set Of 2	\$28.00	

Part Number	Year	Description	Price	*Rev.
34345	1957	REAR LAMP HARNESS Single Tail & Brake Lamps	\$59.00	
34150	1957	REAR LAMP HARNESS Dual Tail, Brake & Directional Lights	\$134.00	
34155	1957	REAR LAMP LONG BED EXTENSION HARNESS Set Of 2	\$28.00	
38166	1958	REAR BODY LIGHT HARNESS KIT Complete, Cameo Only	\$374.00	
34345	1958	REAR LAMP HARNESS Single Tail & Brake Lamps	\$59.00	
34150	1958	REAR LAMP HARNESS Dual Tail, Brake & Directional Lights	\$134.00	
34155	1958	REAR LAMP LONG BED EXTENSION HARNESS Set Of 2	\$28.00	
34345	1959	REAR LAMP HARNESS Single Tail & Brake Lamps	\$59.00	
34150	1959	REAR LAMP HARNESS Dual Tail, Brake & Directional Lights	\$134.00	
34155	1959	REAR LAMP LONG BED EXTENSION HARNESS Set Of 2	\$28.00	
02955	1960	REAR LAMP INTERMEDIATE HARNESS	\$108.00	
40151	1960	REAR LAMP HARNESS Rear, Fleetside	\$128.00	
42290	1960	REAR LAMP HARNESS Rear, Stepside, 2 Wheel Drive	\$128.00	
42291	1960	REAR LAMP HARNESS Rear, Stepside, 4 Wheel Drive	\$128.00	
02955	1961	REAR LAMP INTERMEDIATE HARNESS	\$108.00	
40151	1961	REAR LAMP HARNESS Rear, Fleetside	\$128.00	
42290	1961	REAR LAMP HARNESS Rear, Stepside, 2 Wheel Drive	\$128.00	
42291	1961	REAR LAMP HARNESS Rear, Stepside, 4 Wheel Drive	\$128.00	
19945	1962	REAR LAMP INTERMEDIATE HARNESS	\$122.00	
30845	1962	REAR LAMP HARNESS Rear, Fleetside & Stepside	\$97.00	
40867	1962	REAR LAMP HARNESS Rear, Suburban & C10 Panel	\$97.00	
19945	1963	REAR LAMP INTERMEDIATE HARNESS	\$122.00	
30845	1963	REAR LAMP HARNESS Rear, Fleetside & Stepside	\$97.00	
40867	1963	REAR LAMP HARNESS Rear, Suburban & C10 Panel	\$97.00	
19945	1964	REAR LAMP INTERMEDIATE HARNESS	\$122.00	
30845	1964	REAR LAMP HARNESS Rear, Fleetside & Stepside	\$97.00	
40867	1964	REAR LAMP HARNESS Rear, Suburban & C10 Panel	\$97.00	
19945	1965	REAR LAMP INTERMEDIATE HARNESS	\$122.00	
30845	1965	REAR LAMP HARNESS Rear, Fleetside & Stepside	\$97.00	
40867	1965	REAR LAMP HARNESS Rear, Suburban & C10 Panel	\$97.00	
19945	1966	REAR LAMP INTERMEDIATE HARNESS	\$122.00	
30845	1966	REAR LAMP HARNESS Rear, Fleetside & Stepside	\$97.00	
40867	1966	REAR LAMP HARNESS Rear, Suburban & C10 Panel	\$97.00	
21965	1967	REAR LAMP INTERMEDIATE HARNESS 104-115 In. Wheelbase, Fleetside & Stepside	\$107.00	
22005	1967	REAR LAMP INTERMEDIATE HARNESS 127-133 In. Wheelbase, Fleetside & Stepside	\$115.00	
36235	1967	REAR LAMP INTERMEDIATE HARNESS Panel & Suburban Only	\$224.00	
21855	1967	REAR LAMP HARNESS Rear, Fleetside	\$128.00	
36852	1967	REAR LAMP HARNESS Rear, Stepside	\$128.00	
21975	1967	REAR LAMP HARNESS Rear, Panel & Suburban, (2 Required Per Vehicle)	\$68.00	
21965	1968	REAR LAMP INTERMEDIATE HARNESS 104-115 In. Wheelbase, Fleetside & Stepside	\$107.00	
22005	1968	REAR LAMP INTERMEDIATE HARNESS 127-133 In. Wheelbase, Fleetside & Stepside	\$115.00	
36235	1968	REAR LAMP INTERMEDIATE HARNESS Panel & Suburban Only	\$224.00	
21855	1968	REAR LAMP HARNESS Rear, Fleetside	\$128.00	
23450	1968	REAR LAMP HARNESS Rear, Stepside (6 1/2 Foot Bed)	\$120.00	
37004	1968	REAR LAMP HARNESS Rear, Stepside (8 Foot Bed)	\$158.00	
21975	1968	REAR LAMP HARNESS Rear, Panel & Suburban, (2 Required Per Vehicle)	\$68.00	
21965	1969	REAR LAMP INTERMEDIATE HARNESS 104-115 In. Wheelbase, Blazer, Fleetside & Stepside	\$107.00	



Part Number	Year	Description	Price	*Rev.
22005	1969	REAR LAMP INTERMEDIATE HARNESS 127-133 In. Wheelbase, Fleetside & Stepside	\$115.00	
36235	1969	REAR LAMP INTERMEDIATE HARNESS Panel & Suburban Only	\$224.00	
22075	1969	REAR LAMP HARNESS Rear, Blazer & Fleetside	\$158.00	
16095	1969	REAR LAMP HARNESS Rear, Stepside	\$158.00	
21905	1969	REAR LAMP HARNESS Rear, Panel & Suburban, (2 Required Per Vehicle)	\$44.00	
21965	1970	REAR LAMP INTERMEDIATE HARNESS 104-115 In. Wheelbase, Blazer, Fleetside & Stepside	\$107.00	
22005	1970	REAR LAMP INTERMEDIATE HARNESS 127-133 In. Wheelbase, Fleetside & Stepside	\$115.00	
36234	1970	REAR LAMP INTERMEDIATE HARNESS Panel & Suburban Only	\$224.00	
22075	1970	REAR LAMP HARNESS Rear, Blazer & Fleetside	\$158.00	
16095	1970	REAR LAMP HARNESS Rear, Stepside	\$158.00	
21905	1970	REAR LAMP HARNESS Rear, Panel & Suburban, (2 Required Per Vehicle)	\$44.00	
21965	1971	REAR LAMP INTERMEDIATE HARNESS 104-115 In. Wheelbase, Blazer, Fleetside & Stepside	\$107.00	
22005	1971	REAR LAMP INTERMEDIATE HARNESS 127-133 In. Wheelbase, Fleetside & Stepside	\$115.00	
36234	1971	REAR LAMP INTERMEDIATE HARNESS Panel & Suburban Only	\$224.00	
22075	1971	REAR LAMP HARNESS Rear, Blazer & Fleetside	\$158.00	
16095	1971	REAR LAMP HARNESS Rear, Stepside	\$158.00	
21905	1971	REAR LAMP HARNESS Rear, Panel & Suburban, (2 Required Per Vehicle)	\$44.00	
21965	1972	REAR LAMP INTERMEDIATE HARNESS 104-115 In. Wheelbase, Blazer, Fleetside & Stepside	\$107.00	
22005	1972	REAR LAMP INTERMEDIATE HARNESS 127-133 In. Wheelbase, Fleetside & Stepside	\$115.00	
36234	1972	REAR LAMP INTERMEDIATE HARNESS Panel & Suburban Only	\$224.00	
22075	1972	REAR LAMP HARNESS Rear, Blazer & Fleetside	\$158.00	
16095	1972	REAR LAMP HARNESS Rear, Stepside	\$158.00	
21905	1972	REAR LAMP HARNESS Rear, Panel & Suburban, (2 Required Per Vehicle)	\$44.00	
39304	1973	REAR LAMP INTERMEDIATE HARNESS Blazer & Jimmy	\$209.00	M
38412	1973	REAR LAMP INTERMEDIATE HARNESS Fleetside & Stepside Bed, With 117.5 In. Wheel Base	\$118.00	M
38413	1973	REAR LAMP INTERMEDIATE HARNESS Fleetside & Stepside Bed, With 131.5 In. & 164.5 In. Wheel Base	\$120.00	M
39710	1973	REAR LAMP INTERMEDIATE HARNESS Suburban	\$143.00	M
39711	1973	REAR LAMP INTERMEDIATE HARNESS 2 Door, 1-Ton, Without Bed, With 159.5 In. Wheel Base	\$143.00	M
39712	1973	REAR LAMP INTERMEDIATE HARNESS 4 Door, 3/4 & 1-Ton, Without Bed, With 164.5 In. Wheel Base	\$143.00	M
35902	1973	REAR LAMP HARNESS Rear, Stepside, Except 117.5 In. Wheel Base	\$248.00	M
37624	1973	REAR LAMP HARNESS Rear, Stepside, With 117.5 In. Wheel Base	\$248.00	M
37464	1973	REAR LAMP HARNESS Rear, 2 Door, Without Bed, With 117.5 In. Wheel Base	\$248.00	M
37465	1973	REAR LAMP HARNESS Rear, 2 & 4 Door, 3/4 & 1-Ton, Without Bed, With 131.5 In. & 164.5 In. Wheel Base	\$248.00	M
35903	1973	REAR LAMP HARNESS Rear, 2 Door, 1-Ton, Without Bed, With 135.5 & 159.5 In. Wheel Base	\$248.00	M
35904	1973	REAR LAMP HARNESS Rear, Blazer & Jimmy, (2 Required Per Vehicle)	\$143.00	M
37470	1973	REAR LAMP HARNESS Rear, Fleetside	\$248.00	M
39747	1973	REAR LAMP HARNESS Rear, Suburban, Driver Side	\$143.00	M
35906	1973	REAR LAMP HARNESS Rear, Suburban, Passenger Side	\$143.00	M
35905	1973	REAR LAMP HARNESS Rear, Fleetside, With Camper Special Option	\$314.00	M
39304	1974	REAR LAMP INTERMEDIATE HARNESS Blazer & Jimmy	\$209.00	M
38412	1974	REAR LAMP INTERMEDIATE HARNESS Fleetside & Stepside Bed, With 117.5 In. Wheel Base	\$118.00	M
38413	1974	REAR LAMP INTERMEDIATE HARNESS Fleetside & Stepside Bed, With 131.5 In. & 164.5 In. Wheel Base	\$120.00	M
39711	1974	REAR LAMP INTERMEDIATE HARNESS 2 Door, 1-Ton, Without Bed, With 159.5 In. Wheel Base	\$143.00	M
39712	1974	REAR LAMP INTERMEDIATE HARNESS 4 Door, 3/4 & 1-Ton, Without Bed, With 164.5 In. Wheel Base	\$143.00	M
39772	1974	REAR LAMP INTERMEDIATE HARNESS Suburban	\$143.00	M

Part Number	Year	Description	Price	*Rev.
35902	1974	<b>REAR LAMP HARNESS</b> Rear, Stepside, Except 117.5 In. Wheel Base	\$248.00	M
37624	1974	<b>REAR LAMP HARNESS</b> Rear, Stepside, With 117.5 In. Wheel Base	\$248.00	M
35903	1974	<b>REAR LAMP HARNESS</b> Rear, 2 Door, 1-Ton, Without Bed, With 135.5 & 159.5 In. Wheel Base	\$248.00	M
35904	1974	<b>REAR LAMP HARNESS</b> Rear, Blazer & Jimmy, (2 Required Per Vehicle)	\$143.00	M
37470	1974	<b>REAR LAMP HARNESS</b> Rear, Fleetside	\$248.00	M
39747	1974	<b>REAR LAMP HARNESS</b> Rear, Suburban, Driver Side	\$143.00	M
35906	1974	<b>REAR LAMP HARNESS</b> Rear, Suburban, Passenger Side	\$143.00	M
35905	1974	<b>REAR LAMP HARNESS</b> Rear, Fleetside, With Camper Special Option, (1st Design), Except Rear Fender Marker Lamp Wiring	\$314.00	M
35976	1974	<b>REAR LAMP HARNESS</b> Rear, Fleetside, With Camper Special Option, (2nd Design), With Rear Fender Marker Lamp Wiring	\$314.00	M
39778	1975	<b>REAR LAMP INTERMEDIATE HARNESS</b> Blazer & Jimmy	\$209.00	M
39779	1975	<b>REAR LAMP INTERMEDIATE HARNESS</b> Fleetside & Stepside Bed, With 117.5 In. Wheel Base	\$209.00	M
39780	1975	<b>REAR LAMP INTERMEDIATE HARNESS</b> Fleetside & Stepside Bed, With 131.5 In. & 164.5 In. Wheel Base	\$209.00	M
39781	1975	<b>REAR LAMP INTERMEDIATE HARNESS</b> 2 Door, 1-Ton, Without Bed, With 159.5 In. Wheel Base	\$209.00	M
39782	1975	<b>REAR LAMP INTERMEDIATE HARNESS</b> 4 Door, 3/4 & 1-Ton, Without Bed, With 164.5 In. Wheel Base	\$209.00	M
39783	1975	<b>REAR LAMP INTERMEDIATE HARNESS</b> Suburban	\$268.00	M
35902	1975	<b>REAR LAMP HARNESS</b> Rear, Stepside, Except 117.5 In. Wheel Base	\$248.00	M
37624	1975	<b>REAR LAMP HARNESS</b> Rear, Stepside, With 117.5 In. Wheel Base	\$248.00	M
37464	1975	<b>REAR LAMP HARNESS</b> Rear, 2 Door, Without Bed, With 117.5 In. Wheel Base	\$248.00	M
37465	1975	<b>REAR LAMP HARNESS</b> Rear, 2 & 4 Door, 3/4 & 1-Ton, Without Bed, With 131.5 In. & 164.5 In. Wheel Base	\$248.00	M
35903	1975	<b>REAR LAMP HARNESS</b> Rear, 2 Door, 1-Ton, Without Bed, With 135.5 & 159.5 In. Wheel Base	\$248.00	M
35904	1975	<b>REAR LAMP HARNESS</b> Rear, Blazer & Jimmy, (2 Required Per Vehicle)	\$143.00	M
35905	1975	<b>REAR LAMP HARNESS</b> Rear, Fleetside, With Camper Special Option	\$314.00	M
37470	1975	<b>REAR LAMP HARNESS</b> Rear, Fleetside	\$248.00	M
39747	1975	<b>REAR LAMP HARNESS</b> Rear, Suburban, Driver Side	\$143.00	M
35906	1975	<b>REAR LAMP HARNESS</b> Rear, Suburban, Passenger Side	\$143.00	M
39806	1976	<b>REAR LAMP INTERMEDIATE HARNESS</b> Fleetside & Stepside Bed, With 117.5 In. Wheel Base	\$194.00	M
39807	1976	<b>REAR LAMP INTERMEDIATE HARNESS</b> Fleetside & Stepside Bed, With 131.5 In. & 135.5 In. Wheel Base	\$194.00	M
39809	1976	<b>REAR LAMP INTERMEDIATE HARNESS</b> Blazer & Jimmy	\$268.00	M
35907	1976	<b>REAR LAMP INTERMEDIATE HARNESS</b> Suburban, Except 40 Gal. Gas Tank Option	\$268.00	M
37657	1976	<b>REAR LAMP INTERMEDIATE HARNESS</b> 1-Ton, Stakebed & Flatbed, With 159.5 Wheel Base	\$194.00	M
37658	1976	<b>REAR LAMP INTERMEDIATE HARNESS</b> 4 Door, 3/4 & 1-Ton, Without Bed, With 164.5 In. Wheel Base	\$209.00	M
39810	1976	<b>REAR LAMP INTERMEDIATE HARNESS</b> Suburban, With 40 Gal. Gas Tank Option	\$268.00	M
35902	1976	<b>REAR LAMP HARNESS</b> Rear, Stepside, Except 117.5 In. Wheel Base	\$248.00	M
37624	1976	<b>REAR LAMP HARNESS</b> Rear, Stepside, With 117.5 In. Wheel Base	\$248.00	M
37464	1976	<b>REAR LAMP HARNESS</b> Rear, 2 Door, Without Bed, With 117.5 In. Wheel Base	\$248.00	M
37465	1976	<b>REAR LAMP HARNESS</b> Rear, 2 & 4 Door, 3/4 & 1-Ton, Without Bed, With 131.5 In. & 164.5 In. Wheel Base	\$248.00	M
35903	1976	<b>REAR LAMP HARNESS</b> Rear, 2 Door, 1-Ton, Without Bed, With 135.5 & 159.5 In. Wheel Base	\$248.00	M
35904	1976	<b>REAR LAMP HARNESS</b> Rear, Blazer & Jimmy, (2 Required Per Vehicle)	\$143.00	M
35905	1976	<b>REAR LAMP HARNESS</b> Rear, 1-Ton Fleetside Bed, With Dual Rear Wheels	\$314.00	M
37470	1976	<b>REAR LAMP HARNESS</b> Rear, Fleetside	\$248.00	M
39747	1976	<b>REAR LAMP HARNESS</b> Rear, Suburban, Passenger Side	\$143.00	M
35906	1976	<b>REAR LAMP HARNESS</b> Rear, Suburban, Driver Side	\$143.00	M

Part Number	Year	Description	Price	*Rev.
38394	1977	<b>REAR LAMP INTERMEDIATE HARNESS</b> Fleetside & Stepside, With 117.5 In. Wheel Base & Heavy Duty Chassis	\$194.00	M
39382	1977	<b>REAR LAMP INTERMEDIATE HARNESS</b> Fleetside & Stepside, With 131.5 In. Wheel Base	\$194.00	M
39818	1977	<b>REAR LAMP INTERMEDIATE HARNESS</b> Fleetside & Stepside, With 117.5 In. Wheel Base, Except Heavy Duty Chassis	\$194.00	M
39819	1977	<b>REAR LAMP INTERMEDIATE HARNESS</b> Fleetside & Stepside, 1-Ton With 135.5 In. Wheel Base	\$194.00	M
39820	1977	<b>REAR LAMP INTERMEDIATE HARNESS</b> 2 Door, 1-Ton, With 159.5 In. Wheel Base	\$194.00	M
39821	1977	<b>REAR LAMP INTERMEDIATE HARNESS</b> 4 Door Truck, 3/4 & 1-Ton	\$194.00	M
39822	1977	<b>REAR LAMP INTERMEDIATE HARNESS</b> Suburban	\$268.00	M
37623	1977	<b>REAR LAMP INTERMEDIATE HARNESS</b> Blazer & Jimmy	\$268.00	M
35902	1977	<b>REAR LAMP HARNESS</b> Rear, Stepside, Except 117.5 In. Wheel Base	\$248.00	M
37624	1977	<b>REAR LAMP HARNESS</b> Rear, Stepside, With 117.5 In. Wheel Base	\$248.00	M
35904	1977	<b>REAR LAMP HARNESS</b> Rear, Blazer & Jimmy, (2 Required Per Vehicle)	\$143.00	M
35905	1977	<b>REAR LAMP HARNESS</b> Rear, 1-Ton Fleetside Bed, With Dual Rear Wheels	\$314.00	M
37470	1977	<b>REAR LAMP HARNESS</b> Rear, Fleetside	\$248.00	M
39823	1977	<b>REAR LAMP HARNESS</b> Rear, Suburban, (2 Required Per Vehicle)	\$143.00	M
39828	1977	<b>REAR LAMP HARNESS</b> Rear, 2 & 4 Door, Without Bed, With 117.5, 131.5, & 164.5 In. Wheel Base	\$248.00	M
35908	1977	<b>REAR LAMP HARNESS</b> Rear, 2 Door, Without Bed, With 131.5, 135.5, & 159.5 In. Wheel Base	\$248.00	M
35914	1977	<b>REAR LAMP HARNESS</b> Rear, 1-Ton, Stakebed & Flatbed, With 135.5 In. Wheel Base	\$248.00	M
38394	1978	<b>REAR LAMP INTERMEDIATE HARNESS</b> Fleetside & Stepside, With 117.5 In. Wheel Base & Heavy Duty Chassis	\$194.00	M
39382	1978	<b>REAR LAMP INTERMEDIATE HARNESS</b> Fleetside & Stepside, With 131.5 In. Wheel Base & Heavy Duty Chassis	\$194.00	M
39818	1978	<b>REAR LAMP INTERMEDIATE HARNESS</b> Fleetside & Stepside, With 117.5 In. Wheel Base, Except Heavy Duty Chassis	\$194.00	M
39819	1978	<b>REAR LAMP INTERMEDIATE HARNESS</b> Fleetside & Stepside, 1/2-Ton With 131.5 In. Wheel Base & 1-Ton With 135.5 In. Wheel Base	\$194.00	M
39820	1978	<b>REAR LAMP INTERMEDIATE HARNESS</b> 2 Door, 1-Ton, With 159.5 In. Wheel Base	\$194.00	M
39821	1978	<b>REAR LAMP INTERMEDIATE HARNESS</b> 4 Door Truck, 3/4 & 1-Ton	\$194.00	M
39822	1978	<b>REAR LAMP INTERMEDIATE HARNESS</b> Suburban, Without California Emission Option	\$268.00	M
37623	1978	<b>REAR LAMP INTERMEDIATE HARNESS</b> Blazer & Jimmy	\$268.00	M
35913	1978	<b>REAR LAMP INTERMEDIATE HARNESS</b> Suburban, With California Emission Option	\$268.00	M
35902	1978	<b>REAR LAMP HARNESS</b> Rear, Stepside, Except 117.5 In. Wheel Base	\$248.00	M
37624	1978	<b>REAR LAMP HARNESS</b> Rear, Stepside, With 117.5 In. Wheel Base	\$248.00	M
35904	1978	<b>REAR LAMP HARNESS</b> Rear, Blazer & Jimmy, (2 Required Per Vehicle)	\$143.00	M
35905	1978	<b>REAR LAMP HARNESS</b> Rear, 1-Ton Fleetside Bed, With Dual Rear Wheels	\$314.00	M
37470	1978	<b>REAR LAMP HARNESS</b> Rear, Fleetside	\$248.00	M
39823	1978	<b>REAR LAMP HARNESS</b> Rear, Suburban, (2 Required Per Vehicle)	\$143.00	M
39828	1978	<b>REAR LAMP HARNESS</b> Rear, 2 & 4 Door, Without Bed, With 117.5, 131.5, & 164.5 In. Wheel Base	\$248.00	M
35908	1978	<b>REAR LAMP HARNESS</b> Rear, 2 Door, Without Bed, With 135.5, & 159.5 In. Wheel Base	\$248.00	M
35914	1978	<b>REAR LAMP HARNESS</b> Rear, 1-Ton, Stakebed & Flatbed, With 135.5 In. Wheel Base	\$248.00	M
39818	1979	<b>REAR LAMP INTERMEDIATE HARNESS</b> Fleetside & Stepside, With 117.5 In. Wheel Base, Except Heavy Duty Chassis	\$194.00	M
38394	1979	<b>REAR LAMP INTERMEDIATE HARNESS</b> Fleetside & Stepside, With 117.5 In. Wheel Base & Heavy Duty Chassis	\$194.00	M
39382	1979	<b>REAR LAMP INTERMEDIATE HARNESS</b> Fleetside & Stepside, With 131.5 In. Wheel Base & Heavy Duty Chassis	\$194.00	M

Part Number	Year	Description	Price	*Rev.
39819	1979	<b>REAR LAMP INTERMEDIATE HARNESS</b> Fleetside & Stepside, 1/2-Ton With 131.5 In. Wheel Base & 1-Ton With 135.5 In. Wheel Base	\$194.00	M
39820	1979	<b>REAR LAMP INTERMEDIATE HARNESS</b> 2 Door, 1-Ton, With 159.5 In. Wheel Base	\$194.00	M
39821	1979	<b>REAR LAMP INTERMEDIATE HARNESS</b> 4 Door Truck, 3/4 & 1-Ton	\$194.00	M
39822	1979	<b>REAR LAMP INTERMEDIATE HARNESS</b> Suburban, Without California Emission Option	\$268.00	M
35913	1979	<b>REAR LAMP INTERMEDIATE HARNESS</b> Suburban, With California Emission Option	\$268.00	M
39908	1979	<b>REAR LAMP INTERMEDIATE HARNESS</b> Blazer & Jimmy	\$268.00	M
35904	1979	<b>REAR LAMP HARNESS</b> Rear, Blazer & Jimmy, (2 Required Per Vehicle)	\$143.00	M
37470	1979	<b>REAR LAMP HARNESS</b> Rear, Fleetside	\$248.00	M
39823	1979	<b>REAR LAMP HARNESS</b> Rear, Suburban, (2 Required Per Vehicle)	\$143.00	M
39828	1979	<b>REAR LAMP HARNESS</b> Rear, 2 & 4 Door, Without Bed, With 117.5, 131.5, & 164.5 In. Wheel Base	\$248.00	M
35908	1979	<b>REAR LAMP HARNESS</b> Rear, 2 Door, Without Bed, With 135.5, & 159.5 In. Wheel Base	\$248.00	M
35914	1979	<b>REAR LAMP HARNESS</b> Rear, 1-Ton, Stakebed & Flatbed, With 135.5 In. Wheel Base	\$248.00	M
39898	1979	<b>REAR LAMP HARNESS</b> Rear, 1-Ton Fleetside Bed, With Dual Rear Wheels	\$248.00	M
38881	1979	<b>REAR LAMP HARNESS</b> Rear, Stepside	\$165.00	M
39382	1980	<b>REAR LAMP INTERMEDIATE HARNESS</b> Fleetside & Stepside, With 131.5 In. Wheel Base & Heavy Duty Chassis	\$194.00	M
39819	1980	<b>REAR LAMP INTERMEDIATE HARNESS</b> Fleetside & Stepside, 1-Ton With 135.5 In. Wheel Base	\$194.00	M
39820	1980	<b>REAR LAMP INTERMEDIATE HARNESS</b> 2 Door, 1-Ton, With 159.5 In. Wheel Base	\$194.00	M
39821	1980	<b>REAR LAMP INTERMEDIATE HARNESS</b> 4 Door Truck, 3/4 & 1-Ton	\$194.00	M
39913	1980	<b>REAR LAMP INTERMEDIATE HARNESS</b> Suburban, Without California Emission Option	\$268.00	M
39914	1980	<b>REAR LAMP INTERMEDIATE HARNESS</b> Suburban, With California Emission Option	\$268.00	M
39915	1980	<b>REAR LAMP INTERMEDIATE HARNESS</b> Fleetside & Stepside, With 117.5 In. Wheel Base	\$194.00	M
39916	1980	<b>REAR LAMP INTERMEDIATE HARNESS</b> Fleetside & Stepside, With 131.5 In. Wheel Base	\$194.00	M
39917	1980	<b>REAR LAMP INTERMEDIATE HARNESS</b> Blazer & Jimmy	\$268.00	M
35904	1980	<b>REAR LAMP HARNESS</b> Rear, Blazer & Jimmy, (2 Required Per Vehicle)	\$143.00	M
37470	1980	<b>REAR LAMP HARNESS</b> Rear, Fleetside	\$248.00	M
39823	1980	<b>REAR LAMP HARNESS</b> Rear, Suburban, (2 Required Per Vehicle)	\$143.00	M
39828	1980	<b>REAR LAMP HARNESS</b> Rear, 2 & 4 Door, Without Bed, With 117.5, 131.5, & 164.5 In. Wheel Base	\$248.00	M
35908	1980	<b>REAR LAMP HARNESS</b> Rear, 2 Door, Without Bed, With 135.5, & 159.5 In. Wheel Base	\$248.00	M
35914	1980	<b>REAR LAMP HARNESS</b> Rear, 1-Ton, Stakebed & Flatbed, With 135.5 In. Wheel Base	\$248.00	M
39898	1980	<b>REAR LAMP HARNESS</b> Rear, 1-Ton Fleetside Bed, With Dual Rear Wheels	\$248.00	M
38881	1980	<b>REAR LAMP HARNESS</b> Rear, Stepside	\$165.00	M
38394	1981	<b>REAR LAMP INTERMEDIATE HARNESS</b> Fleetside & Stepside, With 350 Diesel & 117.5 In. Wheel Base	\$194.00	M
39382	1981	<b>REAR LAMP INTERMEDIATE HARNESS</b> Fleetside & Stepside, 2 Wheel Drive 1/2 Ton, With 350 Diesel, & All 4 Wheel Drives, With 131.5 In. Wheel Base & Heavy Duty	\$194.00	M
39913	1981	<b>REAR LAMP INTERMEDIATE HARNESS</b> Suburban, Without California Emission Option	\$268.00	M
39914	1981	<b>REAR LAMP INTERMEDIATE HARNESS</b> Suburban, With California Emission Option	\$268.00	M
39915	1981	<b>REAR LAMP INTERMEDIATE HARNESS</b> Fleetside & Stepside, With 117.5 In. Wheel Base	\$194.00	M
39916	1981	<b>REAR LAMP INTERMEDIATE HARNESS</b> Fleetside & Stepside, With 131.5 In. Wheel Base	\$194.00	M
39917	1981	<b>REAR LAMP INTERMEDIATE HARNESS</b> Blazer & Jimmy	\$268.00	M
39986	1981	<b>REAR LAMP INTERMEDIATE HARNESS</b> 2 Door, 1-Ton, With 135.5 In. Wheel Base	\$194.00	M
39987	1981	<b>REAR LAMP INTERMEDIATE HARNESS</b> 2 Door, 1-Ton, With 159.5 In. Wheel Base	\$194.00	M
39988	1981	<b>REAR LAMP INTERMEDIATE HARNESS</b> 4 Door, 3/4 & 1-Ton, With 164.5 In. Wheel Base	\$194.00	M
35904	1981	<b>REAR LAMP HARNESS</b> Rear, Blazer & Jimmy, (2 Required Per Vehicle)	\$143.00	M
37470	1981	<b>REAR LAMP HARNESS</b> Rear, Fleetside	\$248.00	M

Part Number	Year	Description	Price	*Rev.
39823	1981	<b>REAR LAMP HARNESS</b> Rear, Suburban, (2 Required Per Vehicle)	\$143.00	M
39828	1981	<b>REAR LAMP HARNESS</b> Rear, 2 & 4 Door, Without Bed, With 117.5, 131.5, & 164.5 In. Wheel Base	\$248.00	M
35908	1981	<b>REAR LAMP HARNESS</b> Rear, 2 Door, Without Bed, With 135.5, & 159.5 In. Wheel Base	\$248.00	M
35914	1981	<b>REAR LAMP HARNESS</b> Rear, 1-Ton, Stakebed & Flatbed, With 135.5 In. Wheel Base	\$248.00	M
38881	1981	<b>REAR LAMP HARNESS</b> Rear, Stepside	\$165.00	M
39991	1981	<b>REAR LAMP HARNESS</b> Rear, 1-Ton Fleetside Bed, With Dual Rear Wheels	\$248.00	M
38394	1982	<b>REAR LAMP INTERMEDIATE HARNESS</b> Fleetside & Stepside, With 350 Diesel & 117.5 In. Wheel Base	\$194.00	M
39382	1982	<b>REAR LAMP INTERMEDIATE HARNESS</b> Fleetside & Stepside, 2 Wheel Drive 1/2 Ton, With 350 Diesel, & All 4 Wheel Drives, With 131.5 In. Wheel Base & Heavy Duty	\$194.00	M
39913	1982	<b>REAR LAMP INTERMEDIATE HARNESS</b> Suburban, Without California Emission Option	\$268.00	M
39914	1982	<b>REAR LAMP INTERMEDIATE HARNESS</b> Suburban, With California Emission Option	\$268.00	M
39915	1982	<b>REAR LAMP INTERMEDIATE HARNESS</b> Fleetside & Stepside, With 117.5 In. Wheel Base	\$194.00	M
39916	1982	<b>REAR LAMP INTERMEDIATE HARNESS</b> Fleetside & Stepside, With 131.5 In. Wheel Base	\$194.00	M
39917	1982	<b>REAR LAMP INTERMEDIATE HARNESS</b> Blazer & Jimmy	\$268.00	M
39986	1982	<b>REAR LAMP INTERMEDIATE HARNESS</b> 2 Door, 1-Ton, With 135.5 In. Wheel Base	\$194.00	M
39987	1982	<b>REAR LAMP INTERMEDIATE HARNESS</b> 2 Door, 1-Ton, With 159.5 In. Wheel Base	\$194.00	M
39988	1982	<b>REAR LAMP INTERMEDIATE HARNESS</b> 4 Door, 3/4 & 1-Ton, With 164.5 In. Wheel Base	\$194.00	M
35904	1982	<b>REAR LAMP HARNESS</b> Rear, Blazer & Jimmy, (2 Required Per Vehicle)	\$143.00	M
37470	1982	<b>REAR LAMP HARNESS</b> Rear, Fleetside	\$248.00	M
39823	1982	<b>REAR LAMP HARNESS</b> Rear, Suburban, (2 Required Per Vehicle)	\$143.00	M
39828	1982	<b>REAR LAMP HARNESS</b> Rear, 2 & 4 Door, Without Bed, With 117.5, 131.5, & 164.5 In. Wheel Base	\$248.00	M
35908	1982	<b>REAR LAMP HARNESS</b> Rear, 2 Door, Without Bed, With 135.5, & 159.5 In. Wheel Base	\$248.00	M
35914	1982	<b>REAR LAMP HARNESS</b> Rear, 1-Ton, Stakebed & Flatbed, With 135.5 In. Wheel Base	\$248.00	M
38881	1982	<b>REAR LAMP HARNESS</b> Rear, Stepside	\$165.00	M
39991	1982	<b>REAR LAMP HARNESS</b> Rear, 1-Ton Fleetside Bed, With Dual Rear Wheels	\$248.00	M
<b>REAR LICENSE PLATE AND FUEL TANK HARNESS</b>				
36237	1967	<b>REAR LICENSE PLATE AND FUEL TANK HARNESS</b> Panel & Suburban Only	\$54.00	
36237	1968	<b>REAR LICENSE PLATE AND FUEL TANK HARNESS</b> Panel & Suburban Only	\$54.00	
36237	1969	<b>REAR LICENSE PLATE AND FUEL TANK HARNESS</b> Panel & Suburban Only	\$54.00	
36237	1970	<b>REAR LICENSE PLATE AND FUEL TANK HARNESS</b> Panel & Suburban Only	\$54.00	
36237	1971	<b>REAR LICENSE PLATE AND FUEL TANK HARNESS</b> Panel & Suburban Only	\$54.00	
36237	1972	<b>REAR LICENSE PLATE AND FUEL TANK HARNESS</b> Panel & Suburban Only	\$54.00	
<b>REAR MARKER LAMP HARNESS</b>				
39834	1977	<b>REAR MARKER LAMP HARNESS</b> 2 Door, 3/4 Ton, With Stakebed & Flatbed, Tail Lamp Harness To Rear Marker Lamps	\$101.00	M
39835	1977	<b>REAR MARKER LAMP HARNESS</b> 2 Door, 1-Ton, With 135.5 In. Wheel Base, With Stakebed & Flatbed, Tail Lamp Harness To Rear Marker & Corner Lamps	\$127.00	M
39834	1978	<b>REAR MARKER LAMP HARNESS</b> 2 Door, 3/4 Ton, With Stakebed & Flatbed, Tail Lamp Harness To Rear Marker Lamps	\$101.00	M
39835	1978	<b>REAR MARKER LAMP HARNESS</b> 2 Door, 1-Ton, With 135.5 In. Wheel Base, With Stakebed & Flatbed, Tail Lamp Harness To Rear Marker & Corner Lamps	\$127.00	M
39834	1979	<b>REAR MARKER LAMP HARNESS</b> 2 Door, 3/4 Ton, With Stakebed & Flatbed, Tail Lamp Harness To Rear Marker Lamps	\$101.00	M
39835	1979	<b>REAR MARKER LAMP HARNESS</b> 2 Door, 1-Ton, With 135.5 In. Wheel Base, With Stakebed & Flatbed, Tail Lamp Harness To Rear Marker & Corner Lamps	\$127.00	M
39834	1980	<b>REAR MARKER LAMP HARNESS</b> 2 Door, 3/4 Ton, With Stakebed & Flatbed, Tail Lamp Harness To Rear Marker Lamps	\$101.00	M

Part Number	Year	Description	Price	*Rev.
39835	1980	<b>REAR MARKER LAMP HARNESS</b> 2 Door, 1-Ton, With 135.5 In. Wheel Base, With Stakebed & Flatbed, Tail Lamp Harness To Rear Marker & Corner Lamps	\$127.00	M
39834	1981	<b>REAR MARKER LAMP HARNESS</b> 2 Door, 3/4 Ton, With Stakebed & Flatbed, Tail Lamp Harness To Rear Marker Lamps	\$101.00	M
39835	1981	<b>REAR MARKER LAMP HARNESS</b> 2 Door, 1-Ton, With 135.5 In. Wheel Base, With Stakebed & Flatbed, Tail Lamp Harness To Rear Marker & Corner Lamps	\$127.00	M
39835	1982	<b>REAR MARKER LAMP HARNESS</b> 2 Door, 1-Ton, With 135.5 In. Wheel Base, With Stakebed & Flatbed, Tail Lamp Harness To Rear Marker & Corner Lamps	\$127.00	M
<b>REAR WINDOW DEFROSTER EXTENSION WIRE</b>				
40002	1982	<b>REAR WINDOW DEFROSTER EXTENSION WIRE</b> Suburban, Dash Harness To Tailgate Harness	\$52.00	M
40002	1982	<b>REAR WINDOW DEFROSTER EXTENSION WIRE</b> Suburban, Dash Harness To Tailgate Harness	\$52.00	M
<b>REAR WINDOW DEFROSTER HARNESS</b>				
40003	1982	<b>REAR WINDOW DEFROSTER HARNESS</b> Suburban, Tailgate Harness	\$66.00	M
<b>SIDE MARKER AND LICENSE LAMP HARNESS</b>				
39740	1973	<b>SIDE MARKER AND LICENSE LAMP HARNESS</b> 8ft Stakebed & Flatbed, Without Clearance Lamps	\$101.00	M
39743	1973	<b>SIDE MARKER AND LICENSE LAMP HARNESS</b> 8ft Stakebed & Flatbed, With Clearance Lamps	\$127.00	M
39740	1974	<b>SIDE MARKER AND LICENSE LAMP HARNESS</b> 8ft Stakebed & Flatbed, Without Clearance Lamps	\$101.00	M
39743	1974	<b>SIDE MARKER AND LICENSE LAMP HARNESS</b> 8ft Stakebed & Flatbed, With Clearance Lamps	\$127.00	M
39740	1975	<b>SIDE MARKER AND LICENSE LAMP HARNESS</b> 8ft Stakebed & Flatbed, Without Clearance Lamps	\$101.00	M
39743	1975	<b>SIDE MARKER AND LICENSE LAMP HARNESS</b> 8ft Stakebed & Flatbed, With Clearance Lamps	\$127.00	M
39740	1976	<b>SIDE MARKER AND LICENSE LAMP HARNESS</b> 8ft Stakebed & Flatbed, Without Clearance Lamps	\$101.00	M
39743	1976	<b>SIDE MARKER AND LICENSE LAMP HARNESS</b> 8ft Stakebed & Flatbed, With Clearance Lamps	\$127.00	M
<b>SPEAKER EXTENSION WIRE</b>				
39866	1981	<b>SPEAKER EXTENSION WIRE</b> Suburban, Rear Speaker To Extension Harness (2 Required Per Vehicle)	\$26.00	M
<b>SPEAKER HARNESS</b>				
39709	1973	<b>SPEAKER HARNESS</b> Radio To Center Front Speaker, Except Stereo	\$40.00	M
39726	1973	<b>SPEAKER HARNESS</b> Radio To Front Kick Panel Speakers, With Stereo	\$66.00	M
39749	1973	<b>SPEAKER HARNESS</b> All, Radio To Rear Speakers, With Stereo	\$66.00	M
39709	1974	<b>SPEAKER HARNESS</b> Radio To Center Front Speaker, Except Stereo	\$40.00	M
39749	1974	<b>SPEAKER HARNESS</b> Radio To Rear Speakers, With Stereo	\$66.00	M
39750	1974	<b>SPEAKER HARNESS</b> Radio To Driver Side Kick Panel Speaker	\$66.00	M
39751	1974	<b>SPEAKER HARNESS</b> Radio To Passenger Side Kick Panel Speaker	\$66.00	M
39709	1975	<b>SPEAKER HARNESS</b> Radio To Center Front Speaker, Except Stereo	\$40.00	M
39749	1975	<b>SPEAKER HARNESS</b> Radio To Rear Speakers, With Stereo	\$66.00	M
39794	1975	<b>SPEAKER HARNESS</b> Suburban, Driver Side Rear Speaker	\$66.00	M
39795	1975	<b>SPEAKER HARNESS</b> Suburban, Passenger Side Rear Speaker	\$66.00	M
39709	1976	<b>SPEAKER HARNESS</b> Radio To Center Front Speaker, Except Stereo	\$40.00	M
39749	1976	<b>SPEAKER HARNESS</b> Radio To Rear Speakers, With Stereo	\$66.00	M
39794	1976	<b>SPEAKER HARNESS</b> Suburban, Driver Side Rear Speaker	\$66.00	M
39795	1976	<b>SPEAKER HARNESS</b> Suburban, Passenger Side Rear Speaker	\$66.00	M
39796	1976	<b>SPEAKER HARNESS</b> Suburban, Radio To Rear Speaker Harness, Except Stereo	\$66.00	M
39709	1977	<b>SPEAKER HARNESS</b> Radio To Center Front Speaker, Except Stereo	\$40.00	M
39749	1977	<b>SPEAKER HARNESS</b> Radio To Rear Speakers, With Stereo	\$66.00	M
39794	1977	<b>SPEAKER HARNESS</b> Suburban, Driver Side Rear Speaker	\$66.00	M
39795	1977	<b>SPEAKER HARNESS</b> Suburban, Passenger Side Rear Speaker	\$66.00	M
39796	1977	<b>SPEAKER HARNESS</b> Suburban, Radio To Rear Speaker Harness, Except Stereo	\$66.00	M

Part Number	Year	Description	Price	*Rev.
39838	1977	<b>SPEAKER HARNESS</b> Suburban, Blazer & Jimmy, Front Section, Radio To Rear Speaker Harness	\$66.00	M
39843	1977	<b>SPEAKER HARNESS</b> Suburban, Rear Section, Radio Harness To Rear Speaker	\$66.00	M
39849	1977	<b>SPEAKER HARNESS</b> Blazer & Jimmy, Rear Section, Radio Harness To Rear Speaker	\$66.00	M
39868	1978	<b>SPEAKER HARNESS</b> Radio To Center Front Speaker, Except Stereo	\$40.00	M
39874	1978	<b>SPEAKER HARNESS</b> Suburban, With Rear Auxiliary Speaker	\$66.00	M
39875	1978	<b>SPEAKER HARNESS</b> Blazer & Jimmy, With Rear Auxiliary Speaker	\$66.00	M
39868	1979	<b>SPEAKER HARNESS</b> Radio To Center Front Speaker, Except Stereo	\$40.00	M
39874	1979	<b>SPEAKER HARNESS</b> Suburban, With Rear Auxiliary Speaker	\$66.00	M
39875	1979	<b>SPEAKER HARNESS</b> Blazer & Jimmy, With Rear Auxiliary Speaker	\$66.00	M
40044	1979	<b>SPEAKER HARNESS</b> C.B. Radio To Center Dash Speaker	\$66.00	M
39903	1980	<b>SPEAKER HARNESS</b> All Trucks, With 4 Speaker Stereo System	\$153.00	M
39904	1980	<b>SPEAKER HARNESS</b> Suburban With 4 Speaker Stereo System	\$153.00	M
39905	1980	<b>SPEAKER HARNESS</b> Blazer & Jimmy, With 4 Speaker Stereo System	\$153.00	M
39906	1980	<b>SPEAKER HARNESS</b> All With Front Door Speakers, (2 Required Per Vehicle)	\$66.00	M
39868	1980	<b>SPEAKER HARNESS</b> Radio To Center Front Speaker, Except Stereo	\$40.00	M
39875	1980	<b>SPEAKER HARNESS</b> Blazer & Jimmy, With Rear Auxiliary Speaker	\$66.00	M
39907	1980	<b>SPEAKER HARNESS</b> Suburban, With Rear Auxiliary Speaker	\$66.00	M
40044	1980	<b>SPEAKER HARNESS</b> C.B. Radio To Center Dash Speaker	\$66.00	M
39906	1981	<b>SPEAKER HARNESS</b> All With Front Door Speakers, (2 Required Per Vehicle)	\$66.00	M
39938	1981	<b>SPEAKER HARNESS</b> All Trucks, With 4 Speaker Stereo System	\$153.00	M
39939	1981	<b>SPEAKER HARNESS</b> Suburban, With 4 Speaker Stereo System	\$153.00	M
39940	1981	<b>SPEAKER HARNESS</b> Blazer & Jimmy, With 4 Speaker Stereo System	\$153.00	M
39868	1981	<b>SPEAKER HARNESS</b> Radio To Center Front Speaker, Except Stereo	\$40.00	M
40044	1981	<b>SPEAKER HARNESS</b> C.B. Radio To Center Dash Speaker	\$66.00	M
39954	1981	<b>SPEAKER HARNESS</b> Suburban, With Rear Auxiliary Speaker	\$66.00	M
39955	1981	<b>SPEAKER HARNESS</b> Blazer & Jimmy, With Rear Auxiliary Speaker	\$66.00	M
39938	1982	<b>SPEAKER HARNESS</b> All Trucks, With 4 Speaker Stereo System	\$153.00	M
39940	1982	<b>SPEAKER HARNESS</b> Blazer & Jimmy, With 4 Speaker Stereo System	\$153.00	M
40012	1982	<b>SPEAKER HARNESS</b> Suburban, With 4 Speaker Stereo System	\$153.00	M
39868	1982	<b>SPEAKER HARNESS</b> Radio To Center Front Speaker, Except Stereo	\$40.00	M
40044	1982	<b>SPEAKER HARNESS</b> C.B. Radio To Center Dash Speaker	\$66.00	M
39954	1982	<b>SPEAKER HARNESS</b> Suburban, With Rear Auxiliary Speaker	\$66.00	M
39955	1982	<b>SPEAKER HARNESS</b> Blazer & Jimmy, With Rear Auxiliary Speaker	\$66.00	M
<b>SPEED WARNING HARNESS</b>				
23185	1967	<b>SPEED WARNING HARNESS</b>	\$27.00	
23185	1968	<b>SPEED WARNING HARNESS</b>	\$27.00	
23185	1969	<b>SPEED WARNING HARNESS</b>	\$27.00	
23185	1970	<b>SPEED WARNING HARNESS</b>	\$27.00	
23185	1971	<b>SPEED WARNING HARNESS</b>	\$27.00	
23185	1972	<b>SPEED WARNING HARNESS</b>	\$27.00	
<b>SPEEDOMETER</b>				
44227	1947	<b>SPEEDOMETER</b> 0-80 MPH, White Needle Note: GM Did Not Sell This Gauge Separately, This Speedometer Has A Range From 0-80 Mph With A White Needle.	\$162.00	N
44238	1947	<b>SPEEDOMETER CLUSTER</b> 0-80 MPH, White Needle, Complete Assembly	\$276.00	N
44227	1948	<b>SPEEDOMETER</b> 0-80 MPH, White Needle Note: GM Did Not Sell This Gauge Separately, This Speedometer Has A Range From 0-80 Mph With A White Needle.	\$162.00	N

Part Number	Year	Description	Price	*Rev.
44238	1948	<b>SPEEDOMETER CLUSTER</b> 0-80 MPH, White Needle, Complete Assembly	\$276.00	N
44227	1949	<b>SPEEDOMETER</b> 0-80 MPH, White Needle Note: GM Did Not Sell This Gauge Separately, This Speedometer Has A Range From 0-80 Mph With A White Needle.	\$162.00	N
44238	1949	<b>SPEEDOMETER CLUSTER</b> 0-80 MPH, White Needle, Complete Assembly	\$276.00	N
44227	1950	<b>SPEEDOMETER</b> 0-80 MPH, White Needle Note: GM Did Not Sell This Gauge Separately, This Speedometer Has A Range From 0-80 Mph With A White Needle.	\$162.00	N
44238	1950	<b>SPEEDOMETER CLUSTER</b> 0-80 MPH, White Needle, Complete Assembly	\$276.00	N
44227	1951	<b>SPEEDOMETER</b> 0-80 MPH, White Needle Note: GM Did Not Sell This Gauge Separately, This Speedometer Has A Range From 0-80 Mph With A White Needle.	\$162.00	N
44238	1951	<b>SPEEDOMETER CLUSTER</b> 0-80 MPH, White Needle, Complete Assembly	\$276.00	N
44228	1952	<b>SPEEDOMETER</b> 0-90 MPH, White Needle Note: GM Did Not Sell This Gauge Separately, This Speedometer Has A Range From 0-90 Mph With A White Needle.	\$162.00	N
44239	1952	<b>SPEEDOMETER CLUSTER</b> 0-90 MPH, White Needle, Complete Assembly	\$276.00	N
44228	1953	<b>SPEEDOMETER</b> 0-90 MPH, White Needle Note: GM Did Not Sell This Gauge Separately, This Speedometer Has A Range From 0-90 Mph With A White Needle.	\$162.00	N
44239	1953	<b>SPEEDOMETER CLUSTER</b> 0-90 MPH, White Needle, Complete Assembly	\$276.00	N
44235	1954	<b>SPEEDOMETER</b>	\$185.00	N
44256	1954	<b>SPEEDOMETER CLUSTER</b> Complete Assembly	\$276.00	N
44235	1955	<b>SPEEDOMETER</b> 1st Series	\$185.00	N
44256	1955	<b>SPEEDOMETER CLUSTER</b> 1st Series, Complete Assembly	\$276.00	N
01583683	1955	<b>SPEEDOMETER</b>	\$185.00	N
01583683	1956	<b>SPEEDOMETER</b>	\$185.00	N
01583683	1957	<b>SPEEDOMETER</b>	\$185.00	N
01583683	1958	<b>SPEEDOMETER</b>	\$185.00	N
01583683	1959	<b>SPEEDOMETER</b>	\$185.00	N
01587444	1960	<b>SPEEDOMETER</b>	\$185.00	N
01587444	1961	<b>SPEEDOMETER</b>	\$185.00	N
01587444	1962	<b>SPEEDOMETER</b>	\$185.00	N
01587444	1963	<b>SPEEDOMETER</b>	\$185.00	N
06407465	1964	<b>SPEEDOMETER</b>	\$185.00	N
06407465	1965	<b>SPEEDOMETER</b>	\$185.00	N
06407465	1966	<b>SPEEDOMETER</b>	\$185.00	N
06492868	1967	<b>SPEEDOMETER</b>	\$93.00	N
06492868	1968	<b>SPEEDOMETER</b>	\$93.00	N
06492868	1969	<b>SPEEDOMETER</b>	\$93.00	N
06492868	1970	<b>SPEEDOMETER</b>	\$93.00	N
06492868	1971	<b>SPEEDOMETER</b>	\$93.00	N
06492868	1972	<b>SPEEDOMETER</b>	\$93.00	N
25045176	1976	<b>SPEEDOMETER</b>	\$139.00	N
25045176	1977	<b>SPEEDOMETER</b>	\$139.00	N
25045176	1978	<b>SPEEDOMETER</b>	\$139.00	N
25045176	1979	<b>SPEEDOMETER</b> 1st Design, Fire Orange Needle	\$139.00	N
25044301	1979	<b>SPEEDOMETER</b> 2nd Design, Light Orange Needle	\$139.00	N
25044301	1980	<b>SPEEDOMETER</b>	\$139.00	N
25051889	1981	<b>SPEEDOMETER</b> Light Orange Needle	\$139.00	N
25051889	1982	<b>SPEEDOMETER</b> Light Orange Needle	\$139.00	N
25051889	1983	<b>SPEEDOMETER</b> Light Orange Needle	\$139.00	N



Part Number	Year	Description	Price	*Rev.
25051889	1984	<b>SPEEDOMETER</b> Light Orange Needle	\$139.00	N
25051889	1985	<b>SPEEDOMETER</b> Light Orange Needle	\$139.00	N
25051889	1986	<b>SPEEDOMETER</b> Light Orange Needle	\$139.00	N
25051889	1987	<b>SPEEDOMETER</b> Light Orange Needle	\$139.00	N
<b>STARTER SWITCH</b>				
00820052	1938	<b>STARTER SWITCH</b> Foot Operated, On Starter	\$24.00	N
00820052	1939	<b>STARTER SWITCH</b> Foot Operated, On Starter	\$24.00	N
00820052	1940	<b>STARTER SWITCH</b> Foot Operated, On Starter	\$24.00	N
00820052	1941	<b>STARTER SWITCH</b> Foot Operated, On Starter	\$24.00	N
00820052	1942	<b>STARTER SWITCH</b> Foot Operated, On Starter	\$24.00	N
00820052	1946	<b>STARTER SWITCH</b> Foot Operated, On Starter	\$24.00	N
00820052	1947	<b>STARTER SWITCH</b> Foot Operated, On Starter	\$24.00	N
00820052	1948	<b>STARTER SWITCH</b> Foot Operated, On Starter	\$24.00	N
00820052	1949	<b>STARTER SWITCH</b> Foot Operated, On Starter	\$24.00	N
00820052	1950	<b>STARTER SWITCH</b> Foot Operated, On Starter	\$24.00	N
00820052	1951	<b>STARTER SWITCH</b> Foot Operated, On Starter	\$24.00	N
00820052	1952	<b>STARTER SWITCH</b> Foot Operated, On Starter	\$24.00	N
00820052	1953	<b>STARTER SWITCH</b> Foot Operated, On Starter	\$24.00	N
00820052	1954	<b>STARTER SWITCH</b> Foot Operated, On Starter	\$24.00	N
00820052	1955	<b>STARTER SWITCH</b> 1st Series, 6 Volt, Except H.T. Transmission, Foot Operated, On Starter	\$24.00	N
01930496	1955	<b>STARTER SWITCH</b> 2nd Series, 12 Volt, 6 Cylinder, Except H.T. Transmission, Foot Operated, On Starter	\$24.00	N
01930496	1956	<b>STARTER SWITCH</b> 6 Cylinder, Except H.T. Transmission, Foot Operated, On Starter	\$24.00	N
01930496	1957	<b>STARTER SWITCH</b> 6 Cylinder, Except H.T. Transmission, Foot Operated, On Starter	\$24.00	N
01930496	1958	<b>STARTER SWITCH</b> 6 Cylinder, Except H.T. Transmission, Foot Operated, On Starter	\$24.00	N
01930496	1959	<b>STARTER SWITCH</b> 6 Cylinder, Except H.T. Transmission, Foot Operated, On Starter	\$24.00	N
<b>STEERING COLUMN ADAPTER HARNESS</b>				
39468	1955	<b>STEERING COLUMN ADAPTER HARNESS</b> For 1969-74 GM & Ididit Columns (Exc. Flaming River) To Stock Dash Note: Adapts Horn, Directionals, Hazard Flasher To Stock Dash Harness.	\$50.00	
39467	1955	<b>STEERING COLUMN ADAPTER HARNESS</b> For 1975 & Up GM & Flaming River Columns (Exc. Ididit) To Stock Dash Note: Adapts Horn, Directionals, Hazard Flasher To Stock Dash Harness.	\$50.00	
39468	1956	<b>STEERING COLUMN ADAPTER HARNESS</b> For 1969-74 GM & Ididit Columns (Exc. Flaming River) To Stock Dash Note: Adapts Horn, Directionals, Hazard Flasher To Stock Dash Harness.	\$50.00	
39467	1956	<b>STEERING COLUMN ADAPTER HARNESS</b> For 1975 & Up GM & Flaming River Columns (Exc. Ididit) To Stock Dash Note: Adapts Horn, Directionals, Hazard Flasher To Stock Dash Harness.	\$50.00	
35785	1957	<b>STEERING COLUMN ADAPTER HARNESS</b> For 1969-74 GM & Ididit Columns (Exc. Flaming River) To Stock Dash Note: Adapts Horn, Directionals, Hazard Flasher To Stock Dash Harness.	\$50.00	
13597	1957	<b>STEERING COLUMN ADAPTER HARNESS</b> For 1975 & Up GM & Flaming River Columns (Exc. Ididit) To Stock Dash Note: Adapts Horn, Directionals, Hazard Flasher To Stock Dash Harness.	\$51.00	
35785	1958	<b>STEERING COLUMN ADAPTER HARNESS</b> For 1969-74 GM & Ididit Columns (Exc. Flaming River) To Stock Dash Note: Adapts Horn, Directionals, Hazard Flasher To Stock Dash Harness.	\$50.00	

Part Number	Year	Description	Price	*Rev.
13597	1958	<b>STEERING COLUMN ADAPTER HARNESS</b> For 1975 & Up GM & Flaming River Columns (Exc. Ididit) To Stock Dash Note: Adapts Horn, Directionals, Hazard Flasher To Stock Dash Harness.	\$51.00	
35785	1959	<b>STEERING COLUMN ADAPTER HARNESS</b> For 1969-74 GM & Ididit Columns (Exc. Flaming River) To Stock Dash Note: Adapts Horn, Directionals, Hazard Flasher To Stock Dash Harness.	\$50.00	
13597	1959	<b>STEERING COLUMN ADAPTER HARNESS</b> For 1975 & Up GM & Flaming River Columns (Exc. Ididit) To Stock Dash Note: Adapts Horn, Directionals, Hazard Flasher To Stock Dash Harness.	\$51.00	
37616	1960	<b>STEERING COLUMN ADAPTER HARNESS</b> For 1969-74 GM & Ididit Columns (Exc. Flaming River) To Stock Dash Harness Note: Adapts Horn, Directionals, Hazard Flashers To Stock 6-Way Dash Connector.	\$50.00	
38124	1960	<b>STEERING COLUMN ADAPTER HARNESS</b> For 1975 & Up GM & Flaming River Columns (Exc. Ididit) To Stock Dash Harness Note: Adapts Horn, Directionals, Hazard Flashers To Stock 6-Way Dash Connector.	\$53.00	
37616	1961	<b>STEERING COLUMN ADAPTER HARNESS</b> For 1969-74 GM & Ididit Columns (Exc. Flaming River) To Stock Dash Harness Note: Adapts Horn, Directionals, Hazard Flashers To Stock 6-Way Dash Connector.	\$50.00	
38124	1961	<b>STEERING COLUMN ADAPTER HARNESS</b> For 1975 & Up GM & Flaming River Columns (Exc. Ididit) To Stock Dash Harness Note: Adapts Horn, Directionals, Hazard Flashers To Stock 6-Way Dash Connector.	\$53.00	
37616	1962	<b>STEERING COLUMN ADAPTER HARNESS</b> For 1969-74 GM & Ididit Columns (Exc. Flaming River) To Stock Dash Harness Note: Adapts Horn, Directionals, Hazard Flashers To Stock 6-Way Dash Connector.	\$50.00	
38124	1962	<b>STEERING COLUMN ADAPTER HARNESS</b> For 1975 & Up GM & Flaming River Columns (Exc. Ididit) To Stock Dash Harness Note: Adapts Horn, Directionals, Hazard Flashers To Stock 6-Way Dash Connector.	\$53.00	
37618	1963	<b>STEERING COLUMN ADAPTER HARNESS</b> For 1969-74 GM & Ididit Columns (Exc. Flaming River) To Stock Dash Harness Note: Adapts Horn, Directionals, Hazard Flashers To Stock 8-Way Dash Connector.	\$50.00	
38125	1963	<b>STEERING COLUMN ADAPTER HARNESS</b> For 1975 & Up GM & Flaming River Columns (Exc. Ididit) To Stock Dash Harness Note: Adapts Horn, Directionals, Hazard Flashers To Stock 8-Way Dash Connector.	\$51.00	
37618	1964	<b>STEERING COLUMN ADAPTER HARNESS</b> For 1969-74 GM & Ididit Columns (Exc. Flaming River) To Stock Dash Harness Note: Adapts Horn, Directionals, Hazard Flashers To Stock 8-Way Dash Connector.	\$50.00	
38125	1964	<b>STEERING COLUMN ADAPTER HARNESS</b> For 1975 & Up GM & Flaming River Columns (Exc. Ididit) To Stock Dash Harness Note: Adapts Horn, Directionals, Hazard Flashers To Stock 8-Way Dash Connector.	\$51.00	
37618	1965	<b>STEERING COLUMN ADAPTER HARNESS</b> For 1969-74 GM & Ididit Columns (Exc. Flaming River) To Stock Dash Harness Note: Adapts Horn, Directionals, Hazard Flashers To Stock 8-Way Dash Connector.	\$50.00	
38125	1965	<b>STEERING COLUMN ADAPTER HARNESS</b> For 1975 & Up GM & Flaming River Columns (Exc. Ididit) To Stock Dash Harness Note: Adapts Horn, Directionals, Hazard Flashers To Stock 8-Way Dash Connector.	\$51.00	
37618	1966	<b>STEERING COLUMN ADAPTER HARNESS</b> For 1969-74 GM & Ididit Columns (Exc. Flaming River) To Stock Dash Harness Note: Adapts Horn, Directionals, Hazard Flashers To Stock 8-Way Dash Connector.	\$50.00	
38125	1966	<b>STEERING COLUMN ADAPTER HARNESS</b> For 1975 & Up GM & Flaming River Columns (Exc. Ididit) To Stock Dash Harness Note: Adapts Horn, Directionals, Hazard Flashers To Stock 8-Way Dash Connector.	\$51.00	
36878	1967	<b>STEERING COLUMN ADAPTER HARNESS</b> For 1969-74 GM & Ididit Columns (Exc. Flaming River) To Stock Dash Harness Note: Adapts Horn, Directionals, Hazard Flashers To Stock 8 Pin Dash Connector.	\$27.00	

Part Number	Year	Description	Price	*Rev.
38126	1967	<b>STEERING COLUMN ADAPTER HARNESS</b> For 1975 & Up GM & Flaming River Columns (Exc. Ididit) To Stock Dash Harness Note: Adapts Horn, Directionals, Hazard Flashers To Stock 8 Pin Dash Connector.	\$27.00	
36878	1968	<b>STEERING COLUMN ADAPTER HARNESS</b> For 1969-74 GM & Ididit Columns (Exc. Flaming River) To Stock Dash Harness Note: Adapts Horn, Directionals, Hazard Flashers To Stock 8 Pin Dash Connector.	\$27.00	
38126	1968	<b>STEERING COLUMN ADAPTER HARNESS</b> For 1975 & Up GM & Flaming River Columns (Exc. Ididit) To Stock Dash Harness Note: Adapts Horn, Directionals, Hazard Flashers To Stock 8 Pin Dash Connector.	\$27.00	
36878	1969	<b>STEERING COLUMN ADAPTER HARNESS</b> For 1969-74 GM & Ididit Columns (Exc. Flaming River) To Stock Dash Harness Note: Adapts Horn, Directionals, Hazard Flashers To Stock 8 Pin Dash Connector.	\$27.00	
38126	1969	<b>STEERING COLUMN ADAPTER HARNESS</b> For 1975 & Up GM & Flaming River Columns (Exc. Ididit) To Stock Dash Harness Note: Adapts Horn, Directionals, Hazard Flashers To Stock 8 Pin Dash Connector.	\$27.00	
36878	1970	<b>STEERING COLUMN ADAPTER HARNESS</b> For 1969-74 GM & Ididit Columns (Exc. Flaming River) To Stock Dash Harness Note: Adapts Horn, Directionals, Hazard Flashers To Stock 8 Pin Dash Connector.	\$27.00	
38126	1970	<b>STEERING COLUMN ADAPTER HARNESS</b> For 1975 & Up GM & Flaming River Columns (Exc. Ididit) To Stock Dash Harness Note: Adapts Horn, Directionals, Hazard Flashers To Stock 8 Pin Dash Connector.	\$27.00	
36878	1971	<b>STEERING COLUMN ADAPTER HARNESS</b> For 1969-74 GM & Ididit Columns (Exc. Flaming River) To Stock Dash Harness Note: Adapts Horn, Directionals, Hazard Flashers To Stock 8 Pin Dash Connector.	\$27.00	
38126	1971	<b>STEERING COLUMN ADAPTER HARNESS</b> For 1975 & Up GM & Flaming River Columns (Exc. Ididit) To Stock Dash Harness Note: Adapts Horn, Directionals, Hazard Flashers To Stock 8 Pin Dash Connector.	\$27.00	
36878	1972	<b>STEERING COLUMN ADAPTER HARNESS</b> For 1969-74 GM & Ididit Columns (Exc. Flaming River) To Stock Dash Harness Note: Adapts Horn, Directionals, Hazard Flashers To Stock 8 Pin Dash Connector.	\$27.00	
38126	1972	<b>STEERING COLUMN ADAPTER HARNESS</b> For 1975 & Up GM & Flaming River Columns (Exc. Ididit) To Stock Dash Harness Note: Adapts Horn, Directionals, Hazard Flashers To Stock 8 Pin Dash Connector.	\$27.00	
<b>STOP LAMP SWITCH</b>				
01997922	1942	<b>STOP LAMP SWITCH</b>	\$8.00	N
01997922	1946	<b>STOP LAMP SWITCH</b>	\$8.00	N
01997922	1947	<b>STOP LAMP SWITCH</b>	\$8.00	N
01997922	1948	<b>STOP LAMP SWITCH</b>	\$8.00	N
01997922	1949	<b>STOP LAMP SWITCH</b>	\$8.00	N
01997922	1950	<b>STOP LAMP SWITCH</b>	\$8.00	N
01997922	1951	<b>STOP LAMP SWITCH</b>	\$8.00	N
01997922	1952	<b>STOP LAMP SWITCH</b>	\$8.00	N
01997922	1953	<b>STOP LAMP SWITCH</b>	\$8.00	N
01997922	1954	<b>STOP LAMP SWITCH</b>	\$8.00	N
01997922	1955	<b>STOP LAMP SWITCH</b> 1st Series, 6 Volt	\$8.00	N
01997921	1955	<b>STOP LAMP SWITCH</b> 2nd Series, 12 Volt	\$8.00	N
01997921	1956	<b>STOP LAMP SWITCH</b>	\$8.00	N
01997921	1957	<b>STOP LAMP SWITCH</b>	\$8.00	N
01997921	1958	<b>STOP LAMP SWITCH</b>	\$8.00	N
01997921	1959	<b>STOP LAMP SWITCH</b>	\$8.00	N
01261219	1960	<b>STOP LAMP SWITCH</b> All, Without Cruise	\$5.80	N

Part Number	Year	Description	Price	*Rev.
01261219	1961	<b>STOP LAMP SWITCH</b> All, Without Cruise	\$5.80	N
01261219	1962	<b>STOP LAMP SWITCH</b> All, Without Cruise	\$5.80	N
01261219	1963	<b>STOP LAMP SWITCH</b> All, Without Cruise	\$5.80	N
01261219	1964	<b>STOP LAMP SWITCH</b> All, Without Cruise	\$5.80	N
01261219	1965	<b>STOP LAMP SWITCH</b> All, Without Cruise	\$5.80	N
01261219	1966	<b>STOP LAMP SWITCH</b> All, Without Cruise	\$5.80	N
01261219	1967	<b>STOP LAMP SWITCH</b> All, Without Cruise	\$5.80	N
01261219	1968	<b>STOP LAMP SWITCH</b> All, Without Cruise	\$5.80	N
01261219	1969	<b>STOP LAMP SWITCH</b> All, Without Cruise	\$5.80	N
01261219	1970	<b>STOP LAMP SWITCH</b> All, Without Cruise	\$5.80	N
01261219	1971	<b>STOP LAMP SWITCH</b> All, Without Cruise	\$5.80	N
01261219	1972	<b>STOP LAMP SWITCH</b> All, Without Cruise	\$5.80	N
01261219	1973	<b>STOP LAMP SWITCH</b> All, Without Cruise	\$5.80	N
01261219	1974	<b>STOP LAMP SWITCH</b> All, Without Cruise	\$5.80	N
01261219	1975	<b>STOP LAMP SWITCH</b> All, Without Cruise	\$5.80	N
01261219	1976	<b>STOP LAMP SWITCH</b> All, Without Cruise	\$5.80	N
01261219	1977	<b>STOP LAMP SWITCH</b> All, Without Cruise	\$5.80	N
01261219	1978	<b>STOP LAMP SWITCH</b> All, Without Cruise	\$5.80	N
01261219	1979	<b>STOP LAMP SWITCH</b> All, Without Cruise	\$5.80	N
01261219	1980	<b>STOP LAMP SWITCH</b> With Manual Trans, Without Cruise	\$5.80	N
01261219	1981	<b>STOP LAMP SWITCH</b> With Manual Trans, Without Cruise	\$5.80	N
01261219	1982	<b>STOP LAMP SWITCH</b> With Manual Trans Or TH400, Without Cruise	\$5.80	N
01261219	1983	<b>STOP LAMP SWITCH</b> With Manual Trans Or TH400, Without Cruise	\$5.80	N
01261219	1984	<b>STOP LAMP SWITCH</b> With Manual Trans Or TH400, Without Cruise	\$5.80	N
01261219	1985	<b>STOP LAMP SWITCH</b> With Manual Trans Or TH400, Without Cruise	\$5.80	N
01261219	1986	<b>STOP LAMP SWITCH</b> With Manual Trans Or TH400, Without Cruise	\$5.80	N
01261219	1987	<b>STOP LAMP SWITCH</b> RV Body Style, With Manual Trans Or TH400, Without Cruise	\$5.80	N
01261219	1988	<b>STOP LAMP SWITCH</b> RV Body Style, With Manual Trans Or TH400, Without Cruise	\$5.80	N
01261219	1989	<b>STOP LAMP SWITCH</b> RV Body Style, With Manual Trans Or TH 400, Without Cruise	\$5.80	N
<b>TACHOMETER</b>				
44269	1963	<b>TACHOMETER KIT</b> V/8, 5000 RPM, Includes Tachometer, Tachometer Wire Harness, All Necessary Hardware & Instructions Note: Kit Will Replace Original Tachometer, Or Can Be Added In Original Gauge Type Clusters Without Tachometer Using Block-Off Plate.	\$247.00	N
44269	1964	<b>TACHOMETER KIT</b> V/8, 5000 RPM, Includes Tachometer, Tachometer Wire Harness, All Necessary Hardware & Instructions Note: Kit Will Replace Original Tachometer, Or Can Be Added In Original Gauge Type Clusters Without Tachometer Using Block-Off Plate.	\$247.00	N
44269	1965	<b>TACHOMETER KIT</b> V/8, 5000 RPM, Includes Tachometer, Tachometer Wire Harness, All Necessary Hardware & Instructions Note: Kit Will Replace Original Tachometer, Or Can Be Added In Original Gauge Type Clusters Without Tachometer Using Block-Off Plate.	\$247.00	N
44269	1966	<b>TACHOMETER KIT</b> V/8, 5000 RPM, Includes Tachometer, Tachometer Wire Harness, All Necessary Hardware & Instructions Note: Kit Will Replace Original Tachometer, Or Can Be Added In Original Gauge Type Clusters Without Tachometer Using Block-Off Plate.	\$247.00	N
06468228	1967	<b>TACHOMETER</b> V/8, 5000 RPM	\$116.00	N
44217	1967	<b>TACHOMETER CONVERSION KIT</b> V/8 Only, 5000 RPM Tach Note: Kit Includes: 5000 RPM Tachometer, Printed Circuit, Instrument Lens, Front & Back Gauge Housings, And Tachometer Wiring Harness.	\$331.00	N

Part Number	Year	Description	Price	*Rev.
44218	1967	<b>TACHOMETER CONVERSION KIT</b> V/8 Only, 8000 RPM Tach. Note: Kit Includes: 8000 RPM Tachometer, Printed Circuit, Instrument Lens, Front & Back Gauge Housings, And Tachometer Wiring Harness.	\$355.00	N
06468228	1968	<b>TACHOMETER</b> V/8, 5000 RPM	\$116.00	N
44217	1968	<b>TACHOMETER CONVERSION KIT</b> V/8 Only, 5000 RPM Tach Note: Kit Includes: 5000 RPM Tachometer, Printed Circuit, Instrument Lens, Front & Back Gauge Housings, And Tachometer Wiring Harness.	\$331.00	N
44218	1968	<b>TACHOMETER CONVERSION KIT</b> V/8 Only, 8000 RPM Tach. Note: Kit Includes: 8000 RPM Tachometer, Printed Circuit, Instrument Lens, Front & Back Gauge Housings, And Tachometer Wiring Harness.	\$355.00	N
06468228	1969	<b>TACHOMETER</b> V/8, 5000 RPM	\$116.00	N
44217	1969	<b>TACHOMETER CONVERSION KIT</b> V/8 Only, 5000 RPM Tach Note: Kit Includes: 5000 RPM Tachometer, Printed Circuit, Instrument Lens, Front & Back Gauge Housings, And Tachometer Wiring Harness.	\$331.00	N
44218	1969	<b>TACHOMETER CONVERSION KIT</b> V/8 Only, 8000 RPM Tach. Note: Kit Includes: 8000 RPM Tachometer, Printed Circuit, Instrument Lens, Front & Back Gauge Housings, And Tachometer Wiring Harness.	\$355.00	N
06468228	1970	<b>TACHOMETER</b> V/8, 5000 RPM	\$116.00	N
44217	1970	<b>TACHOMETER CONVERSION KIT</b> V/8 Only, 5000 RPM Tach Note: Kit Includes: 5000 RPM Tachometer, Printed Circuit, Instrument Lens, Front & Back Gauge Housings, And Tachometer Wiring Harness.	\$331.00	N
44218	1970	<b>TACHOMETER CONVERSION KIT</b> V/8 Only, 8000 RPM Tach. Note: Kit Includes: 8000 RPM Tachometer, Printed Circuit, Instrument Lens, Front & Back Gauge Housings, And Tachometer Wiring Harness.	\$355.00	N
06468228	1971	<b>TACHOMETER</b> V/8, 5000 RPM	\$116.00	N
44217	1971	<b>TACHOMETER CONVERSION KIT</b> V/8 Only, 5000 RPM Tach Note: Kit Includes: 5000 RPM Tachometer, Printed Circuit, Instrument Lens, Front & Back Gauge Housings, And Tachometer Wiring Harness.	\$331.00	N
44218	1971	<b>TACHOMETER CONVERSION KIT</b> V/8 Only, 8000 RPM Tach. Note: Kit Includes: 8000 RPM Tachometer, Printed Circuit, Instrument Lens, Front & Back Gauge Housings, And Tachometer Wiring Harness.	\$355.00	N
06468228	1972	<b>TACHOMETER</b> V/8, 5000 RPM	\$116.00	N
44217	1972	<b>TACHOMETER CONVERSION KIT</b> V/8 Only, 5000 RPM Tach Note: Kit Includes: 5000 RPM Tachometer, Printed Circuit, Instrument Lens, Front & Back Gauge Housings, And Tachometer Wiring Harness.	\$331.00	N
44218	1972	<b>TACHOMETER CONVERSION KIT</b> V/8 Only, 8000 RPM Tach. Note: Kit Includes: 8000 RPM Tachometer, Printed Circuit, Instrument Lens, Front & Back Gauge Housings, And Tachometer Wiring Harness.	\$355.00	N
05658293	1973	<b>TACHOMETER</b> V/8, 5000 RPM	\$127.00	N
05658293	1974	<b>TACHOMETER</b> V/8, 5000 RPM	\$127.00	N
05658293	1975	<b>TACHOMETER</b> V/8, 5000 RPM	\$127.00	N
05659232	1976	<b>TACHOMETER</b> V/8, 5000 RPM	\$127.00	N
05659232	1977	<b>TACHOMETER</b> V/8, 5000 RPM	\$127.00	N
05659232	1978	<b>TACHOMETER</b> V/8, 5000 RPM	\$127.00	N
05659232	1979	<b>TACHOMETER</b> 1st Design, V/8, 5000 RPM, With Fire Orange Pointer	\$127.00	N
25054251	1979	<b>TACHOMETER</b> 2nd Design, V/8, 5000 RPM, With Yellow Pointer	\$127.00	N
25054251	1980	<b>TACHOMETER</b> V/8, 5000 RPM	\$127.00	N
25054251	1981	<b>TACHOMETER</b> V/8, 5000 RPM	\$127.00	N
25054251	1982	<b>TACHOMETER</b> V/8, 5000 RPM	\$127.00	N
25054251	1983	<b>TACHOMETER</b> V/8, 5000 RPM	\$127.00	N
25054251	1984	<b>TACHOMETER</b> V/8, 5000 RPM	\$127.00	N

Part Number	Year	Description	Price	*Rev.
25054251	1985	TACHOMETER V/8, 5000 RPM	\$127.00	N
25054251	1986	TACHOMETER V/8, 5000 RPM	\$127.00	N
25054251	1987	TACHOMETER V/8, 5000 RPM	\$127.00	N
<b>TACHOMETER HARNESS</b>				
03290	1961	TACHOMETER HARNESS	\$56.00	
03290	1962	TACHOMETER HARNESS	\$56.00	
04225	1963	TACHOMETER HARNESS	\$56.00	
20705	1964	TACHOMETER HARNESS 6 Cylinder Note: 6 Cylinder Items Are Not Returnable.	\$56.00	
20670	1964	TACHOMETER HARNESS V/8	\$56.00	
39693	1964	TACHOMETER HARNESS V/8, With HEI Note: Not All Tachometers Will Operate Or Indicate Correctly When Used On An HEI Ignition System. While Some Original And Reproduction Tachometers May Give A Reading, This Does Not Necessarily Mean The Reading Is Correct.	\$56.00	
20705	1965	TACHOMETER HARNESS 6 Cylinder Note: 6 Cylinder Items Are Not Returnable.	\$56.00	
20670	1965	TACHOMETER HARNESS V/8	\$56.00	
39693	1965	TACHOMETER HARNESS V/8, With HEI Note: Not All Tachometers Will Operate Or Indicate Correctly When Used On An HEI Ignition System. While Some Original And Reproduction Tachometers May Give A Reading, This Does Not Necessarily Mean The Reading Is Correct.	\$56.00	
20705	1966	TACHOMETER HARNESS 6 Cylinder Note: 6 Cylinder Items Are Not Returnable.	\$56.00	
20670	1966	TACHOMETER HARNESS V/8	\$56.00	
39693	1966	TACHOMETER HARNESS V/8, With HEI Note: Not All Tachometers Will Operate Or Indicate Correctly When Used On An HEI Ignition System. While Some Original And Reproduction Tachometers May Give A Reading, This Does Not Necessarily Mean The Reading Is Correct.	\$56.00	
20645	1967	TACHOMETER HARNESS	\$39.00	
39694	1967	TACHOMETER HARNESS With HEI Note: Not All Tachometers Will Operate Or Indicate Correctly When Used On An HEI Ignition System. While Some Original And Reproduction Tachometers May Give A Reading, This Does Not Necessarily Mean The Reading Is Correct.	\$39.00	
20635	1968	TACHOMETER HARNESS	\$45.00	
39695	1968	TACHOMETER HARNESS With HEI Note: Not All Tachometers Will Operate Or Indicate Correctly When Used On An HEI Ignition System. While Some Original And Reproduction Tachometers May Give A Reading, This Does Not Necessarily Mean The Reading Is Correct.	\$45.00	
20635	1969	TACHOMETER HARNESS	\$45.00	
39695	1969	TACHOMETER HARNESS With HEI Note: Not All Tachometers Will Operate Or Indicate Correctly When Used On An HEI Ignition System. While Some Original And Reproduction Tachometers May Give A Reading, This Does Not Necessarily Mean The Reading Is Correct.	\$45.00	
20635	1970	TACHOMETER HARNESS	\$45.00	
39695	1970	TACHOMETER HARNESS With HEI Note: Not All Tachometers Will Operate Or Indicate Correctly When Used On An HEI Ignition System. While Some Original And Reproduction Tachometers May Give A Reading, This Does Not Necessarily Mean The Reading Is Correct.	\$45.00	
20635	1971	TACHOMETER HARNESS	\$45.00	
39695	1971	TACHOMETER HARNESS With HEI Note: Not All Tachometers Will Operate Or Indicate Correctly When Used On An HEI Ignition System. While Some Original And Reproduction Tachometers May Give A Reading, This Does Not Necessarily Mean The Reading Is Correct.	\$45.00	
20635	1972	TACHOMETER HARNESS	\$45.00	
39695	1972	TACHOMETER HARNESS With HEI Note: Not All Tachometers Will Operate Or Indicate Correctly When Used On An HEI Ignition System. While Some Original And Reproduction Tachometers May Give A Reading, This Does Not Necessarily Mean The Reading Is Correct.	\$45.00	
20800	1973	TACHOMETER HARNESS	\$54.00	M

Part Number	Year	Description	Price	*Rev.
39696	1973	<b>TACHOMETER HARNESS</b> With HEI Note: Not All Tachometers Will Operate Or Indicate Correctly When Used On An HEI Ignition System. While Some Original And Reproduction Tachometers May Give A Reading, This Does Not Necessarily Mean The Reading Is Correct.	\$54.00	M
20800	1974	<b>TACHOMETER HARNESS</b>	\$54.00	M
39696	1974	<b>TACHOMETER HARNESS</b> With HEI Note: Not All Tachometers Will Operate Or Indicate Correctly When Used On An HEI Ignition System. While Some Original And Reproduction Tachometers May Give A Reading, This Does Not Necessarily Mean The Reading Is Correct.	\$54.00	M
38281	1975	<b>TACHOMETER HARNESS</b> All	\$54.00	M
38281	1976	<b>TACHOMETER HARNESS</b> All	\$54.00	M
38282	1977	<b>TACHOMETER HARNESS</b> V/8	\$54.00	M
38281	1977	<b>TACHOMETER HARNESS</b> 6 Cylinder Note: 6 Cylinder Items Are Not Returnable.	\$54.00	M
38867	1978	<b>TACHOMETER HARNESS</b> All	\$54.00	M
38284	1979	<b>TACHOMETER HARNESS</b> All	\$54.00	M
38284	1980	<b>TACHOMETER HARNESS</b> All	\$54.00	M
38285	1981	<b>TACHOMETER HARNESS</b> All	\$54.00	M
38285	1982	<b>TACHOMETER HARNESS</b> All	\$54.00	M
38285	1983	<b>TACHOMETER HARNESS</b> All	\$54.00	M
38285	1984	<b>TACHOMETER HARNESS</b> All	\$54.00	M
38285	1985	<b>TACHOMETER HARNESS</b> All	\$54.00	M
38285	1986	<b>TACHOMETER HARNESS</b> All	\$54.00	M
38285	1987	<b>TACHOMETER HARNESS</b> All	\$54.00	M
<b>TAILGATE MARKER LAMP HARNESS</b>				
39741	1973	<b>TAILGATE MARKER LAMP HARNESS</b> Fleetside, 3/4 & 1-Ton, With Tailgate Marker Lamps	\$127.00	M
39741	1974	<b>TAILGATE MARKER LAMP HARNESS</b> Fleetside, 3/4 & 1-Ton, With Tailgate Marker Lamps, (1st Design) Note: This Harness Has A Single Wire Plastic Connector Where It Plugs Into Rear Lamp Harness.	\$127.00	M
39773	1974	<b>TAILGATE MARKER LAMP HARNESS</b> Fleetside, 3/4 & 1-Ton, With Tailgate Marker Lamps, (2nd Design) Note: This Harness Has A 2 Wire Rubber Molded Connector Where It Plugs Into Rear Lamp Harness.	\$132.00	M
39741	1975	<b>TAILGATE MARKER LAMP HARNESS</b> Fleetside, 3/4 & 1-Ton, With Tailgate Marker Lamps	\$127.00	M
39741	1976	<b>TAILGATE MARKER LAMP HARNESS</b> Fleetside, 3/4 & 1-Ton, With Tailgate Marker Lamps	\$127.00	M
39741	1977	<b>TAILGATE MARKER LAMP HARNESS</b> Fleetside, 3/4 & 1-Ton, With Tailgate Marker Lamps	\$127.00	M
39741	1978	<b>TAILGATE MARKER LAMP HARNESS</b> Fleetside, 3/4 & 1-Ton, With Tailgate Marker Lamps	\$127.00	M
39741	1979	<b>TAILGATE MARKER LAMP HARNESS</b> Fleetside, 3/4 & 1-Ton, With Tailgate Marker Lamps	\$127.00	M
39741	1980	<b>TAILGATE MARKER LAMP HARNESS</b> Fleetside, 3/4 & 1-Ton, With Tailgate Marker Lamps	\$127.00	M
39992	1981	<b>TAILGATE MARKER LAMP HARNESS</b> 1-Tons, With Fleetside Bed & Dual Rear Wheels	\$132.00	M
39992	1982	<b>TAILGATE MARKER LAMP HARNESS</b> 1-Ton, With Fleetside Bed & Dual Rear Wheels	\$132.00	M
<b>TEMPERATURE GAUGE</b>				
01511898	1947	<b>TEMPERATURE GAUGE</b> 6 Cylinder, 100-212 Degree, Red Needle, 45 Inch	\$74.00	N
44224	1947	<b>TEMPERATURE GAUGE</b> 6 Cylinder, 100-220 Degree, Red Needle, 45 Inch Note: GM Did Not Sell This Gauge Originally, This Gauge Has A Range From 100-220 Degrees, But Still Maintains The Original Appearance.	\$74.00	N
44223	1947	<b>TEMPERATURE GAUGE</b> V/8, 100-212 Degree, Red Needle, 60 Inch Note: GM Did Not Sell This Gauge Originally, This Gauge Is For Vehicles With V/8, But Still Maintains The Original Appearance.	\$74.00	N
44225	1947	<b>TEMPERATURE GAUGE</b> V/8, 100-220 Degree, Red Needle, 60 Inch Note: GM Did Not Sell This Gauge Originally, This Gauge Has A Range From 100-220 Degrees, But Still Maintains The Original Appearance.	\$74.00	N
01511898	1948	<b>TEMPERATURE GAUGE</b> 6 Cylinder, 100-212 Degree, Red Needle, 45 Inch	\$74.00	N

Part Number	Year	Description	Price	*Rev.
44224	1948	<b>TEMPERATURE GAUGE</b> 6 Cylinder, 100-220 Degree, Red Needle, 45 Inch Note: GM Did Not Sell This Gauge Originally, This Gauge Has A Range From 100-220 Degrees, But Still Maintains The Original Appearance.	\$74.00	N
44223	1948	<b>TEMPERATURE GAUGE</b> V/8, 100-212 Degree, Red Needle, 60 Inch Note: GM Did Not Sell This Gauge Originally, This Gauge Is For Vehicles With V/8, But Still Maintains The Original Appearance.	\$74.00	N
44225	1948	<b>TEMPERATURE GAUGE</b> V/8, 100-220 Degree, Red Needle, 60 Inch Note: GM Did Not Sell This Gauge Originally, This Gauge Has A Range From 100-220 Degrees, But Still Maintains The Original Appearance.	\$74.00	N
01512148	1949	<b>TEMPERATURE GAUGE</b> 6 Cylinder, 100-212 Degree, White Needle, 45 Inch	\$74.00	N
01512701	1949	<b>TEMPERATURE GAUGE</b> 6 Cylinder, 100-220 Degree, White Needle, 45 Inch	\$74.00	N
44230	1949	<b>TEMPERATURE GAUGE</b> V/8, 100-212 Degree, White Needle, 60 Inch Note: GM Did Not Sell This Gauge Originally, This Gauge Is For Vehicles With V/8, But Still Maintains The Original Appearance.	\$74.00	N
44231	1949	<b>TEMPERATURE GAUGE</b> V/8, 100-220 Degree, White Needle, 60 Inch Note: GM Did Not Sell This Gauge Originally, This Gauge Is For Vehicles With V/8, But Still Maintains The Original Appearance.	\$74.00	N
01512148	1950	<b>TEMPERATURE GAUGE</b> 6 Cylinder, 100-212 Degree, White Needle, 45 Inch	\$74.00	N
01512701	1950	<b>TEMPERATURE GAUGE</b> 6 Cylinder, 100-220 Degree, White Needle, 45 Inch	\$74.00	N
44230	1950	<b>TEMPERATURE GAUGE</b> V/8, 100-212 Degree, White Needle, 60 Inch Note: GM Did Not Sell This Gauge Originally, This Gauge Is For Vehicles With V/8, But Still Maintains The Original Appearance.	\$74.00	N
44231	1950	<b>TEMPERATURE GAUGE</b> V/8, 100-220 Degree, White Needle, 60 Inch Note: GM Did Not Sell This Gauge Originally, This Gauge Is For Vehicles With V/8, But Still Maintains The Original Appearance.	\$74.00	N
01512148	1951	<b>TEMPERATURE GAUGE</b> 6 Cylinder, 100-212 Degree, White Needle, 45 Inch	\$74.00	N
01512701	1951	<b>TEMPERATURE GAUGE</b> 6 Cylinder, 100-220 Degree, White Needle, 45 Inch	\$74.00	N
44230	1951	<b>TEMPERATURE GAUGE</b> V/8, 100-212 Degree, White Needle, 60 Inch Note: GM Did Not Sell This Gauge Originally, This Gauge Is For Vehicles With V/8, But Still Maintains The Original Appearance.	\$74.00	N
44231	1951	<b>TEMPERATURE GAUGE</b> V/8, 100-220 Degree, White Needle, 60 Inch Note: GM Did Not Sell This Gauge Originally, This Gauge Is For Vehicles With V/8, But Still Maintains The Original Appearance.	\$74.00	N
01512148	1952	<b>TEMPERATURE GAUGE</b> 6 Cylinder, 100-212 Degree, White Needle, 45 Inch	\$74.00	N
01512701	1952	<b>TEMPERATURE GAUGE</b> 6 Cylinder, 100-220 Degree, White Needle, 45 Inch	\$74.00	N
44230	1952	<b>TEMPERATURE GAUGE</b> V/8, 100-212 Degree, White Needle, 60 Inch Note: GM Did Not Sell This Gauge Originally, This Gauge Is For Vehicles With V/8, But Still Maintains The Original Appearance.	\$74.00	N
44231	1952	<b>TEMPERATURE GAUGE</b> V/8, 100-220 Degree, White Needle, 60 Inch Note: GM Did Not Sell This Gauge Originally, This Gauge Is For Vehicles With V/8, But Still Maintains The Original Appearance.	\$74.00	N
01512148	1953	<b>TEMPERATURE GAUGE</b> 6 Cylinder, 100-212 Degree, White Needle, 45 Inch	\$74.00	N
01512701	1953	<b>TEMPERATURE GAUGE</b> 6 Cylinder, 100-220 Degree, White Needle, 45 Inch	\$74.00	N
44230	1953	<b>TEMPERATURE GAUGE</b> V/8, 100-212 Degree, White Needle, 60 Inch Note: GM Did Not Sell This Gauge Originally, This Gauge Is For Vehicles With V/8, But Still Maintains The Original Appearance.	\$74.00	N
44231	1953	<b>TEMPERATURE GAUGE</b> V/8, 100-220 Degree, White Needle, 60 Inch Note: GM Did Not Sell This Gauge Originally, This Gauge Is For Vehicles With V/8, But Still Maintains The Original Appearance.	\$74.00	N
01512692	1954	<b>TEMPERATURE GAUGE</b> 6 Cylinder, 45 Inch	\$74.00	N
44237	1954	<b>TEMPERATURE GAUGE</b> 8 Cylinder, 60 Inch	\$74.00	N
01512692	1955	<b>TEMPERATURE GAUGE</b> 1st Series, 6 Cylinder, 45 Inch	\$74.00	N
44237	1955	<b>TEMPERATURE GAUGE</b> 1st Series, 8 Cylinder, 60 Inch	\$74.00	N
01513381	1955	<b>TEMPERATURE GAUGE</b> Electric	\$85.00	N
01513163	1955	<b>TEMPERATURE GAUGE</b> Mechanical, 60" Tube Length	\$85.00	N
01513381	1956	<b>TEMPERATURE GAUGE</b> Electric	\$85.00	N
01513163	1956	<b>TEMPERATURE GAUGE</b> Mechanical, 60" Tube Length	\$85.00	N
01513381	1957	<b>TEMPERATURE GAUGE</b> Electric	\$85.00	N
01513163	1957	<b>TEMPERATURE GAUGE</b> Mechanical, 60" Tube Length	\$85.00	N
01513381	1958	<b>TEMPERATURE GAUGE</b> Electric	\$85.00	N



Part Number	Year	Description	Price	*Rev.
01513163	1958	TEMPERATURE GAUGE Mechanical, 60" Tube Length	\$85.00	N
01513381	1959	TEMPERATURE GAUGE Electric	\$85.00	N
01513163	1959	TEMPERATURE GAUGE Mechanical, 60" Tube Length	\$85.00	N
06401218	1960	TEMPERATURE GAUGE	\$74.00	N
06401218	1961	TEMPERATURE GAUGE	\$74.00	N
06401218	1962	TEMPERATURE GAUGE	\$74.00	N
06401218	1963	TEMPERATURE GAUGE	\$74.00	N
06401220	1964	TEMPERATURE GAUGE	\$74.00	N
06401220	1965	TEMPERATURE GAUGE	\$74.00	N
06401220	1966	TEMPERATURE GAUGE	\$74.00	N
06489838	1967	TEMPERATURE GAUGE	\$47.00	N
44219	1967	TEMPERATURE GAUGE With 100-250 Fahrenheit Numeric Face Plate Note: This Is A Replacement For OEM Gauge 06489838 (With Cold / Hot Graduations) In Trucks With Factory Gauge Type Clusters.	\$39.00	N
06489838	1968	TEMPERATURE GAUGE	\$47.00	N
44219	1968	TEMPERATURE GAUGE With 100-250 Fahrenheit Numeric Face Plate Note: This Is A Replacement For OEM Gauge 06489838 (With Cold / Hot Graduations) In Trucks With Factory Gauge Type Clusters.	\$39.00	N
06489838	1969	TEMPERATURE GAUGE	\$47.00	N
44219	1969	TEMPERATURE GAUGE With 100-250 Fahrenheit Numeric Face Plate Note: This Is A Replacement For OEM Gauge 06489838 (With Cold / Hot Graduations) In Trucks With Factory Gauge Type Clusters.	\$39.00	N
06489838	1970	TEMPERATURE GAUGE	\$47.00	N
44219	1970	TEMPERATURE GAUGE With 100-250 Fahrenheit Numeric Face Plate Note: This Is A Replacement For OEM Gauge 06489838 (With Cold / Hot Graduations) In Trucks With Factory Gauge Type Clusters.	\$39.00	N
06489838	1971	TEMPERATURE GAUGE	\$47.00	N
44219	1971	TEMPERATURE GAUGE With 100-250 Fahrenheit Numeric Face Plate Note: This Is A Replacement For OEM Gauge 06489838 (With Cold / Hot Graduations) In Trucks With Factory Gauge Type Clusters.	\$39.00	N
06489838	1972	TEMPERATURE GAUGE	\$47.00	N
44219	1972	TEMPERATURE GAUGE With 100-250 Fahrenheit Numeric Face Plate Note: This Is A Replacement For OEM Gauge 06489838 (With Cold / Hot Graduations) In Trucks With Factory Gauge Type Clusters.	\$39.00	N
06490371	1973	TEMPERATURE GAUGE Fire Orange Needle	\$39.00	N
06490371	1974	TEMPERATURE GAUGE Fire Orange Needle	\$39.00	N
06490371	1975	TEMPERATURE GAUGE Fire Orange Needle	\$39.00	N
08993329	1976	TEMPERATURE GAUGE Fire Orange Needle	\$39.00	N
08993329	1977	TEMPERATURE GAUGE Fire Orange Needle	\$39.00	N
08993329	1978	TEMPERATURE GAUGE Fire Orange Needle	\$39.00	N
08993329	1979	TEMPERATURE GAUGE 1st Design, Fire Orange Needle	\$39.00	N
08993630	1979	TEMPERATURE GAUGE 2nd Design, Light Orange Needle	\$39.00	N
08993630	1980	TEMPERATURE GAUGE Light Orange Needle	\$39.00	N
08993630	1981	TEMPERATURE GAUGE Light Orange Needle	\$39.00	N
08993630	1982	TEMPERATURE GAUGE Light Orange Needle	\$39.00	N
08993630	1983	TEMPERATURE GAUGE Light Orange Needle	\$39.00	N
08993630	1984	TEMPERATURE GAUGE Light Orange Needle	\$39.00	N
08993630	1985	TEMPERATURE GAUGE Light Orange Needle	\$39.00	N
08993630	1986	TEMPERATURE GAUGE Light Orange Needle	\$39.00	N

Part Number	Year	Description	Price	*Rev.
08993630	1987	TEMPERATURE GAUGE Light Orange Needle	\$39.00	N
<b>TEMPERATURE SENDING UNIT WIRE REPAIR KIT</b>				
41366	1962	TEMPERATURE SENDING UNIT WIRE REPAIR KIT Dual Wire	\$27.00	
41366	1963	TEMPERATURE SENDING UNIT WIRE REPAIR KIT Dual Wire	\$27.00	
41366	1964	TEMPERATURE SENDING UNIT WIRE REPAIR KIT Dual Wire	\$27.00	
41366	1965	TEMPERATURE SENDING UNIT WIRE REPAIR KIT Dual Wire	\$27.00	
41366	1966	TEMPERATURE SENDING UNIT WIRE REPAIR KIT Dual Wire	\$27.00	
<b>TRAILER LIGHT ADAPTER HARNESS</b>				
39375	1962	<b>TRAILER LIGHT ADAPTER HARNESS</b> Step Side And Fleet Side Only Note: Connects Between The Intermediate And Rear Lamp Harnesses With Original Style Connectors To Easily Add Trailer Wiring Without Splicing Into Stock Harnesses.	\$92.00	
39375	1963	<b>TRAILER LIGHT ADAPTER HARNESS</b> Step Side And Fleet Side Only Note: Connects Between The Intermediate And Rear Lamp Harnesses With Original Style Connectors To Easily Add Trailer Wiring Without Splicing Into Stock Harnesses.	\$92.00	
39375	1964	<b>TRAILER LIGHT ADAPTER HARNESS</b> Step Side And Fleet Side Only Note: Connects Between The Intermediate And Rear Lamp Harnesses With Original Style Connectors To Easily Add Trailer Wiring Without Splicing Into Stock Harnesses.	\$92.00	
39375	1965	<b>TRAILER LIGHT ADAPTER HARNESS</b> Step Side And Fleet Side Only Note: Connects Between The Intermediate And Rear Lamp Harnesses With Original Style Connectors To Easily Add Trailer Wiring Without Splicing Into Stock Harnesses.	\$92.00	
39375	1966	<b>TRAILER LIGHT ADAPTER HARNESS</b> Step Side And Fleet Side Only Note: Connects Between The Intermediate And Rear Lamp Harnesses With Original Style Connectors To Easily Add Trailer Wiring Without Splicing Into Stock Harnesses.	\$92.00	
39374	1967	<b>TRAILER LIGHT ADAPTER HARNESS</b> Step Side And Fleet Side Only Note: Connects Between The Intermediate And Rear Lamp Harnesses With Original Style Connectors To Easily Add Trailer Wiring Without Splicing Into Stock Harnesses.	\$92.00	
39374	1968	<b>TRAILER LIGHT ADAPTER HARNESS</b> Step Side And Fleet Side Only Note: Connects Between The Intermediate And Rear Lamp Harnesses With Original Style Connectors To Easily Add Trailer Wiring Without Splicing Into Stock Harnesses.	\$92.00	
39374	1969	<b>TRAILER LIGHT ADAPTER HARNESS</b> Step Side And Fleet Side Only Note: Connects Between The Intermediate And Rear Lamp Harnesses With Original Style Connectors To Easily Add Trailer Wiring Without Splicing Into Stock Harnesses.	\$92.00	
39374	1970	<b>TRAILER LIGHT ADAPTER HARNESS</b> Step Side And Fleet Side Only Note: Connects Between The Intermediate And Rear Lamp Harnesses With Original Style Connectors To Easily Add Trailer Wiring Without Splicing Into Stock Harnesses.	\$92.00	
39374	1971	<b>TRAILER LIGHT ADAPTER HARNESS</b> Step Side And Fleet Side Only Note: Connects Between The Intermediate And Rear Lamp Harnesses With Original Style Connectors To Easily Add Trailer Wiring Without Splicing Into Stock Harnesses.	\$92.00	
39374	1972	<b>TRAILER LIGHT ADAPTER HARNESS</b> Step Side And Fleet Side Only Note: Connects Between The Intermediate And Rear Lamp Harnesses With Original Style Connectors To Easily Add Trailer Wiring Without Splicing Into Stock Harnesses.	\$92.00	
39374	1973	<b>TRAILER LIGHT ADAPTER HARNESS</b> Step Side And Fleet Side Only Note: Connects Between The Intermediate And Rear Lamp Harnesses With Original Style Connectors To Easily Add Trailer Wiring Without Splicing Into Stock Harnesses.	\$92.00	M
39374	1974	<b>TRAILER LIGHT ADAPTER HARNESS</b> Step Side And Fleet Side Only Note: Connects Between The Intermediate And Rear Lamp Harnesses With Original Style Connectors To Easily Add Trailer Wiring Without Splicing Into Stock Harnesses.	\$92.00	M
39374	1975	<b>TRAILER LIGHT ADAPTER HARNESS</b> Step Side And Fleet Side Only Note: Connects Between The Intermediate And Rear Lamp Harnesses With Original Style Connectors To Easily Add Trailer Wiring Without Splicing Into Stock Harnesses.	\$92.00	M

Part Number	Year	Description	Price	*Rev.
39374	1976	<b>TRAILER LIGHT ADAPTER HARNESS</b> Step Side And Fleet Side Only Note: Connects Between The Intermediate And Rear Lamp Harnesses With Original Style Connectors To Easily Add Trailer Wiring Without Splicing Into Stock Harnesses.	\$92.00	M
39374	1977	<b>TRAILER LIGHT ADAPTER HARNESS</b> Step Side And Fleet Side Only Note: Connects Between The Intermediate And Rear Lamp Harnesses With Original Style Connectors To Easily Add Trailer Wiring Without Splicing Into Stock Harnesses.	\$92.00	M
39374	1978	<b>TRAILER LIGHT ADAPTER HARNESS</b> Step Side And Fleet Side Only Note: Connects Between The Intermediate And Rear Lamp Harnesses With Original Style Connectors To Easily Add Trailer Wiring Without Splicing Into Stock Harnesses.	\$92.00	M
39374	1979	<b>TRAILER LIGHT ADAPTER HARNESS</b> Step Side And Fleet Side Only Note: Connects Between The Intermediate And Rear Lamp Harnesses With Original Style Connectors To Easily Add Trailer Wiring Without Splicing Into Stock Harnesses.	\$92.00	M
39374	1980	<b>TRAILER LIGHT ADAPTER HARNESS</b> Step Side And Fleet Side Only Note: Connects Between The Intermediate And Rear Lamp Harnesses With Original Style Connectors To Easily Add Trailer Wiring Without Splicing Into Stock Harnesses.	\$92.00	M
39374	1981	<b>TRAILER LIGHT ADAPTER HARNESS</b> Step Side And Fleet Side Only Note: Connects Between The Intermediate And Rear Lamp Harnesses With Original Style Connectors To Easily Add Trailer Wiring Without Splicing Into Stock Harnesses.	\$92.00	M
39374	1982	<b>TRAILER LIGHT ADAPTER HARNESS</b> Step Side And Fleet Side Only Note: Connects Between The Intermediate And Rear Lamp Harnesses With Original Style Connectors To Easily Add Trailer Wiring Without Splicing Into Stock Harnesses.	\$92.00	M
<b>TRANS TORQUE CONVERTER CLUTCH SOL FEED HARNESS</b>				
39993	1982	<b>TRANSMISSION TORQUE CONVERTER CLUTCH SOLENOID FEED HARNESS</b> 2 Wheel Drive, 1/2 & 3/4-Ton, With 700R4 & TH350 Trans	\$127.00	M
<b>TRANS TORQUE CONVERTER CLUTCH SOLENOID EXT WIRE</b>				
39923	1980	<b>TRANSMISSION TORQUE CONVERTER CLUTCH SOLENOID EXTENSION WIRE</b> 1/2 & 3/4-Ton, With TH350 Auto Trans, Except Diesel, Trans Solenoid To Trans Clutch Solenoid Feed Harness	\$87.00	M
39966	1981	<b>TRANSMISSION TORQUE CONVERTER CLUTCH SOLENOID EXTENSION WIRE</b> 1/2 & 3/4-Ton, With TH350 Trans, Trans Solenoid To Trans Clutch Solenoid Feed Harness	\$87.00	M
39979	1981	<b>TRANSMISSION TORQUE CONVERTER CLUTCH SOLENOID EXTENSION WIRE</b> 2 Wheel Drive, With Egr Bleed Solenoid, Trans Solenoid To Clutch Solenoid Feed Harness	\$127.00	M
39994	1982	<b>TRANSMISSION TORQUE CONVERTER CLUTCH SOLENOID EXTENSION WIRE</b> 1/2-Ton, 2 Wheel Drive, With 250 6cyl & TH350 Trans, Trans Solenoid To Trans Clutch Solenoid Feed Harness	\$127.00	M
40000	1982	<b>TRANSMISSION TORQUE CONVERTER CLUTCH SOLENOID EXTENSION WIRE</b> 1/2-Ton 4 Wheel Drive, 305 & 350 V/8, With 700R4 Trans & California Emission System, Without Egr Bleed Solenoid, Trans	\$127.00	M
40001	1982	<b>TRANSMISSION TORQUE CONVERTER CLUTCH SOLENOID EXTENSION WIRE</b> Suburban, 1/2-Ton 4 Wheel Drive, With 350 V/8, 700R4 Trans & Federal Emissions, & All 3/4-Tons, 4 Wheel Drive, With 350 V/8	\$127.00	M
40004	1982	<b>TRANSMISSION TORQUE CONVERTER CLUTCH SOLENOID EXTENSION WIRE</b> 1/2 & 3/4-Ton, 2 Wheel Drive, With 700R4 Trans & California Emission System, Trans Solenoid To Clutch Solenoid Feed	\$127.00	M
40005	1982	<b>TRANSMISSION TORQUE CONVERTER CLUTCH SOLENOID EXTENSION WIRE</b> 1/2 & 3/4-Ton, 2 Wheel Drive, With 700R4 Trans, Without California Emission System, Trans Solenoid To Clutch Solenoid	\$127.00	M
<b>TRANSMISSION CONTROLLED SPARK HARNESS</b>				
20880	1970	<b>TRANSMISSION CONTROLLED SPARK HARNESS</b> 6 Cylinder, Auto Trans Note: 6 Cylinder Items Are Not Returnable.	\$101.00	
20885	1970	<b>TRANSMISSION CONTROLLED SPARK HARNESS</b> 6 Cylinder, Manual Trans Note: 6 Cylinder Items Are Not Returnable.	\$94.00	
20870	1970	<b>TRANSMISSION CONTROLLED SPARK HARNESS</b> V/8, Auto Trans	\$94.00	
20860	1970	<b>TRANSMISSION CONTROLLED SPARK HARNESS</b> V/8, Manual Trans	\$105.00	
20865	1970	<b>TRANSMISSION CONTROLLED SPARK HARNESS</b> All V/8 With TH400 A/T, (Includes TH400 Kickdown Wiring)	\$137.00	
20875	1970	<b>TRANSMISSION CONTROLLED SPARK HARNESS</b> 396-400 C.I. Manual Trans Only	\$105.00	
22040	1971	<b>TRANSMISSION CONTROLLED SPARK HARNESS</b> 6 Cylinder, Auto Trans Note: 6 Cylinder Items Are Not Returnable.	\$105.00	

Part Number	Year	Description	Price	*Rev.
22020	1971	<b>TRANSMISSION CONTROLLED SPARK HARNESS</b> 6 Cylinder, Manual Trans Note: 6 Cylinder Items Are Not Returnable.	\$101.00	
22045	1971	<b>TRANSMISSION CONTROLLED SPARK HARNESS</b> V/8, Auto Trans	\$105.00	
22055	1971	<b>TRANSMISSION CONTROLLED SPARK HARNESS</b> V/8, TH400 Auto Trans	\$105.00	
22050	1971	<b>TRANSMISSION CONTROLLED SPARK HARNESS</b> V/8, Manual Trans	\$105.00	
23475	1972	<b>TRANSMISSION CONTROLLED SPARK HARNESS</b> Auto Trans	\$111.00	
22025	1972	<b>TRANSMISSION CONTROLLED SPARK HARNESS</b> Manual Trans	\$111.00	
22035	1972	<b>TRANSMISSION CONTROLLED SPARK HARNESS</b> 396-400 C.I. Auto Trans Only	\$106.00	
22030	1972	<b>TRANSMISSION CONTROLLED SPARK HARNESS</b> 396-400 C.I. Manual Trans Only	\$111.00	
39752	1973	<b>TRANSMISSION CONTROLLED SPARK HARNESS</b> 6 Cyl., With Auto Trans Note: 6 Cylinder Items Are Not Returnable.	\$105.00	M
39753	1973	<b>TRANSMISSION CONTROLLED SPARK HARNESS</b> 6 Cyl, With 3 Speed Manual Trans Note: 6 Cylinder Items Are Not Returnable.	\$105.00	M
21220	1973	<b>TRANSMISSION CONTROLLED SPARK HARNESS</b> V/8, With 3 Speed Manual Trans	\$105.00	M
21215	1973	<b>TRANSMISSION CONTROLLED SPARK HARNESS</b> V/8, With Auto Trans	\$105.00	M
39765	1974	<b>TRANSMISSION CONTROLLED SPARK HARNESS</b> 6 Cyl, With 3 Speed Manual Trans Note: 6 Cylinder Items Are Not Returnable.	\$105.00	M
39766	1974	<b>TRANSMISSION CONTROLLED SPARK HARNESS</b> V/8, With 3 Speed Manual Trans	\$105.00	M
<b>TURN SIGNAL HARNESS</b>				
34365	1955	<b>TURN SIGNAL HARNESS</b> Dash Side	\$80.00	
34430	1955	<b>TURN SIGNAL HARNESS</b> Engine Side	\$26.00	
34360	1956	<b>TURN SIGNAL HARNESS</b> Dash Side	\$74.00	
34570	1956	<b>TURN SIGNAL HARNESS</b> Engine Side	\$26.00	
34355	1957	<b>TURN SIGNAL HARNESS</b> Dash Side	\$67.00	
34570	1957	<b>TURN SIGNAL HARNESS</b> Engine Side	\$26.00	
34355	1958	<b>TURN SIGNAL HARNESS</b> Dash Side	\$67.00	
34570	1958	<b>TURN SIGNAL HARNESS</b> Engine Side	\$26.00	
34355	1959	<b>TURN SIGNAL HARNESS</b> Dash Side	\$67.00	
34570	1959	<b>TURN SIGNAL HARNESS</b> Engine Side	\$26.00	
<b>TURN SIGNAL LEVER WIPER SWITCH</b>				
25111262	1984	<b>TURN SIGNAL LEVER WIPER SWITCH</b> Black, With Pulse Wipers, With Cruise Control	\$26.00	N
22510733	1984	<b>TURN SIGNAL LEVER WIPER SWITCH</b> Black, With Pulse Wipers, Without Cruise Control	\$20.00	N
22510732	1984	<b>TURN SIGNAL LEVER WIPER SWITCH</b> Black, Without Pulse Wipers, Without Cruise Control	\$20.00	N
25031456	1984	<b>TURN SIGNAL LEVER WIPER SWITCH</b> Chrome, With Pulse Wipers, With Cruise Control	\$26.00	N
22510144	1984	<b>TURN SIGNAL LEVER WIPER SWITCH</b> Chrome, With Pulse Wipers, Without Cruise Control	\$20.00	N
25111262	1985	<b>TURN SIGNAL LEVER WIPER SWITCH</b> Black, With Pulse Wipers, With Cruise Control	\$26.00	N
22510733	1985	<b>TURN SIGNAL LEVER WIPER SWITCH</b> Black, With Pulse Wipers, Without Cruise Control	\$20.00	N
22510732	1985	<b>TURN SIGNAL LEVER WIPER SWITCH</b> Black, Without Pulse Wipers, Without Cruise Control	\$20.00	N
25031456	1985	<b>TURN SIGNAL LEVER WIPER SWITCH</b> Chrome, With Pulse Wipers, With Cruise Control	\$26.00	N
22510144	1985	<b>TURN SIGNAL LEVER WIPER SWITCH</b> Chrome, With Pulse Wipers, Without Cruise Control	\$20.00	N
25111262	1986	<b>TURN SIGNAL LEVER WIPER SWITCH</b> Black, With Pulse Wipers, With Cruise Control	\$26.00	N
22510733	1986	<b>TURN SIGNAL LEVER WIPER SWITCH</b> Black, With Pulse Wipers, Without Cruise Control	\$20.00	N
22510732	1986	<b>TURN SIGNAL LEVER WIPER SWITCH</b> Black, Without Pulse Wipers, Without Cruise Control	\$20.00	N
25031456	1986	<b>TURN SIGNAL LEVER WIPER SWITCH</b> Chrome, With Pulse Wipers, With Cruise Control	\$26.00	N
22510144	1986	<b>TURN SIGNAL LEVER WIPER SWITCH</b> Chrome, With Pulse Wipers, Without Cruise Control	\$20.00	N
25111262	1987	<b>TURN SIGNAL LEVER WIPER SWITCH</b> Black, With Pulse Wipers, With Cruise Control	\$26.00	N
22510733	1987	<b>TURN SIGNAL LEVER WIPER SWITCH</b> Black, With Pulse Wipers, Without Cruise Control	\$20.00	N

Part Number	Year	Description	Price	*Rev.
22510732	1987	<b>TURN SIGNAL LEVER WIPER SWITCH</b> Black, Without Pulse Wipers, Without Cruise Control	\$20.00	N
25031456	1987	<b>TURN SIGNAL LEVER WIPER SWITCH</b> Chrome, With Pulse Wipers, With Cruise Control	\$26.00	N
22510144	1987	<b>TURN SIGNAL LEVER WIPER SWITCH</b> Chrome, With Pulse Wipers, Without Cruise Control	\$20.00	N
25111262	1988	<b>TURN SIGNAL LEVER WIPER SWITCH</b> Black, With Pulse Wipers, With Cruise Control	\$26.00	N
22510733	1988	<b>TURN SIGNAL LEVER WIPER SWITCH</b> Black, With Pulse Wipers, Without Cruise Control	\$20.00	N
22510732	1988	<b>TURN SIGNAL LEVER WIPER SWITCH</b> Black, Without Pulse Wipers, Without Cruise Control	\$20.00	N
25031456	1988	<b>TURN SIGNAL LEVER WIPER SWITCH</b> Chrome, With Pulse Wipers, With Cruise Control	\$26.00	N
22510144	1988	<b>TURN SIGNAL LEVER WIPER SWITCH</b> Chrome, With Pulse Wipers, Without Cruise Control	\$20.00	N
25111262	1989	<b>TURN SIGNAL LEVER WIPER SWITCH</b> Black, With Pulse Wipers, With Cruise Control	\$26.00	N
22510733	1989	<b>TURN SIGNAL LEVER WIPER SWITCH</b> Black, With Pulse Wipers, Without Cruise Control	\$20.00	N
22510732	1989	<b>TURN SIGNAL LEVER WIPER SWITCH</b> Black, Without Pulse Wipers, Without Cruise Control	\$20.00	N
25031456	1989	<b>TURN SIGNAL LEVER WIPER SWITCH</b> Chrome, With Pulse Wipers, With Cruise Control	\$26.00	N
22510144	1989	<b>TURN SIGNAL LEVER WIPER SWITCH</b> Chrome, With Pulse Wipers, Without Cruise Control	\$20.00	N
25111262	1990	<b>TURN SIGNAL LEVER WIPER SWITCH</b> Black, With Pulse Wipers, With Cruise Control	\$26.00	N
22510733	1990	<b>TURN SIGNAL LEVER WIPER SWITCH</b> Black, With Pulse Wipers, Without Cruise Control	\$20.00	N
22510732	1990	<b>TURN SIGNAL LEVER WIPER SWITCH</b> Black, Without Pulse Wipers, Without Cruise Control	\$20.00	N
25031456	1990	<b>TURN SIGNAL LEVER WIPER SWITCH</b> Chrome, With Pulse Wipers, With Cruise Control	\$26.00	N
22510144	1990	<b>TURN SIGNAL LEVER WIPER SWITCH</b> Chrome, With Pulse Wipers, Without Cruise Control	\$20.00	N
25111262	1991	<b>TURN SIGNAL LEVER WIPER SWITCH</b> Black, With Pulse Wipers, With Cruise Control	\$26.00	N
22510733	1991	<b>TURN SIGNAL LEVER WIPER SWITCH</b> Black, With Pulse Wipers, Without Cruise Control	\$20.00	N
22510732	1991	<b>TURN SIGNAL LEVER WIPER SWITCH</b> Black, Without Pulse Wipers, Without Cruise Control	\$20.00	N
25031456	1991	<b>TURN SIGNAL LEVER WIPER SWITCH</b> Chrome, With Pulse Wipers, With Cruise Control	\$26.00	N
22510144	1991	<b>TURN SIGNAL LEVER WIPER SWITCH</b> Chrome, With Pulse Wipers, Without Cruise Control	\$20.00	N
25111262	1992	<b>TURN SIGNAL LEVER WIPER SWITCH</b> Black, With Pulse Wipers, With Cruise Control	\$26.00	N
22510733	1992	<b>TURN SIGNAL LEVER WIPER SWITCH</b> Black, With Pulse Wipers, Without Cruise Control	\$20.00	N
22510732	1992	<b>TURN SIGNAL LEVER WIPER SWITCH</b> Black, Without Pulse Wipers, Without Cruise Control	\$20.00	N
25031456	1992	<b>TURN SIGNAL LEVER WIPER SWITCH</b> Chrome, With Pulse Wipers, With Cruise Control	\$26.00	N
22510144	1992	<b>TURN SIGNAL LEVER WIPER SWITCH</b> Chrome, With Pulse Wipers, Without Cruise Control	\$20.00	N
25111262	1993	<b>TURN SIGNAL LEVER WIPER SWITCH</b> Black, With Pulse Wipers, With Cruise Control	\$26.00	N
22510733	1993	<b>TURN SIGNAL LEVER WIPER SWITCH</b> Black, With Pulse Wipers, Without Cruise Control	\$20.00	N
22510732	1993	<b>TURN SIGNAL LEVER WIPER SWITCH</b> Black, Without Pulse Wipers, Without Cruise Control	\$20.00	N
25031456	1993	<b>TURN SIGNAL LEVER WIPER SWITCH</b> Chrome, With Pulse Wipers, With Cruise Control	\$26.00	N
22510144	1993	<b>TURN SIGNAL LEVER WIPER SWITCH</b> Chrome, With Pulse Wipers, Without Cruise Control	\$20.00	N
25111262	1994	<b>TURN SIGNAL LEVER WIPER SWITCH</b> Black, With Pulse Wipers, With Cruise Control	\$26.00	N
22510733	1994	<b>TURN SIGNAL LEVER WIPER SWITCH</b> Black, With Pulse Wipers, Without Cruise Control	\$20.00	N
22510732	1994	<b>TURN SIGNAL LEVER WIPER SWITCH</b> Black, Without Pulse Wipers, Without Cruise Control	\$20.00	N
25031456	1994	<b>TURN SIGNAL LEVER WIPER SWITCH</b> Chrome, With Pulse Wipers, With Cruise Control	\$26.00	N
22510144	1994	<b>TURN SIGNAL LEVER WIPER SWITCH</b> Chrome, With Pulse Wipers, Without Cruise Control	\$20.00	N
<b>TURN SIGNAL SWITCH</b>				
00897125	1954	<b>TURN SIGNAL HOUSING BUCKET ASSEMBLY</b> Complete With Turn Signal Switch	\$135.00	N
00897125	1955	<b>TURN SIGNAL HOUSING BUCKET ASSEMBLY</b> 1st Series, Complete With Turn Signal Switch	\$135.00	N
00897126	1955	<b>TURN SIGNAL HOUSING BUCKET ASSEMBLY</b> Complete With Turn Signal Switch	\$135.00	N
00897126	1956	<b>TURN SIGNAL HOUSING BUCKET ASSEMBLY</b> Complete With Turn Signal Switch	\$135.00	N
00897151	1957	<b>TURN SIGNAL HOUSING BUCKET ASSEMBLY</b> Complete With Turn Signal Switch	\$135.00	N
00897151	1958	<b>TURN SIGNAL HOUSING BUCKET ASSEMBLY</b> Complete With Turn Signal Switch	\$135.00	N
00897151	1959	<b>TURN SIGNAL HOUSING BUCKET ASSEMBLY</b> Complete With Turn Signal Switch	\$135.00	N

Part Number	Year	Description	Price	*Rev.
05947677	1954	<b>TURN SIGNAL SWITCH</b> 6 Volt Note: Can Be Used With 12 Volt System Conversions.	\$27.00	
05947677	1955	<b>TURN SIGNAL SWITCH</b> 6 Volt Note: Can Be Used With 12 Volt System Conversions.	\$27.00	
05947739	1955	<b>TURN SIGNAL SWITCH</b> 12 Volt Note: Includes Instruction Sheet.	\$27.00	
05947739	1956	<b>TURN SIGNAL SWITCH</b> All Note: Includes Instruction Sheet.	\$27.00	
05948718	1957	<b>TURN SIGNAL SWITCH</b> Note: Includes A Loose Piece 6 Way Connector.	\$27.00	
05948718	1958	<b>TURN SIGNAL SWITCH</b> Note: Includes A Loose Piece 6 Way Connector.	\$27.00	
05948718	1959	<b>TURN SIGNAL SWITCH</b> Note: Includes A Loose Piece 6 Way Connector.	\$27.00	
03765110	1960	<b>TURN SIGNAL SWITCH</b>	\$23.00	
03765110	1961	<b>TURN SIGNAL SWITCH</b>	\$23.00	
03765110	1962	<b>TURN SIGNAL SWITCH</b>	\$23.00	
00898197	1963	<b>TURN SIGNAL SWITCH</b>	\$65.00	N
00910821	1964	<b>TURN SIGNAL SWITCH</b> Without Tilt	\$56.00	N
00910821	1965	<b>TURN SIGNAL SWITCH</b> Without Tilt	\$56.00	N
00910821	1966	<b>TURN SIGNAL SWITCH</b> Without Tilt	\$56.00	N
01997961	1967	<b>TURN SIGNAL SWITCH</b> All With Correct Red "Hazard" Knob	\$57.00	C
01997961	1968	<b>TURN SIGNAL SWITCH</b> All With Correct Red "Hazard" Knob	\$57.00	C
01997961	1969	<b>TURN SIGNAL SWITCH</b> All With Correct Red "Hazard" Knob	\$57.00	C
01997961	1970	<b>TURN SIGNAL SWITCH</b> All With Correct Red "Hazard" Knob	\$57.00	C
01997961	1971	<b>TURN SIGNAL SWITCH</b> All With Correct Red "Hazard" Knob	\$57.00	C
01997961	1972	<b>TURN SIGNAL SWITCH</b> All With Correct Red "Hazard" Knob	\$57.00	C
01997975	1973	<b>TURN SIGNAL SWITCH</b> All	\$38.00	N
01997975	1974	<b>TURN SIGNAL SWITCH</b> All	\$38.00	N
01997975	1975	<b>TURN SIGNAL SWITCH</b> All	\$38.00	N
01997975	1976	<b>TURN SIGNAL SWITCH</b> All	\$38.00	N
01997985	1977	<b>TURN SIGNAL SWITCH</b> All Note: Correct Part, No Adapter Pigtail Required.	\$32.00	C
01997985	1978	<b>TURN SIGNAL SWITCH</b> All Note: Correct Part, No Adapter Pigtail Required.	\$32.00	C
01997985	1979	<b>TURN SIGNAL SWITCH</b> All Note: Correct Part, No Adapter Pigtail Required.	\$32.00	C
01997985	1980	<b>TURN SIGNAL SWITCH</b> All Note: Correct Part, No Adapter Pigtail Required.	\$32.00	C
01997985	1981	<b>TURN SIGNAL SWITCH</b> All Note: Correct Part, No Adapter Pigtail Required.	\$32.00	C
01997985	1982	<b>TURN SIGNAL SWITCH</b> All Note: Correct Part, No Adapter Pigtail Required.	\$32.00	C
01997985	1983	<b>TURN SIGNAL SWITCH</b> All Note: Correct Part, No Adapter Pigtail Required.	\$32.00	C
01997983	1984	<b>TURN SIGNAL SWITCH</b> All	\$32.00	C
01997983	1985	<b>TURN SIGNAL SWITCH</b> All	\$32.00	N
01997983	1986	<b>TURN SIGNAL SWITCH</b> All	\$32.00	N

Part Number	Year	Description	Price	*Rev.
01997983	1987	TURN SIGNAL SWITCH All	\$32.00	N
01997983	1988	TURN SIGNAL SWITCH Without Pulse Wipers	\$32.00	N
01997988	1988	TURN SIGNAL SWITCH With Pulse Wipers	\$32.00	N
01997983	1989	TURN SIGNAL SWITCH Without Pulse Wipers	\$32.00	N
01997988	1989	TURN SIGNAL SWITCH With Pulse Wipers	\$32.00	N
01997983	1990	TURN SIGNAL SWITCH Without Pulse Wipers	\$32.00	N
01997988	1990	TURN SIGNAL SWITCH With Pulse Wipers	\$32.00	N
01997983	1991	TURN SIGNAL SWITCH With Tilt Wheel	\$32.00	N
01997988	1991	TURN SIGNAL SWITCH Without Tilt Wheel	\$32.00	N
01997988	1992	TURN SIGNAL SWITCH All	\$32.00	N
01997988	1993	TURN SIGNAL SWITCH All	\$32.00	N
01997988	1994	TURN SIGNAL SWITCH All	\$32.00	N
<b>VOLTMETER GAUGE</b>				
06474474	1976	VOLTMETER GAUGE Fire Orange Needle	\$39.00	N
06474474	1977	VOLTMETER GAUGE Fire Orange Needle	\$39.00	N
06474474	1978	VOLTMETER GAUGE Fire Orange Needle	\$39.00	N
06474474	1979	VOLTMETER GAUGE 1st Design, Fire Orange Needle	\$39.00	N
06474584	1979	VOLTMETER GAUGE 2nd Design, Light Orange Needle	\$39.00	N
06474584	1980	VOLTMETER GAUGE Light Orange Needle	\$39.00	N
06474584	1981	VOLTMETER GAUGE Light Orange Needle	\$39.00	N
06474584	1982	VOLTMETER GAUGE Light Orange Needle	\$39.00	N
06474584	1983	VOLTMETER GAUGE Light Orange Needle	\$39.00	N
06474584	1984	VOLTMETER GAUGE Light Orange Needle	\$39.00	N
06474584	1985	VOLTMETER GAUGE Light Orange Needle	\$39.00	N
06474584	1986	VOLTMETER GAUGE Light Orange Needle	\$39.00	N
06474584	1987	VOLTMETER GAUGE Light Orange Needle	\$39.00	N
<b>WINDSHIELD WASHER PUMP</b>				
04919332	1964	WINDSHIELD WASHER PUMP All	\$60.00	N
04919332	1965	WINDSHIELD WASHER PUMP All	\$60.00	N
04919332	1966	WINDSHIELD WASHER PUMP All	\$60.00	N
04919332	1967	WINDSHIELD WASHER PUMP All	\$60.00	N
04919332	1968	WINDSHIELD WASHER PUMP All	\$60.00	N
04919332	1969	WINDSHIELD WASHER PUMP All	\$60.00	N
04919332	1970	WINDSHIELD WASHER PUMP All	\$60.00	N
04919332	1971	WINDSHIELD WASHER PUMP All	\$60.00	N
04919332	1972	WINDSHIELD WASHER PUMP All	\$60.00	N
<b>WINDSHIELD WIPER MOTOR</b>				
44610	1947	WINDSHIELD WIPER MOTOR KIT 12 Volt Conversion Kit Note: Replaces Original Vacuum Operated Wiper Motor.	\$231.00	N
44611	1947	WINDSHIELD WIPER MOTOR KIT 6 Volt Conversion Kit Note: Replaces Original Vacuum Operated Wiper Motor.	\$231.00	N
44610	1948	WINDSHIELD WIPER MOTOR KIT 12 Volt Conversion Kit Note: Replaces Original Vacuum Operated Wiper Motor.	\$231.00	N
44611	1948	WINDSHIELD WIPER MOTOR KIT 6 Volt Conversion Kit Note: Replaces Original Vacuum Operated Wiper Motor.	\$231.00	N
44610	1949	WINDSHIELD WIPER MOTOR KIT 12 Volt Conversion Kit Note: Replaces Original Vacuum Operated Wiper Motor.	\$231.00	N

Part Number	Year	Description	Price	*Rev.
44611	1949	<b>WINDSHIELD WIPER MOTOR KIT</b> 6 Volt Conversion Kit Note: Replaces Original Vacuum Operated Wiper Motor.	\$231.00	N
44610	1950	<b>WINDSHIELD WIPER MOTOR KIT</b> 12 Volt Conversion Kit Note: Replaces Original Vacuum Operated Wiper Motor.	\$231.00	N
44611	1950	<b>WINDSHIELD WIPER MOTOR KIT</b> 6 Volt Conversion Kit Note: Replaces Original Vacuum Operated Wiper Motor.	\$231.00	N
44610	1951	<b>WINDSHIELD WIPER MOTOR KIT</b> 12 Volt Conversion Kit Note: Replaces Original Vacuum Operated Wiper Motor.	\$231.00	N
44611	1951	<b>WINDSHIELD WIPER MOTOR KIT</b> 6 Volt Conversion Kit Note: Replaces Original Vacuum Operated Wiper Motor.	\$231.00	N
44610	1952	<b>WINDSHIELD WIPER MOTOR KIT</b> 12 Volt Conversion Kit Note: Replaces Original Vacuum Operated Wiper Motor.	\$231.00	N
44611	1952	<b>WINDSHIELD WIPER MOTOR KIT</b> 6 Volt Conversion Kit Note: Replaces Original Vacuum Operated Wiper Motor.	\$231.00	N
44610	1953	<b>WINDSHIELD WIPER MOTOR KIT</b> 12 Volt Conversion Kit Note: Replaces Original Vacuum Operated Wiper Motor.	\$231.00	N
44611	1953	<b>WINDSHIELD WIPER MOTOR KIT</b> 6 Volt Conversion Kit Note: Replaces Original Vacuum Operated Wiper Motor.	\$231.00	N
44612	1954	<b>WINDSHIELD WIPER MOTOR KIT</b> 12 Volt Conversion Kit Note: Replaces Original Vacuum Operated Wiper Motor.	\$231.00	N
44613	1954	<b>WINDSHIELD WIPER MOTOR KIT</b> 6 Volt Conversion Kit Note: Replaces Original Vacuum Operated Wiper Motor.	\$231.00	N
44612	1955	<b>WINDSHIELD WIPER MOTOR KIT</b> 1st Series, 12 Volt Conversion Kit Note: Replaces Original Vacuum Operated Wiper Motor.	\$231.00	N
44613	1955	<b>WINDSHIELD WIPER MOTOR KIT</b> 1st Series, 6 Volt Conversion Kit Note: Replaces Original Vacuum Operated Wiper Motor.	\$231.00	N
04911476	1963	<b>WINDSHIELD WIPER MOTOR</b> 2-Speed, 3-Terminal Type Motor	\$92.00	N
44609	1963	<b>WINDSHIELD WIPER MOTOR</b> 2-Speed, 4-Terminal Type Motor Note: This Can Be Used In Place Of The 3-Terminal Motor. The 4th Terminal Is A Keyed Hot From Wiper Fuse In Fuse Box And May Or May Not Be Used In Some Applications.	\$106.00	N
04911476	1964	<b>WINDSHIELD WIPER MOTOR</b> 2-Speed, 3-Terminal Type Motor	\$92.00	N
44609	1964	<b>WINDSHIELD WIPER MOTOR</b> 2-Speed, 4-Terminal Type Motor Note: This Can Be Used In Place Of The 3-Terminal Motor. The 4th Terminal Is A Keyed Hot From Wiper Fuse In Fuse Box And May Or May Not Be Used In Some Applications.	\$106.00	N
04911476	1965	<b>WINDSHIELD WIPER MOTOR</b> 2-Speed, 3-Terminal Type Motor	\$92.00	N
44609	1965	<b>WINDSHIELD WIPER MOTOR</b> 2-Speed, 4-Terminal Type Motor Note: This Can Be Used In Place Of The 3-Terminal Motor. The 4th Terminal Is A Keyed Hot From Wiper Fuse In Fuse Box And May Or May Not Be Used In Some Applications.	\$106.00	N
04911476	1966	<b>WINDSHIELD WIPER MOTOR</b> 2-Speed, 3-Terminal Type Motor	\$92.00	N
44609	1966	<b>WINDSHIELD WIPER MOTOR</b> 2-Speed, 4-Terminal Type Motor Note: This Can Be Used In Place Of The 3-Terminal Motor. The 4th Terminal Is A Keyed Hot From Wiper Fuse In Fuse Box And May Or May Not Be Used In Some Applications.	\$106.00	N
04911476	1967	<b>WINDSHIELD WIPER MOTOR</b> 2-Speed, 3-Terminal Type Motor	\$92.00	N
44609	1967	<b>WINDSHIELD WIPER MOTOR</b> 2-Speed, 4-Terminal Type Motor Note: This Can Be Used In Place Of The 3-Terminal Motor. The 4th Terminal Is A Keyed Hot From Wiper Fuse In Fuse Box And May Or May Not Be Used In Some Applications.	\$106.00	N
04911476	1968	<b>WINDSHIELD WIPER MOTOR</b> 2-Speed, 3-Terminal Type Motor	\$92.00	N
44609	1968	<b>WINDSHIELD WIPER MOTOR</b> 2-Speed, 4-Terminal Type Motor Note: This Can Be Used In Place Of The 3-Terminal Motor. The 4th Terminal Is A Keyed Hot From Wiper Fuse In Fuse Box And May Or May Not Be Used In Some Applications.	\$106.00	N



Part Number	Year	Description	Price	*Rev.
04911476	1969	<b>WINDSHIELD WIPER MOTOR</b> 2-Speed, 3-Terminal Type Motor	\$92.00	N
44609	1969	<b>WINDSHIELD WIPER MOTOR</b> 2-Speed, 4-Terminal Type Motor Note: This Can Be Used In Place Of The 3-Terminal Motor. The 4th Terminal Is A Keyed Hot From Wiper Fuse In Fuse Box And May Or May Not Be Used In Some Applications.	\$106.00	N
04911476	1970	<b>WINDSHIELD WIPER MOTOR</b> 2-Speed, 3-Terminal Type Motor	\$92.00	N
44609	1970	<b>WINDSHIELD WIPER MOTOR</b> 2-Speed, 4-Terminal Type Motor Note: This Can Be Used In Place Of The 3-Terminal Motor. The 4th Terminal Is A Keyed Hot From Wiper Fuse In Fuse Box And May Or May Not Be Used In Some Applications.	\$106.00	N
04911476	1971	<b>WINDSHIELD WIPER MOTOR</b> 2-Speed, 3-Terminal Type Motor	\$92.00	N
44609	1971	<b>WINDSHIELD WIPER MOTOR</b> 2-Speed, 4-Terminal Type Motor Note: This Can Be Used In Place Of The 3-Terminal Motor. The 4th Terminal Is A Keyed Hot From Wiper Fuse In Fuse Box And May Or May Not Be Used In Some Applications.	\$106.00	N
04911476	1972	<b>WINDSHIELD WIPER MOTOR</b> 2-Speed, 3-Terminal Type Motor	\$92.00	N
44609	1972	<b>WINDSHIELD WIPER MOTOR</b> 2-Speed, 4-Terminal Type Motor Note: This Can Be Used In Place Of The 3-Terminal Motor. The 4th Terminal Is A Keyed Hot From Wiper Fuse In Fuse Box And May Or May Not Be Used In Some Applications.	\$106.00	N
<b>WINDSHIELD WIPER SWITCH</b>				
01993541	1960	<b>WINDSHIELD WIPER SWITCH</b> Single Speed, With Washer	\$45.00	
01993541	1961	<b>WINDSHIELD WIPER SWITCH</b> Single Speed, With Washer	\$45.00	
01993541	1962	<b>WINDSHIELD WIPER SWITCH</b> Single Speed, With Washer	\$45.00	
01993541	1963	<b>WINDSHIELD WIPER SWITCH</b> Single Speed, With Washer	\$45.00	
01993584	1963	<b>WINDSHIELD WIPER SWITCH</b> Two Speed, With Washer	\$52.00	
01993641	1964	<b>WINDSHIELD WIPER SWITCH</b> Two Speed, With Washer	\$45.00	
01993641	1965	<b>WINDSHIELD WIPER SWITCH</b> Two Speed, With Washer	\$45.00	
01993641	1966	<b>WINDSHIELD WIPER SWITCH</b> Two Speed, With Washer	\$45.00	
01993372	1967	<b>WINDSHIELD WIPER SWITCH</b> All	\$45.00	
01993432	1968	<b>WINDSHIELD WIPER SWITCH</b> All	\$24.00	
01993432	1969	<b>WINDSHIELD WIPER SWITCH</b> All	\$24.00	
01993432	1970	<b>WINDSHIELD WIPER SWITCH</b> All	\$24.00	
01993432	1971	<b>WINDSHIELD WIPER SWITCH</b> All	\$24.00	
01993432	1972	<b>WINDSHIELD WIPER SWITCH</b> All	\$24.00	
01994151	1973	<b>WINDSHIELD WIPER SWITCH</b>	\$47.00	M
01994151	1974	<b>WINDSHIELD WIPER SWITCH</b>	\$47.00	M
01994172	1975	<b>WINDSHIELD WIPER SWITCH</b> Without Pulse Wipers	\$47.00	N
01994172	1976	<b>WINDSHIELD WIPER SWITCH</b> Without Pulse Wipers	\$47.00	N
01994172	1977	<b>WINDSHIELD WIPER SWITCH</b> Without Pulse Wipers	\$47.00	N
14028808	1978	<b>WINDSHIELD WIPER SWITCH</b> With Pulse Wipers	\$35.00	N
14028807	1978	<b>WINDSHIELD WIPER SWITCH</b> Without Pulse Wipers	\$27.00	N
14028808	1979	<b>WINDSHIELD WIPER SWITCH</b> With Pulse Wipers	\$35.00	N
14028807	1979	<b>WINDSHIELD WIPER SWITCH</b> Without Pulse Wipers	\$27.00	N
14028808	1980	<b>WINDSHIELD WIPER SWITCH</b> With Pulse Wipers	\$35.00	N
14028807	1980	<b>WINDSHIELD WIPER SWITCH</b> Without Pulse Wipers	\$27.00	N
14028808	1981	<b>WINDSHIELD WIPER SWITCH</b> With Pulse Wipers	\$35.00	N
14028807	1981	<b>WINDSHIELD WIPER SWITCH</b> Without Pulse Wipers	\$27.00	N
14028808	1982	<b>WINDSHIELD WIPER SWITCH</b> With Pulse Wipers	\$35.00	N
14028807	1982	<b>WINDSHIELD WIPER SWITCH</b> Without Pulse Wipers	\$27.00	N
14028808	1983	<b>WINDSHIELD WIPER SWITCH</b> With Pulse Wipers	\$35.00	N
14028807	1983	<b>WINDSHIELD WIPER SWITCH</b> Without Pulse Wipers	\$27.00	N

Part Number	Year	Description	Price	*Rev.
<b>WIPER MOTOR HARNESS</b>				
38066	1961	WIPER MOTOR HARNESS Single Speed Wipers	\$48.00	
38063	1961	WIPER MOTOR HARNESS 2 Speed Wipers	\$38.00	
30175	1964	WIPER MOTOR HARNESS 2 Speed Wipers	\$32.00	
30175	1965	WIPER MOTOR HARNESS 2 Speed Wipers	\$32.00	
30175	1966	WIPER MOTOR HARNESS 2 Speed Wipers	\$32.00	
<b>WIRING JUNCTION BLOCK</b>				
01865535	1940	WIRING JUNCTION BLOCK 3-Terminal, Headlamp Wire Junction	\$12.00	N
01998756	1940	WIRING JUNCTION BLOCK 4-Terminal, Headlamp Wire Junction	\$13.00	N
01998757	1940	WIRING JUNCTION BLOCK 5-Terminal, Headlamp Wire Junction	\$19.00	N
01865535	1941	WIRING JUNCTION BLOCK 3-Terminal, Headlamp Wire Junction	\$12.00	N
01998756	1941	WIRING JUNCTION BLOCK 4-Terminal, Headlamp Wire Junction	\$13.00	N
01998757	1941	WIRING JUNCTION BLOCK 5-Terminal, Headlamp Wire Junction	\$19.00	N
01865535	1942	WIRING JUNCTION BLOCK 3-Terminal, Headlamp Wire Junction	\$12.00	N
01998756	1942	WIRING JUNCTION BLOCK 4-Terminal, Headlamp Wire Junction	\$13.00	N
01998757	1942	WIRING JUNCTION BLOCK 5-Terminal, Headlamp Wire Junction	\$19.00	N
01865535	1943	WIRING JUNCTION BLOCK 3-Terminal, Headlamp Wire Junction	\$12.00	N
01998756	1943	WIRING JUNCTION BLOCK 4-Terminal, Headlamp Wire Junction	\$13.00	N
01998757	1943	WIRING JUNCTION BLOCK 5-Terminal, Headlamp Wire Junction	\$19.00	N
01865535	1944	WIRING JUNCTION BLOCK 3-Terminal, Headlamp Wire Junction	\$12.00	N
01998756	1944	WIRING JUNCTION BLOCK 4-Terminal, Headlamp Wire Junction	\$13.00	N
01998757	1944	WIRING JUNCTION BLOCK 5-Terminal, Headlamp Wire Junction	\$19.00	N
01865535	1945	WIRING JUNCTION BLOCK 3-Terminal, Headlamp Wire Junction	\$12.00	N
01998756	1945	WIRING JUNCTION BLOCK 4-Terminal, Headlamp Wire Junction	\$13.00	N
01998757	1945	WIRING JUNCTION BLOCK 5-Terminal, Headlamp Wire Junction	\$19.00	N
01865535	1946	WIRING JUNCTION BLOCK 3-Terminal, Headlamp Wire Junction	\$12.00	N
01998756	1946	WIRING JUNCTION BLOCK 4-Terminal, Headlamp Wire Junction	\$13.00	N
01998757	1946	WIRING JUNCTION BLOCK 5-Terminal, Headlamp Wire Junction	\$19.00	N
01865535	1947	WIRING JUNCTION BLOCK 3-Terminal, Headlamp Wire Junction	\$12.00	N
01998756	1947	WIRING JUNCTION BLOCK 4-Terminal, Headlamp Wire Junction	\$13.00	N
01998757	1947	WIRING JUNCTION BLOCK 5-Terminal, Headlamp Wire Junction	\$19.00	N
01865535	1948	WIRING JUNCTION BLOCK 3-Terminal, Headlamp Wire Junction	\$12.00	N
01998756	1948	WIRING JUNCTION BLOCK 4-Terminal, Headlamp Wire Junction	\$13.00	N
01998757	1948	WIRING JUNCTION BLOCK 5-Terminal, Headlamp Wire Junction	\$19.00	N
01865535	1949	WIRING JUNCTION BLOCK 3-Terminal, Headlamp Wire Junction	\$12.00	N
01998756	1949	WIRING JUNCTION BLOCK 4-Terminal, Headlamp Wire Junction	\$13.00	N
01998757	1949	WIRING JUNCTION BLOCK 5-Terminal, Headlamp Wire Junction	\$19.00	N
01865535	1950	WIRING JUNCTION BLOCK 3-Terminal, Headlamp Wire Junction	\$12.00	N
01998756	1950	WIRING JUNCTION BLOCK 4-Terminal, Headlamp Wire Junction	\$13.00	N
01998757	1950	WIRING JUNCTION BLOCK 5-Terminal, Headlamp Wire Junction	\$19.00	N
01865535	1951	WIRING JUNCTION BLOCK 3-Terminal, Headlamp Wire Junction	\$12.00	N
01998756	1951	WIRING JUNCTION BLOCK 4-Terminal, Headlamp Wire Junction	\$13.00	N
01998757	1951	WIRING JUNCTION BLOCK 5-Terminal, Headlamp Wire Junction	\$19.00	N
01865535	1952	WIRING JUNCTION BLOCK 3-Terminal, Headlamp Wire Junction	\$12.00	N
01998756	1952	WIRING JUNCTION BLOCK 4-Terminal, Headlamp Wire Junction	\$13.00	N
01998757	1952	WIRING JUNCTION BLOCK 5-Terminal, Headlamp Wire Junction	\$19.00	N

Chevy Truck



Phone (562) 926-9552

Fax (562) 926-9572

Part Number	Year	Description	Price	*Rev.
01865535	1953	<b>WIRING JUNCTION BLOCK</b> 3-Terminal, Headlamp Wire Junction	\$12.00	N
01998756	1953	<b>WIRING JUNCTION BLOCK</b> 4-Terminal, Headlamp Wire Junction	\$13.00	N
01998757	1953	<b>WIRING JUNCTION BLOCK</b> 5-Terminal, Headlamp Wire Junction	\$19.00	N
01998756	1954	<b>WIRING JUNCTION BLOCK</b> 4-Terminal, Headlamp Wire Junction	\$13.00	N
01998757	1954	<b>WIRING JUNCTION BLOCK</b> 5-Terminal, Headlamp Wire Junction	\$19.00	N
01998756	1955	<b>WIRING JUNCTION BLOCK</b> 1st Series, 4-Terminal, Headlamp Wire Junction	\$13.00	N
01998757	1955	<b>WIRING JUNCTION BLOCK</b> 1st Series, 5-Terminal, Headlamp Wire Junction	\$19.00	N

# ***Section 9***

***Chrysler Products  
Non-Exclusive  
Available to All  
Customers***

# **New Product Announcement**

## **Announcing 3 New Precision Electronic Instrument Voltage Regulators!**



Santa Fe Springs, Calif. – M&H Electric Fabricators, the restorer's first choice for automotive wiring systems, proudly introduces 3 versions of the most advanced Precision Electronic Instrument Voltage Regulator (PEIVR) ever produced for 1950s, '60s, and '70s American-made automobiles, guaranteed to improve the accuracy, efficiency and longevity of their factory gauges.

Based on 1950s technology, the OE instrument voltage regulators operated mechanically, using a bi-metal resistance wire to create heat. Based on heat, these mechanical devices would thermally oscillate the bi-metal – switching on and off rapidly – to reduce and regulate the voltage driving the gauges.

Not only is this old technology crude (factory tolerances of the overall system varied by  $\pm 10-15\%$  meaning that no two mechanical regulators read alike, even on the same set of gauges!), but the necessary heat generated by this process inherently degrades the gauges and circuitry. Furthermore, mechanical regulators usually peg the gauge needles on startup – as the bi-metal wire warms up inside – which will eventually lead to gauge failure, and many factory gauges can be destroyed by sticking regulators that stop oscillating all together.

All that, however, is finally ancient history thanks to M&H's revolutionary, new PEIVRs, which control voltage using a computer chip rather than the antiquated bi-metal resistance. The PEIVRs oscillate many times faster than their mechanical predecessor, offering a 99% increase in efficiency and accuracy, while eliminating ALL the side effects of the mechanical units. Best of all, this modern technology is invisibly integrated within the stock voltage regulator housing for a factory-original appearance!

The PEIVRs provide 100% consistent voltage/current output, with as little as 5.8 volts DC input at temperatures from -40F to +185F! Gauge needles will hold perfectly steady at all times with no random fluctuations, deflections or jerking movements from rough terrain, warm-up periods or varying voltages in the electrical system.

The PEIVRs are surge protected and polarity protected to prevent accidental damage to them or your gauges. The PEIVRs can continuously drive up to five factory gauges at 100% duty cycle. Their voltage output comes preset from the factory and NEVER requires adjustment, unlike original mechanical units that were set via a screw.

The PEIVRs generate NO heat, preventing heat-related damage common in the mechanical units as well as many aftermarket conversions of factory mechanical units using chips that require heat sinking. They even function with factory Radio Frequency Interference filters, although an RFI suppression capacitor is unnecessary since the PEIVRs do not generate any RFI noise!

For more information, please contact M&H ELECTRIC FABRICATORS, 13537 Alondra Blvd., Santa Fe Springs, CA 90670. Telephone: 562-926-9552. Or visit us on the Web at [www.wiringharness.com](http://www.wiringharness.com)

# Precision Electronic Instrument Voltage Regulators



**Part: 39532**

**OEM: B9MZ-10804-C**

**Applications:**

1960-65	Ford	Car, All
1966	Ford	Car, Except Fairlane, Falcon & Torino
1957-60	Ford	Truck
1961-64	Ford	Truck, All except C-CT-H-HT550 Through 1100
1961-64	Ford	Truck, C-CT-H-HT550 Through 1100 with PCB
1965-66	Ford	Truck
1966-77	Ford	Bronco
1967-69	Ford	Truck, F-T-800 ~ 1000, N-NT-500 ~ 1000P-100 ~ 500



**Part: 39533**

**OEM: C6DZ-10504-A**

**Applications:**

1966-68	Ford	Fairlane, Falcon & Torino
1967-68	Ford	Mustang, LTD, Galaxie 500, Custom, country Squire & Sedan
1969	Ford	Fairlane & Torino
1967-70	Ford	Truck, B-F-100 ~ 750
1969	Ford	Van, E-100 ~ 300
1970	Ford	Truck, F-350
1970	Ford	Truck, L-LT-LTS-800 ~ 900 & LN-LNT-500 ~ 800
1973-75	Ford	Truck, F-350 ~ 500

# Precision Electronic Instrument Voltage Regulators



**Part: 39549**

**Ford OEM: COMF-10804-A AMC OEM: 3205695 Chrysler OEM: 2258413**

**Applications:**

1961-64	Ford	Truck, C-CT-H-HT-500 ~ 1100 only
1965-66	AMC	Classic
1966	AMC	American
1967	AMC	Marlin
1967-70	AMC	Rebel
1967-78	AMC	Matador
1968-70	AMC	AMX & Javelin
1962-63	Plymouth	C-Body, Except Imperial
1964	Plymouth & Dodge	C-Body, Except Imperial
1965	Plymouth & Dodge	All Except Imperial
1966	Plymouth & Dodge	All Except Charger & Imperial
1967	Plymouth & Dodge	All Except Charger & Dodge Full Size
1968	Plymouth & Dodge	All A & B-Bodies
1969	Plymouth & Dodge	All A, B & Chryslers, Except Imperial
1970	Plymouth & Dodge	All A, B & Chryslers, Except Imperial
1971-74	Plymouth & Dodge	All A, B-Bodies, Except Chryslers & Imperial, Except Rallye Dash

More new products are on the drawing board, soon to come are Power Window Switches, 4-way hazard switches and many other products still under development.

Please contact M & H Electric Fabricators, Inc.  
Marketing Department for more information.

**877-977-WIRE**

**562-926-9552**

**562-407-2024 Marketing Dept.**



# Date Coded Chrysler Coils

**Chrysler Coils may be  
purchased direct from M&H**

These quality Mopar licensed, American made coils are faithful reproductions of the factory installed ignition coils found on 1966 thru 1971 Chrysler cars. Built using state-of-the-art manufacturing processes, these coils will give years of trouble-free service while maintaining the original look of your vehicle.

## Features

- Coils are date stamped with the three digit date code as original
- Over 100 date codes are available to ensure the closest possible match to vehicle
- Part Numbers are stamped in Green ink in the same type style as the original
- Features the correct shaped canister and tower design with fluted style crimp
- Heavy duty primary and secondary windings ensure outstanding performance
- Includes correct nuts and washers
- Custom date codes are also available



**AUTHENTIC  
RESTORATION™  
PRODUCT**

MOPAR, JEEP, DODGE, HEMI, PLYMOUTH, RAM, SRT, CHRYSLER and related logos, vehicle model names and trade dress are trademarks of Chrysler Group LLC used under license. © 2014 Chrysler Group LLC



## Please READ THIS before ordering Date Coded Coils

Restoration Plus Series coils are correct for many 1966 to 1971 Chrysler cars. It is important to note that there were originally two distinct types of coils utilized in these vehicles, each manufactured by a different company. The coil we have reproduced is known by restorers as the "Long Skinny Type" and was manufactured by Essex. The Essex coil features the part number 2444241 and the words Made in USA stamped on the side of it. The Essex coil was used in a good majority of vehicles produced from 1966 to 1971. The other coil that was used was known as the "Short Fat Type" and was manufactured by Prestolite. The Prestolite coil has part number 2444242 on the side of it and the words Made in USA on top of the tower and is not currently being reproduced.

CONTINUED



### Correct Tower Design

The tower is shaped just like the original, and features a fluted style crimp as original.



### Date Coded

Coils feature a three digit date code stamped in green. Over 100 date codes are available.



### Correct Part Number

Coils are stamped with the correct part number, in the same type style as the original.



# Chrysler Coils

## Selecting the correct date code

The date code that is stamped on the coil is easy to decode. The first two digits of the date code stamped on the coil indicate the week the coil was manufactured, and the last digit of the date code indicates the year the coil was manufactured. Using a date code of 078 as an example, the 07 would indicate the coil was made during the 7<sup>th</sup> week of the year and the 8 would indicate it was made in 1968.

If you are fortunate enough to have your original coil simply look to see if the date code is still visible and simply pick the matching date (or one that is as close as possible) from our list of available date codes.

If you do not have an original coil to match from the process is a little more complicated, but not difficult. *In most cases*, all you need to do is subtract 1 to 4 weeks from the build date of your vehicle to determine an approximate date code for the coil. Here's an example:

Year of Vehicle: 1968

Build Date of Vehicle: Mar 1968

A vehicle built in March would have been built sometime between 9<sup>th</sup> and 12<sup>th</sup> weeks of the year, lets just assume it was built during the 10<sup>th</sup> week. The coil that was installed in the vehicle would have been manufactured anywhere from 1 to 4 weeks before that. Based on this example you would choose a date code of 078 from our catalog.

Keep in mind that there is absolutely no way for anyone to know exactly what date code was used in a given vehicle (unless you are fortunate enough to have the original coil). If you are not lucky enough to have your original, then all one can do is approximate by ordering a coil that is date coded 1 to 4 weeks prior to the build date of the vehicle (with some exceptions).

You may have noticed that we allude to the fact that there are some exceptions to determining proper date codes. Some special vehicles (i.e. limited production) and HEMI equipped vehicles may have been equipped with a date code that was dated more than 4 weeks prior to the production date of the vehicle. If you believe you have one of these special vehicles or a HEMI equipped vehicle (and the proper date code is imperative to your restoration) you will want to call and speak with Frank Badalson at Auto Restoration Parts (804) 275-2155. For a small fee Frank will get the details about the car and determine the proper date code that is necessary for the restoration to be correct.

## F.A.Q.'s

### **What if I don't know the build date of my vehicle?**

Determining the build date of some Chryslers can be a very complicated process and one that we don't have room here to cover. Please call Frank Badalson at Auto Restoration Parts (804) 275-2155 if you need to find out a vehicles build date. For a small fee Frank will get the details about the car, let you know a probable build date and determine the proper date coded coil you need. As an alternative, there are books published on build dates and VIN identification that you can order from Chrysler restoration parts suppliers.

### **Is the lettering "CH412" stamped on the coils?**

Yes, but only when applicable. All coils prior to date code 018 have "CH412" stamped on them. You'll find a note in our catalog descriptions indicating "CH412" on any coil that features the additional "CH412" lettering/stamping.

### **What were the cut-off dates for vehicle production?**

Vehicle production for a given year was typically August 1<sup>st</sup> to July 31<sup>st</sup>. (with some deviation).

### **You don't list the particular date code I am looking for?**

Essex, Chryslers original coil supplier made coils every week of the production year and the coils were stamped accordingly with 52 date code combinations per year. We have chosen to consolidate the date code stamps to every three weeks in order to keep the project economically viable. We do offer a selection of Non-Standard date codes. The Non-Standard date coded coils are non-returnable and require a 4 to 6 week lead time.

Part Number	Year	Description	Price	*Rev.
<b>COIL</b>				
38698	1966	COIL, STANDARD DATE CODE Chrysler Ch412 Essex 2444241 Dated 265	\$84.00	
38699	1966	COIL, STANDARD DATE CODE Chrysler Ch412 Essex 2444241 Dated 295	\$84.00	
38700	1966	COIL, STANDARD DATE CODE Chrysler Ch412 Essex 2444241 Dated 325	\$84.00	
38701	1966	COIL, STANDARD DATE CODE Chrysler Ch412 Essex 2444241 Dated 355	\$84.00	
38702	1966	COIL, STANDARD DATE CODE Chrysler Ch412 Essex 2444241 Dated 385	\$84.00	
38703	1966	COIL, STANDARD DATE CODE Chrysler Ch412 Essex 2444241 Dated 415	\$84.00	
38704	1966	COIL, STANDARD DATE CODE Chrysler Ch412 Essex 2444241 Dated 445	\$84.00	
38705	1966	COIL, STANDARD DATE CODE Chrysler Ch412 Essex 2444241 Dated 475	\$84.00	
38706	1966	COIL, STANDARD DATE CODE Chrysler Ch412 Essex 2444241 Dated 505	\$84.00	
38707	1966	COIL, STANDARD DATE CODE Chrysler Ch412 Essex 2444241 Dated 016	\$84.00	
38708	1966	COIL, STANDARD DATE CODE Chrysler Ch412 Essex 2444241 Dated 046	\$84.00	
38709	1966	COIL, STANDARD DATE CODE Chrysler Ch412 Essex 2444241 Dated 076	\$84.00	
38710	1966	COIL, STANDARD DATE CODE Chrysler Ch412 Essex 2444241 Dated 106	\$84.00	
38711	1966	COIL, STANDARD DATE CODE Chrysler Ch412 Essex 2444241 Dated 136	\$84.00	
38712	1966	COIL, STANDARD DATE CODE Chrysler Ch412 Essex 2444241 Dated 166	\$84.00	
38713	1966	COIL, STANDARD DATE CODE Chrysler Ch412 Essex 2444241 Dated 196	\$84.00	
38714	1966	COIL, STANDARD DATE CODE Chrysler Ch412 Essex 2444241 Dated 226	\$84.00	
38715	1966	COIL, STANDARD DATE CODE Chrysler Ch412 Essex 2444241 Dated 266	\$84.00	
38716	1966	COIL, STANDARD DATE CODE Chrysler Ch412 Essex 2444241 Dated 296	\$84.00	
38715	1967	COIL, STANDARD DATE CODE Chrysler Ch412 Essex 2444241 Dated 266	\$84.00	
38716	1967	COIL, STANDARD DATE CODE Chrysler Ch412 Essex 2444241 Dated 296	\$84.00	
38717	1967	COIL, STANDARD DATE CODE Chrysler Ch412 Essex 2444241 Dated 326	\$84.00	
38718	1967	COIL, STANDARD DATE CODE Chrysler Ch412 Essex 2444241 Dated 356	\$84.00	
38719	1967	COIL, STANDARD DATE CODE Chrysler Ch412 Essex 2444241 Dated 386	\$84.00	
38720	1967	COIL, STANDARD DATE CODE Chrysler Ch412 Essex 2444241 Dated 416	\$84.00	
38721	1967	COIL, STANDARD DATE CODE Chrysler Ch412 Essex 2444241 Dated 446	\$84.00	
38722	1967	COIL, STANDARD DATE CODE Chrysler Ch412 Essex 2444241 Dated 476	\$84.00	
38723	1967	COIL, STANDARD DATE CODE Chrysler Ch412 Essex 2444241 Dated 506	\$84.00	
38724	1967	COIL, STANDARD DATE CODE Chrysler Ch412 Essex 2444241 Dated 017	\$84.00	
38725	1967	COIL, STANDARD DATE CODE Chrysler Ch412 Essex 2444241 Dated 047	\$84.00	
38726	1967	COIL, STANDARD DATE CODE Chrysler Ch412 Essex 2444241 Dated 077	\$84.00	
38727	1967	COIL, STANDARD DATE CODE Chrysler Ch412 Essex 2444241 Dated 107	\$84.00	
38728	1967	COIL, STANDARD DATE CODE Chrysler Ch412 Essex 2444241 Dated 137	\$84.00	
38729	1967	COIL, STANDARD DATE CODE Chrysler Ch412 Essex 2444241 Dated 167	\$84.00	
38730	1967	COIL, STANDARD DATE CODE Chrysler Ch412 Essex 2444241 Dated 197	\$84.00	
38731	1967	COIL, STANDARD DATE CODE Chrysler Ch412 Essex 2444241 Dated 227	\$84.00	
38732	1967	COIL, STANDARD DATE CODE Chrysler Ch412 Essex 2444241 Dated 267	\$84.00	
38733	1967	COIL, STANDARD DATE CODE Chrysler Ch412 Essex 2444241 Dated 297	\$84.00	
38732	1968	COIL, STANDARD DATE CODE Chrysler Ch412 Essex 2444241 Dated 267	\$84.00	
38733	1968	COIL, STANDARD DATE CODE Chrysler Ch412 Essex 2444241 Dated 297	\$84.00	
38734	1968	COIL, STANDARD DATE CODE Chrysler Ch412 Essex 2444241 Dated 327	\$84.00	
38735	1968	COIL, STANDARD DATE CODE Chrysler Ch412 Essex 2444241 Dated 357	\$84.00	
38736	1968	COIL, STANDARD DATE CODE Chrysler Ch412 Essex 2444241 Dated 387	\$84.00	
38737	1968	COIL, STANDARD DATE CODE Chrysler Ch412 Essex 2444241 Dated 417	\$84.00	
38738	1968	COIL, STANDARD DATE CODE Chrysler Ch412 Essex 2444241 Dated 447	\$84.00	
38739	1968	COIL, STANDARD DATE CODE Chrysler Ch412 Essex 2444241 Dated 477	\$84.00	

Chrysler



Phone (562) 926-9552

Fax (562) 926-9572

Part Number	Year	Description	Price	*Rev.
38740	1968	COIL, STANDARD DATE CODE Chrysler Ch412 Essex 2444241 Dated 507	\$84.00	
38741	1968	COIL, STANDARD DATE CODE Chrysler Essex 2444241 Dated 018	\$84.00	
38743	1968	COIL, STANDARD DATE CODE Chrysler Essex 2444241 Dated 078	\$84.00	
38744	1968	COIL, STANDARD DATE CODE Chrysler Essex 2444241 Dated 108	\$84.00	
38745	1968	COIL, STANDARD DATE CODE Chrysler Essex 2444241 Dated 138	\$84.00	
38746	1968	COIL, STANDARD DATE CODE Chrysler Essex 2444241 Dated 168	\$84.00	
38747	1968	COIL, STANDARD DATE CODE Chrysler Essex 2444241 Dated 198	\$84.00	
38748	1968	COIL, STANDARD DATE CODE Chrysler Essex 2444241 Dated 228	\$84.00	
38749	1968	COIL, STANDARD DATE CODE Chrysler Essex 2444241 Dated 268	\$84.00	
38750	1968	COIL, STANDARD DATE CODE Chrysler Essex 2444241 Dated 298	\$84.00	
38749	1969	COIL, STANDARD DATE CODE Chrysler Essex 2444241 Dated 268	\$84.00	
38750	1969	COIL, STANDARD DATE CODE Chrysler Essex 2444241 Dated 298	\$84.00	
38751	1969	COIL, STANDARD DATE CODE Chrysler Essex 2444241 Dated 328	\$84.00	
38752	1969	COIL, STANDARD DATE CODE Chrysler Essex 2444241 Dated 358	\$84.00	
38753	1969	COIL, STANDARD DATE CODE Chrysler Essex 2444241 Dated 388	\$84.00	
38754	1969	COIL, STANDARD DATE CODE Chrysler Essex 2444241 Dated 418	\$84.00	
38755	1969	COIL, STANDARD DATE CODE Chrysler Essex 2444241 Dated 448	\$84.00	
38756	1969	COIL, STANDARD DATE CODE Chrysler Essex 2444241 Dated 478	\$84.00	
38757	1969	COIL, STANDARD DATE CODE Chrysler Essex 2444241 Dated 508	\$84.00	
38758	1969	COIL, STANDARD DATE CODE Chrysler Essex 2444241 Dated 019	\$84.00	
38759	1969	COIL, STANDARD DATE CODE Chrysler Essex 2444241 Dated 049	\$84.00	
38760	1969	COIL, STANDARD DATE CODE Chrysler Essex 2444241 Dated 079	\$84.00	
38761	1969	COIL, STANDARD DATE CODE Chrysler Essex 2444241 Dated 109	\$84.00	
38762	1969	COIL, STANDARD DATE CODE Chrysler Essex 2444241 Dated 139	\$84.00	
38763	1969	COIL, STANDARD DATE CODE Chrysler Essex 2444241 Dated 169	\$84.00	
38764	1969	COIL, STANDARD DATE CODE Chrysler Essex 2444241 Dated 199	\$84.00	
38765	1969	COIL, STANDARD DATE CODE Chrysler Essex 2444241 Dated 229	\$84.00	
38766	1969	COIL, STANDARD DATE CODE Chrysler Essex 2444241 Dated 269	\$84.00	
38767	1969	COIL, STANDARD DATE CODE Chrysler Essex 2444241 Dated 299	\$84.00	
38766	1970	COIL, STANDARD DATE CODE Chrysler Essex 2444241 Dated 269	\$84.00	
38767	1970	COIL, STANDARD DATE CODE Chrysler Essex 2444241 Dated 299	\$84.00	
38768	1970	COIL, STANDARD DATE CODE Chrysler Essex 2444241 Dated 329	\$84.00	
38769	1970	COIL, STANDARD DATE CODE Chrysler Essex 2444241 Dated 359	\$84.00	
38770	1970	COIL, STANDARD DATE CODE Chrysler Essex 2444241 Dated 389	\$84.00	
38771	1970	COIL, STANDARD DATE CODE Chrysler Essex 2444241 Dated 419	\$84.00	
38772	1970	COIL, STANDARD DATE CODE Chrysler Essex 2444241 Dated 449	\$84.00	
38773	1970	COIL, STANDARD DATE CODE Chrysler Essex 2444241 Dated 479	\$84.00	
38774	1970	COIL, STANDARD DATE CODE Chrysler Essex 2444241 Dated 509	\$84.00	
38775	1970	COIL, STANDARD DATE CODE Chrysler Essex 2444241 Dated 010	\$84.00	
38776	1970	COIL, STANDARD DATE CODE Chrysler Essex 2444241 Dated 040	\$84.00	
38777	1970	COIL, STANDARD DATE CODE Chrysler Essex 2444241 Dated 070	\$84.00	
38778	1970	COIL, STANDARD DATE CODE Chrysler Essex 2444241 Dated 100	\$84.00	
38779	1970	COIL, STANDARD DATE CODE Chrysler Essex 2444241 Dated 130	\$84.00	
38780	1970	COIL, STANDARD DATE CODE Chrysler Essex 2444241 Dated 160	\$84.00	
38781	1970	COIL, STANDARD DATE CODE Chrysler Essex 2444241 Dated 190	\$84.00	
38782	1970	COIL, STANDARD DATE CODE Chrysler Essex 2444241 Dated 220	\$84.00	
38783	1970	COIL, STANDARD DATE CODE Chrysler Essex 2444241 Dated 260	\$84.00	

Part Number	Year	Description	Price	*Rev.
38784	1970	<b>COIL, STANDARD DATE CODE</b> Chrysler Essex 2444241 Dated 290	\$84.00	
38783	1971	<b>COIL, STANDARD DATE CODE</b> Chrysler Essex 2444241 Dated 260	\$84.00	
38784	1971	<b>COIL, STANDARD DATE CODE</b> Chrysler Essex 2444241 Dated 290	\$84.00	
38785	1971	<b>COIL, STANDARD DATE CODE</b> Chrysler Essex 2444241 Dated 320	\$84.00	
38786	1971	<b>COIL, STANDARD DATE CODE</b> Chrysler Essex 2444241 Dated 350	\$84.00	
38787	1971	<b>COIL, STANDARD DATE CODE</b> Chrysler Essex 2444241 Dated 380	\$84.00	
38788	1971	<b>COIL, STANDARD DATE CODE</b> Chrysler Essex 2444241 Dated 410	\$84.00	
38789	1971	<b>COIL, STANDARD DATE CODE</b> Chrysler Essex 2444241 Dated 440	\$84.00	
38790	1971	<b>COIL, STANDARD DATE CODE</b> Chrysler Essex 2444241 Dated 470	\$84.00	
38791	1971	<b>COIL, STANDARD DATE CODE</b> Chrysler Essex 2444241 Dated 500	\$84.00	
38792	1971	<b>COIL, STANDARD DATE CODE</b> Chrysler Essex 2444241 Dated 011	\$84.00	
38793	1971	<b>COIL, STANDARD DATE CODE</b> Chrysler Essex 2444241 Dated 041	\$84.00	
38794	1971	<b>COIL, STANDARD DATE CODE</b> Chrysler Essex 2444241 Dated 071	\$84.00	
38795	1971	<b>COIL, STANDARD DATE CODE</b> Chrysler Essex 2444241 Dated 101	\$84.00	
38796	1971	<b>COIL, STANDARD DATE CODE</b> Chrysler Essex 2444241 Dated 131	\$84.00	
38797	1971	<b>COIL, STANDARD DATE CODE</b> Chrysler Essex 2444241 Dated 161	\$84.00	
38798	1971	<b>COIL, STANDARD DATE CODE</b> Chrysler Essex 2444241 Dated 191	\$84.00	
38799	1971	<b>COIL, STANDARD DATE CODE</b> Chrysler Essex 2444241 Dated 221	\$84.00	
40913	1966	<b>COIL, NON-STANDARD DATE CODE</b> Chrysler Ch412 Essex 2444241 Dated 275 Note: Non-Standard date coded coils are not returnable and require a 6 to 8 week lead time.	\$139.00	
40914	1966	<b>COIL, NON-STANDARD DATE CODE</b> Chrysler Ch412 Essex 2444241 Dated 285 Note: Non-Standard date coded coils are not returnable and require a 6 to 8 week lead time.	\$139.00	
40915	1966	<b>COIL, NON-STANDARD DATE CODE</b> Chrysler Ch412 Essex 2444241 Dated 305 Note: Non-Standard date coded coils are not returnable and require a 6 to 8 week lead time.	\$139.00	
40916	1966	<b>COIL, NON-STANDARD DATE CODE</b> Chrysler Ch412 Essex 2444241 Dated 315 Note: Non-Standard date coded coils are not returnable and require a 6 to 8 week lead time.	\$139.00	
40917	1966	<b>COIL, NON-STANDARD DATE CODE</b> Chrysler Ch412 Essex 2444241 Dated 335 Note: Non-Standard date coded coils are not returnable and require a 6 to 8 week lead time.	\$139.00	
40918	1966	<b>COIL, NON-STANDARD DATE CODE</b> Chrysler Ch412 Essex 2444241 Dated 345 Note: Non-Standard date coded coils are not returnable and require a 6 to 8 week lead time.	\$139.00	
40919	1966	<b>COIL, NON-STANDARD DATE CODE</b> Chrysler Ch412 Essex 2444241 Dated 365 Note: Non-Standard date coded coils are not returnable and require a 6 to 8 week lead time.	\$139.00	
40920	1966	<b>COIL, NON-STANDARD DATE CODE</b> Chrysler Ch412 Essex 2444241 Dated 375 Note: Non-Standard date coded coils are not returnable and require a 6 to 8 week lead time.	\$139.00	
40921	1966	<b>COIL, NON-STANDARD DATE CODE</b> Chrysler Ch412 Essex 2444241 Dated 395 Note: Non-Standard date coded coils are not returnable and require a 6 to 8 week lead time.	\$139.00	
40922	1966	<b>COIL, NON-STANDARD DATE CODE</b> Chrysler Ch412 Essex 2444241 Dated 405 Note: Non-Standard date coded coils are not returnable and require a 6 to 8 week lead time.	\$139.00	
40923	1966	<b>COIL, NON-STANDARD DATE CODE</b> Chrysler Ch412 Essex 2444241 Dated 425 Note: Non-Standard date coded coils are not returnable and require a 6 to 8 week lead time.	\$139.00	
40924	1966	<b>COIL, NON-STANDARD DATE CODE</b> Chrysler Ch412 Essex 2444241 Dated 435 Note: Non-Standard date coded coils are not returnable and require a 6 to 8 week lead time.	\$139.00	
40925	1966	<b>COIL, NON-STANDARD DATE CODE</b> Chrysler Ch412 Essex 2444241 Dated 455 Note: Non-Standard date coded coils are not returnable and require a 6 to 8 week lead time.	\$139.00	
40926	1966	<b>COIL, NON-STANDARD DATE CODE</b> Chrysler Ch412 Essex 2444241 Dated 465 Note: Non-Standard date coded coils are not returnable and require a 6 to 8 week lead time.	\$139.00	
40927	1966	<b>COIL, NON-STANDARD DATE CODE</b> Chrysler Ch412 Essex 2444241 Dated 485 Note: Non-Standard date coded coils are not returnable and require a 6 to 8 week lead time.	\$139.00	

Part Number	Year	Description	Price	*Rev.
40928	1966	<b>COIL, NON-STANDARD DATE CODE</b> Chrysler Ch412 Essex 2444241 Dated 495 Note: Non-Standard date coded coils are not returnable and require a 6 to 8 week lead time.	\$139.00	
40929	1966	<b>COIL, NON-STANDARD DATE CODE</b> Chrysler Ch412 Essex 2444241 Dated 515 Note: Non-Standard date coded coils are not returnable and require a 6 to 8 week lead time.	\$139.00	
40930	1966	<b>COIL, NON-STANDARD DATE CODE</b> Chrysler Ch412 Essex 2444241 Dated 525 Note: Non-Standard date coded coils are not returnable and require a 6 to 8 week lead time.	\$139.00	
40931	1966	<b>COIL, NON-STANDARD DATE CODE</b> Chrysler Ch412 Essex 2444241 Dated 026 Note: Non-Standard date coded coils are not returnable and require a 6 to 8 week lead time.	\$139.00	
40932	1966	<b>COIL, NON-STANDARD DATE CODE</b> Chrysler Ch412 Essex 2444241 Dated 036 Note: Non-Standard date coded coils are not returnable and require a 6 to 8 week lead time.	\$139.00	
40933	1966	<b>COIL, NON-STANDARD DATE CODE</b> Chrysler Ch412 Essex 2444241 Dated 056 Note: Non-Standard date coded coils are not returnable and require a 6 to 8 week lead time.	\$139.00	
40934	1966	<b>COIL, NON-STANDARD DATE CODE</b> Chrysler Ch412 Essex 2444241 Dated 066 Note: Non-Standard date coded coils are not returnable and require a 6 to 8 week lead time.	\$139.00	
40935	1966	<b>COIL, NON-STANDARD DATE CODE</b> Chrysler Ch412 Essex 2444241 Dated 086 Note: Non-Standard date coded coils are not returnable and require a 6 to 8 week lead time.	\$139.00	
40936	1966	<b>COIL, NON-STANDARD DATE CODE</b> Chrysler Ch412 Essex 2444241 Dated 096 Note: Non-Standard date coded coils are not returnable and require a 6 to 8 week lead time.	\$139.00	
40937	1966	<b>COIL, NON-STANDARD DATE CODE</b> Chrysler Ch412 Essex 2444241 Dated 116 Note: Non-Standard date coded coils are not returnable and require a 6 to 8 week lead time.	\$139.00	
40938	1966	<b>COIL, NON-STANDARD DATE CODE</b> Chrysler Ch412 Essex 2444241 Dated 126 Note: Non-Standard date coded coils are not returnable and require a 6 to 8 week lead time.	\$139.00	
40939	1966	<b>COIL, NON-STANDARD DATE CODE</b> Chrysler Ch412 Essex 2444241 Dated 146 Note: Non-Standard date coded coils are not returnable and require a 6 to 8 week lead time.	\$139.00	
40940	1966	<b>COIL, NON-STANDARD DATE CODE</b> Chrysler Ch412 Essex 2444241 Dated 156 Note: Non-Standard date coded coils are not returnable and require a 6 to 8 week lead time.	\$139.00	
40941	1966	<b>COIL, NON-STANDARD DATE CODE</b> Chrysler Ch412 Essex 2444241 Dated 176 Note: Non-Standard date coded coils are not returnable and require a 6 to 8 week lead time.	\$139.00	
40942	1966	<b>COIL, NON-STANDARD DATE CODE</b> Chrysler Ch412 Essex 2444241 Dated 186 Note: Non-Standard date coded coils are not returnable and require a 6 to 8 week lead time.	\$139.00	
40943	1966	<b>COIL, NON-STANDARD DATE CODE</b> Chrysler Ch412 Essex 2444241 Dated 206 Note: Non-Standard date coded coils are not returnable and require a 6 to 8 week lead time.	\$139.00	
40944	1966	<b>COIL, NON-STANDARD DATE CODE</b> Chrysler Ch412 Essex 2444241 Dated 216 Note: Non-Standard date coded coils are not returnable and require a 6 to 8 week lead time.	\$139.00	
40945	1966	<b>COIL, NON-STANDARD DATE CODE</b> Chrysler Ch412 Essex 2444241 Dated 236 Note: Non-Standard date coded coils are not returnable and require a 6 to 8 week lead time.	\$139.00	
40946	1966	<b>COIL, NON-STANDARD DATE CODE</b> Chrysler Ch412 Essex 2444241 Dated 246 Note: Non-Standard date coded coils are not returnable and require a 6 to 8 week lead time.	\$139.00	
40947	1966	<b>COIL, NON-STANDARD DATE CODE</b> Chrysler Ch412 Essex 2444241 Dated 276 Note: Non-Standard date coded coils are not returnable and require a 6 to 8 week lead time.	\$139.00	
40948	1966	<b>COIL, NON-STANDARD DATE CODE</b> Chrysler Ch412 Essex 2444241 Dated 286 Note: Non-Standard date coded coils are not returnable and require a 6 to 8 week lead time.	\$139.00	
40949	1967	<b>COIL, NON-STANDARD DATE CODE</b> Chrysler Ch412 Essex 2444241 Dated 306 Note: Non-Standard date coded coils are not returnable and require a 6 to 8 week lead time.	\$139.00	
40950	1967	<b>COIL, NON-STANDARD DATE CODE</b> Chrysler Ch412 Essex 2444241 Dated 316 Note: Non-Standard date coded coils are not returnable and require a 6 to 8 week lead time.	\$139.00	
40951	1967	<b>COIL, NON-STANDARD DATE CODE</b> Chrysler Ch412 Essex 2444241 Dated 336 Note: Non-Standard date coded coils are not returnable and require a 6 to 8 week lead time.	\$139.00	

Part Number	Year	Description	Price	*Rev.
40952	1967	<b>COIL, NON-STANDARD DATE CODE</b> Chrysler Ch412 Essex 2444241 Dated 346 Note: Non-Standard date coded coils are not returnable and require a 6 to 8 week lead time.	\$139.00	
40953	1967	<b>COIL, NON-STANDARD DATE CODE</b> Chrysler Ch412 Essex 2444241 Dated 366 Note: Non-Standard date coded coils are not returnable and require a 6 to 8 week lead time.	\$139.00	
40954	1967	<b>COIL, NON-STANDARD DATE CODE</b> Chrysler Ch412 Essex 2444241 Dated 376 Note: Non-Standard date coded coils are not returnable and require a 6 to 8 week lead time.	\$139.00	
40955	1967	<b>COIL, NON-STANDARD DATE CODE</b> Chrysler Ch412 Essex 2444241 Dated 396 Note: Non-Standard date coded coils are not returnable and require a 6 to 8 week lead time.	\$139.00	
40956	1967	<b>COIL, NON-STANDARD DATE CODE</b> Chrysler Ch412 Essex 2444241 Dated 406 Note: Non-Standard date coded coils are not returnable and require a 6 to 8 week lead time.	\$139.00	
40957	1967	<b>COIL, NON-STANDARD DATE CODE</b> Chrysler Ch412 Essex 2444241 Dated 426 Note: Non-Standard date coded coils are not returnable and require a 6 to 8 week lead time.	\$139.00	
40958	1967	<b>COIL, NON-STANDARD DATE CODE</b> Chrysler Ch412 Essex 2444241 Dated 436 Note: Non-Standard date coded coils are not returnable and require a 6 to 8 week lead time.	\$139.00	
40959	1967	<b>COIL, NON-STANDARD DATE CODE</b> Chrysler Ch412 Essex 2444241 Dated 456 Note: Non-Standard date coded coils are not returnable and require a 6 to 8 week lead time.	\$139.00	
40960	1967	<b>COIL, NON-STANDARD DATE CODE</b> Chrysler Ch412 Essex 2444241 Dated 466 Note: Non-Standard date coded coils are not returnable and require a 6 to 8 week lead time.	\$139.00	
40961	1967	<b>COIL, NON-STANDARD DATE CODE</b> Chrysler Ch412 Essex 2444241 Dated 486 Note: Non-Standard date coded coils are not returnable and require a 6 to 8 week lead time.	\$139.00	
40962	1967	<b>COIL, NON-STANDARD DATE CODE</b> Chrysler Ch412 Essex 2444241 Dated 496 Note: Non-Standard date coded coils are not returnable and require a 6 to 8 week lead time.	\$139.00	
40963	1967	<b>COIL, NON-STANDARD DATE CODE</b> Chrysler Ch412 Essex 2444241 Dated 516 Note: Non-Standard date coded coils are not returnable and require a 6 to 8 week lead time.	\$139.00	
40964	1967	<b>COIL, NON-STANDARD DATE CODE</b> Chrysler Ch412 Essex 2444241 Dated 526 Note: Non-Standard date coded coils are not returnable and require a 6 to 8 week lead time.	\$139.00	
40965	1967	<b>COIL, NON-STANDARD DATE CODE</b> Chrysler Ch412 Essex 2444241 Dated 027 Note: Non-Standard date coded coils are not returnable and require a 6 to 8 week lead time.	\$139.00	
40966	1967	<b>COIL, NON-STANDARD DATE CODE</b> Chrysler Ch412 Essex 2444241 Dated 037 Note: Non-Standard date coded coils are not returnable and require a 6 to 8 week lead time.	\$139.00	
40967	1967	<b>COIL, NON-STANDARD DATE CODE</b> Chrysler Ch412 Essex 2444241 Dated 057 Note: Non-Standard date coded coils are not returnable and require a 6 to 8 week lead time.	\$139.00	
40968	1967	<b>COIL, NON-STANDARD DATE CODE</b> Chrysler Ch412 Essex 2444241 Dated 067 Note: Non-Standard date coded coils are not returnable and require a 6 to 8 week lead time.	\$139.00	
40969	1967	<b>COIL, NON-STANDARD DATE CODE</b> Chrysler Ch412 Essex 2444241 Dated 087 Note: Non-Standard date coded coils are not returnable and require a 6 to 8 week lead time.	\$139.00	
40970	1967	<b>COIL, NON-STANDARD DATE CODE</b> Chrysler Ch412 Essex 2444241 Dated 097 Note: Non-Standard date coded coils are not returnable and require a 6 to 8 week lead time.	\$139.00	
40971	1967	<b>COIL, NON-STANDARD DATE CODE</b> Chrysler Ch412 Essex 2444241 Dated 117 Note: Non-Standard date coded coils are not returnable and require a 6 to 8 week lead time.	\$139.00	
40972	1967	<b>COIL, NON-STANDARD DATE CODE</b> Chrysler Ch412 Essex 2444241 Dated 127 Note: Non-Standard date coded coils are not returnable and require a 6 to 8 week lead time.	\$139.00	
40973	1967	<b>COIL, NON-STANDARD DATE CODE</b> Chrysler Ch412 Essex 2444241 Dated 147 Note: Non-Standard date coded coils are not returnable and require a 6 to 8 week lead time.	\$139.00	
40974	1967	<b>COIL, NON-STANDARD DATE CODE</b> Chrysler Ch412 Essex 2444241 Dated 157 Note: Non-Standard date coded coils are not returnable and require a 6 to 8 week lead time.	\$139.00	
40975	1967	<b>COIL, NON-STANDARD DATE CODE</b> Chrysler Ch412 Essex 2444241 Dated 177 Note: Non-Standard date coded coils are not returnable and require a 6 to 8 week lead time.	\$139.00	

Part Number	Year	Description	Price	*Rev.
40976	1967	<b>COIL, NON-STANDARD DATE CODE</b> Chrysler Ch412 Essex 2444241 Dated 187 Note: Non-Standard date coded coils are not returnable and require a 6 to 8 week lead time.	\$139.00	
40977	1967	<b>COIL, NON-STANDARD DATE CODE</b> Chrysler Ch412 Essex 2444241 Dated 207 Note: Non-Standard date coded coils are not returnable and require a 6 to 8 week lead time.	\$139.00	
40978	1967	<b>COIL, NON-STANDARD DATE CODE</b> Chrysler Ch412 Essex 2444241 Dated 217 Note: Non-Standard date coded coils are not returnable and require a 6 to 8 week lead time.	\$139.00	
40979	1967	<b>COIL, NON-STANDARD DATE CODE</b> Chrysler Ch412 Essex 2444241 Dated 237 Note: Non-Standard date coded coils are not returnable and require a 6 to 8 week lead time.	\$139.00	
40980	1967	<b>COIL, NON-STANDARD DATE CODE</b> Chrysler Ch412 Essex 2444241 Dated 247 Note: Non-Standard date coded coils are not returnable and require a 6 to 8 week lead time.	\$139.00	
40981	1967	<b>COIL, NON-STANDARD DATE CODE</b> Chrysler Ch412 Essex 2444241 Dated 277 Note: Non-Standard date coded coils are not returnable and require a 6 to 8 week lead time.	\$139.00	
40982	1967	<b>COIL, NON-STANDARD DATE CODE</b> Chrysler Ch412 Essex 2444241 Dated 287 Note: Non-Standard date coded coils are not returnable and require a 6 to 8 week lead time.	\$139.00	
40983	1968	<b>COIL, NON-STANDARD DATE CODE</b> Chrysler Ch412 Essex 2444241 Dated 307 Note: Non-Standard date coded coils are not returnable and require a 6 to 8 week lead time.	\$139.00	
40984	1968	<b>COIL, NON-STANDARD DATE CODE</b> Chrysler Ch412 Essex 2444241 Dated 317 Note: Non-Standard date coded coils are not returnable and require a 6 to 8 week lead time.	\$139.00	
40985	1968	<b>COIL, NON-STANDARD DATE CODE</b> Chrysler Ch412 Essex 2444241 Dated 337 Note: Non-Standard date coded coils are not returnable and require a 6 to 8 week lead time.	\$139.00	
40986	1968	<b>COIL, NON-STANDARD DATE CODE</b> Chrysler Ch412 Essex 2444241 Dated 347 Note: Non-Standard date coded coils are not returnable and require a 6 to 8 week lead time.	\$139.00	
40987	1968	<b>COIL, NON-STANDARD DATE CODE</b> Chrysler Ch412 Essex 2444241 Dated 367 Note: Non-Standard date coded coils are not returnable and require a 6 to 8 week lead time.	\$139.00	
40988	1968	<b>COIL, NON-STANDARD DATE CODE</b> Chrysler Ch412 Essex 2444241 Dated 377 Note: Non-Standard date coded coils are not returnable and require a 6 to 8 week lead time.	\$139.00	
40989	1968	<b>COIL, NON-STANDARD DATE CODE</b> Chrysler Ch412 Essex 2444241 Dated 397 Note: Non-Standard date coded coils are not returnable and require a 6 to 8 week lead time.	\$139.00	
40990	1968	<b>COIL, NON-STANDARD DATE CODE</b> Chrysler Ch412 Essex 2444241 Dated 407 Note: Non-Standard date coded coils are not returnable and require a 6 to 8 week lead time.	\$139.00	
40991	1968	<b>COIL, NON-STANDARD DATE CODE</b> Chrysler Ch412 Essex 2444241 Dated 427 Note: Non-Standard date coded coils are not returnable and require a 6 to 8 week lead time.	\$139.00	
40992	1968	<b>COIL, NON-STANDARD DATE CODE</b> Chrysler Ch412 Essex 2444241 Dated 437 Note: Non-Standard date coded coils are not returnable and require a 6 to 8 week lead time.	\$139.00	
40993	1968	<b>COIL, NON-STANDARD DATE CODE</b> Chrysler Ch412 Essex 2444241 Dated 457 Note: Non-Standard date coded coils are not returnable and require a 6 to 8 week lead time.	\$139.00	
40994	1968	<b>COIL, NON-STANDARD DATE CODE</b> Chrysler Ch412 Essex 2444241 Dated 467 Note: Non-Standard date coded coils are not returnable and require a 6 to 8 week lead time.	\$139.00	
40995	1968	<b>COIL, NON-STANDARD DATE CODE</b> Chrysler Ch412 Essex 2444241 Dated 487 Note: Non-Standard date coded coils are not returnable and require a 6 to 8 week lead time.	\$139.00	
40996	1968	<b>COIL, NON-STANDARD DATE CODE</b> Chrysler Ch412 Essex 2444241 Dated 497 Note: Non-Standard date coded coils are not returnable and require a 6 to 8 week lead time.	\$139.00	
40997	1968	<b>COIL, NON-STANDARD DATE CODE</b> Chrysler, Essex 2444241 Dated 517 Note: Non-Standard date coded coils are not returnable and require a 6 to 8 week lead time.	\$139.00	
40998	1968	<b>COIL, NON-STANDARD DATE CODE</b> Chrysler, Essex 2444241 Dated 527 Note: Non-Standard date coded coils are not returnable and require a 6 to 8 week lead time.	\$139.00	
40999	1968	<b>COIL, NON-STANDARD DATE CODE</b> Chrysler, Essex 2444241 Dated 028 Note: Non-Standard date coded coils are not returnable and require a 6 to 8 week lead time.	\$139.00	

Part Number	Year	Description	Price	*Rev.
41000	1968	<b>COIL, NON-STANDARD DATE CODE</b> Chrysler, Essex 2444241 Dated 038 Note: Non-Standard date coded coils are not returnable and require a 6 to 8 week lead time.	\$139.00	
41001	1968	<b>COIL, NON-STANDARD DATE CODE</b> Chrysler, Essex 2444241 Dated 088 Note: Non-Standard date coded coils are not returnable and require a 6 to 8 week lead time.	\$139.00	
41002	1968	<b>COIL, NON-STANDARD DATE CODE</b> Chrysler, Essex 2444241 Dated 098 Note: Non-Standard date coded coils are not returnable and require a 6 to 8 week lead time.	\$139.00	
41003	1968	<b>COIL, NON-STANDARD DATE CODE</b> Chrysler, Essex 2444241 Dated 118 Note: Non-Standard date coded coils are not returnable and require a 6 to 8 week lead time.	\$139.00	
41004	1968	<b>COIL, NON-STANDARD DATE CODE</b> Chrysler, Essex 2444241 Dated 128 Note: Non-Standard date coded coils are not returnable and require a 6 to 8 week lead time.	\$139.00	
41005	1968	<b>COIL, NON-STANDARD DATE CODE</b> Chrysler, Essex 2444241 Dated 148 Note: Non-Standard date coded coils are not returnable and require a 6 to 8 week lead time.	\$139.00	
41006	1968	<b>COIL, NON-STANDARD DATE CODE</b> Chrysler, Essex 2444241 Dated 158 Note: Non-Standard date coded coils are not returnable and require a 6 to 8 week lead time.	\$139.00	
41007	1968	<b>COIL, NON-STANDARD DATE CODE</b> Chrysler, Essex 2444241 Dated 178 Note: Non-Standard date coded coils are not returnable and require a 6 to 8 week lead time.	\$139.00	
41008	1968	<b>COIL, NON-STANDARD DATE CODE</b> Chrysler, Essex 2444241 Dated 188 Note: Non-Standard date coded coils are not returnable and require a 6 to 8 week lead time.	\$139.00	
41009	1968	<b>COIL, NON-STANDARD DATE CODE</b> Chrysler, Essex 2444241 Dated 208 Note: Non-Standard date coded coils are not returnable and require a 6 to 8 week lead time.	\$139.00	
41010	1968	<b>COIL, NON-STANDARD DATE CODE</b> Chrysler, Essex 2444241 Dated 218 Note: Non-Standard date coded coils are not returnable and require a 6 to 8 week lead time.	\$139.00	
41011	1968	<b>COIL, NON-STANDARD DATE CODE</b> Chrysler, Essex 2444241 Dated 238 Note: Non-Standard date coded coils are not returnable and require a 6 to 8 week lead time.	\$139.00	
41012	1968	<b>COIL, NON-STANDARD DATE CODE</b> Chrysler, Essex 2444241 Dated 248 Note: Non-Standard date coded coils are not returnable and require a 6 to 8 week lead time.	\$139.00	
41013	1968	<b>COIL, NON-STANDARD DATE CODE</b> Chrysler, Essex 2444241 Dated 278 Note: Non-Standard date coded coils are not returnable and require a 6 to 8 week lead time.	\$139.00	
41014	1968	<b>COIL, NON-STANDARD DATE CODE</b> Chrysler, Essex 2444241 Dated 288 Note: Non-Standard date coded coils are not returnable and require a 6 to 8 week lead time.	\$139.00	
41015	1969	<b>COIL, NON-STANDARD DATE CODE</b> Chrysler, Essex 2444241 Dated 308 Note: Non-Standard date coded coils are not returnable and require a 6 to 8 week lead time.	\$139.00	
41016	1969	<b>COIL, NON-STANDARD DATE CODE</b> Chrysler, Essex 2444241 Dated 318 Note: Non-Standard date coded coils are not returnable and require a 6 to 8 week lead time.	\$139.00	
41017	1969	<b>COIL, NON-STANDARD DATE CODE</b> Chrysler, Essex 2444241 Dated 338 Note: Non-Standard date coded coils are not returnable and require a 6 to 8 week lead time.	\$139.00	
41018	1969	<b>COIL, NON-STANDARD DATE CODE</b> Chrysler, Essex 2444241 Dated 348 Note: Non-Standard date coded coils are not returnable and require a 6 to 8 week lead time.	\$139.00	
41019	1969	<b>COIL, NON-STANDARD DATE CODE</b> Chrysler, Essex 2444241 Dated 368 Note: Non-Standard date coded coils are not returnable and require a 6 to 8 week lead time.	\$139.00	
41020	1969	<b>COIL, NON-STANDARD DATE CODE</b> Chrysler, Essex 2444241 Dated 378 Note: Non-Standard date coded coils are not returnable and require a 6 to 8 week lead time.	\$139.00	
41021	1969	<b>COIL, NON-STANDARD DATE CODE</b> Chrysler, Essex 2444241 Dated 398 Note: Non-Standard date coded coils are not returnable and require a 6 to 8 week lead time.	\$139.00	
41022	1969	<b>COIL, NON-STANDARD DATE CODE</b> Chrysler, Essex 2444241 Dated 408 Note: Non-Standard date coded coils are not returnable and require a 6 to 8 week lead time.	\$139.00	
41023	1969	<b>COIL, NON-STANDARD DATE CODE</b> Chrysler, Essex 2444241 Dated 428 Note: Non-Standard date coded coils are not returnable and require a 6 to 8 week lead time.	\$139.00	



Part Number	Year	Description	Price	*Rev.
41024	1969	<b>COIL, NON-STANDARD DATE CODE</b> Chrysler, Essex 2444241 Dated 438 Note: Non-Standard date coded coils are not returnable and require a 6 to 8 week lead time.	\$139.00	
41025	1969	<b>COIL, NON-STANDARD DATE CODE</b> Chrysler, Essex 2444241 Dated 458 Note: Non-Standard date coded coils are not returnable and require a 6 to 8 week lead time.	\$139.00	
41026	1969	<b>COIL, NON-STANDARD DATE CODE</b> Chrysler, Essex 2444241 Dated 468 Note: Non-Standard date coded coils are not returnable and require a 6 to 8 week lead time.	\$139.00	
41027	1969	<b>COIL, NON-STANDARD DATE CODE</b> Chrysler, Essex 2444241 Dated 488 Note: Non-Standard date coded coils are not returnable and require a 6 to 8 week lead time.	\$139.00	
41028	1969	<b>COIL, NON-STANDARD DATE CODE</b> Chrysler, Essex 2444241 Dated 498 Note: Non-Standard date coded coils are not returnable and require a 6 to 8 week lead time.	\$139.00	
41029	1969	<b>COIL, NON-STANDARD DATE CODE</b> Chrysler, Essex 2444241 Dated 518 Note: Non-Standard date coded coils are not returnable and require a 6 to 8 week lead time.	\$139.00	
41030	1969	<b>COIL, NON-STANDARD DATE CODE</b> Chrysler, Essex 2444241 Dated 528 Note: Non-Standard date coded coils are not returnable and require a 6 to 8 week lead time.	\$139.00	
41031	1969	<b>COIL, NON-STANDARD DATE CODE</b> Chrysler, Essex 2444241 Dated 029 Note: Non-Standard date coded coils are not returnable and require a 6 to 8 week lead time.	\$139.00	
41032	1969	<b>COIL, NON-STANDARD DATE CODE</b> Chrysler, Essex 2444241 Dated 039 Note: Non-Standard date coded coils are not returnable and require a 6 to 8 week lead time.	\$139.00	
41033	1969	<b>COIL, NON-STANDARD DATE CODE</b> Chrysler, Essex 2444241 Dated 059 Note: Non-Standard date coded coils are not returnable and require a 6 to 8 week lead time.	\$139.00	
41034	1969	<b>COIL, NON-STANDARD DATE CODE</b> Chrysler, Essex 2444241 Dated 069 Note: Non-Standard date coded coils are not returnable and require a 6 to 8 week lead time.	\$139.00	
41035	1969	<b>COIL, NON-STANDARD DATE CODE</b> Chrysler, Essex 2444241 Dated 089 Note: Non-Standard date coded coils are not returnable and require a 6 to 8 week lead time.	\$139.00	
41036	1969	<b>COIL, NON-STANDARD DATE CODE</b> Chrysler, Essex 2444241 Dated 099 Note: Non-Standard date coded coils are not returnable and require a 6 to 8 week lead time.	\$139.00	
41037	1969	<b>COIL, NON-STANDARD DATE CODE</b> Chrysler, Essex 2444241 Dated 119 Note: Non-Standard date coded coils are not returnable and require a 6 to 8 week lead time.	\$139.00	
41038	1969	<b>COIL, NON-STANDARD DATE CODE</b> Chrysler, Essex 2444241 Dated 129 Note: Non-Standard date coded coils are not returnable and require a 6 to 8 week lead time.	\$139.00	
41039	1969	<b>COIL, NON-STANDARD DATE CODE</b> Chrysler, Essex 2444241 Dated 149 Note: Non-Standard date coded coils are not returnable and require a 6 to 8 week lead time.	\$139.00	
41040	1969	<b>COIL, NON-STANDARD DATE CODE</b> Chrysler, Essex 2444241 Dated 159 Note: Non-Standard date coded coils are not returnable and require a 6 to 8 week lead time.	\$139.00	
41041	1969	<b>COIL, NON-STANDARD DATE CODE</b> Chrysler, Essex 2444241 Dated 179 Note: Non-Standard date coded coils are not returnable and require a 6 to 8 week lead time.	\$139.00	
41042	1969	<b>COIL, NON-STANDARD DATE CODE</b> Chrysler, Essex 2444241 Dated 189 Note: Non-Standard date coded coils are not returnable and require a 6 to 8 week lead time.	\$139.00	
41043	1969	<b>COIL, NON-STANDARD DATE CODE</b> Chrysler, Essex 2444241 Dated 209 Note: Non-Standard date coded coils are not returnable and require a 6 to 8 week lead time.	\$139.00	
41044	1969	<b>COIL, NON-STANDARD DATE CODE</b> Chrysler, Essex 2444241 Dated 219 Note: Non-Standard date coded coils are not returnable and require a 6 to 8 week lead time.	\$139.00	
41045	1969	<b>COIL, NON-STANDARD DATE CODE</b> Chrysler, Essex 2444241 Dated 239 Note: Non-Standard date coded coils are not returnable and require a 6 to 8 week lead time.	\$139.00	
41046	1969	<b>COIL, NON-STANDARD DATE CODE</b> Chrysler, Essex 2444241 Dated 249 Note: Non-Standard date coded coils are not returnable and require a 6 to 8 week lead time.	\$139.00	
41047	1969	<b>COIL, NON-STANDARD DATE CODE</b> Chrysler, Essex 2444241 Dated 279 Note: Non-Standard date coded coils are not returnable and require a 6 to 8 week lead time.	\$139.00	

Part Number	Year	Description	Price	*Rev.
41048	1969	<b>COIL, NON-STANDARD DATE CODE</b> Chrysler, Essex 2444241 Dated 289 Note: Non-Standard date coded coils are not returnable and require a 6 to 8 week lead time.	\$139.00	
41049	1970	<b>COIL, NON-STANDARD DATE CODE</b> Chrysler, Essex 2444241 Dated 309 Note: Non-Standard date coded coils are not returnable and require a 6 to 8 week lead time.	\$139.00	
41050	1970	<b>COIL, NON-STANDARD DATE CODE</b> Chrysler, Essex 2444241 Dated 319 Note: Non-Standard date coded coils are not returnable and require a 6 to 8 week lead time.	\$139.00	
41051	1970	<b>COIL, NON-STANDARD DATE CODE</b> Chrysler, Essex 2444241 Dated 339 Note: Non-Standard date coded coils are not returnable and require a 6 to 8 week lead time.	\$139.00	
41052	1970	<b>COIL, NON-STANDARD DATE CODE</b> Chrysler, Essex 2444241 Dated 349 Note: Non-Standard date coded coils are not returnable and require a 6 to 8 week lead time.	\$139.00	
41053	1970	<b>COIL, NON-STANDARD DATE CODE</b> Chrysler, Essex 2444241 Dated 369 Note: Non-Standard date coded coils are not returnable and require a 6 to 8 week lead time.	\$139.00	
41054	1970	<b>COIL, NON-STANDARD DATE CODE</b> Chrysler, Essex 2444241 Dated 379 Note: Non-Standard date coded coils are not returnable and require a 6 to 8 week lead time.	\$139.00	
41055	1970	<b>COIL, NON-STANDARD DATE CODE</b> Chrysler, Essex 2444241 Dated 399 Note: Non-Standard date coded coils are not returnable and require a 6 to 8 week lead time.	\$139.00	
41056	1970	<b>COIL, NON-STANDARD DATE CODE</b> Chrysler, Essex 2444241 Dated 409 Note: Non-Standard date coded coils are not returnable and require a 6 to 8 week lead time.	\$139.00	
41057	1970	<b>COIL, NON-STANDARD DATE CODE</b> Chrysler, Essex 2444241 Dated 429 Note: Non-Standard date coded coils are not returnable and require a 6 to 8 week lead time.	\$139.00	
41058	1970	<b>COIL, NON-STANDARD DATE CODE</b> Chrysler, Essex 2444241 Dated 439 Note: Non-Standard date coded coils are not returnable and require a 6 to 8 week lead time.	\$139.00	
41059	1970	<b>COIL, NON-STANDARD DATE CODE</b> Chrysler, Essex 2444241 Dated 459 Note: Non-Standard date coded coils are not returnable and require a 6 to 8 week lead time.	\$139.00	
41060	1970	<b>COIL, NON-STANDARD DATE CODE</b> Chrysler, Essex 2444241 Dated 469 Note: Non-Standard date coded coils are not returnable and require a 6 to 8 week lead time.	\$139.00	
41061	1970	<b>COIL, NON-STANDARD DATE CODE</b> Chrysler, Essex 2444241 Dated 489 Note: Non-Standard date coded coils are not returnable and require a 6 to 8 week lead time.	\$139.00	
41062	1970	<b>COIL, NON-STANDARD DATE CODE</b> Chrysler, Essex 2444241 Dated 499 Note: Non-Standard date coded coils are not returnable and require a 6 to 8 week lead time.	\$139.00	
41063	1970	<b>COIL, NON-STANDARD DATE CODE</b> Chrysler, Essex 2444241 Dated 519 Note: Non-Standard date coded coils are not returnable and require a 6 to 8 week lead time.	\$139.00	
41064	1970	<b>COIL, NON-STANDARD DATE CODE</b> Chrysler, Essex 2444241 Dated 529 Note: Non-Standard date coded coils are not returnable and require a 6 to 8 week lead time.	\$139.00	
41065	1970	<b>COIL, NON-STANDARD DATE CODE</b> Chrysler, Essex 2444241 Dated 020 Note: Non-Standard date coded coils are not returnable and require a 6 to 8 week lead time.	\$139.00	
41066	1970	<b>COIL, NON-STANDARD DATE CODE</b> Chrysler, Essex 2444241 Dated 030 Note: Non-Standard date coded coils are not returnable and require a 6 to 8 week lead time.	\$139.00	
41067	1970	<b>COIL, NON-STANDARD DATE CODE</b> Chrysler, Essex 2444241 Dated 050 Note: Non-Standard date coded coils are not returnable and require a 6 to 8 week lead time.	\$139.00	
41068	1970	<b>COIL, NON-STANDARD DATE CODE</b> Chrysler, Essex 2444241 Dated 060 Note: Non-Standard date coded coils are not returnable and require a 6 to 8 week lead time.	\$139.00	
41069	1970	<b>COIL, NON-STANDARD DATE CODE</b> Chrysler, Essex 2444241 Dated 080 Note: Non-Standard date coded coils are not returnable and require a 6 to 8 week lead time.	\$139.00	
41070	1970	<b>COIL, NON-STANDARD DATE CODE</b> Chrysler, Essex 2444241 Dated 090 Note: Non-Standard date coded coils are not returnable and require a 6 to 8 week lead time.	\$139.00	
41071	1970	<b>COIL, NON-STANDARD DATE CODE</b> Chrysler, Essex 2444241 Dated 110 Note: Non-Standard date coded coils are not returnable and require a 6 to 8 week lead time.	\$139.00	

Part Number	Year	Description	Price	*Rev.
41072	1970	<b>COIL, NON-STANDARD DATE CODE</b> Chrysler, Essex 2444241 Dated 120 Note: Non-Standard date coded coils are not returnable and require a 6 to 8 week lead time.	\$139.00	
41073	1970	<b>COIL, NON-STANDARD DATE CODE</b> Chrysler, Essex 2444241 Dated 140 Note: Non-Standard date coded coils are not returnable and require a 6 to 8 week lead time.	\$139.00	
41074	1970	<b>COIL, NON-STANDARD DATE CODE</b> Chrysler, Essex 2444241 Dated 150 Note: Non-Standard date coded coils are not returnable and require a 6 to 8 week lead time.	\$139.00	
41075	1970	<b>COIL, NON-STANDARD DATE CODE</b> Chrysler, Essex 2444241 Dated 170 Note: Non-Standard date coded coils are not returnable and require a 6 to 8 week lead time.	\$139.00	
41076	1970	<b>COIL, NON-STANDARD DATE CODE</b> Chrysler, Essex 2444241 Dated 180 Note: Non-Standard date coded coils are not returnable and require a 6 to 8 week lead time.	\$139.00	
41077	1970	<b>COIL, NON-STANDARD DATE CODE</b> Chrysler, Essex 2444241 Dated 200 Note: Non-Standard date coded coils are not returnable and require a 6 to 8 week lead time.	\$139.00	
41078	1970	<b>COIL, NON-STANDARD DATE CODE</b> Chrysler, Essex 2444241 Dated 210 Note: Non-Standard date coded coils are not returnable and require a 6 to 8 week lead time.	\$139.00	
41079	1970	<b>COIL, NON-STANDARD DATE CODE</b> Chrysler, Essex 2444241 Dated 230 Note: Non-Standard date coded coils are not returnable and require a 6 to 8 week lead time.	\$139.00	
41080	1970	<b>COIL, NON-STANDARD DATE CODE</b> Chrysler, Essex 2444241 Dated 240 Note: Non-Standard date coded coils are not returnable and require a 6 to 8 week lead time.	\$139.00	
41081	1970	<b>COIL, NON-STANDARD DATE CODE</b> Chrysler, Essex 2444241 Dated 270 Note: Non-Standard date coded coils are not returnable and require a 6 to 8 week lead time.	\$139.00	
41082	1970	<b>COIL, NON-STANDARD DATE CODE</b> Chrysler, Essex 2444241 Dated 280 Note: Non-Standard date coded coils are not returnable and require a 6 to 8 week lead time.	\$139.00	
41083	1971	<b>COIL, NON-STANDARD DATE CODE</b> Chrysler, Essex 2444241 Dated 300 Note: Non-Standard date coded coils are not returnable and require a 6 to 8 week lead time.	\$139.00	
41084	1971	<b>COIL, NON-STANDARD DATE CODE</b> Chrysler, Essex 2444241 Dated 310 Note: Non-Standard date coded coils are not returnable and require a 6 to 8 week lead time.	\$139.00	
41085	1971	<b>COIL, NON-STANDARD DATE CODE</b> Chrysler, Essex 2444241 Dated 330 Note: Non-Standard date coded coils are not returnable and require a 6 to 8 week lead time.	\$139.00	
41086	1971	<b>COIL, NON-STANDARD DATE CODE</b> Chrysler, Essex 2444241 Dated 340 Note: Non-Standard date coded coils are not returnable and require a 6 to 8 week lead time.	\$139.00	
41087	1971	<b>COIL, NON-STANDARD DATE CODE</b> Chrysler, Essex 2444241 Dated 360 Note: Non-Standard date coded coils are not returnable and require a 6 to 8 week lead time.	\$139.00	
41088	1971	<b>COIL, NON-STANDARD DATE CODE</b> Chrysler, Essex 2444241 Dated 370 Note: Non-Standard date coded coils are not returnable and require a 6 to 8 week lead time.	\$139.00	
41089	1971	<b>COIL, NON-STANDARD DATE CODE</b> Chrysler, Essex 2444241 Dated 390 Note: Non-Standard date coded coils are not returnable and require a 6 to 8 week lead time.	\$139.00	
41090	1971	<b>COIL, NON-STANDARD DATE CODE</b> Chrysler, Essex 2444241 Dated 400 Note: Non-Standard date coded coils are not returnable and require a 6 to 8 week lead time.	\$139.00	
41091	1971	<b>COIL, NON-STANDARD DATE CODE</b> Chrysler, Essex 2444241 Dated 420 Note: Non-Standard date coded coils are not returnable and require a 6 to 8 week lead time.	\$139.00	
41092	1971	<b>COIL, NON-STANDARD DATE CODE</b> Chrysler, Essex 2444241 Dated 430 Note: Non-Standard date coded coils are not returnable and require a 6 to 8 week lead time.	\$139.00	
41093	1971	<b>COIL, NON-STANDARD DATE CODE</b> Chrysler, Essex 2444241 Dated 450 Note: Non-Standard date coded coils are not returnable and require a 6 to 8 week lead time.	\$139.00	
41094	1971	<b>COIL, NON-STANDARD DATE CODE</b> Chrysler, Essex 2444241 Dated 460 Note: Non-Standard date coded coils are not returnable and require a 6 to 8 week lead time.	\$139.00	
41095	1971	<b>COIL, NON-STANDARD DATE CODE</b> Chrysler, Essex 2444241 Dated 480 Note: Non-Standard date coded coils are not returnable and require a 6 to 8 week lead time.	\$139.00	

Part Number	Year	Description	Price	*Rev.
41096	1971	<b>COIL, NON-STANDARD DATE CODE</b> Chrysler, Essex 2444241 Dated 490 Note: Non-Standard date coded coils are not returnable and require a 6 to 8 week lead time.	\$139.00	
41097	1971	<b>COIL, NON-STANDARD DATE CODE</b> Chrysler, Essex 2444241 Dated 510 Note: Non-Standard date coded coils are not returnable and require a 6 to 8 week lead time.	\$139.00	
41098	1971	<b>COIL, NON-STANDARD DATE CODE</b> Chrysler, Essex 2444241 Dated 520 Note: Non-Standard date coded coils are not returnable and require a 6 to 8 week lead time.	\$139.00	
41099	1971	<b>COIL, NON-STANDARD DATE CODE</b> Chrysler, Essex 2444241 Dated 021 Note: Non-Standard date coded coils are not returnable and require a 6 to 8 week lead time.	\$139.00	
41100	1971	<b>COIL, NON-STANDARD DATE CODE</b> Chrysler, Essex 2444241 Dated 031 Note: Non-Standard date coded coils are not returnable and require a 6 to 8 week lead time.	\$139.00	
41101	1971	<b>COIL, NON-STANDARD DATE CODE</b> Chrysler, Essex 2444241 Dated 051 Note: Non-Standard date coded coils are not returnable and require a 6 to 8 week lead time.	\$139.00	
41102	1971	<b>COIL, NON-STANDARD DATE CODE</b> Chrysler, Essex 2444241 Dated 061 Note: Non-Standard date coded coils are not returnable and require a 6 to 8 week lead time.	\$139.00	
41103	1971	<b>COIL, NON-STANDARD DATE CODE</b> Chrysler, Essex 2444241 Dated 081 Note: Non-Standard date coded coils are not returnable and require a 6 to 8 week lead time.	\$139.00	
41104	1971	<b>COIL, NON-STANDARD DATE CODE</b> Chrysler, Essex 2444241 Dated 091 Note: Non-Standard date coded coils are not returnable and require a 6 to 8 week lead time.	\$139.00	
41105	1971	<b>COIL, NON-STANDARD DATE CODE</b> Chrysler, Essex 2444241 Dated 111 Note: Non-Standard date coded coils are not returnable and require a 6 to 8 week lead time.	\$139.00	
41106	1971	<b>COIL, NON-STANDARD DATE CODE</b> Chrysler, Essex 2444241 Dated 121 Note: Non-Standard date coded coils are not returnable and require a 6 to 8 week lead time.	\$139.00	
41107	1971	<b>COIL, NON-STANDARD DATE CODE</b> Chrysler, Essex 2444241 Dated 141 Note: Non-Standard date coded coils are not returnable and require a 6 to 8 week lead time.	\$139.00	
41108	1971	<b>COIL, NON-STANDARD DATE CODE</b> Chrysler, Essex 2444241 Dated 151 Note: Non-Standard date coded coils are not returnable and require a 6 to 8 week lead time.	\$139.00	
41109	1971	<b>COIL, NON-STANDARD DATE CODE</b> Chrysler, Essex 2444241 Dated 171 Note: Non-Standard date coded coils are not returnable and require a 6 to 8 week lead time.	\$139.00	
41110	1971	<b>COIL, NON-STANDARD DATE CODE</b> Chrysler, Essex 2444241 Dated 181 Note: Non-Standard date coded coils are not returnable and require a 6 to 8 week lead time.	\$139.00	
41111	1971	<b>COIL, NON-STANDARD DATE CODE</b> Chrysler, Essex 2444241 Dated 201 Note: Non-Standard date coded coils are not returnable and require a 6 to 8 week lead time.	\$139.00	
41112	1971	<b>COIL, NON-STANDARD DATE CODE</b> Chrysler, Essex 2444241 Dated 211 Note: Non-Standard date coded coils are not returnable and require a 6 to 8 week lead time.	\$139.00	
41113	1971	<b>COIL, NON-STANDARD DATE CODE</b> Chrysler, Essex 2444241 Dated 231 Note: Non-Standard date coded coils are not returnable and require a 6 to 8 week lead time.	\$139.00	
41114	1971	<b>COIL, NON-STANDARD DATE CODE</b> Chrysler, Essex 2444241 Dated 241 Note: Non-Standard date coded coils are not returnable and require a 6 to 8 week lead time.	\$139.00	

# ***Section 10***

# ***Chrysler Products***

***Distributed Exclusively By***

***YearOne***  
***www.yearone.com***

# **Chrysler Wiring Harnesses**

**Exact reproduction wiring harnesses for Chrysler Muscle Cars**

**Available exclusively through Year One, Inc.**

M&H Electric Fabricators manufactures concours quality replacement wiring harnesses for Chrysler Muscle Cars. **Our complete line of reproduction wiring harnesses for 1964-'74 Chrysler, Dodge and Plymouth Muscle Cars is available exclusively through Year One, Inc.** These beautifully made M&H harnesses are the plug and go choice for the amateur and professional restorer interested in the finest quality available. All harnesses are manufactured to strict OEM specifications and are identical in length, wire gauge and color, making them perfect in every detail. Original style connectors, terminals and sockets are featured on every wire end, again just as the originals. Additionally, every harness, regardless of model, is wrapped with the correct style wrapping material such as non-adhesive vinyl tape, cloth tape, cloth braid, plastic conduit or asphalt coated loom, to insure a 100% factory appearance. If you want the best for your Mopar, insist on an M&H harness.



**Log on to [www.wiringharness.com](http://www.wiringharness.com) to search for applications, then place your order with Year One, Inc. at 800.932.7663**

**Manufactured By**

**M&H Electric  
Fabricators, Inc.**  
AUTOMOTIVE WIRING SYSTEMS

**Distributed Exclusively By**

**YearOne**  
[www.yearone.com](http://www.yearone.com)

# Chrysler Wiring Harnesses

**Used by professional  
restorers like Roger Gibson  
and Chip Foose from Overhulin**

## Chrysler Wiring Harness F.A.Q.'s

### **My company is a dealer for M&H, can we buy Chrysler harnesses direct from M&H?**

No, Year One, Inc. is our exclusive distributor for Chrysler wiring harnesses.

### **My company is a dealer for M&H, why can't I buy Chrysler harnesses direct from M&H?**

Year One has been granted an exclusive distributorship on Chrysler wiring harnesses. This particular product line is a joint venture between the two companies; where Year One has invested into making all of the necessary tooling and M&H manufactures the harnesses exclusively for them.

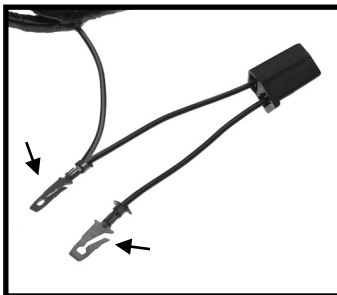
### **Can I buy Chrysler wiring harnesses at a discount from Year One?**

Yes, you will need to contact Year One directly to inquire about their requirements for becoming an authorized dealer of our harnesses.

### **Why are Chrysler harnesses manufactured by M&H more expensive then some of the others on the market?**

Our Chrysler harnesses are a perfect match to the originals; from the braiding to the connectors they are 100% correct. Ask the other guys if they can make that same statement and the answer will be no. Other Chrysler harnesses on the market use generic connectors and terminals or require that you re-use connectors from the original harness. Keep in mind that Chrysler Muscle Cars are most valuable when they are restored correctly, so think twice before trying to save a few dollars on an inferior product.

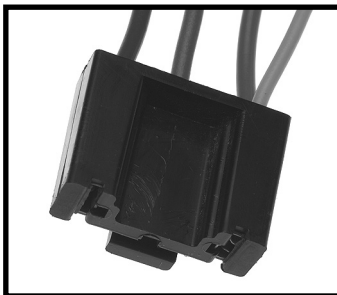
#### Competitors Harness



Missing connector, customer must re-use their original part. Incorrect metal terminals as well.

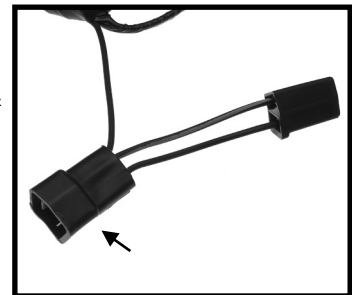


Wrong 2 piece connectors, not original.



Functional replacement connector, not original.

#### M&H Harness



Correct connector & terminals already installed, ready for installation.



Correct 1 piece 4-way connector.



Correct replica of the original connector.

Year One Part #	Year	Description	*Rev.
<b>ADAPTER HARNESS-ELECTRONIC IGNITION</b>			
37794	1964	ADAPTER HARNESS, CHRYSLER ELECTRONIC IGNITION Big Block	
37794	1965	ADAPTER HARNESS, CHRYSLER ELECTRONIC IGNITION Big Block	
37794	1966	ADAPTER HARNESS, CHRYSLER ELECTRONIC IGNITION Big Block	
37794	1967	ADAPTER HARNESS, CHRYSLER ELECTRONIC IGNITION Big Block	
37794	1968	ADAPTER HARNESS, CHRYSLER ELECTRONIC IGNITION Big Block	
37794	1969	ADAPTER HARNESS, CHRYSLER ELECTRONIC IGNITION Big Block	
37794	1970	ADAPTER HARNESS, CHRYSLER ELECTRONIC IGNITION Big Block	
37794	1971	ADAPTER HARNESS, CHRYSLER ELECTRONIC IGNITION Big Block	
37794	1972	ADAPTER HARNESS, CHRYSLER ELECTRONIC IGNITION Big Block	
38296	1964	ADAPTER HARNESS, CHRYSLER ELECTRONIC IGNITION Small Block	
38296	1965	ADAPTER HARNESS, CHRYSLER ELECTRONIC IGNITION Small Block	
38296	1966	ADAPTER HARNESS, CHRYSLER ELECTRONIC IGNITION Small Block	
38296	1967	ADAPTER HARNESS, CHRYSLER ELECTRONIC IGNITION Small Block	
38296	1968	ADAPTER HARNESS, CHRYSLER ELECTRONIC IGNITION Small Block	
38296	1969	ADAPTER HARNESS, CHRYSLER ELECTRONIC IGNITION Small Block	
38296	1970	ADAPTER HARNESS, CHRYSLER ELECTRONIC IGNITION Small Block	
38296	1971	ADAPTER HARNESS, CHRYSLER ELECTRONIC IGNITION Small Block	
38296	1972	ADAPTER HARNESS, CHRYSLER ELECTRONIC IGNITION Small Block	
<b>AIR CONDITIONING AND HEATER HARNESS</b>			
38432	1965	AIR CONDITIONING AND HEATER HARNESS A-Body, Dash & Engine Compartment	
38430	1965	AIR CONDITIONING AND HEATER HARNESS B-Body, Dash Side	
38436	1966	AIR CONDITIONING AND HEATER HARNESS A-Body, Dash Side	
38437	1966	AIR CONDITIONING AND HEATER HARNESS B-Body, Dash Side, Belvedere	
38439	1966	AIR CONDITIONING AND HEATER HARNESS B-Body, Dash Side, Coronet	
38442	1967	AIR CONDITIONING AND HEATER HARNESS A-Body, Dash Side, Dart	
38443	1967	AIR CONDITIONING AND HEATER HARNESS A-Body, Dash Side, Valiant	
38441	1967	AIR CONDITIONING AND HEATER HARNESS B-Body, Dash Side, Belvedere, Satellite, Gtx	
38440	1967	AIR CONDITIONING AND HEATER HARNESS B-Body, Dash Side, Coronet	
38445	1968	AIR CONDITIONING AND HEATER HARNESS A-Body, Dash Side, Barracuda & Dart	
38444	1968	AIR CONDITIONING AND HEATER HARNESS A-Body, Dash Side, Valiant	
38449	1968	AIR CONDITIONING AND HEATER HARNESS B-Body, Engine Side, 8 Cyl.	
38447	1968	AIR CONDITIONING AND HEATER HARNESS B-Body, Dash Side	
38445	1969	AIR CONDITIONING AND HEATER HARNESS A-Body, Dash Side, Baracuda & Dart	
38444	1969	AIR CONDITIONING AND HEATER HARNESS A-Body, Dash Side, Valiant	
38452	1969	AIR CONDITIONING AND HEATER HARNESS B-Body, Engine Side, 8 Cyl.	
38447	1969	AIR CONDITIONING AND HEATER HARNESS B-Body, Dash Side	
38444	1970	AIR CONDITIONING AND HEATER HARNESS A-Body, Dash Side	
38465	1970	AIR CONDITIONING AND HEATER HARNESS A-Body, Dash Side, 340	
23530	1970	AIR CONDITIONING AND HEATER HARNESS B-Body, Engine Side, 8 Cyl.	
38447	1970	AIR CONDITIONING AND HEATER HARNESS B-Body, Dash Side	
38460	1970	AIR CONDITIONING AND HEATER HARNESS E-Body, Engine Side, 8 Cyl.	
38457	1970	AIR CONDITIONING AND HEATER HARNESS E-Body, Dash Side	
38444	1971	AIR CONDITIONING AND HEATER HARNESS A-Body, Dash Side, 2 Door Fastback & Swinger	
38465	1971	AIR CONDITIONING AND HEATER HARNESS A-Body, Dash Side, 2 Door Hardtop & 4 Door	
38470	1971	AIR CONDITIONING AND HEATER HARNESS B-Body, Dash Side	



Year One Part #	Year	Description	*Rev.
38457	1971	<b>AIR CONDITIONING AND HEATER HARNESS</b> E-Body, Dash Side	
38478	1971	<b>AIR CONDITIONING AND HEATER HARNESS</b> B-Body, Engine Side	M
38478	1971	<b>AIR CONDITIONING AND HEATER HARNESS</b> E-Body, Engine Side	M
38444	1972	<b>AIR CONDITIONING AND HEATER HARNESS</b> A-Body, Dash Side	
38483	1972	<b>AIR CONDITIONING AND HEATER HARNESS</b> A-Body, Engine Side, With Emission Control	
38470	1972	<b>AIR CONDITIONING AND HEATER HARNESS</b> B-Body, Dash Side	
38457	1972	<b>AIR CONDITIONING AND HEATER HARNESS</b> E-Body, Dash Side	
38484	1973	<b>AIR CONDITIONING AND HEATER HARNESS</b> A-Body, Dash Side	
38487	1973	<b>AIR CONDITIONING AND HEATER HARNESS</b> A-Body, Engine Side	
38486	1973	<b>AIR CONDITIONING AND HEATER HARNESS</b> B-Body, Dash Side	
38488	1973	<b>AIR CONDITIONING AND HEATER HARNESS</b> B-Body, Engine Side	
38457	1973	<b>AIR CONDITIONING AND HEATER HARNESS</b> E-Body, Dash Side	
38493	1974	<b>AIR CONDITIONING AND HEATER HARNESS</b> A-Body, Dash Side	
38494	1974	<b>AIR CONDITIONING AND HEATER HARNESS</b> B-Body, Dash Side	
38495	1974	<b>AIR CONDITIONING AND HEATER HARNESS</b> B-Body, Engine Side	
38491	1974	<b>AIR CONDITIONING AND HEATER HARNESS</b> E-Body, Dash Side	
<b>AIR CONDITIONING CLUTCH LOW PRESSURE CUTOFF EXT</b>			
38479	1971	<b>AIR CONDITIONING CLUTCH LOW PRESSURE CUTOFF EXTENSION</b> E-Body	
<b>AIR CONDITIONING EXTENSION HARNESS</b>			
38490	1972	<b>AIR CONDITIONING EXTENSION HARNESS</b> B-Body, Engine Compartment, Cars Equiped With A/C Relay Only	
38492	1973	<b>AIR CONDITIONING EXTENSION HARNESS</b> B-Body, Engine Compartment, Cars Equiped With A/C Relay Only	
<b>BACKUP LAMP AND NEUTRAL SAFETY SWITCH HARNESS</b>			
00915	1969	<b>BACKUP LAMP AND NEUTRAL SAFETY SWITCH HARNESS</b> A-Body, Auto Trans, After Approx. Nov. 15 1968, Backup Lamp Wires Plug Into 2-Way Connector With 4" Pigtail On Wiper Motor	
38569	1969	<b>BACKUP LAMP AND NEUTRAL SAFETY SWITCH HARNESS</b> A-Body, Auto Trans, Up To Approx. Nov. 15 1968, Terminals On Backup Lamp Wires Insert Directly Into Cavities Marked C & D On	
00915	1969	<b>BACKUP LAMP AND NEUTRAL SAFETY SWITCH HARNESS</b> B-Body, Auto Trans, After Approx. Nov. 15 1968, Backup Lamp Wires Plug Into 2-Way Connector With 4" Pigtail On Wiper Motor	
38569	1969	<b>BACKUP LAMP AND NEUTRAL SAFETY SWITCH HARNESS</b> B-Body, Auto Trans, Up To Approx. Nov. 15 1968, Terminals On Backup Lamp Wires Insert Directly Into Cavities Marked C & D On	
00915	1969	<b>BACKUP LAMP AND NEUTRAL SAFETY SWITCH HARNESS</b> C-Body, Auto Trans, After Approx. Nov. 15 1968, Backup Lamp Wires Plug Into 2-Way Connector With 4" Pigtail On Wiper Motor	
38569	1969	<b>BACKUP LAMP AND NEUTRAL SAFETY SWITCH HARNESS</b> C-Body, Auto Trans, Up To Approx. Nov. 15 1968, Terminals On Backup Lamp Wires Insert Directly Into Cavities Marked C & D On	
00915	1970	<b>BACKUP LAMP AND NEUTRAL SAFETY SWITCH HARNESS</b> B-Body, Auto Trans, Backup Lamp Wires Plug Into 2-Way Connector With 4" Pigtail On Wiper Motor Harness	
00910	1970	<b>BACKUP LAMP AND NEUTRAL SAFETY SWITCH HARNESS</b> E-Body With Automatic	
00910	1971	<b>BACKUP LAMP AND NEUTRAL SAFETY SWITCH HARNESS</b> B-Body With Automatic	
23540	1971	<b>BACKUP LAMP AND NEUTRAL SAFETY SWITCH HARNESS</b> B-Body, With Automatic & Nox Exhaust Emission Control	
00910	1971	<b>BACKUP LAMP AND NEUTRAL SAFETY SWITCH HARNESS</b> E-Body With Automatic	
23540	1971	<b>BACKUP LAMP AND NEUTRAL SAFETY SWITCH HARNESS</b> E-Body, With Automatic & Nox Exhaust Emission Control	
22740	1972	<b>BACKUP LAMP AND NEUTRAL SAFETY SWITCH HARNESS</b> B-Body With Automatic	
22740	1972	<b>BACKUP LAMP AND NEUTRAL SAFETY SWITCH HARNESS</b> E-Body With Automatic	
22740	1973	<b>BACKUP LAMP AND NEUTRAL SAFETY SWITCH HARNESS</b> B-Body With Automatic	
22740	1973	<b>BACKUP LAMP AND NEUTRAL SAFETY SWITCH HARNESS</b> E-Body With Automatic	
22740	1974	<b>BACKUP LAMP AND NEUTRAL SAFETY SWITCH HARNESS</b> B-Body With Automatic	
22740	1974	<b>BACKUP LAMP AND NEUTRAL SAFETY SWITCH HARNESS</b> E-Body With Automatic	

Year One Part #	Year	Description	*Rev.
<b>BACKUP LAMP HARNESS</b>			
38435	1967	BACKUP LAMP HARNESS B-Body, All Manual Trans	
38435	1968	BACKUP LAMP HARNESS A-Body, All Manual Trans	
38435	1968	BACKUP LAMP HARNESS B-Body, All Manual Trans	
00620	1968	BACKUP LAMP HARNESS B-Body Late Production With 4 Speed	
38455	1969	BACKUP LAMP HARNESS A-Body, All Manual Trans	
38455	1969	BACKUP LAMP HARNESS B-Body, All Manual Trans, After Approx. Nov. 15 1968, Backup Lamp Wires Plug Into 2-Way Connector With 4" Pigtail On Wiper	
00620	1969	BACKUP LAMP HARNESS B-Body, All Manual Trans, Up To Approx. Nov. 15 1968, Terminals On Backup Lamp Wires Insert Directly Into Cavities	
38455	1970	BACKUP LAMP HARNESS A-Body, All Manual Trans	
38455	1970	BACKUP LAMP HARNESS B-Body, All Manual Trans	
38469	1970	BACKUP LAMP HARNESS E-Body, With 3-Speed	
23180	1970	BACKUP LAMP HARNESS E-Body With 4-Speed, Except Hemi	
38498	1971	BACKUP LAMP HARNESS A-Body, With 3-Speed, Includes Nox Exhaust Emission Control	
38480	1971	BACKUP LAMP HARNESS A-Body, With 4-Speed, Includes Nox Exhaust Emission Control	
23545	1971	BACKUP LAMP HARNESS B-Body, With 3-Speed & Nox Exhaust Emission Control, Small Block Engine	
23180	1971	BACKUP LAMP HARNESS B-Body With 4-Speed, Except Hemi, Without Nox Emission Control	
23550	1971	BACKUP LAMP HARNESS B-Body, With 4-Speed & Nox Exhaust Emission Control, Small Block Engine	
23545	1971	BACKUP LAMP HARNESS E-Body, With 3-Speed & Nox Exhaust Emission Control, Small Block Engine	
38474	1971	BACKUP LAMP HARNESS E-Body, With 3-Speed, Without Nox Exhaust Emission Control	
23550	1971	BACKUP LAMP HARNESS E-Body, With 4-Speed & Nox Exhaust Emission Control, Small Block Engine	
38475	1971	BACKUP LAMP HARNESS E-Body, With 4-Speed, Without Nox Exhaust Emission Control	
38476	1971	BACKUP LAMP HARNESS E-Body, With Auto Trans, Without Nox Exhaust Emission Control	
23180	1972	BACKUP LAMP HARNESS B-Body With 4-Speed, Except Hemi, Without Nox Emission Control	
<b>CARBURETOR IDLE SOLENOID HARNESS</b>			
38500	1971	CARBURETOR IDLE SOLENOID HARNESS 340 C.I., 4 Bbl.	
38496	1971	CARBURETOR IDLE SOLENOID HARNESS 383 C.I., 4 Bbl., 4-Spd Trans	
<b>CLUTCH SAFETY SWITCH WIRE</b>			
23490	1970	CLUTCH SAFETY SWITCH WIRE A-Body, From Clutch Pedal To Starter Relay	
23490	1970	CLUTCH SAFETY SWITCH WIRE B-Body, From Clutch Pedal To Starter Relay	
23490	1970	CLUTCH SAFETY SWITCH WIRE E-Body, From Clutch Pedal To Starter Relay	
23490	1971	CLUTCH SAFETY SWITCH WIRE A-Body, From Clutch Pedal To Starter Relay	
23490	1971	CLUTCH SAFETY SWITCH WIRE B-Body, From Clutch Pedal To Starter Relay	
23490	1971	CLUTCH SAFETY SWITCH WIRE E-Body, From Clutch Pedal To Starter Relay	
23490	1972	CLUTCH SAFETY SWITCH WIRE A-Body, From Clutch Pedal To Starter Relay	
23490	1972	CLUTCH SAFETY SWITCH WIRE B-Body, From Clutch Pedal To Starter Relay	
23490	1972	CLUTCH SAFETY SWITCH WIRE E-Body, From Clutch Pedal To Starter Relay	
23490	1973	CLUTCH SAFETY SWITCH WIRE A-Body, From Clutch Pedal To Starter Relay	
23490	1973	CLUTCH SAFETY SWITCH WIRE B-Body, From Clutch Pedal To Starter Relay	
23490	1973	CLUTCH SAFETY SWITCH WIRE E-Body, From Clutch Pedal To Starter Relay	
23490	1974	CLUTCH SAFETY SWITCH WIRE A-Body, From Clutch Pedal To Starter Relay	
23490	1974	CLUTCH SAFETY SWITCH WIRE B-Body, From Clutch Pedal To Starter Relay	

Year One Part #	Year	Description	*Rev.
23490	1974	CLUTCH SAFETY SWITCH WIRE E-Body, From Clutch Pedal To Starter Relay	
<b>DASH HARNESS</b>			
31250	1964	DASH HARNESS Dart	
30030	1964	DASH HARNESS Dodge, B-Body	
30035	1964	DASH HARNESS Plymouth, B-Body	
30520	1964	DASH HARNESS Valiant & Barracuda	
30530	1965	DASH HARNESS Dart	
29135	1965	DASH HARNESS Dodge, B-Body	
29155	1965	DASH HARNESS Plymouth, B-Body	
30525	1965	DASH HARNESS Valiant & Barracuda	
30600	1966	DASH HARNESS Barracuda	
29160	1966	DASH HARNESS Charger	
30595	1966	DASH HARNESS Dart	
30040	1966	DASH HARNESS Dodge, B-Body Except Charger	
29115	1966	DASH HARNESS Plymouth, B-Body	
30540	1966	DASH HARNESS Valiant	
30565	1967	DASH HARNESS Barracuda	
29125	1967	DASH HARNESS Charger	
30570	1967	DASH HARNESS Dart	
29130	1967	DASH HARNESS Dodge, B-Body Except Charger	
33510	1967	DASH HARNESS Plymouth, B-Body	
30575	1967	DASH HARNESS Valiant	
30555	1968	DASH HARNESS Barracuda	
30580	1968	DASH HARNESS Dart	
00105	1968	DASH HARNESS Dodge & Plymouth, B-Body Except Rally Gauges	
00135	1968	DASH HARNESS Dodge & Plymouth B-Body With Rally Gauges	
30560	1968	DASH HARNESS Valiant	
30605	1969	DASH HARNESS Barracuda	
30545	1969	DASH HARNESS Dart	
00125	1969	DASH HARNESS Dodge & Plymouth, B-Body Except Rally Gauges	
00130	1969	DASH HARNESS Dodge & Plymouth, B-Body With Oil Pressure Gauge	
30535	1969	DASH HARNESS Valiant	
30640	1970	DASH HARNESS Dart & Duster With 340 C.I.	
28705	1970	DASH HARNESS Dodge & Plymouth, B-Body Except Rally Gauges	
00945	1970	DASH HARNESS Dodge & Plymouth, B-Body With Rally Gauges	
30635	1970	DASH HARNESS Dodge & Plymouth, E-Body Except Rally Gauges	
00225	1970	DASH HARNESS Dodge & Plymouth, E-Body With Rally Gauges	
43986	1970	DASH HARNESS Dart Except Rally Gauges	N
30625	1970	DASH HARNESS Duster & Valiant Except 340	C
30020	1971	DASH HARNESS Dart Except 340 C.I.	
30045	1971	DASH HARNESS Dodge & Plymouth, B-Body Except Rally Gauges	
30055	1971	DASH HARNESS Dodge & Plymouth, B-Body With Rally Gauges	
30050	1971	DASH HARNESS Dodge & Plymouth, E-Body Except Rally Gauges	
00245	1971	DASH HARNESS Dodge & Plymouth, E-Body With Rally Gauges	
30025	1971	DASH HARNESS Duster & Demon 340 C.I. With Rally Gauges	
30550	1971	DASH HARNESS Duster & Demon Except 340 C.I. And Rally Gauges	

Year One Part #	Year	Description	*Rev.
30590	1972	<b>DASH HARNESS</b> Dodge & Plymouth, A-Body, Early Production, Up To November 1971	
30585	1972	<b>DASH HARNESS</b> Dodge & Plymouth, A-Body, Late Production, After November 1971	
30080	1972	<b>DASH HARNESS</b> Dodge & Plymouth, B-Body Except Rally Gauges	
30630	1972	<b>DASH HARNESS</b> Dodge & Plymouth, B-Body With Rally Gauges	
30075	1972	<b>DASH HARNESS</b> Dodge & Plymouth, E-Body Except Rally Gauges	
30070	1972	<b>DASH HARNESS</b> Dodge & Plymouth, E-Body With Rally Gauges	
33555	1973	<b>DASH HARNESS</b> Dodge & Plymouth, A-Body, All	
33590	1973	<b>DASH HARNESS</b> Dodge & Plymouth, B-Body Except Rally Gauges	
33595	1973	<b>DASH HARNESS</b> Dodge & Plymouth, B-Body With Rally Gauges	
33575	1973	<b>DASH HARNESS</b> Dodge & Plymouth, E-Body Except Rally Gauges	
33580	1973	<b>DASH HARNESS</b> Dodge & Plymouth, E-Body, With Rally Gauges	
33565	1974	<b>DASH HARNESS</b> Dodge & Plymouth, A-Body, All	
33560	1974	<b>DASH HARNESS</b> Dodge & Plymouth, B-Body Except Rally Gauges	
33550	1974	<b>DASH HARNESS</b> Dodge & Plymouth, B-Body With Rally Gauges	
33585	1974	<b>DASH HARNESS</b> Dodge & Plymouth, E-Body Except Rally Gauges	
33545	1974	<b>DASH HARNESS</b> Dodge & Plymouth, E-Body With Rally Gauges	
<b>EMISSION NOX CONTROL-ENGINE COMPARTMENT</b>			
38501	1971	<b>EMISSION NOX CONTROL HARNESS, ENGINE COMPARTMENT</b> A-Body, With Auto Trans	
38501	1972	<b>EMISSION NOX CONTROL HARNESS, ENGINE COMPARTMENT</b> A-Body, With Auto Trans	
<b>ENGINE AND FORWARD LAMP HARNESS</b>			
33935	1964	<b>ENGINE AND FORWARD LAMP HARNESS</b> Dodge & Plymouth, A-Body, All V/8 Except Hemi	
38321	1964	<b>ENGINE AND FORWARD LAMP HARNESS</b> Dodge & Plymouth, A-Body, All V/8 Except Hemi, With Electronic Ignition & Updated Alternator	
33930	1965	<b>ENGINE AND FORWARD LAMP HARNESS</b> Dodge & Plymouth, A-Body, All V/8 Except Hemi	
38324	1965	<b>ENGINE AND FORWARD LAMP HARNESS</b> Dodge & Plymouth, A-Body, All V/8 Except Hemi, With Electronic Ignition & Updated Alternator	
00340	1966	<b>ENGINE AND FORWARD LAMP HARNESS</b> Charger, All V/8 Except Hemi	
38327	1966	<b>ENGINE AND FORWARD LAMP HARNESS</b> Charger, All V/8 Except Hemi, With Electronic Ignition & Updated Alternator	
00380	1966	<b>ENGINE AND FORWARD LAMP HARNESS</b> Charger, With Hemi	
38328	1966	<b>ENGINE AND FORWARD LAMP HARNESS</b> Charger, With Hemi, With Electronic Ignition & Updated Alternator	
00335	1966	<b>ENGINE AND FORWARD LAMP HARNESS</b> Coronet, V/8 Except Hemi	
38329	1966	<b>ENGINE AND FORWARD LAMP HARNESS</b> Coronet, All V/8 Except Hemi, With Electronic Ignition & Updated Alternator	
00365	1966	<b>ENGINE AND FORWARD LAMP HARNESS</b> Coronet, V/8 With 59/60 Amp Alternator Except Hemi	
00375	1966	<b>ENGINE AND FORWARD LAMP HARNESS</b> Coronet, With Hemi	
38334	1966	<b>ENGINE AND FORWARD LAMP HARNESS</b> Coronet, With Hemi, With Electronic Ignition & Updated Alternator	
28710	1966	<b>ENGINE AND FORWARD LAMP HARNESS</b> Dodge & Plymouth, A-Body, All V/8 Except Hemi	
38326	1966	<b>ENGINE AND FORWARD LAMP HARNESS</b> Dodge & Plymouth, A-Body, All V/8 Except Hemi, With Electronic Ignition & Updated Alternator	
00330	1966	<b>ENGINE AND FORWARD LAMP HARNESS</b> Plymouth, B-Body Except Hemi	
38331	1966	<b>ENGINE AND FORWARD LAMP HARNESS</b> Plymouth, B-Body, All V/8 Except Hemi, With Electronic Ignition & Updated Alternator	
00355	1966	<b>ENGINE AND FORWARD LAMP HARNESS</b> Plymouth, B-Body With 59/60 Amp Alternator Except Hemi	
00370	1966	<b>ENGINE AND FORWARD LAMP HARNESS</b> Plymouth, B-Body With Hemi	

Year One Part #	Year	Description	*Rev.
38333	1966	<b>ENGINE AND FORWARD LAMP HARNESS</b> Plymouth, B-Body With Hemi, With Electronic Ignition & Updated Alternator	
00395	1967	<b>ENGINE AND FORWARD LAMP HARNESS</b> B-Body, HD 60 Amp Alternator, All V/8 Except Hemi	
00585	1967	<b>ENGINE AND FORWARD LAMP HARNESS</b> B-Body, With Hemi, Except Charger	
38342	1967	<b>ENGINE AND FORWARD LAMP HARNESS</b> B-Body, With Hemi, Except Charger, With Electronic Ignition & Updated Alternator	
23120	1967	<b>ENGINE AND FORWARD LAMP HARNESS</b> Barracuda, All V/8 Except Hemi	
38336	1967	<b>ENGINE AND FORWARD LAMP HARNESS</b> Barracuda, All V/8 Except Hemi, With Electronic Ignition & Updated Alternator	
00390	1967	<b>ENGINE AND FORWARD LAMP HARNESS</b> Charger, All V/8 Except Hemi	
38338	1967	<b>ENGINE AND FORWARD LAMP HARNESS</b> Charger, All V/8 Except Hemi, With Electronic Ignition & Updated Alternator	
00605	1967	<b>ENGINE AND FORWARD LAMP HARNESS</b> Charger, With Hemi	
38339	1967	<b>ENGINE AND FORWARD LAMP HARNESS</b> Charger, With Hemi, With Electronic Ignition & Updated Alternator	
00610	1967	<b>ENGINE AND FORWARD LAMP HARNESS</b> Coronet, All V/8 Except Hemi	
38337	1967	<b>ENGINE AND FORWARD LAMP HARNESS</b> Coronet, All V/8 Except Hemi, With Electronic Ignition & Updated Alternator	
23125	1967	<b>ENGINE AND FORWARD LAMP HARNESS</b> Dart And Vallant, All V/8 Except Hemi	
38335	1967	<b>ENGINE AND FORWARD LAMP HARNESS</b> Dart And Vallant, All V/8 Except Hemi, With Electronic Ignition & Updated Alternator	
00425	1967	<b>ENGINE AND FORWARD LAMP HARNESS</b> Plymouth, B-Body, All V/8 Except Hemi	
38341	1967	<b>ENGINE AND FORWARD LAMP HARNESS</b> Plymouth, B-Body, All V/8 Except Hemi, With Electronic Ignition & Updated Alternator	
00680	1968	<b>ENGINE AND FORWARD LAMP HARNESS</b> Barracuda 318-340 C.I.	
38345	1968	<b>ENGINE AND FORWARD LAMP HARNESS</b> Barracuda 318-340 C.I., With Electronic Ignition & Updated Alternator	
00670	1968	<b>ENGINE AND FORWARD LAMP HARNESS</b> Barracuda 6 Cyl. Or 383 Note: 6 Cylinder Items Are Not Returnable.	
38346	1968	<b>ENGINE AND FORWARD LAMP HARNESS</b> Barracuda 383, With Electronic Ignition & Updated Alternator	
00590	1968	<b>ENGINE AND FORWARD LAMP HARNESS</b> Dart 6 Cyl. And 383 Or Valiant 6 Cyl. Note: 6 Cylinder Items Are Not Returnable.	
38344	1968	<b>ENGINE AND FORWARD LAMP HARNESS</b> Dart 383, With Electronic Ignition & Updated Alternator	
00675	1968	<b>ENGINE AND FORWARD LAMP HARNESS</b> Dart, With 318-340 C.I. Or Valiant V/8	
38343	1968	<b>ENGINE AND FORWARD LAMP HARNESS</b> Dart With 318-340 C.I. Or Valiant V/8, With Electronic Ignition & Updated Alternator	
00445	1969	<b>ENGINE AND FORWARD LAMP HARNESS</b> Barracuda, 318-340 C.I.	
38357	1969	<b>ENGINE AND FORWARD LAMP HARNESS</b> Barracuda, 318-340 C.I., With Electronic Ignition & Updated Alternator	
00165	1969	<b>ENGINE AND FORWARD LAMP HARNESS</b> Barracuda, 383-440 And 6 Cyl. Note: 6 Cylinder Items Are Not Returnable.	
38356	1969	<b>ENGINE AND FORWARD LAMP HARNESS</b> Barracuda, 383-440 With Electronic Ignition & Updated Alternator	
00440	1969	<b>ENGINE AND FORWARD LAMP HARNESS</b> Dart 318 Or 340 C.I. And Valiant V/8 All	
38354	1969	<b>ENGINE AND FORWARD LAMP HARNESS</b> Dart 318 Or 340 C.I. And Valiant V/8 All, With Electronic Ignition & Updated Alternator	
00435	1969	<b>ENGINE AND FORWARD LAMP HARNESS</b> Dart 383 Or 440 And 6 Cyl., Valiant 6 Cyl. Note: 6 Cylinder Items Are Not Returnable.	
38355	1969	<b>ENGINE AND FORWARD LAMP HARNESS</b> Dart 383 Or 440, With Electronic Ignition & Updated Alternator	
00460	1970	<b>ENGINE AND FORWARD LAMP HARNESS</b> A-Body 318-340 C.I.	
38359	1970	<b>ENGINE AND FORWARD LAMP HARNESS</b> A-Body 318-340 C.I., With Electronic Ignition Update	
22910	1973	<b>ENGINE AND FORWARD LAMP HARNESS</b> A-Body 318-340 C.I.	
00765	1974	<b>ENGINE AND FORWARD LAMP HARNESS</b> A-Body, Built Before 10/12/73	



Year One Part #	Year	Description	*Rev.
00855	1974	<b>ENGINE AND FORWARD LAMP HARNESS</b> A-Body, Bulit After 10/11/73	
<b>ENGINE HARNESS</b>			
23095	1964	<b>ENGINE HARNESS</b> Dodge & Plymouth, B-Body, All V/8, Except 426 Max Wedge Note: For Hemi Applications Ballast Resistor Wires Will Need To Be Folded And Taped Over As Original Harnesses Were From The Factory.	
38323	1964	<b>ENGINE HARNESS</b> Dodge & Plymouth, B-Body, All V/8 Except Hemi, With Electronic Ignition & Updated Alternator, All V/8, Except 426 Max Wedge Note: For Hemi Applications Ballast Resistor Wires Will Need To Be Folded And Taped Over As Original Harnesses Were From The Factory.	
23080	1964	<b>ENGINE HARNESS</b> Dodge & Plymouth, B-Body With 426 Max Wedge	
38322	1964	<b>ENGINE HARNESS</b> Dodge & Plymouth, B-Body With Hemi, With 426 Max Wedge, With Electronic Ignition & Updated Alternator	
23110	1965	<b>ENGINE HARNESS</b> Dodge & Plymouth, B-Body, All V/8 Note: For Hemi Applications Ballast Resistor Wires Will Need To Be Folded And Taped Over As Original Harnesses Were From The Factory.	
38325	1965	<b>ENGINE HARNESS</b> Dodge & Plymouth, B-Body, All V/8 With Electronic Ignition & Updated Alternator Note: For Hemi Applications Ballast Resistor Wires Will Need To Be Folded And Taped Over As Original Harnesses Were From The Factory.	
00290	1968	<b>ENGINE HARNESS</b> Dodge & Plymouth, B-Body 273 Or 318 C.I.	
38347	1968	<b>ENGINE HARNESS</b> Dodge & Plymouth, B-Body 273 Or 318 C.I., With Electronic Ignition & Updated Alternator	
00115	1968	<b>ENGINE HARNESS</b> Dodge & Plymouth, B-Body 383 Or 440 C.I.	
38348	1968	<b>ENGINE HARNESS</b> Dodge & Plymouth, B-Body 383 Or 440 C.I., With Electronic Ignition & Updated Alternator	
00120	1968	<b>ENGINE HARNESS</b> Dodge & Plymouth, With Hemi	
38349	1968	<b>ENGINE HARNESS</b> Dodge & Plymouth, With Hemi, With Electronic Ignition & Updated Alternator	
00275	1969	<b>ENGINE HARNESS</b> Dodge & Plymouth, B-Body 318 C.I.	
38351	1969	<b>ENGINE HARNESS</b> Dodge & Plymouth, B-Body 318 C.I., With Electronic Ignition & Updated Alternator	
00140	1969	<b>ENGINE HARNESS</b> Dodge & Plymouth, B-Body 383 Or 440 C.I. Except 6 Pack	
38352	1969	<b>ENGINE HARNESS</b> Dodge & Plymouth, B-Body 383 Or 440 C.I. Except 6 Pack, With Electronic Ignition & Updated Alternator	
00270	1969	<b>ENGINE HARNESS</b> Dodge & Plymouth, B-Body 440 6 Pack	
38353	1969	<b>ENGINE HARNESS</b> Dodge & Plymouth, B-Body 440 6 Pack, With Electronic Ignition & Updated Alternator	
00155	1969	<b>ENGINE HARNESS</b> Dodge & Plymouth, C-Body V/8 Except 318 Without 60-Amp Alt.	
00120	1969	<b>ENGINE HARNESS</b> Dodge & Plymouth, With Hemi	
38349	1969	<b>ENGINE HARNESS</b> Dodge & Plymouth, With Hemi, With Electronic Ignition & Updated Alternator	
00280	1970	<b>ENGINE HARNESS</b> Dodge & Plymouth, B-Body 318 C.I.	
38360	1970	<b>ENGINE HARNESS</b> Dodge & Plymouth, B-Body 318 C.I.,With Electronic Ignition Update	
00215	1970	<b>ENGINE HARNESS</b> Dodge & Plymouth, B-Body 383 Or 440 C.I. Except 6 Pack	
38361	1970	<b>ENGINE HARNESS</b> Dodge & Plymouth, B-Body 383 Or 440 C.I. Except 6 Pack,With Electronic Ignition Update	
00210	1970	<b>ENGINE HARNESS</b> Dodge & Plymouth, B-Body 440 With 6 Pack	
38362	1970	<b>ENGINE HARNESS</b> Dodge & Plymouth, B-Body 440 With 6 Pack,With Electronic Ignition Update	
00285	1970	<b>ENGINE HARNESS</b> Dodge & Plymouth, B-Body With Hemi	

Year One Part #	Year	Description	*Rev.
38363	1970	<b>ENGINE HARNESS</b> Dodge & Plymouth, B-Body With Hemi,With Electronic Ignition Update	
23210	1970	<b>ENGINE HARNESS</b> Dodge & Plymouth, C-Body 383 Or 440 C.I., Fury, Polara & Monaco	
00190	1970	<b>ENGINE HARNESS</b> Dodge & Plymouth, E-Body 318 & 340 4 Bbl. Except 6 Pack	
38365	1970	<b>ENGINE HARNESS</b> Dodge & Plymouth, E-Body 318 & 340 4 Bbl. Except 6 Pack, With Electronic Ignition Update	
00235	1970	<b>ENGINE HARNESS</b> Dodge & Plymouth, E-Body 340 With 6 Pack	
38367	1970	<b>ENGINE HARNESS</b> Dodge & Plymouth, E-Body 340 With 6 Pack,With Electronic Ignition Update	
00220	1970	<b>ENGINE HARNESS</b> Dodge & Plymouth, E-Body 383 All And 440 C.I. Except 6 Pack	
38366	1970	<b>ENGINE HARNESS</b> Dodge & Plymouth, E-Body 383 All And 440 C.I. Except 6 Pack, With Electronic Ignition Update	
00230	1970	<b>ENGINE HARNESS</b> Dodge & Plymouth, E-Body 440 C.I. With 6 Pack	
38368	1970	<b>ENGINE HARNESS</b> Dodge & Plymouth, E-Body 440 C.I. With 6 Pack,With Electronic Ignition Update	
00200	1970	<b>ENGINE HARNESS</b> Dodge & Plymouth, E-Body With Hemi	
38369	1970	<b>ENGINE HARNESS</b> Dodge & Plymouth, E-Body With Hemi,With Electronic Ignition Update	
00520	1971	<b>ENGINE HARNESS</b> Dodge & Plymouth, A-Body 318-340 C.I. Except Electronic Ign.	
00735	1971	<b>ENGINE HARNESS</b> Dodge & Plymouth, A-Body 340 C.I. With Electronic Ignition	
00250	1971	<b>ENGINE HARNESS</b> Dodge & Plymouth, B-Body 318-340 C.I. Except Electronic Ign.	
00740	1971	<b>ENGINE HARNESS</b> Dodge & Plymouth, B-Body 340 C.I. With Electronic Ignition	
00255	1971	<b>ENGINE HARNESS</b> Dodge & Plymouth, B-Body 383 C.I. All And 440 C.I. Except. 6 Pack	
38371	1971	<b>ENGINE HARNESS</b> Dodge & Plymouth, B-Body 383 C.I. All And 440 C.I. Exc. 6 Pack, With Electronic Ignition Update	
00260	1971	<b>ENGINE HARNESS</b> Dodge & Plymouth, B-Body 440 C.I. With 6 Pack	
38372	1971	<b>ENGINE HARNESS</b> Dodge & Plymouth, B-Body 440 C.I. With 6 Pack,With Electronic Ignition Update	
00265	1971	<b>ENGINE HARNESS</b> Dodge & Plymouth, B-Body With Hemi	
38370	1971	<b>ENGINE HARNESS</b> Dodge & Plymouth, B-Body With Hemi,With Electronic Ignition Update	
23215	1971	<b>ENGINE HARNESS</b> Dodge & Plymouth, C-Body 383 C.I. Or 440 C.I.	
00250	1971	<b>ENGINE HARNESS</b> Dodge & Plymouth, E-Body 318-340 C.I. Except Electronic Ign.	
00740	1971	<b>ENGINE HARNESS</b> Dodge & Plymouth, E-Body 340 C.I. With Electronic Ignition	
00255	1971	<b>ENGINE HARNESS</b> Dodge & Plymouth, E-Body 383 C.I. All And 440 C.I. Except 6 Pack	
38371	1971	<b>ENGINE HARNESS</b> Dodge & Plymouth, E-Body 383 C.I. All And 440 C.I. Exc. 6 Pack, With Electronic Ignition Update	
00260	1971	<b>ENGINE HARNESS</b> Dodge & Plymouth, E-Body 440 C.I. With 6 Pack	
38372	1971	<b>ENGINE HARNESS</b> Dodge & Plymouth, E-Body 440 C.I. With 6 Pack,With Electronic Ignition Update	
00265	1971	<b>ENGINE HARNESS</b> Dodge & Plymouth, E-Body With Hemi	
38370	1971	<b>ENGINE HARNESS</b> Dodge & Plymouth, E-Body With Hemi,With Electronic Ignition Update	
00710	1972	<b>ENGINE HARNESS</b> B-Body 400-440 C.I. 60 Amp. Alt & Air Pump Except Electronic Ignition	
00720	1972	<b>ENGINE HARNESS</b> B-Body 400-440 C.I. With 41-51 Alt, Air Pump & Electronic Ignition	
00900	1972	<b>ENGINE HARNESS</b> B-Body 400-440 C.I. With 41-51 Alt & Air Pump Except Electronic Ignition	

Year One Part #	Year	Description	*Rev.
00690	1972	<b>ENGINE HARNESS</b> B-Body 400-440 C.I. With 41-51 Alt & Electronic Ignition Except Air Pump	
00895	1972	<b>ENGINE HARNESS</b> B-Body 400-440 C.I. With 41-51 Alt Except Air Pump & Electronic Ignition	
23225	1972	<b>ENGINE HARNESS</b> C-Body 318-360 C.I. With 41 Amp Alternator	
00715	1972	<b>ENGINE HARNESS</b> Dodge & Plymouth, A-Body 318-340 C.I. Except Electronic Ignition	
00695	1972	<b>ENGINE HARNESS</b> Dodge & Plymouth, A-Body 340 C.I. With Electronic Ignition	
00700	1972	<b>ENGINE HARNESS</b> Dodge & Plymouth, B-Body 318 C.I. Except Electronic Ignition	
38350	1972	<b>ENGINE HARNESS</b> Dodge & Plymouth, B-Body 318 C.I. With Electronic Ignition Update	
00705	1972	<b>ENGINE HARNESS</b> B-Body 318-340ci. With 41-51 Amp Alt. & Electronic Ignition Except Air Pump	
00700	1972	<b>ENGINE HARNESS</b> Dodge & Plymouth, E-Body 318 C.I. Except Electronic Ignition	
38350	1972	<b>ENGINE HARNESS</b> Dodge & Plymouth, E-Body 318 C.I. With Electronic Ignition Update	
00790	1973	<b>ENGINE HARNESS</b> Dodge & Plymouth, B-Body 318-340 C.I.	
00795	1973	<b>ENGINE HARNESS</b> Dodge & Plymouth, B-Body 400-440 C.I.	
00860	1973	<b>ENGINE HARNESS</b> Dodge & Plymouth, E-Body 318-340 C.I.	
00805	1974	<b>ENGINE HARNESS</b> Dodge & Plymouth, B-Body 318-360 C.I.	
00785	1974	<b>ENGINE HARNESS</b> Dodge & Plymouth, B-Body 400-440 C.I.	
33520	1974	<b>ENGINE HARNESS</b> Dodge & Plymouth, E-Body, After 10/12/73	
33525	1974	<b>ENGINE HARNESS</b> Dodge & Plymouth, E-Body, Before 10/12/73	
<b>FENDER TURN SIGNAL LAMP EXTENSION</b>			
23625	1966	<b>FENDER TURN SIGNAL LAMP EXTENSION</b> Belvedere & Satellite	
<b>FORWARD LAMP HARNESS</b>			
23085	1964	<b>FORWARD LAMP HARNESS</b> Dodge, B-Body	
23090	1964	<b>FORWARD LAMP HARNESS</b> Plymouth, B-Body	
23100	1965	<b>FORWARD LAMP HARNESS</b> Dodge, B-Body	
23105	1965	<b>FORWARD LAMP HARNESS</b> Plymouth, B-Body	
00405	1968	<b>FORWARD LAMP HARNESS</b> Charger	
00420	1968	<b>FORWARD LAMP HARNESS</b> Coronet & Superbee	
00415	1968	<b>FORWARD LAMP HARNESS</b> Plymouth, B-Body	
00430	1969	<b>FORWARD LAMP HARNESS</b> B-Body Except Charger	
00170	1969	<b>FORWARD LAMP HARNESS</b> Charger	
43945	1969	<b>FORWARD LAMP HARNESS</b> Daytona	C
00205	1970	<b>FORWARD LAMP HARNESS</b> Barracuda	
00185	1970	<b>FORWARD LAMP HARNESS</b> Challenger	
00465	1970	<b>FORWARD LAMP HARNESS</b> Coronet, R/T & Superbee With Fender Mounted Turn Signals	
00480	1970	<b>FORWARD LAMP HARNESS</b> Coronet, R/T & Superbee Without Fender Mounted Turn Signals	
00470	1970	<b>FORWARD LAMP HARNESS</b> Plymouth, B-Body & Charger Except Superbird	
23155	1970	<b>FORWARD LAMP HARNESS</b> Superbird	C
23220	1971	<b>FORWARD LAMP HARNESS</b> A-Body	
00730	1971	<b>FORWARD LAMP HARNESS</b> Barracuda	
00185	1971	<b>FORWARD LAMP HARNESS</b> Challenger	
00490	1971	<b>FORWARD LAMP HARNESS</b> Charger With Concealed Headlamps	
23205	1971	<b>FORWARD LAMP HARNESS</b> Charger Without Concealed Headlamps	
00485	1971	<b>FORWARD LAMP HARNESS</b> Plymouth, B-Body With Fender Mounted Turn Signals	



Year One Part #	Year	Description	*Rev.
00495	1971	<b>FORWARD LAMP HARNESS</b> Plymouth B-Body With Hood Mounted Turn Signals	
00745	1972	<b>FORWARD LAMP HARNESS</b> A-Body	
20920	1972	<b>FORWARD LAMP HARNESS</b> B-Body With Concealed Headlamps	
00815	1972	<b>FORWARD LAMP HARNESS</b> B-Body With Fender Mounted Turn Signal Without Concealed Lights	
00840	1972	<b>FORWARD LAMP HARNESS</b> Barracuda	
00845	1972	<b>FORWARD LAMP HARNESS</b> Challenger	
00835	1972	<b>FORWARD LAMP HARNESS</b> Plymouth B-Body With Hood Turn Signal Without Air Grabber	
00840	1973	<b>FORWARD LAMP HARNESS</b> Barracuda	
00845	1973	<b>FORWARD LAMP HARNESS</b> Challenger	
33940	1973	<b>FORWARD LAMP HARNESS</b> Dodge, B-Body, All & Plymouth B-Body, 4-Door Or Station Wagon	
00760	1973	<b>FORWARD LAMP HARNESS</b> Plymouth B-Body, Except 4 Door & Wagon	
00770	1974	<b>FORWARD LAMP HARNESS</b> Barracuda	
00775	1974	<b>FORWARD LAMP HARNESS</b> Challenger	
35867	1974	<b>FORWARD LAMP HARNESS</b> Charger	
00850	1974	<b>FORWARD LAMP HARNESS</b> Plymouth, B-Body	
<b>FUSIBLE LINK</b>			
35140	1964	<b>FUSIBLE LINK</b> With 60 Amp (Starter To Relay)	
02661772	Universal	<b>FUSIBLE LINK</b>	
02661909	Universal	<b>FUSIBLE LINK</b>	
02770412	Universal	<b>FUSIBLE LINK</b>	
02822229	Universal	<b>FUSIBLE LINK</b>	
02822472	Universal	<b>FUSIBLE LINK</b>	
02983706	Universal	<b>FUSIBLE LINK</b>	
03588280	Universal	<b>FUSIBLE LINK</b>	
<b>HEADLAMP ON WARNING BUZZER DIODE</b>			
43262	1970	<b>HEADLAMP ON WARNING BUZZER DIODE</b> All	
<b>IDLE STOP SOLENOID HARNESS</b>			
23495	1970	<b>IDLE STOP SOLENOID HARNESS</b> A-Body & E-Body With 440 Engine, Without Six Pack	
31265	1971	<b>IDLE STOP SOLENOID EXTENSION WIRE</b> B-Body With 440 C.I. 6 Pack	
<b>INSTRUMENT VOLTAGE REGULATOR</b>			
39549	1962	<b>INSTRUMENT VOLTAGE REGULATOR</b> All, Except Valiant	
39549	1963	<b>INSTRUMENT VOLTAGE REGULATOR</b> All, Except Valiant	
39549	1964	<b>INSTRUMENT VOLTAGE REGULATOR</b> All, Except Valiant & Dart	
39549	1965	<b>INSTRUMENT VOLTAGE REGULATOR</b> All	
39549	1966	<b>INSTRUMENT VOLTAGE REGULATOR</b> All, Except Charger	
39549	1967	<b>INSTRUMENT VOLTAGE REGULATOR</b> All, Except Barracuda, Charger & Fury	
39549	1968	<b>INSTRUMENT VOLTAGE REGULATOR</b> All A (Except Barracuda) & B Bodies	
39549	1969	<b>INSTRUMENT VOLTAGE REGULATOR</b> All A (Except Barracuda), B Bodies, Chryslers & Imperial	
39549	1970	<b>INSTRUMENT VOLTAGE REGULATOR</b> All A, B Bodies & Chryslers, Except Imperial	
39549	1971	<b>INSTRUMENT VOLTAGE REGULATOR</b> All A & B Bodies (Except B Rallye Dash)	
39549	1972	<b>INSTRUMENT VOLTAGE REGULATOR</b> All A & B Bodies (Except B Rallye Dash), Chryslers & Imperials	
39549	1973	<b>INSTRUMENT VOLTAGE REGULATOR</b> All A & B Bodies (Except B Rallye Dash), Chryslers & Imperials	
39549	1974	<b>INSTRUMENT VOLTAGE REGULATOR</b> All A & B Bodies (Except B Rallye Dash), Chryslers & Imperials	
39549	1975	<b>INSTRUMENT VOLTAGE REGULATOR</b> All, Chrysler, Plymouth, Dodge & Imperial	
39549	1976	<b>INSTRUMENT VOLTAGE REGULATOR</b> All, Chrysler, Plymouth, Dodge & Imperial	

Year One Part #	Year	Description	*Rev.
39549	1977	<b>INSTRUMENT VOLTAGE REGULATOR</b> All, Chrysler, Plymouth, Dodge & Imperials	
39549	1978	<b>INSTRUMENT VOLTAGE REGULATOR</b> All, Chrysler, Plymouth, Dodge & Imperial	
39549	1979	<b>INSTRUMENT VOLTAGE REGULATOR</b> All, Chrysler, Plymouth, Dodge & Imperial	
39549	1980	<b>INSTRUMENT VOLTAGE REGULATOR</b> All, Chrysler, Plymouth, Dodge & Imperial	
<b>NEUTRAL SAFETY SWITCH WIRE</b>			
38434	1968	<b>NEUTRAL SAFETY SWITCH WIRE</b> Neutral Safety Switch To Starter Relay	
<b>OVERHEAD CONSOLE-BODY HARNESS</b>			
39368	1970	<b>OVERHEAD CONSOLE, BODY HARNESS</b> E-Body, From Console Harness To Low Fuel Relay Extension Harness	
39369	1971	<b>OVERHEAD CONSOLE, BODY HARNESS</b> E-Body, From Console Harness To Low Fuel Relay Extension Harness	
<b>OVERHEAD CONSOLE-LOW FUEL RELAY EXT HARNESS</b>			
39372	1970	<b>OVERHEAD CONSOLE, LOW FUEL RELAY EXTENSION HARNESS</b> E-Body, From Dash Harness To Body Harness	
39372	1971	<b>OVERHEAD CONSOLE, LOW FUEL RELAY EXTENSION HARNESS</b> E-Body, From Dash Harness To Body Harness	
<b>OVERHEAD CONSOLE-MAIN HARNESS</b>			
38510	1970	<b>OVERHEAD CONSOLE, MAIN HARNESS</b> E-Body, From Console To Body Harness	
39370	1971	<b>OVERHEAD CONSOLE, MAIN HARNESS</b> E-Body, From Console To Body Harness	
<b>OVERHEAD CONSOLE-RT HAND DOOR AJAR SWITCH EXT</b>			
39371	1970	<b>OVERHEAD CONSOLE, RIGHT HAND DOOR AJAR SWITCH EXTENSION</b> E-Body, From Body Harness To Right Door Ajar Switch	
39371	1971	<b>OVERHEAD CONSOLE, RIGHT HAND DOOR AJAR SWITCH EXTENSION</b> E-Body, From Body Harness To Right Door Ajar Switch	
<b>REAR LAMP HARNESS</b>			
34145	1964	<b>REAR LAMP HARNESS</b> Barracuda	
34075	1964	<b>REAR LAMP HARNESS</b> Dart	
34055	1964	<b>REAR LAMP HARNESS</b> Dodge, 330 & 440	
34080	1964	<b>REAR LAMP HARNESS</b> Dodge, Polara & Polara 500	
34085	1964	<b>REAR LAMP HARNESS</b> Plymouth, B-Body With Backup Lamps	
34050	1964	<b>REAR LAMP HARNESS</b> Valiant	
31415	1965	<b>REAR LAMP HARNESS</b> Barracuda	
35865	1965	<b>REAR LAMP HARNESS</b> Belvedere & Satellite	
31470	1965	<b>REAR LAMP HARNESS</b> Coronet	
34105	1965	<b>REAR LAMP HARNESS</b> Dart	
34060	1965	<b>REAR LAMP HARNESS</b> Valiant	
31410	1966	<b>REAR LAMP HARNESS</b> Barracuda	
34090	1966	<b>REAR LAMP HARNESS</b> Charger	
31440	1966	<b>REAR LAMP HARNESS</b> Coronet & Belvedere, Convertible	
31435	1966	<b>REAR LAMP HARNESS</b> Coronet & Belvedere, Coupe	
31405	1966	<b>REAR LAMP HARNESS</b> Dart, Convertible	
34070	1966	<b>REAR LAMP HARNESS</b> Dart, Coupe	
34095	1966	<b>REAR LAMP HARNESS</b> Valiant, Convertible	
34100	1966	<b>REAR LAMP HARNESS</b> Valiant, Coupe	
31445	1967	<b>REAR LAMP HARNESS</b> Barracuda, Convertible	
34040	1967	<b>REAR LAMP HARNESS</b> Barracuda, Fastback	
31450	1967	<b>REAR LAMP HARNESS</b> Barracuda, Hardtop	
08690	1967	<b>REAR LAMP HARNESS</b> Plymouth, Convertible	

**Chrysler**

Available exclusively from Year One



**Year One (800) 932-7663**

All Chrysler Wiring Harnesses  
must be ordered through Year One

Year One Part #	Year	Description	*Rev.
34035	1967	REAR LAMP HARNESS Plymouth, Coupe	
00640	1967	REAR LAMP HARNESS Dodge, Charger	
08895	1967	REAR LAMP HARNESS Dodge, Convertible	
31390	1967	REAR LAMP HARNESS Dodge Coupe, Except Charger	
31395	1967	REAR LAMP HARNESS Dart, Convertible	
31400	1967	REAR LAMP HARNESS Dart, Coupe	
34030	1967	REAR LAMP HARNESS Valiant	
31425	1968	REAR LAMP HARNESS Barracuda, Convertible	
31370	1968	REAR LAMP HARNESS Barracuda, Fastback	
31420	1968	REAR LAMP HARNESS Barracuda, Hardtop	
00750	1968	REAR LAMP HARNESS Dodge, Charger	
31375	1968	REAR LAMP HARNESS Dart, Convertible	
31380	1968	REAR LAMP HARNESS Dart, Coupe	
31385	1968	REAR LAMP HARNESS Dodge & Plymouth, Convertible	
00755	1968	REAR LAMP HARNESS Dodge, Except Charger & Plymouth Coupe	
33535	1968	REAR LAMP HARNESS Valiant	
31460	1969	REAR LAMP HARNESS Barracuda, Convertible	
31475	1969	REAR LAMP HARNESS Barracuda, Fastback	
31465	1969	REAR LAMP HARNESS Barracuda, Hardtop	
34020	1969	REAR LAMP HARNESS Charger	
32585	1969	REAR LAMP HARNESS Dart, Convertible	
32590	1969	REAR LAMP HARNESS Dart, Coupe	
05105	1969	REAR LAMP HARNESS Dodge, B-Body, Convertible	
32570	1969	REAR LAMP HARNESS Dodge, B-Body, Coupe, Two Tail Light Per Side, Exc Charger	
32595	1969	REAR LAMP HARNESS Dodge, B-Body, Coupe With One Taillight Per Side Exc Charger	
01000	1969	REAR LAMP HARNESS Plymouth, B-Body Convertible	
32550	1969	REAR LAMP HARNESS Plymouth, B-Body Coupe	
32545	1969	REAR LAMP HARNESS Valiant	
33315	1970	REAR LAMP HARNESS Barracuda, Convertible	
33300	1970	REAR LAMP HARNESS Barracuda, Coupe	
34015	1970	REAR LAMP HARNESS Challenger, Convertible	
33305	1970	REAR LAMP HARNESS Challenger, Coupe	
32555	1970	REAR LAMP HARNESS Charger	
32565	1970	REAR LAMP HARNESS Coronet 500 And R/T	
32535	1970	REAR LAMP HARNESS Coronet, Coronet 440 & Super Bee	
32560	1970	REAR LAMP HARNESS Dart, 2-Door Hardtop	
32540	1970	REAR LAMP HARNESS Dodge, B-Body Convertible	
33310	1970	REAR LAMP HARNESS Duster	
33290	1970	REAR LAMP HARNESS Plymouth, B-Body Convertible	
33295	1970	REAR LAMP HARNESS Plymouth, B-Body Coupe Except Station Wagon	
33375	1971	REAR LAMP HARNESS Barracuda, Convertible	
33370	1971	REAR LAMP HARNESS Barracuda, Coupe	
33365	1971	REAR LAMP HARNESS Challenger, Convertible	
33360	1971	REAR LAMP HARNESS Challenger, Coupe	
32560	1971	REAR LAMP HARNESS Dart & Valiant, 2-Door Hardtop	
33320	1971	REAR LAMP HARNESS Demon	
33380	1971	REAR LAMP HARNESS Dodge & Plymouth, B-Body	

Year One Part #	Year	Description	*Rev.
33385	1971	<b>REAR LAMP HARNESS</b> Duster	
34650	1972	<b>REAR LAMP HARNESS</b> Barracuda	
34665	1972	<b>REAR LAMP HARNESS</b> Challenger	
33395	1972	<b>REAR LAMP HARNESS</b> Dart & Valiant, 2-Door Hardtop	
33390	1972	<b>REAR LAMP HARNESS</b> Demon	
34660	1972	<b>REAR LAMP HARNESS</b> Dodge & Plymouth, B-Body	
34655	1972	<b>REAR LAMP HARNESS</b> Duster	
34675	1973	<b>REAR LAMP HARNESS</b> Barracuda	
34665	1973	<b>REAR LAMP HARNESS</b> Challenger	
34670	1973	<b>REAR LAMP HARNESS</b> Dart Sport & Duster	
34660	1973	<b>REAR LAMP HARNESS</b> Dodge & Plymouth, B-Body	
34680	1974	<b>REAR LAMP HARNESS</b> A-Body, Except Dart Sport Or Duster	
34675	1974	<b>REAR LAMP HARNESS</b> Barracuda	
34665	1974	<b>REAR LAMP HARNESS</b> Challenger	
33540	1974	<b>REAR LAMP HARNESS</b> Dart Sport & Duster	
34685	1974	<b>REAR LAMP HARNESS</b> Dodge & Plymouth, B-Body	
<b>ROAD LAMP HARNESS EXTENSION</b>			
38310	1970	<b>ROAD LAMP HARNESS EXTENSION</b> Barracuda, Engine Compartment, From Firewall Connector To Road Lamp Connection	
23130	1970	<b>ROAD LAMP HARNESS EXTENSION</b> Barracuda, Light Bulb To Engine Compartment Extension (2 Req. Per Car)	
38310	1971	<b>ROAD LAMP HARNESS EXTENSION</b> Barracuda, Engine Compartment, From Firewall Connector To Road Lamp Connection	
23130	1971	<b>ROAD LAMP HARNESS EXTENSION</b> Barracuda, Light Bulb To Engine Compartment Extension (2 Req. Per Car)	
<b>ROAD LAMP HARNESS-UNDERDASH</b>			
38308	1970	<b>ROAD LAMP HARNESS, UNDERDASH</b> Barracuda	
38309	1971	<b>ROAD LAMP HARNESS, UNDERDASH</b> Barracuda	
<b>SPEAKER HARNESS</b>			
39365	1968	<b>SPEAKER HARNESS</b> B-Body, Single Rear Seat Speaker	
39365	1969	<b>SPEAKER HARNESS</b> B-Body, Single Rear Seat Speaker	
39365	1970	<b>SPEAKER HARNESS</b> B-Body, Single Rear Seat Speaker	
<b>TACHOMETER HARNESS</b>			
38438	1965	<b>TACHOMETER HARNESS</b> A-Body	
38499	1968	<b>TACHOMETER HARNESS</b> Dash Side, B-Body, With Rally Gauges	
00925	1968	<b>TACHOMETER HARNESS</b> Dash Side, Dodge & Plymouth, B-Body Except Gauges	
38448	1968	<b>TACHOMETER HARNESS</b> Engine Side, B-Body, All Big Blocks, Except Hemi	
38497	1968	<b>TACHOMETER HARNESS</b> Engine Side, B-Body, All Small Blocks, Except Hemi	
38499	1969	<b>TACHOMETER HARNESS</b> Dash Side, B-Body, With Rally Gauges	
00925	1969	<b>TACHOMETER HARNESS</b> Dash Side, Dodge & Plymouth, B-Body Except Gauges	
38451	1969	<b>TACHOMETER HARNESS</b> Engine Side, B-Body, All Small Blocks, Except Hemi	
35866	1969	<b>TACHOMETER HARNESS</b> Engine Side, Dodge & Plymouth, B-Body, All Big Blocks, Except Hemi	
38499	1970	<b>TACHOMETER HARNESS</b> Dash Side, B-Body, With Rally Gauges	
38463	1970	<b>TACHOMETER HARNESS</b> Engine Side, E-Body, All Big Blocks	
38462	1970	<b>TACHOMETER HARNESS</b> Engine Side, E-Body, All Small Blocks	
38471	1971	<b>TACHOMETER HARNESS</b> Engine Side, E-Body, All Big Blocks	
00880	1974	<b>TACHOMETER HARNESS</b> Engine Side, E-Body, With Rally Gauges	

Year One Part #	Year	Description	*Rev.
<b>WIPER MOTOR HARNESS</b>			
38446	1968	WIPER MOTOR HARNESS 2-Speed, A-Body	
38446	1968	WIPER MOTOR HARNESS 2-Speed, B-Body	
23500	1969	WIPER MOTOR HARNESS 2-Speed, A-Body	
38446	1969	WIPER MOTOR HARNESS 2-Speed, B-Body, Up To Approx. Nov. 15 1968, Does Not Include 2-Way Connector With 4" Pigtail For The Backup Lamp Extension	
23500	1969	WIPER MOTOR HARNESS 2-Speed, B-Body, After Approx. Nov. 15 1968, Includes 2-Way Connector With 4" Pigtail For The Backup Lamp Extension	
23500	1970	WIPER MOTOR HARNESS 2-Speed, A-Body	
23500	1970	WIPER MOTOR HARNESS 2-Speed, B-Body	
31260	1970	WIPER MOTOR HARNESS 2-Speed, E-Body	
23500	1971	WIPER MOTOR HARNESS 2-Speed, A-Body	
31260	1971	WIPER MOTOR HARNESS 2-Speed, B-Body	
31260	1971	WIPER MOTOR HARNESS 2-Speed, E-Body	
23500	1972	WIPER MOTOR HARNESS 2-Speed, A-Body	
38482	1972	WIPER MOTOR HARNESS 2-Speed, B-Body, With Air Pump (Emission Control)	
31260	1972	WIPER MOTOR HARNESS 2-Speed, B-Body, Without Air Pump	
31260	1972	WIPER MOTOR HARNESS 2-Speed, E-Body	
38485	1973	WIPER MOTOR HARNESS 2-Speed, A-Body	
38489	1973	WIPER MOTOR HARNESS 2-Speed, B-Body	
31260	1973	WIPER MOTOR HARNESS 2-Speed, E-Body	
38485	1974	WIPER MOTOR HARNESS 2-Speed, A-Body	
38489	1974	WIPER MOTOR HARNESS 2-Speed, B-Body	
38489	1974	WIPER MOTOR HARNESS 2-Speed, E-Body	

# ***Section 11***

***Corvair***

Part Number	Year	Description	Price	*Rev.
<b>AIR CONDITIONING EXTENSION HARNESS</b>				
39591	1961	<b>AIR CONDITIONING EXTENSION HARNESS</b> Dimmer Switch To Selenium Rectifier Adapter Asm.	\$44.00	
39591	1962	<b>AIR CONDITIONING EXTENSION HARNESS</b> Dimmer Switch To Selenium Rectifier Adapter Asm.	\$44.00	
39591	1963	<b>AIR CONDITIONING EXTENSION HARNESS</b> Dimmer Switch To Selenium Rectifier Adapter Asm.	\$44.00	
39591	1964	<b>AIR CONDITIONING EXTENSION HARNESS</b> Dimmer Switch To Selenium Rectifier Adapter Asm.	\$44.00	
<b>AIR CONDITIONING HARNESS</b>				
26995	1962	<b>AIR CONDITIONING HARNESS</b> Evaporator To Compressor	\$38.00	
26995	1963	<b>AIR CONDITIONING HARNESS</b> Evaporator To Compressor	\$38.00	
39625	1963	<b>AIR CONDITIONING HARNESS</b> Main Air Conditioning Harness	\$145.00	
26995	1964	<b>AIR CONDITIONING HARNESS</b> Evaporator To Compressor	\$38.00	
39625	1964	<b>AIR CONDITIONING HARNESS</b> Main Air Conditioning Harness	\$145.00	
39644	1965	<b>AIR CONDITIONING HARNESS</b> Main Air Conditioning Harness, Early Production, Contains Striped Color Wires Note: Used With Accessory Style A/C (Field Installed).	\$145.00	
38217	1965	<b>AIR CONDITIONING HARNESS</b> Main Air Conditioning Harness, Late Production, Contains Solid Color Wires Note: Used With Accessory Style A/C (Field Installed).	\$145.00	
27020	1965	<b>AIR CONDITIONING HARNESS</b> Evaporator To Compressor Note: Used With Accessory Style A/C (Field Installed).	\$38.00	
38217	1966	<b>AIR CONDITIONING HARNESS</b> Main Air Conditioning Harness Note: Used With Accessory Style A/C (Field Installed).	\$145.00	
27020	1966	<b>AIR CONDITIONING HARNESS</b> Evaporator To Compressor Note: Used With Accessory Style A/C (Field Installed).	\$38.00	
27020	1967	<b>AIR CONDITIONING HARNESS</b> Evaporator To Compressor	\$38.00	
27020	1968	<b>AIR CONDITIONING HARNESS</b> Evaporator To Compressor	\$38.00	
<b>AIR CONDITIONING WIRE</b>				
39589	1961	<b>AIR CONDITIONING WIRE</b> A/C Evaporator To Compressor	\$30.00	
39593	1962	<b>AIR CONDITIONING WIRE</b> Dash Harness To A/C Cutout Relay	\$38.00	
39594	1962	<b>AIR CONDITIONING WIRE</b> Ignition Switch To Blower Switch	\$38.00	
39593	1963	<b>AIR CONDITIONING WIRE</b> Dash Harness To A/C Cutout Relay	\$38.00	
39594	1963	<b>AIR CONDITIONING WIRE</b> Ignition Switch To Blower Switch	\$38.00	
39593	1964	<b>AIR CONDITIONING WIRE</b> Dash Harness To A/C Cutout Relay	\$38.00	
39594	1964	<b>AIR CONDITIONING WIRE</b> Ignition Switch To Blower Switch	\$38.00	
39622	1965	<b>AIR CONDITIONING WIRE</b> Dash Harness To A/C Cutout Relay Note: Used With Accessory Style A/C (Field Installed).	\$30.00	
39630	1966	<b>AIR CONDITIONING WIRE</b> Compressor To Fast Idle Solenoid & Evaporator	\$38.00	
39622	1966	<b>AIR CONDITIONING WIRE</b> Dash Harness To A/C Cutout Relay Note: Used With Accessory Style A/C (Field Installed).	\$30.00	
<b>ALTERNATOR CONVERSION KIT</b>				
27555	1965	<b>ALTERNATOR CONVERSION KIT</b> External To Internal Regulator Conversion Harness ("SI" Series) Note: For Use With 1972-84 Non-Serpentine Belt ("SI" Series) Internal Regulated Alternators.	\$29.00	
37787	1965	<b>ALTERNATOR CONVERSION KIT</b> External To Internal Regulator Conversion Harness ("CS" Series) Note: For Use With Serpentine Belt ("CS" Series) Internal Regulated Alternators.	\$34.00	
27555	1966	<b>ALTERNATOR CONVERSION KIT</b> External To Internal Regulator Conversion Harness ("SI" Series) Note: For Use With 1972-84 Non-Serpentine Belt ("SI" Series) Internal Regulated Alternators.	\$29.00	
37787	1966	<b>ALTERNATOR CONVERSION KIT</b> External To Internal Regulator Conversion Harness ("CS" Series) Note: For Use With Serpentine Belt ("CS" Series) Internal Regulated Alternators.	\$34.00	

Part Number	Year	Description	Price	*Rev.
27555	1967	<b>ALTERNATOR CONVERSION KIT</b> External To Internal Regulator Conversion Harness ("SI" Series) Note: For Use With 1972-84 Non-Serpentine Belt ("SI" Series) Internal Regulated Alternators.	\$29.00	
37787	1967	<b>ALTERNATOR CONVERSION KIT</b> External To Internal Regulator Conversion Harness ("CS" Series) Note: For Use With Serpentine Belt ("CS" Series) Internal Regulated Alternators.	\$34.00	
27555	1968	<b>ALTERNATOR CONVERSION KIT</b> External To Internal Regulator Conversion Harness ("SI" Series) Note: For Use With 1972-84 Non-Serpentine Belt ("SI" Series) Internal Regulated Alternators.	\$29.00	
37787	1968	<b>ALTERNATOR CONVERSION KIT</b> External To Internal Regulator Conversion Harness ("CS" Series) Note: For Use With Serpentine Belt ("CS" Series) Internal Regulated Alternators.	\$34.00	
27555	1969	<b>ALTERNATOR CONVERSION KIT</b> External To Internal Regulator Conversion Harness ("SI" Series) Note: For Use With 1972-84 Non-Serpentine Belt ("SI" Series) Internal Regulated Alternators.	\$29.00	
37787	1969	<b>ALTERNATOR CONVERSION KIT</b> External To Internal Regulator Conversion Harness ("CS" Series) Note: For Use With Serpentine Belt ("CS" Series) Internal Regulated Alternators.	\$34.00	
<b>BACKUP LAMP HARNESS</b>				
39554	1960	<b>BACKUP LAMP HARNESS</b> 500 & 700 Model, With Automatic Transmission, For Vehicles Not Originally Equipped With The Backup Lamp Option	\$73.00	
39553	1960	<b>BACKUP LAMP HARNESS</b> 500 & 700 Model, With Manual Transmission, For Vehicles Not Originally Equipped With The Backup Lamp Option	\$58.00	
39574	1961	<b>BACKUP LAMP HARNESS</b> 500 & 700 Model, For Vehicles Not Originally Equipped With The Backup Lamp Option	\$73.00	
39575	1961	<b>BACKUP LAMP HARNESS</b> Wagon, Front, For Vehicles Not Originally Equipped With The Backup Lamp Option	\$67.00	
39576	1961	<b>BACKUP LAMP HARNESS</b> Wagon, Rear, For Vehicles Not Originally Equipped With The Backup Lamp Option	\$58.00	
39574	1962	<b>BACKUP LAMP HARNESS</b> 500 & 700 Model, For Vehicles Not Originally Equipped With The Backup Lamp Option	\$73.00	
39575	1962	<b>BACKUP LAMP HARNESS</b> Wagon, Front, For Vehicles Not Originally Equipped With The Backup Lamp Option	\$67.00	
39576	1962	<b>BACKUP LAMP HARNESS</b> Wagon, Rear, For Vehicles Not Originally Equipped With The Backup Lamp Option	\$58.00	
39597	1963	<b>BACKUP LAMP HARNESS</b> 500 & 700 Model, For Vehicles Not Originally Equipped With The Backup Lamp Option	\$58.00	
39605	1964	<b>BACKUP LAMP HARNESS</b> 500 & 700 Model, For Vehicles Not Originally Equipped With The Backup Lamp Option	\$51.00	
39620	1965	<b>BACKUP LAMP HARNESS</b> 500 & 700 Model, For Vehicles Not Originally Equipped With The Backup Lamp Option	\$58.00	
<b>BACKUP LAMP JUMPER WIRE</b>				
39577	1961	<b>BACKUP LAMP JUMPER WIRE</b> 500 & 700 Model, Used To Jump Backup Lamp Wires In Dash Harness, For Vehicles Not Equipped With Backup Lamps	\$23.00	
39577	1962	<b>BACKUP LAMP JUMPER WIRE</b> 500 & 700 Model, Used To Jump Backup Lamp Wires In Dash Harness, For Vehicles Not Equipped With Backup Lamps	\$23.00	
<b>BATTERY CABLE-NEGATIVE</b>				
36238	1960	<b>BATTERY GROUND CABLE</b> Neg, Bumper Brace Bolt To Coil Mounting Stud	\$22.00	
02900	1960	<b>BATTERY CABLE, SPRING RING</b> Neg, All, Battery To Bumper Brace Bolt	\$69.00	
36236	1961	<b>BATTERY CABLE, SPRING RING</b> Neg, Truck (Braided Strap Type)	\$86.00	
03525	1961	<b>BATTERY CABLE, SPRING RING</b> Neg, Wagon (Braided Strap Type)	\$86.00	
03520	1961	<b>BATTERY CABLE, SPRING RING</b> Neg, Except Wagon & Truck (Braided Strap Type)	\$95.00	
36236	1962	<b>BATTERY CABLE, SPRING RING</b> Neg, Truck (Braided Strap Type)	\$86.00	
03525	1962	<b>BATTERY CABLE, SPRING RING</b> Neg, Wagon (Braided Strap Type)	\$86.00	
03520	1962	<b>BATTERY CABLE, SPRING RING</b> Neg, Except Wagon & Truck (Braided Strap Type)	\$95.00	
36236	1963	<b>BATTERY CABLE, SPRING RING</b> Neg, Truck (Braided Strap Type)	\$86.00	
03520	1963	<b>BATTERY CABLE, SPRING RING</b> Neg, Except Wagon & Truck (Braided Strap Type)	\$95.00	



Part Number	Year	Description	Price	*Rev.
36236	1964	<b>BATTERY CABLE, SPRING RING</b> Neg, Truck (Braided Strap Type)	\$86.00	
03520	1964	<b>BATTERY CABLE, SPRING RING</b> Neg, Except Wagon & Truck (Braided Strap Type)	\$95.00	
09795	1965	<b>BATTERY CABLE, SPRING RING</b> Neg, All Except Truck, With Standard Battery	\$69.00	
09130	1965	<b>BATTERY CABLE, SPRING RING</b> Neg, All Except Truck, With Original Heavy Duty Battery Note: For Original Style Heavy Duty Batteries With Positive Terminal On Passenger Side Of Battery.	\$69.00	
40024	1965	<b>BATTERY CABLE, SPRING RING</b> Neg, All Except Truck, With Reproduction Heavy Duty Battery Note: For New Reproduction Heavy Duty Batteries With Positive Terminal On Driver Side Of Battery.	\$69.00	
04850	1965	<b>BATTERY CABLE, SPRING RING</b> Neg, Truck, All	\$69.00	
09795	1966	<b>BATTERY CABLE, SPRING RING</b> Neg, With Standard Battery	\$69.00	
09130	1966	<b>BATTERY CABLE, SPRING RING</b> Neg, With Original Heavy Duty Battery Note: For Original Style Heavy Duty Batteries With Positive Terminal On Passenger Side Of Battery.	\$69.00	
40024	1966	<b>BATTERY CABLE, SPRING RING</b> Neg, With Reproduction Heavy Duty Battery Note: For New Reproduction Heavy Duty Batteries With Positive Terminal On Driver Side Of Battery.	\$69.00	
09795	1967	<b>BATTERY CABLE, SPRING RING</b> Neg, With Standard Battery	\$69.00	
09130	1967	<b>BATTERY CABLE, SPRING RING</b> Neg, With Original Heavy Duty Battery Note: For Original Style Heavy Duty Batteries With Positive Terminal On Passenger Side Of Battery.	\$69.00	
40024	1967	<b>BATTERY CABLE, SPRING RING</b> Neg, With Reproduction Heavy Duty Battery Note: For New Reproduction Heavy Duty Batteries With Positive Terminal On Driver Side Of Battery.	\$69.00	
09795	1968	<b>BATTERY CABLE, SPRING RING</b> Neg, With Standard Battery	\$69.00	
09130	1968	<b>BATTERY CABLE, SPRING RING</b> Neg, With Original Heavy Duty Battery Note: For Original Style Heavy Duty Batteries With Positive Terminal On Passenger Side Of Battery.	\$69.00	
40024	1968	<b>BATTERY CABLE, SPRING RING</b> Neg, With Reproduction Heavy Duty Battery Note: For New Reproduction Heavy Duty Batteries With Positive Terminal On Driver Side Of Battery.	\$69.00	
09795	1969	<b>BATTERY CABLE, SPRING RING</b> Neg, With Standard Battery	\$69.00	
09130	1969	<b>BATTERY CABLE, SPRING RING</b> Neg, With Original Heavy Duty Battery Note: For Original Style Heavy Duty Batteries With Positive Terminal On Passenger Side Of Battery.	\$69.00	
40024	1969	<b>BATTERY CABLE, SPRING RING</b> Neg, With Reproduction Heavy Duty Battery Note: For New Reproduction Heavy Duty Batteries With Positive Terminal On Driver Side Of Battery.	\$69.00	
<b>BATTERY CABLE-POSITIVE</b>				
03145	1960	<b>BATTERY CABLE, SPRING RING</b> Pos, All	\$69.00	
03570	1961	<b>BATTERY CABLE, SPRING RING</b> Pos, All, Except Truck	\$69.00	
21320	1961	<b>BATTERY CABLE, SPRING RING</b> Pos, Truck	\$69.00	
03970	1962	<b>BATTERY CABLE, SPRING RING</b> Pos, All, Except Wagon & Truck	\$69.00	
21320	1962	<b>BATTERY CABLE, SPRING RING</b> Pos, Truck	\$69.00	
03975	1962	<b>BATTERY CABLE, SPRING RING</b> Pos, Wagon	\$69.00	
04435	1963	<b>BATTERY CABLE, SPRING RING</b> Pos, All, Except Truck	\$69.00	
21320	1963	<b>BATTERY CABLE, SPRING RING</b> Pos, Truck	\$69.00	
04930	1964	<b>BATTERY CABLE, SPRING RING</b> Pos, All, Except Truck	\$69.00	
21110	1964	<b>BATTERY CABLE, SPRING RING</b> Pos, Truck	\$69.00	
05470	1965	<b>BATTERY CABLE, SPRING RING</b> Pos, All, Except Truck	\$69.00	
21110	1965	<b>BATTERY CABLE, SPRING RING</b> Pos, Truck	\$69.00	
05470	1966	<b>BATTERY CABLE, SPRING RING</b> Pos, All	\$69.00	
09835	1967	<b>BATTERY CABLE, SPRING RING</b> Pos, All	\$69.00	
09835	1968	<b>BATTERY CABLE, SPRING RING</b> Pos, All	\$69.00	
09835	1969	<b>BATTERY CABLE, SPRING RING</b> Pos, All	\$69.00	
<b>CARGO DOOR WARNING LAMP HARNESS</b>				
39588	1961	<b>CARGO DOOR WARNING LAMP HARNESS</b> Greenbrier, Lamp Side Of Harness	\$38.00	

Part Number	Year	Description	Price	*Rev.
39586	1961	<b>CARGO DOOR WARNING LAMP HARNESS</b> Greenbrier, Switch Side Of Harness	\$38.00	
39588	1962	<b>CARGO DOOR WARNING LAMP HARNESS</b> Greenbrier, Lamp Side Of Harness	\$38.00	
39586	1962	<b>CARGO DOOR WARNING LAMP HARNESS</b> Greenbrier, Switch Side Of Harness	\$38.00	
<b>CIGARETTE LIGHTER WIRE</b>				
39562	1960	<b>CIGARETTE LIGHTER WIRE</b> All Models	\$15.00	
39562	1961	<b>CIGARETTE LIGHTER WIRE</b> All Models	\$15.00	
39562	1962	<b>CIGARETTE LIGHTER WIRE</b> All Models	\$15.00	
39562	1963	<b>CIGARETTE LIGHTER WIRE</b> All Models	\$15.00	
39562	1964	<b>CIGARETTE LIGHTER WIRE</b> All Models	\$15.00	
39562	1965	<b>CIGARETTE LIGHTER WIRE</b> All Models	\$15.00	
<b>CIRCUIT BREAKER</b>				
04849850	1962	<b>CIRCUIT BREAKER</b> 40 Amp, Power Top	\$14.00	
04849850	1963	<b>CIRCUIT BREAKER</b> 40 Amp, Power Top	\$14.00	
04849850	1964	<b>CIRCUIT BREAKER</b> 40 Amp, Power Top	\$14.00	
04850166	1965	<b>CIRCUIT BREAKER</b> 30 Amp, Power Top	\$14.00	
04850166	1966	<b>CIRCUIT BREAKER</b> 30 Amp, Power Top	\$14.00	
04850166	1967	<b>CIRCUIT BREAKER</b> 30 Amp, Power Top	\$14.00	
04850166	1968	<b>CIRCUIT BREAKER</b> 30 Amp, Power Top	\$14.00	
04850166	1969	<b>CIRCUIT BREAKER</b> 30 Amp, Power Top	\$14.00	
<b>CLOCK HARNESS</b>				
39571	1961	<b>CLOCK HARNESS</b> All Models	\$43.00	
39571	1962	<b>CLOCK HARNESS</b> All Models	\$43.00	
39571	1963	<b>CLOCK HARNESS</b> All Models	\$43.00	
39571	1964	<b>CLOCK HARNESS</b> All Models	\$43.00	
39571	1965	<b>CLOCK HARNESS</b> All Models	\$43.00	
39571	1966	<b>CLOCK HARNESS</b> All Models	\$43.00	
39635	1967	<b>CLOCK HARNESS</b> All Models	\$33.00	
39635	1968	<b>CLOCK HARNESS</b> All Models	\$33.00	
39635	1969	<b>CLOCK HARNESS</b> All Models	\$33.00	
<b>COURTESY LAMP HARNESS</b>				
40038	1960	<b>COURTESY LAMP HARNESS</b> Overhead Dome Lamp	\$29.00	
39555	1960	<b>COURTESY LAMP HARNESS</b> Under Dash, 500 & 700 Model	\$52.00	
40038	1961	<b>COURTESY LAMP HARNESS</b> Overhead Dome Lamp	\$29.00	
39555	1961	<b>COURTESY LAMP HARNESS</b> Under Dash, 500 & 700 Model	\$52.00	
40038	1962	<b>COURTESY LAMP HARNESS</b> Overhead Dome Lamp	\$29.00	
39626	1962	<b>COURTESY LAMP HARNESS</b> Under Dash, Car & Wagon, Except Convertible	\$66.00	
26805	1962	<b>COURTESY LAMP HARNESS</b> Under Dash, Convertible	\$66.00	
40038	1963	<b>COURTESY LAMP HARNESS</b> Overhead Dome Lamp	\$29.00	
39604	1963	<b>COURTESY LAMP HARNESS</b> Under Dash, Car & Wagon	\$66.00	
26805	1963	<b>COURTESY LAMP HARNESS</b> Under Dash, Convertible	\$66.00	
40038	1964	<b>COURTESY LAMP HARNESS</b> Overhead Dome Lamp	\$29.00	
38249	1964	<b>COURTESY LAMP HARNESS</b> Under Dash, Car & Wagon	\$52.00	
26770	1964	<b>COURTESY LAMP HARNESS</b> Under Dash, Convertible	\$66.00	
07945	1965	<b>COURTESY LAMP HARNESS</b> Overhead Dome Lamp	\$29.00	
39606	1965	<b>COURTESY LAMP HARNESS</b> Overhead Dome Lamp, Van	\$29.00	
39621	1965	<b>COURTESY LAMP HARNESS</b> Under Dash, Car & Wagon, Except Convertible	\$52.00	

Part Number	Year	Description	Price	*Rev.
26925	1965	<b>COURTESY LAMP HARNESS</b> Under Dash, Convertible	\$52.00	
07945	1966	<b>COURTESY LAMP HARNESS</b> Overhead Dome Lamp	\$29.00	
39621	1966	<b>COURTESY LAMP HARNESS</b> Under Dash, Car & Wagon, Except Convertible	\$52.00	
26925	1966	<b>COURTESY LAMP HARNESS</b> Under Dash, Convertible	\$52.00	
07945	1967	<b>COURTESY LAMP HARNESS</b> Overhead Dome Lamp	\$29.00	
26915	1967	<b>COURTESY LAMP HARNESS</b> Under Dash, Car & Wagon	\$66.00	
26925	1967	<b>COURTESY LAMP HARNESS</b> Under Dash, Convertible	\$52.00	
07945	1968	<b>COURTESY LAMP HARNESS</b> Overhead Dome Lamp	\$29.00	
26915	1968	<b>COURTESY LAMP HARNESS</b> Under Dash, Car & Wagon	\$66.00	
26925	1968	<b>COURTESY LAMP HARNESS</b> Under Dash, Convertible	\$52.00	
07945	1969	<b>COURTESY LAMP HARNESS</b> Overhead Dome Lamp	\$29.00	
26915	1969	<b>COURTESY LAMP HARNESS</b> Under Dash, Car & Wagon	\$66.00	
26925	1969	<b>COURTESY LAMP HARNESS</b> Under Dash, Convertible	\$52.00	
<b>COURTESY LAMP HARNESS EXTENSION</b>				
39559	1960	<b>COURTESY LAMP HARNESS EXTENSION</b> Under Dash Extension, 700 Model Only, From Door Jamb Switch To Courtest Lamp Harness	\$43.00	
39559	1961	<b>COURTESY LAMP HARNESS EXTENSION</b> Under Dash Extension, 700 Model Only, From Door Jamb Switch To Courtest Lamp Harness	\$43.00	
39559	1962	<b>COURTESY LAMP HARNESS EXTENSION</b> Under Dash Extension, 700 Model Only, From Door Jamb Switch To Courtest Lamp Harness	\$43.00	
<b>DASH HARNESS</b>				
26840	1960	<b>DASH HARNESS</b> Car & Wagon, Auto Trans, With Backup Lamps	\$527.00	
39558	1960	<b>DASH HARNESS</b> Car & Wagon, Auto Trans, Without Backup Lamps	\$527.00	
39565	1960	<b>DASH HARNESS</b> Car & Wagon, Manual Trans, With Backup Lamps	\$527.00	
39552	1960	<b>DASH HARNESS</b> Car & Wagon, Manual Trans, Without Backup Lamps	\$527.00	
26810	1961	<b>DASH HARNESS</b> Car & Wagon, Auto Trans, With Backup Lamps	\$527.00	
39570	1961	<b>DASH HARNESS</b> Car & Wagon, Auto Trans, Without Backup Lamps	\$527.00	
39583	1961	<b>DASH HARNESS</b> Car & Wagon, Manual Trans, With Backup Lamps	\$527.00	
39569	1961	<b>DASH HARNESS</b> Car & Wagon, Manual Trans, Without Backup Lamps	\$527.00	
39580	1961	<b>DASH HARNESS</b> Van & Truck, Auto Trans	\$527.00	
37603	1961	<b>DASH HARNESS</b> Van & Truck, Manual Trans	\$527.00	
26965	1962	<b>DASH HARNESS</b> Car & Wagon, Auto Trans	\$527.00	
26940	1962	<b>DASH HARNESS</b> Car & Wagon, Auto Trans, With Gauges	\$527.00	
26825	1962	<b>DASH HARNESS</b> Car & Wagon, Manual Trans	\$527.00	
26835	1962	<b>DASH HARNESS</b> Car & Wagon, Manual Trans, With Gauges	\$527.00	
39529	1962	<b>DASH HARNESS</b> Van & Truck, Auto Trans, With Optional Wiper Fuse At Fuse Box	\$527.00	
39580	1962	<b>DASH HARNESS</b> Van & Truck, Auto Trans, Without Optional Wiper Fuse At Fuse Box	\$527.00	
39590	1962	<b>DASH HARNESS</b> Van & Truck, Manual Trans, With Optional Wiper Fuse At Fuse Box	\$527.00	
37603	1962	<b>DASH HARNESS</b> Van & Truck, Manual Trans, Without Optional Wiper Fuse At Fuse Box	\$527.00	
26965	1963	<b>DASH HARNESS</b> Car & Wagon, Auto Trans	\$527.00	
26825	1963	<b>DASH HARNESS</b> Car & Wagon, Manual Trans	\$527.00	
26830	1963	<b>DASH HARNESS</b> Car & Wagon, All, With Gauges	\$527.00	
39529	1963	<b>DASH HARNESS</b> Van & Truck, Auto Trans, With Optional Wiper Fuse At Fuse Box	\$527.00	
39580	1963	<b>DASH HARNESS</b> Van & Truck, Auto Trans, Without Optional Wiper Fuse At Fuse Box	\$527.00	

Part Number	Year	Description	Price	*Rev.
39590	1963	<b>DASH HARNESS</b> Van & Truck, Manual Trans, With Optional Wiper Fuse At Fuse Box	\$527.00	
37603	1963	<b>DASH HARNESS</b> Van & Truck, Manual Trans, Without Fused Wiper Circuit	\$527.00	
26945	1964	<b>DASH HARNESS</b> Car, Auto Trans	\$527.00	
26820	1964	<b>DASH HARNESS</b> Car, Manual Trans	\$527.00	
20035	1964	<b>DASH HARNESS</b> Car, All, With Gauges	\$527.00	
39612	1964	<b>DASH HARNESS</b> Van & Truck, Auto Trans	\$527.00	
38141	1964	<b>DASH HARNESS</b> Van & Truck, Manual Trans	\$527.00	
37957	1965	<b>DASH HARNESS</b> Car, Auto Trans, Early Production, Contains Striped Color Wires	\$527.00	
26960	1965	<b>DASH HARNESS</b> Car, Auto Trans, Late Production, Contains Solid Color Wires	\$527.00	
37958	1965	<b>DASH HARNESS</b> Car, Auto Trans, With Air Conditioning, Early Production, Contains Striped Color Wires Note: A/C Wiring Is Incorporated Into The Dash Harness (Factory Installed Type).	\$527.00	
26975	1965	<b>DASH HARNESS</b> Car, Auto Trans, With Air Conditioning, Late Production, Contains Solid Color Wires Note: A/C Wiring Is Incorporated Into The Dash Harness (Factory Installed Type).	\$527.00	
37959	1965	<b>DASH HARNESS</b> Car, Manual Trans, Early Production, Contains Striped Color Wires	\$527.00	
26930	1965	<b>DASH HARNESS</b> Car, Manual Trans, Late Production, Contains Solid Color Wires	\$527.00	
37960	1965	<b>DASH HARNESS</b> Car, Manual Trans, With Air Conditioning, Early Production, Contains Striped Color Wires Note: A/C Wiring Is Incorporated Into The Dash Harness (Factory Installed Type).	\$527.00	
26970	1965	<b>DASH HARNESS</b> Car, Manual Trans, With Air Conditioning, Late Production, Contains Solid Color Wires Note: A/C Wiring Is Incorporated Into The Dash Harness (Factory Installed Type).	\$527.00	
37956	1965	<b>DASH HARNESS</b> Car, All, With Gauges, Early Production, Contains Striped Color Wires	\$527.00	
26815	1965	<b>DASH HARNESS</b> Car, All, With Gauges, Late Production, Contains Solid Color Wires	\$527.00	
39612	1965	<b>DASH HARNESS</b> Van, Auto Trans, Has 3 Wire Ignition Switch Connector	\$527.00	
39619	1965	<b>DASH HARNESS</b> Van, Auto Trans, Has 4 Wire Ignition Switch Connector	\$527.00	
38141	1965	<b>DASH HARNESS</b> Van, Manual Trans, Has 3 Wire Ignition Switch Connector	\$527.00	
39618	1965	<b>DASH HARNESS</b> Van, Manual Trans, Has 4 Wire Ignition Switch Connector	\$527.00	
26960	1966	<b>DASH HARNESS</b> All, Auto Trans	\$527.00	
26975	1966	<b>DASH HARNESS</b> All, Auto Trans, With Air Conditioning Note: A/C Wiring Is Incorporated Into The Dash Harness (Factory Installed Type).	\$527.00	
26930	1966	<b>DASH HARNESS</b> All, Manual Trans	\$527.00	
26970	1966	<b>DASH HARNESS</b> All, Manual Trans, With Air Conditioning Note: A/C Wiring Is Incorporated Into The Dash Harness (Factory Installed Type).	\$527.00	
26815	1966	<b>DASH HARNESS</b> All, With Gauges, Except Air Conditioning	\$527.00	
38812	1966	<b>DASH HARNESS</b> All, With Gauges & Air Conditioning Note: A/C Wiring Is Incorporated Into The Dash Harness (Factory Installed Type).	\$513.00	
39634	1967	<b>DASH HARNESS</b> All, Auto Trans	\$513.00	
39633	1967	<b>DASH HARNESS</b> All, Auto Trans, With Air Conditioning Note: A/C Wiring Is Incorporated Into The Dash Harness (Factory Installed Type).	\$513.00	
38137	1967	<b>DASH HARNESS</b> All, Manual Trans	\$513.00	
39632	1967	<b>DASH HARNESS</b> All, Manual Trans, With Air Conditioning Note: A/C Wiring Is Incorporated Into The Dash Harness (Factory Installed Type).	\$513.00	
35540	1968	<b>DASH HARNESS</b> All, Auto Trans	\$513.00	

Part Number	Year	Description	Price	*Rev.
39637	1968	<b>DASH HARNESS</b> All, Auto Trans, With Air Conditioning Note: A/C Wiring Is Incorporated Into The Dash Harness (Factory Installed Type).	\$513.00	
26935	1968	<b>DASH HARNESS</b> All, Manual Trans	\$513.00	
39636	1968	<b>DASH HARNESS</b> All, Manual Trans, With Air Conditioning Note: A/C Wiring Is Incorporated Into The Dash Harness (Factory Installed Type).	\$513.00	
35540	1969	<b>DASH HARNESS</b> All, Auto Trans	\$513.00	
26935	1969	<b>DASH HARNESS</b> All, Manual Trans	\$513.00	
37962	1965	<b>DASH INSTRUMENT CLUSTER HARNESS</b> Car, Without Gauges, Early Production, Contains Striped Color Wires	\$126.00	
26775	1965	<b>DASH INSTRUMENT CLUSTER HARNESS</b> Car, Without Gauges, Late Production, Contains Solid Color Wires	\$126.00	
37961	1965	<b>DASH INSTRUMENT CLUSTER HARNESS</b> Car, All, With Gauges, Early Production, Contains Striped Color Wires	\$126.00	
26780	1965	<b>DASH INSTRUMENT CLUSTER HARNESS</b> Car, All, With Gauges, Late Production, Contains Solid Color Wires	\$126.00	
26775	1966	<b>DASH INSTRUMENT CLUSTER HARNESS</b> All, Without Gauges	\$126.00	
26780	1966	<b>DASH INSTRUMENT CLUSTER HARNESS</b> All, With Gauges	\$126.00	
26795	1967	<b>DASH INSTRUMENT CLUSTER HARNESS</b> All Models	\$126.00	
26795	1968	<b>DASH INSTRUMENT CLUSTER HARNESS</b> All Models	\$126.00	
26795	1969	<b>DASH INSTRUMENT CLUSTER HARNESS</b> All Models	\$126.00	
<b>DOME LAMP WIRE</b>				
39587	1961	<b>DOME LAMP WIRE</b> Van, Voltage Regulator To Dome Lamp Housing	\$33.00	
39587	1962	<b>DOME LAMP WIRE</b> Van, Voltage Regulator To Dome Lamp Housing	\$33.00	
39587	1963	<b>DOME LAMP WIRE</b> Van, Voltage Regulator To Dome Lamp Housing	\$33.00	
<b>DOME LIGHT LENS</b>				
02973210	1961	<b>DOME LIGHT LENS</b> Truck Note: Manufactured Using Original GM Tooling.	\$4.00	
02973210	1962	<b>DOME LIGHT LENS</b> Truck Note: Manufactured Using Original GM Tooling.	\$4.00	
02973210	1963	<b>DOME LIGHT LENS</b> Truck Note: Manufactured Using Original GM Tooling.	\$4.00	
02973210	1964	<b>DOME LIGHT LENS</b> Truck Note: Manufactured Using Original GM Tooling.	\$4.00	
02973210	1965	<b>DOME LIGHT LENS</b> Truck Note: Manufactured Using Original GM Tooling.	\$4.00	
<b>DOOR JAMB SWITCH</b>				
04826444	1960	<b>DOOR JAMB SWITCH</b> Car, Front Door	\$22.00	N
04826444	1961	<b>DOOR JAMB SWITCH</b> Car, Front Door	\$22.00	N
04826444	1961	<b>DOOR JAMB SWITCH</b> Van, Side & Rear Doors	\$22.00	N
04826444	1962	<b>DOOR JAMB SWITCH</b> Car, Front Door	\$22.00	N
04826444	1962	<b>DOOR JAMB SWITCH</b> Van, Side & Rear Doors	\$22.00	N
04826444	1963	<b>DOOR JAMB SWITCH</b> Van, Side & Rear Doors	\$22.00	N
04826444	1964	<b>DOOR JAMB SWITCH</b> Van, Side & Rear Doors	\$22.00	N
04826444	1965	<b>DOOR JAMB SWITCH</b> Van, Side & Rear Doors	\$22.00	N
<b>ENGINE HARNESS</b>				
03155	1960	<b>ENGINE HARNESS</b> All, With Backup Lamps	\$145.00	
44039	1960	<b>ENGINE HARNESS-INT REG ALTERNATOR</b> All, With Backup Lamps Note: This Harness Has Been Modified For 1972-84 Non-Serpentine Belt ("SI" Series) Internal Regulated Alternators.	\$152.00	
03150	1960	<b>ENGINE HARNESS</b> All, Without Backup Lamps	\$145.00	

Part Number	Year	Description	Price	*Rev.
44040	1960	<b>ENGINE HARNESS-INT REG ALTERNATOR</b> All, Without Backup Lamps Note: This Harness Has Been Modified For 1972-84 Non-Serpentine Belt ("SI" Series) Internal Regulated Alternators.	\$152.00	
03645	1961	<b>ENGINE HARNESS</b> All, With Backup Lamps, Except Wagon	\$145.00	
44041	1961	<b>ENGINE HARNESS-INT REG ALTERNATOR</b> All, With Backup Lamps, Except Wagon Note: This Harness Has Been Modified For 1972-84 Non-Serpentine Belt ("SI" Series) Internal Regulated Alternators.	\$152.00	
03640	1961	<b>ENGINE HARNESS</b> All, Without Backup Lamps, Except Wagon	\$145.00	
44042	1961	<b>ENGINE HARNESS-INT REG ALTERNATOR</b> All, Without Backup Lamps, Except Wagon Note: This Harness Has Been Modified For 1972-84 Non-Serpentine Belt ("SI" Series) Internal Regulated Alternators.	\$152.00	
03600	1961	<b>ENGINE HARNESS</b> Wagon, With Backup Lamps	\$145.00	
44043	1961	<b>ENGINE HARNESS-INT REG ALTERNATOR</b> Wagon, With Backup Lamps Note: This Harness Has Been Modified For 1972-84 Non-Serpentine Belt ("SI" Series) Internal Regulated Alternators.	\$152.00	
03595	1961	<b>ENGINE HARNESS</b> Wagon, Without Backup Lamps	\$145.00	
44044	1961	<b>ENGINE HARNESS-INT REG ALTERNATOR</b> Wagon, Without Backup Lamps Note: This Harness Has Been Modified For 1972-84 Non-Serpentine Belt ("SI" Series) Internal Regulated Alternators.	\$152.00	
22120	1961	<b>ENGINE HARNESS</b> All, Van & Truck	\$145.00	C
44045	1961	<b>ENGINE HARNESS-INT REG ALTERNATOR</b> All, Van & Truck Note: This Harness Has Been Modified For 1972-84 Non-Serpentine Belt ("SI" Series) Internal Regulated Alternators.	\$152.00	C
03795	1962	<b>ENGINE HARNESS</b> With Gauges	\$145.00	
44047	1962	<b>ENGINE HARNESS-INT REG ALTERNATOR</b> With Gauges Note: This Harness Has Been Modified For 1972-84 Non-Serpentine Belt ("SI" Series) Internal Regulated Alternators.	\$152.00	
03965	1962	<b>ENGINE HARNESS</b> Standard Model, With Backup Lamps	\$145.00	
44048	1962	<b>ENGINE HARNESS-INT REG ALTERNATOR</b> Standard Model, With Backup Lamps Note: This Harness Has Been Modified For 1972-84 Non-Serpentine Belt ("SI" Series) Internal Regulated Alternators.	\$152.00	
03960	1962	<b>ENGINE HARNESS</b> Standard Model, Without Backup Lamps	\$145.00	
44049	1962	<b>ENGINE HARNESS-INT REG ALTERNATOR</b> Standard Model, Without Backup Lamps Note: This Harness Has Been Modified For 1972-84 Non-Serpentine Belt ("SI" Series) Internal Regulated Alternators.	\$152.00	
04005	1962	<b>ENGINE HARNESS</b> All, With Turbo Charger	\$145.00	
44050	1962	<b>ENGINE HARNESS-INT REG ALTERNATOR</b> All, With Turbo Charger, Modified For Int Reg Alt. Note: This Harness Has Been Modified For 1972-84 Non-Serpentine Belt ("SI" Series) Internal Regulated Alternators.	\$152.00	
03980	1962	<b>ENGINE HARNESS</b> Wagon, With Backup Lamps	\$145.00	
44051	1962	<b>ENGINE HARNESS-INT REG ALTERNATOR</b> Wagon, With Backup Lamps Note: This Harness Has Been Modified For 1972-84 Non-Serpentine Belt ("SI" Series) Internal Regulated Alternators.	\$152.00	
03955	1962	<b>ENGINE HARNESS</b> Wagon, Without Backup Lamps	\$145.00	
44052	1962	<b>ENGINE HARNESS-INT REG ALTERNATOR</b> Wagon, Without Backup Lamps Note: This Harness Has Been Modified For 1972-84 Non-Serpentine Belt ("SI" Series) Internal Regulated Alternators.	\$152.00	
41481	1962	<b>ENGINE HARNESS</b> Van & Truck With Air Heater	\$145.00	
44046	1962	<b>ENGINE HARNESS-INT REG ALTERNATOR</b> Van & Truck With Air Heater Note: This Harness Has Been Modified For 1972-84 Non-Serpentine Belt ("SI" Series) Internal Regulated Alternators.	\$152.00	
22120	1962	<b>ENGINE HARNESS</b> Van & Truck With Gas Heater	\$145.00	
44045	1962	<b>ENGINE HARNESS-INT REG ALTERNATOR</b> Van & Truck With Gas Heater Note: This Harness Has Been Modified For 1972-84 Non-Serpentine Belt ("SI" Series) Internal Regulated Alternators.	\$152.00	
03965	1963	<b>ENGINE HARNESS</b> Standard Model, With Backup Lamps	\$145.00	
44048	1963	<b>ENGINE HARNESS-INT REG ALTERNATOR</b> Standard Model, With Backup Lamps Note: This Harness Has Been Modified For 1972-84 Non-Serpentine Belt ("SI" Series) Internal Regulated Alternators.	\$152.00	
03960	1963	<b>ENGINE HARNESS</b> Standard Model, Without Backup Lamps	\$145.00	
44049	1963	<b>ENGINE HARNESS-INT REG ALTERNATOR</b> Standard Model, Without Backup Lamps Note: This Harness Has Been Modified For 1972-84 Non-Serpentine Belt ("SI" Series) Internal Regulated Alternators.	\$152.00	
04005	1963	<b>ENGINE HARNESS</b> All, With Turbo Charger	\$145.00	

Part Number	Year	Description	Price	*Rev.
44050	1963	<b>ENGINE HARNESS-INT REG ALTERNATOR</b> All, With Turbo Charger, Modified For Int Reg Alt. Note: This Harness Has Been Modified For 1972-84 Non-Serpentine Belt ("SI" Series) Internal Regulated Alternators.	\$152.00	
41481	1963	<b>ENGINE HARNESS</b> Van & Truck With Air Heater	\$145.00	
44046	1963	<b>ENGINE HARNESS-INT REG ALTERNATOR</b> Van & Truck With Air Heater Note: This Harness Has Been Modified For 1972-84 Non-Serpentine Belt ("SI" Series) Internal Regulated Alternators.	\$152.00	
22120	1963	<b>ENGINE HARNESS</b> Van & Truck With Gas Heater	\$145.00	
44045	1963	<b>ENGINE HARNESS-INT REG ALTERNATOR</b> Van & Truck With Gas Heater Note: This Harness Has Been Modified For 1972-84 Non-Serpentine Belt ("SI" Series) Internal Regulated Alternators.	\$152.00	
04915	1964	<b>ENGINE HARNESS</b> Standard Model, With Backup Lamps	\$145.00	
44053	1964	<b>ENGINE HARNESS-INT REG ALTERNATOR</b> Standard Model, With Backup Lamps Note: This Harness Has Been Modified For 1972-84 Non-Serpentine Belt ("SI" Series) Internal Regulated Alternators.	\$152.00	
04910	1964	<b>ENGINE HARNESS</b> Standard Model, Without Backup Lamps	\$145.00	
44054	1964	<b>ENGINE HARNESS-INT REG ALTERNATOR</b> Standard Model, Without Backup Lamps Note: This Harness Has Been Modified For 1972-84 Non-Serpentine Belt ("SI" Series) Internal Regulated Alternators.	\$152.00	
04920	1964	<b>ENGINE HARNESS</b> All, With Turbo Charger	\$145.00	
44055	1964	<b>ENGINE HARNESS-INT REG ALTERNATOR</b> All, With Turbo Charger, Modified For Int Reg Alt. Note: This Harness Has Been Modified For 1972-84 Non-Serpentine Belt ("SI" Series) Internal Regulated Alternators.	\$152.00	
20010	1964	<b>ENGINE HARNESS</b> Van & Truck	\$145.00	
44056	1964	<b>ENGINE HARNESS-INT REG ALTERNATOR</b> Van & Truck Note: This Harness Has Been Modified For 1972-84 Non-Serpentine Belt ("SI" Series) Internal Regulated Alternators.	\$152.00	
37964	1965	<b>ENGINE HARNESS</b> Standard Model, With Backup Lamps, Early Production, Contains Striped Color Wires	\$145.00	
44058	1965	<b>ENGINE HARNESS-INT REG ALTERNATOR</b> Standard Model, With Backup Lamps, Early Production, Contains Striped Color Wires Note: This Harness Has Been Modified For 1972-84 Non-Serpentine Belt ("SI" Series) Internal Regulated Alternators.	\$152.00	
06150	1965	<b>ENGINE HARNESS</b> Standard Model, With Backup Lamps, Late Production, Contains Solid Color Wires	\$145.00	
44059	1965	<b>ENGINE HARNESS-INT REG ALTERNATOR</b> Standard Model, With Backup Lamps, Late Production, Contains Solid Color Wires Note: This Harness Has Been Modified For 1972-84 Non-Serpentine Belt ("SI" Series) Internal Regulated Alternators.	\$152.00	
37965	1965	<b>ENGINE HARNESS</b> Standard Model, Without Backup Lamps, Early Production, Contains Striped Color Wires	\$145.00	
44060	1965	<b>ENGINE HARNESS-INT REG ALTERNATOR</b> Standard Model, Without Backup Lamps, Early Production, Contains Striped Color Wires Note: This Harness Has Been Modified For 1972-84 Non-Serpentine Belt ("SI" Series) Internal Regulated Alternators.	\$152.00	
06160	1965	<b>ENGINE HARNESS</b> Standard Model, Without Backup Lamps, Late Production, Contains Solid Color Wires	\$145.00	
44061	1965	<b>ENGINE HARNESS-INT REG ALTERNATOR</b> Standard Model, Without Backup Lamps, Late Production, Contains Solid Color Wires Note: This Harness Has Been Modified For 1972-84 Non-Serpentine Belt ("SI" Series) Internal Regulated Alternators.	\$152.00	
37963	1965	<b>ENGINE HARNESS</b> Corsa, All Early Production, Contains Striped Color Wires	\$145.00	
44062	1965	<b>ENGINE HARNESS-INT REG ALTERNATOR</b> Corsa, All Early Production, Contains Striped Color Wires Note: This Harness Has Been Modified For 1972-84 Non-Serpentine Belt ("SI" Series) Internal Regulated Alternators.	\$152.00	
06155	1965	<b>ENGINE HARNESS</b> Corsa, All Late Production, Contains Solid Color Wires	\$145.00	
44063	1965	<b>ENGINE HARNESS-INT REG ALTERNATOR</b> Corsa, All Late Production, Contains Solid Color Wires Note: This Harness Has Been Modified For 1972-84 Non-Serpentine Belt ("SI" Series) Internal Regulated Alternators.	\$152.00	
28635	1965	<b>ENGINE HARNESS</b> Van	\$145.00	
44057	1965	<b>ENGINE HARNESS-INT REG ALTERNATOR</b> Van Note: This Harness Has Been Modified For 1972-84 Non-Serpentine Belt ("SI" Series) Internal Regulated Alternators.	\$152.00	
06150	1966	<b>ENGINE HARNESS</b> Standard Model, With Backup Lamps	\$145.00	

Part Number	Year	Description	Price	*Rev.
44059	1966	<b>ENGINE HARNESS-INT REG ALTERNATOR</b> Standard Model, With Backup Lamps Note: This Harness Has Been Modified For 1972-84 Non-Serpentine Belt ("SI" Series) Internal Regulated Alternators.	\$152.00	
06160	1966	<b>ENGINE HARNESS</b> Standard Model, Without Backup Lamps	\$145.00	
44061	1966	<b>ENGINE HARNESS-INT REG ALTERNATOR</b> Standard Model, Without Backup Lamps Note: This Harness Has Been Modified For 1972-84 Non-Serpentine Belt ("SI" Series) Internal Regulated Alternators.	\$152.00	
06155	1966	<b>ENGINE HARNESS</b> Corsa, All	\$145.00	
44063	1966	<b>ENGINE HARNESS-INT REG ALTERNATOR</b> Corsa, All Note: This Harness Has Been Modified For 1972-84 Non-Serpentine Belt ("SI" Series) Internal Regulated Alternators.	\$152.00	
10975	1967	<b>ENGINE HARNESS</b> All Models	\$145.00	
44064	1967	<b>ENGINE HARNESS-INT REG ALTERNATOR</b> All Models Note: This Harness Has Been Modified For 1972-84 Non-Serpentine Belt ("SI" Series) Internal Regulated Alternators.	\$152.00	
12045	1968	<b>ENGINE HARNESS</b> All Models	\$145.00	
44065	1968	<b>ENGINE HARNESS-INT REG ALTERNATOR</b> All Models Note: This Harness Has Been Modified For 1972-84 Non-Serpentine Belt ("SI" Series) Internal Regulated Alternators.	\$152.00	
12045	1969	<b>ENGINE HARNESS</b> All Models	\$145.00	
44065	1969	<b>ENGINE HARNESS-INT REG ALTERNATOR</b> All Models Note: This Harness Has Been Modified For 1972-84 Non-Serpentine Belt ("SI" Series) Internal Regulated Alternators.	\$152.00	
<b>FORWARD LAMP HARNESS</b>				
40160	1960	<b>FORWARD LAMP HARNESS</b> 500 Model, (1st Design), With Round Headlamp Connector	\$145.00	
39566	1960	<b>FORWARD LAMP HARNESS</b> 500 Model, (2nd Design), With T Shaped Headlamp Connector	\$145.00	
40204	1960	<b>FORWARD LAMP HARNESS</b> 700 Model, (1st Design), With Round Headlamp Connector	\$145.00	
26785	1960	<b>FORWARD LAMP HARNESS</b> 700 Model, (2nd Design), With T Shaped Headlamp Connector	\$145.00	
26985	1961	<b>FORWARD LAMP HARNESS</b> 500 Model	\$145.00	
26990	1961	<b>FORWARD LAMP HARNESS</b> 700 & 900 Model	\$145.00	
26985	1962	<b>FORWARD LAMP HARNESS</b> 500 Model	\$145.00	
26990	1962	<b>FORWARD LAMP HARNESS</b> 700 & 900 Model	\$145.00	
26985	1963	<b>FORWARD LAMP HARNESS</b> 500 Model	\$145.00	
26990	1963	<b>FORWARD LAMP HARNESS</b> 700 & 900 Model	\$145.00	
39607	1964	<b>FORWARD LAMP HARNESS</b> 500 Model	\$145.00	
20050	1964	<b>FORWARD LAMP HARNESS</b> 700 & 900 Model	\$145.00	
37966	1965	<b>FORWARD LAMP HARNESS</b> 10100 Model, Early Production, Contains Striped Color Wires	\$145.00	
37967	1965	<b>FORWARD LAMP HARNESS</b> 10500 & 10700 Model, Early Production, Contains Striped Color Wires	\$145.00	
26920	1965	<b>FORWARD LAMP HARNESS</b> 10100 Model, Late Production, Contains Solid Color Wires	\$145.00	
22125	1965	<b>FORWARD LAMP HARNESS</b> 10500 & 10700 Model, Late Production, Contains Solid Color Wires	\$145.00	
26920	1966	<b>FORWARD LAMP HARNESS</b> 10100 Model	\$145.00	
22125	1966	<b>FORWARD LAMP HARNESS</b> 10500 & 10700 Model	\$145.00	
39631	1967	<b>FORWARD LAMP HARNESS</b> 10100 Model	\$145.00	
23640	1967	<b>FORWARD LAMP HARNESS</b> 10500 Model	\$145.00	
26790	1968	<b>FORWARD LAMP HARNESS</b> 10100 Model	\$145.00	
11875	1968	<b>FORWARD LAMP HARNESS</b> 10500 Model	\$145.00	
26790	1969	<b>FORWARD LAMP HARNESS</b> 10100 Model	\$145.00	
11875	1969	<b>FORWARD LAMP HARNESS</b> 10500 Model	\$145.00	
<b>GLOVE BOX LAMP KIT</b>				
18000	1960	<b>GLOVE BOX LAMP KIT</b> Socket, Bulb & Wire	\$24.00	
18000	1961	<b>GLOVE BOX LAMP KIT</b> Socket, Bulb & Wire	\$24.00	
18000	1962	<b>GLOVE BOX LAMP KIT</b> Socket, Bulb & Wire	\$24.00	



Part Number	Year	Description	Price	*Rev.
18000	1963	<b>GLOVE BOX LAMP KIT</b> Socket, Bulb & Wire	\$24.00	
18000	1964	<b>GLOVE BOX LAMP KIT</b> Socket, Bulb & Wire	\$24.00	
18000	1965	<b>GLOVE BOX LAMP KIT</b> Socket, Bulb & Wire	\$24.00	
18000	1966	<b>GLOVE BOX LAMP KIT</b> Socket, Bulb & Wire	\$24.00	
18000	1967	<b>GLOVE BOX LAMP KIT</b> Socket, Bulb & Wire	\$24.00	
18000	1968	<b>GLOVE BOX LAMP KIT</b> Socket, Bulb & Wire	\$24.00	
18000	1969	<b>GLOVE BOX LAMP KIT</b> Socket, Bulb & Wire	\$24.00	
<b>GLOVE BOX LAMP WIRE</b>				
38023	1960	<b>GLOVE BOX LAMP WIRE</b> Wire, From Fuseblock To Switch	\$22.00	
38023	1961	<b>GLOVE BOX LAMP WIRE</b> Wire, From Fuseblock To Switch	\$22.00	
26800	1962	<b>GLOVE BOX LAMP WIRE</b> Wire, From Fuseblock To Switch	\$22.00	
26800	1963	<b>GLOVE BOX LAMP WIRE</b> Wire, From Fuseblock To Switch	\$22.00	
26800	1964	<b>GLOVE BOX LAMP WIRE</b> Wire, From Fuseblock To Switch	\$22.00	
<b>HARNESS TAPE</b>				
R0058272	1960	<b>HARNESS TAPE</b> 3/4" Vinyl (100 Ft. Roll) Non-Adhesive	\$12.00	
R0058276	1960	<b>HARNESS TAPE</b> 1" Vinyl (100 Ft. Roll) Non-Adhesive	\$13.00	
R0067108	1960	<b>HARNESS TAPE</b> 1 1/4" Vinyl (100 Ft. Roll) Non-Adhesive	\$15.00	
R0058272	1961	<b>HARNESS TAPE</b> 3/4" Vinyl (100 Ft. Roll) Non-Adhesive	\$12.00	
R0058276	1961	<b>HARNESS TAPE</b> 1" Vinyl (100 Ft. Roll) Non-Adhesive	\$13.00	
R0067108	1961	<b>HARNESS TAPE</b> 1 1/4" Vinyl (100 Ft. Roll) Non-Adhesive	\$15.00	
R0058272	1962	<b>HARNESS TAPE</b> 3/4" Vinyl (100 Ft. Roll) Non-Adhesive	\$12.00	
R0058276	1962	<b>HARNESS TAPE</b> 1" Vinyl (100 Ft. Roll) Non-Adhesive	\$13.00	
R0067108	1962	<b>HARNESS TAPE</b> 1 1/4" Vinyl (100 Ft. Roll) Non-Adhesive	\$15.00	
R0058272	1963	<b>HARNESS TAPE</b> 3/4" Vinyl (100 Ft. Roll) Non-Adhesive	\$12.00	
R0058276	1963	<b>HARNESS TAPE</b> 1" Vinyl (100 Ft. Roll) Non-Adhesive	\$13.00	
R0067108	1963	<b>HARNESS TAPE</b> 1 1/4" Vinyl (100 Ft. Roll) Non-Adhesive	\$15.00	
R0058272	1964	<b>HARNESS TAPE</b> 3/4" Vinyl (100 Ft. Roll) Non-Adhesive	\$12.00	
R0058276	1964	<b>HARNESS TAPE</b> 1" Vinyl (100 Ft. Roll) Non-Adhesive	\$13.00	
R0067108	1964	<b>HARNESS TAPE</b> 1 1/4" Vinyl (100 Ft. Roll) Non-Adhesive	\$15.00	
R0058272	1965	<b>HARNESS TAPE</b> 3/4" Vinyl (100 Ft. Roll) Non-Adhesive	\$12.00	
R0058276	1965	<b>HARNESS TAPE</b> 1" Vinyl (100 Ft. Roll) Non-Adhesive	\$13.00	
R0067108	1965	<b>HARNESS TAPE</b> 1 1/4" Vinyl (100 Ft. Roll) Non-Adhesive	\$15.00	
R0058272	1966	<b>HARNESS TAPE</b> 3/4" Vinyl (100 Ft. Roll) Non-Adhesive	\$12.00	
R0058276	1966	<b>HARNESS TAPE</b> 1" Vinyl (100 Ft. Roll) Non-Adhesive	\$13.00	
R0067108	1966	<b>HARNESS TAPE</b> 1 1/4" Vinyl (100 Ft. Roll) Non-Adhesive	\$15.00	
R0058272	1967	<b>HARNESS TAPE</b> 3/4" Vinyl (100 Ft. Roll) Non-Adhesive	\$12.00	
R0058276	1967	<b>HARNESS TAPE</b> 1" Vinyl (100 Ft. Roll) Non-Adhesive	\$13.00	
R0067108	1967	<b>HARNESS TAPE</b> 1 1/4" Vinyl (100 Ft. Roll) Non-Adhesive	\$15.00	
R0058272	1968	<b>HARNESS TAPE</b> 3/4" Vinyl (100 Ft. Roll) Non-Adhesive	\$12.00	
R0058276	1968	<b>HARNESS TAPE</b> 1" Vinyl (100 Ft. Roll) Non-Adhesive	\$13.00	
R0067108	1968	<b>HARNESS TAPE</b> 1 1/4" Vinyl (100 Ft. Roll) Non-Adhesive	\$15.00	
R0058272	1969	<b>HARNESS TAPE</b> 3/4" Vinyl (100 Ft. Roll) Non-Adhesive	\$12.00	
R0058276	1969	<b>HARNESS TAPE</b> 1" Vinyl (100 Ft. Roll) Non-Adhesive	\$13.00	
R0067108	1969	<b>HARNESS TAPE</b> 1 1/4" Vinyl (100 Ft. Roll) Non-Adhesive	\$15.00	
<b>HEADLAMP DIMMER SWITCH</b>				
01997028	1960	<b>HEADLAMP DIMMER SWITCH</b>	\$7.50	N

Part Number	Year	Description	Price	*Rev.
01997028	1961	HEADLAMP DIMMER SWITCH	\$7.50	N
01997028	1962	HEADLAMP DIMMER SWITCH	\$7.50	N
01997028	1963	HEADLAMP DIMMER SWITCH	\$7.50	N
01997028	1964	HEADLAMP DIMMER SWITCH	\$7.50	N
01997028	1965	HEADLAMP DIMMER SWITCH	\$7.50	N
01997028	1966	HEADLAMP DIMMER SWITCH	\$7.50	N
01997028	1967	HEADLAMP DIMMER SWITCH	\$7.50	N
01997028	1968	HEADLAMP DIMMER SWITCH	\$7.50	N
01997028	1969	HEADLAMP DIMMER SWITCH	\$7.50	N
<b>HEADLIGHT BUCKET EXTENSION HARNESS</b>				
40161	1961	HEADLIGHT BUCKET EXTENSION HARNESS Set Of 2, Car	\$73.00	
40036	1961	HEADLIGHT BUCKET EXTENSION HARNESS Set Of 2, Van & Truck	\$73.00	
40161	1962	HEADLIGHT BUCKET EXTENSION HARNESS Set Of 2, Car	\$73.00	
40036	1962	HEADLIGHT BUCKET EXTENSION HARNESS Set Of 2, Van & Truck	\$73.00	
40161	1963	HEADLIGHT BUCKET EXTENSION HARNESS Set Of 2, Car	\$73.00	
40036	1963	HEADLIGHT BUCKET EXTENSION HARNESS Set Of 2, Van & Truck	\$73.00	
40161	1964	HEADLIGHT BUCKET EXTENSION HARNESS Set Of 2, Car	\$73.00	
40036	1964	HEADLIGHT BUCKET EXTENSION HARNESS Set Of 2, Van & Truck	\$73.00	
40036	1965	HEADLIGHT BUCKET EXTENSION HARNESS Set Of 2, Van & Truck	\$73.00	
<b>HEADLIGHT SWITCH</b>				
01995096	1960	HEADLIGHT SWITCH All Models	\$31.00	
01995096	1961	HEADLIGHT SWITCH All Models	\$31.00	
01995096	1962	HEADLIGHT SWITCH All Models	\$31.00	
01995096	1963	HEADLIGHT SWITCH All Models	\$31.00	
<b>HEATER BLOWER MOTOR ADAPTER WIRE</b>				
42806	1961	HEATER BLOWER MOTOR ADAPTER WIRE All, From Original Blower Motor Wire In Harness, To Later Style Blade Type Terminal Blower Motors Note: Only Used When Replacing Original GM Pin Type Terminal Blower Motor, With Later Style Male Blade Type Terminal Motors.	\$20.00	
42806	1962	HEATER BLOWER MOTOR ADAPTER WIRE All, From Original Blower Motor Wire In Harness, To Later Style Blade Type Terminal Blower Motors Note: Only Used When Replacing Original GM Pin Type Terminal Blower Motor, With Later Style Male Blade Type Terminal Motors.	\$20.00	
42806	1963	HEATER BLOWER MOTOR ADAPTER WIRE All, From Original Blower Motor Wire In Harness, To Later Style Blade Type Terminal Blower Motors Note: Only Used When Replacing Original GM Pin Type Terminal Blower Motor, With Later Style Male Blade Type Terminal Motors.	\$20.00	
<b>HEATER CONTROL LAMP WIRE</b>				
39584	1961	HEATER CONTROL LAMP WIRE Car & Wagon, Heater Control Lamp, With Gas Heater, Includes Wire & Bulb Socket	\$22.00	
39584	1962	HEATER CONTROL LAMP WIRE Car & Wagon, Heater Control Lamp, With Gas Heater, Includes Wire & Bulb Socket	\$22.00	
<b>HEATER HARNESS</b>				
39563	1960	HEATER HARNESS Car & Wagon, Main Harness, With Gas Heater	\$83.00	
39624	1961	HEATER HARNESS All With Gas Heater, Ignition Coil To Safety Switch	\$18.00	
39582	1961	HEATER HARNESS Car & Wagon, Main Harness, With Air Heater	\$83.00	
39572	1961	HEATER HARNESS Car & Wagon, Main Harness, With Gas Heater	\$83.00	
39581	1961	HEATER HARNESS Van & Truck, Main Harness, With Air Heater	\$83.00	
39568	1961	HEATER HARNESS Van & Truck, Main Harness, With Gas Heater	\$83.00	
39484	1962	HEATER HARNESS Car & Wagon, Main Harness, With Air Heater	\$42.00	
39572	1962	HEATER HARNESS Car & Wagon, Main Harness, With Gas Heater	\$83.00	

Part Number	Year	Description	Price	*Rev.
39581	1962	HEATER HARNESS Van & Truck, Main Harness, With Air Heater	\$83.00	
39568	1962	HEATER HARNESS Van & Truck, Main Harness, With Gas Heater	\$83.00	
39484	1963	HEATER HARNESS Car & Wagon, Main Harness, With Air Heater	\$42.00	
39581	1963	HEATER HARNESS Van & Truck, Main Harness, With Air Heater	\$83.00	
39568	1963	HEATER HARNESS Van & Truck, Main Harness, With Gas Heater	\$83.00	
39484	1964	HEATER HARNESS Car & Wagon, Main Harness, With Air Heater	\$42.00	
39613	1964	HEATER HARNESS Van & Truck, Heater Control Switch To Heater Resistor	\$83.00	
39614	1964	HEATER HARNESS Van & Truck, Main Harness, With Gas Heater	\$83.00	
39568	1965	HEATER HARNESS Van & Truck, Main Harness, With Gas Heater	\$83.00	
<b>HEATER HARNESS EXTENSION</b>				
39561	1960	HEATER HARNESS EXTENSION Car & Wagon, Extension, With Gas Heater, Junction Block To Main Harness	\$83.00	
39567	1961	HEATER HARNESS EXTENSION All, With Gas Heater, From Ignition Coil To Main Harness	\$66.00	
39585	1961	HEATER HARNESS EXTENSION Car & Wagon, With Gas Heater, From Junction Block To Heater Purge Switch	\$59.00	
39567	1962	HEATER HARNESS EXTENSION All, With Gas Heater, From Ignition Coil To Main Harness	\$66.00	
39585	1962	HEATER HARNESS EXTENSION Car & Wagon, With Gas Heater, From Junction Block To Heater Purge Switch	\$59.00	
39567	1963	HEATER HARNESS EXTENSION All, With Gas Heater, From Ignition Coil To Main Harness	\$66.00	
39615	1964	HEATER HARNESS EXTENSION Van & Truck, With Gas Heater, From Main Harness To Ignition Coil	\$59.00	
39567	1965	HEATER HARNESS EXTENSION All, With Gas Heater, From Ignition Coil To Main Harness	\$66.00	
<b>HEATER WIRE</b>				
39623	1960	HEATER WIRE Car & Wagon, With Gas Heater, Burner To Overheat Switch	\$23.00	
39623	1961	HEATER WIRE Car & Wagon, With Gas Heater, Burner To Overheat Switch	\$23.00	
39623	1962	HEATER WIRE Car & Wagon, With Gas Heater, Burner To Overheat Switch	\$23.00	
<b>HOOD LAMP REPLACEMENT KIT</b>				
44131	1960	HOOD LAMP KIT REPLACEMENT KIT-REAR All	\$73.00	N
44131	1961	HOOD LAMP KIT REPLACEMENT KIT-REAR All Except FC And Wagon	\$73.00	N
44132	1962	HOOD LAMP KIT REPLACEMENT KIT-REAR All Except FC And Wagon	\$74.00	N
44132	1963	HOOD LAMP KIT REPLACEMENT KIT-REAR All Except FC	\$74.00	N
44132	1964	HOOD LAMP KIT REPLACEMENT KIT-REAR All Except FC	\$74.00	N
44134	1965	HOOD LAMP KIT REPLACEMENT KIT-REAR All Except FC	\$69.00	N
44134	1966	HOOD LAMP KIT REPLACEMENT KIT-REAR All	\$69.00	N
44134	1967	HOOD LAMP KIT REPLACEMENT KIT-REAR All	\$69.00	N
44134	1968	HOOD LAMP KIT REPLACEMENT KIT-REAR All	\$69.00	N
44134	1969	HOOD LAMP KIT REPLACEMENT KIT-REAR All	\$69.00	N
<b>HORN WIRE</b>				
39556	1960	HORN WIRE With Dual Horns	\$44.00	
39556	1961	HORN WIRE With Dual Horns	\$44.00	
<b>IGNITION SWITCH</b>				
01116626	1965	IGNITION SWITCH Van, With 4 Wire Ignition Switch	\$24.00	C
44206	1960	IGNITION SWITCH KIT All Note: Includes Wiring Adapter, Ignition Switch And Instructions.	\$54.00	N
44206	1961	IGNITION SWITCH KIT All Note: Includes Wiring Adapter, Ignition Switch And Instructions.	\$54.00	N

Part Number	Year	Description	Price	*Rev.
44206	1962	<b>IGNITION SWITCH KIT</b> All Note: Includes Wiring Adapter, Ignition Switch And Instructions.	\$54.00	N
44206	1963	<b>IGNITION SWITCH KIT</b> All Note: Includes Wiring Adapter, Ignition Switch And Instructions.	\$54.00	N
44206	1964	<b>IGNITION SWITCH KIT</b> All Note: Includes Wiring Adapter, Ignition Switch And Instructions.	\$54.00	N
44205	1965	<b>IGNITION SWITCH KIT</b> Car, All Note: Includes Ignition Switch, Connector And Instructions.	\$37.00	N
44206	1965	<b>IGNITION SWITCH KIT</b> Van, With 3 Wire Ignition Switch Note: Includes Wiring Adapter, Ignition Switch And Instructions.	\$54.00	N
<b>LOW FUEL INDICATOR MODULE</b>				
500274	1960	<b>LOW FUEL INDICATOR MODULE</b> Generic "Adjustable" Low Fuel Warning Module Note: A Complete Electronic Control Unit To Activate A Warning Lamp Or Relay When Fuel Level Drops Below A User Adjustable Level. Includes instruction sheet.	\$64.00	C
500274	1961	<b>LOW FUEL INDICATOR MODULE</b> Generic "Adjustable" Low Fuel Warning Module Note: A Complete Electronic Control Unit To Activate A Warning Lamp Or Relay When Fuel Level Drops Below A User Adjustable Level. Includes instruction sheet.	\$64.00	C
500274	1962	<b>LOW FUEL INDICATOR MODULE</b> Generic "Adjustable" Low Fuel Warning Module Note: A Complete Electronic Control Unit To Activate A Warning Lamp Or Relay When Fuel Level Drops Below A User Adjustable Level. Includes instruction sheet.	\$64.00	C
500274	1963	<b>LOW FUEL INDICATOR MODULE</b> Generic "Adjustable" Low Fuel Warning Module Note: A Complete Electronic Control Unit To Activate A Warning Lamp Or Relay When Fuel Level Drops Below A User Adjustable Level. Includes instruction sheet.	\$64.00	C
500274	1964	<b>LOW FUEL INDICATOR MODULE</b> Generic "Adjustable" Low Fuel Warning Module Note: A Complete Electronic Control Unit To Activate A Warning Lamp Or Relay When Fuel Level Drops Below A User Adjustable Level. Includes instruction sheet.	\$64.00	C
500274	1965	<b>LOW FUEL INDICATOR MODULE</b> Generic "Adjustable" Low Fuel Warning Module Note: A Complete Electronic Control Unit To Activate A Warning Lamp Or Relay When Fuel Level Drops Below A User Adjustable Level. Includes instruction sheet.	\$64.00	C
500274	1966	<b>LOW FUEL INDICATOR MODULE</b> Generic "Adjustable" Low Fuel Warning Module Note: A Complete Electronic Control Unit To Activate A Warning Lamp Or Relay When Fuel Level Drops Below A User Adjustable Level. Includes instruction sheet.	\$64.00	C
500274	1967	<b>LOW FUEL INDICATOR MODULE</b> Generic "Adjustable" Low Fuel Warning Module Note: A Complete Electronic Control Unit To Activate A Warning Lamp Or Relay When Fuel Level Drops Below A User Adjustable Level. Includes instruction sheet.	\$64.00	C
500274	1968	<b>LOW FUEL INDICATOR MODULE</b> Generic "Adjustable" Low Fuel Warning Module Note: A Complete Electronic Control Unit To Activate A Warning Lamp Or Relay When Fuel Level Drops Below A User Adjustable Level. Includes instruction sheet.	\$64.00	C
500274	1969	<b>LOW FUEL INDICATOR MODULE</b> Generic "Adjustable" Low Fuel Warning Module Note: A Complete Electronic Control Unit To Activate A Warning Lamp Or Relay When Fuel Level Drops Below A User Adjustable Level. Includes instruction sheet.	\$64.00	C
<b>MAIN BODY HARNESS</b>				
22880	1960	<b>MAIN BODY HARNESS</b> Car, Auto Trans	\$153.00	
21305	1960	<b>MAIN BODY HARNESS</b> Car, Manual Trans	\$153.00	
23415	1961	<b>MAIN BODY HARNESS</b> Car & Wagon, Auto Trans, With Air Heater	\$160.00	
39573	1961	<b>MAIN BODY HARNESS</b> Car & Wagon, Auto Trans, With Gas Heater	\$153.00	
22140	1961	<b>MAIN BODY HARNESS</b> Car & Wagon, Manual Trans, With Air Heater	\$160.00	
26760	1961	<b>MAIN BODY HARNESS</b> Car & Wagon, Manual Trans, With Gas Heater	\$153.00	
40035	1961	<b>MAIN BODY HARNESS</b> Van & Truck, With Air Heater	\$160.00	
22115	1961	<b>MAIN BODY HARNESS</b> Van & Truck, With Gas Heater	\$153.00	

Part Number	Year	Description	Price	*Rev.
39595	1962	MAIN BODY HARNESS Car & Wagon, Auto Trans, With Air Heater	\$160.00	
22145	1962	MAIN BODY HARNESS Car & Wagon, Manual Trans, With Air Heater	\$160.00	
03950	1962	MAIN BODY HARNESS Car & Wagon, Auto Trans, With Gas Heater	\$153.00	
03945	1962	MAIN BODY HARNESS Car & Wagon, Manual Trans, With Gas Heater	\$153.00	
22105	1962	MAIN BODY HARNESS Spyder	\$160.00	
39601	1962	MAIN BODY HARNESS Van & Truck, With Air Heater	\$160.00	
22115	1962	MAIN BODY HARNESS Van & Truck, With Gas Heater	\$153.00	
39600	1963	MAIN BODY HARNESS Car & Wagon, Auto Trans, With Air Heater	\$160.00	
03950	1963	MAIN BODY HARNESS Car & Wagon, Auto Trans, With Gas Heater	\$153.00	
39599	1963	MAIN BODY HARNESS Car & Wagon, Manual Trans, With Air Heater	\$160.00	
03945	1963	MAIN BODY HARNESS Car & Wagon, Manual Trans, With Gas Heater	\$153.00	
39598	1963	MAIN BODY HARNESS Spyder	\$160.00	
39602	1963	MAIN BODY HARNESS Van & Truck, With Air Heater	\$160.00	
22115	1963	MAIN BODY HARNESS Van & Truck, With Gas Heater	\$153.00	
39608	1964	MAIN BODY HARNESS Car, Auto Trans, With Air Heater	\$153.00	
22110	1964	MAIN BODY HARNESS Car, Manual Trans, With Air Heater	\$153.00	
20055	1964	MAIN BODY HARNESS Spyder	\$153.00	
22885	1964	MAIN BODY HARNESS Van, With Air Heater	\$153.00	C
39610	1964	MAIN BODY HARNESS Van, With Gas Heater	\$153.00	C
37969	1965	MAIN BODY HARNESS Car, Auto Trans, With Air Heater, Early Production, Contains Striped Color Wires	\$153.00	
23410	1965	MAIN BODY HARNESS Car, Auto Trans, With Air Heater, Late Production, Contains Solid Color Wires	\$153.00	
37970	1965	MAIN BODY HARNESS Car, Manual Trans, With Air Heater, Early Production, Contains Striped Color Wires	\$153.00	
22130	1965	MAIN BODY HARNESS Car, Manual Trans, With Air Heater, Late Production, Contains Solid Color Wires	\$153.00	
37968	1965	MAIN BODY HARNESS Spyder, Early Production, Contains Striped Color Wires	\$153.00	
22135	1965	MAIN BODY HARNESS Spyder, Late Production, Contains Solid Color Wires	\$153.00	
39610	1965	MAIN BODY HARNESS Van	\$153.00	
23410	1966	MAIN BODY HARNESS All, With Auto Trans	\$153.00	
22875	1966	MAIN BODY HARNESS All, With Manual Trans	\$153.00	
09465	1966	MAIN BODY HARNESS Corsa	\$153.00	
11405	1967	MAIN BODY HARNESS All, With Auto Trans	\$153.00	
22150	1967	MAIN BODY HARNESS All, With Manual Trans	\$153.00	
11405	1968	MAIN BODY HARNESS All, With Auto Trans	\$153.00	
22150	1968	MAIN BODY HARNESS All, With Manual Trans	\$153.00	
11405	1969	MAIN BODY HARNESS All, With Auto Trans	\$153.00	
22150	1969	MAIN BODY HARNESS All, With Manual Trans	\$153.00	
<b>OIL AND TEMP WIRE</b>				
02935	1960	OIL AND TEMP WIRE All	\$17.00	
03790	1961	OIL AND TEMP WIRE All, With Air Conditioning	\$17.00	
03370	1961	OIL AND TEMP WIRE All, Without Air Conditioning	\$17.00	
04230	1962	OIL AND TEMP WIRE All, Except Gauges, Without Air Conditioning	\$17.00	
03790	1962	OIL AND TEMP WIRE All, With Air Conditioning	\$17.00	
04215	1962	OIL AND TEMP WIRE All, With Gauges	\$17.00	
04230	1963	OIL AND TEMP WIRE All, Except Gauges, Without Air Conditioning	\$17.00	

Part Number	Year	Description	Price	*Rev.
03790	1963	<b>OIL AND TEMP WIRE</b> All, With Air Conditioning	\$17.00	
04215	1963	<b>OIL AND TEMP WIRE</b> All, With Gauges	\$17.00	
04230	1964	<b>OIL AND TEMP WIRE</b> All, Except Van & Truck, Without Gauges, Without Air Conditioning	\$17.00	
04215	1964	<b>OIL AND TEMP WIRE</b> All, With Gauges	\$17.00	
03790	1964	<b>OIL AND TEMP WIRE</b> All, With Air Conditioning	\$17.00	
39616	1964	<b>OIL AND TEMP WIRE</b> All, Van & Truck	\$17.00	
05650	1965	<b>OIL AND TEMP WIRE</b> All, Except Van, Without Gauges, Without Air Conditioning	\$17.00	
03790	1965	<b>OIL AND TEMP WIRE</b> All, With Air Conditioning	\$17.00	
05655	1965	<b>OIL AND TEMP WIRE</b> All, With Gauges	\$17.00	
39616	1965	<b>OIL AND TEMP WIRE</b> All, Van	\$17.00	
05650	1966	<b>OIL AND TEMP WIRE</b> All, Except Gauges, Without Air Conditioning	\$17.00	
03790	1966	<b>OIL AND TEMP WIRE</b> All, With Air Conditioning, Except Gauges	\$17.00	
05655	1966	<b>OIL AND TEMP WIRE</b> All, With Gauges, Except Air Conditioning	\$17.00	
22375	1966	<b>OIL AND TEMP WIRE</b> All, With Gauges And Air Conditioning	\$17.00	
05650	1967	<b>OIL AND TEMP WIRE</b> All, Without Air Conditioning	\$17.00	
03790	1967	<b>OIL AND TEMP WIRE</b> All, With Air Conditioning	\$17.00	
03790	1968	<b>OIL AND TEMP WIRE</b> All	\$17.00	
03790	1969	<b>OIL AND TEMP WIRE</b> All	\$17.00	
<b>PARKING LAMP AND TURN SIGNAL REPAIR KIT</b>				
40037	1961	<b>PARKING LAMP AND TURN SIGNAL REPAIR KIT</b> Van & Truck Note: Requires Customer To Remove Original Socket That Was Factory Crimped On Headlight Bucket Housing.	\$73.00	
40037	1962	<b>PARKING LAMP AND TURN SIGNAL REPAIR KIT</b> Van & Truck Note: Requires Customer To Remove Original Socket That Was Factory Crimped On Headlight Bucket Housing.	\$73.00	
40037	1963	<b>PARKING LAMP AND TURN SIGNAL REPAIR KIT</b> Van & Truck Note: Requires Customer To Remove Original Socket That Was Factory Crimped On Headlight Bucket Housing.	\$73.00	
40037	1964	<b>PARKING LAMP AND TURN SIGNAL REPAIR KIT</b> Van & Truck Note: Requires Customer To Remove Original Socket That Was Factory Crimped On Headlight Bucket Housing.	\$73.00	
40037	1965	<b>PARKING LAMP AND TURN SIGNAL REPAIR KIT</b> Van & Truck Note: Requires Customer To Remove Original Socket That Was Factory Crimped On Headlight Bucket Housing.	\$73.00	
<b>POWER ANTENNA HARNESS</b>				
39628	1966	<b>POWER ANTENNA HARNESS</b> Switch To Antenna	\$50.00	
39627	1966	<b>POWER ANTENNA HARNESS</b> Switch To Fuse Panel	\$50.00	
39627	1967	<b>POWER ANTENNA HARNESS</b> Switch To Fuse Panel	\$50.00	
39627	1968	<b>POWER ANTENNA HARNESS</b> Switch To Fuse Panel	\$50.00	
<b>POWER TOP HARNESS</b>				
26765	1962	<b>POWER TOP HARNESS</b> All Models, Except Spyder	\$73.00	
04130	1962	<b>POWER TOP HARNESS</b> Spyder, All	\$73.00	
26765	1963	<b>POWER TOP HARNESS</b> All Models, Except Spyder	\$73.00	
04130	1963	<b>POWER TOP HARNESS</b> Spyder, All	\$73.00	
26765	1964	<b>POWER TOP HARNESS</b> All Models, Except Spyder	\$73.00	
04130	1964	<b>POWER TOP HARNESS</b> Spyder, All	\$73.00	
39645	1965	<b>POWER TOP HARNESS</b> All, Main Power Top, Power Top Switch To Circuit Breaker, Early Production, Contains Striped Color Wires	\$73.00	
26980	1965	<b>POWER TOP HARNESS</b> All, Main Power Top, Power Top Switch To Circuit Breaker, Late Production, Contains Solid Color Wires	\$73.00	
27015	1966	<b>POWER TOP HARNESS</b> All, Main Power Top, Power Top Switch To Circuit Breaker	\$73.00	
27010	1967	<b>POWER TOP HARNESS</b> All, Main Power Top, Power Top Switch To Circuit Breaker	\$73.00	

Part Number	Year	Description	Price	*Rev.
27010	1968	<b>POWER TOP HARNESS</b> All, Main Power Top, Power Top Switch To Circuit Breaker	\$73.00	
27010	1969	<b>POWER TOP HARNESS</b> All, Main Power Top, Power Top Switch To Circuit Breaker	\$73.00	
<b>POWER TOP RELAY AND ADAPTER HARNESS</b>				
40146	1965	<b>POWER TOP RELAY AND ADAPTER HARNESS</b> Includes New Standard Type Relay And Adapter To Mate To Factory Harness	\$74.00	
40146	1966	<b>POWER TOP RELAY AND ADAPTER HARNESS</b> Includes New Standard Type Relay And Adapter To Mate To Factory Harness	\$74.00	
40146	1967	<b>POWER TOP RELAY AND ADAPTER HARNESS</b> Includes New Standard Type Relay And Adapter To Mate To Factory Harness	\$74.00	
40146	1968	<b>POWER TOP RELAY AND ADAPTER HARNESS</b> Includes New Standard Type Relay And Adapter To Mate To Factory Harness	\$74.00	
40146	1969	<b>POWER TOP RELAY AND ADAPTER HARNESS</b> Includes New Standard Type Relay And Adapter To Mate To Factory Harness	\$74.00	
<b>POWER TOP RELAY HARNESS</b>				
32510	1965	<b>POWER TOP RELAY HARNESS</b> All, Power Top Relay To Main Power Top Harness	\$60.00	
32510	1966	<b>POWER TOP RELAY HARNESS</b> All, Power Top Relay To Main Power Top Harness	\$60.00	
32510	1967	<b>POWER TOP RELAY HARNESS</b> All, Power Top Relay To Main Power Top Harness	\$60.00	
32510	1968	<b>POWER TOP RELAY HARNESS</b> All, Power Top Relay To Main Power Top Harness	\$60.00	
32510	1969	<b>POWER TOP RELAY HARNESS</b> All, Power Top Relay To Main Power Top Harness	\$60.00	
<b>RADIO POWER FEED WIRE</b>				
39557	1960	<b>RADIO POWER FEED WIRE</b> Junction Block To Radio	\$42.00	
39578	1961	<b>RADIO POWER FEED WIRE</b> Junction Block To Radio	\$26.00	
<b>REAR DOOR WARNING LAMP HARNESS</b>				
39603	1962	<b>REAR DOOR WARNING LAMP HARNESS</b> 4 Door Models, All	\$66.00	
39603	1963	<b>REAR DOOR WARNING LAMP HARNESS</b> 4 Door Models, All	\$66.00	
39609	1964	<b>REAR DOOR WARNING LAMP HARNESS</b> 4 Door Models, All	\$66.00	
<b>REAR WINDOW DEFROSTER HARNESS</b>				
39639	1968	<b>REAR WINDOW DEFROSTER HARNESS</b>	\$66.00	
39639	1969	<b>REAR WINDOW DEFROSTER HARNESS</b>	\$66.00	
<b>REGULATOR GROUND WIRE</b>				
28345	1965	<b>REGULATOR GROUND WIRE</b> Voltage Regulator	\$13.00	C
28345	1966	<b>REGULATOR GROUND WIRE</b> Voltage Regulator	\$13.00	C
28345	1967	<b>REGULATOR GROUND WIRE</b> Voltage Regulator	\$13.00	C
28345	1968	<b>REGULATOR GROUND WIRE</b> Voltage Regulator	\$13.00	C
28345	1969	<b>REGULATOR GROUND WIRE</b> Voltage Regulator	\$13.00	C
<b>SPEAKER HARNESS</b>				
18510	1965	<b>SPEAKER HARNESS</b> All, From Radio To Speaker Fader Control	\$53.00	
18510	1966	<b>SPEAKER HARNESS</b> All, From Radio To Speaker Fader Control	\$53.00	
18510	1967	<b>SPEAKER HARNESS</b> All, From Radio To Speaker Fader Control	\$53.00	
18510	1968	<b>SPEAKER HARNESS</b> All, From Radio To Speaker Fader Control	\$53.00	
39629	1968	<b>SPEAKER HARNESS</b> Front Speakers, With Stereo	\$80.00	
09315	1968	<b>SPEAKER HARNESS</b> Rear Speakers, With Stereo	\$53.00	
18510	1969	<b>SPEAKER HARNESS</b> All, From Radio To Speaker Fader Control	\$53.00	
39629	1969	<b>SPEAKER HARNESS</b> Front Speakers, With Stereo	\$80.00	
09315	1969	<b>SPEAKER HARNESS</b> Rear Speakers, With Stereo	\$53.00	
<b>SPEAKER WIRE</b>				
06540	1964	<b>SPEAKER WIRE</b> Single Rear Speaker	\$27.00	

Part Number	Year	Description	Price	*Rev.
27025	1965	<b>SPEAKER WIRE</b> Single Rear Speaker	\$27.00	
27025	1966	<b>SPEAKER WIRE</b> Single Rear Speaker	\$27.00	
27025	1967	<b>SPEAKER WIRE</b> Single Rear Speaker	\$27.00	
27025	1968	<b>SPEAKER WIRE</b> Single Rear Speaker	\$27.00	
38864	1968	<b>SPEAKER WIRE</b> Rear Speakers, Ground Wire, With Stereo	\$23.00	
27025	1969	<b>SPEAKER WIRE</b> Single Rear Speaker	\$27.00	
38864	1969	<b>SPEAKER WIRE</b> Rear Speakers, Ground Wire, With Stereo	\$23.00	
<b>SPEED WARNING HARNESS</b>				
39638	1968	<b>SPEED WARNING HARNESS</b>	\$25.00	
39638	1969	<b>SPEED WARNING HARNESS</b>	\$25.00	
<b>STARTER EXTENSION</b>				
04925	1961	<b>STARTER EXTENSION</b> All, Except Van & Truck	\$27.00	
22300	1961	<b>STARTER EXTENSION</b> Van & Truck	\$27.00	
04925	1962	<b>STARTER EXTENSION</b> All, Except Van & Truck	\$27.00	
22300	1962	<b>STARTER EXTENSION</b> Van & Truck	\$27.00	
04925	1963	<b>STARTER EXTENSION</b> All, Except Van & Truck	\$27.00	
22300	1963	<b>STARTER EXTENSION</b> Van & Truck	\$27.00	
04925	1964	<b>STARTER EXTENSION</b> All, Except Van & Truck	\$27.00	
22300	1964	<b>STARTER EXTENSION</b> Van & Truck	\$27.00	
39646	1965	<b>STARTER EXTENSION</b> All, Except Van, Early Production, Contains Striped Color Wires	\$27.00	
05660	1965	<b>STARTER EXTENSION</b> All, Except Van, Late Production, Contains Solid Color Wires	\$27.00	
22300	1965	<b>STARTER EXTENSION</b> Van	\$27.00	
05660	1966	<b>STARTER EXTENSION</b> All	\$27.00	
05660	1967	<b>STARTER EXTENSION</b> All	\$27.00	
05660	1968	<b>STARTER EXTENSION</b> All	\$27.00	
05660	1969	<b>STARTER EXTENSION</b> All	\$27.00	
<b>STEERING COLUMN ADAPTER HARNESS</b>				
37616	1960	<b>STEERING COLUMN ADAPTER HARNESS</b> For 1969-74 GM & Ididit Columns (Exc. Flaming River) To Stock Dash Harness Note: Adapts Horn, Directionals, Hazard Flashers To Stock 6-Way Dash Connector.	\$50.00	
38124	1960	<b>STEERING COLUMN ADAPTER HARNESS</b> For 1975 & Up GM & Flaming River Columns (Exc. Ididit) To Stock Dash Harness Note: Adapts Horn, Directionals, Hazard Flashers To Stock 6-Way Dash Connector.	\$53.00	
37616	1961	<b>STEERING COLUMN ADAPTER HARNESS</b> For 1969-74 GM & Ididit Columns (Exc. Flaming River) To Stock Dash Harness Note: Adapts Horn, Directionals, Hazard Flashers To Stock 6-Way Dash Connector.	\$50.00	
38124	1961	<b>STEERING COLUMN ADAPTER HARNESS</b> For 1975 & Up GM & Flaming River Columns (Exc. Ididit) To Stock Dash Harness Note: Adapts Horn, Directionals, Hazard Flashers To Stock 6-Way Dash Connector.	\$53.00	
37616	1962	<b>STEERING COLUMN ADAPTER HARNESS</b> For 1969-74 GM & Ididit Columns (Exc. Flaming River) To Stock Dash Harness Note: Adapts Horn, Directionals, Hazard Flashers To Stock 6-Way Dash Connector.	\$50.00	
38124	1962	<b>STEERING COLUMN ADAPTER HARNESS</b> For 1975 & Up GM & Flaming River Columns (Exc. Ididit) To Stock Dash Harness Note: Adapts Horn, Directionals, Hazard Flashers To Stock 6-Way Dash Connector.	\$53.00	
37616	1963	<b>STEERING COLUMN ADAPTER HARNESS</b> For 1969-74 GM & Ididit Columns (Exc. Flaming River) To Stock Dash Harness Note: Adapts Horn, Directionals, Hazard Flashers To Stock 6-Way Dash Connector.	\$50.00	



Part Number	Year	Description	Price	*Rev.
38124	1963	<b>STEERING COLUMN ADAPTER HARNESS</b> For 1975 & Up GM & Flaming River Columns (Exc. Ididit) To Stock Dash Harness Note: Adapts Horn, Directionals, Hazard Flashers To Stock 6-Way Dash Connector.	\$53.00	
37616	1964	<b>STEERING COLUMN ADAPTER HARNESS</b> For 1969-74 GM & Ididit Columns (Exc. Flaming River) To Stock Dash Harness Note: Adapts Horn, Directionals, Hazard Flashers To Stock 6-Way Dash Connector.	\$50.00	
38124	1964	<b>STEERING COLUMN ADAPTER HARNESS</b> For 1975 & Up GM & Flaming River Columns (Exc. Ididit) To Stock Dash Harness Note: Adapts Horn, Directionals, Hazard Flashers To Stock 6-Way Dash Connector.	\$53.00	
37618	1965	<b>STEERING COLUMN ADAPTER HARNESS</b> For 1969-74 GM & Ididit Columns (Exc. Flaming River) To Stock Dash Harness Note: Adapts Horn, Directionals, Hazard Flashers To Stock 8-Way Dash Connector.	\$50.00	
38125	1965	<b>STEERING COLUMN ADAPTER HARNESS</b> For 1975 & Up GM & Flaming River Columns (Exc. Ididit) To Stock Dash Harness Note: Adapts Horn, Directionals, Hazard Flashers To Stock 8-Way Dash Connector.	\$51.00	
37618	1966	<b>STEERING COLUMN ADAPTER HARNESS</b> For 1969-74 GM & Ididit Columns (Exc. Flaming River) To Stock Dash Harness Note: Adapts Horn, Directionals, Hazard Flashers To Stock 8-Way Dash Connector.	\$50.00	
38125	1966	<b>STEERING COLUMN ADAPTER HARNESS</b> For 1975 & Up GM & Flaming River Columns (Exc. Ididit) To Stock Dash Harness Note: Adapts Horn, Directionals, Hazard Flashers To Stock 8-Way Dash Connector.	\$51.00	
<b>TEMP SWITCH RESISTOR EXTENSION</b>				
04235	1962	<b>TEMP SWITCH RESISTOR EXTENSION</b> All With Turbo	\$34.00	
04235	1963	<b>TEMP SWITCH RESISTOR EXTENSION</b> All With Turbo	\$34.00	
<b>THERMO TEMP WIRE</b>				
18050	1962	<b>THERMO TEMP WIRE</b> All With Turbo	\$15.00	
18050	1963	<b>THERMO TEMP WIRE</b> All With Turbo	\$15.00	
18050	1964	<b>THERMO TEMP WIRE</b> All With Turbo	\$15.00	
18050	1965	<b>THERMO TEMP WIRE</b> All With Turbo	\$15.00	
18050	1966	<b>THERMO TEMP WIRE</b> All With Turbo	\$15.00	
<b>TRUNK LAMP ASSEMBLY</b>				
44133	1960	<b>TRUNK LAMP ASSEMBLY-FRONT</b> All	\$83.00	N
44133	1961	<b>TRUNK LAMP ASSEMBLY-FRONT</b> All Includes Wagon Except FC	\$83.00	N
44133	1962	<b>TRUNK LAMP ASSEMBLY-FRONT</b> All Includes Wagon Except FC	\$83.00	N
44133	1963	<b>TRUNK LAMP ASSEMBLY-FRONT</b> All Except FC	\$83.00	N
44133	1964	<b>TRUNK LAMP ASSEMBLY-FRONT</b> All Except FC	\$83.00	N
44135	1965	<b>TRUNK LAMP ASSEMBLY-FRONT</b> All Except FC	\$81.00	N
44135	1966	<b>TRUNK LAMP ASSEMBLY-FRONT</b> All	\$81.00	N
44135	1967	<b>TRUNK LAMP ASSEMBLY-FRONT</b> All	\$81.00	N
44135	1968	<b>TRUNK LAMP ASSEMBLY-FRONT</b> All	\$81.00	N
44135	1969	<b>TRUNK LAMP ASSEMBLY-FRONT</b> All	\$81.00	N
<b>TRUNK LAMP EXTENSION HARNESS</b>				
27005	1966	<b>TRUNK LAMP EXTENSION HARNESS</b> Front Hood, Fuse Box To Hood Lamp	\$23.00	
10455	1967	<b>TRUNK LAMP EXTENSION HARNESS</b> Front Hood, Fuse Box To Hood Lamp	\$23.00	
10455	1968	<b>TRUNK LAMP EXTENSION HARNESS</b> Front Hood, Fuse Box To Hood Lamp	\$23.00	
10455	1969	<b>TRUNK LAMP EXTENSION HARNESS</b> Front Hood, Fuse Box To Hood Lamp	\$23.00	
<b>TURN SIGNAL SWITCH</b>				
03765110	1960	<b>TURN SIGNAL SWITCH</b>	\$23.00	
03765110	1961	<b>TURN SIGNAL SWITCH</b>	\$23.00	

Part Number	Year	Description	Price	*Rev.
03765110	1962	TURN SIGNAL SWITCH	\$23.00	
03765110	1963	TURN SIGNAL SWITCH	\$23.00	
03765110	1964	TURN SIGNAL SWITCH	\$23.00	
00910821	1964	TURN SIGNAL SWITCH Vans	\$56.00	N
00910821	1965	TURN SIGNAL SWITCH Without Telescopic	\$56.00	N
00910821	1966	TURN SIGNAL SWITCH Without Telescopic	\$56.00	N
05694262	1966	TURN SIGNAL SWITCH With Telescopic Note: Once our current stock runs out, this item will be discontinued.	\$229.00	
01893592	1967	TURN SIGNAL SWITCH Note: This Is A Service Part, Adapter Pigtail Included And Is Required For Some Applications.	\$58.00	
05698520	1968	TURN SIGNAL SWITCH Without Column Shift A/T Note: Emergency Flasher Actuator Hole In Outer Cover Is Round. Once our current stock runs out, this item will be discontinued.	\$85.00	
01893592	1968	TURN SIGNAL SWITCH Note: This Is A Service Part, Adapter Pigtail Included And Is Required For Some Applications.	\$58.00	
05698520	1969	TURN SIGNAL SWITCH Without Column Shift A/T Note: Emergency Flasher Actuator Hole In Outer Cover Is Round. Once our current stock runs out, this item will be discontinued.	\$85.00	
01893592	1969	TURN SIGNAL SWITCH Note: This Is A Service Part, Adapter Pigtail Included And Is Required For Some Applications.	\$58.00	
<b>VOLTAGE REGULATOR ADAPTER HARNESS</b>				
02115	1965	VOLTAGE REGULATOR ADAPTER HARNESS Car, With A/C, From Field Terminal On Voltage Regulator To Chassis Ground (Includes Inline Diode)	\$52.00	
02115	1965	VOLTAGE REGULATOR ADAPTER HARNESS Van & Truck, With H.D. 47 Amp Alt, From Field Terminal On Voltage Regulator To Chassis Ground (Includes Inline Diode)	\$52.00	
<b>WINDSHIELD WASHER PUMP</b>				
04919332	1963	WINDSHIELD WASHER PUMP All	\$60.00	N
04919332	1964	WINDSHIELD WASHER PUMP All	\$60.00	N
04919332	1965	WINDSHIELD WASHER PUMP All	\$60.00	N
04919332	1966	WINDSHIELD WASHER PUMP All	\$60.00	N
04919332	1967	WINDSHIELD WASHER PUMP All	\$60.00	N
04919332	1968	WINDSHIELD WASHER PUMP All	\$60.00	N
04919332	1969	WINDSHIELD WASHER PUMP All	\$60.00	N
<b>WINDSHIELD WIPER MOTOR</b>				
04911476	1963	WINDSHIELD WIPER MOTOR All, 2-Speed, 3-Terminal Type Motor	\$92.00	N
44609	1963	WINDSHIELD WIPER MOTOR All, 2-Speed, 4-Terminal Type Motor Note: This Can Be Used In Place Of The 3-Terminal Motor. The 4th Terminal Is A Keyed Hot From Wiper Fuse In Fuse Box And May Or May Not Be Used In Some Applications.	\$106.00	N
04911476	1964	WINDSHIELD WIPER MOTOR All, 2-Speed, 3-Terminal Type Motor	\$92.00	N
44609	1964	WINDSHIELD WIPER MOTOR All, 2-Speed, 4-Terminal Type Motor Note: This Can Be Used In Place Of The 3-Terminal Motor. The 4th Terminal Is A Keyed Hot From Wiper Fuse In Fuse Box And May Or May Not Be Used In Some Applications.	\$106.00	N
04911476	1965	WINDSHIELD WIPER MOTOR All, 2-Speed, 3-Terminal Type Motor	\$92.00	N
44609	1965	WINDSHIELD WIPER MOTOR All, 2-Speed, 4-Terminal Type Motor Note: This Can Be Used In Place Of The 3-Terminal Motor. The 4th Terminal Is A Keyed Hot From Wiper Fuse In Fuse Box And May Or May Not Be Used In Some Applications.	\$106.00	N
04911476	1966	WINDSHIELD WIPER MOTOR 2-Speed, 3-Terminal Type Motor	\$92.00	N
44609	1966	WINDSHIELD WIPER MOTOR 2-Speed, 4-Terminal Type Motor Note: This Can Be Used In Place Of The 3-Terminal Motor. The 4th Terminal Is A Keyed Hot From Wiper Fuse In Fuse Box And May Or May Not Be Used In Some Applications.	\$106.00	N
04911476	1967	WINDSHIELD WIPER MOTOR 2-Speed, 3-Terminal Type Motor	\$92.00	N

Part Number	Year	Description	Price	*Rev.
44609	1967	<b>WINDSHIELD WIPER MOTOR</b> 2-Speed, 4-Terminal Type Motor Note: This Can Be Used In Place Of The 3-Terminal Motor. The 4th Terminal Is A Keyed Hot From Wiper Fuse In Fuse Box And May Or May Not Be Used In Some Applications.	\$106.00	N
04911476	1968	<b>WINDSHIELD WIPER MOTOR</b> 2-Speed, 3-Terminal Type Motor	\$92.00	N
44609	1968	<b>WINDSHIELD WIPER MOTOR</b> 2-Speed, 4-Terminal Type Motor Note: This Can Be Used In Place Of The 3-Terminal Motor. The 4th Terminal Is A Keyed Hot From Wiper Fuse In Fuse Box And May Or May Not Be Used In Some Applications.	\$106.00	N
04911476	1969	<b>WINDSHIELD WIPER MOTOR</b> 2-Speed, 3-Terminal Type Motor	\$92.00	N
44609	1969	<b>WINDSHIELD WIPER MOTOR</b> 2-Speed, 4-Terminal Type Motor Note: This Can Be Used In Place Of The 3-Terminal Motor. The 4th Terminal Is A Keyed Hot From Wiper Fuse In Fuse Box And May Or May Not Be Used In Some Applications.	\$106.00	N
<b>WINDSHIELD WIPER SWITCH</b>				
01993541	1960	<b>WINDSHIELD WIPER SWITCH</b> Single Speed, With Washer	\$45.00	
01993541	1961	<b>WINDSHIELD WIPER SWITCH</b> Single Speed, With Washer	\$45.00	
01993541	1962	<b>WINDSHIELD WIPER SWITCH</b> Single Speed, With Washer	\$45.00	
01993541	1963	<b>WINDSHIELD WIPER SWITCH</b> Single Speed, With Washer	\$45.00	
01993584	1963	<b>WINDSHIELD WIPER SWITCH</b> Two Speed, With Washer	\$52.00	
01993541	1964	<b>WINDSHIELD WIPER SWITCH</b> Single Speed, With Washer	\$45.00	
01993584	1964	<b>WINDSHIELD WIPER SWITCH</b> Two Speed, With Washer	\$52.00	
01993680	1965	<b>WINDSHIELD WIPER SWITCH</b> Single Speed, With Washer	\$52.00	
01993679	1965	<b>WINDSHIELD WIPER SWITCH</b> 2 Speed, With Washer	\$52.00	M
01993680	1966	<b>WINDSHIELD WIPER SWITCH</b> Single Speed, With Washer	\$52.00	
01993679	1966	<b>WINDSHIELD WIPER SWITCH</b> 2 Speed, With Washer	\$52.00	M
01993395	1967	<b>WINDSHIELD WIPER SWITCH</b>	\$35.00	
01993395	1968	<b>WINDSHIELD WIPER SWITCH</b>	\$35.00	
01993395	1969	<b>WINDSHIELD WIPER SWITCH</b>	\$35.00	
<b>WIPER MOTOR HARNESS</b>				
39560	1960	<b>WIPER MOTOR HARNESS</b> All	\$38.00	
39560	1961	<b>WIPER MOTOR HARNESS</b> All, With Single Speed Wiper, Except Van & Truck	\$38.00	
39579	1961	<b>WIPER MOTOR HARNESS</b> All, With 2 Speed Wiper, Except Van & Truck	\$38.00	
39564	1961	<b>WIPER MOTOR HARNESS</b> All, Van & Truck With Single Speed Wiper	\$38.00	
38063	1961	<b>WIPER MOTOR HARNESS</b> All, Van & Truck With 2 Speed Wiper	\$38.00	
39592	1962	<b>WIPER MOTOR HARNESS</b> All, With Single Speed Wiper	\$38.00	
36113	1962	<b>WIPER MOTOR HARNESS</b> All, With 2 Speed Wiper	\$38.00	
39592	1963	<b>WIPER MOTOR HARNESS</b> All, With Single Speed Wiper	\$38.00	
20045	1963	<b>WIPER MOTOR HARNESS</b> All, With 2 Speed Wiper	\$38.00	
39592	1964	<b>WIPER MOTOR HARNESS</b> All, With Single Speed Wiper	\$38.00	
20045	1964	<b>WIPER MOTOR HARNESS</b> All, With 2 Speed Wiper	\$38.00	
39647	1965	<b>WIPER MOTOR HARNESS</b> All, With Single Speed Wiper, Early Production, Contains Striped Color Wires	\$38.00	
39617	1965	<b>WIPER MOTOR HARNESS</b> All, With Single Speed Wiper, Late Production, Contains Soild Color Wires	\$38.00	
39648	1965	<b>WIPER MOTOR HARNESS</b> All, With 2 Speed Wiper, Early Production, Contains Striped Color Wires	\$38.00	
27000	1965	<b>WIPER MOTOR HARNESS</b> All, With 2 Speed Wiper, Late Production, Contains Soild Color Wires	\$38.00	
39617	1966	<b>WIPER MOTOR HARNESS</b> All, With Single Speed Wiper	\$38.00	
27000	1966	<b>WIPER MOTOR HARNESS</b> All, With 2 Speed Wiper	\$38.00	

# ***Section 12***

## ***Corvette***

Part Number	Year	Description	Price	*Rev.
<b>AIR CONDITIONING COMPRESSOR GROUND WIRE</b>				
01640	1963	<b>AIR CONDITIONING COMPRESSOR GROUND WIRE</b> Note: This Wire Is Included In Our Reproduction A/C Harnesses, You Do Not Need If Using Our A/C Harness.	\$18.00	
01645	1964	<b>AIR CONDITIONING COMPRESSOR GROUND WIRE</b> Note: This Wire Is Included In Our Reproduction A/C Harnesses, You Do Not Need If Using Our A/C Harness.	\$18.00	
01645	1965	<b>AIR CONDITIONING COMPRESSOR GROUND WIRE</b> Note: This Wire Is Included In Our Reproduction A/C Harnesses, You Do Not Need If Using Our A/C Harness.	\$18.00	
01645	1966	<b>AIR CONDITIONING COMPRESSOR GROUND WIRE</b> Note: This Wire Is Included In Our Reproduction A/C Harnesses, You Do Not Need If Using Our A/C Harness.	\$18.00	
01645	1967	<b>AIR CONDITIONING COMPRESSOR GROUND WIRE</b> Note: This Wire Is Included In Our Reproduction A/C Harnesses, You Do Not Need If Using Our A/C Harness.	\$18.00	
01645	1968	<b>AIR CONDITIONING COMPRESSOR GROUND WIRE</b> Note: This Wire Is Included In Our Reproduction A/C Harnesses, You Do Not Need If Using Our A/C Harness.	\$18.00	
01645	1969	<b>AIR CONDITIONING COMPRESSOR GROUND WIRE</b> Note: This Wire Is Included In Our Reproduction A/C Harnesses, You Do Not Need If Using Our A/C Harness.	\$18.00	
01645	1970	<b>AIR CONDITIONING COMPRESSOR GROUND WIRE</b> Note: This Wire Is Included In Our Reproduction A/C Harnesses, You Do Not Need If Using Our A/C Harness.	\$18.00	
01645	1971	<b>AIR CONDITIONING COMPRESSOR GROUND WIRE</b> Note: This Wire Is Included In Our Reproduction A/C Harnesses, You Do Not Need If Using Our A/C Harness.	\$18.00	
01645	1972	<b>AIR CONDITIONING COMPRESSOR GROUND WIRE</b> Note: This Wire Is Included In Our Reproduction A/C Harnesses, You Do Not Need If Using Our A/C Harness.	\$18.00	
01645	1973	<b>AIR CONDITIONING COMPRESSOR GROUND WIRE</b> Note: This Wire Is Included In Our Reproduction A/C Harnesses, You Do Not Need If Using Our A/C Harness.	\$18.00	
01645	1974	<b>AIR CONDITIONING COMPRESSOR GROUND WIRE</b> Note: This Wire Is Included In Our Reproduction A/C Harnesses, You Do Not Need If Using Our A/C Harness.	\$18.00	
12975	1975	<b>AIR CONDITIONING COMPRESSOR GROUND WIRE</b> Note: This Wire Is Included In Our Reproduction A/C Harnesses, You Do Not Need If Using Our A/C Harness.	\$18.00	
27605	1976	<b>AIR CONDITIONING COMPRESSOR GROUND WIRE</b> Note: This Wire Is Included In Our Reproduction A/C Harnesses, You Do Not Need If Using Our A/C Harness.	\$18.00	
27605	1977	<b>AIR CONDITIONING COMPRESSOR GROUND WIRE</b> Note: This Wire Is Included In Our Reproduction A/C Harnesses, You Do Not Need If Using Our A/C Harness.	\$18.00	
27605	1978	<b>AIR CONDITIONING COMPRESSOR GROUND WIRE</b> Note: This Wire Is Included In Our Reproduction A/C Harnesses, You Do Not Need If Using Our A/C Harness.	\$18.00	
27605	1979	<b>AIR CONDITIONING COMPRESSOR GROUND WIRE</b> Note: This Wire Is Included In Our Reproduction A/C Harnesses, You Do Not Need If Using Our A/C Harness.	\$18.00	
<b>AIR CONDITIONING HARNESS</b>				
01005	1966	<b>AIR CONDITIONING HARNESS</b> Includes Heater Wiring	\$179.00	
01010	1967	<b>AIR CONDITIONING HARNESS</b> Includes Heater Wiring	\$179.00	
01015	1968	<b>AIR CONDITIONING HARNESS</b> Includes Heater Wiring	\$191.00	
01020	1969	<b>AIR CONDITIONING HARNESS</b> Includes Heater Wiring	\$191.00	
01020	1970	<b>AIR CONDITIONING HARNESS</b> Includes Heater Wiring	\$191.00	
01030	1971	<b>AIR CONDITIONING HARNESS</b> Includes Heater Wiring	\$191.00	
01035	1972	<b>AIR CONDITIONING HARNESS</b> Includes Heater Wiring	\$247.00	
01035	1973	<b>AIR CONDITIONING HARNESS</b> Includes Heater Wiring	\$247.00	
01045	1974	<b>AIR CONDITIONING HARNESS</b> Includes Heater Wiring	\$247.00	
01050	1975	<b>AIR CONDITIONING HARNESS</b> Includes Heater Wiring	\$247.00	
27540	1976	<b>AIR CONDITIONING HARNESS</b> Includes Heater Wiring	\$247.00	
27550	1976	<b>AIR CONDITIONING EXTENSION HARNESS</b> From A/C Harness To Idle Stop Solenoid	\$26.00	

Part Number	Year	Description	Price	*Rev.
27585	1977	<b>AIR CONDITIONING HARNESS</b> Includes Heater Wiring Note: For Cars With Anti-Theft Switch Mounted In Fender, Before 3/2/77 (Early).	\$247.00	
27575	1977	<b>AIR CONDITIONING HARNESS</b> Includes Heater Wiring Note: For Cars With Anti-Theft Switch Mounted In Door Lock, After 3/2/77 (Late).	\$247.00	
27755	1978	<b>AIR CONDITIONING HARNESS</b> Includes Heater Wiring	\$247.00	
28145	1979	<b>AIR CONDITIONING HARNESS</b> Without Auxillary Cooling Fan, Includes Heater Wiring	\$247.00	
27750	1979	<b>AIR CONDITIONING HARNESS</b> With Auxillary Cooling Fan (L82), Includes Heater Wiring	\$247.00	
<b>ALARM SYSTEM HARNESS</b>				
01055	1968	<b>ALARM SYSTEM HARNESS</b>	\$184.00	
01060	1969	<b>ALARM SYSTEM HARNESS</b>	\$184.00	
01065	1970	<b>ALARM SYSTEM HARNESS</b>	\$134.00	
01070	1971	<b>ALARM SYSTEM HARNESS</b>	\$56.00	
01070	1972	<b>ALARM SYSTEM HARNESS</b>	\$56.00	
01070	1973	<b>ALARM SYSTEM HARNESS</b>	\$56.00	
27600	1977	<b>ALARM SYSTEM HARNESS</b> Anti-Theft Control Switch To Dash, Without Power Windows Note: With Anti-Theft Switch Mounted In Door Lock.	\$40.00	
27600	1978	<b>ALARM SYSTEM HARNESS</b> Anti-Theft Control Switch To Dash, Without Power Windows Note: With Courtesy Lamp Timer Mounted Left Of Steering Column, Before 1/19/78 (Early).	\$40.00	
27935	1978	<b>ALARM SYSTEM HARNESS</b> Anti-Theft Control Switch To Dash, Without Power Windows Note: With Courtesy Lamp Timer Mounted To The Right Of Glove Box, After 1/19/78 (Late).	\$40.00	
<b>ALTERNATOR CONVERSION KIT</b>				
27555	1963	<b>ALTERNATOR CONVERSION KIT</b> External To Internal Regulator Conversion Harness ("SI" Series) Note: For Use With 1972-84 Non-Serpentine Belt ("SI" Series) Internal Regulated Alternators.	\$29.00	
37787	1963	<b>ALTERNATOR CONVERSION KIT</b> External To Internal Regulator Conversion Harness ("CS" Series) Note: For Use With Serpentine Belt ("CS" Series) Internal Regulated Alternators.	\$34.00	
27555	1964	<b>ALTERNATOR CONVERSION KIT</b> External To Internal Regulator Conversion Harness ("SI" Series) Note: For Use With 1972-84 Non-Serpentine Belt ("SI" Series) Internal Regulated Alternators.	\$29.00	
37787	1964	<b>ALTERNATOR CONVERSION KIT</b> External To Internal Regulator Conversion Harness ("CS" Series) Note: For Use With Serpentine Belt ("CS" Series) Internal Regulated Alternators.	\$34.00	
27555	1965	<b>ALTERNATOR CONVERSION KIT</b> External To Internal Regulator Conversion Harness ("SI" Series) Note: For Use With 1972-84 Non-Serpentine Belt ("SI" Series) Internal Regulated Alternators.	\$29.00	
37787	1965	<b>ALTERNATOR CONVERSION KIT</b> External To Internal Regulator Conversion Harness ("CS" Series) Note: For Use With Serpentine Belt ("CS" Series) Internal Regulated Alternators.	\$34.00	
27555	1966	<b>ALTERNATOR CONVERSION KIT</b> External To Internal Regulator Conversion Harness ("SI" Series) Note: For Use With 1972-84 Non-Serpentine Belt ("SI" Series) Internal Regulated Alternators.	\$29.00	
37787	1966	<b>ALTERNATOR CONVERSION KIT</b> External To Internal Regulator Conversion Harness ("CS" Series) Note: For Use With Serpentine Belt ("CS" Series) Internal Regulated Alternators.	\$34.00	
27555	1967	<b>ALTERNATOR CONVERSION KIT</b> External To Internal Regulator Conversion Harness ("SI" Series) Note: For Use With 1972-84 Non-Serpentine Belt ("SI" Series) Internal Regulated Alternators.	\$29.00	
37787	1967	<b>ALTERNATOR CONVERSION KIT</b> External To Internal Regulator Conversion Harness ("CS" Series) Note: For Use With Serpentine Belt ("CS" Series) Internal Regulated Alternators.	\$34.00	
27555	1968	<b>ALTERNATOR CONVERSION KIT</b> External To Internal Regulator Conversion Harness ("SI" Series) Note: For Use With 1972-84 Non-Serpentine Belt ("SI" Series) Internal Regulated Alternators.	\$29.00	
37787	1968	<b>ALTERNATOR CONVERSION KIT</b> External To Internal Regulator Conversion Harness ("CS" Series) Note: For Use With Serpentine Belt ("CS" Series) Internal Regulated Alternators.	\$34.00	
37796	1969	<b>ALTERNATOR CONVERSION KIT</b> Internal Regulator "SI" Series Alternator To "CS" Series (Serpentine Belt) Alternator Note: For Use With Serpentine Belt ("CS130" Or "CS144" Type) Internal Regulated Alternators.	\$26.00	

Part Number	Year	Description	Price	*Rev.
37796	1970	<b>ALTERNATOR CONVERSION KIT</b> Internal Regulator "SI" Series Alternator To "CS" Series (Serpentine Belt) Alternator Note: For Use With Serpentine Belt ("CS130" Or "CS144" Type) Internal Regulated Alternators.	\$26.00	
37796	1971	<b>ALTERNATOR CONVERSION KIT</b> Internal Regulator "SI" Series Alternator To "CS" Series (Serpentine Belt) Alternator Note: For Use With Serpentine Belt ("CS130" Or "CS144" Type) Internal Regulated Alternators.	\$26.00	
37796	1972	<b>ALTERNATOR CONVERSION KIT</b> Internal Regulator "SI" Series Alternator To "CS" Series (Serpentine Belt) Alternator Note: For Use With Serpentine Belt ("CS130" Or "CS144" Type) Internal Regulated Alternators.	\$26.00	
37796	1973	<b>ALTERNATOR CONVERSION KIT</b> Internal Regulator "SI" Series Alternator To "CS" Series (Serpentine Belt) Alternator Note: For Use With Serpentine Belt ("CS130" Or "CS144" Type) Internal Regulated Alternators.	\$26.00	
37796	1974	<b>ALTERNATOR CONVERSION KIT</b> Internal Regulator "SI" Series Alternator To "CS" Series (Serpentine Belt) Alternator Note: For Use With Serpentine Belt ("CS130" Or "CS144" Type) Internal Regulated Alternators.	\$26.00	
37796	1975	<b>ALTERNATOR CONVERSION KIT</b> Internal Regulator "SI" Series Alternator To "CS" Series (Serpentine Belt) Alternator Note: For Use With Serpentine Belt ("CS130" Or "CS144" Type) Internal Regulated Alternators.	\$26.00	
37796	1976	<b>ALTERNATOR CONVERSION KIT</b> Internal Regulator "SI" Series Alternator To "CS" Series (Serpentine Belt) Alternator Note: For Use With Serpentine Belt ("CS130" Or "CS144" Type) Internal Regulated Alternators.	\$26.00	
37796	1977	<b>ALTERNATOR CONVERSION KIT</b> Internal Regulator "SI" Series Alternator To "CS" Series (Serpentine Belt) Alternator Note: For Use With Serpentine Belt ("CS130" Or "CS144" Type) Internal Regulated Alternators.	\$26.00	
37796	1978	<b>ALTERNATOR CONVERSION KIT</b> Internal Regulator "SI" Series Alternator To "CS" Series (Serpentine Belt) Alternator Note: For Use With Serpentine Belt ("CS130" Or "CS144" Type) Internal Regulated Alternators.	\$26.00	
37796	1979	<b>ALTERNATOR CONVERSION KIT</b> Internal Regulator "SI" Series Alternator To "CS" Series (Serpentine Belt) Alternator Note: For Use With Serpentine Belt ("CS130" Or "CS144" Type) Internal Regulated Alternators.	\$26.00	
37796	1980	<b>ALTERNATOR CONVERSION KIT</b> Internal Regulator "SI" Series Alternator To "CS" Series (Serpentine Belt) Alternator Note: For Use With Serpentine Belt ("CS130" Or "CS144" Type) Internal Regulated Alternators.	\$26.00	
37796	1981	<b>ALTERNATOR CONVERSION KIT</b> Internal Regulator "SI" Series Alternator To "CS" Series (Serpentine Belt) Alternator Note: For Use With Serpentine Belt ("CS130" Or "CS144" Type) Internal Regulated Alternators.	\$26.00	
37796	1982	<b>ALTERNATOR CONVERSION KIT</b> Internal Regulator "SI" Series Alternator To "CS" Series (Serpentine Belt) Alternator Note: For Use With Serpentine Belt ("CS130" Or "CS144" Type) Internal Regulated Alternators.	\$26.00	
37796	1983	<b>ALTERNATOR CONVERSION KIT</b> Internal Regulator "SI" Series Alternator To "CS" Series (Serpentine Belt) Alternator Note: For Use With Serpentine Belt ("CS130" Or "CS144" Type) Internal Regulated Alternators.	\$26.00	
37796	1984	<b>ALTERNATOR CONVERSION KIT</b> Internal Regulator "SI" Series Alternator To "CS" Series (Serpentine Belt) Alternator Note: For Use With Serpentine Belt ("CS130" Or "CS144" Type) Internal Regulated Alternators.	\$26.00	
37796	1985	<b>ALTERNATOR CONVERSION KIT</b> Internal Regulator "SI" Series Alternator To "CS" Series (Serpentine Belt) Alternator Note: For Use With Serpentine Belt ("CS130" Or "CS144" Type) Internal Regulated Alternators.	\$26.00	
37796	1986	<b>ALTERNATOR CONVERSION KIT</b> Internal Regulator "SI" Series Alternator To "CS" Series (Serpentine Belt) Alternator Note: For Use With Serpentine Belt ("CS130" Or "CS144" Type) Internal Regulated Alternators.	\$26.00	
<b>ALTERNATOR RELOCATION HARNESS</b>				
37918	1963	<b>ALTERNATOR RELOCATION HARNESS</b> From Original Passenger Side Location To Drivers Side	\$92.00	
37918	1964	<b>ALTERNATOR RELOCATION HARNESS</b> From Original Passenger Side Location To Drivers Side	\$92.00	

Part Number	Year	Description	Price	*Rev.
37918	1965	ALTERNATOR RELOCATION HARNESS From Original Passenger Side Location To Drivers Side	\$92.00	
<b>AMMETER GAUGE</b>				
01502598	1963	AMMETER GAUGE	\$39.00	N
01502578	1964	AMMETER GAUGE	\$39.00	N
01503035	1965	AMMETER GAUGE	\$47.00	N
01503035	1966	AMMETER GAUGE	\$47.00	N
01503035	1967	AMMETER GAUGE	\$47.00	N
<b>ANTI-THEFT HARNESS</b>				
33070	1981	ANTI-THEFT EXTENSION HARNESS Dash Harness To Driver & Passenger Door Alarm Harnesses	\$40.00	
36079	1981	ANTI-THEFT JUMPER HARNESS With Power Door Locks	\$22.00	
36081	1981	ANTI-THEFT DOOR LOCK JUMPER WIRE Without Power Door Locks	\$22.00	
33065	1982	ANTI-THEFT JUMPER HARNESS With Power Door Locks	\$22.00	
33255	1982	ANTI-THEFT DOOR LOCK JUMPER WIRE Without Power Door Locks	\$22.00	
<b>ASSEMBLY MANUAL</b>				
38387	1953	ASSEMBLY MANUAL Factory Assembly Instruction Guide	\$32.00	
38387	1954	ASSEMBLY MANUAL Factory Assembly Instruction Guide	\$32.00	
38387	1955	ASSEMBLY MANUAL Factory Assembly Instruction Guide	\$32.00	
36331	1956	ASSEMBLY MANUAL Factory Assembly Instruction Guide	\$32.00	
36331	1957	ASSEMBLY MANUAL Factory Assembly Instruction Guide	\$32.00	
36332	1958	ASSEMBLY MANUAL Factory Assembly Instruction Guide	\$32.00	
36333	1959	ASSEMBLY MANUAL Factory Assembly Instruction Guide	\$32.00	
36334	1960	ASSEMBLY MANUAL Factory Assembly Instruction Guide	\$32.00	
36335	1961	ASSEMBLY MANUAL Factory Assembly Instruction Guide	\$32.00	
36336	1962	ASSEMBLY MANUAL Factory Assembly Instruction Guide	\$32.00	
36337	1963	ASSEMBLY MANUAL Factory Assembly Instruction Guide	\$32.00	
36338	1964	ASSEMBLY MANUAL Factory Assembly Instruction Guide	\$32.00	
36339	1965	ASSEMBLY MANUAL Factory Assembly Instruction Guide	\$32.00	
36340	1966	ASSEMBLY MANUAL Factory Assembly Instruction Guide	\$32.00	
36341	1967	ASSEMBLY MANUAL Factory Assembly Instruction Guide	\$32.00	
36342	1968	ASSEMBLY MANUAL Factory Assembly Instruction Guide	\$32.00	
36343	1969	ASSEMBLY MANUAL Factory Assembly Instruction Guide	\$32.00	
36344	1970	ASSEMBLY MANUAL Factory Assembly Instruction Guide	\$32.00	
36345	1971	ASSEMBLY MANUAL Factory Assembly Instruction Guide	\$32.00	
36346	1972	ASSEMBLY MANUAL Factory Assembly Instruction Guide	\$32.00	
36347	1973	ASSEMBLY MANUAL Factory Assembly Instruction Guide	\$32.00	
36348	1974	ASSEMBLY MANUAL Factory Assembly Instruction Guide	\$32.00	
36349	1975	ASSEMBLY MANUAL Factory Assembly Instruction Guide	\$32.00	
36350	1976	ASSEMBLY MANUAL Factory Assembly Instruction Guide	\$32.00	
36351	1977	ASSEMBLY MANUAL Factory Assembly Instruction Guide	\$32.00	
36352	1978	ASSEMBLY MANUAL Factory Assembly Instruction Guide	\$32.00	
36353	1979	ASSEMBLY MANUAL Factory Assembly Instruction Guide	\$32.00	
36354	1980	ASSEMBLY MANUAL Factory Assembly Instruction Guide	\$32.00	
36355	1981	ASSEMBLY MANUAL Factory Assembly Instruction Guide	\$32.00	
36356	1982	ASSEMBLY MANUAL Factory Assembly Instruction Guide	\$32.00	
<b>BACKUP LAMP SWITCH</b>				
01993666	1963	BACKUP LAMP SWITCH Manual Trans, 4 Speed Only	\$64.00	



Part Number	Year	Description	Price	*Rev.
01993666	1964	<b>BACKUP LAMP SWITCH</b> Manual Trans, 4 Speed Only	\$64.00	
01993666	1965	<b>BACKUP LAMP SWITCH</b> Manual Trans, 4 Speed Only	\$64.00	
01993666	1966	<b>BACKUP LAMP SWITCH</b> Manual Trans, 4 Speed Only	\$64.00	
01993666	1967	<b>BACKUP LAMP SWITCH</b> Manual Trans, 4 Speed Only	\$64.00	
01993430	1968	<b>BACKUP LAMP SWITCH</b> Manual Trans	\$64.00	
01993430	1969	<b>BACKUP LAMP SWITCH</b> Manual Trans	\$64.00	
01993430	1970	<b>BACKUP LAMP SWITCH</b> Manual Trans	\$64.00	
01993430	1971	<b>BACKUP LAMP SWITCH</b> Manual Trans	\$64.00	
01993430	1972	<b>BACKUP LAMP SWITCH</b> Manual Trans	\$64.00	
01993430	1973	<b>BACKUP LAMP SWITCH</b> Manual Trans	\$64.00	
01993430	1974	<b>BACKUP LAMP SWITCH</b> Manual Trans	\$64.00	
01993430	1975	<b>BACKUP LAMP SWITCH</b> Manual Trans	\$64.00	
01993430	1976	<b>BACKUP LAMP SWITCH</b> Manual Trans	\$64.00	
01993430	1977	<b>BACKUP LAMP SWITCH</b> Manual Trans	\$64.00	
01993430	1978	<b>BACKUP LAMP SWITCH</b> Manual Trans, L82	\$64.00	
01994218	1979	<b>BACKUP LAMP SWITCH</b> Manual Trans	\$64.00	
01994218	1980	<b>BACKUP LAMP SWITCH</b> Manual Trans, With Plastic "T" Connector & Female Terminals	\$64.00	
01994220	1980	<b>BACKUP LAMP SWITCH</b> Manual Trans, With Round Rubber Mold-On Connector & Male Blades	\$86.00	
01994220	1981	<b>BACKUP LAMP SWITCH</b> Manual Trans	\$86.00	
<b>BACKUP LAMP SWITCH EXTENSION HARNESS</b>				
27940	1978	<b>BACKUP LAMP SWITCH EXTENSION HARNESS</b> L48 Only, Backup Lamp Switch To Engine Harness	\$40.00	C
<b>BACKUP LAMP SWITCH MOUNTING BRACKET</b>				
37650	1965	<b>BACKUP LAMP SWITCH MOUNTING BRACKET</b> With Muncie 4 Speed Transmission	\$29.00	
37650	1966	<b>BACKUP LAMP SWITCH MOUNTING BRACKET</b> With Muncie 4 Speed Transmission	\$29.00	
37650	1967	<b>BACKUP LAMP SWITCH MOUNTING BRACKET</b> With Muncie 4 Speed Transmission	\$29.00	
37650	1968	<b>BACKUP LAMP SWITCH MOUNTING BRACKET</b> With Muncie 4 Speed Transmission	\$29.00	
37650	1969	<b>BACKUP LAMP SWITCH MOUNTING BRACKET</b> With Muncie 4 Speed Transmission	\$29.00	
37650	1970	<b>BACKUP LAMP SWITCH MOUNTING BRACKET</b> With Muncie 4 Speed Transmission	\$29.00	
37650	1971	<b>BACKUP LAMP SWITCH MOUNTING BRACKET</b> With Muncie 4 Speed Transmission	\$29.00	
37650	1972	<b>BACKUP LAMP SWITCH MOUNTING BRACKET</b> With Muncie 4 Speed Transmission	\$29.00	
37650	1973	<b>BACKUP LAMP SWITCH MOUNTING BRACKET</b> With Muncie 4 Speed Transmission	\$29.00	
37650	1974	<b>BACKUP LAMP SWITCH MOUNTING BRACKET</b> With Muncie 4 Speed Transmission	\$29.00	
37650	1974	<b>BACKUP LAMP SWITCH MOUNTING BRACKET</b> With Muncie 4 Speed Transmission	\$29.00	
<b>BACKUP LAMP SWITCH MOUNTING KIT</b>				
39505	1963	<b>BACKUP LAMP SWITCH MOUNTING KIT</b> With Muncie 4 Speed Transmission Note: Kit Contains The Bracket, Rod With 2 Clips, Shield & Bolts.	\$46.00	
39505	1964	<b>BACKUP LAMP SWITCH MOUNTING KIT</b> With Muncie 4 Speed Transmission Note: Kit Contains The Bracket, Rod With 2 Clips, Shield & Bolts.	\$46.00	
39505	1965	<b>BACKUP LAMP SWITCH MOUNTING KIT</b> With Muncie 4 Speed Transmission Note: Kit Contains The Bracket, Rod With 2 Clips, Shield & Bolts.	\$46.00	
39505	1966	<b>BACKUP LAMP SWITCH MOUNTING KIT</b> With Muncie 4 Speed Transmission Note: Kit Contains The Bracket, Rod With 2 Clips, Shield & Bolts.	\$46.00	
39505	1967	<b>BACKUP LAMP SWITCH MOUNTING KIT</b> With Muncie 4 Speed Transmission Note: Kit Contains The Bracket, Rod With 2 Clips, Shield & Bolts.	\$46.00	
39506	1968	<b>BACKUP LAMP SWITCH MOUNTING KIT</b> With Muncie 4 Speed Transmission Note: Kit Contains The Bracket, Rod With 2 Clips, Shield & Bolts.	\$46.00	

Part Number	Year	Description	Price	*Rev.
39506	1969	<b>BACKUP LAMP SWITCH MOUNTING KIT</b> With Muncie 4 Speed Transmission Note: Kit Contains The Bracket, Rod With 2 Clips, Shield & Bolts.	\$46.00	
39506	1970	<b>BACKUP LAMP SWITCH MOUNTING KIT</b> With Muncie 4 Speed Transmission Note: Kit Contains The Bracket, Rod With 2 Clips, Shield & Bolts.	\$46.00	
39506	1971	<b>BACKUP LAMP SWITCH MOUNTING KIT</b> With Muncie 4 Speed Transmission Note: Kit Contains The Bracket, Rod With 2 Clips, Shield & Bolts.	\$46.00	
39506	1972	<b>BACKUP LAMP SWITCH MOUNTING KIT</b> With Muncie 4 Speed Transmission Note: Kit Contains The Bracket, Rod With 2 Clips, Shield & Bolts.	\$46.00	
39506	1973	<b>BACKUP LAMP SWITCH MOUNTING KIT</b> With Muncie 4 Speed Transmission Note: Kit Contains The Bracket, Rod With 2 Clips, Shield & Bolts.	\$46.00	
<b>BATTERY CABLE-NEGATIVE</b>				
04010	1962	<b>BATTERY CABLE, SPRING RING</b> Neg, All	\$69.00	
04010	1963	<b>BATTERY CABLE, SPRING RING</b> Neg, Without A/C	\$69.00	
18595	1963	<b>BATTERY CABLE, SPRING RING</b> Neg, With A/C, Braided Strap Style	\$69.00	
04010	1964	<b>BATTERY CABLE, SPRING RING</b> Neg, Without A/C	\$69.00	
03720	1964	<b>BATTERY CABLE, SPRING RING</b> Neg, With A/C	\$69.00	
04010	1965	<b>BATTERY CABLE, SPRING RING</b> Neg, 327 C.I. Without A/C	\$69.00	
03720	1965	<b>BATTERY CABLE, SPRING RING</b> Neg, 396 C.I. Without A/C	\$69.00	
03720	1965	<b>BATTERY CABLE, SPRING RING</b> Neg, All With A/C	\$69.00	
04010	1966	<b>BATTERY CABLE, SPRING RING</b> Neg, 327 C.I. Without A/C	\$69.00	
03720	1966	<b>BATTERY CABLE, SPRING RING</b> Neg, 427 C.I. Without A/C	\$69.00	
03720	1966	<b>BATTERY CABLE, SPRING RING</b> Neg, All With A/C	\$69.00	
04010	1967	<b>BATTERY CABLE, SPRING RING</b> Neg, 327 C.I. Without A/C	\$69.00	
03720	1967	<b>BATTERY CABLE, SPRING RING</b> Neg, 427 C.I. Without A/C	\$69.00	
03720	1967	<b>BATTERY CABLE, SPRING RING</b> Neg, All With A/C	\$69.00	
20575	1968	<b>BATTERY CABLE, SPRING RING</b> Neg, All	\$81.00	
20575	1969	<b>BATTERY CABLE, SPRING RING</b> Neg	\$81.00	
21720	1969	<b>BATTERY CABLE, SIDE POST</b> Neg, With Heavy Duty Side Post Battery	\$81.00	
15285	1970	<b>BATTERY CABLE, SIDE POST</b> Neg, All	\$81.00	
22350	1971	<b>BATTERY CABLE, SIDE POST</b> Neg, All	\$81.00	
22345	1972	<b>BATTERY CABLE, SIDE POST</b> Neg, All	\$81.00	
22345	1973	<b>BATTERY CABLE, SIDE POST</b> Neg, All	\$81.00	
22345	1974	<b>BATTERY CABLE, SIDE POST</b> Neg, All	\$81.00	
22355	1975	<b>BATTERY CABLE, SIDE POST</b> Neg, All	\$81.00	
22355	1976	<b>BATTERY CABLE, SIDE POST</b> Neg, All	\$81.00	
22355	1977	<b>BATTERY CABLE, SIDE POST</b> Neg, All	\$81.00	
22355	1978	<b>BATTERY CABLE, SIDE POST</b> Neg, All	\$81.00	
22355	1979	<b>BATTERY CABLE, SIDE POST</b> Neg, All	\$81.00	
22355	1980	<b>BATTERY CABLE, SIDE POST</b> Neg, All	\$81.00	
22355	1981	<b>BATTERY CABLE, SIDE POST</b> Neg, All	\$81.00	
31585	1982	<b>BATTERY CABLE, SIDE POST</b> Neg, All	\$81.00	
<b>BATTERY CABLE-POSITIVE</b>				
27215	1955	<b>BATTERY CABLE, TOP POST</b> Pos, V/8, 12 Volt	\$63.00	
27215	1956	<b>BATTERY CABLE, TOP POST</b> Pos	\$63.00	
27215	1957	<b>BATTERY CABLE, TOP POST</b> Pos	\$63.00	
36260	1958	<b>BATTERY CABLE, TOP POST</b> Pos	\$63.00	
27220	1959	<b>BATTERY CABLE, TOP POST</b> Pos	\$63.00	

Part Number	Year	Description	Price	*Rev.
27220	1960	BATTERY CABLE, TOP POST Pos	\$63.00	
27220	1961	BATTERY CABLE, TOP POST Pos	\$63.00	
03785	1962	BATTERY CABLE, SPRING RING Pos, All	\$69.00	
04410	1963	BATTERY CABLE, SPRING RING Pos, Without A/C	\$69.00	
04415	1963	BATTERY CABLE, SPRING RING Pos, With A/C	\$69.00	
04410	1964	BATTERY CABLE, SPRING RING Pos, Without A/C	\$69.00	
04415	1964	BATTERY CABLE, SPRING RING Pos, With A/C	\$69.00	
04410	1965	BATTERY CABLE, SPRING RING Pos, 327 C.I. Without A/C	\$69.00	
04415	1965	BATTERY CABLE, SPRING RING Pos, 396 C.I. Without A/C	\$69.00	
04415	1965	BATTERY CABLE, SPRING RING Pos, All With A/C	\$69.00	
09235	1966	BATTERY CABLE, SPRING RING Pos, 327 C.I. Without A/C	\$69.00	
09245	1966	BATTERY CABLE, SPRING RING Pos, 427 C.I. Without A/C	\$69.00	
09240	1966	BATTERY CABLE, SPRING RING Pos, All With A/C	\$69.00	
09235	1967	BATTERY CABLE, SPRING RING Pos, 327 C.I. Without A/C	\$69.00	
09245	1967	BATTERY CABLE, SPRING RING Pos, 427 C.I. Without A/C	\$69.00	
09240	1967	BATTERY CABLE, SPRING RING Pos, All With A/C	\$69.00	
20910	1968	BATTERY CABLE, SPRING RING Pos, All	\$81.00	
20910	1969	BATTERY CABLE, SPRING RING Pos	\$81.00	
13190	1969	BATTERY CABLE, SIDE POST Pos, With Heavy Duty Side Post Battery	\$94.00	
15280	1970	BATTERY CABLE, SIDE POST Pos, All	\$94.00	
22370	1971	BATTERY CABLE, SIDE POST Pos, All	\$94.00	
22365	1972	BATTERY CABLE, SIDE POST Pos, All	\$94.00	
22365	1973	BATTERY CABLE, SIDE POST Pos, All	\$94.00	
22365	1974	BATTERY CABLE, SIDE POST Pos, All	\$94.00	
22360	1975	BATTERY CABLE, SIDE POST Pos, All	\$94.00	
22360	1976	BATTERY CABLE, SIDE POST Pos, All	\$94.00	
22360	1977	BATTERY CABLE, SIDE POST Pos, All	\$94.00	
22360	1978	BATTERY CABLE, SIDE POST Pos, All	\$94.00	
22360	1979	BATTERY CABLE, SIDE POST Pos, All	\$94.00	
22360	1980	BATTERY CABLE, SIDE POST Pos, With AM/FM Stereo/Cb (Up6), AM/FM Stereo Pushbutton (U58) Or AM/FM Mono Pushbutton (U69) Option	\$94.00	
28125	1980	BATTERY CABLE, SIDE POST Pos, With AM/FM Stereo Pushbutton Tape Player (UM2) Or Cassette Player (UN3) Option	\$94.00	
22360	1981	BATTERY CABLE, SIDE POST Pos, With AM/FM Stereo Pushbutton (U58) Or AM/FM Mono Pushbutton (U69) Option	\$94.00	
28125	1981	BATTERY CABLE, SIDE POST Pos, With AM/FM Stereo Tape Player (UM4, UM5) Or AM/FM Stereo Cassette Player (UM6, UN5) Option	\$94.00	
31925	1982	BATTERY CABLE, SIDE POST Pos, All	\$94.00	
<b>BATTERY CHARGE CIRCUIT HARNESS</b>				
28110	1980	BATTERY CHARGE CIRCUIT HARNESS With Stereo, Alternator To Rear Junction Block Note: Used With Part #27660 Forward Lamp Harness Only.	\$132.00	
28110	1981	BATTERY CHARGE CIRCUIT HARNESS Alternator To Rear Junction Block Note: Used With Part #32785 Forward Lamp Harness Only.	\$132.00	
28110	1982	BATTERY CHARGE CIRCUIT HARNESS Alternator To Rear Junction Block Note: Used With Part #32795 Forward Lamp Harness Only.	\$132.00	
<b>BATTERY GROUND STRAP</b>				
27210	1955	BATTERY GROUND STRAP Neg, V/8, 12 Volt	\$63.00	
27210	1956	BATTERY GROUND STRAP Neg	\$63.00	

Part Number	Year	Description	Price	*Rev.
27210	1957	BATTERY GROUND STRAP Neg	\$63.00	
27210	1958	BATTERY GROUND STRAP Neg	\$63.00	
27210	1959	BATTERY GROUND STRAP Neg	\$63.00	
27210	1960	BATTERY GROUND STRAP Neg	\$63.00	
27210	1961	BATTERY GROUND STRAP Neg	\$63.00	
<b>BREAKERLESS SE SINGLE WIRE ELECTRONIC IGNITION</b>				
38131	1957	BREAKERLESS SE SINGLE WIRE ELECTRONIC IGNITION KIT For 1957-74 Breaker Point Distributors With Windowed Type Distributor Cap	\$179.00	
38131	1958	BREAKERLESS SE SINGLE WIRE ELECTRONIC IGNITION KIT For 1957-74 Breaker Point Distributors With Windowed Type Distributor Cap	\$179.00	
38131	1959	BREAKERLESS SE SINGLE WIRE ELECTRONIC IGNITION KIT For 1957-74 Breaker Point Distributors With Windowed Type Distributor Cap	\$179.00	
38131	1960	BREAKERLESS SE SINGLE WIRE ELECTRONIC IGNITION KIT For 1957-74 Breaker Point Distributors With Windowed Type Distributor Cap	\$179.00	
38131	1961	BREAKERLESS SE SINGLE WIRE ELECTRONIC IGNITION KIT For 1957-74 Breaker Point Distributors With Windowed Type Distributor Cap	\$179.00	
38131	1962	BREAKERLESS SE SINGLE WIRE ELECTRONIC IGNITION KIT For 1957-74 Breaker Point Distributors With Windowed Type Distributor Cap	\$179.00	
38131	1963	BREAKERLESS SE SINGLE WIRE ELECTRONIC IGNITION KIT For 1957-74 Breaker Point Distributors With Windowed Type Distributor Cap	\$179.00	
38131	1964	BREAKERLESS SE SINGLE WIRE ELECTRONIC IGNITION KIT For 1957-74 Breaker Point Distributors With Windowed Type Distributor Cap	\$179.00	
38131	1965	BREAKERLESS SE SINGLE WIRE ELECTRONIC IGNITION KIT For 1957-74 Breaker Point Distributors With Windowed Type Distributor Cap	\$179.00	
38131	1966	BREAKERLESS SE SINGLE WIRE ELECTRONIC IGNITION KIT For 1957-74 Breaker Point Distributors With Windowed Type Distributor Cap	\$179.00	
38131	1967	BREAKERLESS SE SINGLE WIRE ELECTRONIC IGNITION KIT For 1957-74 Breaker Point Distributors With Windowed Type Distributor Cap	\$179.00	
38131	1968	BREAKERLESS SE SINGLE WIRE ELECTRONIC IGNITION KIT For 1957-74 Breaker Point Distributors With Windowed Type Distributor Cap	\$179.00	
38131	1969	BREAKERLESS SE SINGLE WIRE ELECTRONIC IGNITION KIT For 1957-74 Breaker Point Distributors With Windowed Type Distributor Cap	\$179.00	
38131	1970	BREAKERLESS SE SINGLE WIRE ELECTRONIC IGNITION KIT For 1957-74 Breaker Point Distributors With Windowed Type Distributor Cap	\$179.00	
38131	1971	BREAKERLESS SE SINGLE WIRE ELECTRONIC IGNITION KIT For 1957-74 Breaker Point Distributors With Windowed Type Distributor Cap	\$179.00	
38131	1972	BREAKERLESS SE SINGLE WIRE ELECTRONIC IGNITION KIT For 1957-74 Breaker Point Distributors With Windowed Type Distributor Cap	\$179.00	
38131	1973	BREAKERLESS SE SINGLE WIRE ELECTRONIC IGNITION KIT For 1957-74 Breaker Point Distributors With Windowed Type Distributor Cap	\$179.00	
38131	1974	BREAKERLESS SE SINGLE WIRE ELECTRONIC IGNITION KIT For 1957-74 Breaker Point Distributors With Windowed Type Distributor Cap	\$179.00	
<b>CHOKE WIRE</b>				
36054	1958	CHOKE WIRE Fuel Injection Cold Enrichment	\$25.00	
36054	1959	CHOKE WIRE Fuel Injection Cold Enrichment	\$25.00	
36054	1960	CHOKE WIRE Fuel Injection Cold Enrichment	\$25.00	
36054	1961	CHOKE WIRE Fuel Injection Cold Enrichment	\$25.00	
01085	1962	CHOKE WIRE Fuel Injection Cold Enrichment	\$25.00	
01090	1964	CHOKE WIRE Fuel Injection Cold Enrichment	\$20.00	
01090	1965	CHOKE WIRE Fuel Injection Cold Enrichment	\$20.00	
<b>CIGARETTE LIGHTER LAMP ASSEMBLY</b>				
36055	1953	CIGARETTE LIGHTER LAMP ASSEMBLY Includes Shield	\$26.00	

Part Number	Year	Description	Price	*Rev.
36055	1954	<b>CIGARETTE LIGHTER LAMP ASSEMBLY</b> Includes Shield	\$26.00	
06285	1955	<b>CIGARETTE LIGHTER LAMP ASSEMBLY</b> Includes Shield	\$26.00	
06285	1956	<b>CIGARETTE LIGHTER LAMP ASSEMBLY</b> Includes Shield	\$26.00	
06285	1957	<b>CIGARETTE LIGHTER LAMP ASSEMBLY</b> Includes Shield	\$26.00	
06285	1958	<b>CIGARETTE LIGHTER LAMP ASSEMBLY</b> Includes Shield	\$26.00	
06285	1959	<b>CIGARETTE LIGHTER LAMP ASSEMBLY</b> Includes Shield	\$26.00	
06285	1960	<b>CIGARETTE LIGHTER LAMP ASSEMBLY</b> Includes Shield	\$26.00	
06285	1961	<b>CIGARETTE LIGHTER LAMP ASSEMBLY</b> Includes Shield	\$26.00	
06285	1962	<b>CIGARETTE LIGHTER LAMP ASSEMBLY</b> Includes Shield	\$26.00	
<b>CIGARETTE LIGHTER LAMP SHIELD</b>				
02977777	1953	<b>CIGARETTE LIGHTER LAMP SHIELD</b>	\$20.00	
02977777	1954	<b>CIGARETTE LIGHTER LAMP SHIELD</b>	\$20.00	
02977777	1955	<b>CIGARETTE LIGHTER LAMP SHIELD</b>	\$20.00	
02977777	1956	<b>CIGARETTE LIGHTER LAMP SHIELD</b>	\$20.00	
02977777	1957	<b>CIGARETTE LIGHTER LAMP SHIELD</b>	\$20.00	
02977777	1958	<b>CIGARETTE LIGHTER LAMP SHIELD</b>	\$20.00	
02977777	1959	<b>CIGARETTE LIGHTER LAMP SHIELD</b>	\$20.00	
02977777	1960	<b>CIGARETTE LIGHTER LAMP SHIELD</b>	\$20.00	
02977777	1961	<b>CIGARETTE LIGHTER LAMP SHIELD</b>	\$20.00	
02977777	1962	<b>CIGARETTE LIGHTER LAMP SHIELD</b>	\$20.00	
02977777	1963	<b>CIGARETTE LIGHTER LAMP SHIELD</b>	\$20.00	
02977777	1964	<b>CIGARETTE LIGHTER LAMP SHIELD</b>	\$20.00	
02977777	1965	<b>CIGARETTE LIGHTER LAMP SHIELD</b>	\$20.00	
02977777	1966	<b>CIGARETTE LIGHTER LAMP SHIELD</b>	\$20.00	
02977777	1967	<b>CIGARETTE LIGHTER LAMP SHIELD</b>	\$20.00	
02977777	1968	<b>CIGARETTE LIGHTER LAMP SHIELD</b>	\$20.00	
02977777	1969	<b>CIGARETTE LIGHTER LAMP SHIELD</b>	\$20.00	
02977777	1970	<b>CIGARETTE LIGHTER LAMP SHIELD</b>	\$20.00	
02977777	1971	<b>CIGARETTE LIGHTER LAMP SHIELD</b>	\$20.00	
02977777	1972	<b>CIGARETTE LIGHTER LAMP SHIELD</b>	\$20.00	
02977777	1973	<b>CIGARETTE LIGHTER LAMP SHIELD</b>	\$20.00	
02977777	1974	<b>CIGARETTE LIGHTER LAMP SHIELD</b>	\$20.00	
02977777	1975	<b>CIGARETTE LIGHTER LAMP SHIELD</b>	\$20.00	
02977777	1976	<b>CIGARETTE LIGHTER LAMP SHIELD</b>	\$20.00	
<b>CIRCUIT BREAKER</b>				
04849850	1963	<b>CIRCUIT BREAKER, 40 AMP</b> Headlight Motor	\$14.00	N
04849850	1964	<b>CIRCUIT BREAKER, 40 AMP</b> Headlight Motor	\$14.00	N
04849850	1965	<b>CIRCUIT BREAKER, 40 AMP</b> Headlight Motor	\$14.00	N
04849850	1966	<b>CIRCUIT BREAKER, 40 AMP</b> Headlight Motor	\$14.00	N
04849850	1967	<b>CIRCUIT BREAKER, 40 AMP</b> Headlight Motor	\$14.00	N
04849850	1965	<b>CIRCUIT BREAKER, 40 AMP</b> Power Windows	\$14.00	N
04849850	1966	<b>CIRCUIT BREAKER, 40 AMP</b> Power Windows	\$14.00	N
04850166	1967	<b>CIRCUIT BREAKER, 30 AMP</b> Power Windows	\$14.00	
04849850	1967	<b>CIRCUIT BREAKER, 40 AMP</b> Power Windows	\$14.00	N
04850166	1968	<b>CIRCUIT BREAKER, 30 AMP</b> Power Windows	\$14.00	
04850166	1969	<b>CIRCUIT BREAKER, 30 AMP</b> Power Windows	\$14.00	

Part Number	Year	Description	Price	*Rev.
04850166	1970	<b>CIRCUIT BREAKER, 30 AMP</b> Power Windows	\$14.00	
04850166	1971	<b>CIRCUIT BREAKER, 30 AMP</b> Power Windows	\$14.00	
04850166	1972	<b>CIRCUIT BREAKER, 30 AMP</b> Power Windows	\$14.00	
04850166	1973	<b>CIRCUIT BREAKER, 30 AMP</b> Power Windows	\$14.00	
04850166	1974	<b>CIRCUIT BREAKER, 30 AMP</b> Power Windows	\$14.00	
<b>CLOCK</b>				
03710648	1958	<b>CLOCK</b>	\$137.00	N
03710648	1959	<b>CLOCK</b>	\$137.00	N
03710648	1960	<b>CLOCK</b>	\$137.00	N
03710648	1961	<b>CLOCK</b>	\$137.00	N
03710648	1962	<b>CLOCK</b>	\$137.00	N
<b>CLOCK HARNESS</b>				
01095	1958	<b>CLOCK HARNESS</b> Instrument Panel Clock	\$27.00	
01095	1959	<b>CLOCK HARNESS</b> Instrument Panel Clock	\$27.00	
01095	1960	<b>CLOCK HARNESS</b> Instrument Panel Clock	\$27.00	
01095	1961	<b>CLOCK HARNESS</b> Instrument Panel Clock	\$27.00	
<b>COIL WIRE</b>				
36056	1955	<b>COIL WIRE</b> V/8, All, Coil To Coaxial Condenser Lead Wire, Includes Braided Shielding Note: This Is The Lead From Coil To Radio Condenser/Capacitor Mounted On Coil Cover.	\$38.00	
01100	1958	<b>COIL WIRE</b> Resistor To Coil Note: Included In Ground Strap Kit.	\$18.00	
01100	1959	<b>COIL WIRE</b> Resistor To Coil Note: Included In Ground Strap Kit.	\$18.00	
01100	1960	<b>COIL WIRE</b> Resistor To Coil Note: Included In Ground Strap Kit.	\$18.00	
01100	1961	<b>COIL WIRE</b> Resistor To Coil Note: Included In Ground Strap Kit.	\$18.00	
01100	1962	<b>COIL WIRE</b> Resistor To Coil Note: Included In Ground Strap Kit.	\$18.00	
<b>COMPUTER ECM HARNESS</b>				
28105	1980	<b>COMPUTER ECM HARNESS</b> Dash Side, All	\$380.00	
28140	1980	<b>COMPUTER ECM HARNESS</b> Engine Side, 305 C.I. (California Emission Car)	\$399.00	
<b>CONSOLE DOOR LAMP HARNESS AND SWITCH ASSEMBLY</b>				
33465	1968	<b>CONSOLE DOOR LAMP HARNESS AND SWITCH ASSEMBLY</b> Rear Compartment, Includes Socket, Bulb & Wire	\$25.00	
33465	1969	<b>CONSOLE DOOR LAMP HARNESS AND SWITCH ASSEMBLY</b> Rear Compartment, Includes Socket, Bulb & Wire	\$25.00	
33465	1970	<b>CONSOLE DOOR LAMP HARNESS AND SWITCH ASSEMBLY</b> Rear Compartment, Includes Socket, Bulb & Wire	\$25.00	
33465	1971	<b>CONSOLE DOOR LAMP HARNESS AND SWITCH ASSEMBLY</b> Rear Compartment, Includes Socket, Bulb & Wire	\$25.00	
33465	1972	<b>CONSOLE DOOR LAMP HARNESS AND SWITCH ASSEMBLY</b> Rear Compartment, Includes Socket, Bulb & Wire	\$25.00	
33465	1973	<b>CONSOLE DOOR LAMP HARNESS AND SWITCH ASSEMBLY</b> Rear Compartment, Includes Socket, Bulb & Wire	\$25.00	
33465	1974	<b>CONSOLE DOOR LAMP HARNESS AND SWITCH ASSEMBLY</b> Rear Compartment, Includes Socket, Bulb & Wire	\$25.00	
33465	1975	<b>CONSOLE DOOR LAMP HARNESS AND SWITCH ASSEMBLY</b> Rear Compartment, Includes Socket, Bulb & Wire	\$25.00	
33465	1976	<b>CONSOLE DOOR LAMP HARNESS AND SWITCH ASSEMBLY</b> Rear Compartment, Includes Socket, Bulb & Wire	\$25.00	
33465	1977	<b>CONSOLE DOOR LAMP HARNESS AND SWITCH ASSEMBLY</b> Rear Compartment, Includes Socket, Bulb & Wire, Without Dome Lamp	\$25.00	
<b>CONSOLE HARNESS</b>				
01105	1971	<b>CONSOLE HARNESS</b> Shifter Plate Indicator Lamp With Auto Trans	\$18.00	

Part Number	Year	Description	Price	*Rev.
01105	1972	<b>CONSOLE HARNESS</b> Shifter Plate Indicator Lamp With Auto Trans	\$18.00	
01105	1973	<b>CONSOLE HARNESS</b> Shifter Plate Indicator Lamp With Auto Trans	\$18.00	
01105	1974	<b>CONSOLE HARNESS</b> Shifter Plate Indicator Lamp With Auto Trans	\$18.00	
01105	1975	<b>CONSOLE HARNESS</b> Shifter Plate Indicator Lamp With Auto Trans	\$18.00	
<b>COURTESY LAMP EXTENSION WIRES</b>				
01110	1956	<b>COURTESY LAMP EXTENSION WIRES</b> Includes All 4 Required Wires	\$26.00	
01110	1957	<b>COURTESY LAMP EXTENSION WIRES</b> Includes All 4 Required Wires	\$26.00	
<b>COURTESY LAMP HARNESS</b>				
36061	1958	<b>COURTESY LAMP HARNESS</b>	\$26.00	
36061	1959	<b>COURTESY LAMP HARNESS</b>	\$26.00	
36061	1960	<b>COURTESY LAMP HARNESS</b>	\$26.00	
36061	1961	<b>COURTESY LAMP HARNESS</b>	\$26.00	
36061	1962	<b>COURTESY LAMP HARNESS</b>	\$26.00	
01115	1968	<b>COURTESY LAMP HARNESS</b> Rear Compartment, Convertible	\$32.00	
01117	1968	<b>COURTESY LAMP HARNESS</b> Rear Compartment, Coupe	\$41.00	
<b>COURTESY LAMP WIRE</b>				
36066	1977	<b>COURTESY LAMP WIRE</b>	\$52.00	
27085	1978	<b>COURTESY LAMP WIRE</b> With Delay Dome Lamp Note: With Courtesy Lamp Timer Mounted Left Of Steering Column, Before 1/19/78 (Early).	\$52.00	
27055	1978	<b>COURTESY LAMP WIRE</b> With Delay Dome Lamp Note: With Courtesy Lamp Timer Mounted To The Right Of Glove Box, After 1/19/78 (Late).	\$52.00	
<b>CRUISE CONTROL GROUND WIRE</b>				
27800	1977	<b>CRUISE CONTROL GROUND WIRE</b> Transducer To Frame	\$18.00	
27800	1978	<b>CRUISE CONTROL GROUND WIRE</b> Transducer To Frame	\$18.00	
27800	1979	<b>CRUISE CONTROL GROUND WIRE</b> Transducer To Frame	\$18.00	
27800	1980	<b>CRUISE CONTROL GROUND WIRE</b> Transducer To Frame	\$18.00	
27800	1981	<b>CRUISE CONTROL GROUND WIRE</b> Transducer To Frame	\$18.00	
27800	1982	<b>CRUISE CONTROL GROUND WIRE</b> Transducer To Frame	\$18.00	
<b>CRUISE CONTROL HARNESS</b>				
27825	1977	<b>CRUISE CONTROL HARNESS</b>	\$247.00	
27825	1978	<b>CRUISE CONTROL HARNESS</b>	\$247.00	
28080	1979	<b>CRUISE CONTROL HARNESS</b>	\$247.00	
28170	1980	<b>CRUISE CONTROL HARNESS</b>	\$247.00	
31840	1981	<b>CRUISE CONTROL HARNESS</b>	\$247.00	
31840	1982	<b>CRUISE CONTROL HARNESS</b>	\$247.00	
<b>DASH AND FORWARD LAMP HARNESS</b>				
32130	1953	<b>DASH AND FORWARD LAMP HARNESS</b> 6 Cylinder, 6 Volt System Note: 6 Cylinder Items Are Not Returnable.	\$678.00	
32130	1954	<b>DASH AND FORWARD LAMP HARNESS</b> 6 Cylinder, 6 Volt System Note: 6 Cylinder Items Are Not Returnable.	\$678.00	
32130	1955	<b>DASH AND FORWARD LAMP HARNESS</b> 6 Cylinder, 6 Volt System Note: 6 Cylinder Items Are Not Returnable.	\$678.00	
32075	1955	<b>DASH AND FORWARD LAMP HARNESS</b> V/8, 12 Volt System	\$678.00	
01120	1956	<b>DASH AND FORWARD LAMP HARNESS</b>	\$612.00	
01120	1957	<b>DASH AND FORWARD LAMP HARNESS</b>	\$612.00	
01145	1958	<b>DASH AND FORWARD LAMP HARNESS</b>	\$612.00	

Part Number	Year	Description	Price	*Rev.
01145	1959	DASH AND FORWARD LAMP HARNESS	\$612.00	
01145	1960	DASH AND FORWARD LAMP HARNESS	\$612.00	
01145	1961	DASH AND FORWARD LAMP HARNESS	\$612.00	
01160	1962	DASH AND FORWARD LAMP HARNESS	\$612.00	
<b>DASH HARNESS</b>				
01170	1963	DASH HARNESS With Backup Lamps	\$705.00	
01165	1963	DASH HARNESS Without Backup Lamps	\$705.00	
01180	1964	DASH HARNESS With Backup Lamps	\$705.00	
01175	1964	DASH HARNESS Without Backup Lamps	\$705.00	
01190	1965	DASH HARNESS With Backup Lamps	\$705.00	
		Note: Contains A Solid Light Green Wire At The Dimmer Switch Connector (Late).		
35882	1965	DASH HARNESS With Backup Lights	\$705.00	
		Note: Contains A Black With Light Green Striped Wire At The Dimmer Switch Connector (Early).		
01185	1965	DASH HARNESS Without Backup Lamps	\$705.00	
		Note: Contains A Solid Light Green Wire At The Dimmer Switch Connector (Late).		
35881	1965	DASH HARNESS Without Backup Lights	\$705.00	
		Note: Contains A Black With Light Green Striped Wire At The Dimmer Switch Connector (Early).		
01190	1966	DASH HARNESS All	\$705.00	
01200	1967	DASH HARNESS All	\$705.00	
01205	1968	DASH HARNESS All	\$743.00	
01215	1969	DASH HARNESS With A/C	\$743.00	
01210	1969	DASH HARNESS Without A/C	\$743.00	
01225	1970	DASH HARNESS With A/C, 1st Design: Harness Routes Behind Lower Backside Of Speedometer And Tachometer	\$743.00	
01220	1970	DASH HARNESS Without A/C, 1st Design: Harness Routes Behind Lower Backside Of Speedometer And Tachometer	\$743.00	
43928	1970	DASH HARNESS With A/C, 2nd Design: Harness Routes Over Speedometer And Tachometer	\$743.00	
17225	1970	DASH HARNESS Without A/C, 2nd Design: Harness Routes Over Speedometer And Tachometer	\$743.00	
01235	1971	DASH HARNESS With A/C	\$743.00	
01230	1971	DASH HARNESS Without A/C	\$743.00	
35960	1972	DASH HARNESS With A/C, Without Seat Belt Warning	\$771.00	
01245	1972	DASH HARNESS With A/C & Seat Belt Warning	\$771.00	
35959	1972	DASH HARNESS Without A/C & Seat Belt Warning	\$771.00	
01240	1972	DASH HARNESS Without A/C, With Seat Belt Warning	\$771.00	
01255	1973	DASH HARNESS With A/C	\$771.00	
01250	1973	DASH HARNESS Without A/C	\$771.00	
01265	1974	DASH HARNESS With A/C, Includes Seatbelt Ignition Interlock	\$771.00	
01260	1974	DASH HARNESS Without A/C, Includes Seatbelt Ignition Interlock	\$771.00	
16615	1975	DASH HARNESS Auto Trans, With Seatbelt Ignition Interlock	\$771.00	
16620	1975	DASH HARNESS Manual Trans, With Seatbelt Ignition Interlock	\$771.00	
01270	1975	DASH HARNESS Auto Trans, Without Seatbelt Ignition Interlock (Second Design)	\$771.00	
		Note: If Eliminating Seatbelt Ignition Interlock, The Dash, Engine & Rear Lamp Harnesses All Need To Be Replaced.		
01275	1975	DASH HARNESS Manual Trans, Without Seatbelt Ignition Interlock (Second Design)	\$771.00	
		Note: If Eliminating Seatbelt Ignition Interlock, The Dash, Engine & Rear Lamp Harnesses All Need To Be Replaced.		
17130	1976	DASH HARNESS With Auto Trans	\$771.00	
17135	1976	DASH HARNESS With Manual Trans	\$771.00	



Part Number	Year	Description	Price	*Rev.
33610	1977	<b>DASH HARNESS</b> Auto Trans, (Early) With Anti-Theft Switch Mounted In Fender	\$807.00	
36116	1977	<b>DASH HARNESS</b> Manual Trans, (Early) Anti-Theft Switch Mounted In Fender	\$807.00	
27170	1977	<b>DASH HARNESS</b> Auto Or Manual Trans, Anti-Theft Switch Mounted In Door Lock Note: Manual Trans Requires Use Of Part #27795 Neutral Safety Extension.	\$912.00	
27150	1978	<b>DASH HARNESS</b> Courtesy Lamp Timer Mounted Left Of Steering Column (Early)	\$1110.00	
27160	1978	<b>DASH HARNESS</b> Courtesy Lamp Timer Mounted To The Right Of Glove Box (Late)	\$1110.00	
27155	1979	<b>DASH HARNESS</b> Without Power Windows, Door Locks, Dome Lamp Delay & Pulse Wiper	\$1369.00	
27630	1979	<b>DASH HARNESS</b> With Power Windows, Door Locks, Dome Lamp Delay & Pulse Wipers	\$1369.00	
27745	1980	<b>DASH HARNESS</b> Auto Trans	\$1369.00	
27670	1980	<b>DASH HARNESS</b> Manual Trans	\$1369.00	
<b>DISTRIBUTOR WIRE</b>				
37830	1953	<b>DISTRIBUTOR WIRE</b> Distributor Points To Coil Negative Terminal, All 6 Cylinder Note: 6 Cylinder Items Are Not Returnable.	\$18.00	
37830	1954	<b>DISTRIBUTOR WIRE</b> Distributor Points To Coil Negative Terminal, All 6 Cylinder Note: 6 Cylinder Items Are Not Returnable.	\$18.00	
37830	1955	<b>DISTRIBUTOR WIRE</b> Distributor Points To Coil Negative Terminal, All 6 Cylinder Note: 6 Cylinder Items Are Not Returnable.	\$18.00	
36057	1957	<b>DISTRIBUTOR WIRE</b> Distributor Points To Coil Negative Terminal, V/8 Note: Fits All GM V/8 Points Type Distributors From Approx. 1957 To 1974.	\$18.00	C
36057	1958	<b>DISTRIBUTOR WIRE</b> Distributor Points To Coil Negative Terminal, V/8 Note: Fits All GM V/8 Points Type Distributors From Approx. 1957 To 1974.	\$18.00	C
36057	1959	<b>DISTRIBUTOR WIRE</b> Distributor Points To Coil Negative Terminal, V/8 Note: Fits All GM V/8 Points Type Distributors From Approx. 1957 To 1974.	\$18.00	C
36057	1960	<b>DISTRIBUTOR WIRE</b> Distributor Points To Coil Negative Terminal, V/8 Note: Fits All GM V/8 Points Type Distributors From Approx. 1957 To 1974.	\$18.00	C
36057	1961	<b>DISTRIBUTOR WIRE</b> Distributor Points To Coil Negative Terminal, V/8 Note: Fits All GM V/8 Points Type Distributors From Approx. 1957 To 1974.	\$18.00	C
36057	1962	<b>DISTRIBUTOR WIRE</b> Distributor Points To Coil Negative Terminal, V/8 Note: Fits All GM V/8 Points Type Distributors From Approx. 1957 To 1974.	\$18.00	C
36057	1963	<b>DISTRIBUTOR WIRE</b> Distributor Points To Coil Negative Terminal, V/8 Note: Fits All GM V/8 Points Type Distributors From Approx. 1957 To 1974.	\$18.00	C
36057	1964	<b>DISTRIBUTOR WIRE</b> Distributor Points To Coil Negative Terminal, V/8 Note: Fits All GM V/8 Points Type Distributors From Approx. 1957 To 1974.	\$18.00	C
36057	1965	<b>DISTRIBUTOR WIRE</b> Distributor Points To Coil Negative Terminal, V/8 Note: Fits All GM V/8 Points Type Distributors From Approx. 1957 To 1974.	\$18.00	C
36057	1966	<b>DISTRIBUTOR WIRE</b> Distributor Points To Coil Negative Terminal, V/8 Note: Fits All GM V/8 Points Type Distributors From Approx. 1957 To 1974.	\$18.00	C
36057	1967	<b>DISTRIBUTOR WIRE</b> Distributor Points To Coil Negative Terminal, V/8 Note: Fits All GM V/8 Points Type Distributors From Approx. 1957 To 1974.	\$18.00	C
36057	1968	<b>DISTRIBUTOR WIRE</b> Distributor Points To Coil Negative Terminal, V/8 Note: Fits All GM V/8 Points Type Distributors From Approx. 1957 To 1974.	\$18.00	C
36057	1969	<b>DISTRIBUTOR WIRE</b> Distributor Points To Coil Negative Terminal, V/8 Note: Fits All GM V/8 Points Type Distributors From Approx. 1957 To 1974.	\$18.00	C
36057	1970	<b>DISTRIBUTOR WIRE</b> Distributor Points To Coil Negative Terminal, V/8 Note: Fits All GM V/8 Points Type Distributors From Approx. 1957 To 1974.	\$18.00	C
36057	1971	<b>DISTRIBUTOR WIRE</b> Distributor Points To Coil Negative Terminal, V/8 Note: Fits All GM V/8 Points Type Distributors From Approx. 1957 To 1974.	\$18.00	C

Part Number	Year	Description	Price	*Rev.
36057	1972	<b>DISTRIBUTOR WIRE</b> Distributor Points To Coil Negative Terminal, V/8 Note: Fits All GM V/8 Points Type Distributors From Approx. 1957 To 1974.	\$18.00	C
36057	1973	<b>DISTRIBUTOR WIRE</b> Distributor Points To Coil Negative Terminal, V/8 Note: Fits All GM V/8 Points Type Distributors From Approx. 1957 To 1974.	\$18.00	C
36057	1974	<b>DISTRIBUTOR WIRE</b> Distributor Points To Coil Negative Terminal, V/8 Note: Fits All GM V/8 Points Type Distributors From Approx. 1957 To 1974.	\$18.00	C
<b>DOOR JAMB SWITCH</b>				
04598597	1953	<b>DOOR JAMB SWITCH</b>	\$21.00	N
04598597	1954	<b>DOOR JAMB SWITCH</b>	\$21.00	N
<b>EMERGENCY BRAKE FLASHER LEADS</b>				
36065	1953	<b>EMERGENCY BRAKE FLASHER LEADS</b> Flasher & Fuse Panel To Lamp Assembly	\$26.00	
36065	1954	<b>EMERGENCY BRAKE FLASHER LEADS</b> Flasher & Fuse Panel To Lamp Assembly	\$26.00	
36083	1955	<b>EMERGENCY BRAKE FLASHER LEADS</b> Flasher & Fuse Panel To Lamp Assembly	\$26.00	
36083	1956	<b>EMERGENCY BRAKE FLASHER LEADS</b> Flasher & Fuse Panel To Lamp Assembly	\$26.00	
36083	1957	<b>EMERGENCY BRAKE FLASHER LEADS</b> Flasher & Fuse Panel To Lamp Assembly	\$26.00	
<b>ENGINE HARNESS</b>				
30995	1953	<b>ENGINE HARNESS</b> 6 Cylinder, 6 Volt System Note: 6 Cylinder Items Are Not Returnable.	\$132.00	
30995	1954	<b>ENGINE HARNESS</b> 6 Cylinder, 6 Volt System Note: 6 Cylinder Items Are Not Returnable.	\$132.00	
30995	1955	<b>ENGINE HARNESS</b> 6 Cylinder, 6 Volt System Note: 6 Cylinder Items Are Not Returnable.	\$132.00	
30990	1955	<b>ENGINE HARNESS</b> V/8, Auto Trans, 12 Volt System	\$132.00	
36014	1955	<b>ENGINE HARNESS</b> V/8, Manual Trans, 12 Volt System	\$132.00	
31805	1956	<b>ENGINE HARNESS</b> With Auto Trans	\$132.00	
31810	1956	<b>ENGINE HARNESS</b> With Manual Trans	\$132.00	
02655	1957	<b>ENGINE HARNESS</b> With Auto Trans, 1st Design, Before April 1957	\$132.00	
01280	1957	<b>ENGINE HARNESS</b> With Auto Trans, 2nd Design, After April 1957	\$132.00	
02650	1957	<b>ENGINE HARNESS</b> With Manual Trans, 1st Design, Before April 1957	\$132.00	
01285	1957	<b>ENGINE HARNESS</b> With Manual Trans, 2nd Design, After April 1957	\$132.00	
01300	1957	<b>ENGINE HARNESS</b> With Auto Trans & Fuel Injection	\$132.00	
01290	1957	<b>ENGINE HARNESS</b> With Manual Trans & Fuel Injection	\$132.00	
01330	1958	<b>ENGINE HARNESS</b> With Auto Trans	\$132.00	
01325	1958	<b>ENGINE HARNESS</b> With Manual Trans	\$132.00	
01330	1959	<b>ENGINE HARNESS</b> With Auto Trans	\$132.00	
01325	1959	<b>ENGINE HARNESS</b> With Manual Trans	\$132.00	
01330	1960	<b>ENGINE HARNESS</b> With Auto Trans	\$132.00	
01325	1960	<b>ENGINE HARNESS</b> With Manual Trans	\$132.00	
01330	1961	<b>ENGINE HARNESS</b> With Auto Trans	\$132.00	
01325	1961	<b>ENGINE HARNESS</b> With Manual Trans	\$132.00	
01370	1962	<b>ENGINE HARNESS</b> With Auto Trans	\$132.00	
01325	1962	<b>ENGINE HARNESS</b> With Manual Trans	\$132.00	
01380	1963	<b>ENGINE HARNESS</b> With A/C	\$304.00	
01375	1963	<b>ENGINE HARNESS</b> Without A/C	\$251.00	
35883	1964	<b>ENGINE HARNESS</b> With A/C	\$304.00	
35884	1964	<b>ENGINE HARNESS</b> Without A/C	\$251.00	

Part Number	Year	Description	Price	*Rev.
35883	1965	<b>ENGINE HARNESS</b> With A/C Note: Contains A Black With Pink Striped Wire At The Positive Side Of Coil (Early).	\$304.00	
01390	1965	<b>ENGINE HARNESS</b> With A/C Note: Contains A Solid Pink Wire At The Positive Side Of Coil (Late).	\$304.00	
35884	1965	<b>ENGINE HARNESS</b> Without A/C Note: Contains A Black With Pink Striped Wire At The Positive Side Of Coil (Early).	\$251.00	
01385	1965	<b>ENGINE HARNESS</b> Without A/C Note: Contains A Solid Pink Wire At The Positive Side Of Coil (Late).	\$251.00	
35885	1965	<b>ENGINE HARNESS</b> 396 C.I. Note: Contains A Black With Pink Striped Wire At The Positive Side Of Coil (Early).	\$251.00	
37105	1965	<b>ENGINE HARNESS</b> 396 C.I., With T.I. Ignition (K66) Note: Contains A Black With Pink Striped Wire At The Positive Side Of Coil (Early).	\$251.00	
01405	1965	<b>ENGINE HARNESS</b> 396 C.I. Note: Contains A Solid Pink Wire At The Positive Side Of Coil (Late), This Harness Can Be Used With Point Ignition Distributors Or Can Be Modified Per The Factory Assembly Manual To Transistor Ignition (K66).	\$251.00	
01410	1966	<b>ENGINE AND FORWARD LAMP HARNESS</b> All, Forward Lamp & Engine Harness Are One Complete Unit	\$485.00	
01415	1967	<b>ENGINE AND FORWARD LAMP HARNESS</b> All, Forward Lamp & Engine Harness Are One Complete Unit	\$498.00	
01420	1968	<b>ENGINE HARNESS</b> All	\$304.00	
01425	1969	<b>ENGINE HARNESS</b> All	\$304.00	
01435	1970	<b>ENGINE HARNESS</b> With Auto Trans	\$304.00	
01430	1970	<b>ENGINE HARNESS</b> With Manual Trans	\$304.00	
01445	1971	<b>ENGINE HARNESS</b> With Auto Trans	\$304.00	
01440	1971	<b>ENGINE HARNESS</b> With Manual Trans	\$304.00	
01455	1972	<b>ENGINE HARNESS</b> Small Block, With Auto Trans	\$304.00	
01450	1972	<b>ENGINE HARNESS</b> Small Block, With Manual Trans	\$304.00	
01465	1972	<b>ENGINE HARNESS</b> Big Block, With Auto Trans	\$304.00	
01460	1972	<b>ENGINE HARNESS</b> Big Block, With Manual Trans	\$304.00	
01475	1973	<b>ENGINE HARNESS</b> Small Block, With Auto Trans	\$304.00	
01470	1973	<b>ENGINE HARNESS</b> Small Block, With Manual Trans	\$304.00	
01485	1973	<b>ENGINE HARNESS</b> Big Block, With Auto Trans	\$304.00	
01480	1973	<b>ENGINE HARNESS</b> Big Block, With Manual Trans	\$304.00	
01495	1974	<b>ENGINE HARNESS</b> Small Block, Auto Trans, Includes Seatbelt Ignition Interlock	\$304.00	
01490	1974	<b>ENGINE HARNESS</b> Small Block, Manual Trans, Includes Seatbelt Ignition Interlock	\$304.00	
01505	1974	<b>ENGINE HARNESS</b> Big Block, Auto Trans, Includes Seatbelt Ignition Interlock	\$304.00	
01500	1974	<b>ENGINE HARNESS</b> Big Block, Manual Trans, Includes Seatbelt Ignition Interlock	\$304.00	
20065	1975	<b>ENGINE HARNESS</b> Auto Trans, With Seatbelt Ignition Interlock System (Early)	\$304.00	
20030	1975	<b>ENGINE HARNESS</b> Manual Trans, With Seatbelt Ignition Interlock System (Early)	\$304.00	
01515	1975	<b>ENGINE HARNESS</b> Auto Trans, Without Seatbelt Ignition Interlock System (Late) Note: If Eliminating Seatbelt Ignition Interlock, The Dash, Engine & Rear Lamp Harnesses All Need To Be Replaced.	\$304.00	
01510	1975	<b>ENGINE HARNESS</b> Manual Trans, Without Seatbelt Ignition Interlock System (Late) Note: If Eliminating Seatbelt Ignition Interlock, The Dash, Engine & Rear Lamp Harnesses All Need To Be Replaced.	\$304.00	
18930	1976	<b>ENGINE HARNESS</b> With Auto Trans	\$304.00	
18920	1976	<b>ENGINE HARNESS</b> With Manual Trans	\$304.00	
31160	1977	<b>ENGINE HARNESS</b> Auto Trans, Anti-Theft Switch Mounted In Fender (Early)	\$304.00	
27065	1977	<b>ENGINE HARNESS</b> Manual Trans, Anti-Theft Switch Mounted In Fender (Early)	\$304.00	
27590	1977	<b>ENGINE HARNESS</b> All, With Anti-Theft Switch Mounted In Door Lock (Late)	\$304.00	
27080	1978	<b>ENGINE HARNESS</b> All	\$304.00	
27040	1979	<b>ENGINE HARNESS</b> All	\$304.00	

Part Number	Year	Description	Price	*Rev.
27760	1980	<b>ENGINE HARNESS</b> All, Except Computer Control Option (Mv4) TH350C Auto Trans	\$323.00	
27675	1980	<b>ENGINE HARNESS</b> Auto Trans, TH350C With Computer Control Option (Mv4)	\$323.00	
34445	1981	<b>ENGINE HARNESS</b> Auto Trans	\$323.00	
32800	1981	<b>ENGINE HARNESS</b> Manual Trans	\$323.00	
32805	1982	<b>ENGINE HARNESS</b> Auto Trans	\$323.00	
<b>FAN EXTENSION HARNESS</b>				
32775	1979	<b>FAN EXTENSION HARNESS</b> For Auxiliary Cooling Fan (L82)	\$92.00	
32775	1980	<b>FAN EXTENSION HARNESS</b> For Auxiliary Cooling Fan (L82)	\$92.00	
32775	1981	<b>FAN EXTENSION HARNESS</b> For Auxiliary Cooling Fan	\$92.00	
32770	1982	<b>FAN EXTENSION HARNESS</b> For Auxiliary Cooling Fan	\$92.00	
<b>FORWARD LAMP HARNESS</b>				
01555	1963	<b>FORWARD LAMP HARNESS</b>	\$235.00	
35886	1964	<b>FORWARD LAMP HARNESS</b>	\$235.00	
35886	1965	<b>FORWARD LAMP HARNESS</b> Note: Contains A Black With Light Green Striped Wire At The Headlight Connector (Early).	\$235.00	
01560	1965	<b>FORWARD LAMP HARNESS</b> Note: Contains A Solid Light Green Wire At The Headlight Connector (Late).	\$235.00	
01580	1968	<b>FORWARD LAMP HARNESS</b> Includes Fiber Optic Sub Assembly	\$480.00	
16165	1968	<b>FIBER OPTIC SUB ASSEMBLY ONLY</b> For Servicing Forward Lamp Fiber Optics Only	\$264.00	
01585	1969	<b>FORWARD LAMP HARNESS</b> Includes Fiber Optic Sub Assembly	\$480.00	
16165	1969	<b>FIBER OPTIC SUB ASSEMBLY ONLY</b> For Servicing Forward Lamp Fiber Optics Only	\$264.00	
01590	1970	<b>FORWARD LAMP HARNESS</b> Includes Fiber Optic Sub Assembly	\$480.00	
16165	1970	<b>FIBER OPTIC SUB ASSEMBLY ONLY</b> For Servicing Forward Lamp Fiber Optics Only	\$264.00	
01595	1971	<b>FORWARD LAMP HARNESS</b> Includes Fiber Optic Sub Assembly	\$480.00	
16165	1971	<b>FIBER OPTIC SUB ASSEMBLY ONLY</b> For Servicing Forward Lamp Fiber Optics Only	\$264.00	
01600	1972	<b>FORWARD LAMP HARNESS</b>	\$418.00	
01605	1973	<b>FORWARD LAMP HARNESS</b>	\$418.00	
01610	1974	<b>FORWARD LAMP HARNESS</b>	\$418.00	
01615	1975	<b>FORWARD LAMP HARNESS</b>	\$418.00	
17125	1976	<b>FORWARD LAMP HARNESS</b>	\$418.00	
27130	1977	<b>FORWARD LAMP HARNESS</b> Anti-Theft Switch Mounted In Fender (Early) Before 3/2/77	\$418.00	
27125	1977	<b>FORWARD LAMP HARNESS</b> Anti-Theft Switch Mounted In Door Lock (Late) After 3/2/77	\$418.00	
38245	1978	<b>FORWARD LAMP HARNESS</b>	\$418.00	
27135	1979	<b>FORWARD LAMP HARNESS</b>	\$418.00	
27685	1980	<b>FORWARD LAMP HARNESS</b> Except Stereo, Includes Alternator Power Wire In Harness	\$480.00	
27660	1980	<b>FORWARD LAMP HARNESS</b> With Stereo & Separate Alternator Power Output Harness Note: Requires Use Of Battery Charge Circuit Harness Part #28110.	\$480.00	
32790	1981	<b>FORWARD LAMP HARNESS</b> Includes Alternator Power Wire In Harness	\$480.00	
32785	1981	<b>FORWARD LAMP HARNESS</b> With Separate Alternator Power Output Harness Note: Requires Use Of Battery Charge Circuit Harness Part #28110.	\$480.00	
32815	1982	<b>FORWARD LAMP HARNESS</b> Includes Alternator Power Wire In Harness	\$480.00	
32795	1982	<b>FORWARD LAMP HARNESS</b> Separate Alternator Power Output Harness Note: Requires Use Of Battery Charge Circuit Harness Part #28110.	\$480.00	
<b>FRONT PARKING LAMP EXTENSION HARNESS</b>				
37828	1958	<b>FRONT PARKING LAMP EXTENSION HARNESS</b> Set Of 2, Includes Grommets, Tubing & Sockets	\$75.00	
37828	1959	<b>FRONT PARKING LAMP EXTENSION HARNESS</b> Set Of 2, Includes Grommets, Tubing & Sockets	\$75.00	
37828	1960	<b>FRONT PARKING LAMP EXTENSION HARNESS</b> Set Of 2, Includes Grommets, Tubing & Sockets	\$75.00	

Part Number	Year	Description	Price	*Rev.
37828	1961	FRONT PARKING LAMP EXTENSION HARNESS Set Of 2, Includes Grommets, Tubing & Sockets	\$75.00	
37828	1962	FRONT PARKING LAMP EXTENSION HARNESS Set Of 2, Includes Grommets, Tubing & Sockets	\$75.00	
01620	1970	FRONT PARKING LAMP EXTENSION HARNESS Set Of 2	\$69.00	
01620	1970	FRONT PARKING LAMP EXTENSION HARNESS Set Of 2	\$69.00	
01620	1971	FRONT PARKING LAMP EXTENSION HARNESS Set Of 2	\$69.00	
01620	1972	FRONT PARKING LAMP EXTENSION HARNESS Set Of 2	\$69.00	
01620	1973	FRONT PARKING LAMP EXTENSION HARNESS Set Of 2	\$69.00	
01620	1974	FRONT PARKING LAMP EXTENSION HARNESS Set Of 2	\$69.00	
01620	1975	FRONT PARKING LAMP EXTENSION HARNESS Set Of 2	\$69.00	
01620	1976	FRONT PARKING LAMP EXTENSION HARNESS Set Of 2	\$69.00	
01620	1977	FRONT PARKING LAMP EXTENSION HARNESS Set Of 2 Note: With Round Rubber Mold On Connector, Before 3/2/77.	\$69.00	
27910	1977	FRONT PARKING LAMP EXTENSION HARNESS Set Of 2 Note: With Square Plastic Connector, After 3/2/77.	\$69.00	
27910	1978	FRONT PARKING LAMP EXTENSION HARNESS Set Of 2	\$69.00	
28030	1979	FRONT PARKING LAMP EXTENSION HARNESS Set Of 2	\$69.00	
<b>FUEL GAUGE</b>				
05644696	1963	FUEL GAUGE	\$39.00	N
05644966	1964	FUEL GAUGE	\$39.00	N
06430263	1965	FUEL GAUGE	\$47.00	N
06430263	1966	FUEL GAUGE	\$47.00	N
06430263	1967	FUEL GAUGE	\$47.00	N
<b>FUEL INJECTION ELECTRIC CHOKE REPAIR HARNESS</b>				
37870	1957	FUEL INJECTION ELECTRIC CHOKE REPAIR HARNESS	\$33.00	
36137	1958	FUEL INJECTION ELECTRIC CHOKE REPAIR HARNESS	\$33.00	
36137	1959	FUEL INJECTION ELECTRIC CHOKE REPAIR HARNESS	\$33.00	
36137	1960	FUEL INJECTION ELECTRIC CHOKE REPAIR HARNESS	\$33.00	
36137	1961	FUEL INJECTION ELECTRIC CHOKE REPAIR HARNESS	\$33.00	
36138	1962	FUEL INJECTION ELECTRIC CHOKE REPAIR HARNESS	\$33.00	
<b>FUEL TANK SENDER HARNESS</b>				
01625	1963	FUEL TANK SENDER HARNESS With Optional 35.5 Gallon Fuel Tank	\$66.00	
01630	1964	FUEL TANK SENDER HARNESS With Optional 35.5 Gallon Fuel Tank	\$66.00	
01635	1965	FUEL TANK SENDER HARNESS With Optional 35.5 Gallon Fuel Tank Note: Harness Is Wrapped With Vinyl Tape Over Solid Color Wire.	\$66.00	
35888	1965	FUEL TANK SENDER HARNESS With Optional 35.5 Gallon Fuel Tank Note: Harness Uses 3-Wire Ripcord, Black/Tan And Black With Pink Stripe.	\$66.00	
01635	1966	FUEL TANK SENDER HARNESS With Optional 35.5 Gallon Fuel Tank	\$66.00	
01635	1967	FUEL TANK SENDER HARNESS With Optional 35.5 Gallon Fuel Tank	\$66.00	
27715	1975	FUEL TANK SENDER HARNESS From Rear Lamp Harness To Fuel Tank Meter Unit	\$43.00	
27715	1976	FUEL TANK SENDER HARNESS From Rear Lamp Harness To Fuel Tank Meter Unit	\$43.00	
27715	1977	FUEL TANK SENDER HARNESS From Rear Lamp Harness To Fuel Tank Meter Unit	\$43.00	
38378	1978	FUEL TANK SENDER HARNESS From Rear Lamp Harness To Fuel Tank Meter Unit	\$52.00	
<b>FUEL TANK SENDING UNIT</b>				
01518785	1956	FUEL TANK SENDING UNIT 3/8" Fuel Line	\$43.00	N

Corvette



Phone (562) 926-9552

Fax (562) 926-9572

Part Number	Year	Description	Price	*Rev.
01518785	1957	FUEL TANK SENDING UNIT 3/8" Fuel Line	\$43.00	N
01518785	1958	FUEL TANK SENDING UNIT 3/8" Fuel Line	\$43.00	N
01518785	1959	FUEL TANK SENDING UNIT 3/8" Fuel Line	\$43.00	N
01518785	1960	FUEL TANK SENDING UNIT 3/8" Fuel Line	\$43.00	N
05642125	1961	FUEL TANK SENDING UNIT 3/8" Fuel Line	\$43.00	N
05642125	1962	FUEL TANK SENDING UNIT 3/8" Fuel Line	\$43.00	N
06428065	1963	FUEL TANK SENDING UNIT 3/8" Fuel Line	\$43.00	N
06428065	1964	FUEL TANK SENDING UNIT 3/8" Fuel Line	\$43.00	N
06428065	1965	FUEL TANK SENDING UNIT 3/8" Fuel Line	\$43.00	N
06428065	1966	FUEL TANK SENDING UNIT 3/8" Fuel Line	\$43.00	N
06428065	1967	FUEL TANK SENDING UNIT 3/8" Fuel Line	\$43.00	N
06428164	1968	FUEL TANK SENDING UNIT 3/8" Fuel Line	\$43.00	N
06428164	1969	FUEL TANK SENDING UNIT 3/8" Fuel Line	\$43.00	N
06428164	1970	FUEL TANK SENDING UNIT 3/8" Fuel Line	\$43.00	N
06428164	1971	FUEL TANK SENDING UNIT 3/8" Fuel Line	\$43.00	N
06428164	1972	FUEL TANK SENDING UNIT 3/8" Fuel Line	\$43.00	N
06428164	1973	FUEL TANK SENDING UNIT 3/8" Fuel Line	\$43.00	N

Corvette



Phone (562) 926-9552  
Fax (562) 926-9572

Part Number	Year	Description	Price	*Rev.
06428164	1974	FUEL TANK SENDING UNIT 3/8" Fuel Line	\$43.00	N
25000316	1975	FUEL TANK SENDING UNIT 3/8" Fuel Line	\$154.00	N
25000316	1976	FUEL TANK SENDING UNIT 3/8" Fuel Line	\$154.00	N
25000316	1977	FUEL TANK SENDING UNIT 3/8" Fuel Line	\$154.00	N
25001013	1978	FUEL TANK SENDING UNIT 3/8" Fuel Line	\$78.00	N
25001013	1979	FUEL TANK SENDING UNIT 3/8" Fuel Line	\$78.00	N
25001013	1980	FUEL TANK SENDING UNIT 3/8" Fuel Line	\$78.00	N
25001013	1981	FUEL TANK SENDING UNIT 3/8" Fuel Line	\$78.00	N
25003153	1982	FUEL TANK SENDING UNIT 3/8" Fuel Line	\$154.00	N
<b>FUSE BLOCK REPAIR KIT-ALL</b>				
37871	1958	FUSE BLOCK REPAIR KIT, ALL New Fuse Block With Buss Bars Installed Note: This Item Is Non-Returnable And Non-Refundable.	\$165.00	
37871	1959	FUSE BLOCK REPAIR KIT, ALL New Fuse Block With Buss Bars Installed Note: This Item Is Non-Returnable And Non-Refundable.	\$165.00	
37871	1960	FUSE BLOCK REPAIR KIT, ALL New Fuse Block With Buss Bars Installed Note: This Item Is Non-Returnable And Non-Refundable.	\$165.00	
37871	1961	FUSE BLOCK REPAIR KIT, ALL New Fuse Block With Buss Bars Installed Note: This Item Is Non-Returnable And Non-Refundable.	\$165.00	
37871	1962	FUSE BLOCK REPAIR KIT, ALL New Fuse Block With Buss Bars Installed Note: This Item Is Non-Returnable And Non-Refundable.	\$165.00	
37872	1963	FUSE BLOCK REPAIR KIT, ALL New Fuse Block With Buss Bars Installed Note: This Item Is Non-Returnable And Non-Refundable.	\$165.00	
37873	1964	FUSE BLOCK REPAIR KIT, ALL New Fuse Block With Buss Bars Installed Note: This Item Is Non-Returnable And Non-Refundable.	\$165.00	
37873	1965	FUSE BLOCK REPAIR KIT, ALL New Fuse Block With Buss Bars Installed Note: This Item Is Non-Returnable And Non-Refundable.	\$165.00	
37873	1966	FUSE BLOCK REPAIR KIT, ALL New Fuse Block With Buss Bars Installed Note: This Item Is Non-Returnable And Non-Refundable.	\$165.00	
37874	1967	FUSE BLOCK REPAIR KIT, ALL New Fuse Block With Buss Bars Installed Note: This Item Is Non-Returnable And Non-Refundable.	\$165.00	
<b>GLOVE BOX LAMP SWITCH ASSEMBLY</b>				
36088	1963	GLOVE BOX LAMP SWITCH ASSEMBLY Switch, Bulb & Terminal, 1st Design, Without Metal Bulb Reflector	\$22.00	

Part Number	Year	Description	Price	*Rev.
36135	1963	<b>GLOVE BOX LAMP SWITCH ASSEMBLY</b> Switch, Bulb & Terminal, 2nd Design With Metal Bulb Reflector	\$22.00	
36135	1964	<b>GLOVE BOX LAMP SWITCH ASSEMBLY</b> Switch, Bulb & Terminal	\$22.00	
36135	1965	<b>GLOVE BOX LAMP SWITCH ASSEMBLY</b> Switch, Bulb & Terminal	\$22.00	
36135	1966	<b>GLOVE BOX LAMP SWITCH ASSEMBLY</b> Switch, Bulb & Terminal	\$22.00	
36135	1967	<b>GLOVE BOX LAMP SWITCH ASSEMBLY</b> Switch, Bulb & Terminal	\$22.00	
36136	1978	<b>GLOVE BOX LAMP SWITCH ASSEMBLY</b> Switch, Bulb & Terminals	\$25.00	
36136	1979	<b>GLOVE BOX LAMP SWITCH ASSEMBLY</b> Switch, Bulb & Terminals	\$25.00	
36136	1980	<b>GLOVE BOX LAMP SWITCH ASSEMBLY</b> Switch, Bulb & Terminals	\$25.00	
36136	1981	<b>GLOVE BOX LAMP SWITCH ASSEMBLY</b> Switch, Bulb & Terminals	\$25.00	
36136	1982	<b>GLOVE BOX LAMP SWITCH ASSEMBLY</b> Switch, Bulb & Terminals	\$25.00	
<b>GROUND CABLE</b>				
11995	1968	<b>GROUND CABLE</b> Starter To Frame	\$43.00	
11995	1969	<b>GROUND CABLE</b> Starter To Frame	\$43.00	
11995	1970	<b>GROUND CABLE</b> Starter To Frame	\$43.00	
11995	1971	<b>GROUND CABLE</b> Starter To Frame	\$43.00	
27560	1972	<b>GROUND CABLE</b> Starter To Frame	\$43.00	
27560	1973	<b>GROUND CABLE</b> Starter To Frame	\$43.00	
27560	1974	<b>GROUND CABLE</b> Starter To Frame	\$43.00	
27560	1975	<b>GROUND CABLE</b> Starter To Frame	\$43.00	
27560	1976	<b>GROUND CABLE</b> Starter To Frame	\$43.00	
27560	1977	<b>GROUND CABLE</b> Starter To Frame	\$43.00	
27560	1978	<b>GROUND CABLE</b> Starter To Frame	\$43.00	
27560	1979	<b>GROUND CABLE</b> Starter To Frame	\$43.00	
27560	1980	<b>GROUND CABLE</b> Starter To Frame	\$43.00	
27560	1981	<b>GROUND CABLE</b> Starter To Frame	\$43.00	
27560	1982	<b>GROUND CABLE</b> Starter To Frame	\$43.00	
<b>GROUND STRAP</b>				
22920	1956	<b>GROUND STRAP</b> Power Top Motor To Frame, All With Trunk Lid Safety Switch On Passenger's Side	\$32.00	C
22920	1957	<b>GROUND STRAP</b> All, Power Top Motor To Frame	\$32.00	C
22920	1958	<b>GROUND STRAP</b> All, Power Top Motor To Frame	\$32.00	C
22920	1959	<b>GROUND STRAP</b> All, Power Top Motor To Frame	\$32.00	C
22920	1960	<b>GROUND STRAP</b> All, Power Top Motor To Frame	\$32.00	C
22920	1961	<b>GROUND STRAP</b> All, Power Top Motor To Frame	\$32.00	C
22920	1962	<b>GROUND STRAP</b> All, Power Top Motor To Frame	\$32.00	C
33240	1982	<b>GROUND STRAP</b> Door Sill Note: This Item Is Included In Our Ground Strap Kit 36078 & 36087.	\$16.00	C
<b>GROUND STRAP KIT</b>				
32600	1955	<b>GROUND STRAP KIT</b> All V/8	\$46.00	C
32600	1956	<b>GROUND STRAP KIT</b> All Without Power Top, With Power Top Also Requires #22920	\$46.00	C
32600	1957	<b>GROUND STRAP KIT</b> All Without Power Top, With Power Top Also Requires #22920	\$46.00	C
32600	1958	<b>GROUND STRAP KIT</b> All Without Power Top, With Power Top Also Requires #22920	\$46.00	C
32600	1959	<b>GROUND STRAP KIT</b> All Without Power Top, With Power Top Also Requires #22920	\$46.00	C
32600	1960	<b>GROUND STRAP KIT</b> All Without Power Top, With Power Top Also Requires #22920	\$46.00	C
38191	1961	<b>GROUND STRAP KIT</b> All Without Power Top, With Power Top Also Requires #22920	\$46.00	C
38191	1962	<b>GROUND STRAP KIT</b> All Without Power Top, With Power Top Also Requires #22920	\$46.00	C
44213	1963	<b>GROUND STRAP KIT</b> All With Side Exhaust	\$34.00	N



Part Number	Year	Description	Price	*Rev.
32610	1963	GROUND STRAP KIT All Without Side Exhaust	\$42.00	C
44213	1964	GROUND STRAP KIT All With Side Exhaust	\$34.00	N
32620	1964	GROUND STRAP KIT All Without Side Exhaust	\$39.00	C
44213	1965	GROUND STRAP KIT All With Side Exhaust	\$34.00	N
32620	1965	GROUND STRAP KIT All Without Side Exhaust	\$39.00	C
44213	1966	GROUND STRAP KIT All With Side Exhaust	\$34.00	N
32620	1966	GROUND STRAP KIT All Without Side Exhaust	\$39.00	C
44214	1967	GROUND STRAP KIT All With Side Exhaust	\$34.00	N
44215	1967	GROUND STRAP KIT All Without Side Exhaust	\$39.00	N
33990	1968	GROUND STRAP KIT All	\$32.00	C
33985	1969	GROUND STRAP KIT All With Side Exhaust	\$24.00	C
33990	1969	GROUND STRAP KIT All Without Side Exhaust	\$32.00	C
33990	1970	GROUND STRAP KIT All	\$32.00	C
33985	1971	GROUND STRAP KIT All	\$24.00	C
33985	1972	GROUND STRAP KIT All	\$24.00	C
34000	1973	GROUND STRAP KIT All	\$24.00	
34000	1974	GROUND STRAP KIT All	\$24.00	
33995	1975	GROUND STRAP KIT All	\$24.00	
33995	1976	GROUND STRAP KIT All	\$24.00	
33995	1977	GROUND STRAP KIT All	\$24.00	
36102	1978	GROUND STRAP KIT All With Power Antenna	\$32.00	C
36103	1978	GROUND STRAP KIT All Without Power Antenna	\$32.00	C
36104	1979	GROUND STRAP KIT All With Power Antenna	\$32.00	C
36103	1979	GROUND STRAP KIT All Without Power Antenna	\$32.00	N
36104	1980	GROUND STRAP KIT All With Power Antenna	\$32.00	C
36103	1980	GROUND STRAP KIT All Without Power Antenna	\$32.00	N
36078	1981	GROUND STRAP KIT All With Power Antenna	\$32.00	C
36087	1981	GROUND STRAP KIT All Without Power Antenna	\$32.00	C
36078	1982	GROUND STRAP KIT All With Power Antenna	\$32.00	C
36087	1982	GROUND STRAP KIT All Without Power Antenna	\$32.00	C
<b>GROUND WIRE</b>				
37825	1953	GROUND WIRE Cigarette Lighter	\$18.00	
01650	1955	GROUND WIRE Cigarette Lighter	\$18.00	
22335	1955	GROUND WIRE Wiper Motor	\$18.00	
01650	1956	GROUND WIRE Cigarette Lighter	\$18.00	
22335	1956	GROUND WIRE Wiper Motor	\$18.00	
01650	1957	GROUND WIRE Cigarette Lighter	\$18.00	
22335	1957	GROUND WIRE Wiper Motor	\$18.00	
36069	1958	GROUND WIRE Radio To Valve Cover	\$18.00	
22335	1958	GROUND WIRE Wiper Motor	\$18.00	
36069	1959	GROUND WIRE Radio To Valve Cover	\$18.00	
22335	1959	GROUND WIRE Wiper Motor	\$18.00	
36069	1960	GROUND WIRE Radio To Valve Cover	\$18.00	
22335	1960	GROUND WIRE Wiper Motor	\$18.00	
36069	1961	GROUND WIRE Radio To Valve Cover	\$18.00	
22335	1961	GROUND WIRE Wiper Motor	\$18.00	
36069	1962	GROUND WIRE Radio To Valve Cover	\$18.00	

Part Number	Year	Description	Price	*Rev.
22335	1962	<b>GROUND WIRE</b> Wiper Motor	\$18.00	
01655	1964	<b>GROUND WIRE</b> Voltage Regulator	\$18.00	
01655	1965	<b>GROUND WIRE</b> Voltage Regulator	\$18.00	
01660	1965	<b>GROUND WIRE</b> Voltage Regulator, With Transistor Ignition, A/C Equiped Car	\$18.00	
20385	1966	<b>GROUND WIRE</b> Horn To Radiator Core Support, A/C Equiped Cars Only	\$18.00	
20385	1967	<b>GROUND WIRE</b> Horn To Radiator Core Support, A/C Equiped Cars Only	\$18.00	
36210	1977	<b>GROUND WIRE</b> Hood Lamp	\$18.00	
36210	1978	<b>GROUND WIRE</b> Hood Lamp	\$18.00	
36210	1979	<b>GROUND WIRE</b> Hood Lamp	\$18.00	
36210	1980	<b>GROUND WIRE</b> Hood Lamp	\$18.00	
<b>GROUND WIRE-DISTRIBUTOR POINT PLATE</b>				
38298	1957	<b>GROUND WIRE, DISTRIBUTOR POINT PLATE</b> From Distributor Point Plate To Distributor Housing Note: Replaces Spot Welded Wire Asm On Point Plate Side. Fits All GM V/8 Point Type Distributors From Approx. 1957-1974.	\$17.00	C
38298	1958	<b>GROUND WIRE, DISTRIBUTOR POINT PLATE</b> From Distributor Point Plate To Distributor Housing Note: Replaces Spot Welded Wire Asm On Point Plate Side. Fits All GM V/8 Point Type Distributors From Approx. 1957-1974.	\$17.00	C
38298	1959	<b>GROUND WIRE, DISTRIBUTOR POINT PLATE</b> From Distributor Point Plate To Distributor Housing Note: Replaces Spot Welded Wire Asm On Point Plate Side. Fits All GM V/8 Point Type Distributors From Approx. 1957-1974.	\$17.00	C
38298	1960	<b>GROUND WIRE, DISTRIBUTOR POINT PLATE</b> From Distributor Point Plate To Distributor Housing Note: Replaces Spot Welded Wire Asm On Point Plate Side. Fits All GM V/8 Point Type Distributors From Approx. 1957-1974.	\$17.00	C
38298	1961	<b>GROUND WIRE, DISTRIBUTOR POINT PLATE</b> From Distributor Point Plate To Distributor Housing Note: Replaces Spot Welded Wire Asm On Point Plate Side. Fits All GM V/8 Point Type Distributors From Approx. 1957-1974.	\$17.00	C
38298	1962	<b>GROUND WIRE, DISTRIBUTOR POINT PLATE</b> From Distributor Point Plate To Distributor Housing Note: Replaces Spot Welded Wire Asm On Point Plate Side. Fits All GM V/8 Point Type Distributors From Approx. 1957-1974.	\$17.00	C
38298	1963	<b>GROUND WIRE, DISTRIBUTOR POINT PLATE</b> From Distributor Point Plate To Distributor Housing Note: Replaces Spot Welded Wire Asm On Point Plate Side. Fits All GM V/8 Point Type Distributors From Approx. 1957-1974.	\$17.00	C
38298	1964	<b>GROUND WIRE, DISTRIBUTOR POINT PLATE</b> From Distributor Point Plate To Distributor Housing Note: Replaces Spot Welded Wire Asm On Point Plate Side. Fits All GM V/8 Point Type Distributors From Approx. 1957-1974.	\$17.00	C
38298	1965	<b>GROUND WIRE, DISTRIBUTOR POINT PLATE</b> From Distributor Point Plate To Distributor Housing Note: Replaces Spot Welded Wire Asm On Point Plate Side. Fits All GM V/8 Point Type Distributors From Approx. 1957-1974.	\$17.00	C
38298	1966	<b>GROUND WIRE, DISTRIBUTOR POINT PLATE</b> From Distributor Point Plate To Distributor Housing Note: Replaces Spot Welded Wire Asm On Point Plate Side. Fits All GM V/8 Point Type Distributors From Approx. 1957-1974.	\$17.00	C
38298	1967	<b>GROUND WIRE, DISTRIBUTOR POINT PLATE</b> From Distributor Point Plate To Distributor Housing Note: Replaces Spot Welded Wire Asm On Point Plate Side. Fits All GM V/8 Point Type Distributors From Approx. 1957-1974.	\$17.00	C
38298	1968	<b>GROUND WIRE, DISTRIBUTOR POINT PLATE</b> From Distributor Point Plate To Distributor Housing Note: Replaces Spot Welded Wire Asm On Point Plate Side. Fits All GM V/8 Point Type Distributors From Approx. 1957-1974.	\$17.00	C
38298	1969	<b>GROUND WIRE, DISTRIBUTOR POINT PLATE</b> From Distributor Point Plate To Distributor Housing Note: Replaces Spot Welded Wire Asm On Point Plate Side. Fits All GM V/8 Point Type Distributors From Approx. 1957-1974.	\$17.00	C
38298	1970	<b>GROUND WIRE, DISTRIBUTOR POINT PLATE</b> From Distributor Point Plate To Distributor Housing Note: Replaces Spot Welded Wire Asm On Point Plate Side. Fits All GM V/8 Point Type Distributors From Approx. 1957-1974.	\$17.00	C
38298	1971	<b>GROUND WIRE, DISTRIBUTOR POINT PLATE</b> From Distributor Point Plate To Distributor Housing Note: Replaces Spot Welded Wire Asm On Point Plate Side. Fits All GM V/8 Point Type Distributors From Approx. 1957-1974.	\$17.00	C
38298	1972	<b>GROUND WIRE, DISTRIBUTOR POINT PLATE</b> From Distributor Point Plate To Distributor Housing Note: Replaces Spot Welded Wire Asm On Point Plate Side. Fits All GM V/8 Point Type Distributors From Approx. 1957-1974.	\$17.00	C
38298	1973	<b>GROUND WIRE, DISTRIBUTOR POINT PLATE</b> From Distributor Point Plate To Distributor Housing Note: Replaces Spot Welded Wire Asm On Point Plate Side. Fits All GM V/8 Point Type Distributors From Approx. 1957-1974.	\$17.00	C
38298	1974	<b>GROUND WIRE, DISTRIBUTOR POINT PLATE</b> From Distributor Point Plate To Distributor Housing Note: Replaces Spot Welded Wire Asm On Point Plate Side. Fits All GM V/8 Point Type Distributors From Approx. 1957-1974.	\$17.00	C

Part Number	Year	Description	Price	*Rev.
<b>HARNESS TAPE</b>				
R0058272	1953	HARNESS TAPE 3/4" Vinyl (100 Ft. Roll) Non-Adhesive	\$12.00	
R0058276	1953	HARNESS TAPE 1" Vinyl (100 Ft. Roll) Non-Adhesive	\$13.00	
R0067108	1953	HARNESS TAPE 1 1/4" Vinyl (100 Ft. Roll) Non-Adhesive	\$15.00	
R0058272	1954	HARNESS TAPE 3/4" Vinyl (100 Ft. Roll) Non-Adhesive	\$12.00	
R0058276	1954	HARNESS TAPE 1" Vinyl (100 Ft. Roll) Non-Adhesive	\$13.00	
R0067108	1954	HARNESS TAPE 1 1/4" Vinyl (100 Ft. Roll) Non-Adhesive	\$15.00	
R0058272	1955	HARNESS TAPE 3/4" Vinyl (100 Ft. Roll) Non-Adhesive	\$12.00	
R0058276	1955	HARNESS TAPE 1" Vinyl (100 Ft. Roll) Non-Adhesive	\$13.00	
R0067108	1955	HARNESS TAPE 1 1/4" Vinyl (100 Ft. Roll) Non-Adhesive	\$15.00	
R0058272	1956	HARNESS TAPE 3/4" Vinyl (100 Ft. Roll) Non-Adhesive	\$12.00	
R0058276	1956	HARNESS TAPE 1" Vinyl (100 Ft. Roll) Non-Adhesive	\$13.00	
R0067108	1956	HARNESS TAPE 1 1/4" Vinyl (100 Ft. Roll) Non-Adhesive	\$15.00	
R0058272	1957	HARNESS TAPE 3/4" Vinyl (100 Ft. Roll) Non-Adhesive	\$12.00	
R0058276	1957	HARNESS TAPE 1" Vinyl (100 Ft. Roll) Non-Adhesive	\$13.00	
R0067108	1957	HARNESS TAPE 1 1/4" Vinyl (100 Ft. Roll) Non-Adhesive	\$15.00	
R0058272	1958	HARNESS TAPE 3/4" Vinyl (100 Ft. Roll) Non-Adhesive	\$12.00	
R0058276	1958	HARNESS TAPE 1" Vinyl (100 Ft. Roll) Non-Adhesive	\$13.00	
R0067108	1958	HARNESS TAPE 1 1/4" Vinyl (100 Ft. Roll) Non-Adhesive	\$15.00	
R0058272	1959	HARNESS TAPE 3/4" Vinyl (100 Ft. Roll) Non-Adhesive	\$12.00	
R0058276	1959	HARNESS TAPE 1" Vinyl (100 Ft. Roll) Non-Adhesive	\$13.00	
R0067108	1959	HARNESS TAPE 1 1/4" Vinyl (100 Ft. Roll) Non-Adhesive	\$15.00	
R0058272	1960	HARNESS TAPE 3/4" Vinyl (100 Ft. Roll) Non-Adhesive	\$12.00	
R0058276	1960	HARNESS TAPE 1" Vinyl (100 Ft. Roll) Non-Adhesive	\$13.00	
R0067108	1960	HARNESS TAPE 1 1/4" Vinyl (100 Ft. Roll) Non-Adhesive	\$15.00	
R0058272	1961	HARNESS TAPE 3/4" Vinyl (100 Ft. Roll) Non-Adhesive	\$12.00	
R0058276	1961	HARNESS TAPE 1" Vinyl (100 Ft. Roll) Non-Adhesive	\$13.00	
R0067108	1961	HARNESS TAPE 1 1/4" Vinyl (100 Ft. Roll) Non-Adhesive	\$15.00	
R0058272	1962	HARNESS TAPE 3/4" Vinyl (100 Ft. Roll) Non-Adhesive	\$12.00	
R0058276	1962	HARNESS TAPE 1" Vinyl (100 Ft. Roll) Non-Adhesive	\$13.00	
R0067108	1962	HARNESS TAPE 1 1/4" Vinyl (100 Ft. Roll) Non-Adhesive	\$15.00	
R0058272	1963	HARNESS TAPE 3/4" Vinyl (100 Ft. Roll) Non-Adhesive	\$12.00	
R0058276	1963	HARNESS TAPE 1" Vinyl (100 Ft. Roll) Non-Adhesive	\$13.00	
R0067108	1963	HARNESS TAPE 1 1/4" Vinyl (100 Ft. Roll) Non-Adhesive	\$15.00	
R0058272	1964	HARNESS TAPE 3/4" Vinyl (100 Ft. Roll) Non-Adhesive	\$12.00	
R0058276	1964	HARNESS TAPE 1" Vinyl (100 Ft. Roll) Non-Adhesive	\$13.00	
R0067108	1964	HARNESS TAPE 1 1/4" Vinyl (100 Ft. Roll) Non-Adhesive	\$15.00	
R0058272	1965	HARNESS TAPE 3/4" Vinyl (100 Ft. Roll) Non-Adhesive	\$12.00	
R0058276	1965	HARNESS TAPE 1" Vinyl (100 Ft. Roll) Non-Adhesive	\$13.00	
R0067108	1965	HARNESS TAPE 1 1/4" Vinyl (100 Ft. Roll) Non-Adhesive	\$15.00	
R0058272	1966	HARNESS TAPE 3/4" Vinyl (100 Ft. Roll) Non-Adhesive	\$12.00	
R0058276	1966	HARNESS TAPE 1" Vinyl (100 Ft. Roll) Non-Adhesive	\$13.00	
R0067108	1966	HARNESS TAPE 1 1/4" Vinyl (100 Ft. Roll) Non-Adhesive	\$15.00	
R0058272	1967	HARNESS TAPE 3/4" Vinyl (100 Ft. Roll) Non-Adhesive	\$12.00	
R0058276	1967	HARNESS TAPE 1" Vinyl (100 Ft. Roll) Non-Adhesive	\$13.00	
R0067108	1967	HARNESS TAPE 1 1/4" Vinyl (100 Ft. Roll) Non-Adhesive	\$15.00	
R0058272	1968	HARNESS TAPE 3/4" Vinyl (100 Ft. Roll) Non-Adhesive	\$12.00	

Part Number	Year	Description	Price	*Rev.
R0058276	1968	HARNESS TAPE 1" Vinyl (100 Ft. Roll) Non-Adhesive	\$13.00	
R0067108	1968	HARNESS TAPE 1 1/4" Vinyl (100 Ft. Roll) Non-Adhesive	\$15.00	
R0058272	1969	HARNESS TAPE 3/4" Vinyl (100 Ft. Roll) Non-Adhesive	\$12.00	
R0058276	1969	HARNESS TAPE 1" Vinyl (100 Ft. Roll) Non-Adhesive	\$13.00	
R0067108	1969	HARNESS TAPE 1 1/4" Vinyl (100 Ft. Roll) Non-Adhesive	\$15.00	
R0058272	1970	HARNESS TAPE 3/4" Vinyl (100 Ft. Roll) Non-Adhesive	\$12.00	
R0058276	1970	HARNESS TAPE 1" Vinyl (100 Ft. Roll) Non-Adhesive	\$13.00	
R0067108	1970	HARNESS TAPE 1 1/4" Vinyl (100 Ft. Roll) Non-Adhesive	\$15.00	
R0058272	1971	HARNESS TAPE 3/4" Vinyl (100 Ft. Roll) Non-Adhesive	\$12.00	
R0058276	1971	HARNESS TAPE 1" Vinyl (100 Ft. Roll) Non-Adhesive	\$13.00	
R0067108	1971	HARNESS TAPE 1 1/4" Vinyl (100 Ft. Roll) Non-Adhesive	\$15.00	
R0058272	1972	HARNESS TAPE 3/4" Vinyl (100 Ft. Roll) Non-Adhesive	\$12.00	
R0058276	1972	HARNESS TAPE 1" Vinyl (100 Ft. Roll) Non-Adhesive	\$13.00	
R0067108	1972	HARNESS TAPE 1 1/4" Vinyl (100 Ft. Roll) Non-Adhesive	\$15.00	
R0058272	1973	HARNESS TAPE 3/4" Vinyl (100 Ft. Roll) Non-Adhesive	\$12.00	
R0058276	1973	HARNESS TAPE 1" Vinyl (100 Ft. Roll) Non-Adhesive	\$13.00	
R0067108	1973	HARNESS TAPE 1 1/4" Vinyl (100 Ft. Roll) Non-Adhesive	\$15.00	
R0058272	1974	HARNESS TAPE 3/4" Vinyl (100 Ft. Roll) Non-Adhesive	\$12.00	
R0058276	1974	HARNESS TAPE 1" Vinyl (100 Ft. Roll) Non-Adhesive	\$13.00	
R0067108	1974	HARNESS TAPE 1 1/4" Vinyl (100 Ft. Roll) Non-Adhesive	\$15.00	
R0058272	1975	HARNESS TAPE 3/4" Vinyl (100 Ft. Roll) Non-Adhesive	\$12.00	
R0058276	1975	HARNESS TAPE 1" Vinyl (100 Ft. Roll) Non-Adhesive	\$13.00	
R0067108	1975	HARNESS TAPE 1 1/4" Vinyl (100 Ft. Roll) Non-Adhesive	\$15.00	
R0058272	1976	HARNESS TAPE 3/4" Vinyl (100 Ft. Roll) Non-Adhesive	\$12.00	
R0058276	1976	HARNESS TAPE 1" Vinyl (100 Ft. Roll) Non-Adhesive	\$13.00	
R0067108	1976	HARNESS TAPE 1 1/4" Vinyl (100 Ft. Roll) Non-Adhesive	\$15.00	
R0058272	1977	HARNESS TAPE 3/4" Vinyl (100 Ft. Roll) Non-Adhesive	\$12.00	
R0058276	1977	HARNESS TAPE 1" Vinyl (100 Ft. Roll) Non-Adhesive	\$13.00	
R0067108	1977	HARNESS TAPE 1 1/4" Vinyl (100 Ft. Roll) Non-Adhesive	\$15.00	
R0058272	1978	HARNESS TAPE 3/4" Vinyl (100 Ft. Roll) Non-Adhesive	\$12.00	
R0058276	1978	HARNESS TAPE 1" Vinyl (100 Ft. Roll) Non-Adhesive	\$13.00	
R0067108	1978	HARNESS TAPE 1 1/4" Vinyl (100 Ft. Roll) Non-Adhesive	\$15.00	
R0058272	1979	HARNESS TAPE 3/4" Vinyl (100 Ft. Roll) Non-Adhesive	\$12.00	
R0058276	1979	HARNESS TAPE 1" Vinyl (100 Ft. Roll) Non-Adhesive	\$13.00	
R0067108	1979	HARNESS TAPE 1 1/4" Vinyl (100 Ft. Roll) Non-Adhesive	\$15.00	
R0058272	1980	HARNESS TAPE 3/4" Vinyl (100 Ft. Roll) Non-Adhesive	\$12.00	
R0058276	1980	HARNESS TAPE 1" Vinyl (100 Ft. Roll) Non-Adhesive	\$13.00	
R0067108	1980	HARNESS TAPE 1 1/4" Vinyl (100 Ft. Roll) Non-Adhesive	\$15.00	
R0058272	1981	HARNESS TAPE 3/4" Vinyl (100 Ft. Roll) Non-Adhesive	\$12.00	
R0058276	1981	HARNESS TAPE 1" Vinyl (100 Ft. Roll) Non-Adhesive	\$13.00	
R0067108	1981	HARNESS TAPE 1 1/4" Vinyl (100 Ft. Roll) Non-Adhesive	\$15.00	
R0058272	1982	HARNESS TAPE 3/4" Vinyl (100 Ft. Roll) Non-Adhesive	\$12.00	
R0058276	1982	HARNESS TAPE 1" Vinyl (100 Ft. Roll) Non-Adhesive	\$13.00	
R0067108	1982	HARNESS TAPE 1 1/4" Vinyl (100 Ft. Roll) Non-Adhesive	\$15.00	
R0058272	1983	HARNESS TAPE 3/4" Vinyl (100 Ft. Roll) Non-Adhesive	\$12.00	
R0058276	1983	HARNESS TAPE 1" Vinyl (100 Ft. Roll) Non-Adhesive	\$13.00	
R0067108	1983	HARNESS TAPE 1 1/4" Vinyl (100 Ft. Roll) Non-Adhesive	\$15.00	

Part Number	Year	Description	Price	*Rev.
R0058272	1984	HARNESS TAPE 3/4" Vinyl (100 Ft. Roll) Non-Adhesive	\$12.00	
R0058276	1984	HARNESS TAPE 1" Vinyl (100 Ft. Roll) Non-Adhesive	\$13.00	
R0067108	1984	HARNESS TAPE 1 1/4" Vinyl (100 Ft. Roll) Non-Adhesive	\$15.00	
R0058272	1985	HARNESS TAPE 3/4" Vinyl (100 Ft. Roll) Non-Adhesive	\$12.00	
R0058276	1985	HARNESS TAPE 1" Vinyl (100 Ft. Roll) Non-Adhesive	\$13.00	
R0067108	1985	HARNESS TAPE 1 1/4" Vinyl (100 Ft. Roll) Non-Adhesive	\$15.00	
R0058272	1986	HARNESS TAPE 3/4" Vinyl (100 Ft. Roll) Non-Adhesive	\$12.00	
R0058276	1986	HARNESS TAPE 1" Vinyl (100 Ft. Roll) Non-Adhesive	\$13.00	
R0067108	1986	HARNESS TAPE 1 1/4" Vinyl (100 Ft. Roll) Non-Adhesive	\$15.00	
<b>HEADLAMP DIMMER SWITCH</b>				
01997008	1953	HEADLAMP DIMMER SWITCH	\$12.00	N
01997008	1954	HEADLAMP DIMMER SWITCH	\$12.00	N
01997008	1955	HEADLAMP DIMMER SWITCH 6 Volt	\$12.00	N
01997021	1955	HEADLAMP DIMMER SWITCH 12 Volt	\$19.00	N
01997021	1956	HEADLAMP DIMMER SWITCH	\$19.00	N
01997023	1957	HEADLAMP DIMMER SWITCH 2 Hole Mounting Flange	\$16.00	N
01997023	1958	HEADLAMP DIMMER SWITCH 2 Hole Mounting Flange	\$16.00	N
01997023	1959	HEADLAMP DIMMER SWITCH 2 Hole Mounting Flange	\$16.00	N
01997023	1960	HEADLAMP DIMMER SWITCH 2 Hole Mounting Flange	\$16.00	N
01997023	1961	HEADLAMP DIMMER SWITCH 2 Hole Mounting Flange	\$16.00	N
01997023	1962	HEADLAMP DIMMER SWITCH 2 Hole Mounting Flange	\$16.00	N
01997028	1963	HEADLAMP DIMMER SWITCH	\$7.50	N
01997028	1964	HEADLAMP DIMMER SWITCH	\$7.50	N
01997028	1965	HEADLAMP DIMMER SWITCH	\$7.50	N
01997028	1966	HEADLAMP DIMMER SWITCH	\$7.50	N
01997028	1967	HEADLAMP DIMMER SWITCH	\$7.50	N
<b>HEADLIGHT BUCKET EXTENSION HARNESS</b>				
36074	1953	HEADLIGHT BUCKET EXTENSION HARNESS Set Of 2, 6 Cylinder, 6 Volt Note: 6 Cylinder Items Are Not Returnable.	\$112.00	
36074	1954	HEADLIGHT BUCKET EXTENSION HARNESS Set Of 2, 6 Cylinder, 6 Volt Note: 6 Cylinder Items Are Not Returnable.	\$112.00	
36074	1955	HEADLIGHT BUCKET EXTENSION HARNESS Set Of 2, 6 Cylinder, 6 Volt Note: 6 Cylinder Items Are Not Returnable.	\$112.00	
01663	1955	HEADLIGHT BUCKET EXTENSION HARNESS Set Of 2, V/8, 12 Volt	\$83.00	
01663	1956	HEADLIGHT BUCKET EXTENSION HARNESS Set Of 2	\$83.00	
01663	1957	HEADLIGHT BUCKET EXTENSION HARNESS Set Of 2	\$83.00	
01664	1958	HEADLIGHT BUCKET EXTENSION HARNESS Set Of 2	\$83.00	
01664	1959	HEADLIGHT BUCKET EXTENSION HARNESS Set Of 2	\$83.00	
01664	1960	HEADLIGHT BUCKET EXTENSION HARNESS Set Of 2	\$83.00	
01664	1961	HEADLIGHT BUCKET EXTENSION HARNESS Set Of 2	\$83.00	
01664	1962	HEADLIGHT BUCKET EXTENSION HARNESS Set Of 2	\$83.00	
01665	1963	HEADLIGHT BUCKET EXTENSION HARNESS Set Of 2, For Fiberglass Headlight Buckets	\$83.00	
35889	1963	HEADLIGHT BUCKET EXTENSION HARNESS Set Of 2, For Metal Headlight Buckets	\$61.00	
35889	1964	HEADLIGHT BUCKET EXTENSION HARNESS Set Of 2	\$61.00	
35889	1965	HEADLIGHT BUCKET EXTENSION HARNESS Set Of 2 Note: Contains A Black With Light Green Wire In The Headlight Connector (Early).	\$61.00	

Part Number	Year	Description	Price	*Rev.
01670	1965	<b>HEADLIGHT BUCKET EXTENSION HARNESS</b> Set Of 2 Note: Contains A Solid Light Green Wire In The Headlight Connector (Late).	\$61.00	
01670	1966	<b>HEADLIGHT BUCKET EXTENSION HARNESS</b> Set Of 2	\$61.00	
01670	1967	<b>HEADLIGHT BUCKET EXTENSION HARNESS</b> Set Of 2	\$61.00	
<b>HEADLIGHT SWITCH</b>				
01995041	1953	<b>HEADLIGHT SWITCH</b> 6 Volt, Snap On Terminal Note: Used On Vehicles With A Fused Dome, Stop Lamp, & Glove Box Light Circuit.	\$62.00	N
01995041	1954	<b>HEADLIGHT SWITCH</b> 6 Volt, Snap On Terminal Note: Used On Vehicles With A Fused Dome, Stop Lamp, & Glove Box Light Circuit.	\$62.00	N
01995041	1955	<b>HEADLIGHT SWITCH</b> 6 Volt, Snap On Terminal Note: Used On Vehicles With A Fused Dome, Stop Lamp, & Glove Box Light Circuit.	\$62.00	N
01995082	1955	<b>HEADLIGHT SWITCH</b> 12 Volt	\$45.00	
01995082	1956	<b>HEADLIGHT SWITCH</b> 12 Volt	\$45.00	
01995082	1957	<b>HEADLIGHT SWITCH</b> 12 Volt	\$45.00	
01995096	1958	<b>HEADLIGHT SWITCH</b> All	\$31.00	
01995096	1959	<b>HEADLIGHT SWITCH</b> All	\$31.00	
01995096	1960	<b>HEADLIGHT SWITCH</b> All	\$31.00	
01995096	1961	<b>HEADLIGHT SWITCH</b> All	\$31.00	
01995096	1962	<b>HEADLIGHT SWITCH</b> All	\$31.00	
01995096	1963	<b>HEADLIGHT SWITCH</b> All	\$31.00	
01995179	1964	<b>HEADLIGHT SWITCH</b>	\$20.00	N
01995179	1965	<b>HEADLIGHT SWITCH</b>	\$20.00	N
01995179	1966	<b>HEADLIGHT SWITCH</b>	\$20.00	N
01995179	1967	<b>HEADLIGHT SWITCH</b>	\$20.00	N
01995191	1968	<b>HEADLIGHT SWITCH</b>	\$39.00	N
01995191	1969	<b>HEADLIGHT SWITCH</b>	\$39.00	N
01995191	1970	<b>HEADLIGHT SWITCH</b>	\$39.00	N
01995191	1971	<b>HEADLIGHT SWITCH</b>	\$39.00	N
01995191	1972	<b>HEADLIGHT SWITCH</b>	\$39.00	N
01995191	1973	<b>HEADLIGHT SWITCH</b>	\$39.00	N
01995191	1974	<b>HEADLIGHT SWITCH</b>	\$39.00	N
01995191	1975	<b>HEADLIGHT SWITCH</b>	\$39.00	N
01995191	1976	<b>HEADLIGHT SWITCH</b>	\$39.00	N
01995191	1977	<b>HEADLIGHT SWITCH</b>	\$39.00	N
<b>HEATER AND A/C INDICATOR LAMP HARNESS</b>				
01675	1964	<b>HEATER AND A/C INDICATOR LAMP HARNESS</b> With A/C Only	\$32.00	
01675	1965	<b>HEATER AND A/C INDICATOR LAMP HARNESS</b> With A/C Only	\$32.00	
01675	1966	<b>HEATER AND A/C INDICATOR LAMP HARNESS</b> With A/C Only	\$32.00	
01675	1967	<b>HEATER AND A/C INDICATOR LAMP HARNESS</b> With A/C Only	\$32.00	
27945	1977	<b>HEATER AND A/C INDICATOR LAMP HARNESS</b> With A/C Only	\$23.00	
27945	1978	<b>HEATER AND A/C INDICATOR LAMP HARNESS</b> With A/C Only	\$23.00	
27945	1979	<b>HEATER AND A/C INDICATOR LAMP HARNESS</b> With A/C Only	\$23.00	
27945	1980	<b>HEATER AND A/C INDICATOR LAMP HARNESS</b> With A/C Only	\$23.00	
27945	1981	<b>HEATER AND A/C INDICATOR LAMP HARNESS</b> With A/C Only	\$23.00	
27945	1982	<b>HEATER AND A/C INDICATOR LAMP HARNESS</b> With A/C Only	\$23.00	

Part Number	Year	Description	Price	*Rev.
<b>HEATER AND HEATER SWITCH WIRING KIT</b>				
36211	1953	HEATER AND HEATER SWITCH WIRING KIT Heater Switch To Fuse Panel, Blower Motor Extension, And Ground	\$43.00	
36211	1954	HEATER AND HEATER SWITCH WIRING KIT Heater Switch To Fuse Panel, Blower Motor Extension, And Ground	\$43.00	
23285	1955	HEATER AND HEATER SWITCH WIRING KIT Heater Switch To Fuse Panel, Blower Motor Extension, And Ground	\$43.00	
23285	1956	HEATER AND HEATER SWITCH WIRING KIT Heater Switch To Fuse Panel, Blower Motor Extension, And Ground	\$43.00	
23285	1957	HEATER AND HEATER SWITCH WIRING KIT Heater Switch To Fuse Panel, Blower Motor Extension, And Ground	\$43.00	
<b>HEATER BLOWER MOTOR RESISTOR</b>				
03929052	1962	HEATER BLOWER MOTOR RESISTOR Without A/C	\$15.00	N
03929052	1963	HEATER BLOWER MOTOR RESISTOR Without A/C	\$15.00	N
03929052	1964	HEATER BLOWER MOTOR RESISTOR Without A/C	\$15.00	N
03929052	1965	HEATER BLOWER MOTOR RESISTOR Without A/C	\$15.00	N
03929052	1966	HEATER BLOWER MOTOR RESISTOR Without A/C	\$15.00	N
03929052	1967	HEATER BLOWER MOTOR RESISTOR Without A/C	\$15.00	N
03929052	1968	HEATER BLOWER MOTOR RESISTOR Without A/C	\$15.00	N
03929052	1969	HEATER BLOWER MOTOR RESISTOR Without A/C	\$15.00	N
03929052	1970	HEATER BLOWER MOTOR RESISTOR Without A/C	\$15.00	N
03929052	1971	HEATER BLOWER MOTOR RESISTOR Without A/C	\$15.00	N
03929052	1972	HEATER BLOWER MOTOR RESISTOR Without A/C	\$15.00	N
03929052	1973	HEATER BLOWER MOTOR RESISTOR Without A/C	\$15.00	N
03929052	1974	HEATER BLOWER MOTOR RESISTOR Without A/C	\$15.00	N
03929052	1975	HEATER BLOWER MOTOR RESISTOR Without A/C	\$15.00	N
03929052	1976	HEATER BLOWER MOTOR RESISTOR Without A/C	\$15.00	N
03929052	1977	HEATER BLOWER MOTOR RESISTOR Without A/C	\$15.00	N
03929052	1978	HEATER BLOWER MOTOR RESISTOR Without A/C	\$15.00	N
03929052	1979	HEATER BLOWER MOTOR RESISTOR Without A/C	\$15.00	N
03929052	1980	HEATER BLOWER MOTOR RESISTOR Without A/C	\$15.00	N
03929052	1981	HEATER BLOWER MOTOR RESISTOR Without A/C	\$15.00	N
03929052	1982	HEATER BLOWER MOTOR RESISTOR Without A/C	\$15.00	N
<b>HEATER HARNESS</b>				
01680	1975	HEATER HARNESS Without A/C	\$112.00	
27545	1976	HEATER HARNESS Without A/C	\$112.00	
27050	1977	HEATER HARNESS Without A/C, Harness Covered In Non-Adhesive Vinyl Tape Only	\$112.00	
27645	1977	HEATER HARNESS Without A/C, Harness Covered With Plastic Split Conduit	\$112.00	
27090	1978	HEATER HARNESS Without A/C	\$112.00	
27090	1979	HEATER HARNESS Without A/C	\$112.00	
<b>HOOD SCOOP HARNESS</b>				
01685	1973	HOOD SCOOP HARNESS Cowl Air Door	\$32.00	
01685	1974	HOOD SCOOP HARNESS Cowl Air Door	\$32.00	
01685	1975	HOOD SCOOP HARNESS Cowl Air Door	\$32.00	
<b>HORN TO FORWARD LAMP JUMPER</b>				
33235	1982	HORN TO FORWARD LAMP JUMPER With Diode	\$59.00	

Part Number	Year	Description	Price	*Rev.
<b>HORN WIRE EXTENSION HARNESS</b>				
36076	1953	<b>HORN WIRE EXTENSION HARNESS</b> This Wire Must Be Soldered Onto Existing Horn Contact Ring	\$20.00	
36076	1954	<b>HORN WIRE EXTENSION HARNESS</b> This Wire Must Be Soldered Onto Existing Horn Contact Ring	\$20.00	
36076	1955	<b>HORN WIRE EXTENSION HARNESS</b> This Wire Must Be Soldered Onto Existing Horn Contact Ring	\$20.00	
36076	1956	<b>HORN WIRE EXTENSION HARNESS</b> This Wire Must Be Soldered Onto Existing Horn Contact Ring	\$20.00	
36076	1957	<b>HORN WIRE EXTENSION HARNESS</b> This Wire Must Be Soldered Onto Existing Horn Contact Ring	\$20.00	
36076	1958	<b>HORN WIRE EXTENSION HARNESS</b> This Wire Must Be Soldered Onto Existing Horn Contact Ring	\$20.00	
36076	1959	<b>HORN WIRE EXTENSION HARNESS</b> This Wire Must Be Soldered Onto Existing Horn Contact Ring	\$20.00	
36076	1960	<b>HORN WIRE EXTENSION HARNESS</b> This Wire Must Be Soldered Onto Existing Horn Contact Ring	\$20.00	
36076	1961	<b>HORN WIRE EXTENSION HARNESS</b> This Wire Must Be Soldered Onto Existing Horn Contact Ring	\$20.00	
36076	1962	<b>HORN WIRE EXTENSION HARNESS</b> This Wire Must Be Soldered Onto Existing Horn Contact Ring	\$20.00	
01690	1974	<b>HORN WIRE EXTENSION HARNESS</b> With Dual Horns	\$26.00	
01690	1975	<b>HORN WIRE EXTENSION HARNESS</b> With Dual Horns	\$26.00	
01690	1976	<b>HORN WIRE EXTENSION HARNESS</b> With Dual Horns	\$26.00	
<b>IDLE STOP SOLENOID EXTENSION HARNESS</b>				
01695	1968	<b>IDLE STOP SOLENOID EXTENSION HARNESS</b> With A/C	\$26.00	
01700	1969	<b>IDLE STOP SOLENOID EXTENSION HARNESS</b> With A/C	\$26.00	
01700	1970	<b>IDLE STOP SOLENOID EXTENSION HARNESS</b> With A/C	\$26.00	
<b>IGNITION BALLAST RESISTOR</b>				
01957154	1963	<b>IGNITION BALLAST RESISTOR</b> All, 2nd Design, Without F.i., Or High Performance	\$12.00	N
01957154	1964	<b>IGNITION BALLAST RESISTOR</b> All, 2nd Design, Without F.i., Or High Performance	\$12.00	N
01957154	1965	<b>IGNITION BALLAST RESISTOR</b> All, Without 396 C.i.	\$12.00	N
01957154	1966	<b>IGNITION BALLAST RESISTOR</b> All, Without Transistor Ignition	\$12.00	N
01957154	1967	<b>IGNITION BALLAST RESISTOR</b> All, Without Transistor Ignition	\$12.00	N
<b>IGNITION CYLINDER AND KEYS</b>				
20071252	1969	<b>IGNITION CYLINDER AND KEYS</b> Chrome, All	\$18.50	N
20071252	1970	<b>IGNITION CYLINDER AND KEYS</b> Chrome, All	\$18.50	N
20071252	1971	<b>IGNITION CYLINDER AND KEYS</b> Chrome, All	\$18.50	N
20071252	1972	<b>IGNITION CYLINDER AND KEYS</b> Chrome, All	\$18.50	N
20071252	1973	<b>IGNITION CYLINDER AND KEYS</b> Chrome, All	\$18.50	N
20071252	1974	<b>IGNITION CYLINDER AND KEYS</b> Chrome, All	\$18.50	N
20071252	1975	<b>IGNITION CYLINDER AND KEYS</b> Chrome, All	\$18.50	N
20071252	1976	<b>IGNITION CYLINDER AND KEYS</b> Chrome, All	\$18.50	N
20071252	1977	<b>IGNITION CYLINDER AND KEYS</b> Chrome, All	\$18.50	N
20071252	1978	<b>IGNITION CYLINDER AND KEYS</b> Chrome, All, 1st Design, Used On Columns Without Lock Cylinder Retaining Screw	\$18.50	N
07833759	1978	<b>IGNITION CYLINDER AND KEYS</b> Chrome, All, 2nd Design, Used On Columns With Lock Cylinder Retaining Screw	\$18.50	N
07833759	1979	<b>IGNITION CYLINDER AND KEYS</b> Chrome, All	\$18.50	N
07833759	1980	<b>IGNITION CYLINDER AND KEYS</b> Chrome, All	\$18.50	N
07833759	1981	<b>IGNITION CYLINDER AND KEYS</b> Chrome, All	\$18.50	N
07833759	1982	<b>IGNITION CYLINDER AND KEYS</b> Chrome, All	\$18.50	N
07833759	1984	<b>IGNITION CYLINDER AND KEYS</b> Chrome, All	\$18.50	N
07833759	1985	<b>IGNITION CYLINDER AND KEYS</b> Chrome, All	\$18.50	N
<b>IGNITION SWITCH</b>				
01116514	1955	<b>IGNITION SWITCH</b> 12 Volt	\$50.00	N



Part Number	Year	Description	Price	*Rev.
01116514	1956	IGNITION SWITCH	\$50.00	N
01116514	1957	IGNITION SWITCH	\$50.00	N
01116626	1963	IGNITION SWITCH	\$24.00	M
01116626	1964	IGNITION SWITCH	\$24.00	M
44205	1965	IGNITION SWITCH KIT Note: Includes Ignition Switch, Connector And Instructions.	\$37.00	N
01990110	1969	IGNITION SWITCH All, With Tilt	\$14.00	N
01990110	1970	IGNITION SWITCH All, With Tilt	\$14.00	N
01990110	1971	IGNITION SWITCH All, With Tilt	\$14.00	N
01990110	1972	IGNITION SWITCH All, With Tilt	\$14.00	N
01990110	1973	IGNITION SWITCH All, With Tilt	\$14.00	N
01990110	1974	IGNITION SWITCH All, With Tilt	\$14.00	N
01990110	1975	IGNITION SWITCH All, With Tilt	\$14.00	N
01990110	1976	IGNITION SWITCH All, With Tilt	\$14.00	N
01990110	1977	IGNITION SWITCH All, With Tilt	\$14.00	N
01990110	1978	IGNITION SWITCH All, With Tilt	\$14.00	N
01990110	1979	IGNITION SWITCH All, With Tilt	\$14.00	N
01990110	1980	IGNITION SWITCH All, With Tilt	\$14.00	N
01990110	1981	IGNITION SWITCH All, With Tilt	\$14.00	N
01990110	1982	IGNITION SWITCH All, With Tilt	\$14.00	N
01990110	1984	IGNITION SWITCH All, With Tilt	\$14.00	N
01990110	1985	IGNITION SWITCH All, With Tilt	\$14.00	N
01990110	1986	IGNITION SWITCH All, With Tilt	\$14.00	N
01990110	1987	IGNITION SWITCH All, With Tilt	\$14.00	N
01990110	1988	IGNITION SWITCH All, With Tilt	\$14.00	N
01990110	1989	IGNITION SWITCH All, With Tilt	\$14.00	N
01990110	1990	IGNITION SWITCH All, With Tilt	\$14.00	N
01990110	1991	IGNITION SWITCH All, With Tilt	\$14.00	N
01990110	1992	IGNITION SWITCH All, With Tilt	\$14.00	N
01990110	1993	IGNITION SWITCH All, With Tilt	\$14.00	N
<b>KICKDOWN HARNESS</b>				
01705	1968	KICKDOWN HARNESS TH400 Auto Trans	\$46.00	
01705	1969	KICKDOWN HARNESS TH400 Auto Trans	\$46.00	
20915	1976	KICKDOWN HARNESS TH400 Auto Trans	\$46.00	
20915	1977	KICKDOWN HARNESS TH400 Auto Trans	\$46.00	
20915	1978	KICKDOWN HARNESS TH400 Auto Trans	\$46.00	
<b>KICKDOWN SWITCH</b>				
01242101	1970	KICKDOWN SWITCH TH400 Auto Trans	\$19.00	
01242101	1971	KICKDOWN SWITCH TH400 Auto Trans	\$19.00	
01242101	1972	KICKDOWN SWITCH TH400 Auto Trans	\$19.00	
01242101	1973	KICKDOWN SWITCH TH400 Auto Trans	\$19.00	
01242101	1974	KICKDOWN SWITCH TH400 Auto Trans	\$19.00	
01242101	1975	KICKDOWN SWITCH TH400 Auto Trans	\$19.00	
01242101	1976	KICKDOWN SWITCH TH400 Auto Trans	\$19.00	
01242101	1977	KICKDOWN SWITCH TH400 Auto Trans	\$19.00	

Part Number	Year	Description	Price	*Rev.
<b>LICENSE PLATE LAMP ASSEMBLY</b>				
36212	1956	<b>LICENSE PLATE LAMP ASSEMBLY</b> Set Of 2	\$35.00	
36212	1957	<b>LICENSE PLATE LAMP ASSEMBLY</b> Set Of 2	\$35.00	
01707	1958	<b>LICENSE PLATE LAMP ASSEMBLY</b> Set Of 2	\$35.00	
01707	1959	<b>LICENSE PLATE LAMP ASSEMBLY</b> Set Of 2	\$35.00	
01707	1960	<b>LICENSE PLATE LAMP ASSEMBLY</b> Set Of 2	\$35.00	
<b>LICENSE PLATE LAMP LEAD WIRES</b>				
37791	1953	<b>LICENSE PLATE LAMP LEAD WIRES</b> All 6 Volt Note: Must Use Original Lamp Sockets.	\$35.00	
37791	1954	<b>LICENSE PLATE LAMP LEAD WIRES</b> All 6 Volt Note: Must Use Original Lamp Sockets.	\$35.00	
37791	1955	<b>LICENSE PLATE LAMP LEAD WIRES</b> All 6 Volt Note: Must Use Original Lamp Sockets.	\$35.00	
37792	1955	<b>LICENSE PLATE LAMP LEAD WIRES</b> All 12 Volt Note: Must Use Original Lamp Sockets.	\$35.00	
<b>LOW FUEL INDICATOR MODULE</b>				
500274	1958	<b>LOW FUEL INDICATOR MODULE</b> Generic "Adjustable" Low Fuel Warning Module Note: A Complete Electronic Control Unit To Activate A Warning Lamp Or Relay When Fuel Level Drops Below A User Adjustable Level. Includes instruction sheet.	\$64.00	C
500274	1959	<b>LOW FUEL INDICATOR MODULE</b> Generic "Adjustable" Low Fuel Warning Module Note: A Complete Electronic Control Unit To Activate A Warning Lamp Or Relay When Fuel Level Drops Below A User Adjustable Level. Includes instruction sheet.	\$64.00	C
500274	1960	<b>LOW FUEL INDICATOR MODULE</b> Generic "Adjustable" Low Fuel Warning Module Note: A Complete Electronic Control Unit To Activate A Warning Lamp Or Relay When Fuel Level Drops Below A User Adjustable Level. Includes instruction sheet.	\$64.00	C
500274	1961	<b>LOW FUEL INDICATOR MODULE</b> Generic "Adjustable" Low Fuel Warning Module Note: A Complete Electronic Control Unit To Activate A Warning Lamp Or Relay When Fuel Level Drops Below A User Adjustable Level. Includes instruction sheet.	\$64.00	C
500274	1962	<b>LOW FUEL INDICATOR MODULE</b> Generic "Adjustable" Low Fuel Warning Module Note: A Complete Electronic Control Unit To Activate A Warning Lamp Or Relay When Fuel Level Drops Below A User Adjustable Level. Includes instruction sheet.	\$64.00	C
500274	1963	<b>LOW FUEL INDICATOR MODULE</b> Generic "Adjustable" Low Fuel Warning Module Note: A Complete Electronic Control Unit To Activate A Warning Lamp Or Relay When Fuel Level Drops Below A User Adjustable Level. Includes instruction sheet.	\$64.00	C
500274	1964	<b>LOW FUEL INDICATOR MODULE</b> Generic "Adjustable" Low Fuel Warning Module Note: A Complete Electronic Control Unit To Activate A Warning Lamp Or Relay When Fuel Level Drops Below A User Adjustable Level. Includes instruction sheet.	\$64.00	C
500274	1965	<b>LOW FUEL INDICATOR MODULE</b> Generic "Adjustable" Low Fuel Warning Module Note: A Complete Electronic Control Unit To Activate A Warning Lamp Or Relay When Fuel Level Drops Below A User Adjustable Level. Includes instruction sheet.	\$64.00	C
500274	1966	<b>LOW FUEL INDICATOR MODULE</b> Generic "Adjustable" Low Fuel Warning Module Note: A Complete Electronic Control Unit To Activate A Warning Lamp Or Relay When Fuel Level Drops Below A User Adjustable Level. Includes instruction sheet.	\$64.00	C
500274	1967	<b>LOW FUEL INDICATOR MODULE</b> Generic "Adjustable" Low Fuel Warning Module Note: A Complete Electronic Control Unit To Activate A Warning Lamp Or Relay When Fuel Level Drops Below A User Adjustable Level. Includes instruction sheet.	\$64.00	C
500274	1968	<b>LOW FUEL INDICATOR MODULE</b> Generic "Adjustable" Low Fuel Warning Module Note: A Complete Electronic Control Unit To Activate A Warning Lamp Or Relay When Fuel Level Drops Below A User Adjustable Level. Includes instruction sheet.	\$64.00	C

Part Number	Year	Description	Price	*Rev.
500274	1969	<b>LOW FUEL INDICATOR MODULE</b> Generic "Adjustable" Low Fuel Warning Module Note: A Complete Electronic Control Unit To Activate A Warning Lamp Or Relay When Fuel Level Drops Below A User Adjustable Level. Includes instruction sheet.	\$64.00	C
500274	1970	<b>LOW FUEL INDICATOR MODULE</b> Generic "Adjustable" Low Fuel Warning Module Note: A Complete Electronic Control Unit To Activate A Warning Lamp Or Relay When Fuel Level Drops Below A User Adjustable Level. Includes instruction sheet.	\$64.00	C
500274	1971	<b>LOW FUEL INDICATOR MODULE</b> Generic "Adjustable" Low Fuel Warning Module Note: A Complete Electronic Control Unit To Activate A Warning Lamp Or Relay When Fuel Level Drops Below A User Adjustable Level. Includes instruction sheet.	\$64.00	C
500274	1972	<b>LOW FUEL INDICATOR MODULE</b> Generic "Adjustable" Low Fuel Warning Module Note: A Complete Electronic Control Unit To Activate A Warning Lamp Or Relay When Fuel Level Drops Below A User Adjustable Level. Includes instruction sheet.	\$64.00	C
500274	1973	<b>LOW FUEL INDICATOR MODULE</b> Generic "Adjustable" Low Fuel Warning Module Note: A Complete Electronic Control Unit To Activate A Warning Lamp Or Relay When Fuel Level Drops Below A User Adjustable Level. Includes instruction sheet.	\$64.00	C
500274	1974	<b>LOW FUEL INDICATOR MODULE</b> Generic "Adjustable" Low Fuel Warning Module Note: A Complete Electronic Control Unit To Activate A Warning Lamp Or Relay When Fuel Level Drops Below A User Adjustable Level. Includes instruction sheet.	\$64.00	C
500274	1975	<b>LOW FUEL INDICATOR MODULE</b> Generic "Adjustable" Low Fuel Warning Module Note: A Complete Electronic Control Unit To Activate A Warning Lamp Or Relay When Fuel Level Drops Below A User Adjustable Level. Includes instruction sheet.	\$64.00	C
500274	1976	<b>LOW FUEL INDICATOR MODULE</b> Generic "Adjustable" Low Fuel Warning Module Note: A Complete Electronic Control Unit To Activate A Warning Lamp Or Relay When Fuel Level Drops Below A User Adjustable Level. Includes instruction sheet.	\$64.00	C
<b>MAP LIGHT HARNESS</b>				
27815	1973	<b>MAP LIGHT HARNESS</b> Rear View Mirror	\$32.00	
27815	1974	<b>MAP LIGHT HARNESS</b> Rear View Mirror	\$32.00	
27815	1975	<b>MAP LIGHT HARNESS</b> Rear View Mirror	\$32.00	
27815	1976	<b>MAP LIGHT HARNESS</b> Rear View Mirror	\$32.00	
<b>NEUTRAL SAFETY AND BACKUP LAMP SWITCH</b>				
03923916	1968	<b>NEUTRAL SAFETY AND BACKUP LAMP SWITCH</b> Auto Trans	\$65.00	
03948538	1969	<b>NEUTRAL SAFETY AND BACKUP LAMP SWITCH</b> Auto Trans	\$65.00	
03948538	1970	<b>NEUTRAL SAFETY AND BACKUP LAMP SWITCH</b> Auto Trans	\$65.00	
03948538	1971	<b>NEUTRAL SAFETY AND BACKUP LAMP SWITCH</b> Auto Trans	\$65.00	
03948538	1972	<b>NEUTRAL SAFETY AND BACKUP LAMP SWITCH</b> Auto Trans, Without Seat Belt Warning	\$65.00	
06273357	1972	<b>NEUTRAL SAFETY AND BACKUP LAMP SWITCH</b> Auto Trans, With Seat Belt Warning	\$75.00	
06273357	1973	<b>NEUTRAL SAFETY AND BACKUP LAMP SWITCH</b> Auto Trans	\$75.00	
06258276	1974	<b>NEUTRAL SAFETY AND BACKUP LAMP SWITCH</b> Auto Trans	\$85.00	
06258276	1975	<b>NEUTRAL SAFETY AND BACKUP LAMP SWITCH</b> Auto Trans	\$85.00	
00370176	1976	<b>NEUTRAL SAFETY AND BACKUP LAMP SWITCH</b> Auto Trans	\$65.00	
00370176	1977	<b>NEUTRAL SAFETY AND BACKUP LAMP SWITCH</b> Auto Trans	\$65.00	
00370176	1978	<b>NEUTRAL SAFETY AND BACKUP LAMP SWITCH</b> Auto Trans	\$65.00	
00370176	1979	<b>NEUTRAL SAFETY AND BACKUP LAMP SWITCH</b> Auto Trans	\$65.00	
00370176	1980	<b>NEUTRAL SAFETY AND BACKUP LAMP SWITCH</b> Auto Trans	\$65.00	
00370176	1981	<b>NEUTRAL SAFETY AND BACKUP LAMP SWITCH</b> Auto Trans	\$65.00	
00370176	1982	<b>NEUTRAL SAFETY AND BACKUP LAMP SWITCH</b> Auto Trans	\$65.00	
<b>NEUTRAL SAFETY SWITCH</b>				
01993495	1969	<b>NEUTRAL SAFETY SWITCH</b> Manual Trans Note: Includes Rod, 2 Retaining Clips, 2 Bushings And Bolt.	\$65.00	

Part Number	Year	Description	Price	*Rev.
01993495	1970	<b>NEUTRAL SAFETY SWITCH</b> Manual Trans Note: Includes Rod, 2 Retaining Clips, 2 Bushings And Bolt.	\$65.00	
01993495	1971	<b>NEUTRAL SAFETY SWITCH</b> Manual Trans Note: Includes Rod, 2 Retaining Clips, 2 Bushings And Bolt.	\$65.00	
01993495	1972	<b>NEUTRAL SAFETY SWITCH</b> Manual Trans Note: Includes Rod, 2 Retaining Clips, 2 Bushings And Bolt.	\$65.00	
01993495	1973	<b>NEUTRAL SAFETY SWITCH</b> Manual Trans Note: Includes Rod, 2 Retaining Clips, 2 Bushings And Bolt.	\$65.00	
01993495	1974	<b>NEUTRAL SAFETY SWITCH</b> Manual Trans Note: Includes Rod, 2 Retaining Clips, 2 Bushings And Bolt.	\$65.00	
01993495	1975	<b>NEUTRAL SAFETY SWITCH</b> Manual Trans Note: Includes Rod, 2 Retaining Clips, 2 Bushings And Bolt.	\$65.00	
01993495	1976	<b>NEUTRAL SAFETY SWITCH</b> Manual Trans Note: Includes Rod, 2 Retaining Clips, 2 Bushings And Bolt.	\$65.00	
01993495	1977	<b>NEUTRAL SAFETY SWITCH</b> Manual Trans Note: Includes Rod, 2 Retaining Clips, 2 Bushings And Bolt.	\$65.00	
01993495	1978	<b>NEUTRAL SAFETY SWITCH</b> Manual Trans Note: Includes Rod, 2 Retaining Clips, 2 Bushings And Bolt.	\$65.00	
01993495	1979	<b>NEUTRAL SAFETY SWITCH</b> Manual Trans Note: Includes Rod, 2 Retaining Clips, 2 Bushings And Bolt.	\$65.00	
01993495	1980	<b>NEUTRAL SAFETY SWITCH</b> Manual Trans Note: Includes Rod, 2 Retaining Clips, 2 Bushings And Bolt.	\$65.00	
01993495	1981	<b>NEUTRAL SAFETY SWITCH</b> Manual Trans Note: Includes Rod, 2 Retaining Clips, 2 Bushings And Bolt.	\$65.00	
<b>NEUTRAL SAFETY SWITCH EXTENSION HARNESS</b>				
36077	1953	<b>NEUTRAL SAFETY SWITCH EXTENSION HARNESS</b> Switch To Starter Motor Relay	\$18.00	
36077	1954	<b>NEUTRAL SAFETY SWITCH EXTENSION HARNESS</b> Switch To Starter Motor Relay	\$18.00	
01715	1955	<b>NEUTRAL SAFETY SWITCH EXTENSION HARNESS</b> Switch To Firewall Mounted Relay	\$18.00	
01715	1956	<b>NEUTRAL SAFETY SWITCH EXTENSION HARNESS</b> Switch To Firewall Mounted Relay	\$18.00	
01715	1957	<b>NEUTRAL SAFETY SWITCH EXTENSION HARNESS</b> Switch To Firewall Mounted Relay	\$18.00	
01715	1958	<b>NEUTRAL SAFETY SWITCH EXTENSION HARNESS</b> Switch To Firewall Mounted Relay	\$18.00	
01715	1959	<b>NEUTRAL SAFETY SWITCH EXTENSION HARNESS</b> Switch To Firewall Mounted Relay	\$18.00	
01715	1960	<b>NEUTRAL SAFETY SWITCH EXTENSION HARNESS</b> Switch To Firewall Mounted Relay	\$18.00	
01715	1961	<b>NEUTRAL SAFETY SWITCH EXTENSION HARNESS</b> Switch To Firewall Mounted Relay	\$18.00	
01710	1969	<b>NEUTRAL SAFETY SWITCH EXTENSION HARNESS</b> Manual Trans	\$23.00	
01710	1970	<b>NEUTRAL SAFETY SWITCH EXTENSION HARNESS</b> Manual Trans	\$23.00	
01710	1971	<b>NEUTRAL SAFETY SWITCH EXTENSION HARNESS</b> Manual Trans	\$23.00	
01710	1972	<b>NEUTRAL SAFETY SWITCH EXTENSION HARNESS</b> Manual Trans	\$23.00	
01710	1973	<b>NEUTRAL SAFETY SWITCH EXTENSION HARNESS</b> Manual Trans	\$23.00	
01710	1974	<b>NEUTRAL SAFETY SWITCH EXTENSION HARNESS</b> Manual Trans	\$23.00	
01710	1975	<b>NEUTRAL SAFETY SWITCH EXTENSION HARNESS</b> Manual Trans	\$23.00	
01710	1976	<b>NEUTRAL SAFETY SWITCH EXTENSION HARNESS</b> Manual Trans	\$23.00	
01710	1977	<b>NEUTRAL SAFETY SWITCH EXTENSION HARNESS</b> Manual Trans, With Anti-Theft Switch Mounted In Fender	\$23.00	
27795	1977	<b>NEUTRAL SAFETY AND BACKUP LAMP SWITCH EXTENSION</b> Manual Trans, With Anti-Theft Switch Mounted In Door Lock	\$46.00	
27925	1978	<b>NEUTRAL SAFETY AND BACKUP LAMP SWITCH EXTENSION</b> Manual Trans	\$46.00	
28050	1979	<b>NEUTRAL SAFETY SWITCH EXTENSION HARNESS</b> Manual Trans	\$23.00	
28135	1980	<b>NEUTRAL SAFETY SWITCH EXTENSION HARNESS</b> Manual Trans	\$23.00	
28135	1981	<b>NEUTRAL SAFETY SWITCH EXTENSION HARNESS</b> Manual Trans	\$23.00	

Part Number	Year	Description	Price	*Rev.
<b>OIL PRESSURE GAUGE</b>				
05654100	1963	OIL PRESSURE GAUGE 0-60 Lbs.	\$39.00	N
05638487	1964	OIL PRESSURE GAUGE 0-80 Lbs.	\$39.00	N
05654906	1965	OIL PRESSURE GAUGE 0-60 Lbs.	\$47.00	N
05654626	1965	OIL PRESSURE GAUGE 0-80 Lbs.	\$47.00	N
05654906	1966	OIL GAUGE 0-60 Lbs.	\$47.00	N
05654626	1966	OIL GAUGE 0-80 Lbs.	\$47.00	N
05654906	1967	OIL GAUGE 0-60 Lbs.	\$47.00	N
05654626	1967	OIL GAUGE 0-80 Lbs.	\$47.00	N
<b>OIL PRESSURE SENDER JUMPER WIRE</b>				
27035	1980	OIL PRESSURE SENDER JUMPER WIRE Engine Harness To Oil Pressure Sending Unit, All	\$26.00	
27035	1981	OIL PRESSURE SENDER JUMPER WIRE Engine Harness To Oil Pressure Sending Unit, All	\$26.00	
<b>PARKING BRAKE WARNING HARNESS</b>				
01720	1958	PARKING BRAKE WARNING HARNESS Flasher To Switch & Fuse Panel	\$26.00	
01730	1958	PARKING BRAKE WARNING LAMP ASSEMBLY Dash Panel To Flasher	\$26.00	
01720	1959	PARKING BRAKE WARNING HARNESS Flasher To Switch & Fuse Panel	\$26.00	
01730	1959	PARKING BRAKE WARNING LAMP ASSEMBLY Dash Panel To Flasher	\$26.00	
01720	1960	PARKING BRAKE WARNING HARNESS Flasher To Switch & Fuse Panel	\$26.00	
01730	1960	PARKING BRAKE WARNING LAMP ASSEMBLY Dash Panel To Flasher	\$26.00	
01725	1961	PARKING BRAKE WARNING HARNESS Includes Warning Lamp Assembly	\$26.00	
01725	1962	PARKING BRAKE WARNING HARNESS Includes Warning Lamp Assembly	\$26.00	
<b>POWER ANTENNA HARNESS</b>				
33140	1978	POWER ANTENNA HARNESS Radio To Relay,Courtesy Lamp Timer Mounted Left Of Steering Column	\$40.00	
27915	1978	POWER ANTENNA HARNESS Radio To Relay, Courtesy Lamp Timer Mounted Right Of Glove Box	\$40.00	
33145	1979	POWER ANTENNA HARNESS Relay To Antenna	\$40.00	
28020	1979	POWER ANTENNA HARNESS Radio To Relay	\$40.00	
28130	1980	POWER ANTENNA HARNESS Relay To Antenna	\$40.00	
28165	1980	POWER ANTENNA HARNESS Radio To Relay	\$40.00	
28130	1981	POWER ANTENNA HARNESS Relay To Antenna	\$40.00	
28165	1981	POWER ANTENNA HARNESS Radio To Relay	\$40.00	
28130	1982	POWER ANTENNA HARNESS Relay To Antenna	\$40.00	
28165	1982	POWER ANTENNA HARNESS Radio To Relay	\$40.00	
<b>POWER ANTENNA SWITCH TO DASH REPAIR HARNESS</b>				
37815	1965	POWER ANTENNA SWITCH TO DASH REPAIR HARNESS All, Attaches Directly To Switch Assembly Note: This Harness Is Used To Repair The Lead Wires From Original Power Antenna Switch.	\$26.00	
<b>POWER DOOR LOCK HARNESS</b>				
36100	1978	POWER DOOR LOCK HARNESS Early, Under Dash Crossover, Driver Side To Pass Side Door Locks	\$126.00	
27920	1978	POWER DOOR LOCK HARNESS Late, Under Dash Crossover, Driver Side To Pass Side Door Locks	\$126.00	
27995	1978	POWER DOOR LOCK HARNESS Driver Side Door Lock	\$126.00	
27905	1978	POWER DOOR LOCK HARNESS Passenger Side Door Lock	\$126.00	
<b>POWER MIRROR HARNESS</b>				
32780	1981	POWER MIRROR HARNESS Dual Electric Side View Mirrors	\$113.00	
32780	1982	POWER MIRROR HARNESS Dual Electric Side View Mirrors	\$113.00	

Corvette



Phone (562) 926-9552

Fax (562) 926-9572

Part Number	Year	Description	Price	*Rev.
<b>POWER SEAT JUMPER WIRE</b>				
36080	1981	POWER SEAT JUMPER WIRE Power Supply From Dash Harness To Seat Switch	\$33.00	
33250	1982	POWER SEAT JUMPER WIRE Power Supply From Dash Harness To Seat Switch	\$33.00	
<b>POWER TOP HARNESS</b>				
36096	1956	POWER TOP HARNESS Main	\$225.00	
01735	1957	POWER TOP HARNESS Main	\$225.00	
01740	1958	POWER TOP HARNESS Main	\$225.00	
01740	1959	POWER TOP HARNESS Main	\$225.00	
01740	1960	POWER TOP HARNESS Main	\$225.00	
01740	1961	POWER TOP HARNESS Main	\$225.00	
01740	1962	POWER TOP HARNESS Main	\$225.00	
<b>POWER TOP LIMIT SWITCH HARNESS</b>				
36097	1956	POWER TOP LIMIT SWITCH HARNESS For Cover Limit Switch	\$110.00	
36098	1956	POWER TOP LIMIT SWITCH HARNESS For Top Limit Switch	\$102.00	
01745	1957	POWER TOP LIMIT SWITCH HARNESS For Cover Limit Switch	\$102.00	
01750	1957	POWER TOP LIMIT SWITCH HARNESS For Top Limit Switch	\$102.00	
01745	1958	POWER TOP LIMIT SWITCH HARNESS For Cover Limit Switch	\$102.00	
01750	1958	POWER TOP LIMIT SWITCH HARNESS For Top Limit Switch	\$102.00	
01745	1959	POWER TOP LIMIT SWITCH HARNESS For Cover Limit Switch	\$102.00	
01750	1959	POWER TOP LIMIT SWITCH HARNESS For Top Limit Switch	\$102.00	
01745	1960	POWER TOP LIMIT SWITCH HARNESS For Cover Limit Switch	\$102.00	
01750	1960	POWER TOP LIMIT SWITCH HARNESS For Top Limit Switch	\$102.00	
01745	1961	POWER TOP LIMIT SWITCH HARNESS For Cover Limit Switch	\$102.00	
01750	1961	POWER TOP LIMIT SWITCH HARNESS For Top Limit Switch	\$102.00	
01745	1962	POWER TOP LIMIT SWITCH HARNESS For Cover Limit Switch	\$102.00	
01750	1962	POWER TOP LIMIT SWITCH HARNESS For Top Limit Switch	\$102.00	
<b>POWER TOP MAIN FEED WIRE</b>				
01755	1956	POWER TOP MAIN FEED WIRE Starter Motor To Circuit Breaker	\$21.00	
01755	1957	POWER TOP MAIN FEED WIRE Starter Motor To Circuit Breaker	\$21.00	
01755	1958	POWER TOP MAIN FEED WIRE Starter Motor To Circuit Breaker	\$21.00	
01755	1959	POWER TOP MAIN FEED WIRE Starter Motor To Circuit Breaker	\$21.00	
01755	1960	POWER TOP MAIN FEED WIRE Starter Motor To Circuit Breaker	\$21.00	
01755	1961	POWER TOP MAIN FEED WIRE Starter Motor To Circuit Breaker	\$21.00	
01755	1962	POWER TOP MAIN FEED WIRE Starter Motor To Circuit Breaker	\$21.00	
<b>POWER WINDOW DOOR BOOT</b>				
12004902	1968	POWER WINDOW DOOR BOOT 2 Required Per Car	\$16.00	C
12004902	1969	POWER WINDOW DOOR BOOT 2 Required Per Car	\$16.00	C
12004902	1970	POWER WINDOW DOOR BOOT 2 Required Per Car	\$16.00	C
12004902	1971	POWER WINDOW DOOR BOOT 2 Required Per Car	\$16.00	C
12004902	1972	POWER WINDOW DOOR BOOT 2 Required Per Car	\$16.00	C
12004902	1973	POWER WINDOW DOOR BOOT 2 Required Per Car	\$16.00	C
12004902	1974	POWER WINDOW DOOR BOOT 2 Required Per Car	\$16.00	C
12004902	1975	POWER WINDOW DOOR BOOT 2 Required Per Car	\$16.00	C
12004902	1976	POWER WINDOW DOOR BOOT 2 Required Per Car	\$16.00	C
12004902	1977	POWER WINDOW DOOR BOOT 2 Required Per Car	\$16.00	C
12004902	1978	POWER WINDOW DOOR BOOT 2 Required Per Car	\$16.00	C

Part Number	Year	Description	Price	*Rev.
12004902	1979	POWER WINDOW DOOR BOOT 2 Required Per Car	\$16.00	C
12004902	1980	POWER WINDOW DOOR BOOT 2 Required Per Car	\$16.00	C
12004902	1981	POWER WINDOW DOOR BOOT 2 Required Per Car, With Early Round Type Grommet	\$16.00	C
<b>POWER WINDOW HARNESS</b>				
01760	1956	POWER WINDOW HARNESS Complete	\$218.00	
01760	1957	POWER WINDOW HARNESS Complete	\$218.00	
01765	1958	POWER WINDOW HARNESS Complete	\$218.00	
01770	1959	POWER WINDOW HARNESS Complete	\$218.00	
01770	1960	POWER WINDOW HARNESS Complete	\$218.00	
01770	1961	POWER WINDOW HARNESS Complete	\$218.00	
01770	1962	POWER WINDOW HARNESS Complete	\$218.00	
01775	1963	POWER WINDOW HARNESS Complete	\$184.00	
35890	1964	POWER WINDOW HARNESS Complete	\$184.00	
01780	1965	POWER WINDOW HARNESS Complete Note: Contains A Solid White Wire At The Power Window Switch Connector.	\$184.00	
35890	1965	POWER WINDOW HARNESS Complete Note: Contains A Black With White Stripe Wire At The Power Window Switch Connector.	\$184.00	
01780	1966	POWER WINDOW HARNESS Complete	\$184.00	
18280	1967	POWER WINDOW HARNESS Complete	\$198.00	
01785	1968	POWER WINDOW HARNESS Complete	\$225.00	
01790	1969	POWER WINDOW HARNESS Complete	\$225.00	
01795	1970	POWER WINDOW HARNESS Complete	\$225.00	
01795	1971	POWER WINDOW HARNESS Complete	\$225.00	
01800	1972	POWER WINDOW HARNESS Complete	\$225.00	
01800	1973	POWER WINDOW HARNESS Complete	\$225.00	
01800	1974	POWER WINDOW HARNESS Complete	\$225.00	
01805	1975	POWER WINDOW HARNESS Complete	\$225.00	
01805	1976	POWER WINDOW HARNESS Complete Note: With Round Motor Connector, "T" Terminal Configuration, Before 11/25/75 (Early).	\$225.00	
27270	1976	POWER WINDOW HARNESS Complete Note: With Rectangular Motor Connector, Parallel Terminal Configuration, After 11/25/75 (Late).	\$225.00	
27045	1977	POWER WINDOW HARNESS Without Anti-Theft Switch Wiring	\$225.00	
27595	1977	POWER WINDOW HARNESS With Anti-Theft Switch Wiring	\$225.00	
27595	1978	POWER WINDOW HARNESS With Anti-Theft Switch Wiring Note: With Courtesy Lamp Timer Mounted Left Of Steering Column, Before 1/19/78 (Early).	\$225.00	
27110	1978	POWER WINDOW HARNESS With Anti-Theft Switch Wiring Note: With Courtesy Lamp Timer Mounted To The Right Of Glove Box (Late), After 1/19/78 (Late).	\$225.00	
27030	1979	POWER WINDOW HARNESS Driver Side, Without Power Door Locks	\$83.00	
28040	1979	POWER WINDOW HARNESS Passenger Side, Without Power Door Locks	\$83.00	
27105	1979	POWER WINDOW AND DOOR LOCK HARNESS Driver Side	\$126.00	
27100	1979	POWER WINDOW AND DOOR LOCK HARNESS Passenger Side	\$126.00	
27030	1980	POWER WINDOW HARNESS Driver Side, Without Power Door Locks	\$83.00	
28040	1980	POWER WINDOW HARNESS Passenger Side, Without Power Door Locks	\$83.00	
28090	1980	POWER WINDOW AND DOOR LOCK HARNESS Driver Side	\$126.00	
28120	1980	POWER WINDOW AND DOOR LOCK HARNESS Passenger Side	\$126.00	
33400	1981	POWER WINDOW HARNESS Driver Side, Without Power Door Locks	\$83.00	
33075	1981	POWER WINDOW HARNESS Passenger Side, Without Power Door Locks	\$83.00	

Part Number	Year	Description	Price	*Rev.
28090	1981	<b>POWER WINDOW AND DOOR LOCK HARNESS</b> Driver Side	\$126.00	
28120	1981	<b>POWER WINDOW AND DOOR LOCK HARNESS</b> Passenger Side	\$126.00	
33400	1982	<b>POWER WINDOW HARNESS</b> Driver Side, Without Power Door Locks	\$83.00	
33075	1982	<b>POWER WINDOW HARNESS</b> Passenger Side, Without Power Door Locks	\$83.00	
28090	1982	<b>POWER WINDOW AND DOOR LOCK HARNESS</b> Driver Side	\$126.00	
28120	1982	<b>POWER WINDOW AND DOOR LOCK HARNESS</b> Passenger Side	\$126.00	
<b>POWER WINDOW MOTOR ADAPTER HARNESS</b>				
36954	1958	<b>POWER WINDOW MOTOR ADAPTER HARNESS</b> Adapts "T" Shaped Motor Connector To Side By Side Blade Type Motor Connector	\$22.00	C
36954	1959	<b>POWER WINDOW MOTOR ADAPTER HARNESS</b> Adapts "T" Shaped Motor Connector To Side By Side Blade Type Motor Connector	\$22.00	C
36954	1960	<b>POWER WINDOW MOTOR ADAPTER HARNESS</b> Adapts "T" Shaped Motor Connector To Side By Side Blade Type Motor Connector	\$22.00	C
36954	1961	<b>POWER WINDOW MOTOR ADAPTER HARNESS</b> Adapts "T" Shaped Motor Connector To Side By Side Blade Type Motor Connector	\$22.00	C
36954	1962	<b>POWER WINDOW MOTOR ADAPTER HARNESS</b> Adapts "T" Shaped Motor Connector To Side By Side Blade Type Motor Connector	\$22.00	C
36954	1963	<b>POWER WINDOW MOTOR ADAPTER HARNESS</b> Adapts "T" Shaped Motor Connector To Side By Side Blade Type Motor Connector	\$22.00	C
36954	1964	<b>POWER WINDOW MOTOR ADAPTER HARNESS</b> Adapts "T" Shaped Motor Connector To Side By Side Blade Type Motor Connector	\$22.00	C
36954	1965	<b>POWER WINDOW MOTOR ADAPTER HARNESS</b> Adapts "T" Shaped Motor Connector To Side By Side Blade Type Motor Connector	\$22.00	C
36954	1966	<b>POWER WINDOW MOTOR ADAPTER HARNESS</b> Adapts "T" Shaped Motor Connector To Side By Side Blade Type Motor Connector	\$22.00	C
36954	1967	<b>POWER WINDOW MOTOR ADAPTER HARNESS</b> Adapts "T" Shaped Motor Connector To Side By Side Blade Type Motor Connector	\$22.00	C
36954	1968	<b>POWER WINDOW MOTOR ADAPTER HARNESS</b> Adapts "T" Shaped Motor Connector To Side By Side Blade Type Motor Connector	\$22.00	C
36954	1969	<b>POWER WINDOW MOTOR ADAPTER HARNESS</b> Adapts "T" Shaped Motor Connector To Side By Side Blade Type Motor Connector	\$22.00	C
36954	1970	<b>POWER WINDOW MOTOR ADAPTER HARNESS</b> Adapts "T" Shaped Motor Connector To Side By Side Blade Type Motor Connector	\$22.00	C
36954	1971	<b>POWER WINDOW MOTOR ADAPTER HARNESS</b> Adapts "T" Shaped Motor Connector To Side By Side Blade Type Motor Connector	\$22.00	C
36954	1972	<b>POWER WINDOW MOTOR ADAPTER HARNESS</b> Adapts "T" Shaped Motor Connector To Side By Side Blade Type Motor Connector	\$22.00	C
36954	1973	<b>POWER WINDOW MOTOR ADAPTER HARNESS</b> Adapts "T" Shaped Motor Connector To Side By Side Blade Type Motor Connector	\$22.00	C
36954	1974	<b>POWER WINDOW MOTOR ADAPTER HARNESS</b> Adapts "T" Shaped Motor Connector To Side By Side Blade Type Motor Connector	\$22.00	C
36954	1975	<b>POWER WINDOW MOTOR ADAPTER HARNESS</b> Adapts "T" Shaped Motor Connector To Side By Side Blade Type Motor Connector	\$22.00	C
<b>POWER WINDOW RELAY AND ADAPTER HARNESS</b>				
39440	1967	<b>POWER WINDOW RELAY AND ADAPTER HARNESS</b> Includes New Standard Type Relay And Adapter To Mate To Factory Harness	\$40.00	
<b>POWER WINDOW SWITCH</b>				
01725109	1968	<b>POWER WINDOW SWITCH</b> Single Button	\$35.00	
01725109	1969	<b>POWER WINDOW SWITCH</b> Single Button	\$35.00	
01725109	1970	<b>POWER WINDOW SWITCH</b> Single Button	\$35.00	
01725109	1971	<b>POWER WINDOW SWITCH</b> Single Button	\$35.00	
01725109	1972	<b>POWER WINDOW SWITCH</b> Single Button	\$35.00	



Part Number	Year	Description	Price	*Rev.
01725109	1973	<b>POWER WINDOW SWITCH</b> Single Button	\$35.00	
01725109	1974	<b>POWER WINDOW SWITCH</b> Single Button	\$35.00	
01725109	1975	<b>POWER WINDOW SWITCH</b> Single Button	\$35.00	
01725109	1976	<b>POWER WINDOW SWITCH</b> Single Button	\$35.00	
01725109	1977	<b>POWER WINDOW SWITCH</b> Single Button	\$35.00	
01725109	1978	<b>POWER WINDOW SWITCH</b> Single Button	\$35.00	
01725109	1979	<b>POWER WINDOW SWITCH</b> Single Button	\$35.00	
20043940	1980	<b>POWER WINDOW SWITCH</b> Single Button	\$9.00	N
20043940	1981	<b>POWER WINDOW SWITCH</b> Single Button	\$9.00	N
<b>PULSE WIPER OVERRIDE JUMPER</b>				
28070	1979	<b>PULSE WIPER OVERRIDE JUMPER</b> Note: Used With #27630 Dash Harness And #28065 Wiper Override Jumper To Bypass Pulse Wiper Controller.	\$18.00	
28065	1979	<b>PULSE WIPER OVERRIDE JUMPER</b> Note: Used With #27630 Dash Harness And #28070 Wiper Override Jumper To Bypass Pulse Wiper Controller.	\$18.00	
<b>RADIO POWER LEADS</b>				
36082	1953	<b>RADIO POWER LEADS</b> All	\$29.00	
36082	1954	<b>RADIO POWER LEADS</b> All	\$29.00	
36084	1955	<b>RADIO POWER LEADS</b> All	\$29.00	
36084	1956	<b>RADIO POWER LEADS</b> All	\$29.00	
36084	1957	<b>RADIO POWER LEADS</b> All	\$29.00	
<b>REAR LAMP HARNESS</b>				
31860	1953	<b>REAR LAMP HARNESS</b> 6 Cylinder, 6 Volt System Note: 6 Cylinder Items Are Not Returnable.	\$184.00	
31860	1954	<b>REAR LAMP HARNESS</b> 6 Cylinder, 6 Volt System Note: 6 Cylinder Items Are Not Returnable.	\$184.00	
31860	1955	<b>REAR LAMP HARNESS</b> 6 Cylinder, 6 Volt System Note: 6 Cylinder Items Are Not Returnable.	\$184.00	
31845	1955	<b>REAR LAMP HARNESS</b> V/8, 12 Volt System	\$184.00	
01810	1956	<b>REAR LAMP HARNESS</b> All	\$158.00	
01810	1957	<b>REAR LAMP HARNESS</b> All	\$158.00	
01815	1958	<b>REAR LAMP HARNESS</b> All	\$158.00	
01815	1959	<b>REAR LAMP HARNESS</b> All	\$158.00	
01815	1960	<b>REAR LAMP HARNESS</b> All	\$158.00	
01820	1961	<b>REAR LAMP HARNESS</b> All	\$184.00	
01820	1962	<b>REAR LAMP HARNESS</b> All	\$184.00	
01825	1963	<b>REAR LAMP HARNESS</b> Without Backup Lamps	\$311.00	
01830	1963	<b>REAR LAMP HARNESS</b> With Backup Lamps	\$311.00	
01840	1964	<b>REAR LAMP HARNESS</b> Without Backup Lamps, Convertible Or 35.5 Gal Gas Tank Coupe	\$311.00	
01845	1964	<b>REAR LAMP HARNESS</b> Without Backup Lamps, Coupe	\$311.00	
01850	1964	<b>REAR LAMP HARNESS</b> With Backup Lamps, Convertible Or 35.5 Gal Gas Tank Coupe	\$311.00	
01835	1964	<b>REAR LAMP HARNESS</b> With Backup Lamps, Coupe	\$311.00	
35891	1965	<b>REAR LAMP HARNESS</b> Without Backup Lamps, Convertible Or 35.5 Gal Gas Tank Coupe Note: Has A Black With Yellow Striped Wire On The LH Tail Lamp Plug (Early).	\$311.00	
01868	1965	<b>REAR LAMP HARNESS</b> Without Backup Lamps, Convertible Or 35.5 Gal Gas Tank Coupe Note: Has A Solid Yellow Wire On The LH Tail Lamp Plug (Late).	\$311.00	
35893	1965	<b>REAR LAMP HARNESS</b> Without Backup Lamps, Coupe Note: Has A Black With Yellow Striped Wire On The LH Tail Lamp Plug (Early).	\$311.00	

Part Number	Year	Description	Price	*Rev.
01855	1965	<b>REAR LAMP HARNESS</b> Without Backup Lamps, Coupe Note: Has A Solid Yellow Wire On The LH Tail Lamp Plug (Late).	\$311.00	
35892	1965	<b>REAR LAMP HARNESS</b> With Backup Lamps, Conv. Or 35.5 Gal Gas Tank Coupe Note: Has A Black With Yellow Striped Wire On The LH Tail Lamp Plug (Early).	\$311.00	
01870	1965	<b>REAR LAMP HARNESS</b> With Backup Lamps, Conv. Or 35.5 Gal Gas Tank Coupe Note: Has A Solid Yellow Wire On The LH Tail Lamp Plug (Late).	\$311.00	
35894	1965	<b>REAR LAMP HARNESS</b> With Backup Lamps, Coupe Note: Has A Black With Yellow Striped Wire On The LH Tail Lamp Plug (Early).	\$311.00	
01865	1965	<b>REAR LAMP HARNESS</b> With Backup Lamps, Coupe Note: Has A Solid Yellow Wire On The LH Tail Lamp Plug (Late).	\$311.00	
01870	1966	<b>REAR LAMP HARNESS</b> All	\$311.00	
01880	1967	<b>REAR LAMP HARNESS</b> All	\$311.00	
01885	1968	<b>REAR LAMP HARNESS</b> All, Includes Fiber Optics	\$449.00	
37989	1968	<b>FIBER OPTIC SUB ASSEMBLY ONLY</b> For Servicing Rear Lamp Fiber Optics Only	\$264.00	
01890	1969	<b>REAR LAMP HARNESS</b> All, Includes Fiber Optics	\$449.00	
37989	1969	<b>FIBER OPTIC SUB ASSEMBLY ONLY</b> For Servicing Rear Lamp Fiber Optics Only	\$264.00	
01895	1970	<b>REAR LAMP HARNESS</b> All, Includes Fiber Optics	\$449.00	
16160	1970	<b>FIBER OPTIC SUB ASSEMBLY ONLY</b> For Servicing Rear Lamp Fiber Optics Only	\$477.00	
02005	1971	<b>REAR LAMP HARNESS</b> With Anti-Theft System, Includes Fiber Optics	\$449.00	
02000	1971	<b>REAR LAMP HARNESS</b> Without Anti-Theft System, Includes Fiber Optics	\$449.00	
16205	1971	<b>FIBER OPTIC SUB ASSEMBLY ONLY</b> For Servicing Rear Lamp Fiber Optics Only	\$477.00	
02010	1972	<b>REAR LAMP HARNESS</b> With Seat Belt Warning	\$449.00	
36033	1972	<b>REAR LAMP HARNESS</b> Without Seat Belt Warning	\$449.00	
02015	1973	<b>REAR LAMP HARNESS</b> All	\$449.00	
28325	1974	<b>REAR LAMP HARNESS</b> All, Includes Seatbelt Ignition Interlock	\$480.00	
28330	1975	<b>REAR LAMP HARNESS</b> With Seatbelt Ignition Interlock (Early Production)	\$480.00	
02030	1975	<b>REAR LAMP HARNESS</b> Without Seatbelt Ignition Interlock (Late Production) Note: If Eliminating Seatbelt Ignition Interlock, The Dash, Engine & Rear Lamp Harnesses All Need To Be Replaced.	\$480.00	
02030	1976	<b>REAR LAMP HARNESS</b> All	\$480.00	
33050	1977	<b>REAR LAMP HARNESS</b> Before 3/2/77	\$480.00	
27580	1977	<b>REAR LAMP HARNESS</b> After 3/2/77, With Spare Tire Illumination Lamp	\$480.00	
27635	1978	<b>REAR LAMP HARNESS</b> Without Stereo Dual Rear Speaker Option (U81)	\$511.00	
27075	1978	<b>REAR LAMP HARNESS</b> With Stereo Dual Rear Speaker Option (U81)	\$511.00	
27615	1979	<b>REAR LAMP HARNESS</b> Without Electric Rear Window Defogger Option (C49)	\$511.00	
27620	1979	<b>REAR LAMP HARNESS</b> With Electric Rear Window Defogger Option (C49)	\$511.00	
27665	1980	<b>REAR LAMP HARNESS</b> Without Electric Rear Window Defogger	\$511.00	
27680	1980	<b>REAR LAMP HARNESS</b> With Electric Rear Defogger, With Separate Timer & Relay Note: 1st Design Requires Part #28115 To Complete Defogger Wiring.	\$511.00	
33025	1980	<b>REAR LAMP HARNESS</b> With Electric Defogger, With Integral Timer & Relay Note: 2nd Design With A 4 Contact Switch Connector All In A Straight Line.	\$511.00	
33035	1981	<b>REAR LAMP HARNESS</b> Without Electric Rear Window Defogger	\$511.00	
33030	1981	<b>REAR LAMP HARNESS</b> With Electric Rear Defogger	\$511.00	
33040	1982	<b>REAR LAMP HARNESS</b> Without Electric Rear Window Defogger	\$511.00	
33045	1982	<b>REAR LAMP HARNESS</b> With Electric Rear Defogger	\$511.00	
36099	1982	<b>REAR LAMP HARNESS</b> Collector Edition Only	\$511.00	
<b>REAR WINDOW DEFROSTER HARNESS</b>				
02035	1968	<b>REAR WINDOW DEFROSTER HARNESS</b> From Defogger Switch To Blower Motor Connector	\$96.00	

Part Number	Year	Description	Price	*Rev.
02035	1969	<b>REAR WINDOW DEFROSTER HARNESS</b> From Defogger Switch To Blower Motor Connector	\$96.00	
02035	1970	<b>REAR WINDOW DEFROSTER HARNESS</b> From Defogger Switch To Blower Motor Connector	\$96.00	
02035	1971	<b>REAR WINDOW DEFROSTER HARNESS</b> From Defogger Switch To Blower Motor Connector	\$96.00	
02035	1972	<b>REAR WINDOW DEFROSTER HARNESS</b> From Defogger Switch To Blower Motor Connector	\$96.00	
02035	1973	<b>REAR WINDOW DEFROSTER HARNESS</b> From Defogger Switch To Blower Motor Connector	\$96.00	
02040	1974	<b>REAR WINDOW DEFROSTER HARNESS</b> From Defogger Switch To Blower Motor Connector	\$96.00	
02040	1975	<b>REAR WINDOW DEFROSTER HARNESS</b> From Defogger Switch To Blower Motor Connector	\$96.00	
27810	1976	<b>REAR WINDOW DEFROSTER HARNESS</b> From Defogger Switch To Heated Glass Connector	\$96.00	
27805	1977	<b>REAR WINDOW DEFROSTER HARNESS</b> From Defogger Switch To Heated Glass Connector	\$96.00	
28360	1978	<b>REAR WINDOW DEFROSTER HARNESS</b> From Defogger Switch To Heated Glass Connector	\$96.00	
28005	1979	<b>REAR WINDOW DEFROSTER HARNESS</b> From Defogger Switch To Rear Lamp Harness	\$96.00	
28115	1980	<b>REAR WINDOW DEFROSTER HARNESS</b> From Defogger Switch To Rear Lamp Harness	\$96.00	
Note: 1st Design With A 4 Contact Switch Connector, 3 Straight And 1 Offset.				
<b>REGULATOR TO GENERATOR HARNESS</b>				
36075	1958	<b>REGULATOR TO GENERATOR HARNESS</b>	\$73.00	
36075	1959	<b>REGULATOR TO GENERATOR HARNESS</b>	\$73.00	
02045	1960	<b>REGULATOR TO GENERATOR HARNESS</b>	\$59.00	
02045	1961	<b>REGULATOR TO GENERATOR HARNESS</b>	\$59.00	
02045	1962	<b>REGULATOR TO GENERATOR HARNESS</b>	\$59.00	
<b>REPAIR PIGTAIL</b>				
27970	1963	<b>REPAIR PIGTAIL</b> Backup Lamp Plug, Does Not Include Lamp Boot	\$20.00	
27970	1964	<b>REPAIR PIGTAIL</b> Backup Lamp Plug, Does Not Include Lamp Boot	\$20.00	
27970	1965	<b>REPAIR PIGTAIL</b> Backup Lamp Plug, Does Not Include Lamp Boot	\$20.00	
27970	1966	<b>REPAIR PIGTAIL</b> Backup Lamp Plug, Does Not Include Lamp Boot	\$20.00	
27970	1967	<b>REPAIR PIGTAIL</b> Backup Lamp Plug, Does Not Include Lamp Boot	\$20.00	
27970	1968	<b>REPAIR PIGTAIL</b> Backup Lamp Plug, Does Not Include Lamp Boot	\$20.00	
27970	1969	<b>REPAIR PIGTAIL</b> Backup Lamp Plug, Does Not Include Lamp Boot	\$20.00	
27970	1970	<b>REPAIR PIGTAIL</b> Backup Lamp Plug, Does Not Include Lamp Boot	\$20.00	
27970	1971	<b>REPAIR PIGTAIL</b> Backup Lamp Plug, Does Not Include Lamp Boot	\$20.00	
27970	1972	<b>REPAIR PIGTAIL</b> Backup Lamp Plug, Does Not Include Lamp Boot	\$20.00	
27970	1973	<b>REPAIR PIGTAIL</b> Backup Lamp Plug, Does Not Include Lamp Boot	\$20.00	
27975	1953	<b>REPAIR PIGTAIL</b> Tail & Brake Lamp Plug, Does Not Include Lamp Boot	\$20.00	
27975	1954	<b>REPAIR PIGTAIL</b> Tail & Brake Lamp Plug, Does Not Include Lamp Boot	\$20.00	
27975	1955	<b>REPAIR PIGTAIL</b> Tail & Brake Lamp Plug, Does Not Include Lamp Boot	\$20.00	
27975	1956	<b>REPAIR PIGTAIL</b> Tail & Brake Lamp Plug, Does Not Include Lamp Boot	\$20.00	
27975	1957	<b>REPAIR PIGTAIL</b> Tail & Brake Lamp Plug, Does Not Include Lamp Boot	\$20.00	
27975	1958	<b>REPAIR PIGTAIL</b> Tail & Brake Lamp Plug, Does Not Include Lamp Boot	\$20.00	
27975	1959	<b>REPAIR PIGTAIL</b> Tail & Brake Lamp Plug, Does Not Include Lamp Boot	\$20.00	
27975	1960	<b>REPAIR PIGTAIL</b> Tail & Brake Lamp Plug, Does Not Include Lamp Boot	\$20.00	
27975	1961	<b>REPAIR PIGTAIL</b> Tail & Brake Lamp Plug, Does Not Include Lamp Boot	\$20.00	
27975	1962	<b>REPAIR PIGTAIL</b> Tail & Brake Lamp Plug, Does Not Include Lamp Boot	\$20.00	
27975	1963	<b>REPAIR PIGTAIL</b> Tail & Brake Lamp Plug, Does Not Include Lamp Boot	\$20.00	
27975	1964	<b>REPAIR PIGTAIL</b> Tail & Brake Lamp Plug, Does Not Include Lamp Boot	\$20.00	
27975	1965	<b>REPAIR PIGTAIL</b> Tail & Brake Lamp Plug, Does Not Include Lamp Boot	\$20.00	
27975	1966	<b>REPAIR PIGTAIL</b> Tail & Brake Lamp Plug, Does Not Include Lamp Boot	\$20.00	
27975	1967	<b>REPAIR PIGTAIL</b> Tail & Brake Lamp Plug, Does Not Include Lamp Boot	\$20.00	
27975	1968	<b>REPAIR PIGTAIL</b> Tail & Brake Lamp Plug, Does Not Include Lamp Boot	\$20.00	

Part Number	Year	Description	Price	*Rev.
27975	1969	<b>REPAIR PIGTAIL</b> Tail & Brake Lamp Plug, Does Not Include Lamp Boot	\$20.00	
27975	1970	<b>REPAIR PIGTAIL</b> Tail & Brake Lamp Plug, Does Not Include Lamp Boot	\$20.00	
27975	1971	<b>REPAIR PIGTAIL</b> Tail & Brake Lamp Plug, Does Not Include Lamp Boot	\$20.00	
27975	1972	<b>REPAIR PIGTAIL</b> Tail & Brake Lamp Plug, Does Not Include Lamp Boot	\$20.00	
27975	1973	<b>REPAIR PIGTAIL</b> Tail & Brake Lamp Plug, Does Not Include Lamp Boot	\$20.00	
<b>REPAIR PIGTAIL-FOR POWER DOOR LOCK SWITCH</b>				
27240	1978	<b>REPAIR PIGTAIL, FOR POWER DOOR LOCK SWITCH</b> For Left (Driver) Side Power Door Lock Switches, Connector & Wire	\$26.00	
27245	1978	<b>REPAIR PIGTAIL, FOR POWER DOOR LOCK SWITCH</b> For Right (Passenger) Side Power Door Lock Switches, Connector & Wire	\$26.00	
27240	1979	<b>REPAIR PIGTAIL, FOR POWER DOOR LOCK SWITCH</b> For Left (Driver) Side Power Door Lock Switches, Connector & Wire	\$26.00	
27245	1979	<b>REPAIR PIGTAIL, FOR POWER DOOR LOCK SWITCH</b> For Right (Passenger) Side Power Door Lock Switches, Connector & Wire	\$26.00	
27240	1980	<b>REPAIR PIGTAIL, FOR POWER DOOR LOCK SWITCH</b> For Left (Driver) Side Power Door Lock Switches, Connector & Wire	\$26.00	
27245	1980	<b>REPAIR PIGTAIL, FOR POWER DOOR LOCK SWITCH</b> For Right (Passenger) Side Power Door Lock Switches, Connector & Wire	\$26.00	
27240	1981	<b>REPAIR PIGTAIL, FOR POWER DOOR LOCK SWITCH</b> For Left (Driver) Side Power Door Lock Switches, Connector & Wire	\$26.00	
27245	1981	<b>REPAIR PIGTAIL, FOR POWER DOOR LOCK SWITCH</b> For Right (Passenger) Side Power Door Lock Switches, Connector & Wire	\$26.00	
27240	1982	<b>REPAIR PIGTAIL, FOR POWER DOOR LOCK SWITCH</b> For Left (Driver) Side Power Door Lock Switches, Connector & Wire	\$26.00	
27245	1982	<b>REPAIR PIGTAIL, FOR POWER DOOR LOCK SWITCH</b> For Right (Passenger) Side Power Door Lock Switches, Connector & Wire	\$26.00	
<b>REPAIR PIGTAIL-FOR POWER WINDOW SWITCH</b>				
36048	1968	<b>REPAIR PIGTAIL, FOR POWER WINDOW SWITCH</b> For Single Power Window Switches, Connector & Wire	\$25.00	
36048	1969	<b>REPAIR PIGTAIL, FOR POWER WINDOW SWITCH</b> For Single Power Window Switches, Connector & Wire	\$25.00	
36048	1970	<b>REPAIR PIGTAIL, FOR POWER WINDOW SWITCH</b> For Single Power Window Switches, Connector & Wire	\$25.00	
36048	1971	<b>REPAIR PIGTAIL, FOR POWER WINDOW SWITCH</b> For Single Power Window Switches, Connector & Wire	\$25.00	
36048	1972	<b>REPAIR PIGTAIL, FOR POWER WINDOW SWITCH</b> For Single Power Window Switches, Connector & Wire	\$25.00	
36048	1973	<b>REPAIR PIGTAIL, FOR POWER WINDOW SWITCH</b> For Single Power Window Switches, Connector & Wire	\$25.00	
36048	1974	<b>REPAIR PIGTAIL, FOR POWER WINDOW SWITCH</b> For Single Power Window Switches, Connector & Wire	\$25.00	
36048	1975	<b>REPAIR PIGTAIL, FOR POWER WINDOW SWITCH</b> For Single Power Window Switches, Connector & Wire	\$25.00	
36048	1976	<b>REPAIR PIGTAIL, FOR POWER WINDOW SWITCH</b> For Single Power Window Switches, Connector & Wire	\$25.00	
36048	1977	<b>REPAIR PIGTAIL, FOR POWER WINDOW SWITCH</b> For Single Power Window Switches, Connector & Wire	\$25.00	
36048	1978	<b>REPAIR PIGTAIL, FOR POWER WINDOW SWITCH</b> For Single Power Window Switches, Connector & Wire	\$25.00	
36048	1979	<b>REPAIR PIGTAIL, FOR POWER WINDOW SWITCH</b> For Single Power Window Switches, Connector & Wire	\$25.00	
36048	1980	<b>REPAIR PIGTAIL, FOR POWER WINDOW SWITCH</b> For Single Power Window Switches, Connector & Wire	\$25.00	
<b>REPLACEMENT REAR LAMP BOOT-DUST SHIELD</b>				
02977660	1963	<b>REPLACEMENT REAR LAMP BOOT, DUST SHIELD FOR LAMP SOCKETS</b> Tail, Brake Lamp & Back Up Lamp (Accordian Type)	\$13.00	
02977660	1964	<b>REPLACEMENT REAR LAMP BOOT, DUST SHIELD FOR LAMP SOCKETS</b> Tail, Brake Lamp & Back Up Lamp (Accordian Type)	\$13.00	
02977660	1965	<b>REPLACEMENT REAR LAMP BOOT, DUST SHIELD FOR LAMP SOCKETS</b> Tail, Brake Lamp & Back Up Lamp (Accordian Type)	\$13.00	
02977660	1966	<b>REPLACEMENT REAR LAMP BOOT, DUST SHIELD FOR LAMP SOCKETS</b> Tail, Brake Lamp & Back Up Lamp (Accordian Type)	\$13.00	
02977660	1967	<b>REPLACEMENT REAR LAMP BOOT, DUST SHIELD FOR LAMP SOCKETS</b> Tail, Brake Lamp & Back Up Lamp (Accordian Type)	\$13.00	

Part Number	Year	Description	Price	*Rev.
02977660	1968	REPLACEMENT REAR LAMP BOOT, DUST SHIELD FOR LAMP SOCKETS Tail, Brake Lamp & Back Up Lamp (Accordian Type)	\$13.00	
02977660	1969	REPLACEMENT REAR LAMP BOOT, DUST SHIELD FOR LAMP SOCKETS Tail, Brake Lamp & Back Up Lamp (Accordian Type)	\$13.00	
02977660	1970	REPLACEMENT REAR LAMP BOOT, DUST SHIELD FOR LAMP SOCKETS Tail, Brake Lamp & Back Up Lamp (Accordian Type)	\$13.00	
02977660	1971	REPLACEMENT REAR LAMP BOOT, DUST SHIELD FOR LAMP SOCKETS Tail, Brake Lamp & Back Up Lamp (Accordian Type)	\$13.00	
02977660	1972	REPLACEMENT REAR LAMP BOOT, DUST SHIELD FOR LAMP SOCKETS Tail, Brake Lamp & Back Up Lamp (Accordian Type)	\$13.00	
<b>SEAT BELT WARNING HARNESS</b>				
02050	1972	SEAT BELT WARNING HARNESS	\$66.00	
02050	1973	SEAT BELT WARNING HARNESS	\$66.00	
02055	1974	SEAT BELT WARNING HARNESS With Manual Trans	\$66.00	
<b>SEAT BELT WARNING POWER FEED WIRE</b>				
36866	1971	SEAT BELT WARNING POWER FEED WIRE	\$17.00	
<b>SPEAKER CONVERSION HARNESS</b>				
37833	1970	SPEAKER CONVERSION HARNESS All (2 Required Per Car) Note: Use When Installing Current Gm Replacement Speaker Part #16047855.	\$22.00	
37833	1971	SPEAKER CONVERSION HARNESS All (2 Required Per Car) Note: Use When Installing Current GM Replacement Speaker Part #16047855.	\$22.00	
37833	1972	SPEAKER CONVERSION HARNESS All (2 Required Per Car) Note: Use When Installing Current GM Replacement Speaker Part #16047855.	\$22.00	
37833	1973	SPEAKER CONVERSION HARNESS All (2 Required Per Car) Note: Use When Installing Current GM Replacement Speaker Part #16047855.	\$22.00	
37833	1974	SPEAKER CONVERSION HARNESS All (2 Required Per Car) Note: Use When Installing Current GM Replacement Speaker Part #16047855.	\$22.00	
37833	1975	SPEAKER CONVERSION HARNESS All (2 Required Per Car) Note: Use When Installing Current GM Replacement Speaker Part #16047855.	\$22.00	
37833	1976	SPEAKER CONVERSION HARNESS All (2 Required Per Car) Note: Use When Installing Current GM Replacement Speaker Part #16047855.	\$22.00	
37833	1977	SPEAKER CONVERSION HARNESS All (2 Required Per Car) Note: Use When Installing Current GM Replacement Speaker Part #16047855.	\$22.00	
<b>SPEAKER HARNESS</b>				
36089	1958	SPEAKER HARNESS Front	\$22.00	
36089	1959	SPEAKER HARNESS Front	\$22.00	
36089	1960	SPEAKER HARNESS Front	\$22.00	
36089	1961	SPEAKER HARNESS Front	\$22.00	
36089	1962	SPEAKER HARNESS Front	\$22.00	
36090	1963	SPEAKER HARNESS Front	\$22.00	
36090	1964	SPEAKER HARNESS Front	\$22.00	
36090	1965	SPEAKER HARNESS Front	\$22.00	
36090	1966	SPEAKER HARNESS Front	\$22.00	
36090	1967	SPEAKER HARNESS Front	\$22.00	
02060	1974	SPEAKER HARNESS Front	\$40.00	
02060	1975	SPEAKER HARNESS Front	\$40.00	
02060	1976	SPEAKER HARNESS Front	\$40.00	
36091	1977	SPEAKER HARNESS Front, Monoaural	\$40.00	

Part Number	Year	Description	Price	*Rev.
28300	1977	<b>SPEAKER HARNESS</b> Front, Stereo	\$40.00	
28025	1978	<b>SPEAKER HARNESS</b> Front, AM/FM Pushbutton Radio (U69)	\$48.00	
28015	1978	<b>SPEAKER HARNESS</b> Front, AM/FM Stereo Pushbutton Tape Player, Pushbutton & Cb	\$48.00	
27820	1978	<b>SPEAKER HARNESS</b> With Dual Front & Rear Speakers (U81)	\$80.00	
28025	1979	<b>SPEAKER HARNESS</b> Front, Monaural Radio	\$48.00	
28015	1979	<b>SPEAKER HARNESS</b> Front, Stereo Radio	\$48.00	
28010	1979	<b>SPEAKER HARNESS</b> With Dual Front & Rear Speakers (U81)	\$80.00	
28025	1980	<b>SPEAKER HARNESS</b> Front, Monaural Radio & U81 Option Front Speakers Only	\$48.00	
28015	1980	<b>SPEAKER HARNESS</b> Front, Stereo Radio	\$48.00	
28075	1980	<b>SPEAKER HARNESS</b> Rear Speaker Only (U81 Option)	\$80.00	
28010	1980	<b>SPEAKER HARNESS</b> With Dual Front & Rear Speakers (U81)	\$80.00	
28025	1981	<b>SPEAKER HARNESS</b> Front, Monaural Radio & U81 Option Front Speakers Only	\$48.00	
28015	1981	<b>SPEAKER HARNESS</b> Front, Stereo Radio	\$48.00	
33245	1981	<b>SPEAKER HARNESS</b> Rear, Dual Speakers (U81 Option)	\$40.00	
28025	1982	<b>SPEAKER HARNESS</b> Front, Monaural Radio & U81 Option Front Speakers Only	\$48.00	
28015	1982	<b>SPEAKER HARNESS</b> Front, Stereo Radio	\$48.00	
33245	1982	<b>SPEAKER HARNESS</b> Rear, Dual Speakers (U81 Option)	\$40.00	
<b>SPEED WARNING HARNESS</b>				
02065	1967	<b>SPEED WARNING HARNESS</b>	\$32.00	
02070	1968	<b>SPEED WARNING HARNESS</b>	\$32.00	
02070	1969	<b>SPEED WARNING HARNESS</b>	\$32.00	
<b>STARTER EXTENSION HARNESS</b>				
27650	1977	<b>STARTER EXTENSION HARNESS</b> Without A/C, Engine Harness To Starter Solenoid Note: With Anti-Theft Switch Mounted In Door Lock, After 3/2/77.	\$110.00	
27070	1977	<b>STARTER EXTENSION HARNESS</b> With A/C, Engine Harness To Starter Solenoid Note: With Anti-Theft Switch Mounted In Door Lock, After 3/2/77.	\$110.00	
27650	1978	<b>STARTER EXTENSION HARNESS</b> Without A/C	\$110.00	
27070	1978	<b>STARTER EXTENSION HARNESS</b> With A/C	\$110.00	
27655	1979	<b>STARTER EXTENSION HARNESS</b> All, Without A/C	\$110.00	
27095	1979	<b>STARTER EXTENSION HARNESS</b> With A/C, Except L82	\$110.00	
27120	1979	<b>STARTER EXTENSION HARNESS</b> With A/C, L82, With Connector For Auxillary Fan Thermostat	\$110.00	
28275	1980	<b>STARTER EXTENSION HARNESS</b> Except L82	\$110.00	
28095	1980	<b>STARTER EXTENSION HARNESS</b> L82, With Connector For Auxillary Fan Thermostat	\$110.00	
32810	1981	<b>STARTER EXTENSION HARNESS</b>	\$110.00	
32810	1982	<b>STARTER EXTENSION HARNESS</b>	\$110.00	
<b>STARTER EXTENSION WIRE</b>				
02075	1975	<b>STARTER EXTENSION WIRE</b> All, Engine Harness To Starter Solenoid	\$20.00	
02075	1976	<b>STARTER EXTENSION WIRE</b> All, Engine Harness To Starter Solenoid	\$20.00	
02075	1977	<b>STARTER EXTENSION WIRE</b> Engine Harness To Starter Solenoid Note: With Anti-Theft Switch Mounted In Fender, Before 3/2/77.	\$20.00	
<b>STEERING COLUMN ADAPTER HARNESS</b>				
37616	1963	<b>STEERING COLUMN ADAPTER HARNESS</b> For 1969-74 GM & Ididit Columns (Exc. Flaming River) To Stock Dash Harness Note: Adapts Horn, Directionals, Hazard Flashers To Stock 6-Way Dash Connector.	\$50.00	
38124	1963	<b>STEERING COLUMN ADAPTER HARNESS</b> For 1975 & Up GM & Flaming River Columns (Exc. Ididit) To Stock Dash Harness Note: Adapts Horn, Directionals, Hazard Flashers To Stock 6-Way Dash Connector.	\$53.00	

Part Number	Year	Description	Price	*Rev.
37618	1964	<b>STEERING COLUMN ADAPTER HARNESS</b> For 1969-74 GM & Ididit Columns (Exc. Flaming River) To Stock Dash Harness Note: Adapts Horn, Directionals, Hazard Flashers To Stock 8-Way Dash Connector.	\$50.00	
38125	1964	<b>STEERING COLUMN ADAPTER HARNESS</b> For 1975 & Up GM & Flaming River Columns (Exc. Ididit) To Stock Dash Harness Note: Adapts Horn, Directionals, Hazard Flashers To Stock 8-Way Dash Connector.	\$51.00	
37618	1965	<b>STEERING COLUMN ADAPTER HARNESS</b> For 1969-74 GM & Ididit Columns (Exc. Flaming River) To Stock Dash Harness Note: Adapts Horn, Directionals, Hazard Flashers To Stock 8-Way Dash Connector.	\$50.00	
38125	1965	<b>STEERING COLUMN ADAPTER HARNESS</b> For 1975 & Up GM & Flaming River Columns (Exc. Ididit) To Stock Dash Harness Note: Adapts Horn, Directionals, Hazard Flashers To Stock 8-Way Dash Connector.	\$51.00	
37618	1966	<b>STEERING COLUMN ADAPTER HARNESS</b> For 1969-74 GM & Ididit Columns (Exc. Flaming River) To Stock Dash Harness Note: Adapts Horn, Directionals, Hazard Flashers To Stock 8-Way Dash Connector.	\$50.00	
38125	1966	<b>STEERING COLUMN ADAPTER HARNESS</b> For 1975 & Up GM & Flaming River Columns (Exc. Ididit) To Stock Dash Harness Note: Adapts Horn, Directionals, Hazard Flashers To Stock 8-Way Dash Connector.	\$51.00	
36882	1967	<b>STEERING COLUMN ADAPTER HARNESS</b> For 1969-1974 GM & Ididit Columns (Exc. Flaming River) To Stock Dash Harness Note: Adapts Horn, Directionals, Hazard Flashers To Stock 9-Pin T/L Dash Connector.	\$27.00	
38127	1967	<b>STEERING COLUMN ADAPTER HARNESS</b> For 1975 & Up GM & Flaming River Columns (Exc. Ididit) To Stock Dash Harness Note: Adapts Horn, Directionals, Hazard Flashers To Stock 9-Pin T/L Dash Connector.	\$27.00	
36882	1968	<b>STEERING COLUMN ADAPTER HARNESS</b> For 1969-1974 GM & Ididit Columns (Exc. Flaming River) To Stock Dash Harness Note: Adapts Horn, Directionals, Hazard Flashers To Stock 9-Pin T/L Dash Connector.	\$27.00	
38127	1968	<b>STEERING COLUMN ADAPTER HARNESS</b> For 1975 & Up GM & Flaming River Columns (Exc. Ididit) To Stock Dash Harness Note: Adapts Horn, Directionals, Hazard Flashers To Stock 9-Pin T/L Dash Connector.	\$27.00	
<b>STOP LAMP SWITCH</b>				
01261219	1953	<b>STOP LAMP SWITCH</b>	\$5.80	N
01261219	1954	<b>STOP LAMP SWITCH</b>	\$5.80	N
01261219	1955	<b>STOP LAMP SWITCH</b>	\$5.80	N
01261219	1956	<b>STOP LAMP SWITCH</b>	\$5.80	N
01261219	1957	<b>STOP LAMP SWITCH</b>	\$5.80	N
01261219	1958	<b>STOP LAMP SWITCH</b>	\$5.80	N
01261219	1959	<b>STOP LAMP SWITCH</b>	\$5.80	N
01261219	1960	<b>STOP LAMP SWITCH</b>	\$5.80	N
01261219	1961	<b>STOP LAMP SWITCH</b>	\$5.80	N
01261219	1962	<b>STOP LAMP SWITCH</b>	\$5.80	N
01261219	1963	<b>STOP LAMP SWITCH</b>	\$5.80	N
01261219	1964	<b>STOP LAMP SWITCH</b>	\$5.80	N
01261219	1965	<b>STOP LAMP SWITCH</b>	\$5.80	N
01261219	1966	<b>STOP LAMP SWITCH</b>	\$5.80	N
01261219	1967	<b>STOP LAMP SWITCH</b>	\$5.80	N
01261219	1968	<b>STOP LAMP SWITCH</b> Except Lever Type	\$5.80	N
01261219	1969	<b>STOP LAMP SWITCH</b>	\$5.80	N
01261219	1970	<b>STOP LAMP SWITCH</b>	\$5.80	N
01261219	1971	<b>STOP LAMP SWITCH</b>	\$5.80	N
01261219	1972	<b>STOP LAMP SWITCH</b>	\$5.80	N

Part Number	Year	Description	Price	*Rev.
01261219	1973	STOP LAMP SWITCH	\$5.80	N
01261219	1974	STOP LAMP SWITCH	\$5.80	N
01261219	1975	STOP LAMP SWITCH	\$5.80	N
01261219	1976	STOP LAMP SWITCH	\$5.80	N
01261219	1977	STOP LAMP SWITCH Without Cruise	\$5.80	N
01261219	1978	STOP LAMP SWITCH Without Cruise	\$5.80	N
01261219	1979	STOP LAMP SWITCH Without Cruise	\$5.80	N
01261219	1980	STOP LAMP SWITCH Without Cruise	\$5.80	N
01261219	1981	STOP LAMP SWITCH Without Cruise	\$5.80	N
<b>TACHOMETER WARNING HARNESS</b>				
33355	1963	TACHOMETER WARNING HARNESS R.p.m. Overrev Warning Buzzer Wiring	\$32.00	
<b>TCS JUMPER HARNESS</b>				
02080	1970	TCS JUMPER HARNESS All, From Engine Harness To Temperature Sender	\$30.00	
02080	1971	TCS JUMPER HARNESS All, From Engine Harness To Temperature Sender	\$30.00	
02080	1972	TCS JUMPER HARNESS All, From Engine Harness To Temperature Sender	\$30.00	
02080	1973	TCS JUMPER HARNESS All, From Engine Harness To Temperature Sender	\$30.00	
02080	1974	TCS JUMPER HARNESS All, From Engine Harness To Temperature Sender	\$30.00	
<b>TEMPERATURE GAUGE</b>				
06400566	1963	TEMPERATURE GAUGE	\$39.00	N
06401290	1964	TEMPERATURE GAUGE	\$39.00	N
06402594	1965	TEMPERATURE GAUGE 250 Degree With Yellow And Orange Overheat Warning Marks Note: Face Plate Features 100-210-250 Marks, And Both Yellow And Orange Overheat Warning Marks.	\$47.00	N
06402594	1966	TEMPERATURE GAUGE 250 Degree With Yellow And Orange Overheat Warning Marks Note: Face Plate Features 100-210-250 Marks, And Both Yellow And Orange Overheat Warning Marks.	\$47.00	N
06402594	1967	TEMPERATURE GAUGE 250 Degree With Yellow And Orange Overheat Warning Marks Note: Face Plate Features 100-210-250 Marks, And Both Yellow And Orange Overheat Warning Marks.	\$47.00	N
<b>TEMPERATURE SENDING UNIT LEAD WIRE REPAIR KIT</b>				
37891	1956	TEMPERATURE SENDING UNIT LEAD WIRE REPAIR KIT Pre-Assembled Note: Includes New Asphalt Loom, Wire, Terminal & Connector.	\$20.00	
37892	1957	TEMPERATURE SENDING UNIT LEAD WIRE REPAIR KIT Pre-Assembled Note: Includes New Asphalt Loom, Wire, Terminal & Connector.	\$20.00	
37892	1958	TEMPERATURE SENDING UNIT LEAD WIRE REPAIR KIT Pre-Assembled Note: Includes New Asphalt Loom, Wire, Terminal & Connector.	\$20.00	
37892	1959	TEMPERATURE SENDING UNIT LEAD WIRE REPAIR KIT Pre-Assembled Note: Includes New Asphalt Loom, Wire, Terminal & Connector.	\$20.00	
37892	1960	TEMPERATURE SENDING UNIT LEAD WIRE REPAIR KIT Pre-Assembled Note: Includes New Asphalt Loom, Wire, Terminal & Connector.	\$20.00	
37892	1961	TEMPERATURE SENDING UNIT LEAD WIRE REPAIR KIT Pre-Assembled Note: Includes New Asphalt Loom, Wire, Terminal & Connector.	\$20.00	
37892	1962	TEMPERATURE SENDING UNIT LEAD WIRE REPAIR KIT Pre-Assembled Note: Includes New Asphalt Loom, Wire, Terminal & Connector.	\$20.00	
37893	1963	TEMPERATURE SENDING UNIT LEAD WIRE REPAIR KIT Pre-Assembled Note: Includes New Asphalt Loom, Wire, Terminal & Connector.	\$20.00	
37893	1964	TEMPERATURE SENDING UNIT LEAD WIRE REPAIR KIT Pre-Assembled Note: Includes New Asphalt Loom, Wire, Terminal & Connector.	\$20.00	
37893	1965	TEMPERATURE SENDING UNIT LEAD WIRE REPAIR KIT Pre-Assembled Note: Includes New Asphalt Loom, Wire, Terminal & Connector.	\$20.00	



Part Number	Year	Description	Price	*Rev.
37893	1966	<b>TEMPERATURE SENDING UNIT LEAD WIRE REPAIR KIT</b> Pre-Assembled Note: Includes New Asphalt Loom, Wire, Terminal & Connector.	\$20.00	
37893	1967	<b>TEMPERATURE SENDING UNIT LEAD WIRE REPAIR KIT</b> Pre-Assembled Note: Includes New Asphalt Loom, Wire, Terminal & Connector.	\$20.00	
<b>TRANSISTOR IGNITION AMPLIFIER EXTENSION</b>				
33225	1964	<b>TRANSISTOR IGNITION AMPLIFIER EXTENSION</b> From Internal Circuit Board To Amplifier Housing Connector	\$53.00	
33225	1965	<b>TRANSISTOR IGNITION AMPLIFIER EXTENSION</b> From Internal Circuit Board To Amplifier Housing Connector	\$53.00	
33225	1966	<b>TRANSISTOR IGNITION AMPLIFIER EXTENSION</b> From Internal Circuit Board To Amplifier Housing Connector	\$53.00	
33225	1967	<b>TRANSISTOR IGNITION AMPLIFIER EXTENSION</b> From Internal Circuit Board To Amplifier Housing Connector	\$53.00	
33225	1968	<b>TRANSISTOR IGNITION AMPLIFIER EXTENSION</b> From Internal Circuit Board To Amplifier Housing Connector (Early Production)	\$53.00	
36053	1968	<b>TRANSISTOR IGNITION AMPLIFIER EXTENSION</b> From Internal Circuit Board To Inline Transistor Ignition Harness Connector (Late Production)	\$92.00	
36053	1969	<b>TRANSISTOR IGNITION AMPLIFIER EXTENSION</b> From Internal Circuit Board To Inline Transistor Ignition Harness Connector	\$92.00	
36053	1970	<b>TRANSISTOR IGNITION AMPLIFIER EXTENSION</b> From Internal Circuit Board To Inline Transistor Ignition Harness Connector	\$92.00	
36053	1971	<b>TRANSISTOR IGNITION AMPLIFIER EXTENSION</b> From Internal Circuit Board To Inline Transistor Ignition Harness Connector	\$92.00	
<b>TRANSISTOR IGNITION EXTENSION HARNESS</b>				
02085	1968	<b>TRANSISTOR IGNITION EXTENSION HARNESS</b> Ignition Switch To T.I. Harness	\$26.00	
02085	1969	<b>TRANSISTOR IGNITION EXTENSION HARNESS</b> Ignition Switch To T.I. Harness	\$26.00	
02085	1970	<b>TRANSISTOR IGNITION EXTENSION HARNESS</b> Ignition Switch To T.I. Harness	\$26.00	
02085	1971	<b>TRANSISTOR IGNITION EXTENSION HARNESS</b> Ignition Switch To T.I. Harness	\$26.00	
02085	1972	<b>TRANSISTOR IGNITION EXTENSION HARNESS</b> Ignition Switch To T.I. Harness	\$26.00	
<b>TRANSISTOR IGNITION HARNESS</b>				
02090	1964	<b>TRANSISTOR IGNITION HARNESS</b> From Amplifier To Coil & Distributor	\$196.00	
35887	1965	<b>TRANSISTOR IGNITION HARNESS</b> From Amplifier To Coil & Distributor Note: Contains A Black With Pink Striped Wire In Connector At Distributor.	\$196.00	
02095	1965	<b>TRANSISTOR IGNITION HARNESS</b> From Amplifier To Coil & Distributor Note: Contains A Solid Pink Wire In Connector At Distributor.	\$196.00	
02100	1966	<b>TRANSISTOR IGNITION HARNESS</b> From Amplifier To Coil & Distributor	\$196.00	
02100	1967	<b>TRANSISTOR IGNITION HARNESS</b> From Amplifier To Coil & Distributor	\$196.00	
11870	1968	<b>TRANSISTOR IGNITION HARNESS</b> Early Style, With Connector On Amplifier	\$196.00	
02110	1968	<b>TRANSISTOR IGNITION HARNESS</b> Late Style, With Pigtail On Amplifier	\$196.00	
02110	1969	<b>TRANSISTOR IGNITION HARNESS</b> From Amplifier To Coil & Distributor	\$196.00	
02110	1970	<b>TRANSISTOR IGNITION HARNESS</b> From Amplifier To Coil & Distributor	\$196.00	
02110	1971	<b>TRANSISTOR IGNITION HARNESS</b> From Amplifier To Coil & Distributor	\$196.00	
02110	1972	<b>TRANSISTOR IGNITION HARNESS</b> From Amplifier To Coil & Distributor	\$196.00	
<b>TRANSISTOR IGNITION REPLACEMENT MODULE</b>				
32270	1964	<b>TRANSISTOR IGNITION REPLACEMENT MODULE</b> Replaces Original Circuit Board In Amplifier	\$189.00	
32270	1965	<b>TRANSISTOR IGNITION REPLACEMENT MODULE</b> Replaces Original Circuit Board In Amplifier	\$189.00	
32270	1966	<b>TRANSISTOR IGNITION REPLACEMENT MODULE</b> Replaces Original Circuit Board In Amplifier	\$189.00	
32270	1967	<b>TRANSISTOR IGNITION REPLACEMENT MODULE</b> Replaces Original Circuit Board In Amplifier	\$189.00	
32270	1968	<b>TRANSISTOR IGNITION REPLACEMENT MODULE</b> Replaces Original Circuit Board In Amplifier	\$189.00	
32270	1969	<b>TRANSISTOR IGNITION REPLACEMENT MODULE</b> Replaces Original Circuit Board In Amplifier	\$189.00	
32270	1970	<b>TRANSISTOR IGNITION REPLACEMENT MODULE</b> Replaces Original Circuit Board In Amplifier	\$189.00	
32270	1971	<b>TRANSISTOR IGNITION REPLACEMENT MODULE</b> Replaces Original Circuit Board In Amplifier	\$189.00	

Part Number	Year	Description	Price	*Rev.
32270	1972	TRANSISTOR IGNITION REPLACEMENT MODULE Replaces Original Circuit Board In Amplifier	\$189.00	
<b>TRANSMISSION CONTROL JUMPER HARNESS</b>				
28100	1980	TRANSMISSION CONTROL JUMPER HARNESS With TH350C Computer Controlled Auto Trans (MV4) Note: Used With Part #27675 Engine Harness.	\$57.00	
31835	1981	TRANSMISSION CONTROL JUMPER HARNESS With TH350C Computer Controlled Auto Trans (MV4)	\$57.00	
32320	1982	TRANSMISSION CONTROL JUMPER HARNESS With Computer Controlled Auto Trans (Md8)	\$57.00	
<b>TURN SIGNAL FLASHER POWER LEAD WIRE</b>				
37790	1953	TURN SIGNAL FLASHER POWER LEAD WIRE All 6 Volt Note: This Wire Connects From The Fuel Gauge To An Inline Fuse Connector In The Dash Harness.	\$18.00	
37790	1954	TURN SIGNAL FLASHER POWER LEAD WIRE All 6 Volt Note: This Wire Connects From The Fuel Gauge To An Inline Fuse Connector In The Dash Harness.	\$18.00	
37790	1955	TURN SIGNAL FLASHER POWER LEAD WIRE All 6 Volt Note: This Wire Connects From The Fuel Gauge To An Inline Fuse Connector In The Dash Harness.	\$18.00	
<b>TURN SIGNAL SWITCH</b>				
05947677	1953	TURN SIGNAL SWITCH 6 Cylinder Note: 6 Cylinder Items Are Not Returnable.	\$27.00	
05947677	1954	TURN SIGNAL SWITCH 6 Cylinder Note: 6 Cylinder Items Are Not Returnable.	\$27.00	
05947677	1955	TURN SIGNAL SWITCH 6 Cylinder Note: 6 Cylinder Items Are Not Returnable.	\$27.00	
05946173	1955	TURN SIGNAL SWITCH 12 Volt	\$27.00	
05946173	1956	TURN SIGNAL SWITCH All	\$27.00	
05946173	1957	TURN SIGNAL SWITCH All	\$27.00	
05946173	1958	TURN SIGNAL SWITCH All	\$27.00	
05946173	1959	TURN SIGNAL SWITCH All	\$27.00	
05946173	1960	TURN SIGNAL SWITCH All	\$27.00	
05946173	1961	TURN SIGNAL SWITCH All	\$27.00	
05946173	1962	TURN SIGNAL SWITCH All	\$27.00	
00910821	1964	TURN SIGNAL SWITCH Without Tilt	\$56.00	N
00910821	1965	TURN SIGNAL SWITCH Without Tilt	\$56.00	N
00910821	1966	TURN SIGNAL SWITCH Without Tilt	\$56.00	N
01893584	1969	TURN SIGNAL SWITCH With Tilt & Telescopic (Delco# D6207)	\$82.00	
01997969	1969	TURN SIGNAL SWITCH Without Tilt & Telescopic	\$56.00	
01893584	1970	TURN SIGNAL SWITCH With Tilt & Telescopic (Delco# D6207)	\$82.00	
01997969	1970	TURN SIGNAL SWITCH Without Tilt & Telescopic	\$56.00	
01893584	1971	TURN SIGNAL SWITCH With Tilt & Telescopic (Delco# D6207)	\$82.00	
01997969	1971	TURN SIGNAL SWITCH Without Tilt & Telescopic	\$56.00	
01893584	1972	TURN SIGNAL SWITCH With Tilt & Telescopic (Delco# D6207)	\$82.00	
01997969	1972	TURN SIGNAL SWITCH Without Tilt & Telescopic	\$56.00	
01893584	1973	TURN SIGNAL SWITCH With Tilt & Telescopic (Delco# D6207)	\$82.00	
01997969	1973	TURN SIGNAL SWITCH Without Tilt & Telescopic	\$56.00	
01893584	1974	TURN SIGNAL SWITCH With Tilt & Telescopic (Delco# D6207)	\$82.00	
01997969	1974	TURN SIGNAL SWITCH Without Tilt & Telescopic	\$56.00	
01893584	1975	TURN SIGNAL SWITCH With Tilt & Telescopic (Delco# D6207)	\$82.00	
01997969	1975	TURN SIGNAL SWITCH Without Tilt & Telescopic	\$56.00	
01893584	1976	TURN SIGNAL SWITCH With Tilt & Telescopic (Delco# D6207)	\$82.00	
01997969	1976	TURN SIGNAL SWITCH Without Tilt & Telescopic	\$56.00	

Part Number	Year	Description	Price	*Rev.
01997983	1977	<b>TURN SIGNAL SWITCH</b> With Tilt & Telescopic (Delco# D6222)	\$32.00	
01997988	1977	<b>TURN SIGNAL SWITCH</b> Without Tilt & Telescopic	\$32.00	
01997983	1978	<b>TURN SIGNAL SWITCH</b> With Tilt & Telescopic (Delco# D6222)	\$32.00	
01997988	1978	<b>TURN SIGNAL SWITCH</b> Without Tilt & Telescopic	\$32.00	
01997983	1979	<b>TURN SIGNAL SWITCH</b> With Tilt & Telescopic, With Bent Lever (Delco# D6222)	\$32.00	
01997988	1979	<b>TURN SIGNAL SWITCH</b> Without Tilt & Telescopic	\$32.00	
<b>VOLTAGE REGULATOR ADAPTER HARNESS</b>				
02115	1965	<b>VOLTAGE REGULATOR ADAPTER HARNESS</b> Without 396 C.I. Engine, From Field Terminal On Voltage Regulator To Chassis Ground (Includes Inline Diode)	\$52.00	
Note: Only Used With Original Solid State Voltage Regulator #1116368 On Small Block Cars, As A Safe Guard To Prevent Voltage Regulator Transistor Failure.				
<b>WINDSHIELD WASHER MONITOR LAMP HARNESS</b>				
02120	1970	<b>WINDSHIELD WASHER MONITOR LAMP HARNESS</b> With A/C	\$22.00	
36853	1970	<b>WINDSHIELD WASHER MONITOR LAMP HARNESS</b> Without A/C	\$27.00	
<b>WINDSHIELD WIPER DOOR LIMIT SWITCH EXTENSION</b>				
37586	1968	<b>WINDSHIELD WIPER DOOR LIMIT SWITCH EXTENSION</b> Note: Customer Must Solder Wires To Switch.	\$40.00	
37587	1969	<b>WINDSHIELD WIPER DOOR LIMIT SWITCH EXTENSION</b> Note: Customer Must Solder Wires To Switch.	\$40.00	
37587	1970	<b>WINDSHIELD WIPER DOOR LIMIT SWITCH EXTENSION</b> Note: Customer Must Solder Wires To Switch.	\$40.00	
37587	1971	<b>WINDSHIELD WIPER DOOR LIMIT SWITCH EXTENSION</b> Note: Customer Must Solder Wires To Switch.	\$40.00	
37587	1972	<b>WINDSHIELD WIPER DOOR LIMIT SWITCH EXTENSION</b> Note: Customer Must Solder Wires To Switch.	\$40.00	
<b>WINDSHIELD WIPER SWITCH</b>				
01993543	1963	<b>WINDSHIELD WIPER SWITCH</b> 2 Speed, With Washer	\$45.00	
01993543	1964	<b>WINDSHIELD WIPER SWITCH</b> 2 Speed, With Washer	\$45.00	
01993678	1965	<b>WINDSHIELD WIPER SWITCH</b> 2 Speed, With Washer	\$52.00	
01993678	1966	<b>WINDSHIELD WIPER SWITCH</b> 2 Speed, With Washer	\$52.00	
01993394	1967	<b>WINDSHIELD WIPER SWITCH</b>	\$39.00	

# ***Section 13***

***Cutlass***

***4-4-2***

***F-85***

Cutlass  
4-4-2/F-85



Phone (562) 926-9552  
Fax (562) 926-9572

Part Number	Year	Description	Price	*Rev.
<b>AIR CONDITIONING EXTENSION HARNESS</b>				
36203	1972	<b>AIR CONDITIONING EXTENSION HARNESS</b> Thermo Limiter Jumper, Used With #16690 A/C Harness	\$46.00	
36203	1973	<b>AIR CONDITIONING EXTENSION HARNESS</b> Thermo Limiter Jumper	\$46.00	
36203	1974	<b>AIR CONDITIONING EXTENSION HARNESS</b> Thermo Limiter Jumper	\$46.00	
36203	1975	<b>AIR CONDITIONING EXTENSION HARNESS</b> Thermo Limiter Jumper	\$46.00	
<b>AIR CONDITIONING HARNESS</b>				
06045	1964	<b>AIR CONDITIONING HARNESS</b> V/8, Includes Heater Wiring	\$173.00	
09370	1965	<b>AIR CONDITIONING HARNESS</b> V/8, Includes Heater Wiring	\$173.00	
09450	1966	<b>AIR CONDITIONING HARNESS</b> V/8, Includes Heater Wiring	\$173.00	
10600	1967	<b>AIR CONDITIONING HARNESS</b> V/8, Includes Heater Wiring	\$176.00	
12705	1968	<b>AIR CONDITIONING HARNESS</b> V/8, Includes Heater Wiring	\$180.00	
13325	1969	<b>AIR CONDITIONING HARNESS</b> V/8, Includes Heater Wiring	\$180.00	
18560	1970	<b>AIR CONDITIONING HARNESS</b> V/8, Includes Heater Wiring	\$180.00	
16035	1971	<b>AIR CONDITIONING HARNESS</b> 6 Cylinder, Includes Heater Wiring Note: 6 Cylinder Items Are Not Returnable.	\$198.00	
15935	1971	<b>AIR CONDITIONING HARNESS</b> V/8, Includes Heater Wiring	\$180.00	
16690	1972	<b>AIR CONDITIONING HARNESS</b> V/8, Includes Heater Wiring, Must Be Used With #36203 A/C Extension	\$180.00	
<b>ALTERNATOR CONVERSION KIT</b>				
27555	1963	<b>ALTERNATOR CONVERSION KIT</b> External To Internal Regulator Conversion Harness ("SI" Series) Note: For Use With 1972-84 Non-Serpentine Belt ("SI" Series) Internal Regulated Alternators.	\$29.00	
37787	1963	<b>ALTERNATOR CONVERSION KIT</b> External To Internal Regulator Conversion Harness ("CS" Series) Note: For Use With Serpentine Belt ("CS" Series) Internal Regulated Alternators.	\$34.00	
27555	1964	<b>ALTERNATOR CONVERSION KIT</b> External To Internal Regulator Conversion Harness ("SI" Series) Note: For Use With 1972-84 Non-Serpentine Belt ("SI" Series) Internal Regulated Alternators.	\$29.00	
37787	1964	<b>ALTERNATOR CONVERSION KIT</b> External To Internal Regulator Conversion Harness ("CS" Series) Note: For Use With Serpentine Belt ("CS" Series) Internal Regulated Alternators.	\$34.00	
27555	1965	<b>ALTERNATOR CONVERSION KIT</b> External To Internal Regulator Conversion Harness ("SI" Series) Note: For Use With 1972-84 Non-Serpentine Belt ("SI" Series) Internal Regulated Alternators.	\$29.00	
37787	1965	<b>ALTERNATOR CONVERSION KIT</b> External To Internal Regulator Conversion Harness ("CS" Series) Note: For Use With Serpentine Belt ("CS" Series) Internal Regulated Alternators.	\$34.00	
27555	1966	<b>ALTERNATOR CONVERSION KIT</b> External To Internal Regulator Conversion Harness ("SI" Series) Note: For Use With 1972-84 Non-Serpentine Belt ("SI" Series) Internal Regulated Alternators.	\$29.00	
37787	1966	<b>ALTERNATOR CONVERSION KIT</b> External To Internal Regulator Conversion Harness ("CS" Series) Note: For Use With Serpentine Belt ("CS" Series) Internal Regulated Alternators.	\$34.00	
27555	1967	<b>ALTERNATOR CONVERSION KIT</b> External To Internal Regulator Conversion Harness ("SI" Series) Note: For Use With 1972-84 Non-Serpentine Belt ("SI" Series) Internal Regulated Alternators.	\$29.00	
37787	1967	<b>ALTERNATOR CONVERSION KIT</b> External To Internal Regulator Conversion Harness ("CS" Series) Note: For Use With Serpentine Belt ("CS" Series) Internal Regulated Alternators.	\$34.00	
27555	1968	<b>ALTERNATOR CONVERSION KIT</b> External To Internal Regulator Conversion Harness ("SI" Series) Note: For Use With 1972-84 Non-Serpentine Belt ("SI" Series) Internal Regulated Alternators.	\$29.00	
37787	1968	<b>ALTERNATOR CONVERSION KIT</b> External To Internal Regulator Conversion Harness ("CS" Series) Note: For Use With Serpentine Belt ("CS" Series) Internal Regulated Alternators.	\$34.00	
27555	1969	<b>ALTERNATOR CONVERSION KIT</b> External To Internal Regulator Conversion Harness ("SI" Series) Note: For Use With 1972-84 Non-Serpentine Belt ("SI" Series) Internal Regulated Alternators.	\$29.00	
37787	1969	<b>ALTERNATOR CONVERSION KIT</b> External To Internal Regulator Conversion Harness ("CS" Series) Note: For Use With Serpentine Belt ("CS" Series) Internal Regulated Alternators.	\$34.00	

Part Number	Year	Description	Price	*Rev.
37796	1969	<b>ALTERNATOR CONVERSION KIT</b> Internal Regulator "SI" Series Alternator To "CS" Series (Serpentine Belt) Alternator Note: For Use With Serpentine Belt ("CS130" Or "CS144" Type) Internal Regulated Alternators.	\$26.00	
27555	1970	<b>ALTERNATOR CONVERSION KIT</b> External To Internal Regulator Conversion Harness ("SI" Series) Note: For Use With 1972-84 Non-Serpentine Belt ("SI" Series) Internal Regulated Alternators.	\$29.00	
37787	1970	<b>ALTERNATOR CONVERSION KIT</b> External To Internal Regulator Conversion Harness ("CS" Series) Note: For Use With Serpentine Belt ("CS" Series) Internal Regulated Alternators.	\$34.00	
37796	1970	<b>ALTERNATOR CONVERSION KIT</b> Internal Regulator "SI" Series Alternator To "CS" Series (Serpentine Belt) Alternator Note: For Use With Serpentine Belt ("CS130" Or "CS144" Type) Internal Regulated Alternators.	\$26.00	
27555	1971	<b>ALTERNATOR CONVERSION KIT</b> External To Internal Regulator Conversion Harness ("SI" Series) Note: For Use With 1972-84 Non-Serpentine Belt ("SI" Series) Internal Regulated Alternators.	\$29.00	
37787	1971	<b>ALTERNATOR CONVERSION KIT</b> External To Internal Regulator Conversion Harness ("CS" Series) Note: For Use With Serpentine Belt ("CS" Series) Internal Regulated Alternators.	\$34.00	
37796	1971	<b>ALTERNATOR CONVERSION KIT</b> Internal Regulator "SI" Series Alternator To "CS" Series (Serpentine Belt) Alternator Note: For Use With Serpentine Belt ("CS130" Or "CS144" Type) Internal Regulated Alternators.	\$26.00	
27555	1972	<b>ALTERNATOR CONVERSION KIT</b> External To Internal Regulator Conversion Harness ("SI" Series) Note: For Use With 1972-84 Non-Serpentine Belt ("SI" Series) Internal Regulated Alternators.	\$29.00	
37787	1972	<b>ALTERNATOR CONVERSION KIT</b> External To Internal Regulator Conversion Harness ("CS" Series) Note: For Use With Serpentine Belt ("CS" Series) Internal Regulated Alternators.	\$34.00	
37796	1972	<b>ALTERNATOR CONVERSION KIT</b> Internal Regulator "SI" Series Alternator To "CS" Series (Serpentine Belt) Alternator Note: For Use With Serpentine Belt ("CS130" Or "CS144" Type) Internal Regulated Alternators.	\$26.00	
37796	1973	<b>ALTERNATOR CONVERSION KIT</b> Internal Regulator "SI" Series Alternator To "CS" Series (Serpentine Belt) Alternator Note: For Use With Serpentine Belt ("CS130" Or "CS144" Type) Internal Regulated Alternators.	\$26.00	
37796	1974	<b>ALTERNATOR CONVERSION KIT</b> Internal Regulator "SI" Series Alternator To "CS" Series (Serpentine Belt) Alternator Note: For Use With Serpentine Belt ("CS130" Or "CS144" Type) Internal Regulated Alternators.	\$26.00	
37796	1975	<b>ALTERNATOR CONVERSION KIT</b> Internal Regulator "SI" Series Alternator To "CS" Series (Serpentine Belt) Alternator Note: For Use With Serpentine Belt ("CS130" Or "CS144" Type) Internal Regulated Alternators.	\$26.00	
37796	1976	<b>ALTERNATOR CONVERSION KIT</b> Internal Regulator "SI" Series Alternator To "CS" Series (Serpentine Belt) Alternator Note: For Use With Serpentine Belt ("CS130" Or "CS144" Type) Internal Regulated Alternators.	\$26.00	
37796	1977	<b>ALTERNATOR CONVERSION KIT</b> Internal Regulator "SI" Series Alternator To "CS" Series (Serpentine Belt) Alternator Note: For Use With Serpentine Belt ("CS130" Or "CS144" Type) Internal Regulated Alternators.	\$26.00	
37796	1978	<b>ALTERNATOR CONVERSION KIT</b> Internal Regulator "SI" Series Alternator To "CS" Series (Serpentine Belt) Alternator Note: For Use With Serpentine Belt ("CS130" Or "CS144" Type) Internal Regulated Alternators.	\$26.00	
37796	1979	<b>ALTERNATOR CONVERSION KIT</b> Internal Regulator "SI" Series Alternator To "CS" Series (Serpentine Belt) Alternator Note: For Use With Serpentine Belt ("CS130" Or "CS144" Type) Internal Regulated Alternators.	\$26.00	
37796	1980	<b>ALTERNATOR CONVERSION KIT</b> Internal Regulator "SI" Series Alternator To "CS" Series (Serpentine Belt) Alternator Note: For Use With Serpentine Belt ("CS130" Or "CS144" Type) Internal Regulated Alternators.	\$26.00	
37796	1981	<b>ALTERNATOR CONVERSION KIT</b> Internal Regulator "SI" Series Alternator To "CS" Series (Serpentine Belt) Alternator Note: For Use With Serpentine Belt ("CS130" Or "CS144" Type) Internal Regulated Alternators.	\$26.00	

Part Number	Year	Description	Price	*Rev.
37796	1982	<b>ALTERNATOR CONVERSION KIT</b> Internal Regulator "SI" Series Alternator To "CS" Series (Serpentine Belt) Alternator Note: For Use With Serpentine Belt ("CS130" Or "CS144" Type) Internal Regulated Alternators.	\$26.00	
37796	1983	<b>ALTERNATOR CONVERSION KIT</b> Internal Regulator "SI" Series Alternator To "CS" Series (Serpentine Belt) Alternator Note: For Use With Serpentine Belt ("CS130" Or "CS144" Type) Internal Regulated Alternators.	\$26.00	
37796	1984	<b>ALTERNATOR CONVERSION KIT</b> Internal Regulator "SI" Series Alternator To "CS" Series (Serpentine Belt) Alternator Note: For Use With Serpentine Belt ("CS130" Or "CS144" Type) Internal Regulated Alternators.	\$26.00	
37796	1985	<b>ALTERNATOR CONVERSION KIT</b> Internal Regulator "SI" Series Alternator To "CS" Series (Serpentine Belt) Alternator Note: For Use With Serpentine Belt ("CS130" Or "CS144" Type) Internal Regulated Alternators.	\$26.00	
37796	1986	<b>ALTERNATOR CONVERSION KIT</b> Internal Regulator "SI" Series Alternator To "CS" Series (Serpentine Belt) Alternator Note: For Use With Serpentine Belt ("CS130" Or "CS144" Type) Internal Regulated Alternators.	\$26.00	
<b>ANTI-DIESEL SOLENOID EXTENSION WIRE</b>				
16760	1972	<b>ANTI-DIESEL SOLENOID EXTENSION WIRE</b>	\$22.00	
<b>ASH TRAY LAMP WIRE</b>				
09375	1966	<b>ASH TRAY LAMP WIRE</b>	\$21.00	
09375	1967	<b>ASH TRAY LAMP WIRE</b>	\$21.00	
12120	1968	<b>ASH TRAY LAMP WIRE</b>	\$25.00	
<b>ASSEMBLY MANUAL</b>				
43238	1963	<b>ASSEMBLY MANUAL</b> Factory Assembly Instruction Guide	\$32.00	
36368	1965	<b>ASSEMBLY MANUAL</b> Factory Assembly Instruction Guide	\$32.00	
36369	1966	<b>ASSEMBLY MANUAL</b> Factory Assembly Instruction Guide	\$32.00	
36370	1967	<b>ASSEMBLY MANUAL</b> Factory Assembly Instruction Guide	\$32.00	
36371	1968	<b>ASSEMBLY MANUAL</b> Factory Assembly Instruction Guide	\$32.00	
36372	1969	<b>ASSEMBLY MANUAL</b> Factory Assembly Instruction Guide	\$32.00	
36373	1970	<b>ASSEMBLY MANUAL</b> Factory Assembly Instruction Guide	\$32.00	
36374	1971	<b>ASSEMBLY MANUAL</b> Factory Assembly Instruction Guide	\$32.00	
36375	1972	<b>ASSEMBLY MANUAL</b> Factory Assembly Instruction Guide	\$32.00	
36376	1973	<b>ASSEMBLY MANUAL</b> Factory Assembly Instruction Guide	\$32.00	
36377	1974	<b>ASSEMBLY MANUAL</b> Factory Assembly Instruction Guide	\$32.00	
36378	1975	<b>ASSEMBLY MANUAL</b> Factory Assembly Instruction Guide	\$32.00	
43239	1976	<b>ASSEMBLY MANUAL</b> Factory Assembly Instruction Guide	\$32.00	
<b>BACKUP LAMP SWITCH</b>				
01993310	1964	<b>BACKUP LAMP SWITCH</b> 3 Speed, Manual Trans	\$64.00	
01993661	1964	<b>BACKUP LAMP SWITCH</b> 4 Speed, Manual Trans	\$64.00	
01993310	1965	<b>BACKUP LAMP SWITCH</b> 3 Speed, Manual Trans	\$64.00	
01993661	1965	<b>BACKUP LAMP SWITCH</b> 4 Speed, Manual Trans	\$64.00	
01993310	1966	<b>BACKUP LAMP SWITCH</b> 3 Speed, Manual Trans	\$64.00	
01993661	1966	<b>BACKUP LAMP SWITCH</b> 4 Speed, Manual Trans	\$64.00	
01993310	1967	<b>BACKUP LAMP SWITCH</b> 3 Speed, Manual Trans	\$64.00	
01993661	1967	<b>BACKUP LAMP SWITCH</b> 4 Speed, Manual Trans	\$64.00	
01993310	1968	<b>BACKUP LAMP SWITCH</b> 3 Speed, Manual Trans	\$64.00	
01993661	1968	<b>BACKUP LAMP SWITCH</b> 4 Speed, Manual Trans	\$64.00	
03943657	1969	<b>BACKUP LAMP SWITCH</b> Manual Trans	\$53.00	
03943657	1970	<b>BACKUP LAMP SWITCH</b> Manual Trans	\$53.00	

Cutlass  
4-4-2/F-85



Phone (562) 926-9552  
Fax (562) 926-9572

Part Number	Year	Description	Price	*Rev.
03943657	1971	BACKUP LAMP SWITCH Manual Trans	\$53.00	
03943657	1972	BACKUP LAMP SWITCH Manual Trans	\$53.00	
<b>BACKUP LAMP SWITCH EXTENSION HARNESS</b>				
05100	1964	BACKUP LAMP SWITCH EXTENSION HARNESS 4 Speed Manual Trans, Dash Harness To Backup Lamp Switch	\$54.00	
05100	1965	BACKUP LAMP SWITCH EXTENSION HARNESS 4 Speed Manual Trans, Dash Harness To Backup Lamp Switch	\$54.00	
06070	1966	BACKUP LAMP SWITCH EXTENSION HARNESS 3 Speed Manual Trans, Dash Harness To Backup Lamp Switch	\$33.00	
05100	1966	BACKUP LAMP SWITCH EXTENSION HARNESS 4 Speed Manual Trans, Dash Harness To Backup Lamp Switch	\$54.00	
10480	1967	BACKUP LAMP SWITCH EXTENSION HARNESS 3 Speed Manual Trans, Dash Harness To Backup Lamp Switch	\$33.00	
11130	1967	BACKUP LAMP SWITCH EXTENSION HARNESS 4 Speed Manual Trans, Dash Harness To Backup Lamp Switch	\$48.00	
11130	1968	BACKUP LAMP SWITCH EXTENSION HARNESS 4 Speed Manual Trans, Dash Harness To Backup Lamp Switch	\$48.00	
<b>BACKUP LAMP SWITCH MOUNTING BRACKET</b>				
37650	1964	BACKUP LAMP SWITCH MOUNTING BRACKET With Muncie 4 Speed Transmission	\$29.00	
37650	1965	BACKUP LAMP SWITCH MOUNTING BRACKET With Muncie 4 Speed Transmission	\$29.00	
37650	1966	BACKUP LAMP SWITCH MOUNTING BRACKET With Muncie 4 Speed Transmission	\$29.00	
37650	1967	BACKUP LAMP SWITCH MOUNTING BRACKET With Muncie 4 Speed Transmission	\$29.00	
37650	1968	BACKUP LAMP SWITCH MOUNTING BRACKET With Muncie 4 Speed Transmission	\$29.00	
<b>BACKUP LAMP SWITCH MOUNTING KIT</b>				
39504	1966	BACKUP LAMP SWITCH MOUNTING KIT With Manual Transmission Note: Kit Contains The Bracket, Rod With 2 Clips, Shield & Bolts.	\$46.00	
39504	1967	BACKUP LAMP SWITCH MOUNTING KIT With Manual Transmission Note: Kit Contains The Bracket, Rod With 2 Clips, Shield & Bolts.	\$46.00	
39504	1968	BACKUP LAMP SWITCH MOUNTING KIT With Manual Transmission Note: Kit Contains The Bracket, Rod With 2 Clips, Shield & Bolts.	\$46.00	
<b>BATTERY CABLE JUMPER</b>				
21565	1966	BATTERY CABLE JUMPER Neg, V/8, With 442 & Outside Air Induction, Engine To Frame	\$38.00	
21565	1967	BATTERY CABLE JUMPER Neg, V/8, With 442 & Outside Air Induction, Engine To Frame	\$38.00	
21690	1961	BATTERY CABLE JUMPER Pos, Junction Block To Starter Solenoid	\$69.00	
21690	1962	BATTERY CABLE JUMPER Pos, Junction Block To Starter Solenoid	\$69.00	
21690	1963	BATTERY CABLE JUMPER Pos, Junction Block To Starter Solenoid	\$69.00	
05130	1964	BATTERY CABLE JUMPER Pos, V/8, Junction Block To Starter Solenoid	\$69.00	
05875	1965	BATTERY CABLE JUMPER Pos, V/8, Junction Block To Starter Solenoid, Except 442	\$69.00	
11540	1965	BATTERY CABLE JUMPER Pos, V/8, Junction Block To Starter Solenoid, With 442	\$69.00	
05875	1966	BATTERY CABLE JUMPER Pos, V/8, Junction Block To Starter Solenoid, Except 442	\$69.00	
11540	1966	BATTERY CABLE JUMPER Pos, V/8, Junction Block To Starter Solenoid, With 442	\$69.00	
05875	1967	BATTERY CABLE JUMPER Pos, V/8, Junction Block To Starter Solenoid, Auto Trans, Except 442	\$69.00	
21550	1967	BATTERY CABLE JUMPER Pos, V/8, Junction Block To Starter Solenoid, Manual Trans, Except 442	\$69.00	
11540	1967	BATTERY CABLE JUMPER Pos, V/8, Junction Block To Starter Solenoid, With 442	\$69.00	
<b>BATTERY CABLE-NEGATIVE</b>				
04445	1964	BATTERY CABLE, SPRING RING Neg, V/6	\$69.00	
04380	1964	BATTERY CABLE, SPRING RING Neg, V/8	\$69.00	
04445	1965	BATTERY CABLE, SPRING RING Neg, V/6	\$69.00	
04380	1965	BATTERY CABLE, SPRING RING Neg, V/8, Except 442	\$69.00	
05605	1965	BATTERY CABLE, TOP POST Neg, V/8, With 442	\$69.00	
09230	1966	BATTERY CABLE, SPRING RING Neg, 6 Cylinder Note: 6 Cylinder Items Are Not Returnable.	\$69.00	



**Cutlass**  
**4-4-2/F-85**



**Phone (562) 926-9552**  
**Fax (562) 926-9572**

Part Number	Year	Description	Price	*Rev.
09230	1966	<b>BATTERY CABLE, SPRING RING</b> Neg, V/8, Except 442	\$69.00	
09805	1966	<b>BATTERY CABLE, SPRING RING</b> Neg, V/8, With 442	\$69.00	
21540	1966	<b>BATTERY CABLE, TOP POST</b> Neg, V/8, With 442 & Outside Air Induction	\$74.00	
09230	1967	<b>BATTERY CABLE, SPRING RING</b> Neg, 6 Cylinder Note: 6 Cylinder Items Are Not Returnable.	\$69.00	
09230	1967	<b>BATTERY CABLE, SPRING RING</b> Neg, V/8, Except 442	\$69.00	
09805	1967	<b>BATTERY CABLE, SPRING RING</b> Neg, V/8, With 442	\$69.00	
21540	1967	<b>BATTERY CABLE, TOP POST</b> Neg, V/8, With 442 & Outside Air Induction	\$74.00	
12460	1968	<b>BATTERY CABLE, SPRING RING</b> Neg, 6 Cylinder Note: 6 Cylinder Items Are Not Returnable.	\$69.00	
12475	1968	<b>BATTERY CABLE, SPRING RING</b> Neg, V/8, 350 C.I.	\$69.00	
12470	1968	<b>BATTERY CABLE, SPRING RING</b> Neg, V/8, 400 C.I.	\$69.00	
12460	1969	<b>BATTERY CABLE, SPRING RING</b> Neg, 6 Cylinder Note: 6 Cylinder Items Are Not Returnable.	\$69.00	
12475	1969	<b>BATTERY CABLE, SPRING RING</b> Neg, V/8, 350 C.I., With 2 Bbl. Carburetor	\$69.00	
12470	1969	<b>BATTERY CABLE, SPRING RING</b> Neg, V/8, 350 C.I., With 4 Bbl. Carburetor & Auto Trans	\$69.00	
12475	1969	<b>BATTERY CABLE, SPRING RING</b> Neg, V/8, 350 C.I., With 4 Bbl. Carburetor & Manual Trans	\$69.00	
12470	1969	<b>BATTERY CABLE, SPRING RING</b> Neg, V/8, 400-455 C.I.	\$69.00	
12460	1970	<b>BATTERY CABLE, SPRING RING</b> Neg, 6 Cylinder Note: 6 Cylinder Items Are Not Returnable.	\$69.00	
12475	1970	<b>BATTERY CABLE, SPRING RING</b> Neg, V/8, 350 C.I., With 2 Bbl. Carburetor & Auto Trans	\$69.00	
12470	1970	<b>BATTERY CABLE, SPRING RING</b> Neg, V/8, 350 C.I., With 4 Bbl. Carburetor & Auto Trans	\$69.00	
12475	1970	<b>BATTERY CABLE, SPRING RING</b> Neg, V/8, 350 C.I., With Manual Trans	\$69.00	
15670	1970	<b>BATTERY CABLE, TOP POST</b> Neg, V/8, 455 C.I.	\$94.00	
12460	1971	<b>BATTERY CABLE, SPRING RING</b> Neg, 6 Cylinder Note: 6 Cylinder Items Are Not Returnable.	\$69.00	
12475	1971	<b>BATTERY CABLE, SPRING RING</b> Neg, V/8, 350 C.I.	\$69.00	
21765	1971	<b>BATTERY CABLE, TOP POST</b> Neg, V/8, 455 C.I.	\$81.00	
29675	1972	<b>BATTERY CABLE, SIDE POST</b> Neg, V/8, 350 C.I.	\$74.00	
29740	1972	<b>BATTERY CABLE, SIDE POST</b> Neg, V/8, 455 C.I.	\$74.00	
22195	1973	<b>BATTERY CABLE, SIDE POST</b> Neg, V/8, 350 C.I.	\$74.00	
22830	1973	<b>BATTERY CABLE, SIDE POST</b> Neg, V/8, 455 C.I.	\$74.00	
22195	1974	<b>BATTERY CABLE, SIDE POST</b> Neg, V/8, 350 C.I.	\$74.00	
22830	1974	<b>BATTERY CABLE, SIDE POST</b> Neg, V/8, 455 C.I.	\$74.00	
<b>BATTERY CABLE-POSITIVE</b>				
04640	1964	<b>BATTERY CABLE, SPRING RING</b> Pos, V/6	\$69.00	
05420	1964	<b>BATTERY CABLE, SPRING RING</b> Pos, V/8	\$69.00	
04640	1965	<b>BATTERY CABLE, SPRING RING</b> Pos, V/6	\$69.00	
05420	1965	<b>BATTERY CABLE, SPRING RING</b> Pos, V/8, Except 442	\$69.00	
06205	1965	<b>BATTERY CABLE, TOP POST</b> Pos, V/8, With 442	\$69.00	
04640	1966	<b>BATTERY CABLE, SPRING RING</b> Pos, 6 Cylinder Note: 6 Cylinder Items Are Not Returnable.	\$69.00	
09445	1966	<b>BATTERY CABLE, SPRING RING</b> Pos, V/8, Except 442	\$69.00	
09800	1966	<b>BATTERY CABLE, SPRING RING</b> Pos, V/8, With 442	\$69.00	
22215	1966	<b>BATTERY CABLE, TOP POST</b> Pos, V/8, With 442 & Outside Air Induction	\$148.00	
09825	1967	<b>BATTERY CABLE, SPRING RING</b> Pos, 6 Cylinder Note: 6 Cylinder Items Are Not Returnable.	\$69.00	

Part Number	Year	Description	Price	*Rev.
09445	1967	<b>BATTERY CABLE, SPRING RING</b> Pos, V/8, Except 442	\$69.00	
09800	1967	<b>BATTERY CABLE, SPRING RING</b> Pos, V/8, With 442	\$69.00	
22215	1967	<b>BATTERY CABLE, TOP POST</b> Pos, V/8, With 442 & Outside Air Induction	\$148.00	
09825	1968	<b>BATTERY CABLE, SPRING RING</b> Pos, 6 Cylinder Note: 6 Cylinder Items Are Not Returnable.	\$69.00	
12465	1968	<b>BATTERY CABLE, SPRING RING</b> Pos, V/8, 350 C.I., With 2 Bbl. Carburetor & Auto Trans	\$69.00	
09900	1968	<b>BATTERY CABLE, SPRING RING</b> Pos, V/8, 350 C.I., With 4 Bbl. Carburetor & Auto Trans	\$69.00	
09915	1968	<b>BATTERY CABLE, SPRING RING</b> Pos, V/8, 350 C.I., With Manual Trans	\$69.00	
09900	1968	<b>BATTERY CABLE, SPRING RING</b> Pos, V/8, 400 C.I.	\$69.00	
09825	1969	<b>BATTERY CABLE, SPRING RING</b> Pos, 6 Cylinder Note: 6 Cylinder Items Are Not Returnable.	\$69.00	
12530	1969	<b>BATTERY CABLE, SPRING RING</b> Pos, V/8, 350 C.I., With 2 Bbl. Carburetor & Auto Trans, Except 442	\$69.00	
12525	1969	<b>BATTERY CABLE, SPRING RING</b> Pos, V/8, 350 C.I. With 4 Bbl. Carburetor & Manual Trans, Except 442	\$69.00	
12520	1969	<b>BATTERY CABLE, SPRING RING</b> Pos, V/8, 350 C.I., With Manual Trans, Except 442	\$69.00	
12525	1969	<b>BATTERY CABLE, SPRING RING</b> Pos, V/8, 400-455 C.I., All 442	\$69.00	
09825	1970	<b>BATTERY CABLE, SPRING RING</b> Pos, 6 Cylinder Note: 6 Cylinder Items Are Not Returnable.	\$69.00	
14575	1970	<b>BATTERY CABLE, SPRING RING</b> Pos, V/8, 350 C.I., With 2 Bbl. Carburetor & Auto Trans	\$69.00	
14580	1970	<b>BATTERY CABLE, SPRING RING</b> Pos, V/8, 350 C.I., With 4 Bbl. Carburetor & Auto Trans	\$69.00	
14575	1970	<b>BATTERY CABLE, SPRING RING</b> Pos, V/8, 350 C.I., With Manual Trans	\$69.00	
14580	1970	<b>BATTERY CABLE, SPRING RING</b> Pos, V/8, 455 C.I.	\$69.00	
09825	1971	<b>BATTERY CABLE, SPRING RING</b> Pos, 6 Cylinder Note: 6 Cylinder Items Are Not Returnable.	\$69.00	
14575	1971	<b>BATTERY CABLE, SPRING RING</b> Pos, V/8, 350 C.I.	\$69.00	
21770	1971	<b>BATTERY CABLE, SPRING RING</b> Pos, V/8, 455 C.I.	\$69.00	
21795	1972	<b>BATTERY CABLE, SIDE POST</b> Pos, V/8, 350 C.I.	\$74.00	
21800	1972	<b>BATTERY CABLE, SIDE POST</b> Pos, V/8, 455 C.I.	\$74.00	
22840	1973	<b>BATTERY CABLE, SIDE POST</b> Pos, V/8, 350 C.I.	\$74.00	
22835	1973	<b>BATTERY CABLE, SIDE POST</b> Pos, V/8, 455 C.I.	\$74.00	
22865	1974	<b>BATTERY CABLE, SIDE POST</b> Pos, V/8, 350 C.I.	\$74.00	
22860	1974	<b>BATTERY CABLE, SIDE POST</b> Pos, V/8, 455 C.I.	\$74.00	
<b>BREAKERLESS SE SINGLE WIRE ELECTRONIC IGNITION</b>				
38131	1964	<b>BREAKERLESS SE SINGLE WIRE ELECTRONIC IGNITION KIT</b> For 1957-74 Breaker Point Distributors With Windowed Type Distributor Cap	\$179.00	
38131	1965	<b>BREAKERLESS SE SINGLE WIRE ELECTRONIC IGNITION KIT</b> For 1957-74 Breaker Point Distributors With Windowed Type Distributor Cap	\$179.00	
38131	1966	<b>BREAKERLESS SE SINGLE WIRE ELECTRONIC IGNITION KIT</b> For 1957-74 Breaker Point Distributors With Windowed Type Distributor Cap	\$179.00	
38131	1967	<b>BREAKERLESS SE SINGLE WIRE ELECTRONIC IGNITION KIT</b> For 1957-74 Breaker Point Distributors With Windowed Type Distributor Cap	\$179.00	
38131	1968	<b>BREAKERLESS SE SINGLE WIRE ELECTRONIC IGNITION KIT</b> For 1957-74 Breaker Point Distributors With Windowed Type Distributor Cap	\$179.00	
38131	1969	<b>BREAKERLESS SE SINGLE WIRE ELECTRONIC IGNITION KIT</b> For 1957-74 Breaker Point Distributors With Windowed Type Distributor Cap	\$179.00	
38131	1970	<b>BREAKERLESS SE SINGLE WIRE ELECTRONIC IGNITION KIT</b> For 1957-74 Breaker Point Distributors With Windowed Type Distributor Cap	\$179.00	
38131	1971	<b>BREAKERLESS SE SINGLE WIRE ELECTRONIC IGNITION KIT</b> For 1957-74 Breaker Point Distributors With Windowed Type Distributor Cap	\$179.00	

Cutlass  
4-4-2/F-85



Phone (562) 926-9552  
Fax (562) 926-9572

Part Number	Year	Description	Price	*Rev.
38131	1972	<b>BREAKERLESS SE SINGLE WIRE ELECTRONIC IGNITION KIT</b> For 1957-74 Breaker Point Distributors With Windowed Type Distributor Cap	\$179.00	
38131	1973	<b>BREAKERLESS SE SINGLE WIRE ELECTRONIC IGNITION KIT</b> For 1957-74 Breaker Point Distributors With Windowed Type Distributor Cap	\$179.00	
38131	1974	<b>BREAKERLESS SE SINGLE WIRE ELECTRONIC IGNITION KIT</b> For 1957-74 Breaker Point Distributors With Windowed Type Distributor Cap	\$179.00	
<b>CAPACITOR DISCHARGE JUMPER WIRE</b>				
11375	1967	<b>CAPACITOR DISCHARGE JUMPER WIRE</b> From Dash Harness To Amplifier Harness	\$22.00	
<b>CIRCUIT BREAKER</b>				
04850166	1962	<b>CIRCUIT BREAKER, 30 AMP</b> Power Door Locks, Seat, Top & Windows	\$14.00	
04850166	1963	<b>CIRCUIT BREAKER, 30 AMP</b> Power Door Locks, Seat, Top & Windows	\$14.00	
04850166	1964	<b>CIRCUIT BREAKER, 30 AMP</b> Power Door Locks, Seat, Top & Windows	\$14.00	
04850166	1965	<b>CIRCUIT BREAKER, 30 AMP</b> Power Door Locks, Seat, Top & Windows	\$14.00	
04850166	1966	<b>CIRCUIT BREAKER, 30 AMP</b> Power Door Locks, Seat, Top & Windows	\$14.00	
04850166	1967	<b>CIRCUIT BREAKER, 30 AMP</b> Power Door Locks, Seat, Top & Windows	\$14.00	
04850166	1968	<b>CIRCUIT BREAKER, 30 AMP</b> Power Door Locks, Seat, Top & Windows	\$14.00	
04850166	1969	<b>CIRCUIT BREAKER, 30 AMP</b> Power Door Locks, Seat, Top & Windows	\$14.00	
04850166	1970	<b>CIRCUIT BREAKER, 30 AMP</b> Power Door Locks, Seat, Top & Windows	\$14.00	
<b>CLOCK LAMP WIRE</b>				
09970	1966	<b>CLOCK LAMP WIRE</b> Dash Mounted	\$17.00	
09970	1967	<b>CLOCK LAMP WIRE</b> Dash Mounted	\$17.00	
11090	1968	<b>CLOCK LAMP WIRE</b> Dash Mounted	\$17.00	
11090	1969	<b>CLOCK LAMP WIRE</b> Dash Mounted	\$17.00	
11090	1970	<b>CLOCK LAMP WIRE</b> Dash Mounted	\$17.00	
11090	1971	<b>CLOCK LAMP WIRE</b> Dash Mounted	\$17.00	
11090	1972	<b>CLOCK LAMP WIRE</b> Dash Mounted	\$17.00	
<b>CONSOLE EXTENSION HARNESS</b>				
04455	1964	<b>CONSOLE EXTENSION HARNESS</b> Auto Trans, From Dash To Console Harness	\$94.00	
04450	1964	<b>CONSOLE EXTENSION HARNESS</b> Manual Trans, From Dash To Console Harness	\$74.00	
04455	1965	<b>CONSOLE EXTENSION HARNESS</b> Auto Trans, From Dash To Console Harness	\$94.00	
04450	1965	<b>CONSOLE EXTENSION HARNESS</b> Manual Trans, From Dash To Console Harness	\$74.00	
09435	1966	<b>CONSOLE EXTENSION HARNESS</b> Auto Trans, From Dash To Console Harness	\$94.00	
09420	1966	<b>CONSOLE EXTENSION HARNESS</b> Manual Trans, From Dash To Console Harness	\$60.00	
10490	1967	<b>CONSOLE EXTENSION HARNESS</b> Auto Trans, From Dash To Console Harness	\$105.00	
12770	1968	<b>CONSOLE EXTENSION HARNESS</b> Auto Trans, From Dash To Console Harness	\$105.00	
13420	1969	<b>CONSOLE EXTENSION HARNESS</b> Auto Trans, From Dash To Console Harness	\$105.00	
15695	1970	<b>CONSOLE EXTENSION HARNESS</b> Auto Trans, From Dash To Console Harness	\$105.00	
15995	1971	<b>CONSOLE EXTENSION HARNESS</b> Auto Trans, From Dash To Console Harness	\$53.00	
15995	1972	<b>CONSOLE EXTENSION HARNESS</b> Auto Trans, From Dash To Console Harness	\$53.00	
<b>CONSOLE HARNESS</b>				
04460	1964	<b>CONSOLE HARNESS</b> Auto Trans	\$98.00	
04465	1964	<b>CONSOLE HARNESS</b> Manual Trans	\$74.00	
04460	1965	<b>CONSOLE HARNESS</b> Auto Trans	\$98.00	
04465	1965	<b>CONSOLE HARNESS</b> Manual Trans	\$74.00	
09430	1966	<b>CONSOLE HARNESS</b> Auto Trans	\$101.00	
10485	1967	<b>CONSOLE HARNESS</b> Auto Trans	\$94.00	
10485	1968	<b>CONSOLE HARNESS</b> Auto Trans	\$94.00	

**Cutlass**  
4-4-2/F-85



**Phone (562) 926-9552**  
**Fax (562) 926-9572**

Part Number	Year	Description	Price	*Rev.
10485	1969	<b>CONSOLE HARNESS</b> Auto Trans	\$94.00	
15590	1970	<b>CONSOLE HARNESS</b> Auto Trans	\$80.00	
16000	1971	<b>CONSOLE HARNESS</b> Auto Trans	\$87.00	
16000	1972	<b>CONSOLE HARNESS</b> Auto Trans	\$87.00	
<b>COURTESY LAMP HARNESS</b>				
04470	1964	<b>COURTESY LAMP HARNESS</b> Under Dash	\$67.00	
06890	1964	<b>COURTESY LAMP HARNESS</b> Cutlass Holiday Coupe, With Dual Rear Sail Panel Lights	\$60.00	
06885	1964	<b>COURTESY LAMP HARNESS</b> Center Roof Mounted Dome Lamp, F-85 Coupe	\$33.00	
06880	1964	<b>COURTESY LAMP HARNESS</b> Center Roof Mounted Dome Lamp, F-85 4 Door Sedan	\$34.00	
07110	1964	<b>COURTESY LAMP HARNESS</b> With Dual Rear Sail Panel Lights, F-85 Vista Cruiser Wagon	\$67.00	
04470	1965	<b>COURTESY LAMP HARNESS</b> Under Dash	\$67.00	
07710	1965	<b>COURTESY LAMP HARNESS</b> With Dual Rear Sail Panel Lights	\$53.00	
07580	1965	<b>COURTESY LAMP HARNESS</b> Center Roof Mounted Dome Lamp, All Cutlass & F-85 Coupes	\$33.00	
07575	1965	<b>COURTESY LAMP HARNESS</b> Center Roof Mounted Dome Lamp, F-85 4 Door Sedan	\$40.00	
04470	1966	<b>COURTESY LAMP HARNESS</b> Under Dash	\$67.00	
07710	1966	<b>COURTESY LAMP HARNESS</b> With Dual Rear Sail Panel Lights	\$53.00	
04470	1967	<b>COURTESY LAMP HARNESS</b> Under Dash	\$67.00	
07710	1967	<b>COURTESY LAMP HARNESS</b> With Dual Rear Sail Panel Lights	\$53.00	
12765	1968	<b>COURTESY LAMP HARNESS</b> Under Dash	\$83.00	
13415	1969	<b>COURTESY LAMP HARNESS</b> Under Dash	\$83.00	
15600	1970	<b>COURTESY LAMP HARNESS</b> Under Dash	\$83.00	
15600	1971	<b>COURTESY LAMP HARNESS</b> Under Dash	\$83.00	
15600	1972	<b>COURTESY LAMP HARNESS</b> Under Dash	\$83.00	
<b>COURTESY LAMP REPAIR PIGTAIL</b>				
43896	1964	<b>COURTESY LAMP REPAIR PIGTAIL</b> Convertible, 1/4 Arm Rest Courtesy Lamp, Includes Socket And 6" Of 18 Gauge, Orange & White Wire. 2 Required Per Car. Note: Original Wire Was 18 Gauge, Sometimes With A Heavy Wall Type Insulation. Repair Pigtail Is Also 18 Gauge, But Today's Insulation Is Of Much Higher Quality, And May Not Be As Thick As Some Original Cables.	\$17.00	
43896	1965	<b>COURTESY LAMP REPAIR PIGTAIL</b> Convertible, 1/4 Arm Rest Courtesy Lamp, Includes Socket And 6" Of 18 Gauge, Orange & White Wire. 2 Required Per Car. Note: Original Wire Was 18 Gauge, Sometimes With A Heavy Wall Type Insulation. Repair Pigtail Is Also 18 Gauge, But Today's Insulation Is Of Much Higher Quality, And May Not Be As Thick As Some Original Cables.	\$17.00	
43896	1966	<b>COURTESY LAMP REPAIR PIGTAIL</b> Convertible, 1/4 Arm Rest Courtesy Lamp, Includes Socket And 6" Of 18 Gauge, Orange & White Wire. 2 Required Per Car. Note: Original Wire Was 18 Gauge, Sometimes With A Heavy Wall Type Insulation. Repair Pigtail Is Also 18 Gauge, But Today's Insulation Is Of Much Higher Quality, And May Not Be As Thick As Some Original Cables.	\$17.00	
43896	1967	<b>COURTESY LAMP REPAIR PIGTAIL</b> Convertible, 1/4 Arm Rest Courtesy Lamp, Includes Socket And 6" Of 18 Gauge, Orange & White Wire. 2 Required Per Car. Note: Original Wire Was 18 Gauge, Sometimes With A Heavy Wall Type Insulation. Repair Pigtail Is Also 18 Gauge, But Today's Insulation Is Of Much Higher Quality, And May Not Be As Thick As Some Original Cables.	\$17.00	
43896	1968	<b>COURTESY LAMP REPAIR PIGTAIL</b> Convertible, 1/4 Arm Rest Courtesy Lamp, Includes Socket And 6" Of 18 Gauge, Orange & White Wire. 2 Required Per Car. Note: Original Wire Was 18 Gauge, Sometimes With A Heavy Wall Type Insulation. Repair Pigtail Is Also 18 Gauge, But Today's Insulation Is Of Much Higher Quality, And May Not Be As Thick As Some Original Cables.	\$17.00	
43896	1969	<b>COURTESY LAMP REPAIR PIGTAIL</b> Convertible, 1/4 Arm Rest Courtesy Lamp, Includes Socket And 6" Of 18 Gauge, Orange & White Wire. 2 Required Per Car. Note: Original Wire Was 18 Gauge, Sometimes With A Heavy Wall Type Insulation. Repair Pigtail Is Also 18 Gauge, But Today's Insulation Is Of Much Higher Quality, And May Not Be As Thick As Some Original Cables.	\$17.00	

**Cutlass**  
**4-4-2/F-85**



**Phone (562) 926-9552**  
**Fax (562) 926-9572**

Part Number	Year	Description	Price	*Rev.
43896	1970	<b>COURTESY LAMP REPAIR PIGTAIL</b> Convertible, 1/4 Arm Rest Courtesy Lamp, Includes Socket And 6" Of 18 Gauge, Orange & White Wire. 2 Required Per Car. Note: Original Wire Was 18 Gauge, Sometimes With A Heavy Wall Type Insulation. Repair Pigtail Is Also 18 Gauge, But Today's Insulation Is Of Much Higher Quality, And May Not Be As Thick As Some Original Cables.	\$17.00	
43896	1971	<b>COURTESY LAMP REPAIR PIGTAIL</b> Convertible, 1/4 Arm Rest Courtesy Lamp, Includes Socket And 6" Of 18 Gauge, Orange & White Wire. 2 Required Per Car. Note: Original Wire Was 18 Gauge, Sometimes With A Heavy Wall Type Insulation. Repair Pigtail Is Also 18 Gauge, But Today's Insulation Is Of Much Higher Quality, And May Not Be As Thick As Some Original Cables.	\$17.00	
43896	1972	<b>COURTESY LAMP REPAIR PIGTAIL</b> Convertible, 1/4 Arm Rest Courtesy Lamp, Includes Socket And 6" Of 18 Gauge, Orange & White Wire. 2 Required Per Car. Note: Original Wire Was 18 Gauge, Sometimes With A Heavy Wall Type Insulation. Repair Pigtail Is Also 18 Gauge, But Today's Insulation Is Of Much Higher Quality, And May Not Be As Thick As Some Original Cables.	\$17.00	
<b>CRUISE CONTROL HARNESS</b>				
05770	1965	<b>CRUISE CONTROL HARNESS</b>	\$87.00	
10055	1966	<b>CRUISE CONTROL HARNESS</b>	\$87.00	
11115	1967	<b>CRUISE CONTROL HARNESS</b>	\$87.00	
12270	1968	<b>CRUISE CONTROL HARNESS</b>	\$87.00	
13280	1969	<b>CRUISE CONTROL HARNESS</b>	\$118.00	
15610	1970	<b>CRUISE CONTROL HARNESS</b>	\$118.00	
15610	1971	<b>CRUISE CONTROL HARNESS</b>	\$118.00	
16730	1972	<b>CRUISE CONTROL HARNESS</b>	\$118.00	
<b>DASH HARNESS</b>				
04335	1964	<b>DASH HARNESS</b> Auto Trans	\$661.00	
04330	1964	<b>DASH HARNESS</b> Manual Trans	\$648.00	
05205	1965	<b>DASH HARNESS</b> All Note: Customer Must Supply Their Original Fuseblock.	\$630.00	
10645	1966	<b>DASH HARNESS</b> Cutlass Note: Customer Must Supply Their Original Fuseblock.	\$648.00	
18300	1966	<b>DASH HARNESS</b> Cutlass, With Gauges Note: Customer Must Supply Their Original Fuseblock.	\$661.00	
10640	1966	<b>DASH HARNESS</b> F-85 Note: Customer Must Supply Their Original Fuseblock.	\$661.00	
10495	1966	<b>DASH HARNESS</b> F-85, With Gauges Note: Customer Must Supply Their Original Fuseblock.	\$661.00	
10285	1967	<b>DASH HARNESS</b> Auto Trans Note: Customer Must Supply Their Original Fuseblock.	\$630.00	
11615	1967	<b>DASH HARNESS</b> Manual Trans Note: Customer Must Supply Their Original Fuseblock.	\$648.00	
11620	1967	<b>DASH HARNESS</b> All With Gauges Note: Customer Must Supply Their Original Fuseblock.	\$630.00	
12760	1968	<b>DASH HARNESS</b> Auto Trans	\$648.00	
12755	1968	<b>DASH HARNESS</b> Manual Trans	\$661.00	
13250	1968	<b>DASH HARNESS</b> All With Gauges	\$648.00	
12775	1969	<b>DASH HARNESS</b> Auto Trans	\$648.00	
13495	1969	<b>DASH HARNESS</b> Manual Trans	\$661.00	
12720	1969	<b>DASH HARNESS</b> All With Gauges	\$648.00	
15660	1970	<b>DASH HARNESS</b> Auto Trans	\$661.00	
13570	1970	<b>DASH HARNESS</b> Manual Trans	\$661.00	
15665	1970	<b>DASH HARNESS</b> All With Gauges	\$661.00	

**Cutlass**  
4-4-2/F-85



**Phone (562) 926-9552**  
**Fax (562) 926-9572**

Part Number	Year	Description	Price	*Rev.
15820	1971	<b>DASH HARNESS</b> Auto Trans	\$661.00	
15815	1971	<b>DASH HARNESS</b> Manual Trans	\$695.00	
15825	1971	<b>DASH HARNESS</b> All With Gauges	\$661.00	
16700	1972	<b>DASH HARNESS</b> Auto Trans	\$661.00	
16695	1972	<b>DASH HARNESS</b> Manual Trans	\$695.00	
16880	1972	<b>DASH HARNESS</b> All With Gauges	\$695.00	
<b>DISTRIBUTOR WIRE</b>				
36057	1964	<b>DISTRIBUTOR WIRE</b> Distributor Points To Coil Negative Terminal, V/8 Note: Fits All GM V/8 Points Type Distributors From Approx. 1957 To 1974.	\$18.00	C
36057	1965	<b>DISTRIBUTOR WIRE</b> Distributor Points To Coil Negative Terminal, V/8 Note: Fits All GM V/8 Points Type Distributors From Approx. 1957 To 1974.	\$18.00	C
36057	1966	<b>DISTRIBUTOR WIRE</b> Distributor Points To Coil Negative Terminal, V/8 Note: Fits All GM V/8 Points Type Distributors From Approx. 1957 To 1974.	\$18.00	C
36057	1967	<b>DISTRIBUTOR WIRE</b> Distributor Points To Coil Negative Terminal, V/8 Note: Fits All GM V/8 Points Type Distributors From Approx. 1957 To 1974.	\$18.00	C
36057	1968	<b>DISTRIBUTOR WIRE</b> Distributor Points To Coil Negative Terminal, V/8 Note: Fits All GM V/8 Points Type Distributors From Approx. 1957 To 1974.	\$18.00	C
36057	1969	<b>DISTRIBUTOR WIRE</b> Distributor Points To Coil Negative Terminal, V/8 Note: Fits All GM V/8 Points Type Distributors From Approx. 1957 To 1974.	\$18.00	C
36057	1970	<b>DISTRIBUTOR WIRE</b> Distributor Points To Coil Negative Terminal, V/8 Note: Fits All GM V/8 Points Type Distributors From Approx. 1957 To 1974.	\$18.00	C
36057	1971	<b>DISTRIBUTOR WIRE</b> Distributor Points To Coil Negative Terminal, V/8 Note: Fits All GM V/8 Points Type Distributors From Approx. 1957 To 1974.	\$18.00	C
36057	1972	<b>DISTRIBUTOR WIRE</b> Distributor Points To Coil Negative Terminal, V/8 Note: Fits All GM V/8 Points Type Distributors From Approx. 1957 To 1974.	\$18.00	C
36057	1973	<b>DISTRIBUTOR WIRE</b> Distributor Points To Coil Negative Terminal, V/8 Note: Fits All GM V/8 Points Type Distributors From Approx. 1957 To 1974.	\$18.00	C
36057	1974	<b>DISTRIBUTOR WIRE</b> Distributor Points To Coil Negative Terminal, V/8 Note: Fits All GM V/8 Points Type Distributors From Approx. 1957 To 1974.	\$18.00	C
<b>ENGINE HARNESS</b>				
04350	1964	<b>ENGINE HARNESS</b> 6 Cylinder (V/6) Note: 6 Cylinder Items Are Not Returnable.	\$220.00	
04355	1964	<b>ENGINE HARNESS</b> V/8	\$172.00	
43177	1964	<b>ENGINE HARNESS-HEI</b> V/8 Note: This Harness Is Modified For Use With An HEI Distributor.	\$196.00	
43178	1964	<b>ENGINE HARNESS-SI SERIES INT REG ALT</b> V/8 Note: Modified For 1972-84 Non-Serpentine Belt ("SI" Series) Internal Regulated Alternators Mounted In The Factory Location.	\$210.00	
43179	1964	<b>ENGINE HARNESS-HEI AND SI SERIES INT REG ALT</b> V/8 Note: Modified For HEI & 1972-84 Non-Serpentine Belt ("SI" Series) Internal Regulated Alternators Mounted In The Factory Location.	\$224.00	
05210	1965	<b>ENGINE HARNESS</b> 6 Cylinder (V/6) Note: 6 Cylinder Items Are Not Returnable.	\$220.00	
05215	1965	<b>ENGINE HARNESS</b> V/8	\$172.00	
43180	1965	<b>ENGINE HARNESS-HEI</b> V/8 Note: This Harness Is Modified For Use With An HEI Distributor.	\$196.00	
43181	1965	<b>ENGINE HARNESS-SI SERIES INT REG ALT</b> V/8 Note: Modified For 1972-84 Non-Serpentine Belt ("SI" Series) Internal Regulated Alternators Mounted In The Factory Location.	\$210.00	

**Cutlass**  
**4-4-2/F-85**



**Phone (562) 926-9552**  
**Fax (562) 926-9572**

Part Number	Year	Description	Price	*Rev.
43182	1965	<b>ENGINE HARNESS-HEI AND SI SERIES INT REG ALT</b> V/8 Note: Modified For HEI & 1972-84 Non-Serpentine Belt ("SI" Series) Internal Regulated Alternators Mounted In The Factory Location.	\$224.00	
09280	1966	<b>ENGINE HARNESS</b> 6 Cylinder, Auto Trans Note: 6 Cylinder Items Are Not Returnable.	\$220.00	
10140	1966	<b>ENGINE HARNESS</b> 6 Cylinder, Manual Trans Note: 6 Cylinder Items Are Not Returnable.	\$220.00	
10180	1966	<b>ENGINE HARNESS</b> V/8, Cutlass	\$172.00	
43183	1966	<b>ENGINE HARNESS-HEI</b> V/8, Cutlass Note: This Harness Is Modified For Use With An HEI Distributor.	\$196.00	
43184	1966	<b>ENGINE HARNESS-SI SERIES INT REG ALT</b> V/8, Cutlass Note: Modified For 1972-84 Non-Serpentine Belt ("SI" Series) Internal Regulated Alternators Mounted In The Factory Location.	\$210.00	
43185	1966	<b>ENGINE HARNESS-HEI AND SI SERIES INT REG ALT</b> V/8, Cutlass Note: Modified For HEI & 1972-84 Non-Serpentine Belt ("SI" Series) Internal Regulated Alternators Mounted In The Factory Location.	\$224.00	
10500	1966	<b>ENGINE HARNESS</b> V/8, Cutlass, With Gauges	\$184.00	
43186	1966	<b>ENGINE HARNESS-HEI</b> V/8, Cutlass, With Gauges Note: This Harness Is Modified For Use With An HEI Distributor.	\$209.00	
43187	1966	<b>ENGINE HARNESS-SI SERIES INT REG ALT</b> V/8, Cutlass, With Gauges Note: Modified For 1972-84 Non-Serpentine Belt ("SI" Series) Internal Regulated Alternators Mounted In The Factory Location.	\$224.00	
43188	1966	<b>ENGINE HARNESS-HEI AND SI SERIES INT REG ALT</b> V/8, Cutlass, With Gauges Note: Modified For HEI & 1972-84 Non-Serpentine Belt ("SI" Series) Internal Regulated Alternators Mounted In The Factory Location.	\$236.00	
10155	1966	<b>ENGINE HARNESS</b> V/8, F-85	\$172.00	
43189	1966	<b>ENGINE HARNESS-HEI</b> V/8, F-85 Note: This Harness Is Modified For Use With An HEI Distributor.	\$196.00	
43190	1966	<b>ENGINE HARNESS-SI SERIES INT REG ALT</b> V/8, F-85 Note: Modified For 1972-84 Non-Serpentine Belt ("SI" Series) Internal Regulated Alternators Mounted In The Factory Location.	\$210.00	
43191	1966	<b>ENGINE HARNESS-HEI AND SI SERIES INT REG ALT</b> V/8, F-85 Note: Modified For HEI & 1972-84 Non-Serpentine Belt ("SI" Series) Internal Regulated Alternators Mounted In The Factory Location.	\$224.00	
10505	1966	<b>ENGINE HARNESS</b> V/8, F-85, With Gauges	\$184.00	
43192	1966	<b>ENGINE HARNESS-HEI</b> V/8, F-85, With Gauges Note: This Harness Is Modified For Use With An HEI Distributor.	\$209.00	
43193	1966	<b>ENGINE HARNESS-SI SERIES INT REG ALT</b> V/8, F-85, With Gauges Note: Modified For 1972-84 Non-Serpentine Belt ("SI" Series) Internal Regulated Alternators Mounted In The Factory Location.	\$224.00	
43194	1966	<b>ENGINE HARNESS-HEI AND SI SERIES INT REG ALT</b> V/8, F-85, With Gauges Note: Modified For HEI & 1972-84 Non-Serpentine Belt ("SI" Series) Internal Regulated Alternators Mounted In The Factory Location.	\$236.00	
10380	1967	<b>ENGINE HARNESS</b> 6 Cylinder, Auto Trans Note: 6 Cylinder Items Are Not Returnable.	\$220.00	
10385	1967	<b>ENGINE HARNESS</b> 6 Cylinder, Manual Trans Note: 6 Cylinder Items Are Not Returnable.	\$220.00	
10390	1967	<b>ENGINE HARNESS</b> V/8	\$172.00	
43195	1967	<b>ENGINE HARNESS-HEI</b> V/8 Note: This Harness Is Modified For Use With An HEI Distributor.	\$196.00	
43196	1967	<b>ENGINE HARNESS-SI SERIES INT REG ALT</b> V/8 Note: Modified For 1972-84 Non-Serpentine Belt ("SI" Series) Internal Regulated Alternators Mounted In The Factory Location.	\$210.00	

**Cutlass**  
4-4-2/F-85



**Phone (562) 926-9552**  
**Fax (562) 926-9572**

Part Number	Year	Description	Price	*Rev.
43197	1967	<b>ENGINE HARNESS-HEI AND SI SERIES INT REG ALT</b> V/8 Note: Modified For HEI & 1972-84 Non-Serpentine Belt ("SI" Series) Internal Regulated Alternators Mounted In The Factory Location.	\$224.00	
10745	1967	<b>ENGINE HARNESS</b> V/8, With Gauges	\$184.00	
43198	1967	<b>ENGINE HARNESS-HEI</b> V/8, With Gauges Note: This Harness Is Modified For Use With An HEI Distributor.	\$209.00	
43199	1967	<b>ENGINE HARNESS-SI SERIES INT REG ALT</b> V/8, With Gauges Note: Modified For 1972-84 Non-Serpentine Belt ("SI" Series) Internal Regulated Alternators Mounted In The Factory Location.	\$224.00	
43200	1967	<b>ENGINE HARNESS-HEI AND SI SERIES INT REG ALT</b> V/8, With Gauges Note: Modified For HEI & 1972-84 Non-Serpentine Belt ("SI" Series) Internal Regulated Alternators Mounted In The Factory Location.	\$236.00	
11580	1968	<b>ENGINE HARNESS</b> 6 Cylinder Note: 6 Cylinder Items Are Not Returnable.	\$188.00	
11585	1968	<b>ENGINE HARNESS</b> V/8	\$147.00	
43201	1968	<b>ENGINE HARNESS-HEI</b> V/8 Note: This Harness Is Modified For Use With An HEI Distributor.	\$171.00	
16170	1968	<b>ENGINE HARNESS</b> V/8, With Carburetor Idle Stop Solenoid	\$147.00	
43202	1968	<b>ENGINE HARNESS-HEI</b> V/8, With Carburetor Idle Stop Solenoid Note: This Harness Is Modified For Use With An HEI Distributor.	\$171.00	
11590	1968	<b>ENGINE HARNESS</b> V/8, With Carburetor Idle Stop Solenoid & Gauges	\$147.00	
43203	1968	<b>ENGINE HARNESS-HEI</b> V/8, With Carburetor Idle Stop Solenoid & Gauges Note: This Harness Is Modified For Use With An HEI Distributor.	\$171.00	
12640	1968	<b>ENGINE HARNESS</b> V/8, With Transistor Ignition & Gauges	\$166.00	
11580	1969	<b>ENGINE HARNESS</b> 6 Cylinder Note: 6 Cylinder Items Are Not Returnable.	\$188.00	
11585	1969	<b>ENGINE HARNESS</b> V/8	\$147.00	
43206	1969	<b>ENGINE HARNESS-HEI</b> V/8 Note: This Harness Is Modified For Use With An HEI Distributor.	\$171.00	
16170	1969	<b>ENGINE HARNESS</b> V/8, With Carburetor Idle Stop Solenoid (4 Bbl.) Note: On 2 Bbl. Carb Cars With Idle Stop Solenoid Use Part# 11585 Engine Harness And Part# 12800 Idle Stop Control Wire.	\$147.00	
43207	1969	<b>ENGINE HARNESS-HEI</b> V/8, With Carburetor Idle Stop Solenoid (4 Bbl.) Note: This Harness Is Modified For Use With An HEI Distributor. On 2 Bbl. Carb Cars With Idle Stop Solenoid Use Part# 11585 Engine Harness And Part# 12800 Idle Stop Control Wire.	\$171.00	
11590	1969	<b>ENGINE HARNESS</b> V/8, With Carburetor Idle Stop Solenoid (4 Bbl.) & Gauges Note: On 2 Bbl. Carb Cars With Idle Stop Solenoid Use Part# 11585 Engine Harness And Part# 12800 Idle Stop Control Wire.	\$147.00	
43208	1969	<b>ENGINE HARNESS-HEI</b> V/8, With Carburetor Idle Stop Solenoid (4 Bbl.) & Gauges Note: This Harness Is Modified For Use With An HEI Distributor. On 2 Bbl. Carb Cars With Idle Stop Solenoid Use Part# 11585 Engine Harness And Part# 12800 Idle Stop Control Wire.	\$171.00	
12640	1969	<b>ENGINE HARNESS</b> V/8, With Transistor Ignition & Gauges	\$166.00	
15785	1970	<b>ENGINE HARNESS</b> 6 Cylinder, Auto Trans Note: 6 Cylinder Items Are Not Returnable.	\$194.00	
15790	1970	<b>ENGINE HARNESS</b> 6 Cylinder, Manual Trans Note: 6 Cylinder Items Are Not Returnable.	\$194.00	
15675	1970	<b>ENGINE HARNESS</b> V/8, Auto Trans	\$166.00	
43209	1970	<b>ENGINE HARNESS-HEI</b> V/8, Auto Trans Note: This Harness Is Modified For Use With An HEI Distributor.	\$190.00	
15680	1970	<b>ENGINE HARNESS</b> V/8, Manual Trans	\$166.00	
43210	1970	<b>ENGINE HARNESS-HEI</b> V/8, Manual Trans Note: This Harness Is Modified For Use With An HEI Distributor.	\$190.00	



**Cutlass**  
**4-4-2/F-85**



**Phone (562) 926-9552**  
**Fax (562) 926-9572**

Part Number	Year	Description	Price	*Rev.
16101	1971	<b>ENGINE HARNESS</b> 6 Cylinder, Auto Trans Note: 6 Cylinder Items Are Not Returnable.	\$199.00	
16015	1971	<b>ENGINE HARNESS</b> 6 Cylinder, Manual Trans Note: 6 Cylinder Items Are Not Returnable.	\$199.00	
15865	1971	<b>ENGINE HARNESS</b> V/8, Auto Trans	\$166.00	
43211	1971	<b>ENGINE HARNESS-HEI</b> V/8, Auto Trans Note: This Harness Is Modified For Use With An HEI Distributor.	\$190.00	
16320	1971	<b>ENGINE HARNESS</b> V/8, Manual Trans	\$166.00	
43212	1971	<b>ENGINE HARNESS-HEI</b> V/8, Manual Trans Note: This Harness Is Modified For Use With An HEI Distributor.	\$190.00	
16630	1972	<b>ENGINE HARNESS</b> V/8, Auto Trans	\$226.00	
43213	1972	<b>ENGINE HARNESS-HEI</b> V/8, Auto Trans Note: This Harness Is Modified For Use With An HEI Distributor.	\$250.00	
43214	1972	<b>ENGINE HARNESS-SI SERIES INT REG ALT</b> V/8, Auto Trans Note: Modified For 1972-84 Non-Serpentine Belt ("SI" Series) Internal Regulated Alternators Mounted In The Factory Location.	\$264.00	
43215	1972	<b>ENGINE HARNESS-HEI AND SI SERIES INT REG ALT</b> V/8, Auto Trans Note: Modified For HEI & 1972-84 Non-Serpentine Belt ("SI" Series) Internal Regulated Alternators Mounted In The Factory Location.	\$278.00	
16625	1972	<b>ENGINE HARNESS</b> V/8, Manual Trans	\$226.00	
43216	1972	<b>ENGINE HARNESS-HEI</b> V/8, Manual Trans Note: This Harness Is Modified For Use With An HEI Distributor.	\$250.00	
43217	1972	<b>ENGINE HARNESS-SI SERIES INT REG ALT</b> V/8, Manual Trans Note: Modified For 1972-84 Non-Serpentine Belt ("SI" Series) Internal Regulated Alternators Mounted In The Factory Location.	\$264.00	
43218	1972	<b>ENGINE HARNESS-HEI AND SI SERIES INT REG ALT</b> V/8, Manual Trans Note: Modified For HEI & 1972-84 Non-Serpentine Belt ("SI" Series) Internal Regulated Alternators Mounted In The Factory Location.	\$278.00	
<b>FORWARD LAMP HARNESS</b>				
04340	1964	<b>FORWARD LAMP HARNESS</b> 6 Cylinder (V/6) Note: 6 Cylinder Items Are Not Returnable.	\$249.00	
04345	1964	<b>FORWARD LAMP HARNESS</b> V/8	\$219.00	
05220	1965	<b>FORWARD LAMP HARNESS</b> 6 Cylinder (V/6) Note: 6 Cylinder Items Are Not Returnable.	\$249.00	
05225	1965	<b>FORWARD LAMP HARNESS</b> V/8	\$219.00	
10625	1966	<b>FORWARD LAMP HARNESS</b> 6 Cylinder Note: 6 Cylinder Items Are Not Returnable.	\$249.00	
10630	1966	<b>FORWARD LAMP HARNESS</b> V/8	\$219.00	
10510	1966	<b>FORWARD LAMP HARNESS</b> V/8, With Gauges	\$226.00	
10395	1967	<b>FORWARD LAMP HARNESS</b> All	\$219.00	
12335	1968	<b>FORWARD LAMP HARNESS</b> 6 Cylinder Note: 6 Cylinder Items Are Not Returnable.	\$318.00	
12340	1968	<b>FORWARD LAMP HARNESS</b> V/8	\$265.00	
43204	1968	<b>FORWARD LAMP HARNESS-INT REG ALT</b> V/8 Note: Modified For 1972-84 Non-Serpentine Belt ("SI" Series) Internal Regulated Alternators Mounted In The Factory Location.	\$304.00	
12350	1968	<b>FORWARD LAMP HARNESS</b> V/8, With A/C	\$291.00	
43205	1968	<b>FORWARD LAMP HARNESS-INT REG ALT</b> V/8, With A/C Note: Modified For 1972-84 Non-Serpentine Belt ("SI" Series) Internal Regulated Alternators Mounted In The Factory Location.	\$304.00	
12785	1969	<b>FORWARD LAMP HARNESS</b> 6 Cylinder Note: 6 Cylinder Items Are Not Returnable.	\$304.00	
12790	1969	<b>FORWARD LAMP HARNESS</b> V/8	\$291.00	

Part Number	Year	Description	Price	*Rev.
12795	1969	<b>FORWARD LAMP HARNESS</b> V/8, With A/C	\$291.00	
13255	1969	<b>FORWARD LAMP HARNESS</b> V/8, With Internal Regulator Alternator	\$265.00	
13260	1969	<b>FORWARD LAMP HARNESS</b> V/8, With A/C & Internal Regulator Alternator	\$265.00	
13585	1970	<b>FORWARD LAMP HARNESS</b> 6 Cylinder Note: 6 Cylinder Items Are Not Returnable.	\$304.00	
13590	1970	<b>FORWARD LAMP HARNESS</b> V/8	\$291.00	
13595	1970	<b>FORWARD LAMP HARNESS</b> V/8, With A/C	\$265.00	
13600	1970	<b>FORWARD LAMP HARNESS</b> V/8, With Internal Regulator Alternator	\$265.00	
13605	1970	<b>FORWARD LAMP HARNESS</b> V/8, With A/C & Internal Regulator Alternator	\$265.00	
15965	1971	<b>FORWARD LAMP HARNESS</b> 6 Cylinder Note: 6 Cylinder Items Are Not Returnable.	\$318.00	
15870	1971	<b>FORWARD LAMP HARNESS</b> V/8	\$291.00	
15875	1971	<b>FORWARD LAMP HARNESS</b> V/8, With Internal Regulator Alternator	\$291.00	
16635	1972	<b>FORWARD LAMP HARNESS</b> All	\$259.00	
<b>FUEL TANK SENDER WIRE</b>				
01040	1968	<b>FUEL TANK SENDER WIRE</b> All, Except Wagons	\$20.00	
11910	1968	<b>FUEL TANK SENDER WIRE</b> Wagon	\$30.00	
01040	1969	<b>FUEL TANK SENDER WIRE</b> All, Except Wagons	\$20.00	
11910	1969	<b>FUEL TANK SENDER WIRE</b> Wagon	\$30.00	
01040	1970	<b>FUEL TANK SENDER WIRE</b> All, Except Wagons	\$20.00	
11910	1970	<b>FUEL TANK SENDER WIRE</b> Wagon	\$30.00	
01040	1971	<b>FUEL TANK SENDER WIRE</b> All, Except Wagons	\$20.00	
11910	1971	<b>FUEL TANK SENDER WIRE</b> Wagon	\$30.00	
01040	1972	<b>FUEL TANK SENDER WIRE</b> All, Except Wagons	\$20.00	
11910	1972	<b>FUEL TANK SENDER WIRE</b> Wagon	\$30.00	
<b>FUEL TANK SENDING UNIT</b>				
06428034	1968	<b>FUEL TANK SENDING UNIT</b> 3/8" Fuel Line, Single Outlet, Except Wagon	\$43.00	N
06428034	1969	<b>FUEL TANK SENDING UNIT</b> 3/8" Fuel Line, Single Outlet, Except Wagon	\$43.00	N
06428034	1970	<b>FUEL TANK SENDING UNIT</b> 3/8" Fuel Line, Single Outlet, Except Wagon	\$43.00	N
06428838	1971	<b>FUEL TANK SENDING UNIT</b> 3/8" Fuel Line, Single Outlet, Except Wagon	\$43.00	N
06428837	1971	<b>FUEL TANK SENDING UNIT</b> 3/8" Fuel Line, With 2nd Vent Line, Except Wagon	\$43.00	N
06428838	1972	<b>FUEL TANK SENDING UNIT</b> 3/8" Fuel Line, Single Outlet, Except Wagon	\$43.00	N
06428837	1972	<b>FUEL TANK SENDING UNIT</b> 3/8" Fuel Line, With 2nd Vent Line, Except Wagon	\$43.00	N
<b>GLOVE BOX LAMP KIT</b>				
18000	1961	<b>GLOVE BOX LAMP KIT</b> Socket, Bulb & Wire	\$24.00	
18000	1962	<b>GLOVE BOX LAMP KIT</b> Socket, Bulb & Wire	\$24.00	
18000	1963	<b>GLOVE BOX LAMP KIT</b> Socket, Bulb & Wire	\$24.00	
18000	1964	<b>GLOVE BOX LAMP KIT</b> Socket, Bulb & Wire	\$24.00	
18000	1965	<b>GLOVE BOX LAMP KIT</b> Socket, Bulb & Wire	\$24.00	
18000	1966	<b>GLOVE BOX LAMP KIT</b> Socket, Bulb & Wire	\$24.00	
18000	1967	<b>GLOVE BOX LAMP KIT</b> Socket, Bulb & Wire	\$24.00	
18000	1968	<b>GLOVE BOX LAMP KIT</b> Socket, Bulb & Wire	\$24.00	
18000	1969	<b>GLOVE BOX LAMP KIT</b> Socket, Bulb & Wire	\$24.00	
<b>GLOVE BOX LAMP WIRE</b>				
06075	1966	<b>GLOVE BOX LAMP WIRE</b>	\$17.00	
11665	1968	<b>GLOVE BOX LAMP WIRE</b>	\$27.00	

Part Number	Year	Description	Price	*Rev.
11665	1969	GLOVE BOX LAMP WIRE	\$27.00	
<b>GROUND WIRE</b>				
11070	1967	GROUND WIRE Instrument Cluster	\$18.00	
11125	1967	GROUND WIRE Stereo Tape Player, Player To Dash	\$13.00	
11070	1968	GROUND WIRE Instrument Cluster	\$18.00	
12255	1968	GROUND WIRE Map Light	\$13.00	
11125	1968	GROUND WIRE Stereo Tape Player, Player To Dash	\$13.00	
11070	1969	GROUND WIRE Instrument Cluster	\$18.00	
12255	1969	GROUND WIRE Map Light	\$13.00	
11125	1969	GROUND WIRE Stereo Tape Player, Player To Dash	\$13.00	
11125	1970	GROUND WIRE Stereo Tape Player, Player To Dash	\$13.00	
11125	1971	GROUND WIRE Stereo Tape Player, Player To Dash	\$13.00	
<b>GROUND WIRE-DISTRIBUTOR POINT PLATE</b>				
38298	1964	GROUND WIRE, DISTRIBUTOR POINT PLATE From Distributor Point Plate To Distributor Housing Note: Replaces Spot Welded Wire Asm On Point Plate Side. Fits All GM V/8 Point Type Distributors From Approx. 1957-1974.	\$17.00	C
38298	1965	GROUND WIRE, DISTRIBUTOR POINT PLATE From Distributor Point Plate To Distributor Housing Note: Replaces Spot Welded Wire Asm On Point Plate Side. Fits All GM V/8 Point Type Distributors From Approx. 1957-1974.	\$17.00	C
38298	1966	GROUND WIRE, DISTRIBUTOR POINT PLATE From Distributor Point Plate To Distributor Housing Note: Replaces Spot Welded Wire Asm On Point Plate Side. Fits All GM V/8 Point Type Distributors From Approx. 1957-1974.	\$17.00	C
38298	1967	GROUND WIRE, DISTRIBUTOR POINT PLATE From Distributor Point Plate To Distributor Housing Note: Replaces Spot Welded Wire Asm On Point Plate Side. Fits All GM V/8 Point Type Distributors From Approx. 1957-1974.	\$17.00	C
38298	1968	GROUND WIRE, DISTRIBUTOR POINT PLATE From Distributor Point Plate To Distributor Housing Note: Replaces Spot Welded Wire Asm On Point Plate Side. Fits All GM V/8 Point Type Distributors From Approx. 1957-1974.	\$17.00	C
38298	1969	GROUND WIRE, DISTRIBUTOR POINT PLATE From Distributor Point Plate To Distributor Housing Note: Replaces Spot Welded Wire Asm On Point Plate Side. Fits All GM V/8 Point Type Distributors From Approx. 1957-1974.	\$17.00	C
38298	1970	GROUND WIRE, DISTRIBUTOR POINT PLATE From Distributor Point Plate To Distributor Housing Note: Replaces Spot Welded Wire Asm On Point Plate Side. Fits All GM V/8 Point Type Distributors From Approx. 1957-1974.	\$17.00	C
38298	1971	GROUND WIRE, DISTRIBUTOR POINT PLATE From Distributor Point Plate To Distributor Housing Note: Replaces Spot Welded Wire Asm On Point Plate Side. Fits All GM V/8 Point Type Distributors From Approx. 1957-1974.	\$17.00	C
38298	1972	GROUND WIRE, DISTRIBUTOR POINT PLATE From Distributor Point Plate To Distributor Housing Note: Replaces Spot Welded Wire Asm On Point Plate Side. Fits All GM V/8 Point Type Distributors From Approx. 1957-1974.	\$17.00	C
38298	1973	GROUND WIRE, DISTRIBUTOR POINT PLATE From Distributor Point Plate To Distributor Housing Note: Replaces Spot Welded Wire Asm On Point Plate Side. Fits All GM V/8 Point Type Distributors From Approx. 1957-1974.	\$17.00	C
38298	1974	GROUND WIRE, DISTRIBUTOR POINT PLATE From Distributor Point Plate To Distributor Housing Note: Replaces Spot Welded Wire Asm On Point Plate Side. Fits All GM V/8 Point Type Distributors From Approx. 1957-1974.	\$17.00	C
<b>HARNESS TAPE</b>				
R0058272	1961	HARNESS TAPE 3/4" Vinyl (100 Ft. Roll) Non-Adhesive	\$12.00	
R0058276	1961	HARNESS TAPE 1" Vinyl (100 Ft. Roll) Non-Adhesive	\$13.00	
R0067108	1961	HARNESS TAPE 1 1/4" Vinyl (100 Ft. Roll) Non-Adhesive	\$15.00	
R0058272	1962	HARNESS TAPE 3/4" Vinyl (100 Ft. Roll) Non-Adhesive	\$12.00	
R0058276	1962	HARNESS TAPE 1" Vinyl (100 Ft. Roll) Non-Adhesive	\$13.00	
R0067108	1962	HARNESS TAPE 1 1/4" Vinyl (100 Ft. Roll) Non-Adhesive	\$15.00	
R0058272	1963	HARNESS TAPE 3/4" Vinyl (100 Ft. Roll) Non-Adhesive	\$12.00	
R0058276	1963	HARNESS TAPE 1" Vinyl (100 Ft. Roll) Non-Adhesive	\$13.00	
R0067108	1963	HARNESS TAPE 1 1/4" Vinyl (100 Ft. Roll) Non-Adhesive	\$15.00	
R0058272	1964	HARNESS TAPE 3/4" Vinyl (100 Ft. Roll) Non-Adhesive	\$12.00	
R0058276	1964	HARNESS TAPE 1" Vinyl (100 Ft. Roll) Non-Adhesive	\$13.00	

**Cutlass**  
4-4-2/F-85



**Phone (562) 926-9552**  
**Fax (562) 926-9572**

Part Number	Year	Description	Price	*Rev.
R0067108	1964	HARNESS TAPE 1 1/4" Vinyl (100 Ft. Roll) Non-Adhesive	\$15.00	
R0058272	1965	HARNESS TAPE 3/4" Vinyl (100 Ft. Roll) Non-Adhesive	\$12.00	
R0058276	1965	HARNESS TAPE 1" Vinyl (100 Ft. Roll) Non-Adhesive	\$13.00	
R0067108	1965	HARNESS TAPE 1 1/4" Vinyl (100 Ft. Roll) Non-Adhesive	\$15.00	
R0058272	1966	HARNESS TAPE 3/4" Vinyl (100 Ft. Roll) Non-Adhesive	\$12.00	
R0058276	1966	HARNESS TAPE 1" Vinyl (100 Ft. Roll) Non-Adhesive	\$13.00	
R0067108	1966	HARNESS TAPE 1 1/4" Vinyl (100 Ft. Roll) Non-Adhesive	\$15.00	
R0058272	1967	HARNESS TAPE 3/4" Vinyl (100 Ft. Roll) Non-Adhesive	\$12.00	
R0058276	1967	HARNESS TAPE 1" Vinyl (100 Ft. Roll) Non-Adhesive	\$13.00	
R0067108	1967	HARNESS TAPE 1 1/4" Vinyl (100 Ft. Roll) Non-Adhesive	\$15.00	
R0058272	1968	HARNESS TAPE 3/4" Vinyl (100 Ft. Roll) Non-Adhesive	\$12.00	
R0058276	1968	HARNESS TAPE 1" Vinyl (100 Ft. Roll) Non-Adhesive	\$13.00	
R0067108	1968	HARNESS TAPE 1 1/4" Vinyl (100 Ft. Roll) Non-Adhesive	\$15.00	
R0058272	1969	HARNESS TAPE 3/4" Vinyl (100 Ft. Roll) Non-Adhesive	\$12.00	
R0058276	1969	HARNESS TAPE 1" Vinyl (100 Ft. Roll) Non-Adhesive	\$13.00	
R0067108	1969	HARNESS TAPE 1 1/4" Vinyl (100 Ft. Roll) Non-Adhesive	\$15.00	
R0058272	1970	HARNESS TAPE 3/4" Vinyl (100 Ft. Roll) Non-Adhesive	\$12.00	
R0058276	1970	HARNESS TAPE 1" Vinyl (100 Ft. Roll) Non-Adhesive	\$13.00	
R0067108	1970	HARNESS TAPE 1 1/4" Vinyl (100 Ft. Roll) Non-Adhesive	\$15.00	
R0058272	1971	HARNESS TAPE 3/4" Vinyl (100 Ft. Roll) Non-Adhesive	\$12.00	
R0058276	1971	HARNESS TAPE 1" Vinyl (100 Ft. Roll) Non-Adhesive	\$13.00	
R0067108	1971	HARNESS TAPE 1 1/4" Vinyl (100 Ft. Roll) Non-Adhesive	\$15.00	
R0058272	1972	HARNESS TAPE 3/4" Vinyl (100 Ft. Roll) Non-Adhesive	\$12.00	
R0058276	1972	HARNESS TAPE 1" Vinyl (100 Ft. Roll) Non-Adhesive	\$13.00	
R0067108	1972	HARNESS TAPE 1 1/4" Vinyl (100 Ft. Roll) Non-Adhesive	\$15.00	
R0058272	1973	HARNESS TAPE 3/4" Vinyl (100 Ft. Roll) Non-Adhesive	\$12.00	
R0058276	1973	HARNESS TAPE 1" Vinyl (100 Ft. Roll) Non-Adhesive	\$13.00	
R0067108	1973	HARNESS TAPE 1 1/4" Vinyl (100 Ft. Roll) Non-Adhesive	\$15.00	
R0058272	1974	HARNESS TAPE 3/4" Vinyl (100 Ft. Roll) Non-Adhesive	\$12.00	
R0058276	1974	HARNESS TAPE 1" Vinyl (100 Ft. Roll) Non-Adhesive	\$13.00	
R0067108	1974	HARNESS TAPE 1 1/4" Vinyl (100 Ft. Roll) Non-Adhesive	\$15.00	
R0058272	1975	HARNESS TAPE 3/4" Vinyl (100 Ft. Roll) Non-Adhesive	\$12.00	
R0058276	1975	HARNESS TAPE 1" Vinyl (100 Ft. Roll) Non-Adhesive	\$13.00	
R0067108	1975	HARNESS TAPE 1 1/4" Vinyl (100 Ft. Roll) Non-Adhesive	\$15.00	
R0058272	1976	HARNESS TAPE 3/4" Vinyl (100 Ft. Roll) Non-Adhesive	\$12.00	
R0058276	1976	HARNESS TAPE 1" Vinyl (100 Ft. Roll) Non-Adhesive	\$13.00	
R0067108	1976	HARNESS TAPE 1 1/4" Vinyl (100 Ft. Roll) Non-Adhesive	\$15.00	
<b>HEADLIGHT SWITCH</b>				
01995179	1964	HEADLIGHT SWITCH	\$20.00	N
01995179	1965	HEADLIGHT SWITCH	\$20.00	N
01995179	1966	HEADLIGHT SWITCH	\$20.00	N
01995179	1967	HEADLIGHT SWITCH	\$20.00	N
01995216	1969	HEADLIGHT SWITCH	\$20.00	N
01995216	1970	HEADLIGHT SWITCH	\$20.00	N
01995216	1971	HEADLIGHT SWITCH	\$20.00	N
01995216	1972	HEADLIGHT SWITCH	\$20.00	N

**Cutlass**  
**4-4-2/F-85**



**Phone (562) 926-9552**  
**Fax (562) 926-9572**

Part Number	Year	Description	Price	*Rev.
<b>HEATER HARNESS</b>				
43914	1964	HEATER HARNESS Without A/C	\$41.00	
43914	1965	HEATER HARNESS Without A/C	\$41.00	
43914	1966	HEATER HARNESS Without A/C	\$41.00	
18305	1967	HEATER HARNESS Without A/C	\$41.00	
12115	1968	HEATER HARNESS Without A/C	\$41.00	
12115	1969	HEATER HARNESS Without A/C	\$41.00	
18310	1970	HEATER HARNESS Without A/C	\$41.00	
18310	1971	HEATER HARNESS Without A/C	\$41.00	
18310	1972	HEATER HARNESS Without A/C	\$41.00	
<b>HOOD LAMP EXTENSION WIRE</b>				
10070	1968	HOOD LAMP EXTENSION WIRE Underhood Light (Original Factory Type Only)	\$20.00	
13270	1969	HOOD LAMP EXTENSION WIRE Underhood Light (Original Factory Type Only)	\$20.00	
<b>HOOD LAMP REPLACEMENT KIT</b>				
18410	1964	HOOD LAMP KIT Under Hood, Includes Socket, Wire & Bulb	\$60.00	C
18410	1965	HOOD LAMP KIT Under Hood, Includes Socket, Wire & Bulb	\$60.00	C
18410	1966	HOOD LAMP KIT Under Hood, Includes Socket, Wire & Bulb	\$60.00	C
18410	1967	HOOD LAMP KIT Under Hood, Includes Socket, Wire & Bulb	\$60.00	C
18410	1968	HOOD LAMP KIT Under Hood, Includes Socket, Wire & Bulb	\$60.00	C
18410	1969	HOOD LAMP KIT Under Hood, Includes Socket, Wire & Bulb	\$60.00	C
18410	1970	HOOD LAMP KIT Under Hood, Includes Socket, Wire & Bulb	\$60.00	C
18410	1971	HOOD LAMP KIT Under Hood, Includes Socket, Wire & Bulb	\$60.00	C
18410	1972	HOOD LAMP KIT Under Hood, Includes Socket, Wire & Bulb	\$60.00	C
18410	1973	HOOD LAMP KIT Under Hood, Includes Socket, Wire & Bulb	\$60.00	C
18410	1974	HOOD LAMP KIT Under Hood, Includes Socket, Wire & Bulb	\$60.00	C
18410	1975	HOOD LAMP KIT Under Hood, Includes Socket, Wire & Bulb	\$60.00	C
18410	1976	HOOD LAMP KIT Under Hood, Includes Socket, Wire & Bulb	\$60.00	C
18410	1977	HOOD LAMP KIT Under Hood, Includes Socket, Wire & Bulb	\$60.00	C
<b>HORN WIRE EXTENSION HARNESS</b>				
11550	1967	HORN WIRE EXTENSION HARNESS With W-30 Option	\$17.00	
<b>IDLE STOP CONTROL WIRE</b>				
12800	1969	IDLE STOP CONTROL WIRE 2 Bbl. Carburetor Only, From Carburetor Solenoid To Fuse Block Note: To Be Used With Engine Harness Part# 11585.	\$22.00	
<b>IGNITION CYLINDER AND KEYS</b>				
20071252	1969	IGNITION CYLINDER AND KEYS Chrome, All	\$18.50	N
20071252	1970	IGNITION CYLINDER AND KEYS Chrome, All	\$18.50	N
20071252	1971	IGNITION CYLINDER AND KEYS Chrome, All	\$18.50	N
20071252	1972	IGNITION CYLINDER AND KEYS Chrome, All	\$18.50	N
20071252	1973	IGNITION CYLINDER AND KEYS Chrome, All	\$18.50	N
20071252	1974	IGNITION CYLINDER AND KEYS Chrome, All	\$18.50	N
20071252	1975	IGNITION CYLINDER AND KEYS Chrome, All	\$18.50	N
20071252	1976	IGNITION CYLINDER AND KEYS Chrome, All	\$18.50	N
20071252	1977	IGNITION CYLINDER AND KEYS Chrome, All	\$18.50	N
20071252	1978	IGNITION CYLINDER AND KEYS Chrome, All, 1st Design, Used On Columns Without Lock Cylinder Retaining Screw	\$18.50	N

**Cutlass**  
4-4-2/F-85



**Phone (562) 926-9552**  
**Fax (562) 926-9572**

Part Number	Year	Description	Price	*Rev.
07833759	1978	<b>IGNITION CYLINDER AND KEYS</b> Chrome, All, 2nd Design, Used On Columns With Lock Cylinder Retaining Screw	\$18.50	N
07833759	1979	<b>IGNITION CYLINDER AND KEYS</b> Chrome, All	\$18.50	N
07833759	1980	<b>IGNITION CYLINDER AND KEYS</b> Chrome, All	\$18.50	N
07833759	1981	<b>IGNITION CYLINDER AND KEYS</b> Chrome, All	\$18.50	N
07833759	1982	<b>IGNITION CYLINDER AND KEYS</b> Chrome, All	\$18.50	N
07833759	1983	<b>IGNITION CYLINDER AND KEYS</b> Chrome, All	\$18.50	N
07833759	1984	<b>IGNITION CYLINDER AND KEYS</b> Chrome, All	\$18.50	N
07833759	1985	<b>IGNITION CYLINDER AND KEYS</b> Chrome, All	\$18.50	N
07833759	1986	<b>IGNITION CYLINDER AND KEYS</b> Chrome, All	\$18.50	N
07833759	1987	<b>IGNITION CYLINDER AND KEYS</b> Chrome, All	\$18.50	N
07833759	1988	<b>IGNITION CYLINDER AND KEYS</b> Chrome, All	\$18.50	N
<b>IGNITION SWITCH</b>				
44205	1965	<b>IGNITION SWITCH KIT</b> F-85 Note: Includes Ignition Switch, Connector And Instructions.	\$37.00	N
01990110	1969	<b>IGNITION SWITCH</b> All, With Tilt	\$14.00	N
01990110	1970	<b>IGNITION SWITCH</b> All, With Tilt	\$14.00	N
01990110	1971	<b>IGNITION SWITCH</b> All, With Tilt	\$14.00	N
01990110	1972	<b>IGNITION SWITCH</b> All, With Tilt	\$14.00	N
01990110	1973	<b>IGNITION SWITCH</b> All, With Tilt	\$14.00	N
01990110	1974	<b>IGNITION SWITCH</b> All, With Tilt	\$14.00	N
01990110	1975	<b>IGNITION SWITCH</b> All, With Tilt	\$14.00	N
01990110	1976	<b>IGNITION SWITCH</b> All, With Tilt	\$14.00	N
01990110	1977	<b>IGNITION SWITCH</b> All, With Tilt	\$14.00	N
01990110	1978	<b>IGNITION SWITCH</b> All, With Tilt	\$14.00	N
01990110	1979	<b>IGNITION SWITCH</b> All, With Tilt	\$14.00	N
01990110	1980	<b>IGNITION SWITCH</b> All, With Tilt	\$14.00	N
01990110	1981	<b>IGNITION SWITCH</b> All, With Tilt	\$14.00	N
01990110	1982	<b>IGNITION SWITCH</b> All, With Tilt	\$14.00	N
01990110	1983	<b>IGNITION SWITCH</b> All, With Tilt	\$14.00	N
01990110	1984	<b>IGNITION SWITCH</b> All, With Tilt	\$14.00	N
01990110	1985	<b>IGNITION SWITCH</b> All, With Tilt	\$14.00	N
01990110	1986	<b>IGNITION SWITCH</b> All, With Tilt	\$14.00	N
01990110	1987	<b>IGNITION SWITCH</b> All, With Tilt	\$14.00	N
01990110	1988	<b>IGNITION SWITCH</b> All, With Tilt	\$14.00	N
<b>INSTRUMENT GAUGE CLUSTER CLIP KIT</b>				
08986000	1976	<b>CLIP KIT</b> Cutlass, All, Instrument Gauge Cluster / Printed Circuit Board Retaining Clip Note: Replaces Original GM Part Number 08986000, Includes 12 Clips Per Kit.	\$14.00	N
08986000	1977	<b>CLIP KIT</b> Cutlass, All, Instrument Gauge Cluster / Printed Circuit Board Retaining Clip Note: Replaces Original GM Part Number 08986000, Includes 12 Clips Per Kit.	\$14.00	N
08986000	1978	<b>CLIP KIT</b> Cutlass, All, Instrument Gauge Cluster / Printed Circuit Board Retaining Clip Note: Replaces Original GM Part Number 08986000, Includes 12 Clips Per Kit.	\$14.00	N
08986000	1979	<b>CLIP KIT</b> Cutlass, All, Instrument Gauge Cluster / Printed Circuit Board Retaining Clip Note: Replaces Original GM Part Number 08986000, Includes 12 Clips Per Kit.	\$14.00	N

**Cutlass**  
4-4-2/F-85



**Phone (562) 926-9552**  
**Fax (562) 926-9572**

Part Number	Year	Description	Price	*Rev.
08986000	1980	<b>CLIP KIT</b> Cutlass, All, Instrument Gauge Cluster / Printed Circuit Board Retaining Clip Note: Replaces Original GM Part Number 08986000, Includes 12 Clips Per Kit.	\$14.00	N
08986000	1981	<b>CLIP KIT</b> Cutlass, All, Instrument Gauge Cluster / Printed Circuit Board Retaining Clip Note: Replaces Original GM Part Number 08986000, Includes 12 Clips Per Kit.	\$14.00	N
08986000	1982	<b>CLIP KIT</b> Cutlass, All, Instrument Gauge Cluster / Printed Circuit Board Retaining Clip Note: Replaces Original GM Part Number 08986000, Includes 12 Clips Per Kit.	\$14.00	N
08986000	1983	<b>CLIP KIT</b> Cutlass, All, Instrument Gauge Cluster / Printed Circuit Board Retaining Clip Note: Replaces Original GM Part Number 08986000, Includes 12 Clips Per Kit.	\$14.00	N
08986000	1984	<b>CLIP KIT</b> Cutlass, All, Instrument Gauge Cluster / Printed Circuit Board Retaining Clip Note: Replaces Original GM Part Number 08986000, Includes 12 Clips Per Kit.	\$14.00	N
08986000	1985	<b>CLIP KIT</b> Cutlass, All, Instrument Gauge Cluster / Printed Circuit Board Retaining Clip Note: Replaces Original GM Part Number 08986000, Includes 12 Clips Per Kit.	\$14.00	N
08986000	1986	<b>CLIP KIT</b> Cutlass, All, Instrument Gauge Cluster / Printed Circuit Board Retaining Clip Note: Replaces Original GM Part Number 08986000, Includes 12 Clips Per Kit.	\$14.00	N
08986000	1987	<b>CLIP KIT</b> Cutlass, All, Instrument Gauge Cluster / Printed Circuit Board Retaining Clip Note: Replaces Original GM Part Number 08986000, Includes 12 Clips Per Kit.	\$14.00	N
08986000	1988	<b>CLIP KIT</b> Cutlass, All, Instrument Gauge Cluster / Printed Circuit Board Retaining Clip Note: Replaces Original GM Part Number 08986000, Includes 12 Clips Per Kit.	\$14.00	N
<b>KICKDOWN SWITCH</b>				
01242101	1969	<b>KICKDOWN SWITCH</b> TH400 Auto Trans	\$19.00	
01242101	1970	<b>KICKDOWN SWITCH</b> TH400 Auto Trans	\$19.00	
01242101	1971	<b>KICKDOWN SWITCH</b> TH400 Auto Trans	\$19.00	
01242101	1972	<b>KICKDOWN SWITCH</b> TH400 Auto Trans	\$19.00	
01242101	1973	<b>KICKDOWN SWITCH</b> TH400 Auto Trans	\$19.00	
01242101	1974	<b>KICKDOWN SWITCH</b> TH400 Auto Trans	\$19.00	
01242101	1975	<b>KICKDOWN SWITCH</b> TH400 Auto Trans	\$19.00	
01242101	1976	<b>KICKDOWN SWITCH</b> TH400, Auto Trans	\$19.00	
01242101	1977	<b>KICKDOWN SWITCH</b> TH400, Auto Trans	\$19.00	
<b>LOW FUEL INDICATOR MODULE</b>				
500274	1964	<b>LOW FUEL INDICATOR MODULE</b> Generic "Adjustable" Low Fuel Warning Module Note: A Complete Electronic Control Unit To Activate A Warning Lamp Or Relay When Fuel Level Drops Below A User Adjustable Level. Includes instruction sheet.	\$64.00	C
500274	1965	<b>LOW FUEL INDICATOR MODULE</b> Generic "Adjustable" Low Fuel Warning Module Note: A Complete Electronic Control Unit To Activate A Warning Lamp Or Relay When Fuel Level Drops Below A User Adjustable Level. Includes instruction sheet.	\$64.00	C
500274	1966	<b>LOW FUEL INDICATOR MODULE</b> Generic "Adjustable" Low Fuel Warning Module Note: A Complete Electronic Control Unit To Activate A Warning Lamp Or Relay When Fuel Level Drops Below A User Adjustable Level. Includes instruction sheet.	\$64.00	C
500274	1967	<b>LOW FUEL INDICATOR MODULE</b> Generic "Adjustable" Low Fuel Warning Module Note: A Complete Electronic Control Unit To Activate A Warning Lamp Or Relay When Fuel Level Drops Below A User Adjustable Level. Includes instruction sheet.	\$64.00	C

Part Number	Year	Description	Price	*Rev.
500274	1968	<b>LOW FUEL INDICATOR MODULE</b> Generic "Adjustable" Low Fuel Warning Module Note: A Complete Electronic Control Unit To Activate A Warning Lamp Or Relay When Fuel Level Drops Below A User Adjustable Level. Includes instruction sheet.	\$64.00	C
500274	1969	<b>LOW FUEL INDICATOR MODULE</b> Generic "Adjustable" Low Fuel Warning Module Note: A Complete Electronic Control Unit To Activate A Warning Lamp Or Relay When Fuel Level Drops Below A User Adjustable Level. Includes instruction sheet.	\$64.00	C
500274	1970	<b>LOW FUEL INDICATOR MODULE</b> Generic "Adjustable" Low Fuel Warning Module Note: A Complete Electronic Control Unit To Activate A Warning Lamp Or Relay When Fuel Level Drops Below A User Adjustable Level. Includes instruction sheet.	\$64.00	C
500274	1971	<b>LOW FUEL INDICATOR MODULE</b> Generic "Adjustable" Low Fuel Warning Module Note: A Complete Electronic Control Unit To Activate A Warning Lamp Or Relay When Fuel Level Drops Below A User Adjustable Level. Includes instruction sheet.	\$64.00	C
500274	1972	<b>LOW FUEL INDICATOR MODULE</b> Generic "Adjustable" Low Fuel Warning Module Note: A Complete Electronic Control Unit To Activate A Warning Lamp Or Relay When Fuel Level Drops Below A User Adjustable Level. Includes instruction sheet.	\$64.00	C
500274	1973	<b>LOW FUEL INDICATOR MODULE</b> Generic "Adjustable" Low Fuel Warning Module Note: A Complete Electronic Control Unit To Activate A Warning Lamp Or Relay When Fuel Level Drops Below A User Adjustable Level. Includes instruction sheet.	\$64.00	C
500274	1974	<b>LOW FUEL INDICATOR MODULE</b> Generic "Adjustable" Low Fuel Warning Module Note: A Complete Electronic Control Unit To Activate A Warning Lamp Or Relay When Fuel Level Drops Below A User Adjustable Level. Includes instruction sheet.	\$64.00	C
500274	1975	<b>LOW FUEL INDICATOR MODULE</b> Generic "Adjustable" Low Fuel Warning Module Note: A Complete Electronic Control Unit To Activate A Warning Lamp Or Relay When Fuel Level Drops Below A User Adjustable Level. Includes instruction sheet.	\$64.00	C
500274	1976	<b>LOW FUEL INDICATOR MODULE</b> Generic "Adjustable" Low Fuel Warning Module Note: A Complete Electronic Control Unit To Activate A Warning Lamp Or Relay When Fuel Level Drops Below A User Adjustable Level. Includes instruction sheet.	\$64.00	C
500274	1977	<b>LOW FUEL INDICATOR MODULE</b> Generic "Adjustable" Low Fuel Warning Module Note: A Complete Electronic Control Unit To Activate A Warning Lamp Or Relay When Fuel Level Drops Below A User Adjustable Level. Includes instruction sheet.	\$64.00	C
<b>NEUTRAL SAFETY AND BACKUP LAMP SWITCH</b>				
01993659	1964	<b>NEUTRAL SAFETY AND BACKUP LAMP SWITCH</b> With Column Shift Powerglide Auto Trans	\$12.00	
01993659	1965	<b>NEUTRAL SAFETY AND BACKUP LAMP SWITCH</b> With Column Shift Powerglide Auto Trans	\$12.00	
01993659	1966	<b>NEUTRAL SAFETY AND BACKUP LAMP SWITCH</b> With Column Shift Powerglide Auto Trans	\$12.00	
09779665	1968	<b>NEUTRAL SAFETY AND BACKUP LAMP SWITCH</b> With Console Shift Hurst Auto Trans	\$71.00	
01994235	1969	<b>NEUTRAL SAFETY AND BACKUP LAMP SWITCH</b> With Column Shift Auto Trans, All	\$19.00	
01994235	1970	<b>NEUTRAL SAFETY AND BACKUP LAMP SWITCH</b> With Column Shift Auto Trans, All	\$19.00	
01994235	1971	<b>NEUTRAL SAFETY AND BACKUP LAMP SWITCH</b> With Column Shift Auto Trans, All	\$19.00	
01994235	1972	<b>NEUTRAL SAFETY AND BACKUP LAMP SWITCH</b> With Column Shift Auto Trans, All	\$19.00	
01994235	1973	<b>NEUTRAL SAFETY AND BACKUP LAMP SWITCH</b> With Column Shift Auto Trans, All	\$19.00	
01994163	1974	<b>NEUTRAL SAFETY AND BACKUP LAMP SWITCH</b> With Auto Trans, All	\$19.00	
01994163	1975	<b>NEUTRAL SAFETY AND BACKUP LAMP SWITCH</b> With Auto Trans, All	\$19.00	
<b>NEUTRAL SAFETY SWITCH EXTENSION HARNESS</b>				
13490	1969	<b>NEUTRAL SAFETY SWITCH EXTENSION HARNESS</b> Manual Trans, From Clutch Switch To Dash Harness	\$23.00	
13490	1970	<b>NEUTRAL SAFETY SWITCH EXTENSION HARNESS</b> Manual Trans, From Clutch Switch To Dash Harness	\$23.00	
13490	1971	<b>NEUTRAL SAFETY SWITCH EXTENSION HARNESS</b> Manual Trans, From Clutch Switch To Dash Harness	\$23.00	
13490	1972	<b>NEUTRAL SAFETY SWITCH EXTENSION HARNESS</b> Manual Trans, From Clutch Switch To Dash Harness	\$23.00	
<b>OIL PRESSURE SENDER EXTENSION WIRE</b>				
10400	1966	<b>OIL PRESSURE SENDER EXTENSION WIRE</b> V/8, With A/C	\$13.00	
10400	1967	<b>OIL PRESSURE SENDER EXTENSION WIRE</b> V/8, With A/C	\$13.00	



Cutlass  
4-4-2/F-85



Phone (562) 926-9552  
Fax (562) 926-9572

Part Number	Year	Description	Price	*Rev.
<b>POWER ANTENNA HARNESS</b>				
06195	1966	POWER ANTENNA HARNESS Rear Mounted, Except Wagons	\$52.00	
06195	1967	POWER ANTENNA HARNESS Rear Mounted, Except Wagons	\$52.00	
30700	1968	POWER ANTENNA HARNESS Rear Mounted, Except Wagons	\$43.00	
30700	1969	POWER ANTENNA HARNESS Rear Mounted, Except Wagons	\$43.00	
<b>POWER DOOR LOCK RELAY AND ADAPTER HARNESS</b>				
39440	1970	POWER DOOR LOCK RELAY AND ADAPTER HARNESS Includes New Standard Type Relay And Adapter To Mate To Factory Harness	\$40.00	
<b>POWER DOOR LOCK SWITCH</b>				
20031475	1977	POWER DOOR LOCK SWITCH	\$62.00	N
01725099	1971	POWER DOOR LOCK SWITCH 1 Button	\$62.00	
01725099	1972	POWER DOOR LOCK SWITCH 1 Button	\$62.00	
01725099	1973	POWER DOOR LOCK SWITCH 1 Button	\$62.00	
01725099	1974	POWER DOOR LOCK SWITCH 1 Button	\$62.00	
01725099	1975	POWER DOOR LOCK SWITCH 1 Button	\$62.00	
01725099	1976	POWER DOOR LOCK SWITCH 1 Button	\$62.00	
01725099	1976	POWER DOOR LOCK SWITCH Omega, 1 Button	\$62.00	M
01725099	1977	POWER DOOR LOCK SWITCH Omega, 1 Button	\$62.00	M
01725099	1979	POWER DOOR LOCK SWITCH Omega, 1 Button	\$62.00	M
<b>POWER FEED EXTENSION</b>				
07700	1965	POWER FEED EXTENSION Circuit Breaker To Power Seat Harness	\$26.00	
07700	1966	POWER FEED EXTENSION Circuit Breaker To Power Seat Harness	\$26.00	
07700	1967	POWER FEED EXTENSION Circuit Breaker To Power Seat Harness	\$26.00	
05195	1967	POWER FEED EXTENSION Battery Junction Block To Circuit Breaker	\$27.00	
12320	1968	POWER FEED EXTENSION Battery Junction Block To Circuit Breaker	\$22.00	
13275	1969	POWER FEED EXTENSION Battery Junction Block To Circuit Breaker	\$17.00	
13275	1970	POWER FEED EXTENSION Battery Junction Block To Circuit Breaker	\$17.00	
13275	1971	POWER FEED EXTENSION Battery Junction Block To Circuit Breaker	\$17.00	
<b>POWER SEAT BACK RELAY AND ADAPTER HARNESS</b>				
39440	1970	POWER SEAT BACK RELAY AND ADAPTER HARNESS Includes New Standard Type Relay And Adapter To Mate To Factory Harness	\$40.00	
<b>POWER SEAT HARNESS</b>				
07600	1965	POWER SEAT HARNESS 4 Way Bucket, Drivers Side	\$159.00	
07595	1965	POWER SEAT HARNESS 4-Way Bench Note: Requires Customers Original Harness.	\$166.00	
07595	1966	POWER SEAT HARNESS 4-Way Bench Note: Requires Customers Original Harness.	\$166.00	
07595	1967	POWER SEAT HARNESS 4-Way Bench Note: Requires Customers Original Harness.	\$166.00	
<b>POWER SEAT MOTOR RELAY AND ADAPTER HARNESS</b>				
40146	1964	POWER SEAT MOTOR RELAY AND ADAPTER HARNESS Includes New Standard Type Relay And Adapter To Mate To Factory Harness	\$74.00	
40146	1965	POWER SEAT MOTOR RELAY AND ADAPTER HARNESS Includes New Standard Type Relay And Adapter To Mate To Factory Harness	\$74.00	
40146	1966	POWER SEAT MOTOR RELAY AND ADAPTER HARNESS Includes New Standard Type Relay And Adapter To Mate To Factory Harness	\$74.00	
40146	1967	POWER SEAT MOTOR RELAY AND ADAPTER HARNESS Includes New Standard Type Relay And Adapter To Mate To Factory Harness	\$74.00	

**Cutlass**  
4-4-2/F-85



**Phone (562) 926-9552**  
**Fax (562) 926-9572**

Part Number	Year	Description	Price	*Rev.
40146	1968	<b>POWER SEAT MOTOR RELAY AND ADAPTER HARNESS</b> Includes New Standard Type Relay And Adapter To Mate To Factory Harness	\$74.00	
40146	1969	<b>POWER SEAT MOTOR RELAY AND ADAPTER HARNESS</b> Includes New Standard Type Relay And Adapter To Mate To Factory Harness	\$74.00	
40146	1970	<b>POWER SEAT MOTOR RELAY AND ADAPTER HARNESS</b> Includes New Standard Type Relay And Adapter To Mate To Factory Harness	\$74.00	
40146	1971	<b>POWER SEAT MOTOR RELAY AND ADAPTER HARNESS</b> Includes New Standard Type Relay And Adapter To Mate To Factory Harness	\$74.00	
40146	1972	<b>POWER SEAT MOTOR RELAY AND ADAPTER HARNESS</b> Includes New Standard Type Relay And Adapter To Mate To Factory Harness	\$74.00	
40146	1973	<b>POWER SEAT MOTOR RELAY AND ADAPTER HARNESS</b> Includes New Standard Type Relay And Adapter To Mate To Factory Harness	\$74.00	
40146	1974	<b>POWER SEAT MOTOR RELAY AND ADAPTER HARNESS</b> Includes New Standard Type Relay And Adapter To Mate To Factory Harness	\$74.00	
40146	1975	<b>POWER SEAT MOTOR RELAY AND ADAPTER HARNESS</b> Includes New Standard Type Relay And Adapter To Mate To Factory Harness	\$74.00	
<b>POWER TAILGATE RELAY AND ADAPTER HARNESS</b>				
39440	1968	<b>POWER TAILGATE RELAY AND ADAPTER HARNESS</b> Includes New Standard Type Relay And Adapter To Mate To Factory Harness	\$40.00	
39440	1969	<b>POWER TAILGATE RELAY AND ADAPTER HARNESS</b> Includes New Standard Type Relay And Adapter To Mate To Factory Harness	\$40.00	
39440	1970	<b>POWER TAILGATE RELAY AND ADAPTER HARNESS</b> Includes New Standard Type Relay And Adapter To Mate To Factory Harness	\$40.00	
39440	1971	<b>POWER TAILGATE RELAY AND ADAPTER HARNESS</b> Includes New Standard Type Relay And Adapter To Mate To Factory Harness	\$40.00	
39440	1972	<b>POWER TAILGATE RELAY AND ADAPTER HARNESS</b> Includes New Standard Type Relay And Adapter To Mate To Factory Harness	\$40.00	
<b>POWER TOP HARNESS</b>				
18395	1964	<b>POWER TOP HARNESS</b> Convertible, From Switch To Body Harness Connector	\$83.00	
05805	1965	<b>POWER TOP HARNESS</b> Convertible, From Switch To Body Harness Connector	\$83.00	
09425	1966	<b>POWER TOP HARNESS</b> Convertible, From Switch To Body Harness Connector	\$82.00	
09425	1967	<b>POWER TOP HARNESS</b> Convertible, From Switch To Body Harness Connector	\$82.00	
15605	1970	<b>POWER TOP HARNESS</b> Convertible, From Switch To Body Harness Connector	\$82.00	
15605	1971	<b>POWER TOP HARNESS</b> Convertible, From Switch To Body Harness Connector	\$82.00	
16735	1972	<b>POWER TOP HARNESS</b> Convertible, From Switch To Body Harness Connector	\$82.00	
<b>POWER WINDOW HARNESS</b>				
06680	1963	<b>POWER WINDOW HARNESS</b> Left Rear Quarter Window, Cutlass Convertible	\$105.00	
06675	1963	<b>POWER WINDOW HARNESS</b> Right Rear Quarter Window, Cutlass Convertible	\$105.00	
06670	1963	<b>POWER WINDOW HARNESS</b> Left Rear Quarter Window, Cutlass & Jetfire Coupe	\$105.00	
06665	1963	<b>POWER WINDOW HARNESS</b> Right Rear Quarter Window, Cutlass & Jetfire Coupe	\$105.00	
06960	1964	<b>POWER WINDOW HARNESS</b> Driver Side Door	\$212.00	
06955	1964	<b>POWER WINDOW HARNESS</b> Passenger Side Door	\$147.00	
07000	1964	<b>POWER WINDOW INTERMEDIATE HARNESS</b> Under Dash, Crossover	\$132.00	
06995	1964	<b>POWER WINDOW HARNESS</b> Quarter Window, Convertible, 2 Required Per Car Note: Customer Must Reuse Their Original Plastic 3 Terminal Connector That Attaches This Harness To Ribbon Cable.	\$87.00	
06990	1964	<b>POWER WINDOW HARNESS</b> Quarter Window, Sport Coupe, 2 Required Per Car Note: Customer Must Reuse Their Original Plastic 3 Terminal Connector That Attaches This Harness To Ribbon Cable.	\$87.00	
07005	1964	<b>POWER WINDOW MOTOR EXTENSION</b> Convertible, Quarter Window Harness To Motor, 2 Req. Per Car	\$32.00	
07170	1964	<b>POWER WINDOW MOTOR EXTENSION</b> Coupe, Quarter Window Harness To Motor, 2 Req. Per Car	\$25.00	
07610	1965	<b>POWER WINDOW HARNESS</b> Driver Side Door	\$219.00	
07605	1965	<b>POWER WINDOW HARNESS</b> Passenger Side Door	\$147.00	

**Cutlass**  
4-4-2/F-85



**Phone (562) 926-9552**  
**Fax (562) 926-9572**

Part Number	Year	Description	Price	*Rev.
07715	1965	<b>POWER WINDOW INTERMEDIATE HARNESS</b> Under Dash, Crossover	\$137.00	
07695	1965	<b>POWER WINDOW HARNESS</b> Quarter Window, Cutlass Convertible, 2 Required Per Car Note: Customer Must Reuse Their Original Plastic 3 Terminal Connector That Attaches This Harness To Ribbon Cable.	\$87.00	
07640	1965	<b>POWER WINDOW HARNESS</b> Quarter Window, Cutlass Coupes, 2 Required Per Car Note: Customer Must Reuse Their Original Plastic 3 Terminal Connector That Attaches This Harness To Ribbon Cable.	\$87.00	
07660	1965	<b>POWER WINDOW MOTOR EXTENSION</b> Convertible, Quarter Window Harness To Motor, 2 Req. Per Car	\$25.00	
07655	1965	<b>POWER WINDOW MOTOR EXTENSION</b> Coupe, Quarter Window Harness To Motor, 2 Req. Per Car	\$25.00	
08260	1966	<b>POWER WINDOW HARNESS</b> Driver Side Door	\$212.00	
27310	1966	<b>POWER WINDOW HARNESS</b> Passenger Side Door	\$147.00	
07715	1966	<b>POWER WINDOW INTERMEDIATE HARNESS</b> Under Dash, Crossover	\$137.00	
07695	1966	<b>POWER WINDOW HARNESS</b> Quarter Window, Cutlass Convertible, 2 Required Per Car Note: Customer Must Reuse Their Original Plastic 3 Terminal Connector That Attaches This Harness To Ribbon Cable.	\$87.00	
07640	1966	<b>POWER WINDOW HARNESS</b> Quarter Window, Cutlass Coupes, 2 Required Per Car Note: Customer Must Reuse Their Original Plastic 3 Terminal Connector That Attaches This Harness To Ribbon Cable.	\$87.00	
07660	1966	<b>POWER WINDOW MOTOR EXTENSION</b> Convertible, Quarter Window Harness To Motor, 2 Req. Per Car	\$25.00	
07655	1966	<b>POWER WINDOW MOTOR EXTENSION</b> Coupe, Quarter Window Harness To Motor, 2 Req. Per Car	\$25.00	
08260	1967	<b>POWER WINDOW HARNESS</b> Driver Side Door	\$212.00	
27310	1967	<b>POWER WINDOW HARNESS</b> Passenger Side Door	\$147.00	
07715	1967	<b>POWER WINDOW INTERMEDIATE HARNESS</b> Under Dash, Crossover	\$137.00	
07695	1967	<b>POWER WINDOW HARNESS</b> Quarter Window, Cutlass Convertible, 2 Required Per Car Note: Customer Must Reuse Their Original Plastic 3 Terminal Connector That Attaches This Harness To Ribbon Cable.	\$87.00	
07640	1967	<b>POWER WINDOW HARNESS</b> Quarter Window, Cutlass Coupes, 2 Required Per Car Note: Customer Must Reuse Their Original Plastic 3 Terminal Connector That Attaches This Harness To Ribbon Cable.	\$87.00	
07660	1967	<b>POWER WINDOW MOTOR EXTENSION</b> Convertible, Quarter Window Harness To Motor, 2 Req. Per Car	\$25.00	
07655	1967	<b>POWER WINDOW MOTOR EXTENSION</b> Coupe, Quarter Window Harness To Motor, 2 Req. Per Car	\$25.00	
31135	1968	<b>POWER WINDOW HARNESS</b> Driver Side Door	\$219.00	
14165	1968	<b>POWER WINDOW HARNESS</b> Passenger Side Door	\$147.00	
14170	1968	<b>POWER WINDOW HARNESS</b> Quarter Windows & Intermediate Body	\$186.00	
39470	1969	<b>POWER WINDOW HARNESS</b> Driver Side Door And Under Dash Crossover	\$264.00	
37817	1969	<b>POWER WINDOW HARNESS</b> Passenger Side Door	\$147.00	
14405	1969	<b>POWER WINDOW HARNESS</b> Quarter Windows & Intermediate Body	\$186.00	
31140	1970	<b>POWER WINDOW HARNESS</b> Driver Side Door And Under Dash Crossover	\$264.00	
14470	1970	<b>POWER WINDOW HARNESS</b> Passenger Side Door	\$147.00	
14505	1970	<b>POWER WINDOW HARNESS</b> Quarter Windows & Intermediate Body	\$186.00	
31140	1971	<b>POWER WINDOW HARNESS</b> Driver Side Door And Under Dash Crossover	\$264.00	
14470	1971	<b>POWER WINDOW HARNESS</b> Passenger Side Door	\$147.00	
14505	1971	<b>POWER WINDOW HARNESS</b> Quarter Windows & Intermediate Body	\$186.00	
39471	1972	<b>POWER WINDOW HARNESS</b> Driver Side Door And Under Dash Crossover	\$264.00	
14470	1972	<b>POWER WINDOW HARNESS</b> Passenger Side Door	\$147.00	
14505	1972	<b>POWER WINDOW HARNESS</b> Quarter Windows & Intermediate Body	\$186.00	
<b>POWER WINDOW MOTOR ADAPTER HARNESS</b>				
36954	1964	<b>POWER WINDOW MOTOR ADAPTER HARNESS</b> Adapts "T" Shaped Motor Connector To Side By Side Blade Type Motor Connector	\$22.00	C
36954	1965	<b>POWER WINDOW MOTOR ADAPTER HARNESS</b> Adapts "T" Shaped Motor Connector To Side By Side Blade Type Motor Connector	\$22.00	C
36954	1966	<b>POWER WINDOW MOTOR ADAPTER HARNESS</b> Adapts "T" Shaped Motor Connector To Side By Side Blade Type Motor Connector	\$22.00	C

Part Number	Year	Description	Price	*Rev.
36954	1967	<b>POWER WINDOW MOTOR ADAPTER HARNESS</b> Adapts "T" Shaped Motor Connector To Side By Side Blade Type Motor Connector	\$22.00	C
36954	1968	<b>POWER WINDOW MOTOR ADAPTER HARNESS</b> Adapts "T" Shaped Motor Connector To Side By Side Blade Type Motor Connector	\$22.00	C
36954	1969	<b>POWER WINDOW MOTOR ADAPTER HARNESS</b> Adapts "T" Shaped Motor Connector To Side By Side Blade Type Motor Connector	\$22.00	C
36954	1970	<b>POWER WINDOW MOTOR ADAPTER HARNESS</b> Adapts "T" Shaped Motor Connector To Side By Side Blade Type Motor Connector	\$22.00	C
36954	1971	<b>POWER WINDOW MOTOR ADAPTER HARNESS</b> Adapts "T" Shaped Motor Connector To Side By Side Blade Type Motor Connector	\$22.00	C
36954	1972	<b>POWER WINDOW MOTOR ADAPTER HARNESS</b> Adapts "T" Shaped Motor Connector To Side By Side Blade Type Motor Connector	\$22.00	C
36954	1973	<b>POWER WINDOW MOTOR ADAPTER HARNESS</b> Adapts "T" Shaped Motor Connector To Side By Side Blade Type Motor Connector	\$22.00	C
36954	1974	<b>POWER WINDOW MOTOR ADAPTER HARNESS</b> Adapts "T" Shaped Motor Connector To Side By Side Blade Type Motor Connector	\$22.00	C
36954	1975	<b>POWER WINDOW MOTOR ADAPTER HARNESS</b> Adapts "T" Shaped Motor Connector To Side By Side Blade Type Motor Connector	\$22.00	C
<b>POWER WINDOW RELAY AND ADAPTER HARNESS</b>				
39440	1967	<b>POWER WINDOW RELAY AND ADAPTER HARNESS</b> Includes New Standard Type Relay And Adapter To Mate To Factory Harness	\$40.00	
39440	1968	<b>POWER WINDOW RELAY AND ADAPTER HARNESS</b> Includes New Standard Type Relay And Adapter To Mate To Factory Harness	\$40.00	
39440	1969	<b>POWER WINDOW RELAY AND ADAPTER HARNESS</b> Includes New Standard Type Relay And Adapter To Mate To Factory Harness	\$40.00	
39440	1970	<b>POWER WINDOW RELAY AND ADAPTER HARNESS</b> Includes New Standard Type Relay And Adapter To Mate To Factory Harness	\$40.00	
39440	1971	<b>POWER WINDOW RELAY AND ADAPTER HARNESS</b> Includes New Standard Type Relay And Adapter To Mate To Factory Harness	\$40.00	
39440	1972	<b>POWER WINDOW RELAY AND ADAPTER HARNESS</b> Includes New Standard Type Relay And Adapter To Mate To Factory Harness	\$40.00	
<b>POWER WINDOW SWITCH</b>				
20061549	1982	<b>POWER WINDOW SWITCH</b> 2-Button, Without Custom Door Panels (Option Codes Yt1 Or Yt3)	\$14.00	N
20061549	1983	<b>POWER WINDOW SWITCH</b> 2-Button, Without Custom Door Panels (Option Codes Yt1 Or Yt3)	\$14.00	N
20061549	1984	<b>POWER WINDOW SWITCH</b> 2-Button, Without Custom Door Panels (Option Codes Yt1 Or Yt3)	\$14.00	N
20061549	1985	<b>POWER WINDOW SWITCH</b> 2-Button, Without Custom Door Panels (Option Codes Yt1 Or Yt3)	\$14.00	N
20061549	1986	<b>POWER WINDOW SWITCH</b> 2-Button, Without Custom Door Panels (Option Codes Yt1 Or Yt3)	\$14.00	N
04432790	1964	<b>POWER WINDOW SWITCH</b> 1 Button, Round Corner Style, Chrome	\$49.00	
04432791	1964	<b>POWER WINDOW SWITCH</b> 4 Button, Round Corner Style, Chrome	\$67.00	
04432790	1965	<b>POWER WINDOW SWITCH</b> 1 Button, Round Corner Style, Chrome	\$49.00	
04432791	1965	<b>POWER WINDOW SWITCH</b> 4 Button, Round Corner Style, Chrome	\$67.00	
04432790	1966	<b>POWER WINDOW SWITCH</b> 1 Button, Round Corner Style, Chrome	\$49.00	
04432791	1966	<b>POWER WINDOW SWITCH</b> 4 Button, Round Corner Style, Chrome	\$67.00	
04432790	1967	<b>POWER WINDOW SWITCH</b> 1 Button, Round Corner Style, Chrome	\$49.00	
04432791	1967	<b>POWER WINDOW SWITCH</b> 4 Button, Round Corner Style, Chrome	\$67.00	
04432790	1968	<b>POWER WINDOW SWITCH</b> 1 Button, Round Corner Style, Chrome	\$49.00	
04432791	1968	<b>POWER WINDOW SWITCH</b> 4 Button, Round Corner Style, Chrome	\$67.00	
04432790	1969	<b>POWER WINDOW SWITCH</b> 1 Button, Round Corner Style, Chrome	\$49.00	

**Cutlass**  
4-4-2/F-85



**Phone (562) 926-9552**  
**Fax (562) 926-9572**

Part Number	Year	Description	Price	*Rev.
04432791	1969	<b>POWER WINDOW SWITCH</b> 4 Button, Round Corner Style, Chrome	\$67.00	
04432790	1970	<b>POWER WINDOW SWITCH</b> 1 Button, Round Corner Style, Chrome	\$49.00	
04432791	1970	<b>POWER WINDOW SWITCH</b> 4 Button, Round Corner Style, Chrome	\$67.00	
01731231	1971	<b>POWER WINDOW SWITCH</b> All, With Switch On Door Panel, 4 Button, Square Corner Style, Chrome	\$75.00	M
01731231	1972	<b>POWER WINDOW SWITCH</b> All, With Switch On Door Panel, 4 Button, Square Corner Style, Chrome	\$75.00	M
01731231	1973	<b>POWER WINDOW SWITCH</b> 4 Button, Square Corner Style, Chrome	\$75.00	M
01725092	1973	<b>POWER WINDOW SWITCH</b> Cutlass, 2 Button, Square Corner Style, Chrome	\$53.00	M
01725092	1973	<b>POWER WINDOW SWITCH</b> Omega, 2 Button, Square Corner Style, Chrome	\$53.00	M
01731231	1974	<b>POWER WINDOW SWITCH</b> 4 Button, Square Corner Style, Chrome	\$75.00	M
01725092	1974	<b>POWER WINDOW SWITCH</b> Cutlass, 2 Button, Square Corner Style, Chrome	\$53.00	M
01725092	1974	<b>POWER WINDOW SWITCH</b> Omega, 2 Button, Square Corner Style, Chrome	\$53.00	M
01731231	1975	<b>POWER WINDOW SWITCH</b> 4 Button, Square Corner Style, Chrome	\$75.00	M
01731231	1975	<b>POWER WINDOW SWITCH</b> Omega, 4 Button, Square Corner Style, Chrome	\$75.00	M
01725092	1975	<b>POWER WINDOW SWITCH</b> Cutlass, 2 Button, Square Corner Style, Chrome	\$53.00	M
01725092	1975	<b>POWER WINDOW SWITCH</b> Omega, 2 Button, Square Corner Style, Chrome	\$53.00	M
01725094	1976	<b>POWER WINDOW SWITCH</b> 1 Button, Square Corner Style, Chrome	\$21.00	M
01731231	1976	<b>POWER WINDOW SWITCH</b> 4 Button, Square Corner Style, Chrome	\$75.00	M
01731231	1976	<b>POWER WINDOW SWITCH</b> Omega, 4 Button, Square Corner Style, Chrome	\$75.00	M
01725092	1976	<b>POWER WINDOW SWITCH</b> Cutlass, 2 Button, Square Corner Style, Chrome	\$53.00	M
01725092	1976	<b>POWER WINDOW SWITCH</b> Omega, 2 Button, Square Corner Style, Chrome	\$53.00	M
01725094	1977	<b>POWER WINDOW SWITCH</b> 1 Button, Square Corner Style, Chrome	\$21.00	M
01731231	1977	<b>POWER WINDOW SWITCH</b> 4 Button, Square Corner Style, Chrome	\$75.00	M
01731231	1977	<b>POWER WINDOW SWITCH</b> Omega, 4 Button, Square Corner Style, Chrome	\$75.00	M
01725092	1977	<b>POWER WINDOW SWITCH</b> Cutlass, 2 Button, Square Corner Style, Chrome	\$53.00	M
01725092	1977	<b>POWER WINDOW SWITCH</b> Omega, 2 Button, Square Corner Style, Chrome	\$53.00	M
01725094	1978	<b>POWER WINDOW SWITCH</b> 1 Button, Square Corner Style, Chrome	\$21.00	M
01731231	1978	<b>POWER WINDOW SWITCH</b> Omega, 4 Button, Square Corner Style, Chrome	\$75.00	M
01725092	1978	<b>POWER WINDOW SWITCH</b> Cutlass, 2 Button, Square Corner Style, Chrome	\$53.00	M
01725092	1978	<b>POWER WINDOW SWITCH</b> Omega, 2 Button, Square Corner Style, Chrome	\$53.00	M
01731231	1979	<b>POWER WINDOW SWITCH</b> Omega, 4 Button, Square Corner Style, Chrome	\$75.00	M
01725092	1979	<b>POWER WINDOW SWITCH</b> Omega, 2 Button, Square Corner Style, Chrome	\$53.00	M
<b>REAR LAMP HARNESS</b>				
04600	1964	<b>REAR LAMP EXTENSION HARNESS</b> From Rear Body Connector To Backup Lamps	\$33.00	
04600	1965	<b>REAR LAMP EXTENSION HARNESS</b> From Rear Body Connector To Backup Lamps	\$33.00	
04600	1966	<b>REAR LAMP EXTENSION HARNESS</b> From Rear Body Connector To Backup Lamps	\$33.00	
07195	1964	<b>REAR LAMP HARNESS</b> Convertible	\$237.00	
07190	1964	<b>REAR LAMP HARNESS</b> Coupe	\$198.00	
07740	1965	<b>REAR LAMP HARNESS</b> Convertible	\$237.00	
07735	1965	<b>REAR LAMP HARNESS</b> Coupe	\$198.00	
07435	1966	<b>REAR LAMP HARNESS</b> Convertible	\$237.00	
07015	1966	<b>REAR LAMP HARNESS</b> Coupe	\$198.00	
13905	1967	<b>REAR LAMP HARNESS</b> Cutlass Supreme & 442, Convertible	\$237.00	
13900	1967	<b>REAR LAMP HARNESS</b> Cutlass Supreme & 442, Coupe	\$198.00	
14030	1967	<b>REAR LAMP HARNESS</b> F-85 & Cutlass, Convertible (Except Supreme & 442)	\$237.00	
13895	1967	<b>REAR LAMP HARNESS</b> F-85 & Cutlass, Coupe (Except Supreme & 442)	\$198.00	

Part Number	Year	Description	Price	*Rev.
14160	1968	REAR LAMP HARNESS Convertible	\$264.00	
14155	1968	REAR LAMP HARNESS 2 Door Coupe	\$225.00	
14150	1968	REAR LAMP HARNESS 4 Door Coupe	\$225.00	
14360	1969	REAR LAMP INTERMEDIATE HARNESS Convertible	\$193.00	
14355	1969	REAR LAMP INTERMEDIATE HARNESS Coupe	\$147.00	
14365	1969	REAR LAMP HARNESS Rear Panel, All	\$133.00	
18315	1970	REAR LAMP INTERMEDIATE HARNESS Convertible	\$193.00	
14460	1970	REAR LAMP INTERMEDIATE HARNESS Coupe	\$147.00	
14455	1970	REAR LAMP HARNESS Rear Panel, All	\$133.00	
18315	1971	REAR LAMP INTERMEDIATE HARNESS Convertible	\$193.00	
14460	1971	REAR LAMP INTERMEDIATE HARNESS Coupe	\$147.00	
14455	1971	REAR LAMP HARNESS Rear Panel, All	\$133.00	
18315	1972	REAR LAMP INTERMEDIATE HARNESS Convertible, Without Seat Belt Warning	\$193.00	
17185	1972	REAR LAMP INTERMEDIATE HARNESS Convertible, With Seat Belt Warning	\$245.00	
14460	1972	REAR LAMP INTERMEDIATE HARNESS Coupe, Without Seat Belt Warning	\$147.00	
17180	1972	REAR LAMP INTERMEDIATE HARNESS Coupe, With Seat Belt Warning	\$219.00	
14455	1972	REAR LAMP HARNESS Rear Panel, All	\$133.00	
<b>REAR WINDOW DEFROSTER HARNESS</b>				
05245	1964	REAR WINDOW DEFROSTER HARNESS From Switch To Blower Motor Connector	\$94.00	
05245	1965	REAR WINDOW DEFROSTER HARNESS From Switch To Blower Motor Connector	\$94.00	
10690	1966	REAR WINDOW DEFROSTER HARNESS From Switch To Blower Motor Connector	\$87.00	
10690	1967	REAR WINDOW DEFROSTER HARNESS From Switch To Blower Motor Connector	\$87.00	
13295	1968	REAR WINDOW DEFROSTER HARNESS From Switch To Blower Motor Connector	\$74.00	
13295	1969	REAR WINDOW DEFROSTER HARNESS From Switch To Blower Motor Connector	\$74.00	
17175	1970	REAR WINDOW DEFROSTER HARNESS From Switch To Blower Motor Connector	\$87.00	
15950	1971	REAR WINDOW DEFROSTER HARNESS From Switch To Relay	\$118.00	
15955	1971	REAR WINDOW DEFROSTER HARNESS Relay Jumper, Used With Part# 15950 On A/C Equipped Cars	\$53.00	
16745	1972	REAR WINDOW DEFROSTER HARNESS From Switch To Relay	\$113.00	
16750	1972	REAR WINDOW DEFROSTER HARNESS Relay Jumper, Used With Part# 16745 On A/C Equipped Cars	\$53.00	
<b>REPAIR PIGTAIL-FOR POWER WINDOW SWITCH</b>				
36048	1964	REPAIR PIGTAIL, FOR POWER WINDOW SWITCH For Single Power Window Switches, Connector & Wire	\$25.00	
36048	1965	REPAIR PIGTAIL, FOR POWER WINDOW SWITCH For Single Power Window Switches, Connector & Wire	\$25.00	
36048	1966	REPAIR PIGTAIL, FOR POWER WINDOW SWITCH For Single Power Window Switches, Connector & Wire	\$25.00	
36048	1967	REPAIR PIGTAIL, FOR POWER WINDOW SWITCH For Single Power Window Switches, Connector & Wire	\$25.00	
36048	1968	REPAIR PIGTAIL, FOR POWER WINDOW SWITCH For Single Power Window Switches, Connector & Wire	\$25.00	
36048	1969	REPAIR PIGTAIL, FOR POWER WINDOW SWITCH For Single Power Window Switches, Connector & Wire	\$25.00	
36048	1970	REPAIR PIGTAIL, FOR POWER WINDOW SWITCH For Single Power Window Switches, Connector & Wire	\$25.00	
<b>STEERING COLUMN ADAPTER HARNESS</b>				
37542	1964	STEERING COLUMN ADAPTER HARNESS For 1969-1974 GM & Ididit Columns (Exc. Flaming River) To Stock Dash Harness Note: Adapts Horn, Directionals, Hazard Flashers To Stock 8 Pin T/L Dash Connector.	\$50.00	
37009	1964	STEERING COLUMN ADAPTER HARNESS For 1975 & Up GM & Flaming River Columns (Exc. Ididit) To Stock Dash Harness Note: Adapts Horn, Directionals, Hazard Flashers To Stock 8 Pin Dash Connector.	\$52.00	
37542	1965	STEERING COLUMN ADAPTER HARNESS For 1969-1974 GM & Ididit Columns (Exc. Flaming River) To Stock Dash Harness Note: Adapts Horn, Directionals, Hazard Flashers To Stock 8 Pin T/L Dash Connector.	\$50.00	

Part Number	Year	Description	Price	*Rev.
37009	1965	<b>STEERING COLUMN ADAPTER HARNESS</b> For 1975 & Up GM & Flaming River Columns (Exc. Ididit) To Stock Dash Harness Note: Adapts Horn, Directionals, Hazard Flashers To Stock 8 Pin Dash Connector.	\$52.00	
37542	1966	<b>STEERING COLUMN ADAPTER HARNESS</b> For 1969-1974 GM & Ididit Columns (Exc. Flaming River) To Stock Dash Harness Note: Adapts Horn, Directionals, Hazard Flashers To Stock 8 Pin T/L Dash Connector.	\$50.00	
37009	1966	<b>STEERING COLUMN ADAPTER HARNESS</b> For 1975 & Up GM & Flaming River Columns (Exc. Ididit) To Stock Dash Harness Note: Adapts Horn, Directionals, Hazard Flashers To Stock 8 Pin Dash Connector.	\$52.00	
36882	1967	<b>STEERING COLUMN ADAPTER HARNESS</b> For 1969-1974 GM & Ididit Columns (Exc. Flaming River) To Stock Dash Harness Note: Adapts Horn, Directionals, Hazard Flashers To Stock 9-Pin T/L Dash Connector.	\$27.00	
38127	1967	<b>STEERING COLUMN ADAPTER HARNESS</b> For 1975 & Up GM & Flaming River Columns (Exc. Ididit) To Stock Dash Harness Note: Adapts Horn, Directionals, Hazard Flashers To Stock 9-Pin T/L Dash Connector.	\$27.00	
36882	1968	<b>STEERING COLUMN ADAPTER HARNESS</b> For 1969-1974 GM & Ididit Columns (Exc. Flaming River) To Stock Dash Harness Note: Adapts Horn, Directionals, Hazard Flashers To Stock 9-Pin T/L Dash Connector.	\$27.00	
38127	1968	<b>STEERING COLUMN ADAPTER HARNESS</b> For 1975 & Up GM & Flaming River Columns (Exc. Ididit) To Stock Dash Harness Note: Adapts Horn, Directionals, Hazard Flashers To Stock 9-Pin T/L Dash Connector.	\$27.00	
<b>STOP LAMP SWITCH</b>				
01261219	1964	<b>STOP LAMP SWITCH</b> Without Cruise	\$5.80	N
01261219	1965	<b>STOP LAMP SWITCH</b> Without Cruise	\$5.80	N
01261219	1966	<b>STOP LAMP SWITCH</b> Without Cruise	\$5.80	N
01261219	1967	<b>STOP LAMP SWITCH</b> Without Cruise	\$5.80	N
01261219	1968	<b>STOP LAMP SWITCH</b> Without Cruise	\$5.80	N
01261219	1969	<b>STOP LAMP SWITCH</b> Without Cruise	\$5.80	N
01261219	1970	<b>STOP LAMP SWITCH</b> Without Cruise	\$5.80	N
01261219	1971	<b>STOP LAMP SWITCH</b> Without Cruise	\$5.80	N
01261219	1972	<b>STOP LAMP SWITCH</b> Without Cruise	\$5.80	N
01261219	1973	<b>STOP LAMP SWITCH</b> Without Cruise	\$5.80	N
01261219	1974	<b>STOP LAMP SWITCH</b> Without Cruise	\$5.80	N
01261219	1975	<b>STOP LAMP SWITCH</b> Without Cruise	\$5.80	N
01261219	1976	<b>STOP LAMP SWITCH</b> Without Power Brakes Or Cruise	\$5.80	N
01261219	1977	<b>STOP LAMP SWITCH</b> Without Power Brakes Or Cruise	\$5.80	N
01261219	1978	<b>STOP LAMP SWITCH</b> Without Power Brakes Or Cruise	\$5.80	N
01261219	1979	<b>STOP LAMP SWITCH</b> Without Power Brakes Or Cruise	\$5.80	N
<b>TACHOMETER HARNESS</b>				
10150	1966	<b>TACHOMETER HARNESS</b> 6 Cylinder Note: 6 Cylinder Items Are Not Returnable.	\$52.00	
10145	1966	<b>TACHOMETER HARNESS</b> V/8	\$52.00	
13265	1969	<b>TACHOMETER HARNESS</b> V/8	\$30.00	
15810	1970	<b>TACHOMETER HARNESS</b> V/8	\$52.00	
15810	1971	<b>TACHOMETER HARNESS</b> V/8	\$52.00	
15810	1972	<b>TACHOMETER HARNESS</b> V/8	\$52.00	
<b>TRANSMISSION KICKDOWN CONTROL WIRE</b>				
05755	1965	<b>TRANSMISSION KICKDOWN CONTROL WIRE</b> V/8, From Carburetor Throttle Switch To Transmission	\$25.00	
05755	1966	<b>TRANSMISSION KICKDOWN CONTROL WIRE</b> V/8, From Carburetor Throttle Switch To Transmission	\$25.00	

Part Number	Year	Description	Price	*Rev.
05755	1967	TRANSMISSION KICKDOWN CONTROL WIRE 1/8, From Carburetor Throttle Switch To Transmission	\$25.00	
<b>TRUNK RELEASE JUMPER WIRE</b>				
15615	1970	TRUNK RELEASE JUMPER WIRE From Glove Box Lamp Lead To Trunk Release Switch	\$17.00	
15615	1971	TRUNK RELEASE JUMPER WIRE From Glove Box Lamp Lead To Trunk Release Switch	\$17.00	
15615	1972	TRUNK RELEASE JUMPER WIRE From Glove Box Lamp Lead To Trunk Release Switch	\$17.00	
<b>TURN SIGNAL LEVER WIPER SWITCH</b>				
22510733	1982	TURN SIGNAL LEVER WIPER SWITCH Black, With Pulse Wipers, Without Cruise Control	\$20.00	N
22510732	1982	TURN SIGNAL LEVER WIPER SWITCH Black, Without Pulse Wipers, Without Cruise Control	\$20.00	N
22510144	1982	TURN SIGNAL LEVER WIPER SWITCH Chrome, With Pulse Wipers, Without Cruise Control	\$20.00	N
22510733	1983	TURN SIGNAL LEVER WIPER SWITCH Black, With Pulse Wipers, Without Cruise Control	\$20.00	N
22510732	1983	TURN SIGNAL LEVER WIPER SWITCH Black, Without Pulse Wipers, Without Cruise Control	\$20.00	N
22510144	1983	TURN SIGNAL LEVER WIPER SWITCH Chrome, With Pulse Wipers, Without Cruise Control	\$20.00	N
22510733	1984	TURN SIGNAL LEVER WIPER SWITCH Black, With Pulse Wipers, Without Cruise Control	\$20.00	N
22510732	1984	TURN SIGNAL LEVER WIPER SWITCH Black, Without Pulse Wipers, Without Cruise Control	\$20.00	N
22510144	1984	TURN SIGNAL LEVER WIPER SWITCH Chrome, With Pulse Wipers, Without Cruise Control	\$20.00	N
22510733	1985	TURN SIGNAL LEVER WIPER SWITCH Black, With Pulse Wipers, Without Cruise Control	\$20.00	N
22510732	1985	TURN SIGNAL LEVER WIPER SWITCH Black, Without Pulse Wipers, Without Cruise Control	\$20.00	N
22510144	1985	TURN SIGNAL LEVER WIPER SWITCH Chrome, With Pulse Wipers, Without Cruise Control	\$20.00	N
22510733	1986	TURN SIGNAL LEVER WIPER SWITCH Black, With Pulse Wipers, Without Cruise Control	\$20.00	N
22510732	1986	TURN SIGNAL LEVER WIPER SWITCH Black, Without Pulse Wipers, Without Cruise Control	\$20.00	N
22510144	1986	TURN SIGNAL LEVER WIPER SWITCH Chrome, With Pulse Wipers, Without Cruise Control	\$20.00	N
22510733	1987	TURN SIGNAL LEVER WIPER SWITCH Black, With Pulse Wipers, Without Cruise Control	\$20.00	N
22510732	1987	TURN SIGNAL LEVER WIPER SWITCH Black, Without Pulse Wipers, Without Cruise Control	\$20.00	N
22510144	1987	TURN SIGNAL LEVER WIPER SWITCH Chrome, With Pulse Wipers, Without Cruise Control	\$20.00	N
22510733	1988	TURN SIGNAL LEVER WIPER SWITCH Black, With Pulse Wipers, Without Cruise Control	\$20.00	N
22510732	1988	TURN SIGNAL LEVER WIPER SWITCH Black, Without Pulse Wipers, Without Cruise Control	\$20.00	N
22510144	1988	TURN SIGNAL LEVER WIPER SWITCH Chrome, With Pulse Wipers, Without Cruise Control	\$20.00	N
<b>TURN SIGNAL SWITCH</b>				
01993624	1964	TURN SIGNAL SWITCH With Tilt, Replaces Delco Part# D6220	\$71.00	
00387115	1965	TURN SIGNAL SWITCH Boyne Without Tilt & Cornering Lamps Stamped "BPC", Replaces Delco Part# D6200 Note: This Switch Has A Metal Base.	\$96.00	
00911051	1965	TURN SIGNAL SWITCH Without Tilt (Stamped "Guide"), Replaces Delco Part# D6203	\$50.00	N
01993624	1965	TURN SIGNAL SWITCH With Tilt, Replaces Delco Part# D6220	\$71.00	
00387115	1966	TURN SIGNAL SWITCH Boyne Without Tilt Stamped "BPC", Replaces Delco Part# D6200 Note: This Switch Has A Metal Base.	\$96.00	
00911051	1966	TURN SIGNAL SWITCH Without Tilt (Stamped "Guide"), Replaces Delco Part# D6203	\$50.00	N
01993624	1966	TURN SIGNAL SWITCH With Tilt, Replaces Delco Part# D6220	\$71.00	
01893592	1967	TURN SIGNAL SWITCH Without Cornering Lights, Without Tilt (Delco-White), Replaces Delco Part# D6211 Note: This Is A Service Part, Adapter Pigtail Included And Is Required For Some Applications.	\$58.00	
07800482	1967	TURN SIGNAL SWITCH Without Column Shift A/T, (Delco Type, White) Note: Emergency Flasher Actuator Hole In Outer Cover Is Shaped Like A Doghouse.	\$50.00	
05698897	1967	TURN SIGNAL SWITCH With Column Shift A/T, Without Tilt, Without Cornering Lights, (Delco Type, Black, White Or Green) Note: Emergency Flasher Actuator Hole In Outer Cover Is Shaped Like A Doghouse.	\$50.00	



Cutlass  
4-4-2/F-85



Phone (562) 926-9552  
Fax (562) 926-9572

Part Number	Year	Description	Price	*Rev.
05698897	1967	<b>TURN SIGNAL SWITCH</b> With Column Shift A/T, With Tilt, Without Cornering Lights, (Delco Type, Black, White Or Green) Note: Emergency Flasher Actuator Hole In Outer Cover Is Shaped Like A Doghouse.	\$50.00	
01893592	1968	<b>TURN SIGNAL SWITCH</b> Without Cornering Lights, Without Tilt (Delco-White), Replaces Delco Part# D6211 Note: This Is A Service Part, Adapter Pigtail Included And Is Required For Some Applications.	\$58.00	
07800482	1967	<b>TURN SIGNAL SWITCH</b> Without Column Shift A/T, (Delco Type, White) Note: Emergency Flasher Actuator Hole In Outer Cover Is Shaped Like A Doghouse.	\$50.00	
05698897	1968	<b>TURN SIGNAL SWITCH</b> Without Tilt, Without Cornering Lights, Column Shift A/T, (Delco Type, Black, White Or Green) Note: Emergency Flasher Actuator Hole In Outer Cover Is Shaped Like A Doghouse.	\$50.00	
05698897	1968	<b>TURN SIGNAL SWITCH</b> With Tilt, Without Cornering Lights, Column Shift A/T, (Delco Type, Black, White Or Green) Note: Emergency Flasher Actuator Hole In Outer Cover Is Shaped Like A Doghouse.	\$50.00	
01997963	1969	<b>TURN SIGNAL SWITCH, CORRECT PART</b> Without Cornering Lights, Without Tilt Note: Correct Part, No Adapter Pigtail Required.	\$41.00	
01893588	1969	<b>TURN SIGNAL SWITCH, SERVICE PART</b> Without Cornering Lights, Without Tilt, Replaces Delco Part# D6208 Note: This Is A Service Part, Adapter Pigtail Included Is Required For Installation.	\$58.00	
01997963	1970	<b>TURN SIGNAL SWITCH, CORRECT PART</b> Without Cornering Lights, Without Tilt Note: Correct Part, No Adapter Pigtail Required.	\$41.00	
01893588	1970	<b>TURN SIGNAL SWITCH, SERVICE PART</b> Without Cornering Lights, Without Tilt, Replaces Delco Part# D6208 Note: This Is A Service Part, Adapter Pigtail Included Is Required For Installation.	\$58.00	
01997963	1971	<b>TURN SIGNAL SWITCH, CORRECT PART</b> Without Cornering Lights, Without Tilt Note: Correct Part, No Adapter Pigtail Required.	\$41.00	
01893588	1971	<b>TURN SIGNAL SWITCH, SERVICE PART</b> Without Cornering Lights, Without Tilt, Replaces Delco Part# D6208 Note: This Is A Service Part, Adapter Pigtail Included Is Required For Installation.	\$58.00	
01997963	1972	<b>TURN SIGNAL SWITCH, CORRECT PART</b> Without Cornering Lights, Without Tilt Note: Correct Part, No Adapter Pigtail Required.	\$41.00	
01893588	1972	<b>TURN SIGNAL SWITCH, SERVICE PART</b> Without Cornering Lights, Without Tilt, Replaces Delco Part# D6208 Note: This Is A Service Part, Adapter Pigtail Included Is Required For Installation.	\$58.00	
01997963	1973	<b>TURN SIGNAL SWITCH, CORRECT PART</b> Without Cornering Lights, Without Tilt Note: Correct Part, No Adapter Pigtail Required.	\$41.00	
01893588	1973	<b>TURN SIGNAL SWITCH, SERVICE PART</b> Without Cornering Lights, Without Tilt, Replaces Delco Part# D6208 Note: This Is A Service Part, Adapter Pigtail Included Is Required For Installation.	\$58.00	
01997963	1974	<b>TURN SIGNAL SWITCH, CORRECT PART</b> Without Cornering Lights, Without Tilt Note: Correct Part, No Adapter Pigtail Required.	\$41.00	
01893588	1974	<b>TURN SIGNAL SWITCH, SERVICE PART</b> Without Cornering Lights, Without Tilt, Replaces Delco Part# D6208 Note: This Is A Service Part, Adapter Pigtail Included Is Required For Installation.	\$58.00	
01997963	1975	<b>TURN SIGNAL SWITCH, CORRECT PART</b> Without Cornering Lights, Without Tilt Note: Correct Part, No Adapter Pigtail Required.	\$41.00	
01893588	1975	<b>TURN SIGNAL SWITCH, SERVICE PART</b> Without Cornering Lights, Without Tilt, Replaces Delco Part# D6208 Note: This Is A Service Part, Adapter Pigtail Included Is Required For Installation.	\$58.00	
<b>WINDSHIELD WASHER PUMP</b>				
04919332	1963	<b>WINDSHIELD WASHER PUMP</b> F-85, Except J/Fire	\$60.00	N
04919332	1964	<b>WINDSHIELD WASHER PUMP</b> F-85, With Single Speed Wiper Motor	\$60.00	N

Part Number	Year	Description	Price	*Rev.
04919332	1965	<b>WINDSHIELD WASHER PUMP</b> F-85, With Single Speed Wiper Motor	\$60.00	N
04919332	1966	<b>WINDSHIELD WASHER PUMP</b> F-85, With Rectangular Type Wiper Motor	\$60.00	N
04919332	1967	<b>WINDSHIELD WASHER PUMP</b> F-85, With Rectangular Type Wiper Motor	\$60.00	N
04919332	1968	<b>WINDSHIELD WASHER PUMP</b> F-85, With Rectangular Type Wiper Motor	\$60.00	N
04919332	1969	<b>WINDSHIELD WASHER PUMP</b> F-85, Without Recessed Park Wipers	\$60.00	N
04919332	1970	<b>WINDSHIELD WASHER PUMP</b> F-85, Without Recessed Park Wipers	\$60.00	N
04919332	1971	<b>WINDSHIELD WASHER PUMP</b> F-85, Without Recessed Park Wipers	\$60.00	N
04919332	1972	<b>WINDSHIELD WASHER PUMP</b> F-85, Without Recessed Park Wipers	\$60.00	N
04919332	1973	<b>WINDSHIELD WASHER PUMP</b> Omega, All	\$60.00	N
04919332	1974	<b>WINDSHIELD WASHER PUMP</b> Omega, All	\$60.00	N
<b>WINDSHIELD WIPER MOTOR</b>				
04911476	1966	<b>WINDSHIELD WIPER MOTOR</b> F-85, 2-Speed, 3-Terminal Type Motor	\$92.00	N
44609	1966	<b>WINDSHIELD WIPER MOTOR</b> F-85, 2-Speed, 4-Terminal Type Motor Note: This Can Be Used In Place Of The 3-Terminal Motor. The 4th Terminal Is A Keyed Hot From Wiper Fuse In Fuse Box And May Or May Not Be Used In Some Applications.	\$106.00	N
04911476	1967	<b>WINDSHIELD WIPER MOTOR</b> F-85, 2-Speed, 3-Terminal Type Motor	\$92.00	N
44609	1967	<b>WINDSHIELD WIPER MOTOR</b> F-85, 2-Speed, 4-Terminal Type Motor Note: This Can Be Used In Place Of The 3-Terminal Motor. The 4th Terminal Is A Keyed Hot From Wiper Fuse In Fuse Box And May Or May Not Be Used In Some Applications.	\$106.00	N
<b>WINDSHIELD WIPER SWITCH</b>				
01993541	1961	<b>WINDSHIELD WIPER SWITCH</b> Single Speed, With Washer	\$45.00	
01993568	1962	<b>WINDSHIELD WIPER SWITCH</b> Single Speed, With Washer Note: Once our current stock runs out, this item will be discontinued.	\$52.00	
01993568	1963	<b>WINDSHIELD WIPER SWITCH</b> Single Speed, With Washer Note: Once our current stock runs out, this item will be discontinued.	\$52.00	
01993633	1964	<b>WINDSHIELD WIPER SWITCH</b> Single Speed, With Washer Note: Once our current stock runs out, this item will be discontinued.	\$46.00	
01993633	1965	<b>WINDSHIELD WIPER SWITCH</b> Single Speed, With Washer Note: Once our current stock runs out, this item will be discontinued.	\$46.00	
01993372	1967	<b>WINDSHIELD WIPER SWITCH</b>	\$45.00	
01994180	1973	<b>WINDSHIELD WIPER SWITCH</b> Omega	\$46.00	M
01994180	1974	<b>WINDSHIELD WIPER SWITCH</b> Omega	\$46.00	M
01994180	1975	<b>WINDSHIELD WIPER SWITCH</b>	\$46.00	M
01994180	1976	<b>WINDSHIELD WIPER SWITCH</b> Omega, Without Pulse Wipers	\$46.00	M
<b>WIPER MOTOR HARNESS</b>				
15885	1971	<b>WIPER MOTOR HARNESS</b> Wiper Washer Demand Jumper	\$41.00	

# ***Section 14***

***Impala***

***Bel Air***

***58-63 El Camino***

Part Number	Year	Description	Price	*Rev.
<b>AIR CONDITIONING CONTROL ASSEMBLY</b>				
01222890	1965	AIR CONDITIONING CONTROL ASSEMBLY With A/C, Complete With Fan Switch	\$185.00	N
01222890	1966	AIR CONDITIONING CONTROL ASSEMBLY With A/C, Complete With Fan Switch	\$185.00	N
<b>AIR CONDITIONING HARNESS</b>				
22340	1958	AIR CONDITIONING HARNESS	\$153.00	
18370	1959	AIR CONDITIONING HARNESS	\$153.00	
36085	1959	AIR CONDITIONING HARNESS For "Cool Pack" Under Dash Unit	\$149.00	
18370	1960	AIR CONDITIONING HARNESS	\$153.00	
36085	1960	AIR CONDITIONING HARNESS For "Cool Pack" Under Dash Unit	\$149.00	
20720	1961	AIR CONDITIONING HARNESS	\$160.00	
19215	1962	AIR CONDITIONING HARNESS	\$153.00	
29035	1963	AIR CONDITIONING HARNESS Early, Before 3/22/63 Production Date	\$153.00	
19220	1963	AIR CONDITIONING HARNESS Late, After 3/22/63 Production Date	\$149.00	
04945	1964	AIR CONDITIONING HARNESS With Under Dash A/C	\$153.00	
04895	1964	AIR CONDITIONING HARNESS With C.A.C. A/C	\$149.00	
06255	1965	AIR CONDITIONING HARNESS With Under Dash A/C Note: A/C Wiring Is Not An Integral Part Of Dash And Engine Harness.	\$153.00	
10620	1965	AIR CONDITIONING HARNESS Caprice, With Auto Temp Control A/C Note: A/C Wiring Is Not An Integral Part Of Dash And Engine Harness.	\$211.00	
06255	1966	AIR CONDITIONING HARNESS With Under Dash A/C Note: A/C Wiring Is Not An Integral Part Of Dash And Engine Harness.	\$153.00	
10620	1966	AIR CONDITIONING HARNESS Caprice, With Auto Temp Control A/C Note: A/C Wiring Is Not An Integral Part Of Dash And Engine Harness.	\$211.00	
10965	1967	AIR CONDITIONING HARNESS Caprice, With Auto Temp Control A/C	\$211.00	
10850	1967	AIR CONDITIONING HARNESS With C.A.C. A/C	\$211.00	
10965	1968	AIR CONDITIONING HARNESS Caprice, With Auto Temp Control A/C	\$211.00	
11890	1968	AIR CONDITIONING HARNESS With C.A.C. A/C	\$220.00	
13055	1969	AIR CONDITIONING HARNESS With Auto Temp Control A/C	\$211.00	
13040	1969	AIR CONDITIONING HARNESS With C.A.C. A/C	\$220.00	
14785	1970	AIR CONDITIONING HARNESS With Auto Temp Control A/C	\$211.00	
13040	1970	AIR CONDITIONING HARNESS With C.A.C. A/C	\$220.00	
<b>AIR CONDITIONING POWER FEED WIRE</b>				
19830	1961	AIR CONDITIONING POWER FEED WIRE Starter Solenoid To A/C Harness	\$25.00	
19830	1962	AIR CONDITIONING POWER FEED WIRE Starter Solenoid To A/C Harness	\$25.00	
33800	1963	AIR CONDITIONING POWER FEED WIRE C.A.C. A/C, Starter Solenoid To A/C Harness	\$22.00	
28225	1964	AIR CONDITIONING POWER FEED WIRE Starter Solenoid To A/C Fuse	\$22.00	
43554	1965	AIR CONDITIONING POWER FEED WIRE C.A.C. A/C, Horn Relay To Engine Harness	\$23.00	
33800	1966	AIR CONDITIONING POWER FEED WIRE Auto Temp Control A/C, Starter Solenoid To A/C Harness	\$22.00	
43554	1966	AIR CONDITIONING POWER FEED WIRE C.A.C. A/C, Horn Relay To Engine Harness	\$23.00	
10970	1967	AIR CONDITIONING POWER FEED WIRE C.A.C. A/C, Horn Relay To A/C Fuse	\$22.00	
10970	1968	AIR CONDITIONING POWER FEED WIRE C.A.C. A/C, Horn Relay To A/C Fuse	\$22.00	
35120	1969	AIR CONDITIONING POWER FEED WIRE Horn Relay To A/C Harness	\$25.00	
35120	1970	AIR CONDITIONING POWER FEED WIRE Horn Relay To A/C Harness	\$25.00	
<b>ALTERNATOR CONVERSION KIT</b>				
27555	1963	ALTERNATOR CONVERSION KIT External To Internal Regulator Conversion Harness ("SI" Series) Note: For Use With 1972-84 Non-Serpentine Belt ("SI" Series) Internal Regulated Alternators.	\$29.00	

Part Number	Year	Description	Price	*Rev.
37787	1963	<b>ALTERNATOR CONVERSION KIT</b> External To Internal Regulator Conversion Harness ("CS" Series) Note: For Use With Serpentine Belt ("CS" Series) Internal Regulated Alternators.	\$34.00	
27555	1964	<b>ALTERNATOR CONVERSION KIT</b> External To Internal Regulator Conversion Harness ("SI" Series) Note: For Use With 1972-84 Non-Serpentine Belt ("SI" Series) Internal Regulated Alternators.	\$29.00	
37787	1964	<b>ALTERNATOR CONVERSION KIT</b> External To Internal Regulator Conversion Harness ("CS" Series) Note: For Use With Serpentine Belt ("CS" Series) Internal Regulated Alternators.	\$34.00	
27555	1965	<b>ALTERNATOR CONVERSION KIT</b> External To Internal Regulator Conversion Harness ("SI" Series) Note: For Use With 1972-84 Non-Serpentine Belt ("SI" Series) Internal Regulated Alternators.	\$29.00	
37787	1965	<b>ALTERNATOR CONVERSION KIT</b> External To Internal Regulator Conversion Harness ("CS" Series) Note: For Use With Serpentine Belt ("CS" Series) Internal Regulated Alternators.	\$34.00	
27555	1966	<b>ALTERNATOR CONVERSION KIT</b> External To Internal Regulator Conversion Harness ("SI" Series) Note: For Use With 1972-84 Non-Serpentine Belt ("SI" Series) Internal Regulated Alternators.	\$29.00	
37787	1966	<b>ALTERNATOR CONVERSION KIT</b> External To Internal Regulator Conversion Harness ("CS" Series) Note: For Use With Serpentine Belt ("CS" Series) Internal Regulated Alternators.	\$34.00	
27555	1967	<b>ALTERNATOR CONVERSION KIT</b> External To Internal Regulator Conversion Harness ("SI" Series) Note: For Use With 1972-84 Non-Serpentine Belt ("SI" Series) Internal Regulated Alternators.	\$29.00	
37787	1967	<b>ALTERNATOR CONVERSION KIT</b> External To Internal Regulator Conversion Harness ("CS" Series) Note: For Use With Serpentine Belt ("CS" Series) Internal Regulated Alternators.	\$34.00	
27555	1968	<b>ALTERNATOR CONVERSION KIT</b> External To Internal Regulator Conversion Harness ("SI" Series) Note: For Use With 1972-84 Non-Serpentine Belt ("SI" Series) Internal Regulated Alternators.	\$29.00	
37787	1968	<b>ALTERNATOR CONVERSION KIT</b> External To Internal Regulator Conversion Harness ("CS" Series) Note: For Use With Serpentine Belt ("CS" Series) Internal Regulated Alternators.	\$34.00	
27555	1969	<b>ALTERNATOR CONVERSION KIT</b> External To Internal Regulator Conversion Harness ("SI" Series) Note: For Use With 1972-84 Non-Serpentine Belt ("SI" Series) Internal Regulated Alternators.	\$29.00	
37787	1969	<b>ALTERNATOR CONVERSION KIT</b> External To Internal Regulator Conversion Harness ("CS" Series) Note: For Use With Serpentine Belt ("CS" Series) Internal Regulated Alternators.	\$34.00	
27555	1970	<b>ALTERNATOR CONVERSION KIT</b> External To Internal Regulator Conversion Harness ("SI" Series) Note: For Use With 1972-84 Non-Serpentine Belt ("SI" Series) Internal Regulated Alternators.	\$29.00	
37787	1970	<b>ALTERNATOR CONVERSION KIT</b> External To Internal Regulator Conversion Harness ("CS" Series) Note: For Use With Serpentine Belt ("CS" Series) Internal Regulated Alternators.	\$34.00	
27555	1971	<b>ALTERNATOR CONVERSION KIT</b> External To Internal Regulator Conversion Harness ("SI" Series) Note: For Use With 1972-84 Non-Serpentine Belt ("SI" Series) Internal Regulated Alternators.	\$29.00	
37787	1971	<b>ALTERNATOR CONVERSION KIT</b> External To Internal Regulator Conversion Harness ("CS" Series) Note: For Use With Serpentine Belt ("CS" Series) Internal Regulated Alternators.	\$34.00	
27555	1972	<b>ALTERNATOR CONVERSION KIT</b> External To Internal Regulator Conversion Harness ("SI" Series) Note: For Use With 1972-84 Non-Serpentine Belt ("SI" Series) Internal Regulated Alternators.	\$29.00	
37787	1972	<b>ALTERNATOR CONVERSION KIT</b> External To Internal Regulator Conversion Harness ("CS" Series) Note: For Use With Serpentine Belt ("CS" Series) Internal Regulated Alternators.	\$34.00	
<b>ASSEMBLY MANUAL</b>				
36317	1958	<b>ASSEMBLY MANUAL</b> Factory Assembly Instruction Guide	\$32.00	
36318	1959	<b>ASSEMBLY MANUAL</b> Factory Assembly Instruction Guide	\$32.00	
36319	1960	<b>ASSEMBLY MANUAL</b> Factory Assembly Instruction Guide	\$32.00	
36320	1961	<b>ASSEMBLY MANUAL</b> Factory Assembly Instruction Guide	\$32.00	
36321	1962	<b>ASSEMBLY MANUAL</b> Factory Assembly Instruction Guide	\$32.00	
36322	1963	<b>ASSEMBLY MANUAL</b> Factory Assembly Instruction Guide	\$32.00	
36323	1964	<b>ASSEMBLY MANUAL</b> Factory Assembly Instruction Guide	\$32.00	
36324	1965	<b>ASSEMBLY MANUAL</b> Factory Assembly Instruction Guide	\$32.00	
36325	1966	<b>ASSEMBLY MANUAL</b> Factory Assembly Instruction Guide	\$32.00	

Part Number	Year	Description	Price	*Rev.
36326	1967	<b>ASSEMBLY MANUAL</b> Factory Assembly Instruction Guide	\$32.00	
36327	1968	<b>ASSEMBLY MANUAL</b> Factory Assembly Instruction Guide	\$32.00	
36328	1969	<b>ASSEMBLY MANUAL</b> Factory Assembly Instruction Guide	\$32.00	
36329	1970	<b>ASSEMBLY MANUAL</b> Factory Assembly Instruction Guide	\$32.00	
36330	1972	<b>ASSEMBLY MANUAL</b> Factory Assembly Instruction Guide	\$32.00	
<b>BACKUP LAMP SWITCH</b>				
01998728	1959	<b>BACKUP LAMP SWITCH</b> 4 Speed, Manual Trans	\$64.00	
01998728	1960	<b>BACKUP LAMP SWITCH</b> 4 Speed, Manual Trans	\$64.00	
01998728	1961	<b>BACKUP LAMP SWITCH</b> 4 Speed, Manual Trans	\$64.00	
01998728	1962	<b>BACKUP LAMP SWITCH</b> 4 Speed, Manual Trans	\$64.00	
01997929	1963	<b>BACKUP LAMP SWITCH</b> 4 Speed, Manual Trans	\$64.00	
01993661	1964	<b>BACKUP LAMP SWITCH</b> 4 Speed, Manual Trans	\$64.00	
01993307	1965	<b>BACKUP LAMP SWITCH</b> 4 Speed, Manual Trans	\$64.00	
01993307	1966	<b>BACKUP LAMP SWITCH</b> 4 Speed, Manual Trans	\$64.00	
01993307	1967	<b>BACKUP LAMP SWITCH</b> 4 Speed, Manual Trans	\$64.00	
01993431	1968	<b>BACKUP LAMP SWITCH</b> 4 Speed, Manual Trans	\$64.00	
03943657	1969	<b>BACKUP LAMP SWITCH</b> Manual Trans	\$53.00	
03943657	1970	<b>BACKUP LAMP SWITCH</b> Manual Trans	\$53.00	
03943657	1971	<b>BACKUP LAMP SWITCH</b> Manual Trans	\$53.00	
03943657	1972	<b>BACKUP LAMP SWITCH</b> Manual Trans	\$53.00	
<b>BACKUP LAMP SWITCH EXTENSION HARNESS</b>				
19225	1958	<b>BACKUP LAMP SWITCH EXTENSION HARNESS</b> Biscayne & Delray	\$34.00	
19230	1958	<b>BACKUP LAMP SWITCH EXTENSION HARNESS</b> Impala	\$29.00	
19235	1959	<b>BACKUP LAMP SWITCH EXTENSION HARNESS</b> Fuse Box To Column Mounted Backup Switch	\$29.00	
33185	1959	<b>BACKUP LAMP SWITCH EXTENSION HARNESS</b> Floor Shift, MT, Fusebox To Backup Switch & Rear Body Harness	\$32.00	
19235	1960	<b>BACKUP LAMP SWITCH EXTENSION HARNESS</b> Fuse Box To Column Mounted Backup Switch	\$29.00	
33185	1960	<b>BACKUP LAMP SWITCH EXTENSION HARNESS</b> Floor Shift, MT, Fusebox To Backup Switch & Rear Body Harness	\$32.00	
33000	1961	<b>BACKUP LAMP SWITCH EXTENSION HARNESS</b> Manual Trans	\$29.00	
33000	1962	<b>BACKUP LAMP SWITCH EXTENSION HARNESS</b> Manual Trans	\$29.00	
28335	1963	<b>BACKUP LAMP SWITCH EXTENSION HARNESS</b> Manual Trans	\$33.00	
33325	1964	<b>BACKUP LAMP SWITCH EXTENSION HARNESS</b> Manual Trans	\$32.00	
19240	1965	<b>BACKUP LAMP SWITCH EXTENSION HARNESS</b> Manual Trans	\$31.00	
19240	1966	<b>BACKUP LAMP SWITCH EXTENSION HARNESS</b> Manual Trans	\$31.00	
33330	1967	<b>BACKUP LAMP SWITCH EXTENSION HARNESS</b> Manual Trans	\$33.00	
<b>BACKUP LAMP SWITCH MOUNTING BRACKET</b>				
37650	1964	<b>BACKUP LAMP SWITCH MOUNTING BRACKET</b> With Muncie 4 Speed Transmission	\$29.00	
37650	1965	<b>BACKUP LAMP SWITCH MOUNTING BRACKET</b> With Muncie 4 Speed Transmission	\$29.00	
37650	1966	<b>BACKUP LAMP SWITCH MOUNTING BRACKET</b> With Muncie 4 Speed Transmission	\$29.00	
37650	1967	<b>BACKUP LAMP SWITCH MOUNTING BRACKET</b> With Muncie 4 Speed Transmission	\$29.00	
37650	1968	<b>BACKUP LAMP SWITCH MOUNTING BRACKET</b> With Muncie 4 Speed Transmission	\$29.00	
<b>BACKUP LAMP SWITCH MOUNTING KIT</b>				
39504	1963	<b>BACKUP LAMP SWITCH MOUNTING KIT</b> With Muncie 4 Speed Transmission Note: Kit Contains The Bracket, Rod With 2 Clips, Shield & Bolts.	\$46.00	
39504	1964	<b>BACKUP LAMP SWITCH MOUNTING KIT</b> With Muncie 4 Speed Transmission Note: Kit Contains The Bracket, Rod With 2 Clips, Shield & Bolts.	\$46.00	

Part Number	Year	Description	Price	*Rev.
39504	1965	<b>BACKUP LAMP SWITCH MOUNTING KIT</b> With Muncie 4 Speed Transmission Note: Kit Contains The Bracket, Rod With 2 Clips, Shield & Bolts.	\$46.00	
39504	1966	<b>BACKUP LAMP SWITCH MOUNTING KIT</b> With Muncie 4 Speed Transmission Note: Kit Contains The Bracket, Rod With 2 Clips, Shield & Bolts.	\$46.00	
39504	1967	<b>BACKUP LAMP SWITCH MOUNTING KIT</b> With Muncie 4 Speed Transmission Note: Kit Contains The Bracket, Rod With 2 Clips, Shield & Bolts.	\$46.00	
39504	1968	<b>BACKUP LAMP SWITCH MOUNTING KIT</b> With Muncie 4 Speed Transmission Note: Kit Contains The Bracket, Rod With 2 Clips, Shield & Bolts.	\$46.00	
<b>BATTERY CABLE JUNCTION BLOCK</b>				
03882795	1965	<b>BATTERY CABLE JUNCTION BLOCK</b> For Positive Cable Secondary Lead	\$11.00	
03882795	1966	<b>BATTERY CABLE JUNCTION BLOCK</b> For Positive Cable Secondary Lead	\$11.00	
03882795	1967	<b>BATTERY CABLE JUNCTION BLOCK</b> For Positive Cable Secondary Lead	\$11.00	
03882795	1968	<b>BATTERY CABLE JUNCTION BLOCK</b> For Positive Cable Secondary Lead	\$11.00	
03882795	1969	<b>BATTERY CABLE JUNCTION BLOCK</b> For Positive Cable Secondary Lead	\$11.00	
03882795	1970	<b>BATTERY CABLE JUNCTION BLOCK</b> For Positive Cable Secondary Lead	\$11.00	
03882795	1971	<b>BATTERY CABLE JUNCTION BLOCK</b> For Positive Cable Secondary Lead	\$11.00	
<b>BATTERY CABLE-NEGATIVE</b>				
02845	1958	<b>BATTERY CABLE, TOP POST</b> Neg, All	\$63.00	
02840	1959	<b>BATTERY CABLE, TOP POST</b> Neg, 6 Cylinder Note: 6 Cylinder Items Are Not Returnable.	\$63.00	
02845	1959	<b>BATTERY CABLE, TOP POST</b> Neg, V/8	\$63.00	
02840	1960	<b>BATTERY CABLE, TOP POST</b> Neg, 6 Cylinder Note: 6 Cylinder Items Are Not Returnable.	\$63.00	
02845	1960	<b>BATTERY CABLE, TOP POST</b> Neg, V/8	\$63.00	
03320	1961	<b>BATTERY CABLE, SPRING RING</b> Neg, 6 Cylinder Note: 6 Cylinder Items Are Not Returnable.	\$69.00	
03325	1961	<b>BATTERY CABLE, SPRING RING</b> Neg, 283 C.I.	\$69.00	
03330	1961	<b>BATTERY CABLE, SPRING RING</b> Neg, 348 C.I.	\$69.00	
03325	1962	<b>BATTERY CABLE, SPRING RING</b> Neg, 6 Cylinder Note: 6 Cylinder Items Are Not Returnable.	\$69.00	
03325	1962	<b>BATTERY CABLE, SPRING RING</b> Neg, 283 C.I.	\$69.00	
04010	1962	<b>BATTERY CABLE, SPRING RING</b> Neg, 327 C.I. Special High Performance	\$69.00	
03330	1962	<b>BATTERY CABLE, SPRING RING</b> Neg, 409 C.I.	\$69.00	
04170	1963	<b>BATTERY CABLE, SPRING RING</b> Neg, 6 Cylinder, All Note: 6 Cylinder Items Are Not Returnable.	\$69.00	
03325	1963	<b>BATTERY CABLE, SPRING RING</b> Neg, V/8, All, Except 327 C.I. Special High Performance & 409 C.I.	\$69.00	
04010	1963	<b>BATTERY CABLE, SPRING RING</b> Neg, 327 C.I. Special High Performance	\$69.00	
04010	1963	<b>BATTERY CABLE, SPRING RING</b> Neg, 409 C.I.	\$69.00	
05395	1964	<b>BATTERY CABLE, SPRING RING</b> Neg, 6 Cylinder, With A/C Note: 6 Cylinder Items Are Not Returnable.	\$69.00	
05040	1964	<b>BATTERY CABLE, SPRING RING</b> Neg, 6 Cylinder, Without A/C Note: 6 Cylinder Items Are Not Returnable.	\$69.00	
05145	1964	<b>BATTERY CABLE, SPRING RING</b> Neg, 283-327 C.I., With A/C	\$69.00	
05045	1964	<b>BATTERY CABLE, SPRING RING</b> Neg, 283-327 C.I., Without A/C	\$69.00	
05050	1964	<b>BATTERY CABLE, SPRING RING</b> Neg, 327 C.I., Special High Performance	\$69.00	
05050	1964	<b>BATTERY CABLE, SPRING RING</b> Neg, 409 C.I., With A/C	\$69.00	
05055	1964	<b>BATTERY CABLE, SPRING RING</b> Neg, 409 C.I., Without A/C	\$69.00	

Part Number	Year	Description	Price	*Rev.
05395	1965	<b>BATTERY CABLE, SPRING RING</b> Neg, 6 Cylinder, With A/C Note: 6 Cylinder Items Are Not Returnable.	\$69.00	
05040	1965	<b>BATTERY CABLE, SPRING RING</b> Neg, 6 Cylinder, Without A/C Note: 6 Cylinder Items Are Not Returnable.	\$69.00	
05145	1965	<b>BATTERY CABLE, SPRING RING</b> Neg, 283-327 C.I., With A/C	\$69.00	
05050	1965	<b>BATTERY CABLE, SPRING RING</b> Neg, V/8, All Without A/C	\$69.00	
04665	1965	<b>BATTERY CABLE, SPRING RING</b> Neg, 396 C.I., With A/C	\$69.00	
05050	1965	<b>BATTERY CABLE, SPRING RING</b> Neg, 409 C.I., With A/C	\$69.00	
09770	1966	<b>BATTERY CABLE, SPRING RING</b> Neg, 6 Cylinder, All Note: 6 Cylinder Items Are Not Returnable.	\$69.00	
05045	1966	<b>BATTERY CABLE, SPRING RING</b> Neg, V/8, All Without A/C	\$69.00	
05145	1966	<b>BATTERY CABLE, SPRING RING</b> Neg, 283-327 C.I., With A/C	\$69.00	
04665	1966	<b>BATTERY CABLE, SPRING RING</b> Neg, 396-427 C.I., With A/C	\$69.00	
09875	1967	<b>BATTERY CABLE, SPRING RING</b> Neg, 6 Cylinder, Without A/C Note: 6 Cylinder Items Are Not Returnable.	\$69.00	
09255	1967	<b>BATTERY CABLE, SPRING RING</b> Neg, 6 Cylinder, With A/C Note: 6 Cylinder Items Are Not Returnable.	\$69.00	
09870	1967	<b>BATTERY CABLE, SPRING RING</b> Neg, V/8, All Without A/C	\$69.00	
06805	1967	<b>BATTERY CABLE, SPRING RING</b> Neg, 283-327 C.I., With A/C	\$69.00	
05055	1967	<b>BATTERY CABLE, SPRING RING</b> Neg, 396-427 C.I., With A/C	\$69.00	
12500	1968	<b>BATTERY CABLE, SPRING RING</b> Neg, 6 Cylinder, Without A/C Note: 6 Cylinder Items Are Not Returnable.	\$69.00	
12490	1968	<b>BATTERY CABLE, SPRING RING</b> Neg, 6 Cylinder, With A/C Note: 6 Cylinder Items Are Not Returnable.	\$69.00	
12505	1968	<b>BATTERY CABLE, SPRING RING</b> Neg, V/8, All Without A/C	\$69.00	
20775	1968	<b>BATTERY CABLE, SPRING RING</b> Neg, 307-327 C.I., With A/C	\$69.00	
12495	1968	<b>BATTERY CABLE, SPRING RING</b> Neg, 396-427 C.I., With A/C	\$69.00	
22775	1969	<b>BATTERY CABLE, SPRING RING</b> Neg, 6 Cylinder, Without A/C Note: 6 Cylinder Items Are Not Returnable.	\$69.00	
22765	1969	<b>BATTERY CABLE, SPRING RING</b> Neg, 6 Cylinder, With A/C Note: 6 Cylinder Items Are Not Returnable.	\$69.00	
22760	1969	<b>BATTERY CABLE, SPRING RING</b> Neg, V/8, Except 396-427 C.I.	\$69.00	
22770	1969	<b>BATTERY CABLE, SPRING RING</b> Neg, 396-427 C.I.	\$69.00	
12580	1970	<b>BATTERY CABLE, SPRING RING</b> Neg, 6 Cylinder Note: 6 Cylinder Items Are Not Returnable.	\$69.00	
14850	1970	<b>BATTERY CABLE, SIDE POST</b> Neg, 6 Cylinder, With Side Mount Type Battery Note: 6 Cylinder Items Are Not Returnable.	\$74.00	
20770	1970	<b>BATTERY CABLE, SPRING RING</b> Neg, V/8	\$69.00	
22690	1970	<b>BATTERY CABLE, SIDE POST</b> Neg, V/8, With Side Mount Type Battery	\$74.00	
<b>BATTERY CABLE-POSITIVE</b>				
21675	1958	<b>BATTERY CABLE, TOP POST</b> Pos, 6 Cylinder Note: 6 Cylinder Items Are Not Returnable.	\$63.00	
21680	1958	<b>BATTERY CABLE, TOP POST</b> Pos, V/8	\$63.00	
02835	1959	<b>BATTERY CABLE, TOP POST</b> Pos, 6 Cylinder & V/8 Note: 6 Cylinder Items Are Not Returnable.	\$63.00	
03285	1960	<b>BATTERY CABLE, TOP POST</b> Pos, 6 Cylinder & V/8 Note: 6 Cylinder Items Are Not Returnable.	\$63.00	



Part Number	Year	Description	Price	*Rev.
04105	1961	<b>BATTERY CABLE, SPRING RING</b> Pos, 6 Cylinder Note: 6 Cylinder Items Are Not Returnable.	\$69.00	
03310	1961	<b>BATTERY CABLE, SPRING RING</b> Pos, 283 C.I.	\$69.00	
03315	1961	<b>BATTERY CABLE, SPRING RING</b> Pos, 348 C.I.	\$69.00	
04105	1962	<b>BATTERY CABLE, SPRING RING</b> Pos, 6 Cylinder Note: 6 Cylinder Items Are Not Returnable.	\$69.00	
03310	1962	<b>BATTERY CABLE, SPRING RING</b> Pos, 283 C.I.	\$69.00	
03315	1962	<b>BATTERY CABLE, SPRING RING</b> Pos, 327 C.I. Special High Performance	\$69.00	
03315	1962	<b>BATTERY CABLE, SPRING RING</b> Pos, 409 C.I.	\$69.00	
18925	1963	<b>BATTERY CABLE, SPRING RING</b> Pos, 6 Cylinder Note: 6 Cylinder Items Are Not Returnable.	\$69.00	
03930	1963	<b>BATTERY CABLE, SPRING RING</b> Pos, V/8, All	\$69.00	
20780	1964	<b>BATTERY CABLE, SPRING RING</b> Pos, 6 Cylinder Note: 6 Cylinder Items Are Not Returnable.	\$69.00	
05385	1964	<b>BATTERY CABLE, SPRING RING</b> Pos, 283-327 C.I., All	\$69.00	
05410	1964	<b>BATTERY CABLE, SPRING RING</b> Pos, 409 C.I., With A/C	\$69.00	
21130	1964	<b>BATTERY CABLE, SPRING RING</b> Pos, 409 C.I., Without A/C	\$69.00	
05450	1965	<b>BATTERY CABLE, SPRING RING</b> Pos, 6 Cylinder, All Note: 6 Cylinder Items Are Not Returnable.	\$69.00	
05455	1965	<b>BATTERY CABLE, SPRING RING</b> Pos, V/8, All	\$69.00	
09780	1966	<b>BATTERY CABLE, SPRING RING</b> Pos, 6 Cylinder, All Note: 6 Cylinder Items Are Not Returnable.	\$69.00	
05455	1966	<b>BATTERY CABLE, SPRING RING</b> Pos, V/8, All	\$69.00	
10720	1967	<b>BATTERY CABLE, SPRING RING</b> Pos, 6 Cylinder, All Note: 6 Cylinder Items Are Not Returnable.	\$69.00	
09755	1967	<b>BATTERY CABLE, SPRING RING</b> Pos, V/8, All	\$69.00	
09850	1968	<b>BATTERY CABLE, SPRING RING</b> Pos, 6 Cylinder, All Note: 6 Cylinder Items Are Not Returnable.	\$69.00	
21560	1968	<b>BATTERY CABLE, SPRING RING</b> Pos, V/8, All	\$69.00	
22785	1969	<b>BATTERY CABLE, SPRING RING</b> Pos, 6 Cylinder, All Note: 6 Cylinder Items Are Not Returnable.	\$69.00	
22755	1969	<b>BATTERY CABLE, SPRING RING</b> Pos, V/8, Except 396-427 C.I.	\$69.00	
22945	1969	<b>BATTERY CABLE, SPRING RING</b> Pos, 396-427 C.I.	\$69.00	
12615	1970	<b>BATTERY CABLE, SPRING RING</b> Pos, 6 Cylinder Note: 6 Cylinder Items Are Not Returnable.	\$69.00	
14880	1970	<b>BATTERY CABLE, SIDE POST</b> Pos, 6 Cylinder, With Side Mount Type Battery Note: 6 Cylinder Items Are Not Returnable.	\$74.00	
15115	1970	<b>BATTERY CABLE, SPRING RING</b> Pos, V/8	\$69.00	
15120	1970	<b>BATTERY CABLE, SIDE POST</b> Pos, V/8, With Side Mount Type Battery	\$74.00	
<b>BREAKERLESS SE SINGLE WIRE ELECTRONIC IGNITION</b>				
38131	1958	<b>BREAKERLESS SE SINGLE WIRE ELECTRONIC IGNITION KIT</b> For 1957-74 Breaker Point Distributors With Windowed Type Distributor Cap	\$179.00	
38131	1959	<b>BREAKERLESS SE SINGLE WIRE ELECTRONIC IGNITION KIT</b> For 1957-74 Breaker Point Distributors With Windowed Type Distributor Cap	\$179.00	
38131	1960	<b>BREAKERLESS SE SINGLE WIRE ELECTRONIC IGNITION KIT</b> For 1957-74 Breaker Point Distributors With Windowed Type Distributor Cap	\$179.00	
38131	1961	<b>BREAKERLESS SE SINGLE WIRE ELECTRONIC IGNITION KIT</b> For 1957-74 Breaker Point Distributors With Windowed Type Distributor Cap	\$179.00	

Part Number	Year	Description	Price	*Rev.
38131	1962	<b>BREAKERLESS SE SINGLE WIRE ELECTRONIC IGNITION KIT</b> For 1957-74 Breaker Point Distributors With Windowed Type Distributor Cap	\$179.00	
38131	1963	<b>BREAKERLESS SE SINGLE WIRE ELECTRONIC IGNITION KIT</b> For 1957-74 Breaker Point Distributors With Windowed Type Distributor Cap	\$179.00	
38131	1964	<b>BREAKERLESS SE SINGLE WIRE ELECTRONIC IGNITION KIT</b> For 1957-74 Breaker Point Distributors With Windowed Type Distributor Cap	\$179.00	
38131	1965	<b>BREAKERLESS SE SINGLE WIRE ELECTRONIC IGNITION KIT</b> For 1957-74 Breaker Point Distributors With Windowed Type Distributor Cap	\$179.00	
38131	1966	<b>BREAKERLESS SE SINGLE WIRE ELECTRONIC IGNITION KIT</b> For 1957-74 Breaker Point Distributors With Windowed Type Distributor Cap	\$179.00	
38131	1967	<b>BREAKERLESS SE SINGLE WIRE ELECTRONIC IGNITION KIT</b> For 1957-74 Breaker Point Distributors With Windowed Type Distributor Cap	\$179.00	
38131	1968	<b>BREAKERLESS SE SINGLE WIRE ELECTRONIC IGNITION KIT</b> For 1957-74 Breaker Point Distributors With Windowed Type Distributor Cap	\$179.00	
38131	1969	<b>BREAKERLESS SE SINGLE WIRE ELECTRONIC IGNITION KIT</b> For 1957-74 Breaker Point Distributors With Windowed Type Distributor Cap	\$179.00	
38131	1970	<b>BREAKERLESS SE SINGLE WIRE ELECTRONIC IGNITION KIT</b> For 1957-74 Breaker Point Distributors With Windowed Type Distributor Cap	\$179.00	
38131	1971	<b>BREAKERLESS SE SINGLE WIRE ELECTRONIC IGNITION KIT</b> For 1957-74 Breaker Point Distributors With Windowed Type Distributor Cap	\$179.00	
38131	1972	<b>BREAKERLESS SE SINGLE WIRE ELECTRONIC IGNITION KIT</b> For 1957-74 Breaker Point Distributors With Windowed Type Distributor Cap	\$179.00	
38131	1973	<b>BREAKERLESS SE SINGLE WIRE ELECTRONIC IGNITION KIT</b> For 1957-74 Breaker Point Distributors With Windowed Type Distributor Cap	\$179.00	
38131	1974	<b>BREAKERLESS SE SINGLE WIRE ELECTRONIC IGNITION KIT</b> For 1957-74 Breaker Point Distributors With Windowed Type Distributor Cap	\$179.00	
<b>CIGARETTE LIGHTER HARNESS</b>				
33440	1959	<b>CIGARETTE LIGHTER HARNESS</b> Biscayne	\$21.00	
33440	1960	<b>CIGARETTE LIGHTER HARNESS</b> Biscayne	\$21.00	
<b>CIRCUIT BREAKER</b>				
04849850	1958	<b>CIRCUIT BREAKER, 40 AMP</b> Power Seat, Windows & Tailgate Window	\$14.00	
04849850	1959	<b>CIRCUIT BREAKER, 40 AMP</b> Power Seat, Windows & Tailgate Window	\$14.00	
04849850	1960	<b>CIRCUIT BREAKER, 40 AMP</b> Power Seat, Windows & Tailgate Window	\$14.00	
04849850	1961	<b>CIRCUIT BREAKER, 40 AMP</b> Power Seat, Windows & Tailgate Window	\$14.00	
04849850	1962	<b>CIRCUIT BREAKER, 40 AMP</b> Power Seat, Windows & Tailgate Window	\$14.00	
04849850	1963	<b>CIRCUIT BREAKER, 40 AMP</b> Power Seat, Windows & Tailgate Window	\$14.00	
04849850	1964	<b>CIRCUIT BREAKER, 40 AMP</b> Power Seat, Windows & Tailgate Window	\$14.00	
04849850	1965	<b>CIRCUIT BREAKER, 40 AMP</b> Power Seat, Windows & Tailgate Window	\$14.00	
04849850	1966	<b>CIRCUIT BREAKER, 40 AMP</b> Power Seat, Windows & Tailgate Window	\$14.00	
04850166	1967	<b>CIRCUIT BREAKER, 30 AMP</b> Power Seat, Windows, Tailgate Window & Top	\$14.00	
04850166	1968	<b>CIRCUIT BREAKER, 30 AMP</b> Power Seat, Windows, Tailgate Window & Top	\$14.00	
04850166	1969	<b>CIRCUIT BREAKER, 30 AMP</b> Power Seat, Windows, Tailgate Window & Top	\$14.00	
04850166	1970	<b>CIRCUIT BREAKER, 30 AMP</b> Power Seat, Windows, Tailgate Window & Top	\$14.00	
04850166	1971	<b>CIRCUIT BREAKER, 30 AMP</b> Power Seat, Windows, Tailgate Window & Top	\$14.00	
<b>CLOCK HARNESS</b>				
19245	1958	<b>CLOCK HARNESS</b> Dash Mounted	\$32.00	
33175	1959	<b>CLOCK HARNESS</b> Dash Mounted Clock And Generator, Oil, Brake Cluster Dash Light	\$35.00	
33175	1960	<b>CLOCK HARNESS</b> Dash Mounted Clock And Generator, Oil, Brake Cluster Dash Light	\$35.00	
40876	1961	<b>CLOCK HARNESS</b> Dash Mounted Clock	\$35.00	
40876	1962	<b>CLOCK HARNESS</b> Dash Mounted Clock	\$35.00	

Part Number	Year	Description	Price	*Rev.
40877	1963	<b>CLOCK HARNESS</b> Dash Mounted Clock	\$41.00	
40877	1964	<b>CLOCK HARNESS</b> Dash Mounted Clock	\$41.00	
36115	1965	<b>CLOCK HARNESS</b> In Dash Mounted Clock	\$46.00	
18275	1965	<b>CLOCK HARNESS</b> Top Of Dash Mounted Clock	\$29.00	
18275	1966	<b>CLOCK HARNESS</b> Top Of Dash Mounted Clock	\$29.00	
33490	1966	<b>CLOCK WIRE EXTENSION</b> For Console Mounted Clock	\$15.00	
01365	1968	<b>CLOCK HARNESS</b> Dash Mounted Clock	\$26.00	
38297	1969	<b>CLOCK HARNESS</b> Dash Mounted Clock	\$37.00	
38297	1970	<b>CLOCK HARNESS</b> Dash Mounted Clock	\$37.00	
<b>COIL TO DISTRIBUTOR LOW TENSION LEAD WIRE</b>				
02300	1958	<b>COIL TO DISTRIBUTOR LOW TENSION LEAD WIRE</b> 6 Cylinder Note: 6 Cylinder Items Are Not Returnable.	\$13.00	
30515	1958	<b>COIL TO DISTRIBUTOR LOW TENSION LEAD WIRE</b> V/8	\$17.00	
02300	1959	<b>COIL TO DISTRIBUTOR LOW TENSION LEAD WIRE</b> 6 Cylinder Note: 6 Cylinder Items Are Not Returnable.	\$13.00	
30515	1959	<b>COIL TO DISTRIBUTOR LOW TENSION LEAD WIRE</b> V/8	\$17.00	
02300	1960	<b>COIL TO DISTRIBUTOR LOW TENSION LEAD WIRE</b> 6 Cylinder Note: 6 Cylinder Items Are Not Returnable.	\$13.00	
30515	1960	<b>COIL TO DISTRIBUTOR LOW TENSION LEAD WIRE</b> V/8	\$17.00	
02300	1961	<b>COIL TO DISTRIBUTOR LOW TENSION LEAD WIRE</b> 6 Cylinder Note: 6 Cylinder Items Are Not Returnable.	\$13.00	
30515	1961	<b>COIL TO DISTRIBUTOR LOW TENSION LEAD WIRE</b> V/8	\$17.00	
02300	1962	<b>COIL TO DISTRIBUTOR LOW TENSION LEAD WIRE</b> 6 Cylinder Note: 6 Cylinder Items Are Not Returnable.	\$13.00	
30515	1962	<b>COIL TO DISTRIBUTOR LOW TENSION LEAD WIRE</b> V/8	\$17.00	
<b>COMPASS LAMP WIRE</b>				
31515	1958	<b>COMPASS LAMP WIRE</b>	\$21.00	
31515	1959	<b>COMPASS LAMP WIRE</b>	\$21.00	
31515	1960	<b>COMPASS LAMP WIRE</b>	\$21.00	
31515	1961	<b>COMPASS LAMP WIRE</b>	\$21.00	
31515	1962	<b>COMPASS LAMP WIRE</b>	\$21.00	
31515	1963	<b>COMPASS LAMP WIRE</b>	\$21.00	
31515	1964	<b>COMPASS LAMP WIRE</b>	\$21.00	
<b>CONSOLE DOOR LAMP HARNESS AND SWITCH ASSEMBLY</b>				
33455	1963	<b>CONSOLE DOOR LAMP HARNESS AND SWITCH ASSEMBLY</b> Includes Socket, Bulb & Wire	\$32.00	
33460	1964	<b>CONSOLE DOOR LAMP HARNESS AND SWITCH ASSEMBLY</b> Includes Socket, Bulb & Wire	\$32.00	
33465	1966	<b>CONSOLE DOOR LAMP HARNESS AND SWITCH ASSEMBLY</b> Includes Socket, Bulb & Wire	\$25.00	
33465	1967	<b>CONSOLE DOOR LAMP HARNESS AND SWITCH ASSEMBLY</b> Includes Socket, Bulb & Wire	\$25.00	
33465	1968	<b>CONSOLE DOOR LAMP HARNESS AND SWITCH ASSEMBLY</b> Includes Socket, Bulb & Wire	\$25.00	
33465	1969	<b>CONSOLE DOOR LAMP HARNESS AND SWITCH ASSEMBLY</b> Includes Socket, Bulb & Wire	\$25.00	
<b>CONSOLE HARNESS</b>				
08915	1962	<b>CONSOLE HARNESS</b> "SS" Convertible, With Courtesy Lights	\$61.00	
08910	1962	<b>CONSOLE HARNESS</b> "SS" Coupe, With Courtesy Lights	\$61.00	
06610	1963	<b>CONSOLE HARNESS</b> "SS", With Courtesy Lights	\$61.00	
28925	1963	<b>CONSOLE EXTENSION HARNESS</b> Auto Trans	\$46.00	
05000	1964	<b>CONSOLE HARNESS</b> All, Courtesy Light Extension	\$27.00	
04995	1964	<b>CONSOLE EXTENSION HARNESS</b> Auto Trans	\$80.00	

Part Number	Year	Description	Price	*Rev.
19265	1964	<b>CONSOLE EXTENSION HARNESS</b> Manual Trans	\$46.00	
06175	1965	<b>CONSOLE HARNESS</b> Auto Trans, Includes Console Clock Lead	\$66.00	
06055	1965	<b>CONSOLE HARNESS</b> Manual Trans, Includes Console Clock Lead	\$60.00	
19270	1966	<b>CONSOLE HARNESS</b> Auto Trans	\$90.00	
18585	1966	<b>CONSOLE HARNESS</b> Auto Trans, With Gauges	\$137.00	
19275	1966	<b>CONSOLE HARNESS</b> Manual Trans	\$63.00	
19280	1966	<b>CONSOLE HARNESS</b> Manual Trans, With Gauges	\$119.00	
19285	1967	<b>CONSOLE HARNESS</b> Auto Trans	\$98.00	
19290	1967	<b>CONSOLE HARNESS</b> Manual Trans	\$63.00	
19295	1968	<b>CONSOLE HARNESS</b> Auto Trans	\$98.00	
19300	1968	<b>CONSOLE HARNESS</b> Manual Trans	\$63.00	
<b>COURTESY LAMP HARNESS</b>				
38428	1959	<b>COURTESY LAMP HARNESS</b> Dual Overhead Lights, Bel Air & Impala Sport Coupe & Sport Sedans	\$63.00	
36046	1959	<b>COURTESY LAMP HARNESS</b> Under Dash	\$60.00	
41559	1960	<b>COURTESY LAMP HARNESS</b> Center Roof Mounted Dome Lamp, Biscayne, Belair 2 & 4 Door Sedan	\$60.00	
41559	1960	<b>COURTESY LAMP HARNESS</b> Center Roof Mounted Dome Lamp, El Camino	\$60.00	
41559	1960	<b>COURTESY LAMP HARNESS</b> Center Roof Mounted Dome Lamp, Impala 4 Door Sedan	\$60.00	
32335	1960	<b>COURTESY LAMP HARNESS</b> Dual Overhead Lights, Bel Air & Impala Sport Coupe & Sport Sedans	\$60.00	
36046	1960	<b>COURTESY LAMP HARNESS</b> Under Dash	\$60.00	
08780	1961	<b>COURTESY LAMP HARNESS</b> Side Roof Rail Lamp, Impala Sport Sedan	\$63.00	
08780	1962	<b>COURTESY LAMP HARNESS</b> Side Roof Rail Lamp, Impala Sport Sedan	\$63.00	
19305	1962	<b>COURTESY LAMP HARNESS</b> Coupe, Dual Overhead Lights, In Rear Seat Upper Roof Panels	\$60.00	
08780	1963	<b>COURTESY LAMP HARNESS</b> Side Roof Rail Lamp, Impala Sport Sedan	\$63.00	
09050	1963	<b>COURTESY LAMP HARNESS</b> Coupe, Dual Overhead Lights, In Rear Seat Upper Roof Panels	\$60.00	
38249	1963	<b>COURTESY LAMP HARNESS</b> Impala, Under Dash	\$52.00	
08780	1964	<b>COURTESY LAMP HARNESS</b> Side Roof Rail Lamp, Impala Sport Sedan	\$63.00	
09050	1964	<b>COURTESY LAMP HARNESS</b> Coupe, Dual Overhead Lights, In Rear Seat Upper Roof Panels	\$60.00	
38249	1964	<b>COURTESY LAMP HARNESS</b> Impala, Under Dash	\$52.00	
08005	1965	<b>COURTESY LAMP HARNESS</b> Center Roof Mounted Dome Lamp	\$49.00	
19310	1965	<b>COURTESY LAMP HARNESS</b> Convertible, Under Dash	\$67.00	
07215	1965	<b>COURTESY LAMP HARNESS</b> Sport Coupe (Except Caprice), Dual Quarter Roof Rail Lamps	\$67.00	
07210	1965	<b>COURTESY LAMP HARNESS</b> Sport Sedan, Dual Quarter Roof Rail Lamps	\$74.00	
07160	1965	<b>COURTESY LAMP HARNESS</b> Caprice, Quarter Corner Lamp	\$74.00	
08005	1966	<b>COURTESY LAMP HARNESS</b> Center Roof Mounted Dome Lamp	\$49.00	
19310	1966	<b>COURTESY LAMP HARNESS</b> Convertible, Under Dash	\$67.00	
07160	1966	<b>COURTESY LAMP HARNESS</b> Caprice Sport Sedan, Quarter Corner Lamp	\$74.00	
32515	1966	<b>COURTESY LAMP HARNESS</b> Caprice Sport Coupe, Quarter Corner Lamp	\$77.00	
07215	1966	<b>COURTESY LAMP HARNESS</b> Sport Coupe (Except Caprice), Dual Quarter Roof Rail Lamps	\$67.00	
07210	1966	<b>COURTESY LAMP HARNESS</b> Sport Sedan (Except Caprice), Dual Quarter Roof Rail Lamps	\$74.00	
08005	1967	<b>COURTESY LAMP HARNESS</b> Center Roof Mounted Dome Lamp	\$49.00	
19310	1967	<b>COURTESY LAMP HARNESS</b> Convertible, Under Dash	\$67.00	
32515	1967	<b>COURTESY LAMP HARNESS</b> Caprice Sport Coupe, Quarter Corner Lamp	\$77.00	
13850	1967	<b>COURTESY LAMP HARNESS</b> Impala Sport Coupe, Quarter Roof Rail Lamps	\$77.00	
13840	1967	<b>COURTESY LAMP HARNESS</b> Impala Sport Sedan, Quarter Roof Rail Lamps	\$77.00	
38180	1969	<b>COURTESY LAMP HARNESS</b> Under Dash	\$67.00	

Part Number	Year	Description	Price	*Rev.
38180	1970	COURTESY LAMP HARNESS Under Dash	\$67.00	
<b>COURTESY LAMP MOUNTING BRACKET-UNDER DASH</b>				
04876930	1959	COURTESY LAMP MOUNTING BRACKET, UNDER DASH Left Or Right Side, 2 Required Per Car	\$11.00	
04876930	1960	COURTESY LAMP MOUNTING BRACKET, UNDER DASH Left Or Right Side, 2 Required Per Car	\$11.00	
04876930	1961	COURTESY LAMP MOUNTING BRACKET, UNDER DASH Left Or Right Side, 2 Required Per Car	\$11.00	
04876930	1962	COURTESY LAMP MOUNTING BRACKET, UNDER DASH Left Or Right Side, 2 Required Per Car	\$11.00	
04876930	1963	COURTESY LAMP MOUNTING BRACKET, UNDER DASH Left Or Right Side, 2 Required Per Car	\$11.00	
04876930	1964	COURTESY LAMP MOUNTING BRACKET, UNDER DASH Left Or Right Side, 2 Required Per Car	\$11.00	
04876930	1965	COURTESY LAMP MOUNTING BRACKET, UNDER DASH Left Or Right Side, 2 Required Per Car	\$11.00	
04876930	1966	COURTESY LAMP MOUNTING BRACKET, UNDER DASH Left Or Right Side, 2 Required Per Car	\$11.00	
04876930	1967	COURTESY LAMP MOUNTING BRACKET, UNDER DASH Left Or Right Side, 2 Required Per Car	\$11.00	
<b>CRUISE CONTROL HARNESS</b>				
40870	1960	CRUISE CONTROL HARNESS V/8, All	\$101.00	
41145	1960	CRUISE CONTROL ADAPTER HARNESS V/8, Manual Trans Note: Attaches To The Clutch Pedal Switch And Disengages The Cruise If The Clutch Pedal Is Depressed.	\$42.00	
33475	1965	CRUISE CONTROL HARNESS	\$105.00	
33475	1966	CRUISE CONTROL HARNESS	\$105.00	
10775	1967	CRUISE CONTROL HARNESS	\$94.00	
11885	1968	CRUISE CONTROL HARNESS	\$101.00	
13185	1969	CRUISE CONTROL HARNESS	\$94.00	
13185	1970	CRUISE CONTROL HARNESS	\$94.00	
<b>DASH HARNESS</b>				
02710	1958	DASH HARNESS All	\$398.00	
02980	1959	DASH HARNESS Auto Trans, Belair, Impala & El Camino	\$398.00	
02970	1959	DASH HARNESS Auto Trans, Biscayne	\$433.00	
02975	1959	DASH HARNESS Manual Trans, Belair, Impala & El Camino	\$398.00	
02965	1959	DASH HARNESS Manual Trans, Biscayne	\$433.00	
28645	1959	DASH HARNESS Right Hand Drive (Export Only) Note: Customer Must Supply Their Original Fuseblock.	\$548.00	
03140	1960	DASH HARNESS Auto Trans, All	\$398.00	
03165	1960	DASH HARNESS Manual Trans, All	\$398.00	
28645	1960	DASH HARNESS Right Hand Drive (Export Only) Note: Customer Must Supply Their Original Fuseblock.	\$548.00	
03295	1961	DASH HARNESS Auto Trans, Belair	\$452.00	
03300	1961	DASH HARNESS Auto Trans, Biscayne	\$464.00	
03485	1961	DASH HARNESS Auto Trans, Impala	\$426.00	
18185	1961	DASH HARNESS Manual Trans, Belair	\$452.00	
03305	1961	DASH HARNESS Manual Trans, Biscayne	\$459.00	
03490	1961	DASH HARNESS Manual Trans, Impala	\$426.00	
18155	1962	DASH HARNESS Auto Trans, Belair	\$452.00	
18430	1962	DASH HARNESS Auto Trans, Biscayne	\$452.00	
03685	1962	DASH HARNESS Auto Trans, Impala	\$426.00	
18160	1962	DASH HARNESS Manual Trans, Belair	\$426.00	
18425	1962	DASH HARNESS Manual Trans, Biscayne	\$452.00	
18180	1962	DASH HARNESS Manual Trans, Impala	\$426.00	
17785	1963	DASH HARNESS Auto Trans, Belair	\$471.00	
18140	1963	DASH HARNESS Auto Trans, Biscayne	\$490.00	

Impala/Bel Air  
'58-'63 El Camino



Phone (562) 926-9552  
Fax (562) 926-9572

Part Number	Year	Description	Price	*Rev.
19785	1963	DASH INSTRUMENT CLUSTER HARNESS Belair & Biscayne	\$136.00	
04035	1963	DASH HARNESS Auto Trans, Impala	\$450.00	
17780	1963	DASH INSTRUMENT CLUSTER HARNESS Impala	\$124.00	
18135	1963	DASH HARNESS Manual Trans, Belair	\$471.00	
18130	1963	DASH HARNESS Manual Trans, Biscayne	\$471.00	
19785	1963	DASH INSTRUMENT CLUSTER HARNESS Belair & Biscayne	\$136.00	
18145	1963	DASH HARNESS Manual Trans, Impala	\$450.00	
17780	1963	DASH INSTRUMENT CLUSTER HARNESS Impala	\$124.00	
18125	1964	DASH HARNESS Column Shift, Auto Trans, Belair	\$452.00	
18110	1964	DASH HARNESS Column Shift, Auto Trans, Biscayne	\$452.00	
18435	1964	DASH INSTRUMENT CLUSTER HARNESS Belair & Biscayne	\$136.00	
18105	1964	DASH HARNESS Column Shift, Auto Trans, Impala	\$426.00	
04935	1964	DASH HARNESS Column Shift, Auto Trans, Impala With A/C	\$426.00	
18440	1964	DASH INSTRUMENT CLUSTER HARNESS Impala	\$110.00	
18120	1964	DASH HARNESS Column Shift, Manual Trans, Belair	\$471.00	
18100	1964	DASH HARNESS Column Shift, Manual Trans, Biscayne	\$471.00	
18435	1964	DASH INSTRUMENT CLUSTER HARNESS Belair & Biscayne	\$136.00	
18115	1964	DASH HARNESS Column Shift, Manual Trans, Impala	\$459.00	
05090	1964	DASH HARNESS Console Shift, Auto Or Manual Trans, Impala	\$426.00	
31525	1964	DASH HARNESS Console Shift, Auto Or Manual Trans, Impala With A/C	\$426.00	
18440	1964	DASH INSTRUMENT CLUSTER HARNESS Impala	\$110.00	
22245	1965	DASH HARNESS Column Shift, Auto Trans	\$500.00	
06000	1965	DASH HARNESS Column Shift, Auto Trans, With Under Dash Courtesy Lights	\$500.00	
19315	1965	DASH HARNESS Column Shift, Auto Trans, With A/C Note: A/C Wiring Is Actually Incorporated Into The Dash And Engine Harnesses.	\$500.00	
22270	1965	DASH HARNESS Column Shift, Manual Trans	\$529.00	
19320	1965	DASH HARNESS Column Shift, Manual Trans, With Under Dash Courtesy Lights	\$529.00	
05640	1965	DASH INSTRUMENT CLUSTER HARNESS Without Gauges	\$143.00	
06060	1965	DASH HARNESS Console Shift, Auto Trans, With Gauges	\$500.00	
06115	1965	DASH HARNESS Console Shift, Auto Trans, With Gauges & A/C Note: A/C Wiring Is Actually Incorporated Into The Dash And Engine Harnesses.	\$500.00	
19325	1965	DASH HARNESS Console Shift, Manual Trans, With Gauges	\$500.00	
19330	1965	DASH HARNESS Console Shift, Manual Trans, With Gauges & A/C Note: A/C Wiring Is Actually Incorporated Into The Dash And Engine Harnesses.	\$500.00	
05645	1965	DASH INSTRUMENT CLUSTER HARNESS With Gauges	\$117.00	
10865	1966	DASH HARNESS Column Shift, Auto Trans	\$548.00	
10870	1966	DASH HARNESS Column Shift, Auto Trans With A/C Note: A/C Wiring Is Actually Incorporated Into The Dash And Engine Harnesses.	\$554.00	
19335	1966	DASH HARNESS Column Shift, Manual Trans	\$574.00	
10875	1966	DASH HARNESS Console Shift, Auto Trans	\$554.00	
10885	1966	DASH HARNESS Console Shift, Auto Trans With A/C Note: A/C Wiring Is Actually Incorporated Into The Dash And Engine Harnesses.	\$554.00	
10860	1966	DASH HARNESS Console Shift, Manual Trans	\$554.00	
10880	1966	DASH HARNESS Console Shift, Manual Trans With A/C Note: A/C Wiring Is Actually Incorporated Into The Dash And Engine Harnesses.	\$574.00	
22280	1967	DASH HARNESS Column Shift, Auto Trans	\$569.00	
11225	1967	DASH HARNESS Column Shift, Auto Trans, With Under Dash Courtesy Lights	\$591.00	

Part Number	Year	Description	Price	*Rev.
19345	1967	<b>DASH HARNESS</b> Column Shift, Auto Trans With A/C	\$569.00	
11235	1967	<b>DASH HARNESS</b> Column Shift, Auto Trans With Gauges	\$591.00	
33445	1967	<b>DASH HARNESS</b> Column Shift, Auto Trans With Gauges & A/C	\$591.00	
19360	1967	<b>DASH HARNESS</b> Console Shift, Auto Trans	\$591.00	
19365	1967	<b>DASH HARNESS</b> Console Shift, Auto Trans With A/C	\$591.00	
19350	1967	<b>DASH HARNESS</b> Console Shift, Auto Trans With Gauges	\$569.00	
19355	1967	<b>DASH HARNESS</b> Console Shift, Auto Trans, With Gauges & A/C	\$591.00	
19380	1967	<b>DASH HARNESS</b> Console Shift, Manual Trans	\$606.00	
19385	1967	<b>DASH HARNESS</b> Console Shift, Manual Trans With A/C	\$600.00	
19370	1967	<b>DASH HARNESS</b> Console Shift, Manual Trans With Gauges	\$591.00	
19375	1967	<b>DASH HARNESS</b> Console Shift, Manual Trans With Gauges & A/C	\$608.00	
33450	1968	<b>DASH HARNESS</b> Column Shift, Auto Trans	\$606.00	
11700	1968	<b>DASH HARNESS</b> Column Shift, Auto Trans, With Under Dash Courtesy Lights	\$639.00	
19400	1968	<b>DASH HARNESS</b> Column Shift, Auto Trans & A/C,With Under Dash Courtesy Lamp	\$623.00	
11720	1968	<b>DASH HARNESS</b> Column Shift, Auto Trans With Gauges	\$606.00	
19390	1968	<b>DASH HARNESS</b> Column Shift, Auto Trans With Gauges & A/C	\$593.00	
19405	1968	<b>DASH HARNESS</b> Column Shift, Manual Trans	\$665.00	
11715	1968	<b>DASH HARNESS</b> Console Shift, Auto Trans	\$665.00	
11730	1968	<b>DASH HARNESS</b> Console Shift, Auto Trans With Gauges	\$619.00	
19790	1968	<b>DASH HARNESS</b> Console Shift, Auto Trans With Gauges & A/C	\$606.00	
11710	1968	<b>DASH HARNESS</b> Console Shift, Manual Trans	\$639.00	
11725	1968	<b>DASH HARNESS</b> Console Shift, Manual Trans With Gauges	\$606.00	
19410	1968	<b>DASH HARNESS</b> Console Shift, Manual Trans With Gauges & A/C	\$606.00	
12940	1969	<b>DASH HARNESS</b> Column Shift, Auto Trans,With Under Dash Crtsy Lamps & Clock	\$709.00	
18450	1969	<b>DASH HARNESS</b> Column Shift, Auto Trans With A/C	\$709.00	
19415	1969	<b>DASH HARNESS</b> Console Shift, Auto Trans	\$709.00	
35355	1969	<b>DASH HARNESS</b> Console Shift, Auto Trans With A/C	\$709.00	
13145	1969	<b>DASH HARNESS</b> Console Shift, Manual Trans	\$709.00	
19420	1969	<b>DASH HARNESS</b> Console Shift, Manual Trans With A/C	\$709.00	
35370	1969	<b>DASH HARNESS</b> Auto Trans, With Gauges	\$722.00	
14705	1970	<b>DASH HARNESS</b> Column Shift, Auto Trans	\$761.00	
19430	1970	<b>DASH HARNESS</b> Column Shift, Auto Trans With A/C	\$761.00	
14970	1970	<b>DASH HARNESS</b> Column Shift, Auto Trans With A/C, Clock & Under Dash Courtesy Lamp	\$748.00	
15105	1970	<b>DASH HARNESS</b> Column Shift, Auto Trans, With Headlamp Delay Timing	\$761.00	
19435	1970	<b>DASH HARNESS</b> Column Shift, Manual Trans, With Clock & Under Dash Courtesy Lamps	\$761.00	
15250	1971	<b>DASH HARNESS</b> Column Shift, Auto Trans Note: Requires Customers Original Dash Harness.	\$503.00	
19440	1971	<b>DASH EXTENSION HARNESS</b> For Ignition & Neutral Safety Switch Note: Customer Must Supply Their Original Dash Connector.	\$91.00	
15245	1971	<b>DASH INSTRUMENT CLUSTER HARNESS</b> To Upper Speedometer Cluster	\$375.00	
<b>DISTRIBUTOR WIRE</b>				
36057	1958	<b>DISTRIBUTOR WIRE</b> Distributor Points To Coil Negative Terminal, V/8 Note: Fits All GM V/8 Points Type Distributors From Approx. 1957 To 1974.	\$18.00	C
36057	1959	<b>DISTRIBUTOR WIRE</b> Distributor Points To Coil Negative Terminal, V/8 Note: Fits All GM V/8 Points Type Distributors From Approx. 1957 To 1974.	\$18.00	C

Part Number	Year	Description	Price	*Rev.
36057	1960	<b>DISTRIBUTOR WIRE</b> Distributor Points To Coil Negative Terminal, V/8 Note: Fits All GM V/8 Points Type Distributors From Approx. 1957 To 1974.	\$18.00	C
36057	1961	<b>DISTRIBUTOR WIRE</b> Distributor Points To Coil Negative Terminal, V/8 Note: Fits All GM V/8 Points Type Distributors From Approx. 1957 To 1974.	\$18.00	C
36057	1962	<b>DISTRIBUTOR WIRE</b> Distributor Points To Coil Negative Terminal, V/8 Note: Fits All GM V/8 Points Type Distributors From Approx. 1957 To 1974.	\$18.00	C
36057	1963	<b>DISTRIBUTOR WIRE</b> Distributor Points To Coil Negative Terminal, V/8 Note: Fits All GM V/8 Points Type Distributors From Approx. 1957 To 1974.	\$18.00	C
36057	1964	<b>DISTRIBUTOR WIRE</b> Distributor Points To Coil Negative Terminal, V/8 Note: Fits All GM V/8 Points Type Distributors From Approx. 1957 To 1974.	\$18.00	C
36057	1965	<b>DISTRIBUTOR WIRE</b> Distributor Points To Coil Negative Terminal, V/8 Note: Fits All GM V/8 Points Type Distributors From Approx. 1957 To 1974.	\$18.00	C
36057	1966	<b>DISTRIBUTOR WIRE</b> Distributor Points To Coil Negative Terminal, V/8 Note: Fits All GM V/8 Points Type Distributors From Approx. 1957 To 1974.	\$18.00	C
36057	1967	<b>DISTRIBUTOR WIRE</b> Distributor Points To Coil Negative Terminal, V/8 Note: Fits All GM V/8 Points Type Distributors From Approx. 1957 To 1974.	\$18.00	C
36057	1968	<b>DISTRIBUTOR WIRE</b> Distributor Points To Coil Negative Terminal, V/8 Note: Fits All GM V/8 Points Type Distributors From Approx. 1957 To 1974.	\$18.00	C
36057	1969	<b>DISTRIBUTOR WIRE</b> Distributor Points To Coil Negative Terminal, V/8 Note: Fits All GM V/8 Points Type Distributors From Approx. 1957 To 1974.	\$18.00	C
36057	1970	<b>DISTRIBUTOR WIRE</b> Distributor Points To Coil Negative Terminal, V/8 Note: Fits All GM V/8 Points Type Distributors From Approx. 1957 To 1974.	\$18.00	C
36057	1971	<b>DISTRIBUTOR WIRE</b> Distributor Points To Coil Negative Terminal, V/8 Note: Fits All GM V/8 Points Type Distributors From Approx. 1957 To 1974.	\$18.00	C
36057	1972	<b>DISTRIBUTOR WIRE</b> Distributor Points To Coil Negative Terminal, V/8 Note: Fits All GM V/8 Points Type Distributors From Approx. 1957 To 1974.	\$18.00	C
36057	1973	<b>DISTRIBUTOR WIRE</b> Distributor Points To Coil Negative Terminal, V/8 Note: Fits All GM V/8 Points Type Distributors From Approx. 1957 To 1974.	\$18.00	C
36057	1974	<b>DISTRIBUTOR WIRE</b> Distributor Points To Coil Negative Terminal, V/8 Note: Fits All GM V/8 Points Type Distributors From Approx. 1957 To 1974.	\$18.00	C
<b>DOME LAMP HARNESS</b>				
08490	1958	<b>DOME LAMP HARNESS</b> Belair & Biscayne 2 Door Sedan & Belair Sport Coupe	\$34.00	
08490	1958	<b>DOME LAMP HARNESS</b> Delray 2 Door Sedan & Utility Sedan	\$34.00	
38129	1958	<b>DOME LAMP HARNESS</b> Impala, 2 Door Hardtop	\$49.00	
32400	1959	<b>DOME LAMP FEED AND GROUND</b> All Wagons	\$42.00	
<b>DOOR AJAR WARNING LAMP HARNESS</b>				
38415	1963	<b>DOOR AJAR WARNING LAMP HARNESS</b> Taxi Cab Or Conventional Vehicles Note: Does Not Include Bracket Or Bezel For Lamp Socket.	\$34.00	
<b>DOOR JAMB SWITCH</b>				
04826444	1958	<b>DOOR JAMB SWITCH</b>	\$22.00	N
04826444	1959	<b>DOOR JAMB SWITCH</b>	\$22.00	N
04826444	1960	<b>DOOR JAMB SWITCH</b>	\$22.00	N
04826444	1961	<b>DOOR JAMB SWITCH</b>	\$22.00	N
04826444	1962	<b>DOOR JAMB SWITCH</b>	\$22.00	N
<b>ENGINE HARNESS</b>				
02685	1958	<b>ENGINE HARNESS</b> 6 Cylinder, Auto Trans Note: 6 Cylinder Items Are Not Returnable.	\$125.00	



Part Number	Year	Description	Price	*Rev.
02680	1958	<b>ENGINE HARNESS</b> 6 Cylinder, Manual Trans Note: 6 Cylinder Items Are Not Returnable.	\$125.00	
19450	1958	<b>ENGINE HARNESS</b> V/8, 283 C.I., Auto Trans	\$106.00	
38985	1958	<b>ENGINE HARNESS-HEI</b> V/8, 283 C.I., Auto Trans Note: This Harness Is Modified For Use With An HEI Distributor.	\$127.00	
02760	1958	<b>ENGINE HARNESS</b> V/8, 283 C.I., Auto Trans, With Fuel Injection	\$140.00	
02690	1958	<b>ENGINE HARNESS</b> V/8, 283 C.I., Manual Trans	\$120.00	
39141	1958	<b>ENGINE HARNESS-HEI</b> V/8, 283 C.I., Manual Trans Note: This Harness Is Modified For Use With An HEI Distributor.	\$140.00	
02755	1958	<b>ENGINE HARNESS</b> V/8, 283 C.I., Manual Trans, With Fuel Injection	\$120.00	
02770	1958	<b>ENGINE HARNESS</b> V/8, 348 C.I.,Auto Trans *Requires Starter Motor Extension #02775	\$101.00	
39078	1958	<b>ENGINE HARNESS-HEI</b> V/8, 348 C.I.,Auto Trans *Requires Starter Motor Extension #02775 Note: This Harness Is Modified For Use With An HEI Distributor.	\$127.00	
02765	1958	<b>ENGINE HARNESS</b> V/8, 348 C.I.,Manual Trans *Requires Starter Motor Extension #02775	\$106.00	
39142	1958	<b>ENGINE HARNESS-HEI</b> V/8, 348 C.I.,Manual Trans *Requires Starter Motor Extension #02775 Note: This Harness Is Modified For Use With An HEI Distributor.	\$127.00	
02985	1959	<b>ENGINE HARNESS</b> 6 Cylinder Note: 6 Cylinder Items Are Not Returnable.	\$118.00	
02855	1959	<b>ENGINE HARNESS</b> V/8, 283 C.I.	\$101.00	
39032	1959	<b>ENGINE HARNESS-HEI</b> V/8, 283 C.I. Note: This Harness Is Modified For Use With An HEI Distributor.	\$127.00	
02865	1959	<b>ENGINE HARNESS</b> V/8, 283 C.I., With Fuel Injection	\$120.00	
02860	1959	<b>ENGINE HARNESS</b> V/8, 348 C.I.	\$101.00	
39055	1959	<b>ENGINE HARNESS-HEI</b> V/8, 348 C.I. Note: This Harness Is Modified For Use With An HEI Distributor.	\$127.00	
02895	1959	<b>ENGINE HARNESS</b> V/8, 348 C.I., Special High Performance 3 X 2 Bbl	\$101.00	
39238	1959	<b>ENGINE HARNESS-HEI</b> V/8, 348 C.I., Special High Performance 3 X 2 Bbl Note: This Harness Is Modified For Use With An HEI Distributor.	\$127.00	
28650	1959	<b>ENGINE HARNESS</b> V/8, Right Hand Drive	\$127.00	
03190	1960	<b>ENGINE HARNESS</b> 6 Cylinder Note: 6 Cylinder Items Are Not Returnable.	\$125.00	
03280	1960	<b>ENGINE HARNESS</b> V/8	\$101.00	
38986	1960	<b>ENGINE HARNESS-HEI</b> V/8 Note: This Harness Is Modified For Use With An HEI Distributor.	\$127.00	
03185	1960	<b>ENGINE HARNESS</b> V/8, 348 C.I.	\$101.00	
39056	1960	<b>ENGINE HARNESS-HEI</b> V/8, 348 C.I. Note: This Harness Is Modified For Use With An HEI Distributor.	\$127.00	
02895	1960	<b>ENGINE HARNESS</b> V/8, 348 C.I., Special High Performance 3 X 2 Bbl	\$101.00	
39238	1960	<b>ENGINE HARNESS-HEI</b> V/8, 348 C.I., Special High Performance 3 X 2 Bbl Note: This Harness Is Modified For Use With An HEI Distributor.	\$127.00	
03740	1961	<b>ENGINE HARNESS</b> 6 Cylinder Note: 6 Cylinder Items Are Not Returnable.	\$138.00	
03745	1961	<b>ENGINE HARNESS</b> V/8, 283 C.I.	\$106.00	
38979	1961	<b>ENGINE HARNESS-HEI</b> V/8, 283 C.I. Note: This Harness Is Modified For Use With An HEI Distributor.	\$127.00	
03750	1961	<b>ENGINE HARNESS</b> V/8, 348 C.I.	\$106.00	

Part Number	Year	Description	Price	*Rev.
39046	1961	<b>ENGINE HARNESS-HEI</b> V/8, 348 C.I. Note: This Harness Is Modified For Use With An HEI Distributor.	\$127.00	
03755	1961	<b>ENGINE HARNESS</b> V/8, 348 & 409 C.I., Special High Performance 3 X 2 Bbl	\$106.00	
39177	1961	<b>ENGINE HARNESS-HEI</b> V/8, 348 & 409 C.I., Special High Performance 3 X 2 Bbl Note: This Harness Is Modified For Use With An HEI Distributor.	\$127.00	
03670	1962	<b>ENGINE HARNESS</b> 6 Cylinder Note: 6 Cylinder Items Are Not Returnable.	\$138.00	
03665	1962	<b>ENGINE HARNESS</b> V/8, 283 & 327 C.I.	\$106.00	
38952	1962	<b>ENGINE HARNESS-HEI</b> V/8, 283 & 327 C.I. Note: This Harness Is Modified For Use With An HEI Distributor.	\$127.00	
03675	1962	<b>ENGINE HARNESS</b> V/8, 409 C.I.	\$106.00	
39013	1962	<b>ENGINE HARNESS-HEI</b> V/8, 409 C.I. Note: This Harness Is Modified For Use With An HEI Distributor.	\$127.00	
04280	1963	<b>ENGINE HARNESS</b> 6 Cylinder Note: 6 Cylinder Items Are Not Returnable.	\$138.00	
04285	1963	<b>ENGINE HARNESS</b> V/8, 283 & 327 C.I.	\$106.00	
38949	1963	<b>ENGINE HARNESS-HEI</b> V/8, 283 & 327 C.I. Note: This Harness Is Modified For Use With An HEI Distributor.	\$127.00	
04290	1963	<b>ENGINE HARNESS</b> V/8, 409 C.I.	\$106.00	
39033	1963	<b>ENGINE HARNESS-HEI</b> V/8, 409 C.I. Note: This Harness Is Modified For Use With An HEI Distributor.	\$127.00	
05620	1964	<b>ENGINE HARNESS</b> 6 Cylinder Note: 6 Cylinder Items Are Not Returnable.	\$138.00	
05625	1964	<b>ENGINE HARNESS</b> V/8, 283 & 327 C.I.	\$106.00	
38941	1964	<b>ENGINE HARNESS-HEI</b> V/8, 283 & 327 C.I. Note: This Harness Is Modified For Use With An HEI Distributor.	\$133.00	
05630	1964	<b>ENGINE HARNESS</b> V/8, 409 C.I.	\$113.00	
39112	1964	<b>ENGINE HARNESS-HEI</b> V/8, 409 C.I. Note: This Harness Is Modified For Use With An HEI Distributor.	\$133.00	
06020	1965	<b>ENGINE HARNESS</b> 6 Cylinder Note: 6 Cylinder Items Are Not Returnable.	\$166.00	
09295	1965	<b>ENGINE HARNESS</b> 6 Cylinder, With Incorporated A/C Note: 6 Cylinder Items Are Not Returnable.	\$236.00	
06030	1965	<b>ENGINE HARNESS</b> 6 Cylinder, With Gauges Note: 6 Cylinder Items Are Not Returnable.	\$166.00	
09305	1965	<b>ENGINE HARNESS</b> 6 Cylinder, With Gauges & Incorporated A/C Note: 6 Cylinder Items Are Not Returnable.	\$208.00	
06025	1965	<b>ENGINE HARNESS</b> V/8, 283 & 327 C.I.	\$133.00	
39047	1965	<b>ENGINE HARNESS-HEI</b> V/8, 283 & 327 C.I. Note: This Harness Is Modified For Use With An HEI Distributor.	\$159.00	
09300	1965	<b>ENGINE HARNESS</b> V/8, 283 & 327 C.I. With Incorporated A/C Note: A/C Wiring Is Incorporated Into The Dash And Engine Harnesses.	\$226.00	
39024	1965	<b>ENGINE HARNESS-HEI</b> V/8, 283 & 327 C.I. With Incorporated A/C Note: This Harness Is Modified For Use With An HEI Distributor. A/C Wiring Is Incorporated Into The Dash And Engine Harnesses.	\$245.00	
06035	1965	<b>ENGINE HARNESS</b> V/8, 283 & 327 C.I. With Gauges	\$133.00	
39035	1965	<b>ENGINE HARNESS-HEI</b> V/8, 283 & 327 C.I. With Gauges Note: This Harness Is Modified For Use With An HEI Distributor.	\$159.00	
09310	1965	<b>ENGINE HARNESS</b> V/8, 283 & 327 C.I. With Gauges & Incorporated A/C Note: A/C Wiring Is Incorporated Into The Dash And Engine Harnesses.	\$226.00	

Part Number	Year	Description	Price	*Rev.
39097	1965	<b>ENGINE HARNESS-HEI</b> V/8, 283 & 327 C.I. With Gauges & Incorporated A/C Note: This Harness Is Modified For Use With An HEI Distributor. A/C Wiring Is Incorporated Into The Dash And Engine Harnesses.	\$245.00	
09380	1965	<b>ENGINE HARNESS</b> V/8, 396 C.I.	\$147.00	
39143	1965	<b>ENGINE HARNESS-HEI</b> V/8, 396 C.I. Note: This Harness Is Modified For Use With An HEI Distributor.	\$166.00	
09390	1965	<b>ENGINE HARNESS</b> V/8, 396 C.I. With Incorporated A/C Note: A/C Wiring Is Incorporated Into The Dash And Engine Harnesses.	\$226.00	
39240	1965	<b>ENGINE HARNESS-HEI</b> V/8, 396 C.I. With Incorporated A/C Note: This Harness Is Modified For Use With An HEI Distributor. A/C Wiring Is Incorporated Into The Dash And Engine Harnesses.	\$245.00	
09385	1965	<b>ENGINE HARNESS</b> V/8, 396 C.I. With Gauges	\$133.00	
39113	1965	<b>ENGINE HARNESS-HEI</b> V/8, 396 C.I. With Gauges Note: This Harness Is Modified For Use With An HEI Distributor.	\$159.00	
09395	1965	<b>ENGINE HARNESS</b> V/8, 396 C.I. With Gauges & Incorporated A/C Note: A/C Wiring Is Incorporated Into The Dash And Engine Harnesses.	\$199.00	
39098	1965	<b>ENGINE HARNESS-HEI</b> V/8, 396 C.I. With Gauges & Incorporated A/C Note: This Harness Is Modified For Use With An HEI Distributor. A/C Wiring Is Incorporated Into The Dash And Engine Harnesses.	\$219.00	
19465	1965	<b>ENGINE HARNESS</b> V/8, 409 C.I.	\$159.00	
39241	1965	<b>ENGINE HARNESS-HEI</b> V/8, 409 C.I. Note: This Harness Is Modified For Use With An HEI Distributor.	\$180.00	
19470	1965	<b>ENGINE HARNESS</b> V/8, 409 C.I. With Incorporated A/C Note: A/C Wiring Is Incorporated Into The Dash And Engine Harnesses.	\$226.00	
39239	1965	<b>ENGINE HARNESS-HEI</b> V/8, 409 C.I. With Incorporated A/C Note: This Harness Is Modified For Use With An HEI Distributor. A/C Wiring Is Incorporated Into The Dash And Engine Harnesses.	\$245.00	
19455	1965	<b>ENGINE HARNESS</b> V/8, 409 C.I. With Gauges	\$159.00	
39181	1965	<b>ENGINE HARNESS-HEI</b> V/8, 409 C.I. With Gauges Note: This Harness Is Modified For Use With An HEI Distributor.	\$180.00	
19460	1965	<b>ENGINE HARNESS</b> V/8, 409 C.I. With Gauges & Incorporated A/C Note: A/C Wiring Is Incorporated Into The Dash And Engine Harnesses.	\$226.00	
39180	1965	<b>ENGINE HARNESS-HEI</b> V/8, 409 C.I. With Gauges & Incorporated A/C Note: This Harness Is Modified For Use With An HEI Distributor. A/C Wiring Is Incorporated Into The Dash And Engine Harnesses.	\$245.00	
06020	1966	<b>ENGINE HARNESS</b> 6 Cylinder Note: 6 Cylinder Items Are Not Returnable.	\$166.00	
09295	1966	<b>ENGINE HARNESS</b> 6 Cylinder, With Incorporated A/C Note: 6 Cylinder Items Are Not Returnable.	\$236.00	
06030	1966	<b>ENGINE HARNESS</b> 6 Cylinder, With Gauges Note: 6 Cylinder Items Are Not Returnable.	\$166.00	
09305	1966	<b>ENGINE HARNESS</b> 6 Cylinder, With Gauges & Incorporated A/C Note: 6 Cylinder Items Are Not Returnable.	\$208.00	
06025	1966	<b>ENGINE HARNESS</b> V/8, 283 & 327 C.I.	\$133.00	
39047	1966	<b>ENGINE HARNESS-HEI</b> V/8, 283 & 327 C.I. Note: This Harness Is Modified For Use With An HEI Distributor.	\$159.00	
09300	1966	<b>ENGINE HARNESS</b> V/8, 283 & 327 C.I. With Incorporated A/C Note: A/C Wiring Is Incorporated Into The Dash And Engine Harnesses.	\$226.00	
39024	1966	<b>ENGINE HARNESS-HEI</b> V/8, 283 & 327 C.I. With Incorporated A/C Note: This Harness Is Modified For Use With An HEI Distributor. A/C Wiring Is Incorporated Into The Dash And Engine Harnesses.	\$245.00	
06035	1966	<b>ENGINE HARNESS</b> V/8, 283 & 327 C.I. With Gauges	\$133.00	
39035	1966	<b>ENGINE HARNESS-HEI</b> V/8, 283 & 327 C.I. With Gauges Note: This Harness Is Modified For Use With An HEI Distributor.	\$159.00	

Part Number	Year	Description	Price	*Rev.
09310	1966	<b>ENGINE HARNESS</b> V/8, 283 & 327 C.I. With Gauges & Incorporated A/C Note: A/C Wiring Is Incorporated Into The Dash And Engine Harnesses.	\$226.00	
39097	1966	<b>ENGINE HARNESS-HEI</b> V/8, 283 & 327 C.I. With Gauges & Incorporated A/C Note: This Harness Is Modified For Use With An HEI Distributor. A/C Wiring Is Incorporated Into The Dash And Engine Harnesses.	\$245.00	
09490	1966	<b>ENGINE HARNESS</b> V/8, 396 & 427 C.I.	\$147.00	
39048	1966	<b>ENGINE HARNESS-HEI</b> V/8, 396 & 427 C.I. Note: This Harness Is Modified For Use With An HEI Distributor.	\$166.00	
09495	1966	<b>ENGINE HARNESS</b> V/8, 396 & 427 C.I. With Incorporated A/C Note: A/C Wiring Is Incorporated Into The Dash And Engine Harnesses.	\$226.00	
39244	1966	<b>ENGINE HARNESS-HEI</b> V/8, 396 & 427 C.I. With Incorporated A/C Note: This Harness Is Modified For Use With An HEI Distributor. A/C Wiring Is Incorporated Into The Dash And Engine Harnesses.	\$245.00	
19475	1966	<b>ENGINE HARNESS</b> V/8, 396 & 427 C.I. With Gauges	\$147.00	
39058	1966	<b>ENGINE HARNESS-HEI</b> V/8, 396 & 427 C.I. With Gauges Note: This Harness Is Modified For Use With An HEI Distributor.	\$166.00	
09500	1966	<b>ENGINE HARNESS</b> V/8, 396 & 427 C.I. With Gauges & Incorporated A/C Note: A/C Wiring Is Incorporated Into The Dash And Engine Harnesses.	\$226.00	
39099	1966	<b>ENGINE HARNESS-HEI</b> V/8, 396 & 427 C.I. With Gauges & Incorporated A/C Note: This Harness Is Modified For Use With An HEI Distributor. A/C Wiring Is Incorporated Into The Dash And Engine Harnesses.	\$245.00	
11250	1967	<b>ENGINE HARNESS</b> 6 Cylinder Note: 6 Cylinder Items Are Not Returnable.	\$188.00	
19480	1967	<b>ENGINE HARNESS</b> 6 Cylinder, With A/C Note: 6 Cylinder Items Are Not Returnable.	\$194.00	
11275	1967	<b>ENGINE HARNESS</b> V/8, 283 & 327 C.I.	\$140.00	
39114	1967	<b>ENGINE HARNESS-HEI</b> V/8, 283 & 327 C.I. Note: This Harness Is Modified For Use With An HEI Distributor.	\$166.00	
19495	1967	<b>ENGINE HARNESS</b> V/8, 283 & 327 C.I. With A/C	\$140.00	
39145	1967	<b>ENGINE HARNESS-HEI</b> V/8, 283 & 327 C.I. With A/C Note: This Harness Is Modified For Use With An HEI Distributor.	\$166.00	
19485	1967	<b>ENGINE HARNESS</b> V/8, 283 & 327 C.I. With Gauges	\$140.00	
39245	1967	<b>ENGINE HARNESS-HEI</b> V/8, 283 & 327 C.I. With Gauges Note: This Harness Is Modified For Use With An HEI Distributor.	\$166.00	
19490	1967	<b>ENGINE HARNESS</b> V/8, 283 & 327 C.I. With Gauges & A/C	\$140.00	
39246	1967	<b>ENGINE HARNESS-HEI</b> V/8, 283 & 327 C.I. With Gauges & A/C Note: This Harness Is Modified For Use With An HEI Distributor.	\$166.00	
11310	1967	<b>ENGINE HARNESS</b> V/8, 396 & 427 C.I.	\$147.00	
39183	1967	<b>ENGINE HARNESS-HEI</b> V/8, 396 & 427 C.I. Note: This Harness Is Modified For Use With An HEI Distributor.	\$166.00	
11315	1967	<b>ENGINE HARNESS</b> V/8, 396 & 427 C.I. With A/C	\$147.00	
39247	1967	<b>ENGINE HARNESS-HEI</b> V/8, 396 & 427 C.I. With A/C Note: This Harness Is Modified For Use With An HEI Distributor.	\$166.00	
11320	1967	<b>ENGINE HARNESS</b> V/8, 396 & 427 C.I. With Gauges	\$147.00	
39184	1967	<b>ENGINE HARNESS-HEI</b> V/8, 396 & 427 C.I. With Gauges Note: This Harness Is Modified For Use With An HEI Distributor.	\$166.00	
19500	1967	<b>ENGINE HARNESS</b> V/8, 396 & 427 C.I. With Gauges & A/C	\$147.00	
39115	1967	<b>ENGINE HARNESS-HEI</b> V/8, 396 & 427 C.I. With Gauges & A/C Note: This Harness Is Modified For Use With An HEI Distributor.	\$166.00	
19505	1968	<b>ENGINE HARNESS</b> 6 Cylinder Note: 6 Cylinder Items Are Not Returnable.	\$180.00	

Part Number	Year	Description	Price	*Rev.
12015	1968	<b>ENGINE HARNESS</b> 6 Cylinder, With Idle Stop Solenoid Note: 6 Cylinder Items Are Not Returnable.	\$194.00	
11705	1968	<b>ENGINE HARNESS</b> V/8, 307 & 327 C.I.	\$140.00	
39060	1968	<b>ENGINE HARNESS-HEI</b> V/8, 307 & 327 C.I. Note: This Harness Is Modified For Use With An HEI Distributor.	\$166.00	
12090	1968	<b>ENGINE HARNESS</b> V/8, All With Gauges	\$140.00	
39260	1968	<b>ENGINE HARNESS-HEI</b> V/8, All With Gauges Note: This Harness Is Modified For Use With An HEI Distributor.	\$166.00	
19510	1968	<b>ENGINE HARNESS</b> V/8, All With Gauges & A/C	\$140.00	
39259	1968	<b>ENGINE HARNESS-HEI</b> V/8, All With Gauges & A/C Note: This Harness Is Modified For Use With An HEI Distributor.	\$166.00	
19515	1968	<b>ENGINE HARNESS</b> V/8, 396 & 427 C.I.	\$147.00	
39188	1968	<b>ENGINE HARNESS-HEI</b> V/8, 396 & 427 C.I. Note: This Harness Is Modified For Use With An HEI Distributor.	\$166.00	
12015	1969	<b>ENGINE HARNESS</b> 6 Cylinder Note: 6 Cylinder Items Are Not Returnable.	\$194.00	
19520	1969	<b>ENGINE HARNESS</b> V/8, 327 & 350 C.I.	\$153.00	
39264	1969	<b>ENGINE HARNESS-HEI</b> V/8, 327 & 350 C.I. Note: This Harness Is Modified For Use With An HEI Distributor.	\$173.00	
13165	1969	<b>ENGINE HARNESS</b> V/8, 327 & 350 C.I. With A/C	\$153.00	
39265	1969	<b>ENGINE HARNESS-HEI</b> V/8, 327 & 350 C.I. With A/C Note: This Harness Is Modified For Use With An HEI Distributor.	\$173.00	
19525	1969	<b>ENGINE HARNESS</b> V/8, 396 & 427 C.I.	\$153.00	
39117	1969	<b>ENGINE HARNESS-HEI</b> V/8, 396 & 427 C.I. Note: This Harness Is Modified For Use With An HEI Distributor.	\$173.00	
19530	1970	<b>ENGINE HARNESS</b> 6 Cylinder, Auto Trans Note: 6 Cylinder Items Are Not Returnable.	\$270.00	
19535	1970	<b>ENGINE HARNESS</b> 6 Cylinder, Manual Trans Note: 6 Cylinder Items Are Not Returnable.	\$270.00	
15210	1970	<b>ENGINE HARNESS</b> V/8, 350 & 400 C.I., Auto Trans	\$245.00	
39190	1970	<b>ENGINE HARNESS-HEI</b> V/8, 350 & 400 C.I., Auto Trans Note: This Harness Is Modified For Use With An HEI Distributor.	\$263.00	
15310	1970	<b>ENGINE HARNESS</b> V/8, 350 & 400 C.I., TH400 Auto Trans	\$259.00	
39271	1970	<b>ENGINE HARNESS-HEI</b> V/8, 350 & 400 C.I., TH400 Auto Trans Note: This Harness Is Modified For Use With An HEI Distributor.	\$279.00	
19540	1970	<b>ENGINE HARNESS</b> V/8, 350 & 400 C.I., Auto Trans With A/C	\$226.00	
39268	1970	<b>ENGINE HARNESS-HEI</b> V/8, 350 & 400 C.I., Auto Trans With A/C Note: This Harness Is Modified For Use With An HEI Distributor.	\$279.00	
19550	1970	<b>ENGINE HARNESS</b> V/8, 350 & 400 C.I., TH400 Auto Trans With A/C	\$259.00	
39270	1970	<b>ENGINE HARNESS-HEI</b> V/8, 350 & 400 C.I., TH400 Auto Trans With A/C Note: This Harness Is Modified For Use With An HEI Distributor.	\$279.00	
19545	1970	<b>ENGINE HARNESS</b> V/8, 350 & 400 C.I., Manual Trans	\$259.00	
39266	1970	<b>ENGINE HARNESS-HEI</b> V/8, 350 & 400 C.I., Manual Trans Note: This Harness Is Modified For Use With An HEI Distributor.	\$263.00	
19555	1970	<b>ENGINE HARNESS</b> V/8, 396, 454 C.I. TH400 Auto Trans	\$259.00	
39269	1970	<b>ENGINE HARNESS-HEI</b> V/8, 396, 454 C.I. TH400 Auto Trans Note: This Harness Is Modified For Use With An HEI Distributor.	\$263.00	
19560	1970	<b>ENGINE HARNESS</b> V/8, 396 & 454 C.I. TH400 Auto Trans & A/C	\$259.00	

Part Number	Year	Description	Price	*Rev.
39267	1970	<b>ENGINE HARNESS-HEI</b> V/8, 396 & 454 C.I. TH400 Auto Trans & A/C Note: This Harness Is Modified For Use With An HEI Distributor.	\$263.00	
19565	1971	<b>ENGINE HARNESS</b> 6 Cylinder, Auto Trans Note: 6 Cylinder Items Are Not Returnable.	\$270.00	
19570	1971	<b>ENGINE HARNESS</b> 6 Cylinder, Manual Trans Note: 6 Cylinder Items Are Not Returnable.	\$270.00	
19575	1971	<b>ENGINE HARNESS</b> V/8, 350 & 400 C.I., Auto Trans	\$259.00	
39272	1971	<b>ENGINE HARNESS-HEI</b> V/8, 350 & 400 C.I., Auto Trans Note: This Harness Is Modified For Use With An HEI Distributor.	\$279.00	
19580	1971	<b>ENGINE HARNESS</b> V/8, 350 & 400 C.I., Manual Trans	\$259.00	
39273	1971	<b>ENGINE HARNESS-HEI</b> V/8, 350 & 400 C.I., Manual Trans Note: This Harness Is Modified For Use With An HEI Distributor.	\$279.00	
23375	1971	<b>ENGINE HARNESS</b> V/8, 350 & 400 C.I., TH400 Auto Trans	\$259.00	
39274	1971	<b>ENGINE HARNESS-HEI</b> V/8, 350 & 400 C.I., TH400 Auto Trans Note: This Harness Is Modified For Use With An HEI Distributor.	\$279.00	
15420	1971	<b>ENGINE HARNESS</b> V/8, 396 & 454 C.I., TH400 Auto Trans	\$259.00	
39275	1971	<b>ENGINE HARNESS-HEI</b> V/8, 396 & 454 C.I., TH400 Auto Trans Note: This Harness Is Modified For Use With An HEI Distributor.	\$279.00	
17550	1972	<b>ENGINE HARNESS</b> V/8, Small Block, TH400 Auto Trans, With Warning Lights	\$279.00	
19010	1973	<b>ENGINE HARNESS</b> V/8, 396 & 454 C.I., With Auto Trans & Warning Lights	\$290.00	
16595	1974	<b>ENGINE HARNESS</b> 6 Cylinder Note: 6 Cylinder Items Are Not Returnable.	\$304.00	
22605	1974	<b>ENGINE HARNESS</b> V/8, With Auto Trans & Warning Lights	\$279.00	
22585	1974	<b>ENGINE HARNESS</b> V/8, With TH400 Auto Trans & Warning Lights	\$304.00	
19010	1974	<b>ENGINE HARNESS</b> V/8, 396 & 454 C.I., With Auto Trans & Warning Lights	\$290.00	
18615	1975	<b>ENGINE HARNESS</b> 6 Cylinder, Except Integrated Cylinder Head Note: 6 Cylinder Items Are Not Returnable.	\$317.00	
18610	1975	<b>ENGINE HARNESS</b> 6 Cylinder, With Integrated Cylinder Head Note: 6 Cylinder Items Are Not Returnable.	\$317.00	
19045	1975	<b>ENGINE HARNESS</b> V/8, 454 C.I., With TH400 Auto Trans & H.E.I.	\$290.00	
<b>FORWARD LAMP HARNESS</b>				
02705	1958	<b>FORWARD LAMP HARNESS</b> 6 Cylinder Note: 6 Cylinder Items Are Not Returnable.	\$192.00	
02700	1958	<b>FORWARD LAMP HARNESS</b> 6 Cylinder, With H.D. Generator Note: 6 Cylinder Items Are Not Returnable.	\$192.00	
02695	1958	<b>FORWARD LAMP HARNESS</b> V/8	\$145.00	
18380	1958	<b>FORWARD LAMP HARNESS</b> V/8, With Air Suspension	\$184.00	
19590	1958	<b>FORWARD LAMP HARNESS</b> V/8, With H.D. Generator	\$184.00	
35590	1958	<b>FORWARD LAMP HARNESS-INT REG ALT DRIVER SIDE</b> V/8 Note: Modified For Driver Side Mounted 1972-84 Non-Serpentine Belt ("SI" Series) Internal Regulated Alternators And Requires A Delco Horn Relay #12339243 (D1709A).	\$172.00	
39079	1958	<b>FORWARD LAMP HARNESS-INT REG ALT PASSENGER SIDE</b> V/8 Note: Modified For Passenger Side Mounted 1972-84 Non-Serpentine Belt ("SI" Series) Internal Regulated Alternators And Requires A Delco Horn Relay #12339243 (D1709A).	\$212.00	
19585	1958	<b>FORWARD LAMP EXTENSION HARNESS</b> All, Front Parking Light Bar Wiring	\$74.00	
02805	1959	<b>FORWARD LAMP HARNESS</b> 6 Cylinder Note: 6 Cylinder Items Are Not Returnable.	\$220.00	
02815	1959	<b>FORWARD LAMP HARNESS</b> 6 Cylinder, With H.D. Generator Note: 6 Cylinder Items Are Not Returnable.	\$220.00	

Part Number	Year	Description	Price	*Rev.
02810	1959	<b>FORWARD LAMP HARNESS</b> V/8, With Stock Generator	\$198.00	
02825	1959	<b>FORWARD LAMP HARNESS</b> V/8, With H.D. Generator	\$198.00	
35390	1959	<b>FORWARD LAMP HARNESS-INT REG ALT DRIVER SIDE</b> V/8 Note: Modified For Driver Side Mounted 1972-84 Non-Serpentine Belt ("SI" Series) Internal Regulated Alternators And Requires A Delco Horn Relay #12339243 (D1709A).	\$198.00	
39111	1959	<b>FORWARD LAMP HARNESS-INT REG ALT PASSENGER SIDE</b> V/8 Note: Modified For Passenger Side Mounted 1972-84 Non-Serpentine Belt ("SI" Series) Internal Regulated Alternators And Requires A Delco Horn Relay #12339243 (D1709A).	\$239.00	
03020	1960	<b>FORWARD LAMP HARNESS</b> 6 Cylinder Note: 6 Cylinder Items Are Not Returnable.	\$275.00	
19595	1960	<b>FORWARD LAMP HARNESS</b> 6 Cylinder, With H.D. Generator Note: 6 Cylinder Items Are Not Returnable.	\$275.00	
03025	1960	<b>FORWARD LAMP HARNESS</b> V/8, With Stock Generator	\$211.00	
03030	1960	<b>FORWARD LAMP HARNESS</b> V/8, With H.D. Generator	\$251.00	
38304	1960	<b>FORWARD LAMP HARNESS-INT REG ALT DRIVER SIDE</b> V/8 Note: Modified For Driver Side Mounted 1972-84 Non-Serpentine Belt ("SI" Series) Internal Regulated Alternators And Requires A Delco Horn Relay #12339243 (D1709A).	\$251.00	
39095	1960	<b>FORWARD LAMP HARNESS-INT REG ALT PASSENGER SIDE</b> V/8 Note: Modified For Passenger Side Mounted 1972-84 Non-Serpentine Belt ("SI" Series) Internal Regulated Alternators And Requires A Delco Horn Relay #12339243 (D1709A).	\$291.00	
33275	1961	<b>FORWARD LAMP HARNESS</b> 6 Cylinder Note: 6 Cylinder Items Are Not Returnable.	\$275.00	
33265	1961	<b>FORWARD LAMP HARNESS</b> 6 Cylinder, With H.D. Generator Note: 6 Cylinder Items Are Not Returnable.	\$275.00	
33270	1961	<b>FORWARD LAMP HARNESS</b> V/8, With Stock Generator	\$251.00	
33260	1961	<b>FORWARD LAMP HARNESS</b> V/8, With H.D. Generator	\$264.00	
38305	1961	<b>FORWARD LAMP HARNESS-INT REG ALT DRIVER SIDE</b> V/8 Note: Modified For Driver Side Mounted 1972-84 Non-Serpentine Belt ("SI" Series) Internal Regulated Alternators And Requires A Delco Horn Relay #12339243 (D1709A).	\$251.00	
39057	1961	<b>FORWARD LAMP HARNESS-INT REG ALT PASSENGER SIDE</b> V/8 Note: Modified For Passenger Side Mounted 1972-84 Non-Serpentine Belt ("SI" Series) Internal Regulated Alternators And Requires A Delco Horn Relay #12339243 (D1709A).	\$297.00	
33130	1962	<b>FORWARD LAMP HARNESS</b> 6 Cylinder Note: 6 Cylinder Items Are Not Returnable.	\$275.00	
33135	1962	<b>FORWARD LAMP HARNESS</b> V/8, With Stock Generator	\$251.00	
03925	1962	<b>FORWARD LAMP HARNESS</b> V/8, With Alternator & Screw Type Regulator (Original Type)	\$251.00	
32950	1962	<b>FORWARD LAMP HARNESS</b> V/8, With Alternator & Late Model Regulator(Connector Type)	\$264.00	
32965	1962	<b>FORWARD LAMP HARNESS-INT REG ALT DRIVER SIDE</b> V/8 Note: Modified For Driver Side Mounted 1972-84 Non-Serpentine Belt ("SI" Series) Internal Regulated Alternators And Requires A Delco Horn Relay #12339243 (D1709A).	\$237.00	
38999	1962	<b>FORWARD LAMP HARNESS-INT REG ALT PASSENGER SIDE</b> V/8 Note: Modified For Passenger Side Mounted 1972-84 Non-Serpentine Belt ("SI" Series) Internal Regulated Alternators And Requires A Delco Horn Relay #12339243 (D1709A).	\$278.00	
04275	1963	<b>FORWARD LAMP HARNESS</b> 6 Cylinder Note: 6 Cylinder Items Are Not Returnable.	\$275.00	
39178	1963	<b>FORWARD LAMP HARNESS-INT REG ALT DRIVER SIDE</b> 6 Cylinder Note: 6 Cylinder Items Are Not Returnable.	\$305.00	
33120	1963	<b>FORWARD LAMP HARNESS</b> V/8	\$237.00	
38944	1963	<b>FORWARD LAMP HARNESS-INT REG ALT DRIVER SIDE</b> V/8 Note: Modified For Driver Side Mounted 1972-84 Non-Serpentine Belt ("SI" Series) Internal Regulated Alternators.	\$266.00	

**Impala/Bel Air  
'58-'63 El Camino**



**Phone (562) 926-9552  
Fax (562) 926-9572**

Part Number	Year	Description	Price	*Rev.
39096	1963	<b>FORWARD LAMP HARNESS-INT REG ALT PASSENGER SIDE</b> V/8 Note: Modified For Passenger Side Mounted 1972-84 Non-Serpentine Belt ("SI" Series) Internal Regulated Alternators.	\$278.00	
05635	1964	<b>FORWARD LAMP HARNESS</b> 6 Cylinder Note: 6 Cylinder Items Are Not Returnable.	\$290.00	
39179	1964	<b>FORWARD LAMP HARNESS-INT REG ALT DRIVER SIDE</b> 6 Cylinder Note: 6 Cylinder Items Are Not Returnable.	\$320.00	
33165	1964	<b>FORWARD LAMP HARNESS</b> V/8	\$237.00	
38938	1964	<b>FORWARD LAMP HARNESS-INT REG ALT DRIVER SIDE</b> V/8 Note: Modified For Driver Side Mounted 1972-84 Non-Serpentine Belt ("SI" Series) Internal Regulated Alternators.	\$266.00	
39042	1964	<b>FORWARD LAMP HARNESS-INT REG ALT PASSENGER SIDE</b> V/8 Note: Modified For Passenger Side Mounted 1972-84 Non-Serpentine Belt ("SI" Series) Internal Regulated Alternators.	\$278.00	
38215	1964	<b>FORWARD LAMP HARNESS</b> V/8, Right Hand Drive, Export	\$311.00	
19600	1965	<b>FORWARD LAMP HARNESS</b> 6 Cylinder Note: 6 Cylinder Items Are Not Returnable.	\$330.00	
06010	1965	<b>FORWARD LAMP HARNESS</b> 6 Cylinder, With Gauges Note: 6 Cylinder Items Are Not Returnable.	\$345.00	
06005	1965	<b>FORWARD LAMP HARNESS</b> V/8	\$264.00	
39034	1965	<b>FORWARD LAMP HARNESS-INT REG ALT DRIVER SIDE</b> V/8 Note: Modified For Driver Side Mounted 1972-84 Non-Serpentine Belt ("SI" Series) Internal Regulated Alternators.	\$293.00	
39182	1965	<b>FORWARD LAMP HARNESS-INT REG ALT PASSENGER SIDE</b> V/8 Note: Modified For Passenger Side Mounted 1972-84 Non-Serpentine Belt ("SI" Series) Internal Regulated Alternators.	\$304.00	
06015	1965	<b>FORWARD LAMP HARNESS</b> V/8, With Gauges	\$264.00	
38980	1965	<b>FORWARD LAMP HARNESS-INT REG ALT DRIVER SIDE</b> V/8, With Gauges Note: Modified For Driver Side Mounted 1972-84 Non-Serpentine Belt ("SI" Series) Internal Regulated Alternators.	\$293.00	
39144	1965	<b>FORWARD LAMP HARNESS-INT REG ALT PASSENGER SIDE</b> V/8, With Gauges Note: Modified For Passenger Side Mounted 1972-84 Non-Serpentine Belt ("SI" Series) Internal Regulated Alternators.	\$304.00	
10105	1966	<b>FORWARD LAMP HARNESS</b> 6 Cylinder Note: 6 Cylinder Items Are Not Returnable.	\$345.00	
10185	1966	<b>FORWARD LAMP HARNESS</b> 6 Cylinder, With Gauges Note: 6 Cylinder Items Are Not Returnable.	\$345.00	
19605	1966	<b>FORWARD LAMP HARNESS</b> V/8	\$278.00	
39006	1966	<b>FORWARD LAMP HARNESS-INT REG ALT DRIVER SIDE</b> V/8 Note: Modified For Driver Side Mounted 1972-84 Non-Serpentine Belt ("SI" Series) Internal Regulated Alternators.	\$306.00	
39242	1966	<b>FORWARD LAMP HARNESS-INT REG ALT PASSENGER SIDE</b> V/8 Note: Modified For Passenger Side Mounted 1972-84 Non-Serpentine Belt ("SI" Series) Internal Regulated Alternators.	\$318.00	
09440	1966	<b>FORWARD LAMP HARNESS</b> V/8, With Gauges	\$278.00	
39059	1966	<b>FORWARD LAMP HARNESS-INT REG ALT DRIVER SIDE</b> V/8, With Gauges Note: Modified For Driver Side Mounted 1972-84 Non-Serpentine Belt ("SI" Series) Internal Regulated Alternators.	\$306.00	
39243	1966	<b>FORWARD LAMP HARNESS-INT REG ALT PASSENGER SIDE</b> V/8, With Gauges Note: Modified For Passenger Side Mounted 1972-84 Non-Serpentine Belt ("SI" Series) Internal Regulated Alternators.	\$318.00	
19610	1967	<b>FORWARD LAMP HARNESS</b> 6 Cylinder, With (T78) Running Lights Note: 6 Cylinder Items Are Not Returnable.	\$358.00	
19625	1967	<b>FORWARD LAMP HARNESS</b> V/8	\$304.00	
39249	1967	<b>FORWARD LAMP HARNESS-INT REG ALT DRIVER SIDE</b> V/8 Note: Modified For Driver Side Mounted 1972-84 Non-Serpentine Belt ("SI" Series) Internal Regulated Alternators.	\$333.00	
39250	1967	<b>FORWARD LAMP HARNESS-INT REG ALT PASSENGER SIDE</b> V/8 Note: Modified For Passenger Side Mounted 1972-84 Non-Serpentine Belt ("SI" Series) Internal Regulated Alternators.	\$344.00	
19630	1967	<b>FORWARD LAMP HARNESS</b> V/8, With (T78) Running Lights	\$304.00	



**Impala/Bel Air**  
**'58-'63 El Camino**



**Phone (562) 926-9552**  
**Fax (562) 926-9572**

Part Number	Year	Description	Price	*Rev.
39185	1967	<b>FORWARD LAMP HARNESS-INT REG ALT DRIVER SIDE</b> V/8, With (T78) Running Lights Note: Modified For Driver Side Mounted 1972-84 Non-Serpentine Belt ("SI" Series) Internal Regulated Alternators.	\$333.00	
39248	1967	<b>FORWARD LAMP HARNESS-INT REG ALT PASSENGER SIDE</b> V/8, With (T78) Running Lights Note: Modified For Passenger Side Mounted 1972-84 Non-Serpentine Belt ("SI" Series) Internal Regulated Alternators.	\$344.00	
19620	1967	<b>FORWARD LAMP HARNESS</b> V/8, With Gauges	\$304.00	
39186	1967	<b>FORWARD LAMP HARNESS-INT REG ALT DRIVER SIDE</b> V/8, With Gauges Note: Modified For Driver Side Mounted 1972-84 Non-Serpentine Belt ("SI" Series) Internal Regulated Alternators.	\$333.00	
39251	1967	<b>FORWARD LAMP HARNESS-INT REG ALT PASSENGER SIDE</b> V/8, With Gauges Note: Modified For Passenger Side Mounted 1972-84 Non-Serpentine Belt ("SI" Series) Internal Regulated Alternators.	\$344.00	
18445	1967	<b>FORWARD LAMP HARNESS</b> V/8, With Gauges & (T78) Running Lights	\$317.00	
39252	1967	<b>FORWARD LAMP HARNESS-INT REG ALT DRIVER SIDE</b> V/8, With Gauges & (T78) Running Lights Note: Modified For Driver Side Mounted 1972-84 Non-Serpentine Belt ("SI" Series) Internal Regulated Alternators.	\$345.00	
39187	1967	<b>FORWARD LAMP HARNESS-INT REG ALT PASSENGER SIDE</b> V/8, With Gauges & (T78) Running Lights Note: Modified For Passenger Side Mounted 1972-84 Non-Serpentine Belt ("SI" Series) Internal Regulated Alternators.	\$357.00	
33495	1967	<b>FORWARD LAMP EXTENSION HARNESS</b> Light Switch To (T78) Running Light Lead	\$17.00	
11800	1968	<b>FORWARD LAMP HARNESS</b> 6 Cylinder Note: 6 Cylinder Items Are Not Returnable.	\$372.00	
11785	1968	<b>FORWARD LAMP HARNESS</b> 6 Cylinder, With Fender Lights Note: 6 Cylinder Items Are Not Returnable.	\$372.00	
19635	1968	<b>FORWARD LAMP HARNESS</b> V/8	\$331.00	
39146	1968	<b>FORWARD LAMP HARNESS-INT REG ALT DRIVER SIDE</b> V/8 Note: Modified For Driver Side Mounted 1972-84 Non-Serpentine Belt ("SI" Series) Internal Regulated Alternators.	\$359.00	
39253	1968	<b>FORWARD LAMP HARNESS-INT REG ALT PASSENGER SIDE</b> V/8 Note: Modified For Passenger Side Mounted 1972-84 Non-Serpentine Belt ("SI" Series) Internal Regulated Alternators.	\$371.00	
19640	1968	<b>FORWARD LAMP HARNESS</b> V/8, With Fender Lights	\$331.00	
39116	1968	<b>FORWARD LAMP HARNESS-INT REG ALT DRIVER SIDE</b> V/8, With Fender Lights Note: Modified For Driver Side Mounted 1972-84 Non-Serpentine Belt ("SI" Series) Internal Regulated Alternators.	\$359.00	
39254	1968	<b>FORWARD LAMP HARNESS-INT REG ALT PASSENGER SIDE</b> V/8, With Fender Lights Note: Modified For Passenger Side Mounted 1972-84 Non-Serpentine Belt ("SI" Series) Internal Regulated Alternators.	\$371.00	
11790	1968	<b>FORWARD LAMP HARNESS</b> V/8, With Gauges	\$331.00	
39255	1968	<b>FORWARD LAMP HARNESS-INT REG ALT DRIVER SIDE</b> V/8, With Gauges Note: Modified For Driver Side Mounted 1972-84 Non-Serpentine Belt ("SI" Series) Internal Regulated Alternators.	\$359.00	
39256	1968	<b>FORWARD LAMP HARNESS-INT REG ALT PASSENGER SIDE</b> V/8, With Gauges Note: Modified For Passenger Side Mounted 1972-84 Non-Serpentine Belt ("SI" Series) Internal Regulated Alternators.	\$371.00	
11795	1968	<b>FORWARD LAMP HARNESS</b> V/8, With Gauges & Fender Lights	\$331.00	
39257	1968	<b>FORWARD LAMP HARNESS-INT REG ALT DRIVER SIDE</b> V/8, With Gauges & Fender Lights Note: Modified For Driver Side Mounted 1972-84 Non-Serpentine Belt ("SI" Series) Internal Regulated Alternators.	\$359.00	
39258	1968	<b>FORWARD LAMP HARNESS-INT REG ALT PASSENGER SIDE</b> V/8, With Gauges & Fender Lights Note: Modified For Passenger Side Mounted 1972-84 Non-Serpentine Belt ("SI" Series) Internal Regulated Alternators.	\$371.00	
13080	1969	<b>FORWARD LAMP HARNESS</b> 6 Cylinder Note: 6 Cylinder Items Are Not Returnable.	\$372.00	
13105	1969	<b>FORWARD LAMP HARNESS</b> 6 Cylinder, With Retractable Headlights Note: 6 Cylinder Items Are Not Returnable.	\$386.00	
13045	1969	<b>FORWARD LAMP HARNESS</b> V/8, 327 & 350 C.I.	\$331.00	
39261	1969	<b>FORWARD LAMP HARNESS-INT REG ALT PASSENGER SIDE</b> V/8, 327 & 350 C.I. Note: Modified For Passenger Side Mounted 1972-84 Non-Serpentine Belt ("SI" Series) Internal Regulated Alternators.	\$371.00	
13095	1969	<b>FORWARD LAMP HARNESS</b> V/8, 327 & 350 C.I., With Retractable Headlights	\$331.00	
39262	1969	<b>FORWARD LAMP HARNESS-INT REG ALT PASSENGER SIDE</b> V/8, 327 & 350 C.I., With Retractable Headlights Note: Modified For Passenger Side Mounted 1972-84 Non-Serpentine Belt ("SI" Series) Internal Regulated Alternators.	\$371.00	

Impala/Bel Air  
'58-'63 El Camino



Phone (562) 926-9552  
Fax (562) 926-9572

Part Number	Year	Description	Price	*Rev.
13050	1969	<b>FORWARD LAMP HARNESS</b> V/8, 396 & 427 C.I.	\$343.00	
39147	1969	<b>FORWARD LAMP HARNESS-INT REG ALT PASSENGER SIDE</b> V/8, 396 & 427 C.I. Note: Modified For Passenger Side Mounted 1972-84 Non-Serpentine Belt ("SI" Series) Internal Regulated Alternators.	\$383.00	
35365	1969	<b>FORWARD LAMP HARNESS</b> V/8, 396 & 427 C.I., With Gauges Special Police Car Only Application	\$370.00	
13100	1969	<b>FORWARD LAMP HARNESS</b> V/8, 396 & 427 C.I., With Retractable Headlights	\$343.00	
39263	1969	<b>FORWARD LAMP HARNESS-INT REG ALT PASSENGER SIDE</b> V/8, 396 & 427 C.I., With Retractable Headlights Note: Modified For Passenger Side Mounted 1972-84 Non-Serpentine Belt ("SI" Series) Internal Regulated Alternators.	\$383.00	
14780	1970	<b>FORWARD LAMP HARNESS</b> 6 Cylinder Note: 6 Cylinder Items Are Not Returnable.	\$372.00	
15015	1970	<b>FORWARD LAMP HARNESS</b> V/8	\$357.00	
39189	1970	<b>FORWARD LAMP HARNESS-INT REG ALT PASSENGER SIDE</b> V/8 Note: Modified For Passenger Side Mounted 1972-84 Non-Serpentine Belt ("SI" Series) Internal Regulated Alternators.	\$397.00	
15455	1971	<b>FORWARD LAMP HARNESS</b> 6 Cylinder Note: 6 Cylinder Items Are Not Returnable.	\$386.00	
15460	1971	<b>FORWARD LAMP HARNESS</b> V/8	\$357.00	
39276	1971	<b>FORWARD LAMP HARNESS-INT REG ALT PASSENGER SIDE</b> V/8 Note: Modified For Passenger Side Mounted 1972-84 Non-Serpentine Belt ("SI" Series) Internal Regulated Alternators.	\$397.00	
<b>FUEL TANK SENDER WIRE</b>				
41459	1967	<b>FUEL TANK SENDER WIRE</b> All Except Station Wagons	\$38.00	
<b>FUEL TANK SENDING UNIT</b>				
06428052	1958	<b>FUEL TANK SENDING UNIT</b> 3/8" Fuel Line	\$43.00	N
06428051	1958	<b>FUEL TANK SENDING UNIT</b> 5/16" Fuel Line	\$43.00	N
06428053	1958	<b>FUEL TANK SENDING UNIT</b> Sedan Delivery, Station Wagon, 5/16" Fuel Line, Except 9 Passenger Wagon	\$55.00	N
06428051	1959	<b>FUEL TANK SENDING UNIT</b> 5/16" Fuel Line	\$43.00	N
06428052	1959	<b>FUEL TANK SENDING UNIT</b> Car & 9 Passenger Wagon, 3/8" Fuel Line	\$43.00	N
06428053	1959	<b>FUEL TANK SENDING UNIT</b> El Camino, Sedan Delivery, Station Wagon, 5/16" Fuel Line, Except 9 Passenger Wagon	\$55.00	N
06428051	1960	<b>FUEL TANK SENDING UNIT</b> 5/16" Fuel Line	\$43.00	N
06428052	1960	<b>FUEL TANK SENDING UNIT</b> Car & 9 Passenger Wagon, 3/8" Fuel Line	\$43.00	N
06428053	1960	<b>FUEL TANK SENDING UNIT</b> El Camino, Sedan Delivery, Station Wagon, 5/16" Fuel Line, Except 9 Passenger Wagon	\$55.00	N

Impala/Bel Air  
'58-'63 El Camino



Phone (562) 926-9552  
Fax (562) 926-9572

Part Number	Year	Description	Price	*Rev.
06428057	1961	FUEL TANK SENDING UNIT 3/8" Fuel Line	\$43.00	N
06428056	1961	FUEL TANK SENDING UNIT 5/16" Fuel Line	\$43.00	N
06428060	1961	FUEL TANK SENDING UNIT Station Wagon, 5/16" Fuel Line	\$43.00	N
06428057	1962	FUEL TANK SENDING UNIT 3/8" Fuel Line	\$43.00	N
06428056	1962	FUEL TANK SENDING UNIT 5/16" Fuel Line	\$43.00	N
06428060	1962	FUEL TANK SENDING UNIT Station Wagon, 5/16" Fuel Line	\$43.00	N
06428057	1963	FUEL TANK SENDING UNIT 3/8" Fuel Line	\$43.00	N
06428056	1963	FUEL TANK SENDING UNIT 5/16" Fuel Line	\$43.00	N
06428060	1963	FUEL TANK SENDING UNIT Station Wagon, 5/16" Fuel Line	\$43.00	N
06428057	1964	FUEL TANK SENDING UNIT 3/8" Fuel Line	\$43.00	N
06428056	1964	FUEL TANK SENDING UNIT 5/16" Fuel Line	\$43.00	N
06428060	1964	FUEL TANK SENDING UNIT Station Wagon, 5/16" Fuel Line	\$43.00	N
06426973	1965	FUEL TANK SENDING UNIT 3/8" Fuel Line	\$43.00	N
06428067	1965	FUEL TANK SENDING UNIT 5/16" Fuel Line	\$43.00	N
06426973	1966	FUEL TANK SENDING UNIT 3/8" Fuel Line	\$43.00	N
06428067	1966	FUEL TANK SENDING UNIT 5/16" Fuel Line	\$43.00	N
06428084	1967	FUEL TANK SENDING UNIT 3/8" Fuel Line	\$55.00	N

Impala/Bel Air  
 '58-'63 El Camino



Phone (562) 926-9552  
 Fax (562) 926-9572

Part Number	Year	Description	Price	*Rev.
06428084	1968	FUEL TANK SENDING UNIT 3/8" Fuel Line	\$55.00	N
06428084	1969	FUEL TANK SENDING UNIT 3/8" Fuel Line	\$55.00	N
06428084	1970	FUEL TANK SENDING UNIT 3/8" Fuel Line	\$55.00	N

**GLOVE BOX LAMP KIT**

18000	1958	GLOVE BOX LAMP KIT Socket, Bulb & Wire	\$24.00	
18000	1959	GLOVE BOX LAMP KIT Socket, Bulb & Wire	\$24.00	
18000	1960	GLOVE BOX LAMP KIT Socket, Bulb & Wire	\$24.00	
18000	1961	GLOVE BOX LAMP KIT Socket, Bulb & Wire	\$24.00	
18000	1962	GLOVE BOX LAMP KIT Socket, Bulb & Wire	\$24.00	
18000	1963	GLOVE BOX LAMP KIT Socket, Bulb & Wire	\$24.00	
18000	1964	GLOVE BOX LAMP KIT Socket, Bulb & Wire	\$24.00	
18000	1965	GLOVE BOX LAMP KIT Socket, Bulb & Wire	\$24.00	
18000	1966	GLOVE BOX LAMP KIT Socket, Bulb & Wire	\$24.00	
18000	1967	GLOVE BOX LAMP KIT Socket, Bulb & Wire	\$24.00	
18000	1968	GLOVE BOX LAMP KIT Socket, Bulb & Wire	\$24.00	
18000	1969	GLOVE BOX LAMP KIT Socket, Bulb & Wire	\$24.00	
18000	1970	GLOVE BOX LAMP KIT Socket, Bulb & Wire	\$24.00	
18000	1971	GLOVE BOX LAMP KIT Socket, Bulb & Wire	\$24.00	
18000	1972	GLOVE BOX LAMP KIT Socket, Bulb & Wire	\$24.00	

**GROUND STRAP KIT**

27320	1958	GROUND STRAP KIT 6 Cylinder Note: 6 Cylinder Items Are Not Returnable.	\$17.00	
27325	1958	GROUND STRAP KIT V/8, 283-348 C.I.	\$23.00	
27330	1959	GROUND STRAP KIT 6 Cylinder Note: 6 Cylinder Items Are Not Returnable.	\$16.00	
27335	1959	GROUND STRAP KIT V/8, 283-348 C.I.	\$23.00	
27340	1960	GROUND STRAP KIT 6 Cylinder Note: 6 Cylinder Items Are Not Returnable.	\$16.00	
27345	1960	GROUND STRAP KIT V/8, 283-348 C.I.	\$23.00	
27350	1961	GROUND STRAP KIT 6 Cylinder Note: 6 Cylinder Items Are Not Returnable.	\$17.00	
27355	1961	GROUND STRAP KIT V/8, 283-327 C.I.	\$23.00	
27360	1961	GROUND STRAP KIT V/8, 348-409 C.I.	\$23.00	
27350	1962	GROUND STRAP KIT 6 Cylinder Note: 6 Cylinder Items Are Not Returnable.	\$17.00	
27355	1962	GROUND STRAP KIT V/8, 283-327 C.I.	\$23.00	
27360	1962	GROUND STRAP KIT V/8, 348-409 C.I.	\$23.00	
27350	1963	GROUND STRAP KIT 6 Cylinder Note: 6 Cylinder Items Are Not Returnable.	\$17.00	
27355	1963	GROUND STRAP KIT V/8, 283-327 C.I.	\$23.00	
27360	1963	GROUND STRAP KIT V/8, 348-409 C.I.	\$23.00	

Part Number	Year	Description	Price	*Rev.
27350	1964	<b>GROUND STRAP KIT</b> 6 Cylinder Note: 6 Cylinder Items Are Not Returnable.	\$17.00	
27355	1964	<b>GROUND STRAP KIT</b> V/8, 283-327 C.I.	\$23.00	
27360	1964	<b>GROUND STRAP KIT</b> V/8, 348-409 C.I.	\$23.00	
27385	1965	<b>GROUND STRAP KIT</b> 6 Cylinder Note: 6 Cylinder Items Are Not Returnable.	\$20.00	
27395	1965	<b>GROUND STRAP KIT</b> V/8, 283-327 C.I.	\$23.00	
27400	1965	<b>GROUND STRAP KIT</b> V/8, 396 C.I.	\$23.00	
27405	1965	<b>GROUND STRAP KIT</b> V/8, 409 C.I.	\$23.00	
27385	1966	<b>GROUND STRAP KIT</b> 6 Cylinder Note: 6 Cylinder Items Are Not Returnable.	\$20.00	
27395	1966	<b>GROUND STRAP KIT</b> V/8, 283-327 C.I.	\$23.00	
27400	1966	<b>GROUND STRAP KIT</b> V/8, 396 C.I.	\$23.00	
27390	1967	<b>GROUND STRAP KIT</b> 6 Cylinder Note: 6 Cylinder Items Are Not Returnable.	\$17.00	
27410	1967	<b>GROUND STRAP KIT</b> V/8, 283-327-350 C.I.	\$23.00	
27415	1967	<b>GROUND STRAP KIT</b> V/8, 396 C.I.	\$28.00	
27390	1968	<b>GROUND STRAP KIT</b> 6 Cylinder Note: 6 Cylinder Items Are Not Returnable.	\$17.00	
27410	1968	<b>GROUND STRAP KIT</b> V/8, 283-327-350 C.I.	\$23.00	
27415	1968	<b>GROUND STRAP KIT</b> V/8, 396 C.I.	\$28.00	
27390	1969	<b>GROUND STRAP KIT</b> 6 Cylinder Note: 6 Cylinder Items Are Not Returnable.	\$17.00	
27410	1969	<b>GROUND STRAP KIT</b> V/8, 283-327-350 C.I.	\$23.00	
27450	1969	<b>GROUND STRAP KIT</b> V/8, 396-427 C.I.	\$28.00	
<b>GROUND WIRE</b>				
01655	1965	<b>GROUND WIRE</b> Voltage Regulator	\$18.00	
01655	1966	<b>GROUND WIRE</b> Voltage Regulator	\$18.00	
01655	1967	<b>GROUND WIRE</b> Voltage Regulator	\$18.00	
01655	1968	<b>GROUND WIRE</b> Voltage Regulator	\$18.00	
01655	1969	<b>GROUND WIRE</b> Voltage Regulator	\$18.00	
<b>GROUND WIRE-DISTRIBUTOR POINT PLATE</b>				
38298	1958	<b>GROUND WIRE, DISTRIBUTOR POINT PLATE</b> From Distributor Point Plate To Distributor Housing Note: Replaces Spot Welded Wire Asm On Point Plate Side. Fits All GM V/8 Point Type Distributors From Approx. 1957-1974.	\$17.00	C
38298	1959	<b>GROUND WIRE, DISTRIBUTOR POINT PLATE</b> From Distributor Point Plate To Distributor Housing Note: Replaces Spot Welded Wire Asm On Point Plate Side. Fits All GM V/8 Point Type Distributors From Approx. 1957-1974.	\$17.00	C
38298	1960	<b>GROUND WIRE, DISTRIBUTOR POINT PLATE</b> From Distributor Point Plate To Distributor Housing Note: Replaces Spot Welded Wire Asm On Point Plate Side. Fits All GM V/8 Point Type Distributors From Approx. 1957-1974.	\$17.00	C
38298	1961	<b>GROUND WIRE, DISTRIBUTOR POINT PLATE</b> From Distributor Point Plate To Distributor Housing Note: Replaces Spot Welded Wire Asm On Point Plate Side. Fits All GM V/8 Point Type Distributors From Approx. 1957-1974.	\$17.00	C
38298	1962	<b>GROUND WIRE, DISTRIBUTOR POINT PLATE</b> From Distributor Point Plate To Distributor Housing Note: Replaces Spot Welded Wire Asm On Point Plate Side. Fits All GM V/8 Point Type Distributors From Approx. 1957-1974.	\$17.00	C
38298	1963	<b>GROUND WIRE, DISTRIBUTOR POINT PLATE</b> From Distributor Point Plate To Distributor Housing Note: Replaces Spot Welded Wire Asm On Point Plate Side. Fits All GM V/8 Point Type Distributors From Approx. 1957-1974.	\$17.00	C
38298	1964	<b>GROUND WIRE, DISTRIBUTOR POINT PLATE</b> From Distributor Point Plate To Distributor Housing Note: Replaces Spot Welded Wire Asm On Point Plate Side. Fits All GM V/8 Point Type Distributors From Approx. 1957-1974.	\$17.00	C
38298	1965	<b>GROUND WIRE, DISTRIBUTOR POINT PLATE</b> From Distributor Point Plate To Distributor Housing Note: Replaces Spot Welded Wire Asm On Point Plate Side. Fits All GM V/8 Point Type Distributors From Approx. 1957-1974.	\$17.00	C

Part Number	Year	Description	Price	*Rev.
38298	1966	<b>GROUND WIRE, DISTRIBUTOR POINT PLATE</b> From Distributor Point Plate To Distributor Housing Note: Replaces Spot Welded Wire Asm On Point Plate Side. Fits All GM V/8 Point Type Distributors From Approx. 1957-1974.	\$17.00	C
38298	1967	<b>GROUND WIRE, DISTRIBUTOR POINT PLATE</b> From Distributor Point Plate To Distributor Housing Note: Replaces Spot Welded Wire Asm On Point Plate Side. Fits All GM V/8 Point Type Distributors From Approx. 1957-1974.	\$17.00	C
38298	1968	<b>GROUND WIRE, DISTRIBUTOR POINT PLATE</b> From Distributor Point Plate To Distributor Housing Note: Replaces Spot Welded Wire Asm On Point Plate Side. Fits All GM V/8 Point Type Distributors From Approx. 1957-1974.	\$17.00	C
38298	1969	<b>GROUND WIRE, DISTRIBUTOR POINT PLATE</b> From Distributor Point Plate To Distributor Housing Note: Replaces Spot Welded Wire Asm On Point Plate Side. Fits All GM V/8 Point Type Distributors From Approx. 1957-1974.	\$17.00	C
38298	1970	<b>GROUND WIRE, DISTRIBUTOR POINT PLATE</b> From Distributor Point Plate To Distributor Housing Note: Replaces Spot Welded Wire Asm On Point Plate Side. Fits All GM V/8 Point Type Distributors From Approx. 1957-1974.	\$17.00	C
38298	1971	<b>GROUND WIRE, DISTRIBUTOR POINT PLATE</b> From Distributor Point Plate To Distributor Housing Note: Replaces Spot Welded Wire Asm On Point Plate Side. Fits All GM V/8 Point Type Distributors From Approx. 1957-1974.	\$17.00	C
38298	1972	<b>GROUND WIRE, DISTRIBUTOR POINT PLATE</b> From Distributor Point Plate To Distributor Housing Note: Replaces Spot Welded Wire Asm On Point Plate Side. Fits All GM V/8 Point Type Distributors From Approx. 1957-1974.	\$17.00	C
38298	1973	<b>GROUND WIRE, DISTRIBUTOR POINT PLATE</b> From Distributor Point Plate To Distributor Housing Note: Replaces Spot Welded Wire Asm On Point Plate Side. Fits All GM V/8 Point Type Distributors From Approx. 1957-1974.	\$17.00	C
38298	1974	<b>GROUND WIRE, DISTRIBUTOR POINT PLATE</b> From Distributor Point Plate To Distributor Housing Note: Replaces Spot Welded Wire Asm On Point Plate Side. Fits All GM V/8 Point Type Distributors From Approx. 1957-1974.	\$17.00	C
<b>GUIDEMATIC DIMMER SWITCH EXTENSION</b>				
40912	1961	<b>GUIDEMATIC DIMMER SWITCH EXTENSION</b>	\$25.00	
40912	1962	<b>GUIDEMATIC DIMMER SWITCH EXTENSION</b>	\$25.00	
40912	1963	<b>GUIDEMATIC DIMMER SWITCH EXTENSION</b>	\$25.00	
40912	1964	<b>GUIDEMATIC DIMMER SWITCH EXTENSION</b>	\$25.00	
40912	1965	<b>GUIDEMATIC DIMMER SWITCH EXTENSION</b>	\$25.00	
<b>HARNESS TAPE</b>				
R0058272	1958	<b>HARNESS TAPE</b> 3/4" Vinyl (100 Ft. Roll) Non-Adhesive	\$12.00	
R0058276	1958	<b>HARNESS TAPE</b> 1" Vinyl (100 Ft. Roll) Non-Adhesive	\$13.00	
R0067108	1958	<b>HARNESS TAPE</b> 1 1/4" Vinyl (100 Ft. Roll) Non-Adhesive	\$15.00	
R0058272	1959	<b>HARNESS TAPE</b> 3/4" Vinyl (100 Ft. Roll) Non-Adhesive	\$12.00	
R0058276	1959	<b>HARNESS TAPE</b> 1" Vinyl (100 Ft. Roll) Non-Adhesive	\$13.00	
R0067108	1959	<b>HARNESS TAPE</b> 1 1/4" Vinyl (100 Ft. Roll) Non-Adhesive	\$15.00	
R0058272	1960	<b>HARNESS TAPE</b> 3/4" Vinyl (100 Ft. Roll) Non-Adhesive	\$12.00	
R0058276	1960	<b>HARNESS TAPE</b> 1" Vinyl (100 Ft. Roll) Non-Adhesive	\$13.00	
R0067108	1960	<b>HARNESS TAPE</b> 1 1/4" Vinyl (100 Ft. Roll) Non-Adhesive	\$15.00	
R0058272	1961	<b>HARNESS TAPE</b> 3/4" Vinyl (100 Ft. Roll) Non-Adhesive	\$12.00	
R0058276	1961	<b>HARNESS TAPE</b> 1" Vinyl (100 Ft. Roll) Non-Adhesive	\$13.00	
R0067108	1961	<b>HARNESS TAPE</b> 1 1/4" Vinyl (100 Ft. Roll) Non-Adhesive	\$15.00	
R0058272	1962	<b>HARNESS TAPE</b> 3/4" Vinyl (100 Ft. Roll) Non-Adhesive	\$12.00	
R0058276	1962	<b>HARNESS TAPE</b> 1" Vinyl (100 Ft. Roll) Non-Adhesive	\$13.00	
R0067108	1962	<b>HARNESS TAPE</b> 1 1/4" Vinyl (100 Ft. Roll) Non-Adhesive	\$15.00	
R0058272	1963	<b>HARNESS TAPE</b> 3/4" Vinyl (100 Ft. Roll) Non-Adhesive	\$12.00	
R0058276	1963	<b>HARNESS TAPE</b> 1" Vinyl (100 Ft. Roll) Non-Adhesive	\$13.00	
R0067108	1963	<b>HARNESS TAPE</b> 1 1/4" Vinyl (100 Ft. Roll) Non-Adhesive	\$15.00	
R0058272	1964	<b>HARNESS TAPE</b> 3/4" Vinyl (100 Ft. Roll) Non-Adhesive	\$12.00	
R0058276	1964	<b>HARNESS TAPE</b> 1" Vinyl (100 Ft. Roll) Non-Adhesive	\$13.00	
R0067108	1964	<b>HARNESS TAPE</b> 1 1/4" Vinyl (100 Ft. Roll) Non-Adhesive	\$15.00	
R0058272	1965	<b>HARNESS TAPE</b> 3/4" Vinyl (100 Ft. Roll) Non-Adhesive	\$12.00	

Part Number	Year	Description	Price	*Rev.
R0058276	1965	HARNESS TAPE 1" Vinyl (100 Ft. Roll) Non-Adhesive	\$13.00	
R0067108	1965	HARNESS TAPE 1 1/4" Vinyl (100 Ft. Roll) Non-Adhesive	\$15.00	
R0058272	1966	HARNESS TAPE 3/4" Vinyl (100 Ft. Roll) Non-Adhesive	\$12.00	
R0058276	1966	HARNESS TAPE 1" Vinyl (100 Ft. Roll) Non-Adhesive	\$13.00	
R0067108	1966	HARNESS TAPE 1 1/4" Vinyl (100 Ft. Roll) Non-Adhesive	\$15.00	
R0058272	1967	HARNESS TAPE 3/4" Vinyl (100 Ft. Roll) Non-Adhesive	\$12.00	
R0058276	1967	HARNESS TAPE 1" Vinyl (100 Ft. Roll) Non-Adhesive	\$13.00	
R0067108	1967	HARNESS TAPE 1 1/4" Vinyl (100 Ft. Roll) Non-Adhesive	\$15.00	
R0058272	1968	HARNESS TAPE 3/4" Vinyl (100 Ft. Roll) Non-Adhesive	\$12.00	
R0058276	1968	HARNESS TAPE 1" Vinyl (100 Ft. Roll) Non-Adhesive	\$13.00	
R0067108	1968	HARNESS TAPE 1 1/4" Vinyl (100 Ft. Roll) Non-Adhesive	\$15.00	
R0058272	1969	HARNESS TAPE 3/4" Vinyl (100 Ft. Roll) Non-Adhesive	\$12.00	
R0058276	1969	HARNESS TAPE 1" Vinyl (100 Ft. Roll) Non-Adhesive	\$13.00	
R0067108	1969	HARNESS TAPE 1 1/4" Vinyl (100 Ft. Roll) Non-Adhesive	\$15.00	
R0058272	1970	HARNESS TAPE 3/4" Vinyl (100 Ft. Roll) Non-Adhesive	\$12.00	
R0058276	1970	HARNESS TAPE 1" Vinyl (100 Ft. Roll) Non-Adhesive	\$13.00	
R0067108	1970	HARNESS TAPE 1 1/4" Vinyl (100 Ft. Roll) Non-Adhesive	\$15.00	
R0058272	1971	HARNESS TAPE 3/4" Vinyl (100 Ft. Roll) Non-Adhesive	\$12.00	
R0058276	1971	HARNESS TAPE 1" Vinyl (100 Ft. Roll) Non-Adhesive	\$13.00	
R0067108	1971	HARNESS TAPE 1 1/4" Vinyl (100 Ft. Roll) Non-Adhesive	\$15.00	
R0058272	1972	HARNESS TAPE 3/4" Vinyl (100 Ft. Roll) Non-Adhesive	\$12.00	
R0058276	1972	HARNESS TAPE 1" Vinyl (100 Ft. Roll) Non-Adhesive	\$13.00	
R0067108	1972	HARNESS TAPE 1 1/4" Vinyl (100 Ft. Roll) Non-Adhesive	\$15.00	
R0058272	1973	HARNESS TAPE 3/4" Vinyl (100 Ft. Roll) Non-Adhesive	\$12.00	
R0058276	1973	HARNESS TAPE 1" Vinyl (100 Ft. Roll) Non-Adhesive	\$13.00	
R0067108	1973	HARNESS TAPE 1 1/4" Vinyl (100 Ft. Roll) Non-Adhesive	\$15.00	
R0058272	1974	HARNESS TAPE 3/4" Vinyl (100 Ft. Roll) Non-Adhesive	\$12.00	
R0058276	1974	HARNESS TAPE 1" Vinyl (100 Ft. Roll) Non-Adhesive	\$13.00	
R0067108	1974	HARNESS TAPE 1 1/4" Vinyl (100 Ft. Roll) Non-Adhesive	\$15.00	
R0058272	1975	HARNESS TAPE 3/4" Vinyl (100 Ft. Roll) Non-Adhesive	\$12.00	
R0058276	1975	HARNESS TAPE 1" Vinyl (100 Ft. Roll) Non-Adhesive	\$13.00	
R0067108	1975	HARNESS TAPE 1 1/4" Vinyl (100 Ft. Roll) Non-Adhesive	\$15.00	
R0058272	1976	HARNESS TAPE 3/4" Vinyl (100 Ft. Roll) Non-Adhesive	\$12.00	
R0058276	1976	HARNESS TAPE 1" Vinyl (100 Ft. Roll) Non-Adhesive	\$13.00	
R0067108	1976	HARNESS TAPE 1 1/4" Vinyl (100 Ft. Roll) Non-Adhesive	\$15.00	
R0058272	1977	HARNESS TAPE 3/4" Vinyl (100 Ft. Roll) Non-Adhesive	\$12.00	
R0058276	1977	HARNESS TAPE 1" Vinyl (100 Ft. Roll) Non-Adhesive	\$13.00	
R0067108	1977	HARNESS TAPE 1 1/4" Vinyl (100 Ft. Roll) Non-Adhesive	\$15.00	
<b>HEADLAMP DIMMER SWITCH</b>				
01997023	1958	HEADLAMP DIMMER SWITCH	\$16.00	N
01997023	1959	HEADLAMP DIMMER SWITCH	\$16.00	N
01997023	1960	HEADLAMP DIMMER SWITCH	\$16.00	N
01997028	1961	HEADLAMP DIMMER SWITCH	\$7.50	N
01997028	1962	HEADLAMP DIMMER SWITCH	\$7.50	N
01997028	1963	HEADLAMP DIMMER SWITCH	\$7.50	N
01997028	1964	HEADLAMP DIMMER SWITCH	\$7.50	N

Impala/Bel Air  
'58-'63 El Camino



Phone (562) 926-9552  
Fax (562) 926-9572

Part Number	Year	Description	Price	*Rev.
<b>HEADLIGHT BUCKET EXTENSION HARNESS</b>				
19645	1958	HEADLIGHT BUCKET EXTENSION HARNESS Set Of 2	\$63.00	
19650	1959	HEADLIGHT BUCKET EXTENSION HARNESS Set Of 2	\$67.00	
<b>HEADLIGHT SWITCH</b>				
01995096	1958	HEADLIGHT SWITCH All	\$31.00	
01995096	1959	HEADLIGHT SWITCH All	\$31.00	
01995096	1960	HEADLIGHT SWITCH All	\$31.00	
01995096	1961	HEADLIGHT SWITCH All	\$31.00	
01995096	1962	HEADLIGHT SWITCH All	\$31.00	
01995096	1963	HEADLIGHT SWITCH All	\$31.00	
01995179	1964	HEADLIGHT SWITCH	\$20.00	N
01995179	1965	HEADLIGHT SWITCH	\$20.00	N
01995179	1966	HEADLIGHT SWITCH	\$20.00	N
01995179	1967	HEADLIGHT SWITCH	\$20.00	N
01995191	1968	HEADLIGHT SWITCH With Retractable Headlights	\$39.00	N
01995216	1969	HEADLIGHT SWITCH Without Retractable Headlamps	\$20.00	N
01995216	1970	HEADLIGHT SWITCH	\$20.00	N
01995216	1971	HEADLIGHT SWITCH	\$20.00	N
01995216	1972	HEADLIGHT SWITCH	\$20.00	N
01995216	1973	HEADLIGHT SWITCH	\$20.00	N
01995216	1974	HEADLIGHT SWITCH	\$20.00	N
01995216	1975	HEADLIGHT SWITCH	\$20.00	N
01995216	1976	HEADLIGHT SWITCH	\$20.00	N
01995216	1977	HEADLIGHT SWITCH	\$20.00	N
01995216	1978	HEADLIGHT SWITCH	\$20.00	N
01995216	1979	HEADLIGHT SWITCH	\$20.00	N
01995216	1980	HEADLIGHT SWITCH	\$20.00	N
01995216	1981	HEADLIGHT SWITCH	\$20.00	N
01995216	1982	HEADLIGHT SWITCH	\$20.00	N
01995216	1983	HEADLIGHT SWITCH	\$20.00	N
01995216	1984	HEADLIGHT SWITCH	\$20.00	N
<b>HEATER BLOWER MOTOR RESISTOR</b>				
03929052	1958	HEATER BLOWER MOTOR RESISTOR Without A/C	\$15.00	N
03929052	1959	HEATER BLOWER MOTOR RESISTOR Without A/C	\$15.00	N
03929052	1960	HEATER BLOWER MOTOR RESISTOR Without A/C	\$15.00	N
03929052	1961	HEATER BLOWER MOTOR RESISTOR Without A/C	\$15.00	N
03929052	1962	HEATER BLOWER MOTOR RESISTOR Without A/C	\$15.00	N
03929052	1963	HEATER BLOWER MOTOR RESISTOR Without A/C	\$15.00	N
03929052	1964	HEATER BLOWER MOTOR RESISTOR Without A/C	\$15.00	N
03929052	1965	HEATER BLOWER MOTOR RESISTOR Without A/C	\$15.00	N
03929052	1966	HEATER BLOWER MOTOR RESISTOR Without A/C	\$15.00	N
03929052	1967	HEATER BLOWER MOTOR RESISTOR Without A/C	\$15.00	N
03929052	1968	HEATER BLOWER MOTOR RESISTOR Without A/C	\$15.00	N
03929052	1969	HEATER BLOWER MOTOR RESISTOR Without A/C	\$15.00	N
03929052	1970	HEATER BLOWER MOTOR RESISTOR Without A/C	\$15.00	N
03929052	1971	HEATER BLOWER MOTOR RESISTOR Without A/C	\$15.00	N



Part Number	Year	Description	Price	*Rev.
03929052	1972	HEATER BLOWER MOTOR RESISTOR Without A/C	\$15.00	N
03929052	1973	HEATER BLOWER MOTOR RESISTOR Without A/C	\$15.00	N
03929052	1974	HEATER BLOWER MOTOR RESISTOR Without A/C	\$15.00	N
03929052	1975	HEATER BLOWER MOTOR RESISTOR Without A/C	\$15.00	N
<b>HEATER BLOWER MOTOR SWITCH</b>				
03857992	1965	HEATER BLOWER MOTOR SWITCH C.A.C. Air Conditioning, Without Auto Temp Control	\$17.00	
03857992	1966	HEATER BLOWER MOTOR SWITCH C.A.C. Air Conditioning, Without Auto Temp Control	\$17.00	
<b>HOOD LAMP REPLACEMENT KIT</b>				
18410	1964	HOOD LAMP KIT Under Hood, Includes Socket, Wire & Bulb	\$60.00	C
18410	1965	HOOD LAMP KIT Under Hood, Includes Socket, Wire & Bulb	\$60.00	C
18410	1966	HOOD LAMP KIT Under Hood, Includes Socket, Wire & Bulb	\$60.00	C
18410	1967	HOOD LAMP KIT Under Hood, Includes Socket, Wire & Bulb	\$60.00	C
18410	1968	HOOD LAMP KIT Under Hood, Includes Socket, Wire & Bulb	\$60.00	C
18410	1969	HOOD LAMP KIT Under Hood, Includes Socket, Wire & Bulb	\$60.00	C
18410	1970	HOOD LAMP KIT Under Hood, Includes Socket, Wire & Bulb	\$60.00	C
18410	1971	HOOD LAMP KIT Under Hood, Includes Socket, Wire & Bulb	\$60.00	C
18410	1972	HOOD LAMP KIT Under Hood, Includes Socket, Wire & Bulb	\$60.00	C
18410	1973	HOOD LAMP KIT Under Hood, Includes Socket, Wire & Bulb	\$60.00	C
18410	1974	HOOD LAMP KIT Under Hood, Includes Socket, Wire & Bulb	\$60.00	C
18410	1975	HOOD LAMP KIT Under Hood, Includes Socket, Wire & Bulb	\$60.00	C
18410	1976	HOOD LAMP KIT Under Hood, Includes Socket, Wire & Bulb	\$60.00	C
18410	1977	HOOD LAMP KIT Under Hood, Includes Socket, Wire & Bulb	\$60.00	C
<b>HORN RELAY</b>				
12339243	1958	HORN RELAY Required When Converting To Internal Regulator Alternators	\$12.00	
12339243	1959	HORN RELAY Required When Converting To Internal Regulator Alternators	\$12.00	
12339243	1960	HORN RELAY Required When Converting To Internal Regulator Alternators	\$12.00	
12339243	1961	HORN RELAY Required When Converting To Internal Regulator Alternators	\$12.00	
12339243	1962	HORN RELAY Required When Converting To Internal Regulator Alternators	\$12.00	
<b>IGNITION BALLAST RESISTOR</b>				
01957154	1958	IGNITION BALLAST RESISTOR All, Without Hi Lift Cam	\$12.00	N
01957154	1963	IGNITION BALLAST RESISTOR All, 409 C.i., Without High Performance, Or Dual 4 Barrel Carburetors	\$12.00	N
01957154	1964	IGNITION BALLAST RESISTOR All, 409 C.i., Without High Performance, Or Dual 4 Barrel Carburetors	\$12.00	N
01957154	1965	IGNITION BALLAST RESISTOR All, 396, 409 C.i., Without High Performance, Or Transistor Ignition	\$12.00	N
01957154	1966	IGNITION BALLAST RESISTOR All, With High Performance 427 C.i.	\$12.00	N
<b>IGNITION CYLINDER AND KEYS</b>				
20071252	1969	IGNITION CYLINDER AND KEYS Chrome, All	\$18.50	N
20071252	1970	IGNITION CYLINDER AND KEYS Chrome, All	\$18.50	N
20071252	1971	IGNITION CYLINDER AND KEYS Chrome, All	\$18.50	N
20071252	1972	IGNITION CYLINDER AND KEYS Chrome, All	\$18.50	N
20071252	1973	IGNITION CYLINDER AND KEYS Chrome, All	\$18.50	N
20071252	1974	IGNITION CYLINDER AND KEYS Chrome, All	\$18.50	N
20071252	1975	IGNITION CYLINDER AND KEYS Chrome, All	\$18.50	N
20071252	1976	IGNITION CYLINDER AND KEYS Chrome, All	\$18.50	N
20071252	1977	IGNITION CYLINDER AND KEYS Chrome, All	\$18.50	N

Impala/Bel Air  
'58-'63 El Camino



Phone (562) 926-9552  
Fax (562) 926-9572

Part Number	Year	Description	Price	*Rev.
20071252	1978	<b>IGNITION CYLINDER AND KEYS</b> Chrome, All, 1st Design, Used On Columns Without Lock Cylinder Retaining Screw	\$18.50	N
07833759	1978	<b>IGNITION CYLINDER AND KEYS</b> Chrome, Impala, Caprice, 2nd Design, Used On Columns With Lock Cylinder Retaining Screw	\$18.50	N
07833759	1979	<b>IGNITION CYLINDER AND KEYS</b> Chrome, Impala, Caprice	\$18.50	N
07833759	1980	<b>IGNITION CYLINDER AND KEYS</b> Chrome, Impala, Caprice	\$18.50	N
07833759	1981	<b>IGNITION CYLINDER AND KEYS</b> Chrome, Impala, Caprice	\$18.50	N
07833759	1982	<b>IGNITION CYLINDER AND KEYS</b> Chrome, Impala, Caprice	\$18.50	N
07833759	1983	<b>IGNITION CYLINDER AND KEYS</b> Chrome, Impala, Caprice	\$18.50	N
07833759	1984	<b>IGNITION CYLINDER AND KEYS</b> Chrome, Impala, Caprice	\$18.50	N
07833759	1985	<b>IGNITION CYLINDER AND KEYS</b> Chrome, Impala, Caprice	\$18.50	N
07833759	1986	<b>IGNITION CYLINDER AND KEYS</b> Chrome, Caprice	\$18.50	N
07833759	1987	<b>IGNITION CYLINDER AND KEYS</b> Chrome, Caprice	\$18.50	N
07833759	1988	<b>IGNITION CYLINDER AND KEYS</b> Chrome, Caprice	\$18.50	N
07833759	1989	<b>IGNITION CYLINDER AND KEYS</b> Chrome, Caprice	\$18.50	N
07833759	1990	<b>IGNITION CYLINDER AND KEYS</b> Chrome, Caprice	\$18.50	N
<b>IGNITION SWITCH</b>				
01116570	1959	<b>IGNITION SWITCH</b>	\$62.00	N
01116576	1960	<b>IGNITION SWITCH</b>	\$62.00	N
01116626	1961	<b>IGNITION SWITCH</b>	\$24.00	M
01116626	1962	<b>IGNITION SWITCH</b>	\$24.00	M
01116626	1963	<b>IGNITION SWITCH</b>	\$24.00	M
44205	1964	<b>IGNITION SWITCH KIT</b> Note: Includes Ignition Switch, Connector And Instructions.	\$37.00	N
44205	1965	<b>IGNITION SWITCH KIT</b> Note: Includes Ignition Switch, Connector And Instructions.	\$37.00	N
01990110	1969	<b>IGNITION SWITCH</b> All, With Tilt	\$14.00	N
01990110	1970	<b>IGNITION SWITCH</b> All, With Tilt	\$14.00	N
01990110	1971	<b>IGNITION SWITCH</b> All, With Tilt	\$14.00	N
01990110	1972	<b>IGNITION SWITCH</b> All, With Tilt	\$14.00	N
01990110	1973	<b>IGNITION SWITCH</b> All, With Tilt	\$14.00	N
01990110	1974	<b>IGNITION SWITCH</b> All, With Tilt	\$14.00	N
01990110	1975	<b>IGNITION SWITCH</b> All, With Tilt	\$14.00	N
01990110	1976	<b>IGNITION SWITCH</b> All, With Tilt	\$14.00	N
01990110	1977	<b>IGNITION SWITCH</b> All, With Tilt	\$14.00	N
01990110	1978	<b>IGNITION SWITCH</b> All, With Tilt	\$14.00	N
01990110	1979	<b>IGNITION SWITCH</b> All, With Tilt	\$14.00	N
01990110	1980	<b>IGNITION SWITCH</b> All, With Tilt	\$14.00	N
01990110	1981	<b>IGNITION SWITCH</b> All, With Tilt	\$14.00	N
01990110	1982	<b>IGNITION SWITCH</b> All, With Tilt	\$14.00	N
01990110	1983	<b>IGNITION SWITCH</b> All, With Tilt	\$14.00	N
01990110	1984	<b>IGNITION SWITCH</b> All, With Tilt	\$14.00	N
01990110	1985	<b>IGNITION SWITCH</b> All, With Tilt	\$14.00	N
01990110	1986	<b>IGNITION SWITCH</b> All, With Tilt	\$14.00	N
01990110	1987	<b>IGNITION SWITCH</b> All, With Tilt	\$14.00	N
01990110	1988	<b>IGNITION SWITCH</b> All, With Tilt	\$14.00	N
01990110	1989	<b>IGNITION SWITCH</b> All, With Tilt	\$14.00	N

Impala/Bel Air  
 '58-'63 El Camino



Phone (562) 926-9552  
 Fax (562) 926-9572

Part Number	Year	Description	Price	*Rev.
01990110	1990	IGNITION SWITCH All, With Tilt	\$14.00	N
<b>INSTRUMENT GAUGE CLUSTER CLIP KIT</b>				
08986000	1976	CLIP KIT Caprice, Impala, All, Instrument Gauge Cluster / Printed Circuit Board Retaining Clip Note: Replaces Original GM Part Number 08986000, Includes 12 Clips Per Kit.	\$14.00	N
08986000	1977	CLIP KIT Caprice, Impala, All, Instrument Gauge Cluster / Printed Circuit Board Retaining Clip Note: Replaces Original GM Part Number 08986000, Includes 12 Clips Per Kit.	\$14.00	N
08986000	1978	CLIP KIT Caprice, Impala, All, Instrument Gauge Cluster / Printed Circuit Board Retaining Clip Note: Replaces Original GM Part Number 08986000, Includes 12 Clips Per Kit.	\$14.00	N
08986000	1979	CLIP KIT Caprice, Impala, All, Instrument Gauge Cluster / Printed Circuit Board Retaining Clip Note: Replaces Original GM Part Number 08986000, Includes 12 Clips Per Kit.	\$14.00	N
08986000	1980	CLIP KIT Caprice, Impala, All, Instrument Gauge Cluster / Printed Circuit Board Retaining Clip Note: Replaces Original GM Part Number 08986000, Includes 12 Clips Per Kit.	\$14.00	N
08986000	1981	CLIP KIT Caprice, Impala, All, Instrument Gauge Cluster / Printed Circuit Board Retaining Clip Note: Replaces Original GM Part Number 08986000, Includes 12 Clips Per Kit.	\$14.00	N
08986000	1982	CLIP KIT Caprice, Impala, All, Instrument Gauge Cluster / Printed Circuit Board Retaining Clip Note: Replaces Original GM Part Number 08986000, Includes 12 Clips Per Kit.	\$14.00	N
08986000	1983	CLIP KIT Caprice, Impala, All, Instrument Gauge Cluster / Printed Circuit Board Retaining Clip Note: Replaces Original GM Part Number 08986000, Includes 12 Clips Per Kit.	\$14.00	N
08986000	1984	CLIP KIT Caprice, Impala, All, Instrument Gauge Cluster / Printed Circuit Board Retaining Clip Note: Replaces Original GM Part Number 08986000, Includes 12 Clips Per Kit.	\$14.00	N
08986000	1985	CLIP KIT Caprice, Impala, All, Instrument Gauge Cluster / Printed Circuit Board Retaining Clip Note: Replaces Original GM Part Number 08986000, Includes 12 Clips Per Kit.	\$14.00	N
08986000	1986	CLIP KIT Caprice, All, Instrument Gauge Cluster / Printed Circuit Board Retaining Clip Note: Replaces Original GM Part Number 08986000, Includes 12 Clips Per Kit.	\$14.00	N
08986000	1987	CLIP KIT Caprice, All, Instrument Gauge Cluster / Printed Circuit Board Retaining Clip Note: Replaces Original GM Part Number 08986000, Includes 12 Clips Per Kit.	\$14.00	N
08986000	1988	CLIP KIT Caprice, All, Instrument Gauge Cluster / Printed Circuit Board Retaining Clip Note: Replaces Original GM Part Number 08986000, Includes 12 Clips Per Kit.	\$14.00	N
08986000	1989	CLIP KIT Caprice, All, Instrument Gauge Cluster / Printed Circuit Board Retaining Clip Note: Replaces Original GM Part Number 08986000, Includes 12 Clips Per Kit.	\$14.00	N
08986000	1990	CLIP KIT Caprice, All, Instrument Gauge Cluster / Printed Circuit Board Retaining Clip Note: Replaces Original GM Part Number 08986000, Includes 12 Clips Per Kit.	\$14.00	N
<b>KICKDOWN HARNESS</b>				
06085	1965	KICKDOWN HARNESS TH400 Auto Trans, Carburetor Switch To Trans	\$46.00	
06085	1966	KICKDOWN HARNESS TH400 Auto Trans, Carburetor Switch To Trans	\$46.00	
06085	1967	KICKDOWN HARNESS TH400 Auto Trans, Carburetor Switch To Trans	\$46.00	
37659	1968	KICKDOWN HARNESS TH400 Auto Trans, 4 Bbl Carb. Only, Carburetor Switch To Trans	\$46.00	
37659	1969	KICKDOWN HARNESS TH400 Auto Trans, 4 Bbl Carb. Only, Carburetor Switch To Trans	\$46.00	

Impala/Bel Air  
'58-'63 El Camino



Phone (562) 926-9552  
Fax (562) 926-9572

Part Number	Year	Description	Price	*Rev.
<b>KICKDOWN SWITCH</b>				
01242101	1970	<b>KICKDOWN SWITCH</b> TH400 Auto Trans	\$19.00	
01242101	1971	<b>KICKDOWN SWITCH</b> TH400 Auto Trans	\$19.00	
01242101	1972	<b>KICKDOWN SWITCH</b> TH400 Auto Trans	\$19.00	
01242101	1976	<b>KICKDOWN SWITCH</b> Caprice, Impala, TH400, Auto Trans	\$19.00	
01242101	1977	<b>KICKDOWN SWITCH</b> Caprice, Impala, TH400, Auto Trans	\$19.00	
<b>LICENSE PLATE LAMP EXTENSION</b>				
39667	1960	<b>LICENSE PLATE LAMP EXTENSION</b> El Camino Note: Set Of 2.	\$22.00	
<b>LOW FUEL INDICATOR MODULE</b>				
500274	1958	<b>LOW FUEL INDICATOR MODULE</b> Generic "Adjustable" Low Fuel Warning Module Note: A Complete Electronic Control Unit To Activate A Warning Lamp Or Relay When Fuel Level Drops Below A User Adjustable Level. Includes instruction sheet.	\$64.00	C
500274	1959	<b>LOW FUEL INDICATOR MODULE</b> Generic "Adjustable" Low Fuel Warning Module Note: A Complete Electronic Control Unit To Activate A Warning Lamp Or Relay When Fuel Level Drops Below A User Adjustable Level. Includes instruction sheet.	\$64.00	C
500274	1960	<b>LOW FUEL INDICATOR MODULE</b> Generic "Adjustable" Low Fuel Warning Module Note: A Complete Electronic Control Unit To Activate A Warning Lamp Or Relay When Fuel Level Drops Below A User Adjustable Level. Includes instruction sheet.	\$64.00	C
500274	1961	<b>LOW FUEL INDICATOR MODULE</b> Generic "Adjustable" Low Fuel Warning Module Note: A Complete Electronic Control Unit To Activate A Warning Lamp Or Relay When Fuel Level Drops Below A User Adjustable Level. Includes instruction sheet.	\$64.00	C
500274	1962	<b>LOW FUEL INDICATOR MODULE</b> Generic "Adjustable" Low Fuel Warning Module Note: A Complete Electronic Control Unit To Activate A Warning Lamp Or Relay When Fuel Level Drops Below A User Adjustable Level. Includes instruction sheet.	\$64.00	C
500274	1963	<b>LOW FUEL INDICATOR MODULE</b> Generic "Adjustable" Low Fuel Warning Module Note: A Complete Electronic Control Unit To Activate A Warning Lamp Or Relay When Fuel Level Drops Below A User Adjustable Level. Includes instruction sheet.	\$64.00	C
500274	1964	<b>LOW FUEL INDICATOR MODULE</b> Generic "Adjustable" Low Fuel Warning Module Note: A Complete Electronic Control Unit To Activate A Warning Lamp Or Relay When Fuel Level Drops Below A User Adjustable Level. Includes instruction sheet.	\$64.00	C
500274	1965	<b>LOW FUEL INDICATOR MODULE</b> Generic "Adjustable" Low Fuel Warning Module Note: A Complete Electronic Control Unit To Activate A Warning Lamp Or Relay When Fuel Level Drops Below A User Adjustable Level. Includes instruction sheet.	\$64.00	C
500274	1966	<b>LOW FUEL INDICATOR MODULE</b> Generic "Adjustable" Low Fuel Warning Module Note: A Complete Electronic Control Unit To Activate A Warning Lamp Or Relay When Fuel Level Drops Below A User Adjustable Level. Includes instruction sheet.	\$64.00	C
500274	1967	<b>LOW FUEL INDICATOR MODULE</b> Generic "Adjustable" Low Fuel Warning Module Note: A Complete Electronic Control Unit To Activate A Warning Lamp Or Relay When Fuel Level Drops Below A User Adjustable Level. Includes instruction sheet.	\$64.00	C
500274	1968	<b>LOW FUEL INDICATOR MODULE</b> Generic "Adjustable" Low Fuel Warning Module Note: A Complete Electronic Control Unit To Activate A Warning Lamp Or Relay When Fuel Level Drops Below A User Adjustable Level. Includes instruction sheet.	\$64.00	C
500274	1969	<b>LOW FUEL INDICATOR MODULE</b> Generic "Adjustable" Low Fuel Warning Module Note: A Complete Electronic Control Unit To Activate A Warning Lamp Or Relay When Fuel Level Drops Below A User Adjustable Level. Includes instruction sheet.	\$64.00	C
500274	1970	<b>LOW FUEL INDICATOR MODULE</b> Generic "Adjustable" Low Fuel Warning Module Note: A Complete Electronic Control Unit To Activate A Warning Lamp Or Relay When Fuel Level Drops Below A User Adjustable Level. Includes instruction sheet.	\$64.00	C

Part Number	Year	Description	Price	*Rev.
500274	1971	<b>LOW FUEL INDICATOR MODULE</b> Generic "Adjustable" Low Fuel Warning Module Note: A Complete Electronic Control Unit To Activate A Warning Lamp Or Relay When Fuel Level Drops Below A User Adjustable Level. Includes instruction sheet.	\$64.00	C
500274	1972	<b>LOW FUEL INDICATOR MODULE</b> Generic "Adjustable" Low Fuel Warning Module Note: A Complete Electronic Control Unit To Activate A Warning Lamp Or Relay When Fuel Level Drops Below A User Adjustable Level. Includes instruction sheet.	\$64.00	C
<b>NEUTRAL SAFETY AND BACKUP LAMP SWITCH</b>				
01993659	1958	<b>NEUTRAL SAFETY AND BACKUP LAMP SWITCH</b> With Column Shift Powerglide Auto Trans	\$12.00	
01993659	1959	<b>NEUTRAL SAFETY AND BACKUP LAMP SWITCH</b> With Column Shift Powerglide Auto Trans	\$12.00	
01993659	1960	<b>NEUTRAL SAFETY AND BACKUP LAMP SWITCH</b> With Column Shift Powerglide Auto Trans	\$12.00	
01993659	1961	<b>NEUTRAL SAFETY AND BACKUP LAMP SWITCH</b> With Column Shift Powerglide Auto Trans	\$12.00	
01993659	1962	<b>NEUTRAL SAFETY AND BACKUP LAMP SWITCH</b> With Column Shift Powerglide Auto Trans	\$12.00	
01993659	1963	<b>NEUTRAL SAFETY AND BACKUP LAMP SWITCH</b> With Column Shift Powerglide Auto Trans	\$12.00	
01993659	1964	<b>NEUTRAL SAFETY AND BACKUP LAMP SWITCH</b> With Column Shift Powerglide Auto Trans	\$12.00	
01993658	1964	<b>NEUTRAL SAFETY AND BACKUP LAMP SWITCH</b> With Console Shift Powerglide Auto Trans	\$55.00	
01993659	1965	<b>NEUTRAL SAFETY AND BACKUP LAMP SWITCH</b> With Column Shift Powerglide Auto Trans	\$12.00	
01993320	1965	<b>NEUTRAL SAFETY AND BACKUP LAMP SWITCH</b> With Column Shift TH350-400 Auto Trans	\$12.00	
01993696	1965	<b>NEUTRAL SAFETY AND BACKUP LAMP SWITCH</b> With Console Shift Powerglide Auto Trans	\$64.00	
01993321	1965	<b>NEUTRAL SAFETY AND BACKUP LAMP SWITCH</b> With Console Shift TH350-400 Auto Trans	\$55.00	
01993659	1966	<b>NEUTRAL SAFETY AND BACKUP LAMP SWITCH</b> With Column Shift Powerglide Auto Trans	\$12.00	
01993320	1966	<b>NEUTRAL SAFETY AND BACKUP LAMP SWITCH</b> With Column Shift TH350-400 Auto Trans	\$12.00	
01993696	1966	<b>NEUTRAL SAFETY AND BACKUP LAMP SWITCH</b> With Console Shift Powerglide Auto Trans	\$64.00	
01993321	1966	<b>NEUTRAL SAFETY AND BACKUP LAMP SWITCH</b> With Console Shift TH350-400 Auto Trans	\$55.00	
01993696	1967	<b>NEUTRAL SAFETY AND BACKUP LAMP SWITCH</b> With Console Shift Powerglide Auto Trans	\$64.00	
01993321	1967	<b>NEUTRAL SAFETY AND BACKUP LAMP SWITCH</b> With Console Shift TH350-400 Auto Trans	\$55.00	
01993696	1968	<b>NEUTRAL SAFETY AND BACKUP LAMP SWITCH</b> Powerglide Auto Trans, Except SS	\$64.00	M
01994235	1969	<b>NEUTRAL SAFETY AND BACKUP LAMP SWITCH</b> With Column Shift Auto Trans, All	\$19.00	
01994235	1970	<b>NEUTRAL SAFETY AND BACKUP LAMP SWITCH</b> With Column Shift Auto Trans, All	\$19.00	
01994235	1971	<b>NEUTRAL SAFETY AND BACKUP LAMP SWITCH</b> With Column Shift Auto Trans, All	\$19.00	
01994235	1972	<b>NEUTRAL SAFETY AND BACKUP LAMP SWITCH</b> With Column Shift Auto Trans, All	\$19.00	
<b>NEUTRAL SAFETY SWITCH</b>				
03983965	1970	<b>NEUTRAL SAFETY SWITCH</b> With Manual Trans (Clutch Pedal Activated) Note: 03983965 Switch Included In Kit Is Correct, However Mounting Tower 03961589 Also Provided Does Not Work On This Application. Original Mounting Tower Must Be Reused.	\$58.00	C
03986841	1971	<b>NEUTRAL SAFETY SWITCH</b> With 3 Speed Manual Trans (Clutch Pedal Activated) Note: 03983965 Switch Included In Kit Is Correct, However Mounting Tower 03961590 Also Provided Does Not Work On This Application. Original Mounting Tower Must Be Reused..	\$58.00	C
03983965	1971	<b>NEUTRAL SAFETY SWITCH</b> With 4 Speed Manual Trans (Clutch Pedal Activated) Note: 03983965 Switch Included In Kit Is Correct, However Mounting Tower 03961589 Also Provided Does Not Work On This Application. Original Mounting Tower Must Be Reused.	\$58.00	N
03986841	1972	<b>NEUTRAL SAFETY SWITCH</b> With 3 Speed Manual Trans (Clutch Pedal Activated) Note: 03983965 Switch Included In Kit Is Correct, However Mounting Tower 03961590 Also Provided Does Not Work On This Application. Original Mounting Tower Must Be Reused..	\$58.00	C
03983965	1972	<b>NEUTRAL SAFETY SWITCH</b> With 4 Speed Manual Trans (Clutch Pedal Activated) Note: 03983965 Switch Included In Kit Is Correct, However Mounting Tower 03961589 Also Provided Does Not Work On This Application. Original Mounting Tower Must Be Reused.	\$58.00	N

Part Number	Year	Description	Price	*Rev.
<b>OVERDRIVE HARNESS</b>				
41455	1959	<b>OVERDRIVE HARNESS</b> 6 Cyl., Early 1 Piece Design Note: 6 Cylinder Items Are Not Returnable.	\$159.00	
41576	1959	<b>OVERDRIVE HARNESS</b> V/8, Early 1 Piece Design	\$166.00	
28750	1961	<b>OVERDRIVE HARNESS</b> V/8	\$147.00	
05860	1965	<b>OVERDRIVE HARNESS</b> 6 Cylinder Note: 6 Cylinder Items Are Not Returnable.	\$159.00	
27290	1965	<b>OVERDRIVE HARNESS</b> V/8	\$159.00	
05860	1966	<b>OVERDRIVE HARNESS</b> 6 Cylinder Note: 6 Cylinder Items Are Not Returnable.	\$159.00	
10955	1967	<b>OVERDRIVE HARNESS</b> 6 Cylinder Note: 6 Cylinder Items Are Not Returnable.	\$173.00	
10960	1967	<b>OVERDRIVE HARNESS</b> V/8	\$166.00	
11965	1968	<b>OVERDRIVE HARNESS</b> V/8	\$166.00	
<b>PARKING BRAKE WARNING LAMP HARNESS</b>				
33335	1959	<b>PARKING BRAKE WARNING LAMP HARNESS</b>	\$23.00	
33190	1960	<b>PARKING BRAKE WARNING LAMP HARNESS</b>	\$23.00	
<b>POWER ACCESSORY FEED WIRE</b>				
02725	1958	<b>POWER ACCESSORY FEED WIRE</b> All, Starter Solenoid To Main Accesory Harness	\$20.00	
08470	1958	<b>POWER ACCESSORY FEED WIRE</b> Circuit Breaker To Power Seat Harness	\$46.00	
08430	1958	<b>POWER ACCESSORY FEED WIRE</b> Convertible, Used Only With Power Top & Seats Combined	\$21.00	
02875	1958	<b>POWER ACCESSORY FEED WIRE, 348 C.I. ONLY</b> Power Top, Seat & Windows, Starter Soleniod To Part# 02880	\$15.00	
02880	1958	<b>POWER ACCESSORY FEED WIRE, 348 C.I. ONLY</b> Power Top, Seat & Windows, Part#02875 To Rear Body Connector	\$15.00	
08550	1960	<b>POWER ACCESSORY FEED WIRE</b> Power Windows & Seat, Convertible	\$17.00	
08770	1961	<b>POWER ACCESSORY FEED WIRE</b> Power Window, Kick Panel To Power Window Harness	\$13.00	
08785	1961	<b>POWER ACCESSORY FEED WIRE</b> Power Window Or Power Seat, Except Convertible, Bulkhead To Circuit Breaker	\$26.00	
19655	1961	<b>POWER ACCESSORY FEED WIRE</b> Convertible Top, Power Window, Starter Solenoid To Bulkhead	\$17.00	
08750	1961	<b>POWER ACCESSORY FEED WIRE</b> Power Seats, Circuit Breaker To Seat Adjuster Control	\$21.00	
08770	1962	<b>POWER ACCESSORY FEED WIRE</b> Power Window, Kick Panel To Power Window Harness	\$13.00	
08785	1962	<b>POWER ACCESSORY FEED WIRE</b> Power Window Or Power Seat, Except Convertible, Bulkhead To Circuit Breaker	\$26.00	
19655	1962	<b>POWER ACCESSORY FEED WIRE</b> Convertible Top, Power Window, Starter Solenoid To Bulkhead	\$17.00	
08750	1962	<b>POWER ACCESSORY FEED WIRE</b> Power Seats, Circuit Breaker To Seat Adjuster Control	\$21.00	
08770	1963	<b>POWER ACCESSORY FEED WIRE</b> Power Window, Kick Panel To Power Window Harness	\$13.00	
09035	1963	<b>POWER ACCESSORY FEED WIRE</b> Power Window, Bulkhead To Circuit Breaker	\$22.00	
09040	1963	<b>POWER ACCESSORY FEED WIRE</b> Power Seats, Circuit Breaker To Seat Adjuster Control	\$22.00	
19655	1963	<b>POWER ACCESSORY FEED WIRE</b> 6 Cyl, Convertible Top, Power Window, Starter Solenoid To Bulkhead Note: 6 Cylinder Items Are Not Returnable.	\$17.00	
19665	1963	<b>POWER ACCESSORY FEED WIRE</b> V/8, Convertible Top, Starter Solenoid To Bulkhead	\$17.00	
08770	1964	<b>POWER ACCESSORY FEED WIRE</b> Power Window, Kick Panel To Power Window Harness	\$13.00	
09035	1964	<b>POWER ACCESSORY FEED WIRE</b> Power Window, Bulkhead To Circuit Breaker	\$22.00	
19655	1964	<b>POWER ACCESSORY FEED WIRE</b> 6 Cyl, Convertible Top, Power Window, Starter Solenoid To Bulkhead Note: 6 Cylinder Items Are Not Returnable.	\$17.00	
19665	1964	<b>POWER ACCESSORY FEED WIRE</b> V/8, Convertible Top, Starter Solenoid To Bulkhead	\$17.00	

Part Number	Year	Description	Price	*Rev.
06830	1964	<b>POWER ACCESSORY FEED WIRE</b> Power Seat, Circuit Breaker To Seat Adjuster Control	\$36.00	
08120	1965	<b>POWER ACCESSORY FEED WIRE</b> Convertible Top, Power Window, Bulkhead To Circuit Breaker	\$36.00	
19670	1965	<b>POWER ACCESSORY FEED WIRE</b> Convertible Top, Power Window, Horn Relay To Bulkhead	\$17.00	
32505	1965	<b>POWER ACCESSORY FEED WIRE</b> Power Seat Feed	\$33.00	
08120	1966	<b>POWER ACCESSORY FEED WIRE</b> Convertible Top, Power Window, Bulkhead To Circuit Breaker	\$36.00	
19670	1966	<b>POWER ACCESSORY FEED WIRE</b> Convertible Top, Power Window, Horn Relay To Bulkhead	\$17.00	
32505	1966	<b>POWER ACCESSORY FEED WIRE</b> Power Seat Feed	\$33.00	
19675	1967	<b>POWER ACCESSORY FEED WIRE</b> Convertible, Power Window, Circuit Breaker To Power Top Harness	\$23.00	
19680	1967	<b>POWER ACCESSORY FEED WIRE</b> Convertible Top, Power Window, Horn Relay To Circuit Breaker	\$23.00	
32505	1967	<b>POWER ACCESSORY FEED WIRE</b> Power Seat Feed	\$33.00	
19680	1968	<b>POWER ACCESSORY FEED WIRE</b> Convertible Top, Power Window, Horn Relay To Circuit Breaker	\$23.00	
19685	1968	<b>POWER ACCESSORY FEED WIRE</b> Convertible Top, Power Window, Circuit Breaker To Power Top	\$36.00	
32505	1968	<b>POWER ACCESSORY FEED WIRE</b> Power Seat Feed	\$33.00	
19685	1969	<b>POWER ACCESSORY FEED WIRE</b> Convertible Top, Power Window, Circuit Breaker To Power Top	\$36.00	
10755	1970	<b>POWER ACCESSORY FEED WIRE</b> Convertible Top, Power Window, Horn Relay To Circuit Breaker	\$15.00	
<b>POWER ANTENNA HARNESS</b>				
32520	1966	<b>POWER ANTENNA HARNESS</b> Rear Power Antenna, All Except Convertible	\$41.00	
32525	1966	<b>POWER ANTENNA HARNESS</b> Rear Power Antenna, Convertible	\$41.00	
32490	1967	<b>POWER ANTENNA HARNESS</b> Rear Power Antenna, All Except Convertible	\$42.00	
32500	1967	<b>POWER ANTENNA HARNESS</b> Rear Power Antenna, Convertible	\$42.00	
32490	1968	<b>POWER ANTENNA HARNESS</b> Rear Power Antenna, All Except Convertible	\$42.00	
32500	1968	<b>POWER ANTENNA HARNESS</b> Rear Power Antenna, Convertible	\$42.00	
<b>POWER DOOR LOCK SWITCH</b>				
01725099	1973	<b>POWER DOOR LOCK SWITCH</b> 1 Button	\$62.00	
01725099	1974	<b>POWER DOOR LOCK SWITCH</b> 1 Button	\$62.00	
01725099	1975	<b>POWER DOOR LOCK SWITCH</b> 1 Button	\$62.00	
01725099	1976	<b>POWER DOOR LOCK SWITCH</b> 1 Button	\$62.00	
20043224	1977	<b>POWER DOOR LOCK SWITCH</b> Impala, Caprice, Without Power Windows	\$9.00	N
20043224	1978	<b>POWER DOOR LOCK SWITCH</b> Impala, Caprice, Without Power Windows	\$9.00	N
20043224	1979	<b>POWER DOOR LOCK SWITCH</b> Impala, Caprice, Without Power Windows	\$9.00	N
<b>POWER SEAT HARNESS</b>				
08480	1958	<b>POWER SEAT HARNESS</b>	\$59.00	
08485	1958	<b>POWER SEAT SWITCH JUMPER HARNESS</b> Power Seat Harness To Switch	\$40.00	
07020	1966	<b>POWER SEAT HARNESS</b> 4 Way Bucket, Drivers Side	\$159.00	
07020	1967	<b>POWER SEAT HARNESS</b> 4 Way Bucket, Drivers Side	\$159.00	
07020	1968	<b>POWER SEAT HARNESS</b> 4 Way Bucket, Drivers Side	\$159.00	
<b>POWER SEAT MOTOR RELAY AND ADAPTER HARNESS</b>				
40146	1964	<b>POWER SEAT MOTOR RELAY AND ADAPTER HARNESS</b> Includes New Standard Type Relay And Adapter To Mate To Factory Harness	\$74.00	
40146	1965	<b>POWER SEAT MOTOR RELAY AND ADAPTER HARNESS</b> Includes New Standard Type Relay And Adapter To Mate To Factory Harness	\$74.00	
40146	1966	<b>POWER SEAT MOTOR RELAY AND ADAPTER HARNESS</b> Includes New Standard Type Relay And Adapter To Mate To Factory Harness	\$74.00	
40146	1967	<b>POWER SEAT MOTOR RELAY AND ADAPTER HARNESS</b> Includes New Standard Type Relay And Adapter To Mate To Factory Harness	\$74.00	
40146	1968	<b>POWER SEAT MOTOR RELAY AND ADAPTER HARNESS</b> Includes New Standard Type Relay And Adapter To Mate To Factory Harness	\$74.00	

Part Number	Year	Description	Price	*Rev.
40146	1969	<b>POWER SEAT MOTOR RELAY AND ADAPTER HARNESS</b> Includes New Standard Type Relay And Adapter To Mate To Factory Harness	\$74.00	
40146	1970	<b>POWER SEAT MOTOR RELAY AND ADAPTER HARNESS</b> Includes New Standard Type Relay And Adapter To Mate To Factory Harness	\$74.00	
40146	1971	<b>POWER SEAT MOTOR RELAY AND ADAPTER HARNESS</b> Includes New Standard Type Relay And Adapter To Mate To Factory Harness	\$74.00	
40146	1972	<b>POWER SEAT MOTOR RELAY AND ADAPTER HARNESS</b> Includes New Standard Type Relay And Adapter To Mate To Factory Harness	\$74.00	
40146	1973	<b>POWER SEAT MOTOR RELAY AND ADAPTER HARNESS</b> Includes New Standard Type Relay And Adapter To Mate To Factory Harness	\$74.00	
40146	1974	<b>POWER SEAT MOTOR RELAY AND ADAPTER HARNESS</b> Includes New Standard Type Relay And Adapter To Mate To Factory Harness	\$74.00	
40146	1975	<b>POWER SEAT MOTOR RELAY AND ADAPTER HARNESS</b> Includes New Standard Type Relay And Adapter To Mate To Factory Harness	\$74.00	
<b>POWER TAILGATE WINDOW FEED WIRE</b>				
08525	1959	<b>POWER TAILGATE WINDOW FEED WIRE</b>	\$35.00	
08525	1960	<b>POWER TAILGATE WINDOW FEED WIRE</b>	\$35.00	
31205	1960	<b>POWER TAILGATE WINDOW HARNESS</b> Nomad & Parkwood 4 Door Wagon	\$119.00	
<b>POWER TAILGATE WINDOW SWITCH</b>				
03906118	1965	<b>POWER TAILGATE WINDOW SWITCH</b> Station Wagon, With Power Tail Gate Window Note: This Is The Removable "Black Knob" Type Switch, This Allows Customers With Original Removable "Chrome Knob" Type Switches To Reuse Their Original "Chrome Knob" To Retain An Original Appearance.	\$66.00	
03906118	1966	<b>POWER TAILGATE WINDOW SWITCH</b> Station Wagon, With Power Tail Gate Window Note: This Is The Removable "Black Knob" Type Switch, This Allows Customers With Original Removable "Chrome Knob" Type Switches To Reuse Their Original "Chrome Knob" To Retain An Original Appearance.	\$66.00	
03906118	1967	<b>POWER TAILGATE WINDOW SWITCH</b> Station Wagon, With Power Tail Gate Window Note: This Is The Removable "Black Knob" Type Switch, This Allows Customers With Original Removable "Chrome Knob" Type Switches To Reuse Their Original "Chrome Knob" To Retain An Original Appearance.	\$66.00	
03906118	1968	<b>POWER TAILGATE WINDOW SWITCH</b> Station Wagon, With Power Tail Gate Window Note: This Is The Removable "Black Knob" Type Switch, This Allows Customers With Original Removable "Chrome Knob" Type Switches To Reuse Their Original "Chrome Knob" To Retain An Original Appearance.	\$66.00	
<b>POWER TOP SWITCH</b>				
03814719	1958	<b>POWER TOP SWITCH</b>	\$93.00	N
03814719	1959	<b>POWER TOP SWITCH</b>	\$93.00	N
03814719	1960	<b>POWER TOP SWITCH</b>	\$93.00	N
03814719	1961	<b>POWER TOP SWITCH</b>	\$93.00	N
03814719	1962	<b>POWER TOP SWITCH</b>	\$93.00	N
03906118	1965	<b>POWER TOP SWITCH</b> With Power Convertible Top Note: This Is The Removable "Black Knob" Type Switch, This Allows Customers With Original Removable "Chrome Knob" Type Switches To Reuse Their Original "Chrome Knob" To Retain An Original Appearance.	\$66.00	
03906118	1966	<b>POWER TOP SWITCH</b> With Power Convertible Top Note: This Is The Removable "Black Knob" Type Switch, This Allows Customers With Original Removable "Chrome Knob" Type Switches To Reuse Their Original "Chrome Knob" To Retain An Original Appearance.	\$66.00	
03906118	1967	<b>POWER TOP SWITCH</b> With Power Convertible Top Note: This Is The Removable "Black Knob" Type Switch, This Allows Customers With Original Removable "Chrome Knob" Type Switches To Reuse Their Original "Chrome Knob" To Retain An Original Appearance.	\$66.00	
03906118	1968	<b>POWER TOP SWITCH</b> With Power Convertible Top Note: This Is The Removable "Black Knob" Type Switch, This Allows Customers With Original Removable "Chrome Knob" Type Switches To Reuse Their Original "Chrome Knob" To Retain An Original Appearance.	\$66.00	
<b>POWER TOP SWITCH HARNESS</b>				
05900	1965	<b>POWER TOP SWITCH HARNESS</b> Convertible	\$48.00	



Part Number	Year	Description	Price	*Rev.
33500	1967	POWER TOP SWITCH HARNESS Convertible	\$78.00	
<b>POWER WINDOW HARNESS</b>				
08440	1958	POWER WINDOW AND SEAT HARNESS Belair & Biscayne, 2 Door	\$595.00	
08455	1958	POWER WINDOW AND SEAT HARNESS Belair & Biscayne, 4 Door Sedan	\$595.00	
08445	1958	POWER WINDOW AND SEAT HARNESS Belair Sport Sedan	\$595.00	
08465	1958	POWER WINDOW AND SEAT HARNESS Nomad & Brookwood, 4 Door Wagon	\$595.00	
08460	1958	POWER WINDOW AND SEAT HARNESS Impala, Convertible	\$595.00	
08450	1958	POWER WINDOW AND SEAT HARNESS Impala, Sport Coupe	\$595.00	
08560	1959	POWER WINDOW HARNESS Belair 2 Door Sedan, Front Door & Rear Quarter Window, L.H.	\$344.00	
08555	1959	POWER WINDOW HARNESS Belair 2 Door Sedan, Front Door & Rear Quarter Window, R.H.	\$291.00	
08610	1959	POWER WINDOW HARNESS Belair Sport Sedan, Front & Rear Door, L.H.	\$344.00	
08610	1959	POWER WINDOW HARNESS Impala Sport Sedan & 4 Door Sedan, Front & Rear Door, L.H.	\$344.00	
08610	1959	POWER WINDOW HARNESS Nomad, Kingswood & Parkwood Wagons, Front & Rear Door, L.H.	\$344.00	
31200	1959	POWER WINDOW HARNESS Belair Sport Sedan & 4 Door Sedan, Front & Rear Door, R.H.	\$291.00	
31200	1959	POWER WINDOW HARNESS Impala Sport Sedan & 4 Door Sedan, Front & Rear Door, R.H.	\$291.00	
31200	1959	POWER WINDOW HARNESS Nomad, Kingswood & Parkwood Wagons, Front & Rear Door, R.H.	\$291.00	
08545	1959	POWER WINDOW HARNESS Impala, Convertible, Front Door & Rear Quarter Window, L.H.	\$359.00	
08540	1959	POWER WINDOW HARNESS Impala, Convertible, Front Door & Rear Quarter Window, R.H.	\$291.00	
08535	1959	POWER WINDOW HARNESS Impala Sport Coupe, Front Door & Rear Quarter Window, L.H.	\$344.00	
08530	1959	POWER WINDOW HARNESS Impala Sport Coupe, Front Door & Rear Quarter Window, R.H.	\$291.00	
08520	1959	POWER WINDOW JUMPER HARNESS Left To Right Side Door & Quarter Window	\$113.00	
08630	1960	POWER WINDOW HARNESS Belair 2 Door Sedan, Front Door & Rear Quarter Window, L.H.	\$344.00	
08625	1960	POWER WINDOW HARNESS Belair 2 Door Sedan, Front Door & Rear Quarter Window, R.H.	\$344.00	
08610	1960	POWER WINDOW HARNESS Belair Sport Sedan, Front & Rear Door, L.H.	\$344.00	
08610	1960	POWER WINDOW HARNESS Impala Sport Sedan & 4 Door Sedan, Front & Rear Door, L.H.	\$344.00	
08610	1960	POWER WINDOW HARNESS Nomad, Kingswood & Parkwood Wagons, Front & Rear Door, L.H.	\$344.00	
08605	1960	POWER WINDOW HARNESS Belair Sport Sedan & 4 Door Sedan, Front & Rear Door, R.H.	\$344.00	
08605	1960	POWER WINDOW HARNESS Impala 4 Door & Sport Sedan, Front & Rear Door, R.H.	\$344.00	
08605	1960	POWER WINDOW HARNESS Nomad, Kingswood & Parkwood Wagons, Front & Rear Door, R.H.	\$344.00	
08635	1960	POWER WINDOW HARNESS Impala Convertible, Front Door & Rear Quarter Window, L.H.	\$344.00	
08595	1960	POWER WINDOW HARNESS Impala Convertible, Front Door & Rear Quarter Window, R.H.	\$344.00	
08620	1960	POWER WINDOW HARNESS Belair & Impala Sport Coupe, Front Door & Rear Quarter, L.H.	\$358.00	
08615	1960	POWER WINDOW HARNESS Belair & Impala Sport Coupe, Front Door & Rear Quarter, R.H.	\$344.00	
08520	1960	POWER WINDOW JUMPER HARNESS Left To Right Side Door & Quarter Window	\$113.00	
08765	1961	POWER WINDOW HARNESS Front Left & Right Doors	\$305.00	
06620	1961	POWER WINDOW HARNESS Belair 2 Door Sedan, Left Rear Quarter Window	\$132.00	
06615	1961	POWER WINDOW HARNESS Belair 2 Door Sedan, Right Rear Quarter Window	\$132.00	
08945	1961	POWER WINDOW HARNESS Belair & Impala 4 Door Sedan, Left Rear Door	\$132.00	
08940	1961	POWER WINDOW HARNESS Belair & Impala 4 Door Sedan, Right Rear Door	\$132.00	
06630	1961	POWER WINDOW HARNESS Impala Convertible, Left Rear Quarter Window	\$119.00	
06625	1961	POWER WINDOW HARNESS Impala Convertible, Right Rear Quarter Window	\$119.00	
06640	1961	POWER WINDOW HARNESS Impala Sport Coupe, Left Rear Quarter Window	\$119.00	
06635	1961	POWER WINDOW HARNESS Impala Sport Coupe, Right Rear Quarter Window	\$119.00	
07170	1961	POWER WINDOW MOTOR EXTENSION Rear Quarter Window Harness To Motor, 2 Required Per Car	\$25.00	

Part Number	Year	Description	Price	*Rev.
38268	1962	<b>POWER VENT WINDOW HARNESS</b> Left Power Vent Wing & Crossover To Right Power Vent Wing Harness	\$226.00	
38269	1962	<b>POWER VENT WINDOW HARNESS</b> Right (Passenger Side) Power Vent Wing Window Harness.	\$226.00	
08765	1962	<b>POWER WINDOW HARNESS</b> Front Left & Right Doors	\$305.00	
06620	1962	<b>POWER WINDOW HARNESS</b> Belair 2 Door Sedan, Left Rear Quarter Window	\$132.00	
06615	1962	<b>POWER WINDOW HARNESS</b> Belair 2 Door Sedan, Right Rear Quarter Window	\$132.00	
08945	1962	<b>POWER WINDOW HARNESS</b> Belair & Impala 4 Door Sedan, Left Rear Door	\$132.00	
08940	1962	<b>POWER WINDOW HARNESS</b> Belair & Impala 4 Door Sedan, Right Rear Door	\$132.00	
06630	1962	<b>POWER WINDOW HARNESS</b> Impala Convertible, Left Rear Quarter Window	\$119.00	
06625	1962	<b>POWER WINDOW HARNESS</b> Impala Convertible, Right Rear Quarter Window	\$119.00	
06640	1962	<b>POWER WINDOW HARNESS</b> Impala Sport Coupe, Left Rear Quarter Window	\$119.00	
06635	1962	<b>POWER WINDOW HARNESS</b> Impala Sport Coupe, Right Rear Quarter Window	\$119.00	
07170	1962	<b>POWER WINDOW MOTOR EXTENSION</b> Rear Quarter Window Harness To Motor, 2 Required Per Car	\$25.00	
38268	1963	<b>POWER VENT WINDOW HARNESS</b> Left Power Vent Wing & Crossover To Right Power Vent Wing Harness	\$226.00	
38269	1963	<b>POWER VENT WINDOW HARNESS</b> Right (Passenger Side) Power Vent Wing Window Harness.	\$226.00	
09045	1963	<b>POWER WINDOW HARNESS</b> Front Left & Right Doors	\$305.00	
06620	1963	<b>POWER WINDOW HARNESS</b> Belair 2 Door Sedan, Left Rear Quarter Window	\$132.00	
06615	1963	<b>POWER WINDOW HARNESS</b> Belair 2 Door Sedan, Right Rear Quarter Window	\$132.00	
08945	1963	<b>POWER WINDOW HARNESS</b> Belair & Impala 4 Door Sedan, Left Rear Door	\$132.00	
08940	1963	<b>POWER WINDOW HARNESS</b> Belair & Impala 4 Door Sedan, Right Rear Door	\$132.00	
06630	1963	<b>POWER WINDOW HARNESS</b> Impala Convertible, Left Rear Quarter Window	\$119.00	
06625	1963	<b>POWER WINDOW HARNESS</b> Impala Convertible, Right Rear Quarter Window	\$119.00	
06640	1963	<b>POWER WINDOW HARNESS</b> Impala Sport Coupe, Left Rear Quarter Window	\$119.00	
06635	1963	<b>POWER WINDOW HARNESS</b> Impala Sport Coupe, Right Rear Quarter Window	\$119.00	
07170	1963	<b>POWER WINDOW MOTOR EXTENSION</b> Rear Quarter Window Harness To Motor, 2 Required Per Car	\$25.00	
38268	1964	<b>POWER VENT WINDOW HARNESS</b> Left Power Vent Wing & Crossover To Right Power Vent Wing Harness	\$226.00	
38269	1964	<b>POWER VENT WINDOW HARNESS</b> Right (Passenger Side) Power Vent Wing Window Harness.	\$226.00	
09045	1964	<b>POWER WINDOW HARNESS</b> Front Left & Right Doors	\$305.00	
06620	1964	<b>POWER WINDOW HARNESS</b> Belair 2 Door Sedan, Left Rear Quarter Window	\$132.00	
06615	1964	<b>POWER WINDOW HARNESS</b> Belair 2 Door Sedan, Right Rear Quarter Window	\$132.00	
08945	1964	<b>POWER WINDOW HARNESS</b> Belair & Impala 4 Door Sedan, Left Rear Door	\$132.00	
08940	1964	<b>POWER WINDOW HARNESS</b> Belair & Impala 4 Door Sedan, Right Rear Door	\$132.00	
06630	1964	<b>POWER WINDOW HARNESS</b> Impala Convertible, Left Rear Quarter Window	\$119.00	
06625	1964	<b>POWER WINDOW HARNESS</b> Impala Convertible, Right Rear Quarter Window	\$119.00	
06640	1964	<b>POWER WINDOW HARNESS</b> Impala Sport Coupe, Left Rear Quarter Window	\$119.00	
06635	1964	<b>POWER WINDOW HARNESS</b> Impala Sport Coupe, Right Rear Quarter Window	\$119.00	
07170	1964	<b>POWER WINDOW MOTOR EXTENSION</b> Rear Quarter Window Harness To Motor, 2 Required Per Car	\$25.00	
38268	1965	<b>POWER VENT WINDOW HARNESS</b> Left Power Vent Wing & Crossover To Right Power Vent Wing Harness	\$226.00	
38269	1965	<b>POWER VENT WINDOW HARNESS</b> Right (Passenger Side) Power Vent Wing Window Harness.	\$226.00	
08085	1965	<b>POWER WINDOW HARNESS</b> Belair 2 Door Sedan, Rear Quarter Windows (LH & RH)	\$186.00	
08045	1965	<b>POWER WINDOW HARNESS</b> All Coupe & Sport Coupe Quarter Windows (LH & RH)	\$212.00	
07655	1965	<b>POWER WINDOW MOTOR EXTENSION</b> Impala Convertible, 2 Required Per Car	\$25.00	
07370	1965	<b>POWER WINDOW HARNESS</b> Impala Convertible Quarter Windows (LH & RH)	\$173.00	
08045	1966	<b>POWER WINDOW HARNESS</b> All Coupe & Sport Coupe Quarter Windows (LH & RH)	\$212.00	
07370	1966	<b>POWER WINDOW HARNESS</b> Impala Convertible Quarter Windows (LH & RH)	\$173.00	

Part Number	Year	Description	Price	*Rev.
07655	1966	<b>POWER WINDOW MOTOR EXTENSION</b> Impala Convertible, 2 Required Per Car	\$25.00	
07370	1967	<b>POWER WINDOW HARNESS</b> Impala Convertible Quarter Windows (LH & RH)	\$173.00	
08045	1967	<b>POWER WINDOW HARNESS</b> All Coupe & Sport Coupe Quarter Windows (LH & RH)	\$212.00	
07655	1967	<b>POWER WINDOW MOTOR EXTENSION</b> Impala Convertible, 2 Required Per Car	\$25.00	
07655	1968	<b>POWER WINDOW MOTOR EXTENSION</b> Impala Convertible, 2 Required Per Car	\$25.00	
42193	1968	<b>POWER WINDOW HARNESS</b> All Coupe & Sport Coupe Quarter Windows (LH & RH)	\$249.00	
<b>POWER WINDOW MOTOR ADAPTER HARNESS</b>				
36954	1958	<b>POWER WINDOW MOTOR ADAPTER HARNESS</b> Adapts "T" Shaped Motor Connector To Side By Side Blade Type Motor Connector	\$22.00	C
36954	1958	<b>POWER WINDOW MOTOR ADAPTER HARNESS</b> Adapts "T" Shaped Motor Connector To Side By Side Blade Type Motor Connector	\$22.00	C
36954	1959	<b>POWER WINDOW MOTOR ADAPTER HARNESS</b> Adapts "T" Shaped Motor Connector To Side By Side Blade Type Motor Connector	\$22.00	C
36954	1960	<b>POWER WINDOW MOTOR ADAPTER HARNESS</b> Adapts "T" Shaped Motor Connector To Side By Side Blade Type Motor Connector	\$22.00	C
36954	1961	<b>POWER WINDOW MOTOR ADAPTER HARNESS</b> Adapts "T" Shaped Motor Connector To Side By Side Blade Type Motor Connector	\$22.00	C
36954	1962	<b>POWER WINDOW MOTOR ADAPTER HARNESS</b> Adapts "T" Shaped Motor Connector To Side By Side Blade Type Motor Connector	\$22.00	C
36954	1963	<b>POWER WINDOW MOTOR ADAPTER HARNESS</b> Adapts "T" Shaped Motor Connector To Side By Side Blade Type Motor Connector	\$22.00	C
36954	1964	<b>POWER WINDOW MOTOR ADAPTER HARNESS</b> Adapts "T" Shaped Motor Connector To Side By Side Blade Type Motor Connector	\$22.00	C
36954	1965	<b>POWER WINDOW MOTOR ADAPTER HARNESS</b> Adapts "T" Shaped Motor Connector To Side By Side Blade Type Motor Connector	\$22.00	C
36954	1966	<b>POWER WINDOW MOTOR ADAPTER HARNESS</b> Adapts "T" Shaped Motor Connector To Side By Side Blade Type Motor Connector	\$22.00	C
36954	1967	<b>POWER WINDOW MOTOR ADAPTER HARNESS</b> Adapts "T" Shaped Motor Connector To Side By Side Blade Type Motor Connector	\$22.00	C
36954	1968	<b>POWER WINDOW MOTOR ADAPTER HARNESS</b> Adapts "T" Shaped Motor Connector To Side By Side Blade Type Motor Connector	\$22.00	C
36954	1969	<b>POWER WINDOW MOTOR ADAPTER HARNESS</b> Adapts "T" Shaped Motor Connector To Side By Side Blade Type Motor Connector	\$22.00	C
36954	1970	<b>POWER WINDOW MOTOR ADAPTER HARNESS</b> Adapts "T" Shaped Motor Connector To Side By Side Blade Type Motor Connector	\$22.00	C
36954	1971	<b>POWER WINDOW MOTOR ADAPTER HARNESS</b> Adapts "T" Shaped Motor Connector To Side By Side Blade Type Motor Connector	\$22.00	C
36954	1972	<b>POWER WINDOW MOTOR ADAPTER HARNESS</b> Adapts "T" Shaped Motor Connector To Side By Side Blade Type Motor Connector	\$22.00	C
36954	1973	<b>POWER WINDOW MOTOR ADAPTER HARNESS</b> Adapts "T" Shaped Motor Connector To Side By Side Blade Type Motor Connector	\$22.00	C
36954	1974	<b>POWER WINDOW MOTOR ADAPTER HARNESS</b> Adapts "T" Shaped Motor Connector To Side By Side Blade Type Motor Connector	\$22.00	C
36954	1975	<b>POWER WINDOW MOTOR ADAPTER HARNESS</b> Adapts "T" Shaped Motor Connector To Side By Side Blade Type Motor Connector	\$22.00	C
36954	1959	<b>POWER WINDOW MOTOR ADAPTER HARNESS</b> Adapts "T" Shaped Motor Connector To Side By Side Blade Type Motor Connector	\$22.00	C
36954	1960	<b>POWER WINDOW MOTOR ADAPTER HARNESS</b> Adapts "T" Shaped Motor Connector To Side By Side Blade Type Motor Connector	\$22.00	C
36954	1961	<b>POWER WINDOW MOTOR ADAPTER HARNESS</b> Adapts "T" Shaped Motor Connector To Side By Side Blade Type Motor Connector	\$22.00	C
36954	1962	<b>POWER WINDOW MOTOR ADAPTER HARNESS</b> Adapts "T" Shaped Motor Connector To Side By Side Blade Type Motor Connector	\$22.00	C

Impala/Bel Air  
'58-'63 El Camino



Phone (562) 926-9552  
Fax (562) 926-9572

Part Number	Year	Description	Price	*Rev.
36954	1963	<b>POWER WINDOW MOTOR ADAPTER HARNESS</b> Adapts "T" Shaped Motor Connector To Side By Side Blade Type Motor Connector	\$22.00	C
36954	1964	<b>POWER WINDOW MOTOR ADAPTER HARNESS</b> Adapts "T" Shaped Motor Connector To Side By Side Blade Type Motor Connector	\$22.00	C
36954	1965	<b>POWER WINDOW MOTOR ADAPTER HARNESS</b> Adapts "T" Shaped Motor Connector To Side By Side Blade Type Motor Connector	\$22.00	C
36954	1966	<b>POWER WINDOW MOTOR ADAPTER HARNESS</b> Adapts "T" Shaped Motor Connector To Side By Side Blade Type Motor Connector	\$22.00	C
36954	1967	<b>POWER WINDOW MOTOR ADAPTER HARNESS</b> Adapts "T" Shaped Motor Connector To Side By Side Blade Type Motor Connector	\$22.00	C
36954	1968	<b>POWER WINDOW MOTOR ADAPTER HARNESS</b> Adapts "T" Shaped Motor Connector To Side By Side Blade Type Motor Connector	\$22.00	C
<b>POWER WINDOW SWITCH</b>				
04432790	1964	<b>POWER WINDOW SWITCH</b> 1 Button, Round Corner Style, Chrome	\$49.00	
04432793	1964	<b>POWER WINDOW SWITCH</b> 2 Button, Round Corner Style, Chrome. 2-Door Wagons	\$61.00	
04432791	1964	<b>POWER WINDOW SWITCH</b> 4 Button, Round Corner Style, Chrome	\$67.00	
04432790	1965	<b>POWER WINDOW SWITCH</b> 1 Button, Round Corner Style, Chrome	\$49.00	
04432793	1965	<b>POWER WINDOW SWITCH</b> 2 Button, Round Corner Style, Chrome. 2-Door Wagons	\$61.00	
04432791	1965	<b>POWER WINDOW SWITCH</b> 4 Button, Round Corner Style, Chrome	\$67.00	
04432790	1966	<b>POWER WINDOW SWITCH</b> 1 Button, Round Corner Style, Chrome	\$49.00	
04432793	1966	<b>POWER WINDOW SWITCH</b> 2 Button, Round Corner Style, Chrome. 2-Door Wagons	\$61.00	
04432791	1966	<b>POWER WINDOW SWITCH</b> 4 Button, Round Corner Style, Chrome	\$67.00	
04432790	1967	<b>POWER WINDOW SWITCH</b> 1 Button, Round Corner Style, Chrome	\$49.00	
04432793	1967	<b>POWER WINDOW SWITCH</b> 2 Button, Round Corner Style, Chrome. 2-Door Wagons	\$61.00	
04432791	1967	<b>POWER WINDOW SWITCH</b> 4 Button, Round Corner Style, Chrome	\$67.00	
04432790	1968	<b>POWER WINDOW SWITCH</b> 1 Button, Round Corner Style, Chrome	\$49.00	
04432793	1968	<b>POWER WINDOW SWITCH</b> 2 Button, Round Corner Style, Chrome. 2-Door Wagons	\$61.00	
04432791	1968	<b>POWER WINDOW SWITCH</b> 4 Button, Round Corner Style, Chrome	\$67.00	
04432790	1969	<b>POWER WINDOW SWITCH</b> 1 Button, Round Corner Style, Chrome	\$49.00	
04432793	1969	<b>POWER WINDOW SWITCH</b> 2 Button, Round Corner Style, Chrome. 2-Door Wagons	\$61.00	
04432791	1969	<b>POWER WINDOW SWITCH</b> 4 Button, Round Corner Style, Chrome	\$67.00	
04432790	1970	<b>POWER WINDOW SWITCH</b> 1 Button, Round Corner Style, Chrome	\$49.00	
04432793	1970	<b>POWER WINDOW SWITCH</b> 2 Button, Round Corner Style, Chrome. 2-Door Wagons	\$61.00	
04432791	1970	<b>POWER WINDOW SWITCH</b> 4 Button, Round Corner Style, Chrome	\$67.00	
01725094	1971	<b>POWER WINDOW SWITCH</b> 1 Button, Square Corner Style, Chrome	\$21.00	M
01731231	1971	<b>POWER WINDOW SWITCH</b> 4 Button, Square Corner Style, Chrome	\$75.00	M
01725094	1972	<b>POWER WINDOW SWITCH</b> 1 Button, Square Corner Style, Chrome	\$21.00	M
01731231	1972	<b>POWER WINDOW SWITCH</b> 4 Button, Square Corner Style, Chrome	\$75.00	M
01725094	1973	<b>POWER WINDOW SWITCH</b> 1 Button, Square Corner Style, Chrome	\$21.00	M
01731231	1973	<b>POWER WINDOW SWITCH</b> 4 Button, Square Corner Style, Chrome	\$75.00	M
01725094	1974	<b>POWER WINDOW SWITCH</b> 1 Button, Square Corner Style, Chrome	\$21.00	M
01731231	1974	<b>POWER WINDOW SWITCH</b> 4 Button, Square Corner Style, Chrome	\$75.00	M
01725092	1974	<b>POWER WINDOW SWITCH</b> 2 Button, Square Corner Style, Chrome	\$53.00	M
01725094	1975	<b>POWER WINDOW SWITCH</b> 1 Button, Square Corner Style, Chrome	\$21.00	M
01731231	1975	<b>POWER WINDOW SWITCH</b> 4 Button, Square Corner Style, Chrome	\$75.00	M
01725092	1975	<b>POWER WINDOW SWITCH</b> 2 Button, Square Corner Style, Chrome	\$53.00	M
01725094	1976	<b>POWER WINDOW SWITCH</b> 1 Button, Square Corner Style, Chrome	\$21.00	M
01731231	1976	<b>POWER WINDOW SWITCH</b> 4 Button, Square Corner Style, Chrome	\$75.00	M
01725092	1976	<b>POWER WINDOW SWITCH</b> 2 Button, Square Corner Style, Chrome	\$53.00	M

Part Number	Year	Description	Price	*Rev.
01725094	1977	POWER WINDOW SWITCH 1 Button, Square Corner Style, Chrome	\$21.00	M
01731231	1977	POWER WINDOW SWITCH 4 Button, Square Corner Style, Chrome	\$75.00	M
01725092	1977	POWER WINDOW SWITCH 2 Button, Square Corner Style, Chrome	\$53.00	M
01725094	1978	POWER WINDOW SWITCH 1 Button, Square Corner Style, Chrome	\$21.00	M
01731231	1978	POWER WINDOW SWITCH 4 Button, Square Corner Style, Chrome	\$75.00	M
01725092	1978	POWER WINDOW SWITCH 2 Button, Square Corner Style, Chrome	\$53.00	M
01725094	1979	POWER WINDOW SWITCH 1 Button, Square Corner Style, Chrome	\$21.00	M
01731231	1979	POWER WINDOW SWITCH 4 Button, Square Corner Style, Chrome	\$75.00	M
01725092	1979	POWER WINDOW SWITCH 2 Button, Square Corner Style, Chrome	\$53.00	M
<b>REAR LAMP HARNESS</b>				
08405	1958	REAR LAMP HARNESS Belair & Biscayne	\$186.00	
08404	1958	REAR LAMP HARNESS Delray	\$186.00	
08400	1958	REAR LAMP HARNESS Impala, Except Convertible	\$186.00	
08415	1958	REAR LAMP HARNESS Impala, Convertible	\$239.00	
08505	1959	REAR LAMP HARNESS Front, Belair & Impala	\$140.00	
08500	1959	REAR LAMP HARNESS Front, Biscayne (Except Sedan Delivery)	\$140.00	
08510	1959	REAR LAMP HARNESS Front, Impala, Convertible	\$225.00	
32935	1959	REAR LAMP HARNESS Front Section, El Camino & Biscayne Sedan Delivery	\$113.00	
32935	1959	REAR LAMP HARNESS Front Section, Brookwood 2 & 4 Door Wagon	\$113.00	
32940	1959	REAR LAMP HARNESS Front Section, Nomad Wagon & Parkwood 4 Door Wagon	\$147.00	
34165	1959	REAR LAMP HARNESS Front Section, Kingswood 4 Door Wagon, With Power Tailgate	\$291.00	
19695	1959	REAR LAMP HARNESS Rear, Impala, Belair & Biscayne (Except Wagons)	\$92.00	
32875	1959	REAR LAMP HARNESS Rear Section, Biscayne Sedan Delivery	\$140.00	
32930	1959	REAR LAMP HARNESS Rear Section, El Camino & Nomad Wagon	\$132.00	
32930	1959	REAR LAMP HARNESS Rear Section, Brookwood 2 Door & 4 Door Wagon	\$132.00	
32930	1959	REAR LAMP HARNESS Rear Section, Parkwood 4 Door Wagon	\$132.00	
32865	1959	REAR LAMP HARNESS Rear Section, Kingswood 4 Door Wagon, With Power Tailgate	\$279.00	
31215	1959	REAR LAMP HARNESS Rear Tailgate Lamps, Biscayne Sedan Delivery	\$92.00	
32925	1959	REAR LAMP HARNESS Rear Tailgate Lamps, Belair, Biscayne & Impala Wagon	\$113.00	
32925	1959	REAR LAMP HARNESS Rear Tailgate Lamps, Brookwood 2 Door & 4 Door Wagon	\$113.00	
32925	1959	REAR LAMP HARNESS Rear Tailgate Lamps, El Camino & Nomad Wagon	\$113.00	
32925	1959	REAR LAMP HARNESS Rear Tailgate Lamps, Parkwood 4 Door Wagon	\$113.00	
33180	1959	REAR LAMP EXTENSION HARNESS Rear Lamp Harness To Backup Lamps	\$29.00	
08580	1960	REAR LAMP HARNESS Front, Belair & Impala	\$140.00	
08575	1960	REAR LAMP HARNESS Front, Biscayne	\$140.00	
08585	1960	REAR LAMP HARNESS Front, Impala Convertible, Without Power Feed In Kick Panel	\$226.00	
08650	1960	REAR LAMP HARNESS Front, Impala Convertible, With Power Feed In Kick Panel	\$226.00	
32895	1960	REAR LAMP HARNESS Front Section, El Camino & Brookwood 2 Door Wagon	\$124.00	
32895	1960	REAR LAMP HARNESS Front Section, Biscayne Sedan Delivery	\$124.00	
32910	1960	REAR LAMP HARNESS Front Section, Brookwood 4 Door Wagon	\$140.00	
32905	1960	REAR LAMP HARNESS Front Section, Kingswood 4 Door Wagon, With Power Tailgate	\$279.00	
32900	1960	REAR LAMP HARNESS Front Section, Nomad Wagon & Parkwood 4 Door Wagon	\$132.00	
03010	1960	REAR LAMP HARNESS Rear, Belair & Biscayne	\$113.00	
03015	1960	REAR LAMP HARNESS Rear, Impala	\$113.00	
32915	1960	REAR LAMP HARNESS Rear Section, El Camino & Biscayne Sedan Delivery	\$180.00	
32915	1960	REAR LAMP HARNESS Rear Section, Brookwood 2 & 4 Door Wagon	\$180.00	
32915	1960	REAR LAMP HARNESS Rear Section, Parkwood 4 Door Wagon	\$180.00	

Part Number	Year	Description	Price	*Rev.
32920	1960	REAR LAMP HARNESS Rear Section, Kingswood 4 Door Wagon	\$192.00	
32860	1960	REAR LAMP HARNESS Rear Section, Nomad	\$211.00	
08720	1961	REAR LAMP DECK LID HARNESS Belair	\$60.00	
08725	1961	REAR LAMP DECK LID HARNESS Impala	\$80.00	
08740	1961	REAR LAMP HARNESS Front, Belair & Impala 2 Door	\$92.00	
08735	1961	REAR LAMP HARNESS Front, Biscayne 2 Door	\$105.00	
08825	1961	REAR LAMP HARNESS Front, Belair & Impala 4 Door	\$101.00	
08820	1961	REAR LAMP HARNESS Front, Biscayne 4 Door	\$113.00	
08745	1961	REAR LAMP HARNESS Front, Impala Convertible	\$193.00	
08705	1961	REAR LAMP HARNESS Rear, Belair	\$67.00	
08700	1961	REAR LAMP HARNESS Rear, Biscayne	\$67.00	
08710	1961	REAR LAMP HARNESS Rear, Impala, Except Convertible	\$74.00	
08715	1961	REAR LAMP HARNESS Rear, Impala Convertible	\$80.00	
08730	1961	REAR LAMP EXTENSION HARNESS All, (Extension To The Right Rear Tail Lamp)	\$60.00	
19700	1962	REAR LAMP DECK LID HARNESS Belair, With Special Order Backup Lights In Trunk Lid	\$60.00	
08875	1962	REAR LAMP DECK LID HARNESS Belair, With Stock Tail Lights In Trunk Lid	\$60.00	
08935	1962	REAR LAMP DECK LID HARNESS Impala	\$80.00	
08845	1962	REAR LAMP HARNESS Front, Belair 2 Door (Except Sport Coupe)	\$173.00	
08885	1962	REAR LAMP HARNESS Front, Belair Sport Coupe	\$173.00	
08850	1962	REAR LAMP HARNESS Front, Belair 4 Door	\$173.00	
08835	1962	REAR LAMP HARNESS Front, Biscayne 2 Door	\$166.00	
08840	1962	REAR LAMP HARNESS Front, Biscayne 4 Door	\$173.00	
08865	1962	REAR LAMP HARNESS Front, Impala Convertible	\$233.00	
08855	1962	REAR LAMP HARNESS Front, Impala Sedan	\$173.00	
08860	1962	REAR LAMP HARNESS Front, Impala Sport Coupe	\$173.00	
08870	1962	REAR LAMP EXTENSION HARNESS All, (Extension To The Right Rear Tail Lamp)	\$60.00	
09015	1963	REAR LAMP DECK LID HARNESS Belair & Biscayne, Without Backup Lamps	\$60.00	
09025	1963	REAR LAMP DECK LID HARNESS Belair & Biscayne, With Backup Lamps	\$74.00	
09020	1963	REAR LAMP DECK LID HARNESS Impala	\$80.00	
08995	1963	REAR LAMP HARNESS Belair & Biscayne, 2 Door, Without Backup Lights	\$199.00	
06570	1963	REAR LAMP HARNESS Belair & Biscayne, 2 Door, With Backup Lights	\$199.00	
19705	1963	REAR LAMP HARNESS Belair & Biscayne, 4 Door, Without Backup Lights	\$199.00	
06575	1963	REAR LAMP HARNESS Belair & Biscayne, 4 Door, With Backup Lights	\$199.00	
06580	1963	REAR LAMP HARNESS Impala, 4 Door Sedan & Sport Sedan	\$199.00	
06585	1963	REAR LAMP HARNESS Impala Sport Coupe	\$199.00	
06590	1963	REAR LAMP HARNESS Impala Convertible	\$245.00	
06430	1963	REAR TAILGATE HARNESS Belair & Biscayne 4 Door Wagon	\$79.00	
06435	1963	REAR TAILGATE HARNESS Impala 4 Door Wagon	\$140.00	
06440	1963	REAR TAILGATE HARNESS Impala 4 Door Wagon, With Power Tailgate Window	\$207.00	
06780	1964	REAR LAMP DECK LID HARNESS Belair, Without Backup Lights	\$60.00	
06790	1964	REAR LAMP DECK LID HARNESS Belair & Biscayne (Optional), With Backup Lamps	\$67.00	
06785	1964	REAR LAMP DECK LID HARNESS Impala	\$87.00	
06755	1964	REAR LAMP HARNESS Belair, 2 Door Sedan, Without Backup Lights	\$198.00	
06740	1964	REAR LAMP HARNESS Belair & Biscayne, 2 Door Sedan, With Backup Lights	\$206.00	
06760	1964	REAR LAMP HARNESS Belair & Biscayne, 4 Door Sedan, Without Backup Lights	\$198.00	
06750	1964	REAR LAMP HARNESS Belair & Biscayne, 4 Door Sedan, With Backup Lights	\$206.00	
06735	1964	REAR LAMP HARNESS Biscayne, 2 Door Sedan, Without Trunk Light	\$198.00	

**Impala/Bel Air**  
**'58-'63 El Camino**



**Phone (562) 926-9552**  
**Fax (562) 926-9572**

Part Number	Year	Description	Price	*Rev.
06745	1964	<b>REAR LAMP HARNESS</b> Biscayne, 4 Door Sedan, Without Trunk Light	\$212.00	
06765	1964	<b>REAR LAMP HARNESS</b> Impala, 4 Door Sedan	\$206.00	
06770	1964	<b>REAR LAMP HARNESS</b> Impala Sport Coupe	\$206.00	
06775	1964	<b>REAR LAMP HARNESS</b> Impala, Convertible	\$264.00	
07915	1965	<b>REAR LAMP DECK LID HARNESS</b> Belair	\$60.00	
07910	1965	<b>REAR LAMP DECK LID HARNESS</b> Impala, Sedan & Convertible	\$94.00	
13965	1965	<b>REAR LAMP DECK LID HARNESS</b> Impala, Sport Coupe	\$87.00	
07905	1965	<b>REAR LAMP HARNESS</b> Belair & Biscayne	\$174.00	
14000	1965	<b>REAR LAMP HARNESS</b> Impala, Convertible	\$174.00	
07900	1965	<b>REAR LAMP HARNESS</b> Impala, Sedan	\$174.00	
13995	1965	<b>REAR LAMP HARNESS</b> Impala, Sport Coupe	\$174.00	
08225	1966	<b>REAR LAMP HARNESS</b> Belair & Biscayne	\$184.00	
08290	1966	<b>REAR LAMP HARNESS</b> Caprice, Sport Coupe	\$193.00	
08220	1966	<b>REAR LAMP HARNESS</b> Impala & Caprice, Sedan	\$193.00	
08230	1966	<b>REAR LAMP HARNESS</b> Impala, Convertible	\$184.00	
08215	1966	<b>REAR LAMP HARNESS</b> Impala, Sport Coupe	\$184.00	
19710	1967	<b>REAR LAMP HARNESS</b> Belair & Impala Sedan, Impala Sport Sedan Note: Wires On The Ribbon Connectors For Some 67 Rear Lamp Harnesses Were Indexed Two Ways. Our Harnesses Are Supplied With The Mating Connector For The Ribbon Cable Uninstalled. Instructions Are Provided For Correct Installation Of The Connectors.	\$206.00	
19715	1967	<b>REAR LAMP HARNESS</b> Biscayne Note: Wires On The Ribbon Connectors For Some 67 Rear Lamp Harnesses Were Indexed Two Ways. Our Harnesses Are Supplied With The Mating Connector For The Ribbon Cable Uninstalled. Instructions Are Provided For Correct Installation Of The Connectors.	\$206.00	
19720	1967	<b>REAR LAMP HARNESS</b> Caprice, Sport Coupe Note: Wires On The Ribbon Connectors For Some 67 Rear Lamp Harnesses Were Indexed Two Ways. Our Harnesses Are Supplied With The Mating Connector For The Ribbon Cable Uninstalled. Instructions Are Provided For Correct Installation Of The Connectors.	\$212.00	
19725	1967	<b>REAR LAMP HARNESS</b> Caprice, Sport Sedan Note: Wires On The Ribbon Connectors For Some 67 Rear Lamp Harnesses Were Indexed Two Ways. Our Harnesses Are Supplied With The Mating Connector For The Ribbon Cable Uninstalled. Instructions Are Provided For Correct Installation Of The Connectors.	\$206.00	
19730	1967	<b>REAR LAMP HARNESS</b> Impala, Convertible Note: Wires On The Ribbon Connectors For Some 67 Rear Lamp Harnesses Were Indexed Two Ways. Our Harnesses Are Supplied With The Mating Connector For The Ribbon Cable Uninstalled. Instructions Are Provided For Correct Installation Of The Connectors.	\$206.00	
13830	1967	<b>REAR LAMP HARNESS</b> Impala, Sport Coupe Note: Wires On The Ribbon Connectors For Some 67 Rear Lamp Harnesses Were Indexed Two Ways. Our Harnesses Are Supplied With The Mating Connector For The Ribbon Cable Uninstalled. Instructions Are Provided For Correct Installation Of The Connectors.	\$206.00	
19740	1968	<b>REAR LAMP INTERMEDIATE HARNESS</b> Impala, Convertible	\$180.00	
19745	1968	<b>REAR LAMP INTERMEDIATE HARNESS</b> Impala, Sport Coupe	\$173.00	
22895	1968	<b>REAR LAMP INTERMEDIATE HARNESS</b> Impala, Sedan	\$173.00	
19750	1968	<b>REAR LAMP INTERMEDIATE HARNESS</b> Sport Coupe, Except Impala	\$173.00	
20595	1968	<b>REAR LAMP INTERMEDIATE HARNESS</b> Biscayne & Caprice, 4 Door Sedan	\$173.00	
19770	1968	<b>REAR LAMP HARNESS</b> Impala, Sport Coupe	\$180.00	
19755	1968	<b>REAR LAMP HARNESS</b> Impala, Sedan, Convertible & Custom Coupe	\$180.00	
19755	1968	<b>REAR LAMP HARNESS</b> Caprice, Sedan & Sport Coupe	\$180.00	
20590	1968	<b>REAR LAMP HARNESS</b> Belair & Biscayne, 2 & 4 Door Sedan	\$180.00	
20925	1969	<b>REAR LAMP INTERMEDIATE HARNESS</b> Caprice, 4 Door	\$194.00	

Impala/Bel Air  
'58-'63 El Camino



Phone (562) 926-9552  
Fax (562) 926-9572

Part Number	Year	Description	Price	*Rev.
20945	1969	REAR LAMP INTERMEDIATE HARNESS Caprice Sport Coupe & Impala Custom Coupe	\$173.00	
20950	1969	REAR LAMP HARNESS Belair & Biscayne	\$172.00	
22900	1969	REAR LAMP HARNESS Caprice & Impala	\$180.00	
14490	1970	REAR LAMP INTERMEDIATE HARNESS Caprice Sport Sedan	\$212.00	
14495	1970	REAR LAMP INTERMEDIATE HARNESS Impala, Convertible	\$221.00	
<b>REAR WINDOW DEFROSTER HARNESS</b>				
36070	1960	REAR WINDOW DEFROSTER HARNESS	\$60.00	
36070	1961	REAR WINDOW DEFROSTER HARNESS	\$60.00	
36070	1962	REAR WINDOW DEFROSTER HARNESS	\$60.00	
36070	1963	REAR WINDOW DEFROSTER HARNESS	\$60.00	
36070	1964	REAR WINDOW DEFROSTER HARNESS	\$60.00	
08195	1965	REAR WINDOW DEFROSTER HARNESS	\$60.00	
08195	1966	REAR WINDOW DEFROSTER HARNESS	\$60.00	
08195	1967	REAR WINDOW DEFROSTER HARNESS	\$60.00	
33470	1968	REAR WINDOW DEFROSTER HARNESS	\$60.00	
14415	1969	REAR WINDOW DEFROSTER HARNESS	\$67.00	
19445	1970	REAR WINDOW DEFROSTER HARNESS Blower Type, Except Impala Sport Coupe	\$80.00	
14555	1970	REAR WINDOW DEFROSTER HARNESS Blower Type, Impala Sport Coupe	\$80.00	
<b>REPAIR PIGTAIL-FOR POWER WINDOW SWITCH</b>				
36048	1964	REPAIR PIGTAIL, FOR POWER WINDOW SWITCH For Single Power Window Switches, Connector & Wire	\$25.00	
36048	1965	REPAIR PIGTAIL, FOR POWER WINDOW SWITCH For Single Power Window Switches, Connector & Wire	\$25.00	
36048	1966	REPAIR PIGTAIL, FOR POWER WINDOW SWITCH For Single Power Window Switches, Connector & Wire	\$25.00	
36048	1967	REPAIR PIGTAIL, FOR POWER WINDOW SWITCH For Single Power Window Switches, Connector & Wire	\$25.00	
36048	1968	REPAIR PIGTAIL, FOR POWER WINDOW SWITCH For Single Power Window Switches, Connector & Wire	\$25.00	
36048	1969	REPAIR PIGTAIL, FOR POWER WINDOW SWITCH For Single Power Window Switches, Connector & Wire	\$25.00	
36048	1970	REPAIR PIGTAIL, FOR POWER WINDOW SWITCH For Single Power Window Switches, Connector & Wire	\$25.00	
<b>SPEAKER HARNESS</b>				
06550	1963	SPEAKER WIRE All Sedans, Rear Seat Speaker	\$32.00	
06545	1963	SPEAKER WIRE Impala Convertible, Rear Seat Speaker (Front Section)	\$34.00	
06555	1963	SPEAKER WIRE Impala Convertible, Rear Seat Speaker (Rear Section)	\$25.00	
06540	1963	SPEAKER WIRE Impala Sport Coupe, Rear Seat Speaker	\$27.00	
06550	1964	SPEAKER WIRE All Sedans, Rear Seat Speaker	\$32.00	
06545	1964	SPEAKER WIRE Impala Convertible, Rear Seat Speaker (Front Section)	\$34.00	
06555	1964	SPEAKER WIRE Impala Convertible, Rear Seat Speaker (Rear Section)	\$25.00	
06540	1964	SPEAKER WIRE Impala Sport Coupe, Rear Seat Speaker	\$27.00	
33430	1965	SPEAKER HARNESS 4 Stereo Speakers, Front & Rear	\$83.00	
18510	1965	SPEAKER HARNESS To Rear Seat Speaker	\$53.00	
33430	1966	SPEAKER HARNESS 4 Stereo Speakers, Front & Rear	\$83.00	
18510	1966	SPEAKER HARNESS To Rear Seat Speaker	\$53.00	
33430	1967	SPEAKER HARNESS 4 Stereo Speakers, Front & Rear	\$83.00	
33425	1967	SPEAKER HARNESS Front Stereo Speakers	\$59.00	
18510	1967	SPEAKER HARNESS To Rear Seat Speaker	\$53.00	
33430	1968	SPEAKER HARNESS 4 Stereo Speakers, Front & Rear	\$83.00	
33425	1968	SPEAKER HARNESS Front Stereo Speakers	\$59.00	
18510	1968	SPEAKER HARNESS To Rear Seat Speaker	\$53.00	
33430	1969	SPEAKER HARNESS 4 Stereo Speakers, Front & Rear	\$83.00	



Part Number	Year	Description	Price	*Rev.
33425	1969	<b>SPEAKER HARNESS</b> Front Stereo Speakers	\$59.00	
<b>SPEED WARNING HARNESS</b>				
11045	1967	<b>SPEED WARNING HARNESS</b>	\$22.00	
35115	1968	<b>SPEED WARNING HARNESS</b>	\$23.00	
<b>STARTER MOTOR EXTENSION HARNESS</b>				
02775	1958	<b>STARTER MOTOR EXTENSION HARNESS</b> 348 C.I. Only, Engine Harness To Starter Motor Solenoid	\$35.00	
<b>STEERING COLUMN ADAPTER HARNESS</b>				
35785	1958	<b>STEERING COLUMN ADAPTER HARNESS</b> For 1969-74 GM & Ididit Columns (Exc. Flaming River) To Stock Dash Note: Adapts Horn, Directionals, Hazard Flasher To Stock Dash Harness.	\$50.00	
13597	1958	<b>STEERING COLUMN ADAPTER HARNESS</b> For 1975 & Up GM & Flaming River Columns (Exc. Ididit) To Stock Dash Note: Adapts Horn, Directionals, Hazard Flasher To Stock Dash Harness.	\$51.00	
37616	1959	<b>STEERING COLUMN ADAPTER HARNESS</b> For 1969-74 GM & Ididit Columns (Exc. Flaming River) To Stock Dash Harness Note: Adapts Horn, Directionals, Hazard Flashers To Stock 6-Way Dash Connector.	\$50.00	
38124	1959	<b>STEERING COLUMN ADAPTER HARNESS</b> For 1975 & Up GM & Flaming River Columns (Exc. Ididit) To Stock Dash Harness Note: Adapts Horn, Directionals, Hazard Flashers To Stock 6-Way Dash Connector.	\$53.00	
37616	1960	<b>STEERING COLUMN ADAPTER HARNESS</b> For 1969-74 GM & Ididit Columns (Exc. Flaming River) To Stock Dash Harness Note: Adapts Horn, Directionals, Hazard Flashers To Stock 6-Way Dash Connector.	\$50.00	
38124	1960	<b>STEERING COLUMN ADAPTER HARNESS</b> For 1975 & Up GM & Flaming River Columns (Exc. Ididit) To Stock Dash Harness Note: Adapts Horn, Directionals, Hazard Flashers To Stock 6-Way Dash Connector.	\$53.00	
37616	1961	<b>STEERING COLUMN ADAPTER HARNESS</b> For 1969-74 GM & Ididit Columns (Exc. Flaming River) To Stock Dash Harness Note: Adapts Horn, Directionals, Hazard Flashers To Stock 6-Way Dash Connector.	\$50.00	
38124	1961	<b>STEERING COLUMN ADAPTER HARNESS</b> For 1975 & Up GM & Flaming River Columns (Exc. Ididit) To Stock Dash Harness Note: Adapts Horn, Directionals, Hazard Flashers To Stock 6-Way Dash Connector.	\$53.00	
37616	1962	<b>STEERING COLUMN ADAPTER HARNESS</b> For 1969-74 GM & Ididit Columns (Exc. Flaming River) To Stock Dash Harness Note: Adapts Horn, Directionals, Hazard Flashers To Stock 6-Way Dash Connector.	\$50.00	
38124	1962	<b>STEERING COLUMN ADAPTER HARNESS</b> For 1975 & Up GM & Flaming River Columns (Exc. Ididit) To Stock Dash Harness Note: Adapts Horn, Directionals, Hazard Flashers To Stock 6-Way Dash Connector.	\$53.00	
37618	1963	<b>STEERING COLUMN ADAPTER HARNESS</b> For 1969-74 GM & Ididit Columns (Exc. Flaming River) To Stock Dash Harness Note: Adapts Horn, Directionals, Hazard Flashers To Stock 8-Way Dash Connector.	\$50.00	
38125	1963	<b>STEERING COLUMN ADAPTER HARNESS</b> For 1975 & Up GM & Flaming River Columns (Exc. Ididit) To Stock Dash Harness Note: Adapts Horn, Directionals, Hazard Flashers To Stock 8-Way Dash Connector.	\$51.00	
37618	1964	<b>STEERING COLUMN ADAPTER HARNESS</b> For 1969-74 GM & Ididit Columns (Exc. Flaming River) To Stock Dash Harness Note: Adapts Horn, Directionals, Hazard Flashers To Stock 8-Way Dash Connector.	\$50.00	
38125	1964	<b>STEERING COLUMN ADAPTER HARNESS</b> For 1975 & Up GM & Flaming River Columns (Exc. Ididit) To Stock Dash Harness Note: Adapts Horn, Directionals, Hazard Flashers To Stock 8-Way Dash Connector.	\$51.00	
37618	1965	<b>STEERING COLUMN ADAPTER HARNESS</b> For 1969-74 GM & Ididit Columns (Exc. Flaming River) To Stock Dash Harness Note: Adapts Horn, Directionals, Hazard Flashers To Stock 8-Way Dash Connector.	\$50.00	

Part Number	Year	Description	Price	*Rev.
38125	1965	<b>STEERING COLUMN ADAPTER HARNESS</b> For 1975 & Up GM & Flaming River Columns (Exc. Ididit) To Stock Dash Harness Note: Adapts Horn, Directionals, Hazard Flashers To Stock 8-Way Dash Connector.	\$51.00	
37618	1966	<b>STEERING COLUMN ADAPTER HARNESS</b> For 1969-74 GM & Ididit Columns (Exc. Flaming River) To Stock Dash Harness Note: Adapts Horn, Directionals, Hazard Flashers To Stock 8-Way Dash Connector.	\$50.00	
38125	1966	<b>STEERING COLUMN ADAPTER HARNESS</b> For 1975 & Up GM & Flaming River Columns (Exc. Ididit) To Stock Dash Harness Note: Adapts Horn, Directionals, Hazard Flashers To Stock 8-Way Dash Connector.	\$51.00	
36882	1967	<b>STEERING COLUMN ADAPTER HARNESS</b> For 1969-1974 GM & Ididit Columns (Exc. Flaming River) To Stock Dash Harness Note: Adapts Horn, Directionals, Hazard Flashers To Stock 9-Pin T/L Dash Connector.	\$27.00	
38127	1967	<b>STEERING COLUMN ADAPTER HARNESS</b> For 1975 & Up GM & Flaming River Columns (Exc. Ididit) To Stock Dash Harness Note: Adapts Horn, Directionals, Hazard Flashers To Stock 9-Pin T/L Dash Connector.	\$27.00	
36882	1968	<b>STEERING COLUMN ADAPTER HARNESS</b> For 1969-1974 GM & Ididit Columns (Exc. Flaming River) To Stock Dash Harness Note: Adapts Horn, Directionals, Hazard Flashers To Stock 9-Pin T/L Dash Connector.	\$27.00	
38127	1968	<b>STEERING COLUMN ADAPTER HARNESS</b> For 1975 & Up GM & Flaming River Columns (Exc. Ididit) To Stock Dash Harness Note: Adapts Horn, Directionals, Hazard Flashers To Stock 9-Pin T/L Dash Connector.	\$27.00	
<b>STOP LAMP SWITCH</b>				
01261219	1958	<b>STOP LAMP SWITCH</b> Without Cruise	\$5.80	N
01261219	1959	<b>STOP LAMP SWITCH</b> Without Cruise	\$5.80	N
01261219	1960	<b>STOP LAMP SWITCH</b> Without Cruise	\$5.80	N
01261219	1961	<b>STOP LAMP SWITCH</b> Without Cruise	\$5.80	N
01261219	1962	<b>STOP LAMP SWITCH</b> Without Cruise	\$5.80	N
01261219	1963	<b>STOP LAMP SWITCH</b> Without Cruise	\$5.80	N
01261219	1964	<b>STOP LAMP SWITCH</b> Without Cruise	\$5.80	N
01261219	1965	<b>STOP LAMP SWITCH</b> Without Cruise	\$5.80	N
01261219	1966	<b>STOP LAMP SWITCH</b> Without Cruise	\$5.80	N
01261219	1967	<b>STOP LAMP SWITCH</b> Without Cruise	\$5.80	N
01261219	1968	<b>STOP LAMP SWITCH</b> Without Cruise	\$5.80	N
01261219	1969	<b>STOP LAMP SWITCH</b> Without Cruise	\$5.80	N
01261219	1970	<b>STOP LAMP SWITCH</b> Without Cruise	\$5.80	N
01261219	1971	<b>STOP LAMP SWITCH</b> Without Cruise	\$5.80	N
01261219	1972	<b>STOP LAMP SWITCH</b> Without Cruise	\$5.80	N
01261219	1973	<b>STOP LAMP SWITCH</b> Without Cruise	\$5.80	N
01261219	1974	<b>STOP LAMP SWITCH</b> Without Cruise	\$5.80	N
01261219	1975	<b>STOP LAMP SWITCH</b> Without Cruise	\$5.80	N
01261219	1976	<b>STOP LAMP SWITCH</b> Without Power Brakes Or Cruise	\$5.80	N
01261219	1977	<b>STOP LAMP SWITCH</b> Without Power Brakes Or Cruise	\$5.80	N
01261219	1978	<b>STOP LAMP SWITCH</b> Without Power Brakes Or Cruise	\$5.80	N
01261219	1979	<b>STOP LAMP SWITCH</b> Without Power Brakes Or Cruise	\$5.80	N
01261219	1980	<b>STOP LAMP SWITCH</b> Without Power Brakes Or Cruise	\$5.80	N
<b>TACHOMETER HARNESS</b>				
03615	1961	<b>TACHOMETER HARNESS</b>	\$74.00	
03615	1962	<b>TACHOMETER HARNESS</b>	\$74.00	
04175	1963	<b>TACHOMETER HARNESS</b> Dash Mounted	\$52.00	

Part Number	Year	Description	Price	*Rev.
04975	1964	TACHOMETER HARNESS Dash Mounted	\$52.00	
05170	1964	TACHOMETER HARNESS Steering Column Mounted	\$52.00	
05870	1965	TACHOMETER HARNESS Dash Mounted	\$66.00	
01540	1965	TACHOMETER HARNESS Steering Column Mounted Tach	\$60.00	
19775	1966	TACHOMETER HARNESS Dash Mounted	\$52.00	
01540	1966	TACHOMETER HARNESS Steering Column Mounted Tach	\$60.00	
<b>TEMPERATURE SENDING UNIT WIRE REPAIR KIT</b>				
34620	1958	TEMPERATURE SENDING UNIT WIRE REPAIR KIT Single Wire	\$20.00	
34620	1959	TEMPERATURE SENDING UNIT WIRE REPAIR KIT Single Wire	\$20.00	
34620	1960	TEMPERATURE SENDING UNIT WIRE REPAIR KIT Single Wire	\$20.00	
34620	1961	TEMPERATURE SENDING UNIT WIRE REPAIR KIT Single Wire	\$20.00	
34620	1962	TEMPERATURE SENDING UNIT WIRE REPAIR KIT Single Wire	\$20.00	
41366	1962	TEMPERATURE SENDING UNIT WIRE REPAIR KIT Dual Wire	\$27.00	
34620	1963	TEMPERATURE SENDING UNIT WIRE REPAIR KIT Single Wire	\$20.00	
41366	1963	TEMPERATURE SENDING UNIT WIRE REPAIR KIT Dual Wire	\$27.00	
34620	1964	TEMPERATURE SENDING UNIT WIRE REPAIR KIT Single Wire	\$20.00	
41366	1964	TEMPERATURE SENDING UNIT WIRE REPAIR KIT Dual Wire	\$27.00	
34620	1965	TEMPERATURE SENDING UNIT WIRE REPAIR KIT Single Wire	\$20.00	
41366	1965	TEMPERATURE SENDING UNIT WIRE REPAIR KIT Dual Wire	\$27.00	
34620	1966	TEMPERATURE SENDING UNIT WIRE REPAIR KIT Single Wire	\$20.00	
41366	1966	TEMPERATURE SENDING UNIT WIRE REPAIR KIT Dual Wire	\$27.00	
34620	1967	TEMPERATURE SENDING UNIT WIRE REPAIR KIT Single Wire	\$20.00	
34620	1968	TEMPERATURE SENDING UNIT WIRE REPAIR KIT Single Wire	\$20.00	
34620	1969	TEMPERATURE SENDING UNIT WIRE REPAIR KIT Single Wire	\$20.00	
34620	1970	TEMPERATURE SENDING UNIT WIRE REPAIR KIT Single Wire	\$20.00	
34620	1971	TEMPERATURE SENDING UNIT WIRE REPAIR KIT Single Wire	\$20.00	
34620	1972	TEMPERATURE SENDING UNIT WIRE REPAIR KIT Single Wire	\$20.00	
34620	1973	TEMPERATURE SENDING UNIT WIRE REPAIR KIT Single Wire	\$20.00	
34620	1974	TEMPERATURE SENDING UNIT WIRE REPAIR KIT Single Wire	\$20.00	
34620	1975	TEMPERATURE SENDING UNIT WIRE REPAIR KIT Single Wire	\$20.00	
34620	1976	TEMPERATURE SENDING UNIT WIRE REPAIR KIT Single Wire	\$20.00	
34620	1977	TEMPERATURE SENDING UNIT WIRE REPAIR KIT Single Wire	\$20.00	
<b>TILT COLUMN ADAPTER HARNESS</b>				
37590	1963	TILT COLUMN ADAPTER HARNESS From Dash Harness To Directional Switch On Column	\$52.00	
37591	1964	TILT COLUMN ADAPTER HARNESS From Dash Harness To Directional Switch On Column	\$52.00	
31165	1965	TILT COLUMN ADAPTER HARNESS From Dash Harness To Directional Switch On Column	\$52.00	
31165	1966	TILT COLUMN ADAPTER HARNESS From Dash Harness To Directional Switch On Column	\$52.00	
<b>TRANSISTOR IGNITION AMPLIFIER EXTENSION</b>				
33225	1964	TRANSISTOR IGNITION AMPLIFIER EXTENSION From Internal Circuit Board To Amplifier Housing Connector	\$53.00	
33225	1965	TRANSISTOR IGNITION AMPLIFIER EXTENSION From Internal Circuit Board To Amplifier Housing Connector	\$53.00	
33225	1966	TRANSISTOR IGNITION AMPLIFIER EXTENSION From Internal Circuit Board To Amplifier Housing Connector	\$53.00	
33225	1967	TRANSISTOR IGNITION AMPLIFIER EXTENSION From Internal Circuit Board To Amplifier Housing Connector	\$53.00	
<b>TRANSISTOR IGNITION EXTENSION HARNESS</b>				
21270	1964	TRANSISTOR IGNITION EXTENSION HARNESS Starter Motor, Coil & Distributor	\$118.00	
33215	1964	TRANSISTOR IGNITION EXTENSION HARNESS Ignition Switch To Main T.I. Harness	\$22.00	
18765	1965	TRANSISTOR IGNITION EXTENSION HARNESS Starter Motor, Coil & Distributor	\$106.00	

Part Number	Year	Description	Price	*Rev.
33215	1965	<b>TRANSISTOR IGNITION EXTENSION HARNESS</b> Ignition Switch To Main T.I. Harness	\$22.00	
09620	1966	<b>TRANSISTOR IGNITION EXTENSION HARNESS</b> Starter Motor, Coil & Distributor	\$106.00	
33215	1966	<b>TRANSISTOR IGNITION EXTENSION HARNESS</b> Ignition Switch To Main T.I. Harness	\$22.00	
09620	1967	<b>TRANSISTOR IGNITION EXTENSION HARNESS</b> Starter Motor, Coil & Distributor	\$106.00	
33215	1967	<b>TRANSISTOR IGNITION EXTENSION HARNESS</b> Ignition Switch To Main T.I. Harness	\$22.00	
<b>TRANSISTOR IGNITION HARNESS</b>				
21260	1964	<b>TRANSISTOR IGNITION HARNESS</b> Amplifier To Extension Harness	\$101.00	
05790	1965	<b>TRANSISTOR IGNITION HARNESS</b> Amplifier To Extension Harness	\$101.00	
05790	1966	<b>TRANSISTOR IGNITION HARNESS</b> Amplifier To Extension Harness	\$101.00	
05790	1967	<b>TRANSISTOR IGNITION HARNESS</b> Amplifier To Extension Harness	\$101.00	
<b>TRANSISTOR IGNITION REPLACEMENT MODULE</b>				
32270	1964	<b>TRANSISTOR IGNITION REPLACEMENT MODULE</b> Replaces Original Circuit Board In Amplifier	\$189.00	
32270	1965	<b>TRANSISTOR IGNITION REPLACEMENT MODULE</b> Replaces Original Circuit Board In Amplifier	\$189.00	
32270	1966	<b>TRANSISTOR IGNITION REPLACEMENT MODULE</b> Replaces Original Circuit Board In Amplifier	\$189.00	
32270	1967	<b>TRANSISTOR IGNITION REPLACEMENT MODULE</b> Replaces Original Circuit Board In Amplifier	\$189.00	
<b>TRUNK LAMP ASSEMBLY</b>				
33530	1962	<b>TRUNK LAMP ASSEMBLY</b>	\$43.00	
33530	1963	<b>TRUNK LAMP ASSEMBLY</b>	\$43.00	
33530	1964	<b>TRUNK LAMP ASSEMBLY</b>	\$43.00	
33530	1965	<b>TRUNK LAMP ASSEMBLY</b>	\$43.00	
28180	1966	<b>TRUNK LAMP ASSEMBLY</b> Coupe, Includes Extension Harness	\$43.00	
28180	1967	<b>TRUNK LAMP ASSEMBLY</b> Coupe, Includes Extension Harness	\$43.00	
36380	1968	<b>TRUNK LAMP ASSEMBLY</b> Coupe, Includes Extension Harness	\$43.00	
36382	1968	<b>TRUNK LAMP ASSEMBLY</b> Convertible, Includes Extension Harness	\$50.00	
36380	1969	<b>TRUNK LAMP ASSEMBLY</b> Coupe, Includes Extension Harness	\$43.00	
36382	1969	<b>TRUNK LAMP ASSEMBLY</b> Convertible, Includes Extension Harness	\$50.00	
36380	1970	<b>TRUNK LAMP ASSEMBLY</b> Coupe, Includes Extension Harness	\$43.00	
36382	1970	<b>TRUNK LAMP ASSEMBLY</b> Convertible, Includes Extension Harness	\$50.00	
36380	1971	<b>TRUNK LAMP ASSEMBLY</b> Coupe, Includes Extension Harness	\$43.00	
<b>TRUNK LAMP EXTENSION</b>				
35687	1962	<b>TRUNK LAMP EXTENSION</b> For Belair & Biscayne Only	\$23.00	
35687	1963	<b>TRUNK LAMP EXTENSION</b> For Belair & Biscayne Only	\$23.00	
35687	1964	<b>TRUNK LAMP EXTENSION</b> For Belair & Biscayne Only	\$23.00	
35686	1965	<b>TRUNK LAMP EXTENSION</b> For Belair & Biscayne Only	\$22.00	
37641	1968	<b>TRUNK LAMP EXTENSION WIRE</b> Convertible	\$20.00	
37641	1969	<b>TRUNK LAMP EXTENSION WIRE</b> Convertible	\$20.00	
37641	1970	<b>TRUNK LAMP EXTENSION WIRE</b> Convertible	\$20.00	
36239	1971	<b>TRUNK LAMP EXTENSION WIRE</b> Trunk Lamp To Rear Lamp Harness Connector	\$25.00	
36239	1972	<b>TRUNK LAMP EXTENSION WIRE</b> Trunk Lamp To Rear Lamp Harness Connector	\$25.00	
<b>TRUNK RELEASE HARNESS</b>				
14570	1970	<b>TRUNK RELEASE HARNESS</b> For Electric Trunk Lid Release	\$48.00	
<b>TURN SIGNAL LEVER WIPER SWITCH</b>				
22510733	1984	<b>TURN SIGNAL LEVER WIPER SWITCH</b> All, Black, With Pulse Wipers, Without Cruise Control	\$20.00	N
22510732	1984	<b>TURN SIGNAL LEVER WIPER SWITCH</b> All, Black, Without Pulse Wipers, Without Cruise Control	\$20.00	N
22510144	1984	<b>TURN SIGNAL LEVER WIPER SWITCH</b> All, Chrome, With Pulse Wipers, Without Cruise Control	\$20.00	N
22510733	1985	<b>TURN SIGNAL LEVER WIPER SWITCH</b> All, Black, With Pulse Wipers, Without Cruise Control	\$20.00	N

Part Number	Year	Description	Price	*Rev.
22510732	1985	<b>TURN SIGNAL LEVER WIPER SWITCH</b> All, Black, Without Pulse Wipers, Without Cruise Control	\$20.00	N
22510144	1985	<b>TURN SIGNAL LEVER WIPER SWITCH</b> All, Chrome, With Pulse Wipers, Without Cruise Control	\$20.00	N
22510733	1986	<b>TURN SIGNAL LEVER WIPER SWITCH</b> All, Black, With Pulse Wipers, Without Cruise Control	\$20.00	N
22510732	1986	<b>TURN SIGNAL LEVER WIPER SWITCH</b> All, Black, Without Pulse Wipers, Without Cruise Control	\$20.00	N
22510144	1986	<b>TURN SIGNAL LEVER WIPER SWITCH</b> All, Chrome, With Pulse Wipers, Without Cruise Control	\$20.00	N
22510733	1987	<b>TURN SIGNAL LEVER WIPER SWITCH</b> All, Black, With Pulse Wipers, Without Cruise Control	\$20.00	N
22510732	1987	<b>TURN SIGNAL LEVER WIPER SWITCH</b> All, Black, Without Pulse Wipers, Without Cruise Control	\$20.00	N
22510144	1987	<b>TURN SIGNAL LEVER WIPER SWITCH</b> All, Chrome, With Pulse Wipers, Without Cruise Control	\$20.00	N
22510144	1988	<b>TURN SIGNAL LEVER WIPER SWITCH</b> All, Chrome, With Pulse Wipers, Without Cruise Control	\$20.00	N
22510144	1989	<b>TURN SIGNAL LEVER WIPER SWITCH</b> All, Chrome, With Pulse Wipers, Without Cruise Control	\$20.00	N
22510144	1990	<b>TURN SIGNAL LEVER WIPER SWITCH</b> All, Chrome, With Pulse Wipers, Without Cruise Control	\$20.00	N
<b>TURN SIGNAL SWITCH</b>				
05948447	1958	<b>TURN SIGNAL SWITCH</b> Note: Includes A Loose Piece 6 Way Connector.	\$27.00	M
03765110	1959	<b>TURN SIGNAL SWITCH</b>	\$23.00	
03765110	1960	<b>TURN SIGNAL SWITCH</b>	\$23.00	
03765110	1961	<b>TURN SIGNAL SWITCH</b>	\$23.00	
03765110	1962	<b>TURN SIGNAL SWITCH</b>	\$23.00	
01993624	1963	<b>TURN SIGNAL SWITCH</b> With Tilt, Replaces Delco Part# D6220	\$71.00	
00898197	1963	<b>TURN SIGNAL SWITCH</b> Without Tilt	\$65.00	N
01993624	1964	<b>TURN SIGNAL SWITCH</b> With Tilt, Replaces Delco Part# D6220	\$71.00	
00910821	1964	<b>TURN SIGNAL SWITCH</b> Without Tilt	\$56.00	N
01993624	1965	<b>TURN SIGNAL SWITCH</b> With Tilt, Replaces Delco Part# D6220	\$71.00	
00910821	1965	<b>TURN SIGNAL SWITCH</b> Without Tilt	\$56.00	N
01993624	1966	<b>TURN SIGNAL SWITCH</b> With Tilt, Replaces Delco Part# D6220	\$71.00	
00910821	1966	<b>TURN SIGNAL SWITCH</b> Without Tilt	\$56.00	N
01893592	1967	<b>TURN SIGNAL SWITCH</b> (Delco-Remy), Replaces Delco Part# D6211 Note: This Is A Service Part, Adapter Pigtail Included And Is Required For Some Applications.	\$58.00	
07800482	1967	<b>TURN SIGNAL SWITCH</b> Without Column Shift A/T, Without Tilt, (Delco Type, Black, White Or Green) Note: Emergency Flasher Actuator Hole In Outer Cover Is Shaped Like A Doghouse.	\$50.00	
07800482	1967	<b>TURN SIGNAL SWITCH</b> Without Column Shift A/T, With Tilt, (Delco Type, Black, White Or Green) Note: Emergency Flasher Actuator Hole In Outer Cover Is Shaped Like A Doghouse.	\$50.00	
05698897	1967	<b>TURN SIGNAL SWITCH</b> With Column Shift A/T, Without Tilt, (Delco Type, Black, White Or Green) Note: Emergency Flasher Actuator Hole In Outer Cover Is Shaped Like A Doghouse.	\$50.00	
05698897	1967	<b>TURN SIGNAL SWITCH</b> With Column Shift A/T, With Tilt, (Delco Type, Black, White Or Green) Note: Emergency Flasher Actuator Hole In Outer Cover Is Shaped Like A Doghouse.	\$50.00	
01893592	1968	<b>TURN SIGNAL SWITCH</b> (Delco-Remy), Replaces Delco Part# D6211 Note: This Is A Service Part, Adapter Pigtail Included And Is Required For Some Applications.	\$58.00	
07800482	1968	<b>TURN SIGNAL SWITCH</b> Without Column Shift A/T, Without Tilt, (Delco Type, Black, White Or Green) Note: Emergency Flasher Actuator Hole In Outer Cover Is Shaped Like A Doghouse.	\$50.00	
07800482	1968	<b>TURN SIGNAL SWITCH</b> Without Column Shift A/T, With Tilt, (Delco Type, Black, White Or Green) Note: Emergency Flasher Actuator Hole In Outer Cover Is Shaped Like A Doghouse.	\$50.00	

Part Number	Year	Description	Price	*Rev.
05698897	1968	<b>TURN SIGNAL SWITCH</b> With Column Shift A/T, Without Tilt, (Delco Type, Black, White Or Green) Note: Emergency Flasher Actuator Hole In Outer Cover Is Shaped Like A Doghouse.	\$50.00	
05698897	1968	<b>TURN SIGNAL SWITCH</b> With Column Shift A/T, With Tilt, (Delco Type, Black, White Or Green) Note: Emergency Flasher Actuator Hole In Outer Cover Is Shaped Like A Doghouse.	\$50.00	
01997938	1969	<b>TURN SIGNAL SWITCH, CORRECT PART</b> Note: Correct Part, No Adapter Pigtail Required.	\$56.00	
01893588	1969	<b>TURN SIGNAL SWITCH, SERVICE PART</b> Replaces Delco Part# D6208 Note: This Is A Service Part, Adapter Pigtail Included Is Required For Installation.	\$58.00	
01997983	1969	<b>TURN SIGNAL SWITCH, SERVICE PART</b> Replaces Delco Part# D6222 Note: This Is A Service Part, Adapter Pigtail Included Is Required For Installation.	\$32.00	
01997938	1970	<b>TURN SIGNAL SWITCH, CORRECT PART</b> Note: Correct Part, No Adapter Pigtail Required.	\$56.00	
01893588	1970	<b>TURN SIGNAL SWITCH, SERVICE PART</b> Replaces Delco Part# D6208 Note: This Is A Service Part, Adapter Pigtail Included Is Required For Installation.	\$58.00	
01997983	1970	<b>TURN SIGNAL SWITCH, SERVICE PART</b> Replaces Delco Part# D6222 Note: This Is A Service Part, Adapter Pigtail Included Is Required For Installation.	\$32.00	
01997938	1971	<b>TURN SIGNAL SWITCH, CORRECT PART</b> Note: Correct Part, No Adapter Pigtail Required.	\$56.00	
01893588	1971	<b>TURN SIGNAL SWITCH, SERVICE PART</b> Replaces Delco Part# D6208 Note: This Is A Service Part, Adapter Pigtail Included Is Required For Installation.	\$58.00	
01997983	1971	<b>TURN SIGNAL SWITCH, SERVICE PART</b> Replaces Delco Part# D6222 Note: This Is A Service Part, Adapter Pigtail Included Is Required For Installation.	\$32.00	
01997938	1972	<b>TURN SIGNAL SWITCH, CORRECT PART</b> Note: Correct Part, No Adapter Pigtail Required.	\$56.00	
01893588	1972	<b>TURN SIGNAL SWITCH, SERVICE PART</b> Replaces Delco Part# D6208 Note: This Is A Service Part, Adapter Pigtail Included Is Required For Installation.	\$58.00	
01997983	1972	<b>TURN SIGNAL SWITCH, SERVICE PART</b> Replaces Delco Part# D6222 Note: This Is A Service Part, Adapter Pigtail Included Is Required For Installation.	\$32.00	
<b>VOLTAGE REGULATOR ADAPTER HARNESS</b>				
02115	1965	<b>VOLTAGE REGULATOR ADAPTER HARNESS</b> With 62 Amp Alternator, From Field Terminal On Voltage Regulator To Chassis Ground (Includes Inline Diode) Note: Only Used With Original Solid State Voltage Regulator #1116368 As A Safe Guard To Prevent Voltage Regulator Transistor Failure.	\$52.00	
<b>WINDSHIELD WASHER PUMP</b>				
04919332	1965	<b>WINDSHIELD WASHER PUMP</b> With Single Speed Wiper Motor	\$60.00	N
<b>WINDSHIELD WIPER SWITCH</b>				
01993541	1959	<b>WINDSHIELD WIPER SWITCH</b> Single Speed, With Washer	\$45.00	
01993543	1959	<b>WINDSHIELD WIPER SWITCH</b> 2 Speed, With Washer	\$45.00	
01993541	1960	<b>WINDSHIELD WIPER SWITCH</b> Single Speed, With Washer	\$45.00	
01993543	1960	<b>WINDSHIELD WIPER SWITCH</b> 2 Speed, With Washer	\$45.00	
01993541	1961	<b>WINDSHIELD WIPER SWITCH</b> Single Speed, With Washer	\$45.00	
01993543	1961	<b>WINDSHIELD WIPER SWITCH</b> 2 Speed, With Washer	\$45.00	
01993541	1962	<b>WINDSHIELD WIPER SWITCH</b> Single Speed, With Washer	\$45.00	
01993543	1962	<b>WINDSHIELD WIPER SWITCH</b> 2 Speed, With Washer	\$45.00	
01993541	1963	<b>WINDSHIELD WIPER SWITCH</b> Single Speed, With Washer	\$45.00	
01993543	1963	<b>WINDSHIELD WIPER SWITCH</b> 2 Speed, With Washer	\$45.00	

Impala/Bel Air  
'58-'63 El Camino



Phone (562) 926-9552  
Fax (562) 926-9572

Part Number	Year	Description	Price	*Rev.
01993642	1964	<b>WINDSHIELD WIPER SWITCH</b> Single Speed, With Washer Note: Can Also Be Used For Single Speed Without Washer Function. Switch Will Have An Extra Terminal That Will Not Be Used On Those Applications.	\$52.00	C
01993643	1964	<b>WINDSHIELD WIPER SWITCH</b> 2 Speed, With Washer	\$45.00	
01993678	1965	<b>WINDSHIELD WIPER SWITCH</b> 2 Speed, With Washer	\$52.00	
01993680	1965	<b>WINDSHIELD WIPER SWITCH</b> Single Speed, With Washer	\$52.00	
01993678	1966	<b>WINDSHIELD WIPER SWITCH</b> 2 Speed, With Washer	\$52.00	
01993680	1966	<b>WINDSHIELD WIPER SWITCH</b> Single Speed, With Washer	\$52.00	
01993394	1967	<b>WINDSHIELD WIPER SWITCH</b>	\$39.00	
01993442	1968	<b>WINDSHIELD WIPER SWITCH</b> With Recess Park	\$52.00	
<b>WIPER MOTOR HARNESS</b>				
19795	1958	<b>WIPER MOTOR HARNESS</b> 6 Cylinder Note: 6 Cylinder Items Are Not Returnable.	\$27.00	
41149	1958	<b>WIPER MOTOR HARNESS</b> V/8	\$23.00	
34460	1959	<b>WIPER MOTOR HARNESS</b> Single Speed	\$27.00	
33480	1959	<b>WIPER MOTOR HARNESS</b> Single Speed, With Washer	\$60.00	
19800	1959	<b>WIPER MOTOR HARNESS</b> 2 Speed, With Production Washer	\$40.00	
34470	1960	<b>WIPER MOTOR HARNESS</b> Single Speed	\$27.00	
33480	1960	<b>WIPER MOTOR HARNESS</b> Single Speed, With Washer	\$60.00	
34475	1960	<b>WIPER MOTOR HARNESS</b> Single Speed, With Production Washer	\$52.00	
34480	1960	<b>WIPER MOTOR HARNESS</b> Single Speed, With Accessory Washer	\$60.00	
19800	1960	<b>WIPER MOTOR HARNESS</b> 2 Speed, With Production Washer	\$40.00	
27505	1961	<b>WIPER MOTOR HARNESS</b> Single Speed	\$27.00	
34485	1961	<b>WIPER MOTOR HARNESS</b> Single Speed, With Accessory Washer	\$52.00	
19805	1961	<b>WIPER MOTOR HARNESS</b> 2 Speed, With Washer	\$40.00	
27505	1962	<b>WIPER MOTOR HARNESS</b> Single Speed	\$27.00	
19805	1962	<b>WIPER MOTOR HARNESS</b> 2 Speed, With Washer	\$40.00	
37608	1963	<b>WIPER MOTOR HARNESS</b> Single Speed	\$27.00	
37607	1963	<b>WIPER MOTOR HARNESS</b> Single Speed, With Washer	\$40.00	
19810	1963	<b>WIPER MOTOR HARNESS</b> 2 Speed, With Washer	\$34.00	
19820	1964	<b>WIPER MOTOR HARNESS</b> Single Speed	\$27.00	
34510	1964	<b>WIPER MOTOR HARNESS</b> Single Speed, With Washer	\$40.00	
19815	1964	<b>WIPER MOTOR HARNESS</b> 2 Speed, With Washer	\$40.00	
19820	1965	<b>WIPER MOTOR HARNESS</b> Single Speed	\$27.00	
34510	1965	<b>WIPER MOTOR HARNESS</b> Single Speed, With Washer	\$40.00	
33485	1965	<b>WIPER MOTOR HARNESS</b> 2 Speed, With Washer	\$40.00	
33485	1966	<b>WIPER MOTOR HARNESS</b> 2 Speed, With Washer	\$40.00	
34450	1967	<b>WIPER MOTOR HARNESS</b> 2 Speed, With Washer	\$52.00	
34455	1970	<b>WIPER MOTOR HARNESS</b> Electro-Tip Demand	\$60.00	

# ***Section 15***

## ***Firebird***



Part Number	Year	Description	Price	*Rev.
<b>AIR CONDITIONING COMPRESSOR JUMPER HARNESS</b>				
38587	1975	<b>AIR CONDITIONING COMPRESSOR JUMPER HARNESS</b> From Compressor To Main Engine Harness, 6 Cyl Note: 6 Cylinder Items Are Not Returnable.	\$61.00	
38587	1976	<b>AIR CONDITIONING COMPRESSOR JUMPER HARNESS</b> From Compressor To Main Engine Harness, 6 Cyl, Used Up To 1976 1/2 Note: 6 Cylinder Items Are Not Returnable.	\$61.00	
38613	1976	<b>AIR CONDITIONING COMPRESSOR JUMPER HARNESS</b> From Compressor To Main Engine Harness, 6 Cyl, Used After 1976 1/2 Note: 6 Cylinder Items Are Not Returnable.	\$61.00	
38619	1977	<b>AIR CONDITIONING COMPRESSOR JUMPER HARNESS</b> From Compressor To Main Engine Harness, 231 V/6	\$67.00	
38616	1977	<b>AIR CONDITIONING COMPRESSOR JUMPER HARNESS</b> From Compressor To Main Engine Harness, 301 V/8	\$80.00	
38633	1977	<b>AIR CONDITIONING COMPRESSOR JUMPER HARNESS</b> From Compressor To Main Engine Harness, 350 & 400 V/8	\$67.00	
38421	1977	<b>AIR CONDITIONING COMPRESSOR JUMPER HARNESS</b> From Compressor To Main Engine Harness, 350 & 400 V/8 Note: With Idle Stop Solenoid.	\$67.00	
38619	1978	<b>AIR CONDITIONING COMPRESSOR JUMPER HARNESS</b> From Compressor To Main Engine Harness, 231 V/6	\$67.00	
38616	1978	<b>AIR CONDITIONING COMPRESSOR JUMPER HARNESS</b> From Compressor To Main Engine Harness, 301 V/8	\$80.00	
38629	1978	<b>AIR CONDITIONING COMPRESSOR JUMPER HARNESS</b> From Compressor To Main Engine Harness, 305 & 350 V/8	\$74.00	
38633	1978	<b>AIR CONDITIONING COMPRESSOR JUMPER HARNESS</b> From Compressor To Main Engine Harness, 350 & 400 V/8	\$67.00	
38421	1978	<b>AIR CONDITIONING COMPRESSOR JUMPER HARNESS</b> From Compressor To Main Engine Harness, 350 & 400 V/8 Note: With Idle Stop Solenoid.	\$67.00	
38619	1979	<b>AIR CONDITIONING COMPRESSOR JUMPER HARNESS</b> From Compressor To Main Engine Harness, 231 V/6 Note: With California Emissions.	\$67.00	
38641	1979	<b>AIR CONDITIONING COMPRESSOR JUMPER HARNESS</b> From Compressor To Main Engine Harness, 231 V/6 Note: With Federal Emissions.	\$61.00	
38616	1979	<b>AIR CONDITIONING COMPRESSOR JUMPER HARNESS</b> From Compressor To Main Engine Harness, 301 V/8	\$80.00	
38629	1979	<b>AIR CONDITIONING COMPRESSOR JUMPER HARNESS</b> From Compressor To Main Engine Harness, 305 & 350 V/8	\$74.00	
38421	1979	<b>AIR CONDITIONING COMPRESSOR JUMPER HARNESS</b> From Compressor To Main Engine Harness, 350 & 400 V/8 Note: With Idle Stop Solenoid.	\$67.00	
38619	1980	<b>AIR CONDITIONING COMPRESSOR JUMPER HARNESS</b> From Compressor To Main Engine Harness, 231 V/6 Note: With California Emissions.	\$67.00	
38641	1980	<b>AIR CONDITIONING COMPRESSOR JUMPER HARNESS</b> From Compressor To Main Engine Harness, 231 V/6 Note: With Federal Emissions.	\$61.00	
38616	1980	<b>AIR CONDITIONING COMPRESSOR JUMPER HARNESS</b> From Compressor To Main Engine Harness, 301 V/8	\$80.00	
36955	1980	<b>AIR CONDITIONING COMPRESSOR JUMPER HARNESS</b> From Compressor To Main Engine Harness, 305 & 350 V/8	\$59.00	
38654	1980	<b>AIR CONDITIONING COMPRESSOR JUMPER HARNESS</b> from compressor to main engine harness, 301 turbo charged v/8 Note: For 301 V/8 With The Eighth Digit Of The Vin Number Being The Letter T.	\$67.00	
38669	1981	<b>AIR CONDITIONING COMPRESSOR JUMPER HARNESS</b> From Compressor To Main Engine Harness, 231 V/6	\$80.00	
36955	1981	<b>AIR CONDITIONING COMPRESSOR JUMPER HARNESS</b> From Compressor To Main Engine Harness, 267, 305, 350 V/8 Note: Without Diode Taped Into Compressor Connector.	\$59.00	
38676	1981	<b>AIR CONDITIONING COMPRESSOR JUMPER HARNESS</b> From Compressor To Main Engine Harness, 267, 305, 350 V/8 Note: With Diode Tapes Into Compressor Connector.	\$59.00	
38661	1981	<b>AIR CONDITIONING COMPRESSOR JUMPER HARNESS</b> From Compressor To Main Engine Harness, 265 & 301 V/8	\$80.00	
38654	1981	<b>AIR CONDITIONING COMPRESSOR JUMPER HARNESS</b> From Compressor To Main Engine Harness, All 301 Turbo Charged V/8	\$67.00	
<b>AIR CONDITIONING EXTENSION HARNESS</b>				
13365	1969	<b>AIR CONDITIONING EXTENSION HARNESS</b> Blower Switch, Under Dash	\$87.00	
17390	1969	<b>AIR CONDITIONING EXTENSION HARNESS</b> V/8, Power Feed & Compressor To A/C Harness	\$52.00	
15710	1970	<b>AIR CONDITIONING EXTENSION HARNESS</b> Blower Switch, Under Dash, Without Rear Window Defroster	\$87.00	
15720	1970	<b>AIR CONDITIONING EXTENSION HARNESS</b> Blower Switch, Under Dash, With Rear Window Defroster	\$101.00	

Part Number	Year	Description	Price	*Rev.
15710	1971	<b>AIR CONDITIONING EXTENSION HARNESS</b> Blower Switch, Under Dash	\$87.00	
15710	1972	<b>AIR CONDITIONING EXTENSION HARNESS</b> Blower Switch, Under Dash	\$87.00	
15710	1973	<b>AIR CONDITIONING EXTENSION HARNESS</b> All, Blower Switch, Under Dash	\$87.00	
15710	1974	<b>AIR CONDITIONING EXTENSION HARNESS</b> All, Blower Switch, Under Dash	\$87.00	
15710	1975	<b>AIR CONDITIONING EXTENSION HARNESS</b> All, Blower Switch, Under Dash	\$87.00	
15710	1976	<b>AIR CONDITIONING EXTENSION HARNESS</b> All, Blower Switch, Under Dash, Used Up To 1976 1/2 Note: Has A 5 Cavity Connector With 6 Wires At Blower Switch.	\$87.00	
38606	1976	<b>AIR CONDITIONING EXTENSION HARNESS</b> All, Blower Switch, Under Dash, Used After 1976 1/2 Note: Has A 4 Cavity Connector With 5 Wires At Blower Switch.	\$101.00	
38627	1977	<b>AIR CONDITIONING EXTENSION HARNESS</b> All, Blower Switch, Under Dash	\$101.00	
38630	1978	<b>AIR CONDITIONING EXTENSION HARNESS</b> All, Blower Switch, Under Dash	\$101.00	
38630	1979	<b>AIR CONDITIONING EXTENSION HARNESS</b> All, Blower Switch, Under Dash	\$101.00	
38630	1980	<b>AIR CONDITIONING EXTENSION HARNESS</b> All, Blower Switch, Under Dash	\$101.00	
38663	1981	<b>AIR CONDITIONING EXTENSION HARNESS</b> All, Blower Switch, Under Dash	\$101.00	
<b>AIR CONDITIONING HARNESS</b>				
11195	1967	<b>AIR CONDITIONING HARNESS</b> 6 Cylinder (Includes Heater Wiring) Note: 6 Cylinder Items Are Not Returnable.	\$208.00	
11190	1967	<b>AIR CONDITIONING HARNESS</b> V/8 (Includes Heater Wiring)	\$186.00	
12285	1968	<b>AIR CONDITIONING HARNESS</b> 6 Cylinder (Includes Heater Wiring) Note: 6 Cylinder Items Are Not Returnable.	\$208.00	
12280	1968	<b>AIR CONDITIONING HARNESS</b> V/8 (Includes Heater Wiring)	\$186.00	
36093	1969	<b>AIR CONDITIONING HARNESS</b> Main, Engine Compartment, All (Includes Heater Wiring)	\$119.00	
36094	1970	<b>AIR CONDITIONING HARNESS</b> Main, Engine Compartment, Without Rear Window Defroster (Includes Heater Wiring)	\$127.00	
36095	1970	<b>AIR CONDITIONING HARNESS</b> Main, Engine Compartment, With Rear Window Defroster (Includes Heater Wiring)	\$180.00	
36094	1971	<b>AIR CONDITIONING HARNESS</b> Main, Engine Compartment, All (Includes Heater Wiring)	\$127.00	
42227	1972	<b>AIR CONDITIONING HARNESS</b> Main, Engine Compartment, All (Includes Heater Wiring)	\$138.00	
38588	1973	<b>AIR CONDITIONING HARNESS</b> Main Engine Compartment, All	\$194.00	
38589	1974	<b>AIR CONDITIONING HARNESS</b> Main Engine Compartment, All	\$194.00	
38596	1975	<b>AIR CONDITIONING HARNESS</b> Main Engine Compartment, 6 Cyl Note: 6 Cylinder Items Are Not Returnable.	\$221.00	
38595	1975	<b>AIR CONDITIONING HARNESS</b> Main Engine Compartment, V/8	\$194.00	
38596	1976	<b>AIR CONDITIONING HARNESS</b> Main Engine Compartment, 6 Cyl, Used Up To 1976 1/2 Note: 6 Cylinder Items Are Not Returnable.	\$221.00	
38608	1976	<b>AIR CONDITIONING HARNESS</b> Main Engine Compartment, 6 Cyl, Used After 1976 1/2 Note: 6 Cylinder Items Are Not Returnable.	\$221.00	
38595	1976	<b>AIR CONDITIONING HARNESS</b> Main Engine Compartment, V/8, Used Up To 1976 1/2 Note: For Cars With Inline Fuse Between Blower Relay & Resistor Connections.	\$194.00	
38607	1976	<b>AIR CONDITIONING HARNESS</b> Main Engine Compartment, V/8, Used After 1976 1/2 Note: For Cars Without Inline Fuse Between Blower Relay & Resistor Connections.	\$194.00	
38517	1977	<b>AIR CONDITIONING HARNESS</b> Main, Engine Compartment, All 6 Cyl & V/8, Except 305 & 350 V/8 Note: 6 Cylinder Items Are Not Returnable.	\$212.00	
38628	1977	<b>AIR CONDITIONING HARNESS</b> Main Engine Compartment, 305 & 350 V/8	\$233.00	
38517	1978	<b>AIR CONDITIONING HARNESS</b> Main, Engine Compartment, All 6 Cyl & V/8, Except 305 & 350 V/8 Note: 6 Cylinder Items Are Not Returnable.	\$212.00	
38628	1978	<b>AIR CONDITIONING HARNESS</b> Main Engine Compartment, 305 & 350 V/8	\$233.00	

Part Number	Year	Description	Price	*Rev.
38422	1979	<b>AIR CONDITIONING HARNESS</b> Main, Engine Compartment, All, 6 Cyl & V/8, Except 305 & 350 V/8 Note: 6 Cylinder Items Are Not Returnable.	\$212.00	
38636	1979	<b>AIR CONDITIONING HARNESS</b> Main, Engine Compartment, 305 & 350 V/8	\$233.00	
38422	1980	<b>AIR CONDITIONING HARNESS</b> Main, Engine Compartment, All, 6 Cyl & V/8, Except 305, 350 V/8 & 301 Turbo Charged Note: 6 Cylinder Items Are Not Returnable.	\$212.00	
38655	1980	<b>AIR CONDITIONING HARNESS</b> Main, Engine Compartment, 305 & 350 V/8 Engine	\$233.00	
38648	1980	<b>AIR CONDITIONING HARNESS</b> Main, Engine Compartment, All With 301 Turbo Charged V/8 Note: For 301 V/8 With The Eighth Digit Of The Vin Number Being The Letter T.	\$233.00	
38666	1981	<b>AIR CONDITIONING HARNESS</b> Main, Engine Compartment, 231 V/6, 265 & 301 V/8	\$233.00	
38655	1981	<b>AIR CONDITIONING HARNESS</b> Main, Engine Compartment, All 305 V/8	\$233.00	
38672	1981	<b>AIR CONDITIONING HARNESS</b> Main, Engine Compartment, All 301, For Export Only	\$243.00	
38667	1981	<b>AIR CONDITIONING HARNESS</b> Main, Engine Compartment, All 301 Turbo Charged V/8	\$233.00	
<b>ALTERNATOR CONVERSION KIT</b>				
27555	1967	<b>ALTERNATOR CONVERSION KIT</b> External To Internal Regulator Conversion Harness ("SI" Series) Note: For Use With 1972-84 Non-Serpentine Belt ("SI" Series) Internal Regulated Alternators.	\$29.00	
27555	1968	<b>ALTERNATOR CONVERSION KIT</b> External To Internal Regulator Conversion Harness ("SI" Series) Note: For Use With 1972-84 Non-Serpentine Belt ("SI" Series) Internal Regulated Alternators.	\$29.00	
27555	1969	<b>ALTERNATOR CONVERSION KIT</b> External To Internal Regulator Conversion Harness ("SI" Series) Note: For Use With 1972-84 Non-Serpentine Belt ("SI" Series) Internal Regulated Alternators.	\$29.00	
37787	1969	<b>ALTERNATOR CONVERSION KIT</b> External To Internal Regulator Conversion Harness ("CS" Series) Note: For Use With Serpentine Belt ("CS" Series) Internal Regulated Alternators.	\$34.00	
37796	1969	<b>ALTERNATOR CONVERSION KIT</b> Internal Regulator "SI" Series Alternator To "CS" Series (Serpentine Belt) Alternator Note: For Use With Serpentine Belt ("CS130" Or "CS144" Type) Internal Regulated Alternators.	\$26.00	
37796	1970	<b>ALTERNATOR CONVERSION KIT</b> Internal Regulator "SI" Series Alternator To "CS" Series (Serpentine Belt) Alternator Note: For Use With Serpentine Belt ("CS130" Or "CS144" Type) Internal Regulated Alternators.	\$26.00	
37796	1971	<b>ALTERNATOR CONVERSION KIT</b> Internal Regulator "SI" Series Alternator To "CS" Series (Serpentine Belt) Alternator Note: For Use With Serpentine Belt ("CS130" Or "CS144" Type) Internal Regulated Alternators.	\$26.00	
37796	1972	<b>ALTERNATOR CONVERSION KIT</b> Internal Regulator "SI" Series Alternator To "CS" Series (Serpentine Belt) Alternator Note: For Use With Serpentine Belt ("CS130" Or "CS144" Type) Internal Regulated Alternators.	\$26.00	
37796	1973	<b>ALTERNATOR CONVERSION KIT</b> Internal Regulator "SI" Series Alternator To "CS" Series (Serpentine Belt) Alternator Note: For Use With Serpentine Belt ("CS130" Or "CS144" Type) Internal Regulated Alternators.	\$26.00	
37796	1974	<b>ALTERNATOR CONVERSION KIT</b> Internal Regulator "SI" Series Alternator To "CS" Series (Serpentine Belt) Alternator Note: For Use With Serpentine Belt ("CS130" Or "CS144" Type) Internal Regulated Alternators.	\$26.00	
37796	1975	<b>ALTERNATOR CONVERSION KIT</b> Internal Regulator "SI" Series Alternator To "CS" Series (Serpentine Belt) Alternator Note: For Use With Serpentine Belt ("CS130" Or "CS144" Type) Internal Regulated Alternators.	\$26.00	
37796	1976	<b>ALTERNATOR CONVERSION KIT</b> Internal Regulator "SI" Series Alternator To "CS" Series (Serpentine Belt) Alternator Note: For Use With Serpentine Belt ("CS130" Or "CS144" Type) Internal Regulated Alternators.	\$26.00	
37796	1977	<b>ALTERNATOR CONVERSION KIT</b> Internal Regulator "SI" Series Alternator To "CS" Series (Serpentine Belt) Alternator Note: For Use With Serpentine Belt ("CS130" Or "CS144" Type) Internal Regulated Alternators.	\$26.00	

Part Number	Year	Description	Price	*Rev.
37796	1978	<b>ALTERNATOR CONVERSION KIT</b> Internal Regulator "SI" Series Alternator To "CS" Series (Serpentine Belt) Alternator Note: For Use With Serpentine Belt ("CS130" Or "CS144" Type) Internal Regulated Alternators.	\$26.00	
37796	1979	<b>ALTERNATOR CONVERSION KIT</b> Internal Regulator "SI" Series Alternator To "CS" Series (Serpentine Belt) Alternator Note: For Use With Serpentine Belt ("CS130" Or "CS144" Type) Internal Regulated Alternators.	\$26.00	
37796	1980	<b>ALTERNATOR CONVERSION KIT</b> Internal Regulator "SI" Series Alternator To "CS" Series (Serpentine Belt) Alternator Note: For Use With Serpentine Belt ("CS130" Or "CS144" Type) Internal Regulated Alternators.	\$26.00	
37796	1981	<b>ALTERNATOR CONVERSION KIT</b> Internal Regulator "SI" Series Alternator To "CS" Series (Serpentine Belt) Alternator Note: For Use With Serpentine Belt ("CS130" Or "CS144" Type) Internal Regulated Alternators.	\$26.00	
37796	1982	<b>ALTERNATOR CONVERSION KIT</b> Internal Regulator "SI" Series Alternator To "CS" Series (Serpentine Belt) Alternator Note: For Use With Serpentine Belt ("CS130" Or "CS144" Type) Internal Regulated Alternators.	\$26.00	
37796	1983	<b>ALTERNATOR CONVERSION KIT</b> Internal Regulator "SI" Series Alternator To "CS" Series (Serpentine Belt) Alternator Note: For Use With Serpentine Belt ("CS130" Or "CS144" Type) Internal Regulated Alternators.	\$26.00	
37796	1984	<b>ALTERNATOR CONVERSION KIT</b> Internal Regulator "SI" Series Alternator To "CS" Series (Serpentine Belt) Alternator Note: For Use With Serpentine Belt ("CS130" Or "CS144" Type) Internal Regulated Alternators.	\$26.00	
37796	1985	<b>ALTERNATOR CONVERSION KIT</b> Internal Regulator "SI" Series Alternator To "CS" Series (Serpentine Belt) Alternator Note: For Use With Serpentine Belt ("CS130" Or "CS144" Type) Internal Regulated Alternators.	\$26.00	
37796	1986	<b>ALTERNATOR CONVERSION KIT</b> Internal Regulator "SI" Series Alternator To "CS" Series (Serpentine Belt) Alternator Note: For Use With Serpentine Belt ("CS130" Or "CS144" Type) Internal Regulated Alternators.	\$26.00	
<b>ASSEMBLY MANUAL</b>				
38570	1969	<b>ASSEMBLY MANUAL</b> Factory Assembly Instruction Guide	\$32.00	
43249	1970	<b>ASSEMBLY MANUAL</b> Factory Assembly Instruction Guide	\$32.00	
43537	1971	<b>ASSEMBLY MANUAL</b> Factory Assembly Instruction Guide	\$32.00	
43253	1972	<b>ASSEMBLY MANUAL</b> Factory Assembly Instruction Guide	\$32.00	
43538	1973	<b>ASSEMBLY MANUAL</b> Factory Assembly Instruction Guide	\$32.00	
43539	1974	<b>ASSEMBLY MANUAL</b> Factory Assembly Instruction Guide	\$32.00	
43540	1975	<b>ASSEMBLY MANUAL</b> Factory Assembly Instruction Guide	\$32.00	
43250	1976	<b>ASSEMBLY MANUAL</b> Factory Assembly Instruction Guide	\$32.00	
36357	1980	<b>ASSEMBLY MANUAL</b> Factory Assembly Instruction Guide	\$32.00	
<b>BACKUP LAMP SWITCH</b>				
01993420	1967	<b>BACKUP LAMP SWITCH</b> 326 C.I. 3 Speed & All 4 Speed Manual Trans	\$64.00	
03943657	1969	<b>BACKUP LAMP SWITCH</b> Manual Trans	\$53.00	
03943657	1970	<b>BACKUP LAMP SWITCH</b> Manual Trans	\$53.00	
03943657	1971	<b>BACKUP LAMP SWITCH</b> Manual Trans	\$53.00	
03943657	1972	<b>BACKUP LAMP SWITCH</b> Manual Trans	\$53.00	
<b>BACKUP LAMP SWITCH EXTENSION HARNESS</b>				
10665	1967	<b>BACKUP LAMP SWITCH EXTENSION HARNESS</b> All Manual Trans	\$31.00	
12695	1968	<b>BACKUP LAMP SWITCH EXTENSION HARNESS</b> Manual Trans, Dash Harness Side To Engine Compartment Note: Connects To Part# 12690 Backup Lamp Switch Extension Harness.	\$31.00	
12690	1968	<b>BACKUP LAMP SWITCH EXTENSION HARNESS</b> Manual Trans, Engine Compartment Side To Backup Lamp Switch Note: Connects To Part# 12695 Backup Lamp Switch Extension Harness.	\$31.00	

Part Number	Year	Description	Price	*Rev.
<b>BACKUP LAMP SWITCH MOUNTING BRACKET</b>				
37650	1967	<b>BACKUP LAMP SWITCH MOUNTING BRACKET</b> With Muncie 4 Speed Transmission	\$29.00	
<b>BACKUP LAMP SWITCH MOUNTING KIT</b>				
39504	1967	<b>BACKUP LAMP SWITCH MOUNTING KIT</b> With Muncie 4 Speed Transmission Note: Kit Contains The Bracket, Rod With 2 Clips, Shield & Bolts.	\$46.00	
<b>BATTERY CABLE JUNCTION BLOCK</b>				
03882795	1967	<b>BATTERY CABLE JUNCTION BLOCK</b> For Positive Cable Secondary Lead	\$11.00	
03882795	1968	<b>BATTERY CABLE JUNCTION BLOCK</b> For Positive Cable Secondary Lead	\$11.00	
<b>BATTERY CABLE-NEGATIVE</b>				
05555	1967	<b>BATTERY CABLE, SPRING RING</b> Neg, 6 Cylinder, Without A/C Note: 6 Cylinder Items Are Not Returnable.	\$69.00	
05560	1967	<b>BATTERY CABLE, SPRING RING</b> Neg, 6 Cylinder, With A/C Note: 6 Cylinder Items Are Not Returnable.	\$69.00	
05555	1967	<b>BATTERY CABLE, SPRING RING</b> Neg, V/8, All	\$69.00	
05555	1968	<b>BATTERY CABLE, SPRING RING</b> Neg, 6 Cylinder, Without A/C Note: 6 Cylinder Items Are Not Returnable.	\$69.00	
05560	1968	<b>BATTERY CABLE, SPRING RING</b> Neg, 6 Cylinder, With A/C Note: 6 Cylinder Items Are Not Returnable.	\$69.00	
05555	1968	<b>BATTERY CABLE, SPRING RING</b> Neg, V/8, All	\$69.00	
03430	1969	<b>BATTERY CABLE, SPRING RING</b> Neg, 6 Cylinder & V/8, All Note: 6 Cylinder Items Are Not Returnable.	\$69.00	
09840	1970	<b>BATTERY CABLE, SPRING RING</b> Neg, 6 Cylinder, Without A/C Note: 6 Cylinder Items Are Not Returnable.	\$69.00	
03325	1970	<b>BATTERY CABLE, SPRING RING</b> Neg, 6 Cylinder, With A/C Note: 6 Cylinder Items Are Not Returnable.	\$69.00	
04265	1970	<b>BATTERY CABLE, SPRING RING</b> Neg, V/8, All	\$69.00	
09840	1971	<b>BATTERY CABLE, SPRING RING</b> Neg, 6 Cylinder With Heavy Duty Battery Note: 6 Cylinder Items Are Not Returnable.	\$69.00	
14615	1971	<b>BATTERY CABLE, SPRING RING</b> Neg, 6 Cylinder, Without Heavy Duty Battery Note: 6 Cylinder Items Are Not Returnable.	\$69.00	
38853	1971	<b>BATTERY CABLE, SIDE POST</b> Neg, V/8, All	\$74.00	
04265	1971	<b>BATTERY CABLE, SPRING RING</b> Neg, V/8, Except 455 C.I. (L75 & LS5)	\$69.00	
09840	1972	<b>BATTERY CABLE, SPRING RING</b> Neg, 6 Cylinder With Heavy Duty Battery Note: 6 Cylinder Items Are Not Returnable.	\$69.00	
14615	1972	<b>BATTERY CABLE, SPRING RING</b> Neg, 6 Cylinder Without Heavy Duty Battery Note: 6 Cylinder Items Are Not Returnable.	\$69.00	
38854	1972	<b>BATTERY CABLE, SIDE POST</b> Neg, V/8, All	\$74.00	
41378	1973	<b>BATTERY CABLE, SIDE POST</b> Neg, 6 Cylinder Note: 6 Cylinder Items Are Not Returnable.	\$74.00	
38854	1973	<b>BATTERY CABLE, SIDE POST</b> Neg, V/8, All	\$74.00	
41378	1974	<b>BATTERY CABLE, SIDE POST</b> Neg, 6 Cylinder Note: 6 Cylinder Items Are Not Returnable.	\$74.00	
38854	1974	<b>BATTERY CABLE, SIDE POST</b> Neg, V/8, All	\$74.00	
38855	1974	<b>BATTERY CABLE GROUND</b> Neg, Redundant Ground, Frame To Motor	\$69.00	
38856	1975	<b>BATTERY CABLE, SIDE POST</b> Neg, 6 Cylinder Note: 6 Cylinder Items Are Not Returnable.	\$74.00	
38875	1975	<b>BATTERY CABLE, SIDE POST</b> Neg, V/8, All	\$74.00	

Part Number	Year	Description	Price	*Rev.
38855	1975	<b>BATTERY CABLE GROUND</b> Neg, Redundant Ground, Frame To Motor	\$69.00	
38856	1976	<b>BATTERY CABLE, SIDE POST</b> Neg, 6 Cylinder Note: 6 Cylinder Items Are Not Returnable.	\$74.00	
38875	1976	<b>BATTERY CABLE, SIDE POST</b> Neg, V/8, All	\$74.00	
38855	1976	<b>BATTERY CABLE GROUND</b> Neg, Redundant Ground, Frame To Motor	\$69.00	
38830	1977	<b>BATTERY CABLE, SIDE POST</b> Neg, V/6, 231 C.I.	\$74.00	
38857	1977	<b>BATTERY CABLE, SIDE POST</b> Neg, V/8, 305 C.I.	\$74.00	
38875	1977	<b>BATTERY CABLE, SIDE POST</b> Neg, V/8, All, Except Chevrolet Engines	\$74.00	
38855	1977	<b>BATTERY CABLE GROUND</b> Neg, Redundant Ground, Frame To Motor	\$69.00	
38830	1978	<b>BATTERY CABLE, SIDE POST</b> Neg, V/6, 231 C.I.	\$74.00	
38857	1978	<b>BATTERY CABLE, SIDE POST</b> Neg, V/8, 305 C.I., 350 C.I. Chevrolet	\$74.00	
38875	1978	<b>BATTERY CABLE, SIDE POST</b> Neg, V/8, All, Except Chevrolet Engines	\$74.00	
38855	1978	<b>BATTERY CABLE GROUND</b> Neg, Redundant Ground, Frame To Motor	\$69.00	
38830	1979	<b>BATTERY CABLE, SIDE POST</b> Neg, V/6, 231 C.I.	\$74.00	
38857	1979	<b>BATTERY CABLE, SIDE POST</b> Neg, V/8, 305 C.I., 350 C.I.	\$74.00	
38875	1979	<b>BATTERY CABLE, SIDE POST</b> Neg, V/8, All, Except Chevrolet Engines	\$74.00	
38855	1979	<b>BATTERY CABLE GROUND</b> Neg, Redundant Ground, Frame To Motor	\$69.00	
38830	1980	<b>BATTERY CABLE, SIDE POST</b> Neg, V/6, 231 C.I.	\$74.00	
38875	1980	<b>BATTERY CABLE, SIDE POST</b> Neg, V/8, 265 C.I., 301 C.I.	\$74.00	
38857	1980	<b>BATTERY CABLE, SIDE POST</b> Neg, V/8, 305 C.I.	\$74.00	
38855	1980	<b>BATTERY CABLE GROUND</b> Neg, Redundant Ground, Frame To Motor	\$69.00	
38830	1981	<b>BATTERY CABLE, SIDE POST</b> Neg, V/6, 231 C.I.	\$74.00	
38875	1981	<b>BATTERY CABLE, SIDE POST</b> Neg, V/8, 265 C.I., 301 C.I.	\$74.00	
38857	1981	<b>BATTERY CABLE, SIDE POST</b> Neg, V/8, 305 C.I.	\$74.00	
38855	1981	<b>BATTERY CABLE GROUND</b> Neg, Redundant Ground, Frame To Motor	\$69.00	
<b>BATTERY CABLE-POSITIVE</b>				
10700	1967	<b>BATTERY CABLE, SPRING RING</b> Pos, 6 Cylinder, Without A/C Note: 6 Cylinder Items Are Not Returnable.	\$69.00	
09855	1967	<b>BATTERY CABLE, SPRING RING</b> Pos, 6 Cylinder, With A/C Note: 6 Cylinder Items Are Not Returnable.	\$69.00	
21590	1967	<b>BATTERY CABLE, SPRING RING</b> Pos, V/8, All	\$69.00	
10700	1968	<b>BATTERY CABLE, SPRING RING</b> Pos, 6 Cylinder, Without A/C Note: 6 Cylinder Items Are Not Returnable.	\$69.00	
09855	1968	<b>BATTERY CABLE, SPRING RING</b> Pos, 6 Cylinder, With A/C Note: 6 Cylinder Items Are Not Returnable.	\$69.00	
21590	1968	<b>BATTERY CABLE, SPRING RING</b> Pos, V/8, All	\$69.00	
04195	1969	<b>BATTERY CABLE, SPRING RING</b> Pos, 6 Cylinder, All Note: 6 Cylinder Items Are Not Returnable.	\$69.00	
12510	1969	<b>BATTERY CABLE, SPRING RING</b> Pos, V/8, All	\$69.00	
04195	1970	<b>BATTERY CABLE, SPRING RING</b> Pos, 6 Cylinder, All Note: 6 Cylinder Items Are Not Returnable.	\$69.00	
27640	1970	<b>BATTERY CABLE, SPRING RING</b> Pos, V/8, Except Ram Air	\$69.00	
35957	1970	<b>BATTERY CABLE, SPRING RING</b> Pos, V/8, With Ram Air	\$69.00	
41367	1971	<b>BATTERY CABLE, SPRING RING</b> Pos, 6 Cylinder, All Note: 6 Cylinder Items Are Not Returnable.	\$69.00	
40148	1971	<b>BATTERY CABLE, SPRING RING</b> Pos, V/8, Except 455 C.I.	\$69.00	
41352	1971	<b>BATTERY CABLE, SIDE POST</b> Pos, 455 C.I. (L75)	\$68.00	

Part Number	Year	Description	Price	*Rev.
38852	1971	<b>BATTERY CABLE, SIDE POST</b> Pos, HD 455 C.I. (LS5)	\$74.00	
41367	1972	<b>BATTERY CABLE, SPRING RING</b> Pos, 6 Cylinder Note: 6 Cylinder Items Are Not Returnable.	\$69.00	
41375	1972	<b>BATTERY CABLE, SIDE POST</b> Pos, V/8, Except 455 C.I. (L75 & LS5)	\$74.00	
38426	1972	<b>BATTERY CABLE, SIDE POST</b> Pos, HD 455 C.I. (LS5)	\$74.00	
41379	1973	<b>BATTERY CABLE, SIDE POST</b> Pos, 6 Cylinder Note: 6 Cylinder Items Are Not Returnable.	\$74.00	
41375	1973	<b>BATTERY CABLE, SIDE POST</b> Pos, V/8, Except 455 C.I.	\$74.00	
38426	1973	<b>BATTERY CABLE, SIDE POST</b> Pos, V/8 455 C.I.	\$74.00	
22650	1974	<b>BATTERY CABLE, SIDE POST</b> Pos, 6 Cylinder Note: 6 Cylinder Items Are Not Returnable.	\$74.00	
41375	1974	<b>BATTERY CABLE, SIDE POST</b> Pos, V/8, Except 455 C.I.	\$74.00	
38426	1974	<b>BATTERY CABLE, SIDE POST</b> Pos, V/8 455 C.I.	\$74.00	
29455	1975	<b>BATTERY CABLE, SIDE POST</b> Pos, 6 Cylinder Note: 6 Cylinder Items Are Not Returnable.	\$74.00	
38859	1975	<b>BATTERY CABLE, SIDE POST</b> Pos, V/8, Except 455 C.I., Without Heavy Duty Battery	\$74.00	
38858	1975	<b>BATTERY CABLE, SIDE POST</b> Pos, V/8, All, With Heavy Duty Battery	\$74.00	
29455	1976	<b>BATTERY CABLE, SIDE POST</b> Pos, 6 Cylinder Note: 6 Cylinder Items Are Not Returnable.	\$74.00	
38859	1976	<b>BATTERY CABLE, SIDE POST</b> Pos, V/8, Except 455 C.I., Without Heavy Duty Battery	\$74.00	
38858	1976	<b>BATTERY CABLE, SIDE POST</b> Pos, V/8, All, With Heavy Duty Battery	\$74.00	
38860	1977	<b>BATTERY CABLE, SIDE POST</b> Pos, V/6, 231 C.I.	\$74.00	
38859	1977	<b>BATTERY CABLE, SIDE POST</b> Pos, V/8, 301 C.I., 350 C.I., 400 C.I. Pontiac	\$74.00	
22645	1977	<b>BATTERY CABLE, SIDE POST</b> Pos, V/8, 305 C.I. Chevrolet	\$74.00	
38861	1977	<b>BATTERY CABLE, SIDE POST</b> Pos, V/8, 350 C.I., 403 C.I.	\$74.00	
38860	1978	<b>BATTERY CABLE, SIDE POST</b> Pos, V/6, 231 C.I.	\$74.00	
38862	1978	<b>BATTERY CABLE, SIDE POST</b> Pos, V/8, 301 C.I., 400 C.I.	\$74.00	
38831	1978	<b>BATTERY CABLE, SIDE POST</b> Pos, V/8, 305 C.I., 350 C.I. Chevrolet	\$74.00	
38861	1978	<b>BATTERY CABLE, SIDE POST</b> Pos, V/8, 403 C.I.	\$74.00	
38860	1979	<b>BATTERY CABLE, SIDE POST</b> Pos, V/6, 231 C.I.	\$74.00	
38862	1979	<b>BATTERY CABLE, SIDE POST</b> Pos, V/8, 301 C.I., 400 C.I.	\$74.00	
38831	1979	<b>BATTERY CABLE, SIDE POST</b> Pos, V/8, 305 C.I., 350 C.I. Chevrolet	\$74.00	
38861	1979	<b>BATTERY CABLE, SIDE POST</b> Pos, V/8, 403 C.I.	\$74.00	
38844	1980	<b>BATTERY CABLE, SIDE POST</b> Pos, V/6, 231 C.I., With Air Conditioning	\$74.00	
38843	1980	<b>BATTERY CABLE, SIDE POST</b> Pos, V/6, 231 C.I., Without Air Conditioning	\$74.00	
38863	1980	<b>BATTERY CABLE, SIDE POST</b> Pos, V/8, 265 C.I., 301 C.I.	\$74.00	
38831	1980	<b>BATTERY CABLE, SIDE POST</b> Pos, V/8, 305 C.I.	\$74.00	
38844	1981	<b>BATTERY CABLE, SIDE POST</b> Pos, V/6, 231 C.I.	\$74.00	
38863	1981	<b>BATTERY CABLE, SIDE POST</b> Pos, V/8, 265 C.I., 301 C.I.	\$74.00	
38831	1981	<b>BATTERY CABLE, SIDE POST</b> Pos, V/8, 267 C.I., 305 C.I.	\$74.00	
<b>BREAKERLESS SE SINGLE WIRE ELECTRONIC IGNITION</b>				
38131	1967	<b>BREAKERLESS SE SINGLE WIRE ELECTRONIC IGNITION KIT</b> For 1957-74 Breaker Point Distributors With Windowed Type Distributor Cap	\$179.00	
38131	1968	<b>BREAKERLESS SE SINGLE WIRE ELECTRONIC IGNITION KIT</b> For 1957-74 Breaker Point Distributors With Windowed Type Distributor Cap	\$179.00	
38131	1969	<b>BREAKERLESS SE SINGLE WIRE ELECTRONIC IGNITION KIT</b> For 1957-74 Breaker Point Distributors With Windowed Type Distributor Cap	\$179.00	

Part Number	Year	Description	Price	*Rev.
38131	1970	<b>BREAKERLESS SE SINGLE WIRE ELECTRONIC IGNITION KIT</b> For 1957-74 Breaker Point Distributors With Windowed Type Distributor Cap	\$179.00	
38131	1971	<b>BREAKERLESS SE SINGLE WIRE ELECTRONIC IGNITION KIT</b> For 1957-74 Breaker Point Distributors With Windowed Type Distributor Cap	\$179.00	
38131	1972	<b>BREAKERLESS SE SINGLE WIRE ELECTRONIC IGNITION KIT</b> For 1957-74 Breaker Point Distributors With Windowed Type Distributor Cap	\$179.00	
38131	1973	<b>BREAKERLESS SE SINGLE WIRE ELECTRONIC IGNITION KIT</b> For 1957-74 Breaker Point Distributors With Windowed Type Distributor Cap	\$179.00	
38131	1974	<b>BREAKERLESS SE SINGLE WIRE ELECTRONIC IGNITION KIT</b> For 1957-74 Breaker Point Distributors With Windowed Type Distributor Cap	\$179.00	
<b>CIRCUIT BREAKER</b>				
04850166	1967	<b>CIRCUIT BREAKER, 30 AMP</b> Power Seat, Top & Windows	\$14.00	
04850166	1968	<b>CIRCUIT BREAKER, 30 AMP</b> Power Seat, Top & Windows	\$14.00	
<b>CLOCK HARNESS</b>				
11960	1967	<b>CLOCK HARNESS</b> Console Mounted Clock	\$51.00	
11960	1968	<b>CLOCK HARNESS</b> Console Mounted Clock	\$51.00	
<b>CLOCK LAMP WIRE</b>				
13315	1969	<b>CLOCK LAMP WIRE</b> Dash Mounted	\$15.00	
<b>CONSOLE HARNESS</b>				
10790	1967	<b>CONSOLE HARNESS</b> Auto Trans	\$74.00	
10800	1967	<b>CONSOLE HARNESS</b> Manual Trans	\$26.00	
12635	1968	<b>CONSOLE HARNESS</b> Auto Trans	\$46.00	
13305	1969	<b>CONSOLE HARNESS</b> Auto Trans	\$26.00	
15650	1970	<b>CONSOLE HARNESS</b> Auto Trans, Shift Plate Indicator	\$26.00	
15650	1971	<b>CONSOLE HARNESS</b> Auto Trans, Shift Plate Indicator	\$26.00	
15650	1972	<b>CONSOLE HARNESS</b> Auto Trans, Shift Plate Indicator	\$26.00	
15650	1973	<b>CONSOLE HARNESS</b> All, With Automatic Trans	\$26.00	
15650	1974	<b>CONSOLE HARNESS</b> All, With Automatic Trans	\$26.00	
15650	1975	<b>CONSOLE HARNESS</b> All, With Automatic Trans	\$26.00	
15650	1976	<b>CONSOLE HARNESS</b> All, With Automatic Trans	\$26.00	
15650	1977	<b>CONSOLE HARNESS</b> All, With Automatic Trans	\$26.00	
15650	1978	<b>CONSOLE HARNESS</b> All, With Automatic Trans	\$26.00	
15650	1979	<b>CONSOLE HARNESS</b> All, With Automatic Trans	\$26.00	
15650	1980	<b>CONSOLE HARNESS</b> All, With Automatic Trans	\$26.00	
38670	1981	<b>CONSOLE HARNESS</b> All, With Automatic Trans	\$32.00	
<b>COURTESY LAMP HARNESS</b>				
13870	1967	<b>COURTESY LAMP HARNESS</b> Center Roof Mounted Dome Light	\$32.00	
13875	1967	<b>COURTESY LAMP HARNESS</b> Deluxe Interior, Rear Seat, Upper Panels	\$52.00	
17525	1967	<b>COURTESY LAMP HARNESS</b> Under Dash, Convertible	\$48.00	
08300	1967	<b>COURTESY LAMP HARNESS</b> Under Dash, Coupe	\$43.00	
13870	1968	<b>COURTESY LAMP HARNESS</b> Center Roof Mounted Dome Light	\$32.00	
33820	1968	<b>COURTESY LAMP HARNESS</b> Under Dash	\$48.00	
13870	1969	<b>COURTESY LAMP HARNESS</b> Center Roof Mounted Dome Light	\$32.00	
17575	1970	<b>COURTESY LAMP HARNESS</b> Center Roof Mounted Dome Light	\$40.00	
17575	1971	<b>COURTESY LAMP HARNESS</b> Center Roof Mounted Dome Light	\$40.00	
17575	1972	<b>COURTESY LAMP HARNESS</b> Center Roof Mounted Dome Light	\$40.00	
17575	1973	<b>COURTESY LAMP HARNESS</b> Center Roof Mounted Dome Light	\$40.00	



Part Number	Year	Description	Price	*Rev.
40042	1974	<b>COURTESY LAMP HARNESS</b> Center Roof Mounted Dome Light	\$48.00	
40130	1975	<b>COURTESY LAMP HARNESS</b> Center Roof Mounted Dome Light	\$48.00	
40130	1976	<b>COURTESY LAMP HARNESS</b> Center Roof Mounted Dome Light	\$48.00	
40130	1977	<b>COURTESY LAMP HARNESS</b> Center Roof Mounted Dome Light	\$48.00	
<b>COURTESY LAMP MOUNTING BRACKET-UNDER DASH</b>				
04876930	1967	<b>COURTESY LAMP MOUNTING BRACKET, UNDER DASH</b> Left Or Right, 2 Required Per Car	\$11.00	
04876930	1968	<b>COURTESY LAMP MOUNTING BRACKET, UNDER DASH</b> Left Or Right, 2 Required Per Car	\$11.00	
<b>COURTESY LAMP SWITCH JUMPER HARNESS</b>				
36038	1970	<b>COURTESY LAMP SWITCH JUMPER HARNESS</b> Driver Side, Door Jamb Switch To Dash Harness	\$17.00	
36039	1970	<b>COURTESY LAMP SWITCH JUMPER HARNESS</b> Passenger Side, Door Jamb Switch To Dash Harness	\$12.00	
36038	1971	<b>COURTESY LAMP SWITCH JUMPER HARNESS</b> Driver Side, Door Jamb Switch To Dash Harness	\$17.00	
36039	1971	<b>COURTESY LAMP SWITCH JUMPER HARNESS</b> Passenger Side, Door Jamb Switch To Dash Harness	\$12.00	
36038	1972	<b>COURTESY LAMP SWITCH JUMPER HARNESS</b> Driver Side, Door Jamb Switch To Dash Harness	\$17.00	
36039	1972	<b>COURTESY LAMP SWITCH JUMPER HARNESS</b> Passenger Side, Door Jamb Switch To Dash Harness	\$12.00	
36038	1973	<b>COURTESY LAMP SWITCH JUMPER HARNESS</b> Driver Side, Door Jamb Switch To Dash Harness	\$17.00	
36039	1973	<b>COURTESY LAMP SWITCH JUMPER HARNESS</b> Passenger Side, Door Jamb Switch To Dash Harness	\$12.00	
36038	1974	<b>COURTESY LAMP SWITCH JUMPER HARNESS</b> Driver Side, Door Jamb Switch To Dash Harness	\$17.00	
36039	1974	<b>COURTESY LAMP SWITCH JUMPER HARNESS</b> Passenger Side, Door Jamb Switch To Dash Harness	\$12.00	
36038	1975	<b>COURTESY LAMP SWITCH JUMPER HARNESS</b> Driver Side, Door Jamb Switch To Dash Harness	\$17.00	
36039	1975	<b>COURTESY LAMP SWITCH JUMPER HARNESS</b> Passenger Side, Door Jamb Switch To Dash Harness	\$12.00	
36038	1976	<b>COURTESY LAMP SWITCH JUMPER HARNESS</b> Driver Side, Door Jamb Switch To Dash Harness	\$17.00	
36039	1976	<b>COURTESY LAMP SWITCH JUMPER HARNESS</b> Passenger Side, Door Jamb Switch To Dash Harness	\$12.00	
36038	1977	<b>COURTESY LAMP SWITCH JUMPER HARNESS</b> Driver Side, Door Jamb Switch To Dash Harness	\$17.00	
36039	1977	<b>COURTESY LAMP SWITCH JUMPER HARNESS</b> Passenger Side, Door Jamb Switch To Dash Harness	\$12.00	
36038	1978	<b>COURTESY LAMP SWITCH JUMPER HARNESS</b> Driver Side, Door Jamb Switch To Dash Harness	\$17.00	
36039	1978	<b>COURTESY LAMP SWITCH JUMPER HARNESS</b> Passenger Side, Door Jamb Switch To Dash Harness	\$12.00	
36038	1979	<b>COURTESY LAMP SWITCH JUMPER HARNESS</b> Driver Side, Door Jamb Switch To Dash Harness	\$17.00	
36039	1979	<b>COURTESY LAMP SWITCH JUMPER HARNESS</b> Passenger Side, Door Jamb Switch To Dash Harness	\$12.00	
36038	1980	<b>COURTESY LAMP SWITCH JUMPER HARNESS</b> Driver Side, Door Jamb Switch To Dash Harness	\$17.00	
36039	1980	<b>COURTESY LAMP SWITCH JUMPER HARNESS</b> Passenger Side, Door Jamb Switch To Dash Harness	\$12.00	
36038	1981	<b>COURTESY LAMP SWITCH JUMPER HARNESS</b> Driver Side, Door Jamb Switch To Dash Harness	\$17.00	
36039	1981	<b>COURTESY LAMP SWITCH JUMPER HARNESS</b> Passenger Side, Door Jamb Switch To Dash Harness	\$12.00	
<b>DASH HARNESS</b>				
10220	1967	<b>DASH HARNESS</b> Column Shift, Auto Trans	\$524.00	
11530	1967	<b>DASH HARNESS</b> Column Shift, Auto Trans With Gauges	\$557.00	
10780	1967	<b>DASH HARNESS</b> Column Shift, Manual Trans	\$524.00	
11535	1967	<b>DASH HARNESS</b> Column Shift, Manual Trans With Gauges	\$557.00	
10785	1967	<b>DASH HARNESS</b> Console Shift, Auto Trans	\$524.00	
11520	1967	<b>DASH HARNESS</b> Console Shift, Auto Trans With Gauges	\$524.00	
10990	1967	<b>DASH HARNESS</b> Console Shift, Manual Trans	\$524.00	
11525	1967	<b>DASH HARNESS</b> Console Shift, Manual Trans With Gauges	\$524.00	
12290	1968	<b>DASH HARNESS</b> Column Shift Auto Or All Manual Trans	\$557.00	
12195	1968	<b>DASH HARNESS</b> Column Shift Auto Or All Manual Trans With Gauges	\$557.00	
12295	1968	<b>DASH HARNESS</b> Console Shift, Auto Trans	\$557.00	
12190	1968	<b>DASH HARNESS</b> Console Shift, Auto Trans With Gauges	\$557.00	

Part Number	Year	Description	Price	*Rev.
12830	1969	<b>DASH HARNESS</b> With Warning Lights Note: This Harness Contains A Resistance Wire In It And Must Be Modified If Using With A GM H.E.I. Distributor.	\$557.00	
12835	1969	<b>DASH HARNESS</b> With Gauges, Standard Dash Mounted Rally Gauges Note: Speedometer Mounted In Left Dash Pod, This Harness Contains A Resistance Wire In It And Must Be Modified If Using With A GM H.E.I. Distributor.	\$557.00	
13520	1969	<b>DASH HARNESS</b> With Special Stacked Gauges, Trans AM Note: Speedometer Mounted In Right Dash Pod, Tach Mounted In Left, This Harness Contains A Resistance Wire In It And Must Be Modified If Using With A GM H.E.I. Distributor.	\$557.00	
15755	1970	<b>DASH HARNESS</b> Without Gauges	\$639.00	
15760	1970	<b>DASH HARNESS</b> With Gauges	\$614.00	
16220	1971	<b>DASH HARNESS</b> With Warning Lights	\$625.00	
16675	1971	<b>DASH HARNESS</b> With Gauges	\$639.00	
16220	1972	<b>DASH HARNESS</b> With Warning Lights	\$625.00	
17760	1972	<b>DASH HARNESS</b> With Warning Lights & Seat Belt Warning	\$658.00	
16675	1972	<b>DASH HARNESS</b> With Gauges	\$639.00	
16870	1972	<b>DASH HARNESS</b> With Gauges & Seat Belt Warning	\$639.00	
17760	1973	<b>DASH HARNESS</b> With Warning Lights	\$658.00	
16870	1973	<b>DASH HARNESS</b> With Gauges	\$639.00	
17765	1974	<b>DASH HARNESS</b> With Warning Lights	\$703.00	
17075	1974	<b>DASH HARNESS</b> With Gauges	\$703.00	
38599	1975	<b>DASH HARNESS</b> Base Model Note: Used Up To 3-24-75, With Pink & Yellow Wire In L Shape Connector On Neutral Safety Switch, Without Seat Belt Ignition Interlock.	\$876.00	
38602	1975	<b>DASH HARNESS</b> Base Model Note: Used After 3-24-75, Without Pink & Yellow Wire In L Shape Connector On Neutral Safety Switch, Without Seat Belt Ignition Interlock.	\$899.00	
38590	1975	<b>DASH HARNESS</b> Base Model, All With Seat Belt Ignition Interlock	\$899.00	
38601	1975	<b>DASH HARNESS</b> With Power Door Locks, Electric Rear Window Defogger, Tach & Rally Gauges Note: Used Up To 3-24-75, With Pink & Yellow Wire In L Shape Connector On Neutral Safety Switch, Without Seat Belt Ignition Interlock.	\$876.00	
38604	1975	<b>DASH HARNESS</b> With Power Door Locks, Rear Window Defogger, Tach & Rally Gauges Note: Used After 3-24-75, Without Pink & Yellow Wire In L Shape Connector On Neutral Safety Switch, Without Seat Belt Ignition Interlock.	\$876.00	
38600	1975	<b>DASH HARNESS</b> With Power Door Locks, & Electric Rear Window Defogger, Without Tach & Rally Gauges Note: Used Up To 3-24-75, With Pink & Yellow Wire In L Shape Connector On Neutral Safety Switch, Without Seal Belt Ignition Interlock.	\$876.00	
38603	1975	<b>DASH HARNESS</b> With Power Door Locks, & Electric Rear Window Defogger, Without Tach & Rally Gauges Note: Used After 3-24-75, Without Pink & Yellow Wire In L Shape Connector On Neutral Safety Switch, Without Seat Belt Ignition Interlock.	\$876.00	
38610	1976	<b>DASH HARNESS</b> Base Model, All	\$876.00	
38611	1976	<b>DASH HARNESS</b> With Power Door Locks, Heated Rear Window Glass Note: Used Before 1976 1/2, For Cars With 3 Wire Connector On Rear Heated Glass Switch In Dash.	\$876.00	
38614	1976	<b>DASH HARNESS</b> With Power Door Locks, Heated Rear Window Glass Note: Used After 1976 1/2, For Cars With 5 Wire Connector On Rear Heated Glass Switch In Dash.	\$899.00	
38612	1976	<b>DASH HARNESS</b> With Power Door Locks, Tach & Rally Gauges & Heated Rear Window Glass Note: Used Before 1976 1/2, For Cars With 3 Wire Connector On Rear Heated Glass Switch In Dash.	\$876.00	

Part Number	Year	Description	Price	*Rev.
38615	1976	<b>DASH HARNESS</b> With Power Door Locks, Tach & Rally Gauges & Heated Rear Window Glass Note: Used After 1976 1/2, For Cars With 5 Wire Connector On Rear Heated Glass Switch In Dash.	\$876.00	
38621	1977	<b>DASH HARNESS</b> Base Model, All	\$876.00	
38620	1977	<b>DASH HARNESS</b> With Electric Rear Window Defogger	\$876.00	
38626	1977	<b>DASH HARNESS</b> With Electric Rear Window Defogger, And Tach & Rally Gauges	\$876.00	
38631	1977	<b>DASH HARNESS</b> Base Model, For Export Use Only	\$940.00	
38632	1977	<b>DASH HARNESS</b> With Electric Rear Window Defogger, For Export Use Only	\$940.00	
38624	1978	<b>DASH HARNESS</b> Base Model, All	\$899.00	
38625	1978	<b>DASH HARNESS</b> With Electric Rear Window Defogger & Digital Clock Radio Note: With Push In Lamp Socket For Heater Control Indicator Lamp.	\$899.00	
38519	1978	<b>DASH HARNESS</b> With Electric Rear Window Defogger, Digital Clock Radio And Tach & Rally Gauges Note: With Push In Lamp Socket For Heater Control Indicator Lamp.	\$876.00	
38638	1978	<b>DASH HARNESS</b> With Electric Rear Window Defogger & Digital Clock Radio Note: With Twist In Lamp Socket For Heater Control Indicator Lamp.	\$901.00	
38639	1978	<b>DASH HARNESS</b> With Electric Rear Window Defogger, Digital Clock Radio And Tach & Rally Gauges, Note: With Twist In Lamp Socket For Heater Control Indicator Lamp.	\$876.00	
38645	1979	<b>DASH HARNESS</b> With Manual Transmission	\$899.00	
38646	1979	<b>DASH HARNESS</b> With Automatic Transmission	\$899.00	
38647	1979	<b>DASH HARNESS</b> With Manual Transmission, And Tach & Rally Gauges	\$876.00	
38420	1979	<b>DASH HARNESS</b> With Automatic Transmission, And Tach & Rally Gauges	\$876.00	
38656	1980	<b>DASH HARNESS</b> With Manual Transmission	\$928.00	
38657	1980	<b>DASH HARNESS</b> With Automatic Transmission	\$928.00	
38414	1980	<b>DASH HARNESS</b> With Automatic Transmission, And Tach & Rally Gauges	\$928.00	
38674	1980	<b>DASH HARNESS</b> With Manual Transmission, And Tach & Rally Gauges	\$928.00	
38659	1981	<b>DASH HARNESS</b> With Manual Transmission	\$928.00	
38660	1981	<b>DASH HARNESS</b> With Automatic Transmission	\$928.00	
38662	1981	<b>DASH HARNESS</b> With Automatic Transmission, And Tach & Rally Gauges	\$928.00	
38673	1981	<b>DASH HARNESS</b> With Manual Transmission, And Tach & Rally Gauges	\$928.00	
<b>DISTRIBUTOR WIRE</b>				
36057	1967	<b>DISTRIBUTOR WIRE</b> Distributor Points To Coil Negative Terminal, V/8 Note: Fits All GM V/8 Points Type Distributors From Approx. 1957 To 1974.	\$18.00	C
36057	1968	<b>DISTRIBUTOR WIRE</b> Distributor Points To Coil Negative Terminal, V/8 Note: Fits All GM V/8 Points Type Distributors From Approx. 1957 To 1974.	\$18.00	C
36057	1969	<b>DISTRIBUTOR WIRE</b> Distributor Points To Coil Negative Terminal, V/8 Note: Fits All GM V/8 Points Type Distributors From Approx. 1957 To 1974.	\$18.00	C
36057	1970	<b>DISTRIBUTOR WIRE</b> Distributor Points To Coil Negative Terminal, V/8 Note: Fits All GM V/8 Points Type Distributors From Approx. 1957 To 1974.	\$18.00	C
36057	1971	<b>DISTRIBUTOR WIRE</b> Distributor Points To Coil Negative Terminal, V/8 Note: Fits All GM V/8 Points Type Distributors From Approx. 1957 To 1974.	\$18.00	C
36057	1972	<b>DISTRIBUTOR WIRE</b> Distributor Points To Coil Negative Terminal, V/8 Note: Fits All GM V/8 Points Type Distributors From Approx. 1957 To 1974.	\$18.00	C
36057	1973	<b>DISTRIBUTOR WIRE</b> Distributor Points To Coil Negative Terminal, V/8 Note: Fits All GM V/8 Points Type Distributors From Approx. 1957 To 1974.	\$18.00	C
36057	1974	<b>DISTRIBUTOR WIRE</b> Distributor Points To Coil Negative Terminal, V/8 Note: Fits All GM V/8 Points Type Distributors From Approx. 1957 To 1974.	\$18.00	C

Part Number	Year	Description	Price	*Rev.
<b>DOME LIGHT LENS</b>				
06279669	1967	<b>DOME LIGHT LENS</b> Note: Manufactured With Original GM Tooling, Not A Reproduction Part.	\$6.00	
06279669	1968	<b>DOME LIGHT LENS</b> Note: Manufactured With Original GM Tooling, Not A Reproduction Part.	\$6.00	
<b>ENGINE HARNESS</b>				
11205	1967	<b>ENGINE HARNESS</b> 6 Cylinder, Auto Trans Note: 6 Cylinder Items Are Not Returnable.	\$166.00	
11165	1967	<b>ENGINE HARNESS</b> 6 Cylinder, Manual Trans Note: 6 Cylinder Items Are Not Returnable.	\$166.00	
17400	1967	<b>ENGINE HARNESS</b> V/8, Auto Trans	\$140.00	
42087	1967	<b>ENGINE HARNESS-HEI</b> V/8, Auto Trans Note: This Harness Is Modified For Use With An HEI Distributor.	\$164.00	
11170	1967	<b>ENGINE HARNESS</b> V/8, Manual Trans	\$140.00	
42088	1967	<b>ENGINE HARNESS-HEI</b> V/8, Manual Trans Note: This Harness Is Modified For Use With An HEI Distributor.	\$164.00	
12210	1968	<b>ENGINE HARNESS</b> 6 Cylinder, Auto Trans Note: 6 Cylinder Items Are Not Returnable.	\$166.00	
12200	1968	<b>ENGINE HARNESS</b> 6 Cylinder, Manual Trans Note: 6 Cylinder Items Are Not Returnable.	\$166.00	
12215	1968	<b>ENGINE HARNESS</b> V/8, Auto Trans	\$149.00	
42089	1968	<b>ENGINE HARNESS-HEI</b> V/8, Auto Trans Note: This Harness Is Modified For Use With An HEI Distributor.	\$173.00	
12205	1968	<b>ENGINE HARNESS</b> V/8, Manual Trans	\$149.00	
42090	1968	<b>ENGINE HARNESS-HEI</b> V/8, Manual Trans Note: This Harness Is Modified For Use With An HEI Distributor.	\$173.00	
13460	1969	<b>ENGINE HARNESS</b> 6 Cylinder, Auto Trans Note: 6 Cylinder Items Are Not Returnable.	\$278.00	
13550	1969	<b>ENGINE HARNESS</b> 6 Cylinder, Auto Trans With Internal Reg. Alternator Note: 6 Cylinder Items Are Not Returnable.	\$290.00	
12880	1969	<b>ENGINE HARNESS</b> 6 Cylinder, Auto Trans With A/C Note: 6 Cylinder Items Are Not Returnable.	\$290.00	
13455	1969	<b>ENGINE HARNESS</b> 6 Cylinder, Auto Trans With A/C & Internal Reg. Alternator Note: 6 Cylinder Items Are Not Returnable.	\$290.00	
36155	1969	<b>ENGINE HARNESS</b> 6 Cylinder, Manual Trans Note: 6 Cylinder Items Are Not Returnable.	\$290.00	
36158	1969	<b>ENGINE HARNESS</b> 6 Cylinder, Manual Trans With Internal Reg. Alternator Note: 6 Cylinder Items Are Not Returnable.	\$290.00	
36156	1969	<b>ENGINE HARNESS</b> 6 Cylinder, Manual Trans With A/C Note: 6 Cylinder Items Are Not Returnable.	\$290.00	
36157	1969	<b>ENGINE HARNESS</b> 6 Cylinder, Manual Trans With A/C & Internal Reg. Alternator Note: 6 Cylinder Items Are Not Returnable.	\$290.00	
12885	1969	<b>ENGINE HARNESS</b> V/8, Auto Trans	\$212.00	
42091	1969	<b>ENGINE HARNESS-HEI</b> V/8, Auto Trans Note: This Harness Is Modified For Use With An HEI Distributor. In Order To Use HEI This Year, You Will Need To Bypass The Factory Installed Resistance Wire Located In Your Dash Harness. We Include A Proper Bypass Wire And Instructions For You.	\$236.00	
12890	1969	<b>ENGINE HARNESS</b> V/8, Auto Trans With Internal Reg. Alternator	\$212.00	

Part Number	Year	Description	Price	*Rev.
42092	1969	<b>ENGINE HARNESS-HEI</b> V/8, Auto Trans With Internal Reg. Alternator Note: This Harness Is Modified For Use With An HEI Distributor. In Order To Use HEI This Year, You Will Need To Bypass The Factory Installed Resistance Wire Located In Your Dash Harness. We Include A Proper Bypass Wire And Instructions For You.	\$236.00	
36159	1969	<b>ENGINE HARNESS</b> V/8, Manual Trans	\$212.00	
42093	1969	<b>ENGINE HARNESS-HEI</b> V/8, Manual Trans Note: This Harness Is Modified For Use With An HEI Distributor. In Order To Use HEI This Year, You Will Need To Bypass The Factory Installed Resistance Wire Located In Your Dash Harness. We Include A Proper Bypass Wire And Instructions For You.	\$236.00	
36160	1969	<b>ENGINE HARNESS</b> V/8, Manual Trans With Internal Reg. Alternator	\$212.00	
42094	1969	<b>ENGINE HARNESS-HEI</b> V/8, Manual Trans With Internal Reg. Alternator Note: This Harness Is Modified For Use With An HEI Distributor. In Order To Use HEI This Year, You Will Need To Bypass The Factory Installed Resistance Wire Located In Your Dash Harness. We Include A Proper Bypass Wire And Instructions For You.	\$236.00	
15735	1970	<b>ENGINE HARNESS</b> 6 Cylinder, All Note: 6 Cylinder Items Are Not Returnable.	\$303.00	
36161	1970	<b>ENGINE HARNESS</b> V/8	\$290.00	
42095	1970	<b>ENGINE HARNESS-HEI</b> V/8 Note: This Harness Is Modified For Use With An HEI Distributor.	\$314.00	
15700	1970	<b>ENGINE HARNESS</b> V/8, With A/C	\$290.00	
42096	1970	<b>ENGINE HARNESS-HEI</b> V/8, With A/C Note: This Harness Is Modified For Use With An HEI Distributor.	\$314.00	
36162	1970	<b>ENGINE HARNESS</b> V/8, With Ram Air	\$290.00	
42097	1970	<b>ENGINE HARNESS-HEI</b> V/8, With Ram Air Note: This Harness Is Modified For Use With An HEI Distributor.	\$314.00	
15765	1970	<b>ENGINE HARNESS</b> V/8, With Ram Air & A/C	\$290.00	
42098	1970	<b>ENGINE HARNESS-HEI</b> V/8, With Ram Air & A/C Note: This Harness Is Modified For Use With An HEI Distributor.	\$314.00	
16045	1971	<b>ENGINE HARNESS</b> 6 Cylinder, All Note: 6 Cylinder Items Are Not Returnable.	\$317.00	
16080	1971	<b>ENGINE HARNESS</b> V/8, Auto Trans	\$290.00	
42099	1971	<b>ENGINE HARNESS-HEI</b> V/8, Auto Trans Note: This Harness Is Modified For Use With An HEI Distributor.	\$314.00	
36164	1971	<b>ENGINE HARNESS</b> V/8, Auto Trans With A/C	\$290.00	
42100	1971	<b>ENGINE HARNESS-HEI</b> V/8, Auto Trans With A/C Note: This Harness Is Modified For Use With An HEI Distributor.	\$314.00	
15990	1971	<b>ENGINE HARNESS</b> V/8, Manual Trans	\$290.00	
42101	1971	<b>ENGINE HARNESS-HEI</b> V/8, Manual Trans Note: This Harness Is Modified For Use With An HEI Distributor.	\$314.00	
36165	1971	<b>ENGINE HARNESS</b> V/8, Manual Trans With A/C	\$290.00	
42102	1971	<b>ENGINE HARNESS-HEI</b> V/8, Manual Trans With A/C Note: This Harness Is Modified For Use With An HEI Distributor.	\$314.00	
15985	1971	<b>ENGINE HARNESS</b> V/8, All With Ram Air	\$290.00	
42103	1971	<b>ENGINE HARNESS-HEI</b> V/8, All With Ram Air Note: This Harness Is Modified For Use With An HEI Distributor.	\$314.00	
36163	1971	<b>ENGINE HARNESS</b> V/8, All With Ram Air & A/C	\$290.00	
42104	1971	<b>ENGINE HARNESS-HEI</b> V/8, All With Ram Air & A/C Note: This Harness Is Modified For Use With An HEI Distributor.	\$314.00	
16930	1972	<b>ENGINE HARNESS</b> 6 Cylinder, All Note: 6 Cylinder Items Are Not Returnable.	\$330.00	
16895	1972	<b>ENGINE HARNESS</b> V/8	\$290.00	

Part Number	Year	Description	Price	*Rev.
42105	1972	<b>ENGINE HARNESS-HEI</b> V/8 Note: This Harness Is Modified For Use With An HEI Distributor.	\$314.00	
16900	1972	<b>ENGINE HARNESS</b> V/8, With A/C	\$290.00	
42106	1972	<b>ENGINE HARNESS-HEI</b> V/8, With A/C Note: This Harness Is Modified For Use With An HEI Distributor.	\$314.00	
16905	1972	<b>ENGINE HARNESS</b> V/8, With Unitized Distributor	\$304.00	
36168	1972	<b>ENGINE HARNESS</b> V/8, With Unitized Distributor & A/C	\$304.00	
16925	1972	<b>ENGINE HARNESS</b> V/8, With Gauges & Hood Air Scoop	\$290.00	
42107	1972	<b>ENGINE HARNESS-HEI</b> V/8, With Gauges & Hood Air Scoop Note: This Harness Is Modified For Use With An HEI Distributor.	\$314.00	
36166	1972	<b>ENGINE HARNESS</b> V/8, With Gauges, Hood Air Scoop & A/C	\$290.00	
42108	1972	<b>ENGINE HARNESS-HEI</b> V/8, With Gauges, Hood Air Scoop & A/C Note: This Harness Is Modified For Use With An HEI Distributor.	\$314.00	
16805	1972	<b>ENGINE HARNESS</b> V/8, With Gauges, Unitized Distributor & Hood Air Scoop	\$317.00	
36167	1972	<b>ENGINE HARNESS</b> V/8, With Gauges, Unitized Distributor, Hood Air Scoop & A/C	\$317.00	
17025	1973	<b>ENGINE HARNESS</b> 6 Cylinder, All Note: 6 Cylinder Items Are Not Returnable.	\$345.00	
17040	1973	<b>ENGINE HARNESS</b> V/8, Early Production, See Note Note: With A 4 Contact Connector At Distributor Vacuum Solenoid.	\$331.00	
42109	1973	<b>ENGINE HARNESS-HEI</b> V/8, Early Production, See Note Note: With A 4 Contact Connector At Distributor Vacuum Solenoid. This Harness Is Modified For Use With An HEI Distributor.	\$355.00	
17090	1973	<b>ENGINE HARNESS</b> V/8, Late Production, See Note Note: With A 2 Contact Connector At Distributor Vacuum Solenoid.	\$331.00	
42110	1973	<b>ENGINE HARNESS-HEI</b> V/8, Late Production, See Note Note: This Harness Is Modified For Use With An HEI Distributor. With A 2 Contact Connector At Distributor Vacuum Solenoid.	\$355.00	
36169	1973	<b>ENGINE HARNESS</b> V/8 With A/C, Early Production, See Note Note: With A 4 Contact Connector At Distributor Vacuum Solenoid.	\$331.00	
42111	1973	<b>ENGINE HARNESS-HEI</b> V/8 With A/C, Early Production, See Note Note: With A 4 Contact Connector At Distributor Vacuum Solenoid. This Harness Is Modified For Use With An HEI Distributor	\$355.00	
36170	1973	<b>ENGINE HARNESS</b> V/8 With A/C, Late Production, See Note Note: With A 2 Contact Connector At Distributor Vacuum Solenoid.	\$331.00	
42112	1973	<b>ENGINE HARNESS-HEI</b> V/8 With A/C, Late Production, See Note Note: This Harness Is Modified For Use With An HEI Distributor. With A 2 Contact Connector At Distributor Vacuum Solenoid.	\$355.00	
17045	1973	<b>ENGINE HARNESS</b> V/8 With Unitized Distributor, Early Production, See Note Note: With A 4 Contact Connector At Distributor Vacuum Solenoid.	\$345.00	
17095	1973	<b>ENGINE HARNESS</b> V/8 With Unitized Distributor, Late Production, See Note Note: With A 2 Contact Connector At Distributor Vacuum Solenoid.	\$358.00	
36172	1973	<b>ENGINE HARNESS</b> V/8 With Unitized Distributor & A/C, Early Production, See Note Note: With A 4 Contact Connector At Distributor Vacuum Solenoid.	\$345.00	
36171	1973	<b>ENGINE HARNESS</b> V/8 With Unitized Distributor & A/C, Late Production, See Note Note: With A 2 Contact Connector At Distributor Vacuum Solenoid.	\$345.00	
17105	1974	<b>ENGINE HARNESS</b> 6 Cylinder, All Note: 6 Cylinder Items Are Not Returnable.	\$358.00	
17065	1974	<b>ENGINE HARNESS</b> V/8	\$343.00	
17120	1974	<b>ENGINE HARNESS-HEI</b> V/8 Note: This Harness Is To Be Used With An HEI Distributor.	\$343.00	
36173	1974	<b>ENGINE HARNESS</b> V/8 With A/C	\$343.00	

Part Number	Year	Description	Price	*Rev.
36174	1974	<b>ENGINE HARNESS-HEI</b> V/8 With A/C Note: This Harness Is To Be Used With An HEI Distributor.	\$343.00	
17120	1974	<b>ENGINE HARNESS</b> V/8 With H.E.I. Distributor	\$343.00	
36174	1974	<b>ENGINE HARNESS</b> V/8 With H.E.I. Distributor & A/C	\$343.00	
17115	1974	<b>ENGINE HARNESS</b> V/8 With Unitized Distributor	\$358.00	
36175	1974	<b>ENGINE HARNESS</b> V/8 With Unitized Distributor & A/C	\$372.00	
38597	1975	<b>ENGINE HARNESS</b> 6 Cylinder Note: 6 Cylinder Items Are Not Returnable.	\$317.00	
38591	1975	<b>ENGINE HARNESS</b> V/8, Without Catalytic Converter	\$278.00	
38593	1975	<b>ENGINE HARNESS</b> V/8, With Catalytic Converter	\$278.00	
38592	1975	<b>ENGINE HARNESS</b> V/8, With A/C, Without Catalytic Converter	\$290.00	
38594	1975	<b>ENGINE HARNESS</b> V/8, With A/C, With Catalytic Converter	\$290.00	
38605	1976	<b>ENGINE HARNESS</b> 6 Cylinder Note: 6 Cylinder Items Are Not Returnable.	\$317.00	
38609	1976	<b>ENGINE HARNESS</b> V/8, With A/C	\$278.00	
38392	1976	<b>ENGINE HARNESS</b> V/8, Without A/C	\$264.00	
38617	1977	<b>ENGINE HARNESS</b> 6 Cylinder Note: 6 Cylinder Items Are Not Returnable.	\$278.00	
38618	1977	<b>ENGINE HARNESS</b> With Oldsmobile 350R Or 403 V/8	\$278.00	
38423	1977	<b>ENGINE HARNESS</b> With Pontiac 301 Or 400 V/8	\$264.00	
38634	1978	<b>ENGINE HARNESS</b> With 231 V/6	\$304.00	
38618	1978	<b>ENGINE HARNESS</b> With Oldsmobile 350R Or 403 V/8	\$278.00	
38423	1978	<b>ENGINE HARNESS</b> With Pontiac 301 & 400 V/8	\$264.00	
38642	1978	<b>ENGINE HARNESS</b> With Chevy 305 & 350 V/8, & California Emissions	\$304.00	
38643	1978	<b>ENGINE HARNESS</b> With Chevy 305 & 350 V/8, & Federal Emissions	\$290.00	
38637	1979	<b>ENGINE HARNESS</b> With 231 V/6	\$304.00	
38423	1979	<b>ENGINE HARNESS</b> With Pontiac 301 & 400 V/8	\$264.00	
38635	1979	<b>ENGINE HARNESS</b> With Chevy 305 V/8	\$264.00	
38640	1979	<b>ENGINE HARNESS</b> With Oldsmobile 403 V/8	\$264.00	
38651	1980	<b>ENGINE HARNESS</b> With 231 V/6	\$278.00	
38650	1980	<b>ENGINE HARNESS</b> With Pontiac 260 V/8 Or 301 V/8	\$278.00	
38393	1980	<b>ENGINE HARNESS</b> With 260 V/8 Or & 301 V/8 Pontiac, With Tach & Rally Gauges	\$278.00	
36029	1980	<b>ENGINE HARNESS</b> With Chevy 305 V/8	\$278.00	
38652	1980	<b>ENGINE HARNESS</b> With Chevy 305 V/8, With Tach & Rally Gauges	\$290.00	
38527	1980	<b>ENGINE HARNESS</b> With Pontiac 260 V/8 Or 301 V/8, With Torque Converter Clutch	\$290.00	
38658	1980	<b>ENGINE HARNESS</b> With Pontiac 301 V/8 Turbo Charged Engine, And Tach & Rally Gauges	\$278.00	
38653	1980	<b>ENGINE HARNESS</b> With Pontiac 260 V/8 Or 301 V/8, With Tach & Rally Gauges And Torque Converter Clutch	\$290.00	
38668	1981	<b>ENGINE HARNESS</b> With 231 V/6, Without Tach & Rally Gauges	\$304.00	
38678	1981	<b>ENGINE HARNESS</b> With 231 V/6, And Tach & Rally Gauges	\$317.00	
38675	1981	<b>ENGINE HARNESS</b> With Chevy 267, 305, And 350 V/8, Without Tach & Rally Gauges	\$278.00	
38528	1981	<b>ENGINE HARNESS</b> With Chevy 267, & 305 And 350 V/8, With Tach & Rally Gauges	\$290.00	
38671	1981	<b>ENGINE HARNESS</b> With Pontiac 301 V/8 Turbo Charged Engine, Canada & Export Only	\$317.00	
28875	1981	<b>ENGINE HARNESS</b> With Pontiac 301 V/8 Turbo Charged Engine, With Tach & Rally Gauges	\$290.00	
38526	1981	<b>ENGINE HARNESS</b> With Pontiac 260 V/8 Or 301 V/8, Without Tach & Rally Gauges	\$317.00	

Part Number	Year	Description	Price	*Rev.
38665	1981	<b>ENGINE HARNESS</b> With Pontiac 260 V/8 Or 301 V/8, With Tach & Rally Gauges	\$290.00	
<b>FORWARD LAMP HARNESS</b>				
11175	1967	<b>FORWARD LAMP HARNESS</b> 6 Cylinder Note: 6 Cylinder Items Are Not Returnable.	\$272.00	
11265	1967	<b>FORWARD LAMP HARNESS</b> 6 Cylinder With Gauges Note: 6 Cylinder Items Are Not Returnable.	\$279.00	
11180	1967	<b>FORWARD LAMP HARNESS</b> V/8	\$245.00	
42113	1967	<b>FORWARD LAMP HARNESS-INT REG ALT DRIVER SIDE</b> V/8 Note: Modified For Driver Side Mounted 1972-84 Non-Serpentine Belt ("SI" Series) Internal Regulated Alternators.	\$286.00	
11185	1967	<b>FORWARD LAMP HARNESS</b> V/8 With Gauges	\$252.00	
42114	1967	<b>FORWARD LAMP HARNESS-INT REG ALT DRIVER SIDE</b> V/8 With Gauges Note: Modified For Driver Side Mounted 1972-84 Non-Serpentine Belt ("SI" Series) Internal Regulated Alternators.	\$291.00	
36058	1968	<b>FORWARD LAMP HARNESS</b> 6 Cylinder, Without Corner Lamp Rare Option Note: 6 Cylinder Items Are Not Returnable.	\$298.00	C
12220	1968	<b>FORWARD LAMP HARNESS</b> 6 Cylinder, With Corner Lamp Rare Option Note: 6 Cylinder Items Are Not Returnable. Front Parking Lamp Housing Has Two Bulbs.	\$305.00	C
36062	1968	<b>FORWARD LAMP HARNESS</b> 6 Cylinder, With Gauges, Without Corner Lamp Rare Option Note: 6 Cylinder Items Are Not Returnable.	\$286.00	C
12235	1968	<b>FORWARD LAMP HARNESS</b> 6 Cylinder, With Gauges & Corner Lamp Rare Option Note: 6 Cylinder Items Are Not Returnable. Front Parking Lamp Housing Has Two Bulbs.	\$298.00	C
36059	1968	<b>FORWARD LAMP HARNESS</b> V/8, Without Corner Lamp Rare Option	\$265.00	C
42115	1968	<b>FORWARD LAMP HARNESS-INT REG ALT DRIVER SIDE</b> V/8, Without Corner Lamp Rare Option Note: Modified For Driver Side Mounted 1972-84 Non-Serpentine Belt ("SI" Series) Internal Regulated Alternators.	\$305.00	C
12225	1968	<b>FORWARD LAMP HARNESS</b> V/8, With Corner Lamp Rare Option Note: Front Parking Lamp Housing Has Two Bulbs.	\$286.00	C
42116	1968	<b>FORWARD LAMP HARNESS-INT REG ALT DRIVER SIDE</b> V/8, With Corner Lamp Rare Option Note: Modified For Driver Side Mounted 1972-84 Non-Serpentine Belt ("SI" Series) Internal Regulated Alternators. Front Parking Lamp Housing Has Two Bulbs.	\$318.00	C
36060	1968	<b>FORWARD LAMP HARNESS</b> V/8, With Gauges, Without Corner Lamp Rare Option	\$265.00	C
42117	1968	<b>FORWARD LAMP HARNESS-INT REG ALT DRIVER SIDE</b> V/8, With Gauges, Without Corner Lamp Rare Option Note: Modified For Driver Side Mounted 1972-84 Non-Serpentine Belt ("SI" Series) Internal Regulated Alternators.	\$305.00	C
12230	1968	<b>FORWARD LAMP HARNESS</b> V/8, With Gauges & Corner Lamp Rare Option Note: Front Parking Lamp Housing Has Two Bulbs.	\$286.00	C
42118	1968	<b>FORWARD LAMP HARNESS-INT REG ALT DRIVER SIDE</b> V/8, With Gauges & Corner Lamp Rare Option Note: Modified For Driver Side Mounted 1972-84 Non-Serpentine Belt ("SI" Series) Internal Regulated Alternators. Front Parking Lamp Housing Has Two Bulbs.	\$318.00	C
12900	1969	<b>FORWARD LAMP HARNESS</b> All	\$265.00	
15980	1970	<b>FORWARD LAMP HARNESS</b> All	\$265.00	
15980	1971	<b>FORWARD LAMP HARNESS</b> All	\$265.00	
15980	1972	<b>FORWARD LAMP HARNESS</b> Without Parking Lamp Socket Assembly	\$265.00	
16765	1972	<b>FORWARD LAMP HARNESS</b> Includes Parking Lamp Socket Assembly	\$272.00	
16765	1973	<b>FORWARD LAMP HARNESS</b> All	\$272.00	
17070	1974	<b>FORWARD LAMP HARNESS</b> All	\$298.00	
38598	1975	<b>FORWARD LAMP HARNESS</b> All	\$339.00	
38380	1976	<b>FORWARD LAMP HARNESS</b> All	\$339.00	
38622	1977	<b>FORWARD LAMP HARNESS</b> All	\$325.00	
38518	1978	<b>FORWARD LAMP HARNESS</b> All	\$325.00	
38424	1979	<b>FORWARD LAMP HARNESS</b> All	\$325.00	



Part Number	Year	Description	Price	*Rev.
38649	1980	FORWARD LAMP HARNESS All	\$339.00	
38677	1981	FORWARD LAMP HARNESS With Diode Taped Into Windshield Wiper Connector	\$351.00	
38649	1981	FORWARD LAMP HARNESS Without Diode Taped Into Windshield Wiper Connector	\$339.00	
<b>FUEL TANK SENDER WIRE</b>				
18915	1967	FUEL TANK SENDER WIRE	\$22.00	
18915	1968	FUEL TANK SENDER WIRE	\$22.00	
13485	1969	FUEL TANK SENDER WIRE	\$22.00	
15795	1970	FUEL TANK SENDER WIRE	\$25.00	
15795	1971	FUEL TANK SENDER WIRE	\$25.00	
15795	1972	FUEL TANK SENDER WIRE	\$25.00	
15795	1973	FUEL TANK SENDER WIRE	\$25.00	
36272	1974	FUEL TANK SENDER WIRE	\$23.00	
36272	1975	FUEL TANK SENDER WIRE	\$23.00	
36272	1976	FUEL TANK SENDER WIRE	\$23.00	
36272	1977	FUEL TANK SENDER WIRE	\$23.00	
36272	1978	FUEL TANK SENDER WIRE	\$23.00	
<b>FUEL TANK SENDING UNIT</b>				
06428068	1967	FUEL TANK SENDING UNIT 3/8" Fuel Line, Single Line	\$43.00	N
06428069	1967	FUEL TANK SENDING UNIT 5/16" Fuel Line, Single Line	\$43.00	N
06428068	1968	FUEL TANK SENDING UNIT 3/8" Fuel Line, Single Line	\$43.00	N
06428069	1968	FUEL TANK SENDING UNIT 5/16" Fuel Line, Single Line	\$43.00	N
06428322	1969	FUEL TANK SENDING UNIT 3/8" Fuel Line, With 2nd Vent Line	\$43.00	N
<b>GLOVE BOX LAMP KIT</b>				
18000	1967	GLOVE BOX LAMP KIT Socket, Bulb & Wire	\$24.00	
18000	1968	GLOVE BOX LAMP KIT Socket, Bulb & Wire	\$24.00	
18000	1969	GLOVE BOX LAMP KIT Socket, Bulb & Wire	\$24.00	
<b>GROUND WIRE-DISTRIBUTOR POINT PLATE</b>				
38298	1967	GROUND WIRE, DISTRIBUTOR POINT PLATE From Distributor Point Plate To Distributor Housing Note: Replaces Spot Welded Wire Asm On Point Plate Side. Fits All GM V/8 Point Type Distributors From Approx. 1957-1974.	\$17.00	C
38298	1968	GROUND WIRE, DISTRIBUTOR POINT PLATE From Distributor Point Plate To Distributor Housing Note: Replaces Spot Welded Wire Asm On Point Plate Side. Fits All GM V/8 Point Type Distributors From Approx. 1957-1974.	\$17.00	C
38298	1969	GROUND WIRE, DISTRIBUTOR POINT PLATE From Distributor Point Plate To Distributor Housing Note: Replaces Spot Welded Wire Asm On Point Plate Side. Fits All GM V/8 Point Type Distributors From Approx. 1957-1974.	\$17.00	C
38298	1970	GROUND WIRE, DISTRIBUTOR POINT PLATE From Distributor Point Plate To Distributor Housing Note: Replaces Spot Welded Wire Asm On Point Plate Side. Fits All GM V/8 Point Type Distributors From Approx. 1957-1974.	\$17.00	C
38298	1971	GROUND WIRE, DISTRIBUTOR POINT PLATE From Distributor Point Plate To Distributor Housing Note: Replaces Spot Welded Wire Asm On Point Plate Side. Fits All GM V/8 Point Type Distributors From Approx. 1957-1974.	\$17.00	C
38298	1972	GROUND WIRE, DISTRIBUTOR POINT PLATE From Distributor Point Plate To Distributor Housing Note: Replaces Spot Welded Wire Asm On Point Plate Side. Fits All GM V/8 Point Type Distributors From Approx. 1957-1974.	\$17.00	C
38298	1973	GROUND WIRE, DISTRIBUTOR POINT PLATE From Distributor Point Plate To Distributor Housing Note: Replaces Spot Welded Wire Asm On Point Plate Side. Fits All GM V/8 Point Type Distributors From Approx. 1957-1974.	\$17.00	C
38298	1974	GROUND WIRE, DISTRIBUTOR POINT PLATE From Distributor Point Plate To Distributor Housing Note: Replaces Spot Welded Wire Asm On Point Plate Side. Fits All GM V/8 Point Type Distributors From Approx. 1957-1974.	\$17.00	C
<b>HARNESS TAPE</b>				
R0058272	1967	HARNESS TAPE 3/4" Vinyl (100 Ft. Roll) Non-Adhesive	\$12.00	
R0058276	1967	HARNESS TAPE 1" Vinyl (100 Ft. Roll) Non-Adhesive	\$13.00	
R0067108	1967	HARNESS TAPE 1 1/4" Vinyl (100 Ft. Roll) Non-Adhesive	\$15.00	

Part Number	Year	Description	Price	*Rev.
R0058272	1968	HARNESS TAPE 3/4" Vinyl (100 Ft. Roll) Non-Adhesive	\$12.00	
R0058276	1968	HARNESS TAPE 1" Vinyl (100 Ft. Roll) Non-Adhesive	\$13.00	
R0067108	1968	HARNESS TAPE 1 1/4" Vinyl (100 Ft. Roll) Non-Adhesive	\$15.00	
R0058272	1969	HARNESS TAPE 3/4" Vinyl (100 Ft. Roll) Non-Adhesive	\$12.00	
R0058276	1969	HARNESS TAPE 1" Vinyl (100 Ft. Roll) Non-Adhesive	\$13.00	
R0067108	1969	HARNESS TAPE 1 1/4" Vinyl (100 Ft. Roll) Non-Adhesive	\$15.00	
R0058272	1970	HARNESS TAPE 3/4" Vinyl (100 Ft. Roll) Non-Adhesive	\$12.00	
R0058276	1970	HARNESS TAPE 1" Vinyl (100 Ft. Roll) Non-Adhesive	\$13.00	
R0067108	1970	HARNESS TAPE 1 1/4" Vinyl (100 Ft. Roll) Non-Adhesive	\$15.00	
R0058272	1971	HARNESS TAPE 3/4" Vinyl (100 Ft. Roll) Non-Adhesive	\$12.00	
R0058276	1971	HARNESS TAPE 1" Vinyl (100 Ft. Roll) Non-Adhesive	\$13.00	
R0067108	1971	HARNESS TAPE 1 1/4" Vinyl (100 Ft. Roll) Non-Adhesive	\$15.00	
R0058272	1972	HARNESS TAPE 3/4" Vinyl (100 Ft. Roll) Non-Adhesive	\$12.00	
R0058276	1972	HARNESS TAPE 1" Vinyl (100 Ft. Roll) Non-Adhesive	\$13.00	
R0067108	1972	HARNESS TAPE 1 1/4" Vinyl (100 Ft. Roll) Non-Adhesive	\$15.00	
R0058272	1973	HARNESS TAPE 3/4" Vinyl (100 Ft. Roll) Non-Adhesive	\$12.00	
R0058276	1973	HARNESS TAPE 1" Vinyl (100 Ft. Roll) Non-Adhesive	\$13.00	
R0067108	1973	HARNESS TAPE 1 1/4" Vinyl (100 Ft. Roll) Non-Adhesive	\$15.00	
R0058272	1974	HARNESS TAPE 3/4" Vinyl (100 Ft. Roll) Non-Adhesive	\$12.00	
R0058276	1974	HARNESS TAPE 1" Vinyl (100 Ft. Roll) Non-Adhesive	\$13.00	
R0067108	1974	HARNESS TAPE 1 1/4" Vinyl (100 Ft. Roll) Non-Adhesive	\$15.00	
R0058272	1975	HARNESS TAPE 3/4" Vinyl (100 Ft. Roll) Non-Adhesive	\$12.00	
R0058276	1975	HARNESS TAPE 1" Vinyl (100 Ft. Roll) Non-Adhesive	\$13.00	
R0067108	1975	HARNESS TAPE 1 1/4" Vinyl (100 Ft. Roll) Non-Adhesive	\$15.00	
R0058272	1976	HARNESS TAPE 3/4" Vinyl (100 Ft. Roll) Non-Adhesive	\$12.00	
R0058276	1976	HARNESS TAPE 1" Vinyl (100 Ft. Roll) Non-Adhesive	\$13.00	
R0067108	1976	HARNESS TAPE 1 1/4" Vinyl (100 Ft. Roll) Non-Adhesive	\$15.00	
R0058272	1977	HARNESS TAPE 3/4" Vinyl (100 Ft. Roll) Non-Adhesive	\$12.00	
R0058276	1977	HARNESS TAPE 1" Vinyl (100 Ft. Roll) Non-Adhesive	\$13.00	
R0067108	1977	HARNESS TAPE 1 1/4" Vinyl (100 Ft. Roll) Non-Adhesive	\$15.00	
R0058272	1978	HARNESS TAPE 3/4" Vinyl (100 Ft. Roll) Non-Adhesive	\$12.00	
R0058276	1978	HARNESS TAPE 1" Vinyl (100 Ft. Roll) Non-Adhesive	\$13.00	
R0067108	1978	HARNESS TAPE 1 1/4" Vinyl (100 Ft. Roll) Non-Adhesive	\$15.00	
R0058272	1979	HARNESS TAPE 3/4" Vinyl (100 Ft. Roll) Non-Adhesive	\$12.00	
R0058276	1979	HARNESS TAPE 1" Vinyl (100 Ft. Roll) Non-Adhesive	\$13.00	
R0067108	1979	HARNESS TAPE 1 1/4" Vinyl (100 Ft. Roll) Non-Adhesive	\$15.00	
R0058272	1980	HARNESS TAPE 3/4" Vinyl (100 Ft. Roll) Non-Adhesive	\$12.00	
R0058276	1980	HARNESS TAPE 1" Vinyl (100 Ft. Roll) Non-Adhesive	\$13.00	
R0067108	1980	HARNESS TAPE 1 1/4" Vinyl (100 Ft. Roll) Non-Adhesive	\$15.00	
R0058272	1981	HARNESS TAPE 3/4" Vinyl (100 Ft. Roll) Non-Adhesive	\$12.00	
R0058276	1981	HARNESS TAPE 1" Vinyl (100 Ft. Roll) Non-Adhesive	\$13.00	
R0067108	1981	HARNESS TAPE 1 1/4" Vinyl (100 Ft. Roll) Non-Adhesive	\$15.00	
<b>HEADLIGHT SWITCH</b>				
01995216	1978	HEADLIGHT SWITCH	\$20.00	N
01995216	1979	HEADLIGHT SWITCH	\$20.00	N
01995216	1980	HEADLIGHT SWITCH	\$20.00	N
01995216	1981	HEADLIGHT SWITCH	\$20.00	N

Part Number	Year	Description	Price	*Rev.
<b>HEATER HARNESS</b>				
17270	1969	HEATER HARNESS Without A/C, From Blower Motor & Resistor To Fan Switch	\$43.00	
39319	1970	HEATER HARNESS Without A/C, From Blower Motor & Resistor To Fan Switch	\$49.00	
39320	1971	HEATER HARNESS Without A/C	\$53.00	
39320	1972	HEATER HARNESS Without A/C	\$53.00	
39320	1973	HEATER HARNESS Without A/C	\$53.00	
39320	1974	HEATER HARNESS Without A/C	\$53.00	
39320	1975	HEATER HARNESS Without A/C	\$53.00	
39320	1976	HEATER HARNESS Without A/C	\$53.00	
40127	1977	HEATER HARNESS Without A/C	\$67.00	
40127	1978	HEATER HARNESS Without A/C	\$67.00	
40127	1979	HEATER HARNESS Without A/C	\$67.00	
40127	1980	HEATER HARNESS Without A/C	\$67.00	
40127	1981	HEATER HARNESS Without A/C	\$67.00	
<b>HOOD LAMP REPLACEMENT KIT</b>				
18410	1967	HOOD LAMP KIT Under Hood, Includes Socket, Wire & Bulb	\$60.00	C
18410	1968	HOOD LAMP KIT Under Hood, Includes Socket, Wire & Bulb	\$60.00	C
18410	1969	HOOD LAMP KIT Under Hood, Includes Socket, Wire & Bulb	\$60.00	C
18410	1970	HOOD LAMP KIT Under Hood, Includes Socket, Wire & Bulb	\$60.00	C
18410	1971	HOOD LAMP KIT Under Hood, Includes Socket, Wire & Bulb	\$60.00	C
18410	1972	HOOD LAMP KIT Under Hood, Includes Socket, Wire & Bulb	\$60.00	C
18410	1973	HOOD LAMP KIT Under Hood, Includes Socket, Wire & Bulb	\$60.00	C
18410	1974	HOOD LAMP KIT Under Hood, Includes Socket, Wire & Bulb	\$60.00	C
18410	1975	HOOD LAMP KIT Under Hood, Includes Socket, Wire & Bulb	\$60.00	C
18410	1976	HOOD LAMP KIT Under Hood, Includes Socket, Wire & Bulb	\$60.00	C
18410	1977	HOOD LAMP KIT Under Hood, Includes Socket, Wire & Bulb	\$60.00	C
<b>IGNITION CYLINDER AND KEYS</b>				
20071252	1969	IGNITION CYLINDER AND KEYS Chrome, All	\$18.50	N
20071252	1970	IGNITION CYLINDER AND KEYS Chrome, All	\$18.50	N
20071252	1971	IGNITION CYLINDER AND KEYS Chrome, All	\$18.50	N
20071252	1972	IGNITION CYLINDER AND KEYS Chrome, All	\$18.50	N
20071252	1973	IGNITION CYLINDER AND KEYS Chrome, All	\$18.50	N
20071252	1974	IGNITION CYLINDER AND KEYS Chrome, All	\$18.50	N
20071252	1975	IGNITION CYLINDER AND KEYS Chrome, All	\$18.50	N
20071252	1976	IGNITION CYLINDER AND KEYS Chrome, All	\$18.50	N
20071252	1977	IGNITION CYLINDER AND KEYS Chrome, All	\$18.50	N
20071252	1978	IGNITION CYLINDER AND KEYS Chrome, All, 1st Design, Used On Columns Without Lock Cylinder Retaining Screw	\$18.50	N
07833759	1978	IGNITION CYLINDER AND KEYS Chrome, All, 2nd Design, Used On Columns With Lock Cylinder Retaining Screw	\$18.50	N
07833759	1979	IGNITION CYLINDER AND KEYS Chrome, All	\$18.50	N
07833759	1980	IGNITION CYLINDER AND KEYS Chrome, All	\$18.50	N
07833759	1981	IGNITION CYLINDER AND KEYS Chrome, All	\$18.50	N
07833759	1982	IGNITION CYLINDER AND KEYS Chrome, All	\$18.50	N
07833759	1983	IGNITION CYLINDER AND KEYS Chrome, All	\$18.50	N
07833759	1984	IGNITION CYLINDER AND KEYS Chrome, All	\$18.50	N
07833759	1985	IGNITION CYLINDER AND KEYS Chrome, All	\$18.50	N

Part Number	Year	Description	Price	*Rev.
07833759	1986	IGNITION CYLINDER AND KEYS Chrome, All	\$18.50	N
07833759	1987	IGNITION CYLINDER AND KEYS Chrome, All	\$18.50	N
07833759	1988	IGNITION CYLINDER AND KEYS Chrome, All	\$18.50	N
<b>IGNITION SWITCH</b>				
01990110	1969	IGNITION SWITCH All, With Tilt	\$14.00	N
01990110	1970	IGNITION SWITCH All, With Tilt	\$14.00	N
01990110	1971	IGNITION SWITCH All, With Tilt	\$14.00	N
01990110	1972	IGNITION SWITCH All, With Tilt	\$14.00	N
01990110	1973	IGNITION SWITCH All, With Tilt	\$14.00	N
01990110	1974	IGNITION SWITCH All, With Tilt	\$14.00	N
01990110	1975	IGNITION SWITCH All, With Tilt	\$14.00	N
01990110	1976	IGNITION SWITCH All, With Tilt	\$14.00	N
01990110	1977	IGNITION SWITCH All, With Tilt	\$14.00	N
01990110	1978	IGNITION SWITCH All, With Tilt	\$14.00	N
01990110	1979	IGNITION SWITCH All, With Tilt	\$14.00	N
01990110	1980	IGNITION SWITCH All, With Tilt	\$14.00	N
01990110	1981	IGNITION SWITCH All, With Tilt	\$14.00	N
01990110	1982	IGNITION SWITCH All, With Tilt	\$14.00	N
01990110	1983	IGNITION SWITCH All, With Tilt	\$14.00	N
<b>INSTRUMENT GAUGE CLUSTER CLIP KIT</b>				
08986000	1976	CLIP KIT All, Instrument Gauge Cluster / Printed Circuit Board Retaining Clip Note: Replaces Original GM Part Number 08986000, Includes 12 Clips Per Kit.	\$14.00	N
08986000	1977	CLIP KIT All, Instrument Gauge Cluster / Printed Circuit Board Retaining Clip Note: Replaces Original GM Part Number 08986000, Includes 12 Clips Per Kit.	\$14.00	N
08986000	1978	CLIP KIT All, Instrument Gauge Cluster / Printed Circuit Board Retaining Clip Note: Replaces Original GM Part Number 08986000, Includes 12 Clips Per Kit.	\$14.00	N
08986000	1979	CLIP KIT All, Instrument Gauge Cluster / Printed Circuit Board Retaining Clip Note: Replaces Original GM Part Number 08986000, Includes 12 Clips Per Kit.	\$14.00	N
08986000	1980	CLIP KIT All, Instrument Gauge Cluster / Printed Circuit Board Retaining Clip Note: Replaces Original GM Part Number 08986000, Includes 12 Clips Per Kit.	\$14.00	N
08986000	1981	CLIP KIT All, Instrument Gauge Cluster / Printed Circuit Board Retaining Clip Note: Replaces Original GM Part Number 08986000, Includes 12 Clips Per Kit.	\$14.00	N
08986000	1982	CLIP KIT All, Instrument Gauge Cluster / Printed Circuit Board Retaining Clip Note: Replaces Original GM Part Number 08986000, Includes 12 Clips Per Kit.	\$14.00	N
08986000	1983	CLIP KIT All, Instrument Gauge Cluster / Printed Circuit Board Retaining Clip Note: Replaces Original GM Part Number 08986000, Includes 12 Clips Per Kit.	\$14.00	N
08986000	1984	CLIP KIT All, Instrument Gauge Cluster / Printed Circuit Board Retaining Clip Note: Replaces Original GM Part Number 08986000, Includes 12 Clips Per Kit.	\$14.00	N
08986000	1985	CLIP KIT All, Instrument Gauge Cluster / Printed Circuit Board Retaining Clip Note: Replaces Original GM Part Number 08986000, Includes 12 Clips Per Kit.	\$14.00	N

Part Number	Year	Description	Price	*Rev.
08986000	1986	<b>CLIP KIT</b> All, Instrument Gauge Cluster / Printed Circuit Board Retaining Clip Note: Replaces Original GM Part Number 08986000, Includes 12 Clips Per Kit.	\$14.00	N
08986000	1987	<b>CLIP KIT</b> All, Instrument Gauge Cluster / Printed Circuit Board Retaining Clip Note: Replaces Original GM Part Number 08986000, Includes 12 Clips Per Kit.	\$14.00	N
08986000	1988	<b>CLIP KIT</b> All, Instrument Gauge Cluster / Printed Circuit Board Retaining Clip Note: Replaces Original GM Part Number 08986000, Includes 12 Clips Per Kit.	\$14.00	N
08986000	1989	<b>CLIP KIT</b> All, Instrument Gauge Cluster / Printed Circuit Board Retaining Clip Note: Replaces Original GM Part Number 08986000, Includes 12 Clips Per Kit.	\$14.00	N
<b>KICKDOWN SWITCH</b>				
01242101	1970	<b>KICKDOWN SWITCH</b> TH400 Auto Trans	\$19.00	
01242101	1971	<b>KICKDOWN SWITCH</b> TH400 Auto Trans	\$19.00	
01242101	1972	<b>KICKDOWN SWITCH</b> TH400 Auto Trans	\$19.00	
01242101	1973	<b>KICKDOWN SWITCH</b> TH400 Auto Trans	\$19.00	
01242101	1974	<b>KICKDOWN SWITCH</b> TH400 Auto Trans	\$19.00	
<b>LOW FUEL INDICATOR MODULE</b>				
500274	1967	<b>LOW FUEL INDICATOR MODULE</b> Generic "Adjustable" Low Fuel Warning Module Note: A Complete Electronic Control Unit To Activate A Warning Lamp Or Relay When Fuel Level Drops Below A User Adjustable Level. Includes instruction sheet.	\$64.00	C
500274	1968	<b>LOW FUEL INDICATOR MODULE</b> Generic "Adjustable" Low Fuel Warning Module Note: A Complete Electronic Control Unit To Activate A Warning Lamp Or Relay When Fuel Level Drops Below A User Adjustable Level. Includes instruction sheet.	\$64.00	C
500274	1969	<b>LOW FUEL INDICATOR MODULE</b> Generic "Adjustable" Low Fuel Warning Module Note: A Complete Electronic Control Unit To Activate A Warning Lamp Or Relay When Fuel Level Drops Below A User Adjustable Level. Includes instruction sheet.	\$64.00	C
500274	1970	<b>LOW FUEL INDICATOR MODULE</b> Generic "Adjustable" Low Fuel Warning Module Note: A Complete Electronic Control Unit To Activate A Warning Lamp Or Relay When Fuel Level Drops Below A User Adjustable Level. Includes instruction sheet.	\$64.00	C
500274	1971	<b>LOW FUEL INDICATOR MODULE</b> Generic "Adjustable" Low Fuel Warning Module Note: A Complete Electronic Control Unit To Activate A Warning Lamp Or Relay When Fuel Level Drops Below A User Adjustable Level. Includes instruction sheet.	\$64.00	C
500274	1972	<b>LOW FUEL INDICATOR MODULE</b> Generic "Adjustable" Low Fuel Warning Module Note: A Complete Electronic Control Unit To Activate A Warning Lamp Or Relay When Fuel Level Drops Below A User Adjustable Level. Includes instruction sheet.	\$64.00	C
500274	1973	<b>LOW FUEL INDICATOR MODULE</b> Generic "Adjustable" Low Fuel Warning Module Note: A Complete Electronic Control Unit To Activate A Warning Lamp Or Relay When Fuel Level Drops Below A User Adjustable Level. Includes instruction sheet.	\$64.00	C
500274	1974	<b>LOW FUEL INDICATOR MODULE</b> Generic "Adjustable" Low Fuel Warning Module Note: A Complete Electronic Control Unit To Activate A Warning Lamp Or Relay When Fuel Level Drops Below A User Adjustable Level. Includes instruction sheet.	\$64.00	C
500274	1975	<b>LOW FUEL INDICATOR MODULE</b> Generic "Adjustable" Low Fuel Warning Module Note: A Complete Electronic Control Unit To Activate A Warning Lamp Or Relay When Fuel Level Drops Below A User Adjustable Level. Includes instruction sheet.	\$64.00	C
500274	1976	<b>LOW FUEL INDICATOR MODULE</b> Generic "Adjustable" Low Fuel Warning Module Note: A Complete Electronic Control Unit To Activate A Warning Lamp Or Relay When Fuel Level Drops Below A User Adjustable Level. Includes instruction sheet.	\$64.00	C
500274	1977	<b>LOW FUEL INDICATOR MODULE</b> Generic "Adjustable" Low Fuel Warning Module Note: A Complete Electronic Control Unit To Activate A Warning Lamp Or Relay When Fuel Level Drops Below A User Adjustable Level. Includes instruction sheet.	\$64.00	C

Part Number	Year	Description	Price	*Rev.
<b>NEUTRAL SAFETY AND BACKUP LAMP SWITCH</b>				
03900503	1967	NEUTRAL SAFETY AND BACKUP LAMP SWITCH With Console Shift Pg Auto Trans	\$75.00	
03909591	1967	NEUTRAL SAFETY AND BACKUP LAMP SWITCH With Console Shift TH 350-400 Auto Trans	\$75.00	
01994235	1969	NEUTRAL SAFETY AND BACKUP LAMP SWITCH With Column Shift Auto Trans, All	\$19.00	
01994235	1970	NEUTRAL SAFETY AND BACKUP LAMP SWITCH With Column Shift Auto Trans, All	\$19.00	
01994235	1971	NEUTRAL SAFETY AND BACKUP LAMP SWITCH With Column Shift Auto Trans, All	\$19.00	
01994235	1972	NEUTRAL SAFETY AND BACKUP LAMP SWITCH With Column Shift Auto Trans, All	\$19.00	
01994235	1973	NEUTRAL SAFETY AND BACKUP LAMP SWITCH With Column Shift Auto Trans, All	\$19.00	
01994163	1974	NEUTRAL SAFETY AND BACKUP LAMP SWITCH With Auto Trans, All	\$19.00	
01994163	1975	NEUTRAL SAFETY AND BACKUP LAMP SWITCH With Auto Trans, All	\$19.00	
01994163	1976	NEUTRAL SAFETY AND BACKUP LAMP SWITCH With Auto Trans, All	\$19.00	
01994163	1977	NEUTRAL SAFETY AND BACKUP LAMP SWITCH With Auto Trans, All	\$19.00	
01994163	1978	NEUTRAL SAFETY AND BACKUP LAMP SWITCH With Auto Trans, All	\$19.00	
01994163	1979	NEUTRAL SAFETY AND BACKUP LAMP SWITCH With Auto Trans, All	\$19.00	
<b>NEUTRAL SAFETY SWITCH</b>				
03983965	1970	NEUTRAL SAFETY SWITCH With Manual Trans (Clutch Pedal Activated) Note: Includes Correct Firebird Mounting Bracket 03961589.	\$58.00	C
03983965	1971	NEUTRAL SAFETY SWITCH With Manual Trans (Clutch Pedal Activated) Note: Includes Correct Firebird Mounting Bracket 03961589.	\$58.00	C
03983965	1972	NEUTRAL SAFETY SWITCH With Manual Trans (Clutch Pedal Activated) Note: Includes Correct Firebird Mounting Bracket 03961589.	\$58.00	C
03983965	1973	NEUTRAL SAFETY SWITCH With Manual Trans (Clutch Pedal Activated) Note: Includes Correct Firebird Mounting Bracket 03961589.	\$58.00	C
03983965	1974	NEUTRAL SAFETY SWITCH With Manual Trans (Clutch Pedal Activated) Note: Includes Correct Firebird Mounting Bracket 03961589.	\$58.00	C
03983965	1975	NEUTRAL SAFETY SWITCH With Manual Trans (Clutch Pedal Activated) Note: Includes Correct Firebird Mounting Bracket 03961589.	\$58.00	C
03983965	1976	NEUTRAL SAFETY SWITCH With Manual Trans (Clutch Pedal Activated) Note: Includes Correct Firebird Mounting Bracket 03961589.	\$58.00	C
03983965	1977	NEUTRAL SAFETY SWITCH With Manual Trans (Clutch Pedal Activated) Note: Includes Correct Firebird Mounting Bracket 03961589.	\$58.00	C
03983965	1978	NEUTRAL SAFETY SWITCH With Manual Trans (Clutch Pedal Activated) Note: Includes Correct Firebird Mounting Bracket 03961589.	\$58.00	C
<b>NEUTRAL SAFETY SWITCH EXTENSION HARNESS</b>				
15750	1970	NEUTRAL SAFETY SWITCH EXTENSION HARNESS From Dash Harness To Clutch Switch	\$30.00	
15750	1971	NEUTRAL SAFETY SWITCH EXTENSION HARNESS From Dash Harness To Clutch Switch	\$30.00	
15750	1972	NEUTRAL SAFETY SWITCH EXTENSION HARNESS From Dash Harness To Clutch Switch	\$30.00	
<b>PARK LAMP JUMPER HARNESS</b>				
38623	1977	PARK LAMP JUMPER HARNESS From Park Lamp To Forward Lamp Harness	\$30.00	
38623	1978	PARK LAMP JUMPER HARNESS From Park Lamp To Forward Lamp Harness	\$30.00	
<b>POWER ACCESSORY FEED WIRE</b>				
40866	1967	POWER ACCESSORY FEED WIRE Horn Relay To Power Window & Power Top Circuit Breaker	\$21.00	
14040	1967	POWER ACCESSORY FEED WIRE Power Window & Power Top, Circuit Breaker To Harness	\$25.00	
40866	1968	POWER ACCESSORY FEED WIRE Horn Relay To Power Window & Power Top Circuit Breaker	\$21.00	
14040	1968	POWER ACCESSORY FEED WIRE Power Window & Power Top, Circuit Breaker To Harness	\$25.00	
14225	1969	POWER ACCESSORY FEED WIRE Fuse Block To Power Feed Extension	\$18.00	
14315	1969	POWER ACCESSORY FEED EXTENSION WIRE Power Accessory Feed Wire To Power Seat Harness	\$38.00	

Part Number	Year	Description	Price	*Rev.
14525	1970	<b>POWER ACCESSORY FEED WIRE</b> Fuse Block To Power Accessories Note: Used With Multiple Power Options, Windows Seats And/Or Top.	\$21.00	
14525	1971	<b>POWER ACCESSORY FEED WIRE</b> Fuse Block To Power Accessories Note: Used With Multiple Power Options, Windows Seats And/Or Top.	\$21.00	
14525	1972	<b>POWER ACCESSORY FEED WIRE</b> Fuse Block To Power Accessories Note: Used With Multiple Power Options, Windows Seats And/Or Top.	\$21.00	
14525	1973	<b>POWER ACCESSORY FEED WIRE</b> Fuse Block To Power Accessories Note: Used With Multiple Power Options, Windows Seats And/Or Top.	\$21.00	
35868	1974	<b>POWER ACCESSORY FEED WIRE</b> Dash To Power Windows & Tachometer	\$20.00	
14525	1974	<b>POWER ACCESSORY FEED WIRE</b> Fuse Block To Power Accessories Note: Used With Multiple Power Options, Windows Seats And/Or Top.	\$21.00	
35868	1975	<b>POWER ACCESSORY FEED WIRE</b> Dash To Power Windows & Tachometer	\$20.00	
14525	1975	<b>POWER ACCESSORY FEED WIRE</b> Fuse Block To Power Accessories Note: Used With Multiple Power Options, Windows Seats And/Or Top.	\$21.00	
35868	1976	<b>POWER ACCESSORY FEED WIRE</b> Dash To Power Windows & Tachometer	\$20.00	
14525	1976	<b>POWER ACCESSORY FEED WIRE</b> Fuse Block To Power Accessories Note: Used With Multiple Power Options, Windows Seats And/Or Top.	\$21.00	
35868	1977	<b>POWER ACCESSORY FEED WIRE</b> Dash To Power Windows & Tachometer	\$20.00	
14525	1977	<b>POWER ACCESSORY FEED WIRE</b> Fuse Block To Power Accessories Note: Used With Multiple Power Options, Windows Seats And/Or Top.	\$21.00	
35868	1978	<b>POWER ACCESSORY FEED WIRE</b> Dash To Power Windows & Tachometer	\$20.00	
14525	1978	<b>POWER ACCESSORY FEED WIRE</b> Fuse Block To Power Accessories Note: Used With Multiple Power Options, Windows Seats And/Or Top.	\$21.00	
<b>POWER ANTENNA HARNESS</b>				
14390	1969	<b>POWER ANTENNA HARNESS</b> Rear Body Mounted	\$52.00	
<b>POWER DOOR LOCK SWITCH</b>				
01725099	1976	<b>POWER DOOR LOCK SWITCH</b> 1 Button	\$62.00	
01725099	1977	<b>POWER DOOR LOCK SWITCH</b> 1 Button	\$62.00	
<b>POWER SEAT HARNESS</b>				
14260	1968	<b>POWER SEAT ADJUSTER FEED HARNESS</b> Power Seat To Power Feed & Power Top Harness Connectors	\$63.00	
14255	1968	<b>POWER SEAT HARNESS</b> 4-Way, Drivers Side	\$166.00	
14255	1969	<b>POWER SEAT HARNESS</b> 4-Way, Drivers Side	\$166.00	
<b>POWER TOP HARNESS</b>				
14035	1967	<b>POWER TOP HARNESS</b> Convertible	\$78.00	
14035	1968	<b>POWER TOP HARNESS</b> Convertible	\$78.00	
35956	1969	<b>POWER TOP HARNESS</b> Convertible	\$73.00	
<b>POWER TOP SWITCH</b>				
03906118	1967	<b>POWER TOP SWITCH</b> With Power Convertible Top Note: This Is The Removable "Black Knob" Type Switch, This Allows Customers With Original Removable "Chrome Knob" Type Switches To Reuse Their Original "Chrome Knob" To Retain An Original Appearance.	\$66.00	
03906118	1968	<b>POWER TOP SWITCH</b> With Power Convertible Top Note: This Is The Removable "Black Knob" Type Switch, This Allows Customers With Original Removable "Chrome Knob" Type Switches To Reuse Their Original "Chrome Knob" To Retain An Original Appearance.	\$66.00	
<b>POWER WINDOW HARNESS</b>				
13790	1967	<b>POWER WINDOW HARNESS</b> Driver Side Door & Under Dash Crossover	\$219.00	
13795	1967	<b>POWER WINDOW HARNESS</b> Passenger Side Door	\$101.00	
14070	1967	<b>POWER WINDOW HARNESS</b> Rear Quarter Window (2 Required Per Car)	\$74.00	

Part Number	Year	Description	Price	*Rev.
14207	1968	<b>POWER WINDOW HARNESS</b> Driver Side Door & Under Dash Crossover	\$219.00	
14290	1968	<b>POWER WINDOW HARNESS</b> Passenger Side Door	\$101.00	
14070	1968	<b>POWER WINDOW HARNESS</b> Rear Quarter Window (2 Required Per Car)	\$74.00	
22175	1969	<b>POWER WINDOW HARNESS</b> Drivers Side Door & Under Dash Crossover	\$219.00	
14290	1969	<b>POWER WINDOW HARNESS</b> Passenger Side Door	\$101.00	
14070	1969	<b>POWER WINDOW HARNESS</b> Rear Quarter Window (2 Required Per Car)	\$74.00	
39311	1976	<b>POWER WINDOW HARNESS</b> From Console Mounted Power Window Switch To Intermediate Rear Lamp Harness	\$119.00	
39311	1977	<b>POWER WINDOW HARNESS</b> From Console Mounted Power Window Switch To Intermediate Rear Lamp Harness	\$119.00	
39311	1978	<b>POWER WINDOW HARNESS</b> From Console Mounted Power Window Switch To Intermediate Rear Lamp Harness	\$119.00	
39311	1979	<b>POWER WINDOW HARNESS</b> From Console Mounted Power Window Switch To Intermediate Rear Lamp Harness	\$119.00	
39311	1980	<b>POWER WINDOW HARNESS</b> From Console Mounted Power Window Switch To Intermediate Rear Lamp Harness	\$119.00	
39311	1981	<b>POWER WINDOW HARNESS</b> From Console Mounted Power Window Switch To Intermediate Rear Lamp Harness	\$119.00	
<b>POWER WINDOW MOTOR ADAPTER HARNESS</b>				
36954	1967	<b>POWER WINDOW MOTOR ADAPTER HARNESS</b> Adapts "T" Shaped Motor Connector To Side By Side Blade Type Motor Connector	\$22.00	C
36954	1968	<b>POWER WINDOW MOTOR ADAPTER HARNESS</b> Adapts "T" Shaped Motor Connector To Side By Side Blade Type Motor Connector	\$22.00	C
36954	1969	<b>POWER WINDOW MOTOR ADAPTER HARNESS</b> Adapts "T" Shaped Motor Connector To Side By Side Blade Type Motor Connector	\$22.00	C
36954	1970	<b>POWER WINDOW MOTOR ADAPTER HARNESS</b> Adapts "T" Shaped Motor Connector To Side By Side Blade Type Motor Connector	\$22.00	C
36954	1971	<b>POWER WINDOW MOTOR ADAPTER HARNESS</b> Adapts "T" Shaped Motor Connector To Side By Side Blade Type Motor Connector	\$22.00	C
36954	1972	<b>POWER WINDOW MOTOR ADAPTER HARNESS</b> Adapts "T" Shaped Motor Connector To Side By Side Blade Type Motor Connector	\$22.00	C
36954	1973	<b>POWER WINDOW MOTOR ADAPTER HARNESS</b> Adapts "T" Shaped Motor Connector To Side By Side Blade Type Motor Connector	\$22.00	C
36954	1974	<b>POWER WINDOW MOTOR ADAPTER HARNESS</b> Adapts "T" Shaped Motor Connector To Side By Side Blade Type Motor Connector	\$22.00	C
36954	1975	<b>POWER WINDOW MOTOR ADAPTER HARNESS</b> Adapts "T" Shaped Motor Connector To Side By Side Blade Type Motor Connector	\$22.00	C
<b>POWER WINDOW RELAY AND ADAPTER HARNESS</b>				
39440	1967	<b>POWER WINDOW RELAY AND ADAPTER HARNESS</b> Includes New Standard Type Relay And Adapter To Mate To Factory Harness	\$40.00	
39440	1968	<b>POWER WINDOW RELAY AND ADAPTER HARNESS</b> Includes New Standard Type Relay And Adapter To Mate To Factory Harness	\$40.00	
39440	1969	<b>POWER WINDOW RELAY AND ADAPTER HARNESS</b> Includes New Standard Type Relay And Adapter To Mate To Factory Harness	\$40.00	
39440	1970	<b>POWER WINDOW RELAY AND ADAPTER HARNESS</b> Includes New Standard Type Relay And Adapter To Mate To Factory Harness	\$40.00	
39440	1971	<b>POWER WINDOW RELAY AND ADAPTER HARNESS</b> Includes New Standard Type Relay And Adapter To Mate To Factory Harness	\$40.00	
39440	1972	<b>POWER WINDOW RELAY AND ADAPTER HARNESS</b> Includes New Standard Type Relay And Adapter To Mate To Factory Harness	\$40.00	
39440	1973	<b>POWER WINDOW RELAY AND ADAPTER HARNESS</b> Includes New Standard Type Relay And Adapter To Mate To Factory Harness	\$40.00	
39440	1974	<b>POWER WINDOW RELAY AND ADAPTER HARNESS</b> Includes New Standard Type Relay And Adapter To Mate To Factory Harness	\$40.00	



Part Number	Year	Description	Price	*Rev.
<b>POWER WINDOW SWITCH</b>				
04432790	1967	POWER WINDOW SWITCH 1 Button, Round Corner Style, Chrome	\$49.00	
04432791	1967	POWER WINDOW SWITCH 4 Button, Round Corner Style, Chrome	\$67.00	
04432790	1968	POWER WINDOW SWITCH 1 Button, Round Corner Style, Chrome	\$49.00	
04432791	1968	POWER WINDOW SWITCH 4 Button, Round Corner Style, Chrome	\$67.00	
04432790	1969	POWER WINDOW SWITCH 1 Button, Round Corner Style, Chrome	\$49.00	
04432791	1969	POWER WINDOW SWITCH 4 Button, Round Corner Style, Chrome	\$67.00	
04432793	1970	POWER WINDOW SWITCH 2 Button, Round Corner Style, Chrome	\$61.00	
04432793	1971	POWER WINDOW SWITCH 2 Button, Round Corner Style, Chrome	\$61.00	
04432793	1972	POWER WINDOW SWITCH 2 Button, Round Corner Style, Chrome	\$61.00	
04432793	1973	POWER WINDOW SWITCH 2 Button, Round Corner Style, Chrome	\$61.00	
04432793	1974	POWER WINDOW SWITCH 2 Button, Round Corner Style, Chrome	\$61.00	
04432793	1975	POWER WINDOW SWITCH 2 Button, Round Corner Style, Chrome	\$61.00	
04432793	1976	POWER WINDOW SWITCH 2 Button, Round Corner Style, Chrome	\$61.00	
04432793	1977	POWER WINDOW SWITCH 2 Button, Round Corner Style, Chrome	\$61.00	
01725092	1977	POWER WINDOW SWITCH 2 Button, Square Corner Style, Chrome	\$53.00	M
01725092	1978	POWER WINDOW SWITCH 2 Button, Square Corner Style, Chrome	\$53.00	M
01725092	1979	POWER WINDOW SWITCH 2 Button, Square Corner Style, Chrome	\$53.00	M
01725092	1980	POWER WINDOW SWITCH 2 Button, Square Corner Style, Chrome	\$53.00	M
01725092	1981	POWER WINDOW SWITCH 2 Button, Square Corner Style, Chrome	\$53.00	M
<b>RALLY GAUGE TEMPERATURE EXTENSION HARNESS</b>				
15585	1970	RALLY GAUGE TEMPERATURE EXTENSION HARNESS From Engine Harness To Sending Unit	\$25.00	
15585	1971	RALLY GAUGE TEMPERATURE EXTENSION HARNESS From Engine Harness To Sending Unit	\$25.00	
15585	1972	RALLY GAUGE TEMPERATURE EXTENSION HARNESS From Engine Harness To Sending Unit	\$25.00	
<b>RAM AIR HOOD SCOOP DOOR SWITCH</b>				
01242101	1972	RAM AIR HOOD SCOOP DOOR SWITCH Mounts To Bracket Near Gas Pedal	\$19.00	
<b>RAM AIR HOOD SCOOP HARNESS</b>				
15880	1970	RAM AIR HOOD SCOOP HARNESS Air Valve Switch To Solenoid Wire	\$37.00	
17155	1970	RAM AIR HOOD SCOOP HARNESS Solenoid To Valve Switch Wire	\$37.00	
15880	1971	RAM AIR HOOD SCOOP HARNESS Air Valve Switch To Solenoid Wire	\$37.00	
17155	1971	RAM AIR HOOD SCOOP HARNESS Solenoid To Valve Switch Wire	\$37.00	
17155	1972	RAM AIR HOOD SCOOP HARNESS Solenoid To Valve Switch Wire	\$37.00	
<b>REAR LAMP HARNESS</b>				
17770	1967	REAR LAMP HARNESS Convertible	\$199.00	
14100	1967	REAR LAMP HARNESS Coupe	\$199.00	
14120	1968	REAR LAMP HARNESS Convertible	\$199.00	
17775	1968	REAR LAMP HARNESS Coupe	\$199.00	
14375	1969	REAR LAMP INTERMEDIATE HARNESS Convertible, Dash To Quarter Panel	\$159.00	
14370	1969	REAR LAMP INTERMEDIATE HARNESS Coupe, Dash To Quarter Panel	\$159.00	
14380	1969	REAR LAMP HARNESS Trunk, All	\$165.00	
17170	1970	REAR LAMP INTERMEDIATE HARNESS All, Dash To Quarter Panel	\$138.00	
14550	1970	REAR LAMP HARNESS Trunk, All Note: Customer Must Reuse Their Original Conduit.	\$180.00	
17170	1971	REAR LAMP INTERMEDIATE HARNESS All, Dash To Quarter Panel	\$138.00	
14550	1971	REAR LAMP HARNESS Trunk, All Note: Customer Must Reuse Their Original Conduit.	\$180.00	

Part Number	Year	Description	Price	*Rev.
17170	1972	<b>REAR LAMP INTERMEDIATE HARNESS</b> Without Seat Belt Warning, Dash To Quarter Panel	\$138.00	
35924	1972	<b>REAR LAMP INTERMEDIATE HARNESS</b> With Seat Belt Warning, Dash To Quarter Panel	\$157.00	
14550	1972	<b>REAR LAMP HARNESS</b> Trunk, All Note: Customer Must Reuse Their Original Conduit.	\$180.00	
35924	1973	<b>REAR LAMP INTERMEDIATE HARNESS</b> Dash To Quarter Panel	\$157.00	
14550	1973	<b>REAR LAMP HARNESS</b> Trunk, All Note: Customer Must Reuse Their Original Conduit.	\$180.00	
21240	1974	<b>REAR LAMP INTERMEDIATE HARNESS</b> With Power Windows & Door Locks & Seatbelt Ignition Interlock, Dash To Qtr Panel Note: Customer Must Supply Some Of Their Original Connectors To Build This Harness.	\$275.00	
21230	1974	<b>REAR LAMP HARNESS</b>	\$312.00	
38577	1975	<b>REAR LAMP INTERMEDIATE HARNESS</b> With Power Windows & Power Door Locks, Dash To Quarter Panel	\$272.00	
38578	1975	<b>REAR LAMP INTERMEDIATE HARNESS</b> With Power Windows, Dash To Quarter Panel	\$264.00	
38579	1975	<b>REAR LAMP INTERMEDIATE HARNESS</b> With Power Door Locks, Dash To Quarter Panel	\$272.00	
38585	1975	<b>REAR LAMP INTERMEDIATE HARNESS</b> Without Power Windows & Power Door Locks, Dash To Quarter Panel	\$264.00	
21230	1975	<b>REAR LAMP HARNESS</b> Trunk, Rear Panel, All	\$312.00	
38581	1976	<b>REAR LAMP INTERMEDIATE HARNESS</b> With Power Windows, & Power Door Locks, Dash To Quarter Panel	\$311.00	
38582	1976	<b>REAR LAMP INTERMEDIATE HARNESS</b> With Power Windows, Dash To Quarter Panel	\$279.00	
38584	1976	<b>REAR LAMP INTERMEDIATE HARNESS</b> With Power Door Locks, Dash To Quarter Panel	\$304.00	
38586	1976	<b>REAR LAMP INTERMEDIATE HARNESS</b> Without Power Windows & Power Door Locks, Dash To Quarter Panel	\$264.00	
21230	1976	<b>REAR LAMP HARNESS</b> Trunk, Rear Panel, All	\$312.00	
38580	1977	<b>REAR LAMP INTERMEDIATE HARNESS</b> With Power Windows & Door Locks, Dash To Quarter Panel	\$304.00	
38582	1977	<b>REAR LAMP INTERMEDIATE HARNESS</b> With Power Windows, Dash To Quarter Panel	\$279.00	
38583	1977	<b>REAR LAMP INTERMEDIATE HARNESS</b> With Power Door Locks, Dash To Quarter Panel	\$264.00	
38586	1977	<b>REAR LAMP INTERMEDIATE HARNESS</b> Without Power Windows & Power Door Locks, Dash To Quarter Panel	\$264.00	
38521	1977	<b>REAR LAMP HARNESS</b> Trunk, Rear Panel, All	\$305.00	
38681	1978	<b>REAR LAMP INTERMEDIATE HARNESS</b> Without Power Windows & Power Door Locks, Dash To Quarter Panel	\$264.00	
38520	1978	<b>REAR LAMP INTERMEDIATE HARNESS</b> With Power Windows & Door Locks, Dash To Quarter Panel	\$305.00	
38682	1978	<b>REAR LAMP INTERMEDIATE HARNESS</b> With Power Windows, Dash To Quarter Panel	\$298.00	
38685	1978	<b>REAR LAMP INTERMEDIATE HARNESS</b> With Power Door Locks, Dash To Quarter Panel	\$318.00	
38521	1978	<b>REAR LAMP HARNESS</b> Trunk, Rear Panel, All	\$305.00	
38679	1979	<b>REAR LAMP INTERMEDIATE HARNESS</b> Without Power Windows & Power Door Locks, Dash To Quarter Panel Note: For Export Use Only.	\$264.00	
38525	1979	<b>REAR LAMP INTERMEDIATE HARNESS</b> With Power Windows, Door Locks, Dash To Quarter Panel Export Use Only	\$291.00	
38680	1979	<b>REAR LAMP INTERMEDIATE HARNESS</b> With Power Windows, Dash To Quarter Panel, For Export Use Only	\$264.00	
38683	1979	<b>REAR LAMP INTERMEDIATE HARNESS</b> With Power Door Locks, Dash To Quarter Panel Export Use Only	\$279.00	
38681	1979	<b>REAR LAMP INTERMEDIATE HARNESS</b> Without Power Windows & Power Door Locks, Dash To Quarter Panel	\$264.00	
38520	1979	<b>REAR LAMP INTERMEDIATE HARNESS</b> With Power Windows & Door Locks, Dash To Quarter Panel	\$305.00	
38682	1979	<b>REAR LAMP INTERMEDIATE HARNESS</b> With Power Windows, Dash To Quarter Panel	\$298.00	
38685	1979	<b>REAR LAMP INTERMEDIATE HARNESS</b> With Power Door Locks, Dash To Quarter Panel	\$318.00	
38688	1979	<b>REAR LAMP HARNESS</b> Trunk, Rear Panel, All Export Only	\$381.00	

Part Number	Year	Description	Price	*Rev.
38686	1979	<b>REAR LAMP HARNESS</b> Trunk, All With Standard Tail Lamps Note: Has 4 Large Lamp Socket Holes In Tail Lamp Housings.	\$381.00	
38687	1979	<b>REAR LAMP HARNESS</b> Trunk, All With Deluxe Tail Lamps Note: Has 3 Large & 2 Small Lamp Socket Holes In Tail Lamp Housings.	\$381.00	
38679	1980	<b>REAR LAMP INTERMEDIATE HARNESS</b> Without Power Windows & Power Door Locks, Dash To Quarter Panel Note: For Export Use Only.	\$264.00	
38525	1980	<b>REAR LAMP INTERMEDIATE HARNESS</b> With Power Windows, Door Locks, Dash To Quarter Panel Export Use Only	\$291.00	
38680	1980	<b>REAR LAMP INTERMEDIATE HARNESS</b> With Power Windows, Dash To Quarter Panel, For Export Use Only	\$264.00	
38683	1980	<b>REAR LAMP INTERMEDIATE HARNESS</b> With Power Door Locks, Dash To Quarter Panel Export Use Only	\$279.00	
38692	1980	<b>REAR LAMP INTERMEDIATE HARNESS</b> With Power Windows & Door Locks, Dash To Quarter Panel	\$359.00	
38681	1980	<b>REAR LAMP INTERMEDIATE HARNESS</b> Without Power Windows & Power Door Locks, Dash To Quarter Panel	\$264.00	
38690	1980	<b>REAR LAMP INTERMEDIATE HARNESS</b> With Power Windows, Dash To Quarter Panel	\$344.00	
38694	1980	<b>REAR LAMP INTERMEDIATE HARNESS</b> With Power Door Locks, Dash To Quarter Panel	\$344.00	
38688	1980	<b>REAR LAMP HARNESS</b> Trunk, All Export Only	\$381.00	
38686	1980	<b>REAR LAMP HARNESS</b> Trunk, All With Standard Tail Lamps Note: Has 4 Large Lamp Socket Holes In Tail Lamp Housings.	\$381.00	
38687	1980	<b>REAR LAMP HARNESS</b> Trunk, All With Deluxe Tail Lamps Note: Has 3 Large And 2 Small Lamp Socket Holes In Tail Lamp Housings.	\$381.00	
38679	1981	<b>REAR LAMP INTERMEDIATE HARNESS</b> Without Power Windows & Power Door Locks, Dash To Quarter Panel Note: For Export Use Only.	\$264.00	
38691	1981	<b>REAR LAMP INTERMEDIATE HARNESS</b> With Power Windows, And Door Locks, Dash To Quarter Panel Note: For Export Use Only.	\$318.00	
38689	1981	<b>REAR LAMP INTERMEDIATE HARNESS</b> With Power Windows, Dash To Quarter Panel Note: For Export Use Only.	\$305.00	
38693	1981	<b>REAR LAMP INTERMEDIATE HARNESS</b> With Power Door Locks, Dash To Quarter Panel Note: For Export Use Only.	\$279.00	
38692	1981	<b>REAR LAMP INTERMEDIATE HARNESS</b> With Power Windows & Door Locks, Dash To Quarter Panel	\$359.00	
38681	1981	<b>REAR LAMP INTERMEDIATE HARNESS</b> Without Power Windows & Power Door Locks, Dash To Quarter Panel	\$264.00	
38690	1981	<b>REAR LAMP INTERMEDIATE HARNESS</b> With Power Windows, Dash To Quarter Panel	\$344.00	
38694	1981	<b>REAR LAMP INTERMEDIATE HARNESS</b> With Power Door Locks, Dash To Quarter Panel	\$344.00	
38688	1981	<b>REAR LAMP HARNESS</b> Trunk, All Export Only	\$381.00	
38686	1981	<b>REAR LAMP HARNESS</b> Trunk, All With Standard Tail Lamps Note: Has 4 Large Lamp Socket Holes In Tail Lamp Housings.	\$381.00	
38687	1981	<b>REAR LAMP HARNESS</b> Trunk, All With Deluxe Tail Lamps Note: Has 3 Large And 2 Small Lamp Socket Holes In Tail Lamp Housings.	\$381.00	
<b>REAR WINDOW DEFROSTER HARNESS</b>				
13785	1967	<b>REAR WINDOW DEFROSTER HARNESS</b>	\$59.00	
14180	1968	<b>REAR WINDOW DEFROSTER HARNESS</b>	\$59.00	
14385	1969	<b>REAR WINDOW DEFROSTER HARNESS</b>	\$66.00	
38808	1970	<b>REAR WINDOW DEFROSTER HARNESS</b> Blower Type	\$27.00	
38808	1971	<b>REAR WINDOW DEFROSTER HARNESS</b> Blower Type	\$27.00	
38808	1972	<b>REAR WINDOW DEFROSTER HARNESS</b> Blower Type	\$27.00	
38808	1973	<b>REAR WINDOW DEFROSTER HARNESS</b> Blower Type	\$27.00	
38808	1974	<b>REAR WINDOW DEFROSTER HARNESS</b> Blower Type	\$27.00	

Part Number	Year	Description	Price	*Rev.
38808	1975	REAR WINDOW DEFROSTER HARNESS Blower Type	\$27.00	
38808	1976	REAR WINDOW DEFROSTER HARNESS Blower Type	\$27.00	
<b>REPAIR PIGTAIL-FOR POWER WINDOW SWITCH</b>				
36048	1967	REPAIR PIGTAIL, FOR POWER WINDOW SWITCH For Single Power Window Switches, Connector & Wire	\$25.00	
36048	1968	REPAIR PIGTAIL, FOR POWER WINDOW SWITCH For Single Power Window Switches, Connector & Wire	\$25.00	
36048	1969	REPAIR PIGTAIL, FOR POWER WINDOW SWITCH For Single Power Window Switches, Connector & Wire	\$25.00	
<b>SCS JUMPER HARNESS</b>				
36233	1972	SCS JUMPER HARNESS 350 C.I., With 3 Speed Or A/T, Eng. Harn To Trans Switch	\$35.00	
<b>SPEAKER HARNESS</b>				
33425	1967	SPEAKER HARNESS Front Stereo Speakers	\$59.00	
33430	1967	SPEAKER HARNESS 4 Stereo Speakers, Front & Rear	\$83.00	
33425	1968	SPEAKER HARNESS Front Stereo Speakers	\$59.00	
33430	1968	SPEAKER HARNESS 4 Stereo Speakers, Front & Rear	\$83.00	
33425	1969	SPEAKER HARNESS Front Stereo Speakers	\$59.00	
33430	1969	SPEAKER HARNESS 4 Stereo Speakers, Front & Rear	\$83.00	
<b>SPEED WARNING HARNESS</b>				
11050	1967	SPEED WARNING HARNESS	\$25.00	
11935	1968	SPEED WARNING HARNESS	\$25.00	
13385	1969	SPEED WARNING HARNESS	\$34.00	
<b>STEERING COLUMN ADAPTER HARNESS</b>				
36882	1967	STEERING COLUMN ADAPTER HARNESS For 1969-1974 GM & Ididit Columns (Exc. Flaming River) To Stock Dash Harness Note: Adapts Horn, Directionals, Hazard Flashers To Stock 9-Pin T/L Dash Connector.	\$27.00	
38127	1967	STEERING COLUMN ADAPTER HARNESS For 1975 & Up GM & Flaming River Columns (Exc. Ididit) To Stock Dash Harness Note: Adapts Horn, Directionals, Hazard Flashers To Stock 9-Pin T/L Dash Connector.	\$27.00	
36882	1968	STEERING COLUMN ADAPTER HARNESS For 1969-1974 GM & Ididit Columns (Exc. Flaming River) To Stock Dash Harness Note: Adapts Horn, Directionals, Hazard Flashers To Stock 9-Pin T/L Dash Connector.	\$27.00	
38127	1968	STEERING COLUMN ADAPTER HARNESS For 1975 & Up GM & Flaming River Columns (Exc. Ididit) To Stock Dash Harness Note: Adapts Horn, Directionals, Hazard Flashers To Stock 9-Pin T/L Dash Connector.	\$27.00	
<b>STOP LAMP SWITCH</b>				
01261219	1967	STOP LAMP SWITCH Without Cruise	\$5.80	N
01261219	1968	STOP LAMP SWITCH Without Cruise	\$5.80	N
01261219	1969	STOP LAMP SWITCH Without Cruise	\$5.80	N
01261219	1970	STOP LAMP SWITCH Without Cruise	\$5.80	N
01261219	1971	STOP LAMP SWITCH Without Cruise	\$5.80	N
01261219	1972	STOP LAMP SWITCH Without Cruise	\$5.80	N
01261219	1973	STOP LAMP SWITCH Without Cruise	\$5.80	N
01261219	1974	STOP LAMP SWITCH Without Cruise	\$5.80	N
01261219	1975	STOP LAMP SWITCH Without Cruise	\$5.80	N
01261219	1976	STOP LAMP SWITCH Without Cruise	\$5.80	N
01261219	1977	STOP LAMP SWITCH Without Cruise	\$5.80	N
01261219	1978	STOP LAMP SWITCH Without Cruise	\$5.80	N
01261219	1979	STOP LAMP SWITCH Without Cruise	\$5.80	N
01261219	1980	STOP LAMP SWITCH Without Cruise	\$5.80	N

Part Number	Year	Description	Price	*Rev.
<b>TACHOMETER HARNESS</b>				
11545	1967	<b>TACHOMETER HARNESS</b> Hood Mounted	\$52.00	
42789	1967	<b>TACHOMETER HARNESS-HEI</b> Hood Mounted	\$52.00	
		Note: Not All Tachometers Will Operate Or Indicate Correctly When Used On An HEI Ignition System. While Some Original And Reproduction Tachometers May Give A Reading, This Does Not Necessarily Mean The Reading Is Correct.		
13760	1967	<b>TACHOMETER HARNESS</b> This Is The Harness That Is Normally Part Of The Factory Original Hood Tach	\$66.00	
12365	1968	<b>TACHOMETER HARNESS</b> Hood Mounted	\$52.00	
42790	1968	<b>TACHOMETER HARNESS-HEI</b> Hood Mounted	\$52.00	
		Note: Not All Tachometers Will Operate Or Indicate Correctly When Used On An HEI Ignition System. While Some Original And Reproduction Tachometers May Give A Reading, This Does Not Necessarily Mean The Reading Is Correct.		
13775	1968	<b>TACHOMETER HARNESS</b> This Is The Harness That Is Normally Part Of The Factory Original Hood Tach	\$66.00	
12380	1969	<b>TACHOMETER HARNESS</b> Dash Mounted	\$33.00	
42791	1969	<b>TACHOMETER HARNESS-HEI</b> Dash Mounted	\$33.00	
		Note: Not All Tachometers Will Operate Or Indicate Correctly When Used On An HEI Ignition System. While Some Original And Reproduction Tachometers May Give A Reading, This Does Not Necessarily Mean The Reading Is Correct.		
13410	1969	<b>TACHOMETER HARNESS</b> Hood Mounted	\$52.00	
42792	1969	<b>TACHOMETER HARNESS-HEI</b> Hood Mounted	\$52.00	
		Note: Not All Tachometers Will Operate Or Indicate Correctly When Used On An HEI Ignition System. While Some Original And Reproduction Tachometers May Give A Reading, This Does Not Necessarily Mean The Reading Is Correct.		
13775	1969	<b>TACHOMETER HARNESS</b> This Is The Harness That Is Normally Part Of The Factory Original Hood Tach	\$66.00	
42211	1970	<b>TACHOMETER HARNESS</b> Hood Mounted	\$33.00	
42793	1970	<b>TACHOMETER HARNESS-HEI</b> Hood Mounted	\$33.00	
		Note: Not All Tachometers Will Operate Or Indicate Correctly When Used On An HEI Ignition System. While Some Original And Reproduction Tachometers May Give A Reading, This Does Not Necessarily Mean The Reading Is Correct.		
15645	1970	<b>TACHOMETER HARNESS</b> Dash Mounted	\$33.00	
42794	1970	<b>TACHOMETER HARNESS-HEI</b> Dash Mounted	\$33.00	
		Note: Not All Tachometers Will Operate Or Indicate Correctly When Used On An HEI Ignition System. While Some Original And Reproduction Tachometers May Give A Reading, This Does Not Necessarily Mean The Reading Is Correct.		
13775	1970	<b>TACHOMETER HARNESS</b> This Is The Harness That Is Normally Part Of The Factory Original Hood Tach	\$66.00	
42211	1971	<b>TACHOMETER HARNESS</b> Hood Mounted	\$33.00	
42795	1971	<b>TACHOMETER HARNESS-HEI</b> Hood Mounted	\$33.00	
		Note: Not All Tachometers Will Operate Or Indicate Correctly When Used On An HEI Ignition System. While Some Original And Reproduction Tachometers May Give A Reading, This Does Not Necessarily Mean The Reading Is Correct.		
15645	1971	<b>TACHOMETER HARNESS</b> Dash Mounted	\$33.00	
42796	1971	<b>TACHOMETER HARNESS-HEI</b> Dash Mounted	\$33.00	
		Note: Not All Tachometers Will Operate Or Indicate Correctly When Used On An HEI Ignition System. While Some Original And Reproduction Tachometers May Give A Reading, This Does Not Necessarily Mean The Reading Is Correct.		
42211	1972	<b>TACHOMETER HARNESS</b> Hood Mounted	\$33.00	
42797	1972	<b>TACHOMETER HARNESS-HEI</b> Hood Mounted	\$33.00	
		Note: Not All Tachometers Will Operate Or Indicate Correctly When Used On An HEI Ignition System. While Some Original And Reproduction Tachometers May Give A Reading, This Does Not Necessarily Mean The Reading Is Correct.		
16885	1972	<b>TACHOMETER HARNESS</b> Dash Mounted	\$48.00	
42798	1972	<b>TACHOMETER HARNESS-HEI</b> Dash Mounted	\$33.00	
		Note: Not All Tachometers Will Operate Or Indicate Correctly When Used On An HEI Ignition System. While Some Original And Reproduction Tachometers May Give A Reading, This Does Not Necessarily Mean The Reading Is Correct.		
16890	1972	<b>TACHOMETER HARNESS</b> Dash Mounted, With Unitized Distributor	\$48.00	
16885	1973	<b>TACHOMETER HARNESS</b> Dash Mounted	\$48.00	

Part Number	Year	Description	Price	*Rev.
42799	1973	<b>TACHOMETER HARNESS-HEI</b> Dash Mounted Note: Not All Tachometers Will Operate Or Indicate Correctly When Used On An HEI Ignition System. While Some Original And Reproduction Tachometers May Give A Reading, This Does Not Necessarily Mean The Reading Is Correct.	\$33.00	
16890	1973	<b>TACHOMETER HARNESS</b> Dash Mounted, With Unitized Distributor	\$48.00	
39324	1974	<b>TACHOMETER HARNESS</b> Dash Mounted	\$52.00	
35869	1974	<b>TACHOMETER HARNESS-HEI</b> Dash Mounted	\$43.00	
35869	1975	<b>TACHOMETER HARNESS</b> Dash Mounted	\$43.00	
35869	1976	<b>TACHOMETER HARNESS</b> Dash Mounted	\$43.00	
35869	1977	<b>TACHOMETER HARNESS</b> Dash Mounted	\$43.00	
35869	1978	<b>TACHOMETER HARNESS</b> Dash Mounted	\$43.00	
38644	1979	<b>TACHOMETER HARNESS</b> Dash Mounted	\$43.00	
<b>TCS JUMPER HARNESS</b>				
16005	1971	<b>TCS JUMPER HARNESS</b> 6 Cyl. 250 C.I., With A/T, From Eng. Harn. To Trans Switch Note: 6 Cylinder Items Are Not Returnable.	\$35.00	
16020	1971	<b>TCS JUMPER HARNESS</b> 6 Cyl. 250 C.I., With H/T, From Eng. Harn. To Trans Switch Note: 6 Cylinder Items Are Not Returnable.	\$35.00	
36232	1972	<b>TCS JUMPER HARNESS</b> 6 Cyl. 250 C.I., With A/T Or H/T, From Eng. Harn To Trans Sw Note: 6 Cylinder Items Are Not Returnable.	\$36.00	
<b>TEMPERATURE SENDER JUMPER</b>				
11120	1969	<b>TEMPERATURE SENDER JUMPER</b> 6 Cylinder, With A/C Note: 6 Cylinder Items Are Not Returnable.	\$17.00	
<b>TRUNK LAMP ASSEMBLY</b>				
28175	1967	<b>TRUNK LAMP ASSEMBLY</b> Convertible, Includes Extension Harness	\$48.00	
28180	1967	<b>TRUNK LAMP ASSEMBLY</b> Coupe, Includes Extension Harness	\$43.00	
28175	1968	<b>TRUNK LAMP ASSEMBLY</b> Convertible, Includes Extension Harness	\$48.00	
28180	1968	<b>TRUNK LAMP ASSEMBLY</b> Coupe, Includes Extension Harness	\$43.00	
28175	1969	<b>TRUNK LAMP ASSEMBLY</b> Convertible, Includes Extension Harness	\$48.00	
28180	1969	<b>TRUNK LAMP ASSEMBLY</b> Coupe, Includes Extension Harness	\$43.00	
28185	1970	<b>TRUNK LAMP ASSEMBLY</b> All, Includes Extension Harness	\$48.00	
28185	1971	<b>TRUNK LAMP ASSEMBLY</b> All, Includes Extension Harness	\$48.00	
28185	1972	<b>TRUNK LAMP ASSEMBLY</b> All, Includes Extension Harness	\$48.00	
28185	1973	<b>TRUNK LAMP ASSEMBLY</b> All, Includes Extension Harness	\$48.00	
28185	1974	<b>TRUNK LAMP ASSEMBLY</b> All, Includes Extension Harness	\$48.00	
28185	1975	<b>TRUNK LAMP ASSEMBLY</b> All, Includes Extension Harness	\$48.00	
28185	1976	<b>TRUNK LAMP ASSEMBLY</b> All, Includes Extension Harness	\$48.00	
28185	1977	<b>TRUNK LAMP ASSEMBLY</b> All, Includes Extension Harness	\$48.00	
28185	1978	<b>TRUNK LAMP ASSEMBLY</b> All, Includes Extension Harness	\$48.00	
28185	1979	<b>TRUNK LAMP ASSEMBLY</b> All, Includes Extension Harness	\$48.00	
28185	1980	<b>TRUNK LAMP ASSEMBLY</b> All, Includes Extension Harness	\$48.00	
28185	1981	<b>TRUNK LAMP ASSEMBLY</b> All, Includes Extension Harness	\$48.00	
<b>TRUNK LAMP EXTENSION HARNESS</b>				
28195	1967	<b>TRUNK LAMP EXTENSION HARNESS</b> Convertible	\$20.00	
28210	1967	<b>TRUNK LAMP EXTENSION HARNESS</b> Coupe	\$15.00	
28195	1968	<b>TRUNK LAMP EXTENSION HARNESS</b> Convertible	\$20.00	
28210	1968	<b>TRUNK LAMP EXTENSION HARNESS</b> Coupe	\$15.00	
28195	1969	<b>TRUNK LAMP EXTENSION HARNESS</b> Convertible	\$20.00	
28210	1969	<b>TRUNK LAMP EXTENSION HARNESS</b> Coupe	\$15.00	

Part Number	Year	Description	Price	*Rev.
14535	1970	TRUNK LAMP EXTENSION HARNESS	\$28.00	
14535	1971	TRUNK LAMP EXTENSION HARNESS	\$28.00	
14535	1972	TRUNK LAMP EXTENSION HARNESS	\$28.00	
14535	1973	TRUNK LAMP EXTENSION HARNESS	\$28.00	
14535	1974	TRUNK LAMP EXTENSION HARNESS	\$28.00	
14535	1975	TRUNK LAMP EXTENSION HARNESS	\$28.00	
14535	1976	TRUNK LAMP EXTENSION HARNESS	\$28.00	
14535	1977	TRUNK LAMP EXTENSION HARNESS	\$28.00	
<b>TRUNK RELEASE HARNESS</b>				
14540	1970	TRUNK RELEASE HARNESS For Electric Trunk Lid Release	\$32.00	
14540	1971	TRUNK RELEASE HARNESS For Electric Trunk Lid Release	\$32.00	
14540	1972	TRUNK RELEASE HARNESS For Electric Trunk Lid Release	\$32.00	
<b>TURN SIGNAL LEVER WIPER SWITCH</b>				
22510733	1982	TURN SIGNAL LEVER WIPER SWITCH Black, With Pulse Wipers, Without Cruise Control	\$20.00	N
22510732	1982	TURN SIGNAL LEVER WIPER SWITCH Black, Without Pulse Wipers, Without Cruise Control	\$20.00	N
22510144	1982	TURN SIGNAL LEVER WIPER SWITCH Chrome, With Pulse Wipers, Without Cruise Control	\$20.00	N
22510733	1983	TURN SIGNAL LEVER WIPER SWITCH Black, With Pulse Wipers, Without Cruise Control	\$20.00	N
22510732	1983	TURN SIGNAL LEVER WIPER SWITCH Black, Without Pulse Wipers, Without Cruise Control	\$20.00	N
22510144	1983	TURN SIGNAL LEVER WIPER SWITCH Chrome, With Pulse Wipers, Without Cruise Control	\$20.00	N
25111262	1984	TURN SIGNAL LEVER WIPER SWITCH Black, With Pulse Wipers, With Cruise Control	\$26.00	N
22510733	1984	TURN SIGNAL LEVER WIPER SWITCH Black, With Pulse Wipers, Without Cruise Control	\$20.00	N
22510732	1984	TURN SIGNAL LEVER WIPER SWITCH Black, Without Pulse Wipers, Without Cruise Control	\$20.00	N
22510144	1984	TURN SIGNAL LEVER WIPER SWITCH Chrome, With Pulse Wipers, Without Cruise Control	\$20.00	N
25111262	1985	TURN SIGNAL LEVER WIPER SWITCH Black, With Pulse Wipers, With Cruise Control	\$26.00	N
22510733	1985	TURN SIGNAL LEVER WIPER SWITCH Black, With Pulse Wipers, Without Cruise Control	\$20.00	N
22510732	1985	TURN SIGNAL LEVER WIPER SWITCH Black, Without Pulse Wipers, Without Cruise Control	\$20.00	N
22510144	1985	TURN SIGNAL LEVER WIPER SWITCH Chrome, With Pulse Wipers, Without Cruise Control	\$20.00	N
25111262	1986	TURN SIGNAL LEVER WIPER SWITCH Black, With Pulse Wipers, With Cruise Control	\$26.00	N
22510733	1986	TURN SIGNAL LEVER WIPER SWITCH Black, With Pulse Wipers, Without Cruise Control	\$20.00	N
22510732	1986	TURN SIGNAL LEVER WIPER SWITCH Black, Without Pulse Wipers, Without Cruise Control	\$20.00	N
22510144	1986	TURN SIGNAL LEVER WIPER SWITCH Chrome, With Pulse Wipers, Without Cruise Control	\$20.00	N
25111262	1987	TURN SIGNAL LEVER WIPER SWITCH Black, With Pulse Wipers, With Cruise Control	\$26.00	N
22510733	1987	TURN SIGNAL LEVER WIPER SWITCH Black, With Pulse Wipers, Without Cruise Control	\$20.00	N
22510732	1987	TURN SIGNAL LEVER WIPER SWITCH Black, Without Pulse Wipers, Without Cruise Control	\$20.00	N
22510144	1987	TURN SIGNAL LEVER WIPER SWITCH Chrome, With Pulse Wipers, Without Cruise Control	\$20.00	N
25111262	1988	TURN SIGNAL LEVER WIPER SWITCH Black, With Pulse Wipers, With Cruise Control	\$26.00	N
22510733	1988	TURN SIGNAL LEVER WIPER SWITCH Black, With Pulse Wipers, Without Cruise Control	\$20.00	N
22510732	1988	TURN SIGNAL LEVER WIPER SWITCH Black, Without Pulse Wipers, Without Cruise Control	\$20.00	N
25111262	1989	TURN SIGNAL LEVER WIPER SWITCH Black, With Pulse Wipers, With Cruise Control	\$26.00	N
22510733	1989	TURN SIGNAL LEVER WIPER SWITCH Black, With Pulse Wipers, Without Cruise Control	\$20.00	N
22510732	1989	TURN SIGNAL LEVER WIPER SWITCH Black, Without Pulse Wipers, Without Cruise Control	\$20.00	N
<b>TURN SIGNAL SWITCH</b>				
07800482	1967	TURN SIGNAL SWITCH Without Column Shift A/T, Without Tilt, Without Cornering Lights, (Delco Type, Black, White Or Green)	\$50.00	
Note: Emergency Flasher Actuator Hole In Outer Cover Is Shaped Like A Doghouse.				

Part Number	Year	Description	Price	*Rev.
07800482	1967	<b>TURN SIGNAL SWITCH</b> Without Column Shift A/T, With Tilt, Without Cornering Lights, (Delco Type, Black, White Or Green) Note: Emergency Flasher Actuator Hole In Outer Cover Is Shaped Like A Doghouse.	\$50.00	
05698897	1967	<b>TURN SIGNAL SWITCH</b> With Column Shift A/T, Without Tilt, Without Cornering Lights (Delco Type, Black, White Or Green) Note: Emergency Flasher Actuator Hole In Outer Cover Is Shaped Like A Doghouse.	\$50.00	
05698897	1967	<b>TURN SIGNAL SWITCH</b> With Column Shift A/T, With Tilt, Without Cornering Lights (Delco Type, Black, White Or Green) Note: Emergency Flasher Actuator Hole In Outer Cover Is Shaped Like A Doghouse.	\$50.00	
07800482	1967	<b>TURN SIGNAL SWITCH</b> With Column Shift 3 Speed MT (Delco Type, White) Note: Emergency Flasher Actuator Hole In Outer Cover Is Shaped Like A Doghouse.	\$50.00	
01893592	1967	<b>TURN SIGNAL SWITCH</b> Col Shift, MT, Without Cornering Lights (Delco-White), Replaces Delco Part# D6211 Note: This Is A Service Part, Adapter Pigtail Included And Is Required For Some Applications.	\$58.00	
07800482	1967	<b>TURN SIGNAL SWITCH</b> With Floor Shift (Delco Type, White) Note: Emergency Flasher Actuator Hole In Outer Cover Is Shaped Like A Doghouse.	\$50.00	
01893592	1967	<b>TURN SIGNAL SWITCH</b> Floor Shift, Without Cornering Lights (Delco-White), Replaces Delco Part# D6211 Note: This Is A Service Part, Adapter Pigtail Included And Is Required For Some Applications.	\$58.00	
07800482	1968	<b>TURN SIGNAL SWITCH</b> Without Column Shift A/T, Without Tilt, Without Cornering Lights, (Delco Type, Black, White Or Green) Note: Emergency Flasher Actuator Hole In Outer Cover Is Shaped Like A Doghouse.	\$50.00	
07800482	1968	<b>TURN SIGNAL SWITCH</b> Without Column Shift A/T, With Tilt, Without Cornering Lights, (Delco Type, Black, White Or Green) Note: Emergency Flasher Actuator Hole In Outer Cover Is Shaped Like A Doghouse.	\$50.00	
05698897	1968	<b>TURN SIGNAL SWITCH</b> With Column Shift A/T, Without Tilt, Without Cornering Lights (Delco Type, Black, White Or Green) Note: Emergency Flasher Actuator Hole In Outer Cover Is Shaped Like A Doghouse.	\$50.00	
05698897	1968	<b>TURN SIGNAL SWITCH</b> With Column Shift A/T, With Tilt, Without Cornering Lights (Delco Type, Black, White Or Green) Note: Emergency Flasher Actuator Hole In Outer Cover Is Shaped Like A Doghouse.	\$50.00	
07800482	1968	<b>TURN SIGNAL SWITCH</b> With Column Shift 3 Speed MT (Delco Type, White) Note: Emergency Flasher Actuator Hole In Outer Cover Is Shaped Like A Doghouse.	\$50.00	
01893592	1968	<b>TURN SIGNAL SWITCH</b> Col. Shift, MT, Without Cornering Lights (Delco-White), Replaces Delco Part# D6211 Note: This Is A Service Part, Adapter Pigtail Included And Is Required For Some Applications.	\$58.00	
07800482	1968	<b>TURN SIGNAL SWITCH</b> With Floor Shift (Delco Type, White) Note: Emergency Flasher Actuator Hole In Outer Cover Is Shaped Like A Doghouse.	\$50.00	
01893592	1968	<b>TURN SIGNAL SWITCH</b> Floor Shift, Without Cornering Lights (Delco-White), Replaces Delco Part# D6211 Note: This Is A Service Part, Adapter Pigtail Included And Is Required For Some Applications.	\$58.00	
01997963	1969	<b>TURN SIGNAL SWITCH, CORRECT PART</b> Without Cornering Lights Note: Correct Part, No Adapter Pigtail Required.	\$41.00	
01893588	1969	<b>TURN SIGNAL SWITCH, SERVICE PART</b> Without Cornering Lights, Replaces Delco Part# D6208 Note: This Is A Service Part, Adapter Pigtail Included Is Required For Installation.	\$58.00	
01997963	1970	<b>TURN SIGNAL SWITCH, CORRECT PART</b> Without Cornering Lights, Without Tilt Note: Correct Part, No Adapter Pigtail Required.	\$41.00	
01893588	1970	<b>TURN SIGNAL SWITCH, SERVICE PART</b> Without Cornering Lights, Without Tilt, Replaces Delco Part# D6208 Note: This Is A Service Part, Adapter Pigtail Included Is Required For Installation.	\$58.00	
01997963	1971	<b>TURN SIGNAL SWITCH, CORRECT PART</b> Without Cornering Lights Note: Correct Part, No Adapter Pigtail Required.	\$41.00	



Part Number	Year	Description	Price	*Rev.
01893588	1971	<b>TURN SIGNAL SWITCH, SERVICE PART</b> Without Cornering Lights, Replaces Delco Part# D6208 Note: This Is A Service Part, Adapter Pigtail Included Is Required For Installation.	\$58.00	
01997963	1972	<b>TURN SIGNAL SWITCH, CORRECT PART</b> Without Cornering Lights Note: Correct Part, No Adapter Pigtail Required.	\$41.00	
01893588	1972	<b>TURN SIGNAL SWITCH, SERVICE PART</b> Without Cornering Lights, Replaces Delco Part# D6208 Note: This Is A Service Part, Adapter Pigtail Included Is Required For Installation.	\$58.00	
01997963	1973	<b>TURN SIGNAL SWITCH, CORRECT PART</b> Without Cornering Lights Note: Correct Part, No Adapter Pigtail Required.	\$41.00	
01893588	1973	<b>TURN SIGNAL SWITCH, SERVICE PART</b> Without Cornering Lights, Replaces Delco Part# D6208 Note: This Is A Service Part, Adapter Pigtail Included Is Required For Installation.	\$58.00	
01997963	1974	<b>TURN SIGNAL SWITCH, CORRECT PART</b> Without Cornering Lights Note: Correct Part, No Adapter Pigtail Required.	\$41.00	
01893588	1974	<b>TURN SIGNAL SWITCH, SERVICE PART</b> Without Cornering Lights, Replaces Delco Part# D6208 Note: This Is A Service Part, Adapter Pigtail Included Is Required For Installation.	\$58.00	
01997963	1975	<b>TURN SIGNAL SWITCH, CORRECT PART</b> Without Cornering Lights Note: Correct Part, No Adapter Pigtail Required.	\$41.00	
01893588	1975	<b>TURN SIGNAL SWITCH, SERVICE PART</b> Without Cornering Lights, Replaces Delco Part# D6208 Note: This Is A Service Part, Adapter Pigtail Included Is Required For Installation.	\$58.00	
01997963	1976	<b>TURN SIGNAL SWITCH, CORRECT PART</b> Without Cornering Lights Note: Correct Part, No Adapter Pigtail Required.	\$41.00	
01893588	1976	<b>TURN SIGNAL SWITCH, SERVICE PART</b> Without Cornering Lights, Replaces Delco Part# D6208 Note: This Is A Service Part, Adapter Pigtail Included Is Required For Installation.	\$58.00	
01997983	1976	<b>TURN SIGNAL SWITCH, SERVICE PART</b> Replaces Delco Part# D6222 Note: This Is A Service Part, Adapter Pigtail Included Is Required For Installation.	\$32.00	
01997983	1977	<b>TURN SIGNAL SWITCH</b>	\$32.00	
01997983	1978	<b>TURN SIGNAL SWITCH</b>	\$32.00	
01997983	1979	<b>TURN SIGNAL SWITCH</b>	\$32.00	
01997983	1980	<b>TURN SIGNAL SWITCH</b>	\$32.00	
01997983	1981	<b>TURN SIGNAL SWITCH</b>	\$32.00	
01995963	1990	<b>TURN SIGNAL SWITCH</b> Replaces Delco Part# D6210A	\$56.00	
01995963	1991	<b>TURN SIGNAL SWITCH</b> Replaces Delco Part# D6210A	\$56.00	
01995963	1992	<b>TURN SIGNAL SWITCH</b> Replaces Delco Part# D6210A	\$56.00	
01995963	1993	<b>TURN SIGNAL SWITCH</b> Replaces Delco Part# D6210A	\$56.00	
01995963	1994	<b>TURN SIGNAL SWITCH</b> Replaces Delco Part# D6210A	\$56.00	
01995963	1995	<b>TURN SIGNAL SWITCH</b> Replaces Delco Part# D6210A	\$56.00	
01995963	1996	<b>TURN SIGNAL SWITCH</b> Replaces Delco Part# D6210A	\$56.00	
01995963	1997	<b>TURN SIGNAL SWITCH</b> Replaces Delco Part# D6210A	\$56.00	
01995963	1998	<b>TURN SIGNAL SWITCH</b> Replaces Delco Part# D6210A	\$56.00	
01995963	1999	<b>TURN SIGNAL SWITCH</b> Replaces Delco Part# D6210A	\$56.00	
<b>WINDSHIELD WIPER MOTOR</b>				
04911476	1967	<b>WINDSHIELD WIPER MOTOR</b> 2-Speed, 3-Terminal Type Motor	\$92.00	N
44609	1967	<b>WINDSHIELD WIPER MOTOR</b> 2-Speed, 4-Terminal Type Motor Note: This Can Be Used In Place Of The 3-Terminal Motor. The 4th Terminal Is A Keyed Hot From Wiper Fuse In Fuse Box And May Or May Not Be Used In Some Applications.	\$106.00	N
<b>WINDSHIELD WIPER SWITCH</b>				
01993372	1967	<b>WINDSHIELD WIPER SWITCH</b>	\$45.00	
01993372	1968	<b>WINDSHIELD WIPER SWITCH</b>	\$45.00	

***Section 16***

***GMC Truck***

Part Number	Year	Description	Price	*Rev.
<b>AIR CONDITIONING CONTROL ASSEMBLY</b>				
01222890	1967	<b>AIR CONDITIONING CONTROL ASSEMBLY</b> With A/C, Complete With Fan Switch	\$185.00	N
01222890	1968	<b>AIR CONDITIONING CONTROL ASSEMBLY</b> With A/C, Complete With Fan Switch	\$185.00	N
01222890	1969	<b>AIR CONDITIONING CONTROL ASSEMBLY</b> With A/C, Complete With Fan Switch	\$185.00	N
01222890	1970	<b>AIR CONDITIONING CONTROL ASSEMBLY</b> With A/C, Complete With Fan Switch	\$185.00	N
01222890	1971	<b>AIR CONDITIONING CONTROL ASSEMBLY</b> With A/C, Complete With Fan Switch	\$185.00	N
01222890	1972	<b>AIR CONDITIONING CONTROL ASSEMBLY</b> With A/C, Complete With Fan Switch	\$185.00	N
<b>AIR CONDITIONING EXTENSION HARNESS</b>				
39731	1973	<b>AIR CONDITIONING EXTENSION HARNESS</b> Suburban, With Overhead A/C, Blower Switch Harness To Blower Motor	\$42.00	M
39735	1973	<b>AIR CONDITIONING EXTENSION HARNESS</b> Compressor To A/C Harness	\$63.00	M
39731	1974	<b>AIR CONDITIONING EXTENSION HARNESS</b> Suburban, With Overhead A/C, Blower Switch Harness To Blower Motor	\$42.00	M
39735	1974	<b>AIR CONDITIONING EXTENSION HARNESS</b> Compressor To A/C Harness	\$63.00	M
39777	1975	<b>AIR CONDITIONING EXTENSION HARNESS</b> All, Except 1/2-Ton With 250 6 Cyl, Compressor To A/C Harness Note: 6 Cylinder Items Are Not Returnable.	\$63.00	M
39790	1975	<b>AIR CONDITIONING EXTENSION HARNESS</b> Suburban, With Overhead A/C, Blower Switch Harness To Blower Motor	\$42.00	M
39817	1976	<b>AIR CONDITIONING EXTENSION HARNESS</b> All 2 Wheel Drive, & 1/2, 3/4-Ton 4 Wheel Drive, Compressor To A/C Harness	\$35.00	M
39790	1976	<b>AIR CONDITIONING EXTENSION HARNESS</b> Suburban, With Overhead A/C, Blower Switch Harness To Blower Motor	\$42.00	M
39652	1977	<b>AIR CONDITIONING EXTENSION HARNESS</b> All 2 Wheel Drive, & 1/2, 3/4-Ton 4 Wheel Drive, With 350 & 400 V/8, Compressor To A/C Harness	\$83.00	M
39817	1977	<b>AIR CONDITIONING EXTENSION HARNESS</b> All 2 Wheel Drive, & 1/2, 3/4-Ton 4 Wheel Drive, With 454 V/8, Compressor To A/C Harness	\$35.00	M
39790	1977	<b>AIR CONDITIONING EXTENSION HARNESS</b> Suburban, With Overhead A/C, Blower Switch Harness To Blower Motor	\$42.00	M
39652	1978	<b>AIR CONDITIONING EXTENSION HARNESS</b> All 2 Wheel Drive, & 1/2, 3/4-Ton 4 Wheel Drive, With 350 & 400 V/8, Compressor To A/C Harness	\$83.00	M
39817	1978	<b>AIR CONDITIONING EXTENSION HARNESS</b> All 2 Wheel Drive, & 1/2, 3/4-Ton 4 Wheel Drive, With 454 V/8, Compressor To A/C Harness	\$35.00	M
39790	1978	<b>AIR CONDITIONING EXTENSION HARNESS</b> Suburban, With Overhead A/C, Blower Switch Harness To Blower Motor	\$42.00	M
39876	1978	<b>AIR CONDITIONING EXTENSION HARNESS</b> 1/2 Ton Models, With 250 6 Cyl. Compressor To A/C Harness	\$63.00	M
39879	1978	<b>AIR CONDITIONING EXTENSION HARNESS</b> 2 Wheel Drives, With Diesel, Compressor To A/C Harness	\$42.00	M
39901	1979	<b>AIR CONDITIONING EXTENSION HARNESS</b> All 2 Wheel Drive, & 1/2, 3/4-Ton 4 Wheel Drive, With 350 & 400 V/8, Compressor To A/C Harness	\$50.00	M
39900	1979	<b>AIR CONDITIONING EXTENSION HARNESS</b> 2 Wheel Drive 1-Ton, With 454 V/8, Compressor To A/C Harness	\$42.00	M
39790	1979	<b>AIR CONDITIONING EXTENSION HARNESS</b> Suburban, With Overhead A/C, Blower Switch Harness To Blower Motor	\$42.00	M
39876	1979	<b>AIR CONDITIONING EXTENSION HARNESS</b> 1/2 Ton Models, With 250 6 Cyl. Compressor To A/C Harness	\$63.00	M
39879	1979	<b>AIR CONDITIONING EXTENSION HARNESS</b> 2 Wheel Drive 1/2 Ton, With Diesel, Compressor To A/C Harness	\$42.00	M
39902	1979	<b>AIR CONDITIONING EXTENSION HARNESS</b> 2 Wheel Drives, With Diesel, Compressor To Fast Idle Relay	\$63.00	M
39909	1979	<b>AIR CONDITIONING EXTENSION HARNESS</b> 2 Wheel Drive 1/2 & 3/4-Ton, With 454 V/8, Compressor To A/C Harness	\$50.00	M
39790	1980	<b>AIR CONDITIONING EXTENSION HARNESS</b> Suburban, With Overhead A/C, Blower Switch Harness To Blower Motor	\$42.00	M
39876	1980	<b>AIR CONDITIONING EXTENSION HARNESS</b> 1/2 Ton Models, With 250 6 Cyl. Compressor To A/C Harness Note: 6 Cylinder Items Are Not Returnable.	\$63.00	M
39902	1980	<b>AIR CONDITIONING EXTENSION HARNESS</b> 2 Wheel Drive 1/2 Ton, With Diesel, Compressor To Fast Idle Relay	\$63.00	M

Part Number	Year	Description	Price	*Rev.
39355	1980	<b>AIR CONDITIONING EXTENSION HARNESS</b> With V/8 & Fast Idle Solenoid, Except 454 V/8, Compressor To A/C Harness	\$63.00	M
39933	1980	<b>AIR CONDITIONING EXTENSION HARNESS</b> With V/8, Without Fast Idle Solenoid, Except 454 V/8, Compressor To A/C Harness	\$63.00	M
39930	1980	<b>AIR CONDITIONING EXTENSION HARNESS</b> With 454 V/8, Without Fast Idle Solenoid, Compressor To A/C Harness	\$63.00	M
39931	1980	<b>AIR CONDITIONING EXTENSION HARNESS</b> With 454 V/8 & Fast Idle Solenoid, Compressor To A/C Harness	\$63.00	M
39790	1981	<b>AIR CONDITIONING EXTENSION HARNESS</b> Suburban, With Overhead A/C, Blower Switch Harness To Blower Motor	\$42.00	M
39876	1981	<b>AIR CONDITIONING EXTENSION HARNESS</b> 1/2 Ton Models, With 250 6 Cyl , Compressor To A/C Harness Note: 6 Cylinder Items Are Not Returnable.	\$63.00	M
39902	1981	<b>AIR CONDITIONING EXTENSION HARNESS</b> 2 Wheel Drives, With Diesel, With Federal Emissions, Compressor To Fast Idle Relay	\$63.00	M
39930	1981	<b>AIR CONDITIONING EXTENSION HARNESS</b> With 454 V/8, Without Fast Idle Solenoid, Compressor To A/C Harness	\$63.00	M
39355	1981	<b>AIR CONDITIONING EXTENSION HARNESS</b> Suburban 1/2 Ton, With 3 Spd Auto Trans & Overhead A/C, Compressor To A/C Harness	\$63.00	M
39956	1981	<b>AIR CONDITIONING EXTENSION HARNESS</b> With V/8, Without Fast Idle Solenoid, Except 454 V/8, Compressor To A/C Harness	\$63.00	M
39967	1981	<b>AIR CONDITIONING EXTENSION HARNESS</b> With V/8 & Fast Idle Solenoid, Except 454 V/8, Compressor To A/C Harness	\$63.00	M
39931	1981	<b>AIR CONDITIONING EXTENSION HARNESS</b> With 454 V/8 & Fast Idle Solenoid, Compressor To A/C Harness	\$63.00	M
39978	1981	<b>AIR CONDITIONING EXTENSION HARNESS</b> 2 Wheel Drives, With Diesel, Compressor To A/C Harness	\$63.00	M
39876	1982	<b>AIR CONDITIONING EXTENSION HARNESS</b> 1/2 Ton Models, With 250 6 Cyl. Compressor To A/C Harness Note: 6 Cylinder Items Are Not Returnable.	\$63.00	M
39930	1982	<b>AIR CONDITIONING EXTENSION HARNESS</b> With 454 V/8, Without Fast Idle Solenoid, Compressor To A/C Harness	\$63.00	M
39355	1982	<b>AIR CONDITIONING EXTENSION HARNESS</b> Suburban 1/2 Ton, With 3 Spd Auto Trans & Overhead A/C, Compressor To A/C Harness	\$63.00	M
39956	1982	<b>AIR CONDITIONING EXTENSION HARNESS</b> With V/8, Without Fast Idle Solenoid, Except 454 V/8, Compressor To A/C Harness	\$63.00	M
39995	1982	<b>AIR CONDITIONING EXTENSION HARNESS</b> With Diesel, Compressor To A/C Harness	\$63.00	M
39790	1982	<b>AIR CONDITIONING EXTENSION HARNESS</b> Suburban, With Overhead A/C, Blower Switch Harness To Blower Motor	\$42.00	M
39967	1982	<b>AIR CONDITIONING EXTENSION HARNESS</b> With V/8 & Fast Idle Solenoid, Compressor To A/C Harness	\$63.00	M
<b>AIR CONDITIONING HARNESS</b>				
39303	1973	<b>AIR CONDITIONING HARNESS</b> Includes Heater Wiring	\$270.00	M
39727	1973	<b>AIR CONDITIONING HARNESS</b> Suburban, With Overhead A/C, Fuse Panel To Blower Switch	\$133.00	M
39727	1974	<b>AIR CONDITIONING HARNESS</b> Suburban, With Overhead A/C, Fuse Panel To Blower Switch	\$133.00	M
39759	1974	<b>AIR CONDITIONING HARNESS</b> Includes Heater Wiring	\$291.00	M
39727	1975	<b>AIR CONDITIONING HARNESS</b> Suburban, With Overhead A/C, Fuse Panel To Blower Switch	\$133.00	M
39776	1975	<b>AIR CONDITIONING HARNESS</b> Includes Heater Wiring	\$291.00	M
39727	1976	<b>AIR CONDITIONING HARNESS</b> Suburban, With Overhead A/C, Fuse Panel To Blower Switch	\$133.00	M
39827	1976	<b>AIR CONDITIONING HARNESS</b> Includes Heater Wiring	\$291.00	M
39727	1977	<b>AIR CONDITIONING HARNESS</b> Suburban, With Overhead A/C, Fuse Panel To Blower Switch	\$133.00	M
39653	1977	<b>AIR CONDITIONING HARNESS</b> Includes Heater Wiring	\$291.00	M
39727	1978	<b>AIR CONDITIONING HARNESS</b> Suburban, With Overhead A/C, Fuse Panel To Blower Switch	\$133.00	M
39859	1978	<b>AIR CONDITIONING HARNESS</b> Includes Heater Wiring, (1st Design) Note: with a/c temp. control switch mounted on evaporator inlet pipe support bracket.	\$291.00	M
39356	1978	<b>AIR CONDITIONING HARNESS</b> Includes Heater Wiring, (2nd Design) Note: with a/c temp. control switch mounted near top of accumulator bottle.	\$291.00	M

Part Number	Year	Description	Price	*Rev.
39883	1979	<b>AIR CONDITIONING HARNESS</b> Suburban, With Overhead A/C, Fuse Panel To Blower Switch	\$133.00	M
39356	1979	<b>AIR CONDITIONING HARNESS</b> Includes Heater Wiring	\$291.00	M
39883	1980	<b>AIR CONDITIONING HARNESS</b> Suburban, With Overhead A/C, Fuse Panel To Blower Switch	\$133.00	M
39356	1980	<b>AIR CONDITIONING HARNESS</b> Includes Heater Wiring	\$291.00	M
39936	1981	<b>AIR CONDITIONING HARNESS</b> Suburban, With Overhead A/C, Fuse Panel To Blower Switch	\$133.00	M
39937	1981	<b>AIR CONDITIONING HARNESS</b> Includes Heater Wiring	\$291.00	M
39937	1982	<b>AIR CONDITIONING HARNESS</b> Includes Heater Wiring	\$291.00	M
39997	1982	<b>AIR CONDITIONING HARNESS</b> Suburban, With Overhead A/C, Fuse Panel To Blower Switch	\$133.00	M
<b>ALTERNATOR CONVERSION KIT</b>				
27555	1968	<b>ALTERNATOR CONVERSION KIT</b> External To Internal Regulator Conversion Harness ("SI" Series) Note: For Use With 1972-84 Non-Serpentine Belt ("SI" Series) Internal Regulated Alternators.	\$29.00	M
37787	1968	<b>ALTERNATOR CONVERSION KIT</b> External To Internal Regulator Conversion Harness ("CS" Series) Note: For Use With Serpentine Belt ("CS" Series) Internal Regulated Alternators.	\$34.00	M
27555	1969	<b>ALTERNATOR CONVERSION KIT</b> External To Internal Regulator Conversion Harness ("SI" Series) Note: For Use With 1972-84 Non-Serpentine Belt ("SI" Series) Internal Regulated Alternators.	\$29.00	M
37787	1969	<b>ALTERNATOR CONVERSION KIT</b> External To Internal Regulator Conversion Harness ("CS" Series) Note: For Use With Serpentine Belt ("CS" Series) Internal Regulated Alternators.	\$34.00	M
27555	1970	<b>ALTERNATOR CONVERSION KIT</b> External To Internal Regulator Conversion Harness ("SI" Series) Note: For Use With 1972-84 Non-Serpentine Belt ("SI" Series) Internal Regulated Alternators.	\$29.00	M
37787	1970	<b>ALTERNATOR CONVERSION KIT</b> External To Internal Regulator Conversion Harness ("CS" Series) Note: For Use With Serpentine Belt ("CS" Series) Internal Regulated Alternators.	\$34.00	M
27555	1971	<b>ALTERNATOR CONVERSION KIT</b> External To Internal Regulator Conversion Harness ("SI" Series) Note: For Use With 1972-84 Non-Serpentine Belt ("SI" Series) Internal Regulated Alternators.	\$29.00	M
37787	1971	<b>ALTERNATOR CONVERSION KIT</b> External To Internal Regulator Conversion Harness ("CS" Series) Note: For Use With Serpentine Belt ("CS" Series) Internal Regulated Alternators.	\$34.00	M
27555	1972	<b>ALTERNATOR CONVERSION KIT</b> External To Internal Regulator Conversion Harness ("SI" Series) Note: For Use With 1972-84 Non-Serpentine Belt ("SI" Series) Internal Regulated Alternators.	\$29.00	M
37787	1972	<b>ALTERNATOR CONVERSION KIT</b> External To Internal Regulator Conversion Harness ("CS" Series) Note: For Use With Serpentine Belt ("CS" Series) Internal Regulated Alternators.	\$34.00	M
37796	1975	<b>ALTERNATOR CONVERSION KIT</b> Internal Regulator "SI" Series Alternator To "CS" Series (Serpentine Belt) Alternator Note: For Use With Serpentine Belt ("CS130" Or "CS144" Type) Internal Regulated Alternators.	\$26.00	M
<b>AMMETER GAUGE</b>				
01500998	1947	<b>AMMETER GAUGE</b> Red Needle	\$74.00	N
01500998	1948	<b>AMMETER GAUGE</b> Red Needle	\$74.00	N
01500998	1949	<b>AMMETER GAUGE</b> Red Needle	\$74.00	N
01500998	1950	<b>AMMETER GAUGE</b> Red Needle	\$74.00	N
01500998	1951	<b>AMMETER GAUGE</b> Red Needle	\$74.00	N
01501198	1952	<b>AMMETER GAUGE</b> White Needle	\$74.00	N
01501198	1953	<b>AMMETER GAUGE</b> White Needle	\$74.00	N
01501740	1955	<b>AMMETER GAUGE</b> Used Only With Electric Type Temperature Gauge	\$85.00	N
01501735	1955	<b>AMMETER GAUGE</b> Used Only With Mechanical Type Temperature Gauge	\$85.00	N
01501740	1956	<b>AMMETER GAUGE</b> Used Only With Electric Type Temperature Gauge	\$85.00	N
01501735	1956	<b>AMMETER GAUGE</b> Used Only With Mechanical Type Temperature Gauge	\$85.00	N
01501740	1957	<b>AMMETER GAUGE</b> Used Only With Electric Type Temperature Gauge	\$85.00	N
01501735	1957	<b>AMMETER GAUGE</b> Used Only With Mechanical Type Temperature Gauge	\$85.00	N
01501740	1958	<b>AMMETER GAUGE</b> Used Only With Electric Type Temperature Gauge	\$85.00	N
01501735	1958	<b>AMMETER GAUGE</b> Used Only With Mechanical Type Temperature Gauge	\$85.00	N

Part Number	Year	Description	Price	*Rev.
01501740	1959	<b>AMMETER GAUGE</b> Used Only With Electric Type Temperature Gauge	\$85.00	N
01501735	1959	<b>AMMETER GAUGE</b> Used Only With Mechanical Type Temperature Gauge	\$85.00	N
01501949	1960	<b>AMMETER GAUGE</b>	\$74.00	N
01501949	1961	<b>AMMETER GAUGE</b>	\$74.00	N
01501949	1962	<b>AMMETER GAUGE</b>	\$74.00	N
01501949	1963	<b>AMMETER GAUGE</b>	\$74.00	N
01502803	1964	<b>AMMETER GAUGE</b>	\$74.00	N
01502803	1965	<b>AMMETER GAUGE</b>	\$74.00	N
01502803	1966	<b>AMMETER GAUGE</b>	\$74.00	N
01503428	1967	<b>AMMETER GAUGE</b>	\$47.00	N
44220	1967	<b>AMMETER GAUGE</b> With -40 / +40 Numeric Face Plate Note: This Is A Replacement For OEM Gauge 01503428 (With Discharge & Charge Graduations) In Trucks With Factory Gauge Type Clusters.	\$39.00	N
01503428	1968	<b>AMMETER GAUGE</b>	\$47.00	N
44220	1968	<b>AMMETER GAUGE</b> With -40 / +40 Numeric Face Plate Note: This Is A Replacement For OEM Gauge 01503428 (With Discharge & Charge Graduations) In Trucks With Factory Gauge Type Clusters.	\$39.00	N
01503428	1969	<b>AMMETER GAUGE</b>	\$47.00	N
44220	1969	<b>AMMETER GAUGE</b> With -40 / +40 Numeric Face Plate Note: This Is A Replacement For OEM Gauge 01503428 (With Discharge & Charge Graduations) In Trucks With Factory Gauge Type Clusters.	\$39.00	N
01503428	1970	<b>AMMETER GAUGE</b>	\$47.00	N
44220	1970	<b>AMMETER GAUGE</b> With -40 / +40 Numeric Face Plate Note: This Is A Replacement For OEM Gauge 01503428 (With Discharge & Charge Graduations) In Trucks With Factory Gauge Type Clusters.	\$39.00	N
01503428	1971	<b>AMMETER GAUGE</b>	\$47.00	N
44220	1971	<b>AMMETER GAUGE</b> With -40 / +40 Numeric Face Plate Note: This Is A Replacement For OEM Gauge 01503428 (With Discharge & Charge Graduations) In Trucks With Factory Gauge Type Clusters.	\$39.00	N
01503428	1972	<b>AMMETER GAUGE</b>	\$47.00	N
44220	1972	<b>AMMETER GAUGE</b> With -40 / +40 Numeric Face Plate Note: This Is A Replacement For OEM Gauge 01503428 (With Discharge & Charge Graduations) In Trucks With Factory Gauge Type Clusters.	\$39.00	N
06474468	1973	<b>AMMETER GAUGE</b> Fire Orange Needle	\$39.00	N
06474468	1974	<b>AMMETER GAUGE</b> Fire Orange Needle	\$39.00	N
06474468	1975	<b>AMMETER GAUGE</b> Fire Orange Needle	\$39.00	N
<b>ASSEMBLY MANUAL</b>				
39354	1982	<b>ASSEMBLY MANUAL</b> Factory Assembly Instruction Guide	\$54.00	M
<b>AUXILIARY BATTERY GROUND WIRE</b>				
39716	1973	<b>AUXILIARY BATTERY GROUND WIRE</b> All, With Dual Auxiliary Camper Battery Option, Secondary Battery Negative Post To Ground	\$30.00	M
39716	1974	<b>AUXILIARY BATTERY GROUND WIRE</b> All, With Dual Auxiliary Camper Battery Option, Secondary Battery Negative Post To Ground	\$30.00	M
39716	1975	<b>AUXILIARY BATTERY GROUND WIRE</b> All, With Dual Auxiliary Camper Battery Option, Secondary Battery Negative Post To Ground	\$30.00	M
39716	1976	<b>AUXILIARY BATTERY GROUND WIRE</b> All, With Dual Auxiliary Camper Battery Option, Secondary Battery Negative Post To Ground	\$30.00	M
39716	1977	<b>AUXILIARY BATTERY GROUND WIRE</b> All, With Dual Auxiliary Camper Battery Option, Secondary Battery Negative Post To Ground	\$30.00	M

Part Number	Year	Description	Price	*Rev.
39716	1978	<b>AUXILIARY BATTERY GROUND WIRE</b> All, With Dual Auxiliary Camper Battery Option, Secondary Battery Negative Post To Ground	\$30.00	M
39716	1979	<b>AUXILIARY BATTERY GROUND WIRE</b> All, With Dual Auxiliary Camper Battery Option, Secondary Battery Negative Post To Ground	\$30.00	M
39716	1980	<b>AUXILIARY BATTERY GROUND WIRE</b> All, With Dual Auxiliary Camper Battery Option, Secondary Battery Negative Post To Ground	\$30.00	M
39941	1981	<b>AUXILIARY BATTERY GROUND WIRE</b> All, With Dual Auxiliary Camper Battery Option, Secondary Battery Negative Post To Ground	\$30.00	M
39941	1982	<b>AUXILIARY BATTERY GROUND WIRE</b> All, With Dual Auxiliary Camper Battery Option, Secondary Battery Negative Post To Ground	\$30.00	M
<b>AUXILIARY BATTERY HARNESS</b>				
39720	1973	<b>AUXILIARY BATTERY HARNESS</b> All, With Dual Auxiliary Camper Battery Option, Secondary Battery To Junction Block & Relay	\$132.00	M
39720	1974	<b>AUXILIARY BATTERY HARNESS</b> All, With Dual Auxiliary Camper Battery Option, Secondary Battery To Junction Block & Relay	\$132.00	M
39785	1975	<b>AUXILIARY BATTERY HARNESS</b> All, With Dual Auxiliary Camper Battery Option, Secondary Battery To Junction Block & Relay	\$132.00	M
39812	1976	<b>AUXILIARY BATTERY HARNESS</b> All, With Dual Auxiliary Camper Battery Option, Secondary Battery To Junction Block & Relay	\$132.00	M
39812	1977	<b>AUXILIARY BATTERY HARNESS</b> All, With Dual Auxiliary Camper Battery Option, Secondary Battery To Junction Block & Relay	\$132.00	M
39812	1978	<b>AUXILIARY BATTERY HARNESS</b> All, With Dual Auxiliary Camper Battery Option, Secondary Battery To Junction Block & Relay	\$132.00	M
39884	1979	<b>AUXILIARY BATTERY HARNESS</b> All, With Dual Auxiliary Camper Battery Option, Secondary Battery To Junction Block & Relay	\$132.00	M
39884	1980	<b>AUXILIARY BATTERY HARNESS</b> All, With Dual Auxiliary Camper Battery Option, Secondary Battery To Junction Block & Relay	\$132.00	M
39942	1981	<b>AUXILIARY BATTERY HARNESS</b> All, With Dual Auxiliary Camper Battery Option, Secondary Battery To Junction Block & Relay	\$132.00	M
39942	1982	<b>AUXILIARY BATTERY HARNESS</b> All, With Dual Auxiliary Camper Battery Option, Secondary Battery To Junction Block & Relay	\$132.00	M
<b>BACKUP LAMP SWITCH HARNESS</b>				
39770	1974	<b>BACKUP LAMP SWITCH HARNESS</b> With 4 Speed Trans, Backup Lamp Switch To Extension Harness	\$48.00	M
37500	1975	<b>BACKUP LAMP SWITCH HARNESS</b> With 4 Speed Trans, Backup Lamp Switch To Extension Harness	\$48.00	M
37500	1976	<b>BACKUP LAMP SWITCH HARNESS</b> With 4 Speed Trans, Backup Lamp Switch To Extension Harness	\$48.00	M
37500	1977	<b>BACKUP LAMP SWITCH HARNESS</b> With 4 Speed Trans, Backup Lamp Switch To Extension Harness	\$48.00	M
37500	1978	<b>BACKUP LAMP SWITCH HARNESS</b> With 4 Speed Trans, Backup Lamp Switch To Extension Harness	\$48.00	M
37500	1979	<b>BACKUP LAMP SWITCH HARNESS</b> With 4 Speed Trans, Backup Lamp Switch To Extension Harness	\$48.00	M
37500	1980	<b>BACKUP LAMP SWITCH HARNESS</b> With 4 Speed Trans, Backup Lamp Switch To Extension Harness	\$48.00	M
39989	1981	<b>BACKUP LAMP SWITCH HARNESS</b> With 4 Speed Trans, Switch To Extension Harness	\$48.00	M
39989	1982	<b>BACKUP LAMP SWITCH HARNESS</b> With 4 Speed Trans, Except New Process, Switch To Extension Harness	\$48.00	M
37537	1982	<b>BACKUP LAMP SWITCH HARNESS</b> With New Process 4 Speed Trans, Switch To Extension Harness	\$48.00	M
<b>BRAKE WARNING SWITCH JUMPER</b>				
39757	1973	<b>BRAKE WARNING SWITCH JUMPER</b> 2 Wheel Drive, Brake Warning Switch To Front Light Harness	\$34.00	M
39758	1973	<b>BRAKE WARNING SWITCH JUMPER</b> 4 Wheel Drive, Brake Warning Switch To Front Light Harness	\$34.00	M
39757	1974	<b>BRAKE WARNING SWITCH JUMPER</b> 2 Wheel Drive, Brake Warning Switch To Front Light Harness	\$34.00	M
39758	1974	<b>BRAKE WARNING SWITCH JUMPER</b> 4 Wheel Drive, Brake Warning Switch To Front Light Harness	\$34.00	M
39757	1975	<b>BRAKE WARNING SWITCH JUMPER</b> 2 Wheel Drive, Brake Warning Switch To Front Light Harness	\$34.00	M
39758	1975	<b>BRAKE WARNING SWITCH JUMPER</b> 4 Wheel Drive, Brake Warning Switch To Front Light Harness	\$34.00	M
39757	1976	<b>BRAKE WARNING SWITCH JUMPER</b> 2 Wheel Drive, Brake Warning Switch To Front Light Harness	\$34.00	M

Part Number	Year	Description	Price	*Rev.
39758	1976	<b>BRAKE WARNING SWITCH JUMPER</b> 4 Wheel Drive, Brake Warning Switch To Front Light Harness	\$34.00	M
39757	1977	<b>BRAKE WARNING SWITCH JUMPER</b> 2 Wheel Drive, Brake Warning Switch To Front Light Harness	\$34.00	M
39758	1977	<b>BRAKE WARNING SWITCH JUMPER</b> 4 Wheel Drive, Brake Warning Switch To Front Light Harness	\$34.00	M
39862	1978	<b>BRAKE WARNING SWITCH JUMPER</b> 2 Wheel Drive, Brake Warning Switch To Front Light Harness	\$41.00	M
39863	1978	<b>BRAKE WARNING SWITCH JUMPER</b> 4 Wheel Drive, Brake Warning Switch To Front Light Harness	\$41.00	M
39862	1979	<b>BRAKE WARNING SWITCH JUMPER</b> 2 Wheel Drive, Brake Warning Switch To Front Light Harness	\$41.00	M
39863	1979	<b>BRAKE WARNING SWITCH JUMPER</b> 4 Wheel Drive, Brake Warning Switch To Front Light Harness	\$41.00	M
39862	1980	<b>BRAKE WARNING SWITCH JUMPER</b> 2 Wheel Drive, Brake Warning Switch To Front Light Harness	\$41.00	M
39863	1980	<b>BRAKE WARNING SWITCH JUMPER</b> 4 Wheel Drive, Brake Warning Switch To Front Light Harness	\$41.00	M
39862	1981	<b>BRAKE WARNING SWITCH JUMPER</b> 2 Wheel Drive, Brake Warning Switch To Front Light Harness	\$41.00	M
39863	1981	<b>BRAKE WARNING SWITCH JUMPER</b> 4 Wheel Drive, Brake Warning Switch To Front Light Harness	\$41.00	M
39862	1982	<b>BRAKE WARNING SWITCH JUMPER</b> 2 Wheel Drive, Brake Warning Switch To Front Light Harness	\$41.00	M
39863	1982	<b>BRAKE WARNING SWITCH JUMPER</b> 4 Wheel Drive, Brake Warning Switch To Front Light Harness	\$41.00	M
<b>BREAKERLESS SE SINGLE WIRE ELECTRONIC IGNITION</b>				
38131	1967	<b>BREAKERLESS SE SINGLE WIRE ELECTRONIC IGNITION KIT</b> For 1957-74 Breaker Point Distributors With Windowed Type Distributor Cap	\$179.00	
38131	1968	<b>BREAKERLESS SE SINGLE WIRE ELECTRONIC IGNITION KIT</b> For 1957-74 Breaker Point Distributors With Windowed Type Distributor Cap	\$179.00	
38131	1969	<b>BREAKERLESS SE SINGLE WIRE ELECTRONIC IGNITION KIT</b> For 1957-74 Breaker Point Distributors With Windowed Type Distributor Cap	\$179.00	
38131	1970	<b>BREAKERLESS SE SINGLE WIRE ELECTRONIC IGNITION KIT</b> For 1957-74 Breaker Point Distributors With Windowed Type Distributor Cap	\$179.00	
38131	1971	<b>BREAKERLESS SE SINGLE WIRE ELECTRONIC IGNITION KIT</b> For 1957-74 Breaker Point Distributors With Windowed Type Distributor Cap	\$179.00	
38131	1972	<b>BREAKERLESS SE SINGLE WIRE ELECTRONIC IGNITION KIT</b> For 1957-74 Breaker Point Distributors With Windowed Type Distributor Cap	\$179.00	
38131	1973	<b>BREAKERLESS SE SINGLE WIRE ELECTRONIC IGNITION KIT</b> For 1957-74 Breaker Point Distributors With Windowed Type Distributor Cap	\$179.00	
38131	1974	<b>BREAKERLESS SE SINGLE WIRE ELECTRONIC IGNITION KIT</b> For 1957-74 Breaker Point Distributors With Windowed Type Distributor Cap	\$179.00	
<b>CAMPER POWER FEED WIRE</b>				
39788	1975	<b>CAMPER POWER FEED WIRE</b> Battery Junction Block To Wiring Harness On Camper	\$34.00	M
39811	1976	<b>CAMPER POWER FEED WIRE</b> Battery Junction Block To Wiring Harness On Camper	\$34.00	M
39811	1977	<b>CAMPER POWER FEED WIRE</b> Battery Junction Block To Wiring Harness On Camper	\$34.00	M
39811	1978	<b>CAMPER POWER FEED WIRE</b> Battery Junction Block To Wiring Harness On Camper	\$34.00	M
39811	1979	<b>CAMPER POWER FEED WIRE</b> Battery Junction Block To Wiring Harness On Camper	\$34.00	M
39919	1980	<b>CAMPER POWER FEED WIRE</b> Battery Junction Block To Wiring Harness On Camper	\$34.00	M
39919	1981	<b>CAMPER POWER FEED WIRE</b> Battery Junction Block To Wiring Harness On Camper	\$34.00	M
39919	1982	<b>CAMPER POWER FEED WIRE</b> Battery Junction Block To Wiring Harness On Camper	\$34.00	M
<b>CAMPER REAR LAMP HARNESS</b>				
39717	1973	<b>CAMPER REAR LAMP HARNESS</b> All With Camper Option, Rear Lamp Harness On Truck, To Tail Lamp Harness On Camper Note: this harness is universal, it can be used with all types of campers.	\$101.00	M
39717	1974	<b>CAMPER REAR LAMP HARNESS</b> All With Camper Option, Rear Lamp Harness On Truck, To Tail Lamp Harness On Camper Note: this harness is universal, it can be used with all types of campers.	\$101.00	M
39784	1975	<b>CAMPER REAR LAMP HARNESS</b> All With Camper Option, Rear Lamp Harness On Truck, To Tail Lamp Harness On Camper Note: this harness is universal, it can be used with all types of campers.	\$101.00	M



Part Number	Year	Description	Price	*Rev.
39784	1976	<b>CAMPER REAR LAMP HARNESS</b> All With Camper Option, Rear Lamp Harness On Truck, To Tail Lamp Harness On Camper Note: this harness is universal, it can be used with all types of campers.	\$101.00	M
39784	1977	<b>CAMPER REAR LAMP HARNESS</b> All With Camper Option, Rear Lamp Harness On Truck, To Tail Lamp Harness On Camper Note: this harness is universal, it can be used with all types of campers.	\$101.00	M
39784	1978	<b>CAMPER REAR LAMP HARNESS</b> All With Camper Option, Rear Lamp Harness On Truck, To Tail Lamp Harness On Camper Note: this harness is universal, it can be used with all types of campers.	\$101.00	M
39784	1979	<b>CAMPER REAR LAMP HARNESS</b> All With Camper Option, Rear Lamp Harness On Truck, To Tail Lamp Harness On Camper Note: this harness is universal, it can be used with all types of campers.	\$101.00	M
39784	1980	<b>CAMPER REAR LAMP HARNESS</b> All With Camper Option, Rear Lamp Harness On Truck, To Tail Lamp Harness On Camper Note: this harness is universal, it can be used with all types of campers.	\$101.00	M
39784	1981	<b>CAMPER REAR LAMP HARNESS</b> All With Camper Option, Rear Lamp Harness On Truck, To Tail Lamp Harness On Camper Note: this harness is universal, it can be used with all types of campers.	\$101.00	M
39784	1982	<b>CAMPER REAR LAMP HARNESS</b> All With Camper Option, Rear Lamp Harness On Truck, To Tail Lamp Harness On Camper Note: this harness is universal, it can be used with all types of campers.	\$101.00	M
<b>CARGO LAMP HARNESS</b>				
39715	1973	<b>CARGO LAMP HARNESS</b> 2 Door Trucks, With Cargo Lamp Option	\$92.00	M
39733	1973	<b>CARGO LAMP HARNESS</b> 4 Door Trucks, With Cargo Lamp Option	\$92.00	M
39715	1974	<b>CARGO LAMP HARNESS</b> 2 Door Trucks, With Cargo Lamp Option	\$92.00	M
39733	1974	<b>CARGO LAMP HARNESS</b> 4 Door Trucks, With Cargo Lamp Option	\$92.00	M
39715	1975	<b>CARGO LAMP HARNESS</b> 2 Door Trucks, With Cargo Lamp Option	\$92.00	M
39733	1975	<b>CARGO LAMP HARNESS</b> 4 Door Trucks, With Cargo Lamp Option	\$92.00	M
39715	1976	<b>CARGO LAMP HARNESS</b> 2 Door Trucks, With Cargo Lamp Option	\$92.00	M
39804	1976	<b>CARGO LAMP HARNESS</b> 4 Door Trucks, With Cargo Lamp Option	\$92.00	M
39804	1977	<b>CARGO LAMP HARNESS</b> 4 Door Trucks, With Cargo Lamp Option	\$92.00	M
39850	1977	<b>CARGO LAMP HARNESS</b> 2 Door Trucks, With Cargo Lamp Option	\$92.00	M
39804	1978	<b>CARGO LAMP HARNESS</b> 4 Door Trucks, With Cargo Lamp Option	\$92.00	M
39850	1978	<b>CARGO LAMP HARNESS</b> 2 Door Trucks, With Cargo Lamp Option	\$92.00	M
39804	1979	<b>CARGO LAMP HARNESS</b> 4 Door Trucks, With Cargo Lamp Option	\$92.00	M
39850	1979	<b>CARGO LAMP HARNESS</b> 2 Door Trucks, With Cargo Lamp Option	\$92.00	M
39804	1980	<b>CARGO LAMP HARNESS</b> 4 Door Trucks, With Cargo Lamp Option	\$92.00	M
39850	1980	<b>CARGO LAMP HARNESS</b> 2 Door Trucks, With Cargo Lamp Option	\$92.00	M
39804	1981	<b>CARGO LAMP HARNESS</b> 4 Door Trucks, With Cargo Lamp Option	\$92.00	M
39850	1981	<b>CARGO LAMP HARNESS</b> 2 Door Trucks, With Cargo Lamp Option	\$92.00	M
39804	1982	<b>CARGO LAMP HARNESS</b> 4 Door Trucks, With Cargo Lamp Option	\$92.00	M
39850	1982	<b>CARGO LAMP HARNESS</b> 2 Door Trucks, With Cargo Lamp Option	\$92.00	M
<b>CARGO LAMP SWITCH</b>				
00329821	1973	<b>CARGO LAMP SWITCH</b>	\$27.00	N
00329821	1974	<b>CARGO LAMP SWITCH</b>	\$27.00	N
00339880	1975	<b>CARGO LAMP SWITCH</b>	\$21.00	N
00339880	1976	<b>CARGO LAMP SWITCH</b>	\$21.00	N
00339880	1977	<b>CARGO LAMP SWITCH</b>	\$21.00	N
00339880	1978	<b>CARGO LAMP SWITCH</b>	\$21.00	N

Part Number	Year	Description	Price	*Rev.
00339880	1979	CARGO LAMP SWITCH	\$21.00	N
00339880	1980	CARGO LAMP SWITCH	\$21.00	N
00339880	1981	CARGO LAMP SWITCH	\$21.00	N
00339880	1982	CARGO LAMP SWITCH	\$21.00	N
00339880	1983	CARGO LAMP SWITCH	\$21.00	N
00339880	1984	CARGO LAMP SWITCH	\$21.00	N
00339880	1985	CARGO LAMP SWITCH	\$21.00	N
00339880	1986	CARGO LAMP SWITCH	\$21.00	N
00339880	1987	CARGO LAMP SWITCH RV Body Style	\$21.00	N
<b>CIRCUIT BREAKER</b>				
04850166	1973	CIRCUIT BREAKER, 30 AMP Power Tailgate Window, Blazer, Jimmy & Suburban	\$14.00	M
04850166	1974	CIRCUIT BREAKER, 30 AMP Power Tailgate Window, Blazer, Jimmy & Suburban	\$14.00	M
04850166	1975	CIRCUIT BREAKER, 30 AMP Power Tailgate Window, Blazer, Jimmy & Suburban	\$14.00	M
04850166	1976	CIRCUIT BREAKER, 30 AMP Power Tailgate Window, Blazer, Jimmy & Suburban	\$14.00	M
04850166	1977	CIRCUIT BREAKER, 30 AMP Power Tailgate Window, Blazer, Jimmy & Suburban	\$14.00	M
04850166	1978	CIRCUIT BREAKER, 30 AMP Power Tailgate Window, Blazer, Jimmy & Suburban	\$14.00	M
<b>CLASSIC AUTO FUSE SERIES-11-WAY CONNECTOR KIT</b>				
41355	1973	CLASSIC AUTO FUSE SERIES-11-WAY CONNECTOR KIT Includes Male & Female Connectors And Terminals Note: Used With 1973-78 GMC Truck Classic Auto Fuse Series ATO Fuse Type Dash Harnesses.	\$26.00	M
41355	1974	CLASSIC AUTO FUSE SERIES-11-WAY CONNECTOR KIT Includes Male & Female Connectors And Terminals Note: Used With 1973-78 GMC Truck Classic Auto Fuse Series ATO Fuse Type Dash Harnesses.	\$26.00	M
41355	1975	CLASSIC AUTO FUSE SERIES-11-WAY CONNECTOR KIT Includes Male & Female Connectors And Terminals Note: Used With 1973-78 GMC Truck Classic Auto Fuse Series ATO Fuse Type Dash Harnesses.	\$26.00	M
41355	1976	CLASSIC AUTO FUSE SERIES-11-WAY CONNECTOR KIT Includes Male & Female Connectors And Terminals Note: Used With 1973-78 GMC Truck Classic Auto Fuse Series ATO Fuse Type Dash Harnesses.	\$26.00	M
41355	1977	CLASSIC AUTO FUSE SERIES-11-WAY CONNECTOR KIT Includes Male & Female Connectors And Terminals Note: Used With 1973-78 GMC Truck Classic Auto Fuse Series ATO Fuse Type Dash Harnesses.	\$26.00	M
41355	1978	CLASSIC AUTO FUSE SERIES-11-WAY CONNECTOR KIT Includes Male & Female Connectors And Terminals Note: Used With 1973-78 GMC Truck Classic Auto Fuse Series ATO Fuse Type Dash Harnesses.	\$26.00	M
<b>CLASSIC AUTO FUSE SERIES-6-WAY ACCESSORY KIT</b>				
41359	1973	CLASSIC AUTO FUSE SERIES-6-WAY ACCESSORY Includes 6-Way Accessory Fuseblock, & Terminal Bus Bars FUSEBLOCK KIT Note: Used With 1973-78 GMC Truck Classic Auto Fuse Series ATO Fuse Type Dash Harnesses.	\$21.00	M
41359	1974	CLASSIC AUTO FUSE SERIES-6-WAY ACCESSORY Includes 6-Way Accessory Fuseblock, & Terminal Bus Bars FUSEBLOCK KIT Note: Used With 1973-78 GMC Truck Classic Auto Fuse Series ATO Fuse Type Dash Harnesses.	\$21.00	M
41359	1975	CLASSIC AUTO FUSE SERIES-6-WAY ACCESSORY Includes 6-Way Accessory Fuseblock, & Terminal Bus Bars FUSEBLOCK KIT Note: Used With 1973-78 GMC Truck Classic Auto Fuse Series ATO Fuse Type Dash Harnesses.	\$21.00	M
41359	1976	CLASSIC AUTO FUSE SERIES-6-WAY ACCESSORY Includes 6-Way Accessory Fuseblock, & Terminal Bus Bars FUSEBLOCK KIT Note: Used With 1973-78 GMC Truck Classic Auto Fuse Series ATO Fuse Type Dash Harnesses.	\$21.00	M
41359	1977	CLASSIC AUTO FUSE SERIES-6-WAY ACCESSORY Includes 6-Way Accessory Fuseblock, & Terminal Bus Bars FUSEBLOCK KIT Note: Used With 1973-78 GMC Truck Classic Auto Fuse Series ATO Fuse Type Dash Harnesses.	\$21.00	M
41359	1978	CLASSIC AUTO FUSE SERIES-6-WAY ACCESSORY Includes 6-Way Accessory Fuseblock, & Terminal Bus Bars FUSEBLOCK KIT Note: Used With 1973-78 GMC Truck Classic Auto Fuse Series ATO Fuse Type Dash Harnesses.	\$21.00	M

Part Number	Year	Description	Price	*Rev.
<b>CLASSIC AUTO FUSE SERIES-FUSE AND FLASHER KIT</b>				
40356	1973	<b>CLASSIC AUTO FUSE SERIES-FUSE AND FLASHER KIT</b> Includes Flashers, Fuses & Circuit Breakers, Also Includes 1 Each Spare Fuse Note: Used With 1973-74 GMC Truck Classic Auto Fuse Series ATO Fuse Type Dash Harnesses.	\$40.00	M
40356	1974	<b>CLASSIC AUTO FUSE SERIES-FUSE AND FLASHER KIT</b> Includes Flashers, Fuses & Circuit Breakers, Also Includes 1 Each Spare Fuse Note: Used With 1973-74 GMC Truck Classic Auto Fuse Series ATO Fuse Type Dash Harnesses.	\$40.00	M
40357	1975	<b>CLASSIC AUTO FUSE SERIES-FUSE AND FLASHER KIT</b> Includes Flashers, Fuses & Circuit Breakers, Also Includes 1 Each Spare Fuse Note: Used With 1975-78 GMC Truck Classic Auto Fuse Series ATO Fuse Type Dash Harnesses.	\$40.00	M
40357	1976	<b>CLASSIC AUTO FUSE SERIES-FUSE AND FLASHER KIT</b> Includes Flashers, Fuses & Circuit Breakers, Also Includes 1 Each Spare Fuse Note: Used With 1975-78 GMC Truck Classic Auto Fuse Series ATO Fuse Type Dash Harnesses.	\$40.00	M
40357	1977	<b>CLASSIC AUTO FUSE SERIES-FUSE AND FLASHER KIT</b> Includes Flashers, Fuses & Circuit Breakers, Also Includes 1 Each Spare Fuse Note: Used With 1975-78 GMC Truck Classic Auto Fuse Series ATO Fuse Type Dash Harnesses.	\$40.00	M
40357	1978	<b>CLASSIC AUTO FUSE SERIES-FUSE AND FLASHER KIT</b> Includes Flashers, Fuses & Circuit Breakers, Also Includes 1 Each Spare Fuse Note: Used With 1975-78 GMC Truck Classic Auto Fuse Series ATO Fuse Type Dash Harnesses.	\$40.00	M
<b>CLASSIC AUTO FUSE SERIES-FUSEBLOCK CONN KIT</b>				
41358	1973	<b>CLASSIC AUTO FUSE SERIES-FRONT OF FUSEBLOCK ACCESSORY CONNECTOR KIT</b> Includes Front Of Fuseblock Accessory Connectors & Terminals Note: Used With 1973-78 GMC Truck Classic Auto Fuse Series ATO Fuse Type Dash Harnesses.	\$33.00	M
41358	1974	<b>CLASSIC AUTO FUSE SERIES-FRONT OF FUSEBLOCK ACCESSORY CONNECTOR KIT</b> Includes Front Of Fuseblock Accessory Connectors & Terminals Note: Used With 1973-78 GMC Truck Classic Auto Fuse Series ATO Fuse Type Dash Harnesses.	\$33.00	M
41358	1975	<b>CLASSIC AUTO FUSE SERIES-FRONT OF FUSEBLOCK ACCESSORY CONNECTOR KIT</b> Includes Front Of Fuseblock Accessory Connectors & Terminals Note: Used With 1973-78 GMC Truck Classic Auto Fuse Series ATO Fuse Type Dash Harnesses.	\$33.00	M
41358	1976	<b>CLASSIC AUTO FUSE SERIES-FRONT OF FUSEBLOCK ACCESSORY CONNECTOR KIT</b> Includes Front Of Fuseblock Accessory Connectors & Terminals Note: Used With 1973-78 GMC Truck Classic Auto Fuse Series ATO Fuse Type Dash Harnesses.	\$33.00	M
41358	1977	<b>CLASSIC AUTO FUSE SERIES-FRONT OF FUSEBLOCK ACCESSORY CONNECTOR KIT</b> Includes Front Of Fuseblock Accessory Connectors & Terminals Note: Used With 1973-78 GMC Truck Classic Auto Fuse Series ATO Fuse Type Dash Harnesses.	\$33.00	M
41358	1978	<b>CLASSIC AUTO FUSE SERIES-FRONT OF FUSEBLOCK ACCESSORY CONNECTOR KIT</b> Includes Front Of Fuseblock Accessory Connectors & Terminals Note: Used With 1973-78 GMC Truck Classic Auto Fuse Series ATO Fuse Type Dash Harnesses.	\$33.00	M
<b>CLASSIC AUTO FUSE SERIES-RELAY AND CONNECTOR KIT</b>				
41356	1973	<b>CLASSIC AUTO FUSE SERIES-RELAY AND CONNECTOR KIT</b> Includes Relay, 5-Way Relay Connector, Terminals & Secondary Lock Note: Used With 1973-78 GMC Truck Classic Auto Fuse Series ATO Fuse Type Dash Harnesses.	\$24.00	M
41356	1974	<b>CLASSIC AUTO FUSE SERIES-RELAY AND CONNECTOR KIT</b> Includes Relay, 5-Way Relay Connector, Terminals & Secondary Lock Note: Used With 1973-78 GMC Truck Classic Auto Fuse Series ATO Fuse Type Dash Harnesses.	\$24.00	M
41356	1975	<b>CLASSIC AUTO FUSE SERIES-RELAY AND CONNECTOR KIT</b> Includes Relay, 5-Way Relay Connector, Terminals & Secondary Lock Note: Used With 1973-78 GMC Truck Classic Auto Fuse Series ATO Fuse Type Dash Harnesses.	\$24.00	M
41356	1976	<b>CLASSIC AUTO FUSE SERIES-RELAY AND CONNECTOR KIT</b> Includes Relay, 5-Way Relay Connector, Terminals & Secondary Lock Note: Used With 1973-78 GMC Truck Classic Auto Fuse Series ATO Fuse Type Dash Harnesses.	\$24.00	M

Part Number	Year	Description	Price	*Rev.
41356	1977	<b>CLASSIC AUTO FUSE SERIES-RELAY AND CONNECTOR KIT</b> Includes Relay, 5-Way Relay Connector, Terminals & Secondary Lock Note: Used With 1973-78 GMC Truck Classic Auto Fuse Series ATO Fuse Type Dash Harnesses.	\$24.00	M
41356	1978	<b>CLASSIC AUTO FUSE SERIES-RELAY AND CONNECTOR KIT</b> Includes Relay, 5-Way Relay Connector, Terminals & Secondary Lock Note: Used With 1973-78 GMC Truck Classic Auto Fuse Series ATO Fuse Type Dash Harnesses.	\$24.00	M
<b>CLOCK</b>				
06499466	1973	<b>CLOCK</b> Dash Mounted	\$100.00	N
06499466	1974	<b>CLOCK</b> Dash Mounted	\$100.00	N
06499466	1975	<b>CLOCK</b> Dash Mounted	\$100.00	N
06499466	1976	<b>CLOCK</b> Dash Mounted	\$100.00	N
06499466	1977	<b>CLOCK</b> Dash Mounted	\$100.00	N
06499466	1978	<b>CLOCK</b> Dash Mounted	\$100.00	N
06499466	1979	<b>CLOCK</b> Dash Mounted	\$100.00	N
25080399	1981	<b>CLOCK</b> Dash Mounted	\$112.00	N
25080399	1982	<b>CLOCK</b> Dash Mounted	\$112.00	N
25080399	1983	<b>CLOCK</b> Dash Mounted	\$112.00	N
25080399	1984	<b>CLOCK</b> Dash Mounted	\$112.00	N
25080399	1985	<b>CLOCK</b> Dash Mounted	\$112.00	N
25080399	1986	<b>CLOCK</b> Dash Mounted	\$112.00	N
25080399	1987	<b>CLOCK</b> Dash Mounted	\$112.00	N
25080399	1988	<b>CLOCK</b> Dash Mounted	\$112.00	N
<b>CLOCK WIRE</b>				
39724	1973	<b>CLOCK WIRE</b> Fuse Panel To Optional In Dash Clock	\$30.00	M
39724	1974	<b>CLOCK WIRE</b> Fuse Panel To Optional In Dash Clock	\$30.00	M
39724	1975	<b>CLOCK WIRE</b> Fuse Panel To Optional In Dash Clock	\$30.00	M
39724	1976	<b>CLOCK WIRE</b> Fuse Panel To Optional In Dash Clock	\$30.00	M
39724	1977	<b>CLOCK WIRE</b> Fuse Panel To Optional In Dash Clock	\$30.00	M
39856	1978	<b>CLOCK WIRE</b> Fuse Panel To Optional In Dash Clock	\$30.00	M
39882	1979	<b>CLOCK WIRE</b> Fuse Panel To Optional In Dash Clock	\$30.00	M
39882	1980	<b>CLOCK WIRE</b> Fuse Panel To Optional In Dash Clock	\$30.00	M
39882	1981	<b>CLOCK WIRE</b> Fuse Panel To Optional In Dash Clock	\$30.00	M
39882	1982	<b>CLOCK WIRE</b> Fuse Panel To Optional In Dash Clock	\$30.00	M
<b>CRUISE CONTROL CLUTCH SWITCH JUMPER WIRE</b>				
39996	1982	<b>CRUISE CONTROL CLUTCH SWITCH JUMPER WIRE</b> With Manual Trans, Without Clutch Switch	\$30.00	M
<b>DASH HARNESS</b>				
37491	1973	<b>DASH HARNESS</b> With Warning Lights	\$735.00	M
40376	1973	<b>DASH HARNESS-CLASSIC AUTO FUSE SERIES</b> With Warning Lights Note: With Updated Modern ATO Series Fuseblock. Use Fuse & Flasher Kit # 40356. Also See Optional Classic Auto Fuse Accessory Kits.	\$758.00	M
35927	1973	<b>DASH HARNESS</b> With Gauges	\$735.00	M
40377	1973	<b>DASH HARNESS-CLASSIC AUTO FUSE SERIES</b> With Gauges Note: With Updated Modern ATO Series Fuseblock. Use Fuse & Flasher Kit # 40356. Also See Optional Classic Auto Fuse Accessory Kits.	\$758.00	M
37509	1974	<b>DASH HARNESS</b> With Warning Lights	\$748.00	M
40378	1974	<b>DASH HARNESS-CLASSIC AUTO FUSE SERIES</b> With Warning Lights Note: With Updated Modern ATO Series Fuseblock. Use Fuse & Flasher Kit # 40356. Also See Optional Classic Auto Fuse Accessory Kits.	\$758.00	M

Part Number	Year	Description	Price	*Rev.
37510	1974	<b>DASH HARNESS</b> With Gauges	\$735.00	M
40379	1974	<b>DASH HARNESS-CLASSIC AUTO FUSE SERIES</b> With Gauges Note: With Updated Modern ATO Series Fuseblock. Use Fuse & Flasher Kit # 40356. Also See Optional Classic Auto Fuse Accessory Kits.	\$758.00	M
37511	1975	<b>DASH HARNESS</b> With Warning Lights	\$735.00	M
40380	1975	<b>DASH HARNESS-CLASSIC AUTO FUSE SERIES</b> With Warning Lights Note: With Updated Modern ATO Series Fuseblock. Use Fuse & Flasher Kit # 40357. Also See Optional Classic Auto Fuse Accessory Kits.	\$758.00	M
37512	1975	<b>DASH HARNESS</b> With Gauges	\$735.00	M
40381	1975	<b>DASH HARNESS-CLASSIC AUTO FUSE SERIES</b> With Gauges Note: With Updated Modern ATO Series Fuseblock. Use Fuse & Flasher Kit # 40357. Also See Optional Classic Auto Fuse Accessory Kits.	\$758.00	M
35933	1976	<b>DASH HARNESS</b> With Warning Lights	\$735.00	M
40382	1976	<b>DASH HARNESS-CLASSIC AUTO FUSE SERIES</b> With Warning Lights Note: With Updated Modern ATO Series Fuseblock. Use Fuse & Flasher Kit # 40357. Also See Optional Classic Auto Fuse Accessory Kits.	\$758.00	M
35934	1976	<b>DASH HARNESS</b> With Gauges	\$735.00	M
40383	1976	<b>DASH HARNESS-CLASSIC AUTO FUSE SERIES</b> With Gauges Note: With Updated Modern ATO Series Fuseblock. Use Fuse & Flasher Kit # 40357. Also See Optional Classic Auto Fuse Accessory Kits.	\$758.00	M
37514	1977	<b>DASH HARNESS</b> With Warning Lights	\$735.00	M
40384	1977	<b>DASH HARNESS-CLASSIC AUTO FUSE SERIES</b> With Warning Lights Note: With Updated Modern ATO Series Fuseblock. Use Fuse & Flasher Kit # 40357. Also See Optional Classic Auto Fuse Accessory Kits.	\$758.00	M
37515	1977	<b>DASH HARNESS</b> With Gauges	\$748.00	M
40385	1977	<b>DASH HARNESS-CLASSIC AUTO FUSE SERIES</b> With Gauges Note: With Updated Modern ATO Series Fuseblock. Use Fuse & Flasher Kit # 40357. Also See Optional Classic Auto Fuse Accessory Kits.	\$758.00	M
40054	1977	<b>DASH HARNESS</b> With Diesel	\$748.00	M
40386	1977	<b>DASH HARNESS-CLASSIC AUTO FUSE SERIES</b> With Diesel Note: With Updated Modern ATO Series Fuseblock. Use Fuse & Flasher Kit # 40357. Also See Optional Classic Auto Fuse Accessory Kits.	\$758.00	M
38138	1978	<b>DASH HARNESS</b> With Warning Lights	\$768.00	M
40387	1978	<b>DASH HARNESS-CLASSIC AUTO FUSE SERIES</b> With Warning Lights Note: With Updated Modern ATO Series Fuseblock. Use Fuse & Flasher Kit # 40357. Also See Optional Classic Auto Fuse Accessory Kits.	\$758.00	M
37517	1978	<b>DASH HARNESS</b> With Gauges	\$735.00	M
40388	1978	<b>DASH HARNESS-CLASSIC AUTO FUSE SERIES</b> With Gauges Note: With Updated Modern ATO Series Fuseblock. Use Fuse & Flasher Kit # 40357. Also See Optional Classic Auto Fuse Accessory Kits.	\$758.00	M
38139	1978	<b>DASH HARNESS</b> With Diesel	\$768.00	M
40389	1978	<b>DASH HARNESS-CLASSIC AUTO FUSE SERIES</b> With Diesel Note: With Updated Modern ATO Series Fuseblock. Use Fuse & Flasher Kit # 40357. Also See Optional Classic Auto Fuse Accessory Kits.	\$758.00	M
38142	1979	<b>DASH HARNESS</b> With Warning Lights	\$787.00	M
38152	1979	<b>DASH HARNESS</b> 6 Cylinder, With Gauges Note: 6 Cylinder Items Are Not Returnable.	\$787.00	M
38143	1979	<b>DASH HARNESS</b> V/8, With Gauges	\$735.00	M
38142	1980	<b>DASH HARNESS</b> With Warning Lights	\$787.00	M
38152	1980	<b>DASH HARNESS</b> 6 Cylinder, With Gauges Note: 6 Cylinder Items Are Not Returnable.	\$787.00	M

Part Number	Year	Description	Price	*Rev.
38143	1980	<b>DASH HARNESS</b> V/8, With Gauges	\$735.00	M
38146	1981	<b>DASH HARNESS</b> With Warning Lights	\$748.00	M
38147	1981	<b>DASH HARNESS</b> 6 Cylinder, With Gauges Note: 6 Cylinder Items Are Not Returnable.	\$787.00	M
38148	1981	<b>DASH HARNESS</b> V/8, With Gauges	\$735.00	M
38146	1982	<b>DASH HARNESS</b> With Warning Lights	\$748.00	M
38147	1982	<b>DASH HARNESS</b> 6 Cylinder, With Gauges Note: 6 Cylinder Items Are Not Returnable.	\$787.00	M
38148	1982	<b>DASH HARNESS</b> V/8, With Gauges	\$735.00	M
<b>DISTRIBUTOR WIRE</b>				
36057	1967	<b>DISTRIBUTOR WIRE</b> Distributor Points To Coil Negative Terminal, V/8 Note: Fits All GM V/8 Points Type Distributors From Approx. 1957 To 1974.	\$18.00	C
36057	1968	<b>DISTRIBUTOR WIRE</b> Distributor Points To Coil Negative Terminal, V/8 Note: Fits All GM V/8 Points Type Distributors From Approx. 1957 To 1974.	\$18.00	C
36057	1969	<b>DISTRIBUTOR WIRE</b> Distributor Points To Coil Negative Terminal, V/8 Note: Fits All GM V/8 Points Type Distributors From Approx. 1957 To 1974.	\$18.00	C
36057	1970	<b>DISTRIBUTOR WIRE</b> Distributor Points To Coil Negative Terminal, V/8 Note: Fits All GM V/8 Points Type Distributors From Approx. 1957 To 1974.	\$18.00	C
36057	1971	<b>DISTRIBUTOR WIRE</b> Distributor Points To Coil Negative Terminal, V/8 Note: Fits All GM V/8 Points Type Distributors From Approx. 1957 To 1974.	\$18.00	C
36057	1972	<b>DISTRIBUTOR WIRE</b> Distributor Points To Coil Negative Terminal, V/8 Note: Fits All GM V/8 Points Type Distributors From Approx. 1957 To 1974.	\$18.00	C
36057	1973	<b>DISTRIBUTOR WIRE</b> Distributor Points To Coil Negative Terminal, V/8 Note: Fits All GM V/8 Points Type Distributors From Approx. 1957 To 1974.	\$18.00	C
36057	1974	<b>DISTRIBUTOR WIRE</b> Distributor Points To Coil Negative Terminal, V/8 Note: Fits All GM V/8 Points Type Distributors From Approx. 1957 To 1974.	\$18.00	C
<b>DOME LAMP EXTENSION HARNESS</b>				
39714	1973	<b>DOME LAMP EXTENSION HARNESS</b> All Trucks, Except Blazer & Jimmy, Front Door Jamb Switch To Cargo Lamp Or Roof Dome Lamp Harness	\$106.00	M
39738	1973	<b>DOME LAMP EXTENSION HARNESS</b> Blazer & Jimmy, Front Door Jamb Switch To Roof Dome Lamp Harness	\$106.00	M
39714	1974	<b>DOME LAMP EXTENSION HARNESS</b> All Trucks, Except Blazer & Jimmy, Front Door Jamb Switch To Cargo Lamp Or Roof Dome Lamp Harness	\$106.00	M
39738	1974	<b>DOME LAMP EXTENSION HARNESS</b> Blazer & Jimmy, Front Door Jamb Switch To Roof Dome Lamp Harness	\$106.00	M
39714	1975	<b>DOME LAMP EXTENSION HARNESS</b> All Trucks, Except Blazer & Jimmy, Front Door Jamb Switch To Cargo Lamp Or Dome Lamp Harness	\$106.00	M
39738	1975	<b>DOME LAMP EXTENSION HARNESS</b> Blazer & Jimmy, Front Door Jamb Switch To Dome Lamp Harness	\$106.00	M
39714	1976	<b>DOME LAMP EXTENSION HARNESS</b> All, Front Door Jamb Switch To Cargo Lamp Or Dome Lamp Harness	\$106.00	M
39714	1977	<b>DOME LAMP EXTENSION HARNESS</b> All, Front Door Jamb Switch To Cargo Lamp Or Dome Lamp Harness	\$106.00	M
39714	1978	<b>DOME LAMP EXTENSION HARNESS</b> All, Front Door Jamb Switch To Cargo Lamp Or Dome Lamp Harness	\$106.00	M
39346	1979	<b>DOME LAMP EXTENSION HARNESS</b> All, Front Door Jamb Switch To Cargo Lamp Or Dome Lamp Harness	\$106.00	M
39346	1980	<b>DOME LAMP EXTENSION HARNESS</b> All, Front Door Jamb Switch To Cargo Lamp Or Dome Lamp Harness	\$106.00	M
39346	1981	<b>DOME LAMP EXTENSION HARNESS</b> All, Front Door Jamb Switch To Cargo Lamp Or Dome Lamp Harness	\$106.00	M

Part Number	Year	Description	Price	*Rev.
39346	1982	<b>DOME LAMP EXTENSION HARNESS</b> All, Front Door Jamb Switch To Cargo Lamp Or Dome Lamp Harness	\$106.00	M
39346	1982	<b>DOME LAMP EXTENSION HARNESS</b> All, Front Door Jamb Switch To Cargo Lamp Or Dome Lamp Harness	\$106.00	M
<b>DOME LAMP HARNESS</b>				
39347	1973	<b>DOME LAMP HARNESS</b> All 2 Door Trucks, Except Blazer & Jimmy, Roof Dome Lamp To Extension Harness	\$41.00	M
39737	1973	<b>DOME LAMP HARNESS</b> Blazer & Jimmy, Roof Dome Lamp To Extension Harness	\$48.00	M
39732	1973	<b>DOME LAMP HARNESS</b> 4 Door Trucks, Roof Dome Lamp To Extension Harness	\$48.00	M
39748	1973	<b>DOME LAMP HARNESS</b> Suburban, Front & Rear Roof Dome Lamps, Includes Extension Harness	\$60.00	M
39347	1974	<b>DOME LAMP HARNESS</b> All 2 Door Trucks, Except Blazer & Jimmy, Roof Dome Lamp To Extension Harness	\$41.00	M
39737	1974	<b>DOME LAMP HARNESS</b> Blazer & Jimmy, Roof Dome Lamp To Extension Harness	\$48.00	M
39732	1974	<b>DOME LAMP HARNESS</b> 4 Door Trucks, Roof Dome Lamp To Extension Harness	\$48.00	M
39760	1974	<b>DOME LAMP HARNESS</b> Suburban, Front & Rear Roof Dome Lamp, Without Overhead A/C	\$60.00	M
39761	1974	<b>DOME LAMP HARNESS</b> Suburban, Front & Rear Roof Dome Lamp, With Overhead A/C	\$60.00	M
39347	1975	<b>DOME LAMP HARNESS</b> All 2 Door Trucks, Except Blazer & Jimmy, Roof Dome Lamp To Extension Harness	\$41.00	M
39737	1975	<b>DOME LAMP HARNESS</b> Blazer & Jimmy, Dome Lamp To Extension Harness	\$48.00	M
39775	1975	<b>DOME LAMP HARNESS</b> 4 Door Trucks, Roof Dome Lamp To Extension Harness	\$48.00	M
39760	1975	<b>DOME LAMP HARNESS</b> Suburban, Front & Rear Roof Dome Lamp, Without Overhead A/C	\$60.00	M
39761	1975	<b>DOME LAMP HARNESS</b> Suburban, Front & Rear Roof Dome Lamp, With Overhead A/C	\$60.00	M
39347	1976	<b>DOME LAMP HARNESS</b> All 2 Door Trucks, Except Blazer & Jimmy, Roof Dome Lamp To Extension Harness	\$41.00	M
39805	1976	<b>DOME LAMP HARNESS</b> All Trucks, Except Blazer & Jimmy, Dome & Cargo Lamp Jumper, Extension Harness To Dome/Cargo Lamp	\$41.00	M
39799	1976	<b>DOME LAMP HARNESS</b> Blazer & Jimmy, Extension Harness To Dome Lamp On Removable Top	\$41.00	M
39831	1976	<b>DOME LAMP HARNESS</b> Blazer & Jimmy, Cab Mounted Roof Dome Lamp To Extension Harness	\$53.00	M
39760	1976	<b>DOME LAMP HARNESS</b> Suburban, Front & Rear Roof Dome Lamp, Without Overhead A/C	\$60.00	M
39761	1976	<b>DOME LAMP HARNESS</b> Suburban, Front & Rear Roof Dome Lamp, With Overhead A/C	\$60.00	M
39775	1976	<b>DOME LAMP HARNESS</b> 4 Door Trucks, Roof Dome Lamp To Extension Harness	\$48.00	M
39347	1977	<b>DOME LAMP HARNESS</b> All 2 Door Trucks, Except Blazer & Jimmy, Roof Dome Lamp To Extension Harness	\$41.00	M
39760	1977	<b>DOME LAMP HARNESS</b> Suburban, Front & Rear Roof Dome Lamp, Without Overhead A/C	\$60.00	M
39761	1977	<b>DOME LAMP HARNESS</b> Suburban, Front & Rear Roof Dome Lamp, With Overhead A/C	\$60.00	M
39775	1977	<b>DOME LAMP HARNESS</b> 4 Door Trucks, Roof Dome Lamp To Extension Harness	\$48.00	M
39799	1977	<b>DOME LAMP HARNESS</b> Blazer & Jimmy, Extension Harness To Dome Lamp On Removable Top	\$41.00	M
39805	1977	<b>DOME LAMP HARNESS</b> All Trucks, Except Blazer & Jimmy, Dome & Cargo Lamp Jumper, Extension Harness To Dome/Cargo Lamp	\$41.00	M
39831	1977	<b>DOME LAMP HARNESS</b> Blazer & Jimmy, Cab Mounted Roof Dome Lamp To Extension Harness	\$53.00	M
39347	1978	<b>DOME LAMP HARNESS</b> All 2 Door Trucks, Except Blazer & Jimmy, Roof Dome Lamp To Extension Harness	\$41.00	M
39760	1978	<b>DOME LAMP HARNESS</b> Suburban, Front & Rear Roof Dome Lamp, Without Overhead A/C	\$60.00	M
39805	1978	<b>DOME LAMP HARNESS</b> All Trucks, Except Blazer & Jimmy, Dome & Cargo Lamp Jumper, Extension Harness To Dome/Cargo Lamp	\$41.00	M
39799	1978	<b>DOME LAMP HARNESS</b> Blazer & Jimmy, Extension Harness To Dome Lamp On Removable Top	\$41.00	M

Part Number	Year	Description	Price	*Rev.
39831	1978	<b>DOMELAMP HARNESS</b> Blazer & Jimmy, Cab Mounted Roof Dome Lamp To Extension Harness	\$53.00	M
39761	1978	<b>DOMELAMP HARNESS</b> Suburban, Front & Rear Roof Dome Lamp, With Overhead A/C	\$60.00	M
39775	1978	<b>DOMELAMP HARNESS</b> 4 Door Trucks, Roof Dome Lamp To Extension Harness	\$48.00	M
39347	1979	<b>DOMELAMP HARNESS</b> All 2 Door Trucks, Except Blazer & Jimmy, Roof Dome Lamp To Extension Harness	\$41.00	M
39805	1979	<b>DOMELAMP HARNESS</b> All Trucks, Except Blazer & Jimmy, Dome & Cargo Lamp Jumper, Extension Harness To Dome/Cargo Lamp	\$41.00	M
39799	1979	<b>DOMELAMP HARNESS</b> Blazer & Jimmy, Extension Harness To Dome Lamp On Removable Top	\$41.00	M
39831	1979	<b>DOMELAMP HARNESS</b> Blazer & Jimmy, Cab Mounted Roof Dome Lamp To Extension Harness	\$53.00	M
39760	1979	<b>DOMELAMP HARNESS</b> Suburban, Front & Rear Roof Dome Lamp, Without Overhead A/C	\$60.00	M
39761	1979	<b>DOMELAMP HARNESS</b> Suburban, Front & Rear Roof Dome Lamp, With Overhead A/C	\$60.00	M
39775	1979	<b>DOMELAMP HARNESS</b> 4 Door Trucks, Roof Dome Lamp To Extension Harness	\$48.00	M
39347	1980	<b>DOMELAMP HARNESS</b> All 2 Door Trucks, Except Blazer & Jimmy, Roof Dome Lamp To Extension Harness	\$41.00	M
39799	1980	<b>DOMELAMP HARNESS</b> Blazer & Jimmy, Extension Harness To Dome Lamp On Removable Top	\$41.00	M
39831	1980	<b>DOMELAMP HARNESS</b> Blazer & Jimmy, Cab Mounted Roof Dome Lamp To Extension Harness	\$53.00	M
39760	1980	<b>DOMELAMP HARNESS</b> Suburban, Front & Rear Roof Dome Lamp, Without Overhead A/C	\$60.00	M
39775	1980	<b>DOMELAMP HARNESS</b> 4 Door Trucks, Roof Dome Lamp To Extension Harness	\$48.00	M
39761	1980	<b>DOMELAMP HARNESS</b> Suburban, Front & Rear Roof Dome Lamp, With Overhead A/C	\$60.00	M
39347	1981	<b>DOMELAMP HARNESS</b> All 2 Door Trucks, Except Blazer & Jimmy, Roof Dome Lamp To Extension Harness	\$41.00	M
39799	1981	<b>DOMELAMP HARNESS</b> Blazer & Jimmy, Extension Harness To Dome Lamp On Removable Top	\$41.00	M
39831	1981	<b>DOMELAMP HARNESS</b> Blazer & Jimmy, Cab Mounted Roof Dome Lamp To Extension Harness	\$53.00	M
39760	1981	<b>DOMELAMP HARNESS</b> Suburban, Front & Rear Roof Dome Lamp, Without Overhead A/C	\$60.00	M
39775	1981	<b>DOMELAMP HARNESS</b> 4 Door Trucks, Roof Dome Lamp To Extension Harness	\$48.00	M
39761	1981	<b>DOMELAMP HARNESS</b> Suburban, Front & Rear Roof Dome Lamp, With Overhead A/C	\$60.00	M
39347	1982	<b>DOMELAMP HARNESS</b> All 2 Door Trucks, Except Blazer & Jimmy, Roof Dome Lamp To Extension Harness	\$41.00	M
39831	1982	<b>DOMELAMP HARNESS</b> Blazer & Jimmy, Cab Mounted Roof Dome Lamp To Extension Harness	\$53.00	M
39761	1982	<b>DOMELAMP HARNESS</b> Suburban, Front & Rear Roof Dome Lamp, With Overhead A/C	\$60.00	M
39760	1982	<b>DOMELAMP HARNESS</b> Suburban, Front & Rear Roof Dome Lamp, Without Overhead A/C	\$60.00	M
39775	1982	<b>DOMELAMP HARNESS</b> 4 Door Trucks, Roof Dome Lamp To Extension Harness	\$48.00	M
41592	1984	<b>DOMELAMP HARNESS</b>	\$53.00	M
41592	1985	<b>DOMELAMP HARNESS</b>	\$53.00	M
41592	1986	<b>DOMELAMP HARNESS</b>	\$53.00	M
41592	1987	<b>DOMELAMP HARNESS</b>	\$53.00	M
41592	1988	<b>DOMELAMP HARNESS</b>	\$53.00	M
41592	1989	<b>DOMELAMP HARNESS</b>	\$53.00	M
41592	1990	<b>DOMELAMP HARNESS</b>	\$53.00	M
41592	1991	<b>DOMELAMP HARNESS</b>	\$53.00	M
<b>ELECTRONIC SPARK CONTROL EXTENSION HARNESS</b>				
37535	1981	<b>ELECTRONIC SPARK CONTROL EXTENSION HARNESS</b> 1/2 & 3/4-Ton, With 305 V/8, Distributor To Electronic Spark Control Harness	\$67.00	M



Part Number	Year	Description	Price	*Rev.
37535	1982	<b>ELECTRONIC SPARK CONTROL EXTENSION HARNESS</b> 1/2 & 3/4-Ton, With 305 V/8, Engine Code H, & 700R4, Or TH350 Trans, Distributor To Electronic Spark Control Harness	\$67.00	M
<b>ENGINE HARNESS</b>				
35928	1973	<b>ENGINE HARNESS</b> 6 Cylinder, All Note: 6 Cylinder Items Are Not Returnable.	\$318.00	M
37458	1973	<b>ENGINE HARNESS</b> V/8, 307, 350 C.I., Auto Trans, Without Gauges	\$305.00	M
40136	1973	<b>ENGINE HARNESS-HEI</b> V/8, 307, 350 C.I., Auto Trans, Without Gauges Note: This Harness Is Modified For Use With An HEI Distributor.	\$322.00	M
37459	1973	<b>ENGINE HARNESS</b> V/8, 307, 350 C.I., Auto Trans, With Gauges	\$305.00	M
39158	1973	<b>ENGINE HARNESS-HEI</b> V/8, 307, 350 C.I., Auto Trans, With Gauges Note: This Harness Is Modified For Use With An HEI Distributor.	\$322.00	M
37456	1973	<b>ENGINE HARNESS</b> V/8, 307, 350 C.I., Manual Trans, Without Gauges	\$305.00	M
40134	1973	<b>ENGINE HARNESS-HEI</b> V/8, 307, 350 C.I., Manual Trans, Without Gauges Note: This Harness Is Modified For Use With An HEI Distributor.	\$322.00	M
37457	1973	<b>ENGINE HARNESS</b> V/8, 307, 350 C.I., Manual Trans, With Gauges	\$305.00	M
40135	1973	<b>ENGINE HARNESS-HEI</b> V/8, 307, 350 C.I., Manual Trans, With Gauges Note: This Harness Is Modified For Use With An HEI Distributor.	\$322.00	M
37462	1973	<b>ENGINE HARNESS</b> V/8, 454 C.I., Auto Trans, Without Gauges	\$305.00	M
40139	1973	<b>ENGINE HARNESS-HEI</b> V/8, 454 C.I., Auto Trans, Without Gauges Note: This Harness Is Modified For Use With An HEI Distributor.	\$322.00	M
37463	1973	<b>ENGINE HARNESS</b> V/8, 454 C.I., Auto Trans, With Gauges	\$305.00	M
39209	1973	<b>ENGINE HARNESS-HEI</b> V/8, 454 C.I., Auto Trans, With Gauges Note: This Harness Is Modified For Use With An HEI Distributor.	\$322.00	M
37460	1973	<b>ENGINE HARNESS</b> V/8, 454 C.I., Manual Trans, Without Gauges	\$305.00	M
40137	1973	<b>ENGINE HARNESS-HEI</b> V/8, 454 C.I., Manual Trans, Without Gauges Note: This Harness Is Modified For Use With An HEI Distributor.	\$322.00	M
37461	1973	<b>ENGINE HARNESS</b> V/8, 454 C.I., Manual Trans, With Gauges	\$305.00	M
40138	1973	<b>ENGINE HARNESS-HEI</b> V/8, 454 C.I., Manual Trans, With Gauges Note: This Harness Is Modified For Use With An HEI Distributor.	\$322.00	M
35977	1974	<b>ENGINE HARNESS</b> 6 Cylinder, All Note: 6 Cylinder Items Are Not Returnable.	\$359.00	M
37481	1974	<b>ENGINE HARNESS</b> V/8, 350 C.I., Auto Trans, Without Gauges	\$344.00	M
40140	1974	<b>ENGINE HARNESS-HEI</b> V/8, 350 C.I., Auto Trans, Without Gauges Note: This Harness Is Modified For Use With An HEI Distributor.	\$344.00	M
37482	1974	<b>ENGINE HARNESS</b> V/8, 350 C.I., Auto Trans, With Gauges	\$344.00	M
39210	1974	<b>ENGINE HARNESS-HEI</b> V/8, 350 C.I., Auto Trans, With Gauges Note: This Harness Is Modified For Use With An HEI Distributor.	\$344.00	M
38871	1974	<b>ENGINE HARNESS</b> V/8, 350 C.I., Manual Trans, Without Gauges	\$344.00	M
40144	1974	<b>ENGINE HARNESS-HEI</b> V/8, 350 C.I., Manual Trans, Without Gauges Note: This Harness Is Modified For Use With An HEI Distributor.	\$344.00	M
37480	1974	<b>ENGINE HARNESS</b> V/8, 350 C.I., Manual Trans, With Gauges	\$344.00	M
40143	1974	<b>ENGINE HARNESS-HEI</b> V/8, 350 C.I., Manual Trans, With Gauges Note: This Harness Is Modified For Use With An HEI Distributor.	\$344.00	M
37484	1974	<b>ENGINE HARNESS</b> V/8, 454 C.I., Without Gauges	\$344.00	M
40141	1974	<b>ENGINE HARNESS-HEI</b> V/8, 454 C.I., Without Gauges Note: This Harness Is Modified For Use With An HEI Distributor.	\$344.00	M
37485	1974	<b>ENGINE HARNESS</b> V/8, 454 C.I., With Gauges	\$344.00	M

Part Number	Year	Description	Price	*Rev.
40142	1974	<b>ENGINE HARNESS-HEI</b> V/8, 454 C.I., With Gauges Note: This Harness Is Modified For Use With An HEI Distributor.	\$344.00	M
35935	1975	<b>ENGINE HARNESS</b> 6 Cylinder, All Note: 6 Cylinder Items Are Not Returnable.	\$374.00	M
37496	1975	<b>ENGINE HARNESS</b> V/8, 350, 400 C.I., Without Gauges	\$344.00	M
37497	1975	<b>ENGINE HARNESS</b> V/8, 350, 400 C.I., With Gauges	\$344.00	M
37498	1975	<b>ENGINE HARNESS</b> V/8, 454 C.I., Without Gauges & California Emission System	\$344.00	M
38872	1975	<b>ENGINE HARNESS</b> V/8, 454 C.I., With Gauges, Without California Emission System	\$344.00	M
37502	1975	<b>ENGINE HARNESS</b> V/8, 454 C.I., 1/2 Ton, Without Gauges, With California Emission System	\$344.00	M
37503	1975	<b>ENGINE HARNESS</b> V/8, 454 C.I., 1/2 Ton, With Gauges & California Emission System	\$344.00	M
37506	1975	<b>ENGINE HARNESS</b> V/8, 454 C.I., 3/4 & 1-Ton, Without Gauges, With California Emission System	\$344.00	M
37507	1975	<b>ENGINE HARNESS</b> V/8, 454 C.I., 3/4 & 1-Ton, With Gauges & California Emission System	\$344.00	M
35954	1976	<b>ENGINE HARNESS</b> 6 Cylinder, 250 C.I. Note: 6 Cylinder Items Are Not Returnable.	\$374.00	M
35932	1976	<b>ENGINE HARNESS</b> 6 Cylinder, 292 C.I. Note: 6 Cylinder Items Are Not Returnable.	\$359.00	M
38135	1976	<b>ENGINE HARNESS</b> V/8, 350, 400 C.I.	\$318.00	M
35967	1976	<b>ENGINE HARNESS</b> V/8, 454 C.I., With Heavy Duty Chassis	\$344.00	M
35968	1976	<b>ENGINE HARNESS</b> V/8, 454 C.I., Without Heavy Duty Chassis	\$358.00	M
35969	1977	<b>ENGINE HARNESS</b> 6 Cylinder, 250 C.I. Note: 6 Cylinder Items Are Not Returnable.	\$374.00	M
37516	1977	<b>ENGINE HARNESS</b> 6 Cylinder, 292 C.I. Note: 6 Cylinder Items Are Not Returnable.	\$374.00	M
38136	1977	<b>ENGINE HARNESS</b> V/8, 305, 350, 400 C.I.	\$318.00	M
35970	1977	<b>ENGINE HARNESS</b> V/8, 454 C.I., Except Heavy Duty Chassis	\$358.00	M
35972	1977	<b>ENGINE HARNESS</b> V/8, 454 C.I., With Heavy Duty Chassis	\$318.00	M
35975	1978	<b>ENGINE HARNESS</b> 6 Cylinder, 250 C.I., Without California Emissions, & All 292 C.I. Note: 6 Cylinder Items Are Not Returnable.	\$374.00	M
35911	1978	<b>ENGINE HARNESS</b> 6 Cylinder, 250 C.I., With California Emissions Note: 6 Cylinder Items Are Not Returnable.	\$374.00	M
38140	1978	<b>ENGINE HARNESS</b> V/8, 305, 350, 400 C.I.	\$332.00	M
35973	1978	<b>ENGINE HARNESS</b> V/8, 454 C.I.	\$332.00	M
37520	1979	<b>ENGINE HARNESS</b> 6 Cylinder, 250 C.I. Note: 6 Cylinder Items Are Not Returnable.	\$387.00	M
37522	1979	<b>ENGINE HARNESS</b> 6 Cylinder, 292 C.I. Note: 6 Cylinder Items Are Not Returnable.	\$387.00	M
22630	1979	<b>ENGINE HARNESS</b> V/8, 454 C.I.	\$332.00	M
38144	1979	<b>ENGINE HARNESS</b> V/8, 305, 350, 400 C.I.	\$332.00	M
37520	1980	<b>ENGINE HARNESS</b> 6 Cylinder, 250 C.I. Note: 6 Cylinder Items Are Not Returnable.	\$387.00	M
37522	1980	<b>ENGINE HARNESS</b> 6 Cylinder, 292 C.I. Note: 6 Cylinder Items Are Not Returnable.	\$387.00	M
38144	1980	<b>ENGINE HARNESS</b> V/8, 305, 350, 400 C.I.	\$332.00	M
22630	1980	<b>ENGINE HARNESS</b> V/8, 454 C.I.	\$332.00	M

Part Number	Year	Description	Price	*Rev.
37528	1981	<b>ENGINE HARNESS</b> 6 Cylinder, 250 C.I. Note: 6 Cylinder Items Are Not Returnable.	\$387.00	M
37531	1981	<b>ENGINE HARNESS</b> 6 Cylinder, 292 C.I. Note: 6 Cylinder Items Are Not Returnable.	\$401.00	M
37530	1981	<b>ENGINE HARNESS</b> V/8, 305, 350 C.I.	\$332.00	M
37529	1981	<b>ENGINE HARNESS</b> V/8, 454 C.I.	\$344.00	M
37528	1982	<b>ENGINE HARNESS</b> 6 Cylinder, 250 C.I., With California Emissions Note: 6 Cylinder Items Are Not Returnable.	\$387.00	M
37531	1982	<b>ENGINE HARNESS</b> 6 Cylinder, 292 C.I. Note: 6 Cylinder Items Are Not Returnable.	\$401.00	M
37539	1982	<b>ENGINE HARNESS</b> 6 Cylinder, 250 C.I., Without California Emissions Note: 6 Cylinder Items Are Not Returnable.	\$401.00	M
37530	1982	<b>ENGINE HARNESS</b> V/8, 305, 350 C.I., With Electric Choke	\$332.00	M
38149	1982	<b>ENGINE HARNESS</b> V/8, 305, 350 C.I., Without Electric Choke	\$332.00	M
37529	1982	<b>ENGINE HARNESS</b> V/8, 454 C.I.	\$344.00	M
38883	1982	<b>ENGINE HARNESS EXTENSION</b> Diesel, Glow Plug Relay To Engine Harness	\$133.00	M
<b>ENGINE INDICATOR LAMP HARNESS</b>				
37538	1982	<b>ENGINE INDICATOR LAMP HARNESS</b> Diesel, Fuse Block To Dash Indicator Warning Lamps	\$147.00	M
<b>FORWARD LAMP HARNESS</b>				
22535	1968	<b>FORWARD LAMP HARNESS</b> K5, With Gauges	\$332.00	
39212	1968	<b>FORWARD LAMP HARNESS-INT REG ALT DRIVER SIDE</b> K5, With Gauges Note: Modified For Driver Side Mounted 1972-84 Non-Serpentine Belt ("SI" Series) Internal Regulated Alternators.	\$366.00	
39287	1968	<b>FORWARD LAMP HARNESS-INT REG ALT PASSENGER SIDE</b> K5, With Gauges Note: Modified For Passenger Side Mounted 1972-84 Non-Serpentine Belt ("SI" Series) Internal Regulated Alternators.	\$381.00	
22530	1968	<b>FORWARD LAMP HARNESS</b> Pickup, With Gauges	\$318.00	
39063	1968	<b>FORWARD LAMP HARNESS-INT REG ALT DRIVER SIDE</b> Pickup, With Gauges Note: Modified For Driver Side Mounted 1972-84 Non-Serpentine Belt ("SI" Series) Internal Regulated Alternators.	\$353.00	
39211	1968	<b>FORWARD LAMP HARNESS-INT REG ALT PASSENGER SIDE</b> Pickup, With Gauges Note: Modified For Passenger Side Mounted 1972-84 Non-Serpentine Belt ("SI" Series) Internal Regulated Alternators.	\$366.00	
22535	1969	<b>FORWARD LAMP HARNESS</b> K5, With Gauges	\$332.00	
39212	1969	<b>FORWARD LAMP HARNESS-INT REG ALT DRIVER SIDE</b> K5, With Gauges Note: Modified For Driver Side Mounted 1972-84 Non-Serpentine Belt ("SI" Series) Internal Regulated Alternators.	\$366.00	
39287	1969	<b>FORWARD LAMP HARNESS-INT REG ALT PASSENGER SIDE</b> K5, With Gauges Note: Modified For Passenger Side Mounted 1972-84 Non-Serpentine Belt ("SI" Series) Internal Regulated Alternators.	\$381.00	
22530	1969	<b>FORWARD LAMP HARNESS</b> Pickup, With Gauges	\$318.00	
39063	1969	<b>FORWARD LAMP HARNESS-INT REG ALT DRIVER SIDE</b> Pickup, With Gauges Note: Modified For Driver Side Mounted 1972-84 Non-Serpentine Belt ("SI" Series) Internal Regulated Alternators.	\$353.00	
39211	1969	<b>FORWARD LAMP HARNESS-INT REG ALT PASSENGER SIDE</b> Pickup, With Gauges Note: Modified For Passenger Side Mounted 1972-84 Non-Serpentine Belt ("SI" Series) Internal Regulated Alternators.	\$366.00	
22535	1970	<b>FORWARD LAMP HARNESS</b> K5, With Gauges	\$332.00	
39212	1970	<b>FORWARD LAMP HARNESS-INT REG ALT DRIVER SIDE</b> K5, With Gauges Note: Modified For Driver Side Mounted 1972-84 Non-Serpentine Belt ("SI" Series) Internal Regulated Alternators.	\$366.00	
39287	1970	<b>FORWARD LAMP HARNESS-INT REG ALT PASSENGER SIDE</b> K5, With Gauges Note: Modified For Passenger Side Mounted 1972-84 Non-Serpentine Belt ("SI" Series) Internal Regulated Alternators.	\$381.00	
22530	1970	<b>FORWARD LAMP HARNESS</b> Pickup, With Gauges	\$318.00	
39063	1970	<b>FORWARD LAMP HARNESS-INT REG ALT DRIVER SIDE</b> Pickup, With Gauges Note: Modified For Driver Side Mounted 1972-84 Non-Serpentine Belt ("SI" Series) Internal Regulated Alternators.	\$353.00	

Part Number	Year	Description	Price	*Rev.
39211	1970	<b>FORWARD LAMP HARNESS-INT REG ALT PASSENGER SIDE</b> Pickup, With Gauges Note: Modified For Passenger Side Mounted 1972-84 Non-Serpentine Belt ("SI" Series) Internal Regulated Alternators.	\$366.00	
22535	1971	<b>FORWARD LAMP HARNESS</b> K5, With Gauges	\$332.00	
39212	1971	<b>FORWARD LAMP HARNESS-INT REG ALT DRIVER SIDE</b> K5, With Gauges Note: Modified For Driver Side Mounted 1972-84 Non-Serpentine Belt ("SI" Series) Internal Regulated Alternators.	\$366.00	
39287	1971	<b>FORWARD LAMP HARNESS-INT REG ALT PASSENGER SIDE</b> K5, With Gauges Note: Modified For Passenger Side Mounted 1972-84 Non-Serpentine Belt ("SI" Series) Internal Regulated Alternators.	\$381.00	
22530	1971	<b>FORWARD LAMP HARNESS</b> Pickup, With Gauges	\$318.00	
39063	1971	<b>FORWARD LAMP HARNESS-INT REG ALT DRIVER SIDE</b> Pickup, With Gauges Note: Modified For Driver Side Mounted 1972-84 Non-Serpentine Belt ("SI" Series) Internal Regulated Alternators.	\$353.00	
39211	1971	<b>FORWARD LAMP HARNESS-INT REG ALT PASSENGER SIDE</b> Pickup, With Gauges Note: Modified For Passenger Side Mounted 1972-84 Non-Serpentine Belt ("SI" Series) Internal Regulated Alternators.	\$366.00	
22535	1972	<b>FORWARD LAMP HARNESS</b> K5, With Gauges	\$332.00	
39212	1972	<b>FORWARD LAMP HARNESS-INT REG ALT DRIVER SIDE</b> K5, With Gauges Note: Modified For Driver Side Mounted 1972-84 Non-Serpentine Belt ("SI" Series) Internal Regulated Alternators.	\$366.00	
39287	1972	<b>FORWARD LAMP HARNESS-INT REG ALT PASSENGER SIDE</b> K5, With Gauges Note: Modified For Passenger Side Mounted 1972-84 Non-Serpentine Belt ("SI" Series) Internal Regulated Alternators.	\$381.00	
22530	1972	<b>FORWARD LAMP HARNESS</b> Pickup, With Gauges	\$318.00	
39063	1972	<b>FORWARD LAMP HARNESS-INT REG ALT DRIVER SIDE</b> Pickup, With Gauges Note: Modified For Driver Side Mounted 1972-84 Non-Serpentine Belt ("SI" Series) Internal Regulated Alternators.	\$353.00	
39211	1972	<b>FORWARD LAMP HARNESS-INT REG ALT PASSENGER SIDE</b> Pickup, With Gauges Note: Modified For Passenger Side Mounted 1972-84 Non-Serpentine Belt ("SI" Series) Internal Regulated Alternators.	\$366.00	
35925	1973	<b>FORWARD LAMP HARNESS</b>	\$304.00	M
35925	1974	<b>FORWARD LAMP HARNESS</b>	\$304.00	M
35971	1975	<b>FORWARD LAMP HARNESS</b>	\$290.00	M
35971	1976	<b>FORWARD LAMP HARNESS</b>	\$290.00	M
35971	1977	<b>FORWARD LAMP HARNESS</b>	\$290.00	M
35971	1978	<b>FORWARD LAMP HARNESS</b>	\$290.00	M
35971	1979	<b>FORWARD LAMP HARNESS</b>	\$290.00	M
37524	1980	<b>FORWARD LAMP HARNESS</b> With Rectangular Headlights	\$304.00	M
35971	1980	<b>FORWARD LAMP HARNESS</b> With Round Headlights	\$290.00	M
37526	1981	<b>FORWARD LAMP HARNESS</b> With Single Headlights	\$330.00	M
37527	1981	<b>FORWARD LAMP HARNESS</b> With Dual Headlights	\$317.00	M
38150	1982	<b>FORWARD LAMP HARNESS</b> With Single Headlights	\$317.00	M
38151	1982	<b>FORWARD LAMP HARNESS</b> With Dual Headlights	\$317.00	M
<b>FOUR WHEEL DRIVE INDICATOR LAMP EXT HARNESS</b>				
39842	1977	<b>FOUR WHEEL DRIVE INDICATOR LAMP EXTENSION HARNESS</b> With Auto Trans, Transfer Case Switch To Indicator Lamp Harness	\$53.00	M
39842	1978	<b>FOUR WHEEL DRIVE INDICATOR LAMP EXTENSION HARNESS</b> With Auto Trans, Transfer Case Switch To Indicator Lamp Harness	\$53.00	M
39842	1979	<b>FOUR WHEEL DRIVE INDICATOR LAMP EXTENSION HARNESS</b> With Auto Trans, Transfer Case Switch To Indicator Lamp Harness	\$53.00	M
<b>FRONT CORNER MARKER LAMP HARNESS</b>				
39746	1973	<b>FRONT CORNER MARKER LAMP HARNESS</b> Stakebed & Flatbed	\$60.00	M
39746	1974	<b>FRONT CORNER MARKER LAMP HARNESS</b> Stakebed & Flatbed	\$60.00	M
39746	1975	<b>FRONT CORNER MARKER LAMP HARNESS</b> Stakebed & Flatbed	\$60.00	M
39746	1976	<b>FRONT CORNER MARKER LAMP HARNESS</b> 1-Ton, Stakebed & Flatbed, With 135.5 In. Wheel Base	\$60.00	M
39746	1977	<b>FRONT CORNER MARKER LAMP HARNESS</b> 1-Ton, Stakebed & Flatbed, With 135.5 In. Wheel Base	\$60.00	M

Part Number	Year	Description	Price	*Rev.
39746	1978	<b>FRONT CORNER MARKER LAMP HARNESS</b> 1-Ton, Stakebed & Flatbed, With 135.5 In. Wheel Base	\$60.00	M
39746	1979	<b>FRONT CORNER MARKER LAMP HARNESS</b> 1-Ton, Stakebed & Flatbed, With 135.5 In. Wheel Base	\$60.00	M
39746	1980	<b>FRONT CORNER MARKER LAMP HARNESS</b> 1-Ton, Stakebed & Flatbed, With 135.5 In. Wheel Base	\$60.00	M
39746	1981	<b>FRONT CORNER MARKER LAMP HARNESS</b> 1-Ton, Stakebed & Flatbed, With 135.5 In. Wheel Base	\$60.00	M
39746	1982	<b>FRONT CORNER MARKER LAMP HARNESS</b> 1-Ton, Stakebed & Flatbed, With 135.5 In. Wheel Base	\$60.00	M
<b>FUEL GAUGE</b>				
44233	1947	<b>FUEL GAUGE</b> 12 Volt, Red Needle, Negative Ground Note: GM Did Not Sell This Gauge Originally, This Gauge Is For Vehicles Converted Over To 12 Volts, But Still Maintains The Original Appearance. For Use On Trucks With Negative Ground System.	\$74.00	N
01517015	1947	<b>FUEL GAUGE</b> 6 Volt, Red Needle, Negative Ground Note: For Use On Trucks With Negative Ground System.	\$74.00	N
44233	1948	<b>FUEL GAUGE</b> 12 Volt, Red Needle, Negative Ground Note: GM Did Not Sell This Gauge Originally, This Gauge Is For Vehicles Converted Over To 12 Volts, But Still Maintains The Original Appearance. For Use On Trucks With Negative Ground System.	\$74.00	N
01517015	1948	<b>FUEL GAUGE</b> 6 Volt, Red Needle, Negative Ground Note: For Use On Trucks With Negative Ground System.	\$74.00	N
44233	1949	<b>FUEL GAUGE</b> 12 Volt, Red Needle, Negative Ground Note: GM Did Not Sell This Gauge Originally, This Gauge Is For Vehicles Converted Over To 12 Volts, But Still Maintains The Original Appearance. For Use On Trucks With Negative Ground System.	\$74.00	N
01517015	1949	<b>FUEL GAUGE</b> 6 Volt, Red Needle, Negative Ground Note: For Use On Trucks With Negative Ground System.	\$74.00	N
44233	1950	<b>FUEL GAUGE</b> 12 Volt, Red Needle, Negative Ground Note: GM Did Not Sell This Gauge Originally, This Gauge Is For Vehicles Converted Over To 12 Volts, But Still Maintains The Original Appearance. For Use On Trucks With Negative Ground System.	\$74.00	N
01517015	1950	<b>FUEL GAUGE</b> 6 Volt, Red Needle, Negative Ground Note: For Use On Trucks With Negative Ground System.	\$74.00	N
44233	1951	<b>FUEL GAUGE</b> 12 Volt, Red Needle, Negative Ground Note: GM Did Not Sell This Gauge Originally, This Gauge Is For Vehicles Converted Over To 12 Volts, But Still Maintains The Original Appearance. For Use On Trucks With Negative Ground System.	\$74.00	N
01517015	1951	<b>FUEL GAUGE</b> 6 Volt, Red Needle, Negative Ground Note: For Use On Trucks With Negative Ground System.	\$74.00	N
44229	1952	<b>FUEL GAUGE</b> 12 Volt, White Needle Note: GM Did Not Sell This Gauge Originally, This Gauge Is For Vehicles Converted Over To 12 Volts, But Still Maintains The Original Appearance.	\$74.00	N
01517169	1952	<b>FUEL GAUGE</b> 6 Volt, White Needle	\$74.00	N
44229	1953	<b>FUEL GAUGE</b> 12 Volt, White Needle Note: GM Did Not Sell This Gauge Originally, This Gauge Is For Vehicles Converted Over To 12 Volts, But Still Maintains The Original Appearance.	\$74.00	N
01517169	1953	<b>FUEL GAUGE</b> 6 Volt, White Needle	\$74.00	N
01518462	1955	<b>FUEL GAUGE</b>	\$85.00	N
01518462	1956	<b>FUEL GAUGE</b>	\$85.00	N
01518462	1957	<b>FUEL GAUGE</b>	\$85.00	N
01518462	1958	<b>FUEL GAUGE</b>	\$85.00	N
01518462	1959	<b>FUEL GAUGE</b>	\$85.00	N
05644548	1960	<b>FUEL GAUGE</b>	\$74.00	N
05644548	1961	<b>FUEL GAUGE</b>	\$74.00	N
05644548	1962	<b>FUEL GAUGE</b>	\$74.00	N
05644548	1963	<b>FUEL GAUGE</b>	\$74.00	N
05644735	1964	<b>FUEL GAUGE</b> With Gauges	\$74.00	N

Part Number	Year	Description	Price	*Rev.
05644488	1964	FUEL GAUGE With Warning Lights	\$74.00	N
05644735	1965	FUEL GAUGE With Gauges	\$74.00	N
05644488	1965	FUEL GAUGE With Warning Lights	\$74.00	N
05644735	1966	FUEL GAUGE With Gauges	\$74.00	N
05644488	1966	FUEL GAUGE With Warning Lights	\$74.00	N
06457910	1967	FUEL GAUGE	\$47.00	N
06457910	1968	FUEL GAUGE	\$47.00	N
06457910	1969	FUEL GAUGE	\$47.00	N
06457910	1970	FUEL GAUGE	\$47.00	N
06457910	1971	FUEL GAUGE	\$47.00	N
06457910	1972	FUEL GAUGE	\$47.00	N
06431698	1973	FUEL GAUGE Fire Orange Needle, With Tachometer	\$54.00	N
06431731	1973	FUEL GAUGE Fire Orange Needle, Without Tachometer	\$54.00	N
06431698	1974	FUEL GAUGE Fire Orange Needle, With Tachometer	\$54.00	N
06431731	1974	FUEL GAUGE Fire Orange Needle, Without Tachometer	\$54.00	N
06432019	1975	FUEL GAUGE Fire Orange Needle, Unleaded Fuel Only, With Tachometer	\$54.00	N
06431698	1975	FUEL GAUGE Fire Orange Needle, With Tachometer	\$54.00	N
06431731	1975	FUEL GAUGE Fire Orange Needle, Without Tachometer	\$54.00	N
06432326	1976	FUEL GAUGE Fire Orange Needle, Unleaded Fuel Only, Without Tachometer	\$54.00	N
06432019	1976	FUEL GAUGE Fire Orange Needle, Unleaded Fuel Only, With Tachometer	\$54.00	N
06431698	1976	FUEL GAUGE Fire Orange Needle, With Tachometer	\$54.00	N
06432170	1976	FUEL GAUGE Fire Orange Needle, Without Tachometer	\$54.00	N
06432326	1977	FUEL GAUGE Fire Orange Needle, Unleaded Fuel Only, Without Tachometer	\$54.00	N
06432019	1977	FUEL GAUGE Fire Orange Needle, Unleaded Fuel Only, With Tachometer	\$54.00	N
06431698	1977	FUEL GAUGE Fire Orange Needle, With Tachometer	\$54.00	N
06432170	1977	FUEL GAUGE Fire Orange Needle, Without Tachometer	\$54.00	N
06432326	1978	FUEL GAUGE Fire Orange Needle, Unleaded Fuel Only, Without Tachometer	\$54.00	N
06432019	1978	FUEL GAUGE Fire Orange Needle, Unleaded Fuel Only, With Tachometer	\$54.00	N
06431698	1978	FUEL GAUGE Fire Orange Needle, With Tachometer	\$54.00	N
06432170	1978	FUEL GAUGE Fire Orange Needle, Without Tachometer	\$54.00	N
06432326	1979	FUEL GAUGE 1st Design, Fire Orange Needle, Unleaded Fuel Only, Without Tachometer	\$54.00	N
06432019	1979	FUEL GAUGE 1st Design, Fire Orange Needle, Unleaded Fuel Only, With Tachometer	\$54.00	N
06431698	1979	FUEL GAUGE 1st Design, Fire Orange Needle, With Tachometer	\$54.00	N
06432170	1979	FUEL GAUGE 1st Design, Fire Orange Needle, Without Tachometer	\$54.00	N
06433358	1979	FUEL GAUGE 2nd Design, Light Orange Needle, Unleaded Fuel Only, Without Tachometer	\$54.00	N
06432844	1979	FUEL GAUGE 2nd Design, Light Orange Needle, With Tachometer	\$54.00	N
06433358	1980	FUEL GAUGE Light Orange Needle, Unleaded Fuel Only, Without Tachometer	\$54.00	N
06432844	1980	FUEL GAUGE Light Orange Needle, With Tachometer	\$54.00	N
06433358	1981	FUEL GAUGE Light Orange Needle, Unleaded Fuel Only, Without Tachometer	\$54.00	N
06432844	1981	FUEL GAUGE Light Orange Needle, With Tachometer	\$54.00	N
06433358	1982	FUEL GAUGE Light Orange Needle, Unleaded Fuel Only, Without Tachometer	\$54.00	N
06432844	1982	FUEL GAUGE Light Orange Needle, With Tachometer	\$54.00	N
06433358	1983	FUEL GAUGE Light Orange Needle, Unleaded Fuel Only, Without Tachometer	\$54.00	N
06432844	1983	FUEL GAUGE Light Orange Needle, With Tachometer	\$54.00	N
06433358	1984	FUEL GAUGE Light Orange Needle, Unleaded Fuel Only, Without Tachometer	\$54.00	N

Part Number	Year	Description	Price	*Rev.
06432844	1984	<b>FUEL GAUGE</b> Light Orange Needle, With Tachometer	\$54.00	N
06433358	1985	<b>FUEL GAUGE</b> Light Orange Needle, Unleaded Fuel Only, Without Tachometer	\$54.00	N
06432844	1985	<b>FUEL GAUGE</b> Light Orange Needle, With Tachometer	\$54.00	N
06433358	1986	<b>FUEL GAUGE</b> Light Orange Needle, Unleaded Fuel Only, Without Tachometer	\$54.00	N
06432844	1986	<b>FUEL GAUGE</b> Light Orange Needle, With Tachometer	\$54.00	N
06433358	1987	<b>FUEL GAUGE</b> Light Orange Needle, Unleaded Fuel Only, Without Tachometer	\$54.00	N
06432844	1987	<b>FUEL GAUGE</b> Light Orange Needle, With Tachometer	\$54.00	N
<b>FUEL TANK SELECTOR SWITCH HARNESS</b>				
39756	1973	<b>FUEL TANK SELECTOR SWITCH HARNESS</b> All, With 3 Wires In Connector At Firewall, Dash Switch To Firewall	\$80.00	C
39756	1974	<b>FUEL TANK SELECTOR SWITCH HARNESS</b> All, With 3 Wires In Connector At Firewall, Dash Switch To Firewall	\$80.00	C
39756	1975	<b>FUEL TANK SELECTOR SWITCH HARNESS</b> All, With 3 Wires In Connector At Firewall, Dash Switch To Firewall	\$80.00	C
39357	1980	<b>FUEL TANK SELECTOR SWITCH HARNESS</b> All, Dash Switch To Firewall	\$80.00	M
40019	1982	<b>FUEL TANK SELECTOR SWITCH HARNESS</b> All, Dash Switch To Firewall, (2nd Design), Firewall Connector Has 2 Wires In A -"T" -Shaped Pattern	\$80.00	M
<b>FUEL TANK SENDER EXTENSION WIRE</b>				
39739	1973	<b>FUEL TANK SENDER EXTENSION WIRE</b> Blazer & Jimmy	\$35.00	N
39739	1974	<b>FUEL TANK SENDER EXTENSION WIRE</b> Blazer & Jimmy	\$35.00	N
39739	1975	<b>FUEL TANK SENDER EXTENSION WIRE</b> Blazer & Jimmy	\$35.00	N
39739	1976	<b>FUEL TANK SENDER EXTENSION WIRE</b> Blazer & Jimmy	\$35.00	N
39739	1977	<b>FUEL TANK SENDER EXTENSION WIRE</b> Blazer & Jimmy	\$35.00	N
39739	1978	<b>FUEL TANK SENDER EXTENSION WIRE</b> Blazer & Jimmy	\$35.00	N
39739	1979	<b>FUEL TANK SENDER EXTENSION WIRE</b> Blazer & Jimmy	\$35.00	N
39739	1980	<b>FUEL TANK SENDER EXTENSION WIRE</b> Blazer & Jimmy	\$35.00	N
<b>FUEL TANK SENDING UNIT</b>				
01517500	1947	<b>FUEL TANK SENDING UNIT</b> Original Style, No Fuel Pick-Up Tube Note: Includes Gaskets, No Filter Sock Included As It Is Separate.	\$39.00	N
06428049	1947	<b>FUEL TANK SENDING UNIT</b> Replacement, With Fuel Pick-Up Tube, Includes Gaskets & Filter Sock Note: In 1947 To 1953 The Pick-Up Tube Was A Separate Item, See 01517500. On 1954 To 1959 This Is A Stock Unit But Can Also Replace 1947 To 1953.	\$39.00	N
01517500	1948	<b>FUEL TANK SENDING UNIT</b> Original Style, No Fuel Pick-Up Tube Note: Includes Gaskets, No Filter Sock Included As It Is Separate.	\$39.00	N
06428049	1948	<b>FUEL TANK SENDING UNIT</b> Replacement, With Fuel Pick-Up Tube, Includes Gaskets & Filter Sock Note: In 1947 To 1953 The Pick-Up Tube Was A Separate Item, See 01517500. On 1954 To 1959 This Is A Stock Unit But Can Also Replace 1947 To 1953.	\$39.00	N
01517500	1949	<b>FUEL TANK SENDING UNIT</b> Original Style, No Fuel Pick-Up Tube Note: Includes Gaskets, No Filter Sock Included As It Is Separate.	\$39.00	N
06428049	1949	<b>FUEL TANK SENDING UNIT</b> Replacement, With Fuel Pick-Up Tube, Includes Gaskets And Filter Sock Note: In 1947 To 1953 The Pick-Up Tube Was A Separate Item, See 01517500. On 1954 To 1959 This Is A Stock Unit But Can Also Replace 1947 To 1953.	\$39.00	N
01517500	1950	<b>FUEL TANK SENDING UNIT</b> Original Style, No Fuel Pick-Up Tube Note: Includes Gaskets, No Filter Sock Included As It Is Separate.	\$39.00	N
06428049	1950	<b>FUEL TANK SENDING UNIT</b> Replacement, With Fuel Pick-Up Tube, Includes Gaskets And Filter Sock Note: In 1947 To 1953 The Pick-Up Tube Was A Separate Item, See 01517500. On 1954 To 1959 This Is A Stock Unit But Can Also Replace 1947 To 1953.	\$39.00	N

Part Number	Year	Description	Price	*Rev.
01517500	1951	<b>FUEL TANK SENDING UNIT</b> Original Style, No Fuel Pick-Up Tube Note: Includes Gaskets, No Filter Sock Included As It Is Separate.	\$39.00	N
06428049	1951	<b>FUEL TANK SENDING UNIT</b> Replacement, With Fuel Pick-Up Tube, Includes Gaskets And Filter Sock Note: In 1947 To 1953 The Pick-Up Tube Was A Separate Item, See 01517500. On 1954 To 1959 This Is A Stock Unit But Can Also Replace 1947 To 1953.	\$39.00	N
01517500	1952	<b>FUEL TANK SENDING UNIT</b> Original Style, No Fuel Pick-Up Tube Note: Includes Gaskets, No Filter Sock Included As It Is Separate.	\$39.00	N
06428049	1952	<b>FUEL TANK SENDING UNIT</b> Replacement, With Fuel Pick-Up Tube, Includes Gaskets And Filter Sock Note: In 1947 To 1953 The Pick-Up Tube Was A Separate Item, See 01517500. On 1954 To 1959 This Is A Stock Unit But Can Also Replace 1947 To 1953.	\$39.00	N
01517500	1953	<b>FUEL TANK SENDING UNIT</b> Original Style, No Fuel Pick-Up Tube Note: Includes Gaskets, No Filter Sock Included As It Is Separate.	\$39.00	N
06428049	1953	<b>FUEL TANK SENDING UNIT</b> Replacement, With Fuel Pick-Up Tube, Includes Gaskets And Filter Sock Note: In 1947 To 1953 The Pick-Up Tube Was A Separate Item, See 01517500. On 1954 To 1959 This Is A Stock Unit But Can Also Replace 1947 To 1953.	\$39.00	N
06428049	1954	<b>FUEL TANK SENDING UNIT</b> Includes Gaskets And Filter Sock	\$39.00	N
06428049	1955	<b>FUEL TANK SENDING UNIT</b> Includes Gaskets And Filter Sock	\$39.00	N
06428049	1956	<b>FUEL TANK SENDING UNIT</b> Includes Gaskets And Filter Sock	\$39.00	N
06428049	1957	<b>FUEL TANK SENDING UNIT</b> Includes Gaskets And Filter Sock	\$39.00	N
06428049	1958	<b>FUEL TANK SENDING UNIT</b> Includes Gaskets And Filter Sock	\$39.00	N
06428049	1959	<b>FUEL TANK SENDING UNIT</b> Includes Gaskets And Filter Sock	\$39.00	N
06428058	1960	<b>FUEL TANK SENDING UNIT</b> Includes Gaskets And Filter Sock	\$39.00	N
06428058	1961	<b>FUEL TANK SENDING UNIT</b> Includes Gaskets And Filter Sock	\$39.00	N
06428058	1962	<b>FUEL TANK SENDING UNIT</b> Includes Gaskets And Filter Sock	\$39.00	N
06428058	1963	<b>FUEL TANK SENDING UNIT</b> Includes Gaskets And Filter Sock	\$39.00	N
06428058	1964	<b>FUEL TANK SENDING UNIT</b> Includes Gaskets And Filter Sock	\$39.00	N
06428058	1965	<b>FUEL TANK SENDING UNIT</b> Includes Gaskets And Filter Sock	\$39.00	N
06428058	1966	<b>FUEL TANK SENDING UNIT</b> Includes Gaskets And Filter Sock	\$39.00	N
06428362	1967	<b>FUEL TANK SENDING UNIT</b> 6 Cylinder, Includes Gaskets And Filter Sock	\$39.00	N
06428271	1967	<b>FUEL TANK SENDING UNIT</b> Suburban, Includes Gaskets And Filter Sock	\$39.00	N
06428361	1967	<b>FUEL TANK SENDING UNIT</b> V/8, Includes Gaskets And Filter Sock	\$39.00	N
06428362	1968	<b>FUEL TANK SENDING UNIT</b> 6 Cylinder, Includes Gaskets And Filter Sock	\$39.00	N
06428271	1968	<b>FUEL TANK SENDING UNIT</b> Suburban, Includes Gaskets And Filter Sock	\$39.00	N
06428361	1968	<b>FUEL TANK SENDING UNIT</b> V/8, Includes Gaskets And Filter Sock	\$39.00	N
06428362	1969	<b>FUEL TANK SENDING UNIT</b> 6 Cylinder, Includes Gaskets And Filter Sock	\$39.00	N
06428271	1969	<b>FUEL TANK SENDING UNIT</b> Jimmy, Suburban, Includes Gaskets And Filter Sock	\$39.00	N
06428361	1969	<b>FUEL TANK SENDING UNIT</b> V/8, Includes Gaskets And Filter Sock	\$39.00	N
06428362	1970	<b>FUEL TANK SENDING UNIT</b> 6 Cylinder, Includes Gaskets And Filter Sock	\$39.00	N
06428271	1970	<b>FUEL TANK SENDING UNIT</b> Jimmy, Suburban, Includes Gaskets And Filter Sock	\$39.00	N
06428361	1970	<b>FUEL TANK SENDING UNIT</b> V/8, Includes Gaskets And Filter Sock	\$39.00	N
06428362	1971	<b>FUEL TANK SENDING UNIT</b> 6 Cylinder, Includes Gaskets And Filter Sock	\$39.00	N
06428271	1971	<b>FUEL TANK SENDING UNIT</b> Jimmy, Suburban, Includes Gaskets And Filter Sock	\$39.00	N
06428361	1971	<b>FUEL TANK SENDING UNIT</b> V/8, Includes Gaskets And Filter Sock	\$39.00	N
06429117	1972	<b>FUEL TANK SENDING UNIT</b> Auto Trans, Includes Gaskets And Filter Sock	\$39.00	N
06428271	1972	<b>FUEL TANK SENDING UNIT</b> Jimmy, Suburban, Includes Gaskets And Filter Sock	\$39.00	N
06429116	1972	<b>FUEL TANK SENDING UNIT</b> Manual Trans, Includes Gaskets And Filter Sock	\$39.00	N



Part Number	Year	Description	Price	*Rev.
06429389	1973	<b>FUEL TANK SENDING UNIT</b> Suburban, 1/2, 3/4 Ton, 2 Wheel Drive, With 350 V/8 (Except Automatic Transmission, 32 Gallon Tank) 3 Outlets	\$62.00	N
06429389	1973	<b>FUEL TANK SENDING UNIT</b> Suburban, Jimmy, 1/2, 3/4 Ton, 2 & 4 Wheel Drive, (Except 32 Gallon Tank) 3 Outlets	\$62.00	N
25000610	1973	<b>FUEL TANK SENDING UNIT</b> Truck, 1/2 Ton, (250, 305, 307, 350), 2 Wheel Drive, (With H.D Chassis) (Except L.P. Gas) 2 Outlets	\$62.00	N
25000612	1973	<b>FUEL TANK SENDING UNIT</b> Truck, 1/2 Ton, 2 Wheel Drive, (250, 307, 350), (With Auxiliary Tank) 2 Outlets	\$62.00	N
25000610	1973	<b>FUEL TANK SENDING UNIT</b> Truck, 1/2 Ton, 4 Wheel Drive 2 Outlets	\$62.00	N
25000612	1973	<b>FUEL TANK SENDING UNIT</b> Truck, 1/2, 3/4 Ton, 4 Wheel Drive, (E.E.S. With Auxiliary Tank) 2 Outlets	\$62.00	N
25000611	1973	<b>FUEL TANK SENDING UNIT</b> Truck, 1/2, 3/4, 1-Ton, (350), 2 Wheel Drive, (With Auto Trans, E.E.S.) 3 Outlets	\$62.00	N
25000613	1973	<b>FUEL TANK SENDING UNIT</b> Truck, 1/2, 3/4, 1-Ton, (454), 2 Wheel Drive, (With E.E.S. Auxiliary Tank) 3 Outlets	\$62.00	N
25000611	1973	<b>FUEL TANK SENDING UNIT</b> Truck, 1/2, 3/4, 1-Ton, (454), 2 Wheel Drive, (With E.E.S.) 3 Outlets	\$62.00	N
06429439	1973	<b>FUEL TANK SENDING UNIT</b> Truck, 3/4 Ton, 4 Wheel Drive, (Except E.E.S.) 1 Outlet	\$62.00	N
25000610	1973	<b>FUEL TANK SENDING UNIT</b> Truck, 3/4 Ton, 4 Wheel Drive, (With E.E.S.) 2 Outlets	\$62.00	N
25000610	1973	<b>FUEL TANK SENDING UNIT</b> Truck, 3/4, 1-Ton, (250, 292, 307, 350), 2 Wheel Drive, (With E. E.S.) 2 Outlets	\$62.00	N
25000612	1973	<b>FUEL TANK SENDING UNIT</b> Truck, 3/4, 1-Ton, 2 Wheel Drive, (292, 307, 350), (E.E.S. With Auxiliary Tank) 2 Outlets	\$62.00	N
06429439	1973	<b>FUEL TANK SENDING UNIT</b> Truck, 3/4, 1-Ton, 2 Wheel Drive, (Except E.E.S., 454) 1 Outlet	\$62.00	N
06429389	1974	<b>FUEL TANK SENDING UNIT</b> Jimmy, 1/2 Ton, 2 & 4 Wheel Drive, With 250 6 Cylinder (Except 31 Gallon Tank) 3 Outlets	\$62.00	N
06429389	1974	<b>FUEL TANK SENDING UNIT</b> Suburban, 1/2 Ton, 2 Wheel Drive, With 250 6 Cylinder (Except 31, 40 Gallon Tank) 3 Outlets	\$62.00	N
06429389	1974	<b>FUEL TANK SENDING UNIT</b> Suburban, Jimmy, 1/2, 3/4 Ton, 2 & 4 Wheel Drive, With 305, 350 V/8 (Except Automatic Transmission, 31 or 40 Gallon Tank) 3 Outlets	\$62.00	N
25000610	1974	<b>FUEL TANK SENDING UNIT</b> Truck, 1/2 Ton, (250, 305, 307, 350), 2 Wheel Drive, (With H.D Chassis) (Except L.P. Gas) 2 Outlets	\$62.00	N
25000612	1974	<b>FUEL TANK SENDING UNIT</b> Truck, 1/2 Ton, 2 Wheel Drive, (250, 307, 350), (With Auxiliary Tank) 2 Outlets	\$62.00	N
06429439	1974	<b>FUEL TANK SENDING UNIT</b> Truck, 1/2 Ton, 2 Wheel Drive, With L.P. Gas 1 Outlet	\$62.00	N

Part Number	Year	Description	Price	*Rev.
25000610	1974	<b>FUEL TANK SENDING UNIT</b> Truck, 1/2 Ton, 4 Wheel Drive 2 Outlets	\$62.00	N
25000612	1974	<b>FUEL TANK SENDING UNIT</b> Truck, 1/2, 3/4 Ton, 4 Wheel Drive, (E.E.S. With Auxiliary Tank) 2 Outlets	\$62.00	N
25000613	1974	<b>FUEL TANK SENDING UNIT</b> Truck, 1/2, 3/4, 1-Ton, (454), 2 Wheel Drive, (With E.E.S. Auxiliary Tank) 3 Outlets	\$62.00	N
25000611	1974	<b>FUEL TANK SENDING UNIT</b> Truck, 1/2, 3/4, 1-Ton, (454), 2 Wheel Drive, (With E.E.S.) 3 Outlets	\$62.00	N
06429439	1974	<b>FUEL TANK SENDING UNIT</b> Truck, 3/4 Ton, 4 Wheel Drive, (Except E.E.S.) 1 Outlet	\$62.00	N
25000610	1974	<b>FUEL TANK SENDING UNIT</b> Truck, 3/4 Ton, 4 Wheel Drive, (With E.E.S.) 2 Outlets	\$62.00	N
25000610	1974	<b>FUEL TANK SENDING UNIT</b> Truck, 3/4, 1-Ton, (250, 292, 307, 350), 2 Wheel Drive, (With E.E.S.) 2 Outlets	\$62.00	N
25000612	1974	<b>FUEL TANK SENDING UNIT</b> Truck, 3/4, 1-Ton, 2 Wheel Drive, (292, 307, 350), (E.E.S. With Auxiliary Tank) 2 Outlets	\$62.00	N
06429439	1974	<b>FUEL TANK SENDING UNIT</b> Truck, 3/4, 1-Ton, 2 Wheel Drive, (Except E.E.S., 454) 1 Outlet	\$62.00	N
06429389	1975	<b>FUEL TANK SENDING UNIT</b> Jimmy, 1/2 Ton, 2 & 4 Wheel Drive, With 250 6 Cylinder (Except 31 Gallon Tank) 3 Outlets	\$62.00	N
06429389	1975	<b>FUEL TANK SENDING UNIT</b> Suburban, 1/2 Ton, 2 Wheel Drive, With 250 6 Cylinder (Except 31, 40 Gallon Tank) 3 Outlets	\$62.00	N
06429389	1975	<b>FUEL TANK SENDING UNIT</b> Suburban, Jimmy, 1/2, 3/4 Ton, 2 & 4 Wheel Drive, With 305, 350 V/8 (Except Automatic Transmission, 31 or 40 Gallon Tank) 3 Outlets	\$62.00	N
25000610	1975	<b>FUEL TANK SENDING UNIT</b> Truck, 1/2 Ton, (250, 305, 307, 350), 2 Wheel Drive, (With H.D Chassis) (Except L.P. Gas) 2 Outlets	\$62.00	N
25000611	1975	<b>FUEL TANK SENDING UNIT</b> Truck, 1/2 Ton, (454), 2 Wheel Drive, (With H.D. Chassis) 3 Outlets	\$62.00	N
25000612	1975	<b>FUEL TANK SENDING UNIT</b> Truck, 1/2 Ton, 2 Wheel Drive, (350 With Auxiliary Tank) (Except 117.5 W.B.) 2 Outlets	\$62.00	N
06429439	1975	<b>FUEL TANK SENDING UNIT</b> Truck, 1/2 Ton, 2 Wheel Drive, With L.P. Gas 1 Outlet	\$62.00	N
25000610	1975	<b>FUEL TANK SENDING UNIT</b> Truck, 1/2 Ton, 4 Wheel Drive 2 Outlets	\$62.00	N
25000613	1975	<b>FUEL TANK SENDING UNIT</b> Truck, 1/2, 3/4 Ton, (Fleetside, Wideside) (350, 400), 4 Wheel Drive, (With Auto Trans) 3 Outlets	\$62.00	N
25000611	1975	<b>FUEL TANK SENDING UNIT</b> Truck, 1/2, 3/4, 1-Ton, (350, 400), 4 Wheel Drive, (With Auto Trans) 3 Outlets	\$62.00	N
25000613	1975	<b>FUEL TANK SENDING UNIT</b> Truck, 1/2, 3/4, 1-Ton, (Fleetside) (454), 2 Wheel Drive, (Except 117.5 W.B.) 3 Outlets	\$62.00	N

Part Number	Year	Description	Price	*Rev.
06429439	1975	<b>FUEL TANK SENDING UNIT</b> Truck, 3/4 Ton, 4 Wheel Drive, (Except E.E.S.) 1 Outlet	\$62.00	N
25000610	1975	<b>FUEL TANK SENDING UNIT</b> Truck, 3/4 Ton, 4 Wheel Drive, (With E.E.S.) 2 Outlets	\$62.00	N
25000610	1975	<b>FUEL TANK SENDING UNIT</b> Truck, 3/4, 1-Ton, (250, 292, 307, 350), 2 Wheel Drive, (With E.E.S.) 2 Outlets	\$62.00	N
25000610	1975	<b>FUEL TANK SENDING UNIT</b> Truck, 3/4, 1-Ton, (292, 350), 2 Wheel Drive, (Except 25 Gallon Tank) 2 Outlets	\$62.00	N
25000611	1975	<b>FUEL TANK SENDING UNIT</b> Truck, 3/4, 1-Ton, (454), 2 Wheel Drive, (Except 25 Gallon Tank) 3 Outlets	\$62.00	N
06429439	1975	<b>FUEL TANK SENDING UNIT</b> Truck, 3/4, 1-Ton, 2 Wheel Drive, (Except E.E.S., 454) 1 Outlet	\$62.00	N
06429389	1975	<b>FUEL TANK SENDING UNIT</b> Truck, 3/4, 1-Ton, 2 Wheel Drive, With 292 6 Cylinder or 350 V/8, With 25 Gallon Tank 3 Outlets	\$62.00	N
06429389	1976	<b>FUEL TANK SENDING UNIT</b> Jimmy, 1/2 Ton, 2 & 4 Wheel Drive, With 250 6 Cylinder (Except 31 Gallon Tank) 3 Outlets	\$62.00	N
06429389	1976	<b>FUEL TANK SENDING UNIT</b> Suburban, 1/2 Ton, 2 Wheel Drive, With 250 6 Cylinder (Except 31, 40 Gallon Tank) 3 Outlets	\$62.00	N
06429389	1976	<b>FUEL TANK SENDING UNIT</b> Suburban, Jimmy, 1/2, 3/4 Ton, 2 & 4 Wheel Drive, With 305, 350 V/8 (Except Automatic Transmission, 31 or 40 Gallon Tank) 3 Outlets	\$62.00	N
25000610	1976	<b>FUEL TANK SENDING UNIT</b> Truck, 1/2 Ton, (250, 305, 307, 350), 2 Wheel Drive, (With H.D Chassis) (Except L.P. Gas) 2 Outlets	\$62.00	N
25000611	1976	<b>FUEL TANK SENDING UNIT</b> Truck, 1/2 Ton, (454), 2 Wheel Drive, (With H.D. Chassis) 3 Outlets	\$62.00	N
25000613	1976	<b>FUEL TANK SENDING UNIT</b> Truck, 1/2, 3/4 Ton, (Fleetside, Wideside) (350, 400), 4 Wheel Drive, (With Auto Trans) 3 Outlets	\$62.00	N
25000612	1976	<b>FUEL TANK SENDING UNIT</b> Truck, 1/2, 3/4 Ton, 4 Wheel Drive, (350) (With Auxiliary Tank) (Except Auto Trans) 2 Outlets	\$62.00	N
25000612	1976	<b>FUEL TANK SENDING UNIT</b> Truck, 1/2, 3/4, 1 Ton, 2 Wheel Drive, (292, 350) (With Auxiliary Tank) 2 Outlets	\$62.00	N
25000610	1976	<b>FUEL TANK SENDING UNIT</b> Truck, 1/2, 3/4, 1-Ton, (250, 292), 4 Wheel Drive 2 Outlets	\$62.00	N
25000611	1976	<b>FUEL TANK SENDING UNIT</b> Truck, 1/2, 3/4, 1-Ton, (350, 400), 4 Wheel Drive, (With Auto Trans) 3 Outlets	\$62.00	N
25000610	1976	<b>FUEL TANK SENDING UNIT</b> Truck, 1/2, 3/4, 1-Ton, (350), 4 Wheel Drive, (Except Auto Trans) 2 Outlets	\$62.00	N
25000613	1976	<b>FUEL TANK SENDING UNIT</b> Truck, 1/2, 3/4, 1-Ton, (454), 2 Wheel Drive, (With Auxiliary Tank) 3 Outlets	\$62.00	N
25000612	1976	<b>FUEL TANK SENDING UNIT</b> Truck, 3/4 Ton, 4 Wheel Drive, (292) (With Auxiliary Tank) 2 Outlets	\$62.00	N

Part Number	Year	Description	Price	*Rev.
25000610	1976	<b>FUEL TANK SENDING UNIT</b> Truck, 3/4, 1-Ton, (292, 350), 2 Wheel Drive, (Except 25 Gallon Tank) 2 Outlets	\$62.00	N
25000611	1976	<b>FUEL TANK SENDING UNIT</b> Truck, 3/4, 1-Ton, (454), 2 Wheel Drive, (Except 25 Gallon Tank) 3 Outlets	\$62.00	N
06429389	1976	<b>FUEL TANK SENDING UNIT</b> Truck, 3/4, 1-Ton, 2 Wheel Drive, With 292 6 Cylinder or 350 V/8, With 25 Gallon Tank 3 Outlets	\$62.00	N
06429389	1977	<b>FUEL TANK SENDING UNIT</b> Jimmy, 1/2 Ton, 2 & 4 Wheel Drive, With 250 6 Cylinder (Except 31 Gallon Tank) 3 Outlets	\$62.00	N
06429389	1977	<b>FUEL TANK SENDING UNIT</b> Suburban, 1/2 Ton, 2 Wheel Drive, With 250 6 Cylinder (Except 31, 40 Gallon Tank) 3 Outlets	\$62.00	N
06429389	1977	<b>FUEL TANK SENDING UNIT</b> Suburban, Jimmy, 1/2, 3/4 Ton, 2 & 4 Wheel Drive, With 305, 350 V/8 (Except Automatic Transmission, 31 or 40 Gallon Tank) 3 Outlets	\$62.00	N
25000612	1977	<b>FUEL TANK SENDING UNIT</b> Truck, 1 Ton, 4 Wheel Drive, (With Auxiliary Tank) 2 Outlets	\$62.00	N
25000610	1977	<b>FUEL TANK SENDING UNIT</b> Truck, 1/2 Ton, (250, 305, 307, 350), 2 Wheel Drive, (With H.D Chassis) (Except L.P. Gas) 2 Outlets	\$62.00	N
25000610	1977	<b>FUEL TANK SENDING UNIT</b> Truck, 1/2 Ton, (250, 305, 350), 2 Wheel Drive, (Except H.D Chassis) 2 Outlets	\$62.00	N
25000611	1977	<b>FUEL TANK SENDING UNIT</b> Truck, 1/2 Ton, (454), 2 Wheel Drive, (Except H.D. Chassis) 3 Outlets	\$62.00	N
25000613	1977	<b>FUEL TANK SENDING UNIT</b> Truck, 1/2 Ton, (454), 2 Wheel Drive, (With Auxiliary Tank) (Except H.D.Chassis) 3 Outlets	\$62.00	N
25000611	1977	<b>FUEL TANK SENDING UNIT</b> Truck, 1/2 Ton, (454), 2 Wheel Drive, (With H.D. Chassis) 3 Outlets	\$62.00	N
25000613	1977	<b>FUEL TANK SENDING UNIT</b> Truck, 1/2, 3/4 Ton, (Fleetside, Wideside) (350, 400), 4 Wheel Drive, (With Auto Trans) 3 Outlets	\$62.00	N
25000612	1977	<b>FUEL TANK SENDING UNIT</b> Truck, 1/2, 3/4 Ton, 4 Wheel Drive, (350) (With Auxiliary Tank) (Except Auto Trans) 2 Outlets	\$62.00	N
25000612	1977	<b>FUEL TANK SENDING UNIT</b> Truck, 1/2, 3/4, 1 Ton, 2 Wheel Drive, (292, 350) (With Auxiliary Tank) 2 Outlets	\$62.00	N
25000610	1977	<b>FUEL TANK SENDING UNIT</b> Truck, 1/2, 3/4, 1-Ton, (250, 292), 4 Wheel Drive 2 Outlets	\$62.00	N
25000611	1977	<b>FUEL TANK SENDING UNIT</b> Truck, 1/2, 3/4, 1-Ton, (350, 400), 4 Wheel Drive, (With Auto Trans) 3 Outlets	\$62.00	N
25000610	1977	<b>FUEL TANK SENDING UNIT</b> Truck, 1/2, 3/4, 1-Ton, (350), 4 Wheel Drive, (Except Auto Trans) 2 Outlets	\$62.00	N
25000613	1977	<b>FUEL TANK SENDING UNIT</b> Truck, 1/2, 3/4, 1-Ton, (454), 2 Wheel Drive, (With Auxiliary Tank) 3 Outlets	\$62.00	N
25000612	1977	<b>FUEL TANK SENDING UNIT</b> Truck, 3/4 Ton, 4 Wheel Drive, (292) (With Auxiliary Tank) 2 Outlets	\$62.00	N

Part Number	Year	Description	Price	*Rev.
25000610	1977	<b>FUEL TANK SENDING UNIT</b> Truck, 3/4, 1-Ton, (292, 350), 2 Wheel Drive, (Except 25 Gallon Tank) 2 Outlets	\$62.00	N
25000611	1977	<b>FUEL TANK SENDING UNIT</b> Truck, 3/4, 1-Ton, (454), 2 Wheel Drive, (Except 25 Gallon Tank) 3 Outlets	\$62.00	N
06429389	1977	<b>FUEL TANK SENDING UNIT</b> Truck, 3/4, 1-Ton, 2 Wheel Drive, With 292 6 Cylinder or 350 V/8, With 25 Gallon Tank 3 Outlets	\$62.00	N
25001483	1978	<b>FUEL TANK SENDING UNIT</b> Suburban, Jimmy, 1/2, 3/4 Ton, 250, 305, 350, (With Manual Trans), 2 & 4 Wheel Drive, (Except 31, 41 Gallon California) 3 Outlets	\$68.00	N
25000612	1978	<b>FUEL TANK SENDING UNIT</b> Truck, 1/2 Ton (250, 350), 2 Wheel Drive, (With Aux Tank, H.D. Suspension) (Except California) 2 Outlets	\$62.00	N
25000610	1978	<b>FUEL TANK SENDING UNIT</b> Truck, 1/2 Ton, (250, 350), 2 Wheel Drive, (With H.D Chassis) (Except California) 2 Outlets	\$62.00	N
25000610	1978	<b>FUEL TANK SENDING UNIT</b> Truck, 1/2, 3/4, 1-Ton, (250, 292), 4 Wheel Drive, (Except California) 2 Outlets	\$62.00	N
25000613	1978	<b>FUEL TANK SENDING UNIT</b> Truck, 1/2, 3/4, 1-Ton, (350), 4 Wheel Drive, (With Auto Trans, Auxiliary Tank) (Except California) 3 Outlets	\$62.00	N
25000610	1978	<b>FUEL TANK SENDING UNIT</b> Truck, 1/2, 3/4, 1-Ton, (350), 4 Wheel Drive, (With Manual Trans) (MC1, M20), (Except California) 2 Outlets	\$62.00	N
25000611	1978	<b>FUEL TANK SENDING UNIT</b> Truck, 1/2, 3/4, 1-Ton, (350), With Auto Trans (M38, M40), 4 Wheel Drive, (Except California) 3 Outlets	\$62.00	N
25000611	1978	<b>FUEL TANK SENDING UNIT</b> Truck, 1/2, 3/4, 1-Ton, (400), 4 Wheel Drive, (Except California) 3 Outlets	\$62.00	N
25000613	1978	<b>FUEL TANK SENDING UNIT</b> Truck, 1/2, 3/4, 1-Ton, (400), 4 Wheel Drive, (With Auxiliary Tank) (Except California) 3 Outlets	\$62.00	N
25000613	1978	<b>FUEL TANK SENDING UNIT</b> Truck, 1/2, 3/4, 1-Ton, (454), 2 Wheel Drive, (With Auxiliary Tank) (Except California) 3 Outlets	\$62.00	N
25000611	1978	<b>FUEL TANK SENDING UNIT</b> Truck, 1/2, 3/4, 1-Ton, (454), 2 Wheel Drive, (With H.D. Suspension) (Except California Rear Mounted Fuel Tank) 3 Outlets	\$62.00	N
25000612	1978	<b>FUEL TANK SENDING UNIT</b> Truck, 1/2, 3/4, 1-Ton, 4 Wheel Drive, With MT, (MC1, M20), (With Auxiliary Tank) (Except California) 2 Outlets	\$62.00	N
25000612	1978	<b>FUEL TANK SENDING UNIT</b> Truck, 3/4 Ton (Crew Cab) (292, 350), 2 Wheel Drive, (With Auxiliary Tank) 2 Outlets	\$62.00	N
25000612	1978	<b>FUEL TANK SENDING UNIT</b> Truck, 3/4, 1-Ton (250, 350), 2 Wheel Drive, (With Auxiliary Tank) (Except California) 2 Outlets	\$62.00	N
25000612	1978	<b>FUEL TANK SENDING UNIT</b> Truck, 3/4, 1-Ton (292), 4 Wheel Drive, (Auxiliary Tank) (Except California) 2 Outlets	\$62.00	N

Part Number	Year	Description	Price	*Rev.
25000610	1978	<b>FUEL TANK SENDING UNIT</b> Truck, 3/4, 1-Ton, (292, 350), 2 Wheel Drive, (Except California, Rear Mounted Tank) 2 Outlets	\$62.00	N
25001483	1978	<b>FUEL TANK SENDING UNIT</b> Truck, 3/4, 1-Ton, 250, 292, 350, 2 & 4 Wheel Drive, (With Rear Mounted Tank) (Except California) 3 Outlets	\$68.00	N
25001483	1979	<b>FUEL TANK SENDING UNIT</b> Suburban, Jimmy, 1/2 Ton, 250, 2 & 4 Wheel Drive, (With 20 Gallon Tank) 3 Outlets	\$68.00	N
25001483	1979	<b>FUEL TANK SENDING UNIT</b> Suburban, Jimmy, 1/2, 3/4 Ton, 305, 350, 2 & 4 Wheel Drive, (With Manual Trans, 20 Gallon Tank) 3 Outlets	\$68.00	N
25000610	1979	<b>FUEL TANK SENDING UNIT</b> Truck, 1-Ton, (292), 2 & 4 Wheel Drive, (Except California, Rear Mounted Tank) 2 Outlets	\$62.00	N
25000613	1979	<b>FUEL TANK SENDING UNIT</b> Truck, 1-Ton, (350), 2 & 4 Wheel Drive, (With Auto Trans, California) 3 Outlets	\$62.00	N
25000611	1979	<b>FUEL TANK SENDING UNIT</b> Truck, 1-Ton, (350), With Auto Trans, 2 & 4 Wheel Drive, (Except California, Rear Mounted Tank) 3 Outlets	\$62.00	N
25000610	1979	<b>FUEL TANK SENDING UNIT</b> Truck, 1-Ton, (350), With Manual Trans (M20), 2 & 4 Wheel Drive, (Except California, Rear Mounted Tank) 2 Outlets	\$62.00	N
25000611	1979	<b>FUEL TANK SENDING UNIT</b> Truck, 1-Ton, (400, 454), 2 & 4 Wheel Drive, (Except California, Rear Mounted Tank) 3 Outlets	\$62.00	N
25000613	1979	<b>FUEL TANK SENDING UNIT</b> Truck, 1-Ton, (400, 454), 2 & 4 Wheel Drive, (With California) 3 Outlets	\$62.00	N
25000613	1979	<b>FUEL TANK SENDING UNIT</b> Truck, 1/2, 3/4 Ton, (305, 350), 2 & 4 Wheel Drive, (With Auto Trans) 3 Outlets	\$62.00	N
25000613	1979	<b>FUEL TANK SENDING UNIT</b> Truck, 1/2, 3/4 Ton, (400), 4 Wheel Drive 3 Outlets	\$62.00	N
25000613	1979	<b>FUEL TANK SENDING UNIT</b> Truck, 1/2, 3/4 Ton, (454), 2 Wheel Drive, (With Auto Trans) 3 Outlets	\$62.00	N
25000611	1979	<b>FUEL TANK SENDING UNIT</b> Truck, 1/2, 3/4, 1-Ton, (350), With Auto Trans (M38, M40), 4 Wheel Drive, (Primary Tank), (Except California) 3 Outlets	\$62.00	N
25000611	1979	<b>FUEL TANK SENDING UNIT</b> Truck, 1/2, 3/4, 1-Ton, (400), 4 Wheel Drive, (Except California) 3 Outlets	\$62.00	N
25000612	1979	<b>FUEL TANK SENDING UNIT</b> Truck, 1/2, 3/4, 1-Ton, 4 Wheel Drive, With MT, (MC1, M20), (With Auxiliary Tank) (Except California) 2 Outlets	\$62.00	N
25000612	1979	<b>FUEL TANK SENDING UNIT</b> Truck, 3/4, 1-Ton (292), 4 Wheel Drive, (Auxiliary Tank) (Except California) 2 Outlets	\$62.00	N
25001483	1979	<b>FUEL TANK SENDING UNIT</b> Truck, 3/4, 1-Ton, 250, 292, 2 & 4 Wheel Drive, (With Rear Mounted Tank) 3 Outlets	\$68.00	N
25001483	1979	<b>FUEL TANK SENDING UNIT</b> Truck, 3/4, 1-Ton, 350, 2 & 4 Wheel Drive, (With Manual Trans, Rear Mounted Tank) 3 Outlets	\$68.00	N

Part Number	Year	Description	Price	*Rev.
25001483	1980	<b>FUEL TANK SENDING UNIT</b> Suburban, Jimmy, 1/2 Ton, 250, 2 & 4 Wheel Drive 3 Outlets	\$68.00	N
25001483	1980	<b>FUEL TANK SENDING UNIT</b> Suburban, Jimmy, 1/2, 3/4 Ton, 305, 350, 2 & 4 Wheel Drive, (With Manual Trans) 3 Outlets	\$68.00	N
25002009	1980	<b>FUEL TANK SENDING UNIT</b> Truck, 1/2, 3/4 Ton, (250, 292) With Auxiliary Tank 2 Outlets	\$77.00	N
25002010	1980	<b>FUEL TANK SENDING UNIT</b> Truck, 1/2, 3/4 Ton, 305, 350, 2 & 4 Wheel Drive, (With Auxiliary Tank) (Except Diesel) 3 Outlets	\$62.00	N
25002006	1980	<b>FUEL TANK SENDING UNIT</b> Truck, 1/2, 3/4, 1-Ton, (250, 292), 2 & 4 Wheel Drive, (Except Rear Mounted Tank) 2 Outlets	\$77.00	N
25002007	1980	<b>FUEL TANK SENDING UNIT</b> Truck, 1/2, 3/4, 1-Ton, 305, 350, 400, 454W, 2 & 4 Wheel Drive, (Except Rear Mounted Tank) 3 Outlets	\$77.00	N
25001483	1980	<b>FUEL TANK SENDING UNIT</b> Truck, 3/4, 1-Ton, 250, 292, 2 & 4 Wheel Drive, (With Rear Mounted Tank) 3 Outlets	\$68.00	N
25001483	1980	<b>FUEL TANK SENDING UNIT</b> Truck, 3/4, 1-Ton, 350, 2 & 4 Wheel Drive, (With Manual Trans, Rear Mounted Tank) 3 Outlets	\$68.00	N
25002010	1980	<b>FUEL TANK SENDING UNIT</b> Truck, 3/4, 1-Ton, 350, 400, 4 Wheel Drive, (With Auxiliary Tank) 3 Outlets	\$62.00	N
25002010	1980	<b>FUEL TANK SENDING UNIT</b> Truck, 3/4, 1-Ton, 350, 454, 2 Wheel Drive, (With Auxiliary Tank) 3 Outlets	\$62.00	N
25001483	1981	<b>FUEL TANK SENDING UNIT</b> Jimmy, 1/2 Ton, 250, 2 & 4 Wheel Drive, (Except 117 Liter Tank) 3 Outlets	\$68.00	N
25002009	1981	<b>FUEL TANK SENDING UNIT</b> Truck, 1/2, 3/4 Ton, (292) With Auxiliary Tank 2 Outlets	\$77.00	N
25002010	1981	<b>FUEL TANK SENDING UNIT</b> Truck, 1/2, 3/4 Ton, 305, 350L, 2 & 4 Wheel Drive 3 Outlets	\$62.00	N
25002007	1981	<b>FUEL TANK SENDING UNIT</b> Truck, 1/2, 3/4 Ton, 350L-M, 4 Wheel Drive, (With Auxiliary Tank) 3 Outlets	\$77.00	N
25002006	1981	<b>FUEL TANK SENDING UNIT</b> Truck, 1/2, 3/4, 1-Ton, (250, 292), 2 & 4 Wheel Drive, (Except Rear Mounted Tank) 2 Outlets	\$77.00	N
25002007	1981	<b>FUEL TANK SENDING UNIT</b> Truck, 1/2, 3/4, 1-Ton, 350L-M, 454W, 2 Wheel Drive, (With Auxiliary Tank) 3 Outlets	\$77.00	N
25002010	1981	<b>FUEL TANK SENDING UNIT</b> Truck, 3/4 Ton, 350M, 4 Wheel Drive, (With California) 3 Outlets	\$62.00	N
25001483	1981	<b>FUEL TANK SENDING UNIT</b> Truck, 3/4, 1-Ton, 250, 292, 2 & 4 Wheel Drive, (With Rear Mounted Tank) 3 Outlets	\$68.00	N
25002010	1981	<b>FUEL TANK SENDING UNIT</b> Truck, 3/4, 1-Ton, 350M, 454W, 2 Wheel Drive, (With California) 3 Outlets	\$62.00	N
25001483	1982	<b>FUEL TANK SENDING UNIT</b> Jimmy, 1/2 Ton, 250, 2 & 4 Wheel Drive, (Except 117 Liter Tank) 3 Outlets	\$68.00	N
25002009	1982	<b>FUEL TANK SENDING UNIT</b> Truck, 1/2, 3/4, 1-Ton, (250, 292), 2 & 4 Wheel Drive 2 Outlets	\$77.00	N

Part Number	Year	Description	Price	*Rev.
25002006	1982	<b>FUEL TANK SENDING UNIT</b> Truck, 1/2, 3/4, 1-Ton, (292), 2 & 4 Wheel Drive, With Auxiliary Tank 2 Outlets	\$77.00	N
25002010	1982	<b>FUEL TANK SENDING UNIT</b> Truck, 1/2, 3/4, 1-Ton, 305, 350, 454, 2 & 4 Wheel Drive 3 Outlets	\$62.00	N
25002007	1982	<b>FUEL TANK SENDING UNIT</b> Truck, 1/2, 3/4, 1-Ton, 305, 350L, 350M, 454, 2 & 4 Wheel Drive, (Auxiliary Tank) 3 Outlets	\$77.00	N
25002009	1983	<b>FUEL TANK SENDING UNIT</b> Truck, 1/2, 3/4, 1-Ton, (250, 292), 2 & 4 Wheel Drive 2 Outlets	\$77.00	N
25002006	1983	<b>FUEL TANK SENDING UNIT</b> Truck, 1/2, 3/4, 1-Ton, (292), 2 & 4 Wheel Drive, With Auxiliary Tank 2 Outlets	\$77.00	N
25002010	1983	<b>FUEL TANK SENDING UNIT</b> Truck, 1/2, 3/4, 1-Ton, 305, 350, 454, 2 & 4 Wheel Drive 3 Outlets	\$62.00	N
25002007	1983	<b>FUEL TANK SENDING UNIT</b> Truck, 1/2, 3/4, 1-Ton, 305, 350L, 350M, 454, 2 & 4 Wheel Drive, (Auxiliary Tank) 3 Outlets	\$77.00	N
25002009	1984	<b>FUEL TANK SENDING UNIT</b> Truck, 1/2, 3/4, 1-Ton, (250, 292), 2 & 4 Wheel Drive 2 Outlets	\$77.00	N
25002006	1984	<b>FUEL TANK SENDING UNIT</b> Truck, 1/2, 3/4, 1-Ton, (292), 2 & 4 Wheel Drive, With Auxiliary Tank 2 Outlets	\$77.00	N
25002010	1984	<b>FUEL TANK SENDING UNIT</b> Truck, 1/2, 3/4, 1-Ton, 305, 350, 454, 2 & 4 Wheel Drive 3 Outlets	\$62.00	N
25002007	1984	<b>FUEL TANK SENDING UNIT</b> Truck, 1/2, 3/4, 1-Ton, 305, 350L, 350M, 454, 2 & 4 Wheel Drive, (Auxiliary Tank) 3 Outlets	\$77.00	N
25002007	1985	<b>FUEL TANK SENDING UNIT</b> Truck, 1/2, 3/4 Ton, 4.3N, 305F-H, 350L, 2 & 4 Wheel Drive, (Auxiliary Tank) 3 Outlets	\$77.00	N
25002010	1985	<b>FUEL TANK SENDING UNIT</b> Truck, 1/2, 3/4, 1-Ton, 6 Cylinder, V/8 (Primary Tank) 3 Outlets	\$62.00	N
25002007	1986	<b>FUEL TANK SENDING UNIT</b> Truck, 1/2, 3/4 Ton, 4.3N, 305F-H, 350L, 2 & 4 Wheel Drive, (Auxiliary Tank) 3 Outlets	\$77.00	N
25002010	1986	<b>FUEL TANK SENDING UNIT</b> Truck, 1/2, 3/4, 1-Ton, 6 Cylinder, V/8 (Primary Tank) 3 Outlets	\$62.00	N
25002007	1987	<b>FUEL TANK SENDING UNIT</b> Truck, 1/2, 3/4 Ton, 292T, 350M, 454W, 2 & 4 Wheel Drive, (With Auxiliary Tank) 3 Outlets	\$77.00	N
25002010	1987	<b>FUEL TANK SENDING UNIT</b> Truck, 1/2, 3/4, 1-Ton, 292T, 350M, 454W Engines (Primary Tank) 3 Outlets	\$62.00	N
25002007	1988	<b>FUEL TANK SENDING UNIT</b> Truck, 1/2, 3/4 Ton, 292T, 350M, 454W, 2 & 4 Wheel Drive, (With Auxiliary Tank) 3 Outlets	\$77.00	N
25002010	1988	<b>FUEL TANK SENDING UNIT</b> Truck, 3/4, 1-Ton, 292T, 350M, 454W Engines (Primary Tank) 3 Outlets	\$62.00	N
25002007	1989	<b>FUEL TANK SENDING UNIT</b> Truck, 1/2, 3/4 Ton, 292T, 350M, 454W, 2 & 4 Wheel Drive, (With Auxiliary Tank) 3 Outlets	\$77.00	N



Part Number	Year	Description	Price	*Rev.
25002010	1989	FUEL TANK SENDING UNIT Truck, 3/4, 1-Ton, 292T, 350M, 454W Engines (Primary Tank) 3 Outlets	\$62.00	N
<b>GAUGE CLUSTER ASSEMBLY</b>				
44254	1947	GAUGE CLUSTER ASSEMBLY 6 Cylinder, 12 Volt, 0-60 Lbs. Oil Gauge, 100-220 Temperature Gauge	\$445.00	N
44253	1947	GAUGE CLUSTER ASSEMBLY 6 Cylinder, 6 Volt, 0-60 Lbs. Oil Gauge, 100-220 Temperature Gauge	\$445.00	N
44255	1947	GAUGE CLUSTER ASSEMBLY V/8, 12 Volt, 0-60 Lbs. Oil Gauge, 100-220 Temperature Gauge	\$445.00	N
44254	1948	GAUGE CLUSTER ASSEMBLY 6 Cylinder, 12 Volt, 0-60 Lbs. Oil Gauge, 100-220 Temperature Gauge	\$445.00	N
44253	1948	GAUGE CLUSTER ASSEMBLY 6 Cylinder, 6 Volt, 0-60 Lbs. Oil Gauge, 100-220 Temperature Gauge	\$445.00	N
44255	1948	GAUGE CLUSTER ASSEMBLY V/8, 12 Volt, 0-60 Lbs. Oil Gauge, 100-220 Temperature Gauge	\$445.00	N
44254	1949	GAUGE CLUSTER ASSEMBLY 6 Cylinder, 12 Volt, 0-60 Lbs. Oil Gauge, 100-220 Temperature Gauge	\$445.00	N
44253	1949	GAUGE CLUSTER ASSEMBLY 6 Cylinder, 6 Volt, 0-60 Lbs. Oil Gauge, 100-220 Temperature Gauge	\$445.00	N
44255	1949	GAUGE CLUSTER ASSEMBLY V/8, 12 Volt, 0-60 Lbs. Oil Gauge, 100-220 Temperature Gauge	\$445.00	N
44254	1950	GAUGE CLUSTER ASSEMBLY 6 Cylinder, 12 Volt, 0-60 Lbs. Oil Gauge, 100-220 Temperature Gauge	\$445.00	N
44253	1950	GAUGE CLUSTER ASSEMBLY 6 Cylinder, 6 Volt, 0-60 Lbs. Oil Gauge, 100-220 Temperature Gauge	\$445.00	N
44255	1950	GAUGE CLUSTER ASSEMBLY V/8, 12 Volt, 0-60 Lbs. Oil Gauge, 100-220 Temperature Gauge	\$445.00	N
44254	1951	GAUGE CLUSTER ASSEMBLY 6 Cylinder, 12 Volt, 0-60 Lbs. Oil Gauge, 100-220 Temperature Gauge	\$445.00	N
44253	1951	GAUGE CLUSTER ASSEMBLY 6 Cylinder, 6 Volt, 0-60 Lbs. Oil Gauge, 100-220 Temperature Gauge	\$445.00	N
44255	1951	GAUGE CLUSTER ASSEMBLY V/8, 12 Volt, 0-60 Lbs. Oil Gauge, 100-220 Temperature Gauge	\$445.00	N
44251	1952	GAUGE CLUSTER ASSEMBLY 6 Cylinder, 12 Volt, 0-30 Lbs. Oil Gauge, 100-212 Temperature Gauge, White Needle	\$445.00	N
44252	1952	GAUGE CLUSTER ASSEMBLY 6 Cylinder, 12 Volt, 0-30 Lbs. Oil Gauge, 100-220 Temperature Gauge, White Needle	\$445.00	N
44249	1952	GAUGE CLUSTER ASSEMBLY 6 Cylinder, 6 Volt, 0-30 Lbs. Oil Gauge, 100-212 Temperature Gauge, White Needle	\$445.00	N
44247	1952	GAUGE CLUSTER ASSEMBLY 6 Cylinder, 6 Volt, 0-30 Lbs. Oil Gauge, 100-220 Temperature Gauge, White Needle	\$445.00	N
44250	1952	GAUGE CLUSTER ASSEMBLY V/8, 12 Volt, 0-60 Lbs. Oil Gauge, 100-212 Temperature Gauge, White Needle	\$445.00	N
44248	1952	GAUGE CLUSTER ASSEMBLY V/8, 12 Volt, 0-60 Lbs. Oil Gauge, 100-220 Temperature Gauge, White Needle	\$445.00	N
44251	1953	GAUGE CLUSTER ASSEMBLY 6 Cylinder, 12 Volt, 0-30 Lbs. Oil Gauge, 100-212 Temperature Gauge, White Needle	\$445.00	N
44252	1953	GAUGE CLUSTER ASSEMBLY 6 Cylinder, 12 Volt, 0-30 Lbs. Oil Gauge, 100-220 Temperature Gauge, White Needle	\$445.00	N
44249	1953	GAUGE CLUSTER ASSEMBLY 6 Cylinder, 6 Volt, 0-30 Lbs. Oil Gauge, 100-212 Temperature Gauge, White Needle	\$445.00	N
44247	1953	GAUGE CLUSTER ASSEMBLY 6 Cylinder, 6 Volt, 0-30 Lbs. Oil Gauge, 100-220 Temperature Gauge, White Needle	\$445.00	N
44250	1953	GAUGE CLUSTER ASSEMBLY V/8, 12 Volt, 0-60 Lbs. Oil Gauge, 100-212 Temperature Gauge, White Needle	\$445.00	N
44248	1953	GAUGE CLUSTER ASSEMBLY V/8, 12 Volt, 0-60 Lbs. Oil Gauge, 100-220 Temperature Gauge, White Needle	\$445.00	N
44262	1967	GAUGE CLUSTER ASSEMBLY V/8, With Gauges & 5000 RPM Tachometer	\$707.00	N
44263	1967	GAUGE CLUSTER ASSEMBLY V/8, With Gauges & 8000 RPM Tachometer	\$707.00	N

Part Number	Year	Description	Price	*Rev.
06457882	1967	<b>GAUGE CLUSTER ASSEMBLY</b> With Gauges, Without Tachometer	\$584.00	N
44262	1968	<b>GAUGE CLUSTER ASSEMBLY</b> V/8, With Gauges & 5000 RPM Tachometer	\$707.00	N
44263	1968	<b>GAUGE CLUSTER ASSEMBLY</b> V/8, With Gauges & 8000 RPM Tachometer	\$707.00	N
06457882	1968	<b>GAUGE CLUSTER ASSEMBLY</b> With Gauges, Without Tachometer	\$584.00	N
06457909	1969	<b>GAUGE CLUSTER ASSEMBLY</b> V/8, With Gauges & 5000 RPM Tachometer Note: Complete Gauge Cluster Assembly, Assembled.	\$707.00	N
44264	1969	<b>GAUGE CLUSTER ASSEMBLY</b> V/8, With Gauges & 8000 RPM Tachometer Note: Complete Gauge Cluster Assembly, Assembled.	\$707.00	N
06458263	1969	<b>GAUGE CLUSTER ASSEMBLY</b> With Gauges, Without Tachometer Note: Complete Gauge Cluster Assembly, Assembled.	\$584.00	N
06457909	1970	<b>GAUGE CLUSTER ASSEMBLY</b> V/8, With Gauges & 5000 RPM Tachometer Note: Complete Gauge Cluster Assembly, Assembled.	\$707.00	N
44264	1970	<b>GAUGE CLUSTER ASSEMBLY</b> V/8, With Gauges & 8000 RPM Tachometer Note: Complete Gauge Cluster Assembly, Assembled.	\$707.00	N
06458263	1970	<b>GAUGE CLUSTER ASSEMBLY</b> With Gauges, Without Tachometer Note: Complete Gauge Cluster Assembly, Assembled.	\$584.00	N
06457909	1971	<b>GAUGE CLUSTER ASSEMBLY</b> V/8, With Gauges & 5000 RPM Tachometer Note: Complete Gauge Cluster Assembly, Assembled.	\$707.00	N
44264	1971	<b>GAUGE CLUSTER ASSEMBLY</b> V/8, With Gauges & 8000 RPM Tachometer Note: Complete Gauge Cluster Assembly, Assembled.	\$707.00	N
06458263	1971	<b>GAUGE CLUSTER ASSEMBLY</b> With Gauges, Without Tachometer Note: Complete Gauge Cluster Assembly, Assembled.	\$584.00	N
06457909	1972	<b>GAUGE CLUSTER ASSEMBLY</b> V/8, With Gauges & 5000 RPM Tachometer Note: Complete Gauge Cluster Assembly, Assembled.	\$707.00	N
44264	1972	<b>GAUGE CLUSTER ASSEMBLY</b> V/8, With Gauges & 8000 RPM Tachometer Note: Complete Gauge Cluster Assembly, Assembled.	\$707.00	N
06458263	1972	<b>GAUGE CLUSTER ASSEMBLY</b> With Gauges, Without Tachometer Note: Complete Gauge Cluster Assembly, Assembled.	\$584.00	N
<b>GROUND WIRE-DISTRIBUTOR POINT PLATE</b>				
38298	1967	<b>GROUND WIRE, DISTRIBUTOR POINT PLATE</b> From Distributor Point Plate To Distributor Housing Note: Replaces Spot Welded Wire Asm On Point Plate Side. Fits All GM V/8 Point Type Distributors From Approx. 1957-1974.	\$17.00	C
38298	1968	<b>GROUND WIRE, DISTRIBUTOR POINT PLATE</b> From Distributor Point Plate To Distributor Housing Note: Replaces Spot Welded Wire Asm On Point Plate Side. Fits All GM V/8 Point Type Distributors From Approx. 1957-1974.	\$17.00	C
38298	1969	<b>GROUND WIRE, DISTRIBUTOR POINT PLATE</b> From Distributor Point Plate To Distributor Housing Note: Replaces Spot Welded Wire Asm On Point Plate Side. Fits All GM V/8 Point Type Distributors From Approx. 1957-1974.	\$17.00	C
38298	1970	<b>GROUND WIRE, DISTRIBUTOR POINT PLATE</b> From Distributor Point Plate To Distributor Housing Note: Replaces Spot Welded Wire Asm On Point Plate Side. Fits All GM V/8 Point Type Distributors From Approx. 1957-1974.	\$17.00	C
38298	1971	<b>GROUND WIRE, DISTRIBUTOR POINT PLATE</b> From Distributor Point Plate To Distributor Housing Note: Replaces Spot Welded Wire Asm On Point Plate Side. Fits All GM V/8 Point Type Distributors From Approx. 1957-1974.	\$17.00	C
38298	1972	<b>GROUND WIRE, DISTRIBUTOR POINT PLATE</b> From Distributor Point Plate To Distributor Housing Note: Replaces Spot Welded Wire Asm On Point Plate Side. Fits All GM V/8 Point Type Distributors From Approx. 1957-1974.	\$17.00	C
38298	1973	<b>GROUND WIRE, DISTRIBUTOR POINT PLATE</b> From Distributor Point Plate To Distributor Housing Note: Replaces Spot Welded Wire Asm On Point Plate Side. Fits All GM V/8 Point Type Distributors From Approx. 1957-1974.	\$17.00	C
38298	1974	<b>GROUND WIRE, DISTRIBUTOR POINT PLATE</b> From Distributor Point Plate To Distributor Housing Note: Replaces Spot Welded Wire Asm On Point Plate Side. Fits All GM V/8 Point Type Distributors From Approx. 1957-1974.	\$17.00	C
<b>HARNESSTAPE</b>				
R0058272	1967	<b>HARNESSTAPE</b> 3/4" Vinyl (100 Ft. Roll) Non-Adhesive	\$12.00	
R0058276	1967	<b>HARNESSTAPE</b> 1" Vinyl (100 Ft. Roll) Non-Adhesive	\$13.00	

Part Number	Year	Description	Price	*Rev.
R0067108	1967	HARNESS TAPE 1 1/4" Vinyl (100 Ft. Roll) Non-Adhesive	\$15.00	
R0058272	1968	HARNESS TAPE 3/4" Vinyl (100 Ft. Roll) Non-Adhesive	\$12.00	
R0058276	1968	HARNESS TAPE 1" Vinyl (100 Ft. Roll) Non-Adhesive	\$13.00	
R0067108	1968	HARNESS TAPE 1 1/4" Vinyl (100 Ft. Roll) Non-Adhesive	\$15.00	
R0058272	1969	HARNESS TAPE 3/4" Vinyl (100 Ft. Roll) Non-Adhesive	\$12.00	
R0058276	1969	HARNESS TAPE 1" Vinyl (100 Ft. Roll) Non-Adhesive	\$13.00	
R0067108	1969	HARNESS TAPE 1 1/4" Vinyl (100 Ft. Roll) Non-Adhesive	\$15.00	
R0058272	1970	HARNESS TAPE 3/4" Vinyl (100 Ft. Roll) Non-Adhesive	\$12.00	
R0058276	1970	HARNESS TAPE 1" Vinyl (100 Ft. Roll) Non-Adhesive	\$13.00	
R0067108	1970	HARNESS TAPE 1 1/4" Vinyl (100 Ft. Roll) Non-Adhesive	\$15.00	
R0058272	1971	HARNESS TAPE 3/4" Vinyl (100 Ft. Roll) Non-Adhesive	\$12.00	
R0058276	1971	HARNESS TAPE 1" Vinyl (100 Ft. Roll) Non-Adhesive	\$13.00	
R0067108	1971	HARNESS TAPE 1 1/4" Vinyl (100 Ft. Roll) Non-Adhesive	\$15.00	
R0058272	1972	HARNESS TAPE 3/4" Vinyl (100 Ft. Roll) Non-Adhesive	\$12.00	
R0058276	1972	HARNESS TAPE 1" Vinyl (100 Ft. Roll) Non-Adhesive	\$13.00	
R0067108	1972	HARNESS TAPE 1 1/4" Vinyl (100 Ft. Roll) Non-Adhesive	\$15.00	
R0058272	1973	HARNESS TAPE 3/4" Vinyl (100 Ft. Roll) Non-Adhesive	\$12.00	
R0058276	1973	HARNESS TAPE 1" Vinyl (100 Ft. Roll) Non-Adhesive	\$13.00	
R0067108	1973	HARNESS TAPE 1 1/4" Vinyl (100 Ft. Roll) Non-Adhesive	\$15.00	
R0058272	1974	HARNESS TAPE 3/4" Vinyl (100 Ft. Roll) Non-Adhesive	\$12.00	
R0058276	1974	HARNESS TAPE 1" Vinyl (100 Ft. Roll) Non-Adhesive	\$13.00	
R0067108	1974	HARNESS TAPE 1 1/4" Vinyl (100 Ft. Roll) Non-Adhesive	\$15.00	
R0058272	1975	HARNESS TAPE 3/4" Vinyl (100 Ft. Roll) Non-Adhesive	\$12.00	
R0058276	1975	HARNESS TAPE 1" Vinyl (100 Ft. Roll) Non-Adhesive	\$13.00	
R0067108	1975	HARNESS TAPE 1 1/4" Vinyl (100 Ft. Roll) Non-Adhesive	\$15.00	
R0058272	1976	HARNESS TAPE 3/4" Vinyl (100 Ft. Roll) Non-Adhesive	\$12.00	
R0058276	1976	HARNESS TAPE 1" Vinyl (100 Ft. Roll) Non-Adhesive	\$13.00	
R0067108	1976	HARNESS TAPE 1 1/4" Vinyl (100 Ft. Roll) Non-Adhesive	\$15.00	
R0058272	1977	HARNESS TAPE 3/4" Vinyl (100 Ft. Roll) Non-Adhesive	\$12.00	
R0058276	1977	HARNESS TAPE 1" Vinyl (100 Ft. Roll) Non-Adhesive	\$13.00	
R0067108	1977	HARNESS TAPE 1 1/4" Vinyl (100 Ft. Roll) Non-Adhesive	\$15.00	
R0058272	1978	HARNESS TAPE 3/4" Vinyl (100 Ft. Roll) Non-Adhesive	\$12.00	
R0058276	1978	HARNESS TAPE 1" Vinyl (100 Ft. Roll) Non-Adhesive	\$13.00	
R0067108	1978	HARNESS TAPE 1 1/4" Vinyl (100 Ft. Roll) Non-Adhesive	\$15.00	
R0058272	1979	HARNESS TAPE 3/4" Vinyl (100 Ft. Roll) Non-Adhesive	\$12.00	
R0058276	1979	HARNESS TAPE 1" Vinyl (100 Ft. Roll) Non-Adhesive	\$13.00	
R0067108	1979	HARNESS TAPE 1 1/4" Vinyl (100 Ft. Roll) Non-Adhesive	\$15.00	
R0058272	1980	HARNESS TAPE 3/4" Vinyl (100 Ft. Roll) Non-Adhesive	\$12.00	
R0058276	1980	HARNESS TAPE 1" Vinyl (100 Ft. Roll) Non-Adhesive	\$13.00	
R0067108	1980	HARNESS TAPE 1 1/4" Vinyl (100 Ft. Roll) Non-Adhesive	\$15.00	
R0058272	1981	HARNESS TAPE 3/4" Vinyl (100 Ft. Roll) Non-Adhesive	\$12.00	M
R0058276	1981	HARNESS TAPE 1" Vinyl (100 Ft. Roll) Non-Adhesive	\$13.00	M
R0067108	1981	HARNESS TAPE 1 1/4" Vinyl (100 Ft. Roll) Non-Adhesive	\$15.00	M
R0058272	1982	HARNESS TAPE 3/4" Vinyl (100 Ft. Roll) Non-Adhesive	\$12.00	M
R0058276	1982	HARNESS TAPE 1" Vinyl (100 Ft. Roll) Non-Adhesive	\$13.00	M
R0067108	1982	HARNESS TAPE 1 1/4" Vinyl (100 Ft. Roll) Non-Adhesive	\$15.00	M
R0058272	1983	HARNESS TAPE 3/4" Vinyl (100 Ft. Roll) Non-Adhesive	\$12.00	M

Part Number	Year	Description	Price	*Rev.
R0058276	1983	<b>HARNESS TAPE</b> 1" Vinyl (100 Ft. Roll) Non-Adhesive	\$13.00	M
R0067108	1983	<b>HARNESS TAPE</b> 1 1/4" Vinyl (100 Ft. Roll) Non-Adhesive	\$15.00	M
R0058272	1984	<b>HARNESS TAPE</b> 3/4" Vinyl (100 Ft. Roll) Non-Adhesive	\$12.00	M
R0058276	1984	<b>HARNESS TAPE</b> 1" Vinyl (100 Ft. Roll) Non-Adhesive	\$13.00	M
R0067108	1984	<b>HARNESS TAPE</b> 1 1/4" Vinyl (100 Ft. Roll) Non-Adhesive	\$15.00	M
R0058272	1985	<b>HARNESS TAPE</b> 3/4" Vinyl (100 Ft. Roll) Non-Adhesive	\$12.00	M
R0058276	1985	<b>HARNESS TAPE</b> 1" Vinyl (100 Ft. Roll) Non-Adhesive	\$13.00	M
R0067108	1985	<b>HARNESS TAPE</b> 1 1/4" Vinyl (100 Ft. Roll) Non-Adhesive	\$15.00	M
R0058272	1986	<b>HARNESS TAPE</b> 3/4" Vinyl (100 Ft. Roll) Non-Adhesive	\$12.00	M
R0058276	1986	<b>HARNESS TAPE</b> 1" Vinyl (100 Ft. Roll) Non-Adhesive	\$13.00	M
R0067108	1986	<b>HARNESS TAPE</b> 1 1/4" Vinyl (100 Ft. Roll) Non-Adhesive	\$15.00	M
R0058272	1987	<b>HARNESS TAPE</b> 3/4" Vinyl (100 Ft. Roll) Non-Adhesive	\$12.00	M
R0058276	1987	<b>HARNESS TAPE</b> 1" Vinyl (100 Ft. Roll) Non-Adhesive	\$13.00	M
R0067108	1987	<b>HARNESS TAPE</b> 1 1/4" Vinyl (100 Ft. Roll) Non-Adhesive	\$15.00	M
R0058272	1988	<b>HARNESS TAPE</b> 3/4" Vinyl (100 Ft. Roll) Non-Adhesive	\$12.00	M
R0058276	1988	<b>HARNESS TAPE</b> 1" Vinyl (100 Ft. Roll) Non-Adhesive	\$13.00	M
R0067108	1988	<b>HARNESS TAPE</b> 1 1/4" Vinyl (100 Ft. Roll) Non-Adhesive	\$15.00	M
R0058272	1989	<b>HARNESS TAPE</b> 3/4" Vinyl (100 Ft. Roll) Non-Adhesive	\$12.00	M
R0058276	1989	<b>HARNESS TAPE</b> 1" Vinyl (100 Ft. Roll) Non-Adhesive	\$13.00	M
R0067108	1989	<b>HARNESS TAPE</b> 1 1/4" Vinyl (100 Ft. Roll) Non-Adhesive	\$15.00	M
R0058272	1990	<b>HARNESS TAPE</b> 3/4" Vinyl (100 Ft. Roll) Non-Adhesive	\$12.00	M
R0058276	1990	<b>HARNESS TAPE</b> 1" Vinyl (100 Ft. Roll) Non-Adhesive	\$13.00	M
R0067108	1990	<b>HARNESS TAPE</b> 1 1/4" Vinyl (100 Ft. Roll) Non-Adhesive	\$15.00	M
R0058272	1991	<b>HARNESS TAPE</b> 3/4" Vinyl (100 Ft. Roll) Non-Adhesive	\$12.00	M
R0058276	1991	<b>HARNESS TAPE</b> 1" Vinyl (100 Ft. Roll) Non-Adhesive	\$13.00	M
R0067108	1991	<b>HARNESS TAPE</b> 1 1/4" Vinyl (100 Ft. Roll) Non-Adhesive	\$15.00	M
<b>HEADLAMP DIMMER SWITCH</b>				
07844166	1984	<b>HEADLAMP DIMMER SWITCH</b> Column Mounted	\$13.00	N
07844166	1985	<b>HEADLAMP DIMMER SWITCH</b> Column Mounted	\$13.00	N
07844166	1986	<b>HEADLAMP DIMMER SWITCH</b> Column Mounted	\$13.00	N
07844166	1987	<b>HEADLAMP DIMMER SWITCH</b> Column Mounted Note: RV Model, Square Body Style.	\$13.00	N
07844166	1988	<b>HEADLAMP DIMMER SWITCH</b> Column Mounted Note: RV Model, Square Body Style.	\$13.00	N
07844166	1989	<b>HEADLAMP DIMMER SWITCH</b> Column Mounted Note: RV Model, Square Body Style.	\$13.00	N
07844166	1990	<b>HEADLAMP DIMMER SWITCH</b> Column Mounted Note: RV Model, Square Body Style.	\$13.00	N
07844166	1991	<b>HEADLAMP DIMMER SWITCH</b> Column Mounted Note: RV Model, Square Body Style.	\$13.00	N
<b>HEADLIGHT SWITCH</b>				
01995216	1973	<b>HEADLIGHT SWITCH</b>	\$20.00	N
01995216	1974	<b>HEADLIGHT SWITCH</b>	\$20.00	N
01995216	1975	<b>HEADLIGHT SWITCH</b>	\$20.00	N
01995216	1976	<b>HEADLIGHT SWITCH</b>	\$20.00	N
01995216	1977	<b>HEADLIGHT SWITCH</b>	\$20.00	N
01995216	1978	<b>HEADLIGHT SWITCH</b>	\$20.00	N

Part Number	Year	Description	Price	*Rev.
01995216	1979	HEADLIGHT SWITCH	\$20.00	N
01995216	1980	HEADLIGHT SWITCH	\$20.00	N
01995216	1981	HEADLIGHT SWITCH	\$20.00	N
01995216	1982	HEADLIGHT SWITCH	\$20.00	N
01995216	1983	HEADLIGHT SWITCH	\$20.00	N
01995216	1984	HEADLIGHT SWITCH	\$20.00	N
01995216	1985	HEADLIGHT SWITCH	\$20.00	N
01995216	1986	HEADLIGHT SWITCH	\$20.00	N
01995216	1987	HEADLIGHT SWITCH RV Body Style	\$20.00	N
01995216	1988	HEADLIGHT SWITCH RV Body Style	\$20.00	N
01995216	1989	HEADLIGHT SWITCH RV Body Style	\$20.00	N
01995216	1990	HEADLIGHT SWITCH RV Body Style	\$20.00	N
01995216	1991	HEADLIGHT SWITCH RV Body Style	\$20.00	N
<b>HEATER BLOWER MOTOR RESISTOR</b>				
03929052	1982	HEATER BLOWER MOTOR RESISTOR Suburban, Auxiliary Blower Motor, Without A/C	\$15.00	N
03929052	1983	HEATER BLOWER MOTOR RESISTOR Suburban, Auxiliary Blower Motor, Without A/C	\$15.00	N
03929052	1984	HEATER BLOWER MOTOR RESISTOR Suburban, Auxiliary Blower Motor, Without A/C	\$15.00	N
03929052	1985	HEATER BLOWER MOTOR RESISTOR Suburban, Auxiliary Blower Motor, Without A/C	\$15.00	N
03929052	1986	HEATER BLOWER MOTOR RESISTOR Suburban, Auxiliary Blower Motor, Without A/C	\$15.00	N
03929052	1987	HEATER BLOWER MOTOR RESISTOR Suburban, Auxiliary Blower Motor, Without A/C	\$15.00	N
03929052	1988	HEATER BLOWER MOTOR RESISTOR Suburban, Auxiliary Blower Motor, Without A/C	\$15.00	N
03929052	1989	HEATER BLOWER MOTOR RESISTOR Suburban, Auxiliary Blower Motor, Without A/C	\$15.00	N
03929052	1990	HEATER BLOWER MOTOR RESISTOR Suburban, Auxiliary Blower Motor, Without A/C	\$15.00	N
03929052	1991	HEATER BLOWER MOTOR RESISTOR Suburban, Auxiliary Blower Motor, Without A/C	\$15.00	N
<b>HEATER HARNESS</b>				
39707	1973	HEATER HARNESS Except Heavy Duty Heater, Without A/C, (For Use With 3 Terminal Heater Resistor)	\$80.00	M
39305	1973	HEATER HARNESS With Heavy Duty Heater, Without A/C, (For Use With 4 Terminal Heater Resistor)	\$94.00	M
39707	1974	HEATER HARNESS Except Heavy Duty Heater, Without A/C, (For Use With 3 Terminal Heater Resistor)	\$80.00	M
39305	1974	HEATER HARNESS With Heavy Duty Heater, Without A/C, (For Use With 4 Terminal Heater Resistor)	\$94.00	M
39707	1975	HEATER HARNESS Except Heavy Duty Heater, Without A/C, (For Use With 3 Terminal Heater Resistor)	\$80.00	M
39305	1975	HEATER HARNESS With Heavy Duty Heater, Without A/C, (For Use With 4 Terminal Heater Resistor)	\$94.00	M
39707	1976	HEATER HARNESS Except Heavy Duty Heater, Without A/C, (For Use With 3 Terminal Heater Resistor)	\$80.00	M
39305	1976	HEATER HARNESS With Heavy Duty Heater, Without A/C, (For Use With 4 Terminal Heater Resistor)	\$94.00	M
39815	1976	HEATER HARNESS All Suburban, & 2 Wheel Drive Blazer & Jimmy, With Rear Auxiliary Heater	\$87.00	M
39707	1977	HEATER HARNESS Except Heavy Duty Heater, Without A/C, (For Use With 3 Terminal Heater Resistor)	\$80.00	M
39305	1977	HEATER HARNESS With Heavy Duty Heater, Without A/C, (For Use With 4 Terminal Heater Resistor)	\$94.00	M
39815	1977	HEATER HARNESS All Suburban, & 2 Wheel Drive Blazer & Jimmy, With Rear Auxiliary Heater	\$87.00	M
39707	1978	HEATER HARNESS Except Heavy Duty Heater, Without A/C, (For Use With 3 Terminal Heater Resistor)	\$80.00	M

Part Number	Year	Description	Price	*Rev.
39305	1978	<b>HEATER HARNESS</b> With Heavy Duty Heater, Without A/C, (For Use With 4 Terminal Heater Resistor)	\$94.00	M
39815	1978	<b>HEATER HARNESS</b> All Suburban, & 2 Wheel Drive Blazer & Jimmy, With Rear Auxiliary Heater	\$87.00	M
39707	1979	<b>HEATER HARNESS</b> Except Heavy Duty Heater, Without A/C, (For Use With 3 Terminal Heater Resistor)	\$80.00	M
39305	1979	<b>HEATER HARNESS</b> With Heavy Duty Heater, Without A/C, (For Use With 4 Terminal Heater Resistor)	\$94.00	M
39910	1979	<b>HEATER HARNESS</b> All Suburban, & 2 Wheel Drive Blazer & Jimmy, With Rear Auxiliary Heater	\$87.00	M
39707	1980	<b>HEATER HARNESS</b> Except Heavy Duty Heater, Without A/C, (For Use With 3 Terminal Heater Resistor)	\$80.00	M
39305	1980	<b>HEATER HARNESS</b> With Heavy Duty Heater, Without A/C, (For Use With 4 Terminal Heater Resistor)	\$94.00	M
39910	1980	<b>HEATER HARNESS</b> All Suburban, & 2 Wheel Drive Blazer & Jimmy, With Rear Auxiliary Heater	\$87.00	M
39910	1981	<b>HEATER HARNESS</b> All Suburban, & 2 Wheel Drive Blazer & Jimmy, With Rear Auxiliary Heater	\$87.00	M
39934	1981	<b>HEATER HARNESS</b> Except Heavy Duty Heater, Without A/C, (For Use With 3 Terminal Heater Resistor)	\$80.00	M
39935	1981	<b>HEATER HARNESS</b> With Heavy Duty Heater, Without A/C, (For Use With 4 Terminal Heater Resistor)	\$87.00	M
39934	1982	<b>HEATER HARNESS</b> Except Heavy Duty Heater, Without A/C, (For Use With 3 Terminal Heater Resistor)	\$80.00	M
39935	1982	<b>HEATER HARNESS</b> With Heavy Duty Heater, Without A/C, (For Use With 4 Terminal Heater Resistor)	\$87.00	M
<b>HORN WIRE</b>				
39706	1974	<b>HORN WIRE</b> Used With Hi Note Horn	\$30.00	M
39789	1975	<b>HORN WIRE</b> Used With Hi Note Horn	\$30.00	M
<b>IDLE SPEED SWITCH HARNESS</b>				
37523	1979	<b>IDLE SPEED SWITCH HARNESS</b> 1-Ton Truck, With V/8	\$66.00	M
37523	1980	<b>IDLE SPEED SWITCH HARNESS</b> 1-Ton Truck, With V/8	\$66.00	M
<b>IDLE STOP SOLENOID JUMPER WIRE</b>				
40013	1982	<b>IDLE STOP SOLENOID JUMPER WIRE</b> Idle Stop Solenoid To A/C Harness	\$26.00	M
<b>IGNITION BALLAST RESISTOR</b>				
01957154	1955	<b>IGNITION BALLAST RESISTOR</b> All, 12 Volt	\$12.00	N
01957154	1956	<b>IGNITION BALLAST RESISTOR</b> All	\$12.00	N
01957154	1957	<b>IGNITION BALLAST RESISTOR</b> All	\$12.00	N
01957154	1958	<b>IGNITION BALLAST RESISTOR</b> All	\$12.00	N
01957154	1959	<b>IGNITION BALLAST RESISTOR</b> All	\$12.00	N
<b>IGNITION CYLINDER AND KEYS</b>				
20071252	1973	<b>IGNITION CYLINDER AND KEYS</b> Chrome, All	\$18.50	N
20071252	1974	<b>IGNITION CYLINDER AND KEYS</b> Chrome, All	\$18.50	N
20071252	1975	<b>IGNITION CYLINDER AND KEYS</b> Chrome, All	\$18.50	N
20071252	1976	<b>IGNITION CYLINDER AND KEYS</b> Chrome, All	\$18.50	N
20071252	1977	<b>IGNITION CYLINDER AND KEYS</b> Chrome, All	\$18.50	N
20071252	1978	<b>IGNITION CYLINDER AND KEYS</b> Chrome, All, 1st Design, Used On Columns Without Lock Cylinder Retaining Screw	\$18.50	N
07833759	1978	<b>IGNITION CYLINDER AND KEYS</b> Chrome, All, 2nd Design, Used On Columns With Lock Cylinder Retaining Screw	\$18.50	N
07833759	1979	<b>IGNITION CYLINDER AND KEYS</b> Chrome, All	\$18.50	N

Part Number	Year	Description	Price	*Rev.
07833759	1980	<b>IGNITION CYLINDER AND KEYS</b> Chrome, All	\$18.50	N
07833759	1981	<b>IGNITION CYLINDER AND KEYS</b> Chrome, All	\$18.50	N
07833759	1982	<b>IGNITION CYLINDER AND KEYS</b> Chrome, All	\$18.50	N
07833759	1983	<b>IGNITION CYLINDER AND KEYS</b> Chrome, All	\$18.50	N
07833759	1984	<b>IGNITION CYLINDER AND KEYS</b> Chrome, All	\$18.50	N
07833759	1985	<b>IGNITION CYLINDER AND KEYS</b> Chrome, All	\$18.50	N
07833759	1986	<b>IGNITION CYLINDER AND KEYS</b> Chrome, All	\$18.50	N
07833759	1987	<b>IGNITION CYLINDER AND KEYS</b> Chrome, All	\$18.50	N
07833759	1988	<b>IGNITION CYLINDER AND KEYS</b> Chrome, All	\$18.50	N
07833759	1989	<b>IGNITION CYLINDER AND KEYS</b> Chrome, All	\$18.50	N
07833759	1990	<b>IGNITION CYLINDER AND KEYS</b> Chrome, All	\$18.50	N
07833759	1991	<b>IGNITION CYLINDER AND KEYS</b> Chrome, All	\$18.50	N
<b>IGNITION SWITCH</b>				
01116570	1957	<b>IGNITION SWITCH</b> 6 Cylinder, With Automatic Transmission	\$62.00	N
01116570	1957	<b>IGNITION SWITCH</b> V/8	\$62.00	N
01116570	1958	<b>IGNITION SWITCH</b> 6 Cylinder, With Automatic Transmission	\$62.00	N
01116570	1958	<b>IGNITION SWITCH</b> V/8	\$62.00	N
01116570	1959	<b>IGNITION SWITCH</b> 6 Cylinder, With Automatic Transmission	\$62.00	N
01116570	1959	<b>IGNITION SWITCH</b> V/8	\$62.00	N
44206	1960	<b>IGNITION SWITCH KIT</b> Note: Includes Wiring Adapter, Ignition Switch And Instructions.	\$54.00	N
44206	1961	<b>IGNITION SWITCH KIT</b> Note: Includes Wiring Adapter, Ignition Switch And Instructions.	\$54.00	N
01116626	1962	<b>IGNITION SWITCH</b>	\$24.00	M
01116626	1963	<b>IGNITION SWITCH</b>	\$24.00	M
01116626	1964	<b>IGNITION SWITCH</b>	\$24.00	M
01116626	1965	<b>IGNITION SWITCH</b>	\$24.00	M
01116626	1966	<b>IGNITION SWITCH</b>	\$24.00	M
01990110	1973	<b>IGNITION SWITCH</b> All, With Tilt	\$14.00	N
01990110	1974	<b>IGNITION SWITCH</b> All, With Tilt	\$14.00	N
01990110	1975	<b>IGNITION SWITCH</b> All, With Tilt	\$14.00	N
01990110	1976	<b>IGNITION SWITCH</b> All, With Tilt	\$14.00	N
01990110	1977	<b>IGNITION SWITCH</b> All, With Tilt	\$14.00	N
01990110	1978	<b>IGNITION SWITCH</b> All, With Tilt	\$14.00	N
01990110	1979	<b>IGNITION SWITCH</b> All, With Tilt	\$14.00	N
01990110	1980	<b>IGNITION SWITCH</b> All, With Tilt	\$14.00	N
01990110	1981	<b>IGNITION SWITCH</b> All, With Tilt	\$14.00	N
01990110	1982	<b>IGNITION SWITCH</b> All, With Tilt	\$14.00	N
01990110	1983	<b>IGNITION SWITCH</b> All, With Tilt	\$14.00	N
01990110	1984	<b>IGNITION SWITCH</b> All, With Tilt	\$14.00	N
01990110	1985	<b>IGNITION SWITCH</b> All, With Tilt	\$14.00	N
01990110	1986	<b>IGNITION SWITCH</b> All, With Tilt	\$14.00	N
01990110	1987	<b>IGNITION SWITCH</b> All, With Tilt Note: Used On R & V Body Styles.	\$14.00	N
01990110	1988	<b>IGNITION SWITCH</b> All, With Tilt Note: Used On R & V Body Styles.	\$14.00	N

Part Number	Year	Description	Price	*Rev.
01990110	1989	<b>IGNITION SWITCH</b> All, With Tilt Note: Used On R & V Body Styles.	\$14.00	N
01990110	1990	<b>IGNITION SWITCH</b> All, With Tilt Note: Used On R & V Body Styles.	\$14.00	N
01990110	1991	<b>IGNITION SWITCH</b> All, With Tilt Note: Used On R & V Body Styles.	\$14.00	N
01990110	1992	<b>IGNITION SWITCH</b> All, With Tilt	\$14.00	N
01990110	1993	<b>IGNITION SWITCH</b> All, With Tilt	\$14.00	N
01990110	1994	<b>IGNITION SWITCH</b> All, With Tilt	\$14.00	N
<b>INSTRUMENT GAUGE CLUSTER CLIP KIT</b>				
08986000	1973	<b>CLIP KIT</b> All, Instrument Gauge Cluster / Printed Circuit Board Retaining Clip Note: Replaces Original GM Part Number 08986000, Includes 12 Clips Per Kit.	\$14.00	N
08986000	1974	<b>CLIP KIT</b> All, Instrument Gauge Cluster / Printed Circuit Board Retaining Clip Note: Replaces Original GM Part Number 08986000, Includes 12 Clips Per Kit.	\$14.00	N
08986000	1975	<b>CLIP KIT</b> All, Instrument Gauge Cluster / Printed Circuit Board Retaining Clip Note: Replaces Original GM Part Number 08986000, Includes 12 Clips Per Kit.	\$14.00	N
08986000	1976	<b>CLIP KIT</b> All, Instrument Gauge Cluster / Printed Circuit Board Retaining Clip Note: Replaces Original GM Part Number 08986000, Includes 12 Clips Per Kit.	\$14.00	N
08986000	1977	<b>CLIP KIT</b> All, Instrument Gauge Cluster / Printed Circuit Board Retaining Clip Note: Replaces Original GM Part Number 08986000, Includes 12 Clips Per Kit.	\$14.00	N
08986000	1978	<b>CLIP KIT</b> All, Instrument Gauge Cluster / Printed Circuit Board Retaining Clip Note: Replaces Original GM Part Number 08986000, Includes 12 Clips Per Kit.	\$14.00	N
08986000	1979	<b>CLIP KIT</b> All, Instrument Gauge Cluster / Printed Circuit Board Retaining Clip Note: Replaces Original GM Part Number 08986000, Includes 12 Clips Per Kit.	\$14.00	N
08986000	1980	<b>CLIP KIT</b> All, Instrument Gauge Cluster / Printed Circuit Board Retaining Clip Note: Replaces Original GM Part Number 08986000, Includes 12 Clips Per Kit.	\$14.00	N
08986000	1981	<b>CLIP KIT</b> All, Instrument Gauge Cluster / Printed Circuit Board Retaining Clip Note: Replaces Original GM Part Number 08986000, Includes 12 Clips Per Kit.	\$14.00	N
08986000	1982	<b>CLIP KIT</b> All, Instrument Gauge Cluster / Printed Circuit Board Retaining Clip Note: Replaces Original GM Part Number 08986000, Includes 12 Clips Per Kit.	\$14.00	N
08986000	1983	<b>CLIP KIT</b> All, Instrument Gauge Cluster / Printed Circuit Board Retaining Clip Note: Replaces Original GM Part Number 08986000, Includes 12 Clips Per Kit.	\$14.00	N
08986000	1984	<b>CLIP KIT</b> All, Instrument Gauge Cluster / Printed Circuit Board Retaining Clip Note: Replaces Original GM Part Number 08986000, Includes 12 Clips Per Kit.	\$14.00	N
08986000	1985	<b>CLIP KIT</b> All, Instrument Gauge Cluster / Printed Circuit Board Retaining Clip Note: Replaces Original GM Part Number 08986000, Includes 12 Clips Per Kit.	\$14.00	N
08986000	1986	<b>CLIP KIT</b> All, Instrument Gauge Cluster / Printed Circuit Board Retaining Clip Note: Replaces Original GM Part Number 08986000, Includes 12 Clips Per Kit.	\$14.00	N



Part Number	Year	Description	Price	*Rev.
08986000	1987	<b>CLIP KIT</b> All, Instrument Gauge Cluster / Printed Circuit Board Retaining Clip Note: Replaces Original GM Part Number 08986000, Includes 12 Clips Per Kit.	\$14.00	N
08986000	1988	<b>CLIP KIT</b> All, Instrument Gauge Cluster / Printed Circuit Board Retaining Clip Note: Replaces Original GM Part Number 08986000, Includes 12 Clips Per Kit.	\$14.00	N
08986000	1989	<b>CLIP KIT</b> All, Instrument Gauge Cluster / Printed Circuit Board Retaining Clip Note: Replaces Original GM Part Number 08986000, Includes 12 Clips Per Kit.	\$14.00	N
08986000	1990	<b>CLIP KIT</b> All, Instrument Gauge Cluster / Printed Circuit Board Retaining Clip Note: Replaces Original GM Part Number 08986000, Includes 12 Clips Per Kit.	\$14.00	N
<b>INSTRUMENT GAUGE CLUSTER LENS</b>				
06458266	1967	<b>INSTRUMENT GAUGE CLUSTER LENS</b> With Gauges & Tachometer, Without Vacuum Gauge	\$44.00	N
44274	1967	<b>INSTRUMENT GAUGE CLUSTER LENS</b> With Gauges, Tachometer & Vacuum Gauge	\$44.00	N
06458264	1967	<b>INSTRUMENT GAUGE CLUSTER LENS</b> With Gauges, Without Tachometer Or Vacuum Gauge	\$44.00	N
06430776	1967	<b>INSTRUMENT GAUGE CLUSTER LENS</b> With Warning Lights	\$40.00	N
06458266	1968	<b>INSTRUMENT GAUGE CLUSTER LENS</b> With Gauges & Tachometer, Without Vacuum Gauge	\$44.00	N
44274	1968	<b>INSTRUMENT GAUGE CLUSTER LENS</b> With Gauges, Tachometer & Vacuum Gauge	\$44.00	N
06458264	1968	<b>INSTRUMENT GAUGE CLUSTER LENS</b> With Gauges, Without Tachometer Or Vacuum Gauge	\$44.00	N
06430776	1968	<b>INSTRUMENT GAUGE CLUSTER LENS</b> With Warning Lights	\$40.00	N
06458266	1969	<b>INSTRUMENT GAUGE CLUSTER LENS</b> With Gauges & Tachometer, Without Vacuum Gauge	\$44.00	N
44274	1969	<b>INSTRUMENT GAUGE CLUSTER LENS</b> With Gauges, Tachometer & Vacuum Gauge	\$44.00	N
06458264	1969	<b>INSTRUMENT GAUGE CLUSTER LENS</b> With Gauges, Without Tachometer Or Vacuum Gauge	\$44.00	N
06430776	1969	<b>INSTRUMENT GAUGE CLUSTER LENS</b> With Warning Lights	\$40.00	N
06458266	1970	<b>INSTRUMENT GAUGE CLUSTER LENS</b> With Gauges & Tachometer, Without Vacuum Gauge	\$44.00	N
44274	1970	<b>INSTRUMENT GAUGE CLUSTER LENS</b> With Gauges, Tachometer & Vacuum Gauge	\$44.00	N
06458264	1970	<b>INSTRUMENT GAUGE CLUSTER LENS</b> With Gauges, Without Tachometer Or Vacuum Gauge	\$44.00	N
06430776	1970	<b>INSTRUMENT GAUGE CLUSTER LENS</b> With Warning Lights	\$40.00	N
06458266	1971	<b>INSTRUMENT GAUGE CLUSTER LENS</b> With Gauges & Tachometer, Without Vacuum Gauge	\$44.00	N
44274	1971	<b>INSTRUMENT GAUGE CLUSTER LENS</b> With Gauges, Tachometer & Vacuum Gauge	\$44.00	N
06458264	1971	<b>INSTRUMENT GAUGE CLUSTER LENS</b> With Gauges, Without Tachometer Or Vacuum Gauge	\$44.00	N
06430776	1971	<b>INSTRUMENT GAUGE CLUSTER LENS</b> With Warning Lights	\$40.00	N
06458266	1972	<b>INSTRUMENT GAUGE CLUSTER LENS</b> With Gauges & Tachometer, Without Vacuum Gauge	\$44.00	N
44274	1972	<b>INSTRUMENT GAUGE CLUSTER LENS</b> With Gauges, Tachometer & Vacuum Gauge	\$44.00	N
06458264	1972	<b>INSTRUMENT GAUGE CLUSTER LENS</b> With Gauges, Without Tachometer Or Vacuum Gauge	\$44.00	N
06430776	1972	<b>INSTRUMENT GAUGE CLUSTER LENS</b> With Warning Lights	\$40.00	N
25017378	1973	<b>INSTRUMENT GAUGE CLUSTER LENS</b> With Gauges & Clock	\$50.00	N
06497473	1973	<b>INSTRUMENT GAUGE CLUSTER LENS</b> With Gauges, Without Clock	\$50.00	N
06497472	1973	<b>INSTRUMENT GAUGE CLUSTER LENS</b> With Warning Lights	\$47.00	N
25017378	1974	<b>INSTRUMENT GAUGE CLUSTER LENS</b> With Gauges & Clock	\$50.00	N
06497473	1974	<b>INSTRUMENT GAUGE CLUSTER LENS</b> With Gauges, Without Clock	\$50.00	N
06497472	1974	<b>INSTRUMENT GAUGE CLUSTER LENS</b> With Warning Lights	\$47.00	N
25017378	1975	<b>INSTRUMENT GAUGE CLUSTER LENS</b> With Gauges & Clock	\$50.00	N
06497473	1975	<b>INSTRUMENT GAUGE CLUSTER LENS</b> With Gauges, Without Clock	\$50.00	N
06497472	1975	<b>INSTRUMENT GAUGE CLUSTER LENS</b> With Warning Lights	\$47.00	N
25017378	1976	<b>INSTRUMENT GAUGE CLUSTER LENS</b> With Gauges & Clock	\$50.00	N
06497473	1976	<b>INSTRUMENT GAUGE CLUSTER LENS</b> With Gauges, Without Clock	\$50.00	N

Part Number	Year	Description	Price	*Rev.
06497472	1976	INSTRUMENT GAUGE CLUSTER LENS With Warning Lights	\$47.00	N
25017378	1977	INSTRUMENT GAUGE CLUSTER LENS With Gauges & Clock	\$50.00	N
06497473	1977	INSTRUMENT GAUGE CLUSTER LENS With Gauges, Without Clock	\$50.00	N
06497472	1977	INSTRUMENT GAUGE CLUSTER LENS With Warning Lights	\$47.00	N
25017378	1978	INSTRUMENT GAUGE CLUSTER LENS With Gauges & Clock	\$50.00	N
06497473	1978	INSTRUMENT GAUGE CLUSTER LENS With Gauges, Without Clock	\$50.00	N
06497472	1978	INSTRUMENT GAUGE CLUSTER LENS With Warning Lights	\$47.00	N
25017378	1979	INSTRUMENT GAUGE CLUSTER LENS With Gauges & Clock	\$50.00	N
06497473	1979	INSTRUMENT GAUGE CLUSTER LENS With Gauges, Without Clock	\$50.00	N
06497472	1979	INSTRUMENT GAUGE CLUSTER LENS With Warning Lights	\$47.00	N
25017378	1980	INSTRUMENT GAUGE CLUSTER LENS With Gauges & Clock	\$50.00	N
06497473	1980	INSTRUMENT GAUGE CLUSTER LENS With Gauges, Without Clock	\$50.00	N
06497472	1980	INSTRUMENT GAUGE CLUSTER LENS With Warning Lights	\$47.00	N
25044306	1981	INSTRUMENT GAUGE CLUSTER LENS With Gauges & Clock	\$50.00	N
06497473	1981	INSTRUMENT GAUGE CLUSTER LENS With Gauges, Without Clock	\$50.00	N
06497472	1981	INSTRUMENT GAUGE CLUSTER LENS With Warning Lights	\$47.00	N
25044306	1982	INSTRUMENT GAUGE CLUSTER LENS With Gauges & Clock	\$50.00	N
06497473	1982	INSTRUMENT GAUGE CLUSTER LENS With Gauges, Without Clock	\$50.00	N
06497472	1982	INSTRUMENT GAUGE CLUSTER LENS With Warning Lights	\$47.00	N
25044306	1983	INSTRUMENT GAUGE CLUSTER LENS With Gauges & Clock	\$50.00	N
06497473	1983	INSTRUMENT GAUGE CLUSTER LENS With Gauges, Without Clock	\$50.00	N
06497472	1983	INSTRUMENT GAUGE CLUSTER LENS With Warning Lights	\$47.00	N
25044306	1984	INSTRUMENT GAUGE CLUSTER LENS With Gauges & Clock	\$50.00	N
06497473	1984	INSTRUMENT GAUGE CLUSTER LENS With Gauges, Without Clock	\$50.00	N
06497472	1984	INSTRUMENT GAUGE CLUSTER LENS With Warning Lights	\$47.00	N
25044306	1985	INSTRUMENT GAUGE CLUSTER LENS With Gauges & Clock	\$50.00	N
06497473	1985	INSTRUMENT GAUGE CLUSTER LENS With Gauges, Without Clock	\$50.00	N
06497472	1985	INSTRUMENT GAUGE CLUSTER LENS With Warning Lights	\$47.00	N
25044306	1986	INSTRUMENT GAUGE CLUSTER LENS With Gauges & Clock	\$50.00	N
06497473	1986	INSTRUMENT GAUGE CLUSTER LENS With Gauges, Without Clock	\$50.00	N
06497472	1986	INSTRUMENT GAUGE CLUSTER LENS With Warning Lights	\$47.00	N
25044306	1987	INSTRUMENT GAUGE CLUSTER LENS With Gauges & Clock	\$50.00	N
06497473	1987	INSTRUMENT GAUGE CLUSTER LENS With Gauges, Without Clock	\$50.00	N
06497472	1987	INSTRUMENT GAUGE CLUSTER LENS With Warning Lights	\$47.00	N
<b>INSTRUMENT GAUGE DASH BEZEL</b>				
01500923	1947	INSTRUMENT GAUGE DASH BEZEL Chrome Note: 2 Required Per Vehicle.	\$12.00	N
01500923	1948	INSTRUMENT GAUGE DASH BEZEL Chrome Note: 2 Required Per Vehicle.	\$12.00	N
01500923	1949	INSTRUMENT GAUGE DASH BEZEL Chrome Note: 2 Required Per Vehicle.	\$12.00	N
01500923	1950	INSTRUMENT GAUGE DASH BEZEL Chrome Note: 2 Required Per Vehicle.	\$12.00	N
01500923	1951	INSTRUMENT GAUGE DASH BEZEL Chrome Note: 2 Required Per Vehicle.	\$12.00	N
01500923	1952	INSTRUMENT GAUGE DASH BEZEL Chrome Note: 2 Required Per Vehicle.	\$12.00	N

Part Number	Year	Description	Price	*Rev.
01500923	1953	<b>INSTRUMENT GAUGE DASH BEZEL</b> Chrome Note: 2 Required Per Vehicle.	\$12.00	N
06482927	1967	<b>INSTRUMENT GAUGE DASH BEZEL</b> With Gauges, Black With Chrome Trim	\$54.00	N
06482927	1968	<b>INSTRUMENT GAUGE DASH BEZEL</b> With Gauges, Black With Chrome Trim	\$54.00	N
06491404	1969	<b>INSTRUMENT GAUGE DASH BEZEL</b> With Gauges, Black With Chrome Trim	\$54.00	N
06491402	1969	<b>INSTRUMENT GAUGE DASH BEZEL</b> Without Gauges, Black With Chrome Trim	\$50.00	N
06491404	1970	<b>INSTRUMENT GAUGE DASH BEZEL</b> With Gauges, Black With Chrome Trim	\$54.00	N
06491402	1970	<b>INSTRUMENT GAUGE DASH BEZEL</b> Without Gauges, Black With Chrome Trim	\$50.00	N
06491404	1971	<b>INSTRUMENT GAUGE DASH BEZEL</b> With Gauges, Black With Chrome Trim	\$54.00	N
06491402	1971	<b>INSTRUMENT GAUGE DASH BEZEL</b> Without Gauges, Black With Chrome Trim	\$50.00	N
06491404	1972	<b>INSTRUMENT GAUGE DASH BEZEL</b> With Gauges, Black With Chrome Trim	\$54.00	N
06491402	1972	<b>INSTRUMENT GAUGE DASH BEZEL</b> Without Gauges, Black With Chrome Trim	\$50.00	N
<b>KICKDOWN HARNESS</b>				
39721	1973	<b>KICKDOWN EXTENSION HARNESS</b> With 454 V/8 & 400 Trans, Transmission Switch To Dash Kickdown Harness	\$41.00	M
39722	1973	<b>KICKDOWN HARNESS</b> With 454 V/8 & TH400 Trans, Dash Side	\$67.00	M
39722	1974	<b>KICKDOWN HARNESS</b> With 454 V/8 & TH400 Trans, Dash Side	\$67.00	M
39721	1974	<b>KICKDOWN EXTENSION HARNESS</b> With 454 V/8 & TH400 Trans, Transmission Switch To Kickdown Harness	\$41.00	M
39786	1975	<b>KICKDOWN HARNESS</b> With 454 V/8 & TH400 Trans, Dash Side	\$67.00	M
39360	1975	<b>KICKDOWN EXTENSION HARNESS</b> With 454 V/8 & TH400 Trans, Transmission Switch To Kickdown Harness	\$41.00	M
39786	1976	<b>KICKDOWN HARNESS</b> With 454 V/8 & TH400 Trans, Dash Side	\$67.00	M
39360	1976	<b>KICKDOWN EXTENSION HARNESS</b> With 454 V/8 & TH400 Trans, Transmission Switch To Kickdown Harness	\$41.00	M
39786	1977	<b>KICKDOWN HARNESS</b> With 454 V/8 & TH400 Trans, Dash Side	\$67.00	M
39360	1977	<b>KICKDOWN EXTENSION HARNESS</b> With 454 V/8 & TH400 Trans, Transmission Switch To Kickdown Harness	\$41.00	M
39786	1978	<b>KICKDOWN HARNESS</b> With 454 V/8 & TH400 Trans, Dash Side	\$67.00	M
39360	1978	<b>KICKDOWN EXTENSION HARNESS</b> With 454 V/8 & TH400 Trans, Transmission Switch To Kickdown Harness	\$41.00	M
39359	1979	<b>KICKDOWN HARNESS</b> With 454 V/8 & TH400 Trans, Dash Side	\$67.00	M
39360	1979	<b>KICKDOWN EXTENSION HARNESS</b> With 454 V/8 & TH400 Trans, Transmission Switch To Kickdown Harness	\$41.00	M
39359	1980	<b>KICKDOWN HARNESS</b> With 454 V/8 & TH400 Trans, Dash Side	\$67.00	M
39360	1980	<b>KICKDOWN EXTENSION HARNESS</b> With 454 V/8 & TH400 Trans, Transmission Switch To Kickdown Harness	\$41.00	M
39359	1981	<b>KICKDOWN HARNESS</b> With 454 V/8 & TH400 Trans, Dash Side	\$67.00	M
39360	1981	<b>KICKDOWN EXTENSION HARNESS</b> With 454 V/8 & TH400 Trans, Transmission Switch To Kickdown Harness	\$41.00	M
39359	1982	<b>KICKDOWN HARNESS</b> With 454 V/8 & TH400 Trans, Dash Side	\$67.00	M
39360	1982	<b>KICKDOWN EXTENSION HARNESS</b> With 454 V/8 & TH400 Trans, Transmission Switch To Kickdown Harness	\$41.00	M
<b>KICKDOWN SWITCH</b>				
01242101	1973	<b>KICKDOWN SWITCH</b> M40 Auto Trans	\$19.00	
01242101	1974	<b>KICKDOWN SWITCH</b> M40 Auto Trans	\$19.00	
01242101	1975	<b>KICKDOWN SWITCH</b> M40 Auto Trans	\$19.00	
01242101	1976	<b>KICKDOWN SWITCH</b> M40 Auto Trans	\$19.00	
01242101	1977	<b>KICKDOWN SWITCH</b> M40 Auto Trans	\$19.00	
01242101	1978	<b>KICKDOWN SWITCH</b> M40 Auto Trans	\$19.00	

Part Number	Year	Description	Price	*Rev.
01242101	1979	<b>KICKDOWN SWITCH</b> M40 Auto Trans	\$19.00	
01242101	1980	<b>KICKDOWN SWITCH</b> M40 Auto Trans	\$19.00	
01242101	1981	<b>KICKDOWN SWITCH</b> M40 Auto Trans	\$19.00	
01242101	1982	<b>KICKDOWN SWITCH</b> M40 Auto Trans	\$19.00	
01242101	1983	<b>KICKDOWN SWITCH</b> M40 Auto Trans	\$19.00	
01242101	1984	<b>KICKDOWN SWITCH</b> M40 Auto Trans	\$19.00	
01242101	1985	<b>KICKDOWN SWITCH</b> M40 Auto Trans	\$19.00	
01242101	1986	<b>KICKDOWN SWITCH</b> M40 Auto Trans	\$19.00	
01242101	1987	<b>KICKDOWN SWITCH</b> M40, Auto Trans Note: Used On R & V Models, Square Body Style.	\$19.00	
01242101	1988	<b>KICKDOWN SWITCH</b> M40, Auto Trans Note: Used On R & V Models, Square Body Style.	\$19.00	
01242101	1989	<b>KICKDOWN SWITCH</b> M40, Auto Trans Note: Used On R & V Models, Square Body Style.	\$19.00	
<b>LICENSE LAMP HARNESS</b>				
39725	1973	<b>LICENSE LAMP HARNESS</b> All Trucks, With Painted Step Bumper & Dual License Lamps	\$48.00	M
39725	1974	<b>LICENSE LAMP HARNESS</b> All Trucks, With Painted Step Bumper & Dual License Lamps	\$48.00	M
39725	1975	<b>LICENSE LAMP HARNESS</b> All Trucks, With Painted Step Bumper & Dual License Lamps	\$48.00	M
39725	1976	<b>LICENSE LAMP HARNESS</b> All Trucks With Painted Step Bumper & Dual License Lamps	\$48.00	M
39725	1977	<b>LICENSE LAMP HARNESS</b> All Trucks With Painted Step Bumper & Dual License Lamps	\$48.00	M
39872	1978	<b>LICENSE LAMP HARNESS</b> All Trucks With Painted Step Bumper & Dual License Lamps	\$48.00	M
39872	1979	<b>LICENSE LAMP HARNESS</b> All Trucks With Painted Step Bumper & Dual License Lamps	\$48.00	M
39912	1980	<b>LICENSE LAMP HARNESS</b> All Trucks, With Painted Step Bumper & Dual License Lamps	\$67.00	M
39912	1981	<b>LICENSE LAMP HARNESS</b> All Trucks, With Painted Step Bumper & Dual License Lamps	\$67.00	M
39912	1982	<b>LICENSE LAMP HARNESS</b> All Trucks, With Painted Step Bumper & Dual License Lamps	\$67.00	M
<b>LICENSE LAMP WIRE</b>				
39814	1975	<b>LICENSE LAMP WIRE</b> All, 3/4 & 1-Ton, With Rear Mounted Gas Tank, Without Pickup Bed	\$21.00	M
39814	1976	<b>LICENSE LAMP WIRE</b> All, 3/4 & 1-Ton, With Rear Mounted Gas Tank, Without Pickup Bed	\$21.00	M
39814	1977	<b>LICENSE LAMP WIRE</b> All, 3/4 & 1-Ton, With Rear Mounted Gas Tank, Without Pickup Bed	\$21.00	M
<b>LOW FUEL INDICATOR MODULE</b>				
500274	1967	<b>LOW FUEL INDICATOR MODULE</b> Generic "Adjustable" Low Fuel Warning Module Note: A Complete Electronic Control Unit To Activate A Warning Lamp Or Relay When Fuel Level Drops Below A User Adjustable Level. Includes instruction sheet.	\$64.00	C
500274	1968	<b>LOW FUEL INDICATOR MODULE</b> Generic "Adjustable" Low Fuel Warning Module Note: A Complete Electronic Control Unit To Activate A Warning Lamp Or Relay When Fuel Level Drops Below A User Adjustable Level. Includes instruction sheet.	\$64.00	C
500274	1969	<b>LOW FUEL INDICATOR MODULE</b> Generic "Adjustable" Low Fuel Warning Module Note: A Complete Electronic Control Unit To Activate A Warning Lamp Or Relay When Fuel Level Drops Below A User Adjustable Level. Includes instruction sheet.	\$64.00	C
500274	1970	<b>LOW FUEL INDICATOR MODULE</b> Generic "Adjustable" Low Fuel Warning Module Note: A Complete Electronic Control Unit To Activate A Warning Lamp Or Relay When Fuel Level Drops Below A User Adjustable Level. Includes instruction sheet.	\$64.00	C
500274	1971	<b>LOW FUEL INDICATOR MODULE</b> Generic "Adjustable" Low Fuel Warning Module Note: A Complete Electronic Control Unit To Activate A Warning Lamp Or Relay When Fuel Level Drops Below A User Adjustable Level. Includes instruction sheet.	\$64.00	C

Part Number	Year	Description	Price	*Rev.
500274	1972	<b>LOW FUEL INDICATOR MODULE</b> Generic "Adjustable" Low Fuel Warning Module Note: A Complete Electronic Control Unit To Activate A Warning Lamp Or Relay When Fuel Level Drops Below A User Adjustable Level. Includes instruction sheet.	\$64.00	C
<b>MARKER LAMP HARNESS</b>				
39723	1973	<b>MARKER LAMP HARNESS</b> All Trucks, With Roof Mounted Cab Lights	\$106.00	M
39723	1974	<b>MARKER LAMP HARNESS</b> All Trucks, With Roof Mounted Cab Lights	\$106.00	M
39723	1975	<b>MARKER LAMP HARNESS</b> All Trucks, With Roof Mounted Cab Lights	\$106.00	M
39723	1976	<b>MARKER LAMP HARNESS</b> All Trucks, With Roof Mounted Cab Lights	\$106.00	M
39723	1977	<b>MARKER LAMP HARNESS</b> All Trucks, With Roof Mounted Cab Lights	\$106.00	M
39723	1978	<b>MARKER LAMP HARNESS</b> All Trucks, With Roof Mounted Cab Lights	\$106.00	M
39723	1979	<b>MARKER LAMP HARNESS</b> All Trucks, With Roof Mounted Cab Lights	\$106.00	M
39723	1980	<b>MARKER LAMP HARNESS</b> All Trucks, With Roof Mounted Cab Lights	\$106.00	M
39723	1981	<b>MARKER LAMP HARNESS</b> All Trucks, With Roof Mounted Cab Lights	\$106.00	M
39723	1982	<b>MARKER LAMP HARNESS</b> All Trucks, With Roof Mounted Cab Lights	\$106.00	M
<b>NEUTRAL SAFETY AND BACKUP LAMP SWITCH</b>				
01994235	1973	<b>NEUTRAL SAFETY AND BACKUP LAMP SWITCH</b> With Column Shift TH350-400 Auto Trans	\$19.00	M
01994235	1974	<b>NEUTRAL SAFETY AND BACKUP LAMP SWITCH</b> With Column Shift TH350-400 Auto Trans	\$19.00	M
01994235	1975	<b>NEUTRAL SAFETY AND BACKUP LAMP SWITCH</b> With Column Shift TH350-400 Auto Trans	\$19.00	M
01994163	1976	<b>NEUTRAL SAFETY AND BACKUP LAMP SWITCH</b> With Auto Trans, All	\$19.00	M
01994163	1977	<b>NEUTRAL SAFETY AND BACKUP LAMP SWITCH</b> With Auto Trans, All	\$19.00	M
01994163	1978	<b>NEUTRAL SAFETY AND BACKUP LAMP SWITCH</b> With Auto Trans, All	\$19.00	M
01994163	1979	<b>NEUTRAL SAFETY AND BACKUP LAMP SWITCH</b> With Auto Trans, All	\$19.00	M
01994163	1980	<b>NEUTRAL SAFETY AND BACKUP LAMP SWITCH</b> With Auto Trans, All	\$19.00	M
<b>OIL PRESSURE GAUGE</b>				
01507135	1947	<b>OIL PRESSURE GAUGE</b> 0-60 Lbs., Red Needle	\$74.00	N
01507135	1948	<b>OIL PRESSURE GAUGE</b> 0-60 Lbs., Red Needle	\$74.00	N
01507135	1949	<b>OIL PRESSURE GAUGE</b> 0-60 Lbs., Red Needle	\$74.00	N
01507135	1950	<b>OIL PRESSURE GAUGE</b> 0-60 Lbs., Red Needle	\$74.00	N
01507135	1951	<b>OIL PRESSURE GAUGE</b> 0-60 Lbs., Red Needle	\$74.00	N
01507401	1952	<b>OIL PRESSURE GAUGE</b> 0-30 Lbs, White Needle	\$74.00	N
01507963	1952	<b>OIL PRESSURE GAUGE</b> 0-60 Lbs, White Needle	\$74.00	N
01507401	1953	<b>OIL PRESSURE GAUGE</b> 0-30 Lbs, White Needle	\$74.00	N
01507963	1953	<b>OIL PRESSURE GAUGE</b> 0-60 Lbs, White Needle	\$74.00	N
01508246	1955	<b>OIL GAUGE</b>	\$85.00	N
01508246	1956	<b>OIL GAUGE</b>	\$85.00	N
01508246	1957	<b>OIL GAUGE</b>	\$85.00	N
01508246	1958	<b>OIL GAUGE</b>	\$85.00	N
01508246	1959	<b>OIL GAUGE</b>	\$85.00	N
01509021	1960	<b>OIL GAUGE</b>	\$74.00	N
01509021	1961	<b>OIL GAUGE</b>	\$74.00	N
01509021	1962	<b>OIL GAUGE</b>	\$74.00	N
01509021	1963	<b>OIL GAUGE</b>	\$74.00	N
01582460	1964	<b>OIL GAUGE</b>	\$74.00	N
01582460	1965	<b>OIL GAUGE</b>	\$74.00	N
01582460	1966	<b>OIL GAUGE</b>	\$74.00	N
06460746	1967	<b>OIL PRESSURE GAUGE</b> 0-60 Lbs.	\$70.00	N

Part Number	Year	Description	Price	*Rev.
44221	1967	<b>OIL PRESSURE GAUGE</b> With 0-60 Lbs. Numeric Face Plate Note: This Is A Replacement For OEM Gauge 06460746 (With Low & High Graduations) In Trucks With Factory Gauge Type Clusters.	\$54.00	N
06460746	1968	<b>OIL PRESSURE GAUGE</b> 0-60 Lbs.	\$70.00	N
44221	1968	<b>OIL PRESSURE GAUGE</b> With 0-60 Lbs. Numeric Face Plate Note: This Is A Replacement For OEM Gauge 06460746 (With Low & High Graduations) In Trucks With Factory Gauge Type Clusters.	\$54.00	N
06460746	1969	<b>OIL PRESSURE GAUGE</b> 0-60 Lbs.	\$70.00	N
44221	1969	<b>OIL PRESSURE GAUGE</b> With 0-60 Lbs. Numeric Face Plate Note: This Is A Replacement For OEM Gauge 06460746 (With Low & High Graduations) In Trucks With Factory Gauge Type Clusters.	\$54.00	N
06460746	1970	<b>OIL PRESSURE GAUGE</b> 0-60 Lbs.	\$70.00	N
44221	1970	<b>OIL PRESSURE GAUGE</b> With 0-60 Lbs. Numeric Face Plate Note: This Is A Replacement For OEM Gauge 06460746 (With Low & High Graduations) In Trucks With Factory Gauge Type Clusters.	\$54.00	N
06460746	1971	<b>OIL PRESSURE GAUGE</b> 0-60 Lbs.	\$70.00	N
44221	1971	<b>OIL PRESSURE GAUGE</b> With 0-60 Lbs. Numeric Face Plate Note: This Is A Replacement For OEM Gauge 06460746 (With Low & High Graduations) In Trucks With Factory Gauge Type Clusters.	\$54.00	N
06460746	1972	<b>OIL PRESSURE GAUGE</b> 0-60 Lbs.	\$70.00	N
44221	1972	<b>OIL PRESSURE GAUGE</b> With 0-60 Lbs. Numeric Face Plate Note: This Is A Replacement For OEM Gauge 06460746 (With Low & High Graduations) In Trucks With Factory Gauge Type Clusters.	\$54.00	N
06463341	1973	<b>OIL PRESSURE GAUGE</b> Fire Orange Needle, Mechanical Type	\$54.00	N
06463341	1974	<b>OIL PRESSURE GAUGE</b> Fire Orange Needle, Mechanical Type	\$54.00	N
06463341	1975	<b>OIL PRESSURE GAUGE</b> Fire Orange Needle, Mechanical Type	\$54.00	N
06463341	1976	<b>OIL PRESSURE GAUGE</b> Fire Orange Needle, Mechanical Type	\$54.00	N
06463341	1977	<b>OIL PRESSURE GAUGE</b> Fire Orange Needle, Mechanical Type	\$54.00	N
25025164	1978	<b>OIL PRESSURE GAUGE</b> Fire Orange Needle, Electric Type	\$54.00	N
25025164	1979	<b>OIL PRESSURE GAUGE</b> 1st Design, Fire Orange Needle, Electric Type	\$54.00	N
25025563	1979	<b>OIL PRESSURE GAUGE</b> 2nd Design, Light Orange Needle, Electric Type	\$54.00	N
25025563	1980	<b>OIL PRESSURE GAUGE</b> Light Orange Needle, Electric Type	\$54.00	N
25025563	1981	<b>OIL PRESSURE GAUGE</b> Light Orange Needle, Electric Type	\$54.00	N
25025563	1982	<b>OIL PRESSURE GAUGE</b> Light Orange Needle, Electric Type	\$54.00	N
25025563	1983	<b>OIL PRESSURE GAUGE</b> Light Orange Needle, Electric Type	\$54.00	N
25025563	1984	<b>OIL PRESSURE GAUGE</b> Light Orange Needle, Electric Type	\$54.00	N
25025563	1985	<b>OIL PRESSURE GAUGE</b> Light Orange Needle, Electric Type	\$54.00	N
25025563	1986	<b>OIL PRESSURE GAUGE</b> Light Orange Needle, Electric Type	\$54.00	N
25025563	1987	<b>OIL PRESSURE GAUGE</b> Light Orange Needle, Electric Type	\$54.00	N
<b>POWER ACCESSORY FEED WIRE</b>				
20560	1973	<b>POWER ACCESSORY FEED WIRE</b> Suburban, Blazer & Jimmy, Junction Block To Circuit Breaker, Power Tailgate Window	\$27.00	M
20560	1974	<b>POWER ACCESSORY FEED WIRE</b> Suburban, Blazer & Jimmy, Junction Block To Circuit Breaker, Power Tailgate Window	\$27.00	M
39787	1975	<b>POWER ACCESSORY FEED WIRE</b> Suburban, Blazer & Jimmy, Junction Block To Circuit Breaker, Power Tailgate Window	\$27.00	M
39787	1976	<b>POWER ACCESSORY FEED WIRE</b> Suburban, Blazer & Jimmy, Junction Block To Circuit Breaker, Power Tailgate Window	\$27.00	M
39736	1977	<b>POWER ACCESSORY FEED WIRE</b> 2 Door Models, Junction Block To Power Window Circuit Breaker	\$27.00	M

Part Number	Year	Description	Price	*Rev.
39832	1977	<b>POWER ACCESSORY FEED WIRE</b> Suburban, Blazer & Jimmy, Junction Block To Circuit Breaker, Power Tailgate Window	\$34.00	M
39736	1978	<b>POWER ACCESSORY FEED WIRE</b> 2 Door Models, Junction Block To Power Window Circuit Breaker	\$27.00	M
39832	1978	<b>POWER ACCESSORY FEED WIRE</b> Suburban, Blazer & Jimmy, Junction Block To Circuit Breaker, Power Tailgate Window	\$34.00	M
40023	1979	<b>POWER ACCESSORY FEED WIRE</b> Fuse Box To Power Window Or Power Tailgate Window	\$27.00	M
40023	1980	<b>POWER ACCESSORY FEED WIRE</b> Fuse Box To Power Window Or Power Tailgate Window	\$27.00	M
40023	1981	<b>POWER ACCESSORY FEED WIRE</b> Fuse Box To Power Window Or Power Tailgate Window	\$27.00	M
<b>POWER DOOR LOCK HARNESS</b>				
39845	1977	<b>POWER DOOR LOCK HARNESS</b> 2 Door Models, Body Crossover, With Power Door Locks, Except Power Windows	\$272.00	M
39848	1977	<b>POWER DOOR LOCK HARNESS</b> 2 Door Models, Driver Side Or Passenger Side Door, With Power Door Locks, Except Power Windows	\$210.00	
39845	1978	<b>POWER DOOR LOCK HARNESS</b> 2 Door Models, Body Crossover, With Power Door Locks, Except Power Windows	\$272.00	M
39851	1978	<b>POWER DOOR LOCK HARNESS</b> 2 Door Models, Driver Side Or Passenger Side Door, With Power Door Locks, Except Power Windows	\$210.00	
39897	1979	<b>POWER DOOR LOCK HARNESS</b> 2 Door Models, Body Crossover, With Power Door Locks, Except Power Windows	\$272.00	M
39899	1979	<b>POWER DOOR LOCK HARNESS</b> 2 Door Models, Driver Side Or Passenger Side Door, With Power Door Locks, Except Power Windows	\$210.00	
39897	1980	<b>POWER DOOR LOCK HARNESS</b> 2 Door Models, Body Crossover, With Power Door Locks, Except Power Windows	\$272.00	M
39892	1980	<b>POWER DOOR LOCK HARNESS</b> 4 Door Models, Body Crossover, With Power Door Locks, Except Power Windows	\$272.00	M
39893	1980	<b>POWER DOOR LOCK HARNESS</b> 4 Door Models, Driver Side Or Passenger Side Rear Door, With Power Door Locks, Except Power Windows Note: Customer Must Reuse Their Original Rubber Door Jamb Boot.	\$75.00	
39899	1980	<b>POWER DOOR LOCK HARNESS</b> All Models, Driver Side Or Passenger Side Front Door, With Power Door Locks, Except Power Windows	\$210.00	
39951	1981	<b>POWER DOOR LOCK HARNESS</b> 2 Door Models, Body Crossover, With Power Door Locks, Except Power Windows	\$272.00	M
39949	1981	<b>POWER DOOR LOCK HARNESS</b> 4 Door Models, Body Crossover, With Power Door Locks, Except Power Windows	\$272.00	M
39893	1981	<b>POWER DOOR LOCK HARNESS</b> 4 Door Models, Driver Side Or Passenger Side Rear Door, With Power Door Locks, Except Power Windows Note: Customer Must Reuse Their Original Rubber Door Jamb Boot.	\$75.00	
39899	1981	<b>POWER DOOR LOCK HARNESS</b> All Models, Driver Side Or Passenger Side Front Door, With Power Door Locks, Except Power Windows	\$210.00	
39951	1982	<b>POWER DOOR LOCK HARNESS</b> 2 Door Models, Body Crossover, With Power Door Locks, Except Power Windows	\$272.00	M
39949	1982	<b>POWER DOOR LOCK HARNESS</b> 4 Door Models, Body Crossover, With Power Door Locks, Except Power Windows	\$272.00	M
39893	1982	<b>POWER DOOR LOCK HARNESS</b> 4 Door Models, Driver Side Or Passenger Side Rear Door, With Power Door Locks, Except Power Windows Note: Customer Must Reuse Their Original Rubber Door Jamb Boot.	\$75.00	
39899	1982	<b>POWER DOOR LOCK HARNESS</b> All Models, Driver Side Or Passenger Side Front Door, With Power Door Locks, Except Power Windows	\$210.00	
39951	1983	<b>POWER DOOR LOCK HARNESS</b> 2 Door Models, Body Crossover, With Power Door Locks, Except Power Windows	\$272.00	M
39949	1983	<b>POWER DOOR LOCK HARNESS</b> 4 Door Models, Body Crossover, With Power Door Locks, Except Power Windows	\$272.00	M

Part Number	Year	Description	Price	*Rev.
39893	1983	<b>POWER DOOR LOCK HARNESS</b> 4 Door Models, Driver Side Or Passenger Side Rear Door, With Power Door Locks, Except Power Windows Note: Customer Must Reuse Their Original Rubber Door Jamb Boot.	\$75.00	
39893	1983	<b>POWER DOOR LOCK HARNESS</b> 4 Door Models, Driver Side Or Passenger Side Rear Door, With Power Door Locks, Except Power Windows Note: Customer Must Reuse Their Original Rubber Door Jamb Boot.	\$75.00	
39899	1983	<b>POWER DOOR LOCK HARNESS</b> All Models, Driver Side Or Passenger Side Front Door, With Power Door Locks, Except Power Windows	\$210.00	
39951	1984	<b>POWER DOOR LOCK HARNESS</b> 2 Door Models, Body Crossover, With Power Door Locks, Except Power Windows	\$272.00	M
39949	1984	<b>POWER DOOR LOCK HARNESS</b> 4 Door Models, Body Crossover, With Power Door Locks, Except Power Windows	\$272.00	M
39893	1984	<b>POWER DOOR LOCK HARNESS</b> 4 Door Models, Driver Side Or Passenger Side Rear Door, With Power Door Locks, Except Power Windows Note: Customer Must Reuse Their Original Rubber Door Jamb Boot.	\$75.00	
39899	1984	<b>POWER DOOR LOCK HARNESS</b> All Models, Driver Side Or Passenger Side Front Door, With Power Door Locks, Except Power Windows	\$210.00	
44176	1985	<b>POWER DOOR LOCK HARNESS</b> 2 Door Models, Body Crossover, With Power Door Locks, Except Power Windows	\$272.00	M
44177	1985	<b>POWER DOOR LOCK HARNESS</b> 4 Door Models, Body Crossover, With Power Door Locks, Except Power Windows	\$272.00	M
39893	1985	<b>POWER DOOR LOCK HARNESS</b> 4 Door Models, Driver Side Or Passenger Side Rear Door, With Power Door Locks, Except Power Windows Note: Customer Must Reuse Their Original Rubber Door Jamb Boot.	\$75.00	
39899	1985	<b>POWER DOOR LOCK HARNESS</b> All Models, Driver Side Or Passenger Side Front Door, With Power Door Locks, Except Power Windows	\$210.00	
44176	1986	<b>POWER DOOR LOCK HARNESS</b> 2 Door Models, Body Crossover, With Power Door Locks, Except Power Windows	\$272.00	M
44177	1986	<b>POWER DOOR LOCK HARNESS</b> 4 Door Models, Body Crossover, With Power Door Locks, Except Power Windows	\$272.00	M
39893	1986	<b>POWER DOOR LOCK HARNESS</b> 4 Door Models, Driver Side Or Passenger Side Rear Door, With Power Door Locks, Except Power Windows Note: Customer Must Reuse Their Original Rubber Door Jamb Boot.	\$75.00	
39899	1986	<b>POWER DOOR LOCK HARNESS</b> All Models, Driver Side Or Passenger Side Front Door, With Power Door Locks, Except Power Windows	\$210.00	
44183	1987	<b>POWER DOOR LOCK HARNESS</b> 2 Door Models, Body Crossover, With Power Door Locks, Except Power Windows	\$272.00	M
44185	1987	<b>POWER DOOR LOCK HARNESS</b> 4 Door Models, Body Crossover, With Power Door Locks, Except Power Windows	\$272.00	M
44186	1987	<b>POWER DOOR LOCK HARNESS</b> 4 Door Models, Driver Side Or Passenger Side Rear Door, With Power Door Locks, Except Power Windows Note: Customer Must Reuse Their Original Rubber Door Jamb Boot.	\$75.00	
44184	1987	<b>POWER DOOR LOCK HARNESS</b> All Models, Driver Side Or Passenger Side Front Door, With Power Door Locks, Except Power Windows	\$210.00	
44185	1988	<b>POWER DOOR LOCK HARNESS</b> 4 Door Models, Body Crossover, With Power Door Locks, Except Power Windows	\$272.00	M
44184	1988	<b>POWER DOOR LOCK HARNESS</b> 4 Door Models, Driver Side Or Passenger Side Front Door, With Power Door Locks, Except Power Windows	\$210.00	
44186	1988	<b>POWER DOOR LOCK HARNESS</b> 4 Door Models, Driver Side Or Passenger Side Rear Door, With Power Door Locks, Except Power Windows Note: Customer Must Reuse Their Original Rubber Door Jamb Boot.	\$75.00	
44185	1989	<b>POWER DOOR LOCK HARNESS</b> 4 Door Models, Body Crossover, With Power Door Locks, Except Power Windows	\$272.00	M
44184	1989	<b>POWER DOOR LOCK HARNESS</b> 4 Door Models, Driver Side Or Passenger Side Front Door, With Power Door Locks, Except Power Windows	\$210.00	



Part Number	Year	Description	Price	*Rev.
44186	1989	<b>POWER DOOR LOCK HARNESS</b> 4 Door Models, Driver Side Or Passenger Side Rear Door, With Power Door Locks, Except Power Windows Note: Customer Must Reuse Their Original Rubber Door Jamb Boot.	\$75.00	
44185	1990	<b>POWER DOOR LOCK HARNESS</b> 4 Door Models, Body Crossover, With Power Door Locks, Except Power Windows	\$272.00	M
44184	1990	<b>POWER DOOR LOCK HARNESS</b> 4 Door Models, Driver Side Or Passenger Side Front Door, With Power Door Locks, Except Power Windows	\$210.00	
44186	1990	<b>POWER DOOR LOCK HARNESS</b> 4 Door Models, Driver Side Or Passenger Side Rear Door, With Power Door Locks, Except Power Windows Note: Customer Must Reuse Their Original Rubber Door Jamb Boot.	\$75.00	
44185	1991	<b>POWER DOOR LOCK HARNESS</b> 4 Door Models, Body Crossover, With Power Door Locks, Except Power Windows	\$272.00	M
44184	1991	<b>POWER DOOR LOCK HARNESS</b> 4 Door Models, Driver Side Or Passenger Side Front Door, With Power Door Locks, Except Power Windows	\$210.00	
44186	1991	<b>POWER DOOR LOCK HARNESS</b> 4 Door Models, Driver Side Or Passenger Side Rear Door, With Power Door Locks, Except Power Windows Note: Customer Must Reuse Their Original Rubber Door Jamb Boot.	\$75.00	
<b>POWER DOOR LOCK SWITCH</b>				
01725099	1977	<b>POWER DOOR LOCK SWITCH</b> 1 Button	\$62.00	M
01725099	1978	<b>POWER DOOR LOCK SWITCH</b> 1 Button	\$62.00	M
20031475	1979	<b>POWER DOOR LOCK SWITCH</b> 1-Button	\$62.00	N
20031475	1980	<b>POWER DOOR LOCK SWITCH</b> 1-Button	\$62.00	N
20031475	1981	<b>POWER DOOR LOCK SWITCH</b> 1-Button	\$62.00	N
20043224	1982	<b>POWER DOOR LOCK SWITCH</b> 1-Button	\$9.00	N
20043224	1983	<b>POWER DOOR LOCK SWITCH</b> 1-Button	\$9.00	N
20043224	1984	<b>POWER DOOR LOCK SWITCH</b> 1-Button	\$9.00	N
20043224	1985	<b>POWER DOOR LOCK SWITCH</b> 1-Button	\$9.00	N
20043224	1986	<b>POWER DOOR LOCK SWITCH</b> 1-Button	\$9.00	N
20043224	1987	<b>POWER DOOR LOCK SWITCH</b> 1-Button, RV Body Style	\$9.00	N
20043224	1988	<b>POWER DOOR LOCK SWITCH</b> 1-Button, RV Body Style	\$9.00	N
20043224	1989	<b>POWER DOOR LOCK SWITCH</b> 1-Button, RV Body Style	\$9.00	N
20043224	1990	<b>POWER DOOR LOCK SWITCH</b> 1-Button, RV Body Style	\$9.00	N
20043224	1991	<b>POWER DOOR LOCK SWITCH</b> 1-Button, RV Body Style	\$9.00	N
<b>POWER TAILGATE WINDOW HARNESS</b>				
39728	1973	<b>POWER TAILGATE WINDOW HARNESS</b> Suburban, Blazer & Jimmy, Dash Switch To Intermediate Body Harness	\$113.00	M
39729	1973	<b>POWER TAILGATE WINDOW HARNESS</b> Suburban, Blazer & Jimmy, Intermediate Body Harness	\$127.00	M
39768	1974	<b>POWER TAILGATE WINDOW HARNESS</b> Suburban, Blazer & Jimmy, Dash Switch To Intermediate Body Harness	\$113.00	M
39768	1975	<b>POWER TAILGATE WINDOW HARNESS</b> Suburban, Blazer & Jimmy, Dash Switch To Intermediate Body Harness	\$113.00	M
39803	1976	<b>POWER TAILGATE WINDOW HARNESS</b> Suburban, Blazer & Jimmy, Dash Switch To Intermediate Body Harness	\$113.00	M
39833	1977	<b>POWER TAILGATE WINDOW HARNESS</b> Suburban, Blazer & Jimmy, Dash Switch To Intermediate Body Harness	\$113.00	M
39830	1977	<b>POWER TAILGATE WINDOW HARNESS</b> Suburban, Blazer & Jimmy, Intermediate Body Harness	\$127.00	M
39833	1978	<b>POWER TAILGATE WINDOW HARNESS</b> Suburban, Blazer & Jimmy, Dash Switch To Intermediate Body Harness	\$113.00	M
39861	1978	<b>POWER TAILGATE WINDOW HARNESS</b> Suburban, Intermediate Body Harness	\$127.00	M
39864	1978	<b>POWER TAILGATE WINDOW HARNESS</b> Blazer & Jimmy, Intermediate Body Harness	\$127.00	M

Part Number	Year	Description	Price	*Rev.
39888	1979	<b>POWER TAILGATE WINDOW HARNESS</b> Suburban, Blazer & Jimmy, Dash Switch To Intermediate Body Harness	\$113.00	M
39885	1979	<b>POWER TAILGATE WINDOW HARNESS</b> 4 Wheel Drive Suburban, Intermediate Body Harness	\$127.00	M
39886	1979	<b>POWER TAILGATE WINDOW HARNESS</b> Blazer & Jimmy, Intermediate Body Harness	\$127.00	M
39887	1979	<b>POWER TAILGATE WINDOW HARNESS</b> 2 Wheel Drive Suburban, Intermediate Body Harness	\$127.00	M
39888	1980	<b>POWER TAILGATE WINDOW HARNESS</b> Suburban, Blazer & Jimmy, Dash Switch To Intermediate Body Harness	\$113.00	M
39920	1980	<b>POWER TAILGATE WINDOW HARNESS</b> 4 Wheel Drive Suburban, Intermediate Body Harness	\$127.00	M
39921	1980	<b>POWER TAILGATE WINDOW HARNESS</b> Blazer & Jimmy, Intermediate Body Harness	\$127.00	M
39922	1980	<b>POWER TAILGATE WINDOW HARNESS</b> 2 Wheel Drive Suburban, Intermediate Body Harness	\$127.00	M
39888	1981	<b>POWER TAILGATE WINDOW HARNESS</b> Suburban, Blazer & Jimmy, Dash Switch To Intermediate Body Harness	\$113.00	M
39971	1981	<b>POWER TAILGATE WINDOW HARNESS</b> Suburban, 4 Wheel Drive , Intermediate Body Harness	\$127.00	M
39972	1981	<b>POWER TAILGATE WINDOW HARNESS</b> Blazer & Jimmy, Intermediate Body Harness	\$127.00	M
39973	1981	<b>POWER TAILGATE WINDOW HARNESS</b> 2 Wheel Drive Suburban, Intermediate Body Harness	\$127.00	M
39990	1982	<b>POWER TAILGATE WINDOW HARNESS</b> Suburban, Blazer & Jimmy, Dash Switch To Intermediate Body Harness, (1st Design) Note: this harness has a 3 wire plastic connector where it plugs into body harness.	\$113.00	M
40010	1982	<b>POWER TAILGATE WINDOW HARNESS</b> Suburban, Intermediate Body Harness, (1st Design) Note: this harness has a 3 wire rubber molded connector where it plugs into dash switch harness.	\$127.00	M
40011	1982	<b>POWER TAILGATE WINDOW HARNESS</b> Blazer & Jimmy, Intermediate Body Harness, (1st Design) Note: this harness has a 3 wire rubber molded connector where it plugs into dash switch harness.	\$127.00	M
40018	1982	<b>POWER TAILGATE WINDOW HARNESS</b> Suburban, Blazer & Jimmy, Dash Switch To Intermediate Body Harness, (2nd Design) Note: This Harness Has A 2 Wire Rubber Molded Connector Where It Plugs Into Body Harness.	\$113.00	M
40016	1982	<b>POWER TAILGATE WINDOW HARNESS</b> Blazer & Jimmy, Intermediate Body Harness, (2nd Design) Note: this harness has a 2 wire rubber molded connector where it plugs into dash switch harness.	\$127.00	M
40017	1982	<b>POWER TAILGATE WINDOW HARNESS</b> Suburban, Intermediate Body Harness, (2nd Design) Note: this harness has a 2 wire rubber molded connector where it plugs into dash switch harness.	\$127.00	M
<b>POWER WINDOW DOOR BOOT</b>				
12010247	1977	<b>POWER WINDOW OR POWER DOOR LOCK DOOR BOOT</b> Front Door, Each Boot Comes With 2 Metal Mounting Flanges, 2 Boots Required Per Truck Note: Used On All C & K Models, Square Body Style.	\$12.00	N
12010247	1978	<b>POWER WINDOW OR POWER DOOR LOCK DOOR BOOT</b> Front Door, Each Boot Comes With 2 Metal Mounting Flanges, 2 Boots Required Per Truck Note: Used On All C & K Models, Square Body Style.	\$12.00	N
12010247	1979	<b>POWER WINDOW OR POWER DOOR LOCK DOOR BOOT</b> Front Door, Each Boot Comes With 2 Metal Mounting Flanges, 2 Boots Required Per Truck Note: Used On All C & K Models, Square Body Style.	\$12.00	N
12010247	1980	<b>POWER WINDOW OR POWER DOOR LOCK DOOR BOOT</b> Front Door, Each Boot Comes With 2 Metal Mounting Flanges, 2 Boots Required Per Truck Note: Used On All C & K Models, Square Body Style.	\$12.00	N
12010247	1981	<b>POWER WINDOW OR POWER DOOR LOCK DOOR BOOT</b> Front Door, Each Boot Comes With 2 Metal Mounting Flanges, 2 Boots Required Per Truck Note: Used On All C & K Models, Square Body Style.	\$12.00	N
12010247	1982	<b>POWER WINDOW OR POWER DOOR LOCK DOOR BOOT</b> Front Door, Each Boot Comes With 2 Metal Mounting Flanges, 2 Boots Required Per Truck Note: Used On All C & K Models, Square Body Style.	\$12.00	N
12010247	1983	<b>POWER WINDOW OR POWER DOOR LOCK DOOR BOOT</b> Front Door, Each Boot Comes With 2 Metal Mounting Flanges, 2 Boots Required Per Truck Note: Used On All C & K Models, Square Body Style.	\$12.00	N

Part Number	Year	Description	Price	*Rev.
12010247	1984	<b>POWER WINDOW OR POWER DOOR LOCK DOOR BOOT</b> Front Door, Each Boot Comes With 2 Metal Mounting Flanges, 2 Boots Required Per Truck Note: Used On All C & K Models, Square Body Style.	\$12.00	N
12010247	1985	<b>POWER WINDOW OR POWER DOOR LOCK DOOR BOOT</b> Front Door, Each Boot Comes With 2 Metal Mounting Flanges, 2 Boots Required Per Truck Note: Used On All C & K Models, Square Body Style.	\$12.00	N
12010247	1986	<b>POWER WINDOW OR POWER DOOR LOCK DOOR BOOT</b> Front Door, Each Boot Comes With 2 Metal Mounting Flanges, 2 Boots Required Per Truck Note: Used On All C & K Models, Square Body Style.	\$12.00	N
12010247	1987	<b>POWER WINDOW OR POWER DOOR LOCK DOOR BOOT</b> Front Door, Each Boot Comes With 2 Metal Mounting Flanges, 2 Boots Required Per Truck Note: Used On R & V Models, Square Body Style.	\$12.00	N
12010247	1988	<b>POWER WINDOW OR POWER DOOR LOCK DOOR BOOT</b> Front Door, Each Boot Comes With 2 Metal Mounting Flanges, 2 Boots Required Per Truck Note: Used On R & V Models, Square Body Style.	\$12.00	N
12010247	1989	<b>POWER WINDOW OR POWER DOOR LOCK DOOR BOOT</b> Front Door, Each Boot Comes With 2 Metal Mounting Flanges, 2 Boots Required Per Truck Note: Used On R & V Models, Square Body Style.	\$12.00	N
12010247	1990	<b>POWER WINDOW OR POWER DOOR LOCK DOOR BOOT</b> Front Door, Each Boot Comes With 2 Metal Mounting Flanges, 2 Boots Required Per Truck Note: Used On R & V Models, Square Body Style.	\$12.00	N
12010247	1991	<b>POWER WINDOW OR POWER DOOR LOCK DOOR BOOT</b> Front Door, Each Boot Comes With 2 Metal Mounting Flanges, 2 Boots Required Per Truck Note: Used On R & V Models, Square Body Style.	\$12.00	N
<b>POWER WINDOW HARNESS</b>				
39844	1977	<b>POWER WINDOW HARNESS</b> 2 Door Models, Body Crossover, With Power Windows, Except Power Door Locks	\$278.00	
39846	1977	<b>POWER WINDOW HARNESS</b> 2 Door Models, Driver Side Door, With Power Windows, Except Power Door Locks	\$210.00	
39847	1977	<b>POWER WINDOW HARNESS</b> 2 Door Models, Passenger Side Door, With Power Windows, Except Power Door Locks	\$210.00	
39824	1977	<b>POWER WINDOW HARNESS</b> 2 Door Models, Body Crossover, With Power Windows & Power Door Locks	\$278.00	
39825	1977	<b>POWER WINDOW HARNESS</b> 2 Door Models, Driver Side Door, With Power Windows And Power Door Locks	\$235.00	
39826	1977	<b>POWER WINDOW HARNESS</b> 2 Door Models, Passenger Side Door, With Power Windows And Power Door Locks	\$235.00	
39858	1978	<b>POWER WINDOW HARNESS</b> 2 Door Models, Body Crossover, With Power Windows, Except Power Door Locks	\$278.00	
39852	1978	<b>POWER WINDOW HARNESS</b> 2 Door Models, Driver Side Door, With Power Windows, Except Power Door Locks	\$210.00	
39853	1978	<b>POWER WINDOW HARNESS</b> 2 Door Models, Passenger Side Door, With Power Windows, Except Power Door Locks	\$210.00	
39857	1978	<b>POWER WINDOW HARNESS</b> 2 Door Models, Body Crossover, With Power Windows And Power Door Locks	\$278.00	
39854	1978	<b>POWER WINDOW HARNESS</b> 2 Door Models, Driver Side Door, With Power Windows And Power Door Locks	\$235.00	
39855	1978	<b>POWER WINDOW HARNESS</b> 2 Door Models, Passenger Side Door, With Power Windows And Power Door Locks	\$235.00	
38200	1979	<b>POWER WINDOW HARNESS</b> 2 Door Models, Body Crossover, With Power Windows, Except Power Door Locks	\$278.00	M
39852	1979	<b>POWER WINDOW HARNESS</b> 2 Door Models, Driver Side Door, With Power Windows, Except Power Door Locks	\$210.00	
38199	1979	<b>POWER WINDOW HARNESS</b> 2 Door Models, Passenger Side Door, With Power Windows, Except Power Door Locks	\$210.00	

Part Number	Year	Description	Price	*Rev.
38195	1979	<b>POWER WINDOW HARNESS</b> 2 Door Models, Body Crossover, With Power Windows And Power Door Locks	\$278.00	M
38196	1979	<b>POWER WINDOW HARNESS</b> 2 Door Models, Driver Side Door, With Power Windows And Power Door Locks	\$235.00	
38197	1979	<b>POWER WINDOW HARNESS</b> 2 Door Models, Passenger Side Door, With Power Windows And Power Door Locks	\$235.00	
38200	1980	<b>POWER WINDOW HARNESS</b> 2 Door Models, Body Crossover, With Power Windows, Except Power Door Locks	\$278.00	M
39889	1980	<b>POWER WINDOW HARNESS</b> 4 Door Models, Body Crossover, With Power Windows, Except Power Door Locks	\$278.00	
39852	1980	<b>POWER WINDOW HARNESS</b> 2 Door Models, Driver Side Door, With Power Windows, Except Power Door Locks	\$210.00	
39891	1980	<b>POWER WINDOW HARNESS</b> 4 Door Models, Driver Side Front Door, With Power Windows, Except Power Door Locks	\$210.00	
38199	1980	<b>POWER WINDOW HARNESS</b> All Models, Passenger Side Front Door, With Power Windows, Except Power Door Locks	\$210.00	
39890	1980	<b>POWER WINDOW HARNESS</b> 4 Door Models, Driver Side Or Passenger Side Rear Door, With Power Windows, Except Power Door Locks  Note: Customer Must Reuse Their Original Rubber Door Jamb Boot.	\$90.00	
38195	1980	<b>POWER WINDOW HARNESS</b> 2 Door Models, Body Crossover, With Power Windows And Power Door Locks	\$278.00	M
39894	1980	<b>POWER WINDOW HARNESS</b> 4 Door Models, Body Crossover, With Power Windows And Power Door Locks	\$278.00	
38196	1980	<b>POWER WINDOW HARNESS</b> 2 Door Models, Driver Side Door, With Power Windows And Power Door Locks	\$235.00	
39895	1980	<b>POWER WINDOW HARNESS</b> 4 Door Models, Driver Side Front Door, With Power Windows And Power Door Locks	\$235.00	
38197	1980	<b>POWER WINDOW HARNESS</b> All Models, Passenger Side Front Door, With Power Windows And Power Door Locks	\$235.00	
39896	1980	<b>POWER WINDOW HARNESS</b> 4 Door Models, Driver Side Or Passenger Side Rear Door, With Power Windows And Power Door Locks  Note: Customer Must Reuse Their Original Rubber Door Jamb Boot.	\$90.00	
39974	1981	<b>POWER WINDOW HARNESS</b> 2 Door Models, Body Crossover, With Power Windows, Except Power Door Locks	\$278.00	M
39976	1981	<b>POWER WINDOW HARNESS</b> 4 Door Models, Body Crossover, With Power Windows, Except Power Door Locks	\$278.00	
39852	1981	<b>POWER WINDOW HARNESS</b> 2 Door Models, Driver Side Door, With Power Windows, Except Power Door Locks	\$210.00	
39891	1981	<b>POWER WINDOW HARNESS</b> 4 Door Models, Driver Side Front Door, With Power Windows, Except Power Door Locks	\$210.00	
38199	1981	<b>POWER WINDOW HARNESS</b> All Models, Passenger Side Front Door, With Power Windows, Except Power Door Locks	\$210.00	
39890	1981	<b>POWER WINDOW HARNESS</b> 4 Door Models, Driver Side Or Passenger Side Rear Door, With Power Windows, Except Power Door Locks  Note: Customer Must Reuse Their Original Rubber Door Jamb Boot.	\$90.00	
39977	1981	<b>POWER WINDOW HARNESS</b> 2 Door Models, Body Crossover, With Power Windows And Power Door Locks	\$278.00	M
39975	1981	<b>POWER WINDOW HARNESS</b> 4 Door Models, Body Crossover, With Power Windows And Power Door Locks	\$278.00	
38196	1981	<b>POWER WINDOW HARNESS</b> 2 Door Models, Driver Side Door, With Power Windows And Power Door Locks	\$235.00	
39895	1981	<b>POWER WINDOW HARNESS</b> 4 Door Models, Driver Side Front Door, With Power Windows And Power Door Locks	\$235.00	
38197	1981	<b>POWER WINDOW HARNESS</b> All Models, Passenger Side Front Door, With Power Windows And Power Door Locks	\$235.00	

Part Number	Year	Description	Price	*Rev.
39896	1981	<b>POWER WINDOW HARNESS</b> 4 Door Models, Driver Side Or Passenger Side Rear Door, With Power Windows And Power Door Locks Note: Customer Must Reuse Their Original Rubber Door Jamb Boot.	\$90.00	
39952	1982	<b>POWER WINDOW HARNESS</b> 2 Door Models, Body Crossover, With Power Windows, Except Power Door Locks	\$278.00	M
39948	1982	<b>POWER WINDOW HARNESS</b> 4 Door Models, Body Crossover, With Power Windows, Except Power Door Locks	\$278.00	
39958	1982	<b>POWER WINDOW HARNESS</b> 2 Door Models, Driver Side Door, With Power Windows, Except Power Door Locks	\$210.00	
39960	1982	<b>POWER WINDOW HARNESS</b> 4 Door Models, Driver Side Front Door, With Power Windows, Except Power Door Locks	\$210.00	
39965	1982	<b>POWER WINDOW HARNESS</b> All Models, Passenger Side Front Door, With Power Windows, Except Power Door Locks	\$210.00	
39959	1982	<b>POWER WINDOW HARNESS</b> 4 Door Models, Driver Side Rear Door, With Power Windows, Except Power Door Locks Note: Customer Must Reuse Their Original Rubber Door Jamb Boot.	\$90.00	
40014	1982	<b>POWER WINDOW HARNESS</b> 4 Door Models, Passenger Side Rear Door, With Power Windows, Except Power Door Locks Note: Customer Must Reuse Their Original Rubber Door Jamb Boot.	\$90.00	
40029	1982	<b>POWER WINDOW HARNESS</b> 2 Door Models, Body Crossover, With Power Windows And Power Door Locks	\$278.00	M
39950	1982	<b>POWER WINDOW HARNESS</b> 4 Door Models, Body Crossover, With Power Windows And Power Door Locks	\$278.00	
39963	1982	<b>POWER WINDOW HARNESS</b> 2 Door Models, Driver Side Door, With Power Windows And Power Door Locks	\$235.00	
39961	1982	<b>POWER WINDOW HARNESS</b> 4 Door Models, Driver Side Front Door, With Power Windows And Power Door Locks	\$235.00	
39964	1982	<b>POWER WINDOW HARNESS</b> All Models, Passenger Side Front Door, With Power Windows And Power Door Locks	\$235.00	
39962	1982	<b>POWER WINDOW HARNESS</b> 4 Door Models, Driver Side Rear Door, With Power Windows And Power Door Locks Note: Customer Must Reuse Their Original Rubber Door Jamb Boot.	\$110.00	
40015	1982	<b>POWER WINDOW HARNESS</b> 4 Door Models, Passenger Side Rear Door, With Power Windows And Power Door Locks Note: Customer Must Reuse Their Original Rubber Door Jamb Boot.	\$110.00	
39952	1983	<b>POWER WINDOW HARNESS</b> 2 Door Models, Body Crossover, With Power Windows, Except Power Door Locks	\$278.00	M
39948	1983	<b>POWER WINDOW HARNESS</b> 4 Door Models, Body Crossover, With Power Windows, Except Power Door Locks	\$278.00	
39958	1983	<b>POWER WINDOW HARNESS</b> 2 Door Models, Driver Side Door, With Power Windows, Except Power Door Locks	\$210.00	
39960	1983	<b>POWER WINDOW HARNESS</b> 4 Door Models, Driver Side Front Door, With Power Windows, Except Power Door Locks	\$210.00	
39965	1983	<b>POWER WINDOW HARNESS</b> All Models, Passenger Side Front Door, With Power Windows, Except Power Door Locks	\$210.00	
39959	1983	<b>POWER WINDOW HARNESS</b> 4 Door Models, Driver Side Rear Door, With Power Windows, Except Power Door Locks Note: Customer Must Reuse Their Original Rubber Door Jamb Boot.	\$90.00	
40014	1983	<b>POWER WINDOW HARNESS</b> 4 Door Models, Passenger Side Rear Door, With Power Windows, Except Power Door Locks Note: Customer Must Reuse Their Original Rubber Door Jamb Boot.	\$90.00	
40029	1983	<b>POWER WINDOW HARNESS</b> 2 Door Models, Body Crossover, With Power Windows And Power Door Locks	\$278.00	M
39950	1983	<b>POWER WINDOW HARNESS</b> 4 Door Models, Body Crossover, With Power Windows And Power Door Locks	\$278.00	

Part Number	Year	Description	Price	*Rev.
39963	1983	<b>POWER WINDOW HARNESS</b> 2 Door Models, Driver Side Door, With Power Windows And Power Door Locks	\$235.00	
39961	1983	<b>POWER WINDOW HARNESS</b> 4 Door Models, Driver Side Front Door, With Power Windows And Power Door Locks	\$235.00	
39964	1983	<b>POWER WINDOW HARNESS</b> All Models, Passenger Side Front Door, With Power Windows And Power Door Locks	\$235.00	
39962	1983	<b>POWER WINDOW HARNESS</b> 4 Door Models, Driver Side Rear Door, With Power Windows And Power Door Locks  Note: Customer Must Reuse Their Original Rubber Door Jamb Boot.	\$110.00	
40015	1983	<b>POWER WINDOW HARNESS</b> 4 Door Models, Passenger Side Rear Door, With Power Windows And Power Door Locks  Note: Customer Must Reuse Their Original Rubber Door Jamb Boot.	\$110.00	
39952	1984	<b>POWER WINDOW HARNESS</b> 2 Door Models, Body Crossover, With Power Windows, Except Power Door Locks	\$278.00	M
39948	1984	<b>POWER WINDOW HARNESS</b> 4 Door Models, Body Crossover, With Power Windows, Except Power Door Locks	\$278.00	
39958	1984	<b>POWER WINDOW HARNESS</b> 2 Door Models, Driver Side Door, With Power Windows, Except Power Door Locks	\$210.00	
39960	1984	<b>POWER WINDOW HARNESS</b> 4 Door Models, Driver Side Front Door, With Power Windows, Except Power Door Locks	\$210.00	
39965	1984	<b>POWER WINDOW HARNESS</b> All Models, Passenger Side Front Door, With Power Windows, Except Power Door Locks	\$210.00	
39959	1984	<b>POWER WINDOW HARNESS</b> 4 Door Models, Driver Side Rear Door, With Power Windows, Except Power Door Locks  Note: Customer Must Reuse Their Original Rubber Door Jamb Boot.	\$90.00	
40014	1984	<b>POWER WINDOW HARNESS</b> 4 Door Models, Passenger Side Rear Door, With Power Windows, Except Power Door Locks  Note: Customer Must Reuse Their Original Rubber Door Jamb Boot.	\$90.00	
40029	1984	<b>POWER WINDOW HARNESS</b> 2 Door Models, Body Crossover, With Power Windows And Power Door Locks	\$278.00	M
39950	1984	<b>POWER WINDOW HARNESS</b> 4 Door Models, Body Crossover, With Power Windows And Power Door Locks	\$278.00	
39963	1984	<b>POWER WINDOW HARNESS</b> 2 Door Models, Driver Side Door, With Power Windows And Power Door Locks	\$235.00	
39961	1984	<b>POWER WINDOW HARNESS</b> 4 Door Models, Driver Side Front Door, With Power Windows And Power Door Locks	\$235.00	
39964	1984	<b>POWER WINDOW HARNESS</b> All Models, Passenger Side Front Door, With Power Windows And Power Door Locks	\$235.00	
44163	1984	<b>POWER WINDOW HARNESS</b> 4 Door Models, Driver Side Rear Door, With Power Windows And Power Door Locks  Note: Customer Must Reuse Their Original Rubber Door Jamb Boot.	\$110.00	
44164	1984	<b>POWER WINDOW HARNESS</b> 4 Door Models, Passenger Side Rear Door, With Power Windows And Power Door Locks  Note: Customer Must Reuse Their Original Rubber Door Jamb Boot.	\$110.00	
44165	1985	<b>POWER WINDOW HARNESS</b> 2 Door Models, Body Crossover, With Power Windows, Except Power Door Locks	\$278.00	M
44172	1985	<b>POWER WINDOW HARNESS</b> 4 Door Models, Body Crossover, With Power Windows, Except Power Door Locks	\$278.00	
44166	1985	<b>POWER WINDOW HARNESS</b> 2 Door Models, Driver Side Door, With Power Windows, Except Power Door Locks	\$210.00	
44173	1985	<b>POWER WINDOW HARNESS</b> 4 Door Models, Driver Side Front Door, With Power Windows, Except Power Door Locks	\$210.00	
44167	1985	<b>POWER WINDOW HARNESS</b> All Models, Passenger Side Front Door, With Power Windows, Except Power Door Locks	\$210.00	

Part Number	Year	Description	Price	*Rev.
44174	1985	<b>POWER WINDOW HARNESS</b> 4 Door Models, Driver Side Rear Door, With Power Windows, Except Power Door Locks Note: Customer Must Reuse Their Original Rubber Door Jamb Boot.	\$90.00	
44175	1985	<b>POWER WINDOW HARNESS</b> 4 Door Models, Passenger Side Rear Door, With Power Windows, Except Power Door Locks Note: Customer Must Reuse Their Original Rubber Door Jamb Boot.	\$90.00	
44001	1985	<b>POWER WINDOW HARNESS</b> 2 Door Models, Body Crossover, With Power Windows And Power Door Locks	\$278.00	
44168	1985	<b>POWER WINDOW HARNESS</b> 4 Door Models, Body Crossover, With Power Windows And Power Door Locks	\$278.00	
44002	1985	<b>POWER WINDOW HARNESS</b> 2 Door Models, Driver Side Door, With Power Windows And Power Door Locks	\$235.00	
44169	1985	<b>POWER WINDOW HARNESS</b> 4 Door Models, Driver Side Front Door, With Power Windows And Power Door Locks	\$235.00	
44003	1985	<b>POWER WINDOW HARNESS</b> All Models, Passenger Side Front Door, With Power Windows And Power Door Locks	\$235.00	
44170	1985	<b>POWER WINDOW HARNESS</b> 4 Door Models, Driver Side Rear Door, With Power Windows And Power Door Locks Note: Customer Must Reuse Their Original Rubber Door Jamb Boot.	\$110.00	
44171	1985	<b>POWER WINDOW HARNESS</b> 4 Door Models, Passenger Side Rear Door, With Power Windows And Power Door Locks Note: Customer Must Reuse Their Original Rubber Door Jamb Boot.	\$110.00	
44165	1986	<b>POWER WINDOW HARNESS</b> 2 Door Models, Body Crossover, With Power Windows, Except Power Door Locks	\$278.00	M
44172	1986	<b>POWER WINDOW HARNESS</b> 4 Door Models, Body Crossover, With Power Windows, Except Power Door Locks	\$278.00	
44166	1986	<b>POWER WINDOW HARNESS</b> 2 Door Models, Driver Side Door, With Power Windows, Except Power Door Locks	\$210.00	
44173	1986	<b>POWER WINDOW HARNESS</b> 4 Door Models, Driver Side Front Door, With Power Windows, Except Power Door Locks	\$210.00	
44167	1986	<b>POWER WINDOW HARNESS</b> All Models, Passenger Side Front Door, With Power Windows, Except Power Door Locks	\$210.00	
44174	1986	<b>POWER WINDOW HARNESS</b> 4 Door Models, Driver Side Rear Door, With Power Windows, Except Power Door Locks Note: Customer Must Reuse Their Original Rubber Door Jamb Boot.	\$90.00	
44175	1986	<b>POWER WINDOW HARNESS</b> 4 Door Models, Passenger Side Rear Door, With Power Windows, Except Power Door Locks Note: Customer Must Reuse Their Original Rubber Door Jamb Boot.	\$90.00	
44001	1986	<b>POWER WINDOW HARNESS</b> 2 Door Models, Body Crossover, With Power Windows And Power Door Locks	\$278.00	
44168	1986	<b>POWER WINDOW HARNESS</b> 4 Door Models, Body Crossover, With Power Windows And Power Door Locks	\$278.00	
44002	1986	<b>POWER WINDOW HARNESS</b> 2 Door Models, Driver Side Door, With Power Windows And Power Door Locks	\$235.00	
44169	1986	<b>POWER WINDOW HARNESS</b> 4 Door Models, Driver Side Front Door, With Power Windows And Power Door Locks	\$235.00	
44003	1986	<b>POWER WINDOW HARNESS</b> All Models, Passenger Side Front Door, With Power Windows And Power Door Locks	\$235.00	
44170	1986	<b>POWER WINDOW HARNESS</b> 4 Door Models, Driver Side Rear Door, With Power Windows And Power Door Locks Note: Customer Must Reuse Their Original Rubber Door Jamb Boot.	\$110.00	
44171	1986	<b>POWER WINDOW HARNESS</b> 4 Door Models, Passenger Side Rear Door, With Power Windows And Power Door Locks Note: Customer Must Reuse Their Original Rubber Door Jamb Boot.	\$110.00	

Part Number	Year	Description	Price	*Rev.
44165	1987	<b>POWER WINDOW HARNESS</b> 2 Door Models, Body Crossover, With Power Windows, Except Power Door Locks	\$278.00	M
44172	1987	<b>POWER WINDOW HARNESS</b> 4 Door Models, Body Crossover, With Power Windows, Except Power Door Locks	\$278.00	
44166	1987	<b>POWER WINDOW HARNESS</b> 2 Door Models, Driver Side Door, With Power Windows, Except Power Door Locks	\$210.00	
44173	1987	<b>POWER WINDOW HARNESS</b> 4 Door Models, Driver Side Front Door, With Power Windows, Except Power Door Locks	\$210.00	
44167	1987	<b>POWER WINDOW HARNESS</b> All Models, Passenger Side Front Door, With Power Windows, Except Power Door Locks	\$210.00	
44174	1987	<b>POWER WINDOW HARNESS</b> 4 Door Models, Driver Side Rear Door, With Power Windows, Except Power Door Locks Note: Customer Must Reuse Their Original Rubber Door Jamb Boot.	\$90.00	
44175	1987	<b>POWER WINDOW HARNESS</b> 4 Door Models, Passenger Side Rear Door, With Power Windows, Except Power Door Locks Note: Customer Must Reuse Their Original Rubber Door Jamb Boot.	\$90.00	
44178	1987	<b>POWER WINDOW HARNESS</b> 2 Door Models, Body Crossover, With Power Windows And Power Door Locks	\$278.00	M
44181	1987	<b>POWER WINDOW HARNESS</b> 4 Door Models, Body Crossover, With Power Windows And Power Door Locks	\$278.00	
44179	1987	<b>POWER WINDOW HARNESS</b> 2 Door Models, Driver Side Door, With Power Windows And Power Door Locks	\$235.00	
44182	1987	<b>POWER WINDOW HARNESS</b> 4 Door Models, Driver Side Front Door, With Power Windows And Power Door Locks	\$235.00	
44180	1987	<b>POWER WINDOW HARNESS</b> All Models, Passenger Side Front Door, With Power Windows And Power Door Locks	\$235.00	
44170	1987	<b>POWER WINDOW HARNESS</b> 4 Door Models, Driver Side Rear Door, With Power Windows And Power Door Locks Note: Customer Must Reuse Their Original Rubber Door Jamb Boot.	\$110.00	
44171	1987	<b>POWER WINDOW HARNESS</b> 4 Door Models, Passenger Side Rear Door, With Power Windows And Power Door Locks Note: Customer Must Reuse Their Original Rubber Door Jamb Boot.	\$110.00	
44165	1988	<b>POWER WINDOW HARNESS</b> Blazer & Jimmy, Body Crossover, With Power Windows, Except Power Door Locks	\$278.00	M
44172	1988	<b>POWER WINDOW HARNESS</b> 4 Door Models, Body Crossover, With Power Windows, Except Power Door Locks	\$278.00	
44166	1988	<b>POWER WINDOW HARNESS</b> Blazer & Jimmy, Driver Side Door, With Power Windows, Except Power Door Locks	\$210.00	
44173	1988	<b>POWER WINDOW HARNESS</b> 4 Door Models, Driver Side Front Door, With Power Windows, Except Power Door Locks	\$210.00	
44167	1988	<b>POWER WINDOW HARNESS</b> All Models, Passenger Side Front Door, With Power Windows, Except Power Door Locks	\$210.00	
44174	1988	<b>POWER WINDOW HARNESS</b> 4 Door Models, Driver Side Rear Door, With Power Windows, Except Power Door Locks Note: Customer Must Reuse Their Original Rubber Door Jamb Boot.	\$90.00	
44175	1988	<b>POWER WINDOW HARNESS</b> 4 Door Models, Passenger Side Rear Door, With Power Windows, Except Power Door Locks Note: Customer Must Reuse Their Original Rubber Door Jamb Boot.	\$90.00	
44178	1988	<b>POWER WINDOW HARNESS</b> Blazer & Jimmy, Body Crossover, With Power Windows And Power Door Locks	\$278.00	M
44181	1988	<b>POWER WINDOW HARNESS</b> 4 Door Models, Body Crossover, With Power Windows And Power Door Locks	\$278.00	
44179	1988	<b>POWER WINDOW HARNESS</b> Blazer & Jimmy, Driver Side Door, With Power Windows And Power Door Locks	\$235.00	



Part Number	Year	Description	Price	*Rev.
44182	1988	<b>POWER WINDOW HARNESS</b> 4 Door Models, Driver Side Front Door, With Power Windows And Power Door Locks	\$235.00	
44180	1988	<b>POWER WINDOW HARNESS</b> All Models, Passenger Side Front Door, With Power Windows And Power Door Locks	\$235.00	
44170	1988	<b>POWER WINDOW HARNESS</b> 4 Door Models, Driver Side Rear Door, With Power Windows And Power Door Locks Note: Customer Must Reuse Their Original Rubber Door Jamb Boot.	\$110.00	
44171	1988	<b>POWER WINDOW HARNESS</b> 4 Door Models, Passenger Side Rear Door, With Power Windows And Power Door Locks Note: Customer Must Reuse Their Original Rubber Door Jamb Boot.	\$110.00	
44165	1989	<b>POWER WINDOW HARNESS</b> Blazer & Jimmy, Body Crossover, With Power Windows, Except Power Door Locks	\$278.00	M
44166	1989	<b>POWER WINDOW HARNESS</b> Blazer & Jimmy, Driver Side Door, With Power Windows, Except Power Door Locks	\$210.00	
44167	1989	<b>POWER WINDOW HARNESS</b> Blazer & Jimmy, Passenger Side Front Door, With Power Windows, Except Power Door Locks	\$210.00	
44178	1989	<b>POWER WINDOW HARNESS</b> Blazer & Jimmy, Body Crossover, With Power Windows And Power Door Locks	\$278.00	M
44181	1989	<b>POWER WINDOW HARNESS</b> 4 Door Models, Body Crossover, With Power Windows And Power Door Locks	\$278.00	
44179	1989	<b>POWER WINDOW HARNESS</b> Blazer & Jimmy, Driver Side Door, With Power Windows And Power Door Locks	\$235.00	
44182	1989	<b>POWER WINDOW HARNESS</b> 4 Door Models, Driver Side Front Door, With Power Windows And Power Door Locks	\$235.00	
44180	1989	<b>POWER WINDOW HARNESS</b> All Models, Passenger Side Front Door, With Power Windows And Power Door Locks	\$235.00	
44170	1989	<b>POWER WINDOW HARNESS</b> 4 Door Models, Driver Side Rear Door, With Power Windows And Power Door Locks Note: Customer Must Reuse Their Original Rubber Door Jamb Boot.	\$110.00	
44171	1989	<b>POWER WINDOW HARNESS</b> 4 Door Models, Passenger Side Rear Door, With Power Windows And Power Door Locks Note: Customer Must Reuse Their Original Rubber Door Jamb Boot.	\$110.00	
44165	1990	<b>POWER WINDOW HARNESS</b> Blazer & Jimmy, Body Crossover, With Power Windows, Except Power Door Locks	\$278.00	M
44166	1990	<b>POWER WINDOW HARNESS</b> Blazer & Jimmy, Driver Side Door, With Power Windows, Except Power Door Locks	\$210.00	
44167	1990	<b>POWER WINDOW HARNESS</b> Blazer & Jimmy, Passenger Side Front Door, With Power Windows, Except Power Door Locks	\$210.00	
44178	1990	<b>POWER WINDOW HARNESS</b> Blazer & Jimmy, Body Crossover, With Power Windows And Power Door Locks	\$278.00	M
44181	1990	<b>POWER WINDOW HARNESS</b> 4 Door Models, Body Crossover, With Power Windows And Power Door Locks	\$278.00	
44179	1990	<b>POWER WINDOW HARNESS</b> Blazer & Jimmy, Driver Side Door, With Power Windows And Power Door Locks	\$235.00	
44182	1990	<b>POWER WINDOW HARNESS</b> 4 Door Models, Driver Side Front Door, With Power Windows And Power Door Locks	\$235.00	
44180	1990	<b>POWER WINDOW HARNESS</b> All Models, Passenger Side Front Door, With Power Windows And Power Door Locks	\$235.00	
44170	1990	<b>POWER WINDOW HARNESS</b> 4 Door Models, Driver Side Rear Door, With Power Windows And Power Door Locks Note: Customer Must Reuse Their Original Rubber Door Jamb Boot.	\$110.00	
44171	1990	<b>POWER WINDOW HARNESS</b> 4 Door Models, Passenger Side Rear Door, With Power Windows And Power Door Locks Note: Customer Must Reuse Their Original Rubber Door Jamb Boot.	\$110.00	

Part Number	Year	Description	Price	*Rev.
44165	1991	<b>POWER WINDOW HARNESS</b> Blazer & Jimmy, Body Crossover, With Power Windows, Except Power Door Locks	\$278.00	M
44166	1991	<b>POWER WINDOW HARNESS</b> Blazer & Jimmy, Driver Side Door, With Power Windows, Except Power Door Locks	\$210.00	
44167	1991	<b>POWER WINDOW HARNESS</b> Blazer & Jimmy, Passenger Side Front Door, With Power Windows, Except Power Door Locks	\$210.00	
44178	1991	<b>POWER WINDOW HARNESS</b> Blazer & Jimmy, Body Crossover, With Power Windows And Power Door Locks	\$278.00	M
44181	1991	<b>POWER WINDOW HARNESS</b> 4 Door Models, Body Crossover, With Power Windows And Power Door Locks	\$278.00	
44179	1991	<b>POWER WINDOW HARNESS</b> Blazer & Jimmy, Driver Side Door, With Power Windows And Power Door Locks	\$235.00	
44182	1991	<b>POWER WINDOW HARNESS</b> 4 Door Models, Driver Side Front Door, With Power Windows And Power Door Locks	\$235.00	
44180	1991	<b>POWER WINDOW HARNESS</b> All Models, Passenger Side Front Door, With Power Windows And Power Door Locks	\$235.00	
44170	1991	<b>POWER WINDOW HARNESS</b> 4 Door Models, Driver Side Rear Door, With Power Windows And Power Door Locks	\$110.00	
Note: Customer Must Reuse Their Original Rubber Door Jamb Boot.				
44171	1991	<b>POWER WINDOW HARNESS</b> 4 Door Models, Passenger Side Rear Door, With Power Windows And Power Door Locks	\$110.00	
Note: Customer Must Reuse Their Original Rubber Door Jamb Boot.				

**POWER WINDOW SWITCH**

01725094	1977	<b>POWER WINDOW SWITCH</b> 1 Button, Square Corner Style, Chrome	\$21.00	M
01725092	1977	<b>POWER WINDOW SWITCH</b> 2 Button, Square Corner Style, Chrome	\$53.00	M
01725094	1978	<b>POWER WINDOW SWITCH</b> 1 Button, Square Corner Style, Chrome	\$21.00	M
01725092	1978	<b>POWER WINDOW SWITCH</b> 2 Button, Square Corner Style, Chrome	\$53.00	M
01725094	1979	<b>POWER WINDOW SWITCH</b> 1 Button, Square Corner Style, Chrome	\$21.00	M
01731231	1979	<b>POWER WINDOW SWITCH</b> 4 Button, Square Corner Style, Chrome	\$75.00	M
01725092	1979	<b>POWER WINDOW SWITCH</b> 2 Button, Square Corner Style, Chrome	\$53.00	M
01725094	1980	<b>POWER WINDOW SWITCH</b> 1 Button, Square Corner Style, Chrome	\$21.00	M
01731231	1980	<b>POWER WINDOW SWITCH</b> 4 Button, Square Corner Style, Chrome	\$75.00	M
01725092	1980	<b>POWER WINDOW SWITCH</b> 2 Button, Square Corner Style, Chrome	\$53.00	M
01725092	1981	<b>POWER WINDOW SWITCH</b> 2 Button, Square Corner Style, Chrome	\$53.00	M
20061549	1981	<b>POWER WINDOW SWITCH</b> 2-Button	\$14.00	N
01725094	1981	<b>POWER WINDOW SWITCH</b> 1 Button, Square Corner Style, Chrome	\$21.00	M
20043940	1981	<b>POWER WINDOW SWITCH</b> 1-Button	\$9.00	N
01731231	1981	<b>POWER WINDOW SWITCH</b> 4 Button, Square Corner Style, Chrome	\$75.00	M
20043940	1982	<b>POWER WINDOW SWITCH</b> 1-Button	\$9.00	N
20061549	1982	<b>POWER WINDOW SWITCH</b> 2-Button	\$14.00	N
20106968	1982	<b>POWER WINDOW SWITCH</b> 4-Button	\$19.00	N
20043940	1983	<b>POWER WINDOW SWITCH</b> 1-Button	\$9.00	N
20061549	1983	<b>POWER WINDOW SWITCH</b> 2-Button	\$14.00	N
20106968	1983	<b>POWER WINDOW SWITCH</b> 4-Button	\$19.00	N
20043940	1984	<b>POWER WINDOW SWITCH</b> 1-Button	\$9.00	N
20061549	1984	<b>POWER WINDOW SWITCH</b> 2-Button	\$14.00	N
20106968	1984	<b>POWER WINDOW SWITCH</b> 4-Button	\$19.00	N
20043940	1985	<b>POWER WINDOW SWITCH</b> 1-Button	\$9.00	N
20061549	1985	<b>POWER WINDOW SWITCH</b> 2-Button	\$14.00	N
20106968	1985	<b>POWER WINDOW SWITCH</b> 4-Button	\$19.00	N

Part Number	Year	Description	Price	*Rev.
20043940	1986	POWER WINDOW SWITCH 1-Button	\$9.00	N
20061549	1986	POWER WINDOW SWITCH 2-Button	\$14.00	N
20106968	1986	POWER WINDOW SWITCH 4-Button	\$19.00	N
20043940	1987	POWER WINDOW SWITCH 1-Button, RV Body Style	\$9.00	N
20061549	1987	POWER WINDOW SWITCH 2-Button, RV Body Style	\$14.00	N
20106968	1987	POWER WINDOW SWITCH 4-Button, RV Body Style	\$19.00	N
20043940	1988	POWER WINDOW SWITCH 1-Button, RV Body Style	\$9.00	N
20061549	1988	POWER WINDOW SWITCH 2-Button, RV Body Style	\$14.00	N
20106968	1988	POWER WINDOW SWITCH 4-Button, RV Body Style	\$19.00	N
20043940	1989	POWER WINDOW SWITCH 1-Button, RV Body Style	\$9.00	N
20061549	1989	POWER WINDOW SWITCH 2-Button, RV Body Style	\$14.00	N
20106968	1989	POWER WINDOW SWITCH 4-Button, RV Body Style	\$19.00	N
20043940	1990	POWER WINDOW SWITCH 1-Button, RV Body Style	\$9.00	N
20061549	1990	POWER WINDOW SWITCH 2-Button, RV Body Style	\$14.00	N
20106968	1990	POWER WINDOW SWITCH 4-Button, RV Body Style	\$19.00	N
20043940	1991	POWER WINDOW SWITCH 1-Button, RV Body Style	\$9.00	N
20061549	1991	POWER WINDOW SWITCH 2-Button, RV Body Style	\$14.00	N
20106968	1991	POWER WINDOW SWITCH 4-Button, RV Body Style	\$19.00	N
<b>PRINTED CIRCUIT BOARD</b>				
06290459	1967	PRINTED CIRCUIT BOARD With Gauges And Tach	\$42.00	N
06290458	1967	PRINTED CIRCUIT BOARD With Gauges, Without Tach	\$42.00	N
06290457	1967	PRINTED CIRCUIT BOARD With Warning Lights	\$42.00	N
06290459	1968	PRINTED CIRCUIT BOARD With Gauges And Tach	\$42.00	N
06290458	1968	PRINTED CIRCUIT BOARD With Gauges, Without Tach	\$42.00	N
06290457	1968	PRINTED CIRCUIT BOARD With Warning Lights	\$42.00	N
06290459	1969	PRINTED CIRCUIT BOARD With Gauges And Tach	\$42.00	N
06290458	1969	PRINTED CIRCUIT BOARD With Gauges, Without Tach	\$42.00	N
06290457	1969	PRINTED CIRCUIT BOARD With Warning Lights	\$42.00	N
06290459	1970	PRINTED CIRCUIT BOARD With Gauges And Tach	\$42.00	N
06290458	1970	PRINTED CIRCUIT BOARD With Gauges, Without Tach	\$42.00	N
06290457	1970	PRINTED CIRCUIT BOARD With Warning Lights	\$42.00	N
06290459	1971	PRINTED CIRCUIT BOARD With Gauges And Tach	\$42.00	N
06290458	1971	PRINTED CIRCUIT BOARD With Gauges, Without Tach	\$42.00	N
06290457	1971	PRINTED CIRCUIT BOARD With Warning Lights	\$42.00	N
06290459	1972	PRINTED CIRCUIT BOARD With Gauges And Tach	\$42.00	N
06290458	1972	PRINTED CIRCUIT BOARD With Gauges, Without Tach	\$42.00	N
06290457	1972	PRINTED CIRCUIT BOARD With Warning Lights	\$42.00	N
25044898	1981	PRINTED CIRCUIT BOARD With Gauges And Tach	\$54.00	N
25044897	1981	PRINTED CIRCUIT BOARD With Gauges, Without Tach	\$54.00	N
25044898	1982	PRINTED CIRCUIT BOARD With Gauges And Tach	\$54.00	N
25044897	1982	PRINTED CIRCUIT BOARD With Gauges, Without Tach	\$54.00	N
25044898	1983	PRINTED CIRCUIT BOARD With Gauges And Tach	\$54.00	N
25044897	1983	PRINTED CIRCUIT BOARD With Gauges, Without Tach	\$54.00	N
25044898	1984	PRINTED CIRCUIT BOARD With Gauges And Tach	\$54.00	N
25044897	1984	PRINTED CIRCUIT BOARD With Gauges, Without Tach	\$54.00	N
25044898	1985	PRINTED CIRCUIT BOARD With Gauges And Tach	\$54.00	N
25044897	1985	PRINTED CIRCUIT BOARD With Gauges, Without Tach	\$54.00	N

Part Number	Year	Description	Price	*Rev.
25044898	1986	<b>PRINTED CIRCUIT BOARD</b> With Gauges And Tach	\$54.00	N
25044897	1986	<b>PRINTED CIRCUIT BOARD</b> With Gauges, Without Tach	\$54.00	N
25044898	1987	<b>PRINTED CIRCUIT BOARD</b> With Gauges And Tach Note: For RV Model Square Body Style.	\$54.00	N
25044897	1987	<b>PRINTED CIRCUIT BOARD</b> With Gauges, Without Tach Note: For RV Model Square Body Style.	\$54.00	N
<b>RADIO POWER WIRE</b>				
39708	1973	<b>RADIO POWER WIRE</b> Fuse Box To Radio, Except Stereo	\$53.00	M
39708	1974	<b>RADIO POWER WIRE</b> Fuse Box To Radio, Except Stereo	\$53.00	M
<b>REAR FENDER MARKER LAMP HARNESS</b>				
39742	1973	<b>REAR FENDER MARKER LAMP HARNESS</b> Dually, With Rear Fender Marker Lamps	\$219.00	M
39742	1974	<b>REAR FENDER MARKER LAMP HARNESS</b> Dually, With Rear Fender Marker Lamps	\$219.00	M
39742	1975	<b>REAR FENDER MARKER LAMP HARNESS</b> Dually, With Rear Fender Marker Lamps	\$219.00	M
39742	1976	<b>REAR FENDER MARKER LAMP HARNESS</b> Dually, With Rear Fender Marker Lamps	\$219.00	M
39742	1977	<b>REAR FENDER MARKER LAMP HARNESS</b> Dually, With Rear Fender Marker Lamps	\$219.00	M
39742	1978	<b>REAR FENDER MARKER LAMP HARNESS</b> Dually, With Rear Fender Marker Lamps	\$219.00	M
<b>REAR LAMP HARNESS</b>				
39304	1973	<b>REAR LAMP INTERMEDIATE HARNESS</b> Blazer & Jimmy	\$209.00	M
38412	1973	<b>REAR LAMP INTERMEDIATE HARNESS</b> Fleetside & Stepside Bed, With 117.5 In. Wheel Base	\$118.00	M
38413	1973	<b>REAR LAMP INTERMEDIATE HARNESS</b> Fleetside & Stepside Bed, With 131.5 In. & 164.5 In. Wheel Base	\$120.00	M
39710	1973	<b>REAR LAMP INTERMEDIATE HARNESS</b> Suburban	\$143.00	M
39711	1973	<b>REAR LAMP INTERMEDIATE HARNESS</b> 2 Door, 1-Ton, Without Bed, With 159.5 In. Wheel Base	\$143.00	M
39712	1973	<b>REAR LAMP INTERMEDIATE HARNESS</b> 4 Door, 3/4 & 1-Ton, Without Bed, With 164.5 In. Wheel Base	\$143.00	M
35902	1973	<b>REAR LAMP HARNESS</b> Rear, Stepside, Except 117.5 In. Wheel Base	\$248.00	M
37624	1973	<b>REAR LAMP HARNESS</b> Rear, Stepside, With 117.5 In. Wheel Base	\$248.00	M
37464	1973	<b>REAR LAMP HARNESS</b> Rear, 2 Door, Without Bed, With 117.5 In. Wheel Base	\$248.00	M
37465	1973	<b>REAR LAMP HARNESS</b> Rear, 2 & 4 Door, 3/4 & 1-Ton, Without Bed, With 131.5 In. & 164.5 In. Wheel Base	\$248.00	M
35903	1973	<b>REAR LAMP HARNESS</b> Rear, 2 Door, 1-Ton, Without Bed, With 135.5 & 159.5 In. Wheel Base	\$248.00	M
35904	1973	<b>REAR LAMP HARNESS</b> Rear, Blazer & Jimmy, (2 Required Per Vehicle)	\$143.00	M
37470	1973	<b>REAR LAMP HARNESS</b> Rear, Fleetside	\$248.00	M
39747	1973	<b>REAR LAMP HARNESS</b> Rear, Suburban, Driver Side	\$143.00	M
35906	1973	<b>REAR LAMP HARNESS</b> Rear, Suburban, Passenger Side	\$143.00	M
35905	1973	<b>REAR LAMP HARNESS</b> Rear, Fleetside, With Camper Special Option	\$314.00	M
39304	1974	<b>REAR LAMP INTERMEDIATE HARNESS</b> Blazer & Jimmy	\$209.00	M
38412	1974	<b>REAR LAMP INTERMEDIATE HARNESS</b> Fleetside & Stepside Bed, With 117.5 In. Wheel Base	\$118.00	M
38413	1974	<b>REAR LAMP INTERMEDIATE HARNESS</b> Fleetside & Stepside Bed, With 131.5 In. & 164.5 In. Wheel Base	\$120.00	M
39711	1974	<b>REAR LAMP INTERMEDIATE HARNESS</b> 2 Door, 1-Ton, Without Bed, With 159.5 In. Wheel Base	\$143.00	M
39712	1974	<b>REAR LAMP INTERMEDIATE HARNESS</b> 4 Door, 3/4 & 1-Ton, Without Bed, With 164.5 In. Wheel Base	\$143.00	M
39772	1974	<b>REAR LAMP INTERMEDIATE HARNESS</b> Suburban	\$143.00	M
35902	1974	<b>REAR LAMP HARNESS</b> Rear, Stepside, Except 117.5 In. Wheel Base	\$248.00	M
37624	1974	<b>REAR LAMP HARNESS</b> Rear, Stepside, With 117.5 In. Wheel Base	\$248.00	M
35903	1974	<b>REAR LAMP HARNESS</b> Rear, 2 Door, 1-Ton, Without Bed, With 135.5 & 159.5 In. Wheel Base	\$248.00	M
35904	1974	<b>REAR LAMP HARNESS</b> Rear, Blazer & Jimmy, (2 Required Per Vehicle)	\$143.00	M
37470	1974	<b>REAR LAMP HARNESS</b> Rear, Fleetside	\$248.00	M

Part Number	Year	Description	Price	*Rev.
39747	1974	<b>REAR LAMP HARNESS</b> Rear, Suburban, Driver Side	\$143.00	M
35906	1974	<b>REAR LAMP HARNESS</b> Rear, Suburban, Passenger Side	\$143.00	M
35905	1974	<b>REAR LAMP HARNESS</b> Rear, Fleetside, With Camper Special Option, (1st Design), Except Rear Fender Marker Lamp Wiring	\$314.00	M
35976	1974	<b>REAR LAMP HARNESS</b> Rear, Fleetside, With Camper Special Option, (2nd Design), With Rear Fender Marker Lamp Wiring	\$314.00	M
39778	1975	<b>REAR LAMP INTERMEDIATE HARNESS</b> Blazer & Jimmy	\$209.00	M
39779	1975	<b>REAR LAMP INTERMEDIATE HARNESS</b> Fleetside & Stepside Bed, With 117.5 In. Wheel Base	\$209.00	M
39780	1975	<b>REAR LAMP INTERMEDIATE HARNESS</b> Fleetside & Stepside Bed, With 131.5 In. & 164.5 In. Wheel Base	\$209.00	M
39781	1975	<b>REAR LAMP INTERMEDIATE HARNESS</b> 2 Door, 1-Ton, Without Bed, With 159.5 In. Wheel Base	\$209.00	M
39782	1975	<b>REAR LAMP INTERMEDIATE HARNESS</b> 4 Door, 3/4 & 1-Ton, Without Bed, With 164.5 In. Wheel Base	\$209.00	M
39783	1975	<b>REAR LAMP INTERMEDIATE HARNESS</b> Suburban	\$268.00	M
35902	1975	<b>REAR LAMP HARNESS</b> Rear, Stepside, Except 117.5 In. Wheel Base	\$248.00	M
37624	1975	<b>REAR LAMP HARNESS</b> Rear, Stepside, With 117.5 In. Wheel Base	\$248.00	M
37464	1975	<b>REAR LAMP HARNESS</b> Rear, 2 Door, Without Bed, With 117.5 In. Wheel Base	\$248.00	M
37465	1975	<b>REAR LAMP HARNESS</b> Rear, 2 & 4 Door, 3/4 & 1-Ton, Without Bed, With 131.5 In. & 164.5 In. Wheel Base	\$248.00	M
35903	1975	<b>REAR LAMP HARNESS</b> Rear, 2 Door, 1-Ton, Without Bed, With 135.5 & 159.5 In. Wheel Base	\$248.00	M
35904	1975	<b>REAR LAMP HARNESS</b> Rear, Blazer & Jimmy, (2 Required Per Vehicle)	\$143.00	M
35905	1975	<b>REAR LAMP HARNESS</b> Rear, Fleetside, With Camper Special Option	\$314.00	M
37470	1975	<b>REAR LAMP HARNESS</b> Rear, Fleetside	\$248.00	M
39747	1975	<b>REAR LAMP HARNESS</b> Rear, Suburban, Driver Side	\$143.00	M
35906	1975	<b>REAR LAMP HARNESS</b> Rear, Suburban, Passenger Side	\$143.00	M
39806	1976	<b>REAR LAMP INTERMEDIATE HARNESS</b> Fleetside & Stepside Bed, With 117.5 In. Wheel Base	\$194.00	M
39807	1976	<b>REAR LAMP INTERMEDIATE HARNESS</b> Fleetside & Stepside Bed, With 131.5 In. & 135.5 In. Wheel Base	\$194.00	M
39809	1976	<b>REAR LAMP INTERMEDIATE HARNESS</b> Blazer & Jimmy	\$268.00	M
35907	1976	<b>REAR LAMP INTERMEDIATE HARNESS</b> Suburban, Except 40 Gal. Gas Tank Option	\$268.00	M
37657	1976	<b>REAR LAMP INTERMEDIATE HARNESS</b> 1-Ton, Stakebed & Flatbed, With 159.5 Wheel Base	\$194.00	M
37658	1976	<b>REAR LAMP INTERMEDIATE HARNESS</b> 4 Door, 3/4 & 1-Ton, Without Bed, With 164.5 In. Wheel Base	\$209.00	M
39810	1976	<b>REAR LAMP INTERMEDIATE HARNESS</b> Suburban, With 40 Gal. Gas Tank Option	\$268.00	M
35902	1976	<b>REAR LAMP HARNESS</b> Rear, Stepside, Except 117.5 In. Wheel Base	\$248.00	M
37624	1976	<b>REAR LAMP HARNESS</b> Rear, Stepside, With 117.5 In. Wheel Base	\$248.00	M
37464	1976	<b>REAR LAMP HARNESS</b> Rear, 2 Door, Without Bed, With 117.5 In. Wheel Base	\$248.00	M
37465	1976	<b>REAR LAMP HARNESS</b> Rear, 2 & 4 Door, 3/4 & 1-Ton, Without Bed, With 131.5 In. & 164.5 In. Wheel Base	\$248.00	M
35903	1976	<b>REAR LAMP HARNESS</b> Rear, 2 Door, 1-Ton, Without Bed, With 135.5 & 159.5 In. Wheel Base	\$248.00	M
35904	1976	<b>REAR LAMP HARNESS</b> Rear, Blazer & Jimmy, (2 Required Per Vehicle)	\$143.00	M
35905	1976	<b>REAR LAMP HARNESS</b> Rear, 1-Ton Fleetside Bed, With Dual Rear Wheels	\$314.00	M
37470	1976	<b>REAR LAMP HARNESS</b> Rear, Fleetside	\$248.00	M
39747	1976	<b>REAR LAMP HARNESS</b> Rear, Suburban, Passenger Side	\$143.00	M
35906	1976	<b>REAR LAMP HARNESS</b> Rear, Suburban, Driver Side	\$143.00	M
38394	1977	<b>REAR LAMP INTERMEDIATE HARNESS</b> Fleetside & Stepside, With 117.5 In. Wheel Base & Heavy Duty Chassis	\$194.00	M
39382	1977	<b>REAR LAMP INTERMEDIATE HARNESS</b> Fleetside & Stepside, With 131.5 In. Wheel Base	\$194.00	M
39818	1977	<b>REAR LAMP INTERMEDIATE HARNESS</b> Fleetside & Stepside, With 117.5 In. Wheel Base, Except Heavy Duty Chassis	\$194.00	M
39819	1977	<b>REAR LAMP INTERMEDIATE HARNESS</b> Fleetside & Stepside, 1-Ton With 135.5 In. Wheel Base	\$194.00	M

Part Number	Year	Description	Price	*Rev.
39820	1977	REAR LAMP INTERMEDIATE HARNESS 2 Door, 1-Ton, With 159.5 In. Wheel Base	\$194.00	M
39821	1977	REAR LAMP INTERMEDIATE HARNESS 4 Door Truck, 3/4 & 1-Ton	\$194.00	M
39822	1977	REAR LAMP INTERMEDIATE HARNESS Suburban	\$268.00	M
37623	1977	REAR LAMP INTERMEDIATE HARNESS Blazer & Jimmy	\$268.00	M
35902	1977	REAR LAMP HARNESS Rear, Stepside, Except 117.5 In. Wheel Base	\$248.00	M
37624	1977	REAR LAMP HARNESS Rear, Stepside, With 117.5 In. Wheel Base	\$248.00	M
35904	1977	REAR LAMP HARNESS Rear, Blazer & Jimmy, (2 Required Per Vehicle)	\$143.00	M
35905	1977	REAR LAMP HARNESS Rear, 1-Ton Fleetside Bed, With Dual Rear Wheels	\$314.00	M
37470	1977	REAR LAMP HARNESS Rear, Fleetside	\$248.00	M
39823	1977	REAR LAMP HARNESS Rear, Suburban, (2 Required Per Vehicle)	\$143.00	M
39828	1977	REAR LAMP HARNESS Rear, 2 & 4 Door, Without Bed, With 117.5, 131.5, & 164.5 In. Wheel Base	\$248.00	M
35908	1977	REAR LAMP HARNESS Rear, 2 Door, Without Bed, With 131.5, 135.5, & 159.5 In. Wheel Base	\$248.00	M
35914	1977	REAR LAMP HARNESS Rear, 1-Ton, Stakebed & Flatbed, With 135.5 In. Wheel Base	\$248.00	M
38394	1978	REAR LAMP INTERMEDIATE HARNESS Fleetside & Stepside, With 117.5 In. Wheel Base & Heavy Duty Chassis	\$194.00	M
39382	1978	REAR LAMP INTERMEDIATE HARNESS Fleetside & Stepside, With 131.5 In. Wheel Base & Heavy Duty Chassis	\$194.00	M
39818	1978	REAR LAMP INTERMEDIATE HARNESS Fleetside & Stepside, With 117.5 In. Wheel Base, Except Heavy Duty Chassis	\$194.00	M
39819	1978	REAR LAMP INTERMEDIATE HARNESS Fleetside & Stepside, 1/2-Ton With 131.5 In. Wheel Base & 1-Ton With 135.5 In. Wheel Base	\$194.00	M
39820	1978	REAR LAMP INTERMEDIATE HARNESS 2 Door, 1-Ton, With 159.5 In. Wheel Base	\$194.00	M
39821	1978	REAR LAMP INTERMEDIATE HARNESS 4 Door Truck, 3/4 & 1-Ton	\$194.00	M
39822	1978	REAR LAMP INTERMEDIATE HARNESS Suburban, Without California Emission Option	\$268.00	M
37623	1978	REAR LAMP INTERMEDIATE HARNESS Blazer & Jimmy	\$268.00	M
35913	1978	REAR LAMP INTERMEDIATE HARNESS Suburban, With California Emission Option	\$268.00	M
35902	1978	REAR LAMP HARNESS Rear, Stepside, Except 117.5 In. Wheel Base	\$248.00	M
37624	1978	REAR LAMP HARNESS Rear, Stepside, With 117.5 In. Wheel Base	\$248.00	M
35904	1978	REAR LAMP HARNESS Rear, Blazer & Jimmy, (2 Required Per Vehicle)	\$143.00	M
35905	1978	REAR LAMP HARNESS Rear, 1-Ton Fleetside Bed, With Dual Rear Wheels	\$314.00	M
37470	1978	REAR LAMP HARNESS Rear, Fleetside	\$248.00	M
39823	1978	REAR LAMP HARNESS Rear, Suburban, (2 Required Per Vehicle)	\$143.00	M
39828	1978	REAR LAMP HARNESS Rear, 2 & 4 Door, Without Bed, With 117.5, 131.5, & 164.5 In. Wheel Base	\$248.00	M
35908	1978	REAR LAMP HARNESS Rear, 2 Door, Without Bed, With 135.5, & 159.5 In. Wheel Base	\$248.00	M
35914	1978	REAR LAMP HARNESS Rear, 1-Ton, Stakebed & Flatbed, With 135.5 In. Wheel Base	\$248.00	M
39818	1979	REAR LAMP INTERMEDIATE HARNESS Fleetside & Stepside, With 117.5 In. Wheel Base, Except Heavy Duty Chassis	\$194.00	M
38394	1979	REAR LAMP INTERMEDIATE HARNESS Fleetside & Stepside, With 117.5 In. Wheel Base & Heavy Duty Chassis	\$194.00	M
39382	1979	REAR LAMP INTERMEDIATE HARNESS Fleetside & Stepside, With 131.5 In. Wheel Base & Heavy Duty Chassis	\$194.00	M
39819	1979	REAR LAMP INTERMEDIATE HARNESS Fleetside & Stepside, 1/2-Ton With 131.5 In. Wheel Base & 1-Ton With 135.5 In. Wheel Base	\$194.00	M
39820	1979	REAR LAMP INTERMEDIATE HARNESS 2 Door, 1-Ton, With 159.5 In. Wheel Base	\$194.00	M
39821	1979	REAR LAMP INTERMEDIATE HARNESS 4 Door Truck, 3/4 & 1-Ton	\$194.00	M
39822	1979	REAR LAMP INTERMEDIATE HARNESS Suburban, Without California Emission Option	\$268.00	M
35913	1979	REAR LAMP INTERMEDIATE HARNESS Suburban, With California Emission Option	\$268.00	M

Part Number	Year	Description	Price	*Rev.
39908	1979	REAR LAMP INTERMEDIATE HARNESS Blazer & Jimmy	\$268.00	M
35904	1979	REAR LAMP HARNESS Rear, Blazer & Jimmy, (2 Required Per Vehicle)	\$143.00	M
37470	1979	REAR LAMP HARNESS Rear, Fleetside	\$248.00	M
39823	1979	REAR LAMP HARNESS Rear, Suburban, (2 Required Per Vehicle)	\$143.00	M
39828	1979	REAR LAMP HARNESS Rear, 2 & 4 Door, Without Bed, With 117.5, 131.5, & 164.5 In. Wheel Base	\$248.00	M
35908	1979	REAR LAMP HARNESS Rear, 2 Door, Without Bed, With 135.5, & 159.5 In. Wheel Base	\$248.00	M
35914	1979	REAR LAMP HARNESS Rear, 1-Ton, Stakebed & Flatbed, With 135.5 In. Wheel Base	\$248.00	M
39898	1979	REAR LAMP HARNESS Rear, 1-Ton Fleetside Bed, With Dual Rear Wheels	\$248.00	M
38881	1979	REAR LAMP HARNESS Rear, Stepside	\$165.00	M
39382	1980	REAR LAMP INTERMEDIATE HARNESS Fleetside & Stepside, With 131.5 In. Wheel Base & Heavy Duty Chassis	\$194.00	M
39819	1980	REAR LAMP INTERMEDIATE HARNESS Fleetside & Stepside, 1-Ton With 135.5 In. Wheel Base	\$194.00	M
39820	1980	REAR LAMP INTERMEDIATE HARNESS 2 Door, 1-Ton, With 159.5 In. Wheel Base	\$194.00	M
39821	1980	REAR LAMP INTERMEDIATE HARNESS 4 Door Truck, 3/4 & 1-Ton	\$194.00	M
39913	1980	REAR LAMP INTERMEDIATE HARNESS Suburban, Without California Emission Option	\$268.00	M
39914	1980	REAR LAMP INTERMEDIATE HARNESS Suburban, With California Emission Option	\$268.00	M
39915	1980	REAR LAMP INTERMEDIATE HARNESS Fleetside & Stepside, With 117.5 In. Wheel Base	\$194.00	M
39916	1980	REAR LAMP INTERMEDIATE HARNESS Fleetside & Stepside, With 131.5 In. Wheel Base	\$194.00	M
39917	1980	REAR LAMP INTERMEDIATE HARNESS Blazer & Jimmy	\$268.00	M
35904	1980	REAR LAMP HARNESS Rear, Blazer & Jimmy, (2 Required Per Vehicle)	\$143.00	M
37470	1980	REAR LAMP HARNESS Rear, Fleetside	\$248.00	M
39823	1980	REAR LAMP HARNESS Rear, Suburban, (2 Required Per Vehicle)	\$143.00	M
39828	1980	REAR LAMP HARNESS Rear, 2 & 4 Door, Without Bed, With 117.5, 131.5, & 164.5 In. Wheel Base	\$248.00	M
35908	1980	REAR LAMP HARNESS Rear, 2 Door, Without Bed, With 135.5, & 159.5 In. Wheel Base	\$248.00	M
35914	1980	REAR LAMP HARNESS Rear, 1-Ton, Stakebed & Flatbed, With 135.5 In. Wheel Base	\$248.00	M
39898	1980	REAR LAMP HARNESS Rear, 1-Ton Fleetside Bed, With Dual Rear Wheels	\$248.00	M
38881	1980	REAR LAMP HARNESS Rear, Stepside	\$165.00	M
38394	1981	REAR LAMP INTERMEDIATE HARNESS Fleetside & Stepside, With 350 Diesel & 117.5 In. Wheel Base	\$194.00	M
39382	1981	REAR LAMP INTERMEDIATE HARNESS Fleetside & Stepside, 2 Wheel Drive 1/2 Ton, With 350 Diesel, & All 4 Wheel Drives, With 131.5 In. Wheel Base & Heavy Duty	\$194.00	M
39913	1981	REAR LAMP INTERMEDIATE HARNESS Suburban, Without California Emission Option	\$268.00	M
39914	1981	REAR LAMP INTERMEDIATE HARNESS Suburban, With California Emission Option	\$268.00	M
39915	1981	REAR LAMP INTERMEDIATE HARNESS Fleetside & Stepside, With 117.5 In. Wheel Base	\$194.00	M
39916	1981	REAR LAMP INTERMEDIATE HARNESS Fleetside & Stepside, With 131.5 In. Wheel Base	\$194.00	M
39917	1981	REAR LAMP INTERMEDIATE HARNESS Blazer & Jimmy	\$268.00	M
39986	1981	REAR LAMP INTERMEDIATE HARNESS 2 Door, 1-Ton, With 135.5 In. Wheel Base	\$194.00	M
39987	1981	REAR LAMP INTERMEDIATE HARNESS 2 Door, 1-Ton, With 159.5 In. Wheel Base	\$194.00	M
39988	1981	REAR LAMP INTERMEDIATE HARNESS 4 Door, 3/4 & 1-Ton, With 164.5 In. Wheel Base	\$194.00	M
35904	1981	REAR LAMP HARNESS Rear, Blazer & Jimmy, (2 Required Per Vehicle)	\$143.00	M
37470	1981	REAR LAMP HARNESS Rear, Fleetside	\$248.00	M
39823	1981	REAR LAMP HARNESS Rear, Suburban, (2 Required Per Vehicle)	\$143.00	M
39828	1981	REAR LAMP HARNESS Rear, 2 & 4 Door, Without Bed, With 117.5, 131.5, & 164.5 In. Wheel Base	\$248.00	M
35908	1981	REAR LAMP HARNESS Rear, 2 Door, Without Bed, With 135.5, & 159.5 In. Wheel Base	\$248.00	M
35914	1981	REAR LAMP HARNESS Rear, 1-Ton, Stakebed & Flatbed, With 135.5 In. Wheel Base	\$248.00	M
38881	1981	REAR LAMP HARNESS Rear, Stepside	\$165.00	M

Part Number	Year	Description	Price	*Rev.
39991	1981	REAR LAMP HARNESS Rear, 1-Ton Fleetside Bed, With Dual Rear Wheels	\$248.00	M
38394	1982	REAR LAMP INTERMEDIATE HARNESS Fleetside & Stepside, With 350 Diesel & 117.5 In. Wheel Base	\$194.00	M
39382	1982	REAR LAMP INTERMEDIATE HARNESS Fleetside & Stepside, 2 Wheel Drive 1/2 Ton, With 350 Diesel, & All 4 Wheel Drives, With 131.5 In. Wheel Base & Heavy Duty	\$194.00	M
39913	1982	REAR LAMP INTERMEDIATE HARNESS Suburban, Without California Emission Option	\$268.00	M
39914	1982	REAR LAMP INTERMEDIATE HARNESS Suburban, With California Emission Option	\$268.00	M
39915	1982	REAR LAMP INTERMEDIATE HARNESS Fleetside & Stepside, With 117.5 In. Wheel Base	\$194.00	M
39916	1982	REAR LAMP INTERMEDIATE HARNESS Fleetside & Stepside, With 131.5 In. Wheel Base	\$194.00	M
39917	1982	REAR LAMP INTERMEDIATE HARNESS Blazer & Jimmy	\$268.00	M
39986	1982	REAR LAMP INTERMEDIATE HARNESS 2 Door, 1-Ton, With 135.5 In. Wheel Base	\$194.00	M
39987	1982	REAR LAMP INTERMEDIATE HARNESS 2 Door, 1-Ton, With 159.5 In. Wheel Base	\$194.00	M
39988	1982	REAR LAMP INTERMEDIATE HARNESS 4 Door, 3/4 & 1-Ton, With 164.5 In. Wheel Base	\$194.00	M
35904	1982	REAR LAMP HARNESS Rear, Blazer & Jimmy, (2 Required Per Vehicle)	\$143.00	M
37470	1982	REAR LAMP HARNESS Rear, Fleetside	\$248.00	M
39823	1982	REAR LAMP HARNESS Rear, Suburban, (2 Required Per Vehicle)	\$143.00	M
39828	1982	REAR LAMP HARNESS Rear, 2 & 4 Door, Without Bed, With 117.5, 131.5, & 164.5 In. Wheel Base	\$248.00	M
35908	1982	REAR LAMP HARNESS Rear, 2 Door, Without Bed, With 135.5, & 159.5 In. Wheel Base	\$248.00	M
35914	1982	REAR LAMP HARNESS Rear, 1-Ton, Stakebed & Flatbed, With 135.5 In. Wheel Base	\$248.00	M
38881	1982	REAR LAMP HARNESS Rear, Stepside	\$165.00	M
39991	1982	REAR LAMP HARNESS Rear, 1-Ton Fleetside Bed, With Dual Rear Wheels	\$248.00	M
<b>REAR MARKER LAMP HARNESS</b>				
39834	1977	REAR MARKER LAMP HARNESS 2 Door, 3/4 Ton, With Stakebed & Flatbed, Tail Lamp Harness To Rear Marker Lamps	\$101.00	M
39835	1977	REAR MARKER LAMP HARNESS 2 Door, 1-Ton, With 135.5 In. Wheel Base, With Stakebed & Flatbed, Tail Lamp Harness To Rear Marker & Corner Lamps	\$127.00	M
39834	1978	REAR MARKER LAMP HARNESS 2 Door, 3/4 Ton, With Stakebed & Flatbed, Tail Lamp Harness To Rear Marker Lamps	\$101.00	M
39835	1978	REAR MARKER LAMP HARNESS 2 Door, 1-Ton, With 135.5 In. Wheel Base, With Stakebed & Flatbed, Tail Lamp Harness To Rear Marker & Corner Lamps	\$127.00	M
39834	1979	REAR MARKER LAMP HARNESS 2 Door, 3/4 Ton, With Stakebed & Flatbed, Tail Lamp Harness To Rear Marker Lamps	\$101.00	M
39835	1979	REAR MARKER LAMP HARNESS 2 Door, 1-Ton, With 135.5 In. Wheel Base, With Stakebed & Flatbed, Tail Lamp Harness To Rear Marker & Corner Lamps	\$127.00	M
39834	1980	REAR MARKER LAMP HARNESS 2 Door, 3/4 Ton, With Stakebed & Flatbed, Tail Lamp Harness To Rear Marker Lamps	\$101.00	M
39835	1980	REAR MARKER LAMP HARNESS 2 Door, 1-Ton, With 135.5 In. Wheel Base, With Stakebed & Flatbed, Tail Lamp Harness To Rear Marker & Corner Lamps	\$127.00	M
39834	1981	REAR MARKER LAMP HARNESS 2 Door, 3/4 Ton, With Stakebed & Flatbed, Tail Lamp Harness To Rear Marker Lamps	\$101.00	M
39835	1981	REAR MARKER LAMP HARNESS 2 Door, 1-Ton, With 135.5 In. Wheel Base, With Stakebed & Flatbed, Tail Lamp Harness To Rear Marker & Corner Lamps	\$127.00	M
39835	1982	REAR MARKER LAMP HARNESS 2 Door, 1-Ton, With 135.5 In. Wheel Base, With Stakebed & Flatbed, Tail Lamp Harness To Rear Marker & Corner Lamps	\$127.00	M
<b>REAR WINDOW DEFROSTER EXTENSION WIRE</b>				
40002	1982	REAR WINDOW DEFROSTER EXTENSION WIRE Suburban, Dash Harness To Tailgate Harness	\$52.00	M
40002	1982	REAR WINDOW DEFROSTER EXTENSION WIRE Suburban, Dash Harness To Tailgate Harness	\$52.00	M
<b>REAR WINDOW DEFROSTER HARNESS</b>				
40003	1982	REAR WINDOW DEFROSTER HARNESS Suburban, Tailgate Harness	\$66.00	M



Part Number	Year	Description	Price	*Rev.
<b>SIDE MARKER AND LICENSE LAMP HARNESS</b>				
39740	1973	<b>SIDE MARKER AND LICENSE LAMP HARNESS</b> 8ft Stakebed & Flatbed, Without Clearance Lamps	\$101.00	M
39743	1973	<b>SIDE MARKER AND LICENSE LAMP HARNESS</b> 8ft Stakebed & Flatbed, With Clearance Lamps	\$127.00	M
39740	1974	<b>SIDE MARKER AND LICENSE LAMP HARNESS</b> 8ft Stakebed & Flatbed, Without Clearance Lamps	\$101.00	M
39743	1974	<b>SIDE MARKER AND LICENSE LAMP HARNESS</b> 8ft Stakebed & Flatbed, With Clearance Lamps	\$127.00	M
39740	1975	<b>SIDE MARKER AND LICENSE LAMP HARNESS</b> 8ft Stakebed & Flatbed, Without Clearance Lamps	\$101.00	M
39743	1975	<b>SIDE MARKER AND LICENSE LAMP HARNESS</b> 8ft Stakebed & Flatbed, With Clearance Lamps	\$127.00	M
39740	1976	<b>SIDE MARKER AND LICENSE LAMP HARNESS</b> 8ft Stakebed & Flatbed, Without Clearance Lamps	\$101.00	M
39743	1976	<b>SIDE MARKER AND LICENSE LAMP HARNESS</b> 8ft Stakebed & Flatbed, With Clearance Lamps	\$127.00	M
<b>SPEAKER EXTENSION WIRE</b>				
39866	1981	<b>SPEAKER EXTENSION WIRE</b> Suburban, Rear Speaker To Extension Harness (2 Required Per Vehicle)	\$26.00	M
<b>SPEAKER HARNESS</b>				
39709	1973	<b>SPEAKER HARNESS</b> Radio To Center Front Speaker, Except Stereo	\$40.00	M
39726	1973	<b>SPEAKER HARNESS</b> Radio To Front Kick Panel Speakers, With Stereo	\$66.00	M
39749	1973	<b>SPEAKER HARNESS</b> All, Radio To Rear Speakers, With Stereo	\$66.00	M
39709	1974	<b>SPEAKER HARNESS</b> Radio To Center Front Speaker, Except Stereo	\$40.00	M
39749	1974	<b>SPEAKER HARNESS</b> Radio To Rear Speakers, With Stereo	\$66.00	M
39750	1974	<b>SPEAKER HARNESS</b> Radio To Driver Side Kick Panel Speaker	\$66.00	M
39751	1974	<b>SPEAKER HARNESS</b> Radio To Passenger Side Kick Panel Speaker	\$66.00	M
39709	1975	<b>SPEAKER HARNESS</b> Radio To Center Front Speaker, Except Stereo	\$40.00	M
39749	1975	<b>SPEAKER HARNESS</b> Radio To Rear Speakers, With Stereo	\$66.00	M
39794	1975	<b>SPEAKER HARNESS</b> Suburban, Driver Side Rear Speaker	\$66.00	M
39795	1975	<b>SPEAKER HARNESS</b> Suburban, Passenger Side Rear Speaker	\$66.00	M
39709	1976	<b>SPEAKER HARNESS</b> Radio To Center Front Speaker, Except Stereo	\$40.00	M
39749	1976	<b>SPEAKER HARNESS</b> Radio To Rear Speakers, With Stereo	\$66.00	M
39794	1976	<b>SPEAKER HARNESS</b> Suburban, Driver Side Rear Speaker	\$66.00	M
39795	1976	<b>SPEAKER HARNESS</b> Suburban, Passenger Side Rear Speaker	\$66.00	M
39796	1976	<b>SPEAKER HARNESS</b> Suburban, Radio To Rear Speaker Harness, Except Stereo	\$66.00	M
39709	1977	<b>SPEAKER HARNESS</b> Radio To Center Front Speaker, Except Stereo	\$40.00	M
39749	1977	<b>SPEAKER HARNESS</b> Radio To Rear Speakers, With Stereo	\$66.00	M
39794	1977	<b>SPEAKER HARNESS</b> Suburban, Driver Side Rear Speaker	\$66.00	M
39795	1977	<b>SPEAKER HARNESS</b> Suburban, Passenger Side Rear Speaker	\$66.00	M
39796	1977	<b>SPEAKER HARNESS</b> Suburban, Radio To Rear Speaker Harness, Except Stereo	\$66.00	M
39838	1977	<b>SPEAKER HARNESS</b> Suburban, Blazer & Jimmy, Front Section, Radio To Rear Speaker Harness	\$66.00	M
39843	1977	<b>SPEAKER HARNESS</b> Suburban, Rear Section, Radio Harness To Rear Speaker	\$66.00	M
39849	1977	<b>SPEAKER HARNESS</b> Blazer & Jimmy, Rear Section, Radio Harness To Rear Speaker	\$66.00	M
39868	1978	<b>SPEAKER HARNESS</b> Radio To Center Front Speaker, Except Stereo	\$40.00	M
39874	1978	<b>SPEAKER HARNESS</b> Suburban, With Rear Auxiliary Speaker	\$66.00	M
39875	1978	<b>SPEAKER HARNESS</b> Blazer & Jimmy, With Rear Auxiliary Speaker	\$66.00	M
39868	1979	<b>SPEAKER HARNESS</b> Radio To Center Front Speaker, Except Stereo	\$40.00	M
39874	1979	<b>SPEAKER HARNESS</b> Suburban, With Rear Auxiliary Speaker	\$66.00	M
39875	1979	<b>SPEAKER HARNESS</b> Blazer & Jimmy, With Rear Auxiliary Speaker	\$66.00	M
40044	1979	<b>SPEAKER HARNESS</b> C.B. Radio To Center Dash Speaker	\$66.00	M
39903	1980	<b>SPEAKER HARNESS</b> All Trucks, With 4 Speaker Stereo System	\$153.00	M
39904	1980	<b>SPEAKER HARNESS</b> Suburban With 4 Speaker Stereo System	\$153.00	M

Part Number	Year	Description	Price	*Rev.
39905	1980	<b>SPEAKER HARNESS</b> Blazer & Jimmy, With 4 Speaker Stereo System	\$153.00	M
39906	1980	<b>SPEAKER HARNESS</b> All With Front Door Speakers, (2 Required Per Vehicle)	\$66.00	M
39868	1980	<b>SPEAKER HARNESS</b> Radio To Center Front Speaker, Except Stereo	\$40.00	M
39875	1980	<b>SPEAKER HARNESS</b> Blazer & Jimmy, With Rear Auxiliary Speaker	\$66.00	M
39907	1980	<b>SPEAKER HARNESS</b> Suburban, With Rear Auxiliary Speaker	\$66.00	M
40044	1980	<b>SPEAKER HARNESS</b> C.B. Radio To Center Dash Speaker	\$66.00	M
39906	1981	<b>SPEAKER HARNESS</b> All With Front Door Speakers, (2 Required Per Vehicle)	\$66.00	M
39938	1981	<b>SPEAKER HARNESS</b> All Trucks, With 4 Speaker Stereo System	\$153.00	M
39939	1981	<b>SPEAKER HARNESS</b> Suburban, With 4 Speaker Stereo System	\$153.00	M
39940	1981	<b>SPEAKER HARNESS</b> Blazer & Jimmy, With 4 Speaker Stereo System	\$153.00	M
39868	1981	<b>SPEAKER HARNESS</b> Radio To Center Front Speaker, Except Stereo	\$40.00	M
40044	1981	<b>SPEAKER HARNESS</b> C.B. Radio To Center Dash Speaker	\$66.00	M
39954	1981	<b>SPEAKER HARNESS</b> Suburban, With Rear Auxiliary Speaker	\$66.00	M
39955	1981	<b>SPEAKER HARNESS</b> Blazer & Jimmy, With Rear Auxiliary Speaker	\$66.00	M
39938	1982	<b>SPEAKER HARNESS</b> All Trucks, With 4 Speaker Stereo System	\$153.00	M
39940	1982	<b>SPEAKER HARNESS</b> Blazer & Jimmy, With 4 Speaker Stereo System	\$153.00	M
40012	1982	<b>SPEAKER HARNESS</b> Suburban, With 4 Speaker Stereo System	\$153.00	M
39868	1982	<b>SPEAKER HARNESS</b> Radio To Center Front Speaker, Except Stereo	\$40.00	M
40044	1982	<b>SPEAKER HARNESS</b> C.B. Radio To Center Dash Speaker	\$66.00	M
39954	1982	<b>SPEAKER HARNESS</b> Suburban, With Rear Auxiliary Speaker	\$66.00	M
39955	1982	<b>SPEAKER HARNESS</b> Blazer & Jimmy, With Rear Auxiliary Speaker	\$66.00	M
<b>SPEEDOMETER</b>				
44232	1947	<b>SPEEDOMETER</b> 0-80 MPH, Red Needle	\$162.00	N
44240	1947	<b>SPEEDOMETER CLUSTER</b> 0-80 MPH, Red Needle, Complete Assembly	\$276.00	N
44232	1948	<b>SPEEDOMETER</b> 0-80 MPH, Red Needle	\$162.00	N
44240	1948	<b>SPEEDOMETER CLUSTER</b> 0-80 MPH, Red Needle, Complete Assembly	\$276.00	N
44232	1949	<b>SPEEDOMETER</b> 0-80 MPH, Red Needle	\$162.00	N
44240	1949	<b>SPEEDOMETER CLUSTER</b> 0-80 MPH, Red Needle, Complete Assembly	\$276.00	N
44232	1950	<b>SPEEDOMETER</b> 0-80 MPH, Red Needle	\$162.00	N
44240	1950	<b>SPEEDOMETER CLUSTER</b> 0-80 MPH, Red Needle, Complete Assembly	\$276.00	N
44232	1951	<b>SPEEDOMETER</b> 0-80 MPH, Red Needle	\$162.00	N
44240	1951	<b>SPEEDOMETER CLUSTER</b> 0-80 MPH, Red Needle, Complete Assembly	\$276.00	N
44228	1952	<b>SPEEDOMETER</b> 0-90 MPH, White Needle Note: GM Did Not Sell This Gauge Separately, This Speedometer Has A Range From 0-90 Mph With A White Needle.	\$162.00	N
44239	1952	<b>SPEEDOMETER CLUSTER</b> 0-90 MPH, White Needle, Complete Assembly	\$276.00	N
44228	1953	<b>SPEEDOMETER</b> 0-90 MPH, White Needle Note: GM Did Not Sell This Gauge Separately, This Speedometer Has A Range From 0-90 Mph With A White Needle.	\$162.00	N
44239	1953	<b>SPEEDOMETER CLUSTER</b> 0-90 MPH, White Needle, Complete Assembly	\$276.00	N
01583683	1955	<b>SPEEDOMETER</b>	\$185.00	N
01583683	1956	<b>SPEEDOMETER</b>	\$185.00	N
01583683	1957	<b>SPEEDOMETER</b>	\$185.00	N
01583683	1958	<b>SPEEDOMETER</b>	\$185.00	N
01583683	1959	<b>SPEEDOMETER</b>	\$185.00	N
01587444	1960	<b>SPEEDOMETER</b>	\$185.00	N
01587444	1961	<b>SPEEDOMETER</b>	\$185.00	N
01587444	1962	<b>SPEEDOMETER</b>	\$185.00	N
01587444	1963	<b>SPEEDOMETER</b>	\$185.00	N

Part Number	Year	Description	Price	*Rev.
06407465	1964	SPEEDOMETER	\$185.00	N
06407465	1965	SPEEDOMETER	\$185.00	N
06407465	1966	SPEEDOMETER	\$185.00	N
06492868	1967	SPEEDOMETER	\$93.00	N
06492868	1968	SPEEDOMETER	\$93.00	N
06492868	1969	SPEEDOMETER	\$93.00	N
06492868	1970	SPEEDOMETER	\$93.00	N
06492868	1971	SPEEDOMETER	\$93.00	N
06492868	1972	SPEEDOMETER	\$93.00	N
25045176	1976	SPEEDOMETER	\$139.00	N
25045176	1977	SPEEDOMETER	\$139.00	N
25045176	1978	SPEEDOMETER	\$139.00	N
25045176	1979	SPEEDOMETER 1st Design, Fire Orange Needle	\$139.00	N
25044301	1979	SPEEDOMETER 2nd Design, Light Orange Needle	\$139.00	N
25044301	1980	SPEEDOMETER	\$139.00	N
25051889	1981	SPEEDOMETER Light Orange Needle	\$139.00	N
25051889	1982	SPEEDOMETER Light Orange Needle	\$139.00	N
25051889	1983	SPEEDOMETER Light Orange Needle	\$139.00	N
25051889	1984	SPEEDOMETER Light Orange Needle	\$139.00	N
25051889	1985	SPEEDOMETER Light Orange Needle	\$139.00	N
25051889	1986	SPEEDOMETER Light Orange Needle	\$139.00	N
25051889	1987	SPEEDOMETER Light Orange Needle	\$139.00	N
<b>STARTER SWITCH</b>				
00820052	1938	STARTER SWITCH Foot Operated, On Starter	\$24.00	N
00820052	1939	STARTER SWITCH Foot Operated, On Starter	\$24.00	N
00820052	1940	STARTER SWITCH Foot Operated, On Starter	\$24.00	N
00820052	1941	STARTER SWITCH Foot Operated, On Starter	\$24.00	N
00820052	1942	STARTER SWITCH Foot Operated, On Starter	\$24.00	N
00820052	1946	STARTER SWITCH Foot Operated, On Starter	\$24.00	N
00820052	1947	STARTER SWITCH Foot Operated, On Starter	\$24.00	N
00820052	1948	STARTER SWITCH Foot Operated, On Starter	\$24.00	N
00820052	1949	STARTER SWITCH Foot Operated, On Starter	\$24.00	N
00820052	1950	STARTER SWITCH Foot Operated, On Starter	\$24.00	N
00820052	1951	STARTER SWITCH Foot Operated, On Starter	\$24.00	N
00820052	1952	STARTER SWITCH Foot Operated, On Starter	\$24.00	N
00820052	1953	STARTER SWITCH Foot Operated, On Starter	\$24.00	N
00820052	1954	STARTER SWITCH Foot Operated, On Starter	\$24.00	N
00820052	1955	STARTER SWITCH 1st Series, 6 Volt, Except H.T. Transmission, Foot Operated, On Starter	\$24.00	N
01930496	1955	STARTER SWITCH 2nd Series, 12 Volt, 6 Cylinder, Except H.T. Transmission, Foot Operated, On Starter	\$24.00	N
01930496	1956	STARTER SWITCH 6 Cylinder, Except H.T. Transmission, Foot Operated, On Starter	\$24.00	N
01930496	1957	STARTER SWITCH 6 Cylinder, Except H.T. Transmission, Foot Operated, On Starter	\$24.00	N
01930496	1958	STARTER SWITCH 6 Cylinder, Except H.T. Transmission, Foot Operated, On Starter	\$24.00	N
01930496	1959	STARTER SWITCH 6 Cylinder, Except H.T. Transmission, Foot Operated, On Starter	\$24.00	N
<b>STOP LAMP SWITCH</b>				
01261219	1973	STOP LAMP SWITCH All, Without Cruise	\$5.80	N

Part Number	Year	Description	Price	*Rev.
01261219	1974	<b>STOP LAMP SWITCH</b> All, Without Cruise	\$5.80	N
01261219	1975	<b>STOP LAMP SWITCH</b> All, Without Cruise	\$5.80	N
01261219	1976	<b>STOP LAMP SWITCH</b> All, Without Cruise	\$5.80	N
01261219	1977	<b>STOP LAMP SWITCH</b> All, Without Cruise	\$5.80	N
01261219	1978	<b>STOP LAMP SWITCH</b> All, Without Cruise	\$5.80	N
01261219	1979	<b>STOP LAMP SWITCH</b> All, Without Cruise	\$5.80	N
01261219	1980	<b>STOP LAMP SWITCH</b> With Manual Trans, Without Cruise	\$5.80	N
01261219	1981	<b>STOP LAMP SWITCH</b> With Manual Trans, Without Cruise	\$5.80	N
01261219	1982	<b>STOP LAMP SWITCH</b> With Manual Trans Or TH400, Without Cruise	\$5.80	N
01261219	1983	<b>STOP LAMP SWITCH</b> With Manual Trans Or TH400, Without Cruise	\$5.80	N
01261219	1984	<b>STOP LAMP SWITCH</b> With Manual Trans Or TH400, Without Cruise	\$5.80	N
01261219	1985	<b>STOP LAMP SWITCH</b> With Manual Trans Or TH400, Without Cruise	\$5.80	N
01261219	1986	<b>STOP LAMP SWITCH</b> With Manual Trans Or TH400, Without Cruise	\$5.80	N
01261219	1987	<b>STOP LAMP SWITCH</b> RV Body Style, With Manual Trans Or TH400, Without Cruise	\$5.80	N
01261219	1988	<b>STOP LAMP SWITCH</b> RV Body Style, With Manual Trans Or TH400, Without Cruise	\$5.80	N
01261219	1989	<b>STOP LAMP SWITCH</b> RV Body Style, With Manual Trans Or TH 400, Without Cruise	\$5.80	N
<b>TACHOMETER</b>				
06468228	1967	<b>TACHOMETER</b> V/8, 5000 RPM	\$116.00	N
44217	1967	<b>TACHOMETER CONVERSION KIT</b> V/8 Only, 5000 RPM Tach Note: Kit Includes: 5000 RPM Tachometer, Printed Circuit, Instrument Lens, Front & Back Gauge Housings, And Tachometer Wiring Harness.	\$331.00	N
44218	1967	<b>TACHOMETER CONVERSION KIT</b> V/8 Only, 8000 RPM Tach. Note: Kit Includes: 8000 RPM Tachometer, Printed Circuit, Instrument Lens, Front & Back Gauge Housings, And Tachometer Wiring Harness.	\$355.00	N
06468228	1968	<b>TACHOMETER</b> V/8, 5000 RPM	\$116.00	N
44217	1968	<b>TACHOMETER CONVERSION KIT</b> V/8 Only, 5000 RPM Tach Note: Kit Includes: 5000 RPM Tachometer, Printed Circuit, Instrument Lens, Front & Back Gauge Housings, And Tachometer Wiring Harness.	\$331.00	N
44218	1968	<b>TACHOMETER CONVERSION KIT</b> V/8 Only, 8000 RPM Tach. Note: Kit Includes: 8000 RPM Tachometer, Printed Circuit, Instrument Lens, Front & Back Gauge Housings, And Tachometer Wiring Harness.	\$355.00	N
06468228	1969	<b>TACHOMETER</b> V/8, 5000 RPM	\$116.00	N
44217	1969	<b>TACHOMETER CONVERSION KIT</b> V/8 Only, 5000 RPM Tach Note: Kit Includes: 5000 RPM Tachometer, Printed Circuit, Instrument Lens, Front & Back Gauge Housings, And Tachometer Wiring Harness.	\$331.00	N
44218	1969	<b>TACHOMETER CONVERSION KIT</b> V/8 Only, 8000 RPM Tach. Note: Kit Includes: 8000 RPM Tachometer, Printed Circuit, Instrument Lens, Front & Back Gauge Housings, And Tachometer Wiring Harness.	\$355.00	N
06468228	1970	<b>TACHOMETER</b> V/8, 5000 RPM	\$116.00	N
44217	1970	<b>TACHOMETER CONVERSION KIT</b> V/8 Only, 5000 RPM Tach Note: Kit Includes: 5000 RPM Tachometer, Printed Circuit, Instrument Lens, Front & Back Gauge Housings, And Tachometer Wiring Harness.	\$331.00	N
44218	1970	<b>TACHOMETER CONVERSION KIT</b> V/8 Only, 8000 RPM Tach. Note: Kit Includes: 8000 RPM Tachometer, Printed Circuit, Instrument Lens, Front & Back Gauge Housings, And Tachometer Wiring Harness.	\$355.00	N
06468228	1971	<b>TACHOMETER</b> V/8, 5000 RPM	\$116.00	N
44217	1971	<b>TACHOMETER CONVERSION KIT</b> V/8 Only, 5000 RPM Tach Note: Kit Includes: 5000 RPM Tachometer, Printed Circuit, Instrument Lens, Front & Back Gauge Housings, And Tachometer Wiring Harness.	\$331.00	N

Part Number	Year	Description	Price	*Rev.
44218	1971	<b>TACHOMETER CONVERSION KIT</b> V/8 Only, 8000 RPM Tach. Note: Kit Includes: 8000 RPM Tachometer, Printed Circuit, Instrument Lens, Front & Back Gauge Housings, And Tachometer Wiring Harness.	\$355.00	N
06468228	1972	<b>TACHOMETER</b> V/8, 5000 RPM	\$116.00	N
44217	1972	<b>TACHOMETER CONVERSION KIT</b> V/8 Only, 5000 RPM Tach Note: Kit Includes: 5000 RPM Tachometer, Printed Circuit, Instrument Lens, Front & Back Gauge Housings, And Tachometer Wiring Harness.	\$331.00	N
44218	1972	<b>TACHOMETER CONVERSION KIT</b> V/8 Only, 8000 RPM Tach. Note: Kit Includes: 8000 RPM Tachometer, Printed Circuit, Instrument Lens, Front & Back Gauge Housings, And Tachometer Wiring Harness.	\$355.00	N
05658293	1973	<b>TACHOMETER</b> V/8, 5000 RPM	\$127.00	N
05658293	1974	<b>TACHOMETER</b> V/8, 5000 RPM	\$127.00	N
05658293	1975	<b>TACHOMETER</b> V/8, 5000 RPM	\$127.00	N
05659232	1976	<b>TACHOMETER</b> V/8, 5000 RPM	\$127.00	N
05659232	1977	<b>TACHOMETER</b> V/8, 5000 RPM	\$127.00	N
05659232	1978	<b>TACHOMETER</b> V/8, 5000 RPM	\$127.00	N
05659232	1979	<b>TACHOMETER</b> 1st Design, V/8, 5000 RPM, With Fire Orange Pointer	\$127.00	N
25054251	1979	<b>TACHOMETER</b> 2nd Design, V/8, 5000 RPM, With Yellow Pointer	\$127.00	N
25054251	1980	<b>TACHOMETER</b> V/8, 5000 RPM	\$127.00	N
25054251	1981	<b>TACHOMETER</b> V/8, 5000 RPM	\$127.00	N
25054251	1982	<b>TACHOMETER</b> V/8, 5000 RPM	\$127.00	N
25054251	1983	<b>TACHOMETER</b> V/8, 5000 RPM	\$127.00	N
25054251	1984	<b>TACHOMETER</b> V/8, 5000 RPM	\$127.00	N
25054251	1985	<b>TACHOMETER</b> V/8, 5000 RPM	\$127.00	N
25054251	1986	<b>TACHOMETER</b> V/8, 5000 RPM	\$127.00	N
25054251	1987	<b>TACHOMETER</b> V/8, 5000 RPM	\$127.00	N
<b>TACHOMETER HARNESS</b>				
20800	1973	<b>TACHOMETER HARNESS</b>	\$54.00	M
39696	1973	<b>TACHOMETER HARNESS</b> With HEI Note: Not All Tachometers Will Operate Or Indicate Correctly When Used On An HEI Ignition System. While Some Original And Reproduction Tachometers May Give A Reading, This Does Not Necessarily Mean The Reading Is Correct.	\$54.00	M
20800	1974	<b>TACHOMETER HARNESS</b>	\$54.00	M
39696	1974	<b>TACHOMETER HARNESS</b> With HEI Note: Not All Tachometers Will Operate Or Indicate Correctly When Used On An HEI Ignition System. While Some Original And Reproduction Tachometers May Give A Reading, This Does Not Necessarily Mean The Reading Is Correct.	\$54.00	M
38281	1975	<b>TACHOMETER HARNESS</b> All	\$54.00	M
38281	1976	<b>TACHOMETER HARNESS</b> All	\$54.00	M
38282	1977	<b>TACHOMETER HARNESS</b> V/8	\$54.00	M
38281	1977	<b>TACHOMETER HARNESS</b> 6 Cylinder Note: 6 Cylinder Items Are Not Returnable.	\$54.00	M
38867	1978	<b>TACHOMETER HARNESS</b> All	\$54.00	M
38284	1979	<b>TACHOMETER HARNESS</b> All	\$54.00	M
38284	1980	<b>TACHOMETER HARNESS</b> All	\$54.00	M
38285	1981	<b>TACHOMETER HARNESS</b> All	\$54.00	M
38285	1982	<b>TACHOMETER HARNESS</b> All	\$54.00	M
38285	1983	<b>TACHOMETER HARNESS</b> All	\$54.00	M
38285	1984	<b>TACHOMETER HARNESS</b> All	\$54.00	M
38285	1985	<b>TACHOMETER HARNESS</b> All	\$54.00	M

Part Number	Year	Description	Price	*Rev.
38285	1986	TACHOMETER HARNESS All	\$54.00	M
38285	1987	TACHOMETER HARNESS All	\$54.00	M
<b>TAILGATE MARKER LAMP HARNESS</b>				
39741	1973	TAILGATE MARKER LAMP HARNESS Fleetside, 3/4 & 1-Ton, With Tailgate Marker Lamps	\$127.00	M
39741	1974	TAILGATE MARKER LAMP HARNESS Fleetside, 3/4 & 1-Ton, With Tailgate Marker Lamps, (1st Design) Note: This Harness Has A Single Wire Plastic Connector Where It Plugs Into Rear Lamp Harness.	\$127.00	M
39773	1974	TAILGATE MARKER LAMP HARNESS Fleetside, 3/4 & 1-Ton, With Tailgate Marker Lamps, (2nd Design) Note: This Harness Has A 2 Wire Rubber Molded Connector Where It Plugs Into Rear Lamp Harness.	\$132.00	M
39741	1975	TAILGATE MARKER LAMP HARNESS Fleetside, 3/4 & 1-Ton, With Tailgate Marker Lamps	\$127.00	M
39741	1976	TAILGATE MARKER LAMP HARNESS Fleetside, 3/4 & 1-Ton, With Tailgate Marker Lamps	\$127.00	M
39741	1977	TAILGATE MARKER LAMP HARNESS Fleetside, 3/4 & 1-Ton, With Tailgate Marker Lamps	\$127.00	M
39741	1978	TAILGATE MARKER LAMP HARNESS Fleetside, 3/4 & 1-Ton, With Tailgate Marker Lamps	\$127.00	M
39741	1979	TAILGATE MARKER LAMP HARNESS Fleetside, 3/4 & 1-Ton, With Tailgate Marker Lamps	\$127.00	M
39741	1980	TAILGATE MARKER LAMP HARNESS Fleetside, 3/4 & 1-Ton, With Tailgate Marker Lamps	\$127.00	M
39992	1981	TAILGATE MARKER LAMP HARNESS 1-Tons, With Fleetside Bed & Dual Rear Wheels	\$132.00	M
39992	1982	TAILGATE MARKER LAMP HARNESS 1-Ton, With Fleetside Bed & Dual Rear Wheels	\$132.00	M
<b>TEMPERATURE GAUGE</b>				
01512260	1947	TEMPERATURE GAUGE 6 Cylinder, 100-220 Degree, Red Needle, 45 Inch	\$74.00	N
44234	1947	TEMPERATURE GAUGE V/8, 100-220 Degree, Red Needle, 60 Inch Note: GM Did Not Sell This Gauge Originally, This Gauge Is For Vehicles With V/8, But Still Maintains The Original Appearance.	\$74.00	N
01512260	1948	TEMPERATURE GAUGE 6 Cylinder, 100-220 Degree, Red Needle, 45 Inch	\$74.00	N
44234	1948	TEMPERATURE GAUGE V/8, 100-220 Degree, Red Needle, 60 Inch Note: GM Did Not Sell This Gauge Originally, This Gauge Is For Vehicles With V/8, But Still Maintains The Original Appearance.	\$74.00	N
01512260	1949	TEMPERATURE GAUGE 6 Cylinder, 100-220 Degree, Red Needle, 45 Inch	\$74.00	N
44234	1949	TEMPERATURE GAUGE V/8, 100-220 Degree, Red Needle, 60 Inch Note: GM Did Not Sell This Gauge Originally, This Gauge Is For Vehicles With V/8, But Still Maintains The Original Appearance.	\$74.00	N
01512260	1950	TEMPERATURE GAUGE 6 Cylinder, 100-220 Degree, Red Needle, 45 Inch	\$74.00	N
44234	1950	TEMPERATURE GAUGE V/8, 100-220 Degree, Red Needle, 60 Inch Note: GM Did Not Sell This Gauge Originally, This Gauge Is For Vehicles With V/8, But Still Maintains The Original Appearance.	\$74.00	N
01512260	1951	TEMPERATURE GAUGE 6 Cylinder, 100-220 Degree, Red Needle, 45 Inch	\$74.00	N
44234	1951	TEMPERATURE GAUGE V/8, 100-220 Degree, Red Needle, 60 Inch Note: GM Did Not Sell This Gauge Originally, This Gauge Is For Vehicles With V/8, But Still Maintains The Original Appearance.	\$74.00	N
01512148	1952	TEMPERATURE GAUGE 6 Cylinder, 100-212 Degree, White Needle, 45 Inch	\$74.00	N
01512701	1952	TEMPERATURE GAUGE 6 Cylinder, 100-220 Degree, White Needle, 45 Inch	\$74.00	N
44230	1952	TEMPERATURE GAUGE V/8, 100-212 Degree, White Needle, 60 Inch Note: GM Did Not Sell This Gauge Originally, This Gauge Is For Vehicles With V/8, But Still Maintains The Original Appearance.	\$74.00	N
44231	1952	TEMPERATURE GAUGE V/8, 100-220 Degree, White Needle, 60 Inch Note: GM Did Not Sell This Gauge Originally, This Gauge Is For Vehicles With V/8, But Still Maintains The Original Appearance.	\$74.00	N
01512148	1953	TEMPERATURE GAUGE 6 Cylinder, 100-212 Degree, White Needle, 45 Inch	\$74.00	N
01512701	1953	TEMPERATURE GAUGE 6 Cylinder, 100-220 Degree, White Needle, 45 Inch	\$74.00	N
44230	1953	TEMPERATURE GAUGE V/8, 100-212 Degree, White Needle, 60 Inch Note: GM Did Not Sell This Gauge Originally, This Gauge Is For Vehicles With V/8, But Still Maintains The Original Appearance.	\$74.00	N
44231	1953	TEMPERATURE GAUGE V/8, 100-220 Degree, White Needle, 60 Inch Note: GM Did Not Sell This Gauge Originally, This Gauge Is For Vehicles With V/8, But Still Maintains The Original Appearance.	\$74.00	N
01513381	1955	TEMPERATURE GAUGE Electric	\$85.00	N
01513163	1955	TEMPERATURE GAUGE Mechanical, 60" Tube Length	\$85.00	N
01513381	1956	TEMPERATURE GAUGE Electric	\$85.00	N

Part Number	Year	Description	Price	*Rev.
01513163	1956	TEMPERATURE GAUGE Mechanical, 60" Tube Length	\$85.00	N
01513381	1957	TEMPERATURE GAUGE Electric	\$85.00	N
01513163	1957	TEMPERATURE GAUGE Mechanical, 60" Tube Length	\$85.00	N
01513381	1958	TEMPERATURE GAUGE Electric	\$85.00	N
01513163	1958	TEMPERATURE GAUGE Mechanical, 60" Tube Length	\$85.00	N
01513381	1959	TEMPERATURE GAUGE Electric	\$85.00	N
01513163	1959	TEMPERATURE GAUGE Mechanical, 60" Tube Length	\$85.00	N
06401218	1960	TEMPERATURE GAUGE	\$74.00	N
06401218	1961	TEMPERATURE GAUGE	\$74.00	N
06401218	1962	TEMPERATURE GAUGE	\$74.00	N
06401218	1963	TEMPERATURE GAUGE	\$74.00	N
06401220	1964	TEMPERATURE GAUGE	\$74.00	N
06401220	1965	TEMPERATURE GAUGE	\$74.00	N
06401220	1966	TEMPERATURE GAUGE	\$74.00	N
06489838	1967	TEMPERATURE GAUGE	\$47.00	N
44219	1967	TEMPERATURE GAUGE With 100-250 Fahrenheit Numeric Face Plate Note: This Is A Replacement For OEM Gauge 06489838 (With Cold / Hot Graduations) In Trucks With Factory Gauge Type Clusters.	\$39.00	N
06489838	1968	TEMPERATURE GAUGE	\$47.00	N
44219	1968	TEMPERATURE GAUGE With 100-250 Fahrenheit Numeric Face Plate Note: This Is A Replacement For OEM Gauge 06489838 (With Cold / Hot Graduations) In Trucks With Factory Gauge Type Clusters.	\$39.00	N
06489838	1969	TEMPERATURE GAUGE	\$47.00	N
44219	1969	TEMPERATURE GAUGE With 100-250 Fahrenheit Numeric Face Plate Note: This Is A Replacement For OEM Gauge 06489838 (With Cold / Hot Graduations) In Trucks With Factory Gauge Type Clusters.	\$39.00	N
06489838	1970	TEMPERATURE GAUGE	\$47.00	N
44219	1970	TEMPERATURE GAUGE With 100-250 Fahrenheit Numeric Face Plate Note: This Is A Replacement For OEM Gauge 06489838 (With Cold / Hot Graduations) In Trucks With Factory Gauge Type Clusters.	\$39.00	N
06489838	1971	TEMPERATURE GAUGE	\$47.00	N
44219	1971	TEMPERATURE GAUGE With 100-250 Fahrenheit Numeric Face Plate Note: This Is A Replacement For OEM Gauge 06489838 (With Cold / Hot Graduations) In Trucks With Factory Gauge Type Clusters.	\$39.00	N
06489838	1972	TEMPERATURE GAUGE	\$47.00	N
44219	1972	TEMPERATURE GAUGE With 100-250 Fahrenheit Numeric Face Plate Note: This Is A Replacement For OEM Gauge 06489838 (With Cold / Hot Graduations) In Trucks With Factory Gauge Type Clusters.	\$39.00	N
06490371	1973	TEMPERATURE GAUGE Fire Orange Needle	\$39.00	N
06490371	1974	TEMPERATURE GAUGE Fire Orange Needled	\$39.00	N
06490371	1975	TEMPERATURE GAUGE Fire Orange Needle	\$39.00	N
08993329	1976	TEMPERATURE GAUGE Fire Orange Needle	\$39.00	N
08993329	1977	TEMPERATURE GAUGE Fire Orange Needle	\$39.00	N
08993329	1978	TEMPERATURE GAUGE Fire Orange Needle	\$39.00	N
08993329	1979	TEMPERATURE GAUGE 1st Design, Fire Orange Needle	\$39.00	N
08993630	1979	TEMPERATURE GAUGE 2nd Design, Light Orange Needle	\$39.00	N
08993630	1980	TEMPERATURE GAUGE Light Orange Needle	\$39.00	N
08993630	1981	TEMPERATURE GAUGE Light Orange Needle	\$39.00	N
08993630	1982	TEMPERATURE GAUGE Light Orange Needle	\$39.00	N

Part Number	Year	Description	Price	*Rev.
08993630	1983	TEMPERATURE GAUGE Light Orange Needle	\$39.00	N
08993630	1984	TEMPERATURE GAUGE Light Orange Needle	\$39.00	N
08993630	1985	TEMPERATURE GAUGE Light Orange Needle	\$39.00	N
08993630	1986	TEMPERATURE GAUGE Light Orange Needle	\$39.00	N
08993630	1987	TEMPERATURE GAUGE Light Orange Needle	\$39.00	N
<b>TRAILER LIGHT ADAPTER HARNESS</b>				
39374	1973	<b>TRAILER LIGHT ADAPTER HARNESS</b> Step Side And Fleet Side Only Note: Connects Between The Intermediate And Rear Lamp Harnesses With Original Style Connectors To Easily Add Trailer Wiring Without Splicing Into Stock Harnesses.	\$92.00	M
39374	1974	<b>TRAILER LIGHT ADAPTER HARNESS</b> Step Side And Fleet Side Only Note: Connects Between The Intermediate And Rear Lamp Harnesses With Original Style Connectors To Easily Add Trailer Wiring Without Splicing Into Stock Harnesses.	\$92.00	M
39374	1975	<b>TRAILER LIGHT ADAPTER HARNESS</b> Step Side And Fleet Side Only Note: Connects Between The Intermediate And Rear Lamp Harnesses With Original Style Connectors To Easily Add Trailer Wiring Without Splicing Into Stock Harnesses.	\$92.00	M
39374	1976	<b>TRAILER LIGHT ADAPTER HARNESS</b> Step Side And Fleet Side Only Note: Connects Between The Intermediate And Rear Lamp Harnesses With Original Style Connectors To Easily Add Trailer Wiring Without Splicing Into Stock Harnesses.	\$92.00	M
39374	1977	<b>TRAILER LIGHT ADAPTER HARNESS</b> Step Side And Fleet Side Only Note: Connects Between The Intermediate And Rear Lamp Harnesses With Original Style Connectors To Easily Add Trailer Wiring Without Splicing Into Stock Harnesses.	\$92.00	M
39374	1978	<b>TRAILER LIGHT ADAPTER HARNESS</b> Step Side And Fleet Side Only Note: Connects Between The Intermediate And Rear Lamp Harnesses With Original Style Connectors To Easily Add Trailer Wiring Without Splicing Into Stock Harnesses.	\$92.00	M
39374	1979	<b>TRAILER LIGHT ADAPTER HARNESS</b> Step Side And Fleet Side Only Note: Connects Between The Intermediate And Rear Lamp Harnesses With Original Style Connectors To Easily Add Trailer Wiring Without Splicing Into Stock Harnesses.	\$92.00	M
39374	1980	<b>TRAILER LIGHT ADAPTER HARNESS</b> Step Side And Fleet Side Only Note: Connects Between The Intermediate And Rear Lamp Harnesses With Original Style Connectors To Easily Add Trailer Wiring Without Splicing Into Stock Harnesses.	\$92.00	M
39374	1981	<b>TRAILER LIGHT ADAPTER HARNESS</b> Step Side And Fleet Side Only Note: Connects Between The Intermediate And Rear Lamp Harnesses With Original Style Connectors To Easily Add Trailer Wiring Without Splicing Into Stock Harnesses.	\$92.00	M
39374	1982	<b>TRAILER LIGHT ADAPTER HARNESS</b> Step Side And Fleet Side Only Note: Connects Between The Intermediate And Rear Lamp Harnesses With Original Style Connectors To Easily Add Trailer Wiring Without Splicing Into Stock Harnesses.	\$92.00	M
<b>TRANS TORQUE CONVERTER CLUTCH SOL FEED HARNESS</b>				
39993	1982	<b>TRANSMISSION TORQUE CONVERTER CLUTCH SOLENOID FEED HARNESS</b> 2 Wheel Drive, 1/2 & 3/4-Ton, With 700R4 & TH350 Trans	\$127.00	M
<b>TRANS TORQUE CONVERTER CLUTCH SOLENOID EXT WIRE</b>				
39923	1980	<b>TRANSMISSION TORQUE CONVERTER CLUTCH SOLENOID EXTENSION WIRE</b> 1/2 & 3/4-Ton, With TH350 Auto Trans, Except Diesel, Trans Solenoid To Trans Clutch Solenoid Feed Harness	\$87.00	M
39966	1981	<b>TRANSMISSION TORQUE CONVERTER CLUTCH SOLENOID EXTENSION WIRE</b> 1/2 & 3/4-Ton, With TH350 Trans, Trans Solenoid To Trans Clutch Solenoid Feed Harness	\$87.00	M
39979	1981	<b>TRANSMISSION TORQUE CONVERTER CLUTCH SOLENOID EXTENSION WIRE</b> 2 Wheel Drive, With Egr Bleed Solenoid, Trans Solenoid To Clutch Solenoid Feed Harness	\$127.00	M
39994	1982	<b>TRANSMISSION TORQUE CONVERTER CLUTCH SOLENOID EXTENSION WIRE</b> 1/2-Ton, 2 Wheel Drive, With 250 6cyl & TH350 Trans, Trans Solenoid To Trans Clutch Solenoid Feed Harness	\$127.00	M
40000	1982	<b>TRANSMISSION TORQUE CONVERTER CLUTCH SOLENOID EXTENSION WIRE</b> 1/2-Ton 4 Wheel Drive, 305 & 350 V/8, With 700R4 Trans & California Emission System, Without Egr Bleed Solenoid, Trans	\$127.00	M
40001	1982	<b>TRANSMISSION TORQUE CONVERTER CLUTCH SOLENOID EXTENSION WIRE</b> Suburban, 1/2-Ton 4 Wheel Drive, With 350 V/8, 700R4 Trans & Federal Emissions, & All 3/4-Tons, 4 Wheel Drive, With 350 V/8	\$127.00	M



Part Number	Year	Description	Price	*Rev.
40004	1982	TRANSMISSION TORQUE CONVERTER CLUTCH SOLENOID EXTENSION WIRE 1/2 & 3/4-Ton, 2 Wheel Drive, With 700R4 Trans & California Emission System, Trans Solenoid To Clutch Solenoid Feed	\$127.00	M
40005	1982	TRANSMISSION TORQUE CONVERTER CLUTCH SOLENOID EXTENSION WIRE 1/2 & 3/4-Ton, 2 Wheel Drive, With 700R4 Trans, Without California Emission System, Trans Solenoid To Clutch Solenoid	\$127.00	M
<b>TRANSMISSION CONTROLLED SPARK HARNESS</b>				
39752	1973	TRANSMISSION CONTROLLED SPARK HARNESS 6 Cyl., With Auto Trans Note: 6 Cylinder Items Are Not Returnable.	\$105.00	M
39753	1973	TRANSMISSION CONTROLLED SPARK HARNESS 6 Cyl, With 3 Speed Manual Trans Note: 6 Cylinder Items Are Not Returnable.	\$105.00	M
21220	1973	TRANSMISSION CONTROLLED SPARK HARNESS V/8, With 3 Speed Manual Trans	\$105.00	M
21215	1973	TRANSMISSION CONTROLLED SPARK HARNESS V/8, With Auto Trans	\$105.00	M
39765	1974	TRANSMISSION CONTROLLED SPARK HARNESS 6 Cyl, With 3 Speed Manual Trans Note: 6 Cylinder Items Are Not Returnable.	\$105.00	M
39766	1974	TRANSMISSION CONTROLLED SPARK HARNESS V/8, With 3 Speed Manual Trans	\$105.00	M
<b>TURN SIGNAL LEVER WIPER SWITCH</b>				
25111262	1984	TURN SIGNAL LEVER WIPER SWITCH Black, With Pulse Wipers, With Cruise Control	\$26.00	N
22510733	1984	TURN SIGNAL LEVER WIPER SWITCH Black, With Pulse Wipers, Without Cruise Control	\$20.00	N
22510732	1984	TURN SIGNAL LEVER WIPER SWITCH Black, Without Pulse Wipers, Without Cruise Control	\$20.00	N
25031456	1984	TURN SIGNAL LEVER WIPER SWITCH Chrome, With Pulse Wipers, With Cruise Control	\$26.00	N
22510144	1984	TURN SIGNAL LEVER WIPER SWITCH Chrome, With Pulse Wipers, Without Cruise Control	\$20.00	N
25111262	1985	TURN SIGNAL LEVER WIPER SWITCH Black, With Pulse Wipers, With Cruise Control	\$26.00	N
22510733	1985	TURN SIGNAL LEVER WIPER SWITCH Black, With Pulse Wipers, Without Cruise Control	\$20.00	N
22510732	1985	TURN SIGNAL LEVER WIPER SWITCH Black, Without Pulse Wipers, Without Cruise Control	\$20.00	N
25031456	1985	TURN SIGNAL LEVER WIPER SWITCH Chrome, With Pulse Wipers, With Cruise Control	\$26.00	N
22510144	1985	TURN SIGNAL LEVER WIPER SWITCH Chrome, With Pulse Wipers, Without Cruise Control	\$20.00	N
25111262	1986	TURN SIGNAL LEVER WIPER SWITCH Black, With Pulse Wipers, With Cruise Control	\$26.00	N
22510733	1986	TURN SIGNAL LEVER WIPER SWITCH Black, With Pulse Wipers, Without Cruise Control	\$20.00	N
22510732	1986	TURN SIGNAL LEVER WIPER SWITCH Black, Without Pulse Wipers, Without Cruise Control	\$20.00	N
25031456	1986	TURN SIGNAL LEVER WIPER SWITCH Chrome, With Pulse Wipers, With Cruise Control	\$26.00	N
22510144	1986	TURN SIGNAL LEVER WIPER SWITCH Chrome, With Pulse Wipers, Without Cruise Control	\$20.00	N
25111262	1987	TURN SIGNAL LEVER WIPER SWITCH Black, With Pulse Wipers, With Cruise Control	\$26.00	N
22510733	1987	TURN SIGNAL LEVER WIPER SWITCH Black, With Pulse Wipers, Without Cruise Control	\$20.00	N
22510732	1987	TURN SIGNAL LEVER WIPER SWITCH Black, Without Pulse Wipers, Without Cruise Control	\$20.00	N
25031456	1987	TURN SIGNAL LEVER WIPER SWITCH Chrome, With Pulse Wipers, With Cruise Control	\$26.00	N
22510144	1987	TURN SIGNAL LEVER WIPER SWITCH Chrome, With Pulse Wipers, Without Cruise Control	\$20.00	N
25111262	1988	TURN SIGNAL LEVER WIPER SWITCH Black, With Pulse Wipers, With Cruise Control	\$26.00	N
22510733	1988	TURN SIGNAL LEVER WIPER SWITCH Black, With Pulse Wipers, Without Cruise Control	\$20.00	N
22510732	1988	TURN SIGNAL LEVER WIPER SWITCH Black, Without Pulse Wipers, Without Cruise Control	\$20.00	N
25031456	1988	TURN SIGNAL LEVER WIPER SWITCH Chrome, With Pulse Wipers, With Cruise Control	\$26.00	N
22510144	1988	TURN SIGNAL LEVER WIPER SWITCH Chrome, With Pulse Wipers, Without Cruise Control	\$20.00	N
25111262	1989	TURN SIGNAL LEVER WIPER SWITCH Black, With Pulse Wipers, With Cruise Control	\$26.00	N
22510733	1989	TURN SIGNAL LEVER WIPER SWITCH Black, With Pulse Wipers, Without Cruise Control	\$20.00	N
22510732	1989	TURN SIGNAL LEVER WIPER SWITCH Black, Without Pulse Wipers, Without Cruise Control	\$20.00	N
25031456	1989	TURN SIGNAL LEVER WIPER SWITCH Chrome, With Pulse Wipers, With Cruise Control	\$26.00	N
22510144	1989	TURN SIGNAL LEVER WIPER SWITCH Chrome, With Pulse Wipers, Without Cruise Control	\$20.00	N
25111262	1990	TURN SIGNAL LEVER WIPER SWITCH Black, With Pulse Wipers, With Cruise Control	\$26.00	N
22510733	1990	TURN SIGNAL LEVER WIPER SWITCH Black, With Pulse Wipers, Without Cruise Control	\$20.00	N

Part Number	Year	Description	Price	*Rev.
22510732	1990	<b>TURN SIGNAL LEVER WIPER SWITCH</b> Black, Without Pulse Wipers, Without Cruise Control	\$20.00	N
25031456	1990	<b>TURN SIGNAL LEVER WIPER SWITCH</b> Chrome, With Pulse Wipers, With Cruise Control	\$26.00	N
22510144	1990	<b>TURN SIGNAL LEVER WIPER SWITCH</b> Chrome, With Pulse Wipers, Without Cruise Control	\$20.00	N
25111262	1991	<b>TURN SIGNAL LEVER WIPER SWITCH</b> Black, With Pulse Wipers, With Cruise Control	\$26.00	N
22510733	1991	<b>TURN SIGNAL LEVER WIPER SWITCH</b> Black, With Pulse Wipers, Without Cruise Control	\$20.00	N
22510732	1991	<b>TURN SIGNAL LEVER WIPER SWITCH</b> Black, Without Pulse Wipers, Without Cruise Control	\$20.00	N
25031456	1991	<b>TURN SIGNAL LEVER WIPER SWITCH</b> Chrome, With Pulse Wipers, With Cruise Control	\$26.00	N
22510144	1991	<b>TURN SIGNAL LEVER WIPER SWITCH</b> Chrome, With Pulse Wipers, Without Cruise Control	\$20.00	N
25111262	1992	<b>TURN SIGNAL LEVER WIPER SWITCH</b> Black, With Pulse Wipers, With Cruise Control	\$26.00	N
22510733	1992	<b>TURN SIGNAL LEVER WIPER SWITCH</b> Black, With Pulse Wipers, Without Cruise Control	\$20.00	N
22510732	1992	<b>TURN SIGNAL LEVER WIPER SWITCH</b> Black, Without Pulse Wipers, Without Cruise Control	\$20.00	N
25031456	1992	<b>TURN SIGNAL LEVER WIPER SWITCH</b> Chrome, With Pulse Wipers, With Cruise Control	\$26.00	N
22510144	1992	<b>TURN SIGNAL LEVER WIPER SWITCH</b> Chrome, With Pulse Wipers, Without Cruise Control	\$20.00	N
25111262	1993	<b>TURN SIGNAL LEVER WIPER SWITCH</b> Black, With Pulse Wipers, With Cruise Control	\$26.00	N
22510733	1993	<b>TURN SIGNAL LEVER WIPER SWITCH</b> Black, With Pulse Wipers, Without Cruise Control	\$20.00	N
22510732	1993	<b>TURN SIGNAL LEVER WIPER SWITCH</b> Black, Without Pulse Wipers, Without Cruise Control	\$20.00	N
25031456	1993	<b>TURN SIGNAL LEVER WIPER SWITCH</b> Chrome, With Pulse Wipers, With Cruise Control	\$26.00	N
22510144	1993	<b>TURN SIGNAL LEVER WIPER SWITCH</b> Chrome, With Pulse Wipers, Without Cruise Control	\$20.00	N
25111262	1994	<b>TURN SIGNAL LEVER WIPER SWITCH</b> Black, With Pulse Wipers, With Cruise Control	\$26.00	N
22510733	1994	<b>TURN SIGNAL LEVER WIPER SWITCH</b> Black, With Pulse Wipers, Without Cruise Control	\$20.00	N
22510732	1994	<b>TURN SIGNAL LEVER WIPER SWITCH</b> Black, Without Pulse Wipers, Without Cruise Control	\$20.00	N
25031456	1994	<b>TURN SIGNAL LEVER WIPER SWITCH</b> Chrome, With Pulse Wipers, With Cruise Control	\$26.00	N
22510144	1994	<b>TURN SIGNAL LEVER WIPER SWITCH</b> Chrome, With Pulse Wipers, Without Cruise Control	\$20.00	N
<b>TURN SIGNAL SWITCH</b>				
00897125	1954	<b>TURN SIGNAL HOUSING BUCKET ASSEMBLY</b> Complete With Turn Signal Switch	\$135.00	N
00897125	1955	<b>TURN SIGNAL HOUSING BUCKET ASSEMBLY</b> 1st Series, Complete With Turn Signal Switch	\$135.00	N
00897126	1955	<b>TURN SIGNAL HOUSING BUCKET ASSEMBLY</b> Complete With Turn Signal Switch	\$135.00	N
00897126	1956	<b>TURN SIGNAL HOUSING BUCKET ASSEMBLY</b> Complete With Turn Signal Switch	\$135.00	N
00897151	1957	<b>TURN SIGNAL HOUSING BUCKET ASSEMBLY</b> Complete With Turn Signal Switch	\$135.00	N
00897151	1958	<b>TURN SIGNAL HOUSING BUCKET ASSEMBLY</b> Complete With Turn Signal Switch	\$135.00	N
00897151	1959	<b>TURN SIGNAL HOUSING BUCKET ASSEMBLY</b> Complete With Turn Signal Switch	\$135.00	N
01893596	1967	<b>TURN SIGNAL SWITCH</b> With Tilt & Auto Trans, Replaces Delco Part# D6214	\$58.00	
01893591	1967	<b>TURN SIGNAL SWITCH</b> With Tilt & Manual Trans, Replaces Delco Part# D6210	\$58.00	
01894852	1967	<b>TURN SIGNAL SWITCH</b> Without Tilt, Replaces Delco Part# D6216, With Black Mushroom "Hazard" Knob	\$58.00	
01997965	1967	<b>TURN SIGNAL SWITCH</b> Without Tilt, With Correct Red "Hazard" Knob	\$57.00	
01893596	1968	<b>TURN SIGNAL SWITCH</b> With Tilt & Auto Trans, Replaces Delco Part# D6214	\$58.00	
01893591	1968	<b>TURN SIGNAL SWITCH</b> With Tilt & Manual Trans, Replaces Delco Part# D6210	\$58.00	
01894852	1968	<b>TURN SIGNAL SWITCH</b> Without Tilt, Replaces Delco Part# D6216, With Black Mushroom "Hazard" Knob	\$58.00	
01997965	1968	<b>TURN SIGNAL SWITCH</b> Without Tilt, With Correct Red "Hazard" Knob	\$57.00	
01893596	1969	<b>TURN SIGNAL SWITCH</b> With Tilt & AT, Replaces Delco #D6214, With Black Mushroom "Hazard" Knob	\$58.00	
01893591	1969	<b>TURN SIGNAL SWITCH</b> With Tilt & MT, Replaces Delco #D6210, With Black Mushroom "Hazard" Knob	\$58.00	
01997961	1969	<b>TURN SIGNAL SWITCH</b> With Tilt, With Correct Red "Hazard" Knob	\$57.00	
01894852	1969	<b>TURN SIGNAL SWITCH</b> Without Tilt, Replaces Delco Part# D6216, With Black Mushroom "Hazard" Knob	\$58.00	

Part Number	Year	Description	Price	*Rev.
01997965	1969	<b>TURN SIGNAL SWITCH</b> Without Tilt, With Correct Red "Hazard" Knob	\$57.00	
01893596	1970	<b>TURN SIGNAL SWITCH</b> With Tilt & AT, Replaces Delco #D6214, With Black Mushroom "Hazard" Knob	\$58.00	
01893591	1970	<b>TURN SIGNAL SWITCH</b> With Tilt & MT, Replaces Delco #D6210, With Black Mushroom "Hazard" Knob	\$58.00	
01997961	1970	<b>TURN SIGNAL SWITCH</b> With Tilt, With Correct Red "Hazard" Knob	\$57.00	
01894852	1970	<b>TURN SIGNAL SWITCH</b> Without Tilt, Replaces Delco Part# D6216, With Black Mushroom "Hazard" Knob	\$58.00	
01997965	1970	<b>TURN SIGNAL SWITCH</b> Without Tilt, With Correct Red "Hazard" Knob	\$57.00	
01893596	1971	<b>TURN SIGNAL SWITCH</b> With Tilt & AT, Replaces Delco #D6214, With Black Mushroom "Hazard" Knob	\$58.00	
01893591	1971	<b>TURN SIGNAL SWITCH</b> With Tilt & MT, Replaces Delco #D6210, With Black Mushroom "Hazard" Knob	\$58.00	
01997961	1971	<b>TURN SIGNAL SWITCH</b> With Tilt, With Correct Red "Hazard" Knob	\$57.00	
01894852	1971	<b>TURN SIGNAL SWITCH</b> Without Tilt, Replaces Delco Part# D6216, With Black Mushroom "Hazard" Knob	\$58.00	
01997965	1971	<b>TURN SIGNAL SWITCH</b> Without Tilt, With Correct Red "Hazard" Knob	\$57.00	
01893596	1972	<b>TURN SIGNAL SWITCH</b> With Tilt & AT, Replaces Delco #D6214, With Black Mushroom "Hazard" Knob	\$58.00	
01893591	1972	<b>TURN SIGNAL SWITCH</b> With Tilt & MT, Replaces Delco #D6210, With Black Mushroom "Hazard" Knob	\$58.00	
01997961	1972	<b>TURN SIGNAL SWITCH</b> With Tilt, With Correct Red "Hazard" Knob	\$57.00	
01894852	1972	<b>TURN SIGNAL SWITCH</b> Without Tilt, Replaces Delco Part# D6216, With Black Mushroom "Hazard" Knob	\$58.00	
01997965	1972	<b>TURN SIGNAL SWITCH</b> Without Tilt, With Correct Red "Hazard" Knob	\$57.00	
01997975	1973	<b>TURN SIGNAL SWITCH</b> All	\$38.00	N
01997975	1974	<b>TURN SIGNAL SWITCH</b> All	\$38.00	N
01997975	1975	<b>TURN SIGNAL SWITCH</b> All	\$38.00	N
01997975	1976	<b>TURN SIGNAL SWITCH</b> All	\$38.00	N
01997985	1977	<b>TURN SIGNAL SWITCH</b> All Note: Correct Part, No Adapter Pigtail Required.	\$32.00	C
01997985	1978	<b>TURN SIGNAL SWITCH</b> All Note: Correct Part, No Adapter Pigtail Required.	\$32.00	C
01997985	1979	<b>TURN SIGNAL SWITCH</b> All Note: Correct Part, No Adapter Pigtail Required.	\$32.00	C
01997985	1980	<b>TURN SIGNAL SWITCH</b> All Note: Correct Part, No Adapter Pigtail Required.	\$32.00	C
01997985	1981	<b>TURN SIGNAL SWITCH</b> All Note: Correct Part, No Adapter Pigtail Required.	\$32.00	C
01997985	1982	<b>TURN SIGNAL SWITCH</b> All Note: Correct Part, No Adapter Pigtail Required.	\$32.00	C
01997985	1983	<b>TURN SIGNAL SWITCH</b> All Note: Correct Part, No Adapter Pigtail Required.	\$32.00	C
01997983	1984	<b>TURN SIGNAL SWITCH</b> All	\$32.00	C
01997983	1985	<b>TURN SIGNAL SWITCH</b> All	\$32.00	N
01997983	1986	<b>TURN SIGNAL SWITCH</b> All	\$32.00	N
01997983	1987	<b>TURN SIGNAL SWITCH</b> All	\$32.00	N
01997983	1988	<b>TURN SIGNAL SWITCH</b> Without Pulse Wipers	\$32.00	N
01997988	1988	<b>TURN SIGNAL SWITCH</b> With Pulse Wipers	\$32.00	N
01997983	1989	<b>TURN SIGNAL SWITCH</b> Without Pulse Wipers	\$32.00	N

Part Number	Year	Description	Price	*Rev.
01997988	1989	<b>TURN SIGNAL SWITCH</b> With Pulse Wipers	\$32.00	N
01997983	1990	<b>TURN SIGNAL SWITCH</b> Without Pulse Wipers	\$32.00	N
01997988	1990	<b>TURN SIGNAL SWITCH</b> With Pulse Wipers	\$32.00	N
01997983	1991	<b>TURN SIGNAL SWITCH</b> With Tilt Wheel	\$32.00	N
01997988	1991	<b>TURN SIGNAL SWITCH</b> Without Tilt Wheel	\$32.00	N
<b>VOLTMETER GAUGE</b>				
06474474	1976	<b>VOLTMETER GAUGE</b> Fire Orange Needle	\$39.00	N
06474474	1977	<b>VOLTMETER GAUGE</b> Fire Orange Needle	\$39.00	N
06474474	1978	<b>VOLTMETER GAUGE</b> Fire Orange Needle	\$39.00	N
06474474	1979	<b>VOLTMETER GAUGE</b> 1st Design, Fire Orange Needle	\$39.00	N
06474584	1979	<b>VOLTMETER GAUGE</b> 2nd Design, Light Orange Needle	\$39.00	N
06474584	1980	<b>VOLTMETER GAUGE</b> Light Orange Needle	\$39.00	N
06474584	1981	<b>VOLTMETER GAUGE</b> Light Orange Needle	\$39.00	N
06474584	1982	<b>VOLTMETER GAUGE</b> Light Orange Needle	\$39.00	N
06474584	1983	<b>VOLTMETER GAUGE</b> Light Orange Needle	\$39.00	N
06474584	1984	<b>VOLTMETER GAUGE</b> Light Orange Needle	\$39.00	N
06474584	1985	<b>VOLTMETER GAUGE</b> Light Orange Needle	\$39.00	N
06474584	1986	<b>VOLTMETER GAUGE</b> Light Orange Needle	\$39.00	N
06474584	1987	<b>VOLTMETER GAUGE</b> Light Orange Needle	\$39.00	N
<b>WINDSHIELD WASHER PUMP</b>				
04919332	1964	<b>WINDSHIELD WASHER PUMP</b> All	\$60.00	N
04919332	1965	<b>WINDSHIELD WASHER PUMP</b> All	\$60.00	N
04919332	1966	<b>WINDSHIELD WASHER PUMP</b> All	\$60.00	N
04919332	1967	<b>WINDSHIELD WASHER PUMP</b> All	\$60.00	N
04919332	1968	<b>WINDSHIELD WASHER PUMP</b> All	\$60.00	N
04919332	1969	<b>WINDSHIELD WASHER PUMP</b> All	\$60.00	N
04919332	1970	<b>WINDSHIELD WASHER PUMP</b> All	\$60.00	N
04919332	1971	<b>WINDSHIELD WASHER PUMP</b> All	\$60.00	N
04919332	1972	<b>WINDSHIELD WASHER PUMP</b> All	\$60.00	N
<b>WINDSHIELD WIPER MOTOR</b>				
44610	1947	<b>WINDSHIELD WIPER MOTOR KIT</b> 12 Volt Conversion Kit Note: Replaces Original Vacuum Operated Wiper Motor.	\$231.00	N
44611	1947	<b>WINDSHIELD WIPER MOTOR KIT</b> 6 Volt Conversion Kit Note: Replaces Original Vacuum Operated Wiper Motor.	\$231.00	N
44610	1948	<b>WINDSHIELD WIPER MOTOR KIT</b> 12 Volt Conversion Kit Note: Replaces Original Vacuum Operated Wiper Motor.	\$231.00	N
44611	1948	<b>WINDSHIELD WIPER MOTOR KIT</b> 6 Volt Conversion Kit Note: Replaces Original Vacuum Operated Wiper Motor.	\$231.00	N
44610	1949	<b>WINDSHIELD WIPER MOTOR KIT</b> 12 Volt Conversion Kit Note: Replaces Original Vacuum Operated Wiper Motor.	\$231.00	N
44611	1949	<b>WINDSHIELD WIPER MOTOR KIT</b> 6 Volt Conversion Kit Note: Replaces Original Vacuum Operated Wiper Motor.	\$231.00	N
44610	1950	<b>WINDSHIELD WIPER MOTOR KIT</b> 12 Volt Conversion Kit Note: Replaces Original Vacuum Operated Wiper Motor.	\$231.00	N
44611	1950	<b>WINDSHIELD WIPER MOTOR KIT</b> 6 Volt Conversion Kit Note: Replaces Original Vacuum Operated Wiper Motor.	\$231.00	N

Part Number	Year	Description	Price	*Rev.
44610	1951	<b>WINDSHIELD WIPER MOTOR KIT</b> 12 Volt Conversion Kit Note: Replaces Original Vacuum Operated Wiper Motor.	\$231.00	N
44611	1951	<b>WINDSHIELD WIPER MOTOR KIT</b> 6 Volt Conversion Kit Note: Replaces Original Vacuum Operated Wiper Motor.	\$231.00	N
44610	1952	<b>WINDSHIELD WIPER MOTOR KIT</b> 12 Volt Conversion Kit Note: Replaces Original Vacuum Operated Wiper Motor.	\$231.00	N
44611	1952	<b>WINDSHIELD WIPER MOTOR KIT</b> 6 Volt Conversion Kit Note: Replaces Original Vacuum Operated Wiper Motor.	\$231.00	N
44610	1953	<b>WINDSHIELD WIPER MOTOR KIT</b> 12 Volt Conversion Kit Note: Replaces Original Vacuum Operated Wiper Motor.	\$231.00	N
44611	1953	<b>WINDSHIELD WIPER MOTOR KIT</b> 6 Volt Conversion Kit Note: Replaces Original Vacuum Operated Wiper Motor.	\$231.00	N
44612	1954	<b>WINDSHIELD WIPER MOTOR KIT</b> 12 Volt Conversion Kit Note: Replaces Original Vacuum Operated Wiper Motor.	\$231.00	N
44613	1954	<b>WINDSHIELD WIPER MOTOR KIT</b> 6 Volt Conversion Kit Note: Replaces Original Vacuum Operated Wiper Motor.	\$231.00	N
44612	1955	<b>WINDSHIELD WIPER MOTOR KIT</b> 1st Series, 12 Volt Conversion Kit Note: Replaces Original Vacuum Operated Wiper Motor.	\$231.00	N
44613	1955	<b>WINDSHIELD WIPER MOTOR KIT</b> 1st Series, 6 Volt Conversion Kit Note: Replaces Original Vacuum Operated Wiper Motor.	\$231.00	N
04911476	1963	<b>WINDSHIELD WIPER MOTOR</b> 2-Speed, 3-Terminal Type Motor	\$92.00	N
44609	1963	<b>WINDSHIELD WIPER MOTOR</b> 2-Speed, 4-Terminal Type Motor Note: This Can Be Used In Place Of The 3-Terminal Motor. The 4th Terminal Is A Keyed Hot From Wiper Fuse In Fuse Box And May Or May Not Be Used In Some Applications.	\$106.00	N
04911476	1964	<b>WINDSHIELD WIPER MOTOR</b> 2-Speed, 3-Terminal Type Motor	\$92.00	N
44609	1964	<b>WINDSHIELD WIPER MOTOR</b> 2-Speed, 4-Terminal Type Motor Note: This Can Be Used In Place Of The 3-Terminal Motor. The 4th Terminal Is A Keyed Hot From Wiper Fuse In Fuse Box And May Or May Not Be Used In Some Applications.	\$106.00	N
04911476	1965	<b>WINDSHIELD WIPER MOTOR</b> 2-Speed, 3-Terminal Type Motor	\$92.00	N
44609	1965	<b>WINDSHIELD WIPER MOTOR</b> 2-Speed, 4-Terminal Type Motor Note: This Can Be Used In Place Of The 3-Terminal Motor. The 4th Terminal Is A Keyed Hot From Wiper Fuse In Fuse Box And May Or May Not Be Used In Some Applications.	\$106.00	N
04911476	1966	<b>WINDSHIELD WIPER MOTOR</b> 2-Speed, 3-Terminal Type Motor	\$92.00	N
44609	1966	<b>WINDSHIELD WIPER MOTOR</b> 2-Speed, 4-Terminal Type Motor Note: This Can Be Used In Place Of The 3-Terminal Motor. The 4th Terminal Is A Keyed Hot From Wiper Fuse In Fuse Box And May Or May Not Be Used In Some Applications.	\$106.00	N
04911476	1967	<b>WINDSHIELD WIPER MOTOR</b> 2-Speed, 3-Terminal Type Motor	\$92.00	N
44609	1967	<b>WINDSHIELD WIPER MOTOR</b> 2-Speed, 4-Terminal Type Motor Note: This Can Be Used In Place Of The 3-Terminal Motor. The 4th Terminal Is A Keyed Hot From Wiper Fuse In Fuse Box And May Or May Not Be Used In Some Applications.	\$106.00	N
04911476	1968	<b>WINDSHIELD WIPER MOTOR</b> 2-Speed, 3-Terminal Type Motor	\$92.00	N
44609	1968	<b>WINDSHIELD WIPER MOTOR</b> 2-Speed, 4-Terminal Type Motor Note: This Can Be Used In Place Of The 3-Terminal Motor. The 4th Terminal Is A Keyed Hot From Wiper Fuse In Fuse Box And May Or May Not Be Used In Some Applications.	\$106.00	N
04911476	1969	<b>WINDSHIELD WIPER MOTOR</b> 2-Speed, 3-Terminal Type Motor	\$92.00	N
44609	1969	<b>WINDSHIELD WIPER MOTOR</b> 2-Speed, 4-Terminal Type Motor Note: This Can Be Used In Place Of The 3-Terminal Motor. The 4th Terminal Is A Keyed Hot From Wiper Fuse In Fuse Box And May Or May Not Be Used In Some Applications.	\$106.00	N
04911476	1970	<b>WINDSHIELD WIPER MOTOR</b> 2-Speed, 3-Terminal Type Motor	\$92.00	N

Part Number	Year	Description	Price	*Rev.
44609	1970	<b>WINDSHIELD WIPER MOTOR</b> 2-Speed, 4-Terminal Type Motor Note: This Can Be Used In Place Of The 3-Terminal Motor. The 4th Terminal Is A Keyed Hot From Wiper Fuse In Fuse Box And May Or May Not Be Used In Some Applications.	\$106.00	N
04911476	1971	<b>WINDSHIELD WIPER MOTOR</b> 2-Speed, 3-Terminal Type Motor	\$92.00	N
44609	1971	<b>WINDSHIELD WIPER MOTOR</b> 2-Speed, 4-Terminal Type Motor Note: This Can Be Used In Place Of The 3-Terminal Motor. The 4th Terminal Is A Keyed Hot From Wiper Fuse In Fuse Box And May Or May Not Be Used In Some Applications.	\$106.00	N
04911476	1972	<b>WINDSHIELD WIPER MOTOR</b> 2-Speed, 3-Terminal Type Motor	\$92.00	N
44609	1972	<b>WINDSHIELD WIPER MOTOR</b> 2-Speed, 4-Terminal Type Motor Note: This Can Be Used In Place Of The 3-Terminal Motor. The 4th Terminal Is A Keyed Hot From Wiper Fuse In Fuse Box And May Or May Not Be Used In Some Applications.	\$106.00	N
<b>WINDSHIELD WIPER SWITCH</b>				
01994151	1973	<b>WINDSHIELD WIPER SWITCH</b>	\$47.00	
01994151	1974	<b>WINDSHIELD WIPER SWITCH</b>	\$47.00	
01994172	1975	<b>WINDSHIELD WIPER SWITCH</b> Without Pulse Wipers	\$47.00	N
01994172	1976	<b>WINDSHIELD WIPER SWITCH</b> Without Pulse Wipers	\$47.00	N
01994172	1977	<b>WINDSHIELD WIPER SWITCH</b> Without Pulse Wipers	\$47.00	N
14028808	1978	<b>WINDSHIELD WIPER SWITCH</b> With Pulse Wipers	\$35.00	N
14028807	1978	<b>WINDSHIELD WIPER SWITCH</b> Without Pulse Wipers	\$27.00	N
14028808	1979	<b>WINDSHIELD WIPER SWITCH</b> With Pulse Wipers	\$35.00	N
14028807	1979	<b>WINDSHIELD WIPER SWITCH</b> Without Pulse Wipers	\$27.00	N
14028808	1980	<b>WINDSHIELD WIPER SWITCH</b> With Pulse Wipers	\$35.00	N
14028807	1980	<b>WINDSHIELD WIPER SWITCH</b> Without Pulse Wipers	\$27.00	N
14028808	1981	<b>WINDSHIELD WIPER SWITCH</b> With Pulse Wipers	\$35.00	N
14028807	1981	<b>WINDSHIELD WIPER SWITCH</b> Without Pulse Wipers	\$27.00	N
14028808	1982	<b>WINDSHIELD WIPER SWITCH</b> With Pulse Wipers	\$35.00	N
14028807	1982	<b>WINDSHIELD WIPER SWITCH</b> Without Pulse Wipers	\$27.00	N
14028808	1983	<b>WINDSHIELD WIPER SWITCH</b> With Pulse Wipers	\$35.00	N
14028807	1983	<b>WINDSHIELD WIPER SWITCH</b> Without Pulse Wipers	\$27.00	N
<b>WIRING JUNCTION BLOCK</b>				
01865535	1940	<b>WIRING JUNCTION BLOCK</b> 3-Terminal, Headlamp Wire Junction	\$12.00	N
01998756	1940	<b>WIRING JUNCTION BLOCK</b> 4-Terminal, Headlamp Wire Junction	\$13.00	N
01998757	1940	<b>WIRING JUNCTION BLOCK</b> 5-Terminal, Headlamp Wire Junction	\$19.00	N
01865535	1941	<b>WIRING JUNCTION BLOCK</b> 3-Terminal, Headlamp Wire Junction	\$12.00	N
01998756	1941	<b>WIRING JUNCTION BLOCK</b> 4-Terminal, Headlamp Wire Junction	\$13.00	N
01998757	1941	<b>WIRING JUNCTION BLOCK</b> 5-Terminal, Headlamp Wire Junction	\$19.00	N
01865535	1942	<b>WIRING JUNCTION BLOCK</b> 3-Terminal, Headlamp Wire Junction	\$12.00	N
01998756	1942	<b>WIRING JUNCTION BLOCK</b> 4-Terminal, Headlamp Wire Junction	\$13.00	N
01998757	1942	<b>WIRING JUNCTION BLOCK</b> 5-Terminal, Headlamp Wire Junction	\$19.00	N
01865535	1943	<b>WIRING JUNCTION BLOCK</b> 3-Terminal, Headlamp Wire Junction	\$12.00	N
01998756	1943	<b>WIRING JUNCTION BLOCK</b> 4-Terminal, Headlamp Wire Junction	\$13.00	N
01998757	1943	<b>WIRING JUNCTION BLOCK</b> 5-Terminal, Headlamp Wire Junction	\$19.00	N
01865535	1944	<b>WIRING JUNCTION BLOCK</b> 3-Terminal, Headlamp Wire Junction	\$12.00	N
01998756	1944	<b>WIRING JUNCTION BLOCK</b> 4-Terminal, Headlamp Wire Junction	\$13.00	N
01998757	1944	<b>WIRING JUNCTION BLOCK</b> 5-Terminal, Headlamp Wire Junction	\$19.00	N
01865535	1945	<b>WIRING JUNCTION BLOCK</b> 3-Terminal, Headlamp Wire Junction	\$12.00	N
01998756	1945	<b>WIRING JUNCTION BLOCK</b> 4-Terminal, Headlamp Wire Junction	\$13.00	N

Part Number	Year	Description	Price	*Rev.
01998757	1945	WIRING JUNCTION BLOCK 5-Terminal, Headlamp Wire Junction	\$19.00	N
01865535	1946	WIRING JUNCTION BLOCK 3-Terminal, Headlamp Wire Junction	\$12.00	N
01998756	1946	WIRING JUNCTION BLOCK 4-Terminal, Headlamp Wire Junction	\$13.00	N
01998757	1946	WIRING JUNCTION BLOCK 5-Terminal, Headlamp Wire Junction	\$19.00	N
01865535	1947	WIRING JUNCTION BLOCK 3-Terminal, Headlamp Wire Junction	\$12.00	N
01998756	1947	WIRING JUNCTION BLOCK 4-Terminal, Headlamp Wire Junction	\$13.00	N
01998757	1947	WIRING JUNCTION BLOCK 5-Terminal, Headlamp Wire Junction	\$19.00	N
01865535	1948	WIRING JUNCTION BLOCK 3-Terminal, Headlamp Wire Junction	\$12.00	N
01998756	1948	WIRING JUNCTION BLOCK 4-Terminal, Headlamp Wire Junction	\$13.00	N
01998757	1948	WIRING JUNCTION BLOCK 5-Terminal, Headlamp Wire Junction	\$19.00	N
01865535	1949	WIRING JUNCTION BLOCK 3-Terminal, Headlamp Wire Junction	\$12.00	N
01998756	1949	WIRING JUNCTION BLOCK 4-Terminal, Headlamp Wire Junction	\$13.00	N
01998757	1949	WIRING JUNCTION BLOCK 5-Terminal, Headlamp Wire Junction	\$19.00	N
01865535	1950	WIRING JUNCTION BLOCK 3-Terminal, Headlamp Wire Junction	\$12.00	N
01998756	1950	WIRING JUNCTION BLOCK 4-Terminal, Headlamp Wire Junction	\$13.00	N
01998757	1950	WIRING JUNCTION BLOCK 5-Terminal, Headlamp Wire Junction	\$19.00	N
01865535	1951	WIRING JUNCTION BLOCK 3-Terminal, Headlamp Wire Junction	\$12.00	N
01998756	1951	WIRING JUNCTION BLOCK 4-Terminal, Headlamp Wire Junction	\$13.00	N
01998757	1951	WIRING JUNCTION BLOCK 5-Terminal, Headlamp Wire Junction	\$19.00	N
01865535	1952	WIRING JUNCTION BLOCK 3-Terminal, Headlamp Wire Junction	\$12.00	N
01998756	1952	WIRING JUNCTION BLOCK 4-Terminal, Headlamp Wire Junction	\$13.00	N
01998757	1952	WIRING JUNCTION BLOCK 5-Terminal, Headlamp Wire Junction	\$19.00	N
01865535	1953	WIRING JUNCTION BLOCK 3-Terminal, Headlamp Wire Junction	\$12.00	N
01998756	1953	WIRING JUNCTION BLOCK 4-Terminal, Headlamp Wire Junction	\$13.00	N
01998757	1953	WIRING JUNCTION BLOCK 5-Terminal, Headlamp Wire Junction	\$19.00	N
01998756	1954	WIRING JUNCTION BLOCK 4-Terminal, Headlamp Wire Junction	\$13.00	N
01998757	1954	WIRING JUNCTION BLOCK 5-Terminal, Headlamp Wire Junction	\$19.00	N
01998756	1955	WIRING JUNCTION BLOCK 1st Series, 4-Terminal, Headlamp Wire Junction	\$13.00	N
01998757	1955	WIRING JUNCTION BLOCK 1st Series, 5-Terminal, Headlamp Wire Junction	\$19.00	N

# ***Section 17***

***GTO***

***Le Mans***

***Tempest***



Part Number	Year	Description	Price	*Rev.
<b>8 TRACK TAPE PLAYER HARNESS</b>				
27610	1967	<b>8 TRACK TAPE PLAYER HARNESS</b> AM Or AM/FM Radio, Except Stereo, Tape Player To Radio	\$92.00	
27610	1968	<b>8 TRACK TAPE PLAYER HARNESS</b> AM Or AM/FM Radio, Except Stereo, Tape Player To Radio	\$92.00	
39703	1968	<b>8 TRACK TAPE PLAYER HARNESS</b> Stereo Radio & Multiplex, Tape Player To Radio	\$92.00	
40512	1969	<b>8 TRACK TAPE PLAYER HARNESS</b> AM/FM Radio, With Stereo, Tape Player To Radio	\$92.00	
40513	1969	<b>8 TRACK TAPE PLAYER HARNESS</b> AM Or AM/FM Radio, Except Stereo, Tape Player To Radio	\$92.00	
19855	1970	<b>8 TRACK TAPE PLAYER HARNESS</b> AM Or AM/FM Radio, Except Stereo, Tape Player To Radio Note: Customer Must Reuse Their Original Plastic Connector For The Speaker Wiring.	\$92.00	
15545	1970	<b>8 TRACK TAPE PLAYER HARNESS</b> AM/FM Radio, With Stereo, Tape Player To Radio Note: Customer Must Reuse Their Original Plastic Connector For The Speaker Wiring.	\$92.00	
19855	1971	<b>8 TRACK TAPE PLAYER HARNESS</b> AM Or AM/FM Radio, Except Stereo, Tape Player To Radio Note: Customer Must Reuse Their Original Plastic Connector For The Speaker Wiring.	\$92.00	
15545	1971	<b>8 TRACK TAPE PLAYER HARNESS</b> AM/FM Radio, With Stereo, Tape Player To Radio Note: Customer Must Reuse Their Original Plastic Connector For The Speaker Wiring.	\$92.00	
19855	1972	<b>8 TRACK TAPE PLAYER HARNESS</b> AM Or AM/FM Radio, Except Stereo, Tape Player To Radio Note: Customer Must Reuse Their Original Plastic Connector For The Speaker Wiring.	\$92.00	
15545	1972	<b>8 TRACK TAPE PLAYER HARNESS</b> AM/FM Radio, With Stereo, Tape Player To Radio Note: Customer Must Reuse Their Original Plastic Connector For The Speaker Wiring.	\$92.00	
<b>AIR CONDITIONING COMPRESSOR JUMPER HARNESS</b>				
40838	1975	<b>AIR CONDITIONING COMPRESSOR JUMPER HARNESS</b> 6 Cylinder, Compressor To Thermal Limiter Note: 6 Cylinder Items Are Not Returnable.	\$87.00	
40830	1976	<b>AIR CONDITIONING COMPRESSOR JUMPER HARNESS</b> V/8, Engine Harness To A/C Compressor	\$87.00	
40838	1976	<b>AIR CONDITIONING COMPRESSOR JUMPER HARNESS</b> 6 Cylinder, Compressor To Thermal Limiter Note: 6 Cylinder Items Are Not Returnable.	\$87.00	
38421	1977	<b>AIR CONDITIONING COMPRESSOR JUMPER HARNESS</b> Grand Le Mans And Le Mans, V/8, 350 & 400 C.I., A/C Harness To A/C Compressor	\$67.00	
38616	1977	<b>AIR CONDITIONING COMPRESSOR JUMPER HARNESS</b> V/8, 301 C.I., A/C Harness To A/C Compressor	\$80.00	
38619	1977	<b>AIR CONDITIONING COMPRESSOR JUMPER HARNESS</b> V/6, A/C Harness To A/C Compressor	\$67.00	
<b>AIR CONDITIONING CONTROL LAMP ASSEMBLY</b>				
40743	1966	<b>AIR CONDITIONING CONTROL LAMP ASSEMBLY</b> Bulb Socket & Wire, Dash Harness To A/C Control Unit	\$23.00	
40743	1967	<b>AIR CONDITIONING CONTROL LAMP ASSEMBLY</b> Bulb Socket & Wire, Dash Harness To A/C Control Unit	\$23.00	
<b>AIR CONDITIONING EVAPORATOR WIRE</b>				
40455	1961	<b>AIR CONDITIONING EVAPORATOR WIRE</b> With Universal A/C, Heater Feed To Evaporator	\$21.00	
<b>AIR CONDITIONING EXTENSION HARNESS</b>				
40508	1968	<b>AIR CONDITIONING EXTENSION HARNESS</b> 6 Cylinder, With Field Installed A/C, Power Feed, From Alternator Power Stud To A/C Harness & Compressor Note: 6 Cylinder Items Are Not Returnable.	\$66.00	
40509	1968	<b>AIR CONDITIONING EXTENSION HARNESS</b> V/8, With Field Installed A/C, Power Feed, From Alternator Power Stud To A/C Harness & Compressor	\$66.00	
17390	1969	<b>AIR CONDITIONING EXTENSION HARNESS</b> V/8, Power Feed & Compressor, From Alternator Power Stud To A/C Harness & Compressor	\$52.00	
17390	1970	<b>AIR CONDITIONING EXTENSION HARNESS</b> V/8, Power Feed & Compressor, From Alternator Power Stud To A/C Harness & Compressor	\$52.00	
39487	1971	<b>AIR CONDITIONING EXTENSION HARNESS</b> Compressor To Engine Harness	\$66.00	
<b>AIR CONDITIONING HARNESS</b>				
03580	1961	<b>AIR CONDITIONING HARNESS</b> Includes Heater Wiring	\$164.00	
03830	1962	<b>AIR CONDITIONING HARNESS</b> Includes Heater Wiring	\$171.00	
18900	1963	<b>AIR CONDITIONING HARNESS</b> Includes Heater Wiring	\$164.00	

Part Number	Year	Description	Price	*Rev.
04590	1964	<b>AIR CONDITIONING HARNESS</b> 6 Cyl, Includes Heater Wiring, (Field Installed Only) Note: 6 Cylinder Items Are Not Returnable.	\$198.00	
04595	1964	<b>AIR CONDITIONING HARNESS</b> V/8, Includes Heater Wiring, (Field Installed Only)	\$198.00	
05175	1964	<b>AIR CONDITIONING HARNESS</b> Includes Heater Wiring, 6 Cylinder & V/8, With Factory Installed A/C Note: 6 Cylinder Items Are Not Returnable.	\$172.00	
05825	1965	<b>AIR CONDITIONING HARNESS</b> V/8, Includes Heater Wiring, (Field Installed Only)	\$198.00	
05830	1965	<b>AIR CONDITIONING HARNESS</b> 6 Cylinder, Includes Heater Wiring, (Field Installed Only) Note: 6 Cylinder Items Are Not Returnable.	\$198.00	
05720	1965	<b>AIR CONDITIONING HARNESS</b> Includes Heater Wiring, 6 Cylinder & V/8, With Factory Installed A/C Note: 6 Cylinder Items Are Not Returnable.	\$172.00	
09570	1966	<b>AIR CONDITIONING HARNESS</b> V/8, Includes Heater Wiring, (Field Installed Only)	\$113.00	
10170	1966	<b>AIR CONDITIONING HARNESS</b> 6 Cylinder, Includes Heater Wiring, (Field Installed Only) Note: 6 Cylinder Items Are Not Returnable.	\$113.00	
30215	1966	<b>AIR CONDITIONING HARNESS</b> Main, Engine Compartment (Includes Heater Wiring), 6 Cylinder & V/8, With Factory Installed A/C Note: 6 Cylinder Items Are Not Returnable.	\$113.00	
09695	1966	<b>AIR CONDITIONING HARNESS</b> Blower Switch, Under Dash (Includes Heater Wiring), 6 Cylinder & V/8, With Factory Installed A/C Note: 6 Cylinder Items Are Not Returnable.	\$87.00	
09570	1967	<b>AIR CONDITIONING HARNESS</b> V/8, Includes Heater Wiring, (Field Installed Only)	\$113.00	
10170	1967	<b>AIR CONDITIONING HARNESS</b> 6 Cylinder, Includes Heater Wiring, (Field Installed Only) Note: 6 Cylinder Items Are Not Returnable.	\$113.00	
30215	1967	<b>AIR CONDITIONING HARNESS</b> Main, Engine Compartment (Includes Heater Wiring), 6 Cylinder & V/8, With Factory Installed A/C Note: 6 Cylinder Items Are Not Returnable.	\$113.00	
09695	1967	<b>AIR CONDITIONING HARNESS</b> Blower Switch, Under Dash (Includes Heater Wiring), 6 Cylinder & V/8, With Factory Installed A/C Note: 6 Cylinder Items Are Not Returnable.	\$87.00	
11605	1968	<b>AIR CONDITIONING HARNESS</b> Includes Heater Wiring	\$172.00	
40517	1969	<b>AIR CONDITIONING HARNESS</b> Main, Engine Compartment, With Rear Defroster (Includes Heater Wiring)	\$113.00	
40518	1969	<b>AIR CONDITIONING HARNESS</b> Blower Switch, Under Dash, With Rear Defroster (Includes Heater Wiring)	\$80.00	
30220	1969	<b>AIR CONDITIONING HARNESS</b> Main, Engine Compartment, Without Rear Defroster (Includes Heater Wiring)	\$113.00	
13355	1969	<b>AIR CONDITIONING HARNESS</b> Blower Switch, Under Dash, Without Rear Defroster (Includes Heater Wiring)	\$87.00	
30220	1970	<b>AIR CONDITIONING HARNESS</b> Main, Engine Compartment, Without Rear Defroster (Includes Heater Wiring)	\$113.00	
13355	1970	<b>AIR CONDITIONING HARNESS</b> Blower Switch, Under Dash, Without Rear Defroster (Includes Heater Wiring)	\$87.00	
30225	1970	<b>AIR CONDITIONING HARNESS</b> Main, Engine Compartment, With Rear Defroster (Includes Heater Wiring)	\$180.00	
15730	1970	<b>AIR CONDITIONING HARNESS</b> Blower Switch, Under Dash, With Rear Defroster (Includes Heater Wiring)	\$127.00	
30220	1971	<b>AIR CONDITIONING HARNESS</b> Main, Engine Compartment (Includes Heater Wiring)	\$113.00	
13355	1971	<b>AIR CONDITIONING HARNESS</b> Blower Switch, Under Dash (Includes Heater Wiring)	\$87.00	
15430	1971	<b>AIR CONDITIONING HARNESS</b> V/8, Ventura (Includes Heater Wiring)	\$199.00	
30220	1972	<b>AIR CONDITIONING HARNESS</b> Main, Engine Compartment (Includes Heater Wiring)	\$113.00	
13355	1972	<b>AIR CONDITIONING HARNESS</b> Blower Switch, Under Dash (Includes Heater Wiring)	\$87.00	

Part Number	Year	Description	Price	*Rev.
16400	1972	<b>AIR CONDITIONING HARNESS</b> Ventura, V/8, With Chevy 307 C.I. (Includes Heater Wiring)	\$199.00	
40611	1972	<b>AIR CONDITIONING HARNESS</b> Ventura, With Pontiac 350 C.I. Eng (Includes Heater Wiring)	\$221.00	
17560	1973	<b>AIR CONDITIONING HARNESS</b> Blower Switch, Under Dash (Includes Heater Wiring)	\$80.00	
40635	1973	<b>AIR CONDITIONING HARNESS</b> Main, Engine Compartment (Includes Heater Wiring), (1st Design) Note: Used On Cars Where Harness Is Routed Thru Center Of Firewall. Customer Must Supply Their Original Harness.	\$113.00	
40664	1973	<b>AIR CONDITIONING HARNESS</b> Main, Engine Compartment (Includes Heater Wiring), (2nd Design) Note: Used On Cars Where Harness Is Routed Thru Firewall, Outboard Of Blower Motor.	\$226.00	
40611	1973	<b>AIR CONDITIONING HARNESS</b> Ventura, With Pontiac 350 C.I. Eng (Includes Heater Wiring)	\$221.00	
40663	1974	<b>AIR CONDITIONING HARNESS</b> Blower Switch, Under Dash (Includes Heater Wiring)	\$133.00	
40664	1974	<b>AIR CONDITIONING HARNESS</b> Main, Engine Compartment (Includes Heater Wiring)	\$226.00	
40611	1974	<b>AIR CONDITIONING HARNESS</b> Ventura, V/8 (Includes Heater Wiring)	\$221.00	
37627	1975	<b>AIR CONDITIONING HARNESS</b> Main, Engine Compartment, V/8, With Standard A/C (Includes Heater Wiring)	\$226.00	
40685	1975	<b>AIR CONDITIONING HARNESS</b> Main, Engine Compartment, V/8, With Auto Temp Control A/C (Includes Heater Wiring)	\$172.00	
40687	1975	<b>AIR CONDITIONING HARNESS</b> Blower Switch, Under Dash, With Auto Temp Control A/C, (Includes Heater Wiring)	\$80.00	
40814	1975	<b>AIR CONDITIONING HARNESS</b> Main, Engine Compartment, With 6 Cylinder (Includes Heater Wiring) Note: 6 Cylinder Items Are Not Returnable.	\$172.00	
40820	1975	<b>AIR CONDITIONING HARNESS</b> Blower Switch, Under Dash, With Standard A/C, (Includes Heater Wiring)	\$80.00	
40834	1976	<b>AIR CONDITIONING HARNESS</b> V/8, Main, With Standard A/C (Includes Heater Wiring)	\$172.00	
40835	1976	<b>AIR CONDITIONING HARNESS</b> V/8, Main, With Automatic Temperature Control A/C (Includes Heater Wiring)	\$172.00	
40836	1976	<b>AIR CONDITIONING HARNESS</b> 6 Cylinder, Main (Includes Heater Wiring) Note: 6 Cylinder Items Are Not Returnable.	\$198.00	
40890	1977	<b>AIR CONDITIONING HARNESS</b> V/8, Main (Includes Heater Wiring) Note: Customer Must Reuse Their Original Plastic Connector That Plugs Onto The Ranco Switch.	\$184.00	
<b>AIR CONDITIONING JUMPER HARNESS</b>				
40503	1967	<b>AIR CONDITIONING JUMPER HARNESS</b> Used On Factory Production A/C Systems, This Jumper Connects Blower Relay & Clutch Switch To Ambient Switch	\$46.00	
40507	1967	<b>AIR CONDITIONING JUMPER HARNESS</b> Used On Field Installed A/C Systems, Blower Relay & Clutch Switch To Ambient Switch Connector	\$46.00	
40848	1976	<b>AIR CONDITIONING JUMPER HARNESS</b> With Automatic Temperature Control, A/C Harness To Temperature Switch	\$21.00	
<b>AIR CONDITIONING POWER FEED WIRE</b>				
10970	1971	<b>AIR CONDITIONING POWER FEED WIRE</b> Ventura, Horn Relay To A/C Fuse	\$22.00	
33865	1972	<b>AIR CONDITIONING POWER FEED WIRE</b> Ventura, V/8, Chevy 307 C.I., Horn Relay To A/C Fuse	\$25.00	
<b>ALTERNATOR CONVERSION KIT</b>				
27555	1963	<b>ALTERNATOR CONVERSION KIT</b> External To Internal Regulator Conversion Harness ("SI" Series) Note: For Use With 1972-84 Non-Serpentine Belt ("SI" Series) Internal Regulated Alternators.	\$29.00	
37787	1963	<b>ALTERNATOR CONVERSION KIT</b> External To Internal Regulator Conversion Harness ("CS" Series) Note: For Use With Serpentine Belt ("CS" Series) Internal Regulated Alternators.	\$34.00	
27555	1964	<b>ALTERNATOR CONVERSION KIT</b> External To Internal Regulator Conversion Harness ("SI" Series) Note: For Use With 1972-84 Non-Serpentine Belt ("SI" Series) Internal Regulated Alternators.	\$29.00	
37787	1964	<b>ALTERNATOR CONVERSION KIT</b> External To Internal Regulator Conversion Harness ("CS" Series) Note: For Use With Serpentine Belt ("CS" Series) Internal Regulated Alternators.	\$34.00	

Part Number	Year	Description	Price	*Rev.
27555	1965	<b>ALTERNATOR CONVERSION KIT</b> External To Internal Regulator Conversion Harness ("SI" Series) Note: For Use With 1972-84 Non-Serpentine Belt ("SI" Series) Internal Regulated Alternators.	\$29.00	
37787	1965	<b>ALTERNATOR CONVERSION KIT</b> External To Internal Regulator Conversion Harness ("CS" Series) Note: For Use With Serpentine Belt ("CS" Series) Internal Regulated Alternators.	\$34.00	
27555	1966	<b>ALTERNATOR CONVERSION KIT</b> External To Internal Regulator Conversion Harness ("SI" Series) Note: For Use With 1972-84 Non-Serpentine Belt ("SI" Series) Internal Regulated Alternators.	\$29.00	
37787	1966	<b>ALTERNATOR CONVERSION KIT</b> External To Internal Regulator Conversion Harness ("CS" Series) Note: For Use With Serpentine Belt ("CS" Series) Internal Regulated Alternators.	\$34.00	
27555	1967	<b>ALTERNATOR CONVERSION KIT</b> External To Internal Regulator Conversion Harness ("SI" Series) Note: For Use With 1972-84 Non-Serpentine Belt ("SI" Series) Internal Regulated Alternators.	\$29.00	
37787	1967	<b>ALTERNATOR CONVERSION KIT</b> External To Internal Regulator Conversion Harness ("CS" Series) Note: For Use With Serpentine Belt ("CS" Series) Internal Regulated Alternators.	\$34.00	
27555	1968	<b>ALTERNATOR CONVERSION KIT</b> External To Internal Regulator Conversion Harness ("SI" Series) Note: For Use With 1972-84 Non-Serpentine Belt ("SI" Series) Internal Regulated Alternators.	\$29.00	
37787	1968	<b>ALTERNATOR CONVERSION KIT</b> External To Internal Regulator Conversion Harness ("CS" Series) Note: For Use With Serpentine Belt ("CS" Series) Internal Regulated Alternators.	\$34.00	
27555	1969	<b>ALTERNATOR CONVERSION KIT</b> External To Internal Regulator Conversion Harness ("SI" Series) Note: For Use With 1972-84 Non-Serpentine Belt ("SI" Series) Internal Regulated Alternators.	\$29.00	
37787	1969	<b>ALTERNATOR CONVERSION KIT</b> External To Internal Regulator Conversion Harness ("CS" Series) Note: For Use With Serpentine Belt ("CS" Series) Internal Regulated Alternators.	\$34.00	
37796	1969	<b>ALTERNATOR CONVERSION KIT</b> Internal Regulator "SI" Series Alternator To "CS" Series (Serpentine Belt) Alternator Note: For Use With Serpentine Belt ("CS130" Or "CS144" Type) Internal Regulated Alternators.	\$26.00	
27555	1970	<b>ALTERNATOR CONVERSION KIT</b> External To Internal Regulator Conversion Harness ("SI" Series) Note: For Use With 1972-84 Non-Serpentine Belt ("SI" Series) Internal Regulated Alternators.	\$29.00	
37787	1970	<b>ALTERNATOR CONVERSION KIT</b> External To Internal Regulator Conversion Harness ("CS" Series) Note: For Use With Serpentine Belt ("CS" Series) Internal Regulated Alternators.	\$34.00	
37796	1970	<b>ALTERNATOR CONVERSION KIT</b> Internal Regulator "SI" Series Alternator To "CS" Series (Serpentine Belt) Alternator Note: For Use With Serpentine Belt ("CS130" Or "CS144" Type) Internal Regulated Alternators.	\$26.00	
37796	1971	<b>ALTERNATOR CONVERSION KIT</b> Internal Regulator "SI" Series Alternator To "CS" Series (Serpentine Belt) Alternator Note: For Use With Serpentine Belt ("CS130" Or "CS144" Type) Internal Regulated Alternators.	\$26.00	
37796	1972	<b>ALTERNATOR CONVERSION KIT</b> Internal Regulator "SI" Series Alternator To "CS" Series (Serpentine Belt) Alternator Note: For Use With Serpentine Belt ("CS130" Or "CS144" Type) Internal Regulated Alternators.	\$26.00	
37796	1973	<b>ALTERNATOR CONVERSION KIT</b> Internal Regulator "SI" Series Alternator To "CS" Series (Serpentine Belt) Alternator Note: For Use With Serpentine Belt ("CS130" Or "CS144" Type) Internal Regulated Alternators.	\$26.00	
37796	1974	<b>ALTERNATOR CONVERSION KIT</b> Internal Regulator "SI" Series Alternator To "CS" Series (Serpentine Belt) Alternator Note: For Use With Serpentine Belt ("CS130" Or "CS144" Type) Internal Regulated Alternators.	\$26.00	
37796	1975	<b>ALTERNATOR CONVERSION KIT</b> Internal Regulator "SI" Series Alternator To "CS" Series (Serpentine Belt) Alternator Note: For Use With Serpentine Belt ("CS130" Or "CS144" Type) Internal Regulated Alternators.	\$26.00	
37796	1977	<b>ALTERNATOR CONVERSION KIT</b> Internal Regulator "SI" Series Alternator To "CS" Series (Serpentine Belt) Alternator Note: For Use With Serpentine Belt ("CS130" Or "CS144" Type) Internal Regulated Alternators.	\$26.00	
37796	1978	<b>ALTERNATOR CONVERSION KIT</b> Internal Regulator "SI" Series Alternator To "CS" Series (Serpentine Belt) Alternator Note: For Use With Serpentine Belt ("CS130" Or "CS144" Type) Internal Regulated Alternators.	\$26.00	

Part Number	Year	Description	Price	*Rev.
37796	1979	<b>ALTERNATOR CONVERSION KIT</b> Internal Regulator "SI" Series Alternator To "CS" Series (Serpentine Belt) Alternator Note: For Use With Serpentine Belt ("CS130" Or "CS144" Type) Internal Regulated Alternators.	\$26.00	
37796	1980	<b>ALTERNATOR CONVERSION KIT</b> Internal Regulator "SI" Series Alternator To "CS" Series (Serpentine Belt) Alternator Note: For Use With Serpentine Belt ("CS130" Or "CS144" Type) Internal Regulated Alternators.	\$26.00	
37796	1981	<b>ALTERNATOR CONVERSION KIT</b> Internal Regulator "SI" Series Alternator To "CS" Series (Serpentine Belt) Alternator Note: For Use With Serpentine Belt ("CS130" Or "CS144" Type) Internal Regulated Alternators.	\$26.00	
37796	1982	<b>ALTERNATOR CONVERSION KIT</b> Internal Regulator "SI" Series Alternator To "CS" Series (Serpentine Belt) Alternator Note: For Use With Serpentine Belt ("CS130" Or "CS144" Type) Internal Regulated Alternators.	\$26.00	
37796	1983	<b>ALTERNATOR CONVERSION KIT</b> Internal Regulator "SI" Series Alternator To "CS" Series (Serpentine Belt) Alternator Note: For Use With Serpentine Belt ("CS130" Or "CS144" Type) Internal Regulated Alternators.	\$26.00	
37796	1984	<b>ALTERNATOR CONVERSION KIT</b> Internal Regulator "SI" Series Alternator To "CS" Series (Serpentine Belt) Alternator Note: For Use With Serpentine Belt ("CS130" Or "CS144" Type) Internal Regulated Alternators.	\$26.00	
37796	1985	<b>ALTERNATOR CONVERSION KIT</b> Internal Regulator "SI" Series Alternator To "CS" Series (Serpentine Belt) Alternator Note: For Use With Serpentine Belt ("CS130" Or "CS144" Type) Internal Regulated Alternators.	\$26.00	
37796	1986	<b>ALTERNATOR CONVERSION KIT</b> Internal Regulator "SI" Series Alternator To "CS" Series (Serpentine Belt) Alternator Note: For Use With Serpentine Belt ("CS130" Or "CS144" Type) Internal Regulated Alternators.	\$26.00	
<b>ALTERNATOR HARNESS</b>				
40464	1962	<b>ALTERNATOR HARNESS</b> With 52 Amp Alternator Option, Regulator To Alternator	\$66.00	
<b>ASH TRAY LAMP WIRE</b>				
40392	1968	<b>ASH TRAY LAMP WIRE</b> Fiber Optic Note: Lead Only, Does Not Include Lamp Socket & Retainer.	\$37.00	
40392	1969	<b>ASH TRAY LAMP WIRE</b> Fiber Optic Note: Lead Only, Does Not Include Lamp Socket & Retainer.	\$37.00	
40392	1970	<b>ASH TRAY LAMP WIRE</b> Fiber Optic Note: Lead Only, Does Not Include Lamp Socket & Retainer.	\$37.00	
40392	1971	<b>ASH TRAY LAMP WIRE</b> Fiber Optic Note: Lead Only, Does Not Include Lamp Socket & Retainer.	\$37.00	
12950	1971	<b>ASH TRAY LAMP WIRE</b> Ventura, Fiber Optic Note: Lead Only, Does Not Include Lamp Socket & Retainer.	\$30.00	
40392	1972	<b>ASH TRAY LAMP WIRE</b> Fiber Optic Note: Lead Only, Does Not Include Lamp Socket & Retainer.	\$37.00	
18505	1972	<b>ASH TRAY LAMP WIRE</b> Ventura, Fiber Optic Note: Lead Only, Does Not Include Lamp Socket & Retainer.	\$33.00	
40133	1973	<b>ASH TRAY LAMP WIRE</b> Fiber Optic Note: Lead Only, Does Not Include Lamp Socket & Retainer.	\$33.00	
18505	1973	<b>ASH TRAY LAMP WIRE</b> Ventura, Fiber Optic Note: Lead Only, Does Not Include Lamp Socket & Retainer.	\$33.00	
40133	1974	<b>ASH TRAY LAMP WIRE</b> Fiber Optic Note: Lead Only, Does Not Include Lamp Socket & Retainer.	\$33.00	
12950	1974	<b>ASH TRAY LAMP WIRE</b> Ventura, Fiber Optic Note: Lead Only, Does Not Include Lamp Socket & Retainer.	\$30.00	
40133	1975	<b>ASH TRAY LAMP WIRE</b> Fiber Optic Note: Lead Only, Does Not Include Lamp Socket & Retainer.	\$33.00	

Part Number	Year	Description	Price	*Rev.
40133	1976	<b>ASH TRAY LAMP WIRE</b> Fiber Optic Note: Lead Only, Does Not Include Lamp Socket & Retainer.	\$33.00	
40133	1977	<b>ASH TRAY LAMP WIRE</b> Fiber Optic Note: Lead Only, Does Not Include Lamp Socket & Retainer.	\$33.00	
<b>ASSEMBLY MANUAL</b>				
36358	1967	<b>ASSEMBLY MANUAL</b> Factory Assembly Instruction Guide	\$32.00	
38571	1969	<b>ASSEMBLY MANUAL</b> Factory Assembly Instruction Guide	\$32.00	
36359	1970	<b>ASSEMBLY MANUAL</b> Factory Assembly Instruction Guide	\$32.00	
36360	1971	<b>ASSEMBLY MANUAL</b> Factory Assembly Instruction Guide	\$32.00	
43247	1972	<b>ASSEMBLY MANUAL</b> Factory Assembly Instruction Guide	\$32.00	
43248	1973	<b>ASSEMBLY MANUAL</b> Factory Assembly Instruction Guide	\$32.00	
<b>BACKUP LAMP HARNESS</b>				
40454	1961	<b>BACKUP LAMP HARNESS</b> Auto Trans, Fuse Block To Backup Lamp Switch	\$41.00	
40453	1961	<b>BACKUP LAMP HARNESS</b> Manual Trans, Dash Harness To Backup Lamp Switch	\$60.00	
40454	1962	<b>BACKUP LAMP HARNESS</b> Auto Trans, Fuse Block To Backup Lamp Switch	\$41.00	
40453	1962	<b>BACKUP LAMP HARNESS</b> Manual Trans, Dash Harness To Backup Lamp Switch	\$60.00	
40454	1963	<b>BACKUP LAMP HARNESS</b> Auto Trans, Fuse Block To Backup Lamp Switch	\$41.00	
40469	1963	<b>BACKUP LAMP HARNESS</b> Manual Trans, Dash Harness To Backup Lamp Switch	\$60.00	
40735	1974	<b>BACKUP LAMP HARNESS</b> Grand AM, 2 Door Notch Back, (Includes License Lamp Wires), From Rear Lamp Harness To Backup Lamp Assembly	\$125.00	
40735	1975	<b>BACKUP LAMP HARNESS</b> Grand Am & Le Mans, (Includes License Lamp Wires), From Rear Lamp Harness To Backup Lamp Assembly	\$125.00	
40429	1976	<b>BACKUP LAMP HARNESS</b> Le Mans, (Includes License Lamp Wires), From Rear Lamp Harness To Backup Lamp Assembly	\$60.00	
40429	1977	<b>BACKUP LAMP HARNESS</b> Le Mans, (Includes License Lamp Wires), From Rear Lamp Harness To Backup Lamp Assembly	\$60.00	
<b>BACKUP LAMP SWITCH</b>				
01993662	1964	<b>BACKUP LAMP SWITCH</b> 4 Speed, Manual Trans	\$64.00	
01993310	1965	<b>BACKUP LAMP SWITCH</b> 3 Speed, Manual Trans	\$64.00	
01993309	1965	<b>BACKUP LAMP SWITCH</b> 4 Speed, Manual Trans	\$64.00	
01993310	1966	<b>BACKUP LAMP SWITCH</b> 3 Speed, Manual Trans	\$64.00	
01993309	1966	<b>BACKUP LAMP SWITCH</b> 4 Speed, Manual Trans	\$64.00	
01993310	1967	<b>BACKUP LAMP SWITCH</b> 3 Speed, Manual Trans	\$64.00	
01993309	1967	<b>BACKUP LAMP SWITCH</b> 4 Speed, Manual Trans	\$64.00	
03943657	1969	<b>BACKUP LAMP SWITCH</b> Manual Trans	\$53.00	
03943657	1970	<b>BACKUP LAMP SWITCH</b> Manual Trans	\$53.00	
03943657	1971	<b>BACKUP LAMP SWITCH</b> Manual Trans	\$53.00	
03943657	1972	<b>BACKUP LAMP SWITCH</b> Manual Trans	\$53.00	
<b>BACKUP LAMP SWITCH EXTENSION HARNESS</b>				
03820	1964	<b>BACKUP LAMP SWITCH EXTENSION HARNESS</b> Manual Trans, Dash Harness To Backup Lamp Switch	\$33.00	
06070	1965	<b>BACKUP LAMP SWITCH EXTENSION HARNESS</b> Manual Trans, Dash Harness To Backup Lamp Switch	\$33.00	
06070	1966	<b>BACKUP LAMP SWITCH EXTENSION HARNESS</b> Manual Trans, Dash Harness To Backup Lamp Switch	\$33.00	
10480	1967	<b>BACKUP LAMP SWITCH EXTENSION HARNESS</b> Manual Trans, Dash Harness To Backup Lamp Switch	\$33.00	
12695	1968	<b>BACKUP LAMP SWITCH EXTENSION HARNESS</b> Manual Trans, Dash Harness Side To Engine Compartment Note: Connects To Part# 12690 Backup Lamp Switch Extension Harness.	\$31.00	
12690	1968	<b>BACKUP LAMP SWITCH EXTENSION HARNESS</b> Manual Trans, Engine Compartment Side To Backup Lamp Switch Note: Connects To Part# 12695 Backup Lamp Switch Extension Harness.	\$31.00	

Part Number	Year	Description	Price	*Rev.
40839	1976	<b>BACKUP LAMP SWITCH EXTENSION HARNESS</b> 260 C.I. V/8, With 5 Speed Trans, Dash Harness To Backup Lamp Switch	\$60.00	
40842	1976	<b>BACKUP LAMP SWITCH EXTENSION HARNESS</b> With 5 Speed Trans, Without 260 C.I. V/8, Dash Harness To Backup Lamp Switch	\$60.00	
<b>BACKUP LAMP SWITCH MOUNTING BRACKET</b>				
37650	1966	<b>BACKUP LAMP SWITCH MOUNTING BRACKET</b> With Muncie 4 Speed Transmission	\$29.00	
37650	1967	<b>BACKUP LAMP SWITCH MOUNTING BRACKET</b> With Muncie 4 Speed Transmission	\$29.00	
<b>BACKUP LAMP WIRE</b>				
40452	1961	<b>BACKUP LAMP WIRE</b> Manual Trans, Fuse Block To Backup Lamp Harness	\$20.00	
40452	1962	<b>BACKUP LAMP WIRE</b> Manual Trans, Fuse Block To Backup Lamp Harness	\$20.00	
40452	1963	<b>BACKUP LAMP WIRE</b> Manual Trans, Fuse Block To Backup Lamp Harness	\$20.00	
<b>BATTERY CABLE EXTENSION</b>				
40670	1974	<b>BATTERY CABLE EXTENSION</b> Neg, Redundant Ground Cable, Firewall To Engine	\$38.00	
40681	1974	<b>BATTERY CABLE EXTENSION</b> Ventura, Neg, Redundant Ground Cable, Firewall To Engine	\$38.00	
40818	1975	<b>BATTERY CABLE EXTENSION</b> Neg, Redundant Ground Cable, With Auto Trans, Firewall To Engine	\$38.00	
40819	1975	<b>BATTERY CABLE EXTENSION</b> Neg, Redundant Ground Cable, With Manual Trans, Firewall To Engine	\$38.00	
40818	1976	<b>BATTERY CABLE EXTENSION</b> Neg, Redundant Ground Cable, With Auto Trans, Firewall To Engine	\$38.00	
40819	1976	<b>BATTERY CABLE EXTENSION</b> Neg, Redundant Ground Cable, With Manual Trans, Firewall To Engine	\$38.00	
40819	1977	<b>BATTERY CABLE EXTENSION</b> Neg, Redundant Ground Cable, With Manual Trans, Firewall To Engine	\$38.00	
40818	1977	<b>BATTERY CABLE EXTENSION</b> Neg, Redundant Ground Cable, With Auto Trans, Firewall To Engine	\$38.00	
<b>BATTERY CABLE JUMPER</b>				
40470	1963	<b>BATTERY CABLE JUMPER</b> Pos, 326 V/8, With Standard Battery, Fender Mounted Junction Block To Starter Motor Note: Standard Battery Option Uses A 6 Gauge Battery Cable.	\$69.00	
40475	1963	<b>BATTERY CABLE JUMPER</b> Pos, 326 V/8, With Heavy Duty Battery, Fender Mounted Junction Block To Starter Motor Note: Heavy Duty Battery Option Uses A 4 Gauge Battery Cable.	\$69.00	
05610	1964	<b>BATTERY CABLE JUMPER</b> Pos, V/8, Fender Mounted Junction Block To Starter Motor	\$69.00	
<b>BATTERY CABLE-NEGATIVE</b>				
03480	1961	<b>BATTERY CABLE, SPRING RING</b> Neg, 4 Cylinder	\$69.00	
03610	1961	<b>BATTERY CABLE, SPRING RING</b> Neg, V/8	\$69.00	
03480	1962	<b>BATTERY CABLE, SPRING RING</b> Neg, 4 Cylinder	\$69.00	
03610	1962	<b>BATTERY CABLE, SPRING RING</b> Neg, V/8	\$69.00	
03480	1963	<b>BATTERY CABLE, SPRING RING</b> Neg, 4 Cylinder, With Standard Battery	\$69.00	
04120	1963	<b>BATTERY CABLE, SPRING RING</b> Neg, 4 Cylinder, With Heavy Duty Battery	\$69.00	
04080	1963	<b>BATTERY CABLE, SPRING RING</b> Neg, V/8, Without Heavy Duty Battery, Except 421 Super Duty	\$69.00	
04265	1963	<b>BATTERY CABLE, SPRING RING</b> Neg, V/8, With Heavy Duty Battery, Except 421 Super Duty	\$69.00	
04395	1963	<b>BATTERY CABLE, SPRING RING</b> Neg, 421 Super Duty	\$69.00	
05235	1964	<b>BATTERY CABLE, SPRING RING</b> Neg, 6 Cylinder Note: 6 Cylinder Items Are Not Returnable.	\$69.00	
03430	1964	<b>BATTERY CABLE, SPRING RING</b> Neg, V/8	\$69.00	
05235	1965	<b>BATTERY CABLE, SPRING RING</b> Neg, 6 Cylinder Note: 6 Cylinder Items Are Not Returnable.	\$69.00	

Part Number	Year	Description	Price	*Rev.
03430	1965	<b>BATTERY CABLE, SPRING RING</b> Neg, V/8	\$69.00	
09205	1966	<b>BATTERY CABLE, SPRING RING</b> Neg, 6 Cylinder Note: 6 Cylinder Items Are Not Returnable.	\$69.00	
03430	1966	<b>BATTERY CABLE, SPRING RING</b> Neg, V/8	\$69.00	
09845	1967	<b>BATTERY CABLE, SPRING RING</b> Neg, 6 Cylinder Note: 6 Cylinder Items Are Not Returnable.	\$69.00	
03430	1967	<b>BATTERY CABLE, SPRING RING</b> Neg, V/8	\$69.00	
03005	1968	<b>BATTERY CABLE, SPRING RING</b> Neg, 6 Cylinder Note: 6 Cylinder Items Are Not Returnable.	\$69.00	
03435	1968	<b>BATTERY CABLE, SPRING RING</b> Neg, V/8	\$69.00	
03005	1969	<b>BATTERY CABLE, SPRING RING</b> Neg, 6 Cylinder Note: 6 Cylinder Items Are Not Returnable.	\$69.00	
03435	1969	<b>BATTERY CABLE, SPRING RING</b> Neg, V/8	\$69.00	
14605	1970	<b>BATTERY CABLE, SPRING RING</b> Neg, 6 Cylinder Note: 6 Cylinder Items Are Not Returnable.	\$69.00	
13655	1970	<b>BATTERY CABLE, SIDE POST</b> Neg, V/8	\$74.00	
03435	1970	<b>BATTERY CABLE, SPRING RING</b> Neg, V/8, Without Ram Air	\$69.00	
14585	1970	<b>BATTERY CABLE, SPRING RING</b> Neg, V/8, With Ram Air	\$69.00	
14605	1971	<b>BATTERY CABLE, SPRING RING</b> Neg, 6 Cylinder Note: 6 Cylinder Items Are Not Returnable.	\$69.00	
03435	1971	<b>BATTERY CABLE, SPRING RING</b> Neg, V/8, Except 455 Ci	\$69.00	
14585	1971	<b>BATTERY CABLE, SPRING RING</b> Neg, V/8, With Heavy Duty Battery Or 455 Ci Without Heavy Duty Battery	\$69.00	
39348	1971	<b>BATTERY CABLE, SIDE POST</b> Neg, V/8, 455 Ci, With Heavy Duty Battery	\$73.00	
14605	1972	<b>BATTERY CABLE, SPRING RING</b> Neg, 6 Cylinder Note: 6 Cylinder Items Are Not Returnable.	\$69.00	
03435	1972	<b>BATTERY CABLE, SPRING RING</b> Neg, V/8, Except 455	\$69.00	
40584	1972	<b>BATTERY CABLE, SIDE POST</b> Neg, V/8, 455ci, With Heavy Duty Battery	\$74.00	
40587	1973	<b>BATTERY CABLE, SIDE POST</b> Neg, 6 Cylinder Note: 6 Cylinder Items Are Not Returnable.	\$74.00	
22980	1973	<b>BATTERY CABLE, SIDE POST</b> Neg, 6 Cylinder, Ventura Note: 6 Cylinder Items Are Not Returnable.	\$74.00	
40150	1973	<b>BATTERY CABLE, SIDE POST</b> Neg, V/8	\$74.00	
40585	1973	<b>BATTERY CABLE, SPRING RING</b> Neg, V/8, Ventura, 350 Pontiac	\$74.00	
40587	1974	<b>BATTERY CABLE, SIDE POST</b> Neg, 6 Cylinder Note: 6 Cylinder Items Are Not Returnable.	\$74.00	
22980	1974	<b>BATTERY CABLE, SIDE POST</b> Neg, 6 Cylinder, Ventura Note: 6 Cylinder Items Are Not Returnable.	\$74.00	
40150	1974	<b>BATTERY CABLE, SIDE POST</b> Neg, V/8	\$74.00	
40585	1974	<b>BATTERY CABLE, SPRING RING</b> Neg, V/8, Ventura, 350 Pontiac	\$74.00	
40816	1975	<b>BATTERY CABLE, SIDE POST</b> Neg, 6 Cylinder Note: 6 Cylinder Items Are Not Returnable.	\$74.00	
40815	1975	<b>BATTERY CABLE, SIDE POST</b> Neg, V/8	\$74.00	
40816	1976	<b>BATTERY CABLE, SIDE POST</b> Neg, 6 Cylinder Note: 6 Cylinder Items Are Not Returnable.	\$74.00	
40815	1976	<b>BATTERY CABLE, SIDE POST</b> Neg, V/8	\$74.00	
40850	1977	<b>BATTERY CABLE, SIDE POST</b> Neg, V/6, Without Power Steering	\$74.00	
40854	1977	<b>BATTERY CABLE, SIDE POST</b> Neg, V/6, With Power Steering	\$74.00	



Part Number	Year	Description	Price	*Rev.
40815	1977	BATTERY CABLE, SIDE POST Neg, V/8	\$74.00	
<b>BATTERY CABLE-POSITIVE</b>				
03475	1961	BATTERY CABLE, SPRING RING Pos, 4 Cylinder	\$69.00	
03540	1961	BATTERY CABLE, SPRING RING Pos, V/8	\$69.00	
03530	1961	BATTERY CABLE, SPRING RING Pos, V/8, With Air Conditioning	\$69.00	
03475	1962	BATTERY CABLE, SPRING RING Pos, 4 Cylinder	\$69.00	
03540	1962	BATTERY CABLE, SPRING RING Pos, V/8, Without 35 Amp Gen	\$69.00	
03760	1962	BATTERY CABLE, SPRING RING Pos, V/8, With 35 Amp Gen	\$69.00	
03530	1962	BATTERY CABLE, SPRING RING Pos, V/8, With Air Conditioning	\$69.00	
03475	1963	BATTERY CABLE, SPRING RING Pos, 4 Cylinder	\$69.00	
04115	1963	BATTERY CABLE, SPRING RING Pos, 4 Cylinder, With Heavy Duty Battery	\$69.00	
04085	1963	BATTERY CABLE, SPRING RING Pos, V/8, Except 421 Super Duty	\$69.00	
04260	1963	BATTERY CABLE, SPRING RING Pos, V/8, With Heavy Duty Battery, Except 421 Super Duty	\$69.00	
04390	1963	BATTERY CABLE, SPRING RING Pos, 421 Super Duty	\$69.00	
04635	1964	BATTERY CABLE, SPRING RING Pos, 6 Cylinder Note: 6 Cylinder Items Are Not Returnable.	\$69.00	
05370	1964	BATTERY CABLE, SPRING RING Pos, V/8, Battery To Fender Mounted Junction Block	\$69.00	
04190	1965	BATTERY CABLE, SPRING RING Pos, 6 Cylinder Note: 6 Cylinder Items Are Not Returnable.	\$69.00	
09145	1965	BATTERY CABLE, SPRING RING Pos, V/8, Without Power Options	\$69.00	
09150	1965	BATTERY CABLE, SPRING RING Pos, V/8, With Power Options	\$69.00	
04190	1966	BATTERY CABLE, SPRING RING Pos, 6 Cylinder Note: 6 Cylinder Items Are Not Returnable.	\$69.00	
09145	1966	BATTERY CABLE, SPRING RING Pos, V/8, Without Power Options	\$69.00	
09150	1966	BATTERY CABLE, SPRING RING Pos, V/8, With Power Options	\$69.00	
04190	1967	BATTERY CABLE, SPRING RING Pos, 6 Cylinder Note: 6 Cylinder Items Are Not Returnable.	\$69.00	
09145	1967	BATTERY CABLE, SPRING RING Pos, V/8, Without Power Options	\$69.00	
09880	1967	BATTERY CABLE, SPRING RING Pos, V/8, Without Power Options & With H.O. Ram Air	\$69.00	
09150	1967	BATTERY CABLE, SPRING RING Pos, V/8, With Power Options	\$69.00	
09885	1967	BATTERY CABLE, SPRING RING Pos, V/8, With Power Options & H.O. Ram Air	\$69.00	
09110	1968	BATTERY CABLE, SPRING RING Pos, 6 Cylinder Note: 6 Cylinder Items Are Not Returnable.	\$69.00	
09895	1968	BATTERY CABLE, SPRING RING Pos, V/8, Without H.O. Ram Air	\$69.00	
22185	1968	BATTERY CABLE, SPRING RING Pos, V/8, With H.O. Ram Air	\$69.00	
09110	1969	BATTERY CABLE, SPRING RING Pos, 6 Cylinder Note: 6 Cylinder Items Are Not Returnable.	\$69.00	
04195	1969	BATTERY CABLE, SPRING RING Pos, V/8, Without H.O. Ram Air	\$69.00	
13320	1969	BATTERY CABLE, SPRING RING Pos, V/8, With H.O. Ram Air	\$69.00	
09110	1970	BATTERY CABLE, SPRING RING Pos, 6 Cylinder Note: 6 Cylinder Items Are Not Returnable.	\$69.00	
13660	1970	BATTERY CABLE, SIDE POST Pos, V/8	\$74.00	
14590	1970	BATTERY CABLE, SPRING RING Pos, V/8, Without Ram Air	\$69.00	
04195	1970	BATTERY CABLE, SPRING RING Pos, V/8, With Ram Air	\$69.00	
09110	1971	BATTERY CABLE, SPRING RING Pos, 6 Cylinder Note: 6 Cylinder Items Are Not Returnable.	\$69.00	
40148	1971	BATTERY CABLE, SPRING RING Pos, V/8, Except 455 Ci	\$69.00	

Part Number	Year	Description	Price	*Rev.
40583	1971	<b>BATTERY CABLE, SPRING RING</b> Pos, V/8, With Heavy Duty Battery, Except 455 Ci	\$69.00	
40581	1971	<b>BATTERY CABLE, SPRING RING</b> Pos, V/8, 455 H.O.	\$69.00	
39349	1971	<b>BATTERY CABLE, SIDE POST</b> Pos, V/8, 455 H.O., With Heavy Duty Battery	\$74.00	
40582	1971	<b>BATTERY CABLE, SIDE POST</b> Pos, V/8, 455 Ci, With Heavy Duty Battery	\$74.00	
09110	1972	<b>BATTERY CABLE, SPRING RING</b> Pos, 6 Cylinder Note: 6 Cylinder Items Are Not Returnable.	\$69.00	
16100	1972	<b>BATTERY CABLE, SPRING RING</b> Pos, 6 Cylinder, With A/C Note: 6 Cylinder Items Are Not Returnable.	\$69.00	
39516	1972	<b>BATTERY CABLE, SPRING RING</b> Pos, V/8	\$69.00	
40588	1972	<b>BATTERY CABLE, SPRING RING</b> Pos, V/8, 455 H.O.	\$69.00	
38426	1972	<b>BATTERY CABLE, SIDE POST</b> Pos, V/8, 455ci, With Heavy Duty Battery	\$74.00	
40586	1973	<b>BATTERY CABLE, SIDE POST</b> Pos, 6 Cylinder Note: 6 Cylinder Items Are Not Returnable.	\$74.00	
22650	1973	<b>BATTERY CABLE, SIDE POST</b> Pos, 6 Cylinder, Ventura Note: 6 Cylinder Items Are Not Returnable.	\$74.00	
40149	1973	<b>BATTERY CABLE, SIDE POST</b> Pos, V/8 350 C.I.	\$74.00	
40590	1973	<b>BATTERY CABLE, SIDE POST</b> Pos, V/8 455 C.I.	\$74.00	
40586	1974	<b>BATTERY CABLE, SIDE POST</b> Pos, 6 Cylinder Note: 6 Cylinder Items Are Not Returnable.	\$74.00	
22650	1974	<b>BATTERY CABLE, SIDE POST</b> Pos, 6 Cylinder, Ventura Note: 6 Cylinder Items Are Not Returnable.	\$74.00	
40149	1974	<b>BATTERY CABLE, SIDE POST</b> Pos, V/8, 350 C.I.	\$74.00	
40590	1974	<b>BATTERY CABLE, SIDE POST</b> Pos, V/8, 455 C.I.	\$74.00	
40817	1975	<b>BATTERY CABLE, SIDE POST</b> Pos, 6 Cylinder Note: 6 Cylinder Items Are Not Returnable.	\$74.00	
40692	1975	<b>BATTERY CABLE, SIDE POST</b> Pos, 350 & 400 C.I., Without Heavy Duty Battery	\$74.00	
40693	1975	<b>BATTERY CABLE, SIDE POST</b> Pos, 350, 400 & 455 C.I., With Heavy Duty Battery	\$74.00	
40817	1976	<b>BATTERY CABLE, SIDE POST</b> Pos, 6 Cylinder Note: 6 Cylinder Items Are Not Returnable.	\$74.00	
40692	1976	<b>BATTERY CABLE, SIDE POST</b> Pos, 350 & 400 C.I., Without Heavy Duty Battery	\$74.00	
40693	1976	<b>BATTERY CABLE, SIDE POST</b> Pos, 350, 400 & 455 C.I., With Heavy Duty Battery	\$74.00	
22960	1976	<b>BATTERY CABLE, SIDE POST</b> Pos, V/8 260 C.I., With Manual Trans	\$74.00	
40844	1976	<b>BATTERY CABLE, SIDE POST</b> Pos, V/8 260 C.I., With Auto Trans	\$74.00	
40849	1977	<b>BATTERY CABLE, SIDE POST</b> Pos, V/6, Without Power Steering	\$74.00	
40853	1977	<b>BATTERY CABLE, SIDE POST</b> Pos, V/6, With Power Steering	\$74.00	
40851	1977	<b>BATTERY CABLE, SIDE POST</b> Pos, 350 & 403 V/8 Oldsmobile Engine	\$74.00	
40855	1977	<b>BATTERY CABLE, SIDE POST</b> Pos, 301, 350 & 400 V/8 Pontiac Engine	\$74.00	
<b>BREAKERLESS SE SINGLE WIRE ELECTRONIC IGNITION</b>				
38131	1961	<b>BREAKERLESS SE SINGLE WIRE ELECTRONIC IGNITION KIT</b> For 1957-74 Breaker Point Distributors With Windowed Type Distributor Cap	\$179.00	
38131	1962	<b>BREAKERLESS SE SINGLE WIRE ELECTRONIC IGNITION KIT</b> For 1957-74 Breaker Point Distributors With Windowed Type Distributor Cap	\$179.00	
38131	1963	<b>BREAKERLESS SE SINGLE WIRE ELECTRONIC IGNITION KIT</b> For 1957-74 Breaker Point Distributors With Windowed Type Distributor Cap	\$179.00	
38131	1964	<b>BREAKERLESS SE SINGLE WIRE ELECTRONIC IGNITION KIT</b> For 1957-74 Breaker Point Distributors With Windowed Type Distributor Cap	\$179.00	
38131	1965	<b>BREAKERLESS SE SINGLE WIRE ELECTRONIC IGNITION KIT</b> For 1957-74 Breaker Point Distributors With Windowed Type Distributor Cap	\$179.00	

Part Number	Year	Description	Price	*Rev.
38131	1966	<b>BREAKERLESS SE SINGLE WIRE ELECTRONIC IGNITION KIT</b> For 1957-74 Breaker Point Distributors With Windowed Type Distributor Cap	\$179.00	
38131	1967	<b>BREAKERLESS SE SINGLE WIRE ELECTRONIC IGNITION KIT</b> For 1957-74 Breaker Point Distributors With Windowed Type Distributor Cap	\$179.00	
38131	1968	<b>BREAKERLESS SE SINGLE WIRE ELECTRONIC IGNITION KIT</b> For 1957-74 Breaker Point Distributors With Windowed Type Distributor Cap	\$179.00	
38131	1969	<b>BREAKERLESS SE SINGLE WIRE ELECTRONIC IGNITION KIT</b> For 1957-74 Breaker Point Distributors With Windowed Type Distributor Cap	\$179.00	
38131	1970	<b>BREAKERLESS SE SINGLE WIRE ELECTRONIC IGNITION KIT</b> For 1957-74 Breaker Point Distributors With Windowed Type Distributor Cap	\$179.00	
38131	1971	<b>BREAKERLESS SE SINGLE WIRE ELECTRONIC IGNITION KIT</b> For 1957-74 Breaker Point Distributors With Windowed Type Distributor Cap	\$179.00	
38131	1972	<b>BREAKERLESS SE SINGLE WIRE ELECTRONIC IGNITION KIT</b> For 1957-74 Breaker Point Distributors With Windowed Type Distributor Cap	\$179.00	
38131	1973	<b>BREAKERLESS SE SINGLE WIRE ELECTRONIC IGNITION KIT</b> For 1957-74 Breaker Point Distributors With Windowed Type Distributor Cap	\$179.00	
38131	1974	<b>BREAKERLESS SE SINGLE WIRE ELECTRONIC IGNITION KIT</b> For 1957-74 Breaker Point Distributors With Windowed Type Distributor Cap	\$179.00	
<b>CIGARETTE LIGHTER LAMP HARNESS</b>				
40592	1971	<b>CIGARETTE LIGHTER LAMP HARNESS</b> All	\$26.00	
<b>CIGARETTE LIGHTER LAMP WIRE</b>				
12440	1968	<b>CIGARETTE LIGHTER LAMP WIRE</b>	\$15.00	
<b>CIRCUIT BREAKER</b>				
04849850	1963	<b>CIRCUIT BREAKER, 40 AMP</b> Power Seat	\$14.00	
<b>CLOCK HARNESS</b>				
40474	1963	<b>CLOCK HARNESS</b> Dash Mounted	\$59.00	
04615	1964	<b>CLOCK HARNESS</b> Dash Mounted	\$53.00	
06065	1965	<b>CLOCK HARNESS</b> Dash Mounted	\$53.00	
09600	1966	<b>CLOCK HARNESS</b> Dash Mounted	\$43.00	
09600	1967	<b>CLOCK HARNESS</b> Dash Mounted	\$43.00	
01365	1971	<b>CLOCK HARNESS</b> Ventura, Dash Mounted	\$26.00	
01365	1972	<b>CLOCK HARNESS</b> Ventura, Dash Mounted	\$26.00	
01365	1973	<b>CLOCK HARNESS</b> Ventura, Dash Mounted	\$26.00	
01365	1974	<b>CLOCK HARNESS</b> Ventura, Dash Mounted	\$26.00	
<b>CONSOLE EXTENSION HARNESS</b>				
40164	1964	<b>CONSOLE EXTENSION HARNESS</b> Manual Trans, Connects Console Harness To Console Jumper Harness	\$40.00	
30180	1964	<b>CONSOLE EXTENSION HARNESS</b> Auto Trans, Dash To Console Harness	\$87.00	
30180	1965	<b>CONSOLE EXTENSION HARNESS</b> Auto Trans, Dash To Console Harness	\$87.00	
30185	1965	<b>CONSOLE EXTENSION HARNESS</b> Manual Trans, Dash To Console Harness	\$43.00	
30190	1966	<b>CONSOLE EXTENSION HARNESS</b> Auto Trans, Dash To Console Harness	\$87.00	
30195	1966	<b>CONSOLE EXTENSION HARNESS</b> Manual Trans, Dash To Console Harness	\$43.00	
30190	1967	<b>CONSOLE EXTENSION HARNESS</b> Auto Trans, Dash To Console Harness	\$87.00	
30200	1967	<b>CONSOLE EXTENSION HARNESS</b> Manual Trans, Dash To Console Harness	\$43.00	
<b>CONSOLE HARNESS</b>				
40473	1963	<b>CONSOLE HARNESS</b> Auto Trans, Floor Console To Dash Harness	\$87.00	
40162	1964	<b>CONSOLE HARNESS</b> All, With Courtesy Lamp Switch, Floor Console To Extension Harness	\$49.00	
12275	1964	<b>CONSOLE HARNESS</b> All, Without Courtesy Lamp Switch, Floor Console To Extension Harness	\$49.00	

Part Number	Year	Description	Price	*Rev.
12275	1965	<b>CONSOLE HARNESS</b> All, Floor Console To Extension Harness	\$49.00	
12275	1966	<b>CONSOLE HARNESS</b> All, Floor Console To Extension Harness	\$49.00	
12275	1967	<b>CONSOLE HARNESS</b> All, Floor Console To Extension Harness	\$49.00	
11600	1968	<b>CONSOLE HARNESS</b> Auto Trans, Floor Console To Dash Harness	\$87.00	
11610	1968	<b>CONSOLE HARNESS</b> Manual Trans, Floor Console To Dash Harness	\$27.00	
13305	1969	<b>CONSOLE HARNESS</b> Auto Trans, Floor Console To Dash Harness	\$26.00	
13305	1970	<b>CONSOLE HARNESS</b> Auto Trans, Floor Console To Dash Harness	\$26.00	
13305	1971	<b>CONSOLE HARNESS</b> Auto Trans, Floor Console To Dash Harness	\$26.00	
01355	1971	<b>CONSOLE HARNESS</b> Ventura, With Console Gauges, Floor Console To Dash Harness	\$65.00	
13305	1972	<b>CONSOLE HARNESS</b> Auto Trans, Floor Console To Dash Harness	\$26.00	
01355	1972	<b>CONSOLE HARNESS</b> Ventura, With Console Gauges, Floor Console To Dash Harness	\$65.00	
40622	1973	<b>CONSOLE HARNESS</b> Auto Trans, Floor Console To Dash Harness	\$52.00	
40622	1974	<b>CONSOLE HARNESS</b> Auto Trans, Floor Console To Dash Harness	\$52.00	
40153	1974	<b>CONSOLE HARNESS</b> Ventura, With Gauges, Floor Console To Dash Harness	\$74.00	
40622	1975	<b>CONSOLE HARNESS</b> Auto Trans, Floor Console To Dash Harness	\$52.00	
40622	1976	<b>CONSOLE HARNESS</b> Auto Trans, Floor Console To Dash Harness	\$52.00	
40622	1977	<b>CONSOLE HARNESS</b> Auto Trans, Floor Console To Dash Harness	\$52.00	
<b>CONSOLE JUMPER HARNESS</b>				
40163	1964	<b>CONSOLE JUMPER HARNESS</b> Manual Trans, Connects Dash Harness To Console Extension Harness	\$40.00	
<b>CONSOLE SHIFT INDICATOR LAMP HARNESS</b>				
40472	1963	<b>CONSOLE SHIFT INDICATOR LAMP HARNESS</b> Auto Trans, Console Harness To Shift Indicator Plate	\$41.00	
<b>COURTESY LAMP HARNESS</b>				
40494	1961	<b>COURTESY LAMP HARNESS</b> Center Roof Mounted Dome Lamp	\$38.00	
40458	1962	<b>COURTESY LAMP HARNESS</b> Under Dash	\$60.00	
40456	1962	<b>COURTESY LAMP HARNESS</b> Door Jamb Switches To Dome Lamp Ground Wire In Dash Harness	\$46.00	
		Note: For Use With Center Roof Mounted Dome Lamp.		
40494	1962	<b>COURTESY LAMP HARNESS</b> Center Roof Mounted Dome Lamp	\$38.00	
40494	1963	<b>COURTESY LAMP HARNESS</b> Center Roof Mounted Dome Lamp	\$38.00	
40478	1963	<b>COURTESY LAMP HARNESS</b> Under Dash, Convertible	\$60.00	
40456	1963	<b>COURTESY LAMP HARNESS</b> Door Jamb Switches To Dome Lamp Ground Wire In Dash Harness	\$46.00	
		Note: For Use With Center Roof Mounted Dome Lamp.		
40458	1963	<b>COURTESY LAMP HARNESS</b> Under Dash, Coupe	\$60.00	
40480	1964	<b>COURTESY LAMP HARNESS</b> Under Dash	\$38.00	
37207	1964	<b>COURTESY LAMP HARNESS</b> Safari 4 Door Wagon, Roof Mounted Dome Lamp, With Rear Door Jamb Switch Option	\$48.00	
37208	1964	<b>COURTESY LAMP HARNESS</b> Safari 4 Door Wagon, Rear Door Jamb Switches To Roof Mounted Dome Lamp Harness	\$48.00	
07055	1964	<b>COURTESY LAMP HARNESS</b> Tempest 4 Door Sedan, Rear Door Jamb Switches To Roof Mounted Dome Lamp Harness	\$48.00	
06885	1964	<b>COURTESY LAMP HARNESS</b> Center Roof Mounted Dome Lamp, All, Without Reading Lamp	\$33.00	
30210	1964	<b>COURTESY LAMP HARNESS</b> Center Roof Mounted Dome Lamp, All, With Reading Lamp	\$48.00	
06880	1964	<b>COURTESY LAMP HARNESS</b> Center Roof Mounted Dome Lamp, Tempest 4 Door Sedan	\$34.00	
07100	1964	<b>COURTESY LAMP HARNESS</b> Safari 4 Door Wagon, Center Roof Mounted Dome Lamp	\$35.00	
		Note: Customer Must Reuse Their Original Plastic Connector.		
39478	1965	<b>COURTESY LAMP HARNESS</b> Underdash, All	\$38.00	

Part Number	Year	Description	Price	*Rev.
07835	1965	<b>COURTESY LAMP HARNESS</b> Center Roof Mounted Dome Lamp, Tempest Wagons, Without Rear Door Jamb Switches Note: Customer Must Reuse Their Original Plastic Connector.	\$40.00	
07865	1965	<b>COURTESY LAMP HARNESS</b> Center Roof Mounted Dome Lamp, Tempest Wagons, With Rear Door Jamb Switches Note: Customer Must Reuse Their Original Plastic Connector.	\$43.00	
07650	1965	<b>COURTESY LAMP HARNESS</b> Rear Door Jamb Switches To Roof Mounted Dome Lamp Harness, All 4 Door Sedans	\$48.00	
07880	1965	<b>COURTESY LAMP HARNESS</b> Rear Door Jamb Switches To Roof Mounted Dome Lamp Harness, Tempest Wagons	\$48.00	
07575	1965	<b>COURTESY LAMP HARNESS</b> Center Roof Mounted Dome Lamp, All 4 Door Sedans	\$40.00	
07580	1965	<b>COURTESY LAMP HARNESS</b> Center Roof Mounted Dome Lamp, All Tempest Coupes	\$33.00	
40496	1966	<b>COURTESY LAMP HARNESS</b> Underdash, All	\$38.00	
07835	1966	<b>COURTESY LAMP HARNESS</b> Center Roof Mounted Dome Lamp, Tempest Wagons, Without Rear Door Jamb Switches Note: Customer Must Reuse Their Original Plastic Connector.	\$40.00	
07865	1966	<b>COURTESY LAMP HARNESS</b> Center Roof Mounted Dome Lamp, Tempest Wagons, With Rear Door Jamb Switches Note: Customer Must Reuse Their Original Plastic Connector.	\$43.00	
40152	1966	<b>COURTESY LAMP HARNESS</b> Coupe & Sedan, With Side Roof Rail /Reading Lamps	\$83.00	
40490	1966	<b>COURTESY LAMP HARNESS</b> Tempest Wagons, With Side Roof Rail /Reading Lamps	\$74.00	
17590	1966	<b>COURTESY LAMP HARNESS</b> Center Roof Mounted Dome Lamp, All 4 Door Sedans, Without Side Roof Rail /Reading Lamps	\$33.00	
17600	1966	<b>COURTESY LAMP HARNESS</b> Center Roof Mounted Dome Lamp, All Coupe & Sedans, Without Side Roof Rail /Reading Lamps	\$27.00	
07650	1966	<b>COURTESY LAMP HARNESS</b> Rear Door Jamb Switches To Dome Lamp Harness, All 4 Door Sedan & Hardtop	\$48.00	
07880	1966	<b>COURTESY LAMP HARNESS</b> Rear Door Jamb Switches To Dome Lamp Harness, All Tempest Wagons	\$48.00	
39352	1967	<b>COURTESY LAMP HARNESS</b> Under Dash, Without Tape Player	\$38.00	
40504	1967	<b>COURTESY LAMP HARNESS</b> Under Dash, With Tape Player	\$43.00	
07835	1967	<b>COURTESY LAMP HARNESS</b> Center Roof Mounted Dome Lamp, Tempest Wagons, Without Rear Door Jamb Switches Note: Customer Must Reuse Their Original Plastic Connector.	\$40.00	
07865	1967	<b>COURTESY LAMP HARNESS</b> Center Roof Mounted Dome Lamp, Tempest Wagons, With Rear Door Jamb Switches Note: Customer Must Reuse Their Original Plastic Connector.	\$43.00	
40152	1967	<b>COURTESY LAMP HARNESS</b> Coupe & Sedan, With Side Roof Rail /Reading Lamps	\$83.00	
40490	1967	<b>COURTESY LAMP HARNESS</b> Tempest Wagons, With Side Roof Rail /Reading Lamps	\$74.00	
17590	1967	<b>COURTESY LAMP HARNESS</b> Center Roof Mounted Dome Lamp, All 4 Door Sedans, Without Side Roof Rail /Reading Lamps	\$33.00	
17600	1967	<b>COURTESY LAMP HARNESS</b> Center Roof Mounted Dome Lamp, All Coupe & Sedans, Without Side Roof Rail /Reading Lamps	\$27.00	
07650	1967	<b>COURTESY LAMP HARNESS</b> Rear Door Jamb Switches To Dome Lamp Harness, All 4 Door Sedan & Hardtop	\$48.00	
07880	1967	<b>COURTESY LAMP HARNESS</b> Rear Door Jamb Switches To Dome Lamp Harness, All Tempest Wagons	\$48.00	
40526	1968	<b>COURTESY LAMP HARNESS</b> Center Roof Mounted Dome Lamp, 4 Door Hardtop & Sedans	\$46.00	
30205	1968	<b>COURTESY LAMP HARNESS</b> Center Roof Mounted Dome Lamp, All Coupes & Wagons	\$30.00	
39352	1969	<b>COURTESY LAMP HARNESS</b> Under Dash, Without Tape Player, Console, Or Air Conditioning	\$38.00	
39341	1969	<b>COURTESY LAMP HARNESS</b> Under Dash, With Tape Player, Console, Or Air Conditioning	\$46.00	
40523	1969	<b>COURTESY LAMP HARNESS</b> Rear Door Jamb Switches To Dome Lamp Harness, All 4 Door Sedan & Hardtop	\$46.00	

Part Number	Year	Description	Price	*Rev.
40544	1969	<b>COURTESY LAMP HARNESS</b> Center Roof Mounted Dome Lamp, 2 Door Coupe, With Reading Lamp	\$46.00	
30780	1969	<b>COURTESY LAMP HARNESS</b> Center Roof Mounted Dome Lamp, 4 Door Sedan, With Reading Lamp	\$46.00	
40545	1969	<b>COURTESY LAMP HARNESS</b> Center Roof Mounted Dome Lamp, 4 Door Hardtop, With Reading Lamp	\$46.00	
40547	1969	<b>COURTESY LAMP HARNESS</b> Center Roof Mounted Dome Lamp, 2 Door Coupe, Without Reading Lamp	\$46.00	
30945	1969	<b>COURTESY LAMP HARNESS</b> Center Roof Mounted Dome Lamp, 4 Door Sedan, Without Reading Lamp	\$46.00	
30950	1969	<b>COURTESY LAMP HARNESS</b> Center Roof Mounted Dome Lamp, 4 Door Hardtop, Without Reading Lamp	\$46.00	
30205	1969	<b>COURTESY LAMP HARNESS</b> Center Roof Mounted Dome Lamp, All Wagons, Without Reading Lamp	\$30.00	
39341	1970	<b>COURTESY LAMP HARNESS</b> Under Dash,	\$46.00	
40545	1970	<b>COURTESY LAMP HARNESS</b> Center Roof Mounted Dome Lamp, All, With Reading Lamp	\$46.00	
40547	1970	<b>COURTESY LAMP HARNESS</b> Center Roof Mounted Dome Lamp, Coupe, Without Reading Lamp	\$46.00	
30950	1970	<b>COURTESY LAMP HARNESS</b> Center Roof Mounted Dome Lamp, 4 Door, Without Reading Lamp	\$46.00	
30205	1970	<b>COURTESY LAMP HARNESS</b> Center Roof Mounted Dome Lamp, All Wagons, Without Reading Lamp	\$30.00	
40575	1971	<b>COURTESY LAMP HARNESS</b> Under Dash	\$78.00	
40545	1971	<b>COURTESY LAMP HARNESS</b> Center Roof Mounted Dome Lamp, All, With Reading Lamp	\$46.00	
30950	1971	<b>COURTESY LAMP HARNESS</b> Center Roof Mounted Dome Lamp, All Hard Tops & Coupes, Without Reading Lamp	\$46.00	
40738	1971	<b>COURTESY LAMP HARNESS</b> All, Reading Lamp To Dome Lamp Harness	\$27.00	
30205	1971	<b>COURTESY LAMP HARNESS</b> Center Roof Mounted Dome Lamp, All Wagons, Without Reading Lamp	\$30.00	
40559	1971	<b>COURTESY LAMP HARNESS</b> Ventura, 4 Door, Center Roof Mounted Dome Lamp	\$48.00	
40155	1971	<b>COURTESY LAMP HARNESS</b> Ventura, 2 Door, Center Roof Mounted Dome Lamp	\$40.00	
40575	1972	<b>COURTESY LAMP HARNESS</b> Under Dash, Convertible	\$78.00	
40545	1972	<b>COURTESY LAMP HARNESS</b> Center Roof Mounted Dome Lamp, All, With Reading Lamp	\$46.00	
30950	1972	<b>COURTESY LAMP HARNESS</b> Center Roof Mounted Dome Lamp, All Hard Tops & Coupes, Without Reading Lamp	\$46.00	
40738	1972	<b>COURTESY LAMP HARNESS</b> All, Reading Lamp To Dome Lamp Harness	\$27.00	
30205	1972	<b>COURTESY LAMP HARNESS</b> Center Roof Mounted Dome Lamp, All Wagons, Without Reading Lamp	\$30.00	
40559	1972	<b>COURTESY LAMP HARNESS</b> Ventura, 4 Door, Center Roof Mounted Dome Lamp	\$48.00	
40155	1972	<b>COURTESY LAMP HARNESS</b> Ventura, 2 Door, Center Roof Mounted Dome Lamp	\$40.00	
40624	1973	<b>COURTESY LAMP HARNESS</b> Under Dash, Driver Side	\$43.00	
40618	1973	<b>COURTESY LAMP HARNESS</b> Under Dash, Passenger Side, Without Electric Trunk Release	\$67.00	
40620	1973	<b>COURTESY LAMP HARNESS</b> Under Dash, Passenger Side, With Electric Trunk Release	\$67.00	
40654	1973	<b>COURTESY LAMP HARNESS</b> Under Dash, Passenger Side, With Ash Tray Lamp	\$67.00	
40655	1973	<b>COURTESY LAMP HARNESS</b> Under Dash, Passenger Side, Without Ash Tray Lamp	\$67.00	
40765	1973	<b>COURTESY LAMP HARNESS</b> All, Wagon, Without Reading Lamp, Center Roof Mounted Dome Lamp	\$48.00	
40766	1973	<b>COURTESY LAMP HARNESS</b> All, Except Wagon, Without Reading Lamp, Center Roof Mounted Dome Lamp	\$35.00	
40769	1973	<b>COURTESY LAMP HARNESS</b> All, Wagon, With Reading Lamp, Center Roof Mounted Dome Lamp	\$43.00	
40698	1973	<b>COURTESY LAMP HARNESS</b> All, Wagon, Rear Header Courtesy Lamp	\$33.00	

Part Number	Year	Description	Price	*Rev.
40559	1973	<b>COURTESY LAMP HARNESS</b> Ventura, 4 Door, Center Roof Mounted Dome Lamp	\$48.00	
39513	1973	<b>COURTESY LAMP HARNESS</b> Ventura, 2 Door Sedan, Center Roof Mounted Dome Lamp	\$45.00	
40728	1973	<b>COURTESY LAMP HARNESS</b> Ventura, 2 Door Hatch Back, Center Roof Mounted Dome Lamp (Includes Rear Compartment Lamp Wiring)	\$77.00	
40726	1973	<b>COURTESY LAMP HARNESS</b> 2 Door Hatch Back, Rear Compartment Lamp	\$27.00	
40620	1974	<b>COURTESY LAMP HARNESS</b> Under Dash, Passenger Side, With Electric Trunk Release	\$67.00	
40624	1974	<b>COURTESY LAMP HARNESS</b> Under Dash, Driver Side	\$43.00	
40654	1974	<b>COURTESY LAMP HARNESS</b> Under Dash, Passenger Side, With Ash Tray Lamp	\$67.00	
40655	1974	<b>COURTESY LAMP HARNESS</b> Under Dash, Passenger Side, Without Ash Tray Lamp	\$67.00	
40780	1974	<b>COURTESY LAMP HARNESS</b> 4 Door Hardtop & Wagon, Rear Door Jamb Switch To Front Door Jamb Switch, (2 Required Per Car )	\$27.00	
40766	1974	<b>COURTESY LAMP HARNESS</b> All, Except Wagon, Without Reading Lamp, Center Roof Mounted Dome Lamp	\$35.00	
40698	1974	<b>COURTESY LAMP HARNESS</b> All, Wagon, Rear Header Courtesy Lamp	\$33.00	
40530	1974	<b>COURTESY LAMP HARNESS</b> Ventura, 4 Door, Rear Door Jamb Switch Wiring	\$43.00	
40559	1974	<b>COURTESY LAMP HARNESS</b> Ventura, 4 Door, Center Roof Mounted Dome Lamp	\$48.00	
39513	1974	<b>COURTESY LAMP HARNESS</b> Ventura, 2 Door Sedan, Center Roof Mounted Dome Lamp	\$45.00	
40620	1975	<b>COURTESY LAMP HARNESS</b> Under Dash, Passenger Side, With Electric Trunk Release	\$67.00	
40624	1975	<b>COURTESY LAMP HARNESS</b> Under Dash, Driver Side	\$43.00	
40654	1975	<b>COURTESY LAMP HARNESS</b> Under Dash, Passenger Side, With Ash Tray Lamp	\$67.00	
40655	1975	<b>COURTESY LAMP HARNESS</b> Under Dash, Passenger Side, Without Ash Tray Lamp	\$67.00	
40780	1975	<b>COURTESY LAMP HARNESS</b> 4 Door Hardtop & Wagon, Rear Door Jamb Switch To Front Door Jamb Switch, (2 Required Per Car )	\$27.00	
40766	1975	<b>COURTESY LAMP HARNESS</b> All, Except Wagon, Without Reading Lamp, Center Roof Mounted Dome Lamp	\$35.00	
40400	1975	<b>COURTESY LAMP HARNESS</b> Wagon, With Reading Lamp, Center Roof Mounted Dome Lamp	\$66.00	
40401	1975	<b>COURTESY LAMP HARNESS</b> All, Except Wagon, With Reading Lamp, Center Roof Mounted Dome Lamp	\$43.00	
40415	1975	<b>COURTESY LAMP HARNESS</b> All, Wagon, Rear Header Courtesy Lamp	\$33.00	
40624	1976	<b>COURTESY LAMP HARNESS</b> Under Dash, Driver Side	\$43.00	
40780	1976	<b>COURTESY LAMP HARNESS</b> 4 Door Hardtop & Wagon, Rear Door Jamb Switch To Front Door Jamb Switch, (2 Required Per Car )	\$27.00	
40766	1976	<b>COURTESY LAMP HARNESS</b> All, Except Wagon, Without Reading Lamp, Center Roof Mounted Dome Lamp	\$35.00	
40400	1976	<b>COURTESY LAMP HARNESS</b> Wagon, With Reading Lamp, Center Roof Mounted Dome Lamp	\$66.00	
40401	1976	<b>COURTESY LAMP HARNESS</b> All, Except Wagon, With Reading Lamp, Center Roof Mounted Dome Lamp	\$43.00	
40415	1976	<b>COURTESY LAMP HARNESS</b> All, Wagon, Rear Header Courtesy Lamp	\$33.00	
40780	1977	<b>COURTESY LAMP HARNESS</b> 4 Door Hardtop & Wagon, Rear Door Jamb Switch To Front Door Jamb Switch, (2 Required Per Car )	\$27.00	
40766	1977	<b>COURTESY LAMP HARNESS</b> All, Except Wagon, Without Reading Lamp, Center Roof Mounted Dome Lamp	\$35.00	
40400	1977	<b>COURTESY LAMP HARNESS</b> Wagon, With Reading Lamp, Center Roof Mounted Dome Lamp	\$66.00	
40401	1977	<b>COURTESY LAMP HARNESS</b> All, Except Wagon, With Reading Lamp, Center Roof Mounted Dome Lamp	\$43.00	
40415	1977	<b>COURTESY LAMP HARNESS</b> All, Wagon, Rear Header Courtesy Lamp	\$33.00	
<b>COURTESY LAMP JUMPER WIRE</b>				
40505	1968	<b>COURTESY LAMP JUMPER WIRE</b> Convertible Only	\$26.00	

Part Number	Year	Description	Price	*Rev.
<b>COURTESY LAMP REPAIR PIGTAIL</b>				
43896	1964	<b>COURTESY LAMP REPAIR PIGTAIL</b> Convertible, 1/4 Arm Rest Courtesy Lamp, Includes Socket And 6" Of 18 Gauge, Orange & White Wire. 2 Required Per Car. Note: Original Wire Was 18 Gauge, Sometimes With A Heavy Wall Type Insulation. Repair Pigtail Is Also 18 Gauge, But Today's Insulation Is Of Much Higher Quality, And May Not Be As Thick As Some Original Cables.	\$17.00	
43896	1965	<b>COURTESY LAMP REPAIR PIGTAIL</b> Convertible, 1/4 Arm Rest Courtesy Lamp, Includes Socket And 6" Of 18 Gauge, Orange & White Wire. 2 Required Per Car. Note: Original Wire Was 18 Gauge, Sometimes With A Heavy Wall Type Insulation. Repair Pigtail Is Also 18 Gauge, But Today's Insulation Is Of Much Higher Quality, And May Not Be As Thick As Some Original Cables.	\$17.00	
43896	1966	<b>COURTESY LAMP REPAIR PIGTAIL</b> Convertible, 1/4 Arm Rest Courtesy Lamp, Includes Socket And 6" Of 18 Gauge, Orange & White Wire. 2 Required Per Car. Note: Original Wire Was 18 Gauge, Sometimes With A Heavy Wall Type Insulation. Repair Pigtail Is Also 18 Gauge, But Today's Insulation Is Of Much Higher Quality, And May Not Be As Thick As Some Original Cables.	\$17.00	
43896	1967	<b>COURTESY LAMP REPAIR PIGTAIL</b> Convertible, 1/4 Arm Rest Courtesy Lamp, Includes Socket And 6" Of 18 Gauge, Orange & White Wire. 2 Required Per Car. Note: Original Wire Was 18 Gauge, Sometimes With A Heavy Wall Type Insulation. Repair Pigtail Is Also 18 Gauge, But Today's Insulation Is Of Much Higher Quality, And May Not Be As Thick As Some Original Cables.	\$17.00	
43896	1968	<b>COURTESY LAMP REPAIR PIGTAIL</b> Convertible, 1/4 Arm Rest Courtesy Lamp, Includes Socket And 6" Of 18 Gauge, Orange & White Wire. 2 Required Per Car. Note: Original Wire Was 18 Gauge, Sometimes With A Heavy Wall Type Insulation. Repair Pigtail Is Also 18 Gauge, But Today's Insulation Is Of Much Higher Quality, And May Not Be As Thick As Some Original Cables.	\$17.00	
43896	1969	<b>COURTESY LAMP REPAIR PIGTAIL</b> Convertible, 1/4 Arm Rest Courtesy Lamp, Includes Socket And 6" Of 18 Gauge, Orange & White Wire. 2 Required Per Car. Note: Original Wire Was 18 Gauge, Sometimes With A Heavy Wall Type Insulation. Repair Pigtail Is Also 18 Gauge, But Today's Insulation Is Of Much Higher Quality, And May Not Be As Thick As Some Original Cables.	\$17.00	
43896	1970	<b>COURTESY LAMP REPAIR PIGTAIL</b> Convertible, 1/4 Arm Rest Courtesy Lamp, Includes Socket And 6" Of 18 Gauge, Orange & White Wire. 2 Required Per Car. Note: Original Wire Was 18 Gauge, Sometimes With A Heavy Wall Type Insulation. Repair Pigtail Is Also 18 Gauge, But Today's Insulation Is Of Much Higher Quality, And May Not Be As Thick As Some Original Cables.	\$17.00	
43896	1971	<b>COURTESY LAMP REPAIR PIGTAIL</b> Convertible, 1/4 Arm Rest Courtesy Lamp, Includes Socket And 6" Of 18 Gauge, Orange & White Wire. 2 Required Per Car. Note: Original Wire Was 18 Gauge, Sometimes With A Heavy Wall Type Insulation. Repair Pigtail Is Also 18 Gauge, But Today's Insulation Is Of Much Higher Quality, And May Not Be As Thick As Some Original Cables.	\$17.00	
43896	1972	<b>COURTESY LAMP REPAIR PIGTAIL</b> Convertible, 1/4 Arm Rest Courtesy Lamp, Includes Socket And 6" Of 18 Gauge, Orange & White Wire. 2 Required Per Car. Note: Original Wire Was 18 Gauge, Sometimes With A Heavy Wall Type Insulation. Repair Pigtail Is Also 18 Gauge, But Today's Insulation Is Of Much Higher Quality, And May Not Be As Thick As Some Original Cables.	\$17.00	
<b>COURTESY LAMP WIRE</b>				
40553	1970	<b>COURTESY LAMP WIRE</b> All Wagons, Rear Lamp Intermediate Harness To Rear Header Dome Lamp	\$27.00	
40758	1971	<b>COURTESY LAMP WIRE</b> All Wagons, Rear Lamp Intermediate Harness To Rear Header Dome Lamp	\$27.00	
40758	1972	<b>COURTESY LAMP WIRE</b> All Wagons, Rear Lamp Intermediate Harness To Rear Header Dome Lamp	\$27.00	
<b>CRUISE CONTROL HARNESS</b>				
40500	1967	<b>CRUISE CONTROL HARNESS</b> All, With A.c. Delco Brand Cruise Control	\$113.00	
40501	1967	<b>CRUISE CONTROL HARNESS</b> All, With Perfect Circle Brand Cruise Control	\$113.00	
40500	1968	<b>CRUISE CONTROL HARNESS</b> All, With A.c. Delco Brand Cruise Control	\$113.00	
40501	1968	<b>CRUISE CONTROL HARNESS</b> All, With Perfect Circle Brand Cruise Control	\$113.00	
40515	1969	<b>CRUISE CONTROL HARNESS</b> All	\$113.00	
40520	1970	<b>CRUISE CONTROL HARNESS</b> All	\$113.00	
40520	1971	<b>CRUISE CONTROL HARNESS</b> All	\$113.00	
40520	1972	<b>CRUISE CONTROL HARNESS</b> All	\$113.00	



Part Number	Year	Description	Price	*Rev.
40631	1973	<b>CRUISE CONTROL HARNESS</b> All, With Gauges, Except Unitized Distributor, (Includes Tach Wiring)	\$113.00	
40650	1973	<b>CRUISE CONTROL HARNESS</b> All, Without Gauges	\$113.00	
40657	1973	<b>CRUISE CONTROL HARNESS</b> All, With Gauges & Unitized Distributor, (Includes Tach Wiring)	\$133.00	
40678	1974	<b>CRUISE CONTROL HARNESS</b> All, With Tach, Except Unitized Distributor	\$113.00	
40679	1974	<b>CRUISE CONTROL HARNESS</b> All, With Tach & Unitized Distributor	\$113.00	
40683	1974	<b>CRUISE CONTROL HARNESS</b> All, Without Tach	\$133.00	
40679	1975	<b>CRUISE CONTROL HARNESS</b> All, With Tach, Without Pulse Wipers	\$113.00	
40683	1975	<b>CRUISE CONTROL HARNESS</b> All, Without Tach & Pulse Wipers	\$133.00	
40689	1975	<b>CRUISE CONTROL HARNESS</b> All, With Pulse Wipers	\$133.00	
40691	1975	<b>CRUISE CONTROL HARNESS</b> All, With Pulse Wipers & Tach	\$133.00	
40679	1976	<b>CRUISE CONTROL HARNESS</b> All, With Tach, Without Pulse Wipers	\$113.00	
40683	1976	<b>CRUISE CONTROL HARNESS</b> All, Without Tach & Pulse Wipers	\$133.00	
40689	1976	<b>CRUISE CONTROL HARNESS</b> All, With Pulse Wipers	\$133.00	
40691	1976	<b>CRUISE CONTROL HARNESS</b> All, With Pulse Wipers & Tach	\$133.00	
40691	1977	<b>CRUISE CONTROL HARNESS</b> All, With Pulse Wipers & Tach	\$133.00	
40689	1977	<b>CRUISE CONTROL HARNESS</b> All, With Pulse Wipers	\$133.00	
40679	1977	<b>CRUISE CONTROL HARNESS</b> All, With Tach, Without Pulse Wipers	\$113.00	
40683	1977	<b>CRUISE CONTROL HARNESS</b> All, Without Tach & Pulse Wipers	\$133.00	
<b>DASH AND ENGINE COMPARTMENT HARNESS</b>				
03460	1961	<b>DASH AND ENGINE COMPARTMENT HARNESS</b> Without Heater Note: Customer Must Supply Their Original Fuseblock, Harness Is Made To Order.	\$722.00	
03465	1961	<b>DASH AND ENGINE COMPARTMENT HARNESS</b> With Heater Note: Customer Must Supply Their Original Fuseblock, Harness Is Made To Order.	\$722.00	
03465	1962	<b>DASH AND ENGINE COMPARTMENT HARNESS</b> 1st Type, With Water Control Valve Note: Customer Must Supply Their Original Fuseblock, Harness Is Made To Order.	\$722.00	
03770	1962	<b>DASH AND ENGINE COMPARTMENT HARNESS</b> 2nd Type, With Connector & Wires For Heater Resistor Note: Customer Must Supply Their Original Fuseblock, Harness Is Made To Order.	\$722.00	
04070	1963	<b>DASH AND ENGINE COMPARTMENT HARNESS</b> 4 Cylinder Note: Customer Must Supply Their Original Fuseblock, Harness Is Made To Order.	\$722.00	
04075	1963	<b>DASH AND ENGINE COMPARTMENT HARNESS</b> V/8 Note: Customer Must Supply Their Original Fuseblock, Harness Is Made To Order.	\$722.00	
<b>DASH HARNESS</b>				
04565	1964	<b>DASH HARNESS</b> 6 Cylinder, Column Shift Auto Or All Manual Trans Note: 6 Cylinder Items Are Not Returnable.	\$670.00	
19845	1964	<b>DASH HARNESS</b> 6 Cylinder, Column Shift Auto Or All Manual Trans With A/C Note: 6 Cylinder Items Are Not Returnable.	\$670.00	
19835	1964	<b>DASH HARNESS</b> 6 Cylinder, Console Shift, Auto Trans Note: 6 Cylinder Items Are Not Returnable.	\$670.00	
19840	1964	<b>DASH HARNESS</b> 6 Cylinder, Console Shift, Auto Trans, With A/C Note: 6 Cylinder Items Are Not Returnable.	\$670.00	
04570	1964	<b>DASH HARNESS</b> V/8, Column Shift Auto Or All Manual Trans	\$585.00	
03335	1964	<b>DASH HARNESS</b> V/8, Column Shift Auto Or All Manual Trans, With A/C	\$585.00	
05010	1964	<b>DASH HARNESS</b> V/8, Console Shift, Auto Trans Add	\$585.00	
05015	1964	<b>DASH HARNESS</b> V/8, Console Shift, Auto Trans, With A/C	\$585.00	
05675	1965	<b>DASH HARNESS</b> Column Shift Auto Or All Manual Trans	\$585.00	
05680	1965	<b>DASH HARNESS</b> Column Shift Auto Or All Manual Trans, With A/C	\$585.00	

Part Number	Year	Description	Price	*Rev.
05690	1965	<b>DASH HARNESS</b> Console Shift, Auto Trans	\$585.00	
05685	1965	<b>DASH HARNESS</b> Console Shift, Auto Trans, With A/C	\$585.00	
09405	1966	<b>DASH HARNESS</b> Column Shift Auto Or All Manual Trans	\$585.00	
09520	1966	<b>DASH HARNESS</b> Column Shift Auto Or All Manual Trans, With Gauges	\$585.00	
09410	1966	<b>DASH HARNESS</b> Console Shift, Auto Trans	\$585.00	
09525	1966	<b>DASH HARNESS</b> Console Shift, Auto Trans, With Gauges	\$585.00	
10245	1967	<b>DASH HARNESS</b> Column Shift Auto Or All Manual Trans	\$585.00	
10255	1967	<b>DASH HARNESS</b> Column Shift Auto Or All Manual Trans, With Gauges	\$585.00	
10250	1967	<b>DASH HARNESS</b> Console Shift, Auto Trans	\$585.00	
10260	1967	<b>DASH HARNESS</b> Console Shift, Auto Trans, With Gauges	\$585.00	
17370	1968	<b>DASH HARNESS</b> Column Shift Auto Or All Manual Trans	\$599.00	
11465	1968	<b>DASH HARNESS</b> Column Shift Auto Or All Manual Trans, With Gauges Note: Customer Must Reuse Their Original Plastic Connector For The Ignition Switch.	\$599.00	
12360	1968	<b>DASH HARNESS</b> Console Shift, Auto Trans Note: Customer Must Reuse Their Original Plastic Connector For The Ignition Switch.	\$599.00	
11470	1968	<b>DASH HARNESS</b> Console Shift, Auto Trans, With Gauges Note: Customer Must Reuse Their Original Plastic Connector For The Ignition Switch.	\$599.00	
12820	1969	<b>DASH HARNESS</b> Without Gauges	\$599.00	
12825	1969	<b>DASH HARNESS</b> With Gauges	\$599.00	
15855	1970	<b>DASH HARNESS</b> Without Gauges	\$599.00	
15860	1970	<b>DASH HARNESS</b> With Gauges	\$599.00	
16210	1971	<b>DASH HARNESS</b> Without Gauges	\$599.00	
16655	1971	<b>DASH HARNESS</b> With Gauges	\$599.00	
16265	1971	<b>DASH HARNESS</b> Ventura, Without Gauges	\$619.00	
16270	1971	<b>DASH HARNESS</b> Ventura, With Gauges	\$619.00	
17275	1972	<b>DASH HARNESS</b> Without Gauges & Seat Belt Warning Note: Customer Must Reuse Their Original Plastic Connector For The Horn Relay.	\$639.00	
16725	1972	<b>DASH HARNESS</b> With Gauges & Without Seat Belt Warning Note: Customer Must Reuse Their Original Plastic Connector For The Horn Relay.	\$639.00	
17280	1972	<b>DASH HARNESS</b> With Gauges & Seat Belt Warning Note: Customer Must Reuse Their Original Plastic Connector For The Horn Relay.	\$639.00	
40594	1972	<b>DASH HARNESS</b> Ventura, All Base Models Without Seat Belt Warning	\$639.00	
40595	1972	<b>DASH HARNESS</b> Ventura, Auto Trans, With Floor Console, Without Seat Belt Warning	\$657.00	
40596	1972	<b>DASH HARNESS</b> Ventura, With A/C, Without Gauges & Seat Belt Warning	\$657.00	
40597	1972	<b>DASH HARNESS</b> Ventura, Auto Trans, With Gauges, Without Seat Belt Warning	\$657.00	
40598	1972	<b>DASH HARNESS</b> Ventura, Manual Trans, With Gauges, Without Seat Belt Warning	\$657.00	
16530	1972	<b>DASH HARNESS</b> Ventura, All Base Models With Seat Belt Warning	\$657.00	
40599	1972	<b>DASH HARNESS</b> Ventura, Auto Trans, With Floor Console & Seat Belt Warning	\$657.00	
40600	1972	<b>DASH HARNESS</b> Ventura, With A/C & Seat Belt Warning, Without Gauges	\$657.00	
40601	1972	<b>DASH HARNESS</b> Ventura, Auto Trans, With Gauges & Seat Belt Warning	\$657.00	
40602	1972	<b>DASH HARNESS</b> Ventura, Manual Trans, With Gauges & Seat Belt Warning	\$657.00	
17285	1973	<b>DASH HARNESS</b> Tempest, Le Mans & GTO Note: Customer Must Reuse Their Original Plastic Connector For The Horn Relay.	\$722.00	
18715	1973	<b>DASH HARNESS</b> Ventura	\$622.00	
30685	1974	<b>DASH HARNESS</b> Tempest & Le Mans Note: Customer Must Supply Original Dash Harness, Harness Is Made To Order.	\$722.00	

Part Number	Year	Description	Price	*Rev.
18660	1974	<b>DASH HARNESS</b> GTO & Ventura, Without Gauges Note: Customer Must Reuse Their Original Plastic Connector For The Seat Belt Buzzer / Timer.	\$658.00	
18655	1974	<b>DASH HARNESS</b> GTO & Ventura, With Gauges Note: Customer Must Reuse Their Original Plastic Connector For The Seat Belt Buzzer / Timer.	\$658.00	
40821	1975	<b>DASH HARNESS</b> With Seat Belt Warning, Without Gauges Note: Customer Must Supply Their Original Harness, Harness Is Made To Order.	\$734.00	
40822	1975	<b>DASH HARNESS</b> With Seat Belt Warning & Gauges Note: Customer Must Supply Their Original Harness, Harness Is Made To Order.	\$734.00	
40840	1975	<b>DASH HARNESS</b> Without Gauges & Seat Belt Warning Note: Customer Must Supply Their Original Harness, Harness Is Made To Order.	\$734.00	
40841	1975	<b>DASH HARNESS</b> With Gauges, Without Seat Belt Warning Note: Customer Must Supply Their Original Harness, Harness Is Made To Order.	\$734.00	
40827	1976	<b>DASH HARNESS</b> All Note: Customer Must Supply Their Original Harness, Harness Is Made To Order.	\$734.00	
40888	1977	<b>DASH HARNESS</b> All Note: Customer Must Reuse Their Original Plastic Connector For The Seat Belt Buzzer / Timer.	\$734.00	
<b>DISTRIBUTOR WIRE</b>				
36057	1961	<b>DISTRIBUTOR WIRE</b> Distributor Points To Coil Negative Terminal, V/8 Note: Fits All GM V/8 Points Type Distributors From Approx. 1957 To 1974.	\$18.00	C
36057	1962	<b>DISTRIBUTOR WIRE</b> Distributor Points To Coil Negative Terminal, V/8 Note: Fits All GM V/8 Points Type Distributors From Approx. 1957 To 1974.	\$18.00	C
36057	1963	<b>DISTRIBUTOR WIRE</b> Distributor Points To Coil Negative Terminal, V/8 Note: Fits All GM V/8 Points Type Distributors From Approx. 1957 To 1974.	\$18.00	C
36057	1964	<b>DISTRIBUTOR WIRE</b> Distributor Points To Coil Negative Terminal, V/8 Note: Fits All GM V/8 Points Type Distributors From Approx. 1957 To 1974.	\$18.00	C
36057	1965	<b>DISTRIBUTOR WIRE</b> Distributor Points To Coil Negative Terminal, V/8 Note: Fits All GM V/8 Points Type Distributors From Approx. 1957 To 1974.	\$18.00	C
36057	1966	<b>DISTRIBUTOR WIRE</b> Distributor Points To Coil Negative Terminal, V/8 Note: Fits All GM V/8 Points Type Distributors From Approx. 1957 To 1974.	\$18.00	C
36057	1967	<b>DISTRIBUTOR WIRE</b> Distributor Points To Coil Negative Terminal, V/8 Note: Fits All GM V/8 Points Type Distributors From Approx. 1957 To 1974.	\$18.00	C
36057	1968	<b>DISTRIBUTOR WIRE</b> Distributor Points To Coil Negative Terminal, V/8 Note: Fits All GM V/8 Points Type Distributors From Approx. 1957 To 1974.	\$18.00	C
36057	1969	<b>DISTRIBUTOR WIRE</b> Distributor Points To Coil Negative Terminal, V/8 Note: Fits All GM V/8 Points Type Distributors From Approx. 1957 To 1974.	\$18.00	C
36057	1970	<b>DISTRIBUTOR WIRE</b> Distributor Points To Coil Negative Terminal, V/8 Note: Fits All GM V/8 Points Type Distributors From Approx. 1957 To 1974.	\$18.00	C
36057	1971	<b>DISTRIBUTOR WIRE</b> Distributor Points To Coil Negative Terminal, V/8 Note: Fits All GM V/8 Points Type Distributors From Approx. 1957 To 1974.	\$18.00	C
36057	1972	<b>DISTRIBUTOR WIRE</b> Distributor Points To Coil Negative Terminal, V/8 Note: Fits All GM V/8 Points Type Distributors From Approx. 1957 To 1974.	\$18.00	C
36057	1973	<b>DISTRIBUTOR WIRE</b> Distributor Points To Coil Negative Terminal, V/8 Note: Fits All GM V/8 Points Type Distributors From Approx. 1957 To 1974.	\$18.00	C
36057	1974	<b>DISTRIBUTOR WIRE</b> Distributor Points To Coil Negative Terminal, V/8 Note: Fits All GM V/8 Points Type Distributors From Approx. 1957 To 1974.	\$18.00	C
<b>DOOR JAMB SWITCH HARNESS</b>				
40712	1974	<b>DOOR JAMB SWITCH HARNESS</b> Without Power Windows Or Door Locks	\$74.00	
40712	1975	<b>DOOR JAMB SWITCH HARNESS</b> Without Power Windows Or Door Locks	\$74.00	
40712	1976	<b>DOOR JAMB SWITCH HARNESS</b> Without Power Windows Or Door Locks	\$74.00	

Part Number	Year	Description	Price	*Rev.
40712	1977	DOOR JAMB SWITCH HARNESS Without Power Windows Or Door Locks	\$74.00	
<b>EMISSION SYSTEM JUMPER HARNESS</b>				
40666	1973	EMISSION SYSTEM JUMPER HARNESS Used With Late 1973 Production Engines, Time Delay Relay To Egr Solenoid	\$74.00	
40667	1973	EMISSION SYSTEM JUMPER HARNESS Ventura, Used With Late 1973 Production Engines, Time Delay Relay To Egr Solenoid	\$74.00	
<b>ENGINE HARNESS</b>				
05600	1964	ENGINE HARNESS 6 Cylinder, Auto Trans Note: 6 Cylinder Items Are Not Returnable.	\$215.00	
17290	1964	ENGINE HARNESS 6 Cylinder, Auto Trans, With A/C Note: 6 Cylinder Items Are Not Returnable.	\$228.00	
37971	1964	ENGINE HARNESS 6 Cylinder, Manual Trans Note: 6 Cylinder Items Are Not Returnable.	\$215.00	
37972	1964	ENGINE HARNESS 6 Cylinder, Manual Trans, With A/C Note: 6 Cylinder Items Are Not Returnable.	\$228.00	
03535	1964	ENGINE HARNESS V/8, Auto Trans	\$188.00	
40241	1964	ENGINE HARNESS-HEI V/8, Auto Trans Note: This Harness Is Modified For Use With An HEI Distributor. In Order To Use HEI This Year, You Will Need To Bypass The Factory Installed Resistance Wire Located In Your Dash Harness. We Include A Proper Bypass Wire And Instructions For You.	\$211.00	
40242	1964	ENGINE HARNESS-SI SERIES INT REG ALT, DRIVER SIDE V/8, Auto Trans	\$226.00	
40243	1964	ENGINE HARNESS-HEI AND SI SERIES INT REG ALT, DRIVER SIDE V/8, Auto Trans Note: This Harness Is Modified For Use With An HEI Distributor. In Order To Use HEI This Year, You Will Need To Bypass The Factory Installed Resistance Wire Located In Your Dash Harness. We Include A Proper Bypass Wire And Instructions For You.	\$238.00	
05185	1964	ENGINE HARNESS V/8, Auto Trans, With A/C	\$194.00	
40244	1964	ENGINE HARNESS-HEI V/8, Auto Trans, With A/C Note: This Harness Is Modified For Use With An HEI Distributor. In Order To Use HEI This Year, You Will Need To Bypass The Factory Installed Resistance Wire Located In Your Dash Harness. We Include A Proper Bypass Wire And Instructions For You.	\$218.00	
40245	1964	ENGINE HARNESS-SI SERIES INT REG ALT, DRIVER SIDE V/8, Auto Trans, With A/C	\$231.00	
40246	1964	ENGINE HARNESS-HEI AND SI SERIES INT REG ALT, DRIVER SIDE V/8, Auto Trans, With A/C Note: This Harness Is Modified For Use With An HEI Distributor. In Order To Use HEI This Year, You Will Need To Bypass The Factory Installed Resistance Wire Located In Your Dash Harness. We Include A Proper Bypass Wire And Instructions For You.	\$245.00	
37973	1964	ENGINE HARNESS V/8, Manual Trans	\$175.00	
40247	1964	ENGINE HARNESS-HEI V/8, Manual Trans Note: This Harness Is Modified For Use With An HEI Distributor. In Order To Use HEI This Year, You Will Need To Bypass The Factory Installed Resistance Wire Located In Your Dash Harness. We Include A Proper Bypass Wire And Instructions For You.	\$198.00	
40248	1964	ENGINE HARNESS-SI SERIES INT REG ALT, DRIVER SIDE V/8, Manual Trans	\$212.00	
40249	1964	ENGINE HARNESS-HEI AND SI SERIES INT REG ALT, DRIVER SIDE V/8, Manual Trans Note: This Harness Is Modified For Use With An HEI Distributor. In Order To Use HEI This Year, You Will Need To Bypass The Factory Installed Resistance Wire Located In Your Dash Harness. We Include A Proper Bypass Wire And Instructions For You.	\$226.00	
37974	1964	ENGINE HARNESS V/8, Manual Trans, With A/C	\$194.00	
40250	1964	ENGINE HARNESS-HEI V/8, Manual Trans, With A/C Note: This Harness Is Modified For Use With An HEI Distributor. In Order To Use HEI This Year, You Will Need To Bypass The Factory Installed Resistance Wire Located In Your Dash Harness. We Include A Proper Bypass Wire And Instructions For You.	\$218.00	
40251	1964	ENGINE HARNESS-SI SERIES INT REG ALT, DRIVER SIDE V/8, Manual Trans, With A/C	\$231.00	
40252	1964	ENGINE HARNESS-HEI AND SI SERIES INT REG ALT, DRIVER SIDE V/8, Manual Trans, With A/C Note: This Harness Is Modified For Use With An HEI Distributor. In Order To Use HEI This Year, You Will Need To Bypass The Factory Installed Resistance Wire Located In Your Dash Harness. We Include A Proper Bypass Wire And Instructions For You.	\$245.00	

Part Number	Year	Description	Price	*Rev.
05705	1965	<b>ENGINE HARNESS</b> 6 Cylinder, Auto Trans Note: 6 Cylinder Items Are Not Returnable.	\$215.00	
05710	1965	<b>ENGINE HARNESS</b> 6 Cylinder, Auto Trans, With A/C Note: 6 Cylinder Items Are Not Returnable.	\$228.00	
37975	1965	<b>ENGINE HARNESS</b> 6 Cylinder, Manual Trans Note: 6 Cylinder Items Are Not Returnable.	\$215.00	
37976	1965	<b>ENGINE HARNESS</b> 6 Cylinder, Manual Trans, With A/C Note: 6 Cylinder Items Are Not Returnable.	\$228.00	
05695	1965	<b>ENGINE HARNESS</b> V/8, Auto Trans	\$188.00	
40253	1965	<b>ENGINE HARNESS-HEI</b> V/8, Auto Trans	\$211.00	
40254	1965	<b>ENGINE HARNESS-SI SERIES INT REG ALT, DRIVER SIDE</b> V/8, Auto Trans	\$226.00	
40255	1965	<b>ENGINE HARNESS-HEI AND SI SERIES INT REG ALT, DRIVER SIDE</b> V/8, Auto Trans	\$238.00	
05700	1965	<b>ENGINE HARNESS</b> V/8, Auto Trans, With A/C	\$194.00	
40256	1965	<b>ENGINE HARNESS-HEI</b> V/8, Auto Trans, With A/C	\$218.00	
40257	1965	<b>ENGINE HARNESS-SI SERIES INT REG ALT, DRIVER SIDE</b> V/8, Auto Trans, With A/C	\$231.00	
40258	1965	<b>ENGINE HARNESS-HEI AND SI SERIES INT REG ALT, DRIVER SIDE</b> V/8, Auto Trans, With A/C	\$245.00	
37977	1965	<b>ENGINE HARNESS</b> V/8, Manual Trans	\$181.00	
40259	1965	<b>ENGINE HARNESS-HEI</b> V/8, Manual Trans	\$204.00	
40260	1965	<b>ENGINE HARNESS-SI SERIES INT REG ALT, DRIVER SIDE</b> V/8, Manual Trans	\$219.00	
40261	1965	<b>ENGINE HARNESS-HEI AND SI SERIES INT REG ALT, DRIVER SIDE</b> V/8, Manual Trans	\$231.00	
37978	1965	<b>ENGINE HARNESS</b> V/8, Manual Trans, With A/C	\$201.00	
40262	1965	<b>ENGINE HARNESS-HEI</b> V/8, Manual Trans, With A/C	\$223.00	
40263	1965	<b>ENGINE HARNESS-SI SERIES INT REG ALT, DRIVER SIDE</b> V/8, Manual Trans, With A/C	\$238.00	
40264	1965	<b>ENGINE HARNESS-HEI AND SI SERIES INT REG ALT, DRIVER SIDE</b> V/8, Manual Trans, With A/C	\$251.00	
10160	1966	<b>ENGINE HARNESS</b> 6 Cylinder Note: 6 Cylinder Items Are Not Returnable.	\$215.00	
10165	1966	<b>ENGINE HARNESS</b> 6 Cylinder, With A/C Note: 6 Cylinder Items Are Not Returnable.	\$249.00	
09415	1966	<b>ENGINE HARNESS</b> V/8	\$181.00	
40265	1966	<b>ENGINE HARNESS-HEI</b> V/8	\$204.00	
40266	1966	<b>ENGINE HARNESS-SI SERIES INT REG ALT, DRIVER SIDE</b> V/8	\$219.00	
40267	1966	<b>ENGINE HARNESS-HEI AND SI SERIES INT REG ALT, DRIVER SIDE</b> V/8	\$231.00	
09530	1966	<b>ENGINE HARNESS, CUC</b> V/8, With A/C	\$201.00	
40268	1966	<b>ENGINE HARNESS, CUC-HEI</b> V/8, With A/C	\$223.00	
40269	1966	<b>ENGINE HARNESS, CUC-SI SERIES INT REG ALT, DRIVER SIDE</b> V/8, With A/C	\$238.00	
40270	1966	<b>ENGINE HARNESS, CUC-HEI AND SI SERIES INT REG ALT, DRIVER SIDE</b> V/8, With A/C	\$251.00	
10340	1967	<b>ENGINE HARNESS</b> 6 Cylinder Note: 6 Cylinder Items Are Not Returnable.	\$243.00	
10345	1967	<b>ENGINE HARNESS</b> 6 Cylinder, With A/C Note: 6 Cylinder Items Are Not Returnable.	\$249.00	
10315	1967	<b>ENGINE HARNESS</b> 6 Cylinder, With Transistor Ignition Note: 6 Cylinder Items Are Not Returnable.	\$291.00	

Part Number	Year	Description	Price	*Rev.
10320	1967	<b>ENGINE HARNESS</b> 6 Cylinder, With A/C & Transistor Ignition Note: 6 Cylinder Items Are Not Returnable.	\$318.00	
10350	1967	<b>ENGINE HARNESS</b> V/8	\$181.00	
40271	1967	<b>ENGINE HARNESS-HEI</b> V/8	\$204.00	
40272	1967	<b>ENGINE HARNESS-SI SERIES INT REG ALT, DRIVER SIDE</b> V/8	\$219.00	
40273	1967	<b>ENGINE HARNESS-HEI AND SI SERIES INT REG ALT, DRIVER SIDE</b> V/8	\$231.00	
10355	1967	<b>ENGINE HARNESS</b> V/8, With A/C	\$201.00	
40274	1967	<b>ENGINE HARNESS-HEI</b> V/8, With A/C	\$223.00	
40275	1967	<b>ENGINE HARNESS-SI SERIES INT REG ALT, DRIVER SIDE</b> V/8, With A/C	\$238.00	
40276	1967	<b>ENGINE HARNESS-HEI AND SI SERIES INT REG ALT, DRIVER SIDE</b> V/8, With A/C	\$251.00	
11495	1967	<b>ENGINE HARNESS</b> V/8, With A/C & Ram Air	\$201.00	
40277	1967	<b>ENGINE HARNESS-HEI</b> V/8, With A/C & Ram Air	\$223.00	
40278	1967	<b>ENGINE HARNESS-SI SERIES INT REG ALT, DRIVER SIDE</b> V/8, With A/C & Ram Air	\$238.00	
40279	1967	<b>ENGINE HARNESS-HEI AND SI SERIES INT REG ALT, DRIVER SIDE</b> V/8, With A/C & Ram Air	\$251.00	
10330	1967	<b>ENGINE HARNESS</b> V/8, With A/C & Transistor Ignition	\$227.00	
40283	1967	<b>ENGINE HARNESS-SI SERIES INT REG ALT, DRIVER SIDE</b> V/8, With A/C & Transistor Ignition	\$264.00	
11505	1967	<b>ENGINE HARNESS</b> V/8, With A/C, Ram Air & Transistor Ignition	\$227.00	
40284	1967	<b>ENGINE HARNESS-SI SERIES INT REG ALT, DRIVER SIDE</b> V/8, With A/C, Ram Air & Transistor Ignition	\$264.00	
10325	1967	<b>ENGINE HARNESS</b> V/8, With Transistor Ignition	\$227.00	
40285	1967	<b>ENGINE HARNESS-SI SERIES INT REG ALT, DRIVER SIDE</b> V/8, With Transistor Ignition	\$264.00	
11490	1967	<b>ENGINE HARNESS</b> V/8, With Ram Air	\$194.00	
40280	1967	<b>ENGINE HARNESS-HEI</b> V/8, With Ram Air	\$218.00	
40281	1967	<b>ENGINE HARNESS-SI SERIES INT REG ALT, DRIVER SIDE</b> V/8, With Ram Air	\$231.00	
40282	1967	<b>ENGINE HARNESS-HEI AND SI SERIES INT REG ALT, DRIVER SIDE</b> V/8, With Ram Air	\$245.00	
11500	1967	<b>ENGINE HARNESS</b> V/8, With Ram Air & Transistor Ignition	\$227.00	
40286	1967	<b>ENGINE HARNESS-SI SERIES INT REG ALT, DRIVER SIDE</b> V/8, With Ram Air & Transistor Ignition	\$264.00	
11380	1968	<b>ENGINE HARNESS</b> 6 Cylinder Note: 6 Cylinder Items Are Not Returnable.	\$276.00	
11385	1968	<b>ENGINE HARNESS</b> 6 Cylinder, With A/C Note: 6 Cylinder Items Are Not Returnable.	\$291.00	
11395	1968	<b>ENGINE HARNESS</b> V/8	\$219.00	
40287	1968	<b>ENGINE HARNESS-HEI</b> V/8	\$243.00	
40288	1968	<b>ENGINE HARNESS-SI SERIES INT REG ALT, DRIVER SIDE</b> V/8	\$258.00	
40289	1968	<b>ENGINE HARNESS-HEI AND SI SERIES INT REG ALT, DRIVER SIDE</b> V/8	\$271.00	
11555	1968	<b>ENGINE HARNESS</b> V/8, With A/C	\$233.00	
40290	1968	<b>ENGINE HARNESS-HEI</b> V/8, With A/C	\$256.00	
40291	1968	<b>ENGINE HARNESS-SI SERIES INT REG ALT, DRIVER SIDE</b> V/8, With A/C	\$271.00	
40292	1968	<b>ENGINE HARNESS-HEI AND SI SERIES INT REG ALT, DRIVER SIDE</b> V/8, With A/C	\$285.00	
37979	1968	<b>ENGINE HARNESS</b> V/8, With Ram Air	\$233.00	
40296	1968	<b>ENGINE HARNESS-HEI</b> V/8, With Ram Air	\$256.00	
40297	1968	<b>ENGINE HARNESS-SI SERIES INT REG ALT, DRIVER SIDE</b> V/8, With Ram Air	\$271.00	
40298	1968	<b>ENGINE HARNESS-HEI AND SI SERIES INT REG ALT, DRIVER SIDE</b> V/8, With Ram Air	\$285.00	

Part Number	Year	Description	Price	*Rev.
11390	1968	<b>ENGINE HARNESS</b> V/8, With A/C & Ram Air	\$252.00	
40293	1968	<b>ENGINE HARNESS-HEI</b> V/8, With A/C & Ram Air	\$276.00	
40294	1968	<b>ENGINE HARNESS-SI SERIES INT REG ALT, DRIVER SIDE</b> V/8, With A/C & Ram Air	\$290.00	
40295	1968	<b>ENGINE HARNESS-HEI AND SI SERIES INT REG ALT, DRIVER SIDE</b> V/8, With A/C & Ram Air	\$304.00	
40519	1969	<b>ENGINE HARNESS</b> 6 Cylinder, With Internal Regulator Note: 6 Cylinder Items Are Not Returnable.	\$318.00	
13450	1969	<b>ENGINE HARNESS</b> 6 Cylinder, With External Regulator Note: 6 Cylinder Items Are Not Returnable.	\$318.00	
13445	1969	<b>ENGINE HARNESS</b> 6 Cylinder, With A/C & Internal Regulator Note: 6 Cylinder Items Are Not Returnable.	\$332.00	
12865	1969	<b>ENGINE HARNESS</b> 6 Cylinder, With A/C & External Regulator Note: 6 Cylinder Items Are Not Returnable.	\$332.00	
13290	1969	<b>ENGINE HARNESS</b> V/8, With External Regulator Note: Not Used For HEI Application.	\$259.00	
40299	1969	<b>ENGINE HARNESS-HEI</b> V/8, With External Regulator Note: This Harness Is Modified For Use With An HEI Distributor. In Order To Use HEI This Year, You Will Need To Bypass The Factory Installed Resistance Wire Located In Your Dash Harness. We Include A Proper Bypass Wire And Instructions For You.	\$282.00	
12870	1969	<b>ENGINE HARNESS</b> V/8, With Internal Regulator Note: Not Used For HEI Application.	\$259.00	
40300	1969	<b>ENGINE HARNESS-HEI</b> V/8, With Internal Regulator Note: This Harness Is Modified For Use With An HEI Distributor. In Order To Use HEI This Year, You Will Need To Bypass The Factory Installed Resistance Wire Located In Your Dash Harness. We Include A Proper Bypass Wire And Instructions For You.	\$282.00	
13430	1969	<b>ENGINE HARNESS</b> V/8, With Ram Air & External Regulator Note: Not Used For HEI Application.	\$265.00	
40301	1969	<b>ENGINE HARNESS-HEI</b> V/8, With Ram Air & External Regulator Note: This Harness Is Modified For Use With An HEI Distributor. In Order To Use HEI This Year, You Will Need To Bypass The Factory Installed Resistance Wire Located In Your Dash Harness. We Include A Proper Bypass Wire And Instructions For You.	\$289.00	
12875	1969	<b>ENGINE HARNESS</b> V/8, With Ram Air & Internal Regulator Note: Not Used For HEI Application.	\$265.00	
40302	1969	<b>ENGINE HARNESS-HEI</b> V/8, With Ram Air & Internal Regulator Note: This Harness Is Modified For Use With An HEI Distributor. In Order To Use HEI This Year, You Will Need To Bypass The Factory Installed Resistance Wire Located In Your Dash Harness. We Include A Proper Bypass Wire And Instructions For You.	\$289.00	
40572	1969	<b>ENGINE HARNESS</b> V/8, Ram Air V Tunnel Port	\$265.00	
37980	1970	<b>ENGINE HARNESS</b> 6 Cylinder, Auto Trans Note: 6 Cylinder Items Are Not Returnable.	\$359.00	
37981	1970	<b>ENGINE HARNESS</b> 6 Cylinder, Manual Trans Note: 6 Cylinder Items Are Not Returnable.	\$359.00	
15555	1970	<b>ENGINE HARNESS</b> 6 Cylinder, Auto Trans, With A/C Note: 6 Cylinder Items Are Not Returnable.	\$359.00	
15550	1970	<b>ENGINE HARNESS</b> 6 Cylinder, Manual Trans, With A/C Note: 6 Cylinder Items Are Not Returnable.	\$359.00	
15565	1970	<b>ENGINE HARNESS</b> V/8, Auto Trans Note: Not Used For HEI Application.	\$291.00	
40303	1970	<b>ENGINE HARNESS-HEI</b> V/8, Auto Trans Note: This Harness Is Modified For Use With An HEI Distributor. In Order To Use HEI This Year, You Will Need To Bypass The Factory Installed Resistance Wire Located In Your Dash Harness. We Include A Proper Bypass Wire And Instructions For You.	\$316.00	
40304	1970	<b>ENGINE HARNESS-SI SERIES INT REG ALT, DRIVER SIDE</b> V/8, Auto Trans	\$331.00	

Part Number	Year	Description	Price	*Rev.
40305	1970	<b>ENGINE HARNESS-HEI AND SI SERIES INT REG ALT, DRIVER SIDE</b> V/8, Auto Trans Note: This Harness Is Modified For Use With An HEI Distributor. In Order To Use HEI This Year, You Will Need To Bypass The Factory Installed Resistance Wire Located In Your Dash Harness. We Include A Proper Bypass Wire And Instructions For You.	\$343.00	
15560	1970	<b>ENGINE HARNESS</b> V/8, Manual Trans Note: Not Used For HEI Application.	\$291.00	
40309	1970	<b>ENGINE HARNESS-HEI</b> V/8, Manual Trans Note: This Harness Is Modified For Use With An HEI Distributor. In Order To Use HEI This Year, You Will Need To Bypass The Factory Installed Resistance Wire Located In Your Dash Harness. We Include A Proper Bypass Wire And Instructions For You.	\$316.00	
40310	1970	<b>ENGINE HARNESS-SI SERIES INT REG ALT, DRIVER SIDE</b> V/8, Manual Trans	\$331.00	
40311	1970	<b>ENGINE HARNESS-HEI AND SI SERIES INT REG ALT, DRIVER SIDE</b> V/8, Manual Trans Note: This Harness Is Modified For Use With An HEI Distributor. In Order To Use HEI This Year, You Will Need To Bypass The Factory Installed Resistance Wire Located In Your Dash Harness. We Include A Proper Bypass Wire And Instructions For You.	\$343.00	
15575	1970	<b>ENGINE HARNESS</b> V/8, Auto Trans, With Ram Air Note: Not Used For HEI Application.	\$291.00	
40306	1970	<b>ENGINE HARNESS-HEI</b> V/8, Auto Trans, With Ram Air Note: This Harness Is Modified For Use With An HEI Distributor. In Order To Use HEI This Year, You Will Need To Bypass The Factory Installed Resistance Wire Located In Your Dash Harness. We Include A Proper Bypass Wire And Instructions For You.	\$316.00	
40307	1970	<b>ENGINE HARNESS-SI SERIES INT REG ALT, DRIVER SIDE</b> V/8, Auto Trans, With Ram Air	\$331.00	
40308	1970	<b>ENGINE HARNESS-HEI AND SI SERIES INT REG ALT, DRIVER SIDE</b> V/8, Auto Trans, With Ram Air Note: This Harness Is Modified For Use With An HEI Distributor. In Order To Use HEI This Year, You Will Need To Bypass The Factory Installed Resistance Wire Located In Your Dash Harness. We Include A Proper Bypass Wire And Instructions For You.	\$343.00	
15570	1970	<b>ENGINE HARNESS</b> V/8, Manual Trans, With Ram Air Note: Not Used For HEI Application.	\$291.00	
40312	1970	<b>ENGINE HARNESS-HEI</b> V/8, Manual Trans, With Ram Air Note: This Harness Is Modified For Use With An HEI Distributor. In Order To Use HEI This Year, You Will Need To Bypass The Factory Installed Resistance Wire Located In Your Dash Harness. We Include A Proper Bypass Wire And Instructions For You.	\$316.00	
40313	1970	<b>ENGINE HARNESS-SI SERIES INT REG ALT, DRIVER SIDE</b> V/8, Manual Trans, With Ram Air	\$331.00	
40314	1970	<b>ENGINE HARNESS-HEI AND SI SERIES INT REG ALT, DRIVER SIDE</b> V/8, Manual Trans, With Ram Air Note: This Harness Is Modified For Use With An HEI Distributor. In Order To Use HEI This Year, You Will Need To Bypass The Factory Installed Resistance Wire Located In Your Dash Harness. We Include A Proper Bypass Wire And Instructions For You.	\$343.00	
37982	1971	<b>ENGINE HARNESS</b> 6 Cylinder Note: 6 Cylinder Items Are Not Returnable.	\$359.00	
16040	1971	<b>ENGINE HARNESS</b> 6 Cylinder, With A/C Note: 6 Cylinder Items Are Not Returnable.	\$359.00	
16275	1971	<b>ENGINE HARNESS</b> Ventura, 6 Cylinder Note: 6 Cylinder Items Are Not Returnable.	\$359.00	
16065	1971	<b>ENGINE HARNESS</b> V/8, Auto Trans	\$291.00	
40315	1971	<b>ENGINE HARNESS-HEI</b> V/8, Auto Trans	\$316.00	
16060	1971	<b>ENGINE HARNESS</b> V/8, Manual Trans	\$291.00	
40317	1971	<b>ENGINE HARNESS-HEI</b> V/8, Manual Trans	\$316.00	
37984	1971	<b>ENGINE HARNESS</b> V/8, Auto Trans, With A/C	\$305.00	
40316	1971	<b>ENGINE HARNESS-HEI</b> V/8, Auto Trans, With A/C	\$329.00	
37985	1971	<b>ENGINE HARNESS</b> V/8, Manual Trans, With A/C	\$305.00	
40318	1971	<b>ENGINE HARNESS-HEI</b> V/8, Manual Trans, With A/C	\$329.00	
15920	1971	<b>ENGINE HARNESS</b> V/8, All, With Ram Air	\$305.00	
40319	1971	<b>ENGINE HARNESS-HEI</b> V/8, All, With Ram Air	\$329.00	
37983	1971	<b>ENGINE HARNESS</b> V/8, All, With Ram Air & A/C	\$305.00	



Part Number	Year	Description	Price	*Rev.
40320	1971	<b>ENGINE HARNESS-HEI</b> V/8, All, With Ram Air & A/C	\$329.00	
40566	1971	<b>ENGINE HARNESS</b> Ventura, V/8, Auto Trans	\$305.00	
40322	1971	<b>ENGINE HARNESS-HEI</b> Ventura, V/8, Auto Trans	\$329.00	
40565	1971	<b>ENGINE HARNESS</b> Ventura, V/8, Manual Trans	\$305.00	
40321	1971	<b>ENGINE HARNESS-HEI</b> Ventura, V/8, Manual Trans	\$329.00	
40568	1971	<b>ENGINE HARNESS</b> Ventura, V/8, Auto Trans, With Gauges	\$305.00	
40324	1971	<b>ENGINE HARNESS-HEI</b> Ventura, V/8, Auto Trans, With Gauges	\$329.00	
40567	1971	<b>ENGINE HARNESS</b> Ventura, V/8, Manual Trans, With Gauges	\$305.00	
40323	1971	<b>ENGINE HARNESS-HEI</b> Ventura, V/8, Manual Trans, With Gauges	\$329.00	
16715	1972	<b>ENGINE HARNESS</b> 6 Cylinder Note: 6 Cylinder Items Are Not Returnable.	\$374.00	
37986	1972	<b>ENGINE HARNESS</b> 6 Cylinder, With A/C Note: 6 Cylinder Items Are Not Returnable.	\$374.00	
16375	1972	<b>ENGINE HARNESS</b> Ventura, 6 Cylinder Note: 6 Cylinder Items Are Not Returnable.	\$284.00	
16920	1972	<b>ENGINE HARNESS</b> V/8	\$291.00	
40325	1972	<b>ENGINE HARNESS-HEI</b> V/8	\$316.00	
37988	1972	<b>ENGINE HARNESS</b> V/8, With A/C	\$305.00	
40327	1972	<b>ENGINE HARNESS-HEI</b> V/8, With A/C	\$329.00	
40612	1972	<b>ENGINE HARNESS</b> V/8, With A/C & Gauges	\$305.00	
40326	1972	<b>ENGINE HARNESS-HEI</b> V/8, With A/C & Gauges	\$329.00	
16950	1972	<b>ENGINE HARNESS</b> V/8, 455 H.O., With Unitized Distributor	\$305.00	
37987	1972	<b>ENGINE HARNESS</b> V/8, 455 H.O., With Unitized Distributor & A/C	\$344.00	
16380	1972	<b>ENGINE HARNESS</b> Ventura, V/8, 307 C.I., Without Gauges Note: Manual Trans Requires Use Of #17355 T.C.S. Extension.	\$233.00	
40328	1972	<b>ENGINE HARNESS-HEI</b> Ventura, V/8, 307 C.I., Without Gauges	\$256.00	
40342	1972	<b>ENGINE HARNESS-SI SERIES INT REG ALT, PASSENGER SIDE</b> Ventura, V/8, 307 C.I., Without Gauges Note: This Harness Is To Be U Sed With Forward Lamp Harness Modified For Internal Regulated Alt. If Customer Is Not Changing Original Forward Lamp Harness, A Kit Is Included To Alter The Factory Harness.	\$271.00	
40344	1972	<b>ENGINE HARNESS-HEI AND SI SERIES INT REG ALT, PASSENGER SIDE</b> Ventura, V/8, 307 C.I., Without Gauges Note: This Harness Is To Be Used With Forward Lamp Harness Modified For Internal Regulated Alt. If Customer Is Not Changing Original Forward Lamp Harness, A Kit Is Included To Alter The Factory Harness.	\$285.00	
16385	1972	<b>ENGINE HARNESS</b> Ventura, V/8, 307 C.I., With Gauges Note: Manual Trans Requires Use Of #17355 T.C.S. Extension.	\$251.00	
40329	1972	<b>ENGINE HARNESS-HEI</b> Ventura, V/8, 307 C.I., With Gauges	\$275.00	
40343	1972	<b>ENGINE HARNESS-SI SERIES INT REG ALT, PASSENGER SIDE</b> Ventura, V/8, 307 C.I., With Gauges Note: This Harness Is To Be Used With Forward Lamp Harness Modified For Internal Regulated Alt. If Customer Is Not Changing Original Forward Lamp Harness, A Kit Is Included To Alter The Factory Harness.	\$289.00	
40345	1972	<b>ENGINE HARNESS-HEI AND SI SERIES INT REG ALT, PASSENGER SIDE</b> Ventura, V/8, 307 C.I., With Gauges Note: This Harness Is To Be Used With Forward Lamp Harness Modified For Internal Regulated Alt. If Customer Is Not Changing Original Forward Lamp Harness, A Kit Is Included To Alter The Factory Harness.	\$303.00	
40613	1972	<b>ENGINE HARNESS</b> Ventura, With Pontiac 350 Eng, Without A/C	\$358.00	
40330	1972	<b>ENGINE HARNESS-HEI</b> Ventura, With Pontiac 350 Eng, Without A/C	\$382.00	
38271	1972	<b>ENGINE HARNESS</b> Ventura, With Pontiac 350 Eng & A/C	\$358.00	
40331	1972	<b>ENGINE HARNESS-HEI</b> Ventura, With Pontiac 350 Eng & A/C	\$382.00	

Part Number	Year	Description	Price	*Rev.
16940	1973	<b>ENGINE HARNESS</b> 6 Cylinder Note: 6 Cylinder Items Are Not Returnable.	\$387.00	
40605	1973	<b>ENGINE HARNESS</b> Ventura, 6 Cyl., With Auto Trans Note: 6 Cylinder Items Are Not Returnable.	\$371.00	
40569	1973	<b>ENGINE HARNESS</b> Ventura, 6 Cyl., With Manual Trans Note: 6 Cylinder Items Are Not Returnable.	\$371.00	
30135	1973	<b>ENGINE HARNESS</b> V/8, Without Functional Hood Scoop	\$344.00	
40332	1973	<b>ENGINE HARNESS-HEI</b> V/8, Without Functional Hood Scoop	\$371.00	
30125	1973	<b>ENGINE HARNESS</b> V/8, With Functional Hood Scoop Note: Customer Must Reuse Their Original Plastic Connector For The Distributor Vacuum Solenoid Delay Relay.	\$344.00	
40333	1973	<b>ENGINE HARNESS-HEI</b> V/8, With Functional Hood Scoop Note: Customer Must Reuse Their Original Plastic Connector For The Distributor Vacuum Solenoid Delay Relay.	\$371.00	
30140	1973	<b>ENGINE HARNESS</b> V/8, With Unitized Distributor, Without Functional Hood Scoop	\$371.00	
30130	1973	<b>ENGINE HARNESS</b> V/8, With Unitized Distributor & Functional Hood Scoop Note: Customer Must Reuse Their Original Plastic Connector For The Distributor Vacuum Solenoid Delay Relay.	\$371.00	
17080	1973	<b>ENGINE HARNESS</b> V/8, With A/C, Without Functional Hood Scoop	\$344.00	
40334	1973	<b>ENGINE HARNESS-HEI</b> V/8, With A/C, Without Functional Hood Scoop	\$371.00	
17085	1973	<b>ENGINE HARNESS</b> V/8, With A/C & Unitized Distributor, Without Functional Hood Scoop	\$371.00	
17030	1973	<b>ENGINE HARNESS</b> V/8, With A/C & Functional Hood Scoop Note: Customer Must Reuse Their Original Plastic Connector For The Distributor Vacuum Solenoid Delay Relay.	\$344.00	
40335	1973	<b>ENGINE HARNESS-HEI</b> V/8, With A/C & Functional Hood Scoop Note: Customer Must Reuse Their Original Plastic Connector For The Distributor Vacuum Solenoid Delay Relay.	\$371.00	
17035	1973	<b>ENGINE HARNESS</b> V/8, With A/C, Unitized Distributor & Functional Hood Scoop Note: Customer Must Reuse Their Original Plastic Connector For The Distributor Vacuum Solenoid Delay Relay.	\$371.00	
40642	1973	<b>ENGINE HARNESS</b> Ventura, V/8 350 C.I., Without Air Conditioning Note: Customer Must Reuse Their Original Plastic Connector For The Distributor Vacuum Solenoid Delay Relay.	\$344.00	
40336	1973	<b>ENGINE HARNESS-HEI</b> Ventura, V/8 350 C.I., Without Air Conditioning Note: Customer Must Reuse Their Original Plastic Connector For The Distributor Vacuum Solenoid Delay Relay.	\$371.00	
40643	1973	<b>ENGINE HARNESS</b> Ventura, V/8 350 C.I., With Air Conditioning Note: Customer Must Reuse Their Original Plastic Connector For The Distributor Vacuum Solenoid Delay Relay.	\$344.00	
40337	1973	<b>ENGINE HARNESS-HEI</b> Ventura, V/8 350 C.I., With Air Conditioning Note: Customer Must Reuse Their Original Plastic Connector For The Distributor Vacuum Solenoid Delay Relay.	\$371.00	
17100	1974	<b>ENGINE HARNESS</b> Tempest & Le Mans, 6 Cylinder Note: 6 Cylinder Items Are Not Returnable.	\$387.00	
38008	1974	<b>ENGINE HARNESS</b> Ventura, 6 Cylinder, With Auto Trans Note: 6 Cylinder Items Are Not Returnable.	\$304.00	
16595	1974	<b>ENGINE HARNESS</b> Ventura, 6 Cylinder, With Manual Trans Note: 6 Cylinder Items Are Not Returnable.	\$304.00	
17060	1974	<b>ENGINE HARNESS</b> Tempest & Le Mans, V/8, Without HEI Note: Customer Must Reuse Their Original Plastic Connector For The Seat Belt Control Switch.	\$344.00	
39509	1974	<b>ENGINE HARNESS</b> Tempest & Le Mans, V/8, With HEI Note: Customer Must Reuse Their Original Plastic Connector For The Seat Belt Control Switch.	\$371.00	
17110	1974	<b>ENGINE HARNESS</b> Tempest & Le Mans, V/8, With Unitized Distributor Note: Customer Must Reuse Their Original Plastic Connector For The Seat Belt Control Switch.	\$371.00	
40671	1974	<b>ENGINE HARNESS</b> GTO & Ventura, V/8	\$344.00	
40338	1974	<b>ENGINE HARNESS-HEI</b> GTO & Ventura, V/8	\$371.00	
40672	1974	<b>ENGINE HARNESS</b> GTO & Ventura, V/8, With A/C	\$344.00	
40339	1974	<b>ENGINE HARNESS-HEI</b> GTO & Ventura, V/8, With A/C	\$371.00	

Part Number	Year	Description	Price	*Rev.
40675	1974	<b>ENGINE HARNESS</b> GTO & Ventura, V/8, With Functional Hood Scoop	\$344.00	
40340	1974	<b>ENGINE HARNESS-HEI</b> GTO & Ventura, V/8, With Functional Hood Scoop	\$371.00	
40677	1974	<b>ENGINE HARNESS</b> GTO & Ventura, V/8, All With Gauges	\$344.00	
40341	1974	<b>ENGINE HARNESS-HEI</b> GTO & Ventura, V/8, All With Gauges	\$371.00	
40813	1975	<b>ENGINE HARNESS</b> 6 Cylinder, With Seat Belt Ignition Interlock Note: 6 Cylinder Items Are Not Returnable.	\$387.00	
40824	1975	<b>ENGINE HARNESS</b> 6 Cylinder, Without Seat Belt Ignition Interlock Note: 6 Cylinder Items Are Not Returnable.	\$387.00	
37622	1975	<b>ENGINE HARNESS</b> V/8, With Distributor Vacuum Solenoid	\$344.00	
40686	1975	<b>ENGINE HARNESS</b> V/8, With Seat Belt Ignition Interlock Note: Customer Must Reuse Their Original Plastic Connector For The Seat Belt Control Switch.	\$344.00	
40823	1975	<b>ENGINE HARNESS</b> V/8, Without Seat Belt Ignition Interlock	\$344.00	
40833	1975	<b>ENGINE HARNESS</b> V/8, With A/C, Except Seat Belt Ignition Interlock	\$344.00	
40826	1975	<b>ENGINE HARNESS</b> V/8, With A/C & Seat Belt Ignition Interlock Note: Customer Must Reuse Their Original Plastic Connector For The Seat Belt Control Switch.	\$344.00	
40828	1976	<b>ENGINE HARNESS</b> 6 Cylinder Note: 6 Cylinder Items Are Not Returnable.	\$387.00	
40843	1976	<b>ENGINE HARNESS</b> All, V/8, Except 260 C.I. Oldsmobile	\$344.00	
40846	1976	<b>ENGINE HARNESS</b> V/8, 260 C.I. Oldsmobile & Auto Trans	\$344.00	
40847	1976	<b>ENGINE HARNESS</b> V/8, 260 C.I. Oldsmobile, With 3 Speed Column Shift Or 5 Speed Floor Shift Manual Trans	\$344.00	
38617	1977	<b>ENGINE HARNESS</b> V/6	\$278.00	
38618	1977	<b>ENGINE HARNESS</b> V/8, Olds 350 & 403 C.I.	\$278.00	
38320	1977	<b>ENGINE HARNESS</b> V/8, Pontiac 301, 350 & 400 C.I.	\$305.00	
<b>FORCED AIR VENT HARNESS</b>				
40546	1969	<b>FORCED AIR VENT HARNESS</b> Blower Motor In Kick Panels, To Blower Switch In Dash	\$60.00	
40546	1970	<b>FORCED AIR VENT HARNESS</b> Blower Motor In Kick Panels, To Blower Switch In Dash	\$60.00	
<b>FORWARD LAMP HARNESS</b>				
04575	1964	<b>FORWARD LAMP HARNESS</b> 6 Cylinder Note: 6 Cylinder Items Are Not Returnable.	\$252.00	
04580	1964	<b>FORWARD LAMP HARNESS</b> V/8	\$229.00	
05715	1965	<b>FORWARD LAMP HARNESS</b> All	\$229.00	
09365	1966	<b>FORWARD LAMP HARNESS</b> All	\$229.00	
10265	1967	<b>FORWARD LAMP HARNESS</b> All	\$229.00	
11370	1968	<b>FORWARD LAMP HARNESS</b> Standard	\$252.00	
12355	1968	<b>FORWARD LAMP HARNESS</b> With Cornering Lamps	\$279.00	
12110	1968	<b>FORWARD LAMP HARNESS</b> With Tilt Headlights & Cornering Lamps	\$264.00	
41589	1969	<b>FORWARD LAMP HARNESS</b> Tempest, Le Mans & Custom S, Without Cornering Lamps	\$318.00	
13405	1969	<b>FORWARD LAMP HARNESS</b> Tempest, Le Mans & Custom S, With Cornering Lamps	\$291.00	
41588	1969	<b>FORWARD LAMP HARNESS</b> GTO, Without Tilt Headlights (Includes Cornering Lamps)	\$291.00	
12895	1969	<b>FORWARD LAMP HARNESS</b> GTO, With Tilt Headlights (Includes Cornering Lamps)	\$305.00	
13635	1970	<b>FORWARD LAMP HARNESS</b> GTO Only	\$291.00	
13630	1970	<b>FORWARD LAMP HARNESS</b> Tempest & Le Mans	\$305.00	
15910	1971	<b>FORWARD LAMP HARNESS</b> Tempest, Le Mans & GTO	\$305.00	
16055	1971	<b>FORWARD LAMP HARNESS</b> Ventura, 6 Cylinder Note: 6 Cylinder Items Are Not Returnable.	\$332.00	
16050	1971	<b>FORWARD LAMP HARNESS</b> Ventura, V/8	\$332.00	

Part Number	Year	Description	Price	*Rev.
40580	1971	<b>FORWARD LAMP HARNESS</b> Ventura, V/8, With Gauges	\$332.00	
16720	1972	<b>FORWARD LAMP HARNESS</b> Tempest, Le Mans & GTO	\$305.00	
40614	1972	<b>FORWARD LAMP HARNESS</b> Ventura, Without Pontiac 350 C.I. Eng	\$318.00	
40346	1972	<b>FORWARD LAMP HARNESS-SI SERIES INT REG ALT</b> Ventura, Without Pontiac 350 C.I. Eng Note: This Harness Must Be Used Together With A New Engine Harness Also Modified For Int. Reg. Alt.	\$318.00	
40615	1972	<b>FORWARD LAMP HARNESS</b> Ventura, With Pontiac 350 C.I. Eng	\$318.00	
16935	1973	<b>FORWARD LAMP HARNESS</b> Tempest, Le Mans & GTO	\$332.00	
18150	1973	<b>FORWARD LAMP HARNESS</b> Grand AM	\$344.00	
40629	1973	<b>FORWARD LAMP HARNESS</b> Ventura	\$344.00	
30680	1974	<b>FORWARD LAMP HARNESS</b> Tempest & Le Mans	\$359.00	
17055	1974	<b>FORWARD LAMP HARNESS</b> GTO Note: Customer Must Reuse Their Original Plastic Connector For The Seat Belt Control Switch.	\$318.00	
17050	1974	<b>FORWARD LAMP HARNESS</b> Ventura Note: Customer Must Reuse Their Original Plastic Connector For The Seat Belt Control Switch.	\$359.00	
40684	1975	<b>FORWARD LAMP HARNESS</b> Le Mans	\$344.00	
40829	1976	<b>FORWARD LAMP HARNESS</b> Le Mans	\$344.00	
40845	1977	<b>FORWARD LAMP HARNESS</b> Le Mans	\$344.00	
<b>FUEL TANK SENDER WIRE</b>				
11910	1968	<b>FUEL TANK SENDER WIRE</b> Wagon	\$30.00	
11455	1968	<b>FUEL TANK SENDER WIRE</b> All, Except Wagon	\$33.00	
11910	1969	<b>FUEL TANK SENDER WIRE</b> Wagon	\$30.00	
11455	1969	<b>FUEL TANK SENDER WIRE</b> All, Except Wagon	\$33.00	
11910	1970	<b>FUEL TANK SENDER WIRE</b> Wagon	\$30.00	
15795	1970	<b>FUEL TANK SENDER WIRE</b> All, Except Wagon	\$25.00	
11910	1971	<b>FUEL TANK SENDER WIRE</b> Wagon	\$30.00	
15795	1971	<b>FUEL TANK SENDER WIRE</b> All, Except Wagon	\$25.00	
39704	1971	<b>FUEL TANK SENDER WIRE</b> Ventura	\$25.00	
11910	1972	<b>FUEL TANK SENDER WIRE</b> Wagon	\$30.00	
15795	1972	<b>FUEL TANK SENDER WIRE</b> All, Except Wagon	\$25.00	
39704	1972	<b>FUEL TANK SENDER WIRE</b> Ventura	\$25.00	
40623	1973	<b>FUEL TANK SENDER WIRE</b> All, Except Wagon	\$33.00	
40603	1973	<b>FUEL TANK SENDER WIRE</b> Ventura	\$33.00	
40669	1974	<b>FUEL TANK SENDER WIRE</b> All, Except Wagon	\$33.00	
40603	1974	<b>FUEL TANK SENDER WIRE</b> Ventura	\$33.00	
40669	1975	<b>FUEL TANK SENDER WIRE</b> All, Except Wagon	\$33.00	
40669	1976	<b>FUEL TANK SENDER WIRE</b> All, Except Wagon	\$33.00	
<b>FUEL TANK SENDING UNIT</b>				
06428034	1968	<b>FUEL TANK SENDING UNIT</b> 3/8" Fuel Line, Single Outlet, Except Wagon	\$43.00	N
06428035	1968	<b>FUEL TANK SENDING UNIT</b> 3/8" Fuel Line, With 2nd Vent Line, Except Wagon	\$43.00	N
06428034	1969	<b>FUEL TANK SENDING UNIT</b> 3/8" Fuel Line, Single Outlet, Except Wagon	\$43.00	N
06428035	1969	<b>FUEL TANK SENDING UNIT</b> 3/8" Fuel Line, With 2nd Vent Line, Except Wagon	\$43.00	N
06428034	1970	<b>FUEL TANK SENDING UNIT</b> 3/8" Fuel Line, Single Outlet, Except Wagon	\$43.00	N
06428838	1971	<b>FUEL TANK SENDING UNIT</b> 3/8" Fuel Line, Single Outlet, Except Wagon	\$43.00	N
06428837	1971	<b>FUEL TANK SENDING UNIT</b> 3/8" Fuel Line, With 2nd Vent Line, Except Wagon	\$43.00	N
06428845	1971	<b>FUEL TANK SENDING UNIT</b> Ventura, 3/8" Fuel Line, Single Line, 350 Except A/C	\$43.00	N
06428844	1971	<b>FUEL TANK SENDING UNIT</b> Ventura, 5/16" Fuel Line, Single Line, Except 350	\$43.00	N
06428838	1972	<b>FUEL TANK SENDING UNIT</b> 3/8" Fuel Line, Single Outlet, Except Wagon	\$43.00	N

Part Number	Year	Description	Price	*Rev.
06428837	1972	FUEL TANK SENDING UNIT 3/8" Fuel Line, With 2nd Vent Line, Except Wagon	\$43.00	N
06428845	1972	FUEL TANK SENDING UNIT Ventura, 3/8" Fuel Line, Single Line, 350 Except A/C	\$43.00	N
06428844	1972	FUEL TANK SENDING UNIT Ventura, 5/16" Fuel Line, Single Line, Except 350	\$43.00	N
<b>GENERATOR TO REGULATOR HARNESS</b>				
40465	1962	GENERATOR TO REGULATOR HARNESS With 45 Amp Gen.	\$41.00	
<b>GLOVE BOX LAMP HARNESS</b>				
40502	1971	GLOVE BOX LAMP HARNESS Ventura	\$30.00	
40502	1972	GLOVE BOX LAMP HARNESS Ventura	\$30.00	
40647	1973	GLOVE BOX LAMP HARNESS With Electric Trunk Release	\$50.00	
40648	1973	GLOVE BOX LAMP HARNESS Without Electric Trunk Release	\$44.00	
40652	1973	GLOVE BOX LAMP HARNESS Without Under Dash Courtesy Lamp	\$44.00	
40653	1973	GLOVE BOX LAMP HARNESS With Under Dash Courtesy Lamp	\$50.00	
40502	1973	GLOVE BOX LAMP HARNESS Ventura	\$30.00	
40652	1974	GLOVE BOX LAMP HARNESS Without Under Dash Courtesy Lamp	\$44.00	
40653	1974	GLOVE BOX LAMP HARNESS With Under Dash Courtesy Lamp	\$50.00	
40502	1974	GLOVE BOX LAMP HARNESS Ventura	\$30.00	
40648	1974	GLOVE BOX LAMP HARNESS Without Electric Trunk Release	\$44.00	
40647	1974	GLOVE BOX LAMP HARNESS With Electric Trunk Release	\$50.00	
40652	1975	GLOVE BOX LAMP HARNESS Without Under Dash Courtesy Lamp	\$44.00	
40653	1975	GLOVE BOX LAMP HARNESS With Under Dash Courtesy Lamp	\$50.00	
40647	1975	GLOVE BOX LAMP HARNESS With Electric Trunk Release	\$50.00	
40648	1975	GLOVE BOX LAMP HARNESS Without Electric Trunk Release	\$44.00	
40647	1976	GLOVE BOX LAMP HARNESS With Cigarette Lighter Lamp & Electric Trunk Release	\$50.00	
40648	1976	GLOVE BOX LAMP HARNESS With Cigarette Lighter Lamp, Without Electric Trunk Release	\$44.00	
40852	1976	GLOVE BOX LAMP HARNESS Without Cigarette Lighter Lamp Or Electric Trunk Release	\$44.00	
40647	1977	GLOVE BOX LAMP HARNESS With Electric Trunk Release	\$50.00	
40648	1977	GLOVE BOX LAMP HARNESS Without Electric Trunk Release	\$44.00	
<b>GLOVE BOX LAMP KIT</b>				
18000	1961	GLOVE BOX LAMP KIT Socket, Bulb & Wire	\$24.00	
18000	1962	GLOVE BOX LAMP KIT Socket, Bulb & Wire	\$24.00	
18000	1963	GLOVE BOX LAMP KIT Socket, Bulb & Wire	\$24.00	
18000	1964	GLOVE BOX LAMP KIT Socket, Bulb & Wire	\$24.00	
18000	1965	GLOVE BOX LAMP KIT Socket, Bulb & Wire	\$24.00	
18000	1966	GLOVE BOX LAMP KIT Socket, Bulb & Wire	\$24.00	
18000	1967	GLOVE BOX LAMP KIT Socket, Bulb & Wire	\$24.00	
18000	1968	GLOVE BOX LAMP KIT Socket, Bulb & Wire	\$24.00	
18000	1969	GLOVE BOX LAMP KIT Socket, Bulb & Wire	\$24.00	
<b>GLOVE BOX LAMP WIRE</b>				
40481	1964	GLOVE BOX LAMP WIRE Fuse Block To Switch Note: Wire Only, Switch Not Included.	\$29.00	
<b>GROUND WIRE</b>				
40450	1961	GROUND WIRE Heater Blower Motor Note: Heater Only.	\$21.00	
40450	1962	GROUND WIRE Heater Blower Motor Note: Heater Only.	\$21.00	

Part Number	Year	Description	Price	*Rev.
40450	1963	<b>GROUND WIRE</b> Heater Blower Motor Note: Heater Only.	\$21.00	
40668	1973	<b>GROUND WIRE</b> Dash Harness To A/C Control Head	\$21.00	
40724	1974	<b>GROUND WIRE</b> Power Seat	\$21.00	
40608	1974	<b>GROUND WIRE</b> Ventura, A/C Control Unit Ground	\$21.00	
40724	1975	<b>GROUND WIRE</b> Power Seat	\$21.00	
40724	1976	<b>GROUND WIRE</b> Power Seat	\$21.00	
40863	1977	<b>GROUND WIRE</b> Vanity Mirror, Passenger Side Sunshade	\$17.00	
40724	1977	<b>GROUND WIRE</b> Power Seat	\$21.00	
40487	1977	<b>GROUND WIRE</b> All, Blower Motor	\$21.00	
<b>GROUND WIRE-DISTRIBUTOR POINT PLATE</b>				
38298	1961	<b>GROUND WIRE, DISTRIBUTOR POINT PLATE</b> From Distributor Point Plate To Distributor Housing Note: Replaces Spot Welded Wire Asm On Point Plate Side. Fits All GM V/8 Point Type Distributors From Approx. 1957-1974.	\$17.00	C
38298	1962	<b>GROUND WIRE, DISTRIBUTOR POINT PLATE</b> From Distributor Point Plate To Distributor Housing Note: Replaces Spot Welded Wire Asm On Point Plate Side. Fits All GM V/8 Point Type Distributors From Approx. 1957-1974.	\$17.00	C
38298	1963	<b>GROUND WIRE, DISTRIBUTOR POINT PLATE</b> From Distributor Point Plate To Distributor Housing Note: Replaces Spot Welded Wire Asm On Point Plate Side. Fits All GM V/8 Point Type Distributors From Approx. 1957-1974.	\$17.00	C
38298	1964	<b>GROUND WIRE, DISTRIBUTOR POINT PLATE</b> From Distributor Point Plate To Distributor Housing Note: Replaces Spot Welded Wire Asm On Point Plate Side. Fits All GM V/8 Point Type Distributors From Approx. 1957-1974.	\$17.00	C
38298	1965	<b>GROUND WIRE, DISTRIBUTOR POINT PLATE</b> From Distributor Point Plate To Distributor Housing Note: Replaces Spot Welded Wire Asm On Point Plate Side. Fits All GM V/8 Point Type Distributors From Approx. 1957-1974.	\$17.00	C
38298	1966	<b>GROUND WIRE, DISTRIBUTOR POINT PLATE</b> From Distributor Point Plate To Distributor Housing Note: Replaces Spot Welded Wire Asm On Point Plate Side. Fits All GM V/8 Point Type Distributors From Approx. 1957-1974.	\$17.00	C
38298	1967	<b>GROUND WIRE, DISTRIBUTOR POINT PLATE</b> From Distributor Point Plate To Distributor Housing Note: Replaces Spot Welded Wire Asm On Point Plate Side. Fits All GM V/8 Point Type Distributors From Approx. 1957-1974.	\$17.00	C
38298	1968	<b>GROUND WIRE, DISTRIBUTOR POINT PLATE</b> From Distributor Point Plate To Distributor Housing Note: Replaces Spot Welded Wire Asm On Point Plate Side. Fits All GM V/8 Point Type Distributors From Approx. 1957-1974.	\$17.00	C
38298	1969	<b>GROUND WIRE, DISTRIBUTOR POINT PLATE</b> From Distributor Point Plate To Distributor Housing Note: Replaces Spot Welded Wire Asm On Point Plate Side. Fits All GM V/8 Point Type Distributors From Approx. 1957-1974.	\$17.00	C
38298	1970	<b>GROUND WIRE, DISTRIBUTOR POINT PLATE</b> From Distributor Point Plate To Distributor Housing Note: Replaces Spot Welded Wire Asm On Point Plate Side. Fits All GM V/8 Point Type Distributors From Approx. 1957-1974.	\$17.00	C
38298	1971	<b>GROUND WIRE, DISTRIBUTOR POINT PLATE</b> From Distributor Point Plate To Distributor Housing Note: Replaces Spot Welded Wire Asm On Point Plate Side. Fits All GM V/8 Point Type Distributors From Approx. 1957-1974.	\$17.00	C
38298	1972	<b>GROUND WIRE, DISTRIBUTOR POINT PLATE</b> From Distributor Point Plate To Distributor Housing Note: Replaces Spot Welded Wire Asm On Point Plate Side. Fits All GM V/8 Point Type Distributors From Approx. 1957-1974.	\$17.00	C
38298	1973	<b>GROUND WIRE, DISTRIBUTOR POINT PLATE</b> From Distributor Point Plate To Distributor Housing Note: Replaces Spot Welded Wire Asm On Point Plate Side. Fits All GM V/8 Point Type Distributors From Approx. 1957-1974.	\$17.00	C
38298	1974	<b>GROUND WIRE, DISTRIBUTOR POINT PLATE</b> From Distributor Point Plate To Distributor Housing Note: Replaces Spot Welded Wire Asm On Point Plate Side. Fits All GM V/8 Point Type Distributors From Approx. 1957-1974.	\$17.00	C
<b>HARNESSTAPE</b>				
R0058272	1961	<b>HARNESSTAPE</b> 3/4" Vinyl (100 Ft. Roll) Non-Adhesive	\$12.00	
R0058276	1961	<b>HARNESSTAPE</b> 1" Vinyl (100 Ft. Roll) Non-Adhesive	\$13.00	
R0067108	1961	<b>HARNESSTAPE</b> 1 1/4" Vinyl (100 Ft. Roll) Non-Adhesive	\$15.00	
R0058272	1962	<b>HARNESSTAPE</b> 3/4" Vinyl (100 Ft. Roll) Non-Adhesive	\$12.00	
R0058276	1962	<b>HARNESSTAPE</b> 1" Vinyl (100 Ft. Roll) Non-Adhesive	\$13.00	
R0067108	1962	<b>HARNESSTAPE</b> 1 1/4" Vinyl (100 Ft. Roll) Non-Adhesive	\$15.00	
R0058272	1963	<b>HARNESSTAPE</b> 3/4" Vinyl (100 Ft. Roll) Non-Adhesive	\$12.00	
R0058276	1963	<b>HARNESSTAPE</b> 1" Vinyl (100 Ft. Roll) Non-Adhesive	\$13.00	

Part Number	Year	Description	Price	*Rev.
R0067108	1963	HARNESS TAPE 1 1/4" Vinyl (100 Ft. Roll) Non-Adhesive	\$15.00	
R0058272	1964	HARNESS TAPE 3/4" Vinyl (100 Ft. Roll) Non-Adhesive	\$12.00	
R0058276	1964	HARNESS TAPE 1" Vinyl (100 Ft. Roll) Non-Adhesive	\$13.00	
R0067108	1964	HARNESS TAPE 1 1/4" Vinyl (100 Ft. Roll) Non-Adhesive	\$15.00	
R0058272	1965	HARNESS TAPE 3/4" Vinyl (100 Ft. Roll) Non-Adhesive	\$12.00	
R0058276	1965	HARNESS TAPE 1" Vinyl (100 Ft. Roll) Non-Adhesive	\$13.00	
R0067108	1965	HARNESS TAPE 1 1/4" Vinyl (100 Ft. Roll) Non-Adhesive	\$15.00	
R0058272	1966	HARNESS TAPE 3/4" Vinyl (100 Ft. Roll) Non-Adhesive	\$12.00	
R0058276	1966	HARNESS TAPE 1" Vinyl (100 Ft. Roll) Non-Adhesive	\$13.00	
R0067108	1966	HARNESS TAPE 1 1/4" Vinyl (100 Ft. Roll) Non-Adhesive	\$15.00	
R0058272	1967	HARNESS TAPE 3/4" Vinyl (100 Ft. Roll) Non-Adhesive	\$12.00	
R0058276	1967	HARNESS TAPE 1" Vinyl (100 Ft. Roll) Non-Adhesive	\$13.00	
R0067108	1967	HARNESS TAPE 1 1/4" Vinyl (100 Ft. Roll) Non-Adhesive	\$15.00	
R0058272	1968	HARNESS TAPE 3/4" Vinyl (100 Ft. Roll) Non-Adhesive	\$12.00	
R0058276	1968	HARNESS TAPE 1" Vinyl (100 Ft. Roll) Non-Adhesive	\$13.00	
R0067108	1968	HARNESS TAPE 1 1/4" Vinyl (100 Ft. Roll) Non-Adhesive	\$15.00	
R0058272	1969	HARNESS TAPE 3/4" Vinyl (100 Ft. Roll) Non-Adhesive	\$12.00	
R0058276	1969	HARNESS TAPE 1" Vinyl (100 Ft. Roll) Non-Adhesive	\$13.00	
R0067108	1969	HARNESS TAPE 1 1/4" Vinyl (100 Ft. Roll) Non-Adhesive	\$15.00	
R0058272	1970	HARNESS TAPE 3/4" Vinyl (100 Ft. Roll) Non-Adhesive	\$12.00	
R0058276	1970	HARNESS TAPE 1" Vinyl (100 Ft. Roll) Non-Adhesive	\$13.00	
R0067108	1970	HARNESS TAPE 1 1/4" Vinyl (100 Ft. Roll) Non-Adhesive	\$15.00	
R0058272	1971	HARNESS TAPE 3/4" Vinyl (100 Ft. Roll) Non-Adhesive	\$12.00	
R0058276	1971	HARNESS TAPE 1" Vinyl (100 Ft. Roll) Non-Adhesive	\$13.00	
R0067108	1971	HARNESS TAPE 1 1/4" Vinyl (100 Ft. Roll) Non-Adhesive	\$15.00	
R0058272	1972	HARNESS TAPE 3/4" Vinyl (100 Ft. Roll) Non-Adhesive	\$12.00	
R0058276	1972	HARNESS TAPE 1" Vinyl (100 Ft. Roll) Non-Adhesive	\$13.00	
R0067108	1972	HARNESS TAPE 1 1/4" Vinyl (100 Ft. Roll) Non-Adhesive	\$15.00	
R0058272	1973	HARNESS TAPE 3/4" Vinyl (100 Ft. Roll) Non-Adhesive	\$12.00	
R0058276	1973	HARNESS TAPE 1" Vinyl (100 Ft. Roll) Non-Adhesive	\$13.00	
R0067108	1973	HARNESS TAPE 1 1/4" Vinyl (100 Ft. Roll) Non-Adhesive	\$15.00	
R0058272	1974	HARNESS TAPE 3/4" Vinyl (100 Ft. Roll) Non-Adhesive	\$12.00	
R0058276	1974	HARNESS TAPE 1" Vinyl (100 Ft. Roll) Non-Adhesive	\$13.00	
R0067108	1974	HARNESS TAPE 1 1/4" Vinyl (100 Ft. Roll) Non-Adhesive	\$15.00	
R0058272	1975	HARNESS TAPE 3/4" Vinyl (100 Ft. Roll) Non-Adhesive	\$12.00	
R0058276	1975	HARNESS TAPE 1" Vinyl (100 Ft. Roll) Non-Adhesive	\$13.00	
R0067108	1975	HARNESS TAPE 1 1/4" Vinyl (100 Ft. Roll) Non-Adhesive	\$15.00	
R0058272	1976	HARNESS TAPE 3/4" Vinyl (100 Ft. Roll) Non-Adhesive	\$12.00	
R0058276	1976	HARNESS TAPE 1" Vinyl (100 Ft. Roll) Non-Adhesive	\$13.00	
R0067108	1976	HARNESS TAPE 1 1/4" Vinyl (100 Ft. Roll) Non-Adhesive	\$15.00	
R0058272	1977	HARNESS TAPE 3/4" Vinyl (100 Ft. Roll) Non-Adhesive	\$12.00	
R0058276	1977	HARNESS TAPE 1" Vinyl (100 Ft. Roll) Non-Adhesive	\$13.00	
R0067108	1977	HARNESS TAPE 1 1/4" Vinyl (100 Ft. Roll) Non-Adhesive	\$15.00	
R0058272	1978	HARNESS TAPE 3/4" Vinyl (100 Ft. Roll) Non-Adhesive	\$12.00	
R0058276	1978	HARNESS TAPE 1" Vinyl (100 Ft. Roll) Non-Adhesive	\$13.00	
R0067108	1978	HARNESS TAPE 1 1/4" Vinyl (100 Ft. Roll) Non-Adhesive	\$15.00	
R0058272	1979	HARNESS TAPE 3/4" Vinyl (100 Ft. Roll) Non-Adhesive	\$12.00	

Part Number	Year	Description	Price	*Rev.
R0058276	1979	<b>HARNESS TAPE</b> 1" Vinyl (100 Ft. Roll) Non-Adhesive	\$13.00	
R0067108	1979	<b>HARNESS TAPE</b> 1 1/4" Vinyl (100 Ft. Roll) Non-Adhesive	\$15.00	
R0058272	1980	<b>HARNESS TAPE</b> 3/4" Vinyl (100 Ft. Roll) Non-Adhesive	\$12.00	
R0058276	1980	<b>HARNESS TAPE</b> 1" Vinyl (100 Ft. Roll) Non-Adhesive	\$13.00	
R0067108	1980	<b>HARNESS TAPE</b> 1 1/4" Vinyl (100 Ft. Roll) Non-Adhesive	\$15.00	
R0058272	1981	<b>HARNESS TAPE</b> 3/4" Vinyl (100 Ft. Roll) Non-Adhesive	\$12.00	
R0058276	1981	<b>HARNESS TAPE</b> 1" Vinyl (100 Ft. Roll) Non-Adhesive	\$13.00	
R0067108	1981	<b>HARNESS TAPE</b> 1 1/4" Vinyl (100 Ft. Roll) Non-Adhesive	\$15.00	
R0058272	1982	<b>HARNESS TAPE</b> 3/4" Vinyl (100 Ft. Roll) Non-Adhesive	\$12.00	
R0058276	1982	<b>HARNESS TAPE</b> 1" Vinyl (100 Ft. Roll) Non-Adhesive	\$13.00	
R0067108	1982	<b>HARNESS TAPE</b> 1 1/4" Vinyl (100 Ft. Roll) Non-Adhesive	\$15.00	
R0058272	1983	<b>HARNESS TAPE</b> 3/4" Vinyl (100 Ft. Roll) Non-Adhesive	\$12.00	
R0058276	1983	<b>HARNESS TAPE</b> 1" Vinyl (100 Ft. Roll) Non-Adhesive	\$13.00	
R0067108	1983	<b>HARNESS TAPE</b> 1 1/4" Vinyl (100 Ft. Roll) Non-Adhesive	\$15.00	
R0058272	1984	<b>HARNESS TAPE</b> 3/4" Vinyl (100 Ft. Roll) Non-Adhesive	\$12.00	
R0058276	1984	<b>HARNESS TAPE</b> 1" Vinyl (100 Ft. Roll) Non-Adhesive	\$13.00	
R0067108	1984	<b>HARNESS TAPE</b> 1 1/4" Vinyl (100 Ft. Roll) Non-Adhesive	\$15.00	
R0058272	1985	<b>HARNESS TAPE</b> 3/4" Vinyl (100 Ft. Roll) Non-Adhesive	\$12.00	
R0058276	1985	<b>HARNESS TAPE</b> 1" Vinyl (100 Ft. Roll) Non-Adhesive	\$13.00	
R0067108	1985	<b>HARNESS TAPE</b> 1 1/4" Vinyl (100 Ft. Roll) Non-Adhesive	\$15.00	
R0058272	1986	<b>HARNESS TAPE</b> 3/4" Vinyl (100 Ft. Roll) Non-Adhesive	\$12.00	
R0058276	1986	<b>HARNESS TAPE</b> 1" Vinyl (100 Ft. Roll) Non-Adhesive	\$13.00	
R0067108	1986	<b>HARNESS TAPE</b> 1 1/4" Vinyl (100 Ft. Roll) Non-Adhesive	\$15.00	
<b>HEADLAMP DELAY CONTROL HARNESS</b>				
40574	1970	<b>HEADLAMP DELAY CONTROL HARNESS</b> Fuse Block To Headlamp Delay Relay	\$48.00	
40570	1970	<b>HEADLAMP DELAY CONTROL HARNESS</b> Field Installed, Fuse Block To Headlamp Delay Relay	\$48.00	
40570	1971	<b>HEADLAMP DELAY CONTROL HARNESS</b> Field Installed, Fuse Block To Headlamp Delay Relay	\$48.00	
<b>HEADLIGHT SWITCH</b>				
01995216	1976	<b>HEADLIGHT SWITCH</b>	\$20.00	N
01995216	1977	<b>HEADLIGHT SWITCH</b>	\$20.00	N
<b>HEATER BLOWER MOTOR RESISTOR</b>				
03929052	1971	<b>HEATER BLOWER MOTOR RESISTOR</b>	\$15.00	N
03929052	1972	<b>HEATER BLOWER MOTOR RESISTOR</b>	\$15.00	N
03929052	1973	<b>HEATER BLOWER MOTOR RESISTOR</b>	\$15.00	N
03929052	1974	<b>HEATER BLOWER MOTOR RESISTOR</b>	\$15.00	N
03929052	1975	<b>HEATER BLOWER MOTOR RESISTOR</b>	\$15.00	N
<b>HEATER HARNESS</b>				
40451	1961	<b>HEATER HARNESS</b> Without A/C, (Field Installed Only), Blower Switch In Dash To Blower Motor	\$105.00	
40463	1962	<b>HEATER HARNESS</b> Without A/C, (Field Installed Only)	\$105.00	
17260	1966	<b>HEATER HARNESS</b> Without A/C	\$41.00	
17260	1967	<b>HEATER HARNESS</b> Without A/C	\$41.00	
17265	1968	<b>HEATER HARNESS</b> Without A/C	\$48.00	
17270	1969	<b>HEATER HARNESS</b> Without A/C	\$43.00	
17270	1970	<b>HEATER HARNESS</b> Without A/C	\$43.00	
17270	1971	<b>HEATER HARNESS</b> Without A/C	\$43.00	



Part Number	Year	Description	Price	*Rev.
17270	1972	<b>HEATER HARNESS</b> Without A/C	\$43.00	
40636	1973	<b>HEATER HARNESS</b> Without A/C, Blower Switch To Dash Harness Feed Wire	\$67.00	
40637	1973	<b>HEATER HARNESS</b> Without A/C, Heater Resistor To Blower Motor, (1st Design) Note: Wires Exit Through Center Of Firewall. Customer Must Supply Their Original Harness.	\$67.00	
40662	1973	<b>HEATER HARNESS</b> Without A/C, Heater Resistor To Blower Motor, (2nd Design) Note: Wires Exit Through Firewall, Outboard Of Blower Motor.	\$67.00	
40661	1974	<b>HEATER HARNESS</b> Without A/C, Blower Switch To Dash Harness Feed Wire	\$67.00	
40662	1974	<b>HEATER HARNESS</b> Without A/C, Heater Resistor To Blower Motor	\$67.00	
40662	1975	<b>HEATER HARNESS</b> Without A/C, Heater Resistor To Blower Motor	\$67.00	
40812	1975	<b>HEATER HARNESS</b> Without A/C, Blower Switch To Dash Harness Feed Wire	\$67.00	
40837	1976	<b>HEATER HARNESS</b> Without A/C	\$67.00	
40837	1977	<b>HEATER HARNESS</b> Without A/C	\$67.00	
<b>HEATER SWITCH CONNECTOR JUMPER</b>				
03245	1961	<b>HEATER SWITCH CONNECTOR JUMPER</b> With Manual Heater Only Note: Used To Jump Wires Together On The Master Control Switch Connector For Manual Heater Cars.	\$17.00	
03245	1962	<b>HEATER SWITCH CONNECTOR JUMPER</b> With Manual Heater Note: Used To Jump Wires Together On The Master Control Switch Connector For Manual Heater Cars.	\$17.00	
<b>HOOD LAMP REPLACEMENT KIT</b>				
18410	1964	<b>HOOD LAMP KIT</b> Under Hood, Includes Socket, Wire & Bulb	\$60.00	C
18410	1965	<b>HOOD LAMP KIT</b> Under Hood, Includes Socket, Wire & Bulb	\$60.00	C
18410	1966	<b>HOOD LAMP KIT</b> Under Hood, Includes Socket, Wire & Bulb	\$60.00	C
18410	1967	<b>HOOD LAMP KIT</b> Under Hood, Includes Socket, Wire & Bulb	\$60.00	C
18410	1968	<b>HOOD LAMP KIT</b> Under Hood, Includes Socket, Wire & Bulb	\$60.00	C
18410	1969	<b>HOOD LAMP KIT</b> Under Hood, Includes Socket, Wire & Bulb	\$60.00	C
18410	1970	<b>HOOD LAMP KIT</b> Under Hood, Includes Socket, Wire & Bulb	\$60.00	C
18410	1971	<b>HOOD LAMP KIT</b> Under Hood, Includes Socket, Wire & Bulb	\$60.00	C
18410	1972	<b>HOOD LAMP KIT</b> Under Hood, Includes Socket, Wire & Bulb	\$60.00	C
18410	1973	<b>HOOD LAMP KIT</b> Under Hood, Includes Socket, Wire & Bulb	\$60.00	C
18410	1974	<b>HOOD LAMP KIT</b> Under Hood, Includes Socket, Wire & Bulb	\$60.00	C
18410	1975	<b>HOOD LAMP KIT</b> Under Hood, Includes Socket, Wire & Bulb	\$60.00	C
18410	1976	<b>HOOD LAMP KIT</b> Under Hood, Includes Socket, Wire & Bulb	\$60.00	C
18410	1977	<b>HOOD LAMP KIT</b> Under Hood, Includes Socket, Wire & Bulb	\$60.00	C
<b>HOOD LAMP WIRE</b>				
40740	1964	<b>HOOD LAMP WIRE</b> Fuse Block To Underhood Lamp Switch Note: Used With The Factory Type Underhood Lamp.	\$17.00	
40576	1971	<b>HOOD LAMP WIRE</b> Horn Relay To Under Hood Lamp Switch Note: Used With The Factory Type Underhood Lamp.	\$27.00	
40578	1971	<b>HOOD LAMP WIRE</b> Under Hood Lamp To Switch Note: Used With The Factory Type Underhood Lamp.	\$17.00	
40578	1972	<b>HOOD LAMP WIRE</b> Under Hood Lamp To Switch Note: Used With The Factory Type Underhood Lamp.	\$17.00	
40609	1972	<b>HOOD LAMP WIRE</b> Fuse Block To Under Hood Lamp Switch Note: Used With The Factory Type Underhood Lamp.	\$34.00	
<b>HORN EXTENSION WIRE</b>				
40651	1973	<b>HORN EXTENSION WIRE</b> Left Horn To Forward Lamp Harness	\$17.00	
40651	1975	<b>HORN EXTENSION WIRE</b> Left Horn To Forward Lamp Harness	\$17.00	

Part Number	Year	Description	Price	*Rev.
<b>HORN WIRE</b>				
40445	1961	HORN WIRE Dual Horns	\$27.00	
40445	1962	HORN WIRE Dual Horns	\$27.00	
40445	1963	HORN WIRE Dual Horns	\$27.00	
39350	1964	HORN WIRE Dual Horn	\$25.00	
40644	1973	HORN WIRE Ventura, Dual Horn Option	\$27.00	
40644	1974	HORN WIRE Ventura, Dual Horn Option	\$27.00	
<b>IDLE STOP SOLENOID EXTENSION WIRE</b>				
40516	1969	IDLE STOP SOLENOID EXTENSION WIRE 6 Cylinder, With 4 Bbl Carb Note: 6 Cylinder Items Are Not Returnable.	\$34.00	
40516	1970	IDLE STOP SOLENOID EXTENSION WIRE 6 Cylinder, With 4 Bbl Carb Note: 6 Cylinder Items Are Not Returnable.	\$34.00	
<b>IDLE STOP SOLENOID HARNESS</b>				
40477	1963	IDLE STOP SOLENOID HARNESS 4 Cylinder, 195 C.I. Engine, With Auto Trans & A/C	\$34.00	C
<b>IDLE STOP SOLENOID WIRE</b>				
40617	1973	IDLE STOP SOLENOID WIRE V/8, 400 & 455 C.I., Engine Harness To Solenoid	\$34.00	
40617	1973	IDLE STOP SOLENOID WIRE Ventura, V/8, 350 C.I., With Manual Trans	\$34.00	
40617	1974	IDLE STOP SOLENOID WIRE V/8, With Manual Trans	\$34.00	
40617	1974	IDLE STOP SOLENOID WIRE Ventura, V/8, 350 C.I., With Manual Trans	\$34.00	
<b>IGNITION CYLINDER AND KEYS</b>				
20071252	1969	IGNITION CYLINDER AND KEYS Chrome, All	\$18.50	N
20071252	1970	IGNITION CYLINDER AND KEYS Chrome, All	\$18.50	N
20071252	1971	IGNITION CYLINDER AND KEYS Chrome, All	\$18.50	N
20071252	1972	IGNITION CYLINDER AND KEYS Chrome, All	\$18.50	N
20071252	1973	IGNITION CYLINDER AND KEYS Chrome, All	\$18.50	N
20071252	1974	IGNITION CYLINDER AND KEYS Chrome, All	\$18.50	N
20071252	1975	IGNITION CYLINDER AND KEYS Chrome, All	\$18.50	N
20071252	1976	IGNITION CYLINDER AND KEYS Chrome, All	\$18.50	N
20071252	1977	IGNITION CYLINDER AND KEYS Chrome, All	\$18.50	N
20071252	1978	IGNITION CYLINDER AND KEYS Chrome, All, 1st Design, Used On Columns Without Lock Cylinder Retaining Screw	\$18.50	N
07833759	1978	IGNITION CYLINDER AND KEYS Chrome, Lemans, 2nd Design, Used On Columns With Lock Cylinder Retaining Screw	\$18.50	N
07833759	1979	IGNITION CYLINDER AND KEYS Chrome, Lemans	\$18.50	N
07833759	1980	IGNITION CYLINDER AND KEYS Chrome, Lemans	\$18.50	N
07833759	1981	IGNITION CYLINDER AND KEYS Chrome, Lemans	\$18.50	N
<b>IGNITION SWITCH</b>				
01990110	1969	IGNITION SWITCH All, With Tilt	\$14.00	N
01990110	1970	IGNITION SWITCH All, With Tilt	\$14.00	N
01990110	1971	IGNITION SWITCH All, With Tilt	\$14.00	N
01990110	1972	IGNITION SWITCH All, With Tilt	\$14.00	N
01990110	1973	IGNITION SWITCH All, With Tilt	\$14.00	N
01990110	1974	IGNITION SWITCH All, With Tilt	\$14.00	N
01990110	1975	IGNITION SWITCH All, With Tilt	\$14.00	N
01990110	1976	IGNITION SWITCH All, With Tilt	\$14.00	N
01990110	1977	IGNITION SWITCH All, With Tilt	\$14.00	N

Part Number	Year	Description	Price	*Rev.
01990110	1978	<b>IGNITION SWITCH</b> All, With Tilt	\$14.00	N
01990110	1979	<b>IGNITION SWITCH</b> All, With Tilt	\$14.00	N
01990110	1980	<b>IGNITION SWITCH</b> All, With Tilt	\$14.00	N
01990110	1981	<b>IGNITION SWITCH</b> All, With Tilt	\$14.00	N
01990110	1982	<b>IGNITION SWITCH</b> All, With Tilt	\$14.00	N
01990110	1983	<b>IGNITION SWITCH</b> All, With Tilt	\$14.00	N
01990110	1984	<b>IGNITION SWITCH</b> All, With Tilt	\$14.00	N
01990110	1985	<b>IGNITION SWITCH</b> All, With Tilt	\$14.00	N
01990110	1986	<b>IGNITION SWITCH</b> All, With Tilt	\$14.00	N
01990110	1987	<b>IGNITION SWITCH</b> All, With Tilt	\$14.00	N
<b>IGNITION SWITCH JUMPER HARNESS</b>				
40573	1969	<b>IGNITION SWITCH JUMPER HARNESS</b> Used With Ram Air V Tunnel Port Engine Only Note: Used To By-Pass Resistance Wire In Dash Harness.	\$30.00	
<b>IGNITION SWITCH LAMP</b>				
40499	1967	<b>IGNITION SWITCH LAMP</b> Bulb Socket & Wire	\$27.00	
<b>IGNITION SWITCH LAMP WIRE</b>				
40506	1968	<b>IGNITION SWITCH LAMP WIRE</b> Fiber Optic Cable	\$30.00	
<b>INSTRUMENT GAUGE CLUSTER CLIP KIT</b>				
08986000	1976	<b>CLIP KIT</b> Le Mans, Ventura, All, Instrument Gauge Cluster / Printed Circuit Board Retaining Clip Note: Replaces Original GM Part Number 08986000, Includes 12 Clips Per Kit.	\$14.00	N
08986000	1977	<b>CLIP KIT</b> Le Mans, Ventura, All, Instrument Gauge Cluster / Printed Circuit Board Retaining Clip Note: Replaces Original GM Part Number 08986000, Includes 12 Clips Per Kit.	\$14.00	N
08986000	1978	<b>CLIP KIT</b> Grand Am, Le Mans, All, Instrument Gauge Cluster / Printed Circuit Board Retaining Clip Note: Replaces Original GM Part Number 08986000, Includes 12 Clips Per Kit.	\$14.00	N
08986000	1979	<b>CLIP KIT</b> Grand Am, Le Mans, All, Instrument Gauge Cluster / Printed Circuit Board Retaining Clip Note: Replaces Original GM Part Number 08986000, Includes 12 Clips Per Kit.	\$14.00	N
08986000	1980	<b>CLIP KIT</b> Grand Am, Le Mans, All, Instrument Gauge Cluster / Printed Circuit Board Retaining Clip Note: Replaces Original GM Part Number 08986000, Includes 12 Clips Per Kit.	\$14.00	N
08986000	1981	<b>CLIP KIT</b> Grand Prix, Le Mans, All, Instrument Gauge Cluster / Printed Circuit Board Retaining Clip Note: Replaces Original GM Part Number 08986000, Includes 12 Clips Per Kit.	\$14.00	N
<b>INSTRUMENT PANEL LAMP HARNESS</b>				
39301	1968	<b>INSTRUMENT PANEL LAMP HARNESS</b> Used With Dash Mounted Tachometer Or Clock	\$40.00	
39301	1969	<b>INSTRUMENT PANEL LAMP HARNESS</b> Used With Dash Mounted Tachometer Or Clock	\$40.00	
39301	1970	<b>INSTRUMENT PANEL LAMP HARNESS</b> Used With Dash Mounted Tachometer Or Clock	\$40.00	
39301	1971	<b>INSTRUMENT PANEL LAMP HARNESS</b> Used With Dash Mounted Tachometer Or Clock	\$40.00	
39301	1972	<b>INSTRUMENT PANEL LAMP HARNESS</b> Used With Dash Mounted Tachometer Or Clock	\$40.00	
<b>KICKDOWN HARNESS</b>				
40485	1964	<b>KICKDOWN HARNESS</b> TH400 Auto Trans	\$53.00	
<b>KICKDOWN SWITCH</b>				
01242101	1967	<b>KICKDOWN SWITCH</b> TH400 Auto Trans	\$19.00	
01242101	1968	<b>KICKDOWN SWITCH</b> TH400 Auto Trans	\$19.00	
01242101	1969	<b>KICKDOWN SWITCH</b> TH400 Auto Trans	\$19.00	

Part Number	Year	Description	Price	*Rev.
01242101	1970	<b>KICKDOWN SWITCH</b> TH400 Auto Trans	\$19.00	
01242101	1971	<b>KICKDOWN SWITCH</b> TH400 Auto Trans	\$19.00	
01242101	1972	<b>KICKDOWN SWITCH</b> TH400 Auto Trans	\$19.00	
01242101	1973	<b>KICKDOWN SWITCH</b> TH400 Auto Trans	\$19.00	
01242101	1974	<b>KICKDOWN SWITCH</b> TH400 Auto Trans	\$19.00	
01242101	1976	<b>KICKDOWN SWITCH</b> Lemans, TH400, Auto Trans	\$19.00	
01242101	1977	<b>KICKDOWN SWITCH</b> Lemans, TH400, Auto Trans	\$19.00	
<b>LICENSE LAMP HARNESS</b>				
40634	1973	<b>LICENSE LAMP HARNESS</b> All, Except Wagon	\$33.00	
<b>LOW FUEL INDICATOR MODULE</b>				
500274	1961	<b>LOW FUEL INDICATOR MODULE</b> Generic "Adjustable" Low Fuel Warning Module Note: A Complete Electronic Control Unit To Activate A Warning Lamp Or Relay When Fuel Level Drops Below A User Adjustable Level. Includes instruction sheet.	\$64.00	C
500274	1962	<b>LOW FUEL INDICATOR MODULE</b> Generic "Adjustable" Low Fuel Warning Module Note: A Complete Electronic Control Unit To Activate A Warning Lamp Or Relay When Fuel Level Drops Below A User Adjustable Level. Includes instruction sheet.	\$64.00	C
500274	1963	<b>LOW FUEL INDICATOR MODULE</b> Generic "Adjustable" Low Fuel Warning Module Note: A Complete Electronic Control Unit To Activate A Warning Lamp Or Relay When Fuel Level Drops Below A User Adjustable Level. Includes instruction sheet.	\$64.00	C
500274	1964	<b>LOW FUEL INDICATOR MODULE</b> Generic "Adjustable" Low Fuel Warning Module Note: A Complete Electronic Control Unit To Activate A Warning Lamp Or Relay When Fuel Level Drops Below A User Adjustable Level. Includes instruction sheet.	\$64.00	C
500274	1965	<b>LOW FUEL INDICATOR MODULE</b> Generic "Adjustable" Low Fuel Warning Module Note: A Complete Electronic Control Unit To Activate A Warning Lamp Or Relay When Fuel Level Drops Below A User Adjustable Level. Includes instruction sheet.	\$64.00	C
500274	1966	<b>LOW FUEL INDICATOR MODULE</b> Generic "Adjustable" Low Fuel Warning Module Note: A Complete Electronic Control Unit To Activate A Warning Lamp Or Relay When Fuel Level Drops Below A User Adjustable Level. Includes instruction sheet.	\$64.00	C
500274	1967	<b>LOW FUEL INDICATOR MODULE</b> Generic "Adjustable" Low Fuel Warning Module Note: A Complete Electronic Control Unit To Activate A Warning Lamp Or Relay When Fuel Level Drops Below A User Adjustable Level. Includes instruction sheet.	\$64.00	C
500274	1968	<b>LOW FUEL INDICATOR MODULE</b> Generic "Adjustable" Low Fuel Warning Module Note: A Complete Electronic Control Unit To Activate A Warning Lamp Or Relay When Fuel Level Drops Below A User Adjustable Level. Includes instruction sheet.	\$64.00	C
500274	1969	<b>LOW FUEL INDICATOR MODULE</b> Generic "Adjustable" Low Fuel Warning Module Note: A Complete Electronic Control Unit To Activate A Warning Lamp Or Relay When Fuel Level Drops Below A User Adjustable Level. Includes instruction sheet.	\$64.00	C
500274	1970	<b>LOW FUEL INDICATOR MODULE</b> Generic "Adjustable" Low Fuel Warning Module Note: A Complete Electronic Control Unit To Activate A Warning Lamp Or Relay When Fuel Level Drops Below A User Adjustable Level. Includes instruction sheet.	\$64.00	C
500274	1971	<b>LOW FUEL INDICATOR MODULE</b> Generic "Adjustable" Low Fuel Warning Module Note: A Complete Electronic Control Unit To Activate A Warning Lamp Or Relay When Fuel Level Drops Below A User Adjustable Level. Includes instruction sheet.	\$64.00	C
500274	1972	<b>LOW FUEL INDICATOR MODULE</b> Generic "Adjustable" Low Fuel Warning Module Note: A Complete Electronic Control Unit To Activate A Warning Lamp Or Relay When Fuel Level Drops Below A User Adjustable Level. Includes instruction sheet.	\$64.00	C
500274	1973	<b>LOW FUEL INDICATOR MODULE</b> Generic "Adjustable" Low Fuel Warning Module Note: A Complete Electronic Control Unit To Activate A Warning Lamp Or Relay When Fuel Level Drops Below A User Adjustable Level. Includes instruction sheet.	\$64.00	C

Part Number	Year	Description	Price	*Rev.
500274	1974	<b>LOW FUEL INDICATOR MODULE</b> Generic "Adjustable" Low Fuel Warning Module Note: A Complete Electronic Control Unit To Activate A Warning Lamp Or Relay When Fuel Level Drops Below A User Adjustable Level. Includes instruction sheet.	\$64.00	C
500274	1975	<b>LOW FUEL INDICATOR MODULE</b> Generic "Adjustable" Low Fuel Warning Module Note: A Complete Electronic Control Unit To Activate A Warning Lamp Or Relay When Fuel Level Drops Below A User Adjustable Level. Includes instruction sheet.	\$64.00	C
500274	1976	<b>LOW FUEL INDICATOR MODULE</b> Generic "Adjustable" Low Fuel Warning Module Note: A Complete Electronic Control Unit To Activate A Warning Lamp Or Relay When Fuel Level Drops Below A User Adjustable Level. Includes instruction sheet.	\$64.00	C
500274	1977	<b>LOW FUEL INDICATOR MODULE</b> Generic "Adjustable" Low Fuel Warning Module Note: A Complete Electronic Control Unit To Activate A Warning Lamp Or Relay When Fuel Level Drops Below A User Adjustable Level. Includes instruction sheet.	\$64.00	C
<b>NEUTRAL SAFETY AND BACKUP LAMP SWITCH</b>				
01993659	1964	<b>NEUTRAL SAFETY AND BACKUP LAMP SWITCH</b> With Column Shift Powerglide Auto Trans	\$12.00	
09779665	1964	<b>NEUTRAL SAFETY AND BACKUP LAMP SWITCH</b> With Console Shift Auto Trans	\$71.00	
01993659	1965	<b>NEUTRAL SAFETY AND BACKUP LAMP SWITCH</b> With Column Shift Powerglide Auto Trans	\$12.00	
09779665	1965	<b>NEUTRAL SAFETY AND BACKUP LAMP SWITCH</b> With Console Shift Auto Trans	\$71.00	
01993659	1966	<b>NEUTRAL SAFETY AND BACKUP LAMP SWITCH</b> With Column Shift Powerglide Auto Trans	\$12.00	
09779665	1966	<b>NEUTRAL SAFETY AND BACKUP LAMP SWITCH</b> With Console Shift Auto Trans	\$71.00	
09779665	1967	<b>NEUTRAL SAFETY AND BACKUP LAMP SWITCH</b> With Console Shift Auto Trans	\$71.00	
09779665	1968	<b>NEUTRAL SAFETY AND BACKUP LAMP SWITCH</b> With Wood Insert Console Shift Auto Trans	\$71.00	
01994235	1969	<b>NEUTRAL SAFETY AND BACKUP LAMP SWITCH</b> With Column Shift Auto Trans, All	\$19.00	
01994235	1970	<b>NEUTRAL SAFETY AND BACKUP LAMP SWITCH</b> With Column Shift Auto Trans, All	\$19.00	
01994235	1971	<b>NEUTRAL SAFETY AND BACKUP LAMP SWITCH</b> With Column Shift Auto Trans, All	\$19.00	
01994235	1972	<b>NEUTRAL SAFETY AND BACKUP LAMP SWITCH</b> With Column Shift Auto Trans, All	\$19.00	
01994235	1973	<b>NEUTRAL SAFETY AND BACKUP LAMP SWITCH</b> With Column Shift Auto Trans, All	\$19.00	
01994163	1974	<b>NEUTRAL SAFETY AND BACKUP LAMP SWITCH</b> With Auto Trans, All	\$19.00	
<b>NEUTRAL SAFETY SWITCH</b>				
03983965	1971	<b>NEUTRAL SAFETY SWITCH</b> Ventura, With 3 Speed Manual Trans (Clutch Pedal Activated) Note: 03983965 Switch Included In Kit Is Correct, However Mounting Tower 03961589 Also Provided Does Not Work On This Application. Original Mounting Tower Must Be Reused.	\$58.00	C
03983965	1972	<b>NEUTRAL SAFETY SWITCH</b> Ventura, With 3 Speed Manual Trans (Clutch Pedal Activated) Note: 03983965 Switch Included In Kit Is Correct, However Mounting Tower 03961589 Also Provided Does Not Work On This Application. Original Mounting Tower Must Be Reused.	\$58.00	C
03983965	1973	<b>NEUTRAL SAFETY SWITCH</b> Ventura, With Manual Trans (Clutch Pedal Activated) Note: 03983965 Switch Included In Kit Is Correct, However Mounting Tower 03961589 Also Provided Does Not Work On This Application. Original Mounting Tower Must Be Reused.	\$58.00	C
03983965	1974	<b>NEUTRAL SAFETY SWITCH</b> Ventura, With Manual Trans (Clutch Pedal Activated) Note: 03983965 Switch Included In Kit Is Correct, However Mounting Tower 03961589 Also Provided Does Not Work On This Application. Original Mounting Tower Must Be Reused.	\$58.00	C
03983965	1975	<b>NEUTRAL SAFETY SWITCH</b> Ventura, With Manual Trans (Clutch Pedal Activated) Note: 03983965 Switch Included In Kit Is Correct, However Mounting Tower 03961589 Also Provided Does Not Work On This Application. Original Mounting Tower Must Be Reused.	\$58.00	N

Part Number	Year	Description	Price	*Rev.
03983965	1976	<b>NEUTRAL SAFETY SWITCH</b> Ventura, With Manual Trans (Clutch Pedal Activated) Note: 03983965 Switch Included In Kit Is Correct, However Mounting Tower 03961589 Also Provided Does Not Work On This Application. Original Mounting Tower Must Be Reused.	\$58.00	N
03983965	1977	<b>NEUTRAL SAFETY SWITCH</b> Ventura, With Manual Trans (Clutch Pedal Activated) Note: 03983965 Switch Included In Kit Is Correct, However Mounting Tower 03961589 Also Provided Does Not Work On This Application. Original Mounting Tower Must Be Reused.	\$58.00	N
<b>NEUTRAL SAFETY SWITCH EXTENSION HARNESS</b>				
39344	1969	<b>NEUTRAL SAFETY SWITCH EXTENSION HARNESS</b> Manual Trans, Dash To Clutch Switch	\$30.00	
39344	1970	<b>NEUTRAL SAFETY SWITCH EXTENSION HARNESS</b> Manual Trans, Dash To Clutch Switch	\$30.00	
39344	1971	<b>NEUTRAL SAFETY SWITCH EXTENSION HARNESS</b> Manual Trans, Dash To Clutch Switch	\$30.00	
15230	1971	<b>NEUTRAL SAFETY SWITCH EXTENSION HARNESS</b> Ventura, Manual Trans, Dash To Clutch Switch	\$25.00	
15230	1972	<b>NEUTRAL SAFETY SWITCH EXTENSION HARNESS</b> Ventura, Manual Trans, Dash To Clutch Switch	\$25.00	
15230	1973	<b>NEUTRAL SAFETY SWITCH EXTENSION HARNESS</b> Ventura, Manual Trans, Dash To Clutch Switch	\$25.00	
40831	1975	<b>NEUTRAL SAFETY SWITCH EXTENSION HARNESS</b> Manual Trans, Dash To Clutch Start Switch	\$34.00	
40831	1976	<b>NEUTRAL SAFETY SWITCH EXTENSION HARNESS</b> Manual Trans, Dash To Clutch Start Switch	\$34.00	
40831	1977	<b>NEUTRAL SAFETY SWITCH EXTENSION HARNESS</b> Manual Trans, Dash To Clutch Start Switch	\$34.00	
<b>OIL PRESSURE SENDER EXTENSION</b>				
40446	1961	<b>OIL PRESSURE SENDER EXTENSION</b> V/8, Engine Harness To Oil Pressure Sender	\$21.00	
40446	1962	<b>OIL PRESSURE SENDER EXTENSION</b> V/8, Engine Harness To Oil Pressure Sender	\$21.00	
<b>OIL SENDING UNIT EXTENSION WIRE</b>				
38418	1977	<b>OIL SENDING UNIT EXTENSION WIRE</b> Oil Pressure Sending Unit To Engine Harness	\$21.00	
<b>PARK AND SIGNAL LAMP EXTENSION HARNESS</b>				
40398	1971	<b>PARK AND SIGNAL LAMP EXTENSION HARNESS</b> Ventura, Forward Lamp Harness To Park & Turn Signal Lamp	\$48.00	
40398	1972	<b>PARK AND SIGNAL LAMP EXTENSION HARNESS</b> Ventura, Forward Lamp Harness To Park & Turn Signal Lamp	\$48.00	
40398	1973	<b>PARK AND SIGNAL LAMP EXTENSION HARNESS</b> Ventura, Forward Lamp Harness To Park & Turn Signal Lamp	\$48.00	
<b>PARKING BRAKE EXTENSION WIRE</b>				
40656	1973	<b>PARKING BRAKE EXTENSION WIRE</b> Dash Harness To Parking Brake Switch	\$15.00	
40651	1974	<b>PARKING BRAKE EXTENSION WIRE</b> Dash Harness To Parking Brake Switch	\$17.00	
40651	1975	<b>PARKING BRAKE EXTENSION WIRE</b> Dash Harness To Parking Brake Switch	\$17.00	
40651	1976	<b>PARKING BRAKE EXTENSION WIRE</b> Dash Harness To Parking Brake Switch	\$17.00	
<b>PARKING BRAKE WARNING LAMP</b>				
40742	1964	<b>PARKING BRAKE WARNING LAMP</b> Socket & Wire Assembly	\$30.00	
40739	1964	<b>PARKING BRAKE WARNING LAMP HARNESS</b> Switch To Flasher	\$17.00	
40741	1964	<b>PARKING BRAKE WARNING LAMP</b> Fuse Block To Switch	\$17.00	
40486	1965	<b>PARKING BRAKE WARNING LAMP</b> Socket & Wire Assembly	\$34.00	
40497	1966	<b>PARKING BRAKE WARNING LAMP</b> Socket & Wire Assembly	\$34.00	
<b>PARKING BRAKE WARNING LAMP HARNESS</b>				
15205	1971	<b>PARKING BRAKE WARNING LAMP HARNESS</b> Ventura, Dash Harness To Parking Brake Switch	\$13.00	
15205	1972	<b>PARKING BRAKE WARNING LAMP HARNESS</b> Ventura, Dash Harness To Parking Brake Switch	\$13.00	
<b>PARKING LAMP GROUND WIRE</b>				
40510	1968	<b>PARKING LAMP GROUND WIRE</b> Park Lamp To Ground	\$20.00	
13425	1969	<b>PARKING LAMP GROUND WIRE</b> Tempest & Le Mans, With Plastic Valance Panel	\$17.00	
<b>POWER ACCESSORY FEED WIRE</b>				
06530	1963	<b>POWER ACCESSORY FEED WIRE</b> Power Seat, Junction Block To Circuit Breaker	\$27.00	

Part Number	Year	Description	Price	*Rev.
40493	1963	<b>POWER ACCESSORY FEED WIRE</b> Circuit Breaker To Power Seat Harness	\$27.00	
06900	1964	<b>POWER ACCESSORY FEED WIRE</b> Circuit Breaker To Power Seat Harness	\$26.00	
05775	1965	<b>POWER ACCESSORY FEED WIRE</b> 6 Cylinder, Starter Solenoid To Circuit Breaker Note: 6 Cylinder Items Are Not Returnable.	\$26.00	
07700	1965	<b>POWER ACCESSORY FEED WIRE</b> Circuit Breaker To Power Seat Harness	\$26.00	
05775	1966	<b>POWER ACCESSORY FEED WIRE</b> 6 Cylinder, Starter Solenoid To Circuit Breaker Note: 6 Cylinder Items Are Not Returnable.	\$26.00	
07700	1966	<b>POWER ACCESSORY FEED WIRE</b> Circuit Breaker To Power Seat Harness	\$26.00	
05775	1967	<b>POWER ACCESSORY FEED WIRE</b> 6 Cylinder, Starter Solenoid To Circuit Breaker Note: 6 Cylinder Items Are Not Returnable.	\$26.00	
40744	1967	<b>POWER ACCESSORY FEED WIRE</b> Power Window, Circuit Breaker To Relay	\$26.00	
07700	1967	<b>POWER ACCESSORY FEED WIRE</b> Circuit Breaker To Power Seat Harness	\$26.00	
40529	1968	<b>POWER ACCESSORY FEED WIRE</b> Fuse Block To Power Top Or Window Harness	\$26.00	
14175	1968	<b>POWER ACCESSORY FEED WIRE</b> Power Feed To Power Seat Harness	\$17.00	
14325	1969	<b>POWER ACCESSORY, IGNITION FEED WIRE</b> Ignition Cavity On Fuse Block To Power Window Harness	\$17.00	
40168	1969	<b>POWER ACCESSORY, BATTERY FEED WIRE</b> Fuse Block To Power Window Or Seat Harness	\$27.00	
14175	1969	<b>POWER ACCESSORY FEED WIRE</b> Power Feed To Power Seat Harness	\$17.00	
14525	1970	<b>POWER ACCESSORY FEED WIRE</b> Fuse Block To Power Accessories Note: Used With Multiple Power Options, Windows Seats And/Or Top.	\$21.00	
14325	1970	<b>POWER ACCESSORY, IGNITION FEED WIRE</b> Ignition Cavity On Fuse Block To Power Window Harness	\$17.00	
14175	1970	<b>POWER ACCESSORY FEED WIRE</b> Power Feed To Power Seat Harness	\$17.00	
14525	1971	<b>POWER ACCESSORY FEED WIRE</b> Fuse Block To Power Accessories Note: Used With Multiple Power Options, Windows Seats And/Or Top.	\$21.00	
14175	1971	<b>POWER ACCESSORY FEED WIRE</b> Power Feed To Power Seat Harness	\$17.00	
14525	1972	<b>POWER ACCESSORY FEED WIRE</b> Fuse Block To Power Accessories Note: Used With Multiple Power Options, Windows Seats And/Or Top.	\$21.00	
14175	1972	<b>POWER ACCESSORY FEED WIRE</b> Power Feed To Power Seat Harness	\$17.00	
40776	1973	<b>POWER ACCESSORY FEED WIRE</b> Power Seat Adjuster To Ignition Feed Wire	\$21.00	
40768	1973	<b>POWER ACCESSORY FEED WIRE</b> Fuse Block To Power Seat Feed Wire	\$26.00	
35868	1974	<b>POWER ACCESSORY FEED WIRE</b> Dash To Power Windows & Tachometer	\$20.00	
40732	1974	<b>POWER ACCESSORY FEED WIRE</b> Ignition Feed Jumper To Power Seat Adjuster	\$26.00	
40776	1974	<b>POWER ACCESSORY FEED WIRE</b> Power Seat Adjuster To Ignition Feed Wire	\$21.00	
40768	1974	<b>POWER ACCESSORY FEED WIRE</b> Fuse Block To Power Seat Feed Wire	\$26.00	
35868	1975	<b>POWER ACCESSORY FEED WIRE</b> Dash To Power Windows & Tachometer	\$20.00	
40416	1975	<b>POWER ACCESSORY FEED WIRE</b> Ignition & Power Feed Jumper To Power Seat Adjuster	\$27.00	
40768	1975	<b>POWER ACCESSORY FEED WIRE</b> Fuse Block To Power Seat Feed Wire	\$26.00	
35868	1976	<b>POWER ACCESSORY FEED WIRE</b> Dash To Power Windows & Tachometer	\$20.00	
40423	1976	<b>POWER ACCESSORY FEED WIRE</b> Ignition & Power Feed Jumper To Power Seat Adjuster	\$27.00	
40768	1976	<b>POWER ACCESSORY FEED WIRE</b> Fuse Block To Power Seat Feed Wire	\$26.00	
35868	1977	<b>POWER ACCESSORY FEED WIRE</b> Dash To Power Windows & Tachometer	\$20.00	
40423	1977	<b>POWER ACCESSORY FEED WIRE</b> Ignition & Power Feed Jumper To Power Seat Adjuster	\$27.00	
40768	1977	<b>POWER ACCESSORY FEED WIRE</b> Fuse Block To Power Seat Feed Wire	\$26.00	
35868	1978	<b>POWER ACCESSORY FEED WIRE</b> Dash To Power Windows & Tachometer	\$20.00	
<b>POWER ANTENNA HARNESS</b>				
06800	1964	<b>POWER ANTENNA HARNESS</b> Rear Mounted Power Antenna, Except Convertible & Wagons, Antenna To Switch	\$46.00	
07675	1965	<b>POWER ANTENNA HARNESS</b> Rear Mounted Power Antenna, Antenna To Switch	\$43.00	
07675	1966	<b>POWER ANTENNA HARNESS</b> Rear Mounted Power Antenna, Antenna To Switch	\$43.00	

Part Number	Year	Description	Price	*Rev.
07675	1967	<b>POWER ANTENNA HARNESS</b> Rear Mounted Power Antenna, Antenna To Switch	\$43.00	
07675	1968	<b>POWER ANTENNA HARNESS</b> Rear Mounted Power Antenna, Antenna To Switch	\$43.00	
14395	1969	<b>POWER ANTENNA HARNESS</b> Rear Mounted Power Antenna, Antenna To Switch	\$49.00	
14395	1970	<b>POWER ANTENNA HARNESS</b> Rear Mounted Power Antenna, Antenna To Switch	\$49.00	
<b>POWER DOOR LOCK HARNESS</b>				
40560	1970	<b>POWER DOOR LOCK HARNESS</b> 4 Door, Driver Side Door And Under Dash Crossover	\$212.00	
40748	1970	<b>POWER DOOR LOCK HARNESS</b> Coupe, With Center Post, Driver Side Door And Under Dash Crossover Note: Customer Must Reuse Their Original Plastic Connector For Door Jamb Switch.	\$212.00	
40349	1970	<b>POWER DOOR LOCK HARNESS</b> Coupe, Without Center Post, & All Convertibles, Driver Side Door And Under Dash Crossover Note: Customer Must Reuse Their Original Plastic Connector For Door Jamb Switch.	\$221.00	
40561	1970	<b>POWER DOOR LOCK HARNESS</b> 4 Door, Passenger Side Door	\$180.00	
40749	1970	<b>POWER DOOR LOCK HARNESS</b> Coupe, With Center Post, Passenger Side Door Note: Customer Must Reuse Their Original Plastic Connector For Door Jamb Switch.	\$186.00	
40348	1970	<b>POWER DOOR LOCK HARNESS</b> Coupe, Without Center Post, & All Convertibles, Passenger Side Door Note: Customer Must Reuse Their Original Plastic Connector For Door Jamb Switch.	\$137.00	
40551	1970	<b>POWER DOOR LOCK HARNESS</b> 4 Door Hardtop, Rear Door Lock Solenoid To Intermediate Door Lock Harness, (2 Required Per Car )	\$60.00	
40552	1970	<b>POWER DOOR LOCK HARNESS</b> 4 Door Sedan, & Wagon, Rear Door Lock Solenoid To Intermediate Door Lock Harness, (2 Required Per Car )	\$60.00	
40561	1971	<b>POWER DOOR LOCK HARNESS</b> 4 Door, Passenger Side Door	\$180.00	
40560	1971	<b>POWER DOOR LOCK HARNESS</b> 4 Door, Driver Side Door And Under Dash Crossover	\$212.00	
40748	1971	<b>POWER DOOR LOCK HARNESS</b> Coupe, With Center Post, Driver Side Door And Under Dash Crossover Note: Customer Must Reuse Their Original Plastic Connector For Door Jamb Switch.	\$212.00	
40349	1971	<b>POWER DOOR LOCK HARNESS</b> Coupe, Without Center Post, & All Convertibles, Driver Side Door And Under Dash Crossover Note: Customer Must Reuse Their Original Plastic Connector For Door Jamb Switch.	\$221.00	
40749	1971	<b>POWER DOOR LOCK HARNESS</b> Coupe, With Center Post, Passenger Side Door Note: Customer Must Reuse Their Original Plastic Connector For Door Jamb Switch.	\$186.00	
40348	1971	<b>POWER DOOR LOCK HARNESS</b> Coupe, Without Center Post, & All Convertibles, Passenger Side Door Note: Customer Must Reuse Their Original Plastic Connector For Door Jamb Switch.	\$137.00	
40551	1971	<b>POWER DOOR LOCK HARNESS</b> 4 Door Hardtop, Rear Door Lock Solenoid To Intermediate Door Lock Harness, (2 Required Per Car )	\$60.00	
40552	1971	<b>POWER DOOR LOCK HARNESS</b> 4 Door Sedan, & Wagon, Rear Door Lock Solenoid To Intermediate Door Lock Harness, (2 Required Per Car )	\$60.00	
40560	1972	<b>POWER DOOR LOCK HARNESS</b> 4 Door, Driver Side Door And Under Dash Crossover	\$212.00	
40748	1972	<b>POWER DOOR LOCK HARNESS</b> 2 Door Sedan, Driver Side Door And Under Dash Crossover Note: Customer Must Reuse Their Original Plastic Connector For Door Jamb Switch.	\$212.00	
40349	1972	<b>POWER DOOR LOCK HARNESS</b> 2 Door Coupe, & Convertible, Driver Side Door And Under Dash Crossover Note: Customer Must Reuse Their Original Plastic Connector For Door Jamb Switch.	\$221.00	
40561	1972	<b>POWER DOOR LOCK HARNESS</b> 4 Door, Passenger Side Door	\$180.00	
40749	1972	<b>POWER DOOR LOCK HARNESS</b> 2 Door Sedan, Passenger Side Door Note: Customer Must Reuse Their Original Plastic Connector For Door Jamb Switch.	\$186.00	
40348	1972	<b>POWER DOOR LOCK HARNESS</b> 2 Door Coupe, & Convertible, Passenger Side Door Note: Customer Must Reuse Their Original Plastic Connector For Door Jamb Switch.	\$137.00	
40551	1972	<b>POWER DOOR LOCK HARNESS</b> 4 Door Hardtop, Rear Door Lock Solenoid To Intermediate Door Lock Harness, (2 Required Per Car )	\$60.00	



Part Number	Year	Description	Price	*Rev.
40552	1972	<b>POWER DOOR LOCK HARNESS</b> 4 Door Sedan, & Wagon, Rear Door Lock Solenoid To Intermediate Door Lock Harness, (2 Required Per Car )	\$60.00	
40779	1973	<b>POWER DOOR LOCK HARNESS</b> All, Without Power Windows, Under Dash Crossover	\$80.00	
40704	1973	<b>POWER DOOR LOCK HARNESS</b> All, 4 Door, With Switch Mounted In Arm Rest, Passenger Side Door	\$106.00	
40761	1973	<b>POWER DOOR LOCK HARNESS</b> All, 2 Door, With Switch Mounted On Trim Pad, Driver Or Passenger Side	\$106.00	
40762	1973	<b>POWER DOOR LOCK HARNESS</b> All, 4 Door, With Switch Mounted On Trim Pad, Driver Or Passenger Side	\$106.00	
40790	1973	<b>POWER DOOR LOCK HARNESS</b> All, 2 Door, With Switch Mounted In Arm Rest, Driver Or Passenger Side	\$106.00	
40764	1973	<b>POWER DOOR LOCK HARNESS</b> All, 4 Door, Driver Or Passenger Side Rear Door	\$60.00	
40715	1974	<b>POWER DOOR LOCK HARNESS</b> Center Crossover, Without Power Windows, (Includes Door Jamb Switch Wiring)	\$106.00	
40704	1974	<b>POWER DOOR LOCK HARNESS</b> All, 4 Door, With Switch Mounted In Arm Rest, Passenger Side Door	\$106.00	
40761	1974	<b>POWER DOOR LOCK HARNESS</b> All, 2 Door, With Switch Mounted On Trim Pad, Driver Or Passenger Side	\$106.00	
40762	1974	<b>POWER DOOR LOCK HARNESS</b> All, 4 Door, With Switch Mounted On Trim Pad, Driver Or Passenger Side	\$106.00	
40790	1974	<b>POWER DOOR LOCK HARNESS</b> All, 2 Door, With Switch Mounted In Arm Rest, Driver Or Passenger Side	\$106.00	
40764	1974	<b>POWER DOOR LOCK HARNESS</b> All, 4 Door, Driver Or Passenger Side Rear Door	\$60.00	
40715	1975	<b>POWER DOOR LOCK HARNESS</b> Center Crossover, Without Power Windows, (Includes Door Jamb Switch Wiring)	\$106.00	
40704	1975	<b>POWER DOOR LOCK HARNESS</b> All, 4 Door, With Switch Mounted In Arm Rest, Driver Or Passenger Side	\$106.00	
40761	1975	<b>POWER DOOR LOCK HARNESS</b> All, 2 Door, With Switch Mounted On Trim Pad, Driver Or Passenger Side	\$106.00	
40762	1975	<b>POWER DOOR LOCK HARNESS</b> All, 4 Door, With Switch Mounted On Trim Pad, Driver Or Passenger Side	\$106.00	
40790	1975	<b>POWER DOOR LOCK HARNESS</b> All, 2 Door, With Switch Mounted In Arm Rest, Driver Or Passenger Side	\$106.00	
40764	1975	<b>POWER DOOR LOCK HARNESS</b> All, 4 Door, Driver Or Passenger Side Rear Door	\$60.00	
40424	1976	<b>POWER DOOR LOCK HARNESS</b> Center Crossover, Without Power Windows, (Includes Door Jamb Switch Wiring)	\$106.00	
40409	1976	<b>POWER DOOR LOCK HARNESS</b> All, 2 Door, With Switch Mounted On Trim Pad, Driver Or Passenger Side	\$106.00	
40410	1976	<b>POWER DOOR LOCK HARNESS</b> All, 4 Door, With Switch Mounted On Trim Pad, Driver Or Passenger Side	\$106.00	
40411	1976	<b>POWER DOOR LOCK HARNESS</b> All, 2 Door, With Switch Mounted In Armrest, Driver Or Passenger Side	\$106.00	
40412	1976	<b>POWER DOOR LOCK HARNESS</b> All, 4 Door, Driver Or Passenger Side Rear Door	\$60.00	
40858	1977	<b>POWER DOOR LOCK HARNESS</b> Center Crossover, Without Power Windows, (Includes Door Jamb Switch Wiring)	\$106.00	
40859	1977	<b>POWER DOOR LOCK HARNESS</b> All, 2 Door, With Switch Mounted On Trim Pad, Driver Or Passenger Side	\$106.00	
40860	1977	<b>POWER DOOR LOCK HARNESS</b> All, 4 Door, With Switch Mounted On Trim Pad, Driver Or Passenger Side	\$106.00	
40861	1977	<b>POWER DOOR LOCK HARNESS</b> All, 4 Door, Driver Or Passenger Side Rear Door	\$60.00	
<b>POWER DOOR LOCK INTERMEDIATE HARNESS</b>				
40548	1970	<b>POWER DOOR LOCK INTERMEDIATE HARNESS</b> 4 Door Hardtop, Under Dash To Rear Door Lock Solenoid Harness, (2 Required Per Car )	\$101.00	

Part Number	Year	Description	Price	*Rev.
40747	1970	<b>POWER DOOR LOCK INTERMEDIATE HARNESS</b> 4 Door Sedan, & Wagon, Under Dash To Rear Door Lock Solenoid Harness, (2 Required Per Car )	\$87.00	
40548	1971	<b>POWER DOOR LOCK INTERMEDIATE HARNESS</b> 4 Door Hardtop, Passenger Side, Under Dash To Rear Door Lock Solenoid Harness	\$101.00	
40747	1971	<b>POWER DOOR LOCK INTERMEDIATE HARNESS</b> 4 Door Sedan, & Wagon, Passenger Side, Under Dash To Rear Door Lock Solenoid Harness	\$87.00	
40794	1971	<b>POWER DOOR LOCK INTERMEDIATE HARNESS</b> 4 Door Hardtop, Driver Side, Under Dash To Rear Door Lock Solenoid Harness	\$60.00	
40795	1971	<b>POWER DOOR LOCK INTERMEDIATE HARNESS</b> 4 Door Sedan, & Wagon, Driver Side, Under Dash To Rear Door Lock Solenoid Harness	\$60.00	
40548	1972	<b>POWER DOOR LOCK INTERMEDIATE HARNESS</b> 4 Door Hardtop, Passenger Side, Under Dash To Rear Door Lock Solenoid Harness	\$101.00	
40747	1972	<b>POWER DOOR LOCK INTERMEDIATE HARNESS</b> 4 Door Sedan, & Wagon, Passenger Side, Under Dash To Rear Door Lock Solenoid Harness	\$87.00	
40794	1972	<b>POWER DOOR LOCK INTERMEDIATE HARNESS</b> 4 Door Hardtop, Driver Side, Under Dash To Rear Door Lock Solenoid Harness	\$60.00	
40795	1972	<b>POWER DOOR LOCK INTERMEDIATE HARNESS</b> 4 Door Sedan, & Wagon, Driver Side, Under Dash To Rear Door Lock Solenoid Harness	\$60.00	
<b>POWER DOOR LOCK RELAY AND ADAPTER HARNESS</b>				
39440	1970	<b>POWER DOOR LOCK RELAY AND ADAPTER HARNESS</b> Includes New Standard Type Relay And Adapter To Mate To Factory Harness	\$40.00	
39440	1971	<b>POWER DOOR LOCK RELAY AND ADAPTER HARNESS</b> Includes New Standard Type Relay And Adapter To Mate To Factory Harness	\$40.00	
39440	1972	<b>POWER DOOR LOCK RELAY AND ADAPTER HARNESS</b> Includes New Standard Type Relay And Adapter To Mate To Factory Harness	\$40.00	
<b>POWER DOOR LOCK SWITCH</b>				
01725099	1976	<b>POWER DOOR LOCK SWITCH</b> 1 Button	\$62.00	
01725099	1976	<b>POWER DOOR LOCK SWITCH</b> Ventura, 1 Button	\$62.00	M
01725099	1977	<b>POWER DOOR LOCK SWITCH</b> Ventura, 1 Button	\$62.00	M
<b>POWER SEAT BACK LOCK EXTENSION WIRE</b>				
14510	1970	<b>POWER SEAT BACK LOCK EXTENSION WIRE</b> Coupe, With Center Post, (2 Required Per Car ) Note: This Extension Connects Solenoid In Seat To Seat Back Lock Main Harness.	\$41.00	
40751	1970	<b>POWER SEAT BACK LOCK EXTENSION WIRE</b> Coupe & Convertibles, With Split Bench Seat, (2 Required Per Car ) Note: This Extension Connects Solenoid In Seat To Seat Back Lock Main Harness.	\$41.00	
40752	1970	<b>POWER SEAT BACK LOCK EXTENSION WIRE</b> Coupe & Convertibles, With Bucket Seats, (2 Required Per Car ) Note: This Extension Connects Solenoid In Seat To Seat Back Lock Main Harness.	\$41.00	
14510	1971	<b>POWER SEAT BACK LOCK EXTENSION WIRE</b> Coupe, With Center Post, (2 Required Per Car ) Note: This Extension Connects Solenoid In Seat To Seat Back Lock Main Harness.	\$41.00	
40751	1971	<b>POWER SEAT BACK LOCK EXTENSION WIRE</b> Coupe & Convertibles, With Split Bench Seat, (2 Required Per Car ) Note: This Extension Connects Solenoid In Seat To Seat Back Lock Main Harness.	\$41.00	
40752	1971	<b>POWER SEAT BACK LOCK EXTENSION WIRE</b> Coupe & Convertibles, With Bucket Seats, (2 Required Per Car ) Note: This Extension Connects Solenoid In Seat To Seat Back Lock Main Harness.	\$41.00	
14510	1972	<b>POWER SEAT BACK LOCK EXTENSION WIRE</b> 2 Door Sedan, & Hardtop Coupe, With Bench Seat, (2 Required Per Car ) Note: This Extension Connects Solenoid In Seat To Seat Back Lock Main Harness.	\$41.00	
40751	1972	<b>POWER SEAT BACK LOCK EXTENSION WIRE</b> Coupe & Convertibles, With Split Bench Seat, (2 Required Per Car ) Note: This Extension Connects Solenoid In Seat To Seat Back Lock Main Harness.	\$41.00	
40752	1972	<b>POWER SEAT BACK LOCK EXTENSION WIRE</b> Coupe & Convertibles, With Bucket Seats, (2 Required Per Car ) Note: This Extension Connects Solenoid In Seat To Seat Back Lock Main Harness.	\$41.00	

Part Number	Year	Description	Price	*Rev.
40721	1973	<b>POWER SEAT BACK LOCK EXTENSION WIRE</b> All, 2 Door, Under Dash To Seat Back Lock Harness In Seat (2 Required Per Car)	\$41.00	
<b>POWER SEAT BACK LOCK HARNESS</b>				
40750	1970	<b>POWER SEAT BACK LOCK HARNESS</b> Seat Back Lock Relay To Power Door Lock Harness	\$132.00	
40750	1971	<b>POWER SEAT BACK LOCK HARNESS</b> Seat Back Lock Relay To Power Door Lock Harness	\$132.00	
40750	1972	<b>POWER SEAT BACK LOCK HARNESS</b> Seat Back Lock Relay To Power Door Lock Harness	\$132.00	
40722	1973	<b>POWER SEAT BACK LOCK HARNESS</b> All, 2 Door, Under Dash Crossover Note: Customer Must Reuse Their Original Plastic Connector For Door Jamb Switch.	\$41.00	
40757	1973	<b>POWER SEAT BACK LOCK HARNESS</b> All, 2 Door, Seat Back Solenoid To Seat Back Lock Extension Harness, (2 Required Per Car)	\$41.00	
40722	1974	<b>POWER SEAT BACK LOCK HARNESS</b> All, 2 Door, Under Dash Crossover Note: Customer Must Reuse Their Original Plastic Connector For Door Jamb Switch.	\$41.00	
<b>POWER SEAT BACK RELAY AND ADAPTER HARNESS</b>				
39440	1970	<b>POWER SEAT BACK RELAY AND ADAPTER HARNESS</b> Includes New Standard Type Relay And Adapter To Mate To Factory Harness	\$40.00	
39440	1971	<b>POWER SEAT BACK RELAY AND ADAPTER HARNESS</b> Includes New Standard Type Relay And Adapter To Mate To Factory Harness	\$40.00	
39440	1972	<b>POWER SEAT BACK RELAY AND ADAPTER HARNESS</b> Includes New Standard Type Relay And Adapter To Mate To Factory Harness	\$40.00	
<b>POWER SEAT GROUND WIRE</b>				
07295	1965	<b>POWER SEAT GROUND WIRE</b> All	\$21.00	
07295	1966	<b>POWER SEAT GROUND WIRE</b> All	\$21.00	
07295	1967	<b>POWER SEAT GROUND WIRE</b> All	\$21.00	
07295	1968	<b>POWER SEAT GROUND WIRE</b> All	\$21.00	
07295	1969	<b>POWER SEAT GROUND WIRE</b> All	\$21.00	
07295	1970	<b>POWER SEAT GROUND WIRE</b> All	\$21.00	
07295	1971	<b>POWER SEAT GROUND WIRE</b> All	\$21.00	
07295	1972	<b>POWER SEAT GROUND WIRE</b> All	\$21.00	
07295	1973	<b>POWER SEAT GROUND WIRE</b> All	\$21.00	
<b>POWER SEAT HARNESS</b>				
37426	1963	<b>POWER SEAT HARNESS</b> 4 Way Bucket, Drivers Side Note: Customer Must Reuse Their Original Plastic Connector For Control Switch.	\$186.00	
06950	1964	<b>POWER SEAT HARNESS</b> 4 Way Bucket, Drivers Side Note: Customer Must Reuse Their Original Plastic Connector For Control Switch.	\$166.00	
06945	1964	<b>POWER SEAT HARNESS</b> 4 Way Bench Note: Customer Must Reuse Their Original Plastic Connector For Control Switch.	\$173.00	
07595	1965	<b>POWER SEAT HARNESS</b> 4-Way Bench Note: Customer Must Reuse Their Original Plastic Connector For Control Switch.	\$166.00	
07600	1965	<b>POWER SEAT HARNESS</b> 4 Way Bucket, Drivers Side Note: Customer Must Reuse Their Original Plastic Connector For Control Switch.	\$159.00	
07595	1966	<b>POWER SEAT HARNESS</b> 4-Way Bench Note: Customer Must Reuse Their Original Plastic Connector For Control Switch.	\$166.00	
07020	1966	<b>POWER SEAT HARNESS</b> 4 Way Bucket, Drivers Side Note: Customer Must Reuse Their Original Plastic Connector For Control Switch.	\$159.00	
32325	1967	<b>POWER SEAT HARNESS</b> 4-Way Bench Note: Customer Must Reuse Their Original Plastic Connector For Control Switch.	\$166.00	
07020	1967	<b>POWER SEAT HARNESS</b> 4 Way Bucket, Drivers Side Note: Customer Must Reuse Their Original Plastic Connector For Control Switch.	\$159.00	

Part Number	Year	Description	Price	*Rev.
32325	1968	<b>POWER SEAT HARNESS</b> 4-Way Bench Note: Customer Must Reuse Their Original Plastic Connector For Control Switch.	\$166.00	
07020	1968	<b>POWER SEAT HARNESS</b> 4 Way Bucket, Drivers Side Note: Customer Must Reuse Their Original Plastic Connector For Control Switch.	\$159.00	
07020	1969	<b>POWER SEAT HARNESS</b> 4 Way Bucket, Drivers Side Note: Customer Must Reuse Their Original Plastic Connector For Control Switch.	\$159.00	
14435	1969	<b>POWER SEAT HARNESS</b> 4-Way Bench Note: Customer Must Reuse Their Original Plastic Connector For Control Switch.	\$176.00	
07020	1970	<b>POWER SEAT HARNESS</b> 4 Way Bucket, Drivers Side Note: Customer Must Reuse Their Original Plastic Connector For Control Switch.	\$159.00	
14435	1970	<b>POWER SEAT HARNESS</b> 4-Way Bench Note: Customer Must Reuse Their Original Plastic Connector For Control Switch.	\$176.00	
07020	1971	<b>POWER SEAT HARNESS</b> 4 Way Bucket, Drivers Side Note: Customer Must Reuse Their Original Plastic Connector For Control Switch.	\$159.00	
14435	1971	<b>POWER SEAT HARNESS</b> 4-Way Bench Note: Customer Must Reuse Their Original Plastic Connector For Control Switch.	\$176.00	
07020	1972	<b>POWER SEAT HARNESS</b> 4 Way Bucket, Drivers Side Note: Customer Must Reuse Their Original Plastic Connector For Control Switch.	\$159.00	
14435	1972	<b>POWER SEAT HARNESS</b> 4-Way Bench Note: Customer Must Reuse Their Original Plastic Connector For Control Switch.	\$176.00	
40727	1973	<b>POWER SEAT HARNESS</b> All, With Bench Seat Note: Customer Must Reuse Their Original Plastic Connector For Control Switch.	\$190.00	
40793	1973	<b>POWER SEAT HARNESS</b> All, With Bucket Seat, Drivers Side Note: Customer Must Reuse Their Original Plastic Connector For Control Switch.	\$179.00	
40793	1974	<b>POWER SEAT HARNESS</b> All, With Bucket Seat, Drivers Side Note: Customer Must Reuse Their Original Plastic Connector For Control Switch.	\$179.00	
40727	1974	<b>POWER SEAT HARNESS</b> All, With Bench Seat Note: Customer Must Reuse Their Original Plastic Connector For Control Switch.	\$190.00	
40727	1975	<b>POWER SEAT HARNESS</b> All, With Bench Seat Note: Customer Must Reuse Their Original Plastic Connector For Control Switch.	\$190.00	
40793	1975	<b>POWER SEAT HARNESS</b> All, With Bucket Seat, Drivers Side Note: Customer Must Reuse Their Original Plastic Connector For Control Switch.	\$179.00	
40417	1976	<b>POWER SEAT HARNESS</b> All, With Bench Seat Note: Customer Must Reuse Their Original Plastic Connector For Control Switch.	\$173.00	
40418	1976	<b>POWER SEAT HARNESS</b> All, With Bucket Seat, Drivers Side Note: Customer Must Reuse Their Original Plastic Connector For Control Switch.	\$167.00	
40417	1977	<b>POWER SEAT HARNESS</b> All, With Bench Seat Note: Customer Must Reuse Their Original Plastic Connector For Control Switch.	\$173.00	
40418	1977	<b>POWER SEAT HARNESS</b> All, With Bucket Seat, Drivers Side Note: Customer Must Reuse Their Original Plastic Connector For Control Switch.	\$167.00	
<b>POWER SEAT MOTOR RELAY AND ADAPTER HARNESS</b>				
40146	1964	<b>POWER SEAT MOTOR RELAY AND ADAPTER HARNESS</b> Includes New Standard Type Relay And Adapter To Mate To Factory Harness	\$74.00	
40146	1965	<b>POWER SEAT MOTOR RELAY AND ADAPTER HARNESS</b> Includes New Standard Type Relay And Adapter To Mate To Factory Harness	\$74.00	
40146	1966	<b>POWER SEAT MOTOR RELAY AND ADAPTER HARNESS</b> Includes New Standard Type Relay And Adapter To Mate To Factory Harness	\$74.00	
40146	1967	<b>POWER SEAT MOTOR RELAY AND ADAPTER HARNESS</b> Includes New Standard Type Relay And Adapter To Mate To Factory Harness	\$74.00	

Part Number	Year	Description	Price	*Rev.
40146	1968	<b>POWER SEAT MOTOR RELAY AND ADAPTER HARNESS</b> Includes New Standard Type Relay And Adapter To Mate To Factory Harness	\$74.00	
40146	1969	<b>POWER SEAT MOTOR RELAY AND ADAPTER HARNESS</b> Includes New Standard Type Relay And Adapter To Mate To Factory Harness	\$74.00	
40146	1970	<b>POWER SEAT MOTOR RELAY AND ADAPTER HARNESS</b> Includes New Standard Type Relay And Adapter To Mate To Factory Harness	\$74.00	
40146	1971	<b>POWER SEAT MOTOR RELAY AND ADAPTER HARNESS</b> Includes New Standard Type Relay And Adapter To Mate To Factory Harness	\$74.00	
40146	1972	<b>POWER SEAT MOTOR RELAY AND ADAPTER HARNESS</b> Includes New Standard Type Relay And Adapter To Mate To Factory Harness	\$74.00	
40146	1973	<b>POWER SEAT MOTOR RELAY AND ADAPTER HARNESS</b> Includes New Standard Type Relay And Adapter To Mate To Factory Harness	\$74.00	
40146	1974	<b>POWER SEAT MOTOR RELAY AND ADAPTER HARNESS</b> Includes New Standard Type Relay And Adapter To Mate To Factory Harness, Except GTO	\$74.00	
40146	1975	<b>POWER SEAT MOTOR RELAY AND ADAPTER HARNESS</b> Includes New Standard Type Relay And Adapter To Mate To Factory Harness, Except GTO	\$74.00	
<b>POWER TAILGATE RELAY AND ADAPTER HARNESS</b>				
39440	1968	<b>POWER TAILGATE RELAY AND ADAPTER HARNESS</b> Includes New Standard Type Relay And Adapter To Mate To Factory Harness	\$40.00	
39440	1969	<b>POWER TAILGATE RELAY AND ADAPTER HARNESS</b> Includes New Standard Type Relay And Adapter To Mate To Factory Harness	\$40.00	
39440	1970	<b>POWER TAILGATE RELAY AND ADAPTER HARNESS</b> Includes New Standard Type Relay And Adapter To Mate To Factory Harness	\$40.00	
39440	1971	<b>POWER TAILGATE RELAY AND ADAPTER HARNESS</b> Includes New Standard Type Relay And Adapter To Mate To Factory Harness	\$40.00	
39440	1972	<b>POWER TAILGATE RELAY AND ADAPTER HARNESS</b> Includes New Standard Type Relay And Adapter To Mate To Factory Harness	\$40.00	
<b>POWER TAILGATE WINDOW EXTENSION HARNESS</b>				
40796	1970	<b>POWER TAILGATE WINDOW EXTENSION HARNESS</b> Tailgate Window Cutout Switch, To Tailgate Window Harness	\$40.00	
40796	1971	<b>POWER TAILGATE WINDOW EXTENSION HARNESS</b> Tailgate Window Cutout Switch, To Tailgate Window Harness	\$40.00	
40796	1972	<b>POWER TAILGATE WINDOW EXTENSION HARNESS</b> Tailgate Window Cutout Switch, To Tailgate Window Harness	\$40.00	
<b>POWER TAILGATE WINDOW HARNESS</b>				
37415	1961	<b>POWER TAILGATE WINDOW HARNESS</b> Safari 4 Door Wagon, Rear Section	\$52.00	
37415	1962	<b>POWER TAILGATE WINDOW HARNESS</b> Safari 4 Door Wagon, Rear Section	\$52.00	
37415	1963	<b>POWER TAILGATE WINDOW HARNESS</b> Safari 4 Door Wagon, Rear Section	\$52.00	
40531	1968	<b>POWER TAILGATE WINDOW HARNESS</b> Tempest Wagons, With Power Tailgate Window, Without Power Side Windows, Ignition Relay To Dash Switch	\$59.00	
40532	1968	<b>POWER TAILGATE WINDOW HARNESS</b> Tempest Wagons, With Power Tailgate Window & Power Side Windows, Ignition Relay To Dash Switch	\$66.00	
40534	1969	<b>POWER TAILGATE WINDOW HARNESS</b> Tempest Wagons, With Power Tailgate Window, Without Power Side Windows, Ignition Relay To Dash Switch	\$59.00	
40535	1969	<b>POWER TAILGATE WINDOW HARNESS</b> Tempest Wagons, With Power Tailgate Window & Power Side Windows, Ignition Relay To Dash Switch	\$66.00	
40556	1970	<b>POWER TAILGATE WINDOW HARNESS</b> Tempest Wagon, With Power Tailgate Window, Without Power Side Windows, Ignition Relay To Dash Switch	\$59.00	
40557	1970	<b>POWER TAILGATE WINDOW HARNESS</b> Tempest Wagon, With Power Tailgate Window & Power Side Windows, Ignition Relay To Dash Switch	\$66.00	
40557	1971	<b>POWER TAILGATE WINDOW HARNESS</b> Tempest Wagon, With Power Tailgate Window & Power Side Windows, Ignition Relay To Dash Switch	\$66.00	
40810	1971	<b>POWER TAILGATE WINDOW HARNESS</b> Tempest Wagon, With Power Tailgate Window, Without Power Side Windows, Ignition Relay To Dash Switch	\$59.00	
40557	1972	<b>POWER TAILGATE WINDOW HARNESS</b> Tempest Wagon, With Power Tailgate Window & Power Side Windows, Ignition Relay To Dash Switch	\$66.00	

Part Number	Year	Description	Price	*Rev.
40810	1972	<b>POWER TAILGATE WINDOW HARNESS</b> Tempest Wagon, With Power Tailgate Window, Without Power Side Windows, Ignition Relay To Dash Switch	\$59.00	
<b>POWER TOP HARNESS</b>				
14135	1968	<b>POWER TOP HARNESS</b> Hydraulic Top Motor To Switch	\$49.00	
14400	1969	<b>POWER TOP HARNESS</b> Tempest Custom, Hydraulic Motor	\$49.00	
<b>POWER WINDOW HARNESS</b>				
07200	1964	<b>POWER WINDOW HARNESS</b> 4 Door Sedan & Wagons, Driver Or Passenger Side Rear Door, (2 Required Per Car ) Note: Customer Must Supply Their Original Rubber Boot	\$153.00	
06960	1964	<b>POWER WINDOW HARNESS</b> Driver Side Door	\$212.00	
06955	1964	<b>POWER WINDOW HARNESS</b> Passenger Side Door	\$147.00	
06990	1964	<b>POWER WINDOW HARNESS</b> Quarter Window, Coupe, (2 Required Per Car ) Note: Customer Must Reuse Their Original Plastic 3 Terminal Connector That Attaches This Harness To Ribbon Cable.	\$87.00	
06995	1964	<b>POWER WINDOW HARNESS</b> Quarter Window, Convertible, (2 Required Per Car ) Note: Customer Must Reuse Their Original Plastic 3 Terminal Connector That Attaches This Harness To Ribbon Cable.	\$87.00	
07630	1965	<b>POWER WINDOW HARNESS</b> Tempest Wagons & Sedans, Rear Doors, (2 Required Per Car ) Note: Customer Must Supply Their Original Rubber Boot	\$153.00	
07610	1965	<b>POWER WINDOW HARNESS</b> Driver Side Door	\$219.00	
07605	1965	<b>POWER WINDOW HARNESS</b> Passenger Side Door	\$147.00	
07640	1965	<b>POWER WINDOW HARNESS</b> Quarter Window, Coupe, (2 Required Per Car ) Note: Customer Must Reuse Their Original Plastic 3 Terminal Connector That Attaches This Harness To Ribbon Cable.	\$87.00	
07695	1965	<b>POWER WINDOW HARNESS</b> Quarter Window, Convertible, (2 Required Per Car ) Note: Customer Must Reuse Their Original Plastic 3 Terminal Connector That Attaches This Harness To Ribbon Cable.	\$87.00	
32485	1966	<b>POWER WINDOW HARNESS</b> 4 Door Hardtop, Driver Side Rear Door Note: Customer Must Supply Their Original Rubber Boot	\$153.00	
07630	1966	<b>POWER WINDOW HARNESS</b> Tempest Wagons & Sedans, Rear Doors, (2 Required Per Car ) Note: Customer Must Supply Their Original Rubber Boot	\$153.00	
32480	1966	<b>POWER WINDOW HARNESS</b> 4 Door Hardtop, Passenger Side Rear Door Note: Customer Must Supply Their Original Rubber Boot	\$153.00	
08260	1966	<b>POWER WINDOW HARNESS</b> Driver Side Door	\$212.00	
27310	1966	<b>POWER WINDOW HARNESS</b> Passenger Side Door	\$147.00	
07640	1966	<b>POWER WINDOW HARNESS</b> Quarter Window, Coupe, (2 Required Per Car ) Note: Customer Must Reuse Their Original Plastic 3 Terminal Connector That Attaches This Harness To Ribbon Cable.	\$87.00	
07695	1966	<b>POWER WINDOW HARNESS</b> Quarter Window, Convertible, (2 Required Per Car ) Note: Customer Must Reuse Their Original Plastic 3 Terminal Connector That Attaches This Harness To Ribbon Cable.	\$87.00	
07630	1967	<b>POWER WINDOW HARNESS</b> Tempest Wagons & Sedans, Rear Doors, (2 Required Per Car ) Note: Customer Must Supply Their Original Rubber Boot	\$153.00	
32480	1967	<b>POWER WINDOW HARNESS</b> 4 Door Hardtop, Passenger Side Rear Door Note: Customer Must Supply Their Original Rubber Boot	\$153.00	
32485	1967	<b>POWER WINDOW HARNESS</b> 4 Door Hardtop, Driver Side Rear Door Note: Customer Must Supply Their Original Rubber Boot	\$153.00	
08260	1967	<b>POWER WINDOW HARNESS</b> Driver Side Door	\$212.00	

Part Number	Year	Description	Price	*Rev.
27310	1967	<b>POWER WINDOW HARNESS</b> Passenger Side Door	\$147.00	
07640	1967	<b>POWER WINDOW HARNESS</b> Quarter Window, Coupe, (2 Required Per Car ) Note: Customer Must Reuse Their Original Plastic 3 Terminal Connector That Attaches This Harness To Ribbon Cable.	\$87.00	
07695	1967	<b>POWER WINDOW HARNESS</b> Quarter Window, Convertible, (2 Required Per Car ) Note: Customer Must Reuse Their Original Plastic 3 Terminal Connector That Attaches This Harness To Ribbon Cable.	\$87.00	
40541	1968	<b>POWER WINDOW HARNESS</b> Rear Door, Tempest & Lemans 4 Door Hardtops, (2 Required Per Car) Note: Customer Must Supply Their Original Rubber Boot	\$153.00	
40542	1968	<b>POWER WINDOW HARNESS</b> Rear Door, Tempest Wagons & 4 Door Sedans, (2 Required Per Car) Note: Customer Must Supply Their Original Rubber Boot	\$153.00	
14170	1968	<b>POWER WINDOW HARNESS</b> Quarter Windows & Intermediate Body	\$186.00	
31135	1968	<b>POWER WINDOW HARNESS</b> Driver Side Door	\$219.00	
14165	1968	<b>POWER WINDOW HARNESS</b> Passenger Side Door	\$147.00	
14425	1969	<b>POWER WINDOW HARNESS</b> 4 Door, Driver Side Door And Under Dash Note: Not Available At This Time.	\$251.00	
37819	1969	<b>POWER WINDOW HARNESS</b> 4 Door, Passenger Side Door	\$153.00	
40541	1969	<b>POWER WINDOW HARNESS</b> Rear Door, Tempest & Lemans 4 Door Hardtops, (2 Required Per Car) Note: Customer Must Supply Their Original Rubber Boot	\$153.00	
40542	1969	<b>POWER WINDOW HARNESS</b> Rear Door, Tempest Wagons & 4 Door Sedans, (2 Required Per Car) Note: Customer Must Supply Their Original Rubber Boot	\$153.00	
39470	1969	<b>POWER WINDOW HARNESS</b> Driver Side Door And Under Dash Crossover	\$264.00	
37817	1969	<b>POWER WINDOW HARNESS</b> Passenger Side Door	\$147.00	
14405	1969	<b>POWER WINDOW HARNESS</b> Quarter Windows & Intermediate Body	\$186.00	
40554	1970	<b>POWER WINDOW HARNESS</b> 4 Door, Driver Side Door And Under Dash	\$251.00	
40555	1970	<b>POWER WINDOW HARNESS</b> 4 Door, Passenger Side Door	\$147.00	
40550	1970	<b>POWER WINDOW HARNESS</b> Rear Doors, 4 Door Hardtop, (2 Required Per Car) Note: Customer Must Supply Their Original Rubber Boot	\$147.00	
14445	1970	<b>POWER WINDOW HARNESS</b> Rear Doors, 4 Door Sedan, & Wagon, (2 Required Per Car) Note: Customer Must Supply Their Original Rubber Boot	\$147.00	
31140	1970	<b>POWER WINDOW HARNESS</b> Driver Side Door And Under Dash Crossover	\$264.00	
14470	1970	<b>POWER WINDOW HARNESS</b> Passenger Side Door	\$147.00	
14505	1970	<b>POWER WINDOW HARNESS</b> Quarter Windows & Intermediate Body	\$186.00	
40811	1971	<b>POWER WINDOW HARNESS</b> 4 Door, Driver Side Door And Under Dash Crossover	\$251.00	
40555	1971	<b>POWER WINDOW HARNESS</b> 4 Door, Passenger Side Door	\$147.00	
40801	1971	<b>POWER WINDOW HARNESS</b> Rear Doors, 4 Door Hardtop, (2 Required Per Car) Note: Customer Must Supply Their Original Rubber Boot	\$147.00	
40802	1971	<b>POWER WINDOW HARNESS</b> Rear Doors, 4 Door Sedan, & Wagon, (2 Required Per Car) Note: Customer Must Supply Their Original Rubber Boot	\$147.00	
31140	1971	<b>POWER WINDOW HARNESS</b> Driver Side Door And Under Dash Crossover	\$264.00	
14470	1971	<b>POWER WINDOW HARNESS</b> Passenger Side Door	\$147.00	

Part Number	Year	Description	Price	*Rev.
14505	1971	<b>POWER WINDOW HARNESS</b> Quarter Windows & Intermediate Body	\$186.00	
40811	1972	<b>POWER WINDOW HARNESS</b> 4 Door, Driver Side Door And Under Dash Crossover	\$251.00	
40555	1972	<b>POWER WINDOW HARNESS</b> 4 Door, Passenger Side Door	\$147.00	
40801	1972	<b>POWER WINDOW HARNESS</b> Rear Doors, 4 Door Hardtop, (2 Required Per Car) Note: Customer Must Supply Their Original Rubber Boot	\$147.00	
40802	1972	<b>POWER WINDOW HARNESS</b> Rear Doors, 4 Door Sedan, & Wagon, (2 Required Per Car) Note: Customer Must Supply Their Original Rubber Boot	\$147.00	
39471	1972	<b>POWER WINDOW HARNESS</b> Driver Side Door And Under Dash Crossover	\$264.00	
14470	1972	<b>POWER WINDOW HARNESS</b> Passenger Side Door	\$147.00	
14505	1972	<b>POWER WINDOW HARNESS</b> Quarter Windows & Intermediate Body	\$186.00	
40770	1973	<b>POWER WINDOW HARNESS</b> All 4 Door Cars, Without Power Door Locks, Under Dash Crossover	\$290.00	
40786	1973	<b>POWER WINDOW HARNESS</b> All 2 Door Cars, Without Power Door Locks, Under Dash Crossover	\$290.00	
40791	1973	<b>POWER WINDOW HARNESS</b> All 4 Door Cars, With Power Door Locks, Under Dash Crossover	\$290.00	
40792	1973	<b>POWER WINDOW HARNESS</b> All 2 Door Cars, With Power Door Locks, Under Dash Crossover	\$290.00	
40695	1973	<b>POWER WINDOW HARNESS</b> All, 4 Door Cars, With Switch Mounted In Arm Rest, Driver Side Door Note: Customer Must Supply Their Original Rubber Boot & Plastic Connector For The Window Switch.	\$251.00	
40771	1973	<b>POWER WINDOW HARNESS</b> All, 2 Door Cars, With Switch Mounted On Trim Pad, Driver Side Door Note: Customer Must Supply Their Original Rubber Boot.	\$251.00	
40772	1973	<b>POWER WINDOW HARNESS</b> All, 4 Door Cars, With Switch Mounted On Trim Pad, Driver Side Door Note: Customer Must Supply Their Original Rubber Boot.	\$251.00	
40788	1973	<b>POWER WINDOW HARNESS</b> All, 2 Door Cars, With Switch Mounted In Arm Rest, Driver Side Door Note: Customer Must Supply Their Original Rubber Boot.	\$251.00	
40703	1973	<b>POWER WINDOW HARNESS</b> All, 4 Door Cars, With Switch Mounted In Arm Rest, Passenger Side Door Note: Customer Must Supply Their Original Rubber Boot.	\$251.00	
40773	1973	<b>POWER WINDOW HARNESS</b> All, 2 Door Cars, With Switch Mounted On Trim Pad, Passenger Side Door Note: Customer Must Supply Their Original Rubber Boot.	\$251.00	
40774	1973	<b>POWER WINDOW HARNESS</b> All, 4 Door Cars, With Switch Mounted On Trim Pad, Passenger Side Door Note: Customer Must Supply Their Original Rubber Boot.	\$251.00	
40789	1973	<b>POWER WINDOW HARNESS</b> All, 2 Door Cars, With Switch Mounted In Arm Rest, Passenger Side Door Note: Customer Must Supply Their Original Rubber Boot.	\$251.00	
40775	1973	<b>POWER WINDOW HARNESS</b> All, 4 Door Cars, Driver Or Passenger Side Rear Door Note: Customer Must Supply Their Original Rubber Boot.	\$251.00	
40717	1974	<b>POWER WINDOW HARNESS</b> Center Crossover, With Power Door Locks, (Includes Door Jamb Switch Wiring)	\$290.00	
40718	1974	<b>POWER WINDOW HARNESS</b> Grand AM, 2 Door, Center Crossover, (Includes Door Jamb Switch Wiring)	\$290.00	
40719	1974	<b>POWER WINDOW HARNESS</b> Grand Am & Le Mans, 4 Door, Center Crossover, (Includes Door Jamb Switch Wiring)	\$290.00	
40695	1974	<b>POWER WINDOW HARNESS</b> All, 4 Door Cars, With Switch Mounted In Arm Rest, Driver Side Door Note: Customer Must Supply Their Original Rubber Boot & Plastic Connector For The Window Switch.	\$251.00	



Part Number	Year	Description	Price	*Rev.
40771	1974	<b>POWER WINDOW HARNESS</b> All, 2 Door Cars, With Switch Mounted On Trim Pad, Driver Side Door Note: Customer Must Supply Their Original Rubber Boot.	\$251.00	
40772	1974	<b>POWER WINDOW HARNESS</b> All, 4 Door Cars, With Switch Mounted On Trim Pad, Driver Side Door Note: Customer Must Supply Their Original Rubber Boot.	\$251.00	
40788	1974	<b>POWER WINDOW HARNESS</b> All, 2 Door Cars, With Switch Mounted In Arm Rest, Driver Side Door Note: Customer Must Supply Their Original Rubber Boot.	\$251.00	
40703	1974	<b>POWER WINDOW HARNESS</b> All, 4 Door Cars, With Switch Mounted In Arm Rest, Passenger Side Door Note: Customer Must Supply Their Original Rubber Boot.	\$251.00	
40773	1974	<b>POWER WINDOW HARNESS</b> All, 2 Door Cars, With Switch Mounted On Trim Pad, Passenger Side Door Note: Customer Must Supply Their Original Rubber Boot.	\$251.00	
40774	1974	<b>POWER WINDOW HARNESS</b> All, 4 Door Cars, With Switch Mounted On Trim Pad, Passenger Side Door Note: Customer Must Supply Their Original Rubber Boot.	\$251.00	
40789	1974	<b>POWER WINDOW HARNESS</b> All, 2 Door Cars, With Switch Mounted In Arm Rest, Passenger Side Door Note: Customer Must Supply Their Original Rubber Boot.	\$251.00	
40775	1974	<b>POWER WINDOW HARNESS</b> All, 4 Door Cars, Driver Or Passenger Side Rear Door Note: Customer Must Supply Their Original Rubber Boot.	\$251.00	
40717	1975	<b>POWER WINDOW HARNESS</b> Center Crossover, 4 Door, With Power Door Locks, (Includes Door Jamb Switch Wiring)	\$290.00	
40718	1975	<b>POWER WINDOW HARNESS</b> Grand Am & Le Mans, 2 Door, Center Crossover, (Includes Door Jamb Switch Wiring)	\$290.00	
40719	1975	<b>POWER WINDOW HARNESS</b> Grand Am & Le Mans, 4 Door, Center Crossover, (Includes Door Jamb Switch Wiring)	\$290.00	
40695	1975	<b>POWER WINDOW HARNESS</b> All, 4 Door Cars, With Switch Mounted In Arm Rest, Driver Side Door Note: Customer Must Supply Their Original Rubber Boot & Plastic Connector For The Window Switch.	\$251.00	
40771	1975	<b>POWER WINDOW HARNESS</b> All, 2 Door Cars, With Switch Mounted On Trim Pad, Driver Side Door Note: Customer Must Supply Their Original Rubber Boot.	\$251.00	
40772	1975	<b>POWER WINDOW HARNESS</b> All, 4 Door Cars, With Switch Mounted On Trim Pad, Driver Side Door Note: Customer Must Supply Their Original Rubber Boot.	\$251.00	
40788	1975	<b>POWER WINDOW HARNESS</b> All, 2 Door Cars, With Switch Mounted In Arm Rest, Driver Side Door Note: Customer Must Supply Their Original Rubber Boot.	\$251.00	
40774	1975	<b>POWER WINDOW HARNESS</b> All, 4 Door Cars, With Switch Mounted On Trim Pad, Passenger Side Door Note: Customer Must Supply Their Original Rubber Boot.	\$251.00	
40789	1975	<b>POWER WINDOW HARNESS</b> All, 2 Door Cars, With Switch Mounted In Arm Rest, Passenger Side Door Note: Customer Must Supply Their Original Rubber Boot.	\$251.00	
40775	1975	<b>POWER WINDOW HARNESS</b> All, 4 Door Cars, Driver Or Passenger Side Rear Door Note: Customer Must Supply Their Original Rubber Boot.	\$251.00	
40425	1976	<b>POWER WINDOW HARNESS</b> Le Mans, 2 Door, Center Crossover, With Power Door Locks, (Includes Door Jamb Switch Wiring)	\$290.00	
40426	1976	<b>POWER WINDOW HARNESS</b> Le Mans, 4 Door, Center Crossover, With Power Door Locks, (Includes Door Jamb Switch Wiring)	\$290.00	

Part Number	Year	Description	Price	*Rev.
40427	1976	<b>POWER WINDOW HARNESS</b> Le Mans, 2 Door, Center Crossover, Without Power Door Locks, (Includes Door Jamb Switch Wiring)	\$290.00	
40428	1976	<b>POWER WINDOW HARNESS</b> Le Mans, 4 Door, Center Crossover, Without Power Door Locks, (Includes Door Jamb Switch Wiring)	\$290.00	
40405	1976	<b>POWER WINDOW HARNESS</b> All, 2 Door Cars, With Switch Mounted On Trim Pad, Driver Side Door Note: Customer Must Supply Their Original Rubber Boot.	\$251.00	
40406	1976	<b>POWER WINDOW HARNESS</b> All, 4 Door Cars, With Switch Mounted On Trim Pad, Driver Side Door Note: Customer Must Supply Their Original Rubber Boot.	\$251.00	
40407	1976	<b>POWER WINDOW HARNESS</b> All, 2 Door Cars, With Switch Mounted In Arm Rest, Driver Side Door Note: Customer Must Supply Their Original Rubber Boot.	\$251.00	
40402	1976	<b>POWER WINDOW HARNESS</b> All, 2 Door Cars, With Switch Mounted On Trim Pad, Passenger Side Door Note: Customer Must Supply Their Original Rubber Boot.	\$251.00	
40403	1976	<b>POWER WINDOW HARNESS</b> All, 4 Door Cars, With Switch Mounted On Trim Pad, Passenger Side Door Note: Customer Must Supply Their Original Rubber Boot.	\$251.00	
40404	1976	<b>POWER WINDOW HARNESS</b> All, 2 Door Cars, With Switch Mounted In Arm Rest, Passenger Side Door Note: Customer Must Supply Their Original Rubber Boot.	\$251.00	
40408	1976	<b>POWER WINDOW HARNESS</b> All, 4 Door Cars, Driver Or Passenger Side Rear Door Note: Customer Must Supply Their Original Rubber Boot.	\$251.00	
40427	1977	<b>POWER WINDOW HARNESS</b> Le Mans, 2 Door, Center Crossover, Without Power Door Locks, (Includes Door Jamb Switch Wiring)	\$290.00	
40857	1977	<b>POWER WINDOW HARNESS</b> All, 2 Door, Center Crossover, With Power Door Locks, (Includes Door Jamb Switch Wiring) Note: Customer Must Supply Us Their Original Harness.	\$290.00	
40428	1977	<b>POWER WINDOW HARNESS</b> Le Mans, 4 Door, Center Crossover, Without Power Door Locks, (Includes Door Jamb Switch Wiring)	\$290.00	
40856	1977	<b>POWER WINDOW HARNESS</b> All, 4 Door, Center Crossover, With Power Door Locks, (Includes Door Jamb Switch Wiring) Note: Customer Must Supply Us Their Original Harness.	\$290.00	
40405	1977	<b>POWER WINDOW HARNESS</b> All, 2 Door Cars, With Switch Mounted On Trim Pad, Driver Side Door Note: Customer Must Supply Their Original Rubber Boot.	\$251.00	
40406	1977	<b>POWER WINDOW HARNESS</b> All, 4 Door Cars, With Switch Mounted On Trim Pad, Driver Side Door Note: Customer Must Supply Their Original Rubber Boot.	\$251.00	
40407	1977	<b>POWER WINDOW HARNESS</b> All, 2 Door Cars, With Switch Mounted In Arm Rest, Driver Side Door Note: Customer Must Supply Their Original Rubber Boot.	\$251.00	
40402	1977	<b>POWER WINDOW HARNESS</b> All, 2 Door Cars, With Switch Mounted On Trim Pad, Passenger Side Door Note: Customer Must Supply Their Original Rubber Boot.	\$251.00	
40403	1977	<b>POWER WINDOW HARNESS</b> All, 4 Door Cars, With Switch Mounted On Trim Pad, Passenger Side Door Note: Customer Must Supply Their Original Rubber Boot.	\$251.00	
40404	1977	<b>POWER WINDOW HARNESS</b> All, 2 Door Cars, With Switch Mounted In Arm Rest, Passenger Side Door Note: Customer Must Supply Their Original Rubber Boot.	\$251.00	
40408	1977	<b>POWER WINDOW HARNESS</b> All, 4 Door Cars, Driver Or Passenger Side Rear Door Note: Customer Must Supply Their Original Rubber Boot.	\$251.00	

Part Number	Year	Description	Price	*Rev.
<b>POWER WINDOW INTERMEDIATE HARNESS</b>				
06895	1964	<b>POWER WINDOW INTERMEDIATE HARNESS</b> Under Dash, Cross Over Only Note: Customer Must Reuse Their Original Plastic 6 Terminal Connector Note: Center Of Body Flat Ribbon Cable Not Available.	\$153.00	
07680	1965	<b>POWER WINDOW INTERMEDIATE HARNESS</b> Under Dash, Cross Over Only Note: Customer Must Reuse Their Original Plastic 6 Terminal Connector Note: Center Of Body Flat Ribbon Cable Not Available.	\$153.00	
07680	1966	<b>POWER WINDOW INTERMEDIATE HARNESS</b> Under Dash, Cross Over Only Note: Customer Must Reuse Their Original Plastic 6 Terminal Connector Note: Center Of Body Flat Ribbon Cable Not Available.	\$153.00	
08235	1967	<b>POWER WINDOW INTERMEDIATE HARNESS</b> Under Dash, Cross Over Only Note: Customer Must Reuse Their Original Plastic 6 Terminal Connector Note: Center Of Body Flat Ribbon Cable Not Available.	\$153.00	
40524	1968	<b>POWER WINDOW INTERMEDIATE HARNESS</b> Tempest Wagons & 4 Doors, Driver Side Front Door Harness To Harness In Rear Doors	\$153.00	
14410	1969	<b>POWER WINDOW INTERMEDIATE HARNESS</b> Tempest Wagons & 4 Doors, Driver Side Front Door Harness To Rear Door Harness	\$153.00	
40549	1970	<b>POWER WINDOW INTERMEDIATE HARNESS</b> 4 Door Hardtop, Driver Side Front Door Harness To Rear Door Harness	\$153.00	
14450	1970	<b>POWER WINDOW INTERMEDIATE HARNESS</b> 4 Door Sedan, & Wagons, Driver Side Front Door Harness To Rear Door Harness	\$153.00	
40549	1971	<b>POWER WINDOW INTERMEDIATE HARNESS</b> 4 Door Hardtop, Driver Side Front Door Harness To Rear Door Harness	\$153.00	
14450	1971	<b>POWER WINDOW INTERMEDIATE HARNESS</b> 4 Door Sedan, & Wagons, Driver Side Front Door Harness To Rear Door Harness	\$153.00	
40549	1972	<b>POWER WINDOW INTERMEDIATE HARNESS</b> 4 Door Hardtop, Driver Side Front Door Harness To Rear Door Harness	\$153.00	
14450	1972	<b>POWER WINDOW INTERMEDIATE HARNESS</b> 4 Door Sedan, & Wagons, Driver Side Front Door Harness To Rear Door Harness	\$153.00	
<b>POWER WINDOW MOTOR ADAPTER HARNESS</b>				
36954	1964	<b>POWER WINDOW MOTOR ADAPTER HARNESS</b> Adapts "T" Shaped Motor Connector To Side By Side Blade Type Motor Connector	\$22.00	C
36954	1961	<b>POWER WINDOW MOTOR ADAPTER HARNESS</b> Adapts "T" Shaped Motor Connector To Side By Side Blade Type Motor Connector	\$22.00	C
36954	1962	<b>POWER WINDOW MOTOR ADAPTER HARNESS</b> Adapts "T" Shaped Motor Connector To Side By Side Blade Type Motor Connector	\$22.00	C
36954	1963	<b>POWER WINDOW MOTOR ADAPTER HARNESS</b> Adapts "T" Shaped Motor Connector To Side By Side Blade Type Motor Connector	\$22.00	C
36954	1964	<b>POWER WINDOW MOTOR ADAPTER HARNESS</b> Adapts "T" Shaped Motor Connector To Side By Side Blade Type Motor Connector	\$22.00	C
36954	1965	<b>POWER WINDOW MOTOR ADAPTER HARNESS</b> Adapts "T" Shaped Motor Connector To Side By Side Blade Type Motor Connector	\$22.00	C
36954	1966	<b>POWER WINDOW MOTOR ADAPTER HARNESS</b> Adapts "T" Shaped Motor Connector To Side By Side Blade Type Motor Connector	\$22.00	C
36954	1967	<b>POWER WINDOW MOTOR ADAPTER HARNESS</b> Adapts "T" Shaped Motor Connector To Side By Side Blade Type Motor Connector	\$22.00	C
36954	1968	<b>POWER WINDOW MOTOR ADAPTER HARNESS</b> Adapts "T" Shaped Motor Connector To Side By Side Blade Type Motor Connector	\$22.00	C
36954	1969	<b>POWER WINDOW MOTOR ADAPTER HARNESS</b> Adapts "T" Shaped Motor Connector To Side By Side Blade Type Motor Connector	\$22.00	C
36954	1970	<b>POWER WINDOW MOTOR ADAPTER HARNESS</b> Adapts "T" Shaped Motor Connector To Side By Side Blade Type Motor Connector	\$22.00	C
36954	1971	<b>POWER WINDOW MOTOR ADAPTER HARNESS</b> Adapts "T" Shaped Motor Connector To Side By Side Blade Type Motor Connector	\$22.00	C

Part Number	Year	Description	Price	*Rev.
36954	1972	<b>POWER WINDOW MOTOR ADAPTER HARNESS</b> Adapts "T" Shaped Motor Connector To Side By Side Blade Type Motor Connector	\$22.00	C
36954	1973	<b>POWER WINDOW MOTOR ADAPTER HARNESS</b> Adapts "T" Shaped Motor Connector To Side By Side Blade Type Motor Connector	\$22.00	C
36954	1974	<b>POWER WINDOW MOTOR ADAPTER HARNESS</b> Adapts "T" Shaped Motor Connector To Side By Side Blade Type Motor Connector	\$22.00	C
36954	1975	<b>POWER WINDOW MOTOR ADAPTER HARNESS</b> Adapts "T" Shaped Motor Connector To Side By Side Blade Type Motor Connector	\$22.00	C
36954	1965	<b>POWER WINDOW MOTOR ADAPTER HARNESS</b> Adapts "T" Shaped Motor Connector To Side By Side Blade Type Motor Connector	\$22.00	C
36954	1966	<b>POWER WINDOW MOTOR ADAPTER HARNESS</b> Adapts "T" Shaped Motor Connector To Side By Side Blade Type Motor Connector	\$22.00	C
36954	1967	<b>POWER WINDOW MOTOR ADAPTER HARNESS</b> Adapts "T" Shaped Motor Connector To Side By Side Blade Type Motor Connector	\$22.00	C
36954	1968	<b>POWER WINDOW MOTOR ADAPTER HARNESS</b> Adapts "T" Shaped Motor Connector To Side By Side Blade Type Motor Connector	\$22.00	C
36954	1969	<b>POWER WINDOW MOTOR ADAPTER HARNESS</b> Adapts "T" Shaped Motor Connector To Side By Side Blade Type Motor Connector	\$22.00	C
36954	1970	<b>POWER WINDOW MOTOR ADAPTER HARNESS</b> Adapts "T" Shaped Motor Connector To Side By Side Blade Type Motor Connector	\$22.00	C
36954	1971	<b>POWER WINDOW MOTOR ADAPTER HARNESS</b> Adapts "T" Shaped Motor Connector To Side By Side Blade Type Motor Connector	\$22.00	C
36954	1972	<b>POWER WINDOW MOTOR ADAPTER HARNESS</b> Adapts "T" Shaped Motor Connector To Side By Side Blade Type Motor Connector	\$22.00	C
36954	1973	<b>POWER WINDOW MOTOR ADAPTER HARNESS</b> Adapts "T" Shaped Motor Connector To Side By Side Blade Type Motor Connector	\$22.00	C
36954	1974	<b>POWER WINDOW MOTOR ADAPTER HARNESS</b> Adapts "T" Shaped Motor Connector To Side By Side Blade Type Motor Connector	\$22.00	C
36954	1975	<b>POWER WINDOW MOTOR ADAPTER HARNESS</b> Adapts "T" Shaped Motor Connector To Side By Side Blade Type Motor Connector	\$22.00	C
<b>POWER WINDOW MOTOR EXTENSION</b>				
07170	1964	<b>POWER WINDOW MOTOR EXTENSION</b> Coupe, Quarter Window Harness To Motor, (2 Required Per Car )	\$25.00	
07005	1964	<b>POWER WINDOW MOTOR EXTENSION</b> Convertible, Quarter Window Harness To Motor, (2 Required Per Car )	\$32.00	
07655	1965	<b>POWER WINDOW MOTOR EXTENSION</b> Coupe, Quarter Window Harness To Motor, (2 Required Per Car )	\$25.00	
07660	1965	<b>POWER WINDOW MOTOR EXTENSION</b> Convertible, Quarter Window Harness To Motor, (2 Required Per Car )	\$25.00	
07655	1966	<b>POWER WINDOW MOTOR EXTENSION</b> Coupe, Quarter Window Harness To Motor, (2 Required Per Car )	\$25.00	
07660	1966	<b>POWER WINDOW MOTOR EXTENSION</b> Convertible, Quarter Window Harness To Motor, (2 Required Per Car )	\$25.00	
07655	1967	<b>POWER WINDOW MOTOR EXTENSION</b> Coupe, Quarter Window Harness To Motor, (2 Required Per Car )	\$25.00	
07660	1967	<b>POWER WINDOW MOTOR EXTENSION</b> Convertible, Quarter Window Harness To Motor, (2 Required Per Car )	\$25.00	
<b>POWER WINDOW RELAY AND ADAPTER HARNESS</b>				
39440	1968	<b>POWER WINDOW RELAY AND ADAPTER HARNESS</b> Includes New Standard Type Relay And Adapter To Mate To Factory Harness	\$40.00	
39440	1969	<b>POWER WINDOW RELAY AND ADAPTER HARNESS</b> Includes New Standard Type Relay And Adapter To Mate To Factory Harness	\$40.00	
39440	1970	<b>POWER WINDOW RELAY AND ADAPTER HARNESS</b> Includes New Standard Type Relay And Adapter To Mate To Factory Harness	\$40.00	
39440	1971	<b>POWER WINDOW RELAY AND ADAPTER HARNESS</b> Includes New Standard Type Relay And Adapter To Mate To Factory Harness	\$40.00	

Part Number	Year	Description	Price	*Rev.
<b>POWER WINDOW SWITCH</b>				
04432790	1964	<b>POWER WINDOW SWITCH</b> 1 Button, Round Corner Style, Chrome Note: Includes Door Panel Retainer & Escutcheon.	\$49.00	
04432791	1964	<b>POWER WINDOW SWITCH</b> 4 Button, Round Corner Style, Chrome Note: Includes Door Panel Retainer & Escutcheon.	\$67.00	
04432790	1965	<b>POWER WINDOW SWITCH</b> 1 Button, Round Corner Style, Chrome Note: Includes Door Panel Retainer & Escutcheon.	\$49.00	
04432791	1965	<b>POWER WINDOW SWITCH</b> 4 Button, Round Corner Style, Chrome Note: Includes Door Panel Retainer & Escutcheon.	\$67.00	
04432790	1966	<b>POWER WINDOW SWITCH</b> 1 Button, Round Corner Style, Chrome Note: Includes Door Panel Retainer & Escutcheon.	\$49.00	
04432791	1966	<b>POWER WINDOW SWITCH</b> 4 Button, Round Corner Style, Chrome Note: Includes Door Panel Retainer & Escutcheon.	\$67.00	
04432790	1967	<b>POWER WINDOW SWITCH</b> 1 Button, Round Corner Style, Chrome Note: Includes Door Panel Retainer & Escutcheon.	\$49.00	
04432791	1967	<b>POWER WINDOW SWITCH</b> 4 Button, Round Corner Style, Chrome Note: Includes Door Panel Retainer & Escutcheon.	\$67.00	
04432790	1968	<b>POWER WINDOW SWITCH</b> 1 Button, Round Corner Style, Chrome Note: Includes Door Panel Retainer & Escutcheon.	\$49.00	
04432791	1968	<b>POWER WINDOW SWITCH</b> 4 Button, Round Corner Style, Chrome Note: Includes Door Panel Retainer & Escutcheon.	\$67.00	
04432790	1969	<b>POWER WINDOW SWITCH</b> 1 Button, Round Corner Style, Chrome Note: Includes Door Panel Retainer & Escutcheon.	\$49.00	
04432791	1969	<b>POWER WINDOW SWITCH</b> 4 Button, Round Corner Style, Chrome Note: Includes Door Panel Retainer & Escutcheon.	\$67.00	
04432790	1970	<b>POWER WINDOW SWITCH</b> 1 Button, Round Corner Style, Chrome Note: Includes Door Panel Retainer & Escutcheon.	\$49.00	
04432791	1970	<b>POWER WINDOW SWITCH</b> 4 Button, Round Corner Style, Chrome Note: Includes Door Panel Retainer & Escutcheon.	\$67.00	
01725094	1976	<b>POWER WINDOW SWITCH</b> 1 Button, Square Corner Style, Chrome	\$21.00	M
01725094	1976	<b>POWER WINDOW SWITCH</b> Ventura, 1 Button, Square Corner Style, Chrome	\$21.00	M
01731231	1976	<b>POWER WINDOW SWITCH</b> 4 Button, Square Corner Style, Chrome	\$75.00	M
01731231	1976	<b>POWER WINDOW SWITCH</b> Ventura, 4 Button, Square Corner Style, Chrome	\$75.00	M
01725092	1976	<b>POWER WINDOW SWITCH</b> Lemans, 2 Button, Square Corner Style, Chrome	\$53.00	M
01725092	1976	<b>POWER WINDOW SWITCH</b> Ventura, 2 Button, Square Corner Style, Chrome	\$53.00	M
01725094	1977	<b>POWER WINDOW SWITCH</b> 1 Button, Square Corner Style, Chrome	\$21.00	M
01725094	1977	<b>POWER WINDOW SWITCH</b> Ventura, 1 Button, Square Corner Style, Chrome	\$21.00	M
01731231	1977	<b>POWER WINDOW SWITCH</b> Ventura, 4 Button, Square Corner Style, Chrome	\$75.00	M
01725092	1977	<b>POWER WINDOW SWITCH</b> Lemans, 2 Button, Square Corner Style, Chrome	\$53.00	M
01725092	1977	<b>POWER WINDOW SWITCH</b> Ventura, 2 Button, Square Corner Style, Chrome	\$53.00	M
01725094	1978	<b>POWER WINDOW SWITCH</b> 1 Button, Square Corner Style, Chrome	\$21.00	M
01725094	1978	<b>POWER WINDOW SWITCH</b> Ventura, 1 Button, Square Corner Style, Chrome	\$21.00	M
01731231	1978	<b>POWER WINDOW SWITCH</b> Ventura, 4 Button, Square Corner Style, Chrome	\$75.00	M
01725092	1978	<b>POWER WINDOW SWITCH</b> Lemans, 2 Button, Square Corner Style, Chrome	\$53.00	M
01725092	1978	<b>POWER WINDOW SWITCH</b> Ventura, 2 Button, Square Corner Style, Chrome	\$53.00	M
01731231	1979	<b>POWER WINDOW SWITCH</b> Ventura, 4 Button, Square Corner Style, Chrome	\$75.00	M
01725092	1979	<b>POWER WINDOW SWITCH</b> Ventura, 2 Button, Square Corner Style, Chrome	\$53.00	M

Part Number	Year	Description	Price	*Rev.
<b>RADIO AND SPEAKER HARNESS</b>				
13285	1969	RADIO AND SPEAKER HARNESS Rear Seat Speaker, Fader Control To Radio	\$66.00	
<b>RADIO HARNESS</b>				
40571	1970	RADIO HARNESS Stereo Tape Player Jumper, Radio To Tape Player	\$48.00	
40571	1971	RADIO HARNESS Stereo Tape Player Jumper, Radio To Tape Player	\$48.00	
<b>RADIO LAMP WIRE</b>				
40471	1963	RADIO LAMP WIRE All	\$27.00	
04620	1964	RADIO LAMP WIRE All	\$20.00	
04620	1965	RADIO LAMP WIRE All	\$20.00	
09615	1966	RADIO LAMP WIRE With AM	\$20.00	
09565	1966	RADIO LAMP WIRE With AM/FM	\$20.00	
09615	1967	RADIO LAMP WIRE With AM	\$20.00	
09565	1967	RADIO LAMP WIRE With AM/FM	\$20.00	
<b>RADIO NOISE SUPPRESSION JUMPER HARNESS</b>				
40660	1974	RADIO NOISE SUPPRESSION JUMPER HARNESS With A/C	\$53.00	
40660	1975	RADIO NOISE SUPPRESSION JUMPER HARNESS With A/C	\$53.00	
<b>RALLY GAUGE ADAPTER HARNESS</b>				
06230	1965	RALLY GAUGE ADAPTER HARNESS 6 Cylinder Note: 6 Cylinder Items Are Not Returnable.	\$180.00	
06235	1965	RALLY GAUGE ADAPTER HARNESS V/8	\$166.00	
<b>RALLY GAUGE TEMPERATURE EXTENSION HARNESS</b>				
15585	1970	RALLY GAUGE TEMPERATURE EXTENSION HARNESS From Engine Harness To Both Sending Units Note: With Rally Gauge Only.	\$25.00	
15585	1971	RALLY GAUGE TEMPERATURE EXTENSION HARNESS From Engine Harness To Both Sending Units. *Not Used With Ram Air Engine Harness Note: With Rally Gauge Only.	\$25.00	
15585	1972	RALLY GAUGE TEMPERATURE EXTENSION HARNESS From Engine Harness To Both Sending Units Note: With Rally Gauge Only.	\$25.00	
<b>RAM AIR HOOD SCOOP HARNESS</b>				
17255	1973	RAM AIR HOOD SCOOP HARNESS Vacuum Switch To Air Scoop Solenoid	\$34.00	
40676	1974	RAM AIR HOOD SCOOP HARNESS Vacuum Switch To Air Scoop Solenoid	\$40.00	
<b>REAR LAMP EXTENSION HARNESS</b>				
40483	1964	REAR LAMP EXTENSION HARNESS Safari 4 Door Wagon, Rear Lamp Harness To Backup Lamps, (Field Installed Only)	\$46.00	
04400	1964	REAR LAMP EXTENSION HARNESS Rear Lamp Harness To Backup Lamps, Except Wagon, (Field Installed Only)	\$33.00	
40483	1965	REAR LAMP EXTENSION HARNESS Safari 4 Door Wagon, Rear Lamp Harness To Backup Lamps, (Field Installed Only)	\$46.00	
<b>REAR LAMP HARNESS</b>				
32220	1961	REAR LAMP HARNESS Coupe & Sedan	\$186.00	
32225	1961	REAR LAMP HARNESS Safari 4 Door Wagon	\$239.00	
32205	1961	REAR LAMP INTERMEDIATE HARNESS Coupe & Sedan, Without Front Door Courtesy Lamp Switches	\$186.00	
32210	1961	REAR LAMP INTERMEDIATE HARNESS Coupe & Sedan, With Front Door Courtesy Lamp Switches	\$186.00	
32215	1961	REAR LAMP INTERMEDIATE HARNESS Safari 4 Door Wagon, With Front Door Courtesy Lamp Switches	\$239.00	
32200	1961	REAR LAMP INTERMEDIATE HARNESS Safari 4 Door Wagon, Without Front Door Courtesy Lamp Switches	\$239.00	
32225	1962	REAR LAMP HARNESS Safari 4 Door Wagon	\$239.00	

Part Number	Year	Description	Price	*Rev.
32350	1962	<b>REAR LAMP HARNESS</b> Tempest, Except Wagon	\$186.00	
32205	1962	<b>REAR LAMP INTERMEDIATE HARNESS</b> Coupe & Sedan, Without Front Door Courtesy Lamp Switches	\$186.00	
32210	1962	<b>REAR LAMP INTERMEDIATE HARNESS</b> Coupe & Sedan, With Front Door Courtesy Lamp Switches	\$186.00	
32200	1962	<b>REAR LAMP INTERMEDIATE HARNESS</b> Safari 4 Door Wagon, Without Front Door Courtesy Lamp Switches	\$239.00	
32195	1962	<b>REAR LAMP INTERMEDIATE HARNESS</b> Convertible, Without Power Top	\$239.00	
32710	1962	<b>REAR LAMP INTERMEDIATE HARNESS</b> Convertible, With Power Top	\$279.00	
32345	1963	<b>REAR LAMP HARNESS</b> Tempest, All Except Wagon	\$212.00	
32355	1963	<b>REAR LAMP HARNESS</b> Le Mans	\$212.00	
32440	1963	<b>REAR LAMP HARNESS</b> Safari 4 Door Wagon	\$239.00	
32450	1963	<b>REAR LAMP INTERMEDIATE HARNESS</b> Coupe, Sedan, Tempest & Le Mans	\$212.00	
32360	1963	<b>REAR LAMP INTERMEDIATE HARNESS</b> Convertible, Tempest & Le Mans	\$239.00	
34175	1963	<b>REAR LAMP INTERMEDIATE HARNESS</b> Safari 4 Door Wagon	\$239.00	
31240	1964	<b>REAR LAMP HARNESS</b> Safari 4 Door Wagon, Rear Section, With Backup Lamps, Except Power Tailgate Window	\$239.00	
31245	1964	<b>REAR LAMP HARNESS</b> Safari 4 Door Wagon, Rear Section, With Backup Lamps & Power Tailgate Window Note: Customer Must Supply Their Original Rubber Boot	\$259.00	
31345	1964	<b>REAR LAMP HARNESS</b> Safari 4 Door Wagon, Rear Section, With Power Tailgate Window, Except Backup Lamps Note: Customer Must Supply Their Original Rubber Boot	\$239.00	
17315	1964	<b>REAR LAMP HARNESS</b> Convertible, Le Mans & GTO, Includes Backup Lamp Extension Wiring	\$233.00	
17320	1964	<b>REAR LAMP HARNESS</b> Convertible, Tempest & Tempest Custom, Includes Backup Lamp Extension Wiring	\$219.00	
13945	1964	<b>REAR LAMP HARNESS</b> Coupe, Le Mans & GTO, Includes Backup Lamp Extension Wiring	\$212.00	
17310	1964	<b>REAR LAMP HARNESS</b> Coupe, Tempest & Tempest Custom, Includes Backup Lamp Extension Wiring	\$193.00	
31220	1964	<b>REAR LAMP HARNESS</b> Safari 4 Door Wagon, Rear Section, Without Backup Lamps Or Power Tailgate Window	\$212.00	
31360	1965	<b>REAR LAMP HARNESS</b> Safari 4 Door Wagon, With Power Tailgate Window Note: Customer Must Supply Their Original Rubber Boot, & Plastic Connector For Power Window Switch.	\$286.00	
07850	1965	<b>REAR LAMP HARNESS</b> Safari 4 Door Wagon, Without Power Tailgate Window	\$239.00	
07570	1965	<b>REAR LAMP HARNESS</b> Convertible, Tempest, Le Mans & GTO	\$226.00	
07565	1965	<b>REAR LAMP HARNESS</b> Convertible, Tempest Custom	\$219.00	
07560	1965	<b>REAR LAMP HARNESS</b> Coupe & Sedan, All	\$193.00	
08245	1966	<b>REAR LAMP HARNESS</b> Tempest Wagons, Without Power Tailgate Window	\$226.00	
08250	1966	<b>REAR LAMP HARNESS</b> Tempest Wagons, With Power Tailgate Window Note: Customer Must Supply Their Original Rubber Boot	\$245.00	
08280	1966	<b>REAR LAMP HARNESS</b> Convertible, GTO	\$226.00	
08285	1966	<b>REAR LAMP HARNESS</b> Convertible, Tempest & Le Mans	\$226.00	
08270	1966	<b>REAR LAMP HARNESS</b> Convertible, Tempest Custom	\$226.00	
08275	1966	<b>REAR LAMP HARNESS</b> Coupe, GTO	\$212.00	
08265	1966	<b>REAR LAMP HARNESS</b> Coupe, Tempest, Tempest Custom & Le Mans	\$212.00	
07025	1967	<b>REAR LAMP HARNESS</b> Tempest Wagons, Without Power Tailgate Window	\$226.00	
07030	1967	<b>REAR LAMP HARNESS</b> Tempest Wagons, With Power Tailgate Window Note: Customer Must Supply Their Original Rubber Boot	\$245.00	

Part Number	Year	Description	Price	*Rev.
14055	1967	<b>REAR LAMP HARNESS</b> Convertible, GTO	\$239.00	
13890	1967	<b>REAR LAMP HARNESS</b> Convertible, Tempest & Le Mans	\$239.00	
13885	1967	<b>REAR LAMP HARNESS</b> Convertible, Tempest Custom	\$239.00	
14050	1967	<b>REAR LAMP HARNESS</b> Coupe, GTO	\$212.00	
13880	1967	<b>REAR LAMP HARNESS</b> Coupe, Tempest, Tempest Custom & Le Mans	\$212.00	
40527	1968	<b>REAR LAMP HARNESS</b> Tempest Wagons, Without Power Tailgate Window	\$226.00	
40528	1968	<b>REAR LAMP HARNESS</b> Tempest Wagons, With Power Tailgate Window Note: Customer Must Supply Their Original Rubber Boot	\$245.00	
14140	1968	<b>REAR LAMP HARNESS</b> Convertible, Tempest, Le Mans & GTO With Power Top	\$346.00	
14130	1968	<b>REAR LAMP HARNESS</b> Convertible, Tempest Custom	\$304.00	
14125	1968	<b>REAR LAMP HARNESS</b> Coupe, All 2 Door	\$265.00	
14145	1968	<b>REAR LAMP HARNESS</b> Tempest, Lemans 4 Door Sedan & Hardtop	\$305.00	
40521	1968	<b>REAR LAMP INTERMEDIATE HARNESS</b> Tempest Wagons, Without Power Tailgate Window	\$226.00	
40522	1968	<b>REAR LAMP INTERMEDIATE HARNESS</b> Tempest Wagons, With Power Tailgate Window	\$226.00	
40533	1969	<b>REAR LAMP HARNESS</b> Tempest, 2 Seat Wagon, Without Power Tailgate Window	\$226.00	
40537	1969	<b>REAR LAMP HARNESS</b> Tempest, 3 Seat Wagon, Without Power Tailgate Window	\$226.00	
40562	1969	<b>REAR LAMP HARNESS</b> Tempest, 3 Seat Wagon, With Power Tailgate Window Note: Customer Must Supply Their Original Rubber Boot.	\$245.00	
40746	1969	<b>REAR LAMP HARNESS</b> Tempest, 2 Seat Wagon, With Power Tailgate Window Note: Customer Must Supply Their Original Rubber Boot.	\$245.00	
14285	1969	<b>REAR LAMP HARNESS</b> Convertible, GTO	\$359.00	
14250	1969	<b>REAR LAMP HARNESS</b> Convertible, Tempest & Le Mans	\$359.00	
14245	1969	<b>REAR LAMP HARNESS</b> Convertible, Tempest Custom	\$359.00	
14280	1969	<b>REAR LAMP HARNESS</b> Coupe, GTO	\$291.00	
14235	1969	<b>REAR LAMP HARNESS</b> Coupe, Tempest & Le Mans 2 Door	\$291.00	
14240	1969	<b>REAR LAMP HARNESS</b> Tempest, Lemans 4 Door Sedan & Hardtop	\$344.00	
40538	1969	<b>REAR LAMP INTERMEDIATE HARNESS</b> Tempest Wagons, Without Power Tailgate Window	\$226.00	
40539	1969	<b>REAR LAMP INTERMEDIATE HARNESS</b> Tempest Wagons, With Power Tailgate Window	\$245.00	
40755	1970	<b>REAR LAMP HARNESS</b> Rear, Wagon With Power Tailgate Window Note: Customer Must Supply Their Original Rubber Boot.	\$245.00	
40756	1970	<b>REAR LAMP HARNESS</b> Rear, Wagon Without Power Tailgate Window Note: Customer Must Supply Their Original Rubber Boot.	\$226.00	
13685	1970	<b>REAR LAMP HARNESS</b> Trunk, With Lamp Monitor, Set Of 2	\$344.00	
13680	1970	<b>REAR LAMP HARNESS</b> Trunk, Without Lamp Monitor, Set Of 2	\$265.00	
40753	1970	<b>REAR LAMP INTERMEDIATE HARNESS</b> Wagon, Without Power Tailgate Window	\$226.00	
40754	1970	<b>REAR LAMP INTERMEDIATE HARNESS</b> Wagon, With Power Tailgate Window	\$245.00	
17335	1970	<b>REAR LAMP INTERMEDIATE HARNESS</b> Convertible	\$304.00	
17340	1970	<b>REAR LAMP INTERMEDIATE HARNESS</b> Coupe	\$239.00	
40756	1971	<b>REAR LAMP HARNESS</b> Rear, Wagon Without Power Tailgate Window Note: Customer Must Supply Their Original Rubber Boot.	\$226.00	
40797	1971	<b>REAR LAMP HARNESS</b> Rear, Wagon With Power Tailgate Window Note: Customer Must Supply Their Original Rubber Boot.	\$245.00	
13680	1971	<b>REAR LAMP HARNESS</b> Trunk, Without Lamp Monitor, Set Of 2	\$265.00	
40753	1971	<b>REAR LAMP INTERMEDIATE HARNESS</b> Wagon, Without Power Tailgate Window	\$226.00	
40754	1971	<b>REAR LAMP INTERMEDIATE HARNESS</b> Wagon, With Power Tailgate Window	\$245.00	
17335	1971	<b>REAR LAMP INTERMEDIATE HARNESS</b> Convertible	\$304.00	
17340	1971	<b>REAR LAMP INTERMEDIATE HARNESS</b> Coupe	\$239.00	



Part Number	Year	Description	Price	*Rev.
40803	1971	<b>REAR LAMP HARNESS</b> Ventura	\$236.00	
40804	1971	<b>REAR LAMP INTERMEDIATE HARNESS</b> Ventura, Without Under Dash Courtesy Lamps	\$202.00	
40805	1971	<b>REAR LAMP INTERMEDIATE HARNESS</b> Ventura, With Under Dash Courtesy Lamps	\$279.00	
40756	1972	<b>REAR LAMP HARNESS</b> Rear, Wagon Without Power Tailgate Window Note: Customer Must Supply Their Original Rubber Boot.	\$226.00	
40797	1972	<b>REAR LAMP HARNESS</b> Rear, Wagon With Power Tailgate Window Note: Customer Must Supply Their Original Rubber Boot.	\$245.00	
13680	1972	<b>REAR LAMP HARNESS</b> Trunk, Without Lamp Monitor, Set Of 2	\$265.00	
40753	1972	<b>REAR LAMP INTERMEDIATE HARNESS</b> Wagon, Without Power Tailgate Window & Seat Belt Warning	\$226.00	
40754	1972	<b>REAR LAMP INTERMEDIATE HARNESS</b> Wagon, With Power Tailgate Window, Without Seat Belt Warning	\$245.00	
40806	1972	<b>REAR LAMP INTERMEDIATE HARNESS</b> Wagon, Without Power Tailgate Window, With Seat Belt Warning	\$239.00	
40807	1972	<b>REAR LAMP INTERMEDIATE HARNESS</b> Wagon, With Power Tailgate Window & Seat Belt Warning	\$291.00	
17335	1972	<b>REAR LAMP INTERMEDIATE HARNESS</b> Convertible, Without Seat Belt Warning	\$304.00	
17340	1972	<b>REAR LAMP INTERMEDIATE HARNESS</b> Coupe, Without Seat Belt Warning	\$239.00	
17350	1972	<b>REAR LAMP INTERMEDIATE HARNESS</b> Convertible, With Seat Belt Warning	\$332.00	
17345	1972	<b>REAR LAMP INTERMEDIATE HARNESS</b> Coupe, With Seat Belt Warning	\$305.00	
40803	1972	<b>REAR LAMP HARNESS</b> Ventura	\$236.00	
40694	1972	<b>REAR LAMP INTERMEDIATE HARNESS</b> Ventura, With Seat Belt Warning	\$233.00	
40804	1972	<b>REAR LAMP INTERMEDIATE HARNESS</b> Ventura, Without Seat Belt Warning	\$202.00	
40805	1972	<b>REAR LAMP INTERMEDIATE HARNESS</b> Ventura, With Under Dash Courtesy Lamps, Except Seat Belt Warning	\$279.00	
40808	1972	<b>REAR LAMP INTERMEDIATE HARNESS</b> Ventura, With Under Dash Courtesy Lamps & Seat Belt Warning	\$279.00	
40630	1973	<b>REAR LAMP HARNESS</b> Wagon, Rear, Tail Lamps To Rear Body Harness	\$226.00	
40763	1973	<b>REAR LAMP HARNESS</b> All, Except Wagon	\$291.00	
40787	1973	<b>REAR LAMP HARNESS</b> Wagon, Rear Body Section, Connects Intermediate Harness To Rear Lamp Harness In Bumper Note: Customer Must Supply Us With Original Harness, Must Use A Few Parts From Original.	\$113.00	
40759	1973	<b>REAR LAMP INTERMEDIATE HARNESS</b> All, Le Mans, Except Wagon	\$193.00	C
40760	1973	<b>REAR LAMP INTERMEDIATE HARNESS</b> All, Wagons	\$199.00	
40705	1973	<b>REAR LAMP HARNESS</b> Ventura	\$291.00	
20955	1973	<b>REAR LAMP INTERMEDIATE HARNESS</b> Ventura, With Under Dash Courtesy Lamps	\$206.00	
40708	1973	<b>REAR LAMP INTERMEDIATE HARNESS</b> Ventura, Without Under Dash Courtesy Lamps	\$206.00	
40673	1974	<b>REAR LAMP HARNESS</b> Wagon, Rear, Tail Lamps To Rear Body Harness	\$219.00	
40058	1974	<b>REAR LAMP HARNESS</b> All, Le Mans, Except Wagon Note: This Harness Has 1 Tail Lamp Socket Per Side.	\$291.00	C
40787	1974	<b>REAR LAMP HARNESS</b> Wagon, Rear Body Section, Connects Intermediate Harness To Rear Lamp Harness In Bumper Note: Customer Must Supply Us With Original Harness, Must Use A Few Parts From Original.	\$113.00	
40759	1974	<b>REAR LAMP INTERMEDIATE HARNESS</b> All, Le Mans, Except Wagon	\$193.00	C
40760	1974	<b>REAR LAMP INTERMEDIATE HARNESS</b> All Wagons	\$199.00	
39340	1974	<b>REAR LAMP HARNESS</b> Ventura Note: This Harness Has 2 Tail Lamp Sockets And 1 Back Up Socket Per Side.	\$291.00	C
40495	1974	<b>REAR LAMP INTERMEDIATE HARNESS</b> Ventura Note: Customer Must Supply Us With Original Harness, Must Use A Few Parts From Original.	\$286.00	
40673	1975	<b>REAR LAMP HARNESS</b> Wagon, Rear, Tail Lamps To Rear Body Harness	\$219.00	
40058	1975	<b>REAR LAMP HARNESS</b> All, Le Mans, Except Wagon Note: This Harness Has 1 Tail Lamp Socket Per Side.	\$291.00	C

Part Number	Year	Description	Price	*Rev.
40787	1975	<b>REAR LAMP HARNESS</b> Wagon, Rear Body Section, Connects Intermediate Harness To Rear Lamp Harness In Bumper Note: Customer Must Supply Us With Original Harness, Must Use A Few Parts From Original.	\$113.00	
40399	1975	<b>REAR LAMP INTERMEDIATE HARNESS</b> All, Except Wagon	\$226.00	
40414	1975	<b>REAR LAMP INTERMEDIATE HARNESS</b> All Wagons	\$199.00	
40673	1976	<b>REAR LAMP HARNESS</b> Wagon, Rear, Tail Lamps To Rear Body Harness	\$219.00	
40488	1976	<b>REAR LAMP HARNESS</b> Except Wagon	\$291.00	
40787	1976	<b>REAR LAMP HARNESS</b> Wagon, Rear Body Section, Connects Intermediate Harness To Rear Lamp Harness In Bumper Note: Customer Must Supply Us With Original Harness, Must Use A Few Parts From Original.	\$113.00	
40399	1976	<b>REAR LAMP INTERMEDIATE HARNESS</b> All, Except Wagon	\$226.00	
40414	1976	<b>REAR LAMP INTERMEDIATE HARNESS</b> All Wagons	\$199.00	
40488	1977	<b>REAR LAMP HARNESS</b> Except Wagon	\$291.00	
40787	1977	<b>REAR LAMP HARNESS</b> Wagon, Rear Body Section, Connects Intermediate Harness To Rear Lamp Harness In Bumper Note: Customer Must Supply Us With Original Harness, Must Use A Few Parts From Original.	\$113.00	
40673	1977	<b>REAR LAMP HARNESS</b> Wagon, Rear, Tail Lamps To Rear Body Harness	\$219.00	
40399	1977	<b>REAR LAMP INTERMEDIATE HARNESS</b> All, Except Wagon	\$226.00	
40414	1977	<b>REAR LAMP INTERMEDIATE HARNESS</b> All Wagons	\$199.00	
<b>REAR WINDOW DEFROSTER HARNESS</b>				
05835	1964	<b>REAR WINDOW DEFROSTER HARNESS</b>	\$26.00	
05835	1965	<b>REAR WINDOW DEFROSTER HARNESS</b>	\$26.00	
40491	1966	<b>REAR WINDOW DEFROSTER HARNESS</b>	\$46.00	
40491	1967	<b>REAR WINDOW DEFROSTER HARNESS</b>	\$46.00	
14220	1968	<b>REAR WINDOW DEFROSTER HARNESS</b>	\$80.00	
40543	1969	<b>REAR WINDOW DEFROSTER HARNESS</b> With Electric Heated Back Glass	\$53.00	
14220	1969	<b>REAR WINDOW DEFROSTER HARNESS</b> Blower Type Defroster	\$80.00	
19445	1970	<b>REAR WINDOW DEFROSTER HARNESS</b> Resistance Wire, Used With Blower Type Defroster	\$80.00	
40056	1970	<b>REAR WINDOW DEFROSTER HARNESS</b> With Electric Heated Back Glass	\$41.00	
14545	1970	<b>REAR WINDOW DEFROSTER HARNESS</b> Blower Type Defroster	\$80.00	
40056	1971	<b>REAR WINDOW DEFROSTER HARNESS</b> With Electric Heated Back Glass	\$41.00	
40798	1971	<b>REAR WINDOW DEFROSTER HARNESS</b> Wagon, Blower Type Defroster	\$46.00	
14545	1971	<b>REAR WINDOW DEFROSTER HARNESS</b> All With Blower Type, Except Wagon	\$80.00	
14420	1971	<b>REAR WINDOW DEFROSTER HARNESS</b> Ventura, With Blower Type Defroster	\$59.00	
40056	1972	<b>REAR WINDOW DEFROSTER HARNESS</b> With Electric Heated Back Glass	\$41.00	
40798	1972	<b>REAR WINDOW DEFROSTER HARNESS</b> Wagon, Blower Type Defroster	\$46.00	
14545	1972	<b>REAR WINDOW DEFROSTER HARNESS</b> All With Blower Type, Except Wagon	\$80.00	
14420	1972	<b>REAR WINDOW DEFROSTER HARNESS</b> Ventura, With Blower Type Defroster	\$59.00	
40640	1973	<b>REAR WINDOW DEFROSTER HARNESS</b> Blower Type Defroster	\$46.00	
40641	1973	<b>REAR WINDOW DEFROSTER HARNESS</b> With Electric Heated Back Glass, Instrument Panel Switch To Fuse Box	\$46.00	
40767	1973	<b>REAR WINDOW DEFROSTER HARNESS</b> With Electric Heated Back Glass	\$51.00	
40781	1973	<b>REAR WINDOW DEFROSTER HARNESS</b> With Blower Type Defroster	\$58.00	
40707	1973	<b>REAR WINDOW DEFROSTER HARNESS</b> Ventura	\$67.00	
40640	1974	<b>REAR WINDOW DEFROSTER HARNESS</b> Blower Type Defroster	\$46.00	
40641	1974	<b>REAR WINDOW DEFROSTER HARNESS</b> With Electric Heated Back Glass, Instrument Panel Switch To Fuse Box	\$46.00	
40767	1974	<b>REAR WINDOW DEFROSTER HARNESS</b> With Electric Heated Back Glass	\$51.00	
40781	1974	<b>REAR WINDOW DEFROSTER HARNESS</b> With Blower Type Defroster	\$58.00	

Part Number	Year	Description	Price	*Rev.
40707	1974	REAR WINDOW DEFROSTER HARNESS Ventura	\$67.00	
40640	1975	REAR WINDOW DEFROSTER HARNESS Blower Type Defroster	\$46.00	
40682	1975	REAR WINDOW DEFROSTER HARNESS Electric Type Defroster	\$46.00	
40781	1975	REAR WINDOW DEFROSTER HARNESS With Blower Type Defroster	\$58.00	
40767	1975	REAR WINDOW DEFROSTER HARNESS With Electric Heated Back Glass	\$51.00	
40640	1976	REAR WINDOW DEFROSTER HARNESS Blower Type Defroster	\$46.00	
40682	1976	REAR WINDOW DEFROSTER HARNESS Electric Type Defroster	\$46.00	
40767	1976	REAR WINDOW DEFROSTER HARNESS With Electric Heated Back Glass	\$51.00	
40781	1976	REAR WINDOW DEFROSTER HARNESS With Blower Type Defroster	\$58.00	
40767	1977	REAR WINDOW DEFROSTER HARNESS With Electric Heated Back Glass	\$51.00	
40781	1977	REAR WINDOW DEFROSTER HARNESS With Blower Type Defroster	\$58.00	
<b>REPAIR PIGTAIL-FOR POWER WINDOW SWITCH</b>				
36048	1964	REPAIR PIGTAIL, FOR POWER WINDOW SWITCH For Single Power Window Switches, Connector & Wire	\$25.00	
36048	1965	REPAIR PIGTAIL, FOR POWER WINDOW SWITCH For Single Power Window Switches, Connector & Wire	\$25.00	
36048	1966	REPAIR PIGTAIL, FOR POWER WINDOW SWITCH For Single Power Window Switches, Connector & Wire	\$25.00	
36048	1967	REPAIR PIGTAIL, FOR POWER WINDOW SWITCH For Single Power Window Switches, Connector & Wire	\$25.00	
36048	1968	REPAIR PIGTAIL, FOR POWER WINDOW SWITCH For Single Power Window Switches, Connector & Wire	\$25.00	
36048	1969	REPAIR PIGTAIL, FOR POWER WINDOW SWITCH For Single Power Window Switches, Connector & Wire	\$25.00	
36048	1970	REPAIR PIGTAIL, FOR POWER WINDOW SWITCH For Single Power Window Switches, Connector & Wire	\$25.00	
<b>REVERBERATION UNIT HARNESS</b>				
06825	1964	REVERBERATION UNIT HARNESS Coupe & Sedan	\$119.00	
07645	1965	REVERBERATION UNIT HARNESS Coupe & Sedan	\$119.00	
07645	1966	REVERBERATION UNIT HARNESS Coupe & Sedan	\$119.00	
07645	1967	REVERBERATION UNIT HARNESS Coupe & Sedan	\$119.00	
40511	1969	REVERBERATION UNIT HARNESS	\$92.00	
<b>SCS JUMPER HARNESS</b>				
40610	1972	SCS GROUND WIRE V/8, With 3 Speed Or A/T Note: (S.C.S.) Stands For Speedometer Control Spark Switch.	\$26.00	
36233	1972	SCS JUMPER HARNESS 350 & 400 C.I. With 3 Speed Or A/T, Engine Harness To Trans Switch Note: (S.C.S.) Stands For Speedometer Control Spark Switch.	\$35.00	
<b>SEAT BELT WARNING EXTENSION WIRE</b>				
40645	1972	SEAT BELT WARNING EXTENSION WIRE Parking Brake Switch To Seat Belt Warning Harness	\$27.00	
40646	1972	SEAT BELT WARNING EXTENSION WIRE Fuse Block To Seat Belt Warning Harness	\$27.00	
<b>SEAT BELT WARNING HARNESS</b>				
40616	1972	SEAT BELT WARNING HARNESS With Floor Shift Trans	\$80.00	
40809	1972	SEAT BELT WARNING HARNESS Ventura, Passenger Side, Seat Sensor Switch To Seat Belt Retractor	\$34.00	
40626	1973	SEAT BELT WARNING HARNESS Manual Trans	\$67.00	
40649	1973	SEAT BELT WARNING HARNESS Wagon, With Electric Tailgate Release	\$67.00	
40701	1973	SEAT BELT WARNING HARNESS All, Passenger Side, Seat Sensor Switch To Seat Belt Retractor	\$34.00	
40702	1973	SEAT BELT WARNING HARNESS All, Driver Side, Under Dash To Seat Belt Retractor	\$34.00	
40809	1973	SEAT BELT WARNING HARNESS Ventura, Passenger Side, Seat Sensor Switch To Seat Belt Retractor	\$34.00	
40607	1974	SEAT BELT WARNING HARNESS Ventura, With Column Shift Manual Trans, Dash Harness To Clutch Start Switch	\$67.00	
40606	1974	SEAT BELT WARNING HARNESS Ventura, With Floor Shift Manual Trans, Dash Harness To Clutch Start Switch	\$67.00	

Part Number	Year	Description	Price	*Rev.
40665	1974	<b>SEAT BELT WARNING HARNESS</b> With Manual Trans	\$67.00	
40832	1975	<b>SEAT BELT WARNING HARNESS</b> Dash Harness To Seat Belt Warning Buzzer	\$53.00	
40421	1975	<b>SEAT BELT WARNING HARNESS</b> All, Dash Harness To Timer & Buzzer	\$80.00	
Note: Customer Must Reuse Their Original Single Wire Plastic Connector That Attaches This Harness To The Instrument Panel Harness.				
<b>SEAT BELT WARNING JUMPER HARNESS</b>				
40422	1975	<b>SEAT BELT WARNING JUMPER HARNESS</b> All, Driver Side Seat Belt Retractor To Seat Belt Warning Harness	\$53.00	
40438	1976	<b>SEAT BELT WARNING JUMPER HARNESS</b> Buzzer To Seat Belt Retractor Switch	\$41.00	
40438	1977	<b>SEAT BELT WARNING JUMPER HARNESS</b> Buzzer To Seat Belt Retractor Switch	\$41.00	
<b>SEAT BELT WARNING RELAY HARNESS</b>				
40604	1973	<b>SEAT BELT WARNING RELAY HARNESS</b> Ventura, Manual Trans,	\$41.00	
<b>SHIFT INDICATOR LAMP WIRE</b>				
40658	1973	<b>SHIFT INDICATOR LAMP WIRE</b> Fiber Optic, Console Shift Auto	\$26.00	
40658	1974	<b>SHIFT INDICATOR LAMP WIRE</b> Fiber Optic, Console Shift Auto	\$26.00	
40658	1975	<b>SHIFT INDICATOR LAMP WIRE</b> Fiber Optic, Console Shift Auto	\$26.00	
40658	1976	<b>SHIFT INDICATOR LAMP WIRE</b> Fiber Optic, Console Shift Auto	\$26.00	
40658	1977	<b>SHIFT INDICATOR LAMP WIRE</b> Fiber Optic, Console Shift Auto	\$26.00	
<b>SPEAKER GROUND WIRE</b>				
40492	1967	<b>SPEAKER GROUND WIRE</b> Rear Speaker, All Convertible, (2 Required Per Car With Stereo Radio Option)	\$21.00	
40492	1968	<b>SPEAKER GROUND WIRE</b> Rear Speaker, All Convertible, (2 Required Per Car With Stereo Radio Option)	\$21.00	
40492	1969	<b>SPEAKER GROUND WIRE</b> Rear Speaker, All Convertible, (2 Required Per Car With Stereo Radio Option)	\$21.00	
40492	1970	<b>SPEAKER GROUND WIRE</b> Rear Speaker, All Convertible, (2 Required Per Car With Stereo Radio Option)	\$21.00	
40492	1971	<b>SPEAKER GROUND WIRE</b> Rear Speaker, All Convertible, (2 Required Per Car With Stereo Radio Option)	\$21.00	
40492	1972	<b>SPEAKER GROUND WIRE</b> Rear Speaker, All Convertible, (2 Required Per Car With Stereo Radio Option)	\$21.00	
<b>SPEAKER HARNESS</b>				
06795	1964	<b>SPEAKER HARNESS</b> Single Rear Speaker, Except Convertible & Wagons	\$20.00	
07585	1965	<b>SPEAKER HARNESS</b> Single Rear Speaker, Except Wagons	\$25.00	
40489	1966	<b>SPEAKER HARNESS</b> Single Rear Speaker, Tempest Wagons	\$52.00	
07585	1966	<b>SPEAKER HARNESS</b> Single Rear Speaker, Except Wagons	\$25.00	
40489	1967	<b>SPEAKER HARNESS</b> Single Rear Speaker, Tempest Wagons	\$52.00	
07585	1967	<b>SPEAKER HARNESS</b> Single Rear Speaker, Except Wagons	\$25.00	
40525	1968	<b>SPEAKER HARNESS</b> Single Rear Speaker, Tempest Wagons	\$25.00	
07585	1968	<b>SPEAKER HARNESS</b> Single Rear Speaker, Except Wagons	\$25.00	
40536	1969	<b>SPEAKER HARNESS</b> Single Rear Speaker, Tempest Wagons, Radio To Rear Speaker	\$38.00	
40540	1969	<b>SPEAKER HARNESS</b> Single Rear Speaker, Except Wagons	\$38.00	
40536	1970	<b>SPEAKER HARNESS</b> Single Rear Speaker, Tempest Wagon, Radio To Rear Speaker	\$38.00	
40558	1970	<b>SPEAKER HARNESS</b> Single Rear Speaker, Except Wagons	\$33.00	
40593	1971	<b>SPEAKER HARNESS</b> Cassette Radio To Fader Switch	\$48.00	
40536	1971	<b>SPEAKER HARNESS</b> Single Rear Speaker, Tempest Wagons, Radio To Rear Speaker	\$38.00	
40558	1971	<b>SPEAKER HARNESS</b> Single Rear Speaker, Except Wagons	\$33.00	
39316	1971	<b>SPEAKER HARNESS</b> Ventura, AM Or AM/FM, With Single Center Dash Speaker, Radio To Speaker	\$49.00	

Part Number	Year	Description	Price	*Rev.
39317	1971	<b>SPEAKER HARNESS</b> Ventura, With Stereo, Fader Control To Radio	\$92.00	
40563	1971	<b>SPEAKER HARNESS</b> Ventura, AM/FM With Accessory Tape Player, Fader Control To Radio & Tape Player	\$90.00	
40564	1971	<b>SPEAKER HARNESS</b> Ventura, With Accessory Tape Player, Without Radio, Tape Player To Front & Rear Speaker Harness	\$60.00	
40799	1971	<b>SPEAKER HARNESS</b> Ventura, Single Rear Seat Speaker, Radio To Rear Speaker	\$52.00	
40536	1972	<b>SPEAKER HARNESS</b> Single Rear Speaker, Tempest Wagons, Radio To Rear Speaker	\$38.00	
40558	1972	<b>SPEAKER HARNESS</b> Single Rear Speaker, Except Wagons	\$33.00	
39316	1972	<b>SPEAKER HARNESS</b> Ventura, AM Or AM/FM, With Single Center Dash Speaker, Radio To Speaker	\$49.00	
39317	1972	<b>SPEAKER HARNESS</b> Ventura, With Stereo, Fader Control To Radio	\$92.00	
40563	1972	<b>SPEAKER HARNESS</b> Ventura, AM/FM With Accessory Tape Player, Fader Control To Radio & Tape Player	\$90.00	
40564	1972	<b>SPEAKER HARNESS</b> Ventura, With Accessory Tape Player, Without Radio, Tape Player To Front & Rear Speaker Harness	\$60.00	
40799	1972	<b>SPEAKER HARNESS</b> Ventura, Single Rear Seat Speaker, Radio To Rear Speaker	\$52.00	
40632	1973	<b>SPEAKER HARNESS</b> Le Mans, With Stereo, Radio To Rear Speaker Lead	\$33.00	
40782	1973	<b>SPEAKER HARNESS</b> Single Rear Speaker, Except Wagon, Radio To Speaker	\$33.00	
40783	1973	<b>SPEAKER HARNESS</b> Wagon, Single Rear Speaker, Radio To Speaker	\$52.00	
40784	1973	<b>SPEAKER HARNESS</b> With Stereo, Rear Seat Speakers, Except Wagons, Radio To Speakers	\$101.00	
40785	1973	<b>SPEAKER HARNESS</b> Wagon, With Stereo, Radio To Rear Speakers	\$52.00	
39316	1973	<b>SPEAKER HARNESS</b> Ventura, AM Or AM/FM, With Single Center Dash Speaker, Radio To Speaker	\$49.00	
40564	1973	<b>SPEAKER HARNESS</b> Ventura, With Accessory Tape Player, Without Radio, Tape Player To Front & Rear Speaker Harness	\$60.00	
40706	1973	<b>SPEAKER HARNESS</b> Ventura, 2 Door Hatchback, Single Rear Seat Speaker, Radio To Speaker	\$38.00	
40799	1973	<b>SPEAKER HARNESS</b> Ventura, 2 Or 4 Door Notchback Sedan, Single Rear Seat Speaker, Radio To Rear Speaker	\$52.00	
40782	1974	<b>SPEAKER HARNESS</b> Single Rear Speaker, Except Wagon, Radio To Speaker	\$33.00	
40783	1974	<b>SPEAKER HARNESS</b> Wagon, Single Rear Speaker, Radio To Speaker	\$52.00	
40784	1974	<b>SPEAKER HARNESS</b> With Stereo, Rear Seat Speakers, Except Wagons, Radio To Speakers	\$101.00	
40785	1974	<b>SPEAKER HARNESS</b> Wagon, With Stereo, Radio To Rear Speakers	\$52.00	
39315	1974	<b>SPEAKER HARNESS</b> Ventura, With Stereo, Radio To Front & Rear Speaker Harness	\$101.00	
39316	1974	<b>SPEAKER HARNESS</b> Ventura, AM Or AM/FM, With Single Center Dash Speaker, Radio To Speaker	\$49.00	
39321	1974	<b>SPEAKER HARNESS</b> Ventura, AM Or AM/FM, Except Stereo, Radio To Front Center & Rear Seat Speaker Harness	\$80.00	
40706	1974	<b>SPEAKER HARNESS</b> Ventura, 2 Door Hatchback, Single Rear Seat Speaker, Radio To Speaker	\$38.00	
40799	1974	<b>SPEAKER HARNESS</b> Ventura, 2 Or 4 Door Notchback Sedan, Single Rear Seat Speaker, Radio To Rear Speaker	\$52.00	
40800	1974	<b>SPEAKER HARNESS</b> Ventura, 2 Or 4 Door Notchback Sedan, With Stereo, Rear Seat Speaker	\$73.00	
40784	1975	<b>SPEAKER HARNESS</b> With Stereo, Rear Seat Speakers, Except Wagons, Radio To Speakers	\$101.00	
40785	1975	<b>SPEAKER HARNESS</b> Wagon, With Stereo, Radio To Rear Speakers	\$52.00	
40782	1975	<b>SPEAKER HARNESS</b> Single Rear Speaker, Except Wagon, Radio To Speaker	\$33.00	
40783	1975	<b>SPEAKER HARNESS</b> Wagon, Single Rear Speaker, Radio To Speaker	\$52.00	
40784	1976	<b>SPEAKER HARNESS</b> With Stereo, Rear Seat Speakers, Except Wagons, Radio To Speakers	\$101.00	

Part Number	Year	Description	Price	*Rev.
40785	1976	<b>SPEAKER HARNESS</b> Wagon, With Stereo, Radio To Rear Speakers	\$52.00	
40782	1976	<b>SPEAKER HARNESS</b> Single Rear Speaker, Except Wagon, Radio To Speaker	\$33.00	
40783	1976	<b>SPEAKER HARNESS</b> Wagon, Single Rear Speaker, Radio To Speaker	\$52.00	
40784	1977	<b>SPEAKER HARNESS</b> AM/FM Stereo, Without Digital Clock, Rear Seat Speakers, Except Wagons, Radio To Speakers	\$101.00	
40785	1977	<b>SPEAKER HARNESS</b> Wagon, AM/FM Stereo, Without Digital Clock, Radio To Rear Speakers	\$52.00	
40862	1977	<b>SPEAKER HARNESS</b> AM/FM Stereo, With Digital Clock, Except Wagons, Radio To Rear Speakers	\$53.00	
40864	1977	<b>SPEAKER HARNESS</b> Wagon, AM/FM Stereo, With Digital Clock, Radio To Rear Seat Speakers	\$53.00	
40782	1977	<b>SPEAKER HARNESS</b> Single Rear Speaker, Except Wagon, Radio To Speaker	\$33.00	
40783	1977	<b>SPEAKER HARNESS</b> Wagon, Single Rear Speaker, Radio To Speaker	\$52.00	
<b>SPEAKER JUMPER WIRE</b>				
40200	1967	<b>SPEAKER JUMPER WIRE</b> With Dual Rear Speakers, Except Wagon & Convertible, Connects Right Rear Speaker To Left Rear Speaker	\$34.00	
40200	1968	<b>SPEAKER JUMPER WIRE</b> With Dual Rear Speakers, Except Wagon & Convertible, Connects Right Rear Speaker To Left Rear Speaker	\$34.00	
13555	1969	<b>SPEAKER JUMPER WIRE</b> Rear Seat Speaker Jumper (14" Long) Note: From Radio Connector At Radio To Rear Seat Speaker Wire.	\$27.00	
40200	1969	<b>SPEAKER JUMPER WIRE</b> With Dual Rear Speakers, Except Wagon & Convertible, Connects Right Rear Speaker To Left Rear Speaker	\$34.00	
13555	1970	<b>SPEAKER JUMPER WIRE</b> Rear Seat Speaker Jumper (14" Long) Note: From Radio Connector At Radio To Rear Seat Speaker Wire.	\$27.00	
40200	1970	<b>SPEAKER JUMPER WIRE</b> With Dual Rear Speakers, Except Wagon & Convertible, Connects Right Rear Speaker To Left Rear Speaker	\$34.00	
13555	1971	<b>SPEAKER JUMPER WIRE</b> Rear Seat Speaker Jumper (14" Long) Note: From Radio Connector At Radio To Rear Seat Speaker Wire.	\$27.00	
40200	1971	<b>SPEAKER JUMPER WIRE</b> With Dual Rear Speakers, Except Wagon & Convertible, Connects Right Rear Speaker To Left Rear Speaker	\$34.00	
13555	1972	<b>SPEAKER JUMPER WIRE</b> Rear Seat Speaker Jumper (14" Long) Note: From Radio Connector At Radio To Rear Seat Speaker Wire.	\$27.00	
<b>SPEED WARNING HARNESS</b>				
06130	1965	<b>SPEED WARNING HARNESS</b>	\$34.00	
09610	1966	<b>SPEED WARNING HARNESS</b>	\$34.00	
09610	1967	<b>SPEED WARNING HARNESS</b>	\$34.00	
11595	1968	<b>SPEED WARNING HARNESS</b>	\$34.00	
13385	1969	<b>SPEED WARNING HARNESS</b>	\$34.00	
15655	1970	<b>SPEED WARNING HARNESS</b>	\$34.00	
15655	1971	<b>SPEED WARNING HARNESS</b>	\$34.00	
<b>STARTER MOTOR TO JUNCTION BLOCK HARNESS</b>				
40457	1961	<b>STARTER MOTOR TO JUNCTION BLOCK HARNESS</b> V/8	\$34.00	
40457	1962	<b>STARTER MOTOR TO JUNCTION BLOCK HARNESS</b> V/8	\$34.00	
40479	1963	<b>STARTER MOTOR TO JUNCTION BLOCK HARNESS</b> 421 V/8, Junction Block To Starter	\$48.00	
<b>STEERING COLUMN ADAPTER HARNESS</b>				
37542	1964	<b>STEERING COLUMN ADAPTER HARNESS</b> For 1969-1974 GM & Ididit Columns (Exc. Flaming River) To Stock Dash Harness Note: Adapts Horn & Directionals, Also Adds Hazard Flashers To Stock 8 Pin T/L Dash Connector.	\$50.00	

Part Number	Year	Description	Price	*Rev.
37009	1964	<b>STEERING COLUMN ADAPTER HARNESS</b> For 1975 & Up GM & Flaming River Columns (Exc. Ididit) To Stock Dash Harness Note: Adapts Horn & Directionals, Also Adds Hazard Flashers To Stock 8 Pin Dash Connector.	\$52.00	
37542	1965	<b>STEERING COLUMN ADAPTER HARNESS</b> For 1969-1974 GM & Ididit Columns (Exc. Flaming River) To Stock Dash Harness Note: Adapts Horn & Directionals, Also Adds Hazard Flashers To Stock 8 Pin T/L Dash Connector.	\$50.00	
37009	1965	<b>STEERING COLUMN ADAPTER HARNESS</b> For 1975 & Up GM & Flaming River Columns (Exc. Ididit) To Stock Dash Harness Note: Adapts Horn & Directionals, Also Adds Hazard Flashers To Stock 8 Pin Dash Connector.	\$52.00	
37542	1966	<b>STEERING COLUMN ADAPTER HARNESS</b> For 1969-1974 GM & Ididit Columns (Exc. Flaming River) To Stock Dash Harness Note: Adapts Horn & Directionals, Also Adds Hazard Flashers To Stock 8 Pin T/L Dash Connector.	\$50.00	
37009	1966	<b>STEERING COLUMN ADAPTER HARNESS</b> For 1975 & Up GM & Flaming River Columns (Exc. Ididit) To Stock Dash Harness Note: Adapts Horn & Directionals, Also Adds Hazard Flashers To Stock 8 Pin Dash Connector.	\$52.00	
36882	1967	<b>STEERING COLUMN ADAPTER HARNESS</b> For 1969-1974 GM & Ididit Columns (Exc. Flaming River) To Stock Dash Harness Note: Adapts Horn & Directionals, Also Adds Hazard Flashers To Stock 9-Pin T/L Dash Connector.	\$27.00	
38127	1967	<b>STEERING COLUMN ADAPTER HARNESS</b> For 1975 & Up GM & Flaming River Columns (Exc. Ididit) To Stock Dash Harness Note: Adapts Horn & Directionals, Also Adds Hazard Flashers To Stock 9-Pin T/L Dash Connector.	\$27.00	
36882	1968	<b>STEERING COLUMN ADAPTER HARNESS</b> For 1969-1974 GM & Ididit Columns (Exc. Flaming River) To Stock Dash Harness Note: Adapts Horn & Directionals, Also Adds Hazard Flashers To Stock 9-Pin T/L Dash Connector.	\$27.00	
38127	1968	<b>STEERING COLUMN ADAPTER HARNESS</b> For 1975 & Up GM & Flaming River Columns (Exc. Ididit) To Stock Dash Harness Note: Adapts Horn & Directionals, Also Adds Hazard Flashers To Stock 9-Pin T/L Dash Connector.	\$27.00	
<b>STOP LAMP SWITCH JUMPER HARNESS</b>				
40476	1963	<b>STOP LAMP SWITCH JUMPER HARNESS</b> Air Conditioned Cars Only	\$21.00	
<b>SUN ROOF HARNESS</b>				
40723	1973	<b>SUN ROOF HARNESS</b> All, 2 Door, With Power Windows	\$67.00	
40725	1973	<b>SUN ROOF HARNESS</b> All, 2 Door, Without Power Windows	\$67.00	
40723	1974	<b>SUN ROOF HARNESS</b> All, 2 Door, With Power Windows	\$67.00	
40419	1975	<b>SUN ROOF HARNESS</b> All, 2 Door, Without Power Windows	\$101.00	
40420	1975	<b>SUN ROOF HARNESS</b> All, 2 Door, With Power Windows	\$106.00	
40439	1976	<b>SUN ROOF HARNESS</b> All, 2 Door, Without Power Windows	\$101.00	
40440	1976	<b>SUN ROOF HARNESS</b> All, 2 Door, With Power Windows	\$106.00	
40439	1977	<b>SUN ROOF HARNESS</b> All, 2 Door, Without Power Windows	\$101.00	
40440	1977	<b>SUN ROOF HARNESS</b> All, 2 Door, With Power Windows	\$106.00	
<b>TACHOMETER HARNESS</b>				
04240	1963	<b>TACHOMETER HARNESS</b> Dash Mounted	\$60.00	
41117	1963	<b>TACHOMETER HARNESS-HEI</b> Dash Mounted, "Modified For HEI Distributor" Note: Not All Tachometers Will Operate Or Indicate Correctly When Used On An HEI Ignition System. While Some Original And Reproduction Tachometers May Give A Reading, This Does Not Necessarily Mean The Reading Is Correct.	\$60.00	
04440	1964	<b>TACHOMETER HARNESS</b> Without Transistor Ignition	\$60.00	
41118	1964	<b>TACHOMETER HARNESS-HEI</b> Without Transistor Ignition, "Modified For HEI Distributor" Note: Not All Tachometers Will Operate Or Indicate Correctly When Used On An HEI Ignition System. While Some Original And Reproduction Tachometers May Give A Reading, This Does Not Necessarily Mean The Reading Is Correct.	\$60.00	
05115	1964	<b>TACHOMETER HARNESS</b> With Transistor Ignition	\$74.00	
05115	1965	<b>TACHOMETER HARNESS</b> With Transistor Ignition	\$74.00	

Part Number	Year	Description	Price	*Rev.
09535	1966	<b>TACHOMETER HARNESS</b> 6 Cylinder Note: 6 Cylinder Items Are Not Returnable.	\$41.00	
11095	1966	<b>TACHOMETER HARNESS</b> V/8	\$34.00	
41119	1966	<b>TACHOMETER HARNESS-HEI</b> V/8, "Modified For HEI Distributor" Note: Not All Tachometers Will Operate Or Indicate Correctly When Used On An HEI Ignition System. While Some Original And Reproduction Tachometers May Give A Reading, This Does Not Necessarily Mean The Reading Is Correct.	\$34.00	
11100	1967	<b>TACHOMETER HARNESS</b> 6 Cylinder, Dash Mounted Note: 6 Cylinder Items Are Not Returnable.	\$41.00	
11095	1967	<b>TACHOMETER HARNESS</b> V/8, Dash Mounted	\$34.00	
41119	1967	<b>TACHOMETER HARNESS-HEI</b> V/8, Dash Mounted, "Modified For HEI Distributor" Note: Not All Tachometers Will Operate Or Indicate Correctly When Used On An HEI Ignition System. While Some Original And Reproduction Tachometers May Give A Reading, This Does Not Necessarily Mean The Reading Is Correct.	\$34.00	
11005	1967	<b>TACHOMETER HARNESS</b> With Transistor Ignition, Dash Mounted	\$41.00	
11040	1967	<b>TACHOMETER HARNESS</b> Hood Mounted	\$52.00	
41120	1967	<b>TACHOMETER HARNESS-HEI</b> Hood Mounted, "Modified For HEI Distributor" Note: Not All Tachometers Will Operate Or Indicate Correctly When Used On An HEI Ignition System. While Some Original And Reproduction Tachometers May Give A Reading, This Does Not Necessarily Mean The Reading Is Correct.	\$52.00	
12380	1968	<b>TACHOMETER HARNESS</b> Dash Mounted	\$33.00	
41121	1968	<b>TACHOMETER HARNESS-HEI</b> Dash Mounted, "Modified For HEI Distributor" Note: Not All Tachometers Will Operate Or Indicate Correctly When Used On An HEI Ignition System. While Some Original And Reproduction Tachometers May Give A Reading, This Does Not Necessarily Mean The Reading Is Correct.	\$33.00	
12375	1968	<b>TACHOMETER HARNESS</b> Hood Mounted	\$52.00	
41122	1968	<b>TACHOMETER HARNESS-HEI</b> Hood Mounted, "Modified For HEI Distributor" Note: Not All Tachometers Will Operate Or Indicate Correctly When Used On An HEI Ignition System. While Some Original And Reproduction Tachometers May Give A Reading, This Does Not Necessarily Mean The Reading Is Correct.	\$52.00	
40514	1969	<b>TACHOMETER HARNESS</b> Hood Mounted	\$52.00	
41123	1969	<b>TACHOMETER HARNESS-HEI</b> Hood Mounted, "Modified For HEI Distributor" Note: Not All Tachometers Will Operate Or Indicate Correctly When Used On An HEI Ignition System. While Some Original And Reproduction Tachometers May Give A Reading, This Does Not Necessarily Mean The Reading Is Correct.	\$52.00	
12380	1969	<b>TACHOMETER HARNESS</b> Dash Mounted	\$33.00	
41121	1969	<b>TACHOMETER HARNESS-HEI</b> Dash Mounted, "Modified For HEI Distributor" Note: Not All Tachometers Will Operate Or Indicate Correctly When Used On An HEI Ignition System. While Some Original And Reproduction Tachometers May Give A Reading, This Does Not Necessarily Mean The Reading Is Correct.	\$33.00	
15645	1970	<b>TACHOMETER HARNESS</b> Dash Mounted	\$33.00	
41124	1970	<b>TACHOMETER HARNESS-HEI</b> Dash Mounted, "Modified For HEI Distributor" Note: Not All Tachometers Will Operate Or Indicate Correctly When Used On An HEI Ignition System. While Some Original And Reproduction Tachometers May Give A Reading, This Does Not Necessarily Mean The Reading Is Correct.	\$33.00	
17250	1970	<b>TACHOMETER HARNESS</b> Hood Mounted	\$52.00	
41125	1970	<b>TACHOMETER HARNESS-HEI</b> Hood Mounted, "Modified For HEI Distributor" Note: Not All Tachometers Will Operate Or Indicate Correctly When Used On An HEI Ignition System. While Some Original And Reproduction Tachometers May Give A Reading, This Does Not Necessarily Mean The Reading Is Correct.	\$52.00	
15645	1971	<b>TACHOMETER HARNESS</b> Dash Mounted	\$33.00	
41124	1971	<b>TACHOMETER HARNESS-HEI</b> Dash Mounted, "Modified For HEI Distributor" Note: Not All Tachometers Will Operate Or Indicate Correctly When Used On An HEI Ignition System. While Some Original And Reproduction Tachometers May Give A Reading, This Does Not Necessarily Mean The Reading Is Correct.	\$33.00	
17250	1971	<b>TACHOMETER HARNESS</b> Hood Mounted	\$52.00	
41125	1971	<b>TACHOMETER HARNESS-HEI</b> Hood Mounted, "Modified For HEI Distributor" Note: Not All Tachometers Will Operate Or Indicate Correctly When Used On An HEI Ignition System. While Some Original And Reproduction Tachometers May Give A Reading, This Does Not Necessarily Mean The Reading Is Correct.	\$52.00	
16885	1972	<b>TACHOMETER HARNESS</b> Dash Mounted	\$48.00	



Part Number	Year	Description	Price	*Rev.
41126	1972	<b>TACHOMETER HARNESS-HEI</b> Dash Mounted, "Modified For HEI Distributor" Note: Not All Tachometers Will Operate Or Indicate Correctly When Used On An HEI Ignition System. While Some Original And Reproduction Tachometers May Give A Reading, This Does Not Necessarily Mean The Reading Is Correct.	\$48.00	
16890	1972	<b>TACHOMETER HARNESS</b> Dash Mounted, With Unitized Distributor	\$48.00	
17250	1972	<b>TACHOMETER HARNESS</b> Hood Mounted	\$52.00	
41125	1972	<b>TACHOMETER HARNESS-HEI</b> Hood Mounted, "Modified For HEI Distributor" Note: Not All Tachometers Will Operate Or Indicate Correctly When Used On An HEI Ignition System. While Some Original And Reproduction Tachometers May Give A Reading, This Does Not Necessarily Mean The Reading Is Correct.	\$52.00	
40627	1973	<b>TACHOMETER HARNESS</b> Without Cruise Control & Unitized Distributor	\$52.00	
41127	1973	<b>TACHOMETER HARNESS-HEI</b> Without Cruise Control & Unitized Distributor, "Modified For HEI Distributor" Note: Not All Tachometers Will Operate Or Indicate Correctly When Used On An HEI Ignition System. While Some Original And Reproduction Tachometers May Give A Reading, This Does Not Necessarily Mean The Reading Is Correct.	\$52.00	
40628	1973	<b>TACHOMETER HARNESS</b> With Unitized Distributor, Without Cruise Control	\$52.00	
40674	1974	<b>TACHOMETER HARNESS</b> Without Unitized Distributor	\$52.00	
41128	1974	<b>TACHOMETER HARNESS-HEI</b> Without Unitized Distributor, "Modified For HEI Distributor" Note: Not All Tachometers Will Operate Or Indicate Correctly When Used On An HEI Ignition System. While Some Original And Reproduction Tachometers May Give A Reading, This Does Not Necessarily Mean The Reading Is Correct.	\$52.00	
40680	1974	<b>TACHOMETER HARNESS</b> With Unitized Distributor, Except Cruise Control	\$52.00	
40680	1975	<b>TACHOMETER HARNESS</b>	\$52.00	
40680	1976	<b>TACHOMETER HARNESS</b>	\$52.00	
40680	1977	<b>TACHOMETER HARNESS</b>	\$52.00	
<b>TAILGATE AJAR WARNING LAMP HARNESS</b>				
40625	1973	<b>TAILGATE AJAR WARNING LAMP HARNESS</b> Wagon, Fuse Block To Dash	\$34.00	
40625	1974	<b>TAILGATE AJAR WARNING LAMP HARNESS</b> Wagon, Fuse Block To Dash	\$34.00	
40625	1975	<b>TAILGATE AJAR WARNING LAMP HARNESS</b> Wagon, Fuse Block To Dash	\$34.00	
40625	1976	<b>TAILGATE AJAR WARNING LAMP HARNESS</b> Wagon, Fuse Block To Dash	\$34.00	
<b>TAILGATE ELECTRIC RELEASE HARNESS</b>				
40621	1973	<b>TAILGATE ELECTRIC RELEASE HARNESS</b> Tailgate Feed To Tailgate UNlock Switch	\$34.00	
40621	1974	<b>TAILGATE ELECTRIC RELEASE HARNESS</b> Tailgate Feed To Tailgate UNlock Switch	\$34.00	
40621	1975	<b>TAILGATE ELECTRIC RELEASE HARNESS</b> Tailgate Feed To Tailgate UNlock Switch	\$34.00	
40621	1976	<b>TAILGATE ELECTRIC RELEASE HARNESS</b> Tailgate Feed To Tailgate UNlock Switch	\$34.00	
40621	1977	<b>TAILGATE ELECTRIC RELEASE HARNESS</b> Tailgate Feed To Tailgate UNlock Switch	\$34.00	
<b>TAILGATE WARNING LAMP HARNESS</b>				
40696	1973	<b>TAILGATE WARNING LAMP HARNESS</b> Wagon, Front Section, Without Electric Tailgate Release Or Rear Window Defroster	\$48.00	
40697	1973	<b>TAILGATE WARNING LAMP HARNESS</b> Wagon, Rear Section, Without Electric Tailgate Release Or Rear Window Defroster Note: Customer Must Supply Their Original Rubber Boot.	\$48.00	
40699	1973	<b>TAILGATE WARNING LAMP HARNESS</b> Wagon, Front Section, With Electric Tailgate Release	\$48.00	
40700	1973	<b>TAILGATE WARNING LAMP HARNESS</b> Wagon, Rear Section, With Electric Tailgate Release Or Rear Window Defroster Note: Customer Must Supply Their Original Rubber Boot.	\$48.00	
40709	1973	<b>TAILGATE WARNING LAMP HARNESS</b> Wagon, Front Section, With Rear Window Defroster	\$48.00	
40710	1973	<b>TAILGATE WARNING LAMP HARNESS</b> Wagon, Front Section, With Rear Window Defroster & Electric Tailgate Release	\$48.00	
40711	1973	<b>TAILGATE WARNING LAMP HARNESS</b> Wagon, Rear Section, With Rear Window Defroster & Electric Tailgate Release Note: Customer Must Supply Their Original Rubber Boot.	\$48.00	

Part Number	Year	Description	Price	*Rev.
40696	1974	<b>TAILGATE WARNING LAMP HARNESS</b> Wagon, Front Section, Without Electric Tailgate Release Or Rear Window Defroster	\$48.00	
40697	1974	<b>TAILGATE WARNING LAMP HARNESS</b> Wagon, Rear Section, Without Electric Tailgate Release Or Rear Window Defroster Note: Customer Must Supply Their Original Rubber Boot.	\$48.00	
40700	1974	<b>TAILGATE WARNING LAMP HARNESS</b> Wagon, Rear Section, With Electric Tailgate Release Or Rear Window Defroster Note: Customer Must Supply Their Original Rubber Boot.	\$48.00	
40709	1974	<b>TAILGATE WARNING LAMP HARNESS</b> Wagon, Front Section, With Blower Type Rear Window Defroster	\$48.00	
40710	1974	<b>TAILGATE WARNING LAMP HARNESS</b> Wagon, Front Section, With Blower Type Rear Window Defroster & Electric Tailgate Release	\$48.00	
40711	1974	<b>TAILGATE WARNING LAMP HARNESS</b> Wagon, Rear Section, With Blower Type Rear Window Defroster & Electric Tailgate Release Note: Customer Must Supply Their Original Rubber Boot.	\$48.00	
40736	1974	<b>TAILGATE WARNING LAMP HARNESS</b> Wagon, Rear Section, With Electric Type Rear Window Defroster, Without Electric Tailgate Release Note: Customer Must Supply Their Original Rubber Boot.	\$48.00	
40737	1974	<b>TAILGATE WARNING LAMP HARNESS</b> Wagon, Rear Section, With Electric Type Rear Window Defroster & Electric Tailgate Release Note: Customer Must Supply Their Original Rubber Boot.	\$48.00	
40699	1974	<b>TAILGATE WARNING LAMP HARNESS</b> Wagon, Front Section, With Electric Tailgate Release	\$48.00	
40696	1975	<b>TAILGATE WARNING LAMP HARNESS</b> Wagon, Front Section, Without Electric Tailgate Release Or Rear Window Defroster	\$48.00	
40699	1975	<b>TAILGATE WARNING LAMP HARNESS</b> Wagon, Front Section, With Electric Tailgate Release	\$48.00	
40710	1975	<b>TAILGATE WARNING LAMP HARNESS</b> Wagon, Front Section, With Blower Type Rear Window Defroster & Electric Tailgate Release	\$48.00	
40697	1975	<b>TAILGATE WARNING LAMP HARNESS</b> Wagon, Rear Section, Without Electric Tailgate Release Or Rear Window Defroster Note: Customer Must Supply Their Original Rubber Boot.	\$48.00	
40700	1975	<b>TAILGATE WARNING LAMP HARNESS</b> Wagon, Rear Section, With Electric Tailgate Release Or Rear Window Defroster Note: Customer Must Supply Their Original Rubber Boot.	\$48.00	
40711	1975	<b>TAILGATE WARNING LAMP HARNESS</b> Wagon, Rear Section, With Blower Type Rear Window Defroster & Electric Tailgate Release Note: Customer Must Supply Their Original Rubber Boot.	\$48.00	
40736	1975	<b>TAILGATE WARNING LAMP HARNESS</b> Wagon, Rear Section, With Electric Type Rear Window Defroster, Without Electric Tailgate Release Note: Customer Must Supply Their Original Rubber Boot.	\$48.00	
40737	1975	<b>TAILGATE WARNING LAMP HARNESS</b> Wagon, Rear Section, With Electric Type Rear Window Defroster & Electric Tailgate Release Note: Customer Must Supply Their Original Rubber Boot.	\$48.00	
40430	1976	<b>TAILGATE WARNING LAMP HARNESS</b> Wagon, Front Section, Without Electric Tailgate Release	\$48.00	
40432	1976	<b>TAILGATE WARNING LAMP HARNESS</b> Wagon, Front Section, With Electric Tailgate Release	\$48.00	
40434	1976	<b>TAILGATE WARNING LAMP HARNESS</b> Wagon, Front Section, With Blower Type Rear Window Defroster & Electric Tailgate Release	\$60.00	
40431	1976	<b>TAILGATE WARNING LAMP HARNESS</b> Wagon, Rear Section, Without Electric Tailgate Release Or Rear Window Defroster Note: Customer Must Supply Their Original Rubber Boot & The Plastic Connector That Attaches This Harness To The Front Harness.	\$60.00	
40433	1976	<b>TAILGATE WARNING LAMP HARNESS</b> Wagon, Rear Section, With Electric Tailgate Release Note: Customer Must Supply Their Original Rubber Boot.	\$60.00	
40435	1976	<b>TAILGATE WARNING LAMP HARNESS</b> Wagon, Rear Section, With Blower Type Rear Window Defroster & Electric Tailgate Release Note: Customer Must Supply Their Original Rubber Boot.	\$67.00	

Part Number	Year	Description	Price	*Rev.
40436	1976	<b>TAILGATE WARNING LAMP HARNESS</b> Wagon, Rear Section, With Electric Type Rear Window Defroster, Without Electric Tailgate Release Note: Customer Must Supply Their Original Rubber Boot.	\$60.00	
40437	1976	<b>TAILGATE WARNING LAMP HARNESS</b> Wagon, Rear Section, With Electric Type Rear Window Defroster & Electric Tailgate Release Note: Customer Must Supply Their Original Rubber Boot.	\$67.00	
40430	1977	<b>TAILGATE WARNING LAMP HARNESS</b> Wagon, Front Section, Without Electric Tailgate Release	\$48.00	
40432	1977	<b>TAILGATE WARNING LAMP HARNESS</b> Wagon, Front Section, With Electric Tailgate Release	\$48.00	
40434	1977	<b>TAILGATE WARNING LAMP HARNESS</b> Wagon, Front Section, With Blower Type Rear Window Defroster & Electric Tailgate Release	\$60.00	
40431	1977	<b>TAILGATE WARNING LAMP HARNESS</b> Wagon, Rear Section, Without Electric Tailgate Release Or Rear Window Defroster Note: Customer Must Supply Their Original Rubber Boot & The Plastic Connector That Attaches This Harness To The Front Harness.	\$60.00	
40433	1977	<b>TAILGATE WARNING LAMP HARNESS</b> Wagon, Rear Section, With Electric Tailgate Release Note: Customer Must Supply Their Original Rubber Boot.	\$60.00	
40435	1977	<b>TAILGATE WARNING LAMP HARNESS</b> Wagon, Rear Section, With Blower Type Rear Window Defroster & Electric Tailgate Release Note: Customer Must Supply Their Original Rubber Boot.	\$67.00	
40436	1977	<b>TAILGATE WARNING LAMP HARNESS</b> Wagon, Rear Section, With Electric Type Rear Window Defroster, Without Electric Tailgate Release Note: Customer Must Supply Their Original Rubber Boot.	\$60.00	
40437	1977	<b>TAILGATE WARNING LAMP HARNESS</b> Wagon, Rear Section, With Electric Type Rear Window Defroster & Electric Tailgate Release Note: Customer Must Supply Their Original Rubber Boot.	\$67.00	
<b>TCS JUMPER HARNESS</b>				
16005	1971	<b>TCS JUMPER HARNESS</b> 6 Cyl. 250 C.I., With A/T, From Engine Harness To Trans Switch Note: 6 Cylinder Items Are Not Returnable.	\$35.00	
16020	1971	<b>TCS JUMPER HARNESS</b> 6 Cyl. 250 C.I., With H/T, From Engine Harness To Trans Switch Note: 6 Cylinder Items Are Not Returnable.	\$35.00	
36232	1972	<b>TCS JUMPER HARNESS</b> 6 Cyl. 250 C.I., With A/T Or H/T, From Engine Harness To Trans Switch Note: 6 Cylinder Items Are Not Returnable.	\$36.00	
<b>TCS TRANSMISSION SWITCH EXTENSION</b>				
17355	1972	<b>TCS TRANSMISSION SWITCH EXTENSION</b> Ventura, Manual Trans, From Engine Harness To Trans Switch Note: Used With #16375, #16380 & #16385 Engine Harness. (T.C.S.) Stands For Transmission Controlled Spark.	\$49.00	
<b>TEMPERATURE SENDER JUMPER</b>				
11120	1967	<b>TEMPERATURE SENDER JUMPER</b> 6 Cylinder, With A/C, Engine Harness To Temperature Switch Note: 6 Cylinder Items Are Not Returnable.	\$17.00	
11120	1968	<b>TEMPERATURE SENDER JUMPER</b> 6 Cylinder, With A/C, Engine Harness To Temperature Switch Note: 6 Cylinder Items Are Not Returnable.	\$17.00	
11120	1969	<b>TEMPERATURE SENDER JUMPER</b> 6 Cylinder, With A/C, Engine Harness To Temperature Switch Note: 6 Cylinder Items Are Not Returnable.	\$17.00	
<b>TILT COLUMN ADAPTER HARNESS</b>				
04430	1964	<b>TILT COLUMN ADAPTER HARNESS</b> Turn Signal Switch Adapter	\$50.00	
04430	1965	<b>TILT COLUMN ADAPTER HARNESS</b> Turn Signal Switch Adapter	\$50.00	
10100	1966	<b>TILT COLUMN ADAPTER HARNESS</b> Turn Signal Switch Adapter	\$48.00	
<b>TRANSISTOR IGNITION HARNESS</b>				
33225	1964	<b>TRANSISTOR IGNITION AMPLIFIER EXTENSION</b> From Internal Circuit Board To Amplifier Housing Connector	\$53.00	
28380	1964	<b>TRANSISTOR IGNITION EXTENSION HARNESS</b> From Amplifier Box To Main T.I. Harness	\$74.00	

Part Number	Year	Description	Price	*Rev.
26855	1964	<b>TRANSISTOR IGNITION HARNESS</b> Main Harness, From Distributor To Ignition Switch	\$153.00	
27260	1965	<b>TRANSISTOR IGNITION HARNESS</b> Main Harness, From Distributor To Ignition Switch	\$153.00	
41129	1965	<b>TRANSISTOR IGNITION AMPLIFIER EXTENSION</b> From Internal Circuit Board To Inline Transistor Ignition Harness Connector	\$66.00	
40498	1966	<b>TRANSISTOR IGNITION HARNESS</b> 6 Cylinder, Main Harness, From Distributor To Ignition Switch Note: 6 Cylinder Items Are Not Returnable.	\$153.00	
28375	1966	<b>TRANSISTOR IGNITION HARNESS</b> V/8, Main Harness, From Distributor To Ignition Switch	\$145.00	
41129	1966	<b>TRANSISTOR IGNITION AMPLIFIER EXTENSION</b> From Internal Circuit Board To Inline Transistor Ignition Harness Connector	\$66.00	
40591	1970	<b>TRANSISTOR IGNITION HARNESS</b> (Field Installed), Main Harness, From Distributor To Ignition Switch	\$153.00	
<b>TRANSISTOR IGNITION REPLACEMENT MODULE</b>				
32270	1964	<b>TRANSISTOR IGNITION REPLACEMENT MODULE</b> Replaces Original Circuit Board In Amplifier	\$189.00	
32270	1965	<b>TRANSISTOR IGNITION REPLACEMENT MODULE</b> Replaces Original Circuit Board In Amplifier	\$189.00	
32270	1966	<b>TRANSISTOR IGNITION REPLACEMENT MODULE</b> Replaces Original Circuit Board In Amplifier	\$189.00	
<b>TRUNK LAMP EXTENSION HARNESS</b>				
31255	1964	<b>TRUNK LAMP EXTENSION HARNESS</b>	\$26.00	
31255	1965	<b>TRUNK LAMP EXTENSION HARNESS</b>	\$26.00	
31255	1966	<b>TRUNK LAMP EXTENSION HARNESS</b>	\$26.00	
31255	1967	<b>TRUNK LAMP EXTENSION HARNESS</b>	\$26.00	
31255	1968	<b>TRUNK LAMP EXTENSION HARNESS</b>	\$26.00	
13435	1969	<b>TRUNK LAMP EXTENSION HARNESS</b> Convertible	\$14.00	
13440	1969	<b>TRUNK LAMP EXTENSION HARNESS</b> Coupe	\$26.00	
28210	1971	<b>TRUNK LAMP EXTENSION HARNESS</b> Ventura	\$15.00	
28210	1972	<b>TRUNK LAMP EXTENSION HARNESS</b> Ventura	\$15.00	
28210	1973	<b>TRUNK LAMP EXTENSION HARNESS</b> Ventura	\$15.00	
28210	1974	<b>TRUNK LAMP EXTENSION HARNESS</b> Ventura	\$15.00	
<b>TRUNK RELEASE HARNESS</b>				
08295	1967	<b>TRUNK RELEASE HARNESS</b> Solenoid To Dash Switch	\$30.00	
40350	1967	<b>TRUNK RELEASE HARNESS</b> Clock Power Lead To Dash Switch	\$35.00	
08295	1968	<b>TRUNK RELEASE HARNESS</b> Solenoid To Dash Switch	\$30.00	
40350	1968	<b>TRUNK RELEASE HARNESS</b> Clock Power Lead To Dash Switch	\$35.00	
40350	1969	<b>TRUNK RELEASE HARNESS</b> Clock Power Lead To Dash Switch	\$35.00	
39705	1969	<b>TRUNK RELEASE HARNESS</b> Solenoid To Dash Switch	\$32.00	
40350	1970	<b>TRUNK RELEASE HARNESS</b> Clock Power Lead To Dash Switch	\$35.00	
40347	1970	<b>TRUNK RELEASE HARNESS</b> Solenoid To Dash Switch	\$35.00	
40745	1970	<b>TRUNK RELEASE HARNESS</b> Solenoid To Dash Switch, (Field Installed)	\$35.00	
40350	1971	<b>TRUNK RELEASE HARNESS</b> Clock Power Lead To Dash Switch	\$35.00	
40347	1971	<b>TRUNK RELEASE HARNESS</b> Solenoid To Dash Switch	\$35.00	
40745	1971	<b>TRUNK RELEASE HARNESS</b> Solenoid To Dash Switch, (Field Installed)	\$35.00	
40350	1972	<b>TRUNK RELEASE HARNESS</b> Clock Power Lead To Dash Switch	\$35.00	
40347	1972	<b>TRUNK RELEASE HARNESS</b> Solenoid To Dash Switch	\$35.00	
40639	1973	<b>TRUNK RELEASE HARNESS</b> Used With Dealer Installed Trunk Release, Fuse Box To Dash Switch	\$27.00	
40619	1973	<b>TRUNK RELEASE HARNESS</b> Without Glove Box Lamp, Dash Harness To Switch	\$27.00	
40777	1973	<b>TRUNK RELEASE HARNESS</b> Electric	\$48.00	
40639	1974	<b>TRUNK RELEASE HARNESS</b> Used With Dealer Installed Trunk Release, Fuse Box To Dash Switch	\$27.00	

Part Number	Year	Description	Price	*Rev.
40619	1974	<b>TRUNK RELEASE HARNESS</b> Without Glove Box Lamp, Dash Harness To Switch	\$27.00	
40777	1974	<b>TRUNK RELEASE HARNESS</b> Electric	\$48.00	
40639	1975	<b>TRUNK RELEASE HARNESS</b> Used With Dealer Installed Trunk Release, Fuse Box To Dash Switch	\$27.00	
40619	1975	<b>TRUNK RELEASE HARNESS</b> Without Glove Box Lamp, Dash Harness To Switch	\$27.00	
40777	1975	<b>TRUNK RELEASE HARNESS</b> Electric	\$48.00	
40619	1976	<b>TRUNK RELEASE HARNESS</b> Without Glove Box Lamp, Dash Harness To Switch	\$27.00	
40777	1976	<b>TRUNK RELEASE HARNESS</b> Electric	\$48.00	
40777	1977	<b>TRUNK RELEASE HARNESS</b> Electric	\$48.00	
40619	1977	<b>TRUNK RELEASE HARNESS</b> Without Glove Box Lamp, Dash Harness To Switch	\$27.00	
<b>TURN SIGNAL SWITCH</b>				
00383033	1964	<b>TURN SIGNAL SWITCH</b> Without Tilt	\$138.00	
Note: Includes Light Socket For Column Shift Automatic Trans, Customer To Discard If Not Needed.				
01993624	1964	<b>TURN SIGNAL SWITCH</b> With Tilt, Replaces Delco Part# D6220	\$71.00	
00387126	1965	<b>TURN SIGNAL SWITCH</b> Column Shift, Auto Trans, (Boyne), Without Tilt, Replaces Delco Part# D6201	\$96.00	
00387115	1965	<b>TURN SIGNAL SWITCH</b> Console Shift, Auto Trans, (Boyne), Without Tilt, Replaces Delco Part# D6200	\$96.00	
Note: This Switch Has A Metal Base.				
00387115	1965	<b>TURN SIGNAL SWITCH</b> Manual Trans, (Boyne), Without Tilt, Replaces Delco Part# D6200	\$96.00	
Note: This Switch Has A Metal Base.				
01993624	1965	<b>TURN SIGNAL SWITCH</b> With Tilt, Replaces Delco Part# D6220	\$71.00	
00387126	1966	<b>TURN SIGNAL SWITCH</b> Column Shift, Auto Trans, (Boyne), Without Tilt, Replaces Delco Part# D6201	\$96.00	
00387115	1966	<b>TURN SIGNAL SWITCH</b> Console Shift, Auto Trans, (Boyne), Without Tilt, Replaces Delco Part# D6200	\$96.00	
Note: This Switch Has A Metal Base.				
00387115	1966	<b>TURN SIGNAL SWITCH</b> Manual Trans, (Boyne), Without Tilt, Replaces Delco Part# D6200	\$96.00	
Note: This Switch Has A Metal Base.				
01993624	1966	<b>TURN SIGNAL SWITCH</b> With Tilt, Replaces Delco Part# D6220	\$71.00	
07800482	1967	<b>TURN SIGNAL SWITCH</b> Without Column Shift A/T, Without Tilt, Without Cornering Lights, (Delco Type, Black, White Or Green)	\$50.00	
Note: Emergency Flasher Actuator Hole In Outer Cover Is Shaped Like A Doghouse.				
07800482	1967	<b>TURN SIGNAL SWITCH</b> Without Column Shift A/T, With Tilt, Without Cornering Lights, (Delco Type, Black, White Or Green)	\$50.00	
Note: Emergency Flasher Actuator Hole In Outer Cover Is Shaped Like A Doghouse.				
05698897	1967	<b>TURN SIGNAL SWITCH</b> With Column Shift A/T, Without Tilt, Without Cornering Lamps (Delco Type, Black, White Or Green)	\$50.00	
Note: Emergency Flasher Actuator Hole In Outer Cover Is Shaped Like A Doghouse.				
05698897	1967	<b>TURN SIGNAL SWITCH</b> With Column Shift A/T, With Tilt, Without Cornering Lamps (Delco Type, Black, White Or Green)	\$50.00	
Note: Emergency Flasher Actuator Hole In Outer Cover Is Shaped Like A Doghouse.				
07800482	1967	<b>TURN SIGNAL SWITCH</b> With Column Shift 3 Speed MT (Delco Type, White)	\$50.00	
Note: Emergency Flasher Actuator Hole In Outer Cover Is Shaped Like A Doghouse.				
01893592	1967	<b>TURN SIGNAL SWITCH</b> Col. Shift, MT, Without Cornering Lights (Delco-White), Replaces Delco Part# D6211	\$58.00	
Note: This Is A Service Part, Adapter Pigtail Included And Is Required For Some Applications.				

Part Number	Year	Description	Price	*Rev.
07800482	1967	<b>TURN SIGNAL SWITCH</b> With Floor Shift (Delco Type, White) Note: Emergency Flasher Actuator Hole In Outer Cover Is Shaped Like A Doghouse.	\$50.00	
01893592	1967	<b>TURN SIGNAL SWITCH</b> Floor Shift, Without Cornering Lights (Delco-White), Replaces Delco Part# D6211 Note: This Is A Service Part, Adapter Pigtail Included And Is Required For Some Applications.	\$58.00	
07800482	1968	<b>TURN SIGNAL SWITCH</b> Without Column Shift A/T, Without Tilt, Without Cornering Lights, (Delco Type, Black, White Or Green) Note: Emergency Flasher Actuator Hole In Outer Cover Is Shaped Like A Doghouse.	\$50.00	
07800482	1968	<b>TURN SIGNAL SWITCH</b> Without Column Shift A/T, With Tilt, Without Cornering Lights, (Delco Type, Black, White Or Green) Note: Emergency Flasher Actuator Hole In Outer Cover Is Shaped Like A Doghouse.	\$50.00	
05698897	1968	<b>TURN SIGNAL SWITCH</b> With Column Shift A/T, Without Tilt, Without Cornering Lamps (Delco Type, Black, White Or Green) Note: Emergency Flasher Actuator Hole In Outer Cover Is Shaped Like A Doghouse.	\$50.00	
05698897	1968	<b>TURN SIGNAL SWITCH</b> With Column Shift A/T, With Tilt, Without Cornering Lamps (Delco Type, Black, White Or Green) Note: Emergency Flasher Actuator Hole In Outer Cover Is Shaped Like A Doghouse.	\$50.00	
07800482	1968	<b>TURN SIGNAL SWITCH</b> With Column Shift 3 Speed MT (Delco Type, White) Note: Emergency Flasher Actuator Hole In Outer Cover Is Shaped Like A Doghouse.	\$50.00	
01893592	1968	<b>TURN SIGNAL SWITCH</b> Col. Shift, MT, Without Cornering Lights (Delco-White), Replaces Delco Part# D6211 Note: This Is A Service Part, Adapter Pigtail Included And Is Required For Some Applications.	\$58.00	
07800482	1968	<b>TURN SIGNAL SWITCH</b> With Floor Shift (Delco Type, White) Note: Emergency Flasher Actuator Hole In Outer Cover Is Shaped Like A Doghouse.	\$50.00	
01893592	1968	<b>TURN SIGNAL SWITCH</b> Floor Shift, Without Cornering Lights (Delco-White), Replaces Delco Part# D6211 Note: This Is A Service Part, Adapter Pigtail Included And Is Required For Some Applications.	\$58.00	
01997963	1969	<b>TURN SIGNAL SWITCH, CORRECT PART</b> Without Cornering Lights Note: Correct Part, No Adapter Pigtail Required.	\$41.00	
01997963	1970	<b>TURN SIGNAL SWITCH, CORRECT PART</b> Without Cornering Lights, Without Tilt Note: Correct Part, No Adapter Pigtail Required.	\$41.00	
01997963	1971	<b>TURN SIGNAL SWITCH, CORRECT PART</b> Without Cornering Lights Note: Correct Part, No Adapter Pigtail Required.	\$41.00	
01997963	1972	<b>TURN SIGNAL SWITCH, CORRECT PART</b> Without Cornering Lights Note: Correct Part, No Adapter Pigtail Required.	\$41.00	
01997963	1973	<b>TURN SIGNAL SWITCH, CORRECT PART</b> Without Cornering Lights Note: Correct Part, No Adapter Pigtail Required.	\$41.00	
01997963	1974	<b>TURN SIGNAL SWITCH, CORRECT PART</b> Without Cornering Lights Note: Correct Part, No Adapter Pigtail Required.	\$41.00	
01893588	1969	<b>TURN SIGNAL SWITCH, SERVICE PART</b> Without Cornering Lights, Replaces Delco Part# D6208 Note: This Is A Service Part, Adapter Pigtail Included Is Required For Installation.	\$58.00	
01893588	1970	<b>TURN SIGNAL SWITCH, SERVICE PART</b> Without Cornering Lights, Without Tilt, Replaces Delco Part# D6208 Note: This Is A Service Part, Adapter Pigtail Included Is Required For Installation.	\$58.00	
01893588	1971	<b>TURN SIGNAL SWITCH, SERVICE PART</b> Without Cornering Lights, Replaces Delco Part# D6208 Note: This Is A Service Part, Adapter Pigtail Included Is Required For Installation.	\$58.00	
01893588	1972	<b>TURN SIGNAL SWITCH, SERVICE PART</b> Without Cornering Lights, Replaces Delco Part# D6208 Note: This Is A Service Part, Adapter Pigtail Included Is Required For Installation.	\$58.00	
01893588	1973	<b>TURN SIGNAL SWITCH, SERVICE PART</b> Without Cornering Lights, Replaces Delco Part# D6208 Note: This Is A Service Part, Adapter Pigtail Included Is Required For Installation.	\$58.00	

Part Number	Year	Description	Price	*Rev.
01893588	1974	<b>TURN SIGNAL SWITCH, SERVICE PART</b> Without Cornering Lights, Replaces Delco Part# D6208 Note: This Is A Service Part, Adapter Pigtail Included Is Required For Installation.	\$58.00	
<b>UTILITY LAMP HARNESS</b>				
40579	1971	<b>UTILITY LAMP HARNESS</b> For Use With The Accessory Rechargeable Utility Lamp	\$38.00	
<b>VACUUM GAUGE LAMP HARNESS</b>				
10135	1966	<b>VACUUM GAUGE LAMP HARNESS</b> Console Mounted	\$25.00	
10135	1967	<b>VACUUM GAUGE LAMP HARNESS</b> Console Mounted	\$25.00	
<b>VANITY MIRROR LAMP HARNESS</b>				
40441	1977	<b>VANITY MIRROR LAMP HARNESS</b> All, Passenger Side Sunshade	\$42.00	
<b>WINDSHIELD WIPER MOTOR</b>				
04911476	1964	<b>WINDSHIELD WIPER MOTOR</b> 2-Speed, 3-Terminal Type Motor	\$92.00	N
44609	1964	<b>WINDSHIELD WIPER MOTOR</b> F-85, 2-Speed, 4-Terminal Type Motor Note: This Can Be Used In Place Of The 3-Terminal Motor. The 4th Terminal Is A Keyed Hot From Wiper Fuse In Fuse Box And May Or May Not Be Used In Some Applications.	\$106.00	N
04911476	1965	<b>WINDSHIELD WIPER MOTOR</b> 2-Speed, 3-Terminal Type Motor	\$92.00	N
44609	1965	<b>WINDSHIELD WIPER MOTOR</b> F-85, 2-Speed, 4-Terminal Type Motor Note: This Can Be Used In Place Of The 3-Terminal Motor. The 4th Terminal Is A Keyed Hot From Wiper Fuse In Fuse Box And May Or May Not Be Used In Some Applications.	\$106.00	N
04911476	1966	<b>WINDSHIELD WIPER MOTOR</b> 2-Speed, 3-Terminal Type Motor	\$92.00	N
44609	1966	<b>WINDSHIELD WIPER MOTOR</b> F-85, 2-Speed, 4-Terminal Type Motor Note: This Can Be Used In Place Of The 3-Terminal Motor. The 4th Terminal Is A Keyed Hot From Wiper Fuse In Fuse Box And May Or May Not Be Used In Some Applications.	\$106.00	N
04911476	1967	<b>WINDSHIELD WIPER MOTOR</b> 2-Speed, 3-Terminal Type Motor	\$92.00	N
44609	1967	<b>WINDSHIELD WIPER MOTOR</b> F-85, 2-Speed, 4-Terminal Type Motor Note: This Can Be Used In Place Of The 3-Terminal Motor. The 4th Terminal Is A Keyed Hot From Wiper Fuse In Fuse Box And May Or May Not Be Used In Some Applications.	\$106.00	N
<b>WINDSHIELD WIPER SWITCH</b>				
01998719	1961	<b>WINDSHIELD WIPER SWITCH</b> Single Speed, With Washer	\$52.00	
01998719	1962	<b>WINDSHIELD WIPER SWITCH</b> Single Speed, With Washer	\$52.00	
01998719	1963	<b>WINDSHIELD WIPER SWITCH</b> Single Speed, With Washer	\$52.00	
01993541	1964	<b>WINDSHIELD WIPER SWITCH</b> Single Speed, With Washer	\$45.00	
01993584	1964	<b>WINDSHIELD WIPER SWITCH</b> Two Speed, With Washer	\$52.00	
01993541	1965	<b>WINDSHIELD WIPER SWITCH</b> Single Speed, With Washer	\$45.00	
01993584	1965	<b>WINDSHIELD WIPER SWITCH</b> Two Speed, With Washer	\$52.00	
01993584	1966	<b>WINDSHIELD WIPER SWITCH</b> Two Speed, With Washer	\$52.00	
01993372	1967	<b>WINDSHIELD WIPER SWITCH</b> 2 Speed, With Washer	\$45.00	
01993425	1968	<b>WINDSHIELD WIPER SWITCH</b> 2 Speed, With Washer, Without Recess Park	\$52.00	
01993371	1968	<b>WINDSHIELD WIPER SWITCH</b> 2 Speed, With Washer, With Recess Park	\$65.00	
01994150	1972	<b>WINDSHIELD WIPER SWITCH</b> Ventura	\$52.00	
01994150	1973	<b>WINDSHIELD WIPER SWITCH</b> Ventura	\$52.00	
01994150	1974	<b>WINDSHIELD WIPER SWITCH</b> Ventura	\$52.00	
<b>WIPER MOTOR HARNESS</b>				
40443	1961	<b>WIPER MOTOR HARNESS</b> 2 Speed	\$41.00	
40449	1961	<b>WIPER MOTOR HARNESS</b> 2 Speed, With Washer	\$48.00	
40448	1961	<b>WIPER MOTOR HARNESS</b> Single Speed, With Washer	\$41.00	
40442	1961	<b>WIPER MOTOR HARNESS</b> Single Speed	\$34.00	
40461	1962	<b>WIPER MOTOR HARNESS</b> 2 Speed	\$41.00	

**GTO/Le Mans  
Tempest**



**Phone (562) 926-9552  
Fax (562) 926-9572**

Part Number	Year	Description	Price	*Rev.
40459	1962	<b>WIPER MOTOR HARNESS</b> Single Speed	\$34.00	
40462	1962	<b>WIPER MOTOR HARNESS</b> 2 Speed, With Washer	\$48.00	
40460	1962	<b>WIPER MOTOR HARNESS</b> Single Speed, With Washer	\$41.00	
40467	1963	<b>WIPER MOTOR HARNESS</b> 2 Speed	\$27.00	
40466	1963	<b>WIPER MOTOR HARNESS</b> Single Speed, With Washer	\$41.00	
40468	1963	<b>WIPER MOTOR HARNESS</b> 2 Speed, With Washer	\$48.00	
40484	1964	<b>WIPER MOTOR HARNESS</b> 2 Speed	\$27.00	
38809	1964	<b>WIPER MOTOR HARNESS</b> 2 Speed, With Washer	\$37.00	
40688	1975	<b>WIPER MOTOR HARNESS</b> With Pulse Wipers	\$67.00	
40690	1975	<b>WIPER MOTOR HARNESS</b> With Pulse Wipers & Tach, (Tach Wiring Included)	\$83.00	
40688	1976	<b>WIPER MOTOR HARNESS</b> With Pulse Wipers	\$67.00	
40690	1976	<b>WIPER MOTOR HARNESS</b> With Pulse Wipers & Tach, (Tach Wiring Included)	\$83.00	



# ***Section 18***

# ***Oldsmobile Passenger***

Part Number	Year	Description	Price	*Rev.
<b>BATTERY CABLE JUMPER</b>				
23720	1954	BATTERY CABLE JUMPER Pos, Junction Block To Starter, Without A/C	\$69.00	
26700	1955	BATTERY CABLE JUMPER Pos, Junction Block To Starter, Without A/C	\$69.00	
23595	1955	BATTERY CABLE JUMPER Pos, Junction Block To Starter, With A/C	\$69.00	
23685	1956	BATTERY CABLE JUMPER Pos, Junction Block To Starter, Without A/C	\$69.00	
23690	1956	BATTERY CABLE JUMPER Pos, Junction Block To Starter, With A/C	\$69.00	
23685	1957	BATTERY CABLE JUMPER Pos, Junction Block To Starter, Without A/C	\$69.00	
23690	1957	BATTERY CABLE JUMPER Pos, Junction Block To Starter, With A/C	\$69.00	
23685	1958	BATTERY CABLE JUMPER Pos, Junction Block To Starter, Without A/C	\$69.00	
23690	1958	BATTERY CABLE JUMPER Pos, Junction Block To Starter, With A/C	\$69.00	
26710	1959	BATTERY CABLE JUMPER Pos, Junction Block To Starter, All	\$69.00	
26710	1960	BATTERY CABLE JUMPER Pos, Junction Block To Starter, All	\$69.00	
26710	1961	BATTERY CABLE JUMPER Pos, Junction Block To Starter, All	\$69.00	
26710	1962	BATTERY CABLE JUMPER Pos, Junction Block To Starter, All	\$69.00	
27280	1963	BATTERY CABLE JUMPER Pos, Junction Block To Starter, Auto Trans	\$69.00	
28695	1963	BATTERY CABLE JUMPER Pos, Junction Block To Starter, Manual Trans	\$69.00	
27280	1964	BATTERY CABLE JUMPER Pos, Junction Block To Starter, Auto Trans	\$69.00	
28695	1964	BATTERY CABLE JUMPER Pos, Junction Block To Starter, Manual Trans	\$69.00	
04405	1964	BATTERY CABLE JUMPER Pos, Junction Block To Starter, Jetstar 88, Auto Trans	\$69.00	
27275	1964	BATTERY CABLE JUMPER Pos, Junction Block To Starter, Jetstar 88, Std. Trans	\$69.00	
21570	1965	BATTERY CABLE JUMPER Pos, Junction Block To Starter	\$69.00	
11540	1966	BATTERY CABLE JUMPER Pos, Junction Block To Starter	\$69.00	
11540	1967	BATTERY CABLE JUMPER Pos, Junction Block To Starter	\$69.00	
<b>BATTERY CABLE-NEGATIVE</b>				
26745	1953	BATTERY CABLE, TOP POST Neg (Braided Strap Type)	\$69.00	
27875	1954	BATTERY CABLE, TOP POST Neg (Braided Strap Type)	\$69.00	
27875	1955	BATTERY CABLE, TOP POST Neg (Braided Strap Type)	\$69.00	
27875	1956	BATTERY CABLE, TOP POST Neg (Braided Strap Type)	\$69.00	
23365	1957	BATTERY CABLE, TOP POST Neg (Braided Strap Type)	\$69.00	
23365	1958	BATTERY CABLE, TOP POST Neg (Braided Strap Type)	\$69.00	
23360	1959	BATTERY CABLE, TOP POST Neg (Braided Strap Type)	\$69.00	
23350	1960	BATTERY CABLE, TOP POST Neg	\$63.00	
23590	1961	BATTERY CABLE, TOP POST Neg (Braided Strap Type)	\$69.00	
23590	1962	BATTERY CABLE, TOP POST Neg (Braided Strap Type)	\$69.00	
28680	1963	BATTERY CABLE, TOP POST Neg	\$69.00	
28680	1964	BATTERY CABLE, TOP POST Neg	\$69.00	
29625	1965	BATTERY CABLE, TOP POST Neg	\$69.00	
29640	1966	BATTERY CABLE, SPRING RING Neg	\$69.00	
29640	1967	BATTERY CABLE, SPRING RING Neg	\$69.00	
29640	1968	BATTERY CABLE, SPRING RING Neg	\$69.00	
29585	1969	BATTERY CABLE, SPRING RING Neg, 350 C.I.	\$69.00	
29570	1969	BATTERY CABLE, SPRING RING Neg, 455 C.I.	\$69.00	
29585	1970	BATTERY CABLE, SPRING RING Neg, 350 C.I.	\$69.00	
29570	1970	BATTERY CABLE, SPRING RING Neg, 455 C.I.	\$69.00	
29690	1971	BATTERY CABLE, SIDE POST Neg, 350 C.I.	\$74.00	
29685	1971	BATTERY CABLE, SIDE POST Neg, 455 C.I.	\$74.00	

Part Number	Year	Description	Price	*Rev.
29690	1972	BATTERY CABLE, SIDE POST Neg, 350 C.I.	\$74.00	
29685	1972	BATTERY CABLE, SIDE POST Neg, 455 C.I.	\$74.00	
<b>BATTERY CABLE-POSITIVE</b>				
26735	1953	BATTERY CABLE, TOP POST Pos	\$63.00	
26740	1954	BATTERY CABLE, TOP POST Pos, Battery To Junction Block	\$63.00	
23600	1955	BATTERY CABLE, TOP POST Pos, Battery To Junction Block, Without A/C	\$63.00	
23680	1955	BATTERY CABLE, TOP POST Pos, Battery To Junction Block, With A/C	\$63.00	
23695	1956	BATTERY CABLE, TOP POST Pos, Battery To Junction Block, Without A/C	\$63.00	
23345	1956	BATTERY CABLE, TOP POST Pos, Battery To Junction Block, With A/C	\$63.00	
23700	1957	BATTERY CABLE, TOP POST Pos, Battery To Junction Block, Without A/C	\$63.00	
23345	1957	BATTERY CABLE, TOP POST Pos, Battery To Junction Block, With A/C	\$63.00	
26705	1958	BATTERY CABLE, TOP POST Pos, Battery To Junction Block, Without A/C	\$63.00	
23345	1958	BATTERY CABLE, TOP POST Pos, Battery To Junction Block, With A/C	\$63.00	
26890	1959	BATTERY CABLE, TOP POST Pos, Battery To Junction Block	\$63.00	
26890	1960	BATTERY CABLE, TOP POST Pos, Battery To Junction Block	\$63.00	
26880	1961	BATTERY CABLE, TOP POST Pos, Battery To Junction Block	\$63.00	
26895	1962	BATTERY CABLE, TOP POST Pos, Battery To Junction Block	\$63.00	
26885	1963	BATTERY CABLE, TOP POST Pos, Battery To Junction Block	\$63.00	
26885	1964	BATTERY CABLE, TOP POST Pos, Battery To Junction Block	\$63.00	
28665	1965	BATTERY CABLE, TOP POST Pos, Battery To Junction Block	\$69.00	
22190	1966	BATTERY CABLE, SPRING RING Pos, Battery To Junction Block	\$69.00	
22190	1967	BATTERY CABLE, SPRING RING Pos, Battery To Junction Block	\$69.00	
29615	1968	BATTERY CABLE, SPRING RING Pos, Auto Trans, 350 C.I.	\$69.00	
29605	1968	BATTERY CABLE, SPRING RING Pos, Auto Trans, 455 C.I.	\$69.00	
29630	1968	BATTERY CABLE, SPRING RING Pos, Manual Trans, All	\$69.00	
29575	1969	BATTERY CABLE, SPRING RING Pos, All With Disc Brakes	\$69.00	
29580	1969	BATTERY CABLE, SPRING RING Pos, Auto Trans, 350 C.I., Without Disc Brakes	\$69.00	
29565	1969	BATTERY CABLE, SPRING RING Pos, Auto Trans, 455 C.I., Without Disc Brakes	\$69.00	
29580	1969	BATTERY CABLE, SPRING RING Pos, Manual Trans, All Without Disc Brakes	\$69.00	
29575	1970	BATTERY CABLE, SPRING RING Pos, All With Disc Brakes	\$69.00	
29610	1970	BATTERY CABLE, SPRING RING Pos, All Without Disc Brakes	\$69.00	
29720	1971	BATTERY CABLE, SIDE POST Pos, Auto Trans, 350 C.I.	\$74.00	
29590	1971	BATTERY CABLE, SIDE POST Pos, Auto Trans, 455 C.I.	\$74.00	
29680	1971	BATTERY CABLE, SIDE POST Pos, Manual Trans, All	\$74.00	
29720	1972	BATTERY CABLE, SIDE POST Pos, 350 C.I.	\$74.00	
29590	1972	BATTERY CABLE, SIDE POST Pos, 455 C.I.	\$74.00	
<b>CONSOLE HARNESS</b>				
23295	1962	CONSOLE HARNESS Starfire, Without Power Windows	\$111.00	
04465	1964	CONSOLE HARNESS Manual Trans, Model J88	\$74.00	
09290	1966	CONSOLE HARNESS Auto Trans, Starfire	\$98.00	
<b>CORNERING LAMP HARNESS</b>				
27980	1964	CORNERING LAMP HARNESS	\$52.00	
27980	1965	CORNERING LAMP HARNESS	\$52.00	
27980	1966	CORNERING LAMP HARNESS	\$52.00	
<b>COURTESY LAMP HARNESS</b>				
29355	1954	COURTESY LAMP HARNESS Under Dash Courtesy Lamps	\$48.00	

Part Number	Year	Description	Price	*Rev.
29355	1955	<b>COURTESY LAMP HARNESS</b> Under Dash Courtesy Lamps	\$48.00	
29355	1956	<b>COURTESY LAMP HARNESS</b> Under Dash Courtesy Lamps	\$48.00	
29355	1957	<b>COURTESY LAMP HARNESS</b> Under Dash Courtesy Lamps	\$48.00	
29355	1958	<b>COURTESY LAMP HARNESS</b> Under Dash Courtesy Lamps	\$48.00	
32420	1959	<b>COURTESY LAMP HARNESS</b> Reading Lamp Jumper, Dynamic 88, All Except Wagon And Convertible	\$40.00	
32420	1959	<b>COURTESY LAMP HARNESS</b> Reading Lamp Jumper, Super 88	\$40.00	
32405	1959	<b>COURTESY LAMP HARNESS</b> Side Roof Rail Lamp, 98, Dynamic 88 & Super 88 Holiday Coupe	\$50.00	
32410	1959	<b>COURTESY LAMP HARNESS</b> Side Roof Rail Lamp, Dynamic 88 & Super 88 Holiday Sedan	\$50.00	
32420	1960	<b>COURTESY LAMP HARNESS</b> Reading Lamp Jumper, Dynamic 88, All Except Wagon And Convertible	\$40.00	
32420	1960	<b>COURTESY LAMP HARNESS</b> Reading Lamp Jumper, Super 88	\$40.00	
<b>DASH AND ENGINE COMPARTMENT HARNESS</b>				
27255	1953	<b>DASH AND ENGINE COMPARTMENT HARNESS</b> Auto Trans	\$861.00	
27250	1953	<b>DASH AND ENGINE COMPARTMENT HARNESS</b> Manual Trans	\$861.00	
27205	1954	<b>DASH AND ENGINE COMPARTMENT HARNESS</b> Auto Trans	\$861.00	
27200	1954	<b>DASH AND ENGINE COMPARTMENT HARNESS</b> Manual Trans	\$861.00	
33755	1955	<b>DASH AND ENGINE COMPARTMENT HARNESS</b> Auto Trans, Models 88 And 98	\$861.00	
23585	1955	<b>DASH AND ENGINE COMPARTMENT HARNESS</b> Auto Trans, Models 88 And 98 With A/C	\$953.00	
23585	1955	<b>DASH AND ENGINE COMPARTMENT HARNESS</b> Manual Trans, Models 88 And 98	\$953.00	
33765	1956	<b>DASH AND ENGINE COMPARTMENT HARNESS</b> Auto Trans, Models 88 And 98	\$861.00	
33760	1956	<b>DASH AND ENGINE COMPARTMENT HARNESS</b> Manual Trans, Models 88 And 98	\$898.00	
33775	1957	<b>DASH AND ENGINE COMPARTMENT HARNESS</b> Auto Trans, Model 88	\$861.00	
33780	1957	<b>DASH AND ENGINE COMPARTMENT HARNESS</b> Auto Trans, Models Super 88 And 98	\$861.00	
33770	1957	<b>DASH AND ENGINE COMPARTMENT HARNESS</b> Manual Trans, Model 88	\$861.00	
33785	1957	<b>DASH AND ENGINE COMPARTMENT HARNESS</b> Manual Trans, Models Super 88 And 98	\$861.00	
27535	1958	<b>DASH AND ENGINE COMPARTMENT HARNESS</b> Auto Trans, Model 88 Note: Customer Must Supply Their Fuseblock And Some Connectors To Build This Harness.	\$965.00	
27530	1958	<b>DASH AND ENGINE COMPARTMENT HARNESS</b> Auto Trans, Model Super 88 Note: Customer Must Supply Their Fuseblock And Some Connectors To Build This Harness.	\$965.00	
33795	1958	<b>DASH AND ENGINE COMPARTMENT HARNESS</b> Auto Trans, With Power Brakes, Model 88 Note: Customer Must Supply Their Fuseblock And Some Connectors To Build This Harness.	\$965.00	
33790	1958	<b>DASH AND ENGINE COMPARTMENT HARNESS</b> Auto Trans, With Power Brakes, Models Super 88 And 98 Note: Customer Must Supply Their Fuseblock And Some Connectors To Build This Harness.	\$925.00	
27525	1958	<b>DASH AND ENGINE COMPARTMENT HARNESS</b> Manual Trans, Model 88 Note: Customer Must Supply Their Fuseblock And Some Connectors To Build This Harness.	\$965.00	
27520	1958	<b>DASH AND ENGINE COMPARTMENT HARNESS</b> Manual Trans, Model Super 88 Note: Customer Must Supply Their Fuseblock And Some Connectors To Build This Harness.	\$965.00	
23320	1962	<b>DASH AND ENGINE COMPARTMENT HARNESS</b> With Generator, Starfire Note: Customer Must Supply Their Fuseblock And Turn Signal Switch Connector.	\$930.00	N
<b>DASH INSTRUMENT PANEL HARNESS</b>				
23160	1961	<b>DASH INSTRUMENT PANEL HARNESS</b>	\$132.00	
30655	1963	<b>DASH INSTRUMENT PANEL HARNESS</b>	\$132.00	
<b>DOME LAMP FEED AND GROUND</b>				
32400	1959	<b>DOME LAMP FEED AND GROUND</b> Dynamic 88 2 & 4 Door Sedan And Holiday Coupe & Super 88 4 Door Sedan	\$42.00	
32415	1959	<b>DOME LAMP FEED AND GROUND</b> Dynamic 88 Holiday Sedan	\$42.00	

Part Number	Year	Description	Price	*Rev.
<b>HARNESS TAPE</b>				
R0058272	1953	HARNESS TAPE 3/4" Vinyl (100 Ft. Roll) Non-Adhesive	\$12.00	
R0058276	1953	HARNESS TAPE 1" Vinyl (100 Ft. Roll) Non-Adhesive	\$13.00	
R0067108	1953	HARNESS TAPE 1 1/4" Vinyl (100 Ft. Roll) Non-Adhesive	\$15.00	
R0058272	1954	HARNESS TAPE 3/4" Vinyl (100 Ft. Roll) Non-Adhesive	\$12.00	
R0058276	1954	HARNESS TAPE 1" Vinyl (100 Ft. Roll) Non-Adhesive	\$13.00	
R0067108	1954	HARNESS TAPE 1 1/4" Vinyl (100 Ft. Roll) Non-Adhesive	\$15.00	
R0058272	1955	HARNESS TAPE 3/4" Vinyl (100 Ft. Roll) Non-Adhesive	\$12.00	
R0058276	1955	HARNESS TAPE 1" Vinyl (100 Ft. Roll) Non-Adhesive	\$13.00	
R0067108	1955	HARNESS TAPE 1 1/4" Vinyl (100 Ft. Roll) Non-Adhesive	\$15.00	
R0058272	1956	HARNESS TAPE 3/4" Vinyl (100 Ft. Roll) Non-Adhesive	\$12.00	
R0058276	1956	HARNESS TAPE 1" Vinyl (100 Ft. Roll) Non-Adhesive	\$13.00	
R0067108	1956	HARNESS TAPE 1 1/4" Vinyl (100 Ft. Roll) Non-Adhesive	\$15.00	
R0058272	1957	HARNESS TAPE 3/4" Vinyl (100 Ft. Roll) Non-Adhesive	\$12.00	
R0058276	1957	HARNESS TAPE 1" Vinyl (100 Ft. Roll) Non-Adhesive	\$13.00	
R0067108	1957	HARNESS TAPE 1 1/4" Vinyl (100 Ft. Roll) Non-Adhesive	\$15.00	
R0058272	1958	HARNESS TAPE 3/4" Vinyl (100 Ft. Roll) Non-Adhesive	\$12.00	
R0058276	1958	HARNESS TAPE 1" Vinyl (100 Ft. Roll) Non-Adhesive	\$13.00	
R0067108	1958	HARNESS TAPE 1 1/4" Vinyl (100 Ft. Roll) Non-Adhesive	\$15.00	
R0058272	1959	HARNESS TAPE 3/4" Vinyl (100 Ft. Roll) Non-Adhesive	\$12.00	
R0058276	1959	HARNESS TAPE 1" Vinyl (100 Ft. Roll) Non-Adhesive	\$13.00	
R0067108	1959	HARNESS TAPE 1 1/4" Vinyl (100 Ft. Roll) Non-Adhesive	\$15.00	
R0058272	1960	HARNESS TAPE 3/4" Vinyl (100 Ft. Roll) Non-Adhesive	\$12.00	
R0058276	1960	HARNESS TAPE 1" Vinyl (100 Ft. Roll) Non-Adhesive	\$13.00	
R0067108	1960	HARNESS TAPE 1 1/4" Vinyl (100 Ft. Roll) Non-Adhesive	\$15.00	
R0058272	1961	HARNESS TAPE 3/4" Vinyl (100 Ft. Roll) Non-Adhesive	\$12.00	
R0058276	1961	HARNESS TAPE 1" Vinyl (100 Ft. Roll) Non-Adhesive	\$13.00	
R0067108	1961	HARNESS TAPE 1 1/4" Vinyl (100 Ft. Roll) Non-Adhesive	\$15.00	
R0058272	1962	HARNESS TAPE 3/4" Vinyl (100 Ft. Roll) Non-Adhesive	\$12.00	
R0058276	1962	HARNESS TAPE 1" Vinyl (100 Ft. Roll) Non-Adhesive	\$13.00	
R0067108	1962	HARNESS TAPE 1 1/4" Vinyl (100 Ft. Roll) Non-Adhesive	\$15.00	
R0058272	1963	HARNESS TAPE 3/4" Vinyl (100 Ft. Roll) Non-Adhesive	\$12.00	
R0058276	1963	HARNESS TAPE 1" Vinyl (100 Ft. Roll) Non-Adhesive	\$13.00	
R0067108	1963	HARNESS TAPE 1 1/4" Vinyl (100 Ft. Roll) Non-Adhesive	\$15.00	
R0058272	1964	HARNESS TAPE 3/4" Vinyl (100 Ft. Roll) Non-Adhesive	\$12.00	
R0058276	1964	HARNESS TAPE 1" Vinyl (100 Ft. Roll) Non-Adhesive	\$13.00	
R0067108	1964	HARNESS TAPE 1 1/4" Vinyl (100 Ft. Roll) Non-Adhesive	\$15.00	
R0058272	1965	HARNESS TAPE 3/4" Vinyl (100 Ft. Roll) Non-Adhesive	\$12.00	
R0058276	1965	HARNESS TAPE 1" Vinyl (100 Ft. Roll) Non-Adhesive	\$13.00	
R0067108	1965	HARNESS TAPE 1 1/4" Vinyl (100 Ft. Roll) Non-Adhesive	\$15.00	
R0058272	1966	HARNESS TAPE 3/4" Vinyl (100 Ft. Roll) Non-Adhesive	\$12.00	
R0058276	1966	HARNESS TAPE 1" Vinyl (100 Ft. Roll) Non-Adhesive	\$13.00	
R0067108	1966	HARNESS TAPE 1 1/4" Vinyl (100 Ft. Roll) Non-Adhesive	\$15.00	
R0058272	1967	HARNESS TAPE 3/4" Vinyl (100 Ft. Roll) Non-Adhesive	\$12.00	
R0058276	1967	HARNESS TAPE 1" Vinyl (100 Ft. Roll) Non-Adhesive	\$13.00	
R0067108	1967	HARNESS TAPE 1 1/4" Vinyl (100 Ft. Roll) Non-Adhesive	\$15.00	
R0058272	1968	HARNESS TAPE 3/4" Vinyl (100 Ft. Roll) Non-Adhesive	\$12.00	

Part Number	Year	Description	Price	*Rev.
R0058276	1968	<b>HARNESS TAPE</b> 1" Vinyl (100 Ft. Roll) Non-Adhesive	\$13.00	
R0067108	1968	<b>HARNESS TAPE</b> 1 1/4" Vinyl (100 Ft. Roll) Non-Adhesive	\$15.00	
R0058272	1969	<b>HARNESS TAPE</b> 3/4" Vinyl (100 Ft. Roll) Non-Adhesive	\$12.00	
R0058276	1969	<b>HARNESS TAPE</b> 1" Vinyl (100 Ft. Roll) Non-Adhesive	\$13.00	
R0067108	1969	<b>HARNESS TAPE</b> 1 1/4" Vinyl (100 Ft. Roll) Non-Adhesive	\$15.00	
R0058272	1970	<b>HARNESS TAPE</b> 3/4" Vinyl (100 Ft. Roll) Non-Adhesive	\$12.00	
R0058276	1970	<b>HARNESS TAPE</b> 1" Vinyl (100 Ft. Roll) Non-Adhesive	\$13.00	
R0067108	1970	<b>HARNESS TAPE</b> 1 1/4" Vinyl (100 Ft. Roll) Non-Adhesive	\$15.00	
R0058272	1971	<b>HARNESS TAPE</b> 3/4" Vinyl (100 Ft. Roll) Non-Adhesive	\$12.00	
R0058276	1971	<b>HARNESS TAPE</b> 1" Vinyl (100 Ft. Roll) Non-Adhesive	\$13.00	
R0067108	1971	<b>HARNESS TAPE</b> 1 1/4" Vinyl (100 Ft. Roll) Non-Adhesive	\$15.00	
R0058272	1972	<b>HARNESS TAPE</b> 3/4" Vinyl (100 Ft. Roll) Non-Adhesive	\$12.00	
R0058276	1972	<b>HARNESS TAPE</b> 1" Vinyl (100 Ft. Roll) Non-Adhesive	\$13.00	
R0067108	1972	<b>HARNESS TAPE</b> 1 1/4" Vinyl (100 Ft. Roll) Non-Adhesive	\$15.00	
<b>HEADLAMP DIMMER SWITCH</b>				
01997008	1949	<b>HEADLAMP DIMMER SWITCH</b> Without Autronic Eye	\$12.00	N
01997008	1950	<b>HEADLAMP DIMMER SWITCH</b> Without Autronic Eye	\$12.00	N
01997008	1951	<b>HEADLAMP DIMMER SWITCH</b> Without Autronic Eye	\$12.00	N
01997008	1952	<b>HEADLAMP DIMMER SWITCH</b> Without Autronic Eye	\$12.00	N
01997008	1953	<b>HEADLAMP DIMMER SWITCH</b> Without Autronic Eye	\$12.00	N
01997008	1954	<b>HEADLAMP DIMMER SWITCH</b> Without Autronic Eye	\$12.00	N
01997008	1955	<b>HEADLAMP DIMMER SWITCH</b> Without Autronic Eye	\$12.00	N
01997008	1956	<b>HEADLAMP DIMMER SWITCH</b> Without Autronic Eye	\$12.00	N
01997008	1957	<b>HEADLAMP DIMMER SWITCH</b> Without Autronic Eye	\$12.00	N
01997008	1958	<b>HEADLAMP DIMMER SWITCH</b> Without Autronic Eye	\$12.00	N
01997023	1959	<b>HEADLAMP DIMMER SWITCH</b> Without Autronic Eye	\$16.00	N
01997023	1960	<b>HEADLAMP DIMMER SWITCH</b> Super 88, 98, Without Autronic Eye	\$16.00	N
01997028	1961	<b>HEADLAMP DIMMER SWITCH</b> Except F-85, Without Guide-Matic	\$7.50	N
01997028	1962	<b>HEADLAMP DIMMER SWITCH</b> Except F-85, Without Guide-Matic	\$7.50	N
<b>HEADLIGHT BUCKET EXTENSION HARNESS</b>				
33950	1954	<b>HEADLIGHT BUCKET EXTENSION HARNESS</b> Set Of 2	\$67.00	
33950	1955	<b>HEADLIGHT BUCKET EXTENSION HARNESS</b> Set Of 2	\$67.00	
33950	1956	<b>HEADLIGHT BUCKET EXTENSION HARNESS</b> Set Of 2	\$67.00	
33955	1957	<b>HEADLIGHT BUCKET EXTENSION HARNESS</b> Set Of 2	\$53.00	
33960	1958	<b>HEADLIGHT BUCKET EXTENSION HARNESS</b> Set Of 2	\$80.00	
<b>HEADLIGHT SWITCH</b>				
01995041	1953	<b>HEADLIGHT SWITCH</b> Snap On Terminal Note: Used On Vehicles With A Fused Dome, Stop Lamp, & Glove Box Light Circuit.	\$62.00	N
01995179	1967	<b>HEADLIGHT SWITCH</b> Except Tornado	\$20.00	N
<b>IGNITION BALLAST RESISTOR</b>				
01957154	1953	<b>IGNITION BALLAST RESISTOR</b> All, 12 Volt	\$12.00	N
01957154	1954	<b>IGNITION BALLAST RESISTOR</b> All, 12 Volt	\$12.00	N
01957154	1955	<b>IGNITION BALLAST RESISTOR</b> All, 12 Volt	\$12.00	N
01957154	1956	<b>IGNITION BALLAST RESISTOR</b> All	\$12.00	N
01957154	1957	<b>IGNITION BALLAST RESISTOR</b> All	\$12.00	N
01957154	1958	<b>IGNITION BALLAST RESISTOR</b> All	\$12.00	N

Part Number	Year	Description	Price	*Rev.
01957154	1959	IGNITION BALLAST RESISTOR All	\$12.00	N
01957154	1960	IGNITION BALLAST RESISTOR All	\$12.00	N
01957154	1961	IGNITION BALLAST RESISTOR All, Except F85	\$12.00	N
<b>IGNITION CYLINDER AND KEYS</b>				
20071252	1969	IGNITION CYLINDER AND KEYS Chrome, Delta, 98, Toronado	\$18.50	N
20071252	1970	IGNITION CYLINDER AND KEYS Chrome, Delta, 98, Toronado	\$18.50	N
20071252	1971	IGNITION CYLINDER AND KEYS Chrome, Delta, 98, Toronado	\$18.50	N
20071252	1972	IGNITION CYLINDER AND KEYS Chrome, Delta, 98, Toronado	\$18.50	N
20071252	1973	IGNITION CYLINDER AND KEYS Chrome, Delta, 98, Toronado	\$18.50	N
20071252	1974	IGNITION CYLINDER AND KEYS Chrome, Delta, 98, Toronado	\$18.50	N
20071252	1975	IGNITION CYLINDER AND KEYS Chrome, Delta, 98, Toronado	\$18.50	N
20071252	1976	IGNITION CYLINDER AND KEYS Chrome, Delta, 98, Toronado	\$18.50	N
20071252	1977	IGNITION CYLINDER AND KEYS Chrome, Delta, 98, Toronado	\$18.50	N
20071252	1978	IGNITION CYLINDER AND KEYS Chrome, Delta, 98, Toronado, 1st Design, Used On Columns Without Lock Cylinder Retaining Screw	\$18.50	N
07833759	1978	IGNITION CYLINDER AND KEYS Chrome, Delta, 98, Toronado, 2nd Design, Used On Columns With Lock Cylinder Retaining Screw	\$18.50	N
07833759	1979	IGNITION CYLINDER AND KEYS Chrome, Delta, 98, Toronado	\$18.50	N
07833759	1980	IGNITION CYLINDER AND KEYS Chrome, Delta, 98, Toronado	\$18.50	N
07833759	1981	IGNITION CYLINDER AND KEYS Chrome, Delta, 98, Toronado	\$18.50	N
07833759	1982	IGNITION CYLINDER AND KEYS Chrome, Delta, 98, Toronado	\$18.50	N
07833759	1983	IGNITION CYLINDER AND KEYS Chrome, Delta, 98, Toronado	\$18.50	N
07833759	1984	IGNITION CYLINDER AND KEYS Chrome, Delta, Toronado	\$18.50	N
07833759	1985	IGNITION CYLINDER AND KEYS Chrome, Delta, Toronado	\$18.50	N
07833759	1986	IGNITION CYLINDER AND KEYS Chrome, Custom Cruiser	\$18.50	N
07833759	1987	IGNITION CYLINDER AND KEYS Chrome, Custom Cruiser	\$18.50	N
07833759	1988	IGNITION CYLINDER AND KEYS Chrome, Custom Cruiser	\$18.50	N
<b>IGNITION SWITCH</b>				
44205	1965	IGNITION SWITCH KIT Note: Includes Ignition Switch, Connector And Instructions.	\$37.00	N
01990110	1969	IGNITION SWITCH All, With Tilt	\$14.00	N
01990110	1970	IGNITION SWITCH All, With Tilt	\$14.00	N
01990110	1971	IGNITION SWITCH All, With Tilt	\$14.00	N
01990110	1972	IGNITION SWITCH All, With Tilt	\$14.00	N
01990110	1973	IGNITION SWITCH All, With Tilt	\$14.00	N
01990110	1974	IGNITION SWITCH All, With Tilt	\$14.00	N
01990110	1975	IGNITION SWITCH All, With Tilt	\$14.00	N
01990110	1976	IGNITION SWITCH All, With Tilt	\$14.00	N
01990110	1977	IGNITION SWITCH All, With Tilt	\$14.00	N
01990110	1978	IGNITION SWITCH All, With Tilt	\$14.00	N
01990110	1979	IGNITION SWITCH All, With Tilt	\$14.00	N
01990110	1980	IGNITION SWITCH All, With Tilt	\$14.00	N
01990110	1981	IGNITION SWITCH All, With Tilt	\$14.00	N
01990110	1982	IGNITION SWITCH All, With Tilt	\$14.00	N
01990110	1983	IGNITION SWITCH All, With Tilt	\$14.00	N
01990110	1984	IGNITION SWITCH All, With Tilt	\$14.00	N
01990110	1985	IGNITION SWITCH All, With Tilt	\$14.00	N

Part Number	Year	Description	Price	*Rev.
01990110	1986	<b>IGNITION SWITCH</b> All, With Tilt	\$14.00	N
01990110	1987	<b>IGNITION SWITCH</b> All, With Tilt	\$14.00	N
01990110	1988	<b>IGNITION SWITCH</b> All, With Tilt	\$14.00	N
01990110	1989	<b>IGNITION SWITCH</b> All, With Tilt	\$14.00	N
01990110	1990	<b>IGNITION SWITCH</b> All, With Tilt	\$14.00	N
<b>INSTRUMENT GAUGE CLUSTER CLIP KIT</b>				
08986000	1976	<b>CLIP KIT</b> Delta 88, Ninety Eight, Toronado, Omega, All, Instrument Gauge Cluster / Printed Circuit Board Retaining Clip Note: Replaces Original GM Part Number 08986000, Includes 12 Clips Per Kit.	\$14.00	N
08986000	1977	<b>CLIP KIT</b> Delta 88, Ninety Eight, Toronado, Omega, All, Instrument Gauge Cluster / Printed Circuit Board Retaining Clip Note: Replaces Original GM Part Number 08986000, Includes 12 Clips Per Kit.	\$14.00	N
08986000	1978	<b>CLIP KIT</b> Delta 88, Ninety Eight, Toronado, Omega, All, Instrument Gauge Cluster / Printed Circuit Board Retaining Clip Note: Replaces Original GM Part Number 08986000, Includes 12 Clips Per Kit.	\$14.00	N
08986000	1979	<b>CLIP KIT</b> Delta 88, Ninety Eight, Toronado, Omega, All, Instrument Gauge Cluster / Printed Circuit Board Retaining Clip Note: Replaces Original GM Part Number 08986000, Includes 12 Clips Per Kit.	\$14.00	N
08986000	1980	<b>CLIP KIT</b> Delta 88, Ninety Eight, Toronado, Omega, All, Instrument Gauge Cluster / Printed Circuit Board Retaining Clip Note: Replaces Original GM Part Number 08986000, Includes 12 Clips Per Kit.	\$14.00	N
08986000	1981	<b>CLIP KIT</b> Delta 88, Ninety Eight, Toronado, Omega, All, Instrument Gauge Cluster / Printed Circuit Board Retaining Clip Note: Replaces Original GM Part Number 08986000, Includes 12 Clips Per Kit.	\$14.00	N
08986000	1982	<b>CLIP KIT</b> Delta, Custom Cruiser, Omega, All, Instrument Gauge Cluster / Printed Circuit Board Retaining Clip Note: Replaces Original GM Part Number 08986000, Includes 12 Clips Per Kit.	\$14.00	N
08986000	1983	<b>CLIP KIT</b> Delta, Custom Cruiser, Omega, All, Instrument Gauge Cluster / Printed Circuit Board Retaining Clip Note: Replaces Original GM Part Number 08986000, Includes 12 Clips Per Kit.	\$14.00	N
08986000	1984	<b>CLIP KIT</b> Delta, Custom Cruiser, Omega, All, Instrument Gauge Cluster / Printed Circuit Board Retaining Clip Note: Replaces Original GM Part Number 08986000, Includes 12 Clips Per Kit.	\$14.00	N
08986000	1985	<b>CLIP KIT</b> Delta, Custom Cruiser, All, Instrument Gauge Cluster / Printed Circuit Board Retaining Clip Note: Replaces Original GM Part Number 08986000, Includes 12 Clips Per Kit.	\$14.00	N
08986000	1986	<b>CLIP KIT</b> Custom Cruiser, All, Instrument Gauge Cluster / Printed Circuit Board Retaining Clip Note: Replaces Original GM Part Number 08986000, Includes 12 Clips Per Kit.	\$14.00	N
08986000	1987	<b>CLIP KIT</b> Custom Cruiser, All, Instrument Gauge Cluster / Printed Circuit Board Retaining Clip Note: Replaces Original GM Part Number 08986000, Includes 12 Clips Per Kit.	\$14.00	N
08986000	1988	<b>CLIP KIT</b> Custom Cruiser, All, Instrument Gauge Cluster / Printed Circuit Board Retaining Clip Note: Replaces Original GM Part Number 08986000, Includes 12 Clips Per Kit.	\$14.00	N
08986000	1989	<b>CLIP KIT</b> Custom Cruiser, All, Instrument Gauge Cluster / Printed Circuit Board Retaining Clip Note: Replaces Original GM Part Number 08986000, Includes 12 Clips Per Kit.	\$14.00	N
08986000	1990	<b>CLIP KIT</b> Custom Cruiser, All, Instrument Gauge Cluster / Printed Circuit Board Retaining Clip Note: Replaces Original GM Part Number 08986000, Includes 12 Clips Per Kit.	\$14.00	N
<b>KICKDOWN SWITCH</b>				
01242101	1976	<b>KICKDOWN SWITCH</b> Ninety-Eight, Toronado, TH400, Auto Trans	\$19.00	



Part Number	Year	Description	Price	*Rev.
01242101	1977	<b>KICKDOWN SWITCH</b> Ninety-Eight, Toronado, TH400, Auto Trans	\$19.00	
01242101	1978	<b>KICKDOWN SWITCH</b> Ninety-Eight, Toronado, TH400, Auto Trans	\$19.00	
01242101	1979	<b>KICKDOWN SWITCH</b> Ninety-Eight, TH400, Auto Trans	\$19.00	
01242101	1980	<b>KICKDOWN SWITCH</b> Ninety-Eight, TH400, Auto Trans	\$19.00	
<b>NEUTRAL SAFETY SWITCH</b>				
03986841	1971	<b>NEUTRAL SAFETY SWITCH</b> All Except F85, With Manual Trans (Clutch Pedal Activated) Note: 03983965 Switch Included In Kit Is Correct, However Mounting Tower 03961590 Also Provided Does Not Work On This Application. Original Mounting Tower Must Be Reused..	\$58.00	N
03983965	1973	<b>NEUTRAL SAFETY SWITCH</b> Omega, With 3 Speed Manual Trans (Clutch Pedal Activated) Note: 03983965 Switch Included In Kit Is Correct, However Mounting Tower 03961589 Also Provided Does Not Work On This Application. Original Mounting Tower Must Be Reused.	\$58.00	N
03983965	1974	<b>NEUTRAL SAFETY SWITCH</b> Omega, With 3 Speed Manual Trans (Clutch Pedal Activated) Note: 03983965 Switch Included In Kit Is Correct, However Mounting Tower 03961589 Also Provided Does Not Work On This Application. Original Mounting Tower Must Be Reused.	\$58.00	N
03983965	1975	<b>NEUTRAL SAFETY SWITCH</b> Omega, With 3 Speed Manual Trans (Clutch Pedal Activated) Note: 03983965 Switch Included In Kit Is Correct, However Mounting Tower 03961589 Also Provided Does Not Work On This Application. Original Mounting Tower Must Be Reused.	\$58.00	N
03983965	1976	<b>NEUTRAL SAFETY SWITCH</b> Omega, With Manual Trans (Clutch Pedal Activated) Note: 03983965 Switch Included In Kit Is Correct, However Mounting Tower 03961589 Also Provided Does Not Work On This Application. Original Mounting Tower Must Be Reused.	\$58.00	N
03983965	1977	<b>NEUTRAL SAFETY SWITCH</b> Omega, With Manual Trans (Clutch Pedal Activated) Note: 03983965 Switch Included In Kit Is Correct, However Mounting Tower 03961589 Also Provided Does Not Work On This Application. Original Mounting Tower Must Be Reused.	\$58.00	N
03983965	1978	<b>NEUTRAL SAFETY SWITCH</b> Omega, With Manual Trans (Clutch Pedal Activated) Note: 03983965 Switch Included In Kit Is Correct, However Mounting Tower 03961589 Also Provided Does Not Work On This Application. Original Mounting Tower Must Be Reused.	\$58.00	N
03983965	1979	<b>NEUTRAL SAFETY SWITCH</b> Omega, With Manual Trans (Clutch Pedal Activated) Note: 03983965 Switch Included In Kit Is Correct, However Mounting Tower 03961589 Also Provided Does Not Work On This Application. Original Mounting Tower Must Be Reused.	\$58.00	N
<b>PARK LAMP AND LEAD WIRE ASSEMBLY</b>				
33965	1954	<b>PARK LAMP AND LEAD WIRE ASSEMBLY</b> Set Of 2	\$53.00	
<b>POWER DOOR LOCK SWITCH</b>				
01725099	1971	<b>POWER DOOR LOCK SWITCH</b> Delta 88, Ninety Eight, Toronado, With Switch On Trim Pad, 1 Button	\$62.00	M
01725099	1972	<b>POWER DOOR LOCK SWITCH</b> Delta 88, Ninety Eight, Toronado, With Switch On Trim Pad, 1 Button	\$62.00	M
01725099	1973	<b>POWER DOOR LOCK SWITCH</b> Delta 88, Ninety Eight, Toronado, With Switch On Trim Pad, 1 Button	\$62.00	M
01725099	1974	<b>POWER DOOR LOCK SWITCH</b> Delta 88, Ninety Eight, Toronado, With Switch On Trim Pad, 1 Button	\$62.00	M
01725099	1975	<b>POWER DOOR LOCK SWITCH</b> Delta 88, Ninety Eight, Toronado, With Switch On Trim Pad, 1 Button	\$62.00	M
01725099	1976	<b>POWER DOOR LOCK SWITCH</b> Delta 88, 1 Button	\$62.00	M
20043224	1977	<b>POWER DOOR LOCK SWITCH</b> Delta 88, Without Power Windows	\$9.00	N
20043224	1978	<b>POWER DOOR LOCK SWITCH</b> Delta 88, Without Power Windows	\$9.00	N

Part Number	Year	Description	Price	*Rev.
20043224	1979	<b>POWER DOOR LOCK SWITCH</b> Delta 88, Without Power Windows	\$9.00	N
<b>POWER WINDOW HARNESS</b>				
08530	1959	<b>POWER WINDOW HARNESS</b> Dynamic & Super 88 Holiday Coupe, Front Door & Rear Quarter Window, R.H.	\$291.00	
08520	1959	<b>POWER WINDOW JUMPER HARNESS</b> Left To Right Side Door & Quarter Window	\$113.00	
08520	1960	<b>POWER WINDOW JUMPER HARNESS</b> Left To Right Side Door & Quarter Window	\$113.00	
08765	1961	<b>POWER WINDOW HARNESS</b> Front Left & Right Doors	\$305.00	
08765	1962	<b>POWER WINDOW HARNESS</b> Front Left & Right Doors	\$305.00	
08945	1962	<b>POWER WINDOW HARNESS</b> Dynamic & Super 88 Celebrity 4 Door Sedan, Left Rear Door	\$132.00	
08940	1962	<b>POWER WINDOW HARNESS</b> Dynamic & Super 88 Celebrity 4 Door Sedans, Right Rear Door	\$132.00	
08945	1963	<b>POWER WINDOW HARNESS</b> Dynamic & Super 88 Celebrity 4 Door Sedan, Left Rear Door	\$132.00	
08940	1963	<b>POWER WINDOW HARNESS</b> Dynamic & Super 88 Celebrity 4 Door Sedans, Right Rear Door	\$132.00	
06640	1963	<b>POWER WINDOW HARNESS</b> Dynamic & Super 88 Holiday Coupe, Left Rear Quarter Window	\$119.00	
06635	1963	<b>POWER WINDOW HARNESS</b> Dynamic & Super 88 Holiday Coupe, Right Rear Quarter Window	\$119.00	
07170	1963	<b>POWER WINDOW MOTOR EXTENSION</b> Rear Quarter Window Harness To Motor, 2 Required Per Car	\$25.00	
08945	1964	<b>POWER WINDOW HARNESS</b> Dynamic, Jetstar & Super 88 Celebrity 4 Door Sedan, Left Rear Door	\$132.00	
08940	1964	<b>POWER WINDOW HARNESS</b> Dynamic, Jetstar & Super 88 Celebrity 4 Door Sedans, Right Rear Door	\$132.00	
07170	1964	<b>POWER WINDOW MOTOR EXTENSION</b> Rear Quarter Window Harness To Motor, 2 Required Per Car	\$25.00	
07370	1965	<b>POWER WINDOW HARNESS</b> 98, Starfire, Dynamic & Jetstar 88 Convertible Qtr. Windows (LH & RH)	\$173.00	
08045	1965	<b>POWER WINDOW HARNESS</b> All Coupe & Sport Coupe Quarter Windows (LH & RH)	\$212.00	
07370	1966	<b>POWER WINDOW HARNESS</b> 98, Starfire, Dynamic & Jetstar 88 Convertible Qtr. Windows (LH & RH)	\$173.00	
08045	1966	<b>POWER WINDOW HARNESS</b> All Coupe & Sport Coupe Quarter Windows (LH & RH)	\$212.00	
<b>POWER WINDOW MOTOR ADAPTER HARNESS</b>				
36954	1958	<b>POWER WINDOW MOTOR ADAPTER HARNESS</b> Adapts "T" Shaped Motor Connector To Side By Side Blade Type Motor Connector	\$22.00	C
36954	1959	<b>POWER WINDOW MOTOR ADAPTER HARNESS</b> Adapts "T" Shaped Motor Connector To Side By Side Blade Type Motor Connector	\$22.00	C
36954	1960	<b>POWER WINDOW MOTOR ADAPTER HARNESS</b> Adapts "T" Shaped Motor Connector To Side By Side Blade Type Motor Connector	\$22.00	C
36954	1961	<b>POWER WINDOW MOTOR ADAPTER HARNESS</b> Adapts "T" Shaped Motor Connector To Side By Side Blade Type Motor Connector	\$22.00	C
36954	1962	<b>POWER WINDOW MOTOR ADAPTER HARNESS</b> Adapts "T" Shaped Motor Connector To Side By Side Blade Type Motor Connector	\$22.00	C
36954	1963	<b>POWER WINDOW MOTOR ADAPTER HARNESS</b> Adapts "T" Shaped Motor Connector To Side By Side Blade Type Motor Connector	\$22.00	C
36954	1964	<b>POWER WINDOW MOTOR ADAPTER HARNESS</b> Adapts "T" Shaped Motor Connector To Side By Side Blade Type Motor Connector	\$22.00	C
36954	1965	<b>POWER WINDOW MOTOR ADAPTER HARNESS</b> Adapts "T" Shaped Motor Connector To Side By Side Blade Type Motor Connector	\$22.00	C
36954	1966	<b>POWER WINDOW MOTOR ADAPTER HARNESS</b> Adapts "T" Shaped Motor Connector To Side By Side Blade Type Motor Connector	\$22.00	C
36954	1967	<b>POWER WINDOW MOTOR ADAPTER HARNESS</b> Adapts "T" Shaped Motor Connector To Side By Side Blade Type Motor Connector	\$22.00	C
36954	1968	<b>POWER WINDOW MOTOR ADAPTER HARNESS</b> Adapts "T" Shaped Motor Connector To Side By Side Blade Type Motor Connector	\$22.00	C
36954	1969	<b>POWER WINDOW MOTOR ADAPTER HARNESS</b> Adapts "T" Shaped Motor Connector To Side By Side Blade Type Motor Connector	\$22.00	C

Part Number	Year	Description	Price	*Rev.
36954	1970	<b>POWER WINDOW MOTOR ADAPTER HARNESS</b> Adapts "T" Shaped Motor Connector To Side By Side Blade Type Motor Connector	\$22.00	C
36954	1971	<b>POWER WINDOW MOTOR ADAPTER HARNESS</b> Adapts "T" Shaped Motor Connector To Side By Side Blade Type Motor Connector	\$22.00	C
36954	1972	<b>POWER WINDOW MOTOR ADAPTER HARNESS</b> Adapts "T" Shaped Motor Connector To Side By Side Blade Type Motor Connector	\$22.00	C
<b>POWER WINDOW SWITCH</b>				
01731231	1971	<b>POWER WINDOW SWITCH</b> All, With Switch On Door Panel, 4 Button, Square Corner Style, Chrome	\$75.00	M
01731231	1972	<b>POWER WINDOW SWITCH</b> All, With Switch On Door Panel, 4 Button, Square Corner Style, Chrome	\$75.00	M
01731231	1973	<b>POWER WINDOW SWITCH</b> Delta 88, 4 Button, Square Corner Style, Chrome	\$75.00	M
01731231	1974	<b>POWER WINDOW SWITCH</b> Delta 88, 4 Button, Square Corner Style, Chrome	\$75.00	M
01731231	1975	<b>POWER WINDOW SWITCH</b> Delta 88, 4 Button, Square Corner Style, Chrome	\$75.00	M
01725094	1976	<b>POWER WINDOW SWITCH</b> Delta 88, 1 Button, Square Corner Style, Chrome	\$21.00	M
01725094	1976	<b>POWER WINDOW SWITCH</b> Omega, 1 Button, Square Corner Style, Chrome	\$21.00	M
01731231	1976	<b>POWER WINDOW SWITCH</b> Delta 88, 4 Button, Square Corner Style, Chrome	\$75.00	M
01725094	1977	<b>POWER WINDOW SWITCH</b> Delta 88, 1 Button, Square Corner Style, Chrome	\$21.00	M
01725094	1977	<b>POWER WINDOW SWITCH</b> Omega, 1 Button, Square Corner Style, Chrome	\$21.00	M
01731231	1977	<b>POWER WINDOW SWITCH</b> Delta 88, 4 Button, Square Corner Style, Chrome	\$75.00	M
01725092	1977	<b>POWER WINDOW SWITCH</b> Delta 88, 2 Button, Square Corner Style, Chrome	\$53.00	M
01725094	1978	<b>POWER WINDOW SWITCH</b> Delta 88, 1 Button, Square Corner Style, Chrome	\$21.00	M
01725094	1978	<b>POWER WINDOW SWITCH</b> Omega, 1 Button, Square Corner Style, Chrome	\$21.00	M
01731231	1978	<b>POWER WINDOW SWITCH</b> Delta 88, 4 Button, Square Corner Style, Chrome	\$75.00	M
01725092	1978	<b>POWER WINDOW SWITCH</b> Delta 88, 2 Button, Square Corner Style, Chrome	\$53.00	M
01725094	1979	<b>POWER WINDOW SWITCH</b> Delta 88, 1 Button, Square Corner Style, Chrome	\$21.00	M
01725094	1979	<b>POWER WINDOW SWITCH</b> Omega, 4 Dr Sedan, 1 Button, Square Corner Style, Chrome	\$21.00	M
01731231	1979	<b>POWER WINDOW SWITCH</b> Delta 88, 4 Button, Square Corner Style, Chrome	\$75.00	M
01725092	1979	<b>POWER WINDOW SWITCH</b> Delta 88, 2 Button, Square Corner Style, Chrome	\$53.00	M
<b>REAR LAMP HARNESS</b>				
34320	1959	<b>REAR LAMP HARNESS</b> Front Section, 98 4-Door	\$159.00	
32435	1959	<b>REAR LAMP HARNESS</b> Front Section, 98 Convertible	\$186.00	
34310	1959	<b>REAR LAMP HARNESS</b> Front Section, 98 Holiday Coupe	\$159.00	
34325	1959	<b>REAR LAMP HARNESS</b> Front Section, Dynamic 88, All Except Wagon & Convertible And Super 88 Holiday Coupe	\$159.00	
34315	1959	<b>REAR LAMP HARNESS</b> Front Section, Dynamic 88 & Super 88 Convertible	\$194.00	
32385	1959	<b>REAR LAMP HARNESS</b> Front Section, Super 88 Holiday Sedan & 4-Door Sedan	\$159.00	
34330	1959	<b>REAR LAMP HARNESS</b> Rear Section, All Except Wagons	\$159.00	
34305	1960	<b>REAR LAMP HARNESS</b> Front Section, 88 & Super 88 Convertible	\$186.00	
32375	1960	<b>REAR LAMP HARNESS</b> Front Section, 98 Holiday Sedan & 4-Door Sedan	\$159.00	
34300	1960	<b>REAR LAMP HARNESS</b> Front Section, 98 Convertible	\$186.00	
32380	1960	<b>REAR LAMP HARNESS</b> Front Section, 98 Holiday Coupe	\$159.00	
32365	1960	<b>REAR LAMP HARNESS</b> Front Section, Dynamic 88 2 & 4-Door Sedan, Holiday Coupe & Sedan And Super 88 Holiday Coupe	\$159.00	
32370	1960	<b>REAR LAMP HARNESS</b> Front Section, Dynamic 88 4-Door Sedan, Super 88 Holiday Sedan	\$159.00	
34295	1960	<b>REAR LAMP HARNESS</b> Rear Section, All Except Wagons	\$159.00	
<b>STARTER SOLENOID JUMPER WIRE</b>				
27515	1953	<b>STARTER SOLENOID JUMPER WIRE</b> Main Harness To Starter	\$20.00	

Part Number	Year	Description	Price	*Rev.
<b>STOP LAMP SWITCH</b>				
01997922	1951	STOP LAMP SWITCH	\$8.00	N
01997922	1952	STOP LAMP SWITCH	\$8.00	N
01997922	1953	STOP LAMP SWITCH Except Power Brakes	\$8.00	N
01997922	1954	STOP LAMP SWITCH Except Power Brakes	\$8.00	N
01997922	1955	STOP LAMP SWITCH Except Power Brakes	\$8.00	N
01997922	1956	STOP LAMP SWITCH Except Power Brakes	\$8.00	N
01997922	1957	STOP LAMP SWITCH Except Power Brakes	\$8.00	N
01997922	1958	STOP LAMP SWITCH Except Power Brakes	\$8.00	N
<b>TRUNK LAMP EXTENSION WIRE</b>				
36239	1971	TRUNK LAMP EXTENSION WIRE Trunk Lamp To Rear Lamp Harness Connector, All Delta 88 & Ninety-Eight	\$25.00	
<b>TURN SIGNAL LEVER WIPER SWITCH</b>				
22510144	1982	TURN SIGNAL LEVER WIPER SWITCH All, Chrome, With Pulse Wipers, Without Cruise Control	\$20.00	N
22510144	1983	TURN SIGNAL LEVER WIPER SWITCH All, Chrome, With Pulse Wipers, Without Cruise Control	\$20.00	N
22510733	1984	TURN SIGNAL LEVER WIPER SWITCH All, Black, With Pulse Wipers, Without Cruise Control	\$20.00	N
22510732	1984	TURN SIGNAL LEVER WIPER SWITCH All, Black, Without Pulse Wipers, Without Cruise Control	\$20.00	N
22510144	1984	TURN SIGNAL LEVER WIPER SWITCH All, Chrome, With Pulse Wipers, Without Cruise Control	\$20.00	N
22510733	1985	TURN SIGNAL LEVER WIPER SWITCH All, Black, With Pulse Wipers, Without Cruise Control	\$20.00	N
22510732	1985	TURN SIGNAL LEVER WIPER SWITCH All, Black, Without Pulse Wipers, Without Cruise Control	\$20.00	N
22510144	1985	TURN SIGNAL LEVER WIPER SWITCH All, Chrome, With Pulse Wipers, Without Cruise Control	\$20.00	N
22510733	1986	TURN SIGNAL LEVER WIPER SWITCH All, Black, With Pulse Wipers, Without Cruise Control	\$20.00	N
22510732	1986	TURN SIGNAL LEVER WIPER SWITCH All, Black, Without Pulse Wipers, Without Cruise Control	\$20.00	N
22510144	1986	TURN SIGNAL LEVER WIPER SWITCH All, Chrome, With Pulse Wipers, Without Cruise Control	\$20.00	N
25031456	1986	TURN SIGNAL LEVER WIPER SWITCH Toronado, Chrome, With Pulse Wipers, With Cruise Control	\$26.00	N
22510733	1987	TURN SIGNAL LEVER WIPER SWITCH All, Black, With Pulse Wipers, Without Cruise Control	\$20.00	N
22510732	1987	TURN SIGNAL LEVER WIPER SWITCH All, Black, Without Pulse Wipers, Without Cruise Control	\$20.00	N
22510144	1987	TURN SIGNAL LEVER WIPER SWITCH All, Chrome, With Pulse Wipers, Without Cruise Control	\$20.00	N
25031456	1987	TURN SIGNAL LEVER WIPER SWITCH Toronado, Chrome, With Pulse Wipers, With Cruise Control	\$26.00	N
22510144	1988	TURN SIGNAL LEVER WIPER SWITCH All, Chrome, With Pulse Wipers, Without Cruise Control	\$20.00	N
25111262	1988	TURN SIGNAL LEVER WIPER SWITCH Toronado, Black, With Pulse Wipers, With Cruise Control	\$26.00	N
25031456	1988	TURN SIGNAL LEVER WIPER SWITCH Toronado, Chrome, With Pulse Wipers, With Cruise Control	\$26.00	N
22510144	1989	TURN SIGNAL LEVER WIPER SWITCH All, Chrome, With Pulse Wipers, Without Cruise Control	\$20.00	N
25111262	1989	TURN SIGNAL LEVER WIPER SWITCH Toronado, Black, With Pulse Wipers, With Cruise Control	\$26.00	N
25031456	1989	TURN SIGNAL LEVER WIPER SWITCH Toronado, Chrome, With Pulse Wipers, With Cruise Control	\$26.00	N
22510144	1990	TURN SIGNAL LEVER WIPER SWITCH All, Chrome, With Pulse Wipers, Without Cruise Control	\$20.00	N
<b>TURN SIGNAL SWITCH</b>				
07800482	1967	TURN SIGNAL SWITCH All, Except Column Shift A/T, Without Tilt, Without Cornering Lights, (Delco Type, White) Note: Emergency Flasher Actuator Hole In Outer Cover Is Shaped Like A Doghouse.	\$50.00	
05698897	1967	TURN SIGNAL SWITCH With Column Shift A/T, Without Tilt, Without Cornering Lights, (Delco Type, Black, White Or Green) Note: Emergency Flasher Actuator Hole In Outer Cover Is Shaped Like A Doghouse.	\$50.00	
05698897	1967	TURN SIGNAL SWITCH With Column Shift A/T, With Tilt, Without Cornering Lights, (Delco Type, Black, White Or Green) Note: Emergency Flasher Actuator Hole In Outer Cover Is Shaped Like A Doghouse.	\$50.00	

Part Number	Year	Description	Price	*Rev.
07800482	1968	<b>TURN SIGNAL SWITCH</b> All, Except Column Shift A/T, Without Tilt, Without Cornering Lights, (Delco Type, White) Note: Emergency Flasher Actuator Hole In Outer Cover Is Shaped Like A Doghouse.	\$50.00	
05698897	1968	<b>TURN SIGNAL SWITCH</b> With Column Shift A/T, Without Tilt, Without Cornering Lights, (Delco Type, Black, White Or Green) Note: Emergency Flasher Actuator Hole In Outer Cover Is Shaped Like A Doghouse.	\$50.00	
05698897	1968	<b>TURN SIGNAL SWITCH</b> With Column Shift A/T, With Tilt, Without Cornering Lights, (Delco Type, Black, White Or Green) Note: Emergency Flasher Actuator Hole In Outer Cover Is Shaped Like A Doghouse.	\$50.00	
<b>WINDSHIELD WASHER PUMP</b>				
04919332	1963	<b>WINDSHIELD WASHER PUMP</b> 88, With Single Speed Wiper Motor	\$60.00	N
04919332	1964	<b>WINDSHIELD WASHER PUMP</b> J88, D88, Delta, With Single Speed Wiper Motor	\$60.00	N
04919332	1965	<b>WINDSHIELD WASHER PUMP</b> J88, D88, Delta, With Single Speed Wiper Motor	\$60.00	N
<b>WINDSHIELD WIPER SWITCH</b>				
01993543	1959	<b>WINDSHIELD WIPER SWITCH</b> Super 88, 2 Speed With Washer	\$45.00	M
01993543	1959	<b>WINDSHIELD WIPER SWITCH</b> 88, With Wide Arc, 2 Speed With Washer	\$45.00	M
01993543	1960	<b>WINDSHIELD WIPER SWITCH</b> 2 Speed With Washer	\$45.00	M
01993543	1961	<b>WINDSHIELD WIPER SWITCH</b> 2 Speed With Washer, Except F-85	\$45.00	M
01993371	1967	<b>WINDSHIELD WIPER SWITCH</b> Oldsmobile Passenger, Delmont, Delta, Ninety Eight, With Washer	\$65.00	

# ***Section 19***

## ***Pontiac Fullsize Grand Prix***

Part Number	Year	Description	Price	*Rev.
<b>AIR CONDITIONING EXTENSION HARNESS</b>				
06260	1958	<b>AIR CONDITIONING EXTENSION HARNESS</b> Clutch Wire, With Cool Pack	\$41.00	
03735	1958	<b>AIR CONDITIONING EXTENSION HARNESS</b> With 6 Cylinder, Compressor Adapter Note: 6 Cylinder Items Are Not Returnable.	\$41.00	
06260	1959	<b>AIR CONDITIONING EXTENSION HARNESS</b> Clutch Wire, With Cool Pack	\$41.00	
03735	1959	<b>AIR CONDITIONING EXTENSION HARNESS</b> With 6 Cylinder, Compressor Adapter Note: 6 Cylinder Items Are Not Returnable.	\$41.00	
03735	1960	<b>AIR CONDITIONING EXTENSION HARNESS</b> With 6 Cylinder, Compressor Adapter Note: 6 Cylinder Items Are Not Returnable.	\$41.00	
03735	1961	<b>AIR CONDITIONING EXTENSION HARNESS</b> With 6 Cylinder, Compressor Adapter Note: 6 Cylinder Items Are Not Returnable.	\$41.00	
<b>AIR CONDITIONING HARNESS</b>				
02270	1956	<b>AIR CONDITIONING HARNESS</b> Includes Heater Wiring	\$212.00	
02595	1957	<b>AIR CONDITIONING HARNESS</b> Includes Heater Wiring	\$212.00	
02780	1958	<b>AIR CONDITIONING HARNESS</b> Includes Heater Wiring	\$263.00	
02870	1959	<b>AIR CONDITIONING HARNESS</b> With Circulaire, Includes Heater Wiring	\$263.00	
02915	1959	<b>AIR CONDITIONING HARNESS</b> With Cool Pack, Includes Heater Wiring	\$94.00	
03220	1960	<b>AIR CONDITIONING HARNESS</b> With Circulaire, Includes Heater Wiring	\$263.00	
03170	1960	<b>AIR CONDITIONING HARNESS</b> With Cool Pack, Includes Heater Wiring	\$125.00	
03605	1961	<b>AIR CONDITIONING HARNESS</b> With Circulaire, Includes Heater Wiring	\$263.00	
03585	1961	<b>AIR CONDITIONING HARNESS</b> With Cool Pack, Includes Heater Wiring	\$120.00	
03835	1962	<b>AIR CONDITIONING HARNESS</b> With Cool Pack, (Universal), Includes Heater Wiring	\$94.00	
04425	1963	<b>AIR CONDITIONING HARNESS</b> Field Installed, Includes Heater Wiring	\$263.00	
05180	1964	<b>AIR CONDITIONING HARNESS</b> Factory Installed, Includes Heater Wiring	\$212.00	
04585	1964	<b>AIR CONDITIONING HARNESS</b> Field Installed, Includes Heater Wiring	\$263.00	
05820	1965	<b>AIR CONDITIONING HARNESS</b> Field Installed, Includes Heater Wiring	\$212.00	
05725	1965	<b>AIR CONDITIONING HARNESS</b> Standard, Includes Heater Wiring	\$186.00	
05880	1965	<b>AIR CONDITIONING HARNESS</b> With Auto Temp Control, Includes Heater Wiring	\$263.00	
38178	1970	<b>AIR CONDITIONING HARNESS</b> Grand Prix, Dash Side, With Heated Rear Defogger (Use With #38177)	\$106.00	
38177	1970	<b>AIR CONDITIONING HARNESS</b> Grand Prix, Engine Side, With Heated Rear Defogger (Use With #38178)	\$159.00	
<b>ALTERNATOR CONVERSION KIT</b>				
27555	1969	<b>ALTERNATOR CONVERSION KIT</b> External To Internal Regulator Conversion Harness ("SI" Series) Note: For Use With 1972-84 Non-Serpentine Belt ("SI" Series) Internal Regulated Alternators.	\$29.00	
37787	1969	<b>ALTERNATOR CONVERSION KIT</b> External To Internal Regulator Conversion Harness ("CS" Series) Note: For Use With Serpentine Belt ("CS" Series) Internal Regulated Alternators.	\$34.00	
27555	1970	<b>ALTERNATOR CONVERSION KIT</b> External To Internal Regulator Conversion Harness ("SI" Series) Note: For Use With 1972-84 Non-Serpentine Belt ("SI" Series) Internal Regulated Alternators.	\$29.00	
37787	1970	<b>ALTERNATOR CONVERSION KIT</b> External To Internal Regulator Conversion Harness ("CS" Series) Note: For Use With Serpentine Belt ("CS" Series) Internal Regulated Alternators.	\$34.00	
<b>ASSEMBLY MANUAL</b>				
43252	1969	<b>ASSEMBLY MANUAL</b> Pontiac Passenger, Factory Assembly Instruction Guide	\$32.00	
36359	1970	<b>ASSEMBLY MANUAL</b> Grand Prix, Factory Assembly Instruction Guide	\$32.00	
43541	1970	<b>ASSEMBLY MANUAL</b> Pontiac Passenger, Factory Assembly Instruction Guide	\$32.00	
36360	1971	<b>ASSEMBLY MANUAL</b> Grand Prix, Factory Assembly Instruction Guide	\$32.00	
43542	1971	<b>ASSEMBLY MANUAL</b> Pontiac Passenger, Factory Assembly Instruction Guide	\$32.00	

Part Number	Year	Description	Price	*Rev.
43543	1973	<b>ASSEMBLY MANUAL</b> Pontiac Passenger, Factory Assembly Instruction Guide	\$32.00	
43544	1974	<b>ASSEMBLY MANUAL</b> Pontiac Passenger, Factory Assembly Instruction Guide	\$32.00	
43545	1975	<b>ASSEMBLY MANUAL</b> Pontiac Passenger, Factory Assembly Instruction Guide	\$32.00	
43546	1976	<b>ASSEMBLY MANUAL</b> Pontiac Passenger, Factory Assembly Instruction Guide	\$32.00	
<b>AUXILIARY GAUGE PANEL HARNESS</b>				
07105	1964	<b>AUXILIARY GAUGE PANEL HARNESS</b> With Auxiliary Gauges	\$75.00	
06240	1965	<b>AUXILIARY GAUGE PANEL HARNESS</b> With Auxiliary Gauges	\$73.00	
<b>BACKUP LAMP SWITCH</b>				
01993662	1960	<b>BACKUP LAMP SWITCH</b> 4 Speed, Manual Trans	\$64.00	
01993662	1961	<b>BACKUP LAMP SWITCH</b> 4 Speed, Manual Trans	\$64.00	
01993662	1962	<b>BACKUP LAMP SWITCH</b> 4 Speed, Manual Trans	\$64.00	
01993662	1963	<b>BACKUP LAMP SWITCH</b> 4 Speed, Manual Trans	\$64.00	
01993662	1964	<b>BACKUP LAMP SWITCH</b> 4 Speed, Manual Trans	\$64.00	
01993310	1965	<b>BACKUP LAMP SWITCH</b> 3 Speed, Manual Trans	\$64.00	
01993309	1965	<b>BACKUP LAMP SWITCH</b> 4 Speed, Manual Trans	\$64.00	
01993310	1966	<b>BACKUP LAMP SWITCH</b> 3 Speed, Manual Trans	\$64.00	
01993309	1966	<b>BACKUP LAMP SWITCH</b> 4 Speed, Manual Trans	\$64.00	
01993310	1967	<b>BACKUP LAMP SWITCH</b> 3 Speed, Manual Trans	\$64.00	
01993309	1967	<b>BACKUP LAMP SWITCH</b> 4 Speed, Manual Trans	\$64.00	
03943657	1969	<b>BACKUP LAMP SWITCH</b> Manual Trans	\$53.00	
03943657	1970	<b>BACKUP LAMP SWITCH</b> Manual Trans	\$53.00	
03943657	1971	<b>BACKUP LAMP SWITCH</b> Manual Trans	\$53.00	
03943657	1972	<b>BACKUP LAMP SWITCH</b> Manual Trans	\$53.00	
<b>BACKUP LAMP SWITCH EXTENSION HARNESS</b>				
12695	1968	<b>BACKUP LAMP SWITCH EXTENSION HARNESS</b> Manual Trans, Dash Harness Side To Engine Compartment Note: Connects To Part# 12690 Backup Lamp Switch Extension Harness.	\$31.00	
12690	1968	<b>BACKUP LAMP SWITCH EXTENSION HARNESS</b> Manual Trans, Engine Compartment Side To Backup Lamp Switch Note: Connects To Part# 12695 Backup Lamp Switch Extension Harness.	\$31.00	
<b>BATTERY CABLE JUMPER</b>				
02800	1959	<b>BATTERY CABLE JUMPER</b> Pos, V/8, Junction Block To Starter	\$69.00	
02800	1960	<b>BATTERY CABLE JUMPER</b> Pos, V/8, Junction Block To Starter	\$69.00	
03635	1961	<b>BATTERY CABLE JUMPER</b> Pos, V/8, Junction Block To Starter, Except Super Duty	\$69.00	
02800	1961	<b>BATTERY CABLE JUMPER</b> Pos, V/8, Junction Block To Starter, Super Duty	\$69.00	
03635	1962	<b>BATTERY CABLE JUMPER</b> Pos, V/8, Junction Block To Starter, Except Super Duty	\$69.00	
02800	1962	<b>BATTERY CABLE JUMPER</b> Pos, V/8, Junction Block To Starter, Super Duty	\$69.00	
04015	1963	<b>BATTERY CABLE JUMPER</b> Pos, V/8, Junction Block To Starter, Exc. 421 C.I. Super Duty	\$69.00	
23340	1963	<b>BATTERY CABLE JUMPER</b> Pos, Junction Block To Starter, All 421 C.I. Super Duty	\$69.00	
04015	1964	<b>BATTERY CABLE JUMPER</b> Pos, V/8, Junction Block To Starter, All	\$69.00	
<b>BATTERY CABLE-NEGATIVE</b>				
27875	1955	<b>BATTERY CABLE, TOP POST</b> Neg (Braided Strap Type)	\$69.00	
27875	1956	<b>BATTERY CABLE, TOP POST</b> Neg (Braided Strap Type)	\$69.00	
27875	1957	<b>BATTERY CABLE, TOP POST</b> Neg (Braided Strap Type)	\$69.00	
29715	1958	<b>BATTERY CABLE, TOP POST</b> Neg	\$69.00	
03470	1961	<b>BATTERY CABLE, SPRING RING</b> Neg, With A/C	\$69.00	
02920	1961	<b>BATTERY CABLE, SPRING RING</b> Neg, Without A/C	\$69.00	



Part Number	Year	Description	Price	*Rev.
03470	1962	BATTERY CABLE, SPRING RING Neg, With A/C	\$69.00	
02920	1962	BATTERY CABLE, SPRING RING Neg, Without A/C	\$69.00	
02920	1963	BATTERY CABLE, SPRING RING Neg, All	\$69.00	
03430	1964	BATTERY CABLE, SPRING RING Neg, All	\$69.00	
03430	1965	BATTERY CABLE, SPRING RING Neg, All	\$69.00	
03430	1966	BATTERY CABLE, SPRING RING Neg, All	\$69.00	
03430	1967	BATTERY CABLE, SPRING RING Neg, All	\$69.00	
03430	1968	BATTERY CABLE, SPRING RING Neg, All	\$69.00	
03425	1969	BATTERY CABLE, SPRING RING Neg, All, Except Grand Prix	\$69.00	
12575	1969	BATTERY CABLE, SPRING RING Neg, Grand Prix	\$81.00	
13675	1970	BATTERY CABLE, SIDE POST Neg, Grand Prix, With 455 C.I.	\$69.00	
12575	1970	BATTERY CABLE, SPRING RING Neg, Grand Prix, Except 455 C.I.	\$81.00	
14640	1970	BATTERY CABLE, SPRING RING Neg, Grand Prix, With 455 C.I.	\$81.00	
39348	1971	BATTERY CABLE, SIDE POST Neg, Grand Prix, With 455 C.I.	\$73.00	
12575	1971	BATTERY CABLE, SPRING RING Neg, Grand Prix, Except 455 C.I.	\$81.00	
<b>BATTERY CABLE-POSITIVE</b>				
30405	1955	BATTERY CABLE, TOP POST Pos, Battery To Starter	\$69.00	
30440	1956	BATTERY CABLE, TOP POST Pos, Battery To Starter	\$69.00	
30440	1957	BATTERY CABLE, TOP POST Pos, Battery To Starter	\$69.00	
29710	1958	BATTERY CABLE, TOP POST Pos, Manual Trans	\$69.00	
34710	1961	BATTERY CABLE, SPRING RING Pos, Battery To Junction Block, All	\$69.00	
34710	1962	BATTERY CABLE, SPRING RING Pos, Battery To Junction Block, All	\$69.00	
34710	1963	BATTERY CABLE, SPRING RING Pos, Battery To Junction Block, All, Except Grand Prix	\$69.00	
04020	1963	BATTERY CABLE, SPRING RING Pos, Battery To Junction Block, Grand Prix	\$69.00	
34710	1964	BATTERY CABLE, SPRING RING Pos, Battery To Junction Block, All, Except Grand Prix	\$69.00	
04020	1964	BATTERY CABLE, SPRING RING Pos, Battery To Junction Block, Grand Prix	\$69.00	
05920	1965	BATTERY CABLE, SPRING RING Pos, V/8, With Power Options	\$69.00	N
05895	1965	BATTERY CABLE, SPRING RING Pos, V/8, Without Power Options	\$65.00	N
05920	1966	BATTERY CABLE, SPRING RING Pos, V/8, With Power Options	\$69.00	N
05895	1966	BATTERY CABLE, SPRING RING Pos, V/8, Without Power Options	\$65.00	N
05920	1967	BATTERY CABLE, SPRING RING Pos, V/8, With Power Options	\$69.00	N
05895	1967	BATTERY CABLE, SPRING RING Pos, V/8, Without Power Options	\$65.00	N
04200	1969	BATTERY CABLE, SPRING RING Pos, All, Except Grand Prix	\$69.00	
12515	1969	BATTERY CABLE, SPRING RING Pos, Grand Prix	\$81.00	
12515	1970	BATTERY CABLE, SPRING RING Pos, Grand Prix, Except 455 C.I.	\$81.00	
13670	1970	BATTERY CABLE, SIDE POST Pos, Grand Prix, With 455 C.I.	\$69.00	
14600	1970	BATTERY CABLE, SPRING RING Pos, Grand Prix, With 455 C.I.	\$81.00	
<b>BREAKERLESS SE SINGLE WIRE ELECTRONIC IGNITION</b>				
38131	1957	BREAKERLESS SE SINGLE WIRE ELECTRONIC IGNITION KIT For 1957-74 Breaker Point Distributors With Windowed Type Distributor Cap	\$179.00	
38131	1958	BREAKERLESS SE SINGLE WIRE ELECTRONIC IGNITION KIT For 1957-74 Breaker Point Distributors With Windowed Type Distributor Cap	\$179.00	
38131	1959	BREAKERLESS SE SINGLE WIRE ELECTRONIC IGNITION KIT For 1957-74 Breaker Point Distributors With Windowed Type Distributor Cap	\$179.00	
38131	1960	BREAKERLESS SE SINGLE WIRE ELECTRONIC IGNITION KIT For 1957-74 Breaker Point Distributors With Windowed Type Distributor Cap	\$179.00	
38131	1961	BREAKERLESS SE SINGLE WIRE ELECTRONIC IGNITION KIT For 1957-74 Breaker Point Distributors With Windowed Type Distributor Cap	\$179.00	

Part Number	Year	Description	Price	*Rev.
38131	1962	<b>BREAKERLESS SE SINGLE WIRE ELECTRONIC IGNITION KIT</b> For 1957-74 Breaker Point Distributors With Windowed Type Distributor Cap	\$179.00	
38131	1963	<b>BREAKERLESS SE SINGLE WIRE ELECTRONIC IGNITION KIT</b> For 1957-74 Breaker Point Distributors With Windowed Type Distributor Cap	\$179.00	
38131	1964	<b>BREAKERLESS SE SINGLE WIRE ELECTRONIC IGNITION KIT</b> For 1957-74 Breaker Point Distributors With Windowed Type Distributor Cap	\$179.00	
38131	1965	<b>BREAKERLESS SE SINGLE WIRE ELECTRONIC IGNITION KIT</b> For 1957-74 Breaker Point Distributors With Windowed Type Distributor Cap	\$179.00	
38131	1966	<b>BREAKERLESS SE SINGLE WIRE ELECTRONIC IGNITION KIT</b> For 1957-74 Breaker Point Distributors With Windowed Type Distributor Cap	\$179.00	
38131	1967	<b>BREAKERLESS SE SINGLE WIRE ELECTRONIC IGNITION KIT</b> For 1957-74 Breaker Point Distributors With Windowed Type Distributor Cap	\$179.00	
38131	1968	<b>BREAKERLESS SE SINGLE WIRE ELECTRONIC IGNITION KIT</b> For 1957-74 Breaker Point Distributors With Windowed Type Distributor Cap	\$179.00	
38131	1969	<b>BREAKERLESS SE SINGLE WIRE ELECTRONIC IGNITION KIT</b> For 1957-74 Breaker Point Distributors With Windowed Type Distributor Cap	\$179.00	
38131	1970	<b>BREAKERLESS SE SINGLE WIRE ELECTRONIC IGNITION KIT</b> For 1957-74 Breaker Point Distributors With Windowed Type Distributor Cap	\$179.00	
38131	1971	<b>BREAKERLESS SE SINGLE WIRE ELECTRONIC IGNITION KIT</b> For 1957-74 Breaker Point Distributors With Windowed Type Distributor Cap	\$179.00	
38131	1972	<b>BREAKERLESS SE SINGLE WIRE ELECTRONIC IGNITION KIT</b> For 1957-74 Breaker Point Distributors With Windowed Type Distributor Cap	\$179.00	
38131	1973	<b>BREAKERLESS SE SINGLE WIRE ELECTRONIC IGNITION KIT</b> For 1957-74 Breaker Point Distributors With Windowed Type Distributor Cap	\$179.00	
38131	1974	<b>BREAKERLESS SE SINGLE WIRE ELECTRONIC IGNITION KIT</b> For 1957-74 Breaker Point Distributors With Windowed Type Distributor Cap	\$179.00	
<b>CLOCK HARNESS</b>				
05765	1965	<b>CLOCK HARNESS</b> Dash Harness To Clock	\$26.00	
<b>CONSOLE HARNESS</b>				
05595	1964	<b>CONSOLE HARNESS</b> Auto Trans	\$166.00	
36836	1964	<b>CONSOLE HARNESS</b> Manual Trans	\$133.00	
06190	1965	<b>CONSOLE HARNESS</b> Auto Trans	\$133.00	
00970	1965	<b>CONSOLE HARNESS</b> Manual Trans	\$34.00	
10045	1966	<b>CONSOLE HARNESS</b> Auto Trans	\$74.00	
09555	1966	<b>CONSOLE HARNESS</b> Manual Trans	\$34.00	
10045	1967	<b>CONSOLE HARNESS</b> Auto Trans	\$74.00	
11135	1967	<b>CONSOLE HARNESS</b> Manual Trans	\$34.00	
10045	1968	<b>CONSOLE HARNESS</b> Auto Trans	\$74.00	
11135	1968	<b>CONSOLE HARNESS</b> Manual Trans	\$34.00	
<b>COURTESY LAMP HARNESS</b>				
32405	1959	<b>COURTESY LAMP HARNESS</b> Side Roof Rail Lamp, Bonneville 2 Door Sport Coupe	\$50.00	
32410	1959	<b>COURTESY LAMP HARNESS</b> Side Roof Rail Lamp, Bonneville & Star Chief 4 Door Vista	\$50.00	
32420	1960	<b>COURTESY LAMP HARNESS</b> Reading Lamp Jumper, Bonneville 4 Door Safari	\$40.00	
32420	1960	<b>COURTESY LAMP HARNESS</b> Reading Lamp Jumper, Catalina, All Except Convertible	\$40.00	
32420	1960	<b>COURTESY LAMP HARNESS</b> Reading Lamp Jumper, Star Chief 2 & 4 Door Sport Sedan	\$40.00	
08005	1965	<b>COURTESY LAMP HARNESS</b> Center Roof Mounted Dome Lamp	\$49.00	
08030	1965	<b>COURTESY LAMP HARNESS</b> Roof Rail Lamp, Bonneville & Star Chief 4 Door Vista	\$60.00	
08005	1966	<b>COURTESY LAMP HARNESS</b> Center Roof Mounted Dome Lamp	\$49.00	
08030	1966	<b>COURTESY LAMP HARNESS</b> Roof Rail Lamp, Bonneville & Star Chief 4 Door Vista	\$60.00	
08005	1967	<b>COURTESY LAMP HARNESS</b> Center Roof Mounted Dome Lamp	\$49.00	

Part Number	Year	Description	Price	*Rev.
<b>DASH AND ENGINE COMPARTMENT HARNESS</b>				
02210	1955	<b>DASH AND ENGINE COMPARTMENT HARNESS</b> With Directional Signals	\$995.00	
02265	1956	<b>DASH AND ENGINE COMPARTMENT HARNESS</b> With Directional Signals	\$995.00	
02420	1957	<b>DASH AND ENGINE COMPARTMENT HARNESS</b>	\$995.00	
02675	1958	<b>DASH AND ENGINE COMPARTMENT HARNESS</b>	\$995.00	
02795	1959	<b>DASH AND ENGINE COMPARTMENT HARNESS</b> Without A/C Note: Customer Must Supply Their Original Fuseblock.	\$902.00	
00985	1959	<b>DASH AND ENGINE COMPARTMENT HARNESS</b> With A/C Note: Customer Must Supply Their Original Fuseblock.	\$953.00	
03225	1960	<b>DASH AND ENGINE COMPARTMENT HARNESS</b> With Manual Control Heater Note: Customer Must Supply Their Original Fuseblock.	\$902.00	
03055	1960	<b>DASH AND ENGINE COMPARTMENT HARNESS</b> With Push Button Control Heater Note: Customer Must Supply Their Original Fuseblock.	\$902.00	
03060	1960	<b>DASH AND ENGINE COMPARTMENT HARNESS</b> With A/C Note: Customer Must Supply Their Original Fuseblock.	\$928.00	
03440	1961	<b>DASH INSTRUMENT CLUSTER EXTENSION HARNESS</b>	\$143.00	
03445	1961	<b>DASH AND ENGINE COMPARTMENT HARNESS</b> With Manual Control Heater Note: Customer Must Supply Their Original Fuseblock.	\$902.00	
03450	1961	<b>DASH AND ENGINE COMPARTMENT HARNESS</b> With Push Button Control Heater Note: Customer Must Supply Their Original Fuseblock.	\$928.00	
03455	1961	<b>DASH AND ENGINE COMPARTMENT HARNESS</b> With A/C Note: Customer Must Supply Their Original Fuseblock.	\$928.00	
03440	1962	<b>DASH INSTRUMENT CLUSTER EXTENSION HARNESS</b>	\$143.00	
03775	1962	<b>DASH AND ENGINE COMPARTMENT HARNESS</b> With Push Button Control Heater Note: Customer Must Supply Their Original Fuseblock.	\$902.00	
04040	1962	<b>DASH AND ENGINE COMPARTMENT HARNESS</b> With A/C & Alternator Note: Customer Must Supply Their Original Fuseblock.	\$928.00	
03780	1962	<b>DASH AND ENGINE COMPARTMENT HARNESS</b> With A/C & Generator Note: Customer Must Supply Their Original Fuseblock.	\$928.00	
<b>DASH AND ENGINE HARNESS</b>				
04065	1963	<b>DASH AND ENGINE HARNESS</b> Without A/C Note: Customer Must Supply Their Original Fuseblock.	\$902.00	
04310	1963	<b>DASH AND ENGINE HARNESS</b> With A/C Note: Customer Must Supply Their Original Fuseblock.	\$928.00	
<b>DASH HARNESS</b>				
04545	1964	<b>DASH HARNESS</b> Column Shift Auto Or All Manual Trans Note: Requires Customers Original Dash Harness.	\$871.00	
04550	1964	<b>DASH HARNESS</b> Column Shift Auto Or All Manual Trans, With A/C Note: Requires Customers Original Dash Harness.	\$902.00	
05120	1964	<b>DASH HARNESS</b> Console Shift, Auto Trans Note: Requires Customers Original Dash Harness.	\$871.00	
05125	1964	<b>DASH HARNESS</b> Console Shift, Auto Trans, With A/C Note: Requires Customers Original Dash Harness.	\$902.00	
00975	1965	<b>DASH HARNESS</b> Column Shift Auto Or All Manual Trans Note: Requires Customers Original Dash Harness.	\$871.00	
05980	1965	<b>DASH HARNESS</b> Column Shift Auto Or All Manual Trans, With Standard A/C Note: Requires Customers Original Dash Harness.	\$902.00	

**Pontiac Fullsize  
Grand Prix**



**Phone (562) 926-9552  
Fax (562) 926-9572**

Part Number	Year	Description	Price	*Rev.
09265	1965	<b>DASH HARNESS</b> Column Shift Auto Or All Manual Trans, With Auto Temp A/C Note: Requires Customers Original Dash Harness.	\$902.00	
05990	1965	<b>DASH HARNESS</b> Console Shift, Auto Trans Note: Requires Customers Original Dash Harness.	\$871.00	
05985	1965	<b>DASH HARNESS</b> Console Shift, Auto Trans, With Standard A/C Note: Requires Customers Original Dash Harness.	\$902.00	
00980	1965	<b>DASH HARNESS</b> Console Shift, Auto Trans, With Auto Temp Control A/C Note: Requires Customers Original Dash Harness.	\$928.00	
09335	1966	<b>DASH HARNESS</b> Column Shift Auto Or All Manual Trans Note: Requires Customers Original Dash Harness.	\$928.00	
09350	1966	<b>DASH HARNESS</b> Column Shift Auto Or All Manual Trans, With Gauges Note: Requires Customers Original Dash Harness.	\$928.00	
09340	1966	<b>DASH HARNESS</b> Console Shift, Auto Trans Note: Requires Customers Original Dash Harness.	\$928.00	
09355	1966	<b>DASH HARNESS</b> Console Shift, Auto Trans, With Gauges Note: Requires Customers Original Dash Harness.	\$928.00	
10360	1967	<b>DASH HARNESS</b> Column Shift Auto Or All Manual Trans Note: Requires Customers Original Dash Harness.	\$928.00	
10515	1967	<b>DASH HARNESS</b> Column Shift Auto Or All Manual Trans, With Gauges Note: Requires Customers Original Dash Harness.	\$928.00	
10365	1967	<b>DASH HARNESS</b> Console Shift, Auto Trans Note: Requires Customers Original Dash Harness.	\$928.00	
10520	1967	<b>DASH HARNESS</b> Console Shift, Auto Trans, With Gauges Note: Requires Customers Original Dash Harness.	\$928.00	
11330	1968	<b>DASH HARNESS</b> Column Shift Auto Or All Manual Trans Note: Requires Customers Original Dash Harness.	\$928.00	
11340	1968	<b>DASH HARNESS</b> Column Shift Auto Or All Manual Trans, With Gauges Note: Requires Customers Original Dash Harness.	\$928.00	
11335	1968	<b>DASH HARNESS</b> Console Shift, Auto Trans Note: Requires Customers Original Dash Harness.	\$928.00	
11345	1968	<b>DASH HARNESS</b> Console Shift, Auto Trans, With Gauges Note: Requires Customers Original Dash Harness.	\$928.00	
12810	1969	<b>DASH HARNESS</b> Passenger Note: This Harness Contains A Resistance Wire In It And Must Be Modified If Using With A GM H.E.I. Distributor.	\$928.00	
12815	1969	<b>DASH HARNESS</b> Passenger, With Gauges Note: This Harness Contains A Resistance Wire In It And Must Be Modified If Using With A GM H.E.I. Distributor.	\$928.00	
13530	1969	<b>DASH HARNESS</b> Grand Prix Note: This Harness Contains A Resistance Wire In It And Must Be Modified If Using With A GM H.E.I. Distributor.	\$928.00	
13535	1969	<b>DASH HARNESS</b> Grand Prix, With Gauges Note: This Harness Contains A Resistance Wire In It And Must Be Modified If Using With A GM H.E.I. Distributor.	\$928.00	
15835	1970	<b>DASH HARNESS</b> Passenger Note: This Harness Contains A Resistance Wire In It And Must Be Modified If Using With A GM H.E.I. Distributor.	\$928.00	
15840	1970	<b>DASH HARNESS</b> Passenger, With Gauges Note: This Harness Contains A Resistance Wire In It And Must Be Modified If Using With A GM H.E.I. Distributor.	\$928.00	
15845	1970	<b>DASH HARNESS</b> Grand Prix Note: This Harness Contains A Resistance Wire In It And Must Be Modified If Using With A GM H.E.I. Distributor.	\$928.00	
15850	1970	<b>DASH HARNESS</b> Grand Prix, With Gauges Note: This Harness Contains A Resistance Wire In It And Must Be Modified If Using With A GM H.E.I. Distributor.	\$928.00	
16215	1971	<b>DASH HARNESS</b> Passenger, All	\$928.00	

Part Number	Year	Description	Price	*Rev.
16225	1971	<b>DASH HARNESS</b> Grand Prix	\$928.00	
16670	1971	<b>DASH HARNESS</b> Grand Prix, With Gauges	\$928.00	
<b>DISTRIBUTOR WIRE</b>				
36057	1957	<b>DISTRIBUTOR WIRE</b> Distributor Points To Coil Negative Terminal, V/8 Note: Fits All GM V/8 Points Type Distributors From Approx. 1957 To 1974.	\$18.00	C
36057	1958	<b>DISTRIBUTOR WIRE</b> Distributor Points To Coil Negative Terminal, V/8 Note: Fits All GM V/8 Points Type Distributors From Approx. 1957 To 1974.	\$18.00	C
36057	1959	<b>DISTRIBUTOR WIRE</b> Distributor Points To Coil Negative Terminal, V/8 Note: Fits All GM V/8 Points Type Distributors From Approx. 1957 To 1974.	\$18.00	C
36057	1960	<b>DISTRIBUTOR WIRE</b> Distributor Points To Coil Negative Terminal, V/8 Note: Fits All GM V/8 Points Type Distributors From Approx. 1957 To 1974.	\$18.00	C
36057	1961	<b>DISTRIBUTOR WIRE</b> Distributor Points To Coil Negative Terminal, V/8 Note: Fits All GM V/8 Points Type Distributors From Approx. 1957 To 1974.	\$18.00	C
36057	1962	<b>DISTRIBUTOR WIRE</b> Distributor Points To Coil Negative Terminal, V/8 Note: Fits All GM V/8 Points Type Distributors From Approx. 1957 To 1974.	\$18.00	C
36057	1963	<b>DISTRIBUTOR WIRE</b> Distributor Points To Coil Negative Terminal, V/8 Note: Fits All GM V/8 Points Type Distributors From Approx. 1957 To 1974.	\$18.00	C
36057	1964	<b>DISTRIBUTOR WIRE</b> Distributor Points To Coil Negative Terminal, V/8 Note: Fits All GM V/8 Points Type Distributors From Approx. 1957 To 1974.	\$18.00	C
36057	1965	<b>DISTRIBUTOR WIRE</b> Distributor Points To Coil Negative Terminal, V/8 Note: Fits All GM V/8 Points Type Distributors From Approx. 1957 To 1974.	\$18.00	C
36057	1966	<b>DISTRIBUTOR WIRE</b> Distributor Points To Coil Negative Terminal, V/8 Note: Fits All GM V/8 Points Type Distributors From Approx. 1957 To 1974.	\$18.00	C
36057	1967	<b>DISTRIBUTOR WIRE</b> Distributor Points To Coil Negative Terminal, V/8 Note: Fits All GM V/8 Points Type Distributors From Approx. 1957 To 1974.	\$18.00	C
36057	1968	<b>DISTRIBUTOR WIRE</b> Distributor Points To Coil Negative Terminal, V/8 Note: Fits All GM V/8 Points Type Distributors From Approx. 1957 To 1974.	\$18.00	C
36057	1969	<b>DISTRIBUTOR WIRE</b> Distributor Points To Coil Negative Terminal, V/8 Note: Fits All GM V/8 Points Type Distributors From Approx. 1957 To 1974.	\$18.00	C
36057	1970	<b>DISTRIBUTOR WIRE</b> Distributor Points To Coil Negative Terminal, V/8 Note: Fits All GM V/8 Points Type Distributors From Approx. 1957 To 1974.	\$18.00	C
36057	1971	<b>DISTRIBUTOR WIRE</b> Distributor Points To Coil Negative Terminal, V/8 Note: Fits All GM V/8 Points Type Distributors From Approx. 1957 To 1974.	\$18.00	C
36057	1972	<b>DISTRIBUTOR WIRE</b> Distributor Points To Coil Negative Terminal, V/8 Note: Fits All GM V/8 Points Type Distributors From Approx. 1957 To 1974.	\$18.00	C
36057	1973	<b>DISTRIBUTOR WIRE</b> Distributor Points To Coil Negative Terminal, V/8 Note: Fits All GM V/8 Points Type Distributors From Approx. 1957 To 1974.	\$18.00	C
36057	1974	<b>DISTRIBUTOR WIRE</b> Distributor Points To Coil Negative Terminal, V/8 Note: Fits All GM V/8 Points Type Distributors From Approx. 1957 To 1974.	\$18.00	C
<b>DOME LAMP FEED AND GROUND</b>				
32415	1959	<b>DOME LAMP FEED AND GROUND</b> Catalina 4 Door Vista	\$42.00	
32400	1959	<b>DOME LAMP FEED AND GROUND</b> Bonneville, Catalina & Star Chief 4 Dr Sedan & Safari And 2 Dr Sport Coupe & Sedan	\$42.00	
<b>ENGINE HARNESS</b>				
04555	1964	<b>ENGINE HARNESS</b> V/8, (Original 2 Wire Voltage Regulator) Note: Requires Use Of Customers Bulkhead Connector.	\$243.00	
36213	1964	<b>ENGINE HARNESS</b> V/8, (Updated 4 Wire Voltage Regulator) Note: Requires Use Of Customers Bulkhead Connector.	\$243.00	

Part Number	Year	Description	Price	*Rev.
05190	1964	<b>ENGINE HARNESS</b> V/8, With A/C (Original 2 Wire Voltage Regulator) Note: Requires Use Of Customers Bulkhead Connector.	\$256.00	
36214	1964	<b>ENGINE HARNESS</b> V/8, With A/C (Updated 4 Wire Voltage Regulator) Note: Requires Use Of Customers Bulkhead Connector.	\$256.00	
05925	1965	<b>ENGINE HARNESS</b> V/8, (Original 2 Wire Voltage Regulator) Note: Requires Use Of Customers Bulkhead Connector.	\$243.00	
36215	1965	<b>ENGINE HARNESS</b> V/8, (Updated Wire 4 Voltage Regulator) Note: Requires Use Of Customers Bulkhead Connector.	\$243.00	
05930	1965	<b>ENGINE HARNESS</b> V/8, With Standard A/C (Original 2 Wire Voltage Regulator) Note: Requires Use Of Customers Bulkhead Connector.	\$249.00	
36216	1965	<b>ENGINE HARNESS</b> V/8, With Standard A/C (Updated 4 Wire Voltage Regulator) Note: Requires Use Of Customers Bulkhead Connector.	\$256.00	
06050	1965	<b>ENGINE HARNESS</b> V/8, With Auto Temp Control A/C (Original 2 Wire Voltage Regulator) Note: Requires Use Of Customers Bulkhead Connector.	\$256.00	
36217	1965	<b>ENGINE HARNESS</b> V/8, With Auto Temp Control A/C (Updated 4 Wire Voltage Regulator) Note: Requires Use Of Customers Bulkhead Connector.	\$256.00	
09345	1966	<b>ENGINE HARNESS</b> V/8, (Original 2 Wire Voltage Regulator) Note: Requires Use Of Customers Bulkhead Connector.	\$243.00	
36218	1966	<b>ENGINE HARNESS</b> V/8, (Updated 4 Wire Voltage Regulator) Note: Requires Use Of Customers Bulkhead Connector.	\$243.00	
09545	1966	<b>ENGINE HARNESS</b> V/8, With Standard A/C (Original 2 Wire Voltage Regulator) Note: Requires Use Of Customers Bulkhead Connector.	\$256.00	
36219	1966	<b>ENGINE HARNESS</b> V/8, With Standard A/C (Updated 4 Wire Voltage Regulator) Note: Requires Use Of Customers Bulkhead Connector.	\$256.00	
09550	1966	<b>ENGINE HARNESS</b> V/8, With Auto Temp Control A/C (Original 2 Wire Voltage Regulator) Note: Requires Use Of Customers Bulkhead Connector.	\$256.00	
36220	1966	<b>ENGINE HARNESS</b> V/8, With Auto Temp Control A/C (Updated 4 Wire Voltage Regulator) Note: Requires Use Of Customers Bulkhead Connector.	\$256.00	
10230	1967	<b>ENGINE HARNESS</b> V/8, (Original 2 Wire Voltage Regulator) Note: Requires Use Of Customers Bulkhead Connector.	\$243.00	
36221	1967	<b>ENGINE HARNESS</b> V/8, (Updated 4 Wire Voltage Regulator) Note: Requires Use Of Customers Bulkhead Connector.	\$243.00	
10235	1967	<b>ENGINE HARNESS</b> V/8, With Standard A/C (Original 2 Wire Voltage Regulator) Note: Requires Use Of Customers Bulkhead Connector.	\$256.00	
36222	1967	<b>ENGINE HARNESS</b> V/8, With Standard A/C (Updated 4 Wire Voltage Regulator) Note: Requires Use Of Customers Bulkhead Connector.	\$256.00	
10240	1967	<b>ENGINE HARNESS</b> V/8, With Auto Temp Control A/C (Original 2 Wire Voltage Regulator) Note: Requires Use Of Customers Bulkhead Connector.	\$256.00	
36223	1967	<b>ENGINE HARNESS</b> V/8, With Auto Temp Control A/C (Updated 4 Wire Voltage Regulator) Note: Requires Use Of Customers Bulkhead Connector.	\$256.00	
10290	1967	<b>ENGINE HARNESS</b> V/8, With T.I. (Original 2 Wire Voltage Regulator) Note: Requires Use Of Customers Bulkhead Connector.	\$276.00	
36224	1967	<b>ENGINE HARNESS</b> V/8, With T.I. (Updated 4 Wire Voltage Regulator) Note: Requires Use Of Customers Bulkhead Connector.	\$276.00	

**Pontiac Fullsize  
Grand Prix**



**Phone (562) 926-9552  
Fax (562) 926-9572**

Part Number	Year	Description	Price	*Rev.
10295	1967	<b>ENGINE HARNESS</b> V/8, With T.I. & Standard A/C (Original 2 Wire Voltage Regulator) Note: Requires Use Of Customers Bulkhead Connector.	\$276.00	
36225	1967	<b>ENGINE HARNESS</b> V/8, With T.I. & Standard A/C (Updated 4 Wire Voltage Regulator) Note: Requires Use Of Customers Bulkhead Connector.	\$276.00	
10300	1967	<b>ENGINE HARNESS</b> V/8, With T.I. & Auto Temp Control A/C (Original 2 Wire Voltage Regulator) Note: Requires Use Of Customers Bulkhead Connector.	\$276.00	
36226	1967	<b>ENGINE HARNESS</b> V/8, With T.I. & Auto Temp Control A/C (Updated 4 Wire Voltage Regulator) Note: Requires Use Of Customers Bulkhead Connector.	\$276.00	
11355	1968	<b>ENGINE HARNESS</b> V/8 (Original 2 Wire Voltage Regulator)	\$291.00	
36227	1968	<b>ENGINE HARNESS</b> V/8 (Updated 4 Wire Voltage Regulator)	\$291.00	
11350	1968	<b>ENGINE HARNESS</b> V/8, With A/C (Original 2 Wire Voltage Regulator)	\$305.00	
36228	1968	<b>ENGINE HARNESS</b> V/8 With A/C (Updated 4 Wire Voltage Regulator)	\$305.00	
12175	1968	<b>ENGINE HARNESS</b> V/8, With Internal Regulator	\$305.00	
12180	1968	<b>ENGINE HARNESS</b> V/8, With Internal Regulator & A/C	\$305.00	
12840	1969	<b>ENGINE HARNESS</b> Passenger, V/8	\$291.00	
12845	1969	<b>ENGINE HARNESS</b> Passenger, V/8, With Gauges	\$291.00	
12850	1969	<b>ENGINE HARNESS</b> Passenger, V/8, With Internal Regulator	\$305.00	
12855	1969	<b>ENGINE HARNESS</b> Passenger, V/8, With Internal Regulator & Gauges	\$305.00	
12860	1969	<b>ENGINE HARNESS</b> Passenger, V/8, With Heavy Duty Alternator (62 Amp)	\$305.00	
13480	1969	<b>ENGINE HARNESS</b> Passenger, V/8, With Heavy Duty Alternator (62 Amp) & Gauges	\$305.00	
13290	1969	<b>ENGINE HARNESS</b> Grand Prix, V/8	\$259.00	
12870	1969	<b>ENGINE HARNESS</b> Grand Prix, V/8, With Internal Regulator	\$259.00	
13705	1970	<b>ENGINE HARNESS</b> Passenger, V/8, Auto Trans	\$318.00	
13650	1970	<b>ENGINE HARNESS</b> Passenger, V/8, Manual Trans	\$318.00	
13700	1970	<b>ENGINE HARNESS</b> Passenger, V/8, Auto Trans, With Gauges	\$318.00	
13690	1970	<b>ENGINE HARNESS</b> Passenger, V/8, Manual Trans, With Gauges	\$318.00	
15580	1970	<b>ENGINE HARNESS</b> Passenger, V/8, Auto Trans & Heavy Duty Alternator (62 Amp)	\$318.00	
13710	1970	<b>ENGINE HARNESS</b> Passenger, V/8, Manual Trans & Heavy Duty Alternator (62 Amp)	\$318.00	
15565	1970	<b>ENGINE HARNESS</b> Grand Prix, V/8, Auto Trans	\$291.00	
15560	1970	<b>ENGINE HARNESS</b> Grand Prix, V/8, Manual Trans	\$291.00	
16070	1971	<b>ENGINE HARNESS</b> Passenger, V/8, 350 C.I. Auto Trans	\$318.00	
15915	1971	<b>ENGINE HARNESS</b> Passenger, V/8, 350 C.I., Manual Trans	\$318.00	
16705	1971	<b>ENGINE HARNESS</b> Passenger, V/8, All With Unitized Distributor	\$344.00	
16065	1971	<b>ENGINE HARNESS</b> Grand Prix, V/8, Auto Trans	\$291.00	
37984	1971	<b>ENGINE HARNESS</b> Grand Prix, V/8, Auto Trans, With A/C	\$305.00	
16060	1971	<b>ENGINE HARNESS</b> Grand Prix, V/8, Manual Trans	\$291.00	
37985	1971	<b>ENGINE HARNESS</b> Grand Prix, V/8, Manual Trans, With A/C	\$305.00	
16075	1971	<b>ENGINE HARNESS</b> Grand Prix, V/8, All With Unitized Distributor	\$344.00	
16955	1972	<b>ENGINE HARNESS</b> Passenger, V/8	\$318.00	
16970	1972	<b>ENGINE HARNESS</b> Passenger, V/8, With Unitized Distributor	\$344.00	
16945	1972	<b>ENGINE HARNESS</b> Grand Prix, V/8	\$318.00	
16950	1972	<b>ENGINE HARNESS</b> Grand Prix, V/8, With Unitized Distributor	\$305.00	

Part Number	Year	Description	Price	*Rev.
41514	1973	<b>ENGINE HARNESS</b> V/8, Except Grand Prix, Early Production, Without Unitized Distributor Note: With A 4 Contact Connector At Distributor Vacuum Solenoid. Customer Must Reuse Their Original Plastic Connector For The Distributor Vacuum Solenoid Relay.	\$344.00	
41515	1973	<b>ENGINE HARNESS</b> V/8, Except Grand Prix, Early Production, With Unitized Distributor Note: With A 4 Contact Connector At Distributor Vacuum Solenoid. Customer Must Reuse Their Original Plastic Connector For The Distributor Vacuum Solenoid Relay.	\$371.00	
17080	1973	<b>ENGINE HARNESS</b> V/8, All, Late Production, Without Unitized Distributor Note: With A 2 Contact Connector At Distributor Vacuum Solenoid.	\$344.00	
17085	1973	<b>ENGINE HARNESS</b> V/8, All, Late Production, With Unitized Distributor Note: With A 2 Contact Connector At Distributor Vacuum Solenoid.	\$371.00	
17030	1973	<b>ENGINE HARNESS</b> V/8, Grand Prix, Early Production, Without Unitized Distributor Note: With A 4 Contact Connector At Distributor Vacuum Solenoid. Customer Must Reuse Their Original Plastic Connector For The Distributor Vacuum Solenoid Relay.	\$344.00	
17035	1973	<b>ENGINE HARNESS</b> V/8, Grand Prix, Early Production, With Unitized Distributor Note: With A 4 Contact Connector At Distributor Vacuum Solenoid. Customer Must Reuse Their Original Plastic Connector For The Distributor Vacuum Solenoid Relay.	\$371.00	
17060	1974	<b>ENGINE HARNESS</b> V/8, All, Without Unitized Distributor Note: Customer Must Reuse Their Original Plastic Connector For The Seat Belt Control Switch.	\$344.00	
17110	1974	<b>ENGINE HARNESS</b> V/8, All, With Unitized Distributor Note: Customer Must Reuse Their Original Plastic Connector For The Seat Belt Control Switch.	\$371.00	
39509	1974	<b>ENGINE HARNESS</b> V/8, All, With HEI Distributor Note: Customer Must Reuse Their Original Plastic Connector For The Seat Belt Control Switch.	\$371.00	
40824	1975	<b>ENGINE HARNESS</b> 6 Cylinder, Without Seat Belt Interlock Note: 6 Cylinder Items Are Not Returnable.	\$387.00	
40813	1975	<b>ENGINE HARNESS</b> 6 Cylinder, With Seat Belt Interlock Note: 6 Cylinder Items Are Not Returnable.	\$387.00	
40823	1975	<b>ENGINE HARNESS</b> V/8, All, Without Seat Belt Interlock	\$344.00	
40686	1975	<b>ENGINE HARNESS</b> V/8, All, With Seat Belt Interlock Note: Customer Must Reuse Their Original Plastic Connector For The Seat Belt Control Switch.	\$344.00	
40833	1975	<b>ENGINE HARNESS</b> V/8, All, With A/C, Without Seat Belt Interlock	\$344.00	
41524	1975	<b>ENGINE HARNESS</b> V/8, All, With A/C & Seat Belt Interlock Note: Customer Must Reuse Their Original Plastic Connector For The Seat Belt Control Switch.	\$344.00	
37622	1975	<b>ENGINE HARNESS</b> V/8, All, Without Catalytic Converter	\$344.00	
41525	1975	<b>ENGINE HARNESS</b> V/8, All, With Catalytic Converter	\$371.00	
40828	1976	<b>ENGINE HARNESS</b> 6 Cylinder, All Note: 6 Cylinder Items Are Not Returnable.	\$387.00	
40843	1976	<b>ENGINE HARNESS</b> V/8, All	\$344.00	
41534	1977	<b>ENGINE HARNESS</b> 6 Cylinder Note: 6 Cylinder Items Are Not Returnable.	\$371.00	
41535	1977	<b>ENGINE HARNESS</b> V/8, 350 C.I. & 403 C.I. Oldsmobile Engines, Except California Emission System	\$344.00	
41536	1977	<b>ENGINE HARNESS</b> V/8, 350 C.I. & 403 C.I. Oldsmobile Engines, With California Emission System	\$344.00	
41537	1977	<b>ENGINE HARNESS</b> V/8, 301 C.I., 350 C.I. & 400 C.I. Pontiac Engines	\$344.00	
38320	1977	<b>ENGINE HARNESS</b> V/8, Grand Prix, With 301 C.I., 350 C.I. & 400 C.I. Pontiac Engines	\$305.00	
38618	1977	<b>ENGINE HARNESS</b> V/8, Grand Prix, With 350 C.I. & 403 C.I. Oldsmobile Engines	\$278.00	



Part Number	Year	Description	Price	*Rev.
41542	1978	<b>ENGINE HARNESS</b> 6 Cylinder Note: 6 Cylinder Items Are Not Returnable.	\$371.00	
41543	1978	<b>ENGINE HARNESS</b> V/8, 350 C.I. Buick Engine	\$344.00	
41535	1978	<b>ENGINE HARNESS</b> V/8, 350 C.I. & 403 C.I. Oldsmobile Engines	\$344.00	
41537	1978	<b>ENGINE HARNESS</b> V/8, 301 C.I., 350 C.I. & 400 C.I. Pontiac Engines	\$344.00	
<b>FORWARD LAMP HARNESS</b>				
04060	1963	<b>FORWARD LAMP HARNESS</b>	\$239.00	
04560	1964	<b>FORWARD LAMP HARNESS</b> Note: Requires Use Of Customers Bulkhead Connector.	\$265.00	
05615	1965	<b>FORWARD LAMP HARNESS</b> Note: Requires Use Of Customers Bulkhead Connector.	\$318.00	
09360	1966	<b>FORWARD LAMP HARNESS</b> Note: Requires Use Of Customers Bulkhead Connector.	\$318.00	
10305	1967	<b>FORWARD LAMP HARNESS</b> Passenger Note: Requires Use Of Customers Bulkhead Connector.	\$318.00	
10310	1967	<b>FORWARD LAMP HARNESS</b> Grand Prix Note: Requires Use Of Customers Bulkhead Connector.	\$344.00	
11360	1968	<b>FORWARD LAMP HARNESS</b> Passenger	\$344.00	
11365	1968	<b>FORWARD LAMP HARNESS</b> Grand Prix	\$344.00	
13400	1969	<b>FORWARD LAMP HARNESS</b> Passenger	\$344.00	
12905	1969	<b>FORWARD LAMP HARNESS</b> Grand Prix	\$344.00	
13695	1970	<b>FORWARD LAMP HARNESS</b> Passenger	\$344.00	
13620	1970	<b>FORWARD LAMP HARNESS</b> Grand Prix	\$344.00	
15895	1971	<b>FORWARD LAMP HARNESS</b> Passenger	\$344.00	
13625	1970	<b>FORWARD LAMP HARNESS</b> Grand Prix, With Cornering Lamps	\$344.00	
15900	1971	<b>FORWARD LAMP HARNESS</b> Grand Prix	\$344.00	
43909	1972	<b>FORWARD LAMP HARNESS</b> All, Without Cornering Lamps, Except Grand Prix	\$264.00	
43910	1972	<b>FORWARD LAMP HARNESS</b> All, With Cornering Lamps, Except Grand Prix	\$264.00	
43911	1972	<b>FORWARD LAMP HARNESS</b> All, Grand Prix, Without Cornering Lamps	\$264.00	
40391	1972	<b>FORWARD LAMP HARNESS</b> All, Grand Prix, With Cornering Lamps	\$264.00	
41516	1973	<b>FORWARD LAMP HARNESS</b> All, Without Cornering Lamps, Except Grand Prix	\$396.00	
41517	1973	<b>FORWARD LAMP HARNESS</b> All, With Cornering Lamps, Except Grand Prix	\$396.00	
41518	1973	<b>FORWARD LAMP HARNESS</b> All, Grand Prix, Without Cornering Lamps	\$396.00	
41519	1973	<b>FORWARD LAMP HARNESS</b> All, Grand Prix, With Cornering Lamps	\$396.00	
41520	1974	<b>FORWARD LAMP HARNESS</b> All, Without Cornering Lamps, Except Grand Prix	\$396.00	
41521	1974	<b>FORWARD LAMP HARNESS</b> All, With Cornering Lamps, Except Grand Prix	\$396.00	
41522	1974	<b>FORWARD LAMP HARNESS</b> All, Grand Prix, Without Cornering Lamps	\$396.00	
41523	1974	<b>FORWARD LAMP HARNESS</b> All, Grand Prix, With Cornering Lamps	\$396.00	
41526	1975	<b>FORWARD LAMP HARNESS</b> All, Without Cornering Lamps, Except Grand Prix Note: Used On Cars With Round Headlamps.	\$396.00	
41527	1975	<b>FORWARD LAMP HARNESS</b> All, With Cornering Lamps, Except Grand Prix Note: Used On Cars With Round Headlamps.	\$396.00	
41528	1975	<b>FORWARD LAMP HARNESS</b> All, Without Cornering Lamps, Except Grand Prix Note: Used On Cars With Rectangular Headlamps.	\$396.00	
41529	1975	<b>FORWARD LAMP HARNESS</b> All, With Cornering Lamps, Except Grand Prix Note: Used On Cars With Rectangular Headlamps.	\$396.00	
41530	1975	<b>FORWARD LAMP HARNESS</b> All, Grand Prix, Without Cornering Lamps	\$396.00	
41531	1975	<b>FORWARD LAMP HARNESS</b> All, Grand Prix, With Cornering Lamps	\$396.00	

Part Number	Year	Description	Price	*Rev.
41526	1976	<b>FORWARD LAMP HARNESS</b> All, Without Cornering Lamps, Except Grand Prix Note: Used On Cars With Round Headlamps.	\$396.00	
41527	1976	<b>FORWARD LAMP HARNESS</b> All, With Cornering Lamps, Except Grand Prix Note: Used On Cars With Round Headlamps.	\$396.00	
41528	1976	<b>FORWARD LAMP HARNESS</b> All, Without Cornering Lamps, Except Grand Prix Note: Used On Cars With Rectangular Headlamps.	\$396.00	
41529	1976	<b>FORWARD LAMP HARNESS</b> All, With Cornering Lamps, Except Grand Prix Note: Used On Cars With Rectangular Headlamps.	\$396.00	
41532	1976	<b>FORWARD LAMP HARNESS</b> All, Grand Prix, Without Cornering Lamps	\$396.00	
41533	1976	<b>FORWARD LAMP HARNESS</b> All, Grand Prix, With Cornering Lamps	\$396.00	
41538	1977	<b>FORWARD LAMP HARNESS</b> All, Without Cornering Lamps, Except Grand Prix	\$396.00	
41539	1977	<b>FORWARD LAMP HARNESS</b> All, With Cornering Lamps, Except Grand Prix	\$396.00	
41540	1977	<b>FORWARD LAMP HARNESS</b> All, Grand Prix, Without Cornering Lamps	\$396.00	
41541	1977	<b>FORWARD LAMP HARNESS</b> All, Grand Prix, With Cornering Lamps	\$396.00	
41544	1978	<b>FORWARD LAMP HARNESS</b> All, Without Cornering Lamps	\$396.00	
41545	1978	<b>FORWARD LAMP HARNESS</b> All, With Cornering Lamps	\$396.00	
<b>FUEL TANK SENDING UNIT</b>				
06428035	1969	<b>FUEL TANK SENDING UNIT</b> Grand Prix, V/8, 3/8" Fuel Line, With 2nd Vent Line	\$43.00	N
<b>GLOVE BOX LAMP KIT</b>				
18000	1963	<b>GLOVE BOX LAMP KIT</b> Socket, Bulb & Wire	\$24.00	
18000	1964	<b>GLOVE BOX LAMP KIT</b> Socket, Bulb & Wire	\$24.00	
18000	1965	<b>GLOVE BOX LAMP KIT</b> Socket, Bulb & Wire	\$24.00	
18000	1966	<b>GLOVE BOX LAMP KIT</b> Socket, Bulb & Wire	\$24.00	
18000	1967	<b>GLOVE BOX LAMP KIT</b> Socket, Bulb & Wire	\$24.00	
<b>GROUND WIRE-DISTRIBUTOR POINT PLATE</b>				
38298	1957	<b>GROUND WIRE, DISTRIBUTOR POINT PLATE</b> From Distributor Point Plate To Distributor Housing Note: Replaces Spot Welded Wire Asm On Point Plate Side. Fits All GM V/8 Point Type Distributors From Approx. 1957-1974.	\$17.00	C
38298	1958	<b>GROUND WIRE, DISTRIBUTOR POINT PLATE</b> From Distributor Point Plate To Distributor Housing Note: Replaces Spot Welded Wire Asm On Point Plate Side. Fits All GM V/8 Point Type Distributors From Approx. 1957-1974.	\$17.00	C
38298	1959	<b>GROUND WIRE, DISTRIBUTOR POINT PLATE</b> From Distributor Point Plate To Distributor Housing Note: Replaces Spot Welded Wire Asm On Point Plate Side. Fits All GM V/8 Point Type Distributors From Approx. 1957-1974.	\$17.00	C
38298	1960	<b>GROUND WIRE, DISTRIBUTOR POINT PLATE</b> From Distributor Point Plate To Distributor Housing Note: Replaces Spot Welded Wire Asm On Point Plate Side. Fits All GM V/8 Point Type Distributors From Approx. 1957-1974.	\$17.00	C
38298	1961	<b>GROUND WIRE, DISTRIBUTOR POINT PLATE</b> From Distributor Point Plate To Distributor Housing Note: Replaces Spot Welded Wire Asm On Point Plate Side. Fits All GM V/8 Point Type Distributors From Approx. 1957-1974.	\$17.00	C
38298	1962	<b>GROUND WIRE, DISTRIBUTOR POINT PLATE</b> From Distributor Point Plate To Distributor Housing Note: Replaces Spot Welded Wire Asm On Point Plate Side. Fits All GM V/8 Point Type Distributors From Approx. 1957-1974.	\$17.00	C
38298	1963	<b>GROUND WIRE, DISTRIBUTOR POINT PLATE</b> From Distributor Point Plate To Distributor Housing Note: Replaces Spot Welded Wire Asm On Point Plate Side. Fits All GM V/8 Point Type Distributors From Approx. 1957-1974.	\$17.00	C
38298	1964	<b>GROUND WIRE, DISTRIBUTOR POINT PLATE</b> From Distributor Point Plate To Distributor Housing Note: Replaces Spot Welded Wire Asm On Point Plate Side. Fits All GM V/8 Point Type Distributors From Approx. 1957-1974.	\$17.00	C
38298	1965	<b>GROUND WIRE, DISTRIBUTOR POINT PLATE</b> From Distributor Point Plate To Distributor Housing Note: Replaces Spot Welded Wire Asm On Point Plate Side. Fits All GM V/8 Point Type Distributors From Approx. 1957-1974.	\$17.00	C
38298	1966	<b>GROUND WIRE, DISTRIBUTOR POINT PLATE</b> From Distributor Point Plate To Distributor Housing Note: Replaces Spot Welded Wire Asm On Point Plate Side. Fits All GM V/8 Point Type Distributors From Approx. 1957-1974.	\$17.00	C
38298	1967	<b>GROUND WIRE, DISTRIBUTOR POINT PLATE</b> From Distributor Point Plate To Distributor Housing Note: Replaces Spot Welded Wire Asm On Point Plate Side. Fits All GM V/8 Point Type Distributors From Approx. 1957-1974.	\$17.00	C

Part Number	Year	Description	Price	*Rev.
38298	1968	<b>GROUND WIRE, DISTRIBUTOR POINT PLATE</b> From Distributor Point Plate To Distributor Housing Note: Replaces Spot Welded Wire Asm On Point Plate Side. Fits All GM V/8 Point Type Distributors From Approx. 1957-1974.	\$17.00	C
38298	1969	<b>GROUND WIRE, DISTRIBUTOR POINT PLATE</b> From Distributor Point Plate To Distributor Housing Note: Replaces Spot Welded Wire Asm On Point Plate Side. Fits All GM V/8 Point Type Distributors From Approx. 1957-1974.	\$17.00	C
38298	1970	<b>GROUND WIRE, DISTRIBUTOR POINT PLATE</b> From Distributor Point Plate To Distributor Housing Note: Replaces Spot Welded Wire Asm On Point Plate Side. Fits All GM V/8 Point Type Distributors From Approx. 1957-1974.	\$17.00	C
38298	1971	<b>GROUND WIRE, DISTRIBUTOR POINT PLATE</b> From Distributor Point Plate To Distributor Housing Note: Replaces Spot Welded Wire Asm On Point Plate Side. Fits All GM V/8 Point Type Distributors From Approx. 1957-1974.	\$17.00	C
38298	1972	<b>GROUND WIRE, DISTRIBUTOR POINT PLATE</b> From Distributor Point Plate To Distributor Housing Note: Replaces Spot Welded Wire Asm On Point Plate Side. Fits All GM V/8 Point Type Distributors From Approx. 1957-1974.	\$17.00	C
38298	1973	<b>GROUND WIRE, DISTRIBUTOR POINT PLATE</b> From Distributor Point Plate To Distributor Housing Note: Replaces Spot Welded Wire Asm On Point Plate Side. Fits All GM V/8 Point Type Distributors From Approx. 1957-1974.	\$17.00	C
38298	1974	<b>GROUND WIRE, DISTRIBUTOR POINT PLATE</b> From Distributor Point Plate To Distributor Housing Note: Replaces Spot Welded Wire Asm On Point Plate Side. Fits All GM V/8 Point Type Distributors From Approx. 1957-1974.	\$17.00	C
<b>HARNESS TAPE</b>				
R0058272	1955	<b>HARNESS TAPE</b> 3/4" Vinyl (100 Ft. Roll) Non-Adhesive	\$12.00	
R0058276	1955	<b>HARNESS TAPE</b> 1" Vinyl (100 Ft. Roll) Non-Adhesive	\$13.00	
R0067108	1955	<b>HARNESS TAPE</b> 1 1/4" Vinyl (100 Ft. Roll) Non-Adhesive	\$15.00	
R0058272	1956	<b>HARNESS TAPE</b> 3/4" Vinyl (100 Ft. Roll) Non-Adhesive	\$12.00	
R0058276	1956	<b>HARNESS TAPE</b> 1" Vinyl (100 Ft. Roll) Non-Adhesive	\$13.00	
R0067108	1956	<b>HARNESS TAPE</b> 1 1/4" Vinyl (100 Ft. Roll) Non-Adhesive	\$15.00	
R0058272	1957	<b>HARNESS TAPE</b> 3/4" Vinyl (100 Ft. Roll) Non-Adhesive	\$12.00	
R0058276	1957	<b>HARNESS TAPE</b> 1" Vinyl (100 Ft. Roll) Non-Adhesive	\$13.00	
R0067108	1957	<b>HARNESS TAPE</b> 1 1/4" Vinyl (100 Ft. Roll) Non-Adhesive	\$15.00	
R0058272	1958	<b>HARNESS TAPE</b> 3/4" Vinyl (100 Ft. Roll) Non-Adhesive	\$12.00	
R0058276	1958	<b>HARNESS TAPE</b> 1" Vinyl (100 Ft. Roll) Non-Adhesive	\$13.00	
R0067108	1958	<b>HARNESS TAPE</b> 1 1/4" Vinyl (100 Ft. Roll) Non-Adhesive	\$15.00	
R0058272	1959	<b>HARNESS TAPE</b> 3/4" Vinyl (100 Ft. Roll) Non-Adhesive	\$12.00	
R0058276	1959	<b>HARNESS TAPE</b> 1" Vinyl (100 Ft. Roll) Non-Adhesive	\$13.00	
R0067108	1959	<b>HARNESS TAPE</b> 1 1/4" Vinyl (100 Ft. Roll) Non-Adhesive	\$15.00	
R0058272	1960	<b>HARNESS TAPE</b> 3/4" Vinyl (100 Ft. Roll) Non-Adhesive	\$12.00	
R0058276	1960	<b>HARNESS TAPE</b> 1" Vinyl (100 Ft. Roll) Non-Adhesive	\$13.00	
R0067108	1960	<b>HARNESS TAPE</b> 1 1/4" Vinyl (100 Ft. Roll) Non-Adhesive	\$15.00	
R0058272	1961	<b>HARNESS TAPE</b> 3/4" Vinyl (100 Ft. Roll) Non-Adhesive	\$12.00	
R0058276	1961	<b>HARNESS TAPE</b> 1" Vinyl (100 Ft. Roll) Non-Adhesive	\$13.00	
R0067108	1961	<b>HARNESS TAPE</b> 1 1/4" Vinyl (100 Ft. Roll) Non-Adhesive	\$15.00	
R0058272	1962	<b>HARNESS TAPE</b> 3/4" Vinyl (100 Ft. Roll) Non-Adhesive	\$12.00	
R0058276	1962	<b>HARNESS TAPE</b> 1" Vinyl (100 Ft. Roll) Non-Adhesive	\$13.00	
R0067108	1962	<b>HARNESS TAPE</b> 1 1/4" Vinyl (100 Ft. Roll) Non-Adhesive	\$15.00	
R0058272	1963	<b>HARNESS TAPE</b> 3/4" Vinyl (100 Ft. Roll) Non-Adhesive	\$12.00	
R0058276	1963	<b>HARNESS TAPE</b> 1" Vinyl (100 Ft. Roll) Non-Adhesive	\$13.00	
R0067108	1963	<b>HARNESS TAPE</b> 1 1/4" Vinyl (100 Ft. Roll) Non-Adhesive	\$15.00	
R0058272	1964	<b>HARNESS TAPE</b> 3/4" Vinyl (100 Ft. Roll) Non-Adhesive	\$12.00	
R0058276	1964	<b>HARNESS TAPE</b> 1" Vinyl (100 Ft. Roll) Non-Adhesive	\$13.00	
R0067108	1964	<b>HARNESS TAPE</b> 1 1/4" Vinyl (100 Ft. Roll) Non-Adhesive	\$15.00	
R0058272	1965	<b>HARNESS TAPE</b> 3/4" Vinyl (100 Ft. Roll) Non-Adhesive	\$12.00	
R0058276	1965	<b>HARNESS TAPE</b> 1" Vinyl (100 Ft. Roll) Non-Adhesive	\$13.00	

Part Number	Year	Description	Price	*Rev.
R0067108	1965	<b>HARNESS TAPE</b> 1 1/4" Vinyl (100 Ft. Roll) Non-Adhesive	\$15.00	
R0058272	1966	<b>HARNESS TAPE</b> 3/4" Vinyl (100 Ft. Roll) Non-Adhesive	\$12.00	
R0058276	1966	<b>HARNESS TAPE</b> 1" Vinyl (100 Ft. Roll) Non-Adhesive	\$13.00	
R0067108	1966	<b>HARNESS TAPE</b> 1 1/4" Vinyl (100 Ft. Roll) Non-Adhesive	\$15.00	
R0058272	1967	<b>HARNESS TAPE</b> 3/4" Vinyl (100 Ft. Roll) Non-Adhesive	\$12.00	
R0058276	1967	<b>HARNESS TAPE</b> 1" Vinyl (100 Ft. Roll) Non-Adhesive	\$13.00	
R0067108	1967	<b>HARNESS TAPE</b> 1 1/4" Vinyl (100 Ft. Roll) Non-Adhesive	\$15.00	
R0058272	1968	<b>HARNESS TAPE</b> 3/4" Vinyl (100 Ft. Roll) Non-Adhesive	\$12.00	
R0058276	1968	<b>HARNESS TAPE</b> 1" Vinyl (100 Ft. Roll) Non-Adhesive	\$13.00	
R0067108	1968	<b>HARNESS TAPE</b> 1 1/4" Vinyl (100 Ft. Roll) Non-Adhesive	\$15.00	
R0058272	1969	<b>HARNESS TAPE</b> 3/4" Vinyl (100 Ft. Roll) Non-Adhesive	\$12.00	
R0058276	1969	<b>HARNESS TAPE</b> 1" Vinyl (100 Ft. Roll) Non-Adhesive	\$13.00	
R0067108	1969	<b>HARNESS TAPE</b> 1 1/4" Vinyl (100 Ft. Roll) Non-Adhesive	\$15.00	
R0058272	1970	<b>HARNESS TAPE</b> 3/4" Vinyl (100 Ft. Roll) Non-Adhesive	\$12.00	
R0058276	1970	<b>HARNESS TAPE</b> 1" Vinyl (100 Ft. Roll) Non-Adhesive	\$13.00	
R0067108	1970	<b>HARNESS TAPE</b> 1 1/4" Vinyl (100 Ft. Roll) Non-Adhesive	\$15.00	
R0058272	1971	<b>HARNESS TAPE</b> 3/4" Vinyl (100 Ft. Roll) Non-Adhesive	\$12.00	
R0058276	1971	<b>HARNESS TAPE</b> 1" Vinyl (100 Ft. Roll) Non-Adhesive	\$13.00	
R0067108	1971	<b>HARNESS TAPE</b> 1 1/4" Vinyl (100 Ft. Roll) Non-Adhesive	\$15.00	
R0058272	1972	<b>HARNESS TAPE</b> 3/4" Vinyl (100 Ft. Roll) Non-Adhesive	\$12.00	
R0058276	1972	<b>HARNESS TAPE</b> 1" Vinyl (100 Ft. Roll) Non-Adhesive	\$13.00	
R0067108	1972	<b>HARNESS TAPE</b> 1 1/4" Vinyl (100 Ft. Roll) Non-Adhesive	\$15.00	
R0058272	1973	<b>HARNESS TAPE</b> 3/4" Vinyl (100 Ft. Roll) Non-Adhesive	\$12.00	
R0058276	1973	<b>HARNESS TAPE</b> 1" Vinyl (100 Ft. Roll) Non-Adhesive	\$13.00	
R0067108	1973	<b>HARNESS TAPE</b> 1 1/4" Vinyl (100 Ft. Roll) Non-Adhesive	\$15.00	
R0058272	1974	<b>HARNESS TAPE</b> 3/4" Vinyl (100 Ft. Roll) Non-Adhesive	\$12.00	
R0058276	1974	<b>HARNESS TAPE</b> 1" Vinyl (100 Ft. Roll) Non-Adhesive	\$13.00	
R0067108	1974	<b>HARNESS TAPE</b> 1 1/4" Vinyl (100 Ft. Roll) Non-Adhesive	\$15.00	
R0058272	1975	<b>HARNESS TAPE</b> 3/4" Vinyl (100 Ft. Roll) Non-Adhesive	\$12.00	
R0058276	1975	<b>HARNESS TAPE</b> 1" Vinyl (100 Ft. Roll) Non-Adhesive	\$13.00	
R0067108	1975	<b>HARNESS TAPE</b> 1 1/4" Vinyl (100 Ft. Roll) Non-Adhesive	\$15.00	
R0058272	1976	<b>HARNESS TAPE</b> 3/4" Vinyl (100 Ft. Roll) Non-Adhesive	\$12.00	
R0058276	1976	<b>HARNESS TAPE</b> 1" Vinyl (100 Ft. Roll) Non-Adhesive	\$13.00	
R0067108	1976	<b>HARNESS TAPE</b> 1 1/4" Vinyl (100 Ft. Roll) Non-Adhesive	\$15.00	
R0058272	1977	<b>HARNESS TAPE</b> 3/4" Vinyl (100 Ft. Roll) Non-Adhesive	\$12.00	
R0058276	1977	<b>HARNESS TAPE</b> 1" Vinyl (100 Ft. Roll) Non-Adhesive	\$13.00	
R0067108	1977	<b>HARNESS TAPE</b> 1 1/4" Vinyl (100 Ft. Roll) Non-Adhesive	\$15.00	
R0058272	1978	<b>HARNESS TAPE</b> 3/4" Vinyl (100 Ft. Roll) Non-Adhesive	\$12.00	
R0058276	1978	<b>HARNESS TAPE</b> 1" Vinyl (100 Ft. Roll) Non-Adhesive	\$13.00	
R0067108	1978	<b>HARNESS TAPE</b> 1 1/4" Vinyl (100 Ft. Roll) Non-Adhesive	\$15.00	
<b>HEATER AND A/C INDICATOR LAMP HARNESS</b>				
09595	1966	<b>HEATER AND A/C INDICATOR LAMP HARNESS</b> Dash Harness To Heater Or A/C Control Panel Indicator	\$26.00	
<b>IGNITION BALLAST RESISTOR</b>				
01957154	1955	<b>IGNITION BALLAST RESISTOR</b> All	\$12.00	N
01957154	1956	<b>IGNITION BALLAST RESISTOR</b> All	\$12.00	N
01957154	1957	<b>IGNITION BALLAST RESISTOR</b> All	\$12.00	N

Part Number	Year	Description	Price	*Rev.
01957154	1958	IGNITION BALLAST RESISTOR All	\$12.00	N
01957154	1959	IGNITION BALLAST RESISTOR All	\$12.00	N
<b>IGNITION CYLINDER AND KEYS</b>				
20071252	1969	IGNITION CYLINDER AND KEYS Chrome, Catalina, Bonneville, Grand Prix	\$18.50	N
20071252	1970	IGNITION CYLINDER AND KEYS Chrome, Catalina, Bonneville, Grand Prix	\$18.50	N
20071252	1971	IGNITION CYLINDER AND KEYS Chrome, Catalina, Bonneville, Grand Prix	\$18.50	N
20071252	1972	IGNITION CYLINDER AND KEYS Chrome, Catalina, Bonneville, Grand Prix	\$18.50	N
20071252	1973	IGNITION CYLINDER AND KEYS Chrome, Catalina, Bonneville, Grand Prix	\$18.50	N
20071252	1974	IGNITION CYLINDER AND KEYS Chrome, Catalina, Bonneville, Grand Prix	\$18.50	N
20071252	1975	IGNITION CYLINDER AND KEYS Chrome, Catalina, Bonneville, Grand Prix	\$18.50	N
20071252	1976	IGNITION CYLINDER AND KEYS Chrome, Catalina, Bonneville, Grand Prix	\$18.50	N
20071252	1977	IGNITION CYLINDER AND KEYS Chrome, Catalina, Bonneville, Grand Prix	\$18.50	N
20071252	1978	IGNITION CYLINDER AND KEYS Chrome, Catalina, Bonneville, Grand Prix, 1st Design, Used On Columns Without Lock Cylinder Retaining Screw	\$18.50	N
07833759	1978	IGNITION CYLINDER AND KEYS Chrome, Catalina, Bonneville, Grand Prix, 2nd Design, Used On Columns With Lock Cylinder Retaining Screw	\$18.50	N
07833759	1979	IGNITION CYLINDER AND KEYS Chrome, Catalina, Bonneville, Grand Prix	\$18.50	N
07833759	1980	IGNITION CYLINDER AND KEYS Chrome, Catalina, Bonneville, Grand Prix	\$18.50	N
07833759	1981	IGNITION CYLINDER AND KEYS Chrome, Catalina, Bonneville, Grand Prix	\$18.50	N
07833759	1982	IGNITION CYLINDER AND KEYS Chrome, Bonneville, Grand Prix	\$18.50	N
07833759	1983	IGNITION CYLINDER AND KEYS Chrome, Bonneville, Grand Prix, Parisienne	\$18.50	N
07833759	1984	IGNITION CYLINDER AND KEYS Chrome, Bonneville, Grand Prix, Parisienne	\$18.50	N
07833759	1985	IGNITION CYLINDER AND KEYS Chrome, Bonneville, Grand Prix, Parisienne	\$18.50	N
07833759	1986	IGNITION CYLINDER AND KEYS Chrome, Bonneville, Grand Prix, Parisienne	\$18.50	N
07833759	1987	IGNITION CYLINDER AND KEYS Chrome, Grand Prix, Safari	\$18.50	N
07833759	1988	IGNITION CYLINDER AND KEYS Chrome, Safari	\$18.50	N
07833759	1989	IGNITION CYLINDER AND KEYS Chrome, Safari	\$18.50	N
<b>IGNITION SWITCH</b>				
01990110	1969	IGNITION SWITCH All, With Tilt	\$14.00	N
01990110	1970	IGNITION SWITCH All, With Tilt	\$14.00	N
01990110	1971	IGNITION SWITCH All, With Tilt	\$14.00	N
01990110	1972	IGNITION SWITCH All, With Tilt	\$14.00	N
01990110	1973	IGNITION SWITCH All, With Tilt	\$14.00	N
01990110	1974	IGNITION SWITCH All, With Tilt	\$14.00	N
01990110	1975	IGNITION SWITCH All, With Tilt	\$14.00	N
01990110	1976	IGNITION SWITCH All, With Tilt	\$14.00	N
01990110	1977	IGNITION SWITCH All, With Tilt	\$14.00	N
01990110	1978	IGNITION SWITCH All, With Tilt	\$14.00	N
01990110	1979	IGNITION SWITCH All, With Tilt	\$14.00	N
01990110	1980	IGNITION SWITCH All, With Tilt	\$14.00	N
01990110	1981	IGNITION SWITCH All, With Tilt	\$14.00	N
01990110	1982	IGNITION SWITCH All, With Tilt	\$14.00	N
01990110	1983	IGNITION SWITCH All, With Tilt	\$14.00	N
01990110	1984	IGNITION SWITCH All, With Tilt	\$14.00	N
01990110	1985	IGNITION SWITCH All, With Tilt	\$14.00	N
01990110	1986	IGNITION SWITCH All, With Tilt	\$14.00	N
01990110	1987	IGNITION SWITCH All, With Tilt	\$14.00	N

Part Number	Year	Description	Price	*Rev.
01990110	1988	<b>IGNITION SWITCH</b> All, With Tilt	\$14.00	N
01990110	1989	<b>IGNITION SWITCH</b> All, With Tilt	\$14.00	N
01990110	1990	<b>IGNITION SWITCH</b> All, With Tilt	\$14.00	N
<b>INSTRUMENT CLUSTER LAMP EXTENSION HARNESS</b>				
04270	1963	<b>INSTRUMENT CLUSTER LAMP EXTENSION HARNESS</b> Dash Harness To Ammeter, Clock & Fuel Gauges Lamps	\$40.00	
<b>INSTRUMENT GAUGE CLUSTER CLIP KIT</b>				
08986000	1976	<b>CLIP KIT</b> All, Instrument Gauge Cluster / Printed Circuit Board Retaining Clip Note: Replaces Original GM Part Number 08986000, Includes 12 Clips Per Kit.	\$14.00	N
08986000	1977	<b>CLIP KIT</b> All, Instrument Gauge Cluster / Printed Circuit Board Retaining Clip Note: Replaces Original GM Part Number 08986000, Includes 12 Clips Per Kit.	\$14.00	N
08986000	1978	<b>CLIP KIT</b> All, Instrument Gauge Cluster / Printed Circuit Board Retaining Clip Note: Replaces Original GM Part Number 08986000, Includes 12 Clips Per Kit.	\$14.00	N
08986000	1979	<b>CLIP KIT</b> All, Instrument Gauge Cluster / Printed Circuit Board Retaining Clip Note: Replaces Original GM Part Number 08986000, Includes 12 Clips Per Kit.	\$14.00	N
08986000	1980	<b>CLIP KIT</b> All, Instrument Gauge Cluster / Printed Circuit Board Retaining Clip Note: Replaces Original GM Part Number 08986000, Includes 12 Clips Per Kit.	\$14.00	N
08986000	1981	<b>CLIP KIT</b> All, Instrument Gauge Cluster / Printed Circuit Board Retaining Clip Note: Replaces Original GM Part Number 08986000, Includes 12 Clips Per Kit.	\$14.00	N
08986000	1982	<b>CLIP KIT</b> Bonneville, Grand Prix, All, Instrument Gauge Cluster / Printed Circuit Board Retaining Clip Note: Replaces Original GM Part Number 08986000, Includes 12 Clips Per Kit.	\$14.00	N
08986000	1983	<b>CLIP KIT</b> Bonneville, Grand Prix, Parisienne, All, Instrument Gauge Cluster / Printed Circuit Board Retaining Clip Note: Replaces Original GM Part Number 08986000, Includes 12 Clips Per Kit.	\$14.00	N
08986000	1984	<b>CLIP KIT</b> Bonneville, Grand Prix, Parisienne, All, Instrument Gauge Cluster / Printed Circuit Board Retaining Clip Note: Replaces Original GM Part Number 08986000, Includes 12 Clips Per Kit.	\$14.00	N
08986000	1985	<b>CLIP KIT</b> Bonneville, Grand Prix, Parisienne, All, Instrument Gauge Cluster / Printed Circuit Board Retaining Clip Note: Replaces Original GM Part Number 08986000, Includes 12 Clips Per Kit.	\$14.00	N
08986000	1986	<b>CLIP KIT</b> Bonneville, Grand Prix, Parisienne, All, Instrument Gauge Cluster / Printed Circuit Board Retaining Clip Note: Replaces Original GM Part Number 08986000, Includes 12 Clips Per Kit.	\$14.00	N
08986000	1987	<b>CLIP KIT</b> Grand Prix, Safari, All, Instrument Gauge Cluster / Printed Circuit Board Retaining Clip Note: Replaces Original GM Part Number 08986000, Includes 12 Clips Per Kit.	\$14.00	N
08986000	1988	<b>CLIP KIT</b> Safari, All, Instrument Gauge Cluster / Printed Circuit Board Retaining Clip Note: Replaces Original GM Part Number 08986000, Includes 12 Clips Per Kit.	\$14.00	N
08986000	1989	<b>CLIP KIT</b> Safari, All, Instrument Gauge Cluster / Printed Circuit Board Retaining Clip Note: Replaces Original GM Part Number 08986000, Includes 12 Clips Per Kit.	\$14.00	N
<b>KICKDOWN SWITCH</b>				
01242101	1966	<b>KICKDOWN SWITCH</b> TH400 Auto Trans, Except Grand Prix	\$19.00	
01242101	1967	<b>KICKDOWN SWITCH</b> TH400 Auto Trans, Except Grand Prix	\$19.00	
01242101	1968	<b>KICKDOWN SWITCH</b> TH400 Auto Trans, Except Grand Prix	\$19.00	

Part Number	Year	Description	Price	*Rev.
01242101	1969	<b>KICKDOWN SWITCH</b> TH400 Auto Trans, Except Grand Prix	\$19.00	
01242101	1970	<b>KICKDOWN SWITCH</b> TH400 Auto Trans, Except Grand Prix	\$19.00	
01242101	1971	<b>KICKDOWN SWITCH</b> TH400 Auto Trans, Except Grand Prix	\$19.00	
01242101	1972	<b>KICKDOWN SWITCH</b> TH400 Auto Trans, Except Grand Prix	\$19.00	
01242101	1973	<b>KICKDOWN SWITCH</b> TH400 Auto Trans	\$19.00	
01242101	1974	<b>KICKDOWN SWITCH</b> TH400 Auto Trans	\$19.00	
01242101	1976	<b>KICKDOWN SWITCH</b> Catalina, Grand Prix, TH400, Auto Trans	\$19.00	
01242101	1977	<b>KICKDOWN SWITCH</b> Catalina, Grand Prix, TH400, Auto Trans	\$19.00	
<b>LOW FUEL INDICATOR MODULE</b>				
500274	1964	<b>LOW FUEL INDICATOR MODULE</b> Generic "Adjustable" Low Fuel Warning Module Note: A Complete Electronic Control Unit To Activate A Warning Lamp Or Relay When Fuel Level Drops Below A User Adjustable Level. Includes instruction sheet.	\$64.00	C
500274	1965	<b>LOW FUEL INDICATOR MODULE</b> Generic "Adjustable" Low Fuel Warning Module Note: A Complete Electronic Control Unit To Activate A Warning Lamp Or Relay When Fuel Level Drops Below A User Adjustable Level. Includes instruction sheet.	\$64.00	C
500274	1966	<b>LOW FUEL INDICATOR MODULE</b> Generic "Adjustable" Low Fuel Warning Module Note: A Complete Electronic Control Unit To Activate A Warning Lamp Or Relay When Fuel Level Drops Below A User Adjustable Level. Includes instruction sheet.	\$64.00	C
500274	1967	<b>LOW FUEL INDICATOR MODULE</b> Generic "Adjustable" Low Fuel Warning Module Note: A Complete Electronic Control Unit To Activate A Warning Lamp Or Relay When Fuel Level Drops Below A User Adjustable Level. Includes instruction sheet.	\$64.00	C
500274	1968	<b>LOW FUEL INDICATOR MODULE</b> Generic "Adjustable" Low Fuel Warning Module Note: A Complete Electronic Control Unit To Activate A Warning Lamp Or Relay When Fuel Level Drops Below A User Adjustable Level. Includes instruction sheet.	\$64.00	C
500274	1969	<b>LOW FUEL INDICATOR MODULE</b> Generic "Adjustable" Low Fuel Warning Module Note: A Complete Electronic Control Unit To Activate A Warning Lamp Or Relay When Fuel Level Drops Below A User Adjustable Level. Includes instruction sheet.	\$64.00	C
500274	1970	<b>LOW FUEL INDICATOR MODULE</b> Generic "Adjustable" Low Fuel Warning Module Note: A Complete Electronic Control Unit To Activate A Warning Lamp Or Relay When Fuel Level Drops Below A User Adjustable Level. Includes instruction sheet.	\$64.00	C
500274	1971	<b>LOW FUEL INDICATOR MODULE</b> Generic "Adjustable" Low Fuel Warning Module Note: A Complete Electronic Control Unit To Activate A Warning Lamp Or Relay When Fuel Level Drops Below A User Adjustable Level. Includes instruction sheet.	\$64.00	C
500274	1972	<b>LOW FUEL INDICATOR MODULE</b> Generic "Adjustable" Low Fuel Warning Module Note: A Complete Electronic Control Unit To Activate A Warning Lamp Or Relay When Fuel Level Drops Below A User Adjustable Level. Includes instruction sheet.	\$64.00	C
500274	1973	<b>LOW FUEL INDICATOR MODULE</b> Generic "Adjustable" Low Fuel Warning Module Note: A Complete Electronic Control Unit To Activate A Warning Lamp Or Relay When Fuel Level Drops Below A User Adjustable Level. Includes instruction sheet.	\$64.00	C
500274	1974	<b>LOW FUEL INDICATOR MODULE</b> Generic "Adjustable" Low Fuel Warning Module Note: A Complete Electronic Control Unit To Activate A Warning Lamp Or Relay When Fuel Level Drops Below A User Adjustable Level. Includes instruction sheet.	\$64.00	C
500274	1975	<b>LOW FUEL INDICATOR MODULE</b> Generic "Adjustable" Low Fuel Warning Module Note: A Complete Electronic Control Unit To Activate A Warning Lamp Or Relay When Fuel Level Drops Below A User Adjustable Level. Includes instruction sheet.	\$64.00	C
500274	1976	<b>LOW FUEL INDICATOR MODULE</b> Generic "Adjustable" Low Fuel Warning Module Note: A Complete Electronic Control Unit To Activate A Warning Lamp Or Relay When Fuel Level Drops Below A User Adjustable Level. Includes instruction sheet.	\$64.00	C
500274	1977	<b>LOW FUEL INDICATOR MODULE</b> Generic "Adjustable" Low Fuel Warning Module Note: A Complete Electronic Control Unit To Activate A Warning Lamp Or Relay When Fuel Level Drops Below A User Adjustable Level. Includes instruction sheet.	\$64.00	C

Part Number	Year	Description	Price	*Rev.
<b>NEUTRAL SAFETY AND BACKUP LAMP SWITCH</b>				
01993659	1965	NEUTRAL SAFETY AND BACKUP LAMP SWITCH With Column Shift Powerglide Auto Trans	\$12.00	
09779665	1965	NEUTRAL SAFETY AND BACKUP LAMP SWITCH With Console Shift Auto Trans	\$71.00	
01993659	1966	NEUTRAL SAFETY AND BACKUP LAMP SWITCH With Column Shift Powerglide Auto Trans	\$12.00	
09779665	1966	NEUTRAL SAFETY AND BACKUP LAMP SWITCH With Console Shift Auto Trans	\$71.00	
09779665	1967	NEUTRAL SAFETY AND BACKUP LAMP SWITCH With Console Shift Auto Trans	\$71.00	
09779665	1968	NEUTRAL SAFETY AND BACKUP LAMP SWITCH With Console Shift Auto Trans	\$71.00	
01994235	1969	NEUTRAL SAFETY AND BACKUP LAMP SWITCH With Column Shift Auto Trans, All	\$19.00	
01994235	1970	NEUTRAL SAFETY AND BACKUP LAMP SWITCH With Column Shift Auto Trans, All	\$19.00	
01994235	1971	NEUTRAL SAFETY AND BACKUP LAMP SWITCH With Column Shift Auto Trans, All	\$19.00	
01994235	1972	NEUTRAL SAFETY AND BACKUP LAMP SWITCH With Column Shift Auto Trans, All	\$19.00	
01994235	1973	NEUTRAL SAFETY AND BACKUP LAMP SWITCH With Column Shift Auto Trans, All	\$19.00	
01994163	1974	NEUTRAL SAFETY AND BACKUP LAMP SWITCH With Auto Trans, All	\$19.00	
<b>NEUTRAL SAFETY SWITCH</b>				
03983965	1977	NEUTRAL SAFETY SWITCH Phoenix, With Manual Trans (Clutch Pedal Activated) Note: 03983965 Switch Included In Kit Is Correct, However Mounting Tower 03961589 Also Provided Does Not Work On This Application. Original Mounting Tower Must Be Reused.	\$58.00	N
03983965	1978	NEUTRAL SAFETY SWITCH Phoenix, With Manual Trans (Clutch Pedal Activated) Note: 03983965 Switch Included In Kit Is Correct, However Mounting Tower 03961589 Also Provided Does Not Work On This Application. Original Mounting Tower Must Be Reused.	\$58.00	N
03983965	1979	NEUTRAL SAFETY SWITCH Phoenix, With Manual Trans (Clutch Pedal Activated) Note: 03983965 Switch Included In Kit Is Correct, However Mounting Tower 03961589 Also Provided Does Not Work On This Application. Original Mounting Tower Must Be Reused.	\$58.00	N
<b>POWER ACCESSORY FEED WIRE</b>				
08790	1961	POWER ACCESSORY FEED WIRE Power Seat Circuit Breaker To Battery Junction Block	\$33.00	
<b>POWER DOOR LOCK RELAY AND ADAPTER HARNESS</b>				
39440	1970	POWER DOOR LOCK RELAY AND ADAPTER HARNESS Includes New Standard Type Relay And Adapter To Mate To Factory Harness	\$40.00	
39440	1971	POWER DOOR LOCK RELAY AND ADAPTER HARNESS Includes New Standard Type Relay And Adapter To Mate To Factory Harness	\$40.00	
39440	1972	POWER DOOR LOCK RELAY AND ADAPTER HARNESS Includes New Standard Type Relay And Adapter To Mate To Factory Harness	\$40.00	
<b>POWER DOOR LOCK SWITCH</b>				
01725099	1976	POWER DOOR LOCK SWITCH 1 Button	\$62.00	M
<b>POWER SEAT BACK RELAY AND ADAPTER HARNESS</b>				
39440	1970	POWER SEAT BACK RELAY AND ADAPTER HARNESS Includes New Standard Type Relay And Adapter To Mate To Factory Harness	\$40.00	
39440	1971	POWER SEAT BACK RELAY AND ADAPTER HARNESS Includes New Standard Type Relay And Adapter To Mate To Factory Harness	\$40.00	
39440	1972	POWER SEAT BACK RELAY AND ADAPTER HARNESS Includes New Standard Type Relay And Adapter To Mate To Factory Harness	\$40.00	
<b>POWER SEAT MOTOR RELAY AND ADAPTER HARNESS</b>				
40146	1964	POWER SEAT MOTOR RELAY AND ADAPTER HARNESS Includes New Standard Type Relay And Adapter To Mate To Factory Harness	\$74.00	
40146	1965	POWER SEAT MOTOR RELAY AND ADAPTER HARNESS Includes New Standard Type Relay And Adapter To Mate To Factory Harness	\$74.00	



Part Number	Year	Description	Price	*Rev.
40146	1966	<b>POWER SEAT MOTOR RELAY AND ADAPTER HARNESS</b> Includes New Standard Type Relay And Adapter To Mate To Factory Harness	\$74.00	
40146	1967	<b>POWER SEAT MOTOR RELAY AND ADAPTER HARNESS</b> Includes New Standard Type Relay And Adapter To Mate To Factory Harness	\$74.00	
40146	1968	<b>POWER SEAT MOTOR RELAY AND ADAPTER HARNESS</b> Includes New Standard Type Relay And Adapter To Mate To Factory Harness	\$74.00	
40146	1969	<b>POWER SEAT MOTOR RELAY AND ADAPTER HARNESS</b> Includes New Standard Type Relay And Adapter To Mate To Factory Harness	\$74.00	
40146	1970	<b>POWER SEAT MOTOR RELAY AND ADAPTER HARNESS</b> Includes New Standard Type Relay And Adapter To Mate To Factory Harness	\$74.00	
40146	1971	<b>POWER SEAT MOTOR RELAY AND ADAPTER HARNESS</b> Includes New Standard Type Relay And Adapter To Mate To Factory Harness	\$74.00	
40146	1972	<b>POWER SEAT MOTOR RELAY AND ADAPTER HARNESS</b> Includes New Standard Type Relay And Adapter To Mate To Factory Harness	\$74.00	
40146	1973	<b>POWER SEAT MOTOR RELAY AND ADAPTER HARNESS</b> Includes New Standard Type Relay And Adapter To Mate To Factory Harness	\$74.00	
40146	1974	<b>POWER SEAT MOTOR RELAY AND ADAPTER HARNESS</b> Includes New Standard Type Relay And Adapter To Mate To Factory Harness	\$74.00	
40146	1975	<b>POWER SEAT MOTOR RELAY AND ADAPTER HARNESS</b> Includes New Standard Type Relay And Adapter To Mate To Factory Harness	\$74.00	
<b>POWER TAILGATE JUMPER HARNESS</b>				
06515	1963	<b>POWER TAILGATE JUMPER HARNESS</b> Bonneville & Catalina 4 Door Safari, Dash To Tailgate Harness	\$74.00	
<b>POWER WINDOW HARNESS</b>				
08530	1959	<b>POWER WINDOW HARNESS</b> Bonneville & Catalina Sport Coupe, Front Door & Rear Quarter Window, R.H.	\$291.00	
08520	1959	<b>POWER WINDOW JUMPER HARNESS</b> Left To Right Side Door & Quarter Window	\$113.00	
08520	1960	<b>POWER WINDOW JUMPER HARNESS</b> Left To Right Side Door & Quarter Window	\$113.00	
08765	1961	<b>POWER WINDOW HARNESS</b> Front Left & Right Doors	\$305.00	
08765	1962	<b>POWER WINDOW HARNESS</b> Front Left & Right Doors	\$305.00	
08945	1962	<b>POWER WINDOW HARNESS</b> Bonneville 4 Door Safari Wagon, Catalina & Star Chief 4 Door Sedans, Left Rear Door	\$132.00	
08940	1962	<b>POWER WINDOW HARNESS</b> Bonneville 4 Door Safari Wagon, Catalina & Star Chief 4 Door Sedans, Right Rear Door	\$132.00	
08945	1963	<b>POWER WINDOW HARNESS</b> Bonneville 4 Door Safari Wagon, Catalina & Star Chief 4 Door Sedans, Left Rear Door	\$132.00	
08940	1963	<b>POWER WINDOW HARNESS</b> Bonneville 4 Door Safari Wagon, Catalina & Star Chief 4 Door Sedans, Right Rear Door	\$132.00	
06630	1963	<b>POWER WINDOW HARNESS</b> Bonneville & Catalina Convertible, Left Rear Quarter Window	\$119.00	
08945	1964	<b>POWER WINDOW HARNESS</b> Bonneville 4 Door Safari Wagon, Catalina & Star Chief 4 Door Sedans, Left Rear Door	\$132.00	
08940	1964	<b>POWER WINDOW HARNESS</b> Bonneville 4 Door Safari Wagon, Catalina & Star Chief 4 Door Sedans, Right Rear Door	\$132.00	
06625	1963	<b>POWER WINDOW HARNESS</b> Bonneville & Catalina Convertible, Right Rear Quarter Window	\$119.00	
06620	1963	<b>POWER WINDOW HARNESS</b> Catalina Sport Sedan, Left Rear Quarter Window	\$132.00	
06615	1963	<b>POWER WINDOW HARNESS</b> Catalina Sport Sedan, Right Rear Quarter Window	\$132.00	
06640	1963	<b>POWER WINDOW HARNESS</b> All Sport Coupe, Left Rear Quarter Window	\$119.00	
06635	1963	<b>POWER WINDOW HARNESS</b> All Sport Coupe, Right Rear Quarter Window	\$119.00	
07170	1963	<b>POWER WINDOW MOTOR EXTENSION</b> Rear Quarter Window Harness To Motor, 2 Required Per Car	\$25.00	
06630	1964	<b>POWER WINDOW HARNESS</b> Bonneville & Catalina Convertible, Left Rear Quarter Window	\$119.00	
06625	1964	<b>POWER WINDOW HARNESS</b> Bonneville & Catalina Convertible, Right Rear Quarter Window	\$119.00	
06620	1964	<b>POWER WINDOW HARNESS</b> Catalina Sport Sedan, Left Rear Quarter Window	\$132.00	
06615	1964	<b>POWER WINDOW HARNESS</b> Catalina Sport Sedan, Right Rear Quarter Window	\$132.00	

Part Number	Year	Description	Price	*Rev.
07170	1964	<b>POWER WINDOW MOTOR EXTENSION</b> Rear Quarter Window Harness To Motor, 2 Required Per Car	\$25.00	
08045	1965	<b>POWER WINDOW HARNESS</b> All Coupe & Sport Coupe Quarter Windows (LH & RH)	\$212.00	
07370	1965	<b>POWER WINDOW HARNESS</b> Bonneville & Catalina Convertible Quarter Windows (LH & RH)	\$173.00	
08085	1965	<b>POWER WINDOW HARNESS</b> Catalina 2 Door Sedan Quarter Windows (LH & RH)	\$186.00	
08045	1966	<b>POWER WINDOW HARNESS</b> All Coupe & Sport Coupe Quarter Windows (LH & RH)	\$212.00	
07370	1966	<b>POWER WINDOW HARNESS</b> Bonneville, Catalina & 2+2 Convertible Qtr. Windows (LH & RH)	\$173.00	
08085	1966	<b>POWER WINDOW HARNESS</b> Catalina 2 Door Sedan Quarter Windows (LH & RH)	\$186.00	
<b>POWER WINDOW MOTOR ADAPTER HARNESS</b>				
36954	1958	<b>POWER WINDOW MOTOR ADAPTER HARNESS</b> Adapts "T" Shaped Motor Connector To Side By Side Blade Type Motor Connector	\$22.00	C
36954	1959	<b>POWER WINDOW MOTOR ADAPTER HARNESS</b> Adapts "T" Shaped Motor Connector To Side By Side Blade Type Motor Connector	\$22.00	C
36954	1960	<b>POWER WINDOW MOTOR ADAPTER HARNESS</b> Adapts "T" Shaped Motor Connector To Side By Side Blade Type Motor Connector	\$22.00	C
36954	1961	<b>POWER WINDOW MOTOR ADAPTER HARNESS</b> Adapts "T" Shaped Motor Connector To Side By Side Blade Type Motor Connector	\$22.00	C
36954	1962	<b>POWER WINDOW MOTOR ADAPTER HARNESS</b> Adapts "T" Shaped Motor Connector To Side By Side Blade Type Motor Connector	\$22.00	C
36954	1963	<b>POWER WINDOW MOTOR ADAPTER HARNESS</b> Adapts "T" Shaped Motor Connector To Side By Side Blade Type Motor Connector	\$22.00	C
36954	1964	<b>POWER WINDOW MOTOR ADAPTER HARNESS</b> Adapts "T" Shaped Motor Connector To Side By Side Blade Type Motor Connector	\$22.00	C
36954	1965	<b>POWER WINDOW MOTOR ADAPTER HARNESS</b> Adapts "T" Shaped Motor Connector To Side By Side Blade Type Motor Connector	\$22.00	C
36954	1966	<b>POWER WINDOW MOTOR ADAPTER HARNESS</b> Adapts "T" Shaped Motor Connector To Side By Side Blade Type Motor Connector	\$22.00	C
36954	1967	<b>POWER WINDOW MOTOR ADAPTER HARNESS</b> Adapts "T" Shaped Motor Connector To Side By Side Blade Type Motor Connector	\$22.00	C
36954	1968	<b>POWER WINDOW MOTOR ADAPTER HARNESS</b> Adapts "T" Shaped Motor Connector To Side By Side Blade Type Motor Connector	\$22.00	C
36954	1969	<b>POWER WINDOW MOTOR ADAPTER HARNESS</b> Adapts "T" Shaped Motor Connector To Side By Side Blade Type Motor Connector	\$22.00	C
36954	1970	<b>POWER WINDOW MOTOR ADAPTER HARNESS</b> Adapts "T" Shaped Motor Connector To Side By Side Blade Type Motor Connector	\$22.00	C
36954	1971	<b>POWER WINDOW MOTOR ADAPTER HARNESS</b> Adapts "T" Shaped Motor Connector To Side By Side Blade Type Motor Connector	\$22.00	C
36954	1972	<b>POWER WINDOW MOTOR ADAPTER HARNESS</b> Adapts "T" Shaped Motor Connector To Side By Side Blade Type Motor Connector	\$22.00	C
36954	1973	<b>POWER WINDOW MOTOR ADAPTER HARNESS</b> Adapts "T" Shaped Motor Connector To Side By Side Blade Type Motor Connector	\$22.00	C
36954	1974	<b>POWER WINDOW MOTOR ADAPTER HARNESS</b> Adapts "T" Shaped Motor Connector To Side By Side Blade Type Motor Connector	\$22.00	C
36954	1975	<b>POWER WINDOW MOTOR ADAPTER HARNESS</b> Adapts "T" Shaped Motor Connector To Side By Side Blade Type Motor Connector	\$22.00	C
<b>POWER WINDOW RELAY AND ADAPTER HARNESS</b>				
39440	1968	<b>POWER WINDOW RELAY AND ADAPTER HARNESS</b> Includes New Standard Type Relay And Adapter To Mate To Factory Harness	\$40.00	
39440	1969	<b>POWER WINDOW RELAY AND ADAPTER HARNESS</b> Includes New Standard Type Relay And Adapter To Mate To Factory Harness	\$40.00	
39440	1970	<b>POWER WINDOW RELAY AND ADAPTER HARNESS</b> Includes New Standard Type Relay And Adapter To Mate To Factory Harness	\$40.00	
39440	1971	<b>POWER WINDOW RELAY AND ADAPTER HARNESS</b> Includes New Standard Type Relay And Adapter To Mate To Factory Harness	\$40.00	

Part Number	Year	Description	Price	*Rev.
<b>POWER WINDOW SWITCH</b>				
04432790	1964	POWER WINDOW SWITCH 1 Button, Round Corner Style, Chrome	\$49.00	
04432791	1964	POWER WINDOW SWITCH 4 Button, Round Corner Style, Chrome	\$67.00	
04432790	1965	POWER WINDOW SWITCH 1 Button, Round Corner Style, Chrome	\$49.00	
04432791	1965	POWER WINDOW SWITCH 4 Button, Round Corner Style, Chrome	\$67.00	
04432790	1966	POWER WINDOW SWITCH 1 Button, Round Corner Style, Chrome	\$49.00	
04432791	1966	POWER WINDOW SWITCH 4 Button, Round Corner Style, Chrome	\$67.00	
04432790	1967	POWER WINDOW SWITCH 1 Button, Round Corner Style, Chrome	\$49.00	
04432791	1967	POWER WINDOW SWITCH 4 Button, Round Corner Style, Chrome	\$67.00	
04432790	1968	POWER WINDOW SWITCH 1 Button, Round Corner Style, Chrome	\$49.00	
04432791	1968	POWER WINDOW SWITCH 4 Button, Round Corner Style, Chrome	\$67.00	
04432790	1969	POWER WINDOW SWITCH 1 Button, Round Corner Style, Chrome	\$49.00	
04432791	1969	POWER WINDOW SWITCH 4 Button, Round Corner Style, Chrome	\$67.00	
04432790	1970	POWER WINDOW SWITCH 1 Button, Round Corner Style, Chrome	\$49.00	
04432791	1970	POWER WINDOW SWITCH 4 Button, Round Corner Style, Chrome	\$67.00	
01725094	1976	POWER WINDOW SWITCH Catalina, Bonneville, 1 Button, Square Corner Style, Chrome	\$21.00	M
01725094	1977	POWER WINDOW SWITCH Catalina, Bonneville, 1 Button, Square Corner Style, Chrome	\$21.00	M
01725094	1978	POWER WINDOW SWITCH Catalina, Bonneville, 1 Button, Square Corner Style, Chrome	\$21.00	M
01725094	1979	POWER WINDOW SWITCH Catalina, Bonneville, 1 Button, Square Corner Style, Chrome	\$21.00	M
01731231	1976	POWER WINDOW SWITCH Catalina, Without Custom Trim, 4 Button, Square Corner Style, Chrome	\$75.00	M
01731231	1977	POWER WINDOW SWITCH Catalina, 4 Button, Square Corner Style, Chrome	\$75.00	M
01731231	1978	POWER WINDOW SWITCH Catalina, 4 Button, Square Corner Style, Chrome	\$75.00	M
01731231	1979	POWER WINDOW SWITCH Catalina, 4 Button, Square Corner Style, Chrome	\$75.00	M
01725092	1977	POWER WINDOW SWITCH Catalina, 2 Button, Square Corner Style, Chrome	\$53.00	M
01725092	1978	POWER WINDOW SWITCH Catalina, 2 Button, Square Corner Style, Chrome	\$53.00	M
01725092	1979	POWER WINDOW SWITCH Catalina, 2 Button, Square Corner Style, Chrome	\$53.00	M
20061549	1982	POWER WINDOW SWITCH 2-Button, Without Custom Door Panels (Option Codes Yt1 Or Yt3)	\$14.00	N
20061549	1983	POWER WINDOW SWITCH 2-Button, Without Custom Door Panels (Option Codes Yt1 Or Yt3)	\$14.00	N
20061549	1984	POWER WINDOW SWITCH 2-Button, Without Custom Door Panels (Option Codes Yt1 Or Yt3)	\$14.00	N
20061549	1985	POWER WINDOW SWITCH 2-Button, Without Custom Door Panels (Option Codes Yt1 Or Yt3)	\$14.00	N
20061549	1986	POWER WINDOW SWITCH 2-Button, Without Custom Door Panels (Option Codes Yt1 Or Yt3)	\$14.00	N
20061549	1987	POWER WINDOW SWITCH 2-Button, Without Custom Door Panels (Option Codes Yt1 Or Yt3)	\$14.00	N
<b>REAR LAMP HARNESS</b>				
06500	1963	REAR LAMP INTERMEDIATE HARNESS Grand Prix	\$180.00	
08980	1963	REAR LAMP HARNESS Grand Prix, Rear Panel	\$173.00	
06500	1964	REAR LAMP INTERMEDIATE HARNESS Grand Prix	\$180.00	
06840	1964	REAR LAMP HARNESS Grand Prix, Rear Panel	\$180.00	
<b>SPEAKER HARNESS</b>				
33345	1978	SPEAKER HARNESS Front Stereo Speakers	\$48.00	
<b>SPEED WARNING HARNESS</b>				
43264	1963	SPEED WARNING HARNESS	\$56.00	

Part Number	Year	Description	Price	*Rev.
43264	1964	SPEED WARNING HARNESS	\$56.00	
09560	1966	SPEED WARNING HARNESS	\$41.00	
09560	1967	SPEED WARNING HARNESS	\$41.00	
09560	1968	SPEED WARNING HARNESS	\$41.00	
13500	1969	SPEED WARNING HARNESS	\$27.00	
13645	1970	SPEED WARNING HARNESS	\$27.00	
<b>TACHOMETER HARNESS</b>				
04000	1962	TACHOMETER HARNESS	\$59.00	
04250	1963	TACHOMETER HARNESS	\$59.00	
04320	1963	TACHOMETER HARNESS With Transistorized Ignition	\$72.00	
04605	1964	TACHOMETER HARNESS	\$59.00	
04610	1964	TACHOMETER HARNESS With Transistorized Ignition	\$72.00	
06245	1965	TACHOMETER HARNESS	\$59.00	
06250	1965	TACHOMETER HARNESS With Transistorized Ignition	\$72.00	
06245	1966	TACHOMETER HARNESS	\$59.00	
10050	1966	TACHOMETER HARNESS With Transistorized Ignition	\$72.00	
11040	1967	TACHOMETER HARNESS Hood Mounted	\$52.00	
11040	1968	TACHOMETER HARNESS Hood Mounted	\$52.00	
<b>TRANSISTOR IGNITION HARNESS</b>				
36003	1963	TRANSISTOR IGNITION EXTENSION HARNESS Used With GM Part# 1115008 Amplifier Control Unit	\$60.00	
36002	1963	TRANSISTOR IGNITION HARNESS	\$147.00	
33225	1964	TRANSISTOR IGNITION AMPLIFIER EXTENSION From Internal Circuit Board To Amplifier Housing Connector	\$53.00	
28380	1964	TRANSISTOR IGNITION EXTENSION HARNESS	\$74.00	
35941	1964	TRANSISTOR IGNITION HARNESS	\$159.00	
36838	1965	TRANSISTOR IGNITION HARNESS	\$198.00	
36837	1966	TRANSISTOR IGNITION HARNESS	\$198.00	
<b>TRANSISTOR IGNITION REPLACEMENT MODULE</b>				
32270	1963	TRANSISTOR IGNITION REPLACEMENT MODULE Replaces Original Circuit Board In Amplifier	\$189.00	
32270	1964	TRANSISTOR IGNITION REPLACEMENT MODULE Replaces Original Circuit Board In Amplifier	\$189.00	
32270	1965	TRANSISTOR IGNITION REPLACEMENT MODULE Replaces Original Circuit Board In Amplifier	\$189.00	
32270	1966	TRANSISTOR IGNITION REPLACEMENT MODULE Replaces Original Circuit Board In Amplifier	\$189.00	
<b>TRUNK LAMP EXTENSION HARNESS</b>				
13440	1969	TRUNK LAMP EXTENSION HARNESS Grand Prix, Coupe	\$26.00	
36239	1971	TRUNK LAMP EXTENSION WIRE Trunk Lamp To Rear Lamp Harness Connector	\$25.00	
36239	1972	TRUNK LAMP EXTENSION WIRE Trunk Lamp To Rear Lamp Harness Connector	\$25.00	
<b>TRUNK RELEASE HARNESS</b>				
14570	1970	TRUNK RELEASE HARNESS For Electric Trunk Lid Release, Except Grand Prix	\$48.00	
<b>TURN SIGNAL LEVER WIPER SWITCH</b>				
22510733	1982	TURN SIGNAL LEVER WIPER SWITCH Grand Prix, Black, With Pulse Wipers, Without Cruise Control	\$20.00	N
22510732	1982	TURN SIGNAL LEVER WIPER SWITCH Grand Prix, Black, Without Pulse Wipers, Without Cruise Control	\$20.00	N
22510144	1982	TURN SIGNAL LEVER WIPER SWITCH Grand Prix, Chrome, With Pulse Wipers, Without Cruise Control	\$20.00	N
22510733	1983	TURN SIGNAL LEVER WIPER SWITCH Grand Prix, Black, With Pulse Wipers, Without Cruise Control	\$20.00	N
22510732	1983	TURN SIGNAL LEVER WIPER SWITCH Grand Prix, Black, Without Pulse Wipers, Without Cruise Control	\$20.00	N
22510144	1983	TURN SIGNAL LEVER WIPER SWITCH Grand Prix, Chrome, With Pulse Wipers, Without Cruise Control	\$20.00	N
22510733	1984	TURN SIGNAL LEVER WIPER SWITCH All, Black, With Pulse Wipers, Without Cruise Control	\$20.00	N
22510732	1984	TURN SIGNAL LEVER WIPER SWITCH All, Black, Without Pulse Wipers, Without Cruise Control	\$20.00	N

Part Number	Year	Description	Price	*Rev.
22510144	1984	<b>TURN SIGNAL LEVER WIPER SWITCH</b> All, Chrome, With Pulse Wipers, Without Cruise Control	\$20.00	N
22510733	1985	<b>TURN SIGNAL LEVER WIPER SWITCH</b> All, Black, With Pulse Wipers, Without Cruise Control	\$20.00	N
22510732	1985	<b>TURN SIGNAL LEVER WIPER SWITCH</b> All, Black, Without Pulse Wipers, Without Cruise Control	\$20.00	N
22510144	1985	<b>TURN SIGNAL LEVER WIPER SWITCH</b> All, Chrome, With Pulse Wipers, Without Cruise Control	\$20.00	N
22510733	1986	<b>TURN SIGNAL LEVER WIPER SWITCH</b> All, Black, With Pulse Wipers, Without Cruise Control	\$20.00	N
22510732	1986	<b>TURN SIGNAL LEVER WIPER SWITCH</b> All, Black, Without Pulse Wipers, Without Cruise Control	\$20.00	N
22510144	1986	<b>TURN SIGNAL LEVER WIPER SWITCH</b> All, Chrome, With Pulse Wipers, Without Cruise Control	\$20.00	N
22510733	1987	<b>TURN SIGNAL LEVER WIPER SWITCH</b> All, Black, With Pulse Wipers, Without Cruise Control	\$20.00	N
22510732	1987	<b>TURN SIGNAL LEVER WIPER SWITCH</b> All, Black, Without Pulse Wipers, Without Cruise Control	\$20.00	N
22510144	1987	<b>TURN SIGNAL LEVER WIPER SWITCH</b> All, Chrome, With Pulse Wipers, Without Cruise Control	\$20.00	N
22510144	1988	<b>TURN SIGNAL LEVER WIPER SWITCH</b> All, Chrome, With Pulse Wipers, Without Cruise Control	\$20.00	N
22510144	1989	<b>TURN SIGNAL LEVER WIPER SWITCH</b> All, Chrome, With Pulse Wipers, Without Cruise Control	\$20.00	N
<b>TURN SIGNAL SWITCH</b>				
01993624	1965	<b>TURN SIGNAL SWITCH</b> With Tilt, Replaces Delco Part# D6220	\$71.00	
01993624	1966	<b>TURN SIGNAL SWITCH</b> With Tilt, Replaces Delco Part# D6220	\$71.00	
07800482	1967	<b>TURN SIGNAL SWITCH</b> All, Except Column Shift A/T, Without Cornering Lights, (Delco Type, White) Note: Emergency Flasher Actuator Hole In Outer Cover Is Shaped Like A Doghouse.	\$50.00	
01893592	1967	<b>TURN SIGNAL SWITCH</b> Without Cornering Lights (Delco-White), Replaces Delco Part# D6211 Note: This Is A Service Part, Adapter Pigtail Included And Is Required For Some Applications.	\$58.00	
05698897	1967	<b>TURN SIGNAL SWITCH</b> With Column Shift A/T, Without Tilt, Without Cornering Lamps (Delco Type, Black, White Or Green) Note: Emergency Flasher Actuator Hole In Outer Cover Is Shaped Like A Doghouse.	\$50.00	
05698897	1967	<b>TURN SIGNAL SWITCH</b> With Column Shift A/T, With Tilt, Without Cornering Lamps (Delco Type, Black, White Or Green) Note: Emergency Flasher Actuator Hole In Outer Cover Is Shaped Like A Doghouse.	\$50.00	
07800482	1968	<b>TURN SIGNAL SWITCH</b> All, Except Column Shift A/T, Without Cornering Lights, (Delco Type, White) Note: Emergency Flasher Actuator Hole In Outer Cover Is Shaped Like A Doghouse.	\$50.00	
01893592	1968	<b>TURN SIGNAL SWITCH</b> Without Cornering Lights (Delco-White), Replaces Delco Part# D6211 Note: This Is A Service Part, Adapter Pigtail Included And Is Required For Some Applications.	\$58.00	
05698897	1968	<b>TURN SIGNAL SWITCH</b> Column Shift A/T, Without Tilt, Without Cornering Lamps (Delco Type, Black, White Or Green) Note: Emergency Flasher Actuator Hole In Outer Cover Is Shaped Like A Doghouse.	\$50.00	
05698897	1968	<b>TURN SIGNAL SWITCH</b> Column Shift A/T, With Tilt, Without Cornering Lamps (Delco Type, Black, White Or Green) Note: Emergency Flasher Actuator Hole In Outer Cover Is Shaped Like A Doghouse.	\$50.00	
01997963	1969	<b>TURN SIGNAL SWITCH, CORRECT PART</b> Without Cornering Lights Note: Correct Part, No Adapter Pigtail Required.	\$41.00	
01893588	1969	<b>TURN SIGNAL SWITCH, SERVICE PART</b> Without Cornering Lights, Replaces Delco Part# D6208 Note: This Is A Service Part, Adapter Pigtail Included Is Required For Installation.	\$58.00	
01997963	1970	<b>TURN SIGNAL SWITCH, CORRECT PART</b> Without Cornering Lights, Without Tilt Note: Correct Part, No Adapter Pigtail Required.	\$41.00	
01893588	1970	<b>TURN SIGNAL SWITCH, SERVICE PART</b> Without Cornering Lights, Without Tilt, Replaces Delco Part# D6208 Note: This Is A Service Part, Adapter Pigtail Included Is Required For Installation.	\$58.00	
01997963	1971	<b>TURN SIGNAL SWITCH, CORRECT PART</b> Without Cornering Lights Note: Correct Part, No Adapter Pigtail Required.	\$41.00	

Part Number	Year	Description	Price	*Rev.
01893588	1971	<b>TURN SIGNAL SWITCH, SERVICE PART</b> Without Cornering Lights, Replaces Delco Part# D6208 Note: This Is A Service Part, Adapter Pigtail Included Is Required For Installation.	\$58.00	
01997963	1972	<b>TURN SIGNAL SWITCH, CORRECT PART</b> Without Cornering Lights Note: Correct Part, No Adapter Pigtail Required.	\$41.00	
01893588	1972	<b>TURN SIGNAL SWITCH, SERVICE PART</b> Without Cornering Lights Note: This Is A Service Part, Adapter Pigtail Included Is Required For Installation.	\$58.00	
<b>VACUUM GAUGE LAMP HARNESS</b>				
06185	1965	<b>VACUUM GAUGE LAMP HARNESS</b> Dash Harness To Vacuum Gauge	\$26.00	
<b>WINDSHIELD WIPER SWITCH</b>				
01998719	1959	<b>WINDSHIELD WIPER SWITCH</b> Single Speed, With Washer	\$52.00	
01998719	1960	<b>WINDSHIELD WIPER SWITCH</b> Single Speed, With Washer	\$52.00	
01998719	1961	<b>WINDSHIELD WIPER SWITCH</b> Single Speed, With Washer	\$52.00	
01998719	1962	<b>WINDSHIELD WIPER SWITCH</b> Single Speed, With Washer	\$52.00	
01993592	1963	<b>WINDSHIELD WIPER SWITCH</b> Single Speed, With Washer Note: Once our current stock runs out, this item will be discontinued.	\$52.00	
01993541	1964	<b>WINDSHIELD WIPER SWITCH</b> Single Speed, With Washer	\$45.00	
01993687	1965	<b>WINDSHIELD WIPER SWITCH</b> Single Speed, With Washer	\$54.00	
01993371	1967	<b>WINDSHIELD WIPER SWITCH</b> With Washer	\$65.00	
01993371	1968	<b>WINDSHIELD WIPER SWITCH</b> With Washer	\$65.00	
<b>WIRING JUNCTION BLOCK</b>				
01865535	1939	<b>WIRING JUNCTION BLOCK</b> 3-Terminal, Headlamp Wire Junction	\$12.00	N
01998756	1939	<b>WIRING JUNCTION BLOCK</b> 4-Terminal, Headlamp Wire Junction	\$13.00	N
01998757	1939	<b>WIRING JUNCTION BLOCK</b> 5-Terminal, Headlamp Wire Junction	\$19.00	N
01865535	1940	<b>WIRING JUNCTION BLOCK</b> 3-Terminal, Headlamp Wire Junction	\$12.00	N
01998756	1940	<b>WIRING JUNCTION BLOCK</b> 4-Terminal, Headlamp Wire Junction	\$13.00	N
01998757	1940	<b>WIRING JUNCTION BLOCK</b> 5-Terminal, Headlamp Wire Junction	\$19.00	N
01865535	1941	<b>WIRING JUNCTION BLOCK</b> 3-Terminal, Headlamp Wire Junction	\$12.00	N
01998756	1941	<b>WIRING JUNCTION BLOCK</b> 4-Terminal, Headlamp Wire Junction	\$13.00	N
01998757	1941	<b>WIRING JUNCTION BLOCK</b> 5-Terminal, Headlamp Wire Junction	\$19.00	N
01865535	1942	<b>WIRING JUNCTION BLOCK</b> 3-Terminal, Headlamp Wire Junction	\$12.00	N
01998756	1942	<b>WIRING JUNCTION BLOCK</b> 4-Terminal, Headlamp Wire Junction	\$13.00	N
01998757	1942	<b>WIRING JUNCTION BLOCK</b> 5-Terminal, Headlamp Wire Junction	\$19.00	N
01865535	1943	<b>WIRING JUNCTION BLOCK</b> 3-Terminal, Headlamp Wire Junction	\$12.00	N
01998756	1943	<b>WIRING JUNCTION BLOCK</b> 4-Terminal, Headlamp Wire Junction	\$13.00	N
01998757	1943	<b>WIRING JUNCTION BLOCK</b> 5-Terminal, Headlamp Wire Junction	\$19.00	N
01865535	1944	<b>WIRING JUNCTION BLOCK</b> 3-Terminal, Headlamp Wire Junction	\$12.00	N
01998756	1944	<b>WIRING JUNCTION BLOCK</b> 4-Terminal, Headlamp Wire Junction	\$13.00	N
01998757	1944	<b>WIRING JUNCTION BLOCK</b> 5-Terminal, Headlamp Wire Junction	\$19.00	N
01865535	1945	<b>WIRING JUNCTION BLOCK</b> 3-Terminal, Headlamp Wire Junction	\$12.00	N
01998756	1945	<b>WIRING JUNCTION BLOCK</b> 4-Terminal, Headlamp Wire Junction	\$13.00	N
01998757	1945	<b>WIRING JUNCTION BLOCK</b> 5-Terminal, Headlamp Wire Junction	\$19.00	N
01865535	1946	<b>WIRING JUNCTION BLOCK</b> 3-Terminal, Headlamp Wire Junction	\$12.00	N
01998756	1946	<b>WIRING JUNCTION BLOCK</b> 4-Terminal, Headlamp Wire Junction	\$13.00	N
01998757	1946	<b>WIRING JUNCTION BLOCK</b> 5-Terminal, Headlamp Wire Junction	\$19.00	N
01865535	1947	<b>WIRING JUNCTION BLOCK</b> 3-Terminal, Headlamp Wire Junction	\$12.00	N
01998756	1947	<b>WIRING JUNCTION BLOCK</b> 4-Terminal, Headlamp Wire Junction	\$13.00	N
01998757	1947	<b>WIRING JUNCTION BLOCK</b> 5-Terminal, Headlamp Wire Junction	\$19.00	N

**Pontiac Fullsize  
Grand Prix**



**Phone (562) 926-9552  
Fax (562) 926-9572**

Part Number	Year	Description	Price	*Rev.
01865535	1948	<b>WIRING JUNCTION BLOCK</b> 3-Terminal, Headlamp Wire Junction	\$12.00	N
01998756	1948	<b>WIRING JUNCTION BLOCK</b> 4-Terminal, Headlamp Wire Junction	\$13.00	N
01998757	1948	<b>WIRING JUNCTION BLOCK</b> 5-Terminal, Headlamp Wire Junction	\$19.00	N
01865535	1949	<b>WIRING JUNCTION BLOCK</b> 3-Terminal, Headlamp Wire Junction	\$12.00	N
01998756	1949	<b>WIRING JUNCTION BLOCK</b> 4-Terminal, Headlamp Wire Junction	\$13.00	N
01998757	1949	<b>WIRING JUNCTION BLOCK</b> 5-Terminal, Headlamp Wire Junction	\$19.00	N
01865535	1950	<b>WIRING JUNCTION BLOCK</b> 3-Terminal, Headlamp Wire Junction	\$12.00	N
01998756	1950	<b>WIRING JUNCTION BLOCK</b> 4-Terminal, Headlamp Wire Junction	\$13.00	N
01998757	1950	<b>WIRING JUNCTION BLOCK</b> 5-Terminal, Headlamp Wire Junction	\$19.00	N
01865535	1951	<b>WIRING JUNCTION BLOCK</b> 3-Terminal, Headlamp Wire Junction	\$12.00	N
01998756	1951	<b>WIRING JUNCTION BLOCK</b> 4-Terminal, Headlamp Wire Junction	\$13.00	N
01998757	1951	<b>WIRING JUNCTION BLOCK</b> 5-Terminal, Headlamp Wire Junction	\$19.00	N
01865535	1952	<b>WIRING JUNCTION BLOCK</b> 3-Terminal, Headlamp Wire Junction	\$12.00	N
01998756	1952	<b>WIRING JUNCTION BLOCK</b> 4-Terminal, Headlamp Wire Junction	\$13.00	N
01998757	1952	<b>WIRING JUNCTION BLOCK</b> 5-Terminal, Headlamp Wire Junction	\$19.00	N
01865535	1953	<b>WIRING JUNCTION BLOCK</b> 3-Terminal, Headlamp Wire Junction	\$12.00	N
01998756	1953	<b>WIRING JUNCTION BLOCK</b> 4-Terminal, Headlamp Wire Junction	\$13.00	N
01998757	1953	<b>WIRING JUNCTION BLOCK</b> 5-Terminal, Headlamp Wire Junction	\$19.00	N
01865535	1954	<b>WIRING JUNCTION BLOCK</b> 3-Terminal, Headlamp Wire Junction	\$12.00	N
01998756	1954	<b>WIRING JUNCTION BLOCK</b> 4-Terminal, Headlamp Wire Junction	\$13.00	N
01998757	1954	<b>WIRING JUNCTION BLOCK</b> 5-Terminal, Headlamp Wire Junction	\$19.00	N

# ***Section 20***

## ***Skylark Special GS***



Part Number	Year	Description	Price	*Rev.
<b>AIR CONDITIONING HARNESS</b>				
35958	1964	<b>AIR CONDITIONING HARNESS</b> Includes Heater Wiring	\$176.00	
35958	1965	<b>AIR CONDITIONING HARNESS</b> Includes Heater Wiring	\$176.00	
35871	1966	<b>AIR CONDITIONING HARNESS</b> Includes Heater Wiring	\$171.00	
35871	1967	<b>AIR CONDITIONING HARNESS</b> Includes Heater Wiring	\$171.00	
35872	1968	<b>AIR CONDITIONING EXTENSION WIRE</b> Blower Motor To Engine Harness	\$18.00	
35942	1968	<b>AIR CONDITIONING HARNESS</b> Includes Heater Wiring	\$171.00	
32310	1969	<b>AIR CONDITIONING HARNESS</b> Includes Heater Wiring	\$171.00	
32310	1970	<b>AIR CONDITIONING HARNESS</b> Includes Heater Wiring	\$171.00	
32310	1971	<b>AIR CONDITIONING HARNESS</b> Includes Heater Wiring	\$171.00	
32310	1972	<b>AIR CONDITIONING HARNESS</b> Includes Heater Wiring	\$171.00	
<b>ALTERNATOR CONVERSION KIT</b>				
27555	1964	<b>ALTERNATOR CONVERSION KIT</b> External To Internal Regulator Conversion Harness ("SI" Series) Note: For Use With 1972-84 Non-Serpentine Belt ("SI" Series) Internal Regulated Alternators.	\$29.00	
37787	1964	<b>ALTERNATOR CONVERSION KIT</b> External To Internal Regulator Conversion Harness ("CS" Series) Note: For Use With Serpentine Belt ("CS" Series) Internal Regulated Alternators.	\$34.00	
27555	1965	<b>ALTERNATOR CONVERSION KIT</b> External To Internal Regulator Conversion Harness ("SI" Series) Note: For Use With 1972-84 Non-Serpentine Belt ("SI" Series) Internal Regulated Alternators.	\$29.00	
37787	1965	<b>ALTERNATOR CONVERSION KIT</b> External To Internal Regulator Conversion Harness ("CS" Series) Note: For Use With Serpentine Belt ("CS" Series) Internal Regulated Alternators.	\$34.00	
27555	1966	<b>ALTERNATOR CONVERSION KIT</b> External To Internal Regulator Conversion Harness ("SI" Series) Note: For Use With 1972-84 Non-Serpentine Belt ("SI" Series) Internal Regulated Alternators.	\$29.00	
37787	1966	<b>ALTERNATOR CONVERSION KIT</b> External To Internal Regulator Conversion Harness ("CS" Series) Note: For Use With Serpentine Belt ("CS" Series) Internal Regulated Alternators.	\$34.00	
27555	1967	<b>ALTERNATOR CONVERSION KIT</b> External To Internal Regulator Conversion Harness ("SI" Series) Note: For Use With 1972-84 Non-Serpentine Belt ("SI" Series) Internal Regulated Alternators.	\$29.00	
37787	1967	<b>ALTERNATOR CONVERSION KIT</b> External To Internal Regulator Conversion Harness ("CS" Series) Note: For Use With Serpentine Belt ("CS" Series) Internal Regulated Alternators.	\$34.00	
27555	1968	<b>ALTERNATOR CONVERSION KIT</b> External To Internal Regulator Conversion Harness ("SI" Series) Note: For Use With 1972-84 Non-Serpentine Belt ("SI" Series) Internal Regulated Alternators.	\$29.00	
37787	1968	<b>ALTERNATOR CONVERSION KIT</b> External To Internal Regulator Conversion Harness ("CS" Series) Note: For Use With Serpentine Belt ("CS" Series) Internal Regulated Alternators.	\$34.00	
27555	1969	<b>ALTERNATOR CONVERSION KIT</b> External To Internal Regulator Conversion Harness ("SI" Series) Note: For Use With 1972-84 Non-Serpentine Belt ("SI" Series) Internal Regulated Alternators.	\$29.00	
37787	1969	<b>ALTERNATOR CONVERSION KIT</b> External To Internal Regulator Conversion Harness ("CS" Series) Note: For Use With Serpentine Belt ("CS" Series) Internal Regulated Alternators.	\$34.00	
27555	1970	<b>ALTERNATOR CONVERSION KIT</b> External To Internal Regulator Conversion Harness ("SI" Series) Note: For Use With 1972-84 Non-Serpentine Belt ("SI" Series) Internal Regulated Alternators.	\$29.00	
37787	1970	<b>ALTERNATOR CONVERSION KIT</b> External To Internal Regulator Conversion Harness ("CS" Series) Note: For Use With Serpentine Belt ("CS" Series) Internal Regulated Alternators.	\$34.00	
27555	1971	<b>ALTERNATOR CONVERSION KIT</b> External To Internal Regulator Conversion Harness ("SI" Series) Note: For Use With 1972-84 Non-Serpentine Belt ("SI" Series) Internal Regulated Alternators.	\$29.00	
37787	1971	<b>ALTERNATOR CONVERSION KIT</b> External To Internal Regulator Conversion Harness ("CS" Series) Note: For Use With Serpentine Belt ("CS" Series) Internal Regulated Alternators.	\$34.00	
27555	1972	<b>ALTERNATOR CONVERSION KIT</b> External To Internal Regulator Conversion Harness ("SI" Series) Note: For Use With 1972-84 Non-Serpentine Belt ("SI" Series) Internal Regulated Alternators.	\$29.00	
37787	1972	<b>ALTERNATOR CONVERSION KIT</b> External To Internal Regulator Conversion Harness ("CS" Series) Note: For Use With Serpentine Belt ("CS" Series) Internal Regulated Alternators.	\$34.00	

Part Number	Year	Description	Price	*Rev.
<b>ASSEMBLY MANUAL</b>				
36361	1963	ASSEMBLY MANUAL Factory Assembly Instruction Guide	\$32.00	
36362	1964	ASSEMBLY MANUAL Factory Assembly Instruction Guide	\$32.00	
36363	1968	ASSEMBLY MANUAL Factory Assembly Instruction Guide	\$32.00	
36364	1969	ASSEMBLY MANUAL Factory Assembly Instruction Guide	\$32.00	
36365	1970	ASSEMBLY MANUAL Factory Assembly Instruction Guide	\$32.00	
36366	1971	ASSEMBLY MANUAL Factory Assembly Instruction Guide	\$32.00	
36367	1972	ASSEMBLY MANUAL Factory Assembly Instruction Guide	\$32.00	
<b>BACKUP LAMP SWITCH</b>				
01993662	1964	BACKUP LAMP SWITCH 4 Speed, Manual Trans	\$64.00	
01993662	1965	BACKUP LAMP SWITCH 4 Speed, Manual Trans	\$64.00	
01993662	1966	BACKUP LAMP SWITCH 4 Speed, Manual Trans	\$64.00	
01993406	1967	BACKUP LAMP SWITCH All Manual Trans, Except Column Shift	\$64.00	
01993406	1968	BACKUP LAMP SWITCH All Manual Trans, Except Column Shift	\$64.00	
03943657	1969	BACKUP LAMP SWITCH All Manual Trans	\$53.00	
03943657	1970	BACKUP LAMP SWITCH All Manual Trans	\$53.00	
03943657	1971	BACKUP LAMP SWITCH All Manual Trans	\$53.00	
03943657	1972	BACKUP LAMP SWITCH All Manual Trans	\$53.00	
<b>BACKUP LAMP SWITCH MOUNTING BRACKET</b>				
37650	1964	BACKUP LAMP SWITCH MOUNTING BRACKET With Muncie 4 Speed Transmission	\$29.00	
37650	1965	BACKUP LAMP SWITCH MOUNTING BRACKET With Muncie 4 Speed Transmission	\$29.00	
37650	1966	BACKUP LAMP SWITCH MOUNTING BRACKET With Muncie 4 Speed Transmission	\$29.00	
37650	1967	BACKUP LAMP SWITCH MOUNTING BRACKET With Muncie 4 Speed Transmission	\$29.00	
37650	1968	BACKUP LAMP SWITCH MOUNTING BRACKET With Muncie 4 Speed Transmission	\$29.00	
<b>BACKUP LAMP SWITCH MOUNTING KIT</b>				
39504	1967	BACKUP LAMP SWITCH MOUNTING KIT With Manual Transmission Note: Kit Contains The Bracket, Rod With 2 Clips, Shield & Bolts.	\$46.00	
39504	1968	BACKUP LAMP SWITCH MOUNTING KIT With Manual Transmission Note: Kit Contains The Bracket, Rod With 2 Clips, Shield & Bolts.	\$46.00	
<b>BATTERY CABLE JUMPER</b>				
21690	1961	BATTERY CABLE JUMPER Pos, Junction Block To Starter Solenoid	\$69.00	
31935	1962	BATTERY CABLE JUMPER Pos, Junction Block To Starter Solenoid	\$69.00	
31935	1963	BATTERY CABLE JUMPER Pos, Junction Block To Starter Solenoid	\$69.00	
10525	1965	BATTERY CABLE JUMPER Pos, V/8, Gran Sport, Junction Block To Starter Solenoid	\$69.00	
10525	1966	BATTERY CABLE JUMPER Pos, V/8, Gran Sport, Junction Block To Starter Solenoid	\$69.00	
<b>BATTERY CABLE-NEGATIVE</b>				
03940	1961	BATTERY CABLE, SPRING RING Neg, With Secondary Ground Wire	\$69.00	
03260	1961	BATTERY CABLE, SPRING RING Neg, Without Secondary Ground Wire	\$69.00	
03940	1962	BATTERY CABLE, SPRING RING Neg, With Secondary Ground Wire	\$69.00	
04210	1963	BATTERY CABLE, SPRING RING Neg	\$69.00	
05350	1964	BATTERY CABLE, SPRING RING Neg, V/6	\$69.00	
04535	1964	BATTERY CABLE, SPRING RING Neg, V/8	\$69.00	
05350	1965	BATTERY CABLE, SPRING RING Neg, V/6 & V/8, Except Gran Sport	\$69.00	
05350	1966	BATTERY CABLE, SPRING RING Neg, V/6 & V/8, Except Gran Sport	\$69.00	
05340	1966	BATTERY CABLE, SPRING RING Neg, V/8, Gran Sport	\$69.00	
05350	1967	BATTERY CABLE, SPRING RING Neg, V/6	\$69.00	

Part Number	Year	Description	Price	*Rev.
04535	1967	<b>BATTERY CABLE, SPRING RING</b> Neg, V/8, Except Gran Sport	\$69.00	
09815	1967	<b>BATTERY CABLE, SPRING RING</b> Neg, V/8, Gran Sport	\$69.00	
04445	1968	<b>BATTERY CABLE, SPRING RING</b> Neg, 6 Cylinder Note: 6 Cylinder Items Are Not Returnable.	\$69.00	
04535	1968	<b>BATTERY CABLE, SPRING RING</b> Neg, V/8, 350 C.I.	\$69.00	
09815	1968	<b>BATTERY CABLE, SPRING RING</b> Neg, V/8, 400 C.I.	\$69.00	
04445	1969	<b>BATTERY CABLE, SPRING RING</b> Neg, 6 Cylinder Note: 6 Cylinder Items Are Not Returnable.	\$69.00	
23650	1969	<b>BATTERY CABLE, SPRING RING</b> Neg, V/8, 350 C.I.	\$69.00	
09815	1969	<b>BATTERY CABLE, SPRING RING</b> Neg, V/8, 400 C.I.	\$69.00	
14645	1970	<b>BATTERY CABLE, SPRING RING</b> Neg, 6 Cylinder Note: 6 Cylinder Items Are Not Returnable.	\$69.00	
14650	1970	<b>BATTERY CABLE, SPRING RING</b> Neg, V/8, 350 C.I.	\$69.00	
14655	1970	<b>BATTERY CABLE, SPRING RING</b> Neg, V/8, 455 C.I.	\$69.00	
14645	1971	<b>BATTERY CABLE, SPRING RING</b> Neg, 6 Cylinder Note: 6 Cylinder Items Are Not Returnable.	\$69.00	
14650	1971	<b>BATTERY CABLE, SPRING RING</b> Neg, V/8, 350 C.I.	\$69.00	
14655	1971	<b>BATTERY CABLE, SPRING RING</b> Neg, V/8, 455 C.I.	\$69.00	
41371	1972	<b>BATTERY CABLE, SIDE POST</b> Neg, V/8, 350 C.I.	\$74.00	
39497	1972	<b>BATTERY CABLE, SIDE POST</b> Neg, V/8, 455 C.I.	\$59.00	
<b>BATTERY CABLE-POSITIVE</b>				
34715	1961	<b>BATTERY CABLE, SPRING RING</b> Pos, Battery To Junction Block	\$69.00	
34715	1962	<b>BATTERY CABLE, SPRING RING</b> Pos, Battery To Junction Block	\$69.00	
26875	1963	<b>BATTERY CABLE, SPRING RING</b> Pos, Battery To Junction Block	\$69.00	
05435	1964	<b>BATTERY CABLE, SPRING RING</b> Pos, V/6 & V/8	\$69.00	
23665	1965	<b>BATTERY CABLE, SPRING RING</b> Pos, V/6	\$69.00	
09890	1965	<b>BATTERY CABLE, SPRING RING</b> Pos, V/8, Except Gran Sport	\$69.00	
23665	1966	<b>BATTERY CABLE, SPRING RING</b> Pos, V/6	\$69.00	
09890	1966	<b>BATTERY CABLE, SPRING RING</b> Pos, V/8, Except Gran Sport	\$69.00	
23705	1966	<b>BATTERY CABLE, SPRING RING</b> Pos, V/8, Gran Sport, Battery To Junction Block	\$69.00	
23665	1967	<b>BATTERY CABLE, SPRING RING</b> Pos, V/6	\$69.00	
23665	1967	<b>BATTERY CABLE, SPRING RING</b> Pos, V8, 300-340 C.I., Except Gran Sport	\$69.00	
10370	1967	<b>BATTERY CABLE, SPRING RING</b> Pos, V/8, 400 C.I. & Gran Sport Note: Now Includes Molded Plastic And Metal Retainers.	\$150.00	C
09905	1968	<b>BATTERY CABLE, SPRING RING</b> Pos, 6 Cylinder Note: 6 Cylinder Items Are Not Returnable.	\$69.00	
09910	1968	<b>BATTERY CABLE, SPRING RING</b> Pos, V/8, 350 C.I.	\$69.00	
10370	1968	<b>BATTERY CABLE, SPRING RING</b> Pos, V/8, 400 C.I. & Gran Sport Note: Now Includes Molded Plastic And Metal Retainers.	\$150.00	C
09905	1969	<b>BATTERY CABLE, SPRING RING</b> Pos, 6 Cylinder Note: 6 Cylinder Items Are Not Returnable.	\$69.00	
23660	1969	<b>BATTERY CABLE, SPRING RING</b> Pos, V/8, 350 C.I.	\$69.00	
13300	1969	<b>BATTERY CABLE, SPRING RING</b> Pos, V/8, 400 C.I. & Gran Sport Note: Now Includes Molded Plastic And Metal Retainers.	\$150.00	C
09905	1970	<b>BATTERY CABLE, SPRING RING</b> Pos, 6 Cylinder Note: 6 Cylinder Items Are Not Returnable.	\$69.00	
14610	1970	<b>BATTERY CABLE, SPRING RING</b> Pos, V/8, 350 C.I.	\$69.00	

Part Number	Year	Description	Price	*Rev.
13300	1970	<b>BATTERY CABLE, SPRING RING</b> Pos, V/8, 455 C.I. Note: Now Includes Molded Plastic And Metal Retainers.	\$150.00	C
09905	1971	<b>BATTERY CABLE, SPRING RING</b> Pos, 6 Cylinder Note: 6 Cylinder Items Are Not Returnable.	\$69.00	
14610	1971	<b>BATTERY CABLE, SPRING RING</b> Pos, V/8, 350 C.I.	\$69.00	
13300	1971	<b>BATTERY CABLE, SPRING RING</b> Pos, V/8, 455 C.I. Note: Now Includes Molded Plastic And Metal Retainers.	\$150.00	C
41370	1972	<b>BATTERY CABLE, SIDE POST</b> Pos, V/8, 350 C.I.	\$74.00	
39496	1972	<b>BATTERY CABLE, SIDE POST</b> Pos, V/8, 455 C.I. Note: Now Includes Molded Plastic And Metal Retainers.	\$150.00	C
<b>BREAKERLESS SE SINGLE WIRE ELECTRONIC IGNITION</b>				
38131	1964	<b>BREAKERLESS SE SINGLE WIRE ELECTRONIC IGNITION KIT</b> For 1957-74 Breaker Point Distributors With Windowed Type Distributor Cap	\$179.00	
38131	1965	<b>BREAKERLESS SE SINGLE WIRE ELECTRONIC IGNITION KIT</b> For 1957-74 Breaker Point Distributors With Windowed Type Distributor Cap	\$179.00	
38131	1966	<b>BREAKERLESS SE SINGLE WIRE ELECTRONIC IGNITION KIT</b> For 1957-74 Breaker Point Distributors With Windowed Type Distributor Cap	\$179.00	
38131	1967	<b>BREAKERLESS SE SINGLE WIRE ELECTRONIC IGNITION KIT</b> For 1957-74 Breaker Point Distributors With Windowed Type Distributor Cap	\$179.00	
38131	1968	<b>BREAKERLESS SE SINGLE WIRE ELECTRONIC IGNITION KIT</b> For 1957-74 Breaker Point Distributors With Windowed Type Distributor Cap	\$179.00	
38131	1969	<b>BREAKERLESS SE SINGLE WIRE ELECTRONIC IGNITION KIT</b> For 1957-74 Breaker Point Distributors With Windowed Type Distributor Cap	\$179.00	
38131	1970	<b>BREAKERLESS SE SINGLE WIRE ELECTRONIC IGNITION KIT</b> For 1957-74 Breaker Point Distributors With Windowed Type Distributor Cap	\$179.00	
38131	1971	<b>BREAKERLESS SE SINGLE WIRE ELECTRONIC IGNITION KIT</b> For 1957-74 Breaker Point Distributors With Windowed Type Distributor Cap	\$179.00	
38131	1972	<b>BREAKERLESS SE SINGLE WIRE ELECTRONIC IGNITION KIT</b> For 1957-74 Breaker Point Distributors With Windowed Type Distributor Cap	\$179.00	
38131	1973	<b>BREAKERLESS SE SINGLE WIRE ELECTRONIC IGNITION KIT</b> For 1957-74 Breaker Point Distributors With Windowed Type Distributor Cap	\$179.00	
38131	1974	<b>BREAKERLESS SE SINGLE WIRE ELECTRONIC IGNITION KIT</b> For 1957-74 Breaker Point Distributors With Windowed Type Distributor Cap	\$179.00	
<b>CIRCUIT BREAKER</b>				
04849850	1964	<b>CIRCUIT BREAKER, 40 AMP</b> Power Seat, Windows & Tailgate Window	\$14.00	
<b>COURTESY LAMP HARNESS</b>				
06890	1964	<b>COURTESY LAMP HARNESS</b> Skylark Coupe, With Dual Rear Sail Panel Lights	\$60.00	
07135	1964	<b>COURTESY LAMP JUMPER HARNESS</b> Rear Header Courtesy Lamp, 4 Door Wagon Only	\$48.00	
06880	1964	<b>COURTESY LAMP HARNESS</b> Center Roof Mounted Dome Lamp, Skylark & Special 4door Sedan	\$34.00	
06885	1964	<b>COURTESY LAMP HARNESS</b> Center Roof Mounted Dome Lamp, Special 2 Door Sedan	\$33.00	
07575	1965	<b>COURTESY LAMP HARNESS</b> Center Roof Mounted Dome Lamp, Skylark & Special 4 Door Sedan	\$40.00	
07580	1965	<b>COURTESY LAMP HARNESS</b> Center Roof Mounted Dome Lamp, Skylark & Special Coupes	\$33.00	
07710	1965	<b>COURTESY LAMP HARNESS</b> With Dual Rear Sail Panel Lights	\$53.00	
07710	1966	<b>COURTESY LAMP HARNESS</b> With Dual Rear Sail Panel Lights	\$53.00	
07710	1967	<b>COURTESY LAMP HARNESS</b> With Dual Rear Sail Panel Lights	\$53.00	

Part Number	Year	Description	Price	*Rev.
<b>COURTESY LAMP REPAIR PIGTAIL</b>				
43896	1964	<b>COURTESY LAMP REPAIR PIGTAIL</b> Convertible, 1/4 Arm Rest Courtesy Lamp, Includes Socket And 6" Of 18 Gauge, Orange & White Wire. 2 Required Per Car. Note: Original Wire Was 18 Gauge, Sometimes With A Heavy Wall Type Insulation. Repair Pigtail Is Also 18 Gauge, But Today's Insulation Is Of Much Higher Quality, And May Not Be As Thick As Some Original Cables.	\$17.00	
43896	1965	<b>COURTESY LAMP REPAIR PIGTAIL</b> Convertible, 1/4 Arm Rest Courtesy Lamp, Includes Socket And 6" Of 18 Gauge, Orange & White Wire. 2 Required Per Car. Note: Original Wire Was 18 Gauge, Sometimes With A Heavy Wall Type Insulation. Repair Pigtail Is Also 18 Gauge, But Today's Insulation Is Of Much Higher Quality, And May Not Be As Thick As Some Original Cables.	\$17.00	
43896	1966	<b>COURTESY LAMP REPAIR PIGTAIL</b> Convertible, 1/4 Arm Rest Courtesy Lamp, Includes Socket And 6" Of 18 Gauge, Orange & White Wire. 2 Required Per Car. Note: Original Wire Was 18 Gauge, Sometimes With A Heavy Wall Type Insulation. Repair Pigtail Is Also 18 Gauge, But Today's Insulation Is Of Much Higher Quality, And May Not Be As Thick As Some Original Cables.	\$17.00	
43896	1967	<b>COURTESY LAMP REPAIR PIGTAIL</b> Convertible, 1/4 Arm Rest Courtesy Lamp, Includes Socket And 6" Of 18 Gauge, Orange & White Wire. 2 Required Per Car. Note: Original Wire Was 18 Gauge, Sometimes With A Heavy Wall Type Insulation. Repair Pigtail Is Also 18 Gauge, But Today's Insulation Is Of Much Higher Quality, And May Not Be As Thick As Some Original Cables.	\$17.00	
43896	1968	<b>COURTESY LAMP REPAIR PIGTAIL</b> Convertible, 1/4 Arm Rest Courtesy Lamp, Includes Socket And 6" Of 18 Gauge, Orange & White Wire. 2 Required Per Car. Note: Original Wire Was 18 Gauge, Sometimes With A Heavy Wall Type Insulation. Repair Pigtail Is Also 18 Gauge, But Today's Insulation Is Of Much Higher Quality, And May Not Be As Thick As Some Original Cables.	\$17.00	
43896	1969	<b>COURTESY LAMP REPAIR PIGTAIL</b> Convertible, 1/4 Arm Rest Courtesy Lamp, Includes Socket And 6" Of 18 Gauge, Orange & White Wire. 2 Required Per Car. Note: Original Wire Was 18 Gauge, Sometimes With A Heavy Wall Type Insulation. Repair Pigtail Is Also 18 Gauge, But Today's Insulation Is Of Much Higher Quality, And May Not Be As Thick As Some Original Cables.	\$17.00	
43896	1970	<b>COURTESY LAMP REPAIR PIGTAIL</b> Convertible, 1/4 Arm Rest Courtesy Lamp, Includes Socket And 6" Of 18 Gauge, Orange & White Wire. 2 Required Per Car. Note: Original Wire Was 18 Gauge, Sometimes With A Heavy Wall Type Insulation. Repair Pigtail Is Also 18 Gauge, But Today's Insulation Is Of Much Higher Quality, And May Not Be As Thick As Some Original Cables.	\$17.00	
43896	1971	<b>COURTESY LAMP REPAIR PIGTAIL</b> Convertible, 1/4 Arm Rest Courtesy Lamp, Includes Socket And 6" Of 18 Gauge, Orange & White Wire. 2 Required Per Car. Note: Original Wire Was 18 Gauge, Sometimes With A Heavy Wall Type Insulation. Repair Pigtail Is Also 18 Gauge, But Today's Insulation Is Of Much Higher Quality, And May Not Be As Thick As Some Original Cables.	\$17.00	
43896	1972	<b>COURTESY LAMP REPAIR PIGTAIL</b> Convertible, 1/4 Arm Rest Courtesy Lamp, Includes Socket And 6" Of 18 Gauge, Orange & White Wire. 2 Required Per Car. Note: Original Wire Was 18 Gauge, Sometimes With A Heavy Wall Type Insulation. Repair Pigtail Is Also 18 Gauge, But Today's Insulation Is Of Much Higher Quality, And May Not Be As Thick As Some Original Cables.	\$17.00	
<b>DASH HARNESS</b>				
04500	1964	<b>DASH HARNESS</b>	\$658.00	
06165	1965	<b>DASH HARNESS</b> Column Shift, Auto Trans Or Floor Shift Manual Trans	\$684.00	
06225	1965	<b>DASH HARNESS</b> Console Shift, Auto Trans	\$658.00	
06090	1965	<b>DASH HARNESS</b> Console Shift, Manual Trans	\$684.00	
10225	1966	<b>DASH HARNESS</b> Column Shift, Auto Trans Or Floor Shift Manual Trans	\$684.00	
10270	1966	<b>DASH HARNESS</b> Console Shift, Auto Trans	\$658.00	
10275	1966	<b>DASH HARNESS</b> Console Shift, Manual Trans	\$684.00	
11140	1967	<b>DASH HARNESS</b> Column Shift, Auto Trans Or Floor Shift Manual Trans	\$658.00	
11145	1967	<b>DASH HARNESS</b> Console Shift, Auto Trans	\$696.00	
11150	1967	<b>DASH HARNESS</b> Console Shift, Manual Trans	\$670.00	
12130	1968	<b>DASH HARNESS</b> Column Shift Auto Trans Or All Manual Trans	\$670.00	
12135	1968	<b>DASH HARNESS</b> Console Shift, Auto Trans	\$696.00	
12725	1969	<b>DASH HARNESS</b> Column Shift Auto Trans Or All Manual Trans	\$684.00	
12730	1969	<b>DASH HARNESS</b> Console Shift, Auto Trans	\$696.00	

Part Number	Year	Description	Price	*Rev.
13715	1970	<b>DASH HARNESS</b> Column Shift Auto Or All Manual Trans	\$690.00	
15740	1970	<b>DASH HARNESS</b> Console Shift, Auto Trans	\$696.00	
19170	1970	<b>DASH HARNESS</b> Column Shift Auto Or All Manual Trans, With Gauges	\$690.00	
19175	1970	<b>DASH HARNESS</b> Console Shift, Auto Trans, With Gauges	\$696.00	
19180	1971	<b>DASH HARNESS</b> With Warning Lights	\$709.00	
15945	1971	<b>DASH HARNESS</b> With Gauges	\$690.00	
18290	1972	<b>DASH HARNESS</b> Note: Applications With Gauges Require Part# 41575 Dash Instrument Cluster Harness (41575 Requires Customers Original).	\$709.00	
41575	1972	<b>DASH INSTRUMENT CLUSTER HARNESS</b> With Gauges Note: Customer Must Supply Their Original Harness For Cluster Connector.	\$132.00	
<b>DISTRIBUTOR WIRE</b>				
36057	1964	<b>DISTRIBUTOR WIRE</b> Distributor Points To Coil Negative Terminal, V/8 Note: Fits All GM V/8 Points Type Distributors From Approx. 1957 To 1974.	\$18.00	C
36057	1965	<b>DISTRIBUTOR WIRE</b> Distributor Points To Coil Negative Terminal, V/8 Note: Fits All GM V/8 Points Type Distributors From Approx. 1957 To 1974.	\$18.00	C
36057	1966	<b>DISTRIBUTOR WIRE</b> Distributor Points To Coil Negative Terminal, V/8 Note: Fits All GM V/8 Points Type Distributors From Approx. 1957 To 1974.	\$18.00	C
36057	1967	<b>DISTRIBUTOR WIRE</b> Distributor Points To Coil Negative Terminal, V/8 Note: Fits All GM V/8 Points Type Distributors From Approx. 1957 To 1974.	\$18.00	C
36057	1968	<b>DISTRIBUTOR WIRE</b> Distributor Points To Coil Negative Terminal, V/8 Note: Fits All GM V/8 Points Type Distributors From Approx. 1957 To 1974.	\$18.00	C
36057	1969	<b>DISTRIBUTOR WIRE</b> Distributor Points To Coil Negative Terminal, V/8 Note: Fits All GM V/8 Points Type Distributors From Approx. 1957 To 1974.	\$18.00	C
36057	1970	<b>DISTRIBUTOR WIRE</b> Distributor Points To Coil Negative Terminal, V/8 Note: Fits All GM V/8 Points Type Distributors From Approx. 1957 To 1974.	\$18.00	C
36057	1971	<b>DISTRIBUTOR WIRE</b> Distributor Points To Coil Negative Terminal, V/8 Note: Fits All GM V/8 Points Type Distributors From Approx. 1957 To 1974.	\$18.00	C
36057	1972	<b>DISTRIBUTOR WIRE</b> Distributor Points To Coil Negative Terminal, V/8 Note: Fits All GM V/8 Points Type Distributors From Approx. 1957 To 1974.	\$18.00	C
36057	1973	<b>DISTRIBUTOR WIRE</b> Distributor Points To Coil Negative Terminal, V/8 Note: Fits All GM V/8 Points Type Distributors From Approx. 1957 To 1974.	\$18.00	C
36057	1974	<b>DISTRIBUTOR WIRE</b> Distributor Points To Coil Negative Terminal, V/8 Note: Fits All GM V/8 Points Type Distributors From Approx. 1957 To 1974.	\$18.00	C
<b>ENGINE HARNESS</b>				
04505	1964	<b>ENGINE HARNESS</b> 6 Cylinder (V/6) Note: 6 Cylinder Items Are Not Returnable.	\$275.00	
04510	1964	<b>ENGINE HARNESS</b> V/8	\$237.00	
43090	1964	<b>ENGINE HARNESS-HEI</b> V/8 Note: This Harness Is Modified For Use With An HEI Distributor.	\$262.00	
43091	1964	<b>ENGINE HARNESS-SI SERIES INT REG ALT</b> V/8 Note: Modified For 1972-84 Non-Serpentine Belt ("SI" Series) Internal Regulated Alternators Mounted In The Factory Location.	\$276.00	
43092	1964	<b>ENGINE HARNESS-HEI AND SI SERIES INT REG ALT</b> V/8 Note: Modified For HEI & 1972-84 Non-Serpentine Belt ("SI" Series) Internal Regulated Alternators Mounted In The Factory Location.	\$289.00	
06180	1965	<b>ENGINE HARNESS</b> 6 Cylinder (V/6) Note: 6 Cylinder Items Are Not Returnable.	\$275.00	
05940	1965	<b>ENGINE HARNESS</b> V/8, 300 C.I. Engine Only, Includes Starter Solenoid Wiring	\$237.00	

Part Number	Year	Description	Price	*Rev.
43093	1965	<b>ENGINE HARNESS-HEI</b> V/8, 300 C.I. Engine Only, Includes Starter Solenoid Wiring Note: This Harness Is Modified For Use With An HEI Distributor.	\$262.00	
43094	1965	<b>ENGINE HARNESS-SI SERIES INT REG ALT</b> V/8, 300 C.I. Engine Only, Includes Starter Solenoid Wiring Note: Modified For 1972-84 Non-Serpentine Belt ("SI" Series) Internal Regulated Alternators Mounted In The Factory Location.	\$276.00	
43095	1965	<b>ENGINE HARNESS-HEI AND SI SERIES INT REG ALT</b> V/8, 300 C.I. Engine Only, Includes Starter Solenoid Wiring Note: Modified For HEI & 1972-84 Non-Serpentine Belt ("SI" Series) Internal Regulated Alternators Mounted In The Factory Location.	\$289.00	
06100	1965	<b>ENGINE HARNESS</b> V/8, 400 C.I. GS, Does Not Include Starter Solenoid Wiring	\$237.00	
43096	1965	<b>ENGINE HARNESS-HEI</b> V/8, 400 C.I. GS, Does Not Include Starter Solenoid Wiring Note: This Harness Is Modified For Use With An HEI Distributor.	\$262.00	
43097	1965	<b>ENGINE HARNESS-SI SERIES INT REG ALT</b> V/8, 400 C.I. GS, Does Not Include Starter Solenoid Wiring Note: Modified For 1972-84 Non-Serpentine Belt ("SI" Series) Internal Regulated Alternators Mounted In The Factory Location.	\$276.00	
43098	1965	<b>ENGINE HARNESS-HEI AND SI SERIES INT REG ALT</b> V/8, 400 C.I. GS, Does Not Include Starter Solenoid Wiring Note: Modified For HEI & 1972-84 Non-Serpentine Belt ("SI" Series) Internal Regulated Alternators Mounted In The Factory Location.	\$289.00	
09470	1966	<b>ENGINE HARNESS</b> 6 Cylinder (V/6) Note: 6 Cylinder Items Are Not Returnable.	\$275.00	
09475	1966	<b>ENGINE HARNESS</b> V/8, 300-340 C.I.	\$237.00	
43099	1966	<b>ENGINE HARNESS-HEI</b> V/8, 300-340 C.I. Note: This Harness Is Modified For Use With An HEI Distributor.	\$262.00	
43100	1966	<b>ENGINE HARNESS-SI SERIES INT REG ALT</b> V/8, 300-340 C.I. Note: Modified For 1972-84 Non-Serpentine Belt ("SI" Series) Internal Regulated Alternators Mounted In The Factory Location.	\$276.00	
43101	1966	<b>ENGINE HARNESS-HEI AND SI SERIES INT REG ALT</b> V/8, 300-340 C.I. Note: Modified For HEI & 1972-84 Non-Serpentine Belt ("SI" Series) Internal Regulated Alternators Mounted In The Factory Location.	\$289.00	
09480	1966	<b>ENGINE HARNESS</b> V/8, 400-425 C.I. GS	\$237.00	
43102	1966	<b>ENGINE HARNESS-HEI</b> V/8, 400-425 C.I. GS Note: This Harness Is Modified For Use With An HEI Distributor.	\$262.00	
43103	1966	<b>ENGINE HARNESS-SI SERIES INT REG ALT</b> V/8, 400-425 C.I. GS Note: Modified For 1972-84 Non-Serpentine Belt ("SI" Series) Internal Regulated Alternators Mounted In The Factory Location.	\$276.00	
43104	1966	<b>ENGINE HARNESS-HEI AND SI SERIES INT REG ALT</b> V/8, 400-425 C.I. GS Note: Modified For HEI & 1972-84 Non-Serpentine Belt ("SI" Series) Internal Regulated Alternators Mounted In The Factory Location.	\$289.00	
10695	1967	<b>ENGINE HARNESS</b> 6 Cylinder (V/6) Note: 6 Cylinder Items Are Not Returnable.	\$275.00	
19130	1967	<b>ENGINE HARNESS</b> V/8, 300-340 C.I.	\$237.00	
43105	1967	<b>ENGINE HARNESS-HEI</b> V/8, 300-340 C.I. Note: This Harness Is Modified For Use With An HEI Distributor.	\$262.00	
43106	1967	<b>ENGINE HARNESS-SI SERIES INT REG ALT</b> V/8, 300-340 C.I. Note: Modified For 1972-84 Non-Serpentine Belt ("SI" Series) Internal Regulated Alternators Mounted In The Factory Location.	\$276.00	
43107	1967	<b>ENGINE HARNESS-HEI AND SI SERIES INT REG ALT</b> V/8, 300-340 C.I. Note: Modified For HEI & 1972-84 Non-Serpentine Belt ("SI" Series) Internal Regulated Alternators Mounted In The Factory Location.	\$289.00	
11325	1967	<b>ENGINE HARNESS</b> V/8, 400 C.I. GS	\$237.00	
43108	1967	<b>ENGINE HARNESS-HEI</b> V/8, 400 C.I. GS Note: This Harness Is Modified For Use With An HEI Distributor.	\$262.00	
43109	1967	<b>ENGINE HARNESS-SI SERIES INT REG ALT</b> V/8, 400 C.I. GS Note: Modified For 1972-84 Non-Serpentine Belt ("SI" Series) Internal Regulated Alternators Mounted In The Factory Location.	\$276.00	

Part Number	Year	Description	Price	*Rev.
43110	1967	<b>ENGINE HARNESS-HEI AND SI SERIES INT REG ALT</b> V/8, 400 C.I. GS Note: Modified For HEI & 1972-84 Non-Serpentine Belt ("SI" Series) Internal Regulated Alternators Mounted In The Factory Location.	\$289.00	
12630	1968	<b>ENGINE HARNESS</b> 6 Cylinder (L6) Note: 6 Cylinder Items Are Not Returnable.	\$310.00	
12140	1968	<b>ENGINE HARNESS</b> V/8, 350 C.I.	\$264.00	
43111	1968	<b>ENGINE HARNESS-HEI</b> V/8, 350 C.I. Note: This Harness Is Modified For Use With An HEI Distributor.	\$288.00	
43112	1968	<b>ENGINE HARNESS-SI SERIES INT REG ALT</b> V/8, 350 C.I. Note: Modified For 1972-84 Non-Serpentine Belt ("SI" Series) Internal Regulated Alternators Mounted In The Factory Location.	\$303.00	
43113	1968	<b>ENGINE HARNESS-HEI AND SI SERIES INT REG ALT</b> V/8, 350 C.I. Note: Modified For HEI & 1972-84 Non-Serpentine Belt ("SI" Series) Internal Regulated Alternators Mounted In The Factory Location.	\$316.00	
12145	1968	<b>ENGINE HARNESS</b> V/8, 400 C.I. GS	\$264.00	
43114	1968	<b>ENGINE HARNESS-HEI</b> V/8, 400 C.I. GS Note: This Harness Is Modified For Use With An HEI Distributor.	\$288.00	
43115	1968	<b>ENGINE HARNESS-SI SERIES INT REG ALT</b> V/8, 400 C.I. GS Note: Modified For 1972-84 Non-Serpentine Belt ("SI" Series) Internal Regulated Alternators Mounted In The Factory Location.	\$303.00	
43116	1968	<b>ENGINE HARNESS-HEI AND SI SERIES INT REG ALT</b> V/8, 400 C.I. GS Note: Modified For HEI & 1972-84 Non-Serpentine Belt ("SI" Series) Internal Regulated Alternators Mounted In The Factory Location.	\$316.00	
12735	1969	<b>ENGINE HARNESS</b> 6 Cylinder (L6) Note: 6 Cylinder Items Are Not Returnable.	\$310.00	
13465	1969	<b>ENGINE HARNESS</b> 6 Cylinder (L6), With A/C Note: 6 Cylinder Items Are Not Returnable.	\$310.00	
12740	1969	<b>ENGINE HARNESS</b> V/8, 350 C.I.	\$264.00	
43117	1969	<b>ENGINE HARNESS-HEI</b> V/8, 350 C.I. Note: This Harness Is Modified For Use With An HEI Distributor.	\$288.00	
43118	1969	<b>ENGINE HARNESS-SI SERIES INT REG ALT</b> V/8, 350 C.I. Note: Modified For 1972-84 Non-Serpentine Belt ("SI" Series) Internal Regulated Alternators Mounted In The Factory Location.	\$303.00	
43119	1969	<b>ENGINE HARNESS-HEI AND SI SERIES INT REG ALT</b> V/8, 350 C.I. Note: Modified For HEI & 1972-84 Non-Serpentine Belt ("SI" Series) Internal Regulated Alternators Mounted In The Factory Location.	\$316.00	
13470	1969	<b>ENGINE HARNESS</b> V/8, 350 C.I. With A/C	\$278.00	
43120	1969	<b>ENGINE HARNESS-HEI</b> V/8, 350 C.I. With A/C Note: This Harness Is Modified For Use With An HEI Distributor.	\$302.00	
43121	1969	<b>ENGINE HARNESS-SI SERIES INT REG ALT</b> V/8, 350 C.I. With A/C Note: Modified For 1972-84 Non-Serpentine Belt ("SI" Series) Internal Regulated Alternators Mounted In The Factory Location.	\$316.00	
43122	1969	<b>ENGINE HARNESS-HEI AND SI SERIES INT REG ALT</b> V/8, 350 C.I. With A/C Note: Modified For HEI & 1972-84 Non-Serpentine Belt ("SI" Series) Internal Regulated Alternators Mounted In The Factory Location.	\$329.00	
12745	1969	<b>ENGINE HARNESS</b> V/8, 400 C.I.	\$264.00	
43123	1969	<b>ENGINE HARNESS-HEI</b> V/8, 400 C.I. Note: This Harness Is Modified For Use With An HEI Distributor.	\$288.00	
43124	1969	<b>ENGINE HARNESS-SI SERIES INT REG ALT</b> V/8, 400 C.I. Note: Modified For 1972-84 Non-Serpentine Belt ("SI" Series) Internal Regulated Alternators Mounted In The Factory Location.	\$303.00	
43125	1969	<b>ENGINE HARNESS-HEI AND SI SERIES INT REG ALT</b> V/8, 400 C.I. Note: Modified For HEI & 1972-84 Non-Serpentine Belt ("SI" Series) Internal Regulated Alternators Mounted In The Factory Location.	\$316.00	
13475	1969	<b>ENGINE HARNESS</b> V/8, 400 C.I. With A/C	\$278.00	



Part Number	Year	Description	Price	*Rev.
43126	1969	<b>ENGINE HARNESS-HEI</b> V/8, 400 C.I. With A/C Note: This Harness Is Modified For Use With An HEI Distributor.	\$302.00	
43127	1969	<b>ENGINE HARNESS-SI SERIES INT REG ALT</b> V/8, 400 C.I. With A/C Note: Modified For 1972-84 Non-Serpentine Belt ("SI" Series) Internal Regulated Alternators Mounted In The Factory Location.	\$316.00	
43128	1969	<b>ENGINE HARNESS-HEI AND SI SERIES INT REG ALT</b> V/8, 400 C.I. With A/C Note: Modified For HEI & 1972-84 Non-Serpentine Belt ("SI" Series) Internal Regulated Alternators Mounted In The Factory Location.	\$329.00	
13725	1970	<b>ENGINE HARNESS</b> 6 Cylinder (L6), Auto Trans Note: 6 Cylinder Items Are Not Returnable.	\$310.00	
13750	1970	<b>ENGINE HARNESS</b> 6 Cylinder (L6), Auto Trans With A/C Note: 6 Cylinder Items Are Not Returnable.	\$310.00	
36259	1970	<b>ENGINE HARNESS</b> 6 Cylinder (L6), Manual Trans Note: 6 Cylinder Items Are Not Returnable.	\$310.00	
13720	1970	<b>ENGINE HARNESS</b> 6 Cylinder (L6), Manual Trans With A/C Note: 6 Cylinder Items Are Not Returnable.	\$310.00	
34970	1970	<b>ENGINE HARNESS</b> V/8, 350 C.I. Auto Trans	\$264.00	
43129	1970	<b>ENGINE HARNESS-HEI</b> V/8, 350 C.I. Auto Trans Note: This Harness Is Modified For Use With An HEI Distributor.	\$288.00	
43130	1970	<b>ENGINE HARNESS-SI SERIES INT REG ALT</b> V/8, 350 C.I. Auto Trans Note: Modified For 1972-84 Non-Serpentine Belt ("SI" Series) Internal Regulated Alternators Mounted In The Factory Location.	\$303.00	
43131	1970	<b>ENGINE HARNESS-HEI AND SI SERIES INT REG ALT</b> V/8, 350 C.I. Auto Trans Note: Modified For HEI & 1972-84 Non-Serpentine Belt ("SI" Series) Internal Regulated Alternators Mounted In The Factory Location.	\$316.00	
13730	1970	<b>ENGINE HARNESS</b> V/8, 350 C.I. Auto Trans With A/C	\$264.00	
43132	1970	<b>ENGINE HARNESS-HEI</b> V/8, 350 C.I. Auto Trans With A/C Note: This Harness Is Modified For Use With An HEI Distributor.	\$288.00	
43133	1970	<b>ENGINE HARNESS-SI SERIES INT REG ALT</b> V/8, 350 C.I. Auto Trans With A/C Note: Modified For 1972-84 Non-Serpentine Belt ("SI" Series) Internal Regulated Alternators Mounted In The Factory Location.	\$303.00	
43134	1970	<b>ENGINE HARNESS-HEI AND SI SERIES INT REG ALT</b> V/8, 350 C.I. Auto Trans With A/C Note: Modified For HEI & 1972-84 Non-Serpentine Belt ("SI" Series) Internal Regulated Alternators Mounted In The Factory Location.	\$316.00	
36250	1970	<b>ENGINE HARNESS</b> V/8, 350 C.I. Manual Trans	\$278.00	
43135	1970	<b>ENGINE HARNESS-HEI</b> V/8, 350 C.I. Manual Trans Note: This Harness Is Modified For Use With An HEI Distributor.	\$302.00	
43136	1970	<b>ENGINE HARNESS-SI SERIES INT REG ALT</b> V/8, 350 C.I. Manual Trans Note: Modified For 1972-84 Non-Serpentine Belt ("SI" Series) Internal Regulated Alternators Mounted In The Factory Location.	\$316.00	
43137	1970	<b>ENGINE HARNESS-HEI AND SI SERIES INT REG ALT</b> V/8, 350 C.I. Manual Trans Note: Modified For HEI & 1972-84 Non-Serpentine Belt ("SI" Series) Internal Regulated Alternators Mounted In The Factory Location.	\$329.00	
15830	1970	<b>ENGINE HARNESS</b> V/8, 350 C.I. Manual Trans With A/C	\$278.00	
43138	1970	<b>ENGINE HARNESS-HEI</b> V/8, 350 C.I. Manual Trans With A/C Note: This Harness Is Modified For Use With An HEI Distributor.	\$302.00	
43139	1970	<b>ENGINE HARNESS-SI SERIES INT REG ALT</b> V/8, 350 C.I. Manual Trans With A/C Note: Modified For 1972-84 Non-Serpentine Belt ("SI" Series) Internal Regulated Alternators Mounted In The Factory Location.	\$316.00	
43140	1970	<b>ENGINE HARNESS-HEI AND SI SERIES INT REG ALT</b> V/8, 350 C.I. Manual Trans With A/C Note: Modified For HEI & 1972-84 Non-Serpentine Belt ("SI" Series) Internal Regulated Alternators Mounted In The Factory Location.	\$329.00	
13740	1970	<b>ENGINE HARNESS</b> V/8, 455 C.I. Auto Trans	\$264.00	
43141	1970	<b>ENGINE HARNESS-HEI</b> V/8, 455 C.I. Auto Trans Note: This Harness Is Modified For Use With An HEI Distributor.	\$288.00	

Part Number	Year	Description	Price	*Rev.
43142	1970	<b>ENGINE HARNESS-SI SERIES INT REG ALT</b> V/8, 455 C.I. Auto Trans Note: Modified For 1972-84 Non-Serpentine Belt ("SI" Series) Internal Regulated Alternators Mounted In The Factory Location.	\$303.00	
43143	1970	<b>ENGINE HARNESS-HEI AND SI SERIES INT REG ALT</b> V/8, 455 C.I. Auto Trans Note: Modified For HEI & 1972-84 Non-Serpentine Belt ("SI" Series) Internal Regulated Alternators Mounted In The Factory Location.	\$316.00	
13745	1970	<b>ENGINE HARNESS</b> V/8, 455 C.I. Auto Trans With A/C	\$264.00	
43144	1970	<b>ENGINE HARNESS-HEI</b> V/8, 455 C.I. Auto Trans With A/C Note: This Harness Is Modified For Use With An HEI Distributor.	\$288.00	
43145	1970	<b>ENGINE HARNESS-SI SERIES INT REG ALT</b> V/8, 455 C.I. Auto Trans With A/C Note: Modified For 1972-84 Non-Serpentine Belt ("SI" Series) Internal Regulated Alternators Mounted In The Factory Location.	\$303.00	
43146	1970	<b>ENGINE HARNESS-HEI AND SI SERIES INT REG ALT</b> V/8, 455 C.I. Auto Trans With A/C Note: Modified For HEI & 1972-84 Non-Serpentine Belt ("SI" Series) Internal Regulated Alternators Mounted In The Factory Location.	\$316.00	
36256	1970	<b>ENGINE HARNESS</b> V/8, 455 C.I. Manual Trans	\$278.00	
43147	1970	<b>ENGINE HARNESS-HEI</b> V/8, 455 C.I. Manual Trans Note: This Harness Is Modified For Use With An HEI Distributor.	\$302.00	
43148	1970	<b>ENGINE HARNESS-SI SERIES INT REG ALT</b> V/8, 455 C.I. Manual Trans Note: Modified For 1972-84 Non-Serpentine Belt ("SI" Series) Internal Regulated Alternators Mounted In The Factory Location.	\$316.00	
43149	1970	<b>ENGINE HARNESS-HEI AND SI SERIES INT REG ALT</b> V/8, 455 C.I. Manual Trans Note: Modified For HEI & 1972-84 Non-Serpentine Belt ("SI" Series) Internal Regulated Alternators Mounted In The Factory Location.	\$329.00	
13735	1970	<b>ENGINE HARNESS</b> V/8, 455 C.I. Manual Trans With A/C	\$278.00	
43150	1970	<b>ENGINE HARNESS-HEI</b> V/8, 455 C.I. Manual Trans With A/C Note: This Harness Is Modified For Use With An HEI Distributor.	\$302.00	
43151	1970	<b>ENGINE HARNESS-SI SERIES INT REG ALT</b> V/8, 455 C.I. Manual Trans With A/C Note: Modified For 1972-84 Non-Serpentine Belt ("SI" Series) Internal Regulated Alternators Mounted In The Factory Location.	\$316.00	
43152	1970	<b>ENGINE HARNESS-HEI AND SI SERIES INT REG ALT</b> V/8, 455 C.I. Manual Trans With A/C Note: Modified For HEI & 1972-84 Non-Serpentine Belt ("SI" Series) Internal Regulated Alternators Mounted In The Factory Location.	\$329.00	
15940	1971	<b>ENGINE HARNESS</b> 6 Cylinder (L6) Note: 6 Cylinder Items Are Not Returnable.	\$310.00	
33010	1971	<b>ENGINE HARNESS</b> V/8, 350 C.I.	\$278.00	
43153	1971	<b>ENGINE HARNESS-HEI</b> V/8, 350 C.I. Note: This Harness Is Modified For Use With An HEI Distributor.	\$302.00	
43154	1971	<b>ENGINE HARNESS-SI SERIES INT REG ALT</b> V/8, 350 C.I. Note: Modified For 1972-84 Non-Serpentine Belt ("SI" Series) Internal Regulated Alternators Mounted In The Factory Location.	\$316.00	
43155	1971	<b>ENGINE HARNESS-HEI AND SI SERIES INT REG ALT</b> V/8, 350 C.I. Note: Modified For HEI & 1972-84 Non-Serpentine Belt ("SI" Series) Internal Regulated Alternators Mounted In The Factory Location.	\$329.00	
33015	1971	<b>ENGINE HARNESS</b> V/8, 350 C.I. With A/C	\$278.00	
43156	1971	<b>ENGINE HARNESS-HEI</b> V/8, 350 C.I. With A/C Note: This Harness Is Modified For Use With An HEI Distributor.	\$302.00	
43157	1971	<b>ENGINE HARNESS-SI SERIES INT REG ALT</b> V/8, 350 C.I. With A/C Note: Modified For 1972-84 Non-Serpentine Belt ("SI" Series) Internal Regulated Alternators Mounted In The Factory Location.	\$316.00	
43158	1971	<b>ENGINE HARNESS-HEI AND SI SERIES INT REG ALT</b> V/8, 350 C.I. With A/C Note: Modified For HEI & 1972-84 Non-Serpentine Belt ("SI" Series) Internal Regulated Alternators Mounted In The Factory Location.	\$329.00	
19135	1971	<b>ENGINE HARNESS</b> V/8, 455 C.I.	\$278.00	
43159	1971	<b>ENGINE HARNESS-HEI</b> V/8, 455 C.I. Note: This Harness Is Modified For Use With An HEI Distributor.	\$302.00	

Part Number	Year	Description	Price	*Rev.
43160	1971	<b>ENGINE HARNESS-SI SERIES INT REG ALT</b> V/8, 455 C.I. Note: Modified For 1972-84 Non-Serpentine Belt ("SI" Series) Internal Regulated Alternators Mounted In The Factory Location.	\$316.00	
43161	1971	<b>ENGINE HARNESS-HEI AND SI SERIES INT REG ALT</b> V/8, 455 C.I. Note: Modified For HEI & 1972-84 Non-Serpentine Belt ("SI" Series) Internal Regulated Alternators Mounted In The Factory Location.	\$329.00	
33005	1971	<b>ENGINE HARNESS</b> V/8, 455 C.I. With A/C	\$278.00	
43162	1971	<b>ENGINE HARNESS-HEI</b> V/8, 455 C.I. With A/C Note: This Harness Is Modified For Use With An HEI Distributor.	\$302.00	
43163	1971	<b>ENGINE HARNESS-SI SERIES INT REG ALT</b> V/8, 455 C.I. With A/C Note: Modified For 1972-84 Non-Serpentine Belt ("SI" Series) Internal Regulated Alternators Mounted In The Factory Location.	\$316.00	
43164	1971	<b>ENGINE HARNESS-HEI AND SI SERIES INT REG ALT</b> V/8, 455 C.I. With A/C Note: Modified For HEI & 1972-84 Non-Serpentine Belt ("SI" Series) Internal Regulated Alternators Mounted In The Factory Location.	\$329.00	
32095	1972	<b>ENGINE HARNESS</b> 6 Cylinder (L6) Note: 6 Cylinder Items Are Not Returnable.	\$310.00	
32100	1972	<b>ENGINE HARNESS</b> V/8, 350 C.I.	\$278.00	
43165	1972	<b>ENGINE HARNESS-HEI</b> V/8, 350 C.I. Note: This Harness Is Modified For Use With An HEI Distributor.	\$302.00	
43166	1972	<b>ENGINE HARNESS-SI SERIES INT REG ALT</b> V/8, 350 C.I. Note: Modified For 1972-84 Non-Serpentine Belt ("SI" Series) Internal Regulated Alternators Mounted In The Factory Location.	\$316.00	
43167	1972	<b>ENGINE HARNESS-HEI AND SI SERIES INT REG ALT</b> V/8, 350 C.I. Note: Modified For HEI & 1972-84 Non-Serpentine Belt ("SI" Series) Internal Regulated Alternators Mounted In The Factory Location.	\$329.00	
32105	1972	<b>ENGINE HARNESS</b> V/8, 350 C.I. With A/C	\$278.00	
43168	1972	<b>ENGINE HARNESS-HEI</b> V/8, 350 C.I. With A/C Note: This Harness Is Modified For Use With An HEI Distributor.	\$302.00	
43169	1972	<b>ENGINE HARNESS-SI SERIES INT REG ALT</b> V/8, 350 C.I. With A/C Note: Modified For 1972-84 Non-Serpentine Belt ("SI" Series) Internal Regulated Alternators Mounted In The Factory Location.	\$316.00	
43170	1972	<b>ENGINE HARNESS-HEI AND SI SERIES INT REG ALT</b> V/8, 350 C.I. With A/C Note: Modified For HEI & 1972-84 Non-Serpentine Belt ("SI" Series) Internal Regulated Alternators Mounted In The Factory Location.	\$329.00	
32110	1972	<b>ENGINE HARNESS</b> V/8, 455 C.I.	\$278.00	
43171	1972	<b>ENGINE HARNESS-HEI</b> V/8, 455 C.I. Note: This Harness Is Modified For Use With An HEI Distributor.	\$302.00	
43172	1972	<b>ENGINE HARNESS-SI SERIES INT REG ALT</b> V/8, 455 C.I. Note: Modified For 1972-84 Non-Serpentine Belt ("SI" Series) Internal Regulated Alternators Mounted In The Factory Location.	\$316.00	
43173	1972	<b>ENGINE HARNESS-HEI AND SI SERIES INT REG ALT</b> V/8, 455 C.I. Note: Modified For HEI & 1972-84 Non-Serpentine Belt ("SI" Series) Internal Regulated Alternators Mounted In The Factory Location.	\$329.00	
32115	1972	<b>ENGINE HARNESS</b> V/8, 455 C.I. With A/C	\$278.00	
43174	1972	<b>ENGINE HARNESS-HEI</b> V/8, 455 C.I. With A/C Note: This Harness Is Modified For Use With An HEI Distributor.	\$302.00	
43175	1972	<b>ENGINE HARNESS-SI SERIES INT REG ALT</b> V/8, 455 C.I. With A/C Note: Modified For 1972-84 Non-Serpentine Belt ("SI" Series) Internal Regulated Alternators Mounted In The Factory Location.	\$316.00	
43176	1972	<b>ENGINE HARNESS-HEI AND SI SERIES INT REG ALT</b> V/8, 455 C.I. With A/C Note: Modified For HEI & 1972-84 Non-Serpentine Belt ("SI" Series) Internal Regulated Alternators Mounted In The Factory Location.	\$329.00	
<b>FORWARD LAMP HARNESS</b>				
04515	1964	<b>FORWARD LAMP HARNESS</b> Auto Trans	\$250.00	
05760	1964	<b>FORWARD LAMP HARNESS</b> Manual Trans	\$264.00	

Part Number	Year	Description	Price	*Rev.
05945	1965	<b>FORWARD LAMP HARNESS</b> Auto Trans, Except Gran Sport	\$250.00	
05950	1965	<b>FORWARD LAMP HARNESS</b> Manual Trans, Except Gran Sport	\$264.00	
06125	1965	<b>FORWARD LAMP HARNESS</b> 3 & 4 Speed Manual Trans, 225 & 300 C.I., Except Gran Sport	\$264.00	
06095	1965	<b>FORWARD LAMP HARNESS</b> Gran Sport, All	\$264.00	
35770	1966	<b>FORWARD LAMP HARNESS</b> Without Tachometer	\$250.00	
09960	1966	<b>FORWARD LAMP HARNESS</b> With Tachometer	\$264.00	
18488	1966	<b>FORWARD LAMP HARNESS</b> Gran Sport Only	\$264.00	
11210	1967	<b>FORWARD LAMP HARNESS</b>	\$264.00	
12150	1968	<b>FORWARD LAMP HARNESS</b>	\$264.00	
12750	1969	<b>FORWARD LAMP HARNESS</b>	\$264.00	
13755	1970	<b>FORWARD LAMP HARNESS</b>	\$264.00	
15905	1971	<b>FORWARD LAMP HARNESS</b>	\$264.00	
15905	1972	<b>FORWARD LAMP HARNESS</b>	\$264.00	
<b>FUEL TANK SENDING UNIT</b>				
06428034	1968	<b>FUEL TANK SENDING UNIT</b> 3/8" Fuel Line, Single Outlet, Except Wagon	\$43.00	N
06428034	1969	<b>FUEL TANK SENDING UNIT</b> 3/8" Fuel Line, Single Outlet, Except Wagon	\$43.00	N
06428034	1970	<b>FUEL TANK SENDING UNIT</b> 3/8" Fuel Line, Single Outlet, Except Wagon	\$43.00	N
06428035	1968	<b>FUEL TANK SENDING UNIT</b> 3/8" Fuel Line, With 2nd Vent Line, Except Wagon	\$43.00	N
06428035	1969	<b>FUEL TANK SENDING UNIT</b> 3/8" Fuel Line, With 2nd Vent Line, Except Wagon	\$43.00	N
06428035	1970	<b>FUEL TANK SENDING UNIT</b> 3/8" Fuel Line, With 2nd Vent Line, Except Wagon	\$43.00	N
06428838	1971	<b>FUEL TANK SENDING UNIT</b> 3/8" Fuel Line, Single Outlet, Except Wagon	\$43.00	N
06428838	1972	<b>FUEL TANK SENDING UNIT</b> 3/8" Fuel Line, Single Outlet, Except Wagon	\$43.00	N
06428837	1971	<b>FUEL TANK SENDING UNIT</b> 3/8" Fuel Line, With 2nd Vent Line, Except Wagon	\$43.00	N
06428837	1972	<b>FUEL TANK SENDING UNIT</b> 3/8" Fuel Line, With 2nd Vent Line, Except Wagon	\$43.00	N
<b>FUEL TANK SENDING UNIT WIRE</b>				
39339	1970	<b>FUEL TANK SENDING UNIT WIRE</b>	\$38.00	
39339	1971	<b>FUEL TANK SENDING UNIT WIRE</b>	\$38.00	
39339	1972	<b>FUEL TANK SENDING UNIT WIRE</b>	\$38.00	
<b>GLOVE BOX LAMP KIT</b>				
18000	1964	<b>GLOVE BOX LAMP KIT</b> Socket, Bulb & Wire	\$24.00	
18000	1965	<b>GLOVE BOX LAMP KIT</b> Socket, Bulb & Wire	\$24.00	
18000	1966	<b>GLOVE BOX LAMP KIT</b> Socket, Bulb & Wire	\$24.00	
18000	1967	<b>GLOVE BOX LAMP KIT</b> Socket, Bulb & Wire	\$24.00	
18000	1968	<b>GLOVE BOX LAMP KIT</b> Socket, Bulb & Wire	\$24.00	
18000	1969	<b>GLOVE BOX LAMP KIT</b> Socket, Bulb & Wire	\$24.00	
18000	1961	<b>GLOVE BOX LAMP KIT</b> Socket, Bulb & Wire	\$24.00	
18000	1962	<b>GLOVE BOX LAMP KIT</b> Socket, Bulb & Wire	\$24.00	
18000	1963	<b>GLOVE BOX LAMP KIT</b> Socket, Bulb & Wire	\$24.00	
<b>GROUND WIRE-DISTRIBUTOR POINT PLATE</b>				
38298	1964	<b>GROUND WIRE, DISTRIBUTOR POINT PLATE</b> From Distributor Point Plate To Distributor Housing Note: Replaces Spot Welded Wire Asm On Point Plate Side. Fits All GM V/8 Point Type Distributors From Approx. 1957-1974.	\$17.00	C
38298	1965	<b>GROUND WIRE, DISTRIBUTOR POINT PLATE</b> From Distributor Point Plate To Distributor Housing Note: Replaces Spot Welded Wire Asm On Point Plate Side. Fits All GM V/8 Point Type Distributors From Approx. 1957-1974.	\$17.00	C
38298	1966	<b>GROUND WIRE, DISTRIBUTOR POINT PLATE</b> From Distributor Point Plate To Distributor Housing Note: Replaces Spot Welded Wire Asm On Point Plate Side. Fits All GM V/8 Point Type Distributors From Approx. 1957-1974.	\$17.00	C

Part Number	Year	Description	Price	*Rev.
38298	1967	<b>GROUND WIRE, DISTRIBUTOR POINT PLATE</b> From Distributor Point Plate To Distributor Housing Note: Replaces Spot Welded Wire Asm On Point Plate Side. Fits All GM V/8 Point Type Distributors From Approx. 1957-1974.	\$17.00	C
38298	1968	<b>GROUND WIRE, DISTRIBUTOR POINT PLATE</b> From Distributor Point Plate To Distributor Housing Note: Replaces Spot Welded Wire Asm On Point Plate Side. Fits All GM V/8 Point Type Distributors From Approx. 1957-1974.	\$17.00	C
38298	1969	<b>GROUND WIRE, DISTRIBUTOR POINT PLATE</b> From Distributor Point Plate To Distributor Housing Note: Replaces Spot Welded Wire Asm On Point Plate Side. Fits All GM V/8 Point Type Distributors From Approx. 1957-1974.	\$17.00	C
38298	1970	<b>GROUND WIRE, DISTRIBUTOR POINT PLATE</b> From Distributor Point Plate To Distributor Housing Note: Replaces Spot Welded Wire Asm On Point Plate Side. Fits All GM V/8 Point Type Distributors From Approx. 1957-1974.	\$17.00	C
38298	1971	<b>GROUND WIRE, DISTRIBUTOR POINT PLATE</b> From Distributor Point Plate To Distributor Housing Note: Replaces Spot Welded Wire Asm On Point Plate Side. Fits All GM V/8 Point Type Distributors From Approx. 1957-1974.	\$17.00	C
38298	1972	<b>GROUND WIRE, DISTRIBUTOR POINT PLATE</b> From Distributor Point Plate To Distributor Housing Note: Replaces Spot Welded Wire Asm On Point Plate Side. Fits All GM V/8 Point Type Distributors From Approx. 1957-1974.	\$17.00	C
38298	1973	<b>GROUND WIRE, DISTRIBUTOR POINT PLATE</b> From Distributor Point Plate To Distributor Housing Note: Replaces Spot Welded Wire Asm On Point Plate Side. Fits All GM V/8 Point Type Distributors From Approx. 1957-1974.	\$17.00	C
38298	1974	<b>GROUND WIRE, DISTRIBUTOR POINT PLATE</b> From Distributor Point Plate To Distributor Housing Note: Replaces Spot Welded Wire Asm On Point Plate Side. Fits All GM V/8 Point Type Distributors From Approx. 1957-1974.	\$17.00	C
<b>HARNESS TAPE</b>				
R0058272	1961	<b>HARNESS TAPE</b> 3/4" Vinyl (100 Ft. Roll) Non-Adhesive	\$12.00	
R0058276	1961	<b>HARNESS TAPE</b> 1" Vinyl (100 Ft. Roll) Non-Adhesive	\$13.00	
R0067108	1961	<b>HARNESS TAPE</b> 1 1/4" Vinyl (100 Ft. Roll) Non-Adhesive	\$15.00	
R0058272	1962	<b>HARNESS TAPE</b> 3/4" Vinyl (100 Ft. Roll) Non-Adhesive	\$12.00	
R0058276	1962	<b>HARNESS TAPE</b> 1" Vinyl (100 Ft. Roll) Non-Adhesive	\$13.00	
R0067108	1962	<b>HARNESS TAPE</b> 1 1/4" Vinyl (100 Ft. Roll) Non-Adhesive	\$15.00	
R0058272	1963	<b>HARNESS TAPE</b> 3/4" Vinyl (100 Ft. Roll) Non-Adhesive	\$12.00	
R0058276	1963	<b>HARNESS TAPE</b> 1" Vinyl (100 Ft. Roll) Non-Adhesive	\$13.00	
R0067108	1963	<b>HARNESS TAPE</b> 1 1/4" Vinyl (100 Ft. Roll) Non-Adhesive	\$15.00	
R0058272	1964	<b>HARNESS TAPE</b> 3/4" Vinyl (100 Ft. Roll) Non-Adhesive	\$12.00	
R0058276	1964	<b>HARNESS TAPE</b> 1" Vinyl (100 Ft. Roll) Non-Adhesive	\$13.00	
R0067108	1964	<b>HARNESS TAPE</b> 1 1/4" Vinyl (100 Ft. Roll) Non-Adhesive	\$15.00	
R0058272	1965	<b>HARNESS TAPE</b> 3/4" Vinyl (100 Ft. Roll) Non-Adhesive	\$12.00	
R0058276	1965	<b>HARNESS TAPE</b> 1" Vinyl (100 Ft. Roll) Non-Adhesive	\$13.00	
R0067108	1965	<b>HARNESS TAPE</b> 1 1/4" Vinyl (100 Ft. Roll) Non-Adhesive	\$15.00	
R0058272	1966	<b>HARNESS TAPE</b> 3/4" Vinyl (100 Ft. Roll) Non-Adhesive	\$12.00	
R0058276	1966	<b>HARNESS TAPE</b> 1" Vinyl (100 Ft. Roll) Non-Adhesive	\$13.00	
R0067108	1966	<b>HARNESS TAPE</b> 1 1/4" Vinyl (100 Ft. Roll) Non-Adhesive	\$15.00	
R0058272	1967	<b>HARNESS TAPE</b> 3/4" Vinyl (100 Ft. Roll) Non-Adhesive	\$12.00	
R0058276	1967	<b>HARNESS TAPE</b> 1" Vinyl (100 Ft. Roll) Non-Adhesive	\$13.00	
R0067108	1967	<b>HARNESS TAPE</b> 1 1/4" Vinyl (100 Ft. Roll) Non-Adhesive	\$15.00	
R0058272	1968	<b>HARNESS TAPE</b> 3/4" Vinyl (100 Ft. Roll) Non-Adhesive	\$12.00	
R0058276	1968	<b>HARNESS TAPE</b> 1" Vinyl (100 Ft. Roll) Non-Adhesive	\$13.00	
R0067108	1968	<b>HARNESS TAPE</b> 1 1/4" Vinyl (100 Ft. Roll) Non-Adhesive	\$15.00	
R0058272	1969	<b>HARNESS TAPE</b> 3/4" Vinyl (100 Ft. Roll) Non-Adhesive	\$12.00	
R0058276	1969	<b>HARNESS TAPE</b> 1" Vinyl (100 Ft. Roll) Non-Adhesive	\$13.00	
R0067108	1969	<b>HARNESS TAPE</b> 1 1/4" Vinyl (100 Ft. Roll) Non-Adhesive	\$15.00	
R0058272	1970	<b>HARNESS TAPE</b> 3/4" Vinyl (100 Ft. Roll) Non-Adhesive	\$12.00	
R0058276	1970	<b>HARNESS TAPE</b> 1" Vinyl (100 Ft. Roll) Non-Adhesive	\$13.00	
R0067108	1970	<b>HARNESS TAPE</b> 1 1/4" Vinyl (100 Ft. Roll) Non-Adhesive	\$15.00	

Part Number	Year	Description	Price	*Rev.
R0058272	1971	<b>HARNESS TAPE</b> 3/4" Vinyl (100 Ft. Roll) Non-Adhesive	\$12.00	
R0058276	1971	<b>HARNESS TAPE</b> 1" Vinyl (100 Ft. Roll) Non-Adhesive	\$13.00	
R0067108	1971	<b>HARNESS TAPE</b> 1 1/4" Vinyl (100 Ft. Roll) Non-Adhesive	\$15.00	
R0058272	1972	<b>HARNESS TAPE</b> 3/4" Vinyl (100 Ft. Roll) Non-Adhesive	\$12.00	
R0058276	1972	<b>HARNESS TAPE</b> 1" Vinyl (100 Ft. Roll) Non-Adhesive	\$13.00	
R0067108	1972	<b>HARNESS TAPE</b> 1 1/4" Vinyl (100 Ft. Roll) Non-Adhesive	\$15.00	
R0058272	1973	<b>HARNESS TAPE</b> 3/4" Vinyl (100 Ft. Roll) Non-Adhesive	\$12.00	
R0058276	1973	<b>HARNESS TAPE</b> 1" Vinyl (100 Ft. Roll) Non-Adhesive	\$13.00	
R0067108	1973	<b>HARNESS TAPE</b> 1 1/4" Vinyl (100 Ft. Roll) Non-Adhesive	\$15.00	
R0058272	1974	<b>HARNESS TAPE</b> 3/4" Vinyl (100 Ft. Roll) Non-Adhesive	\$12.00	
R0058276	1974	<b>HARNESS TAPE</b> 1" Vinyl (100 Ft. Roll) Non-Adhesive	\$13.00	
R0067108	1974	<b>HARNESS TAPE</b> 1 1/4" Vinyl (100 Ft. Roll) Non-Adhesive	\$15.00	
R0058272	1975	<b>HARNESS TAPE</b> 3/4" Vinyl (100 Ft. Roll) Non-Adhesive	\$12.00	
R0058276	1975	<b>HARNESS TAPE</b> 1" Vinyl (100 Ft. Roll) Non-Adhesive	\$13.00	
R0067108	1975	<b>HARNESS TAPE</b> 1 1/4" Vinyl (100 Ft. Roll) Non-Adhesive	\$15.00	
R0058272	1976	<b>HARNESS TAPE</b> 3/4" Vinyl (100 Ft. Roll) Non-Adhesive	\$12.00	
R0058276	1976	<b>HARNESS TAPE</b> 1" Vinyl (100 Ft. Roll) Non-Adhesive	\$13.00	
R0067108	1976	<b>HARNESS TAPE</b> 1 1/4" Vinyl (100 Ft. Roll) Non-Adhesive	\$15.00	
R0058272	1977	<b>HARNESS TAPE</b> 3/4" Vinyl (100 Ft. Roll) Non-Adhesive	\$12.00	
R0058276	1977	<b>HARNESS TAPE</b> 1" Vinyl (100 Ft. Roll) Non-Adhesive	\$13.00	
R0067108	1977	<b>HARNESS TAPE</b> 1 1/4" Vinyl (100 Ft. Roll) Non-Adhesive	\$15.00	
<b>HEADLIGHT SWITCH</b>				
01995096	1963	<b>HEADLIGHT SWITCH</b> All	\$31.00	
01995179	1964	<b>HEADLIGHT SWITCH</b>	\$20.00	N
01995179	1965	<b>HEADLIGHT SWITCH</b>	\$20.00	N
01995179	1966	<b>HEADLIGHT SWITCH</b>	\$20.00	N
01995179	1967	<b>HEADLIGHT SWITCH</b>	\$20.00	N
01995216	1970	<b>HEADLIGHT SWITCH</b>	\$20.00	N
01995216	1971	<b>HEADLIGHT SWITCH</b>	\$20.00	N
01995216	1972	<b>HEADLIGHT SWITCH</b>	\$20.00	N
01995216	1973	<b>HEADLIGHT SWITCH</b>	\$20.00	N
01995216	1974	<b>HEADLIGHT SWITCH</b>	\$20.00	N
01995216	1975	<b>HEADLIGHT SWITCH</b>	\$20.00	N
<b>HEATER BLOWER MOTOR RESISTOR</b>				
03929052	1968	<b>HEATER BLOWER MOTOR RESISTOR</b> Without A/C	\$15.00	N
03929052	1969	<b>HEATER BLOWER MOTOR RESISTOR</b> Without A/C	\$15.00	N
03929052	1970	<b>HEATER BLOWER MOTOR RESISTOR</b> Without A/C	\$15.00	N
03929052	1971	<b>HEATER BLOWER MOTOR RESISTOR</b> Without A/C	\$15.00	N
03929052	1972	<b>HEATER BLOWER MOTOR RESISTOR</b> Without A/C	\$15.00	N
<b>HOOD LAMP REPLACEMENT KIT</b>				
18410	1964	<b>HOOD LAMP KIT</b> Under Hood, Includes Socket, Wire & Bulb	\$60.00	C
18410	1965	<b>HOOD LAMP KIT</b> Under Hood, Includes Socket, Wire & Bulb	\$60.00	C
18410	1966	<b>HOOD LAMP KIT</b> Under Hood, Includes Socket, Wire & Bulb	\$60.00	C
18410	1967	<b>HOOD LAMP KIT</b> Under Hood, Includes Socket, Wire & Bulb	\$60.00	C
18410	1968	<b>HOOD LAMP KIT</b> Under Hood, Includes Socket, Wire & Bulb	\$60.00	C
18410	1969	<b>HOOD LAMP KIT</b> Under Hood, Includes Socket, Wire & Bulb	\$60.00	C

Part Number	Year	Description	Price	*Rev.
18410	1970	<b>HOOD LAMP KIT</b> Under Hood, Includes Socket, Wire & Bulb	\$60.00	C
18410	1971	<b>HOOD LAMP KIT</b> Under Hood, Includes Socket, Wire & Bulb	\$60.00	C
18410	1972	<b>HOOD LAMP KIT</b> Under Hood, Includes Socket, Wire & Bulb	\$60.00	C
18410	1973	<b>HOOD LAMP KIT</b> Under Hood, Includes Socket, Wire & Bulb	\$60.00	C
18410	1974	<b>HOOD LAMP KIT</b> Under Hood, Includes Socket, Wire & Bulb	\$60.00	C
18410	1975	<b>HOOD LAMP KIT</b> Under Hood, Includes Socket, Wire & Bulb	\$60.00	C
18410	1976	<b>HOOD LAMP KIT</b> Under Hood, Includes Socket, Wire & Bulb	\$60.00	C
18410	1977	<b>HOOD LAMP KIT</b> Under Hood, Includes Socket, Wire & Bulb	\$60.00	C
<b>IDLE STOP SOLENOID CONTROL HARNESS</b>				
31825	1972	<b>IDLE STOP SOLENOID CONTROL HARNESS</b> V/8	\$38.00	
<b>IGNITION CYLINDER AND KEYS</b>				
20071252	1969	<b>IGNITION CYLINDER AND KEYS</b> Chrome, All	\$18.50	N
20071252	1970	<b>IGNITION CYLINDER AND KEYS</b> Chrome, All	\$18.50	N
20071252	1971	<b>IGNITION CYLINDER AND KEYS</b> Chrome, All	\$18.50	N
20071252	1972	<b>IGNITION CYLINDER AND KEYS</b> Chrome, All	\$18.50	N
20071252	1973	<b>IGNITION CYLINDER AND KEYS</b> Chrome, All	\$18.50	N
20071252	1974	<b>IGNITION CYLINDER AND KEYS</b> Chrome, All	\$18.50	N
20071252	1975	<b>IGNITION CYLINDER AND KEYS</b> Chrome, All	\$18.50	N
20071252	1976	<b>IGNITION CYLINDER AND KEYS</b> Chrome, All	\$18.50	N
20071252	1977	<b>IGNITION CYLINDER AND KEYS</b> Chrome, All	\$18.50	N
20071252	1978	<b>IGNITION CYLINDER AND KEYS</b> Chrome, All, 1st Design, Used On Columns Without Lock Cylinder Retaining Screw	\$18.50	N
07833759	1978	<b>IGNITION CYLINDER AND KEYS</b> Chrome, Century, Regal, Skylark, 2nd Design, Used On Columns With Lock Cylinder Retaining Screw	\$18.50	N
07833759	1979	<b>IGNITION CYLINDER AND KEYS</b> Chrome, Century, Regal, Skylark	\$18.50	N
07833759	1980	<b>IGNITION CYLINDER AND KEYS</b> Chrome, Century, Regal	\$18.50	N
07833759	1981	<b>IGNITION CYLINDER AND KEYS</b> Chrome, Century, Regal	\$18.50	N
07833759	1982	<b>IGNITION CYLINDER AND KEYS</b> Chrome, Regal	\$18.50	N
07833759	1983	<b>IGNITION CYLINDER AND KEYS</b> Chrome, Regal	\$18.50	N
07833759	1984	<b>IGNITION CYLINDER AND KEYS</b> Chrome, Regal	\$18.50	N
07833759	1985	<b>IGNITION CYLINDER AND KEYS</b> Chrome, Regal	\$18.50	N
07833759	1986	<b>IGNITION CYLINDER AND KEYS</b> Chrome, Regal	\$18.50	N
07833759	1987	<b>IGNITION CYLINDER AND KEYS</b> Chrome, Regal	\$18.50	N
<b>IGNITION SWITCH</b>				
44205	1963	<b>IGNITION SWITCH KIT</b> Special Note: Includes Ignition Switch, Connector And Instructions.	\$37.00	N
44205	1964	<b>IGNITION SWITCH KIT</b> Special Note: Includes Ignition Switch, Connector And Instructions.	\$37.00	N
44205	1965	<b>IGNITION SWITCH KIT</b> Special Note: Includes Ignition Switch, Connector And Instructions.	\$37.00	N
01990110	1969	<b>IGNITION SWITCH</b> All, With Tilt	\$14.00	N
01990110	1970	<b>IGNITION SWITCH</b> All, With Tilt	\$14.00	N
01990110	1971	<b>IGNITION SWITCH</b> All, With Tilt	\$14.00	N
01990110	1972	<b>IGNITION SWITCH</b> All, With Tilt	\$14.00	N
01990110	1973	<b>IGNITION SWITCH</b> All, With Tilt	\$14.00	N
01990110	1974	<b>IGNITION SWITCH</b> All, With Tilt	\$14.00	N
01990110	1975	<b>IGNITION SWITCH</b> All, With Tilt	\$14.00	N

Part Number	Year	Description	Price	*Rev.
01990110	1976	IGNITION SWITCH All, With Tilt	\$14.00	N
01990110	1977	IGNITION SWITCH All, With Tilt	\$14.00	N
01990110	1978	IGNITION SWITCH All, With Tilt	\$14.00	N
01990110	1979	IGNITION SWITCH All, With Tilt	\$14.00	N
01990110	1980	IGNITION SWITCH All, With Tilt	\$14.00	N
01990110	1981	IGNITION SWITCH All, With Tilt	\$14.00	N
01990110	1982	IGNITION SWITCH All, With Tilt	\$14.00	N
01990110	1983	IGNITION SWITCH All, With Tilt	\$14.00	N
01990110	1984	IGNITION SWITCH All, With Tilt	\$14.00	N
01990110	1985	IGNITION SWITCH All, With Tilt	\$14.00	N
01990110	1986	IGNITION SWITCH All, With Tilt	\$14.00	N
01990110	1987	IGNITION SWITCH All, With Tilt	\$14.00	N
<b>KICKDOWN SWITCH</b>				
01242101	1968	KICKDOWN SWITCH Skylark, TH400, Auto Trans	\$19.00	
01242101	1969	KICKDOWN SWITCH Skylark, TH400, Auto Trans	\$19.00	
01242101	1970	KICKDOWN SWITCH Skylark, TH400, Auto Trans	\$19.00	
01242101	1971	KICKDOWN SWITCH Skylark, TH400, Auto Trans	\$19.00	
01242101	1972	KICKDOWN SWITCH Skylark, TH400, Auto Trans	\$19.00	
01242101	1973	KICKDOWN SWITCH Century, Regal, TH400, Auto Trans	\$19.00	
01242101	1974	KICKDOWN SWITCH Century, Regal, TH400, Auto Trans	\$19.00	
01242101	1975	KICKDOWN SWITCH Century, Regal, TH400, Auto Trans	\$19.00	
01242101	1977	KICKDOWN SWITCH Century, Regal, TH400, Auto Trans	\$19.00	
<b>LOW FUEL INDICATOR MODULE</b>				
500274	1964	<b>LOW FUEL INDICATOR MODULE</b> Generic "Adjustable" Low Fuel Warning Module Note: A Complete Electronic Control Unit To Activate A Warning Lamp Or Relay When Fuel Level Drops Below A User Adjustable Level. Includes instruction sheet.	\$64.00	C
500274	1965	<b>LOW FUEL INDICATOR MODULE</b> Generic "Adjustable" Low Fuel Warning Module Note: A Complete Electronic Control Unit To Activate A Warning Lamp Or Relay When Fuel Level Drops Below A User Adjustable Level. Includes instruction sheet.	\$64.00	C
500274	1966	<b>LOW FUEL INDICATOR MODULE</b> Generic "Adjustable" Low Fuel Warning Module Note: A Complete Electronic Control Unit To Activate A Warning Lamp Or Relay When Fuel Level Drops Below A User Adjustable Level. Includes instruction sheet.	\$64.00	C
500274	1967	<b>LOW FUEL INDICATOR MODULE</b> Generic "Adjustable" Low Fuel Warning Module Note: A Complete Electronic Control Unit To Activate A Warning Lamp Or Relay When Fuel Level Drops Below A User Adjustable Level. Includes instruction sheet.	\$64.00	C
500274	1968	<b>LOW FUEL INDICATOR MODULE</b> Generic "Adjustable" Low Fuel Warning Module Note: A Complete Electronic Control Unit To Activate A Warning Lamp Or Relay When Fuel Level Drops Below A User Adjustable Level. Includes instruction sheet.	\$64.00	C
500274	1969	<b>LOW FUEL INDICATOR MODULE</b> Generic "Adjustable" Low Fuel Warning Module Note: A Complete Electronic Control Unit To Activate A Warning Lamp Or Relay When Fuel Level Drops Below A User Adjustable Level. Includes instruction sheet.	\$64.00	C
500274	1970	<b>LOW FUEL INDICATOR MODULE</b> Generic "Adjustable" Low Fuel Warning Module Note: A Complete Electronic Control Unit To Activate A Warning Lamp Or Relay When Fuel Level Drops Below A User Adjustable Level. Includes instruction sheet.	\$64.00	C
500274	1971	<b>LOW FUEL INDICATOR MODULE</b> Generic "Adjustable" Low Fuel Warning Module Note: A Complete Electronic Control Unit To Activate A Warning Lamp Or Relay When Fuel Level Drops Below A User Adjustable Level. Includes instruction sheet.	\$64.00	C
500274	1972	<b>LOW FUEL INDICATOR MODULE</b> Generic "Adjustable" Low Fuel Warning Module Note: A Complete Electronic Control Unit To Activate A Warning Lamp Or Relay When Fuel Level Drops Below A User Adjustable Level. Includes instruction sheet.	\$64.00	C



Part Number	Year	Description	Price	*Rev.
500274	1973	<b>LOW FUEL INDICATOR MODULE</b> Generic "Adjustable" Low Fuel Warning Module Note: A Complete Electronic Control Unit To Activate A Warning Lamp Or Relay When Fuel Level Drops Below A User Adjustable Level. Includes instruction sheet.	\$64.00	C
500274	1974	<b>LOW FUEL INDICATOR MODULE</b> Generic "Adjustable" Low Fuel Warning Module Note: A Complete Electronic Control Unit To Activate A Warning Lamp Or Relay When Fuel Level Drops Below A User Adjustable Level. Includes instruction sheet.	\$64.00	C
500274	1975	<b>LOW FUEL INDICATOR MODULE</b> Generic "Adjustable" Low Fuel Warning Module Note: A Complete Electronic Control Unit To Activate A Warning Lamp Or Relay When Fuel Level Drops Below A User Adjustable Level. Includes instruction sheet.	\$64.00	C
500274	1976	<b>LOW FUEL INDICATOR MODULE</b> Generic "Adjustable" Low Fuel Warning Module Note: A Complete Electronic Control Unit To Activate A Warning Lamp Or Relay When Fuel Level Drops Below A User Adjustable Level. Includes instruction sheet.	\$64.00	C
500274	1977	<b>LOW FUEL INDICATOR MODULE</b> Generic "Adjustable" Low Fuel Warning Module Note: A Complete Electronic Control Unit To Activate A Warning Lamp Or Relay When Fuel Level Drops Below A User Adjustable Level. Includes instruction sheet.	\$64.00	C

**NEUTRAL SAFETY AND BACKUP LAMP SWITCH**

01993659	1964	<b>NEUTRAL SAFETY AND BACKUP LAMP SWITCH</b> With Column Shift Powerglide Auto Trans	\$12.00	
01993659	1965	<b>NEUTRAL SAFETY AND BACKUP LAMP SWITCH</b> With Column Shift Powerglide Auto Trans	\$12.00	
01993659	1966	<b>NEUTRAL SAFETY AND BACKUP LAMP SWITCH</b> With Column Shift Powerglide Auto Trans	\$12.00	
01994235	1969	<b>NEUTRAL SAFETY AND BACKUP LAMP SWITCH</b> With Column Shift Auto Trans, All	\$19.00	
01994235	1970	<b>NEUTRAL SAFETY AND BACKUP LAMP SWITCH</b> With Column Shift Auto Trans, All	\$19.00	
01994235	1971	<b>NEUTRAL SAFETY AND BACKUP LAMP SWITCH</b> With Column Shift Auto Trans, All	\$19.00	
01994235	1972	<b>NEUTRAL SAFETY AND BACKUP LAMP SWITCH</b> With Column Shift Auto Trans, All	\$19.00	

**NEUTRAL SAFETY SWITCH**

03983965	1973	<b>NEUTRAL SAFETY SWITCH</b> Apollo, With 3 Speed Manual Trans (Clutch Pedal Activated) Note: 03983965 Switch Included In Kit Is Correct, However Mounting Tower 03961589 Also Provided Does Not Work On This Application. Original Mounting Tower Must Be Reused.	\$58.00	N
03983965	1974	<b>NEUTRAL SAFETY SWITCH</b> Apollo, With 3 Speed Manual Trans (Clutch Pedal Activated) Note: 03983965 Switch Included In Kit Is Correct, However Mounting Tower 03961589 Also Provided Does Not Work On This Application. Original Mounting Tower Must Be Reused.	\$58.00	N
03983965	1975	<b>NEUTRAL SAFETY SWITCH</b> Apollo, With 3 Speed Manual Trans (Clutch Pedal Activated) Note: 03983965 Switch Included In Kit Is Correct, However Mounting Tower 03961589 Also Provided Does Not Work On This Application. Original Mounting Tower Must Be Reused.	\$58.00	N
03983965	1976	<b>NEUTRAL SAFETY SWITCH</b> Skylark, With 3 Speed Manual Trans (Clutch Pedal Activated) Note: 03983965 Switch Included In Kit Is Correct, However Mounting Tower 03961589 Also Provided Does Not Work On This Application. Original Mounting Tower Must Be Reused.	\$58.00	N
03983965	1977	<b>NEUTRAL SAFETY SWITCH</b> Skylark, With 3 Speed Manual Trans (Clutch Pedal Activated) Note: 03983965 Switch Included In Kit Is Correct, However Mounting Tower 03961589 Also Provided Does Not Work On This Application. Original Mounting Tower Must Be Reused.	\$58.00	N
03983965	1978	<b>NEUTRAL SAFETY SWITCH</b> Skylark, With 3 Speed Manual Trans (Clutch Pedal Activated) Note: 03983965 Switch Included In Kit Is Correct, However Mounting Tower 03961589 Also Provided Does Not Work On This Application. Original Mounting Tower Must Be Reused.	\$58.00	N
03983965	1979	<b>NEUTRAL SAFETY SWITCH</b> Skylark, With 3 Speed Manual Trans (Clutch Pedal Activated) Note: 03983965 Switch Included In Kit Is Correct, However Mounting Tower 03961589 Also Provided Does Not Work On This Application. Original Mounting Tower Must Be Reused.	\$58.00	N

Part Number	Year	Description	Price	*Rev.
<b>NEUTRAL SAFETY SWITCH EXTENSION HARNESS</b>				
41401	1969	NEUTRAL SAFETY SWITCH EXTENSION HARNESS Manual Trans, From Clutch Switch To Dash Harness	\$46.00	
41401	1970	NEUTRAL SAFETY SWITCH EXTENSION HARNESS Manual Trans, From Clutch Switch To Dash Harness	\$46.00	
41401	1971	NEUTRAL SAFETY SWITCH EXTENSION HARNESS Manual Trans, From Clutch Switch To Dash Harness	\$46.00	
41401	1969	NEUTRAL SAFETY SWITCH EXTENSION HARNESS Manual Trans, From Clutch Switch To Dash Harness	\$46.00	
<b>POWER DOOR LOCK SWITCH</b>				
01725099	1971	POWER DOOR LOCK SWITCH 1 Button	\$62.00	
01725099	1972	POWER DOOR LOCK SWITCH 1 Button	\$62.00	
01725099	1973	POWER DOOR LOCK SWITCH 1 Button	\$62.00	
01725099	1973	POWER DOOR LOCK SWITCH Century, Regal, 1 Button	\$62.00	M
01725099	1974	POWER DOOR LOCK SWITCH 1 Button	\$62.00	
01725099	1975	POWER DOOR LOCK SWITCH 1 Button	\$62.00	
01725099	1974	POWER DOOR LOCK SWITCH Century, Regal, 1 Button	\$62.00	M
01725099	1975	POWER DOOR LOCK SWITCH Century, Regal, 1 Button	\$62.00	M
01725099	1976	POWER DOOR LOCK SWITCH 1 Button	\$62.00	
20031475	1977	POWER DOOR LOCK SWITCH Century, Regal	\$62.00	N
01725099	1976	POWER DOOR LOCK SWITCH Century, Regal, 1 Button	\$62.00	M
01725099	1977	POWER DOOR LOCK SWITCH 1 Button	\$62.00	
<b>POWER FEED WIRE</b>				
06565	1963	POWER FEED WIRE Junction Block To Circuit Breaker	\$20.00	
<b>POWER SEAT HARNESS</b>				
06945	1964	POWER SEAT HARNESS 4 Way Bench	\$173.00	
07600	1965	POWER SEAT HARNESS 4 Way Bucket, Drivers Side	\$159.00	
07595	1965	POWER SEAT HARNESS 4-Way Bench Note: Requires Customers Original Harness.	\$166.00	
07595	1966	POWER SEAT HARNESS 4-Way Bench Note: Requires Customers Original Harness.	\$166.00	
07595	1967	POWER SEAT HARNESS 4-Way Bench Note: Requires Customers Original Harness.	\$166.00	
<b>POWER SEAT MOTOR RELAY AND ADAPTER HARNESS</b>				
40146	1964	POWER SEAT MOTOR RELAY AND ADAPTER HARNESS Includes New Standard Type Relay And Adapter To Mate To Factory Harness	\$74.00	
40146	1965	POWER SEAT MOTOR RELAY AND ADAPTER HARNESS Includes New Standard Type Relay And Adapter To Mate To Factory Harness	\$74.00	
40146	1966	POWER SEAT MOTOR RELAY AND ADAPTER HARNESS Includes New Standard Type Relay And Adapter To Mate To Factory Harness	\$74.00	
40146	1967	POWER SEAT MOTOR RELAY AND ADAPTER HARNESS Includes New Standard Type Relay And Adapter To Mate To Factory Harness	\$74.00	
40146	1968	POWER SEAT MOTOR RELAY AND ADAPTER HARNESS Includes New Standard Type Relay And Adapter To Mate To Factory Harness	\$74.00	
40146	1969	POWER SEAT MOTOR RELAY AND ADAPTER HARNESS Includes New Standard Type Relay And Adapter To Mate To Factory Harness	\$74.00	
40146	1970	POWER SEAT MOTOR RELAY AND ADAPTER HARNESS Includes New Standard Type Relay And Adapter To Mate To Factory Harness	\$74.00	
40146	1971	POWER SEAT MOTOR RELAY AND ADAPTER HARNESS Includes New Standard Type Relay And Adapter To Mate To Factory Harness	\$74.00	
40146	1972	POWER SEAT MOTOR RELAY AND ADAPTER HARNESS Includes New Standard Type Relay And Adapter To Mate To Factory Harness	\$74.00	

Part Number	Year	Description	Price	*Rev.
40146	1973	<b>POWER SEAT MOTOR RELAY AND ADAPTER HARNESS</b> Includes New Standard Type Relay And Adapter To Mate To Factory Harness	\$74.00	
40146	1974	<b>POWER SEAT MOTOR RELAY AND ADAPTER HARNESS</b> Includes New Standard Type Relay And Adapter To Mate To Factory Harness	\$74.00	
40146	1975	<b>POWER SEAT MOTOR RELAY AND ADAPTER HARNESS</b> Includes New Standard Type Relay And Adapter To Mate To Factory Harness	\$74.00	
<b>POWER TAILGATE RELAY AND ADAPTER HARNESS</b>				
39440	1970	<b>POWER TAILGATE RELAY AND ADAPTER HARNESS</b> Includes New Standard Type Relay And Adapter To Mate To Factory Harness	\$40.00	
39440	1971	<b>POWER TAILGATE RELAY AND ADAPTER HARNESS</b> Includes New Standard Type Relay And Adapter To Mate To Factory Harness	\$40.00	
<b>POWER TOP HARNESS</b>				
41364	1965	<b>POWER TOP HARNESS</b> Convertible, From Switch To Body Harness Connector	\$75.00	
41364	1966	<b>POWER TOP HARNESS</b> Convertible, From Switch To Body Harness Connector	\$75.00	
41364	1967	<b>POWER TOP HARNESS</b> Convertible, From Switch To Body Harness Connector	\$75.00	
43246	1968	<b>POWER TOP HARNESS</b> From Power Top Switch To Body Harness Connector	\$99.00	
43246	1969	<b>POWER TOP HARNESS</b> From Power Top Switch To Body Harness Connector	\$99.00	
41581	1970	<b>POWER TOP OR TAILGATE WINDOW HARNESS</b> From Power Top Or Tailgate Window Switch To Body Harness Connector.	\$87.00	
41581	1971	<b>POWER TOP OR TAILGATE WINDOW HARNESS</b> From Power Top Or Tailgate Window Switch To Body Harness Connector	\$87.00	
41581	1972	<b>POWER TOP OR TAILGATE WINDOW HARNESS</b> From Power Top Or Tailgate Window Switch To Body Harness Connector	\$87.00	
<b>POWER WINDOW HARNESS</b>				
06670	1963	<b>POWER WINDOW HARNESS</b> Left Rear Quarter Window, Skylark 2 Door Coupe	\$105.00	
06665	1963	<b>POWER WINDOW HARNESS</b> Right Rear Quarter Window, Skylark 2 Door Coupe	\$105.00	
06690	1963	<b>POWER WINDOW HARNESS</b> Left Rear Quarter Window, Convertible	\$105.00	
06685	1963	<b>POWER WINDOW HARNESS</b> Right Rear Quarter Window, Convertible	\$105.00	
06960	1964	<b>POWER WINDOW HARNESS</b> Driver Side Door	\$212.00	
06955	1964	<b>POWER WINDOW HARNESS</b> Passenger Side Door	\$147.00	
06965	1964	<b>POWER WINDOW INTERMEDIATE HARNESS</b> Under Dash, Crossover Note: Customer Must Reuse Their Original Plastic 3 Terminal Connector That Attaches This Harness To Ribbon Cable.	\$132.00	
06990	1964	<b>POWER WINDOW HARNESS</b> Quarter Window, Sport Coupe, 2 Required Per Car Note: Customer Must Reuse Their Original Plastic 3 Terminal Connector That Attaches This Harness To Ribbon Cable.	\$87.00	
06995	1964	<b>POWER WINDOW HARNESS</b> Quarter Window, Convertible, 2 Required Per Car Note: Customer Must Reuse Their Original Plastic 3 Terminal Connector That Attaches This Harness To Ribbon Cable.	\$87.00	
07170	1964	<b>POWER WINDOW MOTOR EXTENSION</b> Coupe, Quarter Window Harness To Motor, 2 Req. Per Car	\$25.00	
07005	1964	<b>POWER WINDOW MOTOR EXTENSION</b> Convertible, Quarter Window Harness To Motor, 2 Req. Per Car	\$32.00	
07610	1965	<b>POWER WINDOW HARNESS</b> Driver Side Door	\$219.00	
07605	1965	<b>POWER WINDOW HARNESS</b> Passenger Side Door	\$147.00	
08200	1965	<b>POWER WINDOW INTERMEDIATE HARNESS</b> Under Dash, Crossover	\$132.00	
07640	1965	<b>POWER WINDOW HARNESS</b> Quarter Window, Coupe, 2 Required Per Car Note: Customer Must Reuse Their Original Plastic 3 Terminal Connector That Attaches This Harness To Ribbon Cable.	\$87.00	
07695	1965	<b>POWER WINDOW HARNESS</b> Quarter Window, Convertible, 2 Required Per Car Note: Customer Must Reuse Their Original Plastic 3 Terminal Connector That Attaches This Harness To Ribbon Cable.	\$87.00	
07655	1965	<b>POWER WINDOW MOTOR EXTENSION</b> Coupe, Quarter Window Harness To Motor, 2 Req. Per Car	\$25.00	
07660	1965	<b>POWER WINDOW MOTOR EXTENSION</b> Convertible, Quarter Window Harness To Motor, 2 Req. Per Car	\$25.00	
08260	1966	<b>POWER WINDOW HARNESS</b> Driver Side Door	\$212.00	
27310	1966	<b>POWER WINDOW HARNESS</b> Passenger Side Door, All	\$147.00	

Part Number	Year	Description	Price	*Rev.
08200	1966	<b>POWER WINDOW INTERMEDIATE HARNESS</b> Under Dash, Crossover	\$132.00	
07640	1966	<b>POWER WINDOW HARNESS</b> Quarter Window, Coupe, 2 Required Per Car Note: Customer Must Reuse Their Original Plastic 3 Terminal Connector That Attaches This Harness To Ribbon Cable.	\$87.00	
07695	1966	<b>POWER WINDOW HARNESS</b> Quarter Window, Convertible, 2 Required Per Car Note: Customer Must Reuse Their Original Plastic 3 Terminal Connector That Attaches This Harness To Ribbon Cable.	\$87.00	
07655	1966	<b>POWER WINDOW MOTOR EXTENSION</b> Coupe, Quarter Window Harness To Motor, 2 Req. Per Car	\$25.00	
07660	1966	<b>POWER WINDOW MOTOR EXTENSION</b> Convertible, Quarter Window Harness To Motor, 2 Req. Per Car	\$25.00	
08260	1967	<b>POWER WINDOW HARNESS</b> Driver Side Door	\$212.00	
27310	1967	<b>POWER WINDOW HARNESS</b> Passenger Side Door, All	\$147.00	
07640	1967	<b>POWER WINDOW HARNESS</b> Quarter Window, Coupe, 2 Required Per Car Note: Customer Must Reuse Their Original Plastic 3 Terminal Connector That Attaches This Harness To Ribbon Cable.	\$87.00	
07695	1967	<b>POWER WINDOW HARNESS</b> Quarter Window, Convertible, 2 Required Per Car Note: Customer Must Reuse Their Original Plastic 3 Terminal Connector That Attaches This Harness To Ribbon Cable.	\$87.00	
07655	1967	<b>POWER WINDOW MOTOR EXTENSION</b> Coupe, Quarter Window Harness To Motor, 2 Req. Per Car	\$25.00	
07660	1967	<b>POWER WINDOW MOTOR EXTENSION</b> Convertible, Quarter Window Harness To Motor, 2 Req. Per Car	\$25.00	
31135	1968	<b>POWER WINDOW HARNESS</b> Driver Side Door	\$219.00	
14165	1968	<b>POWER WINDOW HARNESS</b> Passenger Side Door	\$147.00	
14170	1968	<b>POWER WINDOW HARNESS</b> Quarter Windows & Intermediate Body	\$186.00	
39470	1969	<b>POWER WINDOW HARNESS</b> Driver Side Door And Under Dash Crossover	\$264.00	
37817	1969	<b>POWER WINDOW HARNESS</b> Passenger Side Door	\$147.00	
14405	1969	<b>POWER WINDOW HARNESS</b> Quarter Windows & Intermediate Body	\$186.00	
31140	1970	<b>POWER WINDOW HARNESS</b> Driver Side Door And Under Dash Crossover	\$264.00	
14470	1970	<b>POWER WINDOW HARNESS</b> Passenger Side Door	\$147.00	
14505	1970	<b>POWER WINDOW HARNESS</b> Quarter Windows & Intermediate Body	\$186.00	
31140	1971	<b>POWER WINDOW HARNESS</b> Driver Side Door And Under Dash Crossover	\$264.00	
14470	1971	<b>POWER WINDOW HARNESS</b> Passenger Side Door	\$147.00	
14505	1971	<b>POWER WINDOW HARNESS</b> Quarter Windows & Intermediate Body	\$186.00	
39471	1972	<b>POWER WINDOW HARNESS</b> Driver Side Door And Under Dash Crossover	\$264.00	
14470	1972	<b>POWER WINDOW HARNESS</b> Passenger Side Door	\$147.00	
14505	1972	<b>POWER WINDOW HARNESS</b> Quarter Windows & Intermediate Body	\$186.00	
<b>POWER WINDOW MOTOR ADAPTER HARNESS</b>				
36954	1964	<b>POWER WINDOW MOTOR ADAPTER HARNESS</b> Adapts "T" Shaped Motor Connector To Side By Side Blade Type Motor Connector	\$22.00	C
36954	1965	<b>POWER WINDOW MOTOR ADAPTER HARNESS</b> Adapts "T" Shaped Motor Connector To Side By Side Blade Type Motor Connector	\$22.00	C
36954	1966	<b>POWER WINDOW MOTOR ADAPTER HARNESS</b> Adapts "T" Shaped Motor Connector To Side By Side Blade Type Motor Connector	\$22.00	C
36954	1967	<b>POWER WINDOW MOTOR ADAPTER HARNESS</b> Adapts "T" Shaped Motor Connector To Side By Side Blade Type Motor Connector	\$22.00	C
36954	1968	<b>POWER WINDOW MOTOR ADAPTER HARNESS</b> Adapts "T" Shaped Motor Connector To Side By Side Blade Type Motor Connector	\$22.00	C
36954	1969	<b>POWER WINDOW MOTOR ADAPTER HARNESS</b> Adapts "T" Shaped Motor Connector To Side By Side Blade Type Motor Connector	\$22.00	C
36954	1970	<b>POWER WINDOW MOTOR ADAPTER HARNESS</b> Adapts "T" Shaped Motor Connector To Side By Side Blade Type Motor Connector	\$22.00	C
36954	1971	<b>POWER WINDOW MOTOR ADAPTER HARNESS</b> Adapts "T" Shaped Motor Connector To Side By Side Blade Type Motor Connector	\$22.00	C
36954	1972	<b>POWER WINDOW MOTOR ADAPTER HARNESS</b> Adapts "T" Shaped Motor Connector To Side By Side Blade Type Motor Connector	\$22.00	C

Part Number	Year	Description	Price	*Rev.
36954	1973	<b>POWER WINDOW MOTOR ADAPTER HARNESS</b> Adapts "T" Shaped Motor Connector To Side By Side Blade Type Motor Connector	\$22.00	C
36954	1974	<b>POWER WINDOW MOTOR ADAPTER HARNESS</b> Adapts "T" Shaped Motor Connector To Side By Side Blade Type Motor Connector	\$22.00	C
36954	1975	<b>POWER WINDOW MOTOR ADAPTER HARNESS</b> Adapts "T" Shaped Motor Connector To Side By Side Blade Type Motor Connector	\$22.00	C
<b>POWER WINDOW RELAY AND ADAPTER HARNESS</b>				
39440	1970	<b>POWER WINDOW RELAY AND ADAPTER HARNESS</b> Includes New Standard Type Relay And Adapter To Mate To Factory Harness	\$40.00	
39440	1971	<b>POWER WINDOW RELAY AND ADAPTER HARNESS</b> Includes New Standard Type Relay And Adapter To Mate To Factory Harness	\$40.00	
<b>POWER WINDOW SWITCH</b>				
04432790	1964	<b>POWER WINDOW SWITCH</b> 1 Button, Round Corner Style, Chrome	\$49.00	
04432791	1964	<b>POWER WINDOW SWITCH</b> 4 Button, Round Corner Style, Chrome	\$67.00	
04432790	1965	<b>POWER WINDOW SWITCH</b> 1 Button, Round Corner Style, Chrome	\$49.00	
04432791	1965	<b>POWER WINDOW SWITCH</b> 4 Button, Round Corner Style, Chrome	\$67.00	
04432790	1966	<b>POWER WINDOW SWITCH</b> 1 Button, Round Corner Style, Chrome	\$49.00	
04432791	1966	<b>POWER WINDOW SWITCH</b> 4 Button, Round Corner Style, Chrome	\$67.00	
04432790	1967	<b>POWER WINDOW SWITCH</b> 1 Button, Round Corner Style, Chrome	\$49.00	
04432791	1967	<b>POWER WINDOW SWITCH</b> 4 Button, Round Corner Style, Chrome	\$67.00	
04432790	1968	<b>POWER WINDOW SWITCH</b> 1 Button, Round Corner Style, Chrome	\$49.00	
04432791	1968	<b>POWER WINDOW SWITCH</b> 4 Button, Round Corner Style, Chrome	\$67.00	
04432790	1969	<b>POWER WINDOW SWITCH</b> 1 Button, Round Corner Style, Chrome	\$49.00	
04432791	1969	<b>POWER WINDOW SWITCH</b> 4 Button, Round Corner Style, Chrome	\$67.00	
04432790	1970	<b>POWER WINDOW SWITCH</b> 1 Button, Round Corner Style, Chrome	\$49.00	
04432791	1970	<b>POWER WINDOW SWITCH</b> 4 Button, Round Corner Style, Chrome	\$67.00	
01725094	1971	<b>POWER WINDOW SWITCH</b> 1 Button, Square Corner Style, Chrome	\$21.00	M
01731231	1971	<b>POWER WINDOW SWITCH</b> Skylark, 4 Button, Square Corner Style, Chrome	\$75.00	M
01725094	1972	<b>POWER WINDOW SWITCH</b> 1 Button, Square Corner Style, Chrome	\$21.00	M
01731231	1972	<b>POWER WINDOW SWITCH</b> Skylark, 4 Button, Square Corner Style, Chrome	\$75.00	M
01725094	1973	<b>POWER WINDOW SWITCH</b> Century, 1 Button, Square Corner Style, Chrome	\$21.00	M
01725094	1973	<b>POWER WINDOW SWITCH</b> Regal, 1 Button, Square Corner Style, Chrome	\$21.00	M
01731231	1973	<b>POWER WINDOW SWITCH</b> Century, Regal, 4 Button, Square Corner Style, Chrome	\$75.00	M
01725092	1973	<b>POWER WINDOW SWITCH</b> Regal, Century, 2 Button, Square Corner Style, Chrome	\$53.00	M
01725094	1974	<b>POWER WINDOW SWITCH</b> Century, 1 Button, Square Corner Style, Chrome	\$21.00	M
01725094	1974	<b>POWER WINDOW SWITCH</b> Regal, 1 Button, Square Corner Style, Chrome	\$21.00	M
01731231	1974	<b>POWER WINDOW SWITCH</b> Century, Regal, 4 Button, Square Corner Style, Chrome	\$75.00	M
01725092	1974	<b>POWER WINDOW SWITCH</b> Regal, Century, 2 Button, Square Corner Style, Chrome	\$53.00	M
01725094	1975	<b>POWER WINDOW SWITCH</b> Apollo, 1 Button, Square Corner Style, Chrome	\$21.00	M
01725094	1975	<b>POWER WINDOW SWITCH</b> Century, 1 Button, Square Corner Style, Chrome	\$21.00	M
01725094	1975	<b>POWER WINDOW SWITCH</b> Regal, 1 Button, Square Corner Style, Chrome	\$21.00	M
01725094	1975	<b>POWER WINDOW SWITCH</b> Skylark, 1 Button, Square Corner Style, Chrome	\$21.00	M
01731231	1975	<b>POWER WINDOW SWITCH</b> Century, Regal, 4 Button, Square Corner Style, Chrome	\$75.00	M
01731231	1975	<b>POWER WINDOW SWITCH</b> Apollo, 4 Button, Square Corner Style, Chrome	\$75.00	M
01725092	1975	<b>POWER WINDOW SWITCH</b> Regal, Century, 2 Button, Square Corner Style, Chrome	\$53.00	M
01725092	1975	<b>POWER WINDOW SWITCH</b> Apollo, 2 Button, Square Corner Style, Chrome	\$53.00	M
01725094	1976	<b>POWER WINDOW SWITCH</b> Skylark, 1 Button, Square Corner Style, Chrome	\$21.00	M
01725094	1976	<b>POWER WINDOW SWITCH</b> Century, 1 Button, Square Corner Style, Chrome	\$21.00	M

Part Number	Year	Description	Price	*Rev.
01725094	1976	<b>POWER WINDOW SWITCH</b> Regal, 1 Button, Square Corner Style, Chrome	\$21.00	M
01731231	1976	<b>POWER WINDOW SWITCH</b> Century, Regal, 4 Button, Square Corner Style, Chrome	\$75.00	M
01731231	1976	<b>POWER WINDOW SWITCH</b> Skylark, 4 Button, Square Corner Style, Chrome	\$75.00	M
01725092	1976	<b>POWER WINDOW SWITCH</b> Regal, Century, 2 Button, Square Corner Style, Chrome	\$53.00	M
01725092	1976	<b>POWER WINDOW SWITCH</b> Skylark, 2 Button, Square Corner Style, Chrome	\$53.00	M
01725094	1977	<b>POWER WINDOW SWITCH</b> Skylark, 1 Button, Square Corner Style, Chrome	\$21.00	M
01725094	1977	<b>POWER WINDOW SWITCH</b> Century, 1 Button, Square Corner Style, Chrome	\$21.00	M
01725094	1977	<b>POWER WINDOW SWITCH</b> Regal, 1 Button, Square Corner Style, Chrome	\$21.00	M
01731231	1977	<b>POWER WINDOW SWITCH</b> Century, Regal, 4 Button, Square Corner Style, Chrome	\$75.00	M
01731231	1977	<b>POWER WINDOW SWITCH</b> Skylark, 4 Button, Square Corner Style, Chrome	\$75.00	M
01725092	1977	<b>POWER WINDOW SWITCH</b> Regal, Century, 2 Button, Square Corner Style, Chrome	\$53.00	M
01725092	1977	<b>POWER WINDOW SWITCH</b> Skylark, 2 Button, Square Corner Style, Chrome	\$53.00	M
01725094	1978	<b>POWER WINDOW SWITCH</b> Skylark, 1 Button, Square Corner Style, Chrome	\$21.00	M
01725094	1978	<b>POWER WINDOW SWITCH</b> Century, 1 Button, Square Corner Style, Chrome	\$21.00	M
01725094	1978	<b>POWER WINDOW SWITCH</b> Regal, 1 Button, Square Corner Style, Chrome	\$21.00	M
01731231	1978	<b>POWER WINDOW SWITCH</b> Skylark, 4 Button, Square Corner Style, Chrome	\$75.00	M
01725092	1978	<b>POWER WINDOW SWITCH</b> Regal, Century, 2 Button, Square Corner Style, Chrome	\$53.00	M
01725092	1978	<b>POWER WINDOW SWITCH</b> Skylark, 2 Button, Square Corner Style, Chrome	\$53.00	M
01725094	1979	<b>POWER WINDOW SWITCH</b> Skylark, 4 Dr Sedan, 1 Button, Square Corner Style, Chrome	\$21.00	M
01731231	1979	<b>POWER WINDOW SWITCH</b> Skylark, 4 Button, Square Corner Style, Chrome	\$75.00	M
01725092	1979	<b>POWER WINDOW SWITCH</b> Skylark, 2 Button, Square Corner Style, Chrome	\$53.00	M
<b>REAR LAMP HARNESS</b>				
19070	1964	<b>REAR LAMP HARNESS</b> Rear, Coupe & Sedan, All	\$211.00	
19080	1964	<b>REAR LAMP HARNESS</b> Rear, Convertible, Skylark	\$264.00	
19075	1964	<b>REAR LAMP HARNESS</b> Rear, Convertible, Special	\$225.00	
07930	1965	<b>REAR LAMP HARNESS</b> Rear, Coupe, Skylark	\$225.00	
07730	1965	<b>REAR LAMP HARNESS</b> Rear, Coupe, Special	\$211.00	
07725	1965	<b>REAR LAMP HARNESS</b> Rear, Convertible, Skylark	\$264.00	
07720	1965	<b>REAR LAMP HARNESS</b> Rear, Convertible, Special	\$225.00	
19085	1966	<b>REAR LAMP HARNESS</b> Rear, Coupe, All	\$211.00	
19095	1966	<b>REAR LAMP HARNESS</b> Rear, Convertible, Skylark	\$264.00	
19090	1966	<b>REAR LAMP HARNESS</b> Rear, Convertible, Special	\$251.00	
13910	1967	<b>REAR LAMP HARNESS</b> Rear, Coupe, All	\$211.00	
13920	1967	<b>REAR LAMP HARNESS</b> Rear, Convertible, Skylark	\$264.00	
13915	1967	<b>REAR LAMP HARNESS</b> Rear, Convertible, Special	\$251.00	
19105	1968	<b>REAR LAMP INTERMEDIATE HARNESS</b> All 2 Door Coupes	\$264.00	
19110	1968	<b>REAR LAMP INTERMEDIATE HARNESS</b> Convertible	\$264.00	
19100	1968	<b>REAR LAMP HARNESS</b> Rear, All	\$211.00	
19120	1969	<b>REAR LAMP INTERMEDIATE HARNESS</b> Coupe	\$211.00	
19125	1969	<b>REAR LAMP INTERMEDIATE HARNESS</b> Convertible	\$264.00	
19115	1969	<b>REAR LAMP HARNESS</b> Rear, All	\$211.00	
18860	1970	<b>REAR LAMP INTERMEDIATE HARNESS</b> Coupe	\$211.00	
18865	1970	<b>REAR LAMP INTERMEDIATE HARNESS</b> Convertible	\$225.00	
18470	1970	<b>REAR LAMP HARNESS</b> Rear, All	\$225.00	
18860	1971	<b>REAR LAMP INTERMEDIATE HARNESS</b> Coupe	\$211.00	
18865	1971	<b>REAR LAMP INTERMEDIATE HARNESS</b> Convertible	\$225.00	
18470	1971	<b>REAR LAMP HARNESS</b> Rear, All	\$225.00	

Part Number	Year	Description	Price	*Rev.
18860	1972	REAR LAMP INTERMEDIATE HARNESS Coupe	\$211.00	
18865	1972	REAR LAMP INTERMEDIATE HARNESS Convertible	\$225.00	
32300	1972	REAR LAMP HARNESS Rear, All	\$225.00	
<b>REPAIR PIGTAIL-FOR POWER WINDOW SWITCH</b>				
36048	1964	REPAIR PIGTAIL, FOR POWER WINDOW SWITCH For Single Power Window Switches, Connector & Wire	\$25.00	
36048	1965	REPAIR PIGTAIL, FOR POWER WINDOW SWITCH For Single Power Window Switches, Connector & Wire	\$25.00	
36048	1966	REPAIR PIGTAIL, FOR POWER WINDOW SWITCH For Single Power Window Switches, Connector & Wire	\$25.00	
36048	1967	REPAIR PIGTAIL, FOR POWER WINDOW SWITCH For Single Power Window Switches, Connector & Wire	\$25.00	
36048	1968	REPAIR PIGTAIL, FOR POWER WINDOW SWITCH For Single Power Window Switches, Connector & Wire	\$25.00	
36048	1969	REPAIR PIGTAIL, FOR POWER WINDOW SWITCH For Single Power Window Switches, Connector & Wire	\$25.00	
36048	1970	REPAIR PIGTAIL, FOR POWER WINDOW SWITCH For Single Power Window Switches, Connector & Wire	\$25.00	
<b>SPEAKER WIRE</b>				
07705	1965	SPEAKER WIRE Single Rear Seat Speaker, All 2 And 4 Doors	\$25.00	
07705	1966	SPEAKER WIRE Single Rear Seat Speaker, All 2 And 4 Doors	\$25.00	
<b>STEERING COLUMN ADAPTER HARNESS</b>				
37542	1964	STEERING COLUMN ADAPTER HARNESS For 1969-1974 GM & Ididit Columns (Exc. Flaming River) To Stock Dash Harness Note: Adapts Horn, Directionals, Hazard Flashers To Stock 8 Pin T/L Dash Connector.	\$50.00	
37009	1964	STEERING COLUMN ADAPTER HARNESS For 1975 & Up GM & Flaming River Columns (Exc. Ididit) To Stock Dash Harness Note: Adapts Horn, Directionals, Hazard Flashers To Stock 8 Pin Dash Connector.	\$52.00	
37542	1965	STEERING COLUMN ADAPTER HARNESS For 1969-1974 GM & Ididit Columns (Exc. Flaming River) To Stock Dash Harness Note: Adapts Horn, Directionals, Hazard Flashers To Stock 8 Pin T/L Dash Connector.	\$50.00	
37009	1965	STEERING COLUMN ADAPTER HARNESS For 1975 & Up GM & Flaming River Columns (Exc. Ididit) To Stock Dash Harness Note: Adapts Horn, Directionals, Hazard Flashers To Stock 8 Pin Dash Connector.	\$52.00	
37542	1966	STEERING COLUMN ADAPTER HARNESS For 1969-1974 GM & Ididit Columns (Exc. Flaming River) To Stock Dash Harness Note: Adapts Horn, Directionals, Hazard Flashers To Stock 8 Pin T/L Dash Connector.	\$50.00	
37009	1966	STEERING COLUMN ADAPTER HARNESS For 1975 & Up GM & Flaming River Columns (Exc. Ididit) To Stock Dash Harness Note: Adapts Horn, Directionals, Hazard Flashers To Stock 8 Pin Dash Connector.	\$52.00	
36882	1967	STEERING COLUMN ADAPTER HARNESS For 1969-1974 GM & Ididit Columns (Exc. Flaming River) To Stock Dash Harness Note: Adapts Horn, Directionals, Hazard Flashers To Stock 9-Pin T/L Dash Connector.	\$27.00	
38127	1967	STEERING COLUMN ADAPTER HARNESS For 1975 & Up GM & Flaming River Columns (Exc. Ididit) To Stock Dash Harness Note: Adapts Horn, Directionals, Hazard Flashers To Stock 9-Pin T/L Dash Connector.	\$27.00	
36882	1968	STEERING COLUMN ADAPTER HARNESS For 1969-1974 GM & Ididit Columns (Exc. Flaming River) To Stock Dash Harness Note: Adapts Horn, Directionals, Hazard Flashers To Stock 9-Pin T/L Dash Connector.	\$27.00	
38127	1968	STEERING COLUMN ADAPTER HARNESS For 1975 & Up GM & Flaming River Columns (Exc. Ididit) To Stock Dash Harness Note: Adapts Horn, Directionals, Hazard Flashers To Stock 9-Pin T/L Dash Connector.	\$27.00	
<b>STOP LAMP SWITCH</b>				
01261219	1964	STOP LAMP SWITCH Without Cruise	\$5.80	N
01261219	1965	STOP LAMP SWITCH Without Cruise	\$5.80	N
01261219	1966	STOP LAMP SWITCH Without Cruise	\$5.80	N
01261219	1967	STOP LAMP SWITCH Without Cruise	\$5.80	N

Part Number	Year	Description	Price	*Rev.
01261219	1968	<b>STOP LAMP SWITCH</b> Without Cruise	\$5.80	N
01261219	1969	<b>STOP LAMP SWITCH</b> Without Cruise	\$5.80	N
01261219	1970	<b>STOP LAMP SWITCH</b> Without Cruise	\$5.80	N
01261219	1971	<b>STOP LAMP SWITCH</b> Without Cruise	\$5.80	N
01261219	1972	<b>STOP LAMP SWITCH</b> Without Cruise	\$5.80	N
01261219	1973	<b>STOP LAMP SWITCH</b> Without Cruise	\$5.80	N
01261219	1974	<b>STOP LAMP SWITCH</b> Without Cruise	\$5.80	N
01261219	1975	<b>STOP LAMP SWITCH</b> Without Cruise	\$5.80	N
01261219	1976	<b>STOP LAMP SWITCH</b> Without Power Brakes Or Cruise	\$5.80	N
01261219	1977	<b>STOP LAMP SWITCH</b> Without Power Brakes Or Cruise	\$5.80	N
01261219	1978	<b>STOP LAMP SWITCH</b> Without Power Brakes Or Cruise	\$5.80	N
01261219	1979	<b>STOP LAMP SWITCH</b> Without Power Brakes Or Cruise	\$5.80	N
<b>TACHOMETER EXTENSION HARNESS</b>				
28985	1968	<b>TACHOMETER EXTENSION HARNESS</b> Engine Side, Coil To Dash	\$25.00	
28985	1969	<b>TACHOMETER EXTENSION HARNESS</b> Engine Side, Coil To Dash	\$25.00	
28985	1970	<b>TACHOMETER EXTENSION HARNESS</b> Engine Side, Coil To Dash	\$25.00	
28985	1971	<b>TACHOMETER EXTENSION HARNESS</b> Engine Side, Coil To Dash	\$25.00	
28985	1972	<b>TACHOMETER EXTENSION HARNESS</b> Engine Side, Coil To Dash	\$25.00	
<b>TACHOMETER HARNESS</b>				
28990	1968	<b>TACHOMETER HARNESS</b> Dash Side, Console Mounted Tach	\$69.00	
28990	1969	<b>TACHOMETER HARNESS</b> Dash Side, Console Mounted Tach	\$69.00	
39486	1972	<b>TACHOMETER EXTENSION HARNESS</b> Dash Side, Dash Mounted Tach To Coil Extension Harness	\$28.00	
<b>TILT COLUMN ADAPTER HARNESS</b>				
05200	1964	<b>TILT COLUMN ADAPTER HARNESS</b> Blinker Switch Adapter	\$60.00	
05200	1965	<b>TILT COLUMN ADAPTER HARNESS</b> Blinker Switch Adapter	\$60.00	
05200	1966	<b>TILT COLUMN ADAPTER HARNESS</b> Blinker Switch Adapter	\$60.00	
<b>TURN SIGNAL SWITCH</b>				
01993624	1964	<b>TURN SIGNAL SWITCH</b> With Tilt, Replaces Delco Part# D6220	\$71.00	
00387115	1965	<b>TURN SIGNAL SWITCH</b> Without Tilt (Stamped "BPC"), Replaces Delco Part# D6200 Note: This Switch Has A Metal Base.	\$96.00	
00911051	1965	<b>TURN SIGNAL SWITCH</b> Without Tilt (Stamped "Guide"), Replaces Delco Part# D6203	\$50.00	N
01993624	1965	<b>TURN SIGNAL SWITCH</b> With Tilt, Replaces Delco Part# D6220	\$71.00	
00387115	1966	<b>TURN SIGNAL SWITCH</b> Without Tilt (Stamped "BPC"), Replaces Delco Part# D6200 Note: This Switch Has A Metal Base.	\$96.00	
00911051	1966	<b>TURN SIGNAL SWITCH</b> Without Tilt (Stamped "Guide"), Replaces Delco Part# D6203	\$50.00	N
01993624	1966	<b>TURN SIGNAL SWITCH</b> With Tilt, Replaces Delco Part# D6220	\$71.00	
01893592	1967	<b>TURN SIGNAL SWITCH</b> Without Cornering Lights, Replaces Delco Part# D6211 Note: This Is A Service Part, Adapter Pigtail Included And Is Required For Some Applications.	\$58.00	
07800482	1967	<b>TURN SIGNAL SWITCH</b> All, Except Column Shift A/T, Without Cornering Lamps (Delco Type, White Or Green) Note: Emergency Flasher Actuator Hole In Outer Cover Is Shaped Like A Doghouse.	\$50.00	
05698897	1967	<b>TURN SIGNAL SWITCH</b> Column Shift A/T, (Delco Type, Black, White Or Green) Without Tilt, Without Cornering Lamps Note: Emergency Flasher Actuator Hole In Outer Cover Is Shaped Like A Doghouse.	\$50.00	
05698897	1967	<b>TURN SIGNAL SWITCH</b> Column Shift A/T, (Delco Type, Black, White Or Green) With Tilt, Without Cornering Lamps Note: Emergency Flasher Actuator Hole In Outer Cover Is Shaped Like A Doghouse.	\$50.00	



Part Number	Year	Description	Price	*Rev.
01893592	1968	<b>TURN SIGNAL SWITCH</b> Without Cornering Lights, Replaces Delco Part# D6211 Note: This Is A Service Part, Adapter Pigtail Included And Is Required For Some Applications.	\$58.00	
07800482	1968	<b>TURN SIGNAL SWITCH</b> All, Except Column Shift A/T, Without Cornering Lamps (Delco Type, White Or Green) Note: Emergency Flasher Actuator Hole In Outer Cover Is Shaped Like A Doghouse.	\$50.00	
05698897	1968	<b>TURN SIGNAL SWITCH</b> Column Shift A/T, (Delco Type, Black, White Or Green) Without Tilt, Without Cornering Lamps Note: Emergency Flasher Actuator Hole In Outer Cover Is Shaped Like A Doghouse.	\$50.00	
05698897	1968	<b>TURN SIGNAL SWITCH</b> Column Shift A/T, (Delco Type, Black, White Or Green) With Tilt, Without Cornering Lamps Note: Emergency Flasher Actuator Hole In Outer Cover Is Shaped Like A Doghouse.	\$50.00	
01997938	1969	<b>TURN SIGNAL SWITCH, CORRECT PART</b> Without Cornering Lights Note: Correct Part, No Adapter Pigtail Required.	\$56.00	
01893588	1969	<b>TURN SIGNAL SWITCH, SERVICE PART</b> Without Cornering Lights, Replaces Delco Part# D6208 Note: This Is A Service Part, Adapter Pigtail Included Is Required For Installation.	\$58.00	
01997938	1970	<b>TURN SIGNAL SWITCH, CORRECT PART</b> Without Cornering Lights Note: Correct Part, No Adapter Pigtail Required.	\$56.00	
01893588	1970	<b>TURN SIGNAL SWITCH, SERVICE PART</b> Without Cornering Lights, Replaces Delco Part# D6208 Note: This Is A Service Part, Adapter Pigtail Included Is Required For Installation.	\$58.00	
01997938	1971	<b>TURN SIGNAL SWITCH, CORRECT PART</b> Without Cornering Lights Note: Correct Part, No Adapter Pigtail Required.	\$56.00	
01893588	1971	<b>TURN SIGNAL SWITCH, SERVICE PART</b> Without Cornering Lights, Replaces Delco Part# D6208 Note: This Is A Service Part, Adapter Pigtail Included Is Required For Installation.	\$58.00	
01997938	1972	<b>TURN SIGNAL SWITCH, CORRECT PART</b> Without Cornering Lights Note: Correct Part, No Adapter Pigtail Required.	\$56.00	
01893588	1972	<b>TURN SIGNAL SWITCH, SERVICE PART</b> Without Cornering Lights, Replaces Delco Part# D6208 Note: This Is A Service Part, Adapter Pigtail Included Is Required For Installation.	\$58.00	
<b>WINDSHIELD WASHER PUMP</b>				
04919332	1963	<b>WINDSHIELD WASHER PUMP</b> All	\$60.00	N
04919332	1964	<b>WINDSHIELD WASHER PUMP</b> All	\$60.00	N
04919332	1965	<b>WINDSHIELD WASHER PUMP</b> All	\$60.00	N
04919332	1966	<b>WINDSHIELD WASHER PUMP</b> All	\$60.00	N
04919332	1967	<b>WINDSHIELD WASHER PUMP</b> All	\$60.00	N
04919332	1968	<b>WINDSHIELD WASHER PUMP</b> Without Recessed Park Wipers	\$60.00	N
04919332	1969	<b>WINDSHIELD WASHER PUMP</b> Without Recessed Park Wipers	\$60.00	N
04919332	1970	<b>WINDSHIELD WASHER PUMP</b> Without Recessed Park Wipers	\$60.00	N
04919332	1971	<b>WINDSHIELD WASHER PUMP</b> Without Recessed Park Wipers	\$60.00	N
04919332	1972	<b>WINDSHIELD WASHER PUMP</b> Without Recessed Park Wipers	\$60.00	N
04919332	1973	<b>WINDSHIELD WASHER PUMP</b> Apollo, Without Recessed Park Wipers	\$60.00	N
04919332	1974	<b>WINDSHIELD WASHER PUMP</b> Apollo, Without Recessed Park Wipers	\$60.00	N
<b>WINDSHIELD WIPER MOTOR</b>				
04911476	1964	<b>WINDSHIELD WIPER MOTOR</b> 2-Speed, 3-Terminal Type Motor	\$92.00	N
44609	1964	<b>WINDSHIELD WIPER MOTOR</b> 2-Speed, 4-Terminal Type Motor Note: This Can Be Used In Place Of The 3-Terminal Motor. The 4th Terminal Is A Keyed Hot From Wiper Fuse In Fuse Box And May Or May Not Be Used In Some Applications.	\$106.00	N
04911476	1965	<b>WINDSHIELD WIPER MOTOR</b> 2-Speed, 3-Terminal Type Motor	\$92.00	N
44609	1965	<b>WINDSHIELD WIPER MOTOR</b> 2-Speed, 4-Terminal Type Motor Note: This Can Be Used In Place Of The 3-Terminal Motor. The 4th Terminal Is A Keyed Hot From Wiper Fuse In Fuse Box And May Or May Not Be Used In Some Applications.	\$106.00	N

Part Number	Year	Description	Price	*Rev.
04911476	1966	<b>WINDSHIELD WIPER MOTOR</b> 2-Speed, 3-Terminal Type Motor	\$92.00	N
44609	1966	<b>WINDSHIELD WIPER MOTOR</b> 2-Speed, 4-Terminal Type Motor Note: This Can Be Used In Place Of The 3-Terminal Motor. The 4th Terminal Is A Keyed Hot From Wiper Fuse In Fuse Box And May Or May Not Be Used In Some Applications.	\$106.00	N
04911476	1967	<b>WINDSHIELD WIPER MOTOR</b> 2-Speed, 3-Terminal Type Motor	\$92.00	N
44609	1967	<b>WINDSHIELD WIPER MOTOR</b> 2-Speed, 4-Terminal Type Motor Note: This Can Be Used In Place Of The 3-Terminal Motor. The 4th Terminal Is A Keyed Hot From Wiper Fuse In Fuse Box And May Or May Not Be Used In Some Applications.	\$106.00	N
<b>WINDSHIELD WIPER SWITCH</b>				
01993608	1963	<b>WINDSHIELD WIPER SWITCH</b> Single Speed, With Washer Note: Once our current stock runs out, this item will be discontinued.	\$52.00	
01993633	1964	<b>WINDSHIELD WIPER SWITCH</b> Single Speed, With Washer Note: Once our current stock runs out, this item will be discontinued.	\$46.00	
01993632	1964	<b>WINDSHIELD WIPER SWITCH</b> 2 Speed, With Washer Note: Once our current stock runs out, this item will be discontinued.	\$46.00	
01993306	1965	<b>WINDSHIELD WIPER SWITCH</b> Single Speed, With Washer Note: Once our current stock runs out, this item will be discontinued.	\$52.00	
01993372	1967	<b>WINDSHIELD WIPER SWITCH</b>	\$45.00	
01994180	1973	<b>WINDSHIELD WIPER SWITCH</b> Apollo	\$46.00	M
01994180	1974	<b>WINDSHIELD WIPER SWITCH</b> Apollo	\$46.00	M
01994180	1975	<b>WINDSHIELD WIPER SWITCH</b> Apollo	\$46.00	M
01994180	1975	<b>WINDSHIELD WIPER SWITCH</b> Skylark	\$46.00	M
01994180	1976	<b>WINDSHIELD WIPER SWITCH</b> Skylark, Without Pulse Wipers	\$46.00	M

# ***Section 21***

## ***Wire & Components***

Part Number	Year	Description	Price	*Rev.
<b>COMPONENTS</b>				
44208	Universal	<b>CLIP, SMALL WIRE ROUTING SHEET METAL EDGE KIT</b> Designed To Route Single Cables 14 Thru 20 Gauge. GM Part Number 03833476. Includes 4 Clips Per Kit.  Note: Can Be Installed On Sheet Metal Thickness Of .028 Minimum To .133 Maximum. Spring Steel Phosphate Coated, Barb Construction For Retention, Vinyl Coated For Cable Protection Against Chafing.	\$16.00	N
44209	Universal	<b>CLIP, MEDIUM WIRE ROUTING SHEET METAL EDGE KIT</b> Designed To Route Multiple Cables 14 Thru 20 Gauge. GM Part Number 03772788. Includes 4 Clips Per Kit.  Note: Can Be Installed On Sheet Metal Thickness Of .028 Minimum To .133 Maximum. Spring Steel Phosphate Coated, Barb Construction For Retention, Vinyl Coated For Cable Protection Against Chafing.	\$16.00	N
<b>SPARK PLUG WIRE SEPARATOR SET</b>				
500333	Universal	<b>SPARK PLUG WIRE SEPARATOR SET, BLACK</b>	\$12.00	N
500336	Universal	<b>SPARK PLUG WIRE SEPARATOR SET, BLUE</b>	\$12.00	N
500334	Universal	<b>SPARK PLUG WIRE SEPARATOR SET, RED</b>	\$12.00	N
500335	Universal	<b>SPARK PLUG WIRE SEPARATOR SET, YELLOW</b>	\$12.00	N
<b>WIRE</b>				
R0041400	Universal	<b>18 GA BLACK GXL WIRE</b> 25 Foot Roll	\$17.00	
R0041401	Universal	<b>18 GA BLACK/BLUE LT GXL WIRE</b> 25 Foot Roll	\$18.00	
R0041402	Universal	<b>18 GA BLACK/GREEN LT GXL WIRE</b> 25 Foot Roll	\$18.00	
R0041403	Universal	<b>18 GA BLACK/ORANGE GXL WIRE</b> 25 Foot Roll	\$18.00	
R0041404	Universal	<b>18 GA BLACK/PINK GXL WIRE</b> 25 Foot Roll	\$18.00	
R0041405	Universal	<b>18 GA BLACK/RED GXL WIRE</b> 25 Foot Roll	\$18.00	
R0041406	Universal	<b>18 GA BLACK/TAN GXL WIRE</b> 25 Foot Roll	\$18.00	
R0041407	Universal	<b>18 GA BLACK/VIOLET GXL WIRE</b> 25 Foot Roll	\$18.00	
R0041408	Universal	<b>18 GA BLACK/WHITE GXL WIRE</b> 25 Foot Roll	\$18.00	
R0041409	Universal	<b>18 GA BLACK/YELLOW GXL WIRE</b> 25 Foot Roll	\$18.00	
R0041410	Universal	<b>18 GA BLUE DK GXL WIRE</b> 25 Foot Roll	\$17.00	
R0041411	Universal	<b>18 GA BLUE DK/BLACK GXL WIRE</b> 25 Foot Roll	\$18.00	
R0041412	Universal	<b>18 GA BLUE DK/GRAY GXL WIRE</b> 25 Foot Roll	\$18.00	
R0041413	Universal	<b>18 GA BLUE DK/RED GXL WIRE</b> 25 Foot Roll	\$18.00	
R0041414	Universal	<b>18 GA BLUE DK/WHITE GXL WIRE</b> 25 Foot Roll	\$18.00	
R0041415	Universal	<b>18 GA BLUE LT GXL WIRE</b> 25 Foot Roll	\$17.00	
R0041416	Universal	<b>18 GA BLUE LT/BLACK GXL WIRE</b> 25 Foot Roll	\$18.00	
R0041417	Universal	<b>18 GA BLUE LT/RED GXL WIRE</b> 25 Foot Roll	\$18.00	
R0041418	Universal	<b>18 GA BLUE LT/YELLOW GXL WIRE</b> 25 Foot Roll	\$18.00	
R0041419	Universal	<b>18 GA BROWN GXL WIRE</b> 25 Foot Roll	\$17.00	
R0041420	Universal	<b>18 GA BROWN/TAN GXL WIRE</b> 25 Foot Roll	\$18.00	
R0041421	Universal	<b>18 GA BROWN/WHITE GXL WIRE</b> 25 Foot Roll	\$18.00	
R0041422	Universal	<b>18 GA BROWN/YELLOW GXL WIRE</b> 25 Foot Roll	\$18.00	
R0041423	Universal	<b>18 GA GRAY GXL WIRE</b> 25 Foot Roll	\$17.00	
R0041424	Universal	<b>18 GA GRAY/BLACK GXL WIRE</b> 25 Foot Roll	\$18.00	
R0041425	Universal	<b>18 GA GRAY/RED GXL WIRE</b> 25 Foot Roll	\$18.00	
R0041426	Universal	<b>18 GA GRAY/WHITE GXL WIRE</b> 25 Foot Roll	\$18.00	
R0041427	Universal	<b>18 GA GREEN DK GXL WIRE</b> 25 Foot Roll	\$17.00	
R0041428	Universal	<b>18 GA GREEN DK/BLACK GXL WIRE</b> 25 Foot Roll	\$18.00	
R0041429	Universal	<b>18 GA GREEN DK/RED GXL WIRE</b> 25 Foot Roll	\$18.00	
R0041430	Universal	<b>18 GA GREEN DK/WHITE GXL WIRE</b> 25 Foot Roll	\$18.00	
R0041431	Universal	<b>18 GA GREEN DK/YELLOW GXL WIRE</b> 25 Foot Roll	\$18.00	
R0041432	Universal	<b>18 GA GREEN LT GXL WIRE</b> 25 Foot Roll	\$17.00	

**Wire  
and Components**



**Phone (562) 926-9552  
Fax (562) 926-9572**

Part Number	Year	Description	Price	*Rev.
R0041433	Universal	18 GA GREEN LT/BLACK GXL WIRE 25 Foot Roll	\$18.00	
R0041434	Universal	18 GA GREEN LT/ORANGE GXL WIRE 25 Foot Roll	\$18.00	
R0041435	Universal	18 GA GREEN LT/WHITE GXL WIRE 25 Foot Roll	\$18.00	
R0041436	Universal	18 GA GREEN LT/YELLOW GXL WIRE 25 Foot Roll	\$18.00	
R0041437	Universal	18 GA ORANGE GXL WIRE 25 Foot Roll	\$17.00	
R0041438	Universal	18 GA ORANGE/BLACK GXL WIRE 25 Foot Roll	\$18.00	
R0041439	Universal	18 GA ORANGE/BLUE DK GXL WIRE 25 Foot Roll	\$18.00	
R0041440	Universal	18 GA PINK GXL WIRE 25 Foot Roll	\$17.00	
R0041441	Universal	18 GA PINK/BLACK GXL WIRE 25 Foot Roll	\$18.00	
R0041442	Universal	18 GA PINK/WHITE GXL WIRE 25 Foot Roll	\$18.00	
R0041443	Universal	18 GA PURPLE GXL WIRE 25 Foot Roll	\$17.00	
R0041444	Universal	18 GA PURPLE/WHITE GXL WIRE 25 Foot Roll	\$18.00	
R0041445	Universal	18 GA RED GXL WIRE 25 Foot Roll	\$17.00	
R0041446	Universal	18 GA RED/BLACK GXL WIRE 25 Foot Roll	\$18.00	
R0041447	Universal	18 GA RED/BLUE DK GXL WIRE 25 Foot Roll	\$18.00	
R0041448	Universal	18 GA RED/GREEN LT GXL WIRE 25 Foot Roll	\$18.00	
R0041449	Universal	18 GA RED/WHITE GXL WIRE 25 Foot Roll	\$18.00	
R0041450	Universal	18 GA TAN GXL WIRE 25 Foot Roll	\$17.00	
R0041451	Universal	18 GA TAN/BLACK GXL WIRE 25 Foot Roll	\$18.00	
R0041452	Universal	18 GA TAN/WHITE GXL WIRE 25 Foot Roll	\$18.00	
R0041453	Universal	18 GA WHITE GXL WIRE 25 Foot Roll	\$17.00	
R0041454	Universal	18 GA WHITE/BLACK GXL WIRE 25 Foot Roll	\$18.00	
R0041455	Universal	18 GA WHITE/BLUE DK GXL WIRE 25 Foot Roll	\$18.00	
R0041456	Universal	18 GA WHITE/GREEN DK GXL WIRE 25 Foot Roll	\$18.00	
R0041457	Universal	18 GA WHITE/RED GXL WIRE 25 Foot Roll	\$18.00	
R0041458	Universal	18 GA YELLOW GXL WIRE 25 Foot Roll	\$17.00	
R0041459	Universal	18 GA YELLOW/BLACK GXL WIRE 25 Foot Roll	\$18.00	
R0041460	Universal	18 GA YELLOW/GREEN LT GXL WIRE 25 Foot Roll	\$18.00	
R0041461	Universal	18 GA YELLOW/WHITE GXL WIRE 25 Foot Roll	\$18.00	
R0041462	Universal	16 GA BLACK GXL WIRE 25 Foot Roll	\$18.00	
R0041463	Universal	16 GA BLACK/BLUE LT GXL WIRE 25 Foot Roll	\$19.00	
R0041464	Universal	16 GA BLACK/GREEN LT GXL WIRE 25 Foot Roll	\$19.00	
R0041465	Universal	16 GA BLACK/ORANGE GXL WIRE 25 Foot Roll	\$19.00	
R0041466	Universal	16 GA BLACK/PINK GXL WIRE 25 Foot Roll	\$19.00	
R0041467	Universal	16 GA BLACK/RED GXL WIRE 25 Foot Roll	\$19.00	
R0041468	Universal	16 GA BLACK/WHITE GXL WIRE 25 Foot Roll	\$19.00	
R0041469	Universal	16 GA BLACK/YELLOW GXL WIRE 25 Foot Roll	\$19.00	
R0041470	Universal	16 GA BLUE DK GXL WIRE 25 Foot Roll	\$18.00	
R0041471	Universal	16 GA BLUE DK/WHITE GXL WIRE 25 Foot Roll	\$19.00	
R0041472	Universal	16 GA BLUE DK/YELLOW GXL WIRE 25 Foot Roll	\$19.00	
R0041473	Universal	16 GA BLUE LT GXL WIRE 25 Foot Roll	\$18.00	
R0041474	Universal	16 GA BLUE LT/BLACK GXL WIRE 25 Foot Roll	\$19.00	
R0041475	Universal	16 GA BLUE LT/YELLOW GXL WIRE 25 Foot Roll	\$19.00	
R0041476	Universal	16 GA BROWN GXL WIRE 25 Foot Roll	\$18.00	
R0041477	Universal	16 GA BROWN/BLUE DARK GXL WIRE 25 Foot Roll	\$19.00	
R0041478	Universal	16 GA BROWN/WHITE GXL WIRE 25 Foot Roll	\$19.00	
R0041479	Universal	16 GA GRAY GXL WIRE 25 Foot Roll	\$18.00	

**Wire  
and Components**



**Phone (562) 926-9552  
Fax (562) 926-9572**

Part Number	Year	Description	Price	*Rev.
R0041480	Universal	16 GA GREEN DK GXL WIRE 25 Foot Roll	\$18.00	
R0041481	Universal	16 GA GREEN DK/RED GXL WIRE 25 Foot Roll	\$19.00	
R0041482	Universal	16 GA GREEN DK/WHITE GXL WIRE 25 Foot Roll	\$19.00	
R0041483	Universal	16 GA GREEN LT GXL WIRE 25 Foot Roll	\$18.00	
R0041484	Universal	16 GA GREEN LT/BLACK GXL WIRE 25 Foot Roll	\$19.00	
R0041485	Universal	16 GA ORANGE GXL WIRE 25 Foot Roll	\$18.00	
R0041486	Universal	16 GA ORANGE/BLACK GXL WIRE 25 Foot Roll	\$19.00	
R0041487	Universal	16 GA ORANGE/YELLOW GXL WIRE 25 Foot Roll	\$19.00	
R0041488	Universal	16 GA PINK GXL WIRE 25 Foot Roll	\$18.00	
R0041489	Universal	16 GA PINK/BLACK GXL WIRE 25 Foot Roll	\$19.00	
R0041490	Universal	16 GA PINK/WHITE GXL WIRE 25 Foot Roll	\$19.00	
R0041491	Universal	16 GA PURPLE GXL WIRE 25 Foot Roll	\$18.00	
R0041492	Universal	16 GA PURPLE/WHITE GXL WIRE 25 Foot Roll	\$19.00	
R0041493	Universal	16 GA RED GXL WIRE 25 Foot Roll	\$18.00	
R0041494	Universal	16 GA RED/BLACK GXL WIRE 25 Foot Roll	\$19.00	
R0041495	Universal	16 GA RED/WHITE GXL WIRE 25 Foot Roll	\$19.00	
R0041679	Universal	16 GA RED/YELLOW GXL WIRE 25 Foot Roll	\$19.00	
R0041496	Universal	16 GA TAN GXL WIRE 25 Foot Roll	\$18.00	
R0041497	Universal	16 GA TAN/WHITE GXL WIRE 25 Foot Roll	\$19.00	
R0041498	Universal	16 GA WHITE GXL WIRE 25 Foot Roll	\$18.00	
R0041499	Universal	16 GA WHITE/BLACK GXL WIRE 25 Foot Roll	\$19.00	
R0041500	Universal	16 GA WHITE/RED GXL WIRE 25 Foot Roll	\$19.00	
R0041501	Universal	16 GA YELLOW GXL WIRE 25 Foot Roll	\$18.00	
R0041502	Universal	16 GA YELLOW/BLACK GXL WIRE 25 Foot Roll	\$19.00	
R0041503	Universal	16 GA YELLOW/ORANGE GXL WIRE 25 Foot Roll	\$19.00	
R0041504	Universal	14 GA BLACK GXL WIRE 25 Foot Roll	\$20.00	
R0041505	Universal	14 GA BLACK/BLUE LT GXL WIRE 25 Foot Roll	\$21.00	
R0041506	Universal	14 GA BLACK/LIGHT GREEN GXL WIRE 25 Foot Roll	\$21.00	
R0041507	Universal	14 GA BLACK/ORANGE GXL WIRE 25 Foot Roll	\$21.00	
R0041508	Universal	14 GA BLACK/PINK GXL WIRE 25 Foot Roll	\$21.00	
R0041509	Universal	14 GA BLACK/RED GXL WIRE 25 Foot Roll	\$21.00	
R0041510	Universal	14 GA BLACK/TAN GXL WIRE 25 Foot Roll	\$21.00	
R0041511	Universal	14 GA BLACK/WHITE GXL WIRE 25 Foot Roll	\$21.00	
R0041512	Universal	14 GA BLACK/YELLOW GXL WIRE 25 Foot Roll	\$21.00	
R0041513	Universal	14 GA BLUE DK GXL WIRE 25 Foot Roll	\$20.00	
R0041514	Universal	14 GA BLUE DK/WHITE GXL WIRE 25 Foot Roll	\$21.00	
R0041515	Universal	14 GA BLUE LT GXL WIRE 25 Foot Roll	\$20.00	
R0041516	Universal	14 GA BLUE LT/BLACK GXL WIRE 25 Foot Roll	\$21.00	
R0041517	Universal	14 GA BLUE LT/YELLOW GXL WIRE 25 Foot Roll	\$21.00	
R0041518	Universal	14 GA BROWN GXL WIRE 25 Foot Roll	\$20.00	
R0041519	Universal	14 GA BROWN/WHITE GXL WIRE 25 Foot Roll	\$21.00	
R0041520	Universal	14 GA GRAY GXL WIRE 25 Foot Roll	\$20.00	
R0041521	Universal	14 GA GRAY/BLACK GXL WIRE 25 Foot Roll	\$21.00	
R0041522	Universal	14 GA GRAY/WHITE GXL WIRE 25 Foot Roll	\$21.00	
R0041523	Universal	14 GA GREEN DK GXL WIRE 25 Foot Roll	\$20.00	
R0041524	Universal	14 GA GREEN DK/RED GXL WIRE 25 Foot Roll	\$21.00	
R0041525	Universal	14 GA GREEN DK/WHITE GXL WIRE 25 Foot Roll	\$21.00	

**Wire  
and Components**



**Phone (562) 926-9552  
Fax (562) 926-9572**

Part Number	Year	Description	Price	*Rev.
R0041526	Universal	14 GA GREEN LT GXL WIRE 25 Foot Roll	\$20.00	
R0041527	Universal	14 GA GREEN LT/WHITE GXL WIRE 25 Foot Roll	\$21.00	
R0041528	Universal	14 GA GREEN LT / BLACK GXL WIRE 25 Foot Roll	\$21.00	
R0041529	Universal	14 GA ORANGE GXL WIRE 25 Foot Roll	\$20.00	
R0041530	Universal	14 GA ORANGE/BLACK GXL WIRE 25 Foot Roll	\$21.00	
R0041531	Universal	14 GA PINK GXL WIRE 25 Foot Roll	\$20.00	
R0041532	Universal	14 GA PINK/BLACK GXL WIRE 25 Foot Roll	\$21.00	
R0041533	Universal	14 GA PINK/WHITE GXL WIRE 25 Foot Roll	\$21.00	
R0041534	Universal	14 GA PURPLE GXL WIRE 25 Foot Roll	\$20.00	
R0041535	Universal	14 GA PURPLE/WHITE GXL WIRE 25 Foot Roll	\$21.00	
R0041536	Universal	14 GA RED GXL WIRE 25 Foot Roll	\$20.00	
R0041537	Universal	14 GA RED/BLACK GXL WIRE 25 Foot Roll	\$21.00	
R0041538	Universal	14 GA RED/WHITE GXL WIRE 25 Foot Roll	\$21.00	
R0041539	Universal	14 GA TAN GXL WIRE 25 Foot Roll	\$20.00	
R0041540	Universal	14 GA TAN/WHITE GXL WIRE 25 Foot Roll	\$21.00	
R0041541	Universal	14 GA WHITE GXL WIRE 25 Foot Roll	\$20.00	
R0041542	Universal	14 GA WHITE/BLUE DK GXL WIRE 25 Foot Roll	\$21.00	
R0041543	Universal	14 GA YELLOW GXL WIRE 25 Foot Roll	\$20.00	
R0041544	Universal	14 GA YELLOW/BLACK GXL WIRE 25 Foot Roll	\$21.00	
R0041545	Universal	12 GA BLACK GXL WIRE 25 Foot Roll	\$22.00	
R0041546	Universal	12 GA BLACK/ORANGE GXL WIRE 25 Foot Roll	\$24.00	
R0041547	Universal	12 GA BLACK/PINK GXL WIRE 25 Foot Roll	\$24.00	
R0041548	Universal	12 GA BLACK/RED GXL WIRE 25 Foot Roll	\$24.00	
R0041549	Universal	12 GA BLACK/WHITE GXL WIRE 25 Foot Roll	\$24.00	
R0041550	Universal	12 GA BLACK/YELLOW GXL WIRE 25 Foot Roll	\$24.00	
R0041551	Universal	12 GA BLUE DK/WHITE GXL WIRE 25 Foot Roll	\$24.00	
R0041552	Universal	12 GA BLUE LIGHT GXL WIRE 25 Foot Roll	\$22.00	
R0041553	Universal	12 GA BROWN GXL WIRE 25 Foot Roll	\$22.00	
R0041554	Universal	12 GA BROWN/WHITE GXL WIRE 25 Foot Roll	\$24.00	
R0041555	Universal	12 GA GREEN DK/RED GXL WIRE 25 Foot Roll	\$24.00	
R0041556	Universal	12 GA GREEN LT/BLACK GXL WIRE 25 Foot Roll	\$24.00	
R0041557	Universal	12 GA ORANGE GXL WIRE 25 Foot Roll	\$22.00	
R0041558	Universal	12 GA ORANGE/BLACK GXL WIRE 25 Foot Roll	\$24.00	
R0041559	Universal	12 GA PINK GXL WIRE 25 Foot Roll	\$22.00	
R0041560	Universal	12 GA PINK/BLACK GXL WIRE 25 Foot Roll	\$24.00	
R0041561	Universal	12 GA PINK/WHITE GXL WIRE 25 Foot Roll	\$24.00	
R0041562	Universal	12 GA PURPLE GXL WIRE 25 Foot Roll	\$22.00	
R0041563	Universal	12 GA PURPLE/WHITE GXL WIRE 25 Foot Roll	\$24.00	
R0041564	Universal	12 GA RED GXL WIRE 25 Foot Roll	\$22.00	
R0041565	Universal	12 GA RED/BLACK GXL WIRE 25 Foot Roll	\$24.00	
R0041566	Universal	12 GA RED/WHITE GXL WIRE 25 Foot Roll	\$24.00	
R0041567	Universal	12 GA RED/YELLOW GXL WIRE 25 Foot Roll	\$24.00	
R0041568	Universal	12 GA TAN/WHITE GXL WIRE 25 Foot Roll	\$24.00	
R0041569	Universal	12 GA WHITE GXL WIRE 25 Foot Roll	\$22.00	
R0041570	Universal	12 GA YELLOW GXL WIRE 25 Foot Roll	\$22.00	
R0041571	Universal	12 GA YELLOW/GREEN LT GXL WIRE 25 Foot Roll	\$24.00	
R0041572	Universal	10 GA BLACK GXL WIRE 25 Foot Roll	\$25.00	

**Wire  
and Components**



Phone (562) 926-9552  
Fax (562) 926-9572

Part Number	Year	Description	Price	*Rev.
R0041573	Universal	10 GA BLACK/RED GXL WIRE 25 Foot Roll	\$26.00	
R0041574	Universal	10 GA BLACK/WHITE GXL WIRE 25 Foot Roll	\$26.00	
R0041575	Universal	10 GA ORANGE/BLACK GXL WIRE 25 Foot Roll	\$26.00	
R0041585	Universal	10 GA PINK GXL WIRE 25 Foot Roll	\$25.00	
R0041576	Universal	10 GA PURPLE GXL WIRE 25 Foot Roll	\$25.00	
R0041577	Universal	10 GA RED GXL WIRE 25 Foot Roll	\$25.00	
R0041578	Universal	10 GA RED/WHITE GXL WIRE 25 Foot Roll	\$26.00	
R0041579	Universal	10 GA YELLOW GXL WIRE 25 Foot Roll	\$25.00	
R0041580	Universal	10 GA YELLOW/BLACK GXL WIRE 25 Foot Roll	\$26.00	
R0041581	Universal	8 GA BLACK GXL WIRE 25 Foot Roll	\$36.00	
R0041582	Universal	8 GA ORANGE GXL WIRE 25 Foot Roll	\$36.00	
R0041583	Universal	8 GA RED GXL WIRE 25 Foot Roll	\$36.00	
R0041584	Universal	8 GA YELLOW GXL WIRE 25 Foot Roll	\$36.00	



# **Rolls of Wire**

**25 Foot rolls of wire offered in all of the popular gauge sizes and colors (including hard-to-find stripes)**

**XLPE Type GXL Wire**

**Meets SAE Spec J-1128**

**125° Celsius Heat Rating**



We now offer 25 foot rolls of USA Made XLPE Type GXL (cross-linked polyethylene insulated) automotive grade primary wire in all of the popular gauge sizes and colors (**including hard-to-find stripes**). This is the exact same wire we use in all of our harnesses, and the same grade of wire you would find in cars and trucks being manufactured today. OEM's now use this wire due to it's high heat rating of 125° Celsius. Harnesses manufactured in the '60's and '70's utilized PVC Type wire that only had a heat rating of 80° Celsius; thus the reason most original harnesses tend to melt and become brittle with age. We use XLPE Type GXL wire to avoid these types of problems. This is the best automotive grade wire money can buy.

Simply browse the next few pages to see our extensive list of color and gauge combinations. Keep in mind the price listed is for a 25 foot roll and please order by part number when ordering.

**Special pricing is available on 1,000 feet of any one wire gauge and color, please call for a price quote.**

Part Number	Year	Description	Price	*Rev.
<b>COMPONENTS</b>				
44208	Universal	<b>CLIP, SMALL WIRE ROUTING SHEET METAL EDGE KIT</b> Designed To Route Single Cables 14 Thru 20 Gauge. GM Part Number 03833476. Includes 4 Clips Per Kit.  Note: Can Be Installed On Sheet Metal Thickness Of .028 Minimum To .133 Maximum. Spring Steel Phosphate Coated, Barb Construction For Retention, Vinyl Coated For Cable Protection Against Chafing.	\$16.00	N
44209	Universal	<b>CLIP, MEDIUM WIRE ROUTING SHEET METAL EDGE KIT</b> Designed To Route Multiple Cables 14 Thru 20 Gauge. GM Part Number 03772788. Includes 4 Clips Per Kit.  Note: Can Be Installed On Sheet Metal Thickness Of .028 Minimum To .133 Maximum. Spring Steel Phosphate Coated, Barb Construction For Retention, Vinyl Coated For Cable Protection Against Chafing.	\$16.00	N
<b>SPARK PLUG WIRE SEPARATOR SET</b>				
500333	Universal	<b>SPARK PLUG WIRE SEPARATOR SET, BLACK</b>	\$12.00	N
500336	Universal	<b>SPARK PLUG WIRE SEPARATOR SET, BLUE</b>	\$12.00	N
500334	Universal	<b>SPARK PLUG WIRE SEPARATOR SET, RED</b>	\$12.00	N
500335	Universal	<b>SPARK PLUG WIRE SEPARATOR SET, YELLOW</b>	\$12.00	N
<b>WIRE</b>				
R0041400	Universal	<b>18 GA BLACK GXL WIRE</b> 25 Foot Roll	\$17.00	
R0041401	Universal	<b>18 GA BLACK/BLUE LT GXL WIRE</b> 25 Foot Roll	\$18.00	
R0041402	Universal	<b>18 GA BLACK/GREEN LT GXL WIRE</b> 25 Foot Roll	\$18.00	
R0041403	Universal	<b>18 GA BLACK/ORANGE GXL WIRE</b> 25 Foot Roll	\$18.00	
R0041404	Universal	<b>18 GA BLACK/PINK GXL WIRE</b> 25 Foot Roll	\$18.00	
R0041405	Universal	<b>18 GA BLACK/RED GXL WIRE</b> 25 Foot Roll	\$18.00	
R0041406	Universal	<b>18 GA BLACK/TAN GXL WIRE</b> 25 Foot Roll	\$18.00	
R0041407	Universal	<b>18 GA BLACK/VIOLET GXL WIRE</b> 25 Foot Roll	\$18.00	
R0041408	Universal	<b>18 GA BLACK/WHITE GXL WIRE</b> 25 Foot Roll	\$18.00	
R0041409	Universal	<b>18 GA BLACK/YELLOW GXL WIRE</b> 25 Foot Roll	\$18.00	
R0041410	Universal	<b>18 GA BLUE DK GXL WIRE</b> 25 Foot Roll	\$17.00	
R0041411	Universal	<b>18 GA BLUE DK/BLACK GXL WIRE</b> 25 Foot Roll	\$18.00	
R0041412	Universal	<b>18 GA BLUE DK/GRAY GXL WIRE</b> 25 Foot Roll	\$18.00	
R0041413	Universal	<b>18 GA BLUE DK/RED GXL WIRE</b> 25 Foot Roll	\$18.00	
R0041414	Universal	<b>18 GA BLUE DK/WHITE GXL WIRE</b> 25 Foot Roll	\$18.00	
R0041415	Universal	<b>18 GA BLUE LT GXL WIRE</b> 25 Foot Roll	\$17.00	
R0041416	Universal	<b>18 GA BLUE LT/BLACK GXL WIRE</b> 25 Foot Roll	\$18.00	
R0041417	Universal	<b>18 GA BLUE LT/RED GXL WIRE</b> 25 Foot Roll	\$18.00	
R0041418	Universal	<b>18 GA BLUE LT/YELLOW GXL WIRE</b> 25 Foot Roll	\$18.00	
R0041419	Universal	<b>18 GA BROWN GXL WIRE</b> 25 Foot Roll	\$17.00	
R0041420	Universal	<b>18 GA BROWN/TAN GXL WIRE</b> 25 Foot Roll	\$18.00	
R0041421	Universal	<b>18 GA BROWN/WHITE GXL WIRE</b> 25 Foot Roll	\$18.00	
R0041422	Universal	<b>18 GA BROWN/YELLOW GXL WIRE</b> 25 Foot Roll	\$18.00	
R0041423	Universal	<b>18 GA GRAY GXL WIRE</b> 25 Foot Roll	\$17.00	
R0041424	Universal	<b>18 GA GRAY/BLACK GXL WIRE</b> 25 Foot Roll	\$18.00	
R0041425	Universal	<b>18 GA GRAY/RED GXL WIRE</b> 25 Foot Roll	\$18.00	
R0041426	Universal	<b>18 GA GRAY/WHITE GXL WIRE</b> 25 Foot Roll	\$18.00	
R0041427	Universal	<b>18 GA GREEN DK GXL WIRE</b> 25 Foot Roll	\$17.00	
R0041428	Universal	<b>18 GA GREEN DK/BLACK GXL WIRE</b> 25 Foot Roll	\$18.00	
R0041429	Universal	<b>18 GA GREEN DK/RED GXL WIRE</b> 25 Foot Roll	\$18.00	
R0041430	Universal	<b>18 GA GREEN DK/WHITE GXL WIRE</b> 25 Foot Roll	\$18.00	
R0041431	Universal	<b>18 GA GREEN DK/YELLOW GXL WIRE</b> 25 Foot Roll	\$18.00	
R0041432	Universal	<b>18 GA GREEN LT GXL WIRE</b> 25 Foot Roll	\$17.00	

**Wire  
and Components**



**Phone (562) 926-9552  
Fax (562) 926-9572**

Part Number	Year	Description	Price	*Rev.
R0041433	Universal	18 GA GREEN LT/BLACK GXL WIRE 25 Foot Roll	\$18.00	
R0041434	Universal	18 GA GREEN LT/ORANGE GXL WIRE 25 Foot Roll	\$18.00	
R0041435	Universal	18 GA GREEN LT/WHITE GXL WIRE 25 Foot Roll	\$18.00	
R0041436	Universal	18 GA GREEN LT/YELLOW GXL WIRE 25 Foot Roll	\$18.00	
R0041437	Universal	18 GA ORANGE GXL WIRE 25 Foot Roll	\$17.00	
R0041438	Universal	18 GA ORANGE/BLACK GXL WIRE 25 Foot Roll	\$18.00	
R0041439	Universal	18 GA ORANGE/BLUE DK GXL WIRE 25 Foot Roll	\$18.00	
R0041440	Universal	18 GA PINK GXL WIRE 25 Foot Roll	\$17.00	
R0041441	Universal	18 GA PINK/BLACK GXL WIRE 25 Foot Roll	\$18.00	
R0041442	Universal	18 GA PINK/WHITE GXL WIRE 25 Foot Roll	\$18.00	
R0041443	Universal	18 GA PURPLE GXL WIRE 25 Foot Roll	\$17.00	
R0041444	Universal	18 GA PURPLE/WHITE GXL WIRE 25 Foot Roll	\$18.00	
R0041445	Universal	18 GA RED GXL WIRE 25 Foot Roll	\$17.00	
R0041446	Universal	18 GA RED/BLACK GXL WIRE 25 Foot Roll	\$18.00	
R0041447	Universal	18 GA RED/BLUE DK GXL WIRE 25 Foot Roll	\$18.00	
R0041448	Universal	18 GA RED/GREEN LT GXL WIRE 25 Foot Roll	\$18.00	
R0041449	Universal	18 GA RED/WHITE GXL WIRE 25 Foot Roll	\$18.00	
R0041450	Universal	18 GA TAN GXL WIRE 25 Foot Roll	\$17.00	
R0041451	Universal	18 GA TAN/BLACK GXL WIRE 25 Foot Roll	\$18.00	
R0041452	Universal	18 GA TAN/WHITE GXL WIRE 25 Foot Roll	\$18.00	
R0041453	Universal	18 GA WHITE GXL WIRE 25 Foot Roll	\$17.00	
R0041454	Universal	18 GA WHITE/BLACK GXL WIRE 25 Foot Roll	\$18.00	
R0041455	Universal	18 GA WHITE/BLUE DK GXL WIRE 25 Foot Roll	\$18.00	
R0041456	Universal	18 GA WHITE/GREEN DK GXL WIRE 25 Foot Roll	\$18.00	
R0041457	Universal	18 GA WHITE/RED GXL WIRE 25 Foot Roll	\$18.00	
R0041458	Universal	18 GA YELLOW GXL WIRE 25 Foot Roll	\$17.00	
R0041459	Universal	18 GA YELLOW/BLACK GXL WIRE 25 Foot Roll	\$18.00	
R0041460	Universal	18 GA YELLOW/GREEN LT GXL WIRE 25 Foot Roll	\$18.00	
R0041461	Universal	18 GA YELLOW/WHITE GXL WIRE 25 Foot Roll	\$18.00	
R0041462	Universal	16 GA BLACK GXL WIRE 25 Foot Roll	\$18.00	
R0041463	Universal	16 GA BLACK/BLUE LT GXL WIRE 25 Foot Roll	\$19.00	
R0041464	Universal	16 GA BLACK/GREEN LT GXL WIRE 25 Foot Roll	\$19.00	
R0041465	Universal	16 GA BLACK/ORANGE GXL WIRE 25 Foot Roll	\$19.00	
R0041466	Universal	16 GA BLACK/PINK GXL WIRE 25 Foot Roll	\$19.00	
R0041467	Universal	16 GA BLACK/RED GXL WIRE 25 Foot Roll	\$19.00	
R0041468	Universal	16 GA BLACK/WHITE GXL WIRE 25 Foot Roll	\$19.00	
R0041469	Universal	16 GA BLACK/YELLOW GXL WIRE 25 Foot Roll	\$19.00	
R0041470	Universal	16 GA BLUE DK GXL WIRE 25 Foot Roll	\$18.00	
R0041471	Universal	16 GA BLUE DK/WHITE GXL WIRE 25 Foot Roll	\$19.00	
R0041472	Universal	16 GA BLUE DK/YELLOW GXL WIRE 25 Foot Roll	\$19.00	
R0041473	Universal	16 GA BLUE LT GXL WIRE 25 Foot Roll	\$18.00	
R0041474	Universal	16 GA BLUE LT/BLACK GXL WIRE 25 Foot Roll	\$19.00	
R0041475	Universal	16 GA BLUE LT/YELLOW GXL WIRE 25 Foot Roll	\$19.00	
R0041476	Universal	16 GA BROWN GXL WIRE 25 Foot Roll	\$18.00	
R0041477	Universal	16 GA BROWN/BLUE DARK GXL WIRE 25 Foot Roll	\$19.00	
R0041478	Universal	16 GA BROWN/WHITE GXL WIRE 25 Foot Roll	\$19.00	
R0041479	Universal	16 GA GRAY GXL WIRE 25 Foot Roll	\$18.00	

**Wire  
and Components**



**Phone (562) 926-9552  
Fax (562) 926-9572**

Part Number	Year	Description	Price	*Rev.
R0041480	Universal	16 GA GREEN DK GXL WIRE 25 Foot Roll	\$18.00	
R0041481	Universal	16 GA GREEN DK/RED GXL WIRE 25 Foot Roll	\$19.00	
R0041482	Universal	16 GA GREEN DK/WHITE GXL WIRE 25 Foot Roll	\$19.00	
R0041483	Universal	16 GA GREEN LT GXL WIRE 25 Foot Roll	\$18.00	
R0041484	Universal	16 GA GREEN LT/BLACK GXL WIRE 25 Foot Roll	\$19.00	
R0041485	Universal	16 GA ORANGE GXL WIRE 25 Foot Roll	\$18.00	
R0041486	Universal	16 GA ORANGE/BLACK GXL WIRE 25 Foot Roll	\$19.00	
R0041487	Universal	16 GA ORANGE/YELLOW GXL WIRE 25 Foot Roll	\$19.00	
R0041488	Universal	16 GA PINK GXL WIRE 25 Foot Roll	\$18.00	
R0041489	Universal	16 GA PINK/BLACK GXL WIRE 25 Foot Roll	\$19.00	
R0041490	Universal	16 GA PINK/WHITE GXL WIRE 25 Foot Roll	\$19.00	
R0041491	Universal	16 GA PURPLE GXL WIRE 25 Foot Roll	\$18.00	
R0041492	Universal	16 GA PURPLE/WHITE GXL WIRE 25 Foot Roll	\$19.00	
R0041493	Universal	16 GA RED GXL WIRE 25 Foot Roll	\$18.00	
R0041494	Universal	16 GA RED/BLACK GXL WIRE 25 Foot Roll	\$19.00	
R0041495	Universal	16 GA RED/WHITE GXL WIRE 25 Foot Roll	\$19.00	
R0041679	Universal	16 GA RED/YELLOW GXL WIRE 25 Foot Roll	\$19.00	
R0041496	Universal	16 GA TAN GXL WIRE 25 Foot Roll	\$18.00	
R0041497	Universal	16 GA TAN/WHITE GXL WIRE 25 Foot Roll	\$19.00	
R0041498	Universal	16 GA WHITE GXL WIRE 25 Foot Roll	\$18.00	
R0041499	Universal	16 GA WHITE/BLACK GXL WIRE 25 Foot Roll	\$19.00	
R0041500	Universal	16 GA WHITE/RED GXL WIRE 25 Foot Roll	\$19.00	
R0041501	Universal	16 GA YELLOW GXL WIRE 25 Foot Roll	\$18.00	
R0041502	Universal	16 GA YELLOW/BLACK GXL WIRE 25 Foot Roll	\$19.00	
R0041503	Universal	16 GA YELLOW/ORANGE GXL WIRE 25 Foot Roll	\$19.00	
R0041504	Universal	14 GA BLACK GXL WIRE 25 Foot Roll	\$20.00	
R0041505	Universal	14 GA BLACK/BLUE LT GXL WIRE 25 Foot Roll	\$21.00	
R0041506	Universal	14 GA BLACK/LIGHT GREEN GXL WIRE 25 Foot Roll	\$21.00	
R0041507	Universal	14 GA BLACK/ORANGE GXL WIRE 25 Foot Roll	\$21.00	
R0041508	Universal	14 GA BLACK/PINK GXL WIRE 25 Foot Roll	\$21.00	
R0041509	Universal	14 GA BLACK/RED GXL WIRE 25 Foot Roll	\$21.00	
R0041510	Universal	14 GA BLACK/TAN GXL WIRE 25 Foot Roll	\$21.00	
R0041511	Universal	14 GA BLACK/WHITE GXL WIRE 25 Foot Roll	\$21.00	
R0041512	Universal	14 GA BLACK/YELLOW GXL WIRE 25 Foot Roll	\$21.00	
R0041513	Universal	14 GA BLUE DK GXL WIRE 25 Foot Roll	\$20.00	
R0041514	Universal	14 GA BLUE DK/WHITE GXL WIRE 25 Foot Roll	\$21.00	
R0041515	Universal	14 GA BLUE LT GXL WIRE 25 Foot Roll	\$20.00	
R0041516	Universal	14 GA BLUE LT/BLACK GXL WIRE 25 Foot Roll	\$21.00	
R0041517	Universal	14 GA BLUE LT/YELLOW GXL WIRE 25 Foot Roll	\$21.00	
R0041518	Universal	14 GA BROWN GXL WIRE 25 Foot Roll	\$20.00	
R0041519	Universal	14 GA BROWN/WHITE GXL WIRE 25 Foot Roll	\$21.00	
R0041520	Universal	14 GA GRAY GXL WIRE 25 Foot Roll	\$20.00	
R0041521	Universal	14 GA GRAY/BLACK GXL WIRE 25 Foot Roll	\$21.00	
R0041522	Universal	14 GA GRAY/WHITE GXL WIRE 25 Foot Roll	\$21.00	
R0041523	Universal	14 GA GREEN DK GXL WIRE 25 Foot Roll	\$20.00	
R0041524	Universal	14 GA GREEN DK/RED GXL WIRE 25 Foot Roll	\$21.00	
R0041525	Universal	14 GA GREEN DK/WHITE GXL WIRE 25 Foot Roll	\$21.00	

**Wire  
and Components**



**Phone (562) 926-9552  
Fax (562) 926-9572**

Part Number	Year	Description	Price	*Rev.
R0041526	Universal	14 GA GREEN LT GXL WIRE 25 Foot Roll	\$20.00	
R0041527	Universal	14 GA GREEN LT/WHITE GXL WIRE 25 Foot Roll	\$21.00	
R0041528	Universal	14 GA GREEN LT / BLACK GXL WIRE 25 Foot Roll	\$21.00	
R0041529	Universal	14 GA ORANGE GXL WIRE 25 Foot Roll	\$20.00	
R0041530	Universal	14 GA ORANGE/BLACK GXL WIRE 25 Foot Roll	\$21.00	
R0041531	Universal	14 GA PINK GXL WIRE 25 Foot Roll	\$20.00	
R0041532	Universal	14 GA PINK/BLACK GXL WIRE 25 Foot Roll	\$21.00	
R0041533	Universal	14 GA PINK/WHITE GXL WIRE 25 Foot Roll	\$21.00	
R0041534	Universal	14 GA PURPLE GXL WIRE 25 Foot Roll	\$20.00	
R0041535	Universal	14 GA PURPLE/WHITE GXL WIRE 25 Foot Roll	\$21.00	
R0041536	Universal	14 GA RED GXL WIRE 25 Foot Roll	\$20.00	
R0041537	Universal	14 GA RED/BLACK GXL WIRE 25 Foot Roll	\$21.00	
R0041538	Universal	14 GA RED/WHITE GXL WIRE 25 Foot Roll	\$21.00	
R0041539	Universal	14 GA TAN GXL WIRE 25 Foot Roll	\$20.00	
R0041540	Universal	14 GA TAN/WHITE GXL WIRE 25 Foot Roll	\$21.00	
R0041541	Universal	14 GA WHITE GXL WIRE 25 Foot Roll	\$20.00	
R0041542	Universal	14 GA WHITE/BLUE DK GXL WIRE 25 Foot Roll	\$21.00	
R0041543	Universal	14 GA YELLOW GXL WIRE 25 Foot Roll	\$20.00	
R0041544	Universal	14 GA YELLOW/BLACK GXL WIRE 25 Foot Roll	\$21.00	
R0041545	Universal	12 GA BLACK GXL WIRE 25 Foot Roll	\$22.00	
R0041546	Universal	12 GA BLACK/ORANGE GXL WIRE 25 Foot Roll	\$24.00	
R0041547	Universal	12 GA BLACK/PINK GXL WIRE 25 Foot Roll	\$24.00	
R0041548	Universal	12 GA BLACK/RED GXL WIRE 25 Foot Roll	\$24.00	
R0041549	Universal	12 GA BLACK/WHITE GXL WIRE 25 Foot Roll	\$24.00	
R0041550	Universal	12 GA BLACK/YELLOW GXL WIRE 25 Foot Roll	\$24.00	
R0041551	Universal	12 GA BLUE DK/WHITE GXL WIRE 25 Foot Roll	\$24.00	
R0041552	Universal	12 GA BLUE LIGHT GXL WIRE 25 Foot Roll	\$22.00	
R0041553	Universal	12 GA BROWN GXL WIRE 25 Foot Roll	\$22.00	
R0041554	Universal	12 GA BROWN/WHITE GXL WIRE 25 Foot Roll	\$24.00	
R0041555	Universal	12 GA GREEN DK/RED GXL WIRE 25 Foot Roll	\$24.00	
R0041556	Universal	12 GA GREEN LT/BLACK GXL WIRE 25 Foot Roll	\$24.00	
R0041557	Universal	12 GA ORANGE GXL WIRE 25 Foot Roll	\$22.00	
R0041558	Universal	12 GA ORANGE/BLACK GXL WIRE 25 Foot Roll	\$24.00	
R0041559	Universal	12 GA PINK GXL WIRE 25 Foot Roll	\$22.00	
R0041560	Universal	12 GA PINK/BLACK GXL WIRE 25 Foot Roll	\$24.00	
R0041561	Universal	12 GA PINK/WHITE GXL WIRE 25 Foot Roll	\$24.00	
R0041562	Universal	12 GA PURPLE GXL WIRE 25 Foot Roll	\$22.00	
R0041563	Universal	12 GA PURPLE/WHITE GXL WIRE 25 Foot Roll	\$24.00	
R0041564	Universal	12 GA RED GXL WIRE 25 Foot Roll	\$22.00	
R0041565	Universal	12 GA RED/BLACK GXL WIRE 25 Foot Roll	\$24.00	
R0041566	Universal	12 GA RED/WHITE GXL WIRE 25 Foot Roll	\$24.00	
R0041567	Universal	12 GA RED/YELLOW GXL WIRE 25 Foot Roll	\$24.00	
R0041568	Universal	12 GA TAN/WHITE GXL WIRE 25 Foot Roll	\$24.00	
R0041569	Universal	12 GA WHITE GXL WIRE 25 Foot Roll	\$22.00	
R0041570	Universal	12 GA YELLOW GXL WIRE 25 Foot Roll	\$22.00	
R0041571	Universal	12 GA YELLOW/GREEN LT GXL WIRE 25 Foot Roll	\$24.00	
R0041572	Universal	10 GA BLACK GXL WIRE 25 Foot Roll	\$25.00	

**Wire  
and Components**



Phone (562) 926-9552  
Fax (562) 926-9572

Part Number	Year	Description	Price	*Rev.
R0041573	Universal	10 GA BLACK/RED GXL WIRE 25 Foot Roll	\$26.00	
R0041574	Universal	10 GA BLACK/WHITE GXL WIRE 25 Foot Roll	\$26.00	
R0041575	Universal	10 GA ORANGE/BLACK GXL WIRE 25 Foot Roll	\$26.00	
R0041585	Universal	10 GA PINK GXL WIRE 25 Foot Roll	\$25.00	
R0041576	Universal	10 GA PURPLE GXL WIRE 25 Foot Roll	\$25.00	
R0041577	Universal	10 GA RED GXL WIRE 25 Foot Roll	\$25.00	
R0041578	Universal	10 GA RED/WHITE GXL WIRE 25 Foot Roll	\$26.00	
R0041579	Universal	10 GA YELLOW GXL WIRE 25 Foot Roll	\$25.00	
R0041580	Universal	10 GA YELLOW/BLACK GXL WIRE 25 Foot Roll	\$26.00	
R0041581	Universal	8 GA BLACK GXL WIRE 25 Foot Roll	\$36.00	
R0041582	Universal	8 GA ORANGE GXL WIRE 25 Foot Roll	\$36.00	
R0041583	Universal	8 GA RED GXL WIRE 25 Foot Roll	\$36.00	
R0041584	Universal	8 GA YELLOW GXL WIRE 25 Foot Roll	\$36.00	

# ***Section 22***

## ***Miscellaneous Product Announcements & Technical Bulletins***

# Alternator Conversion Kits

**See car line catalogs  
for specific applications**

## **Alternator Conversion Kit External to "SI" Type Internal**

Our most popular Alternator Conversion Kit. This kit makes it easy to convert from an External Regulated Alternator to an "SI" Type Internal Regulated Alternator. Kit includes both adapters and an instruction sheet.

Easy to install:

1) Disconnect the external voltage regulator leads and plug our "Special Regulator Adapter" into the voltage regulator lead wires. 2) Disconnect the alternator lead wires. 3) Install new "SI" Type Internal Regulated alternator. 4) Plug one end of our "Alternator Adapter" into the original alternator lead wires and the other into the alternator.

*Typical application is '63-'74 GM Cars & Trucks, see carline catalogs for specific application information.*

Part #27555

Retail \$29.00



## **Alternator Conversion Kit External to "CS" Type Internal**

This kit makes it easy to convert from an External Regulated Alternator to a "CS" Type Internal Regulated Alternator. Kit includes both adapters and an instruction sheet.

Easy to install:

1) Disconnect the external voltage regulator leads and plug our "Special Regulator Adapter" into the voltage regulator lead wires. 2) Disconnect the alternator lead wires. 3) Install new "SI" Type Internal Regulated alternator. 4) Plug one end of our "Alternator Adapter" into the original alternator lead wires and the other into the alternator.

*Typical application is '63-'74 GM Cars & Trucks, see carline catalogs for specific application information.*

Part #37787

Retail \$34.00



## **Alternator Conversion Kit "SI" Type Internal to CS130/CS144 Type Internal**

Allows for an easy conversion from an "SI" type internal regulated alternator to a "CS130" or "CS144" type internal regulated alternator. Simple to install, the mating end of the adapter pigtail plugs perfectly to the original alternator connector, and the other end plugs right into any "CS130" or "CS144" type alternator. Kit includes adapter pigtail and an instruction sheet.

*Typical application is '69-'84 GM Cars & Trucks, see carline catalogs for specific application information.*

Part #37796

Retail \$26.00





# Alternator Conversion Kits

See car line catalogs for specific applications

## Alternator Conversion Kit

### "SI" Type Internal to "CS130D" Type Internal

Allows for an easy conversion from an "SI" type internal regulated alternator to a "CS130D" type internal regulated alternator. Simple to install, the mating end of the adapter pigtail plugs perfectly to the original alternator connector, and the other end plugs right into any "CS130D" type alternator. Kit includes adapter pigtail and an instruction sheet.

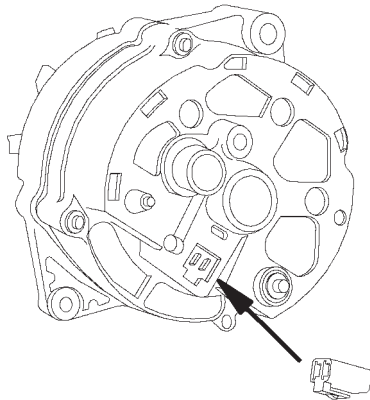
Typical application is '69-'84 GM Cars & Trucks, see carline catalogs for specific application information.

Part #39472

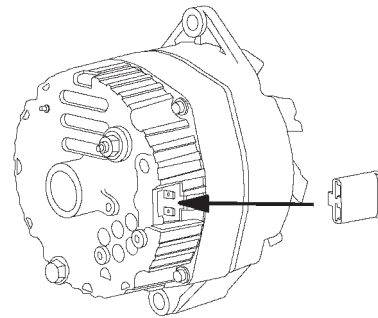
Retail \$27.00



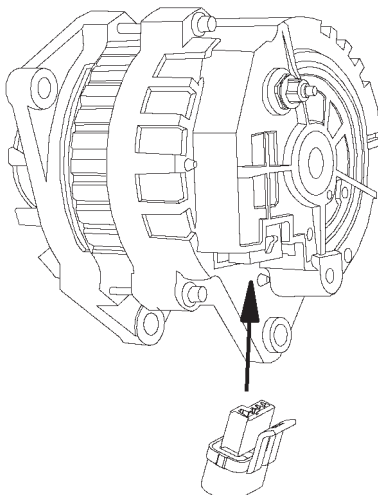
## Alternator Identification



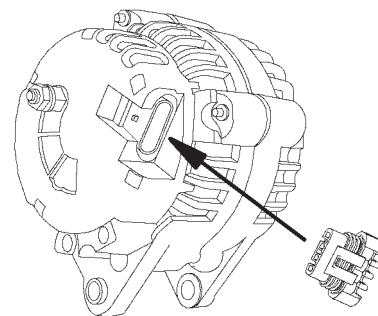
1963-1974  
External Regulated Alternator



1969-1984 "SI" Type  
Internal Regulated Alternator



1984-1999 "CS130" & "CS144" Type  
Internal Regulated Alternator



1994-Newer "CS130D" Type  
Internal Regulated Alternator

# **Breakerless SE Single Wire Ignition**

**Simple 1 Wire Hook-Up, just connect the original points wire to the module**

**Completely stock appearance**

**Emissions Legal in all 50 States**

**Three year warranty**

The Breakerless SE allows you to convert any 1957 to 1974 GM, AMC or Jeep V8 breaker point type distributor (with a windowed type distributor cap) to a reliable solid-state electronic ignition, utilizing a fully integrated trigger and power module that fits completely inside the distributor.

Unlike competitive systems though, no additional wires protrude from the distributor, only the original points wire. The result is a state-of-the-art ignition with an absolutely stock appearance. The Breakerless SE is so unique that it's patented !



## **Outstanding features of this unit include:**

- Single wire operation to preserve stock appearance and simplify wiring.
- Active dwell control maintains high rpm spark energy while reducing coil heating at idle.
- Auto-standby prevents coil damage or dead battery if the ignition is accidentally left on.
- Hall effect rotary-vane sensor design compensates for worn bearings and distributor end play. Magnetic sensor is unaffected by oil, dirt or other contaminants, unlike optical systems.
- Over-voltage/over-current protected against damage from high amp battery chargers, reversed battery, or improper wiring.
- Constructed with premium quality components. Sealed, hi-temp thermoplastic housing provides exceptional resistance against moisture and vibration.
- No distributor modification, disassembly, or removal is required.

Kit comes complete with everything you'll need to install the Breakerless SE Single Wire Ignition. Kit includes: 1 Module, 1 (two-piece) vane, all necessary installation hardware and a comprehensive instruction sheet.

**Part #38131**  
**Retail \$179.00**

**For more info on this product  
visit [www.breakerless.com](http://www.breakerless.com)**

# **Transistor Ignition Replacement Module**

**Drop-In Replacement Module fits all Chevrolet & Pontiac cars equipped with the rare and optional Transistor Ignition System**

**Drops into the Original Finned Amplifier Housing**

**Quicker Starts**

**Improved Performance**

M&H's Transistor Ignition Replacement Module is a drop-in performance upgrade, and provides state-of-the-art ignition technology. This replacement module generates twice the coil primary voltage providing up to 10% more available secondary voltage with the factory T.I. coil. It also can be used with point type or aftermarket coils or M&H's own T.I. Replacement Coil. It provides output protection against failure caused by broken or disconnected plug wires, and has an extended temperature range to over 300-degrees. The state-of-the-art electronics are completely sealed in thermoplastic to keep water and contaminants out. Superior construction provides superior performance, just like all M&H Electric's products.



**Simple to Install**

- Remove the backing plate from your original amplifier housing
- Remove wiring from original circuit board and unscrew it from the housing
- Thoroughly clean the inside of the housing
- Screw in M&H's new T.I. Replacement Module and attach the wiring
- ***That's it, you'll enjoy Quicker Starts and Improved Performance***

**Fits all Chevrolet & Pontiac cars with Transistor Ignition**

**Part #32270  
Retail \$172.00**