



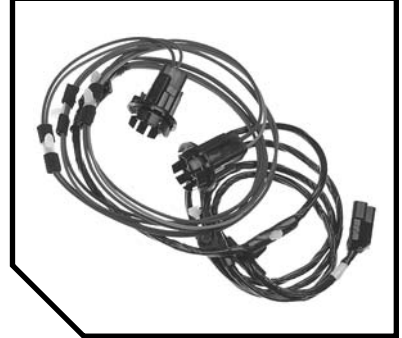
Electrical Restoration Products

**Impala / Bel Air
58-63 El Camino**

Phone 562.926.9552
Fax 562.926.9572
sparky@wiringharness.com

www.wiringharness.com

WIRING HARNESSES



BATTERY CABLES



SWITCHES



Buy with Confidence !

Made in the U.S.A.

All of our harnesses are hand assembled in the U.S.A.

Correct Color Wires

Our harnesses always match the original factory color codes and gauge sizes. We use U.S.A. made Cross Linked Polyethylene type GXL wire which is much more tolerant to heat than the original PVC type GPT wire that was used from the factory.

Dip Soldered (when applicable)

All terminals are dip soldered (when applicable) to limit resistance loss.

Correct Connectors & Terminals

With over 300,000 connectors and terminals in stock you can be sure the harness you receive will look identical to the original.

Correct Non-Adhesive & Cloth Tapes

All harnesses are wrapped with the correct non-adhesive or cloth woven tapes to assure a 100% factory appearance.

Technical Support

We don't expect our customers to be "wiring-wizards", you can call us direct with any technical questions you may have.

Custom Modifications

Custom modifications are available to allow you to convert from an external regulated alternator to an internal regulated alternator. This modification is available for most '63 and up GM cars and trucks. We can also convert many of our engine harnesses to work with H.E.I. distributors and electric chokes. Our modifications retain the factory appearance. Call our Customer Service Department for more details.

Reproduction Switches

We manufacture an extensive line of reproduction switches. These include Turn Signal, Backup Light, Neutral Safety, Wiper, Headlight Switches and others. As with all of our restoration products our switches will fit and function perfectly, just like the originals.

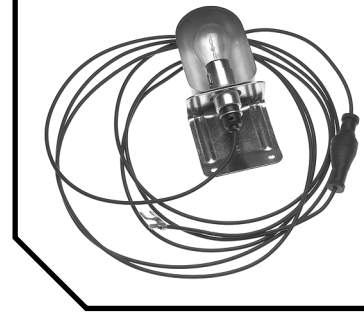
Guarantee & Warranty

We are so confident in the quality of all of our restoration products that we offer the following guarantee and warranty. If you are not 100% satisfied with the quality of any of our restoration products we will give you a full refund. Just return the unused item within 30 days of receipt for a full refund. We also offer a full 1 year replacement warranty on all of the products we sell (see our product warranty sheet for more info).

Method of Payment

We accept Visa, Master Card, American Express and Discover. If you prefer to pre-pay your order, we accept Money Orders, Cashiers Checks or Personal Checks. C.O.D. shipments are also available.

LIGHTING KITS



1 WIRE IGNITION



HARNESS TAPE



"M&H Harnesses are perfect reproductions created with correct color wires from Original GM wiring schematics".

**MUSCLECAR ENTHUSIAST
MAGAZINE**

www.wiringharness.com

Alternator Conversion Kits

**See car line catalogs
for specific applications**

Alternator Conversion Kit External to "SI" Type Internal

Our most popular Alternator Conversion Kit. This kit makes it easy to convert from an External Regulated Alternator to an "SI" Type Internal Regulated Alternator. Kit includes both adapters and an instruction sheet.

Easy to install:

1) Disconnect the external voltage regulator leads and plug our "Special Regulator Adapter" into the voltage regulator lead wires. 2) Disconnect the alternator lead wires. 3) Install new "SI" Type Internal Regulated alternator. 4) Plug one end of our "Alternator Adapter" into the original alternator lead wires and the other into the alternator.

Typical application is '63-'74 GM Cars & Trucks, see carline catalogs for specific application information.

Part #27555

Retail \$34.00



Alternator Conversion Kit External to "CS" Type Internal

This kit makes it easy to convert from an External Regulated Alternator to a "CS" Type Internal Regulated Alternator. Kit includes both adapters and an instruction sheet.

Easy to install:

1) Disconnect the external voltage regulator leads and plug our "Special Regulator Adapter" into the voltage regulator lead wires. 2) Disconnect the alternator lead wires. 3) Install new "SI" Type Internal Regulated alternator. 4) Plug one end of our "Alternator Adapter" into the original alternator lead wires and the other into the alternator.

Typical application is '63-'74 GM Cars & Trucks, see carline catalogs for specific application information.

Part #37787

Retail \$35.00



Alternator Conversion Kit "SI" Type Internal to CS130/CS144 Type Internal

Allows for an easy conversion from an "SI" type internal regulated alternator to a "CS130" or "CS144" type internal regulated alternator. Simple to install, the mating end of the adapter pigtail plugs perfectly to the original alternator connector, and the other end plugs right into any "CS130" or "CS144" type alternator. Kit includes adapter pigtail and an instruction sheet.

Typical application is '69-'84 GM Cars & Trucks, see carline catalogs for specific application information.

Part #37796

Retail \$26.00



Alternator Conversion Kits

See car line catalogs for specific applications

Alternator Conversion Kit

"SI" Type Internal to "CS130D" Type Internal

Allows for an easy conversion from an "SI" type internal regulated alternator to a "CS130D" type internal regulated alternator. Simple to install, the mating end of the adapter pigtail plugs perfectly to the original alternator connector, and the other end plugs right into any "CS130D" type alternator. Kit includes adapter pigtail and an instruction sheet.

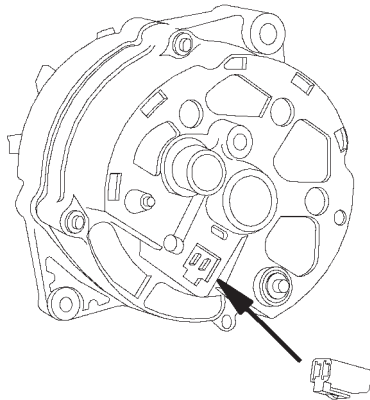
Typical application is '69-'84 GM Cars & Trucks, see carline catalogs for specific application information.

Part #39472

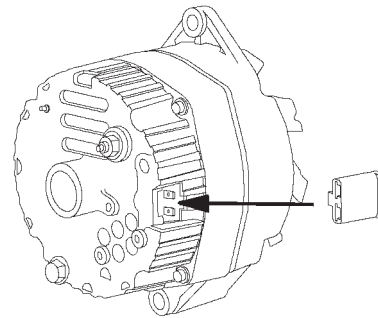
Retail \$27.00



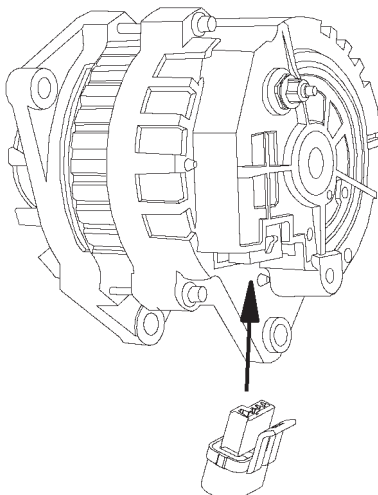
Alternator Identification



1963-1974
External Regulated Alternator



1969-1984 "SI" Type
Internal Regulated Alternator



1984-1999 "CS130" & "CS144" Type
Internal Regulated Alternator



1994-Newer "CS130D" Type
Internal Regulated Alternator

Breakerless SE Single Wire Ignition

Simple 1 Wire Hook-Up, just connect the original points wire to the module

Completely stock appearance

Emissions Legal in all 50 States

Three year warranty

The Breakerless SE allows you to convert any 1957 to 1974 GM, AMC or Jeep V8 breaker point type distributor (with a windowed type distributor cap) to a reliable solid-state electronic ignition, utilizing a fully integrated trigger and power module that fits completely inside the distributor. Unlike competitive systems though, no additional wires protrude from the distributor, only the original points wire. The result is a state-of-the-art ignition with an absolutely stock appearance. The Breakerless SE is so unique that it's patented !



Outstanding features of this unit include:

- Single wire operation to preserve stock appearance and simplify wiring.
- Active dwell control maintains high rpm spark energy while reducing coil heating at idle.
- Auto-standby prevents coil damage or dead battery if the ignition is accidentally left on.
- Hall effect rotary-vane sensor design compensates for worn bearings and distributor end play. Magnetic sensor is unaffected by oil, dirt or other contaminants, unlike optical systems.
- Over-voltage/over-current protected against damage from high amp battery chargers, reversed battery, or improper wiring.
- Constructed with premium quality components. Sealed, hi-temp thermoplastic housing provides exceptional resistance against moisture and vibration.
- No distributor modification, disassembly, or removal is required.

Kit comes complete with everything you'll need to install the Breakerless SE Single Wire Ignition. Kit includes: 1 Module, 1 (two-piece) vane, all necessary installation hardware and a comprehensive instruction sheet.

Part #38131
Retail \$189.00

**For more info on this product
visit www.breakerless.com**

Transistor Ignition Replacement Module

Drop-In Replacement Module fits all Chevrolet & Pontiac cars equipped with the rare and optional Transistor Ignition System

Drops into the Original Finned Amplifier Housing

Quicker Starts

Improved Performance

M&H's Transistor Ignition Replacement Module is a drop-in performance upgrade, and provides state-of-the-art ignition technology. This replacement module generates twice the coil primary voltage providing up to 10% more available secondary voltage with the factory T.I. coil. It also can be used with point type or aftermarket coils or M&H's own T.I. Replacement Coil. It provides output protection against failure caused by broken or disconnected plug wires, and has an extended temperature range to over 300-degrees. The state-of-the-art electronics are completely sealed in thermoplastic to keep water and contaminants out. Superior construction provides superior performance, just like all M&H Electric's products.



Simple to Install

- Remove the backing plate from your original amplifier housing
- Remove wiring from original circuit board and unscrew it from the housing
- Thoroughly clean the inside of the housing
- Screw in M&H's new T.I. Replacement Module and attach the wiring
- ***That's it, you'll enjoy Quicker Starts and Improved Performance***

Fits all Chevrolet & Pontiac cars with Transistor Ignition

**Part #32270
Retail \$198.00**

Part Number	Year	Description	Price	*Rev.
AIR CONDITIONING CONTROL ASSEMBLY				
01222890	1965	AIR CONDITIONING CONTROL ASSEMBLY With A/C, Complete With Fan Switch	\$185.00	N
01222890	1966	AIR CONDITIONING CONTROL ASSEMBLY With A/C, Complete With Fan Switch	\$185.00	N
AIR CONDITIONING HARNESS				
22340	1958	AIR CONDITIONING HARNESS	\$176.00	
18370	1959	AIR CONDITIONING HARNESS	\$176.00	
36085	1959	AIR CONDITIONING HARNESS For "Cool Pack" Under Dash Unit	\$172.00	
18370	1960	AIR CONDITIONING HARNESS	\$176.00	
36085	1960	AIR CONDITIONING HARNESS For "Cool Pack" Under Dash Unit	\$172.00	
20720	1961	AIR CONDITIONING HARNESS	\$184.00	
19215	1962	AIR CONDITIONING HARNESS	\$176.00	
29035	1963	AIR CONDITIONING HARNESS Early, Before 3/22/63 Production Date	\$176.00	
19220	1963	AIR CONDITIONING HARNESS Late, After 3/22/63 Production Date	\$172.00	
04945	1964	AIR CONDITIONING HARNESS With Under Dash A/C	\$176.00	
04895	1964	AIR CONDITIONING HARNESS With C.A.C. A/C	\$172.00	
06255	1965	AIR CONDITIONING HARNESS With Under Dash A/C Note: A/C Wiring Is Not An Integral Part Of Dash And Engine Harness.	\$176.00	
10620	1965	AIR CONDITIONING HARNESS Caprice, With Auto Temp Control A/C Note: A/C Wiring Is Not An Integral Part Of Dash And Engine Harness.	\$499.00	
06255	1966	AIR CONDITIONING HARNESS With Under Dash A/C Note: A/C Wiring Is Not An Integral Part Of Dash And Engine Harness.	\$176.00	
10620	1966	AIR CONDITIONING HARNESS Caprice, With Auto Temp Control A/C Note: A/C Wiring Is Not An Integral Part Of Dash And Engine Harness.	\$499.00	
10965	1967	AIR CONDITIONING HARNESS Caprice, With Auto Temp Control A/C	\$499.00	
10850	1967	AIR CONDITIONING HARNESS With C.A.C. A/C	\$243.00	
10965	1968	AIR CONDITIONING HARNESS Caprice, With Auto Temp Control A/C	\$499.00	
11890	1968	AIR CONDITIONING HARNESS With C.A.C. A/C	\$253.00	
13055	1969	AIR CONDITIONING HARNESS With Auto Temp Control A/C	\$499.00	
13040	1969	AIR CONDITIONING HARNESS With C.A.C. A/C	\$253.00	
14785	1970	AIR CONDITIONING HARNESS With Auto Temp Control A/C	\$499.00	
13040	1970	AIR CONDITIONING HARNESS With C.A.C. A/C	\$253.00	
AIR CONDITIONING POWER FEED WIRE				
19830	1961	AIR CONDITIONING POWER FEED WIRE Starter Solenoid To A/C Harness	\$29.00	
19830	1962	AIR CONDITIONING POWER FEED WIRE Starter Solenoid To A/C Harness	\$29.00	
33800	1963	AIR CONDITIONING POWER FEED WIRE C.A.C. A/C, Starter Solenoid To A/C Harness	\$26.00	
28225	1964	AIR CONDITIONING POWER FEED WIRE Starter Solenoid To A/C Fuse	\$26.00	
43554	1965	AIR CONDITIONING POWER FEED WIRE C.A.C. A/C, Horn Relay To Engine Harness	\$27.00	
33800	1966	AIR CONDITIONING POWER FEED WIRE Auto Temp Control A/C, Starter Solenoid To A/C Harness	\$26.00	
43554	1966	AIR CONDITIONING POWER FEED WIRE C.A.C. A/C, Horn Relay To Engine Harness	\$27.00	
10970	1967	AIR CONDITIONING POWER FEED WIRE C.A.C. A/C, Horn Relay To A/C Fuse	\$26.00	
10970	1968	AIR CONDITIONING POWER FEED WIRE C.A.C. A/C, Horn Relay To A/C Fuse	\$26.00	
35120	1969	AIR CONDITIONING POWER FEED WIRE Horn Relay To A/C Harness	\$29.00	
35120	1970	AIR CONDITIONING POWER FEED WIRE Horn Relay To A/C Harness	\$29.00	
ALTERNATOR CONVERSION KIT				
27555	1963	ALTERNATOR CONVERSION KIT External To Internal Regulator Conversion Harness ("SI" Series) Note: For Use With 1972-84 Non-Serpentine Belt ("SI" Series) Internal Regulated Alternators.	\$34.00	

Part Number	Year	Description	Price	*Rev.
37787	1963	ALTERNATOR CONVERSION KIT External To Internal Regulator Conversion Harness ("CS" Series) Note: For Use With Serpentine Belt ("CS" Series) Internal Regulated Alternators.	\$35.00	
27555	1964	ALTERNATOR CONVERSION KIT External To Internal Regulator Conversion Harness ("SI" Series) Note: For Use With 1972-84 Non-Serpentine Belt ("SI" Series) Internal Regulated Alternators.	\$34.00	
37787	1964	ALTERNATOR CONVERSION KIT External To Internal Regulator Conversion Harness ("CS" Series) Note: For Use With Serpentine Belt ("CS" Series) Internal Regulated Alternators.	\$35.00	
27555	1965	ALTERNATOR CONVERSION KIT External To Internal Regulator Conversion Harness ("SI" Series) Note: For Use With 1972-84 Non-Serpentine Belt ("SI" Series) Internal Regulated Alternators.	\$34.00	
37787	1965	ALTERNATOR CONVERSION KIT External To Internal Regulator Conversion Harness ("CS" Series) Note: For Use With Serpentine Belt ("CS" Series) Internal Regulated Alternators.	\$35.00	
27555	1966	ALTERNATOR CONVERSION KIT External To Internal Regulator Conversion Harness ("SI" Series) Note: For Use With 1972-84 Non-Serpentine Belt ("SI" Series) Internal Regulated Alternators.	\$34.00	
37787	1966	ALTERNATOR CONVERSION KIT External To Internal Regulator Conversion Harness ("CS" Series) Note: For Use With Serpentine Belt ("CS" Series) Internal Regulated Alternators.	\$35.00	
27555	1967	ALTERNATOR CONVERSION KIT External To Internal Regulator Conversion Harness ("SI" Series) Note: For Use With 1972-84 Non-Serpentine Belt ("SI" Series) Internal Regulated Alternators.	\$34.00	
37787	1967	ALTERNATOR CONVERSION KIT External To Internal Regulator Conversion Harness ("CS" Series) Note: For Use With Serpentine Belt ("CS" Series) Internal Regulated Alternators.	\$35.00	
27555	1968	ALTERNATOR CONVERSION KIT External To Internal Regulator Conversion Harness ("SI" Series) Note: For Use With 1972-84 Non-Serpentine Belt ("SI" Series) Internal Regulated Alternators.	\$34.00	
37787	1968	ALTERNATOR CONVERSION KIT External To Internal Regulator Conversion Harness ("CS" Series) Note: For Use With Serpentine Belt ("CS" Series) Internal Regulated Alternators.	\$35.00	
27555	1969	ALTERNATOR CONVERSION KIT External To Internal Regulator Conversion Harness ("SI" Series) Note: For Use With 1972-84 Non-Serpentine Belt ("SI" Series) Internal Regulated Alternators.	\$34.00	
37787	1969	ALTERNATOR CONVERSION KIT External To Internal Regulator Conversion Harness ("CS" Series) Note: For Use With Serpentine Belt ("CS" Series) Internal Regulated Alternators.	\$35.00	
27555	1970	ALTERNATOR CONVERSION KIT External To Internal Regulator Conversion Harness ("SI" Series) Note: For Use With 1972-84 Non-Serpentine Belt ("SI" Series) Internal Regulated Alternators.	\$34.00	
37787	1970	ALTERNATOR CONVERSION KIT External To Internal Regulator Conversion Harness ("CS" Series) Note: For Use With Serpentine Belt ("CS" Series) Internal Regulated Alternators.	\$35.00	
27555	1971	ALTERNATOR CONVERSION KIT External To Internal Regulator Conversion Harness ("SI" Series) Note: For Use With 1972-84 Non-Serpentine Belt ("SI" Series) Internal Regulated Alternators.	\$34.00	
37787	1971	ALTERNATOR CONVERSION KIT External To Internal Regulator Conversion Harness ("CS" Series) Note: For Use With Serpentine Belt ("CS" Series) Internal Regulated Alternators.	\$35.00	
27555	1972	ALTERNATOR CONVERSION KIT External To Internal Regulator Conversion Harness ("SI" Series) Note: For Use With 1972-84 Non-Serpentine Belt ("SI" Series) Internal Regulated Alternators.	\$34.00	
37787	1972	ALTERNATOR CONVERSION KIT External To Internal Regulator Conversion Harness ("CS" Series) Note: For Use With Serpentine Belt ("CS" Series) Internal Regulated Alternators.	\$35.00	
ASSEMBLY MANUAL				
36317	1958	ASSEMBLY MANUAL Factory Assembly Instruction Guide	\$36.00	
36318	1959	ASSEMBLY MANUAL Factory Assembly Instruction Guide	\$36.00	
36319	1960	ASSEMBLY MANUAL Factory Assembly Instruction Guide	\$36.00	
36320	1961	ASSEMBLY MANUAL Factory Assembly Instruction Guide	\$36.00	
36321	1962	ASSEMBLY MANUAL Factory Assembly Instruction Guide	\$36.00	
36322	1963	ASSEMBLY MANUAL Factory Assembly Instruction Guide	\$36.00	
36323	1964	ASSEMBLY MANUAL Factory Assembly Instruction Guide	\$36.00	
36324	1965	ASSEMBLY MANUAL Factory Assembly Instruction Guide	\$36.00	
36325	1966	ASSEMBLY MANUAL Factory Assembly Instruction Guide	\$36.00	

Part Number	Year	Description	Price	*Rev.
36326	1967	ASSEMBLY MANUAL Factory Assembly Instruction Guide	\$36.00	
36327	1968	ASSEMBLY MANUAL Factory Assembly Instruction Guide	\$36.00	
36328	1969	ASSEMBLY MANUAL Factory Assembly Instruction Guide	\$36.00	
36329	1970	ASSEMBLY MANUAL Factory Assembly Instruction Guide	\$36.00	
36330	1972	ASSEMBLY MANUAL Factory Assembly Instruction Guide	\$36.00	
BACKUP LAMP SWITCH				
01998728	1959	BACKUP LAMP SWITCH 4 Speed, Manual Trans	\$64.00	
01998728	1960	BACKUP LAMP SWITCH 4 Speed, Manual Trans	\$64.00	
01998728	1961	BACKUP LAMP SWITCH 4 Speed, Manual Trans	\$64.00	
01998728	1962	BACKUP LAMP SWITCH 4 Speed, Manual Trans	\$64.00	
01997929	1963	BACKUP LAMP SWITCH 4 Speed, Manual Trans	\$64.00	
01993661	1964	BACKUP LAMP SWITCH 4 Speed, Manual Trans	\$64.00	
01993307	1965	BACKUP LAMP SWITCH 4 Speed, Manual Trans	\$64.00	
01993307	1966	BACKUP LAMP SWITCH 4 Speed, Manual Trans	\$64.00	
01993307	1967	BACKUP LAMP SWITCH 4 Speed, Manual Trans	\$64.00	
01993431	1968	BACKUP LAMP SWITCH 4 Speed, Manual Trans	\$64.00	
03943657	1969	BACKUP LAMP SWITCH Manual Trans	\$53.00	
03943657	1970	BACKUP LAMP SWITCH Manual Trans	\$53.00	
03943657	1971	BACKUP LAMP SWITCH Manual Trans	\$53.00	
03943657	1972	BACKUP LAMP SWITCH Manual Trans	\$53.00	
BACKUP LAMP SWITCH EXTENSION HARNESS				
19225	1958	BACKUP LAMP SWITCH EXTENSION HARNESS Biscayne & Delray	\$40.00	
19230	1958	BACKUP LAMP SWITCH EXTENSION HARNESS Impala	\$34.00	
19235	1959	BACKUP LAMP SWITCH EXTENSION HARNESS Fuse Box To Column Mounted Backup Switch	\$34.00	
33185	1959	BACKUP LAMP SWITCH EXTENSION HARNESS Floor Shift, MT, Fusebox To Backup Switch & Rear Body Harness	\$37.00	
19235	1960	BACKUP LAMP SWITCH EXTENSION HARNESS Fuse Box To Column Mounted Backup Switch	\$34.00	
33185	1960	BACKUP LAMP SWITCH EXTENSION HARNESS Floor Shift, MT, Fusebox To Backup Switch & Rear Body Harness	\$37.00	
33000	1961	BACKUP LAMP SWITCH EXTENSION HARNESS Manual Trans	\$34.00	
33000	1962	BACKUP LAMP SWITCH EXTENSION HARNESS Manual Trans	\$34.00	
28335	1963	BACKUP LAMP SWITCH EXTENSION HARNESS Manual Trans	\$38.00	
33325	1964	BACKUP LAMP SWITCH EXTENSION HARNESS Manual Trans	\$37.00	
19240	1965	BACKUP LAMP SWITCH EXTENSION HARNESS Manual Trans	\$36.00	
19240	1966	BACKUP LAMP SWITCH EXTENSION HARNESS Manual Trans	\$36.00	
33330	1967	BACKUP LAMP SWITCH EXTENSION HARNESS Manual Trans	\$38.00	
BACKUP LAMP SWITCH MOUNTING BRACKET				
37650	1964	BACKUP LAMP SWITCH MOUNTING BRACKET With Muncie 4 Speed Transmission	\$29.00	
37650	1965	BACKUP LAMP SWITCH MOUNTING BRACKET With Muncie 4 Speed Transmission	\$29.00	
37650	1966	BACKUP LAMP SWITCH MOUNTING BRACKET With Muncie 4 Speed Transmission	\$29.00	
37650	1967	BACKUP LAMP SWITCH MOUNTING BRACKET With Muncie 4 Speed Transmission	\$29.00	
37650	1968	BACKUP LAMP SWITCH MOUNTING BRACKET With Muncie 4 Speed Transmission	\$29.00	
BACKUP LAMP SWITCH MOUNTING KIT				
39504	1963	BACKUP LAMP SWITCH MOUNTING KIT With Muncie 4 Speed Transmission Note: Kit Contains The Bracket, Rod With 2 Clips, Shield & Bolts.	\$46.00	
39504	1964	BACKUP LAMP SWITCH MOUNTING KIT With Muncie 4 Speed Transmission Note: Kit Contains The Bracket, Rod With 2 Clips, Shield & Bolts.	\$46.00	

Part Number	Year	Description	Price	*Rev.
39504	1965	BACKUP LAMP SWITCH MOUNTING KIT With Muncie 4 Speed Transmission Note: Kit Contains The Bracket, Rod With 2 Clips, Shield & Bolts.	\$46.00	
39504	1966	BACKUP LAMP SWITCH MOUNTING KIT With Muncie 4 Speed Transmission Note: Kit Contains The Bracket, Rod With 2 Clips, Shield & Bolts.	\$46.00	
39504	1967	BACKUP LAMP SWITCH MOUNTING KIT With Muncie 4 Speed Transmission Note: Kit Contains The Bracket, Rod With 2 Clips, Shield & Bolts.	\$46.00	
39504	1968	BACKUP LAMP SWITCH MOUNTING KIT With Muncie 4 Speed Transmission Note: Kit Contains The Bracket, Rod With 2 Clips, Shield & Bolts.	\$46.00	
BATTERY CABLE JUNCTION BLOCK				
03882795	1965	BATTERY CABLE JUNCTION BLOCK For Positive Cable Secondary Lead	\$13.00	
03882795	1966	BATTERY CABLE JUNCTION BLOCK For Positive Cable Secondary Lead	\$13.00	
03882795	1967	BATTERY CABLE JUNCTION BLOCK For Positive Cable Secondary Lead	\$13.00	
03882795	1968	BATTERY CABLE JUNCTION BLOCK For Positive Cable Secondary Lead	\$13.00	
03882795	1969	BATTERY CABLE JUNCTION BLOCK For Positive Cable Secondary Lead	\$13.00	
03882795	1970	BATTERY CABLE JUNCTION BLOCK For Positive Cable Secondary Lead	\$13.00	
03882795	1971	BATTERY CABLE JUNCTION BLOCK For Positive Cable Secondary Lead	\$13.00	
BATTERY CABLE-NEGATIVE				
02845	1958	BATTERY CABLE, TOP POST Neg, All	\$72.00	
02840	1959	BATTERY CABLE, TOP POST Neg, 6 Cylinder Note: 6 Cylinder Items Are Not Returnable.	\$72.00	
02845	1959	BATTERY CABLE, TOP POST Neg, V/8	\$72.00	
02840	1960	BATTERY CABLE, TOP POST Neg, 6 Cylinder Note: 6 Cylinder Items Are Not Returnable.	\$72.00	
02845	1960	BATTERY CABLE, TOP POST Neg, V/8	\$72.00	
03320	1961	BATTERY CABLE, SPRING RING Neg, 6 Cylinder Note: 6 Cylinder Items Are Not Returnable.	\$77.00	
03325	1961	BATTERY CABLE, SPRING RING Neg, 283 C.I.	\$77.00	
03330	1961	BATTERY CABLE, SPRING RING Neg, 348 C.I.	\$77.00	
03325	1962	BATTERY CABLE, SPRING RING Neg, 6 Cylinder Note: 6 Cylinder Items Are Not Returnable.	\$77.00	
03325	1962	BATTERY CABLE, SPRING RING Neg, 283 C.I.	\$77.00	
04010	1962	BATTERY CABLE, SPRING RING Neg, 327 C.I. Special High Performance	\$77.00	
03330	1962	BATTERY CABLE, SPRING RING Neg, 409 C.I.	\$77.00	
04170	1963	BATTERY CABLE, SPRING RING Neg, 6 Cylinder, All Note: 6 Cylinder Items Are Not Returnable.	\$77.00	
03325	1963	BATTERY CABLE, SPRING RING Neg, V/8, All, Except 327 C.I. Special High Performance & 409 C.I.	\$77.00	
04010	1963	BATTERY CABLE, SPRING RING Neg, 327 C.I. Special High Performance	\$77.00	
04010	1963	BATTERY CABLE, SPRING RING Neg, 409 C.I.	\$77.00	
05395	1964	BATTERY CABLE, SPRING RING Neg, 6 Cylinder, With A/C Note: 6 Cylinder Items Are Not Returnable.	\$77.00	
05040	1964	BATTERY CABLE, SPRING RING Neg, 6 Cylinder, Without A/C Note: 6 Cylinder Items Are Not Returnable.	\$77.00	
05145	1964	BATTERY CABLE, SPRING RING Neg, 283-327 C.I., With A/C	\$77.00	
05045	1964	BATTERY CABLE, SPRING RING Neg, 283-327 C.I., Without A/C	\$77.00	
05050	1964	BATTERY CABLE, SPRING RING Neg, 327 C.I., Special High Performance	\$77.00	
05050	1964	BATTERY CABLE, SPRING RING Neg, 409 C.I., With A/C	\$77.00	
05055	1964	BATTERY CABLE, SPRING RING Neg, 409 C.I., Without A/C	\$77.00	

Part Number	Year	Description	Price	*Rev.
05395	1965	BATTERY CABLE, SPRING RING Neg, 6 Cylinder, With A/C Note: 6 Cylinder Items Are Not Returnable.	\$77.00	
05040	1965	BATTERY CABLE, SPRING RING Neg, 6 Cylinder, Without A/C Note: 6 Cylinder Items Are Not Returnable.	\$77.00	
05145	1965	BATTERY CABLE, SPRING RING Neg, 283-327 C.I., With A/C	\$77.00	
05050	1965	BATTERY CABLE, SPRING RING Neg, V/8, All Without A/C	\$77.00	
04665	1965	BATTERY CABLE, SPRING RING Neg, 396 C.I., With A/C	\$77.00	
05050	1965	BATTERY CABLE, SPRING RING Neg, 409 C.I., With A/C	\$77.00	
09770	1966	BATTERY CABLE, SPRING RING Neg, 6 Cylinder, All Note: 6 Cylinder Items Are Not Returnable.	\$77.00	
05045	1966	BATTERY CABLE, SPRING RING Neg, V/8, All Without A/C	\$77.00	
05145	1966	BATTERY CABLE, SPRING RING Neg, 283-327 C.I., With A/C	\$77.00	
04665	1966	BATTERY CABLE, SPRING RING Neg, 396-427 C.I., With A/C	\$77.00	
09875	1967	BATTERY CABLE, SPRING RING Neg, 6 Cylinder, Without A/C Note: 6 Cylinder Items Are Not Returnable.	\$77.00	
09255	1967	BATTERY CABLE, SPRING RING Neg, 6 Cylinder, With A/C Note: 6 Cylinder Items Are Not Returnable.	\$77.00	
09870	1967	BATTERY CABLE, SPRING RING Neg, V/8, All Without A/C	\$77.00	
06805	1967	BATTERY CABLE, SPRING RING Neg, 283-327 C.I., With A/C	\$77.00	
05055	1967	BATTERY CABLE, SPRING RING Neg, 396-427 C.I., With A/C	\$77.00	
12500	1968	BATTERY CABLE, SPRING RING Neg, 6 Cylinder, Without A/C Note: 6 Cylinder Items Are Not Returnable.	\$77.00	
12490	1968	BATTERY CABLE, SPRING RING Neg, 6 Cylinder, With A/C Note: 6 Cylinder Items Are Not Returnable.	\$77.00	
12505	1968	BATTERY CABLE, SPRING RING Neg, V/8, All Without A/C	\$77.00	
20775	1968	BATTERY CABLE, SPRING RING Neg, 307-327 C.I., With A/C	\$77.00	
12495	1968	BATTERY CABLE, SPRING RING Neg, 396-427 C.I., With A/C	\$77.00	
22775	1969	BATTERY CABLE, SPRING RING Neg, 6 Cylinder, Without A/C Note: 6 Cylinder Items Are Not Returnable.	\$77.00	
22765	1969	BATTERY CABLE, SPRING RING Neg, 6 Cylinder, With A/C Note: 6 Cylinder Items Are Not Returnable.	\$77.00	
22760	1969	BATTERY CABLE, SPRING RING Neg, V/8, Except 396-427 C.I.	\$77.00	
22770	1969	BATTERY CABLE, SPRING RING Neg, 396-427 C.I.	\$77.00	
12580	1970	BATTERY CABLE, SPRING RING Neg, 6 Cylinder Note: 6 Cylinder Items Are Not Returnable.	\$77.00	
14850	1970	BATTERY CABLE, SIDE POST Neg, 6 Cylinder, With Side Mount Type Battery Note: 6 Cylinder Items Are Not Returnable.	\$81.00	
20770	1970	BATTERY CABLE, SPRING RING Neg, V/8	\$77.00	
22690	1970	BATTERY CABLE, SIDE POST Neg, V/8, With Side Mount Type Battery	\$81.00	
BATTERY CABLE-POSITIVE				
21675	1958	BATTERY CABLE, TOP POST Pos, 6 Cylinder Note: 6 Cylinder Items Are Not Returnable.	\$72.00	
21680	1958	BATTERY CABLE, TOP POST Pos, V/8	\$72.00	
02835	1959	BATTERY CABLE, TOP POST Pos, 6 Cylinder & V/8 Note: 6 Cylinder Items Are Not Returnable.	\$72.00	
03285	1960	BATTERY CABLE, TOP POST Pos, 6 Cylinder & V/8 Note: 6 Cylinder Items Are Not Returnable.	\$72.00	

Part Number	Year	Description	Price	*Rev.
04105	1961	BATTERY CABLE, SPRING RING Pos, 6 Cylinder Note: 6 Cylinder Items Are Not Returnable.	\$77.00	
03310	1961	BATTERY CABLE, SPRING RING Pos, 283 C.I.	\$77.00	
03315	1961	BATTERY CABLE, SPRING RING Pos, 348 C.I.	\$77.00	
04105	1962	BATTERY CABLE, SPRING RING Pos, 6 Cylinder Note: 6 Cylinder Items Are Not Returnable.	\$77.00	
03310	1962	BATTERY CABLE, SPRING RING Pos, 283 C.I.	\$77.00	
03315	1962	BATTERY CABLE, SPRING RING Pos, 327 C.I. Special High Performance	\$77.00	
03315	1962	BATTERY CABLE, SPRING RING Pos, 409 C.I.	\$77.00	
18925	1963	BATTERY CABLE, SPRING RING Pos, 6 Cylinder Note: 6 Cylinder Items Are Not Returnable.	\$77.00	
03930	1963	BATTERY CABLE, SPRING RING Pos, V/8, All	\$77.00	
20780	1964	BATTERY CABLE, SPRING RING Pos, 6 Cylinder Note: 6 Cylinder Items Are Not Returnable.	\$77.00	
05385	1964	BATTERY CABLE, SPRING RING Pos, 283-327 C.I., All	\$77.00	
05410	1964	BATTERY CABLE, SPRING RING Pos, 409 C.I., With A/C	\$77.00	
21130	1964	BATTERY CABLE, SPRING RING Pos, 409 C.I., Without A/C	\$77.00	
05450	1965	BATTERY CABLE, SPRING RING Pos, 6 Cylinder, All Note: 6 Cylinder Items Are Not Returnable.	\$77.00	
05455	1965	BATTERY CABLE, SPRING RING Pos, V/8, All	\$77.00	
09780	1966	BATTERY CABLE, SPRING RING Pos, 6 Cylinder, All Note: 6 Cylinder Items Are Not Returnable.	\$77.00	
05455	1966	BATTERY CABLE, SPRING RING Pos, V/8, All	\$77.00	
10720	1967	BATTERY CABLE, SPRING RING Pos, 6 Cylinder, All Note: 6 Cylinder Items Are Not Returnable.	\$77.00	
09755	1967	BATTERY CABLE, SPRING RING Pos, V/8, All	\$77.00	
09850	1968	BATTERY CABLE, SPRING RING Pos, 6 Cylinder, All Note: 6 Cylinder Items Are Not Returnable.	\$77.00	
21560	1968	BATTERY CABLE, SPRING RING Pos, V/8, All	\$77.00	
22785	1969	BATTERY CABLE, SPRING RING Pos, 6 Cylinder, All Note: 6 Cylinder Items Are Not Returnable.	\$77.00	
22755	1969	BATTERY CABLE, SPRING RING Pos, V/8, Except 396-427 C.I.	\$77.00	
22945	1969	BATTERY CABLE, SPRING RING Pos, 396-427 C.I.	\$77.00	
12615	1970	BATTERY CABLE, SPRING RING Pos, 6 Cylinder Note: 6 Cylinder Items Are Not Returnable.	\$77.00	
14880	1970	BATTERY CABLE, SIDE POST Pos, 6 Cylinder, With Side Mount Type Battery Note: 6 Cylinder Items Are Not Returnable.	\$81.00	
15115	1970	BATTERY CABLE, SPRING RING Pos, V/8	\$77.00	
15120	1970	BATTERY CABLE, SIDE POST Pos, V/8, With Side Mount Type Battery	\$81.00	
BREAKERLESS SE SINGLE WIRE ELECTRONIC IGNITION				
38131	1958	BREAKERLESS SE SINGLE WIRE ELECTRONIC IGNITION KIT For 1957-74 Breaker Point Distributors With Windowed Type Distributor Cap	\$189.00	
38131	1959	BREAKERLESS SE SINGLE WIRE ELECTRONIC IGNITION KIT For 1957-74 Breaker Point Distributors With Windowed Type Distributor Cap	\$189.00	
38131	1960	BREAKERLESS SE SINGLE WIRE ELECTRONIC IGNITION KIT For 1957-74 Breaker Point Distributors With Windowed Type Distributor Cap	\$189.00	
38131	1961	BREAKERLESS SE SINGLE WIRE ELECTRONIC IGNITION KIT For 1957-74 Breaker Point Distributors With Windowed Type Distributor Cap	\$189.00	

Part Number	Year	Description	Price	*Rev.
38131	1962	BREAKERLESS SE SINGLE WIRE ELECTRONIC IGNITION KIT For 1957-74 Breaker Point Distributors With Windowed Type Distributor Cap	\$189.00	
38131	1963	BREAKERLESS SE SINGLE WIRE ELECTRONIC IGNITION KIT For 1957-74 Breaker Point Distributors With Windowed Type Distributor Cap	\$189.00	
38131	1964	BREAKERLESS SE SINGLE WIRE ELECTRONIC IGNITION KIT For 1957-74 Breaker Point Distributors With Windowed Type Distributor Cap	\$189.00	
38131	1965	BREAKERLESS SE SINGLE WIRE ELECTRONIC IGNITION KIT For 1957-74 Breaker Point Distributors With Windowed Type Distributor Cap	\$189.00	
38131	1966	BREAKERLESS SE SINGLE WIRE ELECTRONIC IGNITION KIT For 1957-74 Breaker Point Distributors With Windowed Type Distributor Cap	\$189.00	
38131	1967	BREAKERLESS SE SINGLE WIRE ELECTRONIC IGNITION KIT For 1957-74 Breaker Point Distributors With Windowed Type Distributor Cap	\$189.00	
38131	1968	BREAKERLESS SE SINGLE WIRE ELECTRONIC IGNITION KIT For 1957-74 Breaker Point Distributors With Windowed Type Distributor Cap	\$189.00	
38131	1969	BREAKERLESS SE SINGLE WIRE ELECTRONIC IGNITION KIT For 1957-74 Breaker Point Distributors With Windowed Type Distributor Cap	\$189.00	
38131	1970	BREAKERLESS SE SINGLE WIRE ELECTRONIC IGNITION KIT For 1957-74 Breaker Point Distributors With Windowed Type Distributor Cap	\$189.00	
38131	1971	BREAKERLESS SE SINGLE WIRE ELECTRONIC IGNITION KIT For 1957-74 Breaker Point Distributors With Windowed Type Distributor Cap	\$189.00	
38131	1972	BREAKERLESS SE SINGLE WIRE ELECTRONIC IGNITION KIT For 1957-74 Breaker Point Distributors With Windowed Type Distributor Cap	\$189.00	
38131	1973	BREAKERLESS SE SINGLE WIRE ELECTRONIC IGNITION KIT For 1957-74 Breaker Point Distributors With Windowed Type Distributor Cap	\$189.00	
38131	1974	BREAKERLESS SE SINGLE WIRE ELECTRONIC IGNITION KIT For 1957-74 Breaker Point Distributors With Windowed Type Distributor Cap	\$189.00	
CIGARETTE LIGHTER HARNESS				
33440	1959	CIGARETTE LIGHTER HARNESS Biscayne	\$25.00	
33440	1960	CIGARETTE LIGHTER HARNESS Biscayne	\$25.00	
CIRCUIT BREAKER				
04849850	1958	CIRCUIT BREAKER, 40 AMP Power Seat, Windows & Tailgate Window	\$14.00	
04849850	1959	CIRCUIT BREAKER, 40 AMP Power Seat, Windows & Tailgate Window	\$14.00	
04849850	1960	CIRCUIT BREAKER, 40 AMP Power Seat, Windows & Tailgate Window	\$14.00	
04849850	1961	CIRCUIT BREAKER, 40 AMP Power Seat, Windows & Tailgate Window	\$14.00	
04849850	1962	CIRCUIT BREAKER, 40 AMP Power Seat, Windows & Tailgate Window	\$14.00	
04849850	1963	CIRCUIT BREAKER, 40 AMP Power Seat, Windows & Tailgate Window	\$14.00	
04849850	1964	CIRCUIT BREAKER, 40 AMP Power Seat, Windows & Tailgate Window	\$14.00	
04849850	1965	CIRCUIT BREAKER, 40 AMP Power Seat, Windows & Tailgate Window	\$14.00	
04849850	1966	CIRCUIT BREAKER, 40 AMP Power Seat, Windows & Tailgate Window	\$14.00	
04850166	1967	CIRCUIT BREAKER, 30 AMP Power Seat, Windows, Tailgate Window & Top	\$14.00	
04850166	1968	CIRCUIT BREAKER, 30 AMP Power Seat, Windows, Tailgate Window & Top	\$14.00	
04850166	1969	CIRCUIT BREAKER, 30 AMP Power Seat, Windows, Tailgate Window & Top	\$14.00	
04850166	1970	CIRCUIT BREAKER, 30 AMP Power Seat, Windows, Tailgate Window & Top	\$14.00	
04850166	1971	CIRCUIT BREAKER, 30 AMP Power Seat, Windows, Tailgate Window & Top	\$14.00	
CLOCK HARNESS				
19245	1958	CLOCK HARNESS Dash Mounted	\$37.00	
33175	1959	CLOCK HARNESS Dash Mounted Clock And Generator, Oil, Brake Cluster Dash Light	\$41.00	
33175	1960	CLOCK HARNESS Dash Mounted Clock And Generator, Oil, Brake Cluster Dash Light	\$41.00	
40876	1961	CLOCK HARNESS Dash Mounted Clock	\$41.00	
40876	1962	CLOCK HARNESS Dash Mounted Clock	\$41.00	

Part Number	Year	Description	Price	*Rev.
40877	1963	CLOCK HARNESS Dash Mounted Clock	\$48.00	
40877	1964	CLOCK HARNESS Dash Mounted Clock	\$48.00	
36115	1965	CLOCK HARNESS In Dash Mounted Clock	\$53.00	
18275	1965	CLOCK HARNESS Top Of Dash Mounted Clock	\$34.00	
18275	1966	CLOCK HARNESS Top Of Dash Mounted Clock	\$34.00	
33490	1966	CLOCK WIRE EXTENSION For Console Mounted Clock	\$20.00	
01365	1968	CLOCK HARNESS Dash Mounted Clock	\$30.00	
38297	1969	CLOCK HARNESS Dash Mounted Clock	\$43.00	
38297	1970	CLOCK HARNESS Dash Mounted Clock	\$43.00	
COIL TO DISTRIBUTOR LOW TENSION LEAD WIRE				
02300	1958	COIL TO DISTRIBUTOR LOW TENSION LEAD WIRE 6 Cylinder Note: 6 Cylinder Items Are Not Returnable.	\$15.00	
30515	1958	COIL TO DISTRIBUTOR LOW TENSION LEAD WIRE V/8	\$20.00	
02300	1959	COIL TO DISTRIBUTOR LOW TENSION LEAD WIRE 6 Cylinder Note: 6 Cylinder Items Are Not Returnable.	\$15.00	
30515	1959	COIL TO DISTRIBUTOR LOW TENSION LEAD WIRE V/8	\$20.00	
02300	1960	COIL TO DISTRIBUTOR LOW TENSION LEAD WIRE 6 Cylinder Note: 6 Cylinder Items Are Not Returnable.	\$15.00	
30515	1960	COIL TO DISTRIBUTOR LOW TENSION LEAD WIRE V/8	\$20.00	
02300	1961	COIL TO DISTRIBUTOR LOW TENSION LEAD WIRE 6 Cylinder Note: 6 Cylinder Items Are Not Returnable.	\$15.00	
30515	1961	COIL TO DISTRIBUTOR LOW TENSION LEAD WIRE V/8	\$20.00	
02300	1962	COIL TO DISTRIBUTOR LOW TENSION LEAD WIRE 6 Cylinder Note: 6 Cylinder Items Are Not Returnable.	\$15.00	
30515	1962	COIL TO DISTRIBUTOR LOW TENSION LEAD WIRE V/8	\$20.00	
COMPASS LAMP WIRE				
31515	1958	COMPASS LAMP WIRE	\$25.00	
31515	1959	COMPASS LAMP WIRE	\$25.00	
31515	1960	COMPASS LAMP WIRE	\$25.00	
31515	1961	COMPASS LAMP WIRE	\$25.00	
31515	1962	COMPASS LAMP WIRE	\$25.00	
31515	1963	COMPASS LAMP WIRE	\$25.00	
31515	1964	COMPASS LAMP WIRE	\$25.00	
CONSOLE DOOR LAMP HARNESS AND SWITCH ASSEMBLY				
33455	1963	CONSOLE DOOR LAMP HARNESS AND SWITCH ASSEMBLY Includes Socket, Bulb & Wire	\$37.00	
33460	1964	CONSOLE DOOR LAMP HARNESS AND SWITCH ASSEMBLY Includes Socket, Bulb & Wire	\$37.00	
33465	1966	CONSOLE DOOR LAMP HARNESS AND SWITCH ASSEMBLY Includes Socket, Bulb & Wire	\$29.00	
33465	1967	CONSOLE DOOR LAMP HARNESS AND SWITCH ASSEMBLY Includes Socket, Bulb & Wire	\$29.00	
33465	1968	CONSOLE DOOR LAMP HARNESS AND SWITCH ASSEMBLY Includes Socket, Bulb & Wire	\$29.00	
33465	1969	CONSOLE DOOR LAMP HARNESS AND SWITCH ASSEMBLY Includes Socket, Bulb & Wire	\$29.00	
CONSOLE HARNESS				
08915	1962	CONSOLE HARNESS "SS" Convertible, With Courtesy Lights	\$71.00	
08910	1962	CONSOLE HARNESS "SS" Coupe, With Courtesy Lights	\$71.00	
06610	1963	CONSOLE HARNESS "SS", With Courtesy Lights	\$71.00	
28925	1963	CONSOLE EXTENSION HARNESS Auto Trans	\$53.00	
05000	1964	CONSOLE HARNESS All, Courtesy Light Extension	\$32.00	
04995	1964	CONSOLE EXTENSION HARNESS Auto Trans	\$92.00	

Impala/Bel Air
'58-'63 El Camino



Phone (562) 926-9552
Fax (562) 926-9572

Part Number	Year	Description	Price	*Rev.
19265	1964	CONSOLE EXTENSION HARNESS Manual Trans	\$53.00	
06175	1965	CONSOLE HARNESS Auto Trans, Includes Console Clock Lead	\$76.00	
06055	1965	CONSOLE HARNESS Manual Trans, Includes Console Clock Lead	\$69.00	
19270	1966	CONSOLE HARNESS Auto Trans	\$104.00	
18585	1966	CONSOLE HARNESS Auto Trans, With Gauges	\$158.00	
19275	1966	CONSOLE HARNESS Manual Trans	\$73.00	
19280	1966	CONSOLE HARNESS Manual Trans, With Gauges	\$137.00	
19285	1967	CONSOLE HARNESS Auto Trans	\$113.00	
19290	1967	CONSOLE HARNESS Manual Trans	\$73.00	
19295	1968	CONSOLE HARNESS Auto Trans	\$118.00	
19300	1968	CONSOLE HARNESS Manual Trans	\$73.00	
COURTESY LAMP HARNESS				
38428	1959	COURTESY LAMP HARNESS Dual Overhead Lights, Bel Air & Impala Sport Coupe & Sport Sedans	\$73.00	
36046	1959	COURTESY LAMP HARNESS Under Dash	\$69.00	
41559	1960	COURTESY LAMP HARNESS Center Roof Mounted Dome Lamp, Biscayne, Belair 2 & 4 Door Sedan	\$69.00	
41559	1960	COURTESY LAMP HARNESS Center Roof Mounted Dome Lamp, El Camino	\$69.00	
41559	1960	COURTESY LAMP HARNESS Center Roof Mounted Dome Lamp, Impala 4 Door Sedan	\$69.00	
32335	1960	COURTESY LAMP HARNESS Dual Overhead Lights, Bel Air & Impala Sport Coupe & Sport Sedans	\$69.00	
36046	1960	COURTESY LAMP HARNESS Under Dash	\$69.00	
08780	1961	COURTESY LAMP HARNESS Side Roof Rail Lamp, Impala Sport Sedan	\$73.00	
08780	1962	COURTESY LAMP HARNESS Side Roof Rail Lamp, Impala Sport Sedan	\$73.00	
19305	1962	COURTESY LAMP HARNESS Coupe, Dual Overhead Lights, In Rear Seat Upper Roof Panels	\$69.00	
08780	1963	COURTESY LAMP HARNESS Side Roof Rail Lamp, Impala Sport Sedan	\$73.00	
09050	1963	COURTESY LAMP HARNESS Coupe, Dual Overhead Lights, In Rear Seat Upper Roof Panels	\$69.00	
38249	1963	COURTESY LAMP HARNESS Impala, Under Dash	\$60.00	
08780	1964	COURTESY LAMP HARNESS Side Roof Rail Lamp, Impala Sport Sedan	\$73.00	
09050	1964	COURTESY LAMP HARNESS Coupe, Dual Overhead Lights, In Rear Seat Upper Roof Panels	\$69.00	
38249	1964	COURTESY LAMP HARNESS Impala, Under Dash	\$60.00	
08005	1965	COURTESY LAMP HARNESS Center Roof Mounted Dome Lamp	\$57.00	
19310	1965	COURTESY LAMP HARNESS Convertible, Under Dash	\$78.00	
07215	1965	COURTESY LAMP HARNESS Sport Coupe (Except Caprice), Dual Quarter Roof Rail Lamps	\$78.00	
07210	1965	COURTESY LAMP HARNESS Sport Sedan, Dual Quarter Roof Rail Lamps	\$86.00	
07160	1965	COURTESY LAMP HARNESS Caprice, Quarter Corner Lamp	\$86.00	
08005	1966	COURTESY LAMP HARNESS Center Roof Mounted Dome Lamp	\$57.00	
19310	1966	COURTESY LAMP HARNESS Convertible, Under Dash	\$78.00	
07160	1966	COURTESY LAMP HARNESS Caprice Sport Sedan, Quarter Corner Lamp	\$86.00	
32515	1966	COURTESY LAMP HARNESS Caprice Sport Coupe, Quarter Corner Lamp	\$89.00	
07215	1966	COURTESY LAMP HARNESS Sport Coupe (Except Caprice), Dual Quarter Roof Rail Lamps	\$78.00	
07210	1966	COURTESY LAMP HARNESS Sport Sedan (Except Caprice), Dual Quarter Roof Rail Lamps	\$86.00	
08005	1967	COURTESY LAMP HARNESS Center Roof Mounted Dome Lamp	\$57.00	
19310	1967	COURTESY LAMP HARNESS Convertible, Under Dash	\$78.00	
32515	1967	COURTESY LAMP HARNESS Caprice Sport Coupe, Quarter Corner Lamp	\$89.00	
13850	1967	COURTESY LAMP HARNESS Impala Sport Coupe, Quarter Roof Rail Lamps	\$93.00	
13840	1967	COURTESY LAMP HARNESS Impala Sport Sedan, Quarter Roof Rail Lamps	\$93.00	
38180	1969	COURTESY LAMP HARNESS Under Dash	\$78.00	

Part Number	Year	Description	Price	*Rev.
38180	1970	COURTESY LAMP HARNESS Under Dash	\$78.00	
COURTESY LAMP MOUNTING BRACKET-UNDER DASH				
04876930	1959	COURTESY LAMP MOUNTING BRACKET, UNDER DASH Left Or Right Side, 2 Required Per Car	\$13.00	
04876930	1960	COURTESY LAMP MOUNTING BRACKET, UNDER DASH Left Or Right Side, 2 Required Per Car	\$13.00	
04876930	1961	COURTESY LAMP MOUNTING BRACKET, UNDER DASH Left Or Right Side, 2 Required Per Car	\$13.00	
04876930	1962	COURTESY LAMP MOUNTING BRACKET, UNDER DASH Left Or Right Side, 2 Required Per Car	\$13.00	
04876930	1963	COURTESY LAMP MOUNTING BRACKET, UNDER DASH Left Or Right Side, 2 Required Per Car	\$13.00	
04876930	1964	COURTESY LAMP MOUNTING BRACKET, UNDER DASH Left Or Right Side, 2 Required Per Car	\$13.00	
04876930	1965	COURTESY LAMP MOUNTING BRACKET, UNDER DASH Left Or Right Side, 2 Required Per Car	\$13.00	
04876930	1966	COURTESY LAMP MOUNTING BRACKET, UNDER DASH Left Or Right Side, 2 Required Per Car	\$13.00	
04876930	1967	COURTESY LAMP MOUNTING BRACKET, UNDER DASH Left Or Right Side, 2 Required Per Car	\$13.00	
CRUISE CONTROL HARNESS				
40870	1960	CRUISE CONTROL HARNESS V/8, All	\$117.00	
41145	1960	CRUISE CONTROL ADAPTER HARNESS V/8, Manual Trans Note: Attaches To The Clutch Pedal Switch And Disengages The Cruise If The Clutch Pedal Is Depressed.	\$49.00	
33475	1965	CRUISE CONTROL HARNESS	\$121.00	
33475	1966	CRUISE CONTROL HARNESS	\$121.00	
10775	1967	CRUISE CONTROL HARNESS	\$109.00	
11885	1968	CRUISE CONTROL HARNESS	\$117.00	
13185	1969	CRUISE CONTROL HARNESS	\$109.00	
13185	1970	CRUISE CONTROL HARNESS	\$109.00	
DASH HARNESS				
45055	1969	DASH GAUGE EXTENSION HARNESS With COPO Police Gauge Package, For Oil Pressure, Water Temperature And Ammeter Gauges	\$179.00	N
19440	1971	DASH EXTENSION HARNESS For Ignition & Neutral Safety Switch Note: Customer Must Supply Their Original Dash Connector.	\$109.00	
02710	1958	DASH HARNESS All	\$471.00	
02980	1959	DASH HARNESS Auto Trans, Belair, Impala & El Camino	\$471.00	
02970	1959	DASH HARNESS Auto Trans, Biscayne	\$511.00	
02975	1959	DASH HARNESS Manual Trans, Belair, Impala & El Camino	\$471.00	
02965	1959	DASH HARNESS Manual Trans, Biscayne	\$511.00	
28645	1959	DASH HARNESS Right Hand Drive (Export Only) Note: Customer Must Supply Their Original Fuseblock.	\$647.00	
03140	1960	DASH HARNESS Auto Trans, All	\$471.00	
03165	1960	DASH HARNESS Manual Trans, All	\$471.00	
28645	1960	DASH HARNESS Right Hand Drive (Export Only) Note: Customer Must Supply Their Original Fuseblock.	\$647.00	
03295	1961	DASH HARNESS Auto Trans, Belair	\$534.00	
03300	1961	DASH HARNESS Auto Trans, Biscayne	\$549.00	
03485	1961	DASH HARNESS Auto Trans, Impala	\$503.00	
18185	1961	DASH HARNESS Manual Trans, Belair	\$534.00	
03305	1961	DASH HARNESS Manual Trans, Biscayne	\$542.00	
03490	1961	DASH HARNESS Manual Trans, Impala	\$503.00	
18155	1962	DASH HARNESS Auto Trans, Belair	\$534.00	
18430	1962	DASH HARNESS Auto Trans, Biscayne	\$534.00	
03685	1962	DASH HARNESS Auto Trans, Impala	\$503.00	
18160	1962	DASH HARNESS Manual Trans, Belair	\$503.00	

Impala/Bel Air
'58-'63 El Camino



Phone (562) 926-9552
Fax (562) 926-9572

Part Number	Year	Description	Price	*Rev.
18425	1962	DASH HARNESS Manual Trans, Biscayne	\$534.00	
18180	1962	DASH HARNESS Manual Trans, Impala	\$503.00	
17785	1963	DASH HARNESS Auto Trans, Belair	\$556.00	
18135	1963	DASH HARNESS Manual Trans, Belair	\$556.00	
18140	1963	DASH HARNESS Auto Trans, Biscayne	\$579.00	
18130	1963	DASH HARNESS Manual Trans, Biscayne	\$556.00	
19785	1963	DASH INSTRUMENT CLUSTER HARNESS Belair & Biscayne	\$161.00	
04035	1963	DASH HARNESS Auto Trans, Impala	\$532.00	
18145	1963	DASH HARNESS Manual Trans, Impala	\$532.00	
17780	1963	DASH INSTRUMENT CLUSTER HARNESS Impala	\$147.00	
18125	1964	DASH HARNESS Column Shift, Auto Trans, Belair	\$534.00	
18120	1964	DASH HARNESS Column Shift, Manual Trans, Belair	\$556.00	
18110	1964	DASH HARNESS Column Shift, Auto Trans, Biscayne	\$534.00	
18100	1964	DASH HARNESS Column Shift, Manual Trans, Biscayne	\$556.00	
18435	1964	DASH INSTRUMENT CLUSTER HARNESS Belair & Biscayne	\$161.00	
18105	1964	DASH HARNESS Column Shift, Auto Trans, Impala	\$503.00	
04935	1964	DASH HARNESS Column Shift, Auto Trans, Impala With A/C	\$503.00	
18115	1964	DASH HARNESS Column Shift, Manual Trans, Impala	\$542.00	
05090	1964	DASH HARNESS Console Shift, Auto Or Manual Trans, Impala	\$503.00	
31525	1964	DASH HARNESS Console Shift, Auto Or Manual Trans, Impala With A/C	\$503.00	
18440	1964	DASH INSTRUMENT CLUSTER HARNESS Impala	\$130.00	
22245	1965	DASH HARNESS Column Shift, Auto Trans	\$590.00	
06000	1965	DASH HARNESS Column Shift, Auto Trans, With Under Dash Courtesy Lights	\$590.00	
19315	1965	DASH HARNESS Column Shift, Auto Trans, With A/C Note: A/C Wiring Is Actually Incorporated Into The Dash And Engine Harnesses.	\$590.00	
22270	1965	DASH HARNESS Column Shift, Manual Trans	\$625.00	
19320	1965	DASH HARNESS Column Shift, Manual Trans, With Under Dash Courtesy Lights	\$625.00	
05640	1965	DASH INSTRUMENT CLUSTER HARNESS Without Gauges	\$170.00	
06060	1965	DASH HARNESS Console Shift, Auto Trans, With Gauges	\$590.00	
06115	1965	DASH HARNESS Console Shift, Auto Trans, With Gauges & A/C Note: A/C Wiring Is Actually Incorporated Into The Dash And Engine Harnesses.	\$590.00	
19325	1965	DASH HARNESS Console Shift, Manual Trans, With Gauges	\$590.00	
19330	1965	DASH HARNESS Console Shift, Manual Trans, With Gauges & A/C Note: A/C Wiring Is Actually Incorporated Into The Dash And Engine Harnesses.	\$590.00	
05645	1965	DASH INSTRUMENT CLUSTER HARNESS With Gauges	\$138.00	
10865	1966	DASH HARNESS Column Shift, Auto Trans	\$647.00	
10870	1966	DASH HARNESS Column Shift, Auto Trans With A/C Note: A/C Wiring Is Actually Incorporated Into The Dash And Engine Harnesses.	\$655.00	
19335	1966	DASH HARNESS Column Shift, Manual Trans	\$678.00	
10875	1966	DASH HARNESS Console Shift, Auto Trans	\$655.00	
10885	1966	DASH HARNESS Console Shift, Auto Trans With A/C Note: A/C Wiring Is Actually Incorporated Into The Dash And Engine Harnesses.	\$655.00	
10860	1966	DASH HARNESS Console Shift, Manual Trans	\$655.00	
10880	1966	DASH HARNESS Console Shift, Manual Trans With A/C Note: A/C Wiring Is Actually Incorporated Into The Dash And Engine Harnesses.	\$678.00	
22280	1967	DASH HARNESS Column Shift, Auto Trans	\$673.00	
11225	1967	DASH HARNESS Column Shift, Auto Trans, With Under Dash Courtesy Lights	\$699.00	

Impala/Bel Air
'58-'63 El Camino



Phone (562) 926-9552
Fax (562) 926-9572

Part Number	Year	Description	Price	*Rev.
19345	1967	DASH HARNESS Column Shift, Auto Trans With A/C	\$673.00	
11235	1967	DASH HARNESS Column Shift, Auto Trans With Gauges	\$699.00	
33445	1967	DASH HARNESS Column Shift, Auto Trans With Gauges & A/C	\$699.00	
19360	1967	DASH HARNESS Console Shift, Auto Trans	\$699.00	
19365	1967	DASH HARNESS Console Shift, Auto Trans With A/C	\$699.00	
19350	1967	DASH HARNESS Console Shift, Auto Trans With Gauges	\$673.00	
19355	1967	DASH HARNESS Console Shift, Auto Trans, With Gauges & A/C	\$699.00	
19380	1967	DASH HARNESS Console Shift, Manual Trans	\$717.00	
19385	1967	DASH HARNESS Console Shift, Manual Trans With A/C	\$709.00	
19370	1967	DASH HARNESS Console Shift, Manual Trans With Gauges	\$699.00	
19375	1967	DASH HARNESS Console Shift, Manual Trans With Gauges & A/C	\$718.00	
33450	1968	DASH HARNESS Column Shift, Auto Trans	\$717.00	
11700	1968	DASH HARNESS Column Shift, Auto Trans, With Under Dash Courtesy Lights	\$755.00	
19400	1968	DASH HARNESS Column Shift, Auto Trans & A/C,With Under Dash Courtesy Lamp	\$736.00	
11720	1968	DASH HARNESS Column Shift, Auto Trans With Gauges	\$717.00	
19390	1968	DASH HARNESS Column Shift, Auto Trans With Gauges & A/C	\$701.00	
19405	1968	DASH HARNESS Column Shift, Manual Trans	\$785.00	
11715	1968	DASH HARNESS Console Shift, Auto Trans	\$785.00	
11730	1968	DASH HARNESS Console Shift, Auto Trans With Gauges	\$731.00	
19790	1968	DASH HARNESS Console Shift, Auto Trans With Gauges & A/C	\$717.00	
11710	1968	DASH HARNESS Console Shift, Manual Trans	\$755.00	
11725	1968	DASH HARNESS Console Shift, Manual Trans With Gauges	\$717.00	
19410	1968	DASH HARNESS Console Shift, Manual Trans With Gauges & A/C	\$717.00	
12940	1969	DASH HARNESS Column Shift, Auto Trans,With Under Dash Crtisy Lamps & Clock	\$874.00	
18450	1969	DASH HARNESS Column Shift, Auto Trans With A/C	\$838.00	
19415	1969	DASH HARNESS Console Shift, Auto Trans	\$874.00	
35355	1969	DASH HARNESS Console Shift, Auto Trans With A/C	\$838.00	
13145	1969	DASH HARNESS Console Shift, Manual Trans	\$838.00	
19420	1969	DASH HARNESS Console Shift, Manual Trans With A/C	\$838.00	
35370	1969	DASH HARNESS Auto Trans, With Gauges	\$928.00	
14705	1970	DASH HARNESS Column Shift, Auto Trans	\$899.00	
19430	1970	DASH HARNESS Column Shift, Auto Trans With A/C	\$899.00	
14970	1970	DASH HARNESS Column Shift, Auto Trans With A/C, Clock & Under Dash Courtesy Lamp	\$884.00	
15105	1970	DASH HARNESS Column Shift, Auto Trans, With Headlamp Delay Timing	\$899.00	
19435	1970	DASH HARNESS Column Shift, Manual Trans, With Clock & Under Dash Courtesy Lamps	\$899.00	
15250	1971	DASH HARNESS Column Shift, Auto Trans Note: Requires Customers Original Dash Harness.	\$647.00	
15245	1971	DASH INSTRUMENT CLUSTER HARNESS To Upper Speedometer Cluster Note: Customer Must Supply Their Original Harness.	\$443.00	
02962754	1958	GROMMET All Models, Firewall Pass Thru Grommet, Used On 6 Cavity Connector	\$11.00	N
02962568	1958	GROMMET All Models, Firewall Pass Thru Grommet, Used On 8 Cavity Connector	\$9.00	N
02962568	1959	GROMMET All Models, Firewall Pass Thru Grommet, Used On 8 Cavity Connector	\$9.00	N
02962568	1960	GROMMET All Models, Firewall Pass Thru Grommet, Used On 8 Cavity Connector	\$9.00	N

Part Number	Year	Description	Price	*Rev.
02962568	1961	GROMMET All Models, Firewall Pass Thru Grommet, Used On 8 Cavity Connector	\$9.00	N
DASH HARNESS OPTIONAL ITEM				
44305	1958	DASH HARNESS OPTIONAL ITEM-CONNECTOR & TERMINAL KIT Includes 15-Way Female Connector With 40mm Mounting Rails, 11-Way & 4-Way Male Connectors, Terminals, & Instruction Note: Used On Fuse Blocks With 40mm Mounting Rails.	\$39.00	N
44305	1959	DASH HARNESS OPTIONAL ITEM-CONNECTOR & TERMINAL KIT Includes 15-Way Female Connector With 40mm Mounting Rails, 11-Way & 4-Way Male Connectors, Terminals, & Instruction Note: Used On Fuse Blocks With 40mm Mounting Rails.	\$39.00	N
44305	1960	DASH HARNESS OPTIONAL ITEM-CONNECTOR & TERMINAL KIT Includes 15-Way Female Connector With 40mm Mounting Rails, 11-Way & 4-Way Male Connectors, Terminals, & Instruction Note: Used On Fuse Blocks With 40mm Mounting Rails.	\$39.00	N
44305	1961	DASH HARNESS OPTIONAL ITEM-CONNECTOR & TERMINAL KIT Includes 15-Way Female Connector With 40mm Mounting Rails, 11-Way & 4-Way Male Connectors, Terminals, & Instruction Note: Used On Fuse Blocks With 40mm Mounting Rails.	\$39.00	N
44305	1962	DASH HARNESS OPTIONAL ITEM-CONNECTOR & TERMINAL KIT Includes 15-Way Female Connector With 40mm Mounting Rails, 11-Way & 4-Way Male Connectors, Terminals, & Instruction Note: Used On Fuse Blocks With 40mm Mounting Rails.	\$39.00	N
44305	1963	DASH HARNESS OPTIONAL ITEM-CONNECTOR & TERMINAL KIT Includes 15-Way Female Connector With 40mm Mounting Rails, 11-Way & 4-Way Male Connectors, Terminals, & Instruction Note: Used On Fuse Blocks With 40mm Mounting Rails.	\$39.00	N
44305	1964	DASH HARNESS OPTIONAL ITEM-CONNECTOR & TERMINAL KIT Includes 15-Way Female Connector With 40mm Mounting Rails, 11-Way & 4-Way Male Connectors, Terminals, & Instruction Note: Used On Fuse Blocks With 40mm Mounting Rails.	\$39.00	N
44305	1965	DASH HARNESS OPTIONAL ITEM-CONNECTOR & TERMINAL KIT Includes 15-Way Female Connector With 40mm Mounting Rails, 11-Way & 4-Way Male Connectors, Terminals, & Instruction Note: Used On Fuse Blocks With 40mm Mounting Rails.	\$39.00	N
44305	1966	DASH HARNESS OPTIONAL ITEM-CONNECTOR & TERMINAL KIT Includes 15-Way Female Connector With 40mm Mounting Rails, 11-Way & 4-Way Male Connectors, Terminals, & Instruction Note: Used On Fuse Blocks With 40mm Mounting Rails.	\$39.00	N
44305	1967	DASH HARNESS OPTIONAL ITEM-CONNECTOR & TERMINAL KIT Includes 15-Way Female Connector With 40mm Mounting Rails, 11-Way & 4-Way Male Connectors, Terminals, & Instruction Note: Used On Fuse Blocks With 40mm Mounting Rails.	\$39.00	N
44305	1968	DASH HARNESS OPTIONAL ITEM-CONNECTOR & TERMINAL KIT Includes 15-Way Female Connector With 40mm Mounting Rails, 11-Way & 4-Way Male Connectors, Terminals, & Instruction Note: Used On Fuse Blocks With 40mm Mounting Rails.	\$39.00	N
44305	1969	DASH HARNESS OPTIONAL ITEM-CONNECTOR & TERMINAL KIT Includes 15-Way Female Connector With 40mm Mounting Rails, 11-Way & 4-Way Male Connectors, Terminals, & Instruction Note: Used On Fuse Blocks With 40mm Mounting Rails.	\$39.00	N
44305	1970	DASH HARNESS OPTIONAL ITEM-CONNECTOR & TERMINAL KIT Includes 15-Way Female Connector With 40mm Mounting Rails, 11-Way & 4-Way Male Connectors, Terminals, & Instruction Note: Used On Fuse Blocks With 40mm Mounting Rails.	\$39.00	N
44305	1971	DASH HARNESS OPTIONAL ITEM-CONNECTOR & TERMINAL KIT Includes 15-Way Female Connector With 40mm Mounting Rails, 11-Way & 4-Way Male Connectors, Terminals, & Instruction Note: Used On Fuse Blocks With 40mm Mounting Rails.	\$39.00	N
44303	1958	DASH HARNESS OPTIONAL ITEM-DUAL RELAY ADAPTER KIT Includes Accessory Adapter With 30mm Mounting Rails, Relays, Terminals & Instruction Sheet Note: Used On Fuse Blocks With 30mm Mounting Rails.	\$30.00	N
44303	1959	DASH HARNESS OPTIONAL ITEM-DUAL RELAY ADAPTER KIT Includes Accessory Adapter With 30mm Mounting Rails, Relays, Terminals & Instruction Sheet Note: Used On Fuse Blocks With 30mm Mounting Rails.	\$30.00	N
44303	1960	DASH HARNESS OPTIONAL ITEM-DUAL RELAY ADAPTER KIT Includes Accessory Adapter With 30mm Mounting Rails, Relays, Terminals & Instruction Sheet Note: Used On Fuse Blocks With 30mm Mounting Rails.	\$30.00	N

Part Number	Year	Description	Price	*Rev.
44303	1961	DASH HARNESS OPTIONAL ITEM-DUAL RELAY ADAPTER KIT Includes Accessory Adapter With 30mm Mounting Rails, Relays, Terminals & Instruction Sheet Note: Used On Fuse Blocks With 30mm Mounting Rails.	\$30.00	N
44303	1962	DASH HARNESS OPTIONAL ITEM-DUAL RELAY ADAPTER KIT Includes Accessory Adapter With 30mm Mounting Rails, Relays, Terminals & Instruction Sheet Note: Used On Fuse Blocks With 30mm Mounting Rails.	\$30.00	N
44303	1963	DASH HARNESS OPTIONAL ITEM-DUAL RELAY ADAPTER KIT Includes Accessory Adapter With 30mm Mounting Rails, Relays, Terminals & Instruction Sheet Note: Used On Fuse Blocks With 30mm Mounting Rails.	\$30.00	N
44303	1964	DASH HARNESS OPTIONAL ITEM-DUAL RELAY ADAPTER KIT Includes Accessory Adapter With 30mm Mounting Rails, Relays, Terminals & Instruction Sheet Note: Used On Fuse Blocks With 30mm Mounting Rails.	\$30.00	N
44303	1965	DASH HARNESS OPTIONAL ITEM-DUAL RELAY ADAPTER KIT Includes Accessory Adapter With 30mm Mounting Rails, Relays, Terminals & Instruction Sheet Note: Used On Fuse Blocks With 30mm Mounting Rails.	\$30.00	N
44303	1966	DASH HARNESS OPTIONAL ITEM-DUAL RELAY ADAPTER KIT Includes Accessory Adapter With 30mm Mounting Rails, Relays, Terminals & Instruction Sheet Note: Used On Fuse Blocks With 30mm Mounting Rails.	\$30.00	N
44303	1967	DASH HARNESS OPTIONAL ITEM-DUAL RELAY ADAPTER KIT Includes Accessory Adapter With 30mm Mounting Rails, Relays, Terminals & Instruction Sheet Note: Used On Fuse Blocks With 30mm Mounting Rails.	\$30.00	N
44303	1968	DASH HARNESS OPTIONAL ITEM-DUAL RELAY ADAPTER KIT Includes Accessory Adapter With 30mm Mounting Rails, Relays, Terminals & Instruction Sheet Note: Used On Fuse Blocks With 30mm Mounting Rails.	\$30.00	N
44303	1969	DASH HARNESS OPTIONAL ITEM-DUAL RELAY ADAPTER KIT Includes Accessory Adapter With 30mm Mounting Rails, Relays, Terminals & Instruction Sheet Note: Used On Fuse Blocks With 30mm Mounting Rails.	\$30.00	N
44303	1970	DASH HARNESS OPTIONAL ITEM-DUAL RELAY ADAPTER KIT Includes Accessory Adapter With 30mm Mounting Rails, Relays, Terminals & Instruction Sheet Note: Used On Fuse Blocks With 30mm Mounting Rails.	\$30.00	N
44303	1971	DASH HARNESS OPTIONAL ITEM-DUAL RELAY ADAPTER KIT Includes Accessory Adapter With 30mm Mounting Rails, Relays, Terminals & Instruction Sheet Note: Used On Fuse Blocks With 30mm Mounting Rails.	\$30.00	N
44304	1958	DASH HARNESS OPTIONAL ITEM-DUAL RELAY ADAPTER KIT Includes Accessory Adapter With 40mm Mounting Rails, Relays, Terminals & Instruction Sheet Note: Used On Fuse Blocks With 40mm Mounting Rails.	\$30.00	N
44304	1959	DASH HARNESS OPTIONAL ITEM-DUAL RELAY ADAPTER KIT Includes Accessory Adapter With 40mm Mounting Rails, Relays, Terminals & Instruction Sheet Note: Used On Fuse Blocks With 40mm Mounting Rails.	\$30.00	N
44304	1960	DASH HARNESS OPTIONAL ITEM-DUAL RELAY ADAPTER KIT Includes Accessory Adapter With 40mm Mounting Rails, Relays, Terminals & Instruction Sheet Note: Used On Fuse Blocks With 40mm Mounting Rails.	\$30.00	N
44304	1961	DASH HARNESS OPTIONAL ITEM-DUAL RELAY ADAPTER KIT Includes Accessory Adapter With 40mm Mounting Rails, Relays, Terminals & Instruction Sheet Note: Used On Fuse Blocks With 40mm Mounting Rails.	\$30.00	N
44304	1962	DASH HARNESS OPTIONAL ITEM-DUAL RELAY ADAPTER KIT Includes Accessory Adapter With 40mm Mounting Rails, Relays, Terminals & Instruction Sheet Note: Used On Fuse Blocks With 40mm Mounting Rails.	\$30.00	N
44304	1963	DASH HARNESS OPTIONAL ITEM-DUAL RELAY ADAPTER KIT Includes Accessory Adapter With 40mm Mounting Rails, Relays, Terminals & Instruction Sheet Note: Used On Fuse Blocks With 40mm Mounting Rails.	\$30.00	N
44304	1964	DASH HARNESS OPTIONAL ITEM-DUAL RELAY ADAPTER KIT Includes Accessory Adapter With 40mm Mounting Rails, Relays, Terminals & Instruction Sheet Note: Used On Fuse Blocks With 40mm Mounting Rails.	\$30.00	N

Part Number	Year	Description	Price	*Rev.
44304	1965	DASH HARNESS OPTIONAL ITEM-DUAL RELAY ADAPTER KIT Includes Accessory Adapter With 40mm Mounting Rails, Relays, Terminals & Instruction Sheet Note: Used On Fuse Blocks With 40mm Mounting Rails.	\$30.00	N
44304	1966	DASH HARNESS OPTIONAL ITEM-DUAL RELAY ADAPTER KIT Includes Accessory Adapter With 40mm Mounting Rails, Relays, Terminals & Instruction Sheet Note: Used On Fuse Blocks With 40mm Mounting Rails.	\$30.00	N
44304	1967	DASH HARNESS OPTIONAL ITEM-DUAL RELAY ADAPTER KIT Includes Accessory Adapter With 40mm Mounting Rails, Relays, Terminals & Instruction Sheet Note: Used On Fuse Blocks With 40mm Mounting Rails.	\$30.00	N
44304	1968	DASH HARNESS OPTIONAL ITEM-DUAL RELAY ADAPTER KIT Includes Accessory Adapter With 40mm Mounting Rails, Relays, Terminals & Instruction Sheet Note: Used On Fuse Blocks With 40mm Mounting Rails.	\$30.00	N
44304	1969	DASH HARNESS OPTIONAL ITEM-DUAL RELAY ADAPTER KIT Includes Accessory Adapter With 40mm Mounting Rails, Relays, Terminals & Instruction Sheet Note: Used On Fuse Blocks With 40mm Mounting Rails.	\$30.00	N
44304	1970	DASH HARNESS OPTIONAL ITEM-DUAL RELAY ADAPTER KIT Includes Accessory Adapter With 40mm Mounting Rails, Relays, Terminals & Instruction Sheet Note: Used On Fuse Blocks With 40mm Mounting Rails.	\$30.00	N
44304	1971	DASH HARNESS OPTIONAL ITEM-DUAL RELAY ADAPTER KIT Includes Accessory Adapter With 40mm Mounting Rails, Relays, Terminals & Instruction Sheet Note: Used On Fuse Blocks With 40mm Mounting Rails.	\$30.00	N
44302	1958	DASH HARNESS OPTIONAL ITEM-FUSE BLOCK KIT, 4-WAY Includes 4-Way ATO Style Accessory Fuse Block With 30mm Mounting Rails, Terminal Buss Bars & Instruction Sheet Note: Used On Fuse Blocks With 30mm Mounting Rails.	\$22.00	N
44302	1959	DASH HARNESS OPTIONAL ITEM-FUSE BLOCK KIT, 4-WAY Includes 4-Way ATO Style Accessory Fuse Block With 30mm Mounting Rails, Terminal Buss Bars & Instruction Sheet Note: Used On Fuse Blocks With 30mm Mounting Rails.	\$22.00	N
44302	1960	DASH HARNESS OPTIONAL ITEM-FUSE BLOCK KIT, 4-WAY Includes 4-Way ATO Style Accessory Fuse Block With 30mm Mounting Rails, Terminal Buss Bars & Instruction Sheet Note: Used On Fuse Blocks With 30mm Mounting Rails.	\$22.00	N
44302	1961	DASH HARNESS OPTIONAL ITEM-FUSE BLOCK KIT, 4-WAY Includes 4-Way ATO Style Accessory Fuse Block With 30mm Mounting Rails, Terminal Buss Bars & Instruction Sheet Note: Used On Fuse Blocks With 30mm Mounting Rails.	\$22.00	N
44302	1962	DASH HARNESS OPTIONAL ITEM-FUSE BLOCK KIT, 4-WAY Includes 4-Way ATO Style Accessory Fuse Block With 30mm Mounting Rails, Terminal Buss Bars & Instruction Sheet Note: Used On Fuse Blocks With 30mm Mounting Rails.	\$22.00	N
44302	1963	DASH HARNESS OPTIONAL ITEM-FUSE BLOCK KIT, 4-WAY Includes 4-Way ATO Style Accessory Fuse Block With 30mm Mounting Rails, Terminal Buss Bars & Instruction Sheet Note: Used On Fuse Blocks With 30mm Mounting Rails.	\$22.00	N
44302	1964	DASH HARNESS OPTIONAL ITEM-FUSE BLOCK KIT, 4-WAY Includes 4-Way ATO Style Accessory Fuse Block With 30mm Mounting Rails, Terminal Buss Bars & Instruction Sheet Note: Used On Fuse Blocks With 30mm Mounting Rails.	\$22.00	N
44302	1965	DASH HARNESS OPTIONAL ITEM-FUSE BLOCK KIT, 4-WAY Includes 4-Way ATO Style Accessory Fuse Block With 30mm Mounting Rails, Terminal Buss Bars & Instruction Sheet Note: Used On Fuse Blocks With 30mm Mounting Rails.	\$22.00	N
44302	1966	DASH HARNESS OPTIONAL ITEM-FUSE BLOCK KIT, 4-WAY Includes 4-Way ATO Style Accessory Fuse Block With 30mm Mounting Rails, Terminal Buss Bars & Instruction Sheet Note: Used On Fuse Blocks With 30mm Mounting Rails.	\$22.00	N
44302	1967	DASH HARNESS OPTIONAL ITEM-FUSE BLOCK KIT, 4-WAY Includes 4-Way ATO Style Accessory Fuse Block With 30mm Mounting Rails, Terminal Buss Bars & Instruction Sheet Note: Used On Fuse Blocks With 30mm Mounting Rails.	\$22.00	N
44302	1968	DASH HARNESS OPTIONAL ITEM-FUSE BLOCK KIT, 4-WAY Includes 4-Way ATO Style Accessory Fuse Block With 30mm Mounting Rails, Terminal Buss Bars & Instruction Sheet Note: Used On Fuse Blocks With 30mm Mounting Rails.	\$22.00	N

Part Number	Year	Description	Price	*Rev.
44302	1969	DASH HARNESS OPTIONAL ITEM-FUSE BLOCK KIT, 4-WAY Includes 4-Way ATO Style Accessory Fuse Block With 30mm Mounting Rails, Terminal Buss Bars & Instruction Sheet Note: Used On Fuse Blocks With 30mm Mounting Rails.	\$22.00	N
44302	1970	DASH HARNESS OPTIONAL ITEM-FUSE BLOCK KIT, 4-WAY Includes 4-Way ATO Style Accessory Fuse Block With 30mm Mounting Rails, Terminal Buss Bars & Instruction Sheet Note: Used On Fuse Blocks With 30mm Mounting Rails.	\$22.00	N
44302	1971	DASH HARNESS OPTIONAL ITEM-FUSE BLOCK KIT, 4-WAY Includes 4-Way ATO Style Accessory Fuse Block With 30mm Mounting Rails, Terminal Buss Bars & Instruction Sheet Note: Used On Fuse Blocks With 30mm Mounting Rails.	\$22.00	N
44301	1958	DASH HARNESS OPTIONAL ITEM-FUSE BLOCK KIT, 4-WAY Includes 4-Way ATO Style Accessory Fuse Block With Stand Alone Mounting Legs, And 30mm Mounting Rails, Terminal Buss Note: Can Be Used As A Stand Alone Or On Fuse Blocks With 30mm Mounting Rails.	\$22.00	N
44301	1959	DASH HARNESS OPTIONAL ITEM-FUSE BLOCK KIT, 4-WAY Includes 4-Way ATO Style Accessory Fuse Block With Stand Alone Mounting Legs, And 30mm Mounting Rails, Terminal Buss Note: Can Be Used As A Stand Alone Or On Fuse Blocks With 30mm Mounting Rails.	\$22.00	N
44301	1960	DASH HARNESS OPTIONAL ITEM-FUSE BLOCK KIT, 4-WAY Includes 4-Way ATO Style Accessory Fuse Block With Stand Alone Mounting Legs, And 30mm Mounting Rails, Terminal Buss Note: Can Be Used As A Stand Alone Or On Fuse Blocks With 30mm Mounting Rails.	\$22.00	N
44301	1961	DASH HARNESS OPTIONAL ITEM-FUSE BLOCK KIT, 4-WAY Includes 4-Way ATO Style Accessory Fuse Block With Stand Alone Mounting Legs, And 30mm Mounting Rails, Terminal Buss Note: Can Be Used As A Stand Alone Or On Fuse Blocks With 30mm Mounting Rails.	\$22.00	N
44301	1962	DASH HARNESS OPTIONAL ITEM-FUSE BLOCK KIT, 4-WAY Includes 4-Way ATO Style Accessory Fuse Block With Stand Alone Mounting Legs, And 30mm Mounting Rails, Terminal Buss Note: Can Be Used As A Stand Alone Or On Fuse Blocks With 30mm Mounting Rails.	\$22.00	N
44301	1963	DASH HARNESS OPTIONAL ITEM-FUSE BLOCK KIT, 4-WAY Includes 4-Way ATO Style Accessory Fuse Block With Stand Alone Mounting Legs, And 30mm Mounting Rails, Terminal Buss Note: Can Be Used As A Stand Alone Or On Fuse Blocks With 30mm Mounting Rails.	\$22.00	N
44301	1964	DASH HARNESS OPTIONAL ITEM-FUSE BLOCK KIT, 4-WAY Includes 4-Way ATO Style Accessory Fuse Block With Stand Alone Mounting Legs, And 30mm Mounting Rails, Terminal Buss Note: Can Be Used As A Stand Alone Or On Fuse Blocks With 30mm Mounting Rails.	\$22.00	N
44301	1965	DASH HARNESS OPTIONAL ITEM-FUSE BLOCK KIT, 4-WAY Includes 4-Way ATO Style Accessory Fuse Block With Stand Alone Mounting Legs, And 30mm Mounting Rails, Terminal Buss Note: Can Be Used As A Stand Alone Or On Fuse Blocks With 30mm Mounting Rails.	\$22.00	N
44301	1966	DASH HARNESS OPTIONAL ITEM-FUSE BLOCK KIT, 4-WAY Includes 4-Way ATO Style Accessory Fuse Block With Stand Alone Mounting Legs, And 30mm Mounting Rails, Terminal Buss Note: Can Be Used As A Stand Alone Or On Fuse Blocks With 30mm Mounting Rails.	\$22.00	N
44301	1967	DASH HARNESS OPTIONAL ITEM-FUSE BLOCK KIT, 4-WAY Includes 4-Way ATO Style Accessory Fuse Block With Stand Alone Mounting Legs, And 30mm Mounting Rails, Terminal Buss Note: Can Be Used As A Stand Alone Or On Fuse Blocks With 30mm Mounting Rails.	\$22.00	N
44301	1968	DASH HARNESS OPTIONAL ITEM-FUSE BLOCK KIT, 4-WAY Includes 4-Way ATO Style Accessory Fuse Block With Stand Alone Mounting Legs, And 30mm Mounting Rails, Terminal Buss Note: Can Be Used As A Stand Alone Or On Fuse Blocks With 30mm Mounting Rails.	\$22.00	N
44301	1969	DASH HARNESS OPTIONAL ITEM-FUSE BLOCK KIT, 4-WAY Includes 4-Way ATO Style Accessory Fuse Block With Stand Alone Mounting Legs, And 30mm Mounting Rails, Terminal Buss Note: Can Be Used As A Stand Alone Or On Fuse Blocks With 30mm Mounting Rails.	\$22.00	N
44301	1970	DASH HARNESS OPTIONAL ITEM-FUSE BLOCK KIT, 4-WAY Includes 4-Way ATO Style Accessory Fuse Block With Stand Alone Mounting Legs, And 30mm Mounting Rails, Terminal Buss Note: Can Be Used As A Stand Alone Or On Fuse Blocks With 30mm Mounting Rails.	\$22.00	N
44301	1971	DASH HARNESS OPTIONAL ITEM-FUSE BLOCK KIT, 4-WAY Includes 4-Way ATO Style Accessory Fuse Block With Stand Alone Mounting Legs, And 30mm Mounting Rails, Terminal Buss Note: Can Be Used As A Stand Alone Or On Fuse Blocks With 30mm Mounting Rails.	\$22.00	N
44307	1958	DASH HARNESS OPTIONAL ITEM-JUNCTION BLOCK & CONNECTOR KIT Includes 5-Way Accessory Block With 30mm Mounting Rails, 5 Female Connectors, Terminals, & Instruction Sheet Note: Used On Fuse Blocks With 30mm Mounting Rails.	\$47.00	N

Part Number	Year	Description	Price	*Rev.
44307	1959	DASH HARNESS OPTIONAL ITEM-JUNCTION BLOCK & CONNECTOR KIT Includes 5-Way Accessory Block With 30mm Mounting Rails, 5 Female Connectors, Terminals, & Instruction Sheet Note: Used On Fuse Blocks With 30mm Mounting Rails.	\$47.00	N
44307	1960	DASH HARNESS OPTIONAL ITEM-JUNCTION BLOCK & CONNECTOR KIT Includes 5-Way Accessory Block With 30mm Mounting Rails, 5 Female Connectors, Terminals, & Instruction Sheet Note: Used On Fuse Blocks With 30mm Mounting Rails.	\$47.00	N
44307	1961	DASH HARNESS OPTIONAL ITEM-JUNCTION BLOCK & CONNECTOR KIT Includes 5-Way Accessory Block With 30mm Mounting Rails, 5 Female Connectors, Terminals, & Instruction Sheet Note: Used On Fuse Blocks With 30mm Mounting Rails.	\$47.00	N
44307	1962	DASH HARNESS OPTIONAL ITEM-JUNCTION BLOCK & CONNECTOR KIT Includes 5-Way Accessory Block With 30mm Mounting Rails, 5 Female Connectors, Terminals, & Instruction Sheet Note: Used On Fuse Blocks With 30mm Mounting Rails.	\$47.00	N
44307	1963	DASH HARNESS OPTIONAL ITEM-JUNCTION BLOCK & CONNECTOR KIT Includes 5-Way Accessory Block With 30mm Mounting Rails, 5 Female Connectors, Terminals, & Instruction Sheet Note: Used On Fuse Blocks With 30mm Mounting Rails.	\$47.00	N
44307	1964	DASH HARNESS OPTIONAL ITEM-JUNCTION BLOCK & CONNECTOR KIT Includes 5-Way Accessory Block With 30mm Mounting Rails, 5 Female Connectors, Terminals, & Instruction Sheet Note: Used On Fuse Blocks With 30mm Mounting Rails.	\$47.00	N
44307	1965	DASH HARNESS OPTIONAL ITEM-JUNCTION BLOCK & CONNECTOR KIT Includes 5-Way Accessory Block With 30mm Mounting Rails, 5 Female Connectors, Terminals, & Instruction Sheet Note: Used On Fuse Blocks With 30mm Mounting Rails.	\$47.00	N
44307	1966	DASH HARNESS OPTIONAL ITEM-JUNCTION BLOCK & CONNECTOR KIT Includes 5-Way Accessory Block With 30mm Mounting Rails, 5 Female Connectors, Terminals, & Instruction Sheet Note: Used On Fuse Blocks With 30mm Mounting Rails.	\$47.00	N
44307	1967	DASH HARNESS OPTIONAL ITEM-JUNCTION BLOCK & CONNECTOR KIT Includes 5-Way Accessory Block With 30mm Mounting Rails, 5 Female Connectors, Terminals, & Instruction Sheet Note: Used On Fuse Blocks With 30mm Mounting Rails.	\$47.00	N
44307	1968	DASH HARNESS OPTIONAL ITEM-JUNCTION BLOCK & CONNECTOR KIT Includes 5-Way Accessory Block With 30mm Mounting Rails, 5 Female Connectors, Terminals, & Instruction Sheet Note: Used On Fuse Blocks With 30mm Mounting Rails.	\$47.00	N
44307	1969	DASH HARNESS OPTIONAL ITEM-JUNCTION BLOCK & CONNECTOR KIT Includes 5-Way Accessory Block With 30mm Mounting Rails, 5 Female Connectors, Terminals, & Instruction Sheet Note: Used On Fuse Blocks With 30mm Mounting Rails.	\$47.00	N
44307	1970	DASH HARNESS OPTIONAL ITEM-JUNCTION BLOCK & CONNECTOR KIT Includes 5-Way Accessory Block With 30mm Mounting Rails, 5 Female Connectors, Terminals, & Instruction Sheet Note: Used On Fuse Blocks With 30mm Mounting Rails.	\$47.00	N
44307	1971	DASH HARNESS OPTIONAL ITEM-JUNCTION BLOCK & CONNECTOR KIT Includes 5-Way Accessory Block With 30mm Mounting Rails, 5 Female Connectors, Terminals, & Instruction Sheet Note: Used On Fuse Blocks With 30mm Mounting Rails.	\$47.00	N
44306	1958	DASH HARNESS OPTIONAL ITEM-JUNCTION BLOCK & CONNECTOR KIT Includes 5-Way Accessory Block With 40mm Mounting Rails, 5 Female Connectors, Terminals, & Instruction Sheet Note: Used On Fuse Blocks With 40mm Mounting Rails.	\$47.00	N
44306	1959	DASH HARNESS OPTIONAL ITEM-JUNCTION BLOCK & CONNECTOR KIT Includes 5-Way Accessory Block With 40mm Mounting Rails, 5 Female Connectors, Terminals, & Instruction Sheet Note: Used On Fuse Blocks With 40mm Mounting Rails.	\$47.00	N
44306	1960	DASH HARNESS OPTIONAL ITEM-JUNCTION BLOCK & CONNECTOR KIT Includes 5-Way Accessory Block With 40mm Mounting Rails, 5 Female Connectors, Terminals, & Instruction Sheet Note: Used On Fuse Blocks With 40mm Mounting Rails.	\$47.00	N
44306	1961	DASH HARNESS OPTIONAL ITEM-JUNCTION BLOCK & CONNECTOR KIT Includes 5-Way Accessory Block With 40mm Mounting Rails, 5 Female Connectors, Terminals, & Instruction Sheet Note: Used On Fuse Blocks With 40mm Mounting Rails.	\$47.00	N
44306	1962	DASH HARNESS OPTIONAL ITEM-JUNCTION BLOCK & CONNECTOR KIT Includes 5-Way Accessory Block With 40mm Mounting Rails, 5 Female Connectors, Terminals, & Instruction Sheet Note: Used On Fuse Blocks With 40mm Mounting Rails.	\$47.00	N

Part Number	Year	Description	Price	*Rev.
44306	1963	DASH HARNESS OPTIONAL ITEM-JUNCTION BLOCK & CONNECTOR KIT Includes 5-Way Accessory Block With 40mm Mounting Rails, 5 Female Connectors, Terminals, & Instruction Sheet Note: Used On Fuse Blocks With 40mm Mounting Rails.	\$47.00	N
44306	1964	DASH HARNESS OPTIONAL ITEM-JUNCTION BLOCK & CONNECTOR KIT Includes 5-Way Accessory Block With 40mm Mounting Rails, 5 Female Connectors, Terminals, & Instruction Sheet Note: Used On Fuse Blocks With 40mm Mounting Rails.	\$47.00	N
44306	1965	DASH HARNESS OPTIONAL ITEM-JUNCTION BLOCK & CONNECTOR KIT Includes 5-Way Accessory Block With 40mm Mounting Rails, 5 Female Connectors, Terminals, & Instruction Sheet Note: Used On Fuse Blocks With 40mm Mounting Rails.	\$47.00	N
44306	1966	DASH HARNESS OPTIONAL ITEM-JUNCTION BLOCK & CONNECTOR KIT Includes 5-Way Accessory Block With 40mm Mounting Rails, 5 Female Connectors, Terminals, & Instruction Sheet Note: Used On Fuse Blocks With 40mm Mounting Rails.	\$47.00	N
44306	1967	DASH HARNESS OPTIONAL ITEM-JUNCTION BLOCK & CONNECTOR KIT Includes 5-Way Accessory Block With 40mm Mounting Rails, 5 Female Connectors, Terminals, & Instruction Sheet Note: Used On Fuse Blocks With 40mm Mounting Rails.	\$47.00	N
44306	1968	DASH HARNESS OPTIONAL ITEM-JUNCTION BLOCK & CONNECTOR KIT Includes 5-Way Accessory Block With 40mm Mounting Rails, 5 Female Connectors, Terminals, & Instruction Sheet Note: Used On Fuse Blocks With 40mm Mounting Rails.	\$47.00	N
44306	1969	DASH HARNESS OPTIONAL ITEM-JUNCTION BLOCK & CONNECTOR KIT Includes 5-Way Accessory Block With 40mm Mounting Rails, 5 Female Connectors, Terminals, & Instruction Sheet Note: Used On Fuse Blocks With 40mm Mounting Rails.	\$47.00	N
44306	1970	DASH HARNESS OPTIONAL ITEM-JUNCTION BLOCK & CONNECTOR KIT Includes 5-Way Accessory Block With 40mm Mounting Rails, 5 Female Connectors, Terminals, & Instruction Sheet Note: Used On Fuse Blocks With 40mm Mounting Rails.	\$47.00	N
44306	1971	DASH HARNESS OPTIONAL ITEM-JUNCTION BLOCK & CONNECTOR KIT Includes 5-Way Accessory Block With 40mm Mounting Rails, 5 Female Connectors, Terminals, & Instruction Sheet Note: Used On Fuse Blocks With 40mm Mounting Rails.	\$47.00	N
44801	1958	DASH HARNESS OPTIONAL ITEM-SPARE FUSE HOLDER Includes Accessory Spare Fuse Holder With 30mm Mounting Rails & Instruction Sheet Note: Used On Fuse Blocks With 30mm Mounting Rails.	\$12.00	N
44801	1959	DASH HARNESS OPTIONAL ITEM-SPARE FUSE HOLDER Includes Accessory Spare Fuse Holder With 30mm Mounting Rails & Instruction Sheet Note: Used On Fuse Blocks With 30mm Mounting Rails.	\$12.00	N
44801	1960	DASH HARNESS OPTIONAL ITEM-SPARE FUSE HOLDER Includes Accessory Spare Fuse Holder With 30mm Mounting Rails & Instruction Sheet Note: Used On Fuse Blocks With 30mm Mounting Rails.	\$12.00	N
44801	1961	DASH HARNESS OPTIONAL ITEM-SPARE FUSE HOLDER Includes Accessory Spare Fuse Holder With 30mm Mounting Rails & Instruction Sheet Note: Used On Fuse Blocks With 30mm Mounting Rails.	\$12.00	N
44801	1962	DASH HARNESS OPTIONAL ITEM-SPARE FUSE HOLDER Includes Accessory Spare Fuse Holder With 30mm Mounting Rails & Instruction Sheet Note: Used On Fuse Blocks With 30mm Mounting Rails.	\$12.00	N
44801	1963	DASH HARNESS OPTIONAL ITEM-SPARE FUSE HOLDER Includes Accessory Spare Fuse Holder With 30mm Mounting Rails & Instruction Sheet Note: Used On Fuse Blocks With 30mm Mounting Rails.	\$12.00	N
44801	1964	DASH HARNESS OPTIONAL ITEM-SPARE FUSE HOLDER Includes Accessory Spare Fuse Holder With 30mm Mounting Rails & Instruction Sheet Note: Used On Fuse Blocks With 30mm Mounting Rails.	\$12.00	N
44801	1965	DASH HARNESS OPTIONAL ITEM-SPARE FUSE HOLDER Includes Accessory Spare Fuse Holder With 30mm Mounting Rails & Instruction Sheet Note: Used On Fuse Blocks With 30mm Mounting Rails.	\$12.00	N
44801	1966	DASH HARNESS OPTIONAL ITEM-SPARE FUSE HOLDER Includes Accessory Spare Fuse Holder With 30mm Mounting Rails & Instruction Sheet Note: Used On Fuse Blocks With 30mm Mounting Rails.	\$12.00	N

Part Number	Year	Description	Price	*Rev.
44801	1967	DASH HARNESS OPTIONAL ITEM-SPARE FUSE HOLDER Includes Accessory Spare Fuse Holder With 30mm Mounting Rails & Instruction Sheet Note: Used On Fuse Blocks With 30mm Mounting Rails.	\$12.00	N
44801	1968	DASH HARNESS OPTIONAL ITEM-SPARE FUSE HOLDER Includes Accessory Spare Fuse Holder With 30mm Mounting Rails & Instruction Sheet Note: Used On Fuse Blocks With 30mm Mounting Rails.	\$12.00	N
44801	1969	DASH HARNESS OPTIONAL ITEM-SPARE FUSE HOLDER Includes Accessory Spare Fuse Holder With 30mm Mounting Rails & Instruction Sheet Note: Used On Fuse Blocks With 30mm Mounting Rails.	\$12.00	N
44801	1970	DASH HARNESS OPTIONAL ITEM-SPARE FUSE HOLDER Includes Accessory Spare Fuse Holder With 30mm Mounting Rails & Instruction Sheet Note: Used On Fuse Blocks With 30mm Mounting Rails.	\$12.00	N
44801	1971	DASH HARNESS OPTIONAL ITEM-SPARE FUSE HOLDER Includes Accessory Spare Fuse Holder With 30mm Mounting Rails & Instruction Sheet Note: Used On Fuse Blocks With 30mm Mounting Rails.	\$12.00	N
44800	1958	DASH HARNESS OPTIONAL ITEM-SPARE FUSE HOLDER Includes Accessory Spare Fuse Holder With 40mm Mounting Rails & Instruction Sheet Note: Used On Fuse Blocks With 40mm Mounting Rails.	\$12.00	N
44800	1959	DASH HARNESS OPTIONAL ITEM-SPARE FUSE HOLDER Includes Accessory Spare Fuse Holder With 40mm Mounting Rails & Instruction Sheet Note: Used On Fuse Blocks With 40mm Mounting Rails.	\$12.00	N
44800	1960	DASH HARNESS OPTIONAL ITEM-SPARE FUSE HOLDER Includes Accessory Spare Fuse Holder With 40mm Mounting Rails & Instruction Sheet Note: Used On Fuse Blocks With 40mm Mounting Rails.	\$12.00	N
44800	1961	DASH HARNESS OPTIONAL ITEM-SPARE FUSE HOLDER Includes Accessory Spare Fuse Holder With 40mm Mounting Rails & Instruction Sheet Note: Used On Fuse Blocks With 40mm Mounting Rails.	\$12.00	N
44800	1962	DASH HARNESS OPTIONAL ITEM-SPARE FUSE HOLDER Includes Accessory Spare Fuse Holder With 40mm Mounting Rails & Instruction Sheet Note: Used On Fuse Blocks With 40mm Mounting Rails.	\$12.00	N
44800	1963	DASH HARNESS OPTIONAL ITEM-SPARE FUSE HOLDER Includes Accessory Spare Fuse Holder With 40mm Mounting Rails & Instruction Sheet Note: Used On Fuse Blocks With 40mm Mounting Rails.	\$12.00	N
44800	1964	DASH HARNESS OPTIONAL ITEM-SPARE FUSE HOLDER Includes Accessory Spare Fuse Holder With 40mm Mounting Rails & Instruction Sheet Note: Used On Fuse Blocks With 40mm Mounting Rails.	\$12.00	N
44800	1965	DASH HARNESS OPTIONAL ITEM-SPARE FUSE HOLDER Includes Accessory Spare Fuse Holder With 40mm Mounting Rails & Instruction Sheet Note: Used On Fuse Blocks With 40mm Mounting Rails.	\$12.00	N
44800	1966	DASH HARNESS OPTIONAL ITEM-SPARE FUSE HOLDER Includes Accessory Spare Fuse Holder With 40mm Mounting Rails & Instruction Sheet Note: Used On Fuse Blocks With 40mm Mounting Rails.	\$12.00	N
44800	1967	DASH HARNESS OPTIONAL ITEM-SPARE FUSE HOLDER Includes Accessory Spare Fuse Holder With 40mm Mounting Rails & Instruction Sheet Note: Used On Fuse Blocks With 40mm Mounting Rails.	\$12.00	N
44800	1968	DASH HARNESS OPTIONAL ITEM-SPARE FUSE HOLDER Includes Accessory Spare Fuse Holder With 40mm Mounting Rails & Instruction Sheet Note: Used On Fuse Blocks With 40mm Mounting Rails.	\$12.00	N
44800	1969	DASH HARNESS OPTIONAL ITEM-SPARE FUSE HOLDER Includes Accessory Spare Fuse Holder With 40mm Mounting Rails & Instruction Sheet Note: Used On Fuse Blocks With 40mm Mounting Rails.	\$12.00	N
44800	1970	DASH HARNESS OPTIONAL ITEM-SPARE FUSE HOLDER Includes Accessory Spare Fuse Holder With 40mm Mounting Rails & Instruction Sheet Note: Used On Fuse Blocks With 40mm Mounting Rails.	\$12.00	N

Part Number	Year	Description	Price	*Rev.
44800	1971	DASH HARNESS OPTIONAL ITEM-SPARE FUSE HOLDER Includes Accessory Spare Fuse Holder With 40mm Mounting Rails & Instruction Sheet Note: Used On Fuse Blocks With 40mm Mounting Rails.	\$12.00	N
44800	1972	DASH HARNESS OPTIONAL ITEM-SPARE FUSE HOLDER Includes Accessory Spare Fuse Holder With 40mm Mounting Rails & Instruction Sheet Note: Used On Fuse Blocks With 40mm Mounting Rails.	\$12.00	N
44800	1973	DASH HARNESS OPTIONAL ITEM-SPARE FUSE HOLDER Includes Accessory Spare Fuse Holder With 40mm Mounting Rails & Instruction Sheet Note: Used On Fuse Blocks With 40mm Mounting Rails.	\$12.00	N
44800	1974	DASH HARNESS OPTIONAL ITEM-SPARE FUSE HOLDER Includes Accessory Spare Fuse Holder With 40mm Mounting Rails & Instruction Sheet Note: Used On Fuse Blocks With 40mm Mounting Rails.	\$12.00	N
44800	1975	DASH HARNESS OPTIONAL ITEM-SPARE FUSE HOLDER Includes Accessory Spare Fuse Holder With 40mm Mounting Rails & Instruction Sheet Note: Used On Fuse Blocks With 40mm Mounting Rails.	\$12.00	N
44800	1976	DASH HARNESS OPTIONAL ITEM-SPARE FUSE HOLDER Includes Accessory Spare Fuse Holder With 40mm Mounting Rails & Instruction Sheet Note: Used On Fuse Blocks With 40mm Mounting Rails.	\$12.00	N
44800	1977	DASH HARNESS OPTIONAL ITEM-SPARE FUSE HOLDER Includes Accessory Spare Fuse Holder With 40mm Mounting Rails & Instruction Sheet Note: Used On Fuse Blocks With 40mm Mounting Rails.	\$12.00	N
44800	1978	DASH HARNESS OPTIONAL ITEM-SPARE FUSE HOLDER Includes Accessory Spare Fuse Holder With 40mm Mounting Rails & Instruction Sheet Note: Used On Fuse Blocks With 40mm Mounting Rails.	\$12.00	N
44800	1979	DASH HARNESS OPTIONAL ITEM-SPARE FUSE HOLDER Includes Accessory Spare Fuse Holder With 40mm Mounting Rails & Instruction Sheet Note: Used On Fuse Blocks With 40mm Mounting Rails.	\$12.00	N
44800	1980	DASH HARNESS OPTIONAL ITEM-SPARE FUSE HOLDER Includes Accessory Spare Fuse Holder With 40mm Mounting Rails & Instruction Sheet Note: Used On Fuse Blocks With 40mm Mounting Rails.	\$12.00	N
44800	1981	DASH HARNESS OPTIONAL ITEM-SPARE FUSE HOLDER Includes Accessory Spare Fuse Holder With 40mm Mounting Rails & Instruction Sheet Note: Used On Fuse Blocks With 40mm Mounting Rails.	\$12.00	N
44800	1982	DASH HARNESS OPTIONAL ITEM-SPARE FUSE HOLDER Includes Accessory Spare Fuse Holder With 40mm Mounting Rails & Instruction Sheet Note: Used On Fuse Blocks With 40mm Mounting Rails.	\$12.00	N
44800	1983	DASH HARNESS OPTIONAL ITEM-SPARE FUSE HOLDER Includes Accessory Spare Fuse Holder With 40mm Mounting Rails & Instruction Sheet Note: Used On Fuse Blocks With 40mm Mounting Rails.	\$12.00	N
44800	1984	DASH HARNESS OPTIONAL ITEM-SPARE FUSE HOLDER Includes Accessory Spare Fuse Holder With 40mm Mounting Rails & Instruction Sheet Note: Used On Fuse Blocks With 40mm Mounting Rails.	\$12.00	N
44800	1985	DASH HARNESS OPTIONAL ITEM-SPARE FUSE HOLDER Includes Accessory Spare Fuse Holder With 40mm Mounting Rails & Instruction Sheet Note: Used On Fuse Blocks With 40mm Mounting Rails.	\$12.00	N
44800	1986	DASH HARNESS OPTIONAL ITEM-SPARE FUSE HOLDER Includes Accessory Spare Fuse Holder With 40mm Mounting Rails & Instruction Sheet Note: Used On Fuse Blocks With 40mm Mounting Rails.	\$12.00	N
44800	1987	DASH HARNESS OPTIONAL ITEM-SPARE FUSE HOLDER Includes Accessory Spare Fuse Holder With 40mm Mounting Rails & Instruction Sheet Note: Used On Fuse Blocks With 40mm Mounting Rails.	\$12.00	N
44800	1988	DASH HARNESS OPTIONAL ITEM-SPARE FUSE HOLDER Includes Accessory Spare Fuse Holder With 40mm Mounting Rails & Instruction Sheet Note: Used On Fuse Blocks With 40mm Mounting Rails.	\$12.00	N

Part Number	Year	Description	Price	*Rev.
44800	1989	DASH HARNESS OPTIONAL ITEM-SPARE FUSE HOLDER Includes Accessory Spare Fuse Holder With 40mm Mounting Rails & Instruction Sheet Note: Used On Fuse Blocks With 40mm Mounting Rails.	\$12.00	N
44800	1990	DASH HARNESS OPTIONAL ITEM-SPARE FUSE HOLDER Includes Accessory Spare Fuse Holder With 40mm Mounting Rails & Instruction Sheet Note: Used On Fuse Blocks With 40mm Mounting Rails.	\$12.00	N
DISTRIBUTOR WIRE				
36057	1958	DISTRIBUTOR WIRE Distributor Points To Coil Negative Terminal, V/8 Note: Fits All GM V/8 Points Type Distributors From Approx. 1957 To 1974.	\$21.00	
36057	1959	DISTRIBUTOR WIRE Distributor Points To Coil Negative Terminal, V/8 Note: Fits All GM V/8 Points Type Distributors From Approx. 1957 To 1974.	\$21.00	
36057	1960	DISTRIBUTOR WIRE Distributor Points To Coil Negative Terminal, V/8 Note: Fits All GM V/8 Points Type Distributors From Approx. 1957 To 1974.	\$21.00	
36057	1961	DISTRIBUTOR WIRE Distributor Points To Coil Negative Terminal, V/8 Note: Fits All GM V/8 Points Type Distributors From Approx. 1957 To 1974.	\$21.00	
36057	1962	DISTRIBUTOR WIRE Distributor Points To Coil Negative Terminal, V/8 Note: Fits All GM V/8 Points Type Distributors From Approx. 1957 To 1974.	\$21.00	
36057	1963	DISTRIBUTOR WIRE Distributor Points To Coil Negative Terminal, V/8 Note: Fits All GM V/8 Points Type Distributors From Approx. 1957 To 1974.	\$21.00	
36057	1964	DISTRIBUTOR WIRE Distributor Points To Coil Negative Terminal, V/8 Note: Fits All GM V/8 Points Type Distributors From Approx. 1957 To 1974.	\$21.00	
36057	1965	DISTRIBUTOR WIRE Distributor Points To Coil Negative Terminal, V/8 Note: Fits All GM V/8 Points Type Distributors From Approx. 1957 To 1974.	\$21.00	
36057	1966	DISTRIBUTOR WIRE Distributor Points To Coil Negative Terminal, V/8 Note: Fits All GM V/8 Points Type Distributors From Approx. 1957 To 1974.	\$21.00	
36057	1967	DISTRIBUTOR WIRE Distributor Points To Coil Negative Terminal, V/8 Note: Fits All GM V/8 Points Type Distributors From Approx. 1957 To 1974.	\$21.00	
36057	1968	DISTRIBUTOR WIRE Distributor Points To Coil Negative Terminal, V/8 Note: Fits All GM V/8 Points Type Distributors From Approx. 1957 To 1974.	\$21.00	
36057	1969	DISTRIBUTOR WIRE Distributor Points To Coil Negative Terminal, V/8 Note: Fits All GM V/8 Points Type Distributors From Approx. 1957 To 1974.	\$21.00	
36057	1970	DISTRIBUTOR WIRE Distributor Points To Coil Negative Terminal, V/8 Note: Fits All GM V/8 Points Type Distributors From Approx. 1957 To 1974.	\$21.00	
36057	1971	DISTRIBUTOR WIRE Distributor Points To Coil Negative Terminal, V/8 Note: Fits All GM V/8 Points Type Distributors From Approx. 1957 To 1974.	\$21.00	
36057	1972	DISTRIBUTOR WIRE Distributor Points To Coil Negative Terminal, V/8 Note: Fits All GM V/8 Points Type Distributors From Approx. 1957 To 1974.	\$21.00	
36057	1973	DISTRIBUTOR WIRE Distributor Points To Coil Negative Terminal, V/8 Note: Fits All GM V/8 Points Type Distributors From Approx. 1957 To 1974.	\$21.00	
36057	1974	DISTRIBUTOR WIRE Distributor Points To Coil Negative Terminal, V/8 Note: Fits All GM V/8 Points Type Distributors From Approx. 1957 To 1974.	\$21.00	
DOME LAMP HARNESS				
08490	1958	DOME LAMP HARNESS Belair & Biscayne 2 Door Sedan & Belair Sport Coupe	\$40.00	
08490	1958	DOME LAMP HARNESS Delray 2 Door Sedan & Utility Sedan	\$40.00	
38129	1958	DOME LAMP HARNESS Impala, 2 Door Hardtop	\$57.00	
32400	1959	DOME LAMP FEED AND GROUND All Wagons	\$51.00	
DOOR AJAR WARNING LAMP HARNESS				
38415	1963	DOOR AJAR WARNING LAMP HARNESS Taxi Cab Or Conventional Vehicles Note: Does Not Include Bracket Or Bezel For Lamp Socket.	\$40.00	

Part Number	Year	Description	Price	*Rev.
DOOR JAMB SWITCH				
04826444	1958	DOOR JAMB SWITCH	\$22.00	N
04826444	1959	DOOR JAMB SWITCH	\$22.00	N
04826444	1960	DOOR JAMB SWITCH	\$22.00	N
04826444	1961	DOOR JAMB SWITCH	\$22.00	N
04826444	1962	DOOR JAMB SWITCH	\$22.00	N
ENGINE HARNESS				
02685	1958	ENGINE HARNESS 6 Cylinder, Auto Trans Note: 6 Cylinder Items Are Not Returnable.	\$144.00	
02680	1958	ENGINE HARNESS 6 Cylinder, Manual Trans Note: 6 Cylinder Items Are Not Returnable.	\$144.00	
19450	1958	ENGINE HARNESS V/8, 283 C.I., Auto Trans	\$122.00	
38985	1958	ENGINE HARNESS-HEI V/8, 283 C.I., Auto Trans Note: This Harness Is Modified For Use With An HEI Distributor.	\$147.00	
02760	1958	ENGINE HARNESS V/8, 283 C.I., Auto Trans, With Fuel Injection	\$161.00	
02690	1958	ENGINE HARNESS V/8, 283 C.I., Manual Trans	\$138.00	
39141	1958	ENGINE HARNESS-HEI V/8, 283 C.I., Manual Trans Note: This Harness Is Modified For Use With An HEI Distributor.	\$161.00	
02755	1958	ENGINE HARNESS V/8, 283 C.I., Manual Trans, With Fuel Injection	\$138.00	
02770	1958	ENGINE HARNESS V/8, 348 C.I.,Auto Trans *Requires Starter Motor Extension #02775	\$117.00	
39078	1958	ENGINE HARNESS-HEI V/8, 348 C.I.,Auto Trans *Requires Starter Motor Extension #02775 Note: This Harness Is Modified For Use With An HEI Distributor.	\$147.00	
02765	1958	ENGINE HARNESS V/8, 348 C.I.,Manual Trans *Requires Starter Motor Extension #02775	\$122.00	
39142	1958	ENGINE HARNESS-HEI V/8, 348 C.I.,Manual Trans *Requires Starter Motor Extension #02775 Note: This Harness Is Modified For Use With An HEI Distributor.	\$147.00	
02985	1959	ENGINE HARNESS 6 Cylinder Note: 6 Cylinder Items Are Not Returnable.	\$136.00	
02855	1959	ENGINE HARNESS V/8, 283 C.I.	\$117.00	
39032	1959	ENGINE HARNESS-HEI V/8, 283 C.I. Note: This Harness Is Modified For Use With An HEI Distributor.	\$147.00	
02865	1959	ENGINE HARNESS V/8, 283 C.I., With Fuel Injection	\$138.00	
02860	1959	ENGINE HARNESS V/8, 348 C.I.	\$117.00	
39055	1959	ENGINE HARNESS-HEI V/8, 348 C.I. Note: This Harness Is Modified For Use With An HEI Distributor.	\$147.00	
02895	1959	ENGINE HARNESS V/8, 348 C.I., Special High Performance 3 X 2 Bbl	\$117.00	
39238	1959	ENGINE HARNESS-HEI V/8, 348 C.I., Special High Performance 3 X 2 Bbl Note: This Harness Is Modified For Use With An HEI Distributor.	\$147.00	
28650	1959	ENGINE HARNESS V/8, Right Hand Drive	\$147.00	
03190	1960	ENGINE HARNESS 6 Cylinder Note: 6 Cylinder Items Are Not Returnable.	\$144.00	
03280	1960	ENGINE HARNESS V/8	\$117.00	
38986	1960	ENGINE HARNESS-HEI V/8 Note: This Harness Is Modified For Use With An HEI Distributor.	\$147.00	
03185	1960	ENGINE HARNESS V/8, 348 C.I.	\$117.00	

Part Number	Year	Description	Price	*Rev.
39056	1960	ENGINE HARNESS-HEI V/8, 348 C.I. Note: This Harness Is Modified For Use With An HEI Distributor.	\$147.00	
02895	1960	ENGINE HARNESS V/8, 348 C.I., Special High Performance 3 X 2 Bbl	\$117.00	
39238	1960	ENGINE HARNESS-HEI V/8, 348 C.I., Special High Performance 3 X 2 Bbl Note: This Harness Is Modified For Use With An HEI Distributor.	\$147.00	
03740	1961	ENGINE HARNESS 6 Cylinder Note: 6 Cylinder Items Are Not Returnable.	\$159.00	
03745	1961	ENGINE HARNESS V/8, 283 C.I.	\$122.00	
38979	1961	ENGINE HARNESS-HEI V/8, 283 C.I. Note: This Harness Is Modified For Use With An HEI Distributor.	\$147.00	
03750	1961	ENGINE HARNESS V/8, 348 C.I.	\$122.00	
39046	1961	ENGINE HARNESS-HEI V/8, 348 C.I. Note: This Harness Is Modified For Use With An HEI Distributor.	\$147.00	
03755	1961	ENGINE HARNESS V/8, 348 & 409 C.I., Special High Performance 3 X 2 Bbl	\$122.00	
39177	1961	ENGINE HARNESS-HEI V/8, 348 & 409 C.I., Special High Performance 3 X 2 Bbl Note: This Harness Is Modified For Use With An HEI Distributor.	\$147.00	
03670	1962	ENGINE HARNESS 6 Cylinder Note: 6 Cylinder Items Are Not Returnable.	\$159.00	
03665	1962	ENGINE HARNESS V/8, 283 & 327 C.I.	\$122.00	
38952	1962	ENGINE HARNESS-HEI V/8, 283 & 327 C.I. Note: This Harness Is Modified For Use With An HEI Distributor.	\$147.00	
03675	1962	ENGINE HARNESS V/8, 409 C.I.	\$122.00	
39013	1962	ENGINE HARNESS-HEI V/8, 409 C.I. Note: This Harness Is Modified For Use With An HEI Distributor.	\$147.00	
04280	1963	ENGINE HARNESS 6 Cylinder Note: 6 Cylinder Items Are Not Returnable.	\$159.00	
04285	1963	ENGINE HARNESS V/8, 283 & 327 C.I.	\$122.00	
38949	1963	ENGINE HARNESS-HEI V/8, 283 & 327 C.I. Note: This Harness Is Modified For Use With An HEI Distributor.	\$147.00	
04290	1963	ENGINE HARNESS V/8, 409 C.I.	\$122.00	
39033	1963	ENGINE HARNESS-HEI V/8, 409 C.I. Note: This Harness Is Modified For Use With An HEI Distributor.	\$147.00	
05620	1964	ENGINE HARNESS 6 Cylinder Note: 6 Cylinder Items Are Not Returnable.	\$159.00	
05625	1964	ENGINE HARNESS V/8, 283 & 327 C.I.	\$122.00	
38941	1964	ENGINE HARNESS-HEI V/8, 283 & 327 C.I. Note: This Harness Is Modified For Use With An HEI Distributor.	\$153.00	
05630	1964	ENGINE HARNESS V/8, 409 C.I.	\$130.00	
39112	1964	ENGINE HARNESS-HEI V/8, 409 C.I. Note: This Harness Is Modified For Use With An HEI Distributor.	\$153.00	
06020	1965	ENGINE HARNESS 6 Cylinder Note: 6 Cylinder Items Are Not Returnable.	\$191.00	
09295	1965	ENGINE HARNESS 6 Cylinder, With Incorporated A/C Note: 6 Cylinder Items Are Not Returnable.	\$272.00	
06030	1965	ENGINE HARNESS 6 Cylinder, With Gauges Note: 6 Cylinder Items Are Not Returnable.	\$191.00	
09305	1965	ENGINE HARNESS 6 Cylinder, With Gauges & Incorporated A/C Note: 6 Cylinder Items Are Not Returnable.	\$240.00	
06025	1965	ENGINE HARNESS V/8, 283 & 327 C.I.	\$153.00	

Part Number	Year	Description	Price	*Rev.
39047	1965	ENGINE HARNESS-HEI V/8, 283 & 327 C.I. Note: This Harness Is Modified For Use With An HEI Distributor.	\$183.00	
09300	1965	ENGINE HARNESS V/8, 283 & 327 C.I. With Incorporated A/C Note: A/C Wiring Is Incorporated Into The Dash And Engine Harnesses.	\$260.00	
39024	1965	ENGINE HARNESS-HEI V/8, 283 & 327 C.I. With Incorporated A/C Note: This Harness Is Modified For Use With An HEI Distributor. A/C Wiring Is Incorporated Into The Dash And Engine Harnesses.	\$282.00	
06035	1965	ENGINE HARNESS V/8, 283 & 327 C.I. With Gauges	\$153.00	
39035	1965	ENGINE HARNESS-HEI V/8, 283 & 327 C.I. With Gauges Note: This Harness Is Modified For Use With An HEI Distributor.	\$183.00	
09310	1965	ENGINE HARNESS V/8, 283 & 327 C.I. With Gauges & Incorporated A/C Note: A/C Wiring Is Incorporated Into The Dash And Engine Harnesses.	\$260.00	
39097	1965	ENGINE HARNESS-HEI V/8, 283 & 327 C.I. With Gauges & Incorporated A/C Note: This Harness Is Modified For Use With An HEI Distributor. A/C Wiring Is Incorporated Into The Dash And Engine Harnesses.	\$282.00	
09380	1965	ENGINE HARNESS V/8, 396 C.I.	\$170.00	
39143	1965	ENGINE HARNESS-HEI V/8, 396 C.I. Note: This Harness Is Modified For Use With An HEI Distributor.	\$191.00	
09390	1965	ENGINE HARNESS V/8, 396 C.I. With Incorporated A/C Note: A/C Wiring Is Incorporated Into The Dash And Engine Harnesses.	\$260.00	
39240	1965	ENGINE HARNESS-HEI V/8, 396 C.I. With Incorporated A/C Note: This Harness Is Modified For Use With An HEI Distributor. A/C Wiring Is Incorporated Into The Dash And Engine Harnesses.	\$282.00	
09385	1965	ENGINE HARNESS V/8, 396 C.I. With Gauges	\$153.00	
39113	1965	ENGINE HARNESS-HEI V/8, 396 C.I. With Gauges Note: This Harness Is Modified For Use With An HEI Distributor.	\$183.00	
09395	1965	ENGINE HARNESS V/8, 396 C.I. With Gauges & Incorporated A/C Note: A/C Wiring Is Incorporated Into The Dash And Engine Harnesses.	\$229.00	
39098	1965	ENGINE HARNESS-HEI V/8, 396 C.I. With Gauges & Incorporated A/C Note: This Harness Is Modified For Use With An HEI Distributor. A/C Wiring Is Incorporated Into The Dash And Engine Harnesses.	\$252.00	
19465	1965	ENGINE HARNESS V/8, 409 C.I.	\$183.00	
39241	1965	ENGINE HARNESS-HEI V/8, 409 C.I. Note: This Harness Is Modified For Use With An HEI Distributor.	\$207.00	
19470	1965	ENGINE HARNESS V/8, 409 C.I. With Incorporated A/C Note: A/C Wiring Is Incorporated Into The Dash And Engine Harnesses.	\$260.00	
39239	1965	ENGINE HARNESS-HEI V/8, 409 C.I. With Incorporated A/C Note: This Harness Is Modified For Use With An HEI Distributor. A/C Wiring Is Incorporated Into The Dash And Engine Harnesses.	\$282.00	
19455	1965	ENGINE HARNESS V/8, 409 C.I. With Gauges	\$183.00	
39181	1965	ENGINE HARNESS-HEI V/8, 409 C.I. With Gauges Note: This Harness Is Modified For Use With An HEI Distributor.	\$207.00	
19460	1965	ENGINE HARNESS V/8, 409 C.I. With Gauges & Incorporated A/C Note: A/C Wiring Is Incorporated Into The Dash And Engine Harnesses.	\$260.00	
39180	1965	ENGINE HARNESS-HEI V/8, 409 C.I. With Gauges & Incorporated A/C Note: This Harness Is Modified For Use With An HEI Distributor. A/C Wiring Is Incorporated Into The Dash And Engine Harnesses.	\$282.00	
06020	1966	ENGINE HARNESS 6 Cylinder Note: 6 Cylinder Items Are Not Returnable.	\$191.00	
09295	1966	ENGINE HARNESS 6 Cylinder, With Incorporated A/C Note: 6 Cylinder Items Are Not Returnable.	\$272.00	
06030	1966	ENGINE HARNESS 6 Cylinder, With Gauges Note: 6 Cylinder Items Are Not Returnable.	\$191.00	
09305	1966	ENGINE HARNESS 6 Cylinder, With Gauges & Incorporated A/C Note: 6 Cylinder Items Are Not Returnable.	\$240.00	

**Impala/Bel Air
'58-'63 El Camino**



**Phone (562) 926-9552
Fax (562) 926-9572**

Part Number	Year	Description	Price	*Rev.
06025	1966	ENGINE HARNESS V/8, 283 & 327 C.I.	\$153.00	
39047	1966	ENGINE HARNESS-HEI V/8, 283 & 327 C.I. Note: This Harness Is Modified For Use With An HEI Distributor.	\$183.00	
09300	1966	ENGINE HARNESS V/8, 283 & 327 C.I. With Incorporated A/C Note: A/C Wiring Is Incorporated Into The Dash And Engine Harnesses.	\$260.00	
39024	1966	ENGINE HARNESS-HEI V/8, 283 & 327 C.I. With Incorporated A/C Note: This Harness Is Modified For Use With An HEI Distributor. A/C Wiring Is Incorporated Into The Dash And Engine Harnesses.	\$282.00	
06035	1966	ENGINE HARNESS V/8, 283 & 327 C.I. With Gauges	\$153.00	
39035	1966	ENGINE HARNESS-HEI V/8, 283 & 327 C.I. With Gauges Note: This Harness Is Modified For Use With An HEI Distributor.	\$183.00	
09310	1966	ENGINE HARNESS V/8, 283 & 327 C.I. With Gauges & Incorporated A/C Note: A/C Wiring Is Incorporated Into The Dash And Engine Harnesses.	\$260.00	
39097	1966	ENGINE HARNESS-HEI V/8, 283 & 327 C.I. With Gauges & Incorporated A/C Note: This Harness Is Modified For Use With An HEI Distributor. A/C Wiring Is Incorporated Into The Dash And Engine Harnesses.	\$282.00	
09490	1966	ENGINE HARNESS V/8, 396 & 427 C.I.	\$170.00	
39048	1966	ENGINE HARNESS-HEI V/8, 396 & 427 C.I. Note: This Harness Is Modified For Use With An HEI Distributor.	\$191.00	
09495	1966	ENGINE HARNESS V/8, 396 & 427 C.I. With Incorporated A/C Note: A/C Wiring Is Incorporated Into The Dash And Engine Harnesses.	\$260.00	
39244	1966	ENGINE HARNESS-HEI V/8, 396 & 427 C.I. With Incorporated A/C Note: This Harness Is Modified For Use With An HEI Distributor. A/C Wiring Is Incorporated Into The Dash And Engine Harnesses.	\$282.00	
19475	1966	ENGINE HARNESS V/8, 396 & 427 C.I. With Gauges	\$170.00	
39058	1966	ENGINE HARNESS-HEI V/8, 396 & 427 C.I. With Gauges Note: This Harness Is Modified For Use With An HEI Distributor.	\$191.00	
09500	1966	ENGINE HARNESS V/8, 396 & 427 C.I. With Gauges & Incorporated A/C Note: A/C Wiring Is Incorporated Into The Dash And Engine Harnesses.	\$260.00	
39099	1966	ENGINE HARNESS-HEI V/8, 396 & 427 C.I. With Gauges & Incorporated A/C Note: This Harness Is Modified For Use With An HEI Distributor. A/C Wiring Is Incorporated Into The Dash And Engine Harnesses.	\$282.00	
11250	1967	ENGINE HARNESS 6 Cylinder Note: 6 Cylinder Items Are Not Returnable.	\$217.00	
19480	1967	ENGINE HARNESS 6 Cylinder, With A/C Note: 6 Cylinder Items Are Not Returnable.	\$224.00	
11275	1967	ENGINE HARNESS V/8, 283 & 327 C.I.	\$161.00	
39114	1967	ENGINE HARNESS-HEI V/8, 283 & 327 C.I. Note: This Harness Is Modified For Use With An HEI Distributor.	\$191.00	
19495	1967	ENGINE HARNESS V/8, 283 & 327 C.I. With A/C	\$161.00	
39145	1967	ENGINE HARNESS-HEI V/8, 283 & 327 C.I. With A/C Note: This Harness Is Modified For Use With An HEI Distributor.	\$191.00	
19485	1967	ENGINE HARNESS V/8, 283 & 327 C.I. With Gauges	\$161.00	
39245	1967	ENGINE HARNESS-HEI V/8, 283 & 327 C.I. With Gauges Note: This Harness Is Modified For Use With An HEI Distributor.	\$191.00	
19490	1967	ENGINE HARNESS V/8, 283 & 327 C.I. With Gauges & A/C	\$161.00	
39246	1967	ENGINE HARNESS-HEI V/8, 283 & 327 C.I. With Gauges & A/C Note: This Harness Is Modified For Use With An HEI Distributor.	\$191.00	
11310	1967	ENGINE HARNESS V/8, 396 & 427 C.I.	\$170.00	
39183	1967	ENGINE HARNESS-HEI V/8, 396 & 427 C.I. Note: This Harness Is Modified For Use With An HEI Distributor.	\$191.00	
11315	1967	ENGINE HARNESS V/8, 396 & 427 C.I. With A/C	\$170.00	

Part Number	Year	Description	Price	*Rev.
39247	1967	ENGINE HARNESS-HEI V/8, 396 & 427 C.I. With A/C Note: This Harness Is Modified For Use With An HEI Distributor.	\$191.00	
11320	1967	ENGINE HARNESS V/8, 396 & 427 C.I. With Gauges	\$170.00	
39184	1967	ENGINE HARNESS-HEI V/8, 396 & 427 C.I. With Gauges Note: This Harness Is Modified For Use With An HEI Distributor.	\$191.00	
19500	1967	ENGINE HARNESS V/8, 396 & 427 C.I. With Gauges & A/C	\$170.00	
39115	1967	ENGINE HARNESS-HEI V/8, 396 & 427 C.I. With Gauges & A/C Note: This Harness Is Modified For Use With An HEI Distributor.	\$191.00	
19505	1968	ENGINE HARNESS 6 Cylinder Note: 6 Cylinder Items Are Not Returnable.	\$207.00	
12015	1968	ENGINE HARNESS 6 Cylinder, With Idle Stop Solenoid Note: 6 Cylinder Items Are Not Returnable.	\$224.00	
11705	1968	ENGINE HARNESS V/8, 307 & 327 C.I.	\$161.00	
39060	1968	ENGINE HARNESS-HEI V/8, 307 & 327 C.I. Note: This Harness Is Modified For Use With An HEI Distributor.	\$191.00	
12090	1968	ENGINE HARNESS V/8, All With Gauges	\$161.00	
39260	1968	ENGINE HARNESS-HEI V/8, All With Gauges Note: This Harness Is Modified For Use With An HEI Distributor.	\$191.00	
19510	1968	ENGINE HARNESS V/8, All With Gauges & A/C	\$161.00	
39259	1968	ENGINE HARNESS-HEI V/8, All With Gauges & A/C Note: This Harness Is Modified For Use With An HEI Distributor.	\$191.00	
19515	1968	ENGINE HARNESS V/8, 396 & 427 C.I.	\$170.00	
39188	1968	ENGINE HARNESS-HEI V/8, 396 & 427 C.I. Note: This Harness Is Modified For Use With An HEI Distributor.	\$191.00	
12015	1969	ENGINE HARNESS 6 Cylinder Note: 6 Cylinder Items Are Not Returnable.	\$224.00	
19520	1969	ENGINE HARNESS V/8, 327 & 350 C.I.	\$176.00	
39264	1969	ENGINE HARNESS-HEI V/8, 327 & 350 C.I. Note: This Harness Is Modified For Use With An HEI Distributor.	\$199.00	
13165	1969	ENGINE HARNESS V/8, 327 & 350 C.I. With A/C	\$176.00	
39265	1969	ENGINE HARNESS-HEI V/8, 327 & 350 C.I. With A/C Note: This Harness Is Modified For Use With An HEI Distributor.	\$199.00	
19525	1969	ENGINE HARNESS V/8, 396 & 427 C.I.	\$176.00	
39117	1969	ENGINE HARNESS-HEI V/8, 396 & 427 C.I. Note: This Harness Is Modified For Use With An HEI Distributor.	\$199.00	
42515	1969	ENGINE HARNESS V/8, 396 & 427 C.i. With COPO Police Gauge Package Note: With Original Pin Type Oil Pressure Sending Unit	\$209.00	N
19530	1970	ENGINE HARNESS 6 Cylinder, Auto Trans Note: 6 Cylinder Items Are Not Returnable.	\$311.00	
19535	1970	ENGINE HARNESS 6 Cylinder, Manual Trans Note: 6 Cylinder Items Are Not Returnable.	\$311.00	
15210	1970	ENGINE HARNESS V/8, 350 & 400 C.I., Auto Trans	\$282.00	
39190	1970	ENGINE HARNESS-HEI V/8, 350 & 400 C.I., Auto Trans Note: This Harness Is Modified For Use With An HEI Distributor.	\$303.00	
15310	1970	ENGINE HARNESS V/8, 350 & 400 C.I., TH400 Auto Trans	\$298.00	
39271	1970	ENGINE HARNESS-HEI V/8, 350 & 400 C.I., TH400 Auto Trans Note: This Harness Is Modified For Use With An HEI Distributor.	\$321.00	
19540	1970	ENGINE HARNESS V/8, 350 & 400 C.I., Auto Trans With A/C	\$260.00	

Part Number	Year	Description	Price	*Rev.
39268	1970	ENGINE HARNESS-HEI V/8, 350 & 400 C.I., Auto Trans With A/C Note: This Harness Is Modified For Use With An HEI Distributor.	\$321.00	
19550	1970	ENGINE HARNESS V/8, 350 & 400 C.I., TH400 Auto Trans With A/C	\$298.00	
39270	1970	ENGINE HARNESS-HEI V/8, 350 & 400 C.I., TH400 Auto Trans With A/C Note: This Harness Is Modified For Use With An HEI Distributor.	\$321.00	
19545	1970	ENGINE HARNESS V/8, 350 & 400 C.I., Manual Trans	\$298.00	
39266	1970	ENGINE HARNESS-HEI V/8, 350 & 400 C.I., Manual Trans Note: This Harness Is Modified For Use With An HEI Distributor.	\$303.00	
19555	1970	ENGINE HARNESS V/8, 396, 454 C.I. TH400 Auto Trans	\$298.00	
39269	1970	ENGINE HARNESS-HEI V/8, 396, 454 C.I. TH400 Auto Trans Note: This Harness Is Modified For Use With An HEI Distributor.	\$303.00	
19560	1970	ENGINE HARNESS V/8, 396 & 454 C.I. TH400 Auto Trans & A/C	\$298.00	
39267	1970	ENGINE HARNESS-HEI V/8, 396 & 454 C.I. TH400 Auto Trans & A/C Note: This Harness Is Modified For Use With An HEI Distributor.	\$303.00	
19565	1971	ENGINE HARNESS 6 Cylinder, Auto Trans Note: 6 Cylinder Items Are Not Returnable.	\$311.00	
19570	1971	ENGINE HARNESS 6 Cylinder, Manual Trans Note: 6 Cylinder Items Are Not Returnable.	\$311.00	
19575	1971	ENGINE HARNESS V/8, 350 & 400 C.I., Auto Trans	\$298.00	
39272	1971	ENGINE HARNESS-HEI V/8, 350 & 400 C.I., Auto Trans Note: This Harness Is Modified For Use With An HEI Distributor.	\$321.00	
19580	1971	ENGINE HARNESS V/8, 350 & 400 C.I., Manual Trans	\$298.00	
39273	1971	ENGINE HARNESS-HEI V/8, 350 & 400 C.I., Manual Trans Note: This Harness Is Modified For Use With An HEI Distributor.	\$321.00	
23375	1971	ENGINE HARNESS V/8, 350 & 400 C.I., TH400 Auto Trans	\$298.00	
39274	1971	ENGINE HARNESS-HEI V/8, 350 & 400 C.I., TH400 Auto Trans Note: This Harness Is Modified For Use With An HEI Distributor.	\$321.00	
15420	1971	ENGINE HARNESS V/8, 396 & 454 C.I., TH400 Auto Trans	\$298.00	
39275	1971	ENGINE HARNESS-HEI V/8, 396 & 454 C.I., TH400 Auto Trans Note: This Harness Is Modified For Use With An HEI Distributor.	\$321.00	
17550	1972	ENGINE HARNESS V/8, Small Block, TH400 Auto Trans, With Warning Lights	\$321.00	
19010	1973	ENGINE HARNESS V/8, 396 & 454 C.I., With Auto Trans & Warning Lights	\$334.00	
16595	1974	ENGINE HARNESS 6 Cylinder Note: 6 Cylinder Items Are Not Returnable.	\$350.00	
22605	1974	ENGINE HARNESS V/8, With Auto Trans & Warning Lights	\$321.00	
22585	1974	ENGINE HARNESS V/8, With TH400 Auto Trans & Warning Lights	\$350.00	
19010	1974	ENGINE HARNESS V/8, 396 & 454 C.I., With Auto Trans & Warning Lights	\$334.00	
18615	1975	ENGINE HARNESS 6 Cylinder, Except Integrated Cylinder Head Note: 6 Cylinder Items Are Not Returnable.	\$365.00	
18610	1975	ENGINE HARNESS 6 Cylinder, With Integrated Cylinder Head Note: 6 Cylinder Items Are Not Returnable.	\$365.00	
19045	1975	ENGINE HARNESS V/8, 454 C.I., With TH400 Auto Trans & H.E.I.	\$334.00	
FORWARD LAMP HARNESS				
02705	1958	FORWARD LAMP HARNESS 6 Cylinder Note: 6 Cylinder Items Are Not Returnable.	\$221.00	
02700	1958	FORWARD LAMP HARNESS 6 Cylinder, With H.D. Generator Note: 6 Cylinder Items Are Not Returnable.	\$221.00	
02695	1958	FORWARD LAMP HARNESS V/8	\$167.00	

Part Number	Year	Description	Price	*Rev.
18380	1958	FORWARD LAMP HARNESS V/8, With Air Suspension	\$212.00	
19590	1958	FORWARD LAMP HARNESS V/8, With H.D. Generator	\$212.00	
35590	1958	FORWARD LAMP HARNESS-INT REG ALT DRIVER SIDE V/8 Note: Modified For Driver Side Mounted 1972-84 Non-Serpentine Belt ("SI" Series) Internal Regulated Alternators And Requires A Delco Horn Relay #12339243 (D1709A).	\$198.00	
39079	1958	FORWARD LAMP HARNESS-INT REG ALT PASSENGER SIDE V/8 Note: Modified For Passenger Side Mounted 1972-84 Non-Serpentine Belt ("SI" Series) Internal Regulated Alternators And Requires A Delco Horn Relay #12339243 (D1709A).	\$244.00	
19585	1958	FORWARD LAMP EXTENSION HARNESS All, Front Parking Light Bar Wiring	\$86.00	
02805	1959	FORWARD LAMP HARNESS 6 Cylinder Note: 6 Cylinder Items Are Not Returnable.	\$253.00	
02815	1959	FORWARD LAMP HARNESS 6 Cylinder, With H.D. Generator Note: 6 Cylinder Items Are Not Returnable.	\$253.00	
02810	1959	FORWARD LAMP HARNESS V/8, With Stock Generator	\$228.00	
02825	1959	FORWARD LAMP HARNESS V/8, With H.D. Generator	\$228.00	
35390	1959	FORWARD LAMP HARNESS-INT REG ALT DRIVER SIDE V/8 Note: Modified For Driver Side Mounted 1972-84 Non-Serpentine Belt ("SI" Series) Internal Regulated Alternators And Requires A Delco Horn Relay #12339243 (D1709A).	\$228.00	
39111	1959	FORWARD LAMP HARNESS-INT REG ALT PASSENGER SIDE V/8 Note: Modified For Passenger Side Mounted 1972-84 Non-Serpentine Belt ("SI" Series) Internal Regulated Alternators And Requires A Delco Horn Relay #12339243 (D1709A).	\$275.00	
03020	1960	FORWARD LAMP HARNESS 6 Cylinder Note: 6 Cylinder Items Are Not Returnable.	\$317.00	
19595	1960	FORWARD LAMP HARNESS 6 Cylinder, With H.D. Generator Note: 6 Cylinder Items Are Not Returnable.	\$317.00	
03025	1960	FORWARD LAMP HARNESS V/8, With Stock Generator	\$243.00	
03030	1960	FORWARD LAMP HARNESS V/8, With H.D. Generator	\$289.00	
38304	1960	FORWARD LAMP HARNESS-INT REG ALT DRIVER SIDE V/8 Note: Modified For Driver Side Mounted 1972-84 Non-Serpentine Belt ("SI" Series) Internal Regulated Alternators And Requires A Delco Horn Relay #12339243 (D1709A).	\$289.00	
39095	1960	FORWARD LAMP HARNESS-INT REG ALT PASSENGER SIDE V/8 Note: Modified For Passenger Side Mounted 1972-84 Non-Serpentine Belt ("SI" Series) Internal Regulated Alternators And Requires A Delco Horn Relay #12339243 (D1709A).	\$335.00	
33275	1961	FORWARD LAMP HARNESS 6 Cylinder Note: 6 Cylinder Items Are Not Returnable.	\$317.00	
33265	1961	FORWARD LAMP HARNESS 6 Cylinder, With H.D. Generator Note: 6 Cylinder Items Are Not Returnable.	\$317.00	
33270	1961	FORWARD LAMP HARNESS V/8, With Stock Generator	\$289.00	
33260	1961	FORWARD LAMP HARNESS V/8, With H.D. Generator	\$304.00	
38305	1961	FORWARD LAMP HARNESS-INT REG ALT DRIVER SIDE V/8 Note: Modified For Driver Side Mounted 1972-84 Non-Serpentine Belt ("SI" Series) Internal Regulated Alternators And Requires A Delco Horn Relay #12339243 (D1709A).	\$289.00	
39057	1961	FORWARD LAMP HARNESS-INT REG ALT PASSENGER SIDE V/8 Note: Modified For Passenger Side Mounted 1972-84 Non-Serpentine Belt ("SI" Series) Internal Regulated Alternators And Requires A Delco Horn Relay #12339243 (D1709A).	\$342.00	
33130	1962	FORWARD LAMP HARNESS 6 Cylinder Note: 6 Cylinder Items Are Not Returnable.	\$317.00	
33135	1962	FORWARD LAMP HARNESS V/8, With Stock Generator	\$289.00	
03925	1962	FORWARD LAMP HARNESS V/8, With Alternator & Screw Type Regulator (Original Type)	\$289.00	
32950	1962	FORWARD LAMP HARNESS V/8, With Alternator & Late Model Regulator(Connector Type)	\$304.00	

**Impala/Bel Air
'58-'63 El Camino**



**Phone (562) 926-9552
Fax (562) 926-9572**

Part Number	Year	Description	Price	*Rev.
32965	1962	FORWARD LAMP HARNESS-INT REG ALT DRIVER SIDE V/8 Note: Modified For Driver Side Mounted 1972-84 Non-Serpentine Belt ("SI" Series) Internal Regulated Alternators And Requires A Delco Horn Relay #12339243 (D1709A).	\$273.00	
38999	1962	FORWARD LAMP HARNESS-INT REG ALT PASSENGER SIDE V/8 Note: Modified For Passenger Side Mounted 1972-84 Non-Serpentine Belt ("SI" Series) Internal Regulated Alternators And Requires A Delco Horn Relay #12339243 (D1709A).	\$320.00	
04275	1963	FORWARD LAMP HARNESS 6 Cylinder Note: 6 Cylinder Items Are Not Returnable.	\$317.00	
39178	1963	FORWARD LAMP HARNESS-INT REG ALT DRIVER SIDE 6 Cylinder Note: 6 Cylinder Items Are Not Returnable.	\$351.00	
33120	1963	FORWARD LAMP HARNESS V/8	\$273.00	
38944	1963	FORWARD LAMP HARNESS-INT REG ALT DRIVER SIDE V/8 Note: Modified For Driver Side Mounted 1972-84 Non-Serpentine Belt ("SI" Series) Internal Regulated Alternators.	\$306.00	
39096	1963	FORWARD LAMP HARNESS-INT REG ALT PASSENGER SIDE V/8 Note: Modified For Passenger Side Mounted 1972-84 Non-Serpentine Belt ("SI" Series) Internal Regulated Alternators.	\$320.00	
05635	1964	FORWARD LAMP HARNESS 6 Cylinder Note: 6 Cylinder Items Are Not Returnable.	\$334.00	
39179	1964	FORWARD LAMP HARNESS-INT REG ALT DRIVER SIDE 6 Cylinder Note: 6 Cylinder Items Are Not Returnable.	\$368.00	
33165	1964	FORWARD LAMP HARNESS V/8	\$273.00	
38938	1964	FORWARD LAMP HARNESS-INT REG ALT DRIVER SIDE V/8 Note: Modified For Driver Side Mounted 1972-84 Non-Serpentine Belt ("SI" Series) Internal Regulated Alternators.	\$306.00	
39042	1964	FORWARD LAMP HARNESS-INT REG ALT PASSENGER SIDE V/8 Note: Modified For Passenger Side Mounted 1972-84 Non-Serpentine Belt ("SI" Series) Internal Regulated Alternators.	\$320.00	
38215	1964	FORWARD LAMP HARNESS V/8, Right Hand Drive, Export	\$358.00	
19600	1965	FORWARD LAMP HARNESS 6 Cylinder Note: 6 Cylinder Items Are Not Returnable.	\$380.00	
06010	1965	FORWARD LAMP HARNESS 6 Cylinder, With Gauges Note: 6 Cylinder Items Are Not Returnable.	\$397.00	
06005	1965	FORWARD LAMP HARNESS V/8	\$304.00	
39034	1965	FORWARD LAMP HARNESS-INT REG ALT DRIVER SIDE V/8 Note: Modified For Driver Side Mounted 1972-84 Non-Serpentine Belt ("SI" Series) Internal Regulated Alternators.	\$337.00	
39182	1965	FORWARD LAMP HARNESS-INT REG ALT PASSENGER SIDE V/8 Note: Modified For Passenger Side Mounted 1972-84 Non-Serpentine Belt ("SI" Series) Internal Regulated Alternators.	\$350.00	
06015	1965	FORWARD LAMP HARNESS V/8, With Gauges	\$304.00	
38980	1965	FORWARD LAMP HARNESS-INT REG ALT DRIVER SIDE V/8, With Gauges Note: Modified For Driver Side Mounted 1972-84 Non-Serpentine Belt ("SI" Series) Internal Regulated Alternators.	\$337.00	
39144	1965	FORWARD LAMP HARNESS-INT REG ALT PASSENGER SIDE V/8, With Gauges Note: Modified For Passenger Side Mounted 1972-84 Non-Serpentine Belt ("SI" Series) Internal Regulated Alternators.	\$350.00	
10105	1966	FORWARD LAMP HARNESS 6 Cylinder Note: 6 Cylinder Items Are Not Returnable.	\$397.00	
10185	1966	FORWARD LAMP HARNESS 6 Cylinder, With Gauges Note: 6 Cylinder Items Are Not Returnable.	\$397.00	
19605	1966	FORWARD LAMP HARNESS V/8	\$320.00	
39006	1966	FORWARD LAMP HARNESS-INT REG ALT DRIVER SIDE V/8 Note: Modified For Driver Side Mounted 1972-84 Non-Serpentine Belt ("SI" Series) Internal Regulated Alternators.	\$352.00	
39242	1966	FORWARD LAMP HARNESS-INT REG ALT PASSENGER SIDE V/8 Note: Modified For Passenger Side Mounted 1972-84 Non-Serpentine Belt ("SI" Series) Internal Regulated Alternators.	\$366.00	
09440	1966	FORWARD LAMP HARNESS V/8, With Gauges	\$320.00	

Part Number	Year	Description	Price	*Rev.
39059	1966	FORWARD LAMP HARNESS-INT REG ALT DRIVER SIDE V/8, With Gauges Note: Modified For Driver Side Mounted 1972-84 Non-Serpentine Belt ("SI" Series) Internal Regulated Alternators.	\$352.00	
39243	1966	FORWARD LAMP HARNESS-INT REG ALT PASSENGER SIDE V/8, With Gauges Note: Modified For Passenger Side Mounted 1972-84 Non-Serpentine Belt ("SI" Series) Internal Regulated Alternators.	\$366.00	
19610	1967	FORWARD LAMP HARNESS 6 Cylinder, With (T78) Running Lights Note: 6 Cylinder Items Are Not Returnable.	\$412.00	
19625	1967	FORWARD LAMP HARNESS V/8	\$350.00	
39249	1967	FORWARD LAMP HARNESS-INT REG ALT DRIVER SIDE V/8 Note: Modified For Driver Side Mounted 1972-84 Non-Serpentine Belt ("SI" Series) Internal Regulated Alternators.	\$383.00	
39250	1967	FORWARD LAMP HARNESS-INT REG ALT PASSENGER SIDE V/8 Note: Modified For Passenger Side Mounted 1972-84 Non-Serpentine Belt ("SI" Series) Internal Regulated Alternators.	\$396.00	
19630	1967	FORWARD LAMP HARNESS V/8, With (T78) Running Lights	\$350.00	
39185	1967	FORWARD LAMP HARNESS-INT REG ALT DRIVER SIDE V/8, With (T78) Running Lights Note: Modified For Driver Side Mounted 1972-84 Non-Serpentine Belt ("SI" Series) Internal Regulated Alternators.	\$383.00	
39248	1967	FORWARD LAMP HARNESS-INT REG ALT PASSENGER SIDE V/8, With (T78) Running Lights Note: Modified For Passenger Side Mounted 1972-84 Non-Serpentine Belt ("SI" Series) Internal Regulated Alternators.	\$396.00	
19620	1967	FORWARD LAMP HARNESS V/8, With Gauges	\$350.00	
39186	1967	FORWARD LAMP HARNESS-INT REG ALT DRIVER SIDE V/8, With Gauges Note: Modified For Driver Side Mounted 1972-84 Non-Serpentine Belt ("SI" Series) Internal Regulated Alternators.	\$383.00	
39251	1967	FORWARD LAMP HARNESS-INT REG ALT PASSENGER SIDE V/8, With Gauges Note: Modified For Passenger Side Mounted 1972-84 Non-Serpentine Belt ("SI" Series) Internal Regulated Alternators.	\$396.00	
18445	1967	FORWARD LAMP HARNESS V/8, With Gauges & (T78) Running Lights	\$365.00	
39252	1967	FORWARD LAMP HARNESS-INT REG ALT DRIVER SIDE V/8, With Gauges & (T78) Running Lights Note: Modified For Driver Side Mounted 1972-84 Non-Serpentine Belt ("SI" Series) Internal Regulated Alternators.	\$397.00	
39187	1967	FORWARD LAMP HARNESS-INT REG ALT PASSENGER SIDE V/8, With Gauges & (T78) Running Lights Note: Modified For Passenger Side Mounted 1972-84 Non-Serpentine Belt ("SI" Series) Internal Regulated Alternators.	\$411.00	
33495	1967	FORWARD LAMP EXTENSION HARNESS Light Switch To (T78) Running Light Lead	\$20.00	
11800	1968	FORWARD LAMP HARNESS 6 Cylinder Note: 6 Cylinder Items Are Not Returnable.	\$428.00	
11785	1968	FORWARD LAMP HARNESS 6 Cylinder, With Fender Lights Note: 6 Cylinder Items Are Not Returnable.	\$428.00	
19635	1968	FORWARD LAMP HARNESS V/8	\$381.00	
39146	1968	FORWARD LAMP HARNESS-INT REG ALT DRIVER SIDE V/8 Note: Modified For Driver Side Mounted 1972-84 Non-Serpentine Belt ("SI" Series) Internal Regulated Alternators.	\$413.00	
39253	1968	FORWARD LAMP HARNESS-INT REG ALT PASSENGER SIDE V/8 Note: Modified For Passenger Side Mounted 1972-84 Non-Serpentine Belt ("SI" Series) Internal Regulated Alternators.	\$427.00	
19640	1968	FORWARD LAMP HARNESS V/8, With Fender Lights	\$381.00	
39116	1968	FORWARD LAMP HARNESS-INT REG ALT DRIVER SIDE V/8, With Fender Lights Note: Modified For Driver Side Mounted 1972-84 Non-Serpentine Belt ("SI" Series) Internal Regulated Alternators.	\$413.00	
39254	1968	FORWARD LAMP HARNESS-INT REG ALT PASSENGER SIDE V/8, With Fender Lights Note: Modified For Passenger Side Mounted 1972-84 Non-Serpentine Belt ("SI" Series) Internal Regulated Alternators.	\$427.00	
11790	1968	FORWARD LAMP HARNESS V/8, With Gauges	\$381.00	
39255	1968	FORWARD LAMP HARNESS-INT REG ALT DRIVER SIDE V/8, With Gauges Note: Modified For Driver Side Mounted 1972-84 Non-Serpentine Belt ("SI" Series) Internal Regulated Alternators.	\$413.00	
39256	1968	FORWARD LAMP HARNESS-INT REG ALT PASSENGER SIDE V/8, With Gauges Note: Modified For Passenger Side Mounted 1972-84 Non-Serpentine Belt ("SI" Series) Internal Regulated Alternators.	\$427.00	
11795	1968	FORWARD LAMP HARNESS V/8, With Gauges & Fender Lights	\$381.00	
39257	1968	FORWARD LAMP HARNESS-INT REG ALT DRIVER SIDE V/8, With Gauges & Fender Lights Note: Modified For Driver Side Mounted 1972-84 Non-Serpentine Belt ("SI" Series) Internal Regulated Alternators.	\$413.00	

Part Number	Year	Description	Price	*Rev.
39258	1968	FORWARD LAMP HARNESS-INT REG ALT PASSENGER SIDE V/8, With Gauges & Fender Lights Note: Modified For Passenger Side Mounted 1972-84 Non-Serpentine Belt ("SI" Series) Internal Regulated Alternators.	\$427.00	
13080	1969	FORWARD LAMP HARNESS 6 Cylinder Note: 6 Cylinder Items Are Not Returnable.	\$428.00	
13105	1969	FORWARD LAMP HARNESS 6 Cylinder, With Retractable Headlights Note: 6 Cylinder Items Are Not Returnable.	\$444.00	
13045	1969	FORWARD LAMP HARNESS V/8, 327 & 350 C.I.	\$381.00	
39261	1969	FORWARD LAMP HARNESS-INT REG ALT PASSENGER SIDE V/8, 327 & 350 C.I. Note: Modified For Passenger Side Mounted 1972-84 Non-Serpentine Belt ("SI" Series) Internal Regulated Alternators.	\$427.00	
13095	1969	FORWARD LAMP HARNESS V/8, 327 & 350 C.I., With Retractable Headlights	\$381.00	
39262	1969	FORWARD LAMP HARNESS-INT REG ALT PASSENGER SIDE V/8, 327 & 350 C.I., With Retractable Headlights Note: Modified For Passenger Side Mounted 1972-84 Non-Serpentine Belt ("SI" Series) Internal Regulated Alternators.	\$427.00	
13050	1969	FORWARD LAMP HARNESS V/8, 396 & 427 C.I.	\$395.00	
39147	1969	FORWARD LAMP HARNESS-INT REG ALT PASSENGER SIDE V/8, 396 & 427 C.I. Note: Modified For Passenger Side Mounted 1972-84 Non-Serpentine Belt ("SI" Series) Internal Regulated Alternators.	\$441.00	
35365	1969	FORWARD LAMP HARNESS V/8, 396 & 427 C.I., With Gauges Special Police Car Only Application	\$426.00	
13100	1969	FORWARD LAMP HARNESS V/8, 396 & 427 C.I., With Retractable Headlights	\$395.00	
39263	1969	FORWARD LAMP HARNESS-INT REG ALT PASSENGER SIDE V/8, 396 & 427 C.I., With Retractable Headlights Note: Modified For Passenger Side Mounted 1972-84 Non-Serpentine Belt ("SI" Series) Internal Regulated Alternators.	\$441.00	
14780	1970	FORWARD LAMP HARNESS 6 Cylinder Note: 6 Cylinder Items Are Not Returnable.	\$428.00	
15015	1970	FORWARD LAMP HARNESS V/8	\$411.00	
39189	1970	FORWARD LAMP HARNESS-INT REG ALT PASSENGER SIDE V/8 Note: Modified For Passenger Side Mounted 1972-84 Non-Serpentine Belt ("SI" Series) Internal Regulated Alternators.	\$457.00	
15455	1971	FORWARD LAMP HARNESS 6 Cylinder Note: 6 Cylinder Items Are Not Returnable.	\$444.00	
15460	1971	FORWARD LAMP HARNESS V/8	\$411.00	
39276	1971	FORWARD LAMP HARNESS-INT REG ALT PASSENGER SIDE V/8 Note: Modified For Passenger Side Mounted 1972-84 Non-Serpentine Belt ("SI" Series) Internal Regulated Alternators.	\$457.00	
02962963	1958	GROMMET All Models, Firewall Pass Thru Grommet, Used On 4 Cavity Connector	\$18.00	N
FUEL TANK SENDER WIRE				
41459	1967	FUEL TANK SENDER WIRE All Except Station Wagons	\$44.00	
FUEL TANK SENDING UNIT				
06428052	1958	FUEL TANK SENDING UNIT 3/8" Fuel Line	\$43.00	N
06428051	1958	FUEL TANK SENDING UNIT 5/16" Fuel Line	\$43.00	N
06428053	1958	FUEL TANK SENDING UNIT Sedan Delivery, Station Wagon, 5/16" Fuel Line, Except 9 Passenger Wagon	\$55.00	N
06428051	1959	FUEL TANK SENDING UNIT 5/16" Fuel Line	\$43.00	N

Impala/Bel Air
'58-'63 El Camino



Phone (562) 926-9552
Fax (562) 926-9572

Part Number	Year	Description	Price	*Rev.
06428052	1959	FUEL TANK SENDING UNIT Car & 9 Passenger Wagon, 3/8" Fuel Line	\$43.00	N
06428053	1959	FUEL TANK SENDING UNIT El Camino, Sedan Delivery, Station Wagon, 5/16" Fuel Line, Except 9 Passenger Wagon	\$55.00	N
06428051	1960	FUEL TANK SENDING UNIT 5/16" Fuel Line	\$43.00	N
06428052	1960	FUEL TANK SENDING UNIT Car & 9 Passenger Wagon, 3/8" Fuel Line	\$43.00	N
06428053	1960	FUEL TANK SENDING UNIT El Camino, Sedan Delivery, Station Wagon, 5/16" Fuel Line, Except 9 Passenger Wagon	\$55.00	N
06428057	1961	FUEL TANK SENDING UNIT 3/8" Fuel Line	\$43.00	N
06428056	1961	FUEL TANK SENDING UNIT 5/16" Fuel Line	\$43.00	N
06428060	1961	FUEL TANK SENDING UNIT Station Wagon, 5/16" Fuel Line	\$43.00	N
06428057	1962	FUEL TANK SENDING UNIT 3/8" Fuel Line	\$43.00	N
06428056	1962	FUEL TANK SENDING UNIT 5/16" Fuel Line	\$43.00	N
06428060	1962	FUEL TANK SENDING UNIT Station Wagon, 5/16" Fuel Line	\$43.00	N
06428057	1963	FUEL TANK SENDING UNIT 3/8" Fuel Line	\$43.00	N
06428056	1963	FUEL TANK SENDING UNIT 5/16" Fuel Line	\$43.00	N
06428060	1963	FUEL TANK SENDING UNIT Station Wagon, 5/16" Fuel Line	\$43.00	N
06428057	1964	FUEL TANK SENDING UNIT 3/8" Fuel Line	\$43.00	N
06428056	1964	FUEL TANK SENDING UNIT 5/16" Fuel Line	\$43.00	N
06428060	1964	FUEL TANK SENDING UNIT Station Wagon, 5/16" Fuel Line	\$43.00	N

Impala/Bel Air
'58-'63 El Camino



Phone (562) 926-9552
Fax (562) 926-9572

Part Number	Year	Description	Price	*Rev.
06426973	1965	FUEL TANK SENDING UNIT 3/8" Fuel Line	\$43.00	N
06428067	1965	FUEL TANK SENDING UNIT 5/16" Fuel Line	\$43.00	N
06426973	1966	FUEL TANK SENDING UNIT 3/8" Fuel Line	\$43.00	N
06428067	1966	FUEL TANK SENDING UNIT 5/16" Fuel Line	\$43.00	N
06428084	1967	FUEL TANK SENDING UNIT 3/8" Fuel Line	\$55.00	N
06428084	1968	FUEL TANK SENDING UNIT 3/8" Fuel Line	\$55.00	N
06428084	1969	FUEL TANK SENDING UNIT 3/8" Fuel Line	\$55.00	N
06428084	1970	FUEL TANK SENDING UNIT 3/8" Fuel Line	\$55.00	N
GLOVE BOX LAMP KIT				
18000	1958	GLOVE BOX LAMP KIT Socket, Bulb & Wire	\$28.00	
18000	1959	GLOVE BOX LAMP KIT Socket, Bulb & Wire	\$28.00	
18000	1960	GLOVE BOX LAMP KIT Socket, Bulb & Wire	\$28.00	
18000	1961	GLOVE BOX LAMP KIT Socket, Bulb & Wire	\$28.00	
18000	1962	GLOVE BOX LAMP KIT Socket, Bulb & Wire	\$28.00	
18000	1963	GLOVE BOX LAMP KIT Socket, Bulb & Wire	\$28.00	
18000	1964	GLOVE BOX LAMP KIT Socket, Bulb & Wire	\$28.00	
18000	1965	GLOVE BOX LAMP KIT Socket, Bulb & Wire	\$28.00	
18000	1966	GLOVE BOX LAMP KIT Socket, Bulb & Wire	\$28.00	
18000	1967	GLOVE BOX LAMP KIT Socket, Bulb & Wire	\$28.00	
18000	1968	GLOVE BOX LAMP KIT Socket, Bulb & Wire	\$28.00	
18000	1969	GLOVE BOX LAMP KIT Socket, Bulb & Wire	\$28.00	
18000	1970	GLOVE BOX LAMP KIT Socket, Bulb & Wire	\$28.00	
18000	1971	GLOVE BOX LAMP KIT Socket, Bulb & Wire	\$28.00	
18000	1972	GLOVE BOX LAMP KIT Socket, Bulb & Wire	\$28.00	
GROUND STRAP KIT				
27320	1958	GROUND STRAP KIT 6 Cylinder Note: 6 Cylinder Items Are Not Returnable.	\$20.00	
27325	1958	GROUND STRAP KIT V/8, 283-348 C.I.	\$27.00	
27330	1959	GROUND STRAP KIT 6 Cylinder Note: 6 Cylinder Items Are Not Returnable.	\$19.00	
27335	1959	GROUND STRAP KIT V/8, 283-348 C.I.	\$27.00	
27340	1960	GROUND STRAP KIT 6 Cylinder Note: 6 Cylinder Items Are Not Returnable.	\$19.00	

Impala/Bel Air
 '58-'63 El Camino



Phone (562) 926-9552
 Fax (562) 926-9572

Part Number	Year	Description	Price	*Rev.
27345	1960	GROUND STRAP KIT V/8, 283-348 C.I.	\$27.00	
27350	1961	GROUND STRAP KIT 6 Cylinder Note: 6 Cylinder Items Are Not Returnable.	\$20.00	
27355	1961	GROUND STRAP KIT V/8, 283-327 C.I.	\$27.00	
27360	1961	GROUND STRAP KIT V/8, 348-409 C.I.	\$27.00	
27350	1962	GROUND STRAP KIT 6 Cylinder Note: 6 Cylinder Items Are Not Returnable.	\$20.00	
27355	1962	GROUND STRAP KIT V/8, 283-327 C.I.	\$27.00	
27360	1962	GROUND STRAP KIT V/8, 348-409 C.I.	\$27.00	
27350	1963	GROUND STRAP KIT 6 Cylinder Note: 6 Cylinder Items Are Not Returnable.	\$20.00	
27355	1963	GROUND STRAP KIT V/8, 283-327 C.I.	\$27.00	
27360	1963	GROUND STRAP KIT V/8, 348-409 C.I.	\$27.00	
27350	1964	GROUND STRAP KIT 6 Cylinder Note: 6 Cylinder Items Are Not Returnable.	\$20.00	
27355	1964	GROUND STRAP KIT V/8, 283-327 C.I.	\$27.00	
27360	1964	GROUND STRAP KIT V/8, 348-409 C.I.	\$27.00	
27385	1965	GROUND STRAP KIT 6 Cylinder Note: 6 Cylinder Items Are Not Returnable.	\$23.00	
27395	1965	GROUND STRAP KIT V/8, 283-327 C.I.	\$27.00	
27400	1965	GROUND STRAP KIT V/8, 396 C.I.	\$27.00	
27405	1965	GROUND STRAP KIT V/8, 409 C.I.	\$27.00	
27385	1966	GROUND STRAP KIT 6 Cylinder Note: 6 Cylinder Items Are Not Returnable.	\$23.00	
27395	1966	GROUND STRAP KIT V/8, 283-327 C.I.	\$27.00	
27400	1966	GROUND STRAP KIT V/8, 396 C.I.	\$27.00	
27390	1967	GROUND STRAP KIT 6 Cylinder Note: 6 Cylinder Items Are Not Returnable.	\$20.00	
27410	1967	GROUND STRAP KIT V/8, 283-327-350 C.I.	\$27.00	
27415	1967	GROUND STRAP KIT V/8, 396 C.I.	\$33.00	
27390	1968	GROUND STRAP KIT 6 Cylinder Note: 6 Cylinder Items Are Not Returnable.	\$20.00	
27410	1968	GROUND STRAP KIT V/8, 283-327-350 C.I.	\$27.00	
27415	1968	GROUND STRAP KIT V/8, 396 C.I.	\$33.00	
27390	1969	GROUND STRAP KIT 6 Cylinder Note: 6 Cylinder Items Are Not Returnable.	\$20.00	
27410	1969	GROUND STRAP KIT V/8, 283-327-350 C.I.	\$27.00	
27450	1969	GROUND STRAP KIT V/8, 396-427 C.I.	\$33.00	
GROUND WIRE				
01655	1965	GROUND WIRE Voltage Regulator	\$20.00	
01655	1966	GROUND WIRE Voltage Regulator	\$20.00	
01655	1967	GROUND WIRE Voltage Regulator	\$20.00	
01655	1968	GROUND WIRE Voltage Regulator	\$20.00	
01655	1969	GROUND WIRE Voltage Regulator	\$20.00	
GROUND WIRE-DISTRIBUTOR POINT PLATE				
38298	1958	GROUND WIRE, DISTRIBUTOR POINT PLATE From Distributor Point Plate To Distributor Housing Note: Replaces Spot Welded Wire Asm On Point Plate Side. Fits All GM V/8 Point Type Distributors From Approx. 1957-1974.	\$20.00	

Part Number	Year	Description	Price	*Rev.
38298	1959	GROUND WIRE, DISTRIBUTOR POINT PLATE From Distributor Point Plate To Distributor Housing Note: Replaces Spot Welded Wire Asm On Point Plate Side. Fits All GM V/8 Point Type Distributors From Approx. 1957-1974.	\$20.00	
38298	1960	GROUND WIRE, DISTRIBUTOR POINT PLATE From Distributor Point Plate To Distributor Housing Note: Replaces Spot Welded Wire Asm On Point Plate Side. Fits All GM V/8 Point Type Distributors From Approx. 1957-1974.	\$20.00	
38298	1961	GROUND WIRE, DISTRIBUTOR POINT PLATE From Distributor Point Plate To Distributor Housing Note: Replaces Spot Welded Wire Asm On Point Plate Side. Fits All GM V/8 Point Type Distributors From Approx. 1957-1974.	\$20.00	
38298	1962	GROUND WIRE, DISTRIBUTOR POINT PLATE From Distributor Point Plate To Distributor Housing Note: Replaces Spot Welded Wire Asm On Point Plate Side. Fits All GM V/8 Point Type Distributors From Approx. 1957-1974.	\$20.00	
38298	1963	GROUND WIRE, DISTRIBUTOR POINT PLATE From Distributor Point Plate To Distributor Housing Note: Replaces Spot Welded Wire Asm On Point Plate Side. Fits All GM V/8 Point Type Distributors From Approx. 1957-1974.	\$20.00	
38298	1964	GROUND WIRE, DISTRIBUTOR POINT PLATE From Distributor Point Plate To Distributor Housing Note: Replaces Spot Welded Wire Asm On Point Plate Side. Fits All GM V/8 Point Type Distributors From Approx. 1957-1974.	\$20.00	
38298	1965	GROUND WIRE, DISTRIBUTOR POINT PLATE From Distributor Point Plate To Distributor Housing Note: Replaces Spot Welded Wire Asm On Point Plate Side. Fits All GM V/8 Point Type Distributors From Approx. 1957-1974.	\$20.00	
38298	1966	GROUND WIRE, DISTRIBUTOR POINT PLATE From Distributor Point Plate To Distributor Housing Note: Replaces Spot Welded Wire Asm On Point Plate Side. Fits All GM V/8 Point Type Distributors From Approx. 1957-1974.	\$20.00	
38298	1967	GROUND WIRE, DISTRIBUTOR POINT PLATE From Distributor Point Plate To Distributor Housing Note: Replaces Spot Welded Wire Asm On Point Plate Side. Fits All GM V/8 Point Type Distributors From Approx. 1957-1974.	\$20.00	
38298	1968	GROUND WIRE, DISTRIBUTOR POINT PLATE From Distributor Point Plate To Distributor Housing Note: Replaces Spot Welded Wire Asm On Point Plate Side. Fits All GM V/8 Point Type Distributors From Approx. 1957-1974.	\$20.00	
38298	1969	GROUND WIRE, DISTRIBUTOR POINT PLATE From Distributor Point Plate To Distributor Housing Note: Replaces Spot Welded Wire Asm On Point Plate Side. Fits All GM V/8 Point Type Distributors From Approx. 1957-1974.	\$20.00	
38298	1970	GROUND WIRE, DISTRIBUTOR POINT PLATE From Distributor Point Plate To Distributor Housing Note: Replaces Spot Welded Wire Asm On Point Plate Side. Fits All GM V/8 Point Type Distributors From Approx. 1957-1974.	\$20.00	
38298	1971	GROUND WIRE, DISTRIBUTOR POINT PLATE From Distributor Point Plate To Distributor Housing Note: Replaces Spot Welded Wire Asm On Point Plate Side. Fits All GM V/8 Point Type Distributors From Approx. 1957-1974.	\$20.00	
38298	1972	GROUND WIRE, DISTRIBUTOR POINT PLATE From Distributor Point Plate To Distributor Housing Note: Replaces Spot Welded Wire Asm On Point Plate Side. Fits All GM V/8 Point Type Distributors From Approx. 1957-1974.	\$20.00	
38298	1973	GROUND WIRE, DISTRIBUTOR POINT PLATE From Distributor Point Plate To Distributor Housing Note: Replaces Spot Welded Wire Asm On Point Plate Side. Fits All GM V/8 Point Type Distributors From Approx. 1957-1974.	\$20.00	
38298	1974	GROUND WIRE, DISTRIBUTOR POINT PLATE From Distributor Point Plate To Distributor Housing Note: Replaces Spot Welded Wire Asm On Point Plate Side. Fits All GM V/8 Point Type Distributors From Approx. 1957-1974.	\$20.00	
GUIDEMATIC DIMMER SWITCH EXTENSION				
40912	1961	GUIDEMATIC DIMMER SWITCH EXTENSION	\$25.00	
40912	1962	GUIDEMATIC DIMMER SWITCH EXTENSION	\$25.00	
40912	1963	GUIDEMATIC DIMMER SWITCH EXTENSION	\$25.00	
40912	1964	GUIDEMATIC DIMMER SWITCH EXTENSION	\$25.00	
40912	1965	GUIDEMATIC DIMMER SWITCH EXTENSION	\$25.00	
HARNESSTAPE				
R0058272	1958	HARNESSTAPE 3/4" Vinyl (100 Ft. Roll) Non-Adhesive	\$12.00	
R0058276	1958	HARNESSTAPE 1" Vinyl (100 Ft. Roll) Non-Adhesive	\$13.00	
R0067108	1958	HARNESSTAPE 1 1/4" Vinyl (100 Ft. Roll) Non-Adhesive	\$15.00	
R0058272	1959	HARNESSTAPE 3/4" Vinyl (100 Ft. Roll) Non-Adhesive	\$12.00	
R0058276	1959	HARNESSTAPE 1" Vinyl (100 Ft. Roll) Non-Adhesive	\$13.00	
R0067108	1959	HARNESSTAPE 1 1/4" Vinyl (100 Ft. Roll) Non-Adhesive	\$15.00	
R0058272	1960	HARNESSTAPE 3/4" Vinyl (100 Ft. Roll) Non-Adhesive	\$12.00	
R0058276	1960	HARNESSTAPE 1" Vinyl (100 Ft. Roll) Non-Adhesive	\$13.00	
R0067108	1960	HARNESSTAPE 1 1/4" Vinyl (100 Ft. Roll) Non-Adhesive	\$15.00	

Impala/Bel Air
 '58-'63 El Camino



Phone (562) 926-9552
 Fax (562) 926-9572

Part Number	Year	Description	Price	*Rev.
R0058272	1961	HARNESS TAPE 3/4" Vinyl (100 Ft. Roll) Non-Adhesive	\$12.00	
R0058276	1961	HARNESS TAPE 1" Vinyl (100 Ft. Roll) Non-Adhesive	\$13.00	
R0067108	1961	HARNESS TAPE 1 1/4" Vinyl (100 Ft. Roll) Non-Adhesive	\$15.00	
R0058272	1962	HARNESS TAPE 3/4" Vinyl (100 Ft. Roll) Non-Adhesive	\$12.00	
R0058276	1962	HARNESS TAPE 1" Vinyl (100 Ft. Roll) Non-Adhesive	\$13.00	
R0067108	1962	HARNESS TAPE 1 1/4" Vinyl (100 Ft. Roll) Non-Adhesive	\$15.00	
R0058272	1963	HARNESS TAPE 3/4" Vinyl (100 Ft. Roll) Non-Adhesive	\$12.00	
R0058276	1963	HARNESS TAPE 1" Vinyl (100 Ft. Roll) Non-Adhesive	\$13.00	
R0067108	1963	HARNESS TAPE 1 1/4" Vinyl (100 Ft. Roll) Non-Adhesive	\$15.00	
R0058272	1964	HARNESS TAPE 3/4" Vinyl (100 Ft. Roll) Non-Adhesive	\$12.00	
R0058276	1964	HARNESS TAPE 1" Vinyl (100 Ft. Roll) Non-Adhesive	\$13.00	
R0067108	1964	HARNESS TAPE 1 1/4" Vinyl (100 Ft. Roll) Non-Adhesive	\$15.00	
R0058272	1965	HARNESS TAPE 3/4" Vinyl (100 Ft. Roll) Non-Adhesive	\$12.00	
R0058276	1965	HARNESS TAPE 1" Vinyl (100 Ft. Roll) Non-Adhesive	\$13.00	
R0067108	1965	HARNESS TAPE 1 1/4" Vinyl (100 Ft. Roll) Non-Adhesive	\$15.00	
R0058272	1966	HARNESS TAPE 3/4" Vinyl (100 Ft. Roll) Non-Adhesive	\$12.00	
R0058276	1966	HARNESS TAPE 1" Vinyl (100 Ft. Roll) Non-Adhesive	\$13.00	
R0067108	1966	HARNESS TAPE 1 1/4" Vinyl (100 Ft. Roll) Non-Adhesive	\$15.00	
R0058272	1967	HARNESS TAPE 3/4" Vinyl (100 Ft. Roll) Non-Adhesive	\$12.00	
R0058276	1967	HARNESS TAPE 1" Vinyl (100 Ft. Roll) Non-Adhesive	\$13.00	
R0067108	1967	HARNESS TAPE 1 1/4" Vinyl (100 Ft. Roll) Non-Adhesive	\$15.00	
R0058272	1968	HARNESS TAPE 3/4" Vinyl (100 Ft. Roll) Non-Adhesive	\$12.00	
R0058276	1968	HARNESS TAPE 1" Vinyl (100 Ft. Roll) Non-Adhesive	\$13.00	
R0067108	1968	HARNESS TAPE 1 1/4" Vinyl (100 Ft. Roll) Non-Adhesive	\$15.00	
R0058272	1969	HARNESS TAPE 3/4" Vinyl (100 Ft. Roll) Non-Adhesive	\$12.00	
R0058276	1969	HARNESS TAPE 1" Vinyl (100 Ft. Roll) Non-Adhesive	\$13.00	
R0067108	1969	HARNESS TAPE 1 1/4" Vinyl (100 Ft. Roll) Non-Adhesive	\$15.00	
R0058272	1970	HARNESS TAPE 3/4" Vinyl (100 Ft. Roll) Non-Adhesive	\$12.00	
R0058276	1970	HARNESS TAPE 1" Vinyl (100 Ft. Roll) Non-Adhesive	\$13.00	
R0067108	1970	HARNESS TAPE 1 1/4" Vinyl (100 Ft. Roll) Non-Adhesive	\$15.00	
R0058272	1971	HARNESS TAPE 3/4" Vinyl (100 Ft. Roll) Non-Adhesive	\$12.00	
R0058276	1971	HARNESS TAPE 1" Vinyl (100 Ft. Roll) Non-Adhesive	\$13.00	
R0067108	1971	HARNESS TAPE 1 1/4" Vinyl (100 Ft. Roll) Non-Adhesive	\$15.00	
R0058272	1972	HARNESS TAPE 3/4" Vinyl (100 Ft. Roll) Non-Adhesive	\$12.00	
R0058276	1972	HARNESS TAPE 1" Vinyl (100 Ft. Roll) Non-Adhesive	\$13.00	
R0067108	1972	HARNESS TAPE 1 1/4" Vinyl (100 Ft. Roll) Non-Adhesive	\$15.00	
R0058272	1973	HARNESS TAPE 3/4" Vinyl (100 Ft. Roll) Non-Adhesive	\$12.00	
R0058276	1973	HARNESS TAPE 1" Vinyl (100 Ft. Roll) Non-Adhesive	\$13.00	
R0067108	1973	HARNESS TAPE 1 1/4" Vinyl (100 Ft. Roll) Non-Adhesive	\$15.00	
R0058272	1974	HARNESS TAPE 3/4" Vinyl (100 Ft. Roll) Non-Adhesive	\$12.00	
R0058276	1974	HARNESS TAPE 1" Vinyl (100 Ft. Roll) Non-Adhesive	\$13.00	
R0067108	1974	HARNESS TAPE 1 1/4" Vinyl (100 Ft. Roll) Non-Adhesive	\$15.00	
R0058272	1975	HARNESS TAPE 3/4" Vinyl (100 Ft. Roll) Non-Adhesive	\$12.00	
R0058276	1975	HARNESS TAPE 1" Vinyl (100 Ft. Roll) Non-Adhesive	\$13.00	
R0067108	1975	HARNESS TAPE 1 1/4" Vinyl (100 Ft. Roll) Non-Adhesive	\$15.00	
R0058272	1976	HARNESS TAPE 3/4" Vinyl (100 Ft. Roll) Non-Adhesive	\$12.00	
R0058276	1976	HARNESS TAPE 1" Vinyl (100 Ft. Roll) Non-Adhesive	\$13.00	

Part Number	Year	Description	Price	*Rev.
R0067108	1976	HARNESS TAPE 1 1/4" Vinyl (100 Ft. Roll) Non-Adhesive	\$15.00	
R0058272	1977	HARNESS TAPE 3/4" Vinyl (100 Ft. Roll) Non-Adhesive	\$12.00	
R0058276	1977	HARNESS TAPE 1" Vinyl (100 Ft. Roll) Non-Adhesive	\$13.00	
R0067108	1977	HARNESS TAPE 1 1/4" Vinyl (100 Ft. Roll) Non-Adhesive	\$15.00	
HEADLAMP DIMMER SWITCH				
01997023	1958	HEADLAMP DIMMER SWITCH	\$16.00	N
01997023	1959	HEADLAMP DIMMER SWITCH	\$16.00	N
01997023	1960	HEADLAMP DIMMER SWITCH	\$16.00	N
01997028	1961	HEADLAMP DIMMER SWITCH	\$7.50	N
01997028	1962	HEADLAMP DIMMER SWITCH	\$7.50	N
01997028	1963	HEADLAMP DIMMER SWITCH	\$7.50	N
01997028	1964	HEADLAMP DIMMER SWITCH	\$7.50	N
HEADLIGHT BUCKET EXTENSION HARNESS				
19645	1958	HEADLIGHT BUCKET EXTENSION HARNESS Set Of 2	\$73.00	
19650	1959	HEADLIGHT BUCKET EXTENSION HARNESS Set Of 2	\$78.00	
HEADLIGHT SWITCH				
01995096	1958	HEADLIGHT SWITCH All	\$31.00	
01995096	1959	HEADLIGHT SWITCH All	\$31.00	
01995096	1960	HEADLIGHT SWITCH All	\$31.00	
01995096	1961	HEADLIGHT SWITCH All	\$31.00	
01995096	1962	HEADLIGHT SWITCH All	\$31.00	
01995096	1963	HEADLIGHT SWITCH All	\$31.00	
01995179	1964	HEADLIGHT SWITCH	\$20.00	N
01995179	1965	HEADLIGHT SWITCH	\$20.00	N
01995179	1966	HEADLIGHT SWITCH	\$20.00	N
01995179	1967	HEADLIGHT SWITCH	\$20.00	N
01995191	1968	HEADLIGHT SWITCH With Retractable Headlights	\$39.00	N
01995216	1969	HEADLIGHT SWITCH Without Retractable Headlamps	\$20.00	N
01995216	1970	HEADLIGHT SWITCH	\$20.00	N
01995216	1971	HEADLIGHT SWITCH	\$20.00	N
01995216	1972	HEADLIGHT SWITCH	\$20.00	N
01995216	1973	HEADLIGHT SWITCH	\$20.00	N
01995216	1974	HEADLIGHT SWITCH	\$20.00	N
01995216	1975	HEADLIGHT SWITCH	\$20.00	N
01995216	1976	HEADLIGHT SWITCH	\$20.00	N
01995216	1977	HEADLIGHT SWITCH	\$20.00	N
01995216	1978	HEADLIGHT SWITCH	\$20.00	N
01995216	1979	HEADLIGHT SWITCH	\$20.00	N
01995216	1980	HEADLIGHT SWITCH	\$20.00	N
01995216	1981	HEADLIGHT SWITCH	\$20.00	N
01995216	1982	HEADLIGHT SWITCH	\$20.00	N
01995216	1983	HEADLIGHT SWITCH	\$20.00	N
01995216	1984	HEADLIGHT SWITCH	\$20.00	N
HEATER BLOWER MOTOR RESISTOR				
03929052	1958	HEATER BLOWER MOTOR RESISTOR Without A/C	\$15.00	N
03929052	1959	HEATER BLOWER MOTOR RESISTOR Without A/C	\$15.00	N

Part Number	Year	Description	Price	*Rev.
03929052	1960	HEATER BLOWER MOTOR RESISTOR Without A/C	\$15.00	N
03929052	1961	HEATER BLOWER MOTOR RESISTOR Without A/C	\$15.00	N
03929052	1962	HEATER BLOWER MOTOR RESISTOR Without A/C	\$15.00	N
03929052	1963	HEATER BLOWER MOTOR RESISTOR Without A/C	\$15.00	N
03929052	1964	HEATER BLOWER MOTOR RESISTOR Without A/C	\$15.00	N
03929052	1965	HEATER BLOWER MOTOR RESISTOR Without A/C	\$15.00	N
03929052	1966	HEATER BLOWER MOTOR RESISTOR Without A/C	\$15.00	N
03929052	1967	HEATER BLOWER MOTOR RESISTOR Without A/C	\$15.00	N
03929052	1968	HEATER BLOWER MOTOR RESISTOR Without A/C	\$15.00	N
03929052	1969	HEATER BLOWER MOTOR RESISTOR Without A/C	\$15.00	N
03929052	1970	HEATER BLOWER MOTOR RESISTOR Without A/C	\$15.00	N
03929052	1971	HEATER BLOWER MOTOR RESISTOR Without A/C	\$15.00	N
03929052	1972	HEATER BLOWER MOTOR RESISTOR Without A/C	\$15.00	N
03929052	1973	HEATER BLOWER MOTOR RESISTOR Without A/C	\$15.00	N
03929052	1974	HEATER BLOWER MOTOR RESISTOR Without A/C	\$15.00	N
03929052	1975	HEATER BLOWER MOTOR RESISTOR Without A/C	\$15.00	N
HEATER BLOWER MOTOR SWITCH				
03857992	1965	HEATER BLOWER MOTOR SWITCH C.A.C. Air Conditioning, Without Auto Temp Control	\$17.00	
03857992	1966	HEATER BLOWER MOTOR SWITCH C.A.C. Air Conditioning, Without Auto Temp Control	\$17.00	
HOOD LAMP REPLACEMENT KIT				
18410	1964	HOOD LAMP KIT Under Hood, Includes Socket, Wire & Bulb	\$69.00	
18410	1965	HOOD LAMP KIT Under Hood, Includes Socket, Wire & Bulb	\$69.00	
18410	1966	HOOD LAMP KIT Under Hood, Includes Socket, Wire & Bulb	\$69.00	
18410	1967	HOOD LAMP KIT Under Hood, Includes Socket, Wire & Bulb	\$69.00	
18410	1968	HOOD LAMP KIT Under Hood, Includes Socket, Wire & Bulb	\$69.00	
18410	1969	HOOD LAMP KIT Under Hood, Includes Socket, Wire & Bulb	\$69.00	
18410	1970	HOOD LAMP KIT Under Hood, Includes Socket, Wire & Bulb	\$69.00	
18410	1971	HOOD LAMP KIT Under Hood, Includes Socket, Wire & Bulb	\$69.00	
18410	1972	HOOD LAMP KIT Under Hood, Includes Socket, Wire & Bulb	\$69.00	
18410	1973	HOOD LAMP KIT Under Hood, Includes Socket, Wire & Bulb	\$69.00	
18410	1974	HOOD LAMP KIT Under Hood, Includes Socket, Wire & Bulb	\$69.00	
18410	1975	HOOD LAMP KIT Under Hood, Includes Socket, Wire & Bulb	\$69.00	
18410	1976	HOOD LAMP KIT Under Hood, Includes Socket, Wire & Bulb	\$69.00	
18410	1977	HOOD LAMP KIT Under Hood, Includes Socket, Wire & Bulb	\$69.00	
HORN RELAY				
12339243	1958	HORN RELAY Required When Converting To Internal Regulator Alternators	\$12.00	
12339243	1959	HORN RELAY Required When Converting To Internal Regulator Alternators	\$12.00	
12339243	1960	HORN RELAY Required When Converting To Internal Regulator Alternators	\$12.00	
12339243	1961	HORN RELAY Required When Converting To Internal Regulator Alternators	\$12.00	
12339243	1962	HORN RELAY Required When Converting To Internal Regulator Alternators	\$12.00	
IGNITION BALLAST RESISTOR				
01957154	1958	IGNITION BALLAST RESISTOR All, Without Hi Lift Cam	\$12.00	N
01957154	1963	IGNITION BALLAST RESISTOR All, 409 C.i., Without High Performance, Or Dual 4 Barrel Carburetors	\$12.00	N
01957154	1964	IGNITION BALLAST RESISTOR All, 409 C.i., Without High Performance, Or Dual 4 Barrel Carburetors	\$12.00	N

Part Number	Year	Description	Price	*Rev.
01957154	1965	IGNITION BALLAST RESISTOR All, 396, 409 C.i., Without High Performance, Or Transistor Ignition	\$12.00	N
01957154	1966	IGNITION BALLAST RESISTOR All, With High Performance 427 C.i.	\$12.00	N
IGNITION CYLINDER AND KEYS				
20071252	1969	IGNITION CYLINDER AND KEYS Chrome, All	\$18.50	N
20071252	1970	IGNITION CYLINDER AND KEYS Chrome, All	\$18.50	N
20071252	1971	IGNITION CYLINDER AND KEYS Chrome, All	\$18.50	N
20071252	1972	IGNITION CYLINDER AND KEYS Chrome, All	\$18.50	N
20071252	1973	IGNITION CYLINDER AND KEYS Chrome, All	\$18.50	N
20071252	1974	IGNITION CYLINDER AND KEYS Chrome, All	\$18.50	N
20071252	1975	IGNITION CYLINDER AND KEYS Chrome, All	\$18.50	N
20071252	1976	IGNITION CYLINDER AND KEYS Chrome, All	\$18.50	N
20071252	1977	IGNITION CYLINDER AND KEYS Chrome, All	\$18.50	N
20071252	1978	IGNITION CYLINDER AND KEYS Chrome, All, 1st Design, Used On Columns Without Lock Cylinder Retaining Screw	\$18.50	N
07833759	1978	IGNITION CYLINDER AND KEYS Chrome, Impala, Caprice, 2nd Design, Used On Columns With Lock Cylinder Retaining Screw	\$18.50	N
07833759	1979	IGNITION CYLINDER AND KEYS Chrome, Impala, Caprice	\$18.50	N
07833759	1980	IGNITION CYLINDER AND KEYS Chrome, Impala, Caprice	\$18.50	N
07833759	1981	IGNITION CYLINDER AND KEYS Chrome, Impala, Caprice	\$18.50	N
07833759	1982	IGNITION CYLINDER AND KEYS Chrome, Impala, Caprice	\$18.50	N
07833759	1983	IGNITION CYLINDER AND KEYS Chrome, Impala, Caprice	\$18.50	N
07833759	1984	IGNITION CYLINDER AND KEYS Chrome, Impala, Caprice	\$18.50	N
07833759	1985	IGNITION CYLINDER AND KEYS Chrome, Impala, Caprice	\$18.50	N
07833759	1986	IGNITION CYLINDER AND KEYS Chrome, Caprice	\$18.50	N
07833759	1987	IGNITION CYLINDER AND KEYS Chrome, Caprice	\$18.50	N
07833759	1988	IGNITION CYLINDER AND KEYS Chrome, Caprice	\$18.50	N
07833759	1989	IGNITION CYLINDER AND KEYS Chrome, Caprice	\$18.50	N
07833759	1990	IGNITION CYLINDER AND KEYS Chrome, Caprice	\$18.50	N
IGNITION SWITCH				
01116570	1959	IGNITION SWITCH	\$62.00	N
01116576	1960	IGNITION SWITCH	\$62.00	N
01116626	1961	IGNITION SWITCH	\$24.00	M
01116626	1962	IGNITION SWITCH	\$24.00	M
01116626	1963	IGNITION SWITCH	\$24.00	M
44205	1964	IGNITION SWITCH KIT Note: Includes Ignition Switch, Connector And Instructions.	\$37.00	N
44205	1965	IGNITION SWITCH KIT Note: Includes Ignition Switch, Connector And Instructions.	\$37.00	N
01990110	1969	IGNITION SWITCH All, With Tilt	\$14.00	N
01990110	1970	IGNITION SWITCH All, With Tilt	\$14.00	N
01990110	1971	IGNITION SWITCH All, With Tilt	\$14.00	N
01990110	1972	IGNITION SWITCH All, With Tilt	\$14.00	N
01990110	1973	IGNITION SWITCH All, With Tilt	\$14.00	N
01990110	1974	IGNITION SWITCH All, With Tilt	\$14.00	N
01990110	1975	IGNITION SWITCH All, With Tilt	\$14.00	N
01990110	1976	IGNITION SWITCH All, With Tilt	\$14.00	N
01990110	1977	IGNITION SWITCH All, With Tilt	\$14.00	N

Part Number	Year	Description	Price	*Rev.
01990110	1978	IGNITION SWITCH All, With Tilt	\$14.00	N
01990110	1979	IGNITION SWITCH All, With Tilt	\$14.00	N
01990110	1980	IGNITION SWITCH All, With Tilt	\$14.00	N
01990110	1981	IGNITION SWITCH All, With Tilt	\$14.00	N
01990110	1982	IGNITION SWITCH All, With Tilt	\$14.00	N
01990110	1983	IGNITION SWITCH All, With Tilt	\$14.00	N
01990110	1984	IGNITION SWITCH All, With Tilt	\$14.00	N
01990110	1985	IGNITION SWITCH All, With Tilt	\$14.00	N
01990110	1986	IGNITION SWITCH All, With Tilt	\$14.00	N
01990110	1987	IGNITION SWITCH All, With Tilt	\$14.00	N
01990110	1988	IGNITION SWITCH All, With Tilt	\$14.00	N
01990110	1989	IGNITION SWITCH All, With Tilt	\$14.00	N
01990110	1990	IGNITION SWITCH All, With Tilt	\$14.00	N
INSTRUMENT GAUGE CLUSTER CLIP KIT				
08986000	1976	CLIP KIT Caprice, Impala, All, Instrument Gauge Cluster / Printed Circuit Board Retaining Clip Note: Replaces Original GM Part Number 08986000, Includes 12 Clips Per Kit.	\$14.00	N
08986000	1977	CLIP KIT Caprice, Impala, All, Instrument Gauge Cluster / Printed Circuit Board Retaining Clip Note: Replaces Original GM Part Number 08986000, Includes 12 Clips Per Kit.	\$14.00	N
08986000	1978	CLIP KIT Caprice, Impala, All, Instrument Gauge Cluster / Printed Circuit Board Retaining Clip Note: Replaces Original GM Part Number 08986000, Includes 12 Clips Per Kit.	\$14.00	N
08986000	1979	CLIP KIT Caprice, Impala, All, Instrument Gauge Cluster / Printed Circuit Board Retaining Clip Note: Replaces Original GM Part Number 08986000, Includes 12 Clips Per Kit.	\$14.00	N
08986000	1980	CLIP KIT Caprice, Impala, All, Instrument Gauge Cluster / Printed Circuit Board Retaining Clip Note: Replaces Original GM Part Number 08986000, Includes 12 Clips Per Kit.	\$14.00	N
08986000	1981	CLIP KIT Caprice, Impala, All, Instrument Gauge Cluster / Printed Circuit Board Retaining Clip Note: Replaces Original GM Part Number 08986000, Includes 12 Clips Per Kit.	\$14.00	N
08986000	1982	CLIP KIT Caprice, Impala, All, Instrument Gauge Cluster / Printed Circuit Board Retaining Clip Note: Replaces Original GM Part Number 08986000, Includes 12 Clips Per Kit.	\$14.00	N
08986000	1983	CLIP KIT Caprice, Impala, All, Instrument Gauge Cluster / Printed Circuit Board Retaining Clip Note: Replaces Original GM Part Number 08986000, Includes 12 Clips Per Kit.	\$14.00	N
08986000	1984	CLIP KIT Caprice, Impala, All, Instrument Gauge Cluster / Printed Circuit Board Retaining Clip Note: Replaces Original GM Part Number 08986000, Includes 12 Clips Per Kit.	\$14.00	N
08986000	1985	CLIP KIT Caprice, Impala, All, Instrument Gauge Cluster / Printed Circuit Board Retaining Clip Note: Replaces Original GM Part Number 08986000, Includes 12 Clips Per Kit.	\$14.00	N
08986000	1986	CLIP KIT Caprice, All, Instrument Gauge Cluster / Printed Circuit Board Retaining Clip Note: Replaces Original GM Part Number 08986000, Includes 12 Clips Per Kit.	\$14.00	N
08986000	1987	CLIP KIT Caprice, All, Instrument Gauge Cluster / Printed Circuit Board Retaining Clip Note: Replaces Original GM Part Number 08986000, Includes 12 Clips Per Kit.	\$14.00	N

Part Number	Year	Description	Price	*Rev.
08986000	1988	CLIP KIT Caprice, All, Instrument Gauge Cluster / Printed Circuit Board Retaining Clip Note: Replaces Original GM Part Number 08986000, Includes 12 Clips Per Kit.	\$14.00	N
08986000	1989	CLIP KIT Caprice, All, Instrument Gauge Cluster / Printed Circuit Board Retaining Clip Note: Replaces Original GM Part Number 08986000, Includes 12 Clips Per Kit.	\$14.00	N
08986000	1990	CLIP KIT Caprice, All, Instrument Gauge Cluster / Printed Circuit Board Retaining Clip Note: Replaces Original GM Part Number 08986000, Includes 12 Clips Per Kit.	\$14.00	N
KICKDOWN HARNESS				
06085	1965	KICKDOWN HARNESS TH400 Auto Trans, Carburetor Switch To Trans	\$53.00	
06085	1966	KICKDOWN HARNESS TH400 Auto Trans, Carburetor Switch To Trans	\$53.00	
06085	1967	KICKDOWN HARNESS TH400 Auto Trans, Carburetor Switch To Trans	\$53.00	
37659	1968	KICKDOWN HARNESS TH400 Auto Trans, 4 Bbl Carb. Only, Carburetor Switch To Trans	\$53.00	
37659	1969	KICKDOWN HARNESS TH400 Auto Trans, 4 Bbl Carb. Only, Carburetor Switch To Trans	\$53.00	
KICKDOWN SWITCH				
01242101	1970	KICKDOWN SWITCH TH400 Auto Trans	\$19.00	
01242101	1971	KICKDOWN SWITCH TH400 Auto Trans	\$19.00	
01242101	1972	KICKDOWN SWITCH TH400 Auto Trans	\$19.00	
01242101	1976	KICKDOWN SWITCH Caprice, Impala, TH400, Auto Trans	\$19.00	
01242101	1977	KICKDOWN SWITCH Caprice, Impala, TH400, Auto Trans	\$19.00	
LICENSE PLATE LAMP EXTENSION				
39667	1960	LICENSE PLATE LAMP EXTENSION El Camino Note: Set Of 2.	\$26.00	
LOW FUEL INDICATOR MODULE				
500274	1958	LOW FUEL INDICATOR MODULE Generic "Adjustable" Low Fuel Warning Module Note: A Complete Electronic Control Unit To Activate A Warning Lamp Or Relay When Fuel Level Drops Below A User Adjustable Level. Includes instruction sheet.	\$69.00	C
500274	1959	LOW FUEL INDICATOR MODULE Generic "Adjustable" Low Fuel Warning Module Note: A Complete Electronic Control Unit To Activate A Warning Lamp Or Relay When Fuel Level Drops Below A User Adjustable Level. Includes instruction sheet.	\$69.00	C
500274	1960	LOW FUEL INDICATOR MODULE Generic "Adjustable" Low Fuel Warning Module Note: A Complete Electronic Control Unit To Activate A Warning Lamp Or Relay When Fuel Level Drops Below A User Adjustable Level. Includes instruction sheet.	\$69.00	C
500274	1961	LOW FUEL INDICATOR MODULE Generic "Adjustable" Low Fuel Warning Module Note: A Complete Electronic Control Unit To Activate A Warning Lamp Or Relay When Fuel Level Drops Below A User Adjustable Level. Includes instruction sheet.	\$69.00	C
500274	1962	LOW FUEL INDICATOR MODULE Generic "Adjustable" Low Fuel Warning Module Note: A Complete Electronic Control Unit To Activate A Warning Lamp Or Relay When Fuel Level Drops Below A User Adjustable Level. Includes instruction sheet.	\$69.00	C
500274	1963	LOW FUEL INDICATOR MODULE Generic "Adjustable" Low Fuel Warning Module Note: A Complete Electronic Control Unit To Activate A Warning Lamp Or Relay When Fuel Level Drops Below A User Adjustable Level. Includes instruction sheet.	\$69.00	C
500274	1964	LOW FUEL INDICATOR MODULE Generic "Adjustable" Low Fuel Warning Module Note: A Complete Electronic Control Unit To Activate A Warning Lamp Or Relay When Fuel Level Drops Below A User Adjustable Level. Includes instruction sheet.	\$69.00	C
500274	1965	LOW FUEL INDICATOR MODULE Generic "Adjustable" Low Fuel Warning Module Note: A Complete Electronic Control Unit To Activate A Warning Lamp Or Relay When Fuel Level Drops Below A User Adjustable Level. Includes instruction sheet.	\$69.00	C

Part Number	Year	Description	Price	*Rev.
500274	1966	LOW FUEL INDICATOR MODULE Generic "Adjustable" Low Fuel Warning Module Note: A Complete Electronic Control Unit To Activate A Warning Lamp Or Relay When Fuel Level Drops Below A User Adjustable Level. Includes instruction sheet.	\$69.00	C
500274	1967	LOW FUEL INDICATOR MODULE Generic "Adjustable" Low Fuel Warning Module Note: A Complete Electronic Control Unit To Activate A Warning Lamp Or Relay When Fuel Level Drops Below A User Adjustable Level. Includes instruction sheet.	\$69.00	C
500274	1968	LOW FUEL INDICATOR MODULE Generic "Adjustable" Low Fuel Warning Module Note: A Complete Electronic Control Unit To Activate A Warning Lamp Or Relay When Fuel Level Drops Below A User Adjustable Level. Includes instruction sheet.	\$69.00	C
500274	1969	LOW FUEL INDICATOR MODULE Generic "Adjustable" Low Fuel Warning Module Note: A Complete Electronic Control Unit To Activate A Warning Lamp Or Relay When Fuel Level Drops Below A User Adjustable Level. Includes instruction sheet.	\$69.00	C
500274	1970	LOW FUEL INDICATOR MODULE Generic "Adjustable" Low Fuel Warning Module Note: A Complete Electronic Control Unit To Activate A Warning Lamp Or Relay When Fuel Level Drops Below A User Adjustable Level. Includes instruction sheet.	\$69.00	C
500274	1971	LOW FUEL INDICATOR MODULE Generic "Adjustable" Low Fuel Warning Module Note: A Complete Electronic Control Unit To Activate A Warning Lamp Or Relay When Fuel Level Drops Below A User Adjustable Level. Includes instruction sheet.	\$69.00	C
500274	1972	LOW FUEL INDICATOR MODULE Generic "Adjustable" Low Fuel Warning Module Note: A Complete Electronic Control Unit To Activate A Warning Lamp Or Relay When Fuel Level Drops Below A User Adjustable Level. Includes instruction sheet.	\$69.00	C

NEUTRAL SAFETY AND BACKUP LAMP SWITCH

01993659	1958	NEUTRAL SAFETY AND BACKUP LAMP SWITCH With Column Shift Powerglide Auto Trans	\$12.00	
01993659	1959	NEUTRAL SAFETY AND BACKUP LAMP SWITCH With Column Shift Powerglide Auto Trans	\$12.00	
01993659	1960	NEUTRAL SAFETY AND BACKUP LAMP SWITCH With Column Shift Powerglide Auto Trans	\$12.00	
01993659	1961	NEUTRAL SAFETY AND BACKUP LAMP SWITCH With Column Shift Powerglide Auto Trans	\$12.00	
01993659	1962	NEUTRAL SAFETY AND BACKUP LAMP SWITCH With Column Shift Powerglide Auto Trans	\$12.00	
01993659	1963	NEUTRAL SAFETY AND BACKUP LAMP SWITCH With Column Shift Powerglide Auto Trans	\$12.00	
01993659	1964	NEUTRAL SAFETY AND BACKUP LAMP SWITCH With Column Shift Powerglide Auto Trans	\$12.00	
01993658	1964	NEUTRAL SAFETY AND BACKUP LAMP SWITCH With Console Shift Powerglide Auto Trans	\$55.00	
01993659	1965	NEUTRAL SAFETY AND BACKUP LAMP SWITCH With Column Shift Powerglide Auto Trans	\$12.00	
01993320	1965	NEUTRAL SAFETY AND BACKUP LAMP SWITCH With Column Shift TH350-400 Auto Trans	\$12.00	
01993696	1965	NEUTRAL SAFETY AND BACKUP LAMP SWITCH With Console Shift Powerglide Auto Trans	\$64.00	
01993321	1965	NEUTRAL SAFETY AND BACKUP LAMP SWITCH With Console Shift TH350-400 Auto Trans	\$55.00	
01993659	1966	NEUTRAL SAFETY AND BACKUP LAMP SWITCH With Column Shift Powerglide Auto Trans	\$12.00	
01993320	1966	NEUTRAL SAFETY AND BACKUP LAMP SWITCH With Column Shift TH350-400 Auto Trans	\$12.00	
01993696	1966	NEUTRAL SAFETY AND BACKUP LAMP SWITCH With Console Shift Powerglide Auto Trans	\$64.00	
01993321	1966	NEUTRAL SAFETY AND BACKUP LAMP SWITCH With Console Shift TH350-400 Auto Trans	\$55.00	
01993696	1967	NEUTRAL SAFETY AND BACKUP LAMP SWITCH With Console Shift Powerglide Auto Trans	\$64.00	
01993321	1967	NEUTRAL SAFETY AND BACKUP LAMP SWITCH With Console Shift TH350-400 Auto Trans	\$55.00	
01993696	1968	NEUTRAL SAFETY AND BACKUP LAMP SWITCH Powerglide Auto Trans, Except SS	\$64.00	M
01994235	1969	NEUTRAL SAFETY AND BACKUP LAMP SWITCH With Column Shift Auto Trans, All	\$19.00	
01994235	1970	NEUTRAL SAFETY AND BACKUP LAMP SWITCH With Column Shift Auto Trans, All	\$19.00	
01994235	1971	NEUTRAL SAFETY AND BACKUP LAMP SWITCH With Column Shift Auto Trans, All	\$19.00	
01994235	1972	NEUTRAL SAFETY AND BACKUP LAMP SWITCH With Column Shift Auto Trans, All	\$19.00	

Part Number	Year	Description	Price	*Rev.
NEUTRAL SAFETY SWITCH				
03983965	1970	NEUTRAL SAFETY SWITCH With Manual Trans (Clutch Pedal Activated) Note: 03983965 Switch Included In Kit Is Correct, However Mounting Tower 03961589 Also Provided Does Not Work On This Application. Original Mounting Tower Must Be Reused.	\$58.00	C
03986841	1971	NEUTRAL SAFETY SWITCH With 3 Speed Manual Trans (Clutch Pedal Activated) Note: 03983965 Switch Included In Kit Is Correct, However Mounting Tower 03961590 Also Provided Does Not Work On This Application. Original Mounting Tower Must Be Reused.	\$58.00	C
03983965	1971	NEUTRAL SAFETY SWITCH With 4 Speed Manual Trans (Clutch Pedal Activated) Note: 03983965 Switch Included In Kit Is Correct, However Mounting Tower 03961589 Also Provided Does Not Work On This Application. Original Mounting Tower Must Be Reused.	\$58.00	N
03986841	1972	NEUTRAL SAFETY SWITCH With 3 Speed Manual Trans (Clutch Pedal Activated) Note: 03983965 Switch Included In Kit Is Correct, However Mounting Tower 03961590 Also Provided Does Not Work On This Application. Original Mounting Tower Must Be Reused.	\$58.00	C
03983965	1972	NEUTRAL SAFETY SWITCH With 4 Speed Manual Trans (Clutch Pedal Activated) Note: 03983965 Switch Included In Kit Is Correct, However Mounting Tower 03961589 Also Provided Does Not Work On This Application. Original Mounting Tower Must Be Reused.	\$58.00	N
OVERDRIVE HARNESS				
41455	1959	OVERDRIVE HARNESS 6 Cyl., Early 1 Piece Design Note: 6 Cylinder Items Are Not Returnable.	\$183.00	
41576	1959	OVERDRIVE HARNESS V/8, Early 1 Piece Design	\$200.00	
28750	1961	OVERDRIVE HARNESS V/8	\$170.00	
05860	1965	OVERDRIVE HARNESS 6 Cylinder Note: 6 Cylinder Items Are Not Returnable.	\$183.00	
27290	1965	OVERDRIVE HARNESS V/8	\$183.00	
05860	1966	OVERDRIVE HARNESS 6 Cylinder Note: 6 Cylinder Items Are Not Returnable.	\$183.00	
10955	1967	OVERDRIVE HARNESS 6 Cylinder Note: 6 Cylinder Items Are Not Returnable.	\$217.00	
10960	1967	OVERDRIVE HARNESS V/8	\$191.00	
11965	1968	OVERDRIVE HARNESS V/8	\$200.00	
PARKING BRAKE WARNING LAMP HARNESS				
33335	1959	PARKING BRAKE WARNING LAMP HARNESS	\$27.00	
33190	1960	PARKING BRAKE WARNING LAMP HARNESS	\$27.00	
POWER ACCESSORY FEED WIRE				
02725	1958	POWER ACCESSORY FEED WIRE All, Starter Solenoid To Main Accesory Harness	\$23.00	
08470	1958	POWER ACCESSORY FEED WIRE Circuit Breaker To Power Seat Harness	\$53.00	
08430	1958	POWER ACCESSORY FEED WIRE Convertible, Used Only With Power Top & Seats Combined	\$25.00	
02875	1958	POWER ACCESSORY FEED WIRE, 348 C.I. ONLY Power Top, Seat & Windows, Starter Soleniod To Part# 02880	\$18.00	
02880	1958	POWER ACCESSORY FEED WIRE, 348 C.I. ONLY Power Top, Seat & Windows, Part#02875 To Rear Body Connector	\$18.00	
08550	1960	POWER ACCESSORY FEED WIRE Power Windows & Seat, Convertible	\$20.00	
08770	1961	POWER ACCESSORY FEED WIRE Power Window, Kick Panel To Power Window Harness	\$15.00	
08785	1961	POWER ACCESSORY FEED WIRE Power Window Or Power Seat, Except Convertible, Bulkhead To Circuit Breaker	\$30.00	
19655	1961	POWER ACCESSORY FEED WIRE Convertible Top, Power Window, Starter Solenoid To Bulkhead	\$20.00	
08750	1961	POWER ACCESSORY FEED WIRE Power Seats, Circuit Breaker To Seat Adjuster Control	\$25.00	
08770	1962	POWER ACCESSORY FEED WIRE Power Window, Kick Panel To Power Window Harness	\$15.00	

Part Number	Year	Description	Price	*Rev.
08785	1962	POWER ACCESSORY FEED WIRE Power Window Or Power Seat, Except Convertible, Bulkhead To Circuit Breaker	\$30.00	
19655	1962	POWER ACCESSORY FEED WIRE Convertible Top, Power Window, Starter Solenoid To Bulkhead	\$20.00	
08750	1962	POWER ACCESSORY FEED WIRE Power Seats, Circuit Breaker To Seat Adjuster Control	\$25.00	
08770	1963	POWER ACCESSORY FEED WIRE Power Window, Kick Panel To Power Window Harness	\$15.00	
09035	1963	POWER ACCESSORY FEED WIRE Power Window, Bulkhead To Circuit Breaker	\$26.00	
09040	1963	POWER ACCESSORY FEED WIRE Power Seats, Circuit Breaker To Seat Adjuster Control	\$27.00	
19655	1963	POWER ACCESSORY FEED WIRE 6 Cyl, Convertible Top, Power Window, Starter Solenoid To Bulkhead Note: 6 Cylinder Items Are Not Returnable.	\$20.00	
19665	1963	POWER ACCESSORY FEED WIRE V/8, Convertible Top, Starter Solenoid To Bulkhead	\$20.00	
08770	1964	POWER ACCESSORY FEED WIRE Power Window, Kick Panel To Power Window Harness	\$15.00	
09035	1964	POWER ACCESSORY FEED WIRE Power Window, Bulkhead To Circuit Breaker	\$26.00	
19655	1964	POWER ACCESSORY FEED WIRE 6 Cyl, Convertible Top, Power Window, Starter Solenoid To Bulkhead Note: 6 Cylinder Items Are Not Returnable.	\$20.00	
19665	1964	POWER ACCESSORY FEED WIRE V/8, Convertible Top, Starter Solenoid To Bulkhead	\$20.00	
06830	1964	POWER ACCESSORY FEED WIRE Power Seat, Circuit Breaker To Seat Adjuster Control	\$44.00	
08120	1965	POWER ACCESSORY FEED WIRE Convertible Top, Power Window, Bulkhead To Circuit Breaker	\$42.00	
19670	1965	POWER ACCESSORY FEED WIRE Convertible Top, Power Window, Horn Relay To Bulkhead	\$20.00	
32505	1965	POWER ACCESSORY FEED WIRE Power Seat Feed	\$38.00	
08120	1966	POWER ACCESSORY FEED WIRE Convertible Top, Power Window, Bulkhead To Circuit Breaker	\$42.00	
19670	1966	POWER ACCESSORY FEED WIRE Convertible Top, Power Window, Horn Relay To Bulkhead	\$20.00	
32505	1966	POWER ACCESSORY FEED WIRE Power Seat Feed	\$38.00	
19675	1967	POWER ACCESSORY FEED WIRE Convertible, Power Window, Circuit Breaker To Power Top Harness	\$27.00	
19680	1967	POWER ACCESSORY FEED WIRE Convertible Top, Power Window, Horn Relay To Circuit Breaker	\$27.00	
32505	1967	POWER ACCESSORY FEED WIRE Power Seat Feed	\$38.00	
19680	1968	POWER ACCESSORY FEED WIRE Convertible Top, Power Window, Horn Relay To Circuit Breaker	\$27.00	
19685	1968	POWER ACCESSORY FEED WIRE Convertible Top, Power Window, Circuit Breaker To Power Top	\$42.00	
32505	1968	POWER ACCESSORY FEED WIRE Power Seat Feed	\$38.00	
19685	1969	POWER ACCESSORY FEED WIRE Convertible Top, Power Window, Circuit Breaker To Power Top	\$42.00	
10755	1970	POWER ACCESSORY FEED WIRE Convertible Top, Power Window, Horn Relay To Circuit Breaker	\$18.00	
POWER ANTENNA HARNESS				
32520	1966	POWER ANTENNA HARNESS Rear Power Antenna, All Except Convertible	\$48.00	
32525	1966	POWER ANTENNA HARNESS Rear Power Antenna, Convertible	\$48.00	
32490	1967	POWER ANTENNA HARNESS Rear Power Antenna, All Except Convertible	\$49.00	
32500	1967	POWER ANTENNA HARNESS Rear Power Antenna, Convertible	\$49.00	
32490	1968	POWER ANTENNA HARNESS Rear Power Antenna, All Except Convertible	\$49.00	
32500	1968	POWER ANTENNA HARNESS Rear Power Antenna, Convertible	\$49.00	
POWER DOOR LOCK SWITCH				
01725099	1973	POWER DOOR LOCK SWITCH 1 Button	\$62.00	
01725099	1974	POWER DOOR LOCK SWITCH 1 Button	\$62.00	
01725099	1975	POWER DOOR LOCK SWITCH 1 Button	\$62.00	
01725099	1976	POWER DOOR LOCK SWITCH 1 Button	\$62.00	
20043224	1977	POWER DOOR LOCK SWITCH Impala, Caprice, Without Power Windows	\$9.00	N
20043224	1978	POWER DOOR LOCK SWITCH Impala, Caprice, Without Power Windows	\$9.00	N
20043224	1979	POWER DOOR LOCK SWITCH Impala, Caprice, Without Power Windows	\$9.00	N

Part Number	Year	Description	Price	*Rev.
POWER SEAT HARNESS				
08480	1958	POWER SEAT HARNESS	\$68.00	
08485	1958	POWER SEAT SWITCH JUMPER HARNESS Power Seat Harness To Switch	\$46.00	
07020	1966	POWER SEAT HARNESS 4 Way Bucket, Drivers Side	\$183.00	
07020	1967	POWER SEAT HARNESS 4 Way Bucket, Drivers Side	\$183.00	
07020	1968	POWER SEAT HARNESS 4 Way Bucket, Drivers Side	\$183.00	
POWER SEAT MOTOR RELAY AND ADAPTER HARNESS				
40146	1964	POWER SEAT MOTOR RELAY AND ADAPTER HARNESS Includes New Standard Type Relay And Adapter To Mate To Factory Harness	\$86.00	
40146	1965	POWER SEAT MOTOR RELAY AND ADAPTER HARNESS Includes New Standard Type Relay And Adapter To Mate To Factory Harness	\$86.00	
40146	1966	POWER SEAT MOTOR RELAY AND ADAPTER HARNESS Includes New Standard Type Relay And Adapter To Mate To Factory Harness	\$86.00	
40146	1967	POWER SEAT MOTOR RELAY AND ADAPTER HARNESS Includes New Standard Type Relay And Adapter To Mate To Factory Harness	\$86.00	
40146	1968	POWER SEAT MOTOR RELAY AND ADAPTER HARNESS Includes New Standard Type Relay And Adapter To Mate To Factory Harness	\$86.00	
40146	1969	POWER SEAT MOTOR RELAY AND ADAPTER HARNESS Includes New Standard Type Relay And Adapter To Mate To Factory Harness	\$86.00	
40146	1970	POWER SEAT MOTOR RELAY AND ADAPTER HARNESS Includes New Standard Type Relay And Adapter To Mate To Factory Harness	\$86.00	
40146	1971	POWER SEAT MOTOR RELAY AND ADAPTER HARNESS Includes New Standard Type Relay And Adapter To Mate To Factory Harness	\$86.00	
40146	1972	POWER SEAT MOTOR RELAY AND ADAPTER HARNESS Includes New Standard Type Relay And Adapter To Mate To Factory Harness	\$86.00	
40146	1973	POWER SEAT MOTOR RELAY AND ADAPTER HARNESS Includes New Standard Type Relay And Adapter To Mate To Factory Harness	\$86.00	
40146	1974	POWER SEAT MOTOR RELAY AND ADAPTER HARNESS Includes New Standard Type Relay And Adapter To Mate To Factory Harness	\$86.00	
40146	1975	POWER SEAT MOTOR RELAY AND ADAPTER HARNESS Includes New Standard Type Relay And Adapter To Mate To Factory Harness	\$86.00	
POWER TAILGATE WINDOW FEED WIRE				
08525	1959	POWER TAILGATE WINDOW FEED WIRE	\$41.00	
08525	1960	POWER TAILGATE WINDOW FEED WIRE	\$41.00	
31205	1960	POWER TAILGATE WINDOW HARNESS Nomad & Parkwood 4 Door Wagon	\$137.00	
POWER TAILGATE WINDOW SWITCH				
03906118	1965	POWER TAILGATE WINDOW SWITCH Station Wagon, With Power Tail Gate Window Note: This Is The Removable "Black Knob" Type Switch, This Allows Customers With Original Removable "Chrome Knob" Type Switches To Reuse Their Original "Chrome Knob" To Retain An Original Appearance.	\$66.00	
03906118	1966	POWER TAILGATE WINDOW SWITCH Station Wagon, With Power Tail Gate Window Note: This Is The Removable "Black Knob" Type Switch, This Allows Customers With Original Removable "Chrome Knob" Type Switches To Reuse Their Original "Chrome Knob" To Retain An Original Appearance.	\$66.00	
03906118	1967	POWER TAILGATE WINDOW SWITCH Station Wagon, With Power Tail Gate Window Note: This Is The Removable "Black Knob" Type Switch, This Allows Customers With Original Removable "Chrome Knob" Type Switches To Reuse Their Original "Chrome Knob" To Retain An Original Appearance.	\$66.00	
03906118	1968	POWER TAILGATE WINDOW SWITCH Station Wagon, With Power Tail Gate Window Note: This Is The Removable "Black Knob" Type Switch, This Allows Customers With Original Removable "Chrome Knob" Type Switches To Reuse Their Original "Chrome Knob" To Retain An Original Appearance.	\$66.00	
POWER TOP SWITCH				
03814719	1958	POWER TOP SWITCH	\$93.00	N
03814719	1959	POWER TOP SWITCH	\$93.00	N

Part Number	Year	Description	Price	*Rev.
03814719	1960	POWER TOP SWITCH	\$93.00	N
03814719	1961	POWER TOP SWITCH	\$93.00	N
03814719	1962	POWER TOP SWITCH	\$93.00	N
03906118	1965	POWER TOP SWITCH With Power Convertible Top Note: This Is The Removable "Black Knob" Type Switch, This Allows Customers With Original Removable "Chrome Knob" Type Switches To Reuse Their Original "Chrome Knob" To Retain An Original Appearance.	\$66.00	
03906118	1966	POWER TOP SWITCH With Power Convertible Top Note: This Is The Removable "Black Knob" Type Switch, This Allows Customers With Original Removable "Chrome Knob" Type Switches To Reuse Their Original "Chrome Knob" To Retain An Original Appearance.	\$66.00	
03906118	1967	POWER TOP SWITCH With Power Convertible Top Note: This Is The Removable "Black Knob" Type Switch, This Allows Customers With Original Removable "Chrome Knob" Type Switches To Reuse Their Original "Chrome Knob" To Retain An Original Appearance.	\$66.00	
03906118	1968	POWER TOP SWITCH With Power Convertible Top Note: This Is The Removable "Black Knob" Type Switch, This Allows Customers With Original Removable "Chrome Knob" Type Switches To Reuse Their Original "Chrome Knob" To Retain An Original Appearance.	\$66.00	
POWER TOP SWITCH HARNESS				
05900	1965	POWER TOP SWITCH HARNESS Convertible	\$56.00	
33500	1967	POWER TOP SWITCH HARNESS Convertible	\$90.00	
POWER WINDOW HARNESS				
08440	1958	POWER WINDOW AND SEAT HARNESS Belair & Biscayne, 2 Door	\$685.00	
08455	1958	POWER WINDOW AND SEAT HARNESS Belair & Biscayne, 4 Door Sedan	\$685.00	
08445	1958	POWER WINDOW AND SEAT HARNESS Belair Sport Sedan	\$685.00	
08465	1958	POWER WINDOW AND SEAT HARNESS Nomad & Brookwood, 4 Door Wagon	\$685.00	
08460	1958	POWER WINDOW AND SEAT HARNESS Impala, Convertible	\$685.00	
08450	1958	POWER WINDOW AND SEAT HARNESS Impala, Sport Coupe	\$685.00	
08560	1959	POWER WINDOW HARNESS Belair 2 Door Sedan, Front Door & Rear Quarter Window, L.H.	\$396.00	
08555	1959	POWER WINDOW HARNESS Belair 2 Door Sedan, Front Door & Rear Quarter Window, R.H.	\$335.00	
08610	1959	POWER WINDOW HARNESS Belair Sport Sedan, Front & Rear Door, L.H.	\$396.00	
08610	1959	POWER WINDOW HARNESS Impala Sport Sedan & 4 Door Sedan, Front & Rear Door, L.H.	\$396.00	
08610	1959	POWER WINDOW HARNESS Nomad, Kingswood & Parkwood Wagons, Front & Rear Door, L.H.	\$396.00	
31200	1959	POWER WINDOW HARNESS Belair Sport Sedan & 4 Door Sedan, Front & Rear Door, R.H.	\$335.00	
31200	1959	POWER WINDOW HARNESS Impala Sport Sedan & 4 Door Sedan, Front & Rear Door, R.H.	\$335.00	
31200	1959	POWER WINDOW HARNESS Nomad, Kingswood & Parkwood Wagons, Front & Rear Door, R.H.	\$335.00	
08545	1959	POWER WINDOW HARNESS Impala, Convertible, Front Door & Rear Quarter Window, L.H.	\$413.00	
08540	1959	POWER WINDOW HARNESS Impala, Convertible, Front Door & Rear Quarter Window, R.H.	\$335.00	
08535	1959	POWER WINDOW HARNESS Impala Sport Coupe, Front Door & Rear Quarter Window, L.H.	\$396.00	
08530	1959	POWER WINDOW HARNESS Impala Sport Coupe, Front Door & Rear Quarter Window, R.H.	\$335.00	
08520	1959	POWER WINDOW JUMPER HARNESS Left To Right Side Door & Quarter Window	\$112.00	
08630	1960	POWER WINDOW HARNESS Belair 2 Door Sedan, Front Door & Rear Quarter Window, L.H.	\$396.00	
08625	1960	POWER WINDOW HARNESS Belair 2 Door Sedan, Front Door & Rear Quarter Window, R.H.	\$396.00	
08610	1960	POWER WINDOW HARNESS Belair Sport Sedan, Front & Rear Door, L.H.	\$396.00	
08610	1960	POWER WINDOW HARNESS Impala Sport Sedan & 4 Door Sedan, Front & Rear Door, L.H.	\$396.00	
08610	1960	POWER WINDOW HARNESS Nomad, Kingswood & Parkwood Wagons, Front & Rear Door, L.H.	\$396.00	
08605	1960	POWER WINDOW HARNESS Belair Sport Sedan & 4 Door Sedan, Front & Rear Door, R.H.	\$396.00	
08605	1960	POWER WINDOW HARNESS Impala 4 Door & Sport Sedan, Front & Rear Door, R.H.	\$396.00	

Part Number	Year	Description	Price	*Rev.
08605	1960	POWER WINDOW HARNESS Nomad, Kingswood & Parkwood Wagons, Front & Rear Door, R. H.	\$396.00	
08635	1960	POWER WINDOW HARNESS Impala Convertible, Front Door & Rear Quarter Window, L.H.	\$396.00	
08595	1960	POWER WINDOW HARNESS Impala Convertible, Front Door & Rear Quarter Window, R.H.	\$396.00	
08620	1960	POWER WINDOW HARNESS Belair & Impala Sport Coupe, Front Door & Rear Quarter, L.H.	\$412.00	
08615	1960	POWER WINDOW HARNESS Belair & Impala Sport Coupe, Front Door & Rear Quarter, R.H.	\$396.00	
08520	1960	POWER WINDOW JUMPER HARNESS Left To Right Side Door & Quarter Window	\$112.00	
08765	1961	POWER WINDOW HARNESS Front Left & Right Doors	\$351.00	
06620	1961	POWER WINDOW HARNESS Belair 2 Door Sedan, Left Rear Quarter Window	\$158.00	
06615	1961	POWER WINDOW HARNESS Belair 2 Door Sedan, Right Rear Quarter Window	\$152.00	
08945	1961	POWER WINDOW HARNESS Belair & Impala 4 Door Sedan, Left Rear Door	\$158.00	
08940	1961	POWER WINDOW HARNESS Belair & Impala 4 Door Sedan, Right Rear Door	\$152.00	
06630	1961	POWER WINDOW HARNESS Impala Convertible, Left Rear Quarter Window	\$137.00	
06625	1961	POWER WINDOW HARNESS Impala Convertible, Right Rear Quarter Window	\$137.00	
06640	1961	POWER WINDOW HARNESS Impala Sport Coupe, Left Rear Quarter Window	\$137.00	
06635	1961	POWER WINDOW HARNESS Impala Sport Coupe, Right Rear Quarter Window	\$137.00	
07170	1961	POWER WINDOW MOTOR EXTENSION Rear Quarter Window Harness To Motor, 2 Required Per Car	\$29.00	
38268	1962	POWER VENT WINDOW HARNESS Left Power Vent Wing & Crossover To Right Power Vent Wing Harness	\$260.00	
38269	1962	POWER VENT WINDOW HARNESS Right (Passenger Side) Power Vent Wing Window Harness.	\$260.00	
08765	1962	POWER WINDOW HARNESS Front Left & Right Doors	\$351.00	
06620	1962	POWER WINDOW HARNESS Belair 2 Door Sedan, Left Rear Quarter Window	\$158.00	
06615	1962	POWER WINDOW HARNESS Belair 2 Door Sedan, Right Rear Quarter Window	\$152.00	
08945	1962	POWER WINDOW HARNESS Belair & Impala 4 Door Sedan, Left Rear Door	\$158.00	
08940	1962	POWER WINDOW HARNESS Belair & Impala 4 Door Sedan, Right Rear Door	\$152.00	
06630	1962	POWER WINDOW HARNESS Impala Convertible, Left Rear Quarter Window	\$137.00	
06625	1962	POWER WINDOW HARNESS Impala Convertible, Right Rear Quarter Window	\$137.00	
06640	1962	POWER WINDOW HARNESS Impala Sport Coupe, Left Rear Quarter Window	\$137.00	
06635	1962	POWER WINDOW HARNESS Impala Sport Coupe, Right Rear Quarter Window	\$137.00	
07170	1962	POWER WINDOW MOTOR EXTENSION Rear Quarter Window Harness To Motor, 2 Required Per Car	\$29.00	
38268	1963	POWER VENT WINDOW HARNESS Left Power Vent Wing & Crossover To Right Power Vent Wing Harness	\$260.00	
38269	1963	POWER VENT WINDOW HARNESS Right (Passenger Side) Power Vent Wing Window Harness.	\$260.00	
09045	1963	POWER WINDOW HARNESS Front Left & Right Doors	\$351.00	
06620	1963	POWER WINDOW HARNESS Belair 2 Door Sedan, Left Rear Quarter Window	\$158.00	
06615	1963	POWER WINDOW HARNESS Belair 2 Door Sedan, Right Rear Quarter Window	\$152.00	
08945	1963	POWER WINDOW HARNESS Belair & Impala 4 Door Sedan, Left Rear Door	\$158.00	
08940	1963	POWER WINDOW HARNESS Belair & Impala 4 Door Sedan, Right Rear Door	\$152.00	
06630	1963	POWER WINDOW HARNESS Impala Convertible, Left Rear Quarter Window	\$137.00	
06625	1963	POWER WINDOW HARNESS Impala Convertible, Right Rear Quarter Window	\$137.00	
06640	1963	POWER WINDOW HARNESS Impala Sport Coupe, Left Rear Quarter Window	\$137.00	
06635	1963	POWER WINDOW HARNESS Impala Sport Coupe, Right Rear Quarter Window	\$137.00	
07170	1963	POWER WINDOW MOTOR EXTENSION Rear Quarter Window Harness To Motor, 2 Required Per Car	\$29.00	
38268	1964	POWER VENT WINDOW HARNESS Left Power Vent Wing & Crossover To Right Power Vent Wing Harness	\$260.00	
38269	1964	POWER VENT WINDOW HARNESS Right (Passenger Side) Power Vent Wing Window Harness.	\$260.00	
09045	1964	POWER WINDOW HARNESS Front Left & Right Doors	\$351.00	
06620	1964	POWER WINDOW HARNESS Belair 2 Door Sedan, Left Rear Quarter Window	\$158.00	

Part Number	Year	Description	Price	*Rev.
06615	1964	POWER WINDOW HARNESS Belair 2 Door Sedan, Right Rear Quarter Window	\$152.00	
08945	1964	POWER WINDOW HARNESS Belair & Impala 4 Door Sedan, Left Rear Door	\$158.00	
08940	1964	POWER WINDOW HARNESS Belair & Impala 4 Door Sedan, Right Rear Door	\$152.00	
06630	1964	POWER WINDOW HARNESS Impala Convertible, Left Rear Quarter Window	\$137.00	
06625	1964	POWER WINDOW HARNESS Impala Convertible, Right Rear Quarter Window	\$137.00	
06640	1964	POWER WINDOW HARNESS Impala Sport Coupe, Left Rear Quarter Window	\$137.00	
06635	1964	POWER WINDOW HARNESS Impala Sport Coupe, Right Rear Quarter Window	\$137.00	
07170	1964	POWER WINDOW MOTOR EXTENSION Rear Quarter Window Harness To Motor, 2 Required Per Car	\$29.00	
38268	1965	POWER VENT WINDOW HARNESS Left Power Vent Wing & Crossover To Right Power Vent Wing Harness	\$260.00	
38269	1965	POWER VENT WINDOW HARNESS Right (Passenger Side) Power Vent Wing Window Harness.	\$260.00	
08085	1965	POWER WINDOW HARNESS Belair 2 Door Sedan, Rear Quarter Windows (LH & RH)	\$214.00	
08045	1965	POWER WINDOW HARNESS All Coupe & Sport Coupe Quarter Windows (LH & RH)	\$244.00	
07655	1965	POWER WINDOW MOTOR EXTENSION Impala Convertible, 2 Required Per Car	\$29.00	
07370	1965	POWER WINDOW HARNESS Impala Convertible Quarter Windows (LH & RH)	\$199.00	
08045	1966	POWER WINDOW HARNESS All Coupe & Sport Coupe Quarter Windows (LH & RH)	\$244.00	
07370	1966	POWER WINDOW HARNESS Impala Convertible Quarter Windows (LH & RH)	\$199.00	
07655	1966	POWER WINDOW MOTOR EXTENSION Impala Convertible, 2 Required Per Car	\$29.00	
07370	1967	POWER WINDOW HARNESS Impala Convertible Quarter Windows (LH & RH)	\$199.00	
08045	1967	POWER WINDOW HARNESS All Coupe & Sport Coupe Quarter Windows (LH & RH)	\$244.00	
07655	1967	POWER WINDOW MOTOR EXTENSION Impala Convertible, 2 Required Per Car	\$29.00	
07655	1968	POWER WINDOW MOTOR EXTENSION Impala Convertible, 2 Required Per Car	\$29.00	
42193	1968	POWER WINDOW HARNESS All Coupe & Sport Coupe Quarter Windows (LH & RH)	\$287.00	
POWER WINDOW MOTOR ADAPTER HARNESS				
36954	1958	POWER WINDOW MOTOR ADAPTER HARNESS Adapts "T" Shaped Motor Connector To Side By Side Blade Type Motor Connector	\$25.00	
36954	1958	POWER WINDOW MOTOR ADAPTER HARNESS Adapts "T" Shaped Motor Connector To Side By Side Blade Type Motor Connector	\$25.00	
36954	1959	POWER WINDOW MOTOR ADAPTER HARNESS Adapts "T" Shaped Motor Connector To Side By Side Blade Type Motor Connector	\$25.00	
36954	1960	POWER WINDOW MOTOR ADAPTER HARNESS Adapts "T" Shaped Motor Connector To Side By Side Blade Type Motor Connector	\$25.00	
36954	1961	POWER WINDOW MOTOR ADAPTER HARNESS Adapts "T" Shaped Motor Connector To Side By Side Blade Type Motor Connector	\$25.00	
36954	1962	POWER WINDOW MOTOR ADAPTER HARNESS Adapts "T" Shaped Motor Connector To Side By Side Blade Type Motor Connector	\$25.00	
36954	1963	POWER WINDOW MOTOR ADAPTER HARNESS Adapts "T" Shaped Motor Connector To Side By Side Blade Type Motor Connector	\$25.00	
36954	1964	POWER WINDOW MOTOR ADAPTER HARNESS Adapts "T" Shaped Motor Connector To Side By Side Blade Type Motor Connector	\$25.00	
36954	1965	POWER WINDOW MOTOR ADAPTER HARNESS Adapts "T" Shaped Motor Connector To Side By Side Blade Type Motor Connector	\$25.00	
36954	1966	POWER WINDOW MOTOR ADAPTER HARNESS Adapts "T" Shaped Motor Connector To Side By Side Blade Type Motor Connector	\$25.00	
36954	1967	POWER WINDOW MOTOR ADAPTER HARNESS Adapts "T" Shaped Motor Connector To Side By Side Blade Type Motor Connector	\$25.00	
36954	1968	POWER WINDOW MOTOR ADAPTER HARNESS Adapts "T" Shaped Motor Connector To Side By Side Blade Type Motor Connector	\$25.00	
36954	1969	POWER WINDOW MOTOR ADAPTER HARNESS Adapts "T" Shaped Motor Connector To Side By Side Blade Type Motor Connector	\$25.00	

Part Number	Year	Description	Price	*Rev.
36954	1970	POWER WINDOW MOTOR ADAPTER HARNESS Adapts "T" Shaped Motor Connector To Side By Side Blade Type Motor Connector	\$25.00	
36954	1971	POWER WINDOW MOTOR ADAPTER HARNESS Adapts "T" Shaped Motor Connector To Side By Side Blade Type Motor Connector	\$25.00	
36954	1972	POWER WINDOW MOTOR ADAPTER HARNESS Adapts "T" Shaped Motor Connector To Side By Side Blade Type Motor Connector	\$25.00	
36954	1973	POWER WINDOW MOTOR ADAPTER HARNESS Adapts "T" Shaped Motor Connector To Side By Side Blade Type Motor Connector	\$25.00	
36954	1974	POWER WINDOW MOTOR ADAPTER HARNESS Adapts "T" Shaped Motor Connector To Side By Side Blade Type Motor Connector	\$25.00	
36954	1975	POWER WINDOW MOTOR ADAPTER HARNESS Adapts "T" Shaped Motor Connector To Side By Side Blade Type Motor Connector	\$25.00	
36954	1959	POWER WINDOW MOTOR ADAPTER HARNESS Adapts "T" Shaped Motor Connector To Side By Side Blade Type Motor Connector	\$25.00	
36954	1960	POWER WINDOW MOTOR ADAPTER HARNESS Adapts "T" Shaped Motor Connector To Side By Side Blade Type Motor Connector	\$25.00	
36954	1961	POWER WINDOW MOTOR ADAPTER HARNESS Adapts "T" Shaped Motor Connector To Side By Side Blade Type Motor Connector	\$25.00	
36954	1962	POWER WINDOW MOTOR ADAPTER HARNESS Adapts "T" Shaped Motor Connector To Side By Side Blade Type Motor Connector	\$25.00	
36954	1963	POWER WINDOW MOTOR ADAPTER HARNESS Adapts "T" Shaped Motor Connector To Side By Side Blade Type Motor Connector	\$25.00	
36954	1964	POWER WINDOW MOTOR ADAPTER HARNESS Adapts "T" Shaped Motor Connector To Side By Side Blade Type Motor Connector	\$25.00	
36954	1965	POWER WINDOW MOTOR ADAPTER HARNESS Adapts "T" Shaped Motor Connector To Side By Side Blade Type Motor Connector	\$25.00	
36954	1966	POWER WINDOW MOTOR ADAPTER HARNESS Adapts "T" Shaped Motor Connector To Side By Side Blade Type Motor Connector	\$25.00	
36954	1967	POWER WINDOW MOTOR ADAPTER HARNESS Adapts "T" Shaped Motor Connector To Side By Side Blade Type Motor Connector	\$25.00	
36954	1968	POWER WINDOW MOTOR ADAPTER HARNESS Adapts "T" Shaped Motor Connector To Side By Side Blade Type Motor Connector	\$25.00	

POWER WINDOW SWITCH

04432790	1964	POWER WINDOW SWITCH 1 Button, Round Corner Style, Chrome	\$49.00	
04432793	1964	POWER WINDOW SWITCH 2 Button, Round Corner Style, Chrome. 2-Door Wagons	\$61.00	
04432791	1964	POWER WINDOW SWITCH 4 Button, Round Corner Style, Chrome	\$67.00	
04432790	1965	POWER WINDOW SWITCH 1 Button, Round Corner Style, Chrome	\$49.00	
04432793	1965	POWER WINDOW SWITCH 2 Button, Round Corner Style, Chrome. 2-Door Wagons	\$61.00	
04432791	1965	POWER WINDOW SWITCH 4 Button, Round Corner Style, Chrome	\$67.00	
04432790	1966	POWER WINDOW SWITCH 1 Button, Round Corner Style, Chrome	\$49.00	
04432793	1966	POWER WINDOW SWITCH 2 Button, Round Corner Style, Chrome. 2-Door Wagons	\$61.00	
04432791	1966	POWER WINDOW SWITCH 4 Button, Round Corner Style, Chrome	\$67.00	
04432790	1967	POWER WINDOW SWITCH 1 Button, Round Corner Style, Chrome	\$49.00	
04432793	1967	POWER WINDOW SWITCH 2 Button, Round Corner Style, Chrome. 2-Door Wagons	\$61.00	
04432791	1967	POWER WINDOW SWITCH 4 Button, Round Corner Style, Chrome	\$67.00	
04432790	1968	POWER WINDOW SWITCH 1 Button, Round Corner Style, Chrome	\$49.00	
04432793	1968	POWER WINDOW SWITCH 2 Button, Round Corner Style, Chrome. 2-Door Wagons	\$61.00	
04432791	1968	POWER WINDOW SWITCH 4 Button, Round Corner Style, Chrome	\$67.00	
04432790	1969	POWER WINDOW SWITCH 1 Button, Round Corner Style, Chrome	\$49.00	
04432793	1969	POWER WINDOW SWITCH 2 Button, Round Corner Style, Chrome. 2-Door Wagons	\$61.00	
04432791	1969	POWER WINDOW SWITCH 4 Button, Round Corner Style, Chrome	\$67.00	
04432790	1970	POWER WINDOW SWITCH 1 Button, Round Corner Style, Chrome	\$49.00	

Part Number	Year	Description	Price	*Rev.
04432793	1970	POWER WINDOW SWITCH 2 Button, Round Corner Style, Chrome. 2-Door Wagons	\$61.00	
04432791	1970	POWER WINDOW SWITCH 4 Button, Round Corner Style, Chrome	\$67.00	
01725094	1971	POWER WINDOW SWITCH 1 Button, Square Corner Style, Chrome	\$14.00	M
01731231	1971	POWER WINDOW SWITCH 4 Button, Square Corner Style, Chrome	\$75.00	M
01725094	1972	POWER WINDOW SWITCH 1 Button, Square Corner Style, Chrome	\$14.00	M
01731231	1972	POWER WINDOW SWITCH 4 Button, Square Corner Style, Chrome	\$75.00	M
01725094	1973	POWER WINDOW SWITCH 1 Button, Square Corner Style, Chrome	\$14.00	M
01731231	1973	POWER WINDOW SWITCH 4 Button, Square Corner Style, Chrome	\$75.00	M
01725094	1974	POWER WINDOW SWITCH 1 Button, Square Corner Style, Chrome	\$14.00	M
01731231	1974	POWER WINDOW SWITCH 4 Button, Square Corner Style, Chrome	\$75.00	M
01725092	1974	POWER WINDOW SWITCH 2 Button, Square Corner Style, Chrome	\$53.00	M
01725094	1975	POWER WINDOW SWITCH 1 Button, Square Corner Style, Chrome	\$14.00	M
01731231	1975	POWER WINDOW SWITCH 4 Button, Square Corner Style, Chrome	\$75.00	M
01725092	1975	POWER WINDOW SWITCH 2 Button, Square Corner Style, Chrome	\$53.00	M
01725094	1976	POWER WINDOW SWITCH 1 Button, Square Corner Style, Chrome	\$14.00	M
01731231	1976	POWER WINDOW SWITCH 4 Button, Square Corner Style, Chrome	\$75.00	M
01725092	1976	POWER WINDOW SWITCH 2 Button, Square Corner Style, Chrome	\$53.00	M
01725094	1977	POWER WINDOW SWITCH 1 Button, Square Corner Style, Chrome	\$14.00	M
01731231	1977	POWER WINDOW SWITCH 4 Button, Square Corner Style, Chrome	\$75.00	M
01725092	1977	POWER WINDOW SWITCH 2 Button, Square Corner Style, Chrome	\$53.00	M
01725094	1978	POWER WINDOW SWITCH 1 Button, Square Corner Style, Chrome	\$14.00	M
01731231	1978	POWER WINDOW SWITCH 4 Button, Square Corner Style, Chrome	\$75.00	M
01725092	1978	POWER WINDOW SWITCH 2 Button, Square Corner Style, Chrome	\$53.00	M
01725094	1979	POWER WINDOW SWITCH 1 Button, Square Corner Style, Chrome	\$14.00	M
01731231	1979	POWER WINDOW SWITCH 4 Button, Square Corner Style, Chrome	\$75.00	M
01725092	1979	POWER WINDOW SWITCH 2 Button, Square Corner Style, Chrome	\$53.00	M
REAR LAMP HARNESS				
08405	1958	REAR LAMP HARNESS Belair & Biscayne	\$214.00	
08404	1958	REAR LAMP HARNESS Delray	\$214.00	
08400	1958	REAR LAMP HARNESS Impala, Except Convertible	\$214.00	
08415	1958	REAR LAMP HARNESS Impala, Convertible	\$275.00	
08505	1959	REAR LAMP HARNESS Front, Belair & Impala	\$161.00	
08500	1959	REAR LAMP HARNESS Front, Biscayne (Except Sedan Delivery)	\$161.00	
08510	1959	REAR LAMP HARNESS Front, Impala, Convertible	\$259.00	
32935	1959	REAR LAMP HARNESS Front Section, El Camino & Biscayne Sedan Delivery	\$130.00	
32935	1959	REAR LAMP HARNESS Front Section, Brookwood 2 & 4 Door Wagon	\$130.00	
32940	1959	REAR LAMP HARNESS Front Section, Nomad Wagon & Parkwood 4 Door Wagon	\$170.00	
34165	1959	REAR LAMP HARNESS Front Section, Kingswood 4 Door Wagon, With Power Tailgate	\$350.00	
19695	1959	REAR LAMP HARNESS Rear, Impala, Belair & Biscayne (Except Wagons)	\$106.00	
32875	1959	REAR LAMP HARNESS Rear Section, Biscayne Sedan Delivery	\$161.00	
32930	1959	REAR LAMP HARNESS Rear Section, El Camino & Nomad Wagon	\$152.00	
32930	1959	REAR LAMP HARNESS Rear Section, Brookwood 2 Door & 4 Door Wagon	\$152.00	
32930	1959	REAR LAMP HARNESS Rear Section, Parkwood 4 Door Wagon	\$152.00	
32865	1959	REAR LAMP HARNESS Rear Section, Kingswood 4 Door Wagon, With Power Tailgate	\$321.00	
31215	1959	REAR LAMP HARNESS Rear Tailgate Lamps, Biscayne Sedan Delivery	\$106.00	
32925	1959	REAR LAMP HARNESS Rear Tailgate Lamps, Belair, Biscayne & Impala Wagon	\$130.00	
32925	1959	REAR LAMP HARNESS Rear Tailgate Lamps, Brookwood 2 Door & 4 Door Wagon	\$130.00	

Impala/Bel Air
'58-'63 El Camino



Phone (562) 926-9552
Fax (562) 926-9572

Part Number	Year	Description	Price	*Rev.
32925	1959	REAR LAMP HARNESS Rear Tailgate Lamps, El Camino & Nomad Wagon	\$130.00	
32925	1959	REAR LAMP HARNESS Rear Tailgate Lamps, Parkwood 4 Door Wagon	\$130.00	
33180	1959	REAR LAMP EXTENSION HARNESS Rear Lamp Harness To Backup Lamps	\$34.00	
08580	1960	REAR LAMP HARNESS Front, Belair & Impala	\$161.00	
08575	1960	REAR LAMP HARNESS Front, Biscayne	\$161.00	
08585	1960	REAR LAMP HARNESS Front, Impala Convertible, Without Power Feed In Kick Panel	\$260.00	
08650	1960	REAR LAMP HARNESS Front, Impala Convertible, With Power Feed In Kick Panel	\$260.00	
32895	1960	REAR LAMP HARNESS Front Section, El Camino & Brookwood 2 Door Wagon	\$143.00	
32895	1960	REAR LAMP HARNESS Front Section, Biscayne Sedan Delivery	\$143.00	
32910	1960	REAR LAMP HARNESS Front Section, Brookwood 4 Door Wagon	\$161.00	
32905	1960	REAR LAMP HARNESS Front Section, Kingswood 4 Door Wagon, With Power Tailgate	\$321.00	
32900	1960	REAR LAMP HARNESS Front Section, Nomad Wagon & Parkwood 4 Door Wagon	\$152.00	
03010	1960	REAR LAMP HARNESS Rear, Belair & Biscayne	\$130.00	
03015	1960	REAR LAMP HARNESS Rear, Impala	\$130.00	
32915	1960	REAR LAMP HARNESS Rear Section, El Camino & Biscayne Sedan Delivery	\$207.00	
32915	1960	REAR LAMP HARNESS Rear Section, Brookwood 2 & 4 Door Wagon	\$207.00	
32915	1960	REAR LAMP HARNESS Rear Section, Parkwood 4 Door Wagon	\$207.00	
32920	1960	REAR LAMP HARNESS Rear Section, Kingswood 4 Door Wagon	\$221.00	
32860	1960	REAR LAMP HARNESS Rear Section, Nomad	\$243.00	
08720	1961	REAR LAMP DECK LID HARNESS Belair	\$69.00	
08725	1961	REAR LAMP DECK LID HARNESS Impala	\$92.00	
08740	1961	REAR LAMP HARNESS Front, Belair & Impala 2 Door	\$106.00	
08735	1961	REAR LAMP HARNESS Front, Biscayne 2 Door	\$121.00	
08825	1961	REAR LAMP HARNESS Front, Belair & Impala 4 Door	\$117.00	
08820	1961	REAR LAMP HARNESS Front, Biscayne 4 Door	\$130.00	
08745	1961	REAR LAMP HARNESS Front, Impala Convertible	\$222.00	
08705	1961	REAR LAMP HARNESS Rear, Belair	\$78.00	
08700	1961	REAR LAMP HARNESS Rear, Biscayne	\$78.00	
08710	1961	REAR LAMP HARNESS Rear, Impala, Except Convertible	\$86.00	
08715	1961	REAR LAMP HARNESS Rear, Impala Convertible	\$92.00	
08730	1961	REAR LAMP EXTENSION HARNESS All, (Extension To The Right Rear Tail Lamp)	\$69.00	
19700	1962	REAR LAMP DECK LID HARNESS Belair, With Special Order Backup Lights In Trunk Lid	\$69.00	
08875	1962	REAR LAMP DECK LID HARNESS Belair, With Stock Tail Lights In Trunk Lid	\$69.00	
08935	1962	REAR LAMP DECK LID HARNESS Impala	\$92.00	
08845	1962	REAR LAMP HARNESS Front, Belair 2 Door (Except Sport Coupe)	\$199.00	
08885	1962	REAR LAMP HARNESS Front, Belair Sport Coupe	\$199.00	
08850	1962	REAR LAMP HARNESS Front, Belair 4 Door	\$199.00	
08835	1962	REAR LAMP HARNESS Front, Biscayne 2 Door	\$191.00	
08840	1962	REAR LAMP HARNESS Front, Biscayne 4 Door	\$199.00	
08865	1962	REAR LAMP HARNESS Front, Impala Convertible	\$268.00	
08855	1962	REAR LAMP HARNESS Front, Impala Sedan	\$199.00	
08860	1962	REAR LAMP HARNESS Front, Impala Sport Coupe	\$199.00	
08870	1962	REAR LAMP EXTENSION HARNESS All, (Extension To The Right Rear Tail Lamp)	\$69.00	
09015	1963	REAR LAMP DECK LID HARNESS Belair & Biscayne, Without Backup Lamps	\$69.00	
09025	1963	REAR LAMP DECK LID HARNESS Belair & Biscayne, With Backup Lamps	\$86.00	
09020	1963	REAR LAMP DECK LID HARNESS Impala	\$92.00	
08995	1963	REAR LAMP HARNESS Belair & Biscayne, 2 Door, Without Backup Lights	\$229.00	

Part Number	Year	Description	Price	*Rev.
06570	1963	REAR LAMP HARNESS Belair & Biscayne, 2 Door, With Backup Lights	\$229.00	
19705	1963	REAR LAMP HARNESS Belair & Biscayne, 4 Door, Without Backup Lights	\$229.00	
06575	1963	REAR LAMP HARNESS Belair & Biscayne, 4 Door, With Backup Lights	\$229.00	
06580	1963	REAR LAMP HARNESS Impala, 4 Door Sedan & Sport Sedan	\$229.00	
06585	1963	REAR LAMP HARNESS Impala Sport Coupe	\$229.00	
06590	1963	REAR LAMP HARNESS Impala Convertible	\$282.00	
06430	1963	REAR TAILGATE HARNESS Belair & Biscayne 4 Door Wagon	\$91.00	
06435	1963	REAR TAILGATE HARNESS Impala 4 Door Wagon	\$161.00	
06440	1963	REAR TAILGATE HARNESS Impala 4 Door Wagon, With Power Tailgate Window	\$249.00	
06780	1964	REAR LAMP DECK LID HARNESS Belair, Without Backup Lights	\$69.00	
06790	1964	REAR LAMP DECK LID HARNESS Belair & Biscayne (Optional), With Backup Lamps	\$78.00	
06785	1964	REAR LAMP DECK LID HARNESS Impala	\$101.00	
06755	1964	REAR LAMP HARNESS Belair, 2 Door Sedan, Without Backup Lights	\$228.00	
06740	1964	REAR LAMP HARNESS Belair & Biscayne, 2 Door Sedan, With Backup Lights	\$237.00	
06760	1964	REAR LAMP HARNESS Belair & Biscayne, 4 Door Sedan, Without Backup Lights	\$228.00	
06750	1964	REAR LAMP HARNESS Belair & Biscayne, 4 Door Sedan, With Backup Lights	\$237.00	
06735	1964	REAR LAMP HARNESS Biscayne, 2 Door Sedan, Without Trunk Light	\$228.00	
06745	1964	REAR LAMP HARNESS Biscayne, 4 Door Sedan, Without Trunk Light	\$244.00	
06765	1964	REAR LAMP HARNESS Impala, 4 Door Sedan	\$237.00	
06770	1964	REAR LAMP HARNESS Impala Sport Coupe	\$237.00	
06775	1964	REAR LAMP HARNESS Impala, Convertible	\$304.00	
07915	1965	REAR LAMP DECK LID HARNESS Belair	\$69.00	
07910	1965	REAR LAMP DECK LID HARNESS Impala, Sedan & Convertible	\$109.00	
13965	1965	REAR LAMP DECK LID HARNESS Impala, Sport Coupe	\$101.00	
07905	1965	REAR LAMP HARNESS Belair & Biscayne	\$201.00	
14000	1965	REAR LAMP HARNESS Impala, Convertible	\$201.00	
07900	1965	REAR LAMP HARNESS Impala, Sedan	\$201.00	
13995	1965	REAR LAMP HARNESS Impala, Sport Coupe	\$201.00	
08225	1966	REAR LAMP HARNESS Belair & Biscayne	\$212.00	
08290	1966	REAR LAMP HARNESS Caprice, Sport Coupe	\$222.00	
08220	1966	REAR LAMP HARNESS Impala & Caprice, Sedan	\$222.00	
08230	1966	REAR LAMP HARNESS Impala, Convertible	\$212.00	
08215	1966	REAR LAMP HARNESS Impala, Sport Coupe	\$212.00	
19710	1967	REAR LAMP HARNESS Belair & Impala Sedan, Impala Sport Sedan Note: Wires On The Ribbon Connectors For Some 67 Rear Lamp Harnesses Were Indexed Two Ways. Our Harnesses Are Supplied With The Mating Connector For The Ribbon Cable Uninstalled. Instructions Are Provided For Correct Installation Of The Connectors.	\$237.00	
19715	1967	REAR LAMP HARNESS Biscayne Note: Wires On The Ribbon Connectors For Some 67 Rear Lamp Harnesses Were Indexed Two Ways. Our Harnesses Are Supplied With The Mating Connector For The Ribbon Cable Uninstalled. Instructions Are Provided For Correct Installation Of The Connectors.	\$237.00	
19720	1967	REAR LAMP HARNESS Caprice, Sport Coupe Note: Wires On The Ribbon Connectors For Some 67 Rear Lamp Harnesses Were Indexed Two Ways. Our Harnesses Are Supplied With The Mating Connector For The Ribbon Cable Uninstalled. Instructions Are Provided For Correct Installation Of The Connectors.	\$244.00	
19725	1967	REAR LAMP HARNESS Caprice, Sport Sedan Note: Wires On The Ribbon Connectors For Some 67 Rear Lamp Harnesses Were Indexed Two Ways. Our Harnesses Are Supplied With The Mating Connector For The Ribbon Cable Uninstalled. Instructions Are Provided For Correct Installation Of The Connectors.	\$237.00	

Part Number	Year	Description	Price	*Rev.
19730	1967	REAR LAMP HARNESS Impala, Convertible Note: Wires On The Ribbon Connectors For Some 67 Rear Lamp Harnesses Were Indexed Two Ways. Our Harnesses Are Supplied With The Mating Connector For The Ribbon Cable Uninstalled. Instructions Are Provided For Correct Installation Of The Connectors.	\$237.00	
13830	1967	REAR LAMP HARNESS Impala, Sport Coupe Note: Wires On The Ribbon Connectors For Some 67 Rear Lamp Harnesses Were Indexed Two Ways. Our Harnesses Are Supplied With The Mating Connector For The Ribbon Cable Uninstalled. Instructions Are Provided For Correct Installation Of The Connectors.	\$237.00	
19740	1968	REAR LAMP INTERMEDIATE HARNESS Impala, Convertible	\$207.00	
19745	1968	REAR LAMP INTERMEDIATE HARNESS Impala, Sport Coupe	\$199.00	
22895	1968	REAR LAMP INTERMEDIATE HARNESS Impala, Sedan	\$199.00	
19750	1968	REAR LAMP INTERMEDIATE HARNESS Sport Coupe, Except Impala	\$199.00	
20595	1968	REAR LAMP INTERMEDIATE HARNESS Biscayne & Caprice, 4 Door Sedan	\$199.00	
19770	1968	REAR LAMP HARNESS Impala, Sport Coupe	\$207.00	
19755	1968	REAR LAMP HARNESS Impala, Sedan, Convertible & Custom Coupe	\$207.00	
19755	1968	REAR LAMP HARNESS Caprice, Sedan & Sport Coupe	\$207.00	
20590	1968	REAR LAMP HARNESS Belair & Biscayne, 2 & 4 Door Sedan	\$207.00	
20925	1969	REAR LAMP INTERMEDIATE HARNESS Caprice, 4 Door	\$224.00	
20945	1969	REAR LAMP INTERMEDIATE HARNESS Caprice Sport Coupe & Impala Custom Coupe	\$199.00	
20950	1969	REAR LAMP HARNESS Belair & Biscayne	\$198.00	
22900	1969	REAR LAMP HARNESS Caprice & Impala	\$207.00	
14490	1970	REAR LAMP INTERMEDIATE HARNESS Caprice Sport Sedan	\$244.00	
14495	1970	REAR LAMP INTERMEDIATE HARNESS Impala, Convertible	\$266.00	
REAR WINDOW DEFROSTER HARNESS				
36070	1960	REAR WINDOW DEFROSTER HARNESS	\$69.00	
36070	1961	REAR WINDOW DEFROSTER HARNESS	\$69.00	
36070	1962	REAR WINDOW DEFROSTER HARNESS	\$69.00	
36070	1963	REAR WINDOW DEFROSTER HARNESS	\$69.00	
36070	1964	REAR WINDOW DEFROSTER HARNESS	\$69.00	
08195	1965	REAR WINDOW DEFROSTER HARNESS	\$69.00	
08195	1966	REAR WINDOW DEFROSTER HARNESS	\$69.00	
08195	1967	REAR WINDOW DEFROSTER HARNESS	\$69.00	
33470	1968	REAR WINDOW DEFROSTER HARNESS	\$69.00	
14415	1969	REAR WINDOW DEFROSTER HARNESS	\$78.00	
19445	1970	REAR WINDOW DEFROSTER HARNESS Blower Type, Except Impala Sport Coupe	\$92.00	
14555	1970	REAR WINDOW DEFROSTER HARNESS Blower Type, Impala Sport Coupe	\$92.00	
REPAIR PIGTAIL-FOR POWER WINDOW SWITCH				
36048	1964	REPAIR PIGTAIL, FOR POWER WINDOW SWITCH For Single Power Window Switches, Connector & Wire	\$29.00	
36048	1965	REPAIR PIGTAIL, FOR POWER WINDOW SWITCH For Single Power Window Switches, Connector & Wire	\$29.00	
36048	1966	REPAIR PIGTAIL, FOR POWER WINDOW SWITCH For Single Power Window Switches, Connector & Wire	\$29.00	
36048	1967	REPAIR PIGTAIL, FOR POWER WINDOW SWITCH For Single Power Window Switches, Connector & Wire	\$29.00	
36048	1968	REPAIR PIGTAIL, FOR POWER WINDOW SWITCH For Single Power Window Switches, Connector & Wire	\$29.00	
36048	1969	REPAIR PIGTAIL, FOR POWER WINDOW SWITCH For Single Power Window Switches, Connector & Wire	\$29.00	
36048	1970	REPAIR PIGTAIL, FOR POWER WINDOW SWITCH For Single Power Window Switches, Connector & Wire	\$29.00	
SPEAKER HARNESS				
06550	1963	SPEAKER WIRE All Sedans, Rear Seat Speaker	\$37.00	
06545	1963	SPEAKER WIRE Impala Convertible, Rear Seat Speaker (Front Section)	\$40.00	

Part Number	Year	Description	Price	*Rev.
06555	1963	SPEAKER WIRE Impala Convertible, Rear Seat Speaker (Rear Section)	\$29.00	
06540	1963	SPEAKER WIRE Impala Sport Coupe, Rear Seat Speaker	\$32.00	
06550	1964	SPEAKER WIRE All Sedans, Rear Seat Speaker	\$37.00	
06545	1964	SPEAKER WIRE Impala Convertible, Rear Seat Speaker (Front Section)	\$40.00	
06555	1964	SPEAKER WIRE Impala Convertible, Rear Seat Speaker (Rear Section)	\$29.00	
06540	1964	SPEAKER WIRE Impala Sport Coupe, Rear Seat Speaker	\$32.00	
33430	1965	SPEAKER HARNESS 4 Stereo Speakers, Front & Rear	\$96.00	
18510	1965	SPEAKER HARNESS To Rear Seat Speaker	\$61.00	
33430	1966	SPEAKER HARNESS 4 Stereo Speakers, Front & Rear	\$96.00	
18510	1966	SPEAKER HARNESS To Rear Seat Speaker	\$61.00	
33430	1967	SPEAKER HARNESS 4 Stereo Speakers, Front & Rear	\$96.00	
33425	1967	SPEAKER HARNESS Front Stereo Speakers	\$68.00	
18510	1967	SPEAKER HARNESS To Rear Seat Speaker	\$61.00	
33430	1968	SPEAKER HARNESS 4 Stereo Speakers, Front & Rear	\$96.00	
33425	1968	SPEAKER HARNESS Front Stereo Speakers	\$68.00	
18510	1968	SPEAKER HARNESS To Rear Seat Speaker	\$61.00	
33430	1969	SPEAKER HARNESS 4 Stereo Speakers, Front & Rear	\$96.00	
33425	1969	SPEAKER HARNESS Front Stereo Speakers	\$68.00	
SPEED WARNING HARNESS				
11045	1967	SPEED WARNING HARNESS	\$26.00	
35115	1968	SPEED WARNING HARNESS	\$27.00	
STARTER MOTOR EXTENSION HARNESS				
02775	1958	STARTER MOTOR EXTENSION HARNESS 348 C.I. Only, Engine Harness To Starter Motor Solenoid	\$41.00	
STEERING COLUMN ADAPTER HARNESS				
35785	1958	STEERING COLUMN ADAPTER HARNESS For 1969-74 GM & Ididit Columns (Exc. Flaming River) To Stock Dash Note: Adapts Horn, Directionals, Hazard Flasher To Stock Dash Harness.	\$58.00	
13597	1958	STEERING COLUMN ADAPTER HARNESS For 1975 & Up GM & Flaming River Columns (Exc. Ididit) To Stock Dash Note: Adapts Horn, Directionals, Hazard Flasher To Stock Dash Harness.	\$59.00	
37616	1959	STEERING COLUMN ADAPTER HARNESS For 1969-74 GM & Ididit Columns (Exc. Flaming River) To Stock Dash Harness Note: Adapts Horn, Directionals, Hazard Flashers To Stock 6-Way Dash Connector.	\$58.00	
38124	1959	STEERING COLUMN ADAPTER HARNESS For 1975 & Up GM & Flaming River Columns (Exc. Ididit) To Stock Dash Harness Note: Adapts Horn, Directionals, Hazard Flashers To Stock 6-Way Dash Connector.	\$61.00	
37616	1960	STEERING COLUMN ADAPTER HARNESS For 1969-74 GM & Ididit Columns (Exc. Flaming River) To Stock Dash Harness Note: Adapts Horn, Directionals, Hazard Flashers To Stock 6-Way Dash Connector.	\$58.00	
38124	1960	STEERING COLUMN ADAPTER HARNESS For 1975 & Up GM & Flaming River Columns (Exc. Ididit) To Stock Dash Harness Note: Adapts Horn, Directionals, Hazard Flashers To Stock 6-Way Dash Connector.	\$61.00	
37616	1961	STEERING COLUMN ADAPTER HARNESS For 1969-74 GM & Ididit Columns (Exc. Flaming River) To Stock Dash Harness Note: Adapts Horn, Directionals, Hazard Flashers To Stock 6-Way Dash Connector.	\$58.00	
38124	1961	STEERING COLUMN ADAPTER HARNESS For 1975 & Up GM & Flaming River Columns (Exc. Ididit) To Stock Dash Harness Note: Adapts Horn, Directionals, Hazard Flashers To Stock 6-Way Dash Connector.	\$61.00	

Part Number	Year	Description	Price	*Rev.
37616	1962	STEERING COLUMN ADAPTER HARNESS For 1969-74 GM & Ididit Columns (Exc. Flaming River) To Stock Dash Harness Note: Adapts Horn, Directionals, Hazard Flashers To Stock 6-Way Dash Connector.	\$58.00	
38124	1962	STEERING COLUMN ADAPTER HARNESS For 1975 & Up GM & Flaming River Columns (Exc. Ididit) To Stock Dash Harness Note: Adapts Horn, Directionals, Hazard Flashers To Stock 6-Way Dash Connector.	\$61.00	
37618	1963	STEERING COLUMN ADAPTER HARNESS For 1969-74 GM & Ididit Columns (Exc. Flaming River) To Stock Dash Harness Note: Adapts Horn, Directionals, Hazard Flashers To Stock 8-Way Dash Connector.	\$58.00	
38125	1963	STEERING COLUMN ADAPTER HARNESS For 1975 & Up GM & Flaming River Columns (Exc. Ididit) To Stock Dash Harness Note: Adapts Horn, Directionals, Hazard Flashers To Stock 8-Way Dash Connector.	\$59.00	
37618	1964	STEERING COLUMN ADAPTER HARNESS For 1969-74 GM & Ididit Columns (Exc. Flaming River) To Stock Dash Harness Note: Adapts Horn, Directionals, Hazard Flashers To Stock 8-Way Dash Connector.	\$58.00	
38125	1964	STEERING COLUMN ADAPTER HARNESS For 1975 & Up GM & Flaming River Columns (Exc. Ididit) To Stock Dash Harness Note: Adapts Horn, Directionals, Hazard Flashers To Stock 8-Way Dash Connector.	\$59.00	
37618	1965	STEERING COLUMN ADAPTER HARNESS For 1969-74 GM & Ididit Columns (Exc. Flaming River) To Stock Dash Harness Note: Adapts Horn, Directionals, Hazard Flashers To Stock 8-Way Dash Connector.	\$58.00	
38125	1965	STEERING COLUMN ADAPTER HARNESS For 1975 & Up GM & Flaming River Columns (Exc. Ididit) To Stock Dash Harness Note: Adapts Horn, Directionals, Hazard Flashers To Stock 8-Way Dash Connector.	\$59.00	
37618	1966	STEERING COLUMN ADAPTER HARNESS For 1969-74 GM & Ididit Columns (Exc. Flaming River) To Stock Dash Harness Note: Adapts Horn, Directionals, Hazard Flashers To Stock 8-Way Dash Connector.	\$58.00	
38125	1966	STEERING COLUMN ADAPTER HARNESS For 1975 & Up GM & Flaming River Columns (Exc. Ididit) To Stock Dash Harness Note: Adapts Horn, Directionals, Hazard Flashers To Stock 8-Way Dash Connector.	\$59.00	
36882	1967	STEERING COLUMN ADAPTER HARNESS For 1969-1974 GM & Ididit Columns (Exc. Flaming River) To Stock Dash Harness Note: Adapts Horn, Directionals, Hazard Flashers To Stock 9-Pin T/L Dash Connector.	\$32.00	
38127	1967	STEERING COLUMN ADAPTER HARNESS For 1975 & Up GM & Flaming River Columns (Exc. Ididit) To Stock Dash Harness Note: Adapts Horn, Directionals, Hazard Flashers To Stock 9-Pin T/L Dash Connector.	\$32.00	
36882	1968	STEERING COLUMN ADAPTER HARNESS For 1969-1974 GM & Ididit Columns (Exc. Flaming River) To Stock Dash Harness Note: Adapts Horn, Directionals, Hazard Flashers To Stock 9-Pin T/L Dash Connector.	\$32.00	
38127	1968	STEERING COLUMN ADAPTER HARNESS For 1975 & Up GM & Flaming River Columns (Exc. Ididit) To Stock Dash Harness Note: Adapts Horn, Directionals, Hazard Flashers To Stock 9-Pin T/L Dash Connector.	\$32.00	
STOP LAMP SWITCH				
01261219	1958	STOP LAMP SWITCH Without Cruise	\$5.80	N
01261219	1959	STOP LAMP SWITCH Without Cruise	\$5.80	N
01261219	1960	STOP LAMP SWITCH Without Cruise	\$5.80	N
01261219	1961	STOP LAMP SWITCH Without Cruise	\$5.80	N
01261219	1962	STOP LAMP SWITCH Without Cruise	\$5.80	N
01261219	1963	STOP LAMP SWITCH Without Cruise	\$5.80	N
01261219	1964	STOP LAMP SWITCH Without Cruise	\$5.80	N
01261219	1965	STOP LAMP SWITCH Without Cruise	\$5.80	N
01261219	1966	STOP LAMP SWITCH Without Cruise	\$5.80	N

Impala/Bel Air
 '58-'63 El Camino



Phone (562) 926-9552
 Fax (562) 926-9572

Part Number	Year	Description	Price	*Rev.
01261219	1967	STOP LAMP SWITCH Without Cruise	\$5.80	N
01261219	1968	STOP LAMP SWITCH Without Cruise	\$5.80	N
01261219	1969	STOP LAMP SWITCH Without Cruise	\$5.80	N
01261219	1970	STOP LAMP SWITCH Without Cruise	\$5.80	N
01261219	1971	STOP LAMP SWITCH Without Cruise	\$5.80	N
01261219	1972	STOP LAMP SWITCH Without Cruise	\$5.80	N
01261219	1973	STOP LAMP SWITCH Without Cruise	\$5.80	N
01261219	1974	STOP LAMP SWITCH Without Cruise	\$5.80	N
01261219	1975	STOP LAMP SWITCH Without Cruise	\$5.80	N
01261219	1976	STOP LAMP SWITCH Without Power Brakes Or Cruise	\$5.80	N
01261219	1977	STOP LAMP SWITCH Without Power Brakes Or Cruise	\$5.80	N
01261219	1978	STOP LAMP SWITCH Without Power Brakes Or Cruise	\$5.80	N
01261219	1979	STOP LAMP SWITCH Without Power Brakes Or Cruise	\$5.80	N
01261219	1980	STOP LAMP SWITCH Without Power Brakes Or Cruise	\$5.80	N
TACHOMETER HARNESS				
03615	1961	TACHOMETER HARNESS	\$86.00	
03615	1962	TACHOMETER HARNESS	\$86.00	
04175	1963	TACHOMETER HARNESS Dash Mounted	\$60.00	
04975	1964	TACHOMETER HARNESS Dash Mounted	\$60.00	
05170	1964	TACHOMETER HARNESS Steering Column Mounted	\$60.00	
05870	1965	TACHOMETER HARNESS Dash Mounted	\$76.00	
01540	1965	TACHOMETER HARNESS Steering Column Mounted Tach	\$69.00	
19775	1966	TACHOMETER HARNESS Dash Mounted	\$60.00	
01540	1966	TACHOMETER HARNESS Steering Column Mounted Tach	\$69.00	
TEMPERATURE SENDING UNIT WIRE REPAIR KIT				
34620	1958	TEMPERATURE SENDING UNIT WIRE REPAIR KIT Single Wire	\$23.00	
34620	1959	TEMPERATURE SENDING UNIT WIRE REPAIR KIT Single Wire	\$23.00	
34620	1960	TEMPERATURE SENDING UNIT WIRE REPAIR KIT Single Wire	\$23.00	
34620	1961	TEMPERATURE SENDING UNIT WIRE REPAIR KIT Single Wire	\$23.00	
34620	1962	TEMPERATURE SENDING UNIT WIRE REPAIR KIT Single Wire	\$23.00	
41366	1962	TEMPERATURE SENDING UNIT WIRE REPAIR KIT Dual Wire	\$27.00	
34620	1963	TEMPERATURE SENDING UNIT WIRE REPAIR KIT Single Wire	\$23.00	
41366	1963	TEMPERATURE SENDING UNIT WIRE REPAIR KIT Dual Wire	\$27.00	
34620	1964	TEMPERATURE SENDING UNIT WIRE REPAIR KIT Single Wire	\$23.00	
41366	1964	TEMPERATURE SENDING UNIT WIRE REPAIR KIT Dual Wire	\$27.00	
34620	1965	TEMPERATURE SENDING UNIT WIRE REPAIR KIT Single Wire	\$23.00	
41366	1965	TEMPERATURE SENDING UNIT WIRE REPAIR KIT Dual Wire	\$27.00	
34620	1966	TEMPERATURE SENDING UNIT WIRE REPAIR KIT Single Wire	\$23.00	
41366	1966	TEMPERATURE SENDING UNIT WIRE REPAIR KIT Dual Wire	\$27.00	
34620	1967	TEMPERATURE SENDING UNIT WIRE REPAIR KIT Single Wire	\$23.00	
34620	1968	TEMPERATURE SENDING UNIT WIRE REPAIR KIT Single Wire	\$23.00	
34620	1969	TEMPERATURE SENDING UNIT WIRE REPAIR KIT Single Wire	\$23.00	
34620	1970	TEMPERATURE SENDING UNIT WIRE REPAIR KIT Single Wire	\$23.00	
34620	1971	TEMPERATURE SENDING UNIT WIRE REPAIR KIT Single Wire	\$23.00	
34620	1972	TEMPERATURE SENDING UNIT WIRE REPAIR KIT Single Wire	\$23.00	
34620	1973	TEMPERATURE SENDING UNIT WIRE REPAIR KIT Single Wire	\$23.00	

Part Number	Year	Description	Price	*Rev.
34620	1974	TEMPERATURE SENDING UNIT WIRE REPAIR KIT Single Wire	\$23.00	
34620	1975	TEMPERATURE SENDING UNIT WIRE REPAIR KIT Single Wire	\$23.00	
34620	1976	TEMPERATURE SENDING UNIT WIRE REPAIR KIT Single Wire	\$23.00	
34620	1977	TEMPERATURE SENDING UNIT WIRE REPAIR KIT Single Wire	\$23.00	
TILT COLUMN ADAPTER HARNESS				
37590	1963	TILT COLUMN ADAPTER HARNESS From Dash Harness To Directional Switch On Column	\$60.00	
37591	1964	TILT COLUMN ADAPTER HARNESS From Dash Harness To Directional Switch On Column	\$60.00	
31165	1965	TILT COLUMN ADAPTER HARNESS From Dash Harness To Directional Switch On Column	\$60.00	
31165	1966	TILT COLUMN ADAPTER HARNESS From Dash Harness To Directional Switch On Column	\$60.00	
TRANSISTOR IGNITION AMPLIFIER EXTENSION				
33225	1964	TRANSISTOR IGNITION AMPLIFIER EXTENSION From Internal Circuit Board To Amplifier Housing Connector	\$61.00	
33225	1965	TRANSISTOR IGNITION AMPLIFIER EXTENSION From Internal Circuit Board To Amplifier Housing Connector	\$61.00	
33225	1966	TRANSISTOR IGNITION AMPLIFIER EXTENSION From Internal Circuit Board To Amplifier Housing Connector	\$61.00	
33225	1967	TRANSISTOR IGNITION AMPLIFIER EXTENSION From Internal Circuit Board To Amplifier Housing Connector	\$61.00	
TRANSISTOR IGNITION EXTENSION HARNESS				
21270	1964	TRANSISTOR IGNITION EXTENSION HARNESS Starter Motor, Coil & Distributor	\$136.00	
33215	1964	TRANSISTOR IGNITION EXTENSION HARNESS Ignition Switch To Main T.I. Harness	\$26.00	
18765	1965	TRANSISTOR IGNITION EXTENSION HARNESS Starter Motor, Coil & Distributor	\$122.00	
33215	1965	TRANSISTOR IGNITION EXTENSION HARNESS Ignition Switch To Main T.I. Harness	\$26.00	
09620	1966	TRANSISTOR IGNITION EXTENSION HARNESS Starter Motor, Coil & Distributor	\$122.00	
33215	1966	TRANSISTOR IGNITION EXTENSION HARNESS Ignition Switch To Main T.I. Harness	\$26.00	
09620	1967	TRANSISTOR IGNITION EXTENSION HARNESS Starter Motor, Coil & Distributor	\$122.00	
33215	1967	TRANSISTOR IGNITION EXTENSION HARNESS Ignition Switch To Main T.I. Harness	\$26.00	
TRANSISTOR IGNITION HARNESS				
21260	1964	TRANSISTOR IGNITION HARNESS Amplifier To Extension Harness	\$117.00	
05790	1965	TRANSISTOR IGNITION HARNESS Amplifier To Extension Harness	\$117.00	
05790	1966	TRANSISTOR IGNITION HARNESS Amplifier To Extension Harness	\$117.00	
05790	1967	TRANSISTOR IGNITION HARNESS Amplifier To Extension Harness	\$117.00	
TRANSISTOR IGNITION REPLACEMENT MODULE				
32270	1964	TRANSISTOR IGNITION REPLACEMENT MODULE Replaces Original Circuit Board In Amplifier	\$198.00	
32270	1965	TRANSISTOR IGNITION REPLACEMENT MODULE Replaces Original Circuit Board In Amplifier	\$198.00	
32270	1966	TRANSISTOR IGNITION REPLACEMENT MODULE Replaces Original Circuit Board In Amplifier	\$198.00	
32270	1967	TRANSISTOR IGNITION REPLACEMENT MODULE Replaces Original Circuit Board In Amplifier	\$198.00	
TRUNK LAMP ASSEMBLY				
33530	1962	TRUNK LAMP ASSEMBLY	\$50.00	
33530	1963	TRUNK LAMP ASSEMBLY	\$50.00	
33530	1964	TRUNK LAMP ASSEMBLY	\$50.00	
33530	1965	TRUNK LAMP ASSEMBLY	\$50.00	
28180	1966	TRUNK LAMP ASSEMBLY Coupe, Includes Extension Harness	\$50.00	
28180	1967	TRUNK LAMP ASSEMBLY Coupe, Includes Extension Harness	\$50.00	
36380	1968	TRUNK LAMP ASSEMBLY Coupe, Includes Extension Harness	\$50.00	
36382	1968	TRUNK LAMP ASSEMBLY Convertible, Includes Extension Harness	\$58.00	
36380	1969	TRUNK LAMP ASSEMBLY Coupe, Includes Extension Harness	\$50.00	
36382	1969	TRUNK LAMP ASSEMBLY Convertible, Includes Extension Harness	\$58.00	
36380	1970	TRUNK LAMP ASSEMBLY Coupe, Includes Extension Harness	\$50.00	
36382	1970	TRUNK LAMP ASSEMBLY Convertible, Includes Extension Harness	\$58.00	

Part Number	Year	Description	Price	*Rev.
36380	1971	TRUNK LAMP ASSEMBLY Coupe, Includes Extension Harness	\$50.00	
TRUNK LAMP EXTENSION				
35687	1962	TRUNK LAMP EXTENSION For Belair & Biscayne Only	\$27.00	
35687	1963	TRUNK LAMP EXTENSION For Belair & Biscayne Only	\$27.00	
35687	1964	TRUNK LAMP EXTENSION For Belair & Biscayne Only	\$27.00	
35686	1965	TRUNK LAMP EXTENSION For Belair & Biscayne Only	\$26.00	
37641	1968	TRUNK LAMP EXTENSION WIRE Convertible	\$23.00	
37641	1969	TRUNK LAMP EXTENSION WIRE Convertible	\$23.00	
37641	1970	TRUNK LAMP EXTENSION WIRE Convertible	\$23.00	
36239	1971	TRUNK LAMP EXTENSION WIRE Trunk Lamp To Rear Lamp Harness Connector	\$29.00	
36239	1972	TRUNK LAMP EXTENSION WIRE Trunk Lamp To Rear Lamp Harness Connector	\$29.00	
TRUNK RELEASE HARNESS				
14570	1970	TRUNK RELEASE HARNESS For Electric Trunk Lid Release	\$56.00	
TURN SIGNAL LEVER WIPER SWITCH				
22510733	1984	TURN SIGNAL LEVER WIPER SWITCH All, Black, With Pulse Wipers, Without Cruise Control	\$20.00	N
22510732	1984	TURN SIGNAL LEVER WIPER SWITCH All, Black, Without Pulse Wipers, Without Cruise Control	\$20.00	N
22510144	1984	TURN SIGNAL LEVER WIPER SWITCH All, Chrome, With Pulse Wipers, Without Cruise Control	\$20.00	N
22510733	1985	TURN SIGNAL LEVER WIPER SWITCH All, Black, With Pulse Wipers, Without Cruise Control	\$20.00	N
22510732	1985	TURN SIGNAL LEVER WIPER SWITCH All, Black, Without Pulse Wipers, Without Cruise Control	\$20.00	N
22510144	1985	TURN SIGNAL LEVER WIPER SWITCH All, Chrome, With Pulse Wipers, Without Cruise Control	\$20.00	N
22510733	1986	TURN SIGNAL LEVER WIPER SWITCH All, Black, With Pulse Wipers, Without Cruise Control	\$20.00	N
22510732	1986	TURN SIGNAL LEVER WIPER SWITCH All, Black, Without Pulse Wipers, Without Cruise Control	\$20.00	N
22510144	1986	TURN SIGNAL LEVER WIPER SWITCH All, Chrome, With Pulse Wipers, Without Cruise Control	\$20.00	N
22510733	1987	TURN SIGNAL LEVER WIPER SWITCH All, Black, With Pulse Wipers, Without Cruise Control	\$20.00	N
22510732	1987	TURN SIGNAL LEVER WIPER SWITCH All, Black, Without Pulse Wipers, Without Cruise Control	\$20.00	N
22510144	1987	TURN SIGNAL LEVER WIPER SWITCH All, Chrome, With Pulse Wipers, Without Cruise Control	\$20.00	N
22510144	1988	TURN SIGNAL LEVER WIPER SWITCH All, Chrome, With Pulse Wipers, Without Cruise Control	\$20.00	N
22510144	1989	TURN SIGNAL LEVER WIPER SWITCH All, Chrome, With Pulse Wipers, Without Cruise Control	\$20.00	N
22510144	1990	TURN SIGNAL LEVER WIPER SWITCH All, Chrome, With Pulse Wipers, Without Cruise Control	\$20.00	N
TURN SIGNAL SWITCH				
05948447	1958	TURN SIGNAL SWITCH Note: Includes A Loose Piece 6 Way Connector.	\$27.00	M
03765110	1959	TURN SIGNAL SWITCH	\$23.00	
03765110	1960	TURN SIGNAL SWITCH	\$23.00	
03765110	1961	TURN SIGNAL SWITCH	\$23.00	
03765110	1962	TURN SIGNAL SWITCH	\$23.00	
01993624	1963	TURN SIGNAL SWITCH With Tilt, Replaces Delco Part# D6220	\$71.00	
00898197	1963	TURN SIGNAL SWITCH Without Tilt	\$65.00	N
01993624	1964	TURN SIGNAL SWITCH With Tilt, Replaces Delco Part# D6220	\$71.00	
00910821	1964	TURN SIGNAL SWITCH Without Tilt	\$56.00	N
01993624	1965	TURN SIGNAL SWITCH With Tilt, Replaces Delco Part# D6220	\$71.00	
00910821	1965	TURN SIGNAL SWITCH Without Tilt	\$56.00	N
01993624	1966	TURN SIGNAL SWITCH With Tilt, Replaces Delco Part# D6220	\$71.00	
00910821	1966	TURN SIGNAL SWITCH Without Tilt	\$56.00	N
01893592	1967	TURN SIGNAL SWITCH (Delco-Remy), Replaces Delco Part# D6211 Note: This Is A Service Part, Adapter Pigtail Included And Is Required For Some Applications.	\$58.00	

Part Number	Year	Description	Price	*Rev.
07800482	1967	TURN SIGNAL SWITCH Without Column Shift A/T, Without Tilt, (Delco Type, Black, White Or Green) Note: Emergency Flasher Actuator Hole In Outer Cover Is Shaped Like A Doghouse.	\$50.00	
07800482	1967	TURN SIGNAL SWITCH Without Column Shift A/T, With Tilt, (Delco Type, Black, White Or Green) Note: Emergency Flasher Actuator Hole In Outer Cover Is Shaped Like A Doghouse.	\$50.00	
05698897	1967	TURN SIGNAL SWITCH With Column Shift A/T, Without Tilt, (Delco Type, Black, White Or Green) Note: Emergency Flasher Actuator Hole In Outer Cover Is Shaped Like A Doghouse.	\$50.00	
05698897	1967	TURN SIGNAL SWITCH With Column Shift A/T, With Tilt, (Delco Type, Black, White Or Green) Note: Emergency Flasher Actuator Hole In Outer Cover Is Shaped Like A Doghouse.	\$50.00	
01893592	1968	TURN SIGNAL SWITCH (Delco-Remy), Replaces Delco Part# D6211 Note: This Is A Service Part, Adapter Pigtail Included And Is Required For Some Applications.	\$58.00	
07800482	1968	TURN SIGNAL SWITCH Without Column Shift A/T, Without Tilt, (Delco Type, Black, White Or Green) Note: Emergency Flasher Actuator Hole In Outer Cover Is Shaped Like A Doghouse.	\$50.00	
07800482	1968	TURN SIGNAL SWITCH Without Column Shift A/T, With Tilt, (Delco Type, Black, White Or Green) Note: Emergency Flasher Actuator Hole In Outer Cover Is Shaped Like A Doghouse.	\$50.00	
05698897	1968	TURN SIGNAL SWITCH With Column Shift A/T, Without Tilt, (Delco Type, Black, White Or Green) Note: Emergency Flasher Actuator Hole In Outer Cover Is Shaped Like A Doghouse.	\$50.00	
05698897	1968	TURN SIGNAL SWITCH With Column Shift A/T, With Tilt, (Delco Type, Black, White Or Green) Note: Emergency Flasher Actuator Hole In Outer Cover Is Shaped Like A Doghouse.	\$50.00	
01997938	1969	TURN SIGNAL SWITCH, CORRECT PART Note: Correct Part, No Adapter Pigtail Required.	\$56.00	
01893588	1969	TURN SIGNAL SWITCH, SERVICE PART Replaces Delco Part# D6208 Note: This Is A Service Part, Adapter Pigtail Included Is Required For Installation.	\$58.00	
01997983	1969	TURN SIGNAL SWITCH, SERVICE PART Replaces Delco Part# D6222 Note: This Is A Service Part, Adapter Pigtail Included Is Required For Installation.	\$32.00	
01997938	1970	TURN SIGNAL SWITCH, CORRECT PART Note: Correct Part, No Adapter Pigtail Required.	\$56.00	
01893588	1970	TURN SIGNAL SWITCH, SERVICE PART Replaces Delco Part# D6208 Note: This Is A Service Part, Adapter Pigtail Included Is Required For Installation.	\$58.00	
01997983	1970	TURN SIGNAL SWITCH, SERVICE PART Replaces Delco Part# D6222 Note: This Is A Service Part, Adapter Pigtail Included Is Required For Installation.	\$32.00	
01997938	1971	TURN SIGNAL SWITCH, CORRECT PART Note: Correct Part, No Adapter Pigtail Required.	\$56.00	
01893588	1971	TURN SIGNAL SWITCH, SERVICE PART Replaces Delco Part# D6208 Note: This Is A Service Part, Adapter Pigtail Included Is Required For Installation.	\$58.00	
01997983	1971	TURN SIGNAL SWITCH, SERVICE PART Replaces Delco Part# D6222 Note: This Is A Service Part, Adapter Pigtail Included Is Required For Installation.	\$32.00	
01997938	1972	TURN SIGNAL SWITCH, CORRECT PART Note: Correct Part, No Adapter Pigtail Required.	\$56.00	
01893588	1972	TURN SIGNAL SWITCH, SERVICE PART Replaces Delco Part# D6208 Note: This Is A Service Part, Adapter Pigtail Included Is Required For Installation.	\$58.00	
01997983	1972	TURN SIGNAL SWITCH, SERVICE PART Replaces Delco Part# D6222 Note: This Is A Service Part, Adapter Pigtail Included Is Required For Installation.	\$32.00	
01997963	1973	TURN SIGNAL SWITCH Caprice, Impala	\$41.00	M

Part Number	Year	Description	Price	*Rev.
01997963	1974	TURN SIGNAL SWITCH Caprice, Impala	\$41.00	M
01997963	1975	TURN SIGNAL SWITCH Caprice, Impala	\$41.00	M
01997963	1976	TURN SIGNAL SWITCH Caprice, Impala	\$41.00	M
VOLTAGE REGULATOR ADAPTER HARNESS				
02115	1965	VOLTAGE REGULATOR ADAPTER HARNESS With 62 Amp Alternator, From Field Terminal On Voltage Regulator To Chassis Ground (Includes Inline Diode) Note: Only Used With Original Solid State Voltage Regulator #1116368 As A Safe Guard To Prevent Voltage Regulator Transistor Failure.	\$60.00	
WINDSHIELD WASHER PUMP				
04919332	1965	WINDSHIELD WASHER PUMP With Single Speed Wiper Motor	\$60.00	N
WINDSHIELD WIPER SWITCH				
01993541	1959	WINDSHIELD WIPER SWITCH Single Speed, With Washer	\$45.00	
01993543	1959	WINDSHIELD WIPER SWITCH 2 Speed, With Washer	\$45.00	
01993541	1960	WINDSHIELD WIPER SWITCH Single Speed, With Washer	\$45.00	
01993543	1960	WINDSHIELD WIPER SWITCH 2 Speed, With Washer	\$45.00	
01993541	1961	WINDSHIELD WIPER SWITCH Single Speed, With Washer	\$45.00	
01993543	1961	WINDSHIELD WIPER SWITCH 2 Speed, With Washer	\$45.00	
01993541	1962	WINDSHIELD WIPER SWITCH Single Speed, With Washer	\$45.00	
01993543	1962	WINDSHIELD WIPER SWITCH 2 Speed, With Washer	\$45.00	
01993541	1963	WINDSHIELD WIPER SWITCH Single Speed, With Washer	\$45.00	
01993543	1963	WINDSHIELD WIPER SWITCH 2 Speed, With Washer	\$45.00	
01993642	1964	WINDSHIELD WIPER SWITCH Single Speed, With Washer Note: Can Also Be Used For Single Speed Without Washer Function. Switch Will Have An Extra Terminal That Will Not Be Used On Those Applications.	\$52.00	C
01993643	1964	WINDSHIELD WIPER SWITCH 2 Speed, With Washer	\$45.00	
01993678	1965	WINDSHIELD WIPER SWITCH 2 Speed, With Washer	\$52.00	
01993680	1965	WINDSHIELD WIPER SWITCH Single Speed, With Washer	\$52.00	
01993678	1966	WINDSHIELD WIPER SWITCH 2 Speed, With Washer	\$52.00	
01993680	1966	WINDSHIELD WIPER SWITCH Single Speed, With Washer	\$52.00	
01993394	1967	WINDSHIELD WIPER SWITCH	\$39.00	
01993442	1968	WINDSHIELD WIPER SWITCH With Recess Park	\$52.00	
WIPER MOTOR HARNESS				
19795	1958	WIPER MOTOR HARNESS 6 Cylinder Note: 6 Cylinder Items Are Not Returnable.	\$32.00	
41149	1958	WIPER MOTOR HARNESS V/8	\$27.00	
34460	1959	WIPER MOTOR HARNESS Single Speed	\$32.00	
33480	1959	WIPER MOTOR HARNESS Single Speed, With Washer	\$69.00	
19800	1959	WIPER MOTOR HARNESS 2 Speed, With Production Washer	\$46.00	
34470	1960	WIPER MOTOR HARNESS Single Speed	\$32.00	
33480	1960	WIPER MOTOR HARNESS Single Speed, With Washer	\$69.00	
34475	1960	WIPER MOTOR HARNESS Single Speed, With Production Washer	\$60.00	
34480	1960	WIPER MOTOR HARNESS Single Speed, With Accessory Washer	\$69.00	
19800	1960	WIPER MOTOR HARNESS 2 Speed, With Production Washer	\$46.00	
27505	1961	WIPER MOTOR HARNESS Single Speed	\$32.00	
34485	1961	WIPER MOTOR HARNESS Single Speed, With Accessory Washer	\$60.00	
19805	1961	WIPER MOTOR HARNESS 2 Speed, With Washer	\$46.00	
27505	1962	WIPER MOTOR HARNESS Single Speed	\$32.00	

**Impala/Bel Air
'58-'63 El Camino**



**Phone (562) 926-9552
Fax (562) 926-9572**

Part Number	Year	Description	Price	*Rev.
19805	1962	WIPER MOTOR HARNESS 2 Speed, With Washer	\$46.00	
37608	1963	WIPER MOTOR HARNESS Single Speed	\$32.00	
37607	1963	WIPER MOTOR HARNESS Single Speed, With Washer	\$46.00	
19810	1963	WIPER MOTOR HARNESS 2 Speed, With Washer	\$40.00	
19820	1964	WIPER MOTOR HARNESS Single Speed	\$32.00	
34510	1964	WIPER MOTOR HARNESS Single Speed, With Washer	\$46.00	
19815	1964	WIPER MOTOR HARNESS 2 Speed, With Washer	\$46.00	
19820	1965	WIPER MOTOR HARNESS Single Speed	\$32.00	
34510	1965	WIPER MOTOR HARNESS Single Speed, With Washer	\$46.00	
33485	1965	WIPER MOTOR HARNESS 2 Speed, With Washer	\$46.00	
33485	1966	WIPER MOTOR HARNESS 2 Speed, With Washer	\$46.00	
34450	1967	WIPER MOTOR HARNESS 2 Speed, With Washer	\$60.00	
34455	1970	WIPER MOTOR HARNESS Electro-Tip Demand	\$69.00	