



# Electrical Restoration Products

**GMC Truck  
Series 10-30**

**Phone 562.926.9552  
Fax 562.926.9572  
sparky@wiringharness.com**

**[www.wiringharness.com](http://www.wiringharness.com)**

## WIRING HARNESSES



## BATTERY CABLES



## SWITCHES



# **Buy with Confidence !**

## **Made in the U.S.A.**

All of our harnesses are hand assembled in the U.S.A.

## **Correct Color Wires**

Our harnesses always match the original factory color codes and gauge sizes. We use U.S.A. made Cross Linked Polyethylene type GXL wire which is much more tolerant to heat than the original PVC type GPT wire that was used from the factory.

## **Dip Soldered (when applicable)**

All terminals are dip soldered (when applicable) to limit resistance loss.

## **Correct Connectors & Terminals**

With over 300,000 connectors and terminals in stock you can be sure the harness you receive will look identical to the original.

## **Correct Non-Adhesive & Cloth Tapes**

All harnesses are wrapped with the correct non-adhesive or cloth woven tapes to assure a 100% factory appearance.

## **Technical Support**

We don't expect our customers to be "wiring-wizards", you can call us direct with any technical questions you may have.

## **Custom Modifications**

Custom modifications are available to allow you to convert from an external regulated alternator to an internal regulated alternator. This modification is available for most '63 and up GM cars and trucks. We can also convert many of our engine harnesses to work with H.E.I. distributors and electric chokes. Our modifications retain the factory appearance. Call our Customer Service Department for more details.

## **Reproduction Switches**

We manufacture an extensive line of reproduction switches. These include Turn Signal, Backup Light, Neutral Safety, Wiper, Headlight Switches and others. As with all of our restoration products our switches will fit and function perfectly, just like the originals.

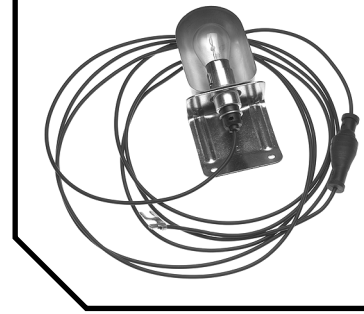
## **Guarantee & Warranty**

We are so confident in the quality of all of our restoration products that we offer the following guarantee and warranty. If you are not 100% satisfied with the quality of any of our restoration products we will give you a full refund. Just return the unused item within 30 days of receipt for a full refund. We also offer a full 1 year replacement warranty on all of the products we sell (see our product warranty sheet for more info).

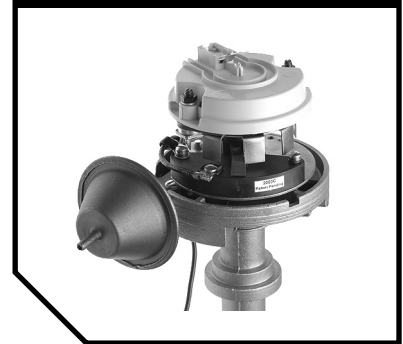
## **Method of Payment**

We accept Visa, Master Card, American Express and Discover. If you prefer to pre-pay your order, we accept Money Orders, Cashiers Checks or Personal Checks. C.O.D. shipments are also available.

## **LIGHTING KITS**



## **1 WIRE IGNITION**



## **HARNESS TAPE**



***"M&H Harnesses are perfect reproductions created with correct color wires from Original GM wiring schematics".***

**MUSCLECAR ENTHUSIAST  
MAGAZINE**

# **[www.wiringharness.com](http://www.wiringharness.com)**

# Alternator Conversion Kits

**See car line catalogs  
for specific applications**

## **Alternator Conversion Kit External to "SI" Type Internal**

Our most popular Alternator Conversion Kit. This kit makes it easy to convert from an External Regulated Alternator to an "SI" Type Internal Regulated Alternator. Kit includes both adapters and an instruction sheet.

Easy to install:

1) Disconnect the external voltage regulator leads and plug our "Special Regulator Adapter" into the voltage regulator lead wires. 2) Disconnect the alternator lead wires. 3) Install new "SI" Type Internal Regulated alternator. 4) Plug one end of our "Alternator Adapter" into the original alternator lead wires and the other into the alternator.

*Typical application is '63-'74 GM Cars & Trucks, see carline catalogs for specific application information.*

Part #27555

Retail \$29.00



## **Alternator Conversion Kit External to "CS" Type Internal**

This kit makes it easy to convert from an External Regulated Alternator to a "CS" Type Internal Regulated Alternator. Kit includes both adapters and an instruction sheet.

Easy to install:

1) Disconnect the external voltage regulator leads and plug our "Special Regulator Adapter" into the voltage regulator lead wires. 2) Disconnect the alternator lead wires. 3) Install new "SI" Type Internal Regulated alternator. 4) Plug one end of our "Alternator Adapter" into the original alternator lead wires and the other into the alternator.

*Typical application is '63-'74 GM Cars & Trucks, see carline catalogs for specific application information.*

Part #37787

Retail \$34.00



## **Alternator Conversion Kit "SI" Type Internal to CS130/CS144 Type Internal**

Allows for an easy conversion from an "SI" type internal regulated alternator to a "CS130" or "CS144" type internal regulated alternator. Simple to install, the mating end of the adapter pigtail plugs perfectly to the original alternator connector, and the other end plugs right into any "CS130" or "CS144" type alternator. Kit includes adapter pigtail and an instruction sheet.

*Typical application is '69-'84 GM Cars & Trucks, see carline catalogs for specific application information.*

Part #37796

Retail \$26.00



# Alternator Conversion Kits

See car line catalogs  
for specific applications

## Alternator Conversion Kit

### "SI" Type Internal to "CS130D" Type Internal

Allows for an easy conversion from an "SI" type internal regulated alternator to a "CS130D" type internal regulated alternator. Simple to install, the mating end of the adapter pigtail plugs perfectly to the original alternator connector, and the other end plugs right into any "CS130D" type alternator. Kit includes adapter pigtail and an instruction sheet.

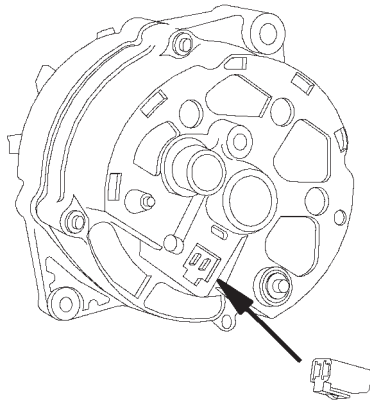
Typical application is '69-'84 GM Cars & Trucks, see carline catalogs for specific application information.

Part #39472

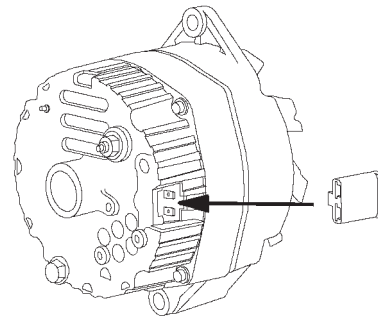
Retail \$27.00



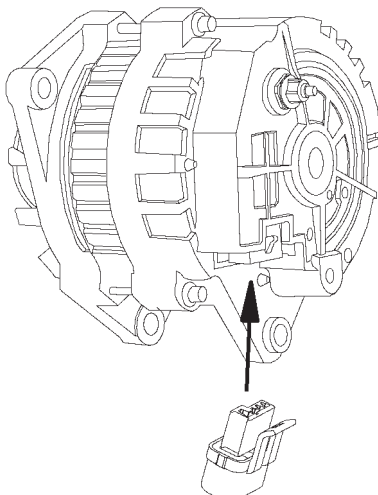
## Alternator Identification



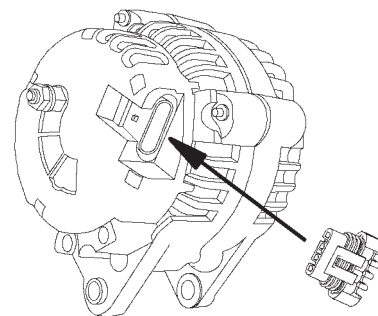
1963-1974  
External Regulated Alternator



1969-1984 "SI" Type  
Internal Regulated Alternator



1984-1999 "CS130" & "CS144" Type  
Internal Regulated Alternator



1994-Newer "CS130D" Type  
Internal Regulated Alternator

# **Breakerless SE Single Wire Ignition**

**Simple 1 Wire Hook-Up, just connect the original points wire to the module**

**Completely stock appearance**

**Emissions Legal in all 50 States**

**Three year warranty**

The Breakerless SE allows you to convert any 1957 to 1974 GM, AMC or Jeep V8 breaker point type distributor (with a windowed type distributor cap) to a reliable solid-state electronic ignition, utilizing a fully integrated trigger and power module that fits completely inside the distributor.

Unlike competitive systems though, no additional wires protrude from the distributor, only the original points wire. The result is a state-of-the-art ignition with an absolutely stock appearance. The Breakerless SE is so unique that it's patented !



**Outstanding features of this unit include:**

- Single wire operation to preserve stock appearance and simplify wiring.
- Active dwell control maintains high rpm spark energy while reducing coil heating at idle.
- Auto-standby prevents coil damage or dead battery if the ignition is accidentally left on.
- Hall effect rotary-vane sensor design compensates for worn bearings and distributor end play. Magnetic sensor is unaffected by oil, dirt or other contaminants, unlike optical systems.
- Over-voltage/over-current protected against damage from high amp battery chargers, reversed battery, or improper wiring.
- Constructed with premium quality components. Sealed, hi-temp thermoplastic housing provides exceptional resistance against moisture and vibration.
- No distributor modification, disassembly, or removal is required.

Kit comes complete with everything you'll need to install the Breakerless SE Single Wire Ignition. Kit includes: 1 Module, 1 (two-piece) vane, all necessary installation hardware and a comprehensive instruction sheet.

**Part #38131**  
**Retail \$179.00**

**For more info on this product  
visit [www.breakerless.com](http://www.breakerless.com)**

Part Number	Year	Description	Price	*Rev.
<b>AIR CONDITIONING CONTROL ASSEMBLY</b>				
01222890	1967	<b>AIR CONDITIONING CONTROL ASSEMBLY</b> With A/C, Complete With Fan Switch	\$185.00	N
01222890	1968	<b>AIR CONDITIONING CONTROL ASSEMBLY</b> With A/C, Complete With Fan Switch	\$185.00	N
01222890	1969	<b>AIR CONDITIONING CONTROL ASSEMBLY</b> With A/C, Complete With Fan Switch	\$185.00	N
01222890	1970	<b>AIR CONDITIONING CONTROL ASSEMBLY</b> With A/C, Complete With Fan Switch	\$185.00	N
01222890	1971	<b>AIR CONDITIONING CONTROL ASSEMBLY</b> With A/C, Complete With Fan Switch	\$185.00	N
01222890	1972	<b>AIR CONDITIONING CONTROL ASSEMBLY</b> With A/C, Complete With Fan Switch	\$185.00	N
<b>AIR CONDITIONING EXTENSION HARNESS</b>				
39731	1973	<b>AIR CONDITIONING EXTENSION HARNESS</b> Suburban, With Overhead A/C, Blower Switch Harness To Blower Motor	\$42.00	M
39735	1973	<b>AIR CONDITIONING EXTENSION HARNESS</b> Compressor To A/C Harness	\$63.00	M
39731	1974	<b>AIR CONDITIONING EXTENSION HARNESS</b> Suburban, With Overhead A/C, Blower Switch Harness To Blower Motor	\$42.00	M
39735	1974	<b>AIR CONDITIONING EXTENSION HARNESS</b> Compressor To A/C Harness	\$63.00	M
39777	1975	<b>AIR CONDITIONING EXTENSION HARNESS</b> All, Except 1/2-Ton With 250 6 Cyl, Compressor To A/C Harness Note: 6 Cylinder Items Are Not Returnable.	\$63.00	M
39790	1975	<b>AIR CONDITIONING EXTENSION HARNESS</b> Suburban, With Overhead A/C, Blower Switch Harness To Blower Motor	\$42.00	M
39817	1976	<b>AIR CONDITIONING EXTENSION HARNESS</b> All 2 Wheel Drive, & 1/2, 3/4-Ton 4 Wheel Drive, Compressor To A/C Harness	\$35.00	M
39790	1976	<b>AIR CONDITIONING EXTENSION HARNESS</b> Suburban, With Overhead A/C, Blower Switch Harness To Blower Motor	\$42.00	M
39652	1977	<b>AIR CONDITIONING EXTENSION HARNESS</b> All 2 Wheel Drive, & 1/2, 3/4-Ton 4 Wheel Drive, With 350 & 400 V/8, Compressor To A/C Harness	\$83.00	M
39817	1977	<b>AIR CONDITIONING EXTENSION HARNESS</b> All 2 Wheel Drive, & 1/2, 3/4-Ton 4 Wheel Drive, With 454 V/8, Compressor To A/C Harness	\$35.00	M
39790	1977	<b>AIR CONDITIONING EXTENSION HARNESS</b> Suburban, With Overhead A/C, Blower Switch Harness To Blower Motor	\$42.00	M
39652	1978	<b>AIR CONDITIONING EXTENSION HARNESS</b> All 2 Wheel Drive, & 1/2, 3/4-Ton 4 Wheel Drive, With 350 & 400 V/8, Compressor To A/C Harness	\$83.00	M
39817	1978	<b>AIR CONDITIONING EXTENSION HARNESS</b> All 2 Wheel Drive, & 1/2, 3/4-Ton 4 Wheel Drive, With 454 V/8, Compressor To A/C Harness	\$35.00	M
39790	1978	<b>AIR CONDITIONING EXTENSION HARNESS</b> Suburban, With Overhead A/C, Blower Switch Harness To Blower Motor	\$42.00	M
39876	1978	<b>AIR CONDITIONING EXTENSION HARNESS</b> 1/2 Ton Models, With 250 6 Cyl. Compressor To A/C Harness	\$63.00	M
39879	1978	<b>AIR CONDITIONING EXTENSION HARNESS</b> 2 Wheel Drives, With Diesel, Compressor To A/C Harness	\$42.00	M
39901	1979	<b>AIR CONDITIONING EXTENSION HARNESS</b> All 2 Wheel Drive, & 1/2, 3/4-Ton 4 Wheel Drive, With 350 & 400 V/8, Compressor To A/C Harness	\$50.00	M
39900	1979	<b>AIR CONDITIONING EXTENSION HARNESS</b> 2 Wheel Drive 1-Ton, With 454 V/8, Compressor To A/C Harness	\$42.00	M
39790	1979	<b>AIR CONDITIONING EXTENSION HARNESS</b> Suburban, With Overhead A/C, Blower Switch Harness To Blower Motor	\$42.00	M
39876	1979	<b>AIR CONDITIONING EXTENSION HARNESS</b> 1/2 Ton Models, With 250 6 Cyl. Compressor To A/C Harness	\$63.00	M
39879	1979	<b>AIR CONDITIONING EXTENSION HARNESS</b> 2 Wheel Drive 1/2 Ton, With Diesel, Compressor To A/C Harness	\$42.00	M
39902	1979	<b>AIR CONDITIONING EXTENSION HARNESS</b> 2 Wheel Drives, With Diesel, Compressor To Fast Idle Relay	\$63.00	M
39909	1979	<b>AIR CONDITIONING EXTENSION HARNESS</b> 2 Wheel Drive 1/2 & 3/4-Ton, With 454 V/8, Compressor To A/C Harness	\$50.00	M
39790	1980	<b>AIR CONDITIONING EXTENSION HARNESS</b> Suburban, With Overhead A/C, Blower Switch Harness To Blower Motor	\$42.00	M
39876	1980	<b>AIR CONDITIONING EXTENSION HARNESS</b> 1/2 Ton Models, With 250 6 Cyl. Compressor To A/C Harness Note: 6 Cylinder Items Are Not Returnable.	\$63.00	M
39902	1980	<b>AIR CONDITIONING EXTENSION HARNESS</b> 2 Wheel Drive 1/2 Ton, With Diesel, Compressor To Fast Idle Relay	\$63.00	M

Part Number	Year	Description	Price	*Rev.
39355	1980	<b>AIR CONDITIONING EXTENSION HARNESS</b> With V/8 & Fast Idle Solenoid, Except 454 V/8, Compressor To A/C Harness	\$63.00	M
39933	1980	<b>AIR CONDITIONING EXTENSION HARNESS</b> With V/8, Without Fast Idle Solenoid, Except 454 V/8, Compressor To A/C Harness	\$63.00	M
39930	1980	<b>AIR CONDITIONING EXTENSION HARNESS</b> With 454 V/8, Without Fast Idle Solenoid, Compressor To A/C Harness	\$63.00	M
39931	1980	<b>AIR CONDITIONING EXTENSION HARNESS</b> With 454 V/8 & Fast Idle Solenoid, Compressor To A/C Harness	\$63.00	M
39790	1981	<b>AIR CONDITIONING EXTENSION HARNESS</b> Suburban, With Overhead A/C, Blower Switch Harness To Blower Motor	\$42.00	M
39876	1981	<b>AIR CONDITIONING EXTENSION HARNESS</b> 1/2 Ton Models, With 250 6 Cyl , Compressor To A/C Harness Note: 6 Cylinder Items Are Not Returnable.	\$63.00	M
39902	1981	<b>AIR CONDITIONING EXTENSION HARNESS</b> 2 Wheel Drives, With Diesel, With Federal Emissions, Compressor To Fast Idle Relay	\$63.00	M
39930	1981	<b>AIR CONDITIONING EXTENSION HARNESS</b> With 454 V/8, Without Fast Idle Solenoid, Compressor To A/C Harness	\$63.00	M
39355	1981	<b>AIR CONDITIONING EXTENSION HARNESS</b> Suburban 1/2 Ton, With 3 Spd Auto Trans & Overhead A/C, Compressor To A/C Harness	\$63.00	M
39956	1981	<b>AIR CONDITIONING EXTENSION HARNESS</b> With V/8, Without Fast Idle Solenoid, Except 454 V/8, Compressor To A/C Harness	\$63.00	M
39967	1981	<b>AIR CONDITIONING EXTENSION HARNESS</b> With V/8 & Fast Idle Solenoid, Except 454 V/8, Compressor To A/C Harness	\$63.00	M
39931	1981	<b>AIR CONDITIONING EXTENSION HARNESS</b> With 454 V/8 & Fast Idle Solenoid, Compressor To A/C Harness	\$63.00	M
39978	1981	<b>AIR CONDITIONING EXTENSION HARNESS</b> 2 Wheel Drives, With Diesel, Compressor To A/C Harness	\$63.00	M
39876	1982	<b>AIR CONDITIONING EXTENSION HARNESS</b> 1/2 Ton Models, With 250 6 Cyl. Compressor To A/C Harness Note: 6 Cylinder Items Are Not Returnable.	\$63.00	M
39930	1982	<b>AIR CONDITIONING EXTENSION HARNESS</b> With 454 V/8, Without Fast Idle Solenoid, Compressor To A/C Harness	\$63.00	M
39355	1982	<b>AIR CONDITIONING EXTENSION HARNESS</b> Suburban 1/2 Ton, With 3 Spd Auto Trans & Overhead A/C, Compressor To A/C Harness	\$63.00	M
39956	1982	<b>AIR CONDITIONING EXTENSION HARNESS</b> With V/8, Without Fast Idle Solenoid, Except 454 V/8, Compressor To A/C Harness	\$63.00	M
39995	1982	<b>AIR CONDITIONING EXTENSION HARNESS</b> With Diesel, Compressor To A/C Harness	\$63.00	M
39790	1982	<b>AIR CONDITIONING EXTENSION HARNESS</b> Suburban, With Overhead A/C, Blower Switch Harness To Blower Motor	\$42.00	M
39967	1982	<b>AIR CONDITIONING EXTENSION HARNESS</b> With V/8 & Fast Idle Solenoid, Compressor To A/C Harness	\$63.00	M
<b>AIR CONDITIONING HARNESS</b>				
39303	1973	<b>AIR CONDITIONING HARNESS</b> Includes Heater Wiring	\$270.00	M
39727	1973	<b>AIR CONDITIONING HARNESS</b> Suburban, With Overhead A/C, Fuse Panel To Blower Switch	\$133.00	M
39727	1974	<b>AIR CONDITIONING HARNESS</b> Suburban, With Overhead A/C, Fuse Panel To Blower Switch	\$133.00	M
39759	1974	<b>AIR CONDITIONING HARNESS</b> Includes Heater Wiring	\$291.00	M
39727	1975	<b>AIR CONDITIONING HARNESS</b> Suburban, With Overhead A/C, Fuse Panel To Blower Switch	\$133.00	M
39776	1975	<b>AIR CONDITIONING HARNESS</b> Includes Heater Wiring	\$291.00	M
39727	1976	<b>AIR CONDITIONING HARNESS</b> Suburban, With Overhead A/C, Fuse Panel To Blower Switch	\$133.00	M
39827	1976	<b>AIR CONDITIONING HARNESS</b> Includes Heater Wiring	\$291.00	M
39727	1977	<b>AIR CONDITIONING HARNESS</b> Suburban, With Overhead A/C, Fuse Panel To Blower Switch	\$133.00	M
39653	1977	<b>AIR CONDITIONING HARNESS</b> Includes Heater Wiring	\$291.00	M
39727	1978	<b>AIR CONDITIONING HARNESS</b> Suburban, With Overhead A/C, Fuse Panel To Blower Switch	\$133.00	M
39859	1978	<b>AIR CONDITIONING HARNESS</b> Includes Heater Wiring, (1st Design) Note: with a/c temp. control switch mounted on evaporator inlet pipe support bracket.	\$291.00	M
39356	1978	<b>AIR CONDITIONING HARNESS</b> Includes Heater Wiring, (2nd Design) Note: with a/c temp. control switch mounted near top of accumulator bottle.	\$291.00	M

Part Number	Year	Description	Price	*Rev.
39883	1979	<b>AIR CONDITIONING HARNESS</b> Suburban, With Overhead A/C, Fuse Panel To Blower Switch	\$133.00	M
39356	1979	<b>AIR CONDITIONING HARNESS</b> Includes Heater Wiring	\$291.00	M
39883	1980	<b>AIR CONDITIONING HARNESS</b> Suburban, With Overhead A/C, Fuse Panel To Blower Switch	\$133.00	M
39356	1980	<b>AIR CONDITIONING HARNESS</b> Includes Heater Wiring	\$291.00	M
39936	1981	<b>AIR CONDITIONING HARNESS</b> Suburban, With Overhead A/C, Fuse Panel To Blower Switch	\$133.00	M
39937	1981	<b>AIR CONDITIONING HARNESS</b> Includes Heater Wiring	\$291.00	M
39937	1982	<b>AIR CONDITIONING HARNESS</b> Includes Heater Wiring	\$291.00	M
39997	1982	<b>AIR CONDITIONING HARNESS</b> Suburban, With Overhead A/C, Fuse Panel To Blower Switch	\$133.00	M
<b>ALTERNATOR CONVERSION KIT</b>				
27555	1968	<b>ALTERNATOR CONVERSION KIT</b> External To Internal Regulator Conversion Harness ("SI" Series) Note: For Use With 1972-84 Non-Serpentine Belt ("SI" Series) Internal Regulated Alternators.	\$29.00	M
37787	1968	<b>ALTERNATOR CONVERSION KIT</b> External To Internal Regulator Conversion Harness ("CS" Series) Note: For Use With Serpentine Belt ("CS" Series) Internal Regulated Alternators.	\$34.00	M
27555	1969	<b>ALTERNATOR CONVERSION KIT</b> External To Internal Regulator Conversion Harness ("SI" Series) Note: For Use With 1972-84 Non-Serpentine Belt ("SI" Series) Internal Regulated Alternators.	\$29.00	M
37787	1969	<b>ALTERNATOR CONVERSION KIT</b> External To Internal Regulator Conversion Harness ("CS" Series) Note: For Use With Serpentine Belt ("CS" Series) Internal Regulated Alternators.	\$34.00	M
27555	1970	<b>ALTERNATOR CONVERSION KIT</b> External To Internal Regulator Conversion Harness ("SI" Series) Note: For Use With 1972-84 Non-Serpentine Belt ("SI" Series) Internal Regulated Alternators.	\$29.00	M
37787	1970	<b>ALTERNATOR CONVERSION KIT</b> External To Internal Regulator Conversion Harness ("CS" Series) Note: For Use With Serpentine Belt ("CS" Series) Internal Regulated Alternators.	\$34.00	M
27555	1971	<b>ALTERNATOR CONVERSION KIT</b> External To Internal Regulator Conversion Harness ("SI" Series) Note: For Use With 1972-84 Non-Serpentine Belt ("SI" Series) Internal Regulated Alternators.	\$29.00	M
37787	1971	<b>ALTERNATOR CONVERSION KIT</b> External To Internal Regulator Conversion Harness ("CS" Series) Note: For Use With Serpentine Belt ("CS" Series) Internal Regulated Alternators.	\$34.00	M
27555	1972	<b>ALTERNATOR CONVERSION KIT</b> External To Internal Regulator Conversion Harness ("SI" Series) Note: For Use With 1972-84 Non-Serpentine Belt ("SI" Series) Internal Regulated Alternators.	\$29.00	M
37787	1972	<b>ALTERNATOR CONVERSION KIT</b> External To Internal Regulator Conversion Harness ("CS" Series) Note: For Use With Serpentine Belt ("CS" Series) Internal Regulated Alternators.	\$34.00	M
37796	1975	<b>ALTERNATOR CONVERSION KIT</b> Internal Regulator "SI" Series Alternator To "CS" Series (Serpentine Belt) Alternator Note: For Use With Serpentine Belt ("CS130" Or "CS144" Type) Internal Regulated Alternators.	\$26.00	M
<b>AMMETER GAUGE</b>				
01500998	1947	<b>AMMETER GAUGE</b> Red Needle	\$74.00	N
01500998	1948	<b>AMMETER GAUGE</b> Red Needle	\$74.00	N
01500998	1949	<b>AMMETER GAUGE</b> Red Needle	\$74.00	N
01500998	1950	<b>AMMETER GAUGE</b> Red Needle	\$74.00	N
01500998	1951	<b>AMMETER GAUGE</b> Red Needle	\$74.00	N
01501198	1952	<b>AMMETER GAUGE</b> White Needle	\$74.00	N
01501198	1953	<b>AMMETER GAUGE</b> White Needle	\$74.00	N
01501740	1955	<b>AMMETER GAUGE</b> Used Only With Electric Type Temperature Gauge	\$85.00	N
01501735	1955	<b>AMMETER GAUGE</b> Used Only With Mechanical Type Temperature Gauge	\$85.00	N
01501740	1956	<b>AMMETER GAUGE</b> Used Only With Electric Type Temperature Gauge	\$85.00	N
01501735	1956	<b>AMMETER GAUGE</b> Used Only With Mechanical Type Temperature Gauge	\$85.00	N
01501740	1957	<b>AMMETER GAUGE</b> Used Only With Electric Type Temperature Gauge	\$85.00	N
01501735	1957	<b>AMMETER GAUGE</b> Used Only With Mechanical Type Temperature Gauge	\$85.00	N
01501740	1958	<b>AMMETER GAUGE</b> Used Only With Electric Type Temperature Gauge	\$85.00	N
01501735	1958	<b>AMMETER GAUGE</b> Used Only With Mechanical Type Temperature Gauge	\$85.00	N



Part Number	Year	Description	Price	*Rev.
01501740	1959	<b>AMMETER GAUGE</b> Used Only With Electric Type Temperature Gauge	\$85.00	N
01501735	1959	<b>AMMETER GAUGE</b> Used Only With Mechanical Type Temperature Gauge	\$85.00	N
01501949	1960	<b>AMMETER GAUGE</b>	\$74.00	N
01501949	1961	<b>AMMETER GAUGE</b>	\$74.00	N
01501949	1962	<b>AMMETER GAUGE</b>	\$74.00	N
01501949	1963	<b>AMMETER GAUGE</b>	\$74.00	N
01502803	1964	<b>AMMETER GAUGE</b>	\$74.00	N
01502803	1965	<b>AMMETER GAUGE</b>	\$74.00	N
01502803	1966	<b>AMMETER GAUGE</b>	\$74.00	N
01503428	1967	<b>AMMETER GAUGE</b>	\$47.00	N
44220	1967	<b>AMMETER GAUGE</b> With -40 / +40 Numeric Face Plate Note: This Is A Replacement For OEM Gauge 01503428 (With Discharge & Charge Graduations) In Trucks With Factory Gauge Type Clusters.	\$39.00	N
01503428	1968	<b>AMMETER GAUGE</b>	\$47.00	N
44220	1968	<b>AMMETER GAUGE</b> With -40 / +40 Numeric Face Plate Note: This Is A Replacement For OEM Gauge 01503428 (With Discharge & Charge Graduations) In Trucks With Factory Gauge Type Clusters.	\$39.00	N
01503428	1969	<b>AMMETER GAUGE</b>	\$47.00	N
44220	1969	<b>AMMETER GAUGE</b> With -40 / +40 Numeric Face Plate Note: This Is A Replacement For OEM Gauge 01503428 (With Discharge & Charge Graduations) In Trucks With Factory Gauge Type Clusters.	\$39.00	N
01503428	1970	<b>AMMETER GAUGE</b>	\$47.00	N
44220	1970	<b>AMMETER GAUGE</b> With -40 / +40 Numeric Face Plate Note: This Is A Replacement For OEM Gauge 01503428 (With Discharge & Charge Graduations) In Trucks With Factory Gauge Type Clusters.	\$39.00	N
01503428	1971	<b>AMMETER GAUGE</b>	\$47.00	N
44220	1971	<b>AMMETER GAUGE</b> With -40 / +40 Numeric Face Plate Note: This Is A Replacement For OEM Gauge 01503428 (With Discharge & Charge Graduations) In Trucks With Factory Gauge Type Clusters.	\$39.00	N
01503428	1972	<b>AMMETER GAUGE</b>	\$47.00	N
44220	1972	<b>AMMETER GAUGE</b> With -40 / +40 Numeric Face Plate Note: This Is A Replacement For OEM Gauge 01503428 (With Discharge & Charge Graduations) In Trucks With Factory Gauge Type Clusters.	\$39.00	N
06474468	1973	<b>AMMETER GAUGE</b> Fire Orange Needle	\$39.00	N
06474468	1974	<b>AMMETER GAUGE</b> Fire Orange Needle	\$39.00	N
06474468	1975	<b>AMMETER GAUGE</b> Fire Orange Needle	\$39.00	N
<b>ASSEMBLY MANUAL</b>				
39354	1982	<b>ASSEMBLY MANUAL</b> Factory Assembly Instruction Guide	\$54.00	M
<b>AUXILIARY BATTERY GROUND WIRE</b>				
39716	1973	<b>AUXILIARY BATTERY GROUND WIRE</b> All, With Dual Auxiliary Camper Battery Option, Secondary Battery Negative Post To Ground	\$30.00	M
39716	1974	<b>AUXILIARY BATTERY GROUND WIRE</b> All, With Dual Auxiliary Camper Battery Option, Secondary Battery Negative Post To Ground	\$30.00	M
39716	1975	<b>AUXILIARY BATTERY GROUND WIRE</b> All, With Dual Auxiliary Camper Battery Option, Secondary Battery Negative Post To Ground	\$30.00	M
39716	1976	<b>AUXILIARY BATTERY GROUND WIRE</b> All, With Dual Auxiliary Camper Battery Option, Secondary Battery Negative Post To Ground	\$30.00	M
39716	1977	<b>AUXILIARY BATTERY GROUND WIRE</b> All, With Dual Auxiliary Camper Battery Option, Secondary Battery Negative Post To Ground	\$30.00	M

Part Number	Year	Description	Price	*Rev.
39716	1978	<b>AUXILIARY BATTERY GROUND WIRE</b> All, With Dual Auxiliary Camper Battery Option, Secondary Battery Negative Post To Ground	\$30.00	M
39716	1979	<b>AUXILIARY BATTERY GROUND WIRE</b> All, With Dual Auxiliary Camper Battery Option, Secondary Battery Negative Post To Ground	\$30.00	M
39716	1980	<b>AUXILIARY BATTERY GROUND WIRE</b> All, With Dual Auxiliary Camper Battery Option, Secondary Battery Negative Post To Ground	\$30.00	M
39941	1981	<b>AUXILIARY BATTERY GROUND WIRE</b> All, With Dual Auxiliary Camper Battery Option, Secondary Battery Negative Post To Ground	\$30.00	M
39941	1982	<b>AUXILIARY BATTERY GROUND WIRE</b> All, With Dual Auxiliary Camper Battery Option, Secondary Battery Negative Post To Ground	\$30.00	M
<b>AUXILIARY BATTERY HARNESS</b>				
39720	1973	<b>AUXILIARY BATTERY HARNESS</b> All, With Dual Auxiliary Camper Battery Option, Secondary Battery To Junction Block & Relay	\$132.00	M
39720	1974	<b>AUXILIARY BATTERY HARNESS</b> All, With Dual Auxiliary Camper Battery Option, Secondary Battery To Junction Block & Relay	\$132.00	M
39785	1975	<b>AUXILIARY BATTERY HARNESS</b> All, With Dual Auxiliary Camper Battery Option, Secondary Battery To Junction Block & Relay	\$132.00	M
39812	1976	<b>AUXILIARY BATTERY HARNESS</b> All, With Dual Auxiliary Camper Battery Option, Secondary Battery To Junction Block & Relay	\$132.00	M
39812	1977	<b>AUXILIARY BATTERY HARNESS</b> All, With Dual Auxiliary Camper Battery Option, Secondary Battery To Junction Block & Relay	\$132.00	M
39812	1978	<b>AUXILIARY BATTERY HARNESS</b> All, With Dual Auxiliary Camper Battery Option, Secondary Battery To Junction Block & Relay	\$132.00	M
39884	1979	<b>AUXILIARY BATTERY HARNESS</b> All, With Dual Auxiliary Camper Battery Option, Secondary Battery To Junction Block & Relay	\$132.00	M
39884	1980	<b>AUXILIARY BATTERY HARNESS</b> All, With Dual Auxiliary Camper Battery Option, Secondary Battery To Junction Block & Relay	\$132.00	M
39942	1981	<b>AUXILIARY BATTERY HARNESS</b> All, With Dual Auxiliary Camper Battery Option, Secondary Battery To Junction Block & Relay	\$132.00	M
39942	1982	<b>AUXILIARY BATTERY HARNESS</b> All, With Dual Auxiliary Camper Battery Option, Secondary Battery To Junction Block & Relay	\$132.00	M
<b>BACKUP LAMP SWITCH HARNESS</b>				
39770	1974	<b>BACKUP LAMP SWITCH HARNESS</b> With 4 Speed Trans, Backup Lamp Switch To Extension Harness	\$48.00	M
37500	1975	<b>BACKUP LAMP SWITCH HARNESS</b> With 4 Speed Trans, Backup Lamp Switch To Extension Harness	\$48.00	M
37500	1976	<b>BACKUP LAMP SWITCH HARNESS</b> With 4 Speed Trans, Backup Lamp Switch To Extension Harness	\$48.00	M
37500	1977	<b>BACKUP LAMP SWITCH HARNESS</b> With 4 Speed Trans, Backup Lamp Switch To Extension Harness	\$48.00	M
37500	1978	<b>BACKUP LAMP SWITCH HARNESS</b> With 4 Speed Trans, Backup Lamp Switch To Extension Harness	\$48.00	M
37500	1979	<b>BACKUP LAMP SWITCH HARNESS</b> With 4 Speed Trans, Backup Lamp Switch To Extension Harness	\$48.00	M
37500	1980	<b>BACKUP LAMP SWITCH HARNESS</b> With 4 Speed Trans, Backup Lamp Switch To Extension Harness	\$48.00	M
39989	1981	<b>BACKUP LAMP SWITCH HARNESS</b> With 4 Speed Trans, Switch To Extension Harness	\$48.00	M
39989	1982	<b>BACKUP LAMP SWITCH HARNESS</b> With 4 Speed Trans, Except New Process, Switch To Extension Harness	\$48.00	M
37537	1982	<b>BACKUP LAMP SWITCH HARNESS</b> With New Process 4 Speed Trans, Switch To Extension Harness	\$48.00	M
<b>BRAKE WARNING SWITCH JUMPER</b>				
39757	1973	<b>BRAKE WARNING SWITCH JUMPER</b> 2 Wheel Drive, Brake Warning Switch To Front Light Harness	\$34.00	M
39758	1973	<b>BRAKE WARNING SWITCH JUMPER</b> 4 Wheel Drive, Brake Warning Switch To Front Light Harness	\$34.00	M
39757	1974	<b>BRAKE WARNING SWITCH JUMPER</b> 2 Wheel Drive, Brake Warning Switch To Front Light Harness	\$34.00	M
39758	1974	<b>BRAKE WARNING SWITCH JUMPER</b> 4 Wheel Drive, Brake Warning Switch To Front Light Harness	\$34.00	M
39757	1975	<b>BRAKE WARNING SWITCH JUMPER</b> 2 Wheel Drive, Brake Warning Switch To Front Light Harness	\$34.00	M
39758	1975	<b>BRAKE WARNING SWITCH JUMPER</b> 4 Wheel Drive, Brake Warning Switch To Front Light Harness	\$34.00	M
39757	1976	<b>BRAKE WARNING SWITCH JUMPER</b> 2 Wheel Drive, Brake Warning Switch To Front Light Harness	\$34.00	M

Part Number	Year	Description	Price	*Rev.
39758	1976	<b>BRAKE WARNING SWITCH JUMPER</b> 4 Wheel Drive, Brake Warning Switch To Front Light Harness	\$34.00	M
39757	1977	<b>BRAKE WARNING SWITCH JUMPER</b> 2 Wheel Drive, Brake Warning Switch To Front Light Harness	\$34.00	M
39758	1977	<b>BRAKE WARNING SWITCH JUMPER</b> 4 Wheel Drive, Brake Warning Switch To Front Light Harness	\$34.00	M
39862	1978	<b>BRAKE WARNING SWITCH JUMPER</b> 2 Wheel Drive, Brake Warning Switch To Front Light Harness	\$41.00	M
39863	1978	<b>BRAKE WARNING SWITCH JUMPER</b> 4 Wheel Drive, Brake Warning Switch To Front Light Harness	\$41.00	M
39862	1979	<b>BRAKE WARNING SWITCH JUMPER</b> 2 Wheel Drive, Brake Warning Switch To Front Light Harness	\$41.00	M
39863	1979	<b>BRAKE WARNING SWITCH JUMPER</b> 4 Wheel Drive, Brake Warning Switch To Front Light Harness	\$41.00	M
39862	1980	<b>BRAKE WARNING SWITCH JUMPER</b> 2 Wheel Drive, Brake Warning Switch To Front Light Harness	\$41.00	M
39863	1980	<b>BRAKE WARNING SWITCH JUMPER</b> 4 Wheel Drive, Brake Warning Switch To Front Light Harness	\$41.00	M
39862	1981	<b>BRAKE WARNING SWITCH JUMPER</b> 2 Wheel Drive, Brake Warning Switch To Front Light Harness	\$41.00	M
39863	1981	<b>BRAKE WARNING SWITCH JUMPER</b> 4 Wheel Drive, Brake Warning Switch To Front Light Harness	\$41.00	M
39862	1982	<b>BRAKE WARNING SWITCH JUMPER</b> 2 Wheel Drive, Brake Warning Switch To Front Light Harness	\$41.00	M
39863	1982	<b>BRAKE WARNING SWITCH JUMPER</b> 4 Wheel Drive, Brake Warning Switch To Front Light Harness	\$41.00	M
<b>BREAKERLESS SE SINGLE WIRE ELECTRONIC IGNITION</b>				
38131	1967	<b>BREAKERLESS SE SINGLE WIRE ELECTRONIC IGNITION KIT</b> For 1957-74 Breaker Point Distributors With Windowed Type Distributor Cap	\$179.00	
38131	1968	<b>BREAKERLESS SE SINGLE WIRE ELECTRONIC IGNITION KIT</b> For 1957-74 Breaker Point Distributors With Windowed Type Distributor Cap	\$179.00	
38131	1969	<b>BREAKERLESS SE SINGLE WIRE ELECTRONIC IGNITION KIT</b> For 1957-74 Breaker Point Distributors With Windowed Type Distributor Cap	\$179.00	
38131	1970	<b>BREAKERLESS SE SINGLE WIRE ELECTRONIC IGNITION KIT</b> For 1957-74 Breaker Point Distributors With Windowed Type Distributor Cap	\$179.00	
38131	1971	<b>BREAKERLESS SE SINGLE WIRE ELECTRONIC IGNITION KIT</b> For 1957-74 Breaker Point Distributors With Windowed Type Distributor Cap	\$179.00	
38131	1972	<b>BREAKERLESS SE SINGLE WIRE ELECTRONIC IGNITION KIT</b> For 1957-74 Breaker Point Distributors With Windowed Type Distributor Cap	\$179.00	
38131	1973	<b>BREAKERLESS SE SINGLE WIRE ELECTRONIC IGNITION KIT</b> For 1957-74 Breaker Point Distributors With Windowed Type Distributor Cap	\$179.00	
38131	1974	<b>BREAKERLESS SE SINGLE WIRE ELECTRONIC IGNITION KIT</b> For 1957-74 Breaker Point Distributors With Windowed Type Distributor Cap	\$179.00	
<b>CAMPER POWER FEED WIRE</b>				
39788	1975	<b>CAMPER POWER FEED WIRE</b> Battery Junction Block To Wiring Harness On Camper	\$34.00	M
39811	1976	<b>CAMPER POWER FEED WIRE</b> Battery Junction Block To Wiring Harness On Camper	\$34.00	M
39811	1977	<b>CAMPER POWER FEED WIRE</b> Battery Junction Block To Wiring Harness On Camper	\$34.00	M
39811	1978	<b>CAMPER POWER FEED WIRE</b> Battery Junction Block To Wiring Harness On Camper	\$34.00	M
39811	1979	<b>CAMPER POWER FEED WIRE</b> Battery Junction Block To Wiring Harness On Camper	\$34.00	M
39919	1980	<b>CAMPER POWER FEED WIRE</b> Battery Junction Block To Wiring Harness On Camper	\$34.00	M
39919	1981	<b>CAMPER POWER FEED WIRE</b> Battery Junction Block To Wiring Harness On Camper	\$34.00	M
39919	1982	<b>CAMPER POWER FEED WIRE</b> Battery Junction Block To Wiring Harness On Camper	\$34.00	M
<b>CAMPER REAR LAMP HARNESS</b>				
39717	1973	<b>CAMPER REAR LAMP HARNESS</b> All With Camper Option, Rear Lamp Harness On Truck, To Tail Lamp Harness On Camper Note: this harness is universal, it can be used with all types of campers.	\$101.00	M
39717	1974	<b>CAMPER REAR LAMP HARNESS</b> All With Camper Option, Rear Lamp Harness On Truck, To Tail Lamp Harness On Camper Note: this harness is universal, it can be used with all types of campers.	\$101.00	M
39784	1975	<b>CAMPER REAR LAMP HARNESS</b> All With Camper Option, Rear Lamp Harness On Truck, To Tail Lamp Harness On Camper Note: this harness is universal, it can be used with all types of campers.	\$101.00	M

Part Number	Year	Description	Price	*Rev.
39784	1976	<b>CAMPER REAR LAMP HARNESS</b> All With Camper Option, Rear Lamp Harness On Truck, To Tail Lamp Harness On Camper Note: this harness is universal, it can be used with all types of campers.	\$101.00	M
39784	1977	<b>CAMPER REAR LAMP HARNESS</b> All With Camper Option, Rear Lamp Harness On Truck, To Tail Lamp Harness On Camper Note: this harness is universal, it can be used with all types of campers.	\$101.00	M
39784	1978	<b>CAMPER REAR LAMP HARNESS</b> All With Camper Option, Rear Lamp Harness On Truck, To Tail Lamp Harness On Camper Note: this harness is universal, it can be used with all types of campers.	\$101.00	M
39784	1979	<b>CAMPER REAR LAMP HARNESS</b> All With Camper Option, Rear Lamp Harness On Truck, To Tail Lamp Harness On Camper Note: this harness is universal, it can be used with all types of campers.	\$101.00	M
39784	1980	<b>CAMPER REAR LAMP HARNESS</b> All With Camper Option, Rear Lamp Harness On Truck, To Tail Lamp Harness On Camper Note: this harness is universal, it can be used with all types of campers.	\$101.00	M
39784	1981	<b>CAMPER REAR LAMP HARNESS</b> All With Camper Option, Rear Lamp Harness On Truck, To Tail Lamp Harness On Camper Note: this harness is universal, it can be used with all types of campers.	\$101.00	M
39784	1982	<b>CAMPER REAR LAMP HARNESS</b> All With Camper Option, Rear Lamp Harness On Truck, To Tail Lamp Harness On Camper Note: this harness is universal, it can be used with all types of campers.	\$101.00	M
<b>CARGO LAMP HARNESS</b>				
39715	1973	<b>CARGO LAMP HARNESS</b> 2 Door Trucks, With Cargo Lamp Option	\$92.00	M
39733	1973	<b>CARGO LAMP HARNESS</b> 4 Door Trucks, With Cargo Lamp Option	\$92.00	M
39715	1974	<b>CARGO LAMP HARNESS</b> 2 Door Trucks, With Cargo Lamp Option	\$92.00	M
39733	1974	<b>CARGO LAMP HARNESS</b> 4 Door Trucks, With Cargo Lamp Option	\$92.00	M
39715	1975	<b>CARGO LAMP HARNESS</b> 2 Door Trucks, With Cargo Lamp Option	\$92.00	M
39733	1975	<b>CARGO LAMP HARNESS</b> 4 Door Trucks, With Cargo Lamp Option	\$92.00	M
39715	1976	<b>CARGO LAMP HARNESS</b> 2 Door Trucks, With Cargo Lamp Option	\$92.00	M
39804	1976	<b>CARGO LAMP HARNESS</b> 4 Door Trucks, With Cargo Lamp Option	\$92.00	M
39804	1977	<b>CARGO LAMP HARNESS</b> 4 Door Trucks, With Cargo Lamp Option	\$92.00	M
39850	1977	<b>CARGO LAMP HARNESS</b> 2 Door Trucks, With Cargo Lamp Option	\$92.00	M
39804	1978	<b>CARGO LAMP HARNESS</b> 4 Door Trucks, With Cargo Lamp Option	\$92.00	M
39850	1978	<b>CARGO LAMP HARNESS</b> 2 Door Trucks, With Cargo Lamp Option	\$92.00	M
39804	1979	<b>CARGO LAMP HARNESS</b> 4 Door Trucks, With Cargo Lamp Option	\$92.00	M
39850	1979	<b>CARGO LAMP HARNESS</b> 2 Door Trucks, With Cargo Lamp Option	\$92.00	M
39804	1980	<b>CARGO LAMP HARNESS</b> 4 Door Trucks, With Cargo Lamp Option	\$92.00	M
39850	1980	<b>CARGO LAMP HARNESS</b> 2 Door Trucks, With Cargo Lamp Option	\$92.00	M
39804	1981	<b>CARGO LAMP HARNESS</b> 4 Door Trucks, With Cargo Lamp Option	\$92.00	M
39850	1981	<b>CARGO LAMP HARNESS</b> 2 Door Trucks, With Cargo Lamp Option	\$92.00	M
39804	1982	<b>CARGO LAMP HARNESS</b> 4 Door Trucks, With Cargo Lamp Option	\$92.00	M
39850	1982	<b>CARGO LAMP HARNESS</b> 2 Door Trucks, With Cargo Lamp Option	\$92.00	M
<b>CARGO LAMP SWITCH</b>				
00329821	1973	<b>CARGO LAMP SWITCH</b>	\$27.00	N
00329821	1974	<b>CARGO LAMP SWITCH</b>	\$27.00	N
00339880	1975	<b>CARGO LAMP SWITCH</b>	\$21.00	N
00339880	1976	<b>CARGO LAMP SWITCH</b>	\$21.00	N
00339880	1977	<b>CARGO LAMP SWITCH</b>	\$21.00	N
00339880	1978	<b>CARGO LAMP SWITCH</b>	\$21.00	N

Part Number	Year	Description	Price	*Rev.
00339880	1979	CARGO LAMP SWITCH	\$21.00	N
00339880	1980	CARGO LAMP SWITCH	\$21.00	N
00339880	1981	CARGO LAMP SWITCH	\$21.00	N
00339880	1982	CARGO LAMP SWITCH	\$21.00	N
00339880	1983	CARGO LAMP SWITCH	\$21.00	N
00339880	1984	CARGO LAMP SWITCH	\$21.00	N
00339880	1985	CARGO LAMP SWITCH	\$21.00	N
00339880	1986	CARGO LAMP SWITCH	\$21.00	N
00339880	1987	CARGO LAMP SWITCH RV Body Style	\$21.00	N
<b>CIRCUIT BREAKER</b>				
04850166	1973	CIRCUIT BREAKER, 30 AMP Power Tailgate Window, Blazer, Jimmy & Suburban	\$14.00	M
04850166	1974	CIRCUIT BREAKER, 30 AMP Power Tailgate Window, Blazer, Jimmy & Suburban	\$14.00	M
04850166	1975	CIRCUIT BREAKER, 30 AMP Power Tailgate Window, Blazer, Jimmy & Suburban	\$14.00	M
04850166	1976	CIRCUIT BREAKER, 30 AMP Power Tailgate Window, Blazer, Jimmy & Suburban	\$14.00	M
04850166	1977	CIRCUIT BREAKER, 30 AMP Power Tailgate Window, Blazer, Jimmy & Suburban	\$14.00	M
04850166	1978	CIRCUIT BREAKER, 30 AMP Power Tailgate Window, Blazer, Jimmy & Suburban	\$14.00	M
<b>CLASSIC AUTO FUSE SERIES-11-WAY CONNECTOR KIT</b>				
41355	1973	CLASSIC AUTO FUSE SERIES-11-WAY CONNECTOR KIT Includes Male & Female Connectors And Terminals Note: Used With 1973-78 GMC Truck Classic Auto Fuse Series ATO Fuse Type Dash Harnesses.	\$26.00	M
41355	1974	CLASSIC AUTO FUSE SERIES-11-WAY CONNECTOR KIT Includes Male & Female Connectors And Terminals Note: Used With 1973-78 GMC Truck Classic Auto Fuse Series ATO Fuse Type Dash Harnesses.	\$26.00	M
41355	1975	CLASSIC AUTO FUSE SERIES-11-WAY CONNECTOR KIT Includes Male & Female Connectors And Terminals Note: Used With 1973-78 GMC Truck Classic Auto Fuse Series ATO Fuse Type Dash Harnesses.	\$26.00	M
41355	1976	CLASSIC AUTO FUSE SERIES-11-WAY CONNECTOR KIT Includes Male & Female Connectors And Terminals Note: Used With 1973-78 GMC Truck Classic Auto Fuse Series ATO Fuse Type Dash Harnesses.	\$26.00	M
41355	1977	CLASSIC AUTO FUSE SERIES-11-WAY CONNECTOR KIT Includes Male & Female Connectors And Terminals Note: Used With 1973-78 GMC Truck Classic Auto Fuse Series ATO Fuse Type Dash Harnesses.	\$26.00	M
41355	1978	CLASSIC AUTO FUSE SERIES-11-WAY CONNECTOR KIT Includes Male & Female Connectors And Terminals Note: Used With 1973-78 GMC Truck Classic Auto Fuse Series ATO Fuse Type Dash Harnesses.	\$26.00	M
<b>CLASSIC AUTO FUSE SERIES-6-WAY ACCESSORY KIT</b>				
41359	1973	CLASSIC AUTO FUSE SERIES-6-WAY ACCESSORY Includes 6-Way Accessory Fuseblock, & Terminal Bus Bars FUSEBLOCK KIT Note: Used With 1973-78 GMC Truck Classic Auto Fuse Series ATO Fuse Type Dash Harnesses.	\$21.00	M
41359	1974	CLASSIC AUTO FUSE SERIES-6-WAY ACCESSORY Includes 6-Way Accessory Fuseblock, & Terminal Bus Bars FUSEBLOCK KIT Note: Used With 1973-78 GMC Truck Classic Auto Fuse Series ATO Fuse Type Dash Harnesses.	\$21.00	M
41359	1975	CLASSIC AUTO FUSE SERIES-6-WAY ACCESSORY Includes 6-Way Accessory Fuseblock, & Terminal Bus Bars FUSEBLOCK KIT Note: Used With 1973-78 GMC Truck Classic Auto Fuse Series ATO Fuse Type Dash Harnesses.	\$21.00	M
41359	1976	CLASSIC AUTO FUSE SERIES-6-WAY ACCESSORY Includes 6-Way Accessory Fuseblock, & Terminal Bus Bars FUSEBLOCK KIT Note: Used With 1973-78 GMC Truck Classic Auto Fuse Series ATO Fuse Type Dash Harnesses.	\$21.00	M
41359	1977	CLASSIC AUTO FUSE SERIES-6-WAY ACCESSORY Includes 6-Way Accessory Fuseblock, & Terminal Bus Bars FUSEBLOCK KIT Note: Used With 1973-78 GMC Truck Classic Auto Fuse Series ATO Fuse Type Dash Harnesses.	\$21.00	M
41359	1978	CLASSIC AUTO FUSE SERIES-6-WAY ACCESSORY Includes 6-Way Accessory Fuseblock, & Terminal Bus Bars FUSEBLOCK KIT Note: Used With 1973-78 GMC Truck Classic Auto Fuse Series ATO Fuse Type Dash Harnesses.	\$21.00	M

Part Number	Year	Description	Price	*Rev.
<b>CLASSIC AUTO FUSE SERIES-FUSE AND FLASHER KIT</b>				
40356	1973	<b>CLASSIC AUTO FUSE SERIES-FUSE AND FLASHER KIT</b> Includes Flashers, Fuses & Circuit Breakers, Also Includes 1 Each Spare Fuse Note: Used With 1973-74 GMC Truck Classic Auto Fuse Series ATO Fuse Type Dash Harnesses.	\$40.00	M
40356	1974	<b>CLASSIC AUTO FUSE SERIES-FUSE AND FLASHER KIT</b> Includes Flashers, Fuses & Circuit Breakers, Also Includes 1 Each Spare Fuse Note: Used With 1973-74 GMC Truck Classic Auto Fuse Series ATO Fuse Type Dash Harnesses.	\$40.00	M
40357	1975	<b>CLASSIC AUTO FUSE SERIES-FUSE AND FLASHER KIT</b> Includes Flashers, Fuses & Circuit Breakers, Also Includes 1 Each Spare Fuse Note: Used With 1975-78 GMC Truck Classic Auto Fuse Series ATO Fuse Type Dash Harnesses.	\$40.00	M
40357	1976	<b>CLASSIC AUTO FUSE SERIES-FUSE AND FLASHER KIT</b> Includes Flashers, Fuses & Circuit Breakers, Also Includes 1 Each Spare Fuse Note: Used With 1975-78 GMC Truck Classic Auto Fuse Series ATO Fuse Type Dash Harnesses.	\$40.00	M
40357	1977	<b>CLASSIC AUTO FUSE SERIES-FUSE AND FLASHER KIT</b> Includes Flashers, Fuses & Circuit Breakers, Also Includes 1 Each Spare Fuse Note: Used With 1975-78 GMC Truck Classic Auto Fuse Series ATO Fuse Type Dash Harnesses.	\$40.00	M
40357	1978	<b>CLASSIC AUTO FUSE SERIES-FUSE AND FLASHER KIT</b> Includes Flashers, Fuses & Circuit Breakers, Also Includes 1 Each Spare Fuse Note: Used With 1975-78 GMC Truck Classic Auto Fuse Series ATO Fuse Type Dash Harnesses.	\$40.00	M
<b>CLASSIC AUTO FUSE SERIES-FUSEBLOCK CONN KIT</b>				
41358	1973	<b>CLASSIC AUTO FUSE SERIES-FRONT OF FUSEBLOCK ACCESSORY CONNECTOR KIT</b> Includes Front Of Fuseblock Accessory Connectors & Terminals Note: Used With 1973-78 GMC Truck Classic Auto Fuse Series ATO Fuse Type Dash Harnesses.	\$33.00	M
41358	1974	<b>CLASSIC AUTO FUSE SERIES-FRONT OF FUSEBLOCK ACCESSORY CONNECTOR KIT</b> Includes Front Of Fuseblock Accessory Connectors & Terminals Note: Used With 1973-78 GMC Truck Classic Auto Fuse Series ATO Fuse Type Dash Harnesses.	\$33.00	M
41358	1975	<b>CLASSIC AUTO FUSE SERIES-FRONT OF FUSEBLOCK ACCESSORY CONNECTOR KIT</b> Includes Front Of Fuseblock Accessory Connectors & Terminals Note: Used With 1973-78 GMC Truck Classic Auto Fuse Series ATO Fuse Type Dash Harnesses.	\$33.00	M
41358	1976	<b>CLASSIC AUTO FUSE SERIES-FRONT OF FUSEBLOCK ACCESSORY CONNECTOR KIT</b> Includes Front Of Fuseblock Accessory Connectors & Terminals Note: Used With 1973-78 GMC Truck Classic Auto Fuse Series ATO Fuse Type Dash Harnesses.	\$33.00	M
41358	1977	<b>CLASSIC AUTO FUSE SERIES-FRONT OF FUSEBLOCK ACCESSORY CONNECTOR KIT</b> Includes Front Of Fuseblock Accessory Connectors & Terminals Note: Used With 1973-78 GMC Truck Classic Auto Fuse Series ATO Fuse Type Dash Harnesses.	\$33.00	M
41358	1978	<b>CLASSIC AUTO FUSE SERIES-FRONT OF FUSEBLOCK ACCESSORY CONNECTOR KIT</b> Includes Front Of Fuseblock Accessory Connectors & Terminals Note: Used With 1973-78 GMC Truck Classic Auto Fuse Series ATO Fuse Type Dash Harnesses.	\$33.00	M
<b>CLASSIC AUTO FUSE SERIES-RELAY AND CONNECTOR KIT</b>				
41356	1973	<b>CLASSIC AUTO FUSE SERIES-RELAY AND CONNECTOR KIT</b> Includes Relay, 5-Way Relay Connector, Terminals & Secondary Lock Note: Used With 1973-78 GMC Truck Classic Auto Fuse Series ATO Fuse Type Dash Harnesses.	\$24.00	M
41356	1974	<b>CLASSIC AUTO FUSE SERIES-RELAY AND CONNECTOR KIT</b> Includes Relay, 5-Way Relay Connector, Terminals & Secondary Lock Note: Used With 1973-78 GMC Truck Classic Auto Fuse Series ATO Fuse Type Dash Harnesses.	\$24.00	M
41356	1975	<b>CLASSIC AUTO FUSE SERIES-RELAY AND CONNECTOR KIT</b> Includes Relay, 5-Way Relay Connector, Terminals & Secondary Lock Note: Used With 1973-78 GMC Truck Classic Auto Fuse Series ATO Fuse Type Dash Harnesses.	\$24.00	M
41356	1976	<b>CLASSIC AUTO FUSE SERIES-RELAY AND CONNECTOR KIT</b> Includes Relay, 5-Way Relay Connector, Terminals & Secondary Lock Note: Used With 1973-78 GMC Truck Classic Auto Fuse Series ATO Fuse Type Dash Harnesses.	\$24.00	M

Part Number	Year	Description	Price	*Rev.
41356	1977	<b>CLASSIC AUTO FUSE SERIES-RELAY AND CONNECTOR KIT</b> Includes Relay, 5-Way Relay Connector, Terminals & Secondary Lock Note: Used With 1973-78 GMC Truck Classic Auto Fuse Series ATO Fuse Type Dash Harnesses.	\$24.00	M
41356	1978	<b>CLASSIC AUTO FUSE SERIES-RELAY AND CONNECTOR KIT</b> Includes Relay, 5-Way Relay Connector, Terminals & Secondary Lock Note: Used With 1973-78 GMC Truck Classic Auto Fuse Series ATO Fuse Type Dash Harnesses.	\$24.00	M
<b>CLOCK</b>				
06499466	1973	<b>CLOCK</b> Dash Mounted	\$100.00	N
06499466	1974	<b>CLOCK</b> Dash Mounted	\$100.00	N
06499466	1975	<b>CLOCK</b> Dash Mounted	\$100.00	N
06499466	1976	<b>CLOCK</b> Dash Mounted	\$100.00	N
06499466	1977	<b>CLOCK</b> Dash Mounted	\$100.00	N
06499466	1978	<b>CLOCK</b> Dash Mounted	\$100.00	N
06499466	1979	<b>CLOCK</b> Dash Mounted	\$100.00	N
25080399	1981	<b>CLOCK</b> Dash Mounted	\$112.00	N
25080399	1982	<b>CLOCK</b> Dash Mounted	\$112.00	N
25080399	1983	<b>CLOCK</b> Dash Mounted	\$112.00	N
25080399	1984	<b>CLOCK</b> Dash Mounted	\$112.00	N
25080399	1985	<b>CLOCK</b> Dash Mounted	\$112.00	N
25080399	1986	<b>CLOCK</b> Dash Mounted	\$112.00	N
25080399	1987	<b>CLOCK</b> Dash Mounted	\$112.00	N
25080399	1988	<b>CLOCK</b> Dash Mounted	\$112.00	N
<b>CLOCK WIRE</b>				
39724	1973	<b>CLOCK WIRE</b> Fuse Panel To Optional In Dash Clock	\$30.00	M
39724	1974	<b>CLOCK WIRE</b> Fuse Panel To Optional In Dash Clock	\$30.00	M
39724	1975	<b>CLOCK WIRE</b> Fuse Panel To Optional In Dash Clock	\$30.00	M
39724	1976	<b>CLOCK WIRE</b> Fuse Panel To Optional In Dash Clock	\$30.00	M
39724	1977	<b>CLOCK WIRE</b> Fuse Panel To Optional In Dash Clock	\$30.00	M
39856	1978	<b>CLOCK WIRE</b> Fuse Panel To Optional In Dash Clock	\$30.00	M
39882	1979	<b>CLOCK WIRE</b> Fuse Panel To Optional In Dash Clock	\$30.00	M
39882	1980	<b>CLOCK WIRE</b> Fuse Panel To Optional In Dash Clock	\$30.00	M
39882	1981	<b>CLOCK WIRE</b> Fuse Panel To Optional In Dash Clock	\$30.00	M
39882	1982	<b>CLOCK WIRE</b> Fuse Panel To Optional In Dash Clock	\$30.00	M
<b>CRUISE CONTROL CLUTCH SWITCH JUMPER WIRE</b>				
39996	1982	<b>CRUISE CONTROL CLUTCH SWITCH JUMPER WIRE</b> With Manual Trans, Without Clutch Switch	\$30.00	M
<b>DASH HARNESS</b>				
37491	1973	<b>DASH HARNESS</b> With Warning Lights	\$735.00	M
40376	1973	<b>DASH HARNESS-CLASSIC AUTO FUSE SERIES</b> With Warning Lights Note: With Updated Modern ATO Series Fuseblock. Use Fuse & Flasher Kit # 40356. Also See Optional Classic Auto Fuse Accessory Kits.	\$758.00	M
35927	1973	<b>DASH HARNESS</b> With Gauges	\$735.00	M
40377	1973	<b>DASH HARNESS-CLASSIC AUTO FUSE SERIES</b> With Gauges Note: With Updated Modern ATO Series Fuseblock. Use Fuse & Flasher Kit # 40356. Also See Optional Classic Auto Fuse Accessory Kits.	\$758.00	M
37509	1974	<b>DASH HARNESS</b> With Warning Lights	\$748.00	M
40378	1974	<b>DASH HARNESS-CLASSIC AUTO FUSE SERIES</b> With Warning Lights Note: With Updated Modern ATO Series Fuseblock. Use Fuse & Flasher Kit # 40356. Also See Optional Classic Auto Fuse Accessory Kits.	\$758.00	M

Part Number	Year	Description	Price	*Rev.
37510	1974	<b>DASH HARNESS</b> With Gauges	\$735.00	M
40379	1974	<b>DASH HARNESS-CLASSIC AUTO FUSE SERIES</b> With Gauges Note: With Updated Modern ATO Series Fuseblock. Use Fuse & Flasher Kit # 40356. Also See Optional Classic Auto Fuse Accessory Kits.	\$758.00	M
37511	1975	<b>DASH HARNESS</b> With Warning Lights	\$735.00	M
40380	1975	<b>DASH HARNESS-CLASSIC AUTO FUSE SERIES</b> With Warning Lights Note: With Updated Modern ATO Series Fuseblock. Use Fuse & Flasher Kit # 40357. Also See Optional Classic Auto Fuse Accessory Kits.	\$758.00	M
37512	1975	<b>DASH HARNESS</b> With Gauges	\$735.00	M
40381	1975	<b>DASH HARNESS-CLASSIC AUTO FUSE SERIES</b> With Gauges Note: With Updated Modern ATO Series Fuseblock. Use Fuse & Flasher Kit # 40357. Also See Optional Classic Auto Fuse Accessory Kits.	\$758.00	M
35933	1976	<b>DASH HARNESS</b> With Warning Lights	\$735.00	M
40382	1976	<b>DASH HARNESS-CLASSIC AUTO FUSE SERIES</b> With Warning Lights Note: With Updated Modern ATO Series Fuseblock. Use Fuse & Flasher Kit # 40357. Also See Optional Classic Auto Fuse Accessory Kits.	\$758.00	M
35934	1976	<b>DASH HARNESS</b> With Gauges	\$735.00	M
40383	1976	<b>DASH HARNESS-CLASSIC AUTO FUSE SERIES</b> With Gauges Note: With Updated Modern ATO Series Fuseblock. Use Fuse & Flasher Kit # 40357. Also See Optional Classic Auto Fuse Accessory Kits.	\$758.00	M
37514	1977	<b>DASH HARNESS</b> With Warning Lights	\$735.00	M
40384	1977	<b>DASH HARNESS-CLASSIC AUTO FUSE SERIES</b> With Warning Lights Note: With Updated Modern ATO Series Fuseblock. Use Fuse & Flasher Kit # 40357. Also See Optional Classic Auto Fuse Accessory Kits.	\$758.00	M
37515	1977	<b>DASH HARNESS</b> With Gauges	\$748.00	M
40385	1977	<b>DASH HARNESS-CLASSIC AUTO FUSE SERIES</b> With Gauges Note: With Updated Modern ATO Series Fuseblock. Use Fuse & Flasher Kit # 40357. Also See Optional Classic Auto Fuse Accessory Kits.	\$758.00	M
40054	1977	<b>DASH HARNESS</b> With Diesel	\$748.00	M
40386	1977	<b>DASH HARNESS-CLASSIC AUTO FUSE SERIES</b> With Diesel Note: With Updated Modern ATO Series Fuseblock. Use Fuse & Flasher Kit # 40357. Also See Optional Classic Auto Fuse Accessory Kits.	\$758.00	M
38138	1978	<b>DASH HARNESS</b> With Warning Lights	\$768.00	M
40387	1978	<b>DASH HARNESS-CLASSIC AUTO FUSE SERIES</b> With Warning Lights Note: With Updated Modern ATO Series Fuseblock. Use Fuse & Flasher Kit # 40357. Also See Optional Classic Auto Fuse Accessory Kits.	\$758.00	M
37517	1978	<b>DASH HARNESS</b> With Gauges	\$735.00	M
40388	1978	<b>DASH HARNESS-CLASSIC AUTO FUSE SERIES</b> With Gauges Note: With Updated Modern ATO Series Fuseblock. Use Fuse & Flasher Kit # 40357. Also See Optional Classic Auto Fuse Accessory Kits.	\$758.00	M
38139	1978	<b>DASH HARNESS</b> With Diesel	\$768.00	M
40389	1978	<b>DASH HARNESS-CLASSIC AUTO FUSE SERIES</b> With Diesel Note: With Updated Modern ATO Series Fuseblock. Use Fuse & Flasher Kit # 40357. Also See Optional Classic Auto Fuse Accessory Kits.	\$758.00	M
38142	1979	<b>DASH HARNESS</b> With Warning Lights	\$787.00	M
38152	1979	<b>DASH HARNESS</b> 6 Cylinder, With Gauges Note: 6 Cylinder Items Are Not Returnable.	\$787.00	M
38143	1979	<b>DASH HARNESS</b> V/8, With Gauges	\$735.00	M
38142	1980	<b>DASH HARNESS</b> With Warning Lights	\$787.00	M
38152	1980	<b>DASH HARNESS</b> 6 Cylinder, With Gauges Note: 6 Cylinder Items Are Not Returnable.	\$787.00	M



Part Number	Year	Description	Price	*Rev.
38143	1980	<b>DASH HARNESS</b> V/8, With Gauges	\$735.00	M
38146	1981	<b>DASH HARNESS</b> With Warning Lights	\$748.00	M
38147	1981	<b>DASH HARNESS</b> 6 Cylinder, With Gauges Note: 6 Cylinder Items Are Not Returnable.	\$787.00	M
38148	1981	<b>DASH HARNESS</b> V/8, With Gauges	\$735.00	M
38146	1982	<b>DASH HARNESS</b> With Warning Lights	\$748.00	M
38147	1982	<b>DASH HARNESS</b> 6 Cylinder, With Gauges Note: 6 Cylinder Items Are Not Returnable.	\$787.00	M
38148	1982	<b>DASH HARNESS</b> V/8, With Gauges	\$735.00	M
<b>DISTRIBUTOR WIRE</b>				
36057	1967	<b>DISTRIBUTOR WIRE</b> Distributor Points To Coil Negative Terminal, V/8 Note: Fits All GM V/8 Points Type Distributors From Approx. 1957 To 1974.	\$18.00	C
36057	1968	<b>DISTRIBUTOR WIRE</b> Distributor Points To Coil Negative Terminal, V/8 Note: Fits All GM V/8 Points Type Distributors From Approx. 1957 To 1974.	\$18.00	C
36057	1969	<b>DISTRIBUTOR WIRE</b> Distributor Points To Coil Negative Terminal, V/8 Note: Fits All GM V/8 Points Type Distributors From Approx. 1957 To 1974.	\$18.00	C
36057	1970	<b>DISTRIBUTOR WIRE</b> Distributor Points To Coil Negative Terminal, V/8 Note: Fits All GM V/8 Points Type Distributors From Approx. 1957 To 1974.	\$18.00	C
36057	1971	<b>DISTRIBUTOR WIRE</b> Distributor Points To Coil Negative Terminal, V/8 Note: Fits All GM V/8 Points Type Distributors From Approx. 1957 To 1974.	\$18.00	C
36057	1972	<b>DISTRIBUTOR WIRE</b> Distributor Points To Coil Negative Terminal, V/8 Note: Fits All GM V/8 Points Type Distributors From Approx. 1957 To 1974.	\$18.00	C
36057	1973	<b>DISTRIBUTOR WIRE</b> Distributor Points To Coil Negative Terminal, V/8 Note: Fits All GM V/8 Points Type Distributors From Approx. 1957 To 1974.	\$18.00	C
36057	1974	<b>DISTRIBUTOR WIRE</b> Distributor Points To Coil Negative Terminal, V/8 Note: Fits All GM V/8 Points Type Distributors From Approx. 1957 To 1974.	\$18.00	C
<b>DOME LAMP EXTENSION HARNESS</b>				
39714	1973	<b>DOME LAMP EXTENSION HARNESS</b> All Trucks, Except Blazer & Jimmy, Front Door Jamb Switch To Cargo Lamp Or Roof Dome Lamp Harness	\$106.00	M
39738	1973	<b>DOME LAMP EXTENSION HARNESS</b> Blazer & Jimmy, Front Door Jamb Switch To Roof Dome Lamp Harness	\$106.00	M
39714	1974	<b>DOME LAMP EXTENSION HARNESS</b> All Trucks, Except Blazer & Jimmy, Front Door Jamb Switch To Cargo Lamp Or Roof Dome Lamp Harness	\$106.00	M
39738	1974	<b>DOME LAMP EXTENSION HARNESS</b> Blazer & Jimmy, Front Door Jamb Switch To Roof Dome Lamp Harness	\$106.00	M
39714	1975	<b>DOME LAMP EXTENSION HARNESS</b> All Trucks, Except Blazer & Jimmy, Front Door Jamb Switch To Cargo Lamp Or Dome Lamp Harness	\$106.00	M
39738	1975	<b>DOME LAMP EXTENSION HARNESS</b> Blazer & Jimmy, Front Door Jamb Switch To Dome Lamp Harness	\$106.00	M
39714	1976	<b>DOME LAMP EXTENSION HARNESS</b> All, Front Door Jamb Switch To Cargo Lamp Or Dome Lamp Harness	\$106.00	M
39714	1977	<b>DOME LAMP EXTENSION HARNESS</b> All, Front Door Jamb Switch To Cargo Lamp Or Dome Lamp Harness	\$106.00	M
39714	1978	<b>DOME LAMP EXTENSION HARNESS</b> All, Front Door Jamb Switch To Cargo Lamp Or Dome Lamp Harness	\$106.00	M
39346	1979	<b>DOME LAMP EXTENSION HARNESS</b> All, Front Door Jamb Switch To Cargo Lamp Or Dome Lamp Harness	\$106.00	M
39346	1980	<b>DOME LAMP EXTENSION HARNESS</b> All, Front Door Jamb Switch To Cargo Lamp Or Dome Lamp Harness	\$106.00	M
39346	1981	<b>DOME LAMP EXTENSION HARNESS</b> All, Front Door Jamb Switch To Cargo Lamp Or Dome Lamp Harness	\$106.00	M

Part Number	Year	Description	Price	*Rev.
39346	1982	<b>DOME LAMP EXTENSION HARNESS</b> All, Front Door Jamb Switch To Cargo Lamp Or Dome Lamp Harness	\$106.00	M
39346	1982	<b>DOME LAMP EXTENSION HARNESS</b> All, Front Door Jamb Switch To Cargo Lamp Or Dome Lamp Harness	\$106.00	M
<b>DOME LAMP HARNESS</b>				
39347	1973	<b>DOME LAMP HARNESS</b> All 2 Door Trucks, Except Blazer & Jimmy, Roof Dome Lamp To Extension Harness	\$41.00	M
39737	1973	<b>DOME LAMP HARNESS</b> Blazer & Jimmy, Roof Dome Lamp To Extension Harness	\$48.00	M
39732	1973	<b>DOME LAMP HARNESS</b> 4 Door Trucks, Roof Dome Lamp To Extension Harness	\$48.00	M
39748	1973	<b>DOME LAMP HARNESS</b> Suburban, Front & Rear Roof Dome Lamps, Includes Extension Harness	\$60.00	M
39347	1974	<b>DOME LAMP HARNESS</b> All 2 Door Trucks, Except Blazer & Jimmy, Roof Dome Lamp To Extension Harness	\$41.00	M
39737	1974	<b>DOME LAMP HARNESS</b> Blazer & Jimmy, Roof Dome Lamp To Extension Harness	\$48.00	M
39732	1974	<b>DOME LAMP HARNESS</b> 4 Door Trucks, Roof Dome Lamp To Extension Harness	\$48.00	M
39760	1974	<b>DOME LAMP HARNESS</b> Suburban, Front & Rear Roof Dome Lamp, Without Overhead A/C	\$60.00	M
39761	1974	<b>DOME LAMP HARNESS</b> Suburban, Front & Rear Roof Dome Lamp, With Overhead A/C	\$60.00	M
39347	1975	<b>DOME LAMP HARNESS</b> All 2 Door Trucks, Except Blazer & Jimmy, Roof Dome Lamp To Extension Harness	\$41.00	M
39737	1975	<b>DOME LAMP HARNESS</b> Blazer & Jimmy, Dome Lamp To Extension Harness	\$48.00	M
39775	1975	<b>DOME LAMP HARNESS</b> 4 Door Trucks, Roof Dome Lamp To Extension Harness	\$48.00	M
39760	1975	<b>DOME LAMP HARNESS</b> Suburban, Front & Rear Roof Dome Lamp, Without Overhead A/C	\$60.00	M
39761	1975	<b>DOME LAMP HARNESS</b> Suburban, Front & Rear Roof Dome Lamp, With Overhead A/C	\$60.00	M
39347	1976	<b>DOME LAMP HARNESS</b> All 2 Door Trucks, Except Blazer & Jimmy, Roof Dome Lamp To Extension Harness	\$41.00	M
39805	1976	<b>DOME LAMP HARNESS</b> All Trucks, Except Blazer & Jimmy, Dome & Cargo Lamp Jumper, Extension Harness To Dome/Cargo Lamp	\$41.00	M
39799	1976	<b>DOME LAMP HARNESS</b> Blazer & Jimmy, Extension Harness To Dome Lamp On Removable Top	\$41.00	M
39831	1976	<b>DOME LAMP HARNESS</b> Blazer & Jimmy, Cab Mounted Roof Dome Lamp To Extension Harness	\$53.00	M
39760	1976	<b>DOME LAMP HARNESS</b> Suburban, Front & Rear Roof Dome Lamp, Without Overhead A/C	\$60.00	M
39761	1976	<b>DOME LAMP HARNESS</b> Suburban, Front & Rear Roof Dome Lamp, With Overhead A/C	\$60.00	M
39775	1976	<b>DOME LAMP HARNESS</b> 4 Door Trucks, Roof Dome Lamp To Extension Harness	\$48.00	M
39347	1977	<b>DOME LAMP HARNESS</b> All 2 Door Trucks, Except Blazer & Jimmy, Roof Dome Lamp To Extension Harness	\$41.00	M
39760	1977	<b>DOME LAMP HARNESS</b> Suburban, Front & Rear Roof Dome Lamp, Without Overhead A/C	\$60.00	M
39761	1977	<b>DOME LAMP HARNESS</b> Suburban, Front & Rear Roof Dome Lamp, With Overhead A/C	\$60.00	M
39775	1977	<b>DOME LAMP HARNESS</b> 4 Door Trucks, Roof Dome Lamp To Extension Harness	\$48.00	M
39799	1977	<b>DOME LAMP HARNESS</b> Blazer & Jimmy, Extension Harness To Dome Lamp On Removable Top	\$41.00	M
39805	1977	<b>DOME LAMP HARNESS</b> All Trucks, Except Blazer & Jimmy, Dome & Cargo Lamp Jumper, Extension Harness To Dome/Cargo Lamp	\$41.00	M
39831	1977	<b>DOME LAMP HARNESS</b> Blazer & Jimmy, Cab Mounted Roof Dome Lamp To Extension Harness	\$53.00	M
39347	1978	<b>DOME LAMP HARNESS</b> All 2 Door Trucks, Except Blazer & Jimmy, Roof Dome Lamp To Extension Harness	\$41.00	M
39760	1978	<b>DOME LAMP HARNESS</b> Suburban, Front & Rear Roof Dome Lamp, Without Overhead A/C	\$60.00	M
39805	1978	<b>DOME LAMP HARNESS</b> All Trucks, Except Blazer & Jimmy, Dome & Cargo Lamp Jumper, Extension Harness To Dome/Cargo Lamp	\$41.00	M
39799	1978	<b>DOME LAMP HARNESS</b> Blazer & Jimmy, Extension Harness To Dome Lamp On Removable Top	\$41.00	M

Part Number	Year	Description	Price	*Rev.
39831	1978	<b>DOME LAMP HARNESS</b> Blazer & Jimmy, Cab Mounted Roof Dome Lamp To Extension Harness	\$53.00	M
39761	1978	<b>DOME LAMP HARNESS</b> Suburban, Front & Rear Roof Dome Lamp, With Overhead A/C	\$60.00	M
39775	1978	<b>DOME LAMP HARNESS</b> 4 Door Trucks, Roof Dome Lamp To Extension Harness	\$48.00	M
39347	1979	<b>DOME LAMP HARNESS</b> All 2 Door Trucks, Except Blazer & Jimmy, Roof Dome Lamp To Extension Harness	\$41.00	M
39805	1979	<b>DOME LAMP HARNESS</b> All Trucks, Except Blazer & Jimmy, Dome & Cargo Lamp Jumper, Extension Harness To Dome/Cargo Lamp	\$41.00	M
39799	1979	<b>DOME LAMP HARNESS</b> Blazer & Jimmy, Extension Harness To Dome Lamp On Removable Top	\$41.00	M
39831	1979	<b>DOME LAMP HARNESS</b> Blazer & Jimmy, Cab Mounted Roof Dome Lamp To Extension Harness	\$53.00	M
39760	1979	<b>DOME LAMP HARNESS</b> Suburban, Front & Rear Roof Dome Lamp, Without Overhead A/C	\$60.00	M
39761	1979	<b>DOME LAMP HARNESS</b> Suburban, Front & Rear Roof Dome Lamp, With Overhead A/C	\$60.00	M
39775	1979	<b>DOME LAMP HARNESS</b> 4 Door Trucks, Roof Dome Lamp To Extension Harness	\$48.00	M
39347	1980	<b>DOME LAMP HARNESS</b> All 2 Door Trucks, Except Blazer & Jimmy, Roof Dome Lamp To Extension Harness	\$41.00	M
39799	1980	<b>DOME LAMP HARNESS</b> Blazer & Jimmy, Extension Harness To Dome Lamp On Removable Top	\$41.00	M
39831	1980	<b>DOME LAMP HARNESS</b> Blazer & Jimmy, Cab Mounted Roof Dome Lamp To Extension Harness	\$53.00	M
39760	1980	<b>DOME LAMP HARNESS</b> Suburban, Front & Rear Roof Dome Lamp, Without Overhead A/C	\$60.00	M
39775	1980	<b>DOME LAMP HARNESS</b> 4 Door Trucks, Roof Dome Lamp To Extension Harness	\$48.00	M
39761	1980	<b>DOME LAMP HARNESS</b> Suburban, Front & Rear Roof Dome Lamp, With Overhead A/C	\$60.00	M
39347	1981	<b>DOME LAMP HARNESS</b> All 2 Door Trucks, Except Blazer & Jimmy, Roof Dome Lamp To Extension Harness	\$41.00	M
39799	1981	<b>DOME LAMP HARNESS</b> Blazer & Jimmy, Extension Harness To Dome Lamp On Removable Top	\$41.00	M
39831	1981	<b>DOME LAMP HARNESS</b> Blazer & Jimmy, Cab Mounted Roof Dome Lamp To Extension Harness	\$53.00	M
39760	1981	<b>DOME LAMP HARNESS</b> Suburban, Front & Rear Roof Dome Lamp, Without Overhead A/C	\$60.00	M
39775	1981	<b>DOME LAMP HARNESS</b> 4 Door Trucks, Roof Dome Lamp To Extension Harness	\$48.00	M
39761	1981	<b>DOME LAMP HARNESS</b> Suburban, Front & Rear Roof Dome Lamp, With Overhead A/C	\$60.00	M
39347	1982	<b>DOME LAMP HARNESS</b> All 2 Door Trucks, Except Blazer & Jimmy, Roof Dome Lamp To Extension Harness	\$41.00	M
39831	1982	<b>DOME LAMP HARNESS</b> Blazer & Jimmy, Cab Mounted Roof Dome Lamp To Extension Harness	\$53.00	M
39761	1982	<b>DOME LAMP HARNESS</b> Suburban, Front & Rear Roof Dome Lamp, With Overhead A/C	\$60.00	M
39760	1982	<b>DOME LAMP HARNESS</b> Suburban, Front & Rear Roof Dome Lamp, Without Overhead A/C	\$60.00	M
39775	1982	<b>DOME LAMP HARNESS</b> 4 Door Trucks, Roof Dome Lamp To Extension Harness	\$48.00	M
41592	1984	<b>DOME LAMP HARNESS</b>	\$53.00	M
41592	1985	<b>DOME LAMP HARNESS</b>	\$53.00	M
41592	1986	<b>DOME LAMP HARNESS</b>	\$53.00	M
41592	1987	<b>DOME LAMP HARNESS</b>	\$53.00	M
41592	1988	<b>DOME LAMP HARNESS</b>	\$53.00	M
41592	1989	<b>DOME LAMP HARNESS</b>	\$53.00	M
41592	1990	<b>DOME LAMP HARNESS</b>	\$53.00	M
41592	1991	<b>DOME LAMP HARNESS</b>	\$53.00	M
<b>ELECTRONIC SPARK CONTROL EXTENSION HARNESS</b>				
37535	1981	<b>ELECTRONIC SPARK CONTROL EXTENSION HARNESS</b> 1/2 & 3/4-Ton, With 305 V/8, Distributor To Electronic Spark Control Harness	\$67.00	M

Part Number	Year	Description	Price	*Rev.
37535	1982	<b>ELECTRONIC SPARK CONTROL EXTENSION HARNESS</b> 1/2 & 3/4-Ton, With 305 V/8, Engine Code H, & 700R4, Or TH350 Trans, Distributor To Electronic Spark Control Harness	\$67.00	M
<b>ENGINE HARNESS</b>				
35928	1973	<b>ENGINE HARNESS</b> 6 Cylinder, All Note: 6 Cylinder Items Are Not Returnable.	\$318.00	M
37458	1973	<b>ENGINE HARNESS</b> V/8, 307, 350 C.I., Auto Trans, Without Gauges	\$305.00	M
40136	1973	<b>ENGINE HARNESS-HEI</b> V/8, 307, 350 C.I., Auto Trans, Without Gauges Note: This Harness Is Modified For Use With An HEI Distributor.	\$322.00	M
37459	1973	<b>ENGINE HARNESS</b> V/8, 307, 350 C.I., Auto Trans, With Gauges	\$305.00	M
39158	1973	<b>ENGINE HARNESS-HEI</b> V/8, 307, 350 C.I., Auto Trans, With Gauges Note: This Harness Is Modified For Use With An HEI Distributor.	\$322.00	M
37456	1973	<b>ENGINE HARNESS</b> V/8, 307, 350 C.I., Manual Trans, Without Gauges	\$305.00	M
40134	1973	<b>ENGINE HARNESS-HEI</b> V/8, 307, 350 C.I., Manual Trans, Without Gauges Note: This Harness Is Modified For Use With An HEI Distributor.	\$322.00	M
37457	1973	<b>ENGINE HARNESS</b> V/8, 307, 350 C.I., Manual Trans, With Gauges	\$305.00	M
40135	1973	<b>ENGINE HARNESS-HEI</b> V/8, 307, 350 C.I., Manual Trans, With Gauges Note: This Harness Is Modified For Use With An HEI Distributor.	\$322.00	M
37462	1973	<b>ENGINE HARNESS</b> V/8, 454 C.I., Auto Trans, Without Gauges	\$305.00	M
40139	1973	<b>ENGINE HARNESS-HEI</b> V/8, 454 C.I., Auto Trans, Without Gauges Note: This Harness Is Modified For Use With An HEI Distributor.	\$322.00	M
37463	1973	<b>ENGINE HARNESS</b> V/8, 454 C.I., Auto Trans, With Gauges	\$305.00	M
39209	1973	<b>ENGINE HARNESS-HEI</b> V/8, 454 C.I., Auto Trans, With Gauges Note: This Harness Is Modified For Use With An HEI Distributor.	\$322.00	M
37460	1973	<b>ENGINE HARNESS</b> V/8, 454 C.I., Manual Trans, Without Gauges	\$305.00	M
40137	1973	<b>ENGINE HARNESS-HEI</b> V/8, 454 C.I., Manual Trans, Without Gauges Note: This Harness Is Modified For Use With An HEI Distributor.	\$322.00	M
37461	1973	<b>ENGINE HARNESS</b> V/8, 454 C.I., Manual Trans, With Gauges	\$305.00	M
40138	1973	<b>ENGINE HARNESS-HEI</b> V/8, 454 C.I., Manual Trans, With Gauges Note: This Harness Is Modified For Use With An HEI Distributor.	\$322.00	M
35977	1974	<b>ENGINE HARNESS</b> 6 Cylinder, All Note: 6 Cylinder Items Are Not Returnable.	\$359.00	M
37481	1974	<b>ENGINE HARNESS</b> V/8, 350 C.I., Auto Trans, Without Gauges	\$344.00	M
40140	1974	<b>ENGINE HARNESS-HEI</b> V/8, 350 C.I., Auto Trans, Without Gauges Note: This Harness Is Modified For Use With An HEI Distributor.	\$344.00	M
37482	1974	<b>ENGINE HARNESS</b> V/8, 350 C.I., Auto Trans, With Gauges	\$344.00	M
39210	1974	<b>ENGINE HARNESS-HEI</b> V/8, 350 C.I., Auto Trans, With Gauges Note: This Harness Is Modified For Use With An HEI Distributor.	\$344.00	M
38871	1974	<b>ENGINE HARNESS</b> V/8, 350 C.I., Manual Trans, Without Gauges	\$344.00	M
40144	1974	<b>ENGINE HARNESS-HEI</b> V/8, 350 C.I., Manual Trans, Without Gauges Note: This Harness Is Modified For Use With An HEI Distributor.	\$344.00	M
37480	1974	<b>ENGINE HARNESS</b> V/8, 350 C.I., Manual Trans, With Gauges	\$344.00	M
40143	1974	<b>ENGINE HARNESS-HEI</b> V/8, 350 C.I., Manual Trans, With Gauges Note: This Harness Is Modified For Use With An HEI Distributor.	\$344.00	M
37484	1974	<b>ENGINE HARNESS</b> V/8, 454 C.I., Without Gauges	\$344.00	M
40141	1974	<b>ENGINE HARNESS-HEI</b> V/8, 454 C.I., Without Gauges Note: This Harness Is Modified For Use With An HEI Distributor.	\$344.00	M
37485	1974	<b>ENGINE HARNESS</b> V/8, 454 C.I., With Gauges	\$344.00	M

Part Number	Year	Description	Price	*Rev.
40142	1974	<b>ENGINE HARNESS-HEI</b> V/8, 454 C.I., With Gauges Note: This Harness Is Modified For Use With An HEI Distributor.	\$344.00	M
35935	1975	<b>ENGINE HARNESS</b> 6 Cylinder, All Note: 6 Cylinder Items Are Not Returnable.	\$374.00	M
37496	1975	<b>ENGINE HARNESS</b> V/8, 350, 400 C.I., Without Gauges	\$344.00	M
37497	1975	<b>ENGINE HARNESS</b> V/8, 350, 400 C.I., With Gauges	\$344.00	M
37498	1975	<b>ENGINE HARNESS</b> V/8, 454 C.I., Without Gauges & California Emission System	\$344.00	M
38872	1975	<b>ENGINE HARNESS</b> V/8, 454 C.I., With Gauges, Without California Emission System	\$344.00	M
37502	1975	<b>ENGINE HARNESS</b> V/8, 454 C.I., 1/2 Ton, Without Gauges, With California Emission System	\$344.00	M
37503	1975	<b>ENGINE HARNESS</b> V/8, 454 C.I., 1/2 Ton, With Gauges & California Emission System	\$344.00	M
37506	1975	<b>ENGINE HARNESS</b> V/8, 454 C.I., 3/4 & 1-Ton, Without Gauges, With California Emission System	\$344.00	M
37507	1975	<b>ENGINE HARNESS</b> V/8, 454 C.I., 3/4 & 1-Ton, With Gauges & California Emission System	\$344.00	M
35954	1976	<b>ENGINE HARNESS</b> 6 Cylinder, 250 C.I. Note: 6 Cylinder Items Are Not Returnable.	\$374.00	M
35932	1976	<b>ENGINE HARNESS</b> 6 Cylinder, 292 C.I. Note: 6 Cylinder Items Are Not Returnable.	\$359.00	M
38135	1976	<b>ENGINE HARNESS</b> V/8, 350, 400 C.I.	\$318.00	M
35967	1976	<b>ENGINE HARNESS</b> V/8, 454 C.I., With Heavy Duty Chassis	\$344.00	M
35968	1976	<b>ENGINE HARNESS</b> V/8, 454 C.I., Without Heavy Duty Chassis	\$358.00	M
35969	1977	<b>ENGINE HARNESS</b> 6 Cylinder, 250 C.I. Note: 6 Cylinder Items Are Not Returnable.	\$374.00	M
37516	1977	<b>ENGINE HARNESS</b> 6 Cylinder, 292 C.I. Note: 6 Cylinder Items Are Not Returnable.	\$374.00	M
38136	1977	<b>ENGINE HARNESS</b> V/8, 305, 350, 400 C.I.	\$318.00	M
35970	1977	<b>ENGINE HARNESS</b> V/8, 454 C.I., Except Heavy Duty Chassis	\$358.00	M
35972	1977	<b>ENGINE HARNESS</b> V/8, 454 C.I., With Heavy Duty Chassis	\$318.00	M
35975	1978	<b>ENGINE HARNESS</b> 6 Cylinder, 250 C.I., Without California Emissions, & All 292 C.I. Note: 6 Cylinder Items Are Not Returnable.	\$374.00	M
35911	1978	<b>ENGINE HARNESS</b> 6 Cylinder, 250 C.I., With California Emissions Note: 6 Cylinder Items Are Not Returnable.	\$374.00	M
38140	1978	<b>ENGINE HARNESS</b> V/8, 305, 350, 400 C.I.	\$332.00	M
35973	1978	<b>ENGINE HARNESS</b> V/8, 454 C.I.	\$332.00	M
37520	1979	<b>ENGINE HARNESS</b> 6 Cylinder, 250 C.I. Note: 6 Cylinder Items Are Not Returnable.	\$387.00	M
37522	1979	<b>ENGINE HARNESS</b> 6 Cylinder, 292 C.I. Note: 6 Cylinder Items Are Not Returnable.	\$387.00	M
22630	1979	<b>ENGINE HARNESS</b> V/8, 454 C.I.	\$332.00	M
38144	1979	<b>ENGINE HARNESS</b> V/8, 305, 350, 400 C.I.	\$332.00	M
37520	1980	<b>ENGINE HARNESS</b> 6 Cylinder, 250 C.I. Note: 6 Cylinder Items Are Not Returnable.	\$387.00	M
37522	1980	<b>ENGINE HARNESS</b> 6 Cylinder, 292 C.I. Note: 6 Cylinder Items Are Not Returnable.	\$387.00	M
38144	1980	<b>ENGINE HARNESS</b> V/8, 305, 350, 400 C.I.	\$332.00	M
22630	1980	<b>ENGINE HARNESS</b> V/8, 454 C.I.	\$332.00	M

Part Number	Year	Description	Price	*Rev.
37528	1981	<b>ENGINE HARNESS</b> 6 Cylinder, 250 C.I. Note: 6 Cylinder Items Are Not Returnable.	\$387.00	M
37531	1981	<b>ENGINE HARNESS</b> 6 Cylinder, 292 C.I. Note: 6 Cylinder Items Are Not Returnable.	\$401.00	M
37530	1981	<b>ENGINE HARNESS</b> V/8, 305, 350 C.I.	\$332.00	M
37529	1981	<b>ENGINE HARNESS</b> V/8, 454 C.I.	\$344.00	M
37528	1982	<b>ENGINE HARNESS</b> 6 Cylinder, 250 C.I., With California Emissions Note: 6 Cylinder Items Are Not Returnable.	\$387.00	M
37531	1982	<b>ENGINE HARNESS</b> 6 Cylinder, 292 C.I. Note: 6 Cylinder Items Are Not Returnable.	\$401.00	M
37539	1982	<b>ENGINE HARNESS</b> 6 Cylinder, 250 C.I., Without California Emissions Note: 6 Cylinder Items Are Not Returnable.	\$401.00	M
37530	1982	<b>ENGINE HARNESS</b> V/8, 305, 350 C.I., With Electric Choke	\$332.00	M
38149	1982	<b>ENGINE HARNESS</b> V/8, 305, 350 C.I., Without Electric Choke	\$332.00	M
37529	1982	<b>ENGINE HARNESS</b> V/8, 454 C.I.	\$344.00	M
38883	1982	<b>ENGINE HARNESS EXTENSION</b> Diesel, Glow Plug Relay To Engine Harness	\$133.00	M
<b>ENGINE INDICATOR LAMP HARNESS</b>				
37538	1982	<b>ENGINE INDICATOR LAMP HARNESS</b> Diesel, Fuse Block To Dash Indicator Warning Lamps	\$147.00	M
<b>FORWARD LAMP HARNESS</b>				
22535	1968	<b>FORWARD LAMP HARNESS</b> K5, With Gauges	\$332.00	
39212	1968	<b>FORWARD LAMP HARNESS-INT REG ALT DRIVER SIDE</b> K5, With Gauges Note: Modified For Driver Side Mounted 1972-84 Non-Serpentine Belt ("SI" Series) Internal Regulated Alternators.	\$366.00	
39287	1968	<b>FORWARD LAMP HARNESS-INT REG ALT PASSENGER SIDE</b> K5, With Gauges Note: Modified For Passenger Side Mounted 1972-84 Non-Serpentine Belt ("SI" Series) Internal Regulated Alternators.	\$381.00	
22530	1968	<b>FORWARD LAMP HARNESS</b> Pickup, With Gauges	\$318.00	
39063	1968	<b>FORWARD LAMP HARNESS-INT REG ALT DRIVER SIDE</b> Pickup, With Gauges Note: Modified For Driver Side Mounted 1972-84 Non-Serpentine Belt ("SI" Series) Internal Regulated Alternators.	\$353.00	
39211	1968	<b>FORWARD LAMP HARNESS-INT REG ALT PASSENGER SIDE</b> Pickup, With Gauges Note: Modified For Passenger Side Mounted 1972-84 Non-Serpentine Belt ("SI" Series) Internal Regulated Alternators.	\$366.00	
22535	1969	<b>FORWARD LAMP HARNESS</b> K5, With Gauges	\$332.00	
39212	1969	<b>FORWARD LAMP HARNESS-INT REG ALT DRIVER SIDE</b> K5, With Gauges Note: Modified For Driver Side Mounted 1972-84 Non-Serpentine Belt ("SI" Series) Internal Regulated Alternators.	\$366.00	
39287	1969	<b>FORWARD LAMP HARNESS-INT REG ALT PASSENGER SIDE</b> K5, With Gauges Note: Modified For Passenger Side Mounted 1972-84 Non-Serpentine Belt ("SI" Series) Internal Regulated Alternators.	\$381.00	
22530	1969	<b>FORWARD LAMP HARNESS</b> Pickup, With Gauges	\$318.00	
39063	1969	<b>FORWARD LAMP HARNESS-INT REG ALT DRIVER SIDE</b> Pickup, With Gauges Note: Modified For Driver Side Mounted 1972-84 Non-Serpentine Belt ("SI" Series) Internal Regulated Alternators.	\$353.00	
39211	1969	<b>FORWARD LAMP HARNESS-INT REG ALT PASSENGER SIDE</b> Pickup, With Gauges Note: Modified For Passenger Side Mounted 1972-84 Non-Serpentine Belt ("SI" Series) Internal Regulated Alternators.	\$366.00	
22535	1970	<b>FORWARD LAMP HARNESS</b> K5, With Gauges	\$332.00	
39212	1970	<b>FORWARD LAMP HARNESS-INT REG ALT DRIVER SIDE</b> K5, With Gauges Note: Modified For Driver Side Mounted 1972-84 Non-Serpentine Belt ("SI" Series) Internal Regulated Alternators.	\$366.00	
39287	1970	<b>FORWARD LAMP HARNESS-INT REG ALT PASSENGER SIDE</b> K5, With Gauges Note: Modified For Passenger Side Mounted 1972-84 Non-Serpentine Belt ("SI" Series) Internal Regulated Alternators.	\$381.00	
22530	1970	<b>FORWARD LAMP HARNESS</b> Pickup, With Gauges	\$318.00	
39063	1970	<b>FORWARD LAMP HARNESS-INT REG ALT DRIVER SIDE</b> Pickup, With Gauges Note: Modified For Driver Side Mounted 1972-84 Non-Serpentine Belt ("SI" Series) Internal Regulated Alternators.	\$353.00	

Part Number	Year	Description	Price	*Rev.
39211	1970	<b>FORWARD LAMP HARNESS-INT REG ALT PASSENGER SIDE</b> Pickup, With Gauges Note: Modified For Passenger Side Mounted 1972-84 Non-Serpentine Belt ("SI" Series) Internal Regulated Alternators.	\$366.00	
22535	1971	<b>FORWARD LAMP HARNESS</b> K5, With Gauges	\$332.00	
39212	1971	<b>FORWARD LAMP HARNESS-INT REG ALT DRIVER SIDE</b> K5, With Gauges Note: Modified For Driver Side Mounted 1972-84 Non-Serpentine Belt ("SI" Series) Internal Regulated Alternators.	\$366.00	
39287	1971	<b>FORWARD LAMP HARNESS-INT REG ALT PASSENGER SIDE</b> K5, With Gauges Note: Modified For Passenger Side Mounted 1972-84 Non-Serpentine Belt ("SI" Series) Internal Regulated Alternators.	\$381.00	
22530	1971	<b>FORWARD LAMP HARNESS</b> Pickup, With Gauges	\$318.00	
39063	1971	<b>FORWARD LAMP HARNESS-INT REG ALT DRIVER SIDE</b> Pickup, With Gauges Note: Modified For Driver Side Mounted 1972-84 Non-Serpentine Belt ("SI" Series) Internal Regulated Alternators.	\$353.00	
39211	1971	<b>FORWARD LAMP HARNESS-INT REG ALT PASSENGER SIDE</b> Pickup, With Gauges Note: Modified For Passenger Side Mounted 1972-84 Non-Serpentine Belt ("SI" Series) Internal Regulated Alternators.	\$366.00	
22535	1972	<b>FORWARD LAMP HARNESS</b> K5, With Gauges	\$332.00	
39212	1972	<b>FORWARD LAMP HARNESS-INT REG ALT DRIVER SIDE</b> K5, With Gauges Note: Modified For Driver Side Mounted 1972-84 Non-Serpentine Belt ("SI" Series) Internal Regulated Alternators.	\$366.00	
39287	1972	<b>FORWARD LAMP HARNESS-INT REG ALT PASSENGER SIDE</b> K5, With Gauges Note: Modified For Passenger Side Mounted 1972-84 Non-Serpentine Belt ("SI" Series) Internal Regulated Alternators.	\$381.00	
22530	1972	<b>FORWARD LAMP HARNESS</b> Pickup, With Gauges	\$318.00	
39063	1972	<b>FORWARD LAMP HARNESS-INT REG ALT DRIVER SIDE</b> Pickup, With Gauges Note: Modified For Driver Side Mounted 1972-84 Non-Serpentine Belt ("SI" Series) Internal Regulated Alternators.	\$353.00	
39211	1972	<b>FORWARD LAMP HARNESS-INT REG ALT PASSENGER SIDE</b> Pickup, With Gauges Note: Modified For Passenger Side Mounted 1972-84 Non-Serpentine Belt ("SI" Series) Internal Regulated Alternators.	\$366.00	
35925	1973	<b>FORWARD LAMP HARNESS</b>	\$304.00	M
35925	1974	<b>FORWARD LAMP HARNESS</b>	\$304.00	M
35971	1975	<b>FORWARD LAMP HARNESS</b>	\$290.00	M
35971	1976	<b>FORWARD LAMP HARNESS</b>	\$290.00	M
35971	1977	<b>FORWARD LAMP HARNESS</b>	\$290.00	M
35971	1978	<b>FORWARD LAMP HARNESS</b>	\$290.00	M
35971	1979	<b>FORWARD LAMP HARNESS</b>	\$290.00	M
37524	1980	<b>FORWARD LAMP HARNESS</b> With Rectangular Headlights	\$304.00	M
35971	1980	<b>FORWARD LAMP HARNESS</b> With Round Headlights	\$290.00	M
37526	1981	<b>FORWARD LAMP HARNESS</b> With Single Headlights	\$330.00	M
37527	1981	<b>FORWARD LAMP HARNESS</b> With Dual Headlights	\$317.00	M
38150	1982	<b>FORWARD LAMP HARNESS</b> With Single Headlights	\$317.00	M
38151	1982	<b>FORWARD LAMP HARNESS</b> With Dual Headlights	\$317.00	M
<b>FOUR WHEEL DRIVE INDICATOR LAMP EXT HARNESS</b>				
39842	1977	<b>FOUR WHEEL DRIVE INDICATOR LAMP EXTENSION HARNESS</b> With Auto Trans, Transfer Case Switch To Indicator Lamp Harness	\$53.00	M
39842	1978	<b>FOUR WHEEL DRIVE INDICATOR LAMP EXTENSION HARNESS</b> With Auto Trans, Transfer Case Switch To Indicator Lamp Harness	\$53.00	M
39842	1979	<b>FOUR WHEEL DRIVE INDICATOR LAMP EXTENSION HARNESS</b> With Auto Trans, Transfer Case Switch To Indicator Lamp Harness	\$53.00	M
<b>FRONT CORNER MARKER LAMP HARNESS</b>				
39746	1973	<b>FRONT CORNER MARKER LAMP HARNESS</b> Stakebed & Flatbed	\$60.00	M
39746	1974	<b>FRONT CORNER MARKER LAMP HARNESS</b> Stakebed & Flatbed	\$60.00	M
39746	1975	<b>FRONT CORNER MARKER LAMP HARNESS</b> Stakebed & Flatbed	\$60.00	M
39746	1976	<b>FRONT CORNER MARKER LAMP HARNESS</b> 1-Ton, Stakebed & Flatbed, With 135.5 In. Wheel Base	\$60.00	M
39746	1977	<b>FRONT CORNER MARKER LAMP HARNESS</b> 1-Ton, Stakebed & Flatbed, With 135.5 In. Wheel Base	\$60.00	M

Part Number	Year	Description	Price	*Rev.
39746	1978	<b>FRONT CORNER MARKER LAMP HARNESS</b> 1-Ton, Stakebed & Flatbed, With 135.5 In. Wheel Base	\$60.00	M
39746	1979	<b>FRONT CORNER MARKER LAMP HARNESS</b> 1-Ton, Stakebed & Flatbed, With 135.5 In. Wheel Base	\$60.00	M
39746	1980	<b>FRONT CORNER MARKER LAMP HARNESS</b> 1-Ton, Stakebed & Flatbed, With 135.5 In. Wheel Base	\$60.00	M
39746	1981	<b>FRONT CORNER MARKER LAMP HARNESS</b> 1-Ton, Stakebed & Flatbed, With 135.5 In. Wheel Base	\$60.00	M
39746	1982	<b>FRONT CORNER MARKER LAMP HARNESS</b> 1-Ton, Stakebed & Flatbed, With 135.5 In. Wheel Base	\$60.00	M
<b>FUEL GAUGE</b>				
44233	1947	<b>FUEL GAUGE</b> 12 Volt, Red Needle, Negative Ground Note: GM Did Not Sell This Gauge Originally, This Gauge Is For Vehicles Converted Over To 12 Volts, But Still Maintains The Original Appearance. For Use On Trucks With Negative Ground System.	\$74.00	N
01517015	1947	<b>FUEL GAUGE</b> 6 Volt, Red Needle, Negative Ground Note: For Use On Trucks With Negative Ground System.	\$74.00	N
44233	1948	<b>FUEL GAUGE</b> 12 Volt, Red Needle, Negative Ground Note: GM Did Not Sell This Gauge Originally, This Gauge Is For Vehicles Converted Over To 12 Volts, But Still Maintains The Original Appearance. For Use On Trucks With Negative Ground System.	\$74.00	N
01517015	1948	<b>FUEL GAUGE</b> 6 Volt, Red Needle, Negative Ground Note: For Use On Trucks With Negative Ground System.	\$74.00	N
44233	1949	<b>FUEL GAUGE</b> 12 Volt, Red Needle, Negative Ground Note: GM Did Not Sell This Gauge Originally, This Gauge Is For Vehicles Converted Over To 12 Volts, But Still Maintains The Original Appearance. For Use On Trucks With Negative Ground System.	\$74.00	N
01517015	1949	<b>FUEL GAUGE</b> 6 Volt, Red Needle, Negative Ground Note: For Use On Trucks With Negative Ground System.	\$74.00	N
44233	1950	<b>FUEL GAUGE</b> 12 Volt, Red Needle, Negative Ground Note: GM Did Not Sell This Gauge Originally, This Gauge Is For Vehicles Converted Over To 12 Volts, But Still Maintains The Original Appearance. For Use On Trucks With Negative Ground System.	\$74.00	N
01517015	1950	<b>FUEL GAUGE</b> 6 Volt, Red Needle, Negative Ground Note: For Use On Trucks With Negative Ground System.	\$74.00	N
44233	1951	<b>FUEL GAUGE</b> 12 Volt, Red Needle, Negative Ground Note: GM Did Not Sell This Gauge Originally, This Gauge Is For Vehicles Converted Over To 12 Volts, But Still Maintains The Original Appearance. For Use On Trucks With Negative Ground System.	\$74.00	N
01517015	1951	<b>FUEL GAUGE</b> 6 Volt, Red Needle, Negative Ground Note: For Use On Trucks With Negative Ground System.	\$74.00	N
44229	1952	<b>FUEL GAUGE</b> 12 Volt, White Needle Note: GM Did Not Sell This Gauge Originally, This Gauge Is For Vehicles Converted Over To 12 Volts, But Still Maintains The Original Appearance.	\$74.00	N
01517169	1952	<b>FUEL GAUGE</b> 6 Volt, White Needle	\$74.00	N
44229	1953	<b>FUEL GAUGE</b> 12 Volt, White Needle Note: GM Did Not Sell This Gauge Originally, This Gauge Is For Vehicles Converted Over To 12 Volts, But Still Maintains The Original Appearance.	\$74.00	N
01517169	1953	<b>FUEL GAUGE</b> 6 Volt, White Needle	\$74.00	N
01518462	1955	<b>FUEL GAUGE</b>	\$85.00	N
01518462	1956	<b>FUEL GAUGE</b>	\$85.00	N
01518462	1957	<b>FUEL GAUGE</b>	\$85.00	N
01518462	1958	<b>FUEL GAUGE</b>	\$85.00	N
01518462	1959	<b>FUEL GAUGE</b>	\$85.00	N
05644548	1960	<b>FUEL GAUGE</b>	\$74.00	N
05644548	1961	<b>FUEL GAUGE</b>	\$74.00	N
05644548	1962	<b>FUEL GAUGE</b>	\$74.00	N
05644548	1963	<b>FUEL GAUGE</b>	\$74.00	N
05644735	1964	<b>FUEL GAUGE</b> With Gauges	\$74.00	N



Part Number	Year	Description	Price	*Rev.
05644488	1964	FUEL GAUGE With Warning Lights	\$74.00	N
05644735	1965	FUEL GAUGE With Gauges	\$74.00	N
05644488	1965	FUEL GAUGE With Warning Lights	\$74.00	N
05644735	1966	FUEL GAUGE With Gauges	\$74.00	N
05644488	1966	FUEL GAUGE With Warning Lights	\$74.00	N
06457910	1967	FUEL GAUGE	\$47.00	N
06457910	1968	FUEL GAUGE	\$47.00	N
06457910	1969	FUEL GAUGE	\$47.00	N
06457910	1970	FUEL GAUGE	\$47.00	N
06457910	1971	FUEL GAUGE	\$47.00	N
06457910	1972	FUEL GAUGE	\$47.00	N
06431698	1973	FUEL GAUGE Fire Orange Needle, With Tachometer	\$54.00	N
06431731	1973	FUEL GAUGE Fire Orange Needle, Without Tachometer	\$54.00	N
06431698	1974	FUEL GAUGE Fire Orange Needle, With Tachometer	\$54.00	N
06431731	1974	FUEL GAUGE Fire Orange Needle, Without Tachometer	\$54.00	N
06432019	1975	FUEL GAUGE Fire Orange Needle, Unleaded Fuel Only, With Tachometer	\$54.00	N
06431698	1975	FUEL GAUGE Fire Orange Needle, With Tachometer	\$54.00	N
06431731	1975	FUEL GAUGE Fire Orange Needle, Without Tachometer	\$54.00	N
06432326	1976	FUEL GAUGE Fire Orange Needle, Unleaded Fuel Only, Without Tachometer	\$54.00	N
06432019	1976	FUEL GAUGE Fire Orange Needle, Unleaded Fuel Only, With Tachometer	\$54.00	N
06431698	1976	FUEL GAUGE Fire Orange Needle, With Tachometer	\$54.00	N
06432170	1976	FUEL GAUGE Fire Orange Needle, Without Tachometer	\$54.00	N
06432326	1977	FUEL GAUGE Fire Orange Needle, Unleaded Fuel Only, Without Tachometer	\$54.00	N
06432019	1977	FUEL GAUGE Fire Orange Needle, Unleaded Fuel Only, With Tachometer	\$54.00	N
06431698	1977	FUEL GAUGE Fire Orange Needle, With Tachometer	\$54.00	N
06432170	1977	FUEL GAUGE Fire Orange Needle, Without Tachometer	\$54.00	N
06432326	1978	FUEL GAUGE Fire Orange Needle, Unleaded Fuel Only, Without Tachometer	\$54.00	N
06432019	1978	FUEL GAUGE Fire Orange Needle, Unleaded Fuel Only, With Tachometer	\$54.00	N
06431698	1978	FUEL GAUGE Fire Orange Needle, With Tachometer	\$54.00	N
06432170	1978	FUEL GAUGE Fire Orange Needle, Without Tachometer	\$54.00	N
06432326	1979	FUEL GAUGE 1st Design, Fire Orange Needle, Unleaded Fuel Only, Without Tachometer	\$54.00	N
06432019	1979	FUEL GAUGE 1st Design, Fire Orange Needle, Unleaded Fuel Only, With Tachometer	\$54.00	N
06431698	1979	FUEL GAUGE 1st Design, Fire Orange Needle, With Tachometer	\$54.00	N
06432170	1979	FUEL GAUGE 1st Design, Fire Orange Needle, Without Tachometer	\$54.00	N
06433358	1979	FUEL GAUGE 2nd Design, Light Orange Needle, Unleaded Fuel Only, Without Tachometer	\$54.00	N
06432844	1979	FUEL GAUGE 2nd Design, Light Orange Needle, With Tachometer	\$54.00	N
06433358	1980	FUEL GAUGE Light Orange Needle, Unleaded Fuel Only, Without Tachometer	\$54.00	N
06432844	1980	FUEL GAUGE Light Orange Needle, With Tachometer	\$54.00	N
06433358	1981	FUEL GAUGE Light Orange Needle, Unleaded Fuel Only, Without Tachometer	\$54.00	N
06432844	1981	FUEL GAUGE Light Orange Needle, With Tachometer	\$54.00	N
06433358	1982	FUEL GAUGE Light Orange Needle, Unleaded Fuel Only, Without Tachometer	\$54.00	N
06432844	1982	FUEL GAUGE Light Orange Needle, With Tachometer	\$54.00	N
06433358	1983	FUEL GAUGE Light Orange Needle, Unleaded Fuel Only, Without Tachometer	\$54.00	N
06432844	1983	FUEL GAUGE Light Orange Needle, With Tachometer	\$54.00	N
06433358	1984	FUEL GAUGE Light Orange Needle, Unleaded Fuel Only, Without Tachometer	\$54.00	N

Part Number	Year	Description	Price	*Rev.
06432844	1984	<b>FUEL GAUGE</b> Light Orange Needle, With Tachometer	\$54.00	N
06433358	1985	<b>FUEL GAUGE</b> Light Orange Needle, Unleaded Fuel Only, Without Tachometer	\$54.00	N
06432844	1985	<b>FUEL GAUGE</b> Light Orange Needle, With Tachometer	\$54.00	N
06433358	1986	<b>FUEL GAUGE</b> Light Orange Needle, Unleaded Fuel Only, Without Tachometer	\$54.00	N
06432844	1986	<b>FUEL GAUGE</b> Light Orange Needle, With Tachometer	\$54.00	N
06433358	1987	<b>FUEL GAUGE</b> Light Orange Needle, Unleaded Fuel Only, Without Tachometer	\$54.00	N
06432844	1987	<b>FUEL GAUGE</b> Light Orange Needle, With Tachometer	\$54.00	N
<b>FUEL TANK SELECTOR SWITCH HARNESS</b>				
39756	1973	<b>FUEL TANK SELECTOR SWITCH HARNESS</b> All, With 3 Wires In Connector At Firewall, Dash Switch To Firewall	\$80.00	C
39756	1974	<b>FUEL TANK SELECTOR SWITCH HARNESS</b> All, With 3 Wires In Connector At Firewall, Dash Switch To Firewall	\$80.00	C
39756	1975	<b>FUEL TANK SELECTOR SWITCH HARNESS</b> All, With 3 Wires In Connector At Firewall, Dash Switch To Firewall	\$80.00	C
39357	1980	<b>FUEL TANK SELECTOR SWITCH HARNESS</b> All, Dash Switch To Firewall	\$80.00	M
40019	1982	<b>FUEL TANK SELECTOR SWITCH HARNESS</b> All, Dash Switch To Firewall, (2nd Design), Firewall Connector Has 2 Wires In A -"T" -Shaped Pattern	\$80.00	M
<b>FUEL TANK SENDER EXTENSION WIRE</b>				
39739	1973	<b>FUEL TANK SENDER EXTENSION WIRE</b> Blazer & Jimmy	\$35.00	N
39739	1974	<b>FUEL TANK SENDER EXTENSION WIRE</b> Blazer & Jimmy	\$35.00	N
39739	1975	<b>FUEL TANK SENDER EXTENSION WIRE</b> Blazer & Jimmy	\$35.00	N
39739	1976	<b>FUEL TANK SENDER EXTENSION WIRE</b> Blazer & Jimmy	\$35.00	N
39739	1977	<b>FUEL TANK SENDER EXTENSION WIRE</b> Blazer & Jimmy	\$35.00	N
39739	1978	<b>FUEL TANK SENDER EXTENSION WIRE</b> Blazer & Jimmy	\$35.00	N
39739	1979	<b>FUEL TANK SENDER EXTENSION WIRE</b> Blazer & Jimmy	\$35.00	N
39739	1980	<b>FUEL TANK SENDER EXTENSION WIRE</b> Blazer & Jimmy	\$35.00	N
<b>FUEL TANK SENDING UNIT</b>				
01517500	1947	<b>FUEL TANK SENDING UNIT</b> Original Style, No Fuel Pick-Up Tube Note: Includes Gaskets, No Filter Sock Included As It Is Separate.	\$39.00	N
06428049	1947	<b>FUEL TANK SENDING UNIT</b> Replacement, With Fuel Pick-Up Tube, Includes Gaskets & Filter Sock Note: In 1947 To 1953 The Pick-Up Tube Was A Separate Item, See 01517500. On 1954 To 1959 This Is A Stock Unit But Can Also Replace 1947 To 1953.	\$39.00	N
01517500	1948	<b>FUEL TANK SENDING UNIT</b> Original Style, No Fuel Pick-Up Tube Note: Includes Gaskets, No Filter Sock Included As It Is Separate.	\$39.00	N
06428049	1948	<b>FUEL TANK SENDING UNIT</b> Replacement, With Fuel Pick-Up Tube, Includes Gaskets & Filter Sock Note: In 1947 To 1953 The Pick-Up Tube Was A Separate Item, See 01517500. On 1954 To 1959 This Is A Stock Unit But Can Also Replace 1947 To 1953.	\$39.00	N
01517500	1949	<b>FUEL TANK SENDING UNIT</b> Original Style, No Fuel Pick-Up Tube Note: Includes Gaskets, No Filter Sock Included As It Is Separate.	\$39.00	N
06428049	1949	<b>FUEL TANK SENDING UNIT</b> Replacement, With Fuel Pick-Up Tube, Includes Gaskets And Filter Sock Note: In 1947 To 1953 The Pick-Up Tube Was A Separate Item, See 01517500. On 1954 To 1959 This Is A Stock Unit But Can Also Replace 1947 To 1953.	\$39.00	N
01517500	1950	<b>FUEL TANK SENDING UNIT</b> Original Style, No Fuel Pick-Up Tube Note: Includes Gaskets, No Filter Sock Included As It Is Separate.	\$39.00	N
06428049	1950	<b>FUEL TANK SENDING UNIT</b> Replacement, With Fuel Pick-Up Tube, Includes Gaskets And Filter Sock Note: In 1947 To 1953 The Pick-Up Tube Was A Separate Item, See 01517500. On 1954 To 1959 This Is A Stock Unit But Can Also Replace 1947 To 1953.	\$39.00	N

Part Number	Year	Description	Price	*Rev.
01517500	1951	<b>FUEL TANK SENDING UNIT</b> Original Style, No Fuel Pick-Up Tube Note: Includes Gaskets, No Filter Sock Included As It Is Separate.	\$39.00	N
06428049	1951	<b>FUEL TANK SENDING UNIT</b> Replacement, With Fuel Pick-Up Tube, Includes Gaskets And Filter Sock Note: In 1947 To 1953 The Pick-Up Tube Was A Separate Item, See 01517500. On 1954 To 1959 This Is A Stock Unit But Can Also Replace 1947 To 1953.	\$39.00	N
01517500	1952	<b>FUEL TANK SENDING UNIT</b> Original Style, No Fuel Pick-Up Tube Note: Includes Gaskets, No Filter Sock Included As It Is Separate.	\$39.00	N
06428049	1952	<b>FUEL TANK SENDING UNIT</b> Replacement, With Fuel Pick-Up Tube, Includes Gaskets And Filter Sock Note: In 1947 To 1953 The Pick-Up Tube Was A Separate Item, See 01517500. On 1954 To 1959 This Is A Stock Unit But Can Also Replace 1947 To 1953.	\$39.00	N
01517500	1953	<b>FUEL TANK SENDING UNIT</b> Original Style, No Fuel Pick-Up Tube Note: Includes Gaskets, No Filter Sock Included As It Is Separate.	\$39.00	N
06428049	1953	<b>FUEL TANK SENDING UNIT</b> Replacement, With Fuel Pick-Up Tube, Includes Gaskets And Filter Sock Note: In 1947 To 1953 The Pick-Up Tube Was A Separate Item, See 01517500. On 1954 To 1959 This Is A Stock Unit But Can Also Replace 1947 To 1953.	\$39.00	N
06428049	1954	<b>FUEL TANK SENDING UNIT</b> Includes Gaskets And Filter Sock	\$39.00	N
06428049	1955	<b>FUEL TANK SENDING UNIT</b> Includes Gaskets And Filter Sock	\$39.00	N
06428049	1956	<b>FUEL TANK SENDING UNIT</b> Includes Gaskets And Filter Sock	\$39.00	N
06428049	1957	<b>FUEL TANK SENDING UNIT</b> Includes Gaskets And Filter Sock	\$39.00	N
06428049	1958	<b>FUEL TANK SENDING UNIT</b> Includes Gaskets And Filter Sock	\$39.00	N
06428049	1959	<b>FUEL TANK SENDING UNIT</b> Includes Gaskets And Filter Sock	\$39.00	N
06428058	1960	<b>FUEL TANK SENDING UNIT</b> Includes Gaskets And Filter Sock	\$39.00	N
06428058	1961	<b>FUEL TANK SENDING UNIT</b> Includes Gaskets And Filter Sock	\$39.00	N
06428058	1962	<b>FUEL TANK SENDING UNIT</b> Includes Gaskets And Filter Sock	\$39.00	N
06428058	1963	<b>FUEL TANK SENDING UNIT</b> Includes Gaskets And Filter Sock	\$39.00	N
06428058	1964	<b>FUEL TANK SENDING UNIT</b> Includes Gaskets And Filter Sock	\$39.00	N
06428058	1965	<b>FUEL TANK SENDING UNIT</b> Includes Gaskets And Filter Sock	\$39.00	N
06428058	1966	<b>FUEL TANK SENDING UNIT</b> Includes Gaskets And Filter Sock	\$39.00	N
06428362	1967	<b>FUEL TANK SENDING UNIT</b> 6 Cylinder, Includes Gaskets And Filter Sock	\$39.00	N
06428271	1967	<b>FUEL TANK SENDING UNIT</b> Suburban, Includes Gaskets And Filter Sock	\$39.00	N
06428361	1967	<b>FUEL TANK SENDING UNIT</b> V/8, Includes Gaskets And Filter Sock	\$39.00	N
06428362	1968	<b>FUEL TANK SENDING UNIT</b> 6 Cylinder, Includes Gaskets And Filter Sock	\$39.00	N
06428271	1968	<b>FUEL TANK SENDING UNIT</b> Suburban, Includes Gaskets And Filter Sock	\$39.00	N
06428361	1968	<b>FUEL TANK SENDING UNIT</b> V/8, Includes Gaskets And Filter Sock	\$39.00	N
06428362	1969	<b>FUEL TANK SENDING UNIT</b> 6 Cylinder, Includes Gaskets And Filter Sock	\$39.00	N
06428271	1969	<b>FUEL TANK SENDING UNIT</b> Jimmy, Suburban, Includes Gaskets And Filter Sock	\$39.00	N
06428361	1969	<b>FUEL TANK SENDING UNIT</b> V/8, Includes Gaskets And Filter Sock	\$39.00	N
06428362	1970	<b>FUEL TANK SENDING UNIT</b> 6 Cylinder, Includes Gaskets And Filter Sock	\$39.00	N
06428271	1970	<b>FUEL TANK SENDING UNIT</b> Jimmy, Suburban, Includes Gaskets And Filter Sock	\$39.00	N
06428361	1970	<b>FUEL TANK SENDING UNIT</b> V/8, Includes Gaskets And Filter Sock	\$39.00	N
06428362	1971	<b>FUEL TANK SENDING UNIT</b> 6 Cylinder, Includes Gaskets And Filter Sock	\$39.00	N
06428271	1971	<b>FUEL TANK SENDING UNIT</b> Jimmy, Suburban, Includes Gaskets And Filter Sock	\$39.00	N
06428361	1971	<b>FUEL TANK SENDING UNIT</b> V/8, Includes Gaskets And Filter Sock	\$39.00	N
06429117	1972	<b>FUEL TANK SENDING UNIT</b> Auto Trans, Includes Gaskets And Filter Sock	\$39.00	N
06428271	1972	<b>FUEL TANK SENDING UNIT</b> Jimmy, Suburban, Includes Gaskets And Filter Sock	\$39.00	N
06429116	1972	<b>FUEL TANK SENDING UNIT</b> Manual Trans, Includes Gaskets And Filter Sock	\$39.00	N

Part Number	Year	Description	Price	*Rev.
06429389	1973	<b>FUEL TANK SENDING UNIT</b> Suburban, 1/2, 3/4 Ton, 2 Wheel Drive, With 350 V/8 (Except Automatic Transmission, 32 Gallon Tank) 3 Outlets	\$62.00	N
06429389	1973	<b>FUEL TANK SENDING UNIT</b> Suburban, Jimmy, 1/2, 3/4 Ton, 2 & 4 Wheel Drive, (Except 32 Gallon Tank) 3 Outlets	\$62.00	N
25000610	1973	<b>FUEL TANK SENDING UNIT</b> Truck, 1/2 Ton, (250, 305, 307, 350), 2 Wheel Drive, (With H.D Chassis) (Except L.P. Gas) 2 Outlets	\$62.00	N
25000612	1973	<b>FUEL TANK SENDING UNIT</b> Truck, 1/2 Ton, 2 Wheel Drive, (250, 307, 350), (With Auxiliary Tank) 2 Outlets	\$62.00	N
25000610	1973	<b>FUEL TANK SENDING UNIT</b> Truck, 1/2 Ton, 4 Wheel Drive 2 Outlets	\$62.00	N
25000612	1973	<b>FUEL TANK SENDING UNIT</b> Truck, 1/2, 3/4 Ton, 4 Wheel Drive, (E.E.S. With Auxiliary Tank) 2 Outlets	\$62.00	N
25000611	1973	<b>FUEL TANK SENDING UNIT</b> Truck, 1/2, 3/4, 1-Ton, (350), 2 Wheel Drive, (With Auto Trans, E.E.S.) 3 Outlets	\$62.00	N
25000613	1973	<b>FUEL TANK SENDING UNIT</b> Truck, 1/2, 3/4, 1-Ton, (454), 2 Wheel Drive, (With E.E.S. Auxiliary Tank) 3 Outlets	\$62.00	N
25000611	1973	<b>FUEL TANK SENDING UNIT</b> Truck, 1/2, 3/4, 1-Ton, (454), 2 Wheel Drive, (With E.E.S.) 3 Outlets	\$62.00	N
06429439	1973	<b>FUEL TANK SENDING UNIT</b> Truck, 3/4 Ton, 4 Wheel Drive, (Except E.E.S.) 1 Outlet	\$62.00	N
25000610	1973	<b>FUEL TANK SENDING UNIT</b> Truck, 3/4 Ton, 4 Wheel Drive, (With E.E.S.) 2 Outlets	\$62.00	N
25000610	1973	<b>FUEL TANK SENDING UNIT</b> Truck, 3/4, 1-Ton, (250, 292, 307, 350), 2 Wheel Drive, (With E. E.S.) 2 Outlets	\$62.00	N
25000612	1973	<b>FUEL TANK SENDING UNIT</b> Truck, 3/4, 1-Ton, 2 Wheel Drive, (292, 307, 350), (E.E.S. With Auxiliary Tank) 2 Outlets	\$62.00	N
06429439	1973	<b>FUEL TANK SENDING UNIT</b> Truck, 3/4, 1-Ton, 2 Wheel Drive, (Except E.E.S., 454) 1 Outlet	\$62.00	N
06429389	1974	<b>FUEL TANK SENDING UNIT</b> Jimmy, 1/2 Ton, 2 & 4 Wheel Drive, With 250 6 Cylinder (Except 31 Gallon Tank) 3 Outlets	\$62.00	N
06429389	1974	<b>FUEL TANK SENDING UNIT</b> Suburban, 1/2 Ton, 2 Wheel Drive, With 250 6 Cylinder (Except 31, 40 Gallon Tank) 3 Outlets	\$62.00	N
06429389	1974	<b>FUEL TANK SENDING UNIT</b> Suburban, Jimmy, 1/2, 3/4 Ton, 2 & 4 Wheel Drive, With 305, 350 V/8 (Except Automatic Transmission, 31 or 40 Gallon Tank) 3 Outlets	\$62.00	N
25000610	1974	<b>FUEL TANK SENDING UNIT</b> Truck, 1/2 Ton, (250, 305, 307, 350), 2 Wheel Drive, (With H.D Chassis) (Except L.P. Gas) 2 Outlets	\$62.00	N
25000612	1974	<b>FUEL TANK SENDING UNIT</b> Truck, 1/2 Ton, 2 Wheel Drive, (250, 307, 350), (With Auxiliary Tank) 2 Outlets	\$62.00	N
06429439	1974	<b>FUEL TANK SENDING UNIT</b> Truck, 1/2 Ton, 2 Wheel Drive, With L.P. Gas 1 Outlet	\$62.00	N

Part Number	Year	Description	Price	*Rev.
25000610	1974	<b>FUEL TANK SENDING UNIT</b> Truck, 1/2 Ton, 4 Wheel Drive 2 Outlets	\$62.00	N
25000612	1974	<b>FUEL TANK SENDING UNIT</b> Truck, 1/2, 3/4 Ton, 4 Wheel Drive, (E.E.S. With Auxiliary Tank) 2 Outlets	\$62.00	N
25000613	1974	<b>FUEL TANK SENDING UNIT</b> Truck, 1/2, 3/4, 1-Ton, (454), 2 Wheel Drive, (With E.E.S. Auxiliary Tank) 3 Outlets	\$62.00	N
25000611	1974	<b>FUEL TANK SENDING UNIT</b> Truck, 1/2, 3/4, 1-Ton, (454), 2 Wheel Drive, (With E.E.S.) 3 Outlets	\$62.00	N
06429439	1974	<b>FUEL TANK SENDING UNIT</b> Truck, 3/4 Ton, 4 Wheel Drive, (Except E.E.S.) 1 Outlet	\$62.00	N
25000610	1974	<b>FUEL TANK SENDING UNIT</b> Truck, 3/4 Ton, 4 Wheel Drive, (With E.E.S.) 2 Outlets	\$62.00	N
25000610	1974	<b>FUEL TANK SENDING UNIT</b> Truck, 3/4, 1-Ton, (250, 292, 307, 350), 2 Wheel Drive, (With E.E.S.) 2 Outlets	\$62.00	N
25000612	1974	<b>FUEL TANK SENDING UNIT</b> Truck, 3/4, 1-Ton, 2 Wheel Drive, (292, 307, 350), (E.E.S. With Auxiliary Tank) 2 Outlets	\$62.00	N
06429439	1974	<b>FUEL TANK SENDING UNIT</b> Truck, 3/4, 1-Ton, 2 Wheel Drive, (Except E.E.S., 454) 1 Outlet	\$62.00	N
06429389	1975	<b>FUEL TANK SENDING UNIT</b> Jimmy, 1/2 Ton, 2 & 4 Wheel Drive, With 250 6 Cylinder (Except 31 Gallon Tank) 3 Outlets	\$62.00	N
06429389	1975	<b>FUEL TANK SENDING UNIT</b> Suburban, 1/2 Ton, 2 Wheel Drive, With 250 6 Cylinder (Except 31, 40 Gallon Tank) 3 Outlets	\$62.00	N
06429389	1975	<b>FUEL TANK SENDING UNIT</b> Suburban, Jimmy, 1/2, 3/4 Ton, 2 & 4 Wheel Drive, With 305, 350 V/8 (Except Automatic Transmission, 31 or 40 Gallon Tank) 3 Outlets	\$62.00	N
25000610	1975	<b>FUEL TANK SENDING UNIT</b> Truck, 1/2 Ton, (250, 305, 307, 350), 2 Wheel Drive, (With H.D Chassis) (Except L.P. Gas) 2 Outlets	\$62.00	N
25000611	1975	<b>FUEL TANK SENDING UNIT</b> Truck, 1/2 Ton, (454), 2 Wheel Drive, (With H.D. Chassis) 3 Outlets	\$62.00	N
25000612	1975	<b>FUEL TANK SENDING UNIT</b> Truck, 1/2 Ton, 2 Wheel Drive, (350 With Auxiliary Tank) (Except 117.5 W.B.) 2 Outlets	\$62.00	N
06429439	1975	<b>FUEL TANK SENDING UNIT</b> Truck, 1/2 Ton, 2 Wheel Drive, With L.P. Gas 1 Outlet	\$62.00	N
25000610	1975	<b>FUEL TANK SENDING UNIT</b> Truck, 1/2 Ton, 4 Wheel Drive 2 Outlets	\$62.00	N
25000613	1975	<b>FUEL TANK SENDING UNIT</b> Truck, 1/2, 3/4 Ton, (Fleetside, Wideside) (350, 400), 4 Wheel Drive, (With Auto Trans) 3 Outlets	\$62.00	N
25000611	1975	<b>FUEL TANK SENDING UNIT</b> Truck, 1/2, 3/4, 1-Ton, (350, 400), 4 Wheel Drive, (With Auto Trans) 3 Outlets	\$62.00	N
25000613	1975	<b>FUEL TANK SENDING UNIT</b> Truck, 1/2, 3/4, 1-Ton, (Fleetside) (454), 2 Wheel Drive, (Except 117.5 W.B.) 3 Outlets	\$62.00	N

Part Number	Year	Description	Price	*Rev.
06429439	1975	<b>FUEL TANK SENDING UNIT</b> Truck, 3/4 Ton, 4 Wheel Drive, (Except E.E.S.) 1 Outlet	\$62.00	N
25000610	1975	<b>FUEL TANK SENDING UNIT</b> Truck, 3/4 Ton, 4 Wheel Drive, (With E.E.S.) 2 Outlets	\$62.00	N
25000610	1975	<b>FUEL TANK SENDING UNIT</b> Truck, 3/4, 1-Ton, (250, 292, 307, 350), 2 Wheel Drive, (With E.E.S.) 2 Outlets	\$62.00	N
25000610	1975	<b>FUEL TANK SENDING UNIT</b> Truck, 3/4, 1-Ton, (292, 350), 2 Wheel Drive, (Except 25 Gallon Tank) 2 Outlets	\$62.00	N
25000611	1975	<b>FUEL TANK SENDING UNIT</b> Truck, 3/4, 1-Ton, (454), 2 Wheel Drive, (Except 25 Gallon Tank) 3 Outlets	\$62.00	N
06429439	1975	<b>FUEL TANK SENDING UNIT</b> Truck, 3/4, 1-Ton, 2 Wheel Drive, (Except E.E.S., 454) 1 Outlet	\$62.00	N
06429389	1975	<b>FUEL TANK SENDING UNIT</b> Truck, 3/4, 1-Ton, 2 Wheel Drive, With 292 6 Cylinder or 350 V/8, With 25 Gallon Tank 3 Outlets	\$62.00	N
06429389	1976	<b>FUEL TANK SENDING UNIT</b> Jimmy, 1/2 Ton, 2 & 4 Wheel Drive, With 250 6 Cylinder (Except 31 Gallon Tank) 3 Outlets	\$62.00	N
06429389	1976	<b>FUEL TANK SENDING UNIT</b> Suburban, 1/2 Ton, 2 Wheel Drive, With 250 6 Cylinder (Except 31, 40 Gallon Tank) 3 Outlets	\$62.00	N
06429389	1976	<b>FUEL TANK SENDING UNIT</b> Suburban, Jimmy, 1/2, 3/4 Ton, 2 & 4 Wheel Drive, With 305, 350 V/8 (Except Automatic Transmission, 31 or 40 Gallon Tank) 3 Outlets	\$62.00	N
25000610	1976	<b>FUEL TANK SENDING UNIT</b> Truck, 1/2 Ton, (250, 305, 307, 350), 2 Wheel Drive, (With H.D Chassis) (Except L.P. Gas) 2 Outlets	\$62.00	N
25000611	1976	<b>FUEL TANK SENDING UNIT</b> Truck, 1/2 Ton, (454), 2 Wheel Drive, (With H.D. Chassis) 3 Outlets	\$62.00	N
25000613	1976	<b>FUEL TANK SENDING UNIT</b> Truck, 1/2, 3/4 Ton, (Fleetside, Wideside) (350, 400), 4 Wheel Drive, (With Auto Trans) 3 Outlets	\$62.00	N
25000612	1976	<b>FUEL TANK SENDING UNIT</b> Truck, 1/2, 3/4 Ton, 4 Wheel Drive, (350) (With Auxiliary Tank) (Except Auto Trans) 2 Outlets	\$62.00	N
25000612	1976	<b>FUEL TANK SENDING UNIT</b> Truck, 1/2, 3/4, 1 Ton, 2 Wheel Drive, (292, 350) (With Auxiliary Tank) 2 Outlets	\$62.00	N
25000610	1976	<b>FUEL TANK SENDING UNIT</b> Truck, 1/2, 3/4, 1-Ton, (250, 292), 4 Wheel Drive 2 Outlets	\$62.00	N
25000611	1976	<b>FUEL TANK SENDING UNIT</b> Truck, 1/2, 3/4, 1-Ton, (350, 400), 4 Wheel Drive, (With Auto Trans) 3 Outlets	\$62.00	N
25000610	1976	<b>FUEL TANK SENDING UNIT</b> Truck, 1/2, 3/4, 1-Ton, (350), 4 Wheel Drive, (Except Auto Trans) 2 Outlets	\$62.00	N
25000613	1976	<b>FUEL TANK SENDING UNIT</b> Truck, 1/2, 3/4, 1-Ton, (454), 2 Wheel Drive, (With Auxiliary Tank) 3 Outlets	\$62.00	N
25000612	1976	<b>FUEL TANK SENDING UNIT</b> Truck, 3/4 Ton, 4 Wheel Drive, (292) (With Auxiliary Tank) 2 Outlets	\$62.00	N

Part Number	Year	Description	Price	*Rev.
25000610	1976	<b>FUEL TANK SENDING UNIT</b> Truck, 3/4, 1-Ton, (292, 350), 2 Wheel Drive, (Except 25 Gallon Tank) 2 Outlets	\$62.00	N
25000611	1976	<b>FUEL TANK SENDING UNIT</b> Truck, 3/4, 1-Ton, (454), 2 Wheel Drive, (Except 25 Gallon Tank) 3 Outlets	\$62.00	N
06429389	1976	<b>FUEL TANK SENDING UNIT</b> Truck, 3/4, 1-Ton, 2 Wheel Drive, With 292 6 Cylinder or 350 V/8, With 25 Gallon Tank 3 Outlets	\$62.00	N
06429389	1977	<b>FUEL TANK SENDING UNIT</b> Jimmy, 1/2 Ton, 2 & 4 Wheel Drive, With 250 6 Cylinder (Except 31 Gallon Tank) 3 Outlets	\$62.00	N
06429389	1977	<b>FUEL TANK SENDING UNIT</b> Suburban, 1/2 Ton, 2 Wheel Drive, With 250 6 Cylinder (Except 31, 40 Gallon Tank) 3 Outlets	\$62.00	N
06429389	1977	<b>FUEL TANK SENDING UNIT</b> Suburban, Jimmy, 1/2, 3/4 Ton, 2 & 4 Wheel Drive, With 305, 350 V/8 (Except Automatic Transmission, 31 or 40 Gallon Tank) 3 Outlets	\$62.00	N
25000612	1977	<b>FUEL TANK SENDING UNIT</b> Truck, 1 Ton, 4 Wheel Drive, (With Auxiliary Tank) 2 Outlets	\$62.00	N
25000610	1977	<b>FUEL TANK SENDING UNIT</b> Truck, 1/2 Ton, (250, 305, 307, 350), 2 Wheel Drive, (With H.D Chassis) (Except L.P. Gas) 2 Outlets	\$62.00	N
25000610	1977	<b>FUEL TANK SENDING UNIT</b> Truck, 1/2 Ton, (250, 305, 350), 2 Wheel Drive, (Except H.D Chassis) 2 Outlets	\$62.00	N
25000611	1977	<b>FUEL TANK SENDING UNIT</b> Truck, 1/2 Ton, (454), 2 Wheel Drive, (Except H.D. Chassis) 3 Outlets	\$62.00	N
25000613	1977	<b>FUEL TANK SENDING UNIT</b> Truck, 1/2 Ton, (454), 2 Wheel Drive, (With Auxiliary Tank) (Except H.D.Chassis) 3 Outlets	\$62.00	N
25000611	1977	<b>FUEL TANK SENDING UNIT</b> Truck, 1/2 Ton, (454), 2 Wheel Drive, (With H.D. Chassis) 3 Outlets	\$62.00	N
25000613	1977	<b>FUEL TANK SENDING UNIT</b> Truck, 1/2, 3/4 Ton, (Fleetside, Wideside) (350, 400), 4 Wheel Drive, (With Auto Trans) 3 Outlets	\$62.00	N
25000612	1977	<b>FUEL TANK SENDING UNIT</b> Truck, 1/2, 3/4 Ton, 4 Wheel Drive, (350) (With Auxiliary Tank) (Except Auto Trans) 2 Outlets	\$62.00	N
25000612	1977	<b>FUEL TANK SENDING UNIT</b> Truck, 1/2, 3/4, 1 Ton, 2 Wheel Drive, (292, 350) (With Auxiliary Tank) 2 Outlets	\$62.00	N
25000610	1977	<b>FUEL TANK SENDING UNIT</b> Truck, 1/2, 3/4, 1-Ton, (250, 292), 4 Wheel Drive 2 Outlets	\$62.00	N
25000611	1977	<b>FUEL TANK SENDING UNIT</b> Truck, 1/2, 3/4, 1-Ton, (350, 400), 4 Wheel Drive, (With Auto Trans) 3 Outlets	\$62.00	N
25000610	1977	<b>FUEL TANK SENDING UNIT</b> Truck, 1/2, 3/4, 1-Ton, (350), 4 Wheel Drive, (Except Auto Trans) 2 Outlets	\$62.00	N
25000613	1977	<b>FUEL TANK SENDING UNIT</b> Truck, 1/2, 3/4, 1-Ton, (454), 2 Wheel Drive, (With Auxiliary Tank) 3 Outlets	\$62.00	N
25000612	1977	<b>FUEL TANK SENDING UNIT</b> Truck, 3/4 Ton, 4 Wheel Drive, (292) (With Auxiliary Tank) 2 Outlets	\$62.00	N

Part Number	Year	Description	Price	*Rev.
25000610	1977	<b>FUEL TANK SENDING UNIT</b> Truck, 3/4, 1-Ton, (292, 350), 2 Wheel Drive, (Except 25 Gallon Tank) 2 Outlets	\$62.00	N
25000611	1977	<b>FUEL TANK SENDING UNIT</b> Truck, 3/4, 1-Ton, (454), 2 Wheel Drive, (Except 25 Gallon Tank) 3 Outlets	\$62.00	N
06429389	1977	<b>FUEL TANK SENDING UNIT</b> Truck, 3/4, 1-Ton, 2 Wheel Drive, With 292 6 Cylinder or 350 V/8, With 25 Gallon Tank 3 Outlets	\$62.00	N
25001483	1978	<b>FUEL TANK SENDING UNIT</b> Suburban, Jimmy, 1/2, 3/4 Ton, 250, 305, 350, (With Manual Trans), 2 & 4 Wheel Drive, (Except 31, 41 Gallon California) 3 Outlets	\$68.00	N
25000612	1978	<b>FUEL TANK SENDING UNIT</b> Truck, 1/2 Ton (250, 350), 2 Wheel Drive, (With Aux Tank, H.D. Suspension) (Except California) 2 Outlets	\$62.00	N
25000610	1978	<b>FUEL TANK SENDING UNIT</b> Truck, 1/2 Ton, (250, 350), 2 Wheel Drive, (With H.D Chassis) (Except California) 2 Outlets	\$62.00	N
25000610	1978	<b>FUEL TANK SENDING UNIT</b> Truck, 1/2, 3/4, 1-Ton, (250, 292), 4 Wheel Drive, (Except California) 2 Outlets	\$62.00	N
25000613	1978	<b>FUEL TANK SENDING UNIT</b> Truck, 1/2, 3/4, 1-Ton, (350), 4 Wheel Drive, (With Auto Trans, Auxiliary Tank) (Except California) 3 Outlets	\$62.00	N
25000610	1978	<b>FUEL TANK SENDING UNIT</b> Truck, 1/2, 3/4, 1-Ton, (350), 4 Wheel Drive, (With Manual Trans) (MC1, M20), (Except California) 2 Outlets	\$62.00	N
25000611	1978	<b>FUEL TANK SENDING UNIT</b> Truck, 1/2, 3/4, 1-Ton, (350), With Auto Trans (M38, M40), 4 Wheel Drive, (Except California) 3 Outlets	\$62.00	N
25000611	1978	<b>FUEL TANK SENDING UNIT</b> Truck, 1/2, 3/4, 1-Ton, (400), 4 Wheel Drive, (Except California) 3 Outlets	\$62.00	N
25000613	1978	<b>FUEL TANK SENDING UNIT</b> Truck, 1/2, 3/4, 1-Ton, (400), 4 Wheel Drive, (With Auxiliary Tank) (Except California) 3 Outlets	\$62.00	N
25000613	1978	<b>FUEL TANK SENDING UNIT</b> Truck, 1/2, 3/4, 1-Ton, (454), 2 Wheel Drive, (With Auxiliary Tank) (Except California) 3 Outlets	\$62.00	N
25000611	1978	<b>FUEL TANK SENDING UNIT</b> Truck, 1/2, 3/4, 1-Ton, (454), 2 Wheel Drive, (With H.D. Suspension) (Except California Rear Mounted Fuel Tank) 3 Outlets	\$62.00	N
25000612	1978	<b>FUEL TANK SENDING UNIT</b> Truck, 1/2, 3/4, 1-Ton, 4 Wheel Drive, With MT, (MC1, M20), (With Auxiliary Tank) (Except California) 2 Outlets	\$62.00	N
25000612	1978	<b>FUEL TANK SENDING UNIT</b> Truck, 3/4 Ton (Crew Cab) (292, 350), 2 Wheel Drive, (With Auxiliary Tank) 2 Outlets	\$62.00	N
25000612	1978	<b>FUEL TANK SENDING UNIT</b> Truck, 3/4, 1-Ton (250, 350), 2 Wheel Drive, (With Auxiliary Tank) (Except California) 2 Outlets	\$62.00	N
25000612	1978	<b>FUEL TANK SENDING UNIT</b> Truck, 3/4, 1-Ton (292), 4 Wheel Drive, (Auxiliary Tank) (Except California) 2 Outlets	\$62.00	N



Part Number	Year	Description	Price	*Rev.
25000610	1978	<b>FUEL TANK SENDING UNIT</b> Truck, 3/4, 1-Ton, (292, 350), 2 Wheel Drive, (Except California, Rear Mounted Tank) 2 Outlets	\$62.00	N
25001483	1978	<b>FUEL TANK SENDING UNIT</b> Truck, 3/4, 1-Ton, 250, 292, 350, 2 & 4 Wheel Drive, (With Rear Mounted Tank) (Except California) 3 Outlets	\$68.00	N
25001483	1979	<b>FUEL TANK SENDING UNIT</b> Suburban, Jimmy, 1/2 Ton, 250, 2 & 4 Wheel Drive, (With 20 Gallon Tank) 3 Outlets	\$68.00	N
25001483	1979	<b>FUEL TANK SENDING UNIT</b> Suburban, Jimmy, 1/2, 3/4 Ton, 305, 350, 2 & 4 Wheel Drive, (With Manual Trans, 20 Gallon Tank) 3 Outlets	\$68.00	N
25000610	1979	<b>FUEL TANK SENDING UNIT</b> Truck, 1-Ton, (292), 2 & 4 Wheel Drive, (Except California, Rear Mounted Tank) 2 Outlets	\$62.00	N
25000613	1979	<b>FUEL TANK SENDING UNIT</b> Truck, 1-Ton, (350), 2 & 4 Wheel Drive, (With Auto Trans, California) 3 Outlets	\$62.00	N
25000611	1979	<b>FUEL TANK SENDING UNIT</b> Truck, 1-Ton, (350), With Auto Trans, 2 & 4 Wheel Drive, (Except California, Rear Mounted Tank) 3 Outlets	\$62.00	N
25000610	1979	<b>FUEL TANK SENDING UNIT</b> Truck, 1-Ton, (350), With Manual Trans (M20), 2 & 4 Wheel Drive, (Except California, Rear Mounted Tank) 2 Outlets	\$62.00	N
25000611	1979	<b>FUEL TANK SENDING UNIT</b> Truck, 1-Ton, (400, 454), 2 & 4 Wheel Drive, (Except California, Rear Mounted Tank) 3 Outlets	\$62.00	N
25000613	1979	<b>FUEL TANK SENDING UNIT</b> Truck, 1-Ton, (400, 454), 2 & 4 Wheel Drive, (With California) 3 Outlets	\$62.00	N
25000613	1979	<b>FUEL TANK SENDING UNIT</b> Truck, 1/2, 3/4 Ton, (305, 350), 2 & 4 Wheel Drive, (With Auto Trans) 3 Outlets	\$62.00	N
25000613	1979	<b>FUEL TANK SENDING UNIT</b> Truck, 1/2, 3/4 Ton, (400), 4 Wheel Drive 3 Outlets	\$62.00	N
25000613	1979	<b>FUEL TANK SENDING UNIT</b> Truck, 1/2, 3/4 Ton, (454), 2 Wheel Drive, (With Auto Trans) 3 Outlets	\$62.00	N
25000611	1979	<b>FUEL TANK SENDING UNIT</b> Truck, 1/2, 3/4, 1-Ton, (350), With Auto Trans (M38, M40), 4 Wheel Drive, (Primary Tank), (Except California) 3 Outlets	\$62.00	N
25000611	1979	<b>FUEL TANK SENDING UNIT</b> Truck, 1/2, 3/4, 1-Ton, (400), 4 Wheel Drive, (Except California) 3 Outlets	\$62.00	N
25000612	1979	<b>FUEL TANK SENDING UNIT</b> Truck, 1/2, 3/4, 1-Ton, 4 Wheel Drive, With MT, (MC1, M20), (With Auxiliary Tank) (Except California) 2 Outlets	\$62.00	N
25000612	1979	<b>FUEL TANK SENDING UNIT</b> Truck, 3/4, 1-Ton (292), 4 Wheel Drive, (Auxiliary Tank) (Except California) 2 Outlets	\$62.00	N
25001483	1979	<b>FUEL TANK SENDING UNIT</b> Truck, 3/4, 1-Ton, 250, 292, 2 & 4 Wheel Drive, (With Rear Mounted Tank) 3 Outlets	\$68.00	N
25001483	1979	<b>FUEL TANK SENDING UNIT</b> Truck, 3/4, 1-Ton, 350, 2 & 4 Wheel Drive, (With Manual Trans, Rear Mounted Tank) 3 Outlets	\$68.00	N

Part Number	Year	Description	Price	*Rev.
25001483	1980	<b>FUEL TANK SENDING UNIT</b> Suburban, Jimmy, 1/2 Ton, 250, 2 & 4 Wheel Drive 3 Outlets	\$68.00	N
25001483	1980	<b>FUEL TANK SENDING UNIT</b> Suburban, Jimmy, 1/2, 3/4 Ton, 305, 350, 2 & 4 Wheel Drive, (With Manual Trans) 3 Outlets	\$68.00	N
25002009	1980	<b>FUEL TANK SENDING UNIT</b> Truck, 1/2, 3/4 Ton, (250, 292) With Auxiliary Tank 2 Outlets	\$77.00	N
25002010	1980	<b>FUEL TANK SENDING UNIT</b> Truck, 1/2, 3/4 Ton, 305, 350, 2 & 4 Wheel Drive, (With Auxiliary Tank) (Except Diesel) 3 Outlets	\$62.00	N
25002006	1980	<b>FUEL TANK SENDING UNIT</b> Truck, 1/2, 3/4, 1-Ton, (250, 292), 2 & 4 Wheel Drive, (Except Rear Mounted Tank) 2 Outlets	\$77.00	N
25002007	1980	<b>FUEL TANK SENDING UNIT</b> Truck, 1/2, 3/4, 1-Ton, 305, 350, 400, 454W, 2 & 4 Wheel Drive, (Except Rear Mounted Tank) 3 Outlets	\$77.00	N
25001483	1980	<b>FUEL TANK SENDING UNIT</b> Truck, 3/4, 1-Ton, 250, 292, 2 & 4 Wheel Drive, (With Rear Mounted Tank) 3 Outlets	\$68.00	N
25001483	1980	<b>FUEL TANK SENDING UNIT</b> Truck, 3/4, 1-Ton, 350, 2 & 4 Wheel Drive, (With Manual Trans, Rear Mounted Tank) 3 Outlets	\$68.00	N
25002010	1980	<b>FUEL TANK SENDING UNIT</b> Truck, 3/4, 1-Ton, 350, 400, 4 Wheel Drive, (With Auxiliary Tank) 3 Outlets	\$62.00	N
25002010	1980	<b>FUEL TANK SENDING UNIT</b> Truck, 3/4, 1-Ton, 350, 454, 2 Wheel Drive, (With Auxiliary Tank) 3 Outlets	\$62.00	N
25001483	1981	<b>FUEL TANK SENDING UNIT</b> Jimmy, 1/2 Ton, 250, 2 & 4 Wheel Drive, (Except 117 Liter Tank) 3 Outlets	\$68.00	N
25002009	1981	<b>FUEL TANK SENDING UNIT</b> Truck, 1/2, 3/4 Ton, (292) With Auxiliary Tank 2 Outlets	\$77.00	N
25002010	1981	<b>FUEL TANK SENDING UNIT</b> Truck, 1/2, 3/4 Ton, 305, 350L, 2 & 4 Wheel Drive 3 Outlets	\$62.00	N
25002007	1981	<b>FUEL TANK SENDING UNIT</b> Truck, 1/2, 3/4 Ton, 350L-M, 4 Wheel Drive, (With Auxiliary Tank) 3 Outlets	\$77.00	N
25002006	1981	<b>FUEL TANK SENDING UNIT</b> Truck, 1/2, 3/4, 1-Ton, (250, 292), 2 & 4 Wheel Drive, (Except Rear Mounted Tank) 2 Outlets	\$77.00	N
25002007	1981	<b>FUEL TANK SENDING UNIT</b> Truck, 1/2, 3/4, 1-Ton, 350L-M, 454W, 2 Wheel Drive, (With Auxiliary Tank) 3 Outlets	\$77.00	N
25002010	1981	<b>FUEL TANK SENDING UNIT</b> Truck, 3/4 Ton, 350M, 4 Wheel Drive, (With California) 3 Outlets	\$62.00	N
25001483	1981	<b>FUEL TANK SENDING UNIT</b> Truck, 3/4, 1-Ton, 250, 292, 2 & 4 Wheel Drive, (With Rear Mounted Tank) 3 Outlets	\$68.00	N
25002010	1981	<b>FUEL TANK SENDING UNIT</b> Truck, 3/4, 1-Ton, 350M, 454W, 2 Wheel Drive, (With California) 3 Outlets	\$62.00	N
25001483	1982	<b>FUEL TANK SENDING UNIT</b> Jimmy, 1/2 Ton, 250, 2 & 4 Wheel Drive, (Except 117 Liter Tank) 3 Outlets	\$68.00	N
25002009	1982	<b>FUEL TANK SENDING UNIT</b> Truck, 1/2, 3/4, 1-Ton, (250, 292), 2 & 4 Wheel Drive 2 Outlets	\$77.00	N

Part Number	Year	Description	Price	*Rev.
25002006	1982	<b>FUEL TANK SENDING UNIT</b> Truck, 1/2, 3/4, 1-Ton, (292), 2 & 4 Wheel Drive, With Auxiliary Tank 2 Outlets	\$77.00	N
25002010	1982	<b>FUEL TANK SENDING UNIT</b> Truck, 1/2, 3/4, 1-Ton, 305, 350, 454, 2 & 4 Wheel Drive 3 Outlets	\$62.00	N
25002007	1982	<b>FUEL TANK SENDING UNIT</b> Truck, 1/2, 3/4, 1-Ton, 305, 350L, 350M, 454, 2 & 4 Wheel Drive, (Auxiliary Tank) 3 Outlets	\$77.00	N
25002009	1983	<b>FUEL TANK SENDING UNIT</b> Truck, 1/2, 3/4, 1-Ton, (250, 292), 2 & 4 Wheel Drive 2 Outlets	\$77.00	N
25002006	1983	<b>FUEL TANK SENDING UNIT</b> Truck, 1/2, 3/4, 1-Ton, (292), 2 & 4 Wheel Drive, With Auxiliary Tank 2 Outlets	\$77.00	N
25002010	1983	<b>FUEL TANK SENDING UNIT</b> Truck, 1/2, 3/4, 1-Ton, 305, 350, 454, 2 & 4 Wheel Drive 3 Outlets	\$62.00	N
25002007	1983	<b>FUEL TANK SENDING UNIT</b> Truck, 1/2, 3/4, 1-Ton, 305, 350L, 350M, 454, 2 & 4 Wheel Drive, (Auxiliary Tank) 3 Outlets	\$77.00	N
25002009	1984	<b>FUEL TANK SENDING UNIT</b> Truck, 1/2, 3/4, 1-Ton, (250, 292), 2 & 4 Wheel Drive 2 Outlets	\$77.00	N
25002006	1984	<b>FUEL TANK SENDING UNIT</b> Truck, 1/2, 3/4, 1-Ton, (292), 2 & 4 Wheel Drive, With Auxiliary Tank 2 Outlets	\$77.00	N
25002010	1984	<b>FUEL TANK SENDING UNIT</b> Truck, 1/2, 3/4, 1-Ton, 305, 350, 454, 2 & 4 Wheel Drive 3 Outlets	\$62.00	N
25002007	1984	<b>FUEL TANK SENDING UNIT</b> Truck, 1/2, 3/4, 1-Ton, 305, 350L, 350M, 454, 2 & 4 Wheel Drive, (Auxiliary Tank) 3 Outlets	\$77.00	N
25002007	1985	<b>FUEL TANK SENDING UNIT</b> Truck, 1/2, 3/4 Ton, 4.3N, 305F-H, 350L, 2 & 4 Wheel Drive, (Auxiliary Tank) 3 Outlets	\$77.00	N
25002010	1985	<b>FUEL TANK SENDING UNIT</b> Truck, 1/2, 3/4, 1-Ton, 6 Cylinder, V/8 (Primary Tank) 3 Outlets	\$62.00	N
25002007	1986	<b>FUEL TANK SENDING UNIT</b> Truck, 1/2, 3/4 Ton, 4.3N, 305F-H, 350L, 2 & 4 Wheel Drive, (Auxiliary Tank) 3 Outlets	\$77.00	N
25002010	1986	<b>FUEL TANK SENDING UNIT</b> Truck, 1/2, 3/4, 1-Ton, 6 Cylinder, V/8 (Primary Tank) 3 Outlets	\$62.00	N
25002007	1987	<b>FUEL TANK SENDING UNIT</b> Truck, 1/2, 3/4 Ton, 292T, 350M, 454W, 2 & 4 Wheel Drive, (With Auxiliary Tank) 3 Outlets	\$77.00	N
25002010	1987	<b>FUEL TANK SENDING UNIT</b> Truck, 1/2, 3/4, 1-Ton, 292T, 350M, 454W Engines (Primary Tank) 3 Outlets	\$62.00	N
25002007	1988	<b>FUEL TANK SENDING UNIT</b> Truck, 1/2, 3/4 Ton, 292T, 350M, 454W, 2 & 4 Wheel Drive, (With Auxiliary Tank) 3 Outlets	\$77.00	N
25002010	1988	<b>FUEL TANK SENDING UNIT</b> Truck, 3/4, 1-Ton, 292T, 350M, 454W Engines (Primary Tank) 3 Outlets	\$62.00	N
25002007	1989	<b>FUEL TANK SENDING UNIT</b> Truck, 1/2, 3/4 Ton, 292T, 350M, 454W, 2 & 4 Wheel Drive, (With Auxiliary Tank) 3 Outlets	\$77.00	N

Part Number	Year	Description	Price	*Rev.
25002010	1989	FUEL TANK SENDING UNIT Truck, 3/4, 1-Ton, 292T, 350M, 454W Engines (Primary Tank) 3 Outlets	\$62.00	N
<b>GAUGE CLUSTER ASSEMBLY</b>				
44254	1947	GAUGE CLUSTER ASSEMBLY 6 Cylinder, 12 Volt, 0-60 Lbs. Oil Gauge, 100-220 Temperature Gauge	\$445.00	N
44253	1947	GAUGE CLUSTER ASSEMBLY 6 Cylinder, 6 Volt, 0-60 Lbs. Oil Gauge, 100-220 Temperature Gauge	\$445.00	N
44255	1947	GAUGE CLUSTER ASSEMBLY V/8, 12 Volt, 0-60 Lbs. Oil Gauge, 100-220 Temperature Gauge	\$445.00	N
44254	1948	GAUGE CLUSTER ASSEMBLY 6 Cylinder, 12 Volt, 0-60 Lbs. Oil Gauge, 100-220 Temperature Gauge	\$445.00	N
44253	1948	GAUGE CLUSTER ASSEMBLY 6 Cylinder, 6 Volt, 0-60 Lbs. Oil Gauge, 100-220 Temperature Gauge	\$445.00	N
44255	1948	GAUGE CLUSTER ASSEMBLY V/8, 12 Volt, 0-60 Lbs. Oil Gauge, 100-220 Temperature Gauge	\$445.00	N
44254	1949	GAUGE CLUSTER ASSEMBLY 6 Cylinder, 12 Volt, 0-60 Lbs. Oil Gauge, 100-220 Temperature Gauge	\$445.00	N
44253	1949	GAUGE CLUSTER ASSEMBLY 6 Cylinder, 6 Volt, 0-60 Lbs. Oil Gauge, 100-220 Temperature Gauge	\$445.00	N
44255	1949	GAUGE CLUSTER ASSEMBLY V/8, 12 Volt, 0-60 Lbs. Oil Gauge, 100-220 Temperature Gauge	\$445.00	N
44254	1950	GAUGE CLUSTER ASSEMBLY 6 Cylinder, 12 Volt, 0-60 Lbs. Oil Gauge, 100-220 Temperature Gauge	\$445.00	N
44253	1950	GAUGE CLUSTER ASSEMBLY 6 Cylinder, 6 Volt, 0-60 Lbs. Oil Gauge, 100-220 Temperature Gauge	\$445.00	N
44255	1950	GAUGE CLUSTER ASSEMBLY V/8, 12 Volt, 0-60 Lbs. Oil Gauge, 100-220 Temperature Gauge	\$445.00	N
44254	1951	GAUGE CLUSTER ASSEMBLY 6 Cylinder, 12 Volt, 0-60 Lbs. Oil Gauge, 100-220 Temperature Gauge	\$445.00	N
44253	1951	GAUGE CLUSTER ASSEMBLY 6 Cylinder, 6 Volt, 0-60 Lbs. Oil Gauge, 100-220 Temperature Gauge	\$445.00	N
44255	1951	GAUGE CLUSTER ASSEMBLY V/8, 12 Volt, 0-60 Lbs. Oil Gauge, 100-220 Temperature Gauge	\$445.00	N
44251	1952	GAUGE CLUSTER ASSEMBLY 6 Cylinder, 12 Volt, 0-30 Lbs. Oil Gauge, 100-212 Temperature Gauge, White Needle	\$445.00	N
44252	1952	GAUGE CLUSTER ASSEMBLY 6 Cylinder, 12 Volt, 0-30 Lbs. Oil Gauge, 100-220 Temperature Gauge, White Needle	\$445.00	N
44249	1952	GAUGE CLUSTER ASSEMBLY 6 Cylinder, 6 Volt, 0-30 Lbs. Oil Gauge, 100-212 Temperature Gauge, White Needle	\$445.00	N
44247	1952	GAUGE CLUSTER ASSEMBLY 6 Cylinder, 6 Volt, 0-30 Lbs. Oil Gauge, 100-220 Temperature Gauge, White Needle	\$445.00	N
44250	1952	GAUGE CLUSTER ASSEMBLY V/8, 12 Volt, 0-60 Lbs. Oil Gauge, 100-212 Temperature Gauge, White Needle	\$445.00	N
44248	1952	GAUGE CLUSTER ASSEMBLY V/8, 12 Volt, 0-60 Lbs. Oil Gauge, 100-220 Temperature Gauge, White Needle	\$445.00	N
44251	1953	GAUGE CLUSTER ASSEMBLY 6 Cylinder, 12 Volt, 0-30 Lbs. Oil Gauge, 100-212 Temperature Gauge, White Needle	\$445.00	N
44252	1953	GAUGE CLUSTER ASSEMBLY 6 Cylinder, 12 Volt, 0-30 Lbs. Oil Gauge, 100-220 Temperature Gauge, White Needle	\$445.00	N
44249	1953	GAUGE CLUSTER ASSEMBLY 6 Cylinder, 6 Volt, 0-30 Lbs. Oil Gauge, 100-212 Temperature Gauge, White Needle	\$445.00	N
44247	1953	GAUGE CLUSTER ASSEMBLY 6 Cylinder, 6 Volt, 0-30 Lbs. Oil Gauge, 100-220 Temperature Gauge, White Needle	\$445.00	N
44250	1953	GAUGE CLUSTER ASSEMBLY V/8, 12 Volt, 0-60 Lbs. Oil Gauge, 100-212 Temperature Gauge, White Needle	\$445.00	N
44248	1953	GAUGE CLUSTER ASSEMBLY V/8, 12 Volt, 0-60 Lbs. Oil Gauge, 100-220 Temperature Gauge, White Needle	\$445.00	N
44262	1967	GAUGE CLUSTER ASSEMBLY V/8, With Gauges & 5000 RPM Tachometer	\$707.00	N
44263	1967	GAUGE CLUSTER ASSEMBLY V/8, With Gauges & 8000 RPM Tachometer	\$707.00	N

Part Number	Year	Description	Price	*Rev.
06457882	1967	<b>GAUGE CLUSTER ASSEMBLY</b> With Gauges, Without Tachometer	\$584.00	N
44262	1968	<b>GAUGE CLUSTER ASSEMBLY</b> V/8, With Gauges & 5000 RPM Tachometer	\$707.00	N
44263	1968	<b>GAUGE CLUSTER ASSEMBLY</b> V/8, With Gauges & 8000 RPM Tachometer	\$707.00	N
06457882	1968	<b>GAUGE CLUSTER ASSEMBLY</b> With Gauges, Without Tachometer	\$584.00	N
06457909	1969	<b>GAUGE CLUSTER ASSEMBLY</b> V/8, With Gauges & 5000 RPM Tachometer Note: Complete Gauge Cluster Assembly, Assembled.	\$707.00	N
44264	1969	<b>GAUGE CLUSTER ASSEMBLY</b> V/8, With Gauges & 8000 RPM Tachometer Note: Complete Gauge Cluster Assembly, Assembled.	\$707.00	N
06458263	1969	<b>GAUGE CLUSTER ASSEMBLY</b> With Gauges, Without Tachometer Note: Complete Gauge Cluster Assembly, Assembled.	\$584.00	N
06457909	1970	<b>GAUGE CLUSTER ASSEMBLY</b> V/8, With Gauges & 5000 RPM Tachometer Note: Complete Gauge Cluster Assembly, Assembled.	\$707.00	N
44264	1970	<b>GAUGE CLUSTER ASSEMBLY</b> V/8, With Gauges & 8000 RPM Tachometer Note: Complete Gauge Cluster Assembly, Assembled.	\$707.00	N
06458263	1970	<b>GAUGE CLUSTER ASSEMBLY</b> With Gauges, Without Tachometer Note: Complete Gauge Cluster Assembly, Assembled.	\$584.00	N
06457909	1971	<b>GAUGE CLUSTER ASSEMBLY</b> V/8, With Gauges & 5000 RPM Tachometer Note: Complete Gauge Cluster Assembly, Assembled.	\$707.00	N
44264	1971	<b>GAUGE CLUSTER ASSEMBLY</b> V/8, With Gauges & 8000 RPM Tachometer Note: Complete Gauge Cluster Assembly, Assembled.	\$707.00	N
06458263	1971	<b>GAUGE CLUSTER ASSEMBLY</b> With Gauges, Without Tachometer Note: Complete Gauge Cluster Assembly, Assembled.	\$584.00	N
06457909	1972	<b>GAUGE CLUSTER ASSEMBLY</b> V/8, With Gauges & 5000 RPM Tachometer Note: Complete Gauge Cluster Assembly, Assembled.	\$707.00	N
44264	1972	<b>GAUGE CLUSTER ASSEMBLY</b> V/8, With Gauges & 8000 RPM Tachometer Note: Complete Gauge Cluster Assembly, Assembled.	\$707.00	N
06458263	1972	<b>GAUGE CLUSTER ASSEMBLY</b> With Gauges, Without Tachometer Note: Complete Gauge Cluster Assembly, Assembled.	\$584.00	N
<b>GROUND WIRE-DISTRIBUTOR POINT PLATE</b>				
38298	1967	<b>GROUND WIRE, DISTRIBUTOR POINT PLATE</b> From Distributor Point Plate To Distributor Housing Note: Replaces Spot Welded Wire Asm On Point Plate Side. Fits All GM V/8 Point Type Distributors From Approx. 1957-1974.	\$17.00	C
38298	1968	<b>GROUND WIRE, DISTRIBUTOR POINT PLATE</b> From Distributor Point Plate To Distributor Housing Note: Replaces Spot Welded Wire Asm On Point Plate Side. Fits All GM V/8 Point Type Distributors From Approx. 1957-1974.	\$17.00	C
38298	1969	<b>GROUND WIRE, DISTRIBUTOR POINT PLATE</b> From Distributor Point Plate To Distributor Housing Note: Replaces Spot Welded Wire Asm On Point Plate Side. Fits All GM V/8 Point Type Distributors From Approx. 1957-1974.	\$17.00	C
38298	1970	<b>GROUND WIRE, DISTRIBUTOR POINT PLATE</b> From Distributor Point Plate To Distributor Housing Note: Replaces Spot Welded Wire Asm On Point Plate Side. Fits All GM V/8 Point Type Distributors From Approx. 1957-1974.	\$17.00	C
38298	1971	<b>GROUND WIRE, DISTRIBUTOR POINT PLATE</b> From Distributor Point Plate To Distributor Housing Note: Replaces Spot Welded Wire Asm On Point Plate Side. Fits All GM V/8 Point Type Distributors From Approx. 1957-1974.	\$17.00	C
38298	1972	<b>GROUND WIRE, DISTRIBUTOR POINT PLATE</b> From Distributor Point Plate To Distributor Housing Note: Replaces Spot Welded Wire Asm On Point Plate Side. Fits All GM V/8 Point Type Distributors From Approx. 1957-1974.	\$17.00	C
38298	1973	<b>GROUND WIRE, DISTRIBUTOR POINT PLATE</b> From Distributor Point Plate To Distributor Housing Note: Replaces Spot Welded Wire Asm On Point Plate Side. Fits All GM V/8 Point Type Distributors From Approx. 1957-1974.	\$17.00	C
38298	1974	<b>GROUND WIRE, DISTRIBUTOR POINT PLATE</b> From Distributor Point Plate To Distributor Housing Note: Replaces Spot Welded Wire Asm On Point Plate Side. Fits All GM V/8 Point Type Distributors From Approx. 1957-1974.	\$17.00	C
<b>HARNESSTAPE</b>				
R0058272	1967	<b>HARNESSTAPE</b> 3/4" Vinyl (100 Ft. Roll) Non-Adhesive	\$12.00	
R0058276	1967	<b>HARNESSTAPE</b> 1" Vinyl (100 Ft. Roll) Non-Adhesive	\$13.00	

Part Number	Year	Description	Price	*Rev.
R0067108	1967	HARNESS TAPE 1 1/4" Vinyl (100 Ft. Roll) Non-Adhesive	\$15.00	
R0058272	1968	HARNESS TAPE 3/4" Vinyl (100 Ft. Roll) Non-Adhesive	\$12.00	
R0058276	1968	HARNESS TAPE 1" Vinyl (100 Ft. Roll) Non-Adhesive	\$13.00	
R0067108	1968	HARNESS TAPE 1 1/4" Vinyl (100 Ft. Roll) Non-Adhesive	\$15.00	
R0058272	1969	HARNESS TAPE 3/4" Vinyl (100 Ft. Roll) Non-Adhesive	\$12.00	
R0058276	1969	HARNESS TAPE 1" Vinyl (100 Ft. Roll) Non-Adhesive	\$13.00	
R0067108	1969	HARNESS TAPE 1 1/4" Vinyl (100 Ft. Roll) Non-Adhesive	\$15.00	
R0058272	1970	HARNESS TAPE 3/4" Vinyl (100 Ft. Roll) Non-Adhesive	\$12.00	
R0058276	1970	HARNESS TAPE 1" Vinyl (100 Ft. Roll) Non-Adhesive	\$13.00	
R0067108	1970	HARNESS TAPE 1 1/4" Vinyl (100 Ft. Roll) Non-Adhesive	\$15.00	
R0058272	1971	HARNESS TAPE 3/4" Vinyl (100 Ft. Roll) Non-Adhesive	\$12.00	
R0058276	1971	HARNESS TAPE 1" Vinyl (100 Ft. Roll) Non-Adhesive	\$13.00	
R0067108	1971	HARNESS TAPE 1 1/4" Vinyl (100 Ft. Roll) Non-Adhesive	\$15.00	
R0058272	1972	HARNESS TAPE 3/4" Vinyl (100 Ft. Roll) Non-Adhesive	\$12.00	
R0058276	1972	HARNESS TAPE 1" Vinyl (100 Ft. Roll) Non-Adhesive	\$13.00	
R0067108	1972	HARNESS TAPE 1 1/4" Vinyl (100 Ft. Roll) Non-Adhesive	\$15.00	
R0058272	1973	HARNESS TAPE 3/4" Vinyl (100 Ft. Roll) Non-Adhesive	\$12.00	
R0058276	1973	HARNESS TAPE 1" Vinyl (100 Ft. Roll) Non-Adhesive	\$13.00	
R0067108	1973	HARNESS TAPE 1 1/4" Vinyl (100 Ft. Roll) Non-Adhesive	\$15.00	
R0058272	1974	HARNESS TAPE 3/4" Vinyl (100 Ft. Roll) Non-Adhesive	\$12.00	
R0058276	1974	HARNESS TAPE 1" Vinyl (100 Ft. Roll) Non-Adhesive	\$13.00	
R0067108	1974	HARNESS TAPE 1 1/4" Vinyl (100 Ft. Roll) Non-Adhesive	\$15.00	
R0058272	1975	HARNESS TAPE 3/4" Vinyl (100 Ft. Roll) Non-Adhesive	\$12.00	
R0058276	1975	HARNESS TAPE 1" Vinyl (100 Ft. Roll) Non-Adhesive	\$13.00	
R0067108	1975	HARNESS TAPE 1 1/4" Vinyl (100 Ft. Roll) Non-Adhesive	\$15.00	
R0058272	1976	HARNESS TAPE 3/4" Vinyl (100 Ft. Roll) Non-Adhesive	\$12.00	
R0058276	1976	HARNESS TAPE 1" Vinyl (100 Ft. Roll) Non-Adhesive	\$13.00	
R0067108	1976	HARNESS TAPE 1 1/4" Vinyl (100 Ft. Roll) Non-Adhesive	\$15.00	
R0058272	1977	HARNESS TAPE 3/4" Vinyl (100 Ft. Roll) Non-Adhesive	\$12.00	
R0058276	1977	HARNESS TAPE 1" Vinyl (100 Ft. Roll) Non-Adhesive	\$13.00	
R0067108	1977	HARNESS TAPE 1 1/4" Vinyl (100 Ft. Roll) Non-Adhesive	\$15.00	
R0058272	1978	HARNESS TAPE 3/4" Vinyl (100 Ft. Roll) Non-Adhesive	\$12.00	
R0058276	1978	HARNESS TAPE 1" Vinyl (100 Ft. Roll) Non-Adhesive	\$13.00	
R0067108	1978	HARNESS TAPE 1 1/4" Vinyl (100 Ft. Roll) Non-Adhesive	\$15.00	
R0058272	1979	HARNESS TAPE 3/4" Vinyl (100 Ft. Roll) Non-Adhesive	\$12.00	
R0058276	1979	HARNESS TAPE 1" Vinyl (100 Ft. Roll) Non-Adhesive	\$13.00	
R0067108	1979	HARNESS TAPE 1 1/4" Vinyl (100 Ft. Roll) Non-Adhesive	\$15.00	
R0058272	1980	HARNESS TAPE 3/4" Vinyl (100 Ft. Roll) Non-Adhesive	\$12.00	
R0058276	1980	HARNESS TAPE 1" Vinyl (100 Ft. Roll) Non-Adhesive	\$13.00	
R0067108	1980	HARNESS TAPE 1 1/4" Vinyl (100 Ft. Roll) Non-Adhesive	\$15.00	
R0058272	1981	HARNESS TAPE 3/4" Vinyl (100 Ft. Roll) Non-Adhesive	\$12.00	M
R0058276	1981	HARNESS TAPE 1" Vinyl (100 Ft. Roll) Non-Adhesive	\$13.00	M
R0067108	1981	HARNESS TAPE 1 1/4" Vinyl (100 Ft. Roll) Non-Adhesive	\$15.00	M
R0058272	1982	HARNESS TAPE 3/4" Vinyl (100 Ft. Roll) Non-Adhesive	\$12.00	M
R0058276	1982	HARNESS TAPE 1" Vinyl (100 Ft. Roll) Non-Adhesive	\$13.00	M
R0067108	1982	HARNESS TAPE 1 1/4" Vinyl (100 Ft. Roll) Non-Adhesive	\$15.00	M
R0058272	1983	HARNESS TAPE 3/4" Vinyl (100 Ft. Roll) Non-Adhesive	\$12.00	M

Part Number	Year	Description	Price	*Rev.
R0058276	1983	<b>HARNESS TAPE</b> 1" Vinyl (100 Ft. Roll) Non-Adhesive	\$13.00	M
R0067108	1983	<b>HARNESS TAPE</b> 1 1/4" Vinyl (100 Ft. Roll) Non-Adhesive	\$15.00	M
R0058272	1984	<b>HARNESS TAPE</b> 3/4" Vinyl (100 Ft. Roll) Non-Adhesive	\$12.00	M
R0058276	1984	<b>HARNESS TAPE</b> 1" Vinyl (100 Ft. Roll) Non-Adhesive	\$13.00	M
R0067108	1984	<b>HARNESS TAPE</b> 1 1/4" Vinyl (100 Ft. Roll) Non-Adhesive	\$15.00	M
R0058272	1985	<b>HARNESS TAPE</b> 3/4" Vinyl (100 Ft. Roll) Non-Adhesive	\$12.00	M
R0058276	1985	<b>HARNESS TAPE</b> 1" Vinyl (100 Ft. Roll) Non-Adhesive	\$13.00	M
R0067108	1985	<b>HARNESS TAPE</b> 1 1/4" Vinyl (100 Ft. Roll) Non-Adhesive	\$15.00	M
R0058272	1986	<b>HARNESS TAPE</b> 3/4" Vinyl (100 Ft. Roll) Non-Adhesive	\$12.00	M
R0058276	1986	<b>HARNESS TAPE</b> 1" Vinyl (100 Ft. Roll) Non-Adhesive	\$13.00	M
R0067108	1986	<b>HARNESS TAPE</b> 1 1/4" Vinyl (100 Ft. Roll) Non-Adhesive	\$15.00	M
R0058272	1987	<b>HARNESS TAPE</b> 3/4" Vinyl (100 Ft. Roll) Non-Adhesive	\$12.00	M
R0058276	1987	<b>HARNESS TAPE</b> 1" Vinyl (100 Ft. Roll) Non-Adhesive	\$13.00	M
R0067108	1987	<b>HARNESS TAPE</b> 1 1/4" Vinyl (100 Ft. Roll) Non-Adhesive	\$15.00	M
R0058272	1988	<b>HARNESS TAPE</b> 3/4" Vinyl (100 Ft. Roll) Non-Adhesive	\$12.00	M
R0058276	1988	<b>HARNESS TAPE</b> 1" Vinyl (100 Ft. Roll) Non-Adhesive	\$13.00	M
R0067108	1988	<b>HARNESS TAPE</b> 1 1/4" Vinyl (100 Ft. Roll) Non-Adhesive	\$15.00	M
R0058272	1989	<b>HARNESS TAPE</b> 3/4" Vinyl (100 Ft. Roll) Non-Adhesive	\$12.00	M
R0058276	1989	<b>HARNESS TAPE</b> 1" Vinyl (100 Ft. Roll) Non-Adhesive	\$13.00	M
R0067108	1989	<b>HARNESS TAPE</b> 1 1/4" Vinyl (100 Ft. Roll) Non-Adhesive	\$15.00	M
R0058272	1990	<b>HARNESS TAPE</b> 3/4" Vinyl (100 Ft. Roll) Non-Adhesive	\$12.00	M
R0058276	1990	<b>HARNESS TAPE</b> 1" Vinyl (100 Ft. Roll) Non-Adhesive	\$13.00	M
R0067108	1990	<b>HARNESS TAPE</b> 1 1/4" Vinyl (100 Ft. Roll) Non-Adhesive	\$15.00	M
R0058272	1991	<b>HARNESS TAPE</b> 3/4" Vinyl (100 Ft. Roll) Non-Adhesive	\$12.00	M
R0058276	1991	<b>HARNESS TAPE</b> 1" Vinyl (100 Ft. Roll) Non-Adhesive	\$13.00	M
R0067108	1991	<b>HARNESS TAPE</b> 1 1/4" Vinyl (100 Ft. Roll) Non-Adhesive	\$15.00	M
<b>HEADLAMP DIMMER SWITCH</b>				
07844166	1984	<b>HEADLAMP DIMMER SWITCH</b> Column Mounted	\$13.00	N
07844166	1985	<b>HEADLAMP DIMMER SWITCH</b> Column Mounted	\$13.00	N
07844166	1986	<b>HEADLAMP DIMMER SWITCH</b> Column Mounted	\$13.00	N
07844166	1987	<b>HEADLAMP DIMMER SWITCH</b> Column Mounted Note: RV Model, Square Body Style.	\$13.00	N
07844166	1988	<b>HEADLAMP DIMMER SWITCH</b> Column Mounted Note: RV Model, Square Body Style.	\$13.00	N
07844166	1989	<b>HEADLAMP DIMMER SWITCH</b> Column Mounted Note: RV Model, Square Body Style.	\$13.00	N
07844166	1990	<b>HEADLAMP DIMMER SWITCH</b> Column Mounted Note: RV Model, Square Body Style.	\$13.00	N
07844166	1991	<b>HEADLAMP DIMMER SWITCH</b> Column Mounted Note: RV Model, Square Body Style.	\$13.00	N
<b>HEADLIGHT SWITCH</b>				
01995216	1973	<b>HEADLIGHT SWITCH</b>	\$20.00	N
01995216	1974	<b>HEADLIGHT SWITCH</b>	\$20.00	N
01995216	1975	<b>HEADLIGHT SWITCH</b>	\$20.00	N
01995216	1976	<b>HEADLIGHT SWITCH</b>	\$20.00	N
01995216	1977	<b>HEADLIGHT SWITCH</b>	\$20.00	N
01995216	1978	<b>HEADLIGHT SWITCH</b>	\$20.00	N

Part Number	Year	Description	Price	*Rev.
01995216	1979	HEADLIGHT SWITCH	\$20.00	N
01995216	1980	HEADLIGHT SWITCH	\$20.00	N
01995216	1981	HEADLIGHT SWITCH	\$20.00	N
01995216	1982	HEADLIGHT SWITCH	\$20.00	N
01995216	1983	HEADLIGHT SWITCH	\$20.00	N
01995216	1984	HEADLIGHT SWITCH	\$20.00	N
01995216	1985	HEADLIGHT SWITCH	\$20.00	N
01995216	1986	HEADLIGHT SWITCH	\$20.00	N
01995216	1987	HEADLIGHT SWITCH RV Body Style	\$20.00	N
01995216	1988	HEADLIGHT SWITCH RV Body Style	\$20.00	N
01995216	1989	HEADLIGHT SWITCH RV Body Style	\$20.00	N
01995216	1990	HEADLIGHT SWITCH RV Body Style	\$20.00	N
01995216	1991	HEADLIGHT SWITCH RV Body Style	\$20.00	N
<b>HEATER BLOWER MOTOR RESISTOR</b>				
03929052	1982	HEATER BLOWER MOTOR RESISTOR Suburban, Auxiliary Blower Motor, Without A/C	\$15.00	N
03929052	1983	HEATER BLOWER MOTOR RESISTOR Suburban, Auxiliary Blower Motor, Without A/C	\$15.00	N
03929052	1984	HEATER BLOWER MOTOR RESISTOR Suburban, Auxiliary Blower Motor, Without A/C	\$15.00	N
03929052	1985	HEATER BLOWER MOTOR RESISTOR Suburban, Auxiliary Blower Motor, Without A/C	\$15.00	N
03929052	1986	HEATER BLOWER MOTOR RESISTOR Suburban, Auxiliary Blower Motor, Without A/C	\$15.00	N
03929052	1987	HEATER BLOWER MOTOR RESISTOR Suburban, Auxiliary Blower Motor, Without A/C	\$15.00	N
03929052	1988	HEATER BLOWER MOTOR RESISTOR Suburban, Auxiliary Blower Motor, Without A/C	\$15.00	N
03929052	1989	HEATER BLOWER MOTOR RESISTOR Suburban, Auxiliary Blower Motor, Without A/C	\$15.00	N
03929052	1990	HEATER BLOWER MOTOR RESISTOR Suburban, Auxiliary Blower Motor, Without A/C	\$15.00	N
03929052	1991	HEATER BLOWER MOTOR RESISTOR Suburban, Auxiliary Blower Motor, Without A/C	\$15.00	N
<b>HEATER HARNESS</b>				
39707	1973	HEATER HARNESS Except Heavy Duty Heater, Without A/C, (For Use With 3 Terminal Heater Resistor)	\$80.00	M
39305	1973	HEATER HARNESS With Heavy Duty Heater, Without A/C, (For Use With 4 Terminal Heater Resistor)	\$94.00	M
39707	1974	HEATER HARNESS Except Heavy Duty Heater, Without A/C, (For Use With 3 Terminal Heater Resistor)	\$80.00	M
39305	1974	HEATER HARNESS With Heavy Duty Heater, Without A/C, (For Use With 4 Terminal Heater Resistor)	\$94.00	M
39707	1975	HEATER HARNESS Except Heavy Duty Heater, Without A/C, (For Use With 3 Terminal Heater Resistor)	\$80.00	M
39305	1975	HEATER HARNESS With Heavy Duty Heater, Without A/C, (For Use With 4 Terminal Heater Resistor)	\$94.00	M
39707	1976	HEATER HARNESS Except Heavy Duty Heater, Without A/C, (For Use With 3 Terminal Heater Resistor)	\$80.00	M
39305	1976	HEATER HARNESS With Heavy Duty Heater, Without A/C, (For Use With 4 Terminal Heater Resistor)	\$94.00	M
39815	1976	HEATER HARNESS All Suburban, & 2 Wheel Drive Blazer & Jimmy, With Rear Auxiliary Heater	\$87.00	M
39707	1977	HEATER HARNESS Except Heavy Duty Heater, Without A/C, (For Use With 3 Terminal Heater Resistor)	\$80.00	M
39305	1977	HEATER HARNESS With Heavy Duty Heater, Without A/C, (For Use With 4 Terminal Heater Resistor)	\$94.00	M
39815	1977	HEATER HARNESS All Suburban, & 2 Wheel Drive Blazer & Jimmy, With Rear Auxiliary Heater	\$87.00	M
39707	1978	HEATER HARNESS Except Heavy Duty Heater, Without A/C, (For Use With 3 Terminal Heater Resistor)	\$80.00	M



Part Number	Year	Description	Price	*Rev.
39305	1978	<b>HEATER HARNESS</b> With Heavy Duty Heater, Without A/C, (For Use With 4 Terminal Heater Resistor)	\$94.00	M
39815	1978	<b>HEATER HARNESS</b> All Suburban, & 2 Wheel Drive Blazer & Jimmy, With Rear Auxiliary Heater	\$87.00	M
39707	1979	<b>HEATER HARNESS</b> Except Heavy Duty Heater, Without A/C, (For Use With 3 Terminal Heater Resistor)	\$80.00	M
39305	1979	<b>HEATER HARNESS</b> With Heavy Duty Heater, Without A/C, (For Use With 4 Terminal Heater Resistor)	\$94.00	M
39910	1979	<b>HEATER HARNESS</b> All Suburban, & 2 Wheel Drive Blazer & Jimmy, With Rear Auxiliary Heater	\$87.00	M
39707	1980	<b>HEATER HARNESS</b> Except Heavy Duty Heater, Without A/C, (For Use With 3 Terminal Heater Resistor)	\$80.00	M
39305	1980	<b>HEATER HARNESS</b> With Heavy Duty Heater, Without A/C, (For Use With 4 Terminal Heater Resistor)	\$94.00	M
39910	1980	<b>HEATER HARNESS</b> All Suburban, & 2 Wheel Drive Blazer & Jimmy, With Rear Auxiliary Heater	\$87.00	M
39910	1981	<b>HEATER HARNESS</b> All Suburban, & 2 Wheel Drive Blazer & Jimmy, With Rear Auxiliary Heater	\$87.00	M
39934	1981	<b>HEATER HARNESS</b> Except Heavy Duty Heater, Without A/C, (For Use With 3 Terminal Heater Resistor)	\$80.00	M
39935	1981	<b>HEATER HARNESS</b> With Heavy Duty Heater, Without A/C, (For Use With 4 Terminal Heater Resistor)	\$87.00	M
39934	1982	<b>HEATER HARNESS</b> Except Heavy Duty Heater, Without A/C, (For Use With 3 Terminal Heater Resistor)	\$80.00	M
39935	1982	<b>HEATER HARNESS</b> With Heavy Duty Heater, Without A/C, (For Use With 4 Terminal Heater Resistor)	\$87.00	M
<b>HORN WIRE</b>				
39706	1974	<b>HORN WIRE</b> Used With Hi Note Horn	\$30.00	M
39789	1975	<b>HORN WIRE</b> Used With Hi Note Horn	\$30.00	M
<b>IDLE SPEED SWITCH HARNESS</b>				
37523	1979	<b>IDLE SPEED SWITCH HARNESS</b> 1-Ton Truck, With V/8	\$66.00	M
37523	1980	<b>IDLE SPEED SWITCH HARNESS</b> 1-Ton Truck, With V/8	\$66.00	M
<b>IDLE STOP SOLENOID JUMPER WIRE</b>				
40013	1982	<b>IDLE STOP SOLENOID JUMPER WIRE</b> Idle Stop Solenoid To A/C Harness	\$26.00	M
<b>IGNITION BALLAST RESISTOR</b>				
01957154	1955	<b>IGNITION BALLAST RESISTOR</b> All, 12 Volt	\$12.00	N
01957154	1956	<b>IGNITION BALLAST RESISTOR</b> All	\$12.00	N
01957154	1957	<b>IGNITION BALLAST RESISTOR</b> All	\$12.00	N
01957154	1958	<b>IGNITION BALLAST RESISTOR</b> All	\$12.00	N
01957154	1959	<b>IGNITION BALLAST RESISTOR</b> All	\$12.00	N
<b>IGNITION CYLINDER AND KEYS</b>				
20071252	1973	<b>IGNITION CYLINDER AND KEYS</b> Chrome, All	\$18.50	N
20071252	1974	<b>IGNITION CYLINDER AND KEYS</b> Chrome, All	\$18.50	N
20071252	1975	<b>IGNITION CYLINDER AND KEYS</b> Chrome, All	\$18.50	N
20071252	1976	<b>IGNITION CYLINDER AND KEYS</b> Chrome, All	\$18.50	N
20071252	1977	<b>IGNITION CYLINDER AND KEYS</b> Chrome, All	\$18.50	N
20071252	1978	<b>IGNITION CYLINDER AND KEYS</b> Chrome, All, 1st Design, Used On Columns Without Lock Cylinder Retaining Screw	\$18.50	N
07833759	1978	<b>IGNITION CYLINDER AND KEYS</b> Chrome, All, 2nd Design, Used On Columns With Lock Cylinder Retaining Screw	\$18.50	N
07833759	1979	<b>IGNITION CYLINDER AND KEYS</b> Chrome, All	\$18.50	N

Part Number	Year	Description	Price	*Rev.
07833759	1980	IGNITION CYLINDER AND KEYS Chrome, All	\$18.50	N
07833759	1981	IGNITION CYLINDER AND KEYS Chrome, All	\$18.50	N
07833759	1982	IGNITION CYLINDER AND KEYS Chrome, All	\$18.50	N
07833759	1983	IGNITION CYLINDER AND KEYS Chrome, All	\$18.50	N
07833759	1984	IGNITION CYLINDER AND KEYS Chrome, All	\$18.50	N
07833759	1985	IGNITION CYLINDER AND KEYS Chrome, All	\$18.50	N
07833759	1986	IGNITION CYLINDER AND KEYS Chrome, All	\$18.50	N
07833759	1987	IGNITION CYLINDER AND KEYS Chrome, All	\$18.50	N
07833759	1988	IGNITION CYLINDER AND KEYS Chrome, All	\$18.50	N
07833759	1989	IGNITION CYLINDER AND KEYS Chrome, All	\$18.50	N
07833759	1990	IGNITION CYLINDER AND KEYS Chrome, All	\$18.50	N
07833759	1991	IGNITION CYLINDER AND KEYS Chrome, All	\$18.50	N
<b>IGNITION SWITCH</b>				
01116570	1957	IGNITION SWITCH 6 Cylinder, With Automatic Transmission	\$62.00	N
01116570	1957	IGNITION SWITCH V/8	\$62.00	N
01116570	1958	IGNITION SWITCH 6 Cylinder, With Automatic Transmission	\$62.00	N
01116570	1958	IGNITION SWITCH V/8	\$62.00	N
01116570	1959	IGNITION SWITCH 6 Cylinder, With Automatic Transmission	\$62.00	N
01116570	1959	IGNITION SWITCH V/8	\$62.00	N
44206	1960	IGNITION SWITCH KIT Note: Includes Wiring Adapter, Ignition Switch And Instructions.	\$54.00	N
44206	1961	IGNITION SWITCH KIT Note: Includes Wiring Adapter, Ignition Switch And Instructions.	\$54.00	N
01116626	1962	IGNITION SWITCH	\$24.00	M
01116626	1963	IGNITION SWITCH	\$24.00	M
01116626	1964	IGNITION SWITCH	\$24.00	M
01116626	1965	IGNITION SWITCH	\$24.00	M
01116626	1966	IGNITION SWITCH	\$24.00	M
01990110	1973	IGNITION SWITCH All, With Tilt	\$14.00	N
01990110	1974	IGNITION SWITCH All, With Tilt	\$14.00	N
01990110	1975	IGNITION SWITCH All, With Tilt	\$14.00	N
01990110	1976	IGNITION SWITCH All, With Tilt	\$14.00	N
01990110	1977	IGNITION SWITCH All, With Tilt	\$14.00	N
01990110	1978	IGNITION SWITCH All, With Tilt	\$14.00	N
01990110	1979	IGNITION SWITCH All, With Tilt	\$14.00	N
01990110	1980	IGNITION SWITCH All, With Tilt	\$14.00	N
01990110	1981	IGNITION SWITCH All, With Tilt	\$14.00	N
01990110	1982	IGNITION SWITCH All, With Tilt	\$14.00	N
01990110	1983	IGNITION SWITCH All, With Tilt	\$14.00	N
01990110	1984	IGNITION SWITCH All, With Tilt	\$14.00	N
01990110	1985	IGNITION SWITCH All, With Tilt	\$14.00	N
01990110	1986	IGNITION SWITCH All, With Tilt	\$14.00	N
01990110	1987	IGNITION SWITCH All, With Tilt Note: Used On R & V Body Styles.	\$14.00	N
01990110	1988	IGNITION SWITCH All, With Tilt Note: Used On R & V Body Styles.	\$14.00	N

Part Number	Year	Description	Price	*Rev.
01990110	1989	<b>IGNITION SWITCH</b> All, With Tilt Note: Used On R & V Body Styles.	\$14.00	N
01990110	1990	<b>IGNITION SWITCH</b> All, With Tilt Note: Used On R & V Body Styles.	\$14.00	N
01990110	1991	<b>IGNITION SWITCH</b> All, With Tilt Note: Used On R & V Body Styles.	\$14.00	N
01990110	1992	<b>IGNITION SWITCH</b> All, With Tilt	\$14.00	N
01990110	1993	<b>IGNITION SWITCH</b> All, With Tilt	\$14.00	N
01990110	1994	<b>IGNITION SWITCH</b> All, With Tilt	\$14.00	N
<b>INSTRUMENT GAUGE CLUSTER CLIP KIT</b>				
08986000	1973	<b>CLIP KIT</b> All, Instrument Gauge Cluster / Printed Circuit Board Retaining Clip Note: Replaces Original GM Part Number 08986000, Includes 12 Clips Per Kit.	\$14.00	N
08986000	1974	<b>CLIP KIT</b> All, Instrument Gauge Cluster / Printed Circuit Board Retaining Clip Note: Replaces Original GM Part Number 08986000, Includes 12 Clips Per Kit.	\$14.00	N
08986000	1975	<b>CLIP KIT</b> All, Instrument Gauge Cluster / Printed Circuit Board Retaining Clip Note: Replaces Original GM Part Number 08986000, Includes 12 Clips Per Kit.	\$14.00	N
08986000	1976	<b>CLIP KIT</b> All, Instrument Gauge Cluster / Printed Circuit Board Retaining Clip Note: Replaces Original GM Part Number 08986000, Includes 12 Clips Per Kit.	\$14.00	N
08986000	1977	<b>CLIP KIT</b> All, Instrument Gauge Cluster / Printed Circuit Board Retaining Clip Note: Replaces Original GM Part Number 08986000, Includes 12 Clips Per Kit.	\$14.00	N
08986000	1978	<b>CLIP KIT</b> All, Instrument Gauge Cluster / Printed Circuit Board Retaining Clip Note: Replaces Original GM Part Number 08986000, Includes 12 Clips Per Kit.	\$14.00	N
08986000	1979	<b>CLIP KIT</b> All, Instrument Gauge Cluster / Printed Circuit Board Retaining Clip Note: Replaces Original GM Part Number 08986000, Includes 12 Clips Per Kit.	\$14.00	N
08986000	1980	<b>CLIP KIT</b> All, Instrument Gauge Cluster / Printed Circuit Board Retaining Clip Note: Replaces Original GM Part Number 08986000, Includes 12 Clips Per Kit.	\$14.00	N
08986000	1981	<b>CLIP KIT</b> All, Instrument Gauge Cluster / Printed Circuit Board Retaining Clip Note: Replaces Original GM Part Number 08986000, Includes 12 Clips Per Kit.	\$14.00	N
08986000	1982	<b>CLIP KIT</b> All, Instrument Gauge Cluster / Printed Circuit Board Retaining Clip Note: Replaces Original GM Part Number 08986000, Includes 12 Clips Per Kit.	\$14.00	N
08986000	1983	<b>CLIP KIT</b> All, Instrument Gauge Cluster / Printed Circuit Board Retaining Clip Note: Replaces Original GM Part Number 08986000, Includes 12 Clips Per Kit.	\$14.00	N
08986000	1984	<b>CLIP KIT</b> All, Instrument Gauge Cluster / Printed Circuit Board Retaining Clip Note: Replaces Original GM Part Number 08986000, Includes 12 Clips Per Kit.	\$14.00	N
08986000	1985	<b>CLIP KIT</b> All, Instrument Gauge Cluster / Printed Circuit Board Retaining Clip Note: Replaces Original GM Part Number 08986000, Includes 12 Clips Per Kit.	\$14.00	N
08986000	1986	<b>CLIP KIT</b> All, Instrument Gauge Cluster / Printed Circuit Board Retaining Clip Note: Replaces Original GM Part Number 08986000, Includes 12 Clips Per Kit.	\$14.00	N

Part Number	Year	Description	Price	*Rev.
08986000	1987	<b>CLIP KIT</b> All, Instrument Gauge Cluster / Printed Circuit Board Retaining Clip Note: Replaces Original GM Part Number 08986000, Includes 12 Clips Per Kit.	\$14.00	N
08986000	1988	<b>CLIP KIT</b> All, Instrument Gauge Cluster / Printed Circuit Board Retaining Clip Note: Replaces Original GM Part Number 08986000, Includes 12 Clips Per Kit.	\$14.00	N
08986000	1989	<b>CLIP KIT</b> All, Instrument Gauge Cluster / Printed Circuit Board Retaining Clip Note: Replaces Original GM Part Number 08986000, Includes 12 Clips Per Kit.	\$14.00	N
08986000	1990	<b>CLIP KIT</b> All, Instrument Gauge Cluster / Printed Circuit Board Retaining Clip Note: Replaces Original GM Part Number 08986000, Includes 12 Clips Per Kit.	\$14.00	N
<b>INSTRUMENT GAUGE CLUSTER LENS</b>				
06458266	1967	<b>INSTRUMENT GAUGE CLUSTER LENS</b> With Gauges & Tachometer, Without Vacuum Gauge	\$44.00	N
44274	1967	<b>INSTRUMENT GAUGE CLUSTER LENS</b> With Gauges, Tachometer & Vacuum Gauge	\$44.00	N
06458264	1967	<b>INSTRUMENT GAUGE CLUSTER LENS</b> With Gauges, Without Tachometer Or Vacuum Gauge	\$44.00	N
06430776	1967	<b>INSTRUMENT GAUGE CLUSTER LENS</b> With Warning Lights	\$40.00	N
06458266	1968	<b>INSTRUMENT GAUGE CLUSTER LENS</b> With Gauges & Tachometer, Without Vacuum Gauge	\$44.00	N
44274	1968	<b>INSTRUMENT GAUGE CLUSTER LENS</b> With Gauges, Tachometer & Vacuum Gauge	\$44.00	N
06458264	1968	<b>INSTRUMENT GAUGE CLUSTER LENS</b> With Gauges, Without Tachometer Or Vacuum Gauge	\$44.00	N
06430776	1968	<b>INSTRUMENT GAUGE CLUSTER LENS</b> With Warning Lights	\$40.00	N
06458266	1969	<b>INSTRUMENT GAUGE CLUSTER LENS</b> With Gauges & Tachometer, Without Vacuum Gauge	\$44.00	N
44274	1969	<b>INSTRUMENT GAUGE CLUSTER LENS</b> With Gauges, Tachometer & Vacuum Gauge	\$44.00	N
06458264	1969	<b>INSTRUMENT GAUGE CLUSTER LENS</b> With Gauges, Without Tachometer Or Vacuum Gauge	\$44.00	N
06430776	1969	<b>INSTRUMENT GAUGE CLUSTER LENS</b> With Warning Lights	\$40.00	N
06458266	1970	<b>INSTRUMENT GAUGE CLUSTER LENS</b> With Gauges & Tachometer, Without Vacuum Gauge	\$44.00	N
44274	1970	<b>INSTRUMENT GAUGE CLUSTER LENS</b> With Gauges, Tachometer & Vacuum Gauge	\$44.00	N
06458264	1970	<b>INSTRUMENT GAUGE CLUSTER LENS</b> With Gauges, Without Tachometer Or Vacuum Gauge	\$44.00	N
06430776	1970	<b>INSTRUMENT GAUGE CLUSTER LENS</b> With Warning Lights	\$40.00	N
06458266	1971	<b>INSTRUMENT GAUGE CLUSTER LENS</b> With Gauges & Tachometer, Without Vacuum Gauge	\$44.00	N
44274	1971	<b>INSTRUMENT GAUGE CLUSTER LENS</b> With Gauges, Tachometer & Vacuum Gauge	\$44.00	N
06458264	1971	<b>INSTRUMENT GAUGE CLUSTER LENS</b> With Gauges, Without Tachometer Or Vacuum Gauge	\$44.00	N
06430776	1971	<b>INSTRUMENT GAUGE CLUSTER LENS</b> With Warning Lights	\$40.00	N
06458266	1972	<b>INSTRUMENT GAUGE CLUSTER LENS</b> With Gauges & Tachometer, Without Vacuum Gauge	\$44.00	N
44274	1972	<b>INSTRUMENT GAUGE CLUSTER LENS</b> With Gauges, Tachometer & Vacuum Gauge	\$44.00	N
06458264	1972	<b>INSTRUMENT GAUGE CLUSTER LENS</b> With Gauges, Without Tachometer Or Vacuum Gauge	\$44.00	N
06430776	1972	<b>INSTRUMENT GAUGE CLUSTER LENS</b> With Warning Lights	\$40.00	N
25017378	1973	<b>INSTRUMENT GAUGE CLUSTER LENS</b> With Gauges & Clock	\$50.00	N
06497473	1973	<b>INSTRUMENT GAUGE CLUSTER LENS</b> With Gauges, Without Clock	\$50.00	N
06497472	1973	<b>INSTRUMENT GAUGE CLUSTER LENS</b> With Warning Lights	\$47.00	N
25017378	1974	<b>INSTRUMENT GAUGE CLUSTER LENS</b> With Gauges & Clock	\$50.00	N
06497473	1974	<b>INSTRUMENT GAUGE CLUSTER LENS</b> With Gauges, Without Clock	\$50.00	N
06497472	1974	<b>INSTRUMENT GAUGE CLUSTER LENS</b> With Warning Lights	\$47.00	N
25017378	1975	<b>INSTRUMENT GAUGE CLUSTER LENS</b> With Gauges & Clock	\$50.00	N
06497473	1975	<b>INSTRUMENT GAUGE CLUSTER LENS</b> With Gauges, Without Clock	\$50.00	N
06497472	1975	<b>INSTRUMENT GAUGE CLUSTER LENS</b> With Warning Lights	\$47.00	N
25017378	1976	<b>INSTRUMENT GAUGE CLUSTER LENS</b> With Gauges & Clock	\$50.00	N
06497473	1976	<b>INSTRUMENT GAUGE CLUSTER LENS</b> With Gauges, Without Clock	\$50.00	N

Part Number	Year	Description	Price	*Rev.
06497472	1976	INSTRUMENT GAUGE CLUSTER LENS With Warning Lights	\$47.00	N
25017378	1977	INSTRUMENT GAUGE CLUSTER LENS With Gauges & Clock	\$50.00	N
06497473	1977	INSTRUMENT GAUGE CLUSTER LENS With Gauges, Without Clock	\$50.00	N
06497472	1977	INSTRUMENT GAUGE CLUSTER LENS With Warning Lights	\$47.00	N
25017378	1978	INSTRUMENT GAUGE CLUSTER LENS With Gauges & Clock	\$50.00	N
06497473	1978	INSTRUMENT GAUGE CLUSTER LENS With Gauges, Without Clock	\$50.00	N
06497472	1978	INSTRUMENT GAUGE CLUSTER LENS With Warning Lights	\$47.00	N
25017378	1979	INSTRUMENT GAUGE CLUSTER LENS With Gauges & Clock	\$50.00	N
06497473	1979	INSTRUMENT GAUGE CLUSTER LENS With Gauges, Without Clock	\$50.00	N
06497472	1979	INSTRUMENT GAUGE CLUSTER LENS With Warning Lights	\$47.00	N
25017378	1980	INSTRUMENT GAUGE CLUSTER LENS With Gauges & Clock	\$50.00	N
06497473	1980	INSTRUMENT GAUGE CLUSTER LENS With Gauges, Without Clock	\$50.00	N
06497472	1980	INSTRUMENT GAUGE CLUSTER LENS With Warning Lights	\$47.00	N
25044306	1981	INSTRUMENT GAUGE CLUSTER LENS With Gauges & Clock	\$50.00	N
06497473	1981	INSTRUMENT GAUGE CLUSTER LENS With Gauges, Without Clock	\$50.00	N
06497472	1981	INSTRUMENT GAUGE CLUSTER LENS With Warning Lights	\$47.00	N
25044306	1982	INSTRUMENT GAUGE CLUSTER LENS With Gauges & Clock	\$50.00	N
06497473	1982	INSTRUMENT GAUGE CLUSTER LENS With Gauges, Without Clock	\$50.00	N
06497472	1982	INSTRUMENT GAUGE CLUSTER LENS With Warning Lights	\$47.00	N
25044306	1983	INSTRUMENT GAUGE CLUSTER LENS With Gauges & Clock	\$50.00	N
06497473	1983	INSTRUMENT GAUGE CLUSTER LENS With Gauges, Without Clock	\$50.00	N
06497472	1983	INSTRUMENT GAUGE CLUSTER LENS With Warning Lights	\$47.00	N
25044306	1984	INSTRUMENT GAUGE CLUSTER LENS With Gauges & Clock	\$50.00	N
06497473	1984	INSTRUMENT GAUGE CLUSTER LENS With Gauges, Without Clock	\$50.00	N
06497472	1984	INSTRUMENT GAUGE CLUSTER LENS With Warning Lights	\$47.00	N
25044306	1985	INSTRUMENT GAUGE CLUSTER LENS With Gauges & Clock	\$50.00	N
06497473	1985	INSTRUMENT GAUGE CLUSTER LENS With Gauges, Without Clock	\$50.00	N
06497472	1985	INSTRUMENT GAUGE CLUSTER LENS With Warning Lights	\$47.00	N
25044306	1986	INSTRUMENT GAUGE CLUSTER LENS With Gauges & Clock	\$50.00	N
06497473	1986	INSTRUMENT GAUGE CLUSTER LENS With Gauges, Without Clock	\$50.00	N
06497472	1986	INSTRUMENT GAUGE CLUSTER LENS With Warning Lights	\$47.00	N
25044306	1987	INSTRUMENT GAUGE CLUSTER LENS With Gauges & Clock	\$50.00	N
06497473	1987	INSTRUMENT GAUGE CLUSTER LENS With Gauges, Without Clock	\$50.00	N
06497472	1987	INSTRUMENT GAUGE CLUSTER LENS With Warning Lights	\$47.00	N
<b>INSTRUMENT GAUGE DASH BEZEL</b>				
01500923	1947	INSTRUMENT GAUGE DASH BEZEL Chrome Note: 2 Required Per Vehicle.	\$12.00	N
01500923	1948	INSTRUMENT GAUGE DASH BEZEL Chrome Note: 2 Required Per Vehicle.	\$12.00	N
01500923	1949	INSTRUMENT GAUGE DASH BEZEL Chrome Note: 2 Required Per Vehicle.	\$12.00	N
01500923	1950	INSTRUMENT GAUGE DASH BEZEL Chrome Note: 2 Required Per Vehicle.	\$12.00	N
01500923	1951	INSTRUMENT GAUGE DASH BEZEL Chrome Note: 2 Required Per Vehicle.	\$12.00	N
01500923	1952	INSTRUMENT GAUGE DASH BEZEL Chrome Note: 2 Required Per Vehicle.	\$12.00	N

Part Number	Year	Description	Price	*Rev.
01500923	1953	<b>INSTRUMENT GAUGE DASH BEZEL</b> Chrome Note: 2 Required Per Vehicle.	\$12.00	N
06482927	1967	<b>INSTRUMENT GAUGE DASH BEZEL</b> With Gauges, Black With Chrome Trim	\$54.00	N
06482927	1968	<b>INSTRUMENT GAUGE DASH BEZEL</b> With Gauges, Black With Chrome Trim	\$54.00	N
06491404	1969	<b>INSTRUMENT GAUGE DASH BEZEL</b> With Gauges, Black With Chrome Trim	\$54.00	N
06491402	1969	<b>INSTRUMENT GAUGE DASH BEZEL</b> Without Gauges, Black With Chrome Trim	\$50.00	N
06491404	1970	<b>INSTRUMENT GAUGE DASH BEZEL</b> With Gauges, Black With Chrome Trim	\$54.00	N
06491402	1970	<b>INSTRUMENT GAUGE DASH BEZEL</b> Without Gauges, Black With Chrome Trim	\$50.00	N
06491404	1971	<b>INSTRUMENT GAUGE DASH BEZEL</b> With Gauges, Black With Chrome Trim	\$54.00	N
06491402	1971	<b>INSTRUMENT GAUGE DASH BEZEL</b> Without Gauges, Black With Chrome Trim	\$50.00	N
06491404	1972	<b>INSTRUMENT GAUGE DASH BEZEL</b> With Gauges, Black With Chrome Trim	\$54.00	N
06491402	1972	<b>INSTRUMENT GAUGE DASH BEZEL</b> Without Gauges, Black With Chrome Trim	\$50.00	N
<b>KICKDOWN HARNESS</b>				
39721	1973	<b>KICKDOWN EXTENSION HARNESS</b> With 454 V/8 & 400 Trans, Transmission Switch To Dash Kickdown Harness	\$41.00	M
39722	1973	<b>KICKDOWN HARNESS</b> With 454 V/8 & TH400 Trans, Dash Side	\$67.00	M
39722	1974	<b>KICKDOWN HARNESS</b> With 454 V/8 & TH400 Trans, Dash Side	\$67.00	M
39721	1974	<b>KICKDOWN EXTENSION HARNESS</b> With 454 V/8 & TH400 Trans, Transmission Switch To Kickdown Harness	\$41.00	M
39786	1975	<b>KICKDOWN HARNESS</b> With 454 V/8 & TH400 Trans, Dash Side	\$67.00	M
39360	1975	<b>KICKDOWN EXTENSION HARNESS</b> With 454 V/8 & TH400 Trans, Transmission Switch To Kickdown Harness	\$41.00	M
39786	1976	<b>KICKDOWN HARNESS</b> With 454 V/8 & TH400 Trans, Dash Side	\$67.00	M
39360	1976	<b>KICKDOWN EXTENSION HARNESS</b> With 454 V/8 & TH400 Trans, Transmission Switch To Kickdown Harness	\$41.00	M
39786	1977	<b>KICKDOWN HARNESS</b> With 454 V/8 & TH400 Trans, Dash Side	\$67.00	M
39360	1977	<b>KICKDOWN EXTENSION HARNESS</b> With 454 V/8 & TH400 Trans, Transmission Switch To Kickdown Harness	\$41.00	M
39786	1978	<b>KICKDOWN HARNESS</b> With 454 V/8 & TH400 Trans, Dash Side	\$67.00	M
39360	1978	<b>KICKDOWN EXTENSION HARNESS</b> With 454 V/8 & TH400 Trans, Transmission Switch To Kickdown Harness	\$41.00	M
39359	1979	<b>KICKDOWN HARNESS</b> With 454 V/8 & TH400 Trans, Dash Side	\$67.00	M
39360	1979	<b>KICKDOWN EXTENSION HARNESS</b> With 454 V/8 & TH400 Trans, Transmission Switch To Kickdown Harness	\$41.00	M
39359	1980	<b>KICKDOWN HARNESS</b> With 454 V/8 & TH400 Trans, Dash Side	\$67.00	M
39360	1980	<b>KICKDOWN EXTENSION HARNESS</b> With 454 V/8 & TH400 Trans, Transmission Switch To Kickdown Harness	\$41.00	M
39359	1981	<b>KICKDOWN HARNESS</b> With 454 V/8 & TH400 Trans, Dash Side	\$67.00	M
39360	1981	<b>KICKDOWN EXTENSION HARNESS</b> With 454 V/8 & TH400 Trans, Transmission Switch To Kickdown Harness	\$41.00	M
39359	1982	<b>KICKDOWN HARNESS</b> With 454 V/8 & TH400 Trans, Dash Side	\$67.00	M
39360	1982	<b>KICKDOWN EXTENSION HARNESS</b> With 454 V/8 & TH400 Trans, Transmission Switch To Kickdown Harness	\$41.00	M
<b>KICKDOWN SWITCH</b>				
01242101	1973	<b>KICKDOWN SWITCH</b> M40 Auto Trans	\$19.00	
01242101	1974	<b>KICKDOWN SWITCH</b> M40 Auto Trans	\$19.00	
01242101	1975	<b>KICKDOWN SWITCH</b> M40 Auto Trans	\$19.00	
01242101	1976	<b>KICKDOWN SWITCH</b> M40 Auto Trans	\$19.00	
01242101	1977	<b>KICKDOWN SWITCH</b> M40 Auto Trans	\$19.00	
01242101	1978	<b>KICKDOWN SWITCH</b> M40 Auto Trans	\$19.00	

Part Number	Year	Description	Price	*Rev.
01242101	1979	<b>KICKDOWN SWITCH</b> M40 Auto Trans	\$19.00	
01242101	1980	<b>KICKDOWN SWITCH</b> M40 Auto Trans	\$19.00	
01242101	1981	<b>KICKDOWN SWITCH</b> M40 Auto Trans	\$19.00	
01242101	1982	<b>KICKDOWN SWITCH</b> M40 Auto Trans	\$19.00	
01242101	1983	<b>KICKDOWN SWITCH</b> M40 Auto Trans	\$19.00	
01242101	1984	<b>KICKDOWN SWITCH</b> M40 Auto Trans	\$19.00	
01242101	1985	<b>KICKDOWN SWITCH</b> M40 Auto Trans	\$19.00	
01242101	1986	<b>KICKDOWN SWITCH</b> M40 Auto Trans	\$19.00	
01242101	1987	<b>KICKDOWN SWITCH</b> M40, Auto Trans Note: Used On R & V Models, Square Body Style.	\$19.00	
01242101	1988	<b>KICKDOWN SWITCH</b> M40, Auto Trans Note: Used On R & V Models, Square Body Style.	\$19.00	
01242101	1989	<b>KICKDOWN SWITCH</b> M40, Auto Trans Note: Used On R & V Models, Square Body Style.	\$19.00	
<b>LICENSE LAMP HARNESS</b>				
39725	1973	<b>LICENSE LAMP HARNESS</b> All Trucks, With Painted Step Bumper & Dual License Lamps	\$48.00	M
39725	1974	<b>LICENSE LAMP HARNESS</b> All Trucks, With Painted Step Bumper & Dual License Lamps	\$48.00	M
39725	1975	<b>LICENSE LAMP HARNESS</b> All Trucks, With Painted Step Bumper & Dual License Lamps	\$48.00	M
39725	1976	<b>LICENSE LAMP HARNESS</b> All Trucks With Painted Step Bumper & Dual License Lamps	\$48.00	M
39725	1977	<b>LICENSE LAMP HARNESS</b> All Trucks With Painted Step Bumper & Dual License Lamps	\$48.00	M
39872	1978	<b>LICENSE LAMP HARNESS</b> All Trucks With Painted Step Bumper & Dual License Lamps	\$48.00	M
39872	1979	<b>LICENSE LAMP HARNESS</b> All Trucks With Painted Step Bumper & Dual License Lamps	\$48.00	M
39912	1980	<b>LICENSE LAMP HARNESS</b> All Trucks, With Painted Step Bumper & Dual License Lamps	\$67.00	M
39912	1981	<b>LICENSE LAMP HARNESS</b> All Trucks, With Painted Step Bumper & Dual License Lamps	\$67.00	M
39912	1982	<b>LICENSE LAMP HARNESS</b> All Trucks, With Painted Step Bumper & Dual License Lamps	\$67.00	M
<b>LICENSE LAMP WIRE</b>				
39814	1975	<b>LICENSE LAMP WIRE</b> All, 3/4 & 1-Ton, With Rear Mounted Gas Tank, Without Pickup Bed	\$21.00	M
39814	1976	<b>LICENSE LAMP WIRE</b> All, 3/4 & 1-Ton, With Rear Mounted Gas Tank, Without Pickup Bed	\$21.00	M
39814	1977	<b>LICENSE LAMP WIRE</b> All, 3/4 & 1-Ton, With Rear Mounted Gas Tank, Without Pickup Bed	\$21.00	M
<b>LOW FUEL INDICATOR MODULE</b>				
500274	1967	<b>LOW FUEL INDICATOR MODULE</b> Generic "Adjustable" Low Fuel Warning Module Note: A Complete Electronic Control Unit To Activate A Warning Lamp Or Relay When Fuel Level Drops Below A User Adjustable Level. Includes instruction sheet.	\$64.00	C
500274	1968	<b>LOW FUEL INDICATOR MODULE</b> Generic "Adjustable" Low Fuel Warning Module Note: A Complete Electronic Control Unit To Activate A Warning Lamp Or Relay When Fuel Level Drops Below A User Adjustable Level. Includes instruction sheet.	\$64.00	C
500274	1969	<b>LOW FUEL INDICATOR MODULE</b> Generic "Adjustable" Low Fuel Warning Module Note: A Complete Electronic Control Unit To Activate A Warning Lamp Or Relay When Fuel Level Drops Below A User Adjustable Level. Includes instruction sheet.	\$64.00	C
500274	1970	<b>LOW FUEL INDICATOR MODULE</b> Generic "Adjustable" Low Fuel Warning Module Note: A Complete Electronic Control Unit To Activate A Warning Lamp Or Relay When Fuel Level Drops Below A User Adjustable Level. Includes instruction sheet.	\$64.00	C
500274	1971	<b>LOW FUEL INDICATOR MODULE</b> Generic "Adjustable" Low Fuel Warning Module Note: A Complete Electronic Control Unit To Activate A Warning Lamp Or Relay When Fuel Level Drops Below A User Adjustable Level. Includes instruction sheet.	\$64.00	C

Part Number	Year	Description	Price	*Rev.
500274	1972	<b>LOW FUEL INDICATOR MODULE</b> Generic "Adjustable" Low Fuel Warning Module Note: A Complete Electronic Control Unit To Activate A Warning Lamp Or Relay When Fuel Level Drops Below A User Adjustable Level. Includes instruction sheet.	\$64.00	C
<b>MARKER LAMP HARNESS</b>				
39723	1973	<b>MARKER LAMP HARNESS</b> All Trucks, With Roof Mounted Cab Lights	\$106.00	M
39723	1974	<b>MARKER LAMP HARNESS</b> All Trucks, With Roof Mounted Cab Lights	\$106.00	M
39723	1975	<b>MARKER LAMP HARNESS</b> All Trucks, With Roof Mounted Cab Lights	\$106.00	M
39723	1976	<b>MARKER LAMP HARNESS</b> All Trucks, With Roof Mounted Cab Lights	\$106.00	M
39723	1977	<b>MARKER LAMP HARNESS</b> All Trucks, With Roof Mounted Cab Lights	\$106.00	M
39723	1978	<b>MARKER LAMP HARNESS</b> All Trucks, With Roof Mounted Cab Lights	\$106.00	M
39723	1979	<b>MARKER LAMP HARNESS</b> All Trucks, With Roof Mounted Cab Lights	\$106.00	M
39723	1980	<b>MARKER LAMP HARNESS</b> All Trucks, With Roof Mounted Cab Lights	\$106.00	M
39723	1981	<b>MARKER LAMP HARNESS</b> All Trucks, With Roof Mounted Cab Lights	\$106.00	M
39723	1982	<b>MARKER LAMP HARNESS</b> All Trucks, With Roof Mounted Cab Lights	\$106.00	M
<b>NEUTRAL SAFETY AND BACKUP LAMP SWITCH</b>				
01994235	1973	<b>NEUTRAL SAFETY AND BACKUP LAMP SWITCH</b> With Column Shift TH350-400 Auto Trans	\$19.00	M
01994235	1974	<b>NEUTRAL SAFETY AND BACKUP LAMP SWITCH</b> With Column Shift TH350-400 Auto Trans	\$19.00	M
01994235	1975	<b>NEUTRAL SAFETY AND BACKUP LAMP SWITCH</b> With Column Shift TH350-400 Auto Trans	\$19.00	M
01994163	1976	<b>NEUTRAL SAFETY AND BACKUP LAMP SWITCH</b> With Auto Trans, All	\$19.00	M
01994163	1977	<b>NEUTRAL SAFETY AND BACKUP LAMP SWITCH</b> With Auto Trans, All	\$19.00	M
01994163	1978	<b>NEUTRAL SAFETY AND BACKUP LAMP SWITCH</b> With Auto Trans, All	\$19.00	M
01994163	1979	<b>NEUTRAL SAFETY AND BACKUP LAMP SWITCH</b> With Auto Trans, All	\$19.00	M
01994163	1980	<b>NEUTRAL SAFETY AND BACKUP LAMP SWITCH</b> With Auto Trans, All	\$19.00	M
<b>OIL PRESSURE GAUGE</b>				
01507135	1947	<b>OIL PRESSURE GAUGE</b> 0-60 Lbs., Red Needle	\$74.00	N
01507135	1948	<b>OIL PRESSURE GAUGE</b> 0-60 Lbs., Red Needle	\$74.00	N
01507135	1949	<b>OIL PRESSURE GAUGE</b> 0-60 Lbs., Red Needle	\$74.00	N
01507135	1950	<b>OIL PRESSURE GAUGE</b> 0-60 Lbs., Red Needle	\$74.00	N
01507135	1951	<b>OIL PRESSURE GAUGE</b> 0-60 Lbs., Red Needle	\$74.00	N
01507401	1952	<b>OIL PRESSURE GAUGE</b> 0-30 Lbs, White Needle	\$74.00	N
01507963	1952	<b>OIL PRESSURE GAUGE</b> 0-60 Lbs, White Needle	\$74.00	N
01507401	1953	<b>OIL PRESSURE GAUGE</b> 0-30 Lbs, White Needle	\$74.00	N
01507963	1953	<b>OIL PRESSURE GAUGE</b> 0-60 Lbs, White Needle	\$74.00	N
01508246	1955	<b>OIL GAUGE</b>	\$85.00	N
01508246	1956	<b>OIL GAUGE</b>	\$85.00	N
01508246	1957	<b>OIL GAUGE</b>	\$85.00	N
01508246	1958	<b>OIL GAUGE</b>	\$85.00	N
01508246	1959	<b>OIL GAUGE</b>	\$85.00	N
01509021	1960	<b>OIL GAUGE</b>	\$74.00	N
01509021	1961	<b>OIL GAUGE</b>	\$74.00	N
01509021	1962	<b>OIL GAUGE</b>	\$74.00	N
01509021	1963	<b>OIL GAUGE</b>	\$74.00	N
01582460	1964	<b>OIL GAUGE</b>	\$74.00	N
01582460	1965	<b>OIL GAUGE</b>	\$74.00	N
01582460	1966	<b>OIL GAUGE</b>	\$74.00	N
06460746	1967	<b>OIL PRESSURE GAUGE</b> 0-60 Lbs.	\$70.00	N



Part Number	Year	Description	Price	*Rev.
44221	1967	<b>OIL PRESSURE GAUGE</b> With 0-60 Lbs. Numeric Face Plate Note: This Is A Replacement For OEM Gauge 06460746 (With Low & High Graduations) In Trucks With Factory Gauge Type Clusters.	\$54.00	N
06460746	1968	<b>OIL PRESSURE GAUGE</b> 0-60 Lbs.	\$70.00	N
44221	1968	<b>OIL PRESSURE GAUGE</b> With 0-60 Lbs. Numeric Face Plate Note: This Is A Replacement For OEM Gauge 06460746 (With Low & High Graduations) In Trucks With Factory Gauge Type Clusters.	\$54.00	N
06460746	1969	<b>OIL PRESSURE GAUGE</b> 0-60 Lbs.	\$70.00	N
44221	1969	<b>OIL PRESSURE GAUGE</b> With 0-60 Lbs. Numeric Face Plate Note: This Is A Replacement For OEM Gauge 06460746 (With Low & High Graduations) In Trucks With Factory Gauge Type Clusters.	\$54.00	N
06460746	1970	<b>OIL PRESSURE GAUGE</b> 0-60 Lbs.	\$70.00	N
44221	1970	<b>OIL PRESSURE GAUGE</b> With 0-60 Lbs. Numeric Face Plate Note: This Is A Replacement For OEM Gauge 06460746 (With Low & High Graduations) In Trucks With Factory Gauge Type Clusters.	\$54.00	N
06460746	1971	<b>OIL PRESSURE GAUGE</b> 0-60 Lbs.	\$70.00	N
44221	1971	<b>OIL PRESSURE GAUGE</b> With 0-60 Lbs. Numeric Face Plate Note: This Is A Replacement For OEM Gauge 06460746 (With Low & High Graduations) In Trucks With Factory Gauge Type Clusters.	\$54.00	N
06460746	1972	<b>OIL PRESSURE GAUGE</b> 0-60 Lbs.	\$70.00	N
44221	1972	<b>OIL PRESSURE GAUGE</b> With 0-60 Lbs. Numeric Face Plate Note: This Is A Replacement For OEM Gauge 06460746 (With Low & High Graduations) In Trucks With Factory Gauge Type Clusters.	\$54.00	N
06463341	1973	<b>OIL PRESSURE GAUGE</b> Fire Orange Needle, Mechanical Type	\$54.00	N
06463341	1974	<b>OIL PRESSURE GAUGE</b> Fire Orange Needle, Mechanical Type	\$54.00	N
06463341	1975	<b>OIL PRESSURE GAUGE</b> Fire Orange Needle, Mechanical Type	\$54.00	N
06463341	1976	<b>OIL PRESSURE GAUGE</b> Fire Orange Needle, Mechanical Type	\$54.00	N
06463341	1977	<b>OIL PRESSURE GAUGE</b> Fire Orange Needle, Mechanical Type	\$54.00	N
25025164	1978	<b>OIL PRESSURE GAUGE</b> Fire Orange Needle, Electric Type	\$54.00	N
25025164	1979	<b>OIL PRESSURE GAUGE</b> 1st Design, Fire Orange Needle, Electric Type	\$54.00	N
25025563	1979	<b>OIL PRESSURE GAUGE</b> 2nd Design, Light Orange Needle, Electric Type	\$54.00	N
25025563	1980	<b>OIL PRESSURE GAUGE</b> Light Orange Needle, Electric Type	\$54.00	N
25025563	1981	<b>OIL PRESSURE GAUGE</b> Light Orange Needle, Electric Type	\$54.00	N
25025563	1982	<b>OIL PRESSURE GAUGE</b> Light Orange Needle, Electric Type	\$54.00	N
25025563	1983	<b>OIL PRESSURE GAUGE</b> Light Orange Needle, Electric Type	\$54.00	N
25025563	1984	<b>OIL PRESSURE GAUGE</b> Light Orange Needle, Electric Type	\$54.00	N
25025563	1985	<b>OIL PRESSURE GAUGE</b> Light Orange Needle, Electric Type	\$54.00	N
25025563	1986	<b>OIL PRESSURE GAUGE</b> Light Orange Needle, Electric Type	\$54.00	N
25025563	1987	<b>OIL PRESSURE GAUGE</b> Light Orange Needle, Electric Type	\$54.00	N
<b>POWER ACCESSORY FEED WIRE</b>				
20560	1973	<b>POWER ACCESSORY FEED WIRE</b> Suburban, Blazer & Jimmy, Junction Block To Circuit Breaker, Power Tailgate Window	\$27.00	M
20560	1974	<b>POWER ACCESSORY FEED WIRE</b> Suburban, Blazer & Jimmy, Junction Block To Circuit Breaker, Power Tailgate Window	\$27.00	M
39787	1975	<b>POWER ACCESSORY FEED WIRE</b> Suburban, Blazer & Jimmy, Junction Block To Circuit Breaker, Power Tailgate Window	\$27.00	M
39787	1976	<b>POWER ACCESSORY FEED WIRE</b> Suburban, Blazer & Jimmy, Junction Block To Circuit Breaker, Power Tailgate Window	\$27.00	M
39736	1977	<b>POWER ACCESSORY FEED WIRE</b> 2 Door Models, Junction Block To Power Window Circuit Breaker	\$27.00	M

Part Number	Year	Description	Price	*Rev.
39832	1977	<b>POWER ACCESSORY FEED WIRE</b> Suburban, Blazer & Jimmy, Junction Block To Circuit Breaker, Power Tailgate Window	\$34.00	M
39736	1978	<b>POWER ACCESSORY FEED WIRE</b> 2 Door Models, Junction Block To Power Window Circuit Breaker	\$27.00	M
39832	1978	<b>POWER ACCESSORY FEED WIRE</b> Suburban, Blazer & Jimmy, Junction Block To Circuit Breaker, Power Tailgate Window	\$34.00	M
40023	1979	<b>POWER ACCESSORY FEED WIRE</b> Fuse Box To Power Window Or Power Tailgate Window	\$27.00	M
40023	1980	<b>POWER ACCESSORY FEED WIRE</b> Fuse Box To Power Window Or Power Tailgate Window	\$27.00	M
40023	1981	<b>POWER ACCESSORY FEED WIRE</b> Fuse Box To Power Window Or Power Tailgate Window	\$27.00	M
<b>POWER DOOR LOCK HARNESS</b>				
39845	1977	<b>POWER DOOR LOCK HARNESS</b> 2 Door Models, Body Crossover, With Power Door Locks, Except Power Windows	\$272.00	M
39848	1977	<b>POWER DOOR LOCK HARNESS</b> 2 Door Models, Driver Side Or Passenger Side Door, With Power Door Locks, Except Power Windows	\$210.00	
39845	1978	<b>POWER DOOR LOCK HARNESS</b> 2 Door Models, Body Crossover, With Power Door Locks, Except Power Windows	\$272.00	M
39851	1978	<b>POWER DOOR LOCK HARNESS</b> 2 Door Models, Driver Side Or Passenger Side Door, With Power Door Locks, Except Power Windows	\$210.00	
39897	1979	<b>POWER DOOR LOCK HARNESS</b> 2 Door Models, Body Crossover, With Power Door Locks, Except Power Windows	\$272.00	M
39899	1979	<b>POWER DOOR LOCK HARNESS</b> 2 Door Models, Driver Side Or Passenger Side Door, With Power Door Locks, Except Power Windows	\$210.00	
39897	1980	<b>POWER DOOR LOCK HARNESS</b> 2 Door Models, Body Crossover, With Power Door Locks, Except Power Windows	\$272.00	M
39892	1980	<b>POWER DOOR LOCK HARNESS</b> 4 Door Models, Body Crossover, With Power Door Locks, Except Power Windows	\$272.00	M
39893	1980	<b>POWER DOOR LOCK HARNESS</b> 4 Door Models, Driver Side Or Passenger Side Rear Door, With Power Door Locks, Except Power Windows Note: Customer Must Reuse Their Original Rubber Door Jamb Boot.	\$75.00	
39899	1980	<b>POWER DOOR LOCK HARNESS</b> All Models, Driver Side Or Passenger Side Front Door, With Power Door Locks, Except Power Windows	\$210.00	
39951	1981	<b>POWER DOOR LOCK HARNESS</b> 2 Door Models, Body Crossover, With Power Door Locks, Except Power Windows	\$272.00	M
39949	1981	<b>POWER DOOR LOCK HARNESS</b> 4 Door Models, Body Crossover, With Power Door Locks, Except Power Windows	\$272.00	M
39893	1981	<b>POWER DOOR LOCK HARNESS</b> 4 Door Models, Driver Side Or Passenger Side Rear Door, With Power Door Locks, Except Power Windows Note: Customer Must Reuse Their Original Rubber Door Jamb Boot.	\$75.00	
39899	1981	<b>POWER DOOR LOCK HARNESS</b> All Models, Driver Side Or Passenger Side Front Door, With Power Door Locks, Except Power Windows	\$210.00	
39951	1982	<b>POWER DOOR LOCK HARNESS</b> 2 Door Models, Body Crossover, With Power Door Locks, Except Power Windows	\$272.00	M
39949	1982	<b>POWER DOOR LOCK HARNESS</b> 4 Door Models, Body Crossover, With Power Door Locks, Except Power Windows	\$272.00	M
39893	1982	<b>POWER DOOR LOCK HARNESS</b> 4 Door Models, Driver Side Or Passenger Side Rear Door, With Power Door Locks, Except Power Windows Note: Customer Must Reuse Their Original Rubber Door Jamb Boot.	\$75.00	
39899	1982	<b>POWER DOOR LOCK HARNESS</b> All Models, Driver Side Or Passenger Side Front Door, With Power Door Locks, Except Power Windows	\$210.00	
39951	1983	<b>POWER DOOR LOCK HARNESS</b> 2 Door Models, Body Crossover, With Power Door Locks, Except Power Windows	\$272.00	M
39949	1983	<b>POWER DOOR LOCK HARNESS</b> 4 Door Models, Body Crossover, With Power Door Locks, Except Power Windows	\$272.00	M

Part Number	Year	Description	Price	*Rev.
39893	1983	<b>POWER DOOR LOCK HARNESS</b> 4 Door Models, Driver Side Or Passenger Side Rear Door, With Power Door Locks, Except Power Windows Note: Customer Must Reuse Their Original Rubber Door Jamb Boot.	\$75.00	
39893	1983	<b>POWER DOOR LOCK HARNESS</b> 4 Door Models, Driver Side Or Passenger Side Rear Door, With Power Door Locks, Except Power Windows Note: Customer Must Reuse Their Original Rubber Door Jamb Boot.	\$75.00	
39899	1983	<b>POWER DOOR LOCK HARNESS</b> All Models, Driver Side Or Passenger Side Front Door, With Power Door Locks, Except Power Windows	\$210.00	
39951	1984	<b>POWER DOOR LOCK HARNESS</b> 2 Door Models, Body Crossover, With Power Door Locks, Except Power Windows	\$272.00	M
39949	1984	<b>POWER DOOR LOCK HARNESS</b> 4 Door Models, Body Crossover, With Power Door Locks, Except Power Windows	\$272.00	M
39893	1984	<b>POWER DOOR LOCK HARNESS</b> 4 Door Models, Driver Side Or Passenger Side Rear Door, With Power Door Locks, Except Power Windows Note: Customer Must Reuse Their Original Rubber Door Jamb Boot.	\$75.00	
39899	1984	<b>POWER DOOR LOCK HARNESS</b> All Models, Driver Side Or Passenger Side Front Door, With Power Door Locks, Except Power Windows	\$210.00	
44176	1985	<b>POWER DOOR LOCK HARNESS</b> 2 Door Models, Body Crossover, With Power Door Locks, Except Power Windows	\$272.00	M
44177	1985	<b>POWER DOOR LOCK HARNESS</b> 4 Door Models, Body Crossover, With Power Door Locks, Except Power Windows	\$272.00	M
39893	1985	<b>POWER DOOR LOCK HARNESS</b> 4 Door Models, Driver Side Or Passenger Side Rear Door, With Power Door Locks, Except Power Windows Note: Customer Must Reuse Their Original Rubber Door Jamb Boot.	\$75.00	
39899	1985	<b>POWER DOOR LOCK HARNESS</b> All Models, Driver Side Or Passenger Side Front Door, With Power Door Locks, Except Power Windows	\$210.00	
44176	1986	<b>POWER DOOR LOCK HARNESS</b> 2 Door Models, Body Crossover, With Power Door Locks, Except Power Windows	\$272.00	M
44177	1986	<b>POWER DOOR LOCK HARNESS</b> 4 Door Models, Body Crossover, With Power Door Locks, Except Power Windows	\$272.00	M
39893	1986	<b>POWER DOOR LOCK HARNESS</b> 4 Door Models, Driver Side Or Passenger Side Rear Door, With Power Door Locks, Except Power Windows Note: Customer Must Reuse Their Original Rubber Door Jamb Boot.	\$75.00	
39899	1986	<b>POWER DOOR LOCK HARNESS</b> All Models, Driver Side Or Passenger Side Front Door, With Power Door Locks, Except Power Windows	\$210.00	
44183	1987	<b>POWER DOOR LOCK HARNESS</b> 2 Door Models, Body Crossover, With Power Door Locks, Except Power Windows	\$272.00	M
44185	1987	<b>POWER DOOR LOCK HARNESS</b> 4 Door Models, Body Crossover, With Power Door Locks, Except Power Windows	\$272.00	M
44186	1987	<b>POWER DOOR LOCK HARNESS</b> 4 Door Models, Driver Side Or Passenger Side Rear Door, With Power Door Locks, Except Power Windows Note: Customer Must Reuse Their Original Rubber Door Jamb Boot.	\$75.00	
44184	1987	<b>POWER DOOR LOCK HARNESS</b> All Models, Driver Side Or Passenger Side Front Door, With Power Door Locks, Except Power Windows	\$210.00	
44185	1988	<b>POWER DOOR LOCK HARNESS</b> 4 Door Models, Body Crossover, With Power Door Locks, Except Power Windows	\$272.00	M
44184	1988	<b>POWER DOOR LOCK HARNESS</b> 4 Door Models, Driver Side Or Passenger Side Front Door, With Power Door Locks, Except Power Windows	\$210.00	
44186	1988	<b>POWER DOOR LOCK HARNESS</b> 4 Door Models, Driver Side Or Passenger Side Rear Door, With Power Door Locks, Except Power Windows Note: Customer Must Reuse Their Original Rubber Door Jamb Boot.	\$75.00	
44185	1989	<b>POWER DOOR LOCK HARNESS</b> 4 Door Models, Body Crossover, With Power Door Locks, Except Power Windows	\$272.00	M
44184	1989	<b>POWER DOOR LOCK HARNESS</b> 4 Door Models, Driver Side Or Passenger Side Front Door, With Power Door Locks, Except Power Windows	\$210.00	

Part Number	Year	Description	Price	*Rev.
44186	1989	<b>POWER DOOR LOCK HARNESS</b> 4 Door Models, Driver Side Or Passenger Side Rear Door, With Power Door Locks, Except Power Windows Note: Customer Must Reuse Their Original Rubber Door Jamb Boot.	\$75.00	
44185	1990	<b>POWER DOOR LOCK HARNESS</b> 4 Door Models, Body Crossover, With Power Door Locks, Except Power Windows	\$272.00	M
44184	1990	<b>POWER DOOR LOCK HARNESS</b> 4 Door Models, Driver Side Or Passenger Side Front Door, With Power Door Locks, Except Power Windows	\$210.00	
44186	1990	<b>POWER DOOR LOCK HARNESS</b> 4 Door Models, Driver Side Or Passenger Side Rear Door, With Power Door Locks, Except Power Windows Note: Customer Must Reuse Their Original Rubber Door Jamb Boot.	\$75.00	
44185	1991	<b>POWER DOOR LOCK HARNESS</b> 4 Door Models, Body Crossover, With Power Door Locks, Except Power Windows	\$272.00	M
44184	1991	<b>POWER DOOR LOCK HARNESS</b> 4 Door Models, Driver Side Or Passenger Side Front Door, With Power Door Locks, Except Power Windows	\$210.00	
44186	1991	<b>POWER DOOR LOCK HARNESS</b> 4 Door Models, Driver Side Or Passenger Side Rear Door, With Power Door Locks, Except Power Windows Note: Customer Must Reuse Their Original Rubber Door Jamb Boot.	\$75.00	
<b>POWER DOOR LOCK SWITCH</b>				
01725099	1977	<b>POWER DOOR LOCK SWITCH</b> 1 Button	\$62.00	M
01725099	1978	<b>POWER DOOR LOCK SWITCH</b> 1 Button	\$62.00	M
20031475	1979	<b>POWER DOOR LOCK SWITCH</b> 1-Button	\$62.00	N
20031475	1980	<b>POWER DOOR LOCK SWITCH</b> 1-Button	\$62.00	N
20031475	1981	<b>POWER DOOR LOCK SWITCH</b> 1-Button	\$62.00	N
20043224	1982	<b>POWER DOOR LOCK SWITCH</b> 1-Button	\$9.00	N
20043224	1983	<b>POWER DOOR LOCK SWITCH</b> 1-Button	\$9.00	N
20043224	1984	<b>POWER DOOR LOCK SWITCH</b> 1-Button	\$9.00	N
20043224	1985	<b>POWER DOOR LOCK SWITCH</b> 1-Button	\$9.00	N
20043224	1986	<b>POWER DOOR LOCK SWITCH</b> 1-Button	\$9.00	N
20043224	1987	<b>POWER DOOR LOCK SWITCH</b> 1-Button, RV Body Style	\$9.00	N
20043224	1988	<b>POWER DOOR LOCK SWITCH</b> 1-Button, RV Body Style	\$9.00	N
20043224	1989	<b>POWER DOOR LOCK SWITCH</b> 1-Button, RV Body Style	\$9.00	N
20043224	1990	<b>POWER DOOR LOCK SWITCH</b> 1-Button, RV Body Style	\$9.00	N
20043224	1991	<b>POWER DOOR LOCK SWITCH</b> 1-Button, RV Body Style	\$9.00	N
<b>POWER TAILGATE WINDOW HARNESS</b>				
39728	1973	<b>POWER TAILGATE WINDOW HARNESS</b> Suburban, Blazer & Jimmy, Dash Switch To Intermediate Body Harness	\$113.00	M
39729	1973	<b>POWER TAILGATE WINDOW HARNESS</b> Suburban, Blazer & Jimmy, Intermediate Body Harness	\$127.00	M
39768	1974	<b>POWER TAILGATE WINDOW HARNESS</b> Suburban, Blazer & Jimmy, Dash Switch To Intermediate Body Harness	\$113.00	M
39768	1975	<b>POWER TAILGATE WINDOW HARNESS</b> Suburban, Blazer & Jimmy, Dash Switch To Intermediate Body Harness	\$113.00	M
39803	1976	<b>POWER TAILGATE WINDOW HARNESS</b> Suburban, Blazer & Jimmy, Dash Switch To Intermediate Body Harness	\$113.00	M
39833	1977	<b>POWER TAILGATE WINDOW HARNESS</b> Suburban, Blazer & Jimmy, Dash Switch To Intermediate Body Harness	\$113.00	M
39830	1977	<b>POWER TAILGATE WINDOW HARNESS</b> Suburban, Blazer & Jimmy, Intermediate Body Harness	\$127.00	M
39833	1978	<b>POWER TAILGATE WINDOW HARNESS</b> Suburban, Blazer & Jimmy, Dash Switch To Intermediate Body Harness	\$113.00	M
39861	1978	<b>POWER TAILGATE WINDOW HARNESS</b> Suburban, Intermediate Body Harness	\$127.00	M
39864	1978	<b>POWER TAILGATE WINDOW HARNESS</b> Blazer & Jimmy, Intermediate Body Harness	\$127.00	M

Part Number	Year	Description	Price	*Rev.
39888	1979	<b>POWER TAILGATE WINDOW HARNESS</b> Suburban, Blazer & Jimmy, Dash Switch To Intermediate Body Harness	\$113.00	M
39885	1979	<b>POWER TAILGATE WINDOW HARNESS</b> 4 Wheel Drive Suburban, Intermediate Body Harness	\$127.00	M
39886	1979	<b>POWER TAILGATE WINDOW HARNESS</b> Blazer & Jimmy, Intermediate Body Harness	\$127.00	M
39887	1979	<b>POWER TAILGATE WINDOW HARNESS</b> 2 Wheel Drive Suburban, Intermediate Body Harness	\$127.00	M
39888	1980	<b>POWER TAILGATE WINDOW HARNESS</b> Suburban, Blazer & Jimmy, Dash Switch To Intermediate Body Harness	\$113.00	M
39920	1980	<b>POWER TAILGATE WINDOW HARNESS</b> 4 Wheel Drive Suburban, Intermediate Body Harness	\$127.00	M
39921	1980	<b>POWER TAILGATE WINDOW HARNESS</b> Blazer & Jimmy, Intermediate Body Harness	\$127.00	M
39922	1980	<b>POWER TAILGATE WINDOW HARNESS</b> 2 Wheel Drive Suburban, Intermediate Body Harness	\$127.00	M
39888	1981	<b>POWER TAILGATE WINDOW HARNESS</b> Suburban, Blazer & Jimmy, Dash Switch To Intermediate Body Harness	\$113.00	M
39971	1981	<b>POWER TAILGATE WINDOW HARNESS</b> Suburban, 4 Wheel Drive , Intermediate Body Harness	\$127.00	M
39972	1981	<b>POWER TAILGATE WINDOW HARNESS</b> Blazer & Jimmy, Intermediate Body Harness	\$127.00	M
39973	1981	<b>POWER TAILGATE WINDOW HARNESS</b> 2 Wheel Drive Suburban, Intermediate Body Harness	\$127.00	M
39990	1982	<b>POWER TAILGATE WINDOW HARNESS</b> Suburban, Blazer & Jimmy, Dash Switch To Intermediate Body Harness, (1st Design) Note: this harness has a 3 wire plastic connector where it plugs into body harness.	\$113.00	M
40010	1982	<b>POWER TAILGATE WINDOW HARNESS</b> Suburban, Intermediate Body Harness, (1st Design) Note: this harness has a 3 wire rubber molded connector where it plugs into dash switch harness.	\$127.00	M
40011	1982	<b>POWER TAILGATE WINDOW HARNESS</b> Blazer & Jimmy, Intermediate Body Harness, (1st Design) Note: this harness has a 3 wire rubber molded connector where it plugs into dash switch harness.	\$127.00	M
40018	1982	<b>POWER TAILGATE WINDOW HARNESS</b> Suburban, Blazer & Jimmy, Dash Switch To Intermediate Body Harness, (2nd Design) Note: This Harness Has A 2 Wire Rubber Molded Connector Where It Plugs Into Body Harness.	\$113.00	M
40016	1982	<b>POWER TAILGATE WINDOW HARNESS</b> Blazer & Jimmy, Intermediate Body Harness, (2nd Design) Note: this harness has a 2 wire rubber molded connector where it plugs into dash switch harness.	\$127.00	M
40017	1982	<b>POWER TAILGATE WINDOW HARNESS</b> Suburban, Intermediate Body Harness, (2nd Design) Note: this harness has a 2 wire rubber molded connector where it plugs into dash switch harness.	\$127.00	M
<b>POWER WINDOW DOOR BOOT</b>				
12010247	1977	<b>POWER WINDOW OR POWER DOOR LOCK DOOR BOOT</b> Front Door, Each Boot Comes With 2 Metal Mounting Flanges, 2 Boots Required Per Truck Note: Used On All C & K Models, Square Body Style.	\$12.00	N
12010247	1978	<b>POWER WINDOW OR POWER DOOR LOCK DOOR BOOT</b> Front Door, Each Boot Comes With 2 Metal Mounting Flanges, 2 Boots Required Per Truck Note: Used On All C & K Models, Square Body Style.	\$12.00	N
12010247	1979	<b>POWER WINDOW OR POWER DOOR LOCK DOOR BOOT</b> Front Door, Each Boot Comes With 2 Metal Mounting Flanges, 2 Boots Required Per Truck Note: Used On All C & K Models, Square Body Style.	\$12.00	N
12010247	1980	<b>POWER WINDOW OR POWER DOOR LOCK DOOR BOOT</b> Front Door, Each Boot Comes With 2 Metal Mounting Flanges, 2 Boots Required Per Truck Note: Used On All C & K Models, Square Body Style.	\$12.00	N
12010247	1981	<b>POWER WINDOW OR POWER DOOR LOCK DOOR BOOT</b> Front Door, Each Boot Comes With 2 Metal Mounting Flanges, 2 Boots Required Per Truck Note: Used On All C & K Models, Square Body Style.	\$12.00	N
12010247	1982	<b>POWER WINDOW OR POWER DOOR LOCK DOOR BOOT</b> Front Door, Each Boot Comes With 2 Metal Mounting Flanges, 2 Boots Required Per Truck Note: Used On All C & K Models, Square Body Style.	\$12.00	N
12010247	1983	<b>POWER WINDOW OR POWER DOOR LOCK DOOR BOOT</b> Front Door, Each Boot Comes With 2 Metal Mounting Flanges, 2 Boots Required Per Truck Note: Used On All C & K Models, Square Body Style.	\$12.00	N

Part Number	Year	Description	Price	*Rev.
12010247	1984	<b>POWER WINDOW OR POWER DOOR LOCK DOOR BOOT</b> Front Door, Each Boot Comes With 2 Metal Mounting Flanges, 2 Boots Required Per Truck Note: Used On All C & K Models, Square Body Style.	\$12.00	N
12010247	1985	<b>POWER WINDOW OR POWER DOOR LOCK DOOR BOOT</b> Front Door, Each Boot Comes With 2 Metal Mounting Flanges, 2 Boots Required Per Truck Note: Used On All C & K Models, Square Body Style.	\$12.00	N
12010247	1986	<b>POWER WINDOW OR POWER DOOR LOCK DOOR BOOT</b> Front Door, Each Boot Comes With 2 Metal Mounting Flanges, 2 Boots Required Per Truck Note: Used On All C & K Models, Square Body Style.	\$12.00	N
12010247	1987	<b>POWER WINDOW OR POWER DOOR LOCK DOOR BOOT</b> Front Door, Each Boot Comes With 2 Metal Mounting Flanges, 2 Boots Required Per Truck Note: Used On R & V Models, Square Body Style.	\$12.00	N
12010247	1988	<b>POWER WINDOW OR POWER DOOR LOCK DOOR BOOT</b> Front Door, Each Boot Comes With 2 Metal Mounting Flanges, 2 Boots Required Per Truck Note: Used On R & V Models, Square Body Style.	\$12.00	N
12010247	1989	<b>POWER WINDOW OR POWER DOOR LOCK DOOR BOOT</b> Front Door, Each Boot Comes With 2 Metal Mounting Flanges, 2 Boots Required Per Truck Note: Used On R & V Models, Square Body Style.	\$12.00	N
12010247	1990	<b>POWER WINDOW OR POWER DOOR LOCK DOOR BOOT</b> Front Door, Each Boot Comes With 2 Metal Mounting Flanges, 2 Boots Required Per Truck Note: Used On R & V Models, Square Body Style.	\$12.00	N
12010247	1991	<b>POWER WINDOW OR POWER DOOR LOCK DOOR BOOT</b> Front Door, Each Boot Comes With 2 Metal Mounting Flanges, 2 Boots Required Per Truck Note: Used On R & V Models, Square Body Style.	\$12.00	N
<b>POWER WINDOW HARNESS</b>				
39844	1977	<b>POWER WINDOW HARNESS</b> 2 Door Models, Body Crossover, With Power Windows, Except Power Door Locks	\$278.00	
39846	1977	<b>POWER WINDOW HARNESS</b> 2 Door Models, Driver Side Door, With Power Windows, Except Power Door Locks	\$210.00	
39847	1977	<b>POWER WINDOW HARNESS</b> 2 Door Models, Passenger Side Door, With Power Windows, Except Power Door Locks	\$210.00	
39824	1977	<b>POWER WINDOW HARNESS</b> 2 Door Models, Body Crossover, With Power Windows & Power Door Locks	\$278.00	
39825	1977	<b>POWER WINDOW HARNESS</b> 2 Door Models, Driver Side Door, With Power Windows And Power Door Locks	\$235.00	
39826	1977	<b>POWER WINDOW HARNESS</b> 2 Door Models, Passenger Side Door, With Power Windows And Power Door Locks	\$235.00	
39858	1978	<b>POWER WINDOW HARNESS</b> 2 Door Models, Body Crossover, With Power Windows, Except Power Door Locks	\$278.00	
39852	1978	<b>POWER WINDOW HARNESS</b> 2 Door Models, Driver Side Door, With Power Windows, Except Power Door Locks	\$210.00	
39853	1978	<b>POWER WINDOW HARNESS</b> 2 Door Models, Passenger Side Door, With Power Windows, Except Power Door Locks	\$210.00	
39857	1978	<b>POWER WINDOW HARNESS</b> 2 Door Models, Body Crossover, With Power Windows And Power Door Locks	\$278.00	
39854	1978	<b>POWER WINDOW HARNESS</b> 2 Door Models, Driver Side Door, With Power Windows And Power Door Locks	\$235.00	
39855	1978	<b>POWER WINDOW HARNESS</b> 2 Door Models, Passenger Side Door, With Power Windows And Power Door Locks	\$235.00	
38200	1979	<b>POWER WINDOW HARNESS</b> 2 Door Models, Body Crossover, With Power Windows, Except Power Door Locks	\$278.00	M
39852	1979	<b>POWER WINDOW HARNESS</b> 2 Door Models, Driver Side Door, With Power Windows, Except Power Door Locks	\$210.00	
38199	1979	<b>POWER WINDOW HARNESS</b> 2 Door Models, Passenger Side Door, With Power Windows, Except Power Door Locks	\$210.00	

Part Number	Year	Description	Price	*Rev.
38195	1979	<b>POWER WINDOW HARNESS</b> 2 Door Models, Body Crossover, With Power Windows And Power Door Locks	\$278.00	M
38196	1979	<b>POWER WINDOW HARNESS</b> 2 Door Models, Driver Side Door, With Power Windows And Power Door Locks	\$235.00	
38197	1979	<b>POWER WINDOW HARNESS</b> 2 Door Models, Passenger Side Door, With Power Windows And Power Door Locks	\$235.00	
38200	1980	<b>POWER WINDOW HARNESS</b> 2 Door Models, Body Crossover, With Power Windows, Except Power Door Locks	\$278.00	M
39889	1980	<b>POWER WINDOW HARNESS</b> 4 Door Models, Body Crossover, With Power Windows, Except Power Door Locks	\$278.00	
39852	1980	<b>POWER WINDOW HARNESS</b> 2 Door Models, Driver Side Door, With Power Windows, Except Power Door Locks	\$210.00	
39891	1980	<b>POWER WINDOW HARNESS</b> 4 Door Models, Driver Side Front Door, With Power Windows, Except Power Door Locks	\$210.00	
38199	1980	<b>POWER WINDOW HARNESS</b> All Models, Passenger Side Front Door, With Power Windows, Except Power Door Locks	\$210.00	
39890	1980	<b>POWER WINDOW HARNESS</b> 4 Door Models, Driver Side Or Passenger Side Rear Door, With Power Windows, Except Power Door Locks  Note: Customer Must Reuse Their Original Rubber Door Jamb Boot.	\$90.00	
38195	1980	<b>POWER WINDOW HARNESS</b> 2 Door Models, Body Crossover, With Power Windows And Power Door Locks	\$278.00	M
39894	1980	<b>POWER WINDOW HARNESS</b> 4 Door Models, Body Crossover, With Power Windows And Power Door Locks	\$278.00	
38196	1980	<b>POWER WINDOW HARNESS</b> 2 Door Models, Driver Side Door, With Power Windows And Power Door Locks	\$235.00	
39895	1980	<b>POWER WINDOW HARNESS</b> 4 Door Models, Driver Side Front Door, With Power Windows And Power Door Locks	\$235.00	
38197	1980	<b>POWER WINDOW HARNESS</b> All Models, Passenger Side Front Door, With Power Windows And Power Door Locks	\$235.00	
39896	1980	<b>POWER WINDOW HARNESS</b> 4 Door Models, Driver Side Or Passenger Side Rear Door, With Power Windows And Power Door Locks  Note: Customer Must Reuse Their Original Rubber Door Jamb Boot.	\$90.00	
39974	1981	<b>POWER WINDOW HARNESS</b> 2 Door Models, Body Crossover, With Power Windows, Except Power Door Locks	\$278.00	M
39976	1981	<b>POWER WINDOW HARNESS</b> 4 Door Models, Body Crossover, With Power Windows, Except Power Door Locks	\$278.00	
39852	1981	<b>POWER WINDOW HARNESS</b> 2 Door Models, Driver Side Door, With Power Windows, Except Power Door Locks	\$210.00	
39891	1981	<b>POWER WINDOW HARNESS</b> 4 Door Models, Driver Side Front Door, With Power Windows, Except Power Door Locks	\$210.00	
38199	1981	<b>POWER WINDOW HARNESS</b> All Models, Passenger Side Front Door, With Power Windows, Except Power Door Locks	\$210.00	
39890	1981	<b>POWER WINDOW HARNESS</b> 4 Door Models, Driver Side Or Passenger Side Rear Door, With Power Windows, Except Power Door Locks  Note: Customer Must Reuse Their Original Rubber Door Jamb Boot.	\$90.00	
39977	1981	<b>POWER WINDOW HARNESS</b> 2 Door Models, Body Crossover, With Power Windows And Power Door Locks	\$278.00	M
39975	1981	<b>POWER WINDOW HARNESS</b> 4 Door Models, Body Crossover, With Power Windows And Power Door Locks	\$278.00	
38196	1981	<b>POWER WINDOW HARNESS</b> 2 Door Models, Driver Side Door, With Power Windows And Power Door Locks	\$235.00	
39895	1981	<b>POWER WINDOW HARNESS</b> 4 Door Models, Driver Side Front Door, With Power Windows And Power Door Locks	\$235.00	
38197	1981	<b>POWER WINDOW HARNESS</b> All Models, Passenger Side Front Door, With Power Windows And Power Door Locks	\$235.00	

Part Number	Year	Description	Price	*Rev.
39896	1981	<b>POWER WINDOW HARNESS</b> 4 Door Models, Driver Side Or Passenger Side Rear Door, With Power Windows And Power Door Locks Note: Customer Must Reuse Their Original Rubber Door Jamb Boot.	\$90.00	
39952	1982	<b>POWER WINDOW HARNESS</b> 2 Door Models, Body Crossover, With Power Windows, Except Power Door Locks	\$278.00	M
39948	1982	<b>POWER WINDOW HARNESS</b> 4 Door Models, Body Crossover, With Power Windows, Except Power Door Locks	\$278.00	
39958	1982	<b>POWER WINDOW HARNESS</b> 2 Door Models, Driver Side Door, With Power Windows, Except Power Door Locks	\$210.00	
39960	1982	<b>POWER WINDOW HARNESS</b> 4 Door Models, Driver Side Front Door, With Power Windows, Except Power Door Locks	\$210.00	
39965	1982	<b>POWER WINDOW HARNESS</b> All Models, Passenger Side Front Door, With Power Windows, Except Power Door Locks	\$210.00	
39959	1982	<b>POWER WINDOW HARNESS</b> 4 Door Models, Driver Side Rear Door, With Power Windows, Except Power Door Locks Note: Customer Must Reuse Their Original Rubber Door Jamb Boot.	\$90.00	
40014	1982	<b>POWER WINDOW HARNESS</b> 4 Door Models, Passenger Side Rear Door, With Power Windows, Except Power Door Locks Note: Customer Must Reuse Their Original Rubber Door Jamb Boot.	\$90.00	
40029	1982	<b>POWER WINDOW HARNESS</b> 2 Door Models, Body Crossover, With Power Windows And Power Door Locks	\$278.00	M
39950	1982	<b>POWER WINDOW HARNESS</b> 4 Door Models, Body Crossover, With Power Windows And Power Door Locks	\$278.00	
39963	1982	<b>POWER WINDOW HARNESS</b> 2 Door Models, Driver Side Door, With Power Windows And Power Door Locks	\$235.00	
39961	1982	<b>POWER WINDOW HARNESS</b> 4 Door Models, Driver Side Front Door, With Power Windows And Power Door Locks	\$235.00	
39964	1982	<b>POWER WINDOW HARNESS</b> All Models, Passenger Side Front Door, With Power Windows And Power Door Locks	\$235.00	
39962	1982	<b>POWER WINDOW HARNESS</b> 4 Door Models, Driver Side Rear Door, With Power Windows And Power Door Locks Note: Customer Must Reuse Their Original Rubber Door Jamb Boot.	\$110.00	
40015	1982	<b>POWER WINDOW HARNESS</b> 4 Door Models, Passenger Side Rear Door, With Power Windows And Power Door Locks Note: Customer Must Reuse Their Original Rubber Door Jamb Boot.	\$110.00	
39952	1983	<b>POWER WINDOW HARNESS</b> 2 Door Models, Body Crossover, With Power Windows, Except Power Door Locks	\$278.00	M
39948	1983	<b>POWER WINDOW HARNESS</b> 4 Door Models, Body Crossover, With Power Windows, Except Power Door Locks	\$278.00	
39958	1983	<b>POWER WINDOW HARNESS</b> 2 Door Models, Driver Side Door, With Power Windows, Except Power Door Locks	\$210.00	
39960	1983	<b>POWER WINDOW HARNESS</b> 4 Door Models, Driver Side Front Door, With Power Windows, Except Power Door Locks	\$210.00	
39965	1983	<b>POWER WINDOW HARNESS</b> All Models, Passenger Side Front Door, With Power Windows, Except Power Door Locks	\$210.00	
39959	1983	<b>POWER WINDOW HARNESS</b> 4 Door Models, Driver Side Rear Door, With Power Windows, Except Power Door Locks Note: Customer Must Reuse Their Original Rubber Door Jamb Boot.	\$90.00	
40014	1983	<b>POWER WINDOW HARNESS</b> 4 Door Models, Passenger Side Rear Door, With Power Windows, Except Power Door Locks Note: Customer Must Reuse Their Original Rubber Door Jamb Boot.	\$90.00	
40029	1983	<b>POWER WINDOW HARNESS</b> 2 Door Models, Body Crossover, With Power Windows And Power Door Locks	\$278.00	M
39950	1983	<b>POWER WINDOW HARNESS</b> 4 Door Models, Body Crossover, With Power Windows And Power Door Locks	\$278.00	



Part Number	Year	Description	Price	*Rev.
39963	1983	<b>POWER WINDOW HARNESS</b> 2 Door Models, Driver Side Door, With Power Windows And Power Door Locks	\$235.00	
39961	1983	<b>POWER WINDOW HARNESS</b> 4 Door Models, Driver Side Front Door, With Power Windows And Power Door Locks	\$235.00	
39964	1983	<b>POWER WINDOW HARNESS</b> All Models, Passenger Side Front Door, With Power Windows And Power Door Locks	\$235.00	
39962	1983	<b>POWER WINDOW HARNESS</b> 4 Door Models, Driver Side Rear Door, With Power Windows And Power Door Locks Note: Customer Must Reuse Their Original Rubber Door Jamb Boot.	\$110.00	
40015	1983	<b>POWER WINDOW HARNESS</b> 4 Door Models, Passenger Side Rear Door, With Power Windows And Power Door Locks Note: Customer Must Reuse Their Original Rubber Door Jamb Boot.	\$110.00	
39952	1984	<b>POWER WINDOW HARNESS</b> 2 Door Models, Body Crossover, With Power Windows, Except Power Door Locks	\$278.00	M
39948	1984	<b>POWER WINDOW HARNESS</b> 4 Door Models, Body Crossover, With Power Windows, Except Power Door Locks	\$278.00	
39958	1984	<b>POWER WINDOW HARNESS</b> 2 Door Models, Driver Side Door, With Power Windows, Except Power Door Locks	\$210.00	
39960	1984	<b>POWER WINDOW HARNESS</b> 4 Door Models, Driver Side Front Door, With Power Windows, Except Power Door Locks	\$210.00	
39965	1984	<b>POWER WINDOW HARNESS</b> All Models, Passenger Side Front Door, With Power Windows, Except Power Door Locks	\$210.00	
39959	1984	<b>POWER WINDOW HARNESS</b> 4 Door Models, Driver Side Rear Door, With Power Windows, Except Power Door Locks Note: Customer Must Reuse Their Original Rubber Door Jamb Boot.	\$90.00	
40014	1984	<b>POWER WINDOW HARNESS</b> 4 Door Models, Passenger Side Rear Door, With Power Windows, Except Power Door Locks Note: Customer Must Reuse Their Original Rubber Door Jamb Boot.	\$90.00	
40029	1984	<b>POWER WINDOW HARNESS</b> 2 Door Models, Body Crossover, With Power Windows And Power Door Locks	\$278.00	M
39950	1984	<b>POWER WINDOW HARNESS</b> 4 Door Models, Body Crossover, With Power Windows And Power Door Locks	\$278.00	
39963	1984	<b>POWER WINDOW HARNESS</b> 2 Door Models, Driver Side Door, With Power Windows And Power Door Locks	\$235.00	
39961	1984	<b>POWER WINDOW HARNESS</b> 4 Door Models, Driver Side Front Door, With Power Windows And Power Door Locks	\$235.00	
39964	1984	<b>POWER WINDOW HARNESS</b> All Models, Passenger Side Front Door, With Power Windows And Power Door Locks	\$235.00	
44163	1984	<b>POWER WINDOW HARNESS</b> 4 Door Models, Driver Side Rear Door, With Power Windows And Power Door Locks Note: Customer Must Reuse Their Original Rubber Door Jamb Boot.	\$110.00	
44164	1984	<b>POWER WINDOW HARNESS</b> 4 Door Models, Passenger Side Rear Door, With Power Windows And Power Door Locks Note: Customer Must Reuse Their Original Rubber Door Jamb Boot.	\$110.00	
44165	1985	<b>POWER WINDOW HARNESS</b> 2 Door Models, Body Crossover, With Power Windows, Except Power Door Locks	\$278.00	M
44172	1985	<b>POWER WINDOW HARNESS</b> 4 Door Models, Body Crossover, With Power Windows, Except Power Door Locks	\$278.00	
44166	1985	<b>POWER WINDOW HARNESS</b> 2 Door Models, Driver Side Door, With Power Windows, Except Power Door Locks	\$210.00	
44173	1985	<b>POWER WINDOW HARNESS</b> 4 Door Models, Driver Side Front Door, With Power Windows, Except Power Door Locks	\$210.00	
44167	1985	<b>POWER WINDOW HARNESS</b> All Models, Passenger Side Front Door, With Power Windows, Except Power Door Locks	\$210.00	

Part Number	Year	Description	Price	*Rev.
44174	1985	<b>POWER WINDOW HARNESS</b> 4 Door Models, Driver Side Rear Door, With Power Windows, Except Power Door Locks Note: Customer Must Reuse Their Original Rubber Door Jamb Boot.	\$90.00	
44175	1985	<b>POWER WINDOW HARNESS</b> 4 Door Models, Passenger Side Rear Door, With Power Windows, Except Power Door Locks Note: Customer Must Reuse Their Original Rubber Door Jamb Boot.	\$90.00	
44001	1985	<b>POWER WINDOW HARNESS</b> 2 Door Models, Body Crossover, With Power Windows And Power Door Locks	\$278.00	
44168	1985	<b>POWER WINDOW HARNESS</b> 4 Door Models, Body Crossover, With Power Windows And Power Door Locks	\$278.00	
44002	1985	<b>POWER WINDOW HARNESS</b> 2 Door Models, Driver Side Door, With Power Windows And Power Door Locks	\$235.00	
44169	1985	<b>POWER WINDOW HARNESS</b> 4 Door Models, Driver Side Front Door, With Power Windows And Power Door Locks	\$235.00	
44003	1985	<b>POWER WINDOW HARNESS</b> All Models, Passenger Side Front Door, With Power Windows And Power Door Locks	\$235.00	
44170	1985	<b>POWER WINDOW HARNESS</b> 4 Door Models, Driver Side Rear Door, With Power Windows And Power Door Locks Note: Customer Must Reuse Their Original Rubber Door Jamb Boot.	\$110.00	
44171	1985	<b>POWER WINDOW HARNESS</b> 4 Door Models, Passenger Side Rear Door, With Power Windows And Power Door Locks Note: Customer Must Reuse Their Original Rubber Door Jamb Boot.	\$110.00	
44165	1986	<b>POWER WINDOW HARNESS</b> 2 Door Models, Body Crossover, With Power Windows, Except Power Door Locks	\$278.00	M
44172	1986	<b>POWER WINDOW HARNESS</b> 4 Door Models, Body Crossover, With Power Windows, Except Power Door Locks	\$278.00	
44166	1986	<b>POWER WINDOW HARNESS</b> 2 Door Models, Driver Side Door, With Power Windows, Except Power Door Locks	\$210.00	
44173	1986	<b>POWER WINDOW HARNESS</b> 4 Door Models, Driver Side Front Door, With Power Windows, Except Power Door Locks	\$210.00	
44167	1986	<b>POWER WINDOW HARNESS</b> All Models, Passenger Side Front Door, With Power Windows, Except Power Door Locks	\$210.00	
44174	1986	<b>POWER WINDOW HARNESS</b> 4 Door Models, Driver Side Rear Door, With Power Windows, Except Power Door Locks Note: Customer Must Reuse Their Original Rubber Door Jamb Boot.	\$90.00	
44175	1986	<b>POWER WINDOW HARNESS</b> 4 Door Models, Passenger Side Rear Door, With Power Windows, Except Power Door Locks Note: Customer Must Reuse Their Original Rubber Door Jamb Boot.	\$90.00	
44001	1986	<b>POWER WINDOW HARNESS</b> 2 Door Models, Body Crossover, With Power Windows And Power Door Locks	\$278.00	
44168	1986	<b>POWER WINDOW HARNESS</b> 4 Door Models, Body Crossover, With Power Windows And Power Door Locks	\$278.00	
44002	1986	<b>POWER WINDOW HARNESS</b> 2 Door Models, Driver Side Door, With Power Windows And Power Door Locks	\$235.00	
44169	1986	<b>POWER WINDOW HARNESS</b> 4 Door Models, Driver Side Front Door, With Power Windows And Power Door Locks	\$235.00	
44003	1986	<b>POWER WINDOW HARNESS</b> All Models, Passenger Side Front Door, With Power Windows And Power Door Locks	\$235.00	
44170	1986	<b>POWER WINDOW HARNESS</b> 4 Door Models, Driver Side Rear Door, With Power Windows And Power Door Locks Note: Customer Must Reuse Their Original Rubber Door Jamb Boot.	\$110.00	
44171	1986	<b>POWER WINDOW HARNESS</b> 4 Door Models, Passenger Side Rear Door, With Power Windows And Power Door Locks Note: Customer Must Reuse Their Original Rubber Door Jamb Boot.	\$110.00	

Part Number	Year	Description	Price	*Rev.
44165	1987	<b>POWER WINDOW HARNESS</b> 2 Door Models, Body Crossover, With Power Windows, Except Power Door Locks	\$278.00	M
44172	1987	<b>POWER WINDOW HARNESS</b> 4 Door Models, Body Crossover, With Power Windows, Except Power Door Locks	\$278.00	
44166	1987	<b>POWER WINDOW HARNESS</b> 2 Door Models, Driver Side Door, With Power Windows, Except Power Door Locks	\$210.00	
44173	1987	<b>POWER WINDOW HARNESS</b> 4 Door Models, Driver Side Front Door, With Power Windows, Except Power Door Locks	\$210.00	
44167	1987	<b>POWER WINDOW HARNESS</b> All Models, Passenger Side Front Door, With Power Windows, Except Power Door Locks	\$210.00	
44174	1987	<b>POWER WINDOW HARNESS</b> 4 Door Models, Driver Side Rear Door, With Power Windows, Except Power Door Locks Note: Customer Must Reuse Their Original Rubber Door Jamb Boot.	\$90.00	
44175	1987	<b>POWER WINDOW HARNESS</b> 4 Door Models, Passenger Side Rear Door, With Power Windows, Except Power Door Locks Note: Customer Must Reuse Their Original Rubber Door Jamb Boot.	\$90.00	
44178	1987	<b>POWER WINDOW HARNESS</b> 2 Door Models, Body Crossover, With Power Windows And Power Door Locks	\$278.00	M
44181	1987	<b>POWER WINDOW HARNESS</b> 4 Door Models, Body Crossover, With Power Windows And Power Door Locks	\$278.00	
44179	1987	<b>POWER WINDOW HARNESS</b> 2 Door Models, Driver Side Door, With Power Windows And Power Door Locks	\$235.00	
44182	1987	<b>POWER WINDOW HARNESS</b> 4 Door Models, Driver Side Front Door, With Power Windows And Power Door Locks	\$235.00	
44180	1987	<b>POWER WINDOW HARNESS</b> All Models, Passenger Side Front Door, With Power Windows And Power Door Locks	\$235.00	
44170	1987	<b>POWER WINDOW HARNESS</b> 4 Door Models, Driver Side Rear Door, With Power Windows And Power Door Locks Note: Customer Must Reuse Their Original Rubber Door Jamb Boot.	\$110.00	
44171	1987	<b>POWER WINDOW HARNESS</b> 4 Door Models, Passenger Side Rear Door, With Power Windows And Power Door Locks Note: Customer Must Reuse Their Original Rubber Door Jamb Boot.	\$110.00	
44165	1988	<b>POWER WINDOW HARNESS</b> Blazer & Jimmy, Body Crossover, With Power Windows, Except Power Door Locks	\$278.00	M
44172	1988	<b>POWER WINDOW HARNESS</b> 4 Door Models, Body Crossover, With Power Windows, Except Power Door Locks	\$278.00	
44166	1988	<b>POWER WINDOW HARNESS</b> Blazer & Jimmy, Driver Side Door, With Power Windows, Except Power Door Locks	\$210.00	
44173	1988	<b>POWER WINDOW HARNESS</b> 4 Door Models, Driver Side Front Door, With Power Windows, Except Power Door Locks	\$210.00	
44167	1988	<b>POWER WINDOW HARNESS</b> All Models, Passenger Side Front Door, With Power Windows, Except Power Door Locks	\$210.00	
44174	1988	<b>POWER WINDOW HARNESS</b> 4 Door Models, Driver Side Rear Door, With Power Windows, Except Power Door Locks Note: Customer Must Reuse Their Original Rubber Door Jamb Boot.	\$90.00	
44175	1988	<b>POWER WINDOW HARNESS</b> 4 Door Models, Passenger Side Rear Door, With Power Windows, Except Power Door Locks Note: Customer Must Reuse Their Original Rubber Door Jamb Boot.	\$90.00	
44178	1988	<b>POWER WINDOW HARNESS</b> Blazer & Jimmy, Body Crossover, With Power Windows And Power Door Locks	\$278.00	M
44181	1988	<b>POWER WINDOW HARNESS</b> 4 Door Models, Body Crossover, With Power Windows And Power Door Locks	\$278.00	
44179	1988	<b>POWER WINDOW HARNESS</b> Blazer & Jimmy, Driver Side Door, With Power Windows And Power Door Locks	\$235.00	

Part Number	Year	Description	Price	*Rev.
44182	1988	<b>POWER WINDOW HARNESS</b> 4 Door Models, Driver Side Front Door, With Power Windows And Power Door Locks	\$235.00	
44180	1988	<b>POWER WINDOW HARNESS</b> All Models, Passenger Side Front Door, With Power Windows And Power Door Locks	\$235.00	
44170	1988	<b>POWER WINDOW HARNESS</b> 4 Door Models, Driver Side Rear Door, With Power Windows And Power Door Locks Note: Customer Must Reuse Their Original Rubber Door Jamb Boot.	\$110.00	
44171	1988	<b>POWER WINDOW HARNESS</b> 4 Door Models, Passenger Side Rear Door, With Power Windows And Power Door Locks Note: Customer Must Reuse Their Original Rubber Door Jamb Boot.	\$110.00	
44165	1989	<b>POWER WINDOW HARNESS</b> Blazer & Jimmy, Body Crossover, With Power Windows, Except Power Door Locks	\$278.00	M
44166	1989	<b>POWER WINDOW HARNESS</b> Blazer & Jimmy, Driver Side Door, With Power Windows, Except Power Door Locks	\$210.00	
44167	1989	<b>POWER WINDOW HARNESS</b> Blazer & Jimmy, Passenger Side Front Door, With Power Windows, Except Power Door Locks	\$210.00	
44178	1989	<b>POWER WINDOW HARNESS</b> Blazer & Jimmy, Body Crossover, With Power Windows And Power Door Locks	\$278.00	M
44181	1989	<b>POWER WINDOW HARNESS</b> 4 Door Models, Body Crossover, With Power Windows And Power Door Locks	\$278.00	
44179	1989	<b>POWER WINDOW HARNESS</b> Blazer & Jimmy, Driver Side Door, With Power Windows And Power Door Locks	\$235.00	
44182	1989	<b>POWER WINDOW HARNESS</b> 4 Door Models, Driver Side Front Door, With Power Windows And Power Door Locks	\$235.00	
44180	1989	<b>POWER WINDOW HARNESS</b> All Models, Passenger Side Front Door, With Power Windows And Power Door Locks	\$235.00	
44170	1989	<b>POWER WINDOW HARNESS</b> 4 Door Models, Driver Side Rear Door, With Power Windows And Power Door Locks Note: Customer Must Reuse Their Original Rubber Door Jamb Boot.	\$110.00	
44171	1989	<b>POWER WINDOW HARNESS</b> 4 Door Models, Passenger Side Rear Door, With Power Windows And Power Door Locks Note: Customer Must Reuse Their Original Rubber Door Jamb Boot.	\$110.00	
44165	1990	<b>POWER WINDOW HARNESS</b> Blazer & Jimmy, Body Crossover, With Power Windows, Except Power Door Locks	\$278.00	M
44166	1990	<b>POWER WINDOW HARNESS</b> Blazer & Jimmy, Driver Side Door, With Power Windows, Except Power Door Locks	\$210.00	
44167	1990	<b>POWER WINDOW HARNESS</b> Blazer & Jimmy, Passenger Side Front Door, With Power Windows, Except Power Door Locks	\$210.00	
44178	1990	<b>POWER WINDOW HARNESS</b> Blazer & Jimmy, Body Crossover, With Power Windows And Power Door Locks	\$278.00	M
44181	1990	<b>POWER WINDOW HARNESS</b> 4 Door Models, Body Crossover, With Power Windows And Power Door Locks	\$278.00	
44179	1990	<b>POWER WINDOW HARNESS</b> Blazer & Jimmy, Driver Side Door, With Power Windows And Power Door Locks	\$235.00	
44182	1990	<b>POWER WINDOW HARNESS</b> 4 Door Models, Driver Side Front Door, With Power Windows And Power Door Locks	\$235.00	
44180	1990	<b>POWER WINDOW HARNESS</b> All Models, Passenger Side Front Door, With Power Windows And Power Door Locks	\$235.00	
44170	1990	<b>POWER WINDOW HARNESS</b> 4 Door Models, Driver Side Rear Door, With Power Windows And Power Door Locks Note: Customer Must Reuse Their Original Rubber Door Jamb Boot.	\$110.00	
44171	1990	<b>POWER WINDOW HARNESS</b> 4 Door Models, Passenger Side Rear Door, With Power Windows And Power Door Locks Note: Customer Must Reuse Their Original Rubber Door Jamb Boot.	\$110.00	

Part Number	Year	Description	Price	*Rev.
44165	1991	<b>POWER WINDOW HARNESS</b> Blazer & Jimmy, Body Crossover, With Power Windows, Except Power Door Locks	\$278.00	M
44166	1991	<b>POWER WINDOW HARNESS</b> Blazer & Jimmy, Driver Side Door, With Power Windows, Except Power Door Locks	\$210.00	
44167	1991	<b>POWER WINDOW HARNESS</b> Blazer & Jimmy, Passenger Side Front Door, With Power Windows, Except Power Door Locks	\$210.00	
44178	1991	<b>POWER WINDOW HARNESS</b> Blazer & Jimmy, Body Crossover, With Power Windows And Power Door Locks	\$278.00	M
44181	1991	<b>POWER WINDOW HARNESS</b> 4 Door Models, Body Crossover, With Power Windows And Power Door Locks	\$278.00	
44179	1991	<b>POWER WINDOW HARNESS</b> Blazer & Jimmy, Driver Side Door, With Power Windows And Power Door Locks	\$235.00	
44182	1991	<b>POWER WINDOW HARNESS</b> 4 Door Models, Driver Side Front Door, With Power Windows And Power Door Locks	\$235.00	
44180	1991	<b>POWER WINDOW HARNESS</b> All Models, Passenger Side Front Door, With Power Windows And Power Door Locks	\$235.00	
44170	1991	<b>POWER WINDOW HARNESS</b> 4 Door Models, Driver Side Rear Door, With Power Windows And Power Door Locks Note: Customer Must Reuse Their Original Rubber Door Jamb Boot.	\$110.00	
44171	1991	<b>POWER WINDOW HARNESS</b> 4 Door Models, Passenger Side Rear Door, With Power Windows And Power Door Locks Note: Customer Must Reuse Their Original Rubber Door Jamb Boot.	\$110.00	

**POWER WINDOW SWITCH**

01725094	1977	<b>POWER WINDOW SWITCH</b> 1 Button, Square Corner Style, Chrome	\$21.00	M
01725092	1977	<b>POWER WINDOW SWITCH</b> 2 Button, Square Corner Style, Chrome	\$53.00	M
01725094	1978	<b>POWER WINDOW SWITCH</b> 1 Button, Square Corner Style, Chrome	\$21.00	M
01725092	1978	<b>POWER WINDOW SWITCH</b> 2 Button, Square Corner Style, Chrome	\$53.00	M
01725094	1979	<b>POWER WINDOW SWITCH</b> 1 Button, Square Corner Style, Chrome	\$21.00	M
01731231	1979	<b>POWER WINDOW SWITCH</b> 4 Button, Square Corner Style, Chrome	\$75.00	M
01725092	1979	<b>POWER WINDOW SWITCH</b> 2 Button, Square Corner Style, Chrome	\$53.00	M
01725094	1980	<b>POWER WINDOW SWITCH</b> 1 Button, Square Corner Style, Chrome	\$21.00	M
01731231	1980	<b>POWER WINDOW SWITCH</b> 4 Button, Square Corner Style, Chrome	\$75.00	M
01725092	1980	<b>POWER WINDOW SWITCH</b> 2 Button, Square Corner Style, Chrome	\$53.00	M
01725092	1981	<b>POWER WINDOW SWITCH</b> 2 Button, Square Corner Style, Chrome	\$53.00	M
20061549	1981	<b>POWER WINDOW SWITCH</b> 2-Button	\$14.00	N
01725094	1981	<b>POWER WINDOW SWITCH</b> 1 Button, Square Corner Style, Chrome	\$21.00	M
20043940	1981	<b>POWER WINDOW SWITCH</b> 1-Button	\$9.00	N
01731231	1981	<b>POWER WINDOW SWITCH</b> 4 Button, Square Corner Style, Chrome	\$75.00	M
20043940	1982	<b>POWER WINDOW SWITCH</b> 1-Button	\$9.00	N
20061549	1982	<b>POWER WINDOW SWITCH</b> 2-Button	\$14.00	N
20106968	1982	<b>POWER WINDOW SWITCH</b> 4-Button	\$19.00	N
20043940	1983	<b>POWER WINDOW SWITCH</b> 1-Button	\$9.00	N
20061549	1983	<b>POWER WINDOW SWITCH</b> 2-Button	\$14.00	N
20106968	1983	<b>POWER WINDOW SWITCH</b> 4-Button	\$19.00	N
20043940	1984	<b>POWER WINDOW SWITCH</b> 1-Button	\$9.00	N
20061549	1984	<b>POWER WINDOW SWITCH</b> 2-Button	\$14.00	N
20106968	1984	<b>POWER WINDOW SWITCH</b> 4-Button	\$19.00	N
20043940	1985	<b>POWER WINDOW SWITCH</b> 1-Button	\$9.00	N
20061549	1985	<b>POWER WINDOW SWITCH</b> 2-Button	\$14.00	N
20106968	1985	<b>POWER WINDOW SWITCH</b> 4-Button	\$19.00	N

Part Number	Year	Description	Price	*Rev.
20043940	1986	POWER WINDOW SWITCH 1-Button	\$9.00	N
20061549	1986	POWER WINDOW SWITCH 2-Button	\$14.00	N
20106968	1986	POWER WINDOW SWITCH 4-Button	\$19.00	N
20043940	1987	POWER WINDOW SWITCH 1-Button, RV Body Style	\$9.00	N
20061549	1987	POWER WINDOW SWITCH 2-Button, RV Body Style	\$14.00	N
20106968	1987	POWER WINDOW SWITCH 4-Button, RV Body Style	\$19.00	N
20043940	1988	POWER WINDOW SWITCH 1-Button, RV Body Style	\$9.00	N
20061549	1988	POWER WINDOW SWITCH 2-Button, RV Body Style	\$14.00	N
20106968	1988	POWER WINDOW SWITCH 4-Button, RV Body Style	\$19.00	N
20043940	1989	POWER WINDOW SWITCH 1-Button, RV Body Style	\$9.00	N
20061549	1989	POWER WINDOW SWITCH 2-Button, RV Body Style	\$14.00	N
20106968	1989	POWER WINDOW SWITCH 4-Button, RV Body Style	\$19.00	N
20043940	1990	POWER WINDOW SWITCH 1-Button, RV Body Style	\$9.00	N
20061549	1990	POWER WINDOW SWITCH 2-Button, RV Body Style	\$14.00	N
20106968	1990	POWER WINDOW SWITCH 4-Button, RV Body Style	\$19.00	N
20043940	1991	POWER WINDOW SWITCH 1-Button, RV Body Style	\$9.00	N
20061549	1991	POWER WINDOW SWITCH 2-Button, RV Body Style	\$14.00	N
20106968	1991	POWER WINDOW SWITCH 4-Button, RV Body Style	\$19.00	N
<b>PRINTED CIRCUIT BOARD</b>				
06290459	1967	PRINTED CIRCUIT BOARD With Gauges And Tach	\$42.00	N
06290458	1967	PRINTED CIRCUIT BOARD With Gauges, Without Tach	\$42.00	N
06290457	1967	PRINTED CIRCUIT BOARD With Warning Lights	\$42.00	N
06290459	1968	PRINTED CIRCUIT BOARD With Gauges And Tach	\$42.00	N
06290458	1968	PRINTED CIRCUIT BOARD With Gauges, Without Tach	\$42.00	N
06290457	1968	PRINTED CIRCUIT BOARD With Warning Lights	\$42.00	N
06290459	1969	PRINTED CIRCUIT BOARD With Gauges And Tach	\$42.00	N
06290458	1969	PRINTED CIRCUIT BOARD With Gauges, Without Tach	\$42.00	N
06290457	1969	PRINTED CIRCUIT BOARD With Warning Lights	\$42.00	N
06290459	1970	PRINTED CIRCUIT BOARD With Gauges And Tach	\$42.00	N
06290458	1970	PRINTED CIRCUIT BOARD With Gauges, Without Tach	\$42.00	N
06290457	1970	PRINTED CIRCUIT BOARD With Warning Lights	\$42.00	N
06290459	1971	PRINTED CIRCUIT BOARD With Gauges And Tach	\$42.00	N
06290458	1971	PRINTED CIRCUIT BOARD With Gauges, Without Tach	\$42.00	N
06290457	1971	PRINTED CIRCUIT BOARD With Warning Lights	\$42.00	N
06290459	1972	PRINTED CIRCUIT BOARD With Gauges And Tach	\$42.00	N
06290458	1972	PRINTED CIRCUIT BOARD With Gauges, Without Tach	\$42.00	N
06290457	1972	PRINTED CIRCUIT BOARD With Warning Lights	\$42.00	N
25044898	1981	PRINTED CIRCUIT BOARD With Gauges And Tach	\$54.00	N
25044897	1981	PRINTED CIRCUIT BOARD With Gauges, Without Tach	\$54.00	N
25044898	1982	PRINTED CIRCUIT BOARD With Gauges And Tach	\$54.00	N
25044897	1982	PRINTED CIRCUIT BOARD With Gauges, Without Tach	\$54.00	N
25044898	1983	PRINTED CIRCUIT BOARD With Gauges And Tach	\$54.00	N
25044897	1983	PRINTED CIRCUIT BOARD With Gauges, Without Tach	\$54.00	N
25044898	1984	PRINTED CIRCUIT BOARD With Gauges And Tach	\$54.00	N
25044897	1984	PRINTED CIRCUIT BOARD With Gauges, Without Tach	\$54.00	N
25044898	1985	PRINTED CIRCUIT BOARD With Gauges And Tach	\$54.00	N
25044897	1985	PRINTED CIRCUIT BOARD With Gauges, Without Tach	\$54.00	N

Part Number	Year	Description	Price	*Rev.
25044898	1986	PRINTED CIRCUIT BOARD With Gauges And Tach	\$54.00	N
25044897	1986	PRINTED CIRCUIT BOARD With Gauges, Without Tach	\$54.00	N
25044898	1987	PRINTED CIRCUIT BOARD With Gauges And Tach Note: For RV Model Square Body Style.	\$54.00	N
25044897	1987	PRINTED CIRCUIT BOARD With Gauges, Without Tach Note: For RV Model Square Body Style.	\$54.00	N
<b>RADIO POWER WIRE</b>				
39708	1973	RADIO POWER WIRE Fuse Box To Radio, Except Stereo	\$53.00	M
39708	1974	RADIO POWER WIRE Fuse Box To Radio, Except Stereo	\$53.00	M
<b>REAR FENDER MARKER LAMP HARNESS</b>				
39742	1973	REAR FENDER MARKER LAMP HARNESS Dually, With Rear Fender Marker Lamps	\$219.00	M
39742	1974	REAR FENDER MARKER LAMP HARNESS Dually, With Rear Fender Marker Lamps	\$219.00	M
39742	1975	REAR FENDER MARKER LAMP HARNESS Dually, With Rear Fender Marker Lamps	\$219.00	M
39742	1976	REAR FENDER MARKER LAMP HARNESS Dually, With Rear Fender Marker Lamps	\$219.00	M
39742	1977	REAR FENDER MARKER LAMP HARNESS Dually, With Rear Fender Marker Lamps	\$219.00	M
39742	1978	REAR FENDER MARKER LAMP HARNESS Dually, With Rear Fender Marker Lamps	\$219.00	M
<b>REAR LAMP HARNESS</b>				
39304	1973	REAR LAMP INTERMEDIATE HARNESS Blazer & Jimmy	\$209.00	M
38412	1973	REAR LAMP INTERMEDIATE HARNESS Fleetside & Stepside Bed, With 117.5 In. Wheel Base	\$118.00	M
38413	1973	REAR LAMP INTERMEDIATE HARNESS Fleetside & Stepside Bed, With 131.5 In. & 164.5 In. Wheel Base	\$120.00	M
39710	1973	REAR LAMP INTERMEDIATE HARNESS Suburban	\$143.00	M
39711	1973	REAR LAMP INTERMEDIATE HARNESS 2 Door, 1-Ton, Without Bed, With 159.5 In. Wheel Base	\$143.00	M
39712	1973	REAR LAMP INTERMEDIATE HARNESS 4 Door, 3/4 & 1-Ton, Without Bed, With 164.5 In. Wheel Base	\$143.00	M
35902	1973	REAR LAMP HARNESS Rear, Stepside, Except 117.5 In. Wheel Base	\$248.00	M
37624	1973	REAR LAMP HARNESS Rear, Stepside, With 117.5 In. Wheel Base	\$248.00	M
37464	1973	REAR LAMP HARNESS Rear, 2 Door, Without Bed, With 117.5 In. Wheel Base	\$248.00	M
37465	1973	REAR LAMP HARNESS Rear, 2 & 4 Door, 3/4 & 1-Ton, Without Bed, With 131.5 In. & 164.5 In. Wheel Base	\$248.00	M
35903	1973	REAR LAMP HARNESS Rear, 2 Door, 1-Ton, Without Bed, With 135.5 & 159.5 In. Wheel Base	\$248.00	M
35904	1973	REAR LAMP HARNESS Rear, Blazer & Jimmy, (2 Required Per Vehicle)	\$143.00	M
37470	1973	REAR LAMP HARNESS Rear, Fleetside	\$248.00	M
39747	1973	REAR LAMP HARNESS Rear, Suburban, Driver Side	\$143.00	M
35906	1973	REAR LAMP HARNESS Rear, Suburban, Passenger Side	\$143.00	M
35905	1973	REAR LAMP HARNESS Rear, Fleetside, With Camper Special Option	\$314.00	M
39304	1974	REAR LAMP INTERMEDIATE HARNESS Blazer & Jimmy	\$209.00	M
38412	1974	REAR LAMP INTERMEDIATE HARNESS Fleetside & Stepside Bed, With 117.5 In. Wheel Base	\$118.00	M
38413	1974	REAR LAMP INTERMEDIATE HARNESS Fleetside & Stepside Bed, With 131.5 In. & 164.5 In. Wheel Base	\$120.00	M
39711	1974	REAR LAMP INTERMEDIATE HARNESS 2 Door, 1-Ton, Without Bed, With 159.5 In. Wheel Base	\$143.00	M
39712	1974	REAR LAMP INTERMEDIATE HARNESS 4 Door, 3/4 & 1-Ton, Without Bed, With 164.5 In. Wheel Base	\$143.00	M
39772	1974	REAR LAMP INTERMEDIATE HARNESS Suburban	\$143.00	M
35902	1974	REAR LAMP HARNESS Rear, Stepside, Except 117.5 In. Wheel Base	\$248.00	M
37624	1974	REAR LAMP HARNESS Rear, Stepside, With 117.5 In. Wheel Base	\$248.00	M
35903	1974	REAR LAMP HARNESS Rear, 2 Door, 1-Ton, Without Bed, With 135.5 & 159.5 In. Wheel Base	\$248.00	M
35904	1974	REAR LAMP HARNESS Rear, Blazer & Jimmy, (2 Required Per Vehicle)	\$143.00	M
37470	1974	REAR LAMP HARNESS Rear, Fleetside	\$248.00	M

Part Number	Year	Description	Price	*Rev.
39747	1974	REAR LAMP HARNESS Rear, Suburban, Driver Side	\$143.00	M
35906	1974	REAR LAMP HARNESS Rear, Suburban, Passenger Side	\$143.00	M
35905	1974	REAR LAMP HARNESS Rear, Fleetside, With Camper Special Option, (1st Design), Except Rear Fender Marker Lamp Wiring	\$314.00	M
35976	1974	REAR LAMP HARNESS Rear, Fleetside, With Camper Special Option, (2nd Design), With Rear Fender Marker Lamp Wiring	\$314.00	M
39778	1975	REAR LAMP INTERMEDIATE HARNESS Blazer & Jimmy	\$209.00	M
39779	1975	REAR LAMP INTERMEDIATE HARNESS Fleetside & Stepside Bed, With 117.5 In. Wheel Base	\$209.00	M
39780	1975	REAR LAMP INTERMEDIATE HARNESS Fleetside & Stepside Bed, With 131.5 In. & 164.5 In. Wheel Base	\$209.00	M
39781	1975	REAR LAMP INTERMEDIATE HARNESS 2 Door, 1-Ton, Without Bed, With 159.5 In. Wheel Base	\$209.00	M
39782	1975	REAR LAMP INTERMEDIATE HARNESS 4 Door, 3/4 & 1-Ton, Without Bed, With 164.5 In. Wheel Base	\$209.00	M
39783	1975	REAR LAMP INTERMEDIATE HARNESS Suburban	\$268.00	M
35902	1975	REAR LAMP HARNESS Rear, Stepside, Except 117.5 In. Wheel Base	\$248.00	M
37624	1975	REAR LAMP HARNESS Rear, Stepside, With 117.5 In. Wheel Base	\$248.00	M
37464	1975	REAR LAMP HARNESS Rear, 2 Door, Without Bed, With 117.5 In. Wheel Base	\$248.00	M
37465	1975	REAR LAMP HARNESS Rear, 2 & 4 Door, 3/4 & 1-Ton, Without Bed, With 131.5 In. & 164.5 In. Wheel Base	\$248.00	M
35903	1975	REAR LAMP HARNESS Rear, 2 Door, 1-Ton, Without Bed, With 135.5 & 159.5 In. Wheel Base	\$248.00	M
35904	1975	REAR LAMP HARNESS Rear, Blazer & Jimmy, (2 Required Per Vehicle)	\$143.00	M
35905	1975	REAR LAMP HARNESS Rear, Fleetside, With Camper Special Option	\$314.00	M
37470	1975	REAR LAMP HARNESS Rear, Fleetside	\$248.00	M
39747	1975	REAR LAMP HARNESS Rear, Suburban, Driver Side	\$143.00	M
35906	1975	REAR LAMP HARNESS Rear, Suburban, Passenger Side	\$143.00	M
39806	1976	REAR LAMP INTERMEDIATE HARNESS Fleetside & Stepside Bed, With 117.5 In. Wheel Base	\$194.00	M
39807	1976	REAR LAMP INTERMEDIATE HARNESS Fleetside & Stepside Bed, With 131.5 In. & 135.5 In. Wheel Base	\$194.00	M
39809	1976	REAR LAMP INTERMEDIATE HARNESS Blazer & Jimmy	\$268.00	M
35907	1976	REAR LAMP INTERMEDIATE HARNESS Suburban, Except 40 Gal. Gas Tank Option	\$268.00	M
37657	1976	REAR LAMP INTERMEDIATE HARNESS 1-Ton, Stakebed & Flatbed, With 159.5 Wheel Base	\$194.00	M
37658	1976	REAR LAMP INTERMEDIATE HARNESS 4 Door, 3/4 & 1-Ton, Without Bed, With 164.5 In. Wheel Base	\$209.00	M
39810	1976	REAR LAMP INTERMEDIATE HARNESS Suburban, With 40 Gal. Gas Tank Option	\$268.00	M
35902	1976	REAR LAMP HARNESS Rear, Stepside, Except 117.5 In. Wheel Base	\$248.00	M
37624	1976	REAR LAMP HARNESS Rear, Stepside, With 117.5 In. Wheel Base	\$248.00	M
37464	1976	REAR LAMP HARNESS Rear, 2 Door, Without Bed, With 117.5 In. Wheel Base	\$248.00	M
37465	1976	REAR LAMP HARNESS Rear, 2 & 4 Door, 3/4 & 1-Ton, Without Bed, With 131.5 In. & 164.5 In. Wheel Base	\$248.00	M
35903	1976	REAR LAMP HARNESS Rear, 2 Door, 1-Ton, Without Bed, With 135.5 & 159.5 In. Wheel Base	\$248.00	M
35904	1976	REAR LAMP HARNESS Rear, Blazer & Jimmy, (2 Required Per Vehicle)	\$143.00	M
35905	1976	REAR LAMP HARNESS Rear, 1-Ton Fleetside Bed, With Dual Rear Wheels	\$314.00	M
37470	1976	REAR LAMP HARNESS Rear, Fleetside	\$248.00	M
39747	1976	REAR LAMP HARNESS Rear, Suburban, Passenger Side	\$143.00	M
35906	1976	REAR LAMP HARNESS Rear, Suburban, Driver Side	\$143.00	M
38394	1977	REAR LAMP INTERMEDIATE HARNESS Fleetside & Stepside, With 117.5 In. Wheel Base & Heavy Duty Chassis	\$194.00	M
39382	1977	REAR LAMP INTERMEDIATE HARNESS Fleetside & Stepside, With 131.5 In. Wheel Base	\$194.00	M
39818	1977	REAR LAMP INTERMEDIATE HARNESS Fleetside & Stepside, With 117.5 In. Wheel Base, Except Heavy Duty Chassis	\$194.00	M
39819	1977	REAR LAMP INTERMEDIATE HARNESS Fleetside & Stepside, 1-Ton With 135.5 In. Wheel Base	\$194.00	M



Part Number	Year	Description	Price	*Rev.
39820	1977	REAR LAMP INTERMEDIATE HARNESS 2 Door, 1-Ton, With 159.5 In. Wheel Base	\$194.00	M
39821	1977	REAR LAMP INTERMEDIATE HARNESS 4 Door Truck, 3/4 & 1-Ton	\$194.00	M
39822	1977	REAR LAMP INTERMEDIATE HARNESS Suburban	\$268.00	M
37623	1977	REAR LAMP INTERMEDIATE HARNESS Blazer & Jimmy	\$268.00	M
35902	1977	REAR LAMP HARNESS Rear, Stepside, Except 117.5 In. Wheel Base	\$248.00	M
37624	1977	REAR LAMP HARNESS Rear, Stepside, With 117.5 In. Wheel Base	\$248.00	M
35904	1977	REAR LAMP HARNESS Rear, Blazer & Jimmy, (2 Required Per Vehicle)	\$143.00	M
35905	1977	REAR LAMP HARNESS Rear, 1-Ton Fleetside Bed, With Dual Rear Wheels	\$314.00	M
37470	1977	REAR LAMP HARNESS Rear, Fleetside	\$248.00	M
39823	1977	REAR LAMP HARNESS Rear, Suburban, (2 Required Per Vehicle)	\$143.00	M
39828	1977	REAR LAMP HARNESS Rear, 2 & 4 Door, Without Bed, With 117.5, 131.5, & 164.5 In. Wheel Base	\$248.00	M
35908	1977	REAR LAMP HARNESS Rear, 2 Door, Without Bed, With 131.5, 135.5, & 159.5 In. Wheel Base	\$248.00	M
35914	1977	REAR LAMP HARNESS Rear, 1-Ton, Stakebed & Flatbed, With 135.5 In. Wheel Base	\$248.00	M
38394	1978	REAR LAMP INTERMEDIATE HARNESS Fleetside & Stepside, With 117.5 In. Wheel Base & Heavy Duty Chassis	\$194.00	M
39382	1978	REAR LAMP INTERMEDIATE HARNESS Fleetside & Stepside, With 131.5 In. Wheel Base & Heavy Duty Chassis	\$194.00	M
39818	1978	REAR LAMP INTERMEDIATE HARNESS Fleetside & Stepside, With 117.5 In. Wheel Base, Except Heavy Duty Chassis	\$194.00	M
39819	1978	REAR LAMP INTERMEDIATE HARNESS Fleetside & Stepside, 1/2-Ton With 131.5 In. Wheel Base & 1-Ton With 135.5 In. Wheel Base	\$194.00	M
39820	1978	REAR LAMP INTERMEDIATE HARNESS 2 Door, 1-Ton, With 159.5 In. Wheel Base	\$194.00	M
39821	1978	REAR LAMP INTERMEDIATE HARNESS 4 Door Truck, 3/4 & 1-Ton	\$194.00	M
39822	1978	REAR LAMP INTERMEDIATE HARNESS Suburban, Without California Emission Option	\$268.00	M
37623	1978	REAR LAMP INTERMEDIATE HARNESS Blazer & Jimmy	\$268.00	M
35913	1978	REAR LAMP INTERMEDIATE HARNESS Suburban, With California Emission Option	\$268.00	M
35902	1978	REAR LAMP HARNESS Rear, Stepside, Except 117.5 In. Wheel Base	\$248.00	M
37624	1978	REAR LAMP HARNESS Rear, Stepside, With 117.5 In. Wheel Base	\$248.00	M
35904	1978	REAR LAMP HARNESS Rear, Blazer & Jimmy, (2 Required Per Vehicle)	\$143.00	M
35905	1978	REAR LAMP HARNESS Rear, 1-Ton Fleetside Bed, With Dual Rear Wheels	\$314.00	M
37470	1978	REAR LAMP HARNESS Rear, Fleetside	\$248.00	M
39823	1978	REAR LAMP HARNESS Rear, Suburban, (2 Required Per Vehicle)	\$143.00	M
39828	1978	REAR LAMP HARNESS Rear, 2 & 4 Door, Without Bed, With 117.5, 131.5, & 164.5 In. Wheel Base	\$248.00	M
35908	1978	REAR LAMP HARNESS Rear, 2 Door, Without Bed, With 135.5, & 159.5 In. Wheel Base	\$248.00	M
35914	1978	REAR LAMP HARNESS Rear, 1-Ton, Stakebed & Flatbed, With 135.5 In. Wheel Base	\$248.00	M
39818	1979	REAR LAMP INTERMEDIATE HARNESS Fleetside & Stepside, With 117.5 In. Wheel Base, Except Heavy Duty Chassis	\$194.00	M
38394	1979	REAR LAMP INTERMEDIATE HARNESS Fleetside & Stepside, With 117.5 In. Wheel Base & Heavy Duty Chassis	\$194.00	M
39382	1979	REAR LAMP INTERMEDIATE HARNESS Fleetside & Stepside, With 131.5 In. Wheel Base & Heavy Duty Chassis	\$194.00	M
39819	1979	REAR LAMP INTERMEDIATE HARNESS Fleetside & Stepside, 1/2-Ton With 131.5 In. Wheel Base & 1-Ton With 135.5 In. Wheel Base	\$194.00	M
39820	1979	REAR LAMP INTERMEDIATE HARNESS 2 Door, 1-Ton, With 159.5 In. Wheel Base	\$194.00	M
39821	1979	REAR LAMP INTERMEDIATE HARNESS 4 Door Truck, 3/4 & 1-Ton	\$194.00	M
39822	1979	REAR LAMP INTERMEDIATE HARNESS Suburban, Without California Emission Option	\$268.00	M
35913	1979	REAR LAMP INTERMEDIATE HARNESS Suburban, With California Emission Option	\$268.00	M

Part Number	Year	Description	Price	*Rev.
39908	1979	REAR LAMP INTERMEDIATE HARNESS Blazer & Jimmy	\$268.00	M
35904	1979	REAR LAMP HARNESS Rear, Blazer & Jimmy, (2 Required Per Vehicle)	\$143.00	M
37470	1979	REAR LAMP HARNESS Rear, Fleetside	\$248.00	M
39823	1979	REAR LAMP HARNESS Rear, Suburban, (2 Required Per Vehicle)	\$143.00	M
39828	1979	REAR LAMP HARNESS Rear, 2 & 4 Door, Without Bed, With 117.5, 131.5, & 164.5 In. Wheel Base	\$248.00	M
35908	1979	REAR LAMP HARNESS Rear, 2 Door, Without Bed, With 135.5, & 159.5 In. Wheel Base	\$248.00	M
35914	1979	REAR LAMP HARNESS Rear, 1-Ton, Stakebed & Flatbed, With 135.5 In. Wheel Base	\$248.00	M
39898	1979	REAR LAMP HARNESS Rear, 1-Ton Fleetside Bed, With Dual Rear Wheels	\$248.00	M
38881	1979	REAR LAMP HARNESS Rear, Stepside	\$165.00	M
39382	1980	REAR LAMP INTERMEDIATE HARNESS Fleetside & Stepside, With 131.5 In. Wheel Base & Heavy Duty Chassis	\$194.00	M
39819	1980	REAR LAMP INTERMEDIATE HARNESS Fleetside & Stepside, 1-Ton With 135.5 In. Wheel Base	\$194.00	M
39820	1980	REAR LAMP INTERMEDIATE HARNESS 2 Door, 1-Ton, With 159.5 In. Wheel Base	\$194.00	M
39821	1980	REAR LAMP INTERMEDIATE HARNESS 4 Door Truck, 3/4 & 1-Ton	\$194.00	M
39913	1980	REAR LAMP INTERMEDIATE HARNESS Suburban, Without California Emission Option	\$268.00	M
39914	1980	REAR LAMP INTERMEDIATE HARNESS Suburban, With California Emission Option	\$268.00	M
39915	1980	REAR LAMP INTERMEDIATE HARNESS Fleetside & Stepside, With 117.5 In. Wheel Base	\$194.00	M
39916	1980	REAR LAMP INTERMEDIATE HARNESS Fleetside & Stepside, With 131.5 In. Wheel Base	\$194.00	M
39917	1980	REAR LAMP INTERMEDIATE HARNESS Blazer & Jimmy	\$268.00	M
35904	1980	REAR LAMP HARNESS Rear, Blazer & Jimmy, (2 Required Per Vehicle)	\$143.00	M
37470	1980	REAR LAMP HARNESS Rear, Fleetside	\$248.00	M
39823	1980	REAR LAMP HARNESS Rear, Suburban, (2 Required Per Vehicle)	\$143.00	M
39828	1980	REAR LAMP HARNESS Rear, 2 & 4 Door, Without Bed, With 117.5, 131.5, & 164.5 In. Wheel Base	\$248.00	M
35908	1980	REAR LAMP HARNESS Rear, 2 Door, Without Bed, With 135.5, & 159.5 In. Wheel Base	\$248.00	M
35914	1980	REAR LAMP HARNESS Rear, 1-Ton, Stakebed & Flatbed, With 135.5 In. Wheel Base	\$248.00	M
39898	1980	REAR LAMP HARNESS Rear, 1-Ton Fleetside Bed, With Dual Rear Wheels	\$248.00	M
38881	1980	REAR LAMP HARNESS Rear, Stepside	\$165.00	M
38394	1981	REAR LAMP INTERMEDIATE HARNESS Fleetside & Stepside, With 350 Diesel & 117.5 In. Wheel Base	\$194.00	M
39382	1981	REAR LAMP INTERMEDIATE HARNESS Fleetside & Stepside, 2 Wheel Drive 1/2 Ton, With 350 Diesel, & All 4 Wheel Drives, With 131.5 In. Wheel Base & Heavy Duty	\$194.00	M
39913	1981	REAR LAMP INTERMEDIATE HARNESS Suburban, Without California Emission Option	\$268.00	M
39914	1981	REAR LAMP INTERMEDIATE HARNESS Suburban, With California Emission Option	\$268.00	M
39915	1981	REAR LAMP INTERMEDIATE HARNESS Fleetside & Stepside, With 117.5 In. Wheel Base	\$194.00	M
39916	1981	REAR LAMP INTERMEDIATE HARNESS Fleetside & Stepside, With 131.5 In. Wheel Base	\$194.00	M
39917	1981	REAR LAMP INTERMEDIATE HARNESS Blazer & Jimmy	\$268.00	M
39986	1981	REAR LAMP INTERMEDIATE HARNESS 2 Door, 1-Ton, With 135.5 In. Wheel Base	\$194.00	M
39987	1981	REAR LAMP INTERMEDIATE HARNESS 2 Door, 1-Ton, With 159.5 In. Wheel Base	\$194.00	M
39988	1981	REAR LAMP INTERMEDIATE HARNESS 4 Door, 3/4 & 1-Ton, With 164.5 In. Wheel Base	\$194.00	M
35904	1981	REAR LAMP HARNESS Rear, Blazer & Jimmy, (2 Required Per Vehicle)	\$143.00	M
37470	1981	REAR LAMP HARNESS Rear, Fleetside	\$248.00	M
39823	1981	REAR LAMP HARNESS Rear, Suburban, (2 Required Per Vehicle)	\$143.00	M
39828	1981	REAR LAMP HARNESS Rear, 2 & 4 Door, Without Bed, With 117.5, 131.5, & 164.5 In. Wheel Base	\$248.00	M
35908	1981	REAR LAMP HARNESS Rear, 2 Door, Without Bed, With 135.5, & 159.5 In. Wheel Base	\$248.00	M
35914	1981	REAR LAMP HARNESS Rear, 1-Ton, Stakebed & Flatbed, With 135.5 In. Wheel Base	\$248.00	M
38881	1981	REAR LAMP HARNESS Rear, Stepside	\$165.00	M

Part Number	Year	Description	Price	*Rev.
39991	1981	REAR LAMP HARNESS Rear, 1-Ton Fleetside Bed, With Dual Rear Wheels	\$248.00	M
38394	1982	REAR LAMP INTERMEDIATE HARNESS Fleetside & Stepside, With 350 Diesel & 117.5 In. Wheel Base	\$194.00	M
39382	1982	REAR LAMP INTERMEDIATE HARNESS Fleetside & Stepside, 2 Wheel Drive 1/2 Ton, With 350 Diesel, & All 4 Wheel Drives, With 131.5 In. Wheel Base & Heavy Duty	\$194.00	M
39913	1982	REAR LAMP INTERMEDIATE HARNESS Suburban, Without California Emission Option	\$268.00	M
39914	1982	REAR LAMP INTERMEDIATE HARNESS Suburban, With California Emission Option	\$268.00	M
39915	1982	REAR LAMP INTERMEDIATE HARNESS Fleetside & Stepside, With 117.5 In. Wheel Base	\$194.00	M
39916	1982	REAR LAMP INTERMEDIATE HARNESS Fleetside & Stepside, With 131.5 In. Wheel Base	\$194.00	M
39917	1982	REAR LAMP INTERMEDIATE HARNESS Blazer & Jimmy	\$268.00	M
39986	1982	REAR LAMP INTERMEDIATE HARNESS 2 Door, 1-Ton, With 135.5 In. Wheel Base	\$194.00	M
39987	1982	REAR LAMP INTERMEDIATE HARNESS 2 Door, 1-Ton, With 159.5 In. Wheel Base	\$194.00	M
39988	1982	REAR LAMP INTERMEDIATE HARNESS 4 Door, 3/4 & 1-Ton, With 164.5 In. Wheel Base	\$194.00	M
35904	1982	REAR LAMP HARNESS Rear, Blazer & Jimmy, (2 Required Per Vehicle)	\$143.00	M
37470	1982	REAR LAMP HARNESS Rear, Fleetside	\$248.00	M
39823	1982	REAR LAMP HARNESS Rear, Suburban, (2 Required Per Vehicle)	\$143.00	M
39828	1982	REAR LAMP HARNESS Rear, 2 & 4 Door, Without Bed, With 117.5, 131.5, & 164.5 In. Wheel Base	\$248.00	M
35908	1982	REAR LAMP HARNESS Rear, 2 Door, Without Bed, With 135.5, & 159.5 In. Wheel Base	\$248.00	M
35914	1982	REAR LAMP HARNESS Rear, 1-Ton, Stakebed & Flatbed, With 135.5 In. Wheel Base	\$248.00	M
38881	1982	REAR LAMP HARNESS Rear, Stepside	\$165.00	M
39991	1982	REAR LAMP HARNESS Rear, 1-Ton Fleetside Bed, With Dual Rear Wheels	\$248.00	M
<b>REAR MARKER LAMP HARNESS</b>				
39834	1977	REAR MARKER LAMP HARNESS 2 Door, 3/4 Ton, With Stakebed & Flatbed, Tail Lamp Harness To Rear Marker Lamps	\$101.00	M
39835	1977	REAR MARKER LAMP HARNESS 2 Door, 1-Ton, With 135.5 In. Wheel Base, With Stakebed & Flatbed, Tail Lamp Harness To Rear Marker & Corner Lamps	\$127.00	M
39834	1978	REAR MARKER LAMP HARNESS 2 Door, 3/4 Ton, With Stakebed & Flatbed, Tail Lamp Harness To Rear Marker Lamps	\$101.00	M
39835	1978	REAR MARKER LAMP HARNESS 2 Door, 1-Ton, With 135.5 In. Wheel Base, With Stakebed & Flatbed, Tail Lamp Harness To Rear Marker & Corner Lamps	\$127.00	M
39834	1979	REAR MARKER LAMP HARNESS 2 Door, 3/4 Ton, With Stakebed & Flatbed, Tail Lamp Harness To Rear Marker Lamps	\$101.00	M
39835	1979	REAR MARKER LAMP HARNESS 2 Door, 1-Ton, With 135.5 In. Wheel Base, With Stakebed & Flatbed, Tail Lamp Harness To Rear Marker & Corner Lamps	\$127.00	M
39834	1980	REAR MARKER LAMP HARNESS 2 Door, 3/4 Ton, With Stakebed & Flatbed, Tail Lamp Harness To Rear Marker Lamps	\$101.00	M
39835	1980	REAR MARKER LAMP HARNESS 2 Door, 1-Ton, With 135.5 In. Wheel Base, With Stakebed & Flatbed, Tail Lamp Harness To Rear Marker & Corner Lamps	\$127.00	M
39834	1981	REAR MARKER LAMP HARNESS 2 Door, 3/4 Ton, With Stakebed & Flatbed, Tail Lamp Harness To Rear Marker Lamps	\$101.00	M
39835	1981	REAR MARKER LAMP HARNESS 2 Door, 1-Ton, With 135.5 In. Wheel Base, With Stakebed & Flatbed, Tail Lamp Harness To Rear Marker & Corner Lamps	\$127.00	M
39835	1982	REAR MARKER LAMP HARNESS 2 Door, 1-Ton, With 135.5 In. Wheel Base, With Stakebed & Flatbed, Tail Lamp Harness To Rear Marker & Corner Lamps	\$127.00	M
<b>REAR WINDOW DEFROSTER EXTENSION WIRE</b>				
40002	1982	REAR WINDOW DEFROSTER EXTENSION WIRE Suburban, Dash Harness To Tailgate Harness	\$52.00	M
40002	1982	REAR WINDOW DEFROSTER EXTENSION WIRE Suburban, Dash Harness To Tailgate Harness	\$52.00	M
<b>REAR WINDOW DEFROSTER HARNESS</b>				
40003	1982	REAR WINDOW DEFROSTER HARNESS Suburban, Tailgate Harness	\$66.00	M

Part Number	Year	Description	Price	*Rev.
<b>SIDE MARKER AND LICENSE LAMP HARNESS</b>				
39740	1973	<b>SIDE MARKER AND LICENSE LAMP HARNESS</b> 8ft Stakebed & Flatbed, Without Clearance Lamps	\$101.00	M
39743	1973	<b>SIDE MARKER AND LICENSE LAMP HARNESS</b> 8ft Stakebed & Flatbed, With Clearance Lamps	\$127.00	M
39740	1974	<b>SIDE MARKER AND LICENSE LAMP HARNESS</b> 8ft Stakebed & Flatbed, Without Clearance Lamps	\$101.00	M
39743	1974	<b>SIDE MARKER AND LICENSE LAMP HARNESS</b> 8ft Stakebed & Flatbed, With Clearance Lamps	\$127.00	M
39740	1975	<b>SIDE MARKER AND LICENSE LAMP HARNESS</b> 8ft Stakebed & Flatbed, Without Clearance Lamps	\$101.00	M
39743	1975	<b>SIDE MARKER AND LICENSE LAMP HARNESS</b> 8ft Stakebed & Flatbed, With Clearance Lamps	\$127.00	M
39740	1976	<b>SIDE MARKER AND LICENSE LAMP HARNESS</b> 8ft Stakebed & Flatbed, Without Clearance Lamps	\$101.00	M
39743	1976	<b>SIDE MARKER AND LICENSE LAMP HARNESS</b> 8ft Stakebed & Flatbed, With Clearance Lamps	\$127.00	M
<b>SPEAKER EXTENSION WIRE</b>				
39866	1981	<b>SPEAKER EXTENSION WIRE</b> Suburban, Rear Speaker To Extension Harness (2 Required Per Vehicle)	\$26.00	M
<b>SPEAKER HARNESS</b>				
39709	1973	<b>SPEAKER HARNESS</b> Radio To Center Front Speaker, Except Stereo	\$40.00	M
39726	1973	<b>SPEAKER HARNESS</b> Radio To Front Kick Panel Speakers, With Stereo	\$66.00	M
39749	1973	<b>SPEAKER HARNESS</b> All, Radio To Rear Speakers, With Stereo	\$66.00	M
39709	1974	<b>SPEAKER HARNESS</b> Radio To Center Front Speaker, Except Stereo	\$40.00	M
39749	1974	<b>SPEAKER HARNESS</b> Radio To Rear Speakers, With Stereo	\$66.00	M
39750	1974	<b>SPEAKER HARNESS</b> Radio To Driver Side Kick Panel Speaker	\$66.00	M
39751	1974	<b>SPEAKER HARNESS</b> Radio To Passenger Side Kick Panel Speaker	\$66.00	M
39709	1975	<b>SPEAKER HARNESS</b> Radio To Center Front Speaker, Except Stereo	\$40.00	M
39749	1975	<b>SPEAKER HARNESS</b> Radio To Rear Speakers, With Stereo	\$66.00	M
39794	1975	<b>SPEAKER HARNESS</b> Suburban, Driver Side Rear Speaker	\$66.00	M
39795	1975	<b>SPEAKER HARNESS</b> Suburban, Passenger Side Rear Speaker	\$66.00	M
39709	1976	<b>SPEAKER HARNESS</b> Radio To Center Front Speaker, Except Stereo	\$40.00	M
39749	1976	<b>SPEAKER HARNESS</b> Radio To Rear Speakers, With Stereo	\$66.00	M
39794	1976	<b>SPEAKER HARNESS</b> Suburban, Driver Side Rear Speaker	\$66.00	M
39795	1976	<b>SPEAKER HARNESS</b> Suburban, Passenger Side Rear Speaker	\$66.00	M
39796	1976	<b>SPEAKER HARNESS</b> Suburban, Radio To Rear Speaker Harness, Except Stereo	\$66.00	M
39709	1977	<b>SPEAKER HARNESS</b> Radio To Center Front Speaker, Except Stereo	\$40.00	M
39749	1977	<b>SPEAKER HARNESS</b> Radio To Rear Speakers, With Stereo	\$66.00	M
39794	1977	<b>SPEAKER HARNESS</b> Suburban, Driver Side Rear Speaker	\$66.00	M
39795	1977	<b>SPEAKER HARNESS</b> Suburban, Passenger Side Rear Speaker	\$66.00	M
39796	1977	<b>SPEAKER HARNESS</b> Suburban, Radio To Rear Speaker Harness, Except Stereo	\$66.00	M
39838	1977	<b>SPEAKER HARNESS</b> Suburban, Blazer & Jimmy, Front Section, Radio To Rear Speaker Harness	\$66.00	M
39843	1977	<b>SPEAKER HARNESS</b> Suburban, Rear Section, Radio Harness To Rear Speaker	\$66.00	M
39849	1977	<b>SPEAKER HARNESS</b> Blazer & Jimmy, Rear Section, Radio Harness To Rear Speaker	\$66.00	M
39868	1978	<b>SPEAKER HARNESS</b> Radio To Center Front Speaker, Except Stereo	\$40.00	M
39874	1978	<b>SPEAKER HARNESS</b> Suburban, With Rear Auxiliary Speaker	\$66.00	M
39875	1978	<b>SPEAKER HARNESS</b> Blazer & Jimmy, With Rear Auxiliary Speaker	\$66.00	M
39868	1979	<b>SPEAKER HARNESS</b> Radio To Center Front Speaker, Except Stereo	\$40.00	M
39874	1979	<b>SPEAKER HARNESS</b> Suburban, With Rear Auxiliary Speaker	\$66.00	M
39875	1979	<b>SPEAKER HARNESS</b> Blazer & Jimmy, With Rear Auxiliary Speaker	\$66.00	M
40044	1979	<b>SPEAKER HARNESS</b> C.B. Radio To Center Dash Speaker	\$66.00	M
39903	1980	<b>SPEAKER HARNESS</b> All Trucks, With 4 Speaker Stereo System	\$153.00	M
39904	1980	<b>SPEAKER HARNESS</b> Suburban With 4 Speaker Stereo System	\$153.00	M

Part Number	Year	Description	Price	*Rev.
39905	1980	<b>SPEAKER HARNESS</b> Blazer & Jimmy, With 4 Speaker Stereo System	\$153.00	M
39906	1980	<b>SPEAKER HARNESS</b> All With Front Door Speakers, (2 Required Per Vehicle)	\$66.00	M
39868	1980	<b>SPEAKER HARNESS</b> Radio To Center Front Speaker, Except Stereo	\$40.00	M
39875	1980	<b>SPEAKER HARNESS</b> Blazer & Jimmy, With Rear Auxiliary Speaker	\$66.00	M
39907	1980	<b>SPEAKER HARNESS</b> Suburban, With Rear Auxiliary Speaker	\$66.00	M
40044	1980	<b>SPEAKER HARNESS</b> C.B. Radio To Center Dash Speaker	\$66.00	M
39906	1981	<b>SPEAKER HARNESS</b> All With Front Door Speakers, (2 Required Per Vehicle)	\$66.00	M
39938	1981	<b>SPEAKER HARNESS</b> All Trucks, With 4 Speaker Stereo System	\$153.00	M
39939	1981	<b>SPEAKER HARNESS</b> Suburban, With 4 Speaker Stereo System	\$153.00	M
39940	1981	<b>SPEAKER HARNESS</b> Blazer & Jimmy, With 4 Speaker Stereo System	\$153.00	M
39868	1981	<b>SPEAKER HARNESS</b> Radio To Center Front Speaker, Except Stereo	\$40.00	M
40044	1981	<b>SPEAKER HARNESS</b> C.B. Radio To Center Dash Speaker	\$66.00	M
39954	1981	<b>SPEAKER HARNESS</b> Suburban, With Rear Auxiliary Speaker	\$66.00	M
39955	1981	<b>SPEAKER HARNESS</b> Blazer & Jimmy, With Rear Auxiliary Speaker	\$66.00	M
39938	1982	<b>SPEAKER HARNESS</b> All Trucks, With 4 Speaker Stereo System	\$153.00	M
39940	1982	<b>SPEAKER HARNESS</b> Blazer & Jimmy, With 4 Speaker Stereo System	\$153.00	M
40012	1982	<b>SPEAKER HARNESS</b> Suburban, With 4 Speaker Stereo System	\$153.00	M
39868	1982	<b>SPEAKER HARNESS</b> Radio To Center Front Speaker, Except Stereo	\$40.00	M
40044	1982	<b>SPEAKER HARNESS</b> C.B. Radio To Center Dash Speaker	\$66.00	M
39954	1982	<b>SPEAKER HARNESS</b> Suburban, With Rear Auxiliary Speaker	\$66.00	M
39955	1982	<b>SPEAKER HARNESS</b> Blazer & Jimmy, With Rear Auxiliary Speaker	\$66.00	M
<b>SPEEDOMETER</b>				
44232	1947	<b>SPEEDOMETER</b> 0-80 MPH, Red Needle	\$162.00	N
44240	1947	<b>SPEEDOMETER CLUSTER</b> 0-80 MPH, Red Needle, Complete Assembly	\$276.00	N
44232	1948	<b>SPEEDOMETER</b> 0-80 MPH, Red Needle	\$162.00	N
44240	1948	<b>SPEEDOMETER CLUSTER</b> 0-80 MPH, Red Needle, Complete Assembly	\$276.00	N
44232	1949	<b>SPEEDOMETER</b> 0-80 MPH, Red Needle	\$162.00	N
44240	1949	<b>SPEEDOMETER CLUSTER</b> 0-80 MPH, Red Needle, Complete Assembly	\$276.00	N
44232	1950	<b>SPEEDOMETER</b> 0-80 MPH, Red Needle	\$162.00	N
44240	1950	<b>SPEEDOMETER CLUSTER</b> 0-80 MPH, Red Needle, Complete Assembly	\$276.00	N
44232	1951	<b>SPEEDOMETER</b> 0-80 MPH, Red Needle	\$162.00	N
44240	1951	<b>SPEEDOMETER CLUSTER</b> 0-80 MPH, Red Needle, Complete Assembly	\$276.00	N
44228	1952	<b>SPEEDOMETER</b> 0-90 MPH, White Needle Note: GM Did Not Sell This Gauge Separately, This Speedometer Has A Range From 0-90 Mph With A White Needle.	\$162.00	N
44239	1952	<b>SPEEDOMETER CLUSTER</b> 0-90 MPH, White Needle, Complete Assembly	\$276.00	N
44228	1953	<b>SPEEDOMETER</b> 0-90 MPH, White Needle Note: GM Did Not Sell This Gauge Separately, This Speedometer Has A Range From 0-90 Mph With A White Needle.	\$162.00	N
44239	1953	<b>SPEEDOMETER CLUSTER</b> 0-90 MPH, White Needle, Complete Assembly	\$276.00	N
01583683	1955	<b>SPEEDOMETER</b>	\$185.00	N
01583683	1956	<b>SPEEDOMETER</b>	\$185.00	N
01583683	1957	<b>SPEEDOMETER</b>	\$185.00	N
01583683	1958	<b>SPEEDOMETER</b>	\$185.00	N
01583683	1959	<b>SPEEDOMETER</b>	\$185.00	N
01587444	1960	<b>SPEEDOMETER</b>	\$185.00	N
01587444	1961	<b>SPEEDOMETER</b>	\$185.00	N
01587444	1962	<b>SPEEDOMETER</b>	\$185.00	N
01587444	1963	<b>SPEEDOMETER</b>	\$185.00	N

Part Number	Year	Description	Price	*Rev.
06407465	1964	SPEEDOMETER	\$185.00	N
06407465	1965	SPEEDOMETER	\$185.00	N
06407465	1966	SPEEDOMETER	\$185.00	N
06492868	1967	SPEEDOMETER	\$93.00	N
06492868	1968	SPEEDOMETER	\$93.00	N
06492868	1969	SPEEDOMETER	\$93.00	N
06492868	1970	SPEEDOMETER	\$93.00	N
06492868	1971	SPEEDOMETER	\$93.00	N
06492868	1972	SPEEDOMETER	\$93.00	N
25045176	1976	SPEEDOMETER	\$139.00	N
25045176	1977	SPEEDOMETER	\$139.00	N
25045176	1978	SPEEDOMETER	\$139.00	N
25045176	1979	SPEEDOMETER 1st Design, Fire Orange Needle	\$139.00	N
25044301	1979	SPEEDOMETER 2nd Design, Light Orange Needle	\$139.00	N
25044301	1980	SPEEDOMETER	\$139.00	N
25051889	1981	SPEEDOMETER Light Orange Needle	\$139.00	N
25051889	1982	SPEEDOMETER Light Orange Needle	\$139.00	N
25051889	1983	SPEEDOMETER Light Orange Needle	\$139.00	N
25051889	1984	SPEEDOMETER Light Orange Needle	\$139.00	N
25051889	1985	SPEEDOMETER Light Orange Needle	\$139.00	N
25051889	1986	SPEEDOMETER Light Orange Needle	\$139.00	N
25051889	1987	SPEEDOMETER Light Orange Needle	\$139.00	N
<b>STARTER SWITCH</b>				
00820052	1938	STARTER SWITCH Foot Operated, On Starter	\$24.00	N
00820052	1939	STARTER SWITCH Foot Operated, On Starter	\$24.00	N
00820052	1940	STARTER SWITCH Foot Operated, On Starter	\$24.00	N
00820052	1941	STARTER SWITCH Foot Operated, On Starter	\$24.00	N
00820052	1942	STARTER SWITCH Foot Operated, On Starter	\$24.00	N
00820052	1946	STARTER SWITCH Foot Operated, On Starter	\$24.00	N
00820052	1947	STARTER SWITCH Foot Operated, On Starter	\$24.00	N
00820052	1948	STARTER SWITCH Foot Operated, On Starter	\$24.00	N
00820052	1949	STARTER SWITCH Foot Operated, On Starter	\$24.00	N
00820052	1950	STARTER SWITCH Foot Operated, On Starter	\$24.00	N
00820052	1951	STARTER SWITCH Foot Operated, On Starter	\$24.00	N
00820052	1952	STARTER SWITCH Foot Operated, On Starter	\$24.00	N
00820052	1953	STARTER SWITCH Foot Operated, On Starter	\$24.00	N
00820052	1954	STARTER SWITCH Foot Operated, On Starter	\$24.00	N
00820052	1955	STARTER SWITCH 1st Series, 6 Volt, Except H.T. Transmission, Foot Operated, On Starter	\$24.00	N
01930496	1955	STARTER SWITCH 2nd Series, 12 Volt, 6 Cylinder, Except H.T. Transmission, Foot Operated, On Starter	\$24.00	N
01930496	1956	STARTER SWITCH 6 Cylinder, Except H.T. Transmission, Foot Operated, On Starter	\$24.00	N
01930496	1957	STARTER SWITCH 6 Cylinder, Except H.T. Transmission, Foot Operated, On Starter	\$24.00	N
01930496	1958	STARTER SWITCH 6 Cylinder, Except H.T. Transmission, Foot Operated, On Starter	\$24.00	N
01930496	1959	STARTER SWITCH 6 Cylinder, Except H.T. Transmission, Foot Operated, On Starter	\$24.00	N
<b>STOP LAMP SWITCH</b>				
01261219	1973	STOP LAMP SWITCH All, Without Cruise	\$5.80	N

Part Number	Year	Description	Price	*Rev.
01261219	1974	<b>STOP LAMP SWITCH</b> All, Without Cruise	\$5.80	N
01261219	1975	<b>STOP LAMP SWITCH</b> All, Without Cruise	\$5.80	N
01261219	1976	<b>STOP LAMP SWITCH</b> All, Without Cruise	\$5.80	N
01261219	1977	<b>STOP LAMP SWITCH</b> All, Without Cruise	\$5.80	N
01261219	1978	<b>STOP LAMP SWITCH</b> All, Without Cruise	\$5.80	N
01261219	1979	<b>STOP LAMP SWITCH</b> All, Without Cruise	\$5.80	N
01261219	1980	<b>STOP LAMP SWITCH</b> With Manual Trans, Without Cruise	\$5.80	N
01261219	1981	<b>STOP LAMP SWITCH</b> With Manual Trans, Without Cruise	\$5.80	N
01261219	1982	<b>STOP LAMP SWITCH</b> With Manual Trans Or TH400, Without Cruise	\$5.80	N
01261219	1983	<b>STOP LAMP SWITCH</b> With Manual Trans Or TH400, Without Cruise	\$5.80	N
01261219	1984	<b>STOP LAMP SWITCH</b> With Manual Trans Or TH400, Without Cruise	\$5.80	N
01261219	1985	<b>STOP LAMP SWITCH</b> With Manual Trans Or TH400, Without Cruise	\$5.80	N
01261219	1986	<b>STOP LAMP SWITCH</b> With Manual Trans Or TH400, Without Cruise	\$5.80	N
01261219	1987	<b>STOP LAMP SWITCH</b> RV Body Style, With Manual Trans Or TH400, Without Cruise	\$5.80	N
01261219	1988	<b>STOP LAMP SWITCH</b> RV Body Style, With Manual Trans Or TH400, Without Cruise	\$5.80	N
01261219	1989	<b>STOP LAMP SWITCH</b> RV Body Style, With Manual Trans Or TH 400, Without Cruise	\$5.80	N
<b>TACHOMETER</b>				
06468228	1967	<b>TACHOMETER</b> V/8, 5000 RPM	\$116.00	N
44217	1967	<b>TACHOMETER CONVERSION KIT</b> V/8 Only, 5000 RPM Tach Note: Kit Includes: 5000 RPM Tachometer, Printed Circuit, Instrument Lens, Front & Back Gauge Housings, And Tachometer Wiring Harness.	\$331.00	N
44218	1967	<b>TACHOMETER CONVERSION KIT</b> V/8 Only, 8000 RPM Tach. Note: Kit Includes: 8000 RPM Tachometer, Printed Circuit, Instrument Lens, Front & Back Gauge Housings, And Tachometer Wiring Harness.	\$355.00	N
06468228	1968	<b>TACHOMETER</b> V/8, 5000 RPM	\$116.00	N
44217	1968	<b>TACHOMETER CONVERSION KIT</b> V/8 Only, 5000 RPM Tach Note: Kit Includes: 5000 RPM Tachometer, Printed Circuit, Instrument Lens, Front & Back Gauge Housings, And Tachometer Wiring Harness.	\$331.00	N
44218	1968	<b>TACHOMETER CONVERSION KIT</b> V/8 Only, 8000 RPM Tach. Note: Kit Includes: 8000 RPM Tachometer, Printed Circuit, Instrument Lens, Front & Back Gauge Housings, And Tachometer Wiring Harness.	\$355.00	N
06468228	1969	<b>TACHOMETER</b> V/8, 5000 RPM	\$116.00	N
44217	1969	<b>TACHOMETER CONVERSION KIT</b> V/8 Only, 5000 RPM Tach Note: Kit Includes: 5000 RPM Tachometer, Printed Circuit, Instrument Lens, Front & Back Gauge Housings, And Tachometer Wiring Harness.	\$331.00	N
44218	1969	<b>TACHOMETER CONVERSION KIT</b> V/8 Only, 8000 RPM Tach. Note: Kit Includes: 8000 RPM Tachometer, Printed Circuit, Instrument Lens, Front & Back Gauge Housings, And Tachometer Wiring Harness.	\$355.00	N
06468228	1970	<b>TACHOMETER</b> V/8, 5000 RPM	\$116.00	N
44217	1970	<b>TACHOMETER CONVERSION KIT</b> V/8 Only, 5000 RPM Tach Note: Kit Includes: 5000 RPM Tachometer, Printed Circuit, Instrument Lens, Front & Back Gauge Housings, And Tachometer Wiring Harness.	\$331.00	N
44218	1970	<b>TACHOMETER CONVERSION KIT</b> V/8 Only, 8000 RPM Tach. Note: Kit Includes: 8000 RPM Tachometer, Printed Circuit, Instrument Lens, Front & Back Gauge Housings, And Tachometer Wiring Harness.	\$355.00	N
06468228	1971	<b>TACHOMETER</b> V/8, 5000 RPM	\$116.00	N
44217	1971	<b>TACHOMETER CONVERSION KIT</b> V/8 Only, 5000 RPM Tach Note: Kit Includes: 5000 RPM Tachometer, Printed Circuit, Instrument Lens, Front & Back Gauge Housings, And Tachometer Wiring Harness.	\$331.00	N

Part Number	Year	Description	Price	*Rev.
44218	1971	<b>TACHOMETER CONVERSION KIT</b> V/8 Only, 8000 RPM Tach. Note: Kit Includes: 8000 RPM Tachometer, Printed Circuit, Instrument Lens, Front & Back Gauge Housings, And Tachometer Wiring Harness.	\$355.00	N
06468228	1972	<b>TACHOMETER</b> V/8, 5000 RPM	\$116.00	N
44217	1972	<b>TACHOMETER CONVERSION KIT</b> V/8 Only, 5000 RPM Tach Note: Kit Includes: 5000 RPM Tachometer, Printed Circuit, Instrument Lens, Front & Back Gauge Housings, And Tachometer Wiring Harness.	\$331.00	N
44218	1972	<b>TACHOMETER CONVERSION KIT</b> V/8 Only, 8000 RPM Tach. Note: Kit Includes: 8000 RPM Tachometer, Printed Circuit, Instrument Lens, Front & Back Gauge Housings, And Tachometer Wiring Harness.	\$355.00	N
05658293	1973	<b>TACHOMETER</b> V/8, 5000 RPM	\$127.00	N
05658293	1974	<b>TACHOMETER</b> V/8, 5000 RPM	\$127.00	N
05658293	1975	<b>TACHOMETER</b> V/8, 5000 RPM	\$127.00	N
05659232	1976	<b>TACHOMETER</b> V/8, 5000 RPM	\$127.00	N
05659232	1977	<b>TACHOMETER</b> V/8, 5000 RPM	\$127.00	N
05659232	1978	<b>TACHOMETER</b> V/8, 5000 RPM	\$127.00	N
05659232	1979	<b>TACHOMETER</b> 1st Design, V/8, 5000 RPM, With Fire Orange Pointer	\$127.00	N
25054251	1979	<b>TACHOMETER</b> 2nd Design, V/8, 5000 RPM, With Yellow Pointer	\$127.00	N
25054251	1980	<b>TACHOMETER</b> V/8, 5000 RPM	\$127.00	N
25054251	1981	<b>TACHOMETER</b> V/8, 5000 RPM	\$127.00	N
25054251	1982	<b>TACHOMETER</b> V/8, 5000 RPM	\$127.00	N
25054251	1983	<b>TACHOMETER</b> V/8, 5000 RPM	\$127.00	N
25054251	1984	<b>TACHOMETER</b> V/8, 5000 RPM	\$127.00	N
25054251	1985	<b>TACHOMETER</b> V/8, 5000 RPM	\$127.00	N
25054251	1986	<b>TACHOMETER</b> V/8, 5000 RPM	\$127.00	N
25054251	1987	<b>TACHOMETER</b> V/8, 5000 RPM	\$127.00	N
<b>TACHOMETER HARNESS</b>				
20800	1973	<b>TACHOMETER HARNESS</b>	\$54.00	M
39696	1973	<b>TACHOMETER HARNESS</b> With HEI Note: Not All Tachometers Will Operate Or Indicate Correctly When Used On An HEI Ignition System. While Some Original And Reproduction Tachometers May Give A Reading, This Does Not Necessarily Mean The Reading Is Correct.	\$54.00	M
20800	1974	<b>TACHOMETER HARNESS</b>	\$54.00	M
39696	1974	<b>TACHOMETER HARNESS</b> With HEI Note: Not All Tachometers Will Operate Or Indicate Correctly When Used On An HEI Ignition System. While Some Original And Reproduction Tachometers May Give A Reading, This Does Not Necessarily Mean The Reading Is Correct.	\$54.00	M
38281	1975	<b>TACHOMETER HARNESS</b> All	\$54.00	M
38281	1976	<b>TACHOMETER HARNESS</b> All	\$54.00	M
38282	1977	<b>TACHOMETER HARNESS</b> V/8	\$54.00	M
38281	1977	<b>TACHOMETER HARNESS</b> 6 Cylinder Note: 6 Cylinder Items Are Not Returnable.	\$54.00	M
38867	1978	<b>TACHOMETER HARNESS</b> All	\$54.00	M
38284	1979	<b>TACHOMETER HARNESS</b> All	\$54.00	M
38284	1980	<b>TACHOMETER HARNESS</b> All	\$54.00	M
38285	1981	<b>TACHOMETER HARNESS</b> All	\$54.00	M
38285	1982	<b>TACHOMETER HARNESS</b> All	\$54.00	M
38285	1983	<b>TACHOMETER HARNESS</b> All	\$54.00	M
38285	1984	<b>TACHOMETER HARNESS</b> All	\$54.00	M
38285	1985	<b>TACHOMETER HARNESS</b> All	\$54.00	M



Part Number	Year	Description	Price	*Rev.
38285	1986	TACHOMETER HARNESS All	\$54.00	M
38285	1987	TACHOMETER HARNESS All	\$54.00	M
<b>TAILGATE MARKER LAMP HARNESS</b>				
39741	1973	TAILGATE MARKER LAMP HARNESS Fleetside, 3/4 & 1-Ton, With Tailgate Marker Lamps	\$127.00	M
39741	1974	TAILGATE MARKER LAMP HARNESS Fleetside, 3/4 & 1-Ton, With Tailgate Marker Lamps, (1st Design) Note: This Harness Has A Single Wire Plastic Connector Where It Plugs Into Rear Lamp Harness.	\$127.00	M
39773	1974	TAILGATE MARKER LAMP HARNESS Fleetside, 3/4 & 1-Ton, With Tailgate Marker Lamps, (2nd Design) Note: This Harness Has A 2 Wire Rubber Molded Connector Where It Plugs Into Rear Lamp Harness.	\$132.00	M
39741	1975	TAILGATE MARKER LAMP HARNESS Fleetside, 3/4 & 1-Ton, With Tailgate Marker Lamps	\$127.00	M
39741	1976	TAILGATE MARKER LAMP HARNESS Fleetside, 3/4 & 1-Ton, With Tailgate Marker Lamps	\$127.00	M
39741	1977	TAILGATE MARKER LAMP HARNESS Fleetside, 3/4 & 1-Ton, With Tailgate Marker Lamps	\$127.00	M
39741	1978	TAILGATE MARKER LAMP HARNESS Fleetside, 3/4 & 1-Ton, With Tailgate Marker Lamps	\$127.00	M
39741	1979	TAILGATE MARKER LAMP HARNESS Fleetside, 3/4 & 1-Ton, With Tailgate Marker Lamps	\$127.00	M
39741	1980	TAILGATE MARKER LAMP HARNESS Fleetside, 3/4 & 1-Ton, With Tailgate Marker Lamps	\$127.00	M
39992	1981	TAILGATE MARKER LAMP HARNESS 1-Tons, With Fleetside Bed & Dual Rear Wheels	\$132.00	M
39992	1982	TAILGATE MARKER LAMP HARNESS 1-Ton, With Fleetside Bed & Dual Rear Wheels	\$132.00	M
<b>TEMPERATURE GAUGE</b>				
01512260	1947	TEMPERATURE GAUGE 6 Cylinder, 100-220 Degree, Red Needle, 45 Inch	\$74.00	N
44234	1947	TEMPERATURE GAUGE V/8, 100-220 Degree, Red Needle, 60 Inch Note: GM Did Not Sell This Gauge Originally, This Gauge Is For Vehicles With V/8, But Still Maintains The Original Appearance.	\$74.00	N
01512260	1948	TEMPERATURE GAUGE 6 Cylinder, 100-220 Degree, Red Needle, 45 Inch	\$74.00	N
44234	1948	TEMPERATURE GAUGE V/8, 100-220 Degree, Red Needle, 60 Inch Note: GM Did Not Sell This Gauge Originally, This Gauge Is For Vehicles With V/8, But Still Maintains The Original Appearance.	\$74.00	N
01512260	1949	TEMPERATURE GAUGE 6 Cylinder, 100-220 Degree, Red Needle, 45 Inch	\$74.00	N
44234	1949	TEMPERATURE GAUGE V/8, 100-220 Degree, Red Needle, 60 Inch Note: GM Did Not Sell This Gauge Originally, This Gauge Is For Vehicles With V/8, But Still Maintains The Original Appearance.	\$74.00	N
01512260	1950	TEMPERATURE GAUGE 6 Cylinder, 100-220 Degree, Red Needle, 45 Inch	\$74.00	N
44234	1950	TEMPERATURE GAUGE V/8, 100-220 Degree, Red Needle, 60 Inch Note: GM Did Not Sell This Gauge Originally, This Gauge Is For Vehicles With V/8, But Still Maintains The Original Appearance.	\$74.00	N
01512260	1951	TEMPERATURE GAUGE 6 Cylinder, 100-220 Degree, Red Needle, 45 Inch	\$74.00	N
44234	1951	TEMPERATURE GAUGE V/8, 100-220 Degree, Red Needle, 60 Inch Note: GM Did Not Sell This Gauge Originally, This Gauge Is For Vehicles With V/8, But Still Maintains The Original Appearance.	\$74.00	N
01512148	1952	TEMPERATURE GAUGE 6 Cylinder, 100-212 Degree, White Needle, 45 Inch	\$74.00	N
01512701	1952	TEMPERATURE GAUGE 6 Cylinder, 100-220 Degree, White Needle, 45 Inch	\$74.00	N
44230	1952	TEMPERATURE GAUGE V/8, 100-212 Degree, White Needle, 60 Inch Note: GM Did Not Sell This Gauge Originally, This Gauge Is For Vehicles With V/8, But Still Maintains The Original Appearance.	\$74.00	N
44231	1952	TEMPERATURE GAUGE V/8, 100-220 Degree, White Needle, 60 Inch Note: GM Did Not Sell This Gauge Originally, This Gauge Is For Vehicles With V/8, But Still Maintains The Original Appearance.	\$74.00	N
01512148	1953	TEMPERATURE GAUGE 6 Cylinder, 100-212 Degree, White Needle, 45 Inch	\$74.00	N
01512701	1953	TEMPERATURE GAUGE 6 Cylinder, 100-220 Degree, White Needle, 45 Inch	\$74.00	N
44230	1953	TEMPERATURE GAUGE V/8, 100-212 Degree, White Needle, 60 Inch Note: GM Did Not Sell This Gauge Originally, This Gauge Is For Vehicles With V/8, But Still Maintains The Original Appearance.	\$74.00	N
44231	1953	TEMPERATURE GAUGE V/8, 100-220 Degree, White Needle, 60 Inch Note: GM Did Not Sell This Gauge Originally, This Gauge Is For Vehicles With V/8, But Still Maintains The Original Appearance.	\$74.00	N
01513381	1955	TEMPERATURE GAUGE Electric	\$85.00	N
01513163	1955	TEMPERATURE GAUGE Mechanical, 60" Tube Length	\$85.00	N
01513381	1956	TEMPERATURE GAUGE Electric	\$85.00	N

Part Number	Year	Description	Price	*Rev.
01513163	1956	TEMPERATURE GAUGE Mechanical, 60" Tube Length	\$85.00	N
01513381	1957	TEMPERATURE GAUGE Electric	\$85.00	N
01513163	1957	TEMPERATURE GAUGE Mechanical, 60" Tube Length	\$85.00	N
01513381	1958	TEMPERATURE GAUGE Electric	\$85.00	N
01513163	1958	TEMPERATURE GAUGE Mechanical, 60" Tube Length	\$85.00	N
01513381	1959	TEMPERATURE GAUGE Electric	\$85.00	N
01513163	1959	TEMPERATURE GAUGE Mechanical, 60" Tube Length	\$85.00	N
06401218	1960	TEMPERATURE GAUGE	\$74.00	N
06401218	1961	TEMPERATURE GAUGE	\$74.00	N
06401218	1962	TEMPERATURE GAUGE	\$74.00	N
06401218	1963	TEMPERATURE GAUGE	\$74.00	N
06401220	1964	TEMPERATURE GAUGE	\$74.00	N
06401220	1965	TEMPERATURE GAUGE	\$74.00	N
06401220	1966	TEMPERATURE GAUGE	\$74.00	N
06489838	1967	TEMPERATURE GAUGE	\$47.00	N
44219	1967	TEMPERATURE GAUGE With 100-250 Fahrenheit Numeric Face Plate Note: This Is A Replacement For OEM Gauge 06489838 (With Cold / Hot Graduations) In Trucks With Factory Gauge Type Clusters.	\$39.00	N
06489838	1968	TEMPERATURE GAUGE	\$47.00	N
44219	1968	TEMPERATURE GAUGE With 100-250 Fahrenheit Numeric Face Plate Note: This Is A Replacement For OEM Gauge 06489838 (With Cold / Hot Graduations) In Trucks With Factory Gauge Type Clusters.	\$39.00	N
06489838	1969	TEMPERATURE GAUGE	\$47.00	N
44219	1969	TEMPERATURE GAUGE With 100-250 Fahrenheit Numeric Face Plate Note: This Is A Replacement For OEM Gauge 06489838 (With Cold / Hot Graduations) In Trucks With Factory Gauge Type Clusters.	\$39.00	N
06489838	1970	TEMPERATURE GAUGE	\$47.00	N
44219	1970	TEMPERATURE GAUGE With 100-250 Fahrenheit Numeric Face Plate Note: This Is A Replacement For OEM Gauge 06489838 (With Cold / Hot Graduations) In Trucks With Factory Gauge Type Clusters.	\$39.00	N
06489838	1971	TEMPERATURE GAUGE	\$47.00	N
44219	1971	TEMPERATURE GAUGE With 100-250 Fahrenheit Numeric Face Plate Note: This Is A Replacement For OEM Gauge 06489838 (With Cold / Hot Graduations) In Trucks With Factory Gauge Type Clusters.	\$39.00	N
06489838	1972	TEMPERATURE GAUGE	\$47.00	N
44219	1972	TEMPERATURE GAUGE With 100-250 Fahrenheit Numeric Face Plate Note: This Is A Replacement For OEM Gauge 06489838 (With Cold / Hot Graduations) In Trucks With Factory Gauge Type Clusters.	\$39.00	N
06490371	1973	TEMPERATURE GAUGE Fire Orange Needle	\$39.00	N
06490371	1974	TEMPERATURE GAUGE Fire Orange Needled	\$39.00	N
06490371	1975	TEMPERATURE GAUGE Fire Orange Needle	\$39.00	N
08993329	1976	TEMPERATURE GAUGE Fire Orange Needle	\$39.00	N
08993329	1977	TEMPERATURE GAUGE Fire Orange Needle	\$39.00	N
08993329	1978	TEMPERATURE GAUGE Fire Orange Needle	\$39.00	N
08993329	1979	TEMPERATURE GAUGE 1st Design, Fire Orange Needle	\$39.00	N
08993630	1979	TEMPERATURE GAUGE 2nd Design, Light Orange Needle	\$39.00	N
08993630	1980	TEMPERATURE GAUGE Light Orange Needle	\$39.00	N
08993630	1981	TEMPERATURE GAUGE Light Orange Needle	\$39.00	N
08993630	1982	TEMPERATURE GAUGE Light Orange Needle	\$39.00	N

Part Number	Year	Description	Price	*Rev.
08993630	1983	TEMPERATURE GAUGE Light Orange Needle	\$39.00	N
08993630	1984	TEMPERATURE GAUGE Light Orange Needle	\$39.00	N
08993630	1985	TEMPERATURE GAUGE Light Orange Needle	\$39.00	N
08993630	1986	TEMPERATURE GAUGE Light Orange Needle	\$39.00	N
08993630	1987	TEMPERATURE GAUGE Light Orange Needle	\$39.00	N
<b>TRAILER LIGHT ADAPTER HARNESS</b>				
39374	1973	<b>TRAILER LIGHT ADAPTER HARNESS</b> Step Side And Fleet Side Only Note: Connects Between The Intermediate And Rear Lamp Harnesses With Original Style Connectors To Easily Add Trailer Wiring Without Splicing Into Stock Harnesses.	\$92.00	M
39374	1974	<b>TRAILER LIGHT ADAPTER HARNESS</b> Step Side And Fleet Side Only Note: Connects Between The Intermediate And Rear Lamp Harnesses With Original Style Connectors To Easily Add Trailer Wiring Without Splicing Into Stock Harnesses.	\$92.00	M
39374	1975	<b>TRAILER LIGHT ADAPTER HARNESS</b> Step Side And Fleet Side Only Note: Connects Between The Intermediate And Rear Lamp Harnesses With Original Style Connectors To Easily Add Trailer Wiring Without Splicing Into Stock Harnesses.	\$92.00	M
39374	1976	<b>TRAILER LIGHT ADAPTER HARNESS</b> Step Side And Fleet Side Only Note: Connects Between The Intermediate And Rear Lamp Harnesses With Original Style Connectors To Easily Add Trailer Wiring Without Splicing Into Stock Harnesses.	\$92.00	M
39374	1977	<b>TRAILER LIGHT ADAPTER HARNESS</b> Step Side And Fleet Side Only Note: Connects Between The Intermediate And Rear Lamp Harnesses With Original Style Connectors To Easily Add Trailer Wiring Without Splicing Into Stock Harnesses.	\$92.00	M
39374	1978	<b>TRAILER LIGHT ADAPTER HARNESS</b> Step Side And Fleet Side Only Note: Connects Between The Intermediate And Rear Lamp Harnesses With Original Style Connectors To Easily Add Trailer Wiring Without Splicing Into Stock Harnesses.	\$92.00	M
39374	1979	<b>TRAILER LIGHT ADAPTER HARNESS</b> Step Side And Fleet Side Only Note: Connects Between The Intermediate And Rear Lamp Harnesses With Original Style Connectors To Easily Add Trailer Wiring Without Splicing Into Stock Harnesses.	\$92.00	M
39374	1980	<b>TRAILER LIGHT ADAPTER HARNESS</b> Step Side And Fleet Side Only Note: Connects Between The Intermediate And Rear Lamp Harnesses With Original Style Connectors To Easily Add Trailer Wiring Without Splicing Into Stock Harnesses.	\$92.00	M
39374	1981	<b>TRAILER LIGHT ADAPTER HARNESS</b> Step Side And Fleet Side Only Note: Connects Between The Intermediate And Rear Lamp Harnesses With Original Style Connectors To Easily Add Trailer Wiring Without Splicing Into Stock Harnesses.	\$92.00	M
39374	1982	<b>TRAILER LIGHT ADAPTER HARNESS</b> Step Side And Fleet Side Only Note: Connects Between The Intermediate And Rear Lamp Harnesses With Original Style Connectors To Easily Add Trailer Wiring Without Splicing Into Stock Harnesses.	\$92.00	M
<b>TRANS TORQUE CONVERTER CLUTCH SOL FEED HARNESS</b>				
39993	1982	<b>TRANSMISSION TORQUE CONVERTER CLUTCH SOLENOID FEED HARNESS</b> 2 Wheel Drive, 1/2 & 3/4-Ton, With 700R4 & TH350 Trans	\$127.00	M
<b>TRANS TORQUE CONVERTER CLUTCH SOLENOID EXT WIRE</b>				
39923	1980	<b>TRANSMISSION TORQUE CONVERTER CLUTCH SOLENOID EXTENSION WIRE</b> 1/2 & 3/4-Ton, With TH350 Auto Trans, Except Diesel, Trans Solenoid To Trans Clutch Solenoid Feed Harness	\$87.00	M
39966	1981	<b>TRANSMISSION TORQUE CONVERTER CLUTCH SOLENOID EXTENSION WIRE</b> 1/2 & 3/4-Ton, With TH350 Trans, Trans Solenoid To Trans Clutch Solenoid Feed Harness	\$87.00	M
39979	1981	<b>TRANSMISSION TORQUE CONVERTER CLUTCH SOLENOID EXTENSION WIRE</b> 2 Wheel Drive, With Egr Bleed Solenoid, Trans Solenoid To Clutch Solenoid Feed Harness	\$127.00	M
39994	1982	<b>TRANSMISSION TORQUE CONVERTER CLUTCH SOLENOID EXTENSION WIRE</b> 1/2-Ton, 2 Wheel Drive, With 250 6cyl & TH350 Trans, Trans Solenoid To Trans Clutch Solenoid Feed Harness	\$127.00	M
40000	1982	<b>TRANSMISSION TORQUE CONVERTER CLUTCH SOLENOID EXTENSION WIRE</b> 1/2-Ton 4 Wheel Drive, 305 & 350 V/8, With 700R4 Trans & California Emission System, Without Egr Bleed Solenoid, Trans	\$127.00	M
40001	1982	<b>TRANSMISSION TORQUE CONVERTER CLUTCH SOLENOID EXTENSION WIRE</b> Suburban, 1/2-Ton 4 Wheel Drive, With 350 V/8, 700R4 Trans & Federal Emissions, & All 3/4-Tons, 4 Wheel Drive, With 350 V/8	\$127.00	M

Part Number	Year	Description	Price	*Rev.
40004	1982	TRANSMISSION TORQUE CONVERTER CLUTCH SOLENOID EXTENSION WIRE 1/2 & 3/4-Ton, 2 Wheel Drive, With 700R4 Trans & California Emission System, Trans Solenoid To Clutch Solenoid Feed	\$127.00	M
40005	1982	TRANSMISSION TORQUE CONVERTER CLUTCH SOLENOID EXTENSION WIRE 1/2 & 3/4-Ton, 2 Wheel Drive, With 700R4 Trans, Without California Emission System, Trans Solenoid To Clutch Solenoid	\$127.00	M
<b>TRANSMISSION CONTROLLED SPARK HARNESS</b>				
39752	1973	TRANSMISSION CONTROLLED SPARK HARNESS 6 Cyl., With Auto Trans Note: 6 Cylinder Items Are Not Returnable.	\$105.00	M
39753	1973	TRANSMISSION CONTROLLED SPARK HARNESS 6 Cyl, With 3 Speed Manual Trans Note: 6 Cylinder Items Are Not Returnable.	\$105.00	M
21220	1973	TRANSMISSION CONTROLLED SPARK HARNESS V/8, With 3 Speed Manual Trans	\$105.00	M
21215	1973	TRANSMISSION CONTROLLED SPARK HARNESS V/8, With Auto Trans	\$105.00	M
39765	1974	TRANSMISSION CONTROLLED SPARK HARNESS 6 Cyl, With 3 Speed Manual Trans Note: 6 Cylinder Items Are Not Returnable.	\$105.00	M
39766	1974	TRANSMISSION CONTROLLED SPARK HARNESS V/8, With 3 Speed Manual Trans	\$105.00	M
<b>TURN SIGNAL LEVER WIPER SWITCH</b>				
25111262	1984	TURN SIGNAL LEVER WIPER SWITCH Black, With Pulse Wipers, With Cruise Control	\$26.00	N
22510733	1984	TURN SIGNAL LEVER WIPER SWITCH Black, With Pulse Wipers, Without Cruise Control	\$20.00	N
22510732	1984	TURN SIGNAL LEVER WIPER SWITCH Black, Without Pulse Wipers, Without Cruise Control	\$20.00	N
25031456	1984	TURN SIGNAL LEVER WIPER SWITCH Chrome, With Pulse Wipers, With Cruise Control	\$26.00	N
22510144	1984	TURN SIGNAL LEVER WIPER SWITCH Chrome, With Pulse Wipers, Without Cruise Control	\$20.00	N
25111262	1985	TURN SIGNAL LEVER WIPER SWITCH Black, With Pulse Wipers, With Cruise Control	\$26.00	N
22510733	1985	TURN SIGNAL LEVER WIPER SWITCH Black, With Pulse Wipers, Without Cruise Control	\$20.00	N
22510732	1985	TURN SIGNAL LEVER WIPER SWITCH Black, Without Pulse Wipers, Without Cruise Control	\$20.00	N
25031456	1985	TURN SIGNAL LEVER WIPER SWITCH Chrome, With Pulse Wipers, With Cruise Control	\$26.00	N
22510144	1985	TURN SIGNAL LEVER WIPER SWITCH Chrome, With Pulse Wipers, Without Cruise Control	\$20.00	N
25111262	1986	TURN SIGNAL LEVER WIPER SWITCH Black, With Pulse Wipers, With Cruise Control	\$26.00	N
22510733	1986	TURN SIGNAL LEVER WIPER SWITCH Black, With Pulse Wipers, Without Cruise Control	\$20.00	N
22510732	1986	TURN SIGNAL LEVER WIPER SWITCH Black, Without Pulse Wipers, Without Cruise Control	\$20.00	N
25031456	1986	TURN SIGNAL LEVER WIPER SWITCH Chrome, With Pulse Wipers, With Cruise Control	\$26.00	N
22510144	1986	TURN SIGNAL LEVER WIPER SWITCH Chrome, With Pulse Wipers, Without Cruise Control	\$20.00	N
25111262	1987	TURN SIGNAL LEVER WIPER SWITCH Black, With Pulse Wipers, With Cruise Control	\$26.00	N
22510733	1987	TURN SIGNAL LEVER WIPER SWITCH Black, With Pulse Wipers, Without Cruise Control	\$20.00	N
22510732	1987	TURN SIGNAL LEVER WIPER SWITCH Black, Without Pulse Wipers, Without Cruise Control	\$20.00	N
25031456	1987	TURN SIGNAL LEVER WIPER SWITCH Chrome, With Pulse Wipers, With Cruise Control	\$26.00	N
22510144	1987	TURN SIGNAL LEVER WIPER SWITCH Chrome, With Pulse Wipers, Without Cruise Control	\$20.00	N
25111262	1988	TURN SIGNAL LEVER WIPER SWITCH Black, With Pulse Wipers, With Cruise Control	\$26.00	N
22510733	1988	TURN SIGNAL LEVER WIPER SWITCH Black, With Pulse Wipers, Without Cruise Control	\$20.00	N
22510732	1988	TURN SIGNAL LEVER WIPER SWITCH Black, Without Pulse Wipers, Without Cruise Control	\$20.00	N
25031456	1988	TURN SIGNAL LEVER WIPER SWITCH Chrome, With Pulse Wipers, With Cruise Control	\$26.00	N
22510144	1988	TURN SIGNAL LEVER WIPER SWITCH Chrome, With Pulse Wipers, Without Cruise Control	\$20.00	N
25111262	1989	TURN SIGNAL LEVER WIPER SWITCH Black, With Pulse Wipers, With Cruise Control	\$26.00	N
22510733	1989	TURN SIGNAL LEVER WIPER SWITCH Black, With Pulse Wipers, Without Cruise Control	\$20.00	N
22510732	1989	TURN SIGNAL LEVER WIPER SWITCH Black, Without Pulse Wipers, Without Cruise Control	\$20.00	N
25031456	1989	TURN SIGNAL LEVER WIPER SWITCH Chrome, With Pulse Wipers, With Cruise Control	\$26.00	N
22510144	1989	TURN SIGNAL LEVER WIPER SWITCH Chrome, With Pulse Wipers, Without Cruise Control	\$20.00	N
25111262	1990	TURN SIGNAL LEVER WIPER SWITCH Black, With Pulse Wipers, With Cruise Control	\$26.00	N
22510733	1990	TURN SIGNAL LEVER WIPER SWITCH Black, With Pulse Wipers, Without Cruise Control	\$20.00	N

Part Number	Year	Description	Price	*Rev.
22510732	1990	TURN SIGNAL LEVER WIPER SWITCH Black, Without Pulse Wipers, Without Cruise Control	\$20.00	N
25031456	1990	TURN SIGNAL LEVER WIPER SWITCH Chrome, With Pulse Wipers, With Cruise Control	\$26.00	N
22510144	1990	TURN SIGNAL LEVER WIPER SWITCH Chrome, With Pulse Wipers, Without Cruise Control	\$20.00	N
25111262	1991	TURN SIGNAL LEVER WIPER SWITCH Black, With Pulse Wipers, With Cruise Control	\$26.00	N
22510733	1991	TURN SIGNAL LEVER WIPER SWITCH Black, With Pulse Wipers, Without Cruise Control	\$20.00	N
22510732	1991	TURN SIGNAL LEVER WIPER SWITCH Black, Without Pulse Wipers, Without Cruise Control	\$20.00	N
25031456	1991	TURN SIGNAL LEVER WIPER SWITCH Chrome, With Pulse Wipers, With Cruise Control	\$26.00	N
22510144	1991	TURN SIGNAL LEVER WIPER SWITCH Chrome, With Pulse Wipers, Without Cruise Control	\$20.00	N
25111262	1992	TURN SIGNAL LEVER WIPER SWITCH Black, With Pulse Wipers, With Cruise Control	\$26.00	N
22510733	1992	TURN SIGNAL LEVER WIPER SWITCH Black, With Pulse Wipers, Without Cruise Control	\$20.00	N
22510732	1992	TURN SIGNAL LEVER WIPER SWITCH Black, Without Pulse Wipers, Without Cruise Control	\$20.00	N
25031456	1992	TURN SIGNAL LEVER WIPER SWITCH Chrome, With Pulse Wipers, With Cruise Control	\$26.00	N
22510144	1992	TURN SIGNAL LEVER WIPER SWITCH Chrome, With Pulse Wipers, Without Cruise Control	\$20.00	N
25111262	1993	TURN SIGNAL LEVER WIPER SWITCH Black, With Pulse Wipers, With Cruise Control	\$26.00	N
22510733	1993	TURN SIGNAL LEVER WIPER SWITCH Black, With Pulse Wipers, Without Cruise Control	\$20.00	N
22510732	1993	TURN SIGNAL LEVER WIPER SWITCH Black, Without Pulse Wipers, Without Cruise Control	\$20.00	N
25031456	1993	TURN SIGNAL LEVER WIPER SWITCH Chrome, With Pulse Wipers, With Cruise Control	\$26.00	N
22510144	1993	TURN SIGNAL LEVER WIPER SWITCH Chrome, With Pulse Wipers, Without Cruise Control	\$20.00	N
25111262	1994	TURN SIGNAL LEVER WIPER SWITCH Black, With Pulse Wipers, With Cruise Control	\$26.00	N
22510733	1994	TURN SIGNAL LEVER WIPER SWITCH Black, With Pulse Wipers, Without Cruise Control	\$20.00	N
22510732	1994	TURN SIGNAL LEVER WIPER SWITCH Black, Without Pulse Wipers, Without Cruise Control	\$20.00	N
25031456	1994	TURN SIGNAL LEVER WIPER SWITCH Chrome, With Pulse Wipers, With Cruise Control	\$26.00	N
22510144	1994	TURN SIGNAL LEVER WIPER SWITCH Chrome, With Pulse Wipers, Without Cruise Control	\$20.00	N
<b>TURN SIGNAL SWITCH</b>				
00897125	1954	TURN SIGNAL HOUSING BUCKET ASSEMBLY Complete With Turn Signal Switch	\$135.00	N
00897125	1955	TURN SIGNAL HOUSING BUCKET ASSEMBLY 1st Series, Complete With Turn Signal Switch	\$135.00	N
00897126	1955	TURN SIGNAL HOUSING BUCKET ASSEMBLY Complete With Turn Signal Switch	\$135.00	N
00897126	1956	TURN SIGNAL HOUSING BUCKET ASSEMBLY Complete With Turn Signal Switch	\$135.00	N
00897151	1957	TURN SIGNAL HOUSING BUCKET ASSEMBLY Complete With Turn Signal Switch	\$135.00	N
00897151	1958	TURN SIGNAL HOUSING BUCKET ASSEMBLY Complete With Turn Signal Switch	\$135.00	N
00897151	1959	TURN SIGNAL HOUSING BUCKET ASSEMBLY Complete With Turn Signal Switch	\$135.00	N
01893596	1967	TURN SIGNAL SWITCH With Tilt & Auto Trans, Replaces Delco Part# D6214	\$58.00	
01893591	1967	TURN SIGNAL SWITCH With Tilt & Manual Trans, Replaces Delco Part# D6210	\$58.00	
01894852	1967	TURN SIGNAL SWITCH Without Tilt, Replaces Delco Part# D6216, With Black Mushroom "Hazard" Knob	\$58.00	
01997965	1967	TURN SIGNAL SWITCH Without Tilt, With Correct Red "Hazard" Knob	\$57.00	
01893596	1968	TURN SIGNAL SWITCH With Tilt & Auto Trans, Replaces Delco Part# D6214	\$58.00	
01893591	1968	TURN SIGNAL SWITCH With Tilt & Manual Trans, Replaces Delco Part# D6210	\$58.00	
01894852	1968	TURN SIGNAL SWITCH Without Tilt, Replaces Delco Part# D6216, With Black Mushroom "Hazard" Knob	\$58.00	
01997965	1968	TURN SIGNAL SWITCH Without Tilt, With Correct Red "Hazard" Knob	\$57.00	
01893596	1969	TURN SIGNAL SWITCH With Tilt & AT, Replaces Delco #D6214, With Black Mushroom "Hazard" Knob	\$58.00	
01893591	1969	TURN SIGNAL SWITCH With Tilt & MT, Replaces Delco #D6210, With Black Mushroom "Hazard" Knob	\$58.00	
01997961	1969	TURN SIGNAL SWITCH With Tilt, With Correct Red "Hazard" Knob	\$57.00	
01894852	1969	TURN SIGNAL SWITCH Without Tilt, Replaces Delco Part# D6216, With Black Mushroom "Hazard" Knob	\$58.00	

Part Number	Year	Description	Price	*Rev.
01997965	1969	<b>TURN SIGNAL SWITCH</b> Without Tilt, With Correct Red "Hazard" Knob	\$57.00	
01893596	1970	<b>TURN SIGNAL SWITCH</b> With Tilt & AT, Replaces Delco #D6214, With Black Mushroom "Hazard" Knob	\$58.00	
01893591	1970	<b>TURN SIGNAL SWITCH</b> With Tilt & MT, Replaces Delco #D6210, With Black Mushroom "Hazard" Knob	\$58.00	
01997961	1970	<b>TURN SIGNAL SWITCH</b> With Tilt, With Correct Red "Hazard" Knob	\$57.00	
01894852	1970	<b>TURN SIGNAL SWITCH</b> Without Tilt, Replaces Delco Part# D6216, With Black Mushroom "Hazard" Knob	\$58.00	
01997965	1970	<b>TURN SIGNAL SWITCH</b> Without Tilt, With Correct Red "Hazard" Knob	\$57.00	
01893596	1971	<b>TURN SIGNAL SWITCH</b> With Tilt & AT, Replaces Delco #D6214, With Black Mushroom "Hazard" Knob	\$58.00	
01893591	1971	<b>TURN SIGNAL SWITCH</b> With Tilt & MT, Replaces Delco #D6210, With Black Mushroom "Hazard" Knob	\$58.00	
01997961	1971	<b>TURN SIGNAL SWITCH</b> With Tilt, With Correct Red "Hazard" Knob	\$57.00	
01894852	1971	<b>TURN SIGNAL SWITCH</b> Without Tilt, Replaces Delco Part# D6216, With Black Mushroom "Hazard" Knob	\$58.00	
01997965	1971	<b>TURN SIGNAL SWITCH</b> Without Tilt, With Correct Red "Hazard" Knob	\$57.00	
01893596	1972	<b>TURN SIGNAL SWITCH</b> With Tilt & AT, Replaces Delco #D6214, With Black Mushroom "Hazard" Knob	\$58.00	
01893591	1972	<b>TURN SIGNAL SWITCH</b> With Tilt & MT, Replaces Delco #D6210, With Black Mushroom "Hazard" Knob	\$58.00	
01997961	1972	<b>TURN SIGNAL SWITCH</b> With Tilt, With Correct Red "Hazard" Knob	\$57.00	
01894852	1972	<b>TURN SIGNAL SWITCH</b> Without Tilt, Replaces Delco Part# D6216, With Black Mushroom "Hazard" Knob	\$58.00	
01997965	1972	<b>TURN SIGNAL SWITCH</b> Without Tilt, With Correct Red "Hazard" Knob	\$57.00	
01997975	1973	<b>TURN SIGNAL SWITCH</b> All	\$38.00	N
01997975	1974	<b>TURN SIGNAL SWITCH</b> All	\$38.00	N
01997975	1975	<b>TURN SIGNAL SWITCH</b> All	\$38.00	N
01997975	1976	<b>TURN SIGNAL SWITCH</b> All	\$38.00	N
01997985	1977	<b>TURN SIGNAL SWITCH</b> All Note: Correct Part, No Adapter Pigtail Required.	\$32.00	C
01997985	1978	<b>TURN SIGNAL SWITCH</b> All Note: Correct Part, No Adapter Pigtail Required.	\$32.00	C
01997985	1979	<b>TURN SIGNAL SWITCH</b> All Note: Correct Part, No Adapter Pigtail Required.	\$32.00	C
01997985	1980	<b>TURN SIGNAL SWITCH</b> All Note: Correct Part, No Adapter Pigtail Required.	\$32.00	C
01997985	1981	<b>TURN SIGNAL SWITCH</b> All Note: Correct Part, No Adapter Pigtail Required.	\$32.00	C
01997985	1982	<b>TURN SIGNAL SWITCH</b> All Note: Correct Part, No Adapter Pigtail Required.	\$32.00	C
01997985	1983	<b>TURN SIGNAL SWITCH</b> All Note: Correct Part, No Adapter Pigtail Required.	\$32.00	C
01997983	1984	<b>TURN SIGNAL SWITCH</b> All	\$32.00	C
01997983	1985	<b>TURN SIGNAL SWITCH</b> All	\$32.00	N
01997983	1986	<b>TURN SIGNAL SWITCH</b> All	\$32.00	N
01997983	1987	<b>TURN SIGNAL SWITCH</b> All	\$32.00	N
01997983	1988	<b>TURN SIGNAL SWITCH</b> Without Pulse Wipers	\$32.00	N
01997988	1988	<b>TURN SIGNAL SWITCH</b> With Pulse Wipers	\$32.00	N
01997983	1989	<b>TURN SIGNAL SWITCH</b> Without Pulse Wipers	\$32.00	N

Part Number	Year	Description	Price	*Rev.
01997988	1989	TURN SIGNAL SWITCH With Pulse Wipers	\$32.00	N
01997983	1990	TURN SIGNAL SWITCH Without Pulse Wipers	\$32.00	N
01997988	1990	TURN SIGNAL SWITCH With Pulse Wipers	\$32.00	N
01997983	1991	TURN SIGNAL SWITCH With Tilt Wheel	\$32.00	N
01997988	1991	TURN SIGNAL SWITCH Without Tilt Wheel	\$32.00	N
<b>VOLTMETER GAUGE</b>				
06474474	1976	VOLTMETER GAUGE Fire Orange Needle	\$39.00	N
06474474	1977	VOLTMETER GAUGE Fire Orange Needle	\$39.00	N
06474474	1978	VOLTMETER GAUGE Fire Orange Needle	\$39.00	N
06474474	1979	VOLTMETER GAUGE 1st Design, Fire Orange Needle	\$39.00	N
06474584	1979	VOLTMETER GAUGE 2nd Design, Light Orange Needle	\$39.00	N
06474584	1980	VOLTMETER GAUGE Light Orange Needle	\$39.00	N
06474584	1981	VOLTMETER GAUGE Light Orange Needle	\$39.00	N
06474584	1982	VOLTMETER GAUGE Light Orange Needle	\$39.00	N
06474584	1983	VOLTMETER GAUGE Light Orange Needle	\$39.00	N
06474584	1984	VOLTMETER GAUGE Light Orange Needle	\$39.00	N
06474584	1985	VOLTMETER GAUGE Light Orange Needle	\$39.00	N
06474584	1986	VOLTMETER GAUGE Light Orange Needle	\$39.00	N
06474584	1987	VOLTMETER GAUGE Light Orange Needle	\$39.00	N
<b>WINDSHIELD WASHER PUMP</b>				
04919332	1964	WINDSHIELD WASHER PUMP All	\$60.00	N
04919332	1965	WINDSHIELD WASHER PUMP All	\$60.00	N
04919332	1966	WINDSHIELD WASHER PUMP All	\$60.00	N
04919332	1967	WINDSHIELD WASHER PUMP All	\$60.00	N
04919332	1968	WINDSHIELD WASHER PUMP All	\$60.00	N
04919332	1969	WINDSHIELD WASHER PUMP All	\$60.00	N
04919332	1970	WINDSHIELD WASHER PUMP All	\$60.00	N
04919332	1971	WINDSHIELD WASHER PUMP All	\$60.00	N
04919332	1972	WINDSHIELD WASHER PUMP All	\$60.00	N
<b>WINDSHIELD WIPER MOTOR</b>				
44610	1947	WINDSHIELD WIPER MOTOR KIT 12 Volt Conversion Kit Note: Replaces Original Vacuum Operated Wiper Motor.	\$231.00	N
44611	1947	WINDSHIELD WIPER MOTOR KIT 6 Volt Conversion Kit Note: Replaces Original Vacuum Operated Wiper Motor.	\$231.00	N
44610	1948	WINDSHIELD WIPER MOTOR KIT 12 Volt Conversion Kit Note: Replaces Original Vacuum Operated Wiper Motor.	\$231.00	N
44611	1948	WINDSHIELD WIPER MOTOR KIT 6 Volt Conversion Kit Note: Replaces Original Vacuum Operated Wiper Motor.	\$231.00	N
44610	1949	WINDSHIELD WIPER MOTOR KIT 12 Volt Conversion Kit Note: Replaces Original Vacuum Operated Wiper Motor.	\$231.00	N
44611	1949	WINDSHIELD WIPER MOTOR KIT 6 Volt Conversion Kit Note: Replaces Original Vacuum Operated Wiper Motor.	\$231.00	N
44610	1950	WINDSHIELD WIPER MOTOR KIT 12 Volt Conversion Kit Note: Replaces Original Vacuum Operated Wiper Motor.	\$231.00	N
44611	1950	WINDSHIELD WIPER MOTOR KIT 6 Volt Conversion Kit Note: Replaces Original Vacuum Operated Wiper Motor.	\$231.00	N

Part Number	Year	Description	Price	*Rev.
44610	1951	<b>WINDSHIELD WIPER MOTOR KIT</b> 12 Volt Conversion Kit Note: Replaces Original Vacuum Operated Wiper Motor.	\$231.00	N
44611	1951	<b>WINDSHIELD WIPER MOTOR KIT</b> 6 Volt Conversion Kit Note: Replaces Original Vacuum Operated Wiper Motor.	\$231.00	N
44610	1952	<b>WINDSHIELD WIPER MOTOR KIT</b> 12 Volt Conversion Kit Note: Replaces Original Vacuum Operated Wiper Motor.	\$231.00	N
44611	1952	<b>WINDSHIELD WIPER MOTOR KIT</b> 6 Volt Conversion Kit Note: Replaces Original Vacuum Operated Wiper Motor.	\$231.00	N
44610	1953	<b>WINDSHIELD WIPER MOTOR KIT</b> 12 Volt Conversion Kit Note: Replaces Original Vacuum Operated Wiper Motor.	\$231.00	N
44611	1953	<b>WINDSHIELD WIPER MOTOR KIT</b> 6 Volt Conversion Kit Note: Replaces Original Vacuum Operated Wiper Motor.	\$231.00	N
44612	1954	<b>WINDSHIELD WIPER MOTOR KIT</b> 12 Volt Conversion Kit Note: Replaces Original Vacuum Operated Wiper Motor.	\$231.00	N
44613	1954	<b>WINDSHIELD WIPER MOTOR KIT</b> 6 Volt Conversion Kit Note: Replaces Original Vacuum Operated Wiper Motor.	\$231.00	N
44612	1955	<b>WINDSHIELD WIPER MOTOR KIT</b> 1st Series, 12 Volt Conversion Kit Note: Replaces Original Vacuum Operated Wiper Motor.	\$231.00	N
44613	1955	<b>WINDSHIELD WIPER MOTOR KIT</b> 1st Series, 6 Volt Conversion Kit Note: Replaces Original Vacuum Operated Wiper Motor.	\$231.00	N
04911476	1963	<b>WINDSHIELD WIPER MOTOR</b> 2-Speed, 3-Terminal Type Motor	\$92.00	N
44609	1963	<b>WINDSHIELD WIPER MOTOR</b> 2-Speed, 4-Terminal Type Motor Note: This Can Be Used In Place Of The 3-Terminal Motor. The 4th Terminal Is A Keyed Hot From Wiper Fuse In Fuse Box And May Or May Not Be Used In Some Applications.	\$106.00	N
04911476	1964	<b>WINDSHIELD WIPER MOTOR</b> 2-Speed, 3-Terminal Type Motor	\$92.00	N
44609	1964	<b>WINDSHIELD WIPER MOTOR</b> 2-Speed, 4-Terminal Type Motor Note: This Can Be Used In Place Of The 3-Terminal Motor. The 4th Terminal Is A Keyed Hot From Wiper Fuse In Fuse Box And May Or May Not Be Used In Some Applications.	\$106.00	N
04911476	1965	<b>WINDSHIELD WIPER MOTOR</b> 2-Speed, 3-Terminal Type Motor	\$92.00	N
44609	1965	<b>WINDSHIELD WIPER MOTOR</b> 2-Speed, 4-Terminal Type Motor Note: This Can Be Used In Place Of The 3-Terminal Motor. The 4th Terminal Is A Keyed Hot From Wiper Fuse In Fuse Box And May Or May Not Be Used In Some Applications.	\$106.00	N
04911476	1966	<b>WINDSHIELD WIPER MOTOR</b> 2-Speed, 3-Terminal Type Motor	\$92.00	N
44609	1966	<b>WINDSHIELD WIPER MOTOR</b> 2-Speed, 4-Terminal Type Motor Note: This Can Be Used In Place Of The 3-Terminal Motor. The 4th Terminal Is A Keyed Hot From Wiper Fuse In Fuse Box And May Or May Not Be Used In Some Applications.	\$106.00	N
04911476	1967	<b>WINDSHIELD WIPER MOTOR</b> 2-Speed, 3-Terminal Type Motor	\$92.00	N
44609	1967	<b>WINDSHIELD WIPER MOTOR</b> 2-Speed, 4-Terminal Type Motor Note: This Can Be Used In Place Of The 3-Terminal Motor. The 4th Terminal Is A Keyed Hot From Wiper Fuse In Fuse Box And May Or May Not Be Used In Some Applications.	\$106.00	N
04911476	1968	<b>WINDSHIELD WIPER MOTOR</b> 2-Speed, 3-Terminal Type Motor	\$92.00	N
44609	1968	<b>WINDSHIELD WIPER MOTOR</b> 2-Speed, 4-Terminal Type Motor Note: This Can Be Used In Place Of The 3-Terminal Motor. The 4th Terminal Is A Keyed Hot From Wiper Fuse In Fuse Box And May Or May Not Be Used In Some Applications.	\$106.00	N
04911476	1969	<b>WINDSHIELD WIPER MOTOR</b> 2-Speed, 3-Terminal Type Motor	\$92.00	N
44609	1969	<b>WINDSHIELD WIPER MOTOR</b> 2-Speed, 4-Terminal Type Motor Note: This Can Be Used In Place Of The 3-Terminal Motor. The 4th Terminal Is A Keyed Hot From Wiper Fuse In Fuse Box And May Or May Not Be Used In Some Applications.	\$106.00	N
04911476	1970	<b>WINDSHIELD WIPER MOTOR</b> 2-Speed, 3-Terminal Type Motor	\$92.00	N



Part Number	Year	Description	Price	*Rev.
44609	1970	<b>WINDSHIELD WIPER MOTOR</b> 2-Speed, 4-Terminal Type Motor Note: This Can Be Used In Place Of The 3-Terminal Motor. The 4th Terminal Is A Keyed Hot From Wiper Fuse In Fuse Box And May Or May Not Be Used In Some Applications.	\$106.00	N
04911476	1971	<b>WINDSHIELD WIPER MOTOR</b> 2-Speed, 3-Terminal Type Motor	\$92.00	N
44609	1971	<b>WINDSHIELD WIPER MOTOR</b> 2-Speed, 4-Terminal Type Motor Note: This Can Be Used In Place Of The 3-Terminal Motor. The 4th Terminal Is A Keyed Hot From Wiper Fuse In Fuse Box And May Or May Not Be Used In Some Applications.	\$106.00	N
04911476	1972	<b>WINDSHIELD WIPER MOTOR</b> 2-Speed, 3-Terminal Type Motor	\$92.00	N
44609	1972	<b>WINDSHIELD WIPER MOTOR</b> 2-Speed, 4-Terminal Type Motor Note: This Can Be Used In Place Of The 3-Terminal Motor. The 4th Terminal Is A Keyed Hot From Wiper Fuse In Fuse Box And May Or May Not Be Used In Some Applications.	\$106.00	N
<b>WINDSHIELD WIPER SWITCH</b>				
01994151	1973	<b>WINDSHIELD WIPER SWITCH</b>	\$47.00	
01994151	1974	<b>WINDSHIELD WIPER SWITCH</b>	\$47.00	
01994172	1975	<b>WINDSHIELD WIPER SWITCH</b> Without Pulse Wipers	\$47.00	N
01994172	1976	<b>WINDSHIELD WIPER SWITCH</b> Without Pulse Wipers	\$47.00	N
01994172	1977	<b>WINDSHIELD WIPER SWITCH</b> Without Pulse Wipers	\$47.00	N
14028808	1978	<b>WINDSHIELD WIPER SWITCH</b> With Pulse Wipers	\$35.00	N
14028807	1978	<b>WINDSHIELD WIPER SWITCH</b> Without Pulse Wipers	\$27.00	N
14028808	1979	<b>WINDSHIELD WIPER SWITCH</b> With Pulse Wipers	\$35.00	N
14028807	1979	<b>WINDSHIELD WIPER SWITCH</b> Without Pulse Wipers	\$27.00	N
14028808	1980	<b>WINDSHIELD WIPER SWITCH</b> With Pulse Wipers	\$35.00	N
14028807	1980	<b>WINDSHIELD WIPER SWITCH</b> Without Pulse Wipers	\$27.00	N
14028808	1981	<b>WINDSHIELD WIPER SWITCH</b> With Pulse Wipers	\$35.00	N
14028807	1981	<b>WINDSHIELD WIPER SWITCH</b> Without Pulse Wipers	\$27.00	N
14028808	1982	<b>WINDSHIELD WIPER SWITCH</b> With Pulse Wipers	\$35.00	N
14028807	1982	<b>WINDSHIELD WIPER SWITCH</b> Without Pulse Wipers	\$27.00	N
14028808	1983	<b>WINDSHIELD WIPER SWITCH</b> With Pulse Wipers	\$35.00	N
14028807	1983	<b>WINDSHIELD WIPER SWITCH</b> Without Pulse Wipers	\$27.00	N
<b>WIRING JUNCTION BLOCK</b>				
01865535	1940	<b>WIRING JUNCTION BLOCK</b> 3-Terminal, Headlamp Wire Junction	\$12.00	N
01998756	1940	<b>WIRING JUNCTION BLOCK</b> 4-Terminal, Headlamp Wire Junction	\$13.00	N
01998757	1940	<b>WIRING JUNCTION BLOCK</b> 5-Terminal, Headlamp Wire Junction	\$19.00	N
01865535	1941	<b>WIRING JUNCTION BLOCK</b> 3-Terminal, Headlamp Wire Junction	\$12.00	N
01998756	1941	<b>WIRING JUNCTION BLOCK</b> 4-Terminal, Headlamp Wire Junction	\$13.00	N
01998757	1941	<b>WIRING JUNCTION BLOCK</b> 5-Terminal, Headlamp Wire Junction	\$19.00	N
01865535	1942	<b>WIRING JUNCTION BLOCK</b> 3-Terminal, Headlamp Wire Junction	\$12.00	N
01998756	1942	<b>WIRING JUNCTION BLOCK</b> 4-Terminal, Headlamp Wire Junction	\$13.00	N
01998757	1942	<b>WIRING JUNCTION BLOCK</b> 5-Terminal, Headlamp Wire Junction	\$19.00	N
01865535	1943	<b>WIRING JUNCTION BLOCK</b> 3-Terminal, Headlamp Wire Junction	\$12.00	N
01998756	1943	<b>WIRING JUNCTION BLOCK</b> 4-Terminal, Headlamp Wire Junction	\$13.00	N
01998757	1943	<b>WIRING JUNCTION BLOCK</b> 5-Terminal, Headlamp Wire Junction	\$19.00	N
01865535	1944	<b>WIRING JUNCTION BLOCK</b> 3-Terminal, Headlamp Wire Junction	\$12.00	N
01998756	1944	<b>WIRING JUNCTION BLOCK</b> 4-Terminal, Headlamp Wire Junction	\$13.00	N
01998757	1944	<b>WIRING JUNCTION BLOCK</b> 5-Terminal, Headlamp Wire Junction	\$19.00	N
01865535	1945	<b>WIRING JUNCTION BLOCK</b> 3-Terminal, Headlamp Wire Junction	\$12.00	N
01998756	1945	<b>WIRING JUNCTION BLOCK</b> 4-Terminal, Headlamp Wire Junction	\$13.00	N

Part Number	Year	Description	Price	*Rev.
01998757	1945	WIRING JUNCTION BLOCK 5-Terminal, Headlamp Wire Junction	\$19.00	N
01865535	1946	WIRING JUNCTION BLOCK 3-Terminal, Headlamp Wire Junction	\$12.00	N
01998756	1946	WIRING JUNCTION BLOCK 4-Terminal, Headlamp Wire Junction	\$13.00	N
01998757	1946	WIRING JUNCTION BLOCK 5-Terminal, Headlamp Wire Junction	\$19.00	N
01865535	1947	WIRING JUNCTION BLOCK 3-Terminal, Headlamp Wire Junction	\$12.00	N
01998756	1947	WIRING JUNCTION BLOCK 4-Terminal, Headlamp Wire Junction	\$13.00	N
01998757	1947	WIRING JUNCTION BLOCK 5-Terminal, Headlamp Wire Junction	\$19.00	N
01865535	1948	WIRING JUNCTION BLOCK 3-Terminal, Headlamp Wire Junction	\$12.00	N
01998756	1948	WIRING JUNCTION BLOCK 4-Terminal, Headlamp Wire Junction	\$13.00	N
01998757	1948	WIRING JUNCTION BLOCK 5-Terminal, Headlamp Wire Junction	\$19.00	N
01865535	1949	WIRING JUNCTION BLOCK 3-Terminal, Headlamp Wire Junction	\$12.00	N
01998756	1949	WIRING JUNCTION BLOCK 4-Terminal, Headlamp Wire Junction	\$13.00	N
01998757	1949	WIRING JUNCTION BLOCK 5-Terminal, Headlamp Wire Junction	\$19.00	N
01865535	1950	WIRING JUNCTION BLOCK 3-Terminal, Headlamp Wire Junction	\$12.00	N
01998756	1950	WIRING JUNCTION BLOCK 4-Terminal, Headlamp Wire Junction	\$13.00	N
01998757	1950	WIRING JUNCTION BLOCK 5-Terminal, Headlamp Wire Junction	\$19.00	N
01865535	1951	WIRING JUNCTION BLOCK 3-Terminal, Headlamp Wire Junction	\$12.00	N
01998756	1951	WIRING JUNCTION BLOCK 4-Terminal, Headlamp Wire Junction	\$13.00	N
01998757	1951	WIRING JUNCTION BLOCK 5-Terminal, Headlamp Wire Junction	\$19.00	N
01865535	1952	WIRING JUNCTION BLOCK 3-Terminal, Headlamp Wire Junction	\$12.00	N
01998756	1952	WIRING JUNCTION BLOCK 4-Terminal, Headlamp Wire Junction	\$13.00	N
01998757	1952	WIRING JUNCTION BLOCK 5-Terminal, Headlamp Wire Junction	\$19.00	N
01865535	1953	WIRING JUNCTION BLOCK 3-Terminal, Headlamp Wire Junction	\$12.00	N
01998756	1953	WIRING JUNCTION BLOCK 4-Terminal, Headlamp Wire Junction	\$13.00	N
01998757	1953	WIRING JUNCTION BLOCK 5-Terminal, Headlamp Wire Junction	\$19.00	N
01998756	1954	WIRING JUNCTION BLOCK 4-Terminal, Headlamp Wire Junction	\$13.00	N
01998757	1954	WIRING JUNCTION BLOCK 5-Terminal, Headlamp Wire Junction	\$19.00	N
01998756	1955	WIRING JUNCTION BLOCK 1st Series, 4-Terminal, Headlamp Wire Junction	\$13.00	N
01998757	1955	WIRING JUNCTION BLOCK 1st Series, 5-Terminal, Headlamp Wire Junction	\$19.00	N