



Electrical Restoration Products

Corvette

WIRING HARNESSES



BATTERY CABLES



SWITCHES



Phone 562.926.9552

Fax 562.926.9572

sparky@wiringharness.com

www.wiringharness.com

Part #VET

Buy with Confidence !

Made in the U.S.A.

All of our harnesses are hand assembled in the U.S.A.

Correct Color Wires

Our harnesses always match the original factory color codes and gauge sizes. We use U.S.A. made Cross Linked Polyethylene type GXL wire which is much more tolerant to heat than the original PVC type GPT wire that was used from the factory.

Dip Soldered (when applicable)

All terminals are dip soldered (when applicable) to limit resistance loss.

Correct Connectors & Terminals

With over 300,000 connectors and terminals in stock you can be sure the harness you receive will look identical to the original.

Correct Non-Adhesive & Cloth Tapes

All harnesses are wrapped with the correct non-adhesive or cloth woven tapes to assure a 100% factory appearance.

Technical Support

We don't expect our customers to be "wiring-wizards", you can call us direct with any technical questions you may have.

Custom Modifications

Custom modifications are available to allow you to convert from an external regulated alternator to an internal regulated alternator. This modification is available for most '63 and up GM cars and trucks. We can also convert many of our engine harnesses to work with H.E.I. distributors and electric chokes. Our modifications retain the factory appearance. Call our Customer Service Department for more details.

Reproduction Switches

We manufacture an extensive line of reproduction switches. These include Turn Signal, Backup Light, Neutral Safety, Wiper, Headlight Switches and others. As with all of our restoration products our switches will fit and function perfectly, just like the originals.

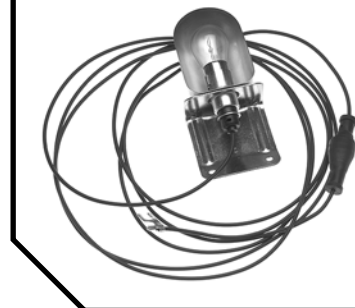
Guarantee & Warranty

We are so confident in the quality of all of our restoration products that we offer the following guarantee and warranty. If you are not 100% satisfied with the quality of any of our restoration products we will give you a full refund. Just return the unused item within 30 days of receipt for a full refund. We also offer a full 1 year replacement warranty on all of the products we sell (see our product warranty sheet for more info).

Method of Payment

We accept Visa, Master Card, American Express and Discover. If you prefer to pre-pay your order, we accept Money Orders, Cashiers Checks or Personal Checks. C.O.D. shipments are also available.

LIGHTING KITS



1 WIRE IGNITION



HARNESS TAPE



"M&H Harnesses are perfect reproductions created with correct color wires from Original GM wiring schematics".

**MUSCLECAR ENTHUSIAST
MAGAZINE**

www.wiringharness.com

Alternator Conversion Kits

**See car line catalogs
for specific applications**

Alternator Conversion Kit External to "SI" Type Internal

Our most popular Alternator Conversion Kit. This kit makes it easy to convert from an External Regulated Alternator to an "SI" Type Internal Regulated Alternator. Kit includes both adapters and an instruction sheet.

Easy to install:

1) Disconnect the external voltage regulator leads and plug our "Special Regulator Adapter" into the voltage regulator lead wires. 2) Disconnect the alternator lead wires. 3) Install new "SI" Type Internal Regulated alternator. 4) Plug one end of our "Alternator Adapter" into the original alternator lead wires and the other into the alternator.

Typical application is '63-'74 GM Cars & Trucks, see carline catalogs for specific application information.

Part #27555

Retail \$29.00



Alternator Conversion Kit External to "CS" Type Internal

This kit makes it easy to convert from an External Regulated Alternator to a "CS" Type Internal Regulated Alternator. Kit includes both adapters and an instruction sheet.

Easy to install:

1) Disconnect the external voltage regulator leads and plug our "Special Regulator Adapter" into the voltage regulator lead wires. 2) Disconnect the alternator lead wires. 3) Install new "SI" Type Internal Regulated alternator. 4) Plug one end of our "Alternator Adapter" into the original alternator lead wires and the other into the alternator.

Typical application is '63-'74 GM Cars & Trucks, see carline catalogs for specific application information.

Part #37787

Retail \$34.00



Alternator Conversion Kit "SI" Type Internal to CS130/CS144 Type Internal

Allows for an easy conversion from an "SI" type internal regulated alternator to a "CS130" or "CS144" type internal regulated alternator. Simple to install, the mating end of the adapter pigtail plugs perfectly to the original alternator connector, and the other end plugs right into any "CS130" or "CS144" type alternator. Kit includes adapter pigtail and an instruction sheet.

Typical application is '69-'84 GM Cars & Trucks, see carline catalogs for specific application information.

Part #37796

Retail \$26.00



Alternator Conversion Kits

See car line catalogs
for specific applications

Alternator Conversion Kit

"SI" Type Internal to "CS130D" Type Internal

Allows for an easy conversion from an "SI" type internal regulated alternator to a "CS130D" type internal regulated alternator. Simple to install, the mating end of the adapter pigtail plugs perfectly to the original alternator connector, and the other end plugs right into any "CS130D" type alternator. Kit includes adapter pigtail and an instruction sheet.

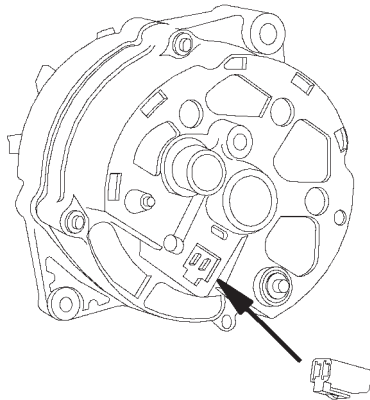
Typical application is '69-'84 GM Cars & Trucks, see carline catalogs for specific application information.

Part #39472

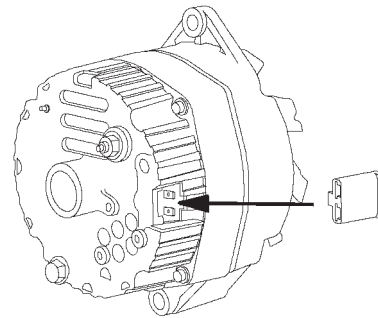
Retail \$27.00



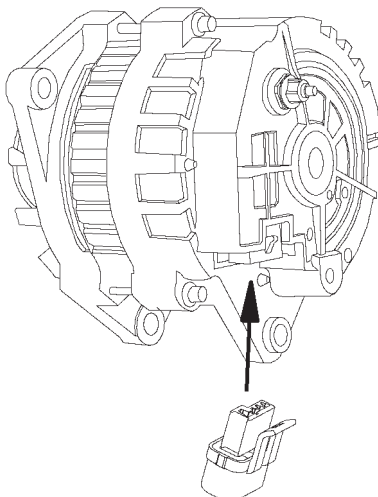
Alternator Identification



1963-1974
External Regulated Alternator



1969-1984 "SI" Type
Internal Regulated Alternator



1984-1999 "CS130" & "CS144" Type
Internal Regulated Alternator



1994-Newer "CS130D" Type
Internal Regulated Alternator

Breakerless SE Single Wire Ignition

Simple 1 Wire Hook-Up, just connect the original points wire to the module

Completely stock appearance

Emissions Legal in all 50 States

Three year warranty

The Breakerless SE allows you to convert any 1957 to 1974 GM, AMC or Jeep V8 breaker point type distributor (with a windowed type distributor cap) to a reliable solid-state electronic ignition, utilizing a fully integrated trigger and power module that fits completely inside the distributor.

Unlike competitive systems though, no additional wires protrude from the distributor, only the original points wire. The result is a state-of-the-art ignition with an absolutely stock appearance. The Breakerless SE is so unique that it's patented !



Outstanding features of this unit include:

- Single wire operation to preserve stock appearance and simplify wiring.
- Active dwell control maintains high rpm spark energy while reducing coil heating at idle.
- Auto-standby prevents coil damage or dead battery if the ignition is accidentally left on.
- Hall effect rotary-vane sensor design compensates for worn bearings and distributor end play. Magnetic sensor is unaffected by oil, dirt or other contaminants, unlike optical systems.
- Over-voltage/over-current protected against damage from high amp battery chargers, reversed battery, or improper wiring.
- Constructed with premium quality components. Sealed, hi-temp thermoplastic housing provides exceptional resistance against moisture and vibration.
- No distributor modification, disassembly, or removal is required.

Kit comes complete with everything you'll need to install the Breakerless SE Single Wire Ignition. Kit includes: 1 Module, 1 (two-piece) vane, all necessary installation hardware and a comprehensive instruction sheet.

Part #38131
Retail \$179.00

**For more info on this product
visit www.breakerless.com**

Transistor Ignition Replacement Module

Drop-In Replacement Module fits all Chevrolet & Pontiac cars equipped with the rare and optional Transistor Ignition System

Drops into the Original Finned Amplifier Housing

Quicker Starts

Improved Performance

M&H's Transistor Ignition Replacement Module is a drop-in performance upgrade, and provides state-of-the-art ignition technology. This replacement module generates twice the coil primary voltage providing up to 10% more available secondary voltage with the factory T.I. coil. It also can be used with point type or aftermarket coils or M&H's own T.I. Replacement Coil. It provides output protection against failure caused by broken or disconnected plug wires, and has an extended temperature range to over 300-degrees. The state-of-the-art electronics are completely sealed in thermoplastic to keep water and contaminants out. Superior construction provides superior performance, just like all M&H Electric's products.



Simple to Install

- Remove the backing plate from your original amplifier housing
- Remove wiring from original circuit board and unscrew it from the housing
- Thoroughly clean the inside of the housing
- Screw in M&H's new T.I. Replacement Module and attach the wiring
- ***That's it, you'll enjoy Quicker Starts and Improved Performance***

Fits all Chevrolet & Pontiac cars with Transistor Ignition

**Part #32270
Retail \$172.00**

Part Number	Year	Description	Price	*Rev.
AIR CONDITIONING COMPRESSOR GROUND WIRE				
01640	1963	AIR CONDITIONING COMPRESSOR GROUND WIRE Note: This Wire Is Included In Our Reproduction A/C Harnesses, You Do Not Need If Using Our A/C Harness.	\$18.00	
01645	1964	AIR CONDITIONING COMPRESSOR GROUND WIRE Note: This Wire Is Included In Our Reproduction A/C Harnesses, You Do Not Need If Using Our A/C Harness.	\$18.00	
01645	1965	AIR CONDITIONING COMPRESSOR GROUND WIRE Note: This Wire Is Included In Our Reproduction A/C Harnesses, You Do Not Need If Using Our A/C Harness.	\$18.00	
01645	1966	AIR CONDITIONING COMPRESSOR GROUND WIRE Note: This Wire Is Included In Our Reproduction A/C Harnesses, You Do Not Need If Using Our A/C Harness.	\$18.00	
01645	1967	AIR CONDITIONING COMPRESSOR GROUND WIRE Note: This Wire Is Included In Our Reproduction A/C Harnesses, You Do Not Need If Using Our A/C Harness.	\$18.00	
01645	1968	AIR CONDITIONING COMPRESSOR GROUND WIRE Note: This Wire Is Included In Our Reproduction A/C Harnesses, You Do Not Need If Using Our A/C Harness.	\$18.00	
01645	1969	AIR CONDITIONING COMPRESSOR GROUND WIRE Note: This Wire Is Included In Our Reproduction A/C Harnesses, You Do Not Need If Using Our A/C Harness.	\$18.00	
01645	1970	AIR CONDITIONING COMPRESSOR GROUND WIRE Note: This Wire Is Included In Our Reproduction A/C Harnesses, You Do Not Need If Using Our A/C Harness.	\$18.00	
01645	1971	AIR CONDITIONING COMPRESSOR GROUND WIRE Note: This Wire Is Included In Our Reproduction A/C Harnesses, You Do Not Need If Using Our A/C Harness.	\$18.00	
01645	1972	AIR CONDITIONING COMPRESSOR GROUND WIRE Note: This Wire Is Included In Our Reproduction A/C Harnesses, You Do Not Need If Using Our A/C Harness.	\$18.00	
01645	1973	AIR CONDITIONING COMPRESSOR GROUND WIRE Note: This Wire Is Included In Our Reproduction A/C Harnesses, You Do Not Need If Using Our A/C Harness.	\$18.00	
01645	1974	AIR CONDITIONING COMPRESSOR GROUND WIRE Note: This Wire Is Included In Our Reproduction A/C Harnesses, You Do Not Need If Using Our A/C Harness.	\$18.00	
12975	1975	AIR CONDITIONING COMPRESSOR GROUND WIRE Note: This Wire Is Included In Our Reproduction A/C Harnesses, You Do Not Need If Using Our A/C Harness.	\$18.00	
27605	1976	AIR CONDITIONING COMPRESSOR GROUND WIRE Note: This Wire Is Included In Our Reproduction A/C Harnesses, You Do Not Need If Using Our A/C Harness.	\$18.00	
27605	1977	AIR CONDITIONING COMPRESSOR GROUND WIRE Note: This Wire Is Included In Our Reproduction A/C Harnesses, You Do Not Need If Using Our A/C Harness.	\$18.00	
27605	1978	AIR CONDITIONING COMPRESSOR GROUND WIRE Note: This Wire Is Included In Our Reproduction A/C Harnesses, You Do Not Need If Using Our A/C Harness.	\$18.00	
27605	1979	AIR CONDITIONING COMPRESSOR GROUND WIRE Note: This Wire Is Included In Our Reproduction A/C Harnesses, You Do Not Need If Using Our A/C Harness.	\$18.00	
AIR CONDITIONING HARNESS				
01005	1966	AIR CONDITIONING HARNESS Includes Heater Wiring	\$179.00	
01010	1967	AIR CONDITIONING HARNESS Includes Heater Wiring	\$179.00	
01015	1968	AIR CONDITIONING HARNESS Includes Heater Wiring	\$191.00	
01020	1969	AIR CONDITIONING HARNESS Includes Heater Wiring	\$191.00	
01020	1970	AIR CONDITIONING HARNESS Includes Heater Wiring	\$191.00	
01030	1971	AIR CONDITIONING HARNESS Includes Heater Wiring	\$191.00	
01035	1972	AIR CONDITIONING HARNESS Includes Heater Wiring	\$247.00	
01035	1973	AIR CONDITIONING HARNESS Includes Heater Wiring	\$247.00	
01045	1974	AIR CONDITIONING HARNESS Includes Heater Wiring	\$247.00	
01050	1975	AIR CONDITIONING HARNESS Includes Heater Wiring	\$247.00	
27540	1976	AIR CONDITIONING HARNESS Includes Heater Wiring	\$247.00	
27550	1976	AIR CONDITIONING EXTENSION HARNESS From A/C Harness To Idle Stop Solenoid	\$26.00	

Part Number	Year	Description	Price	*Rev.
27585	1977	AIR CONDITIONING HARNESS Includes Heater Wiring Note: For Cars With Anti-Theft Switch Mounted In Fender, Before 3/2/77 (Early).	\$247.00	
27575	1977	AIR CONDITIONING HARNESS Includes Heater Wiring Note: For Cars With Anti-Theft Switch Mounted In Door Lock, After 3/2/77 (Late).	\$247.00	
27755	1978	AIR CONDITIONING HARNESS Includes Heater Wiring	\$247.00	
28145	1979	AIR CONDITIONING HARNESS Without Auxillary Cooling Fan, Includes Heater Wiring	\$247.00	
27750	1979	AIR CONDITIONING HARNESS With Auxillary Cooling Fan (L82), Includes Heater Wiring	\$247.00	
ALARM SYSTEM HARNESS				
01055	1968	ALARM SYSTEM HARNESS	\$184.00	
01060	1969	ALARM SYSTEM HARNESS	\$184.00	
01065	1970	ALARM SYSTEM HARNESS	\$134.00	
01070	1971	ALARM SYSTEM HARNESS	\$56.00	
01070	1972	ALARM SYSTEM HARNESS	\$56.00	
01070	1973	ALARM SYSTEM HARNESS	\$56.00	
27600	1977	ALARM SYSTEM HARNESS Anti-Theft Control Switch To Dash, Without Power Windows Note: With Anti-Theft Switch Mounted In Door Lock.	\$40.00	
27600	1978	ALARM SYSTEM HARNESS Anti-Theft Control Switch To Dash, Without Power Windows Note: With Courtesy Lamp Timer Mounted Left Of Steering Column, Before 1/19/78 (Early).	\$40.00	
27935	1978	ALARM SYSTEM HARNESS Anti-Theft Control Switch To Dash, Without Power Windows Note: With Courtesy Lamp Timer Mounted To The Right Of Glove Box, After 1/19/78 (Late).	\$40.00	
ALTERNATOR CONVERSION KIT				
27555	1963	ALTERNATOR CONVERSION KIT External To Internal Regulator Conversion Harness ("SI" Series) Note: For Use With 1972-84 Non-Serpentine Belt ("SI" Series) Internal Regulated Alternators.	\$29.00	
37787	1963	ALTERNATOR CONVERSION KIT External To Internal Regulator Conversion Harness ("CS" Series) Note: For Use With Serpentine Belt ("CS" Series) Internal Regulated Alternators.	\$34.00	
27555	1964	ALTERNATOR CONVERSION KIT External To Internal Regulator Conversion Harness ("SI" Series) Note: For Use With 1972-84 Non-Serpentine Belt ("SI" Series) Internal Regulated Alternators.	\$29.00	
37787	1964	ALTERNATOR CONVERSION KIT External To Internal Regulator Conversion Harness ("CS" Series) Note: For Use With Serpentine Belt ("CS" Series) Internal Regulated Alternators.	\$34.00	
27555	1965	ALTERNATOR CONVERSION KIT External To Internal Regulator Conversion Harness ("SI" Series) Note: For Use With 1972-84 Non-Serpentine Belt ("SI" Series) Internal Regulated Alternators.	\$29.00	
37787	1965	ALTERNATOR CONVERSION KIT External To Internal Regulator Conversion Harness ("CS" Series) Note: For Use With Serpentine Belt ("CS" Series) Internal Regulated Alternators.	\$34.00	
27555	1966	ALTERNATOR CONVERSION KIT External To Internal Regulator Conversion Harness ("SI" Series) Note: For Use With 1972-84 Non-Serpentine Belt ("SI" Series) Internal Regulated Alternators.	\$29.00	
37787	1966	ALTERNATOR CONVERSION KIT External To Internal Regulator Conversion Harness ("CS" Series) Note: For Use With Serpentine Belt ("CS" Series) Internal Regulated Alternators.	\$34.00	
27555	1967	ALTERNATOR CONVERSION KIT External To Internal Regulator Conversion Harness ("SI" Series) Note: For Use With 1972-84 Non-Serpentine Belt ("SI" Series) Internal Regulated Alternators.	\$29.00	
37787	1967	ALTERNATOR CONVERSION KIT External To Internal Regulator Conversion Harness ("CS" Series) Note: For Use With Serpentine Belt ("CS" Series) Internal Regulated Alternators.	\$34.00	
27555	1968	ALTERNATOR CONVERSION KIT External To Internal Regulator Conversion Harness ("SI" Series) Note: For Use With 1972-84 Non-Serpentine Belt ("SI" Series) Internal Regulated Alternators.	\$29.00	
37787	1968	ALTERNATOR CONVERSION KIT External To Internal Regulator Conversion Harness ("CS" Series) Note: For Use With Serpentine Belt ("CS" Series) Internal Regulated Alternators.	\$34.00	
37796	1969	ALTERNATOR CONVERSION KIT Internal Regulator "SI" Series Alternator To "CS" Series (Serpentine Belt) Alternator Note: For Use With Serpentine Belt ("CS130" Or "CS144" Type) Internal Regulated Alternators.	\$26.00	

Part Number	Year	Description	Price	*Rev.
37796	1970	ALTERNATOR CONVERSION KIT Internal Regulator "SI" Series Alternator To "CS" Series (Serpentine Belt) Alternator Note: For Use With Serpentine Belt ("CS130" Or "CS144" Type) Internal Regulated Alternators.	\$26.00	
37796	1971	ALTERNATOR CONVERSION KIT Internal Regulator "SI" Series Alternator To "CS" Series (Serpentine Belt) Alternator Note: For Use With Serpentine Belt ("CS130" Or "CS144" Type) Internal Regulated Alternators.	\$26.00	
37796	1972	ALTERNATOR CONVERSION KIT Internal Regulator "SI" Series Alternator To "CS" Series (Serpentine Belt) Alternator Note: For Use With Serpentine Belt ("CS130" Or "CS144" Type) Internal Regulated Alternators.	\$26.00	
37796	1973	ALTERNATOR CONVERSION KIT Internal Regulator "SI" Series Alternator To "CS" Series (Serpentine Belt) Alternator Note: For Use With Serpentine Belt ("CS130" Or "CS144" Type) Internal Regulated Alternators.	\$26.00	
37796	1974	ALTERNATOR CONVERSION KIT Internal Regulator "SI" Series Alternator To "CS" Series (Serpentine Belt) Alternator Note: For Use With Serpentine Belt ("CS130" Or "CS144" Type) Internal Regulated Alternators.	\$26.00	
37796	1975	ALTERNATOR CONVERSION KIT Internal Regulator "SI" Series Alternator To "CS" Series (Serpentine Belt) Alternator Note: For Use With Serpentine Belt ("CS130" Or "CS144" Type) Internal Regulated Alternators.	\$26.00	
37796	1976	ALTERNATOR CONVERSION KIT Internal Regulator "SI" Series Alternator To "CS" Series (Serpentine Belt) Alternator Note: For Use With Serpentine Belt ("CS130" Or "CS144" Type) Internal Regulated Alternators.	\$26.00	
37796	1977	ALTERNATOR CONVERSION KIT Internal Regulator "SI" Series Alternator To "CS" Series (Serpentine Belt) Alternator Note: For Use With Serpentine Belt ("CS130" Or "CS144" Type) Internal Regulated Alternators.	\$26.00	
37796	1978	ALTERNATOR CONVERSION KIT Internal Regulator "SI" Series Alternator To "CS" Series (Serpentine Belt) Alternator Note: For Use With Serpentine Belt ("CS130" Or "CS144" Type) Internal Regulated Alternators.	\$26.00	
37796	1979	ALTERNATOR CONVERSION KIT Internal Regulator "SI" Series Alternator To "CS" Series (Serpentine Belt) Alternator Note: For Use With Serpentine Belt ("CS130" Or "CS144" Type) Internal Regulated Alternators.	\$26.00	
37796	1980	ALTERNATOR CONVERSION KIT Internal Regulator "SI" Series Alternator To "CS" Series (Serpentine Belt) Alternator Note: For Use With Serpentine Belt ("CS130" Or "CS144" Type) Internal Regulated Alternators.	\$26.00	
37796	1981	ALTERNATOR CONVERSION KIT Internal Regulator "SI" Series Alternator To "CS" Series (Serpentine Belt) Alternator Note: For Use With Serpentine Belt ("CS130" Or "CS144" Type) Internal Regulated Alternators.	\$26.00	
37796	1982	ALTERNATOR CONVERSION KIT Internal Regulator "SI" Series Alternator To "CS" Series (Serpentine Belt) Alternator Note: For Use With Serpentine Belt ("CS130" Or "CS144" Type) Internal Regulated Alternators.	\$26.00	
37796	1983	ALTERNATOR CONVERSION KIT Internal Regulator "SI" Series Alternator To "CS" Series (Serpentine Belt) Alternator Note: For Use With Serpentine Belt ("CS130" Or "CS144" Type) Internal Regulated Alternators.	\$26.00	
37796	1984	ALTERNATOR CONVERSION KIT Internal Regulator "SI" Series Alternator To "CS" Series (Serpentine Belt) Alternator Note: For Use With Serpentine Belt ("CS130" Or "CS144" Type) Internal Regulated Alternators.	\$26.00	
37796	1985	ALTERNATOR CONVERSION KIT Internal Regulator "SI" Series Alternator To "CS" Series (Serpentine Belt) Alternator Note: For Use With Serpentine Belt ("CS130" Or "CS144" Type) Internal Regulated Alternators.	\$26.00	
37796	1986	ALTERNATOR CONVERSION KIT Internal Regulator "SI" Series Alternator To "CS" Series (Serpentine Belt) Alternator Note: For Use With Serpentine Belt ("CS130" Or "CS144" Type) Internal Regulated Alternators.	\$26.00	
ALTERNATOR RELOCATION HARNESS				
37918	1963	ALTERNATOR RELOCATION HARNESS From Original Passenger Side Location To Drivers Side	\$92.00	
37918	1964	ALTERNATOR RELOCATION HARNESS From Original Passenger Side Location To Drivers Side	\$92.00	

Part Number	Year	Description	Price	*Rev.
37918	1965	ALTERNATOR RELOCATION HARNESS From Original Passenger Side Location To Drivers Side	\$92.00	
AMMETER GAUGE				
01502598	1963	AMMETER GAUGE	\$39.00	N
01502578	1964	AMMETER GAUGE	\$39.00	N
01503035	1965	AMMETER GAUGE	\$47.00	N
01503035	1966	AMMETER GAUGE	\$47.00	N
01503035	1967	AMMETER GAUGE	\$47.00	N
ANTI-THEFT HARNESS				
33070	1981	ANTI-THEFT EXTENSION HARNESS Dash Harness To Driver & Passenger Door Alarm Harnesses	\$40.00	
36079	1981	ANTI-THEFT JUMPER HARNESS With Power Door Locks	\$22.00	
36081	1981	ANTI-THEFT DOOR LOCK JUMPER WIRE Without Power Door Locks	\$22.00	
33065	1982	ANTI-THEFT JUMPER HARNESS With Power Door Locks	\$22.00	
33255	1982	ANTI-THEFT DOOR LOCK JUMPER WIRE Without Power Door Locks	\$22.00	
ASSEMBLY MANUAL				
38387	1953	ASSEMBLY MANUAL Factory Assembly Instruction Guide	\$32.00	
38387	1954	ASSEMBLY MANUAL Factory Assembly Instruction Guide	\$32.00	
38387	1955	ASSEMBLY MANUAL Factory Assembly Instruction Guide	\$32.00	
36331	1956	ASSEMBLY MANUAL Factory Assembly Instruction Guide	\$32.00	
36331	1957	ASSEMBLY MANUAL Factory Assembly Instruction Guide	\$32.00	
36332	1958	ASSEMBLY MANUAL Factory Assembly Instruction Guide	\$32.00	
36333	1959	ASSEMBLY MANUAL Factory Assembly Instruction Guide	\$32.00	
36334	1960	ASSEMBLY MANUAL Factory Assembly Instruction Guide	\$32.00	
36335	1961	ASSEMBLY MANUAL Factory Assembly Instruction Guide	\$32.00	
36336	1962	ASSEMBLY MANUAL Factory Assembly Instruction Guide	\$32.00	
36337	1963	ASSEMBLY MANUAL Factory Assembly Instruction Guide	\$32.00	
36338	1964	ASSEMBLY MANUAL Factory Assembly Instruction Guide	\$32.00	
36339	1965	ASSEMBLY MANUAL Factory Assembly Instruction Guide	\$32.00	
36340	1966	ASSEMBLY MANUAL Factory Assembly Instruction Guide	\$32.00	
36341	1967	ASSEMBLY MANUAL Factory Assembly Instruction Guide	\$32.00	
36342	1968	ASSEMBLY MANUAL Factory Assembly Instruction Guide	\$32.00	
36343	1969	ASSEMBLY MANUAL Factory Assembly Instruction Guide	\$32.00	
36344	1970	ASSEMBLY MANUAL Factory Assembly Instruction Guide	\$32.00	
36345	1971	ASSEMBLY MANUAL Factory Assembly Instruction Guide	\$32.00	
36346	1972	ASSEMBLY MANUAL Factory Assembly Instruction Guide	\$32.00	
36347	1973	ASSEMBLY MANUAL Factory Assembly Instruction Guide	\$32.00	
36348	1974	ASSEMBLY MANUAL Factory Assembly Instruction Guide	\$32.00	
36349	1975	ASSEMBLY MANUAL Factory Assembly Instruction Guide	\$32.00	
36350	1976	ASSEMBLY MANUAL Factory Assembly Instruction Guide	\$32.00	
36351	1977	ASSEMBLY MANUAL Factory Assembly Instruction Guide	\$32.00	
36352	1978	ASSEMBLY MANUAL Factory Assembly Instruction Guide	\$32.00	
36353	1979	ASSEMBLY MANUAL Factory Assembly Instruction Guide	\$32.00	
36354	1980	ASSEMBLY MANUAL Factory Assembly Instruction Guide	\$32.00	
36355	1981	ASSEMBLY MANUAL Factory Assembly Instruction Guide	\$32.00	
36356	1982	ASSEMBLY MANUAL Factory Assembly Instruction Guide	\$32.00	
BACKUP LAMP SWITCH				
01993666	1963	BACKUP LAMP SWITCH Manual Trans, 4 Speed Only	\$64.00	

Part Number	Year	Description	Price	*Rev.
01993666	1964	BACKUP LAMP SWITCH Manual Trans, 4 Speed Only	\$64.00	
01993666	1965	BACKUP LAMP SWITCH Manual Trans, 4 Speed Only	\$64.00	
01993666	1966	BACKUP LAMP SWITCH Manual Trans, 4 Speed Only	\$64.00	
01993666	1967	BACKUP LAMP SWITCH Manual Trans, 4 Speed Only	\$64.00	
01993430	1968	BACKUP LAMP SWITCH Manual Trans	\$64.00	
01993430	1969	BACKUP LAMP SWITCH Manual Trans	\$64.00	
01993430	1970	BACKUP LAMP SWITCH Manual Trans	\$64.00	
01993430	1971	BACKUP LAMP SWITCH Manual Trans	\$64.00	
01993430	1972	BACKUP LAMP SWITCH Manual Trans	\$64.00	
01993430	1973	BACKUP LAMP SWITCH Manual Trans	\$64.00	
01993430	1974	BACKUP LAMP SWITCH Manual Trans	\$64.00	
01993430	1975	BACKUP LAMP SWITCH Manual Trans	\$64.00	
01993430	1976	BACKUP LAMP SWITCH Manual Trans	\$64.00	
01993430	1977	BACKUP LAMP SWITCH Manual Trans	\$64.00	
01993430	1978	BACKUP LAMP SWITCH Manual Trans, L82	\$64.00	
01994218	1979	BACKUP LAMP SWITCH Manual Trans	\$64.00	
01994218	1980	BACKUP LAMP SWITCH Manual Trans, With Plastic "T" Connector & Female Terminals	\$64.00	
01994220	1980	BACKUP LAMP SWITCH Manual Trans, With Round Rubber Mold-On Connector & Male Blades	\$86.00	
01994220	1981	BACKUP LAMP SWITCH Manual Trans	\$86.00	
BACKUP LAMP SWITCH EXTENSION HARNESS				
27940	1978	BACKUP LAMP SWITCH EXTENSION HARNESS L48 Only, Backup Lamp Switch To Engine Harness	\$40.00	C
BACKUP LAMP SWITCH MOUNTING BRACKET				
37650	1965	BACKUP LAMP SWITCH MOUNTING BRACKET With Muncie 4 Speed Transmission	\$29.00	
37650	1966	BACKUP LAMP SWITCH MOUNTING BRACKET With Muncie 4 Speed Transmission	\$29.00	
37650	1967	BACKUP LAMP SWITCH MOUNTING BRACKET With Muncie 4 Speed Transmission	\$29.00	
37650	1968	BACKUP LAMP SWITCH MOUNTING BRACKET With Muncie 4 Speed Transmission	\$29.00	
37650	1969	BACKUP LAMP SWITCH MOUNTING BRACKET With Muncie 4 Speed Transmission	\$29.00	
37650	1970	BACKUP LAMP SWITCH MOUNTING BRACKET With Muncie 4 Speed Transmission	\$29.00	
37650	1971	BACKUP LAMP SWITCH MOUNTING BRACKET With Muncie 4 Speed Transmission	\$29.00	
37650	1972	BACKUP LAMP SWITCH MOUNTING BRACKET With Muncie 4 Speed Transmission	\$29.00	
37650	1973	BACKUP LAMP SWITCH MOUNTING BRACKET With Muncie 4 Speed Transmission	\$29.00	
37650	1974	BACKUP LAMP SWITCH MOUNTING BRACKET With Muncie 4 Speed Transmission	\$29.00	
37650	1974	BACKUP LAMP SWITCH MOUNTING BRACKET With Muncie 4 Speed Transmission	\$29.00	
BACKUP LAMP SWITCH MOUNTING KIT				
39505	1963	BACKUP LAMP SWITCH MOUNTING KIT With Muncie 4 Speed Transmission Note: Kit Contains The Bracket, Rod With 2 Clips, Shield & Bolts.	\$46.00	
39505	1964	BACKUP LAMP SWITCH MOUNTING KIT With Muncie 4 Speed Transmission Note: Kit Contains The Bracket, Rod With 2 Clips, Shield & Bolts.	\$46.00	
39505	1965	BACKUP LAMP SWITCH MOUNTING KIT With Muncie 4 Speed Transmission Note: Kit Contains The Bracket, Rod With 2 Clips, Shield & Bolts.	\$46.00	
39505	1966	BACKUP LAMP SWITCH MOUNTING KIT With Muncie 4 Speed Transmission Note: Kit Contains The Bracket, Rod With 2 Clips, Shield & Bolts.	\$46.00	
39505	1967	BACKUP LAMP SWITCH MOUNTING KIT With Muncie 4 Speed Transmission Note: Kit Contains The Bracket, Rod With 2 Clips, Shield & Bolts.	\$46.00	
39506	1968	BACKUP LAMP SWITCH MOUNTING KIT With Muncie 4 Speed Transmission Note: Kit Contains The Bracket, Rod With 2 Clips, Shield & Bolts.	\$46.00	

Part Number	Year	Description	Price	*Rev.
39506	1969	BACKUP LAMP SWITCH MOUNTING KIT With Muncie 4 Speed Transmission Note: Kit Contains The Bracket, Rod With 2 Clips, Shield & Bolts.	\$46.00	
39506	1970	BACKUP LAMP SWITCH MOUNTING KIT With Muncie 4 Speed Transmission Note: Kit Contains The Bracket, Rod With 2 Clips, Shield & Bolts.	\$46.00	
39506	1971	BACKUP LAMP SWITCH MOUNTING KIT With Muncie 4 Speed Transmission Note: Kit Contains The Bracket, Rod With 2 Clips, Shield & Bolts.	\$46.00	
39506	1972	BACKUP LAMP SWITCH MOUNTING KIT With Muncie 4 Speed Transmission Note: Kit Contains The Bracket, Rod With 2 Clips, Shield & Bolts.	\$46.00	
39506	1973	BACKUP LAMP SWITCH MOUNTING KIT With Muncie 4 Speed Transmission Note: Kit Contains The Bracket, Rod With 2 Clips, Shield & Bolts.	\$46.00	
BATTERY CABLE-NEGATIVE				
04010	1962	BATTERY CABLE, SPRING RING Neg, All	\$69.00	
04010	1963	BATTERY CABLE, SPRING RING Neg, Without A/C	\$69.00	
18595	1963	BATTERY CABLE, SPRING RING Neg, With A/C, Braided Strap Style	\$69.00	
04010	1964	BATTERY CABLE, SPRING RING Neg, Without A/C	\$69.00	
03720	1964	BATTERY CABLE, SPRING RING Neg, With A/C	\$69.00	
04010	1965	BATTERY CABLE, SPRING RING Neg, 327 C.I. Without A/C	\$69.00	
03720	1965	BATTERY CABLE, SPRING RING Neg, 396 C.I. Without A/C	\$69.00	
03720	1965	BATTERY CABLE, SPRING RING Neg, All With A/C	\$69.00	
04010	1966	BATTERY CABLE, SPRING RING Neg, 327 C.I. Without A/C	\$69.00	
03720	1966	BATTERY CABLE, SPRING RING Neg, 427 C.I. Without A/C	\$69.00	
03720	1966	BATTERY CABLE, SPRING RING Neg, All With A/C	\$69.00	
04010	1967	BATTERY CABLE, SPRING RING Neg, 327 C.I. Without A/C	\$69.00	
03720	1967	BATTERY CABLE, SPRING RING Neg, 427 C.I. Without A/C	\$69.00	
03720	1967	BATTERY CABLE, SPRING RING Neg, All With A/C	\$69.00	
20575	1968	BATTERY CABLE, SPRING RING Neg, All	\$81.00	
20575	1969	BATTERY CABLE, SPRING RING Neg	\$81.00	
21720	1969	BATTERY CABLE, SIDE POST Neg, With Heavy Duty Side Post Battery	\$81.00	
15285	1970	BATTERY CABLE, SIDE POST Neg, All	\$81.00	
22350	1971	BATTERY CABLE, SIDE POST Neg, All	\$81.00	
22345	1972	BATTERY CABLE, SIDE POST Neg, All	\$81.00	
22345	1973	BATTERY CABLE, SIDE POST Neg, All	\$81.00	
22345	1974	BATTERY CABLE, SIDE POST Neg, All	\$81.00	
22355	1975	BATTERY CABLE, SIDE POST Neg, All	\$81.00	
22355	1976	BATTERY CABLE, SIDE POST Neg, All	\$81.00	
22355	1977	BATTERY CABLE, SIDE POST Neg, All	\$81.00	
22355	1978	BATTERY CABLE, SIDE POST Neg, All	\$81.00	
22355	1979	BATTERY CABLE, SIDE POST Neg, All	\$81.00	
22355	1980	BATTERY CABLE, SIDE POST Neg, All	\$81.00	
22355	1981	BATTERY CABLE, SIDE POST Neg, All	\$81.00	
31585	1982	BATTERY CABLE, SIDE POST Neg, All	\$81.00	
BATTERY CABLE-POSITIVE				
27215	1955	BATTERY CABLE, TOP POST Pos, V/8, 12 Volt	\$63.00	
27215	1956	BATTERY CABLE, TOP POST Pos	\$63.00	
27215	1957	BATTERY CABLE, TOP POST Pos	\$63.00	
36260	1958	BATTERY CABLE, TOP POST Pos	\$63.00	
27220	1959	BATTERY CABLE, TOP POST Pos	\$63.00	

Part Number	Year	Description	Price	*Rev.
27220	1960	BATTERY CABLE, TOP POST Pos	\$63.00	
27220	1961	BATTERY CABLE, TOP POST Pos	\$63.00	
03785	1962	BATTERY CABLE, SPRING RING Pos, All	\$69.00	
04410	1963	BATTERY CABLE, SPRING RING Pos, Without A/C	\$69.00	
04415	1963	BATTERY CABLE, SPRING RING Pos, With A/C	\$69.00	
04410	1964	BATTERY CABLE, SPRING RING Pos, Without A/C	\$69.00	
04415	1964	BATTERY CABLE, SPRING RING Pos, With A/C	\$69.00	
04410	1965	BATTERY CABLE, SPRING RING Pos, 327 C.I. Without A/C	\$69.00	
04415	1965	BATTERY CABLE, SPRING RING Pos, 396 C.I. Without A/C	\$69.00	
04415	1965	BATTERY CABLE, SPRING RING Pos, All With A/C	\$69.00	
09235	1966	BATTERY CABLE, SPRING RING Pos, 327 C.I. Without A/C	\$69.00	
09245	1966	BATTERY CABLE, SPRING RING Pos, 427 C.I. Without A/C	\$69.00	
09240	1966	BATTERY CABLE, SPRING RING Pos, All With A/C	\$69.00	
09235	1967	BATTERY CABLE, SPRING RING Pos, 327 C.I. Without A/C	\$69.00	
09245	1967	BATTERY CABLE, SPRING RING Pos, 427 C.I. Without A/C	\$69.00	
09240	1967	BATTERY CABLE, SPRING RING Pos, All With A/C	\$69.00	
20910	1968	BATTERY CABLE, SPRING RING Pos, All	\$81.00	
20910	1969	BATTERY CABLE, SPRING RING Pos	\$81.00	
13190	1969	BATTERY CABLE, SIDE POST Pos, With Heavy Duty Side Post Battery	\$94.00	
15280	1970	BATTERY CABLE, SIDE POST Pos, All	\$94.00	
22370	1971	BATTERY CABLE, SIDE POST Pos, All	\$94.00	
22365	1972	BATTERY CABLE, SIDE POST Pos, All	\$94.00	
22365	1973	BATTERY CABLE, SIDE POST Pos, All	\$94.00	
22365	1974	BATTERY CABLE, SIDE POST Pos, All	\$94.00	
22360	1975	BATTERY CABLE, SIDE POST Pos, All	\$94.00	
22360	1976	BATTERY CABLE, SIDE POST Pos, All	\$94.00	
22360	1977	BATTERY CABLE, SIDE POST Pos, All	\$94.00	
22360	1978	BATTERY CABLE, SIDE POST Pos, All	\$94.00	
22360	1979	BATTERY CABLE, SIDE POST Pos, All	\$94.00	
22360	1980	BATTERY CABLE, SIDE POST Pos, With AM/FM Stereo/Cb (Up6), AM/FM Stereo Pushbutton (U58) Or AM/FM Mono Pushbutton (U69) Option	\$94.00	
28125	1980	BATTERY CABLE, SIDE POST Pos, With AM/FM Stereo Pushbutton Tape Player (UM2) Or Cassette Player (UN3) Option	\$94.00	
22360	1981	BATTERY CABLE, SIDE POST Pos, With AM/FM Stereo Pushbutton (U58) Or AM/FM Mono Pushbutton (U69) Option	\$94.00	
28125	1981	BATTERY CABLE, SIDE POST Pos, With AM/FM Stereo Tape Player (UM4, UM5) Or AM/FM Stereo Cassette Player (UM6, UN5) Option	\$94.00	
31925	1982	BATTERY CABLE, SIDE POST Pos, All	\$94.00	
BATTERY CHARGE CIRCUIT HARNESS				
28110	1980	BATTERY CHARGE CIRCUIT HARNESS With Stereo, Alternator To Rear Junction Block Note: Used With Part #27660 Forward Lamp Harness Only.	\$132.00	
28110	1981	BATTERY CHARGE CIRCUIT HARNESS Alternator To Rear Junction Block Note: Used With Part #32785 Forward Lamp Harness Only.	\$132.00	
28110	1982	BATTERY CHARGE CIRCUIT HARNESS Alternator To Rear Junction Block Note: Used With Part #32795 Forward Lamp Harness Only.	\$132.00	
BATTERY GROUND STRAP				
27210	1955	BATTERY GROUND STRAP Neg, V/8, 12 Volt	\$63.00	
27210	1956	BATTERY GROUND STRAP Neg	\$63.00	

Part Number	Year	Description	Price	*Rev.
27210	1957	BATTERY GROUND STRAP Neg	\$63.00	
27210	1958	BATTERY GROUND STRAP Neg	\$63.00	
27210	1959	BATTERY GROUND STRAP Neg	\$63.00	
27210	1960	BATTERY GROUND STRAP Neg	\$63.00	
27210	1961	BATTERY GROUND STRAP Neg	\$63.00	
BREAKERLESS SE SINGLE WIRE ELECTRONIC IGNITION				
38131	1957	BREAKERLESS SE SINGLE WIRE ELECTRONIC IGNITION KIT For 1957-74 Breaker Point Distributors With Windowed Type Distributor Cap	\$179.00	
38131	1958	BREAKERLESS SE SINGLE WIRE ELECTRONIC IGNITION KIT For 1957-74 Breaker Point Distributors With Windowed Type Distributor Cap	\$179.00	
38131	1959	BREAKERLESS SE SINGLE WIRE ELECTRONIC IGNITION KIT For 1957-74 Breaker Point Distributors With Windowed Type Distributor Cap	\$179.00	
38131	1960	BREAKERLESS SE SINGLE WIRE ELECTRONIC IGNITION KIT For 1957-74 Breaker Point Distributors With Windowed Type Distributor Cap	\$179.00	
38131	1961	BREAKERLESS SE SINGLE WIRE ELECTRONIC IGNITION KIT For 1957-74 Breaker Point Distributors With Windowed Type Distributor Cap	\$179.00	
38131	1962	BREAKERLESS SE SINGLE WIRE ELECTRONIC IGNITION KIT For 1957-74 Breaker Point Distributors With Windowed Type Distributor Cap	\$179.00	
38131	1963	BREAKERLESS SE SINGLE WIRE ELECTRONIC IGNITION KIT For 1957-74 Breaker Point Distributors With Windowed Type Distributor Cap	\$179.00	
38131	1964	BREAKERLESS SE SINGLE WIRE ELECTRONIC IGNITION KIT For 1957-74 Breaker Point Distributors With Windowed Type Distributor Cap	\$179.00	
38131	1965	BREAKERLESS SE SINGLE WIRE ELECTRONIC IGNITION KIT For 1957-74 Breaker Point Distributors With Windowed Type Distributor Cap	\$179.00	
38131	1966	BREAKERLESS SE SINGLE WIRE ELECTRONIC IGNITION KIT For 1957-74 Breaker Point Distributors With Windowed Type Distributor Cap	\$179.00	
38131	1967	BREAKERLESS SE SINGLE WIRE ELECTRONIC IGNITION KIT For 1957-74 Breaker Point Distributors With Windowed Type Distributor Cap	\$179.00	
38131	1968	BREAKERLESS SE SINGLE WIRE ELECTRONIC IGNITION KIT For 1957-74 Breaker Point Distributors With Windowed Type Distributor Cap	\$179.00	
38131	1969	BREAKERLESS SE SINGLE WIRE ELECTRONIC IGNITION KIT For 1957-74 Breaker Point Distributors With Windowed Type Distributor Cap	\$179.00	
38131	1970	BREAKERLESS SE SINGLE WIRE ELECTRONIC IGNITION KIT For 1957-74 Breaker Point Distributors With Windowed Type Distributor Cap	\$179.00	
38131	1971	BREAKERLESS SE SINGLE WIRE ELECTRONIC IGNITION KIT For 1957-74 Breaker Point Distributors With Windowed Type Distributor Cap	\$179.00	
38131	1972	BREAKERLESS SE SINGLE WIRE ELECTRONIC IGNITION KIT For 1957-74 Breaker Point Distributors With Windowed Type Distributor Cap	\$179.00	
38131	1973	BREAKERLESS SE SINGLE WIRE ELECTRONIC IGNITION KIT For 1957-74 Breaker Point Distributors With Windowed Type Distributor Cap	\$179.00	
38131	1974	BREAKERLESS SE SINGLE WIRE ELECTRONIC IGNITION KIT For 1957-74 Breaker Point Distributors With Windowed Type Distributor Cap	\$179.00	
CHOKE WIRE				
36054	1958	CHOKE WIRE Fuel Injection Cold Enrichment	\$25.00	
36054	1959	CHOKE WIRE Fuel Injection Cold Enrichment	\$25.00	
36054	1960	CHOKE WIRE Fuel Injection Cold Enrichment	\$25.00	
36054	1961	CHOKE WIRE Fuel Injection Cold Enrichment	\$25.00	
01085	1962	CHOKE WIRE Fuel Injection Cold Enrichment	\$25.00	
01090	1964	CHOKE WIRE Fuel Injection Cold Enrichment	\$20.00	
01090	1965	CHOKE WIRE Fuel Injection Cold Enrichment	\$20.00	
CIGARETTE LIGHTER LAMP ASSEMBLY				
36055	1953	CIGARETTE LIGHTER LAMP ASSEMBLY Includes Shield	\$26.00	

Part Number	Year	Description	Price	*Rev.
36055	1954	CIGARETTE LIGHTER LAMP ASSEMBLY Includes Shield	\$26.00	
06285	1955	CIGARETTE LIGHTER LAMP ASSEMBLY Includes Shield	\$26.00	
06285	1956	CIGARETTE LIGHTER LAMP ASSEMBLY Includes Shield	\$26.00	
06285	1957	CIGARETTE LIGHTER LAMP ASSEMBLY Includes Shield	\$26.00	
06285	1958	CIGARETTE LIGHTER LAMP ASSEMBLY Includes Shield	\$26.00	
06285	1959	CIGARETTE LIGHTER LAMP ASSEMBLY Includes Shield	\$26.00	
06285	1960	CIGARETTE LIGHTER LAMP ASSEMBLY Includes Shield	\$26.00	
06285	1961	CIGARETTE LIGHTER LAMP ASSEMBLY Includes Shield	\$26.00	
06285	1962	CIGARETTE LIGHTER LAMP ASSEMBLY Includes Shield	\$26.00	
CIGARETTE LIGHTER LAMP SHIELD				
02977777	1953	CIGARETTE LIGHTER LAMP SHIELD	\$20.00	
02977777	1954	CIGARETTE LIGHTER LAMP SHIELD	\$20.00	
02977777	1955	CIGARETTE LIGHTER LAMP SHIELD	\$20.00	
02977777	1956	CIGARETTE LIGHTER LAMP SHIELD	\$20.00	
02977777	1957	CIGARETTE LIGHTER LAMP SHIELD	\$20.00	
02977777	1958	CIGARETTE LIGHTER LAMP SHIELD	\$20.00	
02977777	1959	CIGARETTE LIGHTER LAMP SHIELD	\$20.00	
02977777	1960	CIGARETTE LIGHTER LAMP SHIELD	\$20.00	
02977777	1961	CIGARETTE LIGHTER LAMP SHIELD	\$20.00	
02977777	1962	CIGARETTE LIGHTER LAMP SHIELD	\$20.00	
02977777	1963	CIGARETTE LIGHTER LAMP SHIELD	\$20.00	
02977777	1964	CIGARETTE LIGHTER LAMP SHIELD	\$20.00	
02977777	1965	CIGARETTE LIGHTER LAMP SHIELD	\$20.00	
02977777	1966	CIGARETTE LIGHTER LAMP SHIELD	\$20.00	
02977777	1967	CIGARETTE LIGHTER LAMP SHIELD	\$20.00	
02977777	1968	CIGARETTE LIGHTER LAMP SHIELD	\$20.00	
02977777	1969	CIGARETTE LIGHTER LAMP SHIELD	\$20.00	
02977777	1970	CIGARETTE LIGHTER LAMP SHIELD	\$20.00	
02977777	1971	CIGARETTE LIGHTER LAMP SHIELD	\$20.00	
02977777	1972	CIGARETTE LIGHTER LAMP SHIELD	\$20.00	
02977777	1973	CIGARETTE LIGHTER LAMP SHIELD	\$20.00	
02977777	1974	CIGARETTE LIGHTER LAMP SHIELD	\$20.00	
02977777	1975	CIGARETTE LIGHTER LAMP SHIELD	\$20.00	
02977777	1976	CIGARETTE LIGHTER LAMP SHIELD	\$20.00	
CIRCUIT BREAKER				
04849850	1963	CIRCUIT BREAKER, 40 AMP Headlight Motor	\$14.00	N
04849850	1964	CIRCUIT BREAKER, 40 AMP Headlight Motor	\$14.00	N
04849850	1965	CIRCUIT BREAKER, 40 AMP Headlight Motor	\$14.00	N
04849850	1966	CIRCUIT BREAKER, 40 AMP Headlight Motor	\$14.00	N
04849850	1967	CIRCUIT BREAKER, 40 AMP Headlight Motor	\$14.00	N
04849850	1965	CIRCUIT BREAKER, 40 AMP Power Windows	\$14.00	N
04849850	1966	CIRCUIT BREAKER, 40 AMP Power Windows	\$14.00	N
04850166	1967	CIRCUIT BREAKER, 30 AMP Power Windows	\$14.00	
04849850	1967	CIRCUIT BREAKER, 40 AMP Power Windows	\$14.00	N
04850166	1968	CIRCUIT BREAKER, 30 AMP Power Windows	\$14.00	
04850166	1969	CIRCUIT BREAKER, 30 AMP Power Windows	\$14.00	

Part Number	Year	Description	Price	*Rev.
04850166	1970	CIRCUIT BREAKER, 30 AMP Power Windows	\$14.00	
04850166	1971	CIRCUIT BREAKER, 30 AMP Power Windows	\$14.00	
04850166	1972	CIRCUIT BREAKER, 30 AMP Power Windows	\$14.00	
04850166	1973	CIRCUIT BREAKER, 30 AMP Power Windows	\$14.00	
04850166	1974	CIRCUIT BREAKER, 30 AMP Power Windows	\$14.00	
CLOCK				
03710648	1958	CLOCK	\$137.00	N
03710648	1959	CLOCK	\$137.00	N
03710648	1960	CLOCK	\$137.00	N
03710648	1961	CLOCK	\$137.00	N
03710648	1962	CLOCK	\$137.00	N
CLOCK HARNESS				
01095	1958	CLOCK HARNESS Instrument Panel Clock	\$27.00	
01095	1959	CLOCK HARNESS Instrument Panel Clock	\$27.00	
01095	1960	CLOCK HARNESS Instrument Panel Clock	\$27.00	
01095	1961	CLOCK HARNESS Instrument Panel Clock	\$27.00	
COIL WIRE				
36056	1955	COIL WIRE V/8, All, Coil To Coaxial Condenser Lead Wire, Includes Braided Shielding Note: This Is The Lead From Coil To Radio Condenser/Capacitor Mounted On Coil Cover.	\$38.00	
01100	1958	COIL WIRE Resistor To Coil Note: Included In Ground Strap Kit.	\$18.00	
01100	1959	COIL WIRE Resistor To Coil Note: Included In Ground Strap Kit.	\$18.00	
01100	1960	COIL WIRE Resistor To Coil Note: Included In Ground Strap Kit.	\$18.00	
01100	1961	COIL WIRE Resistor To Coil Note: Included In Ground Strap Kit.	\$18.00	
01100	1962	COIL WIRE Resistor To Coil Note: Included In Ground Strap Kit.	\$18.00	
COMPUTER ECM HARNESS				
28105	1980	COMPUTER ECM HARNESS Dash Side, All	\$380.00	
28140	1980	COMPUTER ECM HARNESS Engine Side, 305 C.I. (California Emission Car)	\$399.00	
CONSOLE DOOR LAMP HARNESS AND SWITCH ASSEMBLY				
33465	1968	CONSOLE DOOR LAMP HARNESS AND SWITCH ASSEMBLY Rear Compartment, Includes Socket, Bulb & Wire	\$25.00	
33465	1969	CONSOLE DOOR LAMP HARNESS AND SWITCH ASSEMBLY Rear Compartment, Includes Socket, Bulb & Wire	\$25.00	
33465	1970	CONSOLE DOOR LAMP HARNESS AND SWITCH ASSEMBLY Rear Compartment, Includes Socket, Bulb & Wire	\$25.00	
33465	1971	CONSOLE DOOR LAMP HARNESS AND SWITCH ASSEMBLY Rear Compartment, Includes Socket, Bulb & Wire	\$25.00	
33465	1972	CONSOLE DOOR LAMP HARNESS AND SWITCH ASSEMBLY Rear Compartment, Includes Socket, Bulb & Wire	\$25.00	
33465	1973	CONSOLE DOOR LAMP HARNESS AND SWITCH ASSEMBLY Rear Compartment, Includes Socket, Bulb & Wire	\$25.00	
33465	1974	CONSOLE DOOR LAMP HARNESS AND SWITCH ASSEMBLY Rear Compartment, Includes Socket, Bulb & Wire	\$25.00	
33465	1975	CONSOLE DOOR LAMP HARNESS AND SWITCH ASSEMBLY Rear Compartment, Includes Socket, Bulb & Wire	\$25.00	
33465	1976	CONSOLE DOOR LAMP HARNESS AND SWITCH ASSEMBLY Rear Compartment, Includes Socket, Bulb & Wire	\$25.00	
33465	1977	CONSOLE DOOR LAMP HARNESS AND SWITCH ASSEMBLY Rear Compartment, Includes Socket, Bulb & Wire, Without Dome Lamp	\$25.00	
CONSOLE HARNESS				
01105	1971	CONSOLE HARNESS Shifter Plate Indicator Lamp With Auto Trans	\$18.00	

Part Number	Year	Description	Price	*Rev.
01105	1972	CONSOLE HARNESS Shifter Plate Indicator Lamp With Auto Trans	\$18.00	
01105	1973	CONSOLE HARNESS Shifter Plate Indicator Lamp With Auto Trans	\$18.00	
01105	1974	CONSOLE HARNESS Shifter Plate Indicator Lamp With Auto Trans	\$18.00	
01105	1975	CONSOLE HARNESS Shifter Plate Indicator Lamp With Auto Trans	\$18.00	
COURTESY LAMP EXTENSION WIRES				
01110	1956	COURTESY LAMP EXTENSION WIRES Includes All 4 Required Wires	\$26.00	
01110	1957	COURTESY LAMP EXTENSION WIRES Includes All 4 Required Wires	\$26.00	
COURTESY LAMP HARNESS				
36061	1958	COURTESY LAMP HARNESS	\$26.00	
36061	1959	COURTESY LAMP HARNESS	\$26.00	
36061	1960	COURTESY LAMP HARNESS	\$26.00	
36061	1961	COURTESY LAMP HARNESS	\$26.00	
36061	1962	COURTESY LAMP HARNESS	\$26.00	
01115	1968	COURTESY LAMP HARNESS Rear Compartment, Convertible	\$32.00	
01117	1968	COURTESY LAMP HARNESS Rear Compartment, Coupe	\$41.00	
COURTESY LAMP WIRE				
36066	1977	COURTESY LAMP WIRE	\$52.00	
27085	1978	COURTESY LAMP WIRE With Delay Dome Lamp Note: With Courtesy Lamp Timer Mounted Left Of Steering Column, Before 1/19/78 (Early).	\$52.00	
27055	1978	COURTESY LAMP WIRE With Delay Dome Lamp Note: With Courtesy Lamp Timer Mounted To The Right Of Glove Box, After 1/19/78 (Late).	\$52.00	
CRUISE CONTROL GROUND WIRE				
27800	1977	CRUISE CONTROL GROUND WIRE Transducer To Frame	\$18.00	
27800	1978	CRUISE CONTROL GROUND WIRE Transducer To Frame	\$18.00	
27800	1979	CRUISE CONTROL GROUND WIRE Transducer To Frame	\$18.00	
27800	1980	CRUISE CONTROL GROUND WIRE Transducer To Frame	\$18.00	
27800	1981	CRUISE CONTROL GROUND WIRE Transducer To Frame	\$18.00	
27800	1982	CRUISE CONTROL GROUND WIRE Transducer To Frame	\$18.00	
CRUISE CONTROL HARNESS				
27825	1977	CRUISE CONTROL HARNESS	\$247.00	
27825	1978	CRUISE CONTROL HARNESS	\$247.00	
28080	1979	CRUISE CONTROL HARNESS	\$247.00	
28170	1980	CRUISE CONTROL HARNESS	\$247.00	
31840	1981	CRUISE CONTROL HARNESS	\$247.00	
31840	1982	CRUISE CONTROL HARNESS	\$247.00	
DASH AND FORWARD LAMP HARNESS				
32130	1953	DASH AND FORWARD LAMP HARNESS 6 Cylinder, 6 Volt System Note: 6 Cylinder Items Are Not Returnable.	\$678.00	
32130	1954	DASH AND FORWARD LAMP HARNESS 6 Cylinder, 6 Volt System Note: 6 Cylinder Items Are Not Returnable.	\$678.00	
32130	1955	DASH AND FORWARD LAMP HARNESS 6 Cylinder, 6 Volt System Note: 6 Cylinder Items Are Not Returnable.	\$678.00	
32075	1955	DASH AND FORWARD LAMP HARNESS V/8, 12 Volt System	\$678.00	
01120	1956	DASH AND FORWARD LAMP HARNESS	\$612.00	
01120	1957	DASH AND FORWARD LAMP HARNESS	\$612.00	
01145	1958	DASH AND FORWARD LAMP HARNESS	\$612.00	

Part Number	Year	Description	Price	*Rev.
01145	1959	DASH AND FORWARD LAMP HARNESS	\$612.00	
01145	1960	DASH AND FORWARD LAMP HARNESS	\$612.00	
01145	1961	DASH AND FORWARD LAMP HARNESS	\$612.00	
01160	1962	DASH AND FORWARD LAMP HARNESS	\$612.00	
DASH HARNESS				
01170	1963	DASH HARNESS With Backup Lamps	\$705.00	
01165	1963	DASH HARNESS Without Backup Lamps	\$705.00	
01180	1964	DASH HARNESS With Backup Lamps	\$705.00	
01175	1964	DASH HARNESS Without Backup Lamps	\$705.00	
01190	1965	DASH HARNESS With Backup Lamps	\$705.00	
		Note: Contains A Solid Light Green Wire At The Dimmer Switch Connector (Late).		
35882	1965	DASH HARNESS With Backup Lights	\$705.00	
		Note: Contains A Black With Light Green Striped Wire At The Dimmer Switch Connector (Early).		
01185	1965	DASH HARNESS Without Backup Lamps	\$705.00	
		Note: Contains A Solid Light Green Wire At The Dimmer Switch Connector (Late).		
35881	1965	DASH HARNESS Without Backup Lights	\$705.00	
		Note: Contains A Black With Light Green Striped Wire At The Dimmer Switch Connector (Early).		
01190	1966	DASH HARNESS All	\$705.00	
01200	1967	DASH HARNESS All	\$705.00	
01205	1968	DASH HARNESS All	\$743.00	
01215	1969	DASH HARNESS With A/C	\$743.00	
01210	1969	DASH HARNESS Without A/C	\$743.00	
01225	1970	DASH HARNESS With A/C, 1st Design: Harness Routes Behind Lower Backside Of Speedometer And Tachometer	\$743.00	
01220	1970	DASH HARNESS Without A/C, 1st Design: Harness Routes Behind Lower Backside Of Speedometer And Tachometer	\$743.00	
43928	1970	DASH HARNESS With A/C, 2nd Design: Harness Routes Over Speedometer And Tachometer	\$743.00	
17225	1970	DASH HARNESS Without A/C, 2nd Design: Harness Routes Over Speedometer And Tachometer	\$743.00	
01235	1971	DASH HARNESS With A/C	\$743.00	
01230	1971	DASH HARNESS Without A/C	\$743.00	
35960	1972	DASH HARNESS With A/C, Without Seat Belt Warning	\$771.00	
01245	1972	DASH HARNESS With A/C & Seat Belt Warning	\$771.00	
35959	1972	DASH HARNESS Without A/C & Seat Belt Warning	\$771.00	
01240	1972	DASH HARNESS Without A/C, With Seat Belt Warning	\$771.00	
01255	1973	DASH HARNESS With A/C	\$771.00	
01250	1973	DASH HARNESS Without A/C	\$771.00	
01265	1974	DASH HARNESS With A/C, Includes Seatbelt Ignition Interlock	\$771.00	
01260	1974	DASH HARNESS Without A/C, Includes Seatbelt Ignition Interlock	\$771.00	
16615	1975	DASH HARNESS Auto Trans, With Seatbelt Ignition Interlock	\$771.00	
16620	1975	DASH HARNESS Manual Trans, With Seatbelt Ignition Interlock	\$771.00	
01270	1975	DASH HARNESS Auto Trans, Without Seatbelt Ignition Interlock (Second Design)	\$771.00	
		Note: If Eliminating Seatbelt Ignition Interlock, The Dash, Engine & Rear Lamp Harnesses All Need To Be Replaced.		
01275	1975	DASH HARNESS Manual Trans, Without Seatbelt Ignition Interlock (Second Design)	\$771.00	
		Note: If Eliminating Seatbelt Ignition Interlock, The Dash, Engine & Rear Lamp Harnesses All Need To Be Replaced.		
17130	1976	DASH HARNESS With Auto Trans	\$771.00	
17135	1976	DASH HARNESS With Manual Trans	\$771.00	

Part Number	Year	Description	Price	*Rev.
33610	1977	DASH HARNESS Auto Trans, (Early) With Anti-Theft Switch Mounted In Fender	\$807.00	
36116	1977	DASH HARNESS Manual Trans, (Early) Anti-Theft Switch Mounted In Fender	\$807.00	
27170	1977	DASH HARNESS Auto Or Manual Trans, Anti-Theft Switch Mounted In Door Lock Note: Manual Trans Requires Use Of Part #27795 Neutral Safety Extension.	\$912.00	
27150	1978	DASH HARNESS Courtesy Lamp Timer Mounted Left Of Steering Column (Early)	\$1110.00	
27160	1978	DASH HARNESS Courtesy Lamp Timer Mounted To The Right Of Glove Box (Late)	\$1110.00	
27155	1979	DASH HARNESS Without Power Windows, Door Locks, Dome Lamp Delay & Pulse Wiper	\$1369.00	
27630	1979	DASH HARNESS With Power Windows, Door Locks, Dome Lamp Delay & Pulse Wipers	\$1369.00	
27745	1980	DASH HARNESS Auto Trans	\$1369.00	
27670	1980	DASH HARNESS Manual Trans	\$1369.00	
DISTRIBUTOR WIRE				
37830	1953	DISTRIBUTOR WIRE Distributor Points To Coil Negative Terminal, All 6 Cylinder Note: 6 Cylinder Items Are Not Returnable.	\$18.00	
37830	1954	DISTRIBUTOR WIRE Distributor Points To Coil Negative Terminal, All 6 Cylinder Note: 6 Cylinder Items Are Not Returnable.	\$18.00	
37830	1955	DISTRIBUTOR WIRE Distributor Points To Coil Negative Terminal, All 6 Cylinder Note: 6 Cylinder Items Are Not Returnable.	\$18.00	
36057	1957	DISTRIBUTOR WIRE Distributor Points To Coil Negative Terminal, V/8 Note: Fits All GM V/8 Points Type Distributors From Approx. 1957 To 1974.	\$18.00	C
36057	1958	DISTRIBUTOR WIRE Distributor Points To Coil Negative Terminal, V/8 Note: Fits All GM V/8 Points Type Distributors From Approx. 1957 To 1974.	\$18.00	C
36057	1959	DISTRIBUTOR WIRE Distributor Points To Coil Negative Terminal, V/8 Note: Fits All GM V/8 Points Type Distributors From Approx. 1957 To 1974.	\$18.00	C
36057	1960	DISTRIBUTOR WIRE Distributor Points To Coil Negative Terminal, V/8 Note: Fits All GM V/8 Points Type Distributors From Approx. 1957 To 1974.	\$18.00	C
36057	1961	DISTRIBUTOR WIRE Distributor Points To Coil Negative Terminal, V/8 Note: Fits All GM V/8 Points Type Distributors From Approx. 1957 To 1974.	\$18.00	C
36057	1962	DISTRIBUTOR WIRE Distributor Points To Coil Negative Terminal, V/8 Note: Fits All GM V/8 Points Type Distributors From Approx. 1957 To 1974.	\$18.00	C
36057	1963	DISTRIBUTOR WIRE Distributor Points To Coil Negative Terminal, V/8 Note: Fits All GM V/8 Points Type Distributors From Approx. 1957 To 1974.	\$18.00	C
36057	1964	DISTRIBUTOR WIRE Distributor Points To Coil Negative Terminal, V/8 Note: Fits All GM V/8 Points Type Distributors From Approx. 1957 To 1974.	\$18.00	C
36057	1965	DISTRIBUTOR WIRE Distributor Points To Coil Negative Terminal, V/8 Note: Fits All GM V/8 Points Type Distributors From Approx. 1957 To 1974.	\$18.00	C
36057	1966	DISTRIBUTOR WIRE Distributor Points To Coil Negative Terminal, V/8 Note: Fits All GM V/8 Points Type Distributors From Approx. 1957 To 1974.	\$18.00	C
36057	1967	DISTRIBUTOR WIRE Distributor Points To Coil Negative Terminal, V/8 Note: Fits All GM V/8 Points Type Distributors From Approx. 1957 To 1974.	\$18.00	C
36057	1968	DISTRIBUTOR WIRE Distributor Points To Coil Negative Terminal, V/8 Note: Fits All GM V/8 Points Type Distributors From Approx. 1957 To 1974.	\$18.00	C
36057	1969	DISTRIBUTOR WIRE Distributor Points To Coil Negative Terminal, V/8 Note: Fits All GM V/8 Points Type Distributors From Approx. 1957 To 1974.	\$18.00	C
36057	1970	DISTRIBUTOR WIRE Distributor Points To Coil Negative Terminal, V/8 Note: Fits All GM V/8 Points Type Distributors From Approx. 1957 To 1974.	\$18.00	C
36057	1971	DISTRIBUTOR WIRE Distributor Points To Coil Negative Terminal, V/8 Note: Fits All GM V/8 Points Type Distributors From Approx. 1957 To 1974.	\$18.00	C

Part Number	Year	Description	Price	*Rev.
36057	1972	DISTRIBUTOR WIRE Distributor Points To Coil Negative Terminal, V/8 Note: Fits All GM V/8 Points Type Distributors From Approx. 1957 To 1974.	\$18.00	C
36057	1973	DISTRIBUTOR WIRE Distributor Points To Coil Negative Terminal, V/8 Note: Fits All GM V/8 Points Type Distributors From Approx. 1957 To 1974.	\$18.00	C
36057	1974	DISTRIBUTOR WIRE Distributor Points To Coil Negative Terminal, V/8 Note: Fits All GM V/8 Points Type Distributors From Approx. 1957 To 1974.	\$18.00	C
DOOR JAMB SWITCH				
04598597	1953	DOOR JAMB SWITCH	\$21.00	N
04598597	1954	DOOR JAMB SWITCH	\$21.00	N
EMERGENCY BRAKE FLASHER LEADS				
36065	1953	EMERGENCY BRAKE FLASHER LEADS Flasher & Fuse Panel To Lamp Assembly	\$26.00	
36065	1954	EMERGENCY BRAKE FLASHER LEADS Flasher & Fuse Panel To Lamp Assembly	\$26.00	
36083	1955	EMERGENCY BRAKE FLASHER LEADS Flasher & Fuse Panel To Lamp Assembly	\$26.00	
36083	1956	EMERGENCY BRAKE FLASHER LEADS Flasher & Fuse Panel To Lamp Assembly	\$26.00	
36083	1957	EMERGENCY BRAKE FLASHER LEADS Flasher & Fuse Panel To Lamp Assembly	\$26.00	
ENGINE HARNESS				
30995	1953	ENGINE HARNESS 6 Cylinder, 6 Volt System Note: 6 Cylinder Items Are Not Returnable.	\$132.00	
30995	1954	ENGINE HARNESS 6 Cylinder, 6 Volt System Note: 6 Cylinder Items Are Not Returnable.	\$132.00	
30995	1955	ENGINE HARNESS 6 Cylinder, 6 Volt System Note: 6 Cylinder Items Are Not Returnable.	\$132.00	
30990	1955	ENGINE HARNESS V/8, Auto Trans, 12 Volt System	\$132.00	
36014	1955	ENGINE HARNESS V/8, Manual Trans, 12 Volt System	\$132.00	
31805	1956	ENGINE HARNESS With Auto Trans	\$132.00	
31810	1956	ENGINE HARNESS With Manual Trans	\$132.00	
02655	1957	ENGINE HARNESS With Auto Trans, 1st Design, Before April 1957	\$132.00	
01280	1957	ENGINE HARNESS With Auto Trans, 2nd Design, After April 1957	\$132.00	
02650	1957	ENGINE HARNESS With Manual Trans, 1st Design, Before April 1957	\$132.00	
01285	1957	ENGINE HARNESS With Manual Trans, 2nd Design, After April 1957	\$132.00	
01300	1957	ENGINE HARNESS With Auto Trans & Fuel Injection	\$132.00	
01290	1957	ENGINE HARNESS With Manual Trans & Fuel Injection	\$132.00	
01330	1958	ENGINE HARNESS With Auto Trans	\$132.00	
01325	1958	ENGINE HARNESS With Manual Trans	\$132.00	
01330	1959	ENGINE HARNESS With Auto Trans	\$132.00	
01325	1959	ENGINE HARNESS With Manual Trans	\$132.00	
01330	1960	ENGINE HARNESS With Auto Trans	\$132.00	
01325	1960	ENGINE HARNESS With Manual Trans	\$132.00	
01330	1961	ENGINE HARNESS With Auto Trans	\$132.00	
01325	1961	ENGINE HARNESS With Manual Trans	\$132.00	
01370	1962	ENGINE HARNESS With Auto Trans	\$132.00	
01325	1962	ENGINE HARNESS With Manual Trans	\$132.00	
01380	1963	ENGINE HARNESS With A/C	\$304.00	
01375	1963	ENGINE HARNESS Without A/C	\$251.00	
35883	1964	ENGINE HARNESS With A/C	\$304.00	
35884	1964	ENGINE HARNESS Without A/C	\$251.00	

Part Number	Year	Description	Price	*Rev.
35883	1965	ENGINE HARNESS With A/C Note: Contains A Black With Pink Striped Wire At The Positive Side Of Coil (Early).	\$304.00	
01390	1965	ENGINE HARNESS With A/C Note: Contains A Solid Pink Wire At The Positive Side Of Coil (Late).	\$304.00	
35884	1965	ENGINE HARNESS Without A/C Note: Contains A Black With Pink Striped Wire At The Positive Side Of Coil (Early).	\$251.00	
01385	1965	ENGINE HARNESS Without A/C Note: Contains A Solid Pink Wire At The Positive Side Of Coil (Late).	\$251.00	
35885	1965	ENGINE HARNESS 396 C.I. Note: Contains A Black With Pink Striped Wire At The Positive Side Of Coil (Early).	\$251.00	
37105	1965	ENGINE HARNESS 396 C.I., With T.I. Ignition (K66) Note: Contains A Black With Pink Striped Wire At The Positive Side Of Coil (Early).	\$251.00	
01405	1965	ENGINE HARNESS 396 C.I. Note: Contains A Solid Pink Wire At The Positive Side Of Coil (Late), This Harness Can Be Used With Point Ignition Distributors Or Can Be Modified Per The Factory Assembly Manual To Transistor Ignition (K66).	\$251.00	
01410	1966	ENGINE AND FORWARD LAMP HARNESS All, Forward Lamp & Engine Harness Are One Complete Unit	\$485.00	
01415	1967	ENGINE AND FORWARD LAMP HARNESS All, Forward Lamp & Engine Harness Are One Complete Unit	\$498.00	
01420	1968	ENGINE HARNESS All	\$304.00	
01425	1969	ENGINE HARNESS All	\$304.00	
01435	1970	ENGINE HARNESS With Auto Trans	\$304.00	
01430	1970	ENGINE HARNESS With Manual Trans	\$304.00	
01445	1971	ENGINE HARNESS With Auto Trans	\$304.00	
01440	1971	ENGINE HARNESS With Manual Trans	\$304.00	
01455	1972	ENGINE HARNESS Small Block, With Auto Trans	\$304.00	
01450	1972	ENGINE HARNESS Small Block, With Manual Trans	\$304.00	
01465	1972	ENGINE HARNESS Big Block, With Auto Trans	\$304.00	
01460	1972	ENGINE HARNESS Big Block, With Manual Trans	\$304.00	
01475	1973	ENGINE HARNESS Small Block, With Auto Trans	\$304.00	
01470	1973	ENGINE HARNESS Small Block, With Manual Trans	\$304.00	
01485	1973	ENGINE HARNESS Big Block, With Auto Trans	\$304.00	
01480	1973	ENGINE HARNESS Big Block, With Manual Trans	\$304.00	
01495	1974	ENGINE HARNESS Small Block, Auto Trans, Includes Seatbelt Ignition Interlock	\$304.00	
01490	1974	ENGINE HARNESS Small Block, Manual Trans, Includes Seatbelt Ignition Interlock	\$304.00	
01505	1974	ENGINE HARNESS Big Block, Auto Trans, Includes Seatbelt Ignition Interlock	\$304.00	
01500	1974	ENGINE HARNESS Big Block, Manual Trans, Includes Seatbelt Ignition Interlock	\$304.00	
20065	1975	ENGINE HARNESS Auto Trans, With Seatbelt Ignition Interlock System (Early)	\$304.00	
20030	1975	ENGINE HARNESS Manual Trans, With Seatbelt Ignition Interlock System (Early)	\$304.00	
01515	1975	ENGINE HARNESS Auto Trans, Without Seatbelt Ignition Interlock System (Late) Note: If Eliminating Seatbelt Ignition Interlock, The Dash, Engine & Rear Lamp Harnesses All Need To Be Replaced.	\$304.00	
01510	1975	ENGINE HARNESS Manual Trans, Without Seatbelt Ignition Interlock System (Late) Note: If Eliminating Seatbelt Ignition Interlock, The Dash, Engine & Rear Lamp Harnesses All Need To Be Replaced.	\$304.00	
18930	1976	ENGINE HARNESS With Auto Trans	\$304.00	
18920	1976	ENGINE HARNESS With Manual Trans	\$304.00	
31160	1977	ENGINE HARNESS Auto Trans, Anti-Theft Switch Mounted In Fender (Early)	\$304.00	
27065	1977	ENGINE HARNESS Manual Trans, Anti-Theft Switch Mounted In Fender (Early)	\$304.00	
27590	1977	ENGINE HARNESS All, With Anti-Theft Switch Mounted In Door Lock (Late)	\$304.00	
27080	1978	ENGINE HARNESS All	\$304.00	
27040	1979	ENGINE HARNESS All	\$304.00	

Part Number	Year	Description	Price	*Rev.
27760	1980	ENGINE HARNESS All, Except Computer Control Option (Mv4) TH350C Auto Trans	\$323.00	
27675	1980	ENGINE HARNESS Auto Trans, TH350C With Computer Control Option (Mv4)	\$323.00	
34445	1981	ENGINE HARNESS Auto Trans	\$323.00	
32800	1981	ENGINE HARNESS Manual Trans	\$323.00	
32805	1982	ENGINE HARNESS Auto Trans	\$323.00	
FAN EXTENSION HARNESS				
32775	1979	FAN EXTENSION HARNESS For Auxiliary Cooling Fan (L82)	\$92.00	
32775	1980	FAN EXTENSION HARNESS For Auxiliary Cooling Fan (L82)	\$92.00	
32775	1981	FAN EXTENSION HARNESS For Auxiliary Cooling Fan	\$92.00	
32770	1982	FAN EXTENSION HARNESS For Auxiliary Cooling Fan	\$92.00	
FORWARD LAMP HARNESS				
01555	1963	FORWARD LAMP HARNESS	\$235.00	
35886	1964	FORWARD LAMP HARNESS	\$235.00	
35886	1965	FORWARD LAMP HARNESS Note: Contains A Black With Light Green Striped Wire At The Headlight Connector (Early).	\$235.00	
01560	1965	FORWARD LAMP HARNESS Note: Contains A Solid Light Green Wire At The Headlight Connector (Late).	\$235.00	
01580	1968	FORWARD LAMP HARNESS Includes Fiber Optic Sub Assembly	\$480.00	
16165	1968	FIBER OPTIC SUB ASSEMBLY ONLY For Servicing Forward Lamp Fiber Optics Only	\$264.00	
01585	1969	FORWARD LAMP HARNESS Includes Fiber Optic Sub Assembly	\$480.00	
16165	1969	FIBER OPTIC SUB ASSEMBLY ONLY For Servicing Forward Lamp Fiber Optics Only	\$264.00	
01590	1970	FORWARD LAMP HARNESS Includes Fiber Optic Sub Assembly	\$480.00	
16165	1970	FIBER OPTIC SUB ASSEMBLY ONLY For Servicing Forward Lamp Fiber Optics Only	\$264.00	
01595	1971	FORWARD LAMP HARNESS Includes Fiber Optic Sub Assembly	\$480.00	
16165	1971	FIBER OPTIC SUB ASSEMBLY ONLY For Servicing Forward Lamp Fiber Optics Only	\$264.00	
01600	1972	FORWARD LAMP HARNESS	\$418.00	
01605	1973	FORWARD LAMP HARNESS	\$418.00	
01610	1974	FORWARD LAMP HARNESS	\$418.00	
01615	1975	FORWARD LAMP HARNESS	\$418.00	
17125	1976	FORWARD LAMP HARNESS	\$418.00	
27130	1977	FORWARD LAMP HARNESS Anti-Theft Switch Mounted In Fender (Early) Before 3/2/77	\$418.00	
27125	1977	FORWARD LAMP HARNESS Anti-Theft Switch Mounted In Door Lock (Late) After 3/2/77	\$418.00	
38245	1978	FORWARD LAMP HARNESS	\$418.00	
27135	1979	FORWARD LAMP HARNESS	\$418.00	
27685	1980	FORWARD LAMP HARNESS Except Stereo, Includes Alternator Power Wire In Harness	\$480.00	
27660	1980	FORWARD LAMP HARNESS With Stereo & Separate Alternator Power Output Harness Note: Requires Use Of Battery Charge Circuit Harness Part #28110.	\$480.00	
32790	1981	FORWARD LAMP HARNESS Includes Alternator Power Wire In Harness	\$480.00	
32785	1981	FORWARD LAMP HARNESS With Separate Alternator Power Output Harness Note: Requires Use Of Battery Charge Circuit Harness Part #28110.	\$480.00	
32815	1982	FORWARD LAMP HARNESS Includes Alternator Power Wire In Harness	\$480.00	
32795	1982	FORWARD LAMP HARNESS Separate Alternator Power Output Harness Note: Requires Use Of Battery Charge Circuit Harness Part #28110.	\$480.00	
FRONT PARKING LAMP EXTENSION HARNESS				
37828	1958	FRONT PARKING LAMP EXTENSION HARNESS Set Of 2, Includes Grommets, Tubing & Sockets	\$75.00	
37828	1959	FRONT PARKING LAMP EXTENSION HARNESS Set Of 2, Includes Grommets, Tubing & Sockets	\$75.00	
37828	1960	FRONT PARKING LAMP EXTENSION HARNESS Set Of 2, Includes Grommets, Tubing & Sockets	\$75.00	

Part Number	Year	Description	Price	*Rev.
37828	1961	FRONT PARKING LAMP EXTENSION HARNESS Set Of 2, Includes Grommets, Tubing & Sockets	\$75.00	
37828	1962	FRONT PARKING LAMP EXTENSION HARNESS Set Of 2, Includes Grommets, Tubing & Sockets	\$75.00	
01620	1970	FRONT PARKING LAMP EXTENSION HARNESS Set Of 2	\$69.00	
01620	1970	FRONT PARKING LAMP EXTENSION HARNESS Set Of 2	\$69.00	
01620	1971	FRONT PARKING LAMP EXTENSION HARNESS Set Of 2	\$69.00	
01620	1972	FRONT PARKING LAMP EXTENSION HARNESS Set Of 2	\$69.00	
01620	1973	FRONT PARKING LAMP EXTENSION HARNESS Set Of 2	\$69.00	
01620	1974	FRONT PARKING LAMP EXTENSION HARNESS Set Of 2	\$69.00	
01620	1975	FRONT PARKING LAMP EXTENSION HARNESS Set Of 2	\$69.00	
01620	1976	FRONT PARKING LAMP EXTENSION HARNESS Set Of 2	\$69.00	
01620	1977	FRONT PARKING LAMP EXTENSION HARNESS Set Of 2 Note: With Round Rubber Mold On Connector, Before 3/2/77.	\$69.00	
27910	1977	FRONT PARKING LAMP EXTENSION HARNESS Set Of 2 Note: With Square Plastic Connector, After 3/2/77.	\$69.00	
27910	1978	FRONT PARKING LAMP EXTENSION HARNESS Set Of 2	\$69.00	
28030	1979	FRONT PARKING LAMP EXTENSION HARNESS Set Of 2	\$69.00	
FUEL GAUGE				
05644696	1963	FUEL GAUGE	\$39.00	N
05644966	1964	FUEL GAUGE	\$39.00	N
06430263	1965	FUEL GAUGE	\$47.00	N
06430263	1966	FUEL GAUGE	\$47.00	N
06430263	1967	FUEL GAUGE	\$47.00	N
FUEL INJECTION ELECTRIC CHOKE REPAIR HARNESS				
37870	1957	FUEL INJECTION ELECTRIC CHOKE REPAIR HARNESS	\$33.00	
36137	1958	FUEL INJECTION ELECTRIC CHOKE REPAIR HARNESS	\$33.00	
36137	1959	FUEL INJECTION ELECTRIC CHOKE REPAIR HARNESS	\$33.00	
36137	1960	FUEL INJECTION ELECTRIC CHOKE REPAIR HARNESS	\$33.00	
36137	1961	FUEL INJECTION ELECTRIC CHOKE REPAIR HARNESS	\$33.00	
36138	1962	FUEL INJECTION ELECTRIC CHOKE REPAIR HARNESS	\$33.00	
FUEL TANK SENDER HARNESS				
01625	1963	FUEL TANK SENDER HARNESS With Optional 35.5 Gallon Fuel Tank	\$66.00	
01630	1964	FUEL TANK SENDER HARNESS With Optional 35.5 Gallon Fuel Tank	\$66.00	
01635	1965	FUEL TANK SENDER HARNESS With Optional 35.5 Gallon Fuel Tank Note: Harness Is Wrapped With Vinyl Tape Over Solid Color Wire.	\$66.00	
35888	1965	FUEL TANK SENDER HARNESS With Optional 35.5 Gallon Fuel Tank Note: Harness Uses 3-Wire Ripcord, Black/Tan And Black With Pink Stripe.	\$66.00	
01635	1966	FUEL TANK SENDER HARNESS With Optional 35.5 Gallon Fuel Tank	\$66.00	
01635	1967	FUEL TANK SENDER HARNESS With Optional 35.5 Gallon Fuel Tank	\$66.00	
27715	1975	FUEL TANK SENDER HARNESS From Rear Lamp Harness To Fuel Tank Meter Unit	\$43.00	
27715	1976	FUEL TANK SENDER HARNESS From Rear Lamp Harness To Fuel Tank Meter Unit	\$43.00	
27715	1977	FUEL TANK SENDER HARNESS From Rear Lamp Harness To Fuel Tank Meter Unit	\$43.00	
38378	1978	FUEL TANK SENDER HARNESS From Rear Lamp Harness To Fuel Tank Meter Unit	\$52.00	
FUEL TANK SENDING UNIT				
01518785	1956	FUEL TANK SENDING UNIT 3/8" Fuel Line	\$43.00	N

Corvette



Phone (562) 926-9552

Fax (562) 926-9572

Part Number	Year	Description	Price	*Rev.
01518785	1957	FUEL TANK SENDING UNIT 3/8" Fuel Line	\$43.00	N
01518785	1958	FUEL TANK SENDING UNIT 3/8" Fuel Line	\$43.00	N
01518785	1959	FUEL TANK SENDING UNIT 3/8" Fuel Line	\$43.00	N
01518785	1960	FUEL TANK SENDING UNIT 3/8" Fuel Line	\$43.00	N
05642125	1961	FUEL TANK SENDING UNIT 3/8" Fuel Line	\$43.00	N
05642125	1962	FUEL TANK SENDING UNIT 3/8" Fuel Line	\$43.00	N
06428065	1963	FUEL TANK SENDING UNIT 3/8" Fuel Line	\$43.00	N
06428065	1964	FUEL TANK SENDING UNIT 3/8" Fuel Line	\$43.00	N
06428065	1965	FUEL TANK SENDING UNIT 3/8" Fuel Line	\$43.00	N
06428065	1966	FUEL TANK SENDING UNIT 3/8" Fuel Line	\$43.00	N
06428065	1967	FUEL TANK SENDING UNIT 3/8" Fuel Line	\$43.00	N
06428164	1968	FUEL TANK SENDING UNIT 3/8" Fuel Line	\$43.00	N
06428164	1969	FUEL TANK SENDING UNIT 3/8" Fuel Line	\$43.00	N
06428164	1970	FUEL TANK SENDING UNIT 3/8" Fuel Line	\$43.00	N
06428164	1971	FUEL TANK SENDING UNIT 3/8" Fuel Line	\$43.00	N
06428164	1972	FUEL TANK SENDING UNIT 3/8" Fuel Line	\$43.00	N
06428164	1973	FUEL TANK SENDING UNIT 3/8" Fuel Line	\$43.00	N

Corvette



Phone (562) 926-9552
Fax (562) 926-9572

Part Number	Year	Description	Price	*Rev.
06428164	1974	FUEL TANK SENDING UNIT 3/8" Fuel Line	\$43.00	N
25000316	1975	FUEL TANK SENDING UNIT 3/8" Fuel Line	\$154.00	N
25000316	1976	FUEL TANK SENDING UNIT 3/8" Fuel Line	\$154.00	N
25000316	1977	FUEL TANK SENDING UNIT 3/8" Fuel Line	\$154.00	N
25001013	1978	FUEL TANK SENDING UNIT 3/8" Fuel Line	\$78.00	N
25001013	1979	FUEL TANK SENDING UNIT 3/8" Fuel Line	\$78.00	N
25001013	1980	FUEL TANK SENDING UNIT 3/8" Fuel Line	\$78.00	N
25001013	1981	FUEL TANK SENDING UNIT 3/8" Fuel Line	\$78.00	N
25003153	1982	FUEL TANK SENDING UNIT 3/8" Fuel Line	\$154.00	N
FUSE BLOCK REPAIR KIT-ALL				
37871	1958	FUSE BLOCK REPAIR KIT, ALL New Fuse Block With Buss Bars Installed Note: This Item Is Non-Returnable And Non-Refundable.	\$165.00	
37871	1959	FUSE BLOCK REPAIR KIT, ALL New Fuse Block With Buss Bars Installed Note: This Item Is Non-Returnable And Non-Refundable.	\$165.00	
37871	1960	FUSE BLOCK REPAIR KIT, ALL New Fuse Block With Buss Bars Installed Note: This Item Is Non-Returnable And Non-Refundable.	\$165.00	
37871	1961	FUSE BLOCK REPAIR KIT, ALL New Fuse Block With Buss Bars Installed Note: This Item Is Non-Returnable And Non-Refundable.	\$165.00	
37871	1962	FUSE BLOCK REPAIR KIT, ALL New Fuse Block With Buss Bars Installed Note: This Item Is Non-Returnable And Non-Refundable.	\$165.00	
37872	1963	FUSE BLOCK REPAIR KIT, ALL New Fuse Block With Buss Bars Installed Note: This Item Is Non-Returnable And Non-Refundable.	\$165.00	
37873	1964	FUSE BLOCK REPAIR KIT, ALL New Fuse Block With Buss Bars Installed Note: This Item Is Non-Returnable And Non-Refundable.	\$165.00	
37873	1965	FUSE BLOCK REPAIR KIT, ALL New Fuse Block With Buss Bars Installed Note: This Item Is Non-Returnable And Non-Refundable.	\$165.00	
37873	1966	FUSE BLOCK REPAIR KIT, ALL New Fuse Block With Buss Bars Installed Note: This Item Is Non-Returnable And Non-Refundable.	\$165.00	
37874	1967	FUSE BLOCK REPAIR KIT, ALL New Fuse Block With Buss Bars Installed Note: This Item Is Non-Returnable And Non-Refundable.	\$165.00	
GLOVE BOX LAMP SWITCH ASSEMBLY				
36088	1963	GLOVE BOX LAMP SWITCH ASSEMBLY Switch, Bulb & Terminal, 1st Design, Without Metal Bulb Reflector	\$22.00	

Part Number	Year	Description	Price	*Rev.
36135	1963	GLOVE BOX LAMP SWITCH ASSEMBLY Switch, Bulb & Terminal, 2nd Design With Metal Bulb Reflector	\$22.00	
36135	1964	GLOVE BOX LAMP SWITCH ASSEMBLY Switch, Bulb & Terminal	\$22.00	
36135	1965	GLOVE BOX LAMP SWITCH ASSEMBLY Switch, Bulb & Terminal	\$22.00	
36135	1966	GLOVE BOX LAMP SWITCH ASSEMBLY Switch, Bulb & Terminal	\$22.00	
36135	1967	GLOVE BOX LAMP SWITCH ASSEMBLY Switch, Bulb & Terminal	\$22.00	
36136	1978	GLOVE BOX LAMP SWITCH ASSEMBLY Switch, Bulb & Terminals	\$25.00	
36136	1979	GLOVE BOX LAMP SWITCH ASSEMBLY Switch, Bulb & Terminals	\$25.00	
36136	1980	GLOVE BOX LAMP SWITCH ASSEMBLY Switch, Bulb & Terminals	\$25.00	
36136	1981	GLOVE BOX LAMP SWITCH ASSEMBLY Switch, Bulb & Terminals	\$25.00	
36136	1982	GLOVE BOX LAMP SWITCH ASSEMBLY Switch, Bulb & Terminals	\$25.00	
GROUND CABLE				
11995	1968	GROUND CABLE Starter To Frame	\$43.00	
11995	1969	GROUND CABLE Starter To Frame	\$43.00	
11995	1970	GROUND CABLE Starter To Frame	\$43.00	
11995	1971	GROUND CABLE Starter To Frame	\$43.00	
27560	1972	GROUND CABLE Starter To Frame	\$43.00	
27560	1973	GROUND CABLE Starter To Frame	\$43.00	
27560	1974	GROUND CABLE Starter To Frame	\$43.00	
27560	1975	GROUND CABLE Starter To Frame	\$43.00	
27560	1976	GROUND CABLE Starter To Frame	\$43.00	
27560	1977	GROUND CABLE Starter To Frame	\$43.00	
27560	1978	GROUND CABLE Starter To Frame	\$43.00	
27560	1979	GROUND CABLE Starter To Frame	\$43.00	
27560	1980	GROUND CABLE Starter To Frame	\$43.00	
27560	1981	GROUND CABLE Starter To Frame	\$43.00	
27560	1982	GROUND CABLE Starter To Frame	\$43.00	
GROUND STRAP				
22920	1956	GROUND STRAP Power Top Motor To Frame, All With Trunk Lid Safety Switch On Passenger's Side	\$32.00	C
22920	1957	GROUND STRAP All, Power Top Motor To Frame	\$32.00	C
22920	1958	GROUND STRAP All, Power Top Motor To Frame	\$32.00	C
22920	1959	GROUND STRAP All, Power Top Motor To Frame	\$32.00	C
22920	1960	GROUND STRAP All, Power Top Motor To Frame	\$32.00	C
22920	1961	GROUND STRAP All, Power Top Motor To Frame	\$32.00	C
22920	1962	GROUND STRAP All, Power Top Motor To Frame	\$32.00	C
33240	1982	GROUND STRAP Door Sill Note: This Item Is Included In Our Ground Strap Kit 36078 & 36087.	\$16.00	C
GROUND STRAP KIT				
32600	1955	GROUND STRAP KIT All V/8	\$46.00	C
32600	1956	GROUND STRAP KIT All Without Power Top, With Power Top Also Requires #22920	\$46.00	C
32600	1957	GROUND STRAP KIT All Without Power Top, With Power Top Also Requires #22920	\$46.00	C
32600	1958	GROUND STRAP KIT All Without Power Top, With Power Top Also Requires #22920	\$46.00	C
32600	1959	GROUND STRAP KIT All Without Power Top, With Power Top Also Requires #22920	\$46.00	C
32600	1960	GROUND STRAP KIT All Without Power Top, With Power Top Also Requires #22920	\$46.00	C
38191	1961	GROUND STRAP KIT All Without Power Top, With Power Top Also Requires #22920	\$46.00	C
38191	1962	GROUND STRAP KIT All Without Power Top, With Power Top Also Requires #22920	\$46.00	C
44213	1963	GROUND STRAP KIT All With Side Exhaust	\$34.00	N

Part Number	Year	Description	Price	*Rev.
32610	1963	GROUND STRAP KIT All Without Side Exhaust	\$42.00	C
44213	1964	GROUND STRAP KIT All With Side Exhaust	\$34.00	N
32620	1964	GROUND STRAP KIT All Without Side Exhaust	\$39.00	C
44213	1965	GROUND STRAP KIT All With Side Exhaust	\$34.00	N
32620	1965	GROUND STRAP KIT All Without Side Exhaust	\$39.00	C
44213	1966	GROUND STRAP KIT All With Side Exhaust	\$34.00	N
32620	1966	GROUND STRAP KIT All Without Side Exhaust	\$39.00	C
44214	1967	GROUND STRAP KIT All With Side Exhaust	\$34.00	N
44215	1967	GROUND STRAP KIT All Without Side Exhaust	\$39.00	N
33990	1968	GROUND STRAP KIT All	\$32.00	C
33985	1969	GROUND STRAP KIT All With Side Exhaust	\$24.00	C
33990	1969	GROUND STRAP KIT All Without Side Exhaust	\$32.00	C
33990	1970	GROUND STRAP KIT All	\$32.00	C
33985	1971	GROUND STRAP KIT All	\$24.00	C
33985	1972	GROUND STRAP KIT All	\$24.00	C
34000	1973	GROUND STRAP KIT All	\$24.00	
34000	1974	GROUND STRAP KIT All	\$24.00	
33995	1975	GROUND STRAP KIT All	\$24.00	
33995	1976	GROUND STRAP KIT All	\$24.00	
33995	1977	GROUND STRAP KIT All	\$24.00	
36102	1978	GROUND STRAP KIT All With Power Antenna	\$32.00	C
36103	1978	GROUND STRAP KIT All Without Power Antenna	\$32.00	C
36104	1979	GROUND STRAP KIT All With Power Antenna	\$32.00	C
36103	1979	GROUND STRAP KIT All Without Power Antenna	\$32.00	N
36104	1980	GROUND STRAP KIT All With Power Antenna	\$32.00	C
36103	1980	GROUND STRAP KIT All Without Power Antenna	\$32.00	N
36078	1981	GROUND STRAP KIT All With Power Antenna	\$32.00	C
36087	1981	GROUND STRAP KIT All Without Power Antenna	\$32.00	C
36078	1982	GROUND STRAP KIT All With Power Antenna	\$32.00	C
36087	1982	GROUND STRAP KIT All Without Power Antenna	\$32.00	C
GROUND WIRE				
37825	1953	GROUND WIRE Cigarette Lighter	\$18.00	
01650	1955	GROUND WIRE Cigarette Lighter	\$18.00	
22335	1955	GROUND WIRE Wiper Motor	\$18.00	
01650	1956	GROUND WIRE Cigarette Lighter	\$18.00	
22335	1956	GROUND WIRE Wiper Motor	\$18.00	
01650	1957	GROUND WIRE Cigarette Lighter	\$18.00	
22335	1957	GROUND WIRE Wiper Motor	\$18.00	
36069	1958	GROUND WIRE Radio To Valve Cover	\$18.00	
22335	1958	GROUND WIRE Wiper Motor	\$18.00	
36069	1959	GROUND WIRE Radio To Valve Cover	\$18.00	
22335	1959	GROUND WIRE Wiper Motor	\$18.00	
36069	1960	GROUND WIRE Radio To Valve Cover	\$18.00	
22335	1960	GROUND WIRE Wiper Motor	\$18.00	
36069	1961	GROUND WIRE Radio To Valve Cover	\$18.00	
22335	1961	GROUND WIRE Wiper Motor	\$18.00	
36069	1962	GROUND WIRE Radio To Valve Cover	\$18.00	

Part Number	Year	Description	Price	*Rev.
22335	1962	GROUND WIRE Wiper Motor	\$18.00	
01655	1964	GROUND WIRE Voltage Regulator	\$18.00	
01655	1965	GROUND WIRE Voltage Regulator	\$18.00	
01660	1965	GROUND WIRE Voltage Regulator, With Transistor Ignition, A/C Equiped Car	\$18.00	
20385	1966	GROUND WIRE Horn To Radiator Core Support, A/C Equiped Cars Only	\$18.00	
20385	1967	GROUND WIRE Horn To Radiator Core Support, A/C Equiped Cars Only	\$18.00	
36210	1977	GROUND WIRE Hood Lamp	\$18.00	
36210	1978	GROUND WIRE Hood Lamp	\$18.00	
36210	1979	GROUND WIRE Hood Lamp	\$18.00	
36210	1980	GROUND WIRE Hood Lamp	\$18.00	
GROUND WIRE-DISTRIBUTOR POINT PLATE				
38298	1957	GROUND WIRE, DISTRIBUTOR POINT PLATE From Distributor Point Plate To Distributor Housing Note: Replaces Spot Welded Wire Asm On Point Plate Side. Fits All GM V/8 Point Type Distributors From Approx. 1957-1974.	\$17.00	C
38298	1958	GROUND WIRE, DISTRIBUTOR POINT PLATE From Distributor Point Plate To Distributor Housing Note: Replaces Spot Welded Wire Asm On Point Plate Side. Fits All GM V/8 Point Type Distributors From Approx. 1957-1974.	\$17.00	C
38298	1959	GROUND WIRE, DISTRIBUTOR POINT PLATE From Distributor Point Plate To Distributor Housing Note: Replaces Spot Welded Wire Asm On Point Plate Side. Fits All GM V/8 Point Type Distributors From Approx. 1957-1974.	\$17.00	C
38298	1960	GROUND WIRE, DISTRIBUTOR POINT PLATE From Distributor Point Plate To Distributor Housing Note: Replaces Spot Welded Wire Asm On Point Plate Side. Fits All GM V/8 Point Type Distributors From Approx. 1957-1974.	\$17.00	C
38298	1961	GROUND WIRE, DISTRIBUTOR POINT PLATE From Distributor Point Plate To Distributor Housing Note: Replaces Spot Welded Wire Asm On Point Plate Side. Fits All GM V/8 Point Type Distributors From Approx. 1957-1974.	\$17.00	C
38298	1962	GROUND WIRE, DISTRIBUTOR POINT PLATE From Distributor Point Plate To Distributor Housing Note: Replaces Spot Welded Wire Asm On Point Plate Side. Fits All GM V/8 Point Type Distributors From Approx. 1957-1974.	\$17.00	C
38298	1963	GROUND WIRE, DISTRIBUTOR POINT PLATE From Distributor Point Plate To Distributor Housing Note: Replaces Spot Welded Wire Asm On Point Plate Side. Fits All GM V/8 Point Type Distributors From Approx. 1957-1974.	\$17.00	C
38298	1964	GROUND WIRE, DISTRIBUTOR POINT PLATE From Distributor Point Plate To Distributor Housing Note: Replaces Spot Welded Wire Asm On Point Plate Side. Fits All GM V/8 Point Type Distributors From Approx. 1957-1974.	\$17.00	C
38298	1965	GROUND WIRE, DISTRIBUTOR POINT PLATE From Distributor Point Plate To Distributor Housing Note: Replaces Spot Welded Wire Asm On Point Plate Side. Fits All GM V/8 Point Type Distributors From Approx. 1957-1974.	\$17.00	C
38298	1966	GROUND WIRE, DISTRIBUTOR POINT PLATE From Distributor Point Plate To Distributor Housing Note: Replaces Spot Welded Wire Asm On Point Plate Side. Fits All GM V/8 Point Type Distributors From Approx. 1957-1974.	\$17.00	C
38298	1967	GROUND WIRE, DISTRIBUTOR POINT PLATE From Distributor Point Plate To Distributor Housing Note: Replaces Spot Welded Wire Asm On Point Plate Side. Fits All GM V/8 Point Type Distributors From Approx. 1957-1974.	\$17.00	C
38298	1968	GROUND WIRE, DISTRIBUTOR POINT PLATE From Distributor Point Plate To Distributor Housing Note: Replaces Spot Welded Wire Asm On Point Plate Side. Fits All GM V/8 Point Type Distributors From Approx. 1957-1974.	\$17.00	C
38298	1969	GROUND WIRE, DISTRIBUTOR POINT PLATE From Distributor Point Plate To Distributor Housing Note: Replaces Spot Welded Wire Asm On Point Plate Side. Fits All GM V/8 Point Type Distributors From Approx. 1957-1974.	\$17.00	C
38298	1970	GROUND WIRE, DISTRIBUTOR POINT PLATE From Distributor Point Plate To Distributor Housing Note: Replaces Spot Welded Wire Asm On Point Plate Side. Fits All GM V/8 Point Type Distributors From Approx. 1957-1974.	\$17.00	C
38298	1971	GROUND WIRE, DISTRIBUTOR POINT PLATE From Distributor Point Plate To Distributor Housing Note: Replaces Spot Welded Wire Asm On Point Plate Side. Fits All GM V/8 Point Type Distributors From Approx. 1957-1974.	\$17.00	C
38298	1972	GROUND WIRE, DISTRIBUTOR POINT PLATE From Distributor Point Plate To Distributor Housing Note: Replaces Spot Welded Wire Asm On Point Plate Side. Fits All GM V/8 Point Type Distributors From Approx. 1957-1974.	\$17.00	C
38298	1973	GROUND WIRE, DISTRIBUTOR POINT PLATE From Distributor Point Plate To Distributor Housing Note: Replaces Spot Welded Wire Asm On Point Plate Side. Fits All GM V/8 Point Type Distributors From Approx. 1957-1974.	\$17.00	C
38298	1974	GROUND WIRE, DISTRIBUTOR POINT PLATE From Distributor Point Plate To Distributor Housing Note: Replaces Spot Welded Wire Asm On Point Plate Side. Fits All GM V/8 Point Type Distributors From Approx. 1957-1974.	\$17.00	C

Part Number	Year	Description	Price	*Rev.
HARNESS TAPE				
R0058272	1953	HARNESS TAPE 3/4" Vinyl (100 Ft. Roll) Non-Adhesive	\$12.00	
R0058276	1953	HARNESS TAPE 1" Vinyl (100 Ft. Roll) Non-Adhesive	\$13.00	
R0067108	1953	HARNESS TAPE 1 1/4" Vinyl (100 Ft. Roll) Non-Adhesive	\$15.00	
R0058272	1954	HARNESS TAPE 3/4" Vinyl (100 Ft. Roll) Non-Adhesive	\$12.00	
R0058276	1954	HARNESS TAPE 1" Vinyl (100 Ft. Roll) Non-Adhesive	\$13.00	
R0067108	1954	HARNESS TAPE 1 1/4" Vinyl (100 Ft. Roll) Non-Adhesive	\$15.00	
R0058272	1955	HARNESS TAPE 3/4" Vinyl (100 Ft. Roll) Non-Adhesive	\$12.00	
R0058276	1955	HARNESS TAPE 1" Vinyl (100 Ft. Roll) Non-Adhesive	\$13.00	
R0067108	1955	HARNESS TAPE 1 1/4" Vinyl (100 Ft. Roll) Non-Adhesive	\$15.00	
R0058272	1956	HARNESS TAPE 3/4" Vinyl (100 Ft. Roll) Non-Adhesive	\$12.00	
R0058276	1956	HARNESS TAPE 1" Vinyl (100 Ft. Roll) Non-Adhesive	\$13.00	
R0067108	1956	HARNESS TAPE 1 1/4" Vinyl (100 Ft. Roll) Non-Adhesive	\$15.00	
R0058272	1957	HARNESS TAPE 3/4" Vinyl (100 Ft. Roll) Non-Adhesive	\$12.00	
R0058276	1957	HARNESS TAPE 1" Vinyl (100 Ft. Roll) Non-Adhesive	\$13.00	
R0067108	1957	HARNESS TAPE 1 1/4" Vinyl (100 Ft. Roll) Non-Adhesive	\$15.00	
R0058272	1958	HARNESS TAPE 3/4" Vinyl (100 Ft. Roll) Non-Adhesive	\$12.00	
R0058276	1958	HARNESS TAPE 1" Vinyl (100 Ft. Roll) Non-Adhesive	\$13.00	
R0067108	1958	HARNESS TAPE 1 1/4" Vinyl (100 Ft. Roll) Non-Adhesive	\$15.00	
R0058272	1959	HARNESS TAPE 3/4" Vinyl (100 Ft. Roll) Non-Adhesive	\$12.00	
R0058276	1959	HARNESS TAPE 1" Vinyl (100 Ft. Roll) Non-Adhesive	\$13.00	
R0067108	1959	HARNESS TAPE 1 1/4" Vinyl (100 Ft. Roll) Non-Adhesive	\$15.00	
R0058272	1960	HARNESS TAPE 3/4" Vinyl (100 Ft. Roll) Non-Adhesive	\$12.00	
R0058276	1960	HARNESS TAPE 1" Vinyl (100 Ft. Roll) Non-Adhesive	\$13.00	
R0067108	1960	HARNESS TAPE 1 1/4" Vinyl (100 Ft. Roll) Non-Adhesive	\$15.00	
R0058272	1961	HARNESS TAPE 3/4" Vinyl (100 Ft. Roll) Non-Adhesive	\$12.00	
R0058276	1961	HARNESS TAPE 1" Vinyl (100 Ft. Roll) Non-Adhesive	\$13.00	
R0067108	1961	HARNESS TAPE 1 1/4" Vinyl (100 Ft. Roll) Non-Adhesive	\$15.00	
R0058272	1962	HARNESS TAPE 3/4" Vinyl (100 Ft. Roll) Non-Adhesive	\$12.00	
R0058276	1962	HARNESS TAPE 1" Vinyl (100 Ft. Roll) Non-Adhesive	\$13.00	
R0067108	1962	HARNESS TAPE 1 1/4" Vinyl (100 Ft. Roll) Non-Adhesive	\$15.00	
R0058272	1963	HARNESS TAPE 3/4" Vinyl (100 Ft. Roll) Non-Adhesive	\$12.00	
R0058276	1963	HARNESS TAPE 1" Vinyl (100 Ft. Roll) Non-Adhesive	\$13.00	
R0067108	1963	HARNESS TAPE 1 1/4" Vinyl (100 Ft. Roll) Non-Adhesive	\$15.00	
R0058272	1964	HARNESS TAPE 3/4" Vinyl (100 Ft. Roll) Non-Adhesive	\$12.00	
R0058276	1964	HARNESS TAPE 1" Vinyl (100 Ft. Roll) Non-Adhesive	\$13.00	
R0067108	1964	HARNESS TAPE 1 1/4" Vinyl (100 Ft. Roll) Non-Adhesive	\$15.00	
R0058272	1965	HARNESS TAPE 3/4" Vinyl (100 Ft. Roll) Non-Adhesive	\$12.00	
R0058276	1965	HARNESS TAPE 1" Vinyl (100 Ft. Roll) Non-Adhesive	\$13.00	
R0067108	1965	HARNESS TAPE 1 1/4" Vinyl (100 Ft. Roll) Non-Adhesive	\$15.00	
R0058272	1966	HARNESS TAPE 3/4" Vinyl (100 Ft. Roll) Non-Adhesive	\$12.00	
R0058276	1966	HARNESS TAPE 1" Vinyl (100 Ft. Roll) Non-Adhesive	\$13.00	
R0067108	1966	HARNESS TAPE 1 1/4" Vinyl (100 Ft. Roll) Non-Adhesive	\$15.00	
R0058272	1967	HARNESS TAPE 3/4" Vinyl (100 Ft. Roll) Non-Adhesive	\$12.00	
R0058276	1967	HARNESS TAPE 1" Vinyl (100 Ft. Roll) Non-Adhesive	\$13.00	
R0067108	1967	HARNESS TAPE 1 1/4" Vinyl (100 Ft. Roll) Non-Adhesive	\$15.00	
R0058272	1968	HARNESS TAPE 3/4" Vinyl (100 Ft. Roll) Non-Adhesive	\$12.00	

Part Number	Year	Description	Price	*Rev.
R0058276	1968	HARNESS TAPE 1" Vinyl (100 Ft. Roll) Non-Adhesive	\$13.00	
R0067108	1968	HARNESS TAPE 1 1/4" Vinyl (100 Ft. Roll) Non-Adhesive	\$15.00	
R0058272	1969	HARNESS TAPE 3/4" Vinyl (100 Ft. Roll) Non-Adhesive	\$12.00	
R0058276	1969	HARNESS TAPE 1" Vinyl (100 Ft. Roll) Non-Adhesive	\$13.00	
R0067108	1969	HARNESS TAPE 1 1/4" Vinyl (100 Ft. Roll) Non-Adhesive	\$15.00	
R0058272	1970	HARNESS TAPE 3/4" Vinyl (100 Ft. Roll) Non-Adhesive	\$12.00	
R0058276	1970	HARNESS TAPE 1" Vinyl (100 Ft. Roll) Non-Adhesive	\$13.00	
R0067108	1970	HARNESS TAPE 1 1/4" Vinyl (100 Ft. Roll) Non-Adhesive	\$15.00	
R0058272	1971	HARNESS TAPE 3/4" Vinyl (100 Ft. Roll) Non-Adhesive	\$12.00	
R0058276	1971	HARNESS TAPE 1" Vinyl (100 Ft. Roll) Non-Adhesive	\$13.00	
R0067108	1971	HARNESS TAPE 1 1/4" Vinyl (100 Ft. Roll) Non-Adhesive	\$15.00	
R0058272	1972	HARNESS TAPE 3/4" Vinyl (100 Ft. Roll) Non-Adhesive	\$12.00	
R0058276	1972	HARNESS TAPE 1" Vinyl (100 Ft. Roll) Non-Adhesive	\$13.00	
R0067108	1972	HARNESS TAPE 1 1/4" Vinyl (100 Ft. Roll) Non-Adhesive	\$15.00	
R0058272	1973	HARNESS TAPE 3/4" Vinyl (100 Ft. Roll) Non-Adhesive	\$12.00	
R0058276	1973	HARNESS TAPE 1" Vinyl (100 Ft. Roll) Non-Adhesive	\$13.00	
R0067108	1973	HARNESS TAPE 1 1/4" Vinyl (100 Ft. Roll) Non-Adhesive	\$15.00	
R0058272	1974	HARNESS TAPE 3/4" Vinyl (100 Ft. Roll) Non-Adhesive	\$12.00	
R0058276	1974	HARNESS TAPE 1" Vinyl (100 Ft. Roll) Non-Adhesive	\$13.00	
R0067108	1974	HARNESS TAPE 1 1/4" Vinyl (100 Ft. Roll) Non-Adhesive	\$15.00	
R0058272	1975	HARNESS TAPE 3/4" Vinyl (100 Ft. Roll) Non-Adhesive	\$12.00	
R0058276	1975	HARNESS TAPE 1" Vinyl (100 Ft. Roll) Non-Adhesive	\$13.00	
R0067108	1975	HARNESS TAPE 1 1/4" Vinyl (100 Ft. Roll) Non-Adhesive	\$15.00	
R0058272	1976	HARNESS TAPE 3/4" Vinyl (100 Ft. Roll) Non-Adhesive	\$12.00	
R0058276	1976	HARNESS TAPE 1" Vinyl (100 Ft. Roll) Non-Adhesive	\$13.00	
R0067108	1976	HARNESS TAPE 1 1/4" Vinyl (100 Ft. Roll) Non-Adhesive	\$15.00	
R0058272	1977	HARNESS TAPE 3/4" Vinyl (100 Ft. Roll) Non-Adhesive	\$12.00	
R0058276	1977	HARNESS TAPE 1" Vinyl (100 Ft. Roll) Non-Adhesive	\$13.00	
R0067108	1977	HARNESS TAPE 1 1/4" Vinyl (100 Ft. Roll) Non-Adhesive	\$15.00	
R0058272	1978	HARNESS TAPE 3/4" Vinyl (100 Ft. Roll) Non-Adhesive	\$12.00	
R0058276	1978	HARNESS TAPE 1" Vinyl (100 Ft. Roll) Non-Adhesive	\$13.00	
R0067108	1978	HARNESS TAPE 1 1/4" Vinyl (100 Ft. Roll) Non-Adhesive	\$15.00	
R0058272	1979	HARNESS TAPE 3/4" Vinyl (100 Ft. Roll) Non-Adhesive	\$12.00	
R0058276	1979	HARNESS TAPE 1" Vinyl (100 Ft. Roll) Non-Adhesive	\$13.00	
R0067108	1979	HARNESS TAPE 1 1/4" Vinyl (100 Ft. Roll) Non-Adhesive	\$15.00	
R0058272	1980	HARNESS TAPE 3/4" Vinyl (100 Ft. Roll) Non-Adhesive	\$12.00	
R0058276	1980	HARNESS TAPE 1" Vinyl (100 Ft. Roll) Non-Adhesive	\$13.00	
R0067108	1980	HARNESS TAPE 1 1/4" Vinyl (100 Ft. Roll) Non-Adhesive	\$15.00	
R0058272	1981	HARNESS TAPE 3/4" Vinyl (100 Ft. Roll) Non-Adhesive	\$12.00	
R0058276	1981	HARNESS TAPE 1" Vinyl (100 Ft. Roll) Non-Adhesive	\$13.00	
R0067108	1981	HARNESS TAPE 1 1/4" Vinyl (100 Ft. Roll) Non-Adhesive	\$15.00	
R0058272	1982	HARNESS TAPE 3/4" Vinyl (100 Ft. Roll) Non-Adhesive	\$12.00	
R0058276	1982	HARNESS TAPE 1" Vinyl (100 Ft. Roll) Non-Adhesive	\$13.00	
R0067108	1982	HARNESS TAPE 1 1/4" Vinyl (100 Ft. Roll) Non-Adhesive	\$15.00	
R0058272	1983	HARNESS TAPE 3/4" Vinyl (100 Ft. Roll) Non-Adhesive	\$12.00	
R0058276	1983	HARNESS TAPE 1" Vinyl (100 Ft. Roll) Non-Adhesive	\$13.00	
R0067108	1983	HARNESS TAPE 1 1/4" Vinyl (100 Ft. Roll) Non-Adhesive	\$15.00	

Part Number	Year	Description	Price	*Rev.
R0058272	1984	HARNESS TAPE 3/4" Vinyl (100 Ft. Roll) Non-Adhesive	\$12.00	
R0058276	1984	HARNESS TAPE 1" Vinyl (100 Ft. Roll) Non-Adhesive	\$13.00	
R0067108	1984	HARNESS TAPE 1 1/4" Vinyl (100 Ft. Roll) Non-Adhesive	\$15.00	
R0058272	1985	HARNESS TAPE 3/4" Vinyl (100 Ft. Roll) Non-Adhesive	\$12.00	
R0058276	1985	HARNESS TAPE 1" Vinyl (100 Ft. Roll) Non-Adhesive	\$13.00	
R0067108	1985	HARNESS TAPE 1 1/4" Vinyl (100 Ft. Roll) Non-Adhesive	\$15.00	
R0058272	1986	HARNESS TAPE 3/4" Vinyl (100 Ft. Roll) Non-Adhesive	\$12.00	
R0058276	1986	HARNESS TAPE 1" Vinyl (100 Ft. Roll) Non-Adhesive	\$13.00	
R0067108	1986	HARNESS TAPE 1 1/4" Vinyl (100 Ft. Roll) Non-Adhesive	\$15.00	
HEADLAMP DIMMER SWITCH				
01997008	1953	HEADLAMP DIMMER SWITCH	\$12.00	N
01997008	1954	HEADLAMP DIMMER SWITCH	\$12.00	N
01997008	1955	HEADLAMP DIMMER SWITCH 6 Volt	\$12.00	N
01997021	1955	HEADLAMP DIMMER SWITCH 12 Volt	\$19.00	N
01997021	1956	HEADLAMP DIMMER SWITCH	\$19.00	N
01997023	1957	HEADLAMP DIMMER SWITCH 2 Hole Mounting Flange	\$16.00	N
01997023	1958	HEADLAMP DIMMER SWITCH 2 Hole Mounting Flange	\$16.00	N
01997023	1959	HEADLAMP DIMMER SWITCH 2 Hole Mounting Flange	\$16.00	N
01997023	1960	HEADLAMP DIMMER SWITCH 2 Hole Mounting Flange	\$16.00	N
01997023	1961	HEADLAMP DIMMER SWITCH 2 Hole Mounting Flange	\$16.00	N
01997023	1962	HEADLAMP DIMMER SWITCH 2 Hole Mounting Flange	\$16.00	N
01997028	1963	HEADLAMP DIMMER SWITCH	\$7.50	N
01997028	1964	HEADLAMP DIMMER SWITCH	\$7.50	N
01997028	1965	HEADLAMP DIMMER SWITCH	\$7.50	N
01997028	1966	HEADLAMP DIMMER SWITCH	\$7.50	N
01997028	1967	HEADLAMP DIMMER SWITCH	\$7.50	N
HEADLIGHT BUCKET EXTENSION HARNESS				
36074	1953	HEADLIGHT BUCKET EXTENSION HARNESS Set Of 2, 6 Cylinder, 6 Volt Note: 6 Cylinder Items Are Not Returnable.	\$112.00	
36074	1954	HEADLIGHT BUCKET EXTENSION HARNESS Set Of 2, 6 Cylinder, 6 Volt Note: 6 Cylinder Items Are Not Returnable.	\$112.00	
36074	1955	HEADLIGHT BUCKET EXTENSION HARNESS Set Of 2, 6 Cylinder, 6 Volt Note: 6 Cylinder Items Are Not Returnable.	\$112.00	
01663	1955	HEADLIGHT BUCKET EXTENSION HARNESS Set Of 2, V/8, 12 Volt	\$83.00	
01663	1956	HEADLIGHT BUCKET EXTENSION HARNESS Set Of 2	\$83.00	
01663	1957	HEADLIGHT BUCKET EXTENSION HARNESS Set Of 2	\$83.00	
01664	1958	HEADLIGHT BUCKET EXTENSION HARNESS Set Of 2	\$83.00	
01664	1959	HEADLIGHT BUCKET EXTENSION HARNESS Set Of 2	\$83.00	
01664	1960	HEADLIGHT BUCKET EXTENSION HARNESS Set Of 2	\$83.00	
01664	1961	HEADLIGHT BUCKET EXTENSION HARNESS Set Of 2	\$83.00	
01664	1962	HEADLIGHT BUCKET EXTENSION HARNESS Set Of 2	\$83.00	
01665	1963	HEADLIGHT BUCKET EXTENSION HARNESS Set Of 2, For Fiberglass Headlight Buckets	\$83.00	
35889	1963	HEADLIGHT BUCKET EXTENSION HARNESS Set Of 2, For Metal Headlight Buckets	\$61.00	
35889	1964	HEADLIGHT BUCKET EXTENSION HARNESS Set Of 2	\$61.00	
35889	1965	HEADLIGHT BUCKET EXTENSION HARNESS Set Of 2 Note: Contains A Black With Light Green Wire In The Headlight Connector (Early).	\$61.00	

Part Number	Year	Description	Price	*Rev.
01670	1965	HEADLIGHT BUCKET EXTENSION HARNESS Set Of 2 Note: Contains A Solid Light Green Wire In The Headlight Connector (Late).	\$61.00	
01670	1966	HEADLIGHT BUCKET EXTENSION HARNESS Set Of 2	\$61.00	
01670	1967	HEADLIGHT BUCKET EXTENSION HARNESS Set Of 2	\$61.00	
HEADLIGHT SWITCH				
01995041	1953	HEADLIGHT SWITCH 6 Volt, Snap On Terminal Note: Used On Vehicles With A Fused Dome, Stop Lamp, & Glove Box Light Circuit.	\$62.00	N
01995041	1954	HEADLIGHT SWITCH 6 Volt, Snap On Terminal Note: Used On Vehicles With A Fused Dome, Stop Lamp, & Glove Box Light Circuit.	\$62.00	N
01995041	1955	HEADLIGHT SWITCH 6 Volt, Snap On Terminal Note: Used On Vehicles With A Fused Dome, Stop Lamp, & Glove Box Light Circuit.	\$62.00	N
01995082	1955	HEADLIGHT SWITCH 12 Volt	\$45.00	
01995082	1956	HEADLIGHT SWITCH 12 Volt	\$45.00	
01995082	1957	HEADLIGHT SWITCH 12 Volt	\$45.00	
01995096	1958	HEADLIGHT SWITCH All	\$31.00	
01995096	1959	HEADLIGHT SWITCH All	\$31.00	
01995096	1960	HEADLIGHT SWITCH All	\$31.00	
01995096	1961	HEADLIGHT SWITCH All	\$31.00	
01995096	1962	HEADLIGHT SWITCH All	\$31.00	
01995096	1963	HEADLIGHT SWITCH All	\$31.00	
01995179	1964	HEADLIGHT SWITCH	\$20.00	N
01995179	1965	HEADLIGHT SWITCH	\$20.00	N
01995179	1966	HEADLIGHT SWITCH	\$20.00	N
01995179	1967	HEADLIGHT SWITCH	\$20.00	N
01995191	1968	HEADLIGHT SWITCH	\$39.00	N
01995191	1969	HEADLIGHT SWITCH	\$39.00	N
01995191	1970	HEADLIGHT SWITCH	\$39.00	N
01995191	1971	HEADLIGHT SWITCH	\$39.00	N
01995191	1972	HEADLIGHT SWITCH	\$39.00	N
01995191	1973	HEADLIGHT SWITCH	\$39.00	N
01995191	1974	HEADLIGHT SWITCH	\$39.00	N
01995191	1975	HEADLIGHT SWITCH	\$39.00	N
01995191	1976	HEADLIGHT SWITCH	\$39.00	N
01995191	1977	HEADLIGHT SWITCH	\$39.00	N
HEATER AND A/C INDICATOR LAMP HARNESS				
01675	1964	HEATER AND A/C INDICATOR LAMP HARNESS With A/C Only	\$32.00	
01675	1965	HEATER AND A/C INDICATOR LAMP HARNESS With A/C Only	\$32.00	
01675	1966	HEATER AND A/C INDICATOR LAMP HARNESS With A/C Only	\$32.00	
01675	1967	HEATER AND A/C INDICATOR LAMP HARNESS With A/C Only	\$32.00	
27945	1977	HEATER AND A/C INDICATOR LAMP HARNESS With A/C Only	\$23.00	
27945	1978	HEATER AND A/C INDICATOR LAMP HARNESS With A/C Only	\$23.00	
27945	1979	HEATER AND A/C INDICATOR LAMP HARNESS With A/C Only	\$23.00	
27945	1980	HEATER AND A/C INDICATOR LAMP HARNESS With A/C Only	\$23.00	
27945	1981	HEATER AND A/C INDICATOR LAMP HARNESS With A/C Only	\$23.00	
27945	1982	HEATER AND A/C INDICATOR LAMP HARNESS With A/C Only	\$23.00	

Part Number	Year	Description	Price	*Rev.
HEATER AND HEATER SWITCH WIRING KIT				
36211	1953	HEATER AND HEATER SWITCH WIRING KIT Heater Switch To Fuse Panel, Blower Motor Extension, And Ground	\$43.00	
36211	1954	HEATER AND HEATER SWITCH WIRING KIT Heater Switch To Fuse Panel, Blower Motor Extension, And Ground	\$43.00	
23285	1955	HEATER AND HEATER SWITCH WIRING KIT Heater Switch To Fuse Panel, Blower Motor Extension, And Ground	\$43.00	
23285	1956	HEATER AND HEATER SWITCH WIRING KIT Heater Switch To Fuse Panel, Blower Motor Extension, And Ground	\$43.00	
23285	1957	HEATER AND HEATER SWITCH WIRING KIT Heater Switch To Fuse Panel, Blower Motor Extension, And Ground	\$43.00	
HEATER BLOWER MOTOR RESISTOR				
03929052	1962	HEATER BLOWER MOTOR RESISTOR Without A/C	\$15.00	N
03929052	1963	HEATER BLOWER MOTOR RESISTOR Without A/C	\$15.00	N
03929052	1964	HEATER BLOWER MOTOR RESISTOR Without A/C	\$15.00	N
03929052	1965	HEATER BLOWER MOTOR RESISTOR Without A/C	\$15.00	N
03929052	1966	HEATER BLOWER MOTOR RESISTOR Without A/C	\$15.00	N
03929052	1967	HEATER BLOWER MOTOR RESISTOR Without A/C	\$15.00	N
03929052	1968	HEATER BLOWER MOTOR RESISTOR Without A/C	\$15.00	N
03929052	1969	HEATER BLOWER MOTOR RESISTOR Without A/C	\$15.00	N
03929052	1970	HEATER BLOWER MOTOR RESISTOR Without A/C	\$15.00	N
03929052	1971	HEATER BLOWER MOTOR RESISTOR Without A/C	\$15.00	N
03929052	1972	HEATER BLOWER MOTOR RESISTOR Without A/C	\$15.00	N
03929052	1973	HEATER BLOWER MOTOR RESISTOR Without A/C	\$15.00	N
03929052	1974	HEATER BLOWER MOTOR RESISTOR Without A/C	\$15.00	N
03929052	1975	HEATER BLOWER MOTOR RESISTOR Without A/C	\$15.00	N
03929052	1976	HEATER BLOWER MOTOR RESISTOR Without A/C	\$15.00	N
03929052	1977	HEATER BLOWER MOTOR RESISTOR Without A/C	\$15.00	N
03929052	1978	HEATER BLOWER MOTOR RESISTOR Without A/C	\$15.00	N
03929052	1979	HEATER BLOWER MOTOR RESISTOR Without A/C	\$15.00	N
03929052	1980	HEATER BLOWER MOTOR RESISTOR Without A/C	\$15.00	N
03929052	1981	HEATER BLOWER MOTOR RESISTOR Without A/C	\$15.00	N
03929052	1982	HEATER BLOWER MOTOR RESISTOR Without A/C	\$15.00	N
HEATER HARNESS				
01680	1975	HEATER HARNESS Without A/C	\$112.00	
27545	1976	HEATER HARNESS Without A/C	\$112.00	
27050	1977	HEATER HARNESS Without A/C, Harness Covered In Non-Adhesive Vinyl Tape Only	\$112.00	
27645	1977	HEATER HARNESS Without A/C, Harness Covered With Plastic Split Conduit	\$112.00	
27090	1978	HEATER HARNESS Without A/C	\$112.00	
27090	1979	HEATER HARNESS Without A/C	\$112.00	
HOOD SCOOP HARNESS				
01685	1973	HOOD SCOOP HARNESS Cowl Air Door	\$32.00	
01685	1974	HOOD SCOOP HARNESS Cowl Air Door	\$32.00	
01685	1975	HOOD SCOOP HARNESS Cowl Air Door	\$32.00	
HORN TO FORWARD LAMP JUMPER				
33235	1982	HORN TO FORWARD LAMP JUMPER With Diode	\$59.00	

Part Number	Year	Description	Price	*Rev.
HORN WIRE EXTENSION HARNESS				
36076	1953	HORN WIRE EXTENSION HARNESS This Wire Must Be Soldered Onto Existing Horn Contact Ring	\$20.00	
36076	1954	HORN WIRE EXTENSION HARNESS This Wire Must Be Soldered Onto Existing Horn Contact Ring	\$20.00	
36076	1955	HORN WIRE EXTENSION HARNESS This Wire Must Be Soldered Onto Existing Horn Contact Ring	\$20.00	
36076	1956	HORN WIRE EXTENSION HARNESS This Wire Must Be Soldered Onto Existing Horn Contact Ring	\$20.00	
36076	1957	HORN WIRE EXTENSION HARNESS This Wire Must Be Soldered Onto Existing Horn Contact Ring	\$20.00	
36076	1958	HORN WIRE EXTENSION HARNESS This Wire Must Be Soldered Onto Existing Horn Contact Ring	\$20.00	
36076	1959	HORN WIRE EXTENSION HARNESS This Wire Must Be Soldered Onto Existing Horn Contact Ring	\$20.00	
36076	1960	HORN WIRE EXTENSION HARNESS This Wire Must Be Soldered Onto Existing Horn Contact Ring	\$20.00	
36076	1961	HORN WIRE EXTENSION HARNESS This Wire Must Be Soldered Onto Existing Horn Contact Ring	\$20.00	
36076	1962	HORN WIRE EXTENSION HARNESS This Wire Must Be Soldered Onto Existing Horn Contact Ring	\$20.00	
01690	1974	HORN WIRE EXTENSION HARNESS With Dual Horns	\$26.00	
01690	1975	HORN WIRE EXTENSION HARNESS With Dual Horns	\$26.00	
01690	1976	HORN WIRE EXTENSION HARNESS With Dual Horns	\$26.00	
IDLE STOP SOLENOID EXTENSION HARNESS				
01695	1968	IDLE STOP SOLENOID EXTENSION HARNESS With A/C	\$26.00	
01700	1969	IDLE STOP SOLENOID EXTENSION HARNESS With A/C	\$26.00	
01700	1970	IDLE STOP SOLENOID EXTENSION HARNESS With A/C	\$26.00	
IGNITION BALLAST RESISTOR				
01957154	1963	IGNITION BALLAST RESISTOR All, 2nd Design, Without F.i., Or High Performance	\$12.00	N
01957154	1964	IGNITION BALLAST RESISTOR All, 2nd Design, Without F.i., Or High Performance	\$12.00	N
01957154	1965	IGNITION BALLAST RESISTOR All, Without 396 C.i.	\$12.00	N
01957154	1966	IGNITION BALLAST RESISTOR All, Without Transistor Ignition	\$12.00	N
01957154	1967	IGNITION BALLAST RESISTOR All, Without Transistor Ignition	\$12.00	N
IGNITION CYLINDER AND KEYS				
20071252	1969	IGNITION CYLINDER AND KEYS Chrome, All	\$18.50	N
20071252	1970	IGNITION CYLINDER AND KEYS Chrome, All	\$18.50	N
20071252	1971	IGNITION CYLINDER AND KEYS Chrome, All	\$18.50	N
20071252	1972	IGNITION CYLINDER AND KEYS Chrome, All	\$18.50	N
20071252	1973	IGNITION CYLINDER AND KEYS Chrome, All	\$18.50	N
20071252	1974	IGNITION CYLINDER AND KEYS Chrome, All	\$18.50	N
20071252	1975	IGNITION CYLINDER AND KEYS Chrome, All	\$18.50	N
20071252	1976	IGNITION CYLINDER AND KEYS Chrome, All	\$18.50	N
20071252	1977	IGNITION CYLINDER AND KEYS Chrome, All	\$18.50	N
20071252	1978	IGNITION CYLINDER AND KEYS Chrome, All, 1st Design, Used On Columns Without Lock Cylinder Retaining Screw	\$18.50	N
07833759	1978	IGNITION CYLINDER AND KEYS Chrome, All, 2nd Design, Used On Columns With Lock Cylinder Retaining Screw	\$18.50	N
07833759	1979	IGNITION CYLINDER AND KEYS Chrome, All	\$18.50	N
07833759	1980	IGNITION CYLINDER AND KEYS Chrome, All	\$18.50	N
07833759	1981	IGNITION CYLINDER AND KEYS Chrome, All	\$18.50	N
07833759	1982	IGNITION CYLINDER AND KEYS Chrome, All	\$18.50	N
07833759	1984	IGNITION CYLINDER AND KEYS Chrome, All	\$18.50	N
07833759	1985	IGNITION CYLINDER AND KEYS Chrome, All	\$18.50	N
IGNITION SWITCH				
01116514	1955	IGNITION SWITCH 12 Volt	\$50.00	N

Part Number	Year	Description	Price	*Rev.
01116514	1956	IGNITION SWITCH	\$50.00	N
01116514	1957	IGNITION SWITCH	\$50.00	N
01116626	1963	IGNITION SWITCH	\$24.00	M
01116626	1964	IGNITION SWITCH	\$24.00	M
44205	1965	IGNITION SWITCH KIT Note: Includes Ignition Switch, Connector And Instructions.	\$37.00	N
01990110	1969	IGNITION SWITCH All, With Tilt	\$14.00	N
01990110	1970	IGNITION SWITCH All, With Tilt	\$14.00	N
01990110	1971	IGNITION SWITCH All, With Tilt	\$14.00	N
01990110	1972	IGNITION SWITCH All, With Tilt	\$14.00	N
01990110	1973	IGNITION SWITCH All, With Tilt	\$14.00	N
01990110	1974	IGNITION SWITCH All, With Tilt	\$14.00	N
01990110	1975	IGNITION SWITCH All, With Tilt	\$14.00	N
01990110	1976	IGNITION SWITCH All, With Tilt	\$14.00	N
01990110	1977	IGNITION SWITCH All, With Tilt	\$14.00	N
01990110	1978	IGNITION SWITCH All, With Tilt	\$14.00	N
01990110	1979	IGNITION SWITCH All, With Tilt	\$14.00	N
01990110	1980	IGNITION SWITCH All, With Tilt	\$14.00	N
01990110	1981	IGNITION SWITCH All, With Tilt	\$14.00	N
01990110	1982	IGNITION SWITCH All, With Tilt	\$14.00	N
01990110	1984	IGNITION SWITCH All, With Tilt	\$14.00	N
01990110	1985	IGNITION SWITCH All, With Tilt	\$14.00	N
01990110	1986	IGNITION SWITCH All, With Tilt	\$14.00	N
01990110	1987	IGNITION SWITCH All, With Tilt	\$14.00	N
01990110	1988	IGNITION SWITCH All, With Tilt	\$14.00	N
01990110	1989	IGNITION SWITCH All, With Tilt	\$14.00	N
01990110	1990	IGNITION SWITCH All, With Tilt	\$14.00	N
01990110	1991	IGNITION SWITCH All, With Tilt	\$14.00	N
01990110	1992	IGNITION SWITCH All, With Tilt	\$14.00	N
01990110	1993	IGNITION SWITCH All, With Tilt	\$14.00	N
KICKDOWN HARNESS				
01705	1968	KICKDOWN HARNESS TH400 Auto Trans	\$46.00	
01705	1969	KICKDOWN HARNESS TH400 Auto Trans	\$46.00	
20915	1976	KICKDOWN HARNESS TH400 Auto Trans	\$46.00	
20915	1977	KICKDOWN HARNESS TH400 Auto Trans	\$46.00	
20915	1978	KICKDOWN HARNESS TH400 Auto Trans	\$46.00	
KICKDOWN SWITCH				
01242101	1970	KICKDOWN SWITCH TH400 Auto Trans	\$19.00	
01242101	1971	KICKDOWN SWITCH TH400 Auto Trans	\$19.00	
01242101	1972	KICKDOWN SWITCH TH400 Auto Trans	\$19.00	
01242101	1973	KICKDOWN SWITCH TH400 Auto Trans	\$19.00	
01242101	1974	KICKDOWN SWITCH TH400 Auto Trans	\$19.00	
01242101	1975	KICKDOWN SWITCH TH400 Auto Trans	\$19.00	
01242101	1976	KICKDOWN SWITCH TH400 Auto Trans	\$19.00	
01242101	1977	KICKDOWN SWITCH TH400 Auto Trans	\$19.00	

Part Number	Year	Description	Price	*Rev.
LICENSE PLATE LAMP ASSEMBLY				
36212	1956	LICENSE PLATE LAMP ASSEMBLY Set Of 2	\$35.00	
36212	1957	LICENSE PLATE LAMP ASSEMBLY Set Of 2	\$35.00	
01707	1958	LICENSE PLATE LAMP ASSEMBLY Set Of 2	\$35.00	
01707	1959	LICENSE PLATE LAMP ASSEMBLY Set Of 2	\$35.00	
01707	1960	LICENSE PLATE LAMP ASSEMBLY Set Of 2	\$35.00	
LICENSE PLATE LAMP LEAD WIRES				
37791	1953	LICENSE PLATE LAMP LEAD WIRES All 6 Volt Note: Must Use Original Lamp Sockets.	\$35.00	
37791	1954	LICENSE PLATE LAMP LEAD WIRES All 6 Volt Note: Must Use Original Lamp Sockets.	\$35.00	
37791	1955	LICENSE PLATE LAMP LEAD WIRES All 6 Volt Note: Must Use Original Lamp Sockets.	\$35.00	
37792	1955	LICENSE PLATE LAMP LEAD WIRES All 12 Volt Note: Must Use Original Lamp Sockets.	\$35.00	
LOW FUEL INDICATOR MODULE				
500274	1958	LOW FUEL INDICATOR MODULE Generic "Adjustable" Low Fuel Warning Module Note: A Complete Electronic Control Unit To Activate A Warning Lamp Or Relay When Fuel Level Drops Below A User Adjustable Level. Includes instruction sheet.	\$64.00	C
500274	1959	LOW FUEL INDICATOR MODULE Generic "Adjustable" Low Fuel Warning Module Note: A Complete Electronic Control Unit To Activate A Warning Lamp Or Relay When Fuel Level Drops Below A User Adjustable Level. Includes instruction sheet.	\$64.00	C
500274	1960	LOW FUEL INDICATOR MODULE Generic "Adjustable" Low Fuel Warning Module Note: A Complete Electronic Control Unit To Activate A Warning Lamp Or Relay When Fuel Level Drops Below A User Adjustable Level. Includes instruction sheet.	\$64.00	C
500274	1961	LOW FUEL INDICATOR MODULE Generic "Adjustable" Low Fuel Warning Module Note: A Complete Electronic Control Unit To Activate A Warning Lamp Or Relay When Fuel Level Drops Below A User Adjustable Level. Includes instruction sheet.	\$64.00	C
500274	1962	LOW FUEL INDICATOR MODULE Generic "Adjustable" Low Fuel Warning Module Note: A Complete Electronic Control Unit To Activate A Warning Lamp Or Relay When Fuel Level Drops Below A User Adjustable Level. Includes instruction sheet.	\$64.00	C
500274	1963	LOW FUEL INDICATOR MODULE Generic "Adjustable" Low Fuel Warning Module Note: A Complete Electronic Control Unit To Activate A Warning Lamp Or Relay When Fuel Level Drops Below A User Adjustable Level. Includes instruction sheet.	\$64.00	C
500274	1964	LOW FUEL INDICATOR MODULE Generic "Adjustable" Low Fuel Warning Module Note: A Complete Electronic Control Unit To Activate A Warning Lamp Or Relay When Fuel Level Drops Below A User Adjustable Level. Includes instruction sheet.	\$64.00	C
500274	1965	LOW FUEL INDICATOR MODULE Generic "Adjustable" Low Fuel Warning Module Note: A Complete Electronic Control Unit To Activate A Warning Lamp Or Relay When Fuel Level Drops Below A User Adjustable Level. Includes instruction sheet.	\$64.00	C
500274	1966	LOW FUEL INDICATOR MODULE Generic "Adjustable" Low Fuel Warning Module Note: A Complete Electronic Control Unit To Activate A Warning Lamp Or Relay When Fuel Level Drops Below A User Adjustable Level. Includes instruction sheet.	\$64.00	C
500274	1967	LOW FUEL INDICATOR MODULE Generic "Adjustable" Low Fuel Warning Module Note: A Complete Electronic Control Unit To Activate A Warning Lamp Or Relay When Fuel Level Drops Below A User Adjustable Level. Includes instruction sheet.	\$64.00	C
500274	1968	LOW FUEL INDICATOR MODULE Generic "Adjustable" Low Fuel Warning Module Note: A Complete Electronic Control Unit To Activate A Warning Lamp Or Relay When Fuel Level Drops Below A User Adjustable Level. Includes instruction sheet.	\$64.00	C

Part Number	Year	Description	Price	*Rev.
500274	1969	LOW FUEL INDICATOR MODULE Generic "Adjustable" Low Fuel Warning Module Note: A Complete Electronic Control Unit To Activate A Warning Lamp Or Relay When Fuel Level Drops Below A User Adjustable Level. Includes instruction sheet.	\$64.00	C
500274	1970	LOW FUEL INDICATOR MODULE Generic "Adjustable" Low Fuel Warning Module Note: A Complete Electronic Control Unit To Activate A Warning Lamp Or Relay When Fuel Level Drops Below A User Adjustable Level. Includes instruction sheet.	\$64.00	C
500274	1971	LOW FUEL INDICATOR MODULE Generic "Adjustable" Low Fuel Warning Module Note: A Complete Electronic Control Unit To Activate A Warning Lamp Or Relay When Fuel Level Drops Below A User Adjustable Level. Includes instruction sheet.	\$64.00	C
500274	1972	LOW FUEL INDICATOR MODULE Generic "Adjustable" Low Fuel Warning Module Note: A Complete Electronic Control Unit To Activate A Warning Lamp Or Relay When Fuel Level Drops Below A User Adjustable Level. Includes instruction sheet.	\$64.00	C
500274	1973	LOW FUEL INDICATOR MODULE Generic "Adjustable" Low Fuel Warning Module Note: A Complete Electronic Control Unit To Activate A Warning Lamp Or Relay When Fuel Level Drops Below A User Adjustable Level. Includes instruction sheet.	\$64.00	C
500274	1974	LOW FUEL INDICATOR MODULE Generic "Adjustable" Low Fuel Warning Module Note: A Complete Electronic Control Unit To Activate A Warning Lamp Or Relay When Fuel Level Drops Below A User Adjustable Level. Includes instruction sheet.	\$64.00	C
500274	1975	LOW FUEL INDICATOR MODULE Generic "Adjustable" Low Fuel Warning Module Note: A Complete Electronic Control Unit To Activate A Warning Lamp Or Relay When Fuel Level Drops Below A User Adjustable Level. Includes instruction sheet.	\$64.00	C
500274	1976	LOW FUEL INDICATOR MODULE Generic "Adjustable" Low Fuel Warning Module Note: A Complete Electronic Control Unit To Activate A Warning Lamp Or Relay When Fuel Level Drops Below A User Adjustable Level. Includes instruction sheet.	\$64.00	C
MAP LIGHT HARNESS				
27815	1973	MAP LIGHT HARNESS Rear View Mirror	\$32.00	
27815	1974	MAP LIGHT HARNESS Rear View Mirror	\$32.00	
27815	1975	MAP LIGHT HARNESS Rear View Mirror	\$32.00	
27815	1976	MAP LIGHT HARNESS Rear View Mirror	\$32.00	
NEUTRAL SAFETY AND BACKUP LAMP SWITCH				
03923916	1968	NEUTRAL SAFETY AND BACKUP LAMP SWITCH Auto Trans	\$65.00	
03948538	1969	NEUTRAL SAFETY AND BACKUP LAMP SWITCH Auto Trans	\$65.00	
03948538	1970	NEUTRAL SAFETY AND BACKUP LAMP SWITCH Auto Trans	\$65.00	
03948538	1971	NEUTRAL SAFETY AND BACKUP LAMP SWITCH Auto Trans	\$65.00	
03948538	1972	NEUTRAL SAFETY AND BACKUP LAMP SWITCH Auto Trans, Without Seat Belt Warning	\$65.00	
06273357	1972	NEUTRAL SAFETY AND BACKUP LAMP SWITCH Auto Trans, With Seat Belt Warning	\$75.00	
06273357	1973	NEUTRAL SAFETY AND BACKUP LAMP SWITCH Auto Trans	\$75.00	
06258276	1974	NEUTRAL SAFETY AND BACKUP LAMP SWITCH Auto Trans	\$85.00	
06258276	1975	NEUTRAL SAFETY AND BACKUP LAMP SWITCH Auto Trans	\$85.00	
00370176	1976	NEUTRAL SAFETY AND BACKUP LAMP SWITCH Auto Trans	\$65.00	
00370176	1977	NEUTRAL SAFETY AND BACKUP LAMP SWITCH Auto Trans	\$65.00	
00370176	1978	NEUTRAL SAFETY AND BACKUP LAMP SWITCH Auto Trans	\$65.00	
00370176	1979	NEUTRAL SAFETY AND BACKUP LAMP SWITCH Auto Trans	\$65.00	
00370176	1980	NEUTRAL SAFETY AND BACKUP LAMP SWITCH Auto Trans	\$65.00	
00370176	1981	NEUTRAL SAFETY AND BACKUP LAMP SWITCH Auto Trans	\$65.00	
00370176	1982	NEUTRAL SAFETY AND BACKUP LAMP SWITCH Auto Trans	\$65.00	
NEUTRAL SAFETY SWITCH				
01993495	1969	NEUTRAL SAFETY SWITCH Manual Trans Note: Includes Rod, 2 Retaining Clips, 2 Bushings And Bolt.	\$65.00	

Part Number	Year	Description	Price	*Rev.
01993495	1970	NEUTRAL SAFETY SWITCH Manual Trans Note: Includes Rod, 2 Retaining Clips, 2 Bushings And Bolt.	\$65.00	
01993495	1971	NEUTRAL SAFETY SWITCH Manual Trans Note: Includes Rod, 2 Retaining Clips, 2 Bushings And Bolt.	\$65.00	
01993495	1972	NEUTRAL SAFETY SWITCH Manual Trans Note: Includes Rod, 2 Retaining Clips, 2 Bushings And Bolt.	\$65.00	
01993495	1973	NEUTRAL SAFETY SWITCH Manual Trans Note: Includes Rod, 2 Retaining Clips, 2 Bushings And Bolt.	\$65.00	
01993495	1974	NEUTRAL SAFETY SWITCH Manual Trans Note: Includes Rod, 2 Retaining Clips, 2 Bushings And Bolt.	\$65.00	
01993495	1975	NEUTRAL SAFETY SWITCH Manual Trans Note: Includes Rod, 2 Retaining Clips, 2 Bushings And Bolt.	\$65.00	
01993495	1976	NEUTRAL SAFETY SWITCH Manual Trans Note: Includes Rod, 2 Retaining Clips, 2 Bushings And Bolt.	\$65.00	
01993495	1977	NEUTRAL SAFETY SWITCH Manual Trans Note: Includes Rod, 2 Retaining Clips, 2 Bushings And Bolt.	\$65.00	
01993495	1978	NEUTRAL SAFETY SWITCH Manual Trans Note: Includes Rod, 2 Retaining Clips, 2 Bushings And Bolt.	\$65.00	
01993495	1979	NEUTRAL SAFETY SWITCH Manual Trans Note: Includes Rod, 2 Retaining Clips, 2 Bushings And Bolt.	\$65.00	
01993495	1980	NEUTRAL SAFETY SWITCH Manual Trans Note: Includes Rod, 2 Retaining Clips, 2 Bushings And Bolt.	\$65.00	
01993495	1981	NEUTRAL SAFETY SWITCH Manual Trans Note: Includes Rod, 2 Retaining Clips, 2 Bushings And Bolt.	\$65.00	
NEUTRAL SAFETY SWITCH EXTENSION HARNESS				
36077	1953	NEUTRAL SAFETY SWITCH EXTENSION HARNESS Switch To Starter Motor Relay	\$18.00	
36077	1954	NEUTRAL SAFETY SWITCH EXTENSION HARNESS Switch To Starter Motor Relay	\$18.00	
01715	1955	NEUTRAL SAFETY SWITCH EXTENSION HARNESS Switch To Firewall Mounted Relay	\$18.00	
01715	1956	NEUTRAL SAFETY SWITCH EXTENSION HARNESS Switch To Firewall Mounted Relay	\$18.00	
01715	1957	NEUTRAL SAFETY SWITCH EXTENSION HARNESS Switch To Firewall Mounted Relay	\$18.00	
01715	1958	NEUTRAL SAFETY SWITCH EXTENSION HARNESS Switch To Firewall Mounted Relay	\$18.00	
01715	1959	NEUTRAL SAFETY SWITCH EXTENSION HARNESS Switch To Firewall Mounted Relay	\$18.00	
01715	1960	NEUTRAL SAFETY SWITCH EXTENSION HARNESS Switch To Firewall Mounted Relay	\$18.00	
01715	1961	NEUTRAL SAFETY SWITCH EXTENSION HARNESS Switch To Firewall Mounted Relay	\$18.00	
01710	1969	NEUTRAL SAFETY SWITCH EXTENSION HARNESS Manual Trans	\$23.00	
01710	1970	NEUTRAL SAFETY SWITCH EXTENSION HARNESS Manual Trans	\$23.00	
01710	1971	NEUTRAL SAFETY SWITCH EXTENSION HARNESS Manual Trans	\$23.00	
01710	1972	NEUTRAL SAFETY SWITCH EXTENSION HARNESS Manual Trans	\$23.00	
01710	1973	NEUTRAL SAFETY SWITCH EXTENSION HARNESS Manual Trans	\$23.00	
01710	1974	NEUTRAL SAFETY SWITCH EXTENSION HARNESS Manual Trans	\$23.00	
01710	1975	NEUTRAL SAFETY SWITCH EXTENSION HARNESS Manual Trans	\$23.00	
01710	1976	NEUTRAL SAFETY SWITCH EXTENSION HARNESS Manual Trans	\$23.00	
01710	1977	NEUTRAL SAFETY SWITCH EXTENSION HARNESS Manual Trans, With Anti-Theft Switch Mounted In Fender	\$23.00	
27795	1977	NEUTRAL SAFETY AND BACKUP LAMP SWITCH EXTENSION Manual Trans, With Anti-Theft Switch Mounted In Door Lock	\$46.00	
27925	1978	NEUTRAL SAFETY AND BACKUP LAMP SWITCH EXTENSION Manual Trans	\$46.00	
28050	1979	NEUTRAL SAFETY SWITCH EXTENSION HARNESS Manual Trans	\$23.00	
28135	1980	NEUTRAL SAFETY SWITCH EXTENSION HARNESS Manual Trans	\$23.00	
28135	1981	NEUTRAL SAFETY SWITCH EXTENSION HARNESS Manual Trans	\$23.00	

Part Number	Year	Description	Price	*Rev.
OIL PRESSURE GAUGE				
05654100	1963	OIL PRESSURE GAUGE 0-60 Lbs.	\$39.00	N
05638487	1964	OIL PRESSURE GAUGE 0-80 Lbs.	\$39.00	N
05654906	1965	OIL PRESSURE GAUGE 0-60 Lbs.	\$47.00	N
05654626	1965	OIL PRESSURE GAUGE 0-80 Lbs.	\$47.00	N
05654906	1966	OIL GAUGE 0-60 Lbs.	\$47.00	N
05654626	1966	OIL GAUGE 0-80 Lbs.	\$47.00	N
05654906	1967	OIL GAUGE 0-60 Lbs.	\$47.00	N
05654626	1967	OIL GAUGE 0-80 Lbs.	\$47.00	N
OIL PRESSURE SENDER JUMPER WIRE				
27035	1980	OIL PRESSURE SENDER JUMPER WIRE Engine Harness To Oil Pressure Sending Unit, All	\$26.00	
27035	1981	OIL PRESSURE SENDER JUMPER WIRE Engine Harness To Oil Pressure Sending Unit, All	\$26.00	
PARKING BRAKE WARNING HARNESS				
01720	1958	PARKING BRAKE WARNING HARNESS Flasher To Switch & Fuse Panel	\$26.00	
01730	1958	PARKING BRAKE WARNING LAMP ASSEMBLY Dash Panel To Flasher	\$26.00	
01720	1959	PARKING BRAKE WARNING HARNESS Flasher To Switch & Fuse Panel	\$26.00	
01730	1959	PARKING BRAKE WARNING LAMP ASSEMBLY Dash Panel To Flasher	\$26.00	
01720	1960	PARKING BRAKE WARNING HARNESS Flasher To Switch & Fuse Panel	\$26.00	
01730	1960	PARKING BRAKE WARNING LAMP ASSEMBLY Dash Panel To Flasher	\$26.00	
01725	1961	PARKING BRAKE WARNING HARNESS Includes Warning Lamp Assembly	\$26.00	
01725	1962	PARKING BRAKE WARNING HARNESS Includes Warning Lamp Assembly	\$26.00	
POWER ANTENNA HARNESS				
33140	1978	POWER ANTENNA HARNESS Radio To Relay,Courtesy Lamp Timer Mounted Left Of Steering Column	\$40.00	
27915	1978	POWER ANTENNA HARNESS Radio To Relay, Courtesy Lamp Timer Mounted Right Of Glove Box	\$40.00	
33145	1979	POWER ANTENNA HARNESS Relay To Antenna	\$40.00	
28020	1979	POWER ANTENNA HARNESS Radio To Relay	\$40.00	
28130	1980	POWER ANTENNA HARNESS Relay To Antenna	\$40.00	
28165	1980	POWER ANTENNA HARNESS Radio To Relay	\$40.00	
28130	1981	POWER ANTENNA HARNESS Relay To Antenna	\$40.00	
28165	1981	POWER ANTENNA HARNESS Radio To Relay	\$40.00	
28130	1982	POWER ANTENNA HARNESS Relay To Antenna	\$40.00	
28165	1982	POWER ANTENNA HARNESS Radio To Relay	\$40.00	
POWER ANTENNA SWITCH TO DASH REPAIR HARNESS				
37815	1965	POWER ANTENNA SWITCH TO DASH REPAIR HARNESS All, Attaches Directly To Switch Assembly Note: This Harness Is Used To Repair The Lead Wires From Original Power Antenna Switch.	\$26.00	
POWER DOOR LOCK HARNESS				
36100	1978	POWER DOOR LOCK HARNESS Early, Under Dash Crossover, Driver Side To Pass Side Door Locks	\$126.00	
27920	1978	POWER DOOR LOCK HARNESS Late, Under Dash Crossover, Driver Side To Pass Side Door Locks	\$126.00	
27995	1978	POWER DOOR LOCK HARNESS Driver Side Door Lock	\$126.00	
27905	1978	POWER DOOR LOCK HARNESS Passenger Side Door Lock	\$126.00	
POWER MIRROR HARNESS				
32780	1981	POWER MIRROR HARNESS Dual Electric Side View Mirrors	\$113.00	
32780	1982	POWER MIRROR HARNESS Dual Electric Side View Mirrors	\$113.00	

Part Number	Year	Description	Price	*Rev.
POWER SEAT JUMPER WIRE				
36080	1981	POWER SEAT JUMPER WIRE Power Supply From Dash Harness To Seat Switch	\$33.00	
33250	1982	POWER SEAT JUMPER WIRE Power Supply From Dash Harness To Seat Switch	\$33.00	
POWER TOP HARNESS				
36096	1956	POWER TOP HARNESS Main	\$225.00	
01735	1957	POWER TOP HARNESS Main	\$225.00	
01740	1958	POWER TOP HARNESS Main	\$225.00	
01740	1959	POWER TOP HARNESS Main	\$225.00	
01740	1960	POWER TOP HARNESS Main	\$225.00	
01740	1961	POWER TOP HARNESS Main	\$225.00	
01740	1962	POWER TOP HARNESS Main	\$225.00	
POWER TOP LIMIT SWITCH HARNESS				
36097	1956	POWER TOP LIMIT SWITCH HARNESS For Cover Limit Switch	\$110.00	
36098	1956	POWER TOP LIMIT SWITCH HARNESS For Top Limit Switch	\$102.00	
01745	1957	POWER TOP LIMIT SWITCH HARNESS For Cover Limit Switch	\$102.00	
01750	1957	POWER TOP LIMIT SWITCH HARNESS For Top Limit Switch	\$102.00	
01745	1958	POWER TOP LIMIT SWITCH HARNESS For Cover Limit Switch	\$102.00	
01750	1958	POWER TOP LIMIT SWITCH HARNESS For Top Limit Switch	\$102.00	
01745	1959	POWER TOP LIMIT SWITCH HARNESS For Cover Limit Switch	\$102.00	
01750	1959	POWER TOP LIMIT SWITCH HARNESS For Top Limit Switch	\$102.00	
01745	1960	POWER TOP LIMIT SWITCH HARNESS For Cover Limit Switch	\$102.00	
01750	1960	POWER TOP LIMIT SWITCH HARNESS For Top Limit Switch	\$102.00	
01745	1961	POWER TOP LIMIT SWITCH HARNESS For Cover Limit Switch	\$102.00	
01750	1961	POWER TOP LIMIT SWITCH HARNESS For Top Limit Switch	\$102.00	
01745	1962	POWER TOP LIMIT SWITCH HARNESS For Cover Limit Switch	\$102.00	
01750	1962	POWER TOP LIMIT SWITCH HARNESS For Top Limit Switch	\$102.00	
POWER TOP MAIN FEED WIRE				
01755	1956	POWER TOP MAIN FEED WIRE Starter Motor To Circuit Breaker	\$21.00	
01755	1957	POWER TOP MAIN FEED WIRE Starter Motor To Circuit Breaker	\$21.00	
01755	1958	POWER TOP MAIN FEED WIRE Starter Motor To Circuit Breaker	\$21.00	
01755	1959	POWER TOP MAIN FEED WIRE Starter Motor To Circuit Breaker	\$21.00	
01755	1960	POWER TOP MAIN FEED WIRE Starter Motor To Circuit Breaker	\$21.00	
01755	1961	POWER TOP MAIN FEED WIRE Starter Motor To Circuit Breaker	\$21.00	
01755	1962	POWER TOP MAIN FEED WIRE Starter Motor To Circuit Breaker	\$21.00	
POWER WINDOW DOOR BOOT				
12004902	1968	POWER WINDOW DOOR BOOT 2 Required Per Car	\$16.00	C
12004902	1969	POWER WINDOW DOOR BOOT 2 Required Per Car	\$16.00	C
12004902	1970	POWER WINDOW DOOR BOOT 2 Required Per Car	\$16.00	C
12004902	1971	POWER WINDOW DOOR BOOT 2 Required Per Car	\$16.00	C
12004902	1972	POWER WINDOW DOOR BOOT 2 Required Per Car	\$16.00	C
12004902	1973	POWER WINDOW DOOR BOOT 2 Required Per Car	\$16.00	C
12004902	1974	POWER WINDOW DOOR BOOT 2 Required Per Car	\$16.00	C
12004902	1975	POWER WINDOW DOOR BOOT 2 Required Per Car	\$16.00	C
12004902	1976	POWER WINDOW DOOR BOOT 2 Required Per Car	\$16.00	C
12004902	1977	POWER WINDOW DOOR BOOT 2 Required Per Car	\$16.00	C
12004902	1978	POWER WINDOW DOOR BOOT 2 Required Per Car	\$16.00	C

Part Number	Year	Description	Price	*Rev.
12004902	1979	POWER WINDOW DOOR BOOT 2 Required Per Car	\$16.00	C
12004902	1980	POWER WINDOW DOOR BOOT 2 Required Per Car	\$16.00	C
12004902	1981	POWER WINDOW DOOR BOOT 2 Required Per Car, With Early Round Type Grommet	\$16.00	C
POWER WINDOW HARNESS				
01760	1956	POWER WINDOW HARNESS Complete	\$218.00	
01760	1957	POWER WINDOW HARNESS Complete	\$218.00	
01765	1958	POWER WINDOW HARNESS Complete	\$218.00	
01770	1959	POWER WINDOW HARNESS Complete	\$218.00	
01770	1960	POWER WINDOW HARNESS Complete	\$218.00	
01770	1961	POWER WINDOW HARNESS Complete	\$218.00	
01770	1962	POWER WINDOW HARNESS Complete	\$218.00	
01775	1963	POWER WINDOW HARNESS Complete	\$184.00	
35890	1964	POWER WINDOW HARNESS Complete	\$184.00	
01780	1965	POWER WINDOW HARNESS Complete Note: Contains A Solid White Wire At The Power Window Switch Connector.	\$184.00	
35890	1965	POWER WINDOW HARNESS Complete Note: Contains A Black With White Stripe Wire At The Power Window Switch Connector.	\$184.00	
01780	1966	POWER WINDOW HARNESS Complete	\$184.00	
18280	1967	POWER WINDOW HARNESS Complete	\$198.00	
01785	1968	POWER WINDOW HARNESS Complete	\$225.00	
01790	1969	POWER WINDOW HARNESS Complete	\$225.00	
01795	1970	POWER WINDOW HARNESS Complete	\$225.00	
01795	1971	POWER WINDOW HARNESS Complete	\$225.00	
01800	1972	POWER WINDOW HARNESS Complete	\$225.00	
01800	1973	POWER WINDOW HARNESS Complete	\$225.00	
01800	1974	POWER WINDOW HARNESS Complete	\$225.00	
01805	1975	POWER WINDOW HARNESS Complete	\$225.00	
01805	1976	POWER WINDOW HARNESS Complete Note: With Round Motor Connector, "T" Terminal Configuration, Before 11/25/75 (Early).	\$225.00	
27270	1976	POWER WINDOW HARNESS Complete Note: With Rectangular Motor Connector, Parallel Terminal Configuration, After 11/25/75 (Late).	\$225.00	
27045	1977	POWER WINDOW HARNESS Without Anti-Theft Switch Wiring	\$225.00	
27595	1977	POWER WINDOW HARNESS With Anti-Theft Switch Wiring	\$225.00	
27595	1978	POWER WINDOW HARNESS With Anti-Theft Switch Wiring Note: With Courtesy Lamp Timer Mounted Left Of Steering Column, Before 1/19/78 (Early).	\$225.00	
27110	1978	POWER WINDOW HARNESS With Anti-Theft Switch Wiring Note: With Courtesy Lamp Timer Mounted To The Right Of Glove Box (Late), After 1/19/78 (Late).	\$225.00	
27030	1979	POWER WINDOW HARNESS Driver Side, Without Power Door Locks	\$83.00	
28040	1979	POWER WINDOW HARNESS Passenger Side, Without Power Door Locks	\$83.00	
27105	1979	POWER WINDOW AND DOOR LOCK HARNESS Driver Side	\$126.00	
27100	1979	POWER WINDOW AND DOOR LOCK HARNESS Passenger Side	\$126.00	
27030	1980	POWER WINDOW HARNESS Driver Side, Without Power Door Locks	\$83.00	
28040	1980	POWER WINDOW HARNESS Passenger Side, Without Power Door Locks	\$83.00	
28090	1980	POWER WINDOW AND DOOR LOCK HARNESS Driver Side	\$126.00	
28120	1980	POWER WINDOW AND DOOR LOCK HARNESS Passenger Side	\$126.00	
33400	1981	POWER WINDOW HARNESS Driver Side, Without Power Door Locks	\$83.00	
33075	1981	POWER WINDOW HARNESS Passenger Side, Without Power Door Locks	\$83.00	

Part Number	Year	Description	Price	*Rev.
28090	1981	POWER WINDOW AND DOOR LOCK HARNESS Driver Side	\$126.00	
28120	1981	POWER WINDOW AND DOOR LOCK HARNESS Passenger Side	\$126.00	
33400	1982	POWER WINDOW HARNESS Driver Side, Without Power Door Locks	\$83.00	
33075	1982	POWER WINDOW HARNESS Passenger Side, Without Power Door Locks	\$83.00	
28090	1982	POWER WINDOW AND DOOR LOCK HARNESS Driver Side	\$126.00	
28120	1982	POWER WINDOW AND DOOR LOCK HARNESS Passenger Side	\$126.00	
POWER WINDOW MOTOR ADAPTER HARNESS				
36954	1958	POWER WINDOW MOTOR ADAPTER HARNESS Adapts "T" Shaped Motor Connector To Side By Side Blade Type Motor Connector	\$22.00	C
36954	1959	POWER WINDOW MOTOR ADAPTER HARNESS Adapts "T" Shaped Motor Connector To Side By Side Blade Type Motor Connector	\$22.00	C
36954	1960	POWER WINDOW MOTOR ADAPTER HARNESS Adapts "T" Shaped Motor Connector To Side By Side Blade Type Motor Connector	\$22.00	C
36954	1961	POWER WINDOW MOTOR ADAPTER HARNESS Adapts "T" Shaped Motor Connector To Side By Side Blade Type Motor Connector	\$22.00	C
36954	1962	POWER WINDOW MOTOR ADAPTER HARNESS Adapts "T" Shaped Motor Connector To Side By Side Blade Type Motor Connector	\$22.00	C
36954	1963	POWER WINDOW MOTOR ADAPTER HARNESS Adapts "T" Shaped Motor Connector To Side By Side Blade Type Motor Connector	\$22.00	C
36954	1964	POWER WINDOW MOTOR ADAPTER HARNESS Adapts "T" Shaped Motor Connector To Side By Side Blade Type Motor Connector	\$22.00	C
36954	1965	POWER WINDOW MOTOR ADAPTER HARNESS Adapts "T" Shaped Motor Connector To Side By Side Blade Type Motor Connector	\$22.00	C
36954	1966	POWER WINDOW MOTOR ADAPTER HARNESS Adapts "T" Shaped Motor Connector To Side By Side Blade Type Motor Connector	\$22.00	C
36954	1967	POWER WINDOW MOTOR ADAPTER HARNESS Adapts "T" Shaped Motor Connector To Side By Side Blade Type Motor Connector	\$22.00	C
36954	1968	POWER WINDOW MOTOR ADAPTER HARNESS Adapts "T" Shaped Motor Connector To Side By Side Blade Type Motor Connector	\$22.00	C
36954	1969	POWER WINDOW MOTOR ADAPTER HARNESS Adapts "T" Shaped Motor Connector To Side By Side Blade Type Motor Connector	\$22.00	C
36954	1970	POWER WINDOW MOTOR ADAPTER HARNESS Adapts "T" Shaped Motor Connector To Side By Side Blade Type Motor Connector	\$22.00	C
36954	1971	POWER WINDOW MOTOR ADAPTER HARNESS Adapts "T" Shaped Motor Connector To Side By Side Blade Type Motor Connector	\$22.00	C
36954	1972	POWER WINDOW MOTOR ADAPTER HARNESS Adapts "T" Shaped Motor Connector To Side By Side Blade Type Motor Connector	\$22.00	C
36954	1973	POWER WINDOW MOTOR ADAPTER HARNESS Adapts "T" Shaped Motor Connector To Side By Side Blade Type Motor Connector	\$22.00	C
36954	1974	POWER WINDOW MOTOR ADAPTER HARNESS Adapts "T" Shaped Motor Connector To Side By Side Blade Type Motor Connector	\$22.00	C
36954	1975	POWER WINDOW MOTOR ADAPTER HARNESS Adapts "T" Shaped Motor Connector To Side By Side Blade Type Motor Connector	\$22.00	C
POWER WINDOW RELAY AND ADAPTER HARNESS				
39440	1967	POWER WINDOW RELAY AND ADAPTER HARNESS Includes New Standard Type Relay And Adapter To Mate To Factory Harness	\$40.00	
POWER WINDOW SWITCH				
01725109	1968	POWER WINDOW SWITCH Single Button	\$35.00	
01725109	1969	POWER WINDOW SWITCH Single Button	\$35.00	
01725109	1970	POWER WINDOW SWITCH Single Button	\$35.00	
01725109	1971	POWER WINDOW SWITCH Single Button	\$35.00	
01725109	1972	POWER WINDOW SWITCH Single Button	\$35.00	

Part Number	Year	Description	Price	*Rev.
01725109	1973	POWER WINDOW SWITCH Single Button	\$35.00	
01725109	1974	POWER WINDOW SWITCH Single Button	\$35.00	
01725109	1975	POWER WINDOW SWITCH Single Button	\$35.00	
01725109	1976	POWER WINDOW SWITCH Single Button	\$35.00	
01725109	1977	POWER WINDOW SWITCH Single Button	\$35.00	
01725109	1978	POWER WINDOW SWITCH Single Button	\$35.00	
01725109	1979	POWER WINDOW SWITCH Single Button	\$35.00	
20043940	1980	POWER WINDOW SWITCH Single Button	\$9.00	N
20043940	1981	POWER WINDOW SWITCH Single Button	\$9.00	N
PULSE WIPER OVERRIDE JUMPER				
28070	1979	PULSE WIPER OVERRIDE JUMPER Note: Used With #27630 Dash Harness And #28065 Wiper Override Jumper To Bypass Pulse Wiper Controller.	\$18.00	
28065	1979	PULSE WIPER OVERRIDE JUMPER Note: Used With #27630 Dash Harness And #28070 Wiper Override Jumper To Bypass Pulse Wiper Controller.	\$18.00	
RADIO POWER LEADS				
36082	1953	RADIO POWER LEADS All	\$29.00	
36082	1954	RADIO POWER LEADS All	\$29.00	
36084	1955	RADIO POWER LEADS All	\$29.00	
36084	1956	RADIO POWER LEADS All	\$29.00	
36084	1957	RADIO POWER LEADS All	\$29.00	
REAR LAMP HARNESS				
31860	1953	REAR LAMP HARNESS 6 Cylinder, 6 Volt System Note: 6 Cylinder Items Are Not Returnable.	\$184.00	
31860	1954	REAR LAMP HARNESS 6 Cylinder, 6 Volt System Note: 6 Cylinder Items Are Not Returnable.	\$184.00	
31860	1955	REAR LAMP HARNESS 6 Cylinder, 6 Volt System Note: 6 Cylinder Items Are Not Returnable.	\$184.00	
31845	1955	REAR LAMP HARNESS V/8, 12 Volt System	\$184.00	
01810	1956	REAR LAMP HARNESS All	\$158.00	
01810	1957	REAR LAMP HARNESS All	\$158.00	
01815	1958	REAR LAMP HARNESS All	\$158.00	
01815	1959	REAR LAMP HARNESS All	\$158.00	
01815	1960	REAR LAMP HARNESS All	\$158.00	
01820	1961	REAR LAMP HARNESS All	\$184.00	
01820	1962	REAR LAMP HARNESS All	\$184.00	
01825	1963	REAR LAMP HARNESS Without Backup Lamps	\$311.00	
01830	1963	REAR LAMP HARNESS With Backup Lamps	\$311.00	
01840	1964	REAR LAMP HARNESS Without Backup Lamps, Convertible Or 35.5 Gal Gas Tank Coupe	\$311.00	
01845	1964	REAR LAMP HARNESS Without Backup Lamps, Coupe	\$311.00	
01850	1964	REAR LAMP HARNESS With Backup Lamps, Convertible Or 35.5 Gal Gas Tank Coupe	\$311.00	
01835	1964	REAR LAMP HARNESS With Backup Lamps, Coupe	\$311.00	
35891	1965	REAR LAMP HARNESS Without Backup Lamps, Convertible Or 35.5 Gal Gas Tank Coupe Note: Has A Black With Yellow Striped Wire On The LH Tail Lamp Plug (Early).	\$311.00	
01868	1965	REAR LAMP HARNESS Without Backup Lamps, Convertible Or 35.5 Gal Gas Tank Coupe Note: Has A Solid Yellow Wire On The LH Tail Lamp Plug (Late).	\$311.00	
35893	1965	REAR LAMP HARNESS Without Backup Lamps, Coupe Note: Has A Black With Yellow Striped Wire On The LH Tail Lamp Plug (Early).	\$311.00	

Part Number	Year	Description	Price	*Rev.
01855	1965	REAR LAMP HARNESS Without Backup Lamps, Coupe Note: Has A Solid Yellow Wire On The LH Tail Lamp Plug (Late).	\$311.00	
35892	1965	REAR LAMP HARNESS With Backup Lamps, Conv. Or 35.5 Gal Gas Tank Coupe Note: Has A Black With Yellow Striped Wire On The LH Tail Lamp Plug (Early).	\$311.00	
01870	1965	REAR LAMP HARNESS With Backup Lamps, Conv. Or 35.5 Gal Gas Tank Coupe Note: Has A Solid Yellow Wire On The LH Tail Lamp Plug (Late).	\$311.00	
35894	1965	REAR LAMP HARNESS With Backup Lamps, Coupe Note: Has A Black With Yellow Striped Wire On The LH Tail Lamp Plug (Early).	\$311.00	
01865	1965	REAR LAMP HARNESS With Backup Lamps, Coupe Note: Has A Solid Yellow Wire On The LH Tail Lamp Plug (Late).	\$311.00	
01870	1966	REAR LAMP HARNESS All	\$311.00	
01880	1967	REAR LAMP HARNESS All	\$311.00	
01885	1968	REAR LAMP HARNESS All, Includes Fiber Optics	\$449.00	
37989	1968	FIBER OPTIC SUB ASSEMBLY ONLY For Servicing Rear Lamp Fiber Optics Only	\$264.00	
01890	1969	REAR LAMP HARNESS All, Includes Fiber Optics	\$449.00	
37989	1969	FIBER OPTIC SUB ASSEMBLY ONLY For Servicing Rear Lamp Fiber Optics Only	\$264.00	
01895	1970	REAR LAMP HARNESS All, Includes Fiber Optics	\$449.00	
16160	1970	FIBER OPTIC SUB ASSEMBLY ONLY For Servicing Rear Lamp Fiber Optics Only	\$477.00	
02005	1971	REAR LAMP HARNESS With Anti-Theft System, Includes Fiber Optics	\$449.00	
02000	1971	REAR LAMP HARNESS Without Anti-Theft System, Includes Fiber Optics	\$449.00	
16205	1971	FIBER OPTIC SUB ASSEMBLY ONLY For Servicing Rear Lamp Fiber Optics Only	\$477.00	
02010	1972	REAR LAMP HARNESS With Seat Belt Warning	\$449.00	
36033	1972	REAR LAMP HARNESS Without Seat Belt Warning	\$449.00	
02015	1973	REAR LAMP HARNESS All	\$449.00	
28325	1974	REAR LAMP HARNESS All, Includes Seatbelt Ignition Interlock	\$480.00	
28330	1975	REAR LAMP HARNESS With Seatbelt Ignition Interlock (Early Production)	\$480.00	
02030	1975	REAR LAMP HARNESS Without Seatbelt Ignition Interlock (Late Production) Note: If Eliminating Seatbelt Ignition Interlock, The Dash, Engine & Rear Lamp Harnesses All Need To Be Replaced.	\$480.00	
02030	1976	REAR LAMP HARNESS All	\$480.00	
33050	1977	REAR LAMP HARNESS Before 3/2/77	\$480.00	
27580	1977	REAR LAMP HARNESS After 3/2/77, With Spare Tire Illumination Lamp	\$480.00	
27635	1978	REAR LAMP HARNESS Without Stereo Dual Rear Speaker Option (U81)	\$511.00	
27075	1978	REAR LAMP HARNESS With Stereo Dual Rear Speaker Option (U81)	\$511.00	
27615	1979	REAR LAMP HARNESS Without Electric Rear Window Defogger Option (C49)	\$511.00	
27620	1979	REAR LAMP HARNESS With Electric Rear Window Defogger Option (C49)	\$511.00	
27665	1980	REAR LAMP HARNESS Without Electric Rear Window Defogger	\$511.00	
27680	1980	REAR LAMP HARNESS With Electric Rear Defogger, With Separate Timer & Relay Note: 1st Design Requires Part #28115 To Complete Defogger Wiring.	\$511.00	
33025	1980	REAR LAMP HARNESS With Electric Defogger, With Integral Timer & Relay Note: 2nd Design With A 4 Contact Switch Connector All In A Straight Line.	\$511.00	
33035	1981	REAR LAMP HARNESS Without Electric Rear Window Defogger	\$511.00	
33030	1981	REAR LAMP HARNESS With Electric Rear Defogger	\$511.00	
33040	1982	REAR LAMP HARNESS Without Electric Rear Window Defogger	\$511.00	
33045	1982	REAR LAMP HARNESS With Electric Rear Defogger	\$511.00	
36099	1982	REAR LAMP HARNESS Collector Edition Only	\$511.00	
REAR WINDOW DEFROSTER HARNESS				
02035	1968	REAR WINDOW DEFROSTER HARNESS From Defogger Switch To Blower Motor Connector	\$96.00	

Part Number	Year	Description	Price	*Rev.
02035	1969	REAR WINDOW DEFROSTER HARNESS From Defogger Switch To Blower Motor Connector	\$96.00	
02035	1970	REAR WINDOW DEFROSTER HARNESS From Defogger Switch To Blower Motor Connector	\$96.00	
02035	1971	REAR WINDOW DEFROSTER HARNESS From Defogger Switch To Blower Motor Connector	\$96.00	
02035	1972	REAR WINDOW DEFROSTER HARNESS From Defogger Switch To Blower Motor Connector	\$96.00	
02035	1973	REAR WINDOW DEFROSTER HARNESS From Defogger Switch To Blower Motor Connector	\$96.00	
02040	1974	REAR WINDOW DEFROSTER HARNESS From Defogger Switch To Blower Motor Connector	\$96.00	
02040	1975	REAR WINDOW DEFROSTER HARNESS From Defogger Switch To Blower Motor Connector	\$96.00	
27810	1976	REAR WINDOW DEFROSTER HARNESS From Defogger Switch To Heated Glass Connector	\$96.00	
27805	1977	REAR WINDOW DEFROSTER HARNESS From Defogger Switch To Heated Glass Connector	\$96.00	
28360	1978	REAR WINDOW DEFROSTER HARNESS From Defogger Switch To Heated Glass Connector	\$96.00	
28005	1979	REAR WINDOW DEFROSTER HARNESS From Defogger Switch To Rear Lamp Harness	\$96.00	
28115	1980	REAR WINDOW DEFROSTER HARNESS From Defogger Switch To Rear Lamp Harness	\$96.00	
Note: 1st Design With A 4 Contact Switch Connector, 3 Straight And 1 Offset.				
REGULATOR TO GENERATOR HARNESS				
36075	1958	REGULATOR TO GENERATOR HARNESS	\$73.00	
36075	1959	REGULATOR TO GENERATOR HARNESS	\$73.00	
02045	1960	REGULATOR TO GENERATOR HARNESS	\$59.00	
02045	1961	REGULATOR TO GENERATOR HARNESS	\$59.00	
02045	1962	REGULATOR TO GENERATOR HARNESS	\$59.00	
REPAIR PIGTAIL				
27970	1963	REPAIR PIGTAIL Backup Lamp Plug, Does Not Include Lamp Boot	\$20.00	
27970	1964	REPAIR PIGTAIL Backup Lamp Plug, Does Not Include Lamp Boot	\$20.00	
27970	1965	REPAIR PIGTAIL Backup Lamp Plug, Does Not Include Lamp Boot	\$20.00	
27970	1966	REPAIR PIGTAIL Backup Lamp Plug, Does Not Include Lamp Boot	\$20.00	
27970	1967	REPAIR PIGTAIL Backup Lamp Plug, Does Not Include Lamp Boot	\$20.00	
27970	1968	REPAIR PIGTAIL Backup Lamp Plug, Does Not Include Lamp Boot	\$20.00	
27970	1969	REPAIR PIGTAIL Backup Lamp Plug, Does Not Include Lamp Boot	\$20.00	
27970	1970	REPAIR PIGTAIL Backup Lamp Plug, Does Not Include Lamp Boot	\$20.00	
27970	1971	REPAIR PIGTAIL Backup Lamp Plug, Does Not Include Lamp Boot	\$20.00	
27970	1972	REPAIR PIGTAIL Backup Lamp Plug, Does Not Include Lamp Boot	\$20.00	
27970	1973	REPAIR PIGTAIL Backup Lamp Plug, Does Not Include Lamp Boot	\$20.00	
27975	1953	REPAIR PIGTAIL Tail & Brake Lamp Plug, Does Not Include Lamp Boot	\$20.00	
27975	1954	REPAIR PIGTAIL Tail & Brake Lamp Plug, Does Not Include Lamp Boot	\$20.00	
27975	1955	REPAIR PIGTAIL Tail & Brake Lamp Plug, Does Not Include Lamp Boot	\$20.00	
27975	1956	REPAIR PIGTAIL Tail & Brake Lamp Plug, Does Not Include Lamp Boot	\$20.00	
27975	1957	REPAIR PIGTAIL Tail & Brake Lamp Plug, Does Not Include Lamp Boot	\$20.00	
27975	1958	REPAIR PIGTAIL Tail & Brake Lamp Plug, Does Not Include Lamp Boot	\$20.00	
27975	1959	REPAIR PIGTAIL Tail & Brake Lamp Plug, Does Not Include Lamp Boot	\$20.00	
27975	1960	REPAIR PIGTAIL Tail & Brake Lamp Plug, Does Not Include Lamp Boot	\$20.00	
27975	1961	REPAIR PIGTAIL Tail & Brake Lamp Plug, Does Not Include Lamp Boot	\$20.00	
27975	1962	REPAIR PIGTAIL Tail & Brake Lamp Plug, Does Not Include Lamp Boot	\$20.00	
27975	1963	REPAIR PIGTAIL Tail & Brake Lamp Plug, Does Not Include Lamp Boot	\$20.00	
27975	1964	REPAIR PIGTAIL Tail & Brake Lamp Plug, Does Not Include Lamp Boot	\$20.00	
27975	1965	REPAIR PIGTAIL Tail & Brake Lamp Plug, Does Not Include Lamp Boot	\$20.00	
27975	1966	REPAIR PIGTAIL Tail & Brake Lamp Plug, Does Not Include Lamp Boot	\$20.00	
27975	1967	REPAIR PIGTAIL Tail & Brake Lamp Plug, Does Not Include Lamp Boot	\$20.00	
27975	1968	REPAIR PIGTAIL Tail & Brake Lamp Plug, Does Not Include Lamp Boot	\$20.00	

Part Number	Year	Description	Price	*Rev.
27975	1969	REPAIR PIGTAIL Tail & Brake Lamp Plug, Does Not Include Lamp Boot	\$20.00	
27975	1970	REPAIR PIGTAIL Tail & Brake Lamp Plug, Does Not Include Lamp Boot	\$20.00	
27975	1971	REPAIR PIGTAIL Tail & Brake Lamp Plug, Does Not Include Lamp Boot	\$20.00	
27975	1972	REPAIR PIGTAIL Tail & Brake Lamp Plug, Does Not Include Lamp Boot	\$20.00	
27975	1973	REPAIR PIGTAIL Tail & Brake Lamp Plug, Does Not Include Lamp Boot	\$20.00	
REPAIR PIGTAIL-FOR POWER DOOR LOCK SWITCH				
27240	1978	REPAIR PIGTAIL, FOR POWER DOOR LOCK SWITCH For Left (Driver) Side Power Door Lock Switches, Connector & Wire	\$26.00	
27245	1978	REPAIR PIGTAIL, FOR POWER DOOR LOCK SWITCH For Right (Passenger) Side Power Door Lock Switches, Connector & Wire	\$26.00	
27240	1979	REPAIR PIGTAIL, FOR POWER DOOR LOCK SWITCH For Left (Driver) Side Power Door Lock Switches, Connector & Wire	\$26.00	
27245	1979	REPAIR PIGTAIL, FOR POWER DOOR LOCK SWITCH For Right (Passenger) Side Power Door Lock Switches, Connector & Wire	\$26.00	
27240	1980	REPAIR PIGTAIL, FOR POWER DOOR LOCK SWITCH For Left (Driver) Side Power Door Lock Switches, Connector & Wire	\$26.00	
27245	1980	REPAIR PIGTAIL, FOR POWER DOOR LOCK SWITCH For Right (Passenger) Side Power Door Lock Switches, Connector & Wire	\$26.00	
27240	1981	REPAIR PIGTAIL, FOR POWER DOOR LOCK SWITCH For Left (Driver) Side Power Door Lock Switches, Connector & Wire	\$26.00	
27245	1981	REPAIR PIGTAIL, FOR POWER DOOR LOCK SWITCH For Right (Passenger) Side Power Door Lock Switches, Connector & Wire	\$26.00	
27240	1982	REPAIR PIGTAIL, FOR POWER DOOR LOCK SWITCH For Left (Driver) Side Power Door Lock Switches, Connector & Wire	\$26.00	
27245	1982	REPAIR PIGTAIL, FOR POWER DOOR LOCK SWITCH For Right (Passenger) Side Power Door Lock Switches, Connector & Wire	\$26.00	
REPAIR PIGTAIL-FOR POWER WINDOW SWITCH				
36048	1968	REPAIR PIGTAIL, FOR POWER WINDOW SWITCH For Single Power Window Switches, Connector & Wire	\$25.00	
36048	1969	REPAIR PIGTAIL, FOR POWER WINDOW SWITCH For Single Power Window Switches, Connector & Wire	\$25.00	
36048	1970	REPAIR PIGTAIL, FOR POWER WINDOW SWITCH For Single Power Window Switches, Connector & Wire	\$25.00	
36048	1971	REPAIR PIGTAIL, FOR POWER WINDOW SWITCH For Single Power Window Switches, Connector & Wire	\$25.00	
36048	1972	REPAIR PIGTAIL, FOR POWER WINDOW SWITCH For Single Power Window Switches, Connector & Wire	\$25.00	
36048	1973	REPAIR PIGTAIL, FOR POWER WINDOW SWITCH For Single Power Window Switches, Connector & Wire	\$25.00	
36048	1974	REPAIR PIGTAIL, FOR POWER WINDOW SWITCH For Single Power Window Switches, Connector & Wire	\$25.00	
36048	1975	REPAIR PIGTAIL, FOR POWER WINDOW SWITCH For Single Power Window Switches, Connector & Wire	\$25.00	
36048	1976	REPAIR PIGTAIL, FOR POWER WINDOW SWITCH For Single Power Window Switches, Connector & Wire	\$25.00	
36048	1977	REPAIR PIGTAIL, FOR POWER WINDOW SWITCH For Single Power Window Switches, Connector & Wire	\$25.00	
36048	1978	REPAIR PIGTAIL, FOR POWER WINDOW SWITCH For Single Power Window Switches, Connector & Wire	\$25.00	
36048	1979	REPAIR PIGTAIL, FOR POWER WINDOW SWITCH For Single Power Window Switches, Connector & Wire	\$25.00	
36048	1980	REPAIR PIGTAIL, FOR POWER WINDOW SWITCH For Single Power Window Switches, Connector & Wire	\$25.00	
REPLACEMENT REAR LAMP BOOT-DUST SHIELD				
02977660	1963	REPLACEMENT REAR LAMP BOOT, DUST SHIELD FOR LAMP SOCKETS Tail, Brake Lamp & Back Up Lamp (Accordian Type)	\$13.00	
02977660	1964	REPLACEMENT REAR LAMP BOOT, DUST SHIELD FOR LAMP SOCKETS Tail, Brake Lamp & Back Up Lamp (Accordian Type)	\$13.00	
02977660	1965	REPLACEMENT REAR LAMP BOOT, DUST SHIELD FOR LAMP SOCKETS Tail, Brake Lamp & Back Up Lamp (Accordian Type)	\$13.00	
02977660	1966	REPLACEMENT REAR LAMP BOOT, DUST SHIELD FOR LAMP SOCKETS Tail, Brake Lamp & Back Up Lamp (Accordian Type)	\$13.00	
02977660	1967	REPLACEMENT REAR LAMP BOOT, DUST SHIELD FOR LAMP SOCKETS Tail, Brake Lamp & Back Up Lamp (Accordian Type)	\$13.00	

Part Number	Year	Description	Price	*Rev.
02977660	1968	REPLACEMENT REAR LAMP BOOT, DUST SHIELD FOR LAMP SOCKETS Tail, Brake Lamp & Back Up Lamp (Accordian Type)	\$13.00	
02977660	1969	REPLACEMENT REAR LAMP BOOT, DUST SHIELD FOR LAMP SOCKETS Tail, Brake Lamp & Back Up Lamp (Accordian Type)	\$13.00	
02977660	1970	REPLACEMENT REAR LAMP BOOT, DUST SHIELD FOR LAMP SOCKETS Tail, Brake Lamp & Back Up Lamp (Accordian Type)	\$13.00	
02977660	1971	REPLACEMENT REAR LAMP BOOT, DUST SHIELD FOR LAMP SOCKETS Tail, Brake Lamp & Back Up Lamp (Accordian Type)	\$13.00	
02977660	1972	REPLACEMENT REAR LAMP BOOT, DUST SHIELD FOR LAMP SOCKETS Tail, Brake Lamp & Back Up Lamp (Accordian Type)	\$13.00	
SEAT BELT WARNING HARNESS				
02050	1972	SEAT BELT WARNING HARNESS	\$66.00	
02050	1973	SEAT BELT WARNING HARNESS	\$66.00	
02055	1974	SEAT BELT WARNING HARNESS With Manual Trans	\$66.00	
SEAT BELT WARNING POWER FEED WIRE				
36866	1971	SEAT BELT WARNING POWER FEED WIRE	\$17.00	
SPEAKER CONVERSION HARNESS				
37833	1970	SPEAKER CONVERSION HARNESS All (2 Required Per Car) Note: Use When Installing Current Gm Replacement Speaker Part #16047855.	\$22.00	
37833	1971	SPEAKER CONVERSION HARNESS All (2 Required Per Car) Note: Use When Installing Current GM Replacement Speaker Part #16047855.	\$22.00	
37833	1972	SPEAKER CONVERSION HARNESS All (2 Required Per Car) Note: Use When Installing Current GM Replacement Speaker Part #16047855.	\$22.00	
37833	1973	SPEAKER CONVERSION HARNESS All (2 Required Per Car) Note: Use When Installing Current GM Replacement Speaker Part #16047855.	\$22.00	
37833	1974	SPEAKER CONVERSION HARNESS All (2 Required Per Car) Note: Use When Installing Current GM Replacement Speaker Part #16047855.	\$22.00	
37833	1975	SPEAKER CONVERSION HARNESS All (2 Required Per Car) Note: Use When Installing Current GM Replacement Speaker Part #16047855.	\$22.00	
37833	1976	SPEAKER CONVERSION HARNESS All (2 Required Per Car) Note: Use When Installing Current GM Replacement Speaker Part #16047855.	\$22.00	
37833	1977	SPEAKER CONVERSION HARNESS All (2 Required Per Car) Note: Use When Installing Current GM Replacement Speaker Part #16047855.	\$22.00	
SPEAKER HARNESS				
36089	1958	SPEAKER HARNESS Front	\$22.00	
36089	1959	SPEAKER HARNESS Front	\$22.00	
36089	1960	SPEAKER HARNESS Front	\$22.00	
36089	1961	SPEAKER HARNESS Front	\$22.00	
36089	1962	SPEAKER HARNESS Front	\$22.00	
36090	1963	SPEAKER HARNESS Front	\$22.00	
36090	1964	SPEAKER HARNESS Front	\$22.00	
36090	1965	SPEAKER HARNESS Front	\$22.00	
36090	1966	SPEAKER HARNESS Front	\$22.00	
36090	1967	SPEAKER HARNESS Front	\$22.00	
02060	1974	SPEAKER HARNESS Front	\$40.00	
02060	1975	SPEAKER HARNESS Front	\$40.00	
02060	1976	SPEAKER HARNESS Front	\$40.00	
36091	1977	SPEAKER HARNESS Front, Monoaural	\$40.00	

Part Number	Year	Description	Price	*Rev.
28300	1977	SPEAKER HARNESS Front, Stereo	\$40.00	
28025	1978	SPEAKER HARNESS Front, AM/FM Pushbutton Radio (U69)	\$48.00	
28015	1978	SPEAKER HARNESS Front, AM/FM Stereo Pushbutton Tape Player, Pushbutton & Cb	\$48.00	
27820	1978	SPEAKER HARNESS With Dual Front & Rear Speakers (U81)	\$80.00	
28025	1979	SPEAKER HARNESS Front, Monaural Radio	\$48.00	
28015	1979	SPEAKER HARNESS Front, Stereo Radio	\$48.00	
28010	1979	SPEAKER HARNESS With Dual Front & Rear Speakers (U81)	\$80.00	
28025	1980	SPEAKER HARNESS Front, Monaural Radio & U81 Option Front Speakers Only	\$48.00	
28015	1980	SPEAKER HARNESS Front, Stereo Radio	\$48.00	
28075	1980	SPEAKER HARNESS Rear Speaker Only (U81 Option)	\$80.00	
28010	1980	SPEAKER HARNESS With Dual Front & Rear Speakers (U81)	\$80.00	
28025	1981	SPEAKER HARNESS Front, Monaural Radio & U81 Option Front Speakers Only	\$48.00	
28015	1981	SPEAKER HARNESS Front, Stereo Radio	\$48.00	
33245	1981	SPEAKER HARNESS Rear, Dual Speakers (U81 Option)	\$40.00	
28025	1982	SPEAKER HARNESS Front, Monaural Radio & U81 Option Front Speakers Only	\$48.00	
28015	1982	SPEAKER HARNESS Front, Stereo Radio	\$48.00	
33245	1982	SPEAKER HARNESS Rear, Dual Speakers (U81 Option)	\$40.00	
SPEED WARNING HARNESS				
02065	1967	SPEED WARNING HARNESS	\$32.00	
02070	1968	SPEED WARNING HARNESS	\$32.00	
02070	1969	SPEED WARNING HARNESS	\$32.00	
STARTER EXTENSION HARNESS				
27650	1977	STARTER EXTENSION HARNESS Without A/C, Engine Harness To Starter Solenoid Note: With Anti-Theft Switch Mounted In Door Lock, After 3/2/77.	\$110.00	
27070	1977	STARTER EXTENSION HARNESS With A/C, Engine Harness To Starter Solenoid Note: With Anti-Theft Switch Mounted In Door Lock, After 3/2/77.	\$110.00	
27650	1978	STARTER EXTENSION HARNESS Without A/C	\$110.00	
27070	1978	STARTER EXTENSION HARNESS With A/C	\$110.00	
27655	1979	STARTER EXTENSION HARNESS All, Without A/C	\$110.00	
27095	1979	STARTER EXTENSION HARNESS With A/C, Except L82	\$110.00	
27120	1979	STARTER EXTENSION HARNESS With A/C, L82, With Connector For Auxillary Fan Thermostat	\$110.00	
28275	1980	STARTER EXTENSION HARNESS Except L82	\$110.00	
28095	1980	STARTER EXTENSION HARNESS L82, With Connector For Auxillary Fan Thermostat	\$110.00	
32810	1981	STARTER EXTENSION HARNESS	\$110.00	
32810	1982	STARTER EXTENSION HARNESS	\$110.00	
STARTER EXTENSION WIRE				
02075	1975	STARTER EXTENSION WIRE All, Engine Harness To Starter Solenoid	\$20.00	
02075	1976	STARTER EXTENSION WIRE All, Engine Harness To Starter Solenoid	\$20.00	
02075	1977	STARTER EXTENSION WIRE Engine Harness To Starter Solenoid Note: With Anti-Theft Switch Mounted In Fender, Before 3/2/77.	\$20.00	
STEERING COLUMN ADAPTER HARNESS				
37616	1963	STEERING COLUMN ADAPTER HARNESS For 1969-74 GM & Ididit Columns (Exc. Flaming River) To Stock Dash Harness Note: Adapts Horn, Directionals, Hazard Flashers To Stock 6-Way Dash Connector.	\$50.00	
38124	1963	STEERING COLUMN ADAPTER HARNESS For 1975 & Up GM & Flaming River Columns (Exc. Ididit) To Stock Dash Harness Note: Adapts Horn, Directionals, Hazard Flashers To Stock 6-Way Dash Connector.	\$53.00	

Part Number	Year	Description	Price	*Rev.
37618	1964	STEERING COLUMN ADAPTER HARNESS For 1969-74 GM & Ididit Columns (Exc. Flaming River) To Stock Dash Harness Note: Adapts Horn, Directionals, Hazard Flashers To Stock 8-Way Dash Connector.	\$50.00	
38125	1964	STEERING COLUMN ADAPTER HARNESS For 1975 & Up GM & Flaming River Columns (Exc. Ididit) To Stock Dash Harness Note: Adapts Horn, Directionals, Hazard Flashers To Stock 8-Way Dash Connector.	\$51.00	
37618	1965	STEERING COLUMN ADAPTER HARNESS For 1969-74 GM & Ididit Columns (Exc. Flaming River) To Stock Dash Harness Note: Adapts Horn, Directionals, Hazard Flashers To Stock 8-Way Dash Connector.	\$50.00	
38125	1965	STEERING COLUMN ADAPTER HARNESS For 1975 & Up GM & Flaming River Columns (Exc. Ididit) To Stock Dash Harness Note: Adapts Horn, Directionals, Hazard Flashers To Stock 8-Way Dash Connector.	\$51.00	
37618	1966	STEERING COLUMN ADAPTER HARNESS For 1969-74 GM & Ididit Columns (Exc. Flaming River) To Stock Dash Harness Note: Adapts Horn, Directionals, Hazard Flashers To Stock 8-Way Dash Connector.	\$50.00	
38125	1966	STEERING COLUMN ADAPTER HARNESS For 1975 & Up GM & Flaming River Columns (Exc. Ididit) To Stock Dash Harness Note: Adapts Horn, Directionals, Hazard Flashers To Stock 8-Way Dash Connector.	\$51.00	
36882	1967	STEERING COLUMN ADAPTER HARNESS For 1969-1974 GM & Ididit Columns (Exc. Flaming River) To Stock Dash Harness Note: Adapts Horn, Directionals, Hazard Flashers To Stock 9-Pin T/L Dash Connector.	\$27.00	
38127	1967	STEERING COLUMN ADAPTER HARNESS For 1975 & Up GM & Flaming River Columns (Exc. Ididit) To Stock Dash Harness Note: Adapts Horn, Directionals, Hazard Flashers To Stock 9-Pin T/L Dash Connector.	\$27.00	
36882	1968	STEERING COLUMN ADAPTER HARNESS For 1969-1974 GM & Ididit Columns (Exc. Flaming River) To Stock Dash Harness Note: Adapts Horn, Directionals, Hazard Flashers To Stock 9-Pin T/L Dash Connector.	\$27.00	
38127	1968	STEERING COLUMN ADAPTER HARNESS For 1975 & Up GM & Flaming River Columns (Exc. Ididit) To Stock Dash Harness Note: Adapts Horn, Directionals, Hazard Flashers To Stock 9-Pin T/L Dash Connector.	\$27.00	
STOP LAMP SWITCH				
01261219	1953	STOP LAMP SWITCH	\$5.80	N
01261219	1954	STOP LAMP SWITCH	\$5.80	N
01261219	1955	STOP LAMP SWITCH	\$5.80	N
01261219	1956	STOP LAMP SWITCH	\$5.80	N
01261219	1957	STOP LAMP SWITCH	\$5.80	N
01261219	1958	STOP LAMP SWITCH	\$5.80	N
01261219	1959	STOP LAMP SWITCH	\$5.80	N
01261219	1960	STOP LAMP SWITCH	\$5.80	N
01261219	1961	STOP LAMP SWITCH	\$5.80	N
01261219	1962	STOP LAMP SWITCH	\$5.80	N
01261219	1963	STOP LAMP SWITCH	\$5.80	N
01261219	1964	STOP LAMP SWITCH	\$5.80	N
01261219	1965	STOP LAMP SWITCH	\$5.80	N
01261219	1966	STOP LAMP SWITCH	\$5.80	N
01261219	1967	STOP LAMP SWITCH	\$5.80	N
01261219	1968	STOP LAMP SWITCH Except Lever Type	\$5.80	N
01261219	1969	STOP LAMP SWITCH	\$5.80	N
01261219	1970	STOP LAMP SWITCH	\$5.80	N
01261219	1971	STOP LAMP SWITCH	\$5.80	N
01261219	1972	STOP LAMP SWITCH	\$5.80	N

Part Number	Year	Description	Price	*Rev.
01261219	1973	STOP LAMP SWITCH	\$5.80	N
01261219	1974	STOP LAMP SWITCH	\$5.80	N
01261219	1975	STOP LAMP SWITCH	\$5.80	N
01261219	1976	STOP LAMP SWITCH	\$5.80	N
01261219	1977	STOP LAMP SWITCH Without Cruise	\$5.80	N
01261219	1978	STOP LAMP SWITCH Without Cruise	\$5.80	N
01261219	1979	STOP LAMP SWITCH Without Cruise	\$5.80	N
01261219	1980	STOP LAMP SWITCH Without Cruise	\$5.80	N
01261219	1981	STOP LAMP SWITCH Without Cruise	\$5.80	N
TACHOMETER WARNING HARNESS				
33355	1963	TACHOMETER WARNING HARNESS R.p.m. Overrev Warning Buzzer Wiring	\$32.00	
TCS JUMPER HARNESS				
02080	1970	TCS JUMPER HARNESS All, From Engine Harness To Temperature Sender	\$30.00	
02080	1971	TCS JUMPER HARNESS All, From Engine Harness To Temperature Sender	\$30.00	
02080	1972	TCS JUMPER HARNESS All, From Engine Harness To Temperature Sender	\$30.00	
02080	1973	TCS JUMPER HARNESS All, From Engine Harness To Temperature Sender	\$30.00	
02080	1974	TCS JUMPER HARNESS All, From Engine Harness To Temperature Sender	\$30.00	
TEMPERATURE GAUGE				
06400566	1963	TEMPERATURE GAUGE	\$39.00	N
06401290	1964	TEMPERATURE GAUGE	\$39.00	N
06402594	1965	TEMPERATURE GAUGE 250 Degree With Yellow And Orange Overheat Warning Marks Note: Face Plate Features 100-210-250 Marks, And Both Yellow And Orange Overheat Warning Marks.	\$47.00	N
06402594	1966	TEMPERATURE GAUGE 250 Degree With Yellow And Orange Overheat Warning Marks Note: Face Plate Features 100-210-250 Marks, And Both Yellow And Orange Overheat Warning Marks.	\$47.00	N
06402594	1967	TEMPERATURE GAUGE 250 Degree With Yellow And Orange Overheat Warning Marks Note: Face Plate Features 100-210-250 Marks, And Both Yellow And Orange Overheat Warning Marks.	\$47.00	N
TEMPERATURE SENDING UNIT LEAD WIRE REPAIR KIT				
37891	1956	TEMPERATURE SENDING UNIT LEAD WIRE REPAIR KIT Pre-Assembled Note: Includes New Asphalt Loom, Wire, Terminal & Connector.	\$20.00	
37892	1957	TEMPERATURE SENDING UNIT LEAD WIRE REPAIR KIT Pre-Assembled Note: Includes New Asphalt Loom, Wire, Terminal & Connector.	\$20.00	
37892	1958	TEMPERATURE SENDING UNIT LEAD WIRE REPAIR KIT Pre-Assembled Note: Includes New Asphalt Loom, Wire, Terminal & Connector.	\$20.00	
37892	1959	TEMPERATURE SENDING UNIT LEAD WIRE REPAIR KIT Pre-Assembled Note: Includes New Asphalt Loom, Wire, Terminal & Connector.	\$20.00	
37892	1960	TEMPERATURE SENDING UNIT LEAD WIRE REPAIR KIT Pre-Assembled Note: Includes New Asphalt Loom, Wire, Terminal & Connector.	\$20.00	
37892	1961	TEMPERATURE SENDING UNIT LEAD WIRE REPAIR KIT Pre-Assembled Note: Includes New Asphalt Loom, Wire, Terminal & Connector.	\$20.00	
37892	1962	TEMPERATURE SENDING UNIT LEAD WIRE REPAIR KIT Pre-Assembled Note: Includes New Asphalt Loom, Wire, Terminal & Connector.	\$20.00	
37893	1963	TEMPERATURE SENDING UNIT LEAD WIRE REPAIR KIT Pre-Assembled Note: Includes New Asphalt Loom, Wire, Terminal & Connector.	\$20.00	
37893	1964	TEMPERATURE SENDING UNIT LEAD WIRE REPAIR KIT Pre-Assembled Note: Includes New Asphalt Loom, Wire, Terminal & Connector.	\$20.00	
37893	1965	TEMPERATURE SENDING UNIT LEAD WIRE REPAIR KIT Pre-Assembled Note: Includes New Asphalt Loom, Wire, Terminal & Connector.	\$20.00	

Part Number	Year	Description	Price	*Rev.
37893	1966	TEMPERATURE SENDING UNIT LEAD WIRE REPAIR KIT Pre-Assembled Note: Includes New Asphalt Loom, Wire, Terminal & Connector.	\$20.00	
37893	1967	TEMPERATURE SENDING UNIT LEAD WIRE REPAIR KIT Pre-Assembled Note: Includes New Asphalt Loom, Wire, Terminal & Connector.	\$20.00	
TRANSISTOR IGNITION AMPLIFIER EXTENSION				
33225	1964	TRANSISTOR IGNITION AMPLIFIER EXTENSION From Internal Circuit Board To Amplifier Housing Connector	\$53.00	
33225	1965	TRANSISTOR IGNITION AMPLIFIER EXTENSION From Internal Circuit Board To Amplifier Housing Connector	\$53.00	
33225	1966	TRANSISTOR IGNITION AMPLIFIER EXTENSION From Internal Circuit Board To Amplifier Housing Connector	\$53.00	
33225	1967	TRANSISTOR IGNITION AMPLIFIER EXTENSION From Internal Circuit Board To Amplifier Housing Connector	\$53.00	
33225	1968	TRANSISTOR IGNITION AMPLIFIER EXTENSION From Internal Circuit Board To Amplifier Housing Connector (Early Production)	\$53.00	
36053	1968	TRANSISTOR IGNITION AMPLIFIER EXTENSION From Internal Circuit Board To Inline Transistor Ignition Harness Connector (Late Production)	\$92.00	
36053	1969	TRANSISTOR IGNITION AMPLIFIER EXTENSION From Internal Circuit Board To Inline Transistor Ignition Harness Connector	\$92.00	
36053	1970	TRANSISTOR IGNITION AMPLIFIER EXTENSION From Internal Circuit Board To Inline Transistor Ignition Harness Connector	\$92.00	
36053	1971	TRANSISTOR IGNITION AMPLIFIER EXTENSION From Internal Circuit Board To Inline Transistor Ignition Harness Connector	\$92.00	
TRANSISTOR IGNITION EXTENSION HARNESS				
02085	1968	TRANSISTOR IGNITION EXTENSION HARNESS Ignition Switch To T.I. Harness	\$26.00	
02085	1969	TRANSISTOR IGNITION EXTENSION HARNESS Ignition Switch To T.I. Harness	\$26.00	
02085	1970	TRANSISTOR IGNITION EXTENSION HARNESS Ignition Switch To T.I. Harness	\$26.00	
02085	1971	TRANSISTOR IGNITION EXTENSION HARNESS Ignition Switch To T.I. Harness	\$26.00	
02085	1972	TRANSISTOR IGNITION EXTENSION HARNESS Ignition Switch To T.I. Harness	\$26.00	
TRANSISTOR IGNITION HARNESS				
02090	1964	TRANSISTOR IGNITION HARNESS From Amplifier To Coil & Distributor	\$196.00	
35887	1965	TRANSISTOR IGNITION HARNESS From Amplifier To Coil & Distributor Note: Contains A Black With Pink Striped Wire In Connector At Distributor.	\$196.00	
02095	1965	TRANSISTOR IGNITION HARNESS From Amplifier To Coil & Distributor Note: Contains A Solid Pink Wire In Connector At Distributor.	\$196.00	
02100	1966	TRANSISTOR IGNITION HARNESS From Amplifier To Coil & Distributor	\$196.00	
02100	1967	TRANSISTOR IGNITION HARNESS From Amplifier To Coil & Distributor	\$196.00	
11870	1968	TRANSISTOR IGNITION HARNESS Early Style, With Connector On Amplifier	\$196.00	
02110	1968	TRANSISTOR IGNITION HARNESS Late Style, With Pigtail On Amplifier	\$196.00	
02110	1969	TRANSISTOR IGNITION HARNESS From Amplifier To Coil & Distributor	\$196.00	
02110	1970	TRANSISTOR IGNITION HARNESS From Amplifier To Coil & Distributor	\$196.00	
02110	1971	TRANSISTOR IGNITION HARNESS From Amplifier To Coil & Distributor	\$196.00	
02110	1972	TRANSISTOR IGNITION HARNESS From Amplifier To Coil & Distributor	\$196.00	
TRANSISTOR IGNITION REPLACEMENT MODULE				
32270	1964	TRANSISTOR IGNITION REPLACEMENT MODULE Replaces Original Circuit Board In Amplifier	\$189.00	
32270	1965	TRANSISTOR IGNITION REPLACEMENT MODULE Replaces Original Circuit Board In Amplifier	\$189.00	
32270	1966	TRANSISTOR IGNITION REPLACEMENT MODULE Replaces Original Circuit Board In Amplifier	\$189.00	
32270	1967	TRANSISTOR IGNITION REPLACEMENT MODULE Replaces Original Circuit Board In Amplifier	\$189.00	
32270	1968	TRANSISTOR IGNITION REPLACEMENT MODULE Replaces Original Circuit Board In Amplifier	\$189.00	
32270	1969	TRANSISTOR IGNITION REPLACEMENT MODULE Replaces Original Circuit Board In Amplifier	\$189.00	
32270	1970	TRANSISTOR IGNITION REPLACEMENT MODULE Replaces Original Circuit Board In Amplifier	\$189.00	
32270	1971	TRANSISTOR IGNITION REPLACEMENT MODULE Replaces Original Circuit Board In Amplifier	\$189.00	

Part Number	Year	Description	Price	*Rev.
32270	1972	TRANSISTOR IGNITION REPLACEMENT MODULE Replaces Original Circuit Board In Amplifier	\$189.00	
TRANSMISSION CONTROL JUMPER HARNESS				
28100	1980	TRANSMISSION CONTROL JUMPER HARNESS With TH350C Computer Controlled Auto Trans (MV4) Note: Used With Part #27675 Engine Harness.	\$57.00	
31835	1981	TRANSMISSION CONTROL JUMPER HARNESS With TH350C Computer Controlled Auto Trans (MV4)	\$57.00	
32320	1982	TRANSMISSION CONTROL JUMPER HARNESS With Computer Controlled Auto Trans (Md8)	\$57.00	
TURN SIGNAL FLASHER POWER LEAD WIRE				
37790	1953	TURN SIGNAL FLASHER POWER LEAD WIRE All 6 Volt Note: This Wire Connects From The Fuel Gauge To An Inline Fuse Connector In The Dash Harness.	\$18.00	
37790	1954	TURN SIGNAL FLASHER POWER LEAD WIRE All 6 Volt Note: This Wire Connects From The Fuel Gauge To An Inline Fuse Connector In The Dash Harness.	\$18.00	
37790	1955	TURN SIGNAL FLASHER POWER LEAD WIRE All 6 Volt Note: This Wire Connects From The Fuel Gauge To An Inline Fuse Connector In The Dash Harness.	\$18.00	
TURN SIGNAL SWITCH				
05947677	1953	TURN SIGNAL SWITCH 6 Cylinder Note: 6 Cylinder Items Are Not Returnable.	\$27.00	
05947677	1954	TURN SIGNAL SWITCH 6 Cylinder Note: 6 Cylinder Items Are Not Returnable.	\$27.00	
05947677	1955	TURN SIGNAL SWITCH 6 Cylinder Note: 6 Cylinder Items Are Not Returnable.	\$27.00	
05946173	1955	TURN SIGNAL SWITCH 12 Volt	\$27.00	
05946173	1956	TURN SIGNAL SWITCH All	\$27.00	
05946173	1957	TURN SIGNAL SWITCH All	\$27.00	
05946173	1958	TURN SIGNAL SWITCH All	\$27.00	
05946173	1959	TURN SIGNAL SWITCH All	\$27.00	
05946173	1960	TURN SIGNAL SWITCH All	\$27.00	
05946173	1961	TURN SIGNAL SWITCH All	\$27.00	
05946173	1962	TURN SIGNAL SWITCH All	\$27.00	
00910821	1964	TURN SIGNAL SWITCH Without Tilt	\$56.00	N
00910821	1965	TURN SIGNAL SWITCH Without Tilt	\$56.00	N
00910821	1966	TURN SIGNAL SWITCH Without Tilt	\$56.00	N
01893584	1969	TURN SIGNAL SWITCH With Tilt & Telescopic (Delco# D6207)	\$82.00	
01997969	1969	TURN SIGNAL SWITCH Without Tilt & Telescopic	\$56.00	
01893584	1970	TURN SIGNAL SWITCH With Tilt & Telescopic (Delco# D6207)	\$82.00	
01997969	1970	TURN SIGNAL SWITCH Without Tilt & Telescopic	\$56.00	
01893584	1971	TURN SIGNAL SWITCH With Tilt & Telescopic (Delco# D6207)	\$82.00	
01997969	1971	TURN SIGNAL SWITCH Without Tilt & Telescopic	\$56.00	
01893584	1972	TURN SIGNAL SWITCH With Tilt & Telescopic (Delco# D6207)	\$82.00	
01997969	1972	TURN SIGNAL SWITCH Without Tilt & Telescopic	\$56.00	
01893584	1973	TURN SIGNAL SWITCH With Tilt & Telescopic (Delco# D6207)	\$82.00	
01997969	1973	TURN SIGNAL SWITCH Without Tilt & Telescopic	\$56.00	
01893584	1974	TURN SIGNAL SWITCH With Tilt & Telescopic (Delco# D6207)	\$82.00	
01997969	1974	TURN SIGNAL SWITCH Without Tilt & Telescopic	\$56.00	
01893584	1975	TURN SIGNAL SWITCH With Tilt & Telescopic (Delco# D6207)	\$82.00	
01997969	1975	TURN SIGNAL SWITCH Without Tilt & Telescopic	\$56.00	
01893584	1976	TURN SIGNAL SWITCH With Tilt & Telescopic (Delco# D6207)	\$82.00	
01997969	1976	TURN SIGNAL SWITCH Without Tilt & Telescopic	\$56.00	

Part Number	Year	Description	Price	*Rev.
01997983	1977	TURN SIGNAL SWITCH With Tilt & Telescopic (Delco# D6222)	\$32.00	
01997988	1977	TURN SIGNAL SWITCH Without Tilt & Telescopic	\$32.00	
01997983	1978	TURN SIGNAL SWITCH With Tilt & Telescopic (Delco# D6222)	\$32.00	
01997988	1978	TURN SIGNAL SWITCH Without Tilt & Telescopic	\$32.00	
01997983	1979	TURN SIGNAL SWITCH With Tilt & Telescopic, With Bent Lever (Delco# D6222)	\$32.00	
01997988	1979	TURN SIGNAL SWITCH Without Tilt & Telescopic	\$32.00	
VOLTAGE REGULATOR ADAPTER HARNESS				
02115	1965	VOLTAGE REGULATOR ADAPTER HARNESS Without 396 C.I. Engine, From Field Terminal On Voltage Regulator To Chassis Ground (Includes Inline Diode)	\$52.00	
Note: Only Used With Original Solid State Voltage Regulator #1116368 On Small Block Cars, As A Safe Guard To Prevent Voltage Regulator Transistor Failure.				
WINDSHIELD WASHER MONITOR LAMP HARNESS				
02120	1970	WINDSHIELD WASHER MONITOR LAMP HARNESS With A/C	\$22.00	
36853	1970	WINDSHIELD WASHER MONITOR LAMP HARNESS Without A/C	\$27.00	
WINDSHIELD WIPER DOOR LIMIT SWITCH EXTENSION				
37586	1968	WINDSHIELD WIPER DOOR LIMIT SWITCH EXTENSION Note: Customer Must Solder Wires To Switch.	\$40.00	
37587	1969	WINDSHIELD WIPER DOOR LIMIT SWITCH EXTENSION Note: Customer Must Solder Wires To Switch.	\$40.00	
37587	1970	WINDSHIELD WIPER DOOR LIMIT SWITCH EXTENSION Note: Customer Must Solder Wires To Switch.	\$40.00	
37587	1971	WINDSHIELD WIPER DOOR LIMIT SWITCH EXTENSION Note: Customer Must Solder Wires To Switch.	\$40.00	
37587	1972	WINDSHIELD WIPER DOOR LIMIT SWITCH EXTENSION Note: Customer Must Solder Wires To Switch.	\$40.00	
WINDSHIELD WIPER SWITCH				
01993543	1963	WINDSHIELD WIPER SWITCH 2 Speed, With Washer	\$45.00	
01993543	1964	WINDSHIELD WIPER SWITCH 2 Speed, With Washer	\$45.00	
01993678	1965	WINDSHIELD WIPER SWITCH 2 Speed, With Washer	\$52.00	
01993678	1966	WINDSHIELD WIPER SWITCH 2 Speed, With Washer	\$52.00	
01993394	1967	WINDSHIELD WIPER SWITCH	\$39.00	