



Electrical Restoration Products

**Chevelle
El Camino/Monte Carlo**

**Phone 562.926.9552
Fax 562.926.9572
sparky@wiringharness.com**

www.wiringharness.com

WIRING HARNESSES



BATTERY CABLES



SWITCHES



Buy with Confidence !

Made in the U.S.A.

All of our harnesses are hand assembled in the U.S.A.

Correct Color Wires

Our harnesses always match the original factory color codes and gauge sizes. We use U.S.A. made Cross Linked Polyethylene type GXL wire which is much more tolerant to heat than the original PVC type GPT wire that was used from the factory.

Dip Soldered (when applicable)

All terminals are dip soldered (when applicable) to limit resistance loss.

Correct Connectors & Terminals

With over 300,000 connectors and terminals in stock you can be sure the harness you receive will look identical to the original.

Correct Non-Adhesive & Cloth Tapes

All harnesses are wrapped with the correct non-adhesive or cloth woven tapes to assure a 100% factory appearance.

Technical Support

We don't expect our customers to be "wiring-wizards", you can call us direct with any technical questions you may have.

Custom Modifications

Custom modifications are available to allow you to convert from an external regulated alternator to an internal regulated alternator. This modification is available for most '63 and up GM cars and trucks. We can also convert many of our engine harnesses to work with H.E.I. distributors and electric chokes. Our modifications retain the factory appearance. Call our Customer Service Department for more details.

Reproduction Switches

We manufacture an extensive line of reproduction switches. These include Turn Signal, Backup Light, Neutral Safety, Wiper, Headlight Switches and others. As with all of our restoration products our switches will fit and function perfectly, just like the originals.

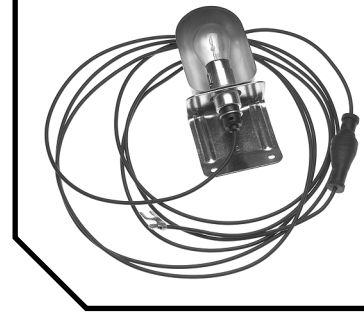
Guarantee & Warranty

We are so confident in the quality of all of our restoration products that we offer the following guarantee and warranty. If you are not 100% satisfied with the quality of any of our restoration products we will give you a full refund. Just return the unused item within 30 days of receipt for a full refund. We also offer a full 1 year replacement warranty on all of the products we sell (see our product warranty sheet for more info).

Method of Payment

We accept Visa, Master Card, American Express and Discover. If you prefer to pre-pay your order, we accept Money Orders, Cashiers Checks or Personal Checks. C.O.D. shipments are also available.

LIGHTING KITS



1 WIRE IGNITION



HARNESS TAPE



"M&H Harnesses are perfect reproductions created with correct color wires from Original GM wiring schematics".

**MUSCLECAR ENTHUSIAST
MAGAZINE**

www.wiringharness.com

Classic Auto Fuse Series Dash Harnesses

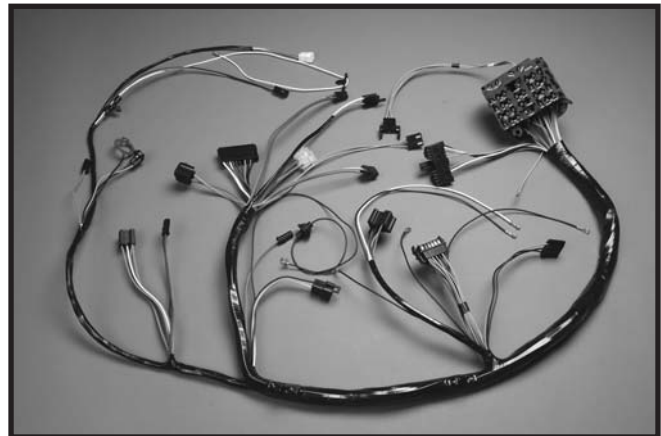
Now Available for 1968-1972 Chevelle & El Camino

Factory replacement style Dash Harnesses with ATO Type fuse blocks

No cutting, modifying of any sort required !

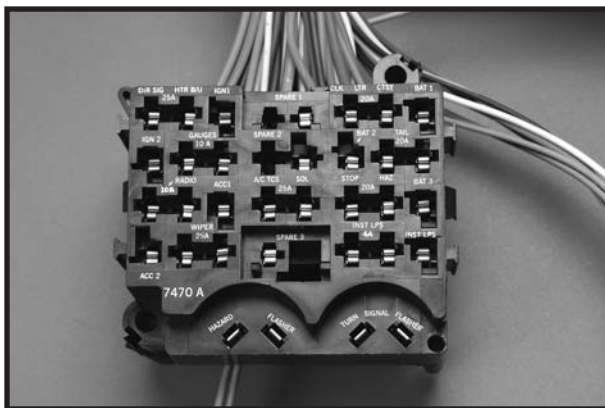
Our new Classic Auto Fuse Series Dash Harnesses allow the professional restorer to maintain the easy plug and play function of original factory type harnesses, while converting the entire fuse block to an Auto Fuse Series (ATO Type) fuse block. The Classic Auto Fuse Series Dash Harnesses give restorers the flexibility to add additional power circuits, without the installation headaches normally associated with this type of fuse box conversion.

The plug and play Classic Auto Fuse Series Dash Harnesses are a first in the industry. Don't be fooled by clever advertising and claims by others that their do-it-yourself harnesses are easy to install. There is no other product like this on the market anywhere.



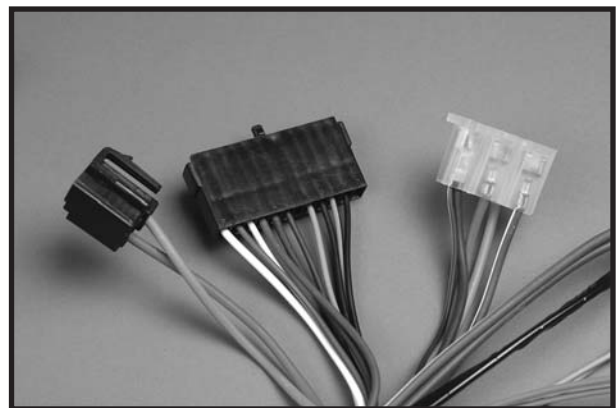
There is no cutting, modifying or altering of any sort required. Just plug it in and turn it on, it's that simple. The Classic Auto Fuse Dash Harnesses are completely compatible with the remaining harnesses in the car; couple that with our world renowned technical support for the finest product money can buy.

Browse our catalog for specific applications, part numbers and prices



Features an ATO Type Fuse Block

ATO Type Fuse Block with additional, fully integrated power ports allow the restorer to easily tap power for aftermarket electronic devices such as audio accessories, electric fans & ignition boxes.



Features Factory Type Connectors

Original factory type connectors are used on every wire. Wire colors match the OEM specs, but heavier gauge wires are used on the appropriate power circuits to accommodate aftermarket accessories.

Classic Auto Fuse Series Dash Harnesses

Check Out These Outstanding Features

• Upgraded Main Power Circuits

The main power circuits have been upgraded to ensure the extra capacity of the new Classic Auto Fuse Series fuse block. No need to worry about splicing onto existing fuses and circuits for aftermarket type accessories and overloading the fuse.

• Three Constant Battery Power Accessory Ports

Original Glass Series fuse boxes have only one port. These 3 ports supply constant battery power regardless of the ignition switch position. Each of these ports has a maximum fuse capacity of 10 amps.

• One Instrument Cluster Lamps Accessory Port

Original Glass Series fuse boxes have only one port. This port is used to access the rheostat circuit on the headlamp switch, so the optional lamps connected to this port will dim and brighten with the dash lamps. This port has a maximum fuse capacity of 1 amp which is perfect for night lights in tachs and gauges etc.

• Two Ignition Power Accessory Ports

Original Glass Series fuse boxes have only one port. These 2 ports supply switched battery power when the ignition switch is in the run position only. Each of these ports has a maximum fuse capacity of 5 amps.

• Two Accessory Power Accessory Ports

Original Glass Series fuse boxes have only one port. These two ports supply switched battery power when the ignition switch is in the run or accessory position only. Each of these ports has a maximum fuse capacity of 5 amps.

• Three Spare Fuse Ports

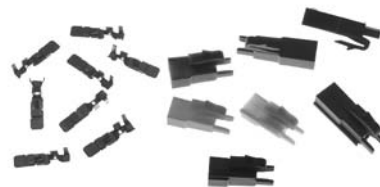
These three Spare Fuse Ports have an undefined fuse rating that can be designed by the customer based on the individual need and each port can handle up to 20 amps per cavity. If all three are not used, restorers may increase the remaining individual fuse ratings up to 30 amps for the remaining one to two cavities. In order to use these spare fuses, the optional kit part number 39383 "Spare Fuse Power Wiring Extension Harness" will be required. Instructions are included with this kit.

Optional Items for Classic Auto Fuse Series Dash Harnesses



Spare Fuse Power Wiring Extension Harness

Used to add the functionality of the three extra spare fuses if desired. If this kit is not purchased the three spare fuses will not function.
Part Number 39383 1968-1972 Chevelle/El Camino Retail \$70.00



Accessory Connector and Terminal Kit

The connectors and terminals in this kit are used to access the front of the Classic Auto Fuse Series fuse block accessory ports, while maintaining the indexing capability of the cavities on the fuse block. Use of this kit helps ensure that you do not plug accessories into the wrong port.
Part Number 39384 1968-1972 Chevelle/El Camino Retail \$24.00



Glass Fuse Series Accessory Adapter Kit

This kit is used to convert any old accessory style indexed connectors designed to plug into a specific port on the old Glass Fuse Series fuse block. The adapters allow you to plug the leads into the appropriate port on the new Classic Auto Fuse Series fuse block without any modifications to the old accessory leads. The best part is that you will still have the extra accessory ports designed into the new Classic Auto Fuse Series Dash Harnesses for new or aftermarket options without sacrificing valuable accessory ports on the fuse block.
Part Number 39385 1968-1972 Chevelle/El Camino Retail \$63.00



Fuse & Flasher Kit

Contains two flashers, one complete set of ATO fuses, plus one spare of each amperage. Does not contain fuses for the three spare cavities.
Part Number 39464 1968 Chevelle/El Camino Retail \$27.00
Part Number 39466 1969 Chevelle/El Camino Retail \$27.00
Part Number 39463 1970 Chevelle/El Camino Retail \$27.00
Part Number 39466 1971 Chevelle/El Camino Retail \$27.00
Part Number 39465 1972 Chevelle/El Camino Retail \$28.00

Alternator Conversion Kits

**See car line catalogs
for specific applications**

Alternator Conversion Kit External to "SI" Type Internal

Our most popular Alternator Conversion Kit. This kit makes it easy to convert from an External Regulated Alternator to an "SI" Type Internal Regulated Alternator. Kit includes both adapters and an instruction sheet.

Easy to install:

1) Disconnect the external voltage regulator leads and plug our "Special Regulator Adapter" into the voltage regulator lead wires. 2) Disconnect the alternator lead wires. 3) Install new "SI" Type Internal Regulated alternator. 4) Plug one end of our "Alternator Adapter" into the original alternator lead wires and the other into the alternator.

Typical application is '63-'74 GM Cars & Trucks, see carline catalogs for specific application information.

Part #27555

Retail \$29.00



Alternator Conversion Kit External to "CS" Type Internal

This kit makes it easy to convert from an External Regulated Alternator to a "CS" Type Internal Regulated Alternator. Kit includes both adapters and an instruction sheet.

Easy to install:

1) Disconnect the external voltage regulator leads and plug our "Special Regulator Adapter" into the voltage regulator lead wires. 2) Disconnect the alternator lead wires. 3) Install new "SI" Type Internal Regulated alternator. 4) Plug one end of our "Alternator Adapter" into the original alternator lead wires and the other into the alternator.

Typical application is '63-'74 GM Cars & Trucks, see carline catalogs for specific application information.

Part #37787

Retail \$34.00



Alternator Conversion Kit "SI" Type Internal to CS130/CS144 Type Internal

Allows for an easy conversion from an "SI" type internal regulated alternator to a "CS130" or "CS144" type internal regulated alternator. Simple to install, the mating end of the adapter pigtail plugs perfectly to the original alternator connector, and the other end plugs right into any "CS130" or "CS144" type alternator. Kit includes adapter pigtail and an instruction sheet.

Typical application is '69-'84 GM Cars & Trucks, see carline catalogs for specific application information.

Part #37796

Retail \$26.00



Alternator Conversion Kits

See car line catalogs for specific applications

Alternator Conversion Kit

"SI" Type Internal to "CS130D" Type Internal

Allows for an easy conversion from an "SI" type internal regulated alternator to a "CS130D" type internal regulated alternator. Simple to install, the mating end of the adapter pigtail plugs perfectly to the original alternator connector, and the other end plugs right into any "CS130D" type alternator. Kit includes adapter pigtail and an instruction sheet.

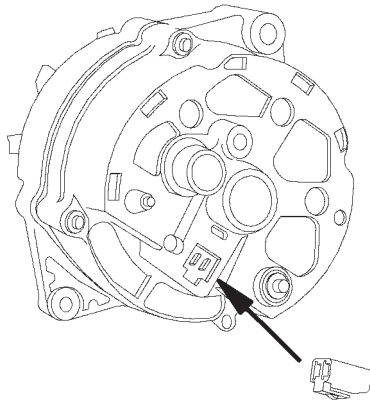
Typical application is '69-'84 GM Cars & Trucks, see carline catalogs for specific application information.

Part #39472

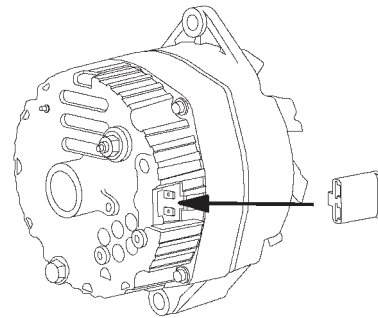
Retail \$27.00



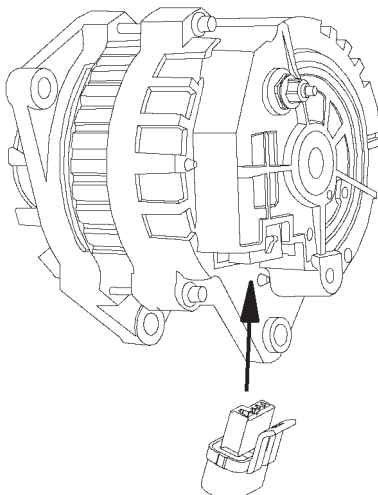
Alternator Identification



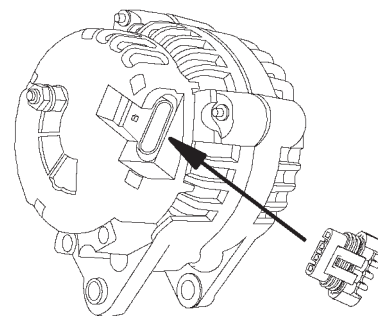
1963-1974
External Regulated Alternator



1969-1984 "SI" Type
Internal Regulated Alternator



1984-1999 "CS130" & "CS144" Type
Internal Regulated Alternator



1994-Newer "CS130D" Type
Internal Regulated Alternator

Breakerless SE Single Wire Ignition

Simple 1 Wire Hook-Up, just connect the original points wire to the module

Completely stock appearance

Emissions Legal in all 50 States

Three year warranty

The Breakerless SE allows you to convert any 1957 to 1974 GM, AMC or Jeep V8 breaker point type distributor (with a windowed type distributor cap) to a reliable solid-state electronic ignition, utilizing a fully integrated trigger and power module that fits completely inside the distributor.

Unlike competitive systems though, no additional wires protrude from the distributor, only the original points wire. The result is a state-of-the-art ignition with an absolutely stock appearance. The Breakerless SE is so unique that it's patented !



Outstanding features of this unit include:

- Single wire operation to preserve stock appearance and simplify wiring.
- Active dwell control maintains high rpm spark energy while reducing coil heating at idle.
- Auto-standby prevents coil damage or dead battery if the ignition is accidentally left on.
- Hall effect rotary-vane sensor design compensates for worn bearings and distributor end play. Magnetic sensor is unaffected by oil, dirt or other contaminants, unlike optical systems.
- Over-voltage/over-current protected against damage from high amp battery chargers, reversed battery, or improper wiring.
- Constructed with premium quality components. Sealed, hi-temp thermoplastic housing provides exceptional resistance against moisture and vibration.
- No distributor modification, disassembly, or removal is required.

Kit comes complete with everything you'll need to install the Breakerless SE Single Wire Ignition. Kit includes: 1 Module, 1 (two-piece) vane, all necessary installation hardware and a comprehensive instruction sheet.

Part #38131
Retail \$179.00

**For more info on this product
visit www.breakerless.com**

Transistor Ignition Replacement Module

Drop-In Replacement Module fits all Chevrolet & Pontiac cars equipped with the rare and optional Transistor Ignition System

Drops into the Original Finned Amplifier Housing

Quicker Starts

Improved Performance

M&H's Transistor Ignition Replacement Module is a drop-in performance upgrade, and provides state-of-the-art ignition technology. This replacement module generates twice the coil primary voltage providing up to 10% more available secondary voltage with the factory T.I. coil. It also can be used with point type or aftermarket coils or M&H's own T.I. Replacement Coil. It provides output protection against failure caused by broken or disconnected plug wires, and has an extended temperature range to over 300-degrees. The state-of-the-art electronics are completely sealed in thermoplastic to keep water and contaminants out. Superior construction provides superior performance, just like all M&H Electric's products.



Simple to Install

- Remove the backing plate from your original amplifier housing
- Remove wiring from original circuit board and unscrew it from the housing
- Thoroughly clean the inside of the housing
- Screw in M&H's new T.I. Replacement Module and attach the wiring
- ***That's it, you'll enjoy Quicker Starts and Improved Performance***

Fits all Chevrolet & Pontiac cars with Transistor Ignition

**Part #32270
Retail \$172.00**

Part Number	Year	Description	Price	*Rev.
AIR CONDITIONING COMPRESSOR EXTENSION HARNESS				
00990	1973	AIR CONDITIONING COMPRESSOR EXTENSION HARNESS All, From Compressor To Main A/C Harness	\$59.00	
00990	1974	AIR CONDITIONING COMPRESSOR EXTENSION HARNESS All, From Compressor To Main A/C Harness	\$59.00	
41626	1975	AIR CONDITIONING COMPRESSOR EXTENSION HARNESS 6 Cylinder, From Compressor To Main A/C Harness Note: 6 Cylinder Items Are Not Returnable.	\$59.00	
00990	1975	AIR CONDITIONING COMPRESSOR EXTENSION HARNESS V/8, From Compressor To Main A/C Harness	\$59.00	
41627	1976	AIR CONDITIONING COMPRESSOR EXTENSION HARNESS 6 Cylinder, From Compressor To Main A/C Harness Note: 6 Cylinder Items Are Not Returnable.	\$59.00	
00990	1976	AIR CONDITIONING COMPRESSOR EXTENSION HARNESS V/8, From Compressor To Main A/C Harness	\$59.00	
41628	1977	AIR CONDITIONING COMPRESSOR EXTENSION HARNESS 6 Cylinder, From Compressor To Main A/C Harness Note: 6 Cylinder Items Are Not Returnable.	\$59.00	
41629	1977	AIR CONDITIONING COMPRESSOR EXTENSION HARNESS V/8, From Compressor To Main A/C Harness	\$48.00	
41630	1980	AIR CONDITIONING COMPRESSOR EXTENSION HARNESS V/6, 231 C.I. Turbo, From Compressor To Main A/C Harness	\$67.00	
41631	1981	AIR CONDITIONING COMPRESSOR EXTENSION HARNESS V/6, 231 C.I. Turbo, From Compressor To Main A/C Harness Note: 1978-1982 Compressor Wiring Is Part Of Engine Harness, Except For 1980-81 V/6, 231 C.i. Turbo Cars.	\$67.00	
AIR CONDITIONING HARNESS				
04945	1964	AIR CONDITIONING HARNESS With Factory Installed Under Dash Mounted A/C	\$153.00	
04940	1964	AIR CONDITIONING HARNESS Includes Heater Wiring	\$166.00	
04895	1965	AIR CONDITIONING HARNESS Includes Heater Wiring	\$149.00	
04895	1966	AIR CONDITIONING HARNESS Separate A/C Wiring, Only Used When A/C Wiring Is Not Part Of Dash & Engine Harnesses	\$149.00	
10770	1967	AIR CONDITIONING HARNESS Includes Heater Wiring	\$158.00	
11880	1968	AIR CONDITIONING HARNESS Includes Heater Wiring	\$184.00	
12955	1969	AIR CONDITIONING HARNESS Includes Heater Wiring	\$184.00	
14965	1970	AIR CONDITIONING HARNESS Includes Heater Wiring	\$184.00	
15440	1971	AIR CONDITIONING HARNESS Includes Heater Wiring	\$184.00	
28235	1971	AIR CONDITIONING ANTI-DIESEL RELAY FEED WIRE From Fuse Box To A/C Harness	\$15.00	
16465	1972	AIR CONDITIONING HARNESS Includes Heater Wiring	\$184.00	
41632	1973	AIR CONDITIONING HARNESS Main, Engine Compartment Note: Customer Must Supply Their Original Firewall Grommet.	\$228.00	
41633	1973	AIR CONDITIONING EXTENSION HARNESS Blower Switch, Under Dash	\$60.00	
41499	1974	AIR CONDITIONING HARNESS Main, Engine Compartment Note: Customer Must Supply Their Original Firewall Grommet.	\$228.00	
41498	1974	AIR CONDITIONING EXTENSION HARNESS Blower Switch, Under Dash	\$60.00	
41636	1975	AIR CONDITIONING HARNESS Main, Engine Compartment Note: Customer Must Supply Their Original Firewall Grommet.	\$228.00	
41498	1975	AIR CONDITIONING EXTENSION HARNESS Blower Switch, Under Dash	\$60.00	
41636	1976	AIR CONDITIONING HARNESS Main, Engine Compartment Note: Customer Must Supply Their Original Firewall Grommet.	\$228.00	
41498	1976	AIR CONDITIONING EXTENSION HARNESS Blower Switch, Under Dash	\$60.00	
41634	1977	AIR CONDITIONING HARNESS Main, Engine Compartment Note: Customer Must Supply Their Original Firewall Grommet.	\$228.00	
41498	1977	AIR CONDITIONING EXTENSION HARNESS Blower Switch, Under Dash	\$60.00	
41635	1978	AIR CONDITIONING HARNESS Main, Engine Compartment Note: Compressor Wiring Is Part Of Engine Harness.	\$228.00	
41916	1978	AIR CONDITIONING EXTENSION HARNESS Blower Switch, Under Dash	\$125.00	
41635	1979	AIR CONDITIONING HARNESS Main, Engine Compartment Note: Compressor Wiring Is Part Of Engine Harness.	\$228.00	

Part Number	Year	Description	Price	*Rev.
41916	1979	AIR CONDITIONING EXTENSION HARNESS Blower Switch, Under Dash	\$125.00	
41930	1980	AIR CONDITIONING HARNESS Main, Engine Compartment Note: Compressor Wiring Is Part Of Engine Harness, Except For Turbo Cars.	\$228.00	
41916	1980	AIR CONDITIONING EXTENSION HARNESS Blower Switch, Under Dash	\$125.00	
41982	1981	AIR CONDITIONING HARNESS Main, Engine Compartment, V/6, 231 C.I. Turbo & All V/8 Note: Compressor Wiring Is Part Of Engine Harness, Except For Turbo Cars.	\$228.00	
41937	1981	AIR CONDITIONING HARNESS Main, Engine Compartment, All V/6, Without Turbo Note: Compressor Wiring Is Part Of Engine Harness, Except For Turbo Cars.	\$228.00	
41936	1981	AIR CONDITIONING EXTENSION HARNESS Blower Switch, Under Dash	\$125.00	
41982	1982	AIR CONDITIONING HARNESS Main, Engine Compartment Note: Compressor Wiring Is Part Of Engine Harness.	\$228.00	
41936	1982	AIR CONDITIONING EXTENSION HARNESS Blower Switch, Under Dash, Without Diesel	\$125.00	
41980	1982	AIR CONDITIONING EXTENSION HARNESS Blower Switch, Under Dash, With Diesel	\$228.00	
AIR CONDITIONING POWER FEED WIRE				
28225	1964	AIR CONDITIONING POWER FEED WIRE From Starter Solenoid To A/C Fuse, All Except Malibu SS	\$22.00	
43554	1964	AIR CONDITIONING POWER FEED WIRE From Horn Relay To A/C Fuse, Malibu SS	\$23.00	
43554	1965	AIR CONDITIONING POWER FEED WIRE From Horn Relay To A/C Fuse	\$23.00	
43554	1966	AIR CONDITIONING POWER FEED WIRE From Horn Relay To A/C Fuse	\$23.00	
05165	1967	AIR CONDITIONING POWER FEED WIRE From Horn Relay To A/C Fuse	\$23.00	
10970	1968	AIR CONDITIONING POWER FEED WIRE From Horn Relay To A/C Fuse	\$22.00	
10970	1969	AIR CONDITIONING POWER FEED WIRE From Horn Relay To A/C Fuse	\$22.00	
10970	1970	AIR CONDITIONING POWER FEED WIRE From Horn Relay To A/C Fuse, Chevelle & El Camino	\$22.00	
28545	1970	AIR CONDITIONING POWER FEED WIRE From Horn Relay To A/C Fuse, Monte Carlo	\$24.00	
10970	1971	AIR CONDITIONING POWER FEED WIRE From Horn Relay To A/C Fuse, Chevelle & El Camino	\$22.00	
28545	1971	AIR CONDITIONING POWER FEED WIRE From Horn Relay To A/C Fuse, Monte Carlo	\$24.00	
16405	1972	AIR CONDITIONING POWER FEED WIRE From Horn Relay To A/C Fuse, All	\$22.00	
41500	1973	AIR CONDITIONING POWER FEED WIRE From Horn Relay To A/C Fuse, All	\$27.00	
41500	1974	AIR CONDITIONING POWER FEED WIRE From Horn Relay To A/C Fuse, All	\$27.00	
ALTERNATOR CONVERSION KIT				
27555	1964	ALTERNATOR CONVERSION KIT External To Internal Regulator Conversion Harness ("SI" Series) Note: For Use With 1972-84 Non-Serpentine Belt ("SI" Series) Internal Regulated Alternators.	\$29.00	
37787	1964	ALTERNATOR CONVERSION KIT External To Internal Regulator Conversion Harness ("CS" Series) Note: For Use With Serpentine Belt ("CS" Series) Internal Regulated Alternators.	\$34.00	
27555	1965	ALTERNATOR CONVERSION KIT External To Internal Regulator Conversion Harness ("SI" Series) Note: For Use With 1972-84 Non-Serpentine Belt ("SI" Series) Internal Regulated Alternators.	\$29.00	
37787	1965	ALTERNATOR CONVERSION KIT External To Internal Regulator Conversion Harness ("CS" Series) Note: For Use With Serpentine Belt ("CS" Series) Internal Regulated Alternators.	\$34.00	
27555	1966	ALTERNATOR CONVERSION KIT External To Internal Regulator Conversion Harness ("SI" Series) Note: For Use With 1972-84 Non-Serpentine Belt ("SI" Series) Internal Regulated Alternators.	\$29.00	
37787	1966	ALTERNATOR CONVERSION KIT External To Internal Regulator Conversion Harness ("CS" Series) Note: For Use With Serpentine Belt ("CS" Series) Internal Regulated Alternators.	\$34.00	
27555	1967	ALTERNATOR CONVERSION KIT External To Internal Regulator Conversion Harness ("SI" Series) Note: For Use With 1972-84 Non-Serpentine Belt ("SI" Series) Internal Regulated Alternators.	\$29.00	
37787	1967	ALTERNATOR CONVERSION KIT External To Internal Regulator Conversion Harness ("CS" Series) Note: For Use With Serpentine Belt ("CS" Series) Internal Regulated Alternators.	\$34.00	
27555	1968	ALTERNATOR CONVERSION KIT External To Internal Regulator Conversion Harness ("SI" Series) Note: For Use With 1972-84 Non-Serpentine Belt ("SI" Series) Internal Regulated Alternators.	\$29.00	

Part Number	Year	Description	Price	*Rev.
37787	1968	ALTERNATOR CONVERSION KIT External To Internal Regulator Conversion Harness ("CS" Series) Note: For Use With Serpentine Belt ("CS" Series) Internal Regulated Alternators.	\$34.00	
27555	1969	ALTERNATOR CONVERSION KIT External To Internal Regulator Conversion Harness ("SI" Series) Note: For Use With 1972-84 Non-Serpentine Belt ("SI" Series) Internal Regulated Alternators.	\$29.00	
37787	1969	ALTERNATOR CONVERSION KIT External To Internal Regulator Conversion Harness ("CS" Series) Note: For Use With Serpentine Belt ("CS" Series) Internal Regulated Alternators.	\$34.00	
27555	1970	ALTERNATOR CONVERSION KIT External To Internal Regulator Conversion Harness ("SI" Series) Note: For Use With 1972-84 Non-Serpentine Belt ("SI" Series) Internal Regulated Alternators.	\$29.00	
37787	1970	ALTERNATOR CONVERSION KIT External To Internal Regulator Conversion Harness ("CS" Series) Note: For Use With Serpentine Belt ("CS" Series) Internal Regulated Alternators.	\$34.00	
27555	1971	ALTERNATOR CONVERSION KIT External To Internal Regulator Conversion Harness ("SI" Series) Note: For Use With 1972-84 Non-Serpentine Belt ("SI" Series) Internal Regulated Alternators.	\$29.00	
37787	1971	ALTERNATOR CONVERSION KIT External To Internal Regulator Conversion Harness ("CS" Series) Note: For Use With Serpentine Belt ("CS" Series) Internal Regulated Alternators.	\$34.00	
27555	1972	ALTERNATOR CONVERSION KIT External To Internal Regulator Conversion Harness ("SI" Series) Note: For Use With 1972-84 Non-Serpentine Belt ("SI" Series) Internal Regulated Alternators.	\$29.00	
37787	1972	ALTERNATOR CONVERSION KIT External To Internal Regulator Conversion Harness ("CS" Series) Note: For Use With Serpentine Belt ("CS" Series) Internal Regulated Alternators.	\$34.00	
37796	1973	ALTERNATOR CONVERSION KIT Internal Regulator "SI" Series Alternator To "CS130 or CS144" Series (Serpentine Belt) Alternator Note: For Use With Serpentine Belt ("CS130" Or "CS144" Type) Internal Regulated Alternators.	\$26.00	
39472	1973	ALTERNATOR CONVERSION KIT Internal Regulator "SI" Series Alternator To "CS130D" Series (Serpentine Belt) Alternator Note: For Use With Serpentine Belt ("CS130D" Type) Internal Regulated Alternators.	\$27.00	
39472	1974	ALTERNATOR CONVERSION KIT Internal Regulator "SI" Series Alternator To "CS130D" Series (Serpentine Belt) Alternator Note: For Use With Serpentine Belt ("CS130D" Type) Internal Regulated Alternators.	\$27.00	
39472	1975	ALTERNATOR CONVERSION KIT Internal Regulator "SI" Series Alternator To "CS130D" Series (Serpentine Belt) Alternator Note: For Use With Serpentine Belt ("CS130D" Type) Internal Regulated Alternators.	\$27.00	
39472	1976	ALTERNATOR CONVERSION KIT Internal Regulator "SI" Series Alternator To "CS130D" Series (Serpentine Belt) Alternator Note: For Use With Serpentine Belt ("CS130D" Type) Internal Regulated Alternators.	\$27.00	
39472	1977	ALTERNATOR CONVERSION KIT Internal Regulator "SI" Series Alternator To "CS130D" Series (Serpentine Belt) Alternator Note: For Use With Serpentine Belt ("CS130D" Type) Internal Regulated Alternators.	\$27.00	
39472	1978	ALTERNATOR CONVERSION KIT Internal Regulator "SI" Series Alternator To "CS130D" Series (Serpentine Belt) Alternator Note: For Use With Serpentine Belt ("CS130D" Type) Internal Regulated Alternators.	\$27.00	
39472	1979	ALTERNATOR CONVERSION KIT Internal Regulator "SI" Series Alternator To "CS130D" Series (Serpentine Belt) Alternator Note: For Use With Serpentine Belt ("CS130D" Type) Internal Regulated Alternators.	\$27.00	
39472	1980	ALTERNATOR CONVERSION KIT Internal Regulator "SI" Series Alternator To "CS130D" Series (Serpentine Belt) Alternator Note: For Use With Serpentine Belt ("CS130D" Type) Internal Regulated Alternators.	\$27.00	
39472	1981	ALTERNATOR CONVERSION KIT Internal Regulator "SI" Series Alternator To "CS130D" Series (Serpentine Belt) Alternator Note: For Use With Serpentine Belt ("CS130D" Type) Internal Regulated Alternators.	\$27.00	
39472	1982	ALTERNATOR CONVERSION KIT Internal Regulator "SI" Series Alternator To "CS130D" Series (Serpentine Belt) Alternator Note: For Use With Serpentine Belt ("CS130D" Type) Internal Regulated Alternators.	\$27.00	

Part Number	Year	Description	Price	*Rev.
39472	1983	ALTERNATOR CONVERSION KIT Internal Regulator "SI" Series Alternator To "CS130D" Series (Serpentine Belt) Alternator Note: For Use With Serpentine Belt ("CS130D" Type) Internal Regulated Alternators.	\$27.00	
39472	1984	ALTERNATOR CONVERSION KIT Internal Regulator "SI" Series Alternator To "CS130D" Series (Serpentine Belt) Alternator Note: For Use With Serpentine Belt ("CS130D" Type) Internal Regulated Alternators.	\$27.00	
39472	1985	ALTERNATOR CONVERSION KIT Internal Regulator "SI" Series Alternator To "CS130D" Series (Serpentine Belt) Alternator Note: For Use With Serpentine Belt ("CS130D" Type) Internal Regulated Alternators.	\$27.00	
39472	1986	ALTERNATOR CONVERSION KIT Internal Regulator "SI" Series Alternator To "CS130D" Series (Serpentine Belt) Alternator Note: For Use With Serpentine Belt ("CS130D" Type) Internal Regulated Alternators.	\$27.00	
37796	1974	ALTERNATOR CONVERSION KIT Internal Regulator "SI" Series Alternator To "CS130 or CS144" Series (Serpentine Belt) Alternator Note: For Use With Serpentine Belt ("CS130" Or "CS144" Type) Internal Regulated Alternators.	\$26.00	
37796	1975	ALTERNATOR CONVERSION KIT Internal Regulator "SI" Series Alternator To "CS130 or CS144" Series (Serpentine Belt) Alternator Note: For Use With Serpentine Belt ("CS130" Or "CS144" Type) Internal Regulated Alternators.	\$26.00	
37796	1976	ALTERNATOR CONVERSION KIT Internal Regulator "SI" Series Alternator To "CS130 or CS144" Series (Serpentine Belt) Alternator Note: For Use With Serpentine Belt ("CS130" Or "CS144" Type) Internal Regulated Alternators.	\$26.00	
37796	1977	ALTERNATOR CONVERSION KIT Internal Regulator "SI" Series Alternator To "CS130 or CS144" Series (Serpentine Belt) Alternator Note: For Use With Serpentine Belt ("CS130" Or "CS144" Type) Internal Regulated Alternators.	\$26.00	
37796	1978	ALTERNATOR CONVERSION KIT Internal Regulator "SI" Series Alternator To "CS130 or CS144" Series (Serpentine Belt) Alternator Note: For Use With Serpentine Belt ("CS130" Or "CS144" Type) Internal Regulated Alternators.	\$26.00	
37796	1979	ALTERNATOR CONVERSION KIT Internal Regulator "SI" Series Alternator To "CS130 or CS144" Series (Serpentine Belt) Alternator Note: For Use With Serpentine Belt ("CS130" Or "CS144" Type) Internal Regulated Alternators.	\$26.00	
37796	1980	ALTERNATOR CONVERSION KIT Internal Regulator "SI" Series Alternator To "CS130 or CS144" Series (Serpentine Belt) Alternator Note: For Use With Serpentine Belt ("CS130" Or "CS144" Type) Internal Regulated Alternators.	\$26.00	
37796	1981	ALTERNATOR CONVERSION KIT Internal Regulator "SI" Series Alternator To "CS130 or CS144" Series (Serpentine Belt) Alternator Note: For Use With Serpentine Belt ("CS130" Or "CS144" Type) Internal Regulated Alternators.	\$26.00	
37796	1982	ALTERNATOR CONVERSION KIT Internal Regulator "SI" Series Alternator To "CS130 or CS144" Series (Serpentine Belt) Alternator Note: For Use With Serpentine Belt ("CS130" Or "CS144" Type) Internal Regulated Alternators.	\$26.00	
37796	1983	ALTERNATOR CONVERSION KIT Internal Regulator "SI" Series Alternator To "CS130 or CS144" Series (Serpentine Belt) Alternator Note: For Use With Serpentine Belt ("CS130" Or "CS144" Type) Internal Regulated Alternators.	\$26.00	
37796	1984	ALTERNATOR CONVERSION KIT Internal Regulator "SI" Series Alternator To "CS130 or CS144" Series (Serpentine Belt) Alternator Note: For Use With Serpentine Belt ("CS130" Or "CS144" Type) Internal Regulated Alternators.	\$26.00	
37796	1985	ALTERNATOR CONVERSION KIT Internal Regulator "SI" Series Alternator To "CS130 or CS144" Series (Serpentine Belt) Alternator Note: For Use With Serpentine Belt ("CS130" Or "CS144" Type) Internal Regulated Alternators.	\$26.00	
37796	1986	ALTERNATOR CONVERSION KIT Internal Regulator "SI" Series Alternator To "CS130 or CS144" Series (Serpentine Belt) Alternator Note: For Use With Serpentine Belt ("CS130" Or "CS144" Type) Internal Regulated Alternators.	\$26.00	
ALTERNATOR POWER FEED WIRE				
41670	1964	ALTERNATOR POWER FEED WIRE Used With Regular Production Option Code (RPO) K81, (62 Amp Alternator), From Horn Relay To Alternator	\$40.00	

Part Number	Year	Description	Price	*Rev.
41670	1965	ALTERNATOR POWER FEED WIRE Used With Regular Production Option Code (RPO) K81, (62 Amp Alternator), From Horn Relay To Alternator	\$40.00	
41670	1966	ALTERNATOR POWER FEED WIRE Used With Regular Production Option Code (RPO) K81, (62 Amp Alternator), From Horn Relay To Alternator	\$40.00	
ASH TRAY LAMP WIRE				
12950	1970	ASH TRAY LAMP WIRE Fiber Optic Note: Lead Only With Crimped Brass Terminals, Does Not Include Lamp Socket Or Ash Tray Retainer.	\$30.00	
12950	1971	ASH TRAY LAMP WIRE Fiber Optic Note: Lead Only With Crimped Brass Terminals, Does Not Include Lamp Socket Or Ash Tray Retainer.	\$30.00	
12950	1972	ASH TRAY LAMP WIRE Fiber Optic Note: Lead Only With Crimped Brass Terminals, Does Not Include Lamp Socket Or Ash Tray Retainer.	\$30.00	
12950	1973	ASH TRAY LAMP WIRE Fiber Optic Note: Lead Only With Crimped Brass Terminals, Does Not Include Lamp Socket Or Ash Tray Retainer.	\$30.00	
12950	1974	ASH TRAY LAMP WIRE Fiber Optic Note: Lead Only With Crimped Brass Terminals, Does Not Include Lamp Socket Or Ash Tray Retainer.	\$30.00	
12950	1975	ASH TRAY LAMP WIRE Fiber Optic Note: Lead Only With Crimped Brass Terminals, Does Not Include Lamp Socket Or Ash Tray Retainer.	\$30.00	
12950	1976	ASH TRAY LAMP WIRE Fiber Optic Note: Lead Only With Crimped Brass Terminals, Does Not Include Lamp Socket Or Ash Tray Retainer.	\$30.00	
12950	1977	ASH TRAY LAMP WIRE Fiber Optic Note: Lead Only With Crimped Brass Terminals, Does Not Include Lamp Socket Or Ash Tray Retainer.	\$30.00	
ASSEMBLY MANUAL				
36294	1964	ASSEMBLY MANUAL Factory Assembly Instruction Guide	\$32.00	
36295	1965	ASSEMBLY MANUAL Factory Assembly Instruction Guide	\$32.00	
36296	1966	ASSEMBLY MANUAL Factory Assembly Instruction Guide	\$32.00	
36297	1967	ASSEMBLY MANUAL Factory Assembly Instruction Guide	\$32.00	
36298	1968	ASSEMBLY MANUAL Factory Assembly Instruction Guide	\$32.00	
36299	1969	ASSEMBLY MANUAL Factory Assembly Instruction Guide	\$32.00	
36300	1970	ASSEMBLY MANUAL Factory Assembly Instruction Guide	\$32.00	
36301	1971	ASSEMBLY MANUAL Factory Assembly Instruction Guide	\$32.00	
36302	1972	ASSEMBLY MANUAL Factory Assembly Instruction Guide	\$32.00	
BACKUP LAMP HARNESS				
41829	1974	BACKUP LAMP HARNESS Monte Carlo, From Rear Lamp Harness To Backup Lamps Note: Includes Wire For Fuel Sender & License Lamp.	\$101.00	
41829	1975	BACKUP LAMP HARNESS Monte Carlo, From Rear Lamp Harness To Backup Lamps Note: Includes Wire For Fuel Sender & License Lamp.	\$101.00	
BACKUP LAMP SWITCH				
01993661	1964	BACKUP LAMP SWITCH 4 Speed, Manual Trans	\$64.00	
01993307	1965	BACKUP LAMP SWITCH 4 Speed, Manual Trans	\$64.00	
01993307	1966	BACKUP LAMP SWITCH 4 Speed, Manual Trans	\$64.00	
01993307	1967	BACKUP LAMP SWITCH 4 Speed, Manual Trans	\$64.00	
01993307	1968	BACKUP LAMP SWITCH 4 Speed, Manual Trans	\$64.00	
03943657	1969	BACKUP LAMP SWITCH Manual Trans	\$53.00	
03943657	1970	BACKUP LAMP SWITCH Manual Trans	\$53.00	
03943657	1971	BACKUP LAMP SWITCH Manual Trans	\$53.00	
03943657	1972	BACKUP LAMP SWITCH Manual Trans	\$53.00	

Part Number	Year	Description	Price	*Rev.
BACKUP LAMP SWITCH EXTENSION HARNESS				
05100	1964	BACKUP LAMP SWITCH EXTENSION HARNESS Manual Trans, From Dash To Backup Lamp Switch At Firewall	\$54.00	
19240	1965	BACKUP LAMP SWITCH EXTENSION HARNESS Manual Trans, From Dash To Backup Lamp Switch At Firewall	\$31.00	
19240	1966	BACKUP LAMP SWITCH EXTENSION HARNESS Manual Trans, From Dash To Backup Lamp Switch At Firewall	\$31.00	
10665	1967	BACKUP LAMP SWITCH EXTENSION HARNESS Manual Trans, From Dash To Backup Lamp Switch At Firewall	\$31.00	
10665	1968	BACKUP LAMP SWITCH EXTENSION HARNESS Manual Trans, From Dash To Backup Lamp Switch At Firewall	\$31.00	
41867	1978	BACKUP LAMP SWITCH EXTENSION HARNESS Manual Trans, From Dash To Backup Lamp Switch	\$49.00	
41895	1979	BACKUP LAMP SWITCH EXTENSION HARNESS Manual Trans, From Dash To Backup Lamp Switch	\$49.00	
41895	1980	BACKUP LAMP SWITCH EXTENSION HARNESS Manual Trans, From Dash To Backup Lamp Switch	\$49.00	
41943	1981	BACKUP LAMP SWITCH EXTENSION HARNESS Manual Trans, From Dash To Backup Lamp Switch	\$49.00	
BACKUP LAMP SWITCH MOUNTING BRACKET				
37650	1964	BACKUP LAMP SWITCH MOUNTING BRACKET With Muncie 4 Speed Transmission Note: Included In Item Number 39504.	\$29.00	
37650	1965	BACKUP LAMP SWITCH MOUNTING BRACKET With Muncie 4 Speed Transmission Note: Included In Item Number 39504.	\$29.00	
37650	1966	BACKUP LAMP SWITCH MOUNTING BRACKET With Muncie 4 Speed Transmission Note: Included In Item Number 39504.	\$29.00	
37650	1967	BACKUP LAMP SWITCH MOUNTING BRACKET With Muncie 4 Speed Transmission Note: Included In Item Number 39504.	\$29.00	
37650	1968	BACKUP LAMP SWITCH MOUNTING BRACKET With Muncie 4 Speed Transmission Note: Included In Item Number 39504.	\$29.00	
BACKUP LAMP SWITCH MOUNTING KIT				
39504	1964	BACKUP LAMP SWITCH MOUNTING KIT With Muncie 4 Speed Transmission Note: Kit Contains The Bracket, Rod With 2 Clips, Shield & Bolts.	\$46.00	
39504	1965	BACKUP LAMP SWITCH MOUNTING KIT With Muncie 4 Speed Transmission Note: Kit Contains The Bracket, Rod With 2 Clips, Shield & Bolts.	\$46.00	
39504	1966	BACKUP LAMP SWITCH MOUNTING KIT With Muncie 4 Speed Transmission Note: Kit Contains The Bracket, Rod With 2 Clips, Shield & Bolts.	\$46.00	
39504	1967	BACKUP LAMP SWITCH MOUNTING KIT With Muncie 4 Speed Transmission Note: Kit Contains The Bracket, Rod With 2 Clips, Shield & Bolts.	\$46.00	
39504	1968	BACKUP LAMP SWITCH MOUNTING KIT With Muncie 4 Speed Transmission Note: Kit Contains The Bracket, Rod With 2 Clips, Shield & Bolts.	\$46.00	
BATTERY CABLE JUNCTION BLOCK				
03882795	1965	BATTERY CABLE JUNCTION BLOCK For Positive Cable Secondary Lead Note: This Item Is Mounted On Radiator Support Behind Battery.	\$11.00	
03882795	1966	BATTERY CABLE JUNCTION BLOCK For Positive Cable Secondary Lead Note: This Item Is Mounted On Radiator Support Behind Battery.	\$11.00	
03882795	1967	BATTERY CABLE JUNCTION BLOCK For Positive Cable Secondary Lead Note: This Item Is Mounted On Radiator Support Behind Battery.	\$11.00	
03882795	1968	BATTERY CABLE JUNCTION BLOCK For Positive Cable Secondary Lead Note: This Item Is Mounted On Radiator Support Behind Battery.	\$11.00	
03882795	1969	BATTERY CABLE JUNCTION BLOCK For Positive Cable Secondary Lead Note: This Item Is Mounted On Radiator Support Behind Battery.	\$11.00	
03882795	1970	BATTERY CABLE JUNCTION BLOCK For Positive Cable Secondary Lead Note: This Item Is Mounted On Radiator Support Behind Battery.	\$11.00	
03882795	1971	BATTERY CABLE JUNCTION BLOCK For Positive Cable Secondary Lead Note: This Item Is Mounted On Radiator Support Behind Battery.	\$11.00	

Part Number	Year	Description	Price	*Rev.
BATTERY CABLE-NEGATIVE				
04840	1964	BATTERY CABLE, SPRING RING Neg, 6 Cylinder Note: 6 Cylinder Items Are Not Returnable.	\$69.00	
04850	1964	BATTERY CABLE, SPRING RING Neg, V/8	\$69.00	
05500	1965	BATTERY CABLE, SPRING RING Neg, 6 Cylinder Note: 6 Cylinder Items Are Not Returnable.	\$69.00	
04830	1965	BATTERY CABLE, SPRING RING Neg, V/8, With Standard Battery Note: Used On Batteries With Negative Post Close To Radiator.	\$69.00	
05515	1965	BATTERY CABLE, SPRING RING Neg, V/8, With Heavy Duty Battery Note: Used On Batteries With Negative Post Close To Passenger Fender.	\$69.00	
09215	1966	BATTERY CABLE, SPRING RING Neg, 6 Cylinder Note: 6 Cylinder Items Are Not Returnable.	\$69.00	
05515	1966	BATTERY CABLE, SPRING RING Neg, V/8, All	\$69.00	
09130	1967	BATTERY CABLE, SPRING RING Neg, 6 Cylinder & V/8, With Standard Battery Note: 6 Cylinder Items Are Not Returnable.	\$69.00	
09155	1967	BATTERY CABLE, SPRING RING Neg, 6 Cylinder & V/8, With Heavy Duty Battery Note: 6 Cylinder Items Are Not Returnable.	\$69.00	
09940	1968	BATTERY CABLE, SPRING RING Neg, 6 Cylinder Note: 6 Cylinder Items Are Not Returnable.	\$69.00	
12455	1968	BATTERY CABLE, SPRING RING Neg, V/8, Except 396 C.I.	\$69.00	
12445	1968	BATTERY CABLE, SPRING RING Neg, V/8, 396 C.I.	\$69.00	
12540	1969	BATTERY CABLE, SPRING RING Neg, 6 Cylinder Note: 6 Cylinder Items Are Not Returnable.	\$69.00	
12535	1969	BATTERY CABLE, SPRING RING Neg, V/8, Except 396 C.I.	\$69.00	
12550	1969	BATTERY CABLE, SPRING RING Neg, V/8, 396 C.I.	\$69.00	
12540	1970	BATTERY CABLE, SPRING RING Neg, 6 Cylinder, Chevelle Note: 6 Cylinder Items Are Not Returnable.	\$69.00	
14810	1970	BATTERY CABLE, SIDE POST Neg, 6 Cylinder, Chevelle, With Side Mount Type Battery Note: 6 Cylinder Items Are Not Returnable.	\$74.00	
14660	1970	BATTERY CABLE, SPRING RING Neg, V/8, Chevelle	\$69.00	
21755	1970	BATTERY CABLE, SIDE POST Neg, V/8, Chevelle, With Side Mount Type Battery	\$74.00	
14665	1970	BATTERY CABLE, SPRING RING Neg, V/8, Monte Carlo, 350 C.I.	\$69.00	
14660	1970	BATTERY CABLE, SPRING RING Neg, V/8, Monte Carlo, 396 C.I.	\$69.00	
21760	1970	BATTERY CABLE, SIDE POST Neg, V8, Monte Carlo, With Side Mount Type Battery	\$74.00	
22675	1971	BATTERY CABLE, SIDE POST Neg, 6 Cylinder, Chevelle Note: 6 Cylinder Items Are Not Returnable.	\$74.00	
22665	1971	BATTERY CABLE, SIDE POST Neg, V/8, Chevelle, 307-350 C.I.	\$74.00	
22735	1971	BATTERY CABLE, SIDE POST Neg, V/8, Chevelle, 396-454 C.I.	\$74.00	
22685	1971	BATTERY CABLE, SIDE POST Neg, V/8, Monte Carlo, All	\$74.00	
22675	1972	BATTERY CABLE, SIDE POST Neg, 6 Cylinder, Chevelle Note: 6 Cylinder Items Are Not Returnable.	\$74.00	
22665	1972	BATTERY CABLE, SIDE POST Neg, V/8, Chevelle, 307-350 C.I.	\$74.00	
22735	1972	BATTERY CABLE, SIDE POST Neg, V/8, Chevelle, 396-454 C.I.	\$74.00	
22685	1972	BATTERY CABLE, SIDE POST Neg, V/8, Monte Carlo, All	\$74.00	
22675	1973	BATTERY CABLE, SIDE POST Neg, 6 Cylinder, Chevelle Note: 6 Cylinder Items Are Not Returnable.	\$74.00	
22665	1973	BATTERY CABLE, SIDE POST Neg, V/8, Chevelle	\$74.00	
22685	1973	BATTERY CABLE, SIDE POST Neg, V/8, Monte Carlo, All	\$74.00	

Part Number	Year	Description	Price	*Rev.
22675	1974	BATTERY CABLE, SIDE POST Neg, 6 Cylinder, Chevelle Note: 6 Cylinder Items Are Not Returnable.	\$74.00	
22665	1974	BATTERY CABLE, SIDE POST Neg, V/8, Chevelle	\$74.00	
22685	1974	BATTERY CABLE, SIDE POST Neg, V/8, Monte Carlo, All	\$74.00	
41791	1975	BATTERY CABLE, SIDE POST Neg, 6 Cylinder, Chevelle Note: 6 Cylinder Items Are Not Returnable.	\$74.00	
22665	1975	BATTERY CABLE, SIDE POST Neg, V/8, Chevelle	\$74.00	
22685	1975	BATTERY CABLE, SIDE POST Neg, V/8, Monte Carlo, All	\$74.00	
41791	1976	BATTERY CABLE, SIDE POST Neg, 6 Cylinder, Chevelle Note: 6 Cylinder Items Are Not Returnable.	\$74.00	
22735	1976	BATTERY CABLE, SIDE POST Neg, V/8, Chevelle	\$74.00	
22685	1976	BATTERY CABLE, SIDE POST Neg, V/8, Monte Carlo, All	\$74.00	
41791	1977	BATTERY CABLE, SIDE POST Neg, 6 Cylinder, Chevelle Note: 6 Cylinder Items Are Not Returnable.	\$74.00	
22735	1977	BATTERY CABLE, SIDE POST Neg, V/8, Chevelle	\$74.00	
22685	1977	BATTERY CABLE, SIDE POST Neg, V/8, Monte Carlo, All	\$74.00	
41814	1978	BATTERY CABLE, SIDE POST Neg, V/6, 200 C.I.	\$87.00	
41856	1978	BATTERY CABLE, SIDE POST Neg, V/6, 231 C.I.	\$87.00	
22735	1978	BATTERY CABLE, SIDE POST Neg, V/8	\$74.00	
41814	1979	BATTERY CABLE, SIDE POST Neg, V/6, 200 C.I.	\$87.00	
41856	1979	BATTERY CABLE, SIDE POST Neg, V/6, 231 C.I.	\$87.00	
22735	1979	BATTERY CABLE, SIDE POST Neg, V/8	\$74.00	
41814	1980	BATTERY CABLE, SIDE POST Neg, V/6, 200 C.I.	\$87.00	
41926	1980	BATTERY CABLE, SIDE POST Neg, V/6, 231 C.I.	\$87.00	
22735	1980	BATTERY CABLE, SIDE POST Neg, V/8	\$74.00	
41814	1981	BATTERY CABLE, SIDE POST Neg, V/6, 200 C.I.	\$87.00	
41926	1981	BATTERY CABLE, SIDE POST Neg, V/6, 231 C.I.	\$87.00	
22735	1981	BATTERY CABLE, SIDE POST Neg, V/8	\$74.00	
41814	1982	BATTERY CABLE, SIDE POST Neg, V/6, 229 C.I.	\$87.00	
41926	1982	BATTERY CABLE, SIDE POST Neg, V/6, 231 C.I.	\$87.00	
22735	1982	BATTERY CABLE, SIDE POST Neg, V/8	\$74.00	
BATTERY CABLE-POSITIVE				
41973	1982	BATTERY CABLE, SIDE POST Neg, 263 C.I. Diesel, Driver Side, Negative Post To Engine Block	\$87.00	
41972	1982	BATTERY CABLE, SIDE POST Neg, 263 C.I. Diesel, Passenger Side, Negative Post To Engine Block	\$87.00	
41924	1982	BATTERY CABLE, SIDE POST Neg, 350 C.I. Diesel, Without Heavy Duty Battery, Driver Side, Negative Post To Engine Block Note: This Is A 2 Gauge Cable.	\$87.00	
41928	1982	BATTERY CABLE, SIDE POST Neg, 350 C.I. Diesel, With Heavy Duty Battery, Driver Side, Negative Post To Engine Block Note: This Is A 0 Gauge Cable.	\$87.00	
41923	1982	BATTERY CABLE, SIDE POST Neg, 350 C.I. Diesel, Without Heavy Duty Battery, Passenger Side, Negative Post To Engine Block Note: This Is A 2 Gauge Cable.	\$87.00	
41929	1982	BATTERY CABLE, SIDE POST Neg, 350 C.I. Diesel, With Heavy Duty Battery, Passenger Side, Negative Post To Engine Block Note: This Is A 0 Gauge Cable.	\$87.00	
04810	1964	BATTERY CABLE, SPRING RING Pos, 6 Cylinder Note: 6 Cylinder Items Are Not Returnable.	\$69.00	

Part Number	Year	Description	Price	*Rev.
05415	1964	BATTERY CABLE, SPRING RING Pos, V/8	\$69.00	
05495	1965	BATTERY CABLE, SPRING RING Pos, 6 Cylinder Note: 6 Cylinder Items Are Not Returnable.	\$69.00	
05490	1965	BATTERY CABLE, SPRING RING Pos, V/8, 283 C.I., With Standard Battery Note: Used On Batteries With Positive Post Close To Passenger Fender.	\$69.00	
36976	1965	BATTERY CABLE, SPRING RING Pos, V/8, 396 C.I. Note: Used On Batteries With Positive Post Close To Radiator.	\$69.00	
05510	1965	BATTERY CABLE, SPRING RING Pos, V/8, All With Heavy Duty Battery Note: Used On Batteries With Positive Post Close To Radiator.	\$69.00	
09220	1966	BATTERY CABLE, SPRING RING Pos, 6 Cylinder Note: 6 Cylinder Items Are Not Returnable.	\$69.00	
09225	1966	BATTERY CABLE, SPRING RING Pos, V/8, With Heavy Duty Battery, Except 396 C.I. Note: Used On Batteries With Positive Post Close To Passenger Fender.	\$69.00	
09830	1966	BATTERY CABLE, SPRING RING Pos, V/8, With Standard Battery & All 396 C.I. Note: Used On Batteries With Positive Post Close To Radiator.	\$69.00	
10715	1967	BATTERY CABLE, SPRING RING Pos, 6 Cylinder Note: 6 Cylinder Items Are Not Returnable.	\$69.00	
10705	1967	BATTERY CABLE, SPRING RING Pos, V/8, Except 396 C.I.	\$69.00	
10725	1967	BATTERY CABLE, SPRING RING Pos, V/8, 396 C.I.	\$69.00	
09945	1968	BATTERY CABLE, SPRING RING Pos, 6 Cylinder Note: 6 Cylinder Items Are Not Returnable.	\$69.00	
09950	1968	BATTERY CABLE, SPRING RING Pos, V/8, Except 396 C.I.	\$69.00	
12450	1968	BATTERY CABLE, SPRING RING Pos, V/8, 396 C.I.	\$69.00	
12590	1969	BATTERY CABLE, SPRING RING Pos, 6 Cylinder Note: 6 Cylinder Items Are Not Returnable.	\$69.00	
09950	1969	BATTERY CABLE, SPRING RING Pos, V/8, Except 396 C.I.	\$69.00	
12595	1969	BATTERY CABLE, SPRING RING Pos, V/8, 396 C.I.	\$69.00	
12600	1970	BATTERY CABLE, SPRING RING Pos, 6 Cylinder, Chevelle Note: 6 Cylinder Items Are Not Returnable.	\$69.00	
14790	1970	BATTERY CABLE, SIDE POST Pos, 6 Cylinder, Chevelle, With Side Mount Type Battery Note: 6 Cylinder Items Are Not Returnable.	\$74.00	
14635	1970	BATTERY CABLE, SPRING RING Pos, V/8, Chevelle	\$69.00	
21740	1970	BATTERY CABLE, SIDE POST Pos, V/8, Chevelle, With Side Mount Type Battery	\$74.00	
14630	1970	BATTERY CABLE, SPRING RING Pos, V/8, Monte Carlo, 350 C.I.	\$69.00	
14635	1970	BATTERY CABLE, SPRING RING Pos, V/8, Monte Carlo, 396-454 C.I.	\$69.00	
21745	1970	BATTERY CABLE, SIDE POST Pos, V/8, Monte Carlo, All With Side Mount Type Battery	\$74.00	
22655	1971	BATTERY CABLE, SIDE POST Pos, 6 Cylinder Note: 6 Cylinder Items Are Not Returnable.	\$74.00	
22660	1971	BATTERY CABLE, SIDE POST Pos, V/8, Chevelle, 307-350 C.I.	\$74.00	
22680	1971	BATTERY CABLE, SIDE POST Pos, V/8, Chevelle, 396-454 C.I.	\$74.00	
28955	1971	BATTERY CABLE, SIDE POST Pos, V/8, Monte Carlo, All	\$74.00	
22640	1972	BATTERY CABLE, SIDE POST Pos, 6 Cylinder Note: 6 Cylinder Items Are Not Returnable.	\$74.00	
28970	1972	BATTERY CABLE, SIDE POST Pos, V/8, Chevelle, 307-350 C.I.	\$74.00	
28980	1972	BATTERY CABLE, SIDE POST Pos, V/8, Chevelle, 396-454 C.I.	\$74.00	
28975	1972	BATTERY CABLE, SIDE POST Pos, V/8, Monte Carlo, All	\$74.00	
41750	1973	BATTERY CABLE, SIDE POST Pos, 6 Cylinder, Chevelle Note: 6 Cylinder Items Are Not Returnable.	\$74.00	

Part Number	Year	Description	Price	*Rev.
41751	1973	BATTERY CABLE, SIDE POST Pos, V/8, Chevelle	\$74.00	
41752	1973	BATTERY CABLE, SIDE POST Pos, V/8, Monte Carlo	\$74.00	
41750	1974	BATTERY CABLE, SIDE POST Pos, 6 Cylinder, Chevelle Note: 6 Cylinder Items Are Not Returnable.	\$74.00	
41751	1974	BATTERY CABLE, SIDE POST Pos, V/8, Chevelle	\$74.00	
41752	1974	BATTERY CABLE, SIDE POST Pos, V/8, Monte Carlo	\$74.00	
41789	1975	BATTERY CABLE, SIDE POST Pos, 6 Cylinder, Chevelle Note: 6 Cylinder Items Are Not Returnable.	\$74.00	
41790	1975	BATTERY CABLE, SIDE POST Pos, V/8, Chevelle	\$74.00	
41410	1975	BATTERY CABLE, SIDE POST Pos, V/8, Monte Carlo	\$74.00	
41789	1976	BATTERY CABLE, SIDE POST Pos, 6 Cylinder, Chevelle Note: 6 Cylinder Items Are Not Returnable.	\$74.00	
41790	1976	BATTERY CABLE, SIDE POST Pos, V/8, Chevelle	\$74.00	
41410	1976	BATTERY CABLE, SIDE POST Pos, V/8, Monte Carlo	\$74.00	
41789	1977	BATTERY CABLE, SIDE POST Pos, 6 Cylinder, Chevelle Note: 6 Cylinder Items Are Not Returnable.	\$74.00	
41790	1977	BATTERY CABLE, SIDE POST Pos, V/8, Chevelle	\$74.00	
41410	1977	BATTERY CABLE, SIDE POST Pos, V/8, Monte Carlo	\$74.00	
41823	1978	BATTERY CABLE, SIDE POST Pos, V/6, 200 C.I. & All V/8	\$87.00	
41920	1978	BATTERY CABLE, SIDE POST Pos, V/6, 231 C.I.	\$87.00	
41823	1979	BATTERY CABLE, SIDE POST Pos, V/6, 200 C.I. & All V/8	\$87.00	
41920	1979	BATTERY CABLE, SIDE POST Pos, V/6, 231 C.I.	\$87.00	
41823	1980	BATTERY CABLE, SIDE POST Pos, V/6, 200 C.I. & All V/8	\$87.00	
41934	1980	BATTERY CABLE, SIDE POST Pos, V/6, 231 C.I.	\$87.00	
41823	1981	BATTERY CABLE, SIDE POST Pos, V/6, 200 C.I. & All V/8	\$87.00	
41934	1981	BATTERY CABLE, SIDE POST Pos, V/6, 231 C.I.	\$87.00	
41823	1982	BATTERY CABLE, SIDE POST Pos, V/6, 229 C.I. & All V/8	\$87.00	
41934	1982	BATTERY CABLE, SIDE POST Pos, V/6, 231 C.I.	\$87.00	
41971	1982	BATTERY CABLE, SIDE POST Pos, Diesel, Without Heavy Duty Battery, Driver Side Battery + Post To Passenger Side Battery + Post Note: This Is A 2 Gauge Cable.	\$87.00	
41927	1982	BATTERY CABLE, SIDE POST Pos, Diesel, With Heavy Duty Battery, Driver Side Battery + Post To Passenger Side Battery + Post Note: This Is A 0 Gauge Cable.	\$87.00	
41925	1982	BATTERY CABLE, SIDE POST Pos, Diesel, Battery To Starter	\$87.00	
BREAKERLESS SE SINGLE WIRE ELECTRONIC IGNITION				
38131	1964	BREAKERLESS SE SINGLE WIRE ELECTRONIC IGNITION KIT For 1957-74 Breaker Point Distributors With Windowed Type Distributor Cap	\$179.00	
38131	1965	BREAKERLESS SE SINGLE WIRE ELECTRONIC IGNITION KIT For 1957-74 Breaker Point Distributors With Windowed Type Distributor Cap	\$179.00	
38131	1966	BREAKERLESS SE SINGLE WIRE ELECTRONIC IGNITION KIT For 1957-74 Breaker Point Distributors With Windowed Type Distributor Cap	\$179.00	
38131	1967	BREAKERLESS SE SINGLE WIRE ELECTRONIC IGNITION KIT For 1957-74 Breaker Point Distributors With Windowed Type Distributor Cap	\$179.00	
38131	1968	BREAKERLESS SE SINGLE WIRE ELECTRONIC IGNITION KIT For 1957-74 Breaker Point Distributors With Windowed Type Distributor Cap	\$179.00	
38131	1969	BREAKERLESS SE SINGLE WIRE ELECTRONIC IGNITION KIT For 1957-74 Breaker Point Distributors With Windowed Type Distributor Cap	\$179.00	
38131	1970	BREAKERLESS SE SINGLE WIRE ELECTRONIC IGNITION KIT For 1957-74 Breaker Point Distributors With Windowed Type Distributor Cap	\$179.00	

Part Number	Year	Description	Price	*Rev.
38131	1971	BREAKERLESS SE SINGLE WIRE ELECTRONIC IGNITION KIT For 1957-74 Breaker Point Distributors With Windowed Type Distributor Cap	\$179.00	
38131	1972	BREAKERLESS SE SINGLE WIRE ELECTRONIC IGNITION KIT For 1957-74 Breaker Point Distributors With Windowed Type Distributor Cap	\$179.00	
38131	1973	BREAKERLESS SE SINGLE WIRE ELECTRONIC IGNITION KIT For 1957-74 Breaker Point Distributors With Windowed Type Distributor Cap	\$179.00	
38131	1974	BREAKERLESS SE SINGLE WIRE ELECTRONIC IGNITION KIT For 1957-74 Breaker Point Distributors With Windowed Type Distributor Cap	\$179.00	
CIRCUIT BREAKER				
04850166	1964	CIRCUIT BREAKER, 30 AMP Power Seat, Windows, Tailgate Window & Top	\$14.00	
04850166	1965	CIRCUIT BREAKER, 30 AMP Power Seat, Windows, Tailgate Window & Top	\$14.00	
04850166	1966	CIRCUIT BREAKER, 30 AMP Power Seat, Windows, Tailgate Window & Top	\$14.00	
04850166	1967	CIRCUIT BREAKER, 30 AMP Power Seat, Windows, Tailgate Window & Top	\$14.00	
04850166	1968	CIRCUIT BREAKER, 30 AMP Power Seat, Windows, Tailgate Window & Top	\$14.00	
04850166	1969	CIRCUIT BREAKER, 30 AMP Power Seat, Windows, Tailgate Window & Top	\$14.00	
04850166	1970	CIRCUIT BREAKER, 30 AMP Power Seat, Windows, Tailgate Window & Top	\$14.00	
04850166	1971	CIRCUIT BREAKER, 30 AMP Power Seat, Windows, Tailgate Window & Top	\$14.00	
CLASSIC AUTO FUSE SERIES-FUSE AND FLASHER KIT				
39464	1968	CLASSIC AUTO FUSE SERIES-FUSE AND FLASHER KIT Contains Two Flashers And A Complete Set Of ATO Fuses With One Spare Of Each Amperage Note: Used Only With Classic Auto Fuse Series Updated Dash Harnesses, See Dash Harnesses For Applications.	\$27.00	
39466	1969	CLASSIC AUTO FUSE SERIES-FUSE AND FLASHER KIT Contains Two Flashers And A Complete Set Of ATO Fuses With One Spare Of Each Amperage Note: Used Only With Classic Auto Fuse Series Updated Dash Harnesses, See Dash Harnesses For Applications.	\$27.00	
39463	1970	CLASSIC AUTO FUSE SERIES-FUSE AND FLASHER KIT Contains Two Flashers And A Complete Set Of ATO Fuses With One Spare Of Each Amperage Note: Used Only With Classic Auto Fuse Series Updated Dash Harnesses.	\$27.00	
39466	1971	CLASSIC AUTO FUSE SERIES-FUSE AND FLASHER KIT Contains Two Flashers And A Complete Set Of ATO Fuses With One Spare Of Each Amperage Note: Used Only With Classic Auto Fuse Series Updated Dash Harnesses, See Dash Harnesses For Applications.	\$27.00	
39465	1972	CLASSIC AUTO FUSE SERIES-FUSE AND FLASHER KIT Contains Two Flashers And A Complete Set Of ATO Fuses With One Spare Of Each Amperage Note: Used Only With Classic Auto Fuse Series Updated Dash Harnesses.	\$28.00	
CLASSIC AUTO FUSE SERIES-OPTIONAL KIT				
39383	1968	CLASSIC AUTO FUSE SERIES-OPTIONAL KIT Spare Fuse Power Wiring Extension Harness Note: Used To Add The Functionality Of The Three Extra Spare Fuses.	\$70.00	
39383	1969	CLASSIC AUTO FUSE SERIES-OPTIONAL KIT Spare Fuse Power Wiring Extension Harness Note: Used To Add The Functionality Of The Three Extra Spare Fuses.	\$70.00	
39383	1970	CLASSIC AUTO FUSE SERIES-OPTIONAL KIT Spare Fuse Power Wiring Extension Harness Note: Used To Add The Functionality Of The Three Extra Spare Fuses.	\$70.00	
39383	1971	CLASSIC AUTO FUSE SERIES-OPTIONAL KIT Spare Fuse Power Wiring Extension Harness Note: Used To Add The Functionality Of The Three Extra Spare Fuses.	\$70.00	
39383	1972	CLASSIC AUTO FUSE SERIES-OPTIONAL KIT Spare Fuse Power Wiring Extension Harness Note: Used To Add The Functionality Of The Three Extra Spare Fuses.	\$70.00	
39384	1968	CLASSIC AUTO FUSE SERIES-OPTIONAL KIT Accessory Connector And Terminal Kit Note: Connectors And Terminals To Use In The Classic Auto Fuse Series Fuse Block Accessory Ports.	\$24.00	
39384	1969	CLASSIC AUTO FUSE SERIES-OPTIONAL KIT Accessory Connector And Terminal Kit Note: Connectors And Terminals To Use In The Classic Auto Fuse Series Fuse Block Accessory Ports.	\$24.00	
39384	1970	CLASSIC AUTO FUSE SERIES-OPTIONAL KIT Accessory Connector And Terminal Kit Note: Connectors And Terminals To Use In The Classic Auto Fuse Series Fuse Block Accessory Ports.	\$24.00	

Part Number	Year	Description	Price	*Rev.
39384	1971	CLASSIC AUTO FUSE SERIES-OPTIONAL KIT Accessory Connector And Terminal Kit Note: Connectors And Terminals To Use In The Classic Auto Fuse Series Fuse Block Accessory Ports.	\$24.00	
39384	1972	CLASSIC AUTO FUSE SERIES-OPTIONAL KIT Accessory Connector And Terminal Kit Note: Connectors And Terminals To Use In The Classic Auto Fuse Series Fuse Block Accessory Ports.	\$24.00	
39385	1968	CLASSIC AUTO FUSE SERIES-OPTIONAL KIT Glass Fuse Series Accessory Adapter Kit Note: Adapter To Convert Original Glass Fusebox Style Accessory Connectors For Use With The Updated Classic Auto Fuse Series Fuseblock.	\$63.00	
39385	1969	CLASSIC AUTO FUSE SERIES-OPTIONAL KIT Glass Fuse Series Accessory Adapter Kit Note: Adapter To Convert Original Glass Fusebox Style Accessory Connectors For Use With The Updated Classic Auto Fuse Series Fuseblock.	\$63.00	
39385	1970	CLASSIC AUTO FUSE SERIES-OPTIONAL KIT Glass Fuse Series Accessory Adapter Kit Note: Adapter To Convert Original Glass Fusebox Style Accessory Connectors For Use With The Updated Classic Auto Fuse Series Fuseblock.	\$63.00	
39385	1971	CLASSIC AUTO FUSE SERIES-OPTIONAL KIT Glass Fuse Series Accessory Adapter Kit Note: Adapter To Convert Original Glass Fusebox Style Accessory Connectors For Use With The Updated Classic Auto Fuse Series Fuseblock.	\$63.00	
39385	1972	CLASSIC AUTO FUSE SERIES-OPTIONAL KIT Glass Fuse Series Accessory Adapter Kit Note: Adapter To Convert Original Glass Fusebox Style Accessory Connectors For Use With The Updated Classic Auto Fuse Series Fuseblock.	\$63.00	
CLOCK AND DIGITAL FUEL CONSUMPTION METER HARNESS				
41793	1975	CLOCK AND DIGITAL FUEL CONSUMPTION METER HARNESS From Fuse Block To Clock & Digital Fuel Consumption Meter	\$67.00	
CLOCK HARNESS				
18275	1964	CLOCK HARNESS Top Of Dash Mounted Clock	\$29.00	
18275	1965	CLOCK HARNESS Top Of Dash Mounted Clock	\$29.00	
41680	1966	CLOCK HARNESS Used With Accessory Type In Dash Clock	\$29.00	
18275	1966	CLOCK HARNESS Top Of Dash Mounted Clock	\$29.00	
41684	1967	CLOCK HARNESS Floor Mounted Clock	\$42.00	
01365	1968	CLOCK HARNESS Dash Mounted Clock	\$26.00	
41692	1968	CLOCK HARNESS Right Hand Drive (Export Only), Dash Mounted Clock	\$29.00	
01365	1969	CLOCK HARNESS Dash Mounted Clock	\$26.00	
41692	1969	CLOCK HARNESS Right Hand Drive (Export Only), Dash Mounted Clock	\$29.00	
18600	1970	CLOCK HARNESS Dash Mounted Clock, With Sweep Speedometer	\$27.00	
18600	1971	CLOCK HARNESS Dash Mounted Clock, With Sweep Speedometer	\$27.00	
18600	1972	CLOCK HARNESS Dash Mounted Clock, With Sweep Speedometer	\$27.00	
41877	1979	CLOCK HARNESS Radio, Digital Clock, From Fuse Block To Radio	\$33.00	
41877	1980	CLOCK HARNESS Radio, Digital Clock, From Fuse Block To Radio	\$33.00	
COMPUTER CARB CONTROL PWR FEED AND LAMP HARNESS				
41880	1979	COMPUTER CARB CONTROL POWER FEED AND LAMP HARNESS From Ignition Cavity On Fuse Block To Ecm Harness	\$41.00	
COMPUTER ECM FEED HARNESS				
41908	1980	COMPUTER ECM FEED HARNESS V/6, 231 C.I., With Warning Lights, From Fuse Block To Ecm Harness	\$65.00	
41909	1980	COMPUTER ECM FEED HARNESS V/6, 231 C.I., With Gauges, From Fuse Block To Ecm Harness	\$65.00	
41910	1980	COMPUTER ECM FEED HARNESS V/6, 231 C.I., With Turbo, From Fuse Block To Ecm Harness	\$65.00	
41900	1980	COMPUTER ECM FEED HARNESS V/8, With Warning Lights, From Fuse Block To Ecm Harness	\$65.00	
41899	1980	COMPUTER ECM FEED HARNESS V/8, With Gauges, From Fuse Block To Ecm Harness	\$65.00	
COMPUTER ECM HARNESS				
41933	1979	COMPUTER ECM HARNESS Dash Side	\$175.00	

Part Number	Year	Description	Price	*Rev.
41932	1979	COMPUTER ECM HARNESS Engine Side Note: Customer Must Supply Us With Their Original Harness.	\$367.00	
41931	1980	COMPUTER ECM HARNESS V/6, 231 C.I., Except Turbo Note: Customer Must Supply Us With Their Original Harness.	\$386.00	
41935	1980	COMPUTER ECM HARNESS V/6, 231 C.I., With Turbo Note: Customer Must Supply Us With Their Original Harness.	\$386.00	
41946	1980	COMPUTER ECM HARNESS V/8 Note: Customer Must Supply Us With Their Original Harness.	\$386.00	
41955	1981	COMPUTER ECM HARNESS V/6, 229 C.I., Auto Trans Note: Customer Must Supply Us With Their Original Harness.	\$400.00	
41954	1981	COMPUTER ECM HARNESS V/6, 229 C.I., Manual Trans Note: Customer Must Supply Us With Their Original Harness.	\$400.00	
41983	1981	COMPUTER ECM HARNESS V/6, 231 C.I., Without Turbo Note: Customer Must Supply Us With Their Original Harness.	\$400.00	
41976	1981	COMPUTER ECM HARNESS V/6, 231 C.I., With Turbo Note: Customer Must Supply Us With Their Original Harness.	\$400.00	
41953	1981	COMPUTER ECM HARNESS V/8, 267 C.I. & 305 C.I. Engines Note: Customer Must Supply Us With Their Original Harness.	\$400.00	
41956	1981	COMPUTER ECM HARNESS V/8, 350 C.I. Note: Customer Must Supply Us With Their Original Harness.	\$400.00	
41964	1982	COMPUTER ECM HARNESS V/6, 229 C.I. Note: Customer Must Supply Us With Their Original Harness.	\$400.00	
41978	1982	COMPUTER ECM HARNESS V/6, 231 C.I. Note: Customer Must Supply Us With Their Original Harness.	\$400.00	
41965	1982	COMPUTER ECM HARNESS V/8, 267 C.I. Note: Customer Must Supply Us With Their Original Harness.	\$400.00	
41989	1982	COMPUTER ECM HARNESS V/8, 305 C.I. Note: Customer Must Supply Us With Their Original Harness.	\$400.00	
41967	1982	COMPUTER ECM HARNESS V/8, 350 C.I. Note: Customer Must Supply Us With Their Original Harness.	\$400.00	
COMPUTER EGR RELAY HARNESS				
41984	1981	COMPUTER EGR RELAY HARNESS V/6, 231 C.I., From Egr Cut-Out Relay To Ecm Harness	\$65.00	
COMPUTER ELECTRONIC SPARK CONTROL HARNESS				
41914	1980	COMPUTER ELECTRONIC SPARK CONTROL HARNESS V/6, 231 C.I. Turbo, Without Closed Loop Emission System, From Esc Module To Ecm Harness Note: Customer Must Supply Us With Their Original Harness.	\$63.00	
41913	1980	COMPUTER ELECTRONIC SPARK CONTROL HARNESS V/6, 231 C.I. Turbo, With Closed Loop Emission System, From Esc Module To Ecm Harness Note: Customer Must Supply Us With Their Original Harness.	\$63.00	
41381	1980	COMPUTER ELECTRONIC SPARK CONTROL POWER JUMPER HARNESS V/6, 231 C.I. Turbo, Without Closed Loop Emission System, From Engine Harness To Esc Harness	\$63.00	
41977	1981	COMPUTER ELECTRONIC SPARK CONTROL HARNESS V/6, 231 C.I., With Turbo From Instrument Panel Jumper To Esc Controller	\$63.00	
CONSOLE EXTENSION HARNESS				
09665	1966	CONSOLE EXTENSION HARNESS Auto Trans	\$45.00	
09670	1966	CONSOLE EXTENSION HARNESS All, Clock And Courtesy Light, From Dash To Console Harness	\$32.00	
10590	1967	CONSOLE EXTENSION HARNESS Auto Trans, From Dash To Neutral Safety & Back Up Switch On Shifter	\$45.00	
11475	1967	CONSOLE EXTENSION HARNESS All, Clock And Courtesy Light, From Dash To Console Harness	\$32.00	

Part Number	Year	Description	Price	*Rev.
11930	1968	CONSOLE EXTENSION HARNESS Auto Trans	\$59.00	
11920	1968	CONSOLE EXTENSION HARNESS Manual Trans	\$26.00	
28190	1969	CONSOLE EXTENSION HARNESS Auto Trans	\$59.00	
11920	1969	CONSOLE EXTENSION HARNESS Manual Trans	\$26.00	
28190	1970	CONSOLE EXTENSION HARNESS Auto Trans	\$59.00	
11920	1970	CONSOLE EXTENSION HARNESS Manual Trans	\$26.00	
28190	1971	CONSOLE EXTENSION HARNESS Auto Trans	\$59.00	
11920	1971	CONSOLE EXTENSION HARNESS Manual Trans	\$26.00	
28190	1972	CONSOLE EXTENSION HARNESS Auto Trans	\$59.00	
11920	1972	CONSOLE EXTENSION HARNESS Manual Trans	\$26.00	
41748	1973	CONSOLE EXTENSION HARNESS Auto Trans, From Fuse Block To Console Shift Indicator Plate Lamp Harness	\$32.00	

CONSOLE HARNESS

04985	1964	CONSOLE HARNESS Auto Trans	\$84.00	
04990	1964	CONSOLE HARNESS Manual Trans	\$32.00	
05910	1965	CONSOLE HARNESS Auto Trans	\$84.00	
04990	1965	CONSOLE HARNESS Manual Trans	\$32.00	
09680	1966	CONSOLE HARNESS Auto Trans	\$71.00	
09675	1966	CONSOLE HARNESS Manual Trans	\$71.00	
11485	1967	CONSOLE HARNESS Auto Trans, Clock & Courtesy Light	\$71.00	
11480	1967	CONSOLE HARNESS Manual Trans, Clock & Courtesy Light	\$64.00	
11925	1968	CONSOLE HARNESS Auto Trans	\$64.00	
11915	1968	CONSOLE HARNESS Manual Trans	\$39.00	
11925	1969	CONSOLE HARNESS Auto Trans	\$64.00	
11915	1969	CONSOLE HARNESS Manual Trans	\$39.00	
11925	1970	CONSOLE HARNESS Auto Trans	\$64.00	
11915	1970	CONSOLE HARNESS Manual Trans	\$39.00	
11925	1971	CONSOLE HARNESS Auto Trans	\$64.00	
11915	1971	CONSOLE HARNESS Manual Trans	\$39.00	
11925	1972	CONSOLE HARNESS Auto Trans	\$64.00	
11915	1972	CONSOLE HARNESS Manual Trans	\$39.00	
41749	1973	CONSOLE SHIFT INDICATOR LAMP HARNESS Auto Trans, From Shift Indicator Plate To Console Extension Harness	\$35.00	

CORNERING LAMP EXTENSION HARNESS

41947	1981	CORNERING LAMP INNER EXTENSION HARNESS Monte Carlo, From Turn Signal Switch To Outer Extension Harness	\$32.00	
41881	1981	CORNERING LAMP OUTER EXTENSION HARNESS Monte Carlo, From Forward Lamp Harness To Inner Extension Harness	\$32.00	
41947	1982	CORNERING LAMP INNER EXTENSION HARNESS Monte Carlo, From Turn Signal Switch To Outer Extension Harness	\$32.00	
41881	1982	CORNERING LAMP OUTER EXTENSION HARNESS Monte Carlo, From Forward Lamp Harness To Inner Extension Harness	\$32.00	

COURTESY LAMP HARNESS

07130	1964	COURTESY LAMP HARNESS El Camino, Center Roof Mounted Dome Lamp Note: Customer Must Reuse Their Original Plastic Connector.	\$35.00	
06880	1964	COURTESY LAMP HARNESS Center Roof Mounted Dome Lamp, Sedan	\$34.00	
06885	1964	COURTESY LAMP HARNESS Center Roof Mounted Dome Lamp, Sport Coupe	\$33.00	

Part Number	Year	Description	Price	*Rev.
07100	1964	COURTESY LAMP HARNESS Wagon, Center Roof Mounted Dome Lamp Note: Customer Must Reuse Their Original Plastic Connector.	\$35.00	
28450	1964	COURTESY LAMP HARNESS Under Dash	\$53.00	
07055	1964	COURTESY LAMP HARNESS 4 Door, From Rear Door Jamb Switches To Roof Mounted Dome Lamp Harness	\$48.00	
07840	1965	COURTESY LAMP HARNESS El Camino, Center Roof Mounted Dome Lamp Note: Customer Must Reuse Their Original Plastic Connector.	\$32.00	
07575	1965	COURTESY LAMP HARNESS Center Roof Mounted Dome Lamp, Sedan	\$40.00	
07580	1965	COURTESY LAMP HARNESS Center Roof Mounted Dome Lamp, Sport Coupe	\$33.00	
07835	1965	COURTESY LAMP HARNESS Wagon, Center Roof Mounted Dome Lamp Note: Customer Must Reuse Their Original Plastic Connector.	\$40.00	
39621	1965	COURTESY LAMP HARNESS Under Dash, Except Convertible	\$52.00	
28450	1965	COURTESY LAMP HARNESS Under Dash, Convertible	\$53.00	
07650	1965	COURTESY LAMP HARNESS 4 Door, From Rear Door Jamb Switches To Roof Mounted Dome Lamp Harness	\$48.00	
07840	1966	COURTESY LAMP HARNESS El Camino, Center Roof Mounted Dome Lamp Note: Customer Must Reuse Their Original Plastic Connector.	\$32.00	
17590	1966	COURTESY LAMP HARNESS Center Roof Mounted Dome Lamp, Sedan	\$33.00	
17600	1966	COURTESY LAMP HARNESS Center Roof Mounted Dome Lamp, Sport Coupe	\$27.00	
07835	1966	COURTESY LAMP HARNESS Wagon, Center Roof Mounted Dome Lamp Note: Customer Must Reuse Their Original Plastic Connector.	\$40.00	
28490	1966	COURTESY LAMP HARNESS Under Dash	\$46.00	
07650	1966	COURTESY LAMP HARNESS 4 Door, From Rear Door Jamb Switches To Roof Mounted Dome Lamp Harness	\$48.00	
07840	1967	COURTESY LAMP HARNESS El Camino, Center Roof Mounted Dome Lamp Note: Customer Must Reuse Their Original Plastic Connector.	\$32.00	
17590	1967	COURTESY LAMP HARNESS Center Roof Mounted Dome Lamp, Sedan	\$33.00	
17600	1967	COURTESY LAMP HARNESS Center Roof Mounted Dome Lamp, Sport Coupe	\$27.00	
07835	1967	COURTESY LAMP HARNESS Wagon, Center Roof Mounted Dome Lamp Note: Customer Must Reuse Their Original Plastic Connector.	\$40.00	
28490	1967	COURTESY LAMP HARNESS Under Dash	\$46.00	
07650	1967	COURTESY LAMP HARNESS 4 Door, From Rear Door Jamb Switches To Roof Mounted Dome Lamp Harness	\$48.00	
41700	1968	COURTESY LAMP HARNESS El Camino, Center Roof Mounted Dome Lamp	\$33.00	
40526	1968	COURTESY LAMP HARNESS Center Roof Mounted Dome Lamp, 4 Door Sedan	\$46.00	
40523	1968	COURTESY LAMP HARNESS 4 Door Sedan & Hardtop, From Rear Door Jamb Switches To Dome Lamp Harness	\$46.00	
41705	1968	COURTESY LAMP HARNESS Wagon, From Rear Door Jamb Switches To Dome Lamp Harness	\$46.00	
30205	1968	COURTESY LAMP HARNESS Center Roof Mounted Dome Lamp, Except Sedan	\$30.00	
28530	1968	COURTESY LAMP HARNESS Under Dash	\$49.00	
41700	1969	COURTESY LAMP HARNESS El Camino, Center Roof Mounted Dome Lamp	\$33.00	
40523	1969	COURTESY LAMP HARNESS 4 Door Sedan & Hardtop, From Rear Door Jamb Switches To Dome Lamp Harness	\$46.00	
30205	1969	COURTESY LAMP HARNESS Center Roof Mounted Dome Lamp, Except Sedan	\$30.00	
28950	1969	COURTESY LAMP HARNESS Under Dash	\$49.00	
41700	1970	COURTESY LAMP HARNESS El Camino, Center Roof Mounted Dome Lamp	\$33.00	
40523	1970	COURTESY LAMP HARNESS 4 Door Sedan, From Rear Door Jamb Switches To Dome Lamp Harness	\$46.00	
30205	1970	COURTESY LAMP HARNESS Center Roof Mounted Dome Lamp, Except Sedan	\$30.00	
28950	1970	COURTESY LAMP HARNESS Under Dash	\$49.00	

Part Number	Year	Description	Price	*Rev.
41700	1971	COURTESY LAMP HARNESS El Camino, Center Roof Mounted Dome Lamp	\$33.00	
41723	1971	COURTESY LAMP HARNESS 4 Door Sedan, From Rear Door Jamb Switches To Dome Lamp Harness	\$46.00	
30205	1971	COURTESY LAMP HARNESS Center Roof Mounted Dome Lamp, Except Sedan	\$30.00	
15295	1971	COURTESY LAMP HARNESS Under Dash	\$53.00	
41700	1972	COURTESY LAMP HARNESS El Camino, Center Roof Mounted Dome Lamp	\$33.00	
41723	1972	COURTESY LAMP HARNESS 4 Door Sedan, From Rear Door Jamb Switches To Dome Lamp Harness	\$46.00	
30205	1972	COURTESY LAMP HARNESS Center Roof Mounted Dome Lamp, Except Sedan	\$30.00	
15295	1972	COURTESY LAMP HARNESS Under Dash	\$53.00	
40765	1973	COURTESY LAMP HARNESS Wagon, Center Roof Mounted Dome Lamp	\$48.00	
40766	1973	COURTESY LAMP HARNESS All, Except Wagon & El Camino, Center Roof Mounted Dome Lamp	\$35.00	
41845	1973	COURTESY LAMP HARNESS El Camino, Center Roof Mounted Dome Lamp	\$35.00	
40698	1973	COURTESY LAMP HARNESS Wagon, Rear Header Courtesy Lamp	\$33.00	
40733	1974	COURTESY LAMP HARNESS Wagon, Center Roof Mounted Dome Lamp	\$46.00	
40766	1974	COURTESY LAMP HARNESS All, Except Wagon & El Camino, Center Roof Mounted Dome Lamp	\$35.00	
41845	1974	COURTESY LAMP HARNESS El Camino, Center Roof Mounted Dome Lamp	\$35.00	
40698	1974	COURTESY LAMP HARNESS Wagon, Rear Header Courtesy Lamp	\$33.00	
40733	1975	COURTESY LAMP HARNESS Wagon, Center Roof Mounted Dome Lamp	\$46.00	
40766	1975	COURTESY LAMP HARNESS All, Except Wagon & El Camino, Center Roof Mounted Dome Lamp	\$35.00	
41845	1975	COURTESY LAMP HARNESS El Camino, Center Roof Mounted Dome Lamp	\$35.00	
40415	1975	COURTESY LAMP HARNESS All, Wagon, Rear Header Courtesy Lamp	\$33.00	
41663	1976	COURTESY LAMP HARNESS El Camino, Roof Mounted Dome Lamp	\$35.00	
40733	1976	COURTESY LAMP HARNESS Wagon, Center Roof Mounted Dome Lamp	\$46.00	
40766	1976	COURTESY LAMP HARNESS All, Except Wagon & El Camino, Center Roof Mounted Dome Lamp	\$35.00	
40415	1976	COURTESY LAMP HARNESS All, Wagon, Rear Header Courtesy Lamp	\$33.00	
41663	1977	COURTESY LAMP HARNESS El Camino, Roof Mounted Dome Lamp	\$35.00	
40733	1977	COURTESY LAMP HARNESS Wagon, Center Roof Mounted Dome Lamp	\$46.00	
40766	1977	COURTESY LAMP HARNESS All, Except Wagon & El Camino, Center Roof Mounted Dome Lamp	\$35.00	
40415	1977	COURTESY LAMP HARNESS All, Wagon, Rear Header Courtesy Lamp	\$33.00	
41997	1978	COURTESY LAMP HARNESS All, Except Coupe, With Roof Mounted Dome Lamp, Without Reading Lamp	\$46.00	
41999	1978	COURTESY LAMP HARNESS All, Coupe, With Roof Mounted Dome Lamp, Without Reading Lamp	\$46.00	
42001	1978	COURTESY LAMP HARNESS Wagon, Rear Header Courtesy Lamp, Without Reading Lamp	\$46.00	
42029	1978	COURTESY LAMP HARNESS Wagon, Rear Header Courtesy Lamp, With Reading Lamp	\$46.00	
41998	1978	COURTESY LAMP HARNESS All, Except Coupe, With Roof Mounted Dome Lamp & Reading Lamp	\$46.00	
42000	1978	COURTESY LAMP HARNESS All, Coupe, With Roof Mounted Dome Lamp & Reading Lamp	\$46.00	
42034	1978	COURTESY LAMP HARNESS Coupe With Removable Roof & Sail Panel Mounted Dome Lamps	\$46.00	
40413	1978	COURTESY LAMP JUMPER HARNESS All, Connects Dome Lamp To Reading Lamp Sockets	\$26.00	
41997	1979	COURTESY LAMP HARNESS All, Except Coupe, With Roof Mounted Dome Lamp, Without Reading Lamp	\$46.00	
41999	1979	COURTESY LAMP HARNESS All, Coupe, With Roof Mounted Dome Lamp, Without Reading Lamp	\$46.00	
42001	1979	COURTESY LAMP HARNESS Wagon, Rear Header Courtesy Lamp, Without Reading Lamp	\$46.00	

Part Number	Year	Description	Price	*Rev.
42029	1979	COURTESY LAMP HARNESS Wagon, Rear Header Courtesy Lamp, With Reading Lamp	\$46.00	
41998	1979	COURTESY LAMP HARNESS All, Except Coupe, With Roof Mounted Dome Lamp & Reading Lamp	\$46.00	
42000	1979	COURTESY LAMP HARNESS All, Coupe, With Roof Mounted Dome Lamp & Reading Lamp	\$46.00	
42034	1979	COURTESY LAMP HARNESS Coupe With Removable Roof & Sail Panel Mounted Dome Lamps	\$46.00	
40413	1979	COURTESY LAMP JUMPER HARNESS All, Connects Dome Lamp To Reading Lamp Sockets	\$26.00	
42018	1980	COURTESY LAMP DOOR JAMB SWITCH WIRE 4 Door, Connects Rear Door Jamb Switch To Front Door Jamb Switch (2 Required Per Car)	\$26.00	
41997	1980	COURTESY LAMP HARNESS All, Except Coupe, With Roof Mounted Dome Lamp, Without Reading Lamp	\$46.00	
41999	1980	COURTESY LAMP HARNESS All, Coupe, With Roof Mounted Dome Lamp, Without Reading Lamp	\$46.00	
42001	1980	COURTESY LAMP HARNESS Wagon, Rear Header Courtesy Lamp, Without Reading Lamp	\$46.00	
41998	1980	COURTESY LAMP HARNESS All, Except Coupe, With Roof Mounted Dome Lamp & Reading Lamp	\$46.00	
42034	1980	COURTESY LAMP HARNESS Coupe With Removable Roof & Sail Panel Mounted Dome Lamps	\$46.00	
40413	1980	COURTESY LAMP JUMPER HARNESS All, Connects Dome Lamp To Reading Lamp Sockets	\$26.00	
42018	1981	COURTESY LAMP DOOR JAMB SWITCH WIRE 4 Door, Connects Rear Door Jamb Switch To Front Door Jamb Switch (2 Required Per Car)	\$26.00	
41997	1981	COURTESY LAMP HARNESS All, With Roof Mounted Dome Lamp, Without Reading Lamp	\$46.00	
42001	1981	COURTESY LAMP HARNESS Wagon, Rear Header Courtesy Lamp	\$46.00	
41998	1981	COURTESY LAMP HARNESS All, Except Coupe, With Roof Mounted Dome Lamp & Reading Lamp	\$46.00	
42034	1981	COURTESY LAMP HARNESS Coupe With Removable Roof & Sail Panel Mounted Dome Lamps	\$46.00	
40413	1981	COURTESY LAMP JUMPER HARNESS All, Connects Dome Lamp To Reading Lamp Sockets	\$26.00	
42018	1982	COURTESY LAMP DOOR JAMB SWITCH WIRE 4 Door, Connects Rear Door Jamb Switch To Front Door Jamb Switch (2 Required Per Car)	\$26.00	
41997	1982	COURTESY LAMP HARNESS All, With Roof Mounted Dome Lamp, Without Reading Lamp	\$46.00	
42001	1982	COURTESY LAMP HARNESS Wagon, Rear Header Courtesy Lamp	\$46.00	
41998	1982	COURTESY LAMP HARNESS All, Except Coupe, With Roof Mounted Dome Lamp & Reading Lamp	\$46.00	
42034	1982	COURTESY LAMP HARNESS Coupe With Removable Roof & Sail Panel Mounted Dome Lamps	\$46.00	
40413	1982	COURTESY LAMP JUMPER HARNESS All, Connects Dome Lamp To Reading Lamp Sockets	\$26.00	
COURTESY LAMP MOUNTING BRACKET-UNDER DASH				
04876930	1964	COURTESY LAMP MOUNTING BRACKET, UNDER DASH Left Or Right Side, 2 Required Per Car	\$11.00	
04876930	1965	COURTESY LAMP MOUNTING BRACKET, UNDER DASH Left Or Right Side, 2 Required Per Car	\$11.00	
04876930	1966	COURTESY LAMP MOUNTING BRACKET, UNDER DASH Left Or Right Side, 2 Required Per Car	\$11.00	
04876930	1967	COURTESY LAMP MOUNTING BRACKET, UNDER DASH Left Or Right Side, 2 Required Per Car	\$11.00	
04876930	1968	COURTESY LAMP MOUNTING BRACKET, UNDER DASH Left Or Right Side, 2 Required Per Car	\$11.00	
04876930	1969	COURTESY LAMP MOUNTING BRACKET, UNDER DASH Left Or Right Side, 2 Required Per Car	\$11.00	
04876930	1970	COURTESY LAMP MOUNTING BRACKET, UNDER DASH Left Or Right Side, 2 Required Per Car	\$11.00	
COWL INDUCTION HARNESS				
05005	1970	COWL INDUCTION HARNESS	\$64.00	
05005	1971	COWL INDUCTION HARNESS	\$64.00	
05005	1972	COWL INDUCTION HARNESS	\$64.00	
COWL INDUCTION HOOD DOOR SWITCH				
01242101	1970	COWL INDUCTION HOOD DOOR SWITCH Mounts To Bracket Near Gas Pedal	\$19.00	
01242101	1971	COWL INDUCTION HOOD DOOR SWITCH Mounts To Bracket Near Gas Pedal	\$19.00	
01242101	1972	COWL INDUCTION HOOD DOOR SWITCH Mounts To Bracket Near Gas Pedal	\$19.00	

Part Number	Year	Description	Price	*Rev.
CRUISE CONTROL HARNESS				
41675	1965	CRUISE CONTROL HARNESS	\$87.00	
41675	1966	CRUISE CONTROL HARNESS	\$87.00	
41683	1967	CRUISE CONTROL HARNESS Only Used With Accessory Dealer Installed Cruise Control	\$87.00	
10775	1967	CRUISE CONTROL HARNESS	\$94.00	
41683	1968	CRUISE CONTROL HARNESS Only Used With Accessory Dealer Installed Cruise Control	\$87.00	
11885	1968	CRUISE CONTROL HARNESS	\$101.00	
13185	1969	CRUISE CONTROL HARNESS	\$94.00	
13185	1970	CRUISE CONTROL HARNESS	\$94.00	
13185	1971	CRUISE CONTROL HARNESS	\$94.00	
13185	1972	CRUISE CONTROL HARNESS	\$94.00	
41762	1973	CRUISE CONTROL HARNESS	\$133.00	
41762	1974	CRUISE CONTROL HARNESS	\$133.00	
41762	1975	CRUISE CONTROL HARNESS	\$133.00	
41762	1976	CRUISE CONTROL HARNESS	\$133.00	
41815	1977	CRUISE CONTROL HARNESS	\$133.00	
41863	1978	CRUISE CONTROL HARNESS	\$133.00	
41905	1979	CRUISE CONTROL HARNESS With Transmission Torque Converter Clutch (T.C.C..) Note: Harness With (T.C.C..) Does Not Connect To Stop Lamp Switch.	\$133.00	
41863	1979	CRUISE CONTROL HARNESS Without Transmission Torque Converter Clutch (T.C.C..) Note: Harness Without (T.C.C..) Connects To Stop Lamp Switch.	\$133.00	
41905	1980	CRUISE CONTROL HARNESS With Transmission Torque Converter Clutch (T.C.C..) Note: Harness With (T.C.C..) Does Not Connect To Stop Lamp Switch.	\$133.00	
41906	1980	CRUISE CONTROL HARNESS Without Transmission Torque Converter Clutch (T.C.C..) Note: Harness Without (T.C.C..) Connects To Stop Lamp Switch.	\$133.00	
41938	1981	CRUISE CONTROL HARNESS	\$133.00	
41938	1982	CRUISE CONTROL HARNESS Without Diesel	\$133.00	
41957	1982	CRUISE CONTROL HARNESS With Diesel	\$133.00	
DASH HARNESS				
05780	1964	DASH HARNESS With Warning Lights	\$554.00	
05785	1964	DASH HARNESS With Gauges	\$554.00	
41667	1964	DASH HARNESS Right Hand Drive (Export Only)	\$643.00	
05955	1965	DASH HARNESS With Warning Lights	\$554.00	
05960	1965	DASH HARNESS With Gauges	\$554.00	
41676	1965	DASH HARNESS Right Hand Drive (Export Only)	\$643.00	
09455	1966	DASH HARNESS Column Shift, With Warning Lights	\$554.00	
10200	1966	DASH HARNESS Column Shift, With Warning Lights & Integrated A/C Note: A/C Wiring Is Incorporated Into The Dash And Engine Harnesses.	\$554.00	
17605	1966	DASH HARNESS Console Shift, With Warning Lights	\$554.00	
10210	1966	DASH HARNESS Console Shift, With Warning Lights & Integrated A/C Note: A/C Wiring Is Incorporated Into The Dash And Engine Harnesses.	\$554.00	
09460	1966	DASH HARNESS All With Gauges Note: For Column Shift Auto Trans, Use #28485 Neutral Safety Switch Jumper.	\$554.00	
10205	1966	DASH HARNESS All With Gauges & Integrated A/C Note: A/C Wiring Is Incorporated Into The Dash And Engine Harnesses. Column Shift Auto Trans Cars Will Also Require Part #28485 Neutral Safety Switch Jumper.	\$554.00	
41676	1966	DASH HARNESS Right Hand Drive (Export Only)	\$643.00	

Part Number	Year	Description	Price	*Rev.
10540	1967	DASH HARNESS With Warning Lights Note: Column Shift Auto Trans Cars Will Also Require Part #28485 Neutral Safety Jumper.	\$554.00	
10535	1967	DASH HARNESS With Gauges Note: Couolumn Shift Auto Trans Cars Will Also Require Part #28485 Neutral Safety Jumper.	\$554.00	
41681	1967	DASH HARNESS Right Hand Drive (Export Only)	\$643.00	
11760	1968	DASH HARNESS With Warning Lights	\$567.00	
39404	1968	DASH HARNESS-CLASSIC AUTO FUSE SERIES With Warning Lights Note: With Updated Modern ATO Series Fuseblock. Uses Fuse & Flasher Kit # 39464. Also See Optional Accessory Kits.	\$632.00	
11780	1968	DASH HARNESS With Gauges	\$567.00	
39405	1968	DASH HARNESS-CLASSIC AUTO FUSE SERIES With Gauges Note: With Updated Modern ATO Series Fuseblock. Uses Fuse & Flasher Kit # 39464. Also See Optional Accessory Kits.	\$632.00	
41686	1968	DASH HARNESS Right Hand Drive (Export Only)	\$643.00	
17410	1969	DASH HARNESS With Warning Lights	\$567.00	
39406	1969	DASH HARNESS-CLASSIC AUTO FUSE SERIES With Warning Lights Note: With Updated Modern ATO Series Fuseblock. Uses Fuse & Flasher Kit # 39466. Also See Optional Accessory Kits.	\$632.00	
12935	1969	DASH HARNESS With Warning Lights & A/C	\$567.00	
39407	1969	DASH HARNESS-CLASSIC AUTO FUSE SERIES With Warning Lights & A/C Note: With Updated Modern ATO Series Fuseblock. Uses Fuse & Flasher Kit # 39466. Also See Optional Accessory Kits.	\$632.00	
12980	1969	DASH HARNESS With Gauges	\$567.00	
39408	1969	DASH HARNESS-CLASSIC AUTO FUSE SERIES With Gauges Note: With Updated Modern ATO Series Fuseblock. Uses Fuse & Flasher Kit # 39466. Also See Optional Accessory Kits.	\$632.00	
12985	1969	DASH HARNESS With Gauges & A/C	\$567.00	
39409	1969	DASH HARNESS-CLASSIC AUTO FUSE SERIES With Gauges & A/C Note: With Updated Modern ATO Series Fuseblock. Uses Fuse & Flasher Kit # 39466. Also See Optional Accessory Kits.	\$632.00	
41694	1969	DASH HARNESS Right Hand Drive (Export Only)	\$643.00	
15075	1970	DASH HARNESS Round Gauge, With Warning Lights	\$567.00	
39410	1970	DASH HARNESS-CLASSIC AUTO FUSE SERIES Round Gauge, With Warning Lights Note: With Updated Modern ATO Series Fuseblock. Uses Fuse & Flasher Kit # 39463. Also See Optional Accessory Kits.	\$632.00	
15065	1970	DASH HARNESS Round Gauge, With Gauges	\$567.00	
39377	1970	DASH HARNESS-CLASSIC AUTO FUSE SERIES Round Gauge, With Gauges Note: With Updated Modern ATO Series Fuseblock. Uses Fuse & Flasher Kit # 39463. Also See Optional Accessory Kits.	\$632.00	
14710	1970	DASH HARNESS Sweep Style Speedometer, With Column Shift, Except A/C	\$567.00	
42783	1970	DASH HARNESS-CLASSIC AUTO FUSE SERIES Sweep Style Speedometer, With Column Shift, Except A/C Note: With Updated Modern ATO Series Fuseblock. Uses Fuse & Flasher Kit# 39463 Also See Optional Accessory Kits.	\$632.00	
14730	1970	DASH HARNESS Sweep Style Speedometer, With Column Shift & A/C	\$567.00	
42784	1970	DASH HARNESS-CLASSIC AUTO FUSE SERIES Sweep Style Speedometer, With Column Shift & A/C Note: With Updated Modern ATO Series Fuseblock. Uses Fuse & Flasher Kit# 39463 Also See Optional Accessory Kits.	\$632.00	
14720	1970	DASH HARNESS With Sweep Style Speedometer	\$567.00	
39412	1970	DASH HARNESS-CLASSIC AUTO FUSE SERIES With Sweep Style Speedometer Note: With Updated Modern ATO Series Fuseblock. Uses Fuse & Flasher Kit # 39463 Also See Optional Accessory Kits.	\$632.00	
15265	1971	DASH HARNESS Round Gauge, With Warning Lights	\$567.00	
39413	1971	DASH HARNESS-CLASSIC AUTO FUSE SERIES Round Gauge, With Warning Lights Note: With Updated Modern ATO Series Fuseblock. Uses Fuse & Flasher Kit # 39466. Also See Optional Accessory Kits.	\$632.00	
15270	1971	DASH HARNESS Round Gauge, With Gauges	\$581.00	
39414	1971	DASH HARNESS-CLASSIC AUTO FUSE SERIES Round Gauge, With Gauges Note: With Updated Modern ATO Series Fuseblock. Uses Fuse & Flasher Kit # 39466. Also See Optional Accessory Kits.	\$632.00	
16290	1971	DASH HARNESS With Sweep Style Speedometer	\$593.00	

Part Number	Year	Description	Price	*Rev.
39415	1971	DASH HARNESS-CLASSIC AUTO FUSE SERIES With Sweep Style Speedometer Note: With Updated Modern ATO Series Fuseblock. Uses Fuse & Flasher Kit # 39466. Also See Optional Accessory Kits.	\$632.00	
16420	1972	DASH HARNESS Round Gauge, With Warning Lights	\$632.00	
39416	1972	DASH HARNESS-CLASSIC AUTO FUSE SERIES Round Gauge, With Warning Lights Note: With Updated Modern ATO Series Fuseblock. Uses Fuse & Flasher Kit # 39465. Also See Optional Accessory Kits.	\$632.00	
16425	1972	DASH HARNESS Round Gauge, With Gauges	\$599.00	
39417	1972	DASH HARNESS-CLASSIC AUTO FUSE SERIES Round Gauge, With Gauges Note: With Updated Modern ATO Series Fuseblock. Uses Fuse & Flasher Kit # 39465. Also See Optional Accessory Kits.	\$632.00	
16505	1972	DASH HARNESS Round Gauge, With Warning Lights & Seat Belt Warning	\$632.00	
39418	1972	DASH HARNESS-CLASSIC AUTO FUSE SERIES Round Gauge, With Warning Lights & Seat Belt Warning Note: With Updated Modern ATO Series Fuseblock. Uses Fuse & Flasher Kit # 39465. Also See Optional Accessory Kits.	\$632.00	
16510	1972	DASH HARNESS Round Gauge, With Gauges & Seat Belt Warning	\$606.00	
39419	1972	DASH HARNESS-CLASSIC AUTO FUSE SERIES Round Gauge, With Gauges & Seat Belt Warning Note: With Updated Modern ATO Series Fuseblock. Uses Fuse & Flasher Kit # 39465. Also See Optional Accessory Kits.	\$632.00	
17405	1972	DASH HARNESS With Sweep Style Speedometer	\$632.00	
39420	1972	DASH HARNESS-CLASSIC AUTO FUSE SERIES With Sweep Style Speedometer Note: With Updated ATO Series Fuseblock. Uses Fuse & Flasher Kit # 39465. Also See Optional Accessory Kits.	\$632.00	
16985	1972	DASH HARNESS With Sweep Style Speedometer & Seat Belt Warning	\$632.00	
39421	1972	DASH HARNESS-CLASSIC AUTO FUSE SERIES With Sweep Style Speedometer & Seat Belt Warning Note: With Updated ATO Series Fuseblock. Uses Fuse & Flasher Kit # 39465. Also See Optional Accessory Kits.	\$632.00	
41740	1973	DASH HARNESS Lower Half, With Warning Lights (Includes Fuse Box)	\$696.00	
41741	1973	DASH INSTRUMENT CLUSTER HARNESS Upper Half, With Sweep Style Speedometer Note: Customer Must Supply Their Original 36 Pin Instrument Cluster Connector.	\$342.00	
41742	1973	DASH INSTRUMENT CLUSTER HARNESS Upper Half, Round Gauge, With Warning Lights Note: Customer Must Supply Their Original 36 Pin Instrument Cluster Connector.	\$342.00	
15490	1973	DASH HARNESS Lower Half, With Gauges (Includes Fuse Box)	\$696.00	
15495	1973	DASH INSTRUMENT CLUSTER HARNESS Upper Half, All, With Gauges Note: Customer Must Supply Their Original 36 Pin Instrument Cluster Connector.	\$342.00	
41770	1974	DASH HARNESS With Sweep Style Speedometer	\$773.00	
41491	1974	DASH HARNESS Round Gauge, With Warning Lights	\$773.00	
20740	1974	DASH HARNESS All, With Gauges	\$728.00	
41776	1975	DASH HARNESS With Sweep Style Speedometer	\$801.00	
41777	1975	DASH HARNESS Round Gauge, With Warning Lights	\$768.00	
41778	1975	DASH HARNESS All, With Gauges	\$768.00	
41798	1976	DASH HARNESS With Sweep Style Speedometer	\$781.00	
41799	1976	DASH HARNESS Round Gauge, With Warning Lights	\$815.00	
41800	1976	DASH HARNESS All, With Gauges	\$815.00	
41808	1977	DASH HARNESS With Sweep Style Speedometer	\$781.00	
41809	1977	DASH HARNESS Round Gauge, With Warning Lights	\$781.00	
41810	1977	DASH HARNESS All, With Gauges	\$781.00	
41820	1978	DASH HARNESS With Warning Lights, Except Monte Carlo Note: Customer Must Supply Us With Their Original Harness.	\$715.00	
41821	1978	DASH HARNESS Monte Carlo, With Warning Lights Note: Customer Must Supply Us With Their Original Harness.	\$715.00	
18055	1978	DASH HARNESS All, With Gauges Note: Customer Must Supply Us With Their Original Harness.	\$715.00	
41902	1979	DASH HARNESS With Warning Lights, Except Monte Carlo Note: Customer Must Supply Us With Their Original Harness.	\$715.00	

Part Number	Year	Description	Price	*Rev.
41903	1979	DASH HARNESS Monte Carlo, With Warning Lights Note: Customer Must Supply Us With Their Original Harness.	\$715.00	
41901	1979	DASH HARNESS All, With Gauges Note: Customer Must Supply Us With Their Original Harness.	\$715.00	
41891	1980	DASH HARNESS Manual Trans, With Warning Lamps, Except Monte Carlo Note: Customer Must Supply Us With Their Original Harness.	\$715.00	
41893	1980	DASH HARNESS Auto Trans, With Warning Lamps, Except Monte Carlo Note: Customer Must Supply Us With Their Original Harness.	\$715.00	
41894	1980	DASH HARNESS All, Monte Carlo, With Warning Lights Note: Customer Must Supply Us With Their Original Harness.	\$715.00	
41892	1980	DASH HARNESS All, With Gauges Note: Customer Must Supply Us With Their Original Harness.	\$715.00	
41962	1981	DASH HARNESS All, Auto Trans, With Warning Lights Note: Customer Must Supply Us With Their Original Harness.	\$715.00	
41961	1981	DASH HARNESS All, Manual Trans, With Warning Lights Note: Customer Must Supply Us With Their Original Harness.	\$715.00	
41963	1981	DASH HARNESS All, Auto Trans, With Gauges Note: Customer Must Supply Us With Their Original Harness.	\$715.00	
41960	1981	DASH HARNESS All, Manual Trans, With Gauges Note: Customer Must Supply Us With Their Original Harness.	\$715.00	
41985	1982	DASH HARNESS All, With Warning Lights Note: Customer Must Supply Us With Their Original Harness.	\$715.00	
41986	1982	DASH HARNESS All, With Gauges Note: Customer Must Supply Us With Their Original Harness.	\$715.00	
DISTRIBUTOR WIRE				
36057	1964	DISTRIBUTOR WIRE Distributor Points To Coil Negative Terminal, V/8 Note: Fits All GM V/8 Points Type Distributors From Approx. 1957 To 1974.	\$18.00	C
36057	1965	DISTRIBUTOR WIRE Distributor Points To Coil Negative Terminal, V/8 Note: Fits All GM V/8 Points Type Distributors From Approx. 1957 To 1974.	\$18.00	C
36057	1966	DISTRIBUTOR WIRE Distributor Points To Coil Negative Terminal, V/8 Note: Fits All GM V/8 Points Type Distributors From Approx. 1957 To 1974.	\$18.00	C
36057	1967	DISTRIBUTOR WIRE Distributor Points To Coil Negative Terminal, V/8 Note: Fits All GM V/8 Points Type Distributors From Approx. 1957 To 1974.	\$18.00	C
36057	1968	DISTRIBUTOR WIRE Distributor Points To Coil Negative Terminal, V/8 Note: Fits All GM V/8 Points Type Distributors From Approx. 1957 To 1974.	\$18.00	C
36057	1969	DISTRIBUTOR WIRE Distributor Points To Coil Negative Terminal, V/8 Note: Fits All GM V/8 Points Type Distributors From Approx. 1957 To 1974.	\$18.00	C
36057	1970	DISTRIBUTOR WIRE Distributor Points To Coil Negative Terminal, V/8 Note: Fits All GM V/8 Points Type Distributors From Approx. 1957 To 1974.	\$18.00	C
36057	1971	DISTRIBUTOR WIRE Distributor Points To Coil Negative Terminal, V/8 Note: Fits All GM V/8 Points Type Distributors From Approx. 1957 To 1974.	\$18.00	C
36057	1972	DISTRIBUTOR WIRE Distributor Points To Coil Negative Terminal, V/8 Note: Fits All GM V/8 Points Type Distributors From Approx. 1957 To 1974.	\$18.00	C
36057	1973	DISTRIBUTOR WIRE Distributor Points To Coil Negative Terminal, V/8 Note: Fits All GM V/8 Points Type Distributors From Approx. 1957 To 1974.	\$18.00	C
36057	1974	DISTRIBUTOR WIRE Distributor Points To Coil Negative Terminal, V/8 Note: Fits All GM V/8 Points Type Distributors From Approx. 1957 To 1974.	\$18.00	C

Part Number	Year	Description	Price	*Rev.
DOME LIGHT LENS				
06279669	1965	DOME LIGHT LENS Note: Manufactured With Original GM Tooling, Not A Reproduction Part.	\$6.00	
06279669	1966	DOME LIGHT LENS Note: Manufactured With Original GM Tooling, Not A Reproduction Part.	\$6.00	
06279669	1967	DOME LIGHT LENS Note: Manufactured With Original GM Tooling, Not A Reproduction Part.	\$6.00	
DOOR JAMB SWITCH HARNESS				
41847	1973	DOOR JAMB SWITCH HARNESS All, Front Crossover, Without Power Windows Or Door Locks	\$74.00	
40712	1974	DOOR JAMB SWITCH HARNESS All, Front Crossover, Without Power Windows Or Door Locks	\$74.00	
40712	1975	DOOR JAMB SWITCH HARNESS All, Front Crossover, Without Power Windows Or Door Locks	\$74.00	
40712	1976	DOOR JAMB SWITCH HARNESS All, Front Crossover, Without Power Windows Or Door Locks	\$74.00	
40712	1977	DOOR JAMB SWITCH HARNESS All, Front Crossover, Without Power Windows Or Door Locks	\$74.00	
42005	1978	DOOR JAMB SWITCH HARNESS All, Front Crossover, Without Power Windows Or Door Locks	\$74.00	
42005	1979	DOOR JAMB SWITCH HARNESS All, Front Crossover, Without Power Windows Or Door Locks	\$74.00	
42005	1980	DOOR JAMB SWITCH HARNESS All, Front Crossover, Without Power Windows Or Door Locks	\$74.00	
42005	1981	DOOR JAMB SWITCH HARNESS All, Front Crossover, Without Power Windows Or Door Locks	\$74.00	
42005	1982	DOOR JAMB SWITCH HARNESS All, Front Crossover, Without Power Windows Or Door Locks	\$74.00	
ENGINE HARNESS				
17750	1964	ENGINE HARNESS 6 Cylinder, With Warning Lights Note: 6 Cylinder Items Are Not Returnable.	\$166.00	
33115	1964	ENGINE HARNESS 6 Cylinder, With Gauges Note: 6 Cylinder Items Are Not Returnable.	\$166.00	
05730	1964	ENGINE HARNESS V/8, With Warning Lights	\$144.00	
38988	1964	ENGINE HARNESS-HEI V/8, With Warning Lights Note: This Harness Is Modified For Use With An HEI Distributor.	\$159.00	
05735	1964	ENGINE HARNESS V/8, With Gauges	\$144.00	
38957	1964	ENGINE HARNESS-HEI V/8, With Gauges Note: This Harness Is Modified For Use With An HEI Distributor.	\$159.00	
05965	1965	ENGINE HARNESS 6 Cylinder, With Warning Lights Note: 6 Cylinder Items Are Not Returnable.	\$145.00	
05975	1965	ENGINE HARNESS 6 Cylinder, With Gauges Note: 6 Cylinder Items Are Not Returnable.	\$149.00	
05970	1965	ENGINE HARNESS V/8, With Warning Lights	\$144.00	
38936	1965	ENGINE HARNESS-HEI V/8, With Warning Lights Note: This Harness Is Modified For Use With An HEI Distributor.	\$159.00	
17610	1965	ENGINE HARNESS V/8, With Gauges	\$144.00	
38953	1965	ENGINE HARNESS-HEI V/8, With Gauges Note: This Harness Is Modified For Use With An HEI Distributor.	\$159.00	
06140	1965	ENGINE HARNESS 396, With Gauges (Z16 Models)	\$144.00	
39072	1965	ENGINE HARNESS-HEI 396, With Gauges (Z16 Models) Note: This Harness Is Modified For Use With An HEI Distributor.	\$159.00	
41677	1965	ENGINE HARNESS V/8, 327, L76 & L79 Option Code, (350 & 365 Hp) Engines Only, With Warning Lights	\$144.00	
41312	1965	ENGINE HARNESS-HEI V/8, 327, L76 & L79 Option Code, (350 & 365 Hp) Engines Only, With Warning Lights Note: This Harness Is Modified For Use With An HEI Distributor.	\$167.00	

Part Number	Year	Description	Price	*Rev.
41678	1965	ENGINE HARNESS V/8, 327, L76 & L79 Option Code, (350 & 365 Hp) Engines Only, With Gauges	\$144.00	
41314	1965	ENGINE HARNESS-HEI V/8, 327, L76 & L79 Option Code, (350 & 365 Hp) Engines Only, With Gauges Note: This Harness Is Modified For Use With An HEI Distributor.	\$167.00	
05965	1966	ENGINE HARNESS 6 Cylinder, With Warning Lights Note: 6 Cylinder Items Are Not Returnable.	\$145.00	
14025	1966	ENGINE HARNESS 6 Cylinder, With Warning Lights & Integrated A/C Note: 6 Cylinder Items Are Not Returnable.	\$219.00	
05975	1966	ENGINE HARNESS 6 Cylinder, With Gauges Note: 6 Cylinder Items Are Not Returnable.	\$149.00	
14020	1966	ENGINE HARNESS 6 Cylinder, With Gauges & Integrated A/C Note: 6 Cylinder Items Are Not Returnable.	\$219.00	
05970	1966	ENGINE HARNESS V/8, 283-327 C.I., With Warning Lights	\$144.00	
38936	1966	ENGINE HARNESS-HEI V/8, 283-327 C.I., With Warning Lights Note: This Harness Is Modified For Use With An HEI Distributor.	\$159.00	
09510	1966	ENGINE HARNESS V/8, 283-327 C.I., With Warning Lights & Integrated A/C Note: A/C Wiring Is Integrated Into The Dash And Engine Harnesses.	\$199.00	
39073	1966	ENGINE HARNESS-HEI V/8, 283-327 C.I., With Warning Lights & Integrated A/C Note: This Harness Is Modified For Use With An HEI Distributor. A/C Wiring Is Integrated Into The Dash And Engine Harnesses.	\$217.00	
17610	1966	ENGINE HARNESS V/8, 283-327 C.I. With Gauges	\$144.00	
38953	1966	ENGINE HARNESS-HEI V/8, 283-327 C.I. With Gauges Note: This Harness Is Modified For Use With An HEI Distributor.	\$159.00	
10440	1966	ENGINE HARNESS V/8, 283-327 C.I. With Gauges & Integrated A/C Note: A/C Wiring Is Integrated Into The Dash And Engine Harnesses.	\$219.00	
39091	1966	ENGINE HARNESS-HEI V/8, 283-327 C.I. With Gauges & Integrated A/C Note: This Harness Is Modified For Use With An HEI Distributor. A/C Wiring Is Integrated Into The Dash And Engine Harnesses.	\$236.00	
10605	1966	ENGINE HARNESS V/8, 327 C.I., 350 H.P. Special High Perf.	\$159.00	
38974	1966	ENGINE HARNESS-HEI V/8, 327 C.I., 350 H.P. Special High Perf. Note: This Harness Is Modified For Use With An HEI Distributor.	\$174.00	
10610	1966	ENGINE HARNESS V/8, 327 C.I., 350 H.P. Special High Perf. With Integrated A/C Note: A/C Wiring Is Integrated Into The Dash And Engine Harnesses.	\$219.00	
39137	1966	ENGINE HARNESS-HEI V/8, 327 C.I., 350 H.P. Special High Perf. With Integrated A/C Note: This Harness Is Modified For Use With An HEI Distributor. A/C Wiring Is Integrated Into The Dash And Engine Harnesses.	\$236.00	
17385	1966	ENGINE HARNESS V/8, 327 C.I., 350 H.P. Special High Perf. With Gauges	\$147.00	
39040	1966	ENGINE HARNESS-HEI V/8, 327 C.I., 350 H.P. Special High Perf. With Gauges Note: This Harness Is Modified For Use With An HEI Distributor.	\$164.00	
18605	1966	ENGINE HARNESS V/8, 327 C.I., 350 H.P. Spec. High Perf. With Gauges & Integrated A/C Note: A/C Wiring Is Integrated Into The Dash And Engine Harnesses.	\$219.00	
39231	1966	ENGINE HARNESS-HEI V/8, 327 C.I., 350 H.P. Spec. High Perf. With Gauges & Integrated A/C Note: This Harness Is Modified For Use With An HEI Distributor. A/C Wiring Is Integrated Into The Dash And Engine Harnesses.	\$236.00	
09630	1966	ENGINE HARNESS 396 C.I., With Warning Lights	\$144.00	
38955	1966	ENGINE HARNESS-HEI 396 C.I., With Warning Lights Note: This Harness Is Modified For Use With An HEI Distributor.	\$159.00	
09515	1966	ENGINE HARNESS 396 C.I., With Warning Lights & Integrated A/C Note: A/C Wiring Is Integrated Into The Dash And Engine Harnesses.	\$219.00	
39039	1966	ENGINE HARNESS-HEI 396 C.I., With Warning Lights & Integrated A/C Note: This Harness Is Modified For Use With An HEI Distributor. A/C Wiring Is Integrated Into The Dash And Engine Harnesses.	\$234.00	

Part Number	Year	Description	Price	*Rev.
10430	1966	ENGINE HARNESS 396 C.I., With Gauges	\$144.00	
38963	1966	ENGINE HARNESS-HEI 396 C.I., With Gauges Note: This Harness Is Modified For Use With An HEI Distributor.	\$159.00	
10450	1966	ENGINE HARNESS 396 C.I., With Gauges & Integrated A/C Note: A/C Wiring Is Integrated Into The Dash And Engine Harnesses.	\$219.00	
39074	1966	ENGINE HARNESS-HEI 396 C.I., With Gauges & Integrated A/C Note: This Harness Is Modified For Use With An HEI Distributor. A/C Wiring Is Integrated Into The Dash And Engine Harnesses.	\$234.00	
11255	1967	ENGINE HARNESS 6 Cylinder, With Warning Lights Note: 6 Cylinder Items Are Not Returnable.	\$173.00	
41685	1967	ENGINE HARNESS 6 Cylinder, Right Hand Drive, Export Note: 6 Cylinder Items Are Not Returnable.	\$198.00	
11280	1967	ENGINE HARNESS Small Block V/8, With Warning Lights	\$147.00	
38935	1967	ENGINE HARNESS-HEI Small Block V/8, With Warning Lights Note: This Harness Is Modified For Use With An HEI Distributor.	\$162.00	
11285	1967	ENGINE HARNESS Small Block V/8, With Gauges	\$147.00	
38989	1967	ENGINE HARNESS-HEI Small Block V/8, With Gauges Note: This Harness Is Modified For Use With An HEI Distributor.	\$162.00	
10565	1967	ENGINE HARNESS Big Block V/8, With Warning Lights	\$147.00	
38937	1967	ENGINE HARNESS-HEI Big Block V/8, With Warning Lights Note: This Harness Is Modified For Use With An HEI Distributor.	\$162.00	
10570	1967	ENGINE HARNESS Big Block V/8, With Gauges	\$147.00	
38983	1967	ENGINE HARNESS-HEI Big Block V/8, With Gauges Note: This Harness Is Modified For Use With An HEI Distributor.	\$162.00	
14015	1968	ENGINE HARNESS 6 Cylinder, With Warning Lights Note: 6 Cylinder Items Are Not Returnable.	\$159.00	
12005	1968	ENGINE HARNESS 6 Cylinder, With Warning Lights & Idle Stop Solenoid Note: 6 Cylinder Items Are Not Returnable.	\$159.00	
41687	1968	ENGINE HARNESS 6 Cylinder, Right Hand Drive, Export Note: 6 Cylinder Items Are Not Returnable.	\$198.00	
11805	1968	ENGINE HARNESS Small Block V/8, With Warning Lights	\$147.00	
38959	1968	ENGINE HARNESS-HEI Small Block V/8, With Warning Lights Note: This Harness Is Modified For Use With An HEI Distributor.	\$162.00	
12070	1968	ENGINE HARNESS Big Block V/8, With Warning Lights	\$147.00	
38947	1968	ENGINE HARNESS-HEI Big Block V/8, With Warning Lights Note: This Harness Is Modified For Use With An HEI Distributor.	\$162.00	
12075	1968	ENGINE HARNESS Small & Big Block V/8, With Gauges	\$147.00	
38978	1968	ENGINE HARNESS-HEI Small & Big Block V/8, With Gauges Note: This Harness Is Modified For Use With An HEI Distributor.	\$162.00	
12000	1968	ENGINE HARNESS Small & Big Block V/8, With Gauges & Idle Stop Solenoid Note: Idle Stop Circuit Can Also Be Used For An Electric Choke.	\$159.00	
39077	1968	ENGINE HARNESS-HEI Small & Big Block V/8, With Gauges & Idle Stop Solenoid Note: This Harness Is Modified For Use With An HEI Distributor. Idle Stop Circuit Can Also Be Used For An Electric Choke.	\$174.00	
14015	1969	ENGINE HARNESS 6 Cylinder, With Warning Lights Note: 6 Cylinder Items Are Not Returnable.	\$159.00	
12005	1969	ENGINE HARNESS 6 Cylinder, With Warning Lights & Idle Stop Solenoid Note: 6 Cylinder Items Are Not Returnable.	\$159.00	
41687	1969	ENGINE HARNESS 6 Cylinder, Right Hand Drive, Export Note: 6 Cylinder Items Are Not Returnable.	\$198.00	
17615	1969	ENGINE HARNESS Small Block V/8, With Warning Lights	\$147.00	

Part Number	Year	Description	Price	*Rev.
38960	1969	ENGINE HARNESS-HEI Small Block V/8, With Warning Lights Note: This Harness Is Modified For Use With An HEI Distributor.	\$162.00	
13160	1969	ENGINE HARNESS Small Block V/8, With Warning Lights & Idle Stop Solenoid Note: Idle Stop Circuit Can Also Be Used For An Electric Choke.	\$147.00	
39012	1969	ENGINE HARNESS-HEI Small Block V/8, With Warning Lights & Idle Stop Solenoid Note: This Harness Is Modified For Use With An HEI Distributor. Idle Stop Circuit Can Also Be Used For An Electric Choke.	\$174.00	
17620	1969	ENGINE HARNESS Small Block V/8, With Gauges Note: With Original Pin Type Oil Pressure Sending Unit.	\$147.00	
39004	1969	ENGINE HARNESS-HEI Small Block V/8, With Gauges Note: This Harness Is Modified For Use With An HEI Distributor And Original Pin Type Oil Pressure Sending Units.	\$162.00	
17625	1969	ENGINE HARNESS Small Block V/8, With Gauges & Idle Stop Solenoid Note: With Original Pin Type Oil Pressure Sending Unit. Idle Stop Circuit Can Also Be Used For An Electric Choke.	\$159.00	
39232	1969	ENGINE HARNESS-HEI Small Block V/8, With Gauges & Idle Stop Solenoid Note: This Harness Is Modified For Use With An HEI Distributor And Original Pin Type Oil Pressure Sending Units. Idle Stop Circuit Can Also Be Used For An Electric Choke.	\$174.00	
12070	1969	ENGINE HARNESS Big Block V/8, With Warning Lights	\$147.00	
38947	1969	ENGINE HARNESS-HEI Big Block V/8, With Warning Lights Note: This Harness Is Modified For Use With An HEI Distributor.	\$162.00	
13150	1969	ENGINE HARNESS Big Block V/8, With Warning Lights & Idle Stop Solenoid Note: Idle Stop Circuit Can Also Be Used For An Electric Choke.	\$147.00	
39011	1969	ENGINE HARNESS-HEI Big Block V/8, With Warning Lights & Idle Stop Solenoid Note: This Harness Is Modified For Use With An HEI Distributor. Idle Stop Circuit Can Also Be Used For An Electric Choke.	\$162.00	
17630	1969	ENGINE HARNESS Big Block V/8, With Gauges Note: With Original Pin Type Oil Pressure Sending Unit.	\$147.00	
38939	1969	ENGINE HARNESS-HEI Big Block V/8, With Gauges Note: This Harness Is Modified For Use With An HEI Distributor And Original Pin Type Oil Pressure Sending Units.	\$162.00	
13155	1969	ENGINE HARNESS Big Block V/8, With Gauges & Idle Stop Solenoid Note: With Original Pin Type Oil Pressure Sending Unit. Idle Stop Circuit Can Also Be Used For An Electric Choke.	\$147.00	
39022	1969	ENGINE HARNESS-HEI Big Block V/8, With Gauges & Idle Stop Solenoid Note: This Harness Is Modified For Use With An HEI Distributor And Original Pin Type Oil Pressure Sending Units. Idle Stop Circuit Can Also Be Used For An Electric Choke.	\$162.00	
14695	1970	ENGINE HARNESS 6 Cylinder, With Auto Trans Note: 6 Cylinder Items Are Not Returnable.	\$219.00	
15085	1970	ENGINE HARNESS 6 Cylinder, With Manual Trans Note: 6 Cylinder Items Are Not Returnable.	\$219.00	
14700	1970	ENGINE HARNESS Small Block V/8, With Auto Trans	\$199.00	
38934	1970	ENGINE HARNESS-HEI Small Block V/8, With Auto Trans Note: This Harness Is Modified For Use With An HEI Distributor.	\$214.00	
15090	1970	ENGINE HARNESS Small Block V/8, With Manual Trans	\$199.00	
39023	1970	ENGINE HARNESS-HEI Small Block V/8, With Manual Trans Note: This Harness Is Modified For Use With An HEI Distributor.	\$214.00	
15100	1970	ENGINE HARNESS Big Block V/8, With Auto Trans	\$219.00	
38928	1970	ENGINE HARNESS-HEI Big Block V/8, With Auto Trans Note: This Harness Is Modified For Use With An HEI Distributor.	\$234.00	
15095	1970	ENGINE HARNESS Big Block V/8, With Manual Trans	\$199.00	
38931	1970	ENGINE HARNESS-HEI Big Block V/8, With Manual Trans Note: This Harness Is Modified For Use With An HEI Distributor.	\$214.00	
17640	1971	ENGINE HARNESS 6 Cylinder, With Auto Trans Note: 6 Cylinder Items Are Not Returnable.	\$233.00	

Part Number	Year	Description	Price	*Rev.
17635	1971	ENGINE HARNESS 6 Cylinder, With Manual Trans Note: 6 Cylinder Items Are Not Returnable.	\$233.00	
17435	1971	ENGINE HARNESS Small Block V/8, With Auto Trans	\$206.00	
38948	1971	ENGINE HARNESS-HEI Small Block V/8, With Auto Trans Note: This Harness Is Modified For Use With An HEI Distributor.	\$221.00	
17455	1971	ENGINE HARNESS Small Block V/8, With Manual Trans	\$226.00	
39041	1971	ENGINE HARNESS-HEI Small Block V/8, With Manual Trans Note: This Harness Is Modified For Use With An HEI Distributor.	\$241.00	
17440	1971	ENGINE HARNESS Small Block V/8, 350 C.I., With TH-400 Auto Trans	\$226.00	
39031	1971	ENGINE HARNESS-HEI Small Block V/8, 350 C.I., With TH-400 Auto Trans Note: This Harness Is Modified For Use With An HEI Distributor.	\$241.00	
17445	1971	ENGINE HARNESS Big Block V/8, With Auto Trans	\$219.00	
38975	1971	ENGINE HARNESS-HEI Big Block V/8, With Auto Trans Note: This Harness Is Modified For Use With An HEI Distributor.	\$234.00	
17450	1971	ENGINE HARNESS Big Block V/8, With Manual Trans	\$212.00	
38990	1971	ENGINE HARNESS-HEI Big Block V/8, With Manual Trans Note: This Harness Is Modified For Use With An HEI Distributor.	\$227.00	
16430	1972	ENGINE HARNESS 6 Cylinder, All Note: 6 Cylinder Items Are Not Returnable.	\$286.00	
16435	1972	ENGINE HARNESS Small Block V/8, With Warning Lights Note: Manual Trans Requires Use Of Part #17365 T.C.S. Extension.	\$252.00	
41330	1972	ENGINE HARNESS-HEI Small Block V/8, With Warning Lights Note: This Harness Is Modified For Use With An HEI Distributor. Manual Trans Requires Use Of Part #17365 T.C.S. Extension.	\$272.00	
41640	1972	ENGINE HARNESS-SI SERIES INT REG ALT PASSENGER SIDE Small Block V/8, With Warning Lights Note: Manual Trans Also Requires Part 17365 TCS Extension. Harness Must Be Used With A Forward Lamp Harness Modified For An Int Regulated Alt. If Using Your Original Forward Lamp An Adapter & Instructions Are Included To Alter Your Original Harness.	\$290.00	
41641	1972	ENGINE HARNESS-HEI AND SI SERIES INT REG ALT PASSENGER SIDE Small Block V/8, With Warning Lights Note: Manual Trans Also Requires Part 17365 TCS Extension. Harness Must Be Used With A Forward Lamp Harness Modified For An Int Regulated Alt. If Using Your Original Forward Lamp An Adapter & Instructions Are Included To Alter Your Original Harness.	\$304.00	
16450	1972	ENGINE HARNESS Small Block V/8, With Gauges Note: Manual Trans Requires Use Of Part #17365 T.C.S. Extension.	\$252.00	
41332	1972	ENGINE HARNESS-HEI Small Block V/8, With Gauges Note: This Harness Is Modified For Use With An HEI Distributor. Manual Trans Requires Use Of Part #17365 T.C.S. Extension.	\$272.00	
41642	1972	ENGINE HARNESS-SI SERIES INT REG ALT PASSENGER SIDE Small Block V/8, With Gauges Note: Manual Trans Also Requires Part 17365 TCS Extension. Harness Must Be Used With A Forward Lamp Harness Modified For An Int Regulated Alt. If Using Your Original Forward Lamp An Adapter & Instructions Are Included To Alter Your Original Harness.	\$290.00	
41643	1972	ENGINE HARNESS-HEI AND SI SERIES INT REG ALT PASSENGER SIDE Small Block V/8, With Gauges Note: Manual Trans Also Requires Part 17365 TCS Extension. Harness Must Be Used With A Forward Lamp Harness Modified For An Int Regulated Alt. If Using Your Original Forward Lamp An Adapter & Instructions Are Included To Alter Your Original Harness.	\$304.00	
17490	1972	ENGINE HARNESS Small Block V/8, With TH-400 Auto Trans & Warning Lights	\$252.00	
41334	1972	ENGINE HARNESS-HEI Small Block V/8, With TH-400 Auto Trans & Warning Lights Note: This Harness Is Modified For Use With An HEI Distributor.	\$272.00	
41644	1972	ENGINE HARNESS-SI SERIES INT REG ALT PASSENGER SIDE Small Block V/8, With TH-400 Auto Trans & Warning Lights Note: This Harness Is To Be Used With A Forward Lamp Harness Modified For An Internal Regulated Alt. If Customer Is Not Changing The Original Forward Lamp Harness, An Adapter And Instruction Sheet Is Included To Alter The Factory Harness.	\$290.00	

Part Number	Year	Description	Price	*Rev.
41645	1972	ENGINE HARNESS-HEI AND SI SERIES INT REG ALT PASSENGER SIDE Small Block V/8, With TH-400 Auto Trans & Warning Lights Note: Harness Is Modified For Use With An HEI Distributor. It Must Be Used With A Forward Lamp Harness Modified For Internal Regulated Alt. If Using Your Original Forward Lamp, An Adapter & Instructions Are Included To Alter Your Original Harness.	\$304.00	
17645	1972	ENGINE HARNESS Small Block V/8, With TH-400 Auto Trans & Gauges	\$252.00	
41335	1972	ENGINE HARNESS-HEI Small Block V/8, With TH-400 Auto Trans & Gauges Note: This Harness Is Modified For Use With An HEI Distributor.	\$272.00	
41646	1972	ENGINE HARNESS-SI SERIES INT REG ALT PASSENGER SIDE Small Block V/8, With TH-400 Auto Trans & Gauges Note: This Harness Is To Be Used With A Forward Lamp Harness Modified For An Internal Regulated Alt. If Customer Is Not Changing The Original Forward Lamp Harness, An Adapter And Instruction Sheet Is Included To Alter The Factory Harness.	\$290.00	
41647	1972	ENGINE HARNESS-HEI AND SI SERIES INT REG ALT PASSENGER SIDE Small Block V/8, With TH-400 Auto Trans & Gauges Note: Harness Is Modified For Use With An HEI Distributor. It Must Be Used With A Forward Lamp Harness Modified For Internal Regulated Alt. If Using Your Original Forward Lamp, An Adapter & Instructions Are Included To Alter Your Original Harness.	\$304.00	
17430	1972	ENGINE HARNESS Big Block V/8, With Auto Trans & Warning Lights	\$252.00	
41336	1972	ENGINE HARNESS-HEI Big Block V/8, With Auto Trans & Warning Lights Note: This Harness Is Modified For Use With An HEI Distributor.	\$272.00	
41648	1972	ENGINE HARNESS-SI SERIES INT REG ALT PASSENGER SIDE Big Block V/8, With Auto Trans & Warning Lights Note: This Harness Is To Be Used With A Forward Lamp Harness Modified For An Internal Regulated Alt. If Customer Is Not Changing The Original Forward Lamp Harness, An Adapter And Instruction Sheet Is Included To Alter The Factory Harness.	\$290.00	
41649	1972	ENGINE HARNESS-HEI AND SI SERIES INT REG ALT PASSENGER SIDE Big Block V/8, With Auto Trans & Warning Lights Note: Harness Is Modified For Use With An HEI Distributor. It Must Be Used With A Forward Lamp Harness Modified For Internal Regulated Alt. If Using Your Original Forward Lamp, An Adapter & Instructions Are Included To Alter Your Original Harness.	\$304.00	
17415	1972	ENGINE HARNESS Big Block V/8, With Auto Trans & Gauges	\$252.00	
41338	1972	ENGINE HARNESS-HEI Big Block V/8, With Auto Trans & Gauges Note: This Harness Is Modified For Use With An HEI Distributor.	\$272.00	
41650	1972	ENGINE HARNESS-SI SERIES INT REG ALT PASSENGER SIDE Big Block V/8, With Auto Trans & Gauges Note: This Harness Is To Be Used With A Forward Lamp Harness Modified For An Internal Regulated Alt. If Customer Is Not Changing The Original Forward Lamp Harness, An Adapter And Instruction Sheet Is Included To Alter The Factory Harness.	\$290.00	
41651	1972	ENGINE HARNESS-HEI AND SI SERIES INT REG ALT PASSENGER SIDE Big Block V/8, With Auto Trans & Gauges Note: Harness Is Modified For Use With An HEI Distributor. It Must Be Used With A Forward Lamp Harness Modified For Internal Regulated Alt. If Using Your Original Forward Lamp, An Adapter & Instructions Are Included To Alter Your Original Harness.	\$304.00	
17425	1972	ENGINE HARNESS Big Block V/8, With Manual Trans & Warning Lights	\$252.00	
41340	1972	ENGINE HARNESS-HEI Big Block V/8, With Manual Trans & Warning Lights Note: This Harness Is Modified For Use With An HEI Distributor.	\$272.00	
41652	1972	ENGINE HARNESS-SI SERIES INT REG ALT PASSENGER SIDE Big Block V/8, With Manual Trans & Warning Lights Note: This Harness Is To Be Used With A Forward Lamp Harness Modified For An Internal Regulated Alt. If Customer Is Not Changing The Original Forward Lamp Harness, An Adapter And Instruction Sheet Is Included To Alter The Factory Harness.	\$290.00	
41653	1972	ENGINE HARNESS-HEI AND SI SERIES INT REG ALT PASSENGER SIDE Big Block V/8, With Manual Trans & Warning Lights Note: Harness Is Modified For Use With An HEI Distributor. It Must Be Used With A Forward Lamp Harness Modified For Internal Regulated Alt. If Using Your Original Forward Lamp, An Adapter & Instructions Are Included To Alter Your Original Harness.	\$304.00	
17420	1972	ENGINE HARNESS Big Block V/8, With Manual Trans & Gauges	\$252.00	
41342	1972	ENGINE HARNESS-HEI Big Block V/8, With Manual Trans & Gauges Note: This Harness Is Modified For Use With An HEI Distributor.	\$272.00	

Part Number	Year	Description	Price	*Rev.
41654	1972	ENGINE HARNESS-SI SERIES INT REG ALT PASSENGER SIDE Big Block V/8, With Manual Trans & Gauges Note: This Harness Is To Be Used With A Forward Lamp Harness Modified For An Internal Regulated Alt. If Customer Is Not Changing The Original Forward Lamp Harness, An Adapter And Instruction Sheet Is Included To Alter The Factory Harness.	\$290.00	
41655	1972	ENGINE HARNESS-HEI AND SI SERIES INT REG ALT PASSENGER SIDE Big Block V/8, With Manual Trans & Gauges Note: Harness Is Modified For Use With An HEI Distributor. It Must Be Used With A Forward Lamp Harness Modified For Internal Regulated Alt. If Using Your Original Forward Lamp, An Adapter & Instructions Are Included To Alter Your Original Harness.	\$304.00	
17015	1973	ENGINE HARNESS 6 Cylinder, All Note: 6 Cylinder Items Are Not Returnable.	\$304.00	
15500	1973	ENGINE HARNESS Small Block V/8, With Warning Lights Note: Manual Trans Requires Use Of Part #17365 T.C.S. Extension.	\$278.00	
41318	1973	ENGINE HARNESS-HEI Small Block V/8, With Warning Lights Note: This Harness Is Modified For Use With An HEI Distributor. Manual Trans Requires Use Of Part #17365 T.C.S. Extension.	\$294.00	
15505	1973	ENGINE HARNESS Small Block V/8, With Gauges Note: Manual Trans Requires Use Of Part #17355 T.C.S. Extension.	\$278.00	
41320	1973	ENGINE HARNESS-HEI Small Block V/8, With Gauges Note: This Harness Is Modified For Use With An HEI Distributor. Manual Trans Requires Use Of Part #17355 T.C.S. Extension.	\$294.00	
16565	1973	ENGINE HARNESS Small Block V/8, With TH-400 Auto Trans & Warning Lights	\$290.00	
41322	1973	ENGINE HARNESS-HEI Small Block V/8, With TH-400 Auto Trans & Warning Lights Note: This Harness Is Modified For Use With An HEI Distributor.	\$306.00	
16570	1973	ENGINE HARNESS Small Block V/8, With TH-400 Auto Trans & Gauges	\$290.00	
41323	1973	ENGINE HARNESS-HEI Small Block V/8, With TH-400 Auto Trans & Gauges Note: This Harness Is Modified For Use With An HEI Distributor.	\$306.00	
19010	1973	ENGINE HARNESS Big Block V/8, With Auto Trans & Warning Lights	\$290.00	
41316	1973	ENGINE HARNESS-HEI Big Block V/8, With Auto Trans & Warning Lights Note: This Harness Is Modified For Use With An HEI Distributor.	\$306.00	
19005	1973	ENGINE HARNESS Big Block V/8, With Manual Trans & Warning Lights	\$317.00	
41324	1973	ENGINE HARNESS-HEI Big Block V/8, With Manual Trans & Warning Lights Note: This Harness Is Modified For Use With An HEI Distributor.	\$333.00	
19020	1973	ENGINE HARNESS Big Block V/8, With Auto Trans & Gauges	\$290.00	
41326	1973	ENGINE HARNESS-HEI Big Block V/8, With Auto Trans & Gauges Note: This Harness Is Modified For Use With An HEI Distributor.	\$306.00	
19015	1973	ENGINE HARNESS Big Block V/8, With Manual Trans & Gauges	\$317.00	
41328	1973	ENGINE HARNESS-HEI Big Block V/8, With Manual Trans & Gauges Note: This Harness Is Modified For Use With An HEI Distributor.	\$333.00	
38008	1974	ENGINE HARNESS 6 Cylinder, With Auto Trans & Warning Lights Note: 6 Cylinder Items Are Not Returnable.	\$304.00	
41794	1974	ENGINE HARNESS 6 Cylinder, With Auto Trans & Gauges Note: 6 Cylinder Items Are Not Returnable.	\$304.00	
16595	1974	ENGINE HARNESS 6 Cylinder, With Manual Trans & Warning Lights Note: 6 Cylinder Items Are Not Returnable.	\$304.00	
41795	1974	ENGINE HARNESS 6 Cylinder, With Manual Trans & Gauges Note: 6 Cylinder Items Are Not Returnable.	\$304.00	
22605	1974	ENGINE HARNESS Small Block V/8, With Auto Trans & Warning Lights	\$279.00	
41493	1974	ENGINE HARNESS-HEI Small Block V/8, With Auto Trans & Warning Lights Note: This Harness Is For Use With An HEI Distributor.	\$290.00	
22610	1974	ENGINE HARNESS Small Block V/8, With Manual Trans & Warning Lights	\$290.00	
41344	1974	ENGINE HARNESS-HEI Small Block V/8, With Manual Trans & Warning Lights Note: This Harness Is Modified For Use With An HEI Distributor.	\$304.00	

Part Number	Year	Description	Price	*Rev.
22590	1974	ENGINE HARNESS Small Block V/8, With Auto Trans & Gauges	\$278.00	
41785	1974	ENGINE HARNESS-HEI Small Block V/8, With Auto Trans & Gauges Note: This Harness Is For Use With An HEI Distributor.	\$304.00	
22595	1974	ENGINE HARNESS Small Block V/8, With Manual Trans & Gauges	\$290.00	
41346	1974	ENGINE HARNESS-HEI Small Block V/8, With Manual Trans & Gauges Note: This Harness Is Modified For Use With An HEI Distributor.	\$304.00	
19010	1974	ENGINE HARNESS Big Block V/8, With Auto Trans & Warning Lights	\$290.00	
41637	1974	ENGINE HARNESS-HEI Big Block V/8, With Auto Trans & Warning Lights Note: This Harness Is Modified For Use With An HEI Distributor.	\$304.00	
19005	1974	ENGINE HARNESS Big Block V/8, With Manual Trans & Warning Lights	\$317.00	
41786	1974	ENGINE HARNESS-HEI Big Block V/8, With Manual Trans & Warning Lights Note: This Harness Is For Use With An HEI Distributor.	\$317.00	
19020	1974	ENGINE HARNESS Big Block V/8, With Auto Trans & Gauges	\$290.00	
41788	1974	ENGINE HARNESS-HEI Big Block V/8, With Auto Trans & Gauges Note: This Harness Is For Use With An HEI Distributor.	\$317.00	
19015	1974	ENGINE HARNESS Big Block V/8, With Manual Trans & Gauges	\$317.00	
41787	1974	ENGINE HARNESS-HEI Big Block V/8, With Manual Trans & Gauges Note: This Harness Is For Use With An HEI Distributor.	\$317.00	
18615	1975	ENGINE HARNESS 6 Cylinder, Except Integrated Cylinder Head Note: 6 Cylinder Items Are Not Returnable.	\$317.00	
18610	1975	ENGINE HARNESS 6 Cylinder, With Integrated Cylinder Head Note: 6 Cylinder Items Are Not Returnable.	\$317.00	
18680	1975	ENGINE HARNESS V/8, Without TH-400 Auto Trans	\$290.00	
19045	1975	ENGINE HARNESS V/8, With TH-400 Auto Trans	\$290.00	
35990	1976	ENGINE HARNESS 6 Cylinder, All Note: 6 Cylinder Items Are Not Returnable.	\$304.00	
36007	1976	ENGINE HARNESS V/8, All	\$264.00	
35989	1977	ENGINE HARNESS 6 Cylinder, Without California Emissions Note: 6 Cylinder Items Are Not Returnable.	\$290.00	
35988	1977	ENGINE HARNESS 6 Cylinder, With California Emissions Note: 6 Cylinder Items Are Not Returnable.	\$290.00	
36007	1977	ENGINE HARNESS V/8, All	\$264.00	
41865	1978	ENGINE HARNESS V/6, With Warning Lights	\$396.00	
41864	1978	ENGINE HARNESS V/6, With Gauges, Except California Emissions	\$396.00	
41870	1978	ENGINE HARNESS V/6, With Gauges & California Emissions	\$396.00	
41557	1978	ENGINE HARNESS V/8, 305 C.I., Without California Emissions, Or All With 350 C.I. V/8	\$331.00	
41817	1978	ENGINE HARNESS V/8, 305 C.I., With California Emissions	\$396.00	
41871	1979	ENGINE HARNESS V/6, 200 C.I., All	\$396.00	
41872	1979	ENGINE HARNESS V/6, 231 C.I., With Warning Lights	\$396.00	
41873	1979	ENGINE HARNESS V/6, 231 C.I., With Gauges	\$396.00	
41458	1979	ENGINE HARNESS V/8	\$396.00	
41904	1979	ENGINE HARNESS V/8, With Transmission Torque Converter Clutch (T.C.C..)	\$396.00	
41883	1980	ENGINE HARNESS V/6, 229 C.I., With Warning Lights, Except TH200C Computer Controlled Auto Transmission	\$436.00	
41884	1980	ENGINE HARNESS V/6, 229 C.I., With Gauges, Except TH200C Computer Controlled Auto Transmission	\$436.00	
41911	1980	ENGINE HARNESS V/6, 229 C.I., With Warning Lights & TH200C Computer Controlled Auto Transmission	\$436.00	

Part Number	Year	Description	Price	*Rev.
41912	1980	ENGINE HARNESS V/6, 229 C.I., With Gauges & TH200C Computer Controlled Auto Transmission	\$436.00	
41885	1980	ENGINE HARNESS V/6, 231 C.I., With Warning Lights, Except Turbo	\$436.00	
41886	1980	ENGINE HARNESS V/6, 231 C.I., With Gauges, Except Turbo	\$436.00	
41907	1980	ENGINE HARNESS V/6, 231 C.I., With Warning Lights & Turbo	\$436.00	
41915	1980	ENGINE HARNESS V/6, 231 C.I., With Gauges & Turbo	\$436.00	
41887	1980	ENGINE HARNESS V/8, With Warning Lights, Except TH200C Computer Controlled Auto Transmission	\$436.00	
41888	1980	ENGINE HARNESS V/8, With Gauges, Except TH200C Computer Controlled Auto Transmission	\$436.00	
41890	1980	ENGINE HARNESS V/8, With Gauges & TH200C Computer Controlled Auto Transmission	\$436.00	
41897	1980	ENGINE HARNESS V/8, With Warning Lights & TH200C Computer Controlled Auto Transmission	\$463.00	
41949	1981	ENGINE HARNESS V/6, 229 C.I. With Warning Lights	\$436.00	
41950	1981	ENGINE HARNESS V/6, 229 C.I. With Gauges	\$436.00	
41951	1981	ENGINE HARNESS V/6, 231 C.I. With Warning Lights	\$436.00	
41952	1981	ENGINE HARNESS V/6, 231 C.I. With Gauges	\$436.00	
41944	1981	ENGINE HARNESS V/6, 231 C.I. Turbo, Monte Carlo, With Warning Lights	\$436.00	
41945	1981	ENGINE HARNESS V/6, 231 C.I. Turbo, Monte Carlo, With Gauges	\$436.00	
38815	1981	ENGINE HARNESS V/8, With Warning Lights	\$436.00	
38816	1981	ENGINE HARNESS V/8, With Gauges	\$436.00	
41968	1982	ENGINE HARNESS V/6, 229 C.I., With Warning Lights	\$436.00	
41969	1982	ENGINE HARNESS V/6, 229 C.I., With Gauges	\$436.00	
41987	1982	ENGINE HARNESS V/6, 231 C.I., With Warning Lights	\$436.00	
41988	1982	ENGINE HARNESS V/6, 231 C.I., With Gauges	\$436.00	
41970	1982	ENGINE HARNESS V/8, With Warning Lights	\$436.00	
41435	1982	ENGINE HARNESS V/8, With Gauges	\$436.00	
ERG CUTOUT JUMPER HARNESS				
41958	1982	ERG CUTOUT JUMPER HARNESS V/6, 231 C.I. Only	\$34.00	
FORWARD LAMP HARNESS				
05745	1964	FORWARD LAMP HARNESS All, With Warning Lights	\$247.00	
39030	1964	FORWARD LAMP HARNESS-INT REG ALT DRIVER SIDE All, With Warning Lights Note: Modified For Driver Side Mounted 1972-84 Non-Serpentine Belt ("SI" Series) Internal Regulated Alternators.	\$275.00	
39230	1964	FORWARD LAMP HARNESS-INT REG ALT PASSENGER SIDE All, With Warning Lights Note: Modified For Passenger Side Mounted 1972-84 Non-Serpentine Belt ("SI" Series) Internal Regulated Alternators.	\$286.00	
05740	1964	FORWARD LAMP HARNESS All, With Gauges	\$247.00	
39071	1964	FORWARD LAMP HARNESS-INT REG ALT DRIVER SIDE All, With Gauges Note: Modified For Driver Side Mounted 1972-84 Non-Serpentine Belt ("SI" Series) Internal Regulated Alternators.	\$275.00	
39136	1964	FORWARD LAMP HARNESS-INT REG ALT PASSENGER SIDE All, With Gauges Note: Modified For Passenger Side Mounted 1972-84 Non-Serpentine Belt ("SI" Series) Internal Regulated Alternators.	\$286.00	
30925	1964	FORWARD LAMP EXTENSION HARNESS Los Angeles Built Cars With Power Brakes, Bulkhead To Front Lamp Harness	\$69.00	
18010	1965	FORWARD LAMP HARNESS All, With Warning Lights	\$247.00	
38991	1965	FORWARD LAMP HARNESS-INT REG ALT DRIVER SIDE All, With Warning Lights Note: Modified For Driver Side Mounted 1972-84 Non-Serpentine Belt ("SI" Series) Internal Regulated Alternators.	\$275.00	
39172	1965	FORWARD LAMP HARNESS-INT REG ALT PASSENGER SIDE All, With Warning Lights Note: Modified For Passenger Side Mounted 1972-84 Non-Serpentine Belt ("SI" Series) Internal Regulated Alternators.	\$286.00	
09400	1965	FORWARD LAMP HARNESS All, With Gauges	\$247.00	

Part Number	Year	Description	Price	*Rev.
38992	1965	FORWARD LAMP HARNESS-INT REG ALT DRIVER SIDE All, With Gauges Note: Modified For Driver Side Mounted 1972-84 Non-Serpentine Belt ("SI" Series) Internal Regulated Alternators.	\$275.00	
39054	1965	FORWARD LAMP HARNESS-INT REG ALT PASSENGER SIDE All, With Gauges Note: Modified For Passenger Side Mounted 1972-84 Non-Serpentine Belt ("SI" Series) Internal Regulated Alternators.	\$286.00	
28410	1965	FORWARD LAMP EXTENSION HARNESS Los Angeles Built Cars With Power Brakes, Bulkhead To Front Lamp Harness	\$69.00	
10060	1966	FORWARD LAMP HARNESS All, With Warning Lights	\$247.00	
38981	1966	FORWARD LAMP HARNESS-INT REG ALT DRIVER SIDE All, With Warning Lights Note: Modified For Driver Side Mounted 1972-84 Non-Serpentine Belt ("SI" Series) Internal Regulated Alternators.	\$275.00	
39092	1966	FORWARD LAMP HARNESS-INT REG ALT PASSENGER SIDE All, With Warning Lights Note: Modified For Passenger Side Mounted 1972-84 Non-Serpentine Belt ("SI" Series) Internal Regulated Alternators.	\$286.00	
10065	1966	FORWARD LAMP HARNESS All, With Gauges	\$247.00	
39003	1966	FORWARD LAMP HARNESS-INT REG ALT DRIVER SIDE All, With Gauges Note: Modified For Driver Side Mounted 1972-84 Non-Serpentine Belt ("SI" Series) Internal Regulated Alternators.	\$275.00	
39174	1966	FORWARD LAMP HARNESS-INT REG ALT PASSENGER SIDE All, With Gauges Note: Modified For Passenger Side Mounted 1972-84 Non-Serpentine Belt ("SI" Series) Internal Regulated Alternators.	\$286.00	
28410	1966	FORWARD LAMP EXTENSION HARNESS Los Angeles Built Cars With Power Brakes, Bulkhead To Front Lamp Harness	\$69.00	
17395	1967	FORWARD LAMP HARNESS All, With Warning Lights	\$247.00	
38958	1967	FORWARD LAMP HARNESS-INT REG ALT DRIVER SIDE All, With Warning Lights Note: Modified For Driver Side Mounted 1972-84 Non-Serpentine Belt ("SI" Series) Internal Regulated Alternators.	\$275.00	
39110	1967	FORWARD LAMP HARNESS-INT REG ALT PASSENGER SIDE All, With Warning Lights Note: Modified For Passenger Side Mounted 1972-84 Non-Serpentine Belt ("SI" Series) Internal Regulated Alternators.	\$286.00	
11515	1967	FORWARD LAMP HARNESS All, With Gauges	\$247.00	
39018	1967	FORWARD LAMP HARNESS-INT REG ALT DRIVER SIDE All, With Gauges Note: Modified For Driver Side Mounted 1972-84 Non-Serpentine Belt ("SI" Series) Internal Regulated Alternators.	\$275.00	
39138	1967	FORWARD LAMP HARNESS-INT REG ALT PASSENGER SIDE All, With Gauges Note: Modified For Passenger Side Mounted 1972-84 Non-Serpentine Belt ("SI" Series) Internal Regulated Alternators.	\$286.00	
11770	1968	FORWARD LAMP HARNESS 6 Cylinder Note: 6 Cylinder Items Are Not Returnable.	\$303.00	
41688	1968	FORWARD LAMP HARNESS 6 Cylinder, Right Hand Drive, Export Note: 6 Cylinder Items Are Not Returnable.	\$330.00	
11775	1968	FORWARD LAMP HARNESS V/8, With Warning Lights	\$259.00	
38997	1968	FORWARD LAMP HARNESS-INT REG ALT DRIVER SIDE V/8, With Warning Lights Note: Modified For Driver Side Mounted 1972-84 Non-Serpentine Belt ("SI" Series) Internal Regulated Alternators.	\$288.00	
39093	1968	FORWARD LAMP HARNESS-INT REG ALT PASSENGER SIDE V/8, With Warning Lights Note: Modified For Passenger Side Mounted 1972-84 Non-Serpentine Belt ("SI" Series) Internal Regulated Alternators.	\$299.00	
11810	1968	FORWARD LAMP HARNESS V/8, With Gauges	\$273.00	
39076	1968	FORWARD LAMP HARNESS-INT REG ALT DRIVER SIDE V/8, With Gauges Note: Modified For Driver Side Mounted 1972-84 Non-Serpentine Belt ("SI" Series) Internal Regulated Alternators.	\$301.00	
39175	1968	FORWARD LAMP HARNESS-INT REG ALT PASSENGER SIDE V/8, With Gauges Note: Modified For Passenger Side Mounted 1972-84 Non-Serpentine Belt ("SI" Series) Internal Regulated Alternators.	\$312.00	
14005	1969	FORWARD LAMP HARNESS 6 Cylinder Note: 6 Cylinder Items Are Not Returnable.	\$317.00	
41693	1969	FORWARD LAMP HARNESS 6 Cylinder, Right Hand Drive, Export Note: 6 Cylinder Items Are Not Returnable.	\$345.00	
18015	1969	FORWARD LAMP HARNESS V/8, With Warning Lights	\$273.00	
41656	1969	FORWARD LAMP HARNESS-INT REG ALT DRIVER SIDE V/8, With Warning Lights Note: Modified For Driver Side Mounted 1972-84 Non-Serpentine Belt ("SI" Series) Internal Regulated Alternators.	\$288.00	C

Part Number	Year	Description	Price	*Rev.
38976	1969	FORWARD LAMP HARNESS-INT REG ALT PASSENGER SIDE V/8, With Warning Lights Note: Modified For Passenger Side Mounted 1972-84 Non-Serpentine Belt ("SI" Series) Internal Regulated Alternators.	\$312.00	
12960	1969	FORWARD LAMP HARNESS V/8, With Gauges	\$273.00	
39176	1969	FORWARD LAMP HARNESS-INT REG ALT DRIVER SIDE V/8, With Gauges	\$332.00	
38962	1969	FORWARD LAMP HARNESS-INT REG ALT PASSENGER SIDE V/8, With Gauges Note: Modified For Passenger Side Mounted 1972-84 Non-Serpentine Belt ("SI" Series) Internal Regulated Alternators.	\$312.00	
14680	1970	FORWARD LAMP HARNESS 6 Cylinder, Chevelle & El Camino Note: 6 Cylinder Items Are Not Returnable.	\$358.00	
15160	1970	FORWARD LAMP HARNESS V/8, Chevelle & El Camino, With Warning Lights, Without A/C, Except 396-454 C.I. Engines	\$273.00	
38998	1970	FORWARD LAMP HARNESS-INT REG ALT PASSENGER SIDE V/8, Chevelle & El Camino, With Warning Lights, Without A/C, Except 396-454 C.I. Engines Note: Modified For Passenger Side Mounted 1972-84 Non-Serpentine Belt ("SI" Series) Internal Regulated Alternators.	\$312.00	
14685	1970	FORWARD LAMP HARNESS V/8, Chevelle & El Camino, With Warning Lights & A/C, Or All 396-454 C.I. With Warning Lights	\$273.00	
39019	1970	FORWARD LAMP HARNESS-INT REG ALT PASSENGER SIDE V/8, Chevelle & El Camino, With Warning Lights & A/C, Or All 396-454 C.I. With Warning Lights Note: Modified For Passenger Side Mounted 1972-84 Non-Serpentine Belt ("SI" Series) Internal Regulated Alternators.	\$312.00	
14690	1970	FORWARD LAMP HARNESS V/8, Chevelle & El Camino, All With Gauges	\$273.00	
38940	1970	FORWARD LAMP HARNESS-INT REG ALT PASSENGER SIDE V/8, Chevelle & El Camino, All With Gauges Note: Modified For Passenger Side Mounted 1972-84 Non-Serpentine Belt ("SI" Series) Internal Regulated Alternators.	\$312.00	
15165	1970	FORWARD LAMP HARNESS V/8, Monte Carlo, With Warning Lights	\$299.00	
39139	1970	FORWARD LAMP HARNESS-INT REG ALT PASSENGER SIDE V/8, Monte Carlo, With Warning Lights Note: Modified For Passenger Side Mounted 1972-84 Non-Serpentine Belt ("SI" Series) Internal Regulated Alternators.	\$338.00	
15010	1970	FORWARD LAMP HARNESS V/8, Monte Carlo, With Warning Lights & A/C	\$299.00	
39233	1970	FORWARD LAMP HARNESS-INT REG ALT PASSENGER SIDE V/8, Monte Carlo, With Warning Lights & A/C Note: Modified For Passenger Side Mounted 1972-84 Non-Serpentine Belt ("SI" Series) Internal Regulated Alternators.	\$338.00	
17650	1970	FORWARD LAMP HARNESS V/8, Monte Carlo, All With Gauges	\$299.00	
39234	1970	FORWARD LAMP HARNESS-INT REG ALT PASSENGER SIDE V/8, Monte Carlo, All With Gauges Note: Modified For Passenger Side Mounted 1972-84 Non-Serpentine Belt ("SI" Series) Internal Regulated Alternators.	\$338.00	
14010	1971	FORWARD LAMP HARNESS 6 Cylinder, Chevelle & El Camino Note: 6 Cylinder Items Are Not Returnable.	\$358.00	
17465	1971	FORWARD LAMP HARNESS V/8, Chevelle & El Camino, With Warning Lights	\$285.00	
39094	1971	FORWARD LAMP HARNESS-INT REG ALT PASSENGER SIDE V/8, Chevelle & El Camino, With Warning Lights Note: Modified For Passenger Side Mounted 1972-84 Non-Serpentine Belt ("SI" Series) Internal Regulated Alternators.	\$325.00	
15275	1971	FORWARD LAMP HARNESS V/8, Chevelle & El Camino, With Warning Lights & A/C	\$285.00	
39140	1971	FORWARD LAMP HARNESS-INT REG ALT PASSENGER SIDE V/8, Chevelle & El Camino, With Warning Lights & A/C Note: Modified For Passenger Side Mounted 1972-84 Non-Serpentine Belt ("SI" Series) Internal Regulated Alternators.	\$325.00	
17460	1971	FORWARD LAMP HARNESS V/8, Chevelle & El Camino, All With Gauges	\$285.00	
39005	1971	FORWARD LAMP HARNESS-INT REG ALT PASSENGER SIDE V/8, Chevelle & El Camino, All With Gauges Note: Modified For Passenger Side Mounted 1972-84 Non-Serpentine Belt ("SI" Series) Internal Regulated Alternators.	\$325.00	
17475	1971	FORWARD LAMP HARNESS V/8, Monte Carlo, With Warning Lights	\$299.00	
39235	1971	FORWARD LAMP HARNESS-INT REG ALT PASSENGER SIDE V/8, Monte Carlo, With Warning Lights Note: Modified For Passenger Side Mounted 1972-84 Non-Serpentine Belt ("SI" Series) Internal Regulated Alternators.	\$338.00	
17480	1971	FORWARD LAMP HARNESS V/8, Monte Carlo, With Warning Lights & A/C	\$299.00	
39237	1971	FORWARD LAMP HARNESS-INT REG ALT PASSENGER SIDE V/8, Monte Carlo, With Warning Lights & A/C Note: Modified For Passenger Side Mounted 1972-84 Non-Serpentine Belt ("SI" Series) Internal Regulated Alternators.	\$338.00	
17470	1971	FORWARD LAMP HARNESS V/8, Monte Carlo, All With Gauges	\$299.00	
39236	1971	FORWARD LAMP HARNESS-INT REG ALT PASSENGER SIDE V/8, Monte Carlo, All With Gauges Note: Modified For Passenger Side Mounted 1972-84 Non-Serpentine Belt ("SI" Series) Internal Regulated Alternators.	\$338.00	

Part Number	Year	Description	Price	*Rev.
18540	1971	FORWARD PARK AND MARKER LAMP EXTENSION Monte Carlo (2 Required Per Car)	\$59.00	
16455	1972	FORWARD LAMP HARNESS Chevelle & El Camino	\$278.00	
41638	1972	FORWARD LAMP HARNESS-SI SERIES INT REG ALT Chevelle & El Camino Note: This Harness Must Be Used Together With A New Engine Harness Also Modified For Int. Reg. Alt.	\$343.00	
16460	1972	FORWARD LAMP HARNESS Monte Carlo	\$304.00	
41639	1972	FORWARD LAMP HARNESS-SI SERIES INT REG ALT Monte Carlo Note: This Harness Must Be Used Together With A New Engine Harness Also Modified For Int. Reg. Alt.	\$343.00	
19035	1973	FORWARD LAMP HARNESS Chevelle & El Camino	\$290.00	
41764	1973	FORWARD LAMP HARNESS Laguna	\$304.00	
41744	1973	FORWARD LAMP HARNESS Monte Carlo	\$304.00	
19040	1974	FORWARD LAMP HARNESS Chevelle & El Camino Note: Customer Must Reuse Their Original Plastic Connector For The Seat Belt Ignition Interlock Override Switch.	\$331.00	
41768	1974	FORWARD LAMP HARNESS Laguna Note: Customer Must Reuse Their Original Plastic Connector For The Seat Belt Ignition Interlock Override Switch.	\$331.00	
41492	1974	FORWARD LAMP HARNESS Monte Carlo Note: Customer Must Reuse Their Original Plastic Connector For The Seat Belt Ignition Interlock Override Switch.	\$331.00	
41779	1975	FORWARD LAMP HARNESS Chevelle & El Camino Note: Customer Must Reuse Their Original Plastic Connector For The Seat Belt Ignition Interlock Override Switch.	\$357.00	
41782	1975	FORWARD LAMP HARNESS Laguna Note: Customer Must Reuse Their Original Plastic Connector For The Seat Belt Ignition Interlock Override Switch.	\$357.00	
41780	1975	FORWARD LAMP HARNESS Monte Carlo Note: Customer Must Reuse Their Original Plastic Connector For The Seat Belt Ignition Interlock Override Switch.	\$357.00	
41801	1976	FORWARD LAMP HARNESS Chevelle & El Camino, With Round Headlamps	\$357.00	
41802	1976	FORWARD LAMP HARNESS Chevelle & El Camino, With Rectangular Headlamps	\$357.00	
41804	1976	FORWARD LAMP HARNESS Laguna	\$357.00	
41803	1976	FORWARD LAMP HARNESS Monte Carlo	\$357.00	
41811	1977	FORWARD LAMP HARNESS Chevelle & El Camino, With Round Headlamps	\$357.00	
41812	1977	FORWARD LAMP HARNESS Chevelle & El Camino, With Rectangular Headlamps	\$357.00	
41813	1977	FORWARD LAMP HARNESS Monte Carlo	\$357.00	
41558	1978	FORWARD LAMP HARNESS All, Except Monte Carlo Note: Customer Must Supply Us With Their Original Harness.	\$396.00	
41822	1978	FORWARD LAMP HARNESS Monte Carlo Note: Customer Must Supply Us With Their Original Harness.	\$528.00	
41878	1979	FORWARD LAMP HARNESS All, Except Monte Carlo Note: Customer Must Supply Us With Their Original Harness.	\$528.00	
41879	1979	FORWARD LAMP HARNESS Monte Carlo	\$528.00	
41878	1980	FORWARD LAMP HARNESS All, Except Monte Carlo Note: Customer Must Supply Us With Their Original Harness.	\$528.00	
41882	1980	FORWARD LAMP HARNESS Monte Carlo Note: Customer Must Supply Us With Their Original Harness.	\$528.00	
41948	1981	FORWARD LAMP HARNESS All, Except Monte Carlo Note: Customer Must Supply Us With Their Original Harness.	\$528.00	
41939	1981	FORWARD LAMP HARNESS Monte Carlo, Without Cornering Lamps	\$528.00	
41940	1981	FORWARD LAMP HARNESS Monte Carlo, With Cornering Lamps	\$528.00	
41966	1982	FORWARD LAMP HARNESS All, Except Monte Carlo	\$528.00	
41939	1982	FORWARD LAMP HARNESS Monte Carlo, Without Cornering Lamps	\$528.00	
41940	1982	FORWARD LAMP HARNESS Monte Carlo, With Cornering Lamps	\$528.00	

Part Number	Year	Description	Price	*Rev.
FUEL SYSTEM WATER SENSOR HARNESS				
42048	1982	FUEL SYSTEM WATER SENSOR HARNESS Diesel, From Rear Body Harness To Water Sensor	\$48.00	
FUEL TANK SENDER WIRE				
28495	1967	FUEL TANK SENDER WIRE Chevelle	\$25.00	
28480	1967	FUEL TANK SENDER WIRE El Camino & Wagon	\$26.00	
28540	1968	FUEL TANK SENDER WIRE Chevelle	\$25.00	
28535	1968	FUEL TANK SENDER WIRE El Camino	\$25.00	
11910	1968	FUEL TANK SENDER WIRE Wagon	\$30.00	
28540	1969	FUEL TANK SENDER WIRE Chevelle	\$25.00	
28535	1969	FUEL TANK SENDER WIRE El Camino	\$25.00	
11910	1969	FUEL TANK SENDER WIRE Wagon	\$30.00	
28940	1970	FUEL TANK SENDER WIRE Chevelle	\$25.00	
28535	1970	FUEL TANK SENDER WIRE El Camino	\$25.00	
11910	1970	FUEL TANK SENDER WIRE Wagon	\$30.00	
28945	1970	FUEL TANK SENDER WIRE Monte Carlo	\$25.00	
28940	1971	FUEL TANK SENDER WIRE Chevelle	\$25.00	
28535	1971	FUEL TANK SENDER WIRE El Camino	\$25.00	
11910	1971	FUEL TANK SENDER WIRE Wagon	\$30.00	
28945	1971	FUEL TANK SENDER WIRE Monte Carlo	\$25.00	
28940	1972	FUEL TANK SENDER WIRE Chevelle	\$25.00	
28535	1972	FUEL TANK SENDER WIRE El Camino	\$25.00	
11910	1972	FUEL TANK SENDER WIRE Wagon	\$30.00	
28945	1972	FUEL TANK SENDER WIRE Monte Carlo	\$25.00	
41739	1973	FUEL TANK SENDER WIRE All, Except Wagon & El Camino Note: 1973-1982 Wagon Fuel Sender Wire Is Part Of Rear Lamp Harness.	\$35.00	
41757	1973	FUEL TANK SENDER WIRE El Camino	\$35.00	
41772	1974	FUEL TANK SENDER WIRE Chevelle, Coupe & Sedan Note: 1974-1975 Monte Carlo Fuel Sender Wire Is Part Of Backup Lamp Harness. 1973-1982 Wagon Fuel Sender Wire Is Part Of Rear Lamp Harness.	\$35.00	
41757	1974	FUEL TANK SENDER WIRE El Camino	\$35.00	
41772	1975	FUEL TANK SENDER WIRE Chevelle, Coupe & Sedan Note: 1974-1975 Monte Carlo Fuel Sender Wire Is Part Of Backup Lamp Harness. 1973-1982 Wagon Fuel Sender Wire Is Part Of Rear Lamp Harness.	\$35.00	
41757	1975	FUEL TANK SENDER WIRE El Camino	\$35.00	
41772	1976	FUEL TANK SENDER WIRE All, Coupe & Sedan Note: 1973-1982 Wagon Fuel Sender Wire Is Part Of Rear Lamp Harness.	\$35.00	
41757	1976	FUEL TANK SENDER WIRE El Camino	\$35.00	
41772	1977	FUEL TANK SENDER WIRE All, Coupe & Sedan Note: 1973-1982 Wagon Fuel Sender Wire Is Part Of Rear Lamp Harness.	\$35.00	
41757	1977	FUEL TANK SENDER WIRE El Camino	\$35.00	
41919	1978	FUEL TANK SENDER WIRE All, Except Wagon & El Camino Note: 1973-1982 Wagon Fuel Sender Wire Is Part Of Rear Lamp Harness.	\$40.00	
41860	1978	FUEL TANK SENDER WIRE El Camino	\$40.00	
41919	1979	FUEL TANK SENDER WIRE All, Except Wagon & El Camino	\$40.00	
41860	1979	FUEL TANK SENDER WIRE El Camino	\$40.00	
41919	1980	FUEL TANK SENDER WIRE All, Except Wagon & El Camino Note: 1973-1982 Wagon Fuel Sender Wire Is Part Of Rear Lamp Harness.	\$40.00	
41860	1980	FUEL TANK SENDER WIRE El Camino	\$40.00	

Part Number	Year	Description	Price	*Rev.
41919	1981	FUEL TANK SENDER WIRE All, Except Wagon & El Camino Note: 1973-1982 Wagon Fuel Sender Wire Is Part Of Rear Lamp Harness.	\$40.00	
41860	1981	FUEL TANK SENDER WIRE El Camino	\$40.00	
41919	1982	FUEL TANK SENDER WIRE All, Except Wagon & El Camino Note: 1973-1982 Wagon Fuel Sender Wire Is Part Of Rear Lamp Harness.	\$40.00	
41860	1982	FUEL TANK SENDER WIRE El Camino	\$40.00	
FUEL TANK SENDING UNIT				
06425600	1964	FUEL TANK SENDING UNIT 3/8" Fuel Line, Except 3 Seat Station Wagon	\$43.00	N
05642836	1964	FUEL TANK SENDING UNIT 5/16" Fuel Line, Except 3 Seat Station Wagon	\$43.00	N
06426973	1965	FUEL TANK SENDING UNIT 3/8" Fuel Line	\$43.00	N
06428067	1965	FUEL TANK SENDING UNIT 5/16" Fuel Line	\$43.00	N
06426973	1966	FUEL TANK SENDING UNIT 3/8" Fuel Line	\$43.00	N
06428067	1966	FUEL TANK SENDING UNIT 5/16" Fuel Line	\$43.00	N
06426973	1967	FUEL TANK SENDING UNIT 3/8" Fuel Line	\$43.00	N
06428067	1967	FUEL TANK SENDING UNIT 5/16" Fuel Line	\$43.00	N
06428034	1968	FUEL TANK SENDING UNIT 3/8" Fuel Line, Single Outlet, Except Wagon	\$43.00	N
06428034	1969	FUEL TANK SENDING UNIT 3/8" Fuel Line, Single Outlet, Except Wagon	\$43.00	N
06428035	1969	FUEL TANK SENDING UNIT 3/8" Fuel Line, With 2nd Vent Line, Except Wagon	\$43.00	N
06428034	1970	FUEL TANK SENDING UNIT 3/8" Fuel Line, Single Outlet, Except Wagon	\$43.00	N
06428035	1970	FUEL TANK SENDING UNIT 3/8" Fuel Line, With 2nd Vent Line, Except Wagon	\$43.00	N
06428845	1970	FUEL TANK SENDING UNIT V/8 Wagon, With A/C, 3/8" Fuel Line, Single Line	\$43.00	N
06428838	1971	FUEL TANK SENDING UNIT 3/8" Fuel Line, Single Outlet, Except Wagon	\$43.00	N
06428837	1971	FUEL TANK SENDING UNIT 3/8" Fuel Line, With 2nd Vent Line, Except Wagon	\$43.00	N
06428838	1972	FUEL TANK SENDING UNIT 3/8" Fuel Line, Single Outlet, Except Wagon	\$43.00	N
06428837	1972	FUEL TANK SENDING UNIT 3/8" Fuel Line, With 2nd Vent Line, Except Wagon	\$43.00	N
19180450	1978	FUEL TANK SENDING UNIT El Camino, 3/8" Fuel Line, With 17.5 Gallon Fuel Tank Note: 19180450 Is The Latest GM Replacement Part Number For Original 25000932.	\$77.00	N
19180451	1978	FUEL TANK SENDING UNIT El Camino, 3/8" Fuel Line, With 22 Gallon Fuel Tank Note: 19180451 Is The Latest GM Replacement Part Number For Original 25001076.	\$77.00	N
19180450	1979	FUEL TANK SENDING UNIT El Camino, 3/8" Fuel Line, With 17.5 Gallon Fuel Tank Note: 19180450 Is The Latest GM Replacement Part Number For Original 25000932.	\$77.00	N
19180451	1979	FUEL TANK SENDING UNIT El Camino, 3/8" Fuel Line, With 22 Gallon Fuel Tank Note: 19180451 Is The Latest GM Replacement Part Number For Original 25001076.	\$77.00	N
19180450	1980	FUEL TANK SENDING UNIT El Camino, 3/8" Fuel Line, With 17.5 Gallon Fuel Tank Note: 19180450 Is The Latest GM Replacement Part Number For Original 25000932.	\$77.00	N
19180451	1980	FUEL TANK SENDING UNIT El Camino, 3/8" Fuel Line, With 22 Gallon Fuel Tank Note: 19180451 Is The Latest GM Replacement Part Number For Original 25001076.	\$77.00	N

Part Number	Year	Description	Price	*Rev.
19180450	1981	FUEL TANK SENDING UNIT El Camino, 3/8" Fuel Line, With 17.5 Gallon Fuel Tank Note: 19180450 Is The Latest GM Replacement Part Number For Original 25000932.	\$77.00	N
19180451	1981	FUEL TANK SENDING UNIT El Camino, 3/8" Fuel Line, With 22 Gallon Fuel Tank Note: 19180451 Is The Latest GM Replacement Part Number For Original 25001076.	\$77.00	N
19180450	1982	FUEL TANK SENDING UNIT El Camino, 3/8" Fuel Line, With 17.5 Gallon Fuel Tank Note: 19180450 Is The Latest GM Replacement Part Number For Original 25000932.	\$77.00	N
19180451	1982	FUEL TANK SENDING UNIT El Camino, 3/8" Fuel Line, With 22 Gallon Fuel Tank Note: 19180451 Is The Latest GM Replacement Part Number For Original 25001076.	\$77.00	N
19180450	1983	FUEL TANK SENDING UNIT El Camino, 3/8" Fuel Line, With 17.5 Gallon Fuel Tank Note: 19180450 Is The Latest GM Replacement Part Number For Original 25000932.	\$77.00	N
19180451	1983	FUEL TANK SENDING UNIT El Camino, 3/8" Fuel Line, With 22 Gallon Fuel Tank Note: 19180451 Is The Latest GM Replacement Part Number For Original 25001076.	\$77.00	N
19180450	1984	FUEL TANK SENDING UNIT El Camino, 3/8" Fuel Line, With 17.5 Gallon Fuel Tank Note: 19180450 Is The Latest GM Replacement Part Number For Original 25000932.	\$77.00	N
19180451	1984	FUEL TANK SENDING UNIT El Camino, 3/8" Fuel Line, With 22 Gallon Fuel Tank Note: 19180451 Is The Latest GM Replacement Part Number For Original 25001076.	\$77.00	N
19180450	1985	FUEL TANK SENDING UNIT El Camino, 3/8" Fuel Line, With 17.5 Gallon Fuel Tank Note: 19180450 Is The Latest GM Replacement Part Number For Original 25000932.	\$77.00	N
19180451	1985	FUEL TANK SENDING UNIT El Camino, 3/8" Fuel Line, With 22 Gallon Fuel Tank Note: 19180451 Is The Latest GM Replacement Part Number For Original 25001076.	\$77.00	N
19180450	1986	FUEL TANK SENDING UNIT El Camino, 3/8" Fuel Line, With 17.5 Gallon Fuel Tank Note: 19180450 Is The Latest GM Replacement Part Number For Original 25000932.	\$77.00	N
19180451	1986	FUEL TANK SENDING UNIT El Camino, 3/8" Fuel Line, With 22 Gallon Fuel Tank Note: 19180451 Is The Latest GM Replacement Part Number For Original 25001076.	\$77.00	N
19180450	1987	FUEL TANK SENDING UNIT El Camino, 3/8" Fuel Line, With 17.5 Gallon Fuel Tank Note: 19180450 Is The Latest GM Replacement Part Number For Original 25000932.	\$77.00	N
19180451	1987	FUEL TANK SENDING UNIT El Camino, 3/8" Fuel Line, With 22 Gallon Fuel Tank Note: 19180451 Is The Latest GM Replacement Part Number For Original 25001076.	\$77.00	N
GLOVE BOX LAMP HARNESS				
33830	1970	GLOVE BOX LAMP HARNESS Plugs Into Glove Box Light Switch Assembly Note: This Harness Is Used When Adding The Glove Box Lamp Option To Vehicles With Their Original Dash Harness.	\$25.00	
33830	1971	GLOVE BOX LAMP HARNESS Plugs Into Glove Box Light Switch Assembly Note: This Harness Is Used When Adding The Glove Box Lamp Option To Vehicles With Their Original Dash Harness.	\$25.00	
GLOVE BOX LAMP KIT				
18000	1964	GLOVE BOX LAMP KIT Socket, Bulb & Wire	\$24.00	
18000	1965	GLOVE BOX LAMP KIT Socket, Bulb & Wire	\$24.00	
18000	1966	GLOVE BOX LAMP KIT Socket, Bulb & Wire	\$24.00	
18000	1967	GLOVE BOX LAMP KIT Socket, Bulb & Wire	\$24.00	
18000	1968	GLOVE BOX LAMP KIT Socket, Bulb & Wire	\$24.00	
18000	1969	GLOVE BOX LAMP KIT Socket, Bulb & Wire	\$24.00	
GROUND STRAP KIT				
27420	1964	GROUND STRAP KIT 6 Cylinder Note: 6 Cylinder Items Are Not Returnable.	\$22.00	
27425	1964	GROUND STRAP KIT V/8	\$23.00	
27420	1965	GROUND STRAP KIT 6 Cylinder Note: 6 Cylinder Items Are Not Returnable.	\$22.00	
27425	1965	GROUND STRAP KIT V/8	\$23.00	

Part Number	Year	Description	Price	*Rev.
27430	1966	GROUND STRAP KIT 6 Cylinder Note: 6 Cylinder Items Are Not Returnable.	\$25.00	
27435	1966	GROUND STRAP KIT V/8	\$29.00	
27445	1967	GROUND STRAP KIT 6 Cylinder Note: 6 Cylinder Items Are Not Returnable.	\$27.00	
27440	1967	GROUND STRAP KIT V/8	\$29.00	
27445	1968	GROUND STRAP KIT 6 Cylinder Note: 6 Cylinder Items Are Not Returnable.	\$27.00	
27440	1968	GROUND STRAP KIT V/8	\$29.00	
27445	1969	GROUND STRAP KIT 6 Cylinder Note: 6 Cylinder Items Are Not Returnable.	\$27.00	
27440	1969	GROUND STRAP KIT V/8	\$29.00	
GROUND WIRE				
01655	1964	GROUND WIRE Instrument Cluster, From Brake & Clutch Pedal Bracket To Cluster	\$18.00	
01655	1964	GROUND WIRE Voltage Regulator, From Radiator Support To Regulator	\$18.00	
01655	1965	GROUND WIRE Instrument Cluster, From Brake & Clutch Pedal Bracket To Cluster	\$18.00	
01655	1965	GROUND WIRE Voltage Regulator, From Radiator Support To Regulator	\$18.00	
07295	1965	GROUND WIRE Power Seat	\$21.00	
01655	1966	GROUND WIRE Instrument Cluster, From Brake & Clutch Pedal Bracket To Cluster	\$18.00	
01655	1966	GROUND WIRE Voltage Regulator, From Radiator Support To Regulator	\$18.00	
07295	1966	GROUND WIRE Power Seat	\$21.00	
01655	1967	GROUND WIRE Instrument Cluster, From Brake & Clutch Pedal Bracket To Cluster	\$18.00	
01655	1967	GROUND WIRE Voltage Regulator, From Radiator Support To Regulator	\$18.00	
41696	1967	GROUND WIRE Stereo Tape Player	\$27.00	
07295	1967	GROUND WIRE Power Seat	\$21.00	
20460	1968	GROUND WIRE Instrument Cluster, From Parking Brake Release Bracket To Cluster	\$17.00	
01655	1968	GROUND WIRE Voltage Regulator, From Radiator Support To Regulator	\$18.00	
41696	1968	GROUND WIRE Stereo Tape Player	\$27.00	
07295	1968	GROUND WIRE Power Seat	\$21.00	
01655	1969	GROUND WIRE Voltage Regulator, From Radiator Support To Regulator	\$18.00	
41696	1969	GROUND WIRE Stereo Tape Player	\$27.00	
07295	1969	GROUND WIRE Power Seat	\$21.00	
07295	1970	GROUND WIRE Power Seat	\$21.00	
07295	1971	GROUND WIRE Power Seat	\$21.00	
07295	1972	GROUND WIRE Power Seat	\$21.00	
40724	1973	GROUND WIRE Power Seat	\$21.00	
40724	1974	GROUND WIRE Power Seat	\$21.00	
01655	1974	GROUND WIRE Cruise Control	\$18.00	
01655	1975	GROUND WIRE Cruise Control	\$18.00	
40724	1975	GROUND WIRE Power Seat	\$21.00	
01655	1976	GROUND WIRE Cruise Control	\$18.00	
40724	1976	GROUND WIRE Power Seat	\$21.00	
40863	1977	GROUND WIRE Vanity Mirror, Passenger Side Sunshade	\$17.00	
40724	1977	GROUND WIRE Power Seat	\$21.00	
40487	1977	GROUND WIRE All, Blower Motor	\$21.00	
01655	1977	GROUND WIRE Cruise Control	\$18.00	

Part Number	Year	Description	Price	*Rev.
01655	1978	GROUND WIRE Cruise Control	\$18.00	
41921	1979	GROUND WIRE Cruise Control	\$21.00	
41921	1980	GROUND WIRE Cruise Control	\$21.00	
41921	1981	GROUND WIRE Cruise Control	\$21.00	
41921	1982	GROUND WIRE Cruise Control	\$21.00	
GROUND WIRE HARNESS				
41922	1979	GROUND WIRE HARNESS Heater Cars Only, Heater Vent Door Ground Wires	\$21.00	
41922	1980	GROUND WIRE HARNESS Heater Cars Only, Heater Vent Door Ground Wires	\$21.00	
41922	1981	GROUND WIRE HARNESS Heater Cars Only, Heater Vent Door Ground Wires	\$21.00	
41922	1982	GROUND WIRE HARNESS Heater Cars Only, Heater Vent Door Ground Wires	\$21.00	
GROUND WIRE-DISTRIBUTOR POINT PLATE				
38298	1964	GROUND WIRE, DISTRIBUTOR POINT PLATE From Distributor Point Plate To Distributor Housing, For Vacuum Advance Note: Replaces Spot Welded Wire Asm On Point Plate Side. Fits All GM V/8 Point Type Distributors From Approx. 1957-1974.	\$17.00	C
38298	1965	GROUND WIRE, DISTRIBUTOR POINT PLATE From Distributor Point Plate To Distributor Housing, For Vacuum Advance Note: Replaces Spot Welded Wire Asm On Point Plate Side. Fits All GM V/8 Point Type Distributors From Approx. 1957-1974.	\$17.00	C
38298	1966	GROUND WIRE, DISTRIBUTOR POINT PLATE From Distributor Point Plate To Distributor Housing, For Vacuum Advance Note: Replaces Spot Welded Wire Asm On Point Plate Side. Fits All GM V/8 Point Type Distributors From Approx. 1957-1974.	\$17.00	C
38298	1967	GROUND WIRE, DISTRIBUTOR POINT PLATE From Distributor Point Plate To Distributor Housing, For Vacuum Advance Note: Replaces Spot Welded Wire Asm On Point Plate Side. Fits All GM V/8 Point Type Distributors From Approx. 1957-1974.	\$17.00	C
38298	1968	GROUND WIRE, DISTRIBUTOR POINT PLATE From Distributor Point Plate To Distributor Housing, For Vacuum Advance Note: Replaces Spot Welded Wire Asm On Point Plate Side. Fits All GM V/8 Point Type Distributors From Approx. 1957-1974.	\$17.00	C
38298	1969	GROUND WIRE, DISTRIBUTOR POINT PLATE From Distributor Point Plate To Distributor Housing, For Vacuum Advance Note: Replaces Spot Welded Wire Asm On Point Plate Side. Fits All GM V/8 Point Type Distributors From Approx. 1957-1974.	\$17.00	C
38298	1970	GROUND WIRE, DISTRIBUTOR POINT PLATE From Distributor Point Plate To Distributor Housing, For Vacuum Advance Note: Replaces Spot Welded Wire Asm On Point Plate Side. Fits All GM V/8 Point Type Distributors From Approx. 1957-1974.	\$17.00	C
38298	1971	GROUND WIRE, DISTRIBUTOR POINT PLATE From Distributor Point Plate To Distributor Housing, For Vacuum Advance Note: Replaces Spot Welded Wire Asm On Point Plate Side. Fits All GM V/8 Point Type Distributors From Approx. 1957-1974.	\$17.00	C
38298	1972	GROUND WIRE, DISTRIBUTOR POINT PLATE From Distributor Point Plate To Distributor Housing, For Vacuum Advance Note: Replaces Spot Welded Wire Asm On Point Plate Side. Fits All GM V/8 Point Type Distributors From Approx. 1957-1974.	\$17.00	C
38298	1973	GROUND WIRE, DISTRIBUTOR POINT PLATE From Distributor Point Plate To Distributor Housing, For Vacuum Advance Note: Replaces Spot Welded Wire Asm On Point Plate Side. Fits All GM V/8 Point Type Distributors From Approx. 1957-1974.	\$17.00	C
38298	1974	GROUND WIRE, DISTRIBUTOR POINT PLATE From Distributor Point Plate To Distributor Housing, For Vacuum Advance Note: Replaces Spot Welded Wire Asm On Point Plate Side. Fits All GM V/8 Point Type Distributors From Approx. 1957-1974.	\$17.00	C
HARNESS TAPE				
R0058272	1964	HARNESS TAPE 3/4" Vinyl (100 Ft. Roll) Non-Adhesive	\$12.00	
R0058276	1964	HARNESS TAPE 1" Vinyl (100 Ft. Roll) Non-Adhesive	\$13.00	
R0067108	1964	HARNESS TAPE 1 1/4" Vinyl (100 Ft. Roll) Non-Adhesive	\$15.00	
R0058272	1965	HARNESS TAPE 3/4" Vinyl (100 Ft. Roll) Non-Adhesive	\$12.00	
R0058276	1965	HARNESS TAPE 1" Vinyl (100 Ft. Roll) Non-Adhesive	\$13.00	
R0067108	1965	HARNESS TAPE 1 1/4" Vinyl (100 Ft. Roll) Non-Adhesive	\$15.00	

Part Number	Year	Description	Price	*Rev.
R0058272	1966	HARNESS TAPE 3/4" Vinyl (100 Ft. Roll) Non-Adhesive	\$12.00	
R0058276	1966	HARNESS TAPE 1" Vinyl (100 Ft. Roll) Non-Adhesive	\$13.00	
R0067108	1966	HARNESS TAPE 1 1/4" Vinyl (100 Ft. Roll) Non-Adhesive	\$15.00	
R0058272	1967	HARNESS TAPE 3/4" Vinyl (100 Ft. Roll) Non-Adhesive	\$12.00	
R0058276	1967	HARNESS TAPE 1" Vinyl (100 Ft. Roll) Non-Adhesive	\$13.00	
R0067108	1967	HARNESS TAPE 1 1/4" Vinyl (100 Ft. Roll) Non-Adhesive	\$15.00	
R0058272	1968	HARNESS TAPE 3/4" Vinyl (100 Ft. Roll) Non-Adhesive	\$12.00	
R0058276	1968	HARNESS TAPE 1" Vinyl (100 Ft. Roll) Non-Adhesive	\$13.00	
R0067108	1968	HARNESS TAPE 1 1/4" Vinyl (100 Ft. Roll) Non-Adhesive	\$15.00	
R0058272	1969	HARNESS TAPE 3/4" Vinyl (100 Ft. Roll) Non-Adhesive	\$12.00	
R0058276	1969	HARNESS TAPE 1" Vinyl (100 Ft. Roll) Non-Adhesive	\$13.00	
R0067108	1969	HARNESS TAPE 1 1/4" Vinyl (100 Ft. Roll) Non-Adhesive	\$15.00	
R0058272	1970	HARNESS TAPE 3/4" Vinyl (100 Ft. Roll) Non-Adhesive	\$12.00	
R0058276	1970	HARNESS TAPE 1" Vinyl (100 Ft. Roll) Non-Adhesive	\$13.00	
R0067108	1970	HARNESS TAPE 1 1/4" Vinyl (100 Ft. Roll) Non-Adhesive	\$15.00	
R0058272	1971	HARNESS TAPE 3/4" Vinyl (100 Ft. Roll) Non-Adhesive	\$12.00	
R0058276	1971	HARNESS TAPE 1" Vinyl (100 Ft. Roll) Non-Adhesive	\$13.00	
R0067108	1971	HARNESS TAPE 1 1/4" Vinyl (100 Ft. Roll) Non-Adhesive	\$15.00	
R0058272	1972	HARNESS TAPE 3/4" Vinyl (100 Ft. Roll) Non-Adhesive	\$12.00	
R0058276	1972	HARNESS TAPE 1" Vinyl (100 Ft. Roll) Non-Adhesive	\$13.00	
R0067108	1972	HARNESS TAPE 1 1/4" Vinyl (100 Ft. Roll) Non-Adhesive	\$15.00	
R0058272	1973	HARNESS TAPE 3/4" Vinyl (100 Ft. Roll) Non-Adhesive	\$12.00	
R0058276	1973	HARNESS TAPE 1" Vinyl (100 Ft. Roll) Non-Adhesive	\$13.00	
R0067108	1973	HARNESS TAPE 1 1/4" Vinyl (100 Ft. Roll) Non-Adhesive	\$15.00	
R0058272	1974	HARNESS TAPE 3/4" Vinyl (100 Ft. Roll) Non-Adhesive	\$12.00	
R0058276	1974	HARNESS TAPE 1" Vinyl (100 Ft. Roll) Non-Adhesive	\$13.00	
R0067108	1974	HARNESS TAPE 1 1/4" Vinyl (100 Ft. Roll) Non-Adhesive	\$15.00	
R0058272	1975	HARNESS TAPE 3/4" Vinyl (100 Ft. Roll) Non-Adhesive	\$12.00	
R0058276	1975	HARNESS TAPE 1" Vinyl (100 Ft. Roll) Non-Adhesive	\$13.00	
R0067108	1975	HARNESS TAPE 1 1/4" Vinyl (100 Ft. Roll) Non-Adhesive	\$15.00	
R0058272	1976	HARNESS TAPE 3/4" Vinyl (100 Ft. Roll) Non-Adhesive	\$12.00	
R0058276	1976	HARNESS TAPE 1" Vinyl (100 Ft. Roll) Non-Adhesive	\$13.00	
R0067108	1976	HARNESS TAPE 1 1/4" Vinyl (100 Ft. Roll) Non-Adhesive	\$15.00	
R0058272	1977	HARNESS TAPE 3/4" Vinyl (100 Ft. Roll) Non-Adhesive	\$12.00	
R0058276	1977	HARNESS TAPE 1" Vinyl (100 Ft. Roll) Non-Adhesive	\$13.00	
R0067108	1977	HARNESS TAPE 1 1/4" Vinyl (100 Ft. Roll) Non-Adhesive	\$15.00	
R0058272	1978	HARNESS TAPE 3/4" Vinyl (100 Ft. Roll) Non-Adhesive	\$12.00	
R0058276	1978	HARNESS TAPE 1" Vinyl (100 Ft. Roll) Non-Adhesive	\$13.00	
R0067108	1978	HARNESS TAPE 1 1/4" Vinyl (100 Ft. Roll) Non-Adhesive	\$15.00	
R0058272	1979	HARNESS TAPE 3/4" Vinyl (100 Ft. Roll) Non-Adhesive	\$12.00	
R0058276	1979	HARNESS TAPE 1" Vinyl (100 Ft. Roll) Non-Adhesive	\$13.00	
R0067108	1979	HARNESS TAPE 1 1/4" Vinyl (100 Ft. Roll) Non-Adhesive	\$15.00	
R0058272	1980	HARNESS TAPE 3/4" Vinyl (100 Ft. Roll) Non-Adhesive	\$12.00	
R0058276	1980	HARNESS TAPE 1" Vinyl (100 Ft. Roll) Non-Adhesive	\$13.00	
R0067108	1980	HARNESS TAPE 1 1/4" Vinyl (100 Ft. Roll) Non-Adhesive	\$15.00	
R0058272	1981	HARNESS TAPE 3/4" Vinyl (100 Ft. Roll) Non-Adhesive	\$12.00	
R0058276	1981	HARNESS TAPE 1" Vinyl (100 Ft. Roll) Non-Adhesive	\$13.00	

Part Number	Year	Description	Price	*Rev.
R0067108	1981	HARNESS TAPE 1 1/4" Vinyl (100 Ft. Roll) Non-Adhesive	\$15.00	
R0058272	1982	HARNESS TAPE 3/4" Vinyl (100 Ft. Roll) Non-Adhesive	\$12.00	
R0058276	1982	HARNESS TAPE 1" Vinyl (100 Ft. Roll) Non-Adhesive	\$13.00	
R0067108	1982	HARNESS TAPE 1 1/4" Vinyl (100 Ft. Roll) Non-Adhesive	\$15.00	
R0058272	1983	HARNESS TAPE 3/4" Vinyl (100 Ft. Roll) Non-Adhesive	\$12.00	
R0058276	1983	HARNESS TAPE 1" Vinyl (100 Ft. Roll) Non-Adhesive	\$13.00	
R0067108	1983	HARNESS TAPE 1 1/4" Vinyl (100 Ft. Roll) Non-Adhesive	\$15.00	
R0058272	1984	HARNESS TAPE 3/4" Vinyl (100 Ft. Roll) Non-Adhesive	\$12.00	
R0058276	1984	HARNESS TAPE 1" Vinyl (100 Ft. Roll) Non-Adhesive	\$13.00	
R0067108	1984	HARNESS TAPE 1 1/4" Vinyl (100 Ft. Roll) Non-Adhesive	\$15.00	
R0058272	1985	HARNESS TAPE 3/4" Vinyl (100 Ft. Roll) Non-Adhesive	\$12.00	
R0058276	1985	HARNESS TAPE 1" Vinyl (100 Ft. Roll) Non-Adhesive	\$13.00	
R0067108	1985	HARNESS TAPE 1 1/4" Vinyl (100 Ft. Roll) Non-Adhesive	\$15.00	
R0058272	1986	HARNESS TAPE 3/4" Vinyl (100 Ft. Roll) Non-Adhesive	\$12.00	
R0058276	1986	HARNESS TAPE 1" Vinyl (100 Ft. Roll) Non-Adhesive	\$13.00	
R0067108	1986	HARNESS TAPE 1 1/4" Vinyl (100 Ft. Roll) Non-Adhesive	\$15.00	
R0058272	1987	HARNESS TAPE 3/4" Vinyl (100 Ft. Roll) Non-Adhesive	\$12.00	
R0058276	1987	HARNESS TAPE 1" Vinyl (100 Ft. Roll) Non-Adhesive	\$13.00	
R0067108	1987	HARNESS TAPE 1 1/4" Vinyl (100 Ft. Roll) Non-Adhesive	\$15.00	
HEADLIGHT EXTENSION HARNESS				
39668	1976	HEADLIGHT EXTENSION HARNESS From Forward Lamp Harness To Sealed Beam Headlamps Note: 2 Required Per Car.	\$60.00	
41807	1976	HEADLIGHT EXTENSION HARNESS For Export Use Only, From Forward Lamp Harness To Sealed Beam Headlamps Note: 2 Required Per Car.	\$60.00	
39668	1977	HEADLIGHT EXTENSION HARNESS From Forward Lamp Harness To Sealed Beam Headlamps Note: 2 Required Per Car.	\$60.00	
41807	1977	HEADLIGHT EXTENSION HARNESS For Export Use Only, From Forward Lamp Harness To Sealed Beam Headlamps Note: 2 Required Per Car.	\$60.00	
HEADLIGHT SWITCH				
01995179	1964	HEADLIGHT SWITCH	\$20.00	N
01995179	1965	HEADLIGHT SWITCH	\$20.00	N
01995179	1966	HEADLIGHT SWITCH	\$20.00	N
01995179	1967	HEADLIGHT SWITCH	\$20.00	N
01995179	1968	HEADLIGHT SWITCH	\$20.00	N
01995179	1969	HEADLIGHT SWITCH	\$20.00	N
01995216	1970	HEADLIGHT SWITCH	\$20.00	N
01995179	1971	HEADLIGHT SWITCH	\$20.00	N
01995179	1972	HEADLIGHT SWITCH	\$20.00	N
01995179	1973	HEADLIGHT SWITCH	\$20.00	N
01995216	1974	HEADLIGHT SWITCH	\$20.00	N
01995216	1975	HEADLIGHT SWITCH	\$20.00	N
01995216	1976	HEADLIGHT SWITCH	\$20.00	N
01995216	1977	HEADLIGHT SWITCH	\$20.00	N
01995216	1978	HEADLIGHT SWITCH	\$20.00	N
01995216	1979	HEADLIGHT SWITCH	\$20.00	N

Part Number	Year	Description	Price	*Rev.
01995216	1980	HEADLIGHT SWITCH	\$20.00	N
01995216	1981	HEADLIGHT SWITCH	\$20.00	N
01995216	1982	HEADLIGHT SWITCH	\$20.00	N
01995216	1983	HEADLIGHT SWITCH	\$20.00	N
01995216	1984	HEADLIGHT SWITCH	\$20.00	N
01995216	1985	HEADLIGHT SWITCH	\$20.00	N
01995216	1986	HEADLIGHT SWITCH	\$20.00	N
01995216	1987	HEADLIGHT SWITCH	\$20.00	N
01995216	1988	HEADLIGHT SWITCH	\$20.00	N
HEATER BLOWER MOTOR RESISTOR				
03929052	1964	HEATER BLOWER MOTOR RESISTOR Without A/C	\$15.00	N
03929052	1965	HEATER BLOWER MOTOR RESISTOR Without A/C	\$15.00	N
03929052	1966	HEATER BLOWER MOTOR RESISTOR Without A/C	\$15.00	N
03929052	1967	HEATER BLOWER MOTOR RESISTOR Without A/C	\$15.00	N
03929052	1968	HEATER BLOWER MOTOR RESISTOR Without A/C	\$15.00	N
03929052	1969	HEATER BLOWER MOTOR RESISTOR Without A/C	\$15.00	N
03929052	1970	HEATER BLOWER MOTOR RESISTOR Without A/C	\$15.00	N
03929052	1971	HEATER BLOWER MOTOR RESISTOR Without A/C	\$15.00	N
03929052	1972	HEATER BLOWER MOTOR RESISTOR Without A/C	\$15.00	N
03929052	1973	HEATER BLOWER MOTOR RESISTOR Without A/C	\$15.00	N
03929052	1974	HEATER BLOWER MOTOR RESISTOR Without A/C	\$15.00	N
03929052	1975	HEATER BLOWER MOTOR RESISTOR Without A/C	\$15.00	N
HEATER BLOWER MOTOR SWITCH				
03963743	1970	HEATER BLOWER MOTOR SWITCH Without A/C Note: Once our current stock runs out, this item will be discontinued.	\$58.00	
03963743	1971	HEATER BLOWER MOTOR SWITCH Without A/C Note: Once our current stock runs out, this item will be discontinued.	\$58.00	
03963743	1972	HEATER BLOWER MOTOR SWITCH Without A/C Note: Once our current stock runs out, this item will be discontinued.	\$58.00	
HEATER HARNESS				
41689	1968	HEATER HARNESS Right Hand Drive (Export Only), Without A/C, From Blower Resister To Heater Switch	\$53.00	
41695	1969	HEATER HARNESS Right Hand Drive (Export Only), Without A/C, From Blower Resister To Heater Switch	\$53.00	
41747	1973	HEATER HARNESS Without A/C, From Blower Resistor To Heater Extension Harness	\$94.00	
41763	1973	HEATER HARNESS EXTENSION Without A/C, From Blower Switch To Heater Harness	\$41.00	
41765	1973	HEATER HARNESS EXTENSION Without A/C, From Heater Harness To Low Blower Delay Switch	\$30.00	
41747	1974	HEATER HARNESS Without A/C, From Blower Resistor To Heater Extension Harness	\$94.00	
41763	1974	HEATER HARNESS EXTENSION Without A/C, From Blower Switch To Heater Harness	\$41.00	
41765	1974	HEATER HARNESS EXTENSION Without A/C, From Heater Harness To Low Blower Delay Switch	\$30.00	
41747	1975	HEATER HARNESS Without A/C, From Blower Resistor To Heater Extension Harness	\$94.00	
41763	1975	HEATER HARNESS EXTENSION Without A/C, From Blower Switch To Heater Harness	\$41.00	
41792	1975	HEATER HARNESS EXTENSION Without A/C, From Heater Harness To Low Blower Delay Switch	\$41.00	
41747	1976	HEATER HARNESS Without A/C, From Blower Resistor To Heater Extension Harness	\$94.00	
41763	1976	HEATER HARNESS EXTENSION Without A/C, From Blower Switch To Heater Harness	\$41.00	
41806	1976	HEATER HARNESS EXTENSION Without A/C, From Heater Harness To Low Blower Delay Switch	\$30.00	
41818	1977	HEATER HARNESS Without A/C, From Blower Resistor To Heater Extension Harness	\$94.00	

Part Number	Year	Description	Price	*Rev.
41763	1977	HEATER HARNESS EXTENSION Without A/C, From Blower Switch To Heater Harness	\$41.00	
41917	1978	HEATER HARNESS Without A/C, From Blower Motor To Blower Switch Harness	\$94.00	
41918	1978	HEATER HARNESS Without A/C, From Blower Switch, Under Dash	\$94.00	
41917	1979	HEATER HARNESS Without A/C, From Blower Motor To Blower Switch Harness	\$94.00	
41918	1979	HEATER HARNESS Without A/C, From Blower Switch, Under Dash	\$94.00	
41917	1980	HEATER HARNESS Without A/C, From Blower Motor To Blower Switch Harness	\$94.00	
41918	1980	HEATER HARNESS Without A/C, From Blower Switch, Under Dash	\$94.00	
41917	1981	HEATER HARNESS Without A/C, From Blower Motor To Blower Switch Harness	\$94.00	
41942	1981	HEATER HARNESS Without A/C, From Blower Switch, Under Dash	\$94.00	
41917	1982	HEATER HARNESS Without A/C, From Blower Motor To Blower Switch Harness	\$94.00	
41942	1982	HEATER HARNESS Without A/C, From Blower Switch, Under Dash	\$94.00	
HOOD LAMP REPLACEMENT KIT				
18410	1964	HOOD LAMP KIT Under Hood, Includes Socket, Wire & Bulb	\$60.00	C
18410	1965	HOOD LAMP KIT Under Hood, Includes Socket, Wire & Bulb	\$60.00	C
18410	1966	HOOD LAMP KIT Under Hood, Includes Socket, Wire & Bulb	\$60.00	C
18410	1967	HOOD LAMP KIT Under Hood, Includes Socket, Wire & Bulb	\$60.00	C
18410	1968	HOOD LAMP KIT Under Hood, Includes Socket, Wire & Bulb	\$60.00	C
18410	1969	HOOD LAMP KIT Under Hood, Includes Socket, Wire & Bulb	\$60.00	C
18410	1970	HOOD LAMP KIT Under Hood, Includes Socket, Wire & Bulb	\$60.00	C
18410	1971	HOOD LAMP KIT Under Hood, Includes Socket, Wire & Bulb	\$60.00	C
18410	1972	HOOD LAMP KIT Under Hood, Includes Socket, Wire & Bulb	\$60.00	C
18410	1973	HOOD LAMP KIT Under Hood, Includes Socket, Wire & Bulb	\$60.00	C
18410	1974	HOOD LAMP KIT Under Hood, Includes Socket, Wire & Bulb	\$60.00	C
18410	1975	HOOD LAMP KIT Under Hood, Includes Socket, Wire & Bulb	\$60.00	C
18410	1976	HOOD LAMP KIT Under Hood, Includes Socket, Wire & Bulb	\$60.00	C
18410	1977	HOOD LAMP KIT Under Hood, Includes Socket, Wire & Bulb	\$60.00	C
HORN WIRE				
41673	1965	HORN WIRE All With Low Note Horn, Option Code U03 Note: Used Only With Low Note Horn, (Option Code U03) Mounted On Driver Side Inner Fender Skirt.	\$23.00	
41577	1966	HORN WIRE All With Low Note Horn, Option Code U03 Note: Used Only With Low Note Horn, (Option Code U03) Mounted Under Lip Of Driver Side Fender.	\$23.00	
01395	1967	HORN WIRE All With Low Note Horn, Option Code U03 Note: Used Only With Low Note Horn, (Option Code U03) Mounted On Driver Side Inner Fender Skirt.	\$22.00	
41691	1968	HORN WIRE All With Low Note Horn, Option Code U03 Note: Used On Cars With The Low Note Horn Option Code U03 Where Horn Is Mounted On Lower Section Of The Hood Catch Support Bracket.	\$22.00	
27735	1968	HORN WIRE All With Single Horn	\$21.00	
27740	1968	HORN WIRE All With Dual Horns	\$21.00	
27735	1969	HORN WIRE All With Single Horn	\$21.00	
27740	1969	HORN WIRE All With Dual Horns	\$21.00	
15055	1970	HORN WIRE All With Single Horn	\$21.00	
27730	1970	HORN WIRE All With Dual Horns	\$21.00	
15055	1971	HORN WIRE All With Single Horn	\$21.00	
27730	1971	HORN WIRE All With Dual Horns	\$21.00	
01690	1973	HORN WIRE All With Dual Horns	\$26.00	
01690	1974	HORN WIRE All With Dual Horns	\$26.00	
41797	1975	HORN WIRE All With Dual Horns	\$25.00	

Part Number	Year	Description	Price	*Rev.
41758	1976	HORN WIRE All With Dual Horns, Except Laguna	\$26.00	
41797	1976	HORN WIRE Dual Horns, Laguna	\$25.00	
41758	1977	HORN WIRE All With Dual Horns	\$26.00	
IDLE STOP SOLENOID JUMPER WIRE				
41889	1979	IDLE STOP SOLENOID JUMPER WIRE Fast Idle Soleniod Note: Idle Stop Circuit Can Also Be Used For An Electric Choke.	\$21.00	
IDLE STOP SOLENOID WIRE				
17495	1970	IDLE STOP SOLENOID WIRE All V/8, Except Big Block With Manual Trans Note: Idle Stop Circuit Can Also Be Used For An Electric Choke.	\$17.00	
IGNITION CYLINDER AND KEYS				
20071252	1969	IGNITION CYLINDER AND KEYS Chrome, All	\$18.50	N
20071252	1970	IGNITION CYLINDER AND KEYS Chrome, All	\$18.50	N
20071252	1971	IGNITION CYLINDER AND KEYS Chrome, All	\$18.50	N
20071252	1972	IGNITION CYLINDER AND KEYS Chrome, All	\$18.50	N
20071252	1973	IGNITION CYLINDER AND KEYS Chrome, All	\$18.50	N
20071252	1974	IGNITION CYLINDER AND KEYS Chrome, All	\$18.50	N
20071252	1975	IGNITION CYLINDER AND KEYS Chrome, All	\$18.50	N
20071252	1976	IGNITION CYLINDER AND KEYS Chrome, All	\$18.50	N
20071252	1977	IGNITION CYLINDER AND KEYS Chrome, All	\$18.50	N
20071252	1978	IGNITION CYLINDER AND KEYS Chrome, All, 1st Design, Used On Columns Without Lock Cylinder Retaining Screw	\$18.50	N
07833759	1978	IGNITION CYLINDER AND KEYS Chrome, Malibu, El Camino, Monte Carlo, 2nd Design, Used On Columns With Lock Cylinder Retaining Screw	\$18.50	N
07833759	1979	IGNITION CYLINDER AND KEYS Chrome, Malibu, El Camino, Monte Carlo	\$18.50	N
07833759	1980	IGNITION CYLINDER AND KEYS Chrome, Malibu, El Camino, Monte Carlo	\$18.50	N
07833759	1981	IGNITION CYLINDER AND KEYS Chrome, Malibu, El Camino, Monte Carlo	\$18.50	N
07833759	1982	IGNITION CYLINDER AND KEYS Chrome, Malibu, El Camino, Monte Carlo	\$18.50	N
07833759	1983	IGNITION CYLINDER AND KEYS Chrome, Malibu, El Camino, Monte Carlo	\$18.50	N
07833759	1984	IGNITION CYLINDER AND KEYS Chrome, El Camino, Monte Carlo	\$18.50	N
07833759	1985	IGNITION CYLINDER AND KEYS Chrome, El Camino, Monte Carlo	\$18.50	N
07833759	1986	IGNITION CYLINDER AND KEYS Chrome, El Camino, Monte Carlo	\$18.50	N
07833759	1987	IGNITION CYLINDER AND KEYS Chrome, El Camino, Monte Carlo	\$18.50	N
07833759	1988	IGNITION CYLINDER AND KEYS Chrome, El Camino, Monte Carlo	\$18.50	N
IGNITION SWITCH				
44205	1964	IGNITION SWITCH KIT Note: Includes Ignition Switch, Connector And Instructions.	\$37.00	N
44205	1965	IGNITION SWITCH KIT Note: Includes Ignition Switch, Connector And Instructions.	\$37.00	N
01990110	1969	IGNITION SWITCH All, With Tilt	\$14.00	N
01990110	1970	IGNITION SWITCH All, With Tilt	\$14.00	N
01990110	1971	IGNITION SWITCH All, With Tilt	\$14.00	N
01990110	1972	IGNITION SWITCH All, With Tilt	\$14.00	N
01990110	1973	IGNITION SWITCH All, With Tilt	\$14.00	N
01990110	1974	IGNITION SWITCH All, With Tilt	\$14.00	N
01990110	1975	IGNITION SWITCH All, With Tilt	\$14.00	N
01990110	1976	IGNITION SWITCH All, With Tilt	\$14.00	N
01990110	1977	IGNITION SWITCH All, With Tilt	\$14.00	N

Part Number	Year	Description	Price	*Rev.
01990110	1978	IGNITION SWITCH All, With Tilt	\$14.00	N
01990110	1979	IGNITION SWITCH All, With Tilt	\$14.00	N
01990110	1980	IGNITION SWITCH All, With Tilt	\$14.00	N
01990110	1981	IGNITION SWITCH All, With Tilt	\$14.00	N
01990110	1982	IGNITION SWITCH All, With Tilt	\$14.00	N
01990110	1983	IGNITION SWITCH All, With Tilt	\$14.00	N
01990110	1984	IGNITION SWITCH All, With Tilt	\$14.00	N
01990110	1985	IGNITION SWITCH All, With Tilt	\$14.00	N
01990110	1986	IGNITION SWITCH All, With Tilt	\$14.00	N
01990110	1987	IGNITION SWITCH All, With Tilt	\$14.00	N
01990110	1988	IGNITION SWITCH All, With Tilt	\$14.00	N
INSTRUMENT GAUGE CLUSTER CLIP KIT				
08986000	1976	CLIP KIT Malibu, El Camino, Monte Carlo, All, Instrument Gauge Cluster / Printed Circuit Board Retaining Clip Note: Replaces Original GM Part Number 08986000, Includes 12 Clips Per Kit.	\$14.00	N
08986000	1977	CLIP KIT Malibu, El Camino, Monte Carlo, All, Instrument Gauge Cluster / Printed Circuit Board Retaining Clip Note: Replaces Original GM Part Number 08986000, Includes 12 Clips Per Kit.	\$14.00	N
08986000	1978	CLIP KIT Malibu, El Camino, Monte Carlo, All, Instrument Gauge Cluster / Printed Circuit Board Retaining Clip Note: Replaces Original GM Part Number 08986000, Includes 12 Clips Per Kit.	\$14.00	N
08986000	1979	CLIP KIT Malibu, El Camino, Monte Carlo, All, Instrument Gauge Cluster / Printed Circuit Board Retaining Clip Note: Replaces Original GM Part Number 08986000, Includes 12 Clips Per Kit.	\$14.00	N
08986000	1980	CLIP KIT Malibu, El Camino, Monte Carlo, All, Instrument Gauge Cluster / Printed Circuit Board Retaining Clip Note: Replaces Original GM Part Number 08986000, Includes 12 Clips Per Kit.	\$14.00	N
08986000	1981	CLIP KIT Malibu, El Camino, Monte Carlo, All, Instrument Gauge Cluster / Printed Circuit Board Retaining Clip Note: Replaces Original GM Part Number 08986000, Includes 12 Clips Per Kit.	\$14.00	N
08986000	1982	CLIP KIT Malibu, El Camino, Monte Carlo, All, Instrument Gauge Cluster / Printed Circuit Board Retaining Clip Note: Replaces Original GM Part Number 08986000, Includes 12 Clips Per Kit.	\$14.00	N
08986000	1983	CLIP KIT Malibu, El Camino, Monte Carlo, All, Instrument Gauge Cluster / Printed Circuit Board Retaining Clip Note: Replaces Original GM Part Number 08986000, Includes 12 Clips Per Kit.	\$14.00	N
08986000	1984	CLIP KIT El Camino, Monte Carlo, All, Instrument Gauge Cluster / Printed Circuit Board Retaining Clip Note: Replaces Original GM Part Number 08986000, Includes 12 Clips Per Kit.	\$14.00	N
08986000	1985	CLIP KIT El Camino, Monte Carlo, All, Instrument Gauge Cluster / Printed Circuit Board Retaining Clip Note: Replaces Original GM Part Number 08986000, Includes 12 Clips Per Kit.	\$14.00	N
08986000	1986	CLIP KIT El Camino, Monte Carlo, All, Instrument Gauge Cluster / Printed Circuit Board Retaining Clip Note: Replaces Original GM Part Number 08986000, Includes 12 Clips Per Kit.	\$14.00	N
08986000	1987	CLIP KIT El Camino, Monte Carlo, All, Instrument Gauge Cluster / Printed Circuit Board Retaining Clip Note: Replaces Original GM Part Number 08986000, Includes 12 Clips Per Kit.	\$14.00	N
08986000	1988	CLIP KIT El Camino, Monte Carlo, All, Instrument Gauge Cluster / Printed Circuit Board Retaining Clip Note: Replaces Original GM Part Number 08986000, Includes 12 Clips Per Kit.	\$14.00	N

Part Number	Year	Description	Price	*Rev.
KICKDOWN HARNESS				
06145	1965	KICKDOWN HARNESS TH400 Auto Trans	\$43.00	
06145	1966	KICKDOWN HARNESS TH400 Auto Trans	\$43.00	
06145	1967	KICKDOWN HARNESS TH400 Auto Trans	\$43.00	
11980	1968	KICKDOWN HARNESS TH400 Auto Trans	\$48.00	
11980	1969	KICKDOWN HARNESS TH400 Auto Trans	\$48.00	
17565	1971	KICKDOWN EXTENSION HARNESS TH400 Auto Trans, From Gas Pedal Switch To Engine Harness	\$32.00	
17565	1972	KICKDOWN EXTENSION HARNESS TH400 Auto Trans, From Gas Pedal Switch To Engine Harness	\$32.00	
41754	1973	KICKDOWN EXTENSION HARNESS TH400 Auto Trans, From Gas Pedal Switch To Engine Harness	\$43.00	
41754	1974	KICKDOWN EXTENSION HARNESS TH400 Auto Trans, From Gas Pedal Switch To Engine Harness	\$43.00	
41754	1975	KICKDOWN EXTENSION HARNESS TH400 Auto Trans, From Gas Pedal Switch To Engine Harness	\$43.00	
KICKDOWN SWITCH				
01242101	1970	KICKDOWN SWITCH TH400 Auto Trans	\$19.00	
01242101	1971	KICKDOWN SWITCH TH400 Auto Trans	\$19.00	
01242101	1972	KICKDOWN SWITCH TH400 Auto Trans	\$19.00	
01242101	1973	KICKDOWN SWITCH TH400 Auto Trans	\$19.00	
01242101	1974	KICKDOWN SWITCH TH400 Auto Trans	\$19.00	
01242101	1975	KICKDOWN SWITCH TH400 Auto Trans	\$19.00	
LICENSE LAMP HARNESS				
41995	1978	LICENSE LAMP HARNESS Wagon, Without Electric Tailgate Release Note: Customer Must Supply Their Original Harness.	\$41.00	
41996	1978	LICENSE LAMP HARNESS Wagon, With Electric Tailgate Release Note: Customer Must Supply Their Original Harness.	\$41.00	
42032	1978	LICENSE LAMP HARNESS El Camino Note: Customer Must Supply Their Original Harness.	\$41.00	
41995	1979	LICENSE LAMP HARNESS Wagon, Without Electric Tailgate Release Note: Customer Must Supply Their Original Harness.	\$41.00	
41996	1979	LICENSE LAMP HARNESS Wagon, With Electric Tailgate Release Note: Customer Must Supply Their Original Harness.	\$41.00	
42032	1979	LICENSE LAMP HARNESS El Camino Note: Customer Must Supply Their Original Harness.	\$41.00	
41995	1980	LICENSE LAMP HARNESS Wagon, Without Electric Tailgate Release Note: Customer Must Supply Their Original Harness.	\$41.00	
41996	1980	LICENSE LAMP HARNESS Wagon, With Electric Tailgate Release Note: Customer Must Supply Their Original Harness.	\$41.00	
42032	1980	LICENSE LAMP HARNESS El Camino Note: Customer Must Supply Their Original Harness.	\$41.00	
41995	1981	LICENSE LAMP HARNESS Wagon, Without Electric Tailgate Release Note: Customer Must Supply Their Original Harness.	\$41.00	
41996	1981	LICENSE LAMP HARNESS Wagon, With Electric Tailgate Release Note: Customer Must Supply Their Original Harness.	\$41.00	
42032	1981	LICENSE LAMP HARNESS El Camino Note: Customer Must Supply Their Original Harness.	\$41.00	
41995	1982	LICENSE LAMP HARNESS Wagon, Without Electric Tailgate Release Note: Customer Must Supply Their Original Harness.	\$41.00	
41996	1982	LICENSE LAMP HARNESS Wagon, With Electric Tailgate Release Note: Customer Must Supply Their Original Harness.	\$41.00	

Part Number	Year	Description	Price	*Rev.
42032	1982	LICENSE LAMP HARNESS El Camino Note: Customer Must Supply Their Original Harness.	\$41.00	
LOW FUEL INDICATOR MODULE				
500274	1964	LOW FUEL INDICATOR MODULE Generic "Adjustable" Low Fuel Warning Module Note: A Complete Electronic Control Unit To Activate A Warning Lamp Or Relay When Fuel Level Drops Below A User Adjustable Level. Includes instruction sheet.	\$64.00	C
500274	1965	LOW FUEL INDICATOR MODULE Generic "Adjustable" Low Fuel Warning Module Note: A Complete Electronic Control Unit To Activate A Warning Lamp Or Relay When Fuel Level Drops Below A User Adjustable Level. Includes instruction sheet.	\$64.00	C
500274	1966	LOW FUEL INDICATOR MODULE Generic "Adjustable" Low Fuel Warning Module Note: A Complete Electronic Control Unit To Activate A Warning Lamp Or Relay When Fuel Level Drops Below A User Adjustable Level. Includes instruction sheet.	\$64.00	C
500274	1967	LOW FUEL INDICATOR MODULE Generic "Adjustable" Low Fuel Warning Module Note: A Complete Electronic Control Unit To Activate A Warning Lamp Or Relay When Fuel Level Drops Below A User Adjustable Level. Includes instruction sheet.	\$64.00	C
500274	1968	LOW FUEL INDICATOR MODULE Generic "Adjustable" Low Fuel Warning Module Note: A Complete Electronic Control Unit To Activate A Warning Lamp Or Relay When Fuel Level Drops Below A User Adjustable Level. Includes instruction sheet.	\$64.00	C
500274	1969	LOW FUEL INDICATOR MODULE Generic "Adjustable" Low Fuel Warning Module Note: A Complete Electronic Control Unit To Activate A Warning Lamp Or Relay When Fuel Level Drops Below A User Adjustable Level. Includes instruction sheet.	\$64.00	C
500274	1970	LOW FUEL INDICATOR MODULE Generic "Adjustable" Low Fuel Warning Module Note: A Complete Electronic Control Unit To Activate A Warning Lamp Or Relay When Fuel Level Drops Below A User Adjustable Level. Includes instruction sheet.	\$64.00	C
500274	1971	LOW FUEL INDICATOR MODULE Generic "Adjustable" Low Fuel Warning Module Note: A Complete Electronic Control Unit To Activate A Warning Lamp Or Relay When Fuel Level Drops Below A User Adjustable Level. Includes instruction sheet.	\$64.00	C
500274	1972	LOW FUEL INDICATOR MODULE Generic "Adjustable" Low Fuel Warning Module Note: A Complete Electronic Control Unit To Activate A Warning Lamp Or Relay When Fuel Level Drops Below A User Adjustable Level. Includes instruction sheet.	\$64.00	C
500274	1973	LOW FUEL INDICATOR MODULE Generic "Adjustable" Low Fuel Warning Module Note: A Complete Electronic Control Unit To Activate A Warning Lamp Or Relay When Fuel Level Drops Below A User Adjustable Level. Includes instruction sheet.	\$64.00	C
500274	1974	LOW FUEL INDICATOR MODULE Generic "Adjustable" Low Fuel Warning Module Note: A Complete Electronic Control Unit To Activate A Warning Lamp Or Relay When Fuel Level Drops Below A User Adjustable Level. Includes instruction sheet.	\$64.00	C
500274	1975	LOW FUEL INDICATOR MODULE Generic "Adjustable" Low Fuel Warning Module Note: A Complete Electronic Control Unit To Activate A Warning Lamp Or Relay When Fuel Level Drops Below A User Adjustable Level. Includes instruction sheet.	\$64.00	C
500274	1976	LOW FUEL INDICATOR MODULE Generic "Adjustable" Low Fuel Warning Module Note: A Complete Electronic Control Unit To Activate A Warning Lamp Or Relay When Fuel Level Drops Below A User Adjustable Level. Includes instruction sheet.	\$64.00	C
500274	1977	LOW FUEL INDICATOR MODULE Generic "Adjustable" Low Fuel Warning Module Note: A Complete Electronic Control Unit To Activate A Warning Lamp Or Relay When Fuel Level Drops Below A User Adjustable Level. Includes instruction sheet.	\$64.00	C
MAP LIGHT HARNESS				
41720	1969	MAP LIGHT HARNESS EXTENSION HARNESS From Fuse Box To Interior Rear View Mirror Connector	\$33.00	
40868	1970	MAP LIGHT HARNESS EXTENSION HARNESS From Fuse Box To Interior Rear View Mirror Connector	\$33.00	
41852	1971	MAP LIGHT HARNESS EXTENSION HARNESS From Fuse Box To Interior Rear View Mirror Connector	\$33.00	
41852	1972	MAP LIGHT HARNESS EXTENSION HARNESS From Fuse Box To Interior Rear View Mirror Connector	\$33.00	
41846	1973	MAP LIGHT HARNESS From Fuse Block To Map Lamp	\$33.00	

Part Number	Year	Description	Price	*Rev.
41846	1974	MAP LIGHT HARNESS From Fuse Block To Map Lamp	\$33.00	
41846	1975	MAP LIGHT HARNESS From Fuse Block To Map Lamp	\$33.00	
41666	1976	MAP LIGHT HARNESS From Fuse Block To Map Lamp	\$33.00	
41666	1977	MAP LIGHT HARNESS From Fuse Block To Map Lamp	\$33.00	
NEUTRAL SAFETY AND BACKUP LAMP SWITCH				
01993658	1964	NEUTRAL SAFETY AND BACKUP LAMP SWITCH With Console Shift Powerglide Auto Trans	\$55.00	M
01993320	1965	NEUTRAL SAFETY AND BACKUP LAMP SWITCH With Column Shift TH350-400 Auto Trans	\$12.00	
01993696	1965	NEUTRAL SAFETY AND BACKUP LAMP SWITCH With Console Shift Powerglide Auto Trans	\$64.00	
01993321	1965	NEUTRAL SAFETY AND BACKUP LAMP SWITCH With Console Shift TH350-400 Auto Trans	\$55.00	
01993320	1966	NEUTRAL SAFETY AND BACKUP LAMP SWITCH With Column Shift TH350-400 Auto Trans	\$12.00	
01993696	1966	NEUTRAL SAFETY AND BACKUP LAMP SWITCH With Console Shift Powerglide Auto Trans	\$64.00	
01993321	1966	NEUTRAL SAFETY AND BACKUP LAMP SWITCH With Console Shift TH350-400 Auto Trans	\$55.00	
01993696	1967	NEUTRAL SAFETY AND BACKUP LAMP SWITCH With Console Shift Powerglide Auto Trans	\$64.00	
01993321	1967	NEUTRAL SAFETY AND BACKUP LAMP SWITCH With Console Shift TH350-400 Auto Trans	\$55.00	
01994235	1969	NEUTRAL SAFETY AND BACKUP LAMP SWITCH With Column Shift Auto Trans, All	\$19.00	
01994235	1970	NEUTRAL SAFETY AND BACKUP LAMP SWITCH With Column Shift Auto Trans, All	\$19.00	
01994235	1971	NEUTRAL SAFETY AND BACKUP LAMP SWITCH With Column Shift Auto Trans, All	\$19.00	
01994235	1972	NEUTRAL SAFETY AND BACKUP LAMP SWITCH With Column Shift Auto Trans, All	\$19.00	
01994235	1973	NEUTRAL SAFETY AND BACKUP LAMP SWITCH With Column Shift Auto Trans, All	\$19.00	
01994163	1974	NEUTRAL SAFETY AND BACKUP LAMP SWITCH With Auto Trans, All	\$19.00	
01994163	1975	NEUTRAL SAFETY AND BACKUP LAMP SWITCH With Auto Trans, All	\$19.00	
01994163	1976	NEUTRAL SAFETY AND BACKUP LAMP SWITCH With Auto Trans, All	\$19.00	
NEUTRAL SAFETY SWITCH				
01993490	1969	NEUTRAL SAFETY SWITCH With Manual Trans (Clutch Pedal Activated)	\$65.00	
03983966	1970	NEUTRAL SAFETY SWITCH Chevelle, El Camino, Monte Carlo, With Manual Trans (Clutch Pedal Activated) Note: Includes Correct Mounting Bracket 03961590.	\$65.00	C
03986841	1971	NEUTRAL SAFETY SWITCH With Manual Trans (Clutch Pedal Activated) Note: Includes Correct Chevelle Mounting Bracket 03961590.	\$58.00	C
03986841	1972	NEUTRAL SAFETY SWITCH With Manual Trans (Clutch Pedal Activated) Note: Includes Correct Chevelle Mounting Bracket 03961590.	\$58.00	C
NEUTRAL SAFETY SWITCH EXTENSION HARNESS				
28240	1969	NEUTRAL SAFETY SWITCH EXTENSION HARNESS With Manual Trans, From Dash To Clutch Switch	\$33.00	
28240	1970	NEUTRAL SAFETY SWITCH EXTENSION HARNESS With Manual Trans, From Dash To Clutch Switch	\$33.00	
28240	1971	NEUTRAL SAFETY SWITCH EXTENSION HARNESS With Manual Trans, From Dash To Clutch Switch	\$33.00	
28240	1972	NEUTRAL SAFETY SWITCH EXTENSION HARNESS With Manual Trans, From Dash To Clutch Switch	\$33.00	
28240	1973	NEUTRAL SAFETY SWITCH EXTENSION HARNESS With Manual Trans, From Dash To Clutch Switch	\$33.00	
36273	1974	NEUTRAL SAFETY SWITCH EXTENSION HARNESS With Manual Trans, From Dash To Clutch Switch	\$30.00	
36273	1975	NEUTRAL SAFETY SWITCH EXTENSION HARNESS With Manual Trans, From Dash To Clutch Switch	\$30.00	
36273	1976	NEUTRAL SAFETY SWITCH EXTENSION HARNESS With Manual Trans, From Dash To Clutch Switch	\$30.00	
36273	1977	NEUTRAL SAFETY SWITCH EXTENSION HARNESS With Manual Trans, From Dash To Clutch Switch	\$30.00	
NEUTRAL SAFETY SWITCH JUMPER				
28485	1966	NEUTRAL SAFETY SWITCH JUMPER From Dash Harness To Column Mounted Neutral Safety Switch Note: This Jumper Is Necessary For Coulmn Shift Auto Trans.	\$25.00	
28485	1967	NEUTRAL SAFETY SWITCH JUMPER From Dash Harness To Column Mounted Neutral Safety Switch Note: This Jumper Is Necessary For Coulmn Shift Auto Trans.	\$25.00	

Part Number	Year	Description	Price	*Rev.
28485	1968	NEUTRAL SAFETY SWITCH JUMPER From Dash Harness To Column Mounted Neutral Safety Switch Note: This Jumper Is Necessary For Coulmn Shift Auto Trans.	\$25.00	
OVERDRIVE HARNESS				
41671	1964	OVERDRIVE HARNESS 6 Cylinder Note: 6 Cylinder Items Are Not Returnable.	\$132.00	
41672	1964	OVERDRIVE HARNESS V/8	\$132.00	
37785	1964	OVERDRIVE EXTENSION HARNESS From Overdrive Harness To Transmission	\$80.00	
19065	1965	OVERDRIVE HARNESS 6 Cylinder Note: 6 Cylinder Items Are Not Returnable.	\$132.00	
19055	1965	OVERDRIVE HARNESS V/8	\$132.00	
37785	1965	OVERDRIVE EXTENSION HARNESS From Overdrive Harness To Transmission	\$80.00	
19065	1966	OVERDRIVE HARNESS 6 Cylinder Note: 6 Cylinder Items Are Not Returnable.	\$132.00	
19055	1966	OVERDRIVE HARNESS V/8	\$132.00	
04800	1966	OVERDRIVE EXTENSION HARNESS From Overdrive Harness To Transmission	\$67.00	
19060	1967	OVERDRIVE HARNESS 6 Cylinder Note: 6 Cylinder Items Are Not Returnable.	\$132.00	
41682	1967	OVERDRIVE HARNESS V/8	\$132.00	
04800	1967	OVERDRIVE EXTENSION HARNESS From Overdrive Harness To Transmission	\$67.00	
11970	1968	OVERDRIVE HARNESS 6 Cylinder Note: 6 Cylinder Items Are Not Returnable.	\$132.00	
11975	1968	OVERDRIVE HARNESS V/8	\$132.00	
04800	1968	OVERDRIVE EXTENSION HARNESS From Overdrive Harness To Transmission	\$67.00	
11970	1969	OVERDRIVE HARNESS 6 Cylinder Note: 6 Cylinder Items Are Not Returnable.	\$132.00	
11975	1969	OVERDRIVE HARNESS V/8	\$132.00	
04800	1969	OVERDRIVE EXTENSION HARNESS From Overdrive Harness To Transmission	\$67.00	
PARKING LAMP HARNESS				
41745	1973	PARKING LAMP HARNESS Monte Carlo, From Forward Lamp Harness To Parking Lamp (2 Required Per Car)	\$60.00	
41769	1974	PARKING LAMP HARNESS Monte Carlo, From Forward Lamp Harness To Parking & Marker Lamp (2 Required Per Car)	\$60.00	
41769	1975	PARKING LAMP HARNESS Monte Carlo, From Forward Lamp Harness To Parking & Marker Lamp (2 Required Per Car)	\$60.00	
POWER ACCESSORY FEED WIRE				
28230	1964	POWER ACCESSORY FEED WIRE From Starter Solenoid To Firewall Circuit Breaker, All Power Accessories	\$26.00	
06940	1964	POWER ACCESSORY FEED WIRE Power Feed, From Circuit Breaker To Power Seat Harness	\$26.00	
28430	1965	POWER ACCESSORY FEED WIRE From Horn Relay To Circuit Breaker, All Power Accessories	\$18.00	
07590	1965	POWER ACCESSORY FEED WIRE Power Feed, From Circuit Breaker To Power Seat Harness	\$26.00	
28430	1966	POWER ACCESSORY FEED WIRE From Horn Relay To Circuit Breaker, All Power Accessories	\$18.00	
07590	1966	POWER ACCESSORY FEED WIRE Power Feed, From Circuit Breaker To Power Seat Harness	\$26.00	
10755	1967	POWER ACCESSORY FEED WIRE From Horn Relay To Circuit Breaker, All Power Accessories	\$15.00	
07590	1967	POWER ACCESSORY FEED WIRE Power Feed, From Circuit Breaker To Power Seat Harness	\$26.00	
14175	1968	POWER ACCESSORY FEED WIRE From Circuit Breaker Power Feed To Power Seat Harness Note: Connects Item #35550 To Power Seat Harness.	\$17.00	
35550	1968	POWER ACCESSORY FEED WIRE From Circuit Breaker To Main Harness, Power Window, Top Or Seat	\$18.00	
40025	1968	POWER ACCESSORY, IGNITION FEED WIRE From Ignition Cavity On Fuse Block To Power Window Harness	\$17.00	

Part Number	Year	Description	Price	*Rev.
28220	1968	POWER ACCESSORY FEED WIRE From Horn Relay To Circuit Breaker, Used With All Power Accessories	\$17.00	
14175	1969	POWER ACCESSORY FEED WIRE From Circuit Breaker Power Feed To Power Seat Harness Note: Connects Item #35550 To Power Seat Harness.	\$17.00	
35550	1969	POWER ACCESSORY FEED WIRE From Circuit Breaker To Main Harness, Power Window, Top Or Seat	\$18.00	
40025	1969	POWER ACCESSORY, IGNITION FEED WIRE From Ignition Cavity On Fuse Block To Power Window Harness	\$17.00	
28220	1969	POWER ACCESSORY FEED WIRE From Horn Relay To Circuit Breaker, Used With All Power Accessories	\$17.00	
14175	1970	POWER ACCESSORY FEED WIRE From Circuit Breaker Power Feed To Power Seat Harness Note: Connects Item #28215 Or 36861 To Power Seat Harness.	\$17.00	
10755	1970	POWER ACCESSORY FEED WIRE Monte Carlo, From Horn Relay To Circuit Breaker, Used With All Power Accessories	\$15.00	
14325	1970	POWER ACCESSORY, IGNITION FEED WIRE From Ignition Cavity On Fuse Block To Power Window Harness	\$17.00	
28220	1970	POWER ACCESSORY FEED WIRE From Horn Relay To Circuit Breaker, Used With All Power Accessories	\$17.00	
28215	1970	POWER ACCESSORY FEED WIRE, 1 CAVITY CONNECTOR From Circuit Breaker To Main Harness, Power Window, Top Or Seat Note: Used With One Power Option Only, Windows Or Seat Or Top.	\$20.00	
36861	1970	POWER ACCESSORY FEED WIRE, 3 CAVITY CONNECTOR From Circuit Breaker To Main Harness, Power Window, Top & Seat Note: Used With Multiple Power Options, Windows, Seat And/Or Top.	\$27.00	
14175	1971	POWER ACCESSORY FEED WIRE From Circuit Breaker Power Feed To Power Seat Harness Note: Connects Item #28215 Or 36861 To Power Seat Harness.	\$17.00	
14325	1971	POWER ACCESSORY, IGNITION FEED WIRE From Ignition Cavity On Fuse Block To Power Window Harness	\$17.00	
10755	1971	POWER ACCESSORY FEED WIRE Monte Carlo, From Horn Relay To Circuit Breaker, Used With All Power Accessories	\$15.00	
28220	1971	POWER ACCESSORY FEED WIRE From Horn Relay To Circuit Breaker, Used With All Power Accessories	\$17.00	
28215	1971	POWER ACCESSORY FEED WIRE, 1 CAVITY CONNECTOR From Circuit Breaker To Main Harness, Power Window, Top Or Seat Note: Used With One Power Option Only, Windows Or Seat Or Top.	\$20.00	
36861	1971	POWER ACCESSORY FEED WIRE, 3 CAVITY CONNECTOR From Circuit Breaker To Main Harness, Power Window, Top & Seat Note: Used With Multiple Power Options, Windows, Seat And/Or Top.	\$27.00	
14175	1972	POWER ACCESSORY FEED WIRE From Circuit Breaker Power Feed To Power Seat Harness	\$17.00	
40776	1973	POWER ACCESSORY FEED WIRE From Power Seat Harness To Ignition Feed Wire	\$21.00	
40768	1973	POWER ACCESSORY FEED WIRE From Battery Fused Cavity In Fuse Block To Power Seat And/Or Door Lock Harness	\$26.00	
40776	1974	POWER ACCESSORY FEED WIRE From Power Seat Harness To Ignition Feed Wire	\$21.00	
40768	1974	POWER ACCESSORY FEED WIRE From Battery Fused Cavity In Fuse Block To Power Seat And/Or Door Lock Harness	\$26.00	
40416	1975	POWER ACCESSORY FEED WIRE From Ignition & Power Feed Jumper To Power Seat Harness	\$27.00	
40768	1975	POWER ACCESSORY FEED WIRE From Battery Fused Cavity In Fuse Block To Power Seat And/Or Door Lock Harness	\$26.00	
40423	1976	POWER ACCESSORY FEED WIRE From Ignition & Power Feed Jumper To Power Seat Harness	\$27.00	
40768	1976	POWER ACCESSORY FEED WIRE From Battery Fused Cavity In Fuse Block To Power Seat And/Or Door Lock Harness	\$26.00	
40423	1977	POWER ACCESSORY FEED WIRE From Ignition & Power Feed Jumper To Power Seat Harness	\$27.00	
40768	1977	POWER ACCESSORY FEED WIRE From Battery Fused Cavity In Fuse Block To Power Seat And/Or Door Lock Harness	\$26.00	
42020	1978	POWER ACCESSORY FEED WIRE From Junction Block To Power Seat Harness	\$25.00	
42004	1978	POWER ACCESSORY FEED WIRE From Battery Fused Cavity In Fuse Block To Power Accessories	\$25.00	

Part Number	Year	Description	Price	*Rev.
42031	1978	POWER ACCESSORY FEED WIRE From Ignition Cavity In Fuse Block To Sun Roof Harness	\$25.00	
42020	1979	POWER ACCESSORY FEED WIRE From Junction Block To Power Seat Harness	\$25.00	
42004	1979	POWER ACCESSORY FEED WIRE From Battery Fused Cavity In Fuse Block To Power Accessories	\$25.00	
42031	1979	POWER ACCESSORY FEED WIRE From Ignition Cavity In Fuse Block To Sun Roof Harness	\$25.00	
42020	1980	POWER ACCESSORY FEED WIRE From Junction Block To Power Seat Harness	\$25.00	
42004	1980	POWER ACCESSORY FEED WIRE From Battery Fused Cavity In Fuse Block To Power Accessories	\$25.00	
42031	1980	POWER ACCESSORY FEED WIRE From Ignition Cavity In Fuse Block To Sun Roof Harness	\$25.00	
42020	1981	POWER ACCESSORY FEED WIRE From Junction Block To Power Seat Harness	\$25.00	
42004	1981	POWER ACCESSORY FEED WIRE From Battery Fused Cavity In Fuse Block To Power Accessories	\$25.00	
42031	1981	POWER ACCESSORY FEED WIRE From Ignition Cavity In Fuse Block To Sun Roof Harness	\$25.00	
42020	1982	POWER ACCESSORY FEED WIRE From Junction Block To Power Seat Harness	\$25.00	
42004	1982	POWER ACCESSORY FEED WIRE From Battery Fused Cavity In Fuse Block To Power Accessories	\$25.00	
POWER ANTENNA HARNESS				
39627	1966	POWER ANTENNA HARNESS From Antenna Switch To Fuse Box	\$50.00	
32520	1966	POWER ANTENNA HARNESS Rear Power Antenna, All Except Convertible, From Switch To Antenna	\$41.00	
32525	1966	POWER ANTENNA HARNESS Rear Power Antenna, Convertible, From Switch To Antenna	\$41.00	
41866	1978	POWER ANTENNA HARNESS From Battery Cavity In Fuse Block To Relay	\$48.00	
41866	1979	POWER ANTENNA HARNESS From Battery Cavity In Fuse Block To Relay	\$48.00	
41866	1980	POWER ANTENNA HARNESS From Battery Cavity In Fuse Block To Relay	\$48.00	
41866	1981	POWER ANTENNA HARNESS From Battery Cavity In Fuse Block To Relay	\$48.00	
41866	1982	POWER ANTENNA HARNESS From Battery Cavity In Fuse Block To Relay	\$48.00	
POWER DOOR LOCK HARNESS				
40349	1970	POWER DOOR LOCK HARNESS Driver Side Door & Crossover, Coupe & Convertible Note: Customer Must Reuse Their Original Plastic Connector For Door Jamb Switch.	\$221.00	
40348	1970	POWER DOOR LOCK HARNESS Passenger Side Door, Coupe & Convertible Note: Customer Must Reuse Their Original Plastic Connector For Door Jamb Switch.	\$137.00	
40748	1970	POWER DOOR LOCK HARNESS Driver Side Door & Crossover, El Camino Note: Customer Must Reuse Their Original Plastic Connector For Door Jamb Switch.	\$212.00	
40749	1970	POWER DOOR LOCK HARNESS Passenger Side Door, El Camino Note: Customer Must Reuse Their Original Plastic Connector For Door Jamb Switch.	\$186.00	
40560	1970	POWER DOOR LOCK HARNESS 4 Door, Driver Side Front Door And Under Dash Crossover	\$212.00	
40561	1970	POWER DOOR LOCK HARNESS 4 Door, Passenger Side Front Door	\$180.00	
40551	1970	POWER DOOR LOCK HARNESS 4 Door Sport Sedan, From Rear Door Lock Solenoid To Intermediate Door Lock Harness, (2 Required Per Car)	\$60.00	
40552	1970	POWER DOOR LOCK HARNESS 4 Door, Except Sport Sedan, From Rear Door Lock Solenoid To Intermediate Door Lock Harness, (2 Required Per Car)	\$60.00	
40548	1970	POWER DOOR LOCK INTERMEDIATE HARNESS 4 Door Sport Sedan, From Under Dash To Rear Door Lock Solenoid Harness, (2 Required Per Car)	\$101.00	
40747	1970	POWER DOOR LOCK INTERMEDIATE HARNESS 4 Door, Except Sport Sedan, From Under Dash To Rear Door Lock Solenoid Harness, (2 Required Per Car)	\$87.00	
40349	1971	POWER DOOR LOCK HARNESS Driver Side Door & Crossover, Coupe & Convertible Note: Customer Must Reuse Their Original Plastic Connector For Door Jamb Switch.	\$221.00	
40348	1971	POWER DOOR LOCK HARNESS Passenger Side Door, Coupe & Convertible Note: Customer Must Reuse Their Original Plastic Connector For Door Jamb Switch.	\$137.00	
40748	1971	POWER DOOR LOCK HARNESS Driver Side Door & Crossover, El Camino Note: Customer Must Reuse Their Original Plastic Connector For Door Jamb Switch.	\$212.00	
40749	1971	POWER DOOR LOCK HARNESS Passenger Side Door, El Camino Note: Customer Must Reuse Their Original Plastic Connector For Door Jamb Switch.	\$186.00	

Part Number	Year	Description	Price	*Rev.
40560	1971	POWER DOOR LOCK HARNESS 4 Door, Driver Side Front Door And Under Dash Crossover	\$212.00	
40561	1971	POWER DOOR LOCK HARNESS 4 Door, Passenger Side Front Door	\$180.00	
40551	1971	POWER DOOR LOCK HARNESS 4 Door Sport Sedan, From Rear Door Lock Solenoid To Intermediate Door Lock Harness, (2 Required Per Car)	\$60.00	
40552	1971	POWER DOOR LOCK HARNESS 4 Door, Except Sport Sedan, From Rear Door Lock Solenoid To Intermediate Door Lock Harness, (2 Required Per Car)	\$60.00	
40794	1971	POWER DOOR LOCK INTERMEDIATE HARNESS 4 Door, Sport Sedan, Driver Side, From Under Dash To Rear Door Lock Solenoid Harness	\$60.00	
40548	1971	POWER DOOR LOCK INTERMEDIATE HARNESS 4 Door Sport Sedan, Passenger Side, From Under Dash To Rear Door Lock Solenoid Harness	\$101.00	
40795	1971	POWER DOOR LOCK INTERMEDIATE HARNESS 4 Door, Except Sport Sedan, Driver Side, From Under Dash To Rear Door Lock Solenoid Harness	\$60.00	
40747	1971	POWER DOOR LOCK INTERMEDIATE HARNESS 4 Door, Except Sport Sedan, Passenger Side, From Under Dash To Rear Door Lock Solenoid Harness	\$87.00	
40349	1972	POWER DOOR LOCK HARNESS Driver Side Door & Crossover, Coupe & Convertible Note: Customer Must Reuse Their Original Plastic Connector For Door Jamb Switch.	\$221.00	
40348	1972	POWER DOOR LOCK HARNESS Passenger Side Door, Coupe & Convertible Note: Customer Must Reuse Their Original Plastic Connector For Door Jamb Switch.	\$137.00	
40748	1972	POWER DOOR LOCK HARNESS Driver Side Door & Crossover, El Camino Note: Customer Must Reuse Their Original Plastic Connector For Door Jamb Switch.	\$212.00	
40749	1972	POWER DOOR LOCK HARNESS Passenger Side Door, El Camino Note: Customer Must Reuse Their Original Plastic Connector For Door Jamb Switch.	\$186.00	
40560	1972	POWER DOOR LOCK HARNESS 4 Door, Driver Side Front Door And Under Dash Crossover	\$212.00	
40561	1972	POWER DOOR LOCK HARNESS 4 Door, Passenger Side Front Door	\$180.00	
40548	1972	POWER DOOR LOCK INTERMEDIATE HARNESS 4 Door Sport Sedan, Passenger Side, From Under Dash To Rear Door Lock Solenoid Harness	\$101.00	
40794	1972	POWER DOOR LOCK INTERMEDIATE HARNESS 4 Door, Sport Sedan, Driver Side, From Under Dash To Rear Door Lock Solenoid Harness	\$60.00	
40747	1972	POWER DOOR LOCK INTERMEDIATE HARNESS 4 Door, Except Sport Sedan, Passenger Side, From Under Dash To Rear Door Lock Solenoid Harness	\$87.00	
40551	1972	POWER DOOR LOCK HARNESS 4 Door Sport Sedan, From Rear Door Lock Solenoid To Intermediate Door Lock Harness, (2 Required Per Car)	\$60.00	
40552	1972	POWER DOOR LOCK HARNESS 4 Door, Except Sport Sedan, From Rear Door Lock Solenoid To Intermediate Door Lock Harness, (2 Required Per Car)	\$60.00	
40795	1972	POWER DOOR LOCK INTERMEDIATE HARNESS 4 Door, Except Sport Sedan, Driver Side, From Under Dash To Rear Door Lock Solenoid Harness	\$60.00	
40779	1973	POWER DOOR LOCK HARNESS All, Without Power Windows, From Under Dash Crossover (Includes Courtesy Lamp Door Jamb Switch Wiring)	\$80.00	
40761	1973	POWER DOOR LOCK HARNESS 2 Door Models, All, Driver Or Passenger Side Note: 2 Required Per Car.	\$106.00	
40762	1973	POWER DOOR LOCK HARNESS 4 Door Models, All, Driver Or Passenger Side Front Door Note: 2 Required Per Car.	\$106.00	
40764	1973	POWER DOOR LOCK HARNESS Rear Door, 4 Door Models, All, Driver Or Passenger Side (2 Required Per Car)	\$60.00	
40715	1974	POWER DOOR LOCK HARNESS Center Crossover, Without Power Windows, (Includes Courtesy Lamp Door Jamb Switch Wiring)	\$106.00	
40761	1974	POWER DOOR LOCK HARNESS 2 Door Models, All, Driver Or Passenger Side Note: 2 Required Per Car.	\$106.00	
40762	1974	POWER DOOR LOCK HARNESS 4 Door Models, All, Driver Or Passenger Side Front Door Note: 2 Required Per Car.	\$106.00	
40764	1974	POWER DOOR LOCK HARNESS Rear Door, 4 Door Models, All, Driver Or Passenger Side (2 Required Per Car)	\$60.00	

Part Number	Year	Description	Price	*Rev.
40715	1975	POWER DOOR LOCK HARNESS Center Crossover, Without Power Windows, (Includes Courtesy Lamp Door Jamb Switch Wiring)	\$106.00	
40761	1975	POWER DOOR LOCK HARNESS 2 Door Models, All, Driver Or Passenger Side Note: 2 Required Per Car.	\$106.00	
40762	1975	POWER DOOR LOCK HARNESS 4 Door Models, All, Driver Or Passenger Side Front Door Note: 2 Required Per Car.	\$106.00	
40764	1975	POWER DOOR LOCK HARNESS Rear Door, 4 Door Models, All, Driver Or Passenger Side (2 Required Per Car)	\$60.00	
40424	1976	POWER DOOR LOCK HARNESS Center Crossover, Without Power Windows, (Includes Courtesy Lamp Door Jamb Switch Wiring)	\$106.00	
40409	1976	POWER DOOR LOCK HARNESS 2 Door, Driver Or Passenger Side Note: 2 Required Per Car.	\$106.00	
40410	1976	POWER DOOR LOCK HARNESS 4 Door, Driver Or Passenger Side Front Door	\$106.00	
40412	1976	POWER DOOR LOCK HARNESS Rear Door, 4 Door, Driver Or Passenger Side	\$60.00	
40858	1977	POWER DOOR LOCK HARNESS Center Crossover, Without Power Windows, (Includes Courtesy Lamp Door Jamb Switch Wiring)	\$106.00	
40859	1977	POWER DOOR LOCK HARNESS 2 Door, Driver Or Passenger Side (2 Required Per Car)	\$106.00	
40860	1977	POWER DOOR LOCK HARNESS 4 Door, Driver Or Passenger Side Front Door (2 Required Per Car)	\$106.00	
40861	1977	POWER DOOR LOCK HARNESS Rear Door, 4 Door, Driver Or Passenger Side (2 Required Per Car)	\$60.00	
42006	1978	POWER DOOR LOCK HARNESS Center Crossover, Without Power Windows, (Includes Courtesy Lamp Door Jamb Switch Wiring)	\$106.00	
42015	1978	POWER DOOR LOCK HARNESS 2 Door, Driver Or Passenger Side (2 Required Per Car)	\$106.00	
42016	1978	POWER DOOR LOCK HARNESS 4 Door, Driver Or Passenger Side Front Door (2 Required Per Car) Note: Customer Must Supply Their Original Harness.	\$106.00	
42017	1978	POWER DOOR LOCK HARNESS Rear Door, 4 Door, Driver Or Passenger Side (2 Required Per Car) Note: Customer Must Supply Their Original Harness.	\$60.00	
42006	1979	POWER DOOR LOCK HARNESS Center Crossover, Without Power Windows, (Includes Courtesy Lamp Door Jamb Switch Wiring)	\$106.00	
42015	1979	POWER DOOR LOCK HARNESS 2 Door, Driver Or Passenger Side (2 Required Per Car)	\$106.00	
42016	1979	POWER DOOR LOCK HARNESS 4 Door, Driver Or Passenger Side Front Door (2 Required Per Car) Note: Customer Must Supply Their Original Harness.	\$106.00	
42017	1979	POWER DOOR LOCK HARNESS Rear Door, 4 Door, Driver Or Passenger Side (2 Required Per Car) Note: Customer Must Supply Their Original Harness.	\$60.00	
42006	1980	POWER DOOR LOCK HARNESS Center Crossover, Without Power Windows, (Includes Courtesy Lamp Door Jamb Switch Wiring)	\$106.00	
42015	1980	POWER DOOR LOCK HARNESS 2 Door, Driver Or Passenger Side (2 Required Per Car)	\$106.00	
42045	1980	POWER DOOR LOCK HARNESS 4 Door, Driver Or Passenger Side Front Door (2 Required Per Car) Note: Customer Must Supply Their Original Harness.	\$106.00	
42017	1980	POWER DOOR LOCK HARNESS Rear Door, 4 Door, Driver Or Passenger Side (2 Required Per Car) Note: Customer Must Supply Their Original Harness.	\$60.00	
42015	1981	POWER DOOR LOCK HARNESS 2 Door, Driver Or Passenger Side (2 Required Per Car)	\$106.00	

Part Number	Year	Description	Price	*Rev.
42045	1981	POWER DOOR LOCK HARNESS 4 Door, Driver Or Passenger Side Front Door (2 Required Per Car) Note: Customer Must Supply Their Original Harness.	\$106.00	
42017	1981	POWER DOOR LOCK HARNESS Rear Door, 4 Door, Driver Or Passenger Side (2 Required Per Car) Note: Customer Must Supply Their Original Harness.	\$60.00	
42006	1981	POWER DOOR LOCK HARNESS Center Crossover, Without Power Windows, (Includes Courtesy Lamp Door Jamb Switch Wiring)	\$106.00	
42006	1982	POWER DOOR LOCK HARNESS Center Crossover, Without Power Windows, (Includes Courtesy Lamp Door Jamb Switch Wiring)	\$106.00	
42015	1982	POWER DOOR LOCK HARNESS 2 Door, Driver Or Passenger Side (2 Required Per Car)	\$106.00	
42045	1982	POWER DOOR LOCK HARNESS 4 Door, Driver Or Passenger Side Front Door (2 Required Per Car) Note: Customer Must Supply Their Original Harness.	\$106.00	
42017	1982	POWER DOOR LOCK HARNESS Rear Door, 4 Door, Driver Or Passenger Side (2 Required Per Car) Note: Customer Must Supply Their Original Harness.	\$60.00	
POWER DOOR LOCK SWITCH				
01725099	1973	POWER DOOR LOCK SWITCH 1 Button	\$62.00	
01725099	1974	POWER DOOR LOCK SWITCH 1 Button	\$62.00	
01725099	1975	POWER DOOR LOCK SWITCH 1 Button	\$62.00	
01725099	1976	POWER DOOR LOCK SWITCH 1 Button	\$62.00	
20031475	1977	POWER DOOR LOCK SWITCH	\$62.00	N
POWER SEAT BACK LOCK HARNESS				
40750	1970	POWER SEAT BACK LOCK HARNESS All, From Seat Back Lock Relay To Power Door Lock Harness	\$132.00	
40752	1970	POWER SEAT BACK LOCK EXTENSION WIRE All, With Bucket Seats, Connects Solenoid In Seat To Seat Back Lock Main Harness (2 Required Per Car)	\$41.00	
14510	1970	POWER SEAT BACK LOCK EXTENSION WIRE All, Without Bucket Seats, Connects Solenoid In Seat To Seat Back Lock Main Harness (2 Required Per Car)	\$41.00	
40750	1971	POWER SEAT BACK LOCK HARNESS All, From Seat Back Lock Relay To Power Door Lock Harness	\$132.00	
40752	1971	POWER SEAT BACK LOCK EXTENSION WIRE All, With Bucket Seats, Connects Solenoid In Seat To Seat Back Lock Main Harness (2 Required Per Car)	\$41.00	
14510	1971	POWER SEAT BACK LOCK EXTENSION WIRE All, Without Bucket Seats, Connects Solenoid In Seat To Seat Back Lock Main Harness (2 Required Per Car)	\$41.00	
40750	1972	POWER SEAT BACK LOCK HARNESS All, From Seat Back Lock Relay To Power Door Lock Harness	\$132.00	
40752	1972	POWER SEAT BACK LOCK EXTENSION WIRE All, With Bucket Seats, Connects Solenoid In Seat To Seat Back Lock Main Harness (2 Required Per Car)	\$41.00	
14510	1972	POWER SEAT BACK LOCK EXTENSION WIRE All, Without Bucket Seats, Connects Solenoid In Seat To Seat Back Lock Main Harness (2 Required Per Car)	\$41.00	
40722	1973	POWER SEAT BACK LOCK HARNESS 2 Door Models, Except Monte Carlo, Under Dash Crossover Note: Customer Must Reuse Their Original Plastic Connector For Door Jamb Switch.	\$41.00	
40721	1973	POWER SEAT BACK LOCK EXTENSION 2 Door Models, Except Monte Carlo, From Under Dash To Seat Back Lock Harness In Seat (2 Required Per Car)	\$41.00	
POWER SEAT HARNESS				
06950	1964	POWER SEAT HARNESS 4 Way Bucket, Drivers Side Note: Customer Must Reuse Their Original Plastic Connector For Master Switch.	\$166.00	
06945	1964	POWER SEAT HARNESS 4 Way Bench Note: Customer Must Reuse Their Original Plastic Connector For Master Switch.	\$173.00	
07600	1965	POWER SEAT HARNESS 4 Way Bucket, Drivers Side Note: Customer Must Reuse Their Original Plastic Connector For Master Switch.	\$159.00	

Part Number	Year	Description	Price	*Rev.
07595	1965	POWER SEAT HARNESS 4-Way Bench Note: Customer Must Reuse Their Original Plastic Connector For Master Switch.	\$166.00	
07020	1966	POWER SEAT HARNESS 4 Way Bucket, Drivers Side Note: Customer Must Reuse Their Original Plastic Connector For Master Switch.	\$159.00	
07595	1966	POWER SEAT HARNESS 4-Way Bench Note: Customer Must Reuse Their Original Plastic Connector For Master Switch.	\$166.00	
07020	1967	POWER SEAT HARNESS 4 Way Bucket, Drivers Side Note: Customer Must Reuse Their Original Plastic Connector For Master Switch.	\$159.00	
32325	1967	POWER SEAT HARNESS 4-Way Bench Note: Customer Must Reuse Their Original Plastic Connector For Master Switch.	\$166.00	
07020	1968	POWER SEAT HARNESS 4 Way Bucket, Drivers Side Note: Customer Must Reuse Their Original Plastic Connector For Master Switch.	\$159.00	
32325	1968	POWER SEAT HARNESS 4-Way Bench Note: Customer Must Reuse Their Original Plastic Connector For Master Switch.	\$166.00	
07020	1969	POWER SEAT HARNESS 4 Way Bucket, Drivers Side Note: Customer Must Reuse Their Original Plastic Connector For Master Switch.	\$159.00	
32325	1969	POWER SEAT HARNESS 4-Way Bench Note: Customer Must Reuse Their Original Plastic Connector For Master Switch.	\$166.00	
07020	1970	POWER SEAT HARNESS 4 Way Bucket, Drivers Side Note: Customer Must Reuse Their Original Plastic Connector For Master Switch.	\$159.00	
14435	1970	POWER SEAT HARNESS 4 Way Bench Note: Customer Must Reuse Their Original Plastic Connector For Master Switch.	\$176.00	
07020	1971	POWER SEAT HARNESS 4 Way Bucket, Drivers Side Note: Customer Must Reuse Their Original Plastic Connector For Master Switch.	\$159.00	
14435	1971	POWER SEAT HARNESS 4 Way Bench Note: Customer Must Reuse Their Original Plastic Connector For Master Switch.	\$176.00	
07020	1972	POWER SEAT HARNESS 4 Way Bucket, Drivers Side Note: Customer Must Reuse Their Original Plastic Connector For Master Switch.	\$159.00	
14435	1972	POWER SEAT HARNESS 4 Way Bench Note: Customer Must Reuse Their Original Plastic Connector For Master Switch.	\$176.00	
40793	1973	POWER SEAT HARNESS All, With Bucket Seat, Drivers Side Note: Customer Must Reuse Their Original Plastic Connector For Master Switch.	\$179.00	
40727	1973	POWER SEAT HARNESS All, With Bench Seat Note: Customer Must Reuse Their Original Plastic Connector For Master Switch.	\$190.00	
40793	1974	POWER SEAT HARNESS All, With Bucket Seat, Drivers Side Note: Customer Must Reuse Their Original Plastic Connector For Master Switch.	\$179.00	
40727	1974	POWER SEAT HARNESS All, With Bench Seat Note: Customer Must Reuse Their Original Plastic Connector For Master Switch.	\$190.00	
40793	1975	POWER SEAT HARNESS All, With Bucket Seat, Drivers Side Note: Customer Must Reuse Their Original Plastic Connector For Master Switch.	\$179.00	
40727	1975	POWER SEAT HARNESS All, With Bench Seat Note: Customer Must Reuse Their Original Plastic Connector For Master Switch.	\$190.00	
40418	1976	POWER SEAT HARNESS All, With Bucket Seat, Drivers Side Note: Customer Must Reuse Their Original Plastic Connector For Master Switch.	\$167.00	
40417	1976	POWER SEAT HARNESS All, With Bench Seat Note: Customer Must Reuse Their Original Plastic Connector For Master Switch.	\$173.00	
40418	1977	POWER SEAT HARNESS All, With Bucket Seat, Drivers Side Note: Customer Must Reuse Their Original Plastic Connector For Master Switch.	\$167.00	

Part Number	Year	Description	Price	*Rev.
40417	1977	POWER SEAT HARNESS All, With Bench Seat Note: Customer Must Reuse Their Original Plastic Connector For Master Switch.	\$173.00	
41660	1978	POWER SEAT HARNESS All, With Bucket Seat Note: Customer Must Reuse Their Original Plastic Connector For Master Switch.	\$173.00	
41659	1978	POWER SEAT HARNESS All, With Bench Seat Note: Customer Must Reuse Their Original Plastic Connector For Master Switch.	\$173.00	
41660	1979	POWER SEAT HARNESS All, With Bucket Seat Note: Customer Must Reuse Their Original Plastic Connector For Master Switch.	\$173.00	
41659	1979	POWER SEAT HARNESS All, With Bench Seat Note: Customer Must Reuse Their Original Plastic Connector For Master Switch.	\$173.00	
42044	1980	POWER SEAT HARNESS With 6 Way Power Seat Note: Customer Must Reuse Their Original Plastic Connector For Master Switch.	\$98.00	
42043	1980	POWER SEAT JUMPER HARNESS With 6 Way Power Seat, Relay To Motor	\$22.00	
42044	1981	POWER SEAT HARNESS With 6 Way Power Seat Note: Customer Must Reuse Their Original Plastic Connector For Master Switch.	\$98.00	
42043	1981	POWER SEAT JUMPER HARNESS With 6 Way Power Seat, Relay To Motor	\$22.00	
42044	1982	POWER SEAT HARNESS With 6 Way Power Seat Note: Customer Must Reuse Their Original Plastic Connector For Master Switch.	\$98.00	
POWER SEAT MOTOR RELAY AND ADAPTER HARNESS				
40146	1964	POWER SEAT MOTOR RELAY AND ADAPTER HARNESS Includes New Aftermarket Relay And Adapter To Mate To Factory Harness Without Any Harness Modifications	\$74.00	
40146	1965	POWER SEAT MOTOR RELAY AND ADAPTER HARNESS Includes New Aftermarket Relay And Adapter To Mate To Factory Harness Without Any Harness Modifications	\$74.00	
40146	1966	POWER SEAT MOTOR RELAY AND ADAPTER HARNESS Includes New Aftermarket Relay And Adapter To Mate To Factory Harness Without Any Harness Modifications	\$74.00	
40146	1967	POWER SEAT MOTOR RELAY AND ADAPTER HARNESS Includes New Aftermarket Relay And Adapter To Mate To Factory Harness Without Any Harness Modifications	\$74.00	
40146	1968	POWER SEAT MOTOR RELAY AND ADAPTER HARNESS Includes New Aftermarket Relay And Adapter To Mate To Factory Harness Without Any Harness Modifications	\$74.00	
40146	1969	POWER SEAT MOTOR RELAY AND ADAPTER HARNESS Includes New Aftermarket Relay And Adapter To Mate To Factory Harness Without Any Harness Modifications	\$74.00	
40146	1970	POWER SEAT MOTOR RELAY AND ADAPTER HARNESS Includes New Aftermarket Relay And Adapter To Mate To Factory Harness Without Any Harness Modifications	\$74.00	
40146	1971	POWER SEAT MOTOR RELAY AND ADAPTER HARNESS Includes New Aftermarket Relay And Adapter To Mate To Factory Harness Without Any Harness Modifications	\$74.00	
40146	1972	POWER SEAT MOTOR RELAY AND ADAPTER HARNESS Includes New Aftermarket Relay And Adapter To Mate To Factory Harness Without Any Harness Modifications	\$74.00	
40146	1973	POWER SEAT MOTOR RELAY AND ADAPTER HARNESS Includes New Aftermarket Relay And Adapter To Mate To Factory Harness Without Any Harness Modifications	\$74.00	
40146	1974	POWER SEAT MOTOR RELAY AND ADAPTER HARNESS Includes New Aftermarket Relay And Adapter To Mate To Factory Harness Without Any Harness Modifications	\$74.00	
40146	1975	POWER SEAT MOTOR RELAY AND ADAPTER HARNESS Includes New Aftermarket Relay And Adapter To Mate To Factory Harness Without Any Harness Modifications	\$74.00	
POWER TAILGATE RELAY AND ADAPTER HARNESS				
39440	1967	POWER TAILGATE RELAY AND ADAPTER HARNESS Includes New Aftermarket Relay And Adapter To Mate To Factory Harness Without Any Harness Modifications	\$40.00	
39440	1968	POWER TAILGATE RELAY AND ADAPTER HARNESS Includes New Aftermarket Relay And Adapter To Mate To Factory Harness Without Any Harness Modifications	\$40.00	
39440	1969	POWER TAILGATE RELAY AND ADAPTER HARNESS Includes New Aftermarket Relay And Adapter To Mate To Factory Harness Without Any Harness Modifications	\$40.00	
39440	1970	POWER TAILGATE RELAY AND ADAPTER HARNESS Includes New Aftermarket Relay And Adapter To Mate To Factory Harness Without Any Harness Modifications	\$40.00	

Part Number	Year	Description	Price	*Rev.
39440	1971	POWER TAILGATE RELAY AND ADAPTER HARNESS Includes New Aftermarket Relay And Adapter To Mate To Factory Harness Without Any Harness Modifications	\$40.00	
39440	1972	POWER TAILGATE RELAY AND ADAPTER HARNESS Includes New Aftermarket Relay And Adapter To Mate To Factory Harness Without Any Harness Modifications	\$40.00	
POWER TAILGATE WINDOW HARNESS				
41669	1964	POWER TAILGATE WINDOW HARNESS Wagon, Under Dash, From Switch To Ribbon Cable (Body) Note: Customer Must Reuse Their Original Plastic Connector That Attaches This Harness To The Ribbon Cable.	\$82.00	
28505	1965	POWER TAILGATE WINDOW HARNESS Wagon, Under Dash, From Switch To Ribbon Cable (Body) Note: Customer Must Reuse Their Original Plastic Connector That Attaches This Harness To The Ribbon Cable.	\$79.00	
28505	1966	POWER TAILGATE WINDOW HARNESS Wagon, Under Dash, From Switch To Ribbon Cable (Body) Note: Customer Must Reuse Their Original Plastic Connector That Attaches This Harness To The Ribbon Cable.	\$79.00	
28505	1967	POWER TAILGATE WINDOW HARNESS Wagon, Under Dash, Without Power Side Windows & Ignition Relay, From Switch To Ribbon Cable (Body) Note: Customer Must Reuse Their Original Plastic Connector That Attaches This Harness To The Ribbon Cable.	\$79.00	
32470	1967	POWER TAILGATE WINDOW HARNESS Wagon, Under Dash, Without Power Side Windows, With Ignition Relay, From Switch To Ribbon Cable (Body) Note: Customer Must Reuse Their Original Plastic Connector That Attaches This Harness To The Ribbon Cable.	\$113.00	
41699	1967	POWER TAILGATE WINDOW HARNESS Wagon, Under Dash, With Power Side Windows, From Switch To Ribbon Cable (Body) Note: Customer Must Reuse Their Original Plastic Connector That Attaches This Harness To The Ribbon Cable.	\$79.00	
41701	1968	POWER TAILGATE WINDOW HARNESS Wagon, Under Dash, Without Power Side Windows, From Switch To Body Harness	\$79.00	
41706	1968	POWER TAILGATE WINDOW HARNESS Wagon, Under Dash, With Power Side Windows, From Switch To Body Harness	\$79.00	
41715	1969	POWER TAILGATE WINDOW HARNESS Wagon, Under Dash, Without Power Side Windows, From Switch To Body Harness	\$79.00	
41716	1969	POWER TAILGATE WINDOW HARNESS Wagon, Under Dash, With Power Side Windows, From Switch To Body Harness	\$79.00	
41722	1969	POWER TAILGATE WINDOW EXTENSION HARNESS Wagon, From Tailgate Window Cutout Switch To Tailgate Window Harness	\$79.00	
41729	1970	POWER TAILGATE WINDOW HARNESS Wagon, Under Dash, Without Power Side Windows, From Switch To Body Harness	\$79.00	
41730	1970	POWER TAILGATE WINDOW HARNESS Wagon, Under Dash, With Power Side Windows, From Switch To Body Harness	\$79.00	
40796	1970	POWER TAILGATE WINDOW EXTENSION HARNESS From Tailgate Window Cutout Switch To Tailgate Window Harness	\$40.00	
41851	1971	POWER TAILGATE WINDOW HARNESS Wagon, Under Dash, Without Power Side Windows, From Switch To Body Harness	\$79.00	
41850	1971	POWER TAILGATE WINDOW HARNESS Wagon, Under Dash, With Power Side Windows, From Switch To Body Harness	\$79.00	
40796	1971	POWER TAILGATE WINDOW EXTENSION HARNESS From Tailgate Window Cutout Switch To Tailgate Window Harness	\$40.00	
41851	1972	POWER TAILGATE WINDOW HARNESS Wagon, Under Dash, Without Power Side Windows, From Switch To Body Harness	\$79.00	
41850	1972	POWER TAILGATE WINDOW HARNESS Wagon, Under Dash, With Power Side Windows, From Switch To Body Harness	\$79.00	
40796	1972	POWER TAILGATE WINDOW EXTENSION HARNESS From Tailgate Window Cutout Switch To Tailgate Window Harness	\$40.00	
POWER TAILGATE WINDOW SWITCH				
03906118	1964	POWER TAILGATE WINDOW SWITCH Station Wagon, With Power Tail Gate Window Note: This Is The Removable "Black Knob" Type Switch, This Allows Customers With Original Removable "Chrome Knob" Type Switches To Reuse Their Original "Chrome Knob" To Retain An Original Appearance.	\$66.00	

Part Number	Year	Description	Price	*Rev.
03906118	1965	POWER TAILGATE WINDOW SWITCH Station Wagon, With Power Tail Gate Window Note: This Is The Removable "Black Knob" Type Switch, This Allows Customers With Original Removable "Chrome Knob" Type Switches To Reuse Their Original "Chrome Knob" To Retain An Original Appearance.	\$66.00	
03906118	1966	POWER TAILGATE WINDOW SWITCH Station Wagon, With Power Tail Gate Window Note: This Is The Removable "Black Knob" Type Switch, This Allows Customers With Original Removable "Chrome Knob" Type Switches To Reuse Their Original "Chrome Knob" To Retain An Original Appearance.	\$66.00	
03906118	1967	POWER TAILGATE WINDOW SWITCH Station Wagon, With Power Tail Gate Window Note: This Is The Removable "Black Knob" Type Switch, This Allows Customers With Original Removable "Chrome Knob" Type Switches To Reuse Their Original "Chrome Knob" To Retain An Original Appearance.	\$66.00	
03906118	1968	POWER TAILGATE WINDOW SWITCH Station Wagon, With Power Tail Gate Window Note: This Is The Removable "Black Knob" Type Switch, This Allows Customers With Original Removable "Chrome Knob" Type Switches To Reuse Their Original "Chrome Knob" To Retain An Original Appearance.	\$66.00	
POWER TOP HARNESS				
22015	1964	POWER TOP HARNESS Convertible, Under Dash, From Switch To Ribbon Cable (Body)	\$75.00	
06080	1965	POWER TOP HARNESS Convertible, Under Dash, From Switch To Ribbon Cable (Body)	\$75.00	
06080	1966	POWER TOP HARNESS Convertible, Under Dash, From Switch To Ribbon Cable (Body)	\$75.00	
06080	1967	POWER TOP HARNESS Convertible, Under Dash, From Switch To Ribbon Cable (Body)	\$75.00	
21940	1968	POWER TOP HARNESS Convertible, Under Dash, From Switch To Power Top Motor	\$79.00	
21930	1969	POWER TOP HARNESS Convertible, Under Dash, From Switch To Power Top Motor	\$79.00	
35715	1970	POWER TOP HARNESS Convertible, Under Dash, From Switch To Intermediate Body Harness	\$75.00	
35715	1971	POWER TOP HARNESS Convertible, Under Dash, From Switch To Intermediate Body Harness	\$75.00	
35715	1972	POWER TOP HARNESS Convertible, Under Dash, From Switch To Intermediate Body Harness	\$75.00	
POWER TOP SWITCH				
03906118	1964	POWER TOP SWITCH With Power Convertible Top Note: This Is The Removable "Black Knob" Type Switch, This Allows Customers With Original Removable "Chrome Knob" Type Switches To Reuse Their Original "Chrome Knob" To Retain An Original Appearance.	\$66.00	
03906118	1965	POWER TOP SWITCH With Power Convertible Top Note: This Is The Removable "Black Knob" Type Switch, This Allows Customers With Original Removable "Chrome Knob" Type Switches To Reuse Their Original "Chrome Knob" To Retain An Original Appearance.	\$66.00	
03906118	1966	POWER TOP SWITCH With Power Convertible Top Note: This Is The Removable "Black Knob" Type Switch, This Allows Customers With Original Removable "Chrome Knob" Type Switches To Reuse Their Original "Chrome Knob" To Retain An Original Appearance.	\$66.00	
03906118	1967	POWER TOP SWITCH With Power Convertible Top Note: This Is The Removable "Black Knob" Type Switch, This Allows Customers With Original Removable "Chrome Knob" Type Switches To Reuse Their Original "Chrome Knob" To Retain An Original Appearance.	\$66.00	
03906118	1968	POWER TOP SWITCH With Power Convertible Top Note: This Is The Removable "Black Knob" Type Switch, This Allows Customers With Original Removable "Chrome Knob" Type Switches To Reuse Their Original "Chrome Knob" To Retain An Original Appearance.	\$66.00	
POWER WINDOW HARNESS				
06960	1964	POWER WINDOW HARNESS Driver Side Door, Except 2 Door Wagon & El Camino	\$212.00	
07145	1964	POWER WINDOW HARNESS Driver Side Door & Crossover, El Camino & All 2 Door Wagons	\$226.00	
06965	1964	POWER WINDOW INTERMEDIATE HARNESS Under Dash, Crossover, Except 2 Door Wagon & El Camino Note: Customer Must Reuse Their Original Connector That Attaches This Harness To Ribbon Cable.	\$132.00	
06955	1964	POWER WINDOW HARNESS Passenger Side Door, All	\$147.00	
06985	1964	POWER WINDOW HARNESS Quarter Window, Chevelle 2 Door Sedan (2 Required Per Car) Note: Customer Must Reuse Their Original Connector That Attaches This Harness To Ribbon Cable.	\$63.00	
06990	1964	POWER WINDOW HARNESS Quarter Window, Malibu, Sport Coupe (2 Required Per Car) Note: Customer Must Reuse Their Original Connector That Attaches This Harness To Ribbon Cable.	\$87.00	

Part Number	Year	Description	Price	*Rev.
06995	1964	POWER WINDOW HARNESS Quarter Window, Malibu, Convertible (2 Required Per Car) Note: Customer Must Reuse Their Original Connector That Attaches This Harness To Ribbon Cable.	\$87.00	
07200	1964	POWER WINDOW HARNESS Rear Door, 4 Door, Driver Or Passenger Side (2 Req. Per Car) Note: Customer Must Supply Their Original Rubber Door Jamb Boot.	\$153.00	
07170	1964	POWER WINDOW MOTOR EXTENSION From Rear Quarter Window Harness To Motor, Coupe (2 Req. Per Car)	\$25.00	
07005	1964	POWER WINDOW MOTOR EXTENSION From Rear Quarter Window Harness To Motor, Convertible (2 Req. Per Car)	\$32.00	
07610	1965	POWER WINDOW HARNESS Driver Side Door, Except 2 Door Wagon & El Camino	\$219.00	
07145	1965	POWER WINDOW HARNESS Driver Side Door & Crossover, El Camino & All 2 Door Wagons	\$226.00	
07615	1965	POWER WINDOW INTERMEDIATE HARNESS Under Dash, Crossover, Except 2 Door Wagon & El Camino Note: Customer Must Reuse Their Original Connector That Attaches This Harness To Ribbon Cable.	\$212.00	
07605	1965	POWER WINDOW HARNESS Passenger Side Door, All	\$147.00	
07635	1965	POWER WINDOW HARNESS Quarter Window, Chevelle 2 Door (2 Required Per Car) Note: Customer Must Reuse Their Original Connector That Attaches This Harness To Ribbon Cable.	\$105.00	
07640	1965	POWER WINDOW HARNESS Quarter Window, Sport Coupe (2 Required Per Car) Note: Customer Must Reuse Their Original Connector That Attaches This Harness To Ribbon Cable.	\$87.00	
07695	1965	POWER WINDOW HARNESS Quarter Window, Convertible (2 Required Per Car) Note: Customer Must Reuse Their Original Connector That Attaches This Harness To Ribbon Cable.	\$87.00	
07630	1965	POWER WINDOW HARNESS Rear Door, 4 Door, Driver Or Passenger Side (2 Req. Per Car) Note: Customer Must Supply Their Original Rubber Door Jamb Boot.	\$153.00	
07655	1965	POWER WINDOW MOTOR EXTENSION From Rear Quarter Window Harness To Motor, Coupe (2 Req. Per Car)	\$25.00	
07660	1965	POWER WINDOW MOTOR EXTENSION From Rear Quarter Window Harness To Motor, Convertible (2 Req. Per Car)	\$25.00	
08260	1966	POWER WINDOW HARNESS Driver Side Door, Except 2 Door Wagon & El Camino	\$212.00	
07145	1966	POWER WINDOW HARNESS Driver Side Door & Crossover, El Camino & All 2 Door Wagons	\$226.00	
07615	1966	POWER WINDOW INTERMEDIATE HARNESS Under Dash, Crossover, Except 2 Door Wagon & El Camino Note: Customer Must Reuse Their Original Connector That Attaches This Harness To Ribbon Cable.	\$212.00	
27310	1966	POWER WINDOW HARNESS Passenger Side Door, All	\$147.00	
07635	1966	POWER WINDOW HARNESS Quarter Window, Chevelle 2 Door (2 Required Per Car) Note: Customer Must Reuse Their Original Connector That Attaches This Harness To Ribbon Cable.	\$105.00	
07640	1966	POWER WINDOW HARNESS Quarter Window, Sport Coupe (2 Required Per Car) Note: Customer Must Reuse Their Original Connector That Attaches This Harness To Ribbon Cable.	\$87.00	
07695	1966	POWER WINDOW HARNESS Quarter Window, Convertible (2 Required Per Car) Note: Customer Must Reuse Their Original Connector That Attaches This Harness To Ribbon Cable.	\$87.00	
32485	1966	POWER WINDOW HARNESS Rear Door, 4 Door Hardtop, Driver Side Note: Customer Must Supply Their Original Rubber Door Jamb Boot.	\$153.00	
32480	1966	POWER WINDOW HARNESS Rear Door, 4 Door Hardtop, Passenger Side Note: Customer Must Supply Their Original Rubber Door Jamb Boot.	\$153.00	
07630	1966	POWER WINDOW HARNESS Rear Door, 4 Door, Except Hardtop, Driver Or Passenger Side (2 Req. Per Car) Note: Customer Must Supply Their Original Rubber Door Jamb Boot.	\$153.00	
07655	1966	POWER WINDOW MOTOR EXTENSION From Rear Quarter Window Harness To Motor, Coupe (2 Req. Per Car)	\$25.00	
07660	1966	POWER WINDOW MOTOR EXTENSION From Rear Quarter Window Harness To Motor, Convertible (2 Req. Per Car)	\$25.00	
08260	1967	POWER WINDOW HARNESS Driver Side Door, Except El Camino	\$212.00	
30955	1967	POWER WINDOW HARNESS Driver Side Door & Crossover, El Camino	\$219.00	
07615	1967	POWER WINDOW INTERMEDIATE HARNESS Under Dash, Crossover, Except El Camino, Without Ignition Relay Note: Customer Must Reuse Their Original Connector That Attaches This Harness To Ribbon Cable.	\$212.00	

Part Number	Year	Description	Price	*Rev.
32455	1967	POWER WINDOW INTERMEDIATE HARNESS Under Dash, Crossover, Except El Camino, With Ignition Relay Note: Customer Must Reuse Their Original Connector That Attaches This Harness To Ribbon Cable.	\$226.00	
27310	1967	POWER WINDOW HARNESS Passenger Side Door, All	\$147.00	
07640	1967	POWER WINDOW HARNESS Quarter Window, All Coupes (2 Required Per Car) Note: Customer Must Reuse Their Original Connector That Attaches This Harness To Ribbon Cable.	\$87.00	
07695	1967	POWER WINDOW HARNESS Quarter Window, Convertible (2 Required Per Car) Note: Customer Must Reuse Their Original Connector That Attaches This Harness To Ribbon Cable.	\$87.00	
32485	1967	POWER WINDOW HARNESS Rear Door, 4 Door Hardtop, Driver Side Note: Customer Must Supply Their Original Rubber Door Jamb Boot.	\$153.00	
32480	1967	POWER WINDOW HARNESS Rear Door, 4 Door Hardtop, Passenger Side Note: Customer Must Supply Their Original Rubber Door Jamb Boot.	\$153.00	
07630	1967	POWER WINDOW HARNESS Rear Door, 4 Door, Except Hardtop, Driver Or Passenger Side (2 Req. Per Car) Note: Customer Must Supply Their Original Rubber Door Jamb Boot.	\$153.00	
07655	1967	POWER WINDOW MOTOR EXTENSION From Rear Quarter Window Harness To Motor, Coupe (2 Req. Per Car)	\$25.00	
07660	1967	POWER WINDOW MOTOR EXTENSION From Rear Quarter Window Harness To Motor, Convertible (2 Req. Per Car)	\$25.00	
31135	1968	POWER WINDOW HARNESS Driver Side Door, Except El Camino	\$219.00	
38522	1968	POWER WINDOW HARNESS Driver Side Door, El Camino	\$219.00	
14165	1968	POWER WINDOW HARNESS Passenger Side Door, All	\$147.00	
14170	1968	POWER WINDOW HARNESS Quarter Windows & Intermediate Body	\$186.00	
41704	1968	POWER WINDOW HARNESS Rear Door, 4 Door, Sport Sedan, Driver Or Passenger Side (2 Required Per Car) Note: Customer Must Supply Their Original Rubber Door Jamb Boot.	\$153.00	
14190	1968	POWER WINDOW HARNESS Rear Door, 4 Door, Except Sport Sedan, Driver Or Passenger Side (2 Required Per Car) Note: Customer Must Supply Their Original Rubber Door Jamb Boot.	\$153.00	
40524	1968	POWER WINDOW INTERMEDIATE HARNESS Wagon & 4 Door, From Driver Side Front Door Harness To Harness In Rear Doors	\$153.00	
39470	1969	POWER WINDOW HARNESS Driver Side Door And Under Dash Crossover, Coupe & Convertible	\$264.00	
40034	1969	POWER WINDOW HARNESS Driver Side Door, El Camino	\$264.00	
37817	1969	POWER WINDOW HARNESS Passenger Side Door, Coupe & Convertible	\$147.00	
37819	1969	POWER WINDOW HARNESS Passenger Side Door, El Camino & Wagon	\$153.00	
14405	1969	POWER WINDOW HARNESS Quarter Windows & Intermediate Body	\$186.00	
40541	1969	POWER WINDOW HARNESS Rear Door, 4 Door Sport Sedan, (2 Required Per Car) Note: Customer Must Supply Their Original Rubber Door Jamb Boot.	\$153.00	
40542	1969	POWER WINDOW HARNESS Rear Door, 4 Door Except Sport Sedan, (2 Required Per Car) Note: Customer Must Supply Their Original Rubber Door Jamb Boot.	\$153.00	
14410	1969	POWER WINDOW INTERMEDIATE HARNESS Wagon & 4 Door, From Driver Side Front Door Harness To Rear Door Harness	\$153.00	
31140	1970	POWER WINDOW HARNESS Driver Side Door And Under Dash Crossover, Coupe & Convertible	\$264.00	
40906	1970	POWER WINDOW HARNESS Driver Side Door, El Camino	\$251.00	
14470	1970	POWER WINDOW HARNESS Passenger Side Door, Coupe & Convertible	\$147.00	
40554	1970	POWER WINDOW HARNESS 4 Door, Driver Side Front Door And Under Dash	\$251.00	
40555	1970	POWER WINDOW HARNESS Passenger Side Door, El Camino & 4 Door	\$147.00	
14505	1970	POWER WINDOW HARNESS Quarter Windows & Intermediate Body	\$186.00	
40550	1970	POWER WINDOW HARNESS Rear Door, 4 Door Sport Sedan, (2 Required Per Car) Note: Customer Must Supply Their Original Rubber Door Jamb Boot.	\$147.00	

Part Number	Year	Description	Price	*Rev.
14445	1970	POWER WINDOW HARNESS Rear Door, 4 Door, Except Sport Sedan, (2 Required Per Car) Note: Customer Must Supply Their Original Rubber Door Jamb Boot.	\$147.00	
40549	1970	POWER WINDOW INTERMEDIATE HARNESS 4 Door Sport Sedan, From Driver Side Front Door Harness To Rear Door Harness	\$153.00	
14450	1970	POWER WINDOW INTERMEDIATE HARNESS 4 Door, Except Sport Sedan, From Driver Side Front Door Harness To Rear Door Harness	\$153.00	
31140	1971	POWER WINDOW HARNESS Driver Side Door And Under Dash Crossover, Coupe & Convertible	\$264.00	
40906	1971	POWER WINDOW HARNESS Driver Side Door, El Camino	\$251.00	
40811	1971	POWER WINDOW HARNESS 4 Door Sedan, Driver Side Front Door	\$251.00	
14470	1971	POWER WINDOW HARNESS Passenger Side Door, Coupe & Convertible	\$147.00	
40555	1971	POWER WINDOW HARNESS Passenger Side Door, El Camino	\$147.00	
14505	1971	POWER WINDOW HARNESS Quarter Windows & Intermediate Body	\$186.00	
40801	1971	POWER WINDOW HARNESS Rear Door, 4 Door Sport Sedan, (2 Required Per Car) Note: Customer Must Supply Their Original Rubber Door Jamb Boot.	\$147.00	
40802	1971	POWER WINDOW HARNESS Rear Door, 4 Door Sedan, Except Sport Sedan, (2 Required Per Car) Note: Customer Must Supply Their Original Rubber Door Jamb Boot.	\$147.00	
40549	1971	POWER WINDOW INTERMEDIATE HARNESS 4 Door Sport Sedan, From Driver Side Front Door Harness To Rear Door Harness	\$153.00	
14450	1971	POWER WINDOW INTERMEDIATE HARNESS 4 Door, Except Sport Sedan, From Driver Side Front Door Harness To Rear Door Harness	\$153.00	
39471	1972	POWER WINDOW HARNESS Driver Side Door And Under Dash Crossover, Coupe & Convertible	\$264.00	
40906	1972	POWER WINDOW HARNESS Driver Side Door, El Camino	\$251.00	
40811	1972	POWER WINDOW HARNESS 4 Door Sedan, Driver Side Front Door	\$251.00	
14470	1972	POWER WINDOW HARNESS Passenger Side Door, Coupe & Convertible	\$147.00	
40555	1972	POWER WINDOW HARNESS Passenger Side Door, El Camino	\$147.00	
14505	1972	POWER WINDOW HARNESS Quarter Windows & Intermediate Body	\$186.00	
40801	1972	POWER WINDOW HARNESS Rear Door, 4 Door Sport Sedan, (2 Required Per Car) Note: Customer Must Supply Their Original Rubber Door Jamb Boot.	\$147.00	
40802	1972	POWER WINDOW HARNESS Rear Door, 4 Door Sedan, Except Sport Sedan, (2 Required Per Car) Note: Customer Must Supply Their Original Rubber Door Jamb Boot.	\$147.00	
40549	1972	POWER WINDOW INTERMEDIATE HARNESS 4 Door Sport Sedan, From Driver Side Front Door Harness To Rear Door Harness	\$153.00	
14450	1972	POWER WINDOW INTERMEDIATE HARNESS 4 Door, Except Sport Sedan, From Driver Side Front Door Harness To Rear Door Harness	\$153.00	
40786	1973	POWER WINDOW HARNESS Under Dash Crossover, 2 Door Models, Without Power Door Locks Note: Includes Courtesy Lamp Door Jamb Switch Wiring.	\$290.00	
40792	1973	POWER WINDOW HARNESS Under Dash Crossover, 2 Door Models, With Power Door Locks Note: Includes Courtesy Lamp Door Jamb Switch Wiring.	\$290.00	
40770	1973	POWER WINDOW HARNESS Under Dash Crossover, 4 Door Models, Without Power Door Locks Note: Includes Courtesy Lamp Door Jamb Switch Wiring.	\$290.00	
40791	1973	POWER WINDOW HARNESS Under Dash Crossover, 4 Door Models, With Power Door Locks Note: Includes Courtesy Lamp Door Jamb Switch Wiring.	\$290.00	
40771	1973	POWER WINDOW HARNESS Driver Side Front Door, 2 Door Models Note: Customer Must Supply Their Original Rubber Door Jamb Boot.	\$251.00	
40772	1973	POWER WINDOW HARNESS Driver Side Front Door, 4 Door Models Note: Customer Must Supply Their Original Rubber Door Jamb Boot.	\$251.00	

Part Number	Year	Description	Price	*Rev.
40773	1973	POWER WINDOW HARNESS Passenger Side Front Door, 2 Door Models Note: Customer Must Supply Their Original Rubber Door Jamb Boot.	\$251.00	
40774	1973	POWER WINDOW HARNESS Passenger Side Front Door, 4 Door Models Note: Customer Must Supply Their Original Rubber Door Jamb Boot.	\$251.00	
40775	1973	POWER WINDOW HARNESS Rear Door, 4 Door Models, Driver Or Passenger Side Note: Customer Must Supply Their Original Rubber Door Jamb Boot.	\$251.00	
40718	1974	POWER WINDOW HARNESS Center Crossover, 2 Door Models Note: Includes Courtesy Lamp Door Jamb Switch Wiring.	\$290.00	
40719	1974	POWER WINDOW HARNESS Center Crossover, 4 Door Models Note: Includes Courtesy Lamp Door Jamb Switch Wiring.	\$290.00	
40717	1974	POWER WINDOW HARNESS Center Crossover, All, With Power Door Locks Note: Includes Courtesy Lamp Door Jamb Switch Wiring.	\$290.00	
40771	1974	POWER WINDOW HARNESS Driver Side Front Door, 2 Door Models Note: Customer Must Supply Their Original Rubber Door Jamb Boot.	\$251.00	
40772	1974	POWER WINDOW HARNESS Driver Side Front Door, 4 Door Models Note: Customer Must Supply Their Original Rubber Door Jamb Boot.	\$251.00	
40773	1974	POWER WINDOW HARNESS Passenger Side Front Door, 2 Door Models Note: Customer Must Supply Their Original Rubber Door Jamb Boot.	\$251.00	
40774	1974	POWER WINDOW HARNESS Passenger Side Front Door, 4 Door Models Note: Customer Must Supply Their Original Rubber Door Jamb Boot.	\$251.00	
40775	1974	POWER WINDOW HARNESS Rear Door, 4 Door Models, Driver Or Passenger Side Note: Customer Must Supply Their Original Rubber Door Jamb Boot.	\$251.00	
40718	1975	POWER WINDOW HARNESS Center Crossover, 2 Door Models Note: Includes Courtesy Lamp Door Jamb Switch Wiring.	\$290.00	
40719	1975	POWER WINDOW HARNESS Center Crossover, 4 Door Models Note: Includes Courtesy Lamp Door Jamb Switch Wiring.	\$290.00	
40717	1975	POWER WINDOW HARNESS Center Crossover, All, With Power Door Locks Note: Includes Courtesy Lamp Door Jamb Switch Wiring.	\$290.00	
40771	1975	POWER WINDOW HARNESS Driver Side Front Door, 2 Door Models Note: Customer Must Supply Their Original Rubber Door Jamb Boot.	\$251.00	
40772	1975	POWER WINDOW HARNESS Driver Side Front Door, 4 Door Models Note: Customer Must Supply Their Original Rubber Door Jamb Boot.	\$251.00	
40773	1975	POWER WINDOW HARNESS Passenger Side Front Door, 2 Door Models Note: Customer Must Supply Their Original Rubber Door Jamb Boot.	\$251.00	
40774	1975	POWER WINDOW HARNESS Passenger Side Front Door, 4 Door Models Note: Customer Must Supply Their Original Rubber Door Jamb Boot.	\$251.00	
40775	1975	POWER WINDOW HARNESS Rear Door, 4 Door Models, Driver Or Passenger Side (2 Required Per Car) Note: Customer Must Supply Their Original Rubber Door Jamb Boot.	\$251.00	
40427	1976	POWER WINDOW HARNESS Center Crossover, 2 Door Models, Without Power Door Locks Note: Includes Courtesy Lamp Door Jamb Switch Wiring.	\$290.00	
40425	1976	POWER WINDOW HARNESS Center Crossover, 2 Door Models, With Power Door Locks Note: Includes Courtesy Lamp Door Jamb Switch Wiring.	\$290.00	
40428	1976	POWER WINDOW HARNESS Center Crossover, 4 Door Models, Without Power Door Locks Note: Includes Courtesy Lamp Door Jamb Switch Wiring.	\$290.00	
40426	1976	POWER WINDOW HARNESS Center Crossover, 4 Door Models, With Power Door Locks Note: Includes Courtesy Lamp Door Jamb Switch Wiring.	\$290.00	
40405	1976	POWER WINDOW HARNESS Driver Side Front Door, 2 Door Models Note: Customer Must Supply Their Original Rubber Door Jamb Boot.	\$251.00	

Part Number	Year	Description	Price	*Rev.
40406	1976	POWER WINDOW HARNESS Driver Side Front Door, 4 Door Models Note: Customer Must Supply Their Original Rubber Door Jamb Boot.	\$251.00	
40402	1976	POWER WINDOW HARNESS Passenger Side Front Door, 2 Door Models Note: Customer Must Supply Their Original Rubber Door Jamb Boot.	\$251.00	
40403	1976	POWER WINDOW HARNESS Passenger Side Front Door, 4 Door Models Note: Customer Must Supply Their Original Rubber Door Jamb Boot.	\$251.00	
40408	1976	POWER WINDOW HARNESS Rear Door, 4 Door Cars, Driver Or Passenger Side Note: Customer Must Supply Their Original Rubber Door Jamb Boot.	\$251.00	
40427	1977	POWER WINDOW HARNESS Center Crossover, 2 Door, Without Power Door Locks Note: Includes Courtesy Lamp Door Jamb Switch Wiring.	\$290.00	
40857	1977	POWER WINDOW HARNESS Center Crossover, 2 Door, With Power Door Locks Note: Includes Courtesy Lamp Door Jamb Switch Wiring.	\$290.00	
40428	1977	POWER WINDOW HARNESS Center Crossover, 4 Door, Without Power Door Locks Note: Includes Courtesy Lamp Door Jamb Switch Wiring.	\$290.00	
40856	1977	POWER WINDOW HARNESS Center Crossover, 4 Door, With Power Door Locks Note: Includes Courtesy Lamp Door Jamb Switch Wiring.	\$290.00	
40405	1977	POWER WINDOW HARNESS Driver Side Front Door, 2 Door Models Note: Customer Must Supply Their Original Rubber Door Jamb Boot.	\$251.00	
40406	1977	POWER WINDOW HARNESS Driver Side Front Door, 4 Door Models Note: Customer Must Supply Their Original Rubber Door Jamb Boot.	\$251.00	
40402	1977	POWER WINDOW HARNESS Passenger Side Front Door, 2 Door Models Note: Customer Must Supply Their Original Rubber Door Jamb Boot.	\$251.00	
40403	1977	POWER WINDOW HARNESS Passenger Side Front Door, 4 Door Models Note: Customer Must Supply Their Original Rubber Door Jamb Boot.	\$251.00	
40408	1977	POWER WINDOW HARNESS Rear Door, 4 Door Models, Driver Or Passenger Side Note: Customer Must Supply Their Original Rubber Door Jamb Boot.	\$251.00	
42007	1978	POWER WINDOW HARNESS Center Crossover, 2 Door Models, Without Power Door Locks Note: Includes Courtesy Lamp Door Jamb Switch Wiring.	\$290.00	
42009	1978	POWER WINDOW HARNESS Center Crossover, 2 Door Models, With Power Door Locks Note: Includes Courtesy Lamp Door Jamb Switch Wiring. Customer To Supply Plastic Conduit, Or Can Be Made Without Conduit. Customer To Supply Seat Belt Warning Harness Mating Connector.	\$290.00	
42008	1978	POWER WINDOW HARNESS Center Crossover, 4 Door Models, Without Power Door Locks Note: Includes Courtesy Lamp Door Jamb Switch Wiring.	\$290.00	
42010	1978	POWER WINDOW HARNESS Center Crossover, 4 Door Models, With Power Door Locks Note: Includes Courtesy Lamp Door Jamb Switch Wiring.	\$290.00	
42012	1978	POWER WINDOW HARNESS Driver Side Front Door, 2 Door Models Note: Customer Must Supply Their Original Rubber Door Jamb Boot.	\$158.00	
42013	1978	POWER WINDOW HARNESS Driver Side Front Door, 4 Door Models Note: Customer Must Supply Their Original Rubber Door Jamb Boot.	\$158.00	
42011	1978	POWER WINDOW HARNESS Passenger Side Front Door, All Note: Customer Must Supply Their Original Rubber Door Jamb Boot.	\$145.00	
42028	1978	POWER WINDOW HARNESS Rear Door, 4 Door Models, Except Wagon, Passenger Or Driver Side (2 Required Per Car) Note: Customer Must Supply Their Original Rubber Door Jamb Boot.	\$145.00	
42014	1978	POWER WINDOW HARNESS Rear Door, Wagon, Passenger Or Driver Side (2 Required Per Car) Note: Customer Must Supply Their Original Rubber Door Jamb Boot.	\$145.00	
42007	1979	POWER WINDOW HARNESS Center Crossover, 2 Door Models, Without Power Door Locks Note: Includes Courtesy Lamp Door Jamb Switch Wiring.	\$290.00	

Part Number	Year	Description	Price	*Rev.
42009	1979	POWER WINDOW HARNESS Center Crossover, 2 Door Models, With Power Door Locks Note: Includes Courtesy Lamp Door Jamb Switch Wiring. Customer To Supply Plastic Conduit, Or Can Be Made Without Conduit. Customer To Supply Seat Belt Warning Harness Mating Connector.	\$290.00	
42008	1979	POWER WINDOW HARNESS Center Crossover, 4 Door Models, Without Power Door Locks Note: Includes Courtesy Lamp Door Jamb Switch Wiring.	\$290.00	
42010	1979	POWER WINDOW HARNESS Center Crossover, 4 Door Models, With Power Door Locks Note: Includes Courtesy Lamp Door Jamb Switch Wiring.	\$290.00	
42039	1979	POWER WINDOW HARNESS Driver Side Front Door, 2 Door Models Note: Customer Must Supply Their Original Rubber Door Jamb Boot.	\$158.00	
42040	1979	POWER WINDOW HARNESS Driver Side Front Door, 4 Door Models Note: Customer Must Supply Their Original Rubber Door Jamb Boot.	\$158.00	
42038	1979	POWER WINDOW HARNESS Passenger Side Front Door, All Note: Customer Must Supply Their Original Rubber Door Jamb Boot.	\$158.00	
42028	1979	POWER WINDOW HARNESS Rear Door, 4 Door Models, Except Wagon, Passenger Or Driver Side (2 Required Per Car) Note: Customer Must Supply Their Original Rubber Door Jamb Boot.	\$145.00	
42014	1979	POWER WINDOW HARNESS Rear Door, Wagon, Passenger Or Driver Side (2 Required Per Car) Note: Customer Must Supply Their Original Rubber Door Jamb Boot.	\$145.00	
42007	1980	POWER WINDOW HARNESS Center Crossover, 2 Door Models, Without Power Door Locks Note: Includes Courtesy Lamp Door Jamb Switch Wiring.	\$290.00	
42009	1980	POWER WINDOW HARNESS Center Crossover, 2 Door Models, With Power Door Locks Note: Includes Courtesy Lamp Door Jamb Switch Wiring. Customer To Supply Plastic Conduit, Or Can Be Made Without Conduit. Customer To Supply Seat Belt Warning Harness Mating Connector.	\$290.00	
42008	1980	POWER WINDOW HARNESS Center Crossover, 4 Door Models, Without Power Door Locks Note: Includes Courtesy Lamp Door Jamb Switch Wiring.	\$290.00	
42010	1980	POWER WINDOW HARNESS Center Crossover, 4 Door Models, With Power Door Locks Note: Includes Courtesy Lamp Door Jamb Switch Wiring.	\$290.00	
42039	1980	POWER WINDOW HARNESS Driver Side Front Door, 2 Door Models Note: Customer Must Supply Their Original Rubber Door Jamb Boot.	\$158.00	
42040	1980	POWER WINDOW HARNESS Driver Side Front Door, 4 Door Models Note: Customer Must Supply Their Original Rubber Door Jamb Boot.	\$158.00	
42038	1980	POWER WINDOW HARNESS Passenger Side Front Door, All Note: Customer Must Supply Their Original Rubber Door Jamb Boot.	\$158.00	
42028	1980	POWER WINDOW HARNESS Rear Door, 4 Door Models, Except Wagon, Passenger Or Driver Side (2 Required Per Car) Note: Customer Must Supply Their Original Rubber Door Jamb Boot.	\$145.00	
42014	1980	POWER WINDOW HARNESS Rear Door, Wagon, Passenger Or Driver Side (2 Required Per Car) Note: Customer Must Supply Their Original Rubber Door Jamb Boot.	\$145.00	
42007	1981	POWER WINDOW HARNESS Center Crossover, 2 Door Models, Without Power Door Locks Note: Includes Courtesy Lamp Door Jamb Switch Wiring.	\$290.00	
42009	1981	POWER WINDOW HARNESS Center Crossover, 2 Door Models, With Power Door Locks Note: Includes Courtesy Lamp Door Jamb Switch Wiring. Customer To Supply Plastic Conduit, Or Can Be Made Without Conduit. Customer To Supply Seat Belt Warning Harness Mating Connector.	\$290.00	
42008	1981	POWER WINDOW HARNESS Center Crossover, 4 Door Models, Without Power Door Locks Note: Includes Courtesy Lamp Door Jamb Switch Wiring.	\$290.00	
42010	1981	POWER WINDOW HARNESS Center Crossover, 4 Door Models, With Power Door Locks Note: Includes Courtesy Lamp Door Jamb Switch Wiring.	\$290.00	
42039	1981	POWER WINDOW HARNESS Driver Side Front Door, 2 Door Models Note: Customer Must Supply Their Original Rubber Door Jamb Boot.	\$158.00	

Part Number	Year	Description	Price	*Rev.
42040	1981	POWER WINDOW HARNESS Driver Side Front Door, 4 Door Models Note: Customer Must Supply Their Original Rubber Door Jamb Boot.	\$158.00	
42038	1981	POWER WINDOW HARNESS Passenger Side Front Door, All Note: Customer Must Supply Their Original Rubber Door Jamb Boot.	\$158.00	
42014	1981	POWER WINDOW HARNESS Rear Door, 4 Door Models, Passenger Or Driver Side (2 Required Per Car) Note: Customer Must Supply Their Original Rubber Door Jamb Boot.	\$145.00	
42007	1982	POWER WINDOW HARNESS Center Crossover, 2 Door Models, Without Power Door Locks Note: Includes Courtesy Lamp Door Jamb Switch Wiring.	\$290.00	
42009	1982	POWER WINDOW HARNESS Center Crossover, 2 Door Models, With Power Door Locks Note: Includes Courtesy Lamp Door Jamb Switch Wiring. Customer To Supply Plastic Conduit, Or Can Be Made Without Conduit. Customer To Supply Seat Belt Warning Harness Mating Connector.	\$290.00	
42008	1982	POWER WINDOW HARNESS Center Crossover, 4 Door Models, Without Power Door Locks Note: Includes Courtesy Lamp Door Jamb Switch Wiring.	\$290.00	
42010	1982	POWER WINDOW HARNESS Center Crossover, 4 Door Models, With Power Door Locks Note: Includes Courtesy Lamp Door Jamb Switch Wiring.	\$290.00	
42039	1982	POWER WINDOW HARNESS Driver Side Front Door, 2 Door Models Note: Customer Must Supply Their Original Rubber Door Jamb Boot.	\$158.00	
42040	1982	POWER WINDOW HARNESS Driver Side Front Door, 4 Door Models Note: Customer Must Supply Their Original Rubber Door Jamb Boot.	\$158.00	
42038	1982	POWER WINDOW HARNESS Passenger Side Front Door, All Note: Customer Must Supply Their Original Rubber Door Jamb Boot.	\$158.00	
42014	1982	POWER WINDOW HARNESS Rear Door, 4 Door Models, Passenger Or Driver Side (2 Required Per Car) Note: Customer Must Supply Their Original Rubber Door Jamb Boot.	\$145.00	
POWER WINDOW MOTOR ADAPTER HARNESS				
36954	1964	POWER WINDOW MOTOR ADAPTER HARNESS Adapts "T" Shaped Motor Connector To Side By Side Blade Type Motor Connector	\$22.00	C
36954	1965	POWER WINDOW MOTOR ADAPTER HARNESS Adapts "T" Shaped Motor Connector To Side By Side Blade Type Motor Connector	\$22.00	C
36954	1966	POWER WINDOW MOTOR ADAPTER HARNESS Adapts "T" Shaped Motor Connector To Side By Side Blade Type Motor Connector	\$22.00	C
36954	1967	POWER WINDOW MOTOR ADAPTER HARNESS Adapts "T" Shaped Motor Connector To Side By Side Blade Type Motor Connector	\$22.00	C
36954	1968	POWER WINDOW MOTOR ADAPTER HARNESS Adapts "T" Shaped Motor Connector To Side By Side Blade Type Motor Connector	\$22.00	C
36954	1969	POWER WINDOW MOTOR ADAPTER HARNESS Adapts "T" Shaped Motor Connector To Side By Side Blade Type Motor Connector	\$22.00	C
36954	1970	POWER WINDOW MOTOR ADAPTER HARNESS Adapts "T" Shaped Motor Connector To Side By Side Blade Type Motor Connector	\$22.00	C
36954	1971	POWER WINDOW MOTOR ADAPTER HARNESS Adapts "T" Shaped Motor Connector To Side By Side Blade Type Motor Connector	\$22.00	C
36954	1972	POWER WINDOW MOTOR ADAPTER HARNESS Adapts "T" Shaped Motor Connector To Side By Side Blade Type Motor Connector	\$22.00	C
36954	1973	POWER WINDOW MOTOR ADAPTER HARNESS Adapts "T" Shaped Motor Connector To Side By Side Blade Type Motor Connector	\$22.00	C
36954	1974	POWER WINDOW MOTOR ADAPTER HARNESS Adapts "T" Shaped Motor Connector To Side By Side Blade Type Motor Connector	\$22.00	C
36954	1975	POWER WINDOW MOTOR ADAPTER HARNESS Adapts "T" Shaped Motor Connector To Side By Side Blade Type Motor Connector	\$22.00	C
POWER WINDOW RELAY AND ADAPTER HARNESS				
39440	1967	POWER WINDOW RELAY AND ADAPTER HARNESS Includes New Aftermarket Relay And Adapter To Mate To Factory Harness Without Any Harness Modifications	\$40.00	

Part Number	Year	Description	Price	*Rev.
39440	1968	POWER WINDOW RELAY AND ADAPTER HARNESS Includes New Aftermarket Relay And Adapter To Mate To Factory Harness Without Any Harness Modifications	\$40.00	
39440	1969	POWER WINDOW RELAY AND ADAPTER HARNESS Includes New Aftermarket Relay And Adapter To Mate To Factory Harness Without Any Harness Modifications	\$40.00	
39440	1970	POWER WINDOW RELAY AND ADAPTER HARNESS Includes New Aftermarket Relay And Adapter To Mate To Factory Harness Without Any Harness Modifications	\$40.00	
39440	1971	POWER WINDOW RELAY AND ADAPTER HARNESS Includes New Aftermarket Relay And Adapter To Mate To Factory Harness Without Any Harness Modifications	\$40.00	
39440	1972	POWER WINDOW RELAY AND ADAPTER HARNESS Includes New Aftermarket Relay And Adapter To Mate To Factory Harness Without Any Harness Modifications	\$40.00	

POWER WINDOW SWITCH

04432790	1964	POWER WINDOW SWITCH 1 Button, Round Corner Style, Chrome	\$49.00	
04432791	1964	POWER WINDOW SWITCH 4 Button, Round Corner Style, Chrome	\$67.00	
04432790	1965	POWER WINDOW SWITCH 1 Button, Round Corner Style, Chrome	\$49.00	
04432791	1965	POWER WINDOW SWITCH 4 Button, Round Corner Style, Chrome	\$67.00	
04432790	1966	POWER WINDOW SWITCH 1 Button, Round Corner Style, Chrome	\$49.00	
04432791	1966	POWER WINDOW SWITCH 4 Button, Round Corner Style, Chrome	\$67.00	
04432790	1967	POWER WINDOW SWITCH 1 Button, Round Corner Style, Chrome	\$49.00	
04432791	1967	POWER WINDOW SWITCH 4 Button, Round Corner Style, Chrome	\$67.00	
04432790	1968	POWER WINDOW SWITCH 1 Button, Round Corner Style, Chrome	\$49.00	
04432791	1968	POWER WINDOW SWITCH 4 Button, Round Corner Style, Chrome	\$67.00	
04432790	1969	POWER WINDOW SWITCH 1 Button, Round Corner Style, Chrome	\$49.00	
04432791	1969	POWER WINDOW SWITCH 4 Button, Round Corner Style, Chrome	\$67.00	
04432790	1970	POWER WINDOW SWITCH 1 Button, Round Corner Style, Chrome	\$49.00	
04432791	1970	POWER WINDOW SWITCH 4 Button, Round Corner Style, Chrome	\$67.00	
01725094	1971	POWER WINDOW SWITCH 1 Button, Square Corner Style, Chrome	\$21.00	
01731231	1971	POWER WINDOW SWITCH 4 Button, Square Corner Style, Chrome	\$75.00	
01725092	1971	POWER WINDOW SWITCH 2 Button, Square Corner Style, Chrome	\$53.00	
01725094	1972	POWER WINDOW SWITCH 1 Button, Square Corner Style, Chrome	\$21.00	
01731231	1972	POWER WINDOW SWITCH 4 Button, Square Corner Style, Chrome	\$75.00	
01725092	1972	POWER WINDOW SWITCH 2 Button, Square Corner Style, Chrome	\$53.00	
01725094	1973	POWER WINDOW SWITCH 1 Button, Square Corner Style, Chrome	\$21.00	
01731231	1973	POWER WINDOW SWITCH 4 Button, Square Corner Style, Chrome	\$75.00	
01725092	1973	POWER WINDOW SWITCH 2 Button, Square Corner Style, Chrome	\$53.00	
01725094	1974	POWER WINDOW SWITCH 1 Button, Square Corner Style, Chrome	\$21.00	
01731231	1974	POWER WINDOW SWITCH 4 Button, Square Corner Style, Chrome	\$75.00	
01725092	1974	POWER WINDOW SWITCH 2 Button, Square Corner Style, Chrome	\$53.00	
01725094	1975	POWER WINDOW SWITCH 1 Button, Square Corner Style, Chrome	\$21.00	
01731231	1975	POWER WINDOW SWITCH 4 Button, Square Corner Style, Chrome	\$75.00	
01725092	1975	POWER WINDOW SWITCH 2 Button, Square Corner Style, Chrome	\$53.00	
01725094	1976	POWER WINDOW SWITCH 1 Button, Square Corner Style, Chrome	\$21.00	
01731231	1976	POWER WINDOW SWITCH 4 Button, Square Corner Style, Chrome	\$75.00	
01725092	1976	POWER WINDOW SWITCH 2 Button, Square Corner Style, Chrome	\$53.00	
01725094	1977	POWER WINDOW SWITCH 1 Button, Square Corner Style, Chrome	\$21.00	
01731231	1977	POWER WINDOW SWITCH 4 Button, Square Corner Style, Chrome	\$75.00	M
01725092	1977	POWER WINDOW SWITCH 2 Button, Square Corner Style, Chrome	\$53.00	
01725094	1978	POWER WINDOW SWITCH 1 Button, Square Corner Style, Chrome	\$21.00	
01725092	1978	POWER WINDOW SWITCH 2 Button, Square Corner Style, Chrome	\$53.00	

Part Number	Year	Description	Price	*Rev.
20061549	1982	POWER WINDOW SWITCH 2-Button	\$14.00	N
20061549	1983	POWER WINDOW SWITCH 2-Button	\$14.00	N
20061549	1984	POWER WINDOW SWITCH 2-Button	\$14.00	N
20061549	1985	POWER WINDOW SWITCH 2-Button	\$14.00	N
20061549	1986	POWER WINDOW SWITCH 2-Button	\$14.00	N
20061549	1987	POWER WINDOW SWITCH 2-Button	\$14.00	N
20061549	1988	POWER WINDOW SWITCH 2-Button	\$14.00	N
RADIO AND SPEAKER HARNESS				
36251	1970	RADIO AND SPEAKER HARNESS With 4 Speaker Stereo, All Except El Camino	\$145.00	
36251	1971	RADIO AND SPEAKER HARNESS With 4 Speaker Stereo, All Except El Camino	\$145.00	
36251	1972	RADIO AND SPEAKER HARNESS With 4 Speaker Stereo, All Except El Camino	\$145.00	
RADIO POWER FEED HARNESS				
41690	1968	RADIO POWER FEED HARNESS Right Hand Drive (Export Only), From Fuse Block To Radio	\$46.00	
41690	1969	RADIO POWER FEED HARNESS Right Hand Drive (Export Only), From Fuse Block To Radio	\$46.00	
REAR DOOR WARNING LAMP HARNESS				
39609	1964	REAR DOOR WARNING LAMP HARNESS 4 Door, Sedan & Wagon, From Rear Door Jamb Switches To Dash	\$66.00	
REAR LAMP HARNESS				
07175	1964	REAR LAMP HARNESS Coupe, Without Backup Lights	\$174.00	
07180	1964	REAR LAMP HARNESS Coupe, With Backup Lights	\$174.00	
07185	1964	REAR LAMP HARNESS Convertible	\$174.00	
07120	1964	REAR LAMP HARNESS El Camino, Without Backup Lights	\$180.00	
07125	1964	REAR LAMP HARNESS El Camino, With Backup Lights	\$174.00	
07080	1964	REAR LAMP HARNESS Wagon, Without Backup Lights Or Power Tailgate Window	\$212.00	
07090	1964	REAR LAMP HARNESS Wagon, Without Backup Lights, With Power Tailgate Window Note: Customer Must Supply Their Original Rubber Boot At Tailgate From Their Original Harness.	\$252.00	
07085	1964	REAR LAMP HARNESS Wagon, With Backup Lights, Without Power Tailgate Window	\$239.00	
07150	1964	REAR LAMP HARNESS Wagon, With Backup Lights & Power Tailgate Window Note: Customer Must Supply Their Original Rubber Boot At Tailgate From Their Original Harness.	\$252.00	
07095	1964	REAR LAMP HARNESS Wagon, With Backup Lights, Power Tailgate Window & Dual Front & Rear Window Control Switch Note: The Extra Window Control Switch Is Located In The Left Rear Quarter Trim Panel. Customer Must Supply Their Original Rubber Boot At Tailgate From Their Original Harness.	\$279.00	
07545	1965	REAR LAMP HARNESS Coupe, Without Backup Lights	\$180.00	
07550	1965	REAR LAMP HARNESS Coupe, With Backup Lights	\$174.00	
07555	1965	REAR LAMP HARNESS Convertible	\$174.00	
07810	1965	REAR LAMP HARNESS El Camino, Without Backup Lights	\$180.00	
07800	1965	REAR LAMP HARNESS El Camino, With Backup Lights	\$174.00	
07795	1965	REAR LAMP HARNESS Wagon, Without Backup Lights & Power Tailgate Window	\$252.00	
07815	1965	REAR LAMP HARNESS Wagon, Without Backup Lights, With Power Tailgate Window Note: Customer Must Supply Their Original Rubber Boot At Tailgate From Their Original Harness.	\$252.00	
07805	1965	REAR LAMP HARNESS Wagon, With Backup Lights, Without Power Tailgate Window	\$239.00	
07820	1965	REAR LAMP HARNESS Wagon, With Backup Lights & Power Tailgate Window Note: Customer Must Supply Their Original Rubber Boot At Tailgate From Their Original Harness.	\$233.00	
07825	1965	REAR LAMP HARNESS Wagon, With Backup Lights, Power Tailgate Window & Dual Front & Rear Window Control Switch Note: The Extra Window Control Switch Is Located In The Left Rear Quarter Trim Panel. Customer Must Supply Their Original Rubber Boot At Tailgate From Their Original Harness.	\$279.00	

Part Number	Year	Description	Price	*Rev.
08240	1966	REAR LAMP HARNESS Coupe	\$174.00	
17655	1966	REAR LAMP HARNESS Convertible	\$174.00	
08255	1966	REAR LAMP HARNESS El Camino	\$180.00	
40092	1966	REAR LAMP HARNESS Wagon, With Power Tailgate Window Note: Customer Must Supply Their Original Rubber Boot At Tailgate From Their Original Harness.	\$343.00	
41679	1966	REAR LAMP HARNESS Wagon, Without Power Tailgate Window	\$331.00	
13925	1967	REAR LAMP HARNESS Coupe	\$174.00	
13930	1967	REAR LAMP HARNESS Convertible	\$174.00	
14060	1967	REAR LAMP HARNESS El Camino	\$180.00	
39498	1967	REAR LAMP HARNESS Wagon, With Power Tailgate Window Note: Customer Must Supply Their Original Rubber Boot At Tailgate From Their Original Harness.	\$331.00	
41698	1967	REAR LAMP HARNESS Wagon, Without Power Tailgate Window	\$317.00	
41709	1968	REAR LAMP HARNESS Wagon, All, Without Power Tailgate Window	\$233.00	
14110	1968	REAR LAMP INTERMEDIATE HARNESS El Camino, From Dash To Rear Lamp Harness	\$132.00	
40522	1968	REAR LAMP INTERMEDIATE HARNESS Wagon, Except 9-Passenger & Nomad Custom 3 Seat, With Power Tailgate Window, From Dash To Rear Lamp Harness	\$226.00	
41710	1968	REAR LAMP HARNESS Wagon, All, With Power Tailgate Window Note: Customer Must Supply Their Original Rubber Boot At Tailgate From Their Original Harness.	\$290.00	
41702	1968	REAR LAMP INTERMEDIATE HARNESS Wagon, 9-Passenger, With Power Tailgate Window, From Dash To Rear Lamp Harness	\$252.00	
41721	1968	REAR LAMP INTERMEDIATE HARNESS Wagon, Nomad Custom 3 Seat, With Power Tailgate Window, From Dash To Rear Lamp Harness	\$239.00	
40521	1968	REAR LAMP INTERMEDIATE HARNESS Wagon, All, Without Power Tailgate Window, From Dash To Rear Lamp Harness	\$226.00	
17660	1968	REAR LAMP HARNESS Chevelle Deluxe, 2 Door (Back-Up Lights In Taillight Lens)	\$226.00	
17665	1968	REAR LAMP HARNESS Chevelle Deluxe, 4 Door (Back-Up Lights In Taillight Lens)	\$226.00	
17670	1968	REAR LAMP HARNESS Malibu, 4 Door (Back-Up Lights Mounted In Bumper)	\$219.00	
17675	1968	REAR LAMP HARNESS Sport Coupe (Back-Up Lights Mounted In Bumper)	\$219.00	
17680	1968	REAR LAMP HARNESS Convertible (Back-Up Lights Mounted In Bumper)	\$239.00	
17685	1968	REAR LAMP HARNESS Rear Panel, El Camino, Without Side Marker Lamps	\$199.00	
14115	1968	REAR LAMP HARNESS Rear Panel, El Camino, With Side Marker Lamps	\$219.00	
17700	1969	REAR LAMP INTERMEDIATE HARNESS Coupe, From Dash To Rear Lamp Harness	\$132.00	
17710	1969	REAR LAMP INTERMEDIATE HARNESS Convertible, From Dash To Rear Lamp Harness	\$132.00	
14320	1969	REAR LAMP INTERMEDIATE HARNESS El Camino, From Dash To Rear Lamp Harness	\$145.00	
17705	1969	REAR LAMP INTERMEDIATE HARNESS 4 Door Sedan, From Dash To Rear Lamp Harness	\$145.00	
41712	1969	REAR LAMP INTERMEDIATE HARNESS Wagon, Nomad, Greenbrier, Without Power Tailgate Window, From Dash To Rear Lamp Harness	\$173.00	
41714	1969	REAR LAMP INTERMEDIATE HARNESS Wagon, Nomad, Greenbrier, With Power Tailgate Window, From Dash To Rear Lamp Harness	\$199.00	
41713	1969	REAR LAMP INTERMEDIATE HARNESS Wagon, Concours, With Power Tailgate Window, From Dash To Rear Lamp Harness	\$226.00	
17690	1969	REAR LAMP HARNESS Trunk, Chevelle, All	\$145.00	
14230	1969	REAR LAMP HARNESS Rear Panel, El Camino Note: Customer Must Reuse Their Original Rubber Boot At Tailgate From Their Original Harness.	\$211.00	
41708	1969	REAR LAMP HARNESS Wagon, Nomad, Greenbrier, Without Power Tailgate Window	\$212.00	
41839	1969	REAR LAMP HARNESS Wagon, Nomad, Greenbrier, With Power Tailgate Window Note: Customer Must Supply Their Original Rubber Boot At Tailgate & Connector For Window Switch.	\$245.00	
41732	1969	REAR LAMP HARNESS Wagon, Concours, With Power Tailgate Window Note: Customer Must Supply Their Original Rubber Boot At Tailgate From Their Original Harness.	\$245.00	
17715	1970	REAR LAMP INTERMEDIATE HARNESS Coupe, From Dash To Rear Lamp Harness	\$126.00	

Part Number	Year	Description	Price	*Rev.
19950	1970	REAR LAMP INTERMEDIATE HARNESS Convertible, From Dash To Rear Lamp Harness	\$158.00	
14500	1970	REAR LAMP INTERMEDIATE HARNESS El Camino, From Dash To Rear Lamp Harness	\$145.00	
41724	1970	REAR LAMP INTERMEDIATE HARNESS Wagon, 6 Passenger, Without Power Tailgate Window, From Dash To Rear Lamp Harness	\$180.00	
41725	1970	REAR LAMP INTERMEDIATE HARNESS Wagon, 6 Passenger, With Power Tailgate Window, From Dash To Rear Lamp Harness	\$239.00	
41728	1970	REAR LAMP INTERMEDIATE HARNESS Wagon, All, 9 Passenger, From Dash To Rear Lamp Harness	\$265.00	
14745	1970	REAR LAMP HARNESS Trunk, Chevelle, All	\$184.00	
14485	1970	REAR LAMP HARNESS Rear Panel, El Camino Note: Customer Must Reuse Their Original Rubber Boot At Tailgate From Their Original Harness.	\$211.00	
34005	1970	REAR LAMP HARNESS Monte Carlo, Rear Panel	\$225.00	
41841	1970	REAR LAMP HARNESS Wagon, 6 Passenger, Without Power Tailgate Window Note: Customer Must Reuse Their Original Rubber Boot At Tailgate From Their Original Harness.	\$226.00	
41848	1970	REAR LAMP HARNESS Wagon, All, With Power Tailgate Window Note: Customer Must Supply Their Original Rubber Boot At Tailgate From Their Original Harness.	\$239.00	
17715	1971	REAR LAMP INTERMEDIATE HARNESS Coupe, From Dash To Rear Lamp Harness	\$126.00	
19950	1971	REAR LAMP INTERMEDIATE HARNESS Convertible, From Dash To Rear Lamp Harness	\$158.00	
14500	1971	REAR LAMP INTERMEDIATE HARNESS El Camino, From Dash To Rear Lamp Harness	\$145.00	
41724	1971	REAR LAMP INTERMEDIATE HARNESS Wagon, 6 Passenger, Without Power Tailgate Window, From Dash To Rear Lamp Harness	\$180.00	
41725	1971	REAR LAMP INTERMEDIATE HARNESS Wagon, 6 Passenger, With Power Tailgate Window, From Dash To Rear Lamp Harness	\$239.00	
41849	1971	REAR LAMP INTERMEDIATE HARNESS Wagon, All, 9 Passenger, From Dash To Rear Lamp Harness	\$265.00	
17695	1971	REAR LAMP HARNESS Trunk, Chevelle, All	\$184.00	
14485	1971	REAR LAMP HARNESS Rear Panel, El Camino Note: Customer Must Reuse Their Original Rubber Boot At Tailgate From Their Original Harness.	\$211.00	
34005	1971	REAR LAMP HARNESS Monte Carlo, Rear Panel	\$225.00	
41841	1971	REAR LAMP HARNESS Wagon, 6 Passenger, Without Power Tailgate Window Note: Customer Must Reuse Their Original Rubber Boot At Tailgate From Their Original Harness.	\$226.00	
41848	1971	REAR LAMP HARNESS Wagon, All, With Power Tailgate Window Note: Customer Must Supply Their Original Rubber Boot At Tailgate From Their Original Harness.	\$239.00	
17715	1972	REAR LAMP INTERMEDIATE HARNESS Coupe, Without Seat Belt Warning, From Dash To Rear Lamp Harness	\$126.00	
36412	1972	REAR LAMP INTERMEDIATE HARNESS Coupe, With Seat Belt Warning, From Dash To Rear Lamp Harness	\$184.00	
36411	1972	REAR LAMP INTERMEDIATE HARNESS Convertible, Without Seat Belt Warning, From Dash To Rear Lamp Harness	\$158.00	
17720	1972	REAR LAMP INTERMEDIATE HARNESS Convertible, With Seat Belt Warning, From Dash To Rear Lamp Harness	\$172.00	
14500	1972	REAR LAMP INTERMEDIATE HARNESS El Camino, Without Seat Belt Warning, From Dash To Rear Lamp Harness	\$145.00	
36413	1972	REAR LAMP INTERMEDIATE HARNESS El Camino, With Seat Belt Warning, From Dash To Rear Lamp Harness	\$184.00	
41724	1972	REAR LAMP INTERMEDIATE HARNESS Wagon, 6 Passenger, Without Power Tailgate Window & Seat Belt Warning, From Dash To Rear Lamp Harness	\$180.00	
41853	1972	REAR LAMP INTERMEDIATE HARNESS Wagon, 6 Passenger, Without Power Tailgate Window, With Seat Belt Warning, From Dash To Rear Lamp Harness	\$226.00	
41725	1972	REAR LAMP INTERMEDIATE HARNESS Wagon, 6 Passenger, With Power Tailgate Window, Except Seat Belt Warning, From Dash To Rear Lamp Harness	\$239.00	
41855	1972	REAR LAMP INTERMEDIATE HARNESS Wagon, 6 Passenger, With Power Tailgate Window & Seat Belt Warning, From Dash To Rear Lamp Harness	\$239.00	

Part Number	Year	Description	Price	*Rev.
41849	1972	REAR LAMP INTERMEDIATE HARNESS Wagon, All, 9 Passenger, Without Seat Belt Warning, From Dash To Rear Lamp Harness	\$265.00	
41854	1972	REAR LAMP INTERMEDIATE HARNESS Wagon, All, 9 Passenger, With Seat Belt Warning, From Dash To Rear Lamp Harness	\$265.00	
17695	1972	REAR LAMP HARNESS Trunk, Chevelle, All	\$184.00	
14485	1972	REAR LAMP HARNESS Rear Panel, El Camino Note: Customer Must Reuse Their Original Rubber Boot At Tailgate From Their Original Harness.	\$211.00	
34005	1972	REAR LAMP HARNESS Monte Carlo, Rear Panel	\$225.00	
41841	1972	REAR LAMP HARNESS Wagon, 6 Passenger, Without Power Tailgate Window Note: Customer Must Reuse Their Original Rubber Boot At Tailgate From Their Original Harness.	\$226.00	
41848	1972	REAR LAMP HARNESS Wagon, All, With Power Tailgate Window Note: Customer Must Supply Their Original Rubber Boot At Tailgate From Their Original Harness.	\$239.00	
40759	1973	REAR LAMP INTERMEDIATE HARNESS All, Except Wagon & El Camino, From Dash To Rear Lamp Harness	\$193.00	
41844	1973	REAR LAMP INTERMEDIATE HARNESS El Camino, From Dash To Rear Lamp Harness Note: Customer Must Supply Us With Their Original Harness.	\$166.00	
40760	1973	REAR LAMP INTERMEDIATE HARNESS Wagon, From Dash To Rear Lamp Harness	\$199.00	
41842	1973	REAR LAMP HARNESS Chevelle, Coupe & Sedan	\$237.00	
41755	1973	REAR LAMP HARNESS El Camino, In Rear Bumper Note: Customer Must Supply Us With Their Original Harness.	\$237.00	
41828	1973	REAR SIDE MARKER LAMP HARNESS El Camino, From Passenger Side Rear Marker Lamp To Rear Lamp Intermediate Harness	\$60.00	
41843	1973	REAR LAMP HARNESS Monte Carlo, Rear Panel	\$237.00	
40787	1973	REAR LAMP HARNESS Wagon, Rear Body, From Intermediate Harness To Rear Lamp Harness In Bumper Note: Customer Must Supply Us With Their Original Harness.	\$113.00	
41753	1973	REAR LAMP HARNESS Wagon, In Rear Bumper Note: Customer Must Supply Us With Their Original Harness.	\$225.00	
40759	1974	REAR LAMP INTERMEDIATE HARNESS All, Except Wagon & El Camino, From Dash To Rear Lamp Harness	\$193.00	
41832	1974	REAR LAMP INTERMEDIATE HARNESS El Camino, From Dash To Rear Lamp Harness Note: Customer Must Supply Us With Their Original Harness.	\$166.00	
40760	1974	REAR LAMP INTERMEDIATE HARNESS Wagon, From Dash To Rear Lamp Harness	\$199.00	
41830	1974	REAR LAMP HARNESS Coupe & Sedan, Except Monte Carlo, Rear Panel	\$251.00	
41755	1974	REAR LAMP HARNESS El Camino, In Rear Bumper Note: Customer Must Supply Us With Their Original Harness.	\$237.00	
41833	1974	REAR SIDE MARKER LAMP HARNESS El Camino, From Passenger Side Rear Marker Lamp To Rear Lamp Intermediate Harness	\$53.00	
41827	1974	REAR LAMP HARNESS Monte Carlo, Rear Panel	\$251.00	
40787	1974	REAR LAMP HARNESS Wagon, Rear Body, From Intermediate Harness To Rear Lamp Harness In Bumper Note: Customer Must Supply Us With Their Original Harness.	\$113.00	
41771	1974	REAR LAMP HARNESS Wagon, In Rear Bumper Note: Customer Must Supply Us With Their Original Harness.	\$219.00	
40399	1975	REAR LAMP INTERMEDIATE HARNESS All, Except Wagon & El Camino, From Dash To Rear Lamp Harness	\$226.00	
41832	1975	REAR LAMP INTERMEDIATE HARNESS El Camino, From Dash To Rear Lamp Harness Note: Customer Must Supply Us With Their Original Harness.	\$166.00	
40414	1975	REAR LAMP INTERMEDIATE HARNESS Wagon, From Dash To Rear Lamp Harness	\$199.00	
41834	1975	REAR LAMP HARNESS Coupe & Sedan, Except Monte Carlo, Rear Panel	\$251.00	

Part Number	Year	Description	Price	*Rev.
41796	1975	REAR LAMP HARNESS El Camino, In Rear Bumper Note: Customer Must Supply Us With Their Original Harness.	\$337.00	
41833	1975	REAR SIDE MARKER LAMP HARNESS El Camino, From Passenger Side Rear Marker Lamp To Rear Lamp Intermediate Harness	\$53.00	
41827	1975	REAR LAMP HARNESS Monte Carlo, Rear Panel	\$251.00	
40787	1975	REAR LAMP HARNESS Wagon, Rear Body, From Intermediate Harness To Rear Lamp Harness In Bumper Note: Customer Must Supply Us With Their Original Harness.	\$113.00	
41771	1975	REAR LAMP HARNESS Wagon, In Rear Bumper Note: Customer Must Supply Us With Their Original Harness.	\$219.00	
40399	1976	REAR LAMP INTERMEDIATE HARNESS All, Except Wagon & El Camino, From Dash To Rear Lamp Harness	\$226.00	
41661	1976	REAR LAMP INTERMEDIATE HARNESS El Camino, From Dash To Rear Lamp Harness Note: Customer Must Supply Us With Their Original Harness.	\$199.00	
40414	1976	REAR LAMP INTERMEDIATE HARNESS Wagon, From Dash To Rear Lamp Harness	\$199.00	
41658	1976	REAR LAMP HARNESS Coupe & Sedan, Except Monte Carlo, Rear Panel	\$251.00	
41796	1976	REAR LAMP HARNESS El Camino, In Rear Bumper Note: Customer Must Supply Us With Their Original Harness.	\$337.00	
41662	1976	REAR SIDE MARKER LAMP HARNESS El Camino, From Passenger Side Rear Marker Lamp To Rear Lamp Intermediate Harness	\$53.00	
41657	1976	REAR LAMP HARNESS Monte Carlo, Rear Panel	\$251.00	
40787	1976	REAR LAMP HARNESS Wagon, Rear Body, From Intermediate Harness To Rear Lamp Harness In Bumper Note: Customer Must Supply Us With Their Original Harness.	\$113.00	
41771	1976	REAR LAMP HARNESS Wagon, In Rear Bumper Note: Customer Must Supply Us With Their Original Harness.	\$219.00	
40399	1977	REAR LAMP INTERMEDIATE HARNESS All, Except Wagon & El Camino, From Dash To Rear Lamp Harness	\$226.00	
41661	1977	REAR LAMP INTERMEDIATE HARNESS El Camino, From Dash To Rear Lamp Harness Note: Customer Must Supply Us With Their Original Harness.	\$199.00	
40414	1977	REAR LAMP INTERMEDIATE HARNESS Wagon, From Dash To Rear Lamp Harness	\$199.00	
41658	1977	REAR LAMP HARNESS Coupe & Sedan, Except Monte Carlo, Rear Panel	\$251.00	
41796	1977	REAR LAMP HARNESS El Camino, In Rear Bumper Note: Customer Must Supply Us With Their Original Harness.	\$337.00	
41662	1977	REAR SIDE MARKER LAMP HARNESS El Camino, From Passenger Side Rear Marker Lamp To Rear Lamp Intermediate Harness	\$53.00	
41990	1977	REAR LAMP HARNESS Monte Carlo, Rear Panel	\$251.00	
40787	1977	REAR LAMP HARNESS Wagon, Rear Body, From Intermediate Harness To Rear Lamp Harness In Bumper Note: Customer Must Supply Us With Their Original Harness.	\$113.00	
41771	1977	REAR LAMP HARNESS Wagon, In Rear Bumper Note: Customer Must Supply Us With Their Original Harness.	\$219.00	
41991	1978	REAR LAMP INTERMEDIATE HARNESS All, Except El Camino, From Dash To Rear Lamp Harness	\$211.00	
41992	1978	REAR LAMP INTERMEDIATE HARNESS El Camino, Front Section, From Dash To Rear Body Section	\$145.00	
41861	1978	REAR LAMP INTERMEDIATE HARNESS El Camino, Rear Section, From Front Section To Rear Lamp Harness Note: Customer Must Supply Us With Their Original Harness.	\$132.00	
41993	1978	REAR LAMP HARNESS Coupe & Sedan, Except Monte Carlo, Rear Panel	\$436.00	
41858	1978	REAR LAMP HARNESS El Camino, In Rear Bumper Note: Customer Must Supply Us With Their Original Harness.	\$211.00	
41994	1978	REAR LAMP HARNESS Monte Carlo, Rear Panel	\$436.00	

Part Number	Year	Description	Price	*Rev.
42041	1978	REAR LAMP HARNESS Wagon, Rear Body, From Intermediate Harness To Rear Lamp Harness In Bumper	\$158.00	
41826	1978	REAR LAMP HARNESS Wagon, In Rear Bumper Note: Customer Must Supply Us With Their Original Harness.	\$317.00	
41991	1979	REAR LAMP INTERMEDIATE HARNESS All, Except El Camino, From Dash To Rear Lamp Harness	\$211.00	
41992	1979	REAR LAMP INTERMEDIATE HARNESS El Camino, Front Section, From Dash To Rear Body Section	\$145.00	
41861	1979	REAR LAMP INTERMEDIATE HARNESS El Camino, Rear Section, From Front Section To Rear Lamp Harness Note: Customer Must Supply Us With Their Original Harness.	\$132.00	
42042	1979	REAR LAMP HARNESS Coupe & Sedan, Except Monte Carlo, Rear Panel Note: Customer Must Supply Us With Their Original Harness.	\$436.00	
41875	1979	REAR LAMP HARNESS El Camino, In Rear Bumper Note: Customer Must Supply Us With Their Original Harness.	\$410.00	
42036	1979	REAR LAMP HARNESS Monte Carlo, Rear Panel	\$436.00	
42041	1979	REAR LAMP HARNESS Wagon, Rear Body, From Intermediate Harness To Rear Lamp Harness In Bumper	\$158.00	
41874	1979	REAR LAMP HARNESS Wagon, In Rear Bumper Note: Customer Must Supply Us With Their Original Harness.	\$317.00	
41991	1980	REAR LAMP INTERMEDIATE HARNESS All, Except El Camino, From Dash To Rear Lamp Harness	\$211.00	
41992	1980	REAR LAMP INTERMEDIATE HARNESS El Camino, Front Section, From Dash To Rear Body Section	\$145.00	
41861	1980	REAR LAMP INTERMEDIATE HARNESS El Camino, Rear Section, From Front Section To Rear Lamp Harness Note: Customer Must Supply Us With Their Original Harness.	\$132.00	
42042	1980	REAR LAMP HARNESS Coupe & Sedan, Except Monte Carlo, Rear Panel Note: Customer Must Supply Us With Their Original Harness.	\$436.00	
41875	1980	REAR LAMP HARNESS El Camino, In Rear Bumper Note: Customer Must Supply Us With Their Original Harness.	\$410.00	
42037	1980	REAR LAMP HARNESS Monte Carlo, Rear Panel Note: Customer Must Supply Us With Their Original Harness.	\$436.00	
42041	1980	REAR LAMP HARNESS Wagon, Rear Body, From Intermediate Harness To Rear Lamp Harness In Bumper	\$158.00	
41874	1980	REAR LAMP HARNESS Wagon, In Rear Bumper Note: Customer Must Supply Us With Their Original Harness.	\$317.00	
41991	1981	REAR LAMP INTERMEDIATE HARNESS All, Except El Camino, From Dash To Rear Lamp Harness	\$211.00	
41992	1981	REAR LAMP INTERMEDIATE HARNESS El Camino, Front Section, From Dash To Rear Body Section	\$145.00	
41861	1981	REAR LAMP INTERMEDIATE HARNESS El Camino, Rear Section, From Front Section To Rear Lamp Harness Note: Customer Must Supply Us With Their Original Harness.	\$132.00	
42047	1981	REAR LAMP HARNESS Coupe & Sedan, Except Monte Carlo, Rear Panel	\$436.00	
41875	1981	REAR LAMP HARNESS El Camino, In Rear Bumper Note: Customer Must Supply Us With Their Original Harness.	\$410.00	
42046	1981	REAR LAMP HARNESS Monte Carlo, Rear Panel	\$436.00	
42041	1981	REAR LAMP HARNESS Wagon, Rear Body, From Intermediate Harness To Rear Lamp Harness In Bumper	\$158.00	
41874	1981	REAR LAMP HARNESS Wagon, In Rear Bumper Note: Customer Must Supply Us With Their Original Harness.	\$317.00	
41991	1982	REAR LAMP INTERMEDIATE HARNESS All, Except El Camino, From Dash To Rear Lamp Harness	\$211.00	
41992	1982	REAR LAMP INTERMEDIATE HARNESS El Camino, Front Section, From Dash To Rear Body Section	\$145.00	
41861	1982	REAR LAMP INTERMEDIATE HARNESS El Camino, Rear Section, From Front Section To Rear Lamp Harness Note: Customer Must Supply Us With Their Original Harness.	\$132.00	

Part Number	Year	Description	Price	*Rev.
42047	1982	REAR LAMP HARNESS Without Diesel, Except Monte Carlo, Rear Panel	\$436.00	
42051	1982	REAR LAMP HARNESS With Diesel, Except Monte Carlo, Rear Panel	\$463.00	
42046	1982	REAR LAMP HARNESS Monte Carlo, Without Diesel, Rear Panel	\$436.00	
42050	1982	REAR LAMP HARNESS Monte Carlo, With Diesel, Rear Panel	\$463.00	
41875	1982	REAR LAMP HARNESS El Camino, In Rear Bumper Note: Customer Must Supply Us With Their Original Harness.	\$410.00	
42041	1982	REAR LAMP HARNESS Wagon, Without Diesel, Rear Body, From Intermediate Harness To Rear Lamp Harness In Bumper	\$158.00	
42049	1982	REAR LAMP HARNESS Wagon, With Diesel, Rear Body, From Intermediate Harness To Rear Lamp Harness In Bumper	\$158.00	
41874	1982	REAR LAMP HARNESS Wagon, In Rear Bumper Note: Customer Must Supply Us With Their Original Harness.	\$317.00	
REAR WINDOW DEFROSTER HARNESS				
36070	1964	REAR WINDOW DEFROSTER HARNESS From Dash Switch To Blower Motor	\$60.00	
36070	1965	REAR WINDOW DEFROSTER HARNESS From Dash Switch To Blower Motor	\$60.00	
36070	1966	REAR WINDOW DEFROSTER HARNESS From Dash Switch To Blower Motor	\$60.00	
36070	1967	REAR WINDOW DEFROSTER HARNESS From Dash Switch To Blower Motor	\$60.00	
14185	1968	REAR WINDOW DEFROSTER HARNESS Except Wagon, From Dash Switch To Blower Motor	\$67.00	
41711	1968	REAR WINDOW DEFROSTER HARNESS Wagon, From Dash Switch To Blower Motor	\$80.00	
14415	1969	REAR WINDOW DEFROSTER HARNESS Except Wagon, From Dash Switch To Blower Motor	\$67.00	
41719	1969	REAR WINDOW DEFROSTER HARNESS Wagon, From Dash Switch To Blower Motor	\$80.00	
14555	1970	REAR WINDOW DEFROSTER HARNESS Except Wagon, From Dash Switch To Blower Motor	\$80.00	
41731	1970	REAR WINDOW DEFROSTER HARNESS Wagon, From Dash Switch To Blower Motor	\$80.00	
19445	1970	REAR WINDOW DEFROSTER WIRE Resistance Wire, Used With Blower Type Defroster Note: This Wire Is Included In Our Harness #14555.	\$80.00	
14555	1971	REAR WINDOW DEFROSTER HARNESS Except Wagon, From Dash Switch To Blower Motor	\$80.00	
41731	1971	REAR WINDOW DEFROSTER HARNESS Wagon, From Dash Switch To Blower Motor	\$80.00	
14555	1972	REAR WINDOW DEFROSTER HARNESS Except Wagon, From Dash Switch To Blower Motor	\$80.00	
41731	1972	REAR WINDOW DEFROSTER HARNESS Wagon, From Dash Switch To Blower Motor	\$80.00	
41759	1973	REAR WINDOW DEFROSTER HARNESS Fuse Block To Extension Harness Note: Customer Must Reuse Their Original 3 Terminal Plastic Connector On Cluster End Of Harness.	\$80.00	
41760	1973	REAR WINDOW DEFROSTER EXTENSION HARNESS Defroster Harness To Switch Note: Customer Must Reuse Their Original 3 Terminal Plastic Connector On Cluster End Of Harness.	\$80.00	
40781	1973	REAR WINDOW DEFROSTER HARNESS Rear Section, Under Dash To Blower Motor	\$58.00	
41775	1974	REAR WINDOW DEFROSTER HARNESS From Dash Switch To Fuse Block	\$71.00	
40781	1974	REAR WINDOW DEFROSTER HARNESS From Under Dash To Blower Motor	\$58.00	
41775	1975	REAR WINDOW DEFROSTER HARNESS From Dash Switch To Fuse Block	\$71.00	
40781	1975	REAR WINDOW DEFROSTER HARNESS From Under Dash To Blower Motor	\$58.00	
41775	1976	REAR WINDOW DEFROSTER HARNESS Blower Type Defroster, From Dash Switch To Fuse Block	\$71.00	
40781	1976	REAR WINDOW DEFROSTER HARNESS Blower Type Defroster, From Under Dash To Blower Motor	\$58.00	
41805	1976	REAR WINDOW DEFROSTER HARNESS Electric Type Defroster, From Dash Switch To Circuit Breaker	\$95.00	
40767	1976	REAR WINDOW DEFROSTER HARNESS Electric Type Defroster, From Dash To Rear Window	\$51.00	
41775	1977	REAR WINDOW DEFROSTER HARNESS Blower Type Defroster, From Dash Switch To Fuse Block	\$71.00	
40781	1977	REAR WINDOW DEFROSTER HARNESS Blower Type Defroster, From Dash To Blower Motor	\$58.00	
41816	1977	REAR WINDOW DEFROSTER HARNESS Electric Type Defroster, From Dash Switch To Fuse Block	\$95.00	
40767	1977	REAR WINDOW DEFROSTER HARNESS Electric Type Defroster, From Dash To Rear Window	\$51.00	
41775	1978	REAR WINDOW DEFROSTER HARNESS Blower Type Defroster, From Dash Switch To Fuse Block	\$71.00	
42025	1978	REAR WINDOW DEFROSTER HARNESS Blower Type Defroster, From Dash To Blower Motor	\$80.00	

Part Number	Year	Description	Price	*Rev.
41857	1978	REAR WINDOW DEFROSTER HARNESS Electric Type Defroster, From Fuse Block To Dash Switch	\$80.00	
42024	1978	REAR WINDOW DEFROSTER HARNESS Electric Type Defroster, Without Removable Roof, From Dash To Rear Window	\$80.00	
42033	1978	REAR WINDOW DEFROSTER HARNESS Electric Type Defroster, With Removable Roof, From Dash To Rear Window	\$80.00	
42035	1978	REAR WINDOW DEFROSTER HARNESS Wagon, With Heated Liftgate Window, From Dash To Rear Window	\$80.00	
41825	1979	REAR WINDOW DEFROSTER HARNESS Blower Type Defroster, From Fuse Block To Blower Switch	\$80.00	
42025	1979	REAR WINDOW DEFROSTER HARNESS Blower Type Defroster, From Dash To Blower Motor	\$80.00	
41857	1979	REAR WINDOW DEFROSTER HARNESS Electric Type Defroster, From Fuse Block To Dash Switch	\$80.00	
42024	1979	REAR WINDOW DEFROSTER HARNESS Electric Type Defroster, Without Removable Roof, From Dash To Rear Window	\$80.00	
42033	1979	REAR WINDOW DEFROSTER HARNESS Electric Type Defroster, With Removable Roof, From Dash To Rear Window	\$80.00	
42035	1979	REAR WINDOW DEFROSTER HARNESS Wagon, With Heated Liftgate Window, From Dash To Rear Window	\$80.00	
41825	1980	REAR WINDOW DEFROSTER HARNESS Blower Type Defroster, From Fuse Block To Blower Switch	\$80.00	
42025	1980	REAR WINDOW DEFROSTER HARNESS Blower Type Defroster, From Dash To Blower Motor	\$80.00	
41898	1980	REAR WINDOW DEFROSTER HARNESS Electric Type Defroster, From Fuse Block To Dash Switch	\$80.00	
42024	1980	REAR WINDOW DEFROSTER HARNESS Electric Type Defroster, Without Removable Roof, From Dash To Rear Window	\$80.00	
42033	1980	REAR WINDOW DEFROSTER HARNESS Electric Type Defroster, With Removable Roof, From Dash To Rear Window	\$80.00	
42035	1980	REAR WINDOW DEFROSTER HARNESS Wagon, With Heated Liftgate Window, From Dash To Rear Window	\$80.00	
41941	1981	REAR WINDOW DEFROSTER HARNESS Electric Type Defroster, From Fuse Block To Dash Switch	\$80.00	
42024	1981	REAR WINDOW DEFROSTER HARNESS Electric Type Defroster, Without Removable Roof, From Dash To Rear Window	\$80.00	
42033	1981	REAR WINDOW DEFROSTER HARNESS Electric Type Defroster, With Removable Roof, From Dash To Rear Window	\$80.00	
42035	1981	REAR WINDOW DEFROSTER HARNESS Wagon, With Heated Liftgate Window, From Dash To Rear Window	\$80.00	
41941	1982	REAR WINDOW DEFROSTER HARNESS Electric Type Defroster, From Fuse Block To Dash Switch	\$80.00	
42024	1982	REAR WINDOW DEFROSTER HARNESS Electric Type Defroster, Without Removable Roof, From Dash To Rear Window	\$80.00	
42033	1982	REAR WINDOW DEFROSTER HARNESS Electric Type Defroster, With Removable Roof, From Dash To Rear Window	\$80.00	
42035	1982	REAR WINDOW DEFROSTER HARNESS Wagon, With Heated Liftgate Window, From Dash To Rear Window	\$80.00	
REPAIR PIGTAIL-FOR POWER WINDOW SWITCH				
36048	1964	REPAIR PIGTAIL, FOR POWER WINDOW SWITCH For Single Power Window Switches, Includes Connector & Wire	\$25.00	
36048	1965	REPAIR PIGTAIL, FOR POWER WINDOW SWITCH For Single Power Window Switches, Includes Connector & Wire	\$25.00	
36048	1966	REPAIR PIGTAIL, FOR POWER WINDOW SWITCH For Single Power Window Switches, Includes Connector & Wire	\$25.00	
36048	1967	REPAIR PIGTAIL, FOR POWER WINDOW SWITCH For Single Power Window Switches, Includes Connector & Wire	\$25.00	
36048	1968	REPAIR PIGTAIL, FOR POWER WINDOW SWITCH For Single Power Window Switches, Includes Connector & Wire	\$25.00	
36048	1969	REPAIR PIGTAIL, FOR POWER WINDOW SWITCH For Single Power Window Switches, Includes Connector & Wire	\$25.00	
36048	1970	REPAIR PIGTAIL, FOR POWER WINDOW SWITCH For Single Power Window Switches, Includes Connector & Wire	\$25.00	
SEAT BELT WARNING HARNESS				
41761	1972	SEAT BELT WARNING HARNESS Manual Trans, From Dash Harness To Parking Brake Relay	\$80.00	
19955	1972	SEAT BELT WARNING EXTENSION HARNESS From Intermediate Body Connector To Seat Belt Retractor	\$52.00	
41756	1973	SEAT BELT WARNING HARNESS Manual Trans, From Dash Harness To Parking Brake Relay	\$80.00	

Part Number	Year	Description	Price	*Rev.
40701	1973	SEAT BELT WARNING HARNESS All, Passenger Side, From Seat Sensor Switch To Seat Belt Retractor	\$34.00	
40702	1973	SEAT BELT WARNING HARNESS All, Driver Side, From Under Dash To Seat Belt Retractor	\$34.00	
41783	1974	SEAT BELT IGNITION INTERLOCK WARNING EXTENSION HARNESS With 3 Speed Manual Trans, From Warning Switch On Column To Clutch Start Switch	\$66.00	
41784	1974	SEAT BELT IGNITION INTERLOCK WARNING EXTENSION HARNESS With 4 Speed Manual Trans, From Warning Relay To Clutch Start Switch	\$66.00	
41831	1974	SEAT BELT IGNITION INTERLOCK WARNING HARNESS El Camino, From Right & Left Retractor To Seat Sensor Switch	\$52.00	
41837	1974	SEAT BELT IGNITION INTERLOCK WARNING HARNESS With Bench Seat, Harness Located On Passenger Side Front End And Under Body Note: Customer Must Supply Us With Their Original Harness.	\$132.00	
41838	1974	SEAT BELT IGNITION INTERLOCK WARNING HARNESS With Bucket Seat, Harness Located On Passenger Side Front End And Under Body Note: Customer Must Supply Us With Their Original Harness.	\$132.00	
40716	1974	SEAT BELT IGNITION INTERLOCK WARNING HARNESS With Bucket Seats, In Passenger Side Seat Note: Customer Must Supply Us With Their Original Harness.	\$52.00	
41835	1974	SEAT BELT IGNITION INTERLOCK WARNING HARNESS With Standard Bench Seat, In Seat Note: Customer Must Supply Us With Their Original Harness.	\$65.00	
41836	1974	SEAT BELT IGNITION INTERLOCK WARNING HARNESS With Reclining Split Bench Seat, In Seat Note: Customer Must Supply Us With Their Original Harness.	\$65.00	
41831	1975	SEAT BELT IGNITION INTERLOCK WARNING HARNESS El Camino, From Right & Left Retractor To Seat Sensor Switch	\$52.00	
40421	1975	SEAT BELT IGNITION INTERLOCK WARNING HARNESS All, Dash Harness To Timer & Buzzer Note: Customer Must Reuse Their Original Single Wire Plastic Connector That Attaches This Harness To The Instrument Panel Harness.	\$80.00	
40422	1975	SEAT BELT IGNITION INTERLOCK WARNING HARNESS All, From Driver Side Seat Belt Retractor To Seat Belt Warning Harness	\$53.00	
40438	1976	SEAT BELT WARNING JUMPER All, From Buzzer To Driver Side Seat Belt Retractor	\$41.00	
40438	1977	SEAT BELT WARNING JUMPER All, From Buzzer To Driver Side Seat Belt Retractor	\$41.00	
42019	1978	SEAT BELT WARNING EXTENSION HARNESS All, From Buzzer Ground To Seat Belt Buckle	\$35.00	
42019	1979	SEAT BELT WARNING EXTENSION HARNESS All, From Buzzer Ground To Seat Belt Buckle	\$35.00	
42019	1980	SEAT BELT WARNING EXTENSION HARNESS All, From Buzzer Ground To Seat Belt Buckle	\$35.00	
42019	1981	SEAT BELT WARNING EXTENSION HARNESS All, From Buzzer Ground To Seat Belt Buckle	\$35.00	
42019	1982	SEAT BELT WARNING EXTENSION HARNESS All, From Buzzer Ground To Seat Belt Buckle	\$35.00	
SPEAKER HARNESS				
06905	1964	SPEAKER WIRE Except Wagon, Single Rear Seat Speaker, From Radio To Speaker	\$25.00	
07155	1964	SPEAKER HARNESS Wagon, Single Rear Seat Speaker, From Radio To Speaker	\$32.00	
20375	1965	SPEAKER WIRE Convertible, With Stereo, Rear Speaker Ground, From Speaker To Body Note: When Using A Factory Stereo, 2 Of These Wires Are Required.	\$21.00	
08115	1965	SPEAKER WIRE Except Convertible, Single Rear Seat Speaker, From Radio To Speaker	\$32.00	
07885	1965	SPEAKER HARNESS Wagon, Single Rear Seat Speaker, From Radio To Speaker	\$32.00	
33430	1965	SPEAKER HARNESS 4 Stereo Speakers, From Radio To Front & Rear Speakers	\$83.00	
18510	1965	SPEAKER HARNESS All, From Radio To Speaker Fader Control	\$53.00	
08115	1966	SPEAKER WIRE Except Convertible, Single Rear Seat Speaker, From Radio To Speaker	\$32.00	
38419	1966	SPEAKER HARNESS Wagon, Single Rear Seat Speaker, From Radio To Speaker	\$32.00	
05855	1966	SPEAKER WIRE Convertible, Single Rear Seat Speaker, From Radio To Speaker	\$32.00	
38864	1966	SPEAKER WIRE Convertible, Rear Seat Speaker Ground, From Speaker To Body Note: When Using A Factory Stereo, 2 Of These Wires Are Required.	\$23.00	
33430	1966	SPEAKER HARNESS 4 Stereo Speakers, From Radio To Front & Rear Speakers	\$83.00	

Part Number	Year	Description	Price	*Rev.
18510	1966	SPEAKER HARNESS All, From Radio To Speaker Fader Control	\$53.00	
05855	1967	SPEAKER WIRE Convertible, Single Rear Seat Speaker, From Radio To Speaker	\$32.00	
09315	1967	SPEAKER HARNESS With Stereo Tape Player, From Radio Rear Seat Speakers	\$53.00	
38864	1967	SPEAKER WIRE Convertible, Rear Seat Speaker Ground, From Speaker To Body Note: When Using A Factory Stereo, 2 Of These Wires Are Required.	\$23.00	
08115	1967	SPEAKER WIRE Except Convertible, Single Rear Seat Speaker, From Radio To Speaker	\$32.00	
08210	1967	SPEAKER HARNESS Except Wagon, From Radio To Rear Stereo Speakers	\$53.00	
38419	1967	SPEAKER HARNESS Wagon, Single Rear Seat Speaker, From Radio To Speaker	\$32.00	
41697	1967	SPEAKER HARNESS Wagon, With Stereo, From Radio To Rear Seat Speakers	\$48.00	
33430	1967	SPEAKER HARNESS 4 Stereo Speakers, From Radio To Front & Rear Speakers	\$83.00	
18510	1967	SPEAKER HARNESS All, From Radio To Speaker Fader Control	\$53.00	
05855	1968	SPEAKER WIRE Convertible, Single Rear Seat Speaker, From Radio To Speaker	\$32.00	
09315	1968	SPEAKER HARNESS With Stereo Tape Player, From Radio Rear Seat Speakers	\$53.00	
40492	1968	SPEAKER WIRE Convertible, Rear Seat Speaker Ground, From Speaker To Body Note: When Using A Factory Stereo, 2 Of These Wires Are Required.	\$21.00	
08115	1968	SPEAKER WIRE Except Convertible, Single Rear Seat Speaker, From Radio To Speaker	\$32.00	
08210	1968	SPEAKER HARNESS Except Wagon, From Radio To Rear Stereo Speakers	\$53.00	
41703	1968	SPEAKER HARNESS Wagon, Single Rear Seat Speaker, From Radio To Speaker	\$34.00	
41707	1968	SPEAKER HARNESS Wagon, With Stereo, From Radio To Rear Seat Speakers	\$52.00	
33430	1968	SPEAKER HARNESS 4 Stereo Speakers, From Radio To Front & Rear Speakers	\$83.00	
18510	1968	SPEAKER HARNESS All, From Radio To Speaker Fader Control	\$53.00	
05855	1969	SPEAKER WIRE Convertible, Single Rear Seat Speaker, From Radio To Speaker	\$32.00	
09315	1969	SPEAKER HARNESS With Stereo Tape Player, From Radio Rear Seat Speakers	\$53.00	
40492	1969	SPEAKER WIRE Convertible, Rear Seat Speaker Ground, From Speaker To Body Note: When Using A Factory Stereo, 2 Of These Wires Are Required.	\$21.00	
41707	1969	SPEAKER HARNESS Wagon, With Stereo, From Radio To Rear Seat Speakers	\$52.00	
40889	1969	SPEAKER HARNESS Wagon, Single Rear Seat Speaker, From Radio To Speaker	\$52.00	
41717	1969	SPEAKER HARNESS Except Wagon & El Camino, From Radio To Rear Stereo Speakers	\$52.00	
41718	1969	SPEAKER HARNESS Except Wagon & El Camino, From Radio To Rear Speaker	\$32.00	
33430	1969	SPEAKER HARNESS 4 Stereo Speakers, From Radio To Front & Rear Speakers	\$83.00	
18510	1969	SPEAKER HARNESS All, From Radio To Speaker Fader Control	\$53.00	
20730	1970	SPEAKER HARNESS AM, AM/FM With Single Center Dash Speaker & Single Rear Seat Speaker, Without A/C, From Radio To Fader Control Note: This Harness Is Used On Vehicles With U80 Option Code.	\$101.00	
20735	1970	SPEAKER HARNESS AM/FM With Left & Right Dash Speakers & Single Rear Seat Speaker, With A/C, From Radio To Fader Control Note: This Harness Is Used On A/C Equiped Cars With U80 Option Code.	\$113.00	
41578	1970	SPEAKER HARNESS Coupe & Sedan, From Radio To Single Rear Seat Speaker Note: This Harness Is Used On Vehicles With U80 Option Code.	\$63.00	
41726	1970	SPEAKER HARNESS Wagon, With Stereo, From Radio To Rear Seat Speakers Note: This Harness Is Used On Vehicles With U79, Um1 Or Um2 Option Code.	\$60.00	
41727	1970	SPEAKER HARNESS All, With Stereo, Except Wagon, From Radio To Rear Seat Speakers Note: This Harness Is Used On Vehicles With U79, Um1 Or Um2 Option Code.	\$60.00	
41840	1970	SPEAKER HARNESS Convertible, From Radio To Single Rear Seat Speaker Note: This Harness Is Used On Vehicles With U80 Option Code.	\$60.00	

Part Number	Year	Description	Price	*Rev.
40492	1970	SPEAKER WIRE Convertible, Rear Seat Speaker Ground, From Speaker To Body Note: When Using A Factory Stereo, 2 Of These Wires Are Required.	\$21.00	
20725	1970	SPEAKER HARNESS AM, AM/FM, From Radio To Single Center Dash Speaker	\$40.00	
38529	1970	SPEAKER HARNESS AM, AM/FM, From Radio To Left & Right Front Speakers, Used In A/C Equiped Cars	\$61.00	
36251	1970	SPEAKER HARNESS With 4 Speaker Stereo, All Except El Camino, From Radio To Front & Rear Speakers	\$145.00	
05855	1970	SPEAKER WIRE Used With Accessory, Dealer Installed Speaker, From Radio To Rear Seat Speaker	\$32.00	
18510	1970	SPEAKER HARNESS All, From Radio To Speaker Fader Control	\$53.00	
20730	1971	SPEAKER HARNESS AM, AM/FM With Single Center Dash Speaker & Single Rear Seat Speaker, Without A/C, From Radio To Fader Control Note: This Harness Is Used On Vehicles With U80 Option Code.	\$101.00	
41738	1971	SPEAKER HARNESS AM/FM With Left & Right Dash Speakers & Single Rear Seat Speaker, With A/C, From Radio To Fader Control Note: This Harness Is Used On A/C Equiped Cars With Radio Speaker Option U80.	\$101.00	
41578	1971	SPEAKER HARNESS Wagon, From Radio To Single Rear Seat Speaker Note: This Harness Is Used On Vehicles With U80 Option Code.	\$63.00	
41726	1971	SPEAKER HARNESS Wagon, With Stereo, From Radio To Rear Seat Speakers Note: This Harness Is Used On Vehicles With U79, Um1 Or Um2 Option Code.	\$60.00	
40799	1971	SPEAKER HARNESS All, Except Wagon, From Radio To Single Rear Seat Speaker Note: This Harness Is Used On Vehicles With U80 Option Code.	\$52.00	
20725	1971	SPEAKER HARNESS AM, AM/FM, From Radio To Single Center Dash Speaker	\$40.00	
38529	1971	SPEAKER HARNESS AM, AM/FM, From Radio To Left & Right Front Speakers, Used In A/C Equiped Cars	\$61.00	
36251	1971	SPEAKER HARNESS With 4 Speaker Stereo, All Except El Camino, From Radio To Front & Rear Speakers	\$145.00	
05855	1971	SPEAKER WIRE Used With Accessory, Dealer Installed Speaker, From Radio To Rear Seat Speaker	\$32.00	
20730	1972	SPEAKER HARNESS AM, Push Button, With Single Center Dash Speaker & Single Rear Seat Speaker, From Radio To Fader Control Note: This Harness Is Used On Vehicles With U63 Option Code.	\$101.00	
39550	1972	SPEAKER HARNESS AM, Push Button, From Radio To Left & Right Front Speakers, Used In A/C Equiped Cars Note: This Harness Is Used On A/C Equiped Cars With Radio Option U63.	\$101.00	
41746	1972	SPEAKER HARNESS AM/FM, From Radio To Left & Right Front Speakers & Single Rear Seat Speaker, Used In A/C Equiped Cars Note: This Harness Is Used On A/C Equiped Cars With Radio Option U79 & U80.	\$98.00	
39511	1972	SPEAKER HARNESS AM, AM/FM With Single Center Dash Speaker & Single Rear Seat Speaker, From Radio To Dash Harness Note: This Harness Is Used On Cars With Radio Speaker Option U80.	\$87.00	
41578	1972	SPEAKER HARNESS Wagon, From Radio To Single Rear Seat Speaker Note: This Harness Is Used On Vehicles With U80 Option Code.	\$63.00	
41726	1972	SPEAKER HARNESS Wagon, With Stereo, From Radio To Rear Seat Speakers Note: This Harness Is Used On Vehicles With U79, Um1 Or Um2 Option Code.	\$60.00	
40799	1972	SPEAKER HARNESS All, Except Wagon, From Radio To Single Rear Seat Speaker Note: This Harness Is Used On Vehicles With U80 Option Code.	\$52.00	
20725	1972	SPEAKER HARNESS AM, AM/FM, From Radio To Single Center Dash Speaker	\$40.00	
36251	1972	SPEAKER HARNESS With 4 Speaker Stereo, All Except El Camino, From Radio To Front & Rear Speakers	\$145.00	
39318	1973	SPEAKER HARNESS AM, From Radio To Center Dash Speaker	\$35.00	
41743	1973	SPEAKER HARNESS Stereo, Without Tape Player, From Radio To Left & Right Front Speakers	\$52.00	

Part Number	Year	Description	Price	*Rev.
40782	1973	SPEAKER HARNESS Single Rear Speaker, Except Wagon, From Radio To Speaker	\$33.00	
40783	1973	SPEAKER HARNESS Wagon, Single Rear Speaker, From Radio To Speaker	\$52.00	
40784	1973	SPEAKER HARNESS With Stereo, Rear Seat Speakers, Except Wagon, From Radio To Speakers	\$101.00	
40785	1973	SPEAKER HARNESS Wagon, With Stereo, From Radio To Rear Speakers	\$52.00	
39318	1974	SPEAKER HARNESS AM, From Radio To Center Dash Speaker	\$35.00	
41743	1974	SPEAKER HARNESS Stereo, Without Tape Player, From Radio To Left & Right Front Speakers	\$52.00	
40782	1974	SPEAKER HARNESS Single Rear Speaker, Except Wagon, From Radio To Speaker	\$33.00	
40783	1974	SPEAKER HARNESS Wagon, Single Rear Speaker, From Radio To Speaker	\$52.00	
40784	1974	SPEAKER HARNESS With Stereo, Rear Seat Speakers, Except Wagon, From Radio To Speakers	\$101.00	
40785	1974	SPEAKER HARNESS Wagon, With Stereo, From Radio To Rear Speakers	\$52.00	
39318	1975	SPEAKER HARNESS AM, From Radio To Center Dash Speaker	\$35.00	
41743	1975	SPEAKER HARNESS Stereo, Without Tape Player, From Radio To Left & Right Front Speakers	\$52.00	
40784	1975	SPEAKER HARNESS With Stereo, Rear Seat Speakers, Except Wagon, From Radio To Speakers	\$101.00	
40785	1975	SPEAKER HARNESS Wagon, With Stereo, From Radio To Rear Speakers	\$52.00	
40782	1975	SPEAKER HARNESS Single Rear Speaker, Except Wagon, From Radio To Speaker	\$33.00	
40783	1975	SPEAKER HARNESS Wagon, Single Rear Speaker, From Radio To Speaker	\$52.00	
39318	1976	SPEAKER HARNESS AM,AM/FM, Pushbutton, From Radio To Center Dash Speaker	\$35.00	
41743	1976	SPEAKER HARNESS Stereo, From Radio To Left & Right Front Speakers	\$52.00	
41665	1976	SPEAKER HARNESS El Camino, From Radio To Rear Stereo Speakers	\$52.00	
40784	1976	SPEAKER HARNESS With Stereo, Rear Seat Speakers, Except Wagon, From Radio To Speakers	\$101.00	
40785	1976	SPEAKER HARNESS Wagon, With Stereo, From Radio To Rear Speakers	\$52.00	
40782	1976	SPEAKER HARNESS Single Rear Speaker, Except Wagon, From Radio To Speaker	\$33.00	
40783	1976	SPEAKER HARNESS Wagon, Single Rear Speaker, From Radio To Speaker	\$52.00	
41665	1977	SPEAKER HARNESS El Camino, From Radio To Rear Stereo Speakers	\$52.00	
40785	1977	SPEAKER HARNESS Wagon, With Stereo, From Radio To Rear Speakers	\$52.00	
40782	1977	SPEAKER HARNESS Single Rear Speaker, Except Wagon, From Radio To Speaker	\$33.00	
40783	1977	SPEAKER HARNESS Wagon, Single Rear Speaker, From Radio To Speaker	\$52.00	
39318	1977	SPEAKER HARNESS AM,AM/FM, Pushbutton, From Radio To Center Dash Speaker	\$35.00	
41743	1977	SPEAKER HARNESS Stereo, From Radio To Left & Right Front Speakers	\$52.00	
41824	1978	SPEAKER HARNESS Stereo, Except El Camino, From Radio To Right & Left Front Speakers	\$67.00	
41868	1978	SPEAKER HARNESS Stereo, El Camino, From Radio To Right & Left Front Speakers	\$67.00	
42022	1978	SPEAKER HARNESS With Stereo, Except Wagon & El Camino, From Radio To Rear Seat Speakers	\$67.00	
42023	1978	SPEAKER HARNESS With Stereo, Wagon, From Radio To Rear Seat Speakers	\$67.00	
42021	1978	SPEAKER HARNESS All, Without Stereo, From Radio To Rear Seat Speaker	\$33.00	
42022	1979	SPEAKER HARNESS With Stereo, Except Wagon & El Camino, From Radio To Rear Seat Speakers	\$67.00	
41824	1979	SPEAKER HARNESS Stereo, Except El Camino, From Radio To Right & Left Front Speakers	\$67.00	
41868	1979	SPEAKER HARNESS Stereo, El Camino, From Radio To Right & Left Front Speakers	\$67.00	
42023	1979	SPEAKER HARNESS With Stereo, Wagon, From Radio To Rear Seat Speakers	\$67.00	
42021	1979	SPEAKER HARNESS All, Without Stereo, From Radio To Rear Seat Speaker	\$33.00	

Part Number	Year	Description	Price	*Rev.
41824	1980	SPEAKER HARNESS Stereo, Except El Camino, From Radio To Right & Left Front Speakers	\$67.00	
41868	1980	SPEAKER HARNESS Stereo, El Camino, From Radio To Right & Left Front Speakers	\$67.00	
42022	1980	SPEAKER HARNESS With Stereo, Except Wagon & El Camino, From Radio To Rear Seat Speakers	\$67.00	
42023	1980	SPEAKER HARNESS With Stereo, Wagon, From Radio To Rear Seat Speakers	\$67.00	
42021	1980	SPEAKER HARNESS All, Without Stereo, From Radio To Rear Seat Speaker	\$33.00	
42022	1981	SPEAKER HARNESS With Stereo, Except Wagon & El Camino, From Radio To Rear Seat Speakers	\$67.00	
42023	1981	SPEAKER HARNESS With Stereo, Wagon, From Radio To Rear Seat Speakers	\$67.00	
42021	1981	SPEAKER HARNESS All, Without Stereo, From Radio To Rear Seat Speaker	\$33.00	
41824	1981	SPEAKER HARNESS Stereo, Except El Camino, From Radio To Right & Left Front Speakers	\$67.00	
41868	1981	SPEAKER HARNESS Stereo, El Camino, From Radio To Right & Left Front Speakers	\$67.00	
41824	1982	SPEAKER HARNESS Stereo, Except El Camino, From Radio To Right & Left Front Speakers	\$67.00	
41868	1982	SPEAKER HARNESS Stereo, El Camino, From Radio To Right & Left Front Speakers	\$67.00	
42022	1982	SPEAKER HARNESS With Stereo, Except Wagon & El Camino, From Radio To Rear Seat Speakers	\$67.00	
42023	1982	SPEAKER HARNESS With Stereo, Wagon, From Radio To Rear Seat Speakers	\$67.00	
42021	1982	SPEAKER HARNESS All, Without Stereo, From Radio To Rear Seat Speaker	\$33.00	
SPEED WARNING HARNESS				
11045	1966	SPEED WARNING HARNESS From Fuse Block To Warning Buzzer	\$22.00	
11045	1967	SPEED WARNING HARNESS From Fuse Block To Warning Buzzer	\$22.00	
17735	1968	SPEED WARNING HARNESS From Fuse Block To Warning Buzzer	\$22.00	
17730	1969	SPEED WARNING HARNESS From Fuse Block To Warning Buzzer	\$22.00	
STEERING COLUMN ADAPTER HARNESS				
37542	1964	STEERING COLUMN ADAPTER HARNESS For 1969-1974 GM & Ididit Columns (Exc. Flaming River) To Stock Dash Harness Note: Adapts Horn, Directionals, & Adds Hazard Flashers To Stock 8 Pin T/L Dash Connector.	\$50.00	
37009	1964	STEERING COLUMN ADAPTER HARNESS For 1975 & Up GM & Flaming River Columns (Exc. Ididit) To Stock Dash Harness Note: Adapts Horn, Directionals, & Adds Hazard Flashers To Stock 8 Pin T/L Dash Connector.	\$52.00	
37542	1965	STEERING COLUMN ADAPTER HARNESS For 1969-1974 GM & Ididit Columns (Exc. Flaming River) To Stock Dash Harness Note: Adapts Horn, Directionals, & Adds Hazard Flashers To Stock 8 Pin T/L Dash Connector.	\$50.00	
37009	1965	STEERING COLUMN ADAPTER HARNESS For 1975 & Up GM & Flaming River Columns (Exc. Ididit) To Stock Dash Harness Note: Adapts Horn, Directionals, & Adds Hazard Flashers To Stock 8 Pin T/L Dash Connector.	\$52.00	
37542	1966	STEERING COLUMN ADAPTER HARNESS For 1969-1974 GM & Ididit Columns (Exc. Flaming River) To Stock Dash Harness Note: Adapts Horn, Directionals, & Adds Hazard Flashers To Stock 8 Pin T/L Dash Connector.	\$50.00	
37009	1966	STEERING COLUMN ADAPTER HARNESS For 1975 & Up GM & Flaming River Columns (Exc. Ididit) To Stock Dash Harness Note: Adapts Horn, Directionals, & Adds Hazard Flashers To Stock 8 Pin T/L Dash Connector.	\$52.00	
36882	1967	STEERING COLUMN ADAPTER HARNESS For 1969-1974 GM & Ididit Columns (Exc. Flaming River) To Stock Dash Harness Note: Adapts Horn, Directionals, & Adds Hazard Flashers To Stock 9 Pin T/L Dash Connector.	\$27.00	
38127	1967	STEERING COLUMN ADAPTER HARNESS For 1975 & Up GM & Flaming River Columns (Exc. Ididit) To Stock Dash Harness Note: Adapts Horn, Directionals, & Adds Hazard Flashers To Stock 9 Pin T/L Dash Connector.	\$27.00	

Part Number	Year	Description	Price	*Rev.
36882	1968	STEERING COLUMN ADAPTER HARNESS For 1969-1974 GM & Ididit Columns (Exc. Flaming River) To Stock Dash Harness Note: Adapts Horn, Directionals, & Adds Hazard Flashers To Stock 9 Pin T/L Dash Connector.	\$27.00	
38127	1968	STEERING COLUMN ADAPTER HARNESS For 1975 & Up GM & Flaming River Columns (Exc. Ididit) To Stock Dash Harness Note: Adapts Horn, Directionals, & Adds Hazard Flashers To Stock 9 Pin T/L Dash Connector.	\$27.00	
STOP LAMP SWITCH				
01261219	1964	STOP LAMP SWITCH Without Cruise	\$5.80	N
01261219	1965	STOP LAMP SWITCH Without Cruise	\$5.80	N
01261219	1966	STOP LAMP SWITCH Without Cruise	\$5.80	N
01261219	1967	STOP LAMP SWITCH Without Cruise	\$5.80	N
01261219	1968	STOP LAMP SWITCH Without Cruise	\$5.80	N
01261219	1969	STOP LAMP SWITCH Without Cruise	\$5.80	N
01261219	1970	STOP LAMP SWITCH Without Cruise	\$5.80	N
01261219	1971	STOP LAMP SWITCH Without Cruise	\$5.80	N
01261219	1972	STOP LAMP SWITCH Without Cruise	\$5.80	N
01261219	1973	STOP LAMP SWITCH Without Cruise	\$5.80	N
01261219	1974	STOP LAMP SWITCH Without Cruise	\$5.80	N
01261219	1975	STOP LAMP SWITCH Without Cruise	\$5.80	N
01261219	1976	STOP LAMP SWITCH Without Power Brakes Or Cruise	\$5.80	N
01261219	1977	STOP LAMP SWITCH Without Power Brakes Or Cruise	\$5.80	N
01261219	1978	STOP LAMP SWITCH Without Power Brakes Or Cruise	\$5.80	N
01261219	1979	STOP LAMP SWITCH Without Power Brakes Or Cruise	\$5.80	N
01261219	1980	STOP LAMP SWITCH Without Power Brakes Or Cruise	\$5.80	N
SUN ROOF HARNESS				
40725	1973	SUN ROOF HARNESS 2 Door, All, Without Power Windows, From Ignition Relay To Sun Roof Switch	\$67.00	
40723	1973	SUN ROOF HARNESS 2 Door, All, With Power Windows, From Ignition Relay To Sun Roof Switch	\$67.00	
40725	1974	SUN ROOF HARNESS 2 Door, All, Without Power Windows, From Ignition Relay To Sun Roof Switch	\$67.00	
40723	1974	SUN ROOF HARNESS 2 Door, All, With Power Windows, From Ignition Relay To Sun Roof Switch	\$67.00	
40419	1975	SUN ROOF HARNESS 2 Door, All, Without Power Windows, From Ignition Relay To Sun Roof Switch	\$101.00	
40420	1975	SUN ROOF HARNESS 2 Door, All, With Power Windows, From Ignition Relay To Sun Roof Switch	\$106.00	
40439	1976	SUN ROOF HARNESS 2 Door, All, Without Power Windows, From Ignition Relay To Sun Roof Switch	\$101.00	
40440	1976	SUN ROOF HARNESS 2 Door, All, With Power Windows, From Ignition Relay To Sun Roof Switch	\$106.00	
40439	1977	SUN ROOF HARNESS 2 Door, All, Without Power Windows, From Ignition Relay To Sun Roof Switch	\$101.00	
40440	1977	SUN ROOF HARNESS 2 Door, All, With Power Windows, From Ignition Relay To Sun Roof Switch	\$106.00	
42002	1978	SUN ROOF HARNESS 2 Door, All, From Actuating Motor To Sun Roof Switch	\$106.00	
42002	1979	SUN ROOF HARNESS 2 Door, All, From Actuating Motor To Sun Roof Switch	\$106.00	
42002	1980	SUN ROOF HARNESS 2 Door, All, From Actuating Motor To Sun Roof Switch	\$106.00	
42002	1981	SUN ROOF HARNESS 2 Door, All, From Actuating Motor To Sun Roof Switch	\$106.00	

Part Number	Year	Description	Price	*Rev.
TACHOMETER HARNESS				
04950	1964	TACHOMETER HARNESS In Dash Mounted, From Fuse Block & Coil To Tachometer	\$50.00	
05170	1964	TACHOMETER HARNESS Steering Column Mounted, From Fuse Block & Coil To Tachometer	\$52.00	
05905	1965	TACHOMETER HARNESS In Dash Mounted, From Fuse Block & Coil To Tachometer	\$50.00	
09710	1966	TACHOMETER HARNESS In Front Of Dash Mounted, From Fuse Block & Coil To Tachometer	\$60.00	
41494	1966	TACHOMETER HARNESS In Front Of Dash Mounted, From Circuit Board To #09710 Tach Harness Note: This Is The Harness That Is Normally Part Of The Factory Original Tach Assembly. Reproduction Tachs May Already Include This Harness.	\$60.00	
10985	1967	TACHOMETER HARNESS In Front Of Dash Mounted, From Fuse Block & Coil To Tachometer	\$60.00	
41494	1967	TACHOMETER HARNESS In Front Of Dash Mounted, From Circuit Board To #10985 Tach Harness Note: This Is The Harness That Is Normally Part Of The Factory Original Tach Assembly. Reproduction Tachs May Already Include This Harness.	\$60.00	
11060	1967	TACHOMETER TURN SIGNAL LEAD WIRES From Dash Harness Turn Signal Switch Connector To Tach Harness Note: Used Only When Adding An Original Or Reproduction Tachometer To A Non Gauge Dash Wiring Harness.	\$17.00	
36271	1975	TACHOMETER EXTENSION From Dash Harness To Tach Connection On HEI Distributor Cap	\$32.00	
40898	1978	TACHOMETER FILTER EXTENSION WIRE From Tach Connection On HEI Distributor Cap To Tach Filter	\$38.00	
40898	1979	TACHOMETER FILTER EXTENSION WIRE From Tach Connection On HEI Distributor Cap To Tach Filter	\$38.00	
40898	1980	TACHOMETER FILTER EXTENSION WIRE From Tach Connection On HEI Distributor Cap To Tach Filter	\$38.00	
40898	1981	TACHOMETER FILTER EXTENSION WIRE From Tach Connection On HEI Distributor Cap To Tach Filter	\$38.00	
40898	1982	TACHOMETER FILTER EXTENSION WIRE From Tach Connection On HEI Distributor Cap To Tach Filter	\$38.00	
TAILGATE AJAR WARNING LAMP HARNESS				
40696	1973	TAILGATE AJAR WARNING LAMP HARNESS Wagon, Front Section, Without Electric Tailgate Release Or Rear Window Defroster, From Dash To Tailgate Warning Lamp	\$48.00	
40697	1973	TAILGATE AJAR WARNING LAMP HARNESS Wagon, Rear Section, Without Electric Tailgate Release Or Rear Window Defroster, From Tailgate Warning Lamp Harness Front Note: Customer Must Supply Their Original Rubber Boot.	\$48.00	
40699	1973	TAILGATE AJAR WARNING LAMP HARNESS Wagon, Front Section, With Electric Tailgate Release, From Dash To Tailgate Warning Lamp Harness Rear Section	\$48.00	
40700	1973	TAILGATE AJAR WARNING LAMP HARNESS Wagon, Rear Section, With Electric Tailgate Release Or Rear Window Defroster, From Tailgate Warning Lamp Harness Front Note: Customer Must Supply Their Original Rubber Boot.	\$48.00	
40709	1973	TAILGATE AJAR WARNING LAMP HARNESS Wagon, Front Section, With Rear Window Defroster, Except Electric Tailgate Release, From Dash To Tailgate Warning Lamp	\$48.00	
40710	1973	TAILGATE AJAR WARNING LAMP HARNESS Wagon, Front Section, With Rear Window Defroster & Electric Tailgate Release, From Dash To Tailgate Warning Lamp Harness	\$48.00	
40711	1973	TAILGATE AJAR WARNING LAMP HARNESS Wagon, Rear Section, With Rear Window Defroster & Electric Tailgate Release, From Tailgate Warning Lamp Harness Front Note: Customer Must Supply Their Original Rubber Boot.	\$48.00	
40696	1974	TAILGATE AJAR WARNING LAMP HARNESS Wagon, Front Section, Without Electric Tailgate Release Or Rear Window Defroster, From Dash To Tailgate Warning Lamp	\$48.00	
40697	1974	TAILGATE AJAR WARNING LAMP HARNESS Wagon, Rear Section, Without Electric Tailgate Release Or Rear Window Defroster, From Tailgate Warning Lamp Harness Front Note: Customer Must Supply Their Original Rubber Boot.	\$48.00	
40699	1974	TAILGATE AJAR WARNING LAMP HARNESS Wagon, Front Section, With Electric Tailgate Release, From Dash To Tailgate Warning Lamp Harness Rear Section	\$48.00	

Part Number	Year	Description	Price	*Rev.
40700	1974	TAILGATE AJAR WARNING LAMP HARNESS Wagon, Rear Section, With Electric Tailgate Release Or Rear Window Defroster, From Tailgate Warning Lamp Harness Front Note: Customer Must Supply Their Original Rubber Boot.	\$48.00	
40709	1974	TAILGATE AJAR WARNING LAMP HARNESS Wagon, Front Section, With Rear Window Defroster, Except Electric Tailgate Release, From Dash To Tailgate Warning Lamp	\$48.00	
40710	1974	TAILGATE AJAR WARNING LAMP HARNESS Wagon, Front Section, With Rear Window Defroster & Electric Tailgate Release, From Dash To Tailgate Warning Lamp Harness	\$48.00	
40711	1974	TAILGATE AJAR WARNING LAMP HARNESS Wagon, Rear Section, With Rear Window Defroster & Electric Tailgate Release, From Tailgate Warning Lamp Harness Front Note: Customer Must Supply Their Original Rubber Boot.	\$48.00	
40696	1975	TAILGATE AJAR WARNING LAMP HARNESS Wagon, Front Section, Without Electric Tailgate Release Or Rear Window Defroster, From Dash To Tailgate Warning Lamp	\$48.00	
40697	1975	TAILGATE AJAR WARNING LAMP HARNESS Wagon, Rear Section, Without Electric Tailgate Release Or Rear Window Defroster, From Tailgate Warning Lamp Harness Front Note: Customer Must Supply Their Original Rubber Boot.	\$48.00	
40699	1975	TAILGATE AJAR WARNING LAMP HARNESS Wagon, Front Section, With Electric Tailgate Release, From Dash To Tailgate Warning Lamp Harness Rear Section	\$48.00	
40700	1975	TAILGATE AJAR WARNING LAMP HARNESS Wagon, Rear Section, With Electric Tailgate Release Or Rear Window Defroster, From Tailgate Warning Lamp Harness Front Note: Customer Must Supply Their Original Rubber Boot.	\$48.00	
40709	1975	TAILGATE AJAR WARNING LAMP HARNESS Wagon, Front Section, With Rear Window Defroster, From Dash To Tailgate Warning Lamp Harness Rear Section	\$48.00	
40710	1975	TAILGATE AJAR WARNING LAMP HARNESS Wagon, Front Section, With Rear Window Defroster & Electric Tailgate Release, From Dash To Tailgate Warning Lamp Harness	\$48.00	
40711	1975	TAILGATE AJAR WARNING LAMP HARNESS Wagon, Rear Section, With Rear Window Defroster & Electric Tailgate Release, From Tailgate Warning Lamp Harness Front Note: Customer Must Supply Their Original Rubber Boot.	\$48.00	
40430	1976	TAILGATE AJAR WARNING LAMP HARNESS Wagon, Front Section, Without Electric Tailgate Release, From Dash To Tailgate Warning Lamp Harness Rear Section	\$48.00	
40431	1976	TAILGATE AJAR WARNING LAMP HARNESS Wagon, Rear Section, Without Electric Tailgate Release Or Rear Window Defroster, From Tailgate Warning Lamp Harness Front Note: Customer Must Supply Their Original Rubber Boot & The Plastic Connector That Attaches This Harness To The Front Harness.	\$60.00	
40432	1976	TAILGATE AJAR WARNING LAMP HARNESS Wagon, Front Section, With Electric Tailgate Release, From Dash To Tailgate Warning Lamp Harness Rear Section	\$48.00	
40433	1976	TAILGATE AJAR WARNING LAMP HARNESS Wagon, Rear Section, With Electric Tailgate Release Or Rear Window Defroster, From Tailgate Warning Lamp Harness Front Note: Customer Must Supply Their Original Rubber Boot.	\$60.00	
41664	1976	TAILGATE AJAR WARNING LAMP HARNESS Wagon, Front Section, With Blower Type Rear Window Defroster, From Dash To Tailgate Warning Lamp Harness Rear Section	\$60.00	
40434	1976	TAILGATE AJAR WARNING LAMP HARNESS Wagon, Front Section, With Blower Type Rear Window Defroster & Electric Tailgate Release, From Dash To Tailgate Warning Lamp	\$60.00	
40435	1976	TAILGATE AJAR WARNING LAMP HARNESS Wagon, Rear Section, With Blower Type Rear Window Defroster & Electric Tailgate Release, From Tailgate Warning Lamp Harness Note: Customer Must Supply Their Original Rubber Boot.	\$67.00	
40430	1977	TAILGATE AJAR WARNING LAMP HARNESS Wagon, Front Section, Without Electric Tailgate Release, From Dash To Tailgate Warning Lamp Harness Rear Section	\$48.00	
40431	1977	TAILGATE AJAR WARNING LAMP HARNESS Wagon, Rear Section, Without Electric Tailgate Release Or Rear Window Defroster, From Tailgate Warning Lamp Harness Front Note: Customer Must Supply Their Original Rubber Boot & The Plastic Connector That Attaches This Harness To The Front Harness.	\$60.00	
40432	1977	TAILGATE AJAR WARNING LAMP HARNESS Wagon, Front Section, With Electric Tailgate Release, From Dash To Tailgate Warning Lamp Harness Rear Section	\$48.00	

Part Number	Year	Description	Price	*Rev.
40433	1977	TAILGATE AJAR WARNING LAMP HARNESS Wagon, Rear Section, With Electric Tailgate Release Or Rear Window Defroster, From Tailgate Warning Lamp Harness Front Note: Customer Must Supply Their Original Rubber Boot.	\$60.00	
41664	1977	TAILGATE AJAR WARNING LAMP HARNESS Wagon, Front Section, With Blower Type Rear Window Defroster, From Dash To Tailgate Warning Lamp Harness Rear Section	\$60.00	
40434	1977	TAILGATE AJAR WARNING LAMP HARNESS Wagon, Front Section, With Blower Type Rear Window Defroster & Electric Tailgate Release, From Dash To Tailgate Warning Lamp	\$60.00	
40435	1977	TAILGATE AJAR WARNING LAMP HARNESS Wagon, Rear Section, With Blower Type Rear Window Defroster & Electric Tailgate Release, From Tailgate Warning Lamp Harness Note: Customer Must Supply Their Original Rubber Boot.	\$67.00	
TAILGATE ELECTRIC RELEASE HARNESS				
41766	1973	TAILGATE ELECTRIC RELEASE HARNESS Wagon, Without 3 Speed Trans, From Dash Switch To Warning Lamp Front Harness	\$60.00	
41767	1973	TAILGATE ELECTRIC RELEASE HARNESS Wagon, With 3 Speed Trans, From Dash Switch To Warning Lamp Front Harness	\$67.00	
41773	1974	TAILGATE ELECTRIC RELEASE HARNESS Wagon, Without 3 Speed Trans, From Dash Switch To Warning Lamp Front Harness	\$60.00	
41767	1974	TAILGATE ELECTRIC RELEASE HARNESS Wagon, With 3 Speed Trans, From Dash Switch To Warning Lamp Front Harness	\$67.00	
41773	1975	TAILGATE ELECTRIC RELEASE HARNESS Wagon, Without Gauges, From Dash Switch To Warning Lamp Front Harness	\$60.00	
41774	1975	TAILGATE ELECTRIC RELEASE HARNESS Wagon, With Gauges, From Dash Switch To Warning Lamp Front Harness	\$60.00	
41773	1976	TAILGATE ELECTRIC RELEASE HARNESS Wagon, Without Gauges, From Dash Switch To Warning Lamp Front Harness	\$60.00	
41774	1976	TAILGATE ELECTRIC RELEASE HARNESS Wagon, With Gauges, From Dash Switch To Warning Lamp Front Harness	\$60.00	
41773	1977	TAILGATE ELECTRIC RELEASE HARNESS Wagon, Without Gauges, From Dash Switch To Warning Lamp Front Harness	\$60.00	
41774	1977	TAILGATE ELECTRIC RELEASE HARNESS Wagon, With Gauges, From Dash Switch To Warning Lamp Front Harness	\$60.00	
42030	1978	TAILGATE ELECTRIC RELEASE WIRE Wagon, Front Section, From Dash Switch To Rear Liftgate Harness	\$32.00	
42030	1979	TAILGATE ELECTRIC RELEASE WIRE Wagon, Front Section, From Dash Switch To Rear Liftgate Harness	\$32.00	
42030	1980	TAILGATE ELECTRIC RELEASE WIRE Wagon, Front Section, From Dash Switch To Rear Liftgate Harness	\$32.00	
42030	1981	TAILGATE ELECTRIC RELEASE WIRE Wagon, Front Section, From Dash Switch To Rear Liftgate Harness	\$32.00	
42030	1982	TAILGATE ELECTRIC RELEASE WIRE Wagon, Front Section, From Dash Switch To Rear Liftgate Harness	\$32.00	
TAPE PLAYER HARNESS				
41734	1970	TAPE PLAYER HARNESS With Stereo Radio, From Radio To Tape Player Note: This Harness Is Used With Radio Option U79.	\$105.00	
15145	1970	TAPE PLAYER HARNESS From Tape Player To Speaker Wiring Note: This Harness Is Used With The Under Dash Mounted Tape Player.	\$101.00	
15150	1970	TAPE PLAYER HARNESS With AM, AM/FM Push Button Radio, From Tape Player To Speaker Wiring Note: This Harness Is Used With Radio Option U63 Or U69 With The U80 Rear Speaker Option.	\$101.00	
41734	1971	TAPE PLAYER HARNESS With Stereo, From Radio To Tape Player	\$105.00	
41735	1971	TAPE PLAYER HARNESS Without Radio, From Tape Player To Speaker Wiring	\$101.00	
41736	1971	TAPE PLAYER HARNESS With AM, AM/FM Push Button Radio, From Tape Player To Radio Note: This Harness Is Used With Radio Option U63 Or U69.	\$101.00	

Part Number	Year	Description	Price	*Rev.
41734	1972	TAPE PLAYER HARNESS With Stereo, From Radio To Tape Player	\$105.00	
41735	1972	TAPE PLAYER HARNESS Without Radio, From Tape Player To Speaker Wiring	\$101.00	
41736	1972	TAPE PLAYER HARNESS With AM, AM/FM Push Button Radio, From Tape Player To Radio Note: This Harness Is Used With Radio Option U63 Or U69.	\$101.00	
TCC COLD INHIBIT JUMPER HARNESS				
41981	1982	TCC COLD INHIBIT JUMPER HARNESS V/8, 350 C.I. Diesel, With TH2004r Trans, From Engine Harness To Headbolt Temp Switch	\$41.00	
TCS JUMPER WIRE-ENGINE HARNESS				
17740	1971	TCS JUMPER WIRE, ENGINE HARNESS From Engine Harness To Passenger Side Temp Sending Unit, With Gauges Or A/C Only	\$20.00	
TCS TRANSMISSION SWITCH EXTENSION				
17365	1972	TCS TRANSMISSION SWITCH EXTENSION Manual Trans, From Engine Harness To Trans Switch Note: Used With #16430, #16435 And #16450 Engine Harnesses.	\$49.00	
17355	1973	TCS TRANSMISSION SWITCH EXTENSION Manual Trans, From Engine Harness To Trans Switch Note: Used With #16375, #16380 & #16385 Engine Harnesses.	\$49.00	
TILT COLUMN ADAPTER HARNESS				
04430	1964	TILT COLUMN ADAPTER HARNESS Turn Signal Switch Adapter, With Factory Type Tilt Column	\$50.00	
04430	1965	TILT COLUMN ADAPTER HARNESS Turn Signal Switch Adapter, With Factory Type Tilt Column	\$50.00	
04430	1966	TILT COLUMN ADAPTER HARNESS Turn Signal Switch Adapter, With Factory Type Tilt Column	\$50.00	
TRANSISTOR IGNITION HARNESS				
21260	1964	TRANSISTOR IGNITION HARNESS From Amplifier To Extension Harness	\$101.00	
33225	1964	TRANSISTOR IGNITION AMPLIFIER EXTENSION From Internal Circuit Board To Amplifier Housing Connector	\$53.00	
21270	1964	TRANSISTOR IGNITION EXTENSION HARNESS From Starter Motor To Coil & Distributor	\$118.00	
21265	1964	TRANSISTOR IGNITION POWER FEED HARNESS From Ignition Switch To Extension Harness	\$25.00	
28365	1965	TRANSISTOR IGNITION HARNESS From Amplifier To Extension Harness	\$94.00	
33225	1965	TRANSISTOR IGNITION AMPLIFIER EXTENSION From Internal Circuit Board To Amplifier Housing Connector	\$53.00	
21270	1965	TRANSISTOR IGNITION EXTENSION HARNESS From Starter Motor To Coil & Distributor	\$118.00	
28435	1965	TRANSISTOR IGNITION POWER FEED HARNESS From Ignition Switch To Extension Harness	\$30.00	
28475	1966	TRANSISTOR IGNITION HARNESS From Amplifier To Extension Harness	\$94.00	
33225	1966	TRANSISTOR IGNITION AMPLIFIER EXTENSION From Internal Circuit Board To Amplifier Housing Connector	\$53.00	
28385	1966	TRANSISTOR IGNITION EXTENSION HARNESS From Starter Motor To Coil & Distributor	\$113.00	
28460	1966	TRANSISTOR IGNITION POWER FEED HARNESS From Ignition Switch To Extension Harness	\$30.00	
TRANSISTOR IGNITION REPLACEMENT MODULE				
32270	1964	TRANSISTOR IGNITION REPLACEMENT MODULE Replaces Original Circuit Board In Amplifier	\$189.00	
32270	1965	TRANSISTOR IGNITION REPLACEMENT MODULE Replaces Original Circuit Board In Amplifier	\$189.00	
32270	1966	TRANSISTOR IGNITION REPLACEMENT MODULE Replaces Original Circuit Board In Amplifier	\$189.00	
TRUNK LAMP ASSEMBLY				
36379	1966	TRUNK LAMP ASSEMBLY Includes Extension Harness	\$48.00	
36379	1967	TRUNK LAMP ASSEMBLY Includes Extension Harness	\$48.00	
35520	1968	TRUNK LAMP ASSEMBLY Includes Extension Harness	\$52.00	
35520	1969	TRUNK LAMP ASSEMBLY Includes Extension Harness	\$52.00	
36380	1970	TRUNK LAMP ASSEMBLY Includes Extension Harness	\$43.00	
36380	1971	TRUNK LAMP ASSEMBLY Includes Extension Harness	\$43.00	
36380	1972	TRUNK LAMP ASSEMBLY Includes Extension Harness	\$43.00	
36381	1973	TRUNK LAMP ASSEMBLY Includes Extension Harness	\$48.00	
36381	1974	TRUNK LAMP ASSEMBLY Includes Extension Harness	\$48.00	

Part Number	Year	Description	Price	*Rev.
36381	1975	TRUNK LAMP ASSEMBLY Includes Extension Harness	\$48.00	
36381	1976	TRUNK LAMP ASSEMBLY Includes Extension Harness	\$48.00	
TRUNK LAMP EXTENSION HARNESS				
10455	1966	TRUNK LAMP EXTENSION HARNESS All	\$23.00	
10455	1967	TRUNK LAMP EXTENSION HARNESS All	\$23.00	
28210	1968	TRUNK LAMP EXTENSION HARNESS Coupe	\$15.00	
28525	1968	TRUNK LAMP EXTENSION HARNESS Convertible	\$18.00	
28210	1969	TRUNK LAMP EXTENSION HARNESS Coupe	\$15.00	
28525	1969	TRUNK LAMP EXTENSION HARNESS Convertible	\$18.00	
28525	1970	TRUNK LAMP EXTENSION HARNESS Convertible	\$18.00	
42027	1978	TRUNK LAMP EXTENSION HARNESS All	\$60.00	
42027	1979	TRUNK LAMP EXTENSION HARNESS All	\$60.00	
42027	1980	TRUNK LAMP EXTENSION HARNESS All	\$60.00	
42027	1981	TRUNK LAMP EXTENSION HARNESS All	\$60.00	
42027	1982	TRUNK LAMP EXTENSION HARNESS All	\$60.00	
TRUNK RELEASE HARNESS				
41144	1970	TRUNK RELEASE HARNESS From Fuse Box To Trunk Release Switch	\$48.00	
40347	1970	TRUNK RELEASE HARNESS From Trunk Release Switch To Solenoid	\$35.00	
41144	1971	TRUNK RELEASE HARNESS From Fuse Box To Trunk Release Switch	\$48.00	
40347	1971	TRUNK RELEASE HARNESS From Trunk Release Switch To Solenoid	\$35.00	
41144	1972	TRUNK RELEASE HARNESS From Fuse Box To Trunk Release Switch	\$48.00	
40347	1972	TRUNK RELEASE HARNESS From Trunk Release Switch To Solenoid	\$35.00	
41144	1973	TRUNK RELEASE HARNESS From Fuse Box To Trunk Release Switch	\$48.00	
40777	1973	TRUNK RELEASE HARNESS From Trunk Release Switch To Solenoid	\$48.00	
41737	1974	TRUNK RELEASE HARNESS From Fuse Block To Trunk Release Switch	\$48.00	
40777	1974	TRUNK RELEASE HARNESS From Trunk Release Switch To Solenoid	\$48.00	
41737	1975	TRUNK RELEASE HARNESS From Fuse Block To Trunk Release Switch	\$48.00	
40777	1975	TRUNK RELEASE HARNESS From Trunk Release Switch To Solenoid	\$48.00	
41737	1976	TRUNK RELEASE HARNESS From Fuse Block To Trunk Release Switch	\$48.00	
40777	1976	TRUNK RELEASE HARNESS From Trunk Release Switch To Solenoid	\$48.00	
41819	1977	TRUNK RELEASE HARNESS From Fuse Block To Trunk Release Switch	\$48.00	
40777	1977	TRUNK RELEASE HARNESS From Trunk Release Switch To Solenoid	\$48.00	
41859	1978	TRUNK RELEASE HARNESS From Fuse Block To Trunk Release Switch	\$41.00	
42026	1978	TRUNK RELEASE HARNESS From Trunk Release Switch To Solenoid	\$41.00	
41859	1979	TRUNK RELEASE HARNESS From Fuse Block To Trunk Release Switch	\$41.00	
42026	1979	TRUNK RELEASE HARNESS From Trunk Release Switch To Solenoid	\$41.00	
41859	1980	TRUNK RELEASE HARNESS From Fuse Block To Trunk Release Switch	\$41.00	
42026	1980	TRUNK RELEASE HARNESS From Trunk Release Switch To Solenoid	\$41.00	
41859	1981	TRUNK RELEASE HARNESS From Fuse Block To Trunk Release Switch	\$41.00	
42026	1981	TRUNK RELEASE HARNESS From Trunk Release Switch To Solenoid	\$41.00	
41859	1982	TRUNK RELEASE HARNESS From Fuse Block To Trunk Release Switch	\$41.00	
42026	1982	TRUNK RELEASE HARNESS From Trunk Release Switch To Solenoid	\$41.00	
TURN SIGNAL LEVER WIPER SWITCH				
22510733	1982	TURN SIGNAL LEVER WIPER SWITCH Malibu, El Camino, Monte Carlo, Black, With Pulse Wipers, Without Cruise Control	\$20.00	N
22510732	1982	TURN SIGNAL LEVER WIPER SWITCH Malibu, El Camino, Monte Carlo, Black, Without Pulse Wipers, Without Cruise Control	\$20.00	N

Part Number	Year	Description	Price	*Rev.
22510144	1982	TURN SIGNAL LEVER WIPER SWITCH Malibu, El Camino, Monte Carlo, Chrome, With Pulse Wipers, Without Cruise Control	\$20.00	N
22510733	1983	TURN SIGNAL LEVER WIPER SWITCH Malibu, El Camino, Monte Carlo, Black, With Pulse Wipers, Without Cruise Control	\$20.00	N
22510732	1983	TURN SIGNAL LEVER WIPER SWITCH Malibu, El Camino, Monte Carlo, Black, Without Pulse Wipers, Without Cruise Control	\$20.00	N
22510144	1983	TURN SIGNAL LEVER WIPER SWITCH Malibu, El Camino, Monte Carlo, Chrome, With Pulse Wipers, Without Cruise Control	\$20.00	N
22510733	1984	TURN SIGNAL LEVER WIPER SWITCH El Camino, Monte Carlo, Black, With Pulse Wipers, Without Cruise Control	\$20.00	N
22510732	1984	TURN SIGNAL LEVER WIPER SWITCH El Camino, Monte Carlo, Black, Without Pulse Wipers, Without Cruise Control	\$20.00	N
22510144	1984	TURN SIGNAL LEVER WIPER SWITCH El Camino, Monte Carlo, Chrome, With Pulse Wipers, Without Cruise Control	\$20.00	N
25111262	1985	TURN SIGNAL LEVER WIPER SWITCH El Camino, Monte Carlo, Black, With Pulse Wipers, With Cruise Control	\$26.00	N
22510733	1985	TURN SIGNAL LEVER WIPER SWITCH El Camino, Monte Carlo, Black, With Pulse Wipers, Without Cruise Control	\$20.00	N
22510732	1985	TURN SIGNAL LEVER WIPER SWITCH El Camino, Monte Carlo, Black, Without Pulse Wipers, Without Cruise Control	\$20.00	N
22510144	1985	TURN SIGNAL LEVER WIPER SWITCH El Camino, Monte Carlo, Chrome, With Pulse Wipers, Without Cruise Control	\$20.00	N
25111262	1986	TURN SIGNAL LEVER WIPER SWITCH El Camino, Monte Carlo, Black, With Pulse Wipers, With Cruise Control	\$26.00	N
22510733	1986	TURN SIGNAL LEVER WIPER SWITCH El Camino, Monte Carlo, Black, With Pulse Wipers, Without Cruise Control	\$20.00	N
22510732	1986	TURN SIGNAL LEVER WIPER SWITCH El Camino, Monte Carlo, Black, Without Pulse Wipers, Without Cruise Control	\$20.00	N
22510144	1986	TURN SIGNAL LEVER WIPER SWITCH El Camino, Monte Carlo, Chrome, With Pulse Wipers, Without Cruise Control	\$20.00	N
25111262	1987	TURN SIGNAL LEVER WIPER SWITCH El Camino, Monte Carlo, Black, With Pulse Wipers, With Cruise Control	\$26.00	N
22510733	1987	TURN SIGNAL LEVER WIPER SWITCH El Camino, Monte Carlo, Black, With Pulse Wipers, Without Cruise Control	\$20.00	N
22510732	1987	TURN SIGNAL LEVER WIPER SWITCH El Camino, Monte Carlo, Black, Without Pulse Wipers, Without Cruise Control	\$20.00	N
22510144	1987	TURN SIGNAL LEVER WIPER SWITCH El Camino, Monte Carlo, Chrome, With Pulse Wipers, Without Cruise Control	\$20.00	N
25111262	1988	TURN SIGNAL LEVER WIPER SWITCH El Camino, Monte Carlo, Black, With Pulse Wipers, With Cruise Control	\$26.00	N
22510733	1988	TURN SIGNAL LEVER WIPER SWITCH El Camino, Monte Carlo, Black, With Pulse Wipers, Without Cruise Control	\$20.00	N
22510732	1988	TURN SIGNAL LEVER WIPER SWITCH El Camino, Monte Carlo, Black, Without Pulse Wipers, Without Cruise Control	\$20.00	N
22510144	1988	TURN SIGNAL LEVER WIPER SWITCH El Camino, Monte Carlo, Chrome, With Pulse Wipers, Without Cruise Control	\$20.00	N
TURN SIGNAL SWITCH				
00383033	1964	TURN SIGNAL SWITCH Without Tilt (Stamped "BPC"), Replaces Delco Part# D6200	\$138.00	
00911051	1964	TURN SIGNAL SWITCH Without Tilt (Stamped "Guide"), Replaces Delco Part# D6203	\$50.00	N
01993624	1964	TURN SIGNAL SWITCH With Tilt, Replaces Delco Part# D6220	\$71.00	
00387115	1965	TURN SIGNAL SWITCH Without Tilt (Stamped "BPC"), Replaces Delco Part# D6200	\$96.00	
00911051	1965	TURN SIGNAL SWITCH Without Tilt (Stamped "Guide"), Replaces Delco Part# D6203	\$50.00	N
01993624	1965	TURN SIGNAL SWITCH With Tilt, Replaces Delco Part# D6220	\$71.00	
00387115	1966	TURN SIGNAL SWITCH Without Tilt (Stamped "BPC"), Replaces Delco Part# D6200	\$96.00	

Part Number	Year	Description	Price	*Rev.
00911051	1966	TURN SIGNAL SWITCH Without Tilt (Stamped "Guide"), Replaces Delco Part# D6203	\$50.00	N
01993624	1966	TURN SIGNAL SWITCH With Tilt, Replaces Delco Part# D6220	\$71.00	
01893592	1967	TURN SIGNAL SWITCH (Delco-Remy), Replaces Delco Part# D6211 Note: This Is A Service Part, Adapter Pigtail Included And Is Required For Some Applications.	\$58.00	
07800482	1967	TURN SIGNAL SWITCH Without Column Shift A/T, Without Tilt, (Delco Type, Black, White Or Green) Note: Emergency Flasher Actuator Hole In Outer Cover Is Shaped Like A Doghouse.	\$50.00	
07800482	1967	TURN SIGNAL SWITCH Without Column Shift A/T, With Tilt, (Delco Type, Black, White Or Green) Note: Emergency Flasher Actuator Hole In Outer Cover Is Shaped Like A Doghouse.	\$50.00	
05698897	1967	TURN SIGNAL SWITCH With Column Shift A/T, Without Tilt, (Delco Type, Black, White Or Green) Note: Emergency Flasher Actuator Hole In Outer Cover Is Shaped Like A Doghouse.	\$50.00	
05698897	1967	TURN SIGNAL SWITCH With Column Shift A/T, With Tilt, (Delco Type, Black, White Or Green) Note: Emergency Flasher Actuator Hole In Outer Cover Is Shaped Like A Doghouse.	\$50.00	
01893592	1968	TURN SIGNAL SWITCH (Delco-Remy), Replaces Delco Part# D6211 Note: This Is A Service Part, Adapter Pigtail Included And Is Required For Some Applications.	\$58.00	
07800482	1968	TURN SIGNAL SWITCH Without Column Shift A/T, Without Tilt, (Delco Type, Black, White Or Green) Note: Emergency Flasher Actuator Hole In Outer Cover Is Shaped Like A Doghouse.	\$50.00	
07800482	1968	TURN SIGNAL SWITCH Without Column Shift A/T, With Tilt, (Delco Type, Black, White Or Green) Note: Emergency Flasher Actuator Hole In Outer Cover Is Shaped Like A Doghouse.	\$50.00	
05698897	1968	TURN SIGNAL SWITCH With Column Shift A/T, Without Tilt, (Delco Type, Black, White Or Green) Note: Emergency Flasher Actuator Hole In Outer Cover Is Shaped Like A Doghouse.	\$50.00	
05698897	1968	TURN SIGNAL SWITCH With Column Shift A/T, With Tilt, (Delco Type, Black, White Or Green) Note: Emergency Flasher Actuator Hole In Outer Cover Is Shaped Like A Doghouse.	\$50.00	
01997938	1969	TURN SIGNAL SWITCH, CORRECT PART Note: Correct Part, No Adapter Pigtail Required.	\$56.00	
01893588	1969	TURN SIGNAL SWITCH, SERVICE PART Replaces Delco Part# D6208 Note: This Is A Service Part, Adapter Pigtail Included Is Required For Installation.	\$58.00	
01997983	1969	TURN SIGNAL SWITCH, SERVICE PART Replaces Delco Part# D6222 Note: This Is A Service Part, Adapter Pigtail Included Is Required For Installation.	\$32.00	
01997938	1970	TURN SIGNAL SWITCH, CORRECT PART Note: Correct Part, No Adapter Pigtail Required.	\$56.00	
01893588	1970	TURN SIGNAL SWITCH, SERVICE PART Replaces Delco Part# D6208 Note: This Is A Service Part, Adapter Pigtail Included Is Required For Installation.	\$58.00	
01997983	1970	TURN SIGNAL SWITCH, SERVICE PART Replaces Delco Part# D6222 Note: This Is A Service Part, Adapter Pigtail Included Is Required For Installation.	\$32.00	
01997938	1971	TURN SIGNAL SWITCH, CORRECT PART Note: Correct Part, No Adapter Pigtail Required.	\$56.00	
01893588	1971	TURN SIGNAL SWITCH, SERVICE PART Replaces Delco Part# D6208 Note: This Is A Service Part, Adapter Pigtail Included Is Required For Installation.	\$58.00	
01997983	1971	TURN SIGNAL SWITCH, SERVICE PART Replaces Delco Part# D6222 Note: This Is A Service Part, Adapter Pigtail Included Is Required For Installation.	\$32.00	
01997938	1972	TURN SIGNAL SWITCH, CORRECT PART Note: Correct Part, No Adapter Pigtail Required.	\$56.00	

Part Number	Year	Description	Price	*Rev.
01893588	1972	TURN SIGNAL SWITCH, SERVICE PART Replaces Delco Part# D6208 Note: This Is A Service Part, Adapter Pigtail Included Is Required For Installation.	\$58.00	
01997983	1972	TURN SIGNAL SWITCH, SERVICE PART Replaces Delco Part# D6222 Note: This Is A Service Part, Adapter Pigtail Included Is Required For Installation.	\$32.00	
01997938	1973	TURN SIGNAL SWITCH, CORRECT PART Note: Correct Part, No Adapter Pigtail Required.	\$56.00	
01893588	1973	TURN SIGNAL SWITCH, SERVICE PART Replaces Delco Part# D6208 Note: This Is A Service Part, Adapter Pigtail Included Is Required For Installation.	\$58.00	
01997983	1973	TURN SIGNAL SWITCH, SERVICE PART Replaces Delco Part# D6222 Note: This Is A Service Part, Adapter Pigtail Included Is Required For Installation.	\$32.00	
01997938	1974	TURN SIGNAL SWITCH, CORRECT PART Note: Correct Part, No Adapter Pigtail Required.	\$56.00	
01893588	1974	TURN SIGNAL SWITCH, SERVICE PART Replaces Delco Part# D6208 Note: This Is A Service Part, Adapter Pigtail Included Is Required For Installation.	\$58.00	
01997983	1974	TURN SIGNAL SWITCH, SERVICE PART Replaces Delco Part# D6222 Note: This Is A Service Part, Adapter Pigtail Included Is Required For Installation.	\$32.00	
01997938	1975	TURN SIGNAL SWITCH, CORRECT PART Note: Correct Part, No Adapter Pigtail Required.	\$56.00	
01893588	1975	TURN SIGNAL SWITCH, SERVICE PART Replaces Delco Part# D6208 Note: This Is A Service Part, Adapter Pigtail Included Is Required For Installation.	\$58.00	
01997983	1975	TURN SIGNAL SWITCH, SERVICE PART Replaces Delco Part# D6222 Note: This Is A Service Part, Adapter Pigtail Included Is Required For Installation.	\$32.00	
01997938	1976	TURN SIGNAL SWITCH, CORRECT PART Note: Correct Part, No Adapter Pigtail Required.	\$56.00	
01893588	1976	TURN SIGNAL SWITCH, SERVICE PART Replaces Delco Part# D6208 Note: This Is A Service Part, Adapter Pigtail Included Is Required For Installation.	\$58.00	
01997983	1976	TURN SIGNAL SWITCH, SERVICE PART Replaces Delco Part# D6222 Note: This Is A Service Part, Adapter Pigtail Included Is Required For Installation.	\$32.00	
01997983	1977	TURN SIGNAL SWITCH Replaces Delco Part# D6222	\$32.00	
VANITY MIRROR LAMP HARNESS				
40441	1977	VANITY MIRROR LAMP HARNESS All, Passenger Side Sunshade, From Fuse Block To Sunshade Lamp	\$42.00	
42003	1978	VANITY MIRROR LAMP HARNESS All, Passenger Side Sunshade, From Fuse Block To Sunshade Lamp	\$33.00	
42003	1979	VANITY MIRROR LAMP HARNESS All, Passenger Side Sunshade, From Fuse Block To Sunshade Lamp	\$33.00	
42003	1980	VANITY MIRROR LAMP HARNESS All, Passenger Side Sunshade, From Fuse Block To Sunshade Lamp	\$33.00	
42003	1981	VANITY MIRROR LAMP HARNESS All, Passenger Side Sunshade, From Fuse Block To Sunshade Lamp	\$33.00	
42003	1982	VANITY MIRROR LAMP HARNESS All, Passenger Side Sunshade, From Fuse Block To Sunshade Lamp	\$33.00	
VOLTAGE REGULATOR ADAPTER HARNESS				
02115	1965	VOLTAGE REGULATOR ADAPTER HARNESS With 62 Amp Alternator, From Field Terminal On Voltage Regulator To Chassis Ground (Includes Inline Diode) Note: Only Used With Original Solid State Voltage Regulator #1116368 As A Safe Guard To Prevent Voltage Regulator Transistor Failure.	\$52.00	
WINDSHIELD WASHER JAR FLUID LEVEL HARNESS				
40030	1970	WINDSHIELD WASHER JAR FLUID LEVEL INDICATOR HARNESS Bulb Socket & Wire Asm, From Sending Unit In Washer Jar To Wiper Motor Note: This Harness Is Designed To Splice Onto Windshield Washer Wire At Pump.	\$34.00	

Part Number	Year	Description	Price	*Rev.
41389	1970	WINDSHIELD WASHER JAR FLUID LEVEL INDICATOR HARNESS Bulb Socket & Wire Asm, From Sending Unit In Washer Jar To Wiper Motor Note: This Harness Is Designed To Plug Into Windshield Wiper Harness.	\$34.00	
WINDSHIELD WASHER PUMP				
04919332	1964	WINDSHIELD WASHER PUMP All	\$60.00	N
04919332	1965	WINDSHIELD WASHER PUMP All	\$60.00	N
04919332	1966	WINDSHIELD WASHER PUMP All	\$60.00	N
04919332	1967	WINDSHIELD WASHER PUMP All	\$60.00	N
04919332	1968	WINDSHIELD WASHER PUMP Without Recessed Park Wipers	\$60.00	N
04919332	1969	WINDSHIELD WASHER PUMP Without Recessed Park Wipers	\$60.00	N
04919332	1970	WINDSHIELD WASHER PUMP Without Recessed Park Wipers	\$60.00	N
04919332	1971	WINDSHIELD WASHER PUMP Without Recessed Park Wipers	\$60.00	N
04919332	1972	WINDSHIELD WASHER PUMP Without Recessed Park Wipers	\$60.00	N
WINDSHIELD WIPER JUMPER HARNESS				
41974	1980	WINDSHIELD WIPER JUMPER HARNESS V/6, 231c.i., From Forward Lamp Harness To Wiper Motor	\$48.00	
WINDSHIELD WIPER MOTOR				
04911476	1964	WINDSHIELD WIPER MOTOR 2-Speed, 3-Terminal Type Motor	\$92.00	N
44609	1964	WINDSHIELD WIPER MOTOR 2-Speed, 4-Terminal Type Motor Note: This Can Be Used In Place Of The 3-Terminal Motor. The 4th Terminal Is A Keyed Hot From Wiper Fuse In Fuse Box And May Or May Not Be Used In Some Applications.	\$106.00	N
04911476	1965	WINDSHIELD WIPER MOTOR 2-Speed, 3-Terminal Type Motor	\$92.00	N
44609	1965	WINDSHIELD WIPER MOTOR 2-Speed, 4-Terminal Type Motor Note: This Can Be Used In Place Of The 3-Terminal Motor. The 4th Terminal Is A Keyed Hot From Wiper Fuse In Fuse Box And May Or May Not Be Used In Some Applications.	\$106.00	N
04911476	1966	WINDSHIELD WIPER MOTOR 2-Speed, 3-Terminal Type Motor	\$92.00	N
44609	1966	WINDSHIELD WIPER MOTOR 2-Speed, 4-Terminal Type Motor Note: This Can Be Used In Place Of The 3-Terminal Motor. The 4th Terminal Is A Keyed Hot From Wiper Fuse In Fuse Box And May Or May Not Be Used In Some Applications.	\$106.00	N
04911476	1967	WINDSHIELD WIPER MOTOR 2-Speed, 3-Terminal Type Motor	\$92.00	N
44609	1967	WINDSHIELD WIPER MOTOR 2-Speed, 4-Terminal Type Motor Note: This Can Be Used In Place Of The 3-Terminal Motor. The 4th Terminal Is A Keyed Hot From Wiper Fuse In Fuse Box And May Or May Not Be Used In Some Applications.	\$106.00	N
WINDSHIELD WIPER SWITCH				
01993633	1964	WINDSHIELD WIPER SWITCH Single Speed, With Washer Note: Once our current stock runs out, this item will be discontinued.	\$46.00	
01993632	1964	WINDSHIELD WIPER SWITCH 2 Speed, With Washer (1st Design), Used With #40910 Wiper Harness Note: 01993665 2nd Design Wiper Switch With Straight Terminals On Back Of Switch, Is Not Currently Available From M&H. Once our current stock of 01993632 runs out, this item will be discontinued.	\$46.00	
01993680	1965	WINDSHIELD WIPER SWITCH Single Speed, With Washer	\$52.00	
01993678	1965	WINDSHIELD WIPER SWITCH 2 Speed, With Washer	\$52.00	
01993679	1966	WINDSHIELD WIPER SWITCH 2 Speed, With Washer	\$52.00	
01993395	1967	WINDSHIELD WIPER SWITCH 2 Speed, With Washer	\$35.00	
01993443	1968	WINDSHIELD WIPER SWITCH Without Recess Park	\$52.00	
01993442	1968	WINDSHIELD WIPER SWITCH With Recess Park	\$52.00	
01993464	1969	WINDSHIELD WIPER SWITCH Without Recess Park	\$35.00	
01993465	1969	WINDSHIELD WIPER SWITCH With Recess Park	\$52.00	
01993464	1970	WINDSHIELD WIPER SWITCH Without Recess Park	\$35.00	
01993465	1970	WINDSHIELD WIPER SWITCH With Recess Park	\$52.00	

Part Number	Year	Description	Price	*Rev.
01993464	1971	WINDSHIELD WIPER SWITCH Without Recess Park	\$35.00	
01993465	1971	WINDSHIELD WIPER SWITCH With Recess Park	\$52.00	
01994180	1972	WINDSHIELD WIPER SWITCH Without Recess Park	\$46.00	
01994131	1972	WINDSHIELD WIPER SWITCH With Recess Park	\$45.00	
01994123	1973	WINDSHIELD WIPER SWITCH Except Pulse Wiper Note: Once our current stock runs out, this item will be discontinued.	\$58.00	
01994123	1974	WINDSHIELD WIPER SWITCH Except Pulse Wiper Note: Once our current stock runs out, this item will be discontinued.	\$58.00	
01994123	1975	WINDSHIELD WIPER SWITCH Except Pulse Wiper Note: Once our current stock runs out, this item will be discontinued.	\$58.00	
01994123	1976	WINDSHIELD WIPER SWITCH Except Pulse Wiper Note: Once our current stock runs out, this item will be discontinued.	\$58.00	
01994123	1977	WINDSHIELD WIPER SWITCH Except Pulse Wiper Note: Once our current stock runs out, this item will be discontinued.	\$58.00	
WIPER MOTOR HARNESS				
28420	1964	WIPER MOTOR HARNESS Single Speed, With Washer Motor Option	\$32.00	
28440	1964	WIPER MOTOR HARNESS 2 Speed, With Washer Motor Option Note: Used With The 01993665 2nd Design Wiper Switch With Straight Terminals On Back Of Switch.	\$35.00	
40910	1964	WIPER MOTOR HARNESS 2 Speed, With Washer Motor Option Note: Used With The 01993632 1st Design Wiper Switch With 90 Degree Terminals On Back Of Switch.	\$37.00	
41668	1964	WIPER MOTOR HARNESS Right Hand Drive, (Export Only)	\$41.00	
28415	1965	WIPER MOTOR HARNESS Single Speed, With Washer Motor Option	\$41.00	
28425	1965	WIPER MOTOR HARNESS 2 Speed, With Washer Motor Option	\$43.00	
41674	1965	WIPER MOTOR HARNESS Right Hand Drive, (Export Only)	\$41.00	
28465	1966	WIPER MOTOR HARNESS 2 Speed, With Washer Motor Option, From Wiper Motor To Wiper Motor Extension Harness	\$43.00	
28470	1966	WIPER MOTOR EXTENSION HARNESS 2 Speed Wiper, From Wiper Motor Harness To Wiper Switch	\$26.00	
28255	1970	WIPER MOTOR HARNESS Electro-Tip Demand Wipers Note: Customer Must Reuse Their Original Plastic 4 Cavity Connector & Also 2 Cavity Washer Pump Connector.	\$74.00	
41781	1975	WIPER MOTOR HARNESS With Pulse Wipers, From Wiper Switch To Wiper Motor	\$74.00	
41781	1976	WIPER MOTOR HARNESS With Pulse Wipers, From Wiper Switch To Wiper Motor	\$74.00	
41781	1977	WIPER MOTOR HARNESS With Pulse Wipers, From Wiper Switch To Wiper Motor	\$74.00	
41862	1978	WIPER MOTOR HARNESS With Pulse Wipers, From Wiper Switch To Wiper Motor	\$74.00	
41876	1979	WIPER MOTOR HARNESS With Pulse Wipers, From Wiper Switch To Wiper Motor	\$74.00	
41896	1980	WIPER MOTOR HARNESS With Pulse Wipers, From Wiper Switch To Wiper Motor	\$40.00	
41896	1981	WIPER MOTOR HARNESS With Pulse Wipers, From Wiper Switch To Wiper Motor	\$40.00	
41959	1982	WIPER MOTOR HARNESS With Pulse Wipers, From Wiper Switch To Wiper Motor	\$40.00	