



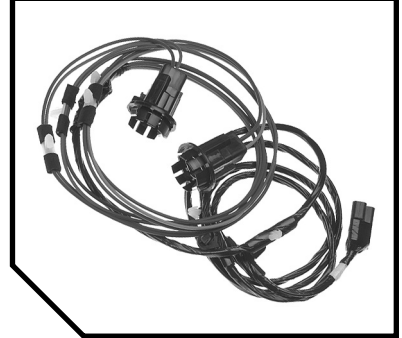
Electrical Restoration Products

**Skylark
Special/GS**

Phone 562.926.9552
Fax 562.926.9572
sparky@wiringharness.com

www.wiringharness.com

WIRING HARNESSES



BATTERY CABLES



SWITCHES



Buy with Confidence !

Made in the U.S.A.

All of our harnesses are hand assembled in the U.S.A.

Correct Color Wires

Our harnesses always match the original factory color codes and gauge sizes. We use U.S.A. made Cross Linked Polyethylene type GXL wire which is much more tolerant to heat than the original PVC type GPT wire that was used from the factory.

Dip Soldered (when applicable)

All terminals are dip soldered (when applicable) to limit resistance loss.

Correct Connectors & Terminals

With over 300,000 connectors and terminals in stock you can be sure the harness you receive will look identical to the original.

Correct Non-Adhesive & Cloth Tapes

All harnesses are wrapped with the correct non-adhesive or cloth woven tapes to assure a 100% factory appearance.

Technical Support

We don't expect our customers to be "wiring-wizards", you can call us direct with any technical questions you may have.

Custom Modifications

Custom modifications are available to allow you to convert from an external regulated alternator to an internal regulated alternator. This modification is available for most '63 and up GM cars and trucks. We can also convert many of our engine harnesses to work with H.E.I. distributors and electric chokes. Our modifications retain the factory appearance. Call our Customer Service Department for more details.

Reproduction Switches

We manufacture an extensive line of reproduction switches. These include Turn Signal, Backup Light, Neutral Safety, Wiper, Headlight Switches and others. As with all of our restoration products our switches will fit and function perfectly, just like the originals.

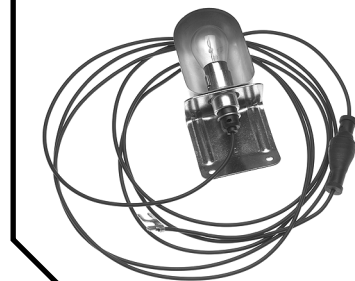
Guarantee & Warranty

We are so confident in the quality of all of our restoration products that we offer the following guarantee and warranty. If you are not 100% satisfied with the quality of any of our restoration products we will give you a full refund. Just return the unused item within 30 days of receipt for a full refund. We also offer a full 1 year replacement warranty on all of the products we sell (see our product warranty sheet for more info).

Method of Payment

We accept Visa, Master Card, American Express and Discover. If you prefer to pre-pay your order, we accept Money Orders, Cashiers Checks or Personal Checks. C.O.D. shipments are also available.

LIGHTING KITS



1 WIRE IGNITION



HARNESS TAPE



"M&H Harnesses are perfect reproductions created with correct color wires from Original GM wiring schematics".

**MUSCLECAR ENTHUSIAST
MAGAZINE**

www.wiringharness.com

Alternator Conversion Kits

**See car line catalogs
for specific applications**

Alternator Conversion Kit External to "SI" Type Internal

Our most popular Alternator Conversion Kit. This kit makes it easy to convert from an External Regulated Alternator to an "SI" Type Internal Regulated Alternator. Kit includes both adapters and an instruction sheet.

Easy to install:

1) Disconnect the external voltage regulator leads and plug our "Special Regulator Adapter" into the voltage regulator lead wires. 2) Disconnect the alternator lead wires. 3) Install new "SI" Type Internal Regulated alternator. 4) Plug one end of our "Alternator Adapter" into the original alternator lead wires and the other into the alternator.

Typical application is '63-'74 GM Cars & Trucks, see carline catalogs for specific application information.

Part #27555

Retail \$25.00



Alternator Conversion Kit External to "CS" Type Internal

This kit makes it easy to convert from an External Regulated Alternator to a "CS" Type Internal Regulated Alternator. Kit includes both adapters and an instruction sheet.

Easy to install:

1) Disconnect the external voltage regulator leads and plug our "Special Regulator Adapter" into the voltage regulator lead wires. 2) Disconnect the alternator lead wires. 3) Install new "SI" Type Internal Regulated alternator. 4) Plug one end of our "Alternator Adapter" into the original alternator lead wires and the other into the alternator.

Typical application is '63-'74 GM Cars & Trucks, see carline catalogs for specific application information.

Part #37787

Retail \$29.00



Alternator Conversion Kit "SI" Type Internal to CS130/CS144 Type Internal

Allows for an easy conversion from an "SI" type internal regulated alternator to a "CS130" or "CS144" type internal regulated alternator. Simple to install, the mating end of the adapter pigtail plugs perfectly to the original alternator connector, and the other end plugs right into any "CS130" or "CS144" type alternator. Kit includes adapter pigtail and an instruction sheet.

Typical application is '69-'84 GM Cars & Trucks, see carline catalogs for specific application information.

Part #37796

Retail \$22.00



Alternator Conversion Kits

See car line catalogs for specific applications

Alternator Conversion Kit

"SI" Type Internal to "CS130D" Type Internal

Allows for an easy conversion from an "SI" type internal regulated alternator to a "CS130D" type internal regulated alternator. Simple to install, the mating end of the adapter pigtail plugs perfectly to the original alternator connector, and the other end plugs right into any "CS130D" type alternator. Kit includes adapter pigtail and an instruction sheet.

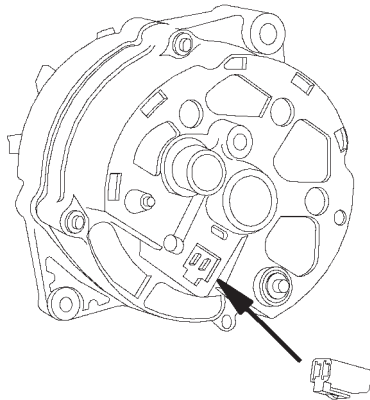
Typical application is '69-'84 GM Cars & Trucks, see carline catalogs for specific application information.

Part #39472

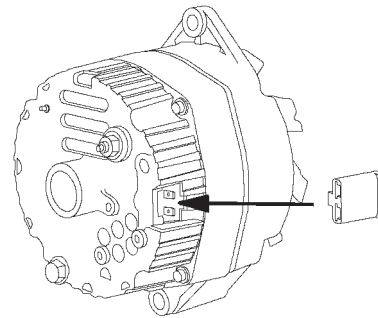
Retail \$19.00



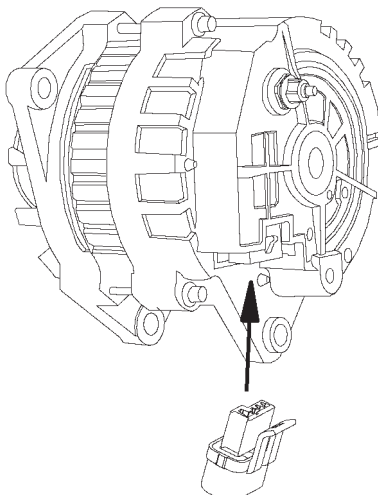
Alternator Identification



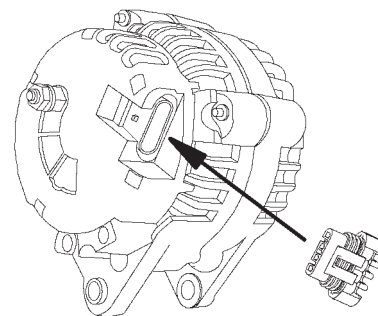
1963-1974
External Regulated Alternator



1969-1984 "SI" Type
Internal Regulated Alternator



1984-1999 "CS130" & "CS144" Type
Internal Regulated Alternator



1994-Newer "CS130D" Type
Internal Regulated Alternator

Breakerless SE Single Wire Ignition

Simple 1 Wire Hook-Up, just connect the original points wire to the module

Completely stock appearance

Emissions Legal in all 50 States

Three year warranty

The Breakerless SE allows you to convert any 1957 to 1974 GM, AMC or Jeep V8 breaker point type distributor (with a windowed type distributor cap) to a reliable solid-state electronic ignition, utilizing a fully integrated trigger and power module that fits completely inside the distributor.

Unlike competitive systems though, no additional wires protrude from the distributor, only the original points wire. The result is a state-of-the-art ignition with an absolutely stock appearance. The Breakerless SE is so unique that it's patented !



Outstanding features of this unit include:

- Single wire operation to preserve stock appearance and simplify wiring.
- Active dwell control maintains high rpm spark energy while reducing coil heating at idle.
- Auto-standby prevents coil damage or dead battery if the ignition is accidentally left on.
- Hall effect rotary-vane sensor design compensates for worn bearings and distributor end play. Magnetic sensor is unaffected by oil, dirt or other contaminants, unlike optical systems.
- Over-voltage/over-current protected against damage from high amp battery chargers, reversed battery, or improper wiring.
- Constructed with premium quality components. Sealed, hi-temp thermoplastic housing provides exceptional resistance against moisture and vibration.
- No distributor modification, disassembly, or removal is required.

Kit comes complete with everything you'll need to install the Breakerless SE Single Wire Ignition. Kit includes: 1 Module, 1 (two-piece) vane, all necessary installation hardware and a comprehensive instruction sheet.

Part #38131
Retail \$169.00

**For more info on this product
visit www.breakerless.com**

Part Number	Year	Description	Price	*Rev.
AIR CONDITIONING HARNESS				
35958	1964	AIR CONDITIONING HARNESS Includes Heater Wiring	\$153.00	
35958	1965	AIR CONDITIONING HARNESS Includes Heater Wiring	\$153.00	
35871	1966	AIR CONDITIONING HARNESS Includes Heater Wiring	\$148.00	
35871	1967	AIR CONDITIONING HARNESS Includes Heater Wiring	\$148.00	
35872	1968	AIR CONDITIONING EXTENSION WIRE Blower Motor To Engine Harness	\$15.00	
35942	1968	AIR CONDITIONING HARNESS Includes Heater Wiring	\$148.00	
32310	1969	AIR CONDITIONING HARNESS Includes Heater Wiring	\$148.00	
32310	1970	AIR CONDITIONING HARNESS Includes Heater Wiring	\$148.00	
32310	1971	AIR CONDITIONING HARNESS Includes Heater Wiring	\$148.00	
32310	1972	AIR CONDITIONING HARNESS Includes Heater Wiring	\$148.00	
ALTERNATOR CONVERSION KIT				
27555	1964	ALTERNATOR CONVERSION KIT External To Internal Regulator Conversion Harness ("SI" Series) Note: For Use With 1972-84 Non-Serpentine Belt ("SI" Series) Internal Regulated Alternators.	\$25.00	
27555	1965	ALTERNATOR CONVERSION KIT External To Internal Regulator Conversion Harness ("SI" Series) Note: For Use With 1972-84 Non-Serpentine Belt ("SI" Series) Internal Regulated Alternators.	\$25.00	
27555	1966	ALTERNATOR CONVERSION KIT External To Internal Regulator Conversion Harness ("SI" Series) Note: For Use With 1972-84 Non-Serpentine Belt ("SI" Series) Internal Regulated Alternators.	\$25.00	
27555	1967	ALTERNATOR CONVERSION KIT External To Internal Regulator Conversion Harness ("SI" Series) Note: For Use With 1972-84 Non-Serpentine Belt ("SI" Series) Internal Regulated Alternators.	\$25.00	
27555	1968	ALTERNATOR CONVERSION KIT External To Internal Regulator Conversion Harness ("SI" Series) Note: For Use With 1972-84 Non-Serpentine Belt ("SI" Series) Internal Regulated Alternators.	\$25.00	
27555	1969	ALTERNATOR CONVERSION KIT External To Internal Regulator Conversion Harness ("SI" Series) Note: For Use With 1972-84 Non-Serpentine Belt ("SI" Series) Internal Regulated Alternators.	\$25.00	
27555	1970	ALTERNATOR CONVERSION KIT External To Internal Regulator Conversion Harness ("SI" Series) Note: For Use With 1972-84 Non-Serpentine Belt ("SI" Series) Internal Regulated Alternators.	\$25.00	
27555	1971	ALTERNATOR CONVERSION KIT External To Internal Regulator Conversion Harness ("SI" Series) Note: For Use With 1972-84 Non-Serpentine Belt ("SI" Series) Internal Regulated Alternators.	\$25.00	
27555	1972	ALTERNATOR CONVERSION KIT External To Internal Regulator Conversion Harness ("SI" Series) Note: For Use With 1972-84 Non-Serpentine Belt ("SI" Series) Internal Regulated Alternators.	\$25.00	
37787	1964	ALTERNATOR CONVERSION KIT External To Internal Regulator Conversion Harness ("CS" Series) Note: For Use With Serpentine Belt ("CS" Series) Internal Regulated Alternators.	\$29.00	
37787	1965	ALTERNATOR CONVERSION KIT External To Internal Regulator Conversion Harness ("CS" Series) Note: For Use With Serpentine Belt ("CS" Series) Internal Regulated Alternators.	\$29.00	
37787	1966	ALTERNATOR CONVERSION KIT External To Internal Regulator Conversion Harness ("CS" Series) Note: For Use With Serpentine Belt ("CS" Series) Internal Regulated Alternators.	\$29.00	
37787	1967	ALTERNATOR CONVERSION KIT External To Internal Regulator Conversion Harness ("CS" Series) Note: For Use With Serpentine Belt ("CS" Series) Internal Regulated Alternators.	\$29.00	
37787	1968	ALTERNATOR CONVERSION KIT External To Internal Regulator Conversion Harness ("CS" Series) Note: For Use With Serpentine Belt ("CS" Series) Internal Regulated Alternators.	\$29.00	
37787	1969	ALTERNATOR CONVERSION KIT External To Internal Regulator Conversion Harness ("CS" Series) Note: For Use With Serpentine Belt ("CS" Series) Internal Regulated Alternators.	\$29.00	
37787	1970	ALTERNATOR CONVERSION KIT External To Internal Regulator Conversion Harness ("CS" Series) Note: For Use With Serpentine Belt ("CS" Series) Internal Regulated Alternators.	\$29.00	
37787	1971	ALTERNATOR CONVERSION KIT External To Internal Regulator Conversion Harness ("CS" Series) Note: For Use With Serpentine Belt ("CS" Series) Internal Regulated Alternators.	\$29.00	
37787	1972	ALTERNATOR CONVERSION KIT External To Internal Regulator Conversion Harness ("CS" Series) Note: For Use With Serpentine Belt ("CS" Series) Internal Regulated Alternators.	\$29.00	

Part Number	Year	Description	Price	*Rev.
ASSEMBLY MANUAL				
36361	1963	ASSEMBLY MANUAL Factory Assembly Instruction Guide	\$30.00	
36362	1964	ASSEMBLY MANUAL Factory Assembly Instruction Guide	\$30.00	
36363	1968	ASSEMBLY MANUAL Factory Assembly Instruction Guide	\$30.00	
36364	1969	ASSEMBLY MANUAL Factory Assembly Instruction Guide	\$30.00	
36365	1970	ASSEMBLY MANUAL Factory Assembly Instruction Guide	\$30.00	
36366	1971	ASSEMBLY MANUAL Factory Assembly Instruction Guide	\$29.00	
36367	1972	ASSEMBLY MANUAL Factory Assembly Instruction Guide	\$30.00	
BACKUP LAMP SWITCH				
01993662	1964	BACKUP LAMP SWITCH 4 Speed, Manual Trans	\$64.00	
01993662	1965	BACKUP LAMP SWITCH 4 Speed, Manual Trans	\$64.00	
01993662	1966	BACKUP LAMP SWITCH 4 Speed, Manual Trans	\$64.00	
01993406	1967	BACKUP LAMP SWITCH All Manual Trans, Except Column Shift	\$64.00	
01993406	1968	BACKUP LAMP SWITCH All Manual Trans, Except Column Shift	\$64.00	
03943657	1969	BACKUP LAMP SWITCH All Manual Trans	\$53.00	
03943657	1970	BACKUP LAMP SWITCH All Manual Trans	\$53.00	
03943657	1971	BACKUP LAMP SWITCH All Manual Trans	\$53.00	
03943657	1972	BACKUP LAMP SWITCH All Manual Trans	\$53.00	
BACKUP LAMP SWITCH MOUNTING BRACKET				
37650	1964	BACKUP LAMP SWITCH MOUNTING BRACKET With Muncie 4 Speed Transmission	\$29.00	
37650	1965	BACKUP LAMP SWITCH MOUNTING BRACKET With Muncie 4 Speed Transmission	\$29.00	
37650	1966	BACKUP LAMP SWITCH MOUNTING BRACKET With Muncie 4 Speed Transmission	\$29.00	
37650	1967	BACKUP LAMP SWITCH MOUNTING BRACKET With Muncie 4 Speed Transmission	\$29.00	
37650	1968	BACKUP LAMP SWITCH MOUNTING BRACKET With Muncie 4 Speed Transmission	\$29.00	
BACKUP LAMP SWITCH MOUNTING KIT				
39504	1967	BACKUP LAMP SWITCH MOUNTING KIT With Manual Transmission Note: Kit Contains The Bracket, Rod With 2 Clips, Shield & Bolts.	\$46.00	
39504	1968	BACKUP LAMP SWITCH MOUNTING KIT With Manual Transmission Note: Kit Contains The Bracket, Rod With 2 Clips, Shield & Bolts.	\$46.00	
BATTERY CABLE JUMPER				
21690	1961	BATTERY CABLE JUMPER Pos, Junction Block To Starter Solenoid	\$64.00	
31935	1962	BATTERY CABLE JUMPER Pos, Junction Block To Starter Solenoid	\$64.00	
31935	1963	BATTERY CABLE JUMPER Pos, Junction Block To Starter Solenoid	\$64.00	
10525	1965	BATTERY CABLE JUMPER Pos, V/8, Gran Sport, Junction Block To Starter Solenoid	\$64.00	
10525	1966	BATTERY CABLE JUMPER Pos, V/8, Gran Sport, Junction Block To Starter Solenoid	\$64.00	
BATTERY CABLE-NEGATIVE				
03940	1961	BATTERY CABLE, SPRING RING Neg, With Secondary Ground Wire	\$64.00	
03260	1961	BATTERY CABLE, SPRING RING Neg, Without Secondary Ground Wire	\$64.00	
03940	1962	BATTERY CABLE, SPRING RING Neg, With Secondary Ground Wire	\$64.00	
04210	1963	BATTERY CABLE, SPRING RING Neg	\$64.00	
05350	1964	BATTERY CABLE, SPRING RING Neg, V/6	\$64.00	
04535	1964	BATTERY CABLE, SPRING RING Neg, V/8	\$64.00	
05350	1965	BATTERY CABLE, SPRING RING Neg, V/6 & V/8, Except Gran Sport	\$64.00	
05350	1966	BATTERY CABLE, SPRING RING Neg, V/6 & V/8, Except Gran Sport	\$64.00	
05340	1966	BATTERY CABLE, SPRING RING Neg, V/8, Gran Sport	\$64.00	
05350	1967	BATTERY CABLE, SPRING RING Neg, V/6	\$64.00	

Part Number	Year	Description	Price	*Rev.
04535	1967	BATTERY CABLE, SPRING RING Neg, V/8, Except Gran Sport	\$64.00	
09815	1967	BATTERY CABLE, SPRING RING Neg, V/8, Gran Sport	\$64.00	
04445	1968	BATTERY CABLE, SPRING RING Neg, 6 Cylinder Note: 6 Cylinder Items Are Not Returnable.	\$64.00	
04535	1968	BATTERY CABLE, SPRING RING Neg, V/8, 350 C.I.	\$64.00	
09815	1968	BATTERY CABLE, SPRING RING Neg, V/8, 400 C.I.	\$64.00	
04445	1969	BATTERY CABLE, SPRING RING Neg, 6 Cylinder Note: 6 Cylinder Items Are Not Returnable.	\$64.00	
23650	1969	BATTERY CABLE, SPRING RING Neg, V/8, 350 C.I.	\$64.00	
09815	1969	BATTERY CABLE, SPRING RING Neg, V/8, 400 C.I.	\$64.00	
14645	1970	BATTERY CABLE, SPRING RING Neg, 6 Cylinder Note: 6 Cylinder Items Are Not Returnable.	\$64.00	
14650	1970	BATTERY CABLE, SPRING RING Neg, V/8, 350 C.I.	\$64.00	
14655	1970	BATTERY CABLE, SPRING RING Neg, V/8, 455 C.I.	\$64.00	
14645	1971	BATTERY CABLE, SPRING RING Neg, 6 Cylinder Note: 6 Cylinder Items Are Not Returnable.	\$64.00	
14650	1971	BATTERY CABLE, SPRING RING Neg, V/8, 350 C.I.	\$64.00	
14655	1971	BATTERY CABLE, SPRING RING Neg, V/8, 455 C.I.	\$64.00	
41371	1972	BATTERY CABLE, SIDE POST Neg, V/8, 350 C.I.	\$69.00	
39497	1972	BATTERY CABLE, SIDE POST Neg, V/8, 455 C.I.	\$55.00	
BATTERY CABLE-POSITIVE				
41370	1972	BATTERY CABLE, SIDE POST Pos, V/8, 350 C.I.	\$69.00	
34715	1961	BATTERY CABLE, SPRING RING Pos, Battery To Junction Block	\$64.00	
34715	1962	BATTERY CABLE, SPRING RING Pos, Battery To Junction Block	\$64.00	
26875	1963	BATTERY CABLE, SPRING RING Pos, Battery To Junction Block	\$64.00	
05435	1964	BATTERY CABLE, SPRING RING Pos, V/6 & V/8	\$64.00	
23665	1965	BATTERY CABLE, SPRING RING Pos, V/6	\$64.00	
09890	1965	BATTERY CABLE, SPRING RING Pos, V/8, Except Gran Sport	\$64.00	
23665	1966	BATTERY CABLE, SPRING RING Pos, V/6	\$64.00	
09890	1966	BATTERY CABLE, SPRING RING Pos, V/8, Except Gran Sport	\$64.00	
23705	1966	BATTERY CABLE, SPRING RING Pos, V/8, Gran Sport, Battery To Junction Block	\$64.00	
23665	1967	BATTERY CABLE, SPRING RING Pos, V/6	\$64.00	
23665	1967	BATTERY CABLE, SPRING RING Pos, V/8, 300-340 C.I., Except Gran Sport	\$64.00	
10370	1967	BATTERY CABLE, SPRING RING Pos, V/8, 400 C.I. & Gran Sport	\$140.00	
09905	1968	BATTERY CABLE, SPRING RING Pos, 6 Cylinder Note: 6 Cylinder Items Are Not Returnable.	\$64.00	
09910	1968	BATTERY CABLE, SPRING RING Pos, V/8, 350 C.I.	\$64.00	
10370	1968	BATTERY CABLE, SPRING RING Pos, V/8, 400 C.I. & Gran Sport	\$140.00	
09905	1969	BATTERY CABLE, SPRING RING Pos, 6 Cylinder Note: 6 Cylinder Items Are Not Returnable.	\$64.00	
23660	1969	BATTERY CABLE, SPRING RING Pos, V/8, 350 C.I.	\$64.00	
13300	1969	BATTERY CABLE, SPRING RING Pos, V/8, 400 C.I. & Gran Sport	\$140.00	
09905	1970	BATTERY CABLE, SPRING RING Pos, 6 Cylinder Note: 6 Cylinder Items Are Not Returnable.	\$64.00	
14610	1970	BATTERY CABLE, SPRING RING Pos, V/8, 350 C.I.	\$64.00	
13300	1970	BATTERY CABLE, SPRING RING Pos, V/8, 455 C.I.	\$140.00	

Part Number	Year	Description	Price	*Rev.
09905	1971	BATTERY CABLE, SPRING RING Pos, 6 Cylinder Note: 6 Cylinder Items Are Not Returnable.	\$64.00	
14610	1971	BATTERY CABLE, SPRING RING Pos, V/8, 350 C.I.	\$64.00	
13300	1971	BATTERY CABLE, SPRING RING Pos, V/8, 455 C.I.	\$140.00	
39496	1972	BATTERY CABLE, SIDE POST Pos, V/8, 455 C.I. Note: Customer Must Supply Their Original Molded Retainer Block.	\$140.00	
BREAKERLESS SE SINGLE WIRE ELECTRONIC IGNITION				
38131	1964	BREAKERLESS SE SINGLE WIRE ELECTRONIC IGNITION KIT For 1957-74 Breaker Point Distributors With Windowed Type Distributor Cap	\$169.00	
38131	1965	BREAKERLESS SE SINGLE WIRE ELECTRONIC IGNITION KIT For 1957-74 Breaker Point Distributors With Windowed Type Distributor Cap	\$169.00	
38131	1966	BREAKERLESS SE SINGLE WIRE ELECTRONIC IGNITION KIT For 1957-74 Breaker Point Distributors With Windowed Type Distributor Cap	\$169.00	
38131	1967	BREAKERLESS SE SINGLE WIRE ELECTRONIC IGNITION KIT For 1957-74 Breaker Point Distributors With Windowed Type Distributor Cap	\$169.00	
38131	1968	BREAKERLESS SE SINGLE WIRE ELECTRONIC IGNITION KIT For 1957-74 Breaker Point Distributors With Windowed Type Distributor Cap	\$169.00	
38131	1969	BREAKERLESS SE SINGLE WIRE ELECTRONIC IGNITION KIT For 1957-74 Breaker Point Distributors With Windowed Type Distributor Cap	\$169.00	
38131	1970	BREAKERLESS SE SINGLE WIRE ELECTRONIC IGNITION KIT For 1957-74 Breaker Point Distributors With Windowed Type Distributor Cap	\$169.00	
38131	1971	BREAKERLESS SE SINGLE WIRE ELECTRONIC IGNITION KIT For 1957-74 Breaker Point Distributors With Windowed Type Distributor Cap	\$169.00	
38131	1972	BREAKERLESS SE SINGLE WIRE ELECTRONIC IGNITION KIT For 1957-74 Breaker Point Distributors With Windowed Type Distributor Cap	\$169.00	
38131	1973	BREAKERLESS SE SINGLE WIRE ELECTRONIC IGNITION KIT For 1957-74 Breaker Point Distributors With Windowed Type Distributor Cap	\$169.00	
38131	1974	BREAKERLESS SE SINGLE WIRE ELECTRONIC IGNITION KIT For 1957-74 Breaker Point Distributors With Windowed Type Distributor Cap	\$169.00	
CIRCUIT BREAKER				
04849850	1964	CIRCUIT BREAKER, 40 AMP Power Seat, Windows & Tailgate Window	\$14.00	
COURTESY LAMP HARNESS				
06890	1964	COURTESY LAMP HARNESS Skylark Coupe, With Dual Rear Sail Panel Lights	\$52.00	
07135	1964	COURTESY LAMP JUMPER HARNESS Rear Header Courtesy Lamp, 4 Door Wagon Only	\$41.00	
06880	1964	COURTESY LAMP HARNESS Center Roof Mounted Dome Lamp, Skylark & Special 4door Sedan	\$29.00	
06885	1964	COURTESY LAMP HARNESS Center Roof Mounted Dome Lamp, Special 2 Door Sedan	\$28.00	
07575	1965	COURTESY LAMP HARNESS Center Roof Mounted Dome Lamp, Skylark & Special 4 Door Sedan	\$34.00	
07580	1965	COURTESY LAMP HARNESS Center Roof Mounted Dome Lamp, Skylark & Special Coupes	\$28.00	
07710	1965	COURTESY LAMP HARNESS With Dual Rear Sail Panel Lights	\$46.00	
07710	1966	COURTESY LAMP HARNESS With Dual Rear Sail Panel Lights	\$46.00	
07710	1967	COURTESY LAMP HARNESS With Dual Rear Sail Panel Lights	\$46.00	
COURTESY LAMP REPAIR PIGTAIL				
43896	1964	COURTESY LAMP REPAIR PIGTAIL Convertible, 1/4 Arm Rest Courtesy Lamp, Includes Socket And 6" Of 18 Gauge, Orange & White Wire. 2 Required Per Car. Note: Original Wire Was 18 Gauge, Sometimes With A Heavy Wall Type Insulation. Repair Pigtail Is Also 18 Gauge, But Today's Insulation Is Of Much Higher Quality, And May Not Be As Thick As Some Original Cables.	\$14.00	
43896	1965	COURTESY LAMP REPAIR PIGTAIL Convertible, 1/4 Arm Rest Courtesy Lamp, Includes Socket And 6" Of 18 Gauge, Orange & White Wire. 2 Required Per Car. Note: Original Wire Was 18 Gauge, Sometimes With A Heavy Wall Type Insulation. Repair Pigtail Is Also 18 Gauge, But Today's Insulation Is Of Much Higher Quality, And May Not Be As Thick As Some Original Cables.	\$14.00	

Part Number	Year	Description	Price	*Rev.
43896	1966	COURTESY LAMP REPAIR PIGTAIL Convertible, 1/4 Arm Rest Courtesy Lamp, Includes Socket And 6" Of 18 Gauge, Orange & White Wire. 2 Required Per Car. Note: Original Wire Was 18 Gauge, Sometimes With A Heavy Wall Type Insulation. Repair Pigtail Is Also 18 Gauge, But Today's Insulation Is Of Much Higher Quality, And May Not Be As Thick As Some Original Cables.	\$14.00	
43896	1967	COURTESY LAMP REPAIR PIGTAIL Convertible, 1/4 Arm Rest Courtesy Lamp, Includes Socket And 6" Of 18 Gauge, Orange & White Wire. 2 Required Per Car. Note: Original Wire Was 18 Gauge, Sometimes With A Heavy Wall Type Insulation. Repair Pigtail Is Also 18 Gauge, But Today's Insulation Is Of Much Higher Quality, And May Not Be As Thick As Some Original Cables.	\$14.00	
43896	1968	COURTESY LAMP REPAIR PIGTAIL Convertible, 1/4 Arm Rest Courtesy Lamp, Includes Socket And 6" Of 18 Gauge, Orange & White Wire. 2 Required Per Car. Note: Original Wire Was 18 Gauge, Sometimes With A Heavy Wall Type Insulation. Repair Pigtail Is Also 18 Gauge, But Today's Insulation Is Of Much Higher Quality, And May Not Be As Thick As Some Original Cables.	\$14.00	
43896	1969	COURTESY LAMP REPAIR PIGTAIL Convertible, 1/4 Arm Rest Courtesy Lamp, Includes Socket And 6" Of 18 Gauge, Orange & White Wire. 2 Required Per Car. Note: Original Wire Was 18 Gauge, Sometimes With A Heavy Wall Type Insulation. Repair Pigtail Is Also 18 Gauge, But Today's Insulation Is Of Much Higher Quality, And May Not Be As Thick As Some Original Cables.	\$14.00	
43896	1970	COURTESY LAMP REPAIR PIGTAIL Convertible, 1/4 Arm Rest Courtesy Lamp, Includes Socket And 6" Of 18 Gauge, Orange & White Wire. 2 Required Per Car. Note: Original Wire Was 18 Gauge, Sometimes With A Heavy Wall Type Insulation. Repair Pigtail Is Also 18 Gauge, But Today's Insulation Is Of Much Higher Quality, And May Not Be As Thick As Some Original Cables.	\$14.00	
43896	1971	COURTESY LAMP REPAIR PIGTAIL Convertible, 1/4 Arm Rest Courtesy Lamp, Includes Socket And 6" Of 18 Gauge, Orange & White Wire. 2 Required Per Car. Note: Original Wire Was 18 Gauge, Sometimes With A Heavy Wall Type Insulation. Repair Pigtail Is Also 18 Gauge, But Today's Insulation Is Of Much Higher Quality, And May Not Be As Thick As Some Original Cables.	\$14.00	
43896	1972	COURTESY LAMP REPAIR PIGTAIL Convertible, 1/4 Arm Rest Courtesy Lamp, Includes Socket And 6" Of 18 Gauge, Orange & White Wire. 2 Required Per Car. Note: Original Wire Was 18 Gauge, Sometimes With A Heavy Wall Type Insulation. Repair Pigtail Is Also 18 Gauge, But Today's Insulation Is Of Much Higher Quality, And May Not Be As Thick As Some Original Cables.	\$14.00	
DASH HARNESS				
04500	1964	DASH HARNESS	\$587.00	
06165	1965	DASH HARNESS Column Shift, Auto Trans Or Floor Shift Manual Trans	\$610.00	
06225	1965	DASH HARNESS Console Shift, Auto Trans	\$587.00	
06090	1965	DASH HARNESS Console Shift, Manual Trans	\$610.00	
10225	1966	DASH HARNESS Column Shift, Auto Trans Or Floor Shift Manual Trans	\$610.00	
10270	1966	DASH HARNESS Console Shift, Auto Trans	\$587.00	
10275	1966	DASH HARNESS Console Shift, Manual Trans	\$610.00	
11140	1967	DASH HARNESS Column Shift, Auto Trans Or Floor Shift Manual Trans	\$587.00	
11145	1967	DASH HARNESS Console Shift, Auto Trans	\$621.00	
11150	1967	DASH HARNESS Console Shift, Manual Trans	\$598.00	
12130	1968	DASH HARNESS Column Shift Auto Trans Or All Manual Trans	\$598.00	
12135	1968	DASH HARNESS Console Shift, Auto Trans	\$621.00	
12725	1969	DASH HARNESS Column Shift Auto Trans Or All Manual Trans	\$610.00	
12730	1969	DASH HARNESS Console Shift, Auto Trans	\$621.00	
13715	1970	DASH HARNESS Column Shift Auto Or All Manual Trans	\$616.00	
15740	1970	DASH HARNESS Console Shift, Auto Trans	\$621.00	
19170	1970	DASH HARNESS Column Shift Auto Or All Manual Trans, With Gauges	\$616.00	
19175	1970	DASH HARNESS Console Shift, Auto Trans, With Gauges	\$621.00	
19180	1971	DASH HARNESS With Warning Lights	\$633.00	
15945	1971	DASH HARNESS With Gauges	\$616.00	
18290	1972	DASH HARNESS Note: Applications With Gauges Require Part# 41575 Dash Instrument Cluster Harness (41575 Requires Customers Original).	\$633.00	

Part Number	Year	Description	Price	*Rev.
41575	1972	DASH INSTRUMENT CLUSTER HARNESS With Gauges Note: Customer Must Supply Their Original Harness For Cluster Connector.	\$114.00	
DISTRIBUTOR WIRE				
36057	1964	DISTRIBUTOR WIRE Distributor Points To Coil Negative Terminal, V/8 Note: Fits All GM V/8 Points Type Distributors From Approx. 1957 To 1974.	\$15.00	C
36057	1965	DISTRIBUTOR WIRE Distributor Points To Coil Negative Terminal, V/8 Note: Fits All GM V/8 Points Type Distributors From Approx. 1957 To 1974.	\$15.00	C
36057	1966	DISTRIBUTOR WIRE Distributor Points To Coil Negative Terminal, V/8 Note: Fits All GM V/8 Points Type Distributors From Approx. 1957 To 1974.	\$15.00	C
36057	1967	DISTRIBUTOR WIRE Distributor Points To Coil Negative Terminal, V/8 Note: Fits All GM V/8 Points Type Distributors From Approx. 1957 To 1974.	\$15.00	C
36057	1968	DISTRIBUTOR WIRE Distributor Points To Coil Negative Terminal, V/8 Note: Fits All GM V/8 Points Type Distributors From Approx. 1957 To 1974.	\$15.00	C
36057	1969	DISTRIBUTOR WIRE Distributor Points To Coil Negative Terminal, V/8 Note: Fits All GM V/8 Points Type Distributors From Approx. 1957 To 1974.	\$15.00	C
36057	1970	DISTRIBUTOR WIRE Distributor Points To Coil Negative Terminal, V/8 Note: Fits All GM V/8 Points Type Distributors From Approx. 1957 To 1974.	\$15.00	C
36057	1971	DISTRIBUTOR WIRE Distributor Points To Coil Negative Terminal, V/8 Note: Fits All GM V/8 Points Type Distributors From Approx. 1957 To 1974.	\$15.00	C
36057	1972	DISTRIBUTOR WIRE Distributor Points To Coil Negative Terminal, V/8 Note: Fits All GM V/8 Points Type Distributors From Approx. 1957 To 1974.	\$15.00	C
36057	1973	DISTRIBUTOR WIRE Distributor Points To Coil Negative Terminal, V/8 Note: Fits All GM V/8 Points Type Distributors From Approx. 1957 To 1974.	\$15.00	C
36057	1974	DISTRIBUTOR WIRE Distributor Points To Coil Negative Terminal, V/8 Note: Fits All GM V/8 Points Type Distributors From Approx. 1957 To 1974.	\$15.00	C
ENGINE HARNESS				
04505	1964	ENGINE HARNESS 6 Cylinder (V/6) Note: 6 Cylinder Items Are Not Returnable.	\$229.00	
04510	1964	ENGINE HARNESS V/8	\$206.00	
06180	1965	ENGINE HARNESS 6 Cylinder (V/6) Note: 6 Cylinder Items Are Not Returnable.	\$229.00	
05940	1965	ENGINE HARNESS V/8, 300 C.I. Engine Only, Includes Starter Solenoid Wiring	\$206.00	
06100	1965	ENGINE HARNESS V/8, 400 C.I. GS, Does Not Include Starter Solenoid Wiring	\$206.00	
09470	1966	ENGINE HARNESS 6 Cylinder (V/6) Note: 6 Cylinder Items Are Not Returnable.	\$229.00	
09475	1966	ENGINE HARNESS V/8, 300-340 C.I.	\$206.00	
09480	1966	ENGINE HARNESS V/8, 400-425 C.I. GS	\$206.00	
10695	1967	ENGINE HARNESS 6 Cylinder (V/6) Note: 6 Cylinder Items Are Not Returnable.	\$229.00	
19130	1967	ENGINE HARNESS V/8, 300-340 C.I.	\$206.00	
11325	1967	ENGINE HARNESS V/8, 400 C.I. GS	\$206.00	
12630	1968	ENGINE HARNESS 6 Cylinder (L6) Note: 6 Cylinder Items Are Not Returnable.	\$258.00	
12140	1968	ENGINE HARNESS V/8, 350 C.I.	\$229.00	
12145	1968	ENGINE HARNESS V/8, 400 C.I. GS	\$229.00	
12735	1969	ENGINE HARNESS 6 Cylinder (L6) Note: 6 Cylinder Items Are Not Returnable.	\$258.00	

Part Number	Year	Description	Price	*Rev.
13465	1969	ENGINE HARNESS 6 Cylinder (L6), With A/C Note: 6 Cylinder Items Are Not Returnable.	\$258.00	
12740	1969	ENGINE HARNESS V/8, 350 C.I.	\$229.00	
13470	1969	ENGINE HARNESS V/8, 350 C.I. With A/C	\$241.00	
12745	1969	ENGINE HARNESS V/8, 400 C.I.	\$229.00	
13475	1969	ENGINE HARNESS V/8, 400 C.I. With A/C	\$241.00	
13725	1970	ENGINE HARNESS 6 Cylinder (L6), Auto Trans Note: 6 Cylinder Items Are Not Returnable.	\$258.00	
13750	1970	ENGINE HARNESS 6 Cylinder (L6), Auto Trans With A/C Note: 6 Cylinder Items Are Not Returnable.	\$258.00	
36259	1970	ENGINE HARNESS 6 Cylinder (L6), Manual Trans Note: 6 Cylinder Items Are Not Returnable.	\$258.00	
13720	1970	ENGINE HARNESS 6 Cylinder (L6), Manual Trans With A/C Note: 6 Cylinder Items Are Not Returnable.	\$258.00	
34970	1970	ENGINE HARNESS V/8, 350 C.I. Auto Trans	\$229.00	
13730	1970	ENGINE HARNESS V/8, 350 C.I. Auto Trans With A/C	\$229.00	
36250	1970	ENGINE HARNESS V/8, 350 C.I. Manual Trans	\$241.00	
15830	1970	ENGINE HARNESS V/8, 350 C.I. Manual Trans With A/C	\$241.00	
13740	1970	ENGINE HARNESS V/8, 455 C.I. Auto Trans	\$229.00	
13745	1970	ENGINE HARNESS V/8, 455 C.I. Auto Trans With A/C	\$229.00	
36256	1970	ENGINE HARNESS V/8, 455 C.I. Manual Trans	\$241.00	
13735	1970	ENGINE HARNESS V/8, 455 C.I. Manual Trans With A/C	\$241.00	
15940	1971	ENGINE HARNESS 6 Cylinder (L6) Note: 6 Cylinder Items Are Not Returnable.	\$258.00	
33010	1971	ENGINE HARNESS V/8, 350 C.I.	\$241.00	
33015	1971	ENGINE HARNESS V/8, 350 C.I. With A/C	\$241.00	
19135	1971	ENGINE HARNESS V/8, 455 C.I.	\$241.00	
33005	1971	ENGINE HARNESS V/8, 455 C.I. With A/C	\$241.00	
32095	1972	ENGINE HARNESS 6 Cylinder (L6) Note: 6 Cylinder Items Are Not Returnable.	\$258.00	
32100	1972	ENGINE HARNESS V/8, 350 C.I.	\$241.00	
32105	1972	ENGINE HARNESS V/8, 350 C.I. With A/C	\$241.00	
32110	1972	ENGINE HARNESS V/8, 455 C.I.	\$241.00	
32115	1972	ENGINE HARNESS V/8, 455 C.I. With A/C	\$241.00	
43090	1964	ENGINE HARNESS-HEI V/8 Note: This Harness Is Modified For Use With An HEI Distributor.	\$227.00	
43091	1964	ENGINE HARNESS-SI SERIES INT REG ALT V/8 Note: Modified For 1972-84 Non-Serpentine Belt ("SI" Series) Internal Regulated Alternators Mounted In The Factory Location.	\$240.00	
43092	1964	ENGINE HARNESS-HEI AND SI SERIES INT REG ALT V/8 Note: Modified For HEI & 1972-84 Non-Serpentine Belt ("SI" Series) Internal Regulated Alternators Mounted In The Factory Location.	\$251.00	
43093	1965	ENGINE HARNESS-HEI V/8, 300 C.I. Engine Only, Includes Starter Solenoid Wiring Note: This Harness Is Modified For Use With An HEI Distributor.	\$227.00	
43094	1965	ENGINE HARNESS-SI SERIES INT REG ALT V/8, 300 C.I. Engine Only, Includes Starter Solenoid Wiring Note: Modified For 1972-84 Non-Serpentine Belt ("SI" Series) Internal Regulated Alternators Mounted In The Factory Location.	\$240.00	
43095	1965	ENGINE HARNESS-HEI AND SI SERIES INT REG ALT V/8, 300 C.I. Engine Only, Includes Starter Solenoid Wiring Note: Modified For HEI & 1972-84 Non-Serpentine Belt ("SI" Series) Internal Regulated Alternators Mounted In The Factory Location.	\$251.00	

Part Number	Year	Description	Price	*Rev.
43096	1965	ENGINE HARNESS-HEI V/8, 400 C.I. GS, Does Not Include Starter Solenoid Wiring Note: This Harness Is Modified For Use With An HEI Distributor.	\$227.00	
43097	1965	ENGINE HARNESS-SI SERIES INT REG ALT V/8, 400 C.I. GS, Does Not Include Starter Solenoid Wiring Note: Modified For 1972-84 Non-Serpentine Belt ("SI" Series) Internal Regulated Alternators Mounted In The Factory Location.	\$240.00	
43098	1965	ENGINE HARNESS-HEI AND SI SERIES INT REG ALT V/8, 400 C.I. GS, Does Not Include Starter Solenoid Wiring Note: Modified For HEI & 1972-84 Non-Serpentine Belt ("SI" Series) Internal Regulated Alternators Mounted In The Factory Location.	\$251.00	
43099	1966	ENGINE HARNESS-HEI V/8, 300-340 C.I. Note: This Harness Is Modified For Use With An HEI Distributor.	\$227.00	
43100	1966	ENGINE HARNESS-SI SERIES INT REG ALT V/8, 300-340 C.I. Note: Modified For 1972-84 Non-Serpentine Belt ("SI" Series) Internal Regulated Alternators Mounted In The Factory Location.	\$240.00	
43101	1966	ENGINE HARNESS-HEI AND SI SERIES INT REG ALT V/8, 300-340 C.I. Note: Modified For HEI & 1972-84 Non-Serpentine Belt ("SI" Series) Internal Regulated Alternators Mounted In The Factory Location.	\$251.00	
43102	1966	ENGINE HARNESS-HEI V/8, 400-425 C.I. GS Note: This Harness Is Modified For Use With An HEI Distributor.	\$227.00	
43103	1966	ENGINE HARNESS-SI SERIES INT REG ALT V/8, 400-425 C.I. GS Note: Modified For 1972-84 Non-Serpentine Belt ("SI" Series) Internal Regulated Alternators Mounted In The Factory Location.	\$240.00	
43104	1966	ENGINE HARNESS-HEI AND SI SERIES INT REG ALT V/8, 400-425 C.I. GS Note: Modified For HEI & 1972-84 Non-Serpentine Belt ("SI" Series) Internal Regulated Alternators Mounted In The Factory Location.	\$251.00	
43105	1967	ENGINE HARNESS-HEI V/8, 300-340 C.I. Note: This Harness Is Modified For Use With An HEI Distributor.	\$227.00	
43106	1967	ENGINE HARNESS-SI SERIES INT REG ALT V/8, 300-340 C.I. Note: Modified For 1972-84 Non-Serpentine Belt ("SI" Series) Internal Regulated Alternators Mounted In The Factory Location.	\$240.00	
43107	1967	ENGINE HARNESS-HEI AND SI SERIES INT REG ALT V/8, 300-340 C.I. Note: Modified For HEI & 1972-84 Non-Serpentine Belt ("SI" Series) Internal Regulated Alternators Mounted In The Factory Location.	\$251.00	
43108	1967	ENGINE HARNESS-HEI V/8, 400 C.I. GS Note: This Harness Is Modified For Use With An HEI Distributor.	\$227.00	
43109	1967	ENGINE HARNESS-SI SERIES INT REG ALT V/8, 400 C.I. GS Note: Modified For 1972-84 Non-Serpentine Belt ("SI" Series) Internal Regulated Alternators Mounted In The Factory Location.	\$240.00	
43110	1967	ENGINE HARNESS-HEI AND SI SERIES INT REG ALT V/8, 400 C.I. GS Note: Modified For HEI & 1972-84 Non-Serpentine Belt ("SI" Series) Internal Regulated Alternators Mounted In The Factory Location.	\$251.00	
43111	1968	ENGINE HARNESS-HEI V/8, 350 C.I. Note: This Harness Is Modified For Use With An HEI Distributor.	\$250.00	
43112	1968	ENGINE HARNESS-SI SERIES INT REG ALT V/8, 350 C.I. Note: Modified For 1972-84 Non-Serpentine Belt ("SI" Series) Internal Regulated Alternators Mounted In The Factory Location.	\$263.00	
43113	1968	ENGINE HARNESS-HEI AND SI SERIES INT REG ALT V/8, 350 C.I. Note: Modified For HEI & 1972-84 Non-Serpentine Belt ("SI" Series) Internal Regulated Alternators Mounted In The Factory Location.	\$274.00	
43114	1968	ENGINE HARNESS-HEI V/8, 400 C.I. GS Note: This Harness Is Modified For Use With An HEI Distributor.	\$250.00	
43115	1968	ENGINE HARNESS-SI SERIES INT REG ALT V/8, 400 C.I. GS Note: Modified For 1972-84 Non-Serpentine Belt ("SI" Series) Internal Regulated Alternators Mounted In The Factory Location.	\$263.00	
43116	1968	ENGINE HARNESS-HEI AND SI SERIES INT REG ALT V/8, 400 C.I. GS Note: Modified For HEI & 1972-84 Non-Serpentine Belt ("SI" Series) Internal Regulated Alternators Mounted In The Factory Location.	\$274.00	
43117	1969	ENGINE HARNESS-HEI V/8, 350 C.I. Note: This Harness Is Modified For Use With An HEI Distributor.	\$250.00	

Part Number	Year	Description	Price	*Rev.
43118	1969	ENGINE HARNESS-SI SERIES INT REG ALT V/8, 350 C.I. Note: Modified For 1972-84 Non-Serpentine Belt ("SI" Series) Internal Regulated Alternators Mounted In The Factory Location.	\$263.00	
43119	1969	ENGINE HARNESS-HEI AND SI SERIES INT REG ALT V/8, 350 C.I. Note: Modified For HEI & 1972-84 Non-Serpentine Belt ("SI" Series) Internal Regulated Alternators Mounted In The Factory Location.	\$274.00	
43120	1969	ENGINE HARNESS-HEI V/8, 350 C.I. With A/C Note: This Harness Is Modified For Use With An HEI Distributor.	\$262.00	
43121	1969	ENGINE HARNESS-SI SERIES INT REG ALT V/8, 350 C.I. With A/C Note: Modified For 1972-84 Non-Serpentine Belt ("SI" Series) Internal Regulated Alternators Mounted In The Factory Location.	\$274.00	
43122	1969	ENGINE HARNESS-HEI AND SI SERIES INT REG ALT V/8, 350 C.I. With A/C Note: Modified For HEI & 1972-84 Non-Serpentine Belt ("SI" Series) Internal Regulated Alternators Mounted In The Factory Location.	\$286.00	
43123	1969	ENGINE HARNESS-HEI V/8, 400 C.I. Note: This Harness Is Modified For Use With An HEI Distributor.	\$250.00	
43124	1969	ENGINE HARNESS-SI SERIES INT REG ALT V/8, 400 C.I. Note: Modified For 1972-84 Non-Serpentine Belt ("SI" Series) Internal Regulated Alternators Mounted In The Factory Location.	\$263.00	
43125	1969	ENGINE HARNESS-HEI AND SI SERIES INT REG ALT V/8, 400 C.I. Note: Modified For HEI & 1972-84 Non-Serpentine Belt ("SI" Series) Internal Regulated Alternators Mounted In The Factory Location.	\$274.00	
43126	1969	ENGINE HARNESS-HEI V/8, 400 C.I. With A/C Note: This Harness Is Modified For Use With An HEI Distributor.	\$262.00	
43127	1969	ENGINE HARNESS-SI SERIES INT REG ALT V/8, 400 C.I. With A/C Note: Modified For 1972-84 Non-Serpentine Belt ("SI" Series) Internal Regulated Alternators Mounted In The Factory Location.	\$274.00	
43128	1969	ENGINE HARNESS-HEI AND SI SERIES INT REG ALT V/8, 400 C.I. With A/C Note: Modified For HEI & 1972-84 Non-Serpentine Belt ("SI" Series) Internal Regulated Alternators Mounted In The Factory Location.	\$286.00	
43129	1970	ENGINE HARNESS-HEI V/8, 350 C.I. Auto Trans Note: This Harness Is Modified For Use With An HEI Distributor.	\$250.00	
43130	1970	ENGINE HARNESS-SI SERIES INT REG ALT V/8, 350 C.I. Auto Trans Note: Modified For 1972-84 Non-Serpentine Belt ("SI" Series) Internal Regulated Alternators Mounted In The Factory Location.	\$263.00	
43131	1970	ENGINE HARNESS-HEI AND SI SERIES INT REG ALT V/8, 350 C.I. Auto Trans Note: Modified For HEI & 1972-84 Non-Serpentine Belt ("SI" Series) Internal Regulated Alternators Mounted In The Factory Location.	\$274.00	
43132	1970	ENGINE HARNESS-HEI V/8, 350 C.I. Auto Trans With A/C Note: This Harness Is Modified For Use With An HEI Distributor.	\$250.00	
43133	1970	ENGINE HARNESS-SI SERIES INT REG ALT V/8, 350 C.I. Auto Trans With A/C Note: Modified For 1972-84 Non-Serpentine Belt ("SI" Series) Internal Regulated Alternators Mounted In The Factory Location.	\$263.00	
43134	1970	ENGINE HARNESS-HEI AND SI SERIES INT REG ALT V/8, 350 C.I. Auto Trans With A/C Note: Modified For HEI & 1972-84 Non-Serpentine Belt ("SI" Series) Internal Regulated Alternators Mounted In The Factory Location.	\$274.00	
43135	1970	ENGINE HARNESS-HEI V/8, 350 C.I. Manual Trans Note: This Harness Is Modified For Use With An HEI Distributor.	\$262.00	
43136	1970	ENGINE HARNESS-SI SERIES INT REG ALT V/8, 350 C.I. Manual Trans Note: Modified For 1972-84 Non-Serpentine Belt ("SI" Series) Internal Regulated Alternators Mounted In The Factory Location.	\$274.00	
43137	1970	ENGINE HARNESS-HEI AND SI SERIES INT REG ALT V/8, 350 C.I. Manual Trans Note: Modified For HEI & 1972-84 Non-Serpentine Belt ("SI" Series) Internal Regulated Alternators Mounted In The Factory Location.	\$286.00	
43138	1970	ENGINE HARNESS-HEI V/8, 350 C.I. Manual Trans With A/C Note: This Harness Is Modified For Use With An HEI Distributor.	\$262.00	
43139	1970	ENGINE HARNESS-SI SERIES INT REG ALT V/8, 350 C.I. Manual Trans With A/C Note: Modified For 1972-84 Non-Serpentine Belt ("SI" Series) Internal Regulated Alternators Mounted In The Factory Location.	\$274.00	

Part Number	Year	Description	Price	*Rev.
43140	1970	ENGINE HARNESS-HEI AND SI SERIES INT REG ALT V/8, 350 C.I. Manual Trans With A/C Note: Modified For HEI & 1972-84 Non-Serpentine Belt ("SI" Series) Internal Regulated Alternators Mounted In The Factory Location.	\$286.00	
43141	1970	ENGINE HARNESS-HEI V/8, 455 C.I. Auto Trans Note: This Harness Is Modified For Use With An HEI Distributor.	\$250.00	
43142	1970	ENGINE HARNESS-SI SERIES INT REG ALT V/8, 455 C.I. Auto Trans Note: Modified For 1972-84 Non-Serpentine Belt ("SI" Series) Internal Regulated Alternators Mounted In The Factory Location.	\$263.00	
43143	1970	ENGINE HARNESS-HEI AND SI SERIES INT REG ALT V/8, 455 C.I. Auto Trans Note: Modified For HEI & 1972-84 Non-Serpentine Belt ("SI" Series) Internal Regulated Alternators Mounted In The Factory Location.	\$274.00	
43144	1970	ENGINE HARNESS-HEI V/8, 455 C.I. Auto Trans With A/C Note: This Harness Is Modified For Use With An HEI Distributor.	\$250.00	
43145	1970	ENGINE HARNESS-SI SERIES INT REG ALT V/8, 455 C.I. Auto Trans With A/C Note: Modified For 1972-84 Non-Serpentine Belt ("SI" Series) Internal Regulated Alternators Mounted In The Factory Location.	\$263.00	
43146	1970	ENGINE HARNESS-HEI AND SI SERIES INT REG ALT V/8, 455 C.I. Auto Trans With A/C Note: Modified For HEI & 1972-84 Non-Serpentine Belt ("SI" Series) Internal Regulated Alternators Mounted In The Factory Location.	\$274.00	
43147	1970	ENGINE HARNESS-HEI V/8, 455 C.I. Manual Trans Note: This Harness Is Modified For Use With An HEI Distributor.	\$262.00	
43148	1970	ENGINE HARNESS-SI SERIES INT REG ALT V/8, 455 C.I. Manual Trans Note: Modified For 1972-84 Non-Serpentine Belt ("SI" Series) Internal Regulated Alternators Mounted In The Factory Location.	\$274.00	
43149	1970	ENGINE HARNESS-HEI AND SI SERIES INT REG ALT V/8, 455 C.I. Manual Trans Note: Modified For HEI & 1972-84 Non-Serpentine Belt ("SI" Series) Internal Regulated Alternators Mounted In The Factory Location.	\$286.00	
43150	1970	ENGINE HARNESS-HEI V/8, 455 C.I. Manual Trans With A/C Note: This Harness Is Modified For Use With An HEI Distributor.	\$262.00	
43151	1970	ENGINE HARNESS-SI SERIES INT REG ALT V/8, 455 C.I. Manual Trans With A/C Note: Modified For 1972-84 Non-Serpentine Belt ("SI" Series) Internal Regulated Alternators Mounted In The Factory Location.	\$274.00	
43152	1970	ENGINE HARNESS-HEI AND SI SERIES INT REG ALT V/8, 455 C.I. Manual Trans With A/C Note: Modified For HEI & 1972-84 Non-Serpentine Belt ("SI" Series) Internal Regulated Alternators Mounted In The Factory Location.	\$286.00	
43153	1971	ENGINE HARNESS-HEI V/8, 350 C.I. Note: This Harness Is Modified For Use With An HEI Distributor.	\$262.00	
43154	1971	ENGINE HARNESS-SI SERIES INT REG ALT V/8, 350 C.I. Note: Modified For 1972-84 Non-Serpentine Belt ("SI" Series) Internal Regulated Alternators Mounted In The Factory Location.	\$274.00	
43155	1971	ENGINE HARNESS-HEI AND SI SERIES INT REG ALT V/8, 350 C.I. Note: Modified For HEI & 1972-84 Non-Serpentine Belt ("SI" Series) Internal Regulated Alternators Mounted In The Factory Location.	\$286.00	
43156	1971	ENGINE HARNESS-HEI V/8, 350 C.I. With A/C Note: This Harness Is Modified For Use With An HEI Distributor.	\$262.00	
43157	1971	ENGINE HARNESS-SI SERIES INT REG ALT V/8, 350 C.I. With A/C Note: Modified For 1972-84 Non-Serpentine Belt ("SI" Series) Internal Regulated Alternators Mounted In The Factory Location.	\$274.00	
43158	1971	ENGINE HARNESS-HEI AND SI SERIES INT REG ALT V/8, 350 C.I. With A/C Note: Modified For HEI & 1972-84 Non-Serpentine Belt ("SI" Series) Internal Regulated Alternators Mounted In The Factory Location.	\$286.00	
43159	1971	ENGINE HARNESS-HEI V/8, 455 C.I. Note: This Harness Is Modified For Use With An HEI Distributor.	\$262.00	
43160	1971	ENGINE HARNESS-SI SERIES INT REG ALT V/8, 455 C.I. Note: Modified For 1972-84 Non-Serpentine Belt ("SI" Series) Internal Regulated Alternators Mounted In The Factory Location.	\$274.00	

Part Number	Year	Description	Price	*Rev.
43161	1971	ENGINE HARNESS-HEI AND SI SERIES INT REG ALT V/8, 455 C.I. Note: Modified For HEI & 1972-84 Non-Serpentine Belt ("SI" Series) Internal Regulated Alternators Mounted In The Factory Location.	\$286.00	
43162	1971	ENGINE HARNESS-HEI V/8, 455 C.I. With A/C Note: This Harness Is Modified For Use With An HEI Distributor.	\$262.00	
43163	1971	ENGINE HARNESS-SI SERIES INT REG ALT V/8, 455 C.I. With A/C Note: Modified For 1972-84 Non-Serpentine Belt ("SI" Series) Internal Regulated Alternators Mounted In The Factory Location.	\$274.00	
43164	1971	ENGINE HARNESS-HEI AND SI SERIES INT REG ALT V/8, 455 C.I. With A/C Note: Modified For HEI & 1972-84 Non-Serpentine Belt ("SI" Series) Internal Regulated Alternators Mounted In The Factory Location.	\$286.00	
43165	1972	ENGINE HARNESS-HEI V/8, 350 C.I. Note: This Harness Is Modified For Use With An HEI Distributor.	\$262.00	
43166	1972	ENGINE HARNESS-SI SERIES INT REG ALT V/8, 350 C.I. Note: Modified For 1972-84 Non-Serpentine Belt ("SI" Series) Internal Regulated Alternators Mounted In The Factory Location.	\$274.00	
43167	1972	ENGINE HARNESS-HEI AND SI SERIES INT REG ALT V/8, 350 C.I. Note: Modified For HEI & 1972-84 Non-Serpentine Belt ("SI" Series) Internal Regulated Alternators Mounted In The Factory Location.	\$286.00	
43168	1972	ENGINE HARNESS-HEI V/8, 350 C.I. With A/C Note: This Harness Is Modified For Use With An HEI Distributor.	\$262.00	
43169	1972	ENGINE HARNESS-SI SERIES INT REG ALT V/8, 350 C.I. With A/C Note: Modified For 1972-84 Non-Serpentine Belt ("SI" Series) Internal Regulated Alternators Mounted In The Factory Location.	\$274.00	
43170	1972	ENGINE HARNESS-HEI AND SI SERIES INT REG ALT V/8, 350 C.I. With A/C Note: Modified For HEI & 1972-84 Non-Serpentine Belt ("SI" Series) Internal Regulated Alternators Mounted In The Factory Location.	\$286.00	
43171	1972	ENGINE HARNESS-HEI V/8, 455 C.I. Note: This Harness Is Modified For Use With An HEI Distributor.	\$262.00	
43172	1972	ENGINE HARNESS-SI SERIES INT REG ALT V/8, 455 C.I. Note: Modified For 1972-84 Non-Serpentine Belt ("SI" Series) Internal Regulated Alternators Mounted In The Factory Location.	\$274.00	
43173	1972	ENGINE HARNESS-HEI AND SI SERIES INT REG ALT V/8, 455 C.I. Note: Modified For HEI & 1972-84 Non-Serpentine Belt ("SI" Series) Internal Regulated Alternators Mounted In The Factory Location.	\$286.00	
43174	1972	ENGINE HARNESS-HEI V/8, 455 C.I. With A/C Note: This Harness Is Modified For Use With An HEI Distributor.	\$262.00	
43175	1972	ENGINE HARNESS-SI SERIES INT REG ALT V/8, 455 C.I. With A/C Note: Modified For 1972-84 Non-Serpentine Belt ("SI" Series) Internal Regulated Alternators Mounted In The Factory Location.	\$274.00	
43176	1972	ENGINE HARNESS-HEI AND SI SERIES INT REG ALT V/8, 455 C.I. With A/C Note: Modified For HEI & 1972-84 Non-Serpentine Belt ("SI" Series) Internal Regulated Alternators Mounted In The Factory Location.	\$286.00	
FORWARD LAMP HARNESS				
04515	1964	FORWARD LAMP HARNESS Auto Trans	\$217.00	
05760	1964	FORWARD LAMP HARNESS Manual Trans	\$229.00	
05945	1965	FORWARD LAMP HARNESS Auto Trans, Except Gran Sport	\$217.00	
05950	1965	FORWARD LAMP HARNESS Manual Trans, Except Gran Sport	\$229.00	
06095	1965	FORWARD LAMP HARNESS Gran Sport, All	\$229.00	
06125	1965	FORWARD LAMP HARNESS 3 & 4 Speed Manual Trans, 225 & 300 C.I., Except Gran Sport	\$229.00	
35770	1966	FORWARD LAMP HARNESS Without Tachometer	\$217.00	
09960	1966	FORWARD LAMP HARNESS With Tachometer	\$229.00	
18488	1966	FORWARD LAMP HARNESS Gran Sport Only	\$229.00	
11210	1967	FORWARD LAMP HARNESS	\$229.00	
12150	1968	FORWARD LAMP HARNESS	\$229.00	

Part Number	Year	Description	Price	*Rev.
12750	1969	FORWARD LAMP HARNESS	\$229.00	
13755	1970	FORWARD LAMP HARNESS	\$229.00	
15905	1971	FORWARD LAMP HARNESS	\$229.00	
15905	1972	FORWARD LAMP HARNESS	\$229.00	
FUEL TANK SENDING UNIT WIRE				
39339	1970	FUEL TANK SENDING UNIT WIRE	\$33.00	
39339	1971	FUEL TANK SENDING UNIT WIRE	\$33.00	
39339	1972	FUEL TANK SENDING UNIT WIRE	\$33.00	
GLOVE BOX LAMP KIT				
18000	1964	GLOVE BOX LAMP KIT Socket, Bulb & Wire	\$21.00	
18000	1965	GLOVE BOX LAMP KIT Socket, Bulb & Wire	\$21.00	
18000	1966	GLOVE BOX LAMP KIT Socket, Bulb & Wire	\$21.00	
18000	1967	GLOVE BOX LAMP KIT Socket, Bulb & Wire	\$21.00	
18000	1968	GLOVE BOX LAMP KIT Socket, Bulb & Wire	\$21.00	
18000	1969	GLOVE BOX LAMP KIT Socket, Bulb & Wire	\$21.00	
18000	1961	GLOVE BOX LAMP KIT Socket, Bulb & Wire	\$21.00	
18000	1962	GLOVE BOX LAMP KIT Socket, Bulb & Wire	\$21.00	
18000	1963	GLOVE BOX LAMP KIT Socket, Bulb & Wire	\$21.00	
GROUND WIRE-DISTRIBUTOR POINT PLATE				
38298	1964	GROUND WIRE, DISTRIBUTOR POINT PLATE From Distributor Point Plate To Distributor Housing Note: Replaces Spot Welded Wire Asm On Point Plate Side. Fits All GM V/8 Point Type Distributors From Approx. 1957-1974.	\$15.00	C
38298	1965	GROUND WIRE, DISTRIBUTOR POINT PLATE From Distributor Point Plate To Distributor Housing Note: Replaces Spot Welded Wire Asm On Point Plate Side. Fits All GM V/8 Point Type Distributors From Approx. 1957-1974.	\$15.00	C
38298	1966	GROUND WIRE, DISTRIBUTOR POINT PLATE From Distributor Point Plate To Distributor Housing Note: Replaces Spot Welded Wire Asm On Point Plate Side. Fits All GM V/8 Point Type Distributors From Approx. 1957-1974.	\$15.00	C
38298	1967	GROUND WIRE, DISTRIBUTOR POINT PLATE From Distributor Point Plate To Distributor Housing Note: Replaces Spot Welded Wire Asm On Point Plate Side. Fits All GM V/8 Point Type Distributors From Approx. 1957-1974.	\$15.00	C
38298	1968	GROUND WIRE, DISTRIBUTOR POINT PLATE From Distributor Point Plate To Distributor Housing Note: Replaces Spot Welded Wire Asm On Point Plate Side. Fits All GM V/8 Point Type Distributors From Approx. 1957-1974.	\$15.00	C
38298	1969	GROUND WIRE, DISTRIBUTOR POINT PLATE From Distributor Point Plate To Distributor Housing Note: Replaces Spot Welded Wire Asm On Point Plate Side. Fits All GM V/8 Point Type Distributors From Approx. 1957-1974.	\$15.00	C
38298	1970	GROUND WIRE, DISTRIBUTOR POINT PLATE From Distributor Point Plate To Distributor Housing Note: Replaces Spot Welded Wire Asm On Point Plate Side. Fits All GM V/8 Point Type Distributors From Approx. 1957-1974.	\$15.00	C
38298	1971	GROUND WIRE, DISTRIBUTOR POINT PLATE From Distributor Point Plate To Distributor Housing Note: Replaces Spot Welded Wire Asm On Point Plate Side. Fits All GM V/8 Point Type Distributors From Approx. 1957-1974.	\$15.00	C
38298	1972	GROUND WIRE, DISTRIBUTOR POINT PLATE From Distributor Point Plate To Distributor Housing Note: Replaces Spot Welded Wire Asm On Point Plate Side. Fits All GM V/8 Point Type Distributors From Approx. 1957-1974.	\$15.00	C
38298	1973	GROUND WIRE, DISTRIBUTOR POINT PLATE From Distributor Point Plate To Distributor Housing Note: Replaces Spot Welded Wire Asm On Point Plate Side. Fits All GM V/8 Point Type Distributors From Approx. 1957-1974.	\$15.00	C
38298	1974	GROUND WIRE, DISTRIBUTOR POINT PLATE From Distributor Point Plate To Distributor Housing Note: Replaces Spot Welded Wire Asm On Point Plate Side. Fits All GM V/8 Point Type Distributors From Approx. 1957-1974.	\$15.00	C
HARNESS TAPE				
R0058272	1961	HARNESS TAPE 3/4" Vinyl (100 Ft. Roll) Non-Adhesive	\$12.00	
R0058276	1961	HARNESS TAPE 1" Vinyl (100 Ft. Roll) Non-Adhesive	\$13.00	
R0067108	1961	HARNESS TAPE 1 1/4" Vinyl (100 Ft. Roll) Non-Adhesive	\$15.00	
R0058272	1962	HARNESS TAPE 3/4" Vinyl (100 Ft. Roll) Non-Adhesive	\$12.00	
R0058276	1962	HARNESS TAPE 1" Vinyl (100 Ft. Roll) Non-Adhesive	\$13.00	

Part Number	Year	Description	Price	*Rev.
R0067108	1962	HARNESS TAPE 1 1/4" Vinyl (100 Ft. Roll) Non-Adhesive	\$15.00	
R0058272	1963	HARNESS TAPE 3/4" Vinyl (100 Ft. Roll) Non-Adhesive	\$12.00	
R0058276	1963	HARNESS TAPE 1" Vinyl (100 Ft. Roll) Non-Adhesive	\$13.00	
R0067108	1963	HARNESS TAPE 1 1/4" Vinyl (100 Ft. Roll) Non-Adhesive	\$15.00	
R0058272	1964	HARNESS TAPE 3/4" Vinyl (100 Ft. Roll) Non-Adhesive	\$12.00	
R0058276	1964	HARNESS TAPE 1" Vinyl (100 Ft. Roll) Non-Adhesive	\$13.00	
R0067108	1964	HARNESS TAPE 1 1/4" Vinyl (100 Ft. Roll) Non-Adhesive	\$15.00	
R0058272	1965	HARNESS TAPE 3/4" Vinyl (100 Ft. Roll) Non-Adhesive	\$12.00	
R0058276	1965	HARNESS TAPE 1" Vinyl (100 Ft. Roll) Non-Adhesive	\$13.00	
R0067108	1965	HARNESS TAPE 1 1/4" Vinyl (100 Ft. Roll) Non-Adhesive	\$15.00	
R0058272	1966	HARNESS TAPE 3/4" Vinyl (100 Ft. Roll) Non-Adhesive	\$12.00	
R0058276	1966	HARNESS TAPE 1" Vinyl (100 Ft. Roll) Non-Adhesive	\$13.00	
R0067108	1966	HARNESS TAPE 1 1/4" Vinyl (100 Ft. Roll) Non-Adhesive	\$15.00	
R0058272	1967	HARNESS TAPE 3/4" Vinyl (100 Ft. Roll) Non-Adhesive	\$12.00	
R0058276	1967	HARNESS TAPE 1" Vinyl (100 Ft. Roll) Non-Adhesive	\$13.00	
R0067108	1967	HARNESS TAPE 1 1/4" Vinyl (100 Ft. Roll) Non-Adhesive	\$15.00	
R0058272	1968	HARNESS TAPE 3/4" Vinyl (100 Ft. Roll) Non-Adhesive	\$12.00	
R0058276	1968	HARNESS TAPE 1" Vinyl (100 Ft. Roll) Non-Adhesive	\$13.00	
R0067108	1968	HARNESS TAPE 1 1/4" Vinyl (100 Ft. Roll) Non-Adhesive	\$15.00	
R0058272	1969	HARNESS TAPE 3/4" Vinyl (100 Ft. Roll) Non-Adhesive	\$12.00	
R0058276	1969	HARNESS TAPE 1" Vinyl (100 Ft. Roll) Non-Adhesive	\$13.00	
R0067108	1969	HARNESS TAPE 1 1/4" Vinyl (100 Ft. Roll) Non-Adhesive	\$15.00	
R0058272	1970	HARNESS TAPE 3/4" Vinyl (100 Ft. Roll) Non-Adhesive	\$12.00	
R0058276	1970	HARNESS TAPE 1" Vinyl (100 Ft. Roll) Non-Adhesive	\$13.00	
R0067108	1970	HARNESS TAPE 1 1/4" Vinyl (100 Ft. Roll) Non-Adhesive	\$15.00	
R0058272	1971	HARNESS TAPE 3/4" Vinyl (100 Ft. Roll) Non-Adhesive	\$12.00	
R0058276	1971	HARNESS TAPE 1" Vinyl (100 Ft. Roll) Non-Adhesive	\$13.00	
R0067108	1971	HARNESS TAPE 1 1/4" Vinyl (100 Ft. Roll) Non-Adhesive	\$15.00	
R0058272	1972	HARNESS TAPE 3/4" Vinyl (100 Ft. Roll) Non-Adhesive	\$12.00	
R0058276	1972	HARNESS TAPE 1" Vinyl (100 Ft. Roll) Non-Adhesive	\$13.00	
R0067108	1972	HARNESS TAPE 1 1/4" Vinyl (100 Ft. Roll) Non-Adhesive	\$15.00	
R0058272	1973	HARNESS TAPE 3/4" Vinyl (100 Ft. Roll) Non-Adhesive	\$12.00	
R0058276	1973	HARNESS TAPE 1" Vinyl (100 Ft. Roll) Non-Adhesive	\$13.00	
R0067108	1973	HARNESS TAPE 1 1/4" Vinyl (100 Ft. Roll) Non-Adhesive	\$15.00	
R0058272	1974	HARNESS TAPE 3/4" Vinyl (100 Ft. Roll) Non-Adhesive	\$12.00	
R0058276	1974	HARNESS TAPE 1" Vinyl (100 Ft. Roll) Non-Adhesive	\$13.00	
R0067108	1974	HARNESS TAPE 1 1/4" Vinyl (100 Ft. Roll) Non-Adhesive	\$15.00	
R0058272	1975	HARNESS TAPE 3/4" Vinyl (100 Ft. Roll) Non-Adhesive	\$12.00	
R0058276	1975	HARNESS TAPE 1" Vinyl (100 Ft. Roll) Non-Adhesive	\$13.00	
R0067108	1975	HARNESS TAPE 1 1/4" Vinyl (100 Ft. Roll) Non-Adhesive	\$15.00	
R0058272	1976	HARNESS TAPE 3/4" Vinyl (100 Ft. Roll) Non-Adhesive	\$12.00	
R0058276	1976	HARNESS TAPE 1" Vinyl (100 Ft. Roll) Non-Adhesive	\$13.00	
R0067108	1976	HARNESS TAPE 1 1/4" Vinyl (100 Ft. Roll) Non-Adhesive	\$15.00	
R0058272	1977	HARNESS TAPE 3/4" Vinyl (100 Ft. Roll) Non-Adhesive	\$12.00	
R0058276	1977	HARNESS TAPE 1" Vinyl (100 Ft. Roll) Non-Adhesive	\$13.00	
R0067108	1977	HARNESS TAPE 1 1/4" Vinyl (100 Ft. Roll) Non-Adhesive	\$15.00	

Part Number	Year	Description	Price	*Rev.
HEADLIGHT SWITCH				
01995096	1963	HEADLIGHT SWITCH All	\$31.00	
01995179	1964	HEADLIGHT SWITCH	\$20.00	N
01995179	1965	HEADLIGHT SWITCH	\$20.00	N
01995179	1966	HEADLIGHT SWITCH	\$20.00	N
01995179	1967	HEADLIGHT SWITCH	\$20.00	N
01995216	1970	HEADLIGHT SWITCH	\$20.00	N
01995216	1971	HEADLIGHT SWITCH	\$20.00	N
01995216	1972	HEADLIGHT SWITCH	\$20.00	N
01995216	1973	HEADLIGHT SWITCH	\$20.00	N
01995216	1974	HEADLIGHT SWITCH	\$20.00	N
01995216	1975	HEADLIGHT SWITCH	\$20.00	N
HEATER BLOWER MOTOR RESISTOR				
03929052	1968	HEATER BLOWER MOTOR RESISTOR Without A/C	\$15.00	N
03929052	1969	HEATER BLOWER MOTOR RESISTOR Without A/C	\$15.00	N
03929052	1970	HEATER BLOWER MOTOR RESISTOR Without A/C	\$15.00	N
03929052	1971	HEATER BLOWER MOTOR RESISTOR Without A/C	\$15.00	N
03929052	1972	HEATER BLOWER MOTOR RESISTOR Without A/C	\$15.00	N
HOOD LAMP REPLACEMENT KIT				
18410	1964	HOOD LAMP REPLACEMENT KIT Under Hood, Includes Socket, Wire & Bulb	\$62.00	C
18410	1965	HOOD LAMP REPLACEMENT KIT Under Hood, Includes Socket, Wire & Bulb	\$62.00	C
18410	1966	HOOD LAMP REPLACEMENT KIT Under Hood, Includes Socket, Wire & Bulb	\$62.00	C
18410	1967	HOOD LAMP REPLACEMENT KIT Under Hood, Includes Socket, Wire & Bulb	\$62.00	C
18410	1968	HOOD LAMP REPLACEMENT KIT Under Hood, Includes Socket, Wire & Bulb	\$62.00	C
18410	1969	HOOD LAMP REPLACEMENT KIT Under Hood, Includes Socket, Wire & Bulb	\$62.00	C
18410	1970	HOOD LAMP REPLACEMENT KIT Under Hood, Includes Socket, Wire & Bulb	\$62.00	C
18410	1971	HOOD LAMP REPLACEMENT KIT Under Hood, Includes Socket, Wire & Bulb	\$62.00	C
18410	1972	HOOD LAMP REPLACEMENT KIT Under Hood, Includes Socket, Wire & Bulb	\$62.00	C
18410	1973	HOOD LAMP REPLACEMENT KIT Under Hood, Includes Socket, Wire & Bulb	\$62.00	C
18410	1974	HOOD LAMP REPLACEMENT KIT Under Hood, Includes Socket, Wire & Bulb	\$62.00	C
18410	1975	HOOD LAMP REPLACEMENT KIT Under Hood, Includes Socket, Wire & Bulb	\$62.00	C
18410	1976	HOOD LAMP REPLACEMENT KIT Under Hood, Includes Socket, Wire & Bulb	\$62.00	C
18410	1977	HOOD LAMP REPLACEMENT KIT Under Hood, Includes Socket, Wire & Bulb	\$62.00	C
IDLE STOP SOLENOID CONTROL HARNESS				
31825	1972	IDLE STOP SOLENOID CONTROL HARNESS V/8	\$33.00	
KICKDOWN SWITCH				
01242101	1972	KICKDOWN SWITCH TH400 Auto Trans	\$45.00	
LOW FUEL INDICATOR MODULE				
500274	1964	LOW FUEL INDICATOR MODULE Generic "Adjustable" Low Fuel Warning Module Note: A Complete Electronic Control Unit To Activate A Warning Lamp Or Relay When Fuel Level Drops Below A User Adjustable Level.	\$64.00	C
500274	1965	LOW FUEL INDICATOR MODULE Generic "Adjustable" Low Fuel Warning Module Note: A Complete Electronic Control Unit To Activate A Warning Lamp Or Relay When Fuel Level Drops Below A User Adjustable Level.	\$64.00	C
500274	1966	LOW FUEL INDICATOR MODULE Generic "Adjustable" Low Fuel Warning Module Note: A Complete Electronic Control Unit To Activate A Warning Lamp Or Relay When Fuel Level Drops Below A User Adjustable Level.	\$64.00	C

Part Number	Year	Description	Price	*Rev.
500274	1967	LOW FUEL INDICATOR MODULE Generic "Adjustable" Low Fuel Warning Module Note: A Complete Electronic Control Unit To Activate A Warning Lamp Or Relay When Fuel Level Drops Below A User Adjustable Level.	\$64.00	C
500274	1968	LOW FUEL INDICATOR MODULE Generic "Adjustable" Low Fuel Warning Module Note: A Complete Electronic Control Unit To Activate A Warning Lamp Or Relay When Fuel Level Drops Below A User Adjustable Level.	\$64.00	C
500274	1969	LOW FUEL INDICATOR MODULE Generic "Adjustable" Low Fuel Warning Module Note: A Complete Electronic Control Unit To Activate A Warning Lamp Or Relay When Fuel Level Drops Below A User Adjustable Level.	\$64.00	C
500274	1970	LOW FUEL INDICATOR MODULE Generic "Adjustable" Low Fuel Warning Module Note: A Complete Electronic Control Unit To Activate A Warning Lamp Or Relay When Fuel Level Drops Below A User Adjustable Level.	\$64.00	C
500274	1971	LOW FUEL INDICATOR MODULE Generic "Adjustable" Low Fuel Warning Module Note: A Complete Electronic Control Unit To Activate A Warning Lamp Or Relay When Fuel Level Drops Below A User Adjustable Level.	\$64.00	C
500274	1972	LOW FUEL INDICATOR MODULE Generic "Adjustable" Low Fuel Warning Module Note: A Complete Electronic Control Unit To Activate A Warning Lamp Or Relay When Fuel Level Drops Below A User Adjustable Level.	\$64.00	C
500274	1973	LOW FUEL INDICATOR MODULE Generic "Adjustable" Low Fuel Warning Module Note: A Complete Electronic Control Unit To Activate A Warning Lamp Or Relay When Fuel Level Drops Below A User Adjustable Level.	\$64.00	C
500274	1974	LOW FUEL INDICATOR MODULE Generic "Adjustable" Low Fuel Warning Module Note: A Complete Electronic Control Unit To Activate A Warning Lamp Or Relay When Fuel Level Drops Below A User Adjustable Level.	\$64.00	C
500274	1975	LOW FUEL INDICATOR MODULE Generic "Adjustable" Low Fuel Warning Module Note: A Complete Electronic Control Unit To Activate A Warning Lamp Or Relay When Fuel Level Drops Below A User Adjustable Level.	\$64.00	C
500274	1976	LOW FUEL INDICATOR MODULE Generic "Adjustable" Low Fuel Warning Module Note: A Complete Electronic Control Unit To Activate A Warning Lamp Or Relay When Fuel Level Drops Below A User Adjustable Level.	\$64.00	C
500274	1977	LOW FUEL INDICATOR MODULE Generic "Adjustable" Low Fuel Warning Module Note: A Complete Electronic Control Unit To Activate A Warning Lamp Or Relay When Fuel Level Drops Below A User Adjustable Level.	\$64.00	C
NEUTRAL SAFETY AND BACKUP LAMP SWITCH				
01993659	1964	NEUTRAL SAFETY AND BACKUP LAMP SWITCH With Column Shift Powerglide Auto Trans	\$12.00	
01993659	1965	NEUTRAL SAFETY AND BACKUP LAMP SWITCH With Column Shift Powerglide Auto Trans	\$12.00	
01993659	1966	NEUTRAL SAFETY AND BACKUP LAMP SWITCH With Column Shift Powerglide Auto Trans	\$12.00	
01994235	1969	NEUTRAL SAFETY AND BACKUP LAMP SWITCH With Column Shift Auto Trans, All	\$19.00	
01994235	1970	NEUTRAL SAFETY AND BACKUP LAMP SWITCH With Column Shift Auto Trans, All	\$19.00	
01994235	1971	NEUTRAL SAFETY AND BACKUP LAMP SWITCH With Column Shift Auto Trans, All	\$19.00	
01994235	1972	NEUTRAL SAFETY AND BACKUP LAMP SWITCH With Column Shift Auto Trans, All	\$19.00	
NEUTRAL SAFETY SWITCH EXTENSION HARNESS				
41401	1969	NEUTRAL SAFETY SWITCH EXTENSION HARNESS Manual Trans, From Clutch Switch To Dash Harness	\$40.00	
41401	1970	NEUTRAL SAFETY SWITCH EXTENSION HARNESS Manual Trans, From Clutch Switch To Dash Harness	\$40.00	
41401	1971	NEUTRAL SAFETY SWITCH EXTENSION HARNESS Manual Trans, From Clutch Switch To Dash Harness	\$40.00	
41401	1969	NEUTRAL SAFETY SWITCH EXTENSION HARNESS Manual Trans, From Clutch Switch To Dash Harness	\$40.00	
POWER DOOR LOCK SWITCH ASSEMBLY				
01725099	1971	POWER DOOR LOCK SWITCH ASSEMBLY 1 Button	\$62.00	
01725099	1972	POWER DOOR LOCK SWITCH ASSEMBLY 1 Button	\$62.00	
01725099	1973	POWER DOOR LOCK SWITCH ASSEMBLY 1 Button	\$62.00	

Part Number	Year	Description	Price	*Rev.
01725099	1974	POWER DOOR LOCK SWITCH ASSEMBLY 1 Button	\$62.00	
01725099	1975	POWER DOOR LOCK SWITCH ASSEMBLY 1 Button	\$62.00	
01725099	1976	POWER DOOR LOCK SWITCH ASSEMBLY 1 Button	\$62.00	
01725099	1977	POWER DOOR LOCK SWITCH ASSEMBLY 1 Button	\$62.00	
20031475	1977	POWER DOOR LOCK SWITCH Century, Regal	\$62.00	N
POWER FEED WIRE				
06565	1963	POWER FEED WIRE Junction Block To Circuit Breaker	\$17.00	
POWER SEAT HARNESS				
06945	1964	POWER SEAT HARNESS 4 Way Bench	\$144.00	
07600	1965	POWER SEAT HARNESS 4 Way Bucket, Drivers Side	\$138.00	
07595	1965	POWER SEAT HARNESS 4-Way Bench Note: Requires Customers Original Harness.	\$144.00	
07595	1966	POWER SEAT HARNESS 4-Way Bench Note: Requires Customers Original Harness.	\$144.00	
07595	1967	POWER SEAT HARNESS 4-Way Bench Note: Requires Customers Original Harness.	\$144.00	
POWER SEAT MOTOR RELAY AND ADAPTER HARNESS				
40146	1964	POWER SEAT MOTOR RELAY AND ADAPTER HARNESS Includes New Standard Type Relay And Adapter To Mate To Factory Harness	\$64.00	
40146	1965	POWER SEAT MOTOR RELAY AND ADAPTER HARNESS Includes New Standard Type Relay And Adapter To Mate To Factory Harness	\$64.00	
40146	1966	POWER SEAT MOTOR RELAY AND ADAPTER HARNESS Includes New Standard Type Relay And Adapter To Mate To Factory Harness	\$64.00	
40146	1967	POWER SEAT MOTOR RELAY AND ADAPTER HARNESS Includes New Standard Type Relay And Adapter To Mate To Factory Harness	\$64.00	
40146	1968	POWER SEAT MOTOR RELAY AND ADAPTER HARNESS Includes New Standard Type Relay And Adapter To Mate To Factory Harness	\$64.00	
40146	1969	POWER SEAT MOTOR RELAY AND ADAPTER HARNESS Includes New Standard Type Relay And Adapter To Mate To Factory Harness	\$64.00	
40146	1970	POWER SEAT MOTOR RELAY AND ADAPTER HARNESS Includes New Standard Type Relay And Adapter To Mate To Factory Harness	\$64.00	
40146	1971	POWER SEAT MOTOR RELAY AND ADAPTER HARNESS Includes New Standard Type Relay And Adapter To Mate To Factory Harness	\$64.00	
40146	1972	POWER SEAT MOTOR RELAY AND ADAPTER HARNESS Includes New Standard Type Relay And Adapter To Mate To Factory Harness	\$64.00	
40146	1973	POWER SEAT MOTOR RELAY AND ADAPTER HARNESS Includes New Standard Type Relay And Adapter To Mate To Factory Harness	\$64.00	
40146	1974	POWER SEAT MOTOR RELAY AND ADAPTER HARNESS Includes New Standard Type Relay And Adapter To Mate To Factory Harness	\$64.00	
40146	1975	POWER SEAT MOTOR RELAY AND ADAPTER HARNESS Includes New Standard Type Relay And Adapter To Mate To Factory Harness	\$64.00	
POWER TAILGATE RELAY AND ADAPTER HARNESS				
39440	1970	POWER TAILGATE RELAY AND ADAPTER HARNESS Includes New Standard Type Relay And Adapter To Mate To Factory Harness	\$34.00	
39440	1971	POWER TAILGATE RELAY AND ADAPTER HARNESS Includes New Standard Type Relay And Adapter To Mate To Factory Harness	\$34.00	
POWER TOP HARNESS				
41364	1965	POWER TOP HARNESS Convertible, From Switch To Body Harness Connector	\$65.00	
41364	1966	POWER TOP HARNESS Convertible, From Switch To Body Harness Connector	\$65.00	
41364	1967	POWER TOP HARNESS Convertible, From Switch To Body Harness Connector	\$65.00	
43246	1968	POWER TOP HARNESS FROM POWER TOP SWITCH TO BODY HARNESS CONNECTOR.	\$86.00	

Part Number	Year	Description	Price	*Rev.
43246	1969	POWER TOP HARNESS FROM POWER TOP SWITCH TO BODY HARNESS CONNECTOR.	\$86.00	
41581	1970	POWER TOP OR TAILGATE WINDOW HARNESS From Power Top Or Tailgate Window Switch To Body Harness Connector.	\$75.00	
41581	1971	POWER TOP OR TAILGATE WINDOW HARNESS From Power Top Or Tailgate Window Switch To Body Harness Connector.	\$75.00	
41581	1972	POWER TOP OR TAILGATE WINDOW HARNESS From Power Top Or Tailgate Window Switch To Body Harness Connector.	\$75.00	
POWER WINDOW HARNESS				
06670	1963	POWER WINDOW HARNESS Left Rear Quarter Window, Skylark 2 Door Coupe	\$91.00	
06665	1963	POWER WINDOW HARNESS Right Rear Quarter Window, Skylark 2 Door Coupe	\$91.00	
06690	1963	POWER WINDOW HARNESS Left Rear Quarter Window, Convertible	\$91.00	
06685	1963	POWER WINDOW HARNESS Right Rear Quarter Window, Convertible	\$91.00	
06960	1964	POWER WINDOW HARNESS Driver Side Door	\$184.00	
06955	1964	POWER WINDOW HARNESS Passenger Side Door	\$127.00	
06965	1964	POWER WINDOW INTERMEDIATE HARNESS Under Dash, Crossover Note: Customer Must Reuse Their Original Plastic 3 Terminal Connector That Attaches This Harness To Ribbon Cable.	\$114.00	
06990	1964	POWER WINDOW HARNESS Quarter Window, Sport Coupe, 2 Required Per Car Note: Customer Must Reuse Their Original Plastic 3 Terminal Connector That Attaches This Harness To Ribbon Cable.	\$75.00	
06995	1964	POWER WINDOW HARNESS Quarter Window, Convertible, 2 Required Per Car Note: Customer Must Reuse Their Original Plastic 3 Terminal Connector That Attaches This Harness To Ribbon Cable.	\$75.00	
07170	1964	POWER WINDOW MOTOR EXTENSION Coupe, Quarter Window Harness To Motor, 2 Req. Per Car	\$21.00	
07005	1964	POWER WINDOW MOTOR EXTENSION Convertible, Quarter Window Harness To Motor, 2 Req. Per Car	\$27.00	
07610	1965	POWER WINDOW HARNESS Driver Side Door	\$190.00	
07605	1965	POWER WINDOW HARNESS Passenger Side Door	\$127.00	
08200	1965	POWER WINDOW INTERMEDIATE HARNESS Under Dash, Crossover	\$114.00	
07640	1965	POWER WINDOW HARNESS Quarter Window, Coupe, 2 Required Per Car Note: Customer Must Reuse Their Original Plastic 3 Terminal Connector That Attaches This Harness To Ribbon Cable.	\$75.00	
07695	1965	POWER WINDOW HARNESS Quarter Window, Convertible, 2 Required Per Car Note: Customer Must Reuse Their Original Plastic 3 Terminal Connector That Attaches This Harness To Ribbon Cable.	\$75.00	
07655	1965	POWER WINDOW MOTOR EXTENSION Coupe, Quarter Window Harness To Motor, 2 Req. Per Car	\$21.00	
07660	1965	POWER WINDOW MOTOR EXTENSION Convertible, Quarter Window Harness To Motor, 2 Req. Per Car	\$21.00	
08260	1966	POWER WINDOW HARNESS Driver Side Door	\$184.00	
27310	1966	POWER WINDOW HARNESS Passenger Side Door, All	\$127.00	
08200	1966	POWER WINDOW INTERMEDIATE HARNESS Under Dash, Crossover	\$114.00	
07640	1966	POWER WINDOW HARNESS Quarter Window, Coupe, 2 Required Per Car Note: Customer Must Reuse Their Original Plastic 3 Terminal Connector That Attaches This Harness To Ribbon Cable.	\$75.00	
07695	1966	POWER WINDOW HARNESS Quarter Window, Convertible, 2 Required Per Car Note: Customer Must Reuse Their Original Plastic 3 Terminal Connector That Attaches This Harness To Ribbon Cable.	\$75.00	
07655	1966	POWER WINDOW MOTOR EXTENSION Coupe, Quarter Window Harness To Motor, 2 Req. Per Car	\$21.00	
07660	1966	POWER WINDOW MOTOR EXTENSION Convertible, Quarter Window Harness To Motor, 2 Req. Per Car	\$21.00	
08260	1967	POWER WINDOW HARNESS Driver Side Door	\$184.00	
27310	1967	POWER WINDOW HARNESS Passenger Side Door, All	\$127.00	
07640	1967	POWER WINDOW HARNESS Quarter Window, Coupe, 2 Required Per Car Note: Customer Must Reuse Their Original Plastic 3 Terminal Connector That Attaches This Harness To Ribbon Cable.	\$75.00	
07695	1967	POWER WINDOW HARNESS Quarter Window, Convertible, 2 Required Per Car Note: Customer Must Reuse Their Original Plastic 3 Terminal Connector That Attaches This Harness To Ribbon Cable.	\$75.00	
07655	1967	POWER WINDOW MOTOR EXTENSION Coupe, Quarter Window Harness To Motor, 2 Req. Per Car	\$21.00	
07660	1967	POWER WINDOW MOTOR EXTENSION Convertible, Quarter Window Harness To Motor, 2 Req. Per Car	\$21.00	

Part Number	Year	Description	Price	*Rev.
31135	1968	POWER WINDOW HARNESS Driver Side Door	\$190.00	
14165	1968	POWER WINDOW HARNESS Passenger Side Door	\$127.00	
14405	1969	POWER WINDOW HARNESS Quarter Windows & Intermediate Body	\$161.00	
39470	1969	POWER WINDOW HARNESS Driver Side Door And Under Dash Crossover	\$229.00	
37817	1969	POWER WINDOW HARNESS Passenger Side Door	\$127.00	
31140	1970	POWER WINDOW HARNESS Driver Side Door And Under Dash Crossover	\$229.00	
14470	1970	POWER WINDOW HARNESS Passenger Side Door	\$127.00	
14505	1970	POWER WINDOW HARNESS Quarter Windows & Intermediate Body	\$161.00	
31140	1971	POWER WINDOW HARNESS Driver Side Door And Under Dash Crossover	\$229.00	
14470	1971	POWER WINDOW HARNESS Passenger Side Door	\$127.00	
14505	1971	POWER WINDOW HARNESS Quarter Windows & Intermediate Body	\$161.00	
39471	1972	POWER WINDOW HARNESS Driver Side Door And Under Dash Crossover	\$229.00	
14470	1972	POWER WINDOW HARNESS Passenger Side Door	\$127.00	
14505	1972	POWER WINDOW HARNESS Quarter Windows & Intermediate Body	\$161.00	
14170	1968	POWER WINDOW HARNESS Quarter Windows & Intermediate Body	\$161.00	
POWER WINDOW MOTOR ADAPTER HARNESS				
36954	1964	POWER WINDOW MOTOR ADAPTER HARNESS Adapts "T" Shaped Motor Connector To Side By Side Blade Type Motor Connector	\$19.00	C
36954	1965	POWER WINDOW MOTOR ADAPTER HARNESS Adapts "T" Shaped Motor Connector To Side By Side Blade Type Motor Connector	\$19.00	C
36954	1966	POWER WINDOW MOTOR ADAPTER HARNESS Adapts "T" Shaped Motor Connector To Side By Side Blade Type Motor Connector	\$19.00	C
36954	1967	POWER WINDOW MOTOR ADAPTER HARNESS Adapts "T" Shaped Motor Connector To Side By Side Blade Type Motor Connector	\$19.00	C
36954	1968	POWER WINDOW MOTOR ADAPTER HARNESS Adapts "T" Shaped Motor Connector To Side By Side Blade Type Motor Connector	\$19.00	C
36954	1969	POWER WINDOW MOTOR ADAPTER HARNESS Adapts "T" Shaped Motor Connector To Side By Side Blade Type Motor Connector	\$19.00	C
36954	1970	POWER WINDOW MOTOR ADAPTER HARNESS Adapts "T" Shaped Motor Connector To Side By Side Blade Type Motor Connector	\$19.00	C
36954	1971	POWER WINDOW MOTOR ADAPTER HARNESS Adapts "T" Shaped Motor Connector To Side By Side Blade Type Motor Connector	\$19.00	C
36954	1972	POWER WINDOW MOTOR ADAPTER HARNESS Adapts "T" Shaped Motor Connector To Side By Side Blade Type Motor Connector	\$19.00	C
36954	1973	POWER WINDOW MOTOR ADAPTER HARNESS Adapts "T" Shaped Motor Connector To Side By Side Blade Type Motor Connector	\$19.00	C
36954	1974	POWER WINDOW MOTOR ADAPTER HARNESS Adapts "T" Shaped Motor Connector To Side By Side Blade Type Motor Connector	\$19.00	C
36954	1975	POWER WINDOW MOTOR ADAPTER HARNESS Adapts "T" Shaped Motor Connector To Side By Side Blade Type Motor Connector	\$19.00	C
POWER WINDOW RELAY AND ADAPTER HARNESS				
39440	1970	POWER WINDOW RELAY AND ADAPTER HARNESS Includes New Standard Type Relay And Adapter To Mate To Factory Harness	\$34.00	
39440	1971	POWER WINDOW RELAY AND ADAPTER HARNESS Includes New Standard Type Relay And Adapter To Mate To Factory Harness	\$34.00	
POWER WINDOW SWITCH				
04432790	1964	POWER WINDOW SWITCH 1 Button, Round Corner Style, Chrome	\$49.00	
04432791	1964	POWER WINDOW SWITCH 4 Button, Round Corner Style, Chrome	\$67.00	P
04432790	1965	POWER WINDOW SWITCH 1 Button, Round Corner Style, Chrome	\$49.00	
04432790	1966	POWER WINDOW SWITCH 1 Button, Round Corner Style, Chrome	\$49.00	
04432790	1967	POWER WINDOW SWITCH 1 Button, Round Corner Style, Chrome	\$49.00	

Part Number	Year	Description	Price	*Rev.
04432790	1968	POWER WINDOW SWITCH 1 Button, Round Corner Style, Chrome	\$49.00	
04432790	1969	POWER WINDOW SWITCH 1 Button, Round Corner Style, Chrome	\$49.00	
04432790	1970	POWER WINDOW SWITCH 1 Button, Round Corner Style, Chrome	\$49.00	
04432791	1965	POWER WINDOW SWITCH 4 Button, Round Corner Style, Chrome	\$67.00	P
04432791	1966	POWER WINDOW SWITCH 4 Button, Round Corner Style, Chrome	\$67.00	P
04432791	1967	POWER WINDOW SWITCH 4 Button, Round Corner Style, Chrome	\$67.00	P
04432791	1968	POWER WINDOW SWITCH 4 Button, Round Corner Style, Chrome	\$67.00	P
04432791	1969	POWER WINDOW SWITCH 4 Button, Round Corner Style, Chrome	\$67.00	P
04432791	1970	POWER WINDOW SWITCH 4 Button, Round Corner Style, Chrome	\$67.00	P
REAR LAMP HARNESS				
19070	1964	REAR LAMP HARNESS Rear, Coupe & Sedan, All	\$183.00	
19080	1964	REAR LAMP HARNESS Rear, Convertible, Skylark	\$229.00	
19075	1964	REAR LAMP HARNESS Rear, Convertible, Special	\$195.00	
07930	1965	REAR LAMP HARNESS Rear, Coupe, Skylark	\$195.00	
07730	1965	REAR LAMP HARNESS Rear, Coupe, Special	\$183.00	
07725	1965	REAR LAMP HARNESS Rear, Convertible, Skylark	\$229.00	
07720	1965	REAR LAMP HARNESS Rear, Convertible, Special	\$195.00	
19085	1966	REAR LAMP HARNESS Rear, Coupe, All	\$183.00	
19095	1966	REAR LAMP HARNESS Rear, Convertible, Skylark	\$229.00	
19090	1966	REAR LAMP HARNESS Rear, Convertible, Special	\$218.00	
13910	1967	REAR LAMP HARNESS Rear, Coupe, All	\$183.00	
13920	1967	REAR LAMP HARNESS Rear, Convertible, Skylark	\$229.00	
13915	1967	REAR LAMP HARNESS Rear, Convertible, Special	\$218.00	
19105	1968	REAR LAMP INTERMEDIATE HARNESS All 2 Door Coupes	\$229.00	
19110	1968	REAR LAMP INTERMEDIATE HARNESS Convertible	\$229.00	
19100	1968	REAR LAMP HARNESS Rear, All	\$183.00	
19120	1969	REAR LAMP INTERMEDIATE HARNESS Coupe	\$183.00	
19125	1969	REAR LAMP INTERMEDIATE HARNESS Convertible	\$229.00	
19115	1969	REAR LAMP HARNESS Rear, All	\$183.00	
18860	1970	REAR LAMP INTERMEDIATE HARNESS Coupe	\$183.00	
18865	1970	REAR LAMP INTERMEDIATE HARNESS Convertible	\$195.00	
18470	1970	REAR LAMP HARNESS Rear, All	\$195.00	
18860	1971	REAR LAMP INTERMEDIATE HARNESS Coupe	\$183.00	
18865	1971	REAR LAMP INTERMEDIATE HARNESS Convertible	\$195.00	
18470	1971	REAR LAMP HARNESS Rear, All	\$195.00	
18860	1972	REAR LAMP INTERMEDIATE HARNESS Coupe	\$183.00	
18865	1972	REAR LAMP INTERMEDIATE HARNESS Convertible	\$195.00	
32300	1972	REAR LAMP HARNESS Rear, All	\$195.00	
REPAIR PIGTAIL-FOR POWER WINDOW SWITCH				
36048	1964	REPAIR PIGTAIL, FOR POWER WINDOW SWITCH For Single Power Window Switches, Connector & Wire	\$22.00	
36048	1965	REPAIR PIGTAIL, FOR POWER WINDOW SWITCH For Single Power Window Switches, Connector & Wire	\$22.00	
36048	1966	REPAIR PIGTAIL, FOR POWER WINDOW SWITCH For Single Power Window Switches, Connector & Wire	\$22.00	
36048	1967	REPAIR PIGTAIL, FOR POWER WINDOW SWITCH For Single Power Window Switches, Connector & Wire	\$22.00	
36048	1968	REPAIR PIGTAIL, FOR POWER WINDOW SWITCH For Single Power Window Switches, Connector & Wire	\$22.00	
36048	1969	REPAIR PIGTAIL, FOR POWER WINDOW SWITCH For Single Power Window Switches, Connector & Wire	\$22.00	
36048	1970	REPAIR PIGTAIL, FOR POWER WINDOW SWITCH For Single Power Window Switches, Connector & Wire	\$22.00	

Part Number	Year	Description	Price	*Rev.
SPEAKER WIRE				
07705	1965	SPEAKER WIRE Single Rear Seat Speaker, All 2 And 4 Doors	\$21.00	
07705	1966	SPEAKER WIRE Single Rear Seat Speaker, All 2 And 4 Doors	\$21.00	
STEERING COLUMN ADAPTER HARNESS				
37542	1964	STEERING COLUMN ADAPTER HARNESS For 1969-1974 GM & Ididit Columns (Exc. Flaming River) To Stock Dash Harness Note: Adapts Horn, Directionals, Hazard Flashers To Stock 8 Pin T/L Dash Connector.	\$43.00	
37542	1965	STEERING COLUMN ADAPTER HARNESS For 1969-1974 GM & Ididit Columns (Exc. Flaming River) To Stock Dash Harness Note: Adapts Horn, Directionals, Hazard Flashers To Stock 8 Pin T/L Dash Connector.	\$43.00	
37542	1966	STEERING COLUMN ADAPTER HARNESS For 1969-1974 GM & Ididit Columns (Exc. Flaming River) To Stock Dash Harness Note: Adapts Horn, Directionals, Hazard Flashers To Stock 8 Pin T/L Dash Connector.	\$43.00	
37009	1964	STEERING COLUMN ADAPTER HARNESS For 1975 & UP GM & Flaming River Columns (Exc. Ididit) To Stock Dash Harness Note: Adapts Horn, Directionals, Hazard Flashers To Stock 8 Pin Dash Connector.	\$45.00	
37009	1965	STEERING COLUMN ADAPTER HARNESS For 1975 & UP GM & Flaming River Columns (Exc. Ididit) To Stock Dash Harness Note: Adapts Horn, Directionals, Hazard Flashers To Stock 8 Pin Dash Connector.	\$45.00	
37009	1966	STEERING COLUMN ADAPTER HARNESS For 1975 & UP GM & Flaming River Columns (Exc. Ididit) To Stock Dash Harness Note: Adapts Horn, Directionals, Hazard Flashers To Stock 8 Pin Dash Connector.	\$45.00	
36882	1967	STEERING COLUMN ADAPTER HARNESS For 1969-1974 GM & Ididit Columns (Exc. Flaming River) To Stock Dash Harness Note: Adapts Horn, Directionals, Hazard Flashers To Stock 9-Pin T/L Dash Connector.	\$22.00	
36882	1968	STEERING COLUMN ADAPTER HARNESS For 1969-1974 GM & Ididit Columns (Exc. Flaming River) To Stock Dash Harness Note: Adapts Horn, Directionals, Hazard Flashers To Stock 9-Pin T/L Dash Connector.	\$22.00	
38127	1967	STEERING COLUMN ADAPTER HARNESS For 1975 & UP GM & Flaming River Columns (Exc. Ididit) To Stock Dash Harness Note: Adapts Horn, Directionals, Hazard Flashers To Stock 9-Pin T/L Dash Connector.	\$22.00	
38127	1968	STEERING COLUMN ADAPTER HARNESS For 1975 & UP GM & Flaming River Columns (Exc. Ididit) To Stock Dash Harness Note: Adapts Horn, Directionals, Hazard Flashers To Stock 9-Pin T/L Dash Connector.	\$22.00	
STOP LAMP SWITCH				
01261219	1964	STOP LAMP SWITCH Without Cruise	\$5.80	N
01261219	1965	STOP LAMP SWITCH Without Cruise	\$5.80	N
01261219	1966	STOP LAMP SWITCH Without Cruise	\$5.80	N
01261219	1967	STOP LAMP SWITCH Without Cruise	\$5.80	N
01261219	1968	STOP LAMP SWITCH Without Cruise	\$5.80	N
01261219	1969	STOP LAMP SWITCH Without Cruise	\$5.80	N
01261219	1970	STOP LAMP SWITCH Without Cruise	\$5.80	N
01261219	1971	STOP LAMP SWITCH Without Cruise	\$5.80	N
01261219	1972	STOP LAMP SWITCH Without Cruise	\$5.80	N
01261219	1973	STOP LAMP SWITCH Without Cruise	\$5.80	N
01261219	1974	STOP LAMP SWITCH Without Cruise	\$5.80	N
01261219	1975	STOP LAMP SWITCH Without Cruise	\$5.80	N
01261219	1976	STOP LAMP SWITCH Without Power Brakes Or Cruise	\$5.80	N
01261219	1977	STOP LAMP SWITCH Without Power Brakes Or Cruise	\$5.80	N
01261219	1978	STOP LAMP SWITCH Without Power Brakes Or Cruise	\$5.80	N

Part Number	Year	Description	Price	*Rev.
01261219	1979	STOP LAMP SWITCH Without Power Brakes Or Cruise	\$5.80	N
TACHOMETER EXTENSION HARNESS				
28985	1968	TACHOMETER EXTENSION HARNESS Engine Side, Coil To Dash	\$21.00	
28985	1969	TACHOMETER EXTENSION HARNESS Engine Side, Coil To Dash	\$21.00	
28985	1970	TACHOMETER EXTENSION HARNESS Engine Side, Coil To Dash	\$21.00	
28985	1971	TACHOMETER EXTENSION HARNESS Engine Side, Coil To Dash	\$21.00	
28985	1972	TACHOMETER EXTENSION HARNESS Engine Side, Coil To Dash	\$21.00	
TACHOMETER HARNESS				
28990	1968	TACHOMETER HARNESS Dash Side, Console Mounted Tach	\$57.00	
28990	1969	TACHOMETER HARNESS Dash Side, Console Mounted Tach	\$57.00	
39486	1972	TACHOMETER EXTENSION HARNESS Dash Side, Dash Mounted Tach To Coil Extension Harness	\$23.00	
TILT COLUMN ADAPTER HARNESS				
05200	1964	TILT COLUMN ADAPTER HARNESS Blinker Switch Adapter	\$52.00	
05200	1965	TILT COLUMN ADAPTER HARNESS Blinker Switch Adapter	\$52.00	
05200	1966	TILT COLUMN ADAPTER HARNESS Blinker Switch Adapter	\$52.00	
TURN SIGNAL SWITCH				
00387115	1965	TURN SIGNAL SWITCH Without Tilt (Stamped "BPC"), Replaces Delco Part# D6200 Note: This Switch Has A Metal Base.	\$96.00	
00387115	1966	TURN SIGNAL SWITCH Without Tilt (Stamped "BPC"), Replaces Delco Part# D6200 Note: This Switch Has A Metal Base.	\$96.00	
01997938	1969	TURN SIGNAL SWITCH, CORRECT PART Without Cornering Lights Note: Correct Part, No Adapter Pigtail Required.	\$56.00	
01893592	1967	TURN SIGNAL SWITCH Without Cornering Lights, Replaces Delco Part# D6211 Note: This Is A Service Part, Adapter Pigtail Included And Is Required For Some Applications.	\$58.00	
01893592	1968	TURN SIGNAL SWITCH Without Cornering Lights, Replaces Delco Part# D6211 Note: This Is A Service Part, Adapter Pigtail Included And Is Required For Some Applications.	\$58.00	
01993624	1964	TURN SIGNAL SWITCH With Tilt, Replaces Delco Part# D6220	\$71.00	
01993624	1965	TURN SIGNAL SWITCH With Tilt, Replaces Delco Part# D6220	\$71.00	
01993624	1966	TURN SIGNAL SWITCH With Tilt, Replaces Delco Part# D6220	\$71.00	
01997938	1970	TURN SIGNAL SWITCH, CORRECT PART Without Cornering Lights Note: Correct Part, No Adapter Pigtail Required.	\$56.00	
01997938	1971	TURN SIGNAL SWITCH, CORRECT PART Without Cornering Lights Note: Correct Part, No Adapter Pigtail Required.	\$56.00	
01997938	1972	TURN SIGNAL SWITCH, CORRECT PART Without Cornering Lights Note: Correct Part, No Adapter Pigtail Required.	\$56.00	
01893588	1969	TURN SIGNAL SWITCH, SERVICE PART Without Cornering Lights, Replaces Delco Part# D6208 Note: This Is A Service Part, Adapter Pigtail Included Is Required For Installation.	\$58.00	
01893588	1970	TURN SIGNAL SWITCH, SERVICE PART Without Cornering Lights, Replaces Delco Part# D6208 Note: This Is A Service Part, Adapter Pigtail Included Is Required For Installation.	\$58.00	
01893588	1971	TURN SIGNAL SWITCH, SERVICE PART Without Cornering Lights, Replaces Delco Part# D6208 Note: This Is A Service Part, Adapter Pigtail Included Is Required For Installation.	\$58.00	
01893588	1972	TURN SIGNAL SWITCH, SERVICE PART Without Cornering Lights, Replaces Delco Part# D6208 Note: This Is A Service Part, Adapter Pigtail Included Is Required For Installation.	\$58.00	
05698897	1967	TURN SIGNAL SWITCH Column Shift A/T, (Delco Type, Black, White Or Green) Without Tilt, Without Cornering Lamps Note: Emergency Flasher Actuator Hole In Outer Cover Is Shaped Like A Doghouse.	\$50.00	

Part Number	Year	Description	Price	*Rev.
05698897	1967	TURN SIGNAL SWITCH Column Shift A/T, (Delco Type, Black, White Or Green) With Tilt, Without Cornering Lamps Note: Emergency Flasher Actuator Hole In Outer Cover Is Shaped Like A Doghouse.	\$50.00	
05698897	1968	TURN SIGNAL SWITCH Column Shift A/T, (Delco Type, Black, White Or Green) Without Tilt, Without Cornering Lamps Note: Emergency Flasher Actuator Hole In Outer Cover Is Shaped Like A Doghouse.	\$50.00	
05698897	1968	TURN SIGNAL SWITCH Column Shift A/T, (Delco Type, Black, White Or Green) With Tilt, Without Cornering Lamps Note: Emergency Flasher Actuator Hole In Outer Cover Is Shaped Like A Doghouse.	\$50.00	
07800482	1967	TURN SIGNAL SWITCH All, Except Column Shift A/T, Without Cornering Lamps (Delco Type, White Or Green) Note: Emergency Flasher Actuator Hole In Outer Cover Is Shaped Like A Doghouse.	\$50.00	
07800482	1968	TURN SIGNAL SWITCH All, Except Column Shift A/T, Without Cornering Lamps (Delco Type, White Or Green) Note: Emergency Flasher Actuator Hole In Outer Cover Is Shaped Like A Doghouse.	\$50.00	
WINDSHIELD WIPER SWITCH				
01993608	1963	WINDSHIELD WIPER SWITCH Single Speed, With Washer	\$52.00	
01993372	1967	WINDSHIELD WIPER SWITCH	\$45.00	
01993633	1964	WINDSHIELD WIPER SWITCH Single Speed, With Washer	\$52.00	
01993306	1965	WINDSHIELD WIPER SWITCH Single Speed, With Washer	\$52.00	
01993632	1964	WINDSHIELD WIPER SWITCH 2 Speed, With Washer	\$52.00	