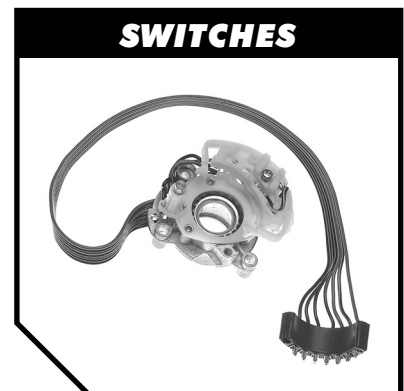
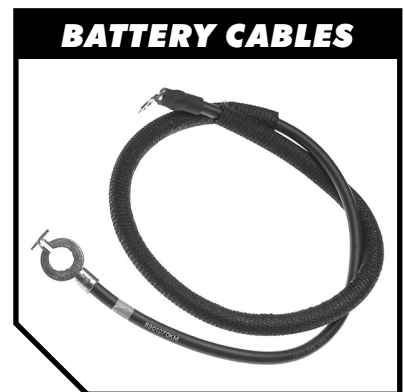




# **Electrical Restoration Products**

**Chevy Truck  
Series 10-30**



**Phone 562.926.9552**  
**Fax 562.926.9572**  
**sparky@wiringharness.com**

**[www.wiringharness.com](http://www.wiringharness.com)**

## **Buy with Confidence !**

### **Made in the U.S.A.**

All of our harnesses are hand assembled in the U.S.A.

### **Correct Color Wires**

Our harnesses always match the original factory color codes and gauge sizes. We use U.S.A. made Cross Linked Polyethylene type GXL wire which is much more tolerant to heat than the original PVC type GPT wire that was used from the factory.

### **Dip Soldered (when applicable)**

All terminals are dip soldered (when applicable) to limit resistance loss.

### **Correct Connectors & Terminals**

With over 300,000 connectors and terminals in stock you can be sure the harness you receive will look identical to the original.

### **Correct Non-Adhesive & Cloth Tapes**

All harnesses are wrapped with the correct non-adhesive or cloth woven tapes to assure a 100% factory appearance.

### **Technical Support**

We don't expect our customers to be "wiring-wizards", you can call us direct with any technical questions you may have.

### **Custom Modifications**

Custom modifications are available to allow you to convert from an external regulated alternator to an internal regulated alternator. This modification is available for most '63 and up GM cars and trucks. We can also convert many of our engine harnesses to work with H.E.I. distributors and electric chokes. Our modifications retain the factory appearance. Call our Customer Service Department for more details.

### **Reproduction Switches**

We manufacture an extensive line of reproduction switches. These include Turn Signal, Backup Light, Neutral Safety, Wiper, Headlight Switches and others. As with all of our restoration products our switches will fit and function perfectly, just like the originals.

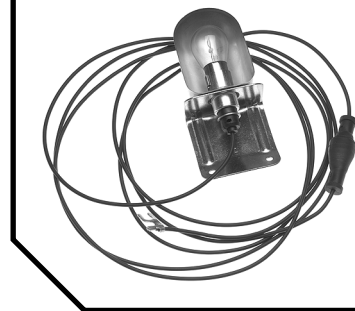
### **Guarantee & Warranty**

We are so confident in the quality of all of our restoration products that we offer the following guarantee and warranty. If you are not 100% satisfied with the quality of any of our restoration products we will give you a full refund. Just return the unused item within 30 days of receipt for a full refund. We also offer a full 1 year replacement warranty on all of the products we sell (see our product warranty sheet for more info).

### **Method of Payment**

We accept Visa, Master Card, American Express and Discover. If you prefer to pre-pay your order, we accept Money Orders, Cashiers Checks or Personal Checks. C.O.D. shipments are also available.

### **LIGHTING KITS**



### **1 WIRE IGNITION**



### **HARNESS TAPE**



***"M&H Harnesses are perfect reproductions created with correct color wires from Original GM wiring schematics".***

**MUSCLECAR ENTHUSIAST  
MAGAZINE**

# **[www.wiringharness.com](http://www.wiringharness.com)**

# Alternator Conversion Kits

**See car line catalogs  
for specific applications**

## **Alternator Conversion Kit External to "SI" Type Internal**

Our most popular Alternator Conversion Kit. This kit makes it easy to convert from an External Regulated Alternator to an "SI" Type Internal Regulated Alternator. Kit includes both adapters and an instruction sheet.

Easy to install:

1) Disconnect the external voltage regulator leads and plug our "Special Regulator Adapter" into the voltage regulator lead wires. 2) Disconnect the alternator lead wires. 3) Install new "SI" Type Internal Regulated alternator. 4) Plug one end of our "Alternator Adapter" into the original alternator lead wires and the other into the alternator.

*Typical application is '63-'74 GM Cars & Trucks, see carline catalogs for specific application information.*

Part #27555

Retail \$25.00



## **Alternator Conversion Kit External to "CS" Type Internal**

This kit makes it easy to convert from an External Regulated Alternator to a "CS" Type Internal Regulated Alternator. Kit includes both adapters and an instruction sheet.

Easy to install:

1) Disconnect the external voltage regulator leads and plug our "Special Regulator Adapter" into the voltage regulator lead wires. 2) Disconnect the alternator lead wires. 3) Install new "SI" Type Internal Regulated alternator. 4) Plug one end of our "Alternator Adapter" into the original alternator lead wires and the other into the alternator.

*Typical application is '63-'74 GM Cars & Trucks, see carline catalogs for specific application information.*

Part #37787

Retail \$29.00



## **Alternator Conversion Kit "SI" Type Internal to CS130/CS144 Type Internal**

Allows for an easy conversion from an "SI" type internal regulated alternator to a "CS130" or "CS144" type internal regulated alternator. Simple to install, the mating end of the adapter pigtail plugs perfectly to the original alternator connector, and the other end plugs right into any "CS130" or "CS144" type alternator. Kit includes adapter pigtail and an instruction sheet.

*Typical application is '69-'84 GM Cars & Trucks, see carline catalogs for specific application information.*

Part #37796

Retail \$22.00



# Alternator Conversion Kits

See car line catalogs  
for specific applications

## Alternator Conversion Kit

### "SI" Type Internal to "CS130D" Type Internal

Allows for an easy conversion from an "SI" type internal regulated alternator to a "CS130D" type internal regulated alternator. Simple to install, the mating end of the adapter pigtail plugs perfectly to the original alternator connector, and the other end plugs right into any "CS130D" type alternator. Kit includes adapter pigtail and an instruction sheet.

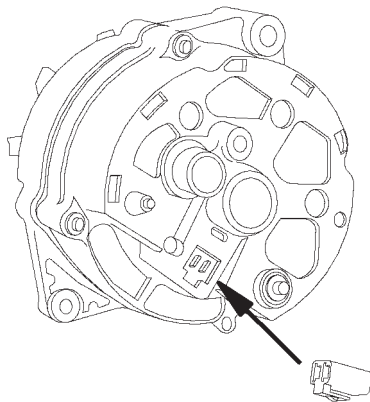
Typical application is '69-'84 GM Cars & Trucks, see carline catalogs for specific application information.

Part #39472

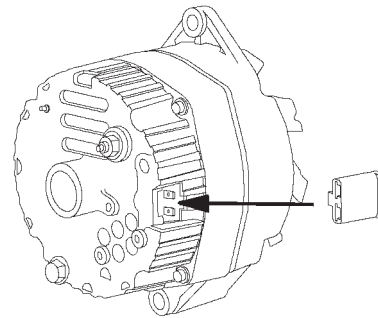
Retail \$18.00



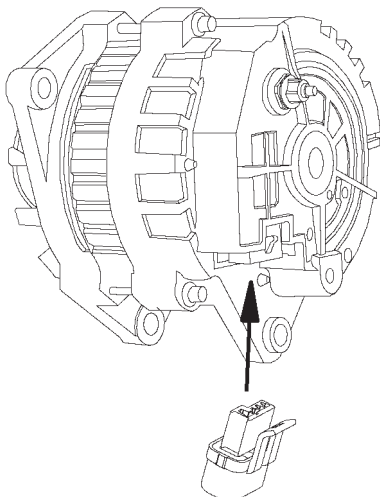
## Alternator Identification



1963-1974  
External Regulated Alternator



1969-1984 "SI" Type  
Internal Regulated Alternator



1984-1999 "CS130" & "CS144" Type  
Internal Regulated Alternator



1994-Newer "CS130D" Type  
Internal Regulated Alternator

# **Breakerless SE Single Wire Ignition**

***Simple 1 Wire Hook-Up, just connect the original points wire to the module***

***Completely stock appearance***

***Emissions Legal in all 50 States***

***Three year warranty***

The Breakerless SE allows you to convert any 1957 to 1974 GM, AMC or Jeep V8 breaker point type distributor (with a windowed type distributor cap) to a reliable solid-state electronic ignition, utilizing a fully integrated trigger and power module that fits completely inside the distributor.

Unlike competitive systems though, no additional wires protrude from the distributor, only the original points wire. The result is a state-of-the-art ignition with an absolutely stock appearance. The Breakerless SE is so unique that it's patented !



## **Outstanding features of this unit include:**

- Single wire operation to preserve stock appearance and simplify wiring.
- Active dwell control maintains high rpm spark energy while reducing coil heating at idle.
- Auto-standby prevents coil damage or dead battery if the ignition is accidentally left on.
- Hall effect rotary-vane sensor design compensates for worn bearings and distributor end play. Magnetic sensor is unaffected by oil, dirt or other contaminants, unlike optical systems.
- Over-voltage/over-current protected against damage from high amp battery chargers, reversed battery, or improper wiring.
- Constructed with premium quality components. Sealed, hi-temp thermoplastic housing provides exceptional resistance against moisture and vibration.
- No distributor modification, disassembly, or removal is required.

Kit comes complete with everything you'll need to install the Breakerless SE Single Wire Ignition. Kit includes: 1 Module, 1 (two-piece) vane, all necessary installation hardware and a comprehensive instruction sheet.

**Part #38131**  
**Retail \$169.00**

**For more info on this product  
visit [www.breakerless.com](http://www.breakerless.com)**

# **Classic Auto Fuse Series Dash Harnesses**

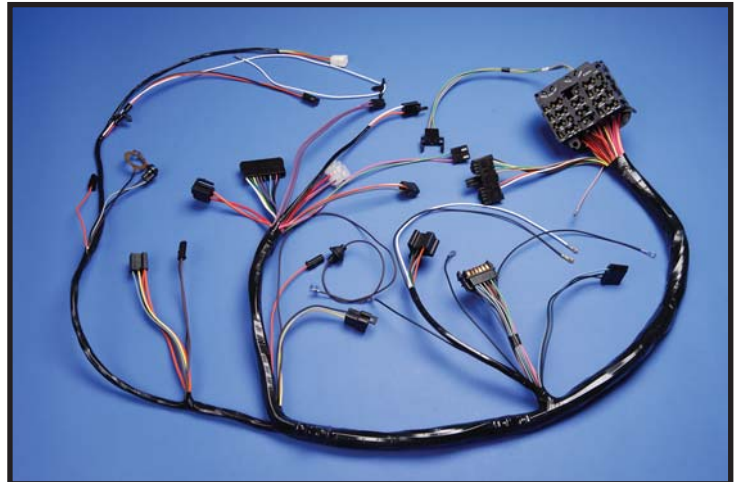
**Now Available for 1967-1978 Chevy Trucks**

**Factory Replacement Style Dash Harnesses with ATO Type Fuse Blocks**

**No cutting, modifying or altering of any sort required**

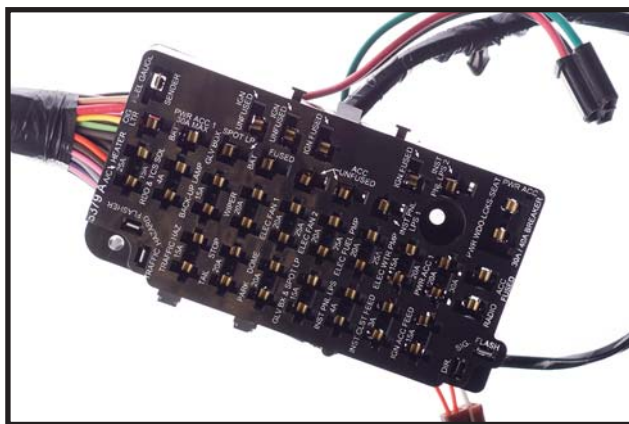
Our new Classic Auto Fuse Series Dash Harnesses allow the professional restorer to maintain the plug and play functionality of the original factory type harnesses, while converting the entire fuse block to an Auto Fuse Series (ATO Type) fuse block. The Classic Auto Fuse Series Dash Harnesses give restorers the flexibility to add additional power circuits, without the installation headaches normally associated with this type of fuse box conversion.

The plug and play Classic Auto Fuse Series Dash Harness are a first in the industry. Don't be fooled by clever advertising and claims by others that their do-it-yourself harnesses are easy to install. There is no other product like this on the market, anywhere.



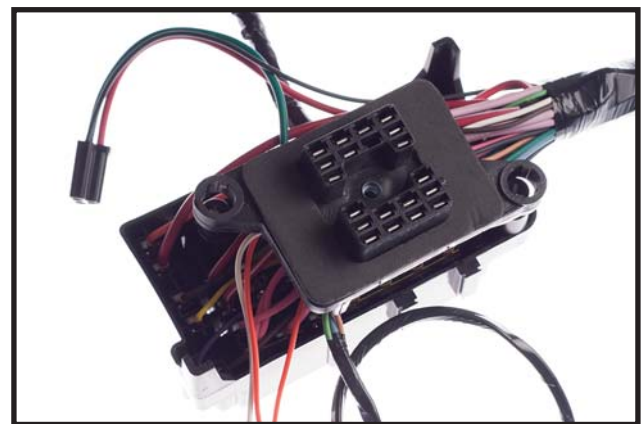
***There is no cutting, modifying or altering of any sort required. Just plug it in and turn it on, it's that simple. The Classic Auto Fuse Dash Harnesses are completely compatible with the remaining harnesses in the car; couple that with our world renowned Free technical support for the finest product money can buy.***

*See our Chevy Truck Catalog Listings for Part Numbers, Fitment & Pricing*



## **ATO Type Fuse Block**

ATO Type Fuse Block with additional, fully integrated power ports allows the restorer to easily tap power for aftermarket electronic devices such as electric radiator fans, fuel pumps & ignition boxes.



## **Original Factory Bulkhead Connector**

An Original Factory Bulkhead Connector is used on the back of the ATO Fuse Block. This allows the restorer to maintain the plug & play functionality of factory original style Engine & Forward Harnesses.

# Classic Auto Fuse Series Dash Harnesses

## Check Out These Outstanding Features

### Easy Installation

The Classic Auto Fuse Series Dash Harnesses install just like the factory originals. No modifications are required to any of the other harnesses in the car. Stock wiring diagrams and Assembly Manuals can be used to aid in the installation, as the wire colors match the original GM color code specifications.

### Upgraded Main Power Circuits

The main power circuits have been upgraded to ensure the extra capacity of the new Classic Auto Fuse Series fuse block. No need to worry about splicing on to existing fuses and circuits for aftermarket type accessories and overloading the fuse.

### One 30 Amp Fuse Port

This port can be used for power seats, power windows, power door locks or other accessories. This port has a maximum fuse capacity of 30 amps.

### Three Separate 25 Amp Fuse Ports

These three ports can be used for a single electric radiator fan, a dual electric fan setup, an electric fuel pump or other accessories. Each of these ports has a maximum fuse capacity of 25 amps.

### One 20 Amp Fuse Port

This port can be used for an electric water pump or other accessories. This port has a maximum fuse capacity of 20 amps.

### One 40 Amp Circuit Breaker Port

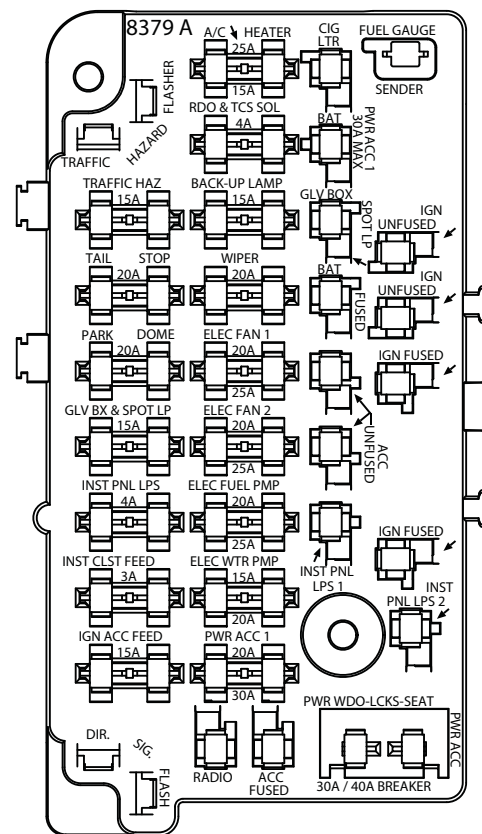
This port can be used for power seats, power windows, power door locks or other accessories. This port is designed for a circuit breaker, but a fuse may be used in place of a circuit breaker should you choose to.

**All of Our Wiring Harnesses are  
Hand Assembled in the USA!**



### GXL Wire & Original Factory Type Connectors

We use U.S.A. made Cross Linked Polyethylene type GXL wire which is much more tolerant to heat than the original PVC type GPT wire that was used from the factory. Wire colors match the OEM specs and Original Factory Type Connectors are used on every wire.



Example of a Classic Auto Fuse Series ATO Type Fuse Block. Design varies based on year of vehicle.



Part Number	Year	Description	Price	*Rev.
<b>ACCESSORY FUSEBLOCK-POWER FEED HARNESS</b>				
06280	1955	<b>ACCESSORY FUSEBLOCK, POWER FEED HARNESS</b> Lights, Battery & Ignition Power To Optional Fuseblock	\$22.00	
42800	1956	<b>ACCESSORY FUSEBLOCK, POWER FEED HARNESS</b> Lights, Battery & Ignition Power To Optional Fuseblock	\$32.00	
42801	1957	<b>ACCESSORY FUSEBLOCK, POWER FEED HARNESS</b> Lights, Battery & Ignition Power To Optional Fuseblock	\$32.00	
42801	1958	<b>ACCESSORY FUSEBLOCK, POWER FEED HARNESS</b> Lights, Battery & Ignition Power To Optional Fuseblock	\$32.00	
42801	1959	<b>ACCESSORY FUSEBLOCK, POWER FEED HARNESS</b> Lights, Battery & Ignition Power To Optional Fuseblock	\$32.00	
<b>AIR CONDITIONING EXTENSION HARNESS</b>				
20840	1965	<b>AIR CONDITIONING EXTENSION HARNESS</b> Blower Switch Wire Assembly	\$15.00	
20840	1966	<b>AIR CONDITIONING EXTENSION HARNESS</b> Blower Switch Wire Assembly	\$15.00	
39731	1973	<b>AIR CONDITIONING EXTENSION HARNESS</b> Suburban, With Overhead A/C, Blower Switch Harness To Blower Motor	\$35.00	
39735	1973	<b>AIR CONDITIONING EXTENSION HARNESS</b> Compressor To A/C Harness	\$52.00	
39731	1974	<b>AIR CONDITIONING EXTENSION HARNESS</b> Suburban, With Overhead A/C, Blower Switch Harness To Blower Motor	\$35.00	
39735	1974	<b>AIR CONDITIONING EXTENSION HARNESS</b> Compressor To A/C Harness	\$52.00	
39777	1975	<b>AIR CONDITIONING EXTENSION HARNESS</b> All, Except 1/2-Ton With 250 6 Cyl, Compressor To A/C Harness Note: 6 Cylinder Items Are Not Returnable.	\$52.00	
39790	1975	<b>AIR CONDITIONING EXTENSION HARNESS</b> Suburban, With Overhead A/C, Blower Switch Harness To Blower Motor	\$35.00	
39790	1976	<b>AIR CONDITIONING EXTENSION HARNESS</b> Suburban, With Overhead A/C, Blower Switch Harness To Blower Motor	\$35.00	
39790	1977	<b>AIR CONDITIONING EXTENSION HARNESS</b> Suburban, With Overhead A/C, Blower Switch Harness To Blower Motor	\$35.00	
39790	1978	<b>AIR CONDITIONING EXTENSION HARNESS</b> Suburban, With Overhead A/C, Blower Switch Harness To Blower Motor	\$35.00	
39876	1978	<b>AIR CONDITIONING EXTENSION HARNESS</b> 1/2 Ton Models, With 250 6 Cyl. Compressor To A/C Harness	\$52.00	
39879	1978	<b>AIR CONDITIONING EXTENSION HARNESS</b> 2 Wheel Drives, With Diesel, Compressor To A/C Harness	\$35.00	
39790	1979	<b>AIR CONDITIONING EXTENSION HARNESS</b> Suburban, With Overhead A/C, Blower Switch Harness To Blower Motor	\$35.00	
39876	1979	<b>AIR CONDITIONING EXTENSION HARNESS</b> 1/2 Ton Models, With 250 6 Cyl. Compressor To A/C Harness	\$52.00	
39879	1979	<b>AIR CONDITIONING EXTENSION HARNESS</b> 2 Wheel Drive 1/2 Ton, With Diesel, Compressor To A/C Harness	\$35.00	
39902	1979	<b>AIR CONDITIONING EXTENSION HARNESS</b> 2 Wheel Drives, With Diesel, Compressor To Fast Idle Relay	\$52.00	
39909	1979	<b>AIR CONDITIONING EXTENSION HARNESS</b> 2 Wheel Drive 1/2 & 3/4-Ton, With 454 V/8, Compressor To A/C Harness	\$41.00	
39790	1980	<b>AIR CONDITIONING EXTENSION HARNESS</b> Suburban, With Overhead A/C, Blower Switch Harness To Blower Motor	\$35.00	
39876	1980	<b>AIR CONDITIONING EXTENSION HARNESS</b> 1/2 Ton Models, With 250 6 Cyl. Compressor To A/C Harness Note: 6 Cylinder Items Are Not Returnable.	\$52.00	
39902	1980	<b>AIR CONDITIONING EXTENSION HARNESS</b> 2 Wheel Drive 1/2 Ton, With Diesel, Compressor To Fast Idle Relay	\$52.00	
39930	1980	<b>AIR CONDITIONING EXTENSION HARNESS</b> With 454 V/8, Without Fast Idle Solenoid, Compressor To A/C Harness	\$52.00	
39355	1980	<b>AIR CONDITIONING EXTENSION HARNESS</b> With V/8 & Fast Idle Solenoid, Except 454 V/8, Compressor To A/C Harness	\$52.00	
39931	1980	<b>AIR CONDITIONING EXTENSION HARNESS</b> With 454 V/8 & Fast Idle Solenoid, Compressor To A/C Harness	\$52.00	
39933	1980	<b>AIR CONDITIONING EXTENSION HARNESS</b> With V/8, Without Fast Idle Solenoid, Except 454 V/8, Compressor To A/C Harness	\$52.00	
39790	1981	<b>AIR CONDITIONING EXTENSION HARNESS</b> Suburban, With Overhead A/C, Blower Switch Harness To Blower Motor	\$35.00	
39876	1981	<b>AIR CONDITIONING EXTENSION HARNESS</b> 1/2 Ton Models, With 250 6 Cyl , Compressor To A/C Harness Note: 6 Cylinder Items Are Not Returnable.	\$52.00	



Part Number	Year	Description	Price	*Rev.
39902	1981	<b>AIR CONDITIONING EXTENSION HARNESS</b> 2 Wheel Drives, With Diesel, With Federal Emissions, Compressor To Fast Idle Relay	\$52.00	
39930	1981	<b>AIR CONDITIONING EXTENSION HARNESS</b> With 454 V/8, Without Fast Idle Solenoid, Compressor To A/C Harness	\$52.00	
39355	1981	<b>AIR CONDITIONING EXTENSION HARNESS</b> Suburban 1/2 Ton, With 3 Spd Auto Trans & Overhead A/C, Compressor To A/C Harness	\$52.00	
39931	1981	<b>AIR CONDITIONING EXTENSION HARNESS</b> With 454 V/8 & Fast Idle Solenoid, Compressor To A/C Harness	\$52.00	
39956	1981	<b>AIR CONDITIONING EXTENSION HARNESS</b> With V/8, Without Fast Idle Solenoid, Except 454 V/8, Compressor To A/C Harness	\$52.00	
39967	1981	<b>AIR CONDITIONING EXTENSION HARNESS</b> With V/8 & Fast Idle Solenoid, Except 454 V/8, Compressor To A/C Harness	\$52.00	
39978	1981	<b>AIR CONDITIONING EXTENSION HARNESS</b> 2 Wheel Drives, With Diesel, Compressor To A/C Harness	\$52.00	
39876	1982	<b>AIR CONDITIONING EXTENSION HARNESS</b> 1/2 Ton Models, With 250 6 Cyl. Compressor To A/C Harness Note: 6 Cylinder Items Are Not Returnable.	\$52.00	
39930	1982	<b>AIR CONDITIONING EXTENSION HARNESS</b> With 454 V/8, Without Fast Idle Solenoid, Compressor To A/C Harness	\$52.00	
39355	1982	<b>AIR CONDITIONING EXTENSION HARNESS</b> Suburban 1/2 Ton, With 3 Spd Auto Trans & Overhead A/C, Compressor To A/C Harness	\$52.00	
39956	1982	<b>AIR CONDITIONING EXTENSION HARNESS</b> With V/8, Without Fast Idle Solenoid, Except 454 V/8, Compressor To A/C Harness	\$52.00	
39995	1982	<b>AIR CONDITIONING EXTENSION HARNESS</b> With Diesel, Compressor To A/C Harness	\$52.00	
39790	1982	<b>AIR CONDITIONING EXTENSION HARNESS</b> Suburban, With Overhead A/C, Blower Switch Harness To Blower Motor	\$35.00	
39967	1982	<b>AIR CONDITIONING EXTENSION HARNESS</b> With V/8 & Fast Idle Solenoid, Compressor To A/C Harness	\$52.00	
39817	1976	<b>AIR CONDITIONING EXTENSION HARNESS</b> All 2 Wheel Drive, & 1/2, 3/4-Ton 4 Wheel Drive, Compressor To A/C Harness	\$29.00	
39817	1977	<b>AIR CONDITIONING EXTENSION HARNESS</b> All 2 Wheel Drive, & 1/2, 3/4-Ton 4 Wheel Drive, With 454 V/8, Compressor To A/C Harness	\$29.00	
39652	1977	<b>AIR CONDITIONING EXTENSION HARNESS</b> All 2 Wheel Drive, & 1/2, 3/4-Ton 4 Wheel Drive, With 350 & 400 V/8, Compressor To A/C Harness	\$69.00	
39817	1978	<b>AIR CONDITIONING EXTENSION HARNESS</b> All 2 Wheel Drive, & 1/2, 3/4-Ton 4 Wheel Drive, With 454 V/8, Compressor To A/C Harness	\$29.00	
39652	1978	<b>AIR CONDITIONING EXTENSION HARNESS</b> All 2 Wheel Drive, & 1/2, 3/4-Ton 4 Wheel Drive, With 350 & 400 V/8, Compressor To A/C Harness	\$69.00	
39900	1979	<b>AIR CONDITIONING EXTENSION HARNESS</b> 2 Wheel Drive 1-Ton, With 454 V/8, Compressor To A/C Harness	\$35.00	
39901	1979	<b>AIR CONDITIONING EXTENSION HARNESS</b> All 2 Wheel Drive, & 1/2, 3/4-Ton 4 Wheel Drive, With 350 & 400 V/8, Compressor To A/C Harness	\$41.00	
41617	1967	<b>AIR CONDITIONING EXTENSION HARNESS</b> Blower Switch Wire Assembly	\$20.00	N
<b>AIR CONDITIONING HARNESS</b>				
20820	1962	<b>AIR CONDITIONING HARNESS</b> Includes Heater Wiring	\$133.00	
20820	1963	<b>AIR CONDITIONING HARNESS</b> Includes Heater Wiring	\$133.00	
20815	1964	<b>AIR CONDITIONING HARNESS</b> Includes Heater Wiring	\$133.00	
19965	1965	<b>AIR CONDITIONING HARNESS</b> Includes Heater Wiring	\$133.00	
19965	1966	<b>AIR CONDITIONING HARNESS</b> Includes Heater Wiring	\$133.00	
20825	1967	<b>AIR CONDITIONING HARNESS</b> Includes Heater Wiring	\$133.00	
20835	1968	<b>AIR CONDITIONING HARNESS</b> Includes Heater Wiring	\$133.00	
35260	1969	<b>AIR CONDITIONING HARNESS</b> Includes Heater Wiring	\$138.00	
35260	1970	<b>AIR CONDITIONING HARNESS</b> Includes Heater Wiring	\$138.00	
20805	1971	<b>AIR CONDITIONING HARNESS</b> Includes Heater Wiring	\$150.00	
35260	1972	<b>AIR CONDITIONING HARNESS</b> Includes Heater Wiring	\$138.00	
39303	1973	<b>AIR CONDITIONING HARNESS</b> Includes Heater Wiring	\$225.00	
39727	1973	<b>AIR CONDITIONING HARNESS</b> Suburban, With Overhead A/C, Fuse Panel To Blower Switch	\$115.00	

Part Number	Year	Description	Price	*Rev.
39727	1974	<b>AIR CONDITIONING HARNESS</b> Suburban, With Overhead A/C, Fuse Panel To Blower Switch	\$115.00	
39759	1974	<b>AIR CONDITIONING HARNESS</b> Includes Heater Wiring	\$242.00	
39727	1975	<b>AIR CONDITIONING HARNESS</b> Suburban, With Overhead A/C, Fuse Panel To Blower Switch	\$115.00	
39776	1975	<b>AIR CONDITIONING HARNESS</b> Includes Heater Wiring	\$242.00	
39727	1976	<b>AIR CONDITIONING HARNESS</b> Suburban, With Overhead A/C, Fuse Panel To Blower Switch	\$115.00	
39827	1976	<b>AIR CONDITIONING HARNESS</b> Includes Heater Wiring	\$242.00	
39727	1977	<b>AIR CONDITIONING HARNESS</b> Suburban, With Overhead A/C, Fuse Panel To Blower Switch	\$115.00	
39653	1977	<b>AIR CONDITIONING HARNESS</b> Includes Heater Wiring	\$242.00	
39727	1978	<b>AIR CONDITIONING HARNESS</b> Suburban, With Overhead A/C, Fuse Panel To Blower Switch	\$115.00	
39859	1978	<b>AIR CONDITIONING HARNESS</b> Includes Heater Wiring, (1st Design) Note: with a/c temp. control switch mounted on evaporator inlet pipe support bracket.	\$242.00	
39356	1978	<b>AIR CONDITIONING HARNESS</b> Includes Heater Wiring, (2nd Design) Note: with a/c temp. control switch mounted near top of accumulator bottle.	\$242.00	
39883	1979	<b>AIR CONDITIONING HARNESS</b> Suburban, With Overhead A/C, Fuse Panel To Blower Switch	\$115.00	
39356	1979	<b>AIR CONDITIONING HARNESS</b> Includes Heater Wiring	\$242.00	
39883	1980	<b>AIR CONDITIONING HARNESS</b> Suburban, With Overhead A/C, Fuse Panel To Blower Switch	\$115.00	
39356	1980	<b>AIR CONDITIONING HARNESS</b> Includes Heater Wiring	\$242.00	
39936	1981	<b>AIR CONDITIONING HARNESS</b> Suburban, With Overhead A/C, Fuse Panel To Blower Switch	\$115.00	
39937	1981	<b>AIR CONDITIONING HARNESS</b> Includes Heater Wiring	\$242.00	
39937	1982	<b>AIR CONDITIONING HARNESS</b> Includes Heater Wiring	\$242.00	
39997	1982	<b>AIR CONDITIONING HARNESS</b> Suburban, With Overhead A/C, Fuse Panel To Blower Switch	\$115.00	
<b>ALTERNATOR CONVERSION HARNESS</b>				
30380	1947	<b>ALTERNATOR CONVERSION HARNESS</b> Generator To Internal Regulated Alternator	\$46.00	
30380	1948	<b>ALTERNATOR CONVERSION HARNESS</b> Generator To Internal Regulated Alternator	\$46.00	
30380	1949	<b>ALTERNATOR CONVERSION HARNESS</b> Generator To Internal Regulated Alternator	\$46.00	
30380	1950	<b>ALTERNATOR CONVERSION HARNESS</b> Generator To Internal Regulated Alternator	\$46.00	
30380	1951	<b>ALTERNATOR CONVERSION HARNESS</b> Generator To Internal Regulated Alternator	\$46.00	
30380	1952	<b>ALTERNATOR CONVERSION HARNESS</b> Generator To Internal Regulated Alternator	\$46.00	
30380	1953	<b>ALTERNATOR CONVERSION HARNESS</b> Generator To Internal Regulated Alternator	\$46.00	
30370	1954	<b>ALTERNATOR CONVERSION HARNESS</b> Generator To Internal Regulated Alternator	\$46.00	
30370	1955	<b>ALTERNATOR CONVERSION HARNESS</b> Generator To Internal Regulated Alternator, 1st. Series Note: For Use With Original 6 Volt Electrical System (1st Series).	\$46.00	
30360	1955	<b>ALTERNATOR CONVERSION HARNESS</b> V/8, Generator To Internal Regulated Alternator, 2nd. Series Note: For Use With Original 12 Volt Electrical System (2nd Series).	\$64.00	
30360	1956	<b>ALTERNATOR CONVERSION HARNESS</b> V/8, Generator To Internal Regulated Alternator	\$64.00	
30320	1957	<b>ALTERNATOR CONVERSION HARNESS</b> V/8, Generator To Internal Regulated Alternator	\$64.00	
30320	1958	<b>ALTERNATOR CONVERSION HARNESS</b> V/8, Generator To Internal Regulated Alternator	\$64.00	
30320	1959	<b>ALTERNATOR CONVERSION HARNESS</b> V/8, Generator To Internal Regulated Alternator	\$64.00	
31560	1960	<b>ALTERNATOR CONVERSION HARNESS</b> V/8, Generator To Internal Regulated Alternator Note: Due To The Design Of Your Original Dash Harness For Generator Wiring, It Is Not Possible To Make The Generator Light Work When Using Our Alternator Conversion Harness.	\$69.00	
31560	1961	<b>ALTERNATOR CONVERSION HARNESS</b> V/8, Generator To Internal Regulated Alternator Note: Due To The Design Of Your Original Dash Harness For Generator Wiring, It Is Not Possible To Make The Generator Light Work When Using Our Alternator Conversion Harness.	\$69.00	
31560	1962	<b>ALTERNATOR CONVERSION HARNESS</b> V/8, Generator To Internal Regulated Alternator Note: Due To The Design Of Your Original Dash Harness For Generator Wiring, It Is Not Possible To Make The Generator Light Work When Using Our Alternator Conversion Harness.	\$69.00	

Part Number	Year	Description	Price	*Rev.
<b>ALTERNATOR CONVERSION KIT</b>				
27555	1963	<b>ALTERNATOR CONVERSION KIT</b> External To Internal Regulator Conversion Harness ("SI" Series) Note: For Use With 1972-84 Non-Serpentine Belt ("SI" Series) Internal Regulated Alternators.	\$25.00	
27555	1964	<b>ALTERNATOR CONVERSION KIT</b> External To Internal Regulator Conversion Harness ("SI" Series) Note: For Use With 1972-84 Non-Serpentine Belt ("SI" Series) Internal Regulated Alternators.	\$25.00	
27555	1965	<b>ALTERNATOR CONVERSION KIT</b> External To Internal Regulator Conversion Harness ("SI" Series) Note: For Use With 1972-84 Non-Serpentine Belt ("SI" Series) Internal Regulated Alternators.	\$25.00	
27555	1966	<b>ALTERNATOR CONVERSION KIT</b> External To Internal Regulator Conversion Harness ("SI" Series) Note: For Use With 1972-84 Non-Serpentine Belt ("SI" Series) Internal Regulated Alternators.	\$25.00	
27555	1967	<b>ALTERNATOR CONVERSION KIT</b> External To Internal Regulator Conversion Harness ("SI" Series) Note: For Use With 1972-84 Non-Serpentine Belt ("SI" Series) Internal Regulated Alternators.	\$25.00	
27555	1968	<b>ALTERNATOR CONVERSION KIT</b> External To Internal Regulator Conversion Harness ("SI" Series) Note: For Use With 1972-84 Non-Serpentine Belt ("SI" Series) Internal Regulated Alternators.	\$25.00	
27555	1969	<b>ALTERNATOR CONVERSION KIT</b> External To Internal Regulator Conversion Harness ("SI" Series) Note: For Use With 1972-84 Non-Serpentine Belt ("SI" Series) Internal Regulated Alternators.	\$25.00	
27555	1970	<b>ALTERNATOR CONVERSION KIT</b> External To Internal Regulator Conversion Harness ("SI" Series) Note: For Use With 1972-84 Non-Serpentine Belt ("SI" Series) Internal Regulated Alternators.	\$25.00	
27555	1971	<b>ALTERNATOR CONVERSION KIT</b> External To Internal Regulator Conversion Harness ("SI" Series) Note: For Use With 1972-84 Non-Serpentine Belt ("SI" Series) Internal Regulated Alternators.	\$25.00	
27555	1972	<b>ALTERNATOR CONVERSION KIT</b> External To Internal Regulator Conversion Harness ("SI" Series) Note: For Use With 1972-84 Non-Serpentine Belt ("SI" Series) Internal Regulated Alternators.	\$25.00	
37787	1963	<b>ALTERNATOR CONVERSION KIT</b> External To Internal Regulator Conversion Harness ("CS" Series) Note: For Use With Serpentine Belt ("CS" Series) Internal Regulated Alternators.	\$29.00	
37787	1964	<b>ALTERNATOR CONVERSION KIT</b> External To Internal Regulator Conversion Harness ("CS" Series) Note: For Use With Serpentine Belt ("CS" Series) Internal Regulated Alternators.	\$29.00	
37787	1965	<b>ALTERNATOR CONVERSION KIT</b> External To Internal Regulator Conversion Harness ("CS" Series) Note: For Use With Serpentine Belt ("CS" Series) Internal Regulated Alternators.	\$29.00	
37787	1966	<b>ALTERNATOR CONVERSION KIT</b> External To Internal Regulator Conversion Harness ("CS" Series) Note: For Use With Serpentine Belt ("CS" Series) Internal Regulated Alternators.	\$29.00	
37787	1967	<b>ALTERNATOR CONVERSION KIT</b> External To Internal Regulator Conversion Harness ("CS" Series) Note: For Use With Serpentine Belt ("CS" Series) Internal Regulated Alternators.	\$29.00	
37787	1968	<b>ALTERNATOR CONVERSION KIT</b> External To Internal Regulator Conversion Harness ("CS" Series) Note: For Use With Serpentine Belt ("CS" Series) Internal Regulated Alternators.	\$29.00	
37787	1969	<b>ALTERNATOR CONVERSION KIT</b> External To Internal Regulator Conversion Harness ("CS" Series) Note: For Use With Serpentine Belt ("CS" Series) Internal Regulated Alternators.	\$29.00	
37787	1970	<b>ALTERNATOR CONVERSION KIT</b> External To Internal Regulator Conversion Harness ("CS" Series) Note: For Use With Serpentine Belt ("CS" Series) Internal Regulated Alternators.	\$29.00	
37787	1971	<b>ALTERNATOR CONVERSION KIT</b> External To Internal Regulator Conversion Harness ("CS" Series) Note: For Use With Serpentine Belt ("CS" Series) Internal Regulated Alternators.	\$29.00	
37787	1972	<b>ALTERNATOR CONVERSION KIT</b> External To Internal Regulator Conversion Harness ("CS" Series) Note: For Use With Serpentine Belt ("CS" Series) Internal Regulated Alternators.	\$29.00	
37796	1975	<b>ALTERNATOR CONVERSION KIT</b> Internal Regulator "SI" Series Alternator To "CS" Series (Serpentine Belt) Alternator Note: For Use With Serpentine Belt ("CS130" Or "CS144" Type) Internal Regulated Alternators.	\$22.00	
<b>ASSEMBLY MANUAL</b>				
36385	1947	<b>ASSEMBLY MANUAL</b> Factory Assembly Instruction Guide	\$40.00	
36385	1948	<b>ASSEMBLY MANUAL</b> Factory Assembly Instruction Guide	\$40.00	
36385	1949	<b>ASSEMBLY MANUAL</b> Factory Assembly Instruction Guide	\$40.00	
36385	1950	<b>ASSEMBLY MANUAL</b> Factory Assembly Instruction Guide	\$40.00	

Part Number	Year	Description	Price	*Rev.
36385	1951	<b>ASSEMBLY MANUAL</b> Factory Assembly Instruction Guide	\$40.00	
36385	1952	<b>ASSEMBLY MANUAL</b> Factory Assembly Instruction Guide	\$40.00	
36385	1953	<b>ASSEMBLY MANUAL</b> Factory Assembly Instruction Guide	\$40.00	
36385	1954	<b>ASSEMBLY MANUAL</b> Factory Assembly Instruction Guide	\$40.00	
36386	1955	<b>ASSEMBLY MANUAL</b> Factory Assembly Instruction Guide Note: This Manual Is A Edited And Cut Version Without Original GM Part Numbers. If You Have A 1955 Chevy Truck It Is Recommended That You Use The Unedited #41482 Assembly Manual.	\$40.00	
36386	1956	<b>ASSEMBLY MANUAL</b> Factory Assembly Instruction Guide Note: This Manual Is A Edited And Cut Version Without Original GM Part Numbers.	\$40.00	
36386	1957	<b>ASSEMBLY MANUAL</b> Factory Assembly Instruction Guide Note: This Manual Is A Edited And Cut Version Without Original GM Part Numbers.	\$40.00	
36386	1958	<b>ASSEMBLY MANUAL</b> Factory Assembly Instruction Guide Note: This Manual Is A Edited And Cut Version Without Original GM Part Numbers.	\$40.00	
36386	1959	<b>ASSEMBLY MANUAL</b> Factory Assembly Instruction Guide Note: This Manual Is A Edited And Cut Version Without Original GM Part Numbers.	\$40.00	
36387	1960	<b>ASSEMBLY MANUAL</b> Factory Assembly Instruction Guide	\$40.00	
36387	1961	<b>ASSEMBLY MANUAL</b> Factory Assembly Instruction Guide	\$40.00	
36387	1962	<b>ASSEMBLY MANUAL</b> Factory Assembly Instruction Guide	\$40.00	
36387	1963	<b>ASSEMBLY MANUAL</b> Factory Assembly Instruction Guide	\$40.00	
36387	1964	<b>ASSEMBLY MANUAL</b> Factory Assembly Instruction Guide	\$40.00	
36387	1965	<b>ASSEMBLY MANUAL</b> Factory Assembly Instruction Guide	\$40.00	
36387	1966	<b>ASSEMBLY MANUAL</b> Factory Assembly Instruction Guide	\$40.00	
36388	1967	<b>ASSEMBLY MANUAL</b> Factory Assembly Instruction Guide	\$51.00	
36388	1968	<b>ASSEMBLY MANUAL</b> Factory Assembly Instruction Guide	\$51.00	
36388	1969	<b>ASSEMBLY MANUAL</b> Factory Assembly Instruction Guide	\$51.00	
36388	1970	<b>ASSEMBLY MANUAL</b> Factory Assembly Instruction Guide	\$51.00	
36388	1971	<b>ASSEMBLY MANUAL</b> Factory Assembly Instruction Guide	\$51.00	
36388	1972	<b>ASSEMBLY MANUAL</b> Factory Assembly Instruction Guide	\$51.00	
39354	1982	<b>ASSEMBLY MANUAL</b> Factory Assembly Instruction Guide	\$51.00	
41482	1955	<b>ASSEMBLY MANUAL</b> Factory Assembly Instruction Guide Note: This Is A Original Uncut Manual Containing Unedited Data And GM Part Numbers.	\$40.00	
<b>AUXILIARY BATTERY GROUND WIRE</b>				
44138	1968	<b>AUXILIARY BATTERY GROUND WIRE</b> All, With Dual Auxiliary Camper Battery Option, Secondary Battery Negative Post To Ground	\$26.00	N
39716	1974	<b>AUXILIARY BATTERY GROUND WIRE</b> All, With Dual Auxiliary Camper Battery Option, Secondary Battery Negative Post To Ground	\$26.00	
39716	1975	<b>AUXILIARY BATTERY GROUND WIRE</b> All, With Dual Auxiliary Camper Battery Option, Secondary Battery Negative Post To Ground	\$26.00	
39716	1976	<b>AUXILIARY BATTERY GROUND WIRE</b> All, With Dual Auxiliary Camper Battery Option, Secondary Battery Negative Post To Ground	\$26.00	
39716	1977	<b>AUXILIARY BATTERY GROUND WIRE</b> All, With Dual Auxiliary Camper Battery Option, Secondary Battery Negative Post To Ground	\$26.00	
39716	1978	<b>AUXILIARY BATTERY GROUND WIRE</b> All, With Dual Auxiliary Camper Battery Option, Secondary Battery Negative Post To Ground	\$26.00	
39716	1979	<b>AUXILIARY BATTERY GROUND WIRE</b> All, With Dual Auxiliary Camper Battery Option, Secondary Battery Negative Post To Ground	\$26.00	
39716	1980	<b>AUXILIARY BATTERY GROUND WIRE</b> All, With Dual Auxiliary Camper Battery Option, Secondary Battery Negative Post To Ground	\$26.00	
39941	1981	<b>AUXILIARY BATTERY GROUND WIRE</b> All, With Dual Auxiliary Camper Battery Option, Secondary Battery Negative Post To Ground	\$26.00	

Part Number	Year	Description	Price	*Rev.
39941	1982	<b>AUXILIARY BATTERY GROUND WIRE</b> All, With Dual Auxiliary Camper Battery Option, Secondary Battery Negative Post To Ground	\$26.00	
44138	1969	<b>AUXILIARY BATTERY GROUND WIRE</b> All, With Dual Auxiliary Camper Battery Option, Secondary Battery Negative Post To Ground	\$26.00	N
44138	1970	<b>AUXILIARY BATTERY GROUND WIRE</b> All, With Dual Auxiliary Camper Battery Option, Secondary Battery Negative Post To Ground	\$26.00	N
44138	1971	<b>AUXILIARY BATTERY GROUND WIRE</b> All, With Dual Auxiliary Camper Battery Option, Secondary Battery Negative Post To Ground	\$26.00	N
44138	1972	<b>AUXILIARY BATTERY GROUND WIRE</b> All, With Dual Auxiliary Camper Battery Option, Secondary Battery Negative Post To Ground	\$26.00	N
39716	1973	<b>AUXILIARY BATTERY GROUND WIRE</b> All, With Dual Auxiliary Camper Battery Option, Secondary Battery Negative Post To Ground	\$26.00	
<b>AUXILIARY BATTERY HARNESS</b>				
37450	1968	<b>AUXILIARY BATTERY HARNESS</b> All, With Dual Auxiliary Camper Battery Option, Secondary Battery To Junction Block & Relay	\$58.00	N
39720	1974	<b>AUXILIARY BATTERY HARNESS</b> All, With Dual Auxiliary Camper Battery Option, Secondary Battery To Junction Block & Relay	\$114.00	
39785	1975	<b>AUXILIARY BATTERY HARNESS</b> All, With Dual Auxiliary Camper Battery Option, Secondary Battery To Junction Block & Relay	\$114.00	
39812	1976	<b>AUXILIARY BATTERY HARNESS</b> All, With Dual Auxiliary Camper Battery Option, Secondary Battery To Junction Block & Relay	\$114.00	
39812	1977	<b>AUXILIARY BATTERY HARNESS</b> All, With Dual Auxiliary Camper Battery Option, Secondary Battery To Junction Block & Relay	\$114.00	
39812	1978	<b>AUXILIARY BATTERY HARNESS</b> All, With Dual Auxiliary Camper Battery Option, Secondary Battery To Junction Block & Relay	\$114.00	
39884	1979	<b>AUXILIARY BATTERY HARNESS</b> All, With Dual Auxiliary Camper Battery Option, Secondary Battery To Junction Block & Relay	\$114.00	
39884	1980	<b>AUXILIARY BATTERY HARNESS</b> All, With Dual Auxiliary Camper Battery Option, Secondary Battery To Junction Block & Relay	\$114.00	
39942	1981	<b>AUXILIARY BATTERY HARNESS</b> All, With Dual Auxiliary Camper Battery Option, Secondary Battery To Junction Block & Relay	\$114.00	
39942	1982	<b>AUXILIARY BATTERY HARNESS</b> All, With Dual Auxiliary Camper Battery Option, Secondary Battery To Junction Block & Relay	\$114.00	
37450	1969	<b>AUXILIARY BATTERY HARNESS</b> All, With Dual Auxiliary Camper Battery Option, Secondary Battery To Junction Block & Relay	\$58.00	N
39720	1973	<b>AUXILIARY BATTERY HARNESS</b> All, With Dual Auxiliary Camper Battery Option, Secondary Battery To Junction Block & Relay	\$114.00	
42950	1970	<b>AUXILIARY BATTERY HARNESS</b> All, With Dual Auxiliary Camper Battery Option, Secondary Battery To Junction Block & Relay	\$58.00	N
42950	1971	<b>AUXILIARY BATTERY HARNESS</b> All, With Dual Auxiliary Camper Battery Option, Secondary Battery To Junction Block & Relay	\$58.00	N
42950	1972	<b>AUXILIARY BATTERY HARNESS</b> All, With Dual Auxiliary Camper Battery Option, Secondary Battery To Junction Block & Relay	\$58.00	N
<b>BACKUP LAMP EXTENSION HARNESS</b>				
30645	1962	<b>BACKUP LAMP EXTENSION HARNESS</b> Firewall To Rear Frame Connector	\$23.00	
30645	1963	<b>BACKUP LAMP EXTENSION HARNESS</b> Firewall To Rear Frame Connector	\$23.00	
30645	1964	<b>BACKUP LAMP EXTENSION HARNESS</b> Firewall To Rear Frame Connector	\$23.00	
30645	1965	<b>BACKUP LAMP EXTENSION HARNESS</b> Firewall To Rear Frame Connector	\$23.00	
30645	1966	<b>BACKUP LAMP EXTENSION HARNESS</b> Firewall To Rear Frame Connector	\$23.00	
<b>BACKUP LAMP HARNESS</b>				
19930	1962	<b>BACKUP LAMP HARNESS</b> Rear Frame Connector To Backup Lamps, Except Suburban	\$26.00	
19930	1963	<b>BACKUP LAMP HARNESS</b> Rear Frame Connector To Backup Lamps, Except Suburban	\$26.00	
19930	1964	<b>BACKUP LAMP HARNESS</b> Rear Frame Connector To Backup Lamps, Except Suburban	\$26.00	

Part Number	Year	Description	Price	*Rev.
19930	1965	<b>BACKUP LAMP HARNESS</b> Rear Frame Connector To Backup Lamps, Except Suburban	\$26.00	
19930	1966	<b>BACKUP LAMP HARNESS</b> Rear Frame Connector To Backup Lamps, Except Suburban	\$26.00	
<b>BACKUP LAMP SWITCH HARNESS</b>				
39770	1974	<b>BACKUP LAMP SWITCH HARNESS</b> With 4 Speed Trans, Backup Lamp Switch To Extension Harness	\$41.00	
37500	1975	<b>BACKUP LAMP SWITCH HARNESS</b> With 4 Speed Trans, Backup Lamp Switch To Extension Harness	\$41.00	
37500	1976	<b>BACKUP LAMP SWITCH HARNESS</b> With 4 Speed Trans, Backup Lamp Switch To Extension Harness	\$41.00	
37500	1977	<b>BACKUP LAMP SWITCH HARNESS</b> With 4 Speed Trans, Backup Lamp Switch To Extension Harness	\$41.00	
37500	1978	<b>BACKUP LAMP SWITCH HARNESS</b> With 4 Speed Trans, Backup Lamp Switch To Extension Harness	\$41.00	
37500	1979	<b>BACKUP LAMP SWITCH HARNESS</b> With 4 Speed Trans, Backup Lamp Switch To Extension Harness	\$41.00	
37500	1980	<b>BACKUP LAMP SWITCH HARNESS</b> With 4 Speed Trans, Backup Lamp Switch To Extension Harness	\$41.00	
39989	1981	<b>BACKUP LAMP SWITCH HARNESS</b> With 4 Speed Trans, Switch To Extension Harness	\$41.00	
39989	1982	<b>BACKUP LAMP SWITCH HARNESS</b> With 4 Speed Trans, Except New Process, Switch To Extension Harness	\$41.00	
37537	1982	<b>BACKUP LAMP SWITCH HARNESS</b> With New Process 4 Speed Trans, Switch To Extension Harness	\$41.00	
<b>BATTERY CABLE JUNCTION BLOCK</b>				
03882795	1967	<b>BATTERY CABLE JUNCTION BLOCK</b> For Positive Cable Secondary Lead, Also Used With Auxiliary Camper Battery Harness	\$9.00	N
03882795	1972	<b>BATTERY CABLE JUNCTION BLOCK</b> For Positive Cable Secondary Lead, Also Used With Auxiliary Camper Battery Harness	\$9.00	N
03882795	1971	<b>BATTERY CABLE JUNCTION BLOCK</b> For Positive Cable Secondary Lead, Also Used With Auxiliary Camper Battery Harness	\$9.00	N
03882795	1970	<b>BATTERY CABLE JUNCTION BLOCK</b> For Positive Cable Secondary Lead, Also Used With Auxiliary Camper Battery Harness	\$9.00	N
03882795	1969	<b>BATTERY CABLE JUNCTION BLOCK</b> For Positive Cable Secondary Lead, Also Used With Auxiliary Camper Battery Harness	\$9.00	N
03882795	1968	<b>BATTERY CABLE JUNCTION BLOCK</b> For Positive Cable Secondary Lead, Also Used With Auxiliary Camper Battery Harness	\$9.00	N
<b>BATTERY CABLE-NEGATIVE</b>				
03005	1960	<b>BATTERY CABLE, SPRING RING</b> Neg, 6 Cylinder Note: 6 Cylinder Items Are Not Returnable.	\$64.00	
03000	1960	<b>BATTERY CABLE, SPRING RING</b> Neg, V/8	\$64.00	
03720	1961	<b>BATTERY CABLE, SPRING RING</b> Neg, All	\$64.00	
04135	1962	<b>BATTERY CABLE, SPRING RING</b> Neg, 6 Cylinder Note: 6 Cylinder Items Are Not Returnable.	\$64.00	
03720	1962	<b>BATTERY CABLE, SPRING RING</b> Neg, V/8	\$64.00	
04135	1963	<b>BATTERY CABLE, SPRING RING</b> Neg, 6 Cylinder, Except Accessory A/C Note: 6 Cylinder Items Are Not Returnable.	\$64.00	
03005	1963	<b>BATTERY CABLE, SPRING RING</b> Neg, 6 Cylinder, With Accessory A/C Note: 6 Cylinder Items Are Not Returnable.	\$64.00	
03720	1963	<b>BATTERY CABLE, SPRING RING</b> Neg, V/8	\$64.00	
05515	1964	<b>BATTERY CABLE, SPRING RING</b> Neg, 6 Cylinder Note: 6 Cylinder Items Are Not Returnable.	\$64.00	
04870	1964	<b>BATTERY CABLE, SPRING RING</b> Neg, V/8	\$64.00	
05515	1965	<b>BATTERY CABLE, SPRING RING</b> Neg, 6 Cylinder Note: 6 Cylinder Items Are Not Returnable.	\$64.00	
04870	1965	<b>BATTERY CABLE, SPRING RING</b> Neg, V/8	\$64.00	
05515	1966	<b>BATTERY CABLE, SPRING RING</b> Neg, 6 Cylinder Note: 6 Cylinder Items Are Not Returnable.	\$64.00	
04870	1966	<b>BATTERY CABLE, SPRING RING</b> Neg, V/8	\$64.00	

Part Number	Year	Description	Price	*Rev.
<b>BATTERY CABLE-POSITIVE</b>				
30615	1955	<b>BATTERY CABLE, TOP POST</b> Pos, 6 Cylinder Note: 6 Cylinder Items Are Not Returnable.	\$58.00	
29405	1955	<b>BATTERY CABLE, TOP POST</b> Pos, V/8	\$58.00	
30615	1956	<b>BATTERY CABLE, TOP POST</b> Pos, 6 Cylinder Note: 6 Cylinder Items Are Not Returnable.	\$58.00	
29405	1956	<b>BATTERY CABLE, TOP POST</b> Pos, V/8	\$58.00	
30615	1957	<b>BATTERY CABLE, TOP POST</b> Pos, 6 Cylinder Note: 6 Cylinder Items Are Not Returnable.	\$58.00	
29405	1957	<b>BATTERY CABLE, TOP POST</b> Pos, V/8	\$58.00	
30615	1958	<b>BATTERY CABLE, TOP POST</b> Pos, 6 Cylinder Note: 6 Cylinder Items Are Not Returnable.	\$58.00	
29405	1958	<b>BATTERY CABLE, TOP POST</b> Pos, V/8, With Auto Trans	\$58.00	
30610	1958	<b>BATTERY CABLE, TOP POST</b> Pos, V/8, With Manual Trans	\$58.00	
30615	1959	<b>BATTERY CABLE, TOP POST</b> Pos, 6 Cylinder Note: 6 Cylinder Items Are Not Returnable.	\$58.00	
29405	1959	<b>BATTERY CABLE, TOP POST</b> Pos, V/8, With Auto Trans	\$58.00	
30610	1959	<b>BATTERY CABLE, TOP POST</b> Pos, V/8, With Manual Trans	\$58.00	
21290	1960	<b>BATTERY CABLE, SPRING RING</b> Pos, All	\$64.00	
21350	1961	<b>BATTERY CABLE, SPRING RING</b> Pos, All	\$64.00	
21350	1962	<b>BATTERY CABLE, SPRING RING</b> Pos, All	\$64.00	
03930	1963	<b>BATTERY CABLE, SPRING RING</b> Pos, All, With A/C	\$64.00	
21125	1963	<b>BATTERY CABLE, SPRING RING</b> Pos, All, Without A/C	\$64.00	
03930	1964	<b>BATTERY CABLE, SPRING RING</b> Pos, All, With A/C	\$64.00	
21125	1964	<b>BATTERY CABLE, SPRING RING</b> Pos, All, Without A/C	\$64.00	
03930	1965	<b>BATTERY CABLE, SPRING RING</b> Pos, All, With A/C	\$64.00	
21125	1965	<b>BATTERY CABLE, SPRING RING</b> Pos, All, Without A/C	\$64.00	
03930	1966	<b>BATTERY CABLE, SPRING RING</b> Pos, All, With A/C	\$64.00	
21125	1966	<b>BATTERY CABLE, SPRING RING</b> Pos, All, Without A/C	\$64.00	
<b>BATTERY GROUND STRAP</b>				
21595	1955	<b>BATTERY GROUND STRAP</b> Neg, 6 Cylinder & V/8 Note: 6 Cylinder Items Are Not Returnable.	\$58.00	
21595	1956	<b>BATTERY GROUND STRAP</b> Neg, 6 Cylinder & V/8 Note: 6 Cylinder Items Are Not Returnable.	\$58.00	
21595	1957	<b>BATTERY GROUND STRAP</b> Neg, 6 Cylinder & V/8 Note: 6 Cylinder Items Are Not Returnable.	\$58.00	
21595	1958	<b>BATTERY GROUND STRAP</b> Neg, 6 Cylinder & V/8 Note: 6 Cylinder Items Are Not Returnable.	\$58.00	
21595	1959	<b>BATTERY GROUND STRAP</b> Neg, 6 Cylinder & V/8 Note: 6 Cylinder Items Are Not Returnable.	\$58.00	
<b>BRAKE WARNING SWITCH JUMPER</b>				
39757	1973	<b>BRAKE WARNING SWITCH JUMPER</b> 2 Wheel Drive, Brake Warning Switch To Front Light Harness	\$29.00	
39758	1973	<b>BRAKE WARNING SWITCH JUMPER</b> 4 Wheel Drive, Brake Warning Switch To Front Light Harness	\$29.00	
39757	1974	<b>BRAKE WARNING SWITCH JUMPER</b> 2 Wheel Drive, Brake Warning Switch To Front Light Harness	\$29.00	
39758	1974	<b>BRAKE WARNING SWITCH JUMPER</b> 4 Wheel Drive, Brake Warning Switch To Front Light Harness	\$29.00	
39757	1975	<b>BRAKE WARNING SWITCH JUMPER</b> 2 Wheel Drive, Brake Warning Switch To Front Light Harness	\$29.00	
39758	1975	<b>BRAKE WARNING SWITCH JUMPER</b> 4 Wheel Drive, Brake Warning Switch To Front Light Harness	\$29.00	



Part Number	Year	Description	Price	*Rev.
39757	1976	<b>BRAKE WARNING SWITCH JUMPER</b> 2 Wheel Drive, Brake Warning Switch To Front Light Harness	\$29.00	
39758	1976	<b>BRAKE WARNING SWITCH JUMPER</b> 4 Wheel Drive, Brake Warning Switch To Front Light Harness	\$29.00	
39757	1977	<b>BRAKE WARNING SWITCH JUMPER</b> 2 Wheel Drive, Brake Warning Switch To Front Light Harness	\$29.00	
39758	1977	<b>BRAKE WARNING SWITCH JUMPER</b> 4 Wheel Drive, Brake Warning Switch To Front Light Harness	\$29.00	
39862	1978	<b>BRAKE WARNING SWITCH JUMPER</b> 2 Wheel Drive, Brake Warning Switch To Front Light Harness	\$35.00	
39863	1978	<b>BRAKE WARNING SWITCH JUMPER</b> 4 Wheel Drive, Brake Warning Switch To Front Light Harness	\$35.00	
39862	1979	<b>BRAKE WARNING SWITCH JUMPER</b> 2 Wheel Drive, Brake Warning Switch To Front Light Harness	\$35.00	
39863	1979	<b>BRAKE WARNING SWITCH JUMPER</b> 4 Wheel Drive, Brake Warning Switch To Front Light Harness	\$35.00	
39862	1980	<b>BRAKE WARNING SWITCH JUMPER</b> 2 Wheel Drive, Brake Warning Switch To Front Light Harness	\$35.00	
39863	1980	<b>BRAKE WARNING SWITCH JUMPER</b> 4 Wheel Drive, Brake Warning Switch To Front Light Harness	\$35.00	
39862	1981	<b>BRAKE WARNING SWITCH JUMPER</b> 2 Wheel Drive, Brake Warning Switch To Front Light Harness	\$35.00	
39863	1981	<b>BRAKE WARNING SWITCH JUMPER</b> 4 Wheel Drive, Brake Warning Switch To Front Light Harness	\$35.00	
39862	1982	<b>BRAKE WARNING SWITCH JUMPER</b> 2 Wheel Drive, Brake Warning Switch To Front Light Harness	\$35.00	
39863	1982	<b>BRAKE WARNING SWITCH JUMPER</b> 4 Wheel Drive, Brake Warning Switch To Front Light Harness	\$35.00	
<b>BREAKERLESS SE SINGLE WIRE ELECTRONIC IGNITION</b>				
38131	1957	<b>BREAKERLESS SE SINGLE WIRE ELECTRONIC IGNITION KIT</b> For 1957-74 Breaker Point Distributors With Windowed Type Distributor Cap	\$169.00	
38131	1958	<b>BREAKERLESS SE SINGLE WIRE ELECTRONIC IGNITION KIT</b> For 1957-74 Breaker Point Distributors With Windowed Type Distributor Cap	\$169.00	
38131	1959	<b>BREAKERLESS SE SINGLE WIRE ELECTRONIC IGNITION KIT</b> For 1957-74 Breaker Point Distributors With Windowed Type Distributor Cap	\$169.00	
38131	1960	<b>BREAKERLESS SE SINGLE WIRE ELECTRONIC IGNITION KIT</b> For 1957-74 Breaker Point Distributors With Windowed Type Distributor Cap	\$169.00	
38131	1961	<b>BREAKERLESS SE SINGLE WIRE ELECTRONIC IGNITION KIT</b> For 1957-74 Breaker Point Distributors With Windowed Type Distributor Cap	\$169.00	
38131	1962	<b>BREAKERLESS SE SINGLE WIRE ELECTRONIC IGNITION KIT</b> For 1957-74 Breaker Point Distributors With Windowed Type Distributor Cap	\$169.00	
38131	1963	<b>BREAKERLESS SE SINGLE WIRE ELECTRONIC IGNITION KIT</b> For 1957-74 Breaker Point Distributors With Windowed Type Distributor Cap	\$169.00	
38131	1964	<b>BREAKERLESS SE SINGLE WIRE ELECTRONIC IGNITION KIT</b> For 1957-74 Breaker Point Distributors With Windowed Type Distributor Cap	\$169.00	
38131	1965	<b>BREAKERLESS SE SINGLE WIRE ELECTRONIC IGNITION KIT</b> For 1957-74 Breaker Point Distributors With Windowed Type Distributor Cap	\$169.00	
38131	1966	<b>BREAKERLESS SE SINGLE WIRE ELECTRONIC IGNITION KIT</b> For 1957-74 Breaker Point Distributors With Windowed Type Distributor Cap	\$169.00	
38131	1967	<b>BREAKERLESS SE SINGLE WIRE ELECTRONIC IGNITION KIT</b> For 1957-74 Breaker Point Distributors With Windowed Type Distributor Cap	\$169.00	
38131	1968	<b>BREAKERLESS SE SINGLE WIRE ELECTRONIC IGNITION KIT</b> For 1957-74 Breaker Point Distributors With Windowed Type Distributor Cap	\$169.00	
38131	1969	<b>BREAKERLESS SE SINGLE WIRE ELECTRONIC IGNITION KIT</b> For 1957-74 Breaker Point Distributors With Windowed Type Distributor Cap	\$169.00	
38131	1970	<b>BREAKERLESS SE SINGLE WIRE ELECTRONIC IGNITION KIT</b> For 1957-74 Breaker Point Distributors With Windowed Type Distributor Cap	\$169.00	
38131	1971	<b>BREAKERLESS SE SINGLE WIRE ELECTRONIC IGNITION KIT</b> For 1957-74 Breaker Point Distributors With Windowed Type Distributor Cap	\$169.00	
38131	1972	<b>BREAKERLESS SE SINGLE WIRE ELECTRONIC IGNITION KIT</b> For 1957-74 Breaker Point Distributors With Windowed Type Distributor Cap	\$169.00	
38131	1973	<b>BREAKERLESS SE SINGLE WIRE ELECTRONIC IGNITION KIT</b> For 1957-74 Breaker Point Distributors With Windowed Type Distributor Cap	\$169.00	
38131	1974	<b>BREAKERLESS SE SINGLE WIRE ELECTRONIC IGNITION KIT</b> For 1957-74 Breaker Point Distributors With Windowed Type Distributor Cap	\$169.00	

Part Number	Year	Description	Price	*Rev.
<b>CAMPER HARNESS</b>				
40043	1976	<b>CAMPER HARNESS</b> Blazer Chinook, Rear Lamp Harness On Blazer, To Wiring Harness On Camper	\$104.00	
40043	1977	<b>CAMPER HARNESS</b> Blazer Chinook, Rear Lamp Harness On Blazer, To Wiring Harness On Camper	\$104.00	
<b>CAMPER POWER FEED WIRE</b>				
39788	1975	<b>CAMPER POWER FEED WIRE</b> Battery Junction Block To Wiring Harness On Camper	\$29.00	
39811	1976	<b>CAMPER POWER FEED WIRE</b> Battery Junction Block To Wiring Harness On Camper	\$29.00	
39811	1977	<b>CAMPER POWER FEED WIRE</b> Battery Junction Block To Wiring Harness On Camper	\$29.00	
39811	1978	<b>CAMPER POWER FEED WIRE</b> Battery Junction Block To Wiring Harness On Camper	\$29.00	
39811	1979	<b>CAMPER POWER FEED WIRE</b> Battery Junction Block To Wiring Harness On Camper	\$29.00	
39919	1980	<b>CAMPER POWER FEED WIRE</b> Battery Junction Block To Wiring Harness On Camper	\$29.00	
39919	1981	<b>CAMPER POWER FEED WIRE</b> Battery Junction Block To Wiring Harness On Camper	\$29.00	
39919	1982	<b>CAMPER POWER FEED WIRE</b> Battery Junction Block To Wiring Harness On Camper	\$29.00	
<b>CAMPER REAR LAMP HARNESS</b>				
39717	1973	<b>CAMPER REAR LAMP HARNESS</b> All With Camper Option, Rear Lamp Harness On Truck, To Tail Lamp Harness On Camper Note: this harness is universal, it can be used with all types of campers.	\$87.00	
39717	1974	<b>CAMPER REAR LAMP HARNESS</b> All With Camper Option, Rear Lamp Harness On Truck, To Tail Lamp Harness On Camper Note: this harness is universal, it can be used with all types of campers.	\$87.00	
39784	1975	<b>CAMPER REAR LAMP HARNESS</b> All With Camper Option, Rear Lamp Harness On Truck, To Tail Lamp Harness On Camper Note: this harness is universal, it can be used with all types of campers.	\$87.00	
39784	1976	<b>CAMPER REAR LAMP HARNESS</b> All With Camper Option, Rear Lamp Harness On Truck, To Tail Lamp Harness On Camper Note: this harness is universal, it can be used with all types of campers.	\$87.00	
39784	1977	<b>CAMPER REAR LAMP HARNESS</b> All With Camper Option, Rear Lamp Harness On Truck, To Tail Lamp Harness On Camper Note: this harness is universal, it can be used with all types of campers.	\$87.00	
39784	1978	<b>CAMPER REAR LAMP HARNESS</b> All With Camper Option, Rear Lamp Harness On Truck, To Tail Lamp Harness On Camper Note: this harness is universal, it can be used with all types of campers.	\$87.00	
39784	1979	<b>CAMPER REAR LAMP HARNESS</b> All With Camper Option, Rear Lamp Harness On Truck, To Tail Lamp Harness On Camper Note: this harness is universal, it can be used with all types of campers.	\$87.00	
39784	1980	<b>CAMPER REAR LAMP HARNESS</b> All With Camper Option, Rear Lamp Harness On Truck, To Tail Lamp Harness On Camper Note: this harness is universal, it can be used with all types of campers.	\$87.00	
39784	1981	<b>CAMPER REAR LAMP HARNESS</b> All With Camper Option, Rear Lamp Harness On Truck, To Tail Lamp Harness On Camper Note: this harness is universal, it can be used with all types of campers.	\$87.00	
39784	1982	<b>CAMPER REAR LAMP HARNESS</b> All With Camper Option, Rear Lamp Harness On Truck, To Tail Lamp Harness On Camper Note: this harness is universal, it can be used with all types of campers.	\$87.00	
<b>CARGO LAMP HARNESS</b>				
30850	1969	<b>CARGO LAMP HARNESS</b> External, Above Cab Rear Window	\$41.00	
30850	1970	<b>CARGO LAMP HARNESS</b> External, Above Cab Rear Window	\$41.00	
30850	1971	<b>CARGO LAMP HARNESS</b> External, Above Cab Rear Window	\$41.00	
30850	1972	<b>CARGO LAMP HARNESS</b> External, Above Cab Rear Window	\$41.00	
39715	1973	<b>CARGO LAMP HARNESS</b> 2 Door Trucks, With Cargo Lamp Option	\$80.00	

Part Number	Year	Description	Price	*Rev.
39733	1973	CARGO LAMP HARNESS 4 Door Trucks, With Cargo Lamp Option	\$80.00	
39715	1974	CARGO LAMP HARNESS 2 Door Trucks, With Cargo Lamp Option	\$80.00	
39733	1974	CARGO LAMP HARNESS 4 Door Trucks, With Cargo Lamp Option	\$80.00	
39715	1975	CARGO LAMP HARNESS 2 Door Trucks, With Cargo Lamp Option	\$80.00	
39733	1975	CARGO LAMP HARNESS 4 Door Trucks, With Cargo Lamp Option	\$80.00	
39715	1976	CARGO LAMP HARNESS 2 Door Trucks, With Cargo Lamp Option	\$80.00	
39804	1976	CARGO LAMP HARNESS 4 Door Trucks, With Cargo Lamp Option	\$80.00	
39804	1977	CARGO LAMP HARNESS 4 Door Trucks, With Cargo Lamp Option	\$80.00	
39850	1977	CARGO LAMP HARNESS 2 Door Trucks, With Cargo Lamp Option	\$80.00	
39804	1978	CARGO LAMP HARNESS 4 Door Trucks, With Cargo Lamp Option	\$80.00	
39850	1978	CARGO LAMP HARNESS 2 Door Trucks, With Cargo Lamp Option	\$80.00	
39804	1979	CARGO LAMP HARNESS 4 Door Trucks, With Cargo Lamp Option	\$80.00	
39850	1979	CARGO LAMP HARNESS 2 Door Trucks, With Cargo Lamp Option	\$80.00	
39804	1980	CARGO LAMP HARNESS 4 Door Trucks, With Cargo Lamp Option	\$80.00	
39850	1980	CARGO LAMP HARNESS 2 Door Trucks, With Cargo Lamp Option	\$80.00	
39804	1981	CARGO LAMP HARNESS 4 Door Trucks, With Cargo Lamp Option	\$80.00	
39850	1981	CARGO LAMP HARNESS 2 Door Trucks, With Cargo Lamp Option	\$80.00	
39804	1982	CARGO LAMP HARNESS 4 Door Trucks, With Cargo Lamp Option	\$80.00	
39850	1982	CARGO LAMP HARNESS 2 Door Trucks, With Cargo Lamp Option	\$80.00	
<b>CARGO LAMP SWITCH</b>				
03959232	1969	CARGO LAMP SWITCH	\$19.50	N
03959232	1970	CARGO LAMP SWITCH	\$19.50	N
03959232	1971	CARGO LAMP SWITCH	\$19.50	N
03959232	1972	CARGO LAMP SWITCH	\$19.50	N
00329821	1973	CARGO LAMP SWITCH	\$27.00	N
00329821	1974	CARGO LAMP SWITCH	\$27.00	N
00339880	1975	CARGO LAMP SWITCH	\$21.00	N
00339880	1976	CARGO LAMP SWITCH	\$21.00	N
00339880	1977	CARGO LAMP SWITCH	\$21.00	N
00339880	1978	CARGO LAMP SWITCH	\$21.00	N
00339880	1979	CARGO LAMP SWITCH	\$21.00	N
00339880	1980	CARGO LAMP SWITCH	\$21.00	N
00339880	1981	CARGO LAMP SWITCH	\$21.00	N
00339880	1982	CARGO LAMP SWITCH	\$21.00	N
00339880	1983	CARGO LAMP SWITCH	\$21.00	N
00339880	1984	CARGO LAMP SWITCH	\$21.00	N
00339880	1985	CARGO LAMP SWITCH	\$21.00	N
00339880	1986	CARGO LAMP SWITCH	\$21.00	N
00339880	1987	CARGO LAMP SWITCH RV Body Style	\$21.00	N
<b>CIGARETTE LIGHTER WIRE</b>				
19935	1960	CIGARETTE LIGHTER WIRE	\$12.00	
19935	1961	CIGARETTE LIGHTER WIRE	\$12.00	
19935	1962	CIGARETTE LIGHTER WIRE	\$12.00	
19935	1963	CIGARETTE LIGHTER WIRE	\$12.00	
19935	1964	CIGARETTE LIGHTER WIRE	\$12.00	
19935	1965	CIGARETTE LIGHTER WIRE	\$12.00	

Part Number	Year	Description	Price	*Rev.
19935	1966	CIGARETTE LIGHTER WIRE	\$12.00	
<b>CIRCUIT BREAKER</b>				
04850166	1973	<b>CIRCUIT BREAKER, 30 AMP</b> Power Tailgate Window, Blazer & Suburban	\$14.00	
04850166	1974	<b>CIRCUIT BREAKER, 30 AMP</b> Power Tailgate Window, Blazer & Suburban	\$14.00	
04850166	1975	<b>CIRCUIT BREAKER, 30 AMP</b> Power Tailgate Window, Blazer & Suburban	\$14.00	
04850166	1976	<b>CIRCUIT BREAKER, 30 AMP</b> Power Tailgate Window, Blazer & Suburban	\$14.00	
04850166	1977	<b>CIRCUIT BREAKER, 30 AMP</b> Power Tailgate Window, Blazer & Suburban	\$14.00	
04850166	1978	<b>CIRCUIT BREAKER, 30 AMP</b> Power Tailgate Window, Blazer & Suburban	\$14.00	
<b>CLASSIC AUTO FUSE SERIES-11-WAY CONNECTOR KIT</b>				
41355	1967	<b>CLASSIC AUTO FUSE SERIES-11-WAY CONNECTOR KIT</b> Includes Male & Female Connectors And Terminals Note: Used With 1967-78 Chevy Truck Classic Auto Fuse Series ATO Fuse Type Dash Harnesses.	\$23.00	P
41355	1968	<b>CLASSIC AUTO FUSE SERIES-11-WAY CONNECTOR KIT</b> Includes Male & Female Connectors And Terminals Note: Used With 1967-78 Chevy Truck Classic Auto Fuse Series ATO Fuse Type Dash Harnesses.	\$23.00	P
41355	1969	<b>CLASSIC AUTO FUSE SERIES-11-WAY CONNECTOR KIT</b> Includes Male & Female Connectors And Terminals Note: Used With 1967-78 Chevy Truck Classic Auto Fuse Series ATO Fuse Type Dash Harnesses.	\$23.00	P
41355	1970	<b>CLASSIC AUTO FUSE SERIES-11-WAY CONNECTOR KIT</b> Includes Male & Female Connectors And Terminals Note: Used With 1967-78 Chevy Truck Classic Auto Fuse Series ATO Fuse Type Dash Harnesses.	\$23.00	P
41355	1971	<b>CLASSIC AUTO FUSE SERIES-11-WAY CONNECTOR KIT</b> Includes Male & Female Connectors And Terminals Note: Used With 1967-78 Chevy Truck Classic Auto Fuse Series ATO Fuse Type Dash Harnesses.	\$23.00	P
41355	1972	<b>CLASSIC AUTO FUSE SERIES-11-WAY CONNECTOR KIT</b> Includes Male & Female Connectors And Terminals Note: Used With 1967-78 Chevy Truck Classic Auto Fuse Series ATO Fuse Type Dash Harnesses.	\$23.00	P
41355	1973	<b>CLASSIC AUTO FUSE SERIES-11-WAY CONNECTOR KIT</b> Includes Male & Female Connectors And Terminals Note: Used With 1967-78 Chevy Truck Classic Auto Fuse Series ATO Fuse Type Dash Harnesses.	\$23.00	P
41355	1974	<b>CLASSIC AUTO FUSE SERIES-11-WAY CONNECTOR KIT</b> Includes Male & Female Connectors And Terminals Note: Used With 1967-78 Chevy Truck Classic Auto Fuse Series ATO Fuse Type Dash Harnesses.	\$23.00	P
41355	1975	<b>CLASSIC AUTO FUSE SERIES-11-WAY CONNECTOR KIT</b> Includes Male & Female Connectors And Terminals Note: Used With 1967-78 Chevy Truck Classic Auto Fuse Series ATO Fuse Type Dash Harnesses.	\$23.00	P
41355	1976	<b>CLASSIC AUTO FUSE SERIES-11-WAY CONNECTOR KIT</b> Includes Male & Female Connectors And Terminals Note: Used With 1967-78 Chevy Truck Classic Auto Fuse Series ATO Fuse Type Dash Harnesses.	\$23.00	P
41355	1977	<b>CLASSIC AUTO FUSE SERIES-11-WAY CONNECTOR KIT</b> Includes Male & Female Connectors And Terminals Note: Used With 1967-78 Chevy Truck Classic Auto Fuse Series ATO Fuse Type Dash Harnesses.	\$23.00	P
41355	1978	<b>CLASSIC AUTO FUSE SERIES-11-WAY CONNECTOR KIT</b> Includes Male & Female Connectors And Terminals Note: Used With 1967-78 Chevy Truck Classic Auto Fuse Series ATO Fuse Type Dash Harnesses.	\$23.00	P
<b>CLASSIC AUTO FUSE SERIES-6-WAY ACCESSORY KIT</b>				
41359	1967	<b>CLASSIC AUTO FUSE SERIES-6-WAY ACCESSORY FUSEBLOCK KIT</b> Includes 6-Way Accessory Fuseblock, & Terminal Bus Bars Note: Used With 1967-78 Chevy Truck Classic Auto Fuse Series ATO Fuse Type Dash Harnesses.	\$19.00	P
41359	1968	<b>CLASSIC AUTO FUSE SERIES-6-WAY ACCESSORY FUSEBLOCK KIT</b> Includes 6-Way Accessory Fuseblock, & Terminal Bus Bars Note: Used With 1967-78 Chevy Truck Classic Auto Fuse Series ATO Fuse Type Dash Harnesses.	\$19.00	P
41359	1969	<b>CLASSIC AUTO FUSE SERIES-6-WAY ACCESSORY FUSEBLOCK KIT</b> Includes 6-Way Accessory Fuseblock, & Terminal Bus Bars Note: Used With 1967-78 Chevy Truck Classic Auto Fuse Series ATO Fuse Type Dash Harnesses.	\$19.00	P
41359	1970	<b>CLASSIC AUTO FUSE SERIES-6-WAY ACCESSORY FUSEBLOCK KIT</b> Includes 6-Way Accessory Fuseblock, & Terminal Bus Bars Note: Used With 1967-78 Chevy Truck Classic Auto Fuse Series ATO Fuse Type Dash Harnesses.	\$19.00	P
41359	1971	<b>CLASSIC AUTO FUSE SERIES-6-WAY ACCESSORY FUSEBLOCK KIT</b> Includes 6-Way Accessory Fuseblock, & Terminal Bus Bars Note: Used With 1967-78 Chevy Truck Classic Auto Fuse Series ATO Fuse Type Dash Harnesses.	\$19.00	P

Part Number	Year	Description	Price	*Rev.
41359	1972	<b>CLASSIC AUTO FUSE SERIES-6-WAY ACCESSORY FUSEBLOCK KIT</b> Includes 6-Way Accessory Fuseblock, & Terminal Bus Bars Note: Used With 1967-78 Chevy Truck Classic Auto Fuse Series ATO Fuse Type Dash Harnesses.	\$19.00	P
41359	1973	<b>CLASSIC AUTO FUSE SERIES-6-WAY ACCESSORY FUSEBLOCK KIT</b> Includes 6-Way Accessory Fuseblock, & Terminal Bus Bars Note: Used With 1967-78 Chevy Truck Classic Auto Fuse Series ATO Fuse Type Dash Harnesses.	\$19.00	P
41359	1974	<b>CLASSIC AUTO FUSE SERIES-6-WAY ACCESSORY FUSEBLOCK KIT</b> Includes 6-Way Accessory Fuseblock, & Terminal Bus Bars Note: Used With 1967-78 Chevy Truck Classic Auto Fuse Series ATO Fuse Type Dash Harnesses.	\$19.00	P
41359	1975	<b>CLASSIC AUTO FUSE SERIES-6-WAY ACCESSORY FUSEBLOCK KIT</b> Includes 6-Way Accessory Fuseblock, & Terminal Bus Bars Note: Used With 1967-78 Chevy Truck Classic Auto Fuse Series ATO Fuse Type Dash Harnesses.	\$19.00	P
41359	1976	<b>CLASSIC AUTO FUSE SERIES-6-WAY ACCESSORY FUSEBLOCK KIT</b> Includes 6-Way Accessory Fuseblock, & Terminal Bus Bars Note: Used With 1967-78 Chevy Truck Classic Auto Fuse Series ATO Fuse Type Dash Harnesses.	\$19.00	P
41359	1977	<b>CLASSIC AUTO FUSE SERIES-6-WAY ACCESSORY FUSEBLOCK KIT</b> Includes 6-Way Accessory Fuseblock, & Terminal Bus Bars Note: Used With 1967-78 Chevy Truck Classic Auto Fuse Series ATO Fuse Type Dash Harnesses.	\$19.00	P
41359	1978	<b>CLASSIC AUTO FUSE SERIES-6-WAY ACCESSORY FUSEBLOCK KIT</b> Includes 6-Way Accessory Fuseblock, & Terminal Bus Bars Note: Used With 1967-78 Chevy Truck Classic Auto Fuse Series ATO Fuse Type Dash Harnesses.	\$19.00	P
<b>CLASSIC AUTO FUSE SERIES-FUSE AND FLASHER KIT</b>				
40355	1967	<b>CLASSIC AUTO FUSE SERIES-FUSE AND FLASHER KIT</b> Includes Flashers, Fuses & Circuit Breakers, Also Includes 1 Each Spare Fuse Note: Used With 1967-72 Chevy Truck Classic Auto Fuse Series ATO Fuse Type Dash Harnesses.	\$36.00	P
40356	1973	<b>CLASSIC AUTO FUSE SERIES-FUSE AND FLASHER KIT</b> Includes Flashers, Fuses & Circuit Breakers, Also Includes 1 Each Spare Fuse Note: Used With 1973-74 Chevy Truck Classic Auto Fuse Series ATO Fuse Type Dash Harnesses.	\$36.00	P
40357	1975	<b>CLASSIC AUTO FUSE SERIES-FUSE AND FLASHER KIT</b> Includes Flashers, Fuses & Circuit Breakers, Also Includes 1 Each Spare Fuse Note: Used With 1975-78 Chevy Truck Classic Auto Fuse Series ATO Fuse Type Dash Harnesses.	\$36.00	P
40356	1974	<b>CLASSIC AUTO FUSE SERIES-FUSE AND FLASHER KIT</b> Includes Flashers, Fuses & Circuit Breakers, Also Includes 1 Each Spare Fuse Note: Used With 1973-74 Chevy Truck Classic Auto Fuse Series ATO Fuse Type Dash Harnesses.	\$36.00	P
40357	1976	<b>CLASSIC AUTO FUSE SERIES-FUSE AND FLASHER KIT</b> Includes Flashers, Fuses & Circuit Breakers, Also Includes 1 Each Spare Fuse Note: Used With 1975-78 Chevy Truck Classic Auto Fuse Series ATO Fuse Type Dash Harnesses.	\$36.00	P
40357	1977	<b>CLASSIC AUTO FUSE SERIES-FUSE AND FLASHER KIT</b> Includes Flashers, Fuses & Circuit Breakers, Also Includes 1 Each Spare Fuse Note: Used With 1975-78 Chevy Truck Classic Auto Fuse Series ATO Fuse Type Dash Harnesses.	\$36.00	P
40357	1978	<b>CLASSIC AUTO FUSE SERIES-FUSE AND FLASHER KIT</b> Includes Flashers, Fuses & Circuit Breakers, Also Includes 1 Each Spare Fuse Note: Used With 1975-78 Chevy Truck Classic Auto Fuse Series ATO Fuse Type Dash Harnesses.	\$36.00	P
40355	1968	<b>CLASSIC AUTO FUSE SERIES-FUSE AND FLASHER KIT</b> Includes Flashers, Fuses & Circuit Breakers, Also Includes 1 Each Spare Fuse Note: Used With 1967-72 Chevy Truck Classic Auto Fuse Series ATO Fuse Type Dash Harnesses.	\$36.00	P
40355	1969	<b>CLASSIC AUTO FUSE SERIES-FUSE AND FLASHER KIT</b> Includes Flashers, Fuses & Circuit Breakers, Also Includes 1 Each Spare Fuse Note: Used With 1967-72 Chevy Truck Classic Auto Fuse Series ATO Fuse Type Dash Harnesses.	\$36.00	P
40355	1970	<b>CLASSIC AUTO FUSE SERIES-FUSE AND FLASHER KIT</b> Includes Flashers, Fuses & Circuit Breakers, Also Includes 1 Each Spare Fuse Note: Used With 1967-72 Chevy Truck Classic Auto Fuse Series ATO Fuse Type Dash Harnesses.	\$36.00	P

Part Number	Year	Description	Price	*Rev.
40355	1971	<b>CLASSIC AUTO FUSE SERIES-FUSE AND FLASHER KIT</b> Includes Flashers, Fuses & Circuit Breakers, Also Includes 1 Each Spare Fuse Note: Used With 1967-72 Chevy Truck Classic Auto Fuse Series ATO Fuse Type Dash Harnesses.	\$36.00	P
40355	1972	<b>CLASSIC AUTO FUSE SERIES-FUSE AND FLASHER KIT</b> Includes Flashers, Fuses & Circuit Breakers, Also Includes 1 Each Spare Fuse Note: Used With 1967-72 Chevy Truck Classic Auto Fuse Series ATO Fuse Type Dash Harnesses.	\$36.00	P
<b>CLASSIC AUTO FUSE SERIES-FUSEBLOCK CONN KIT</b>				
41358	1967	<b>CLASSIC AUTO FUSE SERIES-FRONT OF FUSEBLOCK ACCESSORY CONNECTOR KIT</b> Includes Front Of Fuseblock Accessory Connectors & Terminals Note: Used With 1967-78 Chevy Truck Classic Auto Fuse Series ATO Fuse Type Dash Harnesses.	\$30.00	P
41358	1968	<b>CLASSIC AUTO FUSE SERIES-FRONT OF FUSEBLOCK ACCESSORY CONNECTOR KIT</b> Includes Front Of Fuseblock Accessory Connectors & Terminals Note: Used With 1967-78 Chevy Truck Classic Auto Fuse Series ATO Fuse Type Dash Harnesses.	\$30.00	P
41358	1969	<b>CLASSIC AUTO FUSE SERIES-FRONT OF FUSEBLOCK ACCESSORY CONNECTOR KIT</b> Includes Front Of Fuseblock Accessory Connectors & Terminals Note: Used With 1967-78 Chevy Truck Classic Auto Fuse Series ATO Fuse Type Dash Harnesses.	\$30.00	P
41358	1970	<b>CLASSIC AUTO FUSE SERIES-FRONT OF FUSEBLOCK ACCESSORY CONNECTOR KIT</b> Includes Front Of Fuseblock Accessory Connectors & Terminals Note: Used With 1967-78 Chevy Truck Classic Auto Fuse Series ATO Fuse Type Dash Harnesses.	\$30.00	P
41358	1971	<b>CLASSIC AUTO FUSE SERIES-FRONT OF FUSEBLOCK ACCESSORY CONNECTOR KIT</b> Includes Front Of Fuseblock Accessory Connectors & Terminals Note: Used With 1967-78 Chevy Truck Classic Auto Fuse Series ATO Fuse Type Dash Harnesses.	\$30.00	P
41358	1972	<b>CLASSIC AUTO FUSE SERIES-FRONT OF FUSEBLOCK ACCESSORY CONNECTOR KIT</b> Includes Front Of Fuseblock Accessory Connectors & Terminals Note: Used With 1967-78 Chevy Truck Classic Auto Fuse Series ATO Fuse Type Dash Harnesses.	\$30.00	P
41358	1973	<b>CLASSIC AUTO FUSE SERIES-FRONT OF FUSEBLOCK ACCESSORY CONNECTOR KIT</b> Includes Front Of Fuseblock Accessory Connectors & Terminals Note: Used With 1967-78 Chevy Truck Classic Auto Fuse Series ATO Fuse Type Dash Harnesses.	\$30.00	P
41358	1974	<b>CLASSIC AUTO FUSE SERIES-FRONT OF FUSEBLOCK ACCESSORY CONNECTOR KIT</b> Includes Front Of Fuseblock Accessory Connectors & Terminals Note: Used With 1967-78 Chevy Truck Classic Auto Fuse Series ATO Fuse Type Dash Harnesses.	\$30.00	P
41358	1975	<b>CLASSIC AUTO FUSE SERIES-FRONT OF FUSEBLOCK ACCESSORY CONNECTOR KIT</b> Includes Front Of Fuseblock Accessory Connectors & Terminals Note: Used With 1967-78 Chevy Truck Classic Auto Fuse Series ATO Fuse Type Dash Harnesses.	\$30.00	P
41358	1976	<b>CLASSIC AUTO FUSE SERIES-FRONT OF FUSEBLOCK ACCESSORY CONNECTOR KIT</b> Includes Front Of Fuseblock Accessory Connectors & Terminals Note: Used With 1967-78 Chevy Truck Classic Auto Fuse Series ATO Fuse Type Dash Harnesses.	\$30.00	P
41358	1977	<b>CLASSIC AUTO FUSE SERIES-FRONT OF FUSEBLOCK ACCESSORY CONNECTOR KIT</b> Includes Front Of Fuseblock Accessory Connectors & Terminals Note: Used With 1967-78 Chevy Truck Classic Auto Fuse Series ATO Fuse Type Dash Harnesses.	\$30.00	P
41358	1978	<b>CLASSIC AUTO FUSE SERIES-FRONT OF FUSEBLOCK ACCESSORY CONNECTOR KIT</b> Includes Front Of Fuseblock Accessory Connectors & Terminals Note: Used With 1967-78 Chevy Truck Classic Auto Fuse Series ATO Fuse Type Dash Harnesses.	\$30.00	P
<b>CLASSIC AUTO FUSE SERIES-RELAY AND CONNECTOR KIT</b>				
41356	1967	<b>CLASSIC AUTO FUSE SERIES-RELAY AND CONNECTOR KIT</b> Includes Relay, 5-Way Relay Connector, Terminals & Secondary Lock Note: Used With 1967-78 Chevy Truck Classic Auto Fuse Series ATO Fuse Type Dash Harnesses.	\$21.00	P
41356	1968	<b>CLASSIC AUTO FUSE SERIES-RELAY AND CONNECTOR KIT</b> Includes Relay, 5-Way Relay Connector, Terminals & Secondary Lock Note: Used With 1967-78 Chevy Truck Classic Auto Fuse Series ATO Fuse Type Dash Harnesses.	\$21.00	P
41356	1969	<b>CLASSIC AUTO FUSE SERIES-RELAY AND CONNECTOR KIT</b> Includes Relay, 5-Way Relay Connector, Terminals & Secondary Lock Note: Used With 1967-78 Chevy Truck Classic Auto Fuse Series ATO Fuse Type Dash Harnesses.	\$21.00	P

Part Number	Year	Description	Price	*Rev.
41356	1970	<b>CLASSIC AUTO FUSE SERIES-RELAY AND CONNECTOR KIT</b> Includes Relay, 5-Way Relay Connector, Terminals & Secondary Lock Note: Used With 1967-78 Chevy Truck Classic Auto Fuse Series ATO Fuse Type Dash Harnesses.	\$21.00	P
41356	1971	<b>CLASSIC AUTO FUSE SERIES-RELAY AND CONNECTOR KIT</b> Includes Relay, 5-Way Relay Connector, Terminals & Secondary Lock Note: Used With 1967-78 Chevy Truck Classic Auto Fuse Series ATO Fuse Type Dash Harnesses.	\$21.00	P
41356	1972	<b>CLASSIC AUTO FUSE SERIES-RELAY AND CONNECTOR KIT</b> Includes Relay, 5-Way Relay Connector, Terminals & Secondary Lock Note: Used With 1967-78 Chevy Truck Classic Auto Fuse Series ATO Fuse Type Dash Harnesses.	\$21.00	P
41356	1973	<b>CLASSIC AUTO FUSE SERIES-RELAY AND CONNECTOR KIT</b> Includes Relay, 5-Way Relay Connector, Terminals & Secondary Lock Note: Used With 1967-78 Chevy Truck Classic Auto Fuse Series ATO Fuse Type Dash Harnesses.	\$21.00	P
41356	1974	<b>CLASSIC AUTO FUSE SERIES-RELAY AND CONNECTOR KIT</b> Includes Relay, 5-Way Relay Connector, Terminals & Secondary Lock Note: Used With 1967-78 Chevy Truck Classic Auto Fuse Series ATO Fuse Type Dash Harnesses.	\$21.00	P
41356	1975	<b>CLASSIC AUTO FUSE SERIES-RELAY AND CONNECTOR KIT</b> Includes Relay, 5-Way Relay Connector, Terminals & Secondary Lock Note: Used With 1967-78 Chevy Truck Classic Auto Fuse Series ATO Fuse Type Dash Harnesses.	\$21.00	P
41356	1976	<b>CLASSIC AUTO FUSE SERIES-RELAY AND CONNECTOR KIT</b> Includes Relay, 5-Way Relay Connector, Terminals & Secondary Lock Note: Used With 1967-78 Chevy Truck Classic Auto Fuse Series ATO Fuse Type Dash Harnesses.	\$21.00	P
41356	1977	<b>CLASSIC AUTO FUSE SERIES-RELAY AND CONNECTOR KIT</b> Includes Relay, 5-Way Relay Connector, Terminals & Secondary Lock Note: Used With 1967-78 Chevy Truck Classic Auto Fuse Series ATO Fuse Type Dash Harnesses.	\$21.00	P
41356	1978	<b>CLASSIC AUTO FUSE SERIES-RELAY AND CONNECTOR KIT</b> Includes Relay, 5-Way Relay Connector, Terminals & Secondary Lock Note: Used With 1967-78 Chevy Truck Classic Auto Fuse Series ATO Fuse Type Dash Harnesses.	\$21.00	P
<b>CLASSIC AUTO FUSE SERIES-SPARE FUSE HOLDER</b>				
41357	1967	<b>CLASSIC AUTO FUSE SERIES-SPARE FUSE HOLDER</b> *Not Currently Available* Note: Used With 1967-78 Chevy Truck Classic Auto Fuse Series ATO Fuse Type Dash Harnesses.		C
41357	1968	<b>CLASSIC AUTO FUSE SERIES-SPARE FUSE HOLDER</b> *Not Currently Available* Note: Used With 1967-78 Chevy Truck Classic Auto Fuse Series ATO Fuse Type Dash Harnesses.		C
41357	1969	<b>CLASSIC AUTO FUSE SERIES-SPARE FUSE HOLDER</b> *Not Currently Available* Note: Used With 1967-78 Chevy Truck Classic Auto Fuse Series ATO Fuse Type Dash Harnesses.		C
41357	1970	<b>CLASSIC AUTO FUSE SERIES-SPARE FUSE HOLDER</b> *Not Currently Available* Note: Used With 1967-78 Chevy Truck Classic Auto Fuse Series ATO Fuse Type Dash Harnesses.		C
41357	1971	<b>CLASSIC AUTO FUSE SERIES-SPARE FUSE HOLDER</b> *Not Currently Available* Note: Used With 1967-78 Chevy Truck Classic Auto Fuse Series ATO Fuse Type Dash Harnesses.		C
41357	1972	<b>CLASSIC AUTO FUSE SERIES-SPARE FUSE HOLDER</b> *Not Currently Available* Note: Used With 1967-78 Chevy Truck Classic Auto Fuse Series ATO Fuse Type Dash Harnesses.		C
41357	1973	<b>CLASSIC AUTO FUSE SERIES-SPARE FUSE HOLDER</b> *Not Currently Available* Note: Used With 1967-78 Chevy Truck Classic Auto Fuse Series ATO Fuse Type Dash Harnesses.		C
41357	1974	<b>CLASSIC AUTO FUSE SERIES-SPARE FUSE HOLDER</b> *Not Currently Available* Note: Used With 1967-78 Chevy Truck Classic Auto Fuse Series ATO Fuse Type Dash Harnesses.		C
41357	1975	<b>CLASSIC AUTO FUSE SERIES-SPARE FUSE HOLDER</b> *Not Currently Available* Note: Used With 1967-78 Chevy Truck Classic Auto Fuse Series ATO Fuse Type Dash Harnesses.		C
41357	1976	<b>CLASSIC AUTO FUSE SERIES-SPARE FUSE HOLDER</b> *Not Currently Available* Note: Used With 1967-78 Chevy Truck Classic Auto Fuse Series ATO Fuse Type Dash Harnesses.		C
41357	1977	<b>CLASSIC AUTO FUSE SERIES-SPARE FUSE HOLDER</b> *Not Currently Available* Note: Used With 1967-78 Chevy Truck Classic Auto Fuse Series ATO Fuse Type Dash Harnesses.		C
41357	1978	<b>CLASSIC AUTO FUSE SERIES-SPARE FUSE HOLDER</b> *Not Currently Available* Note: Used With 1967-78 Chevy Truck Classic Auto Fuse Series ATO Fuse Type Dash Harnesses.		C



Part Number	Year	Description	Price	*Rev.
<b>CLOCK WIRE</b>				
39724	1973	<b>CLOCK WIRE</b> Fuse Panel To Optional In Dash Clock	\$26.00	
39724	1974	<b>CLOCK WIRE</b> Fuse Panel To Optional In Dash Clock	\$26.00	
39724	1975	<b>CLOCK WIRE</b> Fuse Panel To Optional In Dash Clock	\$26.00	
39724	1976	<b>CLOCK WIRE</b> Fuse Panel To Optional In Dash Clock	\$26.00	
39724	1977	<b>CLOCK WIRE</b> Fuse Panel To Optional In Dash Clock	\$26.00	
39856	1978	<b>CLOCK WIRE</b> Fuse Panel To Optional In Dash Clock	\$26.00	
39882	1979	<b>CLOCK WIRE</b> Fuse Panel To Optional In Dash Clock	\$26.00	
39882	1980	<b>CLOCK WIRE</b> Fuse Panel To Optional In Dash Clock	\$26.00	
39882	1981	<b>CLOCK WIRE</b> Fuse Panel To Optional In Dash Clock	\$26.00	
39882	1982	<b>CLOCK WIRE</b> Fuse Panel To Optional In Dash Clock	\$26.00	
<b>COMPLETE WIRING SET</b>				
30905	1947	<b>COMPLETE WIRING SET</b> See Note Note: Includes Additional Wiring For Directional Lamps & Options. Set Includes Dash, Engine, Forward Lamp, Gas Tank Sender, Headlight Bucket, Rear Lamp Extension & Turn Signal Harnesses. Comes Complete With A Wiring Schematic.	\$310.00	
30905	1948	<b>COMPLETE WIRING SET</b> See Note Note: Includes Additional Wiring For Directional Lamps & Options. Set Includes Dash, Engine, Forward Lamp, Gas Tank Sender, Headlight Bucket, Rear Lamp Extension & Turn Signal Harnesses. Comes Complete With A Wiring Schematic.	\$310.00	
30905	1949	<b>COMPLETE WIRING SET</b> See Note Note: Includes Additional Wiring For Directional Lamps & Options. Set Includes Dash, Engine, Forward Lamp, Gas Tank Sender, Headlight Bucket, Rear Lamp Extension & Turn Signal Harnesses. Comes Complete With A Wiring Schematic.	\$310.00	
05053	1950	<b>COMPLETE WIRING SET</b> See Note Note: Includes Additional Wiring For Directional Lamps & Options. Set Includes Dash, Engine, Forward Lamp, Gas Tank Sender, Headlight Bucket, Rear Lamp Extension & Turn Signal Harnesses. Comes Complete With A Wiring Schematic.	\$275.00	
05053	1951	<b>COMPLETE WIRING SET</b> See Note Note: Includes Additional Wiring For Directional Lamps & Options. Set Includes Dash, Engine, Forward Lamp, Gas Tank Sender, Headlight Bucket, Rear Lamp Extension & Turn Signal Harnesses. Comes Complete With A Wiring Schematic.	\$275.00	
05053	1952	<b>COMPLETE WIRING SET</b> See Note Note: Includes Additional Wiring For Directional Lamps & Options. Set Includes Dash, Engine, Forward Lamp, Gas Tank Sender, Headlight Bucket, Rear Lamp Extension & Turn Signal Harnesses. Comes Complete With A Wiring Schematic.	\$275.00	
05053	1953	<b>COMPLETE WIRING SET</b> See Note Note: Includes Additional Wiring For Directional Lamps & Options. Set Includes Dash, Engine, Forward Lamp, Gas Tank Sender, Headlight Bucket, Rear Lamp Extension & Turn Signal Harnesses. Comes Complete With A Wiring Schematic.	\$275.00	
30910	1954	<b>COMPLETE WIRING SET</b> See Note Note: Includes Additional Wiring For Directional Lamps & Options. Set Includes Dash, Engine, Forward Lamp, Gas Tank Sender, Headlight Bucket, Rear Lamp Extension & Turn Signal Harnesses. Comes Complete With A Wiring Schematic.	\$310.00	
30910	1955	<b>COMPLETE WIRING SET</b> Original 6 Volt System (1 St. Design), See Note Note: Includes Additional Wiring For Directional Lamps & Options. Set Includes Dash, Engine, Forward Lamp, Gas Tank Sender, Headlight Bucket, Rear Lamp Extension & Turn Signal Harnesses. Comes Complete With A Wiring Schematic.	\$310.00	
18935	1955	<b>COMPLETE WIRING SET</b> 6 Cylinder, Original 12 Volt System (2nd Design), See Note Note: 6 Cylinder Items Are Not Returnable.	\$357.00	
18940	1955	<b>COMPLETE WIRING SET</b> V/8, Original 12 Volt System, See Note Note: Includes Additional Wiring For Directional Lamps & Options. Set Includes Dash, Engine, Forward Lamp, Gas Tank Sender, Headlight Bucket, Rear Lamp Extension & Turn Signal Harnesses. Comes Complete With A Wiring Schematic.	\$357.00	
30250	1955	<b>COMPLETE WIRING SET</b> V/8, With Internal Regulator Alternator & H.E.I., 12 Volt, See Note Note: Includes Additional Wiring For Directional Lamps & Options. Set Includes Dash, Engine, Forward Lamp, Gas Tank Sender, Headlight Bucket, Rear Lamp Extension & Turn Signal Harnesses. Comes Complete With A Wiring Schematic.	\$368.00	
18935	1956	<b>COMPLETE WIRING SET</b> 6 Cylinder, See Note Note: 6 Cylinder Items Are Not Returnable.	\$357.00	

Part Number	Year	Description	Price	*Rev.
18940	1956	<b>COMPLETE WIRING SET</b> V/8, See Note Note: Includes Additional Wiring For Directional Lamps & Options. Set Includes Dash, Engine, Forward Lamp, Gas Tank Sender, Headlight Bucket, Rear Lamp Extension & Turn Signal Harnesses. Comes Complete With A Wiring Schematic.	\$357.00	
26695	1957	<b>COMPLETE WIRING SET</b> 6 Cylinder, See Note Note: 6 Cylinder Items Are Not Returnable.	\$368.00	
18950	1957	<b>COMPLETE WIRING SET</b> V/8, See Note Note: Includes Wiring For Directional Lamps & Options, as well as Dash, Engine, Forward Lamp, Gas Tank Sender, Headlight Bucket, Rear Lamp Ext. & Turn Signal Harnesses. Includes A Wiring Schematic. You May Need Ignition Switch Adapter Part #37444.	\$368.00	
30255	1957	<b>COMPLETE WIRING SET</b> V/8, With Internal Regulator Alternator & H.E.I., See Note Note: Includes Wiring For Directional Lamps & Options, as well as Dash, Engine, Forward Lamp, Gas Tank Sender, Headlight Bucket, Rear Lamp Ext. & Turn Signal Harnesses. Includes A Wiring Schematic. You May Need Ignition Switch Adapter Part #37444.	\$368.00	
18955	1958	<b>COMPLETE WIRING SET</b> 6 Cylinder, Auto Trans, See Note Note: 6 Cylinder Items Are Not Returnable.	\$368.00	C
18960	1958	<b>COMPLETE WIRING SET</b> V/8, See Note Note: Includes Wiring For Directional Lamps & Options, as well as Dash, Engine, Forward Lamp, Gas Tank Sender, Headlight Bucket, Rear Lamp Ext. & Turn Signal Harnesses. Includes A Wiring Schematic. You May Need Ignition Switch Adapter Part #37444.	\$368.00	
30260	1958	<b>COMPLETE WIRING SET</b> V/8, With Internal Regulator Alternator & H.E.I., See Note Note: Includes Wiring For Directional Lamps & Options, as well as Dash, Engine, Forward Lamp, Gas Tank Sender, Headlight Bucket, Rear Lamp Ext. & Turn Signal Harnesses. Includes A Wiring Schematic. You May Need Ignition Switch Adapter Part #37444.	\$368.00	
18955	1959	<b>COMPLETE WIRING SET</b> 6 Cylinder, Auto Trans, See Note Note: 6 Cylinder Items Are Not Returnable.	\$368.00	C
18960	1959	<b>COMPLETE WIRING SET</b> V/8, See Note Note: Includes Wiring For Directional Lamps & Options, as well as Dash, Engine, Forward Lamp, Gas Tank Sender, Headlight Bucket, Rear Lamp Ext. & Turn Signal Harnesses. Includes A Wiring Schematic. You May Need Ignition Switch Adapter Part #37444.	\$368.00	
30260	1959	<b>COMPLETE WIRING SET</b> V/8, With Internal Regulator Alternator & H.E.I., See Note Note: Includes Wiring For Directional Lamps & Options, as well as Dash, Engine, Forward Lamp, Gas Tank Sender, Headlight Bucket, Rear Lamp Ext. & Turn Signal Harnesses. Includes A Wiring Schematic. You May Need Ignition Switch Adapter Part #37444.	\$368.00	
30250	1956	<b>COMPLETE WIRING SET</b> V/8, With Internal Regulator Alternator & H.E.I., See Note Note: Includes Additional Wiring For Directional Lamps & Options. Set Includes Dash, Engine, Forward Lamp, Gas Tank Sender, Headlight Bucket, Rear Lamp Extension & Turn Signal Harnesses. Comes Complete With A Wiring Schematic.	\$368.00	
43931	1958	<b>COMPLETE WIRING SET</b> 6 Cylinder, Manual Trans, See Note Note: 6 Cylinder Items Are Not Returnable.	\$368.00	N
43931	1959	<b>COMPLETE WIRING SET</b> 6 Cylinder, Manual Trans, See Note Note: 6 Cylinder Items Are Not Returnable.	\$368.00	N
<b>COURTESY AND DOME LAMP EXTENSION HARNESS</b>				
31680	1967	<b>COURTESY AND DOME LAMP EXTENSION HARNESS</b> Activates Under Dash Courtesy Lamps And/Or Dome Lamps	\$19.00	
31680	1968	<b>COURTESY AND DOME LAMP EXTENSION HARNESS</b> Activates Under Dash Courtesy Lamps And/Or Dome Lamps	\$19.00	
31680	1969	<b>COURTESY AND DOME LAMP EXTENSION HARNESS</b> Activates Under Dash Courtesy Lamps And/Or Dome Lamps	\$19.00	
31680	1970	<b>COURTESY AND DOME LAMP EXTENSION HARNESS</b> Activates Under Dash Courtesy Lamps And/Or Dome Lamps	\$19.00	
31680	1971	<b>COURTESY AND DOME LAMP EXTENSION HARNESS</b> Activates Under Dash Courtesy Lamps And/Or Dome Lamps	\$19.00	
31680	1972	<b>COURTESY AND DOME LAMP EXTENSION HARNESS</b> Activates Under Dash Courtesy Lamps And/Or Dome Lamps	\$19.00	
<b>COURTESY LAMP HARNESS</b>				
31685	1967	<b>COURTESY LAMP HARNESS</b> Under Dash	\$40.00	
31685	1968	<b>COURTESY LAMP HARNESS</b> Under Dash	\$40.00	
31685	1969	<b>COURTESY LAMP HARNESS</b> Under Dash	\$40.00	

Part Number	Year	Description	Price	*Rev.
31685	1970	COURTESY LAMP HARNESS Under Dash	\$40.00	
31685	1971	COURTESY LAMP HARNESS Under Dash	\$40.00	
31685	1972	COURTESY LAMP HARNESS Under Dash	\$40.00	
<b>CRUISE CONTROL CLUTCH SWITCH JUMPER WIRE</b>				
39996	1982	CRUISE CONTROL CLUTCH SWITCH JUMPER WIRE With Manual Trans, Without Clutch Switch	\$26.00	
<b>CRUISE CONTROL HARNESS</b>				
35255	1969	CRUISE CONTROL HARNESS	\$91.00	
35255	1970	CRUISE CONTROL HARNESS	\$91.00	
<b>DASH HARNESS</b>				
02465	1955	DASH HARNESS With Generator	\$167.00	
02465	1956	DASH HARNESS With Generator	\$167.00	
02750	1957	DASH HARNESS With Generator	\$167.00	
02750	1958	DASH HARNESS With Generator	\$167.00	
02750	1959	DASH HARNESS With Generator	\$167.00	
03130	1960	DASH HARNESS Without Gauges	\$391.00	
38028	1960	DASH HARNESS With Gauges	\$344.00	
02995	1960	DASH INSTRUMENT CLUSTER HARNESS With Ammeter Gauge	\$98.00	
02940	1960	DASH INSTRUMENT CLUSTER HARNESS With Generator Light	\$98.00	
03625	1961	DASH HARNESS All	\$333.00	
02995	1961	DASH INSTRUMENT CLUSTER HARNESS With Ammeter Gauge	\$98.00	
02940	1961	DASH INSTRUMENT CLUSTER HARNESS With Generator Light	\$98.00	
03985	1962	DASH HARNESS All	\$344.00	
30800	1962	DASH INSTRUMENT CLUSTER HARNESS With Gauges	\$98.00	
04100	1962	DASH INSTRUMENT CLUSTER HARNESS With Gauges & Overspeed Warning Light	\$114.00	
03660	1962	DASH INSTRUMENT CLUSTER HARNESS Without Gauges	\$98.00	
04420	1963	DASH HARNESS With Gauges	\$321.00	
30800	1963	DASH INSTRUMENT CLUSTER HARNESS With Gauges	\$98.00	
04100	1963	DASH INSTRUMENT CLUSTER HARNESS With Gauges & Overspeed Warning Light	\$114.00	
22525	1963	DASH HARNESS Without Gauges	\$333.00	
03660	1963	DASH INSTRUMENT CLUSTER HARNESS Without Gauges	\$98.00	
18965	1964	DASH HARNESS With Gauges	\$321.00	
04685	1964	DASH INSTRUMENT CLUSTER HARNESS With Gauges	\$91.00	
04690	1964	DASH INSTRUMENT CLUSTER HARNESS With Gauges & Overspeed Warning Light	\$98.00	
04700	1964	DASH HARNESS Without Gauges	\$333.00	
04680	1964	DASH INSTRUMENT CLUSTER HARNESS Without Gauges	\$98.00	
18965	1965	DASH HARNESS With Gauges	\$321.00	
04685	1965	DASH INSTRUMENT CLUSTER HARNESS With Gauges	\$91.00	
04690	1965	DASH INSTRUMENT CLUSTER HARNESS With Gauges & Overspeed Warning Light	\$98.00	
04700	1965	DASH HARNESS Without Gauges	\$333.00	
04680	1965	DASH INSTRUMENT CLUSTER HARNESS Without Gauges	\$98.00	
22570	1966	DASH HARNESS With Gauges	\$333.00	
04685	1966	DASH INSTRUMENT CLUSTER HARNESS With Gauges	\$91.00	
04690	1966	DASH INSTRUMENT CLUSTER HARNESS With Gauges & Overspeed Warning Light	\$98.00	
22560	1966	DASH HARNESS Without Gauges	\$321.00	
04680	1966	DASH INSTRUMENT CLUSTER HARNESS Without Gauges	\$98.00	
33915	1967	DASH HARNESS Pickup, With Gauges	\$443.00	

Part Number	Year	Description	Price	*Rev.
33920	1967	DASH HARNESS Pickup, Without Gauges	\$455.00	
33905	1967	DASH HARNESS Panel & Suburban, With Gauges	\$495.00	
33910	1967	DASH HARNESS Panel & Suburban, Without Gauges	\$518.00	
33915	1968	DASH HARNESS Pickup, With Gauges	\$443.00	
33920	1968	DASH HARNESS Pickup, Without Gauges	\$455.00	
33905	1968	DASH HARNESS Panel & Suburban, With Gauges	\$495.00	
33910	1968	DASH HARNESS Panel & Suburban, Without Gauges	\$518.00	
30100	1969	DASH HARNESS Pickup & Blazer, With Gauges	\$432.00	
30105	1969	DASH HARNESS Pickup & Blazer, Without Gauges	\$432.00	
30090	1969	DASH HARNESS Panel & Suburban, With Gauges	\$495.00	
30095	1969	DASH HARNESS Panel & Suburban, Without Gauges	\$518.00	
30100	1970	DASH HARNESS With Gauges	\$432.00	
30105	1970	DASH HARNESS Without Gauges	\$432.00	
30100	1971	DASH HARNESS With Gauges	\$432.00	
30105	1971	DASH HARNESS Without Gauges	\$432.00	
30100	1972	DASH HARNESS With Gauges	\$432.00	
30105	1972	DASH HARNESS Without Gauges	\$432.00	
37491	1973	DASH HARNESS With Warning Lights	\$656.00	
35927	1973	DASH HARNESS With Gauges	\$656.00	
37509	1974	DASH HARNESS With Warning Lights	\$667.00	
37510	1974	DASH HARNESS With Gauges	\$656.00	
37511	1975	DASH HARNESS With Warning Lights	\$656.00	
37512	1975	DASH HARNESS With Gauges	\$656.00	
35933	1976	DASH HARNESS With Warning Lights	\$656.00	
35934	1976	DASH HARNESS With Gauges	\$656.00	
37514	1977	DASH HARNESS With Warning Lights	\$656.00	
37515	1977	DASH HARNESS With Gauges	\$667.00	
40054	1977	DASH HARNESS With Diesel	\$667.00	
38138	1978	DASH HARNESS With Warning Lights	\$685.00	
37517	1978	DASH HARNESS With Gauges	\$656.00	
38139	1978	DASH HARNESS With Diesel	\$685.00	
38142	1979	DASH HARNESS With Warning Lights	\$702.00	
38152	1979	DASH HARNESS 6 Cylinder, With Gauges Note: 6 Cylinder Items Are Not Returnable.	\$702.00	
38143	1979	DASH HARNESS V/8, With Gauges	\$656.00	
38142	1980	DASH HARNESS With Warning Lights	\$702.00	
38152	1980	DASH HARNESS 6 Cylinder, With Gauges Note: 6 Cylinder Items Are Not Returnable.	\$702.00	
38143	1980	DASH HARNESS V/8, With Gauges	\$656.00	
38146	1981	DASH HARNESS With Warning Lights	\$667.00	
38147	1981	DASH HARNESS 6 Cylinder, With Gauges Note: 6 Cylinder Items Are Not Returnable.	\$702.00	
38148	1981	DASH HARNESS V/8, With Gauges	\$656.00	
38146	1982	DASH HARNESS With Warning Lights	\$667.00	
38147	1982	DASH HARNESS 6 Cylinder, With Gauges Note: 6 Cylinder Items Are Not Returnable.	\$702.00	
38148	1982	DASH HARNESS V/8, With Gauges	\$656.00	

Part Number	Year	Description	Price	*Rev.
40358	1967	<b>DASH HARNESS-CLASSIC AUTO FUSE SERIES</b> Pickup, With Gauges Note: With Updated Modern ATO Series Fuseblock. Use Fuse & Flasher Kit # 40355. Also See Optional Classic Auto Fuse Accessory Kits.	\$489.00	
40359	1967	<b>DASH HARNESS-CLASSIC AUTO FUSE SERIES</b> Pickup, Without Gauges Note: With Updated Modern ATO Series Fuseblock. Use Fuse & Flasher Kit # 40355. Also See Optional Classic Auto Fuse Accessory Kits.	\$489.00	
40360	1967	<b>DASH HARNESS-CLASSIC AUTO FUSE SERIES</b> Panel & Suburban, With Gauges Note: With Updated Modern ATO Series Fuseblock. Use Fuse & Flasher Kit # 40355. Also See Optional Classic Auto Fuse Accessory Kits.	\$518.00	
40361	1967	<b>DASH HARNESS-CLASSIC AUTO FUSE SERIES</b> Panel & Suburban, Without Gauges Note: With Updated Modern ATO Series Fuseblock. Use Fuse & Flasher Kit # 40355. Also See Optional Classic Auto Fuse Accessory Kits.	\$541.00	
40358	1968	<b>DASH HARNESS-CLASSIC AUTO FUSE SERIES</b> Pickup, With Gauges Note: With Updated Modern ATO Series Fuseblock. Use Fuse & Flasher Kit # 40355. Also See Optional Classic Auto Fuse Accessory Kits.	\$489.00	
40359	1968	<b>DASH HARNESS-CLASSIC AUTO FUSE SERIES</b> Pickup, Without Gauges Note: With Updated Modern ATO Series Fuseblock. Use Fuse & Flasher Kit # 40355. Also See Optional Classic Auto Fuse Accessory Kits.	\$489.00	
40360	1968	<b>DASH HARNESS-CLASSIC AUTO FUSE SERIES</b> Panel & Suburban, With Gauges Note: With Updated Modern ATO Series Fuseblock. Use Fuse & Flasher Kit # 40355. Also See Optional Classic Auto Fuse Accessory Kits.	\$518.00	
40361	1968	<b>DASH HARNESS-CLASSIC AUTO FUSE SERIES</b> Panel & Suburban, Without Gauges Note: With Updated Modern ATO Series Fuseblock. Use Fuse & Flasher Kit # 40355. Also See Optional Classic Auto Fuse Accessory Kits.	\$541.00	
40366	1969	<b>DASH HARNESS-CLASSIC AUTO FUSE SERIES</b> Pickup & Blazer, With Gauges Note: With Updated Modern ATO Series Fuseblock. Use Fuse & Flasher Kit # 40355. Also See Optional Classic Auto Fuse Accessory Kits.	\$478.00	
40367	1969	<b>DASH HARNESS-CLASSIC AUTO FUSE SERIES</b> Pickup & Blazer, Without Gauges Note: With Updated Modern ATO Series Fuseblock. Use Fuse & Flasher Kit # 40355. Also See Optional Classic Auto Fuse Accessory Kits.	\$478.00	
40368	1969	<b>DASH HARNESS-CLASSIC AUTO FUSE SERIES</b> Panel & Suburban, With Gauges Note: With Updated Modern ATO Series Fuseblock. Use Fuse & Flasher Kit # 40355. Also See Optional Classic Auto Fuse Accessory Kits.	\$518.00	
40369	1969	<b>DASH HARNESS-CLASSIC AUTO FUSE SERIES</b> Panel & Suburban, Without Gauges Note: With Updated Modern ATO Series Fuseblock. Use Fuse & Flasher Kit # 40355. Also See Optional Classic Auto Fuse Accessory Kits.	\$541.00	
40366	1970	<b>DASH HARNESS-CLASSIC AUTO FUSE SERIES</b> With Gauges Note: With Updated Modern ATO Series Fuseblock. Use Fuse & Flasher Kit # 40355. Also See Optional Classic Auto Fuse Accessory Kits.	\$478.00	
40367	1970	<b>DASH HARNESS-CLASSIC AUTO FUSE SERIES</b> Without Gauges Note: With Updated Modern ATO Series Fuseblock. Use Fuse & Flasher Kit # 40355. Also See Optional Classic Auto Fuse Accessory Kits.	\$478.00	
40366	1971	<b>DASH HARNESS-CLASSIC AUTO FUSE SERIES</b> With Gauges Note: With Updated Modern ATO Series Fuseblock. Use Fuse & Flasher Kit # 40355. Also See Optional Classic Auto Fuse Accessory Kits.	\$478.00	
40367	1971	<b>DASH HARNESS-CLASSIC AUTO FUSE SERIES</b> Without Gauges Note: With Updated Modern ATO Series Fuseblock. Use Fuse & Flasher Kit # 40355. Also See Optional Classic Auto Fuse Accessory Kits.	\$478.00	
40366	1972	<b>DASH HARNESS-CLASSIC AUTO FUSE SERIES</b> With Gauges Note: With Updated Modern ATO Series Fuseblock. Use Fuse & Flasher Kit # 40355. Also See Optional Classic Auto Fuse Accessory Kits.	\$478.00	

Part Number	Year	Description	Price	*Rev.
40367	1972	<b>DASH HARNESS-CLASSIC AUTO FUSE SERIES</b> Without Gauges Note: With Updated Modern ATO Series Fuseblock. Use Fuse & Flasher Kit # 40355. Also See Optional Classic Auto Fuse Accessory Kits.	\$478.00	
40376	1973	<b>DASH HARNESS-CLASSIC AUTO FUSE SERIES</b> With Warning Lights Note: With Updated Modern ATO Series Fuseblock. Use Fuse & Flasher Kit # 40356. Also See Optional Classic Auto Fuse Accessory Kits.	\$689.00	
40377	1973	<b>DASH HARNESS-CLASSIC AUTO FUSE SERIES</b> With Gauges Note: With Updated Modern ATO Series Fuseblock. Use Fuse & Flasher Kit # 40356. Also See Optional Classic Auto Fuse Accessory Kits.	\$689.00	
40378	1974	<b>DASH HARNESS-CLASSIC AUTO FUSE SERIES</b> With Warning Lights Note: With Updated Modern ATO Series Fuseblock. Use Fuse & Flasher Kit # 40356. Also See Optional Classic Auto Fuse Accessory Kits.	\$689.00	
40379	1974	<b>DASH HARNESS-CLASSIC AUTO FUSE SERIES</b> With Gauges Note: With Updated Modern ATO Series Fuseblock. Use Fuse & Flasher Kit # 40356. Also See Optional Classic Auto Fuse Accessory Kits.	\$689.00	
40380	1975	<b>DASH HARNESS-CLASSIC AUTO FUSE SERIES</b> With Warning Lights Note: With Updated Modern ATO Series Fuseblock. Use Fuse & Flasher Kit # 40357. Also See Optional Classic Auto Fuse Accessory Kits.	\$689.00	
40381	1975	<b>DASH HARNESS-CLASSIC AUTO FUSE SERIES</b> With Gauges Note: With Updated Modern ATO Series Fuseblock. Use Fuse & Flasher Kit # 40357. Also See Optional Classic Auto Fuse Accessory Kits.	\$689.00	
40382	1976	<b>DASH HARNESS-CLASSIC AUTO FUSE SERIES</b> With Warning Lights Note: With Updated Modern ATO Series Fuseblock. Use Fuse & Flasher Kit # 40357. Also See Optional Classic Auto Fuse Accessory Kits.	\$689.00	
40383	1976	<b>DASH HARNESS-CLASSIC AUTO FUSE SERIES</b> With Gauges Note: With Updated Modern ATO Series Fuseblock. Use Fuse & Flasher Kit # 40357. Also See Optional Classic Auto Fuse Accessory Kits.	\$689.00	
40384	1977	<b>DASH HARNESS-CLASSIC AUTO FUSE SERIES</b> With Warning Lights Note: With Updated Modern ATO Series Fuseblock. Use Fuse & Flasher Kit # 40357. Also See Optional Classic Auto Fuse Accessory Kits.	\$689.00	
40385	1977	<b>DASH HARNESS-CLASSIC AUTO FUSE SERIES</b> With Gauges Note: With Updated Modern ATO Series Fuseblock. Use Fuse & Flasher Kit # 40357. Also See Optional Classic Auto Fuse Accessory Kits.	\$689.00	
40386	1977	<b>DASH HARNESS-CLASSIC AUTO FUSE SERIES</b> With Diesel Note: With Updated Modern ATO Series Fuseblock. Use Fuse & Flasher Kit # 40357. Also See Optional Classic Auto Fuse Accessory Kits.	\$689.00	
40387	1978	<b>DASH HARNESS-CLASSIC AUTO FUSE SERIES</b> With Warning Lights Note: With Updated Modern ATO Series Fuseblock. Use Fuse & Flasher Kit # 40357. Also See Optional Classic Auto Fuse Accessory Kits.	\$689.00	
40388	1978	<b>DASH HARNESS-CLASSIC AUTO FUSE SERIES</b> With Gauges Note: With Updated Modern ATO Series Fuseblock. Use Fuse & Flasher Kit # 40357. Also See Optional Classic Auto Fuse Accessory Kits.	\$689.00	
40389	1978	<b>DASH HARNESS-CLASSIC AUTO FUSE SERIES</b> With Diesel Note: With Updated Modern ATO Series Fuseblock. Use Fuse & Flasher Kit # 40357. Also See Optional Classic Auto Fuse Accessory Kits.	\$689.00	
<b>DISTRIBUTOR WIRE</b>				
36057	1957	<b>DISTRIBUTOR WIRE</b> Distributor Points To Coil Negative Terminal, V/8 Note: Fits All GM V/8 Points Type Distributors From Approx. 1957 To 1974.	\$15.00	C
36057	1958	<b>DISTRIBUTOR WIRE</b> Distributor Points To Coil Negative Terminal, V/8 Note: Fits All GM V/8 Points Type Distributors From Approx. 1957 To 1974.	\$15.00	C
36057	1959	<b>DISTRIBUTOR WIRE</b> Distributor Points To Coil Negative Terminal, V/8 Note: Fits All GM V/8 Points Type Distributors From Approx. 1957 To 1974.	\$15.00	C

Part Number	Year	Description	Price	*Rev.
36057	1960	<b>DISTRIBUTOR WIRE</b> Distributor Points To Coil Negative Terminal, V/8 Note: Fits All GM V/8 Points Type Distributors From Approx. 1957 To 1974.	\$15.00	C
36057	1961	<b>DISTRIBUTOR WIRE</b> Distributor Points To Coil Negative Terminal, V/8 Note: Fits All GM V/8 Points Type Distributors From Approx. 1957 To 1974.	\$15.00	C
36057	1962	<b>DISTRIBUTOR WIRE</b> Distributor Points To Coil Negative Terminal, V/8 Note: Fits All GM V/8 Points Type Distributors From Approx. 1957 To 1974.	\$15.00	C
36057	1963	<b>DISTRIBUTOR WIRE</b> Distributor Points To Coil Negative Terminal, V/8 Note: Fits All GM V/8 Points Type Distributors From Approx. 1957 To 1974.	\$15.00	C
36057	1964	<b>DISTRIBUTOR WIRE</b> Distributor Points To Coil Negative Terminal, V/8 Note: Fits All GM V/8 Points Type Distributors From Approx. 1957 To 1974.	\$15.00	C
36057	1965	<b>DISTRIBUTOR WIRE</b> Distributor Points To Coil Negative Terminal, V/8 Note: Fits All GM V/8 Points Type Distributors From Approx. 1957 To 1974.	\$15.00	C
36057	1966	<b>DISTRIBUTOR WIRE</b> Distributor Points To Coil Negative Terminal, V/8 Note: Fits All GM V/8 Points Type Distributors From Approx. 1957 To 1974.	\$15.00	C
36057	1967	<b>DISTRIBUTOR WIRE</b> Distributor Points To Coil Negative Terminal, V/8 Note: Fits All GM V/8 Points Type Distributors From Approx. 1957 To 1974.	\$15.00	C
36057	1968	<b>DISTRIBUTOR WIRE</b> Distributor Points To Coil Negative Terminal, V/8 Note: Fits All GM V/8 Points Type Distributors From Approx. 1957 To 1974.	\$15.00	C
36057	1969	<b>DISTRIBUTOR WIRE</b> Distributor Points To Coil Negative Terminal, V/8 Note: Fits All GM V/8 Points Type Distributors From Approx. 1957 To 1974.	\$15.00	C
36057	1970	<b>DISTRIBUTOR WIRE</b> Distributor Points To Coil Negative Terminal, V/8 Note: Fits All GM V/8 Points Type Distributors From Approx. 1957 To 1974.	\$15.00	C
36057	1971	<b>DISTRIBUTOR WIRE</b> Distributor Points To Coil Negative Terminal, V/8 Note: Fits All GM V/8 Points Type Distributors From Approx. 1957 To 1974.	\$15.00	C
36057	1972	<b>DISTRIBUTOR WIRE</b> Distributor Points To Coil Negative Terminal, V/8 Note: Fits All GM V/8 Points Type Distributors From Approx. 1957 To 1974.	\$15.00	C
36057	1973	<b>DISTRIBUTOR WIRE</b> Distributor Points To Coil Negative Terminal, V/8 Note: Fits All GM V/8 Points Type Distributors From Approx. 1957 To 1974.	\$15.00	C
36057	1974	<b>DISTRIBUTOR WIRE</b> Distributor Points To Coil Negative Terminal, V/8 Note: Fits All GM V/8 Points Type Distributors From Approx. 1957 To 1974.	\$15.00	C
<b>DOMELAMP EXTENSION HARNESS</b>				
39714	1973	<b>DOMELAMP EXTENSION HARNESS</b> All Trucks, Except Blazer & Jimmy, Front Door Jamb Switch To Cargo Lamp Or Roof Dome Lamp Harness	\$92.00	
39738	1973	<b>DOMELAMP EXTENSION HARNESS</b> Blazer & Jimmy, Front Door Jamb Switch To Roof Dome Lamp Harness	\$92.00	
39714	1974	<b>DOMELAMP EXTENSION HARNESS</b> All Trucks, Except Blazer & Jimmy, Front Door Jamb Switch To Cargo Lamp Or Roof Dome Lamp Harness	\$92.00	
39738	1974	<b>DOMELAMP EXTENSION HARNESS</b> Blazer & Jimmy, Front Door Jamb Switch To Roof Dome Lamp Harness	\$92.00	
39714	1975	<b>DOMELAMP EXTENSION HARNESS</b> All Trucks, Except Blazer & Jimmy, Front Door Jamb Switch To Cargo Lamp Or Dome Lamp Harness	\$92.00	
39738	1975	<b>DOMELAMP EXTENSION HARNESS</b> Blazer & Jimmy, Front Door Jamb Switch To Dome Lamp Harness	\$92.00	
39714	1976	<b>DOMELAMP EXTENSION HARNESS</b> All, Front Door Jamb Switch To Cargo Lamp Or Dome Lamp Harness	\$92.00	
39714	1977	<b>DOMELAMP EXTENSION HARNESS</b> All, Front Door Jamb Switch To Cargo Lamp Or Dome Lamp Harness	\$92.00	
39714	1978	<b>DOMELAMP EXTENSION HARNESS</b> All, Front Door Jamb Switch To Cargo Lamp Or Dome Lamp Harness	\$92.00	
39346	1979	<b>DOMELAMP EXTENSION HARNESS</b> All, Front Door Jamb Switch To Cargo Lamp Or Dome Lamp Harness	\$92.00	



Part Number	Year	Description	Price	*Rev.
39346	1980	<b>DOME LAMP EXTENSION HARNESS</b> All, Front Door Jamb Switch To Cargo Lamp Or Dome Lamp Harness	\$92.00	
39346	1981	<b>DOME LAMP EXTENSION HARNESS</b> All, Front Door Jamb Switch To Cargo Lamp Or Dome Lamp Harness	\$92.00	
39346	1982	<b>DOME LAMP EXTENSION HARNESS</b> All, Front Door Jamb Switch To Cargo Lamp Or Dome Lamp Harness	\$92.00	
39346	1982	<b>DOME LAMP EXTENSION HARNESS</b> All, Front Door Jamb Switch To Cargo Lamp Or Dome Lamp Harness	\$92.00	
<b>DOME LAMP HARNESS</b>				
34890	1955	<b>DOME LAMP HARNESS</b> Overhead	\$22.00	
34890	1956	<b>DOME LAMP HARNESS</b> Overhead	\$22.00	
34890	1957	<b>DOME LAMP HARNESS</b> Overhead	\$22.00	
34890	1958	<b>DOME LAMP HARNESS</b> Overhead	\$22.00	
34890	1959	<b>DOME LAMP HARNESS</b> Overhead	\$22.00	
30620	1960	<b>DOME LAMP HARNESS</b> Overhead	\$22.00	
30620	1961	<b>DOME LAMP HARNESS</b> Overhead	\$22.00	
30620	1962	<b>DOME LAMP HARNESS</b> Overhead	\$22.00	
30620	1963	<b>DOME LAMP HARNESS</b> Overhead	\$22.00	
30620	1964	<b>DOME LAMP HARNESS</b> Overhead	\$22.00	
30620	1965	<b>DOME LAMP HARNESS</b> Overhead	\$22.00	
30620	1966	<b>DOME LAMP HARNESS</b> Overhead	\$22.00	
32750	1967	<b>DOME LAMP HARNESS</b> Overhead, Also See Courtesy & Dome Lamp Extension	\$22.00	
32750	1968	<b>DOME LAMP HARNESS</b> Overhead, Also See Courtesy & Dome Lamp Extension	\$22.00	
32750	1969	<b>DOME LAMP HARNESS</b> Overhead, Also See Courtesy & Dome Lamp Extension	\$22.00	
32750	1970	<b>DOME LAMP HARNESS</b> Overhead, Also See Courtesy & Dome Lamp Extension	\$22.00	
32750	1971	<b>DOME LAMP HARNESS</b> Overhead, Also See Courtesy & Dome Lamp Extension	\$22.00	
32750	1972	<b>DOME LAMP HARNESS</b> Overhead, Also See Courtesy & Dome Lamp Extension	\$22.00	
39732	1973	<b>DOME LAMP HARNESS</b> 4 Door Trucks, Roof Dome Lamp To Extension Harness	\$41.00	
39347	1973	<b>DOME LAMP HARNESS</b> All 2 Door Trucks, Except Blazer & Jimmy, Roof Dome Lamp To Extension Harness	\$35.00	
39737	1973	<b>DOME LAMP HARNESS</b> Blazer & Jimmy, Roof Dome Lamp To Extension Harness	\$41.00	
39748	1973	<b>DOME LAMP HARNESS</b> Suburban, Front & Rear Roof Dome Lamps, Includes Extension Harness	\$52.00	
39732	1974	<b>DOME LAMP HARNESS</b> 4 Door Trucks, Roof Dome Lamp To Extension Harness	\$41.00	
39347	1974	<b>DOME LAMP HARNESS</b> All 2 Door Trucks, Except Blazer & Jimmy, Roof Dome Lamp To Extension Harness	\$35.00	
39737	1974	<b>DOME LAMP HARNESS</b> Blazer & Jimmy, Roof Dome Lamp To Extension Harness	\$41.00	
39760	1974	<b>DOME LAMP HARNESS</b> Suburban, Front & Rear Roof Dome Lamp, Without Overhead A/C	\$52.00	
39761	1974	<b>DOME LAMP HARNESS</b> Suburban, Front & Rear Roof Dome Lamp, With Overhead A/C	\$52.00	
39347	1975	<b>DOME LAMP HARNESS</b> All 2 Door Trucks, Except Blazer & Jimmy, Roof Dome Lamp To Extension Harness	\$35.00	
39737	1975	<b>DOME LAMP HARNESS</b> Blazer & Jimmy, Dome Lamp To Extension Harness	\$41.00	
39760	1975	<b>DOME LAMP HARNESS</b> Suburban, Front & Rear Roof Dome Lamp, Without Overhead A/C	\$52.00	
39761	1975	<b>DOME LAMP HARNESS</b> Suburban, Front & Rear Roof Dome Lamp, With Overhead A/C	\$52.00	
39775	1975	<b>DOME LAMP HARNESS</b> 4 Door Trucks, Roof Dome Lamp To Extension Harness	\$41.00	
39347	1976	<b>DOME LAMP HARNESS</b> All 2 Door Trucks, Except Blazer & Jimmy, Roof Dome Lamp To Extension Harness	\$35.00	
39760	1976	<b>DOME LAMP HARNESS</b> Suburban, Front & Rear Roof Dome Lamp, Without Overhead A/C	\$52.00	
39761	1976	<b>DOME LAMP HARNESS</b> Suburban, Front & Rear Roof Dome Lamp, With Overhead A/C	\$52.00	
39775	1976	<b>DOME LAMP HARNESS</b> 4 Door Trucks, Roof Dome Lamp To Extension Harness	\$41.00	

Part Number	Year	Description	Price	*Rev.
39799	1976	<b>DOMELAMP HARNESS</b> Blazer & Jimmy, Extension Harness To Dome Lamp On Removable Top	\$35.00	
39805	1976	<b>DOMELAMP HARNESS</b> All Trucks, Except Blazer & Jimmy, Dome & Cargo Lamp Jumper, Extension Harness To Dome/Cargo Lamp	\$35.00	
39831	1976	<b>DOMELAMP HARNESS</b> Blazer & Jimmy, Cab Mounted Roof Dome Lamp To Extension Harness	\$46.00	
39347	1977	<b>DOMELAMP HARNESS</b> All 2 Door Trucks, Except Blazer & Jimmy, Roof Dome Lamp To Extension Harness	\$35.00	
39760	1977	<b>DOMELAMP HARNESS</b> Suburban, Front & Rear Roof Dome Lamp, Without Overhead A/C	\$52.00	
39761	1977	<b>DOMELAMP HARNESS</b> Suburban, Front & Rear Roof Dome Lamp, With Overhead A/C	\$52.00	
39775	1977	<b>DOMELAMP HARNESS</b> 4 Door Trucks, Roof Dome Lamp To Extension Harness	\$41.00	
39799	1977	<b>DOMELAMP HARNESS</b> Blazer & Jimmy, Extension Harness To Dome Lamp On Removable Top	\$35.00	
39805	1977	<b>DOMELAMP HARNESS</b> All Trucks, Except Blazer & Jimmy, Dome & Cargo Lamp Jumper, Extension Harness To Dome/Cargo Lamp	\$35.00	
39831	1977	<b>DOMELAMP HARNESS</b> Blazer & Jimmy, Cab Mounted Roof Dome Lamp To Extension Harness	\$46.00	
39347	1978	<b>DOMELAMP HARNESS</b> All 2 Door Trucks, Except Blazer & Jimmy, Roof Dome Lamp To Extension Harness	\$35.00	
39760	1978	<b>DOMELAMP HARNESS</b> Suburban, Front & Rear Roof Dome Lamp, Without Overhead A/C	\$52.00	
39761	1978	<b>DOMELAMP HARNESS</b> Suburban, Front & Rear Roof Dome Lamp, With Overhead A/C	\$52.00	
39775	1978	<b>DOMELAMP HARNESS</b> 4 Door Trucks, Roof Dome Lamp To Extension Harness	\$41.00	
39799	1978	<b>DOMELAMP HARNESS</b> Blazer & Jimmy, Extension Harness To Dome Lamp On Removable Top	\$35.00	
39805	1978	<b>DOMELAMP HARNESS</b> All Trucks, Except Blazer & Jimmy, Dome & Cargo Lamp Jumper, Extension Harness To Dome/Cargo Lamp	\$35.00	
39831	1978	<b>DOMELAMP HARNESS</b> Blazer & Jimmy, Cab Mounted Roof Dome Lamp To Extension Harness	\$46.00	
39347	1979	<b>DOMELAMP HARNESS</b> All 2 Door Trucks, Except Blazer & Jimmy, Roof Dome Lamp To Extension Harness	\$35.00	
39760	1979	<b>DOMELAMP HARNESS</b> Suburban, Front & Rear Roof Dome Lamp, Without Overhead A/C	\$52.00	
39761	1979	<b>DOMELAMP HARNESS</b> Suburban, Front & Rear Roof Dome Lamp, With Overhead A/C	\$52.00	
39775	1979	<b>DOMELAMP HARNESS</b> 4 Door Trucks, Roof Dome Lamp To Extension Harness	\$41.00	
39799	1979	<b>DOMELAMP HARNESS</b> Blazer & Jimmy, Extension Harness To Dome Lamp On Removable Top	\$35.00	
39805	1979	<b>DOMELAMP HARNESS</b> All Trucks, Except Blazer & Jimmy, Dome & Cargo Lamp Jumper, Extension Harness To Dome/Cargo Lamp	\$35.00	
39831	1979	<b>DOMELAMP HARNESS</b> Blazer & Jimmy, Cab Mounted Roof Dome Lamp To Extension Harness	\$46.00	
39347	1980	<b>DOMELAMP HARNESS</b> All 2 Door Trucks, Except Blazer & Jimmy, Roof Dome Lamp To Extension Harness	\$35.00	
39760	1980	<b>DOMELAMP HARNESS</b> Suburban, Front & Rear Roof Dome Lamp, Without Overhead A/C	\$52.00	
39775	1980	<b>DOMELAMP HARNESS</b> 4 Door Trucks, Roof Dome Lamp To Extension Harness	\$41.00	
39799	1980	<b>DOMELAMP HARNESS</b> Blazer & Jimmy, Extension Harness To Dome Lamp On Removable Top	\$35.00	
39831	1980	<b>DOMELAMP HARNESS</b> Blazer & Jimmy, Cab Mounted Roof Dome Lamp To Extension Harness	\$46.00	
39761	1980	<b>DOMELAMP HARNESS</b> Suburban, Front & Rear Roof Dome Lamp, With Overhead A/C	\$52.00	
39347	1981	<b>DOMELAMP HARNESS</b> All 2 Door Trucks, Except Blazer & Jimmy, Roof Dome Lamp To Extension Harness	\$35.00	
39760	1981	<b>DOMELAMP HARNESS</b> Suburban, Front & Rear Roof Dome Lamp, Without Overhead A/C	\$52.00	
39775	1981	<b>DOMELAMP HARNESS</b> 4 Door Trucks, Roof Dome Lamp To Extension Harness	\$41.00	

Part Number	Year	Description	Price	*Rev.
39799	1981	<b>DOME LAMP HARNESS</b> Blazer & Jimmy, Extension Harness To Dome Lamp On Removable Top	\$35.00	
39831	1981	<b>DOME LAMP HARNESS</b> Blazer & Jimmy, Cab Mounted Roof Dome Lamp To Extension Harness	\$46.00	
39761	1981	<b>DOME LAMP HARNESS</b> Suburban, Front & Rear Roof Dome Lamp, With Overhead A/C	\$52.00	
39347	1982	<b>DOME LAMP HARNESS</b> All 2 Door Trucks, Except Blazer & Jimmy, Roof Dome Lamp To Extension Harness	\$35.00	
39760	1982	<b>DOME LAMP HARNESS</b> Suburban, Front & Rear Roof Dome Lamp, Without Overhead A/C	\$52.00	
39775	1982	<b>DOME LAMP HARNESS</b> 4 Door Trucks, Roof Dome Lamp To Extension Harness	\$41.00	
39831	1982	<b>DOME LAMP HARNESS</b> Blazer & Jimmy, Cab Mounted Roof Dome Lamp To Extension Harness	\$46.00	
39761	1982	<b>DOME LAMP HARNESS</b> Suburban, Front & Rear Roof Dome Lamp, With Overhead A/C	\$52.00	
41592	1984	<b>DOME LAMP HARNESS</b>	\$46.00	
41592	1990	<b>DOME LAMP HARNESS</b>	\$46.00	
41592	1991	<b>DOME LAMP HARNESS</b>	\$46.00	
41592	1985	<b>DOME LAMP HARNESS</b>	\$46.00	
41592	1986	<b>DOME LAMP HARNESS</b>	\$46.00	
41592	1987	<b>DOME LAMP HARNESS</b>	\$46.00	
41592	1988	<b>DOME LAMP HARNESS</b>	\$46.00	
41592	1989	<b>DOME LAMP HARNESS</b>	\$46.00	
<b>DOME LIGHT LENS</b>				
02973210	1960	<b>DOME LIGHT LENS</b> Note: Manufactured Using Original GM Tooling.	\$3.00	
02973210	1961	<b>DOME LIGHT LENS</b> Note: Manufactured Using Original GM Tooling.	\$3.00	
02973210	1962	<b>DOME LIGHT LENS</b> Note: Manufactured Using Original GM Tooling.	\$3.00	
02973210	1963	<b>DOME LIGHT LENS</b> Note: Manufactured Using Original GM Tooling.	\$3.00	
02973210	1964	<b>DOME LIGHT LENS</b> Note: Manufactured Using Original GM Tooling.	\$3.00	
02973210	1965	<b>DOME LIGHT LENS</b> Note: Manufactured Using Original GM Tooling.	\$3.00	
02973210	1966	<b>DOME LIGHT LENS</b> Note: Manufactured Using Original GM Tooling.	\$3.00	
02973210	1967	<b>DOME LIGHT LENS</b> Note: Manufactured Using Original GM Tooling.	\$3.00	
02973210	1968	<b>DOME LIGHT LENS</b> Note: Manufactured Using Original GM Tooling.	\$3.00	
02973210	1969	<b>DOME LIGHT LENS</b> Note: Manufactured Using Original GM Tooling.	\$3.00	
02973210	1970	<b>DOME LIGHT LENS</b> Note: Manufactured Using Original GM Tooling.	\$3.00	
02973210	1971	<b>DOME LIGHT LENS</b> Note: Manufactured Using Original GM Tooling.	\$3.00	
02973210	1972	<b>DOME LIGHT LENS</b> Note: Manufactured Using Original GM Tooling.	\$3.00	

Part Number	Year	Description	Price	*Rev.
<b>ELECTRONIC SPARK CONTROL EXTENSION HARNESS</b>				
37535	1981	<b>ELECTRONIC SPARK CONTROL EXTENSION HARNESS</b> 1/2 & 3/4-Ton, With 305 V/8, Distributor To Electronic Spark Control Harness	\$58.00	
37535	1982	<b>ELECTRONIC SPARK CONTROL EXTENSION HARNESS</b> 1/2 & 3/4-Ton, With 305 V/8, Engine Code H, & 700R4, Or TH350 Trans, Distributor To Electronic Spark Control Harness	\$58.00	
<b>ENGINE HARNESS</b>				
06400	1955	<b>ENGINE HARNESS</b> 6 Cylinder, Auto Trans (12 Volt) Note: 6 Cylinder Items Are Not Returnable.	\$91.00	
06395	1955	<b>ENGINE HARNESS</b> 6 Cylinder, Manual Trans (12 Volt) Note: 6 Cylinder Items Are Not Returnable.	\$80.00	
02285	1955	<b>ENGINE HARNESS</b> V/8, Auto Trans	\$91.00	
30290	1955	<b>ENGINE HARNESS</b> V/8, Auto Trans, With H.E.I.	\$103.00	
02385	1955	<b>ENGINE HARNESS</b> V/8, Manual Trans	\$80.00	
30295	1955	<b>ENGINE HARNESS</b> V/8, Manual Trans, With H.E.I.	\$103.00	
02395	1956	<b>ENGINE HARNESS</b> 6 Cylinder, Auto Trans Note: 6 Cylinder Items Are Not Returnable.	\$103.00	
02390	1956	<b>ENGINE HARNESS</b> 6 Cylinder, Manual Trans Note: 6 Cylinder Items Are Not Returnable.	\$91.00	
02405	1956	<b>ENGINE HARNESS</b> V/8, Auto Trans	\$91.00	
30290	1956	<b>ENGINE HARNESS</b> V/8, Auto Trans, With H.E.I.	\$103.00	
02425	1956	<b>ENGINE HARNESS</b> V/8, Manual Trans	\$91.00	
30295	1956	<b>ENGINE HARNESS</b> V/8, Manual Trans, With H.E.I.	\$103.00	
02570	1957	<b>ENGINE HARNESS</b> 6 Cylinder, Auto Trans, Also See Ignition Switch Adapter Note: 6 Cylinder Items Are Not Returnable.	\$103.00	
02550	1957	<b>ENGINE HARNESS</b> 6 Cylinder, Manual Trans, Also See Ignition Switch Adapter Note: 6 Cylinder Items Are Not Returnable.	\$91.00	
02560	1957	<b>ENGINE HARNESS</b> V/8, Auto Trans, Also See Ignition Switch Adapter Note: The Ignition Switch Adapter #37444 Allows 1957-59 Chevy Truck Engine Harnesses To Be Connected To The Reproduction Ignition Switch Available For 1955-56 Chevy Trucks And Cars.	\$103.00	
30310	1957	<b>ENGINE HARNESS</b> V/8, Auto Trans, With H.E.I., Also See Ignition Switch Adapter Note: The Ignition Switch Adapter #37444 Allows 1957-59 Chevy Truck Engine Harnesses To Be Connected To The Reproduction Ignition Switch Available For 1955-56 Chevy Trucks And Cars.	\$103.00	
02565	1957	<b>ENGINE HARNESS</b> V/8, Manual Trans, Also See Ignition Switch Adapter Note: The Ignition Switch Adapter #37444 Allows 1957-59 Chevy Truck Engine Harnesses To Be Connected To The Reproduction Ignition Switch Available For 1955-56 Chevy Trucks And Cars.	\$103.00	
30315	1957	<b>ENGINE HARNESS</b> V/8, Manual Trans, With H.E.I., Also See Ignition Switch Adapter Note: The Ignition Switch Adapter #37444 Allows 1957-59 Chevy Truck Engine Harnesses To Be Connected To The Reproduction Ignition Switch Available For 1955-56 Chevy Trucks And Cars.	\$103.00	
02910	1958	<b>ENGINE HARNESS</b> 6 Cylinder, Auto Trans, Also See Ignition Switch Adapter Note: 6 Cylinder Items Are Not Returnable.	\$103.00	
02905	1958	<b>ENGINE HARNESS</b> 6 Cylinder, Manual Trans, Also See Ignition Switch Adapter Note: 6 Cylinder Items Are Not Returnable.	\$91.00	
02735	1958	<b>ENGINE HARNESS</b> V/8, Auto Trans, Also See Ignition Switch Adapter Note: The Ignition Switch Adapter #37444 Allows 1957-59 Chevy Truck Engine Harnesses To Be Connected To The Reproduction Ignition Switch Available For 1955-56 Chevy Trucks And Cars.	\$103.00	
30310	1958	<b>ENGINE HARNESS</b> V/8, Auto Trans, With H.E.I., Also See Ignition Switch Adapter Note: The Ignition Switch Adapter #37444 Allows 1957-59 Chevy Truck Engine Harnesses To Be Connected To The Reproduction Ignition Switch Available For 1955-56 Chevy Trucks And Cars.	\$103.00	

Part Number	Year	Description	Price	*Rev.
30810	1958	<b>ENGINE HARNESS</b> V/8, Manual Trans, Also See Ignition Switch Adapter Note: The Ignition Switch Adapter #37444 Allows 1957-59 Chevy Truck Engine Harnesses To Be Connected To The Reproduction Ignition Switch Available For 1955-56 Chevy Trucks And Cars.	\$103.00	
02790	1958	<b>ENGINE HARNESS</b> V/8, Manual Trans, With Overspeed Governor Lt, Also See Ignition Switch Adapter Note: The Ignition Switch Adapter #37444 Allows 1957-59 Chevy Truck Engine Harnesses To Be Connected To The Reproduction Ignition Switch Available For 1955-56 Chevy Trucks And Cars.	\$149.00	
30315	1958	<b>ENGINE HARNESS</b> V/8, Manual Trans, With H.E.I., Also See Ignition Switch Adapter Note: The Ignition Switch Adapter #37444 Allows 1957-59 Chevy Truck Engine Harnesses To Be Connected To The Reproduction Ignition Switch Available For 1955-56 Chevy Trucks And Cars.	\$103.00	
02910	1959	<b>ENGINE HARNESS</b> 6 Cylinder, Auto Trans, Also See Ignition Switch Adapter Note: 6 Cylinder Items Are Not Returnable.	\$103.00	
02905	1959	<b>ENGINE HARNESS</b> 6 Cylinder, Manual Trans, Also See Ignition Switch Adapter Note: 6 Cylinder Items Are Not Returnable.	\$91.00	
02735	1959	<b>ENGINE HARNESS</b> V/8, Auto Trans, Also See Ignition Switch Adapter Note: The Ignition Switch Adapter #37444 Allows 1957-59 Chevy Truck Engine Harnesses To Be Connected To The Reproduction Ignition Switch Available For 1955-56 Chevy Trucks And Cars.	\$103.00	
30310	1959	<b>ENGINE HARNESS</b> V/8, Auto Trans, With H.E.I., Also See Ignition Switch Adapter Note: The Ignition Switch Adapter #37444 Allows 1957-59 Chevy Truck Engine Harnesses To Be Connected To The Reproduction Ignition Switch Available For 1955-56 Chevy Trucks And Cars.	\$103.00	
30810	1959	<b>ENGINE HARNESS</b> V/8, Manual Trans, Also See Ignition Switch Adapter Note: The Ignition Switch Adapter #37444 Allows 1957-59 Chevy Truck Engine Harnesses To Be Connected To The Reproduction Ignition Switch Available For 1955-56 Chevy Trucks And Cars.	\$103.00	
02790	1959	<b>ENGINE HARNESS</b> V/8, Manual Trans, With Overspeed Governor Lt, Also See Ignition Switch Adapter Note: The Ignition Switch Adapter #37444 Allows 1957-59 Chevy Truck Engine Harnesses To Be Connected To The Reproduction Ignition Switch Available For 1955-56 Chevy Trucks And Cars.	\$149.00	
30315	1959	<b>ENGINE HARNESS</b> V/8, Manual Trans, With H.E.I., Also See Ignition Switch Adapter Note: The Ignition Switch Adapter #37444 Allows 1957-59 Chevy Truck Engine Harnesses To Be Connected To The Reproduction Ignition Switch Available For 1955-56 Chevy Trucks And Cars.	\$103.00	
38030	1960	<b>ENGINE HARNESS</b> 6 Cylinder, Without Gauges Note: 6 Cylinder Items Are Not Returnable.	\$103.00	
38038	1960	<b>ENGINE HARNESS</b> 6 Cylinder, With Gauges Note: 6 Cylinder Items Are Not Returnable.	\$103.00	
38037	1960	<b>ENGINE HARNESS</b> V/8, Without Gauges	\$103.00	
38031	1960	<b>ENGINE HARNESS</b> V/8, With Gauges	\$103.00	
38032	1960	<b>ENGINE HARNESS</b> V/8, 348 C.I., With Gauges	\$103.00	
03085	1961	<b>ENGINE HARNESS</b> 6 Cylinder Note: 6 Cylinder Items Are Not Returnable.	\$114.00	
03050	1961	<b>ENGINE HARNESS</b> V/8	\$114.00	
04050	1962	<b>ENGINE HARNESS</b> 6 Cylinder, With Gauges Note: 6 Cylinder Items Are Not Returnable.	\$103.00	
04045	1962	<b>ENGINE HARNESS</b> 6 Cylinder, Without Gauges Note: 6 Cylinder Items Are Not Returnable.	\$103.00	
38075	1962	<b>ENGINE HARNESS</b> V/8, With Gauges	\$103.00	
03655	1962	<b>ENGINE HARNESS</b> V/8, Without Gauges	\$91.00	
04110	1963	<b>ENGINE HARNESS</b> 6 Cylinder, With Gauges Note: 6 Cylinder Items Are Not Returnable.	\$91.00	
20650	1963	<b>ENGINE HARNESS</b> 6 Cylinder, Without Gauges Note: 6 Cylinder Items Are Not Returnable.	\$91.00	
04305	1963	<b>ENGINE HARNESS</b> V/8, With Gauges	\$103.00	

Part Number	Year	Description	Price	*Rev.
04710	1963	<b>ENGINE HARNESS</b> V/8, Without Gauges	\$91.00	
04110	1964	<b>ENGINE HARNESS</b> 6 Cylinder, With Gauges Note: 6 Cylinder Items Are Not Returnable.	\$91.00	
20650	1964	<b>ENGINE HARNESS</b> 6 Cylinder, Without Gauges Note: 6 Cylinder Items Are Not Returnable.	\$91.00	
30830	1964	<b>ENGINE HARNESS</b> V/8, With Gauges	\$91.00	
05160	1964	<b>ENGINE HARNESS</b> V/8, With Gauges & Overspeed Warning	\$114.00	
04710	1964	<b>ENGINE HARNESS</b> V/8, Without Gauges	\$91.00	
04110	1965	<b>ENGINE HARNESS</b> 6 Cylinder, With Gauges Note: 6 Cylinder Items Are Not Returnable.	\$91.00	
20650	1965	<b>ENGINE HARNESS</b> 6 Cylinder, Without Gauges Note: 6 Cylinder Items Are Not Returnable.	\$91.00	
30830	1965	<b>ENGINE HARNESS</b> V/8, With Gauges	\$91.00	
05160	1965	<b>ENGINE HARNESS</b> V/8, With Gauges & Overspeed Warning	\$114.00	
04710	1965	<b>ENGINE HARNESS</b> V/8, Without Gauges	\$91.00	
04110	1966	<b>ENGINE HARNESS</b> 6 Cylinder, With Gauges Note: 6 Cylinder Items Are Not Returnable.	\$91.00	
20650	1966	<b>ENGINE HARNESS</b> 6 Cylinder, Without Gauges Note: 6 Cylinder Items Are Not Returnable.	\$91.00	
30830	1966	<b>ENGINE HARNESS</b> V/8, With Gauges	\$91.00	
05160	1966	<b>ENGINE HARNESS</b> V/8, With Gauges & Overspeed Warning	\$114.00	
04710	1966	<b>ENGINE HARNESS</b> V/8, Without Gauges	\$91.00	
23420	1967	<b>ENGINE HARNESS</b> 6 Cylinder, Auto Trans Note: 6 Cylinder Items Are Not Returnable.	\$160.00	
21980	1967	<b>ENGINE HARNESS</b> 6 Cylinder, Manual Trans Note: 6 Cylinder Items Are Not Returnable.	\$126.00	
23425	1967	<b>ENGINE HARNESS</b> V/8, Auto Trans	\$126.00	
21245	1967	<b>ENGINE HARNESS</b> V/8, Manual Trans	\$137.00	
20665	1968	<b>ENGINE HARNESS</b> 6 Cylinder, Auto Trans Note: 6 Cylinder Items Are Not Returnable.	\$149.00	
23430	1968	<b>ENGINE HARNESS</b> 6 Cylinder, Manual Trans Note: 6 Cylinder Items Are Not Returnable.	\$149.00	
06420	1968	<b>ENGINE HARNESS</b> V/8, Auto Trans	\$137.00	
21985	1968	<b>ENGINE HARNESS</b> V/8, Manual Trans	\$137.00	
20655	1968	<b>ENGINE HARNESS</b> V/8, 396 C.I., Auto Trans	\$149.00	
20660	1968	<b>ENGINE HARNESS</b> V/8, 396 C.I., Manual Trans	\$160.00	
20665	1969	<b>ENGINE HARNESS</b> 6 Cylinder, Auto Trans Note: 6 Cylinder Items Are Not Returnable.	\$149.00	
23430	1969	<b>ENGINE HARNESS</b> 6 Cylinder, Manual Trans Note: 6 Cylinder Items Are Not Returnable.	\$149.00	
06420	1969	<b>ENGINE HARNESS</b> V/8, Auto Trans	\$137.00	
21985	1969	<b>ENGINE HARNESS</b> V/8, Manual Trans	\$137.00	
20655	1969	<b>ENGINE HARNESS</b> V/8, 396 C.I., Auto Trans	\$149.00	
20660	1969	<b>ENGINE HARNESS</b> V/8, 396 C.I., Manual Trans	\$160.00	
23435	1970	<b>ENGINE HARNESS</b> 6 Cylinder, Auto Trans Note: 6 Cylinder Items Are Not Returnable.	\$149.00	
20850	1970	<b>ENGINE HARNESS</b> 6 Cylinder, Manual Trans Note: 6 Cylinder Items Are Not Returnable.	\$149.00	

Part Number	Year	Description	Price	*Rev.
31520	1970	<b>ENGINE HARNESS</b> V/8, Auto Trans	\$137.00	
20795	1970	<b>ENGINE HARNESS</b> V/8, Manual Trans	\$137.00	
23230	1970	<b>ENGINE HARNESS</b> V/8, 396 C.I., Auto Trans	\$149.00	
21945	1970	<b>ENGINE HARNESS</b> V/8, 396 C.I., Manual Trans	\$160.00	
23435	1971	<b>ENGINE HARNESS</b> 6 Cylinder, Auto Trans Note: 6 Cylinder Items Are Not Returnable.	\$149.00	
20850	1971	<b>ENGINE HARNESS</b> 6 Cylinder, Manual Trans Note: 6 Cylinder Items Are Not Returnable.	\$149.00	
31520	1971	<b>ENGINE HARNESS</b> V/8, Auto Trans	\$137.00	
20795	1971	<b>ENGINE HARNESS</b> V/8, Manual Trans	\$137.00	
23230	1971	<b>ENGINE HARNESS</b> V/8, 396 C.I., Auto Trans	\$149.00	
21945	1971	<b>ENGINE HARNESS</b> V/8, 396 C.I., Manual Trans	\$160.00	
23435	1972	<b>ENGINE HARNESS</b> 6 Cylinder, Auto Trans Note: 6 Cylinder Items Are Not Returnable.	\$149.00	
20850	1972	<b>ENGINE HARNESS</b> 6 Cylinder, Manual Trans Note: 6 Cylinder Items Are Not Returnable.	\$149.00	
31520	1972	<b>ENGINE HARNESS</b> V/8, Auto Trans	\$137.00	
20795	1972	<b>ENGINE HARNESS</b> V/8, Manual Trans	\$137.00	
23230	1972	<b>ENGINE HARNESS</b> V/8, 396 C.I., Auto Trans	\$149.00	
21945	1972	<b>ENGINE HARNESS</b> V/8, 396 C.I., Manual Trans	\$160.00	
39061	1961	<b>ENGINE HARNESS-HEI</b> V/8 Note: This Harness Is Modified For Use With An HEI Distributor.	\$129.00	
39201	1962	<b>ENGINE HARNESS-HEI</b> V/8, Without Gauges Note: This Harness Is Modified For Use With An HEI Distributor.	\$106.00	
39081	1963	<b>ENGINE HARNESS-HEI</b> V/8, With Gauges Note: This Harness Is Modified For Use With An HEI Distributor.	\$126.00	
38967	1963	<b>ENGINE HARNESS-HEI</b> V/8, Without Gauges Note: This Harness Is Modified For Use With An HEI Distributor.	\$106.00	
38943	1968	<b>ENGINE HARNESS-HEI</b> V/8, Auto Trans Note: This Harness Is Modified For Use With An HEI Distributor.	\$152.00	
39026	1968	<b>ENGINE HARNESS-HEI</b> V/8, 396 C.I., Auto Trans Note: This Harness Is Modified For Use With An HEI Distributor.	\$164.00	
39205	1968	<b>ENGINE HARNESS-HEI</b> V/8, 396 C.I., Manual Trans Note: This Harness Is Modified For Use With An HEI Distributor.	\$175.00	
38950	1970	<b>ENGINE HARNESS-HEI</b> V/8, Manual Trans Note: This Harness Is Modified For Use With An HEI Distributor.	\$152.00	
39153	1967	<b>ENGINE HARNESS-HEI</b> V/8, Manual Trans Note: This Harness Is Modified For Use With An HEI Distributor.	\$152.00	
39062	1970	<b>ENGINE HARNESS-HEI</b> V/8, 396 C.I., Manual Trans Note: This Harness Is Modified For Use With An HEI Distributor.	\$175.00	
38971	1968	<b>ENGINE HARNESS-HEI</b> V/8, Manual Trans Note: This Harness Is Modified For Use With An HEI Distributor.	\$152.00	
38954	1970	<b>ENGINE HARNESS-HEI</b> V/8, 396 C.I., Auto Trans Note: This Harness Is Modified For Use With An HEI Distributor.	\$164.00	
39007	1967	<b>ENGINE HARNESS-HEI</b> V/8, Auto Trans Note: This Harness Is Modified For Use With An HEI Distributor.	\$141.00	
38969	1964	<b>ENGINE HARNESS-HEI</b> V/8, With Gauges Note: This Harness Is Modified For Use With An HEI Distributor.	\$106.00	



Part Number	Year	Description	Price	*Rev.
38922	1970	<b>ENGINE HARNESS-HEI</b> V/8, Auto Trans Note: This Harness Is Modified For Use With An HEI Distributor.	\$152.00	
39122	1960	<b>ENGINE HARNESS-HEI</b> V/8, Without Gauges Note: This Harness Is Modified For Use With An HEI Distributor.	\$118.00	
39202	1962	<b>ENGINE HARNESS-HEI</b> V/8, With Gauges Note: This Harness Is Modified For Use With An HEI Distributor.	\$126.00	
38967	1964	<b>ENGINE HARNESS-HEI</b> V/8, Without Gauges Note: This Harness Is Modified For Use With An HEI Distributor.	\$106.00	
38967	1965	<b>ENGINE HARNESS-HEI</b> V/8, Without Gauges Note: This Harness Is Modified For Use With An HEI Distributor.	\$106.00	
38967	1966	<b>ENGINE HARNESS-HEI</b> V/8, Without Gauges Note: This Harness Is Modified For Use With An HEI Distributor.	\$106.00	
38943	1969	<b>ENGINE HARNESS-HEI</b> V/8, Auto Trans Note: This Harness Is Modified For Use With An HEI Distributor.	\$152.00	
39026	1969	<b>ENGINE HARNESS-HEI</b> V/8, 396 C.I., Auto Trans Note: This Harness Is Modified For Use With An HEI Distributor.	\$164.00	
39205	1969	<b>ENGINE HARNESS-HEI</b> V/8, 396 C.I., Manual Trans Note: This Harness Is Modified For Use With An HEI Distributor.	\$175.00	
39062	1971	<b>ENGINE HARNESS-HEI</b> V/8, 396 C.I., Manual Trans Note: This Harness Is Modified For Use With An HEI Distributor.	\$175.00	
39062	1972	<b>ENGINE HARNESS-HEI</b> V/8, 396 C.I., Manual Trans Note: This Harness Is Modified For Use With An HEI Distributor.	\$175.00	
38971	1969	<b>ENGINE HARNESS-HEI</b> V/8, Manual Trans Note: This Harness Is Modified For Use With An HEI Distributor.	\$152.00	
38954	1971	<b>ENGINE HARNESS-HEI</b> V/8, 396 C.I., Auto Trans Note: This Harness Is Modified For Use With An HEI Distributor.	\$164.00	
38954	1972	<b>ENGINE HARNESS-HEI</b> V/8, 396 C.I., Auto Trans Note: This Harness Is Modified For Use With An HEI Distributor.	\$164.00	
38969	1965	<b>ENGINE HARNESS-HEI</b> V/8, With Gauges Note: This Harness Is Modified For Use With An HEI Distributor.	\$106.00	
38969	1966	<b>ENGINE HARNESS-HEI</b> V/8, With Gauges Note: This Harness Is Modified For Use With An HEI Distributor.	\$106.00	
38922	1971	<b>ENGINE HARNESS-HEI</b> V/8, Auto Trans Note: This Harness Is Modified For Use With An HEI Distributor.	\$152.00	
38922	1972	<b>ENGINE HARNESS-HEI</b> V/8, Auto Trans Note: This Harness Is Modified For Use With An HEI Distributor.	\$152.00	
38950	1971	<b>ENGINE HARNESS-HEI</b> V/8, Manual Trans Note: This Harness Is Modified For Use With An HEI Distributor.	\$152.00	
38950	1972	<b>ENGINE HARNESS-HEI</b> V/8, Manual Trans Note: This Harness Is Modified For Use With An HEI Distributor.	\$152.00	
37456	1973	<b>ENGINE HARNESS</b> V/8, 307, 350 C.I., Manual Trans, Without Gauges	\$265.00	
37457	1973	<b>ENGINE HARNESS</b> V/8, 307, 350 C.I., Manual Trans, With Gauges	\$265.00	
37458	1973	<b>ENGINE HARNESS</b> V/8, 307, 350 C.I., Auto Trans, Without Gauges	\$265.00	
37459	1973	<b>ENGINE HARNESS</b> V/8, 307, 350 C.I., Auto Trans, With Gauges	\$265.00	
37460	1973	<b>ENGINE HARNESS</b> V/8, 454 C.I., Manual Trans, Without Gauges	\$265.00	
37461	1973	<b>ENGINE HARNESS</b> V/8, 454 C.I., Manual Trans, With Gauges	\$265.00	
37462	1973	<b>ENGINE HARNESS</b> V/8, 454 C.I., Auto Trans, Without Gauges	\$265.00	
37463	1973	<b>ENGINE HARNESS</b> V/8, 454 C.I., Auto Trans, With Gauges	\$265.00	

Part Number	Year	Description	Price	*Rev.
35928	1973	<b>ENGINE HARNESS</b> 6 Cylinder, All Note: 6 Cylinder Items Are Not Returnable.	\$265.00	
37481	1974	<b>ENGINE HARNESS</b> V/8, 350 C.I., Auto Trans, Without Gauges	\$299.00	
37482	1974	<b>ENGINE HARNESS</b> V/8, 350 C.I., Auto Trans, With Gauges	\$299.00	
37484	1974	<b>ENGINE HARNESS</b> V/8, 454 C.I., Without Gauges	\$299.00	
37485	1974	<b>ENGINE HARNESS</b> V/8, 454 C.I., With Gauges	\$299.00	
35977	1974	<b>ENGINE HARNESS</b> 6 Cylinder, All Note: 6 Cylinder Items Are Not Returnable.	\$299.00	
37480	1974	<b>ENGINE HARNESS</b> V/8, 350 C.I., Manual Trans, With Gauges	\$299.00	
38871	1974	<b>ENGINE HARNESS</b> V/8, 350 C.I., Manual Trans, Without Gauges	\$299.00	
37496	1975	<b>ENGINE HARNESS</b> V/8, 350, 400 C.I., Without Gauges	\$299.00	
37497	1975	<b>ENGINE HARNESS</b> V/8, 350, 400 C.I., With Gauges	\$299.00	
37498	1975	<b>ENGINE HARNESS</b> V/8, 454 C.I., Without Gauges & California Emission System	\$299.00	
38872	1975	<b>ENGINE HARNESS</b> V/8, 454 C.I., With Gauges, Without California Emission System	\$299.00	
37502	1975	<b>ENGINE HARNESS</b> V/8, 454 C.I., 1/2 Ton, Without Gauges, With California Emission System	\$299.00	
37503	1975	<b>ENGINE HARNESS</b> V/8, 454 C.I., 1/2 Ton, With Gauges & California Emission System	\$299.00	
37506	1975	<b>ENGINE HARNESS</b> V/8, 454 C.I., 3/4 & 1-Ton, Without Gauges, With California Emission System	\$299.00	
37507	1975	<b>ENGINE HARNESS</b> V/8, 454 C.I., 3/4 & 1-Ton, With Gauges & California Emission System	\$299.00	
35935	1975	<b>ENGINE HARNESS</b> 6 Cylinder, All Note: 6 Cylinder Items Are Not Returnable.	\$311.00	
35954	1976	<b>ENGINE HARNESS</b> 6 Cylinder, 250 C.I. Note: 6 Cylinder Items Are Not Returnable.	\$311.00	
38135	1976	<b>ENGINE HARNESS</b> V/8, 350, 400 C.I.	\$276.00	
35932	1976	<b>ENGINE HARNESS</b> 6 Cylinder, 292 C.I. Note: 6 Cylinder Items Are Not Returnable.	\$299.00	
35967	1976	<b>ENGINE HARNESS</b> V/8, 454 C.I., With Heavy Duty Chassis	\$299.00	
35968	1976	<b>ENGINE HARNESS</b> V/8, 454 C.I., Without Heavy Duty Chassis	\$311.00	
35969	1977	<b>ENGINE HARNESS</b> 6 Cylinder, 250 C.I. Note: 6 Cylinder Items Are Not Returnable.	\$311.00	
37516	1977	<b>ENGINE HARNESS</b> 6 Cylinder, 292 C.I. Note: 6 Cylinder Items Are Not Returnable.	\$311.00	
35970	1977	<b>ENGINE HARNESS</b> V/8, 454 C.I., Except Heavy Duty Chassis	\$311.00	
38136	1977	<b>ENGINE HARNESS</b> V/8, 305, 350, 400 C.I.	\$276.00	
35972	1977	<b>ENGINE HARNESS</b> V/8, 454 C.I., With Heavy Duty Chassis	\$276.00	
35973	1978	<b>ENGINE HARNESS</b> V/8, 454 C.I.	\$288.00	
35975	1978	<b>ENGINE HARNESS</b> 6 Cylinder, 250 C.I., Without California Emissions, & All 292 C.I. Note: 6 Cylinder Items Are Not Returnable.	\$311.00	
38140	1978	<b>ENGINE HARNESS</b> V/8, 305, 350, 400 C.I.	\$288.00	
35911	1978	<b>ENGINE HARNESS</b> 6 Cylinder, 250 C.I., With California Emissions Note: 6 Cylinder Items Are Not Returnable.	\$311.00	
37520	1979	<b>ENGINE HARNESS</b> 6 Cylinder, 250 C.I. Note: 6 Cylinder Items Are Not Returnable.	\$322.00	
22630	1979	<b>ENGINE HARNESS</b> V/8, 454 C.I.	\$288.00	
38144	1979	<b>ENGINE HARNESS</b> V/8, 305, 350, 400 C.I.	\$288.00	

Part Number	Year	Description	Price	*Rev.
37522	1979	<b>ENGINE HARNESS</b> 6 Cylinder, 292 C.I. Note: 6 Cylinder Items Are Not Returnable.	\$322.00	
37520	1980	<b>ENGINE HARNESS</b> 6 Cylinder, 250 C.I. Note: 6 Cylinder Items Are Not Returnable.	\$322.00	
22630	1980	<b>ENGINE HARNESS</b> V/8, 454 C.I.	\$288.00	
38144	1980	<b>ENGINE HARNESS</b> V/8, 305, 350, 400 C.I.	\$288.00	
37522	1980	<b>ENGINE HARNESS</b> 6 Cylinder, 292 C.I. Note: 6 Cylinder Items Are Not Returnable.	\$322.00	
37528	1981	<b>ENGINE HARNESS</b> 6 Cylinder, 250 C.I. Note: 6 Cylinder Items Are Not Returnable.	\$322.00	
37529	1981	<b>ENGINE HARNESS</b> V/8, 454 C.I.	\$299.00	
37530	1981	<b>ENGINE HARNESS</b> V/8, 305, 350 C.I.	\$288.00	
37531	1981	<b>ENGINE HARNESS</b> 6 Cylinder, 292 C.I. Note: 6 Cylinder Items Are Not Returnable.	\$334.00	
37528	1982	<b>ENGINE HARNESS</b> 6 Cylinder, 250 C.I., With California Emissions Note: 6 Cylinder Items Are Not Returnable.	\$322.00	
37529	1982	<b>ENGINE HARNESS</b> V/8, 454 C.I.	\$299.00	
37530	1982	<b>ENGINE HARNESS</b> V/8, 305, 350 C.I., With Electric Choke	\$288.00	
38149	1982	<b>ENGINE HARNESS</b> V/8, 305, 350 C.I., Without Electric Choke	\$288.00	
37531	1982	<b>ENGINE HARNESS</b> 6 Cylinder, 292 C.I. Note: 6 Cylinder Items Are Not Returnable.	\$334.00	
37539	1982	<b>ENGINE HARNESS</b> 6 Cylinder, 250 C.I., Without California Emissions Note: 6 Cylinder Items Are Not Returnable.	\$334.00	
38883	1982	<b>ENGINE HARNESS EXTENSION</b> Diesel, Glow Plug Relay To Engine Harness	\$115.00	
40134	1973	<b>ENGINE HARNESS-HEI</b> V/8, 307, 350 C.I., Manual Trans, Without Gauges Note: This Harness Is Modified For Use With An HEI Distributor.	\$280.00	
40135	1973	<b>ENGINE HARNESS-HEI</b> V/8, 307, 350 C.I., Manual Trans, With Gauges Note: This Harness Is Modified For Use With An HEI Distributor.	\$280.00	
40136	1973	<b>ENGINE HARNESS-HEI</b> V/8, 307, 350 C.I., Auto Trans, Without Gauges Note: This Harness Is Modified For Use With An HEI Distributor.	\$280.00	
39158	1973	<b>ENGINE HARNESS-HEI</b> V/8, 307, 350 C.I., Auto Trans, With Gauges Note: This Harness Is Modified For Use With An HEI Distributor.	\$280.00	
40137	1973	<b>ENGINE HARNESS-HEI</b> V/8, 454 C.I., Manual Trans, Without Gauges Note: This Harness Is Modified For Use With An HEI Distributor.	\$280.00	
40138	1973	<b>ENGINE HARNESS-HEI</b> V/8, 454 C.I., Manual Trans, With Gauges Note: This Harness Is Modified For Use With An HEI Distributor.	\$280.00	
40139	1973	<b>ENGINE HARNESS-HEI</b> V/8, 454 C.I., Auto Trans, Without Gauges Note: This Harness Is Modified For Use With An HEI Distributor.	\$280.00	
39209	1973	<b>ENGINE HARNESS-HEI</b> V/8, 454 C.I., Auto Trans, With Gauges Note: This Harness Is Modified For Use With An HEI Distributor.	\$280.00	
40140	1974	<b>ENGINE HARNESS-HEI</b> V/8, 350 C.I., Auto Trans, Without Gauges Note: This Harness Is Modified For Use With An HEI Distributor.	\$299.00	
39210	1974	<b>ENGINE HARNESS-HEI</b> V/8, 350 C.I., Auto Trans, With Gauges Note: This Harness Is Modified For Use With An HEI Distributor.	\$299.00	
40141	1974	<b>ENGINE HARNESS-HEI</b> V/8, 454 C.I., Without Gauges Note: This Harness Is Modified For Use With An HEI Distributor.	\$299.00	
40142	1974	<b>ENGINE HARNESS-HEI</b> V/8, 454 C.I., With Gauges Note: This Harness Is Modified For Use With An HEI Distributor.	\$299.00	

Part Number	Year	Description	Price	*Rev.
40143	1974	<b>ENGINE HARNESS-HEI</b> V/8, 350 C.I., Manual Trans, With Gauges Note: This Harness Is Modified For Use With An HEI Distributor.	\$299.00	
40144	1974	<b>ENGINE HARNESS-HEI</b> V/8, 350 C.I., Manual Trans, Without Gauges Note: This Harness Is Modified For Use With An HEI Distributor.	\$299.00	
<b>ENGINE INDICATOR LAMP HARNESS</b>				
37538	1982	<b>ENGINE INDICATOR LAMP HARNESS</b> Diesel, Fuse Block To Dash Indicator Warning Lamps	\$127.00	
<b>FORWARD LAMP HARNESS</b>				
06350	1955	<b>FORWARD LAMP HARNESS</b> 6 Cylinder, With Stock Generator, (12 Volt) Note: 6 Cylinder Items Are Not Returnable.	\$103.00	
02415	1955	<b>FORWARD LAMP HARNESS</b> V/8, With Stock Generator, (12 Volt)	\$103.00	
35035	1955	<b>FORWARD LAMP HARNESS</b> V/8, With Stock Generator, (12 Volt) & Directional Leads	\$114.00	
02400	1956	<b>FORWARD LAMP HARNESS</b> 6 Cylinder, With Stock Generator Note: 6 Cylinder Items Are Not Returnable.	\$114.00	
35045	1956	<b>FORWARD LAMP HARNESS</b> 6 Cylinder, With Stock Generator & Directional Leads Note: 6 Cylinder Items Are Not Returnable.	\$114.00	
02415	1956	<b>FORWARD LAMP HARNESS</b> V/8, With Stock Generator	\$103.00	
35030	1956	<b>FORWARD LAMP HARNESS</b> V/8, With Stock Generator & Directional Leads	\$114.00	
02555	1957	<b>FORWARD LAMP HARNESS</b> With Stock Generator	\$103.00	
35040	1957	<b>FORWARD LAMP HARNESS</b> With Stock Generator & Directional Leads	\$103.00	
30860	1957	<b>FORWARD LAMP HARNESS</b> With Stock Heavy Duty Generator	\$114.00	
02715	1958	<b>FORWARD LAMP HARNESS</b> With Stock Generator	\$103.00	
35055	1958	<b>FORWARD LAMP HARNESS</b> With Stock Generator & Directional Leads	\$103.00	
30805	1958	<b>FORWARD LAMP HARNESS</b> With Stock Heavy Duty Generator	\$114.00	
02715	1959	<b>FORWARD LAMP HARNESS</b> With Stock Generator	\$103.00	
35055	1959	<b>FORWARD LAMP HARNESS</b> With Stock Generator & Directional Leads	\$103.00	
02960	1960	<b>FORWARD LAMP AND GENERATOR HARNESS</b> Without Gauges Note: Requires Part #03065 To Complete Voltage Regulator Wiring.	\$121.00	
02990	1960	<b>FORWARD LAMP AND GENERATOR HARNESS</b> With Gauges Note: Requires Part #03065 To Complete Voltage Regulator Wiring.	\$133.00	
03065	1960	<b>FORWARD LAMP EXTENSION HARNESS</b> Generator To Voltage Regulator Note: Not Needed If Using Alternator Conversion Harness.	\$42.00	
03590	1961	<b>FORWARD LAMP AND GENERATOR HARNESS</b>	\$127.00	
03590	1962	<b>FORWARD LAMP AND GENERATOR HARNESS</b>	\$127.00	
04025	1962	<b>FORWARD LAMP AND ALTERNATOR HARNESS</b> With Original Type (1962 Only) Voltage Regulator	\$127.00	
04715	1963	<b>FORWARD LAMP HARNESS</b> With Gauges	\$121.00	
04125	1963	<b>FORWARD LAMP HARNESS</b> Without Gauges	\$121.00	
04715	1964	<b>FORWARD LAMP HARNESS</b> With Gauges	\$121.00	
04125	1964	<b>FORWARD LAMP HARNESS</b> Without Gauges	\$121.00	
04715	1965	<b>FORWARD LAMP HARNESS</b> With Gauges	\$121.00	
04125	1965	<b>FORWARD LAMP HARNESS</b> Without Gauges	\$121.00	
04715	1966	<b>FORWARD LAMP HARNESS</b> With Gauges	\$121.00	
04125	1966	<b>FORWARD LAMP HARNESS</b> Without Gauges	\$121.00	
21250	1967	<b>FORWARD LAMP HARNESS</b> With Gauges	\$229.00	
23440	1967	<b>FORWARD LAMP HARNESS</b> Without Gauges	\$229.00	
22500	1968	<b>FORWARD LAMP HARNESS</b> With Gauges, Without Side Marker Lights	\$229.00	
22490	1968	<b>FORWARD LAMP HARNESS</b> Without Gauges, Without Side Marker Lights	\$229.00	
22220	1969	<b>FORWARD LAMP HARNESS</b> With Gauges, With Side Marker Lights	\$229.00	

Part Number	Year	Description	Price	*Rev.
23445	1969	<b>FORWARD LAMP HARNESS</b> Without Gauges, With Side Marker Lights	\$229.00	
22220	1970	<b>FORWARD LAMP HARNESS</b> With Gauges	\$229.00	
23445	1970	<b>FORWARD LAMP HARNESS</b> Without Gauges	\$229.00	
22220	1971	<b>FORWARD LAMP HARNESS</b> With Gauges	\$229.00	
23445	1971	<b>FORWARD LAMP HARNESS</b> Without Gauges	\$229.00	
22220	1972	<b>FORWARD LAMP HARNESS</b> With Gauges	\$229.00	
23445	1972	<b>FORWARD LAMP HARNESS</b> Without Gauges	\$229.00	
35925	1973	<b>FORWARD LAMP HARNESS</b>	\$264.00	
35925	1974	<b>FORWARD LAMP HARNESS</b>	\$264.00	
35971	1975	<b>FORWARD LAMP HARNESS</b>	\$252.00	
35971	1976	<b>FORWARD LAMP HARNESS</b>	\$252.00	
35971	1977	<b>FORWARD LAMP HARNESS</b>	\$252.00	
35971	1978	<b>FORWARD LAMP HARNESS</b>	\$252.00	
35971	1979	<b>FORWARD LAMP HARNESS</b>	\$252.00	
22500	1969	<b>FORWARD LAMP HARNESS</b> With Gauges, Without Side Marker Lights	\$229.00	
37665	1969	<b>FORWARD LAMP HARNESS</b> Without Gauges, Without Side Marker Lights	\$264.00	
39025	1963	<b>FORWARD LAMP HARNESS-INT REG ALT DRIVER SIDE</b> Without Gauges Note: Modified For Driver Side Mounted 1972-84 Non-Serpentine Belt ("SI" Series) Internal Regulated Alternators.	\$146.00	
39284	1963	<b>FORWARD LAMP HARNESS-INT REG ALT PASSENGER SIDE</b> Without Gauges Note: Modified For Passenger Side Mounted 1972-84 Non-Serpentine Belt ("SI" Series) Internal Regulated Alternators.	\$156.00	
39020	1963	<b>FORWARD LAMP HARNESS-INT REG ALT DRIVER SIDE</b> With Gauges Note: Modified For Driver Side Mounted 1972-84 Non-Serpentine Belt ("SI" Series) Internal Regulated Alternators.	\$146.00	
39102	1963	<b>FORWARD LAMP HARNESS-INT REG ALT PASSENGER SIDE</b> With Gauges Note: Modified For Passenger Side Mounted 1972-84 Non-Serpentine Belt ("SI" Series) Internal Regulated Alternators.	\$156.00	
39045	1967	<b>FORWARD LAMP HARNESS-INT REG ALT DRIVER SIDE</b> With Gauges Note: Modified For Driver Side Mounted 1972-84 Non-Serpentine Belt ("SI" Series) Internal Regulated Alternators.	\$254.00	
39203	1967	<b>FORWARD LAMP HARNESS-INT REG ALT PASSENGER SIDE</b> With Gauges Note: Modified For Passenger Side Mounted 1972-84 Non-Serpentine Belt ("SI" Series) Internal Regulated Alternators.	\$264.00	
38929	1969	<b>FORWARD LAMP HARNESS-INT REG ALT DRIVER SIDE</b> With Gauges, With Side Marker Lights Note: Modified For Driver Side Mounted 1972-84 Non-Serpentine Belt ("SI" Series) Internal Regulated Alternators.	\$254.00	
39155	1969	<b>FORWARD LAMP HARNESS-INT REG ALT PASSENGER SIDE</b> With Gauges, With Side Marker Lights Note: Modified For Passenger Side Mounted 1972-84 Non-Serpentine Belt ("SI" Series) Internal Regulated Alternators.	\$264.00	
39154	1968	<b>FORWARD LAMP HARNESS-INT REG ALT DRIVER SIDE</b> Without Gauges, Without Side Marker Lights Note: Modified For Driver Side Mounted 1972-84 Non-Serpentine Belt ("SI" Series) Internal Regulated Alternators.	\$254.00	
39286	1968	<b>FORWARD LAMP HARNESS-INT REG ALT PASSENGER SIDE</b> Without Gauges, Without Side Marker Lights Note: Modified For Passenger Side Mounted 1972-84 Non-Serpentine Belt ("SI" Series) Internal Regulated Alternators.	\$264.00	
39125	1968	<b>FORWARD LAMP HARNESS-INT REG ALT DRIVER SIDE</b> With Gauges, Without Side Marker Lights Note: Modified For Driver Side Mounted 1972-84 Non-Serpentine Belt ("SI" Series) Internal Regulated Alternators.	\$254.00	
39204	1968	<b>FORWARD LAMP HARNESS-INT REG ALT PASSENGER SIDE</b> With Gauges, Without Side Marker Lights Note: Modified For Passenger Side Mounted 1972-84 Non-Serpentine Belt ("SI" Series) Internal Regulated Alternators.	\$264.00	
39124	1967	<b>FORWARD LAMP HARNESS-INT REG ALT DRIVER SIDE</b> Without Gauges Note: Modified For Driver Side Mounted 1972-84 Non-Serpentine Belt ("SI" Series) Internal Regulated Alternators.	\$254.00	
39285	1967	<b>FORWARD LAMP HARNESS-INT REG ALT PASSENGER SIDE</b> Without Gauges Note: Modified For Passenger Side Mounted 1972-84 Non-Serpentine Belt ("SI" Series) Internal Regulated Alternators.	\$264.00	
39021	1969	<b>FORWARD LAMP HARNESS-INT REG ALT DRIVER SIDE</b> Without Gauges, With Side Marker Lights Note: Modified For Driver Side Mounted 1972-84 Non-Serpentine Belt ("SI" Series) Internal Regulated Alternators.	\$254.00	
39207	1969	<b>FORWARD LAMP HARNESS-INT REG ALT PASSENGER SIDE</b> Without Gauges, With Side Marker Lights Note: Modified For Passenger Side Mounted 1972-84 Non-Serpentine Belt ("SI" Series) Internal Regulated Alternators.	\$264.00	

Part Number	Year	Description	Price	*Rev.
39025	1964	<b>FORWARD LAMP HARNESS-INT REG ALT DRIVER SIDE</b> Without Gauges Note: Modified For Driver Side Mounted 1972-84 Non-Serpentine Belt ("SI" Series) Internal Regulated Alternators.	\$146.00	
39025	1965	<b>FORWARD LAMP HARNESS-INT REG ALT DRIVER SIDE</b> Without Gauges Note: Modified For Driver Side Mounted 1972-84 Non-Serpentine Belt ("SI" Series) Internal Regulated Alternators.	\$146.00	
39284	1964	<b>FORWARD LAMP HARNESS-INT REG ALT PASSENGER SIDE</b> Without Gauges Note: Modified For Passenger Side Mounted 1972-84 Non-Serpentine Belt ("SI" Series) Internal Regulated Alternators.	\$156.00	
39284	1965	<b>FORWARD LAMP HARNESS-INT REG ALT PASSENGER SIDE</b> Without Gauges Note: Modified For Passenger Side Mounted 1972-84 Non-Serpentine Belt ("SI" Series) Internal Regulated Alternators.	\$156.00	
39020	1964	<b>FORWARD LAMP HARNESS-INT REG ALT DRIVER SIDE</b> With Gauges Note: Modified For Driver Side Mounted 1972-84 Non-Serpentine Belt ("SI" Series) Internal Regulated Alternators.	\$146.00	
39020	1965	<b>FORWARD LAMP HARNESS-INT REG ALT DRIVER SIDE</b> With Gauges Note: Modified For Driver Side Mounted 1972-84 Non-Serpentine Belt ("SI" Series) Internal Regulated Alternators.	\$146.00	
39020	1966	<b>FORWARD LAMP HARNESS-INT REG ALT DRIVER SIDE</b> With Gauges Note: Modified For Driver Side Mounted 1972-84 Non-Serpentine Belt ("SI" Series) Internal Regulated Alternators.	\$146.00	
39102	1964	<b>FORWARD LAMP HARNESS-INT REG ALT PASSENGER SIDE</b> With Gauges Note: Modified For Passenger Side Mounted 1972-84 Non-Serpentine Belt ("SI" Series) Internal Regulated Alternators.	\$156.00	
39102	1965	<b>FORWARD LAMP HARNESS-INT REG ALT PASSENGER SIDE</b> With Gauges Note: Modified For Passenger Side Mounted 1972-84 Non-Serpentine Belt ("SI" Series) Internal Regulated Alternators.	\$156.00	
39102	1966	<b>FORWARD LAMP HARNESS-INT REG ALT PASSENGER SIDE</b> With Gauges Note: Modified For Passenger Side Mounted 1972-84 Non-Serpentine Belt ("SI" Series) Internal Regulated Alternators.	\$156.00	
38929	1970	<b>FORWARD LAMP HARNESS-INT REG ALT DRIVER SIDE</b> With Gauges Note: Modified For Driver Side Mounted 1972-84 Non-Serpentine Belt ("SI" Series) Internal Regulated Alternators.	\$254.00	
38929	1971	<b>FORWARD LAMP HARNESS-INT REG ALT DRIVER SIDE</b> With Gauges Note: Modified For Driver Side Mounted 1972-84 Non-Serpentine Belt ("SI" Series) Internal Regulated Alternators.	\$254.00	
38929	1972	<b>FORWARD LAMP HARNESS-INT REG ALT DRIVER SIDE</b> With Gauges Note: Modified For Driver Side Mounted 1972-84 Non-Serpentine Belt ("SI" Series) Internal Regulated Alternators.	\$254.00	
39155	1970	<b>FORWARD LAMP HARNESS-INT REG ALT PASSENGER SIDE</b> With Gauges Note: Modified For Passenger Side Mounted 1972-84 Non-Serpentine Belt ("SI" Series) Internal Regulated Alternators.	\$264.00	
39155	1971	<b>FORWARD LAMP HARNESS-INT REG ALT PASSENGER SIDE</b> With Gauges Note: Modified For Passenger Side Mounted 1972-84 Non-Serpentine Belt ("SI" Series) Internal Regulated Alternators.	\$264.00	
39155	1972	<b>FORWARD LAMP HARNESS-INT REG ALT PASSENGER SIDE</b> With Gauges Note: Modified For Passenger Side Mounted 1972-84 Non-Serpentine Belt ("SI" Series) Internal Regulated Alternators.	\$264.00	
39021	1970	<b>FORWARD LAMP HARNESS-INT REG ALT DRIVER SIDE</b> Without Gauges Note: Modified For Driver Side Mounted 1972-84 Non-Serpentine Belt ("SI" Series) Internal Regulated Alternators.	\$254.00	
39021	1971	<b>FORWARD LAMP HARNESS-INT REG ALT DRIVER SIDE</b> Without Gauges Note: Modified For Driver Side Mounted 1972-84 Non-Serpentine Belt ("SI" Series) Internal Regulated Alternators.	\$254.00	
39021	1972	<b>FORWARD LAMP HARNESS-INT REG ALT DRIVER SIDE</b> Without Gauges Note: Modified For Driver Side Mounted 1972-84 Non-Serpentine Belt ("SI" Series) Internal Regulated Alternators.	\$254.00	
39207	1970	<b>FORWARD LAMP HARNESS-INT REG ALT PASSENGER SIDE</b> Without Gauges Note: Modified For Passenger Side Mounted 1972-84 Non-Serpentine Belt ("SI" Series) Internal Regulated Alternators.	\$264.00	
39207	1971	<b>FORWARD LAMP HARNESS-INT REG ALT PASSENGER SIDE</b> Without Gauges Note: Modified For Passenger Side Mounted 1972-84 Non-Serpentine Belt ("SI" Series) Internal Regulated Alternators.	\$264.00	
39207	1972	<b>FORWARD LAMP HARNESS-INT REG ALT PASSENGER SIDE</b> Without Gauges Note: Modified For Passenger Side Mounted 1972-84 Non-Serpentine Belt ("SI" Series) Internal Regulated Alternators.	\$264.00	
39025	1966	<b>FORWARD LAMP HARNESS-INT REG ALT DRIVER SIDE</b> Without Gauges Note: Modified For Driver Side Mounted 1972-84 Non-Serpentine Belt ("SI" Series) Internal Regulated Alternators.	\$146.00	
39284	1966	<b>FORWARD LAMP HARNESS-INT REG ALT PASSENGER SIDE</b> Without Gauges Note: Modified For Passenger Side Mounted 1972-84 Non-Serpentine Belt ("SI" Series) Internal Regulated Alternators.	\$156.00	

Part Number	Year	Description	Price	*Rev.
39125	1969	<b>FORWARD LAMP HARNESS-INT REG ALT DRIVER SIDE</b> With Gauges, Without Side Marker Lights Note: Modified For Driver Side Mounted 1972-84 Non-Serpentine Belt ("SI" Series) Internal Regulated Alternators.	\$254.00	
39204	1969	<b>FORWARD LAMP HARNESS-INT REG ALT PASSENGER SIDE</b> With Gauges, Without Side Marker Lights Note: Modified For Passenger Side Mounted 1972-84 Non-Serpentine Belt ("SI" Series) Internal Regulated Alternators.	\$264.00	
37524	1980	<b>FORWARD LAMP HARNESS</b> With Rectangular Headlights	\$264.00	
35971	1980	<b>FORWARD LAMP HARNESS</b> With Round Headlights	\$252.00	
37526	1981	<b>FORWARD LAMP HARNESS</b> With Single Headlights	\$270.00	
37527	1981	<b>FORWARD LAMP HARNESS</b> With Dual Headlights	\$270.00	
38150	1982	<b>FORWARD LAMP HARNESS</b> With Single Headlights	\$270.00	
38151	1982	<b>FORWARD LAMP HARNESS</b> With Dual Headlights	\$270.00	
<b>FOUR WHEEL DRIVE INDICATOR LAMP EXT HARNESS</b>				
39842	1977	<b>FOUR WHEEL DRIVE INDICATOR LAMP EXTENSION HARNESS</b> With Auto Trans, Transfer Case Switch To Indicator Lamp Harness	\$46.00	
39842	1978	<b>FOUR WHEEL DRIVE INDICATOR LAMP EXTENSION HARNESS</b> With Auto Trans, Transfer Case Switch To Indicator Lamp Harness	\$46.00	
39842	1979	<b>FOUR WHEEL DRIVE INDICATOR LAMP EXTENSION HARNESS</b> With Auto Trans, Transfer Case Switch To Indicator Lamp Harness	\$46.00	
<b>FRONT CORNER MARKER LAMP HARNESS</b>				
39746	1973	<b>FRONT CORNER MARKER LAMP HARNESS</b> Stakebed & Flatbed	\$52.00	
39746	1974	<b>FRONT CORNER MARKER LAMP HARNESS</b> Stakebed & Flatbed	\$52.00	
39746	1975	<b>FRONT CORNER MARKER LAMP HARNESS</b> Stakebed & Flatbed	\$52.00	
39746	1976	<b>FRONT CORNER MARKER LAMP HARNESS</b> 1-Ton, Stakebed & Flatbed, With 135.5 In. Wheel Base	\$52.00	
39746	1977	<b>FRONT CORNER MARKER LAMP HARNESS</b> 1-Ton, Stakebed & Flatbed, With 135.5 In. Wheel Base	\$52.00	
39746	1978	<b>FRONT CORNER MARKER LAMP HARNESS</b> 1-Ton, Stakebed & Flatbed, With 135.5 In. Wheel Base	\$52.00	
39746	1979	<b>FRONT CORNER MARKER LAMP HARNESS</b> 1-Ton, Stakebed & Flatbed, With 135.5 In. Wheel Base	\$52.00	
39746	1980	<b>FRONT CORNER MARKER LAMP HARNESS</b> 1-Ton, Stakebed & Flatbed, With 135.5 In. Wheel Base	\$52.00	
39746	1981	<b>FRONT CORNER MARKER LAMP HARNESS</b> 1-Ton, Stakebed & Flatbed, With 135.5 In. Wheel Base	\$52.00	
39746	1982	<b>FRONT CORNER MARKER LAMP HARNESS</b> 1-Ton, Stakebed & Flatbed, With 135.5 In. Wheel Base	\$52.00	
<b>FUEL TANK SELECTOR SWITCH HARNESS</b>				
39756	1973	<b>FUEL TANK SELECTOR SWITCH HARNESS</b> All, Except Fleetside Bed, Dash Switch To Firewall,	\$69.00	
39756	1974	<b>FUEL TANK SELECTOR SWITCH HARNESS</b> All, With Fleetside Bed, Dash Switch To Firewall,	\$69.00	
39756	1975	<b>FUEL TANK SELECTOR SWITCH HARNESS</b> All, With Fleetside Bed, Dash Switch To Firewall	\$69.00	
39357	1980	<b>FUEL TANK SELECTOR SWITCH HARNESS</b> All, Dash Switch To Firewall	\$69.00	
40019	1982	<b>FUEL TANK SELECTOR SWITCH HARNESS</b> All, Dash Switch To Firewall, (2nd Design), Firewall Connector Has 2 Wires In A -"T" -Shaped Pattern	\$69.00	
<b>FUEL TANK SENDER WIRE</b>				
23045	1955	<b>FUEL TANK SENDER WIRE</b>	\$14.00	
23045	1956	<b>FUEL TANK SENDER WIRE</b>	\$14.00	
22510	1957	<b>FUEL TANK SENDER WIRE</b>	\$14.00	
22510	1958	<b>FUEL TANK SENDER WIRE</b>	\$14.00	
22510	1959	<b>FUEL TANK SENDER WIRE</b>	\$14.00	
38069	1960	<b>FUEL TANK SENDER WIRE</b>	\$14.00	
38069	1961	<b>FUEL TANK SENDER WIRE</b>	\$14.00	
19960	1964	<b>FUEL TANK SENDER WIRE</b>	\$19.00	
19960	1965	<b>FUEL TANK SENDER WIRE</b>	\$19.00	
19960	1966	<b>FUEL TANK SENDER WIRE</b>	\$19.00	
23570	1967	<b>FUEL TANK SENDER WIRE</b> Except Panel & Suburban	\$19.00	
36249	1967	<b>FUEL TANK SENDER EXTENSION, PANEL AND SUBURBAN</b> Sender To #36237 Rear License Plate & Fuel Tank Harness	\$14.00	

Part Number	Year	Description	Price	*Rev.
23570	1968	FUEL TANK SENDER WIRE Except Panel & Suburban	\$19.00	
36249	1968	FUEL TANK SENDER EXTENSION, PANEL AND SUBURBAN Sender To #36237 Rear License Plate & Fuel Tank Harness	\$14.00	
37652	1969	FUEL TANK SENDER WIRE Blazer	\$23.00	
23570	1969	FUEL TANK SENDER WIRE Except Panel & Suburban	\$19.00	
36249	1969	FUEL TANK SENDER EXTENSION, PANEL AND SUBURBAN Sender To #36237 Rear License Plate & Fuel Tank Harness	\$14.00	
37652	1970	FUEL TANK SENDER WIRE Blazer	\$23.00	
23570	1970	FUEL TANK SENDER WIRE Except Panel & Suburban	\$19.00	
36249	1970	FUEL TANK SENDER EXTENSION, PANEL AND SUBURBAN Sender To #36237 Rear License Plate & Fuel Tank Harness	\$14.00	
37652	1971	FUEL TANK SENDER WIRE Blazer	\$23.00	
23570	1971	FUEL TANK SENDER WIRE Except Panel & Suburban	\$19.00	
36249	1971	FUEL TANK SENDER EXTENSION, PANEL AND SUBURBAN Sender To #36237 Rear License Plate & Fuel Tank Harness	\$14.00	
37652	1972	FUEL TANK SENDER WIRE Blazer	\$23.00	
23570	1972	FUEL TANK SENDER WIRE Except Panel & Suburban	\$19.00	
36249	1972	FUEL TANK SENDER EXTENSION, PANEL AND SUBURBAN Sender To #36237 Rear License Plate & Fuel Tank Harness	\$14.00	
43980	1962	FUEL TANK SENDER WIRE	\$19.00	
43980	1963	FUEL TANK SENDER WIRE	\$19.00	
39739	1973	FUEL TANK SENDER EXTENSION WIRE Blazer	\$30.00	N
39739	1974	FUEL TANK SENDER EXTENSION WIRE Blazer	\$30.00	N
39739	1975	FUEL TANK SENDER EXTENSION WIRE Blazer	\$30.00	N
39739	1976	FUEL TANK SENDER EXTENSION WIRE Blazer	\$30.00	N
39739	1977	FUEL TANK SENDER EXTENSION WIRE Blazer	\$30.00	N
39739	1978	FUEL TANK SENDER EXTENSION WIRE Blazer	\$30.00	N
39739	1979	FUEL TANK SENDER EXTENSION WIRE Blazer	\$30.00	N
39739	1980	FUEL TANK SENDER EXTENSION WIRE Blazer	\$30.00	N
23045	1955	FUEL TANK SENDER WIRE	\$14.00	
<b>GLOVE BOX LAMP KIT</b>				
18000	1955	GLOVE BOX LAMP KIT Socket, Bulb & Wire	\$21.00	
18000	1956	GLOVE BOX LAMP KIT Socket, Bulb & Wire	\$21.00	
18000	1957	GLOVE BOX LAMP KIT Socket, Bulb & Wire	\$21.00	
18000	1958	GLOVE BOX LAMP KIT Socket, Bulb & Wire	\$21.00	
18000	1959	GLOVE BOX LAMP KIT Socket, Bulb & Wire	\$21.00	
18000	1960	GLOVE BOX LAMP KIT Socket, Bulb & Wire	\$21.00	
18000	1961	GLOVE BOX LAMP KIT Socket, Bulb & Wire	\$21.00	
18000	1962	GLOVE BOX LAMP KIT Socket, Bulb & Wire	\$21.00	
18000	1963	GLOVE BOX LAMP KIT Socket, Bulb & Wire	\$21.00	
18000	1964	GLOVE BOX LAMP KIT Socket, Bulb & Wire	\$21.00	
18000	1965	GLOVE BOX LAMP KIT Socket, Bulb & Wire	\$21.00	
18000	1966	GLOVE BOX LAMP KIT Socket, Bulb & Wire	\$21.00	
23190	1967	GLOVE BOX LAMP KIT Socket, Bulb & Wire	\$29.00	
23190	1968	GLOVE BOX LAMP KIT Socket, Bulb & Wire	\$29.00	
23190	1969	GLOVE BOX LAMP KIT Socket, Bulb & Wire	\$29.00	
23190	1970	GLOVE BOX LAMP KIT Socket, Bulb & Wire	\$29.00	
23190	1971	GLOVE BOX LAMP KIT Socket, Bulb & Wire	\$29.00	
23190	1972	GLOVE BOX LAMP KIT Socket, Bulb & Wire	\$29.00	



Part Number	Year	Description	Price	*Rev.
<b>GROUND WIRE-DISTRIBUTOR POINT PLATE</b>				
38298	1957	<b>GROUND WIRE, DISTRIBUTOR POINT PLATE</b> From Distributor Point Plate To Distributor Housing Note: Replaces Spot Welded Wire Asm On Point Plate Side. Fits All GM V/8 Point Type Distributors From Approx. 1957-1974.	\$15.00	C
38298	1958	<b>GROUND WIRE, DISTRIBUTOR POINT PLATE</b> From Distributor Point Plate To Distributor Housing Note: Replaces Spot Welded Wire Asm On Point Plate Side. Fits All GM V/8 Point Type Distributors From Approx. 1957-1974.	\$15.00	C
38298	1959	<b>GROUND WIRE, DISTRIBUTOR POINT PLATE</b> From Distributor Point Plate To Distributor Housing Note: Replaces Spot Welded Wire Asm On Point Plate Side. Fits All GM V/8 Point Type Distributors From Approx. 1957-1974.	\$15.00	C
38298	1960	<b>GROUND WIRE, DISTRIBUTOR POINT PLATE</b> From Distributor Point Plate To Distributor Housing Note: Replaces Spot Welded Wire Asm On Point Plate Side. Fits All GM V/8 Point Type Distributors From Approx. 1957-1974.	\$15.00	C
38298	1961	<b>GROUND WIRE, DISTRIBUTOR POINT PLATE</b> From Distributor Point Plate To Distributor Housing Note: Replaces Spot Welded Wire Asm On Point Plate Side. Fits All GM V/8 Point Type Distributors From Approx. 1957-1974.	\$15.00	C
38298	1962	<b>GROUND WIRE, DISTRIBUTOR POINT PLATE</b> From Distributor Point Plate To Distributor Housing Note: Replaces Spot Welded Wire Asm On Point Plate Side. Fits All GM V/8 Point Type Distributors From Approx. 1957-1974.	\$15.00	C
38298	1963	<b>GROUND WIRE, DISTRIBUTOR POINT PLATE</b> From Distributor Point Plate To Distributor Housing Note: Replaces Spot Welded Wire Asm On Point Plate Side. Fits All GM V/8 Point Type Distributors From Approx. 1957-1974.	\$15.00	C
38298	1964	<b>GROUND WIRE, DISTRIBUTOR POINT PLATE</b> From Distributor Point Plate To Distributor Housing Note: Replaces Spot Welded Wire Asm On Point Plate Side. Fits All GM V/8 Point Type Distributors From Approx. 1957-1974.	\$15.00	C
38298	1965	<b>GROUND WIRE, DISTRIBUTOR POINT PLATE</b> From Distributor Point Plate To Distributor Housing Note: Replaces Spot Welded Wire Asm On Point Plate Side. Fits All GM V/8 Point Type Distributors From Approx. 1957-1974.	\$15.00	C
38298	1966	<b>GROUND WIRE, DISTRIBUTOR POINT PLATE</b> From Distributor Point Plate To Distributor Housing Note: Replaces Spot Welded Wire Asm On Point Plate Side. Fits All GM V/8 Point Type Distributors From Approx. 1957-1974.	\$15.00	C
38298	1967	<b>GROUND WIRE, DISTRIBUTOR POINT PLATE</b> From Distributor Point Plate To Distributor Housing Note: Replaces Spot Welded Wire Asm On Point Plate Side. Fits All GM V/8 Point Type Distributors From Approx. 1957-1974.	\$15.00	C
38298	1968	<b>GROUND WIRE, DISTRIBUTOR POINT PLATE</b> From Distributor Point Plate To Distributor Housing Note: Replaces Spot Welded Wire Asm On Point Plate Side. Fits All GM V/8 Point Type Distributors From Approx. 1957-1974.	\$15.00	C
38298	1969	<b>GROUND WIRE, DISTRIBUTOR POINT PLATE</b> From Distributor Point Plate To Distributor Housing Note: Replaces Spot Welded Wire Asm On Point Plate Side. Fits All GM V/8 Point Type Distributors From Approx. 1957-1974.	\$15.00	C
38298	1970	<b>GROUND WIRE, DISTRIBUTOR POINT PLATE</b> From Distributor Point Plate To Distributor Housing Note: Replaces Spot Welded Wire Asm On Point Plate Side. Fits All GM V/8 Point Type Distributors From Approx. 1957-1974.	\$15.00	C
38298	1971	<b>GROUND WIRE, DISTRIBUTOR POINT PLATE</b> From Distributor Point Plate To Distributor Housing Note: Replaces Spot Welded Wire Asm On Point Plate Side. Fits All GM V/8 Point Type Distributors From Approx. 1957-1974.	\$15.00	C
38298	1972	<b>GROUND WIRE, DISTRIBUTOR POINT PLATE</b> From Distributor Point Plate To Distributor Housing Note: Replaces Spot Welded Wire Asm On Point Plate Side. Fits All GM V/8 Point Type Distributors From Approx. 1957-1974.	\$15.00	C
38298	1973	<b>GROUND WIRE, DISTRIBUTOR POINT PLATE</b> From Distributor Point Plate To Distributor Housing Note: Replaces Spot Welded Wire Asm On Point Plate Side. Fits All GM V/8 Point Type Distributors From Approx. 1957-1974.	\$15.00	C
38298	1974	<b>GROUND WIRE, DISTRIBUTOR POINT PLATE</b> From Distributor Point Plate To Distributor Housing Note: Replaces Spot Welded Wire Asm On Point Plate Side. Fits All GM V/8 Point Type Distributors From Approx. 1957-1974.	\$15.00	C
<b>HARNESSTAPE</b>				
R0058272	1947	<b>HARNESSTAPE</b> 3/4" Vinyl (100 Ft. Roll) Non-Adhesive	\$12.00	
R0058276	1947	<b>HARNESSTAPE</b> 1" Vinyl (100 Ft. Roll) Non-Adhesive	\$13.00	
R0067108	1947	<b>HARNESSTAPE</b> 1 1/4" Vinyl (100 Ft. Roll) Non-Adhesive	\$15.00	
R0058272	1948	<b>HARNESSTAPE</b> 3/4" Vinyl (100 Ft. Roll) Non-Adhesive	\$12.00	
R0058276	1948	<b>HARNESSTAPE</b> 1" Vinyl (100 Ft. Roll) Non-Adhesive	\$13.00	
R0067108	1948	<b>HARNESSTAPE</b> 1 1/4" Vinyl (100 Ft. Roll) Non-Adhesive	\$15.00	
R0058272	1949	<b>HARNESSTAPE</b> 3/4" Vinyl (100 Ft. Roll) Non-Adhesive	\$12.00	
R0058276	1949	<b>HARNESSTAPE</b> 1" Vinyl (100 Ft. Roll) Non-Adhesive	\$13.00	
R0067108	1949	<b>HARNESSTAPE</b> 1 1/4" Vinyl (100 Ft. Roll) Non-Adhesive	\$15.00	
R0058272	1950	<b>HARNESSTAPE</b> 3/4" Vinyl (100 Ft. Roll) Non-Adhesive	\$12.00	

Part Number	Year	Description	Price	*Rev.
R0058276	1950	HARNESS TAPE 1" Vinyl (100 Ft. Roll) Non-Adhesive	\$13.00	
R0067108	1950	HARNESS TAPE 1 1/4" Vinyl (100 Ft. Roll) Non-Adhesive	\$15.00	
R0058272	1951	HARNESS TAPE 3/4" Vinyl (100 Ft. Roll) Non-Adhesive	\$12.00	
R0058276	1951	HARNESS TAPE 1" Vinyl (100 Ft. Roll) Non-Adhesive	\$13.00	
R0067108	1951	HARNESS TAPE 1 1/4" Vinyl (100 Ft. Roll) Non-Adhesive	\$15.00	
R0058272	1952	HARNESS TAPE 3/4" Vinyl (100 Ft. Roll) Non-Adhesive	\$12.00	
R0058276	1952	HARNESS TAPE 1" Vinyl (100 Ft. Roll) Non-Adhesive	\$13.00	
R0067108	1952	HARNESS TAPE 1 1/4" Vinyl (100 Ft. Roll) Non-Adhesive	\$15.00	
R0058272	1953	HARNESS TAPE 3/4" Vinyl (100 Ft. Roll) Non-Adhesive	\$12.00	
R0058276	1953	HARNESS TAPE 1" Vinyl (100 Ft. Roll) Non-Adhesive	\$13.00	
R0067108	1953	HARNESS TAPE 1 1/4" Vinyl (100 Ft. Roll) Non-Adhesive	\$15.00	
R0058272	1954	HARNESS TAPE 3/4" Vinyl (100 Ft. Roll) Non-Adhesive	\$12.00	
R0058276	1954	HARNESS TAPE 1" Vinyl (100 Ft. Roll) Non-Adhesive	\$13.00	
R0067108	1954	HARNESS TAPE 1 1/4" Vinyl (100 Ft. Roll) Non-Adhesive	\$15.00	
R0058272	1955	HARNESS TAPE 3/4" Vinyl (100 Ft. Roll) Non-Adhesive	\$12.00	
R0058276	1955	HARNESS TAPE 1" Vinyl (100 Ft. Roll) Non-Adhesive	\$13.00	
R0067108	1955	HARNESS TAPE 1 1/4" Vinyl (100 Ft. Roll) Non-Adhesive	\$15.00	
R0058272	1956	HARNESS TAPE 3/4" Vinyl (100 Ft. Roll) Non-Adhesive	\$12.00	
R0058276	1956	HARNESS TAPE 1" Vinyl (100 Ft. Roll) Non-Adhesive	\$13.00	
R0067108	1956	HARNESS TAPE 1 1/4" Vinyl (100 Ft. Roll) Non-Adhesive	\$15.00	
R0058272	1957	HARNESS TAPE 3/4" Vinyl (100 Ft. Roll) Non-Adhesive	\$12.00	
R0058276	1957	HARNESS TAPE 1" Vinyl (100 Ft. Roll) Non-Adhesive	\$13.00	
R0067108	1957	HARNESS TAPE 1 1/4" Vinyl (100 Ft. Roll) Non-Adhesive	\$15.00	
R0058272	1958	HARNESS TAPE 3/4" Vinyl (100 Ft. Roll) Non-Adhesive	\$12.00	
R0058276	1958	HARNESS TAPE 1" Vinyl (100 Ft. Roll) Non-Adhesive	\$13.00	
R0067108	1958	HARNESS TAPE 1 1/4" Vinyl (100 Ft. Roll) Non-Adhesive	\$15.00	
R0058272	1959	HARNESS TAPE 3/4" Vinyl (100 Ft. Roll) Non-Adhesive	\$12.00	
R0058276	1959	HARNESS TAPE 1" Vinyl (100 Ft. Roll) Non-Adhesive	\$13.00	
R0067108	1959	HARNESS TAPE 1 1/4" Vinyl (100 Ft. Roll) Non-Adhesive	\$15.00	
R0058272	1960	HARNESS TAPE 3/4" Vinyl (100 Ft. Roll) Non-Adhesive	\$12.00	
R0058276	1960	HARNESS TAPE 1" Vinyl (100 Ft. Roll) Non-Adhesive	\$13.00	
R0067108	1960	HARNESS TAPE 1 1/4" Vinyl (100 Ft. Roll) Non-Adhesive	\$15.00	
R0058272	1961	HARNESS TAPE 3/4" Vinyl (100 Ft. Roll) Non-Adhesive	\$12.00	
R0058276	1961	HARNESS TAPE 1" Vinyl (100 Ft. Roll) Non-Adhesive	\$13.00	
R0067108	1961	HARNESS TAPE 1 1/4" Vinyl (100 Ft. Roll) Non-Adhesive	\$15.00	
R0058272	1962	HARNESS TAPE 3/4" Vinyl (100 Ft. Roll) Non-Adhesive	\$12.00	
R0058276	1962	HARNESS TAPE 1" Vinyl (100 Ft. Roll) Non-Adhesive	\$13.00	
R0067108	1962	HARNESS TAPE 1 1/4" Vinyl (100 Ft. Roll) Non-Adhesive	\$15.00	
R0058272	1963	HARNESS TAPE 3/4" Vinyl (100 Ft. Roll) Non-Adhesive	\$12.00	
R0058276	1963	HARNESS TAPE 1" Vinyl (100 Ft. Roll) Non-Adhesive	\$13.00	
R0067108	1963	HARNESS TAPE 1 1/4" Vinyl (100 Ft. Roll) Non-Adhesive	\$15.00	
R0058272	1964	HARNESS TAPE 3/4" Vinyl (100 Ft. Roll) Non-Adhesive	\$12.00	
R0058276	1964	HARNESS TAPE 1" Vinyl (100 Ft. Roll) Non-Adhesive	\$13.00	
R0067108	1964	HARNESS TAPE 1 1/4" Vinyl (100 Ft. Roll) Non-Adhesive	\$15.00	
R0058272	1965	HARNESS TAPE 3/4" Vinyl (100 Ft. Roll) Non-Adhesive	\$12.00	
R0058276	1965	HARNESS TAPE 1" Vinyl (100 Ft. Roll) Non-Adhesive	\$13.00	
R0067108	1965	HARNESS TAPE 1 1/4" Vinyl (100 Ft. Roll) Non-Adhesive	\$15.00	

Part Number	Year	Description	Price	*Rev.
R0058272	1966	HARNESS TAPE 3/4" Vinyl (100 Ft. Roll) Non-Adhesive	\$12.00	
R0058276	1966	HARNESS TAPE 1" Vinyl (100 Ft. Roll) Non-Adhesive	\$13.00	
R0067108	1966	HARNESS TAPE 1 1/4" Vinyl (100 Ft. Roll) Non-Adhesive	\$15.00	
R0058272	1967	HARNESS TAPE 3/4" Vinyl (100 Ft. Roll) Non-Adhesive	\$12.00	
R0058276	1967	HARNESS TAPE 1" Vinyl (100 Ft. Roll) Non-Adhesive	\$13.00	
R0067108	1967	HARNESS TAPE 1 1/4" Vinyl (100 Ft. Roll) Non-Adhesive	\$15.00	
R0058272	1968	HARNESS TAPE 3/4" Vinyl (100 Ft. Roll) Non-Adhesive	\$12.00	
R0058276	1968	HARNESS TAPE 1" Vinyl (100 Ft. Roll) Non-Adhesive	\$13.00	
R0067108	1968	HARNESS TAPE 1 1/4" Vinyl (100 Ft. Roll) Non-Adhesive	\$15.00	
R0058272	1969	HARNESS TAPE 3/4" Vinyl (100 Ft. Roll) Non-Adhesive	\$12.00	
R0058276	1969	HARNESS TAPE 1" Vinyl (100 Ft. Roll) Non-Adhesive	\$13.00	
R0067108	1969	HARNESS TAPE 1 1/4" Vinyl (100 Ft. Roll) Non-Adhesive	\$15.00	
R0058272	1970	HARNESS TAPE 3/4" Vinyl (100 Ft. Roll) Non-Adhesive	\$12.00	
R0058276	1970	HARNESS TAPE 1" Vinyl (100 Ft. Roll) Non-Adhesive	\$13.00	
R0067108	1970	HARNESS TAPE 1 1/4" Vinyl (100 Ft. Roll) Non-Adhesive	\$15.00	
R0058272	1971	HARNESS TAPE 3/4" Vinyl (100 Ft. Roll) Non-Adhesive	\$12.00	
R0058276	1971	HARNESS TAPE 1" Vinyl (100 Ft. Roll) Non-Adhesive	\$13.00	
R0067108	1971	HARNESS TAPE 1 1/4" Vinyl (100 Ft. Roll) Non-Adhesive	\$15.00	
R0058272	1972	HARNESS TAPE 3/4" Vinyl (100 Ft. Roll) Non-Adhesive	\$12.00	
R0058276	1972	HARNESS TAPE 1" Vinyl (100 Ft. Roll) Non-Adhesive	\$13.00	
R0067108	1972	HARNESS TAPE 1 1/4" Vinyl (100 Ft. Roll) Non-Adhesive	\$15.00	
R0058272	1973	HARNESS TAPE 3/4" Vinyl (100 Ft. Roll) Non-Adhesive	\$12.00	
R0058276	1973	HARNESS TAPE 1" Vinyl (100 Ft. Roll) Non-Adhesive	\$13.00	
R0067108	1973	HARNESS TAPE 1 1/4" Vinyl (100 Ft. Roll) Non-Adhesive	\$15.00	
R0058272	1974	HARNESS TAPE 3/4" Vinyl (100 Ft. Roll) Non-Adhesive	\$12.00	
R0058276	1974	HARNESS TAPE 1" Vinyl (100 Ft. Roll) Non-Adhesive	\$13.00	
R0067108	1974	HARNESS TAPE 1 1/4" Vinyl (100 Ft. Roll) Non-Adhesive	\$15.00	
R0058272	1975	HARNESS TAPE 3/4" Vinyl (100 Ft. Roll) Non-Adhesive	\$12.00	
R0058276	1975	HARNESS TAPE 1" Vinyl (100 Ft. Roll) Non-Adhesive	\$13.00	
R0067108	1975	HARNESS TAPE 1 1/4" Vinyl (100 Ft. Roll) Non-Adhesive	\$15.00	
R0058272	1976	HARNESS TAPE 3/4" Vinyl (100 Ft. Roll) Non-Adhesive	\$12.00	
R0058276	1976	HARNESS TAPE 1" Vinyl (100 Ft. Roll) Non-Adhesive	\$13.00	
R0067108	1976	HARNESS TAPE 1 1/4" Vinyl (100 Ft. Roll) Non-Adhesive	\$15.00	
R0058272	1977	HARNESS TAPE 3/4" Vinyl (100 Ft. Roll) Non-Adhesive	\$12.00	
R0058276	1977	HARNESS TAPE 1" Vinyl (100 Ft. Roll) Non-Adhesive	\$13.00	
R0067108	1977	HARNESS TAPE 1 1/4" Vinyl (100 Ft. Roll) Non-Adhesive	\$15.00	
R0058272	1978	HARNESS TAPE 3/4" Vinyl (100 Ft. Roll) Non-Adhesive	\$12.00	
R0058276	1978	HARNESS TAPE 1" Vinyl (100 Ft. Roll) Non-Adhesive	\$13.00	
R0067108	1978	HARNESS TAPE 1 1/4" Vinyl (100 Ft. Roll) Non-Adhesive	\$15.00	
R0058272	1979	HARNESS TAPE 3/4" Vinyl (100 Ft. Roll) Non-Adhesive	\$12.00	
R0058276	1979	HARNESS TAPE 1" Vinyl (100 Ft. Roll) Non-Adhesive	\$13.00	
R0067108	1979	HARNESS TAPE 1 1/4" Vinyl (100 Ft. Roll) Non-Adhesive	\$15.00	
R0058272	1980	HARNESS TAPE 3/4" Vinyl (100 Ft. Roll) Non-Adhesive	\$12.00	
R0058276	1980	HARNESS TAPE 1" Vinyl (100 Ft. Roll) Non-Adhesive	\$13.00	
R0067108	1980	HARNESS TAPE 1 1/4" Vinyl (100 Ft. Roll) Non-Adhesive	\$15.00	
R0058272	1981	HARNESS TAPE 3/4" Vinyl (100 Ft. Roll) Non-Adhesive	\$12.00	
R0058276	1981	HARNESS TAPE 1" Vinyl (100 Ft. Roll) Non-Adhesive	\$13.00	

Part Number	Year	Description	Price	*Rev.
R0067108	1981	HARNESS TAPE 1 1/4" Vinyl (100 Ft. Roll) Non-Adhesive	\$15.00	
R0058272	1982	HARNESS TAPE 3/4" Vinyl (100 Ft. Roll) Non-Adhesive	\$12.00	
R0058276	1982	HARNESS TAPE 1" Vinyl (100 Ft. Roll) Non-Adhesive	\$13.00	
R0067108	1982	HARNESS TAPE 1 1/4" Vinyl (100 Ft. Roll) Non-Adhesive	\$15.00	
R0058272	1983	HARNESS TAPE 3/4" Vinyl (100 Ft. Roll) Non-Adhesive	\$12.00	
R0058276	1983	HARNESS TAPE 1" Vinyl (100 Ft. Roll) Non-Adhesive	\$13.00	
R0067108	1983	HARNESS TAPE 1 1/4" Vinyl (100 Ft. Roll) Non-Adhesive	\$15.00	
R0058272	1984	HARNESS TAPE 3/4" Vinyl (100 Ft. Roll) Non-Adhesive	\$12.00	
R0058276	1984	HARNESS TAPE 1" Vinyl (100 Ft. Roll) Non-Adhesive	\$13.00	
R0067108	1984	HARNESS TAPE 1 1/4" Vinyl (100 Ft. Roll) Non-Adhesive	\$15.00	
R0058272	1985	HARNESS TAPE 3/4" Vinyl (100 Ft. Roll) Non-Adhesive	\$12.00	
R0058276	1985	HARNESS TAPE 1" Vinyl (100 Ft. Roll) Non-Adhesive	\$13.00	
R0067108	1985	HARNESS TAPE 1 1/4" Vinyl (100 Ft. Roll) Non-Adhesive	\$15.00	
R0058272	1986	HARNESS TAPE 3/4" Vinyl (100 Ft. Roll) Non-Adhesive	\$12.00	
R0058276	1986	HARNESS TAPE 1" Vinyl (100 Ft. Roll) Non-Adhesive	\$13.00	
R0067108	1986	HARNESS TAPE 1 1/4" Vinyl (100 Ft. Roll) Non-Adhesive	\$15.00	
R0058272	1987	HARNESS TAPE 3/4" Vinyl (100 Ft. Roll) Non-Adhesive	\$12.00	
R0058276	1987	HARNESS TAPE 1" Vinyl (100 Ft. Roll) Non-Adhesive	\$13.00	
R0067108	1987	HARNESS TAPE 1 1/4" Vinyl (100 Ft. Roll) Non-Adhesive	\$15.00	
R0058272	1988	HARNESS TAPE 3/4" Vinyl (100 Ft. Roll) Non-Adhesive	\$12.00	
R0058276	1988	HARNESS TAPE 1" Vinyl (100 Ft. Roll) Non-Adhesive	\$13.00	
R0067108	1988	HARNESS TAPE 1 1/4" Vinyl (100 Ft. Roll) Non-Adhesive	\$15.00	
R0058272	1989	HARNESS TAPE 3/4" Vinyl (100 Ft. Roll) Non-Adhesive	\$12.00	
R0058276	1989	HARNESS TAPE 1" Vinyl (100 Ft. Roll) Non-Adhesive	\$13.00	
R0067108	1989	HARNESS TAPE 1 1/4" Vinyl (100 Ft. Roll) Non-Adhesive	\$15.00	
R0058272	1990	HARNESS TAPE 3/4" Vinyl (100 Ft. Roll) Non-Adhesive	\$12.00	
R0058276	1990	HARNESS TAPE 1" Vinyl (100 Ft. Roll) Non-Adhesive	\$13.00	
R0067108	1990	HARNESS TAPE 1 1/4" Vinyl (100 Ft. Roll) Non-Adhesive	\$15.00	
R0058272	1991	HARNESS TAPE 3/4" Vinyl (100 Ft. Roll) Non-Adhesive	\$12.00	
R0058276	1991	HARNESS TAPE 1" Vinyl (100 Ft. Roll) Non-Adhesive	\$13.00	
R0067108	1991	HARNESS TAPE 1 1/4" Vinyl (100 Ft. Roll) Non-Adhesive	\$15.00	
<b>HEADLAMP DIMMER SWITCH</b>				
01997008	1929	HEADLAMP DIMMER SWITCH	\$12.00	N
01997008	1930	HEADLAMP DIMMER SWITCH	\$12.00	N
01997008	1931	HEADLAMP DIMMER SWITCH	\$12.00	N
01997008	1932	HEADLAMP DIMMER SWITCH	\$12.00	N
01997008	1933	HEADLAMP DIMMER SWITCH	\$12.00	N
01997008	1934	HEADLAMP DIMMER SWITCH	\$12.00	N
01997008	1935	HEADLAMP DIMMER SWITCH	\$12.00	N
01997008	1936	HEADLAMP DIMMER SWITCH	\$12.00	N
01997008	1937	HEADLAMP DIMMER SWITCH	\$12.00	N
01997008	1938	HEADLAMP DIMMER SWITCH	\$12.00	N
01997008	1939	HEADLAMP DIMMER SWITCH	\$12.00	N
01997008	1940	HEADLAMP DIMMER SWITCH	\$12.00	N
01997008	1941	HEADLAMP DIMMER SWITCH	\$12.00	N
01997008	1942	HEADLAMP DIMMER SWITCH	\$12.00	N
01997008	1943	HEADLAMP DIMMER SWITCH	\$12.00	N

Part Number	Year	Description	Price	*Rev.
01997008	1944	HEADLAMP DIMMER SWITCH	\$12.00	N
01997008	1945	HEADLAMP DIMMER SWITCH	\$12.00	N
01997008	1946	HEADLAMP DIMMER SWITCH	\$12.00	N
01997008	1947	HEADLAMP DIMMER SWITCH	\$12.00	N
01997008	1948	HEADLAMP DIMMER SWITCH	\$12.00	N
01997008	1949	HEADLAMP DIMMER SWITCH	\$12.00	N
01997008	1950	HEADLAMP DIMMER SWITCH	\$12.00	N
01997008	1951	HEADLAMP DIMMER SWITCH	\$12.00	N
01997008	1952	HEADLAMP DIMMER SWITCH	\$12.00	N
01997008	1953	HEADLAMP DIMMER SWITCH	\$12.00	N
01997008	1954	HEADLAMP DIMMER SWITCH	\$12.00	N
01997008	1955	HEADLAMP DIMMER SWITCH 6 Volt	\$12.00	N
01997021	1955	HEADLAMP DIMMER SWITCH 12 Volt	\$19.00	N
01997021	1956	HEADLAMP DIMMER SWITCH	\$19.00	N
01997023	1957	HEADLAMP DIMMER SWITCH	\$16.00	N
01997023	1958	HEADLAMP DIMMER SWITCH	\$16.00	N
01997023	1959	HEADLAMP DIMMER SWITCH	\$16.00	N
01997023	1960	HEADLAMP DIMMER SWITCH	\$16.00	N
01997028	1961	HEADLAMP DIMMER SWITCH	\$7.50	N
01997028	1962	HEADLAMP DIMMER SWITCH	\$7.50	N
01997028	1963	HEADLAMP DIMMER SWITCH	\$7.50	N
01997028	1964	HEADLAMP DIMMER SWITCH	\$7.50	N
01997023	1965	HEADLAMP DIMMER SWITCH Without 4 Wheel Drive	\$16.00	N
01997028	1965	HEADLAMP DIMMER SWITCH	\$7.50	N
01997023	1966	HEADLAMP DIMMER SWITCH Without 4 Wheel Drive	\$16.00	N
01997028	1966	HEADLAMP DIMMER SWITCH	\$7.50	N
01997028	1967	HEADLAMP DIMMER SWITCH	\$7.50	N
01997028	1968	HEADLAMP DIMMER SWITCH	\$7.50	N
01997028	1969	HEADLAMP DIMMER SWITCH	\$7.50	N
01997028	1970	HEADLAMP DIMMER SWITCH	\$7.50	N
<b>HEADLAMP EXTENSION HARNESS</b>				
03340	1960	HEADLAMP EXTENSION HARNESS Dual Headlights, Front Grill Extension	\$81.00	
03340	1961	HEADLAMP EXTENSION HARNESS Dual Headlights, Front Grill Extension	\$81.00	
20690	1962	HEADLAMP EXTENSION HARNESS Single Headlights, Front Grill Extension	\$81.00	
04720	1963	HEADLAMP EXTENSION HARNESS Single Headlights, Front Grill Extension	\$69.00	
04720	1964	HEADLAMP EXTENSION HARNESS Single Headlights, Front Grill Extension	\$69.00	
04720	1965	HEADLAMP EXTENSION HARNESS Single Headlights, Front Grill Extension	\$69.00	
04720	1966	HEADLAMP EXTENSION HARNESS Single Headlights, Front Grill Extension	\$69.00	
<b>HEADLIGHT BUCKET EXTENSION HARNESS</b>				
20225	1955	HEADLIGHT BUCKET EXTENSION HARNESS Set Of 2	\$41.00	
20225	1956	HEADLIGHT BUCKET EXTENSION HARNESS Set Of 2	\$41.00	
20225	1957	HEADLIGHT BUCKET EXTENSION HARNESS Set Of 2	\$41.00	
19645	1958	HEADLIGHT BUCKET EXTENSION HARNESS Set Of 2	\$52.00	
19645	1959	HEADLIGHT BUCKET EXTENSION HARNESS Set Of 2	\$52.00	
<b>HEADLIGHT SWITCH</b>				
01995082	1955	HEADLIGHT SWITCH 12 Volt	\$45.00	

Part Number	Year	Description	Price	*Rev.
01995082	1956	HEADLIGHT SWITCH All	\$45.00	
01995082	1957	HEADLIGHT SWITCH All	\$45.00	
01995082	1958	HEADLIGHT SWITCH All	\$45.00	
01995082	1959	HEADLIGHT SWITCH All	\$45.00	
01995096	1960	HEADLIGHT SWITCH All	\$31.00	
01995096	1961	HEADLIGHT SWITCH All	\$31.00	
01995096	1962	HEADLIGHT SWITCH All	\$31.00	
01995096	1963	HEADLIGHT SWITCH All	\$31.00	
01995041	1947	HEADLIGHT SWITCH Snap On Terminal Note: Used On Vehicles With A Fused Dome, Stop Lamp, & Glove Box Light Circuit.	\$62.00	N
01995031	1947	HEADLIGHT SWITCH With Screw Terminals Note: Used On Vehicles Without A Fused Dome, Stop Lamp, & Glove Box Light Circuit.	\$62.00	N
01995041	1948	HEADLIGHT SWITCH Snap On Terminal Note: Used On Vehicles With A Fused Dome, Stop Lamp, & Glove Box Light Circuit.	\$62.00	N
01995031	1948	HEADLIGHT SWITCH With Screw Terminals Note: Used On Vehicles Without A Fused Dome, Stop Lamp, & Glove Box Light Circuit.	\$62.00	N
01995041	1949	HEADLIGHT SWITCH Snap On Terminal Note: Used On Vehicles With A Fused Dome, Stop Lamp, & Glove Box Light Circuit.	\$62.00	N
01995031	1949	HEADLIGHT SWITCH With Screw Terminals Note: Used On Vehicles Without A Fused Dome, Stop Lamp, & Glove Box Light Circuit.	\$62.00	N
01995041	1950	HEADLIGHT SWITCH Snap On Terminal Note: Used On Vehicles With A Fused Dome, Stop Lamp, & Glove Box Light Circuit.	\$62.00	N
01995031	1950	HEADLIGHT SWITCH With Screw Terminals Note: Used On Vehicles Without A Fused Dome, Stop Lamp, & Glove Box Light Circuit.	\$62.00	N
01995041	1951	HEADLIGHT SWITCH Snap On Terminal Note: Used On Vehicles With A Fused Dome, Stop Lamp, & Glove Box Light Circuit.	\$62.00	N
01995041	1952	HEADLIGHT SWITCH Snap On Terminal Note: Used On Vehicles With A Fused Dome, Stop Lamp, & Glove Box Light Circuit.	\$62.00	N
01995041	1953	HEADLIGHT SWITCH Snap On Terminal Note: Used On Vehicles With A Fused Dome, Stop Lamp, & Glove Box Light Circuit.	\$62.00	N
01995041	1954	HEADLIGHT SWITCH Snap On Terminal Note: Used On Vehicles With A Fused Dome, Stop Lamp, & Glove Box Light Circuit.	\$62.00	N
01995041	1955	HEADLIGHT SWITCH 6 Volt, Snap On Terminal Note: Used On Vehicles With A Fused Dome, Stop Lamp, & Glove Box Light Circuit.	\$62.00	N
01995179	1964	HEADLIGHT SWITCH	\$20.00	N
01995179	1965	HEADLIGHT SWITCH	\$20.00	N
01995179	1966	HEADLIGHT SWITCH	\$20.00	N
01995179	1967	HEADLIGHT SWITCH	\$20.00	N
01995179	1968	HEADLIGHT SWITCH	\$20.00	N
01995179	1969	HEADLIGHT SWITCH	\$20.00	N
01995179	1970	HEADLIGHT SWITCH	\$20.00	N
01995179	1971	HEADLIGHT SWITCH	\$20.00	N
01995179	1972	HEADLIGHT SWITCH	\$20.00	N
01995216	1973	HEADLIGHT SWITCH	\$20.00	N
01995216	1974	HEADLIGHT SWITCH	\$20.00	N
01995216	1975	HEADLIGHT SWITCH	\$20.00	N
01995216	1976	HEADLIGHT SWITCH	\$20.00	N
01995216	1977	HEADLIGHT SWITCH	\$20.00	N

Part Number	Year	Description	Price	*Rev.
01995216	1978	HEADLIGHT SWITCH	\$20.00	N
01995216	1979	HEADLIGHT SWITCH	\$20.00	N
01995216	1980	HEADLIGHT SWITCH	\$20.00	N
01995216	1981	HEADLIGHT SWITCH	\$20.00	N
01995216	1982	HEADLIGHT SWITCH	\$20.00	N
01995216	1983	HEADLIGHT SWITCH	\$20.00	N
01995216	1984	HEADLIGHT SWITCH	\$20.00	N
01995216	1985	HEADLIGHT SWITCH	\$20.00	N
01995216	1986	HEADLIGHT SWITCH	\$20.00	N
01995216	1987	HEADLIGHT SWITCH RV Body Style	\$20.00	N
01995216	1988	HEADLIGHT SWITCH RV Body Style	\$20.00	N
01995216	1989	HEADLIGHT SWITCH RV Body Style	\$20.00	N
01995216	1990	HEADLIGHT SWITCH RV Body Style	\$20.00	N
01995216	1991	HEADLIGHT SWITCH RV Body Style	\$20.00	N
<b>HEATER BLOWER MOTOR RESISTOR</b>				
03929052	1938	HEATER BLOWER MOTOR RESISTOR Without A/C	\$15.00	N
03929052	1939	HEATER BLOWER MOTOR RESISTOR Without A/C	\$15.00	N
03929052	1940	HEATER BLOWER MOTOR RESISTOR Without A/C	\$15.00	N
03929052	1941	HEATER BLOWER MOTOR RESISTOR Without A/C	\$15.00	N
03929052	1942	HEATER BLOWER MOTOR RESISTOR Without A/C	\$15.00	N
03929052	1943	HEATER BLOWER MOTOR RESISTOR Without A/C	\$15.00	N
03929052	1944	HEATER BLOWER MOTOR RESISTOR Without A/C	\$15.00	N
03929052	1945	HEATER BLOWER MOTOR RESISTOR Without A/C	\$15.00	N
03929052	1946	HEATER BLOWER MOTOR RESISTOR Without A/C	\$15.00	N
03929052	1947	HEATER BLOWER MOTOR RESISTOR Without A/C	\$15.00	N
03929052	1948	HEATER BLOWER MOTOR RESISTOR Without A/C	\$15.00	N
03929052	1949	HEATER BLOWER MOTOR RESISTOR Without A/C	\$15.00	N
03929052	1950	HEATER BLOWER MOTOR RESISTOR Without A/C	\$15.00	N
03929052	1951	HEATER BLOWER MOTOR RESISTOR Without A/C	\$15.00	N
03929052	1952	HEATER BLOWER MOTOR RESISTOR Without A/C	\$15.00	N
03929052	1953	HEATER BLOWER MOTOR RESISTOR Without A/C	\$15.00	N
03929052	1954	HEATER BLOWER MOTOR RESISTOR Without A/C	\$15.00	N
03929052	1955	HEATER BLOWER MOTOR RESISTOR Without A/C	\$15.00	N
03929052	1956	HEATER BLOWER MOTOR RESISTOR Without A/C	\$15.00	N
03929052	1957	HEATER BLOWER MOTOR RESISTOR Without A/C	\$15.00	N
03929052	1958	HEATER BLOWER MOTOR RESISTOR Without A/C	\$15.00	N
03929052	1959	HEATER BLOWER MOTOR RESISTOR Without A/C	\$15.00	N
03929052	1960	HEATER BLOWER MOTOR RESISTOR Without A/C	\$15.00	N
03929052	1961	HEATER BLOWER MOTOR RESISTOR Without A/C	\$15.00	N
03929052	1962	HEATER BLOWER MOTOR RESISTOR Without A/C	\$15.00	N
03929052	1963	HEATER BLOWER MOTOR RESISTOR Without A/C	\$15.00	N
03929052	1964	HEATER BLOWER MOTOR RESISTOR Without A/C	\$15.00	N
03929052	1965	HEATER BLOWER MOTOR RESISTOR Without A/C	\$15.00	N
03929052	1966	HEATER BLOWER MOTOR RESISTOR Without A/C	\$15.00	N
03929052	1967	HEATER BLOWER MOTOR RESISTOR Without A/C	\$15.00	N
03929052	1968	HEATER BLOWER MOTOR RESISTOR Without A/C	\$15.00	N
03929052	1969	HEATER BLOWER MOTOR RESISTOR Without A/C	\$15.00	N

Part Number	Year	Description	Price	*Rev.
03929052	1970	HEATER BLOWER MOTOR RESISTOR Without A/C	\$15.00	N
03929052	1971	HEATER BLOWER MOTOR RESISTOR Without A/C	\$15.00	N
03929052	1972	HEATER BLOWER MOTOR RESISTOR Without A/C	\$15.00	N
03929052	1982	HEATER BLOWER MOTOR RESISTOR Suburban, Auxiliary Blower Motor, Without A/C	\$15.00	N
03929052	1983	HEATER BLOWER MOTOR RESISTOR Suburban, Auxiliary Blower Motor, Without A/C	\$15.00	N
03929052	1984	HEATER BLOWER MOTOR RESISTOR Suburban, Auxiliary Blower Motor, Without A/C	\$15.00	N
03929052	1985	HEATER BLOWER MOTOR RESISTOR Suburban, Auxiliary Blower Motor, Without A/C	\$15.00	N
03929052	1986	HEATER BLOWER MOTOR RESISTOR Suburban, Auxiliary Blower Motor, Without A/C	\$15.00	N
03929052	1987	HEATER BLOWER MOTOR RESISTOR Suburban, Auxiliary Blower Motor, Without A/C	\$15.00	N
03929052	1988	HEATER BLOWER MOTOR RESISTOR Suburban, Auxiliary Blower Motor, Without A/C	\$15.00	N
03929052	1989	HEATER BLOWER MOTOR RESISTOR Suburban, Auxiliary Blower Motor, Without A/C	\$15.00	N
03929052	1990	HEATER BLOWER MOTOR RESISTOR Suburban, Auxiliary Blower Motor, Without A/C	\$15.00	N
03929052	1991	HEATER BLOWER MOTOR RESISTOR Suburban, Auxiliary Blower Motor, Without A/C	\$15.00	N
<b>HEATER BLOWER MOTOR SWITCH</b>				
03840039	1967	HEATER BLOWER MOTOR SWITCH Without A/C	\$13.00	
03840039	1968	HEATER BLOWER MOTOR SWITCH Without A/C	\$13.00	
03840039	1969	HEATER BLOWER MOTOR SWITCH Without A/C	\$13.00	
03840039	1970	HEATER BLOWER MOTOR SWITCH Without A/C	\$13.00	
03840039	1971	HEATER BLOWER MOTOR SWITCH Without A/C	\$13.00	
03857992	1967	HEATER BLOWER MOTOR SWITCH With A/C	\$17.00	
03857992	1968	HEATER BLOWER MOTOR SWITCH With A/C	\$17.00	
03857992	1969	HEATER BLOWER MOTOR SWITCH With A/C	\$17.00	
03857992	1970	HEATER BLOWER MOTOR SWITCH With A/C	\$17.00	
03857992	1971	HEATER BLOWER MOTOR SWITCH With A/C	\$17.00	
03857992	1972	HEATER BLOWER MOTOR SWITCH With A/C	\$17.00	
03840039	1964	HEATER BLOWER MOTOR SWITCH With Deluxe Heater, Without A/C	\$13.00	
03840039	1965	HEATER BLOWER MOTOR SWITCH With Deluxe Heater, Without A/C	\$13.00	
03840039	1966	HEATER BLOWER MOTOR SWITCH With Deluxe Heater, Without A/C	\$13.00	
03840039	1972	HEATER BLOWER MOTOR SWITCH Without A/C	\$13.00	
03757698	1955	HEATER BLOWER MOTOR SWITCH With Deluxe Heater	\$39.00	N
03757698	1956	HEATER BLOWER MOTOR SWITCH With Deluxe Heater	\$39.00	N
03757698	1957	HEATER BLOWER MOTOR SWITCH With Deluxe Heater	\$39.00	N
03757698	1958	HEATER BLOWER MOTOR SWITCH With Deluxe Heater	\$39.00	N
03757698	1959	HEATER BLOWER MOTOR SWITCH With Deluxe Heater	\$39.00	N
<b>HEATER BLOWER MOTOR WIRE</b>				
30775	1964	HEATER BLOWER MOTOR WIRE Fuse Block To Blower Switch	\$15.00	
30775	1965	HEATER BLOWER MOTOR WIRE Fuse Block To Blower Switch	\$15.00	
30775	1966	HEATER BLOWER MOTOR WIRE Fuse Block To Blower Switch	\$15.00	
<b>HEATER CONTROL LAMP WIRE</b>				
19940	1964	HEATER CONTROL LAMP WIRE Deluxe Heater, Without A/C	\$14.00	
19940	1965	HEATER CONTROL LAMP WIRE Deluxe Heater, Without A/C	\$14.00	
19940	1966	HEATER CONTROL LAMP WIRE Deluxe Heater, Without A/C	\$14.00	
40132	1967	HEATER CONTROL LAMP WIRE Deluxe Heater, Without A/C	\$22.00	
40132	1968	HEATER CONTROL LAMP WIRE Deluxe Heater, Without A/C	\$22.00	
<b>HEATER HARNESS</b>				
38071	1960	HEATER HARNESS Standard 2 Speed Heater, Without A/C	\$34.00	



Part Number	Year	Description	Price	*Rev.
38071	1962	<b>HEATER HARNESS</b> Standard 2 Speed Heater, Without A/C	\$34.00	
19970	1964	<b>HEATER HARNESS</b> Standard 2 Speed Heater, Without A/C	\$34.00	
19925	1964	<b>HEATER HARNESS</b> Deluxe 3 Speed Heater, Without A/C	\$34.00	
19970	1965	<b>HEATER HARNESS</b> Standard 2 Speed Heater, Without A/C	\$34.00	
19925	1965	<b>HEATER HARNESS</b> Deluxe 3 Speed Heater, Without A/C	\$34.00	
19970	1966	<b>HEATER HARNESS</b> Standard 2 Speed Heater, Without A/C	\$34.00	
19925	1966	<b>HEATER HARNESS</b> Deluxe 3 Speed Heater, Without A/C	\$34.00	
28520	1967	<b>HEATER HARNESS</b> Without A/C	\$34.00	
28520	1968	<b>HEATER HARNESS</b> Without A/C	\$34.00	
23470	1969	<b>HEATER HARNESS</b> Without A/C	\$34.00	
23470	1970	<b>HEATER HARNESS</b> Without A/C	\$34.00	
23470	1971	<b>HEATER HARNESS</b> Without A/C	\$34.00	
23470	1972	<b>HEATER HARNESS</b> Without A/C	\$34.00	
39707	1973	<b>HEATER HARNESS</b> Except Heavy Duty Heater, Without A/C, (For Use With 3 Terminal Heater Resistor)	\$69.00	
39305	1973	<b>HEATER HARNESS</b> With Heavy Duty Heater, Without A/C, (For Use With 4 Terminal Heater Resistor)	\$81.00	
39707	1974	<b>HEATER HARNESS</b> Except Heavy Duty Heater, Without A/C, (For Use With 3 Terminal Heater Resistor)	\$69.00	
39305	1974	<b>HEATER HARNESS</b> With Heavy Duty Heater, Without A/C, (For Use With 4 Terminal Heater Resistor)	\$81.00	
39707	1975	<b>HEATER HARNESS</b> Except Heavy Duty Heater, Without A/C, (For Use With 3 Terminal Heater Resistor)	\$69.00	
39305	1975	<b>HEATER HARNESS</b> With Heavy Duty Heater, Without A/C, (For Use With 4 Terminal Heater Resistor)	\$81.00	
39707	1976	<b>HEATER HARNESS</b> Except Heavy Duty Heater, Without A/C, (For Use With 3 Terminal Heater Resistor)	\$69.00	
39305	1976	<b>HEATER HARNESS</b> With Heavy Duty Heater, Without A/C, (For Use With 4 Terminal Heater Resistor)	\$81.00	
39815	1976	<b>HEATER HARNESS</b> All Suburban, & 2 Wheel Drive Blazer & Jimmy, With Rear Auxiliary Heater	\$75.00	
39707	1977	<b>HEATER HARNESS</b> Except Heavy Duty Heater, Without A/C, (For Use With 3 Terminal Heater Resistor)	\$69.00	
39305	1977	<b>HEATER HARNESS</b> With Heavy Duty Heater, Without A/C, (For Use With 4 Terminal Heater Resistor)	\$81.00	
39815	1977	<b>HEATER HARNESS</b> All Suburban, & 2 Wheel Drive Blazer & Jimmy, With Rear Auxiliary Heater	\$75.00	
39707	1978	<b>HEATER HARNESS</b> Except Heavy Duty Heater, Without A/C, (For Use With 3 Terminal Heater Resistor)	\$69.00	
39305	1978	<b>HEATER HARNESS</b> With Heavy Duty Heater, Without A/C, (For Use With 4 Terminal Heater Resistor)	\$81.00	
39815	1978	<b>HEATER HARNESS</b> All Suburban, & 2 Wheel Drive Blazer & Jimmy, With Rear Auxiliary Heater	\$75.00	
39707	1979	<b>HEATER HARNESS</b> Except Heavy Duty Heater, Without A/C, (For Use With 3 Terminal Heater Resistor)	\$69.00	
39305	1979	<b>HEATER HARNESS</b> With Heavy Duty Heater, Without A/C, (For Use With 4 Terminal Heater Resistor)	\$81.00	
39910	1979	<b>HEATER HARNESS</b> All Suburban, & 2 Wheel Drive Blazer & Jimmy, With Rear Auxiliary Heater	\$75.00	
39707	1980	<b>HEATER HARNESS</b> Except Heavy Duty Heater, Without A/C, (For Use With 3 Terminal Heater Resistor)	\$69.00	
39305	1980	<b>HEATER HARNESS</b> With Heavy Duty Heater, Without A/C, (For Use With 4 Terminal Heater Resistor)	\$81.00	

Part Number	Year	Description	Price	*Rev.
39910	1980	<b>HEATER HARNESS</b> All Suburban, & 2 Wheel Drive Blazer & Jimmy, With Rear Auxiliary Heater	\$75.00	
39910	1981	<b>HEATER HARNESS</b> All Suburban, & 2 Wheel Drive Blazer & Jimmy, With Rear Auxiliary Heater	\$75.00	
39934	1981	<b>HEATER HARNESS</b> Except Heavy Duty Heater, Without A/C, (For Use With 3 Terminal Heater Resistor)	\$69.00	
39935	1981	<b>HEATER HARNESS</b> With Heavy Duty Heater, Without A/C, (For Use With 4 Terminal Heater Resistor)	\$75.00	
39934	1982	<b>HEATER HARNESS</b> Except Heavy Duty Heater, Without A/C, (For Use With 3 Terminal Heater Resistor)	\$69.00	
39935	1982	<b>HEATER HARNESS</b> With Heavy Duty Heater, Without A/C, (For Use With 4 Terminal Heater Resistor)	\$75.00	
41474	1963	<b>HEATER HARNESS</b> Standard 2 Speed Heater, Without A/C	\$37.00	
38071	1961	<b>HEATER HARNESS</b> Standard 2 Speed Heater, Without A/C	\$34.00	
<b>HOOD LAMP HARNESS</b>				
38070	1960	<b>HOOD LAMP HARNESS</b> For Park & Directional Lights In Hood	\$58.00	
38070	1961	<b>HOOD LAMP HARNESS</b> For Park & Directional Lights In Hood	\$58.00	
38082	1962	<b>HOOD LAMP HARNESS</b> For Park & Directional Lights In Hood	\$58.00	
02667	1963	<b>HOOD LAMP HARNESS</b> For Park & Directional Lights In Hood	\$58.00	
02667	1964	<b>HOOD LAMP HARNESS</b> For Park & Directional Lights In Hood	\$58.00	
02667	1965	<b>HOOD LAMP HARNESS</b> For Park & Directional Lights In Hood	\$58.00	
02667	1966	<b>HOOD LAMP HARNESS</b> For Park & Directional Lights In Hood	\$58.00	
<b>HORN WIRE</b>				
39706	1974	<b>HORN WIRE</b> Used With Hi Note Horn	\$26.00	
39789	1975	<b>HORN WIRE</b> Used With Hi Note Horn	\$26.00	
<b>IDLE SPEED SWITCH HARNESS</b>				
37523	1979	<b>IDLE SPEED SWITCH HARNESS</b> 1-Ton Truck, With V/8	\$57.00	
37523	1980	<b>IDLE SPEED SWITCH HARNESS</b> 1-Ton Truck, With V/8	\$57.00	
<b>IDLE STOP SOLENOID JUMPER WIRE</b>				
40013	1982	<b>IDLE STOP SOLENOID JUMPER WIRE</b> Idle Stop Solenoid To A/C Harness	\$22.00	
<b>IGNITION SWITCH</b>				
01116464	1947	<b>IGNITION SWITCH</b>	\$39.00	N
01116464	1948	<b>IGNITION SWITCH</b>	\$39.00	N
01116464	1949	<b>IGNITION SWITCH</b>	\$39.00	N
01116464	1950	<b>IGNITION SWITCH</b>	\$39.00	N
01116464	1951	<b>IGNITION SWITCH</b>	\$39.00	N
01116464	1952	<b>IGNITION SWITCH</b>	\$39.00	N
01116464	1953	<b>IGNITION SWITCH</b>	\$39.00	N
01116469	1954	<b>IGNITION SWITCH</b> 6 Volt	\$54.00	N
01116469	1955	<b>IGNITION SWITCH</b> 1st Series, 6 Volt	\$54.00	N
01116514	1955	<b>IGNITION SWITCH</b> V/8	\$50.00	N
01116514	1956	<b>IGNITION SWITCH</b> V/8	\$50.00	N
01116626	1962	<b>IGNITION SWITCH</b>	\$24.00	N
01116626	1963	<b>IGNITION SWITCH</b>	\$24.00	N
01116626	1964	<b>IGNITION SWITCH</b>	\$24.00	N
01116626	1965	<b>IGNITION SWITCH</b>	\$24.00	N
01116626	1966	<b>IGNITION SWITCH</b>	\$24.00	N
01116712	1967	<b>IGNITION SWITCH</b>	\$18.00	N

Part Number	Year	Description	Price	*Rev.
01116712	1968	IGNITION SWITCH	\$18.00	N
01116712	1969	IGNITION SWITCH	\$18.00	N
01116712	1970	IGNITION SWITCH	\$18.00	N
01116712	1971	IGNITION SWITCH	\$18.00	N
01116712	1972	IGNITION SWITCH	\$18.00	N
<b>IGNITION SWITCH ADAPTER</b>				
37444	1957	<b>IGNITION SWITCH ADAPTER</b> For Using 1955-56 Ignition Switch In 1957-59 Chevy Trucks Note: Allows 1957-59 Chevy Truck Engine Harnesses To Be Connected To The Reproduction Ignition Switch Available For 1955-56 Chevy Trucks & Cars.	\$22.00	
37444	1958	<b>IGNITION SWITCH ADAPTER</b> For Using 1955-56 Ignition Switch In 1957-59 Chevy Trucks Note: Allows 1957-59 Chevy Truck Engine Harnesses To Be Connected To The Reproduction Ignition Switch Available For 1955-56 Chevy Trucks & Cars.	\$22.00	
37444	1959	<b>IGNITION SWITCH ADAPTER</b> For Using 1955-56 Ignition Switch In 1957-59 Chevy Trucks Note: Allows 1957-59 Chevy Truck Engine Harnesses To Be Connected To The Reproduction Ignition Switch Available For 1955-56 Chevy Trucks & Cars.	\$22.00	
<b>KICKDOWN HARNESS</b>				
20900	1967	<b>KICKDOWN HARNESS</b> TH400 Auto Trans, With Carb Mounted Kickdown Switch	\$37.00	
20900	1968	<b>KICKDOWN HARNESS</b> TH400 Auto Trans, With Carb Mounted Kickdown Switch	\$37.00	
20895	1969	<b>KICKDOWN HARNESS</b> TH400 Auto Trans, With Carb Mounted Kickdown Switch	\$41.00	
20890	1970	<b>KICKDOWN HARNESS</b> TH400 Auto Trans, With Carb Mounted Kickdown Switch, Without T.C.S. Note: Kickdown Harness, TH400 With T.C.S., See Transmission Controlled Spark Harness.	\$81.00	
40039	1971	<b>KICKDOWN HARNESS</b> TH400 Auto Trans	\$45.00	
40039	1972	<b>KICKDOWN HARNESS</b> TH400 Auto Trans	\$45.00	
40040	1971	<b>KICKDOWN EXTENSION HARNESS</b> TH400 Auto Trans	\$28.00	
40040	1972	<b>KICKDOWN EXTENSION HARNESS</b> TH400 Auto Trans	\$28.00	
39721	1973	<b>KICKDOWN EXTENSION HARNESS</b> With 454 V/8 & 400 Trans, Transmission Switch To Dash Kickdown Harness	\$35.00	
39721	1974	<b>KICKDOWN EXTENSION HARNESS</b> With 454 V/8 & TH400 Trans, Transmission Switch To Kickdown Harness	\$35.00	
39360	1975	<b>KICKDOWN EXTENSION HARNESS</b> With 454 V/8 & TH400 Trans, Transmission Switch To Kickdown Harness	\$35.00	
39360	1976	<b>KICKDOWN EXTENSION HARNESS</b> With 454 V/8 & TH400 Trans, Transmission Switch To Kickdown Harness	\$35.00	
39360	1977	<b>KICKDOWN EXTENSION HARNESS</b> With 454 V/8 & TH400 Trans, Transmission Switch To Kickdown Harness	\$35.00	
39360	1978	<b>KICKDOWN EXTENSION HARNESS</b> With 454 V/8 & TH400 Trans, Transmission Switch To Kickdown Harness	\$35.00	
39360	1979	<b>KICKDOWN EXTENSION HARNESS</b> With 454 V/8 & TH400 Trans, Transmission Switch To Kickdown Harness	\$35.00	
39360	1980	<b>KICKDOWN EXTENSION HARNESS</b> With 454 V/8 & TH400 Trans, Transmission Switch To Kickdown Harness	\$35.00	
39360	1981	<b>KICKDOWN EXTENSION HARNESS</b> With 454 V/8 & TH400 Trans, Transmission Switch To Kickdown Harness	\$35.00	
39360	1982	<b>KICKDOWN EXTENSION HARNESS</b> With 454 V/8 & TH400 Trans, Transmission Switch To Kickdown Harness	\$35.00	
39722	1973	<b>KICKDOWN HARNESS</b> With 454 V/8 & TH400 Trans, Dash Side	\$58.00	
39722	1974	<b>KICKDOWN HARNESS</b> With 454 V/8 & TH400 Trans, Dash Side	\$58.00	
39786	1975	<b>KICKDOWN HARNESS</b> With 454 V/8 & TH400 Trans, Dash Side	\$58.00	
39786	1976	<b>KICKDOWN HARNESS</b> With 454 V/8 & TH400 Trans, Dash Side	\$58.00	
39786	1977	<b>KICKDOWN HARNESS</b> With 454 V/8 & TH400 Trans, Dash Side	\$58.00	

Part Number	Year	Description	Price	*Rev.
39786	1978	<b>KICKDOWN HARNESS</b> With 454 V/8 & TH400 Trans, Dash Side	\$58.00	
39359	1979	<b>KICKDOWN HARNESS</b> With 454 V/8 & TH400 Trans, Dash Side	\$58.00	
39359	1980	<b>KICKDOWN HARNESS</b> With 454 V/8 & TH400 Trans, Dash Side	\$58.00	
39359	1981	<b>KICKDOWN HARNESS</b> With 454 V/8 & TH400 Trans, Dash Side	\$58.00	
39359	1982	<b>KICKDOWN HARNESS</b> With 454 V/8 & TH400 Trans, Dash Side	\$58.00	
<b>KICKDOWN SWITCH</b>				
01242101	1979	<b>KICKDOWN SWITCH</b> M40 Auto Trans	\$45.00	
01242101	1980	<b>KICKDOWN SWITCH</b> M40 Auto Trans	\$45.00	
01242101	1981	<b>KICKDOWN SWITCH</b> M40 Auto Trans	\$45.00	
01242101	1982	<b>KICKDOWN SWITCH</b> M40 Auto Trans	\$45.00	
01242101	1983	<b>KICKDOWN SWITCH</b> M40 Auto Trans	\$45.00	
01242101	1984	<b>KICKDOWN SWITCH</b> M40 Auto Trans	\$45.00	
01242101	1978	<b>KICKDOWN SWITCH</b> M40 Auto Trans	\$45.00	
01242101	1977	<b>KICKDOWN SWITCH</b> M40 Auto Trans	\$45.00	
01242101	1976	<b>KICKDOWN SWITCH</b> M40 Auto Trans	\$45.00	
01242101	1975	<b>KICKDOWN SWITCH</b> M40 Auto Trans	\$45.00	
01242101	1974	<b>KICKDOWN SWITCH</b> M40 Auto Trans	\$45.00	
01242101	1973	<b>KICKDOWN SWITCH</b> M40 Auto Trans	\$45.00	
01242101	1972	<b>KICKDOWN SWITCH</b> M40 Auto Trans	\$45.00	
01242101	1971	<b>KICKDOWN SWITCH</b> M40 Auto Trans	\$45.00	
<b>LICENSE LAMP HARNESS</b>				
39725	1973	<b>LICENSE LAMP HARNESS</b> All Trucks, With Painted Step Bumper & Dual License Lamps	\$41.00	
39725	1974	<b>LICENSE LAMP HARNESS</b> All Trucks, With Painted Step Bumper & Dual License Lamps	\$41.00	
39725	1975	<b>LICENSE LAMP HARNESS</b> All Trucks, With Painted Step Bumper & Dual License Lamps	\$41.00	
39725	1976	<b>LICENSE LAMP HARNESS</b> All Trucks With Painted Step Bumper & Dual License Lamps	\$41.00	
39725	1977	<b>LICENSE LAMP HARNESS</b> All Trucks With Painted Step Bumper & Dual License Lamps	\$41.00	
39872	1978	<b>LICENSE LAMP HARNESS</b> All Trucks With Painted Step Bumper & Dual License Lamps	\$41.00	
39872	1979	<b>LICENSE LAMP HARNESS</b> All Trucks With Painted Step Bumper & Dual License Lamps	\$41.00	
39912	1980	<b>LICENSE LAMP HARNESS</b> All Trucks, With Painted Step Bumper & Dual License Lamps	\$58.00	
39912	1981	<b>LICENSE LAMP HARNESS</b> All Trucks, With Painted Step Bumper & Dual License Lamps	\$58.00	
39912	1982	<b>LICENSE LAMP HARNESS</b> All Trucks, With Painted Step Bumper & Dual License Lamps	\$58.00	
<b>LICENSE LAMP WIRE</b>				
39814	1975	<b>LICENSE LAMP WIRE</b> All, 3/4 & 1-Ton, With Rear Mounted Gas Tank, Without Pickup Bed	\$18.00	
39814	1976	<b>LICENSE LAMP WIRE</b> All, 3/4 & 1-Ton, With Rear Mounted Gas Tank, Without Pickup Bed	\$18.00	
39814	1977	<b>LICENSE LAMP WIRE</b> All, 3/4 & 1-Ton, With Rear Mounted Gas Tank, Without Pickup Bed	\$18.00	
<b>LICENSE PLATE LAMP LEAD WIRE</b>				
38068	1961	<b>LICENSE PLATE LAMP LEAD WIRE</b> Panel Or Suburban With Panel Type Rear Doors, From License Lamp To Rear Body Harness (Includes Original Style Door Jamb	\$17.00	
38068	1960	<b>LICENSE PLATE LAMP LEAD WIRE</b> Panel & Suburban With Panel Type Rear Doors, From License Lamp To Rear Body Harness (Includes Original Style Door Jamb	\$17.00	
38068	1962	<b>LICENSE PLATE LAMP LEAD WIRE</b> Panel & Suburban With Panel Type Rear Doors, From License Lamp To Rear Body Harness (Includes Original Style Door Jamb	\$17.00	
38068	1963	<b>LICENSE PLATE LAMP LEAD WIRE</b> Panel & Suburban With Panel Type Rear Doors, From License Lamp To Rear Body Harness (Includes Original Style Door Jamb	\$17.00	

Part Number	Year	Description	Price	*Rev.
<b>LOW FUEL INDICATOR MODULE</b>				
500274	1947	<b>LOW FUEL INDICATOR MODULE</b> Generic "Adjustable" Low Fuel Warning Module Note: A Complete Electronic Control Unit To Activate A Warning Lamp Or Relay When Fuel Level Drops Below A User Adjustable Level.	\$64.00	C
500274	1948	<b>LOW FUEL INDICATOR MODULE</b> Generic "Adjustable" Low Fuel Warning Module Note: A Complete Electronic Control Unit To Activate A Warning Lamp Or Relay When Fuel Level Drops Below A User Adjustable Level.	\$64.00	C
500274	1949	<b>LOW FUEL INDICATOR MODULE</b> Generic "Adjustable" Low Fuel Warning Module Note: A Complete Electronic Control Unit To Activate A Warning Lamp Or Relay When Fuel Level Drops Below A User Adjustable Level.	\$64.00	C
500274	1950	<b>LOW FUEL INDICATOR MODULE</b> Generic "Adjustable" Low Fuel Warning Module Note: A Complete Electronic Control Unit To Activate A Warning Lamp Or Relay When Fuel Level Drops Below A User Adjustable Level.	\$64.00	C
500274	1951	<b>LOW FUEL INDICATOR MODULE</b> Generic "Adjustable" Low Fuel Warning Module Note: A Complete Electronic Control Unit To Activate A Warning Lamp Or Relay When Fuel Level Drops Below A User Adjustable Level.	\$64.00	C
500274	1952	<b>LOW FUEL INDICATOR MODULE</b> Generic "Adjustable" Low Fuel Warning Module Note: A Complete Electronic Control Unit To Activate A Warning Lamp Or Relay When Fuel Level Drops Below A User Adjustable Level.	\$64.00	C
500274	1953	<b>LOW FUEL INDICATOR MODULE</b> Generic "Adjustable" Low Fuel Warning Module Note: A Complete Electronic Control Unit To Activate A Warning Lamp Or Relay When Fuel Level Drops Below A User Adjustable Level.	\$64.00	C
500274	1954	<b>LOW FUEL INDICATOR MODULE</b> Generic "Adjustable" Low Fuel Warning Module Note: A Complete Electronic Control Unit To Activate A Warning Lamp Or Relay When Fuel Level Drops Below A User Adjustable Level.	\$64.00	C
500274	1955	<b>LOW FUEL INDICATOR MODULE</b> Generic "Adjustable" Low Fuel Warning Module Note: A Complete Electronic Control Unit To Activate A Warning Lamp Or Relay When Fuel Level Drops Below A User Adjustable Level.	\$64.00	C
500274	1956	<b>LOW FUEL INDICATOR MODULE</b> Generic "Adjustable" Low Fuel Warning Module Note: A Complete Electronic Control Unit To Activate A Warning Lamp Or Relay When Fuel Level Drops Below A User Adjustable Level.	\$64.00	C
500274	1957	<b>LOW FUEL INDICATOR MODULE</b> Generic "Adjustable" Low Fuel Warning Module Note: A Complete Electronic Control Unit To Activate A Warning Lamp Or Relay When Fuel Level Drops Below A User Adjustable Level.	\$64.00	C
500274	1958	<b>LOW FUEL INDICATOR MODULE</b> Generic "Adjustable" Low Fuel Warning Module Note: A Complete Electronic Control Unit To Activate A Warning Lamp Or Relay When Fuel Level Drops Below A User Adjustable Level.	\$64.00	C
500274	1959	<b>LOW FUEL INDICATOR MODULE</b> Generic "Adjustable" Low Fuel Warning Module Note: A Complete Electronic Control Unit To Activate A Warning Lamp Or Relay When Fuel Level Drops Below A User Adjustable Level.	\$64.00	C
500274	1960	<b>LOW FUEL INDICATOR MODULE</b> Generic "Adjustable" Low Fuel Warning Module Note: A Complete Electronic Control Unit To Activate A Warning Lamp Or Relay When Fuel Level Drops Below A User Adjustable Level.	\$64.00	C
500274	1961	<b>LOW FUEL INDICATOR MODULE</b> Generic "Adjustable" Low Fuel Warning Module Note: A Complete Electronic Control Unit To Activate A Warning Lamp Or Relay When Fuel Level Drops Below A User Adjustable Level.	\$64.00	C
500274	1962	<b>LOW FUEL INDICATOR MODULE</b> Generic "Adjustable" Low Fuel Warning Module Note: A Complete Electronic Control Unit To Activate A Warning Lamp Or Relay When Fuel Level Drops Below A User Adjustable Level.	\$64.00	C
500274	1963	<b>LOW FUEL INDICATOR MODULE</b> Generic "Adjustable" Low Fuel Warning Module Note: A Complete Electronic Control Unit To Activate A Warning Lamp Or Relay When Fuel Level Drops Below A User Adjustable Level.	\$64.00	C

Part Number	Year	Description	Price	*Rev.
500274	1964	<b>LOW FUEL INDICATOR MODULE</b> Generic "Adjustable" Low Fuel Warning Module Note: A Complete Electronic Control Unit To Activate A Warning Lamp Or Relay When Fuel Level Drops Below A User Adjustable Level.	\$64.00	C
500274	1965	<b>LOW FUEL INDICATOR MODULE</b> Generic "Adjustable" Low Fuel Warning Module Note: A Complete Electronic Control Unit To Activate A Warning Lamp Or Relay When Fuel Level Drops Below A User Adjustable Level.	\$64.00	C
500274	1966	<b>LOW FUEL INDICATOR MODULE</b> Generic "Adjustable" Low Fuel Warning Module Note: A Complete Electronic Control Unit To Activate A Warning Lamp Or Relay When Fuel Level Drops Below A User Adjustable Level.	\$64.00	C
500274	1967	<b>LOW FUEL INDICATOR MODULE</b> Generic "Adjustable" Low Fuel Warning Module Note: A Complete Electronic Control Unit To Activate A Warning Lamp Or Relay When Fuel Level Drops Below A User Adjustable Level.	\$64.00	C
500274	1968	<b>LOW FUEL INDICATOR MODULE</b> Generic "Adjustable" Low Fuel Warning Module Note: A Complete Electronic Control Unit To Activate A Warning Lamp Or Relay When Fuel Level Drops Below A User Adjustable Level.	\$64.00	C
500274	1969	<b>LOW FUEL INDICATOR MODULE</b> Generic "Adjustable" Low Fuel Warning Module Note: A Complete Electronic Control Unit To Activate A Warning Lamp Or Relay When Fuel Level Drops Below A User Adjustable Level.	\$64.00	C
500274	1970	<b>LOW FUEL INDICATOR MODULE</b> Generic "Adjustable" Low Fuel Warning Module Note: A Complete Electronic Control Unit To Activate A Warning Lamp Or Relay When Fuel Level Drops Below A User Adjustable Level.	\$64.00	C
500274	1971	<b>LOW FUEL INDICATOR MODULE</b> Generic "Adjustable" Low Fuel Warning Module Note: A Complete Electronic Control Unit To Activate A Warning Lamp Or Relay When Fuel Level Drops Below A User Adjustable Level.	\$64.00	C
500274	1972	<b>LOW FUEL INDICATOR MODULE</b> Generic "Adjustable" Low Fuel Warning Module Note: A Complete Electronic Control Unit To Activate A Warning Lamp Or Relay When Fuel Level Drops Below A User Adjustable Level.	\$64.00	C
<b>MARKER LAMP HARNESS</b>				
39723	1973	<b>MARKER LAMP HARNESS</b> All Trucks, With Roof Mounted Cab Lights	\$92.00	
39723	1974	<b>MARKER LAMP HARNESS</b> All Trucks, With Roof Mounted Cab Lights	\$92.00	
39723	1975	<b>MARKER LAMP HARNESS</b> All Trucks, With Roof Mounted Cab Lights	\$92.00	
39723	1976	<b>MARKER LAMP HARNESS</b> All Trucks, With Roof Mounted Cab Lights	\$92.00	
39723	1977	<b>MARKER LAMP HARNESS</b> All Trucks, With Roof Mounted Cab Lights	\$92.00	
39723	1978	<b>MARKER LAMP HARNESS</b> All Trucks, With Roof Mounted Cab Lights	\$92.00	
39723	1979	<b>MARKER LAMP HARNESS</b> All Trucks, With Roof Mounted Cab Lights	\$92.00	
39723	1980	<b>MARKER LAMP HARNESS</b> All Trucks, With Roof Mounted Cab Lights	\$92.00	
39723	1981	<b>MARKER LAMP HARNESS</b> All Trucks, With Roof Mounted Cab Lights	\$92.00	
39723	1982	<b>MARKER LAMP HARNESS</b> All Trucks, With Roof Mounted Cab Lights	\$92.00	
<b>NEUTRAL SAFETY AND BACKUP LAMP SWITCH</b>				
01993659	1960	<b>NEUTRAL SAFETY AND BACKUP LAMP SWITCH</b> With Column Shift Powerglide Auto Trans	\$12.00	
01993320	1960	<b>NEUTRAL SAFETY AND BACKUP LAMP SWITCH</b> With Column Shift TH350-400 Auto Trans	\$12.00	
01993659	1961	<b>NEUTRAL SAFETY AND BACKUP LAMP SWITCH</b> With Column Shift Powerglide Auto Trans	\$12.00	
01993320	1961	<b>NEUTRAL SAFETY AND BACKUP LAMP SWITCH</b> With Column Shift TH350-400 Auto Trans	\$12.00	
01993659	1962	<b>NEUTRAL SAFETY AND BACKUP LAMP SWITCH</b> With Column Shift Powerglide Auto Trans	\$12.00	
01993320	1962	<b>NEUTRAL SAFETY AND BACKUP LAMP SWITCH</b> With Column Shift TH350-400 Auto Trans	\$12.00	
01993659	1963	<b>NEUTRAL SAFETY AND BACKUP LAMP SWITCH</b> With Column Shift Powerglide Auto Trans	\$12.00	
01993320	1963	<b>NEUTRAL SAFETY AND BACKUP LAMP SWITCH</b> With Column Shift TH350-400 Auto Trans	\$12.00	
01993659	1964	<b>NEUTRAL SAFETY AND BACKUP LAMP SWITCH</b> With Column Shift Powerglide Auto Trans	\$12.00	
01993320	1964	<b>NEUTRAL SAFETY AND BACKUP LAMP SWITCH</b> With Column Shift TH350-400 Auto Trans	\$12.00	
01993659	1965	<b>NEUTRAL SAFETY AND BACKUP LAMP SWITCH</b> With Column Shift Powerglide Auto Trans	\$12.00	

Part Number	Year	Description	Price	*Rev.
01993320	1965	NEUTRAL SAFETY AND BACKUP LAMP SWITCH With Column Shift TH350-400 Auto Trans	\$12.00	
01993659	1966	NEUTRAL SAFETY AND BACKUP LAMP SWITCH With Column Shift Powerglide Auto Trans	\$12.00	
01993320	1966	NEUTRAL SAFETY AND BACKUP LAMP SWITCH With Column Shift TH350-400 Auto Trans	\$12.00	
01993659	1967	NEUTRAL SAFETY AND BACKUP LAMP SWITCH With Column Shift Powerglide Auto Trans	\$12.00	
01993320	1967	NEUTRAL SAFETY AND BACKUP LAMP SWITCH With Column Shift TH350-400 Auto Trans	\$12.00	
01993659	1968	NEUTRAL SAFETY AND BACKUP LAMP SWITCH With Column Shift Powerglide Auto Trans	\$12.00	
01993320	1968	NEUTRAL SAFETY AND BACKUP LAMP SWITCH With Column Shift TH350-400 Auto Trans	\$12.00	
01993659	1969	NEUTRAL SAFETY AND BACKUP LAMP SWITCH With Column Shift Powerglide Auto Trans	\$12.00	
01993320	1969	NEUTRAL SAFETY AND BACKUP LAMP SWITCH With Column Shift TH350-400 Auto Trans	\$12.00	
01993659	1970	NEUTRAL SAFETY AND BACKUP LAMP SWITCH With Column Shift Powerglide Auto Trans	\$12.00	
01993320	1970	NEUTRAL SAFETY AND BACKUP LAMP SWITCH With Column Shift TH350-400 Auto Trans	\$12.00	
01993659	1971	NEUTRAL SAFETY AND BACKUP LAMP SWITCH With Column Shift Powerglide Auto Trans	\$12.00	
01993320	1971	NEUTRAL SAFETY AND BACKUP LAMP SWITCH With Column Shift TH350-400 Auto Trans	\$12.00	
01993659	1972	NEUTRAL SAFETY AND BACKUP LAMP SWITCH With Column Shift Powerglide Auto Trans	\$12.00	
01993320	1972	NEUTRAL SAFETY AND BACKUP LAMP SWITCH With Column Shift TH350-400 Auto Trans	\$12.00	
01994235	1973	NEUTRAL SAFETY AND BACKUP LAMP SWITCH With Column Shift TH350-400 Auto Trans	\$19.00	
01994235	1974	NEUTRAL SAFETY AND BACKUP LAMP SWITCH With Column Shift TH350-400 Auto Trans	\$19.00	
01994235	1975	NEUTRAL SAFETY AND BACKUP LAMP SWITCH With Column Shift TH350-400 Auto Trans	\$19.00	
01994163	1976	NEUTRAL SAFETY AND BACKUP LAMP SWITCH With Auto Trans, All	\$19.00	
01994163	1977	NEUTRAL SAFETY AND BACKUP LAMP SWITCH With Auto Trans, All	\$19.00	
01994163	1978	NEUTRAL SAFETY AND BACKUP LAMP SWITCH With Auto Trans, All	\$19.00	
01994163	1979	NEUTRAL SAFETY AND BACKUP LAMP SWITCH With Auto Trans, All	\$19.00	
01994163	1980	NEUTRAL SAFETY AND BACKUP LAMP SWITCH With Auto Trans, All	\$19.00	
<b>OVERDRIVE HARNESS</b>				
02280	1955	OVERDRIVE HARNESS V/8	\$114.00	
02280	1956	OVERDRIVE HARNESS V/8	\$114.00	
02545	1957	OVERDRIVE HARNESS V/8	\$114.00	
<b>POWER ACCESSORY FEED WIRE</b>				
20560	1973	POWER ACCESSORY FEED WIRE Suburban, Blazer & Jimmy, Junction Block To Circuit Breaker, Power Tailgate Window	\$23.00	
20560	1974	POWER ACCESSORY FEED WIRE Suburban, Blazer & Jimmy, Junction Block To Circuit Breaker, Power Tailgate Window	\$23.00	
39787	1975	POWER ACCESSORY FEED WIRE Suburban, Blazer & Jimmy, Junction Block To Circuit Breaker, Power Tailgate Window	\$23.00	
39787	1976	POWER ACCESSORY FEED WIRE Suburban, Blazer & Jimmy, Junction Block To Circuit Breaker, Power Tailgate Window	\$23.00	
39736	1977	POWER ACCESSORY FEED WIRE 2 Door Models, Junction Block To Power Window Circuit Breaker	\$23.00	
39832	1977	POWER ACCESSORY FEED WIRE Suburban, Blazer & Jimmy, Junction Block To Circuit Breaker, Power Tailgate Window	\$29.00	
39736	1978	POWER ACCESSORY FEED WIRE 2 Door Models, Junction Block To Power Window Circuit Breaker	\$23.00	
39832	1978	POWER ACCESSORY FEED WIRE Suburban, Blazer & Jimmy, Junction Block To Circuit Breaker, Power Tailgate Window	\$29.00	
40023	1979	POWER ACCESSORY FEED WIRE Fuse Box To Power Window Or Power Tailgate Window	\$23.00	
40023	1980	POWER ACCESSORY FEED WIRE Fuse Box To Power Window Or Power Tailgate Window	\$23.00	
40023	1981	POWER ACCESSORY FEED WIRE Fuse Box To Power Window Or Power Tailgate Window	\$23.00	
<b>POWER DOOR LOCK HARNESS</b>				
39845	1977	POWER DOOR LOCK HARNESS 2 Door Models, Body Crossover, W/ Pwr Door Locks, Exc Power Windows	\$242.00	

Part Number	Year	Description	Price	*Rev.
39845	1978	<b>POWER DOOR LOCK HARNESS</b> 2 Door Models, Body Crossover, W/ Pwr Door Locks, Exc Power Windows	\$242.00	
39897	1979	<b>POWER DOOR LOCK HARNESS</b> 2 Door Models, Body Crossover, W/ Pwr Door Locks, Exc Power Windows	\$242.00	
39897	1980	<b>POWER DOOR LOCK HARNESS</b> 2 Door Models, Body Crossover, W/ Pwr Door Locks, Exc Pwr Windows	\$242.00	
39892	1980	<b>POWER DOOR LOCK HARNESS</b> Suburban, Body Crossover, With Power Door Locks, Except Power Windows	\$242.00	
39951	1981	<b>POWER DOOR LOCK HARNESS</b> 2 Door Models, Body Crossover, With Power Door Locks, Except Power Windows	\$242.00	
39949	1981	<b>POWER DOOR LOCK HARNESS</b> Suburban, Body Crossover, With Power Door Locks, Except Power Windows	\$242.00	
39951	1982	<b>POWER DOOR LOCK HARNESS</b> 2 Door Models, Body Crossover, With Power Door Locks, Except Power Windows	\$242.00	
39949	1982	<b>POWER DOOR LOCK HARNESS</b> Suburban, Body Crossover, With Power Door Locks, Except Power Windows	\$242.00	
<b>POWER DOOR LOCK SWITCH ASSEMBLY</b>				
01725099	1977	<b>POWER DOOR LOCK SWITCH ASSEMBLY</b> 1 Button	\$62.00	
01725099	1978	<b>POWER DOOR LOCK SWITCH ASSEMBLY</b> 1 Button	\$62.00	
20031475	1979	<b>POWER DOOR LOCK SWITCH</b> 1-Button	\$62.00	N
20031475	1980	<b>POWER DOOR LOCK SWITCH</b> 1-Button	\$62.00	N
20031475	1981	<b>POWER DOOR LOCK SWITCH</b> 1-Button	\$62.00	N
20043224	1982	<b>POWER DOOR LOCK SWITCH</b> 1-Button	\$9.00	N
20043224	1983	<b>POWER DOOR LOCK SWITCH</b> 1-Button	\$9.00	N
20043224	1984	<b>POWER DOOR LOCK SWITCH</b> 1-Button	\$9.00	N
20043224	1985	<b>POWER DOOR LOCK SWITCH</b> 1-Button	\$9.00	N
20043224	1986	<b>POWER DOOR LOCK SWITCH</b> 1-Button	\$9.00	N
20043224	1987	<b>POWER DOOR LOCK SWITCH</b> 1-Button, RV Body Style	\$9.00	N
20043224	1988	<b>POWER DOOR LOCK SWITCH</b> 1-Button, RV Body Style	\$9.00	N
20043224	1989	<b>POWER DOOR LOCK SWITCH</b> 1-Button, RV Body Style	\$9.00	N
20043224	1990	<b>POWER DOOR LOCK SWITCH</b> 1-Button, RV Body Style	\$9.00	N
20043224	1991	<b>POWER DOOR LOCK SWITCH</b> 1-Button, RV Body Style	\$9.00	N
<b>POWER TAILGATE WINDOW HARNESS</b>				
39728	1973	<b>POWER TAILGATE WINDOW HARNESS</b> Suburban, Blazer & Jimmy, Dash Switch To Intermediate Body Harness	\$98.00	
39729	1973	<b>POWER TAILGATE WINDOW HARNESS</b> Suburban, Blazer & Jimmy, Intermediate Body Harness	\$110.00	
39768	1974	<b>POWER TAILGATE WINDOW HARNESS</b> Suburban, Blazer & Jimmy, Dash Switch To Intermediate Body Harness	\$98.00	
39768	1975	<b>POWER TAILGATE WINDOW HARNESS</b> Suburban, Blazer & Jimmy, Dash Switch To Intermediate Body Harness	\$98.00	
39803	1976	<b>POWER TAILGATE WINDOW HARNESS</b> Suburban, Blazer & Jimmy, Dash Switch To Intermediate Body Harness	\$98.00	
39833	1977	<b>POWER TAILGATE WINDOW HARNESS</b> Suburban, Blazer & Jimmy, Dash Switch To Intermediate Body Harness	\$98.00	
39830	1977	<b>POWER TAILGATE WINDOW HARNESS</b> Suburban, Blazer & Jimmy, Intermediate Body Harness	\$110.00	
39833	1978	<b>POWER TAILGATE WINDOW HARNESS</b> Suburban, Blazer & Jimmy, Dash Switch To Intermediate Body Harness	\$98.00	
39861	1978	<b>POWER TAILGATE WINDOW HARNESS</b> Suburban, Intermediate Body Harness	\$110.00	
39864	1978	<b>POWER TAILGATE WINDOW HARNESS</b> Blazer & Jimmy, Intermediate Body Harness	\$110.00	
39888	1979	<b>POWER TAILGATE WINDOW HARNESS</b> Suburban, Blazer & Jimmy, Dash Switch To Intermediate Body Harness	\$98.00	



Part Number	Year	Description	Price	*Rev.
39885	1979	<b>POWER TAILGATE WINDOW HARNESS</b> 4 Wheel Drive Suburban, Intermediate Body Harness	\$110.00	
39886	1979	<b>POWER TAILGATE WINDOW HARNESS</b> Blazer & Jimmy, Intermediate Body Harness	\$110.00	
39887	1979	<b>POWER TAILGATE WINDOW HARNESS</b> 2 Wheel Drive Suburban, Intermediate Body Harness	\$110.00	
39888	1980	<b>POWER TAILGATE WINDOW HARNESS</b> Suburban, Blazer & Jimmy, Dash Switch To Intermediate Body Harness	\$98.00	
39920	1980	<b>POWER TAILGATE WINDOW HARNESS</b> 4 Wheel Drive Suburban, Intermediate Body Harness	\$110.00	
39921	1980	<b>POWER TAILGATE WINDOW HARNESS</b> Blazer & Jimmy, Intermediate Body Harness	\$110.00	
39922	1980	<b>POWER TAILGATE WINDOW HARNESS</b> 2 Wheel Drive Suburban, Intermediate Body Harness	\$110.00	
39888	1981	<b>POWER TAILGATE WINDOW HARNESS</b> Suburban, Blazer & Jimmy, Dash Switch To Intermediate Body Harness	\$98.00	
39971	1981	<b>POWER TAILGATE WINDOW HARNESS</b> Suburban, 4 Wheel Drive , Intermediate Body Harness	\$110.00	
39972	1981	<b>POWER TAILGATE WINDOW HARNESS</b> Blazer & Jimmy, Intermediate Body Harness	\$110.00	
39973	1981	<b>POWER TAILGATE WINDOW HARNESS</b> 2 Wheel Drive Suburban, Intermediate Body Harness	\$110.00	
39990	1982	<b>POWER TAILGATE WINDOW HARNESS</b> Suburban, Blazer & Jimmy, Dash Switch To Intermediate Body Harness, (1st Design) Note: this harness has a 3 wire plastic connector where it plugs into body harness.	\$98.00	
40010	1982	<b>POWER TAILGATE WINDOW HARNESS</b> Suburban, Intermediate Body Harness, (1st Design) Note: this harness has a 3 wire rubber molded connector where it plugs into dash switch harness.	\$110.00	
40011	1982	<b>POWER TAILGATE WINDOW HARNESS</b> Blazer & Jimmy, Intermediate Body Harness, (1st Design) Note: this harness has a 3 wire rubber molded connector where it plugs into dash switch harness.	\$110.00	
40018	1982	<b>POWER TAILGATE WINDOW HARNESS</b> Suburban, Blazer & Jimmy, Dash Switch To Intermediate Body Harness, (2nd Design) Note: This Harness Has A 2 Wire Rubber Molded Connector Where It Plugs Into Body Harness.	\$98.00	
40016	1982	<b>POWER TAILGATE WINDOW HARNESS</b> Blazer & Jimmy, Intermediate Body Harness, (2nd Design) Note: this harness has a 2 wire rubber molded connector where it plugs into dash switch harness.	\$110.00	
40017	1982	<b>POWER TAILGATE WINDOW HARNESS</b> Suburban, Intermediate Body Harness, (2nd Design) Note: this harness has a 2 wire rubber molded connector where it plugs into dash switch harness.	\$110.00	
<b>POWER WINDOW HARNESS</b>				
38200	1979	<b>POWER WINDOW HARNESS</b> 2 Door Models, Body Crossover, With Power Windows, Except Power Door Locks	\$248.00	
38195	1979	<b>POWER WINDOW HARNESS</b> 2 Door Models, Body Crossover, With Power Windows & Power Door Locks	\$248.00	
38200	1980	<b>POWER WINDOW HARNESS</b> 2 Door Models, Body Crossover, With Power Windows, Except Power Door Locks	\$248.00	
38195	1980	<b>POWER WINDOW HARNESS</b> 2 Door Models, Body Crossover, With Power Windows & Power Door Locks	\$248.00	
39889	1980	<b>POWER WINDOW HARNESS</b> Suburban, Body Crossover, With Power Windows, Except Power Door Locks	\$271.00	
39894	1980	<b>POWER WINDOW HARNESS</b> Suburban, Body Crossover, With Power Windows & Power Door Locks	\$271.00	
39974	1981	<b>POWER WINDOW HARNESS</b> 2 Door Models, Body Crossover, With Power Windows, Except Power Door Locks	\$248.00	
39977	1981	<b>POWER WINDOW HARNESS</b> 2 Door Models, Body Crossover, With Power Windows & Power Door Locks	\$248.00	
39975	1981	<b>POWER WINDOW HARNESS</b> Suburban, Body Crossover, With Power Windows & Power Door Locks	\$271.00	
39976	1981	<b>POWER WINDOW HARNESS</b> Suburban, Body Crossover, With Power Windows, Except Power Door Locks	\$271.00	
40029	1982	<b>POWER WINDOW HARNESS</b> 2 Door Models, Body Crossover, With Power Windows & Power Door Locks	\$248.00	
39950	1982	<b>POWER WINDOW HARNESS</b> Suburban, Body Crossover, With Power Windows & Power Door Locks	\$271.00	

Part Number	Year	Description	Price	*Rev.
39952	1982	<b>POWER WINDOW HARNESS</b> 2 Door Models, Body Crossover, With Power Windows, Except Power Door Locks	\$248.00	
39948	1982	<b>POWER WINDOW HARNESS</b> Suburban, Body Crossover, With Power Windows, Except Power Door Locks	\$271.00	
<b>POWER WINDOW SWITCH</b>				
20043940	1981	<b>POWER WINDOW SWITCH</b> 1-Button	\$9.00	N
20061549	1981	<b>POWER WINDOW SWITCH</b> 2-Button	\$14.00	N
20043940	1982	<b>POWER WINDOW SWITCH</b> 1-Button	\$9.00	N
20061549	1982	<b>POWER WINDOW SWITCH</b> 2-Button	\$14.00	N
20106968	1982	<b>POWER WINDOW SWITCH</b> 4-Button	\$19.00	N
20043940	1983	<b>POWER WINDOW SWITCH</b> 1-Button	\$9.00	N
20061549	1983	<b>POWER WINDOW SWITCH</b> 2-Button	\$14.00	N
20106968	1983	<b>POWER WINDOW SWITCH</b> 4-Button	\$19.00	N
20043940	1984	<b>POWER WINDOW SWITCH</b> 1-Button	\$9.00	N
20061549	1984	<b>POWER WINDOW SWITCH</b> 2-Button	\$14.00	N
20106968	1984	<b>POWER WINDOW SWITCH</b> 4-Button	\$19.00	N
20043940	1985	<b>POWER WINDOW SWITCH</b> 1-Button	\$9.00	N
20061549	1985	<b>POWER WINDOW SWITCH</b> 2-Button	\$14.00	N
20106968	1985	<b>POWER WINDOW SWITCH</b> 4-Button	\$19.00	N
20043940	1986	<b>POWER WINDOW SWITCH</b> 1-Button	\$9.00	N
20061549	1986	<b>POWER WINDOW SWITCH</b> 2-Button	\$14.00	N
20106968	1986	<b>POWER WINDOW SWITCH</b> 4-Button	\$19.00	N
20043940	1987	<b>POWER WINDOW SWITCH</b> 1-Button, RV Body Style	\$9.00	N
20061549	1987	<b>POWER WINDOW SWITCH</b> 2-Button, RV Body Style	\$14.00	N
20106968	1987	<b>POWER WINDOW SWITCH</b> 4-Button, RV Body Style	\$19.00	N
20043940	1988	<b>POWER WINDOW SWITCH</b> 1-Button, RV Body Style	\$9.00	N
20061549	1988	<b>POWER WINDOW SWITCH</b> 2-Button, RV Body Style	\$14.00	N
20106968	1988	<b>POWER WINDOW SWITCH</b> 4-Button, RV Body Style	\$19.00	N
20043940	1989	<b>POWER WINDOW SWITCH</b> 1-Button, RV Body Style	\$9.00	N
20061549	1989	<b>POWER WINDOW SWITCH</b> 2-Button, RV Body Style	\$14.00	N
20106968	1989	<b>POWER WINDOW SWITCH</b> 4-Button, RV Body Style	\$19.00	N
20043940	1990	<b>POWER WINDOW SWITCH</b> 1-Button, RV Body Style	\$9.00	N
20061549	1990	<b>POWER WINDOW SWITCH</b> 2-Button, RV Body Style	\$14.00	N
20106968	1990	<b>POWER WINDOW SWITCH</b> 4-Button, RV Body Style	\$19.00	N
20043940	1991	<b>POWER WINDOW SWITCH</b> 1-Button, RV Body Style	\$9.00	N
20061549	1991	<b>POWER WINDOW SWITCH</b> 2-Button, RV Body Style	\$14.00	N
20106968	1991	<b>POWER WINDOW SWITCH</b> 4-Button, RV Body Style	\$19.00	N
<b>RADIO POWER WIRE</b>				
32120	1967	<b>RADIO POWER WIRE</b>	\$20.00	
32120	1968	<b>RADIO POWER WIRE</b>	\$20.00	
32120	1969	<b>RADIO POWER WIRE</b>	\$20.00	
32120	1970	<b>RADIO POWER WIRE</b>	\$20.00	
32120	1971	<b>RADIO POWER WIRE</b>	\$20.00	
32120	1972	<b>RADIO POWER WIRE</b>	\$20.00	
39578	1960	<b>RADIO POWER WIRE</b>	\$22.00	
39578	1961	<b>RADIO POWER WIRE</b>	\$22.00	
39578	1962	<b>RADIO POWER WIRE</b>	\$22.00	

Part Number	Year	Description	Price	*Rev.
39578	1963	RADIO POWER WIRE	\$22.00	
39578	1964	RADIO POWER WIRE	\$22.00	
39578	1965	RADIO POWER WIRE	\$22.00	
39578	1966	RADIO POWER WIRE	\$22.00	
39708	1973	RADIO POWER WIRE Fuse Box To Radio, Except Stereo	\$46.00	
39708	1974	RADIO POWER WIRE Fuse Box To Radio, Except Stereo	\$46.00	
<b>REAR BODY LIGHT HARNESS KIT</b>				
38166	1957	REAR BODY LIGHT HARNESS KIT Complete, Cameo Only	\$325.00	
<b>REAR FENDER MARKER LAMP HARNESS</b>				
39742	1973	REAR FENDER MARKER LAMP HARNESS Dually, With Rear Fender Marker Lamps	\$190.00	
39742	1974	REAR FENDER MARKER LAMP HARNESS Dually, With Rear Fender Marker Lamps	\$190.00	
39742	1975	REAR FENDER MARKER LAMP HARNESS Dually, With Rear Fender Marker Lamps	\$190.00	
39742	1976	REAR FENDER MARKER LAMP HARNESS Dually, With Rear Fender Marker Lamps	\$190.00	
39742	1977	REAR FENDER MARKER LAMP HARNESS Dually, With Rear Fender Marker Lamps	\$190.00	
39742	1978	REAR FENDER MARKER LAMP HARNESS Dually, With Rear Fender Marker Lamps	\$190.00	
<b>REAR LAMP HARNESS</b>				
38158	1955	REAR BODY LIGHT HARNESS KIT Complete, Cameo Only	\$325.00	
34370	1955	REAR LAMP HARNESS Dual Tail, Brake & Directional Lights	\$129.00	
34155	1955	REAR LAMP LONG BED EXTENSION HARNESS Set Of 2	\$24.00	
23135	1956	REAR LAMP HARNESS Single Tail & Brake Lights Only	\$51.00	
34350	1956	REAR LAMP HARNESS Dual Tail, Brake & Directional Lights	\$129.00	
34155	1956	REAR LAMP LONG BED EXTENSION HARNESS Set Of 2	\$24.00	
34345	1957	REAR LAMP HARNESS Single Tail & Brake Lamps	\$51.00	
34150	1957	REAR LAMP HARNESS Dual Tail, Brake & Directional Lights	\$116.00	
34155	1957	REAR LAMP LONG BED EXTENSION HARNESS Set Of 2	\$24.00	
34345	1958	REAR LAMP HARNESS Single Tail & Brake Lamps	\$51.00	
34150	1958	REAR LAMP HARNESS Dual Tail, Brake & Directional Lights	\$116.00	
34155	1958	REAR LAMP LONG BED EXTENSION HARNESS Set Of 2	\$24.00	
34345	1959	REAR LAMP HARNESS Single Tail & Brake Lamps	\$51.00	
34150	1959	REAR LAMP HARNESS Dual Tail, Brake & Directional Lights	\$116.00	
34155	1959	REAR LAMP LONG BED EXTENSION HARNESS Set Of 2	\$24.00	
02955	1960	REAR LAMP INTERMEDIATE HARNESS	\$84.00	
02955	1961	REAR LAMP INTERMEDIATE HARNESS	\$84.00	
19945	1962	REAR LAMP INTERMEDIATE HARNESS	\$122.00	P
30845	1962	REAR LAMP HARNESS Rear, Fleetside & Stepside	\$84.00	
19945	1963	REAR LAMP INTERMEDIATE HARNESS	\$122.00	P
30845	1963	REAR LAMP HARNESS Rear, Fleetside & Stepside	\$84.00	
19945	1964	REAR LAMP INTERMEDIATE HARNESS	\$122.00	P
30845	1964	REAR LAMP HARNESS Rear, Fleetside & Stepside	\$84.00	
19945	1965	REAR LAMP INTERMEDIATE HARNESS	\$122.00	P
30845	1965	REAR LAMP HARNESS Rear, Fleetside & Stepside	\$84.00	
19945	1966	REAR LAMP INTERMEDIATE HARNESS	\$122.00	P
30845	1966	REAR LAMP HARNESS Rear, Fleetside & Stepside	\$84.00	
21965	1967	REAR LAMP INTERMEDIATE HARNESS 104-115 In. Wheelbase, Fleetside & Stepside	\$107.00	P
22005	1967	REAR LAMP INTERMEDIATE HARNESS 127-133 In. Wheelbase, Fleetside & Stepside	\$115.00	P
36235	1967	REAR LAMP INTERMEDIATE HARNESS Panel & Suburban Only	\$194.00	

Part Number	Year	Description	Price	*Rev.
21855	1967	REAR LAMP HARNESS Rear, Fleetside	\$111.00	
36852	1967	REAR LAMP HARNESS Rear, Stepside	\$111.00	
21975	1967	REAR LAMP HARNESS Rear, Panel & Suburban, (2 Required Per Vehicle)	\$59.00	
21965	1968	REAR LAMP INTERMEDIATE HARNESS 104-115 In. Wheelbase, Fleetside & Stepside	\$107.00	P
22005	1968	REAR LAMP INTERMEDIATE HARNESS 127-133 In. Wheelbase, Fleetside & Stepside	\$115.00	P
36235	1968	REAR LAMP INTERMEDIATE HARNESS Panel & Suburban Only	\$194.00	
21855	1968	REAR LAMP HARNESS Rear, Fleetside	\$111.00	
23450	1968	REAR LAMP HARNESS Rear, Stepside (6 1/2 Foot Bed)	\$104.00	
21975	1968	REAR LAMP HARNESS Rear, Panel & Suburban, (2 Required Per Vehicle)	\$59.00	
21965	1969	REAR LAMP INTERMEDIATE HARNESS 104-115 In. Wheelbase, Blazer, Fleetside & Stepside	\$107.00	P
22005	1969	REAR LAMP INTERMEDIATE HARNESS 127-133 In. Wheelbase, Fleetside & Stepside	\$115.00	P
36235	1969	REAR LAMP INTERMEDIATE HARNESS Panel & Suburban Only	\$194.00	
22075	1969	REAR LAMP HARNESS Rear, Blazer & Fleetside	\$137.00	
16095	1969	REAR LAMP HARNESS Rear, Stepside	\$137.00	
21905	1969	REAR LAMP HARNESS Rear, Panel & Suburban, (2 Required Per Vehicle)	\$38.00	
21965	1970	REAR LAMP INTERMEDIATE HARNESS 104-115 In. Wheelbase, Blazer, Fleetside & Stepside	\$107.00	P
22005	1970	REAR LAMP INTERMEDIATE HARNESS 127-133 In. Wheelbase, Fleetside & Stepside	\$115.00	P
36234	1970	REAR LAMP INTERMEDIATE HARNESS Panel & Suburban Only	\$194.00	
22075	1970	REAR LAMP HARNESS Rear, Blazer & Fleetside	\$137.00	
16095	1970	REAR LAMP HARNESS Rear, Stepside	\$137.00	
21905	1970	REAR LAMP HARNESS Rear, Panel & Suburban, (2 Required Per Vehicle)	\$38.00	
21965	1971	REAR LAMP INTERMEDIATE HARNESS 104-115 In. Wheelbase, Blazer, Fleetside & Stepside	\$107.00	P
22005	1971	REAR LAMP INTERMEDIATE HARNESS 127-133 In. Wheelbase, Fleetside & Stepside	\$115.00	P
36234	1971	REAR LAMP INTERMEDIATE HARNESS Panel & Suburban Only	\$194.00	
22075	1971	REAR LAMP HARNESS Rear, Blazer & Fleetside	\$137.00	
16095	1971	REAR LAMP HARNESS Rear, Stepside	\$137.00	
21905	1971	REAR LAMP HARNESS Rear, Panel & Suburban, (2 Required Per Vehicle)	\$38.00	
21965	1972	REAR LAMP INTERMEDIATE HARNESS 104-115 In. Wheelbase, Blazer, Fleetside & Stepside	\$107.00	P
22005	1972	REAR LAMP INTERMEDIATE HARNESS 127-133 In. Wheelbase, Fleetside & Stepside	\$115.00	P
36234	1972	REAR LAMP INTERMEDIATE HARNESS Panel & Suburban Only	\$194.00	
22075	1972	REAR LAMP HARNESS Rear, Blazer & Fleetside	\$137.00	
16095	1972	REAR LAMP HARNESS Rear, Stepside	\$137.00	
21905	1972	REAR LAMP HARNESS Rear, Panel & Suburban, (2 Required Per Vehicle)	\$38.00	
35902	1973	REAR LAMP HARNESS Rear, Stepside, Except 117.5 In. Wheel Base	\$215.00	
37624	1973	REAR LAMP HARNESS Rear, Stepside, With 117.5 In. Wheel Base	\$215.00	
37464	1973	REAR LAMP HARNESS Rear, 2 Door, Without Bed, With 117.5 In. Wheel Base	\$215.00	
37465	1973	REAR LAMP HARNESS Rear, 2 & 4 Door, 3/4 & 1-Ton, Without Bed, With 131.5 In. & 164.5 In. Wheel Base	\$215.00	
35903	1973	REAR LAMP HARNESS Rear, 2 Door, 1-Ton, Without Bed, With 135.5 & 159.5 In. Wheel Base	\$215.00	
35904	1973	REAR LAMP HARNESS Rear, Blazer & Jimmy, (2 Required Per Vehicle)	\$124.00	
37470	1973	REAR LAMP HARNESS Rear, Fleetside	\$215.00	
39747	1973	REAR LAMP HARNESS Rear, Suburban, Driver Side	\$124.00	
35906	1973	REAR LAMP HARNESS Rear, Suburban, Passenger Side	\$124.00	
35905	1973	REAR LAMP HARNESS Rear, Fleetside, With Camper Special Option	\$273.00	
35902	1974	REAR LAMP HARNESS Rear, Stepside, Except 117.5 In. Wheel Base	\$215.00	
37624	1974	REAR LAMP HARNESS Rear, Stepside, With 117.5 In. Wheel Base	\$215.00	

Part Number	Year	Description	Price	*Rev.
35903	1974	REAR LAMP HARNESS Rear, 2 Door, 1-Ton, Without Bed, With 135.5 & 159.5 In. Wheel Base	\$215.00	
35904	1974	REAR LAMP HARNESS Rear, Blazer & Jimmy, (2 Required Per Vehicle)	\$124.00	
37470	1974	REAR LAMP HARNESS Rear, Fleetside	\$215.00	
39747	1974	REAR LAMP HARNESS Rear, Suburban, Driver Side	\$124.00	
35906	1974	REAR LAMP HARNESS Rear, Suburban, Passenger Side	\$124.00	
35905	1974	REAR LAMP HARNESS Rear, Fleetside, With Camper Special Option, (1st Design), Except Rear Fender Marker Lamp Wiring	\$273.00	
35976	1974	REAR LAMP HARNESS Rear, Fleetside, With Camper Special Option, (2nd Design), With Rear Fender Marker Lamp Wiring	\$273.00	
35902	1975	REAR LAMP HARNESS Rear, Stepside, Except 117.5 In. Wheel Base	\$215.00	
37624	1975	REAR LAMP HARNESS Rear, Stepside, With 117.5 In. Wheel Base	\$215.00	
37464	1975	REAR LAMP HARNESS Rear, 2 Door, Without Bed, With 117.5 In. Wheel Base	\$215.00	
37465	1975	REAR LAMP HARNESS Rear, 2 & 4 Door, 3/4 & 1-Ton, Without Bed, With 131.5 In. & 164.5 In. Wheel Base	\$215.00	
35903	1975	REAR LAMP HARNESS Rear, 2 Door, 1-Ton, Without Bed, With 135.5 & 159.5 In. Wheel Base	\$215.00	
35904	1975	REAR LAMP HARNESS Rear, Blazer & Jimmy, (2 Required Per Vehicle)	\$124.00	
35905	1975	REAR LAMP HARNESS Rear, Fleetside, With Camper Special Option	\$273.00	
37470	1975	REAR LAMP HARNESS Rear, Fleetside	\$215.00	
39747	1975	REAR LAMP HARNESS Rear, Suburban, Driver Side	\$124.00	
35906	1975	REAR LAMP HARNESS Rear, Suburban, Passenger Side	\$124.00	
35902	1976	REAR LAMP HARNESS Rear, Stepside, Except 117.5 In. Wheel Base	\$215.00	
37624	1976	REAR LAMP HARNESS Rear, Stepside, With 117.5 In. Wheel Base	\$215.00	
37464	1976	REAR LAMP HARNESS Rear, 2 Door, Without Bed, With 117.5 In. Wheel Base	\$215.00	
37465	1976	REAR LAMP HARNESS Rear, 2 & 4 Door, 3/4 & 1-Ton, Without Bed, With 131.5 In. & 164.5 In. Wheel Base	\$215.00	
35903	1976	REAR LAMP HARNESS Rear, 2 Door, 1-Ton, Without Bed, With 135.5 & 159.5 In. Wheel Base	\$215.00	
35904	1976	REAR LAMP HARNESS Rear, Blazer & Jimmy, (2 Required Per Vehicle)	\$124.00	
35905	1976	REAR LAMP HARNESS Rear, 1-Ton Fleetside Bed, With Dual Rear Wheels	\$273.00	
37470	1976	REAR LAMP HARNESS Rear, Fleetside	\$215.00	
39747	1976	REAR LAMP HARNESS Rear, Suburban, Passenger Side	\$124.00	
35906	1976	REAR LAMP HARNESS Rear, Suburban, Driver Side	\$124.00	
35902	1977	REAR LAMP HARNESS Rear, Stepside, Except 117.5 In. Wheel Base	\$215.00	
37624	1977	REAR LAMP HARNESS Rear, Stepside, With 117.5 In. Wheel Base	\$215.00	
35904	1977	REAR LAMP HARNESS Rear, Blazer & Jimmy, (2 Required Per Vehicle)	\$124.00	
35905	1977	REAR LAMP HARNESS Rear, 1-Ton Fleetside Bed, With Dual Rear Wheels	\$273.00	
37470	1977	REAR LAMP HARNESS Rear, Fleetside	\$215.00	
39823	1977	REAR LAMP HARNESS Rear, Suburban, (2 Required Per Vehicle)	\$124.00	
39828	1977	REAR LAMP HARNESS Rear, 2 & 4 Door, Without Bed, With 117.5, 131.5, & 164.5 In. Wheel Base	\$215.00	
35908	1977	REAR LAMP HARNESS Rear, 2 Door, Without Bed, With 131.5, 135.5, & 159.5 In. Wheel Base	\$215.00	
35914	1977	REAR LAMP HARNESS Rear, 1-Ton, Stakebed & Flatbed, With 135.5 In. Wheel Base	\$215.00	
35902	1978	REAR LAMP HARNESS Rear, Stepside, Except 117.5 In. Wheel Base	\$215.00	
37624	1978	REAR LAMP HARNESS Rear, Stepside, With 117.5 In. Wheel Base	\$215.00	
35904	1978	REAR LAMP HARNESS Rear, Blazer & Jimmy, (2 Required Per Vehicle)	\$124.00	
35905	1978	REAR LAMP HARNESS Rear, 1-Ton Fleetside Bed, With Dual Rear Wheels	\$273.00	
37470	1978	REAR LAMP HARNESS Rear, Fleetside	\$215.00	

Part Number	Year	Description	Price	*Rev.
39823	1978	REAR LAMP HARNESS Rear, Suburban, (2 Required Per Vehicle)	\$124.00	
39828	1978	REAR LAMP HARNESS Rear, 2 & 4 Door, Without Bed, With 117.5, 131.5, & 164.5 In. Wheel Base	\$215.00	
35908	1978	REAR LAMP HARNESS Rear, 2 Door, Without Bed, With 135.5, & 159.5 In. Wheel Base	\$215.00	
35914	1978	REAR LAMP HARNESS Rear, 1-Ton, Stakebed & Flatbed, With 135.5 In. Wheel Base	\$215.00	
35904	1979	REAR LAMP HARNESS Rear, Blazer & Jimmy, (2 Required Per Vehicle)	\$124.00	
37470	1979	REAR LAMP HARNESS Rear, Fleetside	\$215.00	
39823	1979	REAR LAMP HARNESS Rear, Suburban, (2 Required Per Vehicle)	\$124.00	
39828	1979	REAR LAMP HARNESS Rear, 2 & 4 Door, Without Bed, With 117.5, 131.5, & 164.5 In. Wheel Base	\$215.00	
35908	1979	REAR LAMP HARNESS Rear, 2 Door, Without Bed, With 135.5, & 159.5 In. Wheel Base	\$215.00	
35914	1979	REAR LAMP HARNESS Rear, 1-Ton, Stakebed & Flatbed, With 135.5 In. Wheel Base	\$215.00	
39898	1979	REAR LAMP HARNESS Rear, 1-Ton Fleetside Bed, With Dual Rear Wheels	\$215.00	
38881	1979	REAR LAMP HARNESS Rear, Stepside	\$143.00	
35904	1980	REAR LAMP HARNESS Rear, Blazer & Jimmy, (2 Required Per Vehicle)	\$124.00	
37470	1980	REAR LAMP HARNESS Rear, Fleetside	\$215.00	
39823	1980	REAR LAMP HARNESS Rear, Suburban, (2 Required Per Vehicle)	\$124.00	
39828	1980	REAR LAMP HARNESS Rear, 2 & 4 Door, Without Bed, With 117.5, 131.5, & 164.5 In. Wheel Base	\$215.00	
35908	1980	REAR LAMP HARNESS Rear, 2 Door, Without Bed, With 135.5, & 159.5 In. Wheel Base	\$215.00	
35914	1980	REAR LAMP HARNESS Rear, 1-Ton, Stakebed & Flatbed, With 135.5 In. Wheel Base	\$215.00	
39898	1980	REAR LAMP HARNESS Rear, 1-Ton Fleetside Bed, With Dual Rear Wheels	\$215.00	
38881	1980	REAR LAMP HARNESS Rear, Stepside	\$143.00	
35904	1981	REAR LAMP HARNESS Rear, Blazer & Jimmy, (2 Required Per Vehicle)	\$124.00	
37470	1981	REAR LAMP HARNESS Rear, Fleetside	\$215.00	
39823	1981	REAR LAMP HARNESS Rear, Suburban, (2 Required Per Vehicle)	\$124.00	
39828	1981	REAR LAMP HARNESS Rear, 2 & 4 Door, Without Bed, With 117.5, 131.5, & 164.5 In. Wheel Base	\$215.00	
35908	1981	REAR LAMP HARNESS Rear, 2 Door, Without Bed, With 135.5, & 159.5 In. Wheel Base	\$215.00	
35914	1981	REAR LAMP HARNESS Rear, 1-Ton, Stakebed & Flatbed, With 135.5 In. Wheel Base	\$215.00	
38881	1981	REAR LAMP HARNESS Rear, Stepside	\$143.00	
39991	1981	REAR LAMP HARNESS Rear, 1-Ton Fleetside Bed, With Dual Rear Wheels	\$215.00	
35904	1982	REAR LAMP HARNESS Rear, Blazer & Jimmy, (2 Required Per Vehicle)	\$124.00	
37470	1982	REAR LAMP HARNESS Rear, Fleetside	\$215.00	
39823	1982	REAR LAMP HARNESS Rear, Suburban, (2 Required Per Vehicle)	\$124.00	
39828	1982	REAR LAMP HARNESS Rear, 2 & 4 Door, Without Bed, With 117.5, 131.5, & 164.5 In. Wheel Base	\$215.00	
35908	1982	REAR LAMP HARNESS Rear, 2 Door, Without Bed, With 135.5, & 159.5 In. Wheel Base	\$215.00	
35914	1982	REAR LAMP HARNESS Rear, 1-Ton, Stakebed & Flatbed, With 135.5 In. Wheel Base	\$215.00	
38881	1982	REAR LAMP HARNESS Rear, Stepside	\$143.00	
39991	1982	REAR LAMP HARNESS Rear, 1-Ton Fleetside Bed, With Dual Rear Wheels	\$215.00	
39304	1973	REAR LAMP INTERMEDIATE HARNESS Blazer & Jimmy	\$181.00	
38412	1973	REAR LAMP INTERMEDIATE HARNESS Fleetside & Stepside Bed, With 117.5 In. Wheel Base	\$118.00	P
38413	1973	REAR LAMP INTERMEDIATE HARNESS Fleetside & Stepside Bed, With 131.5 In. & 164.5 In. Wheel Base	\$120.00	P
39710	1973	REAR LAMP INTERMEDIATE HARNESS Suburban	\$124.00	
39711	1973	REAR LAMP INTERMEDIATE HARNESS 2 Door, 1-Ton, Without Bed, With 159.5 In. Wheel Base	\$124.00	
39712	1973	REAR LAMP INTERMEDIATE HARNESS 4 Door, 3/4 & 1-Ton, Without Bed, With 164.5 In. Wheel Base	\$124.00	
39304	1974	REAR LAMP INTERMEDIATE HARNESS Blazer & Jimmy	\$181.00	

Part Number	Year	Description	Price	*Rev.
38412	1974	REAR LAMP INTERMEDIATE HARNESS Fleetside & Stepside Bed, With 117.5 In. Wheel Base	\$118.00	P
38413	1974	REAR LAMP INTERMEDIATE HARNESS Fleetside & Stepside Bed, With 131.5 In. & 164.5 In. Wheel Base	\$120.00	P
39711	1974	REAR LAMP INTERMEDIATE HARNESS 2 Door, 1-Ton, Without Bed, With 159.5 In. Wheel Base	\$124.00	
39712	1974	REAR LAMP INTERMEDIATE HARNESS 4 Door, 3/4 & 1-Ton, Without Bed, With 164.5 In. Wheel Base	\$124.00	
39772	1974	REAR LAMP INTERMEDIATE HARNESS Suburban	\$124.00	
39778	1975	REAR LAMP INTERMEDIATE HARNESS Blazer & Jimmy	\$181.00	
39779	1975	REAR LAMP INTERMEDIATE HARNESS Fleetside & Stepside Bed, With 117.5 In. Wheel Base	\$181.00	
39780	1975	REAR LAMP INTERMEDIATE HARNESS Fleetside & Stepside Bed, With 131.5 In. & 164.5 In. Wheel Base	\$181.00	
39781	1975	REAR LAMP INTERMEDIATE HARNESS 2 Door, 1-Ton, Without Bed, With 159.5 In. Wheel Base	\$181.00	
39782	1975	REAR LAMP INTERMEDIATE HARNESS 4 Door, 3/4 & 1-Ton, Without Bed, With 164.5 In. Wheel Base	\$181.00	
39783	1975	REAR LAMP INTERMEDIATE HARNESS Suburban	\$233.00	
39806	1976	REAR LAMP INTERMEDIATE HARNESS Fleetside & Stepside Bed, With 117.5 In. Wheel Base	\$168.00	
39807	1976	REAR LAMP INTERMEDIATE HARNESS Fleetside & Stepside Bed, With 131.5 In. & 135.5 In. Wheel Base	\$168.00	
39809	1976	REAR LAMP INTERMEDIATE HARNESS Blazer & Jimmy	\$233.00	
35907	1976	REAR LAMP INTERMEDIATE HARNESS Suburban, Except 40 Gal. Gas Tank Option	\$233.00	
37657	1976	REAR LAMP INTERMEDIATE HARNESS 1-Ton, Stakebed & Flatbed, With 159.5 Wheel Base	\$168.00	
37658	1976	REAR LAMP INTERMEDIATE HARNESS 4 Door, 3/4 & 1-Ton, Without Bed, With 164.5 In. Wheel Base	\$181.00	
39810	1976	REAR LAMP INTERMEDIATE HARNESS Suburban, With 40 Gal. Gas Tank Option	\$233.00	
38394	1977	REAR LAMP INTERMEDIATE HARNESS Fleetside & Stepside, With 117.5 In. Wheel Base & Heavy Duty Chassis	\$168.00	
39382	1977	REAR LAMP INTERMEDIATE HARNESS Fleetside & Stepside, With 131.5 In. Wheel Base	\$168.00	
39818	1977	REAR LAMP INTERMEDIATE HARNESS Fleetside & Stepside, With 117.5 In. Wheel Base, Except Heavy Duty Chassis	\$168.00	
39819	1977	REAR LAMP INTERMEDIATE HARNESS Fleetside & Stepside, 1-Ton With 135.5 In. Wheel Base	\$168.00	
39820	1977	REAR LAMP INTERMEDIATE HARNESS 2 Door, 1-Ton, With 159.5 In. Wheel Base	\$168.00	
39821	1977	REAR LAMP INTERMEDIATE HARNESS 4 Door Truck, 3/4 & 1-Ton	\$168.00	
39822	1977	REAR LAMP INTERMEDIATE HARNESS Suburban	\$233.00	
37623	1977	REAR LAMP INTERMEDIATE HARNESS Blazer & Jimmy	\$233.00	
38394	1978	REAR LAMP INTERMEDIATE HARNESS Fleetside & Stepside, With 117.5 In. Wheel Base & Heavy Duty Chassis	\$168.00	
39382	1978	REAR LAMP INTERMEDIATE HARNESS Fleetside & Stepside, With 131.5 In. Wheel Base & Heavy Duty Chassis	\$168.00	
39818	1978	REAR LAMP INTERMEDIATE HARNESS Fleetside & Stepside, With 117.5 In. Wheel Base, Except Heavy Duty Chassis	\$168.00	
39819	1978	REAR LAMP INTERMEDIATE HARNESS Fleetside & Stepside, 1/2-Ton With 131.5 In. Wheel Base & 1-Ton With 135.5 In. Wheel Base	\$168.00	
39820	1978	REAR LAMP INTERMEDIATE HARNESS 2 Door, 1-Ton, With 159.5 In. Wheel Base	\$168.00	
39821	1978	REAR LAMP INTERMEDIATE HARNESS 4 Door Truck, 3/4 & 1-Ton	\$168.00	
39822	1978	REAR LAMP INTERMEDIATE HARNESS Suburban, Without California Emission Option	\$233.00	
37623	1978	REAR LAMP INTERMEDIATE HARNESS Blazer & Jimmy	\$233.00	
35913	1978	REAR LAMP INTERMEDIATE HARNESS Suburban, With California Emission Option	\$233.00	
38394	1979	REAR LAMP INTERMEDIATE HARNESS Fleetside & Stepside, With 117.5 In. Wheel Base & Heavy Duty Chassis	\$168.00	
39382	1979	REAR LAMP INTERMEDIATE HARNESS Fleetside & Stepside, With 131.5 In. Wheel Base & Heavy Duty Chassis	\$168.00	
39818	1979	REAR LAMP INTERMEDIATE HARNESS Fleetside & Stepside, With 117.5 In. Wheel Base, Except Heavy Duty Chassis	\$168.00	
39819	1979	REAR LAMP INTERMEDIATE HARNESS Fleetside & Stepside, 1/2-Ton With 131.5 In. Wheel Base & 1-Ton With 135.5 In. Wheel Base	\$168.00	
39820	1979	REAR LAMP INTERMEDIATE HARNESS 2 Door, 1-Ton, With 159.5 In. Wheel Base	\$168.00	

Part Number	Year	Description	Price	*Rev.
39821	1979	REAR LAMP INTERMEDIATE HARNESS 4 Door Truck, 3/4 & 1-Ton	\$168.00	
39822	1979	REAR LAMP INTERMEDIATE HARNESS Suburban, Without California Emission Option	\$233.00	
35913	1979	REAR LAMP INTERMEDIATE HARNESS Suburban, With California Emission Option	\$233.00	
39908	1979	REAR LAMP INTERMEDIATE HARNESS Blazer & Jimmy	\$233.00	
39382	1980	REAR LAMP INTERMEDIATE HARNESS Fleetside & Stepside, With 131.5 In. Wheel Base & Heavy Duty Chassis	\$168.00	
39819	1980	REAR LAMP INTERMEDIATE HARNESS Fleetside & Stepside, 1-Ton With 135.5 In. Wheel Base	\$168.00	
39820	1980	REAR LAMP INTERMEDIATE HARNESS 2 Door, 1-Ton, With 159.5 In. Wheel Base	\$168.00	
39821	1980	REAR LAMP INTERMEDIATE HARNESS 4 Door Truck, 3/4 & 1-Ton	\$168.00	
39913	1980	REAR LAMP INTERMEDIATE HARNESS Suburban, Without California Emission Option	\$233.00	
39914	1980	REAR LAMP INTERMEDIATE HARNESS Suburban, With California Emission Option	\$233.00	
39915	1980	REAR LAMP INTERMEDIATE HARNESS Fleetside & Stepside, With 117.5 In. Wheel Base	\$168.00	
39916	1980	REAR LAMP INTERMEDIATE HARNESS Fleetside & Stepside, With 131.5 In. Wheel Base	\$168.00	
39917	1980	REAR LAMP INTERMEDIATE HARNESS Blazer & Jimmy	\$233.00	
38394	1981	REAR LAMP INTERMEDIATE HARNESS Fleetside & Stepside, With 350 Diesel & 117.5 In. Wheel Base	\$168.00	
39382	1981	REAR LAMP INTERMEDIATE HARNESS Fleetside & Stepside, 2 Wheel Drive 1/2 Ton, With 350 Diesel, & All 4 Wheel Drives, With 131.5 In. Wheel Base & Heavy Duty	\$168.00	
39913	1981	REAR LAMP INTERMEDIATE HARNESS Suburban, Without California Emission Option	\$233.00	
39914	1981	REAR LAMP INTERMEDIATE HARNESS Suburban, With California Emission Option	\$233.00	
39915	1981	REAR LAMP INTERMEDIATE HARNESS Fleetside & Stepside, With 117.5 In. Wheel Base	\$168.00	
39916	1981	REAR LAMP INTERMEDIATE HARNESS Fleetside & Stepside, With 131.5 In. Wheel Base	\$168.00	
39917	1981	REAR LAMP INTERMEDIATE HARNESS Blazer & Jimmy	\$233.00	
39986	1981	REAR LAMP INTERMEDIATE HARNESS 2 Door, 1-Ton, With 135.5 In. Wheel Base	\$168.00	
39987	1981	REAR LAMP INTERMEDIATE HARNESS 2 Door, 1-Ton, With 159.5 In. Wheel Base	\$168.00	
39988	1981	REAR LAMP INTERMEDIATE HARNESS 4 Door, 3/4 & 1-Ton, With 164.5 In. Wheel Base	\$168.00	
38394	1982	REAR LAMP INTERMEDIATE HARNESS Fleetside & Stepside, With 350 Diesel & 117.5 In. Wheel Base	\$168.00	
39382	1982	REAR LAMP INTERMEDIATE HARNESS Fleetside & Stepside, 2 Wheel Drive 1/2 Ton, With 350 Diesel, & All 4 Wheel Drives, With 131.5 In. Wheel Base & Heavy Duty	\$168.00	
39913	1982	REAR LAMP INTERMEDIATE HARNESS Suburban, Without California Emission Option	\$233.00	
39914	1982	REAR LAMP INTERMEDIATE HARNESS Suburban, With California Emission Option	\$233.00	
39915	1982	REAR LAMP INTERMEDIATE HARNESS Fleetside & Stepside, With 117.5 In. Wheel Base	\$168.00	
39916	1982	REAR LAMP INTERMEDIATE HARNESS Fleetside & Stepside, With 131.5 In. Wheel Base	\$168.00	
39917	1982	REAR LAMP INTERMEDIATE HARNESS Blazer & Jimmy	\$233.00	
39986	1982	REAR LAMP INTERMEDIATE HARNESS 2 Door, 1-Ton, With 135.5 In. Wheel Base	\$168.00	
39987	1982	REAR LAMP INTERMEDIATE HARNESS 2 Door, 1-Ton, With 159.5 In. Wheel Base	\$168.00	
39988	1982	REAR LAMP INTERMEDIATE HARNESS 4 Door, 3/4 & 1-Ton, With 164.5 In. Wheel Base	\$168.00	
40867	1963	REAR LAMP HARNESS Rear, Suburban & C10 Panel	\$84.00	
40867	1964	REAR LAMP HARNESS Rear, Suburban & C10 Panel	\$84.00	
40867	1965	REAR LAMP HARNESS Rear, Suburban & C10 Panel	\$84.00	
40867	1966	REAR LAMP HARNESS Rear, Suburban & C10 Panel	\$84.00	
40867	1962	REAR LAMP HARNESS Rear, Suburban & C10 Panel	\$84.00	
40151	1960	REAR LAMP HARNESS Rear, Fleetside	\$111.00	
42290	1960	REAR LAMP HARNESS Rear, Stepside, 2 Wheel Drive	\$111.00	
42291	1960	REAR LAMP HARNESS Rear, Stepside, 4 Wheel Drive	\$111.00	
40151	1961	REAR LAMP HARNESS Rear, Fleetside	\$111.00	
42290	1961	REAR LAMP HARNESS Rear, Stepside, 2 Wheel Drive	\$111.00	
42291	1961	REAR LAMP HARNESS Rear, Stepside, 4 Wheel Drive	\$111.00	
37004	1968	REAR LAMP HARNESS Rear, Stepside (8 Foot Bed)	\$137.00	



Part Number	Year	Description	Price	*Rev.
23135	1955	REAR LAMP HARNESS Single Tail & Brake Lights Only	\$51.00	
38164	1956	REAR BODY LIGHT HARNESS KIT Complete, Cameo Only	\$338.00	
38166	1958	REAR BODY LIGHT HARNESS KIT Complete, Cameo Only	\$325.00	
34370	1955	REAR LAMP HARNESS Dual Tail, Brake & Directional Lights	\$129.00	
<b>REAR LICENSE PLATE AND FUEL TANK HARNESS</b>				
36237	1967	REAR LICENSE PLATE AND FUEL TANK HARNESS Panel & Suburban Only	\$45.00	
36237	1968	REAR LICENSE PLATE AND FUEL TANK HARNESS Panel & Suburban Only	\$45.00	
36237	1969	REAR LICENSE PLATE AND FUEL TANK HARNESS Panel & Suburban Only	\$45.00	
36237	1970	REAR LICENSE PLATE AND FUEL TANK HARNESS Panel & Suburban Only	\$45.00	
36237	1971	REAR LICENSE PLATE AND FUEL TANK HARNESS Panel & Suburban Only	\$45.00	
36237	1972	REAR LICENSE PLATE AND FUEL TANK HARNESS Panel & Suburban Only	\$45.00	
<b>REAR MARKER LAMP HARNESS</b>				
39834	1977	REAR MARKER LAMP HARNESS 2 Door, 3/4 Ton, With Stakebed & Flatbed, Tail Lamp Harness To Rear Marker Lamps	\$87.00	
39835	1977	REAR MARKER LAMP HARNESS 2 Door, 1-Ton, With 135.5 In. Wheel Base, With Stakebed & Flatbed, Tail Lamp Harness To Rear Marker & Corner Lamps	\$110.00	
39834	1978	REAR MARKER LAMP HARNESS 2 Door, 3/4 Ton, With Stakebed & Flatbed, Tail Lamp Harness To Rear Marker Lamps	\$87.00	
39835	1978	REAR MARKER LAMP HARNESS 2 Door, 1-Ton, With 135.5 In. Wheel Base, With Stakebed & Flatbed, Tail Lamp Harness To Rear Marker & Corner Lamps	\$110.00	
39834	1979	REAR MARKER LAMP HARNESS 2 Door, 3/4 Ton, With Stakebed & Flatbed, Tail Lamp Harness To Rear Marker Lamps	\$87.00	
39835	1979	REAR MARKER LAMP HARNESS 2 Door, 1-Ton, With 135.5 In. Wheel Base, With Stakebed & Flatbed, Tail Lamp Harness To Rear Marker & Corner Lamps	\$110.00	
39834	1980	REAR MARKER LAMP HARNESS 2 Door, 3/4 Ton, With Stakebed & Flatbed, Tail Lamp Harness To Rear Marker Lamps	\$87.00	
39835	1980	REAR MARKER LAMP HARNESS 2 Door, 1-Ton, With 135.5 In. Wheel Base, With Stakebed & Flatbed, Tail Lamp Harness To Rear Marker & Corner Lamps	\$110.00	
39834	1981	REAR MARKER LAMP HARNESS 2 Door, 3/4 Ton, With Stakebed & Flatbed, Tail Lamp Harness To Rear Marker Lamps	\$87.00	
39835	1981	REAR MARKER LAMP HARNESS 2 Door, 1-Ton, With 135.5 In. Wheel Base, With Stakebed & Flatbed, Tail Lamp Harness To Rear Marker & Corner Lamps	\$110.00	
39835	1982	REAR MARKER LAMP HARNESS 2 Door, 1-Ton, With 135.5 In. Wheel Base, With Stakebed & Flatbed, Tail Lamp Harness To Rear Marker & Corner Lamps	\$110.00	
<b>REAR WINDOW DEFROSTER EXTENSION WIRE</b>				
40002	1982	REAR WINDOW DEFROSTER EXTENSION WIRE Suburban, Dash Harness To Tailgate Harness	\$45.00	
40002	1982	REAR WINDOW DEFROSTER EXTENSION WIRE Suburban, Dash Harness To Tailgate Harness	\$45.00	
<b>REAR WINDOW DEFROSTER HARNESS</b>				
40003	1982	REAR WINDOW DEFROSTER HARNESS Suburban, Tailgate Harness	\$57.00	
<b>SIDE MARKER AND LICENSE LAMP HARNESS</b>				
39740	1973	SIDE MARKER AND LICENSE LAMP HARNESS 8ft Stakebed & Flatbed, Without Clearance Lamps	\$87.00	
39743	1973	SIDE MARKER AND LICENSE LAMP HARNESS 8ft Stakebed & Flatbed, With Clearance Lamps	\$110.00	
39740	1974	SIDE MARKER AND LICENSE LAMP HARNESS 8ft Stakebed & Flatbed, Without Clearance Lamps	\$87.00	
39743	1974	SIDE MARKER AND LICENSE LAMP HARNESS 8ft Stakebed & Flatbed, With Clearance Lamps	\$110.00	
39740	1975	SIDE MARKER AND LICENSE LAMP HARNESS 8ft Stakebed & Flatbed, Without Clearance Lamps	\$87.00	
39743	1975	SIDE MARKER AND LICENSE LAMP HARNESS 8ft Stakebed & Flatbed, With Clearance Lamps	\$110.00	
39740	1976	SIDE MARKER AND LICENSE LAMP HARNESS 8ft Stakebed & Flatbed, Without Clearance Lamps	\$87.00	
39743	1976	SIDE MARKER AND LICENSE LAMP HARNESS 8ft Stakebed & Flatbed, With Clearance Lamps	\$110.00	

Part Number	Year	Description	Price	*Rev.
<b>SPEAKER EXTENSION WIRE</b>				
39866	1981	SPEAKER EXTENSION WIRE Suburban, Rear Speaker To Extension Harness (2 Required Per Vehicle)	\$22.00	
<b>SPEAKER HARNESS</b>				
39709	1973	SPEAKER HARNESS Radio To Center Front Speaker, Except Stereo	\$34.00	
39726	1973	SPEAKER HARNESS Radio To Front Kick Panel Speakers, With Stereo	\$57.00	
39749	1973	SPEAKER HARNESS All, Radio To Rear Speakers, With Stereo	\$57.00	
39709	1974	SPEAKER HARNESS Radio To Center Front Speaker, Except Stereo	\$34.00	
39749	1974	SPEAKER HARNESS Radio To Rear Speakers, With Stereo	\$57.00	
39750	1974	SPEAKER HARNESS Radio To Driver Side Kick Panel Speaker	\$57.00	
39751	1974	SPEAKER HARNESS Radio To Passenger Side Kick Panel Speaker	\$57.00	
39709	1975	SPEAKER HARNESS Radio To Center Front Speaker, Except Stereo	\$34.00	
39749	1975	SPEAKER HARNESS Radio To Rear Speakers, With Stereo	\$57.00	
39794	1975	SPEAKER HARNESS Suburban, Driver Side Rear Speaker	\$57.00	
39795	1975	SPEAKER HARNESS Suburban, Passenger Side Rear Speaker	\$57.00	
39709	1976	SPEAKER HARNESS Radio To Center Front Speaker, Except Stereo	\$34.00	
39749	1976	SPEAKER HARNESS Radio To Rear Speakers, With Stereo	\$57.00	
39794	1976	SPEAKER HARNESS Suburban, Driver Side Rear Speaker	\$57.00	
39795	1976	SPEAKER HARNESS Suburban, Passenger Side Rear Speaker	\$57.00	
39796	1976	SPEAKER HARNESS Suburban, Radio To Rear Speaker Harness, Except Stereo	\$57.00	
39709	1977	SPEAKER HARNESS Radio To Center Front Speaker, Except Stereo	\$34.00	
39749	1977	SPEAKER HARNESS Radio To Rear Speakers, With Stereo	\$57.00	
39794	1977	SPEAKER HARNESS Suburban, Driver Side Rear Speaker	\$57.00	
39795	1977	SPEAKER HARNESS Suburban, Passenger Side Rear Speaker	\$57.00	
39796	1977	SPEAKER HARNESS Suburban, Radio To Rear Speaker Harness, Except Stereo	\$57.00	
39838	1977	SPEAKER HARNESS Suburban, Blazer & Jimmy, Front Section, Radio To Rear Speaker Harness	\$57.00	
39843	1977	SPEAKER HARNESS Suburban, Rear Section, Radio Harness To Rear Speaker	\$57.00	
39849	1977	SPEAKER HARNESS Blazer & Jimmy, Rear Section, Radio Harness To Rear Speaker	\$57.00	
39868	1978	SPEAKER HARNESS Radio To Center Front Speaker, Except Stereo	\$34.00	
39874	1978	SPEAKER HARNESS Suburban, With Rear Auxiliary Speaker	\$57.00	
39875	1978	SPEAKER HARNESS Blazer & Jimmy, With Rear Auxiliary Speaker	\$57.00	
39868	1979	SPEAKER HARNESS Radio To Center Front Speaker, Except Stereo	\$34.00	
39874	1979	SPEAKER HARNESS Suburban, With Rear Auxiliary Speaker	\$57.00	
39875	1979	SPEAKER HARNESS Blazer & Jimmy, With Rear Auxiliary Speaker	\$57.00	
40044	1979	SPEAKER HARNESS C.B. Radio To Center Dash Speaker	\$57.00	
39903	1980	SPEAKER HARNESS All Trucks, With 4 Speaker Stereo System	\$133.00	
39904	1980	SPEAKER HARNESS Suburban With 4 Speaker Stereo System	\$133.00	
39905	1980	SPEAKER HARNESS Blazer & Jimmy, With 4 Speaker Stereo System	\$133.00	
39906	1980	SPEAKER HARNESS All With Front Door Speakers, (2 Required Per Vehicle)	\$57.00	
39868	1980	SPEAKER HARNESS Radio To Center Front Speaker, Except Stereo	\$34.00	
39875	1980	SPEAKER HARNESS Blazer & Jimmy, With Rear Auxiliary Speaker	\$57.00	
39907	1980	SPEAKER HARNESS Suburban, With Rear Auxiliary Speaker	\$57.00	
40044	1980	SPEAKER HARNESS C.B. Radio To Center Dash Speaker	\$57.00	
39906	1981	SPEAKER HARNESS All With Front Door Speakers, (2 Required Per Vehicle)	\$57.00	
39938	1981	SPEAKER HARNESS All Trucks, With 4 Speaker Stereo System	\$133.00	
39939	1981	SPEAKER HARNESS Suburban, With 4 Speaker Stereo System	\$133.00	

Part Number	Year	Description	Price	*Rev.
39940	1981	<b>SPEAKER HARNESS</b> Blazer & Jimmy, With 4 Speaker Stereo System	\$133.00	
39868	1981	<b>SPEAKER HARNESS</b> Radio To Center Front Speaker, Except Stereo	\$34.00	
40044	1981	<b>SPEAKER HARNESS</b> C.B. Radio To Center Dash Speaker	\$57.00	
39954	1981	<b>SPEAKER HARNESS</b> Suburban, With Rear Auxiliary Speaker	\$57.00	
39955	1981	<b>SPEAKER HARNESS</b> Blazer & Jimmy, With Rear Auxiliary Speaker	\$57.00	
39938	1982	<b>SPEAKER HARNESS</b> All Trucks, With 4 Speaker Stereo System	\$133.00	
39940	1982	<b>SPEAKER HARNESS</b> Blazer & Jimmy, With 4 Speaker Stereo System	\$133.00	
40012	1982	<b>SPEAKER HARNESS</b> Suburban, With 4 Speaker Stereo System	\$133.00	
39868	1982	<b>SPEAKER HARNESS</b> Radio To Center Front Speaker, Except Stereo	\$34.00	
40044	1982	<b>SPEAKER HARNESS</b> C.B. Radio To Center Dash Speaker	\$57.00	
39954	1982	<b>SPEAKER HARNESS</b> Suburban, With Rear Auxiliary Speaker	\$57.00	
39955	1982	<b>SPEAKER HARNESS</b> Blazer & Jimmy, With Rear Auxiliary Speaker	\$57.00	
<b>SPEED WARNING HARNESS</b>				
23185	1967	<b>SPEED WARNING HARNESS</b>	\$23.00	
23185	1968	<b>SPEED WARNING HARNESS</b>	\$23.00	
23185	1969	<b>SPEED WARNING HARNESS</b>	\$23.00	
23185	1970	<b>SPEED WARNING HARNESS</b>	\$23.00	
23185	1971	<b>SPEED WARNING HARNESS</b>	\$23.00	
23185	1972	<b>SPEED WARNING HARNESS</b>	\$23.00	
<b>STEERING COLUMN ADAPTER HARNESS</b>				
35785	1957	<b>STEERING COLUMN ADAPTER HARNESS</b> For 1969-74 GM & Ididit Columns (Exc. Flaming River) To Stock Dash Note: Adapts Horn, Directionals, Hazard Flasher To Stock Dash Harness.	\$43.00	
35785	1958	<b>STEERING COLUMN ADAPTER HARNESS</b> For 1969-74 GM & Ididit Columns (Exc. Flaming River) To Stock Dash Note: Adapts Horn, Directionals, Hazard Flasher To Stock Dash Harness.	\$43.00	
35785	1959	<b>STEERING COLUMN ADAPTER HARNESS</b> For 1969-74 GM & Ididit Columns (Exc. Flaming River) To Stock Dash Note: Adapts Horn, Directionals, Hazard Flasher To Stock Dash Harness.	\$43.00	
13597	1957	<b>STEERING COLUMN ADAPTER HARNESS</b> For 1975 & UP GM & Flaming River Columns (Exc. Ididit) To Stock Dash Note: Adapts Horn, Directionals, Hazard Flasher To Stock Dash Harness.	\$44.00	
13597	1958	<b>STEERING COLUMN ADAPTER HARNESS</b> For 1975 & UP GM & Flaming River Columns (Exc. Ididit) To Stock Dash Note: Adapts Horn, Directionals, Hazard Flasher To Stock Dash Harness.	\$44.00	
13597	1959	<b>STEERING COLUMN ADAPTER HARNESS</b> For 1975 & UP GM & Flaming River Columns (Exc. Ididit) To Stock Dash Note: Adapts Horn, Directionals, Hazard Flasher To Stock Dash Harness.	\$44.00	
37616	1960	<b>STEERING COLUMN ADAPTER HARNESS</b> For 1969-74 GM & Ididit Columns (Exc. Flaming River) To Stock Dash Harness Note: Adapts Horn, Directionals, Hazard Flashers To Stock 6-Way Dash Connector.	\$43.00	
37616	1961	<b>STEERING COLUMN ADAPTER HARNESS</b> For 1969-74 GM & Ididit Columns (Exc. Flaming River) To Stock Dash Harness Note: Adapts Horn, Directionals, Hazard Flashers To Stock 6-Way Dash Connector.	\$43.00	
37616	1962	<b>STEERING COLUMN ADAPTER HARNESS</b> For 1969-74 GM & Ididit Columns (Exc. Flaming River) To Stock Dash Harness Note: Adapts Horn, Directionals, Hazard Flashers To Stock 6-Way Dash Connector.	\$43.00	
38124	1960	<b>STEERING COLUMN ADAPTER HARNESS</b> For 1975 & UP GM & Flaming River Columns (Exc. Ididit) To Stock Dash Harness Note: Adapts Horn, Directionals, Hazard Flashers To Stock 6-Way Dash Connector.	\$46.00	

Part Number	Year	Description	Price	*Rev.
38124	1961	<b>STEERING COLUMN ADAPTER HARNESS</b> For 1975 & UP GM & Flaming River Columns (Exc. Ididit) To Stock Dash Harness Note: Adapts Horn, Directionals, Hazard Flashers To Stock 6-Way Dash Connector.	\$46.00	
38124	1962	<b>STEERING COLUMN ADAPTER HARNESS</b> For 1975 & UP GM & Flaming River Columns (Exc. Ididit) To Stock Dash Harness Note: Adapts Horn, Directionals, Hazard Flashers To Stock 6-Way Dash Connector.	\$46.00	
37618	1963	<b>STEERING COLUMN ADAPTER HARNESS</b> For 1969-74 GM & Ididit Columns (Exc. Flaming River) To Stock Dash Harness Note: Adapts Horn, Directionals, Hazard Flashers To Stock 8-Way Dash Connector.	\$43.00	
37618	1964	<b>STEERING COLUMN ADAPTER HARNESS</b> For 1969-74 GM & Ididit Columns (Exc. Flaming River) To Stock Dash Harness Note: Adapts Horn, Directionals, Hazard Flashers To Stock 8-Way Dash Connector.	\$43.00	
37618	1965	<b>STEERING COLUMN ADAPTER HARNESS</b> For 1969-74 GM & Ididit Columns (Exc. Flaming River) To Stock Dash Harness Note: Adapts Horn, Directionals, Hazard Flashers To Stock 8-Way Dash Connector.	\$43.00	
37618	1966	<b>STEERING COLUMN ADAPTER HARNESS</b> For 1969-74 GM & Ididit Columns (Exc. Flaming River) To Stock Dash Harness Note: Adapts Horn, Directionals, Hazard Flashers To Stock 8-Way Dash Connector.	\$43.00	
38125	1963	<b>STEERING COLUMN ADAPTER HARNESS</b> For 1975 & UP GM & Flaming River Columns (Exc. Ididit) To Stock Dash Harness Note: Adapts Horn, Directionals, Hazard Flashers To Stock 8-Way Dash Connector.	\$44.00	
38125	1964	<b>STEERING COLUMN ADAPTER HARNESS</b> For 1975 & UP GM & Flaming River Columns (Exc. Ididit) To Stock Dash Harness Note: Adapts Horn, Directionals, Hazard Flashers To Stock 8-Way Dash Connector.	\$44.00	
38125	1965	<b>STEERING COLUMN ADAPTER HARNESS</b> For 1975 & UP GM & Flaming River Columns (Exc. Ididit) To Stock Dash Harness Note: Adapts Horn, Directionals, Hazard Flashers To Stock 8-Way Dash Connector.	\$44.00	
38125	1966	<b>STEERING COLUMN ADAPTER HARNESS</b> For 1975 & UP GM & Flaming River Columns (Exc. Ididit) To Stock Dash Harness Note: Adapts Horn, Directionals, Hazard Flashers To Stock 8-Way Dash Connector.	\$44.00	
36878	1967	<b>STEERING COLUMN ADAPTER HARNESS</b> For 1969-74 GM & Ididit Columns (Exc. Flaming River) To Stock Dash Harness Note: Adapts Horn, Directionals, Hazard Flashers To Stock 8 Pin Dash Connector.	\$22.00	
36878	1968	<b>STEERING COLUMN ADAPTER HARNESS</b> For 1969-74 GM & Ididit Columns (Exc. Flaming River) To Stock Dash Harness Note: Adapts Horn, Directionals, Hazard Flashers To Stock 8 Pin Dash Connector.	\$22.00	
36878	1969	<b>STEERING COLUMN ADAPTER HARNESS</b> For 1969-74 GM & Ididit Columns (Exc. Flaming River) To Stock Dash Harness Note: Adapts Horn, Directionals, Hazard Flashers To Stock 8 Pin Dash Connector.	\$22.00	
36878	1970	<b>STEERING COLUMN ADAPTER HARNESS</b> For 1969-74 GM & Ididit Columns (Exc. Flaming River) To Stock Dash Harness Note: Adapts Horn, Directionals, Hazard Flashers To Stock 8 Pin Dash Connector.	\$22.00	
36878	1971	<b>STEERING COLUMN ADAPTER HARNESS</b> For 1969-74 GM & Ididit Columns (Exc. Flaming River) To Stock Dash Harness Note: Adapts Horn, Directionals, Hazard Flashers To Stock 8 Pin Dash Connector.	\$22.00	
36878	1972	<b>STEERING COLUMN ADAPTER HARNESS</b> For 1969-74 GM & Ididit Columns (Exc. Flaming River) To Stock Dash Harness Note: Adapts Horn, Directionals, Hazard Flashers To Stock 8 Pin Dash Connector.	\$22.00	
38126	1967	<b>STEERING COLUMN ADAPTER HARNESS</b> For 1975 & UP GM & Flaming River Columns (Exc. Ididit) To Stock Dash Harness Note: Adapts Horn, Directionals, Hazard Flashers To Stock 8 Pin Dash Connector.	\$22.00	
38126	1968	<b>STEERING COLUMN ADAPTER HARNESS</b> For 1975 & UP GM & Flaming River Columns (Exc. Ididit) To Stock Dash Harness Note: Adapts Horn, Directionals, Hazard Flashers To Stock 8 Pin Dash Connector.	\$22.00	

Part Number	Year	Description	Price	*Rev.
38126	1969	<b>STEERING COLUMN ADAPTER HARNESS</b> For 1975 & UP GM & Flaming River Columns (Exc. Ididit) To Stock Dash Harness Note: Adapts Horn, Directionals, Hazard Flashers To Stock 8 Pin Dash Connector.	\$22.00	
38126	1970	<b>STEERING COLUMN ADAPTER HARNESS</b> For 1975 & UP GM & Flaming River Columns (Exc. Ididit) To Stock Dash Harness Note: Adapts Horn, Directionals, Hazard Flashers To Stock 8 Pin Dash Connector.	\$22.00	
38126	1971	<b>STEERING COLUMN ADAPTER HARNESS</b> For 1975 & UP GM & Flaming River Columns (Exc. Ididit) To Stock Dash Harness Note: Adapts Horn, Directionals, Hazard Flashers To Stock 8 Pin Dash Connector.	\$22.00	
38126	1972	<b>STEERING COLUMN ADAPTER HARNESS</b> For 1975 & UP GM & Flaming River Columns (Exc. Ididit) To Stock Dash Harness Note: Adapts Horn, Directionals, Hazard Flashers To Stock 8 Pin Dash Connector.	\$22.00	
39468	1955	<b>STEERING COLUMN ADAPTER HARNESS</b> For 1969-74 GM & Ididit Columns (Exc. Flaming River) To Stock Dash Note: Adapts Horn, Directionals, Hazard Flasher To Stock Dash Harness.	\$43.00	
39468	1956	<b>STEERING COLUMN ADAPTER HARNESS</b> For 1969-74 GM & Ididit Columns (Exc. Flaming River) To Stock Dash Note: Adapts Horn, Directionals, Hazard Flasher To Stock Dash Harness.	\$43.00	
39467	1955	<b>STEERING COLUMN ADAPTER HARNESS</b> For 1975 & UP GM & Flaming River Columns (Exc. Ididit) To Stock Dash Note: Adapts Horn, Directionals, Hazard Flasher To Stock Dash Harness.	\$43.00	
39467	1956	<b>STEERING COLUMN ADAPTER HARNESS</b> For 1975 & UP GM & Flaming River Columns (Exc. Ididit) To Stock Dash Note: Adapts Horn, Directionals, Hazard Flasher To Stock Dash Harness.	\$43.00	
<b>STOP LAMP SWITCH</b>				
01997922	1942	<b>STOP LAMP SWITCH</b>	\$8.00	N
01997922	1943	<b>STOP LAMP SWITCH</b>	\$8.00	N
01997922	1944	<b>STOP LAMP SWITCH</b>	\$8.00	N
01997922	1945	<b>STOP LAMP SWITCH</b>	\$8.00	N
01997922	1946	<b>STOP LAMP SWITCH</b>	\$8.00	N
01997922	1947	<b>STOP LAMP SWITCH</b>	\$8.00	N
01997922	1948	<b>STOP LAMP SWITCH</b>	\$8.00	N
01997922	1949	<b>STOP LAMP SWITCH</b>	\$8.00	N
01997922	1950	<b>STOP LAMP SWITCH</b>	\$8.00	N
01997922	1951	<b>STOP LAMP SWITCH</b>	\$8.00	N
01997922	1952	<b>STOP LAMP SWITCH</b>	\$8.00	N
01997922	1953	<b>STOP LAMP SWITCH</b>	\$8.00	N
01997922	1954	<b>STOP LAMP SWITCH</b>	\$8.00	N
01997922	1955	<b>STOP LAMP SWITCH</b> 1st Series, 6 Volt	\$8.00	N
01997921	1955	<b>STOP LAMP SWITCH</b> 2nd Series, 12 Volt	\$8.00	N
01997921	1956	<b>STOP LAMP SWITCH</b>	\$8.00	N
01997921	1957	<b>STOP LAMP SWITCH</b>	\$8.00	N
01997921	1958	<b>STOP LAMP SWITCH</b>	\$8.00	N
01997921	1959	<b>STOP LAMP SWITCH</b>	\$8.00	N
01261219	1960	<b>STOP LAMP SWITCH</b> All, Without Cruise	\$5.80	N
01261219	1961	<b>STOP LAMP SWITCH</b> All, Without Cruise	\$5.80	N
01261219	1962	<b>STOP LAMP SWITCH</b> All, Without Cruise	\$5.80	N
01261219	1963	<b>STOP LAMP SWITCH</b> All, Without Cruise	\$5.80	N
01261219	1964	<b>STOP LAMP SWITCH</b> All, Without Cruise	\$5.80	N
01261219	1965	<b>STOP LAMP SWITCH</b> All, Without Cruise	\$5.80	N

Part Number	Year	Description	Price	*Rev.
01261219	1966	STOP LAMP SWITCH All, Without Cruise	\$5.80	N
01261219	1967	STOP LAMP SWITCH All, Without Cruise	\$5.80	N
01261219	1968	STOP LAMP SWITCH All, Without Cruise	\$5.80	N
01261219	1969	STOP LAMP SWITCH All, Without Cruise	\$5.80	N
01261219	1970	STOP LAMP SWITCH All, Without Cruise	\$5.80	N
01261219	1971	STOP LAMP SWITCH All, Without Cruise	\$5.80	N
01261219	1972	STOP LAMP SWITCH All, Without Cruise	\$5.80	N
01261219	1973	STOP LAMP SWITCH All, Without Cruise	\$5.80	N
01261219	1974	STOP LAMP SWITCH All, Without Cruise	\$5.80	N
01261219	1975	STOP LAMP SWITCH All, Without Cruise	\$5.80	N
01261219	1976	STOP LAMP SWITCH All, Without Cruise	\$5.80	N
01261219	1977	STOP LAMP SWITCH All, Without Cruise	\$5.80	N
01261219	1978	STOP LAMP SWITCH All, Without Cruise	\$5.80	N
01261219	1979	STOP LAMP SWITCH All, Without Cruise	\$5.80	N
01261219	1980	STOP LAMP SWITCH With Manual Trans, Without Cruise	\$5.80	N
01261219	1981	STOP LAMP SWITCH With Manual Trans, Without Cruise	\$5.80	N
01261219	1982	STOP LAMP SWITCH With Manual Trans Or TH400, Without Cruise	\$5.80	N
01261219	1983	STOP LAMP SWITCH With Manual Trans Or TH400, Without Cruise	\$5.80	N
01261219	1984	STOP LAMP SWITCH With Manual Trans Or TH400, Without Cruise	\$5.80	N
01261219	1985	STOP LAMP SWITCH With Manual Trans Or TH400, Without Cruise	\$5.80	N
01261219	1986	STOP LAMP SWITCH With Manual Trans Or TH400, Without Cruise	\$5.80	N
01261219	1987	STOP LAMP SWITCH RV Body Style, With Manual Trans Or TH400, Without Cruise	\$5.80	N
01261219	1988	STOP LAMP SWITCH RV Body Style, With Manual Trans Or TH400, Without Cruise	\$5.80	N
01261219	1989	STOP LAMP SWITCH RV Body Style, With Manual Trans Or TH 400, Without Cruise	\$5.80	N

**TACHOMETER HARNESS**

03290	1961	TACHOMETER HARNESS	\$46.00	
03290	1962	TACHOMETER HARNESS	\$46.00	
04225	1963	TACHOMETER HARNESS	\$46.00	
20705	1964	TACHOMETER HARNESS 6 Cylinder Note: 6 Cylinder Items Are Not Returnable.	\$46.00	
20670	1964	TACHOMETER HARNESS V/8	\$46.00	
20705	1965	TACHOMETER HARNESS 6 Cylinder Note: 6 Cylinder Items Are Not Returnable.	\$46.00	
20670	1965	TACHOMETER HARNESS V/8	\$46.00	
20705	1966	TACHOMETER HARNESS 6 Cylinder Note: 6 Cylinder Items Are Not Returnable.	\$46.00	
20670	1966	TACHOMETER HARNESS V/8	\$46.00	
20645	1967	TACHOMETER HARNESS	\$35.00	
20635	1968	TACHOMETER HARNESS	\$41.00	
20635	1969	TACHOMETER HARNESS	\$41.00	
20635	1970	TACHOMETER HARNESS	\$41.00	
20635	1971	TACHOMETER HARNESS	\$41.00	
20635	1972	TACHOMETER HARNESS	\$41.00	
20800	1973	TACHOMETER HARNESS	\$41.00	
20800	1974	TACHOMETER HARNESS	\$41.00	

Part Number	Year	Description	Price	*Rev.
39693	1964	<b>TACHOMETER HARNESS</b> V/8, With HEI Note: Not All Tachometers Will Operate Or Indicate Correctly When Used On An HEI Ignition System. While Some Original And Reproduction Tachometers May Give A Reading, This Does Not Necessarily Mean The Reading Is Correct.	\$46.00	
39693	1965	<b>TACHOMETER HARNESS</b> V/8, With HEI Note: Not All Tachometers Will Operate Or Indicate Correctly When Used On An HEI Ignition System. While Some Original And Reproduction Tachometers May Give A Reading, This Does Not Necessarily Mean The Reading Is Correct.	\$46.00	
39693	1966	<b>TACHOMETER HARNESS</b> V/8, With HEI Note: Not All Tachometers Will Operate Or Indicate Correctly When Used On An HEI Ignition System. While Some Original And Reproduction Tachometers May Give A Reading, This Does Not Necessarily Mean The Reading Is Correct.	\$46.00	
39694	1967	<b>TACHOMETER HARNESS</b> With HEI Note: Not All Tachometers Will Operate Or Indicate Correctly When Used On An HEI Ignition System. While Some Original And Reproduction Tachometers May Give A Reading, This Does Not Necessarily Mean The Reading Is Correct.	\$35.00	
39695	1968	<b>TACHOMETER HARNESS</b> With HEI Note: Not All Tachometers Will Operate Or Indicate Correctly When Used On An HEI Ignition System. While Some Original And Reproduction Tachometers May Give A Reading, This Does Not Necessarily Mean The Reading Is Correct.	\$41.00	
39695	1969	<b>TACHOMETER HARNESS</b> With HEI Note: Not All Tachometers Will Operate Or Indicate Correctly When Used On An HEI Ignition System. While Some Original And Reproduction Tachometers May Give A Reading, This Does Not Necessarily Mean The Reading Is Correct.	\$41.00	
39695	1970	<b>TACHOMETER HARNESS</b> With HEI Note: Not All Tachometers Will Operate Or Indicate Correctly When Used On An HEI Ignition System. While Some Original And Reproduction Tachometers May Give A Reading, This Does Not Necessarily Mean The Reading Is Correct.	\$41.00	
39695	1971	<b>TACHOMETER HARNESS</b> With HEI Note: Not All Tachometers Will Operate Or Indicate Correctly When Used On An HEI Ignition System. While Some Original And Reproduction Tachometers May Give A Reading, This Does Not Necessarily Mean The Reading Is Correct.	\$41.00	
39695	1972	<b>TACHOMETER HARNESS</b> With HEI Note: Not All Tachometers Will Operate Or Indicate Correctly When Used On An HEI Ignition System. While Some Original And Reproduction Tachometers May Give A Reading, This Does Not Necessarily Mean The Reading Is Correct.	\$41.00	
39696	1973	<b>TACHOMETER HARNESS</b> With HEI Note: Not All Tachometers Will Operate Or Indicate Correctly When Used On An HEI Ignition System. While Some Original And Reproduction Tachometers May Give A Reading, This Does Not Necessarily Mean The Reading Is Correct.	\$41.00	
39696	1974	<b>TACHOMETER HARNESS</b> With HEI Note: Not All Tachometers Will Operate Or Indicate Correctly When Used On An HEI Ignition System. While Some Original And Reproduction Tachometers May Give A Reading, This Does Not Necessarily Mean The Reading Is Correct.	\$41.00	
38281	1975	<b>TACHOMETER HARNESS</b> All	\$45.00	
38281	1976	<b>TACHOMETER HARNESS</b> All	\$45.00	
38282	1977	<b>TACHOMETER HARNESS</b> V/8	\$45.00	
38281	1977	<b>TACHOMETER HARNESS</b> 6 Cylinder Note: 6 Cylinder Items Are Not Returnable.	\$45.00	
38867	1978	<b>TACHOMETER HARNESS</b> All	\$45.00	
38284	1979	<b>TACHOMETER HARNESS</b> All	\$45.00	
38284	1980	<b>TACHOMETER HARNESS</b> All	\$45.00	
38285	1981	<b>TACHOMETER HARNESS</b> All	\$45.00	
38285	1982	<b>TACHOMETER HARNESS</b> All	\$45.00	
<b>TAILGATE MARKER LAMP HARNESS</b>				
39741	1973	<b>TAILGATE MARKER LAMP HARNESS</b> Fleetside, 3/4 & 1-Ton, With Tailgate Marker Lamps	\$110.00	
39741	1974	<b>TAILGATE MARKER LAMP HARNESS</b> Fleetside, 3/4 & 1-Ton, With Tailgate Marker Lamps, (1st Design) Note: This Harness Has A Single Wire Plastic Connector Where It Plugs Into Rear Lamp Harness.	\$110.00	
39773	1974	<b>TAILGATE MARKER LAMP HARNESS</b> Fleetside, 3/4 & 1-Ton, With Tailgate Marker Lamps, (2nd Design) Note: This Harness Has A 2 Wire Rubber Molded Connector Where It Plugs Into Rear Lamp Harness.	\$114.00	
39741	1975	<b>TAILGATE MARKER LAMP HARNESS</b> Fleetside, 3/4 & 1-Ton, With Tailgate Marker Lamps	\$110.00	

Part Number	Year	Description	Price	*Rev.
39741	1976	<b>TAILGATE MARKER LAMP HARNESS</b> Fleetside, 3/4 & 1-Ton, With Tailgate Marker Lamps	\$110.00	
39741	1977	<b>TAILGATE MARKER LAMP HARNESS</b> Fleetside, 3/4 & 1-Ton, With Tailgate Marker Lamps	\$110.00	
39741	1978	<b>TAILGATE MARKER LAMP HARNESS</b> Fleetside, 3/4 & 1-Ton, With Tailgate Marker Lamps	\$110.00	
39741	1979	<b>TAILGATE MARKER LAMP HARNESS</b> Fleetside, 3/4 & 1-Ton, With Tailgate Marker Lamps	\$110.00	
39741	1980	<b>TAILGATE MARKER LAMP HARNESS</b> Fleetside, 3/4 & 1-Ton, With Tailgate Marker Lamps	\$110.00	
39992	1981	<b>TAILGATE MARKER LAMP HARNESS</b> 1-Tons, With Fleetside Bed & Dual Rear Wheels	\$114.00	
39992	1982	<b>TAILGATE MARKER LAMP HARNESS</b> 1-Ton, With Fleetside Bed & Dual Rear Wheels	\$114.00	
<b>TEMPERATURE SENDING UNIT WIRE REPAIR KIT</b>				
41366	1962	<b>TEMPERATURE SENDING UNIT WIRE REPAIR KIT</b> Dual Wire	\$23.00	
41366	1963	<b>TEMPERATURE SENDING UNIT WIRE REPAIR KIT</b> Dual Wire	\$23.00	
41366	1964	<b>TEMPERATURE SENDING UNIT WIRE REPAIR KIT</b> Dual Wire	\$23.00	
41366	1965	<b>TEMPERATURE SENDING UNIT WIRE REPAIR KIT</b> Dual Wire	\$23.00	
41366	1966	<b>TEMPERATURE SENDING UNIT WIRE REPAIR KIT</b> Dual Wire	\$23.00	
<b>TRAILER LIGHT ADAPTER HARNESS</b>				
39375	1962	<b>TRAILER LIGHT ADAPTER HARNESS</b> Step Side And Fleet Side Only Note: Connects Between The Intermediate And Rear Lamp Harnesses With Original Style Connectors To Easily Add Trailer Wiring Without Splicing Into Stock Harnesses.	\$92.00	P
39375	1963	<b>TRAILER LIGHT ADAPTER HARNESS</b> Step Side And Fleet Side Only Note: Connects Between The Intermediate And Rear Lamp Harnesses With Original Style Connectors To Easily Add Trailer Wiring Without Splicing Into Stock Harnesses.	\$92.00	P
39375	1964	<b>TRAILER LIGHT ADAPTER HARNESS</b> Step Side And Fleet Side Only Note: Connects Between The Intermediate And Rear Lamp Harnesses With Original Style Connectors To Easily Add Trailer Wiring Without Splicing Into Stock Harnesses.	\$92.00	P
39375	1965	<b>TRAILER LIGHT ADAPTER HARNESS</b> Step Side And Fleet Side Only Note: Connects Between The Intermediate And Rear Lamp Harnesses With Original Style Connectors To Easily Add Trailer Wiring Without Splicing Into Stock Harnesses.	\$92.00	P
39375	1966	<b>TRAILER LIGHT ADAPTER HARNESS</b> Step Side And Fleet Side Only Note: Connects Between The Intermediate And Rear Lamp Harnesses With Original Style Connectors To Easily Add Trailer Wiring Without Splicing Into Stock Harnesses.	\$92.00	P
39374	1967	<b>TRAILER LIGHT ADAPTER HARNESS</b> Step Side And Fleet Side Only Note: Connects Between The Intermediate And Rear Lamp Harnesses With Original Style Connectors To Easily Add Trailer Wiring Without Splicing Into Stock Harnesses.	\$92.00	P
39374	1968	<b>TRAILER LIGHT ADAPTER HARNESS</b> Step Side And Fleet Side Only Note: Connects Between The Intermediate And Rear Lamp Harnesses With Original Style Connectors To Easily Add Trailer Wiring Without Splicing Into Stock Harnesses.	\$92.00	P
39374	1969	<b>TRAILER LIGHT ADAPTER HARNESS</b> Step Side And Fleet Side Only Note: Connects Between The Intermediate And Rear Lamp Harnesses With Original Style Connectors To Easily Add Trailer Wiring Without Splicing Into Stock Harnesses.	\$92.00	P
39374	1970	<b>TRAILER LIGHT ADAPTER HARNESS</b> Step Side And Fleet Side Only Note: Connects Between The Intermediate And Rear Lamp Harnesses With Original Style Connectors To Easily Add Trailer Wiring Without Splicing Into Stock Harnesses.	\$92.00	P
39374	1971	<b>TRAILER LIGHT ADAPTER HARNESS</b> Step Side And Fleet Side Only Note: Connects Between The Intermediate And Rear Lamp Harnesses With Original Style Connectors To Easily Add Trailer Wiring Without Splicing Into Stock Harnesses.	\$92.00	P
39374	1972	<b>TRAILER LIGHT ADAPTER HARNESS</b> Step Side And Fleet Side Only Note: Connects Between The Intermediate And Rear Lamp Harnesses With Original Style Connectors To Easily Add Trailer Wiring Without Splicing Into Stock Harnesses.	\$92.00	P
39374	1973	<b>TRAILER LIGHT ADAPTER HARNESS</b> Step Side And Fleet Side Only Note: Connects Between The Intermediate And Rear Lamp Harnesses With Original Style Connectors To Easily Add Trailer Wiring Without Splicing Into Stock Harnesses.	\$92.00	P



Part Number	Year	Description	Price	*Rev.
39374	1974	<b>TRAILER LIGHT ADAPTER HARNESS</b> Step Side And Fleet Side Only Note: Connects Between The Intermediate And Rear Lamp Harnesses With Original Style Connectors To Easily Add Trailer Wiring Without Splicing Into Stock Harnesses.	\$92.00	P
39374	1975	<b>TRAILER LIGHT ADAPTER HARNESS</b> Step Side And Fleet Side Only Note: Connects Between The Intermediate And Rear Lamp Harnesses With Original Style Connectors To Easily Add Trailer Wiring Without Splicing Into Stock Harnesses.	\$92.00	P
39374	1976	<b>TRAILER LIGHT ADAPTER HARNESS</b> Step Side And Fleet Side Only Note: Connects Between The Intermediate And Rear Lamp Harnesses With Original Style Connectors To Easily Add Trailer Wiring Without Splicing Into Stock Harnesses.	\$92.00	P
39374	1977	<b>TRAILER LIGHT ADAPTER HARNESS</b> Step Side And Fleet Side Only Note: Connects Between The Intermediate And Rear Lamp Harnesses With Original Style Connectors To Easily Add Trailer Wiring Without Splicing Into Stock Harnesses.	\$92.00	P
39374	1978	<b>TRAILER LIGHT ADAPTER HARNESS</b> Step Side And Fleet Side Only Note: Connects Between The Intermediate And Rear Lamp Harnesses With Original Style Connectors To Easily Add Trailer Wiring Without Splicing Into Stock Harnesses.	\$92.00	P
39374	1979	<b>TRAILER LIGHT ADAPTER HARNESS</b> Step Side And Fleet Side Only Note: Connects Between The Intermediate And Rear Lamp Harnesses With Original Style Connectors To Easily Add Trailer Wiring Without Splicing Into Stock Harnesses.	\$92.00	P
39374	1980	<b>TRAILER LIGHT ADAPTER HARNESS</b> Step Side And Fleet Side Only Note: Connects Between The Intermediate And Rear Lamp Harnesses With Original Style Connectors To Easily Add Trailer Wiring Without Splicing Into Stock Harnesses.	\$92.00	P
39374	1981	<b>TRAILER LIGHT ADAPTER HARNESS</b> Step Side And Fleet Side Only Note: Connects Between The Intermediate And Rear Lamp Harnesses With Original Style Connectors To Easily Add Trailer Wiring Without Splicing Into Stock Harnesses.	\$92.00	P
39374	1982	<b>TRAILER LIGHT ADAPTER HARNESS</b> Step Side And Fleet Side Only Note: Connects Between The Intermediate And Rear Lamp Harnesses With Original Style Connectors To Easily Add Trailer Wiring Without Splicing Into Stock Harnesses.	\$92.00	P
<b>TRANS TORQUE CONVERTER CLUTCH SOL FEED HARNESS</b>				
39993	1982	<b>TRANSMISSION TORQUE CONVERTER CLUTCH SOLENOID FEED HARNESS</b> 2 Wheel Drive, 1/2 & 3/4-Ton, With 700R4 & TH350 Trans	\$110.00	
<b>TRANS TORQUE CONVERTER CLUTCH SOLENOID EXT WIRE</b>				
39923	1980	<b>TRANSMISSION TORQUE CONVERTER CLUTCH SOLENOID EXTENSION WIRE</b> 1/2 & 3/4-Ton, With TH350 Auto Trans, Except Diesel, Trans Solenoid To Trans Clutch Solenoid Feed Harness	\$75.00	
39966	1981	<b>TRANSMISSION TORQUE CONVERTER CLUTCH SOLENOID EXTENSION WIRE</b> 1/2 & 3/4-Ton, With TH350 Trans, Trans Solenoid To Trans Clutch Solenoid Feed Harness	\$75.00	
39979	1981	<b>TRANSMISSION TORQUE CONVERTER CLUTCH SOLENOID EXTENSION WIRE</b> 2 Wheel Drive, With Egr Bleed Solenoid, Trans Solenoid To Clutch Solenoid Feed Harness	\$110.00	
39994	1982	<b>TRANSMISSION TORQUE CONVERTER CLUTCH SOLENOID EXTENSION WIRE</b> 1/2-Ton, 2 Wheel Drive, With 250 6cyl & TH350 Trans, Trans Solenoid To Trans Clutch Solenoid Feed Harness	\$110.00	
40000	1982	<b>TRANSMISSION TORQUE CONVERTER CLUTCH SOLENOID EXTENSION WIRE</b> 1/2-Ton 4 Wheel Drive, 305 & 350 V/8, With 700R4 Trans & California Emission System, Without Egr Bleed Solenoid, Trans	\$110.00	
40001	1982	<b>TRANSMISSION TORQUE CONVERTER CLUTCH SOLENOID EXTENSION WIRE</b> Suburban, 1/2-Ton 4 Wheel Drive, With 350 V/8, 700R4 Trans & Federal Emissions, & All 3/4-Tons, 4 Wheel Drive, With 350 V/8	\$110.00	
40004	1982	<b>TRANSMISSION TORQUE CONVERTER CLUTCH SOLENOID EXTENSION WIRE</b> 1/2 & 3/4-Ton, 2 Wheel Drive, With 700R4 Trans & California Emission System, Trans Solenoid To Clutch Solenoid Feed	\$110.00	
40005	1982	<b>TRANSMISSION TORQUE CONVERTER CLUTCH SOLENOID EXTENSION WIRE</b> 1/2 & 3/4-Ton, 2 Wheel Drive, With 700R4 Trans, Without California Emission System, Trans Solenoid To Clutch Solenoid	\$110.00	
<b>TRANSMISSION CONTROLLED SPARK HARNESS</b>				
20880	1970	<b>TRANSMISSION CONTROLLED SPARK HARNESS</b> 6 Cylinder, Auto Trans Note: 6 Cylinder Items Are Not Returnable.	\$87.00	
20885	1970	<b>TRANSMISSION CONTROLLED SPARK HARNESS</b> 6 Cylinder, Manual Trans Note: 6 Cylinder Items Are Not Returnable.	\$81.00	

Part Number	Year	Description	Price	*Rev.
20870	1970	<b>TRANSMISSION CONTROLLED SPARK HARNESS</b> V/8, Auto Trans	\$81.00	
20860	1970	<b>TRANSMISSION CONTROLLED SPARK HARNESS</b> V/8, Manual Trans	\$87.00	
20865	1970	<b>TRANSMISSION CONTROLLED SPARK HARNESS</b> All V/8 With TH400 A/T, (Includes TH400 Kickdown Wiring)	\$114.00	
20875	1970	<b>TRANSMISSION CONTROLLED SPARK HARNESS</b> 396-400 C.I. Manual Trans Only	\$87.00	
22040	1971	<b>TRANSMISSION CONTROLLED SPARK HARNESS</b> 6 Cylinder, Auto Trans Note: 6 Cylinder Items Are Not Returnable.	\$87.00	
22020	1971	<b>TRANSMISSION CONTROLLED SPARK HARNESS</b> 6 Cylinder, Manual Trans Note: 6 Cylinder Items Are Not Returnable.	\$87.00	
22045	1971	<b>TRANSMISSION CONTROLLED SPARK HARNESS</b> V/8, Auto Trans	\$87.00	
22055	1971	<b>TRANSMISSION CONTROLLED SPARK HARNESS</b> V/8, TH400 Auto Trans	\$87.00	
22050	1971	<b>TRANSMISSION CONTROLLED SPARK HARNESS</b> V/8, Manual Trans	\$87.00	
23475	1972	<b>TRANSMISSION CONTROLLED SPARK HARNESS</b> Auto Trans	\$92.00	
22025	1972	<b>TRANSMISSION CONTROLLED SPARK HARNESS</b> Manual Trans	\$92.00	
22035	1972	<b>TRANSMISSION CONTROLLED SPARK HARNESS</b> 396-400 C.I. Auto Trans Only	\$92.00	
22030	1972	<b>TRANSMISSION CONTROLLED SPARK HARNESS</b> 396-400 C.I. Manual Trans Only	\$92.00	
39752	1973	<b>TRANSMISSION CONTROLLED SPARK HARNESS</b> 6 Cyl., With Auto Trans Note: 6 Cylinder Items Are Not Returnable.	\$91.00	
39753	1973	<b>TRANSMISSION CONTROLLED SPARK HARNESS</b> 6 Cyl, With 3 Speed Manual Trans Note: 6 Cylinder Items Are Not Returnable.	\$91.00	
21220	1973	<b>TRANSMISSION CONTROLLED SPARK HARNESS</b> V/8, With 3 Speed Manual Trans	\$91.00	
21215	1973	<b>TRANSMISSION CONTROLLED SPARK HARNESS</b> V/8, With Auto Trans	\$91.00	
39765	1974	<b>TRANSMISSION CONTROLLED SPARK HARNESS</b> 6 Cyl, With 3 Speed Manual Trans Note: 6 Cylinder Items Are Not Returnable.	\$91.00	
39766	1974	<b>TRANSMISSION CONTROLLED SPARK HARNESS</b> V/8, With 3 Speed Manual Trans	\$91.00	
<b>TURN SIGNAL HARNESS</b>				
34365	1955	<b>TURN SIGNAL HARNESS</b> Dash Side	\$69.00	
34430	1955	<b>TURN SIGNAL HARNESS</b> Engine Side	\$22.00	
34360	1956	<b>TURN SIGNAL HARNESS</b> Dash Side	\$64.00	
34570	1956	<b>TURN SIGNAL HARNESS</b> Engine Side	\$22.00	
34355	1957	<b>TURN SIGNAL HARNESS</b> Dash Side	\$58.00	
34570	1957	<b>TURN SIGNAL HARNESS</b> Engine Side	\$22.00	
34355	1958	<b>TURN SIGNAL HARNESS</b> Dash Side	\$58.00	
34570	1958	<b>TURN SIGNAL HARNESS</b> Engine Side	\$22.00	
34355	1959	<b>TURN SIGNAL HARNESS</b> Dash Side	\$58.00	
34570	1959	<b>TURN SIGNAL HARNESS</b> Engine Side	\$22.00	
<b>TURN SIGNAL SWITCH</b>				
01997961	1967	<b>TURN SIGNAL SWITCH</b> All With Correct Red "Hazard" Knob	\$57.00	C
01997961	1971	<b>TURN SIGNAL SWITCH</b> All With Correct Red "Hazard" Knob	\$57.00	C
01997961	1972	<b>TURN SIGNAL SWITCH</b> All With Correct Red "Hazard" Knob	\$57.00	C
05947739	1955	<b>TURN SIGNAL SWITCH</b> 12 Volt Note: Includes Instruction Sheet.	\$27.00	
05947739	1956	<b>TURN SIGNAL SWITCH</b> All Note: Includes Instruction Sheet.	\$27.00	
05948718	1957	<b>TURN SIGNAL SWITCH</b> Note: Includes A Loose Piece 6 Way Connector.	\$27.00	
05948718	1958	<b>TURN SIGNAL SWITCH</b> Note: Includes A Loose Piece 6 Way Connector.	\$27.00	

Part Number	Year	Description	Price	*Rev.
05948718	1959	<b>TURN SIGNAL SWITCH</b> Note: Includes A Loose Piece 6 Way Connector.	\$27.00	
05947677	1954	<b>TURN SIGNAL SWITCH</b> 6 Volt Note: Can Be Used With 12 Volt System Conversions.	\$27.00	
05947677	1955	<b>TURN SIGNAL SWITCH</b> 6 Volt Note: Can Be Used With 12 Volt System Conversions.	\$27.00	
01997983	1984	<b>TURN SIGNAL SWITCH</b> All	\$32.00	C
01997985	1977	<b>TURN SIGNAL SWITCH</b> All Note: Correct Part, No Adapter Pigtail Required.	\$32.00	C
01997985	1978	<b>TURN SIGNAL SWITCH</b> All Note: Correct Part, No Adapter Pigtail Required.	\$32.00	C
01997985	1979	<b>TURN SIGNAL SWITCH</b> All Note: Correct Part, No Adapter Pigtail Required.	\$32.00	C
01997985	1980	<b>TURN SIGNAL SWITCH</b> All Note: Correct Part, No Adapter Pigtail Required.	\$32.00	C
01997985	1981	<b>TURN SIGNAL SWITCH</b> All Note: Correct Part, No Adapter Pigtail Required.	\$32.00	C
01997985	1982	<b>TURN SIGNAL SWITCH</b> All Note: Correct Part, No Adapter Pigtail Required.	\$32.00	C
01997985	1983	<b>TURN SIGNAL SWITCH</b> All Note: Correct Part, No Adapter Pigtail Required.	\$32.00	C
03765110	1960	<b>TURN SIGNAL SWITCH</b>	\$23.00	
03765110	1961	<b>TURN SIGNAL SWITCH</b>	\$23.00	
03765110	1962	<b>TURN SIGNAL SWITCH</b>	\$23.00	
01997975	1973	<b>TURN SIGNAL SWITCH</b> All	\$38.00	N
01997975	1974	<b>TURN SIGNAL SWITCH</b> All	\$38.00	N
01997975	1975	<b>TURN SIGNAL SWITCH</b> All	\$38.00	N
01997975	1976	<b>TURN SIGNAL SWITCH</b> All	\$38.00	N
01997983	1985	<b>TURN SIGNAL SWITCH</b> All	\$32.00	N
01997983	1986	<b>TURN SIGNAL SWITCH</b> All	\$32.00	N
01997983	1987	<b>TURN SIGNAL SWITCH</b> All	\$32.00	N
01997983	1988	<b>TURN SIGNAL SWITCH</b> Without Pulse Wipers	\$32.00	N
01997983	1989	<b>TURN SIGNAL SWITCH</b> Without Pulse Wipers	\$32.00	N
01997983	1990	<b>TURN SIGNAL SWITCH</b> Without Pulse Wipers	\$32.00	N
01997983	1991	<b>TURN SIGNAL SWITCH</b> With Tilt Wheel	\$32.00	N
01997988	1988	<b>TURN SIGNAL SWITCH</b> With Pulse Wipers	\$32.00	N
01997988	1989	<b>TURN SIGNAL SWITCH</b> With Pulse Wipers	\$32.00	N
01997988	1990	<b>TURN SIGNAL SWITCH</b> With Pulse Wipers	\$32.00	N
01997988	1991	<b>TURN SIGNAL SWITCH</b> Without Tilt Wheel	\$32.00	N
01997988	1992	<b>TURN SIGNAL SWITCH</b> All	\$32.00	N
01997988	1993	<b>TURN SIGNAL SWITCH</b> All	\$32.00	N
01997988	1994	<b>TURN SIGNAL SWITCH</b> All	\$32.00	N
01997961	1970	<b>TURN SIGNAL SWITCH</b> All With Correct Red "Hazard" Knob	\$57.00	C
01997961	1968	<b>TURN SIGNAL SWITCH</b> All With Correct Red "Hazard" Knob	\$57.00	C
01997961	1969	<b>TURN SIGNAL SWITCH</b> All With Correct Red "Hazard" Knob	\$57.00	C
<b>WINDSHIELD WIPER SWITCH</b>				
01993372	1967	<b>WINDSHIELD WIPER SWITCH</b> All	\$45.00	
01993432	1968	<b>WINDSHIELD WIPER SWITCH</b> All	\$24.00	

Part Number	Year	Description	Price	*Rev.
01993432	1969	WINDSHIELD WIPER SWITCH All	\$24.00	
01993432	1970	WINDSHIELD WIPER SWITCH All	\$24.00	
01993432	1971	WINDSHIELD WIPER SWITCH All	\$24.00	
01993432	1972	WINDSHIELD WIPER SWITCH All	\$24.00	
01994151	1973	WINDSHIELD WIPER SWITCH	\$47.00	
01994151	1974	WINDSHIELD WIPER SWITCH	\$47.00	
01993541	1960	WINDSHIELD WIPER SWITCH Single Speed, With Washer	\$45.00	
01993541	1961	WINDSHIELD WIPER SWITCH Single Speed, With Washer	\$45.00	
01993541	1962	WINDSHIELD WIPER SWITCH Single Speed, With Washer	\$45.00	
01993541	1963	WINDSHIELD WIPER SWITCH Single Speed, With Washer	\$45.00	
01993584	1963	WINDSHIELD WIPER SWITCH Two Speed, With Washer	\$52.00	
01993641	1964	WINDSHIELD WIPER SWITCH Two Speed, With Washer	\$45.00	
01993641	1965	WINDSHIELD WIPER SWITCH Two Speed, With Washer	\$45.00	
01993641	1966	WINDSHIELD WIPER SWITCH Two Speed, With Washer	\$45.00	
14028807	1978	WINDSHIELD WIPER SWITCH Without Pulse Wipers	\$27.00	N
14028807	1979	WINDSHIELD WIPER SWITCH Without Pulse Wipers	\$27.00	N
14028807	1980	WINDSHIELD WIPER SWITCH Without Pulse Wipers	\$27.00	N
14028807	1981	WINDSHIELD WIPER SWITCH Without Pulse Wipers	\$27.00	N
14028807	1982	WINDSHIELD WIPER SWITCH Without Pulse Wipers	\$27.00	N
14028807	1983	WINDSHIELD WIPER SWITCH Without Pulse Wipers	\$27.00	N
14028808	1978	WINDSHIELD WIPER SWITCH With Pulse Wipers	\$35.00	N
14028808	1979	WINDSHIELD WIPER SWITCH With Pulse Wipers	\$35.00	N
14028808	1980	WINDSHIELD WIPER SWITCH With Pulse Wipers	\$35.00	N
14028808	1981	WINDSHIELD WIPER SWITCH With Pulse Wipers	\$35.00	N
14028808	1982	WINDSHIELD WIPER SWITCH With Pulse Wipers	\$35.00	N
14028808	1983	WINDSHIELD WIPER SWITCH With Pulse Wipers	\$35.00	N
01994172	1975	WINDSHIELD WIPER SWITCH Without Pulse Wipers	\$47.00	N
01994172	1976	WINDSHIELD WIPER SWITCH Without Pulse Wipers	\$47.00	N
01994172	1977	WINDSHIELD WIPER SWITCH Without Pulse Wipers	\$47.00	N
<b>WIPER MOTOR HARNESS</b>				
38066	1961	WIPER MOTOR HARNESS Single Speed Wipers	\$41.00	
38063	1961	WIPER MOTOR HARNESS 2 Speed Wipers	\$33.00	
30175	1964	WIPER MOTOR HARNESS 2 Speed Wipers	\$27.00	
30175	1965	WIPER MOTOR HARNESS 2 Speed Wipers	\$27.00	
30175	1966	WIPER MOTOR HARNESS 2 Speed Wipers	\$27.00	