



# Electrical Restoration Products

**Skylark  
Special/GS**

**Phone 562.926.9552**  
**Fax 562.926.9572**  
**sparky@wiringharness.com**

**[www.wiringharness.com](http://www.wiringharness.com)**

## WIRING HARNESSES



## BATTERY CABLES



## SWITCHES



## **Buy with Confidence !**

### **Made in the U.S.A.**

All of our harnesses are hand assembled in the U.S.A.

### **Correct Color Wires**

Our harnesses always match the original factory color codes and gauge sizes. We use U.S.A. made Cross Linked Polyethylene type GXL wire which is much more tolerant to heat than the original PVC type GPT wire that was used from the factory.

### **Dip Soldered (when applicable)**

All terminals are dip soldered (when applicable) to limit resistance loss.

### **Correct Connectors & Terminals**

With over 300,000 connectors and terminals in stock you can be sure the harness you receive will look identical to the original.

### **Correct Non-Adhesive & Cloth Tapes**

All harnesses are wrapped with the correct non-adhesive or cloth woven tapes to assure a 100% factory appearance.

### **Technical Support**

We don't expect our customers to be "wiring-wizards", you can call us direct with any technical questions you may have.

### **Custom Modifications**

Custom modifications are available to allow you to convert from an external regulated alternator to an internal regulated alternator. This modification is available for most '63 and up GM cars and trucks. We can also convert many of our engine harnesses to work with H.E.I. distributors and electric chokes. Our modifications retain the factory appearance. Call our Customer Service Department for more details.

### **Reproduction Switches**

We manufacture an extensive line of reproduction switches. These include Turn Signal, Backup Light, Neutral Safety, Wiper, Headlight Switches and others. As with all of our restoration products our switches will fit and function perfectly, just like the originals.

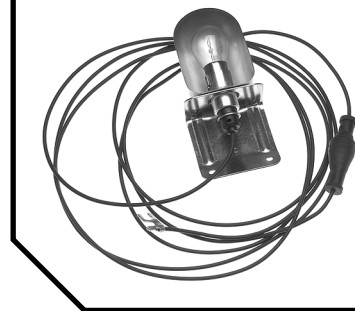
### **Guarantee & Warranty**

We are so confident in the quality of all of our restoration products that we offer the following guarantee and warranty. If you are not 100% satisfied with the quality of any of our restoration products we will give you a full refund. Just return the unused item within 30 days of receipt for a full refund. We also offer a full 1 year replacement warranty on all of the products we sell (see our product warranty sheet for more info).

### **Method of Payment**

We accept Visa, Master Card, American Express and Discover. If you prefer to pre-pay your order, we accept Money Orders, Cashiers Checks or Personal Checks. C.O.D. shipments are also available.

### **LIGHTING KITS**



### **1 WIRE IGNITION**



### **HARNESS TAPE**



***"M&H Harnesses are perfect reproductions created with correct color wires from Original GM wiring schematics".***

**MUSCLECAR ENTHUSIAST  
MAGAZINE**

# **[www.wiringharness.com](http://www.wiringharness.com)**

# Alternator Conversion Kits

**See car line catalogs  
for specific applications**

## **Alternator Conversion Kit External to "SI" Type Internal**

Our most popular Alternator Conversion Kit. This kit makes it easy to convert from an External Regulated Alternator to an "SI" Type Internal Regulated Alternator. Kit includes both adapters and an instruction sheet.

Easy to install:

1) Disconnect the external voltage regulator leads and plug our "Special Regulator Adapter" into the voltage regulator lead wires. 2) Disconnect the alternator lead wires. 3) Install new "SI" Type Internal Regulated alternator. 4) Plug one end of our "Alternator Adapter" into the original alternator lead wires and the other into the alternator.

*Typical application is '63-'74 GM Cars & Trucks, see carline catalogs for specific application information.*

Part #27555

Retail \$25.00



## **Alternator Conversion Kit External to "CS" Type Internal**

This kit makes it easy to convert from an External Regulated Alternator to a "CS" Type Internal Regulated Alternator. Kit includes both adapters and an instruction sheet.

Easy to install:

1) Disconnect the external voltage regulator leads and plug our "Special Regulator Adapter" into the voltage regulator lead wires. 2) Disconnect the alternator lead wires. 3) Install new "SI" Type Internal Regulated alternator. 4) Plug one end of our "Alternator Adapter" into the original alternator lead wires and the other into the alternator.

*Typical application is '63-'74 GM Cars & Trucks, see carline catalogs for specific application information.*

Part #37787

Retail \$29.00



## **Alternator Conversion Kit "SI" Type Internal to CS130/CS144 Type Internal**

Allows for an easy conversion from an "SI" type internal regulated alternator to a "CS130" or "CS144" type internal regulated alternator. Simple to install, the mating end of the adapter pigtail plugs perfectly to the original alternator connector, and the other end plugs right into any "CS130" or "CS144" type alternator. Kit includes adapter pigtail and an instruction sheet.

*Typical application is '69-'84 GM Cars & Trucks, see carline catalogs for specific application information.*

Part #37796

Retail \$22.00



# Alternator Conversion Kits

See car line catalogs  
for specific applications

## Alternator Conversion Kit

### "SI" Type Internal to "CS130D" Type Internal

Allows for an easy conversion from an "SI" type internal regulated alternator to a "CS130D" type internal regulated alternator. Simple to install, the mating end of the adapter pigtail plugs perfectly to the original alternator connector, and the other end plugs right into any "CS130D" type alternator. Kit includes adapter pigtail and an instruction sheet.

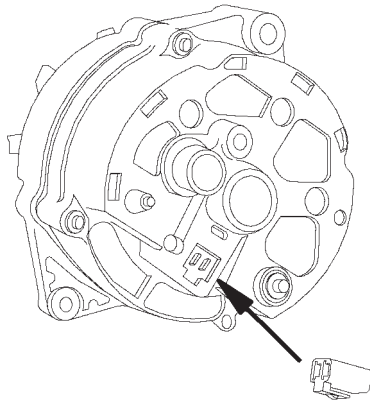
Typical application is '69-'84 GM Cars & Trucks, see carline catalogs for specific application information.

Part #39472

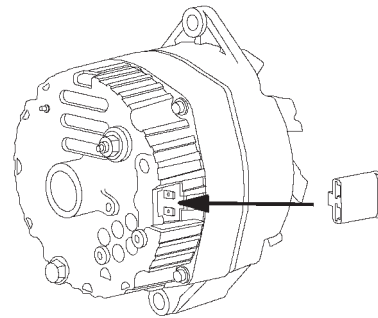
Retail \$19.00



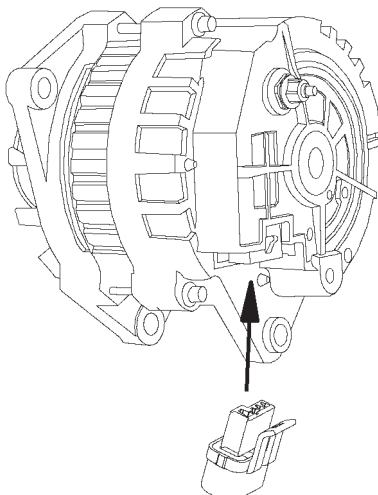
## Alternator Identification



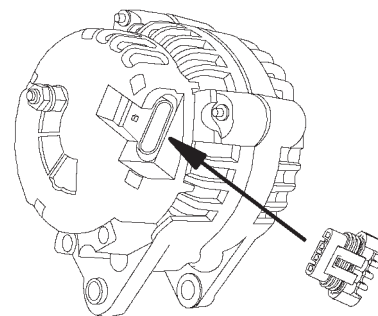
1963-1974  
External Regulated Alternator



1969-1984 "SI" Type  
Internal Regulated Alternator



1984-1999 "CS130" & "CS144" Type  
Internal Regulated Alternator



1994-Newer "CS130D" Type  
Internal Regulated Alternator

# **Breakerless SE Single Wire Ignition**

**Simple 1 Wire Hook-Up, just connect the original points wire to the module**

**Completely stock appearance**

**Emissions Legal in all 50 States**

**Three year warranty**

The Breakerless SE allows you to convert any 1957 to 1974 GM, AMC or Jeep V8 breaker point type distributor (with a windowed type distributor cap) to a reliable solid-state electronic ignition, utilizing a fully integrated trigger and power module that fits completely inside the distributor.

Unlike competitive systems though, no additional wires protrude from the distributor, only the original points wire. The result is a state-of-the-art ignition with an absolutely stock appearance. The Breakerless SE is so unique that it's patented !



## **Outstanding features of this unit include:**

- Single wire operation to preserve stock appearance and simplify wiring.
- Active dwell control maintains high rpm spark energy while reducing coil heating at idle.
- Auto-standby prevents coil damage or dead battery if the ignition is accidentally left on.
- Hall effect rotary-vane sensor design compensates for worn bearings and distributor end play. Magnetic sensor is unaffected by oil, dirt or other contaminants, unlike optical systems.
- Over-voltage/over-current protected against damage from high amp battery chargers, reversed battery, or improper wiring.
- Constructed with premium quality components. Sealed, hi-temp thermoplastic housing provides exceptional resistance against moisture and vibration.
- No distributor modification, disassembly, or removal is required.

Kit comes complete with everything you'll need to install the Breakerless SE Single Wire Ignition. Kit includes: 1 Module, 1 (two-piece) vane, all necessary installation hardware and a comprehensive instruction sheet.

**Part #38131**  
**Retail \$169.00**

**For more info on this product  
visit [www.breakerless.com](http://www.breakerless.com)**

Part Number	Year	Description	Price	*Rev.
<b>AIR CONDITIONING HARNESS</b>				
35958	1964	<b>AIR CONDITIONING HARNESS</b> Includes Heater Wiring	\$153.00	
35958	1965	<b>AIR CONDITIONING HARNESS</b> Includes Heater Wiring	\$153.00	
35871	1966	<b>AIR CONDITIONING HARNESS</b> Includes Heater Wiring	\$148.00	
35871	1967	<b>AIR CONDITIONING HARNESS</b> Includes Heater Wiring	\$148.00	
35872	1968	<b>AIR CONDITIONING EXTENSION WIRE</b> Blower Motor To Engine Harness	\$15.00	
35942	1968	<b>AIR CONDITIONING HARNESS</b> Includes Heater Wiring	\$148.00	
32310	1969	<b>AIR CONDITIONING HARNESS</b> Includes Heater Wiring	\$148.00	
32310	1970	<b>AIR CONDITIONING HARNESS</b> Includes Heater Wiring	\$148.00	
32310	1971	<b>AIR CONDITIONING HARNESS</b> Includes Heater Wiring	\$148.00	
32310	1972	<b>AIR CONDITIONING HARNESS</b> Includes Heater Wiring	\$148.00	
<b>ALTERNATOR CONVERSION KIT</b>				
27555	1964	<b>ALTERNATOR CONVERSION KIT</b> External To Internal Regulator Conversion Harness ("SI" Series) Note: For Use With 1972-84 Non-Serpentine Belt ("SI" Series) Internal Regulated Alternators.	\$25.00	
37787	1964	<b>ALTERNATOR CONVERSION KIT</b> External To Internal Regulator Conversion Harness ("CS" Series) Note: For Use With Serpentine Belt ("CS" Series) Internal Regulated Alternators.	\$29.00	
27555	1965	<b>ALTERNATOR CONVERSION KIT</b> External To Internal Regulator Conversion Harness ("SI" Series) Note: For Use With 1972-84 Non-Serpentine Belt ("SI" Series) Internal Regulated Alternators.	\$25.00	
37787	1965	<b>ALTERNATOR CONVERSION KIT</b> External To Internal Regulator Conversion Harness ("CS" Series) Note: For Use With Serpentine Belt ("CS" Series) Internal Regulated Alternators.	\$29.00	
27555	1966	<b>ALTERNATOR CONVERSION KIT</b> External To Internal Regulator Conversion Harness ("SI" Series) Note: For Use With 1972-84 Non-Serpentine Belt ("SI" Series) Internal Regulated Alternators.	\$25.00	
37787	1966	<b>ALTERNATOR CONVERSION KIT</b> External To Internal Regulator Conversion Harness ("CS" Series) Note: For Use With Serpentine Belt ("CS" Series) Internal Regulated Alternators.	\$29.00	
27555	1967	<b>ALTERNATOR CONVERSION KIT</b> External To Internal Regulator Conversion Harness ("SI" Series) Note: For Use With 1972-84 Non-Serpentine Belt ("SI" Series) Internal Regulated Alternators.	\$25.00	
37787	1967	<b>ALTERNATOR CONVERSION KIT</b> External To Internal Regulator Conversion Harness ("CS" Series) Note: For Use With Serpentine Belt ("CS" Series) Internal Regulated Alternators.	\$29.00	
27555	1968	<b>ALTERNATOR CONVERSION KIT</b> External To Internal Regulator Conversion Harness ("SI" Series) Note: For Use With 1972-84 Non-Serpentine Belt ("SI" Series) Internal Regulated Alternators.	\$25.00	
37787	1968	<b>ALTERNATOR CONVERSION KIT</b> External To Internal Regulator Conversion Harness ("CS" Series) Note: For Use With Serpentine Belt ("CS" Series) Internal Regulated Alternators.	\$29.00	
27555	1969	<b>ALTERNATOR CONVERSION KIT</b> External To Internal Regulator Conversion Harness ("SI" Series) Note: For Use With 1972-84 Non-Serpentine Belt ("SI" Series) Internal Regulated Alternators.	\$25.00	
37787	1969	<b>ALTERNATOR CONVERSION KIT</b> External To Internal Regulator Conversion Harness ("CS" Series) Note: For Use With Serpentine Belt ("CS" Series) Internal Regulated Alternators.	\$29.00	
27555	1970	<b>ALTERNATOR CONVERSION KIT</b> External To Internal Regulator Conversion Harness ("SI" Series) Note: For Use With 1972-84 Non-Serpentine Belt ("SI" Series) Internal Regulated Alternators.	\$25.00	
37787	1970	<b>ALTERNATOR CONVERSION KIT</b> External To Internal Regulator Conversion Harness ("CS" Series) Note: For Use With Serpentine Belt ("CS" Series) Internal Regulated Alternators.	\$29.00	
27555	1971	<b>ALTERNATOR CONVERSION KIT</b> External To Internal Regulator Conversion Harness ("SI" Series) Note: For Use With 1972-84 Non-Serpentine Belt ("SI" Series) Internal Regulated Alternators.	\$25.00	
37787	1971	<b>ALTERNATOR CONVERSION KIT</b> External To Internal Regulator Conversion Harness ("CS" Series) Note: For Use With Serpentine Belt ("CS" Series) Internal Regulated Alternators.	\$29.00	
27555	1972	<b>ALTERNATOR CONVERSION KIT</b> External To Internal Regulator Conversion Harness ("SI" Series) Note: For Use With 1972-84 Non-Serpentine Belt ("SI" Series) Internal Regulated Alternators.	\$25.00	
37787	1972	<b>ALTERNATOR CONVERSION KIT</b> External To Internal Regulator Conversion Harness ("CS" Series) Note: For Use With Serpentine Belt ("CS" Series) Internal Regulated Alternators.	\$29.00	

Part Number	Year	Description	Price	*Rev.
<b>ASSEMBLY MANUAL</b>				
36361	1963	ASSEMBLY MANUAL Factory Assembly Instruction Guide	\$30.00	
36362	1964	ASSEMBLY MANUAL Factory Assembly Instruction Guide	\$30.00	
36363	1968	ASSEMBLY MANUAL Factory Assembly Instruction Guide	\$30.00	
36364	1969	ASSEMBLY MANUAL Factory Assembly Instruction Guide	\$30.00	
36365	1970	ASSEMBLY MANUAL Factory Assembly Instruction Guide	\$30.00	
36366	1971	ASSEMBLY MANUAL Factory Assembly Instruction Guide	\$29.00	
36367	1972	ASSEMBLY MANUAL Factory Assembly Instruction Guide	\$30.00	
<b>BACKUP LAMP SWITCH</b>				
01993662	1964	BACKUP LAMP SWITCH 4 Speed, Manual Trans	\$64.00	
01993662	1965	BACKUP LAMP SWITCH 4 Speed, Manual Trans	\$64.00	
01993662	1966	BACKUP LAMP SWITCH 4 Speed, Manual Trans	\$64.00	
01993406	1967	BACKUP LAMP SWITCH All Manual Trans, Except Column Shift	\$64.00	
01993406	1968	BACKUP LAMP SWITCH All Manual Trans, Except Column Shift	\$64.00	
03943657	1969	BACKUP LAMP SWITCH All Manual Trans	\$53.00	
03943657	1970	BACKUP LAMP SWITCH All Manual Trans	\$53.00	
03943657	1971	BACKUP LAMP SWITCH All Manual Trans	\$53.00	
03943657	1972	BACKUP LAMP SWITCH All Manual Trans	\$53.00	
<b>BACKUP LAMP SWITCH MOUNTING BRACKET</b>				
37650	1964	BACKUP LAMP SWITCH MOUNTING BRACKET With Muncie 4 Speed Transmission	\$29.00	
37650	1965	BACKUP LAMP SWITCH MOUNTING BRACKET With Muncie 4 Speed Transmission	\$29.00	
37650	1966	BACKUP LAMP SWITCH MOUNTING BRACKET With Muncie 4 Speed Transmission	\$29.00	
37650	1967	BACKUP LAMP SWITCH MOUNTING BRACKET With Muncie 4 Speed Transmission	\$29.00	
37650	1968	BACKUP LAMP SWITCH MOUNTING BRACKET With Muncie 4 Speed Transmission	\$29.00	
<b>BACKUP LAMP SWITCH MOUNTING KIT</b>				
39504	1967	BACKUP LAMP SWITCH MOUNTING KIT With Manual Transmission Note: Kit Contains The Bracket, Rod With 2 Clips, Shield & Bolts.	\$46.00	
39504	1968	BACKUP LAMP SWITCH MOUNTING KIT With Manual Transmission Note: Kit Contains The Bracket, Rod With 2 Clips, Shield & Bolts.	\$46.00	
<b>BATTERY CABLE JUMPER</b>				
21690	1961	BATTERY CABLE JUMPER Pos, Junction Block To Starter Solenoid	\$64.00	
31935	1962	BATTERY CABLE JUMPER Pos, Junction Block To Starter Solenoid	\$64.00	
31935	1963	BATTERY CABLE JUMPER Pos, Junction Block To Starter Solenoid	\$64.00	
10525	1965	BATTERY CABLE JUMPER Pos, V/8, Gran Sport, Junction Block To Starter Solenoid	\$64.00	
10525	1966	BATTERY CABLE JUMPER Pos, V/8, Gran Sport, Junction Block To Starter Solenoid	\$64.00	
<b>BATTERY CABLE, NEGATIVE</b>				
03940	1961	BATTERY CABLE, SPRING RING Neg, With Secondary Ground Wire	\$64.00	
03260	1961	BATTERY CABLE, SPRING RING Neg, Without Secondary Ground Wire	\$64.00	
03940	1962	BATTERY CABLE, SPRING RING Neg, With Secondary Ground Wire	\$64.00	
04210	1963	BATTERY CABLE, SPRING RING Neg	\$64.00	
05350	1964	BATTERY CABLE, SPRING RING Neg, V/6	\$64.00	
04535	1964	BATTERY CABLE, SPRING RING Neg, V/8	\$64.00	
05350	1965	BATTERY CABLE, SPRING RING Neg, V/6 & V/8, Except Gran Sport	\$64.00	
05350	1966	BATTERY CABLE, SPRING RING Neg, V/6 & V/8, Except Gran Sport	\$64.00	
05340	1966	BATTERY CABLE, SPRING RING Neg, V/8, Gran Sport	\$64.00	
05350	1967	BATTERY CABLE, SPRING RING Neg, V/6	\$64.00	

Part Number	Year	Description	Price	*Rev.
04535	1967	<b>BATTERY CABLE, SPRING RING</b> Neg, V/8, Except Gran Sport	\$64.00	
09815	1967	<b>BATTERY CABLE, SPRING RING</b> Neg, V/8, Gran Sport	\$64.00	
04445	1968	<b>BATTERY CABLE, SPRING RING</b> Neg, 6 Cylinder Note: 6 Cylinder Items Are Not Returnable.	\$64.00	
04535	1968	<b>BATTERY CABLE, SPRING RING</b> Neg, V/8, 350 C.I.	\$64.00	
09815	1968	<b>BATTERY CABLE, SPRING RING</b> Neg, V/8, 400 C.i	\$64.00	
04445	1969	<b>BATTERY CABLE, SPRING RING</b> Neg, 6 Cylinder Note: 6 Cylinder Items Are Not Returnable.	\$64.00	
23650	1969	<b>BATTERY CABLE, SPRING RING</b> Neg, V/8, 350 C.I.	\$64.00	
09815	1969	<b>BATTERY CABLE, SPRING RING</b> Neg, V/8, 400 C.I.	\$64.00	
14645	1970	<b>BATTERY CABLE, SPRING RING</b> Neg, 6 Cylinder Note: 6 Cylinder Items Are Not Returnable.	\$64.00	
14650	1970	<b>BATTERY CABLE, SPRING RING</b> Neg, V/8, 350 C.I.	\$64.00	
14655	1970	<b>BATTERY CABLE, SPRING RING</b> Neg, V/8, 455 C.I.	\$64.00	
14645	1971	<b>BATTERY CABLE, SPRING RING</b> Neg, 6 Cylinder Note: 6 Cylinder Items Are Not Returnable.	\$64.00	
14650	1971	<b>BATTERY CABLE, SPRING RING</b> Neg, V/8, 350 C.I.	\$64.00	
14655	1971	<b>BATTERY CABLE, SPRING RING</b> Neg, V/8, 455 C.I.	\$64.00	
41371	1972	<b>BATTERY CABLE, SIDE POST</b> Neg, V/8, 350 C.I.	\$69.00	
39497	1972	<b>BATTERY CABLE, SIDE POST</b> Neg, V/8, 455 C.I.	\$55.00	
<b>BATTERY CABLE, POSITIVE</b>				
34715	1961	<b>BATTERY CABLE, SPRING RING</b> Pos, Battery To Junction Block	\$64.00	
34715	1962	<b>BATTERY CABLE, SPRING RING</b> Pos, Battery To Junction Block	\$64.00	
26875	1963	<b>BATTERY CABLE, SPRING RING</b> Pos, Battery To Junction Block	\$64.00	
05435	1964	<b>BATTERY CABLE, SPRING RING</b> Pos, V/6 & V/8	\$64.00	
23665	1965	<b>BATTERY CABLE, SPRING RING</b> Pos, V/6	\$64.00	
09890	1965	<b>BATTERY CABLE, SPRING RING</b> Pos, V/8, Except Gran Sport	\$64.00	
23665	1966	<b>BATTERY CABLE, SPRING RING</b> Pos, V/6	\$64.00	
09890	1966	<b>BATTERY CABLE, SPRING RING</b> Pos, V/8, Except Gran Sport	\$64.00	
23705	1966	<b>BATTERY CABLE, SPRING RING</b> Pos, V/8, Gran Sport, Battery To Junction Block	\$64.00	
23665	1967	<b>BATTERY CABLE, SPRING RING</b> Pos, V/6	\$64.00	
23665	1967	<b>BATTERY CABLE, SPRING RING</b> Pos, V/8, 300-340 C.I., Except Gran Sport	\$64.00	
10370	1967	<b>BATTERY CABLE, SPRING RING</b> Pos, V/8, 400 C.I. & Gran Sport	\$140.00	
09905	1968	<b>BATTERY CABLE, SPRING RING</b> Pos, 6 Cylinder Note: 6 Cylinder Items Are Not Returnable.	\$64.00	
09910	1968	<b>BATTERY CABLE, SPRING RING</b> Pos, V/8, 350 C.I.	\$64.00	
10370	1968	<b>BATTERY CABLE, SPRING RING</b> Pos, V/8, 400 C.I. & Gran Sport	\$140.00	
09905	1969	<b>BATTERY CABLE, SPRING RING</b> Pos, 6 Cylinder Note: 6 Cylinder Items Are Not Returnable.	\$64.00	
23660	1969	<b>BATTERY CABLE, SPRING RING</b> Pos, V/8, 350 C.I.	\$64.00	
13300	1969	<b>BATTERY CABLE, SPRING RING</b> Pos, V/8, 400 C.I. & Gran Sport	\$140.00	
09905	1970	<b>BATTERY CABLE, SPRING RING</b> Pos, 6 Cylinder Note: 6 Cylinder Items Are Not Returnable.	\$64.00	
14610	1970	<b>BATTERY CABLE, SPRING RING</b> Pos, V/8, 350 C.I.	\$64.00	
13300	1970	<b>BATTERY CABLE, SPRING RING</b> Pos, V/8, 455 C.I.	\$140.00	
09905	1971	<b>BATTERY CABLE, SPRING RING</b> Pos, 6 Cylinder Note: 6 Cylinder Items Are Not Returnable.	\$64.00	



Part Number	Year	Description	Price	*Rev.
14610	1971	BATTERY CABLE, SPRING RING Pos, V/8, 350 C.I.	\$64.00	
13300	1971	BATTERY CABLE, SPRING RING Pos, V/8, 455 C.I.	\$140.00	
41370	1972	BATTERY CABLE, SIDE POST Pos, V/8, 350 C.I.	\$69.00	
39496	1972	BATTERY CABLE, SIDE POST Pos, V/8, 455 C.I.	\$140.00	

Note: Customer Must Supply Their Original Molded Retainer Block.

**BREAKERLESS SE SINGLE WIRE ELECTRONIC IGNITION KIT**

38131	1964	BREAKERLESS SE SINGLE WIRE ELECTRONIC IGNITION KIT For 1957-74 Breaker Point Distributors With Windowed Type Distributor Cap	\$169.00	
38131	1965	BREAKERLESS SE SINGLE WIRE ELECTRONIC IGNITION KIT For 1957-74 Breaker Point Distributors With Windowed Type Distributor Cap	\$169.00	
38131	1966	BREAKERLESS SE SINGLE WIRE ELECTRONIC IGNITION KIT For 1957-74 Breaker Point Distributors With Windowed Type Distributor Cap	\$169.00	
38131	1967	BREAKERLESS SE SINGLE WIRE ELECTRONIC IGNITION KIT For 1957-74 Breaker Point Distributors With Windowed Type Distributor Cap	\$169.00	
38131	1968	BREAKERLESS SE SINGLE WIRE ELECTRONIC IGNITION KIT For 1957-74 Breaker Point Distributors With Windowed Type Distributor Cap	\$169.00	
38131	1969	BREAKERLESS SE SINGLE WIRE ELECTRONIC IGNITION KIT For 1957-74 Breaker Point Distributors With Windowed Type Distributor Cap	\$169.00	
38131	1970	BREAKERLESS SE SINGLE WIRE ELECTRONIC IGNITION KIT For 1957-74 Breaker Point Distributors With Windowed Type Distributor Cap	\$169.00	
38131	1971	BREAKERLESS SE SINGLE WIRE ELECTRONIC IGNITION KIT For 1957-74 Breaker Point Distributors With Windowed Type Distributor Cap	\$169.00	
38131	1972	BREAKERLESS SE SINGLE WIRE ELECTRONIC IGNITION KIT For 1957-74 Breaker Point Distributors With Windowed Type Distributor Cap	\$169.00	
38131	1973	BREAKERLESS SE SINGLE WIRE ELECTRONIC IGNITION KIT For 1957-74 Breaker Point Distributors With Windowed Type Distributor Cap	\$169.00	
38131	1974	BREAKERLESS SE SINGLE WIRE ELECTRONIC IGNITION KIT For 1957-74 Breaker Point Distributors With Windowed Type Distributor Cap	\$169.00	

**CIRCUIT BREAKER**

04849850	1964	CIRCUIT BREAKER, 40 AMP Power Seat, Windows & Tailgate Window	\$14.00	
----------	------	---	---------	--

**COURTESY LAMP HARNESS**

06890	1964	COURTESY LAMP HARNESS Skylark Coupe, With Dual Rear Sail Panel Lights	\$52.00	
07135	1964	COURTESY LAMP JUMPER HARNESS Rear Header Courtesy Lamp, 4 Door Wagon Only	\$41.00	
06880	1964	COURTESY LAMP HARNESS Center Roof Mounted Dome Lamp, Skylark & Special 4door Sedan	\$29.00	
06885	1964	COURTESY LAMP HARNESS Center Roof Mounted Dome Lamp, Special 2 Door Sedan	\$28.00	
07575	1965	COURTESY LAMP HARNESS Center Roof Mounted Dome Lamp, Skylark & Special 4 Door Sedan	\$34.00	
07580	1965	COURTESY LAMP HARNESS Center Roof Mounted Dome Lamp, Skylark & Special Coupes	\$28.00	
07710	1965	COURTESY LAMP HARNESS With Dual Rear Sail Panel Lights	\$46.00	
07710	1966	COURTESY LAMP HARNESS With Dual Rear Sail Panel Lights	\$46.00	
07710	1967	COURTESY LAMP HARNESS With Dual Rear Sail Panel Lights	\$46.00	

**COURTESY LAMP REPAIR PIGTAIL**

43896	1964	COURTESY LAMP REPAIR PIGTAIL Convertible, 1/4 Arm Rest Courtesy Lamp, Includes Socket And 6" Of 18 Gauge, Orange & White Wire Note: Original Wire Was 18 Gauge, Sometimes With A Heavy Wall Type Insulation. Repair Pigtail Is Also 18 Gauge, But Today's Insulation Is Of Much Higher Quality, And May Not Be As Thick As Some Original Cables.	\$14.00	
43896	1965	COURTESY LAMP REPAIR PIGTAIL Convertible, 1/4 Arm Rest Courtesy Lamp, Includes Socket And 6" Of 18 Gauge, Orange & White Wire Note: Original Wire Was 18 Gauge, Sometimes With A Heavy Wall Type Insulation. Repair Pigtail Is Also 18 Gauge, But Today's Insulation Is Of Much Higher Quality, And May Not Be As Thick As Some Original Cables.	\$14.00	

Part Number	Year	Description	Price	*Rev.
43896	1966	<b>COURTESY LAMP REPAIR PIGTAIL</b> Convertible, 1/4 Arm Rest Courtesy Lamp, Includes Socket And 6" Of 18 Gauge, Orange & White Wire Note: Original Wire Was 18 Gauge, Sometimes With A Heavy Wall Type Insulation. Repair Pigtail Is Also 18 Gauge, But Today's Insulation Is Of Much Higher Quality, And May Not Be As Thick As Some Original Cables.	\$14.00	
43896	1967	<b>COURTESY LAMP REPAIR PIGTAIL</b> Convertible, 1/4 Arm Rest Courtesy Lamp, Includes Socket And 6" Of 18 Gauge, Orange & White Wire Note: Original Wire Was 18 Gauge, Sometimes With A Heavy Wall Type Insulation. Repair Pigtail Is Also 18 Gauge, But Today's Insulation Is Of Much Higher Quality, And May Not Be As Thick As Some Original Cables.	\$14.00	
43896	1968	<b>COURTESY LAMP REPAIR PIGTAIL</b> Convertible, 1/4 Arm Rest Courtesy Lamp, Includes Socket And 6" Of 18 Gauge, Orange & White Wire Note: Original Wire Was 18 Gauge, Sometimes With A Heavy Wall Type Insulation. Repair Pigtail Is Also 18 Gauge, But Today's Insulation Is Of Much Higher Quality, And May Not Be As Thick As Some Original Cables.	\$14.00	
43896	1969	<b>COURTESY LAMP REPAIR PIGTAIL</b> Convertible, 1/4 Arm Rest Courtesy Lamp, Includes Socket And 6" Of 18 Gauge, Orange & White Wire Note: Original Wire Was 18 Gauge, Sometimes With A Heavy Wall Type Insulation. Repair Pigtail Is Also 18 Gauge, But Today's Insulation Is Of Much Higher Quality, And May Not Be As Thick As Some Original Cables.	\$14.00	
43896	1970	<b>COURTESY LAMP REPAIR PIGTAIL</b> Convertible, 1/4 Arm Rest Courtesy Lamp, Includes Socket And 6" Of 18 Gauge, Orange & White Wire Note: Original Wire Was 18 Gauge, Sometimes With A Heavy Wall Type Insulation. Repair Pigtail Is Also 18 Gauge, But Today's Insulation Is Of Much Higher Quality, And May Not Be As Thick As Some Original Cables.	\$14.00	
43896	1971	<b>COURTESY LAMP REPAIR PIGTAIL</b> Convertible, 1/4 Arm Rest Courtesy Lamp, Includes Socket And 6" Of 18 Gauge, Orange & White Wire Note: Original Wire Was 18 Gauge, Sometimes With A Heavy Wall Type Insulation. Repair Pigtail Is Also 18 Gauge, But Today's Insulation Is Of Much Higher Quality, And May Not Be As Thick As Some Original Cables.	\$14.00	
43896	1972	<b>COURTESY LAMP REPAIR PIGTAIL</b> Convertible, 1/4 Arm Rest Courtesy Lamp, Includes Socket And 6" Of 18 Gauge, Orange & White Wire Note: Original Wire Was 18 Gauge, Sometimes With A Heavy Wall Type Insulation. Repair Pigtail Is Also 18 Gauge, But Today's Insulation Is Of Much Higher Quality, And May Not Be As Thick As Some Original Cables.	\$14.00	
<b>DASH HARNESS</b>				
04500	1964	<b>DASH HARNESS</b>	\$587.00	
06165	1965	<b>DASH HARNESS</b> Column Shift, Auto Trans Or Floor Shift Manual Trans	\$610.00	
06225	1965	<b>DASH HARNESS</b> Console Shift, Auto Trans	\$587.00	
06090	1965	<b>DASH HARNESS</b> Console Shift, Manual Trans	\$610.00	
10225	1966	<b>DASH HARNESS</b> Column Shift, Auto Trans Or Floor Shift Manual Trans	\$610.00	
10270	1966	<b>DASH HARNESS</b> Console Shift, Auto Trans	\$587.00	
10275	1966	<b>DASH HARNESS</b> Console Shift, Manual Trans	\$610.00	
11140	1967	<b>DASH HARNESS</b> Column Shift, Auto Trans Or Floor Shift Manual Trans	\$587.00	
11145	1967	<b>DASH HARNESS</b> Console Shift, Auto Trans	\$621.00	
11150	1967	<b>DASH HARNESS</b> Console Shift, Manual Trans	\$598.00	
12130	1968	<b>DASH HARNESS</b> Column Shift Auto Trans Or All Manual Trans	\$598.00	
12135	1968	<b>DASH HARNESS</b> Console Shift, Auto Trans	\$621.00	
12725	1969	<b>DASH HARNESS</b> Column Shift Auto Trans Or All Manual Trans	\$610.00	
12730	1969	<b>DASH HARNESS</b> Console Shift, Auto Trans	\$621.00	
13715	1970	<b>DASH HARNESS</b> Column Shift Auto Or All Manual Trans	\$616.00	
15740	1970	<b>DASH HARNESS</b> Console Shift, Auto Trans	\$621.00	
19170	1970	<b>DASH HARNESS</b> Column Shift Auto Or All Manual Trans, With Gauges	\$616.00	
19175	1970	<b>DASH HARNESS</b> Console Shift, Auto Trans, With Gauges	\$621.00	
19180	1971	<b>DASH HARNESS</b> With Warning Lights	\$633.00	
15945	1971	<b>DASH HARNESS</b> With Gauges	\$616.00	
18290	1972	<b>DASH HARNESS</b> Note: Applications With Gauges Require Part# 41575 Dash Instrument Cluster Harness (41575 Requires Customers Original).	\$633.00	

Part Number	Year	Description	Price	*Rev.
41575	1972	<b>DASH INSTRUMENT CLUSTER HARNESS</b> With Gauges Note: Customer Must Supply Their Original Harness For Cluster Connector.	\$114.00	
<b>DISTRIBUTOR WIRE</b>				
36057	1964	<b>DISTRIBUTOR WIRE</b> Distributor Points To Coil Negative Terminal, V/8 Note: Fits All GM V/8 Points Type Distributors From Approx. 1957 To 1974.	\$15.00	C
36057	1965	<b>DISTRIBUTOR WIRE</b> Distributor Points To Coil Negative Terminal, V/8 Note: Fits All GM V/8 Points Type Distributors From Approx. 1957 To 1974.	\$15.00	C
36057	1966	<b>DISTRIBUTOR WIRE</b> Distributor Points To Coil Negative Terminal, V/8 Note: Fits All GM V/8 Points Type Distributors From Approx. 1957 To 1974.	\$15.00	C
36057	1967	<b>DISTRIBUTOR WIRE</b> Distributor Points To Coil Negative Terminal, V/8 Note: Fits All GM V/8 Points Type Distributors From Approx. 1957 To 1974.	\$15.00	C
36057	1968	<b>DISTRIBUTOR WIRE</b> Distributor Points To Coil Negative Terminal, V/8 Note: Fits All GM V/8 Points Type Distributors From Approx. 1957 To 1974.	\$15.00	C
36057	1969	<b>DISTRIBUTOR WIRE</b> Distributor Points To Coil Negative Terminal, V/8 Note: Fits All GM V/8 Points Type Distributors From Approx. 1957 To 1974.	\$15.00	C
36057	1970	<b>DISTRIBUTOR WIRE</b> Distributor Points To Coil Negative Terminal, V/8 Note: Fits All GM V/8 Points Type Distributors From Approx. 1957 To 1974.	\$15.00	C
36057	1971	<b>DISTRIBUTOR WIRE</b> Distributor Points To Coil Negative Terminal, V/8 Note: Fits All GM V/8 Points Type Distributors From Approx. 1957 To 1974.	\$15.00	C
36057	1972	<b>DISTRIBUTOR WIRE</b> Distributor Points To Coil Negative Terminal, V/8 Note: Fits All GM V/8 Points Type Distributors From Approx. 1957 To 1974.	\$15.00	C
36057	1973	<b>DISTRIBUTOR WIRE</b> Distributor Points To Coil Negative Terminal, V/8 Note: Fits All GM V/8 Points Type Distributors From Approx. 1957 To 1974.	\$15.00	C
36057	1974	<b>DISTRIBUTOR WIRE</b> Distributor Points To Coil Negative Terminal, V/8 Note: Fits All GM V/8 Points Type Distributors From Approx. 1957 To 1974.	\$15.00	C
<b>ENGINE HARNESS</b>				
04505	1964	<b>ENGINE HARNESS</b> 6 Cylinder (V/6) Note: 6 Cylinder Items Are Not Returnable.	\$229.00	
04510	1964	<b>ENGINE HARNESS</b> V/8	\$206.00	
43090	1964	<b>ENGINE HARNESS - HEI</b> V/8 Note: This Harness Is Modified For Use With An HEI Distributor.	\$227.00	
43091	1964	<b>ENGINE HARNESS - SI SERIES INT REG ALT</b> V/8 Note: Modified For 1972-84 Non-Serpentine Belt ("SI" Series) Internal Regulated Alternators Mounted In The Factory Location.	\$240.00	
43092	1964	<b>ENGINE HARNESS - HEI &amp; SI SERIES INT REG ALT</b> V/8 Note: Modified For HEI & 1972-84 Non-Serpentine Belt ("SI" Series) Internal Regulated Alternators Mounted In The Factory Location.	\$251.00	
06180	1965	<b>ENGINE HARNESS</b> 6 Cylinder (V/6) Note: 6 Cylinder Items Are Not Returnable.	\$229.00	
05940	1965	<b>ENGINE HARNESS</b> V/8, 300 C.I. Engine Only, Includes Starter Solenoid Wiring	\$206.00	
43093	1965	<b>ENGINE HARNESS - HEI</b> V/8, 300 C.I. Engine Only, Includes Starter Solenoid Wiring Note: This Harness Is Modified For Use With An HEI Distributor.	\$227.00	
43094	1965	<b>ENGINE HARNESS - SI SERIES INT REG ALT</b> V/8, 300 C.I. Engine Only, Includes Starter Solenoid Wiring Note: Modified For 1972-84 Non-Serpentine Belt ("SI" Series) Internal Regulated Alternators Mounted In The Factory Location.	\$240.00	
43095	1965	<b>ENGINE HARNESS - HEI &amp; SI SERIES INT REG ALT</b> V/8, 300 C.I. Engine Only, Includes Starter Solenoid Wiring Note: Modified For HEI & 1972-84 Non-Serpentine Belt ("SI" Series) Internal Regulated Alternators Mounted In The Factory Location.	\$251.00	
06100	1965	<b>ENGINE HARNESS</b> V/8, 400 C.I. G/S, Does Not Include Starter Solenoid Wiring	\$206.00	
43096	1965	<b>ENGINE HARNESS - HEI</b> V/8, 400 C.I. G/S, Does Not Include Starter Solenoid Wiring Note: This Harness Is Modified For Use With An HEI Distributor.	\$227.00	
43097	1965	<b>ENGINE HARNESS - SI SERIES INT REG ALT</b> V/8, 400 C.I. G/S, Does Not Include Starter Solenoid Wiring Note: Modified For 1972-84 Non-Serpentine Belt ("SI" Series) Internal Regulated Alternators Mounted In The Factory Location.	\$240.00	

Part Number	Year	Description	Price	*Rev.
43098	1965	<b>ENGINE HARNESS - HEI &amp; SI SERIES INT REG ALT</b> V/8, 400 C.I. G/S, Does Not Include Starter Solenoid Wiring Note: Modified For HEI & 1972-84 Non-Serpentine Belt ("SI" Series) Internal Regulated Alternators Mounted In The Factory Location.	\$251.00	
09470	1966	<b>ENGINE HARNESS</b> 6 Cylinder (V/6) Note: 6 Cylinder Items Are Not Returnable.	\$229.00	
09475	1966	<b>ENGINE HARNESS</b> V/8, 300-340 C.I.	\$206.00	
43099	1966	<b>ENGINE HARNESS - HEI</b> V/8, 300-340 C.I. Note: This Harness Is Modified For Use With An HEI Distributor.	\$227.00	
43100	1966	<b>ENGINE HARNESS - SI SERIES INT REG ALT</b> V/8, 300-340 C.I. Note: Modified For 1972-84 Non-Serpentine Belt ("SI" Series) Internal Regulated Alternators Mounted In The Factory Location.	\$240.00	
43101	1966	<b>ENGINE HARNESS - HEI &amp; SI SERIES INT REG ALT</b> V/8, 300-340 C.I. Note: Modified For HEI & 1972-84 Non-Serpentine Belt ("SI" Series) Internal Regulated Alternators Mounted In The Factory Location.	\$251.00	
09480	1966	<b>ENGINE HARNESS</b> V/8, 400-425 C.I. G/S	\$206.00	
43102	1966	<b>ENGINE HARNESS - HEI</b> V/8, 400-425 C.I. G/S Note: This Harness Is Modified For Use With An HEI Distributor.	\$227.00	
43103	1966	<b>ENGINE HARNESS - SI SERIES INT REG ALT</b> V/8, 400-425 C.I. G/S Note: Modified For 1972-84 Non-Serpentine Belt ("SI" Series) Internal Regulated Alternators Mounted In The Factory Location.	\$240.00	
43104	1966	<b>ENGINE HARNESS - HEI &amp; SI SERIES INT REG ALT</b> V/8, 400-425 C.I. G/S Note: Modified For HEI & 1972-84 Non-Serpentine Belt ("SI" Series) Internal Regulated Alternators Mounted In The Factory Location.	\$251.00	
10695	1967	<b>ENGINE HARNESS</b> 6 Cylinder (V/6) Note: 6 Cylinder Items Are Not Returnable.	\$229.00	
19130	1967	<b>ENGINE HARNESS</b> V/8, 300-340 C.I.	\$206.00	
43105	1967	<b>ENGINE HARNESS - HEI</b> V/8, 300-340 C.I. Note: This Harness Is Modified For Use With An HEI Distributor.	\$227.00	
43106	1967	<b>ENGINE HARNESS - SI SERIES INT REG ALT</b> V/8, 300-340 C.I. Note: Modified For 1972-84 Non-Serpentine Belt ("SI" Series) Internal Regulated Alternators Mounted In The Factory Location.	\$240.00	
43107	1967	<b>ENGINE HARNESS - HEI &amp; SI SERIES INT REG ALT</b> V/8, 300-340 C.I. Note: Modified For HEI & 1972-84 Non-Serpentine Belt ("SI" Series) Internal Regulated Alternators Mounted In The Factory Location.	\$251.00	
11325	1967	<b>ENGINE HARNESS</b> V/8, 400 C.I. G/S	\$206.00	
43108	1967	<b>ENGINE HARNESS - HEI</b> V/8, 400 C.I. G/S Note: This Harness Is Modified For Use With An HEI Distributor.	\$227.00	
43109	1967	<b>ENGINE HARNESS - SI SERIES INT REG ALT</b> V/8, 400 C.I. G/S Note: Modified For 1972-84 Non-Serpentine Belt ("SI" Series) Internal Regulated Alternators Mounted In The Factory Location.	\$240.00	
43110	1967	<b>ENGINE HARNESS - HEI &amp; SI SERIES INT REG ALT</b> V/8, 400 C.I. G/S Note: Modified For HEI & 1972-84 Non-Serpentine Belt ("SI" Series) Internal Regulated Alternators Mounted In The Factory Location.	\$251.00	
12630	1968	<b>ENGINE HARNESS</b> 6 Cylinder (L6) Note: 6 Cylinder Items Are Not Returnable.	\$258.00	
12140	1968	<b>ENGINE HARNESS</b> V/8, 350 C.I.	\$229.00	
43111	1968	<b>ENGINE HARNESS - HEI</b> V/8, 350 C.I. Note: This Harness Is Modified For Use With An HEI Distributor.	\$250.00	
43112	1968	<b>ENGINE HARNESS - SI SERIES INT REG ALT</b> V/8, 350 C.I. Note: Modified For 1972-84 Non-Serpentine Belt ("SI" Series) Internal Regulated Alternators Mounted In The Factory Location.	\$263.00	
43113	1968	<b>ENGINE HARNESS - HEI &amp; SI SERIES INT REG ALT</b> V/8, 350 C.I. Note: Modified For HEI & 1972-84 Non-Serpentine Belt ("SI" Series) Internal Regulated Alternators Mounted In The Factory Location.	\$274.00	
12145	1968	<b>ENGINE HARNESS</b> V/8, 400 C.I. G/S	\$229.00	
43114	1968	<b>ENGINE HARNESS - HEI</b> V/8, 400 C.I. G/S Note: This Harness Is Modified For Use With An HEI Distributor.	\$250.00	
43115	1968	<b>ENGINE HARNESS - SI SERIES INT REG ALT</b> V/8, 400 C.I. G/S Note: Modified For 1972-84 Non-Serpentine Belt ("SI" Series) Internal Regulated Alternators Mounted In The Factory Location.	\$263.00	

Part Number	Year	Description	Price	*Rev.
43116	1968	<b>ENGINE HARNESS - HEI &amp; SI SERIES INT REG ALT</b> V/8, 400 C.I. G/S Note: Modified For HEI & 1972-84 Non-Serpentine Belt ("SI" Series) Internal Regulated Alternators Mounted In The Factory Location.	\$274.00	
12735	1969	<b>ENGINE HARNESS</b> 6 Cylinder (L6) Note: 6 Cylinder Items Are Not Returnable.	\$258.00	
13465	1969	<b>ENGINE HARNESS</b> 6 Cylinder (L6), With A/C Note: 6 Cylinder Items Are Not Returnable.	\$258.00	
12740	1969	<b>ENGINE HARNESS</b> V/8, 350 C.I.	\$229.00	
43117	1969	<b>ENGINE HARNESS - HEI</b> V/8, 350 C.I. Note: This Harness Is Modified For Use With An HEI Distributor.	\$250.00	
43118	1969	<b>ENGINE HARNESS - SI SERIES INT REG ALT</b> V/8, 350 C.I. Note: Modified For 1972-84 Non-Serpentine Belt ("SI" Series) Internal Regulated Alternators Mounted In The Factory Location.	\$263.00	
43119	1969	<b>ENGINE HARNESS - HEI &amp; SI SERIES INT REG ALT</b> V/8, 350 C.I. Note: Modified For HEI & 1972-84 Non-Serpentine Belt ("SI" Series) Internal Regulated Alternators Mounted In The Factory Location.	\$274.00	
13470	1969	<b>ENGINE HARNESS</b> V/8, 350 C.I. With A/C	\$241.00	
43120	1969	<b>ENGINE HARNESS - HEI</b> V/8, 350 C.I. With A/C Note: This Harness Is Modified For Use With An HEI Distributor.	\$262.00	
43121	1969	<b>ENGINE HARNESS - SI SERIES INT REG ALT</b> V/8, 350 C.I. With A/C Note: Modified For 1972-84 Non-Serpentine Belt ("SI" Series) Internal Regulated Alternators Mounted In The Factory Location.	\$274.00	
43122	1969	<b>ENGINE HARNESS - HEI &amp; SI SERIES INT REG ALT</b> V/8, 350 C.I. With A/C Note: Modified For HEI & 1972-84 Non-Serpentine Belt ("SI" Series) Internal Regulated Alternators Mounted In The Factory Location.	\$286.00	
12745	1969	<b>ENGINE HARNESS</b> V/8, 400 C.I.	\$229.00	
43123	1969	<b>ENGINE HARNESS - HEI</b> V/8, 400 C.I. Note: This Harness Is Modified For Use With An HEI Distributor.	\$250.00	
43124	1969	<b>ENGINE HARNESS - SI SERIES INT REG ALT</b> V/8, 400 C.I. Note: Modified For 1972-84 Non-Serpentine Belt ("SI" Series) Internal Regulated Alternators Mounted In The Factory Location.	\$263.00	
43125	1969	<b>ENGINE HARNESS - HEI &amp; SI SERIES INT REG ALT</b> V/8, 400 C.I. Note: Modified For HEI & 1972-84 Non-Serpentine Belt ("SI" Series) Internal Regulated Alternators Mounted In The Factory Location.	\$274.00	
13475	1969	<b>ENGINE HARNESS</b> V/8, 400 C.I. With A/C	\$241.00	
43126	1969	<b>ENGINE HARNESS - HEI</b> V/8, 400 C.I. With A/C Note: This Harness Is Modified For Use With An HEI Distributor.	\$262.00	
43127	1969	<b>ENGINE HARNESS - SI SERIES INT REG ALT</b> V/8, 400 C.I. With A/C Note: Modified For 1972-84 Non-Serpentine Belt ("SI" Series) Internal Regulated Alternators Mounted In The Factory Location.	\$274.00	
43128	1969	<b>ENGINE HARNESS - HEI &amp; SI SERIES INT REG ALT</b> V/8, 400 C.I. With A/C Note: Modified For HEI & 1972-84 Non-Serpentine Belt ("SI" Series) Internal Regulated Alternators Mounted In The Factory Location.	\$286.00	
13725	1970	<b>ENGINE HARNESS</b> 6 Cylinder (L6), Auto Trans Note: 6 Cylinder Items Are Not Returnable.	\$258.00	
13750	1970	<b>ENGINE HARNESS</b> 6 Cylinder (L6), Auto Trans With A/C Note: 6 Cylinder Items Are Not Returnable.	\$258.00	
36259	1970	<b>ENGINE HARNESS</b> 6 Cylinder (L6), Manual Trans Note: 6 Cylinder Items Are Not Returnable.	\$258.00	
13720	1970	<b>ENGINE HARNESS</b> 6 Cylinder (L6), Manual Trans With A/C Note: 6 Cylinder Items Are Not Returnable.	\$258.00	
34970	1970	<b>ENGINE HARNESS</b> V/8, 350 C.I. Auto Trans	\$229.00	
43129	1970	<b>ENGINE HARNESS - HEI</b> V/8, 350 C.I. Auto Trans Note: This Harness Is Modified For Use With An HEI Distributor.	\$250.00	
43130	1970	<b>ENGINE HARNESS - SI SERIES INT REG ALT</b> V/8, 350 C.I. Auto Trans Note: Modified For 1972-84 Non-Serpentine Belt ("SI" Series) Internal Regulated Alternators Mounted In The Factory Location.	\$263.00	
43131	1970	<b>ENGINE HARNESS - HEI &amp; SI SERIES INT REG ALT</b> V/8, 350 C.I. Auto Trans Note: Modified For HEI & 1972-84 Non-Serpentine Belt ("SI" Series) Internal Regulated Alternators Mounted In The Factory Location.	\$274.00	

Part Number	Year	Description	Price	*Rev.
13730	1970	<b>ENGINE HARNESS</b> V/8, 350 C.I. Auto Trans With A/C	\$229.00	
43132	1970	<b>ENGINE HARNESS - HEI</b> V/8, 350 C.I. Auto Trans With A/C Note: This Harness Is Modified For Use With An HEI Distributor.	\$250.00	
43133	1970	<b>ENGINE HARNESS - SI SERIES INT REG ALT</b> V/8, 350 C.I. Auto Trans With A/C Note: Modified For 1972-84 Non-Serpentine Belt ("SI" Series) Internal Regulated Alternators Mounted In The Factory Location.	\$263.00	
43134	1970	<b>ENGINE HARNESS - HEI &amp; SI SERIES INT REG ALT</b> V/8, 350 C.I. Auto Trans With A/C Note: Modified For HEI & 1972-84 Non-Serpentine Belt ("SI" Series) Internal Regulated Alternators Mounted In The Factory Location.	\$274.00	
36250	1970	<b>ENGINE HARNESS</b> V/8, 350 C.I. Manual Trans	\$241.00	
43135	1970	<b>ENGINE HARNESS - HEI</b> V/8, 350 C.I. Manual Trans Note: This Harness Is Modified For Use With An HEI Distributor.	\$262.00	
43136	1970	<b>ENGINE HARNESS - SI SERIES INT REG ALT</b> V/8, 350 C.I. Manual Trans Note: Modified For 1972-84 Non-Serpentine Belt ("SI" Series) Internal Regulated Alternators Mounted In The Factory Location.	\$274.00	
43137	1970	<b>ENGINE HARNESS - HEI &amp; SI SERIES INT REG ALT</b> V/8, 350 C.I. Manual Trans Note: Modified For HEI & 1972-84 Non-Serpentine Belt ("SI" Series) Internal Regulated Alternators Mounted In The Factory Location.	\$286.00	
15830	1970	<b>ENGINE HARNESS</b> V/8, 350 C.I. Manual Trans With A/C	\$241.00	
43138	1970	<b>ENGINE HARNESS - HEI</b> V/8, 350 C.I. Manual Trans With A/C Note: This Harness Is Modified For Use With An HEI Distributor.	\$262.00	
43139	1970	<b>ENGINE HARNESS - SI SERIES INT REG ALT</b> V/8, 350 C.I. Manual Trans With A/C Note: Modified For 1972-84 Non-Serpentine Belt ("SI" Series) Internal Regulated Alternators Mounted In The Factory Location.	\$274.00	
43140	1970	<b>ENGINE HARNESS - HEI &amp; SI SERIES INT REG ALT</b> V/8, 350 C.I. Manual Trans With A/C Note: Modified For HEI & 1972-84 Non-Serpentine Belt ("SI" Series) Internal Regulated Alternators Mounted In The Factory Location.	\$286.00	
13740	1970	<b>ENGINE HARNESS</b> V/8, 455 C.I. Auto Trans	\$229.00	
43141	1970	<b>ENGINE HARNESS - HEI</b> V/8, 455 C.I. Auto Trans Note: This Harness Is Modified For Use With An HEI Distributor.	\$250.00	
43142	1970	<b>ENGINE HARNESS - SI SERIES INT REG ALT</b> V/8, 455 C.I. Auto Trans Note: Modified For 1972-84 Non-Serpentine Belt ("SI" Series) Internal Regulated Alternators Mounted In The Factory Location.	\$263.00	
43143	1970	<b>ENGINE HARNESS - HEI &amp; SI SERIES INT REG ALT</b> V/8, 455 C.I. Auto Trans Note: Modified For HEI & 1972-84 Non-Serpentine Belt ("SI" Series) Internal Regulated Alternators Mounted In The Factory Location.	\$274.00	
13745	1970	<b>ENGINE HARNESS</b> V/8, 455 C.I. Auto Trans With A/C	\$229.00	
43144	1970	<b>ENGINE HARNESS - HEI</b> V/8, 455 C.I. Auto Trans With A/C Note: This Harness Is Modified For Use With An HEI Distributor.	\$250.00	
43145	1970	<b>ENGINE HARNESS - SI SERIES INT REG ALT</b> V/8, 455 C.I. Auto Trans With A/C Note: Modified For 1972-84 Non-Serpentine Belt ("SI" Series) Internal Regulated Alternators Mounted In The Factory Location.	\$263.00	
43146	1970	<b>ENGINE HARNESS - HEI &amp; SI SERIES INT REG ALT</b> V/8, 455 C.I. Auto Trans With A/C Note: Modified For HEI & 1972-84 Non-Serpentine Belt ("SI" Series) Internal Regulated Alternators Mounted In The Factory Location.	\$274.00	
36256	1970	<b>ENGINE HARNESS</b> V/8, 455 C.I. Manual Trans	\$241.00	
43147	1970	<b>ENGINE HARNESS - HEI</b> V/8, 455 C.I. Manual Trans Note: This Harness Is Modified For Use With An HEI Distributor.	\$262.00	
43148	1970	<b>ENGINE HARNESS - SI SERIES INT REG ALT</b> V/8, 455 C.I. Manual Trans Note: Modified For 1972-84 Non-Serpentine Belt ("SI" Series) Internal Regulated Alternators Mounted In The Factory Location.	\$274.00	
43149	1970	<b>ENGINE HARNESS - HEI &amp; SI SERIES INT REG ALT</b> V/8, 455 C.I. Manual Trans Note: Modified For HEI & 1972-84 Non-Serpentine Belt ("SI" Series) Internal Regulated Alternators Mounted In The Factory Location.	\$286.00	
13735	1970	<b>ENGINE HARNESS</b> V/8, 455 C.I. Manual Trans With A/C	\$241.00	
43150	1970	<b>ENGINE HARNESS - HEI</b> V/8, 455 C.I. Manual Trans With A/C Note: This Harness Is Modified For Use With An HEI Distributor.	\$262.00	
43151	1970	<b>ENGINE HARNESS - SI SERIES INT REG ALT</b> V/8, 455 C.I. Manual Trans With A/C Note: Modified For 1972-84 Non-Serpentine Belt ("SI" Series) Internal Regulated Alternators Mounted In The Factory Location.	\$274.00	
43152	1970	<b>ENGINE HARNESS - HEI &amp; SI SERIES INT REG ALT</b> V/8, 455 C.I. Manual Trans With A/C Note: Modified For HEI & 1972-84 Non-Serpentine Belt ("SI" Series) Internal Regulated Alternators Mounted In The Factory Location.	\$286.00	

Part Number	Year	Description	Price	*Rev.
15940	1971	<b>ENGINE HARNESS</b> 6 Cylinder (L6) Note: 6 Cylinder Items Are Not Returnable.	\$258.00	
33010	1971	<b>ENGINE HARNESS</b> V/8, 350 C.I.	\$241.00	
43153	1971	<b>ENGINE HARNESS - HEI</b> V/8, 350 C.I. Note: This Harness Is Modified For Use With An HEI Distributor.	\$262.00	
43154	1971	<b>ENGINE HARNESS - SI SERIES INT REG ALT</b> V/8, 350 C.I. Note: Modified For 1972-84 Non-Serpentine Belt ("SI" Series) Internal Regulated Alternators Mounted In The Factory Location.	\$274.00	
43155	1971	<b>ENGINE HARNESS - HEI &amp; SI SERIES INT REG ALT</b> V/8, 350 C.I. Note: Modified For HEI & 1972-84 Non-Serpentine Belt ("SI" Series) Internal Regulated Alternators Mounted In The Factory Location.	\$286.00	
33015	1971	<b>ENGINE HARNESS</b> V/8, 350 C.I. With A/C	\$241.00	
43156	1971	<b>ENGINE HARNESS - HEI</b> V/8, 350 C.I. With A/C Note: This Harness Is Modified For Use With An HEI Distributor.	\$262.00	
43157	1971	<b>ENGINE HARNESS - SI SERIES INT REG ALT</b> V/8, 350 C.I. With A/C Note: Modified For 1972-84 Non-Serpentine Belt ("SI" Series) Internal Regulated Alternators Mounted In The Factory Location.	\$274.00	
43158	1971	<b>ENGINE HARNESS - HEI &amp; SI SERIES INT REG ALT</b> V/8, 350 C.I. With A/C Note: Modified For HEI & 1972-84 Non-Serpentine Belt ("SI" Series) Internal Regulated Alternators Mounted In The Factory Location.	\$286.00	
19135	1971	<b>ENGINE HARNESS</b> V/8, 455 C.I.	\$241.00	
43159	1971	<b>ENGINE HARNESS - HEI</b> V/8, 455 C.I. Note: This Harness Is Modified For Use With An HEI Distributor.	\$262.00	
43160	1971	<b>ENGINE HARNESS - SI SERIES INT REG ALT</b> V/8, 455 C.I. Note: Modified For 1972-84 Non-Serpentine Belt ("SI" Series) Internal Regulated Alternators Mounted In The Factory Location.	\$274.00	
43161	1971	<b>ENGINE HARNESS - HEI &amp; SI SERIES INT REG ALT</b> V/8, 455 C.I. Note: Modified For HEI & 1972-84 Non-Serpentine Belt ("SI" Series) Internal Regulated Alternators Mounted In The Factory Location.	\$286.00	
33005	1971	<b>ENGINE HARNESS</b> V/8, 455 C.I. With A/C	\$241.00	
43162	1971	<b>ENGINE HARNESS - HEI</b> V/8, 455 C.I. With A/C Note: This Harness Is Modified For Use With An HEI Distributor.	\$262.00	
43163	1971	<b>ENGINE HARNESS - SI SERIES INT REG ALT</b> V/8, 455 C.I. With A/C Note: Modified For 1972-84 Non-Serpentine Belt ("SI" Series) Internal Regulated Alternators Mounted In The Factory Location.	\$274.00	
43164	1971	<b>ENGINE HARNESS - HEI &amp; SI SERIES INT REG ALT</b> V/8, 455 C.I. With A/C Note: Modified For HEI & 1972-84 Non-Serpentine Belt ("SI" Series) Internal Regulated Alternators Mounted In The Factory Location.	\$286.00	
32095	1972	<b>ENGINE HARNESS</b> 6 Cylinder (L6) Note: 6 Cylinder Items Are Not Returnable.	\$258.00	
32100	1972	<b>ENGINE HARNESS</b> V/8, 350 C.I.	\$241.00	
43165	1972	<b>ENGINE HARNESS - HEI</b> V/8, 350 C.I. Note: This Harness Is Modified For Use With An HEI Distributor.	\$262.00	
43166	1972	<b>ENGINE HARNESS - SI SERIES INT REG ALT</b> V/8, 350 C.I. Note: Modified For 1972-84 Non-Serpentine Belt ("SI" Series) Internal Regulated Alternators Mounted In The Factory Location.	\$274.00	
43167	1972	<b>ENGINE HARNESS - HEI &amp; SI SERIES INT REG ALT</b> V/8, 350 C.I. Note: Modified For HEI & 1972-84 Non-Serpentine Belt ("SI" Series) Internal Regulated Alternators Mounted In The Factory Location.	\$286.00	
32105	1972	<b>ENGINE HARNESS</b> V/8, 350 C.I. With A/C	\$241.00	
43168	1972	<b>ENGINE HARNESS - HEI</b> V/8, 350 C.I. With A/C Note: This Harness Is Modified For Use With An HEI Distributor.	\$262.00	
43169	1972	<b>ENGINE HARNESS - SI SERIES INT REG ALT</b> V/8, 350 C.I. With A/C Note: Modified For 1972-84 Non-Serpentine Belt ("SI" Series) Internal Regulated Alternators Mounted In The Factory Location.	\$274.00	
43170	1972	<b>ENGINE HARNESS - HEI &amp; SI SERIES INT REG ALT</b> V/8, 350 C.I. With A/C Note: Modified For HEI & 1972-84 Non-Serpentine Belt ("SI" Series) Internal Regulated Alternators Mounted In The Factory Location.	\$286.00	
32110	1972	<b>ENGINE HARNESS</b> V/8, 455 C.I.	\$241.00	
43171	1972	<b>ENGINE HARNESS - HEI</b> V/8, 455 C.I. Note: This Harness Is Modified For Use With An HEI Distributor.	\$262.00	

Part Number	Year	Description	Price	*Rev.
43172	1972	<b>ENGINE HARNESS - SI SERIES INT REG ALT</b> V/8, 455 C.I. Note: Modified For 1972-84 Non-Serpentine Belt ("SI" Series) Internal Regulated Alternators Mounted In The Factory Location.	\$274.00	
43173	1972	<b>ENGINE HARNESS - HEI &amp; SI SERIES INT REG ALT</b> V/8, 455 C.I. Note: Modified For HEI & 1972-84 Non-Serpentine Belt ("SI" Series) Internal Regulated Alternators Mounted In The Factory Location.	\$286.00	
32115	1972	<b>ENGINE HARNESS</b> V/8, 455 C.I. With A/C	\$241.00	
43174	1972	<b>ENGINE HARNESS - HEI</b> V/8, 455 C.I. With A/C Note: This Harness Is Modified For Use With An HEI Distributor.	\$262.00	
43175	1972	<b>ENGINE HARNESS - SI SERIES INT REG ALT</b> V/8, 455 C.I. With A/C Note: Modified For 1972-84 Non-Serpentine Belt ("SI" Series) Internal Regulated Alternators Mounted In The Factory Location.	\$274.00	
43176	1972	<b>ENGINE HARNESS - HEI &amp; SI SERIES INT REG ALT</b> V/8, 455 C.I. With A/C Note: Modified For HEI & 1972-84 Non-Serpentine Belt ("SI" Series) Internal Regulated Alternators Mounted In The Factory Location.	\$286.00	
<b>FORWARD LAMP HARNESS</b>				
04515	1964	<b>FORWARD LAMP HARNESS</b> Auto Trans	\$217.00	
05760	1964	<b>FORWARD LAMP HARNESS</b> Manual Trans	\$229.00	
05945	1965	<b>FORWARD LAMP HARNESS</b> Auto Trans, Except Gran Sport	\$217.00	
05950	1965	<b>FORWARD LAMP HARNESS</b> Manual Trans, Except Gran Sport	\$229.00	
06125	1965	<b>FORWARD LAMP HARNESS</b> 3 & 4 Speed Manual Trans, 225 & 300 C.I., Except Gran Sport	\$229.00	
06095	1965	<b>FORWARD LAMP HARNESS</b> Gran Sport, All	\$229.00	
35770	1966	<b>FORWARD LAMP HARNESS</b> Without Tachometer	\$217.00	
09960	1966	<b>FORWARD LAMP HARNESS</b> With Tachometer	\$229.00	
18488	1966	<b>FORWARD LAMP HARNESS</b> Gran Sport Only	\$229.00	
11210	1967	<b>FORWARD LAMP HARNESS</b>	\$229.00	
12150	1968	<b>FORWARD LAMP HARNESS</b>	\$229.00	
12750	1969	<b>FORWARD LAMP HARNESS</b>	\$229.00	
13755	1970	<b>FORWARD LAMP HARNESS</b>	\$229.00	
15905	1971	<b>FORWARD LAMP HARNESS</b>	\$229.00	
15905	1972	<b>FORWARD LAMP HARNESS</b>	\$229.00	
<b>FUEL TANK SENDING UNIT WIRE</b>				
39339	1970	<b>FUEL TANK SENDING UNIT WIRE</b>	\$33.00	
39339	1971	<b>FUEL TANK SENDING UNIT WIRE</b>	\$33.00	
39339	1972	<b>FUEL TANK SENDING UNIT WIRE</b>	\$33.00	
<b>GLOVE BOX LAMP KIT</b>				
18000	1964	<b>GLOVE BOX LAMP KIT</b> Socket, Bulb & Wire	\$21.00	
18000	1965	<b>GLOVE BOX LAMP KIT</b> Socket, Bulb & Wire	\$21.00	
18000	1966	<b>GLOVE BOX LAMP KIT</b> Socket, Bulb & Wire	\$21.00	
18000	1967	<b>GLOVE BOX LAMP KIT</b> Socket, Bulb & Wire	\$21.00	
18000	1968	<b>GLOVE BOX LAMP KIT</b> Socket, Bulb & Wire	\$21.00	
18000	1969	<b>GLOVE BOX LAMP KIT</b> Socket, Bulb & Wire	\$21.00	
18000	1961	<b>GLOVE BOX LAMP KIT</b> Socket, Bulb & Wire	\$21.00	
18000	1962	<b>GLOVE BOX LAMP KIT</b> Socket, Bulb & Wire	\$21.00	
18000	1963	<b>GLOVE BOX LAMP KIT</b> Socket, Bulb & Wire	\$21.00	
<b>GROUND WIRE, DISTRIBUTOR POINT PLATE</b>				
38298	1964	<b>GROUND WIRE, DISTRIBUTOR POINT PLATE</b> From Distributor Point Plate To Distributor Housing Note: Replaces Spot Welded Wire Asm On Point Plate Side. Fits All GM V/8 Point Type Distributors From Approx. 1957-1974.	\$15.00	C
38298	1965	<b>GROUND WIRE, DISTRIBUTOR POINT PLATE</b> From Distributor Point Plate To Distributor Housing Note: Replaces Spot Welded Wire Asm On Point Plate Side. Fits All GM V/8 Point Type Distributors From Approx. 1957-1974.	\$15.00	C



Part Number	Year	Description	Price	*Rev.
38298	1966	<b>GROUND WIRE, DISTRIBUTOR POINT PLATE</b> From Distributor Point Plate To Distributor Housing Note: Replaces Spot Welded Wire Asm On Point Plate Side. Fits All GM V/8 Point Type Distributors From Approx. 1957-1974.	\$15.00	C
38298	1967	<b>GROUND WIRE, DISTRIBUTOR POINT PLATE</b> From Distributor Point Plate To Distributor Housing Note: Replaces Spot Welded Wire Asm On Point Plate Side. Fits All GM V/8 Point Type Distributors From Approx. 1957-1974.	\$15.00	C
38298	1968	<b>GROUND WIRE, DISTRIBUTOR POINT PLATE</b> From Distributor Point Plate To Distributor Housing Note: Replaces Spot Welded Wire Asm On Point Plate Side. Fits All GM V/8 Point Type Distributors From Approx. 1957-1974.	\$15.00	C
38298	1969	<b>GROUND WIRE, DISTRIBUTOR POINT PLATE</b> From Distributor Point Plate To Distributor Housing Note: Replaces Spot Welded Wire Asm On Point Plate Side. Fits All GM V/8 Point Type Distributors From Approx. 1957-1974.	\$15.00	C
38298	1970	<b>GROUND WIRE, DISTRIBUTOR POINT PLATE</b> From Distributor Point Plate To Distributor Housing Note: Replaces Spot Welded Wire Asm On Point Plate Side. Fits All GM V/8 Point Type Distributors From Approx. 1957-1974.	\$15.00	C
38298	1971	<b>GROUND WIRE, DISTRIBUTOR POINT PLATE</b> From Distributor Point Plate To Distributor Housing Note: Replaces Spot Welded Wire Asm On Point Plate Side. Fits All GM V/8 Point Type Distributors From Approx. 1957-1974.	\$15.00	C
38298	1972	<b>GROUND WIRE, DISTRIBUTOR POINT PLATE</b> From Distributor Point Plate To Distributor Housing Note: Replaces Spot Welded Wire Asm On Point Plate Side. Fits All GM V/8 Point Type Distributors From Approx. 1957-1974.	\$15.00	C
38298	1973	<b>GROUND WIRE, DISTRIBUTOR POINT PLATE</b> From Distributor Point Plate To Distributor Housing Note: Replaces Spot Welded Wire Asm On Point Plate Side. Fits All GM V/8 Point Type Distributors From Approx. 1957-1974.	\$15.00	C
38298	1974	<b>GROUND WIRE, DISTRIBUTOR POINT PLATE</b> From Distributor Point Plate To Distributor Housing Note: Replaces Spot Welded Wire Asm On Point Plate Side. Fits All GM V/8 Point Type Distributors From Approx. 1957-1974.	\$15.00	C
<b>HARNESS TAPE</b>				
R0058272	1961	<b>HARNESS TAPE</b> 3/4" Vinyl (100 Ft. Roll) Non-Adhesive	\$12.00	
R0058276	1961	<b>HARNESS TAPE</b> 1" Vinyl (100 Ft. Roll) Non-Adhesive	\$13.00	
R0067108	1961	<b>HARNESS TAPE</b> 1 1/4" Vinyl (100 Ft. Roll) Non-Adhesive	\$15.00	
R0058272	1962	<b>HARNESS TAPE</b> 3/4" Vinyl (100 Ft. Roll) Non-Adhesive	\$12.00	
R0058276	1962	<b>HARNESS TAPE</b> 1" Vinyl (100 Ft. Roll) Non-Adhesive	\$13.00	
R0067108	1962	<b>HARNESS TAPE</b> 1 1/4" Vinyl (100 Ft. Roll) Non-Adhesive	\$15.00	
R0058272	1963	<b>HARNESS TAPE</b> 3/4" Vinyl (100 Ft. Roll) Non-Adhesive	\$12.00	
R0058276	1963	<b>HARNESS TAPE</b> 1" Vinyl (100 Ft. Roll) Non-Adhesive	\$13.00	
R0067108	1963	<b>HARNESS TAPE</b> 1 1/4" Vinyl (100 Ft. Roll) Non-Adhesive	\$15.00	
R0058272	1964	<b>HARNESS TAPE</b> 3/4" Vinyl (100 Ft. Roll) Non-Adhesive	\$12.00	
R0058276	1964	<b>HARNESS TAPE</b> 1" Vinyl (100 Ft. Roll) Non-Adhesive	\$13.00	
R0067108	1964	<b>HARNESS TAPE</b> 1 1/4" Vinyl (100 Ft. Roll) Non-Adhesive	\$15.00	
R0058272	1965	<b>HARNESS TAPE</b> 3/4" Vinyl (100 Ft. Roll) Non-Adhesive	\$12.00	
R0058276	1965	<b>HARNESS TAPE</b> 1" Vinyl (100 Ft. Roll) Non-Adhesive	\$13.00	
R0067108	1965	<b>HARNESS TAPE</b> 1 1/4" Vinyl (100 Ft. Roll) Non-Adhesive	\$15.00	
R0058272	1966	<b>HARNESS TAPE</b> 3/4" Vinyl (100 Ft. Roll) Non-Adhesive	\$12.00	
R0058276	1966	<b>HARNESS TAPE</b> 1" Vinyl (100 Ft. Roll) Non-Adhesive	\$13.00	
R0067108	1966	<b>HARNESS TAPE</b> 1 1/4" Vinyl (100 Ft. Roll) Non-Adhesive	\$15.00	
R0058272	1967	<b>HARNESS TAPE</b> 3/4" Vinyl (100 Ft. Roll) Non-Adhesive	\$12.00	
R0058276	1967	<b>HARNESS TAPE</b> 1" Vinyl (100 Ft. Roll) Non-Adhesive	\$13.00	
R0067108	1967	<b>HARNESS TAPE</b> 1 1/4" Vinyl (100 Ft. Roll) Non-Adhesive	\$15.00	
R0058272	1968	<b>HARNESS TAPE</b> 3/4" Vinyl (100 Ft. Roll) Non-Adhesive	\$12.00	
R0058276	1968	<b>HARNESS TAPE</b> 1" Vinyl (100 Ft. Roll) Non-Adhesive	\$13.00	
R0067108	1968	<b>HARNESS TAPE</b> 1 1/4" Vinyl (100 Ft. Roll) Non-Adhesive	\$15.00	
R0058272	1969	<b>HARNESS TAPE</b> 3/4" Vinyl (100 Ft. Roll) Non-Adhesive	\$12.00	
R0058276	1969	<b>HARNESS TAPE</b> 1" Vinyl (100 Ft. Roll) Non-Adhesive	\$13.00	
R0067108	1969	<b>HARNESS TAPE</b> 1 1/4" Vinyl (100 Ft. Roll) Non-Adhesive	\$15.00	
R0058272	1970	<b>HARNESS TAPE</b> 3/4" Vinyl (100 Ft. Roll) Non-Adhesive	\$12.00	

Part Number	Year	Description	Price	*Rev.
R0058276	1970	<b>HARNESS TAPE</b> 1" Vinyl (100 Ft. Roll) Non-Adhesive	\$13.00	
R0067108	1970	<b>HARNESS TAPE</b> 1 1/4" Vinyl (100 Ft. Roll) Non-Adhesive	\$15.00	
R0058272	1971	<b>HARNESS TAPE</b> 3/4" Vinyl (100 Ft. Roll) Non-Adhesive	\$12.00	
R0058276	1971	<b>HARNESS TAPE</b> 1" Vinyl (100 Ft. Roll) Non-Adhesive	\$13.00	
R0067108	1971	<b>HARNESS TAPE</b> 1 1/4" Vinyl (100 Ft. Roll) Non-Adhesive	\$15.00	
R0058272	1972	<b>HARNESS TAPE</b> 3/4" Vinyl (100 Ft. Roll) Non-Adhesive	\$12.00	
R0058276	1972	<b>HARNESS TAPE</b> 1" Vinyl (100 Ft. Roll) Non-Adhesive	\$13.00	
R0067108	1972	<b>HARNESS TAPE</b> 1 1/4" Vinyl (100 Ft. Roll) Non-Adhesive	\$15.00	
R0058272	1973	<b>HARNESS TAPE</b> 3/4" Vinyl (100 Ft. Roll) Non-Adhesive	\$12.00	
R0058276	1973	<b>HARNESS TAPE</b> 1" Vinyl (100 Ft. Roll) Non-Adhesive	\$13.00	
R0067108	1973	<b>HARNESS TAPE</b> 1 1/4" Vinyl (100 Ft. Roll) Non-Adhesive	\$15.00	
R0058272	1974	<b>HARNESS TAPE</b> 3/4" Vinyl (100 Ft. Roll) Non-Adhesive	\$12.00	
R0058276	1974	<b>HARNESS TAPE</b> 1" Vinyl (100 Ft. Roll) Non-Adhesive	\$13.00	
R0067108	1974	<b>HARNESS TAPE</b> 1 1/4" Vinyl (100 Ft. Roll) Non-Adhesive	\$15.00	
R0058272	1975	<b>HARNESS TAPE</b> 3/4" Vinyl (100 Ft. Roll) Non-Adhesive	\$12.00	
R0058276	1975	<b>HARNESS TAPE</b> 1" Vinyl (100 Ft. Roll) Non-Adhesive	\$13.00	
R0067108	1975	<b>HARNESS TAPE</b> 1 1/4" Vinyl (100 Ft. Roll) Non-Adhesive	\$15.00	
R0058272	1976	<b>HARNESS TAPE</b> 3/4" Vinyl (100 Ft. Roll) Non-Adhesive	\$12.00	
R0058276	1976	<b>HARNESS TAPE</b> 1" Vinyl (100 Ft. Roll) Non-Adhesive	\$13.00	
R0067108	1976	<b>HARNESS TAPE</b> 1 1/4" Vinyl (100 Ft. Roll) Non-Adhesive	\$15.00	
R0058272	1977	<b>HARNESS TAPE</b> 3/4" Vinyl (100 Ft. Roll) Non-Adhesive	\$12.00	
R0058276	1977	<b>HARNESS TAPE</b> 1" Vinyl (100 Ft. Roll) Non-Adhesive	\$13.00	
R0067108	1977	<b>HARNESS TAPE</b> 1 1/4" Vinyl (100 Ft. Roll) Non-Adhesive	\$15.00	
<b>HEADLIGHT SWITCH</b>				
01995096	1963	<b>HEADLIGHT SWITCH</b> All	\$31.00	
<b>HOOD LAMP REPLACEMENT KIT</b>				
18410	1964	<b>HOOD LAMP REPLACEMENT KIT</b> Under Hood, Includes Socket, Wire & Bulb	\$62.00	C
18410	1965	<b>HOOD LAMP REPLACEMENT KIT</b> Under Hood, Includes Socket, Wire & Bulb	\$62.00	C
18410	1966	<b>HOOD LAMP REPLACEMENT KIT</b> Under Hood, Includes Socket, Wire & Bulb	\$62.00	C
18410	1967	<b>HOOD LAMP REPLACEMENT KIT</b> Under Hood, Includes Socket, Wire & Bulb	\$62.00	C
18410	1968	<b>HOOD LAMP REPLACEMENT KIT</b> Under Hood, Includes Socket, Wire & Bulb	\$62.00	C
18410	1969	<b>HOOD LAMP REPLACEMENT KIT</b> Under Hood, Includes Socket, Wire & Bulb	\$62.00	C
18410	1970	<b>HOOD LAMP REPLACEMENT KIT</b> Under Hood, Includes Socket, Wire & Bulb	\$62.00	C
18410	1971	<b>HOOD LAMP REPLACEMENT KIT</b> Under Hood, Includes Socket, Wire & Bulb	\$62.00	C
18410	1972	<b>HOOD LAMP REPLACEMENT KIT</b> Under Hood, Includes Socket, Wire & Bulb	\$62.00	C
18410	1973	<b>HOOD LAMP REPLACEMENT KIT</b> Under Hood, Includes Socket, Wire & Bulb	\$62.00	C
18410	1974	<b>HOOD LAMP REPLACEMENT KIT</b> Under Hood, Includes Socket, Wire & Bulb	\$62.00	C
18410	1975	<b>HOOD LAMP REPLACEMENT KIT</b> Under Hood, Includes Socket, Wire & Bulb	\$62.00	C
18410	1976	<b>HOOD LAMP REPLACEMENT KIT</b> Under Hood, Includes Socket, Wire & Bulb	\$62.00	C
18410	1977	<b>HOOD LAMP REPLACEMENT KIT</b> Under Hood, Includes Socket, Wire & Bulb	\$62.00	C
<b>IDLE STOP SOLENOID CONTROL HARNESS</b>				
31825	1972	<b>IDLE STOP SOLENOID CONTROL HARNESS</b> V/8	\$33.00	
<b>KICKDOWN SWITCH</b>				
01242101	1972	<b>KICKDOWN SWITCH</b> TH400 Auto Trans	\$45.00	

Part Number	Year	Description	Price	*Rev.
<b>LOW FUEL INDICATOR MODULE</b>				
500274	1964	<b>LOW FUEL INDICATOR MODULE</b> Generic "Adjustable" Low Fuel Warning Module Note: A Complete Electronic Control Unit To Activate A Warning Lamp Or Relay When Fuel Level Drops Below A User Adjustable Level.	\$64.00	C
500274	1965	<b>LOW FUEL INDICATOR MODULE</b> Generic "Adjustable" Low Fuel Warning Module Note: A Complete Electronic Control Unit To Activate A Warning Lamp Or Relay When Fuel Level Drops Below A User Adjustable Level.	\$64.00	C
500274	1966	<b>LOW FUEL INDICATOR MODULE</b> Generic "Adjustable" Low Fuel Warning Module Note: A Complete Electronic Control Unit To Activate A Warning Lamp Or Relay When Fuel Level Drops Below A User Adjustable Level.	\$64.00	C
500274	1967	<b>LOW FUEL INDICATOR MODULE</b> Generic "Adjustable" Low Fuel Warning Module Note: A Complete Electronic Control Unit To Activate A Warning Lamp Or Relay When Fuel Level Drops Below A User Adjustable Level.	\$64.00	C
500274	1968	<b>LOW FUEL INDICATOR MODULE</b> Generic "Adjustable" Low Fuel Warning Module Note: A Complete Electronic Control Unit To Activate A Warning Lamp Or Relay When Fuel Level Drops Below A User Adjustable Level.	\$64.00	C
500274	1969	<b>LOW FUEL INDICATOR MODULE</b> Generic "Adjustable" Low Fuel Warning Module Note: A Complete Electronic Control Unit To Activate A Warning Lamp Or Relay When Fuel Level Drops Below A User Adjustable Level.	\$64.00	C
500274	1970	<b>LOW FUEL INDICATOR MODULE</b> Generic "Adjustable" Low Fuel Warning Module Note: A Complete Electronic Control Unit To Activate A Warning Lamp Or Relay When Fuel Level Drops Below A User Adjustable Level.	\$64.00	C
500274	1971	<b>LOW FUEL INDICATOR MODULE</b> Generic "Adjustable" Low Fuel Warning Module Note: A Complete Electronic Control Unit To Activate A Warning Lamp Or Relay When Fuel Level Drops Below A User Adjustable Level.	\$64.00	C
500274	1972	<b>LOW FUEL INDICATOR MODULE</b> Generic "Adjustable" Low Fuel Warning Module Note: A Complete Electronic Control Unit To Activate A Warning Lamp Or Relay When Fuel Level Drops Below A User Adjustable Level.	\$64.00	C
500274	1973	<b>LOW FUEL INDICATOR MODULE</b> Generic "Adjustable" Low Fuel Warning Module Note: A Complete Electronic Control Unit To Activate A Warning Lamp Or Relay When Fuel Level Drops Below A User Adjustable Level.	\$64.00	C
500274	1974	<b>LOW FUEL INDICATOR MODULE</b> Generic "Adjustable" Low Fuel Warning Module Note: A Complete Electronic Control Unit To Activate A Warning Lamp Or Relay When Fuel Level Drops Below A User Adjustable Level.	\$64.00	C
500274	1975	<b>LOW FUEL INDICATOR MODULE</b> Generic "Adjustable" Low Fuel Warning Module Note: A Complete Electronic Control Unit To Activate A Warning Lamp Or Relay When Fuel Level Drops Below A User Adjustable Level.	\$64.00	C
500274	1976	<b>LOW FUEL INDICATOR MODULE</b> Generic "Adjustable" Low Fuel Warning Module Note: A Complete Electronic Control Unit To Activate A Warning Lamp Or Relay When Fuel Level Drops Below A User Adjustable Level.	\$64.00	C
500274	1977	<b>LOW FUEL INDICATOR MODULE</b> Generic "Adjustable" Low Fuel Warning Module Note: A Complete Electronic Control Unit To Activate A Warning Lamp Or Relay When Fuel Level Drops Below A User Adjustable Level.	\$64.00	C
<b>NEUTRAL SAFETY &amp; BACKUP LAMP SWITCH</b>				
01993659	1964	<b>NEUTRAL SAFETY &amp; BACKUP LAMP SWITCH</b> With Column Shift Powerglide Auto Trans	\$12.00	
01993659	1965	<b>NEUTRAL SAFETY &amp; BACKUP LAMP SWITCH</b> With Column Shift Powerglide Auto Trans	\$12.00	
01993659	1966	<b>NEUTRAL SAFETY &amp; BACKUP LAMP SWITCH</b> With Column Shift Powerglide Auto Trans	\$12.00	
01994235	1969	<b>NEUTRAL SAFETY &amp; BACKUP LAMP SWITCH</b> With Column Shift Auto Trans, All	\$19.00	
01994235	1970	<b>NEUTRAL SAFETY &amp; BACKUP LAMP SWITCH</b> With Column Shift Auto Trans, All	\$19.00	
01994235	1971	<b>NEUTRAL SAFETY &amp; BACKUP LAMP SWITCH</b> With Column Shift Auto Trans, All	\$19.00	
01994235	1972	<b>NEUTRAL SAFETY &amp; BACKUP LAMP SWITCH</b> With Column Shift Auto Trans, All	\$19.00	

Part Number	Year	Description	Price	*Rev.
<b>NEUTRAL SAFETY SWITCH EXTENSION HARNESS</b>				
41401	1969	NEUTRAL SAFETY SWITCH EXTENSION HARNESS Manual Trans, From Clutch Switch To Dash Harness	\$40.00	
41401	1970	NEUTRAL SAFETY SWITCH EXTENSION HARNESS Manual Trans, From Clutch Switch To Dash Harness	\$40.00	
41401	1971	NEUTRAL SAFETY SWITCH EXTENSION HARNESS Manual Trans, From Clutch Switch To Dash Harness	\$40.00	
41401	1969	NEUTRAL SAFETY SWITCH EXTENSION HARNESS Manual Trans, From Clutch Switch To Dash Harness	\$40.00	
<b>POWER DOOR LOCK SWITCH ASSEMBLY</b>				
01725099	1971	POWER DOOR LOCK SWITCH ASSEMBLY 1 Button	\$62.00	
01725099	1972	POWER DOOR LOCK SWITCH ASSEMBLY 1 Button	\$62.00	
01725099	1973	POWER DOOR LOCK SWITCH ASSEMBLY 1 Button	\$62.00	
01725099	1974	POWER DOOR LOCK SWITCH ASSEMBLY 1 Button	\$62.00	
01725099	1975	POWER DOOR LOCK SWITCH ASSEMBLY 1 Button	\$62.00	
01725099	1976	POWER DOOR LOCK SWITCH ASSEMBLY 1 Button	\$62.00	
01725099	1977	POWER DOOR LOCK SWITCH ASSEMBLY 1 Button	\$62.00	
<b>POWER FEED WIRE</b>				
06565	1963	POWER FEED WIRE Junction Block To Circuit Breaker	\$17.00	
<b>POWER SEAT HARNESS</b>				
06945	1964	POWER SEAT HARNESS 4 Way Bench	\$144.00	
07600	1965	POWER SEAT HARNESS 4 Way Bucket, Drivers Side	\$138.00	
07595	1965	POWER SEAT HARNESS 4-Way Bench Note: Requires Customers Original Harness.	\$144.00	
07595	1966	POWER SEAT HARNESS 4-Way Bench Note: Requires Customers Original Harness.	\$144.00	
07595	1967	POWER SEAT HARNESS 4-Way Bench Note: Requires Customers Original Harness.	\$144.00	
<b>POWER SEAT MOTOR RELAY AND ADAPTER HARNESS</b>				
40146	1964	POWER SEAT MOTOR RELAY AND ADAPTER HARNESS Includes New Standard Type Relay And Adapter To Mate To Factory Harness	\$64.00	
40146	1965	POWER SEAT MOTOR RELAY AND ADAPTER HARNESS Includes New Standard Type Relay And Adapter To Mate To Factory Harness	\$64.00	
40146	1966	POWER SEAT MOTOR RELAY AND ADAPTER HARNESS Includes New Standard Type Relay And Adapter To Mate To Factory Harness	\$64.00	
40146	1967	POWER SEAT MOTOR RELAY AND ADAPTER HARNESS Includes New Standard Type Relay And Adapter To Mate To Factory Harness	\$64.00	
40146	1968	POWER SEAT MOTOR RELAY AND ADAPTER HARNESS Includes New Standard Type Relay And Adapter To Mate To Factory Harness	\$64.00	
40146	1969	POWER SEAT MOTOR RELAY AND ADAPTER HARNESS Includes New Standard Type Relay And Adapter To Mate To Factory Harness	\$64.00	
40146	1970	POWER SEAT MOTOR RELAY AND ADAPTER HARNESS Includes New Standard Type Relay And Adapter To Mate To Factory Harness	\$64.00	
40146	1971	POWER SEAT MOTOR RELAY AND ADAPTER HARNESS Includes New Standard Type Relay And Adapter To Mate To Factory Harness	\$64.00	
40146	1972	POWER SEAT MOTOR RELAY AND ADAPTER HARNESS Includes New Standard Type Relay And Adapter To Mate To Factory Harness	\$64.00	
40146	1973	POWER SEAT MOTOR RELAY AND ADAPTER HARNESS Includes New Standard Type Relay And Adapter To Mate To Factory Harness	\$64.00	
40146	1974	POWER SEAT MOTOR RELAY AND ADAPTER HARNESS Includes New Standard Type Relay And Adapter To Mate To Factory Harness	\$64.00	
40146	1975	POWER SEAT MOTOR RELAY AND ADAPTER HARNESS Includes New Standard Type Relay And Adapter To Mate To Factory Harness	\$64.00	

Part Number	Year	Description	Price	*Rev.
<b>POWER TAILGATE RELAY AND ADAPTER HARNESS</b>				
39440	1970	<b>POWER TAILGATE RELAY AND ADAPTER HARNESS</b> Includes New Standard Type Relay And Adapter To Mate To Factory Harness	\$34.00	
39440	1971	<b>POWER TAILGATE RELAY AND ADAPTER HARNESS</b> Includes New Standard Type Relay And Adapter To Mate To Factory Harness	\$34.00	
<b>POWER TOP HARNESS</b>				
41364	1965	<b>POWER TOP HARNESS</b> Convertible, From Switch To Body Harness Connector	\$65.00	
41364	1966	<b>POWER TOP HARNESS</b> Convertible, From Switch To Body Harness Connector	\$65.00	
41364	1967	<b>POWER TOP HARNESS</b> Convertible, From Switch To Body Harness Connector	\$65.00	
43246	1968	<b>POWER TOP HARNESS</b> FROM POWER TOP SWITCH TO BODY HARNESS CONNECTOR.	\$86.00	
43246	1969	<b>POWER TOP HARNESS</b> FROM POWER TOP SWITCH TO BODY HARNESS CONNECTOR.	\$86.00	
41581	1970	<b>POWER TOP OR TAILGATE WINDOW HARNESS</b> FROM POWER TOP OR TAILGATE WINDOW SWITCH TO BODY HARNESS CONNECTOR.	\$75.00	
41581	1971	<b>POWER TOP OR TAILGATE WINDOW HARNESS</b> FROM POWER TOP OR TAILGATE WINDOW SWITCH TO BODY HARNESS CONNECTOR.	\$75.00	
41581	1972	<b>POWER TOP OR TAILGATE WINDOW HARNESS</b> FROM POWER TOP OR TAILGATE WINDOW SWITCH TO BODY HARNESS CONNECTOR.	\$75.00	
<b>POWER WINDOW HARNESS</b>				
06670	1963	<b>POWER WINDOW HARNESS</b> Left Rear Quarter Window, Skylark 2 Door Coupe	\$91.00	
06665	1963	<b>POWER WINDOW HARNESS</b> Right Rear Quarter Window, Skylark 2 Door Coupe	\$91.00	
06690	1963	<b>POWER WINDOW HARNESS</b> Left Rear Quarter Window, Convertible	\$91.00	
06685	1963	<b>POWER WINDOW HARNESS</b> Right Rear Quarter Window, Convertible	\$91.00	
06960	1964	<b>POWER WINDOW HARNESS</b> Driver Side Door	\$184.00	
06955	1964	<b>POWER WINDOW HARNESS</b> Passenger Side Door	\$127.00	
06965	1964	<b>POWER WINDOW INTERMEDIATE HARNESS</b> Under Dash, Crossover Note: Customer Must Reuse Their Original Plastic 3 Terminal Connector That Attaches This Harness To Ribbon Cable.	\$114.00	
06990	1964	<b>POWER WINDOW HARNESS</b> Quarter Window, Sport Coupe, 2 Required Per Car Note: Customer Must Reuse Their Original Plastic 3 Terminal Connector That Attaches This Harness To Ribbon Cable.	\$75.00	
06995	1964	<b>POWER WINDOW HARNESS</b> Quarter Window, Convertible, 2 Required Per Car Note: Customer Must Reuse Their Original Plastic 3 Terminal Connector That Attaches This Harness To Ribbon Cable.	\$75.00	
07170	1964	<b>POWER WINDOW MOTOR EXTENSION</b> Coupe, Quarter Window Harness To Motor, 2 Req. Per Car	\$21.00	
07005	1964	<b>POWER WINDOW MOTOR EXTENSION</b> Convertible, Quarter Window Harness To Motor, 2 Req. Per Car	\$27.00	
07610	1965	<b>POWER WINDOW HARNESS</b> Driver Side Door	\$190.00	
07605	1965	<b>POWER WINDOW HARNESS</b> Passenger Side Door	\$127.00	
08200	1965	<b>POWER WINDOW INTERMEDIATE HARNESS</b> Under Dash, Crossover	\$114.00	
07640	1965	<b>POWER WINDOW HARNESS</b> Quarter Window, Coupe, 2 Required Per Car Note: Customer Must Reuse Their Original Plastic 3 Terminal Connector That Attaches This Harness To Ribbon Cable.	\$75.00	
07695	1965	<b>POWER WINDOW HARNESS</b> Quarter Window, Convertible, 2 Required Per Car Note: Customer Must Reuse Their Original Plastic 3 Terminal Connector That Attaches This Harness To Ribbon Cable.	\$75.00	
07655	1965	<b>POWER WINDOW MOTOR EXTENSION</b> Coupe, Quarter Window Harness To Motor, 2 Req. Per Car	\$21.00	
07660	1965	<b>POWER WINDOW MOTOR EXTENSION</b> Convertible, Quarter Window Harness To Motor, 2 Req. Per Car	\$21.00	
08260	1966	<b>POWER WINDOW HARNESS</b> Driver Side Door	\$184.00	
27310	1966	<b>POWER WINDOW HARNESS</b> Passenger Side Door, All	\$127.00	
08200	1966	<b>POWER WINDOW INTERMEDIATE HARNESS</b> Under Dash, Crossover	\$114.00	
07640	1966	<b>POWER WINDOW HARNESS</b> Quarter Window, Coupe, 2 Required Per Car Note: Customer Must Reuse Their Original Plastic 3 Terminal Connector That Attaches This Harness To Ribbon Cable.	\$75.00	
07695	1966	<b>POWER WINDOW HARNESS</b> Quarter Window, Convertible, 2 Required Per Car Note: Customer Must Reuse Their Original Plastic 3 Terminal Connector That Attaches This Harness To Ribbon Cable.	\$75.00	
07655	1966	<b>POWER WINDOW MOTOR EXTENSION</b> Coupe, Quarter Window Harness To Motor, 2 Req. Per Car	\$21.00	

Part Number	Year	Description	Price	*Rev.
07660	1966	<b>POWER WINDOW MOTOR EXTENSION</b> Convertible, Quarter Window Harness To Motor, 2 Req. Per Car	\$21.00	
08260	1967	<b>POWER WINDOW HARNESS</b> Driver Side Door	\$184.00	
27310	1967	<b>POWER WINDOW HARNESS</b> Passenger Side Door, All	\$127.00	
07640	1967	<b>POWER WINDOW HARNESS</b> Quarter Window, Coupe, 2 Required Per Car Note: Customer Must Reuse Their Original Plastic 3 Terminal Connector That Attaches This Harness To Ribbon Cable.	\$75.00	
07695	1967	<b>POWER WINDOW HARNESS</b> Quarter Window, Convertible, 2 Required Per Car Note: Customer Must Reuse Their Original Plastic 3 Terminal Connector That Attaches This Harness To Ribbon Cable.	\$75.00	
07655	1967	<b>POWER WINDOW MOTOR EXTENSION</b> Coupe, Quarter Window Harness To Motor, 2 Req. Per Car	\$21.00	
07660	1967	<b>POWER WINDOW MOTOR EXTENSION</b> Convertible, Quarter Window Harness To Motor, 2 Req. Per Car	\$21.00	
31135	1968	<b>POWER WINDOW HARNESS</b> Driver Side Door	\$190.00	
14165	1968	<b>POWER WINDOW HARNESS</b> Passenger Side Door	\$127.00	
14170	1968	<b>POWER WINDOW HARNESS</b> Quarter Windows & Intermediate Body	\$161.00	
39470	1969	<b>POWER WINDOW HARNESS</b> Driver Side Door And Under Dash Crossover	\$229.00	
37817	1969	<b>POWER WINDOW HARNESS</b> Passenger Side Door	\$127.00	
14405	1969	<b>POWER WINDOW HARNESS</b> Quarter Windows & Intermediate Body	\$161.00	
31140	1970	<b>POWER WINDOW HARNESS</b> Driver Side Door And Under Dash Crossover	\$229.00	
14470	1970	<b>POWER WINDOW HARNESS</b> Passenger Side Door	\$127.00	
14505	1970	<b>POWER WINDOW HARNESS</b> Quarter Windows & Intermediate Body	\$161.00	
31140	1971	<b>POWER WINDOW HARNESS</b> Driver Side Door And Under Dash Crossover	\$229.00	
14470	1971	<b>POWER WINDOW HARNESS</b> Passenger Side Door	\$127.00	
14505	1971	<b>POWER WINDOW HARNESS</b> Quarter Windows & Intermediate Body	\$161.00	
39471	1972	<b>POWER WINDOW HARNESS</b> Driver Side Door And Under Dash Crossover	\$229.00	
14470	1972	<b>POWER WINDOW HARNESS</b> Passenger Side Door	\$127.00	
14505	1972	<b>POWER WINDOW HARNESS</b> Quarter Windows & Intermediate Body	\$161.00	
<b>POWER WINDOW MOTOR ADAPTER HARNESS</b>				
36954	1964	<b>POWER WINDOW MOTOR ADAPTER HARNESS</b> Adapts "T" Shaped Motor Connector To Side By Side Blade Type Motor Connector	\$19.00	C
36954	1965	<b>POWER WINDOW MOTOR ADAPTER HARNESS</b> Adapts "T" Shaped Motor Connector To Side By Side Blade Type Motor Connector	\$19.00	C
36954	1966	<b>POWER WINDOW MOTOR ADAPTER HARNESS</b> Adapts "T" Shaped Motor Connector To Side By Side Blade Type Motor Connector	\$19.00	C
36954	1967	<b>POWER WINDOW MOTOR ADAPTER HARNESS</b> Adapts "T" Shaped Motor Connector To Side By Side Blade Type Motor Connector	\$19.00	C
36954	1968	<b>POWER WINDOW MOTOR ADAPTER HARNESS</b> Adapts "T" Shaped Motor Connector To Side By Side Blade Type Motor Connector	\$19.00	C
36954	1969	<b>POWER WINDOW MOTOR ADAPTER HARNESS</b> Adapts "T" Shaped Motor Connector To Side By Side Blade Type Motor Connector	\$19.00	C
36954	1970	<b>POWER WINDOW MOTOR ADAPTER HARNESS</b> Adapts "T" Shaped Motor Connector To Side By Side Blade Type Motor Connector	\$19.00	C
36954	1971	<b>POWER WINDOW MOTOR ADAPTER HARNESS</b> Adapts "T" Shaped Motor Connector To Side By Side Blade Type Motor Connector	\$19.00	C
36954	1972	<b>POWER WINDOW MOTOR ADAPTER HARNESS</b> Adapts "T" Shaped Motor Connector To Side By Side Blade Type Motor Connector	\$19.00	C
36954	1973	<b>POWER WINDOW MOTOR ADAPTER HARNESS</b> Adapts "T" Shaped Motor Connector To Side By Side Blade Type Motor Connector	\$19.00	C
36954	1974	<b>POWER WINDOW MOTOR ADAPTER HARNESS</b> Adapts "T" Shaped Motor Connector To Side By Side Blade Type Motor Connector	\$19.00	C
36954	1975	<b>POWER WINDOW MOTOR ADAPTER HARNESS</b> Adapts "T" Shaped Motor Connector To Side By Side Blade Type Motor Connector	\$19.00	C

Part Number	Year	Description	Price	*Rev.
<b>POWER WINDOW RELAY AND ADAPTER HARNESS</b>				
39440	1970	<b>POWER WINDOW RELAY AND ADAPTER HARNESS</b> Includes New Standard Type Relay And Adapter To Mate To Factory Harness	\$34.00	
39440	1971	<b>POWER WINDOW RELAY AND ADAPTER HARNESS</b> Includes New Standard Type Relay And Adapter To Mate To Factory Harness	\$34.00	
<b>POWER WINDOW SWITCH</b>				
04432790	1964	<b>POWER WINDOW SWITCH</b> 1 Button, Round Corner Style, Chrome	\$49.00	
04432791	1964	<b>POWER WINDOW SWITCH</b> 4 Button, Round Corner Style, Chrome	\$67.00	P
04432790	1965	<b>POWER WINDOW SWITCH</b> 1 Button, Round Corner Style, Chrome	\$49.00	
04432791	1965	<b>POWER WINDOW SWITCH</b> 4 Button, Round Corner Style, Chrome	\$67.00	P
04432790	1966	<b>POWER WINDOW SWITCH</b> 1 Button, Round Corner Style, Chrome	\$49.00	
04432791	1966	<b>POWER WINDOW SWITCH</b> 4 Button, Round Corner Style, Chrome	\$67.00	P
04432790	1967	<b>POWER WINDOW SWITCH</b> 1 Button, Round Corner Style, Chrome	\$49.00	
04432791	1967	<b>POWER WINDOW SWITCH</b> 4 Button, Round Corner Style, Chrome	\$67.00	P
04432790	1968	<b>POWER WINDOW SWITCH</b> 1 Button, Round Corner Style, Chrome	\$49.00	
04432791	1968	<b>POWER WINDOW SWITCH</b> 4 Button, Round Corner Style, Chrome	\$67.00	P
04432790	1969	<b>POWER WINDOW SWITCH</b> 1 Button, Round Corner Style, Chrome	\$49.00	
04432791	1969	<b>POWER WINDOW SWITCH</b> 4 Button, Round Corner Style, Chrome	\$67.00	P
04432790	1970	<b>POWER WINDOW SWITCH</b> 1 Button, Round Corner Style, Chrome	\$49.00	
04432791	1970	<b>POWER WINDOW SWITCH</b> 4 Button, Round Corner Style, Chrome	\$67.00	P
<b>REAR LAMP HARNESS</b>				
19070	1964	<b>REAR LAMP HARNESS</b> Rear, Coupe & Sedan, All	\$183.00	
19080	1964	<b>REAR LAMP HARNESS</b> Rear, Convertible, Skylark	\$229.00	
19075	1964	<b>REAR LAMP HARNESS</b> Rear, Convertible, Special	\$195.00	
07930	1965	<b>REAR LAMP HARNESS</b> Rear, Coupe, Skylark	\$195.00	
07730	1965	<b>REAR LAMP HARNESS</b> Rear, Coupe, Special	\$183.00	
07725	1965	<b>REAR LAMP HARNESS</b> Rear, Convertible, Skylark	\$229.00	
07720	1965	<b>REAR LAMP HARNESS</b> Rear, Convertible, Special	\$195.00	
19085	1966	<b>REAR LAMP HARNESS</b> Rear, Coupe, All	\$183.00	
19095	1966	<b>REAR LAMP HARNESS</b> Rear, Convertible, Skylark	\$229.00	
19090	1966	<b>REAR LAMP HARNESS</b> Rear, Convertible, Special	\$218.00	
13910	1967	<b>REAR LAMP HARNESS</b> Rear, Coupe, All	\$183.00	
13920	1967	<b>REAR LAMP HARNESS</b> Rear, Convertible, Skylark	\$229.00	
13915	1967	<b>REAR LAMP HARNESS</b> Rear, Convertible, Special	\$218.00	
19105	1968	<b>REAR LAMP INTERMEDIATE HARNESS</b> All 2 Door Coupes	\$229.00	
19110	1968	<b>REAR LAMP INTERMEDIATE HARNESS</b> Convertible	\$229.00	
19100	1968	<b>REAR LAMP HARNESS</b> Rear, All	\$183.00	
19120	1969	<b>REAR LAMP INTERMEDIATE HARNESS</b> Coupe	\$183.00	
19125	1969	<b>REAR LAMP INTERMEDIATE HARNESS</b> Convertible	\$229.00	
19115	1969	<b>REAR LAMP HARNESS</b> Rear, All	\$183.00	
18860	1970	<b>REAR LAMP INTERMEDIATE HARNESS</b> Coupe	\$183.00	
18865	1970	<b>REAR LAMP INTERMEDIATE HARNESS</b> Convertible	\$195.00	
18470	1970	<b>REAR LAMP HARNESS</b> Rear, All	\$195.00	
18860	1971	<b>REAR LAMP INTERMEDIATE HARNESS</b> Coupe	\$183.00	
18865	1971	<b>REAR LAMP INTERMEDIATE HARNESS</b> Convertible	\$195.00	
18470	1971	<b>REAR LAMP HARNESS</b> Rear, All	\$195.00	
18860	1972	<b>REAR LAMP INTERMEDIATE HARNESS</b> Coupe	\$183.00	

Part Number	Year	Description	Price	*Rev.
18865	1972	REAR LAMP INTERMEDIATE HARNESS Convertible	\$195.00	
32300	1972	REAR LAMP HARNESS Rear, All	\$195.00	
<b>REPAIR PIGTAIL, FOR POWER WINDOW SWITCH</b>				
36048	1964	REPAIR PIGTAIL, FOR POWER WINDOW SWITCH For Single Power Window Switches, Connector & Wire	\$22.00	
36048	1965	REPAIR PIGTAIL, FOR POWER WINDOW SWITCH For Single Power Window Switches, Connector & Wire	\$22.00	
36048	1966	REPAIR PIGTAIL, FOR POWER WINDOW SWITCH For Single Power Window Switches, Connector & Wire	\$22.00	
36048	1967	REPAIR PIGTAIL, FOR POWER WINDOW SWITCH For Single Power Window Switches, Connector & Wire	\$22.00	
36048	1968	REPAIR PIGTAIL, FOR POWER WINDOW SWITCH For Single Power Window Switches, Connector & Wire	\$22.00	
36048	1969	REPAIR PIGTAIL, FOR POWER WINDOW SWITCH For Single Power Window Switches, Connector & Wire	\$22.00	
36048	1970	REPAIR PIGTAIL, FOR POWER WINDOW SWITCH For Single Power Window Switches, Connector & Wire	\$22.00	
<b>SPEAKER WIRE</b>				
07705	1965	SPEAKER WIRE Single Rear Seat Speaker, All 2 And 4 Doors	\$21.00	
07705	1966	SPEAKER WIRE Single Rear Seat Speaker, All 2 And 4 Doors	\$21.00	
<b>STEERING COLUMN ADAPTER HARNESS</b>				
37542	1964	STEERING COLUMN ADAPTER HARNESS For 1969-1974 GM & Ididit Columns (Exc. Flaming River) To Stock Dash Harness Note: Adapts Horn, Directionals, Hazard Flashers To Stock 8 Pin T/L Dash Connector.	\$43.00	
37009	1964	STEERING COLUMN ADAPTER HARNESS For 1975 & UP GM & Flaming River Columns (Exc. Ididit) To Stock Dash Harness Note: Adapts Horn, Directionals, Hazard Flashers To Stock 8 Pin Dash Connector.	\$45.00	
37542	1965	STEERING COLUMN ADAPTER HARNESS For 1969-1974 GM & Ididit Columns (Exc. Flaming River) To Stock Dash Harness Note: Adapts Horn, Directionals, Hazard Flashers To Stock 8 Pin T/L Dash Connector.	\$43.00	
37009	1965	STEERING COLUMN ADAPTER HARNESS For 1975 & UP GM & Flaming River Columns (Exc. Ididit) To Stock Dash Harness Note: Adapts Horn, Directionals, Hazard Flashers To Stock 8 Pin Dash Connector.	\$45.00	
37542	1966	STEERING COLUMN ADAPTER HARNESS For 1969-1974 GM & Ididit Columns (Exc. Flaming River) To Stock Dash Harness Note: Adapts Horn, Directionals, Hazard Flashers To Stock 8 Pin T/L Dash Connector.	\$43.00	
37009	1966	STEERING COLUMN ADAPTER HARNESS For 1975 & UP GM & Flaming River Columns (Exc. Ididit) To Stock Dash Harness Note: Adapts Horn, Directionals, Hazard Flashers To Stock 8 Pin Dash Connector.	\$45.00	
36882	1967	STEERING COLUMN ADAPTER HARNESS For 1969-1974 GM & Ididit Columns (Exc. Flaming River) To Stock Dash Harness Note: Adapts Horn, Directionals, Hazard Flashers To Stock 9-Pin T/L Dash Connector.	\$22.00	
38127	1967	STEERING COLUMN ADAPTER HARNESS For 1975 & UP GM & Flaming River Columns (Exc. Ididit) To Stock Dash Harness Note: Adapts Horn, Directionals, Hazard Flashers To Stock 9-Pin T/L Dash Connector.	\$22.00	
36882	1968	STEERING COLUMN ADAPTER HARNESS For 1969-1974 GM & Ididit Columns (Exc. Flaming River) To Stock Dash Harness Note: Adapts Horn, Directionals, Hazard Flashers To Stock 9-Pin T/L Dash Connector.	\$22.00	
38127	1968	STEERING COLUMN ADAPTER HARNESS For 1975 & UP GM & Flaming River Columns (Exc. Ididit) To Stock Dash Harness Note: Adapts Horn, Directionals, Hazard Flashers To Stock 9-Pin T/L Dash Connector.	\$22.00	
<b>TACHOMETER EXTENSION HARNESS</b>				
28985	1968	TACHOMETER EXTENSION HARNESS Engine Side, Coil To Dash	\$21.00	
28985	1969	TACHOMETER EXTENSION HARNESS Engine Side, Coil To Dash	\$21.00	
28985	1970	TACHOMETER EXTENSION HARNESS Engine Side, Coil To Dash	\$21.00	
28985	1971	TACHOMETER EXTENSION HARNESS Engine Side, Coil To Dash	\$21.00	
28985	1972	TACHOMETER EXTENSION HARNESS Engine Side, Coil To Dash	\$21.00	



Part Number	Year	Description	Price	*Rev.
<b>TACHOMETER HARNESS</b>				
28990	1968	<b>TACHOMETER HARNESS</b> Dash Side, Console Mounted Tach	\$57.00	
28990	1969	<b>TACHOMETER HARNESS</b> Dash Side, Console Mounted Tach	\$57.00	
39486	1972	<b>TACHOMETER EXTENSION HARNESS</b> Dash Side, Dash Mounted Tach To Coil Extension Harness	\$23.00	
<b>TILT COLUMN ADAPTER HARNESS</b>				
05200	1964	<b>TILT COLUMN ADAPTER HARNESS</b> Blinker Switch Adapter	\$52.00	
05200	1965	<b>TILT COLUMN ADAPTER HARNESS</b> Blinker Switch Adapter	\$52.00	
05200	1966	<b>TILT COLUMN ADAPTER HARNESS</b> Blinker Switch Adapter	\$52.00	
<b>TURN SIGNAL SWITCH</b>				
01993624	1964	<b>TURN SIGNAL SWITCH</b> With Tilt, Replaces Delco Part# D6220	\$71.00	
00387115	1965	<b>TURN SIGNAL SWITCH</b> Without Tilt (Stamped "BPC"), Replaces Delco Part# D6200 Note: This Switch Has A Metal Base.	\$96.00	
01993624	1965	<b>TURN SIGNAL SWITCH</b> With Tilt, Replaces Delco Part# D6220	\$71.00	
00387115	1966	<b>TURN SIGNAL SWITCH</b> Without Tilt (Stamped "BPC"), Replaces Delco Part# D6200 Note: This Switch Has A Metal Base.	\$96.00	
01993624	1966	<b>TURN SIGNAL SWITCH</b> With Tilt, Replaces Delco Part# D6220	\$71.00	
01893592	1967	<b>TURN SIGNAL SWITCH</b> Without Cornering Lights, Replaces Delco Part# D6211 Note: This Is A Service Part, Adapter Pigtail Included And Is Required For Some Applications.	\$58.00	
07800482	1967	<b>TURN SIGNAL SWITCH</b> All, Except Column Shift A/T, Without Cornering Lamps (Delco Type, White Or Green) Note: Emergency Flasher Actuator Hole In Outer Cover Is Shaped Like A Doghouse.	\$50.00	
05698897	1967	<b>TURN SIGNAL SWITCH</b> Column Shift A/T, (Delco Type, Black, White Or Green) Without Tilt, Without Cornering Lamps Note: Emergency Flasher Actuator Hole In Outer Cover Is Shaped Like A Doghouse.	\$50.00	
05698897	1967	<b>TURN SIGNAL SWITCH</b> Column Shift A/T, (Delco Type, Black, White Or Green) With Tilt, Without Cornering Lamps Note: Emergency Flasher Actuator Hole In Outer Cover Is Shaped Like A Doghouse.	\$50.00	
01893592	1968	<b>TURN SIGNAL SWITCH</b> Without Cornering Lights, Replaces Delco Part# D6211 Note: This Is A Service Part, Adapter Pigtail Included And Is Required For Some Applications.	\$58.00	
07800482	1968	<b>TURN SIGNAL SWITCH</b> All, Except Column Shift A/T, Without Cornering Lamps (Delco Type, White Or Green) Note: Emergency Flasher Actuator Hole In Outer Cover Is Shaped Like A Doghouse.	\$50.00	
05698897	1968	<b>TURN SIGNAL SWITCH</b> Column Shift A/T, (Delco Type, Black, White Or Green) Without Tilt, Without Cornering Lamps Note: Emergency Flasher Actuator Hole In Outer Cover Is Shaped Like A Doghouse.	\$50.00	
05698897	1968	<b>TURN SIGNAL SWITCH</b> Column Shift A/T, (Delco Type, Black, White Or Green) With Tilt, Without Cornering Lamps Note: Emergency Flasher Actuator Hole In Outer Cover Is Shaped Like A Doghouse.	\$50.00	
01997938	1969	<b>TURN SIGNAL SWITCH, CORRECT PART</b> Without Cornering Lights Note: Correct Part, No Adapter Pigtail Required.	\$56.00	
01893588	1969	<b>TURN SIGNAL SWITCH, SERVICE PART</b> Without Cornering Lights, Replaces Delco Part# D6208 Note: This Is A Service Part, Adapter Pigtail Included Is Required For Installation.	\$58.00	
01997938	1970	<b>TURN SIGNAL SWITCH, CORRECT PART</b> Without Cornering Lights Note: Correct Part, No Adapter Pigtail Required.	\$56.00	
01893588	1970	<b>TURN SIGNAL SWITCH, SERVICE PART</b> Without Cornering Lights, Replaces Delco Part# D6208 Note: This Is A Service Part, Adapter Pigtail Included Is Required For Installation.	\$58.00	
01997938	1971	<b>TURN SIGNAL SWITCH, CORRECT PART</b> Without Cornering Lights Note: Correct Part, No Adapter Pigtail Required.	\$56.00	
01893588	1971	<b>TURN SIGNAL SWITCH, SERVICE PART</b> Without Cornering Lights, Replaces Delco Part# D6208 Note: This Is A Service Part, Adapter Pigtail Included Is Required For Installation.	\$58.00	

Part Number	Year	Description	Price	*Rev.
01997938	1972	<b>TURN SIGNAL SWITCH, CORRECT PART</b> Without Cornering Lights Note: Correct Part, No Adapter Pigtail Required.	\$56.00	
01893588	1972	<b>TURN SIGNAL SWITCH, SERVICE PART</b> Without Cornering Lights, Replaces Delco Part# D6208 Note: This Is A Service Part, Adapter Pigtail Included Is Required For Installation.	\$58.00	
<b>WINDSHIELD WIPER SWITCH</b>				
01993608	1963	<b>WINDSHIELD WIPER SWITCH</b> Single Speed, With Washer	\$52.00	
01993633	1964	<b>WINDSHIELD WIPER SWITCH</b> Single Speed, With Washer	\$52.00	
01993632	1964	<b>WINDSHIELD WIPER SWITCH</b> 2 Speed, With Washer	\$52.00	
01993306	1965	<b>WINDSHIELD WIPER SWITCH</b> Single Speed, With Washer	\$52.00	
01993372	1967	<b>WINDSHIELD WIPER SWITCH</b>	\$45.00	