



Electrical Restoration Products

GTO
Le Mans/Tempest

Phone 562.926.9552
Fax 562.926.9572
sparky@wiringharness.com

www.wiringharness.com

WIRING HARNESSES



BATTERY CABLES



SWITCHES



Buy with Confidence !

Made in the U.S.A.

All of our harnesses are hand assembled in the U.S.A.

Correct Color Wires

Our harnesses always match the original factory color codes and gauge sizes. We use U.S.A. made Cross Linked Polyethylene type GXL wire which is much more tolerant to heat than the original PVC type GPT wire that was used from the factory.

Dip Soldered (when applicable)

All terminals are dip soldered (when applicable) to limit resistance loss.

Correct Connectors & Terminals

With over 300,000 connectors and terminals in stock you can be sure the harness you receive will look identical to the original.

Correct Non-Adhesive & Cloth Tapes

All harnesses are wrapped with the correct non-adhesive or cloth woven tapes to assure a 100% factory appearance.

Technical Support

We don't expect our customers to be "wiring-wizards", you can call us direct with any technical questions you may have.

Custom Modifications

Custom modifications are available to allow you to convert from an external regulated alternator to an internal regulated alternator. This modification is available for most '63 and up GM cars and trucks. We can also convert many of our engine harnesses to work with H.E.I. distributors and electric chokes. Our modifications retain the factory appearance. Call our Customer Service Department for more details.

Reproduction Switches

We manufacture an extensive line of reproduction switches. These include Turn Signal, Backup Light, Neutral Safety, Wiper, Headlight Switches and others. As with all of our restoration products our switches will fit and function perfectly, just like the originals.

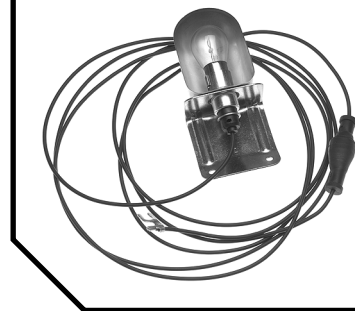
Guarantee & Warranty

We are so confident in the quality of all of our restoration products that we offer the following guarantee and warranty. If you are not 100% satisfied with the quality of any of our restoration products we will give you a full refund. Just return the unused item within 30 days of receipt for a full refund. We also offer a full 1 year replacement warranty on all of the products we sell (see our product warranty sheet for more info).

Method of Payment

We accept Visa, Master Card, American Express and Discover. If you prefer to pre-pay your order, we accept Money Orders, Cashiers Checks or Personal Checks. C.O.D. shipments are also available.

LIGHTING KITS



1 WIRE IGNITION



HARNESSTAPE



"M&H Harnesses are perfect reproductions created with correct color wires from Original GM wiring schematics".

**MUSCLECAR ENTHUSIAST
MAGAZINE**

www.wiringharness.com

Alternator Conversion Kits

**See car line catalogs
for specific applications**

Alternator Conversion Kit External to "SI" Type Internal

Our most popular Alternator Conversion Kit. This kit makes it easy to convert from an External Regulated Alternator to an "SI" Type Internal Regulated Alternator. Kit includes both adapters and an instruction sheet.

Easy to install:

1) Disconnect the external voltage regulator leads and plug our "Special Regulator Adapter" into the voltage regulator lead wires. 2) Disconnect the alternator lead wires. 3) Install new "SI" Type Internal Regulated alternator. 4) Plug one end of our "Alternator Adapter" into the original alternator lead wires and the other into the alternator.

Typical application is '63-'74 GM Cars & Trucks, see carline catalogs for specific application information.

Part #27555

Retail \$25.00



Alternator Conversion Kit External to "CS" Type Internal

This kit makes it easy to convert from an External Regulated Alternator to a "CS" Type Internal Regulated Alternator. Kit includes both adapters and an instruction sheet.

Easy to install:

1) Disconnect the external voltage regulator leads and plug our "Special Regulator Adapter" into the voltage regulator lead wires. 2) Disconnect the alternator lead wires. 3) Install new "SI" Type Internal Regulated alternator. 4) Plug one end of our "Alternator Adapter" into the original alternator lead wires and the other into the alternator.

Typical application is '63-'74 GM Cars & Trucks, see carline catalogs for specific application information.

Part #37787

Retail \$29.00



Alternator Conversion Kit "SI" Type Internal to CS130/CS144 Type Internal

Allows for an easy conversion from an "SI" type internal regulated alternator to a "CS130" or "CS144" type internal regulated alternator. Simple to install, the mating end of the adapter pigtail plugs perfectly to the original alternator connector, and the other end plugs right into any "CS130" or "CS144" type alternator. Kit includes adapter pigtail and an instruction sheet.

Typical application is '69-'84 GM Cars & Trucks, see carline catalogs for specific application information.

Part #37796

Retail \$22.00



Alternator Conversion Kits

See car line catalogs
for specific applications

Alternator Conversion Kit

"SI" Type Internal to "CS130D" Type Internal

Allows for an easy conversion from an "SI" type internal regulated alternator to a "CS130D" type internal regulated alternator. Simple to install, the mating end of the adapter pigtail plugs perfectly to the original alternator connector, and the other end plugs right into any "CS130D" type alternator. Kit includes adapter pigtail and an instruction sheet.

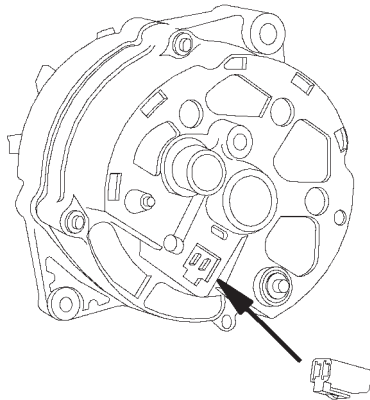
Typical application is '69-'84 GM Cars & Trucks, see carline catalogs for specific application information.

Part #39472

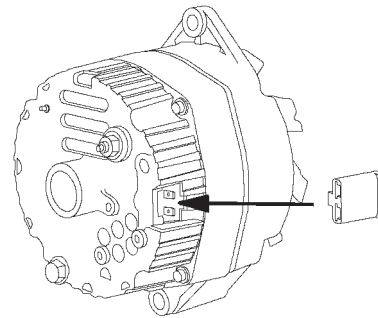
Retail \$19.00



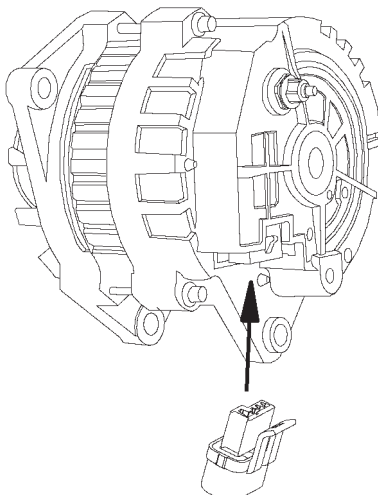
Alternator Identification



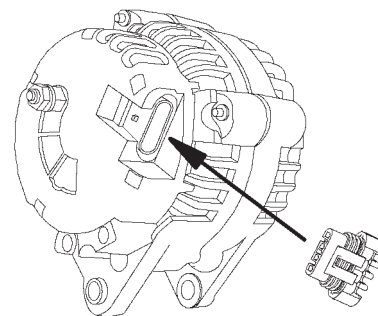
1963-1974
External Regulated Alternator



1969-1984 "SI" Type
Internal Regulated Alternator



1984-1999 "CS130" & "CS144" Type
Internal Regulated Alternator



1994-Newer "CS130D" Type
Internal Regulated Alternator

Breakerless SE Single Wire Ignition

Simple 1 Wire Hook-Up, just connect the original points wire to the module

Completely stock appearance

Emissions Legal in all 50 States

Three year warranty

The Breakerless SE allows you to convert any 1957 to 1974 GM, AMC or Jeep V8 breaker point type distributor (with a windowed type distributor cap) to a reliable solid-state electronic ignition, utilizing a fully integrated trigger and power module that fits completely inside the distributor.

Unlike competitive systems though, no additional wires protrude from the distributor, only the original points wire. The result is a state-of-the-art ignition with an absolutely stock appearance. The Breakerless SE is so unique that it's patented !



Outstanding features of this unit include:

- Single wire operation to preserve stock appearance and simplify wiring.
- Active dwell control maintains high rpm spark energy while reducing coil heating at idle.
- Auto-standby prevents coil damage or dead battery if the ignition is accidentally left on.
- Hall effect rotary-vane sensor design compensates for worn bearings and distributor end play. Magnetic sensor is unaffected by oil, dirt or other contaminants, unlike optical systems.
- Over-voltage/over-current protected against damage from high amp battery chargers, reversed battery, or improper wiring.
- Constructed with premium quality components. Sealed, hi-temp thermoplastic housing provides exceptional resistance against moisture and vibration.
- No distributor modification, disassembly, or removal is required.

Kit comes complete with everything you'll need to install the Breakerless SE Single Wire Ignition. Kit includes: 1 Module, 1 (two-piece) vane, all necessary installation hardware and a comprehensive instruction sheet.

Part #38131
Retail \$169.00

**For more info on this product
visit www.breakerless.com**

Transistor Ignition Replacement Module

Drop-In Replacement Module fits all Chevrolet & Pontiac cars equipped with the rare and optional Transistor Ignition System

Drops into the Original Finned Amplifier Housing

Quicker Starts

Improved Performance

M&H's Transistor Ignition Replacement Module is a drop-in performance upgrade, and provides state-of-the-art ignition technology. This replacement module generates twice the coil primary voltage providing up to 10% more available secondary voltage with the factory T.I. coil. It also can be used with point type or aftermarket coils or M&H's own T.I. Replacement Coil. It provides output protection against failure caused by broken or disconnected plug wires, and has an extended temperature range to over 300-degrees. The state-of-the-art electronics are completely sealed in thermoplastic to keep water and contaminants out. Superior construction provides superior performance, just like all M&H Electric's products.



Simple to Install

- Remove the backing plate from your original amplifier housing
- Remove wiring from original circuit board and unscrew it from the housing
- Thoroughly clean the inside of the housing
- Screw in M&H's new T.I. Replacement Module and attach the wiring
- ***That's it, you'll enjoy Quicker Starts and Improved Performance***

Fits all Chevrolet & Pontiac cars with Transistor Ignition

**Part #32270
Retail \$172.00**

Part Number	Year	Description	Price	*Rev.
8 TRACK TAPE PLAYER HARNESS				
27610	1967	8 TRACK TAPE PLAYER HARNESS AM Or AM/FM Radio, Except Stereo, Tape Player To Radio	\$80.00	
27610	1968	8 TRACK TAPE PLAYER HARNESS AM Or AM/FM Radio, Except Stereo, Tape Player To Radio	\$80.00	
39703	1968	8 TRACK TAPE PLAYER HARNESS Stereo Radio & Multiplex, Tape Player To Radio	\$80.00	
40512	1969	8 TRACK TAPE PLAYER HARNESS AM/FM Radio, With Stereo, Tape Player To Radio	\$80.00	
40513	1969	8 TRACK TAPE PLAYER HARNESS AM Or AM/FM Radio, Except Stereo, Tape Player To Radio	\$80.00	
19855	1970	8 TRACK TAPE PLAYER HARNESS AM Or AM/FM Radio, Except Stereo, Tape Player To Radio Note: Customer Must Reuse Their Original Plastic Connector For The Speaker Wiring.	\$80.00	
15545	1970	8 TRACK TAPE PLAYER HARNESS AM/FM Radio, With Stereo, Tape Player To Radio Note: Customer Must Reuse Their Original Plastic Connector For The Speaker Wiring.	\$80.00	
19855	1971	8 TRACK TAPE PLAYER HARNESS AM Or AM/FM Radio, Except Stereo, Tape Player To Radio Note: Customer Must Reuse Their Original Plastic Connector For The Speaker Wiring.	\$80.00	
15545	1971	8 TRACK TAPE PLAYER HARNESS AM/FM Radio, With Stereo, Tape Player To Radio Note: Customer Must Reuse Their Original Plastic Connector For The Speaker Wiring.	\$80.00	
19855	1972	8 TRACK TAPE PLAYER HARNESS AM Or AM/FM Radio, Except Stereo, Tape Player To Radio Note: Customer Must Reuse Their Original Plastic Connector For The Speaker Wiring.	\$80.00	
15545	1972	8 TRACK TAPE PLAYER HARNESS AM/FM Radio, With Stereo, Tape Player To Radio Note: Customer Must Reuse Their Original Plastic Connector For The Speaker Wiring.	\$80.00	
AIR CONDITIONING COMPRESSOR JUMPER HARNESS				
40838	1975	AIR CONDITIONING COMPRESSOR JUMPER HARNESS 6 Cylinder, Compressor To Thermal Limiter Note: 6 Cylinder Items Are Not Returnable.	\$75.00	
40830	1976	AIR CONDITIONING COMPRESSOR JUMPER HARNESS V/8, Engine Harness To A/C Compressor	\$75.00	
40838	1976	AIR CONDITIONING COMPRESSOR JUMPER HARNESS 6 Cylinder, Compressor To Thermal Limiter Note: 6 Cylinder Items Are Not Returnable.	\$75.00	
38421	1977	AIR CONDITIONING COMPRESSOR JUMPER HARNESS V/8, 350 & 400 C.I., A/C Harness To A/C Compressor	\$58.00	
38616	1977	AIR CONDITIONING COMPRESSOR JUMPER HARNESS V/8, 301 C.I., A/C Harness To A/C Compressor	\$69.00	
38619	1977	AIR CONDITIONING COMPRESSOR JUMPER HARNESS V/6, A/C Harness To A/C Compressor	\$58.00	
AIR CONDITIONING CONTROL LAMP ASSEMBLY				
40743	1966	AIR CONDITIONING CONTROL LAMP ASSEMBLY Bulb Socket & Wire, Dash Harness To A/C Control Unit	\$19.00	
40743	1967	AIR CONDITIONING CONTROL LAMP ASSEMBLY Bulb Socket & Wire, Dash Harness To A/C Control Unit	\$19.00	
AIR CONDITIONING EVAPORATOR WIRE				
40455	1961	AIR CONDITIONING EVAPORATOR WIRE With UNiversal A/C, Heater Feed To Evaporator	\$18.00	
AIR CONDITIONING EXTENSION HARNESS				
40508	1968	AIR CONDITIONING EXTENSION HARNESS 6 Cylinder, With Field Installed A/C, Power Feed, From Alternator Power Stud To A/C Harness & Compressor Note: 6 Cylinder Items Are Not Returnable.	\$57.00	
40509	1968	AIR CONDITIONING EXTENSION HARNESS V/8, With Field Installed A/C, Power Feed, From Alternator Power Stud To A/C Harness & Compressor	\$57.00	
17390	1969	AIR CONDITIONING EXTENSION HARNESS V/8, Power Feed & Compressor, From Alternator Power Stud To A/C Harness & Compressor	\$45.00	
17390	1970	AIR CONDITIONING EXTENSION HARNESS V/8, Power Feed & Compressor, From Alternator Power Stud To A/C Harness & Compressor	\$45.00	
39487	1971	AIR CONDITIONING EXTENSION HARNESS Compressor To Engine Harness	\$57.00	
AIR CONDITIONING HARNESS				
03580	1961	AIR CONDITIONING HARNESS Includes Heater Wiring	\$142.00	
03830	1962	AIR CONDITIONING HARNESS Includes Heater Wiring	\$142.00	
18900	1963	AIR CONDITIONING HARNESS Includes Heater Wiring	\$142.00	

Part Number	Year	Description	Price	*Rev.
04590	1964	AIR CONDITIONING HARNESS 6 Cyl, Includes Heater Wiring, (Field Installed Only) Note: 6 Cylinder Items Are Not Returnable.	\$172.00	
04595	1964	AIR CONDITIONING HARNESS V/8, Includes Heater Wiring, (Field Installed Only)	\$172.00	
05175	1964	AIR CONDITIONING HARNESS Includes Heater Wiring, 6 Cylinder & V/8, With Factory Installed A/C Note: 6 Cylinder Items Are Not Returnable.	\$149.00	
05825	1965	AIR CONDITIONING HARNESS V/8, Includes Heater Wiring, (Field Installed Only)	\$172.00	
05830	1965	AIR CONDITIONING HARNESS 6 Cylinder, Includes Heater Wiring, (Field Installed Only) Note: 6 Cylinder Items Are Not Returnable.	\$172.00	
05720	1965	AIR CONDITIONING HARNESS Includes Heater Wiring, 6 Cylinder & V/8, With Factory Installed A/C Note: 6 Cylinder Items Are Not Returnable.	\$149.00	
09570	1966	AIR CONDITIONING HARNESS V/8, Includes Heater Wiring, (Field Installed Only)	\$98.00	
10170	1966	AIR CONDITIONING HARNESS 6 Cylinder, Includes Heater Wiring, (Field Installed Only) Note: 6 Cylinder Items Are Not Returnable.	\$98.00	
30215	1966	AIR CONDITIONING HARNESS Main, Engine Compartment (Includes Heater Wiring), 6 Cylinder & V/8, With Factory Installed A/C Note: 6 Cylinder Items Are Not Returnable.	\$98.00	
09695	1966	AIR CONDITIONING HARNESS Blower Switch, Under Dash (Includes Heater Wiring), 6 Cylinder & V/8, With Factory Installed A/C Note: 6 Cylinder Items Are Not Returnable.	\$75.00	
09570	1967	AIR CONDITIONING HARNESS V/8, Includes Heater Wiring, (Field Installed Only)	\$98.00	
10170	1967	AIR CONDITIONING HARNESS 6 Cylinder, Includes Heater Wiring, (Field Installed Only) Note: 6 Cylinder Items Are Not Returnable.	\$98.00	
30215	1967	AIR CONDITIONING HARNESS Main, Engine Compartment (Includes Heater Wiring), 6 Cylinder & V/8, With Factory Installed A/C Note: 6 Cylinder Items Are Not Returnable.	\$98.00	
09695	1967	AIR CONDITIONING HARNESS Blower Switch, Under Dash (Includes Heater Wiring), 6 Cylinder & V/8, With Factory Installed A/C Note: 6 Cylinder Items Are Not Returnable.	\$75.00	
11605	1968	AIR CONDITIONING HARNESS Includes Heater Wiring	\$149.00	
40517	1969	AIR CONDITIONING HARNESS Main, Engine Compartment, With Rear Defroster (Includes Heater Wiring)	\$98.00	
40518	1969	AIR CONDITIONING HARNESS Blower Switch, Under Dash, With Rear Defroster (Includes Heater Wiring)	\$69.00	
30220	1969	AIR CONDITIONING HARNESS Main, Engine Compartment, Without Rear Defroster (Includes Heater Wiring)	\$98.00	
13355	1969	AIR CONDITIONING HARNESS Blower Switch, Under Dash, Without Rear Defroster (Includes Heater Wiring)	\$75.00	
30220	1970	AIR CONDITIONING HARNESS Main, Engine Compartment, Without Rear Defroster (Includes Heater Wiring)	\$98.00	
13355	1970	AIR CONDITIONING HARNESS Blower Switch, Under Dash, Without Rear Defroster (Includes Heater Wiring)	\$75.00	
30225	1970	AIR CONDITIONING HARNESS Main, Engine Compartment, With Rear Defroster (Includes Heater Wiring)	\$156.00	
15730	1970	AIR CONDITIONING HARNESS Blower Switch, Under Dash, With Rear Defroster (Includes Heater Wiring)	\$110.00	
30220	1971	AIR CONDITIONING HARNESS Main, Engine Compartment (Includes Heater Wiring)	\$98.00	
13355	1971	AIR CONDITIONING HARNESS Blower Switch, Under Dash (Includes Heater Wiring)	\$75.00	
15430	1971	AIR CONDITIONING HARNESS V/8, Ventura (Includes Heater Wiring)	\$173.00	
30220	1972	AIR CONDITIONING HARNESS Main, Engine Compartment (Includes Heater Wiring)	\$98.00	
13355	1972	AIR CONDITIONING HARNESS Blower Switch, Under Dash (Includes Heater Wiring)	\$75.00	

Part Number	Year	Description	Price	*Rev.
16400	1972	AIR CONDITIONING HARNESS Ventura, V/8, With Chevy 307 C.I. (Includes Heater Wiring)	\$173.00	
40611	1972	AIR CONDITIONING HARNESS Ventura, With Pontiac 350 C.I. Eng (Includes Heater Wiring)	\$184.00	
17560	1973	AIR CONDITIONING HARNESS Blower Switch, Under Dash (Includes Heater Wiring)	\$69.00	
40635	1973	AIR CONDITIONING HARNESS Main, Engine Compartment (Includes Heater Wiring), (1st Design) Note: Used On Cars Where Harness Is Routed Thru Center Of Firewall. Customer Must Supply Their Original Harness.	\$98.00	
40664	1973	AIR CONDITIONING HARNESS Main, Engine Compartment (Includes Heater Wiring), (2nd Design) Note: Used On Cars Where Harness Is Routed Thru Firewall, Outboard Of Blower Motor.	\$196.00	
40611	1973	AIR CONDITIONING HARNESS Ventura, With Pontiac 350 C.I. Eng (Includes Heater Wiring)	\$184.00	
40663	1974	AIR CONDITIONING HARNESS Blower Switch, Under Dash (Includes Heater Wiring)	\$115.00	
40664	1974	AIR CONDITIONING HARNESS Main, Engine Compartment (Includes Heater Wiring)	\$196.00	
40611	1974	AIR CONDITIONING HARNESS Ventura, V/8 (Includes Heater Wiring)	\$184.00	
37627	1975	AIR CONDITIONING HARNESS Main, Engine Compartment, V/8, With Standard A/C (Includes Heater Wiring)	\$196.00	
40685	1975	AIR CONDITIONING HARNESS Main, Engine Compartment, V/8, With Auto Temp Control A/C (Includes Heater Wiring)	\$149.00	
40687	1975	AIR CONDITIONING HARNESS Blower Switch, Under Dash, With Auto Temp Control A/C, (Includes Heater Wiring)	\$69.00	
40814	1975	AIR CONDITIONING HARNESS Main, Engine Compartment, With 6 Cylinder (Includes Heater Wiring) Note: 6 Cylinder Items Are Not Returnable.	\$149.00	
40820	1975	AIR CONDITIONING HARNESS Blower Switch, Under Dash, With Standard A/C, (Includes Heater Wiring)	\$69.00	
40834	1976	AIR CONDITIONING HARNESS V/8, Main, With Standard A/C (Includes Heater Wiring)	\$149.00	
40835	1976	AIR CONDITIONING HARNESS V/8, Main, With Automatic Temperature Control A/C (Includes Heater Wiring)	\$149.00	
40836	1976	AIR CONDITIONING HARNESS 6 Cylinder, Main (Includes Heater Wiring) Note: 6 Cylinder Items Are Not Returnable.	\$172.00	
40890	1977	AIR CONDITIONING HARNESS V/8, Main (Includes Heater Wiring) Note: Customer Must Reuse Their Original Plastic Connector That Plugs Onto The Ranco Switch.	\$160.00	
AIR CONDITIONING JUMPER HARNESS				
40503	1967	AIR CONDITIONING JUMPER HARNESS Used On Factory Production A/C Systems, This Jumper Connects Blower Relay & Clutch Switch To Ambient Switch	\$40.00	
40507	1967	AIR CONDITIONING JUMPER HARNESS Used On Field Installed A/C Systems, Blower Relay & Clutch Switch To Ambient Switch Connector	\$40.00	
40848	1976	AIR CONDITIONING JUMPER HARNESS With Automatic Temperature Control, A/C Harness To Temperature Switch	\$18.00	
AIR CONDITIONING POWER FEED WIRE				
10970	1971	AIR CONDITIONING POWER FEED WIRE Ventura, Horn Relay To A/C Fuse	\$19.00	
33865	1972	AIR CONDITIONING POWER FEED WIRE Ventura, V/8, Chevy 307 C.I., Horn Relay To A/C Fuse	\$21.00	
ALTERNATOR CONVERSION KIT				
27555	1963	ALTERNATOR CONVERSION KIT External To Internal Regulator Conversion Harness ("SI" Series) Note: For Use With 1972-84 Non-Serpentine Belt ("SI" Series) Internal Regulated Alternators.	\$25.00	
37787	1963	ALTERNATOR CONVERSION KIT External To Internal Regulator Conversion Harness ("CS" Series) Note: For Use With Serpentine Belt ("CS" Series) Internal Regulated Alternators.	\$29.00	
27555	1964	ALTERNATOR CONVERSION KIT External To Internal Regulator Conversion Harness ("SI" Series) Note: For Use With 1972-84 Non-Serpentine Belt ("SI" Series) Internal Regulated Alternators.	\$25.00	
37787	1964	ALTERNATOR CONVERSION KIT External To Internal Regulator Conversion Harness ("CS" Series) Note: For Use With Serpentine Belt ("CS" Series) Internal Regulated Alternators.	\$29.00	

Part Number	Year	Description	Price	*Rev.
27555	1965	ALTERNATOR CONVERSION KIT External To Internal Regulator Conversion Harness ("SI" Series) Note: For Use With 1972-84 Non-Serpentine Belt ("SI" Series) Internal Regulated Alternators.	\$25.00	
37787	1965	ALTERNATOR CONVERSION KIT External To Internal Regulator Conversion Harness ("CS" Series) Note: For Use With Serpentine Belt ("CS" Series) Internal Regulated Alternators.	\$29.00	
27555	1966	ALTERNATOR CONVERSION KIT External To Internal Regulator Conversion Harness ("SI" Series) Note: For Use With 1972-84 Non-Serpentine Belt ("SI" Series) Internal Regulated Alternators.	\$25.00	
37787	1966	ALTERNATOR CONVERSION KIT External To Internal Regulator Conversion Harness ("CS" Series) Note: For Use With Serpentine Belt ("CS" Series) Internal Regulated Alternators.	\$29.00	
27555	1967	ALTERNATOR CONVERSION KIT External To Internal Regulator Conversion Harness ("SI" Series) Note: For Use With 1972-84 Non-Serpentine Belt ("SI" Series) Internal Regulated Alternators.	\$25.00	
37787	1967	ALTERNATOR CONVERSION KIT External To Internal Regulator Conversion Harness ("CS" Series) Note: For Use With Serpentine Belt ("CS" Series) Internal Regulated Alternators.	\$29.00	
27555	1968	ALTERNATOR CONVERSION KIT External To Internal Regulator Conversion Harness ("SI" Series) Note: For Use With 1972-84 Non-Serpentine Belt ("SI" Series) Internal Regulated Alternators.	\$25.00	
37787	1968	ALTERNATOR CONVERSION KIT External To Internal Regulator Conversion Harness ("CS" Series) Note: For Use With Serpentine Belt ("CS" Series) Internal Regulated Alternators.	\$29.00	
27555	1969	ALTERNATOR CONVERSION KIT External To Internal Regulator Conversion Harness ("SI" Series) Note: For Use With 1972-84 Non-Serpentine Belt ("SI" Series) Internal Regulated Alternators.	\$25.00	
37787	1969	ALTERNATOR CONVERSION KIT External To Internal Regulator Conversion Harness ("CS" Series) Note: For Use With Serpentine Belt ("CS" Series) Internal Regulated Alternators.	\$29.00	
37796	1969	ALTERNATOR CONVERSION KIT Internal Regulator "SI" Series Alternator To "CS" Series (Serpentine Belt) Alternator Note: For Use With Serpentine Belt ("CS130" Or "CS144" Type) Internal Regulated Alternators.	\$22.00	
27555	1970	ALTERNATOR CONVERSION KIT External To Internal Regulator Conversion Harness ("SI" Series) Note: For Use With 1972-84 Non-Serpentine Belt ("SI" Series) Internal Regulated Alternators.	\$25.00	
37787	1970	ALTERNATOR CONVERSION KIT External To Internal Regulator Conversion Harness ("CS" Series) Note: For Use With Serpentine Belt ("CS" Series) Internal Regulated Alternators.	\$29.00	
37796	1970	ALTERNATOR CONVERSION KIT Internal Regulator "SI" Series Alternator To "CS" Series (Serpentine Belt) Alternator Note: For Use With Serpentine Belt ("CS130" Or "CS144" Type) Internal Regulated Alternators.	\$22.00	
37796	1971	ALTERNATOR CONVERSION KIT Internal Regulator "SI" Series Alternator To "CS" Series (Serpentine Belt) Alternator Note: For Use With Serpentine Belt ("CS130" Or "CS144" Type) Internal Regulated Alternators.	\$22.00	
37796	1972	ALTERNATOR CONVERSION KIT Internal Regulator "SI" Series Alternator To "CS" Series (Serpentine Belt) Alternator Note: For Use With Serpentine Belt ("CS130" Or "CS144" Type) Internal Regulated Alternators.	\$22.00	
37796	1973	ALTERNATOR CONVERSION KIT Internal Regulator "SI" Series Alternator To "CS" Series (Serpentine Belt) Alternator Note: For Use With Serpentine Belt ("CS130" Or "CS144" Type) Internal Regulated Alternators.	\$22.00	
37796	1974	ALTERNATOR CONVERSION KIT Internal Regulator "SI" Series Alternator To "CS" Series (Serpentine Belt) Alternator Note: For Use With Serpentine Belt ("CS130" Or "CS144" Type) Internal Regulated Alternators.	\$22.00	
37796	1975	ALTERNATOR CONVERSION KIT Internal Regulator "SI" Series Alternator To "CS" Series (Serpentine Belt) Alternator Note: For Use With Serpentine Belt ("CS130" Or "CS144" Type) Internal Regulated Alternators.	\$22.00	
37796	1977	ALTERNATOR CONVERSION KIT Internal Regulator "SI" Series Alternator To "CS" Series (Serpentine Belt) Alternator Note: For Use With Serpentine Belt ("CS130" Or "CS144" Type) Internal Regulated Alternators.	\$22.00	
37796	1978	ALTERNATOR CONVERSION KIT Internal Regulator "SI" Series Alternator To "CS" Series (Serpentine Belt) Alternator Note: For Use With Serpentine Belt ("CS130" Or "CS144" Type) Internal Regulated Alternators.	\$22.00	

Part Number	Year	Description	Price	*Rev.
37796	1979	ALTERNATOR CONVERSION KIT Internal Regulator "SI" Series Alternator To "CS" Series (Serpentine Belt) Alternator Note: For Use With Serpentine Belt ("CS130" Or "CS144" Type) Internal Regulated Alternators.	\$22.00	
37796	1980	ALTERNATOR CONVERSION KIT Internal Regulator "SI" Series Alternator To "CS" Series (Serpentine Belt) Alternator Note: For Use With Serpentine Belt ("CS130" Or "CS144" Type) Internal Regulated Alternators.	\$22.00	
37796	1981	ALTERNATOR CONVERSION KIT Internal Regulator "SI" Series Alternator To "CS" Series (Serpentine Belt) Alternator Note: For Use With Serpentine Belt ("CS130" Or "CS144" Type) Internal Regulated Alternators.	\$22.00	
37796	1982	ALTERNATOR CONVERSION KIT Internal Regulator "SI" Series Alternator To "CS" Series (Serpentine Belt) Alternator Note: For Use With Serpentine Belt ("CS130" Or "CS144" Type) Internal Regulated Alternators.	\$22.00	
37796	1983	ALTERNATOR CONVERSION KIT Internal Regulator "SI" Series Alternator To "CS" Series (Serpentine Belt) Alternator Note: For Use With Serpentine Belt ("CS130" Or "CS144" Type) Internal Regulated Alternators.	\$22.00	
37796	1984	ALTERNATOR CONVERSION KIT Internal Regulator "SI" Series Alternator To "CS" Series (Serpentine Belt) Alternator Note: For Use With Serpentine Belt ("CS130" Or "CS144" Type) Internal Regulated Alternators.	\$22.00	
37796	1985	ALTERNATOR CONVERSION KIT Internal Regulator "SI" Series Alternator To "CS" Series (Serpentine Belt) Alternator Note: For Use With Serpentine Belt ("CS130" Or "CS144" Type) Internal Regulated Alternators.	\$22.00	
37796	1986	ALTERNATOR CONVERSION KIT Internal Regulator "SI" Series Alternator To "CS" Series (Serpentine Belt) Alternator Note: For Use With Serpentine Belt ("CS130" Or "CS144" Type) Internal Regulated Alternators.	\$22.00	
ALTERNATOR HARNESS				
40464	1962	ALTERNATOR HARNESS With 52 Amp Alternator Option, Regulator To Alternator	\$57.00	
ASH TRAY LAMP WIRE				
40392	1968	ASH TRAY LAMP WIRE Fiber Optic Note: Lead Only, Does Not Include Lamp Socket & Retainer.	\$32.00	
40392	1969	ASH TRAY LAMP WIRE Fiber Optic Note: Lead Only, Does Not Include Lamp Socket & Retainer.	\$32.00	
40392	1970	ASH TRAY LAMP WIRE Fiber Optic Note: Lead Only, Does Not Include Lamp Socket & Retainer.	\$32.00	
40392	1971	ASH TRAY LAMP WIRE Fiber Optic Note: Lead Only, Does Not Include Lamp Socket & Retainer.	\$32.00	
12950	1971	ASH TRAY LAMP WIRE Ventura, Fiber Optic Note: Lead Only, Does Not Include Lamp Socket & Retainer.	\$26.00	
40392	1972	ASH TRAY LAMP WIRE Fiber Optic Note: Lead Only, Does Not Include Lamp Socket & Retainer.	\$32.00	
18505	1972	ASH TRAY LAMP WIRE Ventura, Fiber Optic Note: Lead Only, Does Not Include Lamp Socket & Retainer.	\$28.00	
40133	1973	ASH TRAY LAMP WIRE Fiber Optic Note: Lead Only, Does Not Include Lamp Socket & Retainer.	\$28.00	
18505	1973	ASH TRAY LAMP WIRE Ventura, Fiber Optic Note: Lead Only, Does Not Include Lamp Socket & Retainer.	\$28.00	
40133	1974	ASH TRAY LAMP WIRE Fiber Optic Note: Lead Only, Does Not Include Lamp Socket & Retainer.	\$28.00	
12950	1974	ASH TRAY LAMP WIRE Ventura, Fiber Optic Note: Lead Only, Does Not Include Lamp Socket & Retainer.	\$26.00	
40133	1975	ASH TRAY LAMP WIRE Fiber Optic Note: Lead Only, Does Not Include Lamp Socket & Retainer.	\$28.00	

Part Number	Year	Description	Price	*Rev.
40133	1976	ASH TRAY LAMP WIRE Fiber Optic Note: Lead Only, Does Not Include Lamp Socket & Retainer.	\$28.00	
40133	1977	ASH TRAY LAMP WIRE Fiber Optic Note: Lead Only, Does Not Include Lamp Socket & Retainer.	\$28.00	
ASSEMBLY MANUAL				
36358	1967	ASSEMBLY MANUAL Factory Assembly Instruction Guide	\$30.00	
38571	1969	ASSEMBLY MANUAL Factory Assembly Instruction Guide	\$30.00	
36359	1970	ASSEMBLY MANUAL Factory Assembly Instruction Guide	\$30.00	
36360	1971	ASSEMBLY MANUAL Factory Assembly Instruction Guide	\$30.00	
43247	1972	ASSEMBLY MANUAL Factory Assembly Instruction Guide	\$30.00	
43248	1973	ASSEMBLY MANUAL Factory Assembly Instruction Guide	\$30.00	
BACKUP LAMP HARNESS				
40454	1961	BACKUP LAMP HARNESS Auto Trans, Fuse Block To Backup Lamp Switch	\$35.00	
40453	1961	BACKUP LAMP HARNESS Manual Trans, Dash Harness To Backup Lamp Switch	\$52.00	
40454	1962	BACKUP LAMP HARNESS Auto Trans, Fuse Block To Backup Lamp Switch	\$35.00	
40453	1962	BACKUP LAMP HARNESS Manual Trans, Dash Harness To Backup Lamp Switch	\$52.00	
40454	1963	BACKUP LAMP HARNESS Auto Trans, Fuse Block To Backup Lamp Switch	\$35.00	
40469	1963	BACKUP LAMP HARNESS Manual Trans, Dash Harness To Backup Lamp Switch	\$52.00	
40735	1974	BACKUP LAMP HARNESS Grand AM, 2 Door Notch Back, (Includes License Lamp Wires), From Rear Lamp Harness To Backup Lamp Assembly	\$52.00	
40735	1975	BACKUP LAMP HARNESS Grand AM & Le Mans, (Includes License Lamp Wires), From Rear Lamp Harness To Backup Lamp Assembly	\$52.00	
40429	1976	BACKUP LAMP HARNESS Le Mans, (Includes License Lamp Wires), From Rear Lamp Harness To Backup Lamp Assembly	\$52.00	
40429	1977	BACKUP LAMP HARNESS Le Mans, (Includes License Lamp Wires), From Rear Lamp Harness To Backup Lamp Assembly	\$52.00	
BACKUP LAMP SWITCH				
01993662	1964	BACKUP LAMP SWITCH 4 Speed, Manual Trans	\$64.00	
01993310	1965	BACKUP LAMP SWITCH 3 Speed, Manual Trans	\$64.00	
01993309	1965	BACKUP LAMP SWITCH 4 Speed, Manual Trans	\$64.00	
01993310	1966	BACKUP LAMP SWITCH 3 Speed, Manual Trans	\$64.00	
01993309	1966	BACKUP LAMP SWITCH 4 Speed, Manual Trans	\$64.00	
01993310	1967	BACKUP LAMP SWITCH 3 Speed, Manual Trans	\$64.00	
01993309	1967	BACKUP LAMP SWITCH 4 Speed, Manual Trans	\$64.00	
03943657	1969	BACKUP LAMP SWITCH Manual Trans	\$53.00	
03943657	1970	BACKUP LAMP SWITCH Manual Trans	\$53.00	
03943657	1971	BACKUP LAMP SWITCH Manual Trans	\$53.00	
03943657	1972	BACKUP LAMP SWITCH Manual Trans	\$53.00	
BACKUP LAMP SWITCH EXTENSION HARNESS				
03820	1964	BACKUP LAMP SWITCH EXTENSION HARNESS Manual Trans, Dash Harness To Backup Lamp Switch	\$28.00	
06070	1965	BACKUP LAMP SWITCH EXTENSION HARNESS Manual Trans, Dash Harness To Backup Lamp Switch	\$28.00	
06070	1966	BACKUP LAMP SWITCH EXTENSION HARNESS Manual Trans, Dash Harness To Backup Lamp Switch	\$28.00	
10480	1967	BACKUP LAMP SWITCH EXTENSION HARNESS Manual Trans, Dash Harness To Backup Lamp Switch	\$28.00	
12695	1968	BACKUP LAMP SWITCH EXTENSION HARNESS Manual Trans, Dash Harness Side To Engine Compartment Note: Connects To Part# 12690 Backup Lamp Switch Extension Harness.	\$27.00	
12690	1968	BACKUP LAMP SWITCH EXTENSION HARNESS Manual Trans, Engine Compartment Side To Backup Lamp Switch Note: Connects To Part# 12695 Backup Lamp Switch Extension Harness.	\$27.00	

Part Number	Year	Description	Price	*Rev.
40839	1976	BACKUP LAMP SWITCH EXTENSION HARNESS 260 C.I. V/8, With 5 Speed Trans, Dash Harness To Backup Lamp Switch	\$52.00	
40842	1976	BACKUP LAMP SWITCH EXTENSION HARNESS With 5 Speed Trans, Without 260 C.I. V/8, Dash Harness To Backup Lamp Switch	\$52.00	
BACKUP LAMP SWITCH MOUNTING BRACKET				
37650	1966	BACKUP LAMP SWITCH MOUNTING BRACKET With Muncie 4 Speed Transmission	\$29.00	
37650	1967	BACKUP LAMP SWITCH MOUNTING BRACKET With Muncie 4 Speed Transmission	\$29.00	
BACKUP LAMP SWITCH MOUNTING KIT				
39507	1966	BACKUP LAMP SWITCH MOUNTING KIT With Muncie 4 Speed Transmission Note: Kit Contains The 37650 Bracket, Rod With 2 Clips, Shield & Bolts.	\$50.00	
39507	1967	BACKUP LAMP SWITCH MOUNTING KIT With Muncie 4 Speed Transmission Note: Kit Contains The 37650 Bracket, Rod With 2 Clips, Shield & Bolts.	\$50.00	
BACKUP LAMP WIRE				
40452	1961	BACKUP LAMP WIRE Manual Trans, Fuse Block To Backup Lamp Harness	\$17.00	
40452	1962	BACKUP LAMP WIRE Manual Trans, Fuse Block To Backup Lamp Harness	\$17.00	
40452	1963	BACKUP LAMP WIRE Manual Trans, Fuse Block To Backup Lamp Harness	\$17.00	
BATTERY CABLE EXTENSION				
40670	1974	BATTERY CABLE EXTENSION Neg, Redundant Ground Cable, Firewall To Engine	\$35.00	
40681	1974	BATTERY CABLE EXTENSION Ventura, Neg, Redundant Ground Cable, Firewall To Engine	\$35.00	
40818	1975	BATTERY CABLE EXTENSION Neg, Redundant Ground Cable, With Auto Trans, Firewall To Engine	\$35.00	
40819	1975	BATTERY CABLE EXTENSION Neg, Redundant Ground Cable, With Manual Trans, Firewall To Engine	\$35.00	
40818	1976	BATTERY CABLE EXTENSION Neg, Redundant Ground Cable, With Auto Trans, Firewall To Engine	\$35.00	
40819	1976	BATTERY CABLE EXTENSION Neg, Redundant Ground Cable, With Manual Trans, Firewall To Engine	\$35.00	
40819	1977	BATTERY CABLE EXTENSION Neg, Redundant Ground Cable, With Manual Trans, Firewall To Engine	\$35.00	
40818	1977	BATTERY CABLE EXTENSION Neg, Redundant Ground Cable, With Auto Trans, Firewall To Engine	\$35.00	
BATTERY CABLE JUMPER				
40470	1963	BATTERY CABLE JUMPER Pos, 326 V/8, With Standard Battery, Fender Mounted Junction Block To Starter Motor Note: Standard Battery Option Uses A 6 Gauge Battery Cable.	\$64.00	
40475	1963	BATTERY CABLE JUMPER Pos, 326 V/8, With Heavy Duty Battery, Fender Mounted Junction Block To Starter Motor Note: Heavy Duty Battery Option Uses A 4 Gauge Battery Cable.	\$64.00	
05610	1964	BATTERY CABLE JUMPER Pos, V/8, Fender Mounted Junction Block To Starter Motor	\$64.00	
BATTERY CABLE, NEGATIVE				
03480	1961	BATTERY CABLE, SPRING RING Neg, 4 Cylinder	\$64.00	
03610	1961	BATTERY CABLE, SPRING RING Neg, V/8	\$64.00	
03480	1962	BATTERY CABLE, SPRING RING Neg, 4 Cylinder	\$64.00	
03610	1962	BATTERY CABLE, SPRING RING Neg, V/8	\$64.00	
03480	1963	BATTERY CABLE, SPRING RING Neg, 4 Cylinder, With Standard Battery	\$64.00	
04120	1963	BATTERY CABLE, SPRING RING Neg, 4 Cylinder, With Heavy Duty Battery	\$64.00	
04080	1963	BATTERY CABLE, SPRING RING Neg, V/8, Without Heavy Duty Battery, Except 421 Super Duty	\$64.00	
04265	1963	BATTERY CABLE, SPRING RING Neg, V/8, With Heavy Duty Battery, Except 421 Super Duty	\$64.00	
04395	1963	BATTERY CABLE, SPRING RING Neg, 421 Super Duty	\$64.00	
05235	1964	BATTERY CABLE, SPRING RING Neg, 6 Cylinder Note: 6 Cylinder Items Are Not Returnable.	\$64.00	

Part Number	Year	Description	Price	*Rev.
03430	1964	BATTERY CABLE, SPRING RING Neg, V/8	\$64.00	
05235	1965	BATTERY CABLE, SPRING RING Neg, 6 Cylinder Note: 6 Cylinder Items Are Not Returnable.	\$64.00	
03430	1965	BATTERY CABLE, SPRING RING Neg, V/8	\$64.00	
09205	1966	BATTERY CABLE, SPRING RING Neg, 6 Cylinder Note: 6 Cylinder Items Are Not Returnable.	\$64.00	
03430	1966	BATTERY CABLE, SPRING RING Neg, V/8	\$64.00	
09845	1967	BATTERY CABLE, SPRING RING Neg, 6 Cylinder Note: 6 Cylinder Items Are Not Returnable.	\$64.00	
03430	1967	BATTERY CABLE, SPRING RING Neg, V/8	\$64.00	
03005	1968	BATTERY CABLE, SPRING RING Neg, 6 Cylinder Note: 6 Cylinder Items Are Not Returnable.	\$64.00	
03435	1968	BATTERY CABLE, SPRING RING Neg, V/8	\$64.00	
03005	1969	BATTERY CABLE, SPRING RING Neg, 6 Cylinder Note: 6 Cylinder Items Are Not Returnable.	\$64.00	
03435	1969	BATTERY CABLE, SPRING RING Neg, V/8	\$64.00	
14605	1970	BATTERY CABLE, SPRING RING Neg, 6 Cylinder Note: 6 Cylinder Items Are Not Returnable.	\$64.00	
13655	1970	BATTERY CABLE, SIDE POST Neg, V/8	\$69.00	
03435	1970	BATTERY CABLE, SPRING RING Neg, V/8, Without Ram Air	\$64.00	
14585	1970	BATTERY CABLE, SPRING RING Neg, V/8, With Ram Air	\$64.00	
14605	1971	BATTERY CABLE, SPRING RING Neg, 6 Cylinder Note: 6 Cylinder Items Are Not Returnable.	\$64.00	
03435	1971	BATTERY CABLE, SPRING RING Neg, V/8, Except 455 Ci	\$64.00	
14585	1971	BATTERY CABLE, SPRING RING Neg, V/8, With Heavy Duty Battery Or 455 Ci Without Heavy Duty Battery	\$64.00	
39348	1971	BATTERY CABLE, SIDE POST Neg, V/8, 455 Ci, With Heavy Duty Battery	\$68.00	
14605	1972	BATTERY CABLE, SPRING RING Neg, 6 Cylinder Note: 6 Cylinder Items Are Not Returnable.	\$64.00	
03435	1972	BATTERY CABLE, SPRING RING Neg, V/8, Except 455	\$64.00	
40584	1972	BATTERY CABLE, SIDE POST Neg, V/8, 455ci, With Heavy Duty Battery	\$69.00	
40587	1973	BATTERY CABLE, SIDE POST Neg, 6 Cylinder Note: 6 Cylinder Items Are Not Returnable.	\$69.00	
22980	1973	BATTERY CABLE, SIDE POST Neg, 6 Cylinder, Ventura Note: 6 Cylinder Items Are Not Returnable.	\$69.00	
40150	1973	BATTERY CABLE, SIDE POST Neg, V/8	\$69.00	
40585	1973	BATTERY CABLE, SPRING RING Neg, V/8, Ventura, 350 Pontiac	\$69.00	
40587	1974	BATTERY CABLE, SIDE POST Neg, 6 Cylinder Note: 6 Cylinder Items Are Not Returnable.	\$69.00	
22980	1974	BATTERY CABLE, SIDE POST Neg, 6 Cylinder, Ventura Note: 6 Cylinder Items Are Not Returnable.	\$69.00	
40150	1974	BATTERY CABLE, SIDE POST Neg, V/8	\$69.00	
40585	1974	BATTERY CABLE, SPRING RING Neg, V/8, Ventura, 350 Pontiac	\$69.00	
40816	1975	BATTERY CABLE, SIDE POST Neg, 6 Cylinder Note: 6 Cylinder Items Are Not Returnable.	\$69.00	
40815	1975	BATTERY CABLE, SIDE POST Neg, V/8	\$69.00	
40816	1976	BATTERY CABLE, SIDE POST Neg, 6 Cylinder Note: 6 Cylinder Items Are Not Returnable.	\$69.00	

Part Number	Year	Description	Price	*Rev.
40815	1976	BATTERY CABLE, SIDE POST Neg, V/8	\$69.00	
40850	1977	BATTERY CABLE, SIDE POST Neg, V/6, Without Power Steering	\$69.00	
40854	1977	BATTERY CABLE, SIDE POST Neg, V/6, With Power Steering	\$69.00	
40815	1977	BATTERY CABLE, SIDE POST Neg, V/8	\$69.00	
BATTERY CABLE, POSITIVE				
03475	1961	BATTERY CABLE, SPRING RING Pos, 4 Cylinder	\$64.00	
03540	1961	BATTERY CABLE, SPRING RING Pos, V/8	\$64.00	
03530	1961	BATTERY CABLE, SPRING RING Pos, V/8, With Air Conditioning	\$64.00	
03475	1962	BATTERY CABLE, SPRING RING Pos, 4 Cylinder	\$64.00	
03540	1962	BATTERY CABLE, SPRING RING Pos, V/8, Without 35 Amp Gen	\$64.00	
03760	1962	BATTERY CABLE, SPRING RING Pos, V/8, With 35 Amp Gen	\$64.00	
03530	1962	BATTERY CABLE, SPRING RING Pos, V/8, With Air Conditioning	\$64.00	
03475	1963	BATTERY CABLE, SPRING RING Pos, 4 Cylinder	\$64.00	
04115	1963	BATTERY CABLE, SPRING RING Pos, 4 Cylinder, With Heavy Duty Battery	\$64.00	
04085	1963	BATTERY CABLE, SPRING RING Pos, V/8, Except 421 Super Duty	\$64.00	
04260	1963	BATTERY CABLE, SPRING RING Pos, V/8, With Heavy Duty Battery, Except 421 Super Duty	\$64.00	
04390	1963	BATTERY CABLE, SPRING RING Pos, 421 Super Duty	\$64.00	
04635	1964	BATTERY CABLE, SPRING RING Pos, 6 Cylinder Note: 6 Cylinder Items Are Not Returnable.	\$64.00	
05370	1964	BATTERY CABLE, SPRING RING Pos, V/8, Battery To Fender Mounted Junction Block	\$64.00	
04190	1965	BATTERY CABLE, SPRING RING Pos, 6 Cylinder Note: 6 Cylinder Items Are Not Returnable.	\$64.00	
09145	1965	BATTERY CABLE, SPRING RING Pos, V/8, Without Power Options	\$64.00	
09150	1965	BATTERY CABLE, SPRING RING Pos, V/8, With Power Options	\$64.00	
04190	1966	BATTERY CABLE, SPRING RING Pos, 6 Cylinder Note: 6 Cylinder Items Are Not Returnable.	\$64.00	
09145	1966	BATTERY CABLE, SPRING RING Pos, V/8, Without Power Options	\$64.00	
09150	1966	BATTERY CABLE, SPRING RING Pos, V/8, With Power Options	\$64.00	
04190	1967	BATTERY CABLE, SPRING RING Pos, 6 Cylinder Note: 6 Cylinder Items Are Not Returnable.	\$64.00	
09145	1967	BATTERY CABLE, SPRING RING Pos, V/8, Without Power Options	\$64.00	
09880	1967	BATTERY CABLE, SPRING RING Pos, V/8, Without Power Options & With H.O. Ram Air	\$64.00	
09150	1967	BATTERY CABLE, SPRING RING Pos, V/8, With Power Options	\$64.00	
09885	1967	BATTERY CABLE, SPRING RING Pos, V/8, With Power Options & H.O. Ram Air	\$64.00	
09110	1968	BATTERY CABLE, SPRING RING Pos, 6 Cylinder Note: 6 Cylinder Items Are Not Returnable.	\$64.00	
09895	1968	BATTERY CABLE, SPRING RING Pos, V/8, Without H.O. Ram Air	\$64.00	
22185	1968	BATTERY CABLE, SPRING RING Pos, V/8, With H.O. Ram Air	\$64.00	
09110	1969	BATTERY CABLE, SPRING RING Pos, 6 Cylinder Note: 6 Cylinder Items Are Not Returnable.	\$64.00	
04195	1969	BATTERY CABLE, SPRING RING Pos, V/8, Without H.O. Ram Air	\$64.00	
13320	1969	BATTERY CABLE, SPRING RING Pos, V/8, With H.O. Ram Air	\$64.00	
09110	1970	BATTERY CABLE, SPRING RING Pos, 6 Cylinder Note: 6 Cylinder Items Are Not Returnable.	\$64.00	
13660	1970	BATTERY CABLE, SIDE POST Pos, V/8	\$69.00	
14590	1970	BATTERY CABLE, SPRING RING Pos, V/8, Without Ram Air	\$64.00	
04195	1970	BATTERY CABLE, SPRING RING Pos, V/8, With Ram Air	\$64.00	

Part Number	Year	Description	Price	*Rev.
09110	1971	BATTERY CABLE, SPRING RING Pos, 6 Cylinder Note: 6 Cylinder Items Are Not Returnable.	\$64.00	
40148	1971	BATTERY CABLE, SPRING RING Pos, V/8, Except 455 Ci	\$64.00	
40583	1971	BATTERY CABLE, SPRING RING Pos, V/8, With Heavy Duty Battery, Except 455 Ci	\$64.00	
40581	1971	BATTERY CABLE, SPRING RING Pos, V/8, 455 H.O.	\$64.00	
39349	1971	BATTERY CABLE, SIDE POST Pos, V/8, 455 H.O., With Heavy Duty Battery	\$69.00	
40582	1971	BATTERY CABLE, SIDE POST Pos, V/8, 455 Ci, With Heavy Duty Battery	\$69.00	
09110	1972	BATTERY CABLE, SPRING RING Pos, 6 Cylinder Note: 6 Cylinder Items Are Not Returnable.	\$64.00	
16100	1972	BATTERY CABLE, SPRING RING Pos, 6 Cylinder, With A/C Note: 6 Cylinder Items Are Not Returnable.	\$64.00	
39516	1972	BATTERY CABLE, SPRING RING Pos, V/8	\$64.00	
40588	1972	BATTERY CABLE, SPRING RING Pos, V/8, 455 H.O.	\$64.00	
38426	1972	BATTERY CABLE, SIDE POST Pos, V/8, 455ci, With Heavy Duty Battery	\$69.00	
40586	1973	BATTERY CABLE, SIDE POST Pos, 6 Cylinder Note: 6 Cylinder Items Are Not Returnable.	\$69.00	
22650	1973	BATTERY CABLE, SIDE POST Pos, 6 Cylinder, Ventura Note: 6 Cylinder Items Are Not Returnable.	\$69.00	
40149	1973	BATTERY CABLE, SIDE POST Pos, V/8 350 C.I.	\$69.00	
40590	1973	BATTERY CABLE, SIDE POST Pos, V/8 455 C.I.	\$69.00	
40586	1974	BATTERY CABLE, SIDE POST Pos, 6 Cylinder Note: 6 Cylinder Items Are Not Returnable.	\$69.00	
22650	1974	BATTERY CABLE, SIDE POST Pos, 6 Cylinder, Ventura Note: 6 Cylinder Items Are Not Returnable.	\$69.00	
40149	1974	BATTERY CABLE, SIDE POST Pos, V/8, 350 C.I.	\$69.00	
40590	1974	BATTERY CABLE, SIDE POST Pos, V/8, 455 C.I.	\$69.00	
40817	1975	BATTERY CABLE, SIDE POST Pos, 6 Cylinder Note: 6 Cylinder Items Are Not Returnable.	\$69.00	
40692	1975	BATTERY CABLE, SIDE POST Pos, 350 & 400 C.I., Without Heavy Duty Battery	\$69.00	
40693	1975	BATTERY CABLE, SIDE POST Pos, 350, 400 & 455 C.I., With Heavy Duty Battery	\$69.00	
40817	1976	BATTERY CABLE, SIDE POST Pos, 6 Cylinder Note: 6 Cylinder Items Are Not Returnable.	\$69.00	
40692	1976	BATTERY CABLE, SIDE POST Pos, 350 & 400 C.I., Without Heavy Duty Battery	\$69.00	
40693	1976	BATTERY CABLE, SIDE POST Pos, 350, 400 & 455 C.I., With Heavy Duty Battery	\$69.00	
22960	1976	BATTERY CABLE, SIDE POST Pos, V/8 260 C.I., With Manual Trans	\$69.00	
40844	1976	BATTERY CABLE, SIDE POST Pos, V/8 260 C.I., With Auto Trans	\$69.00	
40849	1977	BATTERY CABLE, SIDE POST Pos, V/6, Without Power Steering	\$69.00	
40853	1977	BATTERY CABLE, SIDE POST Pos, V/6, With Power Steering	\$69.00	
40851	1977	BATTERY CABLE, SIDE POST Pos, 350 & 403 V/8 Oldsmobile Engine	\$69.00	
40855	1977	BATTERY CABLE, SIDE POST Pos, 301, 350 & 400 V/8 Pontiac Engine	\$69.00	
BREAKERLESS SE SINGLE WIRE ELECTRONIC IGNITION KIT				
38131	1961	BREAKERLESS SE SINGLE WIRE ELECTRONIC IGNITION KIT For 1957-74 Breaker Point Distributors With Windowed Type Distributor Cap	\$169.00	
38131	1962	BREAKERLESS SE SINGLE WIRE ELECTRONIC IGNITION KIT For 1957-74 Breaker Point Distributors With Windowed Type Distributor Cap	\$169.00	
38131	1963	BREAKERLESS SE SINGLE WIRE ELECTRONIC IGNITION KIT For 1957-74 Breaker Point Distributors With Windowed Type Distributor Cap	\$169.00	
38131	1964	BREAKERLESS SE SINGLE WIRE ELECTRONIC IGNITION KIT For 1957-74 Breaker Point Distributors With Windowed Type Distributor Cap	\$169.00	

Part Number	Year	Description	Price	*Rev.
38131	1965	BREAKERLESS SE SINGLE WIRE ELECTRONIC IGNITION KIT For 1957-74 Breaker Point Distributors With Windowed Type Distributor Cap	\$169.00	
38131	1966	BREAKERLESS SE SINGLE WIRE ELECTRONIC IGNITION KIT For 1957-74 Breaker Point Distributors With Windowed Type Distributor Cap	\$169.00	
38131	1967	BREAKERLESS SE SINGLE WIRE ELECTRONIC IGNITION KIT For 1957-74 Breaker Point Distributors With Windowed Type Distributor Cap	\$169.00	
38131	1968	BREAKERLESS SE SINGLE WIRE ELECTRONIC IGNITION KIT For 1957-74 Breaker Point Distributors With Windowed Type Distributor Cap	\$169.00	
38131	1969	BREAKERLESS SE SINGLE WIRE ELECTRONIC IGNITION KIT For 1957-74 Breaker Point Distributors With Windowed Type Distributor Cap	\$169.00	
38131	1970	BREAKERLESS SE SINGLE WIRE ELECTRONIC IGNITION KIT For 1957-74 Breaker Point Distributors With Windowed Type Distributor Cap	\$169.00	
38131	1971	BREAKERLESS SE SINGLE WIRE ELECTRONIC IGNITION KIT For 1957-74 Breaker Point Distributors With Windowed Type Distributor Cap	\$169.00	
38131	1972	BREAKERLESS SE SINGLE WIRE ELECTRONIC IGNITION KIT For 1957-74 Breaker Point Distributors With Windowed Type Distributor Cap	\$169.00	
38131	1973	BREAKERLESS SE SINGLE WIRE ELECTRONIC IGNITION KIT For 1957-74 Breaker Point Distributors With Windowed Type Distributor Cap	\$169.00	
38131	1974	BREAKERLESS SE SINGLE WIRE ELECTRONIC IGNITION KIT For 1957-74 Breaker Point Distributors With Windowed Type Distributor Cap	\$169.00	
CIGARETTE LIGHTER LAMP HARNESS				
40592	1971	CIGARETTE LIGHTER LAMP HARNESS All	\$22.00	
CIGARETTE LIGHTER LAMP WIRE				
12440	1968	CIGARETTE LIGHTER LAMP WIRE	\$13.00	
CIRCUIT BREAKER				
04849850	1963	CIRCUIT BREAKER, 40 AMP Power Seat	\$14.00	
CLOCK HARNESS				
40474	1963	CLOCK HARNESS Dash Mounted	\$51.00	
04615	1964	CLOCK HARNESS Dash Mounted	\$46.00	
06065	1965	CLOCK HARNESS Dash Mounted	\$46.00	
09600	1966	CLOCK HARNESS Dash Mounted	\$37.00	
09600	1967	CLOCK HARNESS Dash Mounted	\$37.00	
01365	1971	CLOCK HARNESS Ventura, Dash Mounted	\$22.00	
01365	1972	CLOCK HARNESS Ventura, Dash Mounted	\$22.00	
01365	1973	CLOCK HARNESS Ventura, Dash Mounted	\$22.00	
01365	1974	CLOCK HARNESS Ventura, Dash Mounted	\$22.00	
CONSOLE EXTENSION HARNESS				
40164	1964	CONSOLE EXTENSION HARNESS Manual Trans, Connects Console Harness To Console Jumper Harness	\$34.00	
30180	1964	CONSOLE EXTENSION HARNESS Auto Trans, Dash To Console Harness	\$75.00	
30180	1965	CONSOLE EXTENSION HARNESS Auto Trans, Dash To Console Harness	\$75.00	
30185	1965	CONSOLE EXTENSION HARNESS Manual Trans, Dash To Console Harness	\$37.00	
30190	1966	CONSOLE EXTENSION HARNESS Auto Trans, Dash To Console Harness	\$75.00	
30195	1966	CONSOLE EXTENSION HARNESS Manual Trans, Dash To Console Harness	\$37.00	
30190	1967	CONSOLE EXTENSION HARNESS Auto Trans, Dash To Console Harness	\$75.00	
30200	1967	CONSOLE EXTENSION HARNESS Manual Trans, Dash To Console Harness	\$37.00	
CONSOLE HARNESS				
40473	1963	CONSOLE HARNESS Auto Trans, Floor Console To Dash Harness	\$75.00	
40162	1964	CONSOLE HARNESS All, With Courtesy Lamp Switch, Floor Console To Extension Harness	\$42.00	

Part Number	Year	Description	Price	*Rev.
12275	1964	CONSOLE HARNESS All, Without Courtesy Lamp Switch, Floor Console To Extension Harness	\$42.00	
12275	1965	CONSOLE HARNESS All, Floor Console To Extension Harness	\$42.00	
12275	1966	CONSOLE HARNESS All, Floor Console To Extension Harness	\$42.00	
12275	1967	CONSOLE HARNESS All, Floor Console To Extension Harness	\$42.00	
11600	1968	CONSOLE HARNESS Auto Trans, Floor Console To Dash Harness	\$75.00	
11610	1968	CONSOLE HARNESS Manual Trans, Floor Console To Dash Harness	\$23.00	
13305	1969	CONSOLE HARNESS Auto Trans, Floor Console To Dash Harness	\$22.00	
13305	1970	CONSOLE HARNESS Auto Trans, Floor Console To Dash Harness	\$22.00	
13305	1971	CONSOLE HARNESS Auto Trans, Floor Console To Dash Harness	\$22.00	
01355	1971	CONSOLE HARNESS Ventura, With Console Gauges, Floor Console To Dash Harness	\$56.00	
13305	1972	CONSOLE HARNESS Auto Trans, Floor Console To Dash Harness	\$22.00	
01355	1972	CONSOLE HARNESS Ventura, With Console Gauges, Floor Console To Dash Harness	\$56.00	
40622	1973	CONSOLE HARNESS Auto Trans, Floor Console To Dash Harness	\$45.00	
40622	1974	CONSOLE HARNESS Auto Trans, Floor Console To Dash Harness	\$45.00	
40153	1974	CONSOLE HARNESS Ventura, With Gauges, Floor Console To Dash Harness	\$64.00	
40622	1975	CONSOLE HARNESS Auto Trans, Floor Console To Dash Harness	\$45.00	
40622	1976	CONSOLE HARNESS Auto Trans, Floor Console To Dash Harness	\$45.00	
40622	1977	CONSOLE HARNESS Auto Trans, Floor Console To Dash Harness	\$45.00	
CONSOLE JUMPER HARNESS				
40163	1964	CONSOLE JUMPER HARNESS Manual Trans, Connects Dash Harness To Console Extension Harness	\$34.00	
CONSOLE SHIFT INDICATOR LAMP HARNESS				
40472	1963	CONSOLE SHIFT INDICATOR LAMP HARNESS Auto Trans, Console Harness To Shift Indicator Plate	\$35.00	
COURTESY LAMP HARNESS				
40494	1961	COURTESY LAMP HARNESS Center Roof Mounted Dome Lamp	\$33.00	
40458	1962	COURTESY LAMP HARNESS Under Dash	\$52.00	
40456	1962	COURTESY LAMP HARNESS Door Jamb Switches To Dome Lamp Ground Wire In Dash Harness Note: For Use With Center Roof Mounted Dome Lamp.	\$40.00	
40494	1962	COURTESY LAMP HARNESS Center Roof Mounted Dome Lamp	\$33.00	
40494	1963	COURTESY LAMP HARNESS Center Roof Mounted Dome Lamp	\$33.00	
40478	1963	COURTESY LAMP HARNESS Under Dash, Convertible	\$52.00	
40456	1963	COURTESY LAMP HARNESS Door Jamb Switches To Dome Lamp Ground Wire In Dash Harness Note: For Use With Center Roof Mounted Dome Lamp.	\$40.00	
40458	1963	COURTESY LAMP HARNESS Under Dash, Coupe	\$52.00	
40480	1964	COURTESY LAMP HARNESS Under Dash	\$33.00	
37207	1964	COURTESY LAMP HARNESS Safari 4 Door Wagon, Roof Mounted Dome Lamp, With Rear Door Jamb Switch Option	\$41.00	
37208	1964	COURTESY LAMP HARNESS Safari 4 Door Wagon, Rear Door Jamb Switches To Roof Mounted Dome Lamp Harness	\$41.00	
07055	1964	COURTESY LAMP HARNESS Tempest 4 Door Sedan, Rear Door Jamb Switches To Roof Mounted Dome Lamp Harness	\$41.00	
06885	1964	COURTESY LAMP HARNESS Center Roof Mounted Dome Lamp, All, Without Reading Lamp	\$28.00	
30210	1964	COURTESY LAMP HARNESS Center Roof Mounted Dome Lamp, All, With Reading Lamp	\$41.00	
06880	1964	COURTESY LAMP HARNESS Center Roof Mounted Dome Lamp, Tempest 4 Door Sedan	\$29.00	
07100	1964	COURTESY LAMP HARNESS Safari 4 Door Wagon, Center Roof Mounted Dome Lamp Note: Customer Must Reuse Their Original Plastic Connector.	\$29.00	

Part Number	Year	Description	Price	*Rev.
39478	1965	COURTESY LAMP HARNESS Underdash, All	\$33.00	
07835	1965	COURTESY LAMP HARNESS Center Roof Mounted Dome Lamp, Tempest Wagons, Without Rear Door Jamb Switches Note: Customer Must Reuse Their Original Plastic Connector.	\$34.00	
07865	1965	COURTESY LAMP HARNESS Center Roof Mounted Dome Lamp, Tempest Wagons, With Rear Door Jamb Switches Note: Customer Must Reuse Their Original Plastic Connector.	\$37.00	
07650	1965	COURTESY LAMP HARNESS Rear Door Jamb Switches To Roof Mounted Dome Lamp Harness, All 4 Door Sedans	\$41.00	
07880	1965	COURTESY LAMP HARNESS Rear Door Jamb Switches To Roof Mounted Dome Lamp Harness, Tempest Wagons	\$41.00	
07575	1965	COURTESY LAMP HARNESS Center Roof Mounted Dome Lamp, All 4 Door Sedans	\$34.00	
07580	1965	COURTESY LAMP HARNESS Center Roof Mounted Dome Lamp, All Tempest Coupes	\$28.00	
40496	1966	COURTESY LAMP HARNESS Underdash, All	\$33.00	
07835	1966	COURTESY LAMP HARNESS Center Roof Mounted Dome Lamp, Tempest Wagons, Without Rear Door Jamb Switches Note: Customer Must Reuse Their Original Plastic Connector.	\$34.00	
07865	1966	COURTESY LAMP HARNESS Center Roof Mounted Dome Lamp, Tempest Wagons, With Rear Door Jamb Switches Note: Customer Must Reuse Their Original Plastic Connector.	\$37.00	
40152	1966	COURTESY LAMP HARNESS Coupe & Sedan, With Side Roof Rail /Reading Lamps	\$69.00	
40490	1966	COURTESY LAMP HARNESS Tempest Wagons, With Side Roof Rail /Reading Lamps	\$64.00	
17590	1966	COURTESY LAMP HARNESS Center Roof Mounted Dome Lamp, All 4 Door Sedans, Without Side Roof Rail /Reading Lamps	\$28.00	
17600	1966	COURTESY LAMP HARNESS Center Roof Mounted Dome Lamp, All Coupe & Sedans, Without Side Roof Rail /Reading Lamps	\$23.00	
07650	1966	COURTESY LAMP HARNESS Rear Door Jamb Switches To Dome Lamp Harness, All 4 Door Sedan & Hardtop	\$41.00	
07880	1966	COURTESY LAMP HARNESS Rear Door Jamb Switches To Dome Lamp Harness, All Tempest Wagons	\$41.00	
39352	1967	COURTESY LAMP HARNESS Under Dash, Without Tape Player	\$33.00	
40504	1967	COURTESY LAMP HARNESS Under Dash, With Tape Player	\$37.00	
07835	1967	COURTESY LAMP HARNESS Center Roof Mounted Dome Lamp, Tempest Wagons, Without Rear Door Jamb Switches Note: Customer Must Reuse Their Original Plastic Connector.	\$34.00	
07865	1967	COURTESY LAMP HARNESS Center Roof Mounted Dome Lamp, Tempest Wagons, With Rear Door Jamb Switches Note: Customer Must Reuse Their Original Plastic Connector.	\$37.00	
40152	1967	COURTESY LAMP HARNESS Coupe & Sedan, With Side Roof Rail /Reading Lamps	\$69.00	
40490	1967	COURTESY LAMP HARNESS Tempest Wagons, With Side Roof Rail /Reading Lamps	\$64.00	
17590	1967	COURTESY LAMP HARNESS Center Roof Mounted Dome Lamp, All 4 Door Sedans, Without Side Roof Rail /Reading Lamps	\$28.00	
17600	1967	COURTESY LAMP HARNESS Center Roof Mounted Dome Lamp, All Coupe & Sedans, Without Side Roof Rail /Reading Lamps	\$23.00	
07650	1967	COURTESY LAMP HARNESS Rear Door Jamb Switches To Dome Lamp Harness, All 4 Door Sedan & Hardtop	\$41.00	
07880	1967	COURTESY LAMP HARNESS Rear Door Jamb Switches To Dome Lamp Harness, All Tempest Wagons	\$41.00	
40526	1968	COURTESY LAMP HARNESS Center Roof Mounted Dome Lamp, 4 Door Hardtop & Sedans	\$40.00	
30205	1968	COURTESY LAMP HARNESS Center Roof Mounted Dome Lamp, All Coupes & Wagons	\$26.00	
39352	1969	COURTESY LAMP HARNESS Under Dash, Without Tape Player, Console, Or Air Conditioning	\$33.00	
39341	1969	COURTESY LAMP HARNESS Under Dash, With Tape Player, Console, Or Air Conditioning	\$40.00	

Part Number	Year	Description	Price	*Rev.
40523	1969	COURTESY LAMP HARNESS Rear Door Jamb Switches To Dome Lamp Harness, All 4 Door Sedan & Hardtop	\$40.00	
40544	1969	COURTESY LAMP HARNESS Center Roof Mounted Dome Lamp, 2 Door Coupe, With Reading Lamp	\$40.00	
30780	1969	COURTESY LAMP HARNESS Center Roof Mounted Dome Lamp, 4 Door Sedan, With Reading Lamp	\$40.00	
40545	1969	COURTESY LAMP HARNESS Center Roof Mounted Dome Lamp, 4 Door Hardtop, With Reading Lamp	\$40.00	
40547	1969	COURTESY LAMP HARNESS Center Roof Mounted Dome Lamp, 2 Door Coupe, Without Reading Lamp	\$40.00	
30945	1969	COURTESY LAMP HARNESS Center Roof Mounted Dome Lamp, 4 Door Sedan, Without Reading Lamp	\$40.00	
30950	1969	COURTESY LAMP HARNESS Center Roof Mounted Dome Lamp, 4 Door Hardtop, Without Reading Lamp	\$40.00	
30205	1969	COURTESY LAMP HARNESS Center Roof Mounted Dome Lamp, All Wagons, Without Reading Lamp	\$26.00	
39341	1970	COURTESY LAMP HARNESS Under Dash,	\$40.00	
40545	1970	COURTESY LAMP HARNESS Center Roof Mounted Dome Lamp, All, With Reading Lamp	\$40.00	
40547	1970	COURTESY LAMP HARNESS Center Roof Mounted Dome Lamp, Coupe, Without Reading Lamp	\$40.00	
30950	1970	COURTESY LAMP HARNESS Center Roof Mounted Dome Lamp, 4 Door, Without Reading Lamp	\$40.00	
30205	1970	COURTESY LAMP HARNESS Center Roof Mounted Dome Lamp, All Wagons, Without Reading Lamp	\$26.00	
40575	1971	COURTESY LAMP HARNESS Under Dash	\$67.00	
40545	1971	COURTESY LAMP HARNESS Center Roof Mounted Dome Lamp, All, With Reading Lamp	\$40.00	
30950	1971	COURTESY LAMP HARNESS Center Roof Mounted Dome Lamp, All Hard Tops & Coupes, Without Reading Lamp	\$40.00	
40738	1971	COURTESY LAMP HARNESS All, Reading Lamp To Dome Lamp Harness	\$23.00	
30205	1971	COURTESY LAMP HARNESS Center Roof Mounted Dome Lamp, All Wagons, Without Reading Lamp	\$26.00	
40559	1971	COURTESY LAMP HARNESS Ventura, 4 Door, Center Roof Mounted Dome Lamp	\$41.00	
40155	1971	COURTESY LAMP HARNESS Ventura, 2 Door, Center Roof Mounted Dome Lamp	\$34.00	
40575	1972	COURTESY LAMP HARNESS Under Dash, Convertible	\$67.00	
40545	1972	COURTESY LAMP HARNESS Center Roof Mounted Dome Lamp, All, With Reading Lamp	\$40.00	
30950	1972	COURTESY LAMP HARNESS Center Roof Mounted Dome Lamp, All Hard Tops & Coupes, Without Reading Lamp	\$40.00	
40738	1972	COURTESY LAMP HARNESS All, Reading Lamp To Dome Lamp Harness	\$23.00	
30205	1972	COURTESY LAMP HARNESS Center Roof Mounted Dome Lamp, All Wagons, Without Reading Lamp	\$26.00	
40559	1972	COURTESY LAMP HARNESS Ventura, 4 Door, Center Roof Mounted Dome Lamp	\$41.00	
40155	1972	COURTESY LAMP HARNESS Ventura, 2 Door, Center Roof Mounted Dome Lamp	\$34.00	
40624	1973	COURTESY LAMP HARNESS Under Dash, Driver Side	\$37.00	
40618	1973	COURTESY LAMP HARNESS Under Dash, Passenger Side, Without Electric Trunk Release	\$58.00	
40620	1973	COURTESY LAMP HARNESS Under Dash, Passenger Side, With Electric Trunk Release	\$58.00	
40654	1973	COURTESY LAMP HARNESS Under Dash, Passenger Side, With Ash Tray Lamp	\$58.00	
40655	1973	COURTESY LAMP HARNESS Under Dash, Passenger Side, Without Ash Tray Lamp	\$58.00	
40765	1973	COURTESY LAMP HARNESS All, Wagon, Without Reading Lamp, Center Roof Mounted Dome Lamp	\$41.00	
40766	1973	COURTESY LAMP HARNESS All, Except Wagon, Without Reading Lamp, Center Roof Mounted Dome Lamp	\$30.00	
40769	1973	COURTESY LAMP HARNESS All, Wagon, With Reading Lamp, Center Roof Mounted Dome Lamp	\$37.00	
40698	1973	COURTESY LAMP HARNESS All, Wagon, Rear Header Courtesy Lamp	\$28.00	

Part Number	Year	Description	Price	*Rev.
40559	1973	COURTESY LAMP HARNESS Ventura, 4 Door, Center Roof Mounted Dome Lamp	\$41.00	
39513	1973	COURTESY LAMP HARNESS Ventura, 2 Door Sedan, Center Roof Mounted Dome Lamp	\$37.00	
40728	1973	COURTESY LAMP HARNESS Ventura, 2 Door Hatch Back, Center Roof Mounted Dome Lamp (Includes Rear Compartment Lamp Wiring)	\$64.00	
40726	1973	COURTESY LAMP HARNESS 2 Door Hatch Back, Rear Compartment Lamp	\$23.00	
40620	1974	COURTESY LAMP HARNESS Under Dash, Passenger Side, With Electric Trunk Release	\$58.00	
40624	1974	COURTESY LAMP HARNESS Under Dash, Driver Side	\$37.00	
40654	1974	COURTESY LAMP HARNESS Under Dash, Passenger Side, With Ash Tray Lamp	\$58.00	
40655	1974	COURTESY LAMP HARNESS Under Dash, Passenger Side, Without Ash Tray Lamp	\$58.00	
40780	1974	COURTESY LAMP HARNESS 4 Door Hardtop & Wagon, Rear Door Jamb Switch To Front Door Jamb Switch, (2 Required Per Car)	\$23.00	
40766	1974	COURTESY LAMP HARNESS All, Except Wagon, Without Reading Lamp, Center Roof Mounted Dome Lamp	\$30.00	
40698	1974	COURTESY LAMP HARNESS All, Wagon, Rear Header Courtesy Lamp	\$28.00	
40530	1974	COURTESY LAMP HARNESS Ventura, 4 Door, Rear Door Jamb Switch Wiring	\$37.00	
40559	1974	COURTESY LAMP HARNESS Ventura, 4 Door, Center Roof Mounted Dome Lamp	\$41.00	
39513	1974	COURTESY LAMP HARNESS Ventura, 2 Door Sedan, Center Roof Mounted Dome Lamp	\$37.00	
40620	1975	COURTESY LAMP HARNESS Under Dash, Passenger Side, With Electric Trunk Release	\$58.00	
40624	1975	COURTESY LAMP HARNESS Under Dash, Driver Side	\$37.00	
40654	1975	COURTESY LAMP HARNESS Under Dash, Passenger Side, With Ash Tray Lamp	\$58.00	
40655	1975	COURTESY LAMP HARNESS Under Dash, Passenger Side, Without Ash Tray Lamp	\$58.00	
40780	1975	COURTESY LAMP HARNESS 4 Door Hardtop & Wagon, Rear Door Jamb Switch To Front Door Jamb Switch, (2 Required Per Car)	\$23.00	
40766	1975	COURTESY LAMP HARNESS All, Except Wagon, Without Reading Lamp, Center Roof Mounted Dome Lamp	\$30.00	
40400	1975	COURTESY LAMP HARNESS Wagon, With Reading Lamp, Center Roof Mounted Dome Lamp	\$57.00	
40401	1975	COURTESY LAMP HARNESS All, Except Wagon, With Reading Lamp, Center Roof Mounted Dome Lamp	\$37.00	
40415	1975	COURTESY LAMP HARNESS All, Wagon, Rear Header Courtesy Lamp	\$28.00	
40624	1976	COURTESY LAMP HARNESS Under Dash, Driver Side	\$37.00	
40780	1976	COURTESY LAMP HARNESS 4 Door Hardtop & Wagon, Rear Door Jamb Switch To Front Door Jamb Switch, (2 Required Per Car)	\$23.00	
40766	1976	COURTESY LAMP HARNESS All, Except Wagon, Without Reading Lamp, Center Roof Mounted Dome Lamp	\$30.00	
40400	1976	COURTESY LAMP HARNESS Wagon, With Reading Lamp, Center Roof Mounted Dome Lamp	\$57.00	
40401	1976	COURTESY LAMP HARNESS All, Except Wagon, With Reading Lamp, Center Roof Mounted Dome Lamp	\$37.00	
40415	1976	COURTESY LAMP HARNESS All, Wagon, Rear Header Courtesy Lamp	\$28.00	
40780	1977	COURTESY LAMP HARNESS 4 Door Hardtop & Wagon, Rear Door Jamb Switch To Front Door Jamb Switch, (2 Required Per Car)	\$23.00	
40766	1977	COURTESY LAMP HARNESS All, Except Wagon, Without Reading Lamp, Center Roof Mounted Dome Lamp	\$30.00	
40400	1977	COURTESY LAMP HARNESS Wagon, With Reading Lamp, Center Roof Mounted Dome Lamp	\$57.00	
40401	1977	COURTESY LAMP HARNESS All, Except Wagon, With Reading Lamp, Center Roof Mounted Dome Lamp	\$37.00	
40415	1977	COURTESY LAMP HARNESS All, Wagon, Rear Header Courtesy Lamp	\$28.00	
COURTESY LAMP JUMPER WIRE				
40505	1968	COURTESY LAMP JUMPER WIRE Convertible Only	\$22.00	

Part Number	Year	Description	Price	*Rev.
COURTESY LAMP REPAIR PIGTAIL				
43896	1964	COURTESY LAMP REPAIR PIGTAIL Convertible, 1/4 Arm Rest Courtesy Lamp, Includes Socket And 6" Of 18 Gauge, Orange & White Wire Note: Original Wire Was 18 Gauge, Sometimes With A Heavy Wall Type Insulation. Repair Pigtail Is Also 18 Gauge, But Today's Insulation Is Of Much Higher Quality, And May Not Be As Thick As Some Original Cables.	\$14.00	
43896	1965	COURTESY LAMP REPAIR PIGTAIL Convertible, 1/4 Arm Rest Courtesy Lamp, Includes Socket And 6" Of 18 Gauge, Orange & White Wire Note: Original Wire Was 18 Gauge, Sometimes With A Heavy Wall Type Insulation. Repair Pigtail Is Also 18 Gauge, But Today's Insulation Is Of Much Higher Quality, And May Not Be As Thick As Some Original Cables.	\$14.00	
43896	1966	COURTESY LAMP REPAIR PIGTAIL Convertible, 1/4 Arm Rest Courtesy Lamp, Includes Socket And 6" Of 18 Gauge, Orange & White Wire Note: Original Wire Was 18 Gauge, Sometimes With A Heavy Wall Type Insulation. Repair Pigtail Is Also 18 Gauge, But Today's Insulation Is Of Much Higher Quality, And May Not Be As Thick As Some Original Cables.	\$14.00	
43896	1967	COURTESY LAMP REPAIR PIGTAIL Convertible, 1/4 Arm Rest Courtesy Lamp, Includes Socket And 6" Of 18 Gauge, Orange & White Wire Note: Original Wire Was 18 Gauge, Sometimes With A Heavy Wall Type Insulation. Repair Pigtail Is Also 18 Gauge, But Today's Insulation Is Of Much Higher Quality, And May Not Be As Thick As Some Original Cables.	\$14.00	
43896	1968	COURTESY LAMP REPAIR PIGTAIL Convertible, 1/4 Arm Rest Courtesy Lamp, Includes Socket And 6" Of 18 Gauge, Orange & White Wire Note: Original Wire Was 18 Gauge, Sometimes With A Heavy Wall Type Insulation. Repair Pigtail Is Also 18 Gauge, But Today's Insulation Is Of Much Higher Quality, And May Not Be As Thick As Some Original Cables.	\$14.00	
43896	1969	COURTESY LAMP REPAIR PIGTAIL Convertible, 1/4 Arm Rest Courtesy Lamp, Includes Socket And 6" Of 18 Gauge, Orange & White Wire Note: Original Wire Was 18 Gauge, Sometimes With A Heavy Wall Type Insulation. Repair Pigtail Is Also 18 Gauge, But Today's Insulation Is Of Much Higher Quality, And May Not Be As Thick As Some Original Cables.	\$14.00	
43896	1970	COURTESY LAMP REPAIR PIGTAIL Convertible, 1/4 Arm Rest Courtesy Lamp, Includes Socket And 6" Of 18 Gauge, Orange & White Wire Note: Original Wire Was 18 Gauge, Sometimes With A Heavy Wall Type Insulation. Repair Pigtail Is Also 18 Gauge, But Today's Insulation Is Of Much Higher Quality, And May Not Be As Thick As Some Original Cables.	\$14.00	
43896	1971	COURTESY LAMP REPAIR PIGTAIL Convertible, 1/4 Arm Rest Courtesy Lamp, Includes Socket And 6" Of 18 Gauge, Orange & White Wire Note: Original Wire Was 18 Gauge, Sometimes With A Heavy Wall Type Insulation. Repair Pigtail Is Also 18 Gauge, But Today's Insulation Is Of Much Higher Quality, And May Not Be As Thick As Some Original Cables.	\$14.00	
43896	1972	COURTESY LAMP REPAIR PIGTAIL Convertible, 1/4 Arm Rest Courtesy Lamp, Includes Socket And 6" Of 18 Gauge, Orange & White Wire Note: Original Wire Was 18 Gauge, Sometimes With A Heavy Wall Type Insulation. Repair Pigtail Is Also 18 Gauge, But Today's Insulation Is Of Much Higher Quality, And May Not Be As Thick As Some Original Cables.	\$14.00	
COURTESY LAMP WIRE				
40553	1970	COURTESY LAMP WIRE All Wagons, Rear Lamp Intermediate Harness To Rear Header Dome Lamp	\$23.00	
40758	1971	COURTESY LAMP WIRE All Wagons, Rear Lamp Intermediate Harness To Rear Header Dome Lamp	\$23.00	
40758	1972	COURTESY LAMP WIRE All Wagons, Rear Lamp Intermediate Harness To Rear Header Dome Lamp	\$23.00	
CRUISE CONTROL HARNESS				
40500	1967	CRUISE CONTROL HARNESS All, With A.c. Delco Brand Cruise Control	\$98.00	
40501	1967	CRUISE CONTROL HARNESS All, With Perfect Circle Brand Cruise Control	\$98.00	
40500	1968	CRUISE CONTROL HARNESS All, With A.c. Delco Brand Cruise Control	\$98.00	
40501	1968	CRUISE CONTROL HARNESS All, With Perfect Circle Brand Cruise Control	\$98.00	
40515	1969	CRUISE CONTROL HARNESS All	\$98.00	
40520	1970	CRUISE CONTROL HARNESS All	\$98.00	
40520	1971	CRUISE CONTROL HARNESS All	\$98.00	
40520	1972	CRUISE CONTROL HARNESS All	\$98.00	

Part Number	Year	Description	Price	*Rev.
40631	1973	CRUISE CONTROL HARNESS All, With Gauges, Except Unitized Distributor, (Includes Tach Wiring)	\$98.00	
40650	1973	CRUISE CONTROL HARNESS All, Without Gauges	\$98.00	
40657	1973	CRUISE CONTROL HARNESS All, With Gauges & Unitized Distributor, (Includes Tach Wiring)	\$115.00	
40678	1974	CRUISE CONTROL HARNESS All, With Tach, Except Unitized Distributor	\$98.00	
40679	1974	CRUISE CONTROL HARNESS All, With Tach & Unitized Distributor	\$98.00	
40683	1974	CRUISE CONTROL HARNESS All, Without Tach	\$115.00	
40679	1975	CRUISE CONTROL HARNESS All, With Tach, Without Pulse Wipers	\$98.00	
40683	1975	CRUISE CONTROL HARNESS All, Without Tach & Pulse Wipers	\$115.00	
40689	1975	CRUISE CONTROL HARNESS All, With Pulse Wipers	\$115.00	
40691	1975	CRUISE CONTROL HARNESS All, With Pulse Wipers & Tach	\$115.00	
40679	1976	CRUISE CONTROL HARNESS All, With Tach, Without Pulse Wipers	\$98.00	
40683	1976	CRUISE CONTROL HARNESS All, Without Tach & Pulse Wipers	\$115.00	
40689	1976	CRUISE CONTROL HARNESS All, With Pulse Wipers	\$115.00	
40691	1976	CRUISE CONTROL HARNESS All, With Pulse Wipers & Tach	\$115.00	
40691	1977	CRUISE CONTROL HARNESS All, With Pulse Wipers & Tach	\$115.00	
40689	1977	CRUISE CONTROL HARNESS All, With Pulse Wipers	\$115.00	
40679	1977	CRUISE CONTROL HARNESS All, With Tach, Without Pulse Wipers	\$98.00	
40683	1977	CRUISE CONTROL HARNESS All, Without Tach & Pulse Wipers	\$115.00	
DASH & ENGINE COMPARTMENT HARNESS				
03460	1961	DASH & ENGINE COMPARTMENT HARNESS Without Heater Note: Customer Must Supply Their Original Fuseblock, Harness Is Made To Order.	\$644.00	
03465	1961	DASH & ENGINE COMPARTMENT HARNESS With Heater Note: Customer Must Supply Their Original Fuseblock, Harness Is Made To Order.	\$644.00	
03465	1962	DASH & ENGINE COMPARTMENT HARNESS 1st Type, With Water Control Valve Note: Customer Must Supply Their Original Fuseblock, Harness Is Made To Order.	\$644.00	
03770	1962	DASH & ENGINE COMPARTMENT HARNESS 2nd Type, With Connector & Wires For Heater Resistor Note: Customer Must Supply Their Original Fuseblock, Harness Is Made To Order.	\$644.00	
04070	1963	DASH & ENGINE COMPARTMENT HARNESS 4 Cylinder Note: Customer Must Supply Their Original Fuseblock, Harness Is Made To Order.	\$644.00	
04075	1963	DASH & ENGINE COMPARTMENT HARNESS V/8 Note: Customer Must Supply Their Original Fuseblock, Harness Is Made To Order.	\$644.00	
DASH HARNESS				
04565	1964	DASH HARNESS 6 Cylinder, Column Shift Auto Or All Manual Trans Note: 6 Cylinder Items Are Not Returnable.	\$598.00	
19845	1964	DASH HARNESS 6 Cylinder, Column Shift Auto Or All Manual Trans With A/C Note: 6 Cylinder Items Are Not Returnable.	\$598.00	
19835	1964	DASH HARNESS 6 Cylinder, Console Shift, Auto Trans Note: 6 Cylinder Items Are Not Returnable.	\$598.00	
19840	1964	DASH HARNESS 6 Cylinder, Console Shift, Auto Trans, With A/C Note: 6 Cylinder Items Are Not Returnable.	\$598.00	
04570	1964	DASH HARNESS V/8, Column Shift Auto Or All Manual Trans	\$527.00	
03335	1964	DASH HARNESS V/8, Column Shift Auto Or All Manual Trans, With A/C	\$527.00	
05010	1964	DASH HARNESS V/8, Console Shift, Auto Trans	\$527.00	
05015	1964	DASH HARNESS V/8, Console Shift, Auto Trans, With A/C	\$527.00	
05675	1965	DASH HARNESS Column Shift Auto Or All Manual Trans	\$527.00	
05680	1965	DASH HARNESS Column Shift Auto Or All Manual Trans, With A/C	\$527.00	

Part Number	Year	Description	Price	*Rev.
05690	1965	DASH HARNESS Console Shift, Auto Trans	\$527.00	
05685	1965	DASH HARNESS Console Shift, Auto Trans, With A/C	\$527.00	
09405	1966	DASH HARNESS Column Shift Auto Or All Manual Trans	\$527.00	
09520	1966	DASH HARNESS Column Shift Auto Or All Manual Trans, With Gauges	\$527.00	
09410	1966	DASH HARNESS Console Shift, Auto Trans	\$527.00	
09525	1966	DASH HARNESS Console Shift, Auto Trans, With Gauges	\$527.00	
10245	1967	DASH HARNESS Column Shift Auto Or All Manual Trans	\$527.00	
10255	1967	DASH HARNESS Column Shift Auto Or All Manual Trans, With Gauges	\$527.00	
10250	1967	DASH HARNESS Console Shift, Auto Trans	\$527.00	
10260	1967	DASH HARNESS Console Shift, Auto Trans, With Gauges	\$527.00	
17370	1968	DASH HARNESS Column Shift Auto Or All Manual Trans	\$541.00	
11465	1968	DASH HARNESS Column Shift Auto Or All Manual Trans, With Gauges Note: Customer Must Reuse Their Original Plastic Connector For The Ignition Switch.	\$541.00	
12360	1968	DASH HARNESS Console Shift, Auto Trans Note: Customer Must Reuse Their Original Plastic Connector For The Ignition Switch.	\$541.00	
11470	1968	DASH HARNESS Console Shift, Auto Trans, With Gauges Note: Customer Must Reuse Their Original Plastic Connector For The Ignition Switch.	\$541.00	
12820	1969	DASH HARNESS Without Gauges	\$541.00	
12825	1969	DASH HARNESS With Gauges	\$541.00	
15855	1970	DASH HARNESS Without Gauges	\$541.00	
15860	1970	DASH HARNESS With Gauges	\$541.00	
16210	1971	DASH HARNESS Without Gauges	\$541.00	
16655	1971	DASH HARNESS With Gauges	\$541.00	
16265	1971	DASH HARNESS Ventura, Without Gauges	\$552.00	
16270	1971	DASH HARNESS Ventura, With Gauges	\$552.00	
17275	1972	DASH HARNESS Without Gauges & Seat Belt Warning Note: Customer Must Reuse Their Original Plastic Connector For The Horn Relay.	\$570.00	
16725	1972	DASH HARNESS With Gauges & Without Seat Belt Warning Note: Customer Must Reuse Their Original Plastic Connector For The Horn Relay.	\$570.00	
17280	1972	DASH HARNESS With Gauges & Seat Belt Warning Note: Customer Must Reuse Their Original Plastic Connector For The Horn Relay.	\$570.00	
40594	1972	DASH HARNESS Ventura, All Base Models Without Seat Belt Warning	\$570.00	
40595	1972	DASH HARNESS Ventura, Auto Trans, With Floor Console, Without Seat Belt Warning	\$586.00	
40596	1972	DASH HARNESS Ventura, With A/C, Without Gauges & Seat Belt Warning	\$586.00	
40597	1972	DASH HARNESS Ventura, Auto Trans, With Gauges, Without Seat Belt Warning	\$586.00	
40598	1972	DASH HARNESS Ventura, Manual Trans, With Gauges, Without Seat Belt Warning	\$586.00	
16530	1972	DASH HARNESS Ventura, All Base Models With Seat Belt Warning	\$586.00	
40599	1972	DASH HARNESS Ventura, Auto Trans, With Floor Console & Seat Belt Warning	\$586.00	
40600	1972	DASH HARNESS Ventura, With A/C & Seat Belt Warning, Without Gauges	\$586.00	
40601	1972	DASH HARNESS Ventura, Auto Trans, With Gauges & Seat Belt Warning	\$586.00	
40602	1972	DASH HARNESS Ventura, Manual Trans, With Gauges & Seat Belt Warning	\$586.00	
17285	1973	DASH HARNESS Tempest, Le Mans & GTO Note: Customer Must Reuse Their Original Plastic Connector For The Horn Relay.	\$644.00	
18715	1973	DASH HARNESS Ventura	\$555.00	
30685	1974	DASH HARNESS Tempest & Le Mans Note: Customer Must Supply Original Dash Harness, Harness Is Made To Order.	\$644.00	

Part Number	Year	Description	Price	*Rev.
18660	1974	DASH HARNESS GTO & Ventura, Without Gauges Note: Customer Must Reuse Their Original Plastic Connector For The Seat Belt Buzzer / Timer.	\$587.00	
18655	1974	DASH HARNESS GTO & Ventura, With Gauges Note: Customer Must Reuse Their Original Plastic Connector For The Seat Belt Buzzer / Timer.	\$587.00	
40821	1975	DASH HARNESS With Seat Belt Warning, Without Gauges Note: Customer Must Supply Their Original Harness, Harness Is Made To Order.	\$655.00	
40822	1975	DASH HARNESS With Seat Belt Warning & Gauges Note: Customer Must Supply Their Original Harness, Harness Is Made To Order.	\$655.00	
40840	1975	DASH HARNESS Without Gauges & Seat Belt Warning Note: Customer Must Supply Their Original Harness, Harness Is Made To Order.	\$655.00	
40841	1975	DASH HARNESS With Gauges, Without Seat Belt Warning Note: Customer Must Supply Their Original Harness, Harness Is Made To Order.	\$655.00	
40827	1976	DASH HARNESS All Note: Customer Must Supply Their Original Harness, Harness Is Made To Order.	\$655.00	
40888	1977	DASH HARNESS All Note: Customer Must Reuse Their Original Plastic Connector For The Seat Belt Buzzer / Timer.	\$655.00	
DISTRIBUTOR WIRE				
36057	1961	DISTRIBUTOR WIRE Distributor Points To Coil Negative Terminal, V/8 Note: Fits All GM V/8 Points Type Distributors From Approx. 1957 To 1974.	\$15.00	C
36057	1962	DISTRIBUTOR WIRE Distributor Points To Coil Negative Terminal, V/8 Note: Fits All GM V/8 Points Type Distributors From Approx. 1957 To 1974.	\$15.00	C
36057	1963	DISTRIBUTOR WIRE Distributor Points To Coil Negative Terminal, V/8 Note: Fits All GM V/8 Points Type Distributors From Approx. 1957 To 1974.	\$15.00	C
36057	1964	DISTRIBUTOR WIRE Distributor Points To Coil Negative Terminal, V/8 Note: Fits All GM V/8 Points Type Distributors From Approx. 1957 To 1974.	\$15.00	C
36057	1965	DISTRIBUTOR WIRE Distributor Points To Coil Negative Terminal, V/8 Note: Fits All GM V/8 Points Type Distributors From Approx. 1957 To 1974.	\$15.00	C
36057	1966	DISTRIBUTOR WIRE Distributor Points To Coil Negative Terminal, V/8 Note: Fits All GM V/8 Points Type Distributors From Approx. 1957 To 1974.	\$15.00	C
36057	1967	DISTRIBUTOR WIRE Distributor Points To Coil Negative Terminal, V/8 Note: Fits All GM V/8 Points Type Distributors From Approx. 1957 To 1974.	\$15.00	C
36057	1968	DISTRIBUTOR WIRE Distributor Points To Coil Negative Terminal, V/8 Note: Fits All GM V/8 Points Type Distributors From Approx. 1957 To 1974.	\$15.00	C
36057	1969	DISTRIBUTOR WIRE Distributor Points To Coil Negative Terminal, V/8 Note: Fits All GM V/8 Points Type Distributors From Approx. 1957 To 1974.	\$15.00	C
36057	1970	DISTRIBUTOR WIRE Distributor Points To Coil Negative Terminal, V/8 Note: Fits All GM V/8 Points Type Distributors From Approx. 1957 To 1974.	\$15.00	C
36057	1971	DISTRIBUTOR WIRE Distributor Points To Coil Negative Terminal, V/8 Note: Fits All GM V/8 Points Type Distributors From Approx. 1957 To 1974.	\$15.00	C
36057	1972	DISTRIBUTOR WIRE Distributor Points To Coil Negative Terminal, V/8 Note: Fits All GM V/8 Points Type Distributors From Approx. 1957 To 1974.	\$15.00	C
36057	1973	DISTRIBUTOR WIRE Distributor Points To Coil Negative Terminal, V/8 Note: Fits All GM V/8 Points Type Distributors From Approx. 1957 To 1974.	\$15.00	C
36057	1974	DISTRIBUTOR WIRE Distributor Points To Coil Negative Terminal, V/8 Note: Fits All GM V/8 Points Type Distributors From Approx. 1957 To 1974.	\$15.00	C
DOOR JAMB SWITCH HARNESS				
40712	1974	DOOR JAMB SWITCH HARNESS Without Power Windows Or Door Locks	\$64.00	
40712	1975	DOOR JAMB SWITCH HARNESS Without Power Windows Or Door Locks	\$64.00	
40712	1976	DOOR JAMB SWITCH HARNESS Without Power Windows Or Door Locks	\$64.00	

Part Number	Year	Description	Price	*Rev.
40712	1977	DOOR JAMB SWITCH HARNESS Without Power Windows Or Door Locks	\$64.00	
EMISSION SYSTEM JUMPER HARNESS				
40666	1973	EMISSION SYSTEM JUMPER HARNESS Used With Late 1973 Production Engines, Time Delay Relay To Egr Solenoid	\$64.00	
40667	1973	EMISSION SYSTEM JUMPER HARNESS Ventura, Used With Late 1973 Production Engines, Time Delay Relay To Egr Solenoid	\$64.00	
ENGINE HARNESS				
05600	1964	ENGINE HARNESS 6 Cylinder, Auto Trans Note: 6 Cylinder Items Are Not Returnable.	\$179.00	
17290	1964	ENGINE HARNESS 6 Cylinder, Auto Trans, With A/C Note: 6 Cylinder Items Are Not Returnable.	\$190.00	
37971	1964	ENGINE HARNESS 6 Cylinder, Manual Trans Note: 6 Cylinder Items Are Not Returnable.	\$179.00	
37972	1964	ENGINE HARNESS 6 Cylinder, Manual Trans, With A/C Note: 6 Cylinder Items Are Not Returnable.	\$190.00	
03535	1964	ENGINE HARNESS V/8, Auto Trans	\$167.00	
40241	1964	ENGINE HARNESS - HEI V/8, Auto Trans Note: This Harness Is Modified For Use With An HEI Distributor. This Year Dash Harness Contains A Resistance Wire For Points And Must Be Modified For An HEI Application. This Kit Contains A User Installed Jumper (With Instructions) That Must Be Installed Into Your Dash Harness.	\$188.00	
40242	1964	ENGINE HARNESS - SI SERIES INT REG ALT, DRIVER SIDE V/8, Auto Trans	\$201.00	
40243	1964	ENGINE HARNESS - HEI & SI SERIES INT REG ALT, DRIVER SIDE V/8, Auto Trans Note: This Harness Is Modified For Use With An HEI Distributor. This Year Dash Harness Contains A Resistance Wire For Points And Must Be Modified For An HEI Application. This Kit Contains A User Installed Jumper (With Instructions) That Must Be Installed Into Your Dash Harness.	\$212.00	
05185	1964	ENGINE HARNESS V/8, Auto Trans, With A/C	\$173.00	
40244	1964	ENGINE HARNESS - HEI V/8, Auto Trans, With A/C Note: This Harness Is Modified For Use With An HEI Distributor. This Year Dash Harness Contains A Resistance Wire For Points And Must Be Modified For An HEI Application. This Kit Contains A User Installed Jumper (With Instructions) That Must Be Installed Into Your Dash Harness.	\$194.00	
40245	1964	ENGINE HARNESS - SI SERIES INT REG ALT, DRIVER SIDE V/8, Auto Trans, With A/C	\$206.00	
40246	1964	ENGINE HARNESS - HEI & SI SERIES INT REG ALT, DRIVER SIDE V/8, Auto Trans, With A/C Note: This Harness Is Modified For Use With An HEI Distributor. This Year Dash Harness Contains A Resistance Wire For Points And Must Be Modified For An HEI Application. This Kit Contains A User Installed Jumper (With Instructions) That Must Be Installed Into Your Dash Harness.	\$218.00	
37973	1964	ENGINE HARNESS V/8, Manual Trans	\$156.00	
40247	1964	ENGINE HARNESS - HEI V/8, Manual Trans Note: This Harness Is Modified For Use With An HEI Distributor. This Year Dash Harness Contains A Resistance Wire For Points And Must Be Modified For An HEI Application. This Kit Contains A User Installed Jumper (With Instructions) That Must Be Installed Into Your Dash Harness.	\$176.00	
40248	1964	ENGINE HARNESS - SI SERIES INT REG ALT, DRIVER SIDE V/8, Manual Trans	\$189.00	
40249	1964	ENGINE HARNESS - HEI & SI SERIES INT REG ALT, DRIVER SIDE V/8, Manual Trans Note: This Harness Is Modified For Use With An HEI Distributor. This Year Dash Harness Contains A Resistance Wire For Points And Must Be Modified For An HEI Application. This Kit Contains A User Installed Jumper (With Instructions) That Must Be Installed Into Your Dash Harness.	\$201.00	
37974	1964	ENGINE HARNESS V/8, Manual Trans, With A/C	\$173.00	
40250	1964	ENGINE HARNESS - HEI V/8, Manual Trans, With A/C Note: This Harness Is Modified For Use With An HEI Distributor. This Year Dash Harness Contains A Resistance Wire For Points And Must Be Modified For An HEI Application. This Kit Contains A User Installed Jumper (With Instructions) That Must Be Installed Into Your Dash Harness.	\$194.00	

Part Number	Year	Description	Price	*Rev.
40251	1964	ENGINE HARNESS - SI SERIES INT REG ALT, DRIVER SIDE V/8, Manual Trans, With A/C	\$206.00	
40252	1964	ENGINE HARNESS - HEI & SI SERIES INT REG ALT, DRIVER SIDE V/8, Manual Trans, With A/C Note: This Harness Is Modified For Use With An HEI Distributor. This Year Dash Harness Contains A Resistance Wire For Points And Must Be Modified For An HEI Application. This Kit Contains A User Installed Jumper (With Instructions) That Must Be Installed Into Your Dash Harness.	\$218.00	
05705	1965	ENGINE HARNESS 6 Cylinder, Auto Trans Note: 6 Cylinder Items Are Not Returnable.	\$179.00	
05710	1965	ENGINE HARNESS 6 Cylinder, Auto Trans, With A/C Note: 6 Cylinder Items Are Not Returnable.	\$190.00	
37975	1965	ENGINE HARNESS 6 Cylinder, Manual Trans Note: 6 Cylinder Items Are Not Returnable.	\$179.00	
37976	1965	ENGINE HARNESS 6 Cylinder, Manual Trans, With A/C Note: 6 Cylinder Items Are Not Returnable.	\$190.00	
05695	1965	ENGINE HARNESS V/8, Auto Trans	\$167.00	
40253	1965	ENGINE HARNESS - HEI V/8, Auto Trans	\$188.00	
40254	1965	ENGINE HARNESS - SI SERIES INT REG ALT, DRIVER SIDE V/8, Auto Trans	\$201.00	
40255	1965	ENGINE HARNESS - HEI & SI SERIES INT REG ALT, DRIVER SIDE V/8, Auto Trans	\$212.00	
05700	1965	ENGINE HARNESS V/8, Auto Trans, With A/C	\$173.00	
40256	1965	ENGINE HARNESS - HEI V/8, Auto Trans, With A/C	\$194.00	
40257	1965	ENGINE HARNESS - SI SERIES INT REG ALT, DRIVER SIDE V/8, Auto Trans, With A/C	\$206.00	
40258	1965	ENGINE HARNESS - HEI & SI SERIES INT REG ALT, DRIVER SIDE V/8, Auto Trans, With A/C	\$218.00	
37977	1965	ENGINE HARNESS V/8, Manual Trans	\$161.00	
40259	1965	ENGINE HARNESS - HEI V/8, Manual Trans	\$182.00	
40260	1965	ENGINE HARNESS - SI SERIES INT REG ALT, DRIVER SIDE V/8, Manual Trans	\$195.00	
40261	1965	ENGINE HARNESS - HEI & SI SERIES INT REG ALT, DRIVER SIDE V/8, Manual Trans	\$206.00	
37978	1965	ENGINE HARNESS V/8, Manual Trans, With A/C	\$179.00	
40262	1965	ENGINE HARNESS - HEI V/8, Manual Trans, With A/C	\$199.00	
40263	1965	ENGINE HARNESS - SI SERIES INT REG ALT, DRIVER SIDE V/8, Manual Trans, With A/C	\$212.00	
40264	1965	ENGINE HARNESS - HEI & SI SERIES INT REG ALT, DRIVER SIDE V/8, Manual Trans, With A/C	\$224.00	
10160	1966	ENGINE HARNESS 6 Cylinder Note: 6 Cylinder Items Are Not Returnable.	\$179.00	
10165	1966	ENGINE HARNESS 6 Cylinder, With A/C Note: 6 Cylinder Items Are Not Returnable.	\$207.00	
09415	1966	ENGINE HARNESS V/8	\$161.00	
40265	1966	ENGINE HARNESS - HEI V/8	\$182.00	
40266	1966	ENGINE HARNESS - SI SERIES INT REG ALT, DRIVER SIDE V/8	\$195.00	
40267	1966	ENGINE HARNESS - HEI & SI SERIES INT REG ALT, DRIVER SIDE V/8	\$206.00	
09530	1966	ENGINE HARNESS, CUC V/8, With A/C	\$179.00	
40268	1966	ENGINE HARNESS, CUC - HEI V/8, With A/C	\$199.00	
40269	1966	ENGINE HARNESS, CUC - SI SERIES INT REG ALT, DRIVER SIDE V/8, With A/C	\$212.00	
40270	1966	ENGINE HARNESS, CUC - HEI & SI SERIES INT REG ALT, DRIVER SIDE V/8, With A/C	\$224.00	
10340	1967	ENGINE HARNESS 6 Cylinder Note: 6 Cylinder Items Are Not Returnable.	\$202.00	

Part Number	Year	Description	Price	*Rev.
10345	1967	ENGINE HARNESS 6 Cylinder, With A/C Note: 6 Cylinder Items Are Not Returnable.	\$207.00	
10315	1967	ENGINE HARNESS 6 Cylinder, With Transistor Ignition Note: 6 Cylinder Items Are Not Returnable.	\$242.00	
10320	1967	ENGINE HARNESS 6 Cylinder, With A/C & Transistor Ignition Note: 6 Cylinder Items Are Not Returnable.	\$265.00	
10350	1967	ENGINE HARNESS V/8	\$161.00	
40271	1967	ENGINE HARNESS - HEI V/8	\$182.00	
40272	1967	ENGINE HARNESS - SI SERIES INT REG ALT, DRIVER SIDE V/8	\$195.00	
40273	1967	ENGINE HARNESS - HEI & SI SERIES INT REG ALT, DRIVER SIDE V/8	\$206.00	
10355	1967	ENGINE HARNESS V/8, With A/C	\$179.00	
40274	1967	ENGINE HARNESS - HEI V/8, With A/C	\$199.00	
40275	1967	ENGINE HARNESS - SI SERIES INT REG ALT, DRIVER SIDE V/8, With A/C	\$212.00	
40276	1967	ENGINE HARNESS - HEI & SI SERIES INT REG ALT, DRIVER SIDE V/8, With A/C	\$224.00	
11495	1967	ENGINE HARNESS V/8, With A/C & Ram Air	\$179.00	
40277	1967	ENGINE HARNESS - HEI V/8, With A/C & Ram Air	\$199.00	
40278	1967	ENGINE HARNESS - SI SERIES INT REG ALT, DRIVER SIDE V/8, With A/C & Ram Air	\$212.00	
40279	1967	ENGINE HARNESS - HEI & SI SERIES INT REG ALT, DRIVER SIDE V/8, With A/C & Ram Air	\$224.00	
10330	1967	ENGINE HARNESS V/8, With A/C & Transistor Ignition	\$202.00	
40283	1967	ENGINE HARNESS - SI SERIES INT REG ALT, DRIVER SIDE V/8, With A/C & Transistor Ignition	\$235.00	
11505	1967	ENGINE HARNESS V/8, With A/C, Ram Air & Transistor Ignition	\$202.00	
40284	1967	ENGINE HARNESS - SI SERIES INT REG ALT, DRIVER SIDE V/8, With A/C, Ram Air & Transistor Ignition	\$235.00	
10325	1967	ENGINE HARNESS V/8, With Transistor Ignition	\$202.00	
40285	1967	ENGINE HARNESS - SI SERIES INT REG ALT, DRIVER SIDE V/8, With Transistor Ignition	\$235.00	
11490	1967	ENGINE HARNESS V/8, With Ram Air	\$173.00	
40280	1967	ENGINE HARNESS - HEI V/8, With Ram Air	\$194.00	
40281	1967	ENGINE HARNESS - SI SERIES INT REG ALT, DRIVER SIDE V/8, With Ram Air	\$206.00	
40282	1967	ENGINE HARNESS - HEI & SI SERIES INT REG ALT, DRIVER SIDE V/8, With Ram Air	\$218.00	
11500	1967	ENGINE HARNESS V/8, With Ram Air & Transistor Ignition	\$202.00	
40286	1967	ENGINE HARNESS - SI SERIES INT REG ALT, DRIVER SIDE V/8, With Ram Air & Transistor Ignition	\$235.00	
11380	1968	ENGINE HARNESS 6 Cylinder Note: 6 Cylinder Items Are Not Returnable.	\$230.00	
11385	1968	ENGINE HARNESS 6 Cylinder, With A/C Note: 6 Cylinder Items Are Not Returnable.	\$242.00	
11395	1968	ENGINE HARNESS V/8	\$190.00	
40287	1968	ENGINE HARNESS - HEI V/8	\$211.00	
40288	1968	ENGINE HARNESS - SI SERIES INT REG ALT, DRIVER SIDE V/8	\$224.00	
40289	1968	ENGINE HARNESS - HEI & SI SERIES INT REG ALT, DRIVER SIDE V/8	\$235.00	
11555	1968	ENGINE HARNESS V/8, With A/C	\$202.00	
40290	1968	ENGINE HARNESS - HEI V/8, With A/C	\$222.00	
40291	1968	ENGINE HARNESS - SI SERIES INT REG ALT, DRIVER SIDE V/8, With A/C	\$235.00	
40292	1968	ENGINE HARNESS - HEI & SI SERIES INT REG ALT, DRIVER SIDE V/8, With A/C	\$247.00	
37979	1968	ENGINE HARNESS V/8, With Ram Air	\$202.00	

Part Number	Year	Description	Price	*Rev.
40296	1968	ENGINE HARNESS - HEI V/8, With Ram Air	\$222.00	
40297	1968	ENGINE HARNESS - SI SERIES INT REG ALT, DRIVER SIDE V/8, With Ram Air	\$235.00	
40298	1968	ENGINE HARNESS - HEI & SI SERIES INT REG ALT, DRIVER SIDE V/8, With Ram Air	\$247.00	
11390	1968	ENGINE HARNESS V/8, With A/C & Ram Air	\$219.00	
40293	1968	ENGINE HARNESS - HEI V/8, With A/C & Ram Air	\$240.00	
40294	1968	ENGINE HARNESS - SI SERIES INT REG ALT, DRIVER SIDE V/8, With A/C & Ram Air	\$252.00	
40295	1968	ENGINE HARNESS - HEI & SI SERIES INT REG ALT, DRIVER SIDE V/8, With A/C & Ram Air	\$264.00	
40519	1969	ENGINE HARNESS 6 Cylinder, With Internal Regulator Note: 6 Cylinder Items Are Not Returnable.	\$265.00	
13450	1969	ENGINE HARNESS 6 Cylinder, With External Regulator Note: 6 Cylinder Items Are Not Returnable.	\$265.00	
13445	1969	ENGINE HARNESS 6 Cylinder, With A/C & Internal Regulator Note: 6 Cylinder Items Are Not Returnable.	\$276.00	
12865	1969	ENGINE HARNESS 6 Cylinder, With A/C & External Regulator Note: 6 Cylinder Items Are Not Returnable.	\$276.00	
13290	1969	ENGINE HARNESS V/8, With External Regulator Note: Not Used For HEI Application.	\$225.00	
40299	1969	ENGINE HARNESS - HEI V/8, With External Regulator Note: This Harness Is Modified For Use With An HEI Distributor. This Year Dash Harness Contains A Resistance Wire For Points And Must Be Modified For An HEI Application. This Kit Contains A User Installed Jumper (With Instructions) That Must Be Installed Into Your Dash Harness.	\$245.00	
12870	1969	ENGINE HARNESS V/8, With Internal Regulator Note: Not Used For HEI Application.	\$225.00	
40300	1969	ENGINE HARNESS - HEI V/8, With Internal Regulator Note: This Harness Is Modified For Use With An HEI Distributor. This Year Dash Harness Contains A Resistance Wire For Points And Must Be Modified For An HEI Application. This Kit Contains A User Installed Jumper (With Instructions) That Must Be Installed Into Your Dash Harness.	\$245.00	
13430	1969	ENGINE HARNESS V/8, With Ram Air & External Regulator Note: Not Used For HEI Application.	\$230.00	
40301	1969	ENGINE HARNESS - HEI V/8, With Ram Air & External Regulator Note: This Harness Is Modified For Use With An HEI Distributor. This Year Dash Harness Contains A Resistance Wire For Points And Must Be Modified For An HEI Application. This Kit Contains A User Installed Jumper (With Instructions) That Must Be Installed Into Your Dash Harness.	\$251.00	
12875	1969	ENGINE HARNESS V/8, With Ram Air & Internal Regulator Note: Not Used For HEI Application.	\$230.00	
40302	1969	ENGINE HARNESS - HEI V/8, With Ram Air & Internal Regulator Note: This Harness Is Modified For Use With An HEI Distributor. This Year Dash Harness Contains A Resistance Wire For Points And Must Be Modified For An HEI Application. This Kit Contains A User Installed Jumper (With Instructions) That Must Be Installed Into Your Dash Harness.	\$251.00	
40572	1969	ENGINE HARNESS V/8, Ram Air V Tunnel Port	\$230.00	
37980	1970	ENGINE HARNESS 6 Cylinder, Auto Trans Note: 6 Cylinder Items Are Not Returnable.	\$299.00	
37981	1970	ENGINE HARNESS 6 Cylinder, Manual Trans Note: 6 Cylinder Items Are Not Returnable.	\$299.00	
15555	1970	ENGINE HARNESS 6 Cylinder, Auto Trans, With A/C Note: 6 Cylinder Items Are Not Returnable.	\$299.00	
15550	1970	ENGINE HARNESS 6 Cylinder, Manual Trans, With A/C Note: 6 Cylinder Items Are Not Returnable.	\$299.00	

Part Number	Year	Description	Price	*Rev.
15565	1970	ENGINE HARNESS V/8, Auto Trans Note: Not Used For HEI Application.	\$253.00	
40303	1970	ENGINE HARNESS - HEI V/8, Auto Trans Note: This Harness Is Modified For Use With An HEI Distributor. This Year Dash Harness Contains A Resistance Wire For Points And Must Be Modified For An HEI Application. This Kit Contains A User Installed Jumper (With Instructions) That Must Be Installed Into Your Dash Harness.	\$274.00	
40304	1970	ENGINE HARNESS - SI SERIES INT REG ALT, DRIVER SIDE V/8, Auto Trans	\$287.00	
40305	1970	ENGINE HARNESS - HEI & SI SERIES INT REG ALT, DRIVER SIDE V/8, Auto Trans Note: This Harness Is Modified For Use With An HEI Distributor. This Year Dash Harness Contains A Resistance Wire For Points And Must Be Modified For An HEI Application. This Kit Contains A User Installed Jumper (With Instructions) That Must Be Installed Into Your Dash Harness.	\$298.00	
15560	1970	ENGINE HARNESS V/8, Manual Trans Note: Not Used For HEI Application.	\$253.00	
40309	1970	ENGINE HARNESS - HEI V/8, Manual Trans Note: This Harness Is Modified For Use With An HEI Distributor. This Year Dash Harness Contains A Resistance Wire For Points And Must Be Modified For An HEI Application. This Kit Contains A User Installed Jumper (With Instructions) That Must Be Installed Into Your Dash Harness.	\$274.00	
40310	1970	ENGINE HARNESS - SI SERIES INT REG ALT, DRIVER SIDE V/8, Manual Trans	\$287.00	
40311	1970	ENGINE HARNESS - HEI & SI SERIES INT REG ALT, DRIVER SIDE V/8, Manual Trans Note: This Harness Is Modified For Use With An HEI Distributor. This Year Dash Harness Contains A Resistance Wire For Points And Must Be Modified For An HEI Application. This Kit Contains A User Installed Jumper (With Instructions) That Must Be Installed Into Your Dash Harness.	\$298.00	
15575	1970	ENGINE HARNESS V/8, Auto Trans, With Ram Air Note: Not Used For HEI Application.	\$253.00	
40306	1970	ENGINE HARNESS - HEI V/8, Auto Trans, With Ram Air Note: This Harness Is Modified For Use With An HEI Distributor. This Year Dash Harness Contains A Resistance Wire For Points And Must Be Modified For An HEI Application. This Kit Contains A User Installed Jumper (With Instructions) That Must Be Installed Into Your Dash Harness.	\$274.00	
40307	1970	ENGINE HARNESS - SI SERIES INT REG ALT, DRIVER SIDE V/8, Auto Trans, With Ram Air	\$287.00	
40308	1970	ENGINE HARNESS - HEI & SI SERIES INT REG ALT, DRIVER SIDE V/8, Auto Trans, With Ram Air Note: This Harness Is Modified For Use With An HEI Distributor. This Year Dash Harness Contains A Resistance Wire For Points And Must Be Modified For An HEI Application. This Kit Contains A User Installed Jumper (With Instructions) That Must Be Installed Into Your Dash Harness.	\$298.00	
15570	1970	ENGINE HARNESS V/8, Manual Trans, With Ram Air Note: Not Used For HEI Application.	\$253.00	
40312	1970	ENGINE HARNESS - HEI V/8, Manual Trans, With Ram Air Note: This Harness Is Modified For Use With An HEI Distributor. This Year Dash Harness Contains A Resistance Wire For Points And Must Be Modified For An HEI Application. This Kit Contains A User Installed Jumper (With Instructions) That Must Be Installed Into Your Dash Harness.	\$274.00	
40313	1970	ENGINE HARNESS - SI SERIES INT REG ALT, DRIVER SIDE V/8, Manual Trans, With Ram Air	\$287.00	
40314	1970	ENGINE HARNESS - HEI & SI SERIES INT REG ALT, DRIVER SIDE V/8, Manual Trans, With Ram Air Note: This Harness Is Modified For Use With An HEI Distributor. This Year Dash Harness Contains A Resistance Wire For Points And Must Be Modified For An HEI Application. This Kit Contains A User Installed Jumper (With Instructions) That Must Be Installed Into Your Dash Harness.	\$298.00	
37982	1971	ENGINE HARNESS 6 Cylinder Note: 6 Cylinder Items Are Not Returnable.	\$299.00	
16040	1971	ENGINE HARNESS 6 Cylinder, With A/C Note: 6 Cylinder Items Are Not Returnable.	\$299.00	

Part Number	Year	Description	Price	*Rev.
16275	1971	ENGINE HARNESS Ventura, 6 Cylinder Note: 6 Cylinder Items Are Not Returnable.	\$299.00	
16065	1971	ENGINE HARNESS V/8, Auto Trans	\$253.00	
40315	1971	ENGINE HARNESS - HEI V/8, Auto Trans	\$274.00	
16060	1971	ENGINE HARNESS V/8, Manual Trans	\$253.00	
40317	1971	ENGINE HARNESS - HEI V/8, Manual Trans	\$274.00	
37984	1971	ENGINE HARNESS V/8, Auto Trans, With A/C	\$265.00	
40316	1971	ENGINE HARNESS - HEI V/8, Auto Trans, With A/C	\$286.00	
37985	1971	ENGINE HARNESS V/8, Manual Trans, With A/C	\$265.00	
40318	1971	ENGINE HARNESS - HEI V/8, Manual Trans, With A/C	\$286.00	
15920	1971	ENGINE HARNESS V/8, All, With Ram Air	\$265.00	
40319	1971	ENGINE HARNESS - HEI V/8, All, With Ram Air	\$286.00	
37983	1971	ENGINE HARNESS V/8, All, With Ram Air & A/C	\$265.00	
40320	1971	ENGINE HARNESS - HEI V/8, All, With Ram Air & A/C	\$286.00	
40566	1971	ENGINE HARNESS Ventura, V/8, Auto Trans	\$265.00	
40322	1971	ENGINE HARNESS - HEI Ventura, V/8, Auto Trans	\$286.00	
40565	1971	ENGINE HARNESS Ventura, V/8, Manual Trans	\$265.00	
40321	1971	ENGINE HARNESS - HEI Ventura, V/8, Manual Trans	\$286.00	
40568	1971	ENGINE HARNESS Ventura, V/8, Auto Trans, With Gauges	\$265.00	
40324	1971	ENGINE HARNESS - HEI Ventura, V/8, Auto Trans, With Gauges	\$286.00	
40567	1971	ENGINE HARNESS Ventura, V/8, Manual Trans, With Gauges	\$265.00	
40323	1971	ENGINE HARNESS - HEI Ventura, V/8, Manual Trans, With Gauges	\$286.00	
16715	1972	ENGINE HARNESS 6 Cylinder Note: 6 Cylinder Items Are Not Returnable.	\$311.00	
37986	1972	ENGINE HARNESS 6 Cylinder, With A/C Note: 6 Cylinder Items Are Not Returnable.	\$311.00	
16375	1972	ENGINE HARNESS Ventura, 6 Cylinder Note: 6 Cylinder Items Are Not Returnable.	\$236.00	
16920	1972	ENGINE HARNESS V/8	\$253.00	
40325	1972	ENGINE HARNESS - HEI V/8	\$274.00	
37988	1972	ENGINE HARNESS V/8, With A/C	\$265.00	
40327	1972	ENGINE HARNESS - HEI V/8, With A/C	\$286.00	
40612	1972	ENGINE HARNESS V/8, With A/C & Gauges	\$265.00	
40326	1972	ENGINE HARNESS - HEI V/8, With A/C & Gauges	\$286.00	
16950	1972	ENGINE HARNESS V/8, 455 H.O., With Unitized Distributor	\$265.00	
37987	1972	ENGINE HARNESS V/8, 455 H.O., With Unitized Distributor & A/C	\$299.00	
16380	1972	ENGINE HARNESS Ventura, V/8, 307 C.I., Without Gauges Note: Manual Trans Requires Use Of #17355 T.C.S. Extension.	\$202.00	
40328	1972	ENGINE HARNESS - HEI Ventura, V/8, 307 C.I., Without Gauges	\$222.00	
40342	1972	ENGINE HARNESS - SI SERIES INT REG ALT, PASSENGER SIDE Ventura, V/8, 307 C.I., Without Gauges Note: This Harness Is To Be U Sed With Forward Lamp Harness Modified For Internal Regulated Alt. If Customer Is Not Changing Original Forward Lamp Harness, A Kit Is Included To Alter The Factory Harness.	\$235.00	
40344	1972	ENGINE HARNESS - HEI & SI SERIES INT REG ALT, PASSENGER SIDE Ventura, V/8, 307 C.I., Without Gauges Note: This Harness Is To Be Used With Forward Lamp Harness Modified For Internal Regulated Alt. If Customer Is Not Changing Original Forward Lamp Harness, A Kit Is Included To Alter The Factory Harness.	\$247.00	
16385	1972	ENGINE HARNESS Ventura, V/8, 307 C.I., With Gauges Note: Manual Trans Requires Use Of #17355 T.C.S. Extension.	\$218.00	

Part Number	Year	Description	Price	*Rev.
40329	1972	ENGINE HARNESS - HEI Ventura, V/8, 307 C.I., With Gauges	\$239.00	
40343	1972	ENGINE HARNESS - SI SERIES INT REG ALT, PASSENGER SIDE Ventura, V/8, 307 C.I., With Gauges Note: This Harness Is To Be Used With Forward Lamp Harness Modified For Internal Regulated Alt. If Customer Is Not Changing Original Forward Lamp Harness, A Kit Is Included To Alter The Factory Harness.	\$251.00	
40345	1972	ENGINE HARNESS - HEI & SI SERIES INT REG ALT, PASSENGER SIDE Ventura, V/8, 307 C.I., With Gauges Note: This Harness Is To Be Used With Forward Lamp Harness Modified For Internal Regulated Alt. If Customer Is Not Changing Original Forward Lamp Harness, A Kit Is Included To Alter The Factory Harness.	\$263.00	
40613	1972	ENGINE HARNESS Ventura, With Pontiac 350 Eng, Without A/C	\$311.00	
40330	1972	ENGINE HARNESS - HEI Ventura, With Pontiac 350 Eng, Without A/C	\$332.00	
38271	1972	ENGINE HARNESS Ventura, With Pontiac 350 Eng & A/C	\$311.00	
40331	1972	ENGINE HARNESS - HEI Ventura, With Pontiac 350 Eng & A/C	\$332.00	
16940	1973	ENGINE HARNESS 6 Cylinder Note: 6 Cylinder Items Are Not Returnable.	\$322.00	
40605	1973	ENGINE HARNESS Ventura, 6 Cyl., With Auto Trans Note: 6 Cylinder Items Are Not Returnable.	\$322.00	
40569	1973	ENGINE HARNESS Ventura, 6 Cyl., With Manual Trans Note: 6 Cylinder Items Are Not Returnable.	\$322.00	
30135	1973	ENGINE HARNESS V/8, Without Functional Hood Scoop	\$299.00	
40332	1973	ENGINE HARNESS - HEI V/8, Without Functional Hood Scoop	\$322.00	
30125	1973	ENGINE HARNESS V/8, With Functional Hood Scoop Note: Customer Must Reuse Their Original Plastic Connector For The Distributor Vacuum Solenoid Delay Relay.	\$299.00	
40333	1973	ENGINE HARNESS - HEI V/8, With Functional Hood Scoop Note: Customer Must Reuse Their Original Plastic Connector For The Distributor Vacuum Solenoid Delay Relay.	\$322.00	
30140	1973	ENGINE HARNESS V/8, With Unitized Distributor, Without Functional Hood Scoop	\$322.00	
30130	1973	ENGINE HARNESS V/8, With Unitized Distributor & Functional Hood Scoop Note: Customer Must Reuse Their Original Plastic Connector For The Distributor Vacuum Solenoid Delay Relay.	\$322.00	
17080	1973	ENGINE HARNESS V/8, With A/C, Without Functional Hood Scoop	\$299.00	
40334	1973	ENGINE HARNESS - HEI V/8, With A/C, Without Functional Hood Scoop	\$322.00	
17085	1973	ENGINE HARNESS V/8, With A/C & Unitized Distributor, Without Functional Hood Scoop	\$322.00	
17030	1973	ENGINE HARNESS V/8, With A/C & Functional Hood Scoop Note: Customer Must Reuse Their Original Plastic Connector For The Distributor Vacuum Solenoid Delay Relay.	\$299.00	
40335	1973	ENGINE HARNESS - HEI V/8, With A/C & Functional Hood Scoop Note: Customer Must Reuse Their Original Plastic Connector For The Distributor Vacuum Solenoid Delay Relay.	\$322.00	
17035	1973	ENGINE HARNESS V/8, With A/C, Unitized Distributor & Functional Hood Scoop Note: Customer Must Reuse Their Original Plastic Connector For The Distributor Vacuum Solenoid Delay Relay.	\$322.00	
40642	1973	ENGINE HARNESS Ventura, V/8 350 C.I., Without Air Conditioning Note: Customer Must Reuse Their Original Plastic Connector For The Distributor Vacuum Solenoid Delay Relay.	\$299.00	
40336	1973	ENGINE HARNESS - HEI Ventura, V/8 350 C.I., Without Air Conditioning Note: Customer Must Reuse Their Original Plastic Connector For The Distributor Vacuum Solenoid Delay Relay.	\$322.00	
40643	1973	ENGINE HARNESS Ventura, V/8 350 C.I., With Air Conditioning Note: Customer Must Reuse Their Original Plastic Connector For The Distributor Vacuum Solenoid Delay Relay.	\$299.00	
40337	1973	ENGINE HARNESS - HEI Ventura, V/8 350 C.I., With Air Conditioning Note: Customer Must Reuse Their Original Plastic Connector For The Distributor Vacuum Solenoid Delay Relay.	\$322.00	
17100	1974	ENGINE HARNESS Tempest & Le Mans, 6 Cylinder Note: 6 Cylinder Items Are Not Returnable.	\$322.00	
38008	1974	ENGINE HARNESS Ventura, 6 Cylinder, With Auto Trans Note: 6 Cylinder Items Are Not Returnable.	\$264.00	

Part Number	Year	Description	Price	*Rev.
16595	1974	ENGINE HARNESS Ventura, 6 Cylinder, With Manual Trans Note: 6 Cylinder Items Are Not Returnable.	\$264.00	
17060	1974	ENGINE HARNESS Tempest & Le Mans, V/8, Without HEI Note: Customer Must Reuse Their Original Plastic Connector For The Seat Belt Control Switch.	\$299.00	
39509	1974	ENGINE HARNESS Tempest & Le Mans, V/8, With HEI Note: Customer Must Reuse Their Original Plastic Connector For The Seat Belt Control Switch.	\$322.00	
17110	1974	ENGINE HARNESS Tempest & Le Mans, V/8, With Unitized Distributor Note: Customer Must Reuse Their Original Plastic Connector For The Seat Belt Control Switch.	\$322.00	
40671	1974	ENGINE HARNESS GTO & Ventura, V/8	\$299.00	
40338	1974	ENGINE HARNESS - HEI GTO & Ventura, V/8	\$322.00	
40672	1974	ENGINE HARNESS GTO & Ventura, V/8, With A/C	\$299.00	
40339	1974	ENGINE HARNESS - HEI GTO & Ventura, V/8, With A/C	\$322.00	
40675	1974	ENGINE HARNESS GTO & Ventura, V/8, With Functional Hood Scoop	\$299.00	
40340	1974	ENGINE HARNESS - HEI GTO & Ventura, V/8, With Functional Hood Scoop	\$322.00	
40677	1974	ENGINE HARNESS GTO & Ventura, V/8, All With Gauges	\$299.00	
40341	1974	ENGINE HARNESS - HEI GTO & Ventura, V/8, All With Gauges	\$322.00	
40813	1975	ENGINE HARNESS 6 Cylinder, With Seat Belt Ignition Interlock Note: 6 Cylinder Items Are Not Returnable.	\$322.00	
40824	1975	ENGINE HARNESS 6 Cylinder, Without Seat Belt Ignition Interlock Note: 6 Cylinder Items Are Not Returnable.	\$322.00	
37622	1975	ENGINE HARNESS V/8, With Distributor Vacuum Solenoid	\$299.00	
40686	1975	ENGINE HARNESS V/8, With Seat Belt Ignition Interlock Note: Customer Must Reuse Their Original Plastic Connector For The Seat Belt Control Switch.	\$299.00	
40823	1975	ENGINE HARNESS V/8, Without Seat Belt Ignition Interlock	\$299.00	
40833	1975	ENGINE HARNESS V/8, With A/C, Except Seat Belt Ignition Interlock	\$299.00	
40826	1975	ENGINE HARNESS V/8, With A/C & Seat Belt Ignition Interlock Note: Customer Must Reuse Their Original Plastic Connector For The Seat Belt Control Switch.	\$299.00	
40828	1976	ENGINE HARNESS 6 Cylinder Note: 6 Cylinder Items Are Not Returnable.	\$322.00	
40843	1976	ENGINE HARNESS All, V/8, Except 260 C.I. Oldsmobile	\$299.00	
40846	1976	ENGINE HARNESS V/8, 260 C.I. Oldsmobile & Auto Trans	\$299.00	
40847	1976	ENGINE HARNESS V/8, 260 C.I. Oldsmobile, With 3 Speed Column Shift Or 5 Speed Floor Shift Manual Trans	\$299.00	
38617	1977	ENGINE HARNESS V/6	\$241.00	
38618	1977	ENGINE HARNESS V/8, Olds 350 & 403 C.I.	\$241.00	
38320	1977	ENGINE HARNESS V/8, Pontiac 301, 350 & 400 C.I.	\$265.00	
FORCED AIR VENT HARNESS				
40546	1969	FORCED AIR VENT HARNESS Blower Motor In Kick Panels, To Blower Switch In Dash	\$52.00	
40546	1970	FORCED AIR VENT HARNESS Blower Motor In Kick Panels, To Blower Switch In Dash	\$52.00	
FORWARD LAMP HARNESS				
04575	1964	FORWARD LAMP HARNESS 6 Cylinder Note: 6 Cylinder Items Are Not Returnable.	\$219.00	
04580	1964	FORWARD LAMP HARNESS V/8	\$204.00	
05715	1965	FORWARD LAMP HARNESS All	\$204.00	
09365	1966	FORWARD LAMP HARNESS All	\$204.00	
10265	1967	FORWARD LAMP HARNESS All	\$204.00	
11370	1968	FORWARD LAMP HARNESS Standard	\$219.00	
12355	1968	FORWARD LAMP HARNESS With Cornering Lamps	\$242.00	

Part Number	Year	Description	Price	*Rev.
12110	1968	FORWARD LAMP HARNESS With Tilt Headlights & Cornering Lamps	\$229.00	
41589	1969	FORWARD LAMP HARNESS Tempest, Le Mans & Custom S, Without Cornering Laps	\$276.00	
13405	1969	FORWARD LAMP HARNESS Tempest, Le Mans & Custom S, With Cornering Laps	\$253.00	
41588	1969	FORWARD LAMP HARNESS GTO, Without Tilt Headlights (Includes Cornering Lamps)	\$253.00	
12895	1969	FORWARD LAMP HARNESS GTO, With Tilt Headlights (Includes Cornering Lamps)	\$265.00	
13635	1970	FORWARD LAMP HARNESS GTO Only	\$253.00	
13630	1970	FORWARD LAMP HARNESS Tempest & Le Mans	\$265.00	
15910	1971	FORWARD LAMP HARNESS Tempest, Le Mans & GTO	\$265.00	
16055	1971	FORWARD LAMP HARNESS Ventura, 6 Cylinder Note: 6 Cylinder Items Are Not Returnable.	\$276.00	
16050	1971	FORWARD LAMP HARNESS Ventura, V/8	\$276.00	
40580	1971	FORWARD LAMP HARNESS Ventura, V/8, With Gauges	\$276.00	
16720	1972	FORWARD LAMP HARNESS Tempest, Le Mans & GTO	\$265.00	
40614	1972	FORWARD LAMP HARNESS Ventura, Without Pontiac 350 C.I. Eng	\$276.00	
40346	1972	FORWARD LAMP HARNESS - SI SERIES INT REG ALT Ventura, Without Pontiac 350 C.I. Eng Note: This Harness Must Be Used Together With A New Engine Harness Also Modified For Int. Reg. Alt.	\$276.00	
40615	1972	FORWARD LAMP HARNESS Ventura, With Pontiac 350 C.I. Eng	\$276.00	
16935	1973	FORWARD LAMP HARNESS Tempest, Le Mans & GTO	\$288.00	
18150	1973	FORWARD LAMP HARNESS Grand AM	\$299.00	
40629	1973	FORWARD LAMP HARNESS Ventura	\$299.00	
30680	1974	FORWARD LAMP HARNESS Tempest & Le Mans	\$299.00	
17055	1974	FORWARD LAMP HARNESS GTO Note: Customer Must Reuse Their Original Plastic Connector For The Seat Belt Control Switch.	\$276.00	
17050	1974	FORWARD LAMP HARNESS Ventura Note: Customer Must Reuse Their Original Plastic Connector For The Seat Belt Control Switch.	\$299.00	
40684	1975	FORWARD LAMP HARNESS Le Mans	\$299.00	
40829	1976	FORWARD LAMP HARNESS Le Mans	\$299.00	
40845	1977	FORWARD LAMP HARNESS Le Mans	\$299.00	
FUEL TANK SENDER WIRE				
11910	1968	FUEL TANK SENDER WIRE Wagon	\$26.00	
11455	1968	FUEL TANK SENDER WIRE All, Except Wagon	\$28.00	
11910	1969	FUEL TANK SENDER WIRE Wagon	\$26.00	
11455	1969	FUEL TANK SENDER WIRE All, Except Wagon	\$28.00	
11910	1970	FUEL TANK SENDER WIRE Wagon	\$26.00	
15795	1970	FUEL TANK SENDER WIRE All, Except Wagon	\$21.00	
11910	1971	FUEL TANK SENDER WIRE Wagon	\$26.00	
15795	1971	FUEL TANK SENDER WIRE All, Except Wagon	\$21.00	
39704	1971	FUEL TANK SENDER WIRE Ventura	\$21.00	
11910	1972	FUEL TANK SENDER WIRE Wagon	\$26.00	
15795	1972	FUEL TANK SENDER WIRE All, Except Wagon	\$21.00	
39704	1972	FUEL TANK SENDER WIRE Ventura	\$21.00	
40623	1973	FUEL TANK SENDER WIRE All, Except Wagon	\$28.00	
40603	1973	FUEL TANK SENDER WIRE Ventura	\$28.00	
40669	1974	FUEL TANK SENDER WIRE All, Except Wagon	\$28.00	
40603	1974	FUEL TANK SENDER WIRE Ventura	\$28.00	
40669	1975	FUEL TANK SENDER WIRE All, Except Wagon	\$28.00	
40669	1976	FUEL TANK SENDER WIRE All, Except Wagon	\$28.00	

Part Number	Year	Description	Price	*Rev.
GENERATOR TO REGULATOR HARNESS				
40465	1962	GENERATOR TO REGULATOR HARNESS With 45 Amp Gen.	\$35.00	
GLOVE BOX LAMP HARNESS				
40502	1971	GLOVE BOX LAMP HARNESS Ventura	\$26.00	
40502	1972	GLOVE BOX LAMP HARNESS Ventura	\$26.00	
40647	1973	GLOVE BOX LAMP HARNESS With Electric Trunk Release	\$43.00	
40648	1973	GLOVE BOX LAMP HARNESS Without Electric Trunk Release	\$38.00	
40652	1973	GLOVE BOX LAMP HARNESS Without Under Dash Courtesy Lamp	\$38.00	
40653	1973	GLOVE BOX LAMP HARNESS With Under Dash Courtesy Lamp	\$43.00	
40502	1973	GLOVE BOX LAMP HARNESS Ventura	\$26.00	
40652	1974	GLOVE BOX LAMP HARNESS Without Under Dash Courtesy Lamp	\$38.00	
40653	1974	GLOVE BOX LAMP HARNESS With Under Dash Courtesy Lamp	\$43.00	
40502	1974	GLOVE BOX LAMP HARNESS Ventura	\$26.00	
40648	1974	GLOVE BOX LAMP HARNESS Without Electric Trunk Release	\$38.00	
40647	1974	GLOVE BOX LAMP HARNESS With Electric Trunk Release	\$43.00	
40652	1975	GLOVE BOX LAMP HARNESS Without Under Dash Courtesy Lamp	\$38.00	
40653	1975	GLOVE BOX LAMP HARNESS With Under Dash Courtesy Lamp	\$43.00	
40647	1975	GLOVE BOX LAMP HARNESS With Electric Trunk Release	\$43.00	
40648	1975	GLOVE BOX LAMP HARNESS Without Electric Trunk Release	\$38.00	
40647	1976	GLOVE BOX LAMP HARNESS With Cigarette Lighter Lamp & Electric Trunk Release	\$43.00	
40648	1976	GLOVE BOX LAMP HARNESS With Cigarette Lighter Lamp, Without Electric Trunk Release	\$38.00	
40852	1976	GLOVE BOX LAMP HARNESS Without Cigarette Lighter Lamp Or Electric Trunk Release	\$38.00	
40647	1977	GLOVE BOX LAMP HARNESS With Electric Trunk Release	\$43.00	
40648	1977	GLOVE BOX LAMP HARNESS Without Electric Trunk Release	\$38.00	
GLOVE BOX LAMP KIT				
18000	1961	GLOVE BOX LAMP KIT Socket, Bulb & Wire	\$21.00	
18000	1962	GLOVE BOX LAMP KIT Socket, Bulb & Wire	\$21.00	
18000	1963	GLOVE BOX LAMP KIT Socket, Bulb & Wire	\$21.00	
18000	1964	GLOVE BOX LAMP KIT Socket, Bulb & Wire	\$21.00	
18000	1965	GLOVE BOX LAMP KIT Socket, Bulb & Wire	\$21.00	
18000	1966	GLOVE BOX LAMP KIT Socket, Bulb & Wire	\$21.00	
18000	1967	GLOVE BOX LAMP KIT Socket, Bulb & Wire	\$21.00	
18000	1968	GLOVE BOX LAMP KIT Socket, Bulb & Wire	\$21.00	
18000	1969	GLOVE BOX LAMP KIT Socket, Bulb & Wire	\$21.00	
GLOVE BOX LAMP WIRE				
40481	1964	GLOVE BOX LAMP WIRE Fuse Block To Switch Note: Wire Only, Switch Not Included.	\$25.00	
GROUND WIRE				
40450	1961	GROUND WIRE Heater Blower Motor Note: Heater Only.	\$18.00	
40450	1962	GROUND WIRE Heater Blower Motor Note: Heater Only.	\$18.00	
40450	1963	GROUND WIRE Heater Blower Motor Note: Heater Only.	\$18.00	
40668	1973	GROUND WIRE Dash Harness To A/C Control Head	\$18.00	
40724	1974	GROUND WIRE Power Seat	\$18.00	

Part Number	Year	Description	Price	*Rev.
40608	1974	GROUND WIRE Ventura, A/C Control Unit Ground	\$18.00	
40724	1975	GROUND WIRE Power Seat	\$18.00	
40724	1976	GROUND WIRE Power Seat	\$18.00	
40863	1977	GROUND WIRE Vanity Mirror, Passenger Side Sunshade	\$14.00	
40724	1977	GROUND WIRE Power Seat	\$18.00	
40487	1977	GROUND WIRE All, Blower Motor	\$18.00	
GROUND WIRE, DISTRIBUTOR POINT PLATE				
38298	1961	GROUND WIRE, DISTRIBUTOR POINT PLATE From Distributor Point Plate To Distributor Housing Note: Replaces Spot Welded Wire Asm On Point Plate Side. Fits All GM V/8 Point Type Distributors From Approx. 1957-1974.	\$15.00	C
38298	1962	GROUND WIRE, DISTRIBUTOR POINT PLATE From Distributor Point Plate To Distributor Housing Note: Replaces Spot Welded Wire Asm On Point Plate Side. Fits All GM V/8 Point Type Distributors From Approx. 1957-1974.	\$15.00	C
38298	1963	GROUND WIRE, DISTRIBUTOR POINT PLATE From Distributor Point Plate To Distributor Housing Note: Replaces Spot Welded Wire Asm On Point Plate Side. Fits All GM V/8 Point Type Distributors From Approx. 1957-1974.	\$15.00	C
38298	1964	GROUND WIRE, DISTRIBUTOR POINT PLATE From Distributor Point Plate To Distributor Housing Note: Replaces Spot Welded Wire Asm On Point Plate Side. Fits All GM V/8 Point Type Distributors From Approx. 1957-1974.	\$15.00	C
38298	1965	GROUND WIRE, DISTRIBUTOR POINT PLATE From Distributor Point Plate To Distributor Housing Note: Replaces Spot Welded Wire Asm On Point Plate Side. Fits All GM V/8 Point Type Distributors From Approx. 1957-1974.	\$15.00	C
38298	1966	GROUND WIRE, DISTRIBUTOR POINT PLATE From Distributor Point Plate To Distributor Housing Note: Replaces Spot Welded Wire Asm On Point Plate Side. Fits All GM V/8 Point Type Distributors From Approx. 1957-1974.	\$15.00	C
38298	1967	GROUND WIRE, DISTRIBUTOR POINT PLATE From Distributor Point Plate To Distributor Housing Note: Replaces Spot Welded Wire Asm On Point Plate Side. Fits All GM V/8 Point Type Distributors From Approx. 1957-1974.	\$15.00	C
38298	1968	GROUND WIRE, DISTRIBUTOR POINT PLATE From Distributor Point Plate To Distributor Housing Note: Replaces Spot Welded Wire Asm On Point Plate Side. Fits All GM V/8 Point Type Distributors From Approx. 1957-1974.	\$15.00	C
38298	1969	GROUND WIRE, DISTRIBUTOR POINT PLATE From Distributor Point Plate To Distributor Housing Note: Replaces Spot Welded Wire Asm On Point Plate Side. Fits All GM V/8 Point Type Distributors From Approx. 1957-1974.	\$15.00	C
38298	1970	GROUND WIRE, DISTRIBUTOR POINT PLATE From Distributor Point Plate To Distributor Housing Note: Replaces Spot Welded Wire Asm On Point Plate Side. Fits All GM V/8 Point Type Distributors From Approx. 1957-1974.	\$15.00	C
38298	1971	GROUND WIRE, DISTRIBUTOR POINT PLATE From Distributor Point Plate To Distributor Housing Note: Replaces Spot Welded Wire Asm On Point Plate Side. Fits All GM V/8 Point Type Distributors From Approx. 1957-1974.	\$15.00	C
38298	1972	GROUND WIRE, DISTRIBUTOR POINT PLATE From Distributor Point Plate To Distributor Housing Note: Replaces Spot Welded Wire Asm On Point Plate Side. Fits All GM V/8 Point Type Distributors From Approx. 1957-1974.	\$15.00	C
38298	1973	GROUND WIRE, DISTRIBUTOR POINT PLATE From Distributor Point Plate To Distributor Housing Note: Replaces Spot Welded Wire Asm On Point Plate Side. Fits All GM V/8 Point Type Distributors From Approx. 1957-1974.	\$15.00	C
38298	1974	GROUND WIRE, DISTRIBUTOR POINT PLATE From Distributor Point Plate To Distributor Housing Note: Replaces Spot Welded Wire Asm On Point Plate Side. Fits All GM V/8 Point Type Distributors From Approx. 1957-1974.	\$15.00	C
HARNESS TAPE				
R0058272	1961	HARNESS TAPE 3/4" Vinyl (100 Ft. Roll) Non-Adhesive	\$12.00	
R0058276	1961	HARNESS TAPE 1" Vinyl (100 Ft. Roll) Non-Adhesive	\$13.00	
R0067108	1961	HARNESS TAPE 1 1/4" Vinyl (100 Ft. Roll) Non-Adhesive	\$15.00	
R0058272	1962	HARNESS TAPE 3/4" Vinyl (100 Ft. Roll) Non-Adhesive	\$12.00	
R0058276	1962	HARNESS TAPE 1" Vinyl (100 Ft. Roll) Non-Adhesive	\$13.00	
R0067108	1962	HARNESS TAPE 1 1/4" Vinyl (100 Ft. Roll) Non-Adhesive	\$15.00	
R0058272	1963	HARNESS TAPE 3/4" Vinyl (100 Ft. Roll) Non-Adhesive	\$12.00	
R0058276	1963	HARNESS TAPE 1" Vinyl (100 Ft. Roll) Non-Adhesive	\$13.00	
R0067108	1963	HARNESS TAPE 1 1/4" Vinyl (100 Ft. Roll) Non-Adhesive	\$15.00	
R0058272	1964	HARNESS TAPE 3/4" Vinyl (100 Ft. Roll) Non-Adhesive	\$12.00	
R0058276	1964	HARNESS TAPE 1" Vinyl (100 Ft. Roll) Non-Adhesive	\$13.00	
R0067108	1964	HARNESS TAPE 1 1/4" Vinyl (100 Ft. Roll) Non-Adhesive	\$15.00	

Part Number	Year	Description	Price	*Rev.
R0058272	1965	HARNESS TAPE 3/4" Vinyl (100 Ft. Roll) Non-Adhesive	\$12.00	
R0058276	1965	HARNESS TAPE 1" Vinyl (100 Ft. Roll) Non-Adhesive	\$13.00	
R0067108	1965	HARNESS TAPE 1 1/4" Vinyl (100 Ft. Roll) Non-Adhesive	\$15.00	
R0058272	1966	HARNESS TAPE 3/4" Vinyl (100 Ft. Roll) Non-Adhesive	\$12.00	
R0058276	1966	HARNESS TAPE 1" Vinyl (100 Ft. Roll) Non-Adhesive	\$13.00	
R0067108	1966	HARNESS TAPE 1 1/4" Vinyl (100 Ft. Roll) Non-Adhesive	\$15.00	
R0058272	1967	HARNESS TAPE 3/4" Vinyl (100 Ft. Roll) Non-Adhesive	\$12.00	
R0058276	1967	HARNESS TAPE 1" Vinyl (100 Ft. Roll) Non-Adhesive	\$13.00	
R0067108	1967	HARNESS TAPE 1 1/4" Vinyl (100 Ft. Roll) Non-Adhesive	\$15.00	
R0058272	1968	HARNESS TAPE 3/4" Vinyl (100 Ft. Roll) Non-Adhesive	\$12.00	
R0058276	1968	HARNESS TAPE 1" Vinyl (100 Ft. Roll) Non-Adhesive	\$13.00	
R0067108	1968	HARNESS TAPE 1 1/4" Vinyl (100 Ft. Roll) Non-Adhesive	\$15.00	
R0058272	1969	HARNESS TAPE 3/4" Vinyl (100 Ft. Roll) Non-Adhesive	\$12.00	
R0058276	1969	HARNESS TAPE 1" Vinyl (100 Ft. Roll) Non-Adhesive	\$13.00	
R0067108	1969	HARNESS TAPE 1 1/4" Vinyl (100 Ft. Roll) Non-Adhesive	\$15.00	
R0058272	1970	HARNESS TAPE 3/4" Vinyl (100 Ft. Roll) Non-Adhesive	\$12.00	
R0058276	1970	HARNESS TAPE 1" Vinyl (100 Ft. Roll) Non-Adhesive	\$13.00	
R0067108	1970	HARNESS TAPE 1 1/4" Vinyl (100 Ft. Roll) Non-Adhesive	\$15.00	
R0058272	1971	HARNESS TAPE 3/4" Vinyl (100 Ft. Roll) Non-Adhesive	\$12.00	
R0058276	1971	HARNESS TAPE 1" Vinyl (100 Ft. Roll) Non-Adhesive	\$13.00	
R0067108	1971	HARNESS TAPE 1 1/4" Vinyl (100 Ft. Roll) Non-Adhesive	\$15.00	
R0058272	1972	HARNESS TAPE 3/4" Vinyl (100 Ft. Roll) Non-Adhesive	\$12.00	
R0058276	1972	HARNESS TAPE 1" Vinyl (100 Ft. Roll) Non-Adhesive	\$13.00	
R0067108	1972	HARNESS TAPE 1 1/4" Vinyl (100 Ft. Roll) Non-Adhesive	\$15.00	
R0058272	1973	HARNESS TAPE 3/4" Vinyl (100 Ft. Roll) Non-Adhesive	\$12.00	
R0058276	1973	HARNESS TAPE 1" Vinyl (100 Ft. Roll) Non-Adhesive	\$13.00	
R0067108	1973	HARNESS TAPE 1 1/4" Vinyl (100 Ft. Roll) Non-Adhesive	\$15.00	
R0058272	1974	HARNESS TAPE 3/4" Vinyl (100 Ft. Roll) Non-Adhesive	\$12.00	
R0058276	1974	HARNESS TAPE 1" Vinyl (100 Ft. Roll) Non-Adhesive	\$13.00	
R0067108	1974	HARNESS TAPE 1 1/4" Vinyl (100 Ft. Roll) Non-Adhesive	\$15.00	
R0058272	1975	HARNESS TAPE 3/4" Vinyl (100 Ft. Roll) Non-Adhesive	\$12.00	
R0058276	1975	HARNESS TAPE 1" Vinyl (100 Ft. Roll) Non-Adhesive	\$13.00	
R0067108	1975	HARNESS TAPE 1 1/4" Vinyl (100 Ft. Roll) Non-Adhesive	\$15.00	
R0058272	1976	HARNESS TAPE 3/4" Vinyl (100 Ft. Roll) Non-Adhesive	\$12.00	
R0058276	1976	HARNESS TAPE 1" Vinyl (100 Ft. Roll) Non-Adhesive	\$13.00	
R0067108	1976	HARNESS TAPE 1 1/4" Vinyl (100 Ft. Roll) Non-Adhesive	\$15.00	
R0058272	1977	HARNESS TAPE 3/4" Vinyl (100 Ft. Roll) Non-Adhesive	\$12.00	
R0058276	1977	HARNESS TAPE 1" Vinyl (100 Ft. Roll) Non-Adhesive	\$13.00	
R0067108	1977	HARNESS TAPE 1 1/4" Vinyl (100 Ft. Roll) Non-Adhesive	\$15.00	
R0058272	1978	HARNESS TAPE 3/4" Vinyl (100 Ft. Roll) Non-Adhesive	\$12.00	
R0058276	1978	HARNESS TAPE 1" Vinyl (100 Ft. Roll) Non-Adhesive	\$13.00	
R0067108	1978	HARNESS TAPE 1 1/4" Vinyl (100 Ft. Roll) Non-Adhesive	\$15.00	
R0058272	1979	HARNESS TAPE 3/4" Vinyl (100 Ft. Roll) Non-Adhesive	\$12.00	
R0058276	1979	HARNESS TAPE 1" Vinyl (100 Ft. Roll) Non-Adhesive	\$13.00	
R0067108	1979	HARNESS TAPE 1 1/4" Vinyl (100 Ft. Roll) Non-Adhesive	\$15.00	
R0058272	1980	HARNESS TAPE 3/4" Vinyl (100 Ft. Roll) Non-Adhesive	\$12.00	
R0058276	1980	HARNESS TAPE 1" Vinyl (100 Ft. Roll) Non-Adhesive	\$13.00	

Part Number	Year	Description	Price	*Rev.
R0067108	1980	HARNESS TAPE 1 1/4" Vinyl (100 Ft. Roll) Non-Adhesive	\$15.00	
R0058272	1981	HARNESS TAPE 3/4" Vinyl (100 Ft. Roll) Non-Adhesive	\$12.00	
R0058276	1981	HARNESS TAPE 1" Vinyl (100 Ft. Roll) Non-Adhesive	\$13.00	
R0067108	1981	HARNESS TAPE 1 1/4" Vinyl (100 Ft. Roll) Non-Adhesive	\$15.00	
R0058272	1982	HARNESS TAPE 3/4" Vinyl (100 Ft. Roll) Non-Adhesive	\$12.00	
R0058276	1982	HARNESS TAPE 1" Vinyl (100 Ft. Roll) Non-Adhesive	\$13.00	
R0067108	1982	HARNESS TAPE 1 1/4" Vinyl (100 Ft. Roll) Non-Adhesive	\$15.00	
R0058272	1983	HARNESS TAPE 3/4" Vinyl (100 Ft. Roll) Non-Adhesive	\$12.00	
R0058276	1983	HARNESS TAPE 1" Vinyl (100 Ft. Roll) Non-Adhesive	\$13.00	
R0067108	1983	HARNESS TAPE 1 1/4" Vinyl (100 Ft. Roll) Non-Adhesive	\$15.00	
R0058272	1984	HARNESS TAPE 3/4" Vinyl (100 Ft. Roll) Non-Adhesive	\$12.00	
R0058276	1984	HARNESS TAPE 1" Vinyl (100 Ft. Roll) Non-Adhesive	\$13.00	
R0067108	1984	HARNESS TAPE 1 1/4" Vinyl (100 Ft. Roll) Non-Adhesive	\$15.00	
R0058272	1985	HARNESS TAPE 3/4" Vinyl (100 Ft. Roll) Non-Adhesive	\$12.00	
R0058276	1985	HARNESS TAPE 1" Vinyl (100 Ft. Roll) Non-Adhesive	\$13.00	
R0067108	1985	HARNESS TAPE 1 1/4" Vinyl (100 Ft. Roll) Non-Adhesive	\$15.00	
R0058272	1986	HARNESS TAPE 3/4" Vinyl (100 Ft. Roll) Non-Adhesive	\$12.00	
R0058276	1986	HARNESS TAPE 1" Vinyl (100 Ft. Roll) Non-Adhesive	\$13.00	
R0067108	1986	HARNESS TAPE 1 1/4" Vinyl (100 Ft. Roll) Non-Adhesive	\$15.00	
HEADLAMP DELAY CONTROL HARNESS				
40574	1970	HEADLAMP DELAY CONTROL HARNESS Fuse Block To Headlamp Delay Relay	\$41.00	
40570	1970	HEADLAMP DELAY CONTROL HARNESS Field Installed, Fuse Block To Headlamp Delay Relay	\$41.00	
40570	1971	HEADLAMP DELAY CONTROL HARNESS Field Installed, Fuse Block To Headlamp Delay Relay	\$41.00	
HEATER HARNESS				
40451	1961	HEATER HARNESS Without A/C, (Field Installed Only), Blower Switch In Dash To Blower Motor	\$91.00	
40463	1962	HEATER HARNESS Without A/C, (Field Installed Only)	\$91.00	
17260	1966	HEATER HARNESS Without A/C	\$35.00	
17260	1967	HEATER HARNESS Without A/C	\$35.00	
17265	1968	HEATER HARNESS Without A/C	\$41.00	
17270	1969	HEATER HARNESS Without A/C	\$37.00	
17270	1970	HEATER HARNESS Without A/C	\$37.00	
17270	1971	HEATER HARNESS Without A/C	\$37.00	
17270	1972	HEATER HARNESS Without A/C	\$37.00	
40636	1973	HEATER HARNESS Without A/C, Blower Switch To Dash Harness Feed Wire	\$58.00	
40637	1973	HEATER HARNESS Without A/C, Heater Resistor To Blower Motor, (1st Design) Note: Wires Exit Through Center Of Firewall. Customer Must Supply Their Original Harness.	\$58.00	
40662	1973	HEATER HARNESS Without A/C, Heater Resistor To Blower Motor, (2nd Design) Note: Wires Exit Through Firewall, Outboard Of Blower Motor.	\$58.00	
40661	1974	HEATER HARNESS Without A/C, Blower Switch To Dash Harness Feed Wire	\$58.00	
40662	1974	HEATER HARNESS Without A/C, Heater Resistor To Blower Motor	\$58.00	
40662	1975	HEATER HARNESS Without A/C, Heater Resistor To Blower Motor	\$58.00	
40812	1975	HEATER HARNESS Without A/C, Blower Switch To Dash Harness Feed Wire	\$58.00	
40837	1976	HEATER HARNESS Without A/C	\$58.00	
40837	1977	HEATER HARNESS Without A/C	\$58.00	

Part Number	Year	Description	Price	*Rev.
HEATER SWITCH CONNECTOR JUMPER				
03245	1961	HEATER SWITCH CONNECTOR JUMPER With Manual Heater Only Note: Used To Jump Wires Together On The Master Control Switch Connector For Manual Heater Cars.	\$14.00	
03245	1962	HEATER SWITCH CONNECTOR JUMPER With Manual Heater Note: Used To Jump Wires Together On The Master Control Switch Connector For Manual Heater Cars.	\$14.00	
HOOD LAMP REPLACEMENT KIT				
18410	1964	HOOD LAMP REPLACEMENT KIT Under Hood, Includes Socket, Wire & Bulb	\$62.00	C
18410	1965	HOOD LAMP REPLACEMENT KIT Under Hood, Includes Socket, Wire & Bulb	\$62.00	C
18410	1966	HOOD LAMP REPLACEMENT KIT Under Hood, Includes Socket, Wire & Bulb	\$62.00	C
18410	1967	HOOD LAMP REPLACEMENT KIT Under Hood, Includes Socket, Wire & Bulb	\$62.00	C
18410	1968	HOOD LAMP REPLACEMENT KIT Under Hood, Includes Socket, Wire & Bulb	\$62.00	C
18410	1969	HOOD LAMP REPLACEMENT KIT Under Hood, Includes Socket, Wire & Bulb	\$62.00	C
18410	1970	HOOD LAMP REPLACEMENT KIT Under Hood, Includes Socket, Wire & Bulb	\$62.00	C
18410	1971	HOOD LAMP REPLACEMENT KIT Under Hood, Includes Socket, Wire & Bulb	\$62.00	C
18410	1972	HOOD LAMP REPLACEMENT KIT Under Hood, Includes Socket, Wire & Bulb	\$62.00	C
18410	1973	HOOD LAMP REPLACEMENT KIT Under Hood, Includes Socket, Wire & Bulb	\$62.00	C
18410	1974	HOOD LAMP REPLACEMENT KIT Under Hood, Includes Socket, Wire & Bulb	\$62.00	C
18410	1975	HOOD LAMP REPLACEMENT KIT Under Hood, Includes Socket, Wire & Bulb	\$62.00	C
18410	1976	HOOD LAMP REPLACEMENT KIT Under Hood, Includes Socket, Wire & Bulb	\$62.00	C
18410	1977	HOOD LAMP REPLACEMENT KIT Under Hood, Includes Socket, Wire & Bulb	\$62.00	C
HOOD LAMP WIRE				
40740	1964	HOOD LAMP WIRE Fuse Block To Underhood Lamp Switch Note: Used With The Factory Type Underhood Lamp.	\$14.00	
40576	1971	HOOD LAMP WIRE Horn Relay To Under Hood Lamp Switch Note: Used With The Factory Type Underhood Lamp.	\$23.00	
40578	1971	HOOD LAMP WIRE Under Hood Lamp To Switch Note: Used With The Factory Type Underhood Lamp.	\$14.00	
40578	1972	HOOD LAMP WIRE Under Hood Lamp To Switch Note: Used With The Factory Type Underhood Lamp.	\$14.00	
40609	1972	HOOD LAMP WIRE Fuse Block To Under Hood Lamp Switch Note: Used With The Factory Type Underhood Lamp.	\$29.00	
HORN EXTENSION WIRE				
40651	1973	HORN EXTENSION WIRE Left Horn To Forward Lamp Harness	\$14.00	
40651	1975	HORN EXTENSION WIRE Left Horn To Forward Lamp Harness	\$14.00	
HORN WIRE				
40445	1961	HORN WIRE Dual Horns	\$23.00	
40445	1962	HORN WIRE Dual Horns	\$23.00	
40445	1963	HORN WIRE Dual Horns	\$23.00	
39350	1964	HORN WIRE Dual Horn	\$21.00	
40644	1973	HORN WIRE Ventura, Dual Horn Option	\$23.00	
40644	1974	HORN WIRE Ventura, Dual Horn Option	\$23.00	
IDLE STOP SOLENOID EXTENSION WIRE				
40516	1969	IDLE STOP SOLENOID EXTENSION WIRE 6 Cylinder, With 4 Bbl Carb Note: 6 Cylinder Items Are Not Returnable.	\$29.00	
40516	1970	IDLE STOP SOLENOID EXTENSION WIRE 6 Cylinder, With 4 Bbl Carb Note: 6 Cylinder Items Are Not Returnable.	\$29.00	

Part Number	Year	Description	Price	*Rev.
IDLE STOP SOLENOID HARNESS				
40477	1963	IDLE STOP SOLENOID HARNESS 4 Cylinder, 195 C.I. Engine, With Auto Trans & A/C	\$29.00	C
IDLE STOP SOLENOID WIRE				
40617	1973	IDLE STOP SOLENOID WIRE V/8, 400 & 455 C.I., Engine Harness To Solenoid	\$29.00	
40617	1973	IDLE STOP SOLENOID WIRE Ventura, V/8, 350 C.I., With Manual Trans	\$29.00	
40617	1974	IDLE STOP SOLENOID WIRE V/8, With Manual Trans	\$29.00	
40617	1974	IDLE STOP SOLENOID WIRE Ventura, V/8, 350 C.I., With Manual Trans	\$29.00	
IGNITION SWITCH JUMPER HARNESS				
40573	1969	IGNITION SWITCH JUMPER HARNESS Used With Ram Air V Tunnel Port Engine Only Note: Used To By-Pass Resistance Wire In Dash Harness.	\$26.00	
IGNITION SWITCH LAMP				
40499	1967	IGNITION SWITCH LAMP Bulb Socket & Wire	\$23.00	
IGNITION SWITCH LAMP WIRE				
40506	1968	IGNITION SWITCH LAMP WIRE Fiber Optic Cable	\$26.00	
INSTRUMENT PANEL LAMP HARNESS				
39301	1968	INSTRUMENT PANEL LAMP HARNESS Used With Dash Mounted Tachometer Or Clock	\$34.00	
39301	1969	INSTRUMENT PANEL LAMP HARNESS Used With Dash Mounted Tachometer Or Clock	\$34.00	
39301	1970	INSTRUMENT PANEL LAMP HARNESS Used With Dash Mounted Tachometer Or Clock	\$34.00	
39301	1971	INSTRUMENT PANEL LAMP HARNESS Used With Dash Mounted Tachometer Or Clock	\$34.00	
39301	1972	INSTRUMENT PANEL LAMP HARNESS Used With Dash Mounted Tachometer Or Clock	\$34.00	
KICKDOWN HARNESS				
40485	1964	KICKDOWN HARNESS TH400 Auto Trans	\$46.00	
KICKDOWN SWITCH				
01242101	1967	KICKDOWN SWITCH TH400 Auto Trans	\$45.00	
01242101	1968	KICKDOWN SWITCH TH400 Auto Trans	\$45.00	
01242101	1969	KICKDOWN SWITCH TH400 Auto Trans	\$45.00	
01242101	1970	KICKDOWN SWITCH TH400 Auto Trans	\$45.00	
01242101	1971	KICKDOWN SWITCH TH400 Auto Trans	\$45.00	
01242101	1972	KICKDOWN SWITCH TH400 Auto Trans	\$45.00	
01242101	1973	KICKDOWN SWITCH TH400 Auto Trans	\$45.00	
01242101	1974	KICKDOWN SWITCH TH400 Auto Trans	\$45.00	
LICENSE LAMP HARNESS				
40634	1973	LICENSE LAMP HARNESS All, Except Wagon	\$28.00	
LOW FUEL INDICATOR MODULE				
500274	1961	LOW FUEL INDICATOR MODULE Generic "Adjustable" Low Fuel Warning Module Note: A Complete Electronic Control Unit To Activate A Warning Lamp Or Relay When Fuel Level Drops Below A User Adjustable Level.	\$64.00	C
500274	1962	LOW FUEL INDICATOR MODULE Generic "Adjustable" Low Fuel Warning Module Note: A Complete Electronic Control Unit To Activate A Warning Lamp Or Relay When Fuel Level Drops Below A User Adjustable Level.	\$64.00	C
500274	1963	LOW FUEL INDICATOR MODULE Generic "Adjustable" Low Fuel Warning Module Note: A Complete Electronic Control Unit To Activate A Warning Lamp Or Relay When Fuel Level Drops Below A User Adjustable Level.	\$64.00	C
500274	1964	LOW FUEL INDICATOR MODULE Generic "Adjustable" Low Fuel Warning Module Note: A Complete Electronic Control Unit To Activate A Warning Lamp Or Relay When Fuel Level Drops Below A User Adjustable Level.	\$64.00	C

Part Number	Year	Description	Price	*Rev.
500274	1965	LOW FUEL INDICATOR MODULE Generic "Adjustable" Low Fuel Warning Module Note: A Complete Electronic Control Unit To Activate A Warning Lamp Or Relay When Fuel Level Drops Below A User Adjustable Level.	\$64.00	C
500274	1966	LOW FUEL INDICATOR MODULE Generic "Adjustable" Low Fuel Warning Module Note: A Complete Electronic Control Unit To Activate A Warning Lamp Or Relay When Fuel Level Drops Below A User Adjustable Level.	\$64.00	C
500274	1967	LOW FUEL INDICATOR MODULE Generic "Adjustable" Low Fuel Warning Module Note: A Complete Electronic Control Unit To Activate A Warning Lamp Or Relay When Fuel Level Drops Below A User Adjustable Level.	\$64.00	C
500274	1968	LOW FUEL INDICATOR MODULE Generic "Adjustable" Low Fuel Warning Module Note: A Complete Electronic Control Unit To Activate A Warning Lamp Or Relay When Fuel Level Drops Below A User Adjustable Level.	\$64.00	C
500274	1969	LOW FUEL INDICATOR MODULE Generic "Adjustable" Low Fuel Warning Module Note: A Complete Electronic Control Unit To Activate A Warning Lamp Or Relay When Fuel Level Drops Below A User Adjustable Level.	\$64.00	C
500274	1970	LOW FUEL INDICATOR MODULE Generic "Adjustable" Low Fuel Warning Module Note: A Complete Electronic Control Unit To Activate A Warning Lamp Or Relay When Fuel Level Drops Below A User Adjustable Level.	\$64.00	C
500274	1971	LOW FUEL INDICATOR MODULE Generic "Adjustable" Low Fuel Warning Module Note: A Complete Electronic Control Unit To Activate A Warning Lamp Or Relay When Fuel Level Drops Below A User Adjustable Level.	\$64.00	C
500274	1972	LOW FUEL INDICATOR MODULE Generic "Adjustable" Low Fuel Warning Module Note: A Complete Electronic Control Unit To Activate A Warning Lamp Or Relay When Fuel Level Drops Below A User Adjustable Level.	\$64.00	C
500274	1973	LOW FUEL INDICATOR MODULE Generic "Adjustable" Low Fuel Warning Module Note: A Complete Electronic Control Unit To Activate A Warning Lamp Or Relay When Fuel Level Drops Below A User Adjustable Level.	\$64.00	C
500274	1974	LOW FUEL INDICATOR MODULE Generic "Adjustable" Low Fuel Warning Module Note: A Complete Electronic Control Unit To Activate A Warning Lamp Or Relay When Fuel Level Drops Below A User Adjustable Level.	\$64.00	C
500274	1975	LOW FUEL INDICATOR MODULE Generic "Adjustable" Low Fuel Warning Module Note: A Complete Electronic Control Unit To Activate A Warning Lamp Or Relay When Fuel Level Drops Below A User Adjustable Level.	\$64.00	C
500274	1976	LOW FUEL INDICATOR MODULE Generic "Adjustable" Low Fuel Warning Module Note: A Complete Electronic Control Unit To Activate A Warning Lamp Or Relay When Fuel Level Drops Below A User Adjustable Level.	\$64.00	C
500274	1977	LOW FUEL INDICATOR MODULE Generic "Adjustable" Low Fuel Warning Module Note: A Complete Electronic Control Unit To Activate A Warning Lamp Or Relay When Fuel Level Drops Below A User Adjustable Level.	\$64.00	C
NEUTRAL SAFETY & BACKUP LAMP SWITCH				
01993659	1964	NEUTRAL SAFETY & BACKUP LAMP SWITCH With Column Shift Powerglide Auto Trans	\$12.00	
09779665	1964	NEUTRAL SAFETY & BACKUP LAMP SWITCH With Console Shift Auto Trans	\$71.00	
01993659	1965	NEUTRAL SAFETY & BACKUP LAMP SWITCH With Column Shift Powerglide Auto Trans	\$12.00	
09779665	1965	NEUTRAL SAFETY & BACKUP LAMP SWITCH With Console Shift Auto Trans	\$71.00	
01993659	1966	NEUTRAL SAFETY & BACKUP LAMP SWITCH With Column Shift Powerglide Auto Trans	\$12.00	
09779665	1966	NEUTRAL SAFETY & BACKUP LAMP SWITCH With Console Shift Auto Trans	\$71.00	
09779665	1967	NEUTRAL SAFETY & BACKUP LAMP SWITCH With Console Shift Auto Trans	\$71.00	
09779665	1968	NEUTRAL SAFETY & BACKUP LAMP SWITCH With Wood Insert Console Shift Auto Trans	\$71.00	
01994235	1969	NEUTRAL SAFETY & BACKUP LAMP SWITCH With Column Shift Auto Trans, All	\$19.00	
01994235	1970	NEUTRAL SAFETY & BACKUP LAMP SWITCH With Column Shift Auto Trans, All	\$19.00	
01994235	1971	NEUTRAL SAFETY & BACKUP LAMP SWITCH With Column Shift Auto Trans, All	\$19.00	

Part Number	Year	Description	Price	*Rev.
01994235	1972	NEUTRAL SAFETY & BACKUP LAMP SWITCH With Column Shift Auto Trans, All	\$19.00	
01994235	1973	NEUTRAL SAFETY & BACKUP LAMP SWITCH With Column Shift Auto Trans, All	\$19.00	
01994163	1974	NEUTRAL SAFETY & BACKUP LAMP SWITCH With Auto Trans, All	\$19.00	
NEUTRAL SAFETY SWITCH				
03983965	1971	NEUTRAL SAFETY SWITCH X-Body GTO, 3 Speed	\$58.00	
03983965	1972	NEUTRAL SAFETY SWITCH X-Body GTO, 3 Speed	\$58.00	
03983965	1973	NEUTRAL SAFETY SWITCH X-Body GTO, All MT	\$58.00	
03983965	1974	NEUTRAL SAFETY SWITCH X-Body GTO, All MT	\$58.00	
NEUTRAL SAFETY SWITCH EXTENSION HARNESS				
39344	1969	NEUTRAL SAFETY SWITCH EXTENSION HARNESS Manual Trans, Dash To Clutch Switch	\$26.00	
39344	1970	NEUTRAL SAFETY SWITCH EXTENSION HARNESS Manual Trans, Dash To Clutch Switch	\$26.00	
39344	1971	NEUTRAL SAFETY SWITCH EXTENSION HARNESS Manual Trans, Dash To Clutch Switch	\$26.00	
15230	1971	NEUTRAL SAFETY SWITCH EXTENSION HARNESS Ventura, Manual Trans, Dash To Clutch Switch	\$21.00	
15230	1972	NEUTRAL SAFETY SWITCH EXTENSION HARNESS Ventura, Manual Trans, Dash To Clutch Switch	\$21.00	
15230	1973	NEUTRAL SAFETY SWITCH EXTENSION HARNESS Ventura, Manual Trans, Dash To Clutch Switch	\$21.00	
40831	1975	NEUTRAL SAFETY SWITCH EXTENSION HARNESS Manual Trans, Dash To Clutch Start Switch	\$29.00	
40831	1976	NEUTRAL SAFETY SWITCH EXTENSION HARNESS Manual Trans, Dash To Clutch Start Switch	\$29.00	
40831	1977	NEUTRAL SAFETY SWITCH EXTENSION HARNESS Manual Trans, Dash To Clutch Start Switch	\$29.00	
OIL PRESSURE SENDER EXTENSION				
40446	1961	OIL PRESSURE SENDER EXTENSION V/8, Engine Harness To Oil Pressure Sender	\$18.00	
40446	1962	OIL PRESSURE SENDER EXTENSION V/8, Engine Harness To Oil Pressure Sender	\$18.00	
OIL SENDING UNIT EXTENSION WIRE				
38418	1977	OIL SENDING UNIT EXTENSION WIRE Oil Pressure Sending Unit To Engine Harness	\$18.00	
PARK & SIGNAL LAMP EXTENSION HARNESS				
40398	1971	PARK & SIGNAL LAMP EXTENSION HARNESS Ventura, Forward Lamp Harness To Park & Turn Signal Lamp	\$41.00	
40398	1972	PARK & SIGNAL LAMP EXTENSION HARNESS Ventura, Forward Lamp Harness To Park & Turn Signal Lamp	\$41.00	
40398	1973	PARK & SIGNAL LAMP EXTENSION HARNESS Ventura, Forward Lamp Harness To Park & Turn Signal Lamp	\$41.00	
PARKING BRAKE EXTENSION WIRE				
40656	1973	PARKING BRAKE EXTENSION WIRE Dash Harness To Parking Brake Switch	\$13.00	
40651	1974	PARKING BRAKE EXTENSION WIRE Dash Harness To Parking Brake Switch	\$14.00	
40651	1975	PARKING BRAKE EXTENSION WIRE Dash Harness To Parking Brake Switch	\$14.00	
40651	1976	PARKING BRAKE EXTENSION WIRE Dash Harness To Parking Brake Switch	\$14.00	
PARKING BRAKE WARNING LAMP				
40742	1964	PARKING BRAKE WARNING LAMP Socket & Wire Assembly	\$26.00	
40739	1964	PARKING BRAKE WARNING LAMP HARNESS Switch To Flasher	\$14.00	
40741	1964	PARKING BRAKE WARNING LAMP Fuse Block To Switch	\$14.00	
40486	1965	PARKING BRAKE WARNING LAMP Socket & Wire Assembly	\$29.00	
40497	1966	PARKING BRAKE WARNING LAMP Socket & Wire Assembly	\$29.00	
PARKING BRAKE WARNING LAMP HARNESS				
15205	1971	PARKING BRAKE WARNING LAMP HARNESS Ventura, Dash Harness To Parking Brake Switch	\$11.00	
15205	1972	PARKING BRAKE WARNING LAMP HARNESS Ventura, Dash Harness To Parking Brake Switch	\$11.00	
PARKING LAMP GROUND WIRE				
40510	1968	PARKING LAMP GROUND WIRE Park Lamp To Ground	\$17.00	
13425	1969	PARKING LAMP GROUND WIRE Tempest & Le Mans, With Plastic Valance Panel	\$14.00	

Part Number	Year	Description	Price	*Rev.
POWER ACCESSORY FEED WIRE				
06530	1963	POWER ACCESSORY FEED WIRE Power Seat, Junction Block To Circuit Breaker	\$23.00	
40493	1963	POWER ACCESSORY FEED WIRE Circuit Breaker To Power Seat Harness	\$23.00	
06900	1964	POWER ACCESSORY FEED WIRE Circuit Breaker To Power Seat Harness	\$22.00	
05775	1965	POWER ACCESSORY FEED WIRE 6 Cylinder, Starter Solenoid To Circuit Breaker Note: 6 Cylinder Items Are Not Returnable.	\$22.00	
07700	1965	POWER ACCESSORY FEED WIRE Circuit Breaker To Power Seat Harness	\$22.00	
05775	1966	POWER ACCESSORY FEED WIRE 6 Cylinder, Starter Solenoid To Circuit Breaker Note: 6 Cylinder Items Are Not Returnable.	\$22.00	
07700	1966	POWER ACCESSORY FEED WIRE Circuit Breaker To Power Seat Harness	\$22.00	
05775	1967	POWER ACCESSORY FEED WIRE 6 Cylinder, Starter Solenoid To Circuit Breaker Note: 6 Cylinder Items Are Not Returnable.	\$22.00	
40744	1967	POWER ACCESSORY FEED WIRE Power Window, Circuit Breaker To Relay	\$22.00	
07700	1967	POWER ACCESSORY FEED WIRE Circuit Breaker To Power Seat Harness	\$22.00	
40529	1968	POWER ACCESSORY FEED WIRE Fuse Block To Power Top Or Window Harness	\$22.00	
14175	1968	POWER ACCESSORY FEED WIRE Power Feed To Power Seat Harness	\$14.00	
14325	1969	POWER ACCESSORY, IGNITION FEED WIRE Ignition Cavity On Fuse Block To Power Window Harness	\$14.00	
40168	1969	POWER ACCESSORY, BATTERY FEED WIRE Fuse Block To Power Window Or Seat Harness	\$23.00	
14175	1969	POWER ACCESSORY FEED WIRE Power Feed To Power Seat Harness	\$14.00	
14525	1970	POWER ACCESSORY FEED WIRE Fuse Block To Power Accessories Note: Used With Multiple Power Options, Windows Seats And/Or Top.	\$18.00	
14325	1970	POWER ACCESSORY, IGNITION FEED WIRE Ignition Cavity On Fuse Block To Power Window Harness	\$14.00	
14175	1970	POWER ACCESSORY FEED WIRE Power Feed To Power Seat Harness	\$14.00	
14525	1971	POWER ACCESSORY FEED WIRE Fuse Block To Power Accessories Note: Used With Multiple Power Options, Windows Seats And/Or Top.	\$18.00	
14175	1971	POWER ACCESSORY FEED WIRE Power Feed To Power Seat Harness	\$14.00	
14525	1972	POWER ACCESSORY FEED WIRE Fuse Block To Power Accessories Note: Used With Multiple Power Options, Windows Seats And/Or Top.	\$18.00	
14175	1972	POWER ACCESSORY FEED WIRE Power Feed To Power Seat Harness	\$14.00	
40776	1973	POWER ACCESSORY FEED WIRE Power Seat Adjuster To Ignition Feed Wire	\$18.00	
40768	1973	POWER ACCESSORY FEED WIRE Fuse Block To Power Seat Feed Wire	\$22.00	
35868	1974	POWER ACCESSORY FEED WIRE Dash To Power Windows & Tachometer	\$17.00	
40732	1974	POWER ACCESSORY FEED WIRE Ignition Feed Jumper To Power Seat Adjuster	\$22.00	
40776	1974	POWER ACCESSORY FEED WIRE Power Seat Adjuster To Ignition Feed Wire	\$18.00	
40768	1974	POWER ACCESSORY FEED WIRE Fuse Block To Power Seat Feed Wire	\$22.00	
35868	1975	POWER ACCESSORY FEED WIRE Dash To Power Windows & Tachometer	\$17.00	
40416	1975	POWER ACCESSORY FEED WIRE Ignition & Power Feed Jumper To Power Seat Adjuster	\$23.00	
40768	1975	POWER ACCESSORY FEED WIRE Fuse Block To Power Seat Feed Wire	\$22.00	
35868	1976	POWER ACCESSORY FEED WIRE Dash To Power Windows & Tachometer	\$17.00	
40423	1976	POWER ACCESSORY FEED WIRE Ignition & Power Feed Jumper To Power Seat Adjuster	\$23.00	
40768	1976	POWER ACCESSORY FEED WIRE Fuse Block To Power Seat Feed Wire	\$22.00	
35868	1977	POWER ACCESSORY FEED WIRE Dash To Power Windows & Tachometer	\$17.00	
40423	1977	POWER ACCESSORY FEED WIRE Ignition & Power Feed Jumper To Power Seat Adjuster	\$23.00	
40768	1977	POWER ACCESSORY FEED WIRE Fuse Block To Power Seat Feed Wire	\$22.00	
35868	1978	POWER ACCESSORY FEED WIRE Dash To Power Windows & Tachometer	\$17.00	

Part Number	Year	Description	Price	*Rev.
POWER ANTENNA HARNESS				
06800	1964	POWER ANTENNA HARNESS Rear Mounted Power Antenna, Except Convertible & Wagons, Antenna To Switch	\$40.00	
07675	1965	POWER ANTENNA HARNESS Rear Mounted Power Antenna, Antenna To Switch	\$37.00	
07675	1966	POWER ANTENNA HARNESS Rear Mounted Power Antenna, Antenna To Switch	\$37.00	
07675	1967	POWER ANTENNA HARNESS Rear Mounted Power Antenna, Antenna To Switch	\$37.00	
07675	1968	POWER ANTENNA HARNESS Rear Mounted Power Antenna, Antenna To Switch	\$37.00	
14395	1969	POWER ANTENNA HARNESS Rear Mounted Power Antenna, Antenna To Switch	\$42.00	
14395	1970	POWER ANTENNA HARNESS Rear Mounted Power Antenna, Antenna To Switch	\$42.00	
POWER DOOR LOCK HARNESS				
40560	1970	POWER DOOR LOCK HARNESS 4 Door, Driver Side Door And Under Dash Crossover	\$184.00	
40748	1970	POWER DOOR LOCK HARNESS Coupe, With Center Post, Driver Side Door And Under Dash Crossover Note: Customer Must Reuse Their Original Plastic Connector For Door Jamb Switch.	\$184.00	
40349	1970	POWER DOOR LOCK HARNESS Coupe, Without Center Post, & All Convertibles, Driver Side Door And Under Dash Crossover Note: Customer Must Reuse Their Original Plastic Connector For Door Jamb Switch.	\$184.00	
40561	1970	POWER DOOR LOCK HARNESS 4 Door, Passenger Side Door	\$156.00	
40749	1970	POWER DOOR LOCK HARNESS Coupe, With Center Post, Passenger Side Door Note: Customer Must Reuse Their Original Plastic Connector For Door Jamb Switch.	\$161.00	
40348	1970	POWER DOOR LOCK HARNESS Coupe, Without Center Post, & All Convertibles, Passenger Side Door Note: Customer Must Reuse Their Original Plastic Connector For Door Jamb Switch.	\$114.00	
40551	1970	POWER DOOR LOCK HARNESS 4 Door Hardtop, Rear Door Lock Solenoid To Intermediate Door Lock Harness, (2 Required Per Car)	\$52.00	
40552	1970	POWER DOOR LOCK HARNESS 4 Door Sedan, & Wagon, Rear Door Lock Solenoid To Intermediate Door Lock Harness, (2 Required Per Car)	\$52.00	
40561	1971	POWER DOOR LOCK HARNESS 4 Door, Passenger Side Door	\$156.00	
40560	1971	POWER DOOR LOCK HARNESS 4 Door, Driver Side Door And Under Dash Crossover	\$184.00	
40748	1971	POWER DOOR LOCK HARNESS Coupe, With Center Post, Driver Side Door And Under Dash Crossover Note: Customer Must Reuse Their Original Plastic Connector For Door Jamb Switch.	\$184.00	
40349	1971	POWER DOOR LOCK HARNESS Coupe, Without Center Post, & All Convertibles, Driver Side Door And Under Dash Crossover Note: Customer Must Reuse Their Original Plastic Connector For Door Jamb Switch.	\$184.00	
40749	1971	POWER DOOR LOCK HARNESS Coupe, With Center Post, Passenger Side Door Note: Customer Must Reuse Their Original Plastic Connector For Door Jamb Switch.	\$161.00	
40348	1971	POWER DOOR LOCK HARNESS Coupe, Without Center Post, & All Convertibles, Passenger Side Door Note: Customer Must Reuse Their Original Plastic Connector For Door Jamb Switch.	\$114.00	
40551	1971	POWER DOOR LOCK HARNESS 4 Door Hardtop, Rear Door Lock Solenoid To Intermediate Door Lock Harness, (2 Required Per Car)	\$52.00	
40552	1971	POWER DOOR LOCK HARNESS 4 Door Sedan, & Wagon, Rear Door Lock Solenoid To Intermediate Door Lock Harness, (2 Required Per Car)	\$52.00	
40560	1972	POWER DOOR LOCK HARNESS 4 Door, Driver Side Door And Under Dash Crossover	\$184.00	
40748	1972	POWER DOOR LOCK HARNESS 2 Door Sedan, Driver Side Door And Under Dash Crossover Note: Customer Must Reuse Their Original Plastic Connector For Door Jamb Switch.	\$184.00	
40349	1972	POWER DOOR LOCK HARNESS 2 Door Coupe, & Convertible, Driver Side Door And Under Dash Crossover Note: Customer Must Reuse Their Original Plastic Connector For Door Jamb Switch.	\$184.00	
40561	1972	POWER DOOR LOCK HARNESS 4 Door, Passenger Side Door	\$156.00	

Part Number	Year	Description	Price	*Rev.
40749	1972	POWER DOOR LOCK HARNESS 2 Door Sedan, Passenger Side Door Note: Customer Must Reuse Their Original Plastic Connector For Door Jamb Switch.	\$161.00	
40348	1972	POWER DOOR LOCK HARNESS 2 Door Coupe, & Convertible, Passenger Side Door Note: Customer Must Reuse Their Original Plastic Connector For Door Jamb Switch.	\$114.00	
40551	1972	POWER DOOR LOCK HARNESS 4 Door Hardtop, Rear Door Lock Solenoid To Intermediate Door Lock Harness, (2 Required Per Car)	\$52.00	
40552	1972	POWER DOOR LOCK HARNESS 4 Door Sedan, & Wagon, Rear Door Lock Solenoid To Intermediate Door Lock Harness, (2 Required Per Car)	\$52.00	
40779	1973	POWER DOOR LOCK HARNESS All, Without Power Windows, Under Dash Crossover	\$69.00	
40704	1973	POWER DOOR LOCK HARNESS All, 4 Door, With Switch Mounted In Arm Rest, Passenger Side Door	\$92.00	
40761	1973	POWER DOOR LOCK HARNESS All, 2 Door, With Switch Mounted On Trim Pad, Driver Or Passenger Side	\$92.00	
40762	1973	POWER DOOR LOCK HARNESS All, 4 Door, With Switch Mounted On Trim Pad, Driver Or Passenger Side	\$92.00	
40790	1973	POWER DOOR LOCK HARNESS All, 2 Door, With Switch Mounted In Arm Rest, Driver Or Passenger Side	\$92.00	
40764	1973	POWER DOOR LOCK HARNESS All, 4 Door, Driver Or Passenger Side Rear Door	\$52.00	
40715	1974	POWER DOOR LOCK HARNESS Center Crossover, Without Power Windows, (Includes Door Jamb Switch Wiring)	\$92.00	
40704	1974	POWER DOOR LOCK HARNESS All, 4 Door, With Switch Mounted In Arm Rest, Passenger Side Door	\$92.00	
40761	1974	POWER DOOR LOCK HARNESS All, 2 Door, With Switch Mounted On Trim Pad, Driver Or Passenger Side	\$92.00	
40762	1974	POWER DOOR LOCK HARNESS All, 4 Door, With Switch Mounted On Trim Pad, Driver Or Passenger Side	\$92.00	
40790	1974	POWER DOOR LOCK HARNESS All, 2 Door, With Switch Mounted In Arm Rest, Driver Or Passenger Side	\$92.00	
40764	1974	POWER DOOR LOCK HARNESS All, 4 Door, Driver Or Passenger Side Rear Door	\$52.00	
40715	1975	POWER DOOR LOCK HARNESS Center Crossover, Without Power Windows, (Includes Door Jamb Switch Wiring)	\$92.00	
40704	1975	POWER DOOR LOCK HARNESS All, 4 Door, With Switch Mounted In Arm Rest, Driver Or Passenger Side	\$92.00	
40761	1975	POWER DOOR LOCK HARNESS All, 2 Door, With Switch Mounted On Trim Pad, Driver Or Passenger Side	\$92.00	
40762	1975	POWER DOOR LOCK HARNESS All, 4 Door, With Switch Mounted On Trim Pad, Driver Or Passenger Side	\$92.00	
40790	1975	POWER DOOR LOCK HARNESS All, 2 Door, With Switch Mounted In Arm Rest, Driver Or Passenger Side	\$92.00	
40764	1975	POWER DOOR LOCK HARNESS All, 4 Door, Driver Or Passenger Side Rear Door	\$52.00	
40424	1976	POWER DOOR LOCK HARNESS Center Crossover, Without Power Windows, (Includes Door Jamb Switch Wiring)	\$92.00	
40409	1976	POWER DOOR LOCK HARNESS All, 2 Door, With Switch Mounted On Trim Pad, Driver Or Passenger Side	\$92.00	
40410	1976	POWER DOOR LOCK HARNESS All, 4 Door, With Switch Mounted On Trim Pad, Driver Or Passenger Side	\$92.00	
40411	1976	POWER DOOR LOCK HARNESS All, 2 Door, With Switch Mounted In Armrest, Driver Or Passenger Side	\$92.00	
40412	1976	POWER DOOR LOCK HARNESS All, 4 Door, Driver Or Passenger Side Rear Door	\$52.00	
40858	1977	POWER DOOR LOCK HARNESS Center Crossover, Without Power Windows, (Includes Door Jamb Switch Wiring)	\$92.00	
40859	1977	POWER DOOR LOCK HARNESS All, 2 Door, With Switch Mounted On Trim Pad, Driver Or Passenger Side	\$92.00	

Part Number	Year	Description	Price	*Rev.
40860	1977	POWER DOOR LOCK HARNESS All, 4 Door, With Switch Mounted On Trim Pad, Driver Or Passenger Side	\$92.00	
40861	1977	POWER DOOR LOCK HARNESS All, 4 Door, Driver Or Passenger Side Rear Door	\$52.00	
POWER DOOR LOCK INTERMEDIATE HARNESS				
40548	1970	POWER DOOR LOCK INTERMEDIATE HARNESS 4 Door Hardtop, Under Dash To Rear Door Lock Solenoid Harness, (2 Required Per Car)	\$87.00	
40747	1970	POWER DOOR LOCK INTERMEDIATE HARNESS 4 Door Sedan, & Wagon, Under Dash To Rear Door Lock Solenoid Harness, (2 Required Per Car)	\$75.00	
40548	1971	POWER DOOR LOCK INTERMEDIATE HARNESS 4 Door Hardtop, Passenger Side, Under Dash To Rear Door Lock Solenoid Harness	\$87.00	
40747	1971	POWER DOOR LOCK INTERMEDIATE HARNESS 4 Door Sedan, & Wagon, Passenger Side, Under Dash To Rear Door Lock Solenoid Harness	\$75.00	
40794	1971	POWER DOOR LOCK INTERMEDIATE HARNESS 4 Door Hardtop, Driver Side, Under Dash To Rear Door Lock Solenoid Harness	\$52.00	
40795	1971	POWER DOOR LOCK INTERMEDIATE HARNESS 4 Door Sedan, & Wagon, Driver Side, Under Dash To Rear Door Lock Solenoid Harness	\$52.00	
40548	1972	POWER DOOR LOCK INTERMEDIATE HARNESS 4 Door Hardtop, Passenger Side, Under Dash To Rear Door Lock Solenoid Harness	\$87.00	
40747	1972	POWER DOOR LOCK INTERMEDIATE HARNESS 4 Door Sedan, & Wagon, Passenger Side, Under Dash To Rear Door Lock Solenoid Harness	\$75.00	
40794	1972	POWER DOOR LOCK INTERMEDIATE HARNESS 4 Door Hardtop, Driver Side, Under Dash To Rear Door Lock Solenoid Harness	\$52.00	
40795	1972	POWER DOOR LOCK INTERMEDIATE HARNESS 4 Door Sedan, & Wagon, Driver Side, Under Dash To Rear Door Lock Solenoid Harness	\$52.00	
POWER DOOR LOCK RELAY AND ADAPTER HARNESS				
39440	1970	POWER DOOR LOCK RELAY AND ADAPTER HARNESS Includes New Standard Type Relay And Adapter To Mate To Factory Harness	\$34.00	
39440	1971	POWER DOOR LOCK RELAY AND ADAPTER HARNESS Includes New Standard Type Relay And Adapter To Mate To Factory Harness	\$34.00	
39440	1972	POWER DOOR LOCK RELAY AND ADAPTER HARNESS Includes New Standard Type Relay And Adapter To Mate To Factory Harness	\$34.00	
POWER DOOR LOCK SWITCH ASSEMBLY				
01725099	1976	POWER DOOR LOCK SWITCH ASSEMBLY 1 Button	\$62.00	
POWER SEAT BACK LOCK EXTENSION WIRE				
14510	1970	POWER SEAT BACK LOCK EXTENSION WIRE Coupe, With Center Post, (2 Required Per Car) Note: This Extension Connects Solenoid In Seat To Seat Back Lock Main Harness.	\$35.00	
40751	1970	POWER SEAT BACK LOCK EXTENSION WIRE Coupe & Convertibles, With Split Bench Seat, (2 Required Per Car) Note: This Extension Connects Solenoid In Seat To Seat Back Lock Main Harness.	\$35.00	
40752	1970	POWER SEAT BACK LOCK EXTENSION WIRE Coupe & Convertibles, With Bucket Seats, (2 Required Per Car) Note: This Extension Connects Solenoid In Seat To Seat Back Lock Main Harness.	\$35.00	
14510	1971	POWER SEAT BACK LOCK EXTENSION WIRE Coupe, With Center Post, (2 Required Per Car) Note: This Extension Connects Solenoid In Seat To Seat Back Lock Main Harness.	\$35.00	
40751	1971	POWER SEAT BACK LOCK EXTENSION WIRE Coupe & Convertibles, With Split Bench Seat, (2 Required Per Car) Note: This Extension Connects Solenoid In Seat To Seat Back Lock Main Harness.	\$35.00	
40752	1971	POWER SEAT BACK LOCK EXTENSION WIRE Coupe & Convertibles, With Bucket Seats, (2 Required Per Car) Note: This Extension Connects Solenoid In Seat To Seat Back Lock Main Harness.	\$35.00	
14510	1972	POWER SEAT BACK LOCK EXTENSION WIRE 2 Door Sedan, & Hardtop Coupe, With Bench Seat, (2 Required Per Car) Note: This Extension Connects Solenoid In Seat To Seat Back Lock Main Harness.	\$35.00	
40751	1972	POWER SEAT BACK LOCK EXTENSION WIRE Coupe & Convertibles, With Split Bench Seat, (2 Required Per Car) Note: This Extension Connects Solenoid In Seat To Seat Back Lock Main Harness.	\$35.00	

Part Number	Year	Description	Price	*Rev.
40752	1972	POWER SEAT BACK LOCK EXTENSION WIRE Coupe & Convertibles, With Bucket Seats, (2 Required Per Car) Note: This Extension Connects Solenoid In Seat To Seat Back Lock Main Harness.	\$35.00	
40721	1973	POWER SEAT BACK LOCK EXTENSION WIRE All, 2 Door, Under Dash To Seat Back Lock Harness In Seat (2 Required Per Car)	\$35.00	
POWER SEAT BACK LOCK HARNESS				
40750	1970	POWER SEAT BACK LOCK HARNESS Seat Back Lock Relay To Power Door Lock Harness	\$114.00	
40750	1971	POWER SEAT BACK LOCK HARNESS Seat Back Lock Relay To Power Door Lock Harness	\$114.00	
40750	1972	POWER SEAT BACK LOCK HARNESS Seat Back Lock Relay To Power Door Lock Harness	\$114.00	
40722	1973	POWER SEAT BACK LOCK HARNESS All, 2 Door, Under Dash Crossover Note: Customer Must Reuse Their Original Plastic Connector For Door Jamb Switch.	\$35.00	
40757	1973	POWER SEAT BACK LOCK HARNESS All, 2 Door, Seat Back Solenoid To Seat Back Lock Extension Harness, (2 Required Per Car)	\$35.00	
40722	1974	POWER SEAT BACK LOCK HARNESS All, 2 Door, Under Dash Crossover Note: Customer Must Reuse Their Original Plastic Connector For Door Jamb Switch.	\$35.00	
POWER SEAT BACK RELAY AND ADAPTER HARNESS				
39440	1970	POWER SEAT BACK RELAY AND ADAPTER HARNESS Includes New Standard Type Relay And Adapter To Mate To Factory Harness	\$34.00	
39440	1971	POWER SEAT BACK RELAY AND ADAPTER HARNESS Includes New Standard Type Relay And Adapter To Mate To Factory Harness	\$34.00	
39440	1972	POWER SEAT BACK RELAY AND ADAPTER HARNESS Includes New Standard Type Relay And Adapter To Mate To Factory Harness	\$34.00	
POWER SEAT GROUND WIRE				
07295	1965	POWER SEAT GROUND WIRE All	\$18.00	
07295	1966	POWER SEAT GROUND WIRE All	\$18.00	
07295	1967	POWER SEAT GROUND WIRE All	\$18.00	
07295	1968	POWER SEAT GROUND WIRE All	\$18.00	
07295	1969	POWER SEAT GROUND WIRE All	\$18.00	
07295	1970	POWER SEAT GROUND WIRE All	\$18.00	
07295	1971	POWER SEAT GROUND WIRE All	\$18.00	
07295	1972	POWER SEAT GROUND WIRE All	\$18.00	
07295	1973	POWER SEAT GROUND WIRE All	\$18.00	
POWER SEAT HARNESS				
37426	1963	POWER SEAT HARNESS 4 Way Bucket, Drivers Side Note: Customer Must Reuse Their Original Plastic Connector For Control Switch.	\$161.00	
06950	1964	POWER SEAT HARNESS 4 Way Bucket, Drivers Side Note: Customer Must Reuse Their Original Plastic Connector For Control Switch.	\$144.00	
06945	1964	POWER SEAT HARNESS 4 Way Bench Note: Customer Must Reuse Their Original Plastic Connector For Control Switch.	\$144.00	
07595	1965	POWER SEAT HARNESS 4-Way Bench Note: Customer Must Reuse Their Original Plastic Connector For Control Switch.	\$144.00	
07600	1965	POWER SEAT HARNESS 4 Way Bucket, Drivers Side Note: Customer Must Reuse Their Original Plastic Connector For Control Switch.	\$138.00	
07595	1966	POWER SEAT HARNESS 4-Way Bench Note: Customer Must Reuse Their Original Plastic Connector For Control Switch.	\$144.00	
07020	1966	POWER SEAT HARNESS 4 Way Bucket, Drivers Side Note: Customer Must Reuse Their Original Plastic Connector For Control Switch.	\$138.00	
32325	1967	POWER SEAT HARNESS 4-Way Bench Note: Customer Must Reuse Their Original Plastic Connector For Control Switch.	\$144.00	

Part Number	Year	Description	Price	*Rev.
07020	1967	POWER SEAT HARNESS 4 Way Bucket, Drivers Side Note: Customer Must Reuse Their Original Plastic Connector For Control Switch.	\$138.00	
32325	1968	POWER SEAT HARNESS 4-Way Bench Note: Customer Must Reuse Their Original Plastic Connector For Control Switch.	\$144.00	
07020	1968	POWER SEAT HARNESS 4 Way Bucket, Drivers Side Note: Customer Must Reuse Their Original Plastic Connector For Control Switch.	\$138.00	
07020	1969	POWER SEAT HARNESS 4 Way Bucket, Drivers Side Note: Customer Must Reuse Their Original Plastic Connector For Control Switch.	\$138.00	
14435	1969	POWER SEAT HARNESS 4-Way Bench Note: Customer Must Reuse Their Original Plastic Connector For Control Switch.	\$153.00	
07020	1970	POWER SEAT HARNESS 4 Way Bucket, Drivers Side Note: Customer Must Reuse Their Original Plastic Connector For Control Switch.	\$138.00	
14435	1970	POWER SEAT HARNESS 4-Way Bench Note: Customer Must Reuse Their Original Plastic Connector For Control Switch.	\$153.00	
07020	1971	POWER SEAT HARNESS 4 Way Bucket, Drivers Side Note: Customer Must Reuse Their Original Plastic Connector For Control Switch.	\$138.00	
14435	1971	POWER SEAT HARNESS 4-Way Bench Note: Customer Must Reuse Their Original Plastic Connector For Control Switch.	\$153.00	
07020	1972	POWER SEAT HARNESS 4 Way Bucket, Drivers Side Note: Customer Must Reuse Their Original Plastic Connector For Control Switch.	\$138.00	
14435	1972	POWER SEAT HARNESS 4-Way Bench Note: Customer Must Reuse Their Original Plastic Connector For Control Switch.	\$153.00	
40727	1973	POWER SEAT HARNESS All, With Bench Seat Note: Customer Must Reuse Their Original Plastic Connector For Control Switch.	\$165.00	
40793	1973	POWER SEAT HARNESS All, With Bucket Seat, Drivers Side Note: Customer Must Reuse Their Original Plastic Connector For Control Switch.	\$155.00	
40793	1974	POWER SEAT HARNESS All, With Bucket Seat, Drivers Side Note: Customer Must Reuse Their Original Plastic Connector For Control Switch.	\$155.00	
40727	1974	POWER SEAT HARNESS All, With Bench Seat Note: Customer Must Reuse Their Original Plastic Connector For Control Switch.	\$165.00	
40727	1975	POWER SEAT HARNESS All, With Bench Seat Note: Customer Must Reuse Their Original Plastic Connector For Control Switch.	\$165.00	
40793	1975	POWER SEAT HARNESS All, With Bucket Seat, Drivers Side Note: Customer Must Reuse Their Original Plastic Connector For Control Switch.	\$155.00	
40417	1976	POWER SEAT HARNESS All, With Bench Seat Note: Customer Must Reuse Their Original Plastic Connector For Control Switch.	\$150.00	
40418	1976	POWER SEAT HARNESS All, With Bucket Seat, Drivers Side Note: Customer Must Reuse Their Original Plastic Connector For Control Switch.	\$145.00	
40417	1977	POWER SEAT HARNESS All, With Bench Seat Note: Customer Must Reuse Their Original Plastic Connector For Control Switch.	\$150.00	
40418	1977	POWER SEAT HARNESS All, With Bucket Seat, Drivers Side Note: Customer Must Reuse Their Original Plastic Connector For Control Switch.	\$145.00	
POWER SEAT MOTOR RELAY AND ADAPTER HARNESS				
40146	1964	POWER SEAT MOTOR RELAY AND ADAPTER HARNESS Includes New Standard Type Relay And Adapter To Mate To Factory Harness	\$64.00	
40146	1965	POWER SEAT MOTOR RELAY AND ADAPTER HARNESS Includes New Standard Type Relay And Adapter To Mate To Factory Harness	\$64.00	
40146	1966	POWER SEAT MOTOR RELAY AND ADAPTER HARNESS Includes New Standard Type Relay And Adapter To Mate To Factory Harness	\$64.00	

Part Number	Year	Description	Price	*Rev.
40146	1967	POWER SEAT MOTOR RELAY AND ADAPTER HARNESS Includes New Standard Type Relay And Adapter To Mate To Factory Harness	\$64.00	
40146	1968	POWER SEAT MOTOR RELAY AND ADAPTER HARNESS Includes New Standard Type Relay And Adapter To Mate To Factory Harness	\$64.00	
40146	1969	POWER SEAT MOTOR RELAY AND ADAPTER HARNESS Includes New Standard Type Relay And Adapter To Mate To Factory Harness	\$64.00	
40146	1970	POWER SEAT MOTOR RELAY AND ADAPTER HARNESS Includes New Standard Type Relay And Adapter To Mate To Factory Harness	\$64.00	
40146	1971	POWER SEAT MOTOR RELAY AND ADAPTER HARNESS Includes New Standard Type Relay And Adapter To Mate To Factory Harness	\$64.00	
40146	1972	POWER SEAT MOTOR RELAY AND ADAPTER HARNESS Includes New Standard Type Relay And Adapter To Mate To Factory Harness	\$64.00	
40146	1973	POWER SEAT MOTOR RELAY AND ADAPTER HARNESS Includes New Standard Type Relay And Adapter To Mate To Factory Harness	\$64.00	
40146	1974	POWER SEAT MOTOR RELAY AND ADAPTER HARNESS Includes New Standard Type Relay And Adapter To Mate To Factory Harness, Except GTO	\$64.00	
40146	1975	POWER SEAT MOTOR RELAY AND ADAPTER HARNESS Includes New Standard Type Relay And Adapter To Mate To Factory Harness, Except GTO	\$64.00	
POWER TAILGATE RELAY AND ADAPTER HARNESS				
39440	1968	POWER TAILGATE RELAY AND ADAPTER HARNESS Includes New Standard Type Relay And Adapter To Mate To Factory Harness	\$34.00	
39440	1969	POWER TAILGATE RELAY AND ADAPTER HARNESS Includes New Standard Type Relay And Adapter To Mate To Factory Harness	\$34.00	
39440	1970	POWER TAILGATE RELAY AND ADAPTER HARNESS Includes New Standard Type Relay And Adapter To Mate To Factory Harness	\$34.00	
39440	1971	POWER TAILGATE RELAY AND ADAPTER HARNESS Includes New Standard Type Relay And Adapter To Mate To Factory Harness	\$34.00	
39440	1972	POWER TAILGATE RELAY AND ADAPTER HARNESS Includes New Standard Type Relay And Adapter To Mate To Factory Harness	\$34.00	
POWER TAILGATE WINDOW EXTENSION HARNESS				
40796	1970	POWER TAILGATE WINDOW EXTENSION HARNESS Tailgate Window Cutout Switch, To Tailgate Window Harness	\$34.00	
40796	1971	POWER TAILGATE WINDOW EXTENSION HARNESS Tailgate Window Cutout Switch, To Tailgate Window Harness	\$34.00	
40796	1972	POWER TAILGATE WINDOW EXTENSION HARNESS Tailgate Window Cutout Switch, To Tailgate Window Harness	\$34.00	
POWER TAILGATE WINDOW HARNESS				
37415	1961	POWER TAILGATE WINDOW HARNESS Safari 4 Door Wagon, Rear Section	\$45.00	
37415	1962	POWER TAILGATE WINDOW HARNESS Safari 4 Door Wagon, Rear Section	\$45.00	
37415	1963	POWER TAILGATE WINDOW HARNESS Safari 4 Door Wagon, Rear Section	\$45.00	
40531	1968	POWER TAILGATE WINDOW HARNESS Tempest Wagons, With Power Tailgate Window, Without Power Side Windows, Ignition Relay To Dash Switch	\$51.00	
40532	1968	POWER TAILGATE WINDOW HARNESS Tempest Wagons, With Power Tailgate Window & Power Side Windows, Ignition Relay To Dash Switch	\$57.00	
40534	1969	POWER TAILGATE WINDOW HARNESS Tempest Wagons, With Power Tailgate Window, Without Power Side Windows, Ignition Relay To Dash Switch	\$51.00	
40535	1969	POWER TAILGATE WINDOW HARNESS Tempest Wagons, With Power Tailgate Window & Power Side Windows, Ignition Relay To Dash Switch	\$57.00	
40556	1970	POWER TAILGATE WINDOW HARNESS Tempest Wagon, With Power Tailgate Window, Without Power Side Windows, Ignition Relay To Dash Switch	\$51.00	
40557	1970	POWER TAILGATE WINDOW HARNESS Tempest Wagon, With Power Tailgate Window & Power Side Windows, Ignition Relay To Dash Switch	\$57.00	
40557	1971	POWER TAILGATE WINDOW HARNESS Tempest Wagon, With Power Tailgate Window & Power Side Windows, Ignition Relay To Dash Switch	\$57.00	
40810	1971	POWER TAILGATE WINDOW HARNESS Tempest Wagon, With Power Tailgate Window, Without Power Side Windows, Ignition Relay To Dash Switch	\$51.00	

Part Number	Year	Description	Price	*Rev.
40557	1972	POWER TAILGATE WINDOW HARNESS Tempest Wagon, With Power Tailgate Window & Power Side Windows, Ignition Relay To Dash Switch	\$57.00	
40810	1972	POWER TAILGATE WINDOW HARNESS Tempest Wagon, With Power Tailgate Window, Without Power Side Windows, Ignition Relay To Dash Switch	\$51.00	
POWER TOP HARNESS				
14135	1968	POWER TOP HARNESS Hydraulic Top Motor To Switch	\$42.00	
14400	1969	POWER TOP HARNESS Tempest Custom, Hydraulic Motor	\$42.00	
POWER TOP SWITCH				
09782978	1966	POWER TOP SWITCH	\$109.00	
09782978	1967	POWER TOP SWITCH	\$109.00	
POWER WINDOW HARNESS				
07200	1964	POWER WINDOW HARNESS 4 Door Sedan & Wagons, Driver Or Passenger Side Rear Door, (2 Required Per Car) Note: Customer Must Supply Their Original Rubber Boot	\$133.00	
06960	1964	POWER WINDOW HARNESS Driver Side Door	\$184.00	
06955	1964	POWER WINDOW HARNESS Passenger Side Door	\$127.00	
06990	1964	POWER WINDOW HARNESS Quarter Window, Coupe, (2 Required Per Car) Note: Customer Must Reuse Their Original Plastic 3 Terminal Connector That Attaches This Harness To Ribbon Cable.	\$75.00	
06995	1964	POWER WINDOW HARNESS Quarter Window, Convertible, (2 Required Per Car) Note: Customer Must Reuse Their Original Plastic 3 Terminal Connector That Attaches This Harness To Ribbon Cable.	\$75.00	
07630	1965	POWER WINDOW HARNESS Tempest Wagons & Sedans, Rear Doors, (2 Required Per Car) Note: Customer Must Supply Their Original Rubber Boot	\$133.00	
07610	1965	POWER WINDOW HARNESS Driver Side Door	\$190.00	
07605	1965	POWER WINDOW HARNESS Passenger Side Door	\$127.00	
07640	1965	POWER WINDOW HARNESS Quarter Window, Coupe, (2 Required Per Car) Note: Customer Must Reuse Their Original Plastic 3 Terminal Connector That Attaches This Harness To Ribbon Cable.	\$75.00	
07695	1965	POWER WINDOW HARNESS Quarter Window, Convertible, (2 Required Per Car) Note: Customer Must Reuse Their Original Plastic 3 Terminal Connector That Attaches This Harness To Ribbon Cable.	\$75.00	
32485	1966	POWER WINDOW HARNESS 4 Door Hardtop, Driver Side Rear Door Note: Customer Must Supply Their Original Rubber Boot	\$133.00	
07630	1966	POWER WINDOW HARNESS Tempest Wagons & Sedans, Rear Doors, (2 Required Per Car) Note: Customer Must Supply Their Original Rubber Boot	\$133.00	
32480	1966	POWER WINDOW HARNESS 4 Door Hardtop, Passenger Side Rear Door Note: Customer Must Supply Their Original Rubber Boot	\$133.00	
08260	1966	POWER WINDOW HARNESS Driver Side Door	\$184.00	
27310	1966	POWER WINDOW HARNESS Passenger Side Door	\$127.00	
07640	1966	POWER WINDOW HARNESS Quarter Window, Coupe, (2 Required Per Car) Note: Customer Must Reuse Their Original Plastic 3 Terminal Connector That Attaches This Harness To Ribbon Cable.	\$75.00	
07695	1966	POWER WINDOW HARNESS Quarter Window, Convertible, (2 Required Per Car) Note: Customer Must Reuse Their Original Plastic 3 Terminal Connector That Attaches This Harness To Ribbon Cable.	\$75.00	
07630	1967	POWER WINDOW HARNESS Tempest Wagons & Sedans, Rear Doors, (2 Required Per Car) Note: Customer Must Supply Their Original Rubber Boot	\$133.00	

Part Number	Year	Description	Price	*Rev.
32480	1967	POWER WINDOW HARNESS 4 Door Hardtop, Passenger Side Rear Door Note: Customer Must Supply Their Original Rubber Boot	\$133.00	
32485	1967	POWER WINDOW HARNESS 4 Door Hardtop, Driver Side Rear Door Note: Customer Must Supply Their Original Rubber Boot	\$133.00	
08260	1967	POWER WINDOW HARNESS Driver Side Door	\$184.00	
27310	1967	POWER WINDOW HARNESS Passenger Side Door	\$127.00	
07640	1967	POWER WINDOW HARNESS Quarter Window, Coupe, (2 Required Per Car) Note: Customer Must Reuse Their Original Plastic 3 Terminal Connector That Attaches This Harness To Ribbon Cable.	\$75.00	
07695	1967	POWER WINDOW HARNESS Quarter Window, Convertible, (2 Required Per Car) Note: Customer Must Reuse Their Original Plastic 3 Terminal Connector That Attaches This Harness To Ribbon Cable.	\$75.00	
40541	1968	POWER WINDOW HARNESS Rear Door, Tempest & Lemans 4 Door Hardtops, (2 Required Per Car) Note: Customer Must Supply Their Original Rubber Boot	\$133.00	
40542	1968	POWER WINDOW HARNESS Rear Door, Tempest Wagons & 4 Door Sedans, (2 Required Per Car) Note: Customer Must Supply Their Original Rubber Boot	\$133.00	
14170	1968	POWER WINDOW HARNESS Quarter Windows & Intermediate Body	\$161.00	
31135	1968	POWER WINDOW HARNESS Driver Side Door	\$190.00	
14165	1968	POWER WINDOW HARNESS Passenger Side Door	\$127.00	
14425	1969	POWER WINDOW HARNESS 4 Door, Driver Side Door And Under Dash Note: Not Available At This Time.	\$218.00	
37819	1969	POWER WINDOW HARNESS 4 Door, Passenger Side Door	\$133.00	
40541	1969	POWER WINDOW HARNESS Rear Door, Tempest & Lemans 4 Door Hardtops, (2 Required Per Car) Note: Customer Must Supply Their Original Rubber Boot	\$133.00	
40542	1969	POWER WINDOW HARNESS Rear Door, Tempest Wagons & 4 Door Sedans, (2 Required Per Car) Note: Customer Must Supply Their Original Rubber Boot	\$133.00	
39470	1969	POWER WINDOW HARNESS Driver Side Door And Under Dash Crossover	\$229.00	
37817	1969	POWER WINDOW HARNESS Passenger Side Door	\$127.00	
14405	1969	POWER WINDOW HARNESS Quarter Windows & Intermediate Body	\$161.00	
40554	1970	POWER WINDOW HARNESS 4 Door, Driver Side Door And Under Dash	\$218.00	
40555	1970	POWER WINDOW HARNESS 4 Door, Passenger Side Door	\$127.00	
40550	1970	POWER WINDOW HARNESS Rear Doors, 4 Door Hardtop, (2 Required Per Car) Note: Customer Must Supply Their Original Rubber Boot	\$127.00	
14445	1970	POWER WINDOW HARNESS Rear Doors, 4 Door Sedan, & Wagon, (2 Required Per Car) Note: Customer Must Supply Their Original Rubber Boot	\$127.00	
31140	1970	POWER WINDOW HARNESS Driver Side Door And Under Dash Crossover	\$229.00	
14470	1970	POWER WINDOW HARNESS Passenger Side Door	\$127.00	
14505	1970	POWER WINDOW HARNESS Quarter Windows & Intermediate Body	\$161.00	
40811	1971	POWER WINDOW HARNESS 4 Door, Driver Side Door And Under Dash Crossover	\$218.00	
40555	1971	POWER WINDOW HARNESS 4 Door, Passenger Side Door	\$127.00	

Part Number	Year	Description	Price	*Rev.
40801	1971	POWER WINDOW HARNESS Rear Doors, 4 Door Hardtop, (2 Required Per Car) Note: Customer Must Supply Their Original Rubber Boot	\$127.00	
40802	1971	POWER WINDOW HARNESS Rear Doors, 4 Door Sedan, & Wagon, (2 Required Per Car) Note: Customer Must Supply Their Original Rubber Boot	\$127.00	
31140	1971	POWER WINDOW HARNESS Driver Side Door And Under Dash Crossover	\$229.00	
14470	1971	POWER WINDOW HARNESS Passenger Side Door	\$127.00	
14505	1971	POWER WINDOW HARNESS Quarter Windows & Intermediate Body	\$161.00	
40811	1972	POWER WINDOW HARNESS 4 Door, Driver Side Door And Under Dash Crossover	\$218.00	
40555	1972	POWER WINDOW HARNESS 4 Door, Passenger Side Door	\$127.00	
40801	1972	POWER WINDOW HARNESS Rear Doors, 4 Door Hardtop, (2 Required Per Car) Note: Customer Must Supply Their Original Rubber Boot	\$127.00	
40802	1972	POWER WINDOW HARNESS Rear Doors, 4 Door Sedan, & Wagon, (2 Required Per Car) Note: Customer Must Supply Their Original Rubber Boot	\$127.00	
39471	1972	POWER WINDOW HARNESS Driver Side Door And Under Dash Crossover	\$229.00	
14470	1972	POWER WINDOW HARNESS Passenger Side Door	\$127.00	
14505	1972	POWER WINDOW HARNESS Quarter Windows & Intermediate Body	\$161.00	
40770	1973	POWER WINDOW HARNESS All 4 Door Cars, Without Power Door Locks, Under Dash Crossover	\$252.00	
40786	1973	POWER WINDOW HARNESS All 2 Door Cars, Without Power Door Locks, Under Dash Crossover	\$252.00	
40791	1973	POWER WINDOW HARNESS All 4 Door Cars, With Power Door Locks, Under Dash Crossover	\$252.00	
40792	1973	POWER WINDOW HARNESS All 2 Door Cars, With Power Door Locks, Under Dash Crossover	\$252.00	
40695	1973	POWER WINDOW HARNESS All, 4 Door Cars, With Switch Mounted In Arm Rest, Driver Side Door Note: Customer Must Supply Their Original Rubber Boot & Plastic Connector For The Window Switch.	\$218.00	
40771	1973	POWER WINDOW HARNESS All, 2 Door Cars, With Switch Mounted On Trim Pad, Driver Side Door Note: Customer Must Supply Their Original Rubber Boot.	\$218.00	
40772	1973	POWER WINDOW HARNESS All, 4 Door Cars, With Switch Mounted On Trim Pad, Driver Side Door Note: Customer Must Supply Their Original Rubber Boot.	\$218.00	
40788	1973	POWER WINDOW HARNESS All, 2 Door Cars, With Switch Mounted In Arm Rest, Driver Side Door Note: Customer Must Supply Their Original Rubber Boot.	\$218.00	
40703	1973	POWER WINDOW HARNESS All, 4 Door Cars, With Switch Mounted In Arm Rest, Passenger Side Door Note: Customer Must Supply Their Original Rubber Boot.	\$218.00	
40773	1973	POWER WINDOW HARNESS All, 2 Door Cars, With Switch Mounted On Trim Pad, Passenger Side Door Note: Customer Must Supply Their Original Rubber Boot.	\$218.00	
40774	1973	POWER WINDOW HARNESS All, 4 Door Cars, With Switch Mounted On Trim Pad, Passenger Side Door Note: Customer Must Supply Their Original Rubber Boot.	\$218.00	
40789	1973	POWER WINDOW HARNESS All, 2 Door Cars, With Switch Mounted In Arm Rest, Passenger Side Door Note: Customer Must Supply Their Original Rubber Boot.	\$218.00	
40775	1973	POWER WINDOW HARNESS All, 4 Door Cars, Driver Or Passenger Side Rear Door Note: Customer Must Supply Their Original Rubber Boot.	\$218.00	

Part Number	Year	Description	Price	*Rev.
40717	1974	POWER WINDOW HARNESS Center Crossover, With Power Door Locks, (Includes Door Jamb Switch Wiring)	\$252.00	
40718	1974	POWER WINDOW HARNESS Grand AM, 2 Door, Center Crossover, (Includes Door Jamb Switch Wiring)	\$252.00	
40719	1974	POWER WINDOW HARNESS Grand AM & Le Mans, 4 Door, Center Crossover, (Includes Door Jamb Switch Wiring)	\$252.00	
40695	1974	POWER WINDOW HARNESS All, 4 Door Cars, With Switch Mounted In Arm Rest, Driver Side Door Note: Customer Must Supply Their Original Rubber Boot & Plastic Connector For The Window Switch.	\$218.00	
40771	1974	POWER WINDOW HARNESS All, 2 Door Cars, With Switch Mounted On Trim Pad, Driver Side Door Note: Customer Must Supply Their Original Rubber Boot.	\$218.00	
40772	1974	POWER WINDOW HARNESS All, 4 Door Cars, With Switch Mounted On Trim Pad, Driver Side Door Note: Customer Must Supply Their Original Rubber Boot.	\$218.00	
40788	1974	POWER WINDOW HARNESS All, 2 Door Cars, With Switch Mounted In Arm Rest, Driver Side Door Note: Customer Must Supply Their Original Rubber Boot.	\$218.00	
40703	1974	POWER WINDOW HARNESS All, 4 Door Cars, With Switch Mounted In Arm Rest, Passenger Side Door Note: Customer Must Supply Their Original Rubber Boot.	\$218.00	
40773	1974	POWER WINDOW HARNESS All, 2 Door Cars, With Switch Mounted On Trim Pad, Passenger Side Door Note: Customer Must Supply Their Original Rubber Boot.	\$218.00	
40774	1974	POWER WINDOW HARNESS All, 4 Door Cars, With Switch Mounted On Trim Pad, Passenger Side Door Note: Customer Must Supply Their Original Rubber Boot.	\$218.00	
40789	1974	POWER WINDOW HARNESS All, 2 Door Cars, With Switch Mounted In Arm Rest, Passenger Side Door Note: Customer Must Supply Their Original Rubber Boot.	\$218.00	
40775	1974	POWER WINDOW HARNESS All, 4 Door Cars, Driver Or Passenger Side Rear Door Note: Customer Must Supply Their Original Rubber Boot.	\$218.00	
40717	1975	POWER WINDOW HARNESS Center Crossover, 4 Door, With Power Door Locks, (Includes Door Jamb Switch Wiring)	\$252.00	
40718	1975	POWER WINDOW HARNESS Grand AM & Le Mans, 2 Door, Center Crossover, (Includes Door Jamb Switch Wiring)	\$252.00	
40719	1975	POWER WINDOW HARNESS Grand AM & Le Mans, 4 Door, Center Crossover, (Includes Door Jamb Switch Wiring)	\$252.00	
40695	1975	POWER WINDOW HARNESS All, 4 Door Cars, With Switch Mounted In Arm Rest, Driver Side Door Note: Customer Must Supply Their Original Rubber Boot & Plastic Connector For The Window Switch.	\$218.00	
40771	1975	POWER WINDOW HARNESS All, 2 Door Cars, With Switch Mounted On Trim Pad, Driver Side Door Note: Customer Must Supply Their Original Rubber Boot.	\$218.00	
40772	1975	POWER WINDOW HARNESS All, 4 Door Cars, With Switch Mounted On Trim Pad, Driver Side Door Note: Customer Must Supply Their Original Rubber Boot.	\$218.00	
40788	1975	POWER WINDOW HARNESS All, 2 Door Cars, With Switch Mounted In Arm Rest, Driver Side Door Note: Customer Must Supply Their Original Rubber Boot.	\$218.00	
40774	1975	POWER WINDOW HARNESS All, 4 Door Cars, With Switch Mounted On Trim Pad, Passenger Side Door Note: Customer Must Supply Their Original Rubber Boot.	\$218.00	

Part Number	Year	Description	Price	*Rev.
40789	1975	POWER WINDOW HARNESS All, 2 Door Cars, With Switch Mounted In Arm Rest, Passenger Side Door Note: Customer Must Supply Their Original Rubber Boot.	\$218.00	
40775	1975	POWER WINDOW HARNESS All, 4 Door Cars, Driver Or Passenger Side Rear Door Note: Customer Must Supply Their Original Rubber Boot.	\$218.00	
40425	1976	POWER WINDOW HARNESS Le Mans, 2 Door, Center Crossover, With Power Door Locks, (Includes Door Jamb Switch Wiring)	\$252.00	
40426	1976	POWER WINDOW HARNESS Le Mans, 4 Door, Center Crossover, With Power Door Locks, (Includes Door Jamb Switch Wiring)	\$252.00	
40427	1976	POWER WINDOW HARNESS Le Mans, 2 Door, Center Crossover, Without Power Door Locks, (Includes Door Jamb Switch Wiring)	\$252.00	
40428	1976	POWER WINDOW HARNESS Le Mans, 4 Door, Center Crossover, Without Power Door Locks, (Includes Door Jamb Switch Wiring)	\$252.00	
40405	1976	POWER WINDOW HARNESS All, 2 Door Cars, With Switch Mounted On Trim Pad, Driver Side Door Note: Customer Must Supply Their Original Rubber Boot.	\$218.00	
40406	1976	POWER WINDOW HARNESS All, 4 Door Cars, With Switch Mounted On Trim Pad, Driver Side Door Note: Customer Must Supply Their Original Rubber Boot.	\$218.00	
40407	1976	POWER WINDOW HARNESS All, 2 Door Cars, With Switch Mounted In Arm Rest, Driver Side Door Note: Customer Must Supply Their Original Rubber Boot.	\$218.00	
40402	1976	POWER WINDOW HARNESS All, 2 Door Cars, With Switch Mounted On Trim Pad, Passenger Side Door Note: Customer Must Supply Their Original Rubber Boot.	\$218.00	
40403	1976	POWER WINDOW HARNESS All, 4 Door Cars, With Switch Mounted On Trim Pad, Passenger Side Door Note: Customer Must Supply Their Original Rubber Boot.	\$218.00	
40404	1976	POWER WINDOW HARNESS All, 2 Door Cars, With Switch Mounted In Arm Rest, Passenger Side Door Note: Customer Must Supply Their Original Rubber Boot.	\$218.00	
40408	1976	POWER WINDOW HARNESS All, 4 Door Cars, Driver Or Passenger Side Rear Door Note: Customer Must Supply Their Original Rubber Boot.	\$218.00	
40427	1977	POWER WINDOW HARNESS Le Mans, 2 Door, Center Crossover, Without Power Door Locks, (Includes Door Jamb Switch Wiring)	\$252.00	
40857	1977	POWER WINDOW HARNESS All, 2 Door, Center Crossover, With Power Door Locks, (Includes Door Jamb Switch Wiring) Note: Customer Must Supply Us Their Original Harness.	\$252.00	
40428	1977	POWER WINDOW HARNESS Le Mans, 4 Door, Center Crossover, Without Power Door Locks, (Includes Door Jamb Switch Wiring)	\$252.00	
40856	1977	POWER WINDOW HARNESS All, 4 Door, Center Crossover, With Power Door Locks, (Includes Door Jamb Switch Wiring) Note: Customer Must Supply Us Their Original Harness.	\$252.00	
40405	1977	POWER WINDOW HARNESS All, 2 Door Cars, With Switch Mounted On Trim Pad, Driver Side Door Note: Customer Must Supply Their Original Rubber Boot.	\$218.00	
40406	1977	POWER WINDOW HARNESS All, 4 Door Cars, With Switch Mounted On Trim Pad, Driver Side Door Note: Customer Must Supply Their Original Rubber Boot.	\$218.00	
40407	1977	POWER WINDOW HARNESS All, 2 Door Cars, With Switch Mounted In Arm Rest, Driver Side Door Note: Customer Must Supply Their Original Rubber Boot.	\$218.00	

Part Number	Year	Description	Price	*Rev.
40402	1977	POWER WINDOW HARNESS All, 2 Door Cars, With Switch Mounted On Trim Pad, Passenger Side Door Note: Customer Must Supply Their Original Rubber Boot.	\$218.00	
40403	1977	POWER WINDOW HARNESS All, 4 Door Cars, With Switch Mounted On Trim Pad, Passenger Side Door Note: Customer Must Supply Their Original Rubber Boot.	\$218.00	
40404	1977	POWER WINDOW HARNESS All, 2 Door Cars, With Switch Mounted In Arm Rest, Passenger Side Door Note: Customer Must Supply Their Original Rubber Boot.	\$218.00	
40408	1977	POWER WINDOW HARNESS All, 4 Door Cars, Driver Or Passenger Side Rear Door Note: Customer Must Supply Their Original Rubber Boot.	\$218.00	
POWER WINDOW INTERMEDIATE HARNESS				
06895	1964	POWER WINDOW INTERMEDIATE HARNESS Under Dash, Cross Over Only Note: Customer Must Reuse Their Original Plastic 6 Terminal Connector Note: Center Of Body Flat Ribbon Cable Not Available.	\$127.00	
07680	1965	POWER WINDOW INTERMEDIATE HARNESS Under Dash, Cross Over Only Note: Customer Must Reuse Their Original Plastic 6 Terminal Connector Note: Center Of Body Flat Ribbon Cable Not Available.	\$127.00	
07680	1966	POWER WINDOW INTERMEDIATE HARNESS Under Dash, Cross Over Only Note: Customer Must Reuse Their Original Plastic 6 Terminal Connector Note: Center Of Body Flat Ribbon Cable Not Available.	\$127.00	
08235	1967	POWER WINDOW INTERMEDIATE HARNESS Under Dash, Cross Over Only Note: Customer Must Reuse Their Original Plastic 6 Terminal Connector Note: Center Of Body Flat Ribbon Cable Not Available.	\$127.00	
40524	1968	POWER WINDOW INTERMEDIATE HARNESS Tempest Wagons & 4 Doors, Driver Side Front Door Harness To Harness In Rear Doors	\$133.00	
14410	1969	POWER WINDOW INTERMEDIATE HARNESS Tempest Wagons & 4 Doors, Driver Side Front Door Harness To Rear Door Harness	\$133.00	
40549	1970	POWER WINDOW INTERMEDIATE HARNESS 4 Door Hardtop, Driver Side Front Door Harness To Rear Door Harness	\$133.00	
14450	1970	POWER WINDOW INTERMEDIATE HARNESS 4 Door Sedan, & Wagons, Driver Side Front Door Harness To Rear Door Harness	\$133.00	
40549	1971	POWER WINDOW INTERMEDIATE HARNESS 4 Door Hardtop, Driver Side Front Door Harness To Rear Door Harness	\$133.00	
14450	1971	POWER WINDOW INTERMEDIATE HARNESS 4 Door Sedan, & Wagons, Driver Side Front Door Harness To Rear Door Harness	\$133.00	
40549	1972	POWER WINDOW INTERMEDIATE HARNESS 4 Door Hardtop, Driver Side Front Door Harness To Rear Door Harness	\$133.00	
14450	1972	POWER WINDOW INTERMEDIATE HARNESS 4 Door Sedan, & Wagons, Driver Side Front Door Harness To Rear Door Harness	\$133.00	
POWER WINDOW MOTOR ADAPTER HARNESS				
36954	1964	POWER WINDOW MOTOR ADAPTER HARNESS Adapts "T" Shaped Motor Connector To Side By Side Blade Type Motor Connector	\$19.00	C
36954	1961	POWER WINDOW MOTOR ADAPTER HARNESS Adapts "T" Shaped Motor Connector To Side By Side Blade Type Motor Connector	\$19.00	C
36954	1962	POWER WINDOW MOTOR ADAPTER HARNESS Adapts "T" Shaped Motor Connector To Side By Side Blade Type Motor Connector	\$19.00	C
36954	1963	POWER WINDOW MOTOR ADAPTER HARNESS Adapts "T" Shaped Motor Connector To Side By Side Blade Type Motor Connector	\$19.00	C
36954	1964	POWER WINDOW MOTOR ADAPTER HARNESS Adapts "T" Shaped Motor Connector To Side By Side Blade Type Motor Connector	\$19.00	C
36954	1965	POWER WINDOW MOTOR ADAPTER HARNESS Adapts "T" Shaped Motor Connector To Side By Side Blade Type Motor Connector	\$19.00	C

Part Number	Year	Description	Price	*Rev.
36954	1966	POWER WINDOW MOTOR ADAPTER HARNESS Adapts "T" Shaped Motor Connector To Side By Side Blade Type Motor Connector	\$19.00	C
36954	1967	POWER WINDOW MOTOR ADAPTER HARNESS Adapts "T" Shaped Motor Connector To Side By Side Blade Type Motor Connector	\$19.00	C
36954	1968	POWER WINDOW MOTOR ADAPTER HARNESS Adapts "T" Shaped Motor Connector To Side By Side Blade Type Motor Connector	\$19.00	C
36954	1969	POWER WINDOW MOTOR ADAPTER HARNESS Adapts "T" Shaped Motor Connector To Side By Side Blade Type Motor Connector	\$19.00	C
36954	1970	POWER WINDOW MOTOR ADAPTER HARNESS Adapts "T" Shaped Motor Connector To Side By Side Blade Type Motor Connector	\$19.00	C
36954	1971	POWER WINDOW MOTOR ADAPTER HARNESS Adapts "T" Shaped Motor Connector To Side By Side Blade Type Motor Connector	\$19.00	C
36954	1972	POWER WINDOW MOTOR ADAPTER HARNESS Adapts "T" Shaped Motor Connector To Side By Side Blade Type Motor Connector	\$19.00	C
36954	1973	POWER WINDOW MOTOR ADAPTER HARNESS Adapts "T" Shaped Motor Connector To Side By Side Blade Type Motor Connector	\$19.00	C
36954	1974	POWER WINDOW MOTOR ADAPTER HARNESS Adapts "T" Shaped Motor Connector To Side By Side Blade Type Motor Connector	\$19.00	C
36954	1975	POWER WINDOW MOTOR ADAPTER HARNESS Adapts "T" Shaped Motor Connector To Side By Side Blade Type Motor Connector	\$19.00	C
36954	1965	POWER WINDOW MOTOR ADAPTER HARNESS Adapts "T" Shaped Motor Connector To Side By Side Blade Type Motor Connector	\$19.00	C
36954	1966	POWER WINDOW MOTOR ADAPTER HARNESS Adapts "T" Shaped Motor Connector To Side By Side Blade Type Motor Connector	\$19.00	C
36954	1967	POWER WINDOW MOTOR ADAPTER HARNESS Adapts "T" Shaped Motor Connector To Side By Side Blade Type Motor Connector	\$19.00	C
36954	1968	POWER WINDOW MOTOR ADAPTER HARNESS Adapts "T" Shaped Motor Connector To Side By Side Blade Type Motor Connector	\$19.00	C
36954	1969	POWER WINDOW MOTOR ADAPTER HARNESS Adapts "T" Shaped Motor Connector To Side By Side Blade Type Motor Connector	\$19.00	C
36954	1970	POWER WINDOW MOTOR ADAPTER HARNESS Adapts "T" Shaped Motor Connector To Side By Side Blade Type Motor Connector	\$19.00	C
36954	1971	POWER WINDOW MOTOR ADAPTER HARNESS Adapts "T" Shaped Motor Connector To Side By Side Blade Type Motor Connector	\$19.00	C
36954	1972	POWER WINDOW MOTOR ADAPTER HARNESS Adapts "T" Shaped Motor Connector To Side By Side Blade Type Motor Connector	\$19.00	C
36954	1973	POWER WINDOW MOTOR ADAPTER HARNESS Adapts "T" Shaped Motor Connector To Side By Side Blade Type Motor Connector	\$19.00	C
36954	1974	POWER WINDOW MOTOR ADAPTER HARNESS Adapts "T" Shaped Motor Connector To Side By Side Blade Type Motor Connector	\$19.00	C
36954	1975	POWER WINDOW MOTOR ADAPTER HARNESS Adapts "T" Shaped Motor Connector To Side By Side Blade Type Motor Connector	\$19.00	C
POWER WINDOW MOTOR EXTENSION				
07170	1964	POWER WINDOW MOTOR EXTENSION Coupe, Quarter Window Harness To Motor, (2 Required Per Car)	\$21.00	
07005	1964	POWER WINDOW MOTOR EXTENSION Convertible, Quarter Window Harness To Motor, (2 Required Per Car)	\$27.00	
07655	1965	POWER WINDOW MOTOR EXTENSION Coupe, Quarter Window Harness To Motor, (2 Required Per Car)	\$21.00	
07660	1965	POWER WINDOW MOTOR EXTENSION Convertible, Quarter Window Harness To Motor, (2 Required Per Car)	\$21.00	
07655	1966	POWER WINDOW MOTOR EXTENSION Coupe, Quarter Window Harness To Motor, (2 Required Per Car)	\$21.00	
07660	1966	POWER WINDOW MOTOR EXTENSION Convertible, Quarter Window Harness To Motor, (2 Required Per Car)	\$21.00	
07655	1967	POWER WINDOW MOTOR EXTENSION Coupe, Quarter Window Harness To Motor, (2 Required Per Car)	\$21.00	
07660	1967	POWER WINDOW MOTOR EXTENSION Convertible, Quarter Window Harness To Motor, (2 Required Per Car)	\$21.00	

Part Number	Year	Description	Price	*Rev.
POWER WINDOW RELAY AND ADAPTER HARNESS				
39440	1968	POWER WINDOW RELAY AND ADAPTER HARNESS Includes New Standard Type Relay And Adapter To Mate To Factory Harness	\$34.00	
39440	1969	POWER WINDOW RELAY AND ADAPTER HARNESS Includes New Standard Type Relay And Adapter To Mate To Factory Harness	\$34.00	
39440	1970	POWER WINDOW RELAY AND ADAPTER HARNESS Includes New Standard Type Relay And Adapter To Mate To Factory Harness	\$34.00	
39440	1971	POWER WINDOW RELAY AND ADAPTER HARNESS Includes New Standard Type Relay And Adapter To Mate To Factory Harness	\$34.00	
POWER WINDOW SWITCH				
04432790	1964	POWER WINDOW SWITCH 1 Button, Round Corner Style, Chrome Note: Includes Door Panel Retainer & Escutcheon.	\$49.00	
04432791	1964	POWER WINDOW SWITCH 4 Button, Round Corner Style, Chrome Note: Includes Door Panel Retainer & Escutcheon.	\$67.00	P
04432790	1965	POWER WINDOW SWITCH 1 Button, Round Corner Style, Chrome Note: Includes Door Panel Retainer & Escutcheon.	\$49.00	
04432791	1965	POWER WINDOW SWITCH 4 Button, Round Corner Style, Chrome Note: Includes Door Panel Retainer & Escutcheon.	\$67.00	P
04432790	1966	POWER WINDOW SWITCH 1 Button, Round Corner Style, Chrome Note: Includes Door Panel Retainer & Escutcheon.	\$49.00	
04432791	1966	POWER WINDOW SWITCH 4 Button, Round Corner Style, Chrome Note: Includes Door Panel Retainer & Escutcheon.	\$67.00	P
04432790	1967	POWER WINDOW SWITCH 1 Button, Round Corner Style, Chrome Note: Includes Door Panel Retainer & Escutcheon.	\$49.00	
04432791	1967	POWER WINDOW SWITCH 4 Button, Round Corner Style, Chrome Note: Includes Door Panel Retainer & Escutcheon.	\$67.00	P
04432790	1968	POWER WINDOW SWITCH 1 Button, Round Corner Style, Chrome Note: Includes Door Panel Retainer & Escutcheon.	\$49.00	
04432791	1968	POWER WINDOW SWITCH 4 Button, Round Corner Style, Chrome Note: Includes Door Panel Retainer & Escutcheon.	\$67.00	P
04432790	1969	POWER WINDOW SWITCH 1 Button, Round Corner Style, Chrome Note: Includes Door Panel Retainer & Escutcheon.	\$49.00	
04432791	1969	POWER WINDOW SWITCH 4 Button, Round Corner Style, Chrome Note: Includes Door Panel Retainer & Escutcheon.	\$67.00	P
04432790	1970	POWER WINDOW SWITCH 1 Button, Round Corner Style, Chrome Note: Includes Door Panel Retainer & Escutcheon.	\$49.00	
04432791	1970	POWER WINDOW SWITCH 4 Button, Round Corner Style, Chrome Note: Includes Door Panel Retainer & Escutcheon.	\$67.00	P
RADIO & SPEAKER HARNESS				
13285	1969	RADIO & SPEAKER HARNESS Rear Seat Speaker, Fader Control To Radio	\$57.00	
RADIO HARNESS				
40571	1970	RADIO HARNESS Stereo Tape Player Jumper, Radio To Tape Player	\$41.00	
40571	1971	RADIO HARNESS Stereo Tape Player Jumper, Radio To Tape Player	\$41.00	
RADIO LAMP WIRE				
40471	1963	RADIO LAMP WIRE All	\$23.00	
04620	1964	RADIO LAMP WIRE All	\$17.00	
04620	1965	RADIO LAMP WIRE All	\$17.00	
09615	1966	RADIO LAMP WIRE With AM	\$17.00	

Part Number	Year	Description	Price	*Rev.
09565	1966	RADIO LAMP WIRE With AM/FM	\$17.00	
09615	1967	RADIO LAMP WIRE With AM	\$17.00	
09565	1967	RADIO LAMP WIRE With AM/FM	\$17.00	
RADIO NOISE SUPPRESSION JUMPER HARNESS				
40660	1974	RADIO NOISE SUPPRESSION JUMPER HARNESS With A/C	\$46.00	
40660	1975	RADIO NOISE SUPPRESSION JUMPER HARNESS With A/C	\$46.00	
RALLY GAUGE ADAPTER HARNESS				
06230	1965	RALLY GAUGE ADAPTER HARNESS 6 Cylinder Note: 6 Cylinder Items Are Not Returnable.	\$156.00	
06235	1965	RALLY GAUGE ADAPTER HARNESS V/8	\$144.00	
RALLY GAUGE TEMPERATURE EXTENSION HARNESS				
15585	1970	RALLY GAUGE TEMPERATURE EXTENSION HARNESS From Engine Harness To Both Sending UNits Note: With Rally Gauge Only.	\$21.00	
15585	1971	RALLY GAUGE TEMPERATURE EXTENSION HARNESS From Engine Harness To Both Sending UNits. *Not Used With Ram Air Engine Harness Note: With Rally Gauge Only.	\$21.00	
15585	1972	RALLY GAUGE TEMPERATURE EXTENSION HARNESS From Engine Harness To Both Sending UNits Note: With Rally Gauge Only.	\$21.00	
RAM AIR HOOD SCOOP HARNESS				
17255	1973	RAM AIR HOOD SCOOP HARNESS Vacuum Switch To Air Scoop Solenoid	\$34.00	
40676	1974	RAM AIR HOOD SCOOP HARNESS Vacuum Switch To Air Scoop Solenoid	\$34.00	
REAR LAMP EXTENSION HARNESS				
40483	1964	REAR LAMP EXTENSION HARNESS Safari 4 Door Wagon, Rear Lamp Harness To Backup Lamps, (Field Installed Only)	\$40.00	
04400	1964	REAR LAMP EXTENSION HARNESS Rear Lamp Harness To Backup Lamps, Except Wagon, (Field Installed Only)	\$28.00	
40483	1965	REAR LAMP EXTENSION HARNESS Safari 4 Door Wagon, Rear Lamp Harness To Backup Lamps, (Field Installed Only)	\$40.00	
REAR LAMP HARNESS				
32220	1961	REAR LAMP HARNESS Coupe & Sedan	\$161.00	
32225	1961	REAR LAMP HARNESS Safari 4 Door Wagon	\$207.00	
32205	1961	REAR LAMP INTERMEDIATE HARNESS Coupe & Sedan, Without Front Door Courtesy Lamp Switches	\$161.00	
32210	1961	REAR LAMP INTERMEDIATE HARNESS Coupe & Sedan, With Front Door Courtesy Lamp Switches	\$161.00	
32215	1961	REAR LAMP INTERMEDIATE HARNESS Safari 4 Door Wagon, With Front Door Courtesy Lamp Switches	\$207.00	
32200	1961	REAR LAMP INTERMEDIATE HARNESS Safari 4 Door Wagon, Without Front Door Courtesy Lamp Switches	\$207.00	
32225	1962	REAR LAMP HARNESS Safari 4 Door Wagon	\$207.00	
32350	1962	REAR LAMP HARNESS Tempest, Except Wagon	\$161.00	
32205	1962	REAR LAMP INTERMEDIATE HARNESS Coupe & Sedan, Without Front Door Courtesy Lamp Switches	\$161.00	
32210	1962	REAR LAMP INTERMEDIATE HARNESS Coupe & Sedan, With Front Door Courtesy Lamp Switches	\$161.00	
32200	1962	REAR LAMP INTERMEDIATE HARNESS Safari 4 Door Wagon, Without Front Door Courtesy Lamp Switches	\$207.00	
32195	1962	REAR LAMP INTERMEDIATE HARNESS Convertible, Without Power Top	\$207.00	
32710	1962	REAR LAMP INTERMEDIATE HARNESS Convertible, With Power Top	\$242.00	
32345	1963	REAR LAMP HARNESS Tempest, All Except Wagon	\$184.00	
32355	1963	REAR LAMP HARNESS Le Mans	\$184.00	
32440	1963	REAR LAMP HARNESS Safari 4 Door Wagon	\$207.00	
32450	1963	REAR LAMP INTERMEDIATE HARNESS Coupe, Sedan, Tempest & Le Mans	\$184.00	
32360	1963	REAR LAMP INTERMEDIATE HARNESS Convertible, Tempest & Le Mans	\$207.00	

Part Number	Year	Description	Price	*Rev.
34175	1963	REAR LAMP INTERMEDIATE HARNESS Safari 4 Door Wagon	\$207.00	
31240	1964	REAR LAMP HARNESS Safari 4 Door Wagon, Rear Section, With Backup Lamps, Except Power Tailgate Window	\$207.00	
31245	1964	REAR LAMP HARNESS Safari 4 Door Wagon, Rear Section, With Backup Lamps & Power Tailgate Window Note: Customer Must Supply Their Original Rubber Boot	\$225.00	
31345	1964	REAR LAMP HARNESS Safari 4 Door Wagon, Rear Section, With Power Tailgate Window, Except Backup Lamps Note: Customer Must Supply Their Original Rubber Boot	\$207.00	
17315	1964	REAR LAMP HARNESS Convertible, Le Mans & GTO, Includes Backup Lamp Extension Wiring	\$202.00	
17320	1964	REAR LAMP HARNESS Convertible, Tempest & Tempest Custom, Includes Backup Lamp Extension Wiring	\$190.00	
13945	1964	REAR LAMP HARNESS Coupe, Le Mans & GTO, Includes Backup Lamp Extension Wiring	\$184.00	
17310	1964	REAR LAMP HARNESS Coupe, Tempest & Tempest Custom, Includes Backup Lamp Extension Wiring	\$167.00	
31220	1964	REAR LAMP HARNESS Safari 4 Door Wagon, Rear Section, Without Backup Lamps Or Power Tailgate Window	\$184.00	
31360	1965	REAR LAMP HARNESS Safari 4 Door Wagon, With Power Tailgate Window Note: Customer Must Supply Their Original Rubber Boot, & Plastic Connector For Power Window Switch	\$248.00	
07850	1965	REAR LAMP HARNESS Safari 4 Door Wagon, Without Power Tailgate Window	\$207.00	
07570	1965	REAR LAMP HARNESS Convertible, Tempest, Le Mans & GTO	\$196.00	
07565	1965	REAR LAMP HARNESS Convertible, Tempest Custom	\$190.00	
07560	1965	REAR LAMP HARNESS Coupe & Sedan, All	\$167.00	
08245	1966	REAR LAMP HARNESS Tempest Wagons, Without Power Tailgate Window	\$196.00	
08250	1966	REAR LAMP HARNESS Tempest Wagons, With Power Tailgate Window Note: Customer Must Supply Their Original Rubber Boot	\$213.00	
08280	1966	REAR LAMP HARNESS Convertible, GTO	\$196.00	
08285	1966	REAR LAMP HARNESS Convertible, Tempest & Le Mans	\$196.00	
08270	1966	REAR LAMP HARNESS Convertible, Tempest Custom	\$196.00	
08275	1966	REAR LAMP HARNESS Coupe, GTO	\$184.00	
08265	1966	REAR LAMP HARNESS Coupe, Tempest, Tempest Custom & Le Mans	\$184.00	
07025	1967	REAR LAMP HARNESS Tempest Wagons, Without Power Tailgate Window	\$196.00	
07030	1967	REAR LAMP HARNESS Tempest Wagons, With Power Tailgate Window Note: Customer Must Supply Their Original Rubber Boot	\$213.00	
14055	1967	REAR LAMP HARNESS Convertible, GTO	\$207.00	
13890	1967	REAR LAMP HARNESS Convertible, Tempest & Le Mans	\$207.00	
13885	1967	REAR LAMP HARNESS Convertible, Tempest Custom	\$207.00	
14050	1967	REAR LAMP HARNESS Coupe, GTO	\$184.00	
13880	1967	REAR LAMP HARNESS Coupe, Tempest, Tempest Custom & Le Mans	\$184.00	
40527	1968	REAR LAMP HARNESS Tempest Wagons, Without Power Tailgate Window	\$196.00	
40528	1968	REAR LAMP HARNESS Tempest Wagons, With Power Tailgate Window Note: Customer Must Supply Their Original Rubber Boot	\$213.00	
14140	1968	REAR LAMP HARNESS Convertible, Tempest, Le Mans & GTO With Power Top	\$288.00	
14130	1968	REAR LAMP HARNESS Convertible, Tempest Custom	\$253.00	

Part Number	Year	Description	Price	*Rev.
14125	1968	REAR LAMP HARNESS Coupe, All 2 Door	\$230.00	
14145	1968	REAR LAMP HARNESS Tempest, Lemans 4 Door Sedan & Hardtop	\$265.00	
40521	1968	REAR LAMP INTERMEDIATE HARNESS Tempest Wagons, Without Power Tailgate Window	\$196.00	
40522	1968	REAR LAMP INTERMEDIATE HARNESS Tempest Wagons, With Power Tailgate Window	\$196.00	
40533	1969	REAR LAMP HARNESS Tempest, 2 Seat Wagon, Without Power Tailgate Window	\$196.00	
40537	1969	REAR LAMP HARNESS Tempest, 3 Seat Wagon, Without Power Tailgate Window	\$196.00	
40562	1969	REAR LAMP HARNESS Tempest, 3 Seat Wagon, With Power Tailgate Window Note: Customer Must Supply Their Original Rubber Boot.	\$213.00	
40746	1969	REAR LAMP HARNESS Tempest, 2 Seat Wagon, With Power Tailgate Window Note: Customer Must Supply Their Original Rubber Boot.	\$213.00	
14285	1969	REAR LAMP HARNESS Convertible, GTO	\$299.00	
14250	1969	REAR LAMP HARNESS Convertible, Tempest & Le Mans	\$299.00	
14245	1969	REAR LAMP HARNESS Convertible, Tempest Custom	\$299.00	
14280	1969	REAR LAMP HARNESS Coupe, GTO	\$253.00	
14235	1969	REAR LAMP HARNESS Coupe, Tempest & Le Mans 2 Door	\$253.00	
14240	1969	REAR LAMP HARNESS Tempest, Lemans 4 Door Sedan & Hardtop	\$299.00	
40538	1969	REAR LAMP INTERMEDIATE HARNESS Tempest Wagons, Without Power Tailgate Window	\$196.00	
40539	1969	REAR LAMP INTERMEDIATE HARNESS Tempest Wagons, With Power Tailgate Window	\$213.00	
40755	1970	REAR LAMP HARNESS Rear, Wagon With Power Tailgate Window Note: Customer Must Supply Their Original Rubber Boot.	\$213.00	
40756	1970	REAR LAMP HARNESS Rear, Wagon Without Power Tailgate Window Note: Customer Must Supply Their Original Rubber Boot.	\$196.00	
13685	1970	REAR LAMP HARNESS Trunk, With Lamp Monitor, Set Of 2	\$299.00	
13680	1970	REAR LAMP HARNESS Trunk, Without Lamp Monitor, Set Of 2	\$230.00	
40753	1970	REAR LAMP INTERMEDIATE HARNESS Wagon, Without Power Tailgate Window	\$196.00	
40754	1970	REAR LAMP INTERMEDIATE HARNESS Wagon, With Power Tailgate Window	\$213.00	
17335	1970	REAR LAMP INTERMEDIATE HARNESS Convertible	\$253.00	
17340	1970	REAR LAMP INTERMEDIATE HARNESS Coupe	\$207.00	
40756	1971	REAR LAMP HARNESS Rear, Wagon Without Power Tailgate Window Note: Customer Must Supply Their Original Rubber Boot.	\$196.00	
40797	1971	REAR LAMP HARNESS Rear, Wagon With Power Tailgate Window Note: Customer Must Supply Their Original Rubber Boot.	\$213.00	
13680	1971	REAR LAMP HARNESS Trunk, Without Lamp Monitor, Set Of 2	\$230.00	
40753	1971	REAR LAMP INTERMEDIATE HARNESS Wagon, Without Power Tailgate Window	\$196.00	
40754	1971	REAR LAMP INTERMEDIATE HARNESS Wagon, With Power Tailgate Window	\$213.00	
17335	1971	REAR LAMP INTERMEDIATE HARNESS Convertible	\$253.00	
17340	1971	REAR LAMP INTERMEDIATE HARNESS Coupe	\$207.00	
40803	1971	REAR LAMP HARNESS Ventura	\$205.00	
40804	1971	REAR LAMP INTERMEDIATE HARNESS Ventura, Without Under Dash Courtesy Lamps	\$175.00	
40805	1971	REAR LAMP INTERMEDIATE HARNESS Ventura, With Under Dash Courtesy Lamps	\$242.00	
40756	1972	REAR LAMP HARNESS Rear, Wagon Without Power Tailgate Window Note: Customer Must Supply Their Original Rubber Boot.	\$196.00	
40797	1972	REAR LAMP HARNESS Rear, Wagon With Power Tailgate Window Note: Customer Must Supply Their Original Rubber Boot.	\$213.00	
13680	1972	REAR LAMP HARNESS Trunk, Without Lamp Monitor, Set Of 2	\$230.00	
40753	1972	REAR LAMP INTERMEDIATE HARNESS Wagon, Without Power Tailgate Window & Seat Belt Warning	\$196.00	

Part Number	Year	Description	Price	*Rev.
40754	1972	REAR LAMP INTERMEDIATE HARNESS Wagon, With Power Tailgate Window, Without Seat Belt Warning	\$213.00	
40806	1972	REAR LAMP INTERMEDIATE HARNESS Wagon, Without Power Tailgate Window, With Seat Belt Warning	\$207.00	
40807	1972	REAR LAMP INTERMEDIATE HARNESS Wagon, With Power Tailgate Window & Seat Belt Warning	\$253.00	
17335	1972	REAR LAMP INTERMEDIATE HARNESS Convertible, Without Seat Belt Warning	\$253.00	
17340	1972	REAR LAMP INTERMEDIATE HARNESS Coupe, Without Seat Belt Warning	\$207.00	
17350	1972	REAR LAMP INTERMEDIATE HARNESS Convertible, With Seat Belt Warning	\$276.00	
17345	1972	REAR LAMP INTERMEDIATE HARNESS Coupe, With Seat Belt Warning	\$265.00	
40803	1972	REAR LAMP HARNESS Ventura	\$205.00	
40694	1972	REAR LAMP INTERMEDIATE HARNESS Ventura, With Seat Belt Warning	\$202.00	
40804	1972	REAR LAMP INTERMEDIATE HARNESS Ventura, Without Seat Belt Warning	\$175.00	
40805	1972	REAR LAMP INTERMEDIATE HARNESS Ventura, With Under Dash Courtesy Lamps, Except Seat Belt Warning	\$242.00	
40808	1972	REAR LAMP INTERMEDIATE HARNESS Ventura, With Under Dash Courtesy Lamps & Seat Belt Warning	\$242.00	
40630	1973	REAR LAMP HARNESS Wagon, Rear, Tail Lamps To Rear Body Harness	\$196.00	
40763	1973	REAR LAMP HARNESS All, Except Wagon	\$253.00	
40787	1973	REAR LAMP HARNESS Wagon, Rear Body Section, Connects Intermediate Harness To Rear Lamp Harness In Bumper Note: Customer Must Supply Us With Original Harness, Must Use A Few Parts From Original.	\$98.00	
40759	1973	REAR LAMP INTERMEDIATE HARNESS All, Lemans, Except Wagon	\$167.00	C
40760	1973	REAR LAMP INTERMEDIATE HARNESS All, Wagons	\$173.00	
40705	1973	REAR LAMP HARNESS Ventura	\$253.00	
20955	1973	REAR LAMP INTERMEDIATE HARNESS Ventura, With Under Dash Courtesy Lamps	\$179.00	
40708	1973	REAR LAMP INTERMEDIATE HARNESS Ventura, Without Under Dash Courtesy Lamps	\$179.00	
40673	1974	REAR LAMP HARNESS Wagon, Rear, Tail Lamps To Rear Body Harness	\$190.00	
40058	1974	REAR LAMP HARNESS All, Lemans, Except Wagon Note: This Harness Has 1 Tail Lamp Socket Per Side.	\$253.00	C
40787	1974	REAR LAMP HARNESS Wagon, Rear Body Section, Connects Intermediate Harness To Rear Lamp Harness In Bumper Note: Customer Must Supply Us With Original Harness, Must Use A Few Parts From Original.	\$98.00	
40759	1974	REAR LAMP INTERMEDIATE HARNESS All, Lemans, Except Wagon	\$167.00	C
40760	1974	REAR LAMP INTERMEDIATE HARNESS All Wagons	\$173.00	
39340	1974	REAR LAMP HARNESS Ventura Note: This Harness Has 2 Tail Lamp Sockets And 1 Back Up Socket Per Side.	\$253.00	C
40495	1974	REAR LAMP INTERMEDIATE HARNESS Ventura Note: Customer Must Supply Us With Original Harness, Must Use A Few Parts From Original.	\$248.00	
40673	1975	REAR LAMP HARNESS Wagon, Rear, Tail Lamps To Rear Body Harness	\$190.00	
40058	1975	REAR LAMP HARNESS All, Lemans, Except Wagon Note: This Harness Has 1 Tail Lamp Socket Per Side.	\$253.00	C
40787	1975	REAR LAMP HARNESS Wagon, Rear Body Section, Connects Intermediate Harness To Rear Lamp Harness In Bumper Note: Customer Must Supply Us With Original Harness, Must Use A Few Parts From Original.	\$98.00	
40399	1975	REAR LAMP INTERMEDIATE HARNESS All, Except Wagon	\$196.00	
40414	1975	REAR LAMP INTERMEDIATE HARNESS All Wagons	\$173.00	
40673	1976	REAR LAMP HARNESS Wagon, Rear, Tail Lamps To Rear Body Harness	\$190.00	
40488	1976	REAR LAMP HARNESS Except Wagon	\$253.00	
40787	1976	REAR LAMP HARNESS Wagon, Rear Body Section, Connects Intermediate Harness To Rear Lamp Harness In Bumper Note: Customer Must Supply Us With Original Harness, Must Use A Few Parts From Original.	\$98.00	
40399	1976	REAR LAMP INTERMEDIATE HARNESS All, Except Wagon	\$196.00	

Part Number	Year	Description	Price	*Rev.
40414	1976	REAR LAMP INTERMEDIATE HARNESS All Wagons	\$173.00	
40488	1977	REAR LAMP HARNESS Except Wagon	\$253.00	
40787	1977	REAR LAMP HARNESS Wagon, Rear Body Section, Connects Intermediate Harness To Rear Lamp Harness In Bumper Note: Customer Must Supply Us With Original Harness, Must Use A Few Parts From Original.	\$98.00	
40673	1977	REAR LAMP HARNESS Wagon, Rear, Tail Lamps To Rear Body Harness	\$190.00	
40399	1977	REAR LAMP INTERMEDIATE HARNESS All, Except Wagon	\$196.00	
40414	1977	REAR LAMP INTERMEDIATE HARNESS All Wagons	\$173.00	
REAR WINDOW DEFROSTER HARNESS				
05835	1964	REAR WINDOW DEFROSTER HARNESS	\$22.00	
05835	1965	REAR WINDOW DEFROSTER HARNESS	\$22.00	
40491	1966	REAR WINDOW DEFROSTER HARNESS	\$40.00	
40491	1967	REAR WINDOW DEFROSTER HARNESS	\$40.00	
14220	1968	REAR WINDOW DEFROSTER HARNESS	\$69.00	
40543	1969	REAR WINDOW DEFROSTER HARNESS With Electric Heated Back Glass	\$46.00	
14220	1969	REAR WINDOW DEFROSTER HARNESS Blower Type Defroster	\$69.00	
19445	1970	REAR WINDOW DEFROSTER HARNESS Resistance Wire, Used With Blower Type Defroster	\$69.00	
40056	1970	REAR WINDOW DEFROSTER HARNESS With Electric Heated Back Glass	\$35.00	
14545	1970	REAR WINDOW DEFROSTER HARNESS Blower Type Defroster	\$69.00	
40056	1971	REAR WINDOW DEFROSTER HARNESS With Electric Heated Back Glass	\$35.00	
40798	1971	REAR WINDOW DEFROSTER HARNESS Wagon, Blower Type Defroster	\$40.00	
14545	1971	REAR WINDOW DEFROSTER HARNESS All With Blower Type, Except Wagon	\$69.00	
14420	1971	REAR WINDOW DEFROSTER HARNESS Ventura, With Blower Type Defroster	\$51.00	
40056	1972	REAR WINDOW DEFROSTER HARNESS With Electric Heated Back Glass	\$35.00	
40798	1972	REAR WINDOW DEFROSTER HARNESS Wagon, Blower Type Defroster	\$40.00	
14545	1972	REAR WINDOW DEFROSTER HARNESS All With Blower Type, Except Wagon	\$69.00	
14420	1972	REAR WINDOW DEFROSTER HARNESS Ventura, With Blower Type Defroster	\$51.00	
40640	1973	REAR WINDOW DEFROSTER HARNESS Blower Type Defroster	\$40.00	
40641	1973	REAR WINDOW DEFROSTER HARNESS With Electric Heated Back Glass, Instrument Panel Switch To Fuse Box	\$40.00	
40767	1973	REAR WINDOW DEFROSTER HARNESS With Electric Heated Back Glass	\$44.00	
40781	1973	REAR WINDOW DEFROSTER HARNESS With Blower Type Defroster	\$50.00	
40707	1973	REAR WINDOW DEFROSTER HARNESS Ventura	\$58.00	
40640	1974	REAR WINDOW DEFROSTER HARNESS Blower Type Defroster	\$40.00	
40641	1974	REAR WINDOW DEFROSTER HARNESS With Electric Heated Back Glass, Instrument Panel Switch To Fuse Box	\$40.00	
40767	1974	REAR WINDOW DEFROSTER HARNESS With Electric Heated Back Glass	\$44.00	
40781	1974	REAR WINDOW DEFROSTER HARNESS With Blower Type Defroster	\$50.00	
40707	1974	REAR WINDOW DEFROSTER HARNESS Ventura	\$58.00	
40640	1975	REAR WINDOW DEFROSTER HARNESS Blower Type Defroster	\$40.00	
40682	1975	REAR WINDOW DEFROSTER HARNESS Electric Type Defroster	\$40.00	
40781	1975	REAR WINDOW DEFROSTER HARNESS With Blower Type Defroster	\$50.00	
40767	1975	REAR WINDOW DEFROSTER HARNESS With Electric Heated Back Glass	\$44.00	
40640	1976	REAR WINDOW DEFROSTER HARNESS Blower Type Defroster	\$40.00	
40682	1976	REAR WINDOW DEFROSTER HARNESS Electric Type Defroster	\$40.00	
40767	1976	REAR WINDOW DEFROSTER HARNESS With Electric Heated Back Glass	\$44.00	
40781	1976	REAR WINDOW DEFROSTER HARNESS With Blower Type Defroster	\$50.00	
40767	1977	REAR WINDOW DEFROSTER HARNESS With Electric Heated Back Glass	\$44.00	

Part Number	Year	Description	Price	*Rev.
40781	1977	REAR WINDOW DEFROSTER HARNESS With Blower Type Defroster	\$50.00	
REPAIR PIGTAIL, FOR POWER WINDOW SWITCH				
36048	1964	REPAIR PIGTAIL, FOR POWER WINDOW SWITCH For Single Power Window Switches, Connector & Wire	\$22.00	
36048	1965	REPAIR PIGTAIL, FOR POWER WINDOW SWITCH For Single Power Window Switches, Connector & Wire	\$22.00	
36048	1966	REPAIR PIGTAIL, FOR POWER WINDOW SWITCH For Single Power Window Switches, Connector & Wire	\$22.00	
36048	1967	REPAIR PIGTAIL, FOR POWER WINDOW SWITCH For Single Power Window Switches, Connector & Wire	\$22.00	
36048	1968	REPAIR PIGTAIL, FOR POWER WINDOW SWITCH For Single Power Window Switches, Connector & Wire	\$22.00	
36048	1969	REPAIR PIGTAIL, FOR POWER WINDOW SWITCH For Single Power Window Switches, Connector & Wire	\$22.00	
36048	1970	REPAIR PIGTAIL, FOR POWER WINDOW SWITCH For Single Power Window Switches, Connector & Wire	\$22.00	
REVERBERATION UNIT HARNESS				
06825	1964	REVERBERATION UNIT HARNESS Coupe & Sedan	\$103.00	
07645	1965	REVERBERATION UNIT HARNESS Coupe & Sedan	\$103.00	
07645	1966	REVERBERATION UNIT HARNESS Coupe & Sedan	\$103.00	
07645	1967	REVERBERATION UNIT HARNESS Coupe & Sedan	\$103.00	
40511	1969	REVERBERATION UNIT HARNESS	\$80.00	
S.C.S. JUMPER HARNESS				
40610	1972	S.C.S. GROUND WIRE V/8, With 3 Speed Or A/T Note: (S.C.S.) Stands For Speedometer Control Spark Switch.	\$22.00	
36233	1972	S.C.S. JUMPER HARNESS 350 & 400 C.I. With 3 Speed Or A/T, Engine Harness To Trans Switch Note: (S.C.S.) Stands For Speedometer Control Spark Switch.	\$30.00	
SEAT BELT WARNING EXTENSION WIRE				
40645	1972	SEAT BELT WARNING EXTENSION WIRE Parking Brake Switch To Seat Belt Warning Harness	\$23.00	
40646	1972	SEAT BELT WARNING EXTENSION WIRE Fuse Block To Seat Belt Warning Harness	\$23.00	
SEAT BELT WARNING HARNESS				
40616	1972	SEAT BELT WARNING HARNESS With Floor Shift Trans	\$69.00	
40809	1972	SEAT BELT WARNING HARNESS Ventura, Passenger Side, Seat Sensor Switch To Seat Belt Retractor	\$29.00	
40626	1973	SEAT BELT WARNING HARNESS Manual Trans	\$58.00	
40649	1973	SEAT BELT WARNING HARNESS Wagon, With Electric Tailgate Release	\$58.00	
40701	1973	SEAT BELT WARNING HARNESS All, Passenger Side, Seat Sensor Switch To Seat Belt Retractor	\$29.00	
40702	1973	SEAT BELT WARNING HARNESS All, Driver Side, Under Dash To Seat Belt Retractor	\$29.00	
40809	1973	SEAT BELT WARNING HARNESS Ventura, Passenger Side, Seat Sensor Switch To Seat Belt Retractor	\$29.00	
40607	1974	SEAT BELT WARNING HARNESS Ventura, With Column Shift Manual Trans, Dash Harness To Clutch Start Switch	\$58.00	
40606	1974	SEAT BELT WARNING HARNESS Ventura, With Floor Shift Manual Trans, Dash Harness To Clutch Start Switch	\$58.00	
40665	1974	SEAT BELT WARNING HARNESS With Manual Trans	\$58.00	
40832	1975	SEAT BELT WARNING HARNESS Dash Harness To Seat Belt Warning Buzzer	\$46.00	
40421	1975	SEAT BELT WARNING HARNESS All, Dash Harness To Timer & Buzzer Note: Customer Must Reuse Their Original Single Wire Plastic Connector That Attaches This Harness To The Instrument Panel Harness.	\$69.00	
SEAT BELT WARNING JUMPER HARNESS				
40422	1975	SEAT BELT WARNING JUMPER HARNESS All, Driver Side Seat Belt Retractor To Seat Belt Warning Harness	\$46.00	
40438	1976	SEAT BELT WARNING JUMPER HARNESS Buzzer To Seat Belt Retractor Switch	\$35.00	
40438	1977	SEAT BELT WARNING JUMPER HARNESS Buzzer To Seat Belt Retractor Switch	\$35.00	

Part Number	Year	Description	Price	*Rev.
SEAT BELT WARNING RELAY HARNESS				
40604	1973	SEAT BELT WARNING RELAY HARNESS Ventura, Manual Trans,	\$35.00	
SHIFT INDICATOR LAMP WIRE				
40658	1973	SHIFT INDICATOR LAMP WIRE Fiber Optic, Console Shift Auto	\$22.00	
40658	1974	SHIFT INDICATOR LAMP WIRE Fiber Optic, Console Shift Auto	\$22.00	
40658	1975	SHIFT INDICATOR LAMP WIRE Fiber Optic, Console Shift Auto	\$22.00	
40658	1976	SHIFT INDICATOR LAMP WIRE Fiber Optic, Console Shift Auto	\$22.00	
40658	1977	SHIFT INDICATOR LAMP WIRE Fiber Optic, Console Shift Auto	\$22.00	
SPEAKER GROUND WIRE				
40492	1967	SPEAKER GROUND WIRE Rear Speaker, All Convertible, (2 Required Per Car With Stereo Radio Option)	\$18.00	
40492	1968	SPEAKER GROUND WIRE Rear Speaker, All Convertible, (2 Required Per Car With Stereo Radio Option)	\$18.00	
40492	1969	SPEAKER GROUND WIRE Rear Speaker, All Convertible, (2 Required Per Car With Stereo Radio Option)	\$18.00	
40492	1970	SPEAKER GROUND WIRE Rear Speaker, All Convertible, (2 Required Per Car With Stereo Radio Option)	\$18.00	
40492	1971	SPEAKER GROUND WIRE Rear Speaker, All Convertible, (2 Required Per Car With Stereo Radio Option)	\$18.00	
40492	1972	SPEAKER GROUND WIRE Rear Speaker, All Convertible, (2 Required Per Car With Stereo Radio Option)	\$18.00	
SPEAKER HARNESS				
06795	1964	SPEAKER HARNESS Single Rear Speaker, Except Convertible & Wagons	\$17.00	
07585	1965	SPEAKER HARNESS Single Rear Speaker, Except Wagons	\$21.00	
40489	1966	SPEAKER HARNESS Single Rear Speaker, Tempest Wagons	\$45.00	
07585	1966	SPEAKER HARNESS Single Rear Speaker, Except Wagons	\$21.00	
40489	1967	SPEAKER HARNESS Single Rear Speaker, Tempest Wagons	\$45.00	
07585	1967	SPEAKER HARNESS Single Rear Speaker, Except Wagons	\$21.00	
40525	1968	SPEAKER HARNESS Single Rear Speaker, Tempest Wagons	\$21.00	
07585	1968	SPEAKER HARNESS Single Rear Speaker, Except Wagons	\$21.00	
40536	1969	SPEAKER HARNESS Single Rear Speaker, Tempest Wagons, Radio To Rear Speaker	\$33.00	
40540	1969	SPEAKER HARNESS Single Rear Speaker, Except Wagons	\$33.00	
40536	1970	SPEAKER HARNESS Single Rear Speaker, Tempest Wagon, Radio To Rear Speaker	\$33.00	
40558	1970	SPEAKER HARNESS Single Rear Speaker, Except Wagons	\$28.00	
40593	1971	SPEAKER HARNESS Cassette Radio To Fader Switch	\$41.00	
40536	1971	SPEAKER HARNESS Single Rear Speaker, Tempest Wagons, Radio To Rear Speaker	\$33.00	
40558	1971	SPEAKER HARNESS Single Rear Speaker, Except Wagons	\$28.00	
39316	1971	SPEAKER HARNESS Ventura, AM Or AM/FM, With Single Center Dash Speaker, Radio To Speaker	\$42.00	
39317	1971	SPEAKER HARNESS Ventura, With Stereo, Fader Control To Radio	\$80.00	
40563	1971	SPEAKER HARNESS Ventura, AM/FM With Accessory Tape Player, Fader Control To Radio & Tape Player	\$78.00	
40564	1971	SPEAKER HARNESS Ventura, With Accessory Tape Player, Without Radio, Tape Player To Front & Rear Speaker Harness	\$52.00	
40799	1971	SPEAKER HARNESS Ventura, Single Rear Seat Speaker, Radio To Rear Speaker	\$45.00	
40536	1972	SPEAKER HARNESS Single Rear Speaker, Tempest Wagons, Radio To Rear Speaker	\$33.00	
40558	1972	SPEAKER HARNESS Single Rear Speaker, Except Wagons	\$28.00	
39316	1972	SPEAKER HARNESS Ventura, AM Or AM/FM, With Single Center Dash Speaker, Radio To Speaker	\$42.00	

Part Number	Year	Description	Price	*Rev.
39317	1972	SPEAKER HARNESS Ventura, With Stereo, Fader Control To Radio	\$80.00	
40563	1972	SPEAKER HARNESS Ventura, AM/FM With Accessory Tape Player, Fader Control To Radio & Tape Player	\$78.00	
40564	1972	SPEAKER HARNESS Ventura, With Accessory Tape Player, Without Radio, Tape Player To Front & Rear Speaker Harness	\$52.00	
40799	1972	SPEAKER HARNESS Ventura, Single Rear Seat Speaker, Radio To Rear Speaker	\$45.00	
40632	1973	SPEAKER HARNESS Le Mans, With Stereo, Radio To Rear Speaker Lead	\$28.00	
40782	1973	SPEAKER HARNESS Single Rear Speaker, Except Wagon, Radio To Speaker	\$28.00	
40783	1973	SPEAKER HARNESS Wagon, Single Rear Speaker, Radio To Speaker	\$45.00	
40784	1973	SPEAKER HARNESS With Stereo, Rear Seat Speakers, Except Wagons, Radio To Speakers	\$87.00	
40785	1973	SPEAKER HARNESS Wagon, With Stereo, Radio To Rear Speakers	\$45.00	
39316	1973	SPEAKER HARNESS Ventura, AM Or AM/FM, With Single Center Dash Speaker, Radio To Speaker	\$42.00	
40564	1973	SPEAKER HARNESS Ventura, With Accessory Tape Player, Without Radio, Tape Player To Front & Rear Speaker Harness	\$52.00	
40706	1973	SPEAKER HARNESS Ventura, 2 Door Hatchback, Single Rear Seat Speaker, Radio To Speaker	\$33.00	
40799	1973	SPEAKER HARNESS Ventura, 2 Or 4 Door Notchback Sedan, Single Rear Seat Speaker, Radio To Rear Speaker	\$45.00	
40782	1974	SPEAKER HARNESS Single Rear Speaker, Except Wagon, Radio To Speaker	\$28.00	
40783	1974	SPEAKER HARNESS Wagon, Single Rear Speaker, Radio To Speaker	\$45.00	
40784	1974	SPEAKER HARNESS With Stereo, Rear Seat Speakers, Except Wagons, Radio To Speakers	\$87.00	
40785	1974	SPEAKER HARNESS Wagon, With Stereo, Radio To Rear Speakers	\$45.00	
39315	1974	SPEAKER HARNESS Ventura, With Stereo, Radio To Front & Rear Speaker Harness	\$87.00	
39316	1974	SPEAKER HARNESS Ventura, AM Or AM/FM, With Single Center Dash Speaker, Radio To Speaker	\$42.00	
39321	1974	SPEAKER HARNESS Ventura, AM Or AM/FM, Except Stereo, Radio To Front Center & Rear Seat Speaker Harness	\$69.00	
40706	1974	SPEAKER HARNESS Ventura, 2 Door Hatchback, Single Rear Seat Speaker, Radio To Speaker	\$33.00	
40799	1974	SPEAKER HARNESS Ventura, 2 Or 4 Door Notchback Sedan, Single Rear Seat Speaker, Radio To Rear Speaker	\$45.00	
40800	1974	SPEAKER HARNESS Ventura, 2 Or 4 Door Notchback Sedan, With Stereo, Rear Seat Speaker	\$63.00	
40784	1975	SPEAKER HARNESS With Stereo, Rear Seat Speakers, Except Wagons, Radio To Speakers	\$87.00	
40785	1975	SPEAKER HARNESS Wagon, With Stereo, Radio To Rear Speakers	\$45.00	
40782	1975	SPEAKER HARNESS Single Rear Speaker, Except Wagon, Radio To Speaker	\$28.00	
40783	1975	SPEAKER HARNESS Wagon, Single Rear Speaker, Radio To Speaker	\$45.00	
40784	1976	SPEAKER HARNESS With Stereo, Rear Seat Speakers, Except Wagons, Radio To Speakers	\$87.00	
40785	1976	SPEAKER HARNESS Wagon, With Stereo, Radio To Rear Speakers	\$45.00	
40782	1976	SPEAKER HARNESS Single Rear Speaker, Except Wagon, Radio To Speaker	\$28.00	
40783	1976	SPEAKER HARNESS Wagon, Single Rear Speaker, Radio To Speaker	\$45.00	
40784	1977	SPEAKER HARNESS AM/FM Stereo, Without Digital Clock, Rear Seat Speakers, Except Wagons, Radio To Speakers	\$87.00	
40785	1977	SPEAKER HARNESS Wagon, AM/FM Stereo, Without Digital Clock, Radio To Rear Speakers	\$45.00	
40862	1977	SPEAKER HARNESS AM/FM Stereo, With Digital Clock, Except Wagons, Radio To Rear Speakers	\$46.00	

Part Number	Year	Description	Price	*Rev.
40864	1977	SPEAKER HARNESS Wagon, AM/FM Stereo, With Digital Clock, Radio To Rear Seat Speakers	\$46.00	
40782	1977	SPEAKER HARNESS Single Rear Speaker, Except Wagon, Radio To Speaker	\$28.00	
40783	1977	SPEAKER HARNESS Wagon, Single Rear Speaker, Radio To Speaker	\$45.00	
SPEAKER JUMPER WIRE				
40200	1967	SPEAKER JUMPER WIRE With Dual Rear Speakers, Except Wagon & Convertible, Connects Right Rear Speaker To Left Rear Speaker	\$29.00	
40200	1968	SPEAKER JUMPER WIRE With Dual Rear Speakers, Except Wagon & Convertible, Connects Right Rear Speaker To Left Rear Speaker	\$29.00	
13555	1969	SPEAKER JUMPER WIRE Rear Seat Speaker Jumper (14" Long) Note: From Radio Connector At Radio To Rear Seat Speaker Wire.	\$23.00	
40200	1969	SPEAKER JUMPER WIRE With Dual Rear Speakers, Except Wagon & Convertible, Connects Right Rear Speaker To Left Rear Speaker	\$29.00	
13555	1970	SPEAKER JUMPER WIRE Rear Seat Speaker Jumper (14" Long) Note: From Radio Connector At Radio To Rear Seat Speaker Wire.	\$23.00	
40200	1970	SPEAKER JUMPER WIRE With Dual Rear Speakers, Except Wagon & Convertible, Connects Right Rear Speaker To Left Rear Speaker	\$29.00	
13555	1971	SPEAKER JUMPER WIRE Rear Seat Speaker Jumper (14" Long) Note: From Radio Connector At Radio To Rear Seat Speaker Wire.	\$23.00	
40200	1971	SPEAKER JUMPER WIRE With Dual Rear Speakers, Except Wagon & Convertible, Connects Right Rear Speaker To Left Rear Speaker	\$29.00	
13555	1972	SPEAKER JUMPER WIRE Rear Seat Speaker Jumper (14" Long) Note: From Radio Connector At Radio To Rear Seat Speaker Wire.	\$23.00	
SPEED WARNING HARNESS				
06130	1965	SPEED WARNING HARNESS	\$29.00	
09610	1966	SPEED WARNING HARNESS	\$29.00	
09610	1967	SPEED WARNING HARNESS	\$29.00	
11595	1968	SPEED WARNING HARNESS	\$29.00	
13385	1969	SPEED WARNING HARNESS	\$29.00	
15655	1970	SPEED WARNING HARNESS	\$29.00	
15655	1971	SPEED WARNING HARNESS	\$29.00	
STARTER MOTOR TO JUNCTION BLOCK HARNESS				
40457	1961	STARTER MOTOR TO JUNCTION BLOCK HARNESS V/8	\$29.00	
40457	1962	STARTER MOTOR TO JUNCTION BLOCK HARNESS V/8	\$29.00	
40479	1963	STARTER MOTOR TO JUNCTION BLOCK HARNESS 421 V/8, Junction Block To Starter	\$41.00	
STEERING COLUMN ADAPTER HARNESS				
37542	1964	STEERING COLUMN ADAPTER HARNESS For 1969-1974 GM & Ididit Columns (Exc. Flaming River) To Stock Dash Harness Note: Adapts Horn & Directionals, Also Adds Hazard Flashers To Stock 8 Pin T/L Dash Connector.	\$43.00	
37009	1964	STEERING COLUMN ADAPTER HARNESS For 1975 & UP GM & Flaming River Columns (Exc. Ididit) To Stock Dash Harness Note: Adapts Horn & Directionals, Also Adds Hazard Flashers To Stock 8 Pin Dash Connector.	\$45.00	
37542	1965	STEERING COLUMN ADAPTER HARNESS For 1969-1974 GM & Ididit Columns (Exc. Flaming River) To Stock Dash Harness Note: Adapts Horn & Directionals, Also Adds Hazard Flashers To Stock 8 Pin T/L Dash Connector.	\$43.00	
37009	1965	STEERING COLUMN ADAPTER HARNESS For 1975 & UP GM & Flaming River Columns (Exc. Ididit) To Stock Dash Harness Note: Adapts Horn & Directionals, Also Adds Hazard Flashers To Stock 8 Pin Dash Connector.	\$45.00	

Part Number	Year	Description	Price	*Rev.
37542	1966	STEERING COLUMN ADAPTER HARNESS For 1969-1974 GM & Ididit Columns (Exc. Flaming River) To Stock Dash Harness Note: Adapts Horn & Directionals, Also Adds Hazard Flashers To Stock 8 Pin T/L Dash Connector.	\$43.00	
37009	1966	STEERING COLUMN ADAPTER HARNESS For 1975 & UP GM & Flaming River Columns (Exc. Ididit) To Stock Dash Harness Note: Adapts Horn & Directionals, Also Adds Hazard Flashers To Stock 8 Pin Dash Connector.	\$45.00	
36882	1967	STEERING COLUMN ADAPTER HARNESS For 1969-1974 GM & Ididit Columns (Exc. Flaming River) To Stock Dash Harness Note: Adapts Horn & Directionals, Also Adds Hazard Flashers To Stock 9-Pin T/L Dash Connector.	\$22.00	
38127	1967	STEERING COLUMN ADAPTER HARNESS For 1975 & UP GM & Flaming River Columns (Exc. Ididit) To Stock Dash Harness Note: Adapts Horn & Directionals, Also Adds Hazard Flashers To Stock 9-Pin T/L Dash Connector.	\$22.00	
36882	1968	STEERING COLUMN ADAPTER HARNESS For 1969-1974 GM & Ididit Columns (Exc. Flaming River) To Stock Dash Harness Note: Adapts Horn & Directionals, Also Adds Hazard Flashers To Stock 9-Pin T/L Dash Connector.	\$22.00	
38127	1968	STEERING COLUMN ADAPTER HARNESS For 1975 & UP GM & Flaming River Columns (Exc. Ididit) To Stock Dash Harness Note: Adapts Horn & Directionals, Also Adds Hazard Flashers To Stock 9-Pin T/L Dash Connector.	\$22.00	
STOP LAMP SWITCH JUMPER HARNESS				
40476	1963	STOP LAMP SWITCH JUMPER HARNESS Air Conditioned Cars Only	\$18.00	
SUN ROOF HARNESS				
40723	1973	SUN ROOF HARNESS All, 2 Door, With Power Windows	\$58.00	
40725	1973	SUN ROOF HARNESS All, 2 Door, Without Power Windows	\$58.00	
40723	1974	SUN ROOF HARNESS All, 2 Door, With Power Windows	\$58.00	
40419	1975	SUN ROOF HARNESS All, 2 Door, Without Power Windows	\$87.00	
40420	1975	SUN ROOF HARNESS All, 2 Door, With Power Windows	\$92.00	
40439	1976	SUN ROOF HARNESS All, 2 Door, Without Power Windows	\$87.00	
40440	1976	SUN ROOF HARNESS All, 2 Door, With Power Windows	\$92.00	
40439	1977	SUN ROOF HARNESS All, 2 Door, Without Power Windows	\$87.00	
40440	1977	SUN ROOF HARNESS All, 2 Door, With Power Windows	\$92.00	
T.C.S. JUMPER HARNESS				
16005	1971	T.C.S. JUMPER HARNESS 6 Cyl. 250 C.I., With A/T, From Engine Harness To Trans Switch Note: 6 Cylinder Items Are Not Returnable.	\$30.00	
16020	1971	T.C.S. JUMPER HARNESS 6 Cyl. 250 C.I., With H/T, From Engine Harness To Trans Switch Note: 6 Cylinder Items Are Not Returnable.	\$30.00	
36232	1972	T.C.S. JUMPER HARNESS 6 Cyl. 250 C.I., With A/T Or H/T, From Engine Harness To Trans Switch Note: 6 Cylinder Items Are Not Returnable.	\$30.00	
T.C.S. TRANSMISSION SWITCH EXTENSION				
17355	1972	T.C.S. TRANSMISSION SWITCH EXTENSION Ventura, Manual Trans, From Engine Harness To Trans Switch Note: Used With #16375, #16380 & #16385 Engine Harness. (T.C.S.) Stands For Transmission Controlled Spark.	\$42.00	
TACHOMETER HARNESS				
04240	1963	TACHOMETER HARNESS Dash Mounted	\$52.00	
41117	1963	TACHOMETER HARNESS - HEI Dash Mounted, "Modified For HEI Distributor" Note: Not All Tachometers Will Operate Or Indicate Correctly When Used On An HEI Ignition System. While Some Original And Reproduction Tachometers May Give A Reading, This Does Not Necessarily Mean The Reading Is Correct.	\$52.00	
04440	1964	TACHOMETER HARNESS Without Transistor Ignition	\$52.00	
41118	1964	TACHOMETER HARNESS - HEI Without Transistor Ignition, "Modified For HEI Distributor" Note: Not All Tachometers Will Operate Or Indicate Correctly When Used On An HEI Ignition System. While Some Original And Reproduction Tachometers May Give A Reading, This Does Not Necessarily Mean The Reading Is Correct.	\$52.00	

Part Number	Year	Description	Price	*Rev.
05115	1964	TACHOMETER HARNESS With Transistor Ignition	\$64.00	
05115	1965	TACHOMETER HARNESS With Transistor Ignition	\$64.00	
09535	1966	TACHOMETER HARNESS 6 Cylinder Note: 6 Cylinder Items Are Not Returnable.	\$35.00	
11095	1966	TACHOMETER HARNESS V/8	\$29.00	
41119	1966	TACHOMETER HARNESS - HEI V/8, "Modified For HEI Distributor" Note: Not All Tachometers Will Operate Or Indicate Correctly When Used On An HEI Ignition System. While Some Original And Reproduction Tachometers May Give A Reading, This Does Not Necessarily Mean The Reading Is Correct.	\$29.00	
11100	1967	TACHOMETER HARNESS 6 Cylinder, Dash Mounted Note: 6 Cylinder Items Are Not Returnable.	\$35.00	
11095	1967	TACHOMETER HARNESS V/8, Dash Mounted	\$29.00	
41119	1967	TACHOMETER HARNESS - HEI V/8, Dash Mounted, "Modified For HEI Distributor" Note: Not All Tachometers Will Operate Or Indicate Correctly When Used On An HEI Ignition System. While Some Original And Reproduction Tachometers May Give A Reading, This Does Not Necessarily Mean The Reading Is Correct.	\$29.00	
11005	1967	TACHOMETER HARNESS With Transistor Ignition, Dash Mounted	\$35.00	
11040	1967	TACHOMETER HARNESS Hood Mounted	\$45.00	
41120	1967	TACHOMETER HARNESS - HEI Hood Mounted, "Modified For HEI Distributor" Note: Not All Tachometers Will Operate Or Indicate Correctly When Used On An HEI Ignition System. While Some Original And Reproduction Tachometers May Give A Reading, This Does Not Necessarily Mean The Reading Is Correct.	\$45.00	
12380	1968	TACHOMETER HARNESS Dash Mounted	\$28.00	
41121	1968	TACHOMETER HARNESS - HEI Dash Mounted, "Modified For HEI Distributor" Note: Not All Tachometers Will Operate Or Indicate Correctly When Used On An HEI Ignition System. While Some Original And Reproduction Tachometers May Give A Reading, This Does Not Necessarily Mean The Reading Is Correct.	\$28.00	
12375	1968	TACHOMETER HARNESS Hood Mounted	\$45.00	
41122	1968	TACHOMETER HARNESS - HEI Hood Mounted, "Modified For HEI Distributor" Note: Not All Tachometers Will Operate Or Indicate Correctly When Used On An HEI Ignition System. While Some Original And Reproduction Tachometers May Give A Reading, This Does Not Necessarily Mean The Reading Is Correct.	\$45.00	
40514	1969	TACHOMETER HARNESS Hood Mounted	\$45.00	
41123	1969	TACHOMETER HARNESS - HEI Hood Mounted, "Modified For HEI Distributor" Note: Not All Tachometers Will Operate Or Indicate Correctly When Used On An HEI Ignition System. While Some Original And Reproduction Tachometers May Give A Reading, This Does Not Necessarily Mean The Reading Is Correct.	\$45.00	
12380	1969	TACHOMETER HARNESS Dash Mounted	\$28.00	
41121	1969	TACHOMETER HARNESS - HEI Dash Mounted, "Modified For HEI Distributor" Note: Not All Tachometers Will Operate Or Indicate Correctly When Used On An HEI Ignition System. While Some Original And Reproduction Tachometers May Give A Reading, This Does Not Necessarily Mean The Reading Is Correct.	\$28.00	
15645	1970	TACHOMETER HARNESS Dash Mounted	\$28.00	
41124	1970	TACHOMETER HARNESS - HEI Dash Mounted, "Modified For HEI Distributor" Note: Not All Tachometers Will Operate Or Indicate Correctly When Used On An HEI Ignition System. While Some Original And Reproduction Tachometers May Give A Reading, This Does Not Necessarily Mean The Reading Is Correct.	\$28.00	
17250	1970	TACHOMETER HARNESS Hood Mounted	\$45.00	
41125	1970	TACHOMETER HARNESS - HEI Hood Mounted, "Modified For HEI Distributor" Note: Not All Tachometers Will Operate Or Indicate Correctly When Used On An HEI Ignition System. While Some Original And Reproduction Tachometers May Give A Reading, This Does Not Necessarily Mean The Reading Is Correct.	\$45.00	
15645	1971	TACHOMETER HARNESS Dash Mounted	\$28.00	
41124	1971	TACHOMETER HARNESS - HEI Dash Mounted, "Modified For HEI Distributor" Note: Not All Tachometers Will Operate Or Indicate Correctly When Used On An HEI Ignition System. While Some Original And Reproduction Tachometers May Give A Reading, This Does Not Necessarily Mean The Reading Is Correct.	\$28.00	
17250	1971	TACHOMETER HARNESS Hood Mounted	\$45.00	
41125	1971	TACHOMETER HARNESS - HEI Hood Mounted, "Modified For HEI Distributor" Note: Not All Tachometers Will Operate Or Indicate Correctly When Used On An HEI Ignition System. While Some Original And Reproduction Tachometers May Give A Reading, This Does Not Necessarily Mean The Reading Is Correct.	\$45.00	

Part Number	Year	Description	Price	*Rev.
16885	1972	TACHOMETER HARNESS Dash Mounted	\$41.00	
41126	1972	TACHOMETER HARNESS - HEI Dash Mounted, "Modified For HEI Distributor" Note: Not All Tachometers Will Operate Or Indicate Correctly When Used On An HEI Ignition System. While Some Original And Reproduction Tachometers May Give A Reading, This Does Not Necessarily Mean The Reading Is Correct.	\$41.00	
16890	1972	TACHOMETER HARNESS Dash Mounted, With Unitized Distributor	\$41.00	
17250	1972	TACHOMETER HARNESS Hood Mounted	\$45.00	
41125	1972	TACHOMETER HARNESS - HEI Hood Mounted, "Modified For HEI Distributor" Note: Not All Tachometers Will Operate Or Indicate Correctly When Used On An HEI Ignition System. While Some Original And Reproduction Tachometers May Give A Reading, This Does Not Necessarily Mean The Reading Is Correct.	\$45.00	
40627	1973	TACHOMETER HARNESS Without Cruise Control & Unitized Distributor	\$45.00	
41127	1973	TACHOMETER HARNESS - HEI Without Cruise Control & Unitized Distributor, "Modified For HEI Distributor" Note: Not All Tachometers Will Operate Or Indicate Correctly When Used On An HEI Ignition System. While Some Original And Reproduction Tachometers May Give A Reading, This Does Not Necessarily Mean The Reading Is Correct.	\$45.00	
40628	1973	TACHOMETER HARNESS With Unitized Distributor, Without Cruise Control	\$45.00	
40674	1974	TACHOMETER HARNESS Without Unitized Distributor	\$45.00	
41128	1974	TACHOMETER HARNESS - HEI Without Unitized Distributor, "Modified For HEI Distributor" Note: Not All Tachometers Will Operate Or Indicate Correctly When Used On An HEI Ignition System. While Some Original And Reproduction Tachometers May Give A Reading, This Does Not Necessarily Mean The Reading Is Correct.	\$45.00	
40680	1974	TACHOMETER HARNESS With Unitized Distributor, Except Cruise Control	\$45.00	
40680	1975	TACHOMETER HARNESS	\$45.00	
40680	1976	TACHOMETER HARNESS	\$45.00	
40680	1977	TACHOMETER HARNESS	\$45.00	
TAILGATE AJAR WARNING LAMP HARNESS				
40625	1973	TAILGATE AJAR WARNING LAMP HARNESS Wagon, Fuse Block To Dash	\$29.00	
40625	1974	TAILGATE AJAR WARNING LAMP HARNESS Wagon, Fuse Block To Dash	\$29.00	
40625	1975	TAILGATE AJAR WARNING LAMP HARNESS Wagon, Fuse Block To Dash	\$29.00	
40625	1976	TAILGATE AJAR WARNING LAMP HARNESS Wagon, Fuse Block To Dash	\$29.00	
TAILGATE ELECTRIC RELEASE HARNESS				
40621	1973	TAILGATE ELECTRIC RELEASE HARNESS Tailgate Feed To Tailgate UNlock Switch	\$29.00	
40621	1974	TAILGATE ELECTRIC RELEASE HARNESS Tailgate Feed To Tailgate UNlock Switch	\$29.00	
40621	1975	TAILGATE ELECTRIC RELEASE HARNESS Tailgate Feed To Tailgate UNlock Switch	\$29.00	
40621	1976	TAILGATE ELECTRIC RELEASE HARNESS Tailgate Feed To Tailgate UNlock Switch	\$29.00	
40621	1977	TAILGATE ELECTRIC RELEASE HARNESS Tailgate Feed To Tailgate UNlock Switch	\$29.00	
TAILGATE WARNING LAMP HARNESS				
40696	1973	TAILGATE WARNING LAMP HARNESS Wagon, Front Section, Without Electric Tailgate Release Or Rear Window Defroster	\$41.00	
40697	1973	TAILGATE WARNING LAMP HARNESS Wagon, Rear Section, Without Electric Tailgate Release Or Rear Window Defroster Note: Customer Must Supply Their Original Rubber Boot.	\$41.00	
40699	1973	TAILGATE WARNING LAMP HARNESS Wagon, Front Section, With Electric Tailgate Release	\$41.00	
40700	1973	TAILGATE WARNING LAMP HARNESS Wagon, Rear Section, With Electric Tailgate Release Or Rear Window Defroster Note: Customer Must Supply Their Original Rubber Boot.	\$41.00	
40709	1973	TAILGATE WARNING LAMP HARNESS Wagon, Front Section, With Rear Window Defroster	\$41.00	
40710	1973	TAILGATE WARNING LAMP HARNESS Wagon, Front Section, With Rear Window Defroster & Electric Tailgate Release	\$41.00	
40711	1973	TAILGATE WARNING LAMP HARNESS Wagon, Rear Section, With Rear Window Defroster & Electric Tailgate Release Note: Customer Must Supply Their Original Rubber Boot.	\$41.00	

Part Number	Year	Description	Price	*Rev.
40696	1974	TAILGATE WARNING LAMP HARNESS Wagon, Front Section, Without Electric Tailgate Release Or Rear Window Defroster	\$41.00	
40697	1974	TAILGATE WARNING LAMP HARNESS Wagon, Rear Section, Without Electric Tailgate Release Or Rear Window Defroster Note: Customer Must Supply Their Original Rubber Boot.	\$41.00	
40700	1974	TAILGATE WARNING LAMP HARNESS Wagon, Rear Section, With Electric Tailgate Release Or Rear Window Defroster Note: Customer Must Supply Their Original Rubber Boot.	\$41.00	
40709	1974	TAILGATE WARNING LAMP HARNESS Wagon, Front Section, With Blower Type Rear Window Defroster	\$41.00	
40710	1974	TAILGATE WARNING LAMP HARNESS Wagon, Front Section, With Blower Type Rear Window Defroster & Electric Tailgate Release	\$41.00	
40711	1974	TAILGATE WARNING LAMP HARNESS Wagon, Rear Section, With Blower Type Rear Window Defroster & Electric Tailgate Release Note: Customer Must Supply Their Original Rubber Boot.	\$41.00	
40736	1974	TAILGATE WARNING LAMP HARNESS Wagon, Rear Section, With Electric Type Rear Window Defroster, Without Electric Tailgate Release Note: Customer Must Supply Their Original Rubber Boot.	\$41.00	
40737	1974	TAILGATE WARNING LAMP HARNESS Wagon, Rear Section, With Electric Type Rear Window Defroster & Electric Tailgate Release Note: Customer Must Supply Their Original Rubber Boot.	\$41.00	
40699	1974	TAILGATE WARNING LAMP HARNESS Wagon, Front Section, With Electric Tailgate Release	\$41.00	
40696	1975	TAILGATE WARNING LAMP HARNESS Wagon, Front Section, Without Electric Tailgate Release Or Rear Window Defroster	\$41.00	
40699	1975	TAILGATE WARNING LAMP HARNESS Wagon, Front Section, With Electric Tailgate Release	\$41.00	
40710	1975	TAILGATE WARNING LAMP HARNESS Wagon, Front Section, With Blower Type Rear Window Defroster & Electric Tailgate Release	\$41.00	
40697	1975	TAILGATE WARNING LAMP HARNESS Wagon, Rear Section, Without Electric Tailgate Release Or Rear Window Defroster Note: Customer Must Supply Their Original Rubber Boot.	\$41.00	
40700	1975	TAILGATE WARNING LAMP HARNESS Wagon, Rear Section, With Electric Tailgate Release Or Rear Window Defroster Note: Customer Must Supply Their Original Rubber Boot.	\$41.00	
40711	1975	TAILGATE WARNING LAMP HARNESS Wagon, Rear Section, With Blower Type Rear Window Defroster & Electric Tailgate Release Note: Customer Must Supply Their Original Rubber Boot.	\$41.00	
40736	1975	TAILGATE WARNING LAMP HARNESS Wagon, Rear Section, With Electric Type Rear Window Defroster, Without Electric Tailgate Release Note: Customer Must Supply Their Original Rubber Boot.	\$41.00	
40737	1975	TAILGATE WARNING LAMP HARNESS Wagon, Rear Section, With Electric Type Rear Window Defroster & Electric Tailgate Release Note: Customer Must Supply Their Original Rubber Boot.	\$41.00	
40430	1976	TAILGATE WARNING LAMP HARNESS Wagon, Front Section, Without Electric Tailgate Release	\$41.00	
40432	1976	TAILGATE WARNING LAMP HARNESS Wagon, Front Section, With Electric Tailgate Release	\$41.00	
40434	1976	TAILGATE WARNING LAMP HARNESS Wagon, Front Section, With Blower Type Rear Window Defroster & Electric Tailgate Release	\$52.00	
40431	1976	TAILGATE WARNING LAMP HARNESS Wagon, Rear Section, Without Electric Tailgate Release Or Rear Window Defroster Note: Customer Must Supply Their Original Rubber Boot & The Plastic Connector That Attaches This Harness To The Front Harness.	\$52.00	
40433	1976	TAILGATE WARNING LAMP HARNESS Wagon, Rear Section, With Electric Tailgate Release Note: Customer Must Supply Their Original Rubber Boot.	\$52.00	
40435	1976	TAILGATE WARNING LAMP HARNESS Wagon, Rear Section, With Blower Type Rear Window Defroster & Electric Tailgate Release Note: Customer Must Supply Their Original Rubber Boot.	\$58.00	

Part Number	Year	Description	Price	*Rev.
40436	1976	TAILGATE WARNING LAMP HARNESS Wagon, Rear Section, With Electric Type Rear Window Defroster, Without Electric Tailgate Release Note: Customer Must Supply Their Original Rubber Boot.	\$52.00	
40437	1976	TAILGATE WARNING LAMP HARNESS Wagon, Rear Section, With Electric Type Rear Window Defroster & Electric Tailgate Release Note: Customer Must Supply Their Original Rubber Boot.	\$58.00	
40430	1977	TAILGATE WARNING LAMP HARNESS Wagon, Front Section, Without Electric Tailgate Release	\$41.00	
40432	1977	TAILGATE WARNING LAMP HARNESS Wagon, Front Section, With Electric Tailgate Release	\$41.00	
40434	1977	TAILGATE WARNING LAMP HARNESS Wagon, Front Section, With Blower Type Rear Window Defroster & Electric Tailgate Release	\$52.00	
40431	1977	TAILGATE WARNING LAMP HARNESS Wagon, Rear Section, Without Electric Tailgate Release Or Rear Window Defroster Note: Customer Must Supply Their Original Rubber Boot & The Plastic Connector That Attaches This Harness To The Front Harness.	\$52.00	
40433	1977	TAILGATE WARNING LAMP HARNESS Wagon, Rear Section, With Electric Tailgate Release Note: Customer Must Supply Their Original Rubber Boot.	\$52.00	
40435	1977	TAILGATE WARNING LAMP HARNESS Wagon, Rear Section, With Blower Type Rear Window Defroster & Electric Tailgate Release Note: Customer Must Supply Their Original Rubber Boot.	\$58.00	
40436	1977	TAILGATE WARNING LAMP HARNESS Wagon, Rear Section, With Electric Type Rear Window Defroster, Without Electric Tailgate Release Note: Customer Must Supply Their Original Rubber Boot.	\$52.00	
40437	1977	TAILGATE WARNING LAMP HARNESS Wagon, Rear Section, With Electric Type Rear Window Defroster & Electric Tailgate Release Note: Customer Must Supply Their Original Rubber Boot.	\$58.00	
TEMPERATURE SENDER JUMPER				
11120	1967	TEMPERATURE SENDER JUMPER 6 Cylinder, With A/C, Engine Harness To Temperature Switch Note: 6 Cylinder Items Are Not Returnable.	\$14.00	
11120	1968	TEMPERATURE SENDER JUMPER 6 Cylinder, With A/C, Engine Harness To Temperature Switch Note: 6 Cylinder Items Are Not Returnable.	\$14.00	
11120	1969	TEMPERATURE SENDER JUMPER 6 Cylinder, With A/C, Engine Harness To Temperature Switch Note: 6 Cylinder Items Are Not Returnable.	\$14.00	
TILT COLUMN ADAPTER HARNESS				
04430	1964	TILT COLUMN ADAPTER HARNESS Turn Signal Switch Adapter	\$43.00	
04430	1965	TILT COLUMN ADAPTER HARNESS Turn Signal Switch Adapter	\$43.00	
10100	1966	TILT COLUMN ADAPTER HARNESS Turn Signal Switch Adapter	\$41.00	
TRANSISTOR IGNITION HARNESS				
33225	1964	TRANSISTOR IGNITION AMPLIFIER EXTENSION From Internal Circuit Board To Amplifier Housing Connector	\$46.00	
28380	1964	TRANSISTOR IGNITION EXTENSION HARNESS From Amplifier Box To Main T.I. Harness	\$64.00	
26855	1964	TRANSISTOR IGNITION HARNESS Main Harness, From Distributor To Ignition Switch	\$133.00	
27260	1965	TRANSISTOR IGNITION HARNESS Main Harness, From Distributor To Ignition Switch	\$133.00	
41129	1965	TRANSISTOR IGNITION AMPLIFIER EXTENSION From Internal Circuit Board To Inline Transistor Ignition Harness Connector	\$109.00	
40498	1966	TRANSISTOR IGNITION HARNESS 6 Cylinder, Main Harness, From Distributor To Ignition Switch Note: 6 Cylinder Items Are Not Returnable.	\$133.00	
28375	1966	TRANSISTOR IGNITION HARNESS V/8, Main Harness, From Distributor To Ignition Switch	\$126.00	
41129	1966	TRANSISTOR IGNITION AMPLIFIER EXTENSION From Internal Circuit Board To Inline Transistor Ignition Harness Connector	\$109.00	
40591	1970	TRANSISTOR IGNITION HARNESS (Field Installed), Main Harness, From Distributor To Ignition Switch	\$133.00	

Part Number	Year	Description	Price	*Rev.
TRANSISTOR IGNITION REPLACEMENT MODULE				
32270	1964	TRANSISTOR IGNITION REPLACEMENT MODULE Replaces Original Circuit Board In Amplifier	\$172.00	
32270	1965	TRANSISTOR IGNITION REPLACEMENT MODULE Replaces Original Circuit Board In Amplifier	\$172.00	
32270	1966	TRANSISTOR IGNITION REPLACEMENT MODULE Replaces Original Circuit Board In Amplifier	\$172.00	
TRUNK LAMP EXTENSION HARNESS				
31255	1964	TRUNK LAMP EXTENSION HARNESS	\$22.00	
31255	1965	TRUNK LAMP EXTENSION HARNESS	\$22.00	
31255	1966	TRUNK LAMP EXTENSION HARNESS	\$22.00	
31255	1967	TRUNK LAMP EXTENSION HARNESS	\$22.00	
31255	1968	TRUNK LAMP EXTENSION HARNESS	\$22.00	
13435	1969	TRUNK LAMP EXTENSION HARNESS Convertible	\$12.00	
13440	1969	TRUNK LAMP EXTENSION HARNESS Coupe	\$22.00	
28210	1971	TRUNK LAMP EXTENSION HARNESS Ventura	\$13.00	
28210	1972	TRUNK LAMP EXTENSION HARNESS Ventura	\$13.00	
28210	1973	TRUNK LAMP EXTENSION HARNESS Ventura	\$13.00	
28210	1974	TRUNK LAMP EXTENSION HARNESS Ventura	\$13.00	
TRUNK RELEASE HARNESS				
08295	1967	TRUNK RELEASE HARNESS Solenoid To Dash Switch	\$26.00	
40350	1967	TRUNK RELEASE HARNESS Clock Power Lead To Dash Switch	\$30.00	
08295	1968	TRUNK RELEASE HARNESS Solenoid To Dash Switch	\$26.00	
40350	1968	TRUNK RELEASE HARNESS Clock Power Lead To Dash Switch	\$30.00	
40350	1969	TRUNK RELEASE HARNESS Clock Power Lead To Dash Switch	\$30.00	
39705	1969	TRUNK RELEASE HARNESS Solenoid To Dash Switch	\$27.00	
40350	1970	TRUNK RELEASE HARNESS Clock Power Lead To Dash Switch	\$30.00	
40347	1970	TRUNK RELEASE HARNESS Solenoid To Dash Switch	\$30.00	
40745	1970	TRUNK RELEASE HARNESS Solenoid To Dash Switch, (Field Installed)	\$30.00	
40350	1971	TRUNK RELEASE HARNESS Clock Power Lead To Dash Switch	\$30.00	
40347	1971	TRUNK RELEASE HARNESS Solenoid To Dash Switch	\$30.00	
40745	1971	TRUNK RELEASE HARNESS Solenoid To Dash Switch, (Field Installed)	\$30.00	
40350	1972	TRUNK RELEASE HARNESS Clock Power Lead To Dash Switch	\$30.00	
40347	1972	TRUNK RELEASE HARNESS Solenoid To Dash Switch	\$30.00	
40639	1973	TRUNK RELEASE HARNESS Used With Dealer Installed Trunk Release, Fuse Box To Dash Switch	\$23.00	
40619	1973	TRUNK RELEASE HARNESS Without Glove Box Lamp, Dash Harness To Switch	\$23.00	
40777	1973	TRUNK RELEASE HARNESS Electric	\$41.00	
40639	1974	TRUNK RELEASE HARNESS Used With Dealer Installed Trunk Release, Fuse Box To Dash Switch	\$23.00	
40619	1974	TRUNK RELEASE HARNESS Without Glove Box Lamp, Dash Harness To Switch	\$23.00	
40777	1974	TRUNK RELEASE HARNESS Electric	\$41.00	
40639	1975	TRUNK RELEASE HARNESS Used With Dealer Installed Trunk Release, Fuse Box To Dash Switch	\$23.00	
40619	1975	TRUNK RELEASE HARNESS Without Glove Box Lamp, Dash Harness To Switch	\$23.00	
40777	1975	TRUNK RELEASE HARNESS Electric	\$41.00	
40619	1976	TRUNK RELEASE HARNESS Without Glove Box Lamp, Dash Harness To Switch	\$23.00	
40777	1976	TRUNK RELEASE HARNESS Electric	\$41.00	
40777	1977	TRUNK RELEASE HARNESS Electric	\$41.00	
40619	1977	TRUNK RELEASE HARNESS Without Glove Box Lamp, Dash Harness To Switch	\$23.00	

Part Number	Year	Description	Price	*Rev.
TURN SIGNAL SWITCH				
00383033	1964	TURN SIGNAL SWITCH Without Tilt	\$138.00	
Note: Includes Light Socket For Column Shift Automatic Trans, Customer To Discard If Not Needed.				
01993624	1964	TURN SIGNAL SWITCH With Tilt, Replaces Delco Part# D6220	\$71.00	
00387126	1965	TURN SIGNAL SWITCH Column Shift, Auto Trans, (Boyne), Without Tilt, Replaces Delco Part# D6201	\$96.00	
00387115	1965	TURN SIGNAL SWITCH Console Shift, Auto Trans, (Boyne), Without Tilt, Replaces Delco Part# D6200	\$96.00	
Note: This Switch Has A Metal Base.				
00387115	1965	TURN SIGNAL SWITCH Manual Trans, (Boyne), Without Tilt, Replaces Delco Part# D6200	\$96.00	
Note: This Switch Has A Metal Base.				
01993624	1965	TURN SIGNAL SWITCH With Tilt, Replaces Delco Part# D6220	\$71.00	
00387126	1966	TURN SIGNAL SWITCH Column Shift, Auto Trans, (Boyne), Without Tilt, Replaces Delco Part# D6201	\$96.00	
00387115	1966	TURN SIGNAL SWITCH Console Shift, Auto Trans, (Boyne), Without Tilt, Replaces Delco Part# D6200	\$96.00	
Note: This Switch Has A Metal Base.				
00387115	1966	TURN SIGNAL SWITCH Manual Trans, (Boyne), Without Tilt, Replaces Delco Part# D6200	\$96.00	
Note: This Switch Has A Metal Base.				
01993624	1966	TURN SIGNAL SWITCH With Tilt, Replaces Delco Part# D6220	\$71.00	
07800482	1967	TURN SIGNAL SWITCH Without Column Shift A/T, Without Tilt, Without Cornering Lights, (Delco Type, Black, White Or Green)	\$50.00	
Note: Emergency Flasher Actuator Hole In Outer Cover Is Shaped Like A Doghouse.				
07800482	1967	TURN SIGNAL SWITCH Without Column Shift A/T, With Tilt, Without Cornering Lights, (Delco Type, Black, White Or Green)	\$50.00	
Note: Emergency Flasher Actuator Hole In Outer Cover Is Shaped Like A Doghouse.				
05698897	1967	TURN SIGNAL SWITCH With Column Shift A/T, Without Tilt, Without Cornering Lamps (Delco Type, Black, White Or Green)	\$50.00	
Note: Emergency Flasher Actuator Hole In Outer Cover Is Shaped Like A Doghouse.				
05698897	1967	TURN SIGNAL SWITCH With Column Shift A/T, With Tilt, Without Cornering Lamps (Delco Type, Black, White Or Green)	\$50.00	
Note: Emergency Flasher Actuator Hole In Outer Cover Is Shaped Like A Doghouse.				
07800482	1967	TURN SIGNAL SWITCH With Column Shift 3 Speed M/T (Delco Type, White)	\$50.00	
Note: Emergency Flasher Actuator Hole In Outer Cover Is Shaped Like A Doghouse.				
01893592	1967	TURN SIGNAL SWITCH Col. Shift, MT, Without Cornering Lights (Delco-White), Replaces Delco Part# D6211	\$58.00	
Note: This Is A Service Part, Adapter Pigtail Included And Is Required For Some Applications.				
07800482	1967	TURN SIGNAL SWITCH With Floor Shift (Delco Type, White)	\$50.00	
Note: Emergency Flasher Actuator Hole In Outer Cover Is Shaped Like A Doghouse.				
01893592	1967	TURN SIGNAL SWITCH Floor Shift, Without Cornering Lights (Delco-White), Replaces Delco Part# D6211	\$58.00	
Note: This Is A Service Part, Adapter Pigtail Included And Is Required For Some Applications.				
07800482	1968	TURN SIGNAL SWITCH Without Column Shift A/T, Without Tilt, Without Cornering Lights, (Delco Type, Black, White Or Green)	\$50.00	
Note: Emergency Flasher Actuator Hole In Outer Cover Is Shaped Like A Doghouse.				
07800482	1968	TURN SIGNAL SWITCH Without Column Shift A/T, With Tilt, Without Cornering Lights, (Delco Type, Black, White Or Green)	\$50.00	
Note: Emergency Flasher Actuator Hole In Outer Cover Is Shaped Like A Doghouse.				
05698897	1968	TURN SIGNAL SWITCH With Column Shift A/T, Without Tilt, Without Cornering Lamps (Delco Type, Black, White Or Green)	\$50.00	
Note: Emergency Flasher Actuator Hole In Outer Cover Is Shaped Like A Doghouse.				

Part Number	Year	Description	Price	*Rev.
05698897	1968	TURN SIGNAL SWITCH With Column Shift A/T, With Tilt, Without Cornering Lamps (Delco Type, Black, White Or Green) Note: Emergency Flasher Actuator Hole In Outer Cover Is Shaped Like A Doghouse.	\$50.00	
07800482	1968	TURN SIGNAL SWITCH With Column Shift 3 Speed M/T (Delco Type, White) Note: Emergency Flasher Actuator Hole In Outer Cover Is Shaped Like A Doghouse.	\$50.00	
01893592	1968	TURN SIGNAL SWITCH Col. Shift, MT, Without Cornering Lights (Delco-White), Replaces Delco Part# D6211 Note: This Is A Service Part, Adapter Pigtail Included And Is Required For Some Applications.	\$58.00	
07800482	1968	TURN SIGNAL SWITCH With Floor Shift (Delco Type, White) Note: Emergency Flasher Actuator Hole In Outer Cover Is Shaped Like A Doghouse.	\$50.00	
01893592	1968	TURN SIGNAL SWITCH Floor Shift, Without Cornering Lights (Delco-White), Replaces Delco Part# D6211 Note: This Is A Service Part, Adapter Pigtail Included And Is Required For Some Applications.	\$58.00	
01997963	1969	TURN SIGNAL SWITCH, CORRECT PART Without Cornering Lights Note: Correct Part, No Adapter Pigtail Required.	\$56.00	
01997963	1970	TURN SIGNAL SWITCH, CORRECT PART Without Cornering Lights, Without Tilt Note: Correct Part, No Adapter Pigtail Required.	\$56.00	
01997963	1971	TURN SIGNAL SWITCH, CORRECT PART Without Cornering Lights Note: Correct Part, No Adapter Pigtail Required.	\$56.00	
01997963	1972	TURN SIGNAL SWITCH, CORRECT PART Without Cornering Lights Note: Correct Part, No Adapter Pigtail Required.	\$56.00	
01997963	1973	TURN SIGNAL SWITCH, CORRECT PART Without Cornering Lights Note: Correct Part, No Adapter Pigtail Required.	\$56.00	
01997963	1974	TURN SIGNAL SWITCH, CORRECT PART Without Cornering Lights Note: Correct Part, No Adapter Pigtail Required.	\$56.00	
01893588	1969	TURN SIGNAL SWITCH, SERVICE PART Without Cornering Lights, Replaces Delco Part# D6208 Note: This Is A Service Part, Adapter Pigtail Included Is Required For Installation.	\$58.00	
01893588	1970	TURN SIGNAL SWITCH, SERVICE PART Without Cornering Lights, Without Tilt, Replaces Delco Part# D6208 Note: This Is A Service Part, Adapter Pigtail Included Is Required For Installation.	\$58.00	
01893588	1971	TURN SIGNAL SWITCH, SERVICE PART Without Cornering Lights, Replaces Delco Part# D6208 Note: This Is A Service Part, Adapter Pigtail Included Is Required For Installation.	\$58.00	
01893588	1972	TURN SIGNAL SWITCH, SERVICE PART Without Cornering Lights, Replaces Delco Part# D6208 Note: This Is A Service Part, Adapter Pigtail Included Is Required For Installation.	\$58.00	
01893588	1973	TURN SIGNAL SWITCH, SERVICE PART Without Cornering Lights, Replaces Delco Part# D6208 Note: This Is A Service Part, Adapter Pigtail Included Is Required For Installation.	\$58.00	
01893588	1974	TURN SIGNAL SWITCH, SERVICE PART Without Cornering Lights, Replaces Delco Part# D6208 Note: This Is A Service Part, Adapter Pigtail Included Is Required For Installation.	\$58.00	
UTILITY LAMP HARNESS				
40579	1971	UTILITY LAMP HARNESS For Use With The Accessory Rechargeable Utility Lamp	\$33.00	
VACUUM GAUGE LAMP HARNESS				
10135	1966	VACUUM GAUGE LAMP HARNESS Console Mounted	\$21.00	
10135	1967	VACUUM GAUGE LAMP HARNESS Console Mounted	\$21.00	
VANITY MIRROR LAMP HARNESS				
40441	1977	VANITY MIRROR LAMP HARNESS All, Passenger Side Sunshade	\$36.00	
WINDSHIELD WIPER SWITCH				
01998719	1961	WINDSHIELD WIPER SWITCH Single Speed, With Washer	\$52.00	
01998719	1962	WINDSHIELD WIPER SWITCH Single Speed, With Washer	\$52.00	
01998719	1963	WINDSHIELD WIPER SWITCH Single Speed, With Washer	\$52.00	

Part Number	Year	Description	Price	*Rev.
01993541	1964	WINDSHIELD WIPER SWITCH Single Speed, With Washer	\$45.00	
01993584	1964	WINDSHIELD WIPER SWITCH Two Speed, With Washer	\$52.00	
01993541	1965	WINDSHIELD WIPER SWITCH Single Speed, With Washer	\$45.00	
01993584	1965	WINDSHIELD WIPER SWITCH Two Speed, With Washer	\$52.00	
01993584	1966	WINDSHIELD WIPER SWITCH Two Speed, With Washer	\$52.00	
01993372	1967	WINDSHIELD WIPER SWITCH 2 Speed, With Washer	\$45.00	
01993425	1968	WINDSHIELD WIPER SWITCH 2 Speed, With Washer, Without Recess Park	\$52.00	
01993371	1968	WINDSHIELD WIPER SWITCH 2 Speed, With Washer, With Recess Park	\$65.00	
01994150	1972	WINDSHIELD WIPER SWITCH Ventura	\$52.00	
01994150	1973	WINDSHIELD WIPER SWITCH Ventura	\$52.00	
01994150	1974	WINDSHIELD WIPER SWITCH Ventura	\$52.00	
WIPER MOTOR HARNESS				
40443	1961	WIPER MOTOR HARNESS 2 Speed	\$35.00	
40449	1961	WIPER MOTOR HARNESS 2 Speed, With Washer	\$41.00	
40448	1961	WIPER MOTOR HARNESS Single Speed, With Washer	\$35.00	
40442	1961	WIPER MOTOR HARNESS Single Speed	\$29.00	
40461	1962	WIPER MOTOR HARNESS 2 Speed	\$35.00	
40459	1962	WIPER MOTOR HARNESS Single Speed	\$29.00	
40462	1962	WIPER MOTOR HARNESS 2 Speed, With Washer	\$41.00	
40460	1962	WIPER MOTOR HARNESS Single Speed, With Washer	\$35.00	
40467	1963	WIPER MOTOR HARNESS 2 Speed	\$23.00	
40466	1963	WIPER MOTOR HARNESS Single Speed, With Washer	\$35.00	
40468	1963	WIPER MOTOR HARNESS 2 Speed, With Washer	\$41.00	
40484	1964	WIPER MOTOR HARNESS 2 Speed	\$23.00	
38809	1964	WIPER MOTOR HARNESS 2 Speed, With Washer	\$32.00	
40688	1975	WIPER MOTOR HARNESS With Pulse Wipers	\$58.00	
40690	1975	WIPER MOTOR HARNESS With Pulse Wipers & Tach, (Tach Wiring Included)	\$72.00	
40688	1976	WIPER MOTOR HARNESS With Pulse Wipers	\$58.00	
40690	1976	WIPER MOTOR HARNESS With Pulse Wipers & Tach, (Tach Wiring Included)	\$72.00	