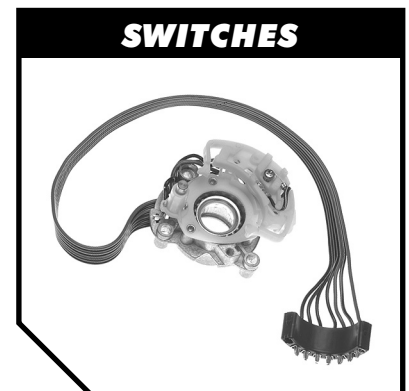
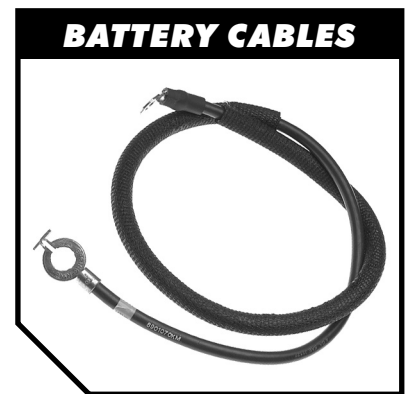




Electrical Restoration Products

Firebird



Phone 562.926.9552

Fax 562.926.9572

sparky@wiringharness.com

www.wiringharness.com

Part #FIR

Buy with Confidence !

Made in the U.S.A.

All of our harnesses are hand assembled in the U.S.A.

Correct Color Wires

Our harnesses always match the original factory color codes and gauge sizes. We use U.S.A. made Cross Linked Polyethylene type GXL wire which is much more tolerant to heat than the original PVC type GPT wire that was used from the factory.

Dip Soldered (when applicable)

All terminals are dip soldered (when applicable) to limit resistance loss.

Correct Connectors & Terminals

With over 300,000 connectors and terminals in stock you can be sure the harness you receive will look identical to the original.

Correct Non-Adhesive & Cloth Tapes

All harnesses are wrapped with the correct non-adhesive or cloth woven tapes to assure a 100% factory appearance.

Technical Support

We don't expect our customers to be "wiring-wizards", you can call us direct with any technical questions you may have.

Custom Modifications

Custom modifications are available to allow you to convert from an external regulated alternator to an internal regulated alternator. This modification is available for most '63 and up GM cars and trucks. We can also convert many of our engine harnesses to work with H.E.I. distributors and electric chokes. Our modifications retain the factory appearance. Call our Customer Service Department for more details.

Reproduction Switches

We manufacture an extensive line of reproduction switches. These include Turn Signal, Backup Light, Neutral Safety, Wiper, Headlight Switches and others. As with all of our restoration products our switches will fit and function perfectly, just like the originals.

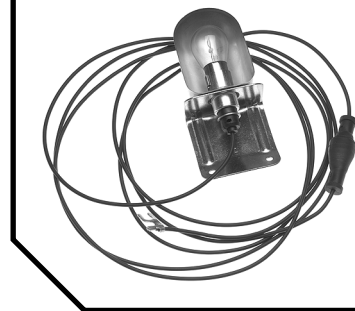
Guarantee & Warranty

We are so confident in the quality of all of our restoration products that we offer the following guarantee and warranty. If you are not 100% satisfied with the quality of any of our restoration products we will give you a full refund. Just return the unused item within 30 days of receipt for a full refund. We also offer a full 1 year replacement warranty on all of the products we sell (see our product warranty sheet for more info).

Method of Payment

We accept Visa, Master Card, American Express and Discover. If you prefer to pre-pay your order, we accept Money Orders, Cashiers Checks or Personal Checks. C.O.D. shipments are also available.

LIGHTING KITS



1 WIRE IGNITION



HARNESS TAPE



"M&H Harnesses are perfect reproductions created with correct color wires from Original GM wiring schematics".

**MUSCLECAR ENTHUSIAST
MAGAZINE**

www.wiringharness.com

Alternator Conversion Kits

**See car line catalogs
for specific applications**

Alternator Conversion Kit External to "SI" Type Internal

Our most popular Alternator Conversion Kit. This kit makes it easy to convert from an External Regulated Alternator to an "SI" Type Internal Regulated Alternator. Kit includes both adapters and an instruction sheet.

Easy to install:

1) Disconnect the external voltage regulator leads and plug our "Special Regulator Adapter" into the voltage regulator lead wires. 2) Disconnect the alternator lead wires. 3) Install new "SI" Type Internal Regulated alternator. 4) Plug one end of our "Alternator Adapter" into the original alternator lead wires and the other into the alternator.

Typical application is '63-'74 GM Cars & Trucks, see carline catalogs for specific application information.

Part #27555

Retail \$25.00



Alternator Conversion Kit External to "CS" Type Internal

This kit makes it easy to convert from an External Regulated Alternator to a "CS" Type Internal Regulated Alternator. Kit includes both adapters and an instruction sheet.

Easy to install:

1) Disconnect the external voltage regulator leads and plug our "Special Regulator Adapter" into the voltage regulator lead wires. 2) Disconnect the alternator lead wires. 3) Install new "SI" Type Internal Regulated alternator. 4) Plug one end of our "Alternator Adapter" into the original alternator lead wires and the other into the alternator.

Typical application is '63-'74 GM Cars & Trucks, see carline catalogs for specific application information.

Part #37787

Retail \$29.00



Alternator Conversion Kit "SI" Type Internal to CS130/CS144 Type Internal

Allows for an easy conversion from an "SI" type internal regulated alternator to a "CS130" or "CS144" type internal regulated alternator. Simple to install, the mating end of the adapter pigtail plugs perfectly to the original alternator connector, and the other end plugs right into any "CS130" or "CS144" type alternator. Kit includes adapter pigtail and an instruction sheet.

Typical application is '69-'84 GM Cars & Trucks, see carline catalogs for specific application information.

Part #37796

Retail \$22.00



Alternator Conversion Kits

See car line catalogs
for specific applications

Alternator Conversion Kit

"SI" Type Internal to "CS130D" Type Internal

Allows for an easy conversion from an "SI" type internal regulated alternator to a "CS130D" type internal regulated alternator. Simple to install, the mating end of the adapter pigtail plugs perfectly to the original alternator connector, and the other end plugs right into any "CS130D" type alternator. Kit includes adapter pigtail and an instruction sheet.

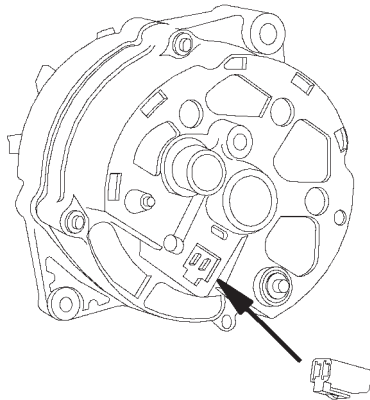
Typical application is '69-'84 GM Cars & Trucks, see carline catalogs for specific application information.

Part #39472

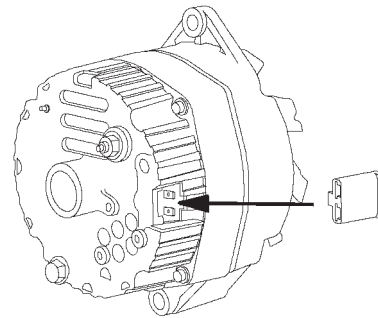
Retail \$19.00



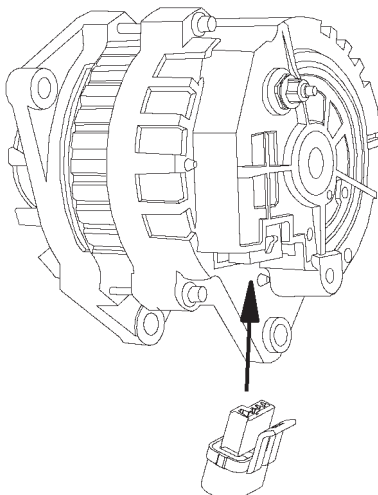
Alternator Identification



1963-1974
External Regulated Alternator



1969-1984 "SI" Type
Internal Regulated Alternator



1984-1999 "CS130" & "CS144" Type
Internal Regulated Alternator



1994-Newer "CS130D" Type
Internal Regulated Alternator

Breakerless SE Single Wire Ignition

Simple 1 Wire Hook-Up, just connect the original points wire to the module

Completely stock appearance

Emissions Legal in all 50 States

Three year warranty

The Breakerless SE allows you to convert any 1957 to 1974 GM, AMC or Jeep V8 breaker point type distributor (with a windowed type distributor cap) to a reliable solid-state electronic ignition, utilizing a fully integrated trigger and power module that fits completely inside the distributor.

Unlike competitive systems though, no additional wires protrude from the distributor, only the original points wire. The result is a state-of-the-art ignition with an absolutely stock appearance. The Breakerless SE is so unique that it's patented !



Outstanding features of this unit include:

- Single wire operation to preserve stock appearance and simplify wiring.
- Active dwell control maintains high rpm spark energy while reducing coil heating at idle.
- Auto-standby prevents coil damage or dead battery if the ignition is accidentally left on.
- Hall effect rotary-vane sensor design compensates for worn bearings and distributor end play. Magnetic sensor is unaffected by oil, dirt or other contaminants, unlike optical systems.
- Over-voltage/over-current protected against damage from high amp battery chargers, reversed battery, or improper wiring.
- Constructed with premium quality components. Sealed, hi-temp thermoplastic housing provides exceptional resistance against moisture and vibration.
- No distributor modification, disassembly, or removal is required.

Kit comes complete with everything you'll need to install the Breakerless SE Single Wire Ignition. Kit includes: 1 Module, 1 (two-piece) vane, all necessary installation hardware and a comprehensive instruction sheet.

Part #38131
Retail \$169.00

**For more info on this product
visit www.breakerless.com**

Part Number	Year	Description	Price	*Rev.
AIR CONDITIONING COMPRESSOR JUMPER HARNESS				
38587	1975	AIR CONDITIONING COMPRESSOR JUMPER HARNESS From Compressor To Main Engine Harness, 6 Cyl Note: 6 Cylinder Items Are Not Returnable.	\$53.00	
38587	1976	AIR CONDITIONING COMPRESSOR JUMPER HARNESS From Compressor To Main Engine Harness, 6 Cyl, Used UP To 1976 1/2 Note: 6 Cylinder Items Are Not Returnable.	\$53.00	
38613	1976	AIR CONDITIONING COMPRESSOR JUMPER HARNESS From Compressor To Main Engine Harness, 6 Cyl, Used After 1976 1/2 Note: 6 Cylinder Items Are Not Returnable.	\$53.00	
38619	1977	AIR CONDITIONING COMPRESSOR JUMPER HARNESS From Compressor To Main Engine Harness, 231 V/6	\$58.00	
38616	1977	AIR CONDITIONING COMPRESSOR JUMPER HARNESS From Compressor To Main Engine Harness, 301 V/8	\$69.00	
38633	1977	AIR CONDITIONING COMPRESSOR JUMPER HARNESS From Compressor To Main Engine Harness, 350 & 400 V/8	\$58.00	
38421	1977	AIR CONDITIONING COMPRESSOR JUMPER HARNESS From Compressor To Main Engine Harness, 350 & 400 V/8 Note: With Idle Stop Solenoid.	\$58.00	
38619	1978	AIR CONDITIONING COMPRESSOR JUMPER HARNESS From Compressor To Main Engine Harness, 231 V/6	\$58.00	
38616	1978	AIR CONDITIONING COMPRESSOR JUMPER HARNESS From Compressor To Main Engine Harness, 301 V/8	\$69.00	
38629	1978	AIR CONDITIONING COMPRESSOR JUMPER HARNESS From Compressor To Main Engine Harness, 305 & 350 V/8	\$64.00	
38633	1978	AIR CONDITIONING COMPRESSOR JUMPER HARNESS From Compressor To Main Engine Harness, 350 & 400 V/8	\$58.00	
38421	1978	AIR CONDITIONING COMPRESSOR JUMPER HARNESS From Compressor To Main Engine Harness, 350 & 400 V/8 Note: With Idle Stop Solenoid.	\$58.00	
38619	1979	AIR CONDITIONING COMPRESSOR JUMPER HARNESS From Compressor To Main Engine Harness, 231 V/6 Note: With California Emissions.	\$58.00	
38641	1979	AIR CONDITIONING COMPRESSOR JUMPER HARNESS From Compressor To Main Engine Harness, 231 V/6 Note: With Federal Emissions.	\$53.00	
38616	1979	AIR CONDITIONING COMPRESSOR JUMPER HARNESS From Compressor To Main Engine Harness, 301 V/8	\$69.00	
38629	1979	AIR CONDITIONING COMPRESSOR JUMPER HARNESS From Compressor To Main Engine Harness, 305 & 350 V/8	\$64.00	
38421	1979	AIR CONDITIONING COMPRESSOR JUMPER HARNESS From Compressor To Main Engine Harness, 350 & 400 V/8 Note: With Idle Stop Solenoid.	\$58.00	
38619	1980	AIR CONDITIONING COMPRESSOR JUMPER HARNESS From Compressor To Main Engine Harness, 231 V/6 Note: With California Emissions.	\$58.00	
38641	1980	AIR CONDITIONING COMPRESSOR JUMPER HARNESS From Compressor To Main Engine Harness, 231 V/6 Note: With Federal Emissions.	\$53.00	
38616	1980	AIR CONDITIONING COMPRESSOR JUMPER HARNESS From Compressor To Main Engine Harness, 301 V/8	\$69.00	
36955	1980	AIR CONDITIONING COMPRESSOR JUMPER HARNESS From Compressor To Main Engine Harness, 305 & 350 V/8	\$51.00	
38654	1980	AIR CONDITIONING COMPRESSOR JUMPER HARNESS from compressor to main engine harness, 301 turbo charged v/8 Note: For 301 V/8 With The Eighth Digit Of The Vin Number Being The Letter T.	\$58.00	
38669	1981	AIR CONDITIONING COMPRESSOR JUMPER HARNESS From Compressor To Main Engine Harness, 231 V/6	\$69.00	
36955	1981	AIR CONDITIONING COMPRESSOR JUMPER HARNESS From Compressor To Main Engine Harness, 267, 305, 350 V/8 Note: Without Diode Taped Into Compressor Connector.	\$51.00	
38676	1981	AIR CONDITIONING COMPRESSOR JUMPER HARNESS From Compressor To Main Engine Harness, 267, 305, 350 V/8 Note: With Diode Tapes Into Compressor Connector.	\$51.00	
38661	1981	AIR CONDITIONING COMPRESSOR JUMPER HARNESS From Compressor To Main Engine Harness, 265 & 301 V/8	\$69.00	
38654	1981	AIR CONDITIONING COMPRESSOR JUMPER HARNESS From Compressor To Main Engine Harness, All 301 Turbo Charged V/8	\$58.00	
AIR CONDITIONING EXTENSION HARNESS				
13365	1969	AIR CONDITIONING EXTENSION HARNESS Blower Switch, Under Dash	\$75.00	
17390	1969	AIR CONDITIONING EXTENSION HARNESS V/8, Power Feed & Compressor To A/C Harness	\$45.00	
15710	1970	AIR CONDITIONING EXTENSION HARNESS Blower Switch, Under Dash, Without Rear Window Defroster	\$75.00	
15720	1970	AIR CONDITIONING EXTENSION HARNESS Blower Switch, Under Dash, With Rear Window Defroster	\$87.00	

Part Number	Year	Description	Price	*Rev.
15710	1971	AIR CONDITIONING EXTENSION HARNESS Blower Switch, Under Dash	\$75.00	
15710	1972	AIR CONDITIONING EXTENSION HARNESS Blower Switch, Under Dash	\$75.00	
15710	1973	AIR CONDITIONING EXTENSION HARNESS All, Blower Switch, Under Dash	\$75.00	
15710	1974	AIR CONDITIONING EXTENSION HARNESS All, Blower Switch, Under Dash	\$75.00	
15710	1975	AIR CONDITIONING EXTENSION HARNESS All, Blower Switch, Under Dash	\$75.00	
15710	1976	AIR CONDITIONING EXTENSION HARNESS All, Blower Switch, Under Dash, Used UP To 1976 1/2 Note: Has A 5 Cavity Connector With 6 Wires At Blower Switch.	\$75.00	
38606	1976	AIR CONDITIONING EXTENSION HARNESS All, Blower Switch, Under Dash, Used After 1976 1/2 Note: Has A 4 Cavity Connector With 5 Wires At Blower Switch.	\$87.00	
38627	1977	AIR CONDITIONING EXTENSION HARNESS All, Blower Switch, Under Dash	\$87.00	
38630	1978	AIR CONDITIONING EXTENSION HARNESS All, Blower Switch, Under Dash	\$87.00	
38630	1979	AIR CONDITIONING EXTENSION HARNESS All, Blower Switch, Under Dash	\$87.00	
38630	1980	AIR CONDITIONING EXTENSION HARNESS All, Blower Switch, Under Dash	\$87.00	
38663	1981	AIR CONDITIONING EXTENSION HARNESS All, Blower Switch, Under Dash	\$87.00	
AIR CONDITIONING HARNESS				
11195	1967	AIR CONDITIONING HARNESS 6 Cylinder (Includes Heater Wiring) Note: 6 Cylinder Items Are Not Returnable.	\$173.00	
11190	1967	AIR CONDITIONING HARNESS V/8 (Includes Heater Wiring)	\$161.00	
12285	1968	AIR CONDITIONING HARNESS 6 Cylinder (Includes Heater Wiring) Note: 6 Cylinder Items Are Not Returnable.	\$173.00	
12280	1968	AIR CONDITIONING HARNESS V/8 (Includes Heater Wiring)	\$161.00	
36093	1969	AIR CONDITIONING HARNESS Main, Engine Compartment, All (Includes Heater Wiring)	\$103.00	
36094	1970	AIR CONDITIONING HARNESS Main, Engine Compartment, Without Rear Window Defroster (Includes Heater Wiring)	\$110.00	
36095	1970	AIR CONDITIONING HARNESS Main, Engine Compartment, With Rear Window Defroster (Includes Heater Wiring)	\$150.00	
36094	1971	AIR CONDITIONING HARNESS Main, Engine Compartment, All (Includes Heater Wiring)	\$110.00	
42227	1972	AIR CONDITIONING HARNESS Main, Engine Compartment, All (Includes Heater Wiring)	\$115.00	
38588	1973	AIR CONDITIONING HARNESS Main Engine Compartment, All	\$168.00	
38589	1974	AIR CONDITIONING HARNESS Main Engine Compartment, All	\$168.00	
38596	1975	AIR CONDITIONING HARNESS Main Engine Compartment, 6 Cyl Note: 6 Cylinder Items Are Not Returnable.	\$184.00	
38595	1975	AIR CONDITIONING HARNESS Main Engine Compartment, V/8	\$168.00	
38596	1976	AIR CONDITIONING HARNESS Main Engine Compartment, 6 Cyl, Used UP To 1976 1/2 Note: 6 Cylinder Items Are Not Returnable.	\$184.00	
38608	1976	AIR CONDITIONING HARNESS Main Engine Compartment, 6 Cyl, Used After 1976 1/2 Note: 6 Cylinder Items Are Not Returnable.	\$184.00	
38595	1976	AIR CONDITIONING HARNESS Main Engine Compartment, V/8, Used UP To 1976 1/2 Note: For Cars With Inline Fuse Between Blower Relay & Resistor Connections.	\$168.00	
38607	1976	AIR CONDITIONING HARNESS Main Engine Compartment, V/8, Used After 1976 1/2 Note: For Cars Without Inline Fuse Between Blower Relay & Resistor Connections.	\$168.00	
38517	1977	AIR CONDITIONING HARNESS Main, Engine Compartment, All 6 Cyl & V/8, Except 305 & 350 V/8 Note: 6 Cylinder Items Are Not Returnable.	\$184.00	
38628	1977	AIR CONDITIONING HARNESS Main Engine Compartment, 305 & 350 V/8	\$202.00	
38517	1978	AIR CONDITIONING HARNESS Main, Engine Compartment, All 6 Cyl & V/8, Except 305 & 350 V/8 Note: 6 Cylinder Items Are Not Returnable.	\$184.00	
38628	1978	AIR CONDITIONING HARNESS Main Engine Compartment, 305 & 350 V/8	\$202.00	

Part Number	Year	Description	Price	*Rev.
38422	1979	AIR CONDITIONING HARNESS Main, Engine Compartment, All, 6 Cyl & V/8, Except 305 & 350 V/8 Note: 6 Cylinder Items Are Not Returnable.	\$184.00	
38636	1979	AIR CONDITIONING HARNESS Main, Engine Compartment, 305 & 350 V/8	\$202.00	
38422	1980	AIR CONDITIONING HARNESS Main, Engine Compartment, All, 6 Cyl & V/8, Except 305, 350 V/8 & 301 Turbo Charged Note: 6 Cylinder Items Are Not Returnable.	\$184.00	
38655	1980	AIR CONDITIONING HARNESS Main, Engine Compartment, 305 & 350 V/8 Engine	\$202.00	
38648	1980	AIR CONDITIONING HARNESS Main, Engine Compartment, All With 301 Turbo Charged V/8 Note: For 301 V/8 With The Eighth Digit Of The Vin Number Being The Letter T.	\$202.00	
38666	1981	AIR CONDITIONING HARNESS Main, Engine Compartment, 231 V/6, 265 & 301 V/8	\$202.00	
38655	1981	AIR CONDITIONING HARNESS Main, Engine Compartment, All 305 V/8	\$202.00	
38672	1981	AIR CONDITIONING HARNESS Main, Engine Compartment, All 301, For Export Only	\$202.00	
38667	1981	AIR CONDITIONING HARNESS Main, Engine Compartment, All 301 Turbo Charged V/8	\$202.00	
ALTERNATOR CONVERSION KIT				
27555	1967	ALTERNATOR CONVERSION KIT External To Internal Regulator Conversion Harness ("SI" Series) Note: For Use With 1972-84 Non-Serpentine Belt ("SI" Series) Internal Regulated Alternators.	\$25.00	
27555	1968	ALTERNATOR CONVERSION KIT External To Internal Regulator Conversion Harness ("SI" Series) Note: For Use With 1972-84 Non-Serpentine Belt ("SI" Series) Internal Regulated Alternators.	\$25.00	
27555	1969	ALTERNATOR CONVERSION KIT External To Internal Regulator Conversion Harness ("SI" Series) Note: For Use With 1972-84 Non-Serpentine Belt ("SI" Series) Internal Regulated Alternators.	\$25.00	
37787	1969	ALTERNATOR CONVERSION KIT External To Internal Regulator Conversion Harness ("CS" Series) Note: For Use With Serpentine Belt ("CS" Series) Internal Regulated Alternators.	\$29.00	
37796	1969	ALTERNATOR CONVERSION KIT Internal Regulator "SI" Series Alternator To "CS" Series (Serpentine Belt) Alternator Note: For Use With Serpentine Belt ("CS130" Or "CS144" Type) Internal Regulated Alternators.	\$22.00	
37796	1970	ALTERNATOR CONVERSION KIT Internal Regulator "SI" Series Alternator To "CS" Series (Serpentine Belt) Alternator Note: For Use With Serpentine Belt ("CS130" Or "CS144" Type) Internal Regulated Alternators.	\$22.00	
37796	1971	ALTERNATOR CONVERSION KIT Internal Regulator "SI" Series Alternator To "CS" Series (Serpentine Belt) Alternator Note: For Use With Serpentine Belt ("CS130" Or "CS144" Type) Internal Regulated Alternators.	\$22.00	
37796	1972	ALTERNATOR CONVERSION KIT Internal Regulator "SI" Series Alternator To "CS" Series (Serpentine Belt) Alternator Note: For Use With Serpentine Belt ("CS130" Or "CS144" Type) Internal Regulated Alternators.	\$22.00	
37796	1973	ALTERNATOR CONVERSION KIT Internal Regulator "SI" Series Alternator To "CS" Series (Serpentine Belt) Alternator Note: For Use With Serpentine Belt ("CS130" Or "CS144" Type) Internal Regulated Alternators.	\$22.00	
37796	1974	ALTERNATOR CONVERSION KIT Internal Regulator "SI" Series Alternator To "CS" Series (Serpentine Belt) Alternator Note: For Use With Serpentine Belt ("CS130" Or "CS144" Type) Internal Regulated Alternators.	\$22.00	
37796	1975	ALTERNATOR CONVERSION KIT Internal Regulator "SI" Series Alternator To "CS" Series (Serpentine Belt) Alternator Note: For Use With Serpentine Belt ("CS130" Or "CS144" Type) Internal Regulated Alternators.	\$22.00	
37796	1976	ALTERNATOR CONVERSION KIT Internal Regulator "SI" Series Alternator To "CS" Series (Serpentine Belt) Alternator Note: For Use With Serpentine Belt ("CS130" Or "CS144" Type) Internal Regulated Alternators.	\$22.00	
37796	1977	ALTERNATOR CONVERSION KIT Internal Regulator "SI" Series Alternator To "CS" Series (Serpentine Belt) Alternator Note: For Use With Serpentine Belt ("CS130" Or "CS144" Type) Internal Regulated Alternators.	\$22.00	

Part Number	Year	Description	Price	*Rev.
37796	1978	ALTERNATOR CONVERSION KIT Internal Regulator "SI" Series Alternator To "CS" Series (Serpentine Belt) Alternator Note: For Use With Serpentine Belt ("CS130" Or "CS144" Type) Internal Regulated Alternators.	\$22.00	
37796	1979	ALTERNATOR CONVERSION KIT Internal Regulator "SI" Series Alternator To "CS" Series (Serpentine Belt) Alternator Note: For Use With Serpentine Belt ("CS130" Or "CS144" Type) Internal Regulated Alternators.	\$22.00	
37796	1980	ALTERNATOR CONVERSION KIT Internal Regulator "SI" Series Alternator To "CS" Series (Serpentine Belt) Alternator Note: For Use With Serpentine Belt ("CS130" Or "CS144" Type) Internal Regulated Alternators.	\$22.00	
37796	1981	ALTERNATOR CONVERSION KIT Internal Regulator "SI" Series Alternator To "CS" Series (Serpentine Belt) Alternator Note: For Use With Serpentine Belt ("CS130" Or "CS144" Type) Internal Regulated Alternators.	\$22.00	
37796	1982	ALTERNATOR CONVERSION KIT Internal Regulator "SI" Series Alternator To "CS" Series (Serpentine Belt) Alternator Note: For Use With Serpentine Belt ("CS130" Or "CS144" Type) Internal Regulated Alternators.	\$22.00	
37796	1983	ALTERNATOR CONVERSION KIT Internal Regulator "SI" Series Alternator To "CS" Series (Serpentine Belt) Alternator Note: For Use With Serpentine Belt ("CS130" Or "CS144" Type) Internal Regulated Alternators.	\$22.00	
37796	1984	ALTERNATOR CONVERSION KIT Internal Regulator "SI" Series Alternator To "CS" Series (Serpentine Belt) Alternator Note: For Use With Serpentine Belt ("CS130" Or "CS144" Type) Internal Regulated Alternators.	\$22.00	
37796	1985	ALTERNATOR CONVERSION KIT Internal Regulator "SI" Series Alternator To "CS" Series (Serpentine Belt) Alternator Note: For Use With Serpentine Belt ("CS130" Or "CS144" Type) Internal Regulated Alternators.	\$22.00	
37796	1986	ALTERNATOR CONVERSION KIT Internal Regulator "SI" Series Alternator To "CS" Series (Serpentine Belt) Alternator Note: For Use With Serpentine Belt ("CS130" Or "CS144" Type) Internal Regulated Alternators.	\$22.00	
ASSEMBLY MANUAL				
38570	1969	ASSEMBLY MANUAL Factory Assembly Instruction Guide	\$30.00	
43249	1970	ASSEMBLY MANUAL Factory Assembly Instruction Guide	\$30.00	
43537	1971	ASSEMBLY MANUAL Factory Assembly Instruction Guide	\$30.00	
43253	1972	ASSEMBLY MANUAL Factory Assembly Instruction Guide	\$30.00	
43538	1973	ASSEMBLY MANUAL Factory Assembly Instruction Guide	\$30.00	
43539	1974	ASSEMBLY MANUAL Factory Assembly Instruction Guide	\$30.00	
43540	1975	ASSEMBLY MANUAL Factory Assembly Instruction Guide	\$30.00	
43250	1976	ASSEMBLY MANUAL Factory Assembly Instruction Guide	\$30.00	
36357	1980	ASSEMBLY MANUAL Factory Assembly Instruction Guide	\$30.00	
BACKUP LAMP SWITCH				
01993420	1967	BACKUP LAMP SWITCH 326 C.I. 3 Speed & All 4 Speed Manual Trans	\$64.00	
03943657	1969	BACKUP LAMP SWITCH Manual Trans	\$53.00	
03943657	1970	BACKUP LAMP SWITCH Manual Trans	\$53.00	
03943657	1971	BACKUP LAMP SWITCH Manual Trans	\$53.00	
03943657	1972	BACKUP LAMP SWITCH Manual Trans	\$53.00	
BACKUP LAMP SWITCH EXTENSION HARNESS				
10665	1967	BACKUP LAMP SWITCH EXTENSION HARNESS All Manual Trans	\$27.00	
12695	1968	BACKUP LAMP SWITCH EXTENSION HARNESS Manual Trans, Dash Harness Side To Engine Compartment Note: Connects To Part# 12690 Backup Lamp Switch Extension Harness.	\$27.00	
12690	1968	BACKUP LAMP SWITCH EXTENSION HARNESS Manual Trans, Engine Compartment Side To Backup Lamp Switch Note: Connects To Part# 12695 Backup Lamp Switch Extension Harness.	\$27.00	

Part Number	Year	Description	Price	*Rev.
BACKUP LAMP SWITCH MOUNTING BRACKET				
37650	1967	BACKUP LAMP SWITCH MOUNTING BRACKET With Muncie 4 Speed Transmission	\$29.00	
BACKUP LAMP SWITCH MOUNTING KIT				
39504	1967	BACKUP LAMP SWITCH MOUNTING KIT With Muncie 4 Speed Transmission Note: Kit Contains The Bracket, Rod With 2 Clips, Shield & Bolts.	\$46.00	
BATTERY CABLE JUNCTION BLOCK				
03882795	1967	BATTERY CABLE JUNCTION BLOCK For Positive Cable Secondary Lead	\$9.00	
03882795	1968	BATTERY CABLE JUNCTION BLOCK For Positive Cable Secondary Lead	\$9.00	
BATTERY CABLE, NEGATIVE				
05555	1967	BATTERY CABLE, SPRING RING Neg, 6 Cylinder, Without A/C Note: 6 Cylinder Items Are Not Returnable.	\$64.00	
05560	1967	BATTERY CABLE, SPRING RING Neg, 6 Cylinder, With A/C Note: 6 Cylinder Items Are Not Returnable.	\$64.00	
05555	1967	BATTERY CABLE, SPRING RING Neg, V/8, All	\$64.00	
05555	1968	BATTERY CABLE, SPRING RING Neg, 6 Cylinder, Without A/C Note: 6 Cylinder Items Are Not Returnable.	\$64.00	
05560	1968	BATTERY CABLE, SPRING RING Neg, 6 Cylinder, With A/C Note: 6 Cylinder Items Are Not Returnable.	\$64.00	
05555	1968	BATTERY CABLE, SPRING RING Neg, V/8, All	\$64.00	
03430	1969	BATTERY CABLE, SPRING RING Neg, 6 Cylinder & V/8, All Note: 6 Cylinder Items Are Not Returnable.	\$64.00	
09840	1970	BATTERY CABLE, SPRING RING Neg, 6 Cylinder, Without A/C Note: 6 Cylinder Items Are Not Returnable.	\$64.00	
03325	1970	BATTERY CABLE, SPRING RING Neg, 6 Cylinder, With A/C Note: 6 Cylinder Items Are Not Returnable.	\$64.00	
04265	1970	BATTERY CABLE, SPRING RING Neg, V/8, All	\$64.00	
09840	1971	BATTERY CABLE, SPRING RING Neg, 6 Cylinder With Heavy Duty Battery Note: 6 Cylinder Items Are Not Returnable.	\$64.00	
14615	1971	BATTERY CABLE, SPRING RING Neg, 6 Cylinder, Without Heavy Duty Battery Note: 6 Cylinder Items Are Not Returnable.	\$64.00	
38853	1971	BATTERY CABLE, SIDE POST Neg, V/8, All	\$69.00	
04265	1971	BATTERY CABLE, SPRING RING Neg, V/8, Except 455 C.I. (L75 & LS5)	\$64.00	
09840	1972	BATTERY CABLE, SPRING RING Neg, 6 Cylinder With Heavy Duty Battery Note: 6 Cylinder Items Are Not Returnable.	\$64.00	
14615	1972	BATTERY CABLE, SPRING RING Neg, 6 Cylinder Without Heavy Duty Battery Note: 6 Cylinder Items Are Not Returnable.	\$64.00	
38854	1972	BATTERY CABLE, SIDE POST Neg, V/8, All	\$69.00	
41378	1973	BATTERY CABLE, SIDE POST Neg, 6 Cylinder Note: 6 Cylinder Items Are Not Returnable.	\$69.00	
38854	1973	BATTERY CABLE, SIDE POST Neg, V/8, All	\$69.00	
41378	1974	BATTERY CABLE, SIDE POST Neg, 6 Cylinder Note: 6 Cylinder Items Are Not Returnable.	\$69.00	
38854	1974	BATTERY CABLE, SIDE POST Neg, V/8, All	\$69.00	
38855	1974	BATTERY CABLE GROUND Neg, Redundant Ground, Frame To Motor	\$64.00	
38856	1975	BATTERY CABLE, SIDE POST Neg, 6 Cylinder Note: 6 Cylinder Items Are Not Returnable.	\$69.00	
38875	1975	BATTERY CABLE, SIDE POST Neg, V/8, All	\$69.00	

Part Number	Year	Description	Price	*Rev.
38855	1975	BATTERY CABLE GROUND Neg, Redundant Ground, Frame To Motor	\$64.00	
38856	1976	BATTERY CABLE, SIDE POST Neg, 6 Cylinder Note: 6 Cylinder Items Are Not Returnable.	\$69.00	
38875	1976	BATTERY CABLE, SIDE POST Neg, V/8, All	\$69.00	
38855	1976	BATTERY CABLE GROUND Neg, Redundant Ground, Frame To Motor	\$64.00	
38830	1977	BATTERY CABLE, SIDE POST Neg, V/6, 231 C.I.	\$69.00	
38857	1977	BATTERY CABLE, SIDE POST Neg, V/8, 305 C.I.	\$69.00	
38875	1977	BATTERY CABLE, SIDE POST Neg, V/8, All, Except Chevrolet Engines	\$69.00	
38855	1977	BATTERY CABLE GROUND Neg, Redundant Ground, Frame To Motor	\$64.00	
38830	1978	BATTERY CABLE, SIDE POST Neg, V/6, 231 C.I.	\$69.00	
38857	1978	BATTERY CABLE, SIDE POST Neg, V/8, 305 C.I., 350 C.I. Chevrolet	\$69.00	
38875	1978	BATTERY CABLE, SIDE POST Neg, V/8, All, Except Chevrolet Engines	\$69.00	
38855	1978	BATTERY CABLE GROUND Neg, Redundant Ground, Frame To Motor	\$64.00	
38830	1979	BATTERY CABLE, SIDE POST Neg, V/6, 231 C.I.	\$69.00	
38857	1979	BATTERY CABLE, SIDE POST Neg, V/8, 305 C.I., 350 C.I.	\$69.00	
38875	1979	BATTERY CABLE, SIDE POST Neg, V/8, All, Except Chevrolet Engines	\$69.00	
38855	1979	BATTERY CABLE GROUND Neg, Redundant Ground, Frame To Motor	\$64.00	
38830	1980	BATTERY CABLE, SIDE POST Neg, V/6, 231 C.I.	\$69.00	
38875	1980	BATTERY CABLE, SIDE POST Neg, V/8, 265 C.I., 301 C.I.	\$69.00	
38857	1980	BATTERY CABLE, SIDE POST Neg, V/8, 305 C.I.	\$69.00	
38855	1980	BATTERY CABLE GROUND Neg, Redundant Ground, Frame To Motor	\$64.00	
38830	1981	BATTERY CABLE, SIDE POST Neg, V/6, 231 C.I.	\$69.00	
38875	1981	BATTERY CABLE, SIDE POST Neg, V/8, 265 C.I., 301 C.I.	\$69.00	
38857	1981	BATTERY CABLE, SIDE POST Neg, V/8, 305 C.I.	\$69.00	
38855	1981	BATTERY CABLE GROUND Neg, Redundant Ground, Frame To Motor	\$64.00	
BATTERY CABLE, POSITIVE				
10700	1967	BATTERY CABLE, SPRING RING Pos, 6 Cylinder, Without A/C Note: 6 Cylinder Items Are Not Returnable.	\$64.00	
09855	1967	BATTERY CABLE, SPRING RING Pos, 6 Cylinder, With A/C Note: 6 Cylinder Items Are Not Returnable.	\$64.00	
21590	1967	BATTERY CABLE, SPRING RING Pos, V/8, All	\$64.00	
10700	1968	BATTERY CABLE, SPRING RING Pos, 6 Cylinder, Without A/C Note: 6 Cylinder Items Are Not Returnable.	\$64.00	
09855	1968	BATTERY CABLE, SPRING RING Pos, 6 Cylinder, With A/C Note: 6 Cylinder Items Are Not Returnable.	\$64.00	
21590	1968	BATTERY CABLE, SPRING RING Pos, V/8, All	\$64.00	
04195	1969	BATTERY CABLE, SPRING RING Pos, 6 Cylinder, All Note: 6 Cylinder Items Are Not Returnable.	\$64.00	
12510	1969	BATTERY CABLE, SPRING RING Pos, V/8, All	\$64.00	
04195	1970	BATTERY CABLE, SPRING RING Pos, 6 Cylinder, All Note: 6 Cylinder Items Are Not Returnable.	\$64.00	
27640	1970	BATTERY CABLE, SPRING RING Pos, V/8, Except Ram Air	\$64.00	
35957	1970	BATTERY CABLE, SPRING RING Pos, V/8, With Ram Air	\$64.00	
41367	1971	BATTERY CABLE, SPRING RING Pos, 6 Cylinder, All Note: 6 Cylinder Items Are Not Returnable.	\$64.00	
40148	1971	BATTERY CABLE, SPRING RING Pos, V/8, Except 455 C.I.	\$64.00	
41352	1971	BATTERY CABLE, SIDE POST Pos, 455 C.I. (L75)	\$63.00	

Part Number	Year	Description	Price	*Rev.
38852	1971	BATTERY CABLE, SIDE POST Pos, HD 455 C.I. (LS5)	\$69.00	
41367	1972	BATTERY CABLE, SPRING RING Pos, 6 Cylinder Note: 6 Cylinder Items Are Not Returnable.	\$64.00	
41375	1972	BATTERY CABLE, SIDE POST Pos, V/8, Except 455 C.I. (L75 & LS5)	\$69.00	
38426	1972	BATTERY CABLE, SIDE POST Pos, HD 455 C.I. (LS5)	\$69.00	
41379	1973	BATTERY CABLE, SIDE POST Pos, 6 Cylinder Note: 6 Cylinder Items Are Not Returnable.	\$69.00	
41375	1973	BATTERY CABLE, SIDE POST Pos, V/8, Except 455 C.I.	\$69.00	
38426	1973	BATTERY CABLE, SIDE POST Pos, V/8 455 C.I.	\$69.00	
22650	1974	BATTERY CABLE, SIDE POST Pos, 6 Cylinder Note: 6 Cylinder Items Are Not Returnable.	\$69.00	
41375	1974	BATTERY CABLE, SIDE POST Pos, V/8, Except 455 C.I.	\$69.00	
38426	1974	BATTERY CABLE, SIDE POST Pos, V/8 455 C.I.	\$69.00	
29455	1975	BATTERY CABLE, SIDE POST Pos, 6 Cylinder Note: 6 Cylinder Items Are Not Returnable.	\$69.00	
38859	1975	BATTERY CABLE, SIDE POST Pos, V/8, Except 455 C.I., Without Heavy Duty Battery	\$69.00	
38858	1975	BATTERY CABLE, SIDE POST Pos, V/8, All, With Heavy Duty Battery	\$69.00	
29455	1976	BATTERY CABLE, SIDE POST Pos, 6 Cylinder Note: 6 Cylinder Items Are Not Returnable.	\$69.00	
38859	1976	BATTERY CABLE, SIDE POST Pos, V/8, Except 455 C.I., Without Heavy Duty Battery	\$69.00	
38858	1976	BATTERY CABLE, SIDE POST Pos, V/8, All, With Heavy Duty Battery	\$69.00	
38860	1977	BATTERY CABLE, SIDE POST Pos, V/6, 231 C.I.	\$69.00	
38859	1977	BATTERY CABLE, SIDE POST Pos, V/8, 301 C.I., 350 C.I., 400 C.I. Pontiac	\$69.00	
22645	1977	BATTERY CABLE, SIDE POST Pos, V/8, 305 C.I. Chevrolet	\$69.00	
38861	1977	BATTERY CABLE, SIDE POST Pos, V/8, 350 C.I., 403 C.I.	\$69.00	
38860	1978	BATTERY CABLE, SIDE POST Pos, V/6, 231 C.I.	\$69.00	
38862	1978	BATTERY CABLE, SIDE POST Pos, V/8, 301 C.I., 400 C.I.	\$69.00	
38831	1978	BATTERY CABLE, SIDE POST Pos, V/8, 305 C.I., 350 C.I. Chevrolet	\$69.00	
38861	1978	BATTERY CABLE, SIDE POST Pos, V/8, 403 C.I.	\$69.00	
38860	1979	BATTERY CABLE, SIDE POST Pos, V/6, 231 C.I.	\$69.00	
38862	1979	BATTERY CABLE, SIDE POST Pos, V/8, 301 C.I., 400 C.I.	\$69.00	
38831	1979	BATTERY CABLE, SIDE POST Pos, V/8, 305 C.I., 350 C.I. Chevrolet	\$69.00	
38861	1979	BATTERY CABLE, SIDE POST Pos, V/8, 403 C.I.	\$69.00	
38844	1980	BATTERY CABLE, SIDE POST Pos, V/6, 231 C.I., With Air Conditioning	\$69.00	
38843	1980	BATTERY CABLE, SIDE POST Pos, V/6, 231 C.I., Without Air Conditioning	\$69.00	
38863	1980	BATTERY CABLE, SIDE POST Pos, V/8, 265 C.I., 301 C.I.	\$69.00	
38831	1980	BATTERY CABLE, SIDE POST Pos, V/8, 305 C.I.	\$69.00	
38844	1981	BATTERY CABLE, SIDE POST Pos, V/6, 231 C.I.	\$69.00	
38863	1981	BATTERY CABLE, SIDE POST Pos, V/8, 265 C.I., 301 C.I.	\$69.00	
38831	1981	BATTERY CABLE, SIDE POST Pos, V/8, 267 C.I., 305 C.I.	\$69.00	
BREAKERLESS SE SINGLE WIRE ELECTRONIC IGNITION KIT				
38131	1967	BREAKERLESS SE SINGLE WIRE ELECTRONIC IGNITION KIT For 1957-74 Breaker Point Distributors With Windowed Type Distributor Cap	\$169.00	
38131	1968	BREAKERLESS SE SINGLE WIRE ELECTRONIC IGNITION KIT For 1957-74 Breaker Point Distributors With Windowed Type Distributor Cap	\$169.00	
38131	1969	BREAKERLESS SE SINGLE WIRE ELECTRONIC IGNITION KIT For 1957-74 Breaker Point Distributors With Windowed Type Distributor Cap	\$169.00	

Part Number	Year	Description	Price	*Rev.
38131	1970	BREAKERLESS SE SINGLE WIRE ELECTRONIC IGNITION KIT For 1957-74 Breaker Point Distributors With Windowed Type Distributor Cap	\$169.00	
38131	1971	BREAKERLESS SE SINGLE WIRE ELECTRONIC IGNITION KIT For 1957-74 Breaker Point Distributors With Windowed Type Distributor Cap	\$169.00	
38131	1972	BREAKERLESS SE SINGLE WIRE ELECTRONIC IGNITION KIT For 1957-74 Breaker Point Distributors With Windowed Type Distributor Cap	\$169.00	
38131	1973	BREAKERLESS SE SINGLE WIRE ELECTRONIC IGNITION KIT For 1957-74 Breaker Point Distributors With Windowed Type Distributor Cap	\$169.00	
38131	1974	BREAKERLESS SE SINGLE WIRE ELECTRONIC IGNITION KIT For 1957-74 Breaker Point Distributors With Windowed Type Distributor Cap	\$169.00	
CIRCUIT BREAKER				
04850166	1967	CIRCUIT BREAKER, 30 AMP Power Seat, Top & Windows	\$14.00	
04850166	1968	CIRCUIT BREAKER, 30 AMP Power Seat, Top & Windows	\$14.00	
CLOCK HARNESS				
11960	1967	CLOCK HARNESS Console Mounted Clock	\$44.00	
11960	1968	CLOCK HARNESS Console Mounted Clock	\$44.00	
CLOCK LAMP WIRE				
13315	1969	CLOCK LAMP WIRE Dash Mounted	\$13.00	
CONSOLE HARNESS				
10790	1967	CONSOLE HARNESS Auto Trans	\$64.00	
10800	1967	CONSOLE HARNESS Manual Trans	\$22.00	
12635	1968	CONSOLE HARNESS Auto Trans	\$40.00	
13305	1969	CONSOLE HARNESS Auto Trans	\$22.00	
15650	1970	CONSOLE HARNESS Auto Trans, Shift Plate Indicator	\$22.00	
15650	1971	CONSOLE HARNESS Auto Trans, Shift Plate Indicator	\$22.00	
15650	1972	CONSOLE HARNESS Auto Trans, Shift Plate Indicator	\$22.00	
15650	1973	CONSOLE HARNESS All, With Automatic Trans	\$22.00	
15650	1974	CONSOLE HARNESS All, With Automatic Trans	\$22.00	
15650	1975	CONSOLE HARNESS All, With Automatic Trans	\$22.00	
15650	1976	CONSOLE HARNESS All, With Automatic Trans	\$22.00	
15650	1977	CONSOLE HARNESS All, With Automatic Trans	\$22.00	
15650	1978	CONSOLE HARNESS All, With Automatic Trans	\$22.00	
15650	1979	CONSOLE HARNESS All, With Automatic Trans	\$22.00	
15650	1980	CONSOLE HARNESS All, With Automatic Trans	\$22.00	
38670	1981	CONSOLE HARNESS All, With Automatic Trans	\$27.00	
COURTESY LAMP HARNESS				
13870	1967	COURTESY LAMP HARNESS Center Roof Mounted Dome Light	\$27.00	
13875	1967	COURTESY LAMP HARNESS Deluxe Interior, Rear Seat, UPper Panels	\$45.00	
17525	1967	COURTESY LAMP HARNESS Under Dash, Convertible	\$41.00	
08300	1967	COURTESY LAMP HARNESS Under Dash, Coupe	\$37.00	
13870	1968	COURTESY LAMP HARNESS Center Roof Mounted Dome Light	\$27.00	
33820	1968	COURTESY LAMP HARNESS Under Dash	\$41.00	
13870	1969	COURTESY LAMP HARNESS Center Roof Mounted Dome Light	\$27.00	
17575	1970	COURTESY LAMP HARNESS Center Roof Mounted Dome Light	\$34.00	
17575	1971	COURTESY LAMP HARNESS Center Roof Mounted Dome Light	\$34.00	
17575	1972	COURTESY LAMP HARNESS Center Roof Mounted Dome Light	\$34.00	
17575	1973	COURTESY LAMP HARNESS Center Roof Mounted Dome Light	\$34.00	

Part Number	Year	Description	Price	*Rev.
40042	1974	COURTESY LAMP HARNESS Center Roof Mounted Dome Light	\$41.00	
40130	1975	COURTESY LAMP HARNESS Center Roof Mounted Dome Light	\$41.00	
40130	1976	COURTESY LAMP HARNESS Center Roof Mounted Dome Light	\$41.00	
40130	1977	COURTESY LAMP HARNESS Center Roof Mounted Dome Light	\$41.00	
COURTESY LAMP MOUNTING BRACKET, UNDER DASH				
04876930	1967	COURTESY LAMP MOUNTING BRACKET, UNDER DASH Left Or Right, 2 Required Per Car	\$11.00	
04876930	1968	COURTESY LAMP MOUNTING BRACKET, UNDER DASH Left Or Right, 2 Required Per Car	\$11.00	
COURTESY LAMP SWITCH JUMPER HARNESS				
36038	1970	COURTESY LAMP SWITCH JUMPER HARNESS Driver Side, Door Jamb Switch To Dash Harness	\$14.00	
36039	1970	COURTESY LAMP SWITCH JUMPER HARNESS Passenger Side, Door Jamb Switch To Dash Harness	\$10.00	
36038	1971	COURTESY LAMP SWITCH JUMPER HARNESS Driver Side, Door Jamb Switch To Dash Harness	\$14.00	
36039	1971	COURTESY LAMP SWITCH JUMPER HARNESS Passenger Side, Door Jamb Switch To Dash Harness	\$10.00	
36038	1972	COURTESY LAMP SWITCH JUMPER HARNESS Driver Side, Door Jamb Switch To Dash Harness	\$14.00	
36039	1972	COURTESY LAMP SWITCH JUMPER HARNESS Passenger Side, Door Jamb Switch To Dash Harness	\$10.00	
36038	1973	COURTESY LAMP SWITCH JUMPER HARNESS Driver Side, Door Jamb Switch To Dash Harness	\$14.00	
36039	1973	COURTESY LAMP SWITCH JUMPER HARNESS Passenger Side, Door Jamb Switch To Dash Harness	\$10.00	
36038	1974	COURTESY LAMP SWITCH JUMPER HARNESS Driver Side, Door Jamb Switch To Dash Harness	\$14.00	
36039	1974	COURTESY LAMP SWITCH JUMPER HARNESS Passenger Side, Door Jamb Switch To Dash Harness	\$10.00	
36038	1975	COURTESY LAMP SWITCH JUMPER HARNESS Driver Side, Door Jamb Switch To Dash Harness	\$14.00	
36039	1975	COURTESY LAMP SWITCH JUMPER HARNESS Passenger Side, Door Jamb Switch To Dash Harness	\$10.00	
36038	1976	COURTESY LAMP SWITCH JUMPER HARNESS Driver Side, Door Jamb Switch To Dash Harness	\$14.00	
36039	1976	COURTESY LAMP SWITCH JUMPER HARNESS Passenger Side, Door Jamb Switch To Dash Harness	\$10.00	
36038	1977	COURTESY LAMP SWITCH JUMPER HARNESS Driver Side, Door Jamb Switch To Dash Harness	\$14.00	
36039	1977	COURTESY LAMP SWITCH JUMPER HARNESS Passenger Side, Door Jamb Switch To Dash Harness	\$10.00	
36038	1978	COURTESY LAMP SWITCH JUMPER HARNESS Driver Side, Door Jamb Switch To Dash Harness	\$14.00	
36039	1978	COURTESY LAMP SWITCH JUMPER HARNESS Passenger Side, Door Jamb Switch To Dash Harness	\$10.00	
36038	1979	COURTESY LAMP SWITCH JUMPER HARNESS Driver Side, Door Jamb Switch To Dash Harness	\$14.00	
36039	1979	COURTESY LAMP SWITCH JUMPER HARNESS Passenger Side, Door Jamb Switch To Dash Harness	\$10.00	
36038	1980	COURTESY LAMP SWITCH JUMPER HARNESS Driver Side, Door Jamb Switch To Dash Harness	\$14.00	
36039	1980	COURTESY LAMP SWITCH JUMPER HARNESS Passenger Side, Door Jamb Switch To Dash Harness	\$10.00	
36038	1981	COURTESY LAMP SWITCH JUMPER HARNESS Driver Side, Door Jamb Switch To Dash Harness	\$14.00	
36039	1981	COURTESY LAMP SWITCH JUMPER HARNESS Passenger Side, Door Jamb Switch To Dash Harness	\$10.00	
DASH HARNESS				
10220	1967	DASH HARNESS Column Shift, Auto Trans	\$467.00	
11530	1967	DASH HARNESS Column Shift, Auto Trans With Gauges	\$497.00	
10780	1967	DASH HARNESS Column Shift, Manual Trans	\$467.00	
11535	1967	DASH HARNESS Column Shift, Manual Trans With Gauges	\$497.00	
10785	1967	DASH HARNESS Console Shift, Auto Trans	\$467.00	
11520	1967	DASH HARNESS Console Shift, Auto Trans With Gauges	\$467.00	
10990	1967	DASH HARNESS Console Shift, Manual Trans	\$467.00	
11525	1967	DASH HARNESS Console Shift, Manual Trans With Gauges	\$467.00	
12290	1968	DASH HARNESS Column Shift Auto Or All Manual Trans	\$497.00	
12195	1968	DASH HARNESS Column Shift Auto Or All Manual Trans With Gauges	\$497.00	
12295	1968	DASH HARNESS Console Shift, Auto Trans	\$497.00	
12190	1968	DASH HARNESS Console Shift, Auto Trans With Gauges	\$497.00	

Part Number	Year	Description	Price	*Rev.
12830	1969	DASH HARNESS With Warning Lights Note: This Harness Contains A Resistance Wire In It And Must Be Modified If Using With A GM H.E.I. Distributor.	\$497.00	
12835	1969	DASH HARNESS With Gauges, Standard Dash Mounted Rally Gauges Note: Speedometer Mounted In Left Dash Pod, This Harness Contains A Resistance Wire In It And Must Be Modified If Using With A GM H.E.I. Distributor.	\$497.00	
13520	1969	DASH HARNESS With Special Stacked Gauges, Trans AM Note: Speedometer Mounted In Right Dash Pod, Tach Mounted In Left, This Harness Contains A Resistance Wire In It And Must Be Modified If Using With A GM H.E.I. Distributor.	\$497.00	
15755	1970	DASH HARNESS Without Gauges	\$570.00	
15760	1970	DASH HARNESS With Gauges	\$548.00	
16220	1971	DASH HARNESS With Warning Lights	\$558.00	
16675	1971	DASH HARNESS With Gauges	\$570.00	
16220	1972	DASH HARNESS With Warning Lights	\$558.00	
17760	1972	DASH HARNESS With Warning Lights & Seat Belt Warning	\$587.00	
16675	1972	DASH HARNESS With Gauges	\$570.00	
16870	1972	DASH HARNESS With Gauges & Seat Belt Warning	\$570.00	
17760	1973	DASH HARNESS With Warning Lights	\$587.00	
16870	1973	DASH HARNESS With Gauges	\$570.00	
17765	1974	DASH HARNESS With Warning Lights	\$627.00	
17075	1974	DASH HARNESS With Gauges	\$627.00	
38599	1975	DASH HARNESS Base Model Note: Used Up To 3-24-75, With Pink & Yellow Wire In L Shape Connector On Neutral Safety Switch, Without Seat Belt Ignition Interlock.	\$782.00	
38602	1975	DASH HARNESS Base Model Note: Used After 3-24-75, Without Pink & Yellow Wire In L Shape Connector On Neutral Safety Switch, Without Seat Belt Ignition Interlock.	\$804.00	
38590	1975	DASH HARNESS Base Model, All With Seat Belt Ignition Interlock	\$804.00	
38601	1975	DASH HARNESS With Power Door Locks, Electric Rear Window Defogger, Tach & Rally Gauges Note: Used Up To 3-24-75, With Pink & Yellow Wire In L Shape Connector On Neutral Safety Switch, Without Seat Belt Ignition Interlock.	\$782.00	
38604	1975	DASH HARNESS With Power Door Locks, Rear Window Defogger, Tach & Rally Gauges Note: Used After 3-24-75, Without Pink & Yellow Wire In L Shape Connector On Neutral Safety Switch, Without Seat Belt Ignition Interlock.	\$782.00	
38600	1975	DASH HARNESS With Power Door Locks, & Electric Rear Window Defogger, Without Tach & Rally Gauges Note: Used Up To 3-24-75, With Pink & Yellow Wire In L Shape Connector On Neutral Safety Switch, Without Seal Belt Ignition Interlock.	\$782.00	
38603	1975	DASH HARNESS With Power Door Locks, & Electric Rear Window Defogger, Without Tach & Rally Gauges Note: Used After 3-24-75, Without Pink & Yellow Wire In L Shape Connector On Neutral Safety Switch, Without Seat Belt Ignition Interlock.	\$782.00	
38610	1976	DASH HARNESS Base Model, All	\$782.00	
38611	1976	DASH HARNESS With Power Door Locks, Heated Rear Window Glass Note: Used Before 1976 1/2, For Cars With 3 Wire Connector On Rear Heated Glass Switch In Dash.	\$782.00	
38614	1976	DASH HARNESS With Power Door Locks, Heated Rear Window Glass Note: Used After 1976 1/2, For Cars With 5 Wire Connector On Rear Heated Glass Switch In Dash.	\$804.00	
38612	1976	DASH HARNESS With Power Door Locks, Tach & Rally Gauges & Heated Rear Window Glass Note: Used Before 1976 1/2, For Cars With 3 Wire Connector On Rear Heated Glass Switch In Dash.	\$782.00	

Part Number	Year	Description	Price	*Rev.
38615	1976	DASH HARNESS With Power Door Locks, Tach & Rally Gauges & Heated Rear Window Glass Note: Used After 1976 1/2, For Cars With 5 Wire Connector On Rear Heated Glass Switch In Dash.	\$782.00	
38621	1977	DASH HARNESS Base Model, All	\$782.00	
38620	1977	DASH HARNESS With Electric Rear Window Defogger	\$782.00	
38626	1977	DASH HARNESS With Electric Rear Window Defogger, And Tach & Rally Gauges	\$782.00	
38631	1977	DASH HARNESS Base Model, For Export Use Only	\$839.00	
38632	1977	DASH HARNESS With Electric Rear Window Defogger, For Export Use Only	\$839.00	
38624	1978	DASH HARNESS Base Model, All	\$804.00	
38625	1978	DASH HARNESS With Electric Rear Window Defogger & Digital Clock Radio Note: With Push In Lamp Socket For Heater Control Indicator Lamp.	\$804.00	
38519	1978	DASH HARNESS With Electric Rear Window Defogger, Digital Clock Radio And Tach & Rally Gauges Note: With Push In Lamp Socket For Heater Control Indicator Lamp.	\$782.00	
38638	1978	DASH HARNESS With Electric Rear Window Defogger & Digital Clock Radio Note: With Twist In Lamp Socket For Heater Control Indicator Lamp.	\$804.00	
38639	1978	DASH HARNESS With Electric Rear Window Defogger, Digital Clock Radio And Tach & Rally Gauges, Note: With Twist In Lamp Socket For Heater Control Indicator Lamp.	\$782.00	
38645	1979	DASH HARNESS With Manual Transmission	\$804.00	
38646	1979	DASH HARNESS With Automatic Transmission	\$804.00	
38647	1979	DASH HARNESS With Manual Transmission, And Tach & Rally Gauges	\$782.00	
38420	1979	DASH HARNESS With Automatic Transmission, And Tach & Rally Gauges	\$782.00	
38656	1980	DASH HARNESS With Manual Transmission	\$828.00	
38657	1980	DASH HARNESS With Automatic Transmission	\$828.00	
38414	1980	DASH HARNESS With Automatic Transmission, And Tach & Rally Gauges	\$828.00	
38674	1980	DASH HARNESS With Manual Transmission, And Tach & Rally Gauges	\$828.00	
38659	1981	DASH HARNESS With Manual Transmission	\$828.00	
38660	1981	DASH HARNESS With Automatic Transmission	\$828.00	
38662	1981	DASH HARNESS With Automatic Transmission, And Tach & Rally Gauges	\$828.00	
38673	1981	DASH HARNESS With Manual Transmission, And Tach & Rally Gauges	\$828.00	
DISTRIBUTOR WIRE				
36057	1967	DISTRIBUTOR WIRE Distributor Points To Coil Negative Terminal, V/8 Note: Fits All GM V/8 Points Type Distributors From Approx. 1957 To 1974.	\$15.00	C
36057	1968	DISTRIBUTOR WIRE Distributor Points To Coil Negative Terminal, V/8 Note: Fits All GM V/8 Points Type Distributors From Approx. 1957 To 1974.	\$15.00	C
36057	1969	DISTRIBUTOR WIRE Distributor Points To Coil Negative Terminal, V/8 Note: Fits All GM V/8 Points Type Distributors From Approx. 1957 To 1974.	\$15.00	C
36057	1970	DISTRIBUTOR WIRE Distributor Points To Coil Negative Terminal, V/8 Note: Fits All GM V/8 Points Type Distributors From Approx. 1957 To 1974.	\$15.00	C
36057	1971	DISTRIBUTOR WIRE Distributor Points To Coil Negative Terminal, V/8 Note: Fits All GM V/8 Points Type Distributors From Approx. 1957 To 1974.	\$15.00	C
36057	1972	DISTRIBUTOR WIRE Distributor Points To Coil Negative Terminal, V/8 Note: Fits All GM V/8 Points Type Distributors From Approx. 1957 To 1974.	\$15.00	C
36057	1973	DISTRIBUTOR WIRE Distributor Points To Coil Negative Terminal, V/8 Note: Fits All GM V/8 Points Type Distributors From Approx. 1957 To 1974.	\$15.00	C
36057	1974	DISTRIBUTOR WIRE Distributor Points To Coil Negative Terminal, V/8 Note: Fits All GM V/8 Points Type Distributors From Approx. 1957 To 1974.	\$15.00	C

Part Number	Year	Description	Price	*Rev.
DOME LIGHT LENS				
06279669	1967	DOME LIGHT LENS Note: Manufactured With Original GM Tooling, Not A Reproduction Part.	\$4.00	
06279669	1968	DOME LIGHT LENS Note: Manufactured With Original GM Tooling, Not A Reproduction Part.	\$4.00	
ENGINE HARNESS				
11205	1967	ENGINE HARNESS 6 Cylinder, Auto Trans Note: 6 Cylinder Items Are Not Returnable.	\$144.00	
11165	1967	ENGINE HARNESS 6 Cylinder, Manual Trans Note: 6 Cylinder Items Are Not Returnable.	\$144.00	
17400	1967	ENGINE HARNESS V/8, Auto Trans	\$121.00	
42087	1967	ENGINE HARNESS - HEI V/8, Auto Trans Note: This Harness Is Modified For Use With An HEI Distributor.	\$142.00	
11170	1967	ENGINE HARNESS V/8, Manual Trans	\$121.00	
42088	1967	ENGINE HARNESS - HEI V/8, Manual Trans Note: This Harness Is Modified For Use With An HEI Distributor.	\$142.00	
12210	1968	ENGINE HARNESS 6 Cylinder, Auto Trans Note: 6 Cylinder Items Are Not Returnable.	\$144.00	
12200	1968	ENGINE HARNESS 6 Cylinder, Manual Trans Note: 6 Cylinder Items Are Not Returnable.	\$144.00	
12215	1968	ENGINE HARNESS V/8, Auto Trans	\$129.00	
42089	1968	ENGINE HARNESS - HEI V/8, Auto Trans Note: This Harness Is Modified For Use With An HEI Distributor.	\$150.00	
12205	1968	ENGINE HARNESS V/8, Manual Trans	\$129.00	
42090	1968	ENGINE HARNESS - HEI V/8, Manual Trans Note: This Harness Is Modified For Use With An HEI Distributor.	\$150.00	
13460	1969	ENGINE HARNESS 6 Cylinder, Auto Trans Note: 6 Cylinder Items Are Not Returnable.	\$241.00	
13550	1969	ENGINE HARNESS 6 Cylinder, Auto Trans With Internal Reg. Alternator Note: 6 Cylinder Items Are Not Returnable.	\$241.00	
12880	1969	ENGINE HARNESS 6 Cylinder, Auto Trans With A/C Note: 6 Cylinder Items Are Not Returnable.	\$241.00	
13455	1969	ENGINE HARNESS 6 Cylinder, Auto Trans With A/C & Internal Reg. Alternator Note: 6 Cylinder Items Are Not Returnable.	\$241.00	
36155	1969	ENGINE HARNESS 6 Cylinder, Manual Trans Note: 6 Cylinder Items Are Not Returnable.	\$241.00	
36158	1969	ENGINE HARNESS 6 Cylinder, Manual Trans With Internal Reg. Alternator Note: 6 Cylinder Items Are Not Returnable.	\$241.00	
36156	1969	ENGINE HARNESS 6 Cylinder, Manual Trans With A/C Note: 6 Cylinder Items Are Not Returnable.	\$241.00	
36157	1969	ENGINE HARNESS 6 Cylinder, Manual Trans With A/C & Internal Reg. Alternator Note: 6 Cylinder Items Are Not Returnable.	\$241.00	
12885	1969	ENGINE HARNESS V/8, Auto Trans	\$184.00	
42091	1969	ENGINE HARNESS - HEI V/8, Auto Trans Note: This Harness Is Modified For Use With An HEI Distributor. This Year Dash Harness Contains A Resistance Wire For Points And Must Be Modified For An HEI Application. This Kit Contains A User Installed Jumper (With Instructions) That Must Be Installed Into Your Dash Harness.	\$205.00	
12890	1969	ENGINE HARNESS V/8, Auto Trans With Internal Reg. Alternator	\$184.00	

Part Number	Year	Description	Price	*Rev.
42092	1969	ENGINE HARNESS - HEI V/8, Auto Trans With Internal Reg. Alternator Note: This Harness Is Modified For Use With An HEI Distributor. This Year Dash Harness Contains A Resistance Wire For Points And Must Be Modified For An HEI Application. This Kit Contains A User Installed Jumper (With Instructions) That Must Be Installed Into Your Dash Harness.	\$205.00	
36159	1969	ENGINE HARNESS V/8, Manual Trans	\$184.00	
42093	1969	ENGINE HARNESS - HEI V/8, Manual Trans Note: This Harness Is Modified For Use With An HEI Distributor. This Year Dash Harness Contains A Resistance Wire For Points And Must Be Modified For An HEI Application. This Kit Contains A User Installed Jumper (With Instructions) That Must Be Installed Into Your Dash Harness.	\$205.00	
36160	1969	ENGINE HARNESS V/8, Manual Trans With Internal Reg. Alternator	\$184.00	
42094	1969	ENGINE HARNESS - HEI V/8, Manual Trans With Internal Reg. Alternator Note: This Harness Is Modified For Use With An HEI Distributor. This Year Dash Harness Contains A Resistance Wire For Points And Must Be Modified For An HEI Application. This Kit Contains A User Installed Jumper (With Instructions) That Must Be Installed Into Your Dash Harness.	\$205.00	
15735	1970	ENGINE HARNESS 6 Cylinder, All Note: 6 Cylinder Items Are Not Returnable.	\$252.00	
36161	1970	ENGINE HARNESS V/8	\$252.00	
42095	1970	ENGINE HARNESS - HEI V/8 Note: This Harness Is Modified For Use With An HEI Distributor.	\$273.00	
15700	1970	ENGINE HARNESS V/8, With A/C	\$252.00	
42096	1970	ENGINE HARNESS - HEI V/8, With A/C Note: This Harness Is Modified For Use With An HEI Distributor.	\$273.00	
36162	1970	ENGINE HARNESS V/8, With Ram Air	\$252.00	
42097	1970	ENGINE HARNESS - HEI V/8, With Ram Air Note: This Harness Is Modified For Use With An HEI Distributor.	\$273.00	
15765	1970	ENGINE HARNESS V/8, With Ram Air & A/C	\$252.00	
42098	1970	ENGINE HARNESS - HEI V/8, With Ram Air & A/C Note: This Harness Is Modified For Use With An HEI Distributor.	\$273.00	
16045	1971	ENGINE HARNESS 6 Cylinder, All Note: 6 Cylinder Items Are Not Returnable.	\$264.00	
16080	1971	ENGINE HARNESS V/8, Auto Trans	\$252.00	
42099	1971	ENGINE HARNESS - HEI V/8, Auto Trans Note: This Harness Is Modified For Use With An HEI Distributor.	\$273.00	
36164	1971	ENGINE HARNESS V/8, Auto Trans With A/C	\$252.00	
42100	1971	ENGINE HARNESS - HEI V/8, Auto Trans With A/C Note: This Harness Is Modified For Use With An HEI Distributor.	\$273.00	
15990	1971	ENGINE HARNESS V/8, Manual Trans	\$252.00	
42101	1971	ENGINE HARNESS - HEI V/8, Manual Trans Note: This Harness Is Modified For Use With An HEI Distributor.	\$273.00	
36165	1971	ENGINE HARNESS V/8, Manual Trans With A/C	\$252.00	
42102	1971	ENGINE HARNESS - HEI V/8, Manual Trans With A/C Note: This Harness Is Modified For Use With An HEI Distributor.	\$273.00	
15985	1971	ENGINE HARNESS V/8, All With Ram Air	\$252.00	
42103	1971	ENGINE HARNESS - HEI V/8, All With Ram Air Note: This Harness Is Modified For Use With An HEI Distributor.	\$273.00	
36163	1971	ENGINE HARNESS V/8, All With Ram Air & A/C	\$252.00	
42104	1971	ENGINE HARNESS - HEI V/8, All With Ram Air & A/C Note: This Harness Is Modified For Use With An HEI Distributor.	\$273.00	
16930	1972	ENGINE HARNESS 6 Cylinder, All Note: 6 Cylinder Items Are Not Returnable.	\$275.00	

Part Number	Year	Description	Price	*Rev.
16895	1972	ENGINE HARNESS V/8	\$252.00	
42105	1972	ENGINE HARNESS - HEI V/8 Note: This Harness Is Modified For Use With An HEI Distributor.	\$273.00	
16900	1972	ENGINE HARNESS V/8, With A/C	\$252.00	
42106	1972	ENGINE HARNESS - HEI V/8, With A/C Note: This Harness Is Modified For Use With An HEI Distributor.	\$273.00	
16905	1972	ENGINE HARNESS V/8, With Unitized Distributor	\$264.00	
36168	1972	ENGINE HARNESS V/8, With Unitized Distributor & A/C	\$264.00	
16925	1972	ENGINE HARNESS V/8, With Gauges & Hood Air Scoop	\$252.00	
42107	1972	ENGINE HARNESS - HEI V/8, With Gauges & Hood Air Scoop Note: This Harness Is Modified For Use With An HEI Distributor.	\$273.00	
36166	1972	ENGINE HARNESS V/8, With Gauges, Hood Air Scoop & A/C	\$252.00	
42108	1972	ENGINE HARNESS -HEI V/8, With Gauges, Hood Air Scoop & A/C Note: This Harness Is Modified For Use With An HEI Distributor.	\$273.00	
16805	1972	ENGINE HARNESS V/8, With Gauges, Unitized Distributor & Hood Air Scoop	\$275.00	
36167	1972	ENGINE HARNESS V/8, With Gauges, Unitized Distributor, Hood Air Scoop & A/C	\$275.00	
17025	1973	ENGINE HARNESS 6 Cylinder, All Note: 6 Cylinder Items Are Not Returnable.	\$287.00	
17040	1973	ENGINE HARNESS V/8, Early Production, See Note Note: With A 4 Contact Connector At Distributor Vacuum Solenoid.	\$287.00	
42109	1973	ENGINE HARNESS - HEI V/8, Early Production, See Note Note: With A 4 Contact Connector At Distributor Vacuum Solenoid. This Harness Is Modified For Use With An HEI Distributor.	\$308.00	
17090	1973	ENGINE HARNESS V/8, Late Production, See Note Note: With A 2 Contact Connector At Distributor Vacuum Solenoid.	\$287.00	
42110	1973	ENGINE HARNESS - HEI V/8, Late Production, See Note Note: This Harness Is Modified For Use With An HEI Distributor. With A 2 Contact Connector At Distributor Vacuum Solenoid.	\$308.00	
36169	1973	ENGINE HARNESS V/8 With A/C, Early Production, See Note Note: With A 4 Contact Connector At Distributor Vacuum Solenoid.	\$287.00	
42111	1973	ENGINE HARNESS - HEI V/8 With A/C, Early Production, See Note Note: With A 4 Contact Connector At Distributor Vacuum Solenoid. This Harness Is Modified For Use With An HEI Distributor	\$308.00	
36170	1973	ENGINE HARNESS V/8 With A/C, Late Production, See Note Note: With A 2 Contact Connector At Distributor Vacuum Solenoid.	\$287.00	
42112	1973	ENGINE HARNESS - HEI V/8 With A/C, Late Production, See Note Note: This Harness Is Modified For Use With An HEI Distributor. With A 2 Contact Connector At Distributor Vacuum Solenoid.	\$308.00	
17045	1973	ENGINE HARNESS V/8 With Unitized Distributor, Early Production, See Note Note: With A 4 Contact Connector At Distributor Vacuum Solenoid.	\$287.00	
17095	1973	ENGINE HARNESS V/8 With Unitized Distributor, Late Production, See Note Note: With A 2 Contact Connector At Distributor Vacuum Solenoid.	\$298.00	
36172	1973	ENGINE HARNESS V/8 With Unitized Distributor & A/C, Early Production, See Note Note: With A 4 Contact Connector At Distributor Vacuum Solenoid.	\$287.00	
36171	1973	ENGINE HARNESS V/8 With Unitized Distributor & A/C, Late Production, See Note Note: With A 2 Contact Connector At Distributor Vacuum Solenoid.	\$287.00	
17105	1974	ENGINE HARNESS 6 Cylinder, All Note: 6 Cylinder Items Are Not Returnable.	\$298.00	
17065	1974	ENGINE HARNESS V/8	\$298.00	
17120	1974	ENGINE HARNESS - HEI V/8 Note: This Harness Is To Be Used With An HEI Distributor.	\$298.00	
36173	1974	ENGINE HARNESS V/8 With A/C	\$298.00	

Part Number	Year	Description	Price	*Rev.
36174	1974	ENGINE HARNESS - HEI V/8 With A/C Note: This Harness Is To Be Used With An HEI Distributor.	\$298.00	
17120	1974	ENGINE HARNESS V/8 With H.E.I. Distributor	\$298.00	
36174	1974	ENGINE HARNESS V/8 With H.E.I. Distributor & A/C	\$298.00	
17115	1974	ENGINE HARNESS V/8 With Unitized Distributor	\$298.00	
36175	1974	ENGINE HARNESS V/8 With Unitized Distributor & A/C	\$310.00	
38597	1975	ENGINE HARNESS 6 Cylinder Note: 6 Cylinder Items Are Not Returnable.	\$264.00	
38591	1975	ENGINE HARNESS V/8, Without Catalytic Converter	\$241.00	
38593	1975	ENGINE HARNESS V/8, With Catalytic Converter	\$241.00	
38592	1975	ENGINE HARNESS V/8, With A/C, Without Catalytic Converter	\$252.00	
38594	1975	ENGINE HARNESS V/8, With A/C, With Catalytic Converter	\$252.00	
38605	1976	ENGINE HARNESS 6 Cylinder Note: 6 Cylinder Items Are Not Returnable.	\$264.00	
38609	1976	ENGINE HARNESS V/8, With A/C	\$241.00	
38392	1976	ENGINE HARNESS V/8, Without A/C	\$229.00	
38617	1977	ENGINE HARNESS 6 Cylinder Note: 6 Cylinder Items Are Not Returnable.	\$241.00	
38618	1977	ENGINE HARNESS With Oldsmobile 350R Or 403 V/8	\$241.00	
38423	1977	ENGINE HARNESS With Pontiac 301 Or 400 V/8	\$229.00	
38634	1978	ENGINE HARNESS With 231 V/6	\$264.00	
38618	1978	ENGINE HARNESS With Oldsmobile 350R Or 403 V/8	\$241.00	
38423	1978	ENGINE HARNESS With Pontiac 301 & 400 V/8	\$229.00	
38642	1978	ENGINE HARNESS With Chevy 305 & 350 V/8, & California Emissions	\$264.00	
38643	1978	ENGINE HARNESS With Chevy 305 & 350 V/8, & Federal Emissions	\$252.00	
38637	1979	ENGINE HARNESS With 231 V/6	\$264.00	
38423	1979	ENGINE HARNESS With Pontiac 301 & 400 V/8	\$229.00	
38635	1979	ENGINE HARNESS With Chevy 305 V/8	\$229.00	
38640	1979	ENGINE HARNESS With Oldsmobile 403 V/8	\$229.00	
38651	1980	ENGINE HARNESS With 231 V/6	\$241.00	
38650	1980	ENGINE HARNESS With Pontiac 260 V/8 Or 301 V/8	\$241.00	
38393	1980	ENGINE HARNESS With 260 V/8 Or & 301 V/8 Pontiac, With Tach & Rally Gauges	\$241.00	
36029	1980	ENGINE HARNESS With Chevy 305 V/8	\$241.00	
38652	1980	ENGINE HARNESS With Chevy 305 V/8, With Tach & Rally Gauges	\$252.00	
38527	1980	ENGINE HARNESS With Pontiac 260 V/8 Or 301 V/8, With Torque Converter Clutch	\$252.00	
38658	1980	ENGINE HARNESS With Pontiac 301 V/8 Turbo Charged Engine, And Tach & Rally Gauges	\$241.00	
38653	1980	ENGINE HARNESS With Pontiac 260 V/8 Or 301 V/8, With Tach & Rally Gauges And Torque Converter Clutch	\$252.00	
38668	1981	ENGINE HARNESS With 231 V/6, Without Tach & Rally Gauges	\$264.00	
38678	1981	ENGINE HARNESS With 231 V/6, And Tach & Rally Gauges	\$275.00	
38675	1981	ENGINE HARNESS With Chevy 267, 305, And 350 V/8, Without Tach & Rally Gauges	\$241.00	
38528	1981	ENGINE HARNESS With Chevy 267, & 305 And 350 V/8, With Tach & Rally Gauges	\$252.00	
38671	1981	ENGINE HARNESS With Pontiac 301 V/8 Turbo Charged Engine, Canada & Export Only	\$275.00	
28875	1981	ENGINE HARNESS With Pontiac 301 V/8 Turbo Charged Engine, With Tach & Rally Gauges	\$252.00	
38526	1981	ENGINE HARNESS With Pontiac 260 V/8 Or 301 V/8, Without Tach & Rally Gauges	\$275.00	

Part Number	Year	Description	Price	*Rev.
38665	1981	ENGINE HARNESS With Pontiac 260 V/8 Or 301 V/8, With Tach & Rally Gauges	\$252.00	
FORWARD LAMP HARNESS				
11175	1967	FORWARD LAMP HARNESS 6 Cylinder Note: 6 Cylinder Items Are Not Returnable.	\$236.00	
11265	1967	FORWARD LAMP HARNESS 6 Cylinder With Gauges Note: 6 Cylinder Items Are Not Returnable.	\$242.00	
11180	1967	FORWARD LAMP HARNESS V/8	\$213.00	
42113	1967	FORWARD LAMP HARNESS - INT REG ALT DRIVER SIDE V/8 Note: Modified For Driver Side Mounted 1972-84 Non-Serpentine Belt ("SI" Series) Internal Regulated Alternators.	\$248.00	
11185	1967	FORWARD LAMP HARNESS V/8 With Gauges	\$219.00	
42114	1967	FORWARD LAMP HARNESS - INT REG ALT DRIVER SIDE V/8 With Gauges Note: Modified For Driver Side Mounted 1972-84 Non-Serpentine Belt ("SI" Series) Internal Regulated Alternators.	\$253.00	
36058	1968	FORWARD LAMP HARNESS 6 Cylinder, Without Cornering Lamps Note: 6 Cylinder Items Are Not Returnable.	\$259.00	
12220	1968	FORWARD LAMP HARNESS 6 Cylinder, With Cornering Lamps Note: 6 Cylinder Items Are Not Returnable.	\$265.00	
36062	1968	FORWARD LAMP HARNESS 6 Cylinder, With Gauges, Without Cornering Lamps Note: 6 Cylinder Items Are Not Returnable.	\$248.00	
12235	1968	FORWARD LAMP HARNESS 6 Cylinder, With Gauges & Cornering Lamps Note: 6 Cylinder Items Are Not Returnable.	\$259.00	
36059	1968	FORWARD LAMP HARNESS V/8, Without Cornering Lamps	\$230.00	
42115	1968	FORWARD LAMP HARNESS - INT REG ALT DRIVER SIDE V/8, Without Cornering Lamps Note: Modified For Driver Side Mounted 1972-84 Non-Serpentine Belt ("SI" Series) Internal Regulated Alternators.	\$265.00	
12225	1968	FORWARD LAMP HARNESS V/8, With Cornering Lamps	\$248.00	
42116	1968	FORWARD LAMP HARNESS - INT REG ALT DRIVER SIDE V/8, With Cornering Lamps Note: Modified For Driver Side Mounted 1972-84 Non-Serpentine Belt ("SI" Series) Internal Regulated Alternators.	\$276.00	
36060	1968	FORWARD LAMP HARNESS V/8, With Gauges, Without Cornering Lamps	\$230.00	
42117	1968	FORWARD LAMP HARNESS - INT REG ALT DRIVER SIDE V/8, With Gauges, Without Cornering Lamps Note: Modified For Driver Side Mounted 1972-84 Non-Serpentine Belt ("SI" Series) Internal Regulated Alternators.	\$265.00	
12230	1968	FORWARD LAMP HARNESS V/8, With Gauges & Cornering Lamps	\$248.00	
42118	1968	FORWARD LAMP HARNESS - INT REG ALT DRIVER SIDE V/8, With Gauges & Cornering Lamps Note: Modified For Driver Side Mounted 1972-84 Non-Serpentine Belt ("SI" Series) Internal Regulated Alternators.	\$276.00	
12900	1969	FORWARD LAMP HARNESS All	\$230.00	
15980	1970	FORWARD LAMP HARNESS All	\$230.00	
15980	1971	FORWARD LAMP HARNESS All	\$230.00	
15980	1972	FORWARD LAMP HARNESS Without Parking Lamp Socket Assembly	\$230.00	
16765	1972	FORWARD LAMP HARNESS Includes Parking Lamp Socket Assembly	\$236.00	
16765	1973	FORWARD LAMP HARNESS All	\$236.00	
17070	1974	FORWARD LAMP HARNESS All	\$259.00	
38598	1975	FORWARD LAMP HARNESS All	\$294.00	
38380	1976	FORWARD LAMP HARNESS All	\$294.00	
38622	1977	FORWARD LAMP HARNESS All	\$282.00	
38518	1978	FORWARD LAMP HARNESS All	\$282.00	
38424	1979	FORWARD LAMP HARNESS All	\$282.00	
38649	1980	FORWARD LAMP HARNESS All	\$294.00	
38677	1981	FORWARD LAMP HARNESS With Diode Taped Into Windshield Wiper Connector	\$305.00	
38649	1981	FORWARD LAMP HARNESS Without Diode Taped Into Windshield Wiper Connector	\$294.00	

Part Number	Year	Description	Price	*Rev.
FUEL TANK SENDER WIRE				
18915	1967	FUEL TANK SENDER WIRE	\$19.00	
18915	1968	FUEL TANK SENDER WIRE	\$19.00	
13485	1969	FUEL TANK SENDER WIRE	\$19.00	
15795	1970	FUEL TANK SENDER WIRE	\$21.00	
15795	1971	FUEL TANK SENDER WIRE	\$21.00	
15795	1972	FUEL TANK SENDER WIRE	\$21.00	
15795	1973	FUEL TANK SENDER WIRE	\$21.00	
36272	1974	FUEL TANK SENDER WIRE	\$20.00	
36272	1975	FUEL TANK SENDER WIRE	\$20.00	
36272	1976	FUEL TANK SENDER WIRE	\$20.00	
36272	1977	FUEL TANK SENDER WIRE	\$20.00	
36272	1978	FUEL TANK SENDER WIRE	\$20.00	
GLOVE BOX LAMP KIT				
18000	1967	GLOVE BOX LAMP KIT Socket, Bulb & Wire	\$21.00	
18000	1968	GLOVE BOX LAMP KIT Socket, Bulb & Wire	\$21.00	
18000	1969	GLOVE BOX LAMP KIT Socket, Bulb & Wire	\$21.00	
GROUND WIRE, DISTRIBUTOR POINT PLATE				
38298	1967	GROUND WIRE, DISTRIBUTOR POINT PLATE From Distributor Point Plate To Distributor Housing Note: Replaces Spot Welded Wire Asm On Point Plate Side. Fits All GM V/8 Point Type Distributors From Approx. 1957-1974.	\$15.00	C
38298	1968	GROUND WIRE, DISTRIBUTOR POINT PLATE From Distributor Point Plate To Distributor Housing Note: Replaces Spot Welded Wire Asm On Point Plate Side. Fits All GM V/8 Point Type Distributors From Approx. 1957-1974.	\$15.00	C
38298	1969	GROUND WIRE, DISTRIBUTOR POINT PLATE From Distributor Point Plate To Distributor Housing Note: Replaces Spot Welded Wire Asm On Point Plate Side. Fits All GM V/8 Point Type Distributors From Approx. 1957-1974.	\$15.00	C
38298	1970	GROUND WIRE, DISTRIBUTOR POINT PLATE From Distributor Point Plate To Distributor Housing Note: Replaces Spot Welded Wire Asm On Point Plate Side. Fits All GM V/8 Point Type Distributors From Approx. 1957-1974.	\$15.00	C
38298	1971	GROUND WIRE, DISTRIBUTOR POINT PLATE From Distributor Point Plate To Distributor Housing Note: Replaces Spot Welded Wire Asm On Point Plate Side. Fits All GM V/8 Point Type Distributors From Approx. 1957-1974.	\$15.00	C
38298	1972	GROUND WIRE, DISTRIBUTOR POINT PLATE From Distributor Point Plate To Distributor Housing Note: Replaces Spot Welded Wire Asm On Point Plate Side. Fits All GM V/8 Point Type Distributors From Approx. 1957-1974.	\$15.00	C
38298	1973	GROUND WIRE, DISTRIBUTOR POINT PLATE From Distributor Point Plate To Distributor Housing Note: Replaces Spot Welded Wire Asm On Point Plate Side. Fits All GM V/8 Point Type Distributors From Approx. 1957-1974.	\$15.00	C
38298	1974	GROUND WIRE, DISTRIBUTOR POINT PLATE From Distributor Point Plate To Distributor Housing Note: Replaces Spot Welded Wire Asm On Point Plate Side. Fits All GM V/8 Point Type Distributors From Approx. 1957-1974.	\$15.00	C
HARNESSTAPE				
R0058272	1967	HARNESSTAPE 3/4" Vinyl (100 Ft. Roll) Non-Adhesive	\$12.00	
R0058276	1967	HARNESSTAPE 1" Vinyl (100 Ft. Roll) Non-Adhesive	\$13.00	
R0067108	1967	HARNESSTAPE 1 1/4" Vinyl (100 Ft. Roll) Non-Adhesive	\$15.00	
R0058272	1968	HARNESSTAPE 3/4" Vinyl (100 Ft. Roll) Non-Adhesive	\$12.00	
R0058276	1968	HARNESSTAPE 1" Vinyl (100 Ft. Roll) Non-Adhesive	\$13.00	
R0067108	1968	HARNESSTAPE 1 1/4" Vinyl (100 Ft. Roll) Non-Adhesive	\$15.00	
R0058272	1969	HARNESSTAPE 3/4" Vinyl (100 Ft. Roll) Non-Adhesive	\$12.00	
R0058276	1969	HARNESSTAPE 1" Vinyl (100 Ft. Roll) Non-Adhesive	\$13.00	
R0067108	1969	HARNESSTAPE 1 1/4" Vinyl (100 Ft. Roll) Non-Adhesive	\$15.00	
R0058272	1970	HARNESSTAPE 3/4" Vinyl (100 Ft. Roll) Non-Adhesive	\$12.00	
R0058276	1970	HARNESSTAPE 1" Vinyl (100 Ft. Roll) Non-Adhesive	\$13.00	
R0067108	1970	HARNESSTAPE 1 1/4" Vinyl (100 Ft. Roll) Non-Adhesive	\$15.00	

Part Number	Year	Description	Price	*Rev.
R0058272	1971	HARNESS TAPE 3/4" Vinyl (100 Ft. Roll) Non-Adhesive	\$12.00	
R0058276	1971	HARNESS TAPE 1" Vinyl (100 Ft. Roll) Non-Adhesive	\$13.00	
R0067108	1971	HARNESS TAPE 1 1/4" Vinyl (100 Ft. Roll) Non-Adhesive	\$15.00	
R0058272	1972	HARNESS TAPE 3/4" Vinyl (100 Ft. Roll) Non-Adhesive	\$12.00	
R0058276	1972	HARNESS TAPE 1" Vinyl (100 Ft. Roll) Non-Adhesive	\$13.00	
R0067108	1972	HARNESS TAPE 1 1/4" Vinyl (100 Ft. Roll) Non-Adhesive	\$15.00	
R0058272	1973	HARNESS TAPE 3/4" Vinyl (100 Ft. Roll) Non-Adhesive	\$12.00	
R0058276	1973	HARNESS TAPE 1" Vinyl (100 Ft. Roll) Non-Adhesive	\$13.00	
R0067108	1973	HARNESS TAPE 1 1/4" Vinyl (100 Ft. Roll) Non-Adhesive	\$15.00	
R0058272	1974	HARNESS TAPE 3/4" Vinyl (100 Ft. Roll) Non-Adhesive	\$12.00	
R0058276	1974	HARNESS TAPE 1" Vinyl (100 Ft. Roll) Non-Adhesive	\$13.00	
R0067108	1974	HARNESS TAPE 1 1/4" Vinyl (100 Ft. Roll) Non-Adhesive	\$15.00	
R0058272	1975	HARNESS TAPE 3/4" Vinyl (100 Ft. Roll) Non-Adhesive	\$12.00	
R0058276	1975	HARNESS TAPE 1" Vinyl (100 Ft. Roll) Non-Adhesive	\$13.00	
R0067108	1975	HARNESS TAPE 1 1/4" Vinyl (100 Ft. Roll) Non-Adhesive	\$15.00	
R0058272	1976	HARNESS TAPE 3/4" Vinyl (100 Ft. Roll) Non-Adhesive	\$12.00	
R0058276	1976	HARNESS TAPE 1" Vinyl (100 Ft. Roll) Non-Adhesive	\$13.00	
R0067108	1976	HARNESS TAPE 1 1/4" Vinyl (100 Ft. Roll) Non-Adhesive	\$15.00	
R0058272	1977	HARNESS TAPE 3/4" Vinyl (100 Ft. Roll) Non-Adhesive	\$12.00	
R0058276	1977	HARNESS TAPE 1" Vinyl (100 Ft. Roll) Non-Adhesive	\$13.00	
R0067108	1977	HARNESS TAPE 1 1/4" Vinyl (100 Ft. Roll) Non-Adhesive	\$15.00	
R0058272	1978	HARNESS TAPE 3/4" Vinyl (100 Ft. Roll) Non-Adhesive	\$12.00	
R0058276	1978	HARNESS TAPE 1" Vinyl (100 Ft. Roll) Non-Adhesive	\$13.00	
R0067108	1978	HARNESS TAPE 1 1/4" Vinyl (100 Ft. Roll) Non-Adhesive	\$15.00	
R0058272	1979	HARNESS TAPE 3/4" Vinyl (100 Ft. Roll) Non-Adhesive	\$12.00	
R0058276	1979	HARNESS TAPE 1" Vinyl (100 Ft. Roll) Non-Adhesive	\$13.00	
R0067108	1979	HARNESS TAPE 1 1/4" Vinyl (100 Ft. Roll) Non-Adhesive	\$15.00	
R0058272	1980	HARNESS TAPE 3/4" Vinyl (100 Ft. Roll) Non-Adhesive	\$12.00	
R0058276	1980	HARNESS TAPE 1" Vinyl (100 Ft. Roll) Non-Adhesive	\$13.00	
R0067108	1980	HARNESS TAPE 1 1/4" Vinyl (100 Ft. Roll) Non-Adhesive	\$15.00	
R0058272	1981	HARNESS TAPE 3/4" Vinyl (100 Ft. Roll) Non-Adhesive	\$12.00	
R0058276	1981	HARNESS TAPE 1" Vinyl (100 Ft. Roll) Non-Adhesive	\$13.00	
R0067108	1981	HARNESS TAPE 1 1/4" Vinyl (100 Ft. Roll) Non-Adhesive	\$15.00	
HEATER HARNESS				
17270	1969	HEATER HARNESS Without A/C, From Blower Motor & Resistor To Fan Switch	\$37.00	
39319	1970	HEATER HARNESS Without A/C, From Blower Motor & Resistor To Fan Switch	\$42.00	
39320	1971	HEATER HARNESS Without A/C	\$46.00	
39320	1972	HEATER HARNESS Without A/C	\$46.00	
39320	1973	HEATER HARNESS Without A/C	\$46.00	
39320	1974	HEATER HARNESS Without A/C	\$46.00	
39320	1975	HEATER HARNESS Without A/C	\$46.00	
39320	1976	HEATER HARNESS Without A/C	\$46.00	
40127	1977	HEATER HARNESS Without A/C	\$58.00	
40127	1978	HEATER HARNESS Without A/C	\$58.00	
40127	1979	HEATER HARNESS Without A/C	\$58.00	
40127	1980	HEATER HARNESS Without A/C	\$58.00	
40127	1981	HEATER HARNESS Without A/C	\$58.00	

Part Number	Year	Description	Price	*Rev.
HOOD LAMP REPLACEMENT KIT				
18410	1967	HOOD LAMP REPLACEMENT KIT Under Hood, Includes Socket, Wire & Bulb	\$62.00	C
18410	1968	HOOD LAMP REPLACEMENT KIT Under Hood, Includes Socket, Wire & Bulb	\$62.00	C
18410	1969	HOOD LAMP REPLACEMENT KIT Under Hood, Includes Socket, Wire & Bulb	\$62.00	C
18410	1970	HOOD LAMP REPLACEMENT KIT Under Hood, Includes Socket, Wire & Bulb	\$62.00	C
18410	1971	HOOD LAMP REPLACEMENT KIT Under Hood, Includes Socket, Wire & Bulb	\$62.00	C
18410	1972	HOOD LAMP REPLACEMENT KIT Under Hood, Includes Socket, Wire & Bulb	\$62.00	C
18410	1973	HOOD LAMP REPLACEMENT KIT Under Hood, Includes Socket, Wire & Bulb	\$62.00	C
18410	1974	HOOD LAMP REPLACEMENT KIT Under Hood, Includes Socket, Wire & Bulb	\$62.00	C
18410	1975	HOOD LAMP REPLACEMENT KIT Under Hood, Includes Socket, Wire & Bulb	\$62.00	C
18410	1976	HOOD LAMP REPLACEMENT KIT Under Hood, Includes Socket, Wire & Bulb	\$62.00	C
18410	1977	HOOD LAMP REPLACEMENT KIT Under Hood, Includes Socket, Wire & Bulb	\$62.00	C
KICKDOWN SWITCH				
01242101	1970	KICKDOWN SWITCH TH400 Auto Trans	\$45.00	
01242101	1971	KICKDOWN SWITCH TH400 Auto Trans	\$45.00	
01242101	1972	KICKDOWN SWITCH TH400 Auto Trans	\$45.00	
01242101	1973	KICKDOWN SWITCH TH400 Auto Trans	\$45.00	
01242101	1974	KICKDOWN SWITCH TH400 Auto Trans	\$45.00	
LOW FUEL INDICATOR MODULE				
500274	1967	LOW FUEL INDICATOR MODULE Generic "Adjustable" Low Fuel Warning Module Note: A Complete Electronic Control Unit To Activate A Warning Lamp Or Relay When Fuel Level Drops Below A User Adjustable Level.	\$64.00	C
500274	1968	LOW FUEL INDICATOR MODULE Generic "Adjustable" Low Fuel Warning Module Note: A Complete Electronic Control Unit To Activate A Warning Lamp Or Relay When Fuel Level Drops Below A User Adjustable Level.	\$64.00	C
500274	1969	LOW FUEL INDICATOR MODULE Generic "Adjustable" Low Fuel Warning Module Note: A Complete Electronic Control Unit To Activate A Warning Lamp Or Relay When Fuel Level Drops Below A User Adjustable Level.	\$64.00	C
500274	1970	LOW FUEL INDICATOR MODULE Generic "Adjustable" Low Fuel Warning Module Note: A Complete Electronic Control Unit To Activate A Warning Lamp Or Relay When Fuel Level Drops Below A User Adjustable Level.	\$64.00	C
500274	1971	LOW FUEL INDICATOR MODULE Generic "Adjustable" Low Fuel Warning Module Note: A Complete Electronic Control Unit To Activate A Warning Lamp Or Relay When Fuel Level Drops Below A User Adjustable Level.	\$64.00	C
500274	1972	LOW FUEL INDICATOR MODULE Generic "Adjustable" Low Fuel Warning Module Note: A Complete Electronic Control Unit To Activate A Warning Lamp Or Relay When Fuel Level Drops Below A User Adjustable Level.	\$64.00	C
500274	1973	LOW FUEL INDICATOR MODULE Generic "Adjustable" Low Fuel Warning Module Note: A Complete Electronic Control Unit To Activate A Warning Lamp Or Relay When Fuel Level Drops Below A User Adjustable Level.	\$64.00	C
500274	1974	LOW FUEL INDICATOR MODULE Generic "Adjustable" Low Fuel Warning Module Note: A Complete Electronic Control Unit To Activate A Warning Lamp Or Relay When Fuel Level Drops Below A User Adjustable Level.	\$64.00	C
500274	1975	LOW FUEL INDICATOR MODULE Generic "Adjustable" Low Fuel Warning Module Note: A Complete Electronic Control Unit To Activate A Warning Lamp Or Relay When Fuel Level Drops Below A User Adjustable Level.	\$64.00	C
500274	1976	LOW FUEL INDICATOR MODULE Generic "Adjustable" Low Fuel Warning Module Note: A Complete Electronic Control Unit To Activate A Warning Lamp Or Relay When Fuel Level Drops Below A User Adjustable Level.	\$64.00	C

Part Number	Year	Description	Price	*Rev.
500274	1977	LOW FUEL INDICATOR MODULE Generic "Adjustable" Low Fuel Warning Module Note: A Complete Electronic Control Unit To Activate A Warning Lamp Or Relay When Fuel Level Drops Below A User Adjustable Level.	\$64.00	C
NEUTRAL SAFETY & BACKUP LAMP SWITCH				
03900503	1967	NEUTRAL SAFETY & BACKUP LAMP SWITCH With Console Shift Pg Auto Trans	\$75.00	
03909591	1967	NEUTRAL SAFETY & BACKUP LAMP SWITCH With Console Shift TH 350-400 Auto Trans	\$75.00	
01994235	1969	NEUTRAL SAFETY & BACKUP LAMP SWITCH With Column Shift Auto Trans, All	\$19.00	
01994235	1970	NEUTRAL SAFETY & BACKUP LAMP SWITCH With Column Shift Auto Trans, All	\$19.00	
01994235	1971	NEUTRAL SAFETY & BACKUP LAMP SWITCH With Column Shift Auto Trans, All	\$19.00	
01994235	1972	NEUTRAL SAFETY & BACKUP LAMP SWITCH With Column Shift Auto Trans, All	\$19.00	
01994235	1973	NEUTRAL SAFETY & BACKUP LAMP SWITCH With Column Shift Auto Trans, All	\$19.00	
01994163	1974	NEUTRAL SAFETY & BACKUP LAMP SWITCH With Auto Trans, All	\$19.00	
01994163	1975	NEUTRAL SAFETY & BACKUP LAMP SWITCH With Auto Trans, All	\$19.00	
01994163	1976	NEUTRAL SAFETY & BACKUP LAMP SWITCH With Auto Trans, All	\$19.00	
01994163	1977	NEUTRAL SAFETY & BACKUP LAMP SWITCH With Auto Trans, All	\$19.00	
01994163	1978	NEUTRAL SAFETY & BACKUP LAMP SWITCH With Auto Trans, All	\$19.00	
01994163	1979	NEUTRAL SAFETY & BACKUP LAMP SWITCH With Auto Trans, All	\$19.00	
NEUTRAL SAFETY SWITCH				
03983965	1970	NEUTRAL SAFETY SWITCH With 4 Speed MT	\$58.00	
03983965	1971	NEUTRAL SAFETY SWITCH With 4 Speed MT	\$58.00	
03983965	1973	NEUTRAL SAFETY SWITCH All MT	\$58.00	
03983965	1974	NEUTRAL SAFETY SWITCH All MT	\$58.00	
03983965	1976	NEUTRAL SAFETY SWITCH With 3 Speed MT	\$58.00	
03983965	1977	NEUTRAL SAFETY SWITCH With 3 Speed MT	\$58.00	
03983965	1978	NEUTRAL SAFETY SWITCH With 3 Speed MT	\$58.00	
NEUTRAL SAFETY SWITCH EXTENSION HARNESS				
15750	1970	NEUTRAL SAFETY SWITCH EXTENSION HARNESS From Dash Harness To Clutch Switch	\$26.00	
15750	1971	NEUTRAL SAFETY SWITCH EXTENSION HARNESS From Dash Harness To Clutch Switch	\$26.00	
15750	1972	NEUTRAL SAFETY SWITCH EXTENSION HARNESS From Dash Harness To Clutch Switch	\$26.00	
PARK LAMP JUMPER HARNESS				
38623	1977	PARK LAMP JUMPER HARNESS From Park Lamp To Forward Lamp Harness	\$26.00	
38623	1978	PARK LAMP JUMPER HARNESS From Park Lamp To Forward Lamp Harness	\$26.00	
POWER ACCESSORY FEED WIRE				
40866	1967	POWER ACCESSORY FEED WIRE Horn Relay To Power Window & Power Top Circuit Breaker	\$18.00	
14040	1967	POWER ACCESSORY FEED WIRE Power Window & Power Top, Circuit Breaker To Harness	\$21.00	
40866	1968	POWER ACCESSORY FEED WIRE Horn Relay To Power Window & Power Top Circuit Breaker	\$18.00	
14040	1968	POWER ACCESSORY FEED WIRE Power Window & Power Top, Circuit Breaker To Harness	\$21.00	
14225	1969	POWER ACCESSORY FEED WIRE Fuse Block To Power Feed Extension	\$15.00	
14315	1969	POWER ACCESSORY FEED EXTENSION WIRE Power Accessory Feed Wire To Power Seat Harness	\$33.00	
14525	1970	POWER ACCESSORY FEED WIRE Fuse Block To Power Accessories Note: Used With Multiple Power Options, Windows Seats And/Or Top.	\$18.00	
14525	1971	POWER ACCESSORY FEED WIRE Fuse Block To Power Accessories Note: Used With Multiple Power Options, Windows Seats And/Or Top.	\$18.00	
14525	1972	POWER ACCESSORY FEED WIRE Fuse Block To Power Accessories Note: Used With Multiple Power Options, Windows Seats And/Or Top.	\$18.00	
14525	1973	POWER ACCESSORY FEED WIRE Fuse Block To Power Accessories Note: Used With Multiple Power Options, Windows Seats And/Or Top.	\$18.00	

Part Number	Year	Description	Price	*Rev.
35868	1974	POWER ACCESSORY FEED WIRE Dash To Power Windows & Tachometer	\$17.00	
14525	1974	POWER ACCESSORY FEED WIRE Fuse Block To Power Accessories Note: Used With Multiple Power Options, Windows Seats And/Or Top.	\$18.00	
35868	1975	POWER ACCESSORY FEED WIRE Dash To Power Windows & Tachometer	\$17.00	
14525	1975	POWER ACCESSORY FEED WIRE Fuse Block To Power Accessories Note: Used With Multiple Power Options, Windows Seats And/Or Top.	\$18.00	
35868	1976	POWER ACCESSORY FEED WIRE Dash To Power Windows & Tachometer	\$17.00	
14525	1976	POWER ACCESSORY FEED WIRE Fuse Block To Power Accessories Note: Used With Multiple Power Options, Windows Seats And/Or Top.	\$18.00	
35868	1977	POWER ACCESSORY FEED WIRE Dash To Power Windows & Tachometer	\$17.00	
14525	1977	POWER ACCESSORY FEED WIRE Fuse Block To Power Accessories Note: Used With Multiple Power Options, Windows Seats And/Or Top.	\$18.00	
35868	1978	POWER ACCESSORY FEED WIRE Dash To Power Windows & Tachometer	\$17.00	
14525	1978	POWER ACCESSORY FEED WIRE Fuse Block To Power Accessories Note: Used With Multiple Power Options, Windows Seats And/Or Top.	\$18.00	
POWER ANTENNA HARNESS				
14390	1969	POWER ANTENNA HARNESS Rear Body Mounted	\$45.00	
POWER DOOR LOCK SWITCH ASSEMBLY				
01725099	1976	POWER DOOR LOCK SWITCH ASSEMBLY 1 Button	\$62.00	
01725099	1977	POWER DOOR LOCK SWITCH ASSEMBLY 1 Button	\$62.00	
POWER SEAT HARNESS				
14260	1968	POWER SEAT ADJUSTER FEED HARNESS Power Seat To Power Feed & Power Top Harness Connectors	\$52.00	
14255	1968	POWER SEAT HARNESS 4-Way, Drivers Side	\$144.00	
14255	1969	POWER SEAT HARNESS 4-Way, Drivers Side	\$144.00	
POWER TOP HARNESS				
14035	1967	POWER TOP HARNESS Convertible	\$67.00	
14035	1968	POWER TOP HARNESS Convertible	\$67.00	
35956	1969	POWER TOP HARNESS Convertible	\$63.00	
POWER TOP SWITCH				
03906118	1967	POWER TOP SWITCH With Power Convertible Top Note: This Is The Removable "Black Knob" Type Switch, This Allows Customers With Original Removable "Chrome Knob" Type Switches To Reuse Their Original "Chrome Knob" To Retain An Original Appearance.	\$66.00	
03906118	1968	POWER TOP SWITCH With Power Convertible Top Note: This Is The Removable "Black Knob" Type Switch, This Allows Customers With Original Removable "Chrome Knob" Type Switches To Reuse Their Original "Chrome Knob" To Retain An Original Appearance.	\$66.00	
POWER WINDOW HARNESS				
13790	1967	POWER WINDOW HARNESS Driver Side Door & Under Dash Crossover	\$190.00	
13795	1967	POWER WINDOW HARNESS Passenger Side Door	\$87.00	
14070	1967	POWER WINDOW HARNESS Rear Quarter Window (2 Required Per Car)	\$64.00	
14207	1968	POWER WINDOW HARNESS Driver Side Door & Under Dash Crossover	\$190.00	
14290	1968	POWER WINDOW HARNESS Passenger Side Door	\$87.00	
14070	1968	POWER WINDOW HARNESS Rear Quarter Window (2 Required Per Car)	\$64.00	
22175	1969	POWER WINDOW HARNESS Drivers Side Door & Under Dash Crossover	\$190.00	
14290	1969	POWER WINDOW HARNESS Passenger Side Door	\$87.00	
14070	1969	POWER WINDOW HARNESS Rear Quarter Window (2 Required Per Car)	\$64.00	
39311	1976	POWER WINDOW HARNESS From Console Mounted Power Window Switch To Intermediate Rear Lamp Harness	\$103.00	

Part Number	Year	Description	Price	*Rev.
39311	1977	POWER WINDOW HARNESS From Console Mounted Power Window Switch To Intermediate Rear Lamp Harness	\$103.00	
39311	1978	POWER WINDOW HARNESS From Console Mounted Power Window Switch To Intermediate Rear Lamp Harness	\$103.00	
39311	1979	POWER WINDOW HARNESS From Console Mounted Power Window Switch To Intermediate Rear Lamp Harness	\$103.00	
39311	1980	POWER WINDOW HARNESS From Console Mounted Power Window Switch To Intermediate Rear Lamp Harness	\$103.00	
39311	1981	POWER WINDOW HARNESS From Console Mounted Power Window Switch To Intermediate Rear Lamp Harness	\$103.00	
POWER WINDOW MOTOR ADAPTER HARNESS				
36954	1967	POWER WINDOW MOTOR ADAPTER HARNESS Adapts "T" Shaped Motor Connector To Side By Side Blade Type Motor Connector	\$19.00	C
36954	1968	POWER WINDOW MOTOR ADAPTER HARNESS Adapts "T" Shaped Motor Connector To Side By Side Blade Type Motor Connector	\$19.00	C
36954	1969	POWER WINDOW MOTOR ADAPTER HARNESS Adapts "T" Shaped Motor Connector To Side By Side Blade Type Motor Connector	\$19.00	C
36954	1970	POWER WINDOW MOTOR ADAPTER HARNESS Adapts "T" Shaped Motor Connector To Side By Side Blade Type Motor Connector	\$19.00	C
36954	1971	POWER WINDOW MOTOR ADAPTER HARNESS Adapts "T" Shaped Motor Connector To Side By Side Blade Type Motor Connector	\$19.00	C
36954	1972	POWER WINDOW MOTOR ADAPTER HARNESS Adapts "T" Shaped Motor Connector To Side By Side Blade Type Motor Connector	\$19.00	C
36954	1973	POWER WINDOW MOTOR ADAPTER HARNESS Adapts "T" Shaped Motor Connector To Side By Side Blade Type Motor Connector	\$19.00	C
36954	1974	POWER WINDOW MOTOR ADAPTER HARNESS Adapts "T" Shaped Motor Connector To Side By Side Blade Type Motor Connector	\$19.00	C
36954	1975	POWER WINDOW MOTOR ADAPTER HARNESS Adapts "T" Shaped Motor Connector To Side By Side Blade Type Motor Connector	\$19.00	C
POWER WINDOW RELAY AND ADAPTER HARNESS				
39440	1967	POWER WINDOW RELAY AND ADAPTER HARNESS Includes New Standard Type Relay And Adapter To Mate To Factory Harness	\$34.00	
39440	1968	POWER WINDOW RELAY AND ADAPTER HARNESS Includes New Standard Type Relay And Adapter To Mate To Factory Harness	\$34.00	
39440	1969	POWER WINDOW RELAY AND ADAPTER HARNESS Includes New Standard Type Relay And Adapter To Mate To Factory Harness	\$34.00	
39440	1970	POWER WINDOW RELAY AND ADAPTER HARNESS Includes New Standard Type Relay And Adapter To Mate To Factory Harness	\$34.00	
39440	1971	POWER WINDOW RELAY AND ADAPTER HARNESS Includes New Standard Type Relay And Adapter To Mate To Factory Harness	\$34.00	
39440	1972	POWER WINDOW RELAY AND ADAPTER HARNESS Includes New Standard Type Relay And Adapter To Mate To Factory Harness	\$34.00	
39440	1973	POWER WINDOW RELAY AND ADAPTER HARNESS Includes New Standard Type Relay And Adapter To Mate To Factory Harness	\$34.00	
39440	1974	POWER WINDOW RELAY AND ADAPTER HARNESS Includes New Standard Type Relay And Adapter To Mate To Factory Harness	\$34.00	
POWER WINDOW SWITCH				
04432790	1967	POWER WINDOW SWITCH 1 Button, Round Corner Style, Chrome	\$49.00	
04432791	1967	POWER WINDOW SWITCH 4 Button, Round Corner Style, Chrome	\$67.00	P
04432790	1968	POWER WINDOW SWITCH 1 Button, Round Corner Style, Chrome	\$49.00	
04432791	1968	POWER WINDOW SWITCH 4 Button, Round Corner Style, Chrome	\$67.00	P
04432790	1969	POWER WINDOW SWITCH 1 Button, Round Corner Style, Chrome	\$49.00	
04432791	1969	POWER WINDOW SWITCH 4 Button, Round Corner Style, Chrome	\$67.00	P

Part Number	Year	Description	Price	*Rev.
04432793	1970	POWER WINDOW SWITCH 2 Button, Round Corner Style, Chrome	\$61.00	
04432793	1971	POWER WINDOW SWITCH 2 Button, Round Corner Style, Chrome	\$61.00	
04432793	1972	POWER WINDOW SWITCH 2 Button, Round Corner Style, Chrome	\$61.00	
04432793	1973	POWER WINDOW SWITCH 2 Button, Round Corner Style, Chrome	\$61.00	
04432793	1974	POWER WINDOW SWITCH 2 Button, Round Corner Style, Chrome	\$61.00	
04432793	1975	POWER WINDOW SWITCH 2 Button, Round Corner Style, Chrome	\$61.00	
04432793	1976	POWER WINDOW SWITCH 2 Button, Round Corner Style, Chrome	\$61.00	
04432793	1977	POWER WINDOW SWITCH 2 Button, Round Corner Style, Chrome	\$61.00	
RALLY GAUGE TEMPERATURE EXTENSION HARNESS				
15585	1970	RALLY GAUGE TEMPERATURE EXTENSION HARNESS From Engine Harness To Sending Unit	\$21.00	
15585	1971	RALLY GAUGE TEMPERATURE EXTENSION HARNESS From Engine Harness To Sending Unit	\$21.00	
15585	1972	RALLY GAUGE TEMPERATURE EXTENSION HARNESS From Engine Harness To Sending Unit	\$21.00	
RAM AIR HOOD SCOOP DOOR SWITCH				
01242101	1972	RAM AIR HOOD SCOOP DOOR SWITCH Mounts To Bracket Near Gas Pedal	\$45.00	
RAM AIR HOOD SCOOP HARNESS				
15880	1970	RAM AIR HOOD SCOOP HARNESS Air Valve Switch To Solenoid Wire	\$32.00	
17155	1970	RAM AIR HOOD SCOOP HARNESS Solenoid To Valve Switch Wire	\$32.00	
15880	1971	RAM AIR HOOD SCOOP HARNESS Air Valve Switch To Solenoid Wire	\$32.00	
17155	1971	RAM AIR HOOD SCOOP HARNESS Solenoid To Valve Switch Wire	\$32.00	
17155	1972	RAM AIR HOOD SCOOP HARNESS Solenoid To Valve Switch Wire	\$32.00	
REAR LAMP HARNESS				
17770	1967	REAR LAMP HARNESS Convertible	\$173.00	
14100	1967	REAR LAMP HARNESS Coupe	\$173.00	
14120	1968	REAR LAMP HARNESS Convertible	\$173.00	
17775	1968	REAR LAMP HARNESS Coupe	\$173.00	
14375	1969	REAR LAMP INTERMEDIATE HARNESS Convertible, Dash To Quarter Panel	\$138.00	
14370	1969	REAR LAMP INTERMEDIATE HARNESS Coupe, Dash To Quarter Panel	\$138.00	
14380	1969	REAR LAMP HARNESS Trunk, All	\$143.00	
17170	1970	REAR LAMP INTERMEDIATE HARNESS All, Dash To Quarter Panel	\$120.00	
14550	1970	REAR LAMP HARNESS Trunk, All Note: Customer Must Reuse Their Original Conduit.	\$156.00	
17170	1971	REAR LAMP INTERMEDIATE HARNESS All, Dash To Quarter Panel	\$120.00	
14550	1971	REAR LAMP HARNESS Trunk, All Note: Customer Must Reuse Their Original Conduit.	\$156.00	
17170	1972	REAR LAMP INTERMEDIATE HARNESS Without Seat Belt Warning, Dash To Quarter Panel	\$120.00	
35924	1972	REAR LAMP INTERMEDIATE HARNESS With Seat Belt Warning, Dash To Quarter Panel	\$136.00	
14550	1972	REAR LAMP HARNESS Trunk, All Note: Customer Must Reuse Their Original Conduit.	\$156.00	
35924	1973	REAR LAMP INTERMEDIATE HARNESS Dash To Quarter Panel	\$136.00	
14550	1973	REAR LAMP HARNESS Trunk, All Note: Customer Must Reuse Their Original Conduit.	\$156.00	
21240	1974	REAR LAMP INTERMEDIATE HARNESS With Pwr Windows & Door Locks & Seatbelt Ignition Interlock, Dash To Qtr Panel Note: Customer Must Supply Some Of Their Original Connectors To Build This Harness.	\$229.00	
21230	1974	REAR LAMP HARNESS	\$271.00	
38577	1975	REAR LAMP INTERMEDIATE HARNESS With Power Windows & Power Door Locks, Dash To Quarter Panel	\$236.00	
38578	1975	REAR LAMP INTERMEDIATE HARNESS With Power Windows, Dash To Quarter Panel	\$229.00	

Part Number	Year	Description	Price	*Rev.
38579	1975	REAR LAMP INTERMEDIATE HARNESS With Power Door Locks, Dash To Quarter Panel	\$236.00	
38585	1975	REAR LAMP INTERMEDIATE HARNESS Without Power Windows & Power Door Locks, Dash To Quarter Panel	\$229.00	
21230	1975	REAR LAMP HARNESS Trunk, Rear Panel, All	\$271.00	
38581	1976	REAR LAMP INTERMEDIATE HARNESS With Power Windows, & Power Door Locks, Dash To Quarter Panel	\$259.00	
38582	1976	REAR LAMP INTERMEDIATE HARNESS With Power Windows, Dash To Quarter Panel	\$242.00	
38584	1976	REAR LAMP INTERMEDIATE HARNESS With Power Door Locks, Dash To Quarter Panel	\$253.00	
38586	1976	REAR LAMP INTERMEDIATE HARNESS Without Power Windows & Power Door Locks, Dash To Quarter Panel	\$229.00	
21230	1976	REAR LAMP HARNESS Trunk, Rear Panel, All	\$271.00	
38580	1977	REAR LAMP INTERMEDIATE HARNESS With Power Windows & Door Locks, Dash To Quarter Panel	\$253.00	
38582	1977	REAR LAMP INTERMEDIATE HARNESS With Power Windows, Dash To Quarter Panel	\$242.00	
38583	1977	REAR LAMP INTERMEDIATE HARNESS With Power Door Locks, Dash To Quarter Panel	\$229.00	
38586	1977	REAR LAMP INTERMEDIATE HARNESS Without Power Windows & Power Door Locks, Dash To Quarter Panel	\$229.00	
38521	1977	REAR LAMP HARNESS Trunk, Rear Panel, All	\$265.00	
38681	1978	REAR LAMP INTERMEDIATE HARNESS Without Power Windows & Power Door Locks, Dash To Quarter Panel	\$229.00	
38520	1978	REAR LAMP INTERMEDIATE HARNESS With Power Windows & Door Locks, Dash To Quarter Panel	\$265.00	
38682	1978	REAR LAMP INTERMEDIATE HARNESS With Power Windows, Dash To Quarter Panel	\$248.00	
38685	1978	REAR LAMP INTERMEDIATE HARNESS With Power Door Locks, Dash To Quarter Panel	\$265.00	
38521	1978	REAR LAMP HARNESS Trunk, Rear Panel, All	\$265.00	
38679	1979	REAR LAMP INTERMEDIATE HARNESS Without Power Windows & Power Door Locks, Dash To Quarter Panel	\$229.00	
		Note: For Export Use Only.		
38525	1979	REAR LAMP INTERMEDIATE HARNESS With Power Windows, Door Locks, Dash To Quarter Panel Export Use Only	\$253.00	
38680	1979	REAR LAMP INTERMEDIATE HARNESS With Power Windows, Dash To Quarter Panel, For Export Use Only	\$229.00	
38683	1979	REAR LAMP INTERMEDIATE HARNESS With Power Door Locks, Dash To Quarter Panel Export Use Only	\$242.00	
38681	1979	REAR LAMP INTERMEDIATE HARNESS Without Power Windows & Power Door Locks, Dash To Quarter Panel	\$229.00	
38520	1979	REAR LAMP INTERMEDIATE HARNESS With Power Windows & Door Locks, Dash To Quarter Panel	\$265.00	
38682	1979	REAR LAMP INTERMEDIATE HARNESS With Power Windows, Dash To Quarter Panel	\$248.00	
38685	1979	REAR LAMP INTERMEDIATE HARNESS With Power Door Locks, Dash To Quarter Panel	\$265.00	
38688	1979	REAR LAMP HARNESS Trunk, Rear Panel, All Export Only	\$317.00	
38686	1979	REAR LAMP HARNESS Trunk, All With Standard Tail Lamps Note: Has 4 Large Lamp Socket Holes In Tail Lamp Housings.	\$317.00	
38687	1979	REAR LAMP HARNESS Trunk, All With Deluxe Tail Lamps Note: Has 3 Large & 2 Small Lamp Socket Holes In Tail Lamp Housings.	\$317.00	
38679	1980	REAR LAMP INTERMEDIATE HARNESS Without Power Windows & Power Door Locks, Dash To Quarter Panel	\$229.00	
		Note: For Export Use Only.		
38525	1980	REAR LAMP INTERMEDIATE HARNESS With Power Windows, Door Locks, Dash To Quarter Panel Export Use Only	\$253.00	
38680	1980	REAR LAMP INTERMEDIATE HARNESS With Power Windows, Dash To Quarter Panel, For Export Use Only	\$229.00	
38683	1980	REAR LAMP INTERMEDIATE HARNESS With Power Door Locks, Dash To Quarter Panel Export Use Only	\$242.00	
38692	1980	REAR LAMP INTERMEDIATE HARNESS With Power Windows & Door Locks, Dash To Quarter Panel	\$299.00	
38681	1980	REAR LAMP INTERMEDIATE HARNESS Without Power Windows & Power Door Locks, Dash To Quarter Panel	\$229.00	
38690	1980	REAR LAMP INTERMEDIATE HARNESS With Power Windows, Dash To Quarter Panel	\$299.00	

Part Number	Year	Description	Price	*Rev.
38694	1980	REAR LAMP INTERMEDIATE HARNESS With Power Door Locks, Dash To Quarter Panel	\$299.00	
38688	1980	REAR LAMP HARNESS Trunk, All Export Only	\$317.00	
38686	1980	REAR LAMP HARNESS Trunk, All With Standard Tail Lamps Note: Has 4 Large Lamp Socket Holes In Tail Lamp Housings.	\$317.00	
38687	1980	REAR LAMP HARNESS Trunk, All With Deluxe Tail Lamps Note: Has 3 Large And 2 Small Lamp Socket Holes In Tail Lamp Housings.	\$317.00	
38679	1981	REAR LAMP INTERMEDIATE HARNESS Without Power Windows & Power Door Locks, Dash To Quarter Panel Note: For Export Use Only.	\$229.00	
38691	1981	REAR LAMP INTERMEDIATE HARNESS With Power Windows, And Door Locks, Dash To Quarter Panel Note: For Export Use Only.	\$276.00	
38689	1981	REAR LAMP INTERMEDIATE HARNESS With Power Windows, Dash To Quarter Panel Note: For Export Use Only.	\$265.00	
38693	1981	REAR LAMP INTERMEDIATE HARNESS With Power Door Locks, Dash To Quarter Panel Note: For Export Use Only.	\$242.00	
38692	1981	REAR LAMP INTERMEDIATE HARNESS With Power Windows & Door Locks, Dash To Quarter Panel	\$299.00	
38681	1981	REAR LAMP INTERMEDIATE HARNESS Without Power Windows & Power Door Locks, Dash To Quarter Panel	\$229.00	
38690	1981	REAR LAMP INTERMEDIATE HARNESS With Power Windows, Dash To Quarter Panel	\$299.00	
38694	1981	REAR LAMP INTERMEDIATE HARNESS With Power Door Locks, Dash To Quarter Panel	\$299.00	
38688	1981	REAR LAMP HARNESS Trunk, All Export Only	\$317.00	
38686	1981	REAR LAMP HARNESS Trunk, All With Standard Tail Lamps Note: Has 4 Large Lamp Socket Holes In Tail Lamp Housings.	\$317.00	
38687	1981	REAR LAMP HARNESS Trunk, All With Deluxe Tail Lamps Note: Has 3 Large And 2 Small Lamp Socket Holes In Tail Lamp Housings.	\$317.00	
REAR WINDOW DEFROSTER HARNESS				
13785	1967	REAR WINDOW DEFROSTER HARNESS	\$51.00	
14180	1968	REAR WINDOW DEFROSTER HARNESS	\$51.00	
14385	1969	REAR WINDOW DEFROSTER HARNESS	\$57.00	
38808	1970	REAR WINDOW DEFROSTER HARNESS Blower Type	\$23.00	
38808	1971	REAR WINDOW DEFROSTER HARNESS Blower Type	\$23.00	
38808	1972	REAR WINDOW DEFROSTER HARNESS Blower Type	\$23.00	
38808	1973	REAR WINDOW DEFROSTER HARNESS Blower Type	\$23.00	
38808	1974	REAR WINDOW DEFROSTER HARNESS Blower Type	\$23.00	
38808	1975	REAR WINDOW DEFROSTER HARNESS Blower Type	\$23.00	
38808	1976	REAR WINDOW DEFROSTER HARNESS Blower Type	\$23.00	
REPAIR PIGTAIL, FOR POWER WINDOW SWITCH				
36048	1967	REPAIR PIGTAIL, FOR POWER WINDOW SWITCH For Single Power Window Switches, Connector & Wire	\$22.00	
36048	1968	REPAIR PIGTAIL, FOR POWER WINDOW SWITCH For Single Power Window Switches, Connector & Wire	\$22.00	
36048	1969	REPAIR PIGTAIL, FOR POWER WINDOW SWITCH For Single Power Window Switches, Connector & Wire	\$22.00	
S.C.S. JUMPER HARNESS				
36233	1972	S.C.S. JUMPER HARNESS 350 C.I., With 3 Speed Or A/T, Eng. Harn To Trans Switch	\$30.00	
SPEAKER HARNESS				
33425	1967	SPEAKER HARNESS Front Stereo Speakers	\$51.00	
33430	1967	SPEAKER HARNESS 4 Stereo Speakers, Front & Rear	\$72.00	
33425	1968	SPEAKER HARNESS Front Stereo Speakers	\$51.00	
33430	1968	SPEAKER HARNESS 4 Stereo Speakers, Front & Rear	\$72.00	

Part Number	Year	Description	Price	*Rev.
33425	1969	SPEAKER HARNESS Front Stereo Speakers	\$51.00	
33430	1969	SPEAKER HARNESS 4 Stereo Speakers, Front & Rear	\$72.00	
SPEED WARNING HARNESS				
11050	1967	SPEED WARNING HARNESS	\$21.00	
11935	1968	SPEED WARNING HARNESS	\$21.00	
13385	1969	SPEED WARNING HARNESS	\$29.00	
STEERING COLUMN ADAPTER HARNESS				
36882	1967	STEERING COLUMN ADAPTER HARNESS For 1969-1974 GM & Ididit Columns (Exc. Flaming River) To Stock Dash Harness Note: Adapts Horn, Directionals, Hazard Flashers To Stock 9-Pin T/L Dash Connector.	\$22.00	
38127	1967	STEERING COLUMN ADAPTER HARNESS For 1975 & UP GM & Flaming River Columns (Exc. Ididit) To Stock Dash Harness Note: Adapts Horn, Directionals, Hazard Flashers To Stock 9-Pin T/L Dash Connector.	\$22.00	
36882	1968	STEERING COLUMN ADAPTER HARNESS For 1969-1974 GM & Ididit Columns (Exc. Flaming River) To Stock Dash Harness Note: Adapts Horn, Directionals, Hazard Flashers To Stock 9-Pin T/L Dash Connector.	\$22.00	
38127	1968	STEERING COLUMN ADAPTER HARNESS For 1975 & UP GM & Flaming River Columns (Exc. Ididit) To Stock Dash Harness Note: Adapts Horn, Directionals, Hazard Flashers To Stock 9-Pin T/L Dash Connector.	\$22.00	
T.C.S. JUMPER HARNESS				
16005	1971	T.C.S. JUMPER HARNESS 6 Cyl. 250 C.I., With A/T, From Eng. Horn To Trans Switch Note: 6 Cylinder Items Are Not Returnable.	\$30.00	
16020	1971	T.C.S. JUMPER HARNESS 6 Cyl. 250 C.I., With H/T, From Eng. Horn To Trans Switch Note: 6 Cylinder Items Are Not Returnable.	\$30.00	
36232	1972	T.C.S. JUMPER HARNESS 6 Cyl. 250 C.I., With A/T Or H/T, From Eng. Horn To Trans Sw Note: 6 Cylinder Items Are Not Returnable.	\$30.00	
TACHOMETER HARNESS				
11545	1967	TACHOMETER HARNESS Hood Mounted	\$45.00	
42789	1967	TACHOMETER HARNESS - HEI Hood Mounted Note: Not All Tachometers Will Operate Or Indicate Correctly When Used On An HEI Ignition System. While Some Original And Reproduction Tachometers May Give A Reading, This Does Not Necessarily Mean The Reading Is Correct.	\$45.00	
13760	1967	TACHOMETER HARNESS This Is The Harness THat Is Normally Part Of The Factory Original Hood Tach	\$57.00	
12365	1968	TACHOMETER HARNESS Hood Mounted	\$45.00	
42790	1968	TACHOMETER HARNESS - HEI Hood Mounted Note: Not All Tachometers Will Operate Or Indicate Correctly When Used On An HEI Ignition System. While Some Original And Reproduction Tachometers May Give A Reading, This Does Not Necessarily Mean The Reading Is Correct.	\$45.00	
13775	1968	TACHOMETER HARNESS This Is The Harness THat Is Normally Part Of The Factory Original Hood Tach	\$57.00	
12380	1969	TACHOMETER HARNESS Dash Mounted	\$28.00	
42791	1969	TACHOMETER HARNESS - HEI Dash Mounted Note: Not All Tachometers Will Operate Or Indicate Correctly When Used On An HEI Ignition System. While Some Original And Reproduction Tachometers May Give A Reading, This Does Not Necessarily Mean The Reading Is Correct.	\$28.00	
13410	1969	TACHOMETER HARNESS Hood Mounted	\$45.00	
42792	1969	TACHOMETER HARNESS - HEI Hood Mounted Note: Not All Tachometers Will Operate Or Indicate Correctly When Used On An HEI Ignition System. While Some Original And Reproduction Tachometers May Give A Reading, This Does Not Necessarily Mean The Reading Is Correct.	\$45.00	
13775	1969	TACHOMETER HARNESS This Is The Harness THat Is Normally Part Of The Factory Original Hood Tach	\$57.00	
42211	1970	TACHOMETER HARNESS Hood Mounted	\$28.00	

Part Number	Year	Description	Price	*Rev.
42793	1970	TACHOMETER HARNESS - HEI Hood Mounted Note: Not All Tachometers Will Operate Or Indicate Correctly When Used On An HEI Ignition System. While Some Original And Reproduction Tachometers May Give A Reading, This Does Not Necessarily Mean The Reading Is Correct.	\$28.00	
15645	1970	TACHOMETER HARNESS Dash Mounted	\$28.00	
42794	1970	TACHOMETER HARNESS - HEI Dash Mounted Note: Not All Tachometers Will Operate Or Indicate Correctly When Used On An HEI Ignition System. While Some Original And Reproduction Tachometers May Give A Reading, This Does Not Necessarily Mean The Reading Is Correct.	\$28.00	
13775	1970	TACHOMETER HARNESS This Is The Harness THat Is Normally Part Of The Factory Original Hood Tach	\$57.00	
42211	1971	TACHOMETER HARNESS Hood Mounted	\$28.00	
42795	1971	TACHOMETER HARNESS - HEI Hood Mounted Note: Not All Tachometers Will Operate Or Indicate Correctly When Used On An HEI Ignition System. While Some Original And Reproduction Tachometers May Give A Reading, This Does Not Necessarily Mean The Reading Is Correct.	\$28.00	
15645	1971	TACHOMETER HARNESS Dash Mounted	\$28.00	
42796	1971	TACHOMETER HARNESS - HEI Dash Mounted Note: Not All Tachometers Will Operate Or Indicate Correctly When Used On An HEI Ignition System. While Some Original And Reproduction Tachometers May Give A Reading, This Does Not Necessarily Mean The Reading Is Correct.	\$28.00	
42211	1972	TACHOMETER HARNESS Hood Mounted	\$28.00	
42797	1972	TACHOMETER HARNESS - HEI Hood Mounted Note: Not All Tachometers Will Operate Or Indicate Correctly When Used On An HEI Ignition System. While Some Original And Reproduction Tachometers May Give A Reading, This Does Not Necessarily Mean The Reading Is Correct.	\$28.00	
16885	1972	TACHOMETER HARNESS Dash Mounted	\$41.00	
42798	1972	TACHOMETER HARNESS - HEI Dash Mounted Note: Not All Tachometers Will Operate Or Indicate Correctly When Used On An HEI Ignition System. While Some Original And Reproduction Tachometers May Give A Reading, This Does Not Necessarily Mean The Reading Is Correct.	\$28.00	
16890	1972	TACHOMETER HARNESS Dash Mounted, With Unitized Distributor	\$41.00	
16885	1973	TACHOMETER HARNESS Dash Mounted	\$41.00	
42799	1973	TACHOMETER HARNESS - HEI Dash Mounted Note: Not All Tachometers Will Operate Or Indicate Correctly When Used On An HEI Ignition System. While Some Original And Reproduction Tachometers May Give A Reading, This Does Not Necessarily Mean The Reading Is Correct.	\$28.00	
16890	1973	TACHOMETER HARNESS Dash Mounted, With Unitized Distributor	\$41.00	
39324	1974	TACHOMETER HARNESS Dash Mounted	\$45.00	
35869	1974	TACHOMETER HARNESS - HEI Dash Mounted	\$37.00	
35869	1975	TACHOMETER HARNESS Dash Mounted	\$37.00	
35869	1976	TACHOMETER HARNESS Dash Mounted	\$37.00	
35869	1977	TACHOMETER HARNESS Dash Mounted	\$37.00	
35869	1978	TACHOMETER HARNESS Dash Mounted	\$37.00	
38644	1979	TACHOMETER HARNESS Dash Mounted	\$37.00	
TEMPERATURE SENDER JUMPER				
11120	1969	TEMPERATURE SENDER JUMPER 6 Cylinder, With A/C Note: 6 Cylinder Items Are Not Returnable.	\$14.00	
TRUNK LAMP ASSEMBLY				
28175	1967	TRUNK LAMP ASSEMBLY Convertible, Includes Extension Harness	\$41.00	
28180	1967	TRUNK LAMP ASSEMBLY Coupe, Includes Extension Harness	\$37.00	
28175	1968	TRUNK LAMP ASSEMBLY Convertible, Includes Extension Harness	\$41.00	
28180	1968	TRUNK LAMP ASSEMBLY Coupe, Includes Extension Harness	\$37.00	
28175	1969	TRUNK LAMP ASSEMBLY Convertible, Includes Extension Harness	\$41.00	
28180	1969	TRUNK LAMP ASSEMBLY Coupe, Includes Extension Harness	\$37.00	
28185	1970	TRUNK LAMP ASSEMBLY All, Includes Extension Harness	\$41.00	

Part Number	Year	Description	Price	*Rev.
28185	1971	TRUNK LAMP ASSEMBLY All, Includes Extension Harness	\$41.00	
28185	1972	TRUNK LAMP ASSEMBLY All, Includes Extension Harness	\$41.00	
28185	1973	TRUNK LAMP ASSEMBLY All, Includes Extension Harness	\$41.00	
28185	1974	TRUNK LAMP ASSEMBLY All, Includes Extension Harness	\$41.00	
28185	1975	TRUNK LAMP ASSEMBLY All, Includes Extension Harness	\$41.00	
28185	1976	TRUNK LAMP ASSEMBLY All, Includes Extension Harness	\$41.00	
28185	1977	TRUNK LAMP ASSEMBLY All, Includes Extension Harness	\$41.00	
28185	1978	TRUNK LAMP ASSEMBLY All, Includes Extension Harness	\$41.00	
28185	1979	TRUNK LAMP ASSEMBLY All, Includes Extension Harness	\$41.00	
28185	1980	TRUNK LAMP ASSEMBLY All, Includes Extension Harness	\$41.00	
28185	1981	TRUNK LAMP ASSEMBLY All, Includes Extension Harness	\$41.00	
TRUNK LAMP EXTENSION HARNESS				
28195	1967	TRUNK LAMP EXTENSION HARNESS Convertible	\$17.00	
28210	1967	TRUNK LAMP EXTENSION HARNESS Coupe	\$13.00	
28195	1968	TRUNK LAMP EXTENSION HARNESS Convertible	\$17.00	
28210	1968	TRUNK LAMP EXTENSION HARNESS Coupe	\$13.00	
28195	1969	TRUNK LAMP EXTENSION HARNESS Convertible	\$17.00	
28210	1969	TRUNK LAMP EXTENSION HARNESS Coupe	\$13.00	
14535	1970	TRUNK LAMP EXTENSION HARNESS	\$23.00	
14535	1971	TRUNK LAMP EXTENSION HARNESS	\$23.00	
14535	1972	TRUNK LAMP EXTENSION HARNESS	\$23.00	
14535	1973	TRUNK LAMP EXTENSION HARNESS	\$23.00	
14535	1974	TRUNK LAMP EXTENSION HARNESS	\$23.00	
14535	1975	TRUNK LAMP EXTENSION HARNESS	\$23.00	
14535	1976	TRUNK LAMP EXTENSION HARNESS	\$23.00	
14535	1977	TRUNK LAMP EXTENSION HARNESS	\$23.00	
TRUNK RELEASE HARNESS				
14540	1970	TRUNK RELEASE HARNESS For Electric Trunk Lid Release	\$27.00	
14540	1971	TRUNK RELEASE HARNESS For Electric Trunk Lid Release	\$27.00	
14540	1972	TRUNK RELEASE HARNESS For Electric Trunk Lid Release	\$27.00	
TURN SIGNAL SWITCH				
07800482	1967	TURN SIGNAL SWITCH Without Column Shift A/T, Without Tilt, Without Cornering Lights, (Delco Type, Black, White Or Green) Note: Emergency Flasher Actuator Hole In Outer Cover Is Shaped Like A Doghouse.	\$50.00	
07800482	1967	TURN SIGNAL SWITCH Without Column Shift A/T, With Tilt, Without Cornering Lights, (Delco Type, Black, White Or Green) Note: Emergency Flasher Actuator Hole In Outer Cover Is Shaped Like A Doghouse.	\$50.00	
05698897	1967	TURN SIGNAL SWITCH With Column Shift A/T, Without Tilt, Without Cornering Lights (Delco Type, Black, White Or Green) Note: Emergency Flasher Actuator Hole In Outer Cover Is Shaped Like A Doghouse.	\$50.00	
05698897	1967	TURN SIGNAL SWITCH With Column Shift A/T, With Tilt, Without Cornering Lights (Delco Type, Black, White Or Green) Note: Emergency Flasher Actuator Hole In Outer Cover Is Shaped Like A Doghouse.	\$50.00	
07800482	1967	TURN SIGNAL SWITCH With Column Shift 3 Speed M/T (Delco Type, White) Note: Emergency Flasher Actuator Hole In Outer Cover Is Shaped Like A Doghouse.	\$50.00	
01893592	1967	TURN SIGNAL SWITCH Col Shift, MT, Without Cornering Lights (Delco-White), Replaces Delco Part# D6211 Note: This Is A Service Part, Adapter Pigtail Included And Is Required For Some Applications.	\$58.00	

Part Number	Year	Description	Price	*Rev.
07800482	1967	TURN SIGNAL SWITCH With Floor Shift (Delco Type, White) Note: Emergency Flasher Actuator Hole In Outer Cover Is Shaped Like A Doghouse.	\$50.00	
01893592	1967	TURN SIGNAL SWITCH Floor Shift, Without Cornering Lights (Delco-White), Replaces Delco Part# D6211 Note: This Is A Service Part, Adapter Pigtail Included And Is Required For Some Applications.	\$58.00	
07800482	1968	TURN SIGNAL SWITCH Without Column Shift A/T, Without Tilt, Without Cornering Lights, (Delco Type, Black, White Or Green) Note: Emergency Flasher Actuator Hole In Outer Cover Is Shaped Like A Doghouse.	\$50.00	
07800482	1968	TURN SIGNAL SWITCH Without Column Shift A/T, With Tilt, Without Cornering Lights, (Delco Type, Black, White Or Green) Note: Emergency Flasher Actuator Hole In Outer Cover Is Shaped Like A Doghouse.	\$50.00	
05698897	1968	TURN SIGNAL SWITCH With Column Shift A/T, Without Tilt, Without Cornering Lights (Delco Type, Black, White Or Green) Note: Emergency Flasher Actuator Hole In Outer Cover Is Shaped Like A Doghouse.	\$50.00	
05698897	1968	TURN SIGNAL SWITCH With Column Shift A/T, With Tilt, Without Cornering Lights (Delco Type, Black, White Or Green) Note: Emergency Flasher Actuator Hole In Outer Cover Is Shaped Like A Doghouse.	\$50.00	
07800482	1968	TURN SIGNAL SWITCH With Column Shift 3 Speed M/T (Delco Type, White) Note: Emergency Flasher Actuator Hole In Outer Cover Is Shaped Like A Doghouse.	\$50.00	
01893592	1968	TURN SIGNAL SWITCH Col. Shift, MT, Without Cornering Lights (Delco-White), Replaces Delco Part# D6211 Note: This Is A Service Part, Adapter Pigtail Included And Is Required For Some Applications.	\$58.00	
07800482	1968	TURN SIGNAL SWITCH With Floor Shift (Delco Type, White) Note: Emergency Flasher Actuator Hole In Outer Cover Is Shaped Like A Doghouse.	\$50.00	
01893592	1968	TURN SIGNAL SWITCH Floor Shift, Without Cornering Lights (Delco-White), Replaces Delco Part# D6211 Note: This Is A Service Part, Adapter Pigtail Included And Is Required For Some Applications.	\$58.00	
01997963	1969	TURN SIGNAL SWITCH, CORRECT PART Without Cornering Lights Note: Correct Part, No Adapter Pigtail Required.	\$56.00	
01893588	1969	TURN SIGNAL SWITCH, SERVICE PART Without Cornering Lights, Replaces Delco Part# D6208 Note: This Is A Service Part, Adapter Pigtail Included Is Required For Installation.	\$58.00	
01997963	1970	TURN SIGNAL SWITCH, CORRECT PART Without Cornering Lights, Without Tilt Note: Correct Part, No Adapter Pigtail Required.	\$56.00	
01893588	1970	TURN SIGNAL SWITCH, SERVICE PART Without Cornering Lights, Without Tilt, Replaces Delco Part# D6208 Note: This Is A Service Part, Adapter Pigtail Included Is Required For Installation.	\$58.00	
01997963	1971	TURN SIGNAL SWITCH, CORRECT PART Without Cornering Lights Note: Correct Part, No Adapter Pigtail Required.	\$56.00	
01893588	1971	TURN SIGNAL SWITCH, SERVICE PART Without Cornering Lights, Replaces Delco Part# D6208 Note: This Is A Service Part, Adapter Pigtail Included Is Required For Installation.	\$58.00	
01997963	1972	TURN SIGNAL SWITCH, CORRECT PART Without Cornering Lights Note: Correct Part, No Adapter Pigtail Required.	\$56.00	
01893588	1972	TURN SIGNAL SWITCH, SERVICE PART Without Cornering Lights, Replaces Delco Part# D6208 Note: This Is A Service Part, Adapter Pigtail Included Is Required For Installation.	\$58.00	
01997963	1973	TURN SIGNAL SWITCH, CORRECT PART Without Cornering Lights Note: Correct Part, No Adapter Pigtail Required.	\$56.00	
01893588	1973	TURN SIGNAL SWITCH, SERVICE PART Without Cornering Lights, Replaces Delco Part# D6208 Note: This Is A Service Part, Adapter Pigtail Included Is Required For Installation.	\$58.00	
01997963	1974	TURN SIGNAL SWITCH, CORRECT PART Without Cornering Lights Note: Correct Part, No Adapter Pigtail Required.	\$56.00	

Part Number	Year	Description	Price	*Rev.
01893588	1974	TURN SIGNAL SWITCH, SERVICE PART Without Cornering Lights, Replaces Delco Part# D6208 Note: This Is A Service Part, Adapter Pigtail Included Is Required For Installation.	\$58.00	
01997963	1975	TURN SIGNAL SWITCH, CORRECT PART Without Cornering Lights Note: Correct Part, No Adapter Pigtail Required.	\$56.00	
01893588	1975	TURN SIGNAL SWITCH, SERVICE PART Without Cornering Lights, Replaces Delco Part# D6208 Note: This Is A Service Part, Adapter Pigtail Included Is Required For Installation.	\$58.00	
01997963	1976	TURN SIGNAL SWITCH, CORRECT PART Without Cornering Lights Note: Correct Part, No Adapter Pigtail Required.	\$56.00	
01893588	1976	TURN SIGNAL SWITCH, SERVICE PART Without Cornering Lights, Replaces Delco Part# D6208 Note: This Is A Service Part, Adapter Pigtail Included Is Required For Installation.	\$58.00	
01997983	1976	TURN SIGNAL SWITCH, SERVICE PART Replaces Delco Part# D6222 Note: This Is A Service Part, Adapter Pigtail Included Is Required For Installation.	\$32.00	
01997983	1977	TURN SIGNAL SWITCH	\$32.00	
01997983	1978	TURN SIGNAL SWITCH	\$32.00	
01997983	1979	TURN SIGNAL SWITCH	\$32.00	
01997983	1980	TURN SIGNAL SWITCH	\$32.00	
01997983	1981	TURN SIGNAL SWITCH	\$32.00	
01995963	1990	TURN SIGNAL SWITCH Replaces Delco Part# D6210A	\$56.00	
01995963	1991	TURN SIGNAL SWITCH Replaces Delco Part# D6210A	\$56.00	
01995963	1992	TURN SIGNAL SWITCH Replaces Delco Part# D6210A	\$56.00	
01995963	1993	TURN SIGNAL SWITCH Replaces Delco Part# D6210A	\$56.00	
01995963	1994	TURN SIGNAL SWITCH Replaces Delco Part# D6210A	\$56.00	
01995963	1995	TURN SIGNAL SWITCH Replaces Delco Part# D6210A	\$56.00	
01995963	1996	TURN SIGNAL SWITCH Replaces Delco Part# D6210A	\$56.00	
01995963	1997	TURN SIGNAL SWITCH Replaces Delco Part# D6210A	\$56.00	
01995963	1998	TURN SIGNAL SWITCH Replaces Delco Part# D6210A	\$56.00	
01995963	1999	TURN SIGNAL SWITCH Replaces Delco Part# D6210A	\$56.00	
WINDSHIELD WIPER SWITCH				
01993372	1967	WINDSHIELD WIPER SWITCH	\$45.00	
01993372	1968	WINDSHIELD WIPER SWITCH	\$45.00	