



# Electrical Restoration Products

**Cutlass  
4-4-2/F-85**

## WIRING HARNESSES



## BATTERY CABLES



## SWITCHES



**Phone 562.926.9552**

**Fax 562.926.9572**

**sparky@wiringharness.com**

**www.wiringharness.com**

Part #CUT

## **Buy with Confidence !**

### **Made in the U.S.A.**

All of our harnesses are hand assembled in the U.S.A.

### **Correct Color Wires**

Our harnesses always match the original factory color codes and gauge sizes. We use U.S.A. made Cross Linked Polyethylene type GXL wire which is much more tolerant to heat than the original PVC type GPT wire that was used from the factory.

### **Dip Soldered (when applicable)**

All terminals are dip soldered (when applicable) to limit resistance loss.

### **Correct Connectors & Terminals**

With over 300,000 connectors and terminals in stock you can be sure the harness you receive will look identical to the original.

### **Correct Non-Adhesive & Cloth Tapes**

All harnesses are wrapped with the correct non-adhesive or cloth woven tapes to assure a 100% factory appearance.

### **Technical Support**

We don't expect our customers to be "wiring-wizards", you can call us direct with any technical questions you may have.

### **Custom Modifications**

Custom modifications are available to allow you to convert from an external regulated alternator to an internal regulated alternator. This modification is available for most '63 and up GM cars and trucks. We can also convert many of our engine harnesses to work with H.E.I. distributors and electric chokes. Our modifications retain the factory appearance. Call our Customer Service Department for more details.

### **Reproduction Switches**

We manufacture an extensive line of reproduction switches. These include Turn Signal, Backup Light, Neutral Safety, Wiper, Headlight Switches and others. As with all of our restoration products our switches will fit and function perfectly, just like the originals.

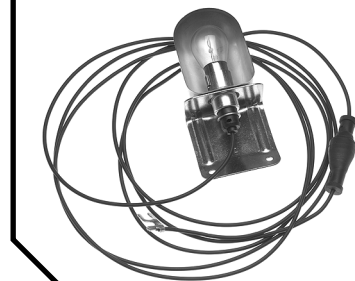
### **Guarantee & Warranty**

We are so confident in the quality of all of our restoration products that we offer the following guarantee and warranty. If you are not 100% satisfied with the quality of any of our restoration products we will give you a full refund. Just return the unused item within 30 days of receipt for a full refund. We also offer a full 1 year replacement warranty on all of the products we sell (see our product warranty sheet for more info).

### **Method of Payment**

We accept Visa, Master Card, American Express and Discover. If you prefer to pre-pay your order, we accept Money Orders, Cashiers Checks or Personal Checks. C.O.D. shipments are also available.

### **LIGHTING KITS**



### **1 WIRE IGNITION**



### **HARNESSTAPE**



***"M&H Harnesses are perfect reproductions created with correct color wires from Original GM wiring schematics".***

**MUSCLECAR ENTHUSIAST  
MAGAZINE**

# **[www.wiringharness.com](http://www.wiringharness.com)**

# Alternator Conversion Kits

**See car line catalogs  
for specific applications**

## **Alternator Conversion Kit External to "SI" Type Internal**

Our most popular Alternator Conversion Kit. This kit makes it easy to convert from an External Regulated Alternator to an "SI" Type Internal Regulated Alternator. Kit includes both adapters and an instruction sheet.

Easy to install:

1) Disconnect the external voltage regulator leads and plug our "Special Regulator Adapter" into the voltage regulator lead wires. 2) Disconnect the alternator lead wires. 3) Install new "SI" Type Internal Regulated alternator. 4) Plug one end of our "Alternator Adapter" into the original alternator lead wires and the other into the alternator.

*Typical application is '63-'74 GM Cars & Trucks, see carline catalogs for specific application information.*

Part #27555

Retail \$25.00



## **Alternator Conversion Kit External to "CS" Type Internal**

This kit makes it easy to convert from an External Regulated Alternator to a "CS" Type Internal Regulated Alternator. Kit includes both adapters and an instruction sheet.

Easy to install:

1) Disconnect the external voltage regulator leads and plug our "Special Regulator Adapter" into the voltage regulator lead wires. 2) Disconnect the alternator lead wires. 3) Install new "SI" Type Internal Regulated alternator. 4) Plug one end of our "Alternator Adapter" into the original alternator lead wires and the other into the alternator.

*Typical application is '63-'74 GM Cars & Trucks, see carline catalogs for specific application information.*

Part #37787

Retail \$29.00



## **Alternator Conversion Kit "SI" Type Internal to CS130/CS144 Type Internal**

Allows for an easy conversion from an "SI" type internal regulated alternator to a "CS130" or "CS144" type internal regulated alternator. Simple to install, the mating end of the adapter pigtail plugs perfectly to the original alternator connector, and the other end plugs right into any "CS130" or "CS144" type alternator. Kit includes adapter pigtail and an instruction sheet.

*Typical application is '69-'84 GM Cars & Trucks, see carline catalogs for specific application information.*

Part #37796

Retail \$22.00



# Alternator Conversion Kits

See car line catalogs  
for specific applications

## Alternator Conversion Kit

### "SI" Type Internal to "CS130D" Type Internal

Allows for an easy conversion from an "SI" type internal regulated alternator to a "CS130D" type internal regulated alternator. Simple to install, the mating end of the adapter pigtail plugs perfectly to the original alternator connector, and the other end plugs right into any "CS130D" type alternator. Kit includes adapter pigtail and an instruction sheet.

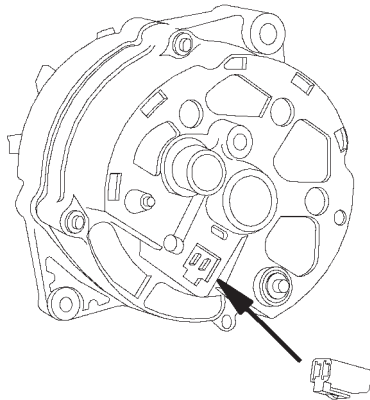
Typical application is '69-'84 GM Cars & Trucks, see carline catalogs for specific application information.

Part #39472

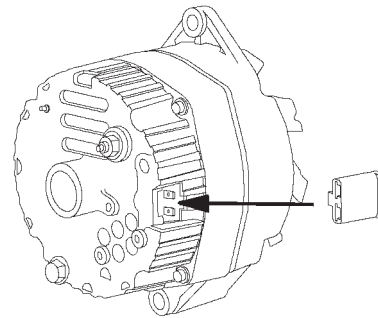
Retail \$19.00



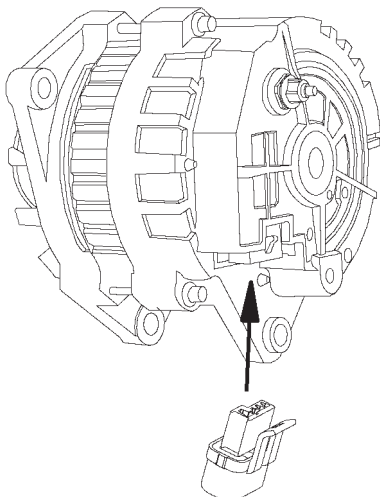
## Alternator Identification



1963-1974  
External Regulated Alternator



1969-1984 "SI" Type  
Internal Regulated Alternator



1984-1999 "CS130" & "CS144" Type  
Internal Regulated Alternator



1994-Newer "CS130D" Type  
Internal Regulated Alternator

Cutlass  
4-4-2/F-85



Phone (562) 926-9552  
Fax (562) 926-9572

Part Number	Year	Description	Price	*Rev.
<b>AIR CONDITIONING EXTENSION HARNESS</b>				
36203	1972	<b>AIR CONDITIONING EXTENSION HARNESS</b> Thermo Limiter Jumper, Used With #16690 A/C Harness	\$40.00	
36203	1973	<b>AIR CONDITIONING EXTENSION HARNESS</b> Thermo Limiter Jumper	\$40.00	
36203	1974	<b>AIR CONDITIONING EXTENSION HARNESS</b> Thermo Limiter Jumper	\$40.00	
36203	1975	<b>AIR CONDITIONING EXTENSION HARNESS</b> Thermo Limiter Jumper	\$40.00	
<b>AIR CONDITIONING HARNESS</b>				
06045	1964	<b>AIR CONDITIONING HARNESS</b> V/8, Includes Heater Wiring	\$150.00	
09370	1965	<b>AIR CONDITIONING HARNESS</b> V/8, Includes Heater Wiring	\$150.00	
09450	1966	<b>AIR CONDITIONING HARNESS</b> V/8, Includes Heater Wiring	\$150.00	
10600	1967	<b>AIR CONDITIONING HARNESS</b> V/8, Includes Heater Wiring	\$153.00	
12705	1968	<b>AIR CONDITIONING HARNESS</b> V/8, Includes Heater Wiring	\$156.00	
13325	1969	<b>AIR CONDITIONING HARNESS</b> V/8, Includes Heater Wiring	\$156.00	
18560	1970	<b>AIR CONDITIONING HARNESS</b> V/8, Includes Heater Wiring	\$156.00	
16035	1971	<b>AIR CONDITIONING HARNESS</b> 6 Cylinder, Includes Heater Wiring Note: 6 Cylinder Items Are Not Returnable.	\$172.00	
15935	1971	<b>AIR CONDITIONING HARNESS</b> V/8, Includes Heater Wiring	\$156.00	
16690	1972	<b>AIR CONDITIONING HARNESS</b> V/8, Includes Heater Wiring, Must Be Used With #36203 A/C Extension	\$156.00	
<b>ALTERNATOR CONVERSION KIT</b>				
27555	1963	<b>ALTERNATOR CONVERSION KIT</b> External To Internal Regulator Conversion Harness ("SI" Series) Note: For Use With 1972-84 Non-Serpentine Belt ("SI" Series) Internal Regulated Alternators.	\$25.00	
37787	1963	<b>ALTERNATOR CONVERSION KIT</b> External To Internal Regulator Conversion Harness ("CS" Series) Note: For Use With Serpentine Belt ("CS" Series) Internal Regulated Alternators.	\$29.00	
27555	1964	<b>ALTERNATOR CONVERSION KIT</b> External To Internal Regulator Conversion Harness ("SI" Series) Note: For Use With 1972-84 Non-Serpentine Belt ("SI" Series) Internal Regulated Alternators.	\$25.00	
37787	1964	<b>ALTERNATOR CONVERSION KIT</b> External To Internal Regulator Conversion Harness ("CS" Series) Note: For Use With Serpentine Belt ("CS" Series) Internal Regulated Alternators.	\$29.00	
27555	1965	<b>ALTERNATOR CONVERSION KIT</b> External To Internal Regulator Conversion Harness ("SI" Series) Note: For Use With 1972-84 Non-Serpentine Belt ("SI" Series) Internal Regulated Alternators.	\$25.00	
37787	1965	<b>ALTERNATOR CONVERSION KIT</b> External To Internal Regulator Conversion Harness ("CS" Series) Note: For Use With Serpentine Belt ("CS" Series) Internal Regulated Alternators.	\$29.00	
27555	1966	<b>ALTERNATOR CONVERSION KIT</b> External To Internal Regulator Conversion Harness ("SI" Series) Note: For Use With 1972-84 Non-Serpentine Belt ("SI" Series) Internal Regulated Alternators.	\$25.00	
37787	1966	<b>ALTERNATOR CONVERSION KIT</b> External To Internal Regulator Conversion Harness ("CS" Series) Note: For Use With Serpentine Belt ("CS" Series) Internal Regulated Alternators.	\$29.00	
27555	1967	<b>ALTERNATOR CONVERSION KIT</b> External To Internal Regulator Conversion Harness ("SI" Series) Note: For Use With 1972-84 Non-Serpentine Belt ("SI" Series) Internal Regulated Alternators.	\$25.00	
37787	1967	<b>ALTERNATOR CONVERSION KIT</b> External To Internal Regulator Conversion Harness ("CS" Series) Note: For Use With Serpentine Belt ("CS" Series) Internal Regulated Alternators.	\$29.00	
27555	1968	<b>ALTERNATOR CONVERSION KIT</b> External To Internal Regulator Conversion Harness ("SI" Series) Note: For Use With 1972-84 Non-Serpentine Belt ("SI" Series) Internal Regulated Alternators.	\$25.00	
37787	1968	<b>ALTERNATOR CONVERSION KIT</b> External To Internal Regulator Conversion Harness ("CS" Series) Note: For Use With Serpentine Belt ("CS" Series) Internal Regulated Alternators.	\$29.00	
27555	1969	<b>ALTERNATOR CONVERSION KIT</b> External To Internal Regulator Conversion Harness ("SI" Series) Note: For Use With 1972-84 Non-Serpentine Belt ("SI" Series) Internal Regulated Alternators.	\$25.00	
37787	1969	<b>ALTERNATOR CONVERSION KIT</b> External To Internal Regulator Conversion Harness ("CS" Series) Note: For Use With Serpentine Belt ("CS" Series) Internal Regulated Alternators.	\$29.00	

**Cutlass**  
4-4-2/F-85



**Phone (562) 926-9552**  
**Fax (562) 926-9572**

Part Number	Year	Description	Price	*Rev.
37796	1969	<b>ALTERNATOR CONVERSION KIT</b> Internal Regulator "SI" Series Alternator To "CS" Series (Serpentine Belt) Alternator Note: For Use With Serpentine Belt ("CS130" Or "CS144" Type) Internal Regulated Alternators.	\$22.00	
27555	1970	<b>ALTERNATOR CONVERSION KIT</b> External To Internal Regulator Conversion Harness ("SI" Series) Note: For Use With 1972-84 Non-Serpentine Belt ("SI" Series) Internal Regulated Alternators.	\$25.00	
37787	1970	<b>ALTERNATOR CONVERSION KIT</b> External To Internal Regulator Conversion Harness ("CS" Series) Note: For Use With Serpentine Belt ("CS" Series) Internal Regulated Alternators.	\$29.00	
37796	1970	<b>ALTERNATOR CONVERSION KIT</b> Internal Regulator "SI" Series Alternator To "CS" Series (Serpentine Belt) Alternator Note: For Use With Serpentine Belt ("CS130" Or "CS144" Type) Internal Regulated Alternators.	\$22.00	
27555	1971	<b>ALTERNATOR CONVERSION KIT</b> External To Internal Regulator Conversion Harness ("SI" Series) Note: For Use With 1972-84 Non-Serpentine Belt ("SI" Series) Internal Regulated Alternators.	\$25.00	
37787	1971	<b>ALTERNATOR CONVERSION KIT</b> External To Internal Regulator Conversion Harness ("CS" Series) Note: For Use With Serpentine Belt ("CS" Series) Internal Regulated Alternators.	\$29.00	
37796	1971	<b>ALTERNATOR CONVERSION KIT</b> Internal Regulator "SI" Series Alternator To "CS" Series (Serpentine Belt) Alternator Note: For Use With Serpentine Belt ("CS130" Or "CS144" Type) Internal Regulated Alternators.	\$22.00	
27555	1972	<b>ALTERNATOR CONVERSION KIT</b> External To Internal Regulator Conversion Harness ("SI" Series) Note: For Use With 1972-84 Non-Serpentine Belt ("SI" Series) Internal Regulated Alternators.	\$25.00	
37787	1972	<b>ALTERNATOR CONVERSION KIT</b> External To Internal Regulator Conversion Harness ("CS" Series) Note: For Use With Serpentine Belt ("CS" Series) Internal Regulated Alternators.	\$29.00	
37796	1972	<b>ALTERNATOR CONVERSION KIT</b> Internal Regulator "SI" Series Alternator To "CS" Series (Serpentine Belt) Alternator Note: For Use With Serpentine Belt ("CS130" Or "CS144" Type) Internal Regulated Alternators.	\$22.00	
37796	1973	<b>ALTERNATOR CONVERSION KIT</b> Internal Regulator "SI" Series Alternator To "CS" Series (Serpentine Belt) Alternator Note: For Use With Serpentine Belt ("CS130" Or "CS144" Type) Internal Regulated Alternators.	\$22.00	
37796	1974	<b>ALTERNATOR CONVERSION KIT</b> Internal Regulator "SI" Series Alternator To "CS" Series (Serpentine Belt) Alternator Note: For Use With Serpentine Belt ("CS130" Or "CS144" Type) Internal Regulated Alternators.	\$22.00	
37796	1975	<b>ALTERNATOR CONVERSION KIT</b> Internal Regulator "SI" Series Alternator To "CS" Series (Serpentine Belt) Alternator Note: For Use With Serpentine Belt ("CS130" Or "CS144" Type) Internal Regulated Alternators.	\$22.00	
37796	1976	<b>ALTERNATOR CONVERSION KIT</b> Internal Regulator "SI" Series Alternator To "CS" Series (Serpentine Belt) Alternator Note: For Use With Serpentine Belt ("CS130" Or "CS144" Type) Internal Regulated Alternators.	\$22.00	
37796	1977	<b>ALTERNATOR CONVERSION KIT</b> Internal Regulator "SI" Series Alternator To "CS" Series (Serpentine Belt) Alternator Note: For Use With Serpentine Belt ("CS130" Or "CS144" Type) Internal Regulated Alternators.	\$22.00	
37796	1978	<b>ALTERNATOR CONVERSION KIT</b> Internal Regulator "SI" Series Alternator To "CS" Series (Serpentine Belt) Alternator Note: For Use With Serpentine Belt ("CS130" Or "CS144" Type) Internal Regulated Alternators.	\$22.00	
37796	1979	<b>ALTERNATOR CONVERSION KIT</b> Internal Regulator "SI" Series Alternator To "CS" Series (Serpentine Belt) Alternator Note: For Use With Serpentine Belt ("CS130" Or "CS144" Type) Internal Regulated Alternators.	\$22.00	
37796	1980	<b>ALTERNATOR CONVERSION KIT</b> Internal Regulator "SI" Series Alternator To "CS" Series (Serpentine Belt) Alternator Note: For Use With Serpentine Belt ("CS130" Or "CS144" Type) Internal Regulated Alternators.	\$22.00	
37796	1981	<b>ALTERNATOR CONVERSION KIT</b> Internal Regulator "SI" Series Alternator To "CS" Series (Serpentine Belt) Alternator Note: For Use With Serpentine Belt ("CS130" Or "CS144" Type) Internal Regulated Alternators.	\$22.00	

**Cutlass**  
4-4-2/F-85



**Phone (562) 926-9552**  
**Fax (562) 926-9572**

Part Number	Year	Description	Price	*Rev.
37796	1982	<b>ALTERNATOR CONVERSION KIT</b> Internal Regulator "SI" Series Alternator To "CS" Series (Serpentine Belt) Alternator Note: For Use With Serpentine Belt ("CS130" Or "CS144" Type) Internal Regulated Alternators.	\$22.00	
37796	1983	<b>ALTERNATOR CONVERSION KIT</b> Internal Regulator "SI" Series Alternator To "CS" Series (Serpentine Belt) Alternator Note: For Use With Serpentine Belt ("CS130" Or "CS144" Type) Internal Regulated Alternators.	\$22.00	
37796	1984	<b>ALTERNATOR CONVERSION KIT</b> Internal Regulator "SI" Series Alternator To "CS" Series (Serpentine Belt) Alternator Note: For Use With Serpentine Belt ("CS130" Or "CS144" Type) Internal Regulated Alternators.	\$22.00	
37796	1985	<b>ALTERNATOR CONVERSION KIT</b> Internal Regulator "SI" Series Alternator To "CS" Series (Serpentine Belt) Alternator Note: For Use With Serpentine Belt ("CS130" Or "CS144" Type) Internal Regulated Alternators.	\$22.00	
37796	1986	<b>ALTERNATOR CONVERSION KIT</b> Internal Regulator "SI" Series Alternator To "CS" Series (Serpentine Belt) Alternator Note: For Use With Serpentine Belt ("CS130" Or "CS144" Type) Internal Regulated Alternators.	\$22.00	
<b>ANTI-DIESEL SOLENOID EXTENSION WIRE</b>				
16760	1972	<b>ANTI-DIESEL SOLENOID EXTENSION WIRE</b>	\$19.00	
<b>ASH TRAY LAMP WIRE</b>				
09375	1966	<b>ASH TRAY LAMP WIRE</b>	\$18.00	
09375	1967	<b>ASH TRAY LAMP WIRE</b>	\$18.00	
12120	1968	<b>ASH TRAY LAMP WIRE</b>	\$21.00	
<b>ASSEMBLY MANUAL</b>				
43238	1963	<b>ASSEMBLY MANUAL</b> Factory Assembly Instruction Guide	\$30.00	
36368	1965	<b>ASSEMBLY MANUAL</b> Factory Assembly Instruction Guide	\$30.00	
36369	1966	<b>ASSEMBLY MANUAL</b> Factory Assembly Instruction Guide	\$30.00	
36370	1967	<b>ASSEMBLY MANUAL</b> Factory Assembly Instruction Guide	\$30.00	
36371	1968	<b>ASSEMBLY MANUAL</b> Factory Assembly Instruction Guide	\$30.00	
36372	1969	<b>ASSEMBLY MANUAL</b> Factory Assembly Instruction Guide	\$30.00	
36373	1970	<b>ASSEMBLY MANUAL</b> Factory Assembly Instruction Guide	\$30.00	
36374	1971	<b>ASSEMBLY MANUAL</b> Factory Assembly Instruction Guide	\$30.00	
36375	1972	<b>ASSEMBLY MANUAL</b> Factory Assembly Instruction Guide	\$30.00	
36376	1973	<b>ASSEMBLY MANUAL</b> Factory Assembly Instruction Guide	\$30.00	
36377	1974	<b>ASSEMBLY MANUAL</b> Factory Assembly Instruction Guide	\$30.00	
36378	1975	<b>ASSEMBLY MANUAL</b> Factory Assembly Instruction Guide	\$30.00	
43239	1976	<b>ASSEMBLY MANUAL</b> Factory Assembly Instruction Guide	\$30.00	
<b>BACKUP LAMP SWITCH</b>				
01993310	1964	<b>BACKUP LAMP SWITCH</b> 3 Speed, Manual Trans	\$64.00	
01993661	1964	<b>BACKUP LAMP SWITCH</b> 4 Speed, Manual Trans	\$64.00	
01993310	1965	<b>BACKUP LAMP SWITCH</b> 3 Speed, Manual Trans	\$64.00	
01993661	1965	<b>BACKUP LAMP SWITCH</b> 4 Speed, Manual Trans	\$64.00	
01993310	1966	<b>BACKUP LAMP SWITCH</b> 3 Speed, Manual Trans	\$64.00	
01993661	1966	<b>BACKUP LAMP SWITCH</b> 4 Speed, Manual Trans	\$64.00	
01993310	1967	<b>BACKUP LAMP SWITCH</b> 3 Speed, Manual Trans	\$64.00	
01993661	1967	<b>BACKUP LAMP SWITCH</b> 4 Speed, Manual Trans	\$64.00	
01993310	1968	<b>BACKUP LAMP SWITCH</b> 3 Speed, Manual Trans	\$64.00	
01993661	1968	<b>BACKUP LAMP SWITCH</b> 4 Speed, Manual Trans	\$64.00	
03943657	1969	<b>BACKUP LAMP SWITCH</b> Manual Trans	\$53.00	
03943657	1970	<b>BACKUP LAMP SWITCH</b> Manual Trans	\$53.00	

Cutlass  
4-4-2/F-85



Phone (562) 926-9552  
Fax (562) 926-9572

Part Number	Year	Description	Price	*Rev.
03943657	1971	BACKUP LAMP SWITCH Manual Trans	\$53.00	
03943657	1972	BACKUP LAMP SWITCH Manual Trans	\$53.00	
<b>BACKUP LAMP SWITCH EXTENSION HARNESS</b>				
05100	1964	BACKUP LAMP SWITCH EXTENSION HARNESS 4 Speed Manual Trans, Dash Harness To Backup Lamp Switch	\$48.00	
05100	1965	BACKUP LAMP SWITCH EXTENSION HARNESS 4 Speed Manual Trans, Dash Harness To Backup Lamp Switch	\$48.00	
06070	1966	BACKUP LAMP SWITCH EXTENSION HARNESS 3 Speed Manual Trans, Dash Harness To Backup Lamp Switch	\$28.00	
05100	1966	BACKUP LAMP SWITCH EXTENSION HARNESS 4 Speed Manual Trans, Dash Harness To Backup Lamp Switch	\$48.00	
10480	1967	BACKUP LAMP SWITCH EXTENSION HARNESS 3 Speed Manual Trans, Dash Harness To Backup Lamp Switch	\$28.00	
11130	1967	BACKUP LAMP SWITCH EXTENSION HARNESS 4 Speed Manual Trans, Dash Harness To Backup Lamp Switch	\$40.00	
11130	1968	BACKUP LAMP SWITCH EXTENSION HARNESS 4 Speed Manual Trans, Dash Harness To Backup Lamp Switch	\$40.00	
<b>BACKUP LAMP SWITCH MOUNTING BRACKET</b>				
37650	1964	BACKUP LAMP SWITCH MOUNTING BRACKET With Muncie 4 Speed Transmission	\$29.00	
37650	1965	BACKUP LAMP SWITCH MOUNTING BRACKET With Muncie 4 Speed Transmission	\$29.00	
37650	1966	BACKUP LAMP SWITCH MOUNTING BRACKET With Muncie 4 Speed Transmission	\$29.00	
37650	1967	BACKUP LAMP SWITCH MOUNTING BRACKET With Muncie 4 Speed Transmission	\$29.00	
37650	1968	BACKUP LAMP SWITCH MOUNTING BRACKET With Muncie 4 Speed Transmission	\$29.00	
<b>BACKUP LAMP SWITCH MOUNTING KIT</b>				
39504	1966	BACKUP LAMP SWITCH MOUNTING KIT With Manual Transmission Note: Kit Contains The Bracket, Rod With 2 Clips, Shield & Bolts.	\$46.00	
39504	1967	BACKUP LAMP SWITCH MOUNTING KIT With Manual Transmission Note: Kit Contains The Bracket, Rod With 2 Clips, Shield & Bolts.	\$46.00	
39504	1968	BACKUP LAMP SWITCH MOUNTING KIT With Manual Transmission Note: Kit Contains The Bracket, Rod With 2 Clips, Shield & Bolts.	\$46.00	
<b>BATTERY CABLE JUMPER</b>				
21565	1966	BATTERY CABLE JUMPER Neg, V/8, With 442 & Outside Air Induction, Engine To Frame	\$35.00	
21565	1967	BATTERY CABLE JUMPER Neg, V/8, With 442 & Outside Air Induction, Engine To Frame	\$35.00	
21690	1961	BATTERY CABLE JUMPER Pos, Junction Block To Starter Solenoid	\$64.00	
21690	1962	BATTERY CABLE JUMPER Pos, Junction Block To Starter Solenoid	\$64.00	
21690	1963	BATTERY CABLE JUMPER Pos, Junction Block To Starter Solenoid	\$64.00	
05130	1964	BATTERY CABLE JUMPER Pos, V/8, Junction Block To Starter Solenoid	\$64.00	
05875	1965	BATTERY CABLE JUMPER Pos, V/8, Junction Block To Starter Solenoid, Except 442	\$64.00	
11540	1965	BATTERY CABLE JUMPER Pos, V/8, Junction Block To Starter Solenoid, With 442	\$64.00	
05875	1966	BATTERY CABLE JUMPER Pos, V/8, Junction Block To Starter Solenoid, Except 442	\$64.00	
11540	1966	BATTERY CABLE JUMPER Pos, V/8, Junction Block To Starter Solenoid, With 442	\$64.00	
05875	1967	BATTERY CABLE JUMPER Pos, V/8, Junction Block To Starter Solenoid, Auto Trans, Except 442	\$64.00	
21550	1967	BATTERY CABLE JUMPER Pos, V/8, Junction Block To Starter Solenoid, Manual Trans, Except 442	\$64.00	
11540	1967	BATTERY CABLE JUMPER Pos, V/8, Junction Block To Starter Solenoid, With 442	\$64.00	
<b>BATTERY CABLE, NEGATIVE</b>				
04445	1964	BATTERY CABLE, SPRING RING Neg, V/6	\$64.00	
04380	1964	BATTERY CABLE, SPRING RING Neg, V/8	\$64.00	
04445	1965	BATTERY CABLE, SPRING RING Neg, V/6	\$64.00	
04380	1965	BATTERY CABLE, SPRING RING Neg, V/8, Except 442	\$64.00	
05605	1965	BATTERY CABLE, TOP POST Neg, V/8, With 442	\$64.00	
09230	1966	BATTERY CABLE, SPRING RING Neg, 6 Cylinder Note: 6 Cylinder Items Are Not Returnable.	\$64.00	



**Cutlass**  
**4-4-2/F-85**



**Phone (562) 926-9552**  
**Fax (562) 926-9572**

Part Number	Year	Description	Price	*Rev.
09230	1966	<b>BATTERY CABLE, SPRING RING</b> Neg, V/8, Except 442	\$64.00	
09805	1966	<b>BATTERY CABLE, SPRING RING</b> Neg, V/8, With 442	\$64.00	
21540	1966	<b>BATTERY CABLE, TOP POST</b> Neg, V/8, With 442 & Outside Air Induction	\$69.00	
09230	1967	<b>BATTERY CABLE, SPRING RING</b> Neg, 6 Cylinder Note: 6 Cylinder Items Are Not Returnable.	\$64.00	
09230	1967	<b>BATTERY CABLE, SPRING RING</b> Neg, V/8, Except 442	\$64.00	
09805	1967	<b>BATTERY CABLE, SPRING RING</b> Neg, V/8, With 442	\$64.00	
21540	1967	<b>BATTERY CABLE, TOP POST</b> Neg, V/8, With 442 & Outside Air Induction	\$69.00	
12460	1968	<b>BATTERY CABLE, SPRING RING</b> Neg, 6 Cylinder Note: 6 Cylinder Items Are Not Returnable.	\$64.00	
12475	1968	<b>BATTERY CABLE, SPRING RING</b> Neg, V/8, 350 C.I.	\$64.00	
12470	1968	<b>BATTERY CABLE, SPRING RING</b> Neg, V/8, 400 C.I.	\$64.00	
12460	1969	<b>BATTERY CABLE, SPRING RING</b> Neg, 6 Cylinder Note: 6 Cylinder Items Are Not Returnable.	\$64.00	
12475	1969	<b>BATTERY CABLE, SPRING RING</b> Neg, V/8, 350 C.I., With 2 Bbl. Carburetor	\$64.00	
12470	1969	<b>BATTERY CABLE, SPRING RING</b> Neg, V/8, 350 C.I., With 4 Bbl. Carburetor & Auto Trans	\$64.00	
12475	1969	<b>BATTERY CABLE, SPRING RING</b> Neg, V/8, 350 C.I., With 4 Bbl. Carburetor & Manual Trans	\$64.00	
12470	1969	<b>BATTERY CABLE, SPRING RING</b> Neg, V/8, 400-455 C.I.	\$64.00	
12460	1970	<b>BATTERY CABLE, SPRING RING</b> Neg, 6 Cylinder Note: 6 Cylinder Items Are Not Returnable.	\$64.00	
12475	1970	<b>BATTERY CABLE, SPRING RING</b> Neg, V/8, 350 C.I., With 2 Bbl. Carburetor & Auto Trans	\$64.00	
12470	1970	<b>BATTERY CABLE, SPRING RING</b> Neg, V/8, 350 C.I., With 4 Bbl. Carburetor & Auto Trans	\$64.00	
12475	1970	<b>BATTERY CABLE, SPRING RING</b> Neg, V/8, 350 C.I., With Manual Trans	\$64.00	
15670	1970	<b>BATTERY CABLE, TOP POST</b> Neg, V/8, 455 C.I.	\$87.00	
12460	1971	<b>BATTERY CABLE, SPRING RING</b> Neg, 6 Cylinder Note: 6 Cylinder Items Are Not Returnable.	\$64.00	
12475	1971	<b>BATTERY CABLE, SPRING RING</b> Neg, V/8, 350 C.I.	\$64.00	
21765	1971	<b>BATTERY CABLE, TOP POST</b> Neg, V/8, 455 C.I.	\$75.00	
29675	1972	<b>BATTERY CABLE, SIDE POST</b> Neg, V/8, 350 C.I.	\$69.00	
29740	1972	<b>BATTERY CABLE, SIDE POST</b> Neg, V/8, 455 C.I.	\$69.00	
22195	1973	<b>BATTERY CABLE, SIDE POST</b> Neg, V/8, 350 C.I.	\$69.00	
22830	1973	<b>BATTERY CABLE, SIDE POST</b> Neg, V/8, 455 C.I.	\$69.00	
22195	1974	<b>BATTERY CABLE, SIDE POST</b> Neg, V/8, 350 C.I.	\$69.00	
22830	1974	<b>BATTERY CABLE, SIDE POST</b> Neg, V/8, 455 C.I.	\$69.00	
<b>BATTERY CABLE, POSITIVE</b>				
04640	1964	<b>BATTERY CABLE, SPRING RING</b> Pos, V/6	\$64.00	
05420	1964	<b>BATTERY CABLE, SPRING RING</b> Pos, V/8	\$64.00	
04640	1965	<b>BATTERY CABLE, SPRING RING</b> Pos, V/6	\$64.00	
05420	1965	<b>BATTERY CABLE, SPRING RING</b> Pos, V/8, Except 442	\$64.00	
06205	1965	<b>BATTERY CABLE, TOP POST</b> Pos, V/8, With 442	\$64.00	
04640	1966	<b>BATTERY CABLE, SPRING RING</b> Pos, 6 Cylinder Note: 6 Cylinder Items Are Not Returnable.	\$64.00	
09445	1966	<b>BATTERY CABLE, SPRING RING</b> Pos, V/8, Except 442	\$64.00	
09800	1966	<b>BATTERY CABLE, SPRING RING</b> Pos, V/8, With 442	\$64.00	
22215	1966	<b>BATTERY CABLE, TOP POST</b> Pos, V/8, With 442 & Outside Air Induction	\$138.00	
09825	1967	<b>BATTERY CABLE, SPRING RING</b> Pos, 6 Cylinder Note: 6 Cylinder Items Are Not Returnable.	\$64.00	

**Cutlass**  
4-4-2/F-85



**Phone (562) 926-9552**  
**Fax (562) 926-9572**

Part Number	Year	Description	Price	*Rev.
09445	1967	<b>BATTERY CABLE, SPRING RING</b> Pos, V/8, Except 442	\$64.00	
09800	1967	<b>BATTERY CABLE, SPRING RING</b> Pos, V/8, With 442	\$64.00	
22215	1967	<b>BATTERY CABLE, TOP POST</b> Pos, V/8, With 442 & Outside Air Induction	\$138.00	
09825	1968	<b>BATTERY CABLE, SPRING RING</b> Pos, 6 Cylinder Note: 6 Cylinder Items Are Not Returnable.	\$64.00	
12465	1968	<b>BATTERY CABLE, SPRING RING</b> Pos, V/8, 350 C.I., With 2 Bbl. Carburetor & Auto Trans	\$64.00	
09900	1968	<b>BATTERY CABLE, SPRING RING</b> Pos, V/8, 350 C.I., With 4 Bbl. Carburetor & Auto Trans	\$64.00	
09915	1968	<b>BATTERY CABLE, SPRING RING</b> Pos, V/8, 350 C.I., With Manual Trans	\$64.00	
09900	1968	<b>BATTERY CABLE, SPRING RING</b> Pos, V/8, 400 C.I.	\$64.00	
09825	1969	<b>BATTERY CABLE, SPRING RING</b> Pos, 6 Cylinder Note: 6 Cylinder Items Are Not Returnable.	\$64.00	
12530	1969	<b>BATTERY CABLE, SPRING RING</b> Pos, V/8, 350 C.I., With 2 Bbl. Carburetor & Auto Trans, Except 442	\$64.00	
12525	1969	<b>BATTERY CABLE, SPRING RING</b> Pos, V/8, 350 C.I. With 4 Bbl. Carburetor & Manual Trans, Except 442	\$64.00	
12520	1969	<b>BATTERY CABLE, SPRING RING</b> Pos, V/8, 350 C.I., With Manual Trans, Except 442	\$64.00	
12525	1969	<b>BATTERY CABLE, SPRING RING</b> Pos, V/8, 400-455 C.I., All 442	\$64.00	
09825	1970	<b>BATTERY CABLE, SPRING RING</b> Pos, 6 Cylinder Note: 6 Cylinder Items Are Not Returnable.	\$64.00	
14575	1970	<b>BATTERY CABLE, SPRING RING</b> Pos, V/8, 350 C.I., With 2 Bbl. Carburetor & Auto Trans	\$64.00	
14580	1970	<b>BATTERY CABLE, SPRING RING</b> Pos, V/8, 350 C.I., With 4 Bbl. Carburetor & Auto Trans	\$64.00	
14575	1970	<b>BATTERY CABLE, SPRING RING</b> Pos, V/8, 350 C.I., With Manual Trans	\$64.00	
14580	1970	<b>BATTERY CABLE, SPRING RING</b> Pos, V/8, 455 C.I.	\$64.00	
09825	1971	<b>BATTERY CABLE, SPRING RING</b> Pos, 6 Cylinder Note: 6 Cylinder Items Are Not Returnable.	\$64.00	
14575	1971	<b>BATTERY CABLE, SPRING RING</b> Pos, V/8, 350 C.I.	\$64.00	
21770	1971	<b>BATTERY CABLE, SPRING RING</b> Pos, V/8, 455 C.I.	\$64.00	
21795	1972	<b>BATTERY CABLE, SIDE POST</b> Pos, V/8, 350 C.I.	\$69.00	
21800	1972	<b>BATTERY CABLE, SIDE POST</b> Pos, V/8, 455 C.I.	\$69.00	
22840	1973	<b>BATTERY CABLE, SIDE POST</b> Pos, V/8, 350 C.I.	\$69.00	
22835	1973	<b>BATTERY CABLE, SIDE POST</b> Pos, V/8, 455 C.I.	\$69.00	
22865	1974	<b>BATTERY CABLE, SIDE POST</b> Pos, V/8, 350 C.I.	\$69.00	
22860	1974	<b>BATTERY CABLE, SIDE POST</b> Pos, V/8, 455 C.I.	\$69.00	
<b>BREAKERLESS SE SINGLE WIRE ELECTRONIC IGNITION KIT</b>				
38131	1964	<b>BREAKERLESS SE SINGLE WIRE ELECTRONIC IGNITION KIT</b> For 1957-74 Breaker Point Distributors With Windowed Type Distributor Cap	\$169.00	
38131	1965	<b>BREAKERLESS SE SINGLE WIRE ELECTRONIC IGNITION KIT</b> For 1957-74 Breaker Point Distributors With Windowed Type Distributor Cap	\$169.00	
38131	1966	<b>BREAKERLESS SE SINGLE WIRE ELECTRONIC IGNITION KIT</b> For 1957-74 Breaker Point Distributors With Windowed Type Distributor Cap	\$169.00	
38131	1967	<b>BREAKERLESS SE SINGLE WIRE ELECTRONIC IGNITION KIT</b> For 1957-74 Breaker Point Distributors With Windowed Type Distributor Cap	\$169.00	
38131	1968	<b>BREAKERLESS SE SINGLE WIRE ELECTRONIC IGNITION KIT</b> For 1957-74 Breaker Point Distributors With Windowed Type Distributor Cap	\$169.00	
38131	1969	<b>BREAKERLESS SE SINGLE WIRE ELECTRONIC IGNITION KIT</b> For 1957-74 Breaker Point Distributors With Windowed Type Distributor Cap	\$169.00	
38131	1970	<b>BREAKERLESS SE SINGLE WIRE ELECTRONIC IGNITION KIT</b> For 1957-74 Breaker Point Distributors With Windowed Type Distributor Cap	\$169.00	
38131	1971	<b>BREAKERLESS SE SINGLE WIRE ELECTRONIC IGNITION KIT</b> For 1957-74 Breaker Point Distributors With Windowed Type Distributor Cap	\$169.00	

Cutlass  
4-4-2/F-85



Phone (562) 926-9552  
Fax (562) 926-9572

Part Number	Year	Description	Price	*Rev.
38131	1972	<b>BREAKERLESS SE SINGLE WIRE ELECTRONIC IGNITION KIT</b> For 1957-74 Breaker Point Distributors With Windowed Type Distributor Cap	\$169.00	
38131	1973	<b>BREAKERLESS SE SINGLE WIRE ELECTRONIC IGNITION KIT</b> For 1957-74 Breaker Point Distributors With Windowed Type Distributor Cap	\$169.00	
38131	1974	<b>BREAKERLESS SE SINGLE WIRE ELECTRONIC IGNITION KIT</b> For 1957-74 Breaker Point Distributors With Windowed Type Distributor Cap	\$169.00	
<b>CAPACITOR DISCHARGE JUMPER WIRE</b>				
11375	1967	<b>CAPACITOR DISCHARGE JUMPER WIRE</b> From Dash Harness To Amplifier Harness	\$19.00	
<b>CIRCUIT BREAKER</b>				
04850166	1962	<b>CIRCUIT BREAKER, 30 AMP</b> Power Door Locks, Seat, Top & Windows	\$14.00	
04850166	1963	<b>CIRCUIT BREAKER, 30 AMP</b> Power Door Locks, Seat, Top & Windows	\$14.00	
04850166	1964	<b>CIRCUIT BREAKER, 30 AMP</b> Power Door Locks, Seat, Top & Windows	\$14.00	
04850166	1965	<b>CIRCUIT BREAKER, 30 AMP</b> Power Door Locks, Seat, Top & Windows	\$14.00	
04850166	1966	<b>CIRCUIT BREAKER, 30 AMP</b> Power Door Locks, Seat, Top & Windows	\$14.00	
04850166	1967	<b>CIRCUIT BREAKER, 30 AMP</b> Power Door Locks, Seat, Top & Windows	\$14.00	
04850166	1968	<b>CIRCUIT BREAKER, 30 AMP</b> Power Door Locks, Seat, Top & Windows	\$14.00	
04850166	1969	<b>CIRCUIT BREAKER, 30 AMP</b> Power Door Locks, Seat, Top & Windows	\$14.00	
04850166	1970	<b>CIRCUIT BREAKER, 30 AMP</b> Power Door Locks, Seat, Top & Windows	\$14.00	
<b>CLOCK LAMP WIRE</b>				
09970	1966	<b>CLOCK LAMP WIRE</b> Dash Mounted	\$14.00	
09970	1967	<b>CLOCK LAMP WIRE</b> Dash Mounted	\$14.00	
11090	1968	<b>CLOCK LAMP WIRE</b> Dash Mounted	\$14.00	
11090	1969	<b>CLOCK LAMP WIRE</b> Dash Mounted	\$14.00	
11090	1970	<b>CLOCK LAMP WIRE</b> Dash Mounted	\$14.00	
11090	1971	<b>CLOCK LAMP WIRE</b> Dash Mounted	\$14.00	
11090	1972	<b>CLOCK LAMP WIRE</b> Dash Mounted	\$14.00	
<b>CONSOLE EXTENSION HARNESS</b>				
04455	1964	<b>CONSOLE EXTENSION HARNESS</b> Auto Trans, From Dash To Console Harness	\$81.00	
04450	1964	<b>CONSOLE EXTENSION HARNESS</b> Manual Trans, From Dash To Console Harness	\$64.00	
04455	1965	<b>CONSOLE EXTENSION HARNESS</b> Auto Trans, From Dash To Console Harness	\$81.00	
04450	1965	<b>CONSOLE EXTENSION HARNESS</b> Manual Trans, From Dash To Console Harness	\$64.00	
09435	1966	<b>CONSOLE EXTENSION HARNESS</b> Auto Trans, From Dash To Console Harness	\$81.00	
09420	1966	<b>CONSOLE EXTENSION HARNESS</b> Manual Trans, From Dash To Console Harness	\$52.00	
10490	1967	<b>CONSOLE EXTENSION HARNESS</b> Auto Trans, From Dash To Console Harness	\$87.00	
12770	1968	<b>CONSOLE EXTENSION HARNESS</b> Auto Trans, From Dash To Console Harness	\$87.00	
13420	1969	<b>CONSOLE EXTENSION HARNESS</b> Auto Trans, From Dash To Console Harness	\$87.00	
15695	1970	<b>CONSOLE EXTENSION HARNESS</b> Auto Trans, From Dash To Console Harness	\$87.00	
15995	1971	<b>CONSOLE EXTENSION HARNESS</b> Auto Trans, From Dash To Console Harness	\$46.00	
15995	1972	<b>CONSOLE EXTENSION HARNESS</b> Auto Trans, From Dash To Console Harness	\$46.00	
<b>CONSOLE HARNESS</b>				
04460	1964	<b>CONSOLE HARNESS</b> Auto Trans	\$81.00	
04465	1964	<b>CONSOLE HARNESS</b> Manual Trans	\$64.00	
04460	1965	<b>CONSOLE HARNESS</b> Auto Trans	\$81.00	
04465	1965	<b>CONSOLE HARNESS</b> Manual Trans	\$64.00	
09430	1966	<b>CONSOLE HARNESS</b> Auto Trans	\$87.00	
10485	1967	<b>CONSOLE HARNESS</b> Auto Trans	\$81.00	
10485	1968	<b>CONSOLE HARNESS</b> Auto Trans	\$81.00	

**Cutlass**  
4-4-2/F-85



**Phone (562) 926-9552**  
**Fax (562) 926-9572**

Part Number	Year	Description	Price	*Rev.
10485	1969	<b>CONSOLE HARNESS</b> Auto Trans	\$81.00	
15590	1970	<b>CONSOLE HARNESS</b> Auto Trans	\$69.00	
16000	1971	<b>CONSOLE HARNESS</b> Auto Trans	\$75.00	
16000	1972	<b>CONSOLE HARNESS</b> Auto Trans	\$75.00	
<b>COURTESY LAMP HARNESS</b>				
04470	1964	<b>COURTESY LAMP HARNESS</b> Under Dash	\$58.00	
06890	1964	<b>COURTESY LAMP HARNESS</b> Cutlass Holiday Coupe, With Dual Rear Sail Panel Lights	\$52.00	
06885	1964	<b>COURTESY LAMP HARNESS</b> Center Roof Mounted Dome Lamp, F-85 Coupe	\$28.00	
06880	1964	<b>COURTESY LAMP HARNESS</b> Center Roof Mounted Dome Lamp, F-85 4 Door Sedan	\$29.00	
07110	1964	<b>COURTESY LAMP HARNESS</b> With Dual Rear Sail Panel Lights, F-85 Vista Cruiser Wagon	\$58.00	
04470	1965	<b>COURTESY LAMP HARNESS</b> Under Dash	\$58.00	
07710	1965	<b>COURTESY LAMP HARNESS</b> With Dual Rear Sail Panel Lights	\$46.00	
07580	1965	<b>COURTESY LAMP HARNESS</b> Center Roof Mounted Dome Lamp, All Cutlass & F-85 Coupes	\$28.00	
07575	1965	<b>COURTESY LAMP HARNESS</b> Center Roof Mounted Dome Lamp, F-85 4 Door Sedan	\$34.00	
04470	1966	<b>COURTESY LAMP HARNESS</b> Under Dash	\$58.00	
07710	1966	<b>COURTESY LAMP HARNESS</b> With Dual Rear Sail Panel Lights	\$46.00	
04470	1967	<b>COURTESY LAMP HARNESS</b> Under Dash	\$58.00	
07710	1967	<b>COURTESY LAMP HARNESS</b> With Dual Rear Sail Panel Lights	\$46.00	
12765	1968	<b>COURTESY LAMP HARNESS</b> Under Dash	\$69.00	
13415	1969	<b>COURTESY LAMP HARNESS</b> Under Dash	\$69.00	
15600	1970	<b>COURTESY LAMP HARNESS</b> Under Dash	\$69.00	
15600	1971	<b>COURTESY LAMP HARNESS</b> Under Dash	\$69.00	
15600	1972	<b>COURTESY LAMP HARNESS</b> Under Dash	\$69.00	
<b>COURTESY LAMP REPAIR PIGTAIL</b>				
43896	1964	<b>COURTESY LAMP REPAIR PIGTAIL</b> Convertible, 1/4 Arm Rest Courtesy Lamp, Includes Socket And 6" Of 18 Gauge, Orange & White Wire Note: Original Wire Was 18 Gauge, Sometimes With A Heavy Wall Type Insulation. Repair Pigtail Is Also 18 Gauge, But Today's Insulation Is Of Much Higher Quality, And May Not Be As Thick As Some Original Cables.	\$14.00	
43896	1965	<b>COURTESY LAMP REPAIR PIGTAIL</b> Convertible, 1/4 Arm Rest Courtesy Lamp, Includes Socket And 6" Of 18 Gauge, Orange & White Wire Note: Original Wire Was 18 Gauge, Sometimes With A Heavy Wall Type Insulation. Repair Pigtail Is Also 18 Gauge, But Today's Insulation Is Of Much Higher Quality, And May Not Be As Thick As Some Original Cables.	\$14.00	
43896	1966	<b>COURTESY LAMP REPAIR PIGTAIL</b> Convertible, 1/4 Arm Rest Courtesy Lamp, Includes Socket And 6" Of 18 Gauge, Orange & White Wire Note: Original Wire Was 18 Gauge, Sometimes With A Heavy Wall Type Insulation. Repair Pigtail Is Also 18 Gauge, But Today's Insulation Is Of Much Higher Quality, And May Not Be As Thick As Some Original Cables.	\$14.00	
43896	1967	<b>COURTESY LAMP REPAIR PIGTAIL</b> Convertible, 1/4 Arm Rest Courtesy Lamp, Includes Socket And 6" Of 18 Gauge, Orange & White Wire Note: Original Wire Was 18 Gauge, Sometimes With A Heavy Wall Type Insulation. Repair Pigtail Is Also 18 Gauge, But Today's Insulation Is Of Much Higher Quality, And May Not Be As Thick As Some Original Cables.	\$14.00	
43896	1968	<b>COURTESY LAMP REPAIR PIGTAIL</b> Convertible, 1/4 Arm Rest Courtesy Lamp, Includes Socket And 6" Of 18 Gauge, Orange & White Wire Note: Original Wire Was 18 Gauge, Sometimes With A Heavy Wall Type Insulation. Repair Pigtail Is Also 18 Gauge, But Today's Insulation Is Of Much Higher Quality, And May Not Be As Thick As Some Original Cables.	\$14.00	
43896	1969	<b>COURTESY LAMP REPAIR PIGTAIL</b> Convertible, 1/4 Arm Rest Courtesy Lamp, Includes Socket And 6" Of 18 Gauge, Orange & White Wire Note: Original Wire Was 18 Gauge, Sometimes With A Heavy Wall Type Insulation. Repair Pigtail Is Also 18 Gauge, But Today's Insulation Is Of Much Higher Quality, And May Not Be As Thick As Some Original Cables.	\$14.00	

**Cutlass**  
**4-4-2/F-85**



**Phone (562) 926-9552**  
**Fax (562) 926-9572**

Part Number	Year	Description	Price	*Rev.
43896	1970	<b>COURTESY LAMP REPAIR PIGTAIL</b> Convertible, 1/4 Arm Rest Courtesy Lamp, Includes Socket And 6" Of 18 Gauge, Orange & White Wire Note: Original Wire Was 18 Gauge, Sometimes With A Heavy Wall Type Insulation. Repair Pigtail Is Also 18 Gauge, But Today's Insulation Is Of Much Higher Quality, And May Not Be As Thick As Some Original Cables.	\$14.00	
43896	1971	<b>COURTESY LAMP REPAIR PIGTAIL</b> Convertible, 1/4 Arm Rest Courtesy Lamp, Includes Socket And 6" Of 18 Gauge, Orange & White Wire Note: Original Wire Was 18 Gauge, Sometimes With A Heavy Wall Type Insulation. Repair Pigtail Is Also 18 Gauge, But Today's Insulation Is Of Much Higher Quality, And May Not Be As Thick As Some Original Cables.	\$14.00	
43896	1972	<b>COURTESY LAMP REPAIR PIGTAIL</b> Convertible, 1/4 Arm Rest Courtesy Lamp, Includes Socket And 6" Of 18 Gauge, Orange & White Wire Note: Original Wire Was 18 Gauge, Sometimes With A Heavy Wall Type Insulation. Repair Pigtail Is Also 18 Gauge, But Today's Insulation Is Of Much Higher Quality, And May Not Be As Thick As Some Original Cables.	\$14.00	

**CRUISE CONTROL HARNESS**

05770	1965	<b>CRUISE CONTROL HARNESS</b>	\$75.00	
10055	1966	<b>CRUISE CONTROL HARNESS</b>	\$75.00	
11115	1967	<b>CRUISE CONTROL HARNESS</b>	\$75.00	
12270	1968	<b>CRUISE CONTROL HARNESS</b>	\$75.00	
13280	1969	<b>CRUISE CONTROL HARNESS</b>	\$98.00	
15610	1970	<b>CRUISE CONTROL HARNESS</b>	\$98.00	
15610	1971	<b>CRUISE CONTROL HARNESS</b>	\$98.00	
16730	1972	<b>CRUISE CONTROL HARNESS</b>	\$98.00	

**DASH HARNESS**

04335	1964	<b>DASH HARNESS</b> Auto Trans	\$574.00	
04330	1964	<b>DASH HARNESS</b> Manual Trans	\$563.00	
05205	1965	<b>DASH HARNESS</b> All Note: Customer Must Supply Their Original Fuseblock.	\$547.00	
10645	1966	<b>DASH HARNESS</b> Cutlass Note: Customer Must Supply Their Original Fuseblock.	\$563.00	
18300	1966	<b>DASH HARNESS</b> Cutlass, With Gauges Note: Customer Must Supply Their Original Fuseblock.	\$574.00	
10640	1966	<b>DASH HARNESS</b> F-85 Note: Customer Must Supply Their Original Fuseblock.	\$574.00	
10495	1966	<b>DASH HARNESS</b> F-85, With Gauges Note: Customer Must Supply Their Original Fuseblock.	\$574.00	
10285	1967	<b>DASH HARNESS</b> Auto Trans Note: Customer Must Supply Their Original Fuseblock.	\$547.00	
11615	1967	<b>DASH HARNESS</b> Manual Trans Note: Customer Must Supply Their Original Fuseblock.	\$563.00	
11620	1967	<b>DASH HARNESS</b> All With Gauges Note: Customer Must Supply Their Original Fuseblock.	\$547.00	
12760	1968	<b>DASH HARNESS</b> Auto Trans	\$563.00	
12755	1968	<b>DASH HARNESS</b> Manual Trans	\$574.00	
13250	1968	<b>DASH HARNESS</b> All With Gauges	\$563.00	
12775	1969	<b>DASH HARNESS</b> Auto Trans	\$563.00	
13495	1969	<b>DASH HARNESS</b> Manual Trans	\$574.00	
12720	1969	<b>DASH HARNESS</b> All With Gauges	\$563.00	
15660	1970	<b>DASH HARNESS</b> Auto Trans	\$574.00	
13570	1970	<b>DASH HARNESS</b> Manual Trans	\$574.00	
15665	1970	<b>DASH HARNESS</b> All With Gauges	\$574.00	

**Cutlass**  
4-4-2/F-85



**Phone (562) 926-9552**  
**Fax (562) 926-9572**

Part Number	Year	Description	Price	*Rev.
15820	1971	<b>DASH HARNESS</b> Auto Trans	\$574.00	
15815	1971	<b>DASH HARNESS</b> Manual Trans	\$604.00	
15825	1971	<b>DASH HARNESS</b> All With Gauges	\$574.00	
16700	1972	<b>DASH HARNESS</b> Auto Trans	\$574.00	
16695	1972	<b>DASH HARNESS</b> Manual Trans	\$604.00	
16880	1972	<b>DASH HARNESS</b> All With Gauges	\$604.00	
<b>DISTRIBUTOR WIRE</b>				
36057	1964	<b>DISTRIBUTOR WIRE</b> Distributor Points To Coil Negative Terminal, V/8 Note: Fits All GM V/8 Points Type Distributors From Approx. 1957 To 1974.	\$15.00	C
36057	1965	<b>DISTRIBUTOR WIRE</b> Distributor Points To Coil Negative Terminal, V/8 Note: Fits All GM V/8 Points Type Distributors From Approx. 1957 To 1974.	\$15.00	C
36057	1966	<b>DISTRIBUTOR WIRE</b> Distributor Points To Coil Negative Terminal, V/8 Note: Fits All GM V/8 Points Type Distributors From Approx. 1957 To 1974.	\$15.00	C
36057	1967	<b>DISTRIBUTOR WIRE</b> Distributor Points To Coil Negative Terminal, V/8 Note: Fits All GM V/8 Points Type Distributors From Approx. 1957 To 1974.	\$15.00	C
36057	1968	<b>DISTRIBUTOR WIRE</b> Distributor Points To Coil Negative Terminal, V/8 Note: Fits All GM V/8 Points Type Distributors From Approx. 1957 To 1974.	\$15.00	C
36057	1969	<b>DISTRIBUTOR WIRE</b> Distributor Points To Coil Negative Terminal, V/8 Note: Fits All GM V/8 Points Type Distributors From Approx. 1957 To 1974.	\$15.00	C
36057	1970	<b>DISTRIBUTOR WIRE</b> Distributor Points To Coil Negative Terminal, V/8 Note: Fits All GM V/8 Points Type Distributors From Approx. 1957 To 1974.	\$15.00	C
36057	1971	<b>DISTRIBUTOR WIRE</b> Distributor Points To Coil Negative Terminal, V/8 Note: Fits All GM V/8 Points Type Distributors From Approx. 1957 To 1974.	\$15.00	C
36057	1972	<b>DISTRIBUTOR WIRE</b> Distributor Points To Coil Negative Terminal, V/8 Note: Fits All GM V/8 Points Type Distributors From Approx. 1957 To 1974.	\$15.00	C
36057	1973	<b>DISTRIBUTOR WIRE</b> Distributor Points To Coil Negative Terminal, V/8 Note: Fits All GM V/8 Points Type Distributors From Approx. 1957 To 1974.	\$15.00	C
36057	1974	<b>DISTRIBUTOR WIRE</b> Distributor Points To Coil Negative Terminal, V/8 Note: Fits All GM V/8 Points Type Distributors From Approx. 1957 To 1974.	\$15.00	C
<b>ENGINE HARNESS</b>				
04350	1964	<b>ENGINE HARNESS</b> 6 Cylinder (V/6) Note: 6 Cylinder Items Are Not Returnable.	\$183.00	
04355	1964	<b>ENGINE HARNESS</b> V/8	\$149.00	
43177	1964	<b>ENGINE HARNESS - HEI</b> V/8 Note: This Harness Is Modified For Use With An HEI Distributor.	\$170.00	
43178	1964	<b>ENGINE HARNESS - SI SERIES INT REG ALT</b> V/8 Note: Modified For 1972-84 Non-Serpentine Belt ("SI" Series) Internal Regulated Alternators Mounted In The Factory Location.	\$182.00	
43179	1964	<b>ENGINE HARNESS - HEI &amp; SI SERIES INT REG ALT</b> V/8 Note: Modified For HEI & 1972-84 Non-Serpentine Belt ("SI" Series) Internal Regulated Alternators Mounted In The Factory Location.	\$194.00	
05210	1965	<b>ENGINE HARNESS</b> 6 Cylinder (V/6) Note: 6 Cylinder Items Are Not Returnable.	\$183.00	
05215	1965	<b>ENGINE HARNESS</b> V/8	\$149.00	
43180	1965	<b>ENGINE HARNESS - HEI</b> V/8 Note: This Harness Is Modified For Use With An HEI Distributor.	\$170.00	
43181	1965	<b>ENGINE HARNESS - SI SERIES INT REG ALT</b> V/8 Note: Modified For 1972-84 Non-Serpentine Belt ("SI" Series) Internal Regulated Alternators Mounted In The Factory Location.	\$182.00	
43182	1965	<b>ENGINE HARNESS - HEI &amp; SI SERIES INT REG ALT</b> V/8 Note: Modified For HEI & 1972-84 Non-Serpentine Belt ("SI" Series) Internal Regulated Alternators Mounted In The Factory Location.	\$194.00	

**Cutlass**  
**4-4-2/F-85**



**Phone (562) 926-9552**  
**Fax (562) 926-9572**

Part Number	Year	Description	Price	*Rev.
09280	1966	<b>ENGINE HARNESS</b> 6 Cylinder, Auto Trans Note: 6 Cylinder Items Are Not Returnable.	\$183.00	
10140	1966	<b>ENGINE HARNESS</b> 6 Cylinder, Manual Trans Note: 6 Cylinder Items Are Not Returnable.	\$183.00	
10180	1966	<b>ENGINE HARNESS</b> V/8, Cutlass	\$149.00	
43183	1966	<b>ENGINE HARNESS - HEI</b> V/8, Cutlass Note: This Harness Is Modified For Use With An HEI Distributor.	\$170.00	
43184	1966	<b>ENGINE HARNESS - SI SERIES INT REG ALT</b> V/8, Cutlass Note: Modified For 1972-84 Non-Serpentine Belt ("SI" Series) Internal Regulated Alternators Mounted In The Factory Location.	\$182.00	
43185	1966	<b>ENGINE HARNESS - HEI &amp; SI SERIES INT REG ALT</b> V/8, Cutlass Note: Modified For HEI & 1972-84 Non-Serpentine Belt ("SI" Series) Internal Regulated Alternators Mounted In The Factory Location.	\$194.00	
10500	1966	<b>ENGINE HARNESS</b> V/8, Cutlass, With Gauges	\$160.00	
43186	1966	<b>ENGINE HARNESS - HEI</b> V/8, Cutlass, With Gauges Note: This Harness Is Modified For Use With An HEI Distributor.	\$181.00	
43187	1966	<b>ENGINE HARNESS - SI SERIES INT REG ALT</b> V/8, Cutlass, With Gauges Note: Modified For 1972-84 Non-Serpentine Belt ("SI" Series) Internal Regulated Alternators Mounted In The Factory Location.	\$194.00	
43188	1966	<b>ENGINE HARNESS - HEI &amp; SI SERIES INT REG ALT</b> V/8, Cutlass, With Gauges Note: Modified For HEI & 1972-84 Non-Serpentine Belt ("SI" Series) Internal Regulated Alternators Mounted In The Factory Location.	\$205.00	
10155	1966	<b>ENGINE HARNESS</b> V/8, F-85	\$149.00	
43189	1966	<b>ENGINE HARNESS - HEI</b> V/8, F-85 Note: This Harness Is Modified For Use With An HEI Distributor.	\$170.00	
43190	1966	<b>ENGINE HARNESS - SI SERIES INT REG ALT</b> V/8, F-85 Note: Modified For 1972-84 Non-Serpentine Belt ("SI" Series) Internal Regulated Alternators Mounted In The Factory Location.	\$182.00	
43191	1966	<b>ENGINE HARNESS - HEI &amp; SI SERIES INT REG ALT</b> V/8, F-85 Note: Modified For HEI & 1972-84 Non-Serpentine Belt ("SI" Series) Internal Regulated Alternators Mounted In The Factory Location.	\$194.00	
10505	1966	<b>ENGINE HARNESS</b> V/8, F-85, With Gauges	\$160.00	
43192	1966	<b>ENGINE HARNESS - HEI</b> V/8, F-85, With Gauges Note: This Harness Is Modified For Use With An HEI Distributor.	\$181.00	
43193	1966	<b>ENGINE HARNESS - SI SERIES INT REG ALT</b> V/8, F-85, With Gauges Note: Modified For 1972-84 Non-Serpentine Belt ("SI" Series) Internal Regulated Alternators Mounted In The Factory Location.	\$194.00	
43194	1966	<b>ENGINE HARNESS - HEI &amp; SI SERIES INT REG ALT</b> V/8, F-85, With Gauges Note: Modified For HEI & 1972-84 Non-Serpentine Belt ("SI" Series) Internal Regulated Alternators Mounted In The Factory Location.	\$205.00	
10380	1967	<b>ENGINE HARNESS</b> 6 Cylinder, Auto Trans Note: 6 Cylinder Items Are Not Returnable.	\$183.00	
10385	1967	<b>ENGINE HARNESS</b> 6 Cylinder, Manual Trans Note: 6 Cylinder Items Are Not Returnable.	\$183.00	
10390	1967	<b>ENGINE HARNESS</b> V/8	\$149.00	
43195	1967	<b>ENGINE HARNESS - HEI</b> V/8 Note: This Harness Is Modified For Use With An HEI Distributor.	\$170.00	
43196	1967	<b>ENGINE HARNESS - SI SERIES INT REG ALT</b> V/8 Note: Modified For 1972-84 Non-Serpentine Belt ("SI" Series) Internal Regulated Alternators Mounted In The Factory Location.	\$182.00	
43197	1967	<b>ENGINE HARNESS - HEI &amp; SI SERIES INT REG ALT</b> V/8 Note: Modified For HEI & 1972-84 Non-Serpentine Belt ("SI" Series) Internal Regulated Alternators Mounted In The Factory Location.	\$194.00	
10745	1967	<b>ENGINE HARNESS</b> V/8, With Gauges	\$160.00	
43198	1967	<b>ENGINE HARNESS - HEI</b> V/8, With Gauges Note: This Harness Is Modified For Use With An HEI Distributor.	\$181.00	
43199	1967	<b>ENGINE HARNESS - SI SERIES INT REG ALT</b> V/8, With Gauges Note: Modified For 1972-84 Non-Serpentine Belt ("SI" Series) Internal Regulated Alternators Mounted In The Factory Location.	\$194.00	

**Cutlass**  
**4-4-2/F-85**



**Phone (562) 926-9552**  
**Fax (562) 926-9572**

Part Number	Year	Description	Price	*Rev.
43200	1967	<b>ENGINE HARNESS - HEI &amp; SI SERIES INT REG ALT</b> V/8, With Gauges Note: Modified For HEI & 1972-84 Non-Serpentine Belt ("SI" Series) Internal Regulated Alternators Mounted In The Factory Location.	\$205.00	
11580	1968	<b>ENGINE HARNESS</b> 6 Cylinder Note: 6 Cylinder Items Are Not Returnable.	\$156.00	
11585	1968	<b>ENGINE HARNESS</b> V/8	\$127.00	
43201	1968	<b>ENGINE HARNESS - HEI</b> V/8 Note: This Harness Is Modified For Use With An HEI Distributor.	\$148.00	
16170	1968	<b>ENGINE HARNESS</b> V/8, With Carburetor Idle Stop Solenoid	\$127.00	
43202	1968	<b>ENGINE HARNESS - HEI</b> V/8, With Carburetor Idle Stop Solenoid Note: This Harness Is Modified For Use With An HEI Distributor.	\$148.00	
11590	1968	<b>ENGINE HARNESS</b> V/8, With Carburetor Idle Stop Solenoid & Gauges	\$127.00	
43203	1968	<b>ENGINE HARNESS - HEI</b> V/8, With Carburetor Idle Stop Solenoid & Gauges Note: This Harness Is Modified For Use With An HEI Distributor.	\$148.00	
12640	1968	<b>ENGINE HARNESS</b> V/8, With Transistor Ignition & Gauges	\$144.00	
11580	1969	<b>ENGINE HARNESS</b> 6 Cylinder Note: 6 Cylinder Items Are Not Returnable.	\$156.00	
11585	1969	<b>ENGINE HARNESS</b> V/8	\$127.00	
43206	1969	<b>ENGINE HARNESS - HEI</b> V/8 Note: This Harness Is Modified For Use With An HEI Distributor.	\$148.00	
16170	1969	<b>ENGINE HARNESS</b> V/8, With Carburetor Idle Stop Solenoid (4 Bbl.) Note: On 2 Bbl. Carb Cars With Idle Stop Solenoid Use Part# 11585 Engine Harness And Part# 12800 Idle Stop Control Wire.	\$127.00	
43207	1969	<b>ENGINE HARNESS - HEI</b> V/8, With Carburetor Idle Stop Solenoid (4 Bbl.) Note: This Harness Is Modified For Use With An HEI Distributor. On 2 Bbl. Carb Cars With Idle Stop Solenoid Use Part# 11585 Engine Harness And Part# 12800 Idle Stop Control Wire.	\$148.00	
11590	1969	<b>ENGINE HARNESS</b> V/8, With Carburetor Idle Stop Solenoid (4 Bbl.) & Gauges Note: On 2 Bbl. Carb Cars With Idle Stop Solenoid Use Part# 11585 Engine Harness And Part# 12800 Idle Stop Control Wire.	\$127.00	
43208	1969	<b>ENGINE HARNESS - HEI</b> V/8, With Carburetor Idle Stop Solenoid (4 Bbl.) & Gauges Note: This Harness Is Modified For Use With An HEI Distributor. On 2 Bbl. Carb Cars With Idle Stop Solenoid Use Part# 11585 Engine Harness And Part# 12800 Idle Stop Control Wire.	\$148.00	
12640	1969	<b>ENGINE HARNESS</b> V/8, With Transistor Ignition & Gauges	\$144.00	
15785	1970	<b>ENGINE HARNESS</b> 6 Cylinder, Auto Trans Note: 6 Cylinder Items Are Not Returnable.	\$161.00	
15790	1970	<b>ENGINE HARNESS</b> 6 Cylinder, Manual Trans Note: 6 Cylinder Items Are Not Returnable.	\$161.00	
15675	1970	<b>ENGINE HARNESS</b> V/8, Auto Trans	\$144.00	
43209	1970	<b>ENGINE HARNESS - HEI</b> V/8, Auto Trans Note: This Harness Is Modified For Use With An HEI Distributor.	\$165.00	
15680	1970	<b>ENGINE HARNESS</b> V/8, Manual Trans	\$144.00	
43210	1970	<b>ENGINE HARNESS - HEI</b> V/8, Manual Trans Note: This Harness Is Modified For Use With An HEI Distributor.	\$165.00	
16101	1971	<b>ENGINE HARNESS</b> 6 Cylinder, Auto Trans Note: 6 Cylinder Items Are Not Returnable.	\$173.00	
16015	1971	<b>ENGINE HARNESS</b> 6 Cylinder, Manual Trans Note: 6 Cylinder Items Are Not Returnable.	\$173.00	
15865	1971	<b>ENGINE HARNESS</b> V/8, Auto Trans	\$144.00	
43211	1971	<b>ENGINE HARNESS - HEI</b> V/8, Auto Trans Note: This Harness Is Modified For Use With An HEI Distributor.	\$165.00	
16320	1971	<b>ENGINE HARNESS</b> V/8, Manual Trans	\$144.00	



**Cutlass**  
**4-4-2/F-85**



**Phone (562) 926-9552**  
**Fax (562) 926-9572**

Part Number	Year	Description	Price	*Rev.
43212	1971	<b>ENGINE HARNESS - HEI</b> V/8, Manual Trans Note: This Harness Is Modified For Use With An HEI Distributor.	\$165.00	
16630	1972	<b>ENGINE HARNESS</b> V/8, Auto Trans	\$196.00	
43213	1972	<b>ENGINE HARNESS - HEI</b> V/8, Auto Trans Note: This Harness Is Modified For Use With An HEI Distributor.	\$217.00	
43214	1972	<b>ENGINE HARNESS - SI SERIES INT REG ALT</b> V/8, Auto Trans Note: Modified For 1972-84 Non-Serpentine Belt ("SI" Series) Internal Regulated Alternators Mounted In The Factory Location.	\$229.00	
43215	1972	<b>ENGINE HARNESS - HEI &amp; SI SERIES INT REG ALT</b> V/8, Auto Trans Note: Modified For HEI & 1972-84 Non-Serpentine Belt ("SI" Series) Internal Regulated Alternators Mounted In The Factory Location.	\$241.00	
16625	1972	<b>ENGINE HARNESS</b> V/8, Manual Trans	\$196.00	
43216	1972	<b>ENGINE HARNESS - HEI</b> V/8, Manual Trans Note: This Harness Is Modified For Use With An HEI Distributor.	\$217.00	
43217	1972	<b>ENGINE HARNESS - SI SERIES INT REG ALT</b> V/8, Manual Trans Note: Modified For 1972-84 Non-Serpentine Belt ("SI" Series) Internal Regulated Alternators Mounted In The Factory Location.	\$229.00	
43218	1972	<b>ENGINE HARNESS - HEI &amp; SI SERIES INT REG ALT</b> V/8, Manual Trans Note: Modified For HEI & 1972-84 Non-Serpentine Belt ("SI" Series) Internal Regulated Alternators Mounted In The Factory Location.	\$241.00	
<b>FORWARD LAMP HARNESS</b>				
04340	1964	<b>FORWARD LAMP HARNESS</b> 6 Cylinder (V/6) Note: 6 Cylinder Items Are Not Returnable.	\$207.00	
04345	1964	<b>FORWARD LAMP HARNESS</b> V/8	\$190.00	
05220	1965	<b>FORWARD LAMP HARNESS</b> 6 Cylinder (V/6) Note: 6 Cylinder Items Are Not Returnable.	\$207.00	
05225	1965	<b>FORWARD LAMP HARNESS</b> V/8	\$190.00	
10625	1966	<b>FORWARD LAMP HARNESS</b> 6 Cylinder Note: 6 Cylinder Items Are Not Returnable.	\$207.00	
10630	1966	<b>FORWARD LAMP HARNESS</b> V/8	\$190.00	
10510	1966	<b>FORWARD LAMP HARNESS</b> V/8, With Gauges	\$196.00	
10395	1967	<b>FORWARD LAMP HARNESS</b> All	\$190.00	
12335	1968	<b>FORWARD LAMP HARNESS</b> 6 Cylinder Note: 6 Cylinder Items Are Not Returnable.	\$265.00	
12340	1968	<b>FORWARD LAMP HARNESS</b> V/8	\$230.00	
43204	1968	<b>FORWARD LAMP HARNESS - INT REG ALT</b> V/8 Note: Modified For 1972-84 Non-Serpentine Belt ("SI" Series) Internal Regulated Alternators Mounted In The Factory Location.	\$264.00	
12350	1968	<b>FORWARD LAMP HARNESS</b> V/8, With A/C	\$253.00	
43205	1968	<b>FORWARD LAMP HARNESS - INT REG ALT</b> V/8, With A/C Note: Modified For 1972-84 Non-Serpentine Belt ("SI" Series) Internal Regulated Alternators Mounted In The Factory Location.	\$264.00	
12785	1969	<b>FORWARD LAMP HARNESS</b> 6 Cylinder Note: 6 Cylinder Items Are Not Returnable.	\$253.00	
12790	1969	<b>FORWARD LAMP HARNESS</b> V/8	\$253.00	
12795	1969	<b>FORWARD LAMP HARNESS</b> V/8, With A/C	\$253.00	
13255	1969	<b>FORWARD LAMP HARNESS</b> V/8, With Internal Regulator Alternator	\$230.00	
13260	1969	<b>FORWARD LAMP HARNESS</b> V/8, With A/C & Internal Regulator Alternator	\$230.00	
13585	1970	<b>FORWARD LAMP HARNESS</b> 6 Cylinder Note: 6 Cylinder Items Are Not Returnable.	\$253.00	
13590	1970	<b>FORWARD LAMP HARNESS</b> V/8	\$253.00	
13595	1970	<b>FORWARD LAMP HARNESS</b> V/8, With A/C	\$230.00	
13600	1970	<b>FORWARD LAMP HARNESS</b> V/8, With Internal Regulator Alternator	\$230.00	
13605	1970	<b>FORWARD LAMP HARNESS</b> V/8, With A/C & Internal Regulator Alternator	\$230.00	

**Cutlass**  
4-4-2/F-85



**Phone (562) 926-9552**  
**Fax (562) 926-9572**

Part Number	Year	Description	Price	*Rev.
15965	1971	<b>FORWARD LAMP HARNESS</b> 6 Cylinder Note: 6 Cylinder Items Are Not Returnable.	\$265.00	
15870	1971	<b>FORWARD LAMP HARNESS</b> V/8	\$253.00	
15875	1971	<b>FORWARD LAMP HARNESS</b> V/8, With Internal Regulator Alternator	\$253.00	
16635	1972	<b>FORWARD LAMP HARNESS</b> All	\$225.00	
<b>FUEL TANK SENDER WIRE</b>				
01040	1968	<b>FUEL TANK SENDER WIRE</b> All, Except Wagons	\$17.00	
11910	1968	<b>FUEL TANK SENDER WIRE</b> Wagon	\$26.00	
01040	1969	<b>FUEL TANK SENDER WIRE</b> All, Except Wagons	\$17.00	
11910	1969	<b>FUEL TANK SENDER WIRE</b> Wagon	\$26.00	
01040	1970	<b>FUEL TANK SENDER WIRE</b> All, Except Wagons	\$17.00	
11910	1970	<b>FUEL TANK SENDER WIRE</b> Wagon	\$26.00	
01040	1971	<b>FUEL TANK SENDER WIRE</b> All, Except Wagons	\$17.00	
11910	1971	<b>FUEL TANK SENDER WIRE</b> Wagon	\$26.00	
01040	1972	<b>FUEL TANK SENDER WIRE</b> All, Except Wagons	\$17.00	
11910	1972	<b>FUEL TANK SENDER WIRE</b> Wagon	\$26.00	
<b>GLOVE BOX LAMP KIT</b>				
18000	1961	<b>GLOVE BOX LAMP KIT</b> Socket, Bulb & Wire	\$21.00	
18000	1962	<b>GLOVE BOX LAMP KIT</b> Socket, Bulb & Wire	\$21.00	
18000	1963	<b>GLOVE BOX LAMP KIT</b> Socket, Bulb & Wire	\$21.00	
18000	1964	<b>GLOVE BOX LAMP KIT</b> Socket, Bulb & Wire	\$21.00	
18000	1965	<b>GLOVE BOX LAMP KIT</b> Socket, Bulb & Wire	\$21.00	
18000	1966	<b>GLOVE BOX LAMP KIT</b> Socket, Bulb & Wire	\$21.00	
18000	1967	<b>GLOVE BOX LAMP KIT</b> Socket, Bulb & Wire	\$21.00	
18000	1968	<b>GLOVE BOX LAMP KIT</b> Socket, Bulb & Wire	\$21.00	
18000	1969	<b>GLOVE BOX LAMP KIT</b> Socket, Bulb & Wire	\$21.00	
<b>GLOVE BOX LAMP WIRE</b>				
06075	1966	<b>GLOVE BOX LAMP WIRE</b>	\$14.00	
11665	1968	<b>GLOVE BOX LAMP WIRE</b>	\$23.00	
11665	1969	<b>GLOVE BOX LAMP WIRE</b>	\$23.00	
<b>GROUND WIRE</b>				
11070	1967	<b>GROUND WIRE</b> Instrument Cluster	\$15.00	
11125	1967	<b>GROUND WIRE</b> Stereo Tape Player, Player To Dash	\$11.00	
11070	1968	<b>GROUND WIRE</b> Instrument Cluster	\$15.00	
12255	1968	<b>GROUND WIRE</b> Map Light	\$11.00	
11125	1968	<b>GROUND WIRE</b> Stereo Tape Player, Player To Dash	\$11.00	
11070	1969	<b>GROUND WIRE</b> Instrument Cluster	\$15.00	
12255	1969	<b>GROUND WIRE</b> Map Light	\$11.00	
11125	1969	<b>GROUND WIRE</b> Stereo Tape Player, Player To Dash	\$11.00	
11125	1970	<b>GROUND WIRE</b> Stereo Tape Player, Player To Dash	\$11.00	
11125	1971	<b>GROUND WIRE</b> Stereo Tape Player, Player To Dash	\$11.00	
<b>GROUND WIRE, DISTRIBUTOR POINT PLATE</b>				
38298	1964	<b>GROUND WIRE, DISTRIBUTOR POINT PLATE</b> From Distributor Point Plate To Distributor Housing Note: Replaces Spot Welded Wire Asm On Point Plate Side. Fits All GM V/8 Point Type Distributors From Approx. 1957-1974.	\$15.00	C
38298	1965	<b>GROUND WIRE, DISTRIBUTOR POINT PLATE</b> From Distributor Point Plate To Distributor Housing Note: Replaces Spot Welded Wire Asm On Point Plate Side. Fits All GM V/8 Point Type Distributors From Approx. 1957-1974.	\$15.00	C

Part Number	Year	Description	Price	*Rev.
38298	1966	<b>GROUND WIRE, DISTRIBUTOR POINT PLATE</b> From Distributor Point Plate To Distributor Housing Note: Replaces Spot Welded Wire Asm On Point Plate Side. Fits All GM V/8 Point Type Distributors From Approx. 1957-1974.	\$15.00	C
38298	1967	<b>GROUND WIRE, DISTRIBUTOR POINT PLATE</b> From Distributor Point Plate To Distributor Housing Note: Replaces Spot Welded Wire Asm On Point Plate Side. Fits All GM V/8 Point Type Distributors From Approx. 1957-1974.	\$15.00	C
38298	1968	<b>GROUND WIRE, DISTRIBUTOR POINT PLATE</b> From Distributor Point Plate To Distributor Housing Note: Replaces Spot Welded Wire Asm On Point Plate Side. Fits All GM V/8 Point Type Distributors From Approx. 1957-1974.	\$15.00	C
38298	1969	<b>GROUND WIRE, DISTRIBUTOR POINT PLATE</b> From Distributor Point Plate To Distributor Housing Note: Replaces Spot Welded Wire Asm On Point Plate Side. Fits All GM V/8 Point Type Distributors From Approx. 1957-1974.	\$15.00	C
38298	1970	<b>GROUND WIRE, DISTRIBUTOR POINT PLATE</b> From Distributor Point Plate To Distributor Housing Note: Replaces Spot Welded Wire Asm On Point Plate Side. Fits All GM V/8 Point Type Distributors From Approx. 1957-1974.	\$15.00	C
38298	1971	<b>GROUND WIRE, DISTRIBUTOR POINT PLATE</b> From Distributor Point Plate To Distributor Housing Note: Replaces Spot Welded Wire Asm On Point Plate Side. Fits All GM V/8 Point Type Distributors From Approx. 1957-1974.	\$15.00	C
38298	1972	<b>GROUND WIRE, DISTRIBUTOR POINT PLATE</b> From Distributor Point Plate To Distributor Housing Note: Replaces Spot Welded Wire Asm On Point Plate Side. Fits All GM V/8 Point Type Distributors From Approx. 1957-1974.	\$15.00	C
38298	1973	<b>GROUND WIRE, DISTRIBUTOR POINT PLATE</b> From Distributor Point Plate To Distributor Housing Note: Replaces Spot Welded Wire Asm On Point Plate Side. Fits All GM V/8 Point Type Distributors From Approx. 1957-1974.	\$15.00	C
38298	1974	<b>GROUND WIRE, DISTRIBUTOR POINT PLATE</b> From Distributor Point Plate To Distributor Housing Note: Replaces Spot Welded Wire Asm On Point Plate Side. Fits All GM V/8 Point Type Distributors From Approx. 1957-1974.	\$15.00	C

**HARNESS TAPE**

R0058272	1961	<b>HARNESS TAPE</b> 3/4" Vinyl (100 Ft. Roll) Non-Adhesive	\$12.00	
R0058276	1961	<b>HARNESS TAPE</b> 1" Vinyl (100 Ft. Roll) Non-Adhesive	\$13.00	
R0067108	1961	<b>HARNESS TAPE</b> 1 1/4" Vinyl (100 Ft. Roll) Non-Adhesive	\$15.00	
R0058272	1962	<b>HARNESS TAPE</b> 3/4" Vinyl (100 Ft. Roll) Non-Adhesive	\$12.00	
R0058276	1962	<b>HARNESS TAPE</b> 1" Vinyl (100 Ft. Roll) Non-Adhesive	\$13.00	
R0067108	1962	<b>HARNESS TAPE</b> 1 1/4" Vinyl (100 Ft. Roll) Non-Adhesive	\$15.00	
R0058272	1963	<b>HARNESS TAPE</b> 3/4" Vinyl (100 Ft. Roll) Non-Adhesive	\$12.00	
R0058276	1963	<b>HARNESS TAPE</b> 1" Vinyl (100 Ft. Roll) Non-Adhesive	\$13.00	
R0067108	1963	<b>HARNESS TAPE</b> 1 1/4" Vinyl (100 Ft. Roll) Non-Adhesive	\$15.00	
R0058272	1964	<b>HARNESS TAPE</b> 3/4" Vinyl (100 Ft. Roll) Non-Adhesive	\$12.00	
R0058276	1964	<b>HARNESS TAPE</b> 1" Vinyl (100 Ft. Roll) Non-Adhesive	\$13.00	
R0067108	1964	<b>HARNESS TAPE</b> 1 1/4" Vinyl (100 Ft. Roll) Non-Adhesive	\$15.00	
R0058272	1965	<b>HARNESS TAPE</b> 3/4" Vinyl (100 Ft. Roll) Non-Adhesive	\$12.00	
R0058276	1965	<b>HARNESS TAPE</b> 1" Vinyl (100 Ft. Roll) Non-Adhesive	\$13.00	
R0067108	1965	<b>HARNESS TAPE</b> 1 1/4" Vinyl (100 Ft. Roll) Non-Adhesive	\$15.00	
R0058272	1966	<b>HARNESS TAPE</b> 3/4" Vinyl (100 Ft. Roll) Non-Adhesive	\$12.00	
R0058276	1966	<b>HARNESS TAPE</b> 1" Vinyl (100 Ft. Roll) Non-Adhesive	\$13.00	
R0067108	1966	<b>HARNESS TAPE</b> 1 1/4" Vinyl (100 Ft. Roll) Non-Adhesive	\$15.00	
R0058272	1967	<b>HARNESS TAPE</b> 3/4" Vinyl (100 Ft. Roll) Non-Adhesive	\$12.00	
R0058276	1967	<b>HARNESS TAPE</b> 1" Vinyl (100 Ft. Roll) Non-Adhesive	\$13.00	
R0067108	1967	<b>HARNESS TAPE</b> 1 1/4" Vinyl (100 Ft. Roll) Non-Adhesive	\$15.00	
R0058272	1968	<b>HARNESS TAPE</b> 3/4" Vinyl (100 Ft. Roll) Non-Adhesive	\$12.00	
R0058276	1968	<b>HARNESS TAPE</b> 1" Vinyl (100 Ft. Roll) Non-Adhesive	\$13.00	
R0067108	1968	<b>HARNESS TAPE</b> 1 1/4" Vinyl (100 Ft. Roll) Non-Adhesive	\$15.00	
R0058272	1969	<b>HARNESS TAPE</b> 3/4" Vinyl (100 Ft. Roll) Non-Adhesive	\$12.00	
R0058276	1969	<b>HARNESS TAPE</b> 1" Vinyl (100 Ft. Roll) Non-Adhesive	\$13.00	
R0067108	1969	<b>HARNESS TAPE</b> 1 1/4" Vinyl (100 Ft. Roll) Non-Adhesive	\$15.00	
R0058272	1970	<b>HARNESS TAPE</b> 3/4" Vinyl (100 Ft. Roll) Non-Adhesive	\$12.00	

**Cutlass**  
4-4-2/F-85



**Phone (562) 926-9552**  
**Fax (562) 926-9572**

Part Number	Year	Description	Price	*Rev.
R0058276	1970	HARNESS TAPE 1" Vinyl (100 Ft. Roll) Non-Adhesive	\$13.00	
R0067108	1970	HARNESS TAPE 1 1/4" Vinyl (100 Ft. Roll) Non-Adhesive	\$15.00	
R0058272	1971	HARNESS TAPE 3/4" Vinyl (100 Ft. Roll) Non-Adhesive	\$12.00	
R0058276	1971	HARNESS TAPE 1" Vinyl (100 Ft. Roll) Non-Adhesive	\$13.00	
R0067108	1971	HARNESS TAPE 1 1/4" Vinyl (100 Ft. Roll) Non-Adhesive	\$15.00	
R0058272	1972	HARNESS TAPE 3/4" Vinyl (100 Ft. Roll) Non-Adhesive	\$12.00	
R0058276	1972	HARNESS TAPE 1" Vinyl (100 Ft. Roll) Non-Adhesive	\$13.00	
R0067108	1972	HARNESS TAPE 1 1/4" Vinyl (100 Ft. Roll) Non-Adhesive	\$15.00	
R0058272	1973	HARNESS TAPE 3/4" Vinyl (100 Ft. Roll) Non-Adhesive	\$12.00	
R0058276	1973	HARNESS TAPE 1" Vinyl (100 Ft. Roll) Non-Adhesive	\$13.00	
R0067108	1973	HARNESS TAPE 1 1/4" Vinyl (100 Ft. Roll) Non-Adhesive	\$15.00	
R0058272	1974	HARNESS TAPE 3/4" Vinyl (100 Ft. Roll) Non-Adhesive	\$12.00	
R0058276	1974	HARNESS TAPE 1" Vinyl (100 Ft. Roll) Non-Adhesive	\$13.00	
R0067108	1974	HARNESS TAPE 1 1/4" Vinyl (100 Ft. Roll) Non-Adhesive	\$15.00	
R0058272	1975	HARNESS TAPE 3/4" Vinyl (100 Ft. Roll) Non-Adhesive	\$12.00	
R0058276	1975	HARNESS TAPE 1" Vinyl (100 Ft. Roll) Non-Adhesive	\$13.00	
R0067108	1975	HARNESS TAPE 1 1/4" Vinyl (100 Ft. Roll) Non-Adhesive	\$15.00	
R0058272	1976	HARNESS TAPE 3/4" Vinyl (100 Ft. Roll) Non-Adhesive	\$12.00	
R0058276	1976	HARNESS TAPE 1" Vinyl (100 Ft. Roll) Non-Adhesive	\$13.00	
R0067108	1976	HARNESS TAPE 1 1/4" Vinyl (100 Ft. Roll) Non-Adhesive	\$15.00	
<b>HEATER HARNESS</b>				
43914	1964	HEATER HARNESS Without A/C	\$35.00	
43914	1965	HEATER HARNESS Without A/C	\$35.00	
43914	1966	HEATER HARNESS Without A/C	\$35.00	
18305	1967	HEATER HARNESS Without A/C	\$35.00	
12115	1968	HEATER HARNESS Without A/C	\$35.00	
12115	1969	HEATER HARNESS Without A/C	\$35.00	
18310	1970	HEATER HARNESS Without A/C	\$35.00	
18310	1971	HEATER HARNESS Without A/C	\$35.00	
18310	1972	HEATER HARNESS Without A/C	\$35.00	
<b>HOOD LAMP EXTENSION WIRE</b>				
10070	1968	HOOD LAMP EXTENSION WIRE Underhood Light (Original Factory Type Only)	\$17.00	
13270	1969	HOOD LAMP EXTENSION WIRE Underhood Light (Original Factory Type Only)	\$17.00	
<b>HOOD LAMP REPLACEMENT KIT</b>				
18410	1964	HOOD LAMP REPLACEMENT KIT Under Hood, Includes Socket, Wire & Bulb	\$62.00	C
18410	1965	HOOD LAMP REPLACEMENT KIT Under Hood, Includes Socket, Wire & Bulb	\$62.00	C
18410	1966	HOOD LAMP REPLACEMENT KIT Under Hood, Includes Socket, Wire & Bulb	\$62.00	C
18410	1967	HOOD LAMP REPLACEMENT KIT Under Hood, Includes Socket, Wire & Bulb	\$62.00	C
18410	1968	HOOD LAMP REPLACEMENT KIT Under Hood, Includes Socket, Wire & Bulb	\$62.00	C
18410	1969	HOOD LAMP REPLACEMENT KIT Under Hood, Includes Socket, Wire & Bulb	\$62.00	C
18410	1970	HOOD LAMP REPLACEMENT KIT Under Hood, Includes Socket, Wire & Bulb	\$62.00	C
18410	1971	HOOD LAMP REPLACEMENT KIT Under Hood, Includes Socket, Wire & Bulb	\$62.00	C
18410	1972	HOOD LAMP REPLACEMENT KIT Under Hood, Includes Socket, Wire & Bulb	\$62.00	C
18410	1973	HOOD LAMP REPLACEMENT KIT Under Hood, Includes Socket, Wire & Bulb	\$62.00	C
18410	1974	HOOD LAMP REPLACEMENT KIT Under Hood, Includes Socket, Wire & Bulb	\$62.00	C
18410	1975	HOOD LAMP REPLACEMENT KIT Under Hood, Includes Socket, Wire & Bulb	\$62.00	C

Part Number	Year	Description	Price	*Rev.
18410	1976	<b>HOOD LAMP REPLACEMENT KIT</b> Under Hood, Includes Socket, Wire & Bulb	\$62.00	C
18410	1977	<b>HOOD LAMP REPLACEMENT KIT</b> Under Hood, Includes Socket, Wire & Bulb	\$62.00	C
<b>HORN WIRE EXTENSION HARNESS</b>				
11550	1967	<b>HORN WIRE EXTENSION HARNESS</b> With W-30 Option	\$14.00	
<b>IDLE STOP CONTROL WIRE</b>				
12800	1969	<b>IDLE STOP CONTROL WIRE</b> 2 Bbl. Carburetor Only, From Carburetor Solenoid To Fuse Block Note: To Be Used With Engine Harness Part# 11585.	\$19.00	
<b>KICKDOWN SWITCH</b>				
01242101	1969	<b>KICKDOWN SWITCH</b> TH400 Auto Trans	\$45.00	
01242101	1970	<b>KICKDOWN SWITCH</b> TH400 Auto Trans	\$45.00	
01242101	1971	<b>KICKDOWN SWITCH</b> TH400 Auto Trans	\$45.00	
01242101	1972	<b>KICKDOWN SWITCH</b> TH400 Auto Trans	\$45.00	
01242101	1973	<b>KICKDOWN SWITCH</b> TH400 Auto Trans	\$45.00	
01242101	1974	<b>KICKDOWN SWITCH</b> TH400 Auto Trans	\$45.00	
01242101	1975	<b>KICKDOWN SWITCH</b> TH400 Auto Trans	\$45.00	
<b>LOW FUEL INDICATOR MODULE</b>				
500274	1964	<b>LOW FUEL INDICATOR MODULE</b> Generic "Adjustable" Low Fuel Warning Module Note: A Complete Electronic Control Unit To Activate A Warning Lamp Or Relay When Fuel Level Drops Below A User Adjustable Level.	\$64.00	C
500274	1965	<b>LOW FUEL INDICATOR MODULE</b> Generic "Adjustable" Low Fuel Warning Module Note: A Complete Electronic Control Unit To Activate A Warning Lamp Or Relay When Fuel Level Drops Below A User Adjustable Level.	\$64.00	C
500274	1966	<b>LOW FUEL INDICATOR MODULE</b> Generic "Adjustable" Low Fuel Warning Module Note: A Complete Electronic Control Unit To Activate A Warning Lamp Or Relay When Fuel Level Drops Below A User Adjustable Level.	\$64.00	C
500274	1967	<b>LOW FUEL INDICATOR MODULE</b> Generic "Adjustable" Low Fuel Warning Module Note: A Complete Electronic Control Unit To Activate A Warning Lamp Or Relay When Fuel Level Drops Below A User Adjustable Level.	\$64.00	C
500274	1968	<b>LOW FUEL INDICATOR MODULE</b> Generic "Adjustable" Low Fuel Warning Module Note: A Complete Electronic Control Unit To Activate A Warning Lamp Or Relay When Fuel Level Drops Below A User Adjustable Level.	\$64.00	C
500274	1969	<b>LOW FUEL INDICATOR MODULE</b> Generic "Adjustable" Low Fuel Warning Module Note: A Complete Electronic Control Unit To Activate A Warning Lamp Or Relay When Fuel Level Drops Below A User Adjustable Level.	\$64.00	C
500274	1970	<b>LOW FUEL INDICATOR MODULE</b> Generic "Adjustable" Low Fuel Warning Module Note: A Complete Electronic Control Unit To Activate A Warning Lamp Or Relay When Fuel Level Drops Below A User Adjustable Level.	\$64.00	C
500274	1971	<b>LOW FUEL INDICATOR MODULE</b> Generic "Adjustable" Low Fuel Warning Module Note: A Complete Electronic Control Unit To Activate A Warning Lamp Or Relay When Fuel Level Drops Below A User Adjustable Level.	\$64.00	C
500274	1972	<b>LOW FUEL INDICATOR MODULE</b> Generic "Adjustable" Low Fuel Warning Module Note: A Complete Electronic Control Unit To Activate A Warning Lamp Or Relay When Fuel Level Drops Below A User Adjustable Level.	\$64.00	C
500274	1973	<b>LOW FUEL INDICATOR MODULE</b> Generic "Adjustable" Low Fuel Warning Module Note: A Complete Electronic Control Unit To Activate A Warning Lamp Or Relay When Fuel Level Drops Below A User Adjustable Level.	\$64.00	C
500274	1974	<b>LOW FUEL INDICATOR MODULE</b> Generic "Adjustable" Low Fuel Warning Module Note: A Complete Electronic Control Unit To Activate A Warning Lamp Or Relay When Fuel Level Drops Below A User Adjustable Level.	\$64.00	C

**Cutlass**  
4-4-2/F-85



**Phone (562) 926-9552**  
**Fax (562) 926-9572**

Part Number	Year	Description	Price	*Rev.
500274	1975	<b>LOW FUEL INDICATOR MODULE</b> Generic "Adjustable" Low Fuel Warning Module Note: A Complete Electronic Control Unit To Activate A Warning Lamp Or Relay When Fuel Level Drops Below A User Adjustable Level.	\$64.00	C
500274	1976	<b>LOW FUEL INDICATOR MODULE</b> Generic "Adjustable" Low Fuel Warning Module Note: A Complete Electronic Control Unit To Activate A Warning Lamp Or Relay When Fuel Level Drops Below A User Adjustable Level.	\$64.00	C
500274	1977	<b>LOW FUEL INDICATOR MODULE</b> Generic "Adjustable" Low Fuel Warning Module Note: A Complete Electronic Control Unit To Activate A Warning Lamp Or Relay When Fuel Level Drops Below A User Adjustable Level.	\$64.00	C
<b>NEUTRAL SAFETY &amp; BACKUP LAMP SWITCH</b>				
01993659	1964	<b>NEUTRAL SAFETY &amp; BACKUP LAMP SWITCH</b> With Column Shift Powerglide Auto Trans	\$12.00	
01993659	1965	<b>NEUTRAL SAFETY &amp; BACKUP LAMP SWITCH</b> With Column Shift Powerglide Auto Trans	\$12.00	
01993659	1966	<b>NEUTRAL SAFETY &amp; BACKUP LAMP SWITCH</b> With Column Shift Powerglide Auto Trans	\$12.00	
09779665	1968	<b>NEUTRAL SAFETY &amp; BACKUP LAMP SWITCH</b> With Console Shift Hurst Auto Trans	\$71.00	
01994235	1969	<b>NEUTRAL SAFETY &amp; BACKUP LAMP SWITCH</b> With Column Shift Auto Trans, All	\$19.00	
01994235	1970	<b>NEUTRAL SAFETY &amp; BACKUP LAMP SWITCH</b> With Column Shift Auto Trans, All	\$19.00	
01994235	1971	<b>NEUTRAL SAFETY &amp; BACKUP LAMP SWITCH</b> With Column Shift Auto Trans, All	\$19.00	
01994235	1972	<b>NEUTRAL SAFETY &amp; BACKUP LAMP SWITCH</b> With Column Shift Auto Trans, All	\$19.00	
01994235	1973	<b>NEUTRAL SAFETY &amp; BACKUP LAMP SWITCH</b> With Column Shift Auto Trans, All	\$19.00	
01994163	1974	<b>NEUTRAL SAFETY &amp; BACKUP LAMP SWITCH</b> With Auto Trans, All	\$19.00	
01994163	1975	<b>NEUTRAL SAFETY &amp; BACKUP LAMP SWITCH</b> With Auto Trans, All	\$19.00	
<b>NEUTRAL SAFETY SWITCH EXTENSION HARNESS</b>				
13490	1969	<b>NEUTRAL SAFETY SWITCH EXTENSION HARNESS</b> Manual Trans, From Clutch Switch To Dash Harness	\$20.00	
13490	1970	<b>NEUTRAL SAFETY SWITCH EXTENSION HARNESS</b> Manual Trans, From Clutch Switch To Dash Harness	\$20.00	
13490	1971	<b>NEUTRAL SAFETY SWITCH EXTENSION HARNESS</b> Manual Trans, From Clutch Switch To Dash Harness	\$20.00	
13490	1972	<b>NEUTRAL SAFETY SWITCH EXTENSION HARNESS</b> Manual Trans, From Clutch Switch To Dash Harness	\$20.00	
<b>OIL PRESSURE SENDER EXTENSION WIRE</b>				
10400	1966	<b>OIL PRESSURE SENDER EXTENSION WIRE</b> V/8, With A/C	\$11.00	
10400	1967	<b>OIL PRESSURE SENDER EXTENSION WIRE</b> V/8, With A/C	\$11.00	
<b>POWER ANTENNA HARNESS</b>				
06195	1966	<b>POWER ANTENNA HARNESS</b> Rear Mounted, Except Wagons	\$45.00	
06195	1967	<b>POWER ANTENNA HARNESS</b> Rear Mounted, Except Wagons	\$45.00	
30700	1968	<b>POWER ANTENNA HARNESS</b> Rear Mounted, Except Wagons	\$37.00	
30700	1969	<b>POWER ANTENNA HARNESS</b> Rear Mounted, Except Wagons	\$37.00	
<b>POWER DOOR LOCK RELAY AND ADAPTER HARNESS</b>				
39440	1970	<b>POWER DOOR LOCK RELAY AND ADAPTER HARNESS</b> Includes New Standard Type Relay And Adapter To Mate To Factory Harness	\$34.00	
<b>POWER DOOR LOCK SWITCH ASSEMBLY</b>				
01725099	1971	<b>POWER DOOR LOCK SWITCH ASSEMBLY</b> 1 Button	\$62.00	
01725099	1972	<b>POWER DOOR LOCK SWITCH ASSEMBLY</b> 1 Button	\$62.00	
01725099	1973	<b>POWER DOOR LOCK SWITCH ASSEMBLY</b> 1 Button	\$62.00	
01725099	1974	<b>POWER DOOR LOCK SWITCH ASSEMBLY</b> 1 Button	\$62.00	
01725099	1975	<b>POWER DOOR LOCK SWITCH ASSEMBLY</b> 1 Button	\$62.00	
01725099	1976	<b>POWER DOOR LOCK SWITCH ASSEMBLY</b> 1 Button	\$62.00	
<b>POWER FEED EXTENSION</b>				
07700	1965	<b>POWER FEED EXTENSION</b> Circuit Breaker To Power Seat Harness	\$22.00	
07700	1966	<b>POWER FEED EXTENSION</b> Circuit Breaker To Power Seat Harness	\$22.00	

Cutlass  
4-4-2/F-85



Phone (562) 926-9552  
Fax (562) 926-9572

Part Number	Year	Description	Price	*Rev.
07700	1967	<b>POWER FEED EXTENSION</b> Circuit Breaker To Power Seat Harness	\$22.00	
05195	1967	<b>POWER FEED EXTENSION</b> Battery Junction Block To Circuit Breaker	\$23.00	
12320	1968	<b>POWER FEED EXTENSION</b> Battery Junction Block To Circuit Breaker	\$19.00	
13275	1969	<b>POWER FEED EXTENSION</b> Battery Junction Block To Circuit Breaker	\$14.00	
13275	1970	<b>POWER FEED EXTENSION</b> Battery Junction Block To Circuit Breaker	\$14.00	
13275	1971	<b>POWER FEED EXTENSION</b> Battery Junction Block To Circuit Breaker	\$14.00	
<b>POWER SEAT BACK RELAY AND ADAPTER HARNESS</b>				
39440	1970	<b>POWER SEAT BACK RELAY AND ADAPTER HARNESS</b> Includes New Standard Type Relay And Adapter To Mate To Factory Harness	\$34.00	
<b>POWER SEAT HARNESS</b>				
07600	1965	<b>POWER SEAT HARNESS</b> 4 Way Bucket, Drivers Side	\$138.00	
07595	1965	<b>POWER SEAT HARNESS</b> 4-Way Bench Note: Requires Customers Original Harness.	\$144.00	
07595	1966	<b>POWER SEAT HARNESS</b> 4-Way Bench Note: Requires Customers Original Harness.	\$144.00	
07595	1967	<b>POWER SEAT HARNESS</b> 4-Way Bench Note: Requires Customers Original Harness.	\$144.00	
<b>POWER SEAT MOTOR RELAY AND ADAPTER HARNESS</b>				
40146	1964	<b>POWER SEAT MOTOR RELAY AND ADAPTER HARNESS</b> Includes New Standard Type Relay And Adapter To Mate To Factory Harness	\$64.00	
40146	1965	<b>POWER SEAT MOTOR RELAY AND ADAPTER HARNESS</b> Includes New Standard Type Relay And Adapter To Mate To Factory Harness	\$64.00	
40146	1966	<b>POWER SEAT MOTOR RELAY AND ADAPTER HARNESS</b> Includes New Standard Type Relay And Adapter To Mate To Factory Harness	\$64.00	
40146	1967	<b>POWER SEAT MOTOR RELAY AND ADAPTER HARNESS</b> Includes New Standard Type Relay And Adapter To Mate To Factory Harness	\$64.00	
40146	1968	<b>POWER SEAT MOTOR RELAY AND ADAPTER HARNESS</b> Includes New Standard Type Relay And Adapter To Mate To Factory Harness	\$64.00	
40146	1969	<b>POWER SEAT MOTOR RELAY AND ADAPTER HARNESS</b> Includes New Standard Type Relay And Adapter To Mate To Factory Harness	\$64.00	
40146	1970	<b>POWER SEAT MOTOR RELAY AND ADAPTER HARNESS</b> Includes New Standard Type Relay And Adapter To Mate To Factory Harness	\$64.00	
40146	1971	<b>POWER SEAT MOTOR RELAY AND ADAPTER HARNESS</b> Includes New Standard Type Relay And Adapter To Mate To Factory Harness	\$64.00	
40146	1972	<b>POWER SEAT MOTOR RELAY AND ADAPTER HARNESS</b> Includes New Standard Type Relay And Adapter To Mate To Factory Harness	\$64.00	
40146	1973	<b>POWER SEAT MOTOR RELAY AND ADAPTER HARNESS</b> Includes New Standard Type Relay And Adapter To Mate To Factory Harness	\$64.00	
40146	1974	<b>POWER SEAT MOTOR RELAY AND ADAPTER HARNESS</b> Includes New Standard Type Relay And Adapter To Mate To Factory Harness	\$64.00	
40146	1975	<b>POWER SEAT MOTOR RELAY AND ADAPTER HARNESS</b> Includes New Standard Type Relay And Adapter To Mate To Factory Harness	\$64.00	
<b>POWER TAILGATE RELAY AND ADAPTER HARNESS</b>				
39440	1968	<b>POWER TAILGATE RELAY AND ADAPTER HARNESS</b> Includes New Standard Type Relay And Adapter To Mate To Factory Harness	\$34.00	
39440	1969	<b>POWER TAILGATE RELAY AND ADAPTER HARNESS</b> Includes New Standard Type Relay And Adapter To Mate To Factory Harness	\$34.00	
39440	1970	<b>POWER TAILGATE RELAY AND ADAPTER HARNESS</b> Includes New Standard Type Relay And Adapter To Mate To Factory Harness	\$34.00	
39440	1971	<b>POWER TAILGATE RELAY AND ADAPTER HARNESS</b> Includes New Standard Type Relay And Adapter To Mate To Factory Harness	\$34.00	

Cutlass  
4-4-2/F-85



Phone (562) 926-9552  
Fax (562) 926-9572

Part Number	Year	Description	Price	*Rev.
39440	1972	<b>POWER TAILGATE RELAY AND ADAPTER HARNESS</b> Includes New Standard Type Relay And Adapter To Mate To Factory Harness	\$34.00	
<b>POWER TOP HARNESS</b>				
18395	1964	<b>POWER TOP HARNESS</b> Convertible, From Switch To Body Harness Connector	\$72.00	
05805	1965	<b>POWER TOP HARNESS</b> Convertible, From Switch To Body Harness Connector	\$72.00	
09425	1966	<b>POWER TOP HARNESS</b> Convertible, From Switch To Body Harness Connector	\$71.00	
09425	1967	<b>POWER TOP HARNESS</b> Convertible, From Switch To Body Harness Connector	\$71.00	
15605	1970	<b>POWER TOP HARNESS</b> Convertible, From Switch To Body Harness Connector	\$71.00	
15605	1971	<b>POWER TOP HARNESS</b> Convertible, From Switch To Body Harness Connector	\$71.00	
16735	1972	<b>POWER TOP HARNESS</b> Convertible, From Switch To Body Harness Connector	\$71.00	
<b>POWER WINDOW HARNESS</b>				
06680	1963	<b>POWER WINDOW HARNESS</b> Left Rear Quarter Window, Cutlass Convertible	\$91.00	
06675	1963	<b>POWER WINDOW HARNESS</b> Right Rear Quarter Window, Cutlass Convertible	\$91.00	
06670	1963	<b>POWER WINDOW HARNESS</b> Left Rear Quarter Window, Cutlass & Jetfire Coupe	\$91.00	
06665	1963	<b>POWER WINDOW HARNESS</b> Right Rear Quarter Window, Cutlass & Jetfire Coupe	\$91.00	
06960	1964	<b>POWER WINDOW HARNESS</b> Driver Side Door	\$184.00	
06955	1964	<b>POWER WINDOW HARNESS</b> Passenger Side Door	\$127.00	
07000	1964	<b>POWER WINDOW INTERMEDIATE HARNESS</b> Under Dash, Crossover	\$114.00	
06995	1964	<b>POWER WINDOW HARNESS</b> Quarter Window, Convertible, 2 Required Per Car Note: Customer Must Reuse Their Original Plastic 3 Terminal Connector That Attaches This Harness To Ribbon Cable.	\$75.00	
06990	1964	<b>POWER WINDOW HARNESS</b> Quarter Window, Sport Coupe, 2 Required Per Car Note: Customer Must Reuse Their Original Plastic 3 Terminal Connector That Attaches This Harness To Ribbon Cable.	\$75.00	
07005	1964	<b>POWER WINDOW MOTOR EXTENSION</b> Convertible, Quarter Window Harness To Motor, 2 Req. Per Car	\$27.00	
07170	1964	<b>POWER WINDOW MOTOR EXTENSION</b> Coupe, Quarter Window Harness To Motor, 2 Req. Per Car	\$21.00	
07610	1965	<b>POWER WINDOW HARNESS</b> Driver Side Door	\$190.00	
07605	1965	<b>POWER WINDOW HARNESS</b> Passenger Side Door	\$127.00	
07715	1965	<b>POWER WINDOW INTERMEDIATE HARNESS</b> Under Dash, Crossover	\$114.00	
07695	1965	<b>POWER WINDOW HARNESS</b> Quarter Window, Cutlass Convertible, 2 Required Per Car Note: Customer Must Reuse Their Original Plastic 3 Terminal Connector That Attaches This Harness To Ribbon Cable.	\$75.00	
07640	1965	<b>POWER WINDOW HARNESS</b> Quarter Window, Cutlass Coupes, 2 Required Per Car Note: Customer Must Reuse Their Original Plastic 3 Terminal Connector That Attaches This Harness To Ribbon Cable.	\$75.00	
07660	1965	<b>POWER WINDOW MOTOR EXTENSION</b> Convertible, Quarter Window Harness To Motor, 2 Req. Per Car	\$21.00	
07655	1965	<b>POWER WINDOW MOTOR EXTENSION</b> Coupe, Quarter Window Harness To Motor, 2 Req. Per Car	\$21.00	
08260	1966	<b>POWER WINDOW HARNESS</b> Driver Side Door	\$184.00	
27310	1966	<b>POWER WINDOW HARNESS</b> Passenger Side Door	\$127.00	
07715	1966	<b>POWER WINDOW INTERMEDIATE HARNESS</b> Under Dash, Crossover	\$114.00	
07695	1966	<b>POWER WINDOW HARNESS</b> Quarter Window, Cutlass Convertible, 2 Required Per Car Note: Customer Must Reuse Their Original Plastic 3 Terminal Connector That Attaches This Harness To Ribbon Cable.	\$75.00	
07640	1966	<b>POWER WINDOW HARNESS</b> Quarter Window, Cutlass Coupes, 2 Required Per Car Note: Customer Must Reuse Their Original Plastic 3 Terminal Connector That Attaches This Harness To Ribbon Cable.	\$75.00	
07660	1966	<b>POWER WINDOW MOTOR EXTENSION</b> Convertible, Quarter Window Harness To Motor, 2 Req. Per Car	\$21.00	
07655	1966	<b>POWER WINDOW MOTOR EXTENSION</b> Coupe, Quarter Window Harness To Motor, 2 Req. Per Car	\$21.00	
08260	1967	<b>POWER WINDOW HARNESS</b> Driver Side Door	\$184.00	
27310	1967	<b>POWER WINDOW HARNESS</b> Passenger Side Door	\$127.00	
07715	1967	<b>POWER WINDOW INTERMEDIATE HARNESS</b> Under Dash, Crossover	\$114.00	
07695	1967	<b>POWER WINDOW HARNESS</b> Quarter Window, Cutlass Convertible, 2 Required Per Car Note: Customer Must Reuse Their Original Plastic 3 Terminal Connector That Attaches This Harness To Ribbon Cable.	\$75.00	



**Cutlass**  
4-4-2/F-85



**Phone (562) 926-9552**  
**Fax (562) 926-9572**

Part Number	Year	Description	Price	*Rev.
07640	1967	<b>POWER WINDOW HARNESS</b> Quarter Window, Cutlass Coupes, 2 Required Per Car Note: Customer Must Reuse Their Original Plastic 3 Terminal Connector That Attaches This Harness To Ribbon Cable.	\$75.00	
07660	1967	<b>POWER WINDOW MOTOR EXTENSION</b> Convertible, Quarter Window Harness To Motor, 2 Req. Per Car	\$21.00	
07655	1967	<b>POWER WINDOW MOTOR EXTENSION</b> Coupe, Quarter Window Harness To Motor, 2 Req. Per Car	\$21.00	
31135	1968	<b>POWER WINDOW HARNESS</b> Driver Side Door	\$190.00	
14165	1968	<b>POWER WINDOW HARNESS</b> Passenger Side Door	\$127.00	
14170	1968	<b>POWER WINDOW HARNESS</b> Quarter Windows & Intermediate Body	\$161.00	
39470	1969	<b>POWER WINDOW HARNESS</b> Driver Side Door And Under Dash Crossover	\$229.00	
37817	1969	<b>POWER WINDOW HARNESS</b> Passenger Side Door	\$127.00	
14405	1969	<b>POWER WINDOW HARNESS</b> Quarter Windows & Intermediate Body	\$161.00	
31140	1970	<b>POWER WINDOW HARNESS</b> Driver Side Door And Under Dash Crossover	\$229.00	
14470	1970	<b>POWER WINDOW HARNESS</b> Passenger Side Door	\$127.00	
14505	1970	<b>POWER WINDOW HARNESS</b> Quarter Windows & Intermediate Body	\$161.00	
31140	1971	<b>POWER WINDOW HARNESS</b> Driver Side Door And Under Dash Crossover	\$229.00	
14470	1971	<b>POWER WINDOW HARNESS</b> Passenger Side Door	\$127.00	
14505	1971	<b>POWER WINDOW HARNESS</b> Quarter Windows & Intermediate Body	\$161.00	
39471	1972	<b>POWER WINDOW HARNESS</b> Driver Side Door And Under Dash Crossover	\$229.00	
14470	1972	<b>POWER WINDOW HARNESS</b> Passenger Side Door	\$127.00	
14505	1972	<b>POWER WINDOW HARNESS</b> Quarter Windows & Intermediate Body	\$161.00	
<b>POWER WINDOW MOTOR ADAPTER HARNESS</b>				
36954	1964	<b>POWER WINDOW MOTOR ADAPTER HARNESS</b> Adapts "T" Shaped Motor Connector To Side By Side Blade Type Motor Connector	\$19.00	C
36954	1965	<b>POWER WINDOW MOTOR ADAPTER HARNESS</b> Adapts "T" Shaped Motor Connector To Side By Side Blade Type Motor Connector	\$19.00	C
36954	1966	<b>POWER WINDOW MOTOR ADAPTER HARNESS</b> Adapts "T" Shaped Motor Connector To Side By Side Blade Type Motor Connector	\$19.00	C
36954	1967	<b>POWER WINDOW MOTOR ADAPTER HARNESS</b> Adapts "T" Shaped Motor Connector To Side By Side Blade Type Motor Connector	\$19.00	C
36954	1968	<b>POWER WINDOW MOTOR ADAPTER HARNESS</b> Adapts "T" Shaped Motor Connector To Side By Side Blade Type Motor Connector	\$19.00	C
36954	1969	<b>POWER WINDOW MOTOR ADAPTER HARNESS</b> Adapts "T" Shaped Motor Connector To Side By Side Blade Type Motor Connector	\$19.00	C
36954	1970	<b>POWER WINDOW MOTOR ADAPTER HARNESS</b> Adapts "T" Shaped Motor Connector To Side By Side Blade Type Motor Connector	\$19.00	C
36954	1971	<b>POWER WINDOW MOTOR ADAPTER HARNESS</b> Adapts "T" Shaped Motor Connector To Side By Side Blade Type Motor Connector	\$19.00	C
36954	1972	<b>POWER WINDOW MOTOR ADAPTER HARNESS</b> Adapts "T" Shaped Motor Connector To Side By Side Blade Type Motor Connector	\$19.00	C
36954	1973	<b>POWER WINDOW MOTOR ADAPTER HARNESS</b> Adapts "T" Shaped Motor Connector To Side By Side Blade Type Motor Connector	\$19.00	C
36954	1974	<b>POWER WINDOW MOTOR ADAPTER HARNESS</b> Adapts "T" Shaped Motor Connector To Side By Side Blade Type Motor Connector	\$19.00	C
36954	1975	<b>POWER WINDOW MOTOR ADAPTER HARNESS</b> Adapts "T" Shaped Motor Connector To Side By Side Blade Type Motor Connector	\$19.00	C
<b>POWER WINDOW RELAY AND ADAPTER HARNESS</b>				
39440	1967	<b>POWER WINDOW RELAY AND ADAPTER HARNESS</b> Includes New Standard Type Relay And Adapter To Mate To Factory Harness	\$34.00	
39440	1968	<b>POWER WINDOW RELAY AND ADAPTER HARNESS</b> Includes New Standard Type Relay And Adapter To Mate To Factory Harness	\$34.00	
39440	1969	<b>POWER WINDOW RELAY AND ADAPTER HARNESS</b> Includes New Standard Type Relay And Adapter To Mate To Factory Harness	\$34.00	

**Cutlass**  
4-4-2/F-85



**Phone (562) 926-9552**  
**Fax (562) 926-9572**

Part Number	Year	Description	Price	*Rev.
39440	1970	<b>POWER WINDOW RELAY AND ADAPTER HARNESS</b> Includes New Standard Type Relay And Adapter To Mate To Factory Harness	\$34.00	
39440	1971	<b>POWER WINDOW RELAY AND ADAPTER HARNESS</b> Includes New Standard Type Relay And Adapter To Mate To Factory Harness	\$34.00	
39440	1972	<b>POWER WINDOW RELAY AND ADAPTER HARNESS</b> Includes New Standard Type Relay And Adapter To Mate To Factory Harness	\$34.00	
<b>POWER WINDOW SWITCH</b>				
04432790	1964	<b>POWER WINDOW SWITCH</b> 1 Button, Round Corner Style, Chrome	\$49.00	
04432791	1964	<b>POWER WINDOW SWITCH</b> 4 Button, Round Corner Style, Chrome	\$67.00	P
04432790	1965	<b>POWER WINDOW SWITCH</b> 1 Button, Round Corner Style, Chrome	\$49.00	
04432791	1965	<b>POWER WINDOW SWITCH</b> 4 Button, Round Corner Style, Chrome	\$67.00	P
04432790	1966	<b>POWER WINDOW SWITCH</b> 1 Button, Round Corner Style, Chrome	\$49.00	
04432791	1966	<b>POWER WINDOW SWITCH</b> 4 Button, Round Corner Style, Chrome	\$67.00	P
04432790	1967	<b>POWER WINDOW SWITCH</b> 1 Button, Round Corner Style, Chrome	\$49.00	
04432791	1967	<b>POWER WINDOW SWITCH</b> 4 Button, Round Corner Style, Chrome	\$67.00	P
04432790	1968	<b>POWER WINDOW SWITCH</b> 1 Button, Round Corner Style, Chrome	\$49.00	
04432791	1968	<b>POWER WINDOW SWITCH</b> 4 Button, Round Corner Style, Chrome	\$67.00	P
04432790	1969	<b>POWER WINDOW SWITCH</b> 1 Button, Round Corner Style, Chrome	\$49.00	
04432791	1969	<b>POWER WINDOW SWITCH</b> 4 Button, Round Corner Style, Chrome	\$67.00	P
04432790	1970	<b>POWER WINDOW SWITCH</b> 1 Button, Round Corner Style, Chrome	\$49.00	
04432791	1970	<b>POWER WINDOW SWITCH</b> 4 Button, Round Corner Style, Chrome	\$67.00	P
<b>REAR LAMP HARNESS</b>				
04600	1964	<b>REAR LAMP EXTENSION HARNESS</b> From Rear Body Connector To Backup Lamps	\$28.00	
04600	1965	<b>REAR LAMP EXTENSION HARNESS</b> From Rear Body Connector To Backup Lamps	\$28.00	
04600	1966	<b>REAR LAMP EXTENSION HARNESS</b> From Rear Body Connector To Backup Lamps	\$28.00	
07195	1964	<b>REAR LAMP HARNESS</b> Convertible	\$206.00	
07190	1964	<b>REAR LAMP HARNESS</b> Coupe	\$172.00	
07740	1965	<b>REAR LAMP HARNESS</b> Convertible	\$206.00	
07735	1965	<b>REAR LAMP HARNESS</b> Coupe	\$172.00	
07435	1966	<b>REAR LAMP HARNESS</b> Convertible	\$206.00	
07015	1966	<b>REAR LAMP HARNESS</b> Coupe	\$172.00	
13905	1967	<b>REAR LAMP HARNESS</b> Cutlass Supreme & 442, Convertible	\$206.00	
13900	1967	<b>REAR LAMP HARNESS</b> Cutlass Supreme & 442, Coupe	\$172.00	
14030	1967	<b>REAR LAMP HARNESS</b> F-85 & Cutlass, Convertible (Except Supreme & 442)	\$206.00	
13895	1967	<b>REAR LAMP HARNESS</b> F-85 & Cutlass, Coupe (Except Supreme & 442)	\$172.00	
14160	1968	<b>REAR LAMP HARNESS</b> Convertible	\$229.00	
14155	1968	<b>REAR LAMP HARNESS</b> 2 Door Coupe	\$195.00	
14150	1968	<b>REAR LAMP HARNESS</b> 4 Door Coupe	\$195.00	
14360	1969	<b>REAR LAMP INTERMEDIATE HARNESS</b> Convertible	\$167.00	
14355	1969	<b>REAR LAMP INTERMEDIATE HARNESS</b> Coupe	\$127.00	
14365	1969	<b>REAR LAMP HARNESS</b> Rear Panel, All	\$115.00	
18315	1970	<b>REAR LAMP INTERMEDIATE HARNESS</b> Convertible	\$167.00	
14460	1970	<b>REAR LAMP INTERMEDIATE HARNESS</b> Coupe	\$127.00	
14455	1970	<b>REAR LAMP HARNESS</b> Rear Panel, All	\$115.00	
18315	1971	<b>REAR LAMP INTERMEDIATE HARNESS</b> Convertible	\$167.00	
14460	1971	<b>REAR LAMP INTERMEDIATE HARNESS</b> Coupe	\$127.00	
14455	1971	<b>REAR LAMP HARNESS</b> Rear Panel, All	\$115.00	

Part Number	Year	Description	Price	*Rev.
18315	1972	REAR LAMP INTERMEDIATE HARNESS Convertible, Without Seat Belt Warning	\$167.00	
17185	1972	REAR LAMP INTERMEDIATE HARNESS Convertible, With Seat Belt Warning	\$213.00	
14460	1972	REAR LAMP INTERMEDIATE HARNESS Coupe, Without Seat Belt Warning	\$127.00	
17180	1972	REAR LAMP INTERMEDIATE HARNESS Coupe, With Seat Belt Warning	\$190.00	
14455	1972	REAR LAMP HARNESS Rear Panel, All	\$115.00	
<b>REAR WINDOW DEFROSTER HARNESS</b>				
05245	1964	REAR WINDOW DEFROSTER HARNESS From Switch To Blower Motor Connector	\$81.00	
05245	1965	REAR WINDOW DEFROSTER HARNESS From Switch To Blower Motor Connector	\$81.00	
10690	1966	REAR WINDOW DEFROSTER HARNESS From Switch To Blower Motor Connector	\$75.00	
10690	1967	REAR WINDOW DEFROSTER HARNESS From Switch To Blower Motor Connector	\$75.00	
13295	1968	REAR WINDOW DEFROSTER HARNESS From Switch To Blower Motor Connector	\$64.00	
13295	1969	REAR WINDOW DEFROSTER HARNESS From Switch To Blower Motor Connector	\$64.00	
17175	1970	REAR WINDOW DEFROSTER HARNESS From Switch To Blower Motor Connector	\$75.00	
15950	1971	REAR WINDOW DEFROSTER HARNESS From Switch To Relay	\$98.00	
15955	1971	REAR WINDOW DEFROSTER HARNESS Relay Jumper, Used With Part# 15950 On A/C Equipped Cars	\$46.00	
16745	1972	REAR WINDOW DEFROSTER HARNESS From Switch To Relay	\$98.00	
16750	1972	REAR WINDOW DEFROSTER HARNESS Relay Jumper, Used With Part# 16745 On A/C Equipped Cars	\$46.00	
<b>REPAIR PIGTAIL, FOR POWER WINDOW SWITCH</b>				
36048	1964	REPAIR PIGTAIL, FOR POWER WINDOW SWITCH For Single Power Window Switches, Connector & Wire	\$22.00	
36048	1965	REPAIR PIGTAIL, FOR POWER WINDOW SWITCH For Single Power Window Switches, Connector & Wire	\$22.00	
36048	1966	REPAIR PIGTAIL, FOR POWER WINDOW SWITCH For Single Power Window Switches, Connector & Wire	\$22.00	
36048	1967	REPAIR PIGTAIL, FOR POWER WINDOW SWITCH For Single Power Window Switches, Connector & Wire	\$22.00	
36048	1968	REPAIR PIGTAIL, FOR POWER WINDOW SWITCH For Single Power Window Switches, Connector & Wire	\$22.00	
36048	1969	REPAIR PIGTAIL, FOR POWER WINDOW SWITCH For Single Power Window Switches, Connector & Wire	\$22.00	
36048	1970	REPAIR PIGTAIL, FOR POWER WINDOW SWITCH For Single Power Window Switches, Connector & Wire	\$22.00	
<b>STEERING COLUMN ADAPTER HARNESS</b>				
37542	1964	STEERING COLUMN ADAPTER HARNESS For 1969-1974 GM & Ididit Columns (Exc. Flaming River) To Stock Dash Harness Note: Adapts Horn, Directionals, Hazard Flashers To Stock 8 Pin T/L Dash Connector.	\$43.00	
37009	1964	STEERING COLUMN ADAPTER HARNESS For 1975 & UP GM & Flaming River Columns (Exc. Ididit) To Stock Dash Harness Note: Adapts Horn, Directionals, Hazard Flashers To Stock 8 Pin Dash Connector.	\$45.00	
37542	1965	STEERING COLUMN ADAPTER HARNESS For 1969-1974 GM & Ididit Columns (Exc. Flaming River) To Stock Dash Harness Note: Adapts Horn, Directionals, Hazard Flashers To Stock 8 Pin T/L Dash Connector.	\$43.00	
37009	1965	STEERING COLUMN ADAPTER HARNESS For 1975 & UP GM & Flaming River Columns (Exc. Ididit) To Stock Dash Harness Note: Adapts Horn, Directionals, Hazard Flashers To Stock 8 Pin Dash Connector.	\$45.00	
37542	1966	STEERING COLUMN ADAPTER HARNESS For 1969-1974 GM & Ididit Columns (Exc. Flaming River) To Stock Dash Harness Note: Adapts Horn, Directionals, Hazard Flashers To Stock 8 Pin T/L Dash Connector.	\$43.00	
37009	1966	STEERING COLUMN ADAPTER HARNESS For 1975 & UP GM & Flaming River Columns (Exc. Ididit) To Stock Dash Harness Note: Adapts Horn, Directionals, Hazard Flashers To Stock 8 Pin Dash Connector.	\$45.00	
36882	1967	STEERING COLUMN ADAPTER HARNESS For 1969-1974 GM & Ididit Columns (Exc. Flaming River) To Stock Dash Harness Note: Adapts Horn, Directionals, Hazard Flashers To Stock 9-Pin T/L Dash Connector.	\$22.00	
38127	1967	STEERING COLUMN ADAPTER HARNESS For 1975 & UP GM & Flaming River Columns (Exc. Ididit) To Stock Dash Harness Note: Adapts Horn, Directionals, Hazard Flashers To Stock 9-Pin T/L Dash Connector.	\$22.00	

Part Number	Year	Description	Price	*Rev.
36882	1968	<b>STEERING COLUMN ADAPTER HARNESS</b> For 1969-1974 GM & Ididit Columns (Exc. Flaming River) To Stock Dash Harness Note: Adapts Horn, Directionals, Hazard Flashers To Stock 9-Pin T/L Dash Connector.	\$22.00	
38127	1968	<b>STEERING COLUMN ADAPTER HARNESS</b> For 1975 & UP GM & Flaming River Columns (Exc. Ididit) To Stock Dash Harness Note: Adapts Horn, Directionals, Hazard Flashers To Stock 9-Pin T/L Dash Connector.	\$22.00	
<b>TACHOMETER HARNESS</b>				
10150	1966	<b>TACHOMETER HARNESS</b> 6 Cylinder Note: 6 Cylinder Items Are Not Returnable.	\$45.00	
10145	1966	<b>TACHOMETER HARNESS</b> V/8	\$45.00	
13265	1969	<b>TACHOMETER HARNESS</b> V/8	\$26.00	
15810	1970	<b>TACHOMETER HARNESS</b> V/8	\$45.00	
15810	1971	<b>TACHOMETER HARNESS</b> V/8	\$45.00	
15810	1972	<b>TACHOMETER HARNESS</b> V/8	\$45.00	
<b>TRANSMISSION KICKDOWN CONTROL WIRE</b>				
05755	1965	<b>TRANSMISSION KICKDOWN CONTROL WIRE</b> V/8, From Carburetor Throttle Switch To Transmission	\$21.00	
05755	1966	<b>TRANSMISSION KICKDOWN CONTROL WIRE</b> V/8, From Carburetor Throttle Switch To Transmission	\$21.00	
05755	1967	<b>TRANSMISSION KICKDOWN CONTROL WIRE</b> V/8, From Carburetor Throttle Switch To Transmission	\$21.00	
<b>TRUNK RELEASE JUMPER WIRE</b>				
15615	1970	<b>TRUNK RELEASE JUMPER WIRE</b> From Glove Box Lamp Lead To Trunk Release Switch	\$14.00	
15615	1971	<b>TRUNK RELEASE JUMPER WIRE</b> From Glove Box Lamp Lead To Trunk Release Switch	\$14.00	
15615	1972	<b>TRUNK RELEASE JUMPER WIRE</b> From Glove Box Lamp Lead To Trunk Release Switch	\$14.00	
<b>TURN SIGNAL SWITCH</b>				
01993624	1964	<b>TURN SIGNAL SWITCH</b> With Tilt, Replaces Delco Part# D6220	\$71.00	
00387115	1965	<b>TURN SIGNAL SWITCH</b> Boyne Without Tilt & Cornering Lamps Stamped "Bpc", Replaces Delco Part# D6200 Note: This Switch Has A Metal Base.	\$96.00	
01993624	1965	<b>TURN SIGNAL SWITCH</b> With Tilt, Replaces Delco Part# D6220	\$71.00	
00387115	1966	<b>TURN SIGNAL SWITCH</b> Boyne Without Tilt Stamped "Bpc", Replaces Delco Part# D6200 Note: This Switch Has A Metal Base.	\$96.00	
01993624	1966	<b>TURN SIGNAL SWITCH</b> With Tilt, Replaces Delco Part# D6220	\$71.00	
01893592	1967	<b>TURN SIGNAL SWITCH</b> Without Cornering Lights, Without Tilt (Delco-White), Replaces Delco Part# D6211 Note: This Is A Service Part, Adapter Pigtail Included And Is Required For Some Applications.	\$58.00	
07800482	1967	<b>TURN SIGNAL SWITCH</b> Without Column Shift A/T, (Delco Type, White) Note: Emergency Flasher Actuator Hole In Outer Cover Is Shaped Like A Doghouse.	\$50.00	
05698897	1967	<b>TURN SIGNAL SWITCH</b> With Column Shift A/T, Without Tilt, Without Cornering Lights, (Delco Type, Black, White Or Green) Note: Emergency Flasher Actuator Hole In Outer Cover Is Shaped Like A Doghouse.	\$50.00	
05698897	1967	<b>TURN SIGNAL SWITCH</b> With Column Shift A/T, With Tilt, Without Cornering Lights, (Delco Type, Black, White Or Green) Note: Emergency Flasher Actuator Hole In Outer Cover Is Shaped Like A Doghouse.	\$50.00	
01893592	1968	<b>TURN SIGNAL SWITCH</b> Without Cornering Lights, Without Tilt (Delco-White), Replaces Delco Part# D6211 Note: This Is A Service Part, Adapter Pigtail Included And Is Required For Some Applications.	\$58.00	
07800482	1967	<b>TURN SIGNAL SWITCH</b> Without Column Shift A/T, (Delco Type, White) Note: Emergency Flasher Actuator Hole In Outer Cover Is Shaped Like A Doghouse.	\$50.00	

**Cutlass**  
4-4-2/F-85



**Phone (562) 926-9552**  
**Fax (562) 926-9572**

Part Number	Year	Description	Price	*Rev.
05698897	1968	<b>TURN SIGNAL SWITCH</b> Without Tilt, Without Cornering Lights, Column Shift A/T, (Delco Type, Black, White Or Green) Note: Emergency Flasher Actuator Hole In Outer Cover Is Shaped Like A Doghouse.	\$50.00	
05698897	1968	<b>TURN SIGNAL SWITCH</b> With Tilt, Without Cornering Lights, Column Shift A/T, (Delco Type, Black, White Or Green) Note: Emergency Flasher Actuator Hole In Outer Cover Is Shaped Like A Doghouse.	\$50.00	
01997963	1969	<b>TURN SIGNAL SWITCH, CORRECT PART</b> Without Cornering Lights, Without Tilt Note: Correct Part, No Adapter Pigtail Required.	\$56.00	
01893588	1969	<b>TURN SIGNAL SWITCH, SERVICE PART</b> Without Cornering Lights, Without Tilt, Replaces Delco Part# D6208 Note: This Is A Service Part, Adapter Pigtail Included Is Required For Installation.	\$58.00	
01997963	1970	<b>TURN SIGNAL SWITCH, CORRECT PART</b> Without Cornering Lights, Without Tilt Note: Correct Part, No Adapter Pigtail Required.	\$56.00	
01893588	1970	<b>TURN SIGNAL SWITCH, SERVICE PART</b> Without Cornering Lights, Without Tilt, Replaces Delco Part# D6208 Note: This Is A Service Part, Adapter Pigtail Included Is Required For Installation.	\$58.00	
01997963	1971	<b>TURN SIGNAL SWITCH, CORRECT PART</b> Without Cornering Lights, Without Tilt Note: Correct Part, No Adapter Pigtail Required.	\$56.00	
01893588	1971	<b>TURN SIGNAL SWITCH, SERVICE PART</b> Without Cornering Lights, Without Tilt, Replaces Delco Part# D6208 Note: This Is A Service Part, Adapter Pigtail Included Is Required For Installation.	\$58.00	
01997963	1972	<b>TURN SIGNAL SWITCH, CORRECT PART</b> Without Cornering Lights, Without Tilt Note: Correct Part, No Adapter Pigtail Required.	\$56.00	
01893588	1972	<b>TURN SIGNAL SWITCH, SERVICE PART</b> Without Cornering Lights, Without Tilt, Replaces Delco Part# D6208 Note: This Is A Service Part, Adapter Pigtail Included Is Required For Installation.	\$58.00	
01997963	1973	<b>TURN SIGNAL SWITCH, CORRECT PART</b> Without Cornering Lights, Without Tilt Note: Correct Part, No Adapter Pigtail Required.	\$56.00	
01893588	1973	<b>TURN SIGNAL SWITCH, SERVICE PART</b> Without Cornering Lights, Without Tilt, Replaces Delco Part# D6208 Note: This Is A Service Part, Adapter Pigtail Included Is Required For Installation.	\$58.00	
01997963	1974	<b>TURN SIGNAL SWITCH, CORRECT PART</b> Without Cornering Lights, Without Tilt Note: Correct Part, No Adapter Pigtail Required.	\$56.00	
01893588	1974	<b>TURN SIGNAL SWITCH, SERVICE PART</b> Without Cornering Lights, Without Tilt, Replaces Delco Part# D6208 Note: This Is A Service Part, Adapter Pigtail Included Is Required For Installation.	\$58.00	
01997963	1975	<b>TURN SIGNAL SWITCH, CORRECT PART</b> Without Cornering Lights, Without Tilt Note: Correct Part, No Adapter Pigtail Required.	\$56.00	
01893588	1975	<b>TURN SIGNAL SWITCH, SERVICE PART</b> Without Cornering Lights, Without Tilt, Replaces Delco Part# D6208 Note: This Is A Service Part, Adapter Pigtail Included Is Required For Installation.	\$58.00	
<b>WINDSHIELD WIPER SWITCH</b>				
01993541	1961	<b>WINDSHIELD WIPER SWITCH</b> Single Speed, With Washer	\$45.00	
01993568	1962	<b>WINDSHIELD WIPER SWITCH</b> Single Speed, With Washer	\$52.00	
01993568	1963	<b>WINDSHIELD WIPER SWITCH</b> Single Speed, With Washer	\$52.00	
01993633	1964	<b>WINDSHIELD WIPER SWITCH</b> Single Speed, With Washer	\$52.00	
01993633	1965	<b>WINDSHIELD WIPER SWITCH</b> Single Speed, With Washer	\$52.00	
01993372	1967	<b>WINDSHIELD WIPER SWITCH</b>	\$45.00	
<b>WIPER MOTOR HARNESS</b>				
15885	1971	<b>WIPER MOTOR HARNESS</b> Wiper Washer Demand Jumper	\$35.00	