



# Electrical Restoration Products

**Chevy II  
Nova**

## WIRING HARNESSES



## BATTERY CABLES



## SWITCHES



**Phone 562.926.9552**

**Fax 562.926.9572**

**sparky@wiringharness.com**

**[www.wiringharness.com](http://www.wiringharness.com)**

Part #NOV

# **Buy with Confidence !**

## **Made in the U.S.A.**

All of our harnesses are hand assembled in the U.S.A.

## **Correct Color Wires**

Our harnesses always match the original factory color codes and gauge sizes. We use U.S.A. made Cross Linked Polyethylene type GXL wire which is much more tolerant to heat than the original PVC type GPT wire that was used from the factory.

## **Dip Soldered (when applicable)**

All terminals are dip soldered (when applicable) to limit resistance loss.

## **Correct Connectors & Terminals**

With over 300,000 connectors and terminals in stock you can be sure the harness you receive will look identical to the original.

## **Correct Non-Adhesive & Cloth Tapes**

All harnesses are wrapped with the correct non-adhesive or cloth woven tapes to assure a 100% factory appearance.

## **Technical Support**

We don't expect our customers to be "wiring-wizards", you can call us direct with any technical questions you may have.

## **Custom Modifications**

Custom modifications are available to allow you to convert from an external regulated alternator to an internal regulated alternator. This modification is available for most '63 and up GM cars and trucks. We can also convert many of our engine harnesses to work with H.E.I. distributors and electric chokes. Our modifications retain the factory appearance. Call our Customer Service Department for more details.

## **Reproduction Switches**

We manufacture an extensive line of reproduction switches. These include Turn Signal, Backup Light, Neutral Safety, Wiper, Headlight Switches and others. As with all of our restoration products our switches will fit and function perfectly, just like the originals.

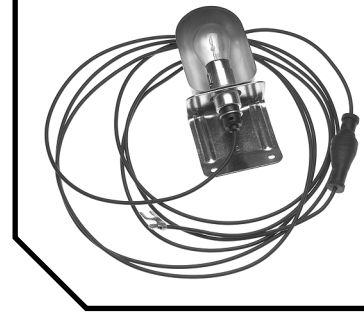
## **Guarantee & Warranty**

We are so confident in the quality of all of our restoration products that we offer the following guarantee and warranty. If you are not 100% satisfied with the quality of any of our restoration products we will give you a full refund. Just return the unused item within 30 days of receipt for a full refund. We also offer a full 1 year replacement warranty on all of the products we sell (see our product warranty sheet for more info).

## **Method of Payment**

We accept Visa, Master Card, American Express and Discover. If you prefer to pre-pay your order, we accept Money Orders, Cashiers Checks or Personal Checks. C.O.D. shipments are also available.

## **LIGHTING KITS**



## **1 WIRE IGNITION**



## **HARNESS TAPE**



***"M&H Harnesses are perfect reproductions created with correct color wires from Original GM wiring schematics".***

**MUSCLECAR ENTHUSIAST  
MAGAZINE**

# **[www.wiringharness.com](http://www.wiringharness.com)**

# Alternator Conversion Kits

**See car line catalogs  
for specific applications**

## **Alternator Conversion Kit External to "SI" Type Internal**

Our most popular Alternator Conversion Kit. This kit makes it easy to convert from an External Regulated Alternator to an "SI" Type Internal Regulated Alternator. Kit includes both adapters and an instruction sheet.

Easy to install:

1) Disconnect the external voltage regulator leads and plug our "Special Regulator Adapter" into the voltage regulator lead wires. 2) Disconnect the alternator lead wires. 3) Install new "SI" Type Internal Regulated alternator. 4) Plug one end of our "Alternator Adapter" into the original alternator lead wires and the other into the alternator.

*Typical application is '63-'74 GM Cars & Trucks, see carline catalogs for specific application information.*

Part #27555

Retail \$25.00



## **Alternator Conversion Kit External to "CS" Type Internal**

This kit makes it easy to convert from an External Regulated Alternator to a "CS" Type Internal Regulated Alternator. Kit includes both adapters and an instruction sheet.

Easy to install:

1) Disconnect the external voltage regulator leads and plug our "Special Regulator Adapter" into the voltage regulator lead wires. 2) Disconnect the alternator lead wires. 3) Install new "SI" Type Internal Regulated alternator. 4) Plug one end of our "Alternator Adapter" into the original alternator lead wires and the other into the alternator.

*Typical application is '63-'74 GM Cars & Trucks, see carline catalogs for specific application information.*

Part #37787

Retail \$29.00



## **Alternator Conversion Kit "SI" Type Internal to CS130/CS144 Type Internal**

Allows for an easy conversion from an "SI" type internal regulated alternator to a "CS130" or "CS144" type internal regulated alternator. Simple to install, the mating end of the adapter pigtail plugs perfectly to the original alternator connector, and the other end plugs right into any "CS130" or "CS144" type alternator. Kit includes adapter pigtail and an instruction sheet.

*Typical application is '69-'84 GM Cars & Trucks, see carline catalogs for specific application information.*

Part #37796

Retail \$22.00



# Alternator Conversion Kits

See car line catalogs for specific applications

## Alternator Conversion Kit

### "SI" Type Internal to "CS130D" Type Internal

Allows for an easy conversion from an "SI" type internal regulated alternator to a "CS130D" type internal regulated alternator. Simple to install, the mating end of the adapter pigtail plugs perfectly to the original alternator connector, and the other end plugs right into any "CS130D" type alternator. Kit includes adapter pigtail and an instruction sheet.

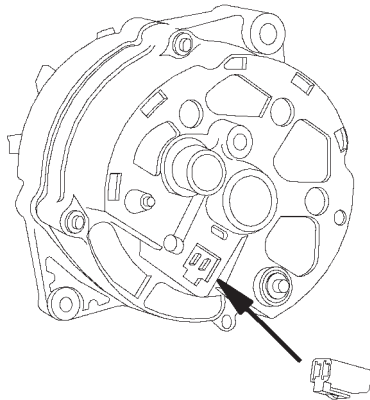
Typical application is '69-'84 GM Cars & Trucks, see carline catalogs for specific application information.

Part #39472

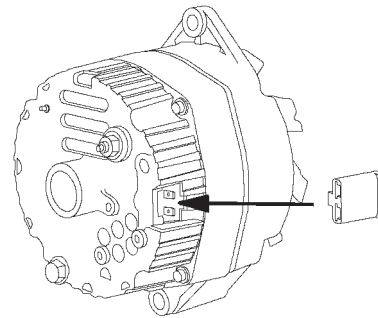
Retail \$19.00



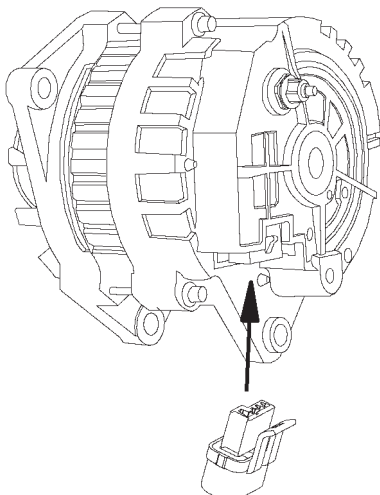
## Alternator Identification



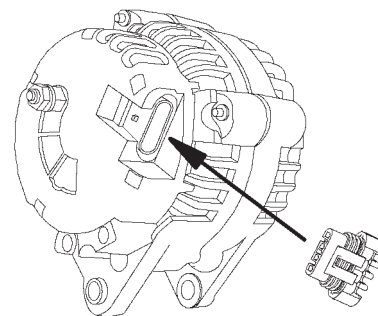
1963-1974  
External Regulated Alternator



1969-1984 "SI" Type  
Internal Regulated Alternator



1984-1999 "CS130" & "CS144" Type  
Internal Regulated Alternator



1994-Newer "CS130D" Type  
Internal Regulated Alternator

# **Breakerless SE Single Wire Ignition**

***Simple 1 Wire Hook-Up, just connect the original points wire to the module***

***Completely stock appearance***

***Emissions Legal in all 50 States***

***Three year warranty***

The Breakerless SE allows you to convert any 1957 to 1974 GM, AMC or Jeep V8 breaker point type distributor (with a windowed type distributor cap) to a reliable solid-state electronic ignition, utilizing a fully integrated trigger and power module that fits completely inside the distributor.

Unlike competitive systems though, no additional wires protrude from the distributor, only the original points wire. The result is a state-of-the-art ignition with an absolutely stock appearance. The Breakerless SE is so unique that it's patented !



## **Outstanding features of this unit include:**

- Single wire operation to preserve stock appearance and simplify wiring.
- Active dwell control maintains high rpm spark energy while reducing coil heating at idle.
- Auto-standby prevents coil damage or dead battery if the ignition is accidentally left on.
- Hall effect rotary-vane sensor design compensates for worn bearings and distributor end play. Magnetic sensor is unaffected by oil, dirt or other contaminants, unlike optical systems.
- Over-voltage/over-current protected against damage from high amp battery chargers, reversed battery, or improper wiring.
- Constructed with premium quality components. Sealed, hi-temp thermoplastic housing provides exceptional resistance against moisture and vibration.
- No distributor modification, disassembly, or removal is required.

Kit comes complete with everything you'll need to install the Breakerless SE Single Wire Ignition. Kit includes: 1 Module, 1 (two-piece) vane, all necessary installation hardware and a comprehensive instruction sheet.

**Part #38131**  
**Retail \$169.00**

**For more info on this product  
visit [www.breakerless.com](http://www.breakerless.com)**

# **Transistor Ignition Replacement Module**

**Drop-In Replacement Module fits all Chevrolet & Pontiac cars equipped with the rare and optional Transistor Ignition System**

**Drops into the Original Finned Amplifier Housing**

**Quicker Starts**

**Improved Performance**

M&H's Transistor Ignition Replacement Module is a drop-in performance upgrade, and provides state-of-the-art ignition technology. This replacement module generates twice the coil primary voltage providing up to 10% more available secondary voltage with the factory T.I. coil. It also can be used with point type or aftermarket coils or M&H's own T.I. Replacement Coil. It provides output protection against failure caused by broken or disconnected plug wires, and has an extended temperature range to over 300-degrees. The state-of-the-art electronics are completely sealed in thermoplastic to keep water and contaminants out. Superior construction provides superior performance, just like all M&H Electric's products.



**Simple to Install**

- Remove the backing plate from your original amplifier housing
- Remove wiring from original circuit board and unscrew it from the housing
- Thoroughly clean the inside of the housing
- Screw in M&H's new T.I. Replacement Module and attach the wiring
- ***That's it, you'll enjoy Quicker Starts and Improved Performance***

**Fits all Chevrolet & Pontiac cars with Transistor Ignition**

**Part #32270  
Retail \$172.00**

Part Number	Year	Description	Price	*Rev.
<b>AIR CONDITIONING GROMMET</b>				
03791444	1962	<b>AIR CONDITIONING GROMMET</b> Located On The Radiator Core Support	\$11.00	
03791444	1963	<b>AIR CONDITIONING GROMMET</b> Located On The Radiator Core Support	\$11.00	
03793794	1963	<b>AIR CONDITIONING GROMMET</b> A/C Lines And Wiring Pass THrough This Grommet At The Firewall	\$29.00	
03791444	1964	<b>AIR CONDITIONING GROMMET</b> Located On The Radiator Core Support	\$11.00	
03793794	1964	<b>AIR CONDITIONING GROMMET</b> A/C Lines And Wiring Pass THrough This Grommet At The Firewall	\$29.00	
03791444	1965	<b>AIR CONDITIONING GROMMET</b> Located On The Radiator Core Support	\$11.00	
03793794	1965	<b>AIR CONDITIONING GROMMET</b> A/C Lines And Wiring Pass THrough This Grommet At The Firewall	\$29.00	
<b>AIR CONDITIONING HARNESS</b>				
36139	1962	<b>AIR CONDITIONING HARNESS</b> 4 & 6 Cylinder, Includes Heater Wiring Note: 6 Cylinder Items Are Not Returnable.	\$150.00	
36252	1962	<b>AIR CONDITIONING HARNESS</b> V/8, Includes Heater Wiring	\$138.00	
36072	1963	<b>AIR CONDITIONING HARNESS</b> 4 & 6 Cylinder, Includes Heater Wiring Note: 6 Cylinder Items Are Not Returnable.	\$150.00	
23035	1963	<b>AIR CONDITIONING HARNESS</b> V/8, Includes Heater Wiring	\$138.00	
23035	1964	<b>AIR CONDITIONING HARNESS</b> Includes Heater Wiring	\$138.00	
18520	1965	<b>AIR CONDITIONING HARNESS</b> Includes Heater Wiring	\$126.00	
09575	1966	<b>AIR CONDITIONING HARNESS</b> Includes Heater Wiring	\$126.00	
09575	1967	<b>AIR CONDITIONING HARNESS</b> Includes Heater Wiring	\$126.00	
12100	1968	<b>AIR CONDITIONING HARNESS</b> Includes Heater Wiring	\$167.00	
13015	1969	<b>AIR CONDITIONING HARNESS</b> Includes Heater Wiring	\$150.00	
13015	1970	<b>AIR CONDITIONING HARNESS</b> Includes Heater Wiring	\$150.00	
15430	1971	<b>AIR CONDITIONING HARNESS</b> Includes Heater Wiring	\$173.00	
16400	1972	<b>AIR CONDITIONING HARNESS</b> Includes Heater Wiring	\$173.00	
18620	1973	<b>AIR CONDITIONING HARNESS</b> Includes Heater Wiring	\$184.00	
00990	1973	<b>AIR CONDITIONING EXTENSION HARNESS</b> Compressor To A/C Harness	\$51.00	
18620	1974	<b>AIR CONDITIONING HARNESS</b> Includes Heater Wiring	\$184.00	
00990	1974	<b>AIR CONDITIONING EXTENSION HARNESS</b> Compressor To A/C Harness	\$51.00	
<b>AIR CONDITIONING POWER FEED WIRE</b>				
19830	1962	<b>AIR CONDITIONING POWER FEED WIRE</b> 4 & 6 Cylinder, Starter Solenoid To A/C Harness Note: 6 Cylinder Items Are Not Returnable.	\$21.00	
33800	1962	<b>AIR CONDITIONING POWER FEED WIRE</b> V/8, Starter Solenoid To A/C Harness	\$19.00	
19830	1963	<b>AIR CONDITIONING POWER FEED WIRE</b> 4 & 6 Cylinder, Starter Solenoid To A/C Harness Note: 6 Cylinder Items Are Not Returnable.	\$21.00	
33800	1963	<b>AIR CONDITIONING POWER FEED WIRE</b> V/8, Starter Solenoid To A/C Harness	\$19.00	
28225	1964	<b>AIR CONDITIONING POWER FEED WIRE</b> 6 Cylinder, Starter Solenoid To A/C Harness Note: 6 Cylinder Items Are Not Returnable.	\$19.00	
36111	1964	<b>AIR CONDITIONING POWER FEED WIRE</b> V/8, Starter Solenoid To A/C Harness	\$23.00	
00995	1965	<b>AIR CONDITIONING POWER FEED WIRE</b> Horn Relay To A/C Fuse	\$20.00	
00995	1966	<b>AIR CONDITIONING POWER FEED WIRE</b> Horn Relay To A/C Fuse	\$20.00	
36112	1967	<b>AIR CONDITIONING POWER FEED WIRE</b> Horn Relay To A/C Fuse	\$21.00	
10970	1968	<b>AIR CONDITIONING POWER FEED WIRE</b> Horn Relay To A/C Fuse	\$19.00	
10970	1969	<b>AIR CONDITIONING POWER FEED WIRE</b> Horn Relay To A/C Fuse	\$19.00	
10970	1970	<b>AIR CONDITIONING POWER FEED WIRE</b> Horn Relay To A/C Fuse	\$19.00	
10970	1971	<b>AIR CONDITIONING POWER FEED WIRE</b> Horn Relay To A/C Fuse	\$19.00	
33865	1972	<b>AIR CONDITIONING POWER FEED WIRE</b> Horn Relay To A/C Fuse	\$21.00	

Part Number	Year	Description	Price	*Rev.
<b>AIR CONDITIONING RELAY GROUND WIRE</b>				
36258	1962	AIR CONDITIONING RELAY GROUND WIRE	\$15.00	
36258	1963	AIR CONDITIONING RELAY GROUND WIRE	\$15.00	
36258	1964	AIR CONDITIONING RELAY GROUND WIRE	\$15.00	
36258	1965	AIR CONDITIONING RELAY GROUND WIRE	\$15.00	
<b>ALTERNATOR CONVERSION KIT</b>				
27555	1963	ALTERNATOR CONVERSION KIT External To Internal Regulator Conversion Harness ("SI" Series) Note: For Use With 1972-84 Non-Serpentine Belt ("SI" Series) Internal Regulated Alternators.	\$25.00	
37787	1963	ALTERNATOR CONVERSION KIT External To Internal Regulator Conversion Harness ("CS" Series) Note: For Use With Serpentine Belt ("CS" Series) Internal Regulated Alternators.	\$29.00	
27555	1964	ALTERNATOR CONVERSION KIT External To Internal Regulator Conversion Harness ("SI" Series) Note: For Use With 1972-84 Non-Serpentine Belt ("SI" Series) Internal Regulated Alternators.	\$25.00	
37787	1964	ALTERNATOR CONVERSION KIT External To Internal Regulator Conversion Harness ("CS" Series) Note: For Use With Serpentine Belt ("CS" Series) Internal Regulated Alternators.	\$29.00	
27555	1965	ALTERNATOR CONVERSION KIT External To Internal Regulator Conversion Harness ("SI" Series) Note: For Use With 1972-84 Non-Serpentine Belt ("SI" Series) Internal Regulated Alternators.	\$25.00	
37787	1965	ALTERNATOR CONVERSION KIT External To Internal Regulator Conversion Harness ("CS" Series) Note: For Use With Serpentine Belt ("CS" Series) Internal Regulated Alternators.	\$29.00	
27555	1966	ALTERNATOR CONVERSION KIT External To Internal Regulator Conversion Harness ("SI" Series) Note: For Use With 1972-84 Non-Serpentine Belt ("SI" Series) Internal Regulated Alternators.	\$25.00	
37787	1966	ALTERNATOR CONVERSION KIT External To Internal Regulator Conversion Harness ("CS" Series) Note: For Use With Serpentine Belt ("CS" Series) Internal Regulated Alternators.	\$29.00	
27555	1967	ALTERNATOR CONVERSION KIT External To Internal Regulator Conversion Harness ("SI" Series) Note: For Use With 1972-84 Non-Serpentine Belt ("SI" Series) Internal Regulated Alternators.	\$25.00	
37787	1967	ALTERNATOR CONVERSION KIT External To Internal Regulator Conversion Harness ("CS" Series) Note: For Use With Serpentine Belt ("CS" Series) Internal Regulated Alternators.	\$29.00	
27555	1968	ALTERNATOR CONVERSION KIT External To Internal Regulator Conversion Harness ("SI" Series) Note: For Use With 1972-84 Non-Serpentine Belt ("SI" Series) Internal Regulated Alternators.	\$25.00	
37787	1968	ALTERNATOR CONVERSION KIT External To Internal Regulator Conversion Harness ("CS" Series) Note: For Use With Serpentine Belt ("CS" Series) Internal Regulated Alternators.	\$29.00	
27555	1969	ALTERNATOR CONVERSION KIT External To Internal Regulator Conversion Harness ("SI" Series) Note: For Use With 1972-84 Non-Serpentine Belt ("SI" Series) Internal Regulated Alternators.	\$25.00	
37787	1969	ALTERNATOR CONVERSION KIT External To Internal Regulator Conversion Harness ("CS" Series) Note: For Use With Serpentine Belt ("CS" Series) Internal Regulated Alternators.	\$29.00	
27555	1970	ALTERNATOR CONVERSION KIT External To Internal Regulator Conversion Harness ("SI" Series) Note: For Use With 1972-84 Non-Serpentine Belt ("SI" Series) Internal Regulated Alternators.	\$25.00	
37787	1970	ALTERNATOR CONVERSION KIT External To Internal Regulator Conversion Harness ("CS" Series) Note: For Use With Serpentine Belt ("CS" Series) Internal Regulated Alternators.	\$29.00	
27555	1971	ALTERNATOR CONVERSION KIT External To Internal Regulator Conversion Harness ("SI" Series) Note: For Use With 1972-84 Non-Serpentine Belt ("SI" Series) Internal Regulated Alternators.	\$25.00	
37787	1971	ALTERNATOR CONVERSION KIT External To Internal Regulator Conversion Harness ("CS" Series) Note: For Use With Serpentine Belt ("CS" Series) Internal Regulated Alternators.	\$29.00	
27555	1972	ALTERNATOR CONVERSION KIT External To Internal Regulator Conversion Harness ("SI" Series) Note: For Use With 1972-84 Non-Serpentine Belt ("SI" Series) Internal Regulated Alternators.	\$25.00	
37787	1972	ALTERNATOR CONVERSION KIT External To Internal Regulator Conversion Harness ("CS" Series) Note: For Use With Serpentine Belt ("CS" Series) Internal Regulated Alternators.	\$29.00	
<b>ASSEMBLY MANUAL</b>				
36303	1962	ASSEMBLY MANUAL Factory Assembly Instruction Guide	\$29.00	



Part Number	Year	Description	Price	*Rev.
36304	1963	<b>ASSEMBLY MANUAL</b> Factory Assembly Instruction Guide	\$29.00	
36305	1964	<b>ASSEMBLY MANUAL</b> Factory Assembly Instruction Guide	\$29.00	
36306	1965	<b>ASSEMBLY MANUAL</b> Factory Assembly Instruction Guide	\$30.00	
36307	1966	<b>ASSEMBLY MANUAL</b> Factory Assembly Instruction Guide	\$29.00	
36308	1967	<b>ASSEMBLY MANUAL</b> Factory Assembly Instruction Guide	\$29.00	
36309	1968	<b>ASSEMBLY MANUAL</b> Factory Assembly Instruction Guide	\$29.00	
36310	1969	<b>ASSEMBLY MANUAL</b> Factory Assembly Instruction Guide	\$29.00	
36311	1970	<b>ASSEMBLY MANUAL</b> Factory Assembly Instruction Guide	\$29.00	
36312	1971	<b>ASSEMBLY MANUAL</b> Factory Assembly Instruction Guide	\$29.00	
36313	1972	<b>ASSEMBLY MANUAL</b> Factory Assembly Instruction Guide	\$29.00	
<b>BACKUP LAMP SWITCH</b>				
01998728	1962	<b>BACKUP LAMP SWITCH</b> 4 Speed, Manual Trans	\$64.00	
01997929	1963	<b>BACKUP LAMP SWITCH</b> 4 Speed, Manual Trans (Stamped 929)	\$64.00	
01993661	1964	<b>BACKUP LAMP SWITCH</b> 4-Speed, Manual Trans	\$64.00	
01993307	1965	<b>BACKUP LAMP SWITCH</b> 4 Speed, Manual Trans	\$64.00	
01993307	1966	<b>BACKUP LAMP SWITCH</b> 4 Speed, Manual Trans	\$64.00	
01993307	1967	<b>BACKUP LAMP SWITCH</b> 4 Speed, Manual Trans	\$64.00	
01993413	1968	<b>BACKUP LAMP SWITCH</b> 4 Speed, Manual Trans	\$64.00	
03943657	1969	<b>BACKUP LAMP SWITCH</b> Manual Trans	\$53.00	
03943657	1970	<b>BACKUP LAMP SWITCH</b> Manual Trans	\$53.00	
03943657	1971	<b>BACKUP LAMP SWITCH</b> Manual Trans	\$53.00	
03943657	1972	<b>BACKUP LAMP SWITCH</b> Manual Trans	\$53.00	
<b>BACKUP LAMP SWITCH EXTENSION HARNESS</b>				
27315	1962	<b>BACKUP LAMP SWITCH EXTENSION HARNESS</b> Auto Trans, Switch To Rear Body Connector	\$19.00	
28160	1962	<b>BACKUP LAMP SWITCH EXTENSION HARNESS</b> Manual Trans, Switch To Rear Body Connector	\$35.00	
27315	1963	<b>BACKUP LAMP SWITCH EXTENSION HARNESS</b> All Trans Without Gauges, Switch To Rear Body Connector	\$19.00	
28335	1963	<b>BACKUP LAMP SWITCH EXTENSION HARNESS</b> Manual Trans, Switch To Part# 27315 Backup Extension Harness	\$28.00	
37101	1964	<b>BACKUP LAMP SWITCH EXTENSION HARNESS</b> Auto Trans, Switch To Rear Body Connector	\$25.00	
33805	1964	<b>BACKUP LAMP SWITCH EXTENSION HARNESS</b> Manual Trans, Fuse Panel To Rear Body Connector	\$28.00	
37101	1965	<b>BACKUP LAMP SWITCH EXTENSION HARNESS</b> Auto Trans, Switch To Rear Body Connector	\$25.00	
33805	1965	<b>BACKUP LAMP SWITCH EXTENSION HARNESS</b> Manual Trans, Fuse Panel To Rear Body Connector	\$28.00	
01400	1966	<b>BACKUP LAMP SWITCH EXTENSION HARNESS</b> Auto Trans, Switch To Rear Body Connector	\$28.00	
33805	1966	<b>BACKUP LAMP SWITCH EXTENSION HARNESS</b> Manual Trans, Fuse Panel To Rear Body Connector	\$28.00	
33805	1967	<b>BACKUP LAMP SWITCH EXTENSION HARNESS</b> Manual Trans, Fuse Panel To Rear Body Connector	\$28.00	
10665	1968	<b>BACKUP LAMP SWITCH EXTENSION HARNESS</b> All Manual Trans	\$27.00	
<b>BACKUP LAMP SWITCH MOUNTING BRACKET</b>				
37650	1964	<b>BACKUP LAMP SWITCH MOUNTING BRACKET</b> With Muncie 4 Speed Transmission	\$29.00	
37650	1965	<b>BACKUP LAMP SWITCH MOUNTING BRACKET</b> With Muncie 4 Speed Transmission	\$29.00	
37650	1966	<b>BACKUP LAMP SWITCH MOUNTING BRACKET</b> With Muncie 4 Speed Transmission	\$29.00	
37650	1967	<b>BACKUP LAMP SWITCH MOUNTING BRACKET</b> With Muncie 4 Speed Transmission	\$29.00	
37650	1968	<b>BACKUP LAMP SWITCH MOUNTING BRACKET</b> With Muncie 4 Speed Transmission	\$29.00	
<b>BACKUP LAMP SWITCH MOUNTING KIT</b>				
39504	1964	<b>BACKUP LAMP SWITCH MOUNTING KIT</b> With Muncie 4 Speed Transmission Note: Kit Contains The Bracket, Rod With 2 Clips, Shield & Bolts.	\$46.00	
39504	1965	<b>BACKUP LAMP SWITCH MOUNTING KIT</b> With Muncie 4 Speed Transmission Note: Kit Contains The Bracket, Rod With 2 Clips, Shield & Bolts.	\$46.00	

Part Number	Year	Description	Price	*Rev.
39504	1966	<b>BACKUP LAMP SWITCH MOUNTING KIT</b> With Muncie 4 Speed Transmission Note: Kit Contains The Bracket, Rod With 2 Clips, Shield & Bolts.	\$46.00	
39504	1967	<b>BACKUP LAMP SWITCH MOUNTING KIT</b> With Muncie 4 Speed Transmission Note: Kit Contains The Bracket, Rod With 2 Clips, Shield & Bolts.	\$46.00	
39504	1968	<b>BACKUP LAMP SWITCH MOUNTING KIT</b> With Muncie 4 Speed Transmission Note: Kit Contains The Bracket, Rod With 2 Clips, Shield & Bolts.	\$46.00	
<b>BATTERY CABLE JUNCTION BLOCK</b>				
03882795	1968	<b>BATTERY CABLE JUNCTION BLOCK</b> For Positive Cable Secondary Lead	\$9.00	
03882795	1969	<b>BATTERY CABLE JUNCTION BLOCK</b> For Positive Cable Secondary Lead	\$9.00	
03882795	1970	<b>BATTERY CABLE JUNCTION BLOCK</b> For Positive Cable Secondary Lead	\$9.00	
03882795	1971	<b>BATTERY CABLE JUNCTION BLOCK</b> For Positive Cable Secondary Lead	\$9.00	
<b>BATTERY CABLE, NEGATIVE</b>				
03515	1962	<b>BATTERY CABLE, SPRING RING</b> Neg, All	\$64.00	
04170	1963	<b>BATTERY CABLE, SPRING RING</b> Neg, 4 Cylinder	\$64.00	
03500	1963	<b>BATTERY CABLE, SPRING RING</b> Neg, 6 Cylinder, Without A/C Note: 6 Cylinder Items Are Not Returnable.	\$64.00	
04170	1963	<b>BATTERY CABLE, SPRING RING</b> Neg, 6 Cylinder, With A/C Note: 6 Cylinder Items Are Not Returnable.	\$64.00	
03515	1963	<b>BATTERY CABLE, SPRING RING</b> Neg, V/8, Except 327 C.I.	\$64.00	
03720	1963	<b>BATTERY CABLE, SPRING RING</b> Neg, V/8, 327 C.I.	\$64.00	
04170	1964	<b>BATTERY CABLE, SPRING RING</b> Neg, 4 & 6 Cylinder Note: 6 Cylinder Items Are Not Returnable.	\$64.00	
03515	1964	<b>BATTERY CABLE, SPRING RING</b> Neg, V/8	\$64.00	
03515	1965	<b>BATTERY CABLE, SPRING RING</b> Neg, All	\$64.00	
09190	1966	<b>BATTERY CABLE, SPRING RING</b> Neg, 4 & 6 Cylinder, Without A/C Note: 6 Cylinder Items Are Not Returnable.	\$64.00	
09795	1966	<b>BATTERY CABLE, SPRING RING</b> Neg, 6 Cylinder, With A/C Note: 6 Cylinder Items Are Not Returnable.	\$64.00	
09190	1966	<b>BATTERY CABLE, SPRING RING</b> Neg, V/8	\$64.00	
05290	1967	<b>BATTERY CABLE, SPRING RING</b> Neg, 4 & 6 Cylinder, Without A/C Note: 6 Cylinder Items Are Not Returnable.	\$64.00	
09795	1967	<b>BATTERY CABLE, SPRING RING</b> Neg, 6 Cylinder, With A/C Note: 6 Cylinder Items Are Not Returnable.	\$64.00	
09195	1967	<b>BATTERY CABLE, SPRING RING</b> Neg, V/8, All	\$64.00	
12505	1968	<b>BATTERY CABLE, SPRING RING</b> Neg, 4 Cylinder	\$64.00	
05035	1968	<b>BATTERY CABLE, SPRING RING</b> Neg, 6 Cylinder, Without A/C, With Standard Battery Note: 6 Cylinder Items Are Not Returnable.	\$64.00	
04865	1968	<b>BATTERY CABLE, SPRING RING</b> Neg, 6 Cylinder, All With Heavy Duty Battery Note: 6 Cylinder Items Are Not Returnable.	\$64.00	
09930	1968	<b>BATTERY CABLE, SPRING RING</b> Neg, 6 Cylinder, With A/C, With Standard Battery Note: 6 Cylinder Items Are Not Returnable.	\$64.00	
05145	1968	<b>BATTERY CABLE, SPRING RING</b> Neg, V/8, Except 396 C.I., Without A/C	\$64.00	
04830	1968	<b>BATTERY CABLE, SPRING RING</b> Neg, V/8, Except 396 C.I., With A/C	\$64.00	
22700	1968	<b>BATTERY CABLE, SPRING RING</b> Neg, V/8, 396 C.I., All	\$64.00	
04865	1969	<b>BATTERY CABLE, SPRING RING</b> Neg, 4 & 6 Cylinder, Without A/C Note: 6 Cylinder Items Are Not Returnable.	\$64.00	
04830	1969	<b>BATTERY CABLE, SPRING RING</b> Neg, 6 Cylinder, With A/C Note: 6 Cylinder Items Are Not Returnable.	\$64.00	

Part Number	Year	Description	Price	*Rev.
22305	1969	<b>BATTERY CABLE, SPRING RING</b> Neg, V/8, Except 396 C.I.	\$64.00	
12565	1969	<b>BATTERY CABLE, SPRING RING</b> Neg, V/8, 396 C.I.	\$64.00	
22315	1970	<b>BATTERY CABLE, SIDE POST</b> Neg, 4 Cylinder, With Side Mount Type Battery	\$69.00	
18875	1970	<b>BATTERY CABLE, SPRING RING</b> Neg, 6 Cylinder Note: 6 Cylinder Items Are Not Returnable.	\$64.00	
22310	1970	<b>BATTERY CABLE, SIDE POST</b> Neg, 6 Cylinder, With Side Mount Type Battery Note: 6 Cylinder Items Are Not Returnable.	\$69.00	
22305	1970	<b>BATTERY CABLE, SPRING RING</b> Neg, V/8, Except 396 C.I.	\$64.00	
22330	1970	<b>BATTERY CABLE, SIDE POST</b> Neg, V/8, All With Side Mount Type Battery	\$69.00	
22235	1970	<b>BATTERY CABLE, SPRING RING</b> Neg, V/8, 396 C.I.	\$64.00	
22980	1971	<b>BATTERY CABLE, SIDE POST</b> Neg, 6 Cylinder Note: 6 Cylinder Items Are Not Returnable.	\$69.00	
22985	1971	<b>BATTERY CABLE, SIDE POST</b> Neg, V/8	\$69.00	
22980	1972	<b>BATTERY CABLE, SIDE POST</b> Neg, 6 Cylinder Note: 6 Cylinder Items Are Not Returnable.	\$69.00	
22985	1972	<b>BATTERY CABLE, SIDE POST</b> Neg, V/8, 307 C.I.	\$69.00	
22995	1972	<b>BATTERY CABLE, SIDE POST</b> Neg, V/8, 350 C.I.	\$69.00	
<b>BATTERY CABLE, POSITIVE</b>				
03730	1962	<b>BATTERY CABLE, SPRING RING</b> Pos, 4 & 6 Cylinder Note: 6 Cylinder Items Are Not Returnable.	\$64.00	
03905	1962	<b>BATTERY CABLE, SPRING RING</b> Pos, V/8, With Alternator	\$64.00	
03725	1962	<b>BATTERY CABLE, SPRING RING</b> Pos, V/8, With Generator	\$64.00	
03730	1963	<b>BATTERY CABLE, SPRING RING</b> Pos, 4 & 6 Cylinder Note: 6 Cylinder Items Are Not Returnable.	\$64.00	
04370	1963	<b>BATTERY CABLE, SPRING RING</b> Pos, V/8, 283 C.I.	\$64.00	
03905	1963	<b>BATTERY CABLE, SPRING RING</b> Pos, V/8, 327 C.I.	\$64.00	
05095	1964	<b>BATTERY CABLE, SPRING RING</b> Pos, 4 & 6 Cylinder, Without A/C Note: 6 Cylinder Items Are Not Returnable.	\$64.00	
05530	1964	<b>BATTERY CABLE, SPRING RING</b> Pos, 6 Cylinder, With A/C Note: 6 Cylinder Items Are Not Returnable.	\$64.00	
05530	1964	<b>BATTERY CABLE, SPRING RING</b> Pos, V/8	\$64.00	
05095	1965	<b>BATTERY CABLE, SPRING RING</b> Pos, 4 & 6 Cylinder Note: 6 Cylinder Items Are Not Returnable.	\$64.00	
05530	1965	<b>BATTERY CABLE, SPRING RING</b> Pos, V/8	\$64.00	
36975	1965	<b>BATTERY CABLE, SPRING RING</b> Pos, V/8, With 250hp Or 300hp 327c.i.	\$64.00	
05095	1966	<b>BATTERY CABLE, SPRING RING</b> Pos, 4 & 6 Cylinder Note: 6 Cylinder Items Are Not Returnable.	\$64.00	
05530	1966	<b>BATTERY CABLE, SPRING RING</b> Pos, V/8	\$64.00	
36975	1966	<b>BATTERY CABLE, SPRING RING</b> Pos, V/8, With 250hp Or 300hp 327c.i.	\$64.00	
22160	1967	<b>BATTERY CABLE, SPRING RING</b> Pos, 4 & 6 Cylinder, Without A/C Note: 6 Cylinder Items Are Not Returnable.	\$64.00	
22165	1967	<b>BATTERY CABLE, SPRING RING</b> Pos, V/8, Without A/C	\$64.00	
10715	1967	<b>BATTERY CABLE, SPRING RING</b> Pos, 6 Cylinder & V/8, With A/C Note: 6 Cylinder Items Are Not Returnable.	\$64.00	
09935	1968	<b>BATTERY CABLE, SPRING RING</b> Pos, 4 & 6 Cylinder Note: 6 Cylinder Items Are Not Returnable.	\$64.00	
10710	1968	<b>BATTERY CABLE, SPRING RING</b> Pos, V/8, Except 396 C.I.	\$64.00	
18820	1968	<b>BATTERY CABLE, SPRING RING</b> Pos, V/8, 396 C.I.	\$64.00	

Part Number	Year	Description	Price	*Rev.
09935	1969	<b>BATTERY CABLE, SPRING RING</b> Pos, 4 & 6 Cylinder Note: 6 Cylinder Items Are Not Returnable.	\$64.00	
10710	1969	<b>BATTERY CABLE, SPRING RING</b> Pos, V/8, Except 396 C.I.	\$64.00	
12585	1969	<b>BATTERY CABLE, SPRING RING</b> Pos, V/8, 396 C.I.	\$64.00	
10700	1970	<b>BATTERY CABLE, SPRING RING</b> Pos, 4 & 6 Cylinder Note: 6 Cylinder Items Are Not Returnable.	\$64.00	
22325	1970	<b>BATTERY CABLE, SIDE POST</b> Pos, 4 & 6 Cylinder, With Side Mount Type Battery Note: 6 Cylinder Items Are Not Returnable.	\$69.00	
12450	1970	<b>BATTERY CABLE, SPRING RING</b> Pos, V/8, Except 396 C.I.	\$64.00	
22320	1970	<b>BATTERY CABLE, SIDE POST</b> Pos, V/8, All With Side Mount Type Battery	\$69.00	
22710	1970	<b>BATTERY CABLE, SPRING RING</b> Pos, V/8, 396 C.I.	\$64.00	
22965	1971	<b>BATTERY CABLE, SIDE POST</b> Pos, 6 Cylinder Note: 6 Cylinder Items Are Not Returnable.	\$69.00	
22940	1971	<b>BATTERY CABLE, SIDE POST</b> Pos, V/8	\$69.00	
22650	1972	<b>BATTERY CABLE, SIDE POST</b> Pos, 6 Cylinder Note: 6 Cylinder Items Are Not Returnable.	\$69.00	
22975	1972	<b>BATTERY CABLE, SIDE POST</b> Pos, V/8, 307 C.I.	\$69.00	
22970	1972	<b>BATTERY CABLE, SIDE POST</b> Pos, V/8, 350 C.I.	\$69.00	
<b>BREAKERLESS SE SINGLE WIRE ELECTRONIC IGNITION KIT</b>				
38131	1962	<b>BREAKERLESS SE SINGLE WIRE ELECTRONIC IGNITION KIT</b> For 1957-74 Breaker Point Distributors With Windowed Type Distributor Cap	\$169.00	
38131	1963	<b>BREAKERLESS SE SINGLE WIRE ELECTRONIC IGNITION KIT</b> For 1957-74 Breaker Point Distributors With Windowed Type Distributor Cap	\$169.00	
38131	1964	<b>BREAKERLESS SE SINGLE WIRE ELECTRONIC IGNITION KIT</b> For 1957-74 Breaker Point Distributors With Windowed Type Distributor Cap	\$169.00	
38131	1965	<b>BREAKERLESS SE SINGLE WIRE ELECTRONIC IGNITION KIT</b> For 1957-74 Breaker Point Distributors With Windowed Type Distributor Cap	\$169.00	
38131	1966	<b>BREAKERLESS SE SINGLE WIRE ELECTRONIC IGNITION KIT</b> For 1957-74 Breaker Point Distributors With Windowed Type Distributor Cap	\$169.00	
38131	1967	<b>BREAKERLESS SE SINGLE WIRE ELECTRONIC IGNITION KIT</b> For 1957-74 Breaker Point Distributors With Windowed Type Distributor Cap	\$169.00	
38131	1968	<b>BREAKERLESS SE SINGLE WIRE ELECTRONIC IGNITION KIT</b> For 1957-74 Breaker Point Distributors With Windowed Type Distributor Cap	\$169.00	
38131	1969	<b>BREAKERLESS SE SINGLE WIRE ELECTRONIC IGNITION KIT</b> For 1957-74 Breaker Point Distributors With Windowed Type Distributor Cap	\$169.00	
38131	1970	<b>BREAKERLESS SE SINGLE WIRE ELECTRONIC IGNITION KIT</b> For 1957-74 Breaker Point Distributors With Windowed Type Distributor Cap	\$169.00	
38131	1971	<b>BREAKERLESS SE SINGLE WIRE ELECTRONIC IGNITION KIT</b> For 1957-74 Breaker Point Distributors With Windowed Type Distributor Cap	\$169.00	
38131	1972	<b>BREAKERLESS SE SINGLE WIRE ELECTRONIC IGNITION KIT</b> For 1957-74 Breaker Point Distributors With Windowed Type Distributor Cap	\$169.00	
38131	1973	<b>BREAKERLESS SE SINGLE WIRE ELECTRONIC IGNITION KIT</b> For 1957-74 Breaker Point Distributors With Windowed Type Distributor Cap	\$169.00	
38131	1974	<b>BREAKERLESS SE SINGLE WIRE ELECTRONIC IGNITION KIT</b> For 1957-74 Breaker Point Distributors With Windowed Type Distributor Cap	\$169.00	
<b>CIRCUIT BREAKER</b>				
04850166	1967	<b>CIRCUIT BREAKER, 30 AMP</b> Wagon Power Tailgate Window	\$14.00	
04850166	1975	<b>CIRCUIT BREAKER, 30 AMP</b> Power Door Locks & Windows	\$14.00	
04850166	1976	<b>CIRCUIT BREAKER, 30 AMP</b> Power Door Locks & Windows	\$14.00	
04850166	1977	<b>CIRCUIT BREAKER, 30 AMP</b> Power Door Locks & Windows	\$14.00	
04850166	1978	<b>CIRCUIT BREAKER, 30 AMP</b> Power Door Locks & Windows	\$14.00	

Part Number	Year	Description	Price	*Rev.
04850166	1979	CIRCUIT BREAKER, 30 AMP Power Door Locks & Windows	\$14.00	
<b>CLOCK HARNESS</b>				
18275	1964	CLOCK HARNESS Dash Mounted	\$25.00	
01365	1968	CLOCK HARNESS Dash Mounted	\$22.00	
01365	1969	CLOCK HARNESS Dash Mounted	\$22.00	
01365	1970	CLOCK HARNESS Dash Mounted	\$22.00	
01365	1971	CLOCK HARNESS Dash Mounted	\$22.00	
01365	1972	CLOCK HARNESS Dash Mounted	\$22.00	
<b>CONSOLE GAUGE BACKING PLATES</b>				
36405	1968	CONSOLE GAUGE BACKING PLATES The Four Console Gauges Mount To These Plates	\$52.00	
36405	1969	CONSOLE GAUGE BACKING PLATES The Four Console Gauges Mount To These Plates	\$52.00	
36405	1970	CONSOLE GAUGE BACKING PLATES The Four Console Gauges Mount To These Plates	\$52.00	
36405	1971	CONSOLE GAUGE BACKING PLATES The Four Console Gauges Mount To These Plates	\$52.00	
36405	1972	CONSOLE GAUGE BACKING PLATES The Four Console Gauges Mount To These Plates	\$52.00	
36405	1973	CONSOLE GAUGE BACKING PLATES The Four Console Gauges Mount To These Plates	\$52.00	
36405	1974	CONSOLE GAUGE BACKING PLATES The Four Console Gauges Mount To These Plates	\$52.00	
<b>CONSOLE GAUGE TERMINALS</b>				
36206	1968	CONSOLE GAUGE TERMINALS Terminals To Insure Correct Electrical Connection To Harness	\$57.00	
36206	1969	CONSOLE GAUGE TERMINALS Terminals To Insure Correct Electrical Connection To Harness	\$57.00	
36206	1970	CONSOLE GAUGE TERMINALS Terminals To Insure Correct Electrical Connection To Harness	\$57.00	
36206	1971	CONSOLE GAUGE TERMINALS Terminals To Insure Correct Electrical Connection To Harness	\$57.00	
36206	1972	CONSOLE GAUGE TERMINALS Terminals To Insure Correct Electrical Connection To Harness	\$57.00	
36206	1973	CONSOLE GAUGE TERMINALS Terminals To Insure Correct Electrical Connection To Harness	\$57.00	
36206	1974	CONSOLE GAUGE TERMINALS Terminals To Insure Correct Electrical Connection To Harness	\$57.00	
<b>CONSOLE HARNESS</b>				
28925	1963	CONSOLE EXTENSION HARNESS Auto Trans	\$40.00	
06450	1963	CONSOLE HARNESS With Courtesy Lamps	\$41.00	
28925	1964	CONSOLE EXTENSION HARNESS Auto Trans	\$40.00	
06450	1964	CONSOLE HARNESS With Courtesy Lamps	\$41.00	
05890	1965	CONSOLE HARNESS Auto Trans	\$49.00	
05890	1966	CONSOLE HARNESS Auto Trans	\$49.00	
01350	1967	CONSOLE HARNESS Auto Trans	\$49.00	
01355	1968	CONSOLE HARNESS With Console Gauges	\$56.00	
01355	1969	CONSOLE HARNESS With Console Gauges	\$56.00	
01355	1970	CONSOLE HARNESS With Console Gauges	\$56.00	
01355	1971	CONSOLE HARNESS With Console Gauges	\$56.00	
01355	1972	CONSOLE HARNESS With Console Gauges	\$56.00	
40153	1973	CONSOLE HARNESS With Console Gauges	\$64.00	
40153	1974	CONSOLE HARNESS With Console Gauges	\$64.00	
40153	1975	CONSOLE HARNESS With Console Gauges	\$64.00	
40154	1976	CONSOLE HARNESS With Console Gauges	\$67.00	
<b>COURTESY LAMP HARNESS</b>				
08890	1962	COURTESY LAMP HARNESS Under Dash	\$46.00	
08890	1963	COURTESY LAMP HARNESS Under Dash	\$46.00	
<b>COURTESY LAMP MOUNTING BRACKET, UNDER DASH</b>				
04876930	1962	COURTESY LAMP MOUNTING BRACKET, UNDER DASH Left Or Right Side, 2 Required Per Car	\$11.00	

Part Number	Year	Description	Price	*Rev.
04876930	1963	COURTESY LAMP MOUNTING BRACKET, UNDER DASH Left Or Right Side, 2 Required Per Car	\$11.00	
04876930	1968	COURTESY LAMP MOUNTING BRACKET, UNDER DASH Left Or Right Side, 2 Required Per Car	\$11.00	
04876930	1969	COURTESY LAMP MOUNTING BRACKET, UNDER DASH Left Or Right Side, 2 Required Per Car	\$11.00	
04876930	1970	COURTESY LAMP MOUNTING BRACKET, UNDER DASH Left Or Right Side, 2 Required Per Car	\$11.00	
04876930	1971	COURTESY LAMP MOUNTING BRACKET, UNDER DASH Left Or Right Side, 2 Required Per Car	\$11.00	
04876930	1972	COURTESY LAMP MOUNTING BRACKET, UNDER DASH Left Or Right Side, 2 Required Per Car	\$11.00	
<b>DASH HARNESS</b>				
03995	1962	DASH HARNESS Auto Trans	\$411.00	
19025	1962	DASH HARNESS Manual Trans	\$427.00	
04960	1963	DASH HARNESS With Warning Lights	\$411.00	
01315	1963	DASH HARNESS With Gauges	\$411.00	
04960	1964	DASH HARNESS With Warning Lights	\$411.00	
01315	1964	DASH HARNESS With Gauges	\$411.00	
05670	1965	DASH HARNESS With Warning Lights	\$411.00	
09320	1965	DASH HARNESS With Gauges	\$411.00	
09585	1966	DASH HARNESS All	\$411.00	
10890	1967	DASH HARNESS All	\$411.00	
18545	1968	DASH EXTENSION HARNESS Glove Box & Heater Lamps	\$41.00	
01340	1968	DASH HARNESS Column Shift, Auto Trans	\$497.00	
12050	1968	DASH HARNESS Console Shift, Auto Trans	\$497.00	
12055	1968	DASH HARNESS Console Shift, Auto Trans With Gauges	\$529.00	
12060	1968	DASH HARNESS Console Shift, Manual Trans With Gauges	\$497.00	
18635	1968	DASH HARNESS Manual Trans, All Without Gauges	\$497.00	
13060	1969	DASH HARNESS Column Shift Auto Trans & All Manual Trans	\$497.00	
13110	1969	DASH HARNESS Column Shift Auto Trans & All Manual Trans With A/C	\$497.00	
13070	1969	DASH HARNESS Console Shift, Auto Trans	\$497.00	
13065	1969	DASH HARNESS Console Shift, Auto Trans With Gauges	\$497.00	
13075	1969	DASH HARNESS Console Shift, Manual Trans With Gauges	\$497.00	
14755	1970	DASH HARNESS Column Shift, Auto Trans Or Floor Shift Manual Trans	\$502.00	
14760	1970	DASH HARNESS Console Shift, Auto Trans	\$529.00	
14770	1970	DASH HARNESS Console Shift, Auto Trans With Gauges	\$502.00	
14775	1970	DASH HARNESS Console Shift, Manual Trans With Gauges	\$502.00	
33840	1971	DASH HARNESS Column Shift Auto Trans & All Manual Trans Without Gauges	\$502.00	
33845	1971	DASH HARNESS Console Shift, Auto Trans	\$529.00	
33850	1971	DASH HARNESS Console Shift, Auto Trans With Gauges	\$506.00	
33855	1971	DASH HARNESS Console Shift, Manual Trans With Gauges	\$502.00	
16825	1972	DASH HARNESS With Warning Lights	\$523.00	
17000	1972	DASH HARNESS With Warning Lights & Seat Belt Warning	\$587.00	
16830	1972	DASH HARNESS With Gauges	\$555.00	
17005	1972	DASH HARNESS With Gauges & Seat Belt Warning	\$587.00	
18715	1973	DASH HARNESS With Warning Lights	\$555.00	
16540	1973	DASH HARNESS With Gauges	\$555.00	
18660	1974	DASH HARNESS With Warning Lights	\$587.00	
18655	1974	DASH HARNESS With Gauges	\$587.00	
<b>DISTRIBUTOR WIRE</b>				
36057	1962	DISTRIBUTOR WIRE Distributor Points To Coil Negative Terminal, V/8	\$15.00	C
		Note: Fits All GM V/8 Points Type Distributors From Approx. 1957 To 1974.		

Part Number	Year	Description	Price	*Rev.
36057	1963	<b>DISTRIBUTOR WIRE</b> Distributor Points To Coil Negative Terminal, V/8 Note: Fits All GM V/8 Points Type Distributors From Approx. 1957 To 1974.	\$15.00	C
36057	1964	<b>DISTRIBUTOR WIRE</b> Distributor Points To Coil Negative Terminal, V/8 Note: Fits All GM V/8 Points Type Distributors From Approx. 1957 To 1974.	\$15.00	C
36057	1965	<b>DISTRIBUTOR WIRE</b> Distributor Points To Coil Negative Terminal, V/8 Note: Fits All GM V/8 Points Type Distributors From Approx. 1957 To 1974.	\$15.00	C
36057	1966	<b>DISTRIBUTOR WIRE</b> Distributor Points To Coil Negative Terminal, V/8 Note: Fits All GM V/8 Points Type Distributors From Approx. 1957 To 1974.	\$15.00	C
36057	1967	<b>DISTRIBUTOR WIRE</b> Distributor Points To Coil Negative Terminal, V/8 Note: Fits All GM V/8 Points Type Distributors From Approx. 1957 To 1974.	\$15.00	C
36057	1968	<b>DISTRIBUTOR WIRE</b> Distributor Points To Coil Negative Terminal, V/8 Note: Fits All GM V/8 Points Type Distributors From Approx. 1957 To 1974.	\$15.00	C
36057	1969	<b>DISTRIBUTOR WIRE</b> Distributor Points To Coil Negative Terminal, V/8 Note: Fits All GM V/8 Points Type Distributors From Approx. 1957 To 1974.	\$15.00	C
36057	1970	<b>DISTRIBUTOR WIRE</b> Distributor Points To Coil Negative Terminal, V/8 Note: Fits All GM V/8 Points Type Distributors From Approx. 1957 To 1974.	\$15.00	C
36057	1971	<b>DISTRIBUTOR WIRE</b> Distributor Points To Coil Negative Terminal, V/8 Note: Fits All GM V/8 Points Type Distributors From Approx. 1957 To 1974.	\$15.00	C
36057	1972	<b>DISTRIBUTOR WIRE</b> Distributor Points To Coil Negative Terminal, V/8 Note: Fits All GM V/8 Points Type Distributors From Approx. 1957 To 1974.	\$15.00	C
36057	1973	<b>DISTRIBUTOR WIRE</b> Distributor Points To Coil Negative Terminal, V/8 Note: Fits All GM V/8 Points Type Distributors From Approx. 1957 To 1974.	\$15.00	C
36057	1974	<b>DISTRIBUTOR WIRE</b> Distributor Points To Coil Negative Terminal, V/8 Note: Fits All GM V/8 Points Type Distributors From Approx. 1957 To 1974.	\$15.00	C
<b>DOME LAMP HARNESS</b>				
07755	1965	<b>DOME LAMP HARNESS</b> With Separate Door Jamb Switch Connection	\$29.00	
07760	1965	<b>DOME LAMP HARNESS</b> Plugs Into Rear Lamp Harness	\$23.00	
07755	1966	<b>DOME LAMP HARNESS</b> With Separate Door Jamb Switch Connection	\$29.00	
07760	1966	<b>DOME LAMP HARNESS</b> Plugs Into Rear Lamp Harness	\$23.00	
07755	1967	<b>DOME LAMP HARNESS</b> With Separate Door Jamb Switch Connection	\$29.00	
07760	1967	<b>DOME LAMP HARNESS</b> Plugs Into Rear Lamp Harness	\$23.00	
40156	1969	<b>DOME LAMP HARNESS</b> 2 Door	\$29.00	
40155	1970	<b>DOME LAMP HARNESS</b> 2 Door	\$34.00	
40155	1971	<b>DOME LAMP HARNESS</b> 2 Door	\$34.00	
40155	1972	<b>DOME LAMP HARNESS</b> 2 Door	\$34.00	
<b>DOME LIGHT LENS</b>				
06279669	1962	<b>DOME LIGHT LENS</b> Note: Manufactured With Original GM Tooling, Not A Reproduction Part.	\$4.00	
06279669	1963	<b>DOME LIGHT LENS</b> Note: Manufactured With Original GM Tooling, Not A Reproduction Part.	\$4.00	
06279669	1964	<b>DOME LIGHT LENS</b> Note: Manufactured With Original GM Tooling, Not A Reproduction Part.	\$4.00	
06279669	1965	<b>DOME LIGHT LENS</b> Note: Manufactured With Original GM Tooling, Not A Reproduction Part.	\$4.00	
06279669	1966	<b>DOME LIGHT LENS</b> Note: Manufactured With Original GM Tooling, Not A Reproduction Part.	\$4.00	
06279669	1967	<b>DOME LIGHT LENS</b> Note: Manufactured With Original GM Tooling, Not A Reproduction Part.	\$4.00	

Part Number	Year	Description	Price	*Rev.
06279669	1968	<b>DOME LIGHT LENS</b> Note: Manufactured With Original GM Tooling, Not A Reproduction Part.	\$4.00	
06279669	1969	<b>DOME LIGHT LENS</b> Note: Manufactured With Original GM Tooling, Not A Reproduction Part.	\$4.00	
06279669	1970	<b>DOME LIGHT LENS</b> Note: Manufactured With Original GM Tooling, Not A Reproduction Part.	\$4.00	
<b>ENGINE HARNESS</b>				
23030	1962	<b>ENGINE HARNESS</b> 4 Cylinder	\$121.00	
04970	1962	<b>ENGINE HARNESS</b> 6 Cylinder Note: 6 Cylinder Items Are Not Returnable.	\$99.00	
04295	1962	<b>ENGINE HARNESS</b> V/8	\$99.00	
38927	1962	<b>ENGINE HARNESS - HEI</b> V/8 Note: This Harness Is Modified For Use With An HEI Distributor.	\$114.00	
23030	1963	<b>ENGINE HARNESS</b> 4 Cylinder	\$121.00	
04970	1963	<b>ENGINE HARNESS</b> 6 Cylinder Note: 6 Cylinder Items Are Not Returnable.	\$99.00	
05750	1963	<b>ENGINE HARNESS</b> 6 Cylinder, With Gauges Note: 6 Cylinder Items Are Not Returnable.	\$99.00	
04295	1963	<b>ENGINE HARNESS</b> V/8	\$99.00	
38927	1963	<b>ENGINE HARNESS - HEI</b> V/8 Note: This Harness Is Modified For Use With An HEI Distributor.	\$114.00	
01345	1963	<b>ENGINE HARNESS</b> V/8, With Gauges	\$99.00	
38956	1963	<b>ENGINE HARNESS - HEI</b> V/8, With Gauges Note: This Harness Is Modified For Use With An HEI Distributor.	\$114.00	
23030	1964	<b>ENGINE HARNESS</b> 4 Cylinder	\$121.00	
04970	1964	<b>ENGINE HARNESS</b> 6 Cylinder Note: 6 Cylinder Items Are Not Returnable.	\$99.00	
05750	1964	<b>ENGINE HARNESS</b> 6 Cylinder, With Gauges Note: 6 Cylinder Items Are Not Returnable.	\$99.00	
04295	1964	<b>ENGINE HARNESS</b> V/8	\$99.00	
38927	1964	<b>ENGINE HARNESS - HEI</b> V/8 Note: This Harness Is Modified For Use With An HEI Distributor.	\$114.00	
01345	1964	<b>ENGINE HARNESS</b> V/8, With Gauges	\$99.00	
38956	1964	<b>ENGINE HARNESS - HEI</b> V/8, With Gauges Note: This Harness Is Modified For Use With An HEI Distributor.	\$114.00	
23030	1965	<b>ENGINE HARNESS</b> 4 Cylinder	\$121.00	
04970	1965	<b>ENGINE HARNESS</b> 6 Cylinder Note: 6 Cylinder Items Are Not Returnable.	\$99.00	
05750	1965	<b>ENGINE HARNESS</b> 6 Cylinder, With Gauges Note: 6 Cylinder Items Are Not Returnable.	\$99.00	
04295	1965	<b>ENGINE HARNESS</b> V/8	\$99.00	
38927	1965	<b>ENGINE HARNESS - HEI</b> V/8 Note: This Harness Is Modified For Use With An HEI Distributor.	\$114.00	
01345	1965	<b>ENGINE HARNESS</b> V/8, With Gauges	\$99.00	
38956	1965	<b>ENGINE HARNESS - HEI</b> V/8, With Gauges Note: This Harness Is Modified For Use With An HEI Distributor.	\$114.00	
23030	1966	<b>ENGINE HARNESS</b> 4 Cylinder	\$121.00	



Part Number	Year	Description	Price	*Rev.
04970	1966	<b>ENGINE HARNESS</b> 6 Cylinder Note: 6 Cylinder Items Are Not Returnable.	\$99.00	
04295	1966	<b>ENGINE HARNESS</b> V/8	\$99.00	
38927	1966	<b>ENGINE HARNESS - HEI</b> V/8 Note: This Harness Is Modified For Use With An HEI Distributor.	\$114.00	
10935	1967	<b>ENGINE HARNESS</b> 4 Cylinder	\$121.00	
11245	1967	<b>ENGINE HARNESS</b> 6 Cylinder Note: 6 Cylinder Items Are Not Returnable.	\$121.00	
11270	1967	<b>ENGINE HARNESS</b> V/8	\$99.00	
38945	1967	<b>ENGINE HARNESS - HEI</b> V/8 Note: This Harness Is Modified For Use With An HEI Distributor.	\$114.00	
11815	1968	<b>ENGINE HARNESS</b> 4 & 6 Cylinder Note: 6 Cylinder Items Are Not Returnable.	\$121.00	
11820	1968	<b>ENGINE HARNESS</b> V/8	\$109.00	
38923	1968	<b>ENGINE HARNESS - HEI</b> V/8 Note: This Harness Is Modified For Use With An HEI Distributor.	\$124.00	
12080	1968	<b>ENGINE HARNESS</b> 396 C.I.	\$109.00	
38930	1968	<b>ENGINE HARNESS - HEI</b> 396 C.I. Note: This Harness Is Modified For Use With An HEI Distributor.	\$124.00	
12025	1968	<b>ENGINE HARNESS</b> V/8 & 396 C.I. With Gauges	\$109.00	
38932	1968	<b>ENGINE HARNESS - HEI</b> V/8 & 396 C.I. With Gauges Note: This Harness Is Modified For Use With An HEI Distributor.	\$124.00	
11815	1969	<b>ENGINE HARNESS</b> 4 & 6 Cylinder Note: 6 Cylinder Items Are Not Returnable.	\$121.00	
12010	1969	<b>ENGINE HARNESS</b> 6 Cylinder, With Idle Stop Solenoid Note: 6 Cylinder Items Are Not Returnable.	\$121.00	
12970	1969	<b>ENGINE HARNESS</b> V/8	\$109.00	
38925	1969	<b>ENGINE HARNESS - HEI</b> V/8 Note: This Harness Is Modified For Use With An HEI Distributor.	\$124.00	
13170	1969	<b>ENGINE HARNESS</b> V/8, With Idle Stop Solenoid	\$114.00	
39001	1969	<b>ENGINE HARNESS - HEI</b> V/8, With Idle Stop Solenoid Note: This Harness Is Modified For Use With An HEI Distributor.	\$129.00	
23025	1969	<b>ENGINE HARNESS</b> 396 C.I.	\$109.00	
39120	1969	<b>ENGINE HARNESS - HEI</b> 396 C.I. Note: This Harness Is Modified For Use With An HEI Distributor.	\$124.00	
13175	1969	<b>ENGINE HARNESS</b> 396 C.I. With Idle Stop Solenoid	\$114.00	
39016	1969	<b>ENGINE HARNESS - HEI</b> 396 C.I. With Idle Stop Solenoid Note: This Harness Is Modified For Use With An HEI Distributor.	\$129.00	
17545	1969	<b>ENGINE HARNESS</b> V/8 & 396 C.I., With Gauges	\$109.00	
38924	1969	<b>ENGINE HARNESS - HEI</b> V/8 & 396 C.I., With Gauges Note: This Harness Is Modified For Use With An HEI Distributor.	\$124.00	
13180	1969	<b>ENGINE HARNESS</b> V/8 & 396 C.I. With Gauges & Idle Stop Solenoid	\$114.00	
38996	1969	<b>ENGINE HARNESS - HEI</b> V/8 & 396 C.I. With Gauges & Idle Stop Solenoid Note: This Harness Is Modified For Use With An HEI Distributor.	\$129.00	
14895	1970	<b>ENGINE HARNESS</b> 6 Cylinder, Auto Trans Note: 6 Cylinder Items Are Not Returnable.	\$184.00	
14885	1970	<b>ENGINE HARNESS</b> 6 Cylinder, Manual Trans Note: 6 Cylinder Items Are Not Returnable.	\$184.00	
14900	1970	<b>ENGINE HARNESS</b> V/8, Auto Trans	\$172.00	

Part Number	Year	Description	Price	*Rev.
38994	1970	<b>ENGINE HARNESS - HEI</b> V/8, Auto Trans Note: This Harness Is Modified For Use With An HEI Distributor.	\$187.00	
39198	1970	<b>ENGINE HARNESS - HEI</b> V/8, With TH400 Auto Trans And Warning Lights Note: This Harness Is Modified For Use With An HEI Distributor.	\$205.00	
14890	1970	<b>ENGINE HARNESS</b> V/8, Auto Trans With Gauges	\$172.00	
39121	1970	<b>ENGINE HARNESS - HEI</b> V/8, Auto Trans With Gauges Note: This Harness Is Modified For Use With An HEI Distributor.	\$187.00	
14910	1970	<b>ENGINE HARNESS</b> V/8, Manual Trans	\$172.00	
39101	1970	<b>ENGINE HARNESS - HEI</b> V/8, Manual Trans Note: This Harness Is Modified For Use With An HEI Distributor.	\$187.00	
14920	1970	<b>ENGINE HARNESS</b> V/8, Manual Trans With Gauges	\$184.00	
39193	1970	<b>ENGINE HARNESS - HEI</b> V/8, Manual Trans With Gauges Note: This Harness Is Modified For Use With An HEI Distributor.	\$199.00	
14905	1970	<b>ENGINE HARNESS</b> 396 C.I., Auto Trans	\$190.00	
39151	1970	<b>ENGINE HARNESS - HEI</b> 396 C.I., Auto Trans Note: This Harness Is Modified For Use With An HEI Distributor.	\$205.00	
14930	1970	<b>ENGINE HARNESS</b> 396 C.I., Auto Trans With Gauges	\$184.00	
39195	1970	<b>ENGINE HARNESS - HEI</b> 396 C.I., Auto Trans With Gauges Note: This Harness Is Modified For Use With An HEI Distributor.	\$199.00	
14915	1970	<b>ENGINE HARNESS</b> 396 C.I., Manual Trans	\$172.00	
39281	1970	<b>ENGINE HARNESS - HEI</b> 396 C.I., Manual Trans Note: This Harness Is Modified For Use With An HEI Distributor.	\$187.00	
14925	1970	<b>ENGINE HARNESS</b> 396 C.I., Manual Trans With Gauges	\$172.00	
39194	1970	<b>ENGINE HARNESS - HEI</b> 396 C.I., Manual Trans With Gauges Note: This Harness Is Modified For Use With An HEI Distributor.	\$187.00	
18480	1971	<b>ENGINE HARNESS</b> 6 Cylinder, Auto Trans Note: 6 Cylinder Items Are Not Returnable.	\$236.00	
18475	1971	<b>ENGINE HARNESS</b> 6 Cylinder, Manual Trans Note: 6 Cylinder Items Are Not Returnable.	\$236.00	
41135	1971	<b>ENGINE HARNESS</b> V/8, Auto Trans	\$190.00	
10595	1971	<b>ENGINE HARNESS</b> V/8, Auto Trans, With Gauges	\$190.00	
38993	1971	<b>ENGINE HARNESS - HEI</b> V/8, Auto Trans, With Gauges Note: This Harness Is Modified For Use With An HEI Distributor.	\$212.00	
41136	1971	<b>ENGINE HARNESS</b> V/8, Manual Trans	\$190.00	
18485	1971	<b>ENGINE HARNESS</b> V/8, Manual Trans, With Gauges	\$190.00	
39200	1971	<b>ENGINE HARNESS - HEI</b> V/8, Manual Trans, With Gauges Note: This Harness Is Modified For Use With An HEI Distributor.	\$212.00	
16375	1972	<b>ENGINE HARNESS</b> 6 Cylinder Note: 6 Cylinder Items Are Not Returnable.	\$236.00	
16380	1972	<b>ENGINE HARNESS</b> V/8 Note: Manual Trans Requires Use Of #17355 T.C.S. Extension.	\$202.00	
16385	1972	<b>ENGINE HARNESS</b> V/8 With Gauges Note: Manual Trans Requires Use Of #17355 T.C.S. Extension.	\$218.00	
17015	1973	<b>ENGINE HARNESS</b> 6 Cylinder Note: 6 Cylinder Items Are Not Returnable.	\$264.00	
15500	1973	<b>ENGINE HARNESS</b> V/8 Note: Manual Trans Requires Use Of Part #17365 T.C.S. Extension.	\$241.00	
15505	1973	<b>ENGINE HARNESS</b> V/8, With Gauges Note: Manual Trans Requires Use Of Part #17355 T.C.S. Extension.	\$241.00	

Part Number	Year	Description	Price	*Rev.
16595	1974	<b>ENGINE HARNESS</b> 6 Cylinder Note: 6 Cylinder Items Are Not Returnable.	\$264.00	
22605	1974	<b>ENGINE HARNESS</b> V/8, Auto Trans	\$242.00	
22590	1974	<b>ENGINE HARNESS</b> V/8, Auto Trans With Gauges	\$241.00	
22610	1974	<b>ENGINE HARNESS</b> V/8, Manual Trans	\$252.00	
22595	1974	<b>ENGINE HARNESS</b> V/8, Manual Trans With Gauges	\$252.00	
18615	1975	<b>ENGINE HARNESS</b> 6 Cylinder, Except Integrated Cylinder Head Note: 6 Cylinder Items Are Not Returnable.	\$275.00	
18610	1975	<b>ENGINE HARNESS</b> 6 Cylinder, With Integrated Cylinder Head Note: 6 Cylinder Items Are Not Returnable.	\$275.00	
18680	1975	<b>ENGINE HARNESS</b> V/8, All Without Seat Belt Ignition Interlock	\$252.00	
<b>FORWARD LAMP HARNESS</b>				
03690	1962	<b>FORWARD LAMP HARNESS</b> With Generator	\$206.00	
03900	1962	<b>FORWARD LAMP HARNESS</b> With Alternator & Screw Type Regulator (Original Type)	\$218.00	
04965	1963	<b>FORWARD LAMP HARNESS</b> All	\$195.00	
38942	1963	<b>FORWARD LAMP HARNESS - INT REG ALT DRIVER SIDE</b> All Note: Modified For Driver Side Mounted 1972-84 Non-Serpentine Belt ("SI" Series) Internal Regulated Alternators.	\$220.00	
39044	1963	<b>FORWARD LAMP HARNESS - INT REG ALT PASSENGER SIDE</b> All Note: Modified For Passenger Side Mounted 1972-84 Non-Serpentine Belt ("SI" Series) Internal Regulated Alternators.	\$230.00	
04965	1964	<b>FORWARD LAMP HARNESS</b> All	\$195.00	
38942	1964	<b>FORWARD LAMP HARNESS - INT REG ALT DRIVER SIDE</b> All Note: Modified For Driver Side Mounted 1972-84 Non-Serpentine Belt ("SI" Series) Internal Regulated Alternators.	\$220.00	
39044	1964	<b>FORWARD LAMP HARNESS - INT REG ALT PASSENGER SIDE</b> All Note: Modified For Passenger Side Mounted 1972-84 Non-Serpentine Belt ("SI" Series) Internal Regulated Alternators.	\$230.00	
05865	1965	<b>FORWARD LAMP HARNESS</b> All	\$195.00	
39010	1965	<b>FORWARD LAMP HARNESS - INT REG ALT DRIVER SIDE</b> All Note: Modified For Driver Side Mounted 1972-84 Non-Serpentine Belt ("SI" Series) Internal Regulated Alternators.	\$220.00	
39278	1965	<b>FORWARD LAMP HARNESS - INT REG ALT PASSENGER SIDE</b> All Note: Modified For Passenger Side Mounted 1972-84 Non-Serpentine Belt ("SI" Series) Internal Regulated Alternators.	\$230.00	
09590	1966	<b>FORWARD LAMP HARNESS</b> All	\$195.00	
38964	1966	<b>FORWARD LAMP HARNESS - INT REG ALT DRIVER SIDE</b> All Note: Modified For Driver Side Mounted 1972-84 Non-Serpentine Belt ("SI" Series) Internal Regulated Alternators.	\$220.00	
39191	1966	<b>FORWARD LAMP HARNESS - INT REG ALT PASSENGER SIDE</b> All Note: Modified For Passenger Side Mounted 1972-84 Non-Serpentine Belt ("SI" Series) Internal Regulated Alternators.	\$230.00	
11400	1967	<b>FORWARD LAMP HARNESS</b> All	\$195.00	
38965	1967	<b>FORWARD LAMP HARNESS - INT REG ALT DRIVER SIDE</b> All Note: Modified For Driver Side Mounted 1972-84 Non-Serpentine Belt ("SI" Series) Internal Regulated Alternators.	\$220.00	
39119	1967	<b>FORWARD LAMP HARNESS - INT REG ALT PASSENGER SIDE</b> All Note: Modified For Passenger Side Mounted 1972-84 Non-Serpentine Belt ("SI" Series) Internal Regulated Alternators.	\$230.00	
12030	1968	<b>FORWARD LAMP HARNESS</b> 6 Cylinder Note: 6 Cylinder Items Are Not Returnable.	\$252.00	
18460	1968	<b>FORWARD LAMP HARNESS</b> V/8	\$229.00	
39080	1968	<b>FORWARD LAMP HARNESS - INT REG ALT DRIVER SIDE</b> V/8 Note: Modified For Driver Side Mounted 1972-84 Non-Serpentine Belt ("SI" Series) Internal Regulated Alternators.	\$252.00	
39192	1968	<b>FORWARD LAMP HARNESS - INT REG ALT PASSENGER SIDE</b> V/8 Note: Modified For Passenger Side Mounted 1972-84 Non-Serpentine Belt ("SI" Series) Internal Regulated Alternators.	\$264.00	
12035	1968	<b>FORWARD LAMP HARNESS</b> V/8 With Gauges	\$241.00	

Part Number	Year	Description	Price	*Rev.
39279	1968	<b>FORWARD LAMP HARNESS - INT REG ALT DRIVER SIDE</b> V/8 With Gauges Note: Modified For Driver Side Mounted 1972-84 Non-Serpentine Belt ("SI" Series) Internal Regulated Alternators.	\$264.00	
39280	1968	<b>FORWARD LAMP HARNESS - INT REG ALT PASSENGER SIDE</b> V/8 With Gauges Note: Modified For Passenger Side Mounted 1972-84 Non-Serpentine Belt ("SI" Series) Internal Regulated Alternators.	\$275.00	
13010	1969	<b>FORWARD LAMP HARNESS</b> 6 Cylinder Note: 6 Cylinder Items Are Not Returnable.	\$252.00	
18465	1969	<b>FORWARD LAMP HARNESS</b> V/8	\$241.00	
39100	1969	<b>FORWARD LAMP HARNESS - INT REG ALT PASSENGER SIDE</b> V/8 Note: Modified For Passenger Side Mounted 1972-84 Non-Serpentine Belt ("SI" Series) Internal Regulated Alternators.	\$264.00	
12990	1969	<b>FORWARD LAMP HARNESS</b> V/8 With Gauges	\$241.00	
39150	1969	<b>FORWARD LAMP HARNESS - INT REG ALT PASSENGER SIDE</b> V/8 With Gauges Note: Modified For Passenger Side Mounted 1972-84 Non-Serpentine Belt ("SI" Series) Internal Regulated Alternators.	\$264.00	
15040	1970	<b>FORWARD LAMP HARNESS</b> 6 Cylinder Note: 6 Cylinder Items Are Not Returnable.	\$259.00	
15050	1970	<b>FORWARD LAMP HARNESS</b> V/8	\$241.00	
39036	1970	<b>FORWARD LAMP HARNESS - INT REG ALT PASSENGER SIDE</b> V/8 Note: Modified For Passenger Side Mounted 1972-84 Non-Serpentine Belt ("SI" Series) Internal Regulated Alternators.	\$264.00	
33815	1970	<b>FORWARD LAMP HARNESS</b> V/8 With A/C	\$241.00	
39196	1970	<b>FORWARD LAMP HARNESS - INT REG ALT PASSENGER SIDE</b> V/8 With A/C Note: Modified For Passenger Side Mounted 1972-84 Non-Serpentine Belt ("SI" Series) Internal Regulated Alternators.	\$264.00	
15045	1970	<b>FORWARD LAMP HARNESS</b> V/8 With Gauges, All	\$241.00	
39197	1970	<b>FORWARD LAMP HARNESS - INT REG ALT PASSENGER SIDE</b> V/8 With Gauges, All Note: Modified For Passenger Side Mounted 1972-84 Non-Serpentine Belt ("SI" Series) Internal Regulated Alternators.	\$264.00	
15305	1971	<b>FORWARD LAMP HARNESS</b> 6 Cylinder Note: 6 Cylinder Items Are Not Returnable.	\$259.00	
18495	1971	<b>FORWARD LAMP HARNESS</b> V/8	\$241.00	
39049	1971	<b>FORWARD LAMP HARNESS - INT REG ALT PASSENGER SIDE</b> V/8 Note: Modified For Passenger Side Mounted 1972-84 Non-Serpentine Belt ("SI" Series) Internal Regulated Alternators.	\$264.00	
16285	1971	<b>FORWARD LAMP HARNESS</b> V/8 With Gauges	\$241.00	
39282	1971	<b>FORWARD LAMP HARNESS - INT REG ALT PASSENGER SIDE</b> V/8 With Gauges Note: Modified For Passenger Side Mounted 1972-84 Non-Serpentine Belt ("SI" Series) Internal Regulated Alternators.	\$264.00	
16390	1972	<b>FORWARD LAMP HARNESS</b> All	\$218.00	
16545	1973	<b>FORWARD LAMP HARNESS</b> All	\$241.00	
16590	1974	<b>FORWARD LAMP HARNESS</b> All	\$248.00	
<b>FUEL TANK SENDER WIRE</b>				
39704	1968	<b>FUEL TANK SENDER WIRE</b>	\$21.00	
39704	1969	<b>FUEL TANK SENDER WIRE</b>	\$21.00	
39704	1970	<b>FUEL TANK SENDER WIRE</b>	\$21.00	
39704	1971	<b>FUEL TANK SENDER WIRE</b>	\$21.00	
39704	1972	<b>FUEL TANK SENDER WIRE</b>	\$21.00	
40603	1973	<b>FUEL TANK SENDER WIRE</b>	\$28.00	
40603	1974	<b>FUEL TANK SENDER WIRE</b>	\$28.00	
40603	1975	<b>FUEL TANK SENDER WIRE</b>	\$28.00	
40603	1976	<b>FUEL TANK SENDER WIRE</b>	\$28.00	
40603	1977	<b>FUEL TANK SENDER WIRE</b>	\$28.00	
40603	1978	<b>FUEL TANK SENDER WIRE</b>	\$28.00	
40603	1979	<b>FUEL TANK SENDER WIRE</b>	\$28.00	

Part Number	Year	Description	Price	*Rev.
<b>GENERATOR JUMPER HARNESS</b>				
03935	1962	GENERATOR JUMPER HARNESS Generator To Alternator & Screw Type Regulator (Original Type)	\$52.00	
<b>GLOVE BOX LAMP KIT</b>				
18000	1962	GLOVE BOX LAMP KIT Socket, Bulb & Wire	\$21.00	
18000	1963	GLOVE BOX LAMP KIT Socket, Bulb & Wire	\$21.00	
18000	1964	GLOVE BOX LAMP KIT Socket, Bulb & Wire	\$21.00	
18000	1965	GLOVE BOX LAMP KIT Socket, Bulb & Wire	\$21.00	
18000	1966	GLOVE BOX LAMP KIT Socket, Bulb & Wire	\$21.00	
18000	1967	GLOVE BOX LAMP KIT Socket, Bulb & Wire	\$21.00	
18000	1968	GLOVE BOX LAMP KIT Socket, Bulb & Wire	\$21.00	
18000	1969	GLOVE BOX LAMP KIT Socket, Bulb & Wire	\$21.00	
18000	1970	GLOVE BOX LAMP KIT Socket, Bulb & Wire	\$21.00	
18000	1971	GLOVE BOX LAMP KIT Socket, Bulb & Wire	\$21.00	
18000	1972	GLOVE BOX LAMP KIT Socket, Bulb & Wire	\$21.00	
18000	1973	GLOVE BOX LAMP KIT Socket, Bulb & Wire	\$21.00	
18000	1974	GLOVE BOX LAMP KIT Socket, Bulb & Wire	\$21.00	
<b>GROUND STRAP KIT</b>				
34975	1963	GROUND STRAP KIT 4 Cylinder	\$14.00	
34980	1963	GROUND STRAP KIT 6 Cylinder Note: 6 Cylinder Items Are Not Returnable.	\$14.00	
34985	1964	GROUND STRAP KIT 4 Cylinder	\$17.00	
34980	1964	GROUND STRAP KIT 6 Cylinder Note: 6 Cylinder Items Are Not Returnable.	\$14.00	
34990	1964	GROUND STRAP KIT V/8	\$14.00	
34980	1965	GROUND STRAP KIT 4 & 6 Cylinder Note: 6 Cylinder Items Are Not Returnable.	\$14.00	
34990	1965	GROUND STRAP KIT V/8	\$14.00	
34985	1966	GROUND STRAP KIT 4 Cylinder	\$17.00	
34980	1966	GROUND STRAP KIT 6 Cylinder Note: 6 Cylinder Items Are Not Returnable.	\$14.00	
34990	1966	GROUND STRAP KIT V/8	\$14.00	
34995	1967	GROUND STRAP KIT 4 Cylinder	\$17.00	
35000	1967	GROUND STRAP KIT 6 Cylinder Note: 6 Cylinder Items Are Not Returnable.	\$14.00	
35005	1967	GROUND STRAP KIT V/8	\$14.00	
35010	1968	GROUND STRAP KIT 4 & 6 Cylinder Note: 6 Cylinder Items Are Not Returnable.	\$14.00	
35015	1968	GROUND STRAP KIT V/8	\$20.00	
35020	1969	GROUND STRAP KIT 4 & 6 Cylinder Note: 6 Cylinder Items Are Not Returnable.	\$21.00	
27380	1969	GROUND STRAP KIT V/8	\$25.00	
<b>GROUND WIRE, DISTRIBUTOR POINT PLATE</b>				
38298	1962	GROUND WIRE, DISTRIBUTOR POINT PLATE From Distributor Point Plate To Distributor Housing Note: Replaces Spot Welded Wire Asm On Point Plate Side. Fits All GM V/8 Point Type Distributors From Approx. 1957-1974.	\$15.00	C
38298	1963	GROUND WIRE, DISTRIBUTOR POINT PLATE From Distributor Point Plate To Distributor Housing Note: Replaces Spot Welded Wire Asm On Point Plate Side. Fits All GM V/8 Point Type Distributors From Approx. 1957-1974.	\$15.00	C

Part Number	Year	Description	Price	*Rev.
38298	1964	<b>GROUND WIRE, DISTRIBUTOR POINT PLATE</b> From Distributor Point Plate To Distributor Housing Note: Replaces Spot Welded Wire Asm On Point Plate Side. Fits All GM V/8 Point Type Distributors From Approx. 1957-1974.	\$15.00	C
38298	1965	<b>GROUND WIRE, DISTRIBUTOR POINT PLATE</b> From Distributor Point Plate To Distributor Housing Note: Replaces Spot Welded Wire Asm On Point Plate Side. Fits All GM V/8 Point Type Distributors From Approx. 1957-1974.	\$15.00	C
38298	1966	<b>GROUND WIRE, DISTRIBUTOR POINT PLATE</b> From Distributor Point Plate To Distributor Housing Note: Replaces Spot Welded Wire Asm On Point Plate Side. Fits All GM V/8 Point Type Distributors From Approx. 1957-1974.	\$15.00	C
38298	1967	<b>GROUND WIRE, DISTRIBUTOR POINT PLATE</b> From Distributor Point Plate To Distributor Housing Note: Replaces Spot Welded Wire Asm On Point Plate Side. Fits All GM V/8 Point Type Distributors From Approx. 1957-1974.	\$15.00	C
38298	1968	<b>GROUND WIRE, DISTRIBUTOR POINT PLATE</b> From Distributor Point Plate To Distributor Housing Note: Replaces Spot Welded Wire Asm On Point Plate Side. Fits All GM V/8 Point Type Distributors From Approx. 1957-1974.	\$15.00	C
38298	1969	<b>GROUND WIRE, DISTRIBUTOR POINT PLATE</b> From Distributor Point Plate To Distributor Housing Note: Replaces Spot Welded Wire Asm On Point Plate Side. Fits All GM V/8 Point Type Distributors From Approx. 1957-1974.	\$15.00	C
38298	1970	<b>GROUND WIRE, DISTRIBUTOR POINT PLATE</b> From Distributor Point Plate To Distributor Housing Note: Replaces Spot Welded Wire Asm On Point Plate Side. Fits All GM V/8 Point Type Distributors From Approx. 1957-1974.	\$15.00	C
38298	1971	<b>GROUND WIRE, DISTRIBUTOR POINT PLATE</b> From Distributor Point Plate To Distributor Housing Note: Replaces Spot Welded Wire Asm On Point Plate Side. Fits All GM V/8 Point Type Distributors From Approx. 1957-1974.	\$15.00	C
38298	1972	<b>GROUND WIRE, DISTRIBUTOR POINT PLATE</b> From Distributor Point Plate To Distributor Housing Note: Replaces Spot Welded Wire Asm On Point Plate Side. Fits All GM V/8 Point Type Distributors From Approx. 1957-1974.	\$15.00	C
38298	1973	<b>GROUND WIRE, DISTRIBUTOR POINT PLATE</b> From Distributor Point Plate To Distributor Housing Note: Replaces Spot Welded Wire Asm On Point Plate Side. Fits All GM V/8 Point Type Distributors From Approx. 1957-1974.	\$15.00	C
38298	1974	<b>GROUND WIRE, DISTRIBUTOR POINT PLATE</b> From Distributor Point Plate To Distributor Housing Note: Replaces Spot Welded Wire Asm On Point Plate Side. Fits All GM V/8 Point Type Distributors From Approx. 1957-1974.	\$15.00	C

**HARNESS TAPE**

R0058272	1962	<b>HARNESS TAPE</b> 3/4" Vinyl (100 Ft. Roll) Non-Adhesive	\$12.00	
R0058276	1962	<b>HARNESS TAPE</b> 1" Vinyl (100 Ft. Roll) Non-Adhesive	\$13.00	
R0067108	1962	<b>HARNESS TAPE</b> 1 1/4" Vinyl (100 Ft. Roll) Non-Adhesive	\$15.00	
R0058272	1963	<b>HARNESS TAPE</b> 3/4" Vinyl (100 Ft. Roll) Non-Adhesive	\$12.00	
R0058276	1963	<b>HARNESS TAPE</b> 1" Vinyl (100 Ft. Roll) Non-Adhesive	\$13.00	
R0067108	1963	<b>HARNESS TAPE</b> 1 1/4" Vinyl (100 Ft. Roll) Non-Adhesive	\$15.00	
R0058272	1964	<b>HARNESS TAPE</b> 3/4" Vinyl (100 Ft. Roll) Non-Adhesive	\$12.00	
R0058276	1964	<b>HARNESS TAPE</b> 1" Vinyl (100 Ft. Roll) Non-Adhesive	\$13.00	
R0067108	1964	<b>HARNESS TAPE</b> 1 1/4" Vinyl (100 Ft. Roll) Non-Adhesive	\$15.00	
R0058272	1965	<b>HARNESS TAPE</b> 3/4" Vinyl (100 Ft. Roll) Non-Adhesive	\$12.00	
R0058276	1965	<b>HARNESS TAPE</b> 1" Vinyl (100 Ft. Roll) Non-Adhesive	\$13.00	
R0067108	1965	<b>HARNESS TAPE</b> 1 1/4" Vinyl (100 Ft. Roll) Non-Adhesive	\$15.00	
R0058272	1966	<b>HARNESS TAPE</b> 3/4" Vinyl (100 Ft. Roll) Non-Adhesive	\$12.00	
R0058276	1966	<b>HARNESS TAPE</b> 1" Vinyl (100 Ft. Roll) Non-Adhesive	\$13.00	
R0067108	1966	<b>HARNESS TAPE</b> 1 1/4" Vinyl (100 Ft. Roll) Non-Adhesive	\$15.00	
R0058272	1967	<b>HARNESS TAPE</b> 3/4" Vinyl (100 Ft. Roll) Non-Adhesive	\$12.00	
R0058276	1967	<b>HARNESS TAPE</b> 1" Vinyl (100 Ft. Roll) Non-Adhesive	\$13.00	
R0067108	1967	<b>HARNESS TAPE</b> 1 1/4" Vinyl (100 Ft. Roll) Non-Adhesive	\$15.00	
R0058272	1968	<b>HARNESS TAPE</b> 3/4" Vinyl (100 Ft. Roll) Non-Adhesive	\$12.00	
R0058276	1968	<b>HARNESS TAPE</b> 1" Vinyl (100 Ft. Roll) Non-Adhesive	\$13.00	
R0067108	1968	<b>HARNESS TAPE</b> 1 1/4" Vinyl (100 Ft. Roll) Non-Adhesive	\$15.00	
R0058272	1969	<b>HARNESS TAPE</b> 3/4" Vinyl (100 Ft. Roll) Non-Adhesive	\$12.00	
R0058276	1969	<b>HARNESS TAPE</b> 1" Vinyl (100 Ft. Roll) Non-Adhesive	\$13.00	
R0067108	1969	<b>HARNESS TAPE</b> 1 1/4" Vinyl (100 Ft. Roll) Non-Adhesive	\$15.00	
R0058272	1970	<b>HARNESS TAPE</b> 3/4" Vinyl (100 Ft. Roll) Non-Adhesive	\$12.00	

Part Number	Year	Description	Price	*Rev.
R0058276	1970	HARNESS TAPE 1" Vinyl (100 Ft. Roll) Non-Adhesive	\$13.00	
R0067108	1970	HARNESS TAPE 1 1/4" Vinyl (100 Ft. Roll) Non-Adhesive	\$15.00	
R0058272	1971	HARNESS TAPE 3/4" Vinyl (100 Ft. Roll) Non-Adhesive	\$12.00	
R0058276	1971	HARNESS TAPE 1" Vinyl (100 Ft. Roll) Non-Adhesive	\$13.00	
R0067108	1971	HARNESS TAPE 1 1/4" Vinyl (100 Ft. Roll) Non-Adhesive	\$15.00	
R0058272	1972	HARNESS TAPE 3/4" Vinyl (100 Ft. Roll) Non-Adhesive	\$12.00	
R0058276	1972	HARNESS TAPE 1" Vinyl (100 Ft. Roll) Non-Adhesive	\$13.00	
R0067108	1972	HARNESS TAPE 1 1/4" Vinyl (100 Ft. Roll) Non-Adhesive	\$15.00	
R0058272	1973	HARNESS TAPE 3/4" Vinyl (100 Ft. Roll) Non-Adhesive	\$12.00	
R0058276	1973	HARNESS TAPE 1" Vinyl (100 Ft. Roll) Non-Adhesive	\$13.00	
R0067108	1973	HARNESS TAPE 1 1/4" Vinyl (100 Ft. Roll) Non-Adhesive	\$15.00	
R0058272	1974	HARNESS TAPE 3/4" Vinyl (100 Ft. Roll) Non-Adhesive	\$12.00	
R0058276	1974	HARNESS TAPE 1" Vinyl (100 Ft. Roll) Non-Adhesive	\$13.00	
R0067108	1974	HARNESS TAPE 1 1/4" Vinyl (100 Ft. Roll) Non-Adhesive	\$15.00	
R0058272	1975	HARNESS TAPE 3/4" Vinyl (100 Ft. Roll) Non-Adhesive	\$12.00	
R0058276	1975	HARNESS TAPE 1" Vinyl (100 Ft. Roll) Non-Adhesive	\$13.00	
R0067108	1975	HARNESS TAPE 1 1/4" Vinyl (100 Ft. Roll) Non-Adhesive	\$15.00	
R0058272	1976	HARNESS TAPE 3/4" Vinyl (100 Ft. Roll) Non-Adhesive	\$12.00	
R0058276	1976	HARNESS TAPE 1" Vinyl (100 Ft. Roll) Non-Adhesive	\$13.00	
R0067108	1976	HARNESS TAPE 1 1/4" Vinyl (100 Ft. Roll) Non-Adhesive	\$15.00	
R0058272	1977	HARNESS TAPE 3/4" Vinyl (100 Ft. Roll) Non-Adhesive	\$12.00	
R0058276	1977	HARNESS TAPE 1" Vinyl (100 Ft. Roll) Non-Adhesive	\$13.00	
R0067108	1977	HARNESS TAPE 1 1/4" Vinyl (100 Ft. Roll) Non-Adhesive	\$15.00	
R0058272	1978	HARNESS TAPE 3/4" Vinyl (100 Ft. Roll) Non-Adhesive	\$12.00	
R0058276	1978	HARNESS TAPE 1" Vinyl (100 Ft. Roll) Non-Adhesive	\$13.00	
R0067108	1978	HARNESS TAPE 1 1/4" Vinyl (100 Ft. Roll) Non-Adhesive	\$15.00	
R0058272	1979	HARNESS TAPE 3/4" Vinyl (100 Ft. Roll) Non-Adhesive	\$12.00	
R0058276	1979	HARNESS TAPE 1" Vinyl (100 Ft. Roll) Non-Adhesive	\$13.00	
R0067108	1979	HARNESS TAPE 1 1/4" Vinyl (100 Ft. Roll) Non-Adhesive	\$15.00	
<b>HEADLIGHT SWITCH</b>				
01995096	1962	HEADLIGHT SWITCH All	\$31.00	
01995096	1963	HEADLIGHT SWITCH All	\$31.00	
01995096	1964	HEADLIGHT SWITCH All	\$31.00	
<b>HEATER HARNESS</b>				
01520	1962	HEATER HARNESS Without A/C	\$23.00	
01520	1963	HEATER HARNESS Without A/C	\$23.00	
01520	1964	HEATER HARNESS Without A/C	\$23.00	
01520	1965	HEATER HARNESS Without A/C	\$23.00	
<b>HOOD LAMP REPLACEMENT KIT</b>				
18410	1964	HOOD LAMP REPLACEMENT KIT Under Hood, Includes Socket, Wire & Bulb	\$62.00	C
18410	1965	HOOD LAMP REPLACEMENT KIT Under Hood, Includes Socket, Wire & Bulb	\$62.00	C
18410	1966	HOOD LAMP REPLACEMENT KIT Under Hood, Includes Socket, Wire & Bulb	\$62.00	C
18410	1967	HOOD LAMP REPLACEMENT KIT Under Hood, Includes Socket, Wire & Bulb	\$62.00	C
18410	1968	HOOD LAMP REPLACEMENT KIT Under Hood, Includes Socket, Wire & Bulb	\$62.00	C
18410	1969	HOOD LAMP REPLACEMENT KIT Under Hood, Includes Socket, Wire & Bulb	\$62.00	C
18410	1970	HOOD LAMP REPLACEMENT KIT Under Hood, Includes Socket, Wire & Bulb	\$62.00	C

Part Number	Year	Description	Price	*Rev.
18410	1971	<b>HOOD LAMP REPLACEMENT KIT</b> Under Hood, Includes Socket, Wire & Bulb	\$62.00	C
18410	1972	<b>HOOD LAMP REPLACEMENT KIT</b> Under Hood, Includes Socket, Wire & Bulb	\$62.00	C
18410	1973	<b>HOOD LAMP REPLACEMENT KIT</b> Under Hood, Includes Socket, Wire & Bulb	\$62.00	C
18410	1974	<b>HOOD LAMP REPLACEMENT KIT</b> Under Hood, Includes Socket, Wire & Bulb	\$62.00	C
18410	1975	<b>HOOD LAMP REPLACEMENT KIT</b> Under Hood, Includes Socket, Wire & Bulb	\$62.00	C
18410	1976	<b>HOOD LAMP REPLACEMENT KIT</b> Under Hood, Includes Socket, Wire & Bulb	\$62.00	C
18410	1977	<b>HOOD LAMP REPLACEMENT KIT</b> Under Hood, Includes Socket, Wire & Bulb	\$62.00	C
<b>IDLE STOP SOLENOID WIRE</b>				
17495	1970	<b>IDLE STOP SOLENOID WIRE</b> All V/8, Except Big Block With Manual Trans	\$14.00	
<b>KICKDOWN HARNESS</b>				
06145	1968	<b>KICKDOWN HARNESS</b> TH400 Auto Trans	\$37.00	
06145	1969	<b>KICKDOWN HARNESS</b> TH400 Auto Trans	\$37.00	
<b>KICKDOWN SWITCH</b>				
01242101	1970	<b>KICKDOWN SWITCH</b> TH400 Auto Trans	\$45.00	
<b>LOW FUEL INDICATOR MODULE</b>				
500274	1962	<b>LOW FUEL INDICATOR MODULE</b> Generic "Adjustable" Low Fuel Warning Module Note: A Complete Electronic Control Unit To Activate A Warning Lamp Or Relay When Fuel Level Drops Below A User Adjustable Level.	\$64.00	C
500274	1963	<b>LOW FUEL INDICATOR MODULE</b> Generic "Adjustable" Low Fuel Warning Module Note: A Complete Electronic Control Unit To Activate A Warning Lamp Or Relay When Fuel Level Drops Below A User Adjustable Level.	\$64.00	C
500274	1964	<b>LOW FUEL INDICATOR MODULE</b> Generic "Adjustable" Low Fuel Warning Module Note: A Complete Electronic Control Unit To Activate A Warning Lamp Or Relay When Fuel Level Drops Below A User Adjustable Level.	\$64.00	C
500274	1965	<b>LOW FUEL INDICATOR MODULE</b> Generic "Adjustable" Low Fuel Warning Module Note: A Complete Electronic Control Unit To Activate A Warning Lamp Or Relay When Fuel Level Drops Below A User Adjustable Level.	\$64.00	C
500274	1966	<b>LOW FUEL INDICATOR MODULE</b> Generic "Adjustable" Low Fuel Warning Module Note: A Complete Electronic Control Unit To Activate A Warning Lamp Or Relay When Fuel Level Drops Below A User Adjustable Level.	\$64.00	C
500274	1967	<b>LOW FUEL INDICATOR MODULE</b> Generic "Adjustable" Low Fuel Warning Module Note: A Complete Electronic Control Unit To Activate A Warning Lamp Or Relay When Fuel Level Drops Below A User Adjustable Level.	\$64.00	C
500274	1968	<b>LOW FUEL INDICATOR MODULE</b> Generic "Adjustable" Low Fuel Warning Module Note: A Complete Electronic Control Unit To Activate A Warning Lamp Or Relay When Fuel Level Drops Below A User Adjustable Level.	\$64.00	C
500274	1969	<b>LOW FUEL INDICATOR MODULE</b> Generic "Adjustable" Low Fuel Warning Module Note: A Complete Electronic Control Unit To Activate A Warning Lamp Or Relay When Fuel Level Drops Below A User Adjustable Level.	\$64.00	C
500274	1970	<b>LOW FUEL INDICATOR MODULE</b> Generic "Adjustable" Low Fuel Warning Module Note: A Complete Electronic Control Unit To Activate A Warning Lamp Or Relay When Fuel Level Drops Below A User Adjustable Level.	\$64.00	C
500274	1971	<b>LOW FUEL INDICATOR MODULE</b> Generic "Adjustable" Low Fuel Warning Module Note: A Complete Electronic Control Unit To Activate A Warning Lamp Or Relay When Fuel Level Drops Below A User Adjustable Level.	\$64.00	C
500274	1972	<b>LOW FUEL INDICATOR MODULE</b> Generic "Adjustable" Low Fuel Warning Module Note: A Complete Electronic Control Unit To Activate A Warning Lamp Or Relay When Fuel Level Drops Below A User Adjustable Level.	\$64.00	C



Part Number	Year	Description	Price	*Rev.
500274	1973	<b>LOW FUEL INDICATOR MODULE</b> Generic "Adjustable" Low Fuel Warning Module Note: A Complete Electronic Control Unit To Activate A Warning Lamp Or Relay When Fuel Level Drops Below A User Adjustable Level.	\$64.00	C
500274	1974	<b>LOW FUEL INDICATOR MODULE</b> Generic "Adjustable" Low Fuel Warning Module Note: A Complete Electronic Control Unit To Activate A Warning Lamp Or Relay When Fuel Level Drops Below A User Adjustable Level.	\$64.00	C
<b>NEUTRAL SAFETY &amp; BACKUP LAMP SWITCH</b>				
01993659	1962	<b>NEUTRAL SAFETY &amp; BACKUP LAMP SWITCH</b> With Column Shift Powerglide Auto Trans	\$12.00	
01993659	1963	<b>NEUTRAL SAFETY &amp; BACKUP LAMP SWITCH</b> With Column Shift Powerglide Auto Trans	\$12.00	
01993659	1964	<b>NEUTRAL SAFETY &amp; BACKUP LAMP SWITCH</b> With Column Shift Powerglide Auto Trans	\$12.00	
01993659	1965	<b>NEUTRAL SAFETY &amp; BACKUP LAMP SWITCH</b> With Column Shift Powerglide Auto Trans	\$12.00	
01993696	1965	<b>NEUTRAL SAFETY &amp; BACKUP LAMP SWITCH</b> With Console Shift Powerglide Auto Trans	\$64.00	
01993659	1966	<b>NEUTRAL SAFETY &amp; BACKUP LAMP SWITCH</b> With Column Shift Powerglide Auto Trans	\$12.00	
01993696	1966	<b>NEUTRAL SAFETY &amp; BACKUP LAMP SWITCH</b> With Console Shift Powerglide Auto Trans	\$64.00	
01993696	1967	<b>NEUTRAL SAFETY &amp; BACKUP LAMP SWITCH</b> With Console Shift Powerglide Auto Trans	\$64.00	
03900503	1968	<b>NEUTRAL SAFETY &amp; BACKUP LAMP SWITCH</b> With Console Shift Pg Auto Trans	\$75.00	
03909591	1968	<b>NEUTRAL SAFETY &amp; BACKUP LAMP SWITCH</b> With Console Shift TH 350-400 Auto Trans	\$75.00	
01994235	1969	<b>NEUTRAL SAFETY &amp; BACKUP LAMP SWITCH</b> With Column Shift Auto Trans, All	\$19.00	
03900503	1969	<b>NEUTRAL SAFETY &amp; BACKUP LAMP SWITCH</b> With Console Shift Pg Auto Trans	\$75.00	
03909591	1969	<b>NEUTRAL SAFETY &amp; BACKUP LAMP SWITCH</b> With Console Shift TH 350-400 Auto Trans	\$75.00	
01994235	1970	<b>NEUTRAL SAFETY &amp; BACKUP LAMP SWITCH</b> With Column Shift Auto Trans, All	\$19.00	
03900503	1970	<b>NEUTRAL SAFETY &amp; BACKUP LAMP SWITCH</b> With Console Shift Pg Auto Trans	\$75.00	
03909591	1970	<b>NEUTRAL SAFETY &amp; BACKUP LAMP SWITCH</b> With Console Shift TH 350-400 Auto Trans	\$75.00	
01994235	1971	<b>NEUTRAL SAFETY &amp; BACKUP LAMP SWITCH</b> With Column Shift Auto Trans, All	\$19.00	
03900503	1971	<b>NEUTRAL SAFETY &amp; BACKUP LAMP SWITCH</b> With Console Shift Pg Auto Trans	\$75.00	
03909591	1971	<b>NEUTRAL SAFETY &amp; BACKUP LAMP SWITCH</b> With Console Shift TH 350-400 Auto Trans	\$75.00	
01994235	1972	<b>NEUTRAL SAFETY &amp; BACKUP LAMP SWITCH</b> With Column Shift Auto Trans, All	\$19.00	
03900503	1972	<b>NEUTRAL SAFETY &amp; BACKUP LAMP SWITCH</b> With Console Shift Pg Auto Trans	\$75.00	
03909591	1972	<b>NEUTRAL SAFETY &amp; BACKUP LAMP SWITCH</b> With Console Shift TH 350-400 Auto Trans	\$75.00	
<b>NEUTRAL SAFETY SWITCH</b>				
01993494	1969	<b>NEUTRAL SAFETY SWITCH</b> With Manual Trans	\$65.00	
03983965	1970	<b>NEUTRAL SAFETY SWITCH</b> With Manual Trans	\$58.00	
03983965	1971	<b>NEUTRAL SAFETY SWITCH</b> With Manual Trans	\$58.00	
03983965	1972	<b>NEUTRAL SAFETY SWITCH</b> With Manual Trans	\$58.00	
03983965	1973	<b>NEUTRAL SAFETY SWITCH</b> With Manual Trans	\$58.00	
03983965	1974	<b>NEUTRAL SAFETY SWITCH</b> With Manual Trans	\$58.00	
03983965	1975	<b>NEUTRAL SAFETY SWITCH</b> With Manual Trans	\$58.00	
<b>NEUTRAL SAFETY SWITCH EXTENSION HARNESS</b>				
15230	1970	<b>NEUTRAL SAFETY SWITCH EXTENSION HARNESS</b> Manual Trans, From Dash To Clutch Switch	\$21.00	
<b>PARKING BRAKE WARNING LAMP HARNESS</b>				
15205	1970	<b>PARKING BRAKE WARNING LAMP HARNESS</b>	\$11.00	
15205	1971	<b>PARKING BRAKE WARNING LAMP HARNESS</b>	\$11.00	
15205	1972	<b>PARKING BRAKE WARNING LAMP HARNESS</b>	\$11.00	
<b>POWER DOOR LOCK SWITCH ASSEMBLY</b>				
01725099	1973	<b>POWER DOOR LOCK SWITCH ASSEMBLY</b> 1 Button	\$62.00	
01725099	1974	<b>POWER DOOR LOCK SWITCH ASSEMBLY</b> 1 Button	\$62.00	
01725099	1975	<b>POWER DOOR LOCK SWITCH ASSEMBLY</b> 1 Button	\$62.00	

Part Number	Year	Description	Price	*Rev.
01725099	1976	POWER DOOR LOCK SWITCH ASSEMBLY 1 Button	\$62.00	
01725099	1977	POWER DOOR LOCK SWITCH ASSEMBLY 1 Button	\$62.00	
<b>POWER WINDOW MOTOR ADAPTER HARNESS</b>				
36954	1962	POWER WINDOW MOTOR ADAPTER HARNESS Adapts "T" Shaped Motor Connector To Side By Side Blade Type Motor Connector	\$19.00	C
36954	1963	POWER WINDOW MOTOR ADAPTER HARNESS Adapts "T" Shaped Motor Connector To Side By Side Blade Type Motor Connector	\$19.00	C
36954	1964	POWER WINDOW MOTOR ADAPTER HARNESS Adapts "T" Shaped Motor Connector To Side By Side Blade Type Motor Connector	\$19.00	C
36954	1965	POWER WINDOW MOTOR ADAPTER HARNESS Adapts "T" Shaped Motor Connector To Side By Side Blade Type Motor Connector	\$19.00	C
36954	1966	POWER WINDOW MOTOR ADAPTER HARNESS Adapts "T" Shaped Motor Connector To Side By Side Blade Type Motor Connector	\$19.00	C
36954	1967	POWER WINDOW MOTOR ADAPTER HARNESS Adapts "T" Shaped Motor Connector To Side By Side Blade Type Motor Connector	\$19.00	C
36954	1968	POWER WINDOW MOTOR ADAPTER HARNESS Adapts "T" Shaped Motor Connector To Side By Side Blade Type Motor Connector	\$19.00	C
36954	1969	POWER WINDOW MOTOR ADAPTER HARNESS Adapts "T" Shaped Motor Connector To Side By Side Blade Type Motor Connector	\$19.00	C
36954	1970	POWER WINDOW MOTOR ADAPTER HARNESS Adapts "T" Shaped Motor Connector To Side By Side Blade Type Motor Connector	\$19.00	C
36954	1971	POWER WINDOW MOTOR ADAPTER HARNESS Adapts "T" Shaped Motor Connector To Side By Side Blade Type Motor Connector	\$19.00	C
36954	1972	POWER WINDOW MOTOR ADAPTER HARNESS Adapts "T" Shaped Motor Connector To Side By Side Blade Type Motor Connector	\$19.00	C
36954	1973	POWER WINDOW MOTOR ADAPTER HARNESS Adapts "T" Shaped Motor Connector To Side By Side Blade Type Motor Connector	\$19.00	C
36954	1974	POWER WINDOW MOTOR ADAPTER HARNESS Adapts "T" Shaped Motor Connector To Side By Side Blade Type Motor Connector	\$19.00	C
36954	1975	POWER WINDOW MOTOR ADAPTER HARNESS Adapts "T" Shaped Motor Connector To Side By Side Blade Type Motor Connector	\$19.00	C
<b>POWER WINDOW SWITCH</b>				
04432790	1964	POWER WINDOW SWITCH 1 Button, Round Corner Style, Chrome	\$49.00	
04432793	1964	POWER WINDOW SWITCH 2 Button, Round Corner Style, Chrome. 2-Door Wagons	\$61.00	
04432791	1964	POWER WINDOW SWITCH 4 Button, Round Corner Style, Chrome	\$67.00	P
04432790	1965	POWER WINDOW SWITCH 1 Button, Round Corner Style, Chrome	\$49.00	
04432793	1965	POWER WINDOW SWITCH 2 Button, Round Corner Style, Chrome. 2-Door Wagons	\$61.00	
04432791	1965	POWER WINDOW SWITCH 4 Button, Round Corner Style, Chrome	\$67.00	P
04432790	1966	POWER WINDOW SWITCH 1 Button, Round Corner Style, Chrome	\$49.00	
04432793	1966	POWER WINDOW SWITCH 2 Button, Round Corner Style, Chrome. 2-Door Wagons	\$61.00	
04432791	1966	POWER WINDOW SWITCH 4 Button, Round Corner Style, Chrome	\$67.00	P
04432790	1967	POWER WINDOW SWITCH 1 Button, Round Corner Style, Chrome	\$49.00	
04432793	1967	POWER WINDOW SWITCH 2 Button, Round Corner Style, Chrome. 2-Door Wagons	\$61.00	
04432791	1967	POWER WINDOW SWITCH 4 Button, Round Corner Style, Chrome	\$67.00	P
04432790	1968	POWER WINDOW SWITCH 1 Button, Round Corner Style, Chrome	\$49.00	
04432793	1968	POWER WINDOW SWITCH 2 Button, Round Corner Style, Chrome. 2-Door Wagons	\$61.00	
04432791	1968	POWER WINDOW SWITCH 4 Button, Round Corner Style, Chrome	\$67.00	P
04432790	1969	POWER WINDOW SWITCH 1 Button, Round Corner Style, Chrome	\$49.00	
04432793	1969	POWER WINDOW SWITCH 2 Button, Round Corner Style, Chrome. 2-Door Wagons	\$61.00	
04432791	1969	POWER WINDOW SWITCH 4 Button, Round Corner Style, Chrome	\$67.00	P
04432790	1970	POWER WINDOW SWITCH 1 Button, Round Corner Style, Chrome	\$49.00	

Part Number	Year	Description	Price	*Rev.
04432793	1970	POWER WINDOW SWITCH 2 Button, Round Corner Style, Chrome. 2-Door Wagons	\$61.00	
04432791	1970	POWER WINDOW SWITCH 4 Button, Round Corner Style, Chrome	\$67.00	P
<b>REAR LAMP HARNESS</b>				
28155	1962	REAR LAMP EXTENSION HARNESS Rear Lamp Harness To Backup Lamps, All	\$25.00	
01305	1962	REAR LAMP HARNESS Coupe, Except Wagons	\$160.00	
01310	1962	REAR LAMP HARNESS Convertible	\$167.00	
28155	1963	REAR LAMP EXTENSION HARNESS Rear Lamp Harness To Backup Lamps, All	\$25.00	
17375	1963	REAR LAMP HARNESS Coupe, Except Wagons	\$155.00	
17380	1963	REAR LAMP HARNESS Convertible	\$172.00	
37098	1964	REAR LAMP EXTENSION HARNESS Rear Lamp Harness To Backup Lamps, All	\$25.00	
17375	1964	REAR LAMP HARNESS Except Wagons	\$155.00	
07225	1965	REAR LAMP HARNESS Except Wagons	\$160.00	
17215	1966	REAR LAMP HARNESS Except Wagons	\$155.00	
17215	1967	REAR LAMP HARNESS Except Wagons	\$155.00	
01320	1968	REAR LAMP HARNESS	\$206.00	
20585	1968	REAR LAMP HARNESS With Under Dash Courtesy Lamps	\$218.00	
18515	1969	REAR LAMP HARNESS Left Side Tail Lamps	\$133.00	
18530	1969	REAR LAMP HARNESS Left Side Taillamps, With Under Dash Courtesy Lamps	\$173.00	
34965	1969	REAR LAMP EXTENSION HARNESS Right Side Taillamps	\$86.00	
21225	1970	REAR LAMP HARNESS Left Side Tail Lamps	\$133.00	
20975	1970	REAR LAMP HARNESS Left Side Tail Lamps, With Under Dash Courtesy Lamps	\$173.00	
34965	1970	REAR LAMP EXTENSION HARNESS Right Side Taillamps	\$86.00	
21225	1971	REAR LAMP HARNESS Left Side Tail Lamps	\$133.00	
20975	1971	REAR LAMP HARNESS Left Side Tail Lamps, With Under Dash Courtesy Lamps	\$173.00	
34965	1971	REAR LAMP EXTENSION HARNESS Right Side Taillamps	\$86.00	
21225	1972	REAR LAMP HARNESS Left Side Tail Lamps	\$133.00	
20975	1972	REAR LAMP HARNESS Left Side Tail Lamps, With Under Dash Courtesy Lamps	\$173.00	
20935	1972	REAR LAMP HARNESS Left Side Tail Lamps, With Seat Belt Warning	\$167.00	
20930	1972	REAR LAMP HARNESS Left Side, With Seat Belt Warn. & Under Dash Courtesy Lamps	\$190.00	
18535	1972	REAR LAMP EXTENSION HARNESS Right Side Tail Lamps	\$86.00	
20960	1973	REAR LAMP INTERMEDIATE HARNESS	\$150.00	
20955	1973	REAR LAMP INTERMEDIATE HARNESS With Under Dash Courtesy Lamps	\$179.00	
20965	1973	REAR LAMP HARNESS	\$133.00	
21235	1974	REAR LAMP HARNESS	\$133.00	
<b>REAR WINDOW DEFROSTER HARNESS</b>				
14420	1969	REAR WINDOW DEFROSTER HARNESS	\$51.00	
14420	1970	REAR WINDOW DEFROSTER HARNESS	\$51.00	
14420	1971	REAR WINDOW DEFROSTER HARNESS	\$51.00	
14420	1972	REAR WINDOW DEFROSTER HARNESS	\$51.00	
<b>SPEAKER HARNESS</b>				
18510	1965	SPEAKER HARNESS To Single Rear Seat Speaker	\$46.00	
18510	1966	SPEAKER HARNESS To Single Rear Seat Speaker	\$46.00	
18510	1967	SPEAKER HARNESS To Single Rear Seat Speaker	\$46.00	
18510	1968	SPEAKER HARNESS To Single Rear Seat Speaker	\$46.00	
33430	1968	SPEAKER HARNESS 4 Stereo Speakers, Front & Rear	\$72.00	
33430	1969	SPEAKER HARNESS 4 Stereo Speakers, Front & Rear	\$72.00	

Part Number	Year	Description	Price	*Rev.
<b>SPEED WARNING HARNESS</b>				
11050	1967	SPEED WARNING HARNESS	\$21.00	
13130	1969	SPEED WARNING HARNESS	\$21.00	
<b>STEERING COLUMN ADAPTER HARNESS</b>				
37616	1962	<b>STEERING COLUMN ADAPTER HARNESS</b> For 1969-74 GM & Ididit Columns (Exc. Flaming River) To Stock Dash Harness Note: Adapts Horn, Directionals, Hazard Flashers To Stock 6-Way Dash Connector.	\$43.00	
38124	1962	<b>STEERING COLUMN ADAPTER HARNESS</b> For 1975 & UP GM & Flaming River Columns (Exc. Ididit) To Stock Dash Harness Note: Adapts Horn, Directionals, Hazard Flashers To Stock 6-Way Dash Connector.	\$46.00	
37618	1963	<b>STEERING COLUMN ADAPTER HARNESS</b> For 1969-74 GM & Ididit Columns (Exc. Flaming River) To Stock Dash Harness Note: Adapts Horn, Directionals, Hazard Flashers To Stock 8-Way Dash Connector.	\$43.00	
38125	1963	<b>STEERING COLUMN ADAPTER HARNESS</b> For 1975 & UP GM & Flaming River Columns (Exc. Ididit) To Stock Dash Harness Note: Adapts Horn, Directionals, Hazard Flashers To Stock 8-Way Dash Connector.	\$44.00	
37618	1964	<b>STEERING COLUMN ADAPTER HARNESS</b> For 1969-74 GM & Ididit Columns (Exc. Flaming River) To Stock Dash Harness Note: Adapts Horn, Directionals, Hazard Flashers To Stock 8-Way Dash Connector.	\$43.00	
38125	1964	<b>STEERING COLUMN ADAPTER HARNESS</b> For 1975 & UP GM & Flaming River Columns (Exc. Ididit) To Stock Dash Harness Note: Adapts Horn, Directionals, Hazard Flashers To Stock 8-Way Dash Connector.	\$44.00	
37618	1965	<b>STEERING COLUMN ADAPTER HARNESS</b> For 1969-74 GM & Ididit Columns (Exc. Flaming River) To Stock Dash Harness Note: Adapts Horn, Directionals, Hazard Flashers To Stock 8-Way Dash Connector.	\$43.00	
38125	1965	<b>STEERING COLUMN ADAPTER HARNESS</b> For 1975 & UP GM & Flaming River Columns (Exc. Ididit) To Stock Dash Harness Note: Adapts Horn, Directionals, Hazard Flashers To Stock 8-Way Dash Connector.	\$44.00	
37542	1966	<b>STEERING COLUMN ADAPTER HARNESS</b> For 1969-1974 GM & Ididit Columns (Exc. Flaming River) To Stock Dash Harness Note: Adapts Horn, Directionals, Hazard Flashers To Stock 8 Pin T/L Dash Connector.	\$43.00	
37009	1966	<b>STEERING COLUMN ADAPTER HARNESS</b> For 1975 & UP GM & Flaming River Columns (Exc. Ididit) To Stock Dash Harness Note: Adapts Horn, Directionals, Hazard Flashers To Stock 8 Pin Dash Connector.	\$45.00	
36882	1967	<b>STEERING COLUMN ADAPTER HARNESS</b> For 1969-1974 GM & Ididit Columns (Exc. Flaming River) To Stock Dash Harness Note: Adapts Horn, Directionals, Hazard Flashers To Stock 9-Pin T/L Dash Connector.	\$22.00	
38127	1967	<b>STEERING COLUMN ADAPTER HARNESS</b> For 1975 & UP GM & Flaming River Columns (Exc. Ididit) To Stock Dash Harness Note: Adapts Horn, Directionals, Hazard Flashers To Stock 9-Pin T/L Dash Connector.	\$22.00	
36882	1968	<b>STEERING COLUMN ADAPTER HARNESS</b> For 1969-1974 GM & Ididit Columns (Exc. Flaming River) To Stock Dash Harness Note: Adapts Horn, Directionals, Hazard Flashers To Stock 9-Pin T/L Dash Connector.	\$22.00	
38127	1968	<b>STEERING COLUMN ADAPTER HARNESS</b> For 1975 & UP GM & Flaming River Columns (Exc. Ididit) To Stock Dash Harness Note: Adapts Horn, Directionals, Hazard Flashers To Stock 9-Pin T/L Dash Connector.	\$22.00	
<b>T.C.S. TRANSMISSION SWITCH EXTENSION</b>				
17355	1972	<b>T.C.S. TRANSMISSION SWITCH EXTENSION</b> Manual Trans, From Engine Harness To Trans Switch Note: Used With #16375, #16380 & #16385 Engine Harness.	\$42.00	
17355	1973	<b>T.C.S. TRANSMISSION SWITCH EXTENSION</b> Manual Trans, From Engine Harness To Trans Switch Note: Used With #15500 & #15505 Engine Harness.	\$42.00	

Part Number	Year	Description	Price	*Rev.
<b>TACHOMETER HARNESS</b>				
01525	1962	TACHOMETER HARNESS	\$57.00	
01530	1963	TACHOMETER HARNESS	\$43.00	
01535	1964	TACHOMETER HARNESS	\$43.00	
01535	1965	TACHOMETER HARNESS Dash Mounted	\$43.00	
01540	1965	TACHOMETER HARNESS Steering Column Mounted	\$52.00	
01540	1966	TACHOMETER HARNESS Steering Column Mounted	\$52.00	
<b>TEMPERATURE SENDING UNIT WIRE REPAIR KIT</b>				
34620	1962	TEMPERATURE SENDING UNIT WIRE REPAIR KIT	\$17.00	
34620	1963	TEMPERATURE SENDING UNIT WIRE REPAIR KIT	\$17.00	
34620	1964	TEMPERATURE SENDING UNIT WIRE REPAIR KIT	\$17.00	
34620	1965	TEMPERATURE SENDING UNIT WIRE REPAIR KIT	\$17.00	
34620	1966	TEMPERATURE SENDING UNIT WIRE REPAIR KIT	\$17.00	
34620	1967	TEMPERATURE SENDING UNIT WIRE REPAIR KIT	\$17.00	
34620	1968	TEMPERATURE SENDING UNIT WIRE REPAIR KIT	\$17.00	
34620	1969	TEMPERATURE SENDING UNIT WIRE REPAIR KIT	\$17.00	
34620	1970	TEMPERATURE SENDING UNIT WIRE REPAIR KIT	\$17.00	
34620	1971	TEMPERATURE SENDING UNIT WIRE REPAIR KIT	\$17.00	
34620	1972	TEMPERATURE SENDING UNIT WIRE REPAIR KIT	\$17.00	
34620	1973	TEMPERATURE SENDING UNIT WIRE REPAIR KIT	\$17.00	
34620	1974	TEMPERATURE SENDING UNIT WIRE REPAIR KIT	\$17.00	
34620	1975	TEMPERATURE SENDING UNIT WIRE REPAIR KIT	\$17.00	
<b>TRANSISTOR IGNITION HARNESS</b>				
27565	1966	TRANSISTOR IGNITION HARNESS Amplifier To Extension Harness (Part# 27570)	\$81.00	
33225	1966	TRANSISTOR IGNITION AMPLIFIER EXTENSION From Internal Circuit Board To Amplifier Housing Connector	\$46.00	
27570	1966	TRANSISTOR IGNITION EXTENSION HARNESS Starter Motor, Coil & Distributor	\$98.00	
21265	1966	TRANSISTOR IGNITION POWER FEED HARNESS Ignition Switch To Extension Harness (Part# 27570)	\$21.00	
32270	1966	TRANSISTOR IGNITION REPLACEMENT MODULE Replaces Original Circuit Board In Amplifier	\$172.00	
<b>TRUNK LAMP ASSEMBLY</b>				
36379	1966	TRUNK LAMP ASSEMBLY Includes Extension Harness	\$41.00	
36379	1967	TRUNK LAMP ASSEMBLY Includes Extension Harness	\$41.00	
36380	1968	TRUNK LAMP ASSEMBLY Includes Extension Harness	\$37.00	
36380	1969	TRUNK LAMP ASSEMBLY Includes Extension Harness	\$37.00	
36380	1970	TRUNK LAMP ASSEMBLY Includes Extension Harness	\$37.00	
36380	1971	TRUNK LAMP ASSEMBLY Includes Extension Harness	\$37.00	
36380	1972	TRUNK LAMP ASSEMBLY Includes Extension Harness	\$37.00	
36380	1973	TRUNK LAMP ASSEMBLY Includes Extension Harness	\$37.00	
36380	1974	TRUNK LAMP ASSEMBLY Includes Extension Harness	\$37.00	
<b>TRUNK LAMP EXTENSION HARNESS</b>				
28210	1968	TRUNK LAMP EXTENSION HARNESS Coupe	\$13.00	
28210	1969	TRUNK LAMP EXTENSION HARNESS Coupe	\$13.00	
28210	1970	TRUNK LAMP EXTENSION HARNESS Coupe	\$13.00	
28210	1971	TRUNK LAMP EXTENSION HARNESS Coupe	\$13.00	
28210	1972	TRUNK LAMP EXTENSION HARNESS Coupe	\$13.00	
28210	1973	TRUNK LAMP EXTENSION HARNESS Coupe	\$13.00	
28210	1974	TRUNK LAMP EXTENSION HARNESS Coupe	\$13.00	

Part Number	Year	Description	Price	*Rev.
<b>TURN SIGNAL SWITCH</b>				
03765110	1962	<b>TURN SIGNAL SWITCH</b>	\$23.00	
00387115	1966	<b>TURN SIGNAL SWITCH</b> Without Tilt (Stamped "BPC"), Replaces Delco Part# D6200 Note: This Switch Has A Metal Base.	\$96.00	
01893592	1967	<b>TURN SIGNAL SWITCH</b> (Delco-Remy), Replaces Delco Part# D6211 Note: This Is A Service Part, Adapter Pigtail Included And Is Required For Some Applications.	\$58.00	
07800482	1967	<b>TURN SIGNAL SWITCH</b> Without Column Shift A/T, Without Tilt, (Delco Type, Black, White Or Green) Note: Emergency Flasher Actuator Hole In Outer Cover Is Shaped Like A Doghouse.	\$50.00	
07800482	1967	<b>TURN SIGNAL SWITCH</b> Without Column Shift A/T, With Tilt, (Delco Type, Black, White Or Green) Note: Emergency Flasher Actuator Hole In Outer Cover Is Shaped Like A Doghouse.	\$50.00	
05698897	1967	<b>TURN SIGNAL SWITCH</b> With Column Shift A/T, Without Tilt, (Delco Type, Black, White Or Green) Note: Emergency Flasher Actuator Hole In Outer Cover Is Shaped Like A Doghouse.	\$50.00	
05698897	1967	<b>TURN SIGNAL SWITCH</b> With Column Shift A/T, With Tilt, (Delco Type, Black, White Or Green) Note: Emergency Flasher Actuator Hole In Outer Cover Is Shaped Like A Doghouse.	\$50.00	
01893592	1968	<b>TURN SIGNAL SWITCH</b> (Delco-Remy), Replaces Delco Part# D6211 Note: This Is A Service Part, Adapter Pigtail Included And Is Required For Some Applications.	\$58.00	
07800482	1968	<b>TURN SIGNAL SWITCH</b> Without Column Shift A/T, Without Tilt, (Delco Type, Black, White Or Green) Note: Emergency Flasher Actuator Hole In Outer Cover Is Shaped Like A Doghouse.	\$50.00	
07800482	1968	<b>TURN SIGNAL SWITCH</b> Without Column Shift A/T, With Tilt, (Delco Type, Black, White Or Green) Note: Emergency Flasher Actuator Hole In Outer Cover Is Shaped Like A Doghouse.	\$50.00	
05698897	1968	<b>TURN SIGNAL SWITCH</b> With Column Shift A/T, Without Tilt, (Delco Type, Black, White Or Green) Note: Emergency Flasher Actuator Hole In Outer Cover Is Shaped Like A Doghouse.	\$50.00	
05698897	1968	<b>TURN SIGNAL SWITCH</b> With Column Shift A/T, With Tilt, (Delco Type, Black, White Or Green) Note: Emergency Flasher Actuator Hole In Outer Cover Is Shaped Like A Doghouse.	\$50.00	
01997938	1969	<b>TURN SIGNAL SWITCH, CORRECT PART</b> Note: Correct Part, No Adapter Pigtail Required.	\$56.00	
01893588	1969	<b>TURN SIGNAL SWITCH, SERVICE PART</b> Replaces Delco Part# D6208 Note: This Is A Service Part, Adapter Pigtail Included Is Required For Installation.	\$58.00	
01997983	1969	<b>TURN SIGNAL SWITCH, SERVICE PART</b> Replaces Delco Part# D6222 Note: This Is A Service Part, Adapter Pigtail Included Is Required For Installation.	\$32.00	
01997938	1970	<b>TURN SIGNAL SWITCH, CORRECT PART</b> Note: Correct Part, No Adapter Pigtail Required.	\$56.00	
01893588	1970	<b>TURN SIGNAL SWITCH, SERVICE PART</b> Replaces Delco Part# D6208 Note: This Is A Service Part, Adapter Pigtail Included Is Required For Installation.	\$58.00	
01997983	1970	<b>TURN SIGNAL SWITCH, SERVICE PART</b> Replaces Delco Part# D6222 Note: This Is A Service Part, Adapter Pigtail Included Is Required For Installation.	\$32.00	
01997938	1971	<b>TURN SIGNAL SWITCH, CORRECT PART</b> Note: Correct Part, No Adapter Pigtail Required.	\$56.00	
01893588	1971	<b>TURN SIGNAL SWITCH, SERVICE PART</b> Replaces Delco Part# D6208 Note: This Is A Service Part, Adapter Pigtail Included Is Required For Installation.	\$58.00	
01997983	1971	<b>TURN SIGNAL SWITCH, SERVICE PART</b> Replaces Delco Part# D6222 Note: This Is A Service Part, Adapter Pigtail Included Is Required For Installation.	\$32.00	

Part Number	Year	Description	Price	*Rev.
01997938	1972	<b>TURN SIGNAL SWITCH, CORRECT PART</b> Note: Correct Part, No Adapter Pigtail Required.	\$56.00	
01893588	1972	<b>TURN SIGNAL SWITCH, SERVICE PART</b> Replaces Delco Part# D6208 Note: This Is A Service Part, Adapter Pigtail Included Is Required For Installation.	\$58.00	
01997983	1972	<b>TURN SIGNAL SWITCH, SERVICE PART</b> Replaces Delco Part# D6222 Note: This Is A Service Part, Adapter Pigtail Included Is Required For Installation.	\$32.00	
<b>VOLTAGE REGULATOR ADAPTER HARNESS</b>				
02115	1965	<b>VOLTAGE REGULATOR ADAPTER HARNESS</b> With 62 Amp Alternator, From Field Terminal On Voltage Regulator To Chassis Ground (Includes Inline Diode) Note: Only Used With Original Solid State Voltage Regulator #1116368 As A Safe Guard To Prevent Voltage Regulator Transistor Failure.	\$45.00	
<b>WINDSHIELD WIPER SWITCH</b>				
01993541	1962	<b>WINDSHIELD WIPER SWITCH</b> Single Speed, With Washer	\$45.00	
01993541	1963	<b>WINDSHIELD WIPER SWITCH</b> Single Speed, With Washer	\$45.00	
01993584	1963	<b>WINDSHIELD WIPER SWITCH</b> Two Speed, With Washer	\$52.00	
01993541	1964	<b>WINDSHIELD WIPER SWITCH</b> Single Speed, With Washer	\$45.00	
01993584	1964	<b>WINDSHIELD WIPER SWITCH</b> Two Speed, With Washer	\$52.00	
01993680	1965	<b>WINDSHIELD WIPER SWITCH</b> Single Speed, With Washer	\$52.00	
01993679	1965	<b>WINDSHIELD WIPER SWITCH</b> 2 Speed, With Washer	\$52.00	
01993680	1966	<b>WINDSHIELD WIPER SWITCH</b> Single Speed, With Washer	\$52.00	
01993679	1966	<b>WINDSHIELD WIPER SWITCH</b> 2 Speed, With Washer	\$52.00	
01993395	1967	<b>WINDSHIELD WIPER SWITCH</b>	\$35.00	
01993395	1968	<b>WINDSHIELD WIPER SWITCH</b>	\$35.00	
01993464	1969	<b>WINDSHIELD WIPER SWITCH</b>	\$32.00	
01993464	1970	<b>WINDSHIELD WIPER SWITCH</b>	\$32.00	
01993464	1971	<b>WINDSHIELD WIPER SWITCH</b>	\$32.00	
01994180	1972	<b>WINDSHIELD WIPER SWITCH</b>	\$52.00	
01994180	1973	<b>WINDSHIELD WIPER SWITCH</b>	\$52.00	
01994180	1974	<b>WINDSHIELD WIPER SWITCH</b>	\$52.00	
<b>WIPER MOTOR HARNESS</b>				
36113	1962	<b>WIPER MOTOR HARNESS</b> 2 Speed	\$33.00	
20045	1963	<b>WIPER MOTOR HARNESS</b> 2 Speed Wiper & Washer	\$33.00	
36114	1964	<b>WIPER MOTOR HARNESS</b> 2 Speed	\$27.00	
30175	1965	<b>WIPER MOTOR HARNESS</b> 2 Speed Wipers	\$27.00	
30175	1966	<b>WIPER MOTOR HARNESS</b> 2 Speed Wipers	\$27.00	