



Electrical Restoration Products

**Chevy II
Nova**

WIRING HARNESSES



BATTERY CABLES



SWITCHES



Phone 562.926.9552

Fax 562.926.9572

sparky@wiringharness.com

www.wiringharness.com

Part #NOV

Buy with Confidence !

Made in the U.S.A.

All of our harnesses are hand assembled in the U.S.A.

Correct Color Wires

Our harnesses always match the original factory color codes and gauge sizes. We use U.S.A. made Cross Linked Polyethylene type GXL wire which is much more tolerant to heat than the original PVC type GPT wire that was used from the factory.

Dip Soldered (when applicable)

All terminals are dip soldered (when applicable) to limit resistance loss.

Correct Connectors & Terminals

With over 300,000 connectors and terminals in stock you can be sure the harness you receive will look identical to the original.

Correct Non-Adhesive & Cloth Tapes

All harnesses are wrapped with the correct non-adhesive or cloth woven tapes to assure a 100% factory appearance.

Technical Support

We don't expect our customers to be "wiring-wizards", you can call us direct with any technical questions you may have.

Custom Modifications

Custom modifications are available to allow you to convert from an external regulated alternator to an internal regulated alternator. This modification is available for most '63 and up GM cars and trucks. We can also convert many of our engine harnesses to work with H.E.I. distributors and electric chokes. Our modifications retain the factory appearance. Call our Customer Service Department for more details.

Reproduction Switches

We manufacture an extensive line of reproduction switches. These include Turn Signal, Backup Light, Neutral Safety, Wiper, Headlight Switches and others. As with all of our restoration products our switches will fit and function perfectly, just like the originals.

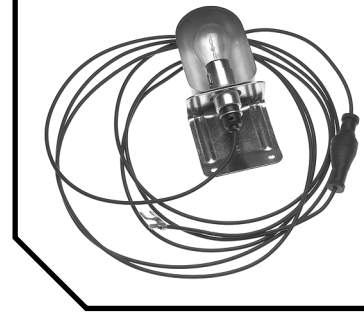
Guarantee & Warranty

We are so confident in the quality of all of our restoration products that we offer the following guarantee and warranty. If you are not 100% satisfied with the quality of any of our restoration products we will give you a full refund. Just return the unused item within 30 days of receipt for a full refund. We also offer a full 1 year replacement warranty on all of the products we sell (see our product warranty sheet for more info).

Method of Payment

We accept Visa, Master Card, American Express and Discover. If you prefer to pre-pay your order, we accept Money Orders, Cashiers Checks or Personal Checks. C.O.D. shipments are also available.

LIGHTING KITS



1 WIRE IGNITION



HARNESS TAPE



"M&H Harnesses are perfect reproductions created with correct color wires from Original GM wiring schematics".

**MUSCLECAR ENTHUSIAST
MAGAZINE**

www.wiringharness.com

Alternator Conversion Kits

**See catalog
for specific applications**

Alternator Conversion Kit External to "SI" Type Internal

Our most popular Alternator Conversion Kit. This kit makes it easy to convert from an External Regulated Alternator to an "SI" Type Internal Regulated Alternator. Kit includes both adapters and an instruction sheet.

Easy to install:

1) Disconnect the external voltage regulator leads and plug our "Special Regulator Adapter" into the voltage regulator lead wires. 2) Disconnect the alternator lead wires. 3) Install new "SI" Type Internal Regulated alternator. 4) Plug one end of our "Alternator Adapter" into the original alternator lead wires and the other into the alternator.

Typical application is '63-'74 GM Cars & Trucks, see carline catalogs for specific application information.

Part #27555

Retail \$21.00



Alternator Conversion Kit External to "CS" Type Internal

This kit makes it easy to convert from an External Regulated Alternator to a "CS" Type Internal Regulated Alternator. Kit includes both adapters and an instruction sheet.

Easy to install:

1) Disconnect the external voltage regulator leads and plug our "Special Regulator Adapter" into the voltage regulator lead wires. 2) Disconnect the alternator lead wires. 3) Install new "SI" Type Internal Regulated alternator. 4) Plug one end of our "Alternator Adapter" into the original alternator lead wires and the other into the alternator.

Typical application is '63-'74 GM Cars & Trucks, see carline catalogs for specific application information.

Part #37787

Retail \$21.00



Alternator Conversion Kit "SI" Type Internal to CS130/CS144 Type Internal

Allows for an easy conversion from an "SI" type internal regulated alternator to a "CS130" or "CS144" type internal regulated alternator. Simple to install, the mating end of the adapter pigtail plugs perfectly to the original alternator connector, and the other end plugs right into any "CS130" or "CS144" type alternator. Kit includes adapter pigtail and an instruction sheet.

Typical application is '69-'84 GM Cars & Trucks, see carline catalogs for specific application information.

Part #37796

Retail \$15.00



Alternator Conversion Kits

See car line catalogs
for specific applications

Alternator Conversion Kit

"SI" Type Internal to "CS130D" Type Internal

Allows for an easy conversion from an "SI" type internal regulated alternator to a "CS130D" type internal regulated alternator. Simple to install, the mating end of the adapter pigtail plugs perfectly to the original alternator connector, and the other end plugs right into any "CS130D" type alternator. Kit includes adapter pigtail and an instruction sheet.

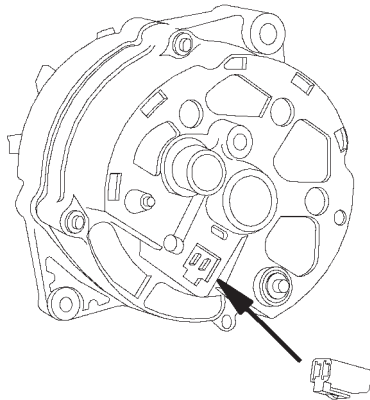
Typical application is '69-'84 GM Cars & Trucks, see carline catalogs for specific application information.

Part #39472

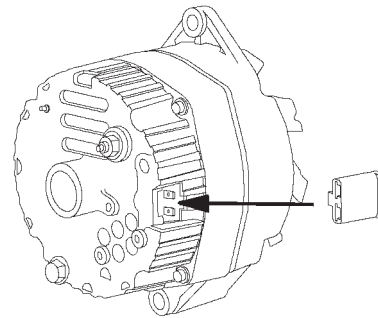
Retail \$18.00



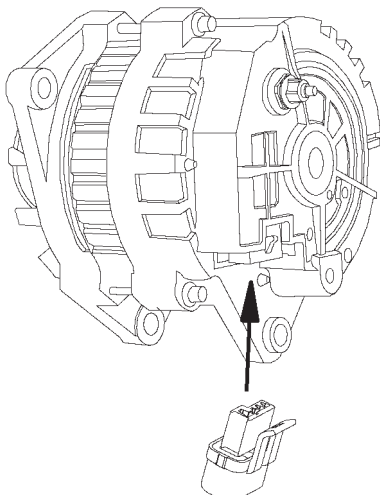
Alternator Identification



1963-1974
External Regulated Alternator



1969-1984 "SI" Type
Internal Regulated Alternator



1984-1999 "CS130" & "CS144" Type
Internal Regulated Alternator



1994-Newer "CS130D" Type
Internal Regulated Alternator

Breakerless SE Single Wire Ignition

Simple 1 Wire Hook-Up, just connect the original points wire to the module

Completely stock appearance

Emissions Legal in all 50 States

Three year warranty

The Breakerless SE allows you to convert any 1957 to 1974 GM, AMC or Jeep V8 breaker point type distributor (with a windowed type distributor cap) to a reliable solid-state electronic ignition, utilizing a fully integrated trigger and power module that fits completely inside the distributor.

Unlike competitive systems though, no additional wires protrude from the distributor, only the original points wire. The result is a state-of-the-art ignition with an absolutely stock appearance. The Breakerless SE is so unique that it's patented !



Outstanding features of this unit include:

- Single wire operation to preserve stock appearance and simplify wiring.
- Active dwell control maintains high rpm spark energy while reducing coil heating at idle.
- Auto-standby prevents coil damage or dead battery if the ignition is accidentally left on.
- Hall effect rotary-vane sensor design compensates for worn bearings and distributor end play. Magnetic sensor is unaffected by oil, dirt or other contaminants, unlike optical systems.
- Over-voltage/over-current protected against damage from high amp battery chargers, reversed battery, or improper wiring.
- Constructed with premium quality components. Sealed, hi-temp thermoplastic housing provides exceptional resistance against moisture and vibration.
- No distributor modification, disassembly, or removal is required.

Kit comes complete with everything you'll need to install the Breakerless SE Single Wire Ignition. Kit includes: 1 Module, 1 (two-piece) vane, all necessary installation hardware and a comprehensive instruction sheet.

Part #38131
Retail \$169.00

**For more info on this product
visit www.breakerless.com**

Part Number	Year	Description	Price	*Rev.
NOV	ALL	CHEVY II / NOVA CATALOG	\$0.00	
R0058272	ALL	HARNESSTAPE, 3/4" vinyl (100 ft. roll) non-adhesive	\$12.00	
R0058276	ALL	HARNESSTAPE, 1" vinyl (100 ft. roll) non-adhesive	\$13.00	
R0067108	ALL	HARNESSTAPE, 1 1/4" vinyl (100 ft. roll) non-adhesive	\$15.00	
36139	1962	AIR CONDITIONING HARNESS, 4 & 6 cylinder, includes heater wiring	\$125.00	
36252	1962	AIR CONDITIONING HARNESS, v/8, includes heater wiring	\$112.00	
36072	1963	AIR CONDITIONING HARNESS, 4 & 6 cylinder, includes heater wiring	\$125.00	
23035	1963	AIR CONDITIONING HARNESS, v/8, includes heater wiring	\$112.00	
23035	1964	AIR CONDITIONING HARNESS, includes heater wiring	\$112.00	
18520	1965	AIR CONDITIONING HARNESS, includes heater wiring	\$109.00	
09575	1966	AIR CONDITIONING HARNESS, includes heater wiring	\$109.00	
09575	1967	AIR CONDITIONING HARNESS, includes heater wiring	\$109.00	
12100	1968	AIR CONDITIONING HARNESS, includes heater wiring	\$145.00	
13015	1969	AIR CONDITIONING HARNESS, includes heater wiring	\$125.00	
13015	1970	AIR CONDITIONING HARNESS, includes heater wiring	\$125.00	
15430	1971	AIR CONDITIONING HARNESS, includes heater wiring	\$145.00	
16400	1972	AIR CONDITIONING HARNESS, includes heater wiring	\$145.00	
18620	1973	AIR CONDITIONING HARNESS, includes heater wiring	\$150.00	
00990	1973	AIR CONDITIONING EXTENSION HARNESS, compressor to a/c harness	\$44.00	
18620	1974	AIR CONDITIONING HARNESS, includes heater wiring	\$150.00	
00990	1974	AIR CONDITIONING EXTENSION HARNESS, compressor to a/c harness	\$44.00	
19830	1962	AIR CONDITIONING POWER FEED WIRE, 4 & 6 cylinder, starter solenoid to a/c harness	\$17.00	
33800	1962	AIR CONDITIONING POWER FEED WIRE, v/8, starter solenoid to a/c harness	\$16.00	
19830	1963	AIR CONDITIONING POWER FEED WIRE, 4 & 6 cylinder, starter solenoid to a/c harness	\$17.00	
33800	1963	AIR CONDITIONING POWER FEED WIRE, v/8, starter solenoid to a/c harness	\$16.00	
28225	1964	AIR CONDITIONING POWER FEED WIRE, 6 cylinder, starter solenoid to a/c harness	\$16.00	
36111	1964	AIR CONDITIONING POWER FEED WIRE, v/8, starter solenoid to a/c harness	\$19.00	
00995	1965	AIR CONDITIONING POWER FEED WIRE, horn relay to a/c fuse	\$17.00	
00995	1966	AIR CONDITIONING POWER FEED WIRE, horn relay to a/c fuse	\$17.00	
36112	1967	AIR CONDITIONING POWER FEED WIRE, horn relay to a/c fuse	\$17.00	
10970	1968	AIR CONDITIONING POWER FEED WIRE, horn relay to a/c fuse	\$16.00	
10970	1969	AIR CONDITIONING POWER FEED WIRE, horn relay to a/c fuse	\$16.00	
10970	1970	AIR CONDITIONING POWER FEED WIRE, horn relay to a/c fuse	\$16.00	
10970	1971	AIR CONDITIONING POWER FEED WIRE, horn relay to a/c fuse	\$16.00	
33865	1972	AIR CONDITIONING POWER FEED WIRE, horn relay to a/c fuse	\$18.00	
03791444	1962	AIR CONDITIONING GROMMET, located on the radiator core support	\$9.00	
03791444	1963	AIR CONDITIONING GROMMET, located on the radiator core support	\$9.00	
03793794	1963	AIR CONDITIONING GROMMET, a/c lines and wiring pass through this grommet at the firewall	\$25.00	
03791444	1964	AIR CONDITIONING GROMMET, located on the radiator core support	\$9.00	
03793794	1964	AIR CONDITIONING GROMMET, a/c lines and wiring pass through this grommet at the firewall	\$25.00	
03791444	1965	AIR CONDITIONING GROMMET, located on the radiator core support	\$9.00	
03793794	1965	AIR CONDITIONING GROMMET, a/c lines and wiring pass through this grommet at the firewall	\$25.00	
36258	1962	AIR CONDITIONING RELAY GROUND WIRE	\$12.00	
36258	1963	AIR CONDITIONING RELAY GROUND WIRE	\$12.00	
36258	1964	AIR CONDITIONING RELAY GROUND WIRE	\$12.00	
36258	1965	AIR CONDITIONING RELAY GROUND WIRE	\$12.00	

Part Number	Year	Description	Price	*Rev.
27555	1963	ALTERNATOR CONVERSION KIT, external to internal regulator conversion harness ("si" series) NOTE: for use with 1972-84 non-serpentine belt ("SI" series) internal regulated alternators	\$21.00	
37787	1963	ALTERNATOR CONVERSION KIT, external to internal regulator conversion harness ("cs" series) NOTE: for use with serpentine belt ("CS" series) internal regulated alternators	\$21.00	
27555	1964	ALTERNATOR CONVERSION KIT, external to internal regulator conversion harness ("si" series) NOTE: for use with 1972-84 non-serpentine belt ("SI" series) internal regulated alternators	\$21.00	
37787	1964	ALTERNATOR CONVERSION KIT, external to internal regulator conversion harness ("cs" series) NOTE: for use with serpentine belt ("CS" series) internal regulated alternators	\$21.00	
27555	1965	ALTERNATOR CONVERSION KIT, external to internal regulator conversion harness ("si" series) NOTE: for use with 1972-84 non-serpentine belt ("SI" series) internal regulated alternators	\$21.00	
37787	1965	ALTERNATOR CONVERSION KIT, external to internal regulator conversion harness ("cs" series) NOTE: for use with serpentine belt ("CS" series) internal regulated alternators	\$21.00	
27555	1966	ALTERNATOR CONVERSION KIT, external to internal regulator conversion harness ("si" series) NOTE: for use with 1972-84 non-serpentine belt ("SI" series) internal regulated alternators	\$21.00	
37787	1966	ALTERNATOR CONVERSION KIT, external to internal regulator conversion harness ("cs" series) NOTE: for use with serpentine belt ("CS" series) internal regulated alternators	\$21.00	
27555	1967	ALTERNATOR CONVERSION KIT, external to internal regulator conversion harness ("si" series) NOTE: for use with 1972-84 non-serpentine belt ("SI" series) internal regulated alternators	\$21.00	
37787	1967	ALTERNATOR CONVERSION KIT, external to internal regulator conversion harness ("cs" series) NOTE: for use with serpentine belt ("CS" series) internal regulated alternators	\$21.00	
27555	1968	ALTERNATOR CONVERSION KIT, external to internal regulator conversion harness ("si" series) NOTE: for use with 1972-84 non-serpentine belt ("SI" series) internal regulated alternators	\$21.00	
37787	1968	ALTERNATOR CONVERSION KIT, external to internal regulator conversion harness ("cs" series) NOTE: for use with serpentine belt ("CS" series) internal regulated alternators	\$21.00	
27555	1969	ALTERNATOR CONVERSION KIT, external to internal regulator conversion harness ("si" series) NOTE: for use with 1972-84 non-serpentine belt ("SI" series) internal regulated alternators	\$21.00	
37787	1969	ALTERNATOR CONVERSION KIT, external to internal regulator conversion harness ("cs" series) NOTE: for use with serpentine belt ("CS" series) internal regulated alternators	\$21.00	
27555	1970	ALTERNATOR CONVERSION KIT, external to internal regulator conversion harness ("si" series) NOTE: for use with 1972-84 non-serpentine belt ("SI" series) internal regulated alternators	\$21.00	
37787	1970	ALTERNATOR CONVERSION KIT, external to internal regulator conversion harness ("cs" series) NOTE: for use with serpentine belt ("CS" series) internal regulated alternators	\$21.00	
27555	1971	ALTERNATOR CONVERSION KIT, external to internal regulator conversion harness ("si" series) NOTE: for use with 1972-84 non-serpentine belt ("SI" series) internal regulated alternators	\$21.00	
37787	1971	ALTERNATOR CONVERSION KIT, external to internal regulator conversion harness ("cs" series) NOTE: for use with serpentine belt ("CS" series) internal regulated alternators	\$21.00	
27555	1972	ALTERNATOR CONVERSION KIT, external to internal regulator conversion harness ("si" series) NOTE: for use with 1972-84 non-serpentine belt ("SI" series) internal regulated alternators	\$21.00	
37787	1972	ALTERNATOR CONVERSION KIT, external to internal regulator conversion harness ("cs" series) NOTE: for use with serpentine belt ("CS" series) internal regulated alternators	\$21.00	
36303	1962	ASSEMBLY MANUAL, factory assembly instruction guide	\$25.00	
36304	1963	ASSEMBLY MANUAL, factory assembly instruction guide	\$25.00	
36305	1964	ASSEMBLY MANUAL, factory assembly instruction guide	\$25.00	
36306	1965	ASSEMBLY MANUAL, factory assembly instruction guide	\$25.00	
36307	1966	ASSEMBLY MANUAL, factory assembly instruction guide	\$25.00	
36308	1967	ASSEMBLY MANUAL, factory assembly instruction guide	\$25.00	
36309	1968	ASSEMBLY MANUAL, factory assembly instruction guide	\$25.00	
36310	1969	ASSEMBLY MANUAL, factory assembly instruction guide	\$25.00	
36311	1970	ASSEMBLY MANUAL, factory assembly instruction guide	\$25.00	
36312	1971	ASSEMBLY MANUAL, factory assembly instruction guide	\$25.00	
36313	1972	ASSEMBLY MANUAL, factory assembly instruction guide	\$25.00	

Part Number	Year	Description	Price	*Rev.
27315	1962	BACKUP LAMP SWITCH EXTENSION HARNESS, auto trans, switch to rear body connector	\$16.00	
28160	1962	BACKUP LAMP SWITCH EXTENSION HARNESS, manual trans, switch to rear body connector	\$30.00	
27315	1963	BACKUP LAMP SWITCH EXTENSION HARNESS, all trans without gauges, switch to rear body connector	\$16.00	
28335	1963	BACKUP LAMP SWITCH EXTENSION HARNESS, manual trans, switch to part# 27315 backup extension harness	\$24.00	
37101	1964	BACKUP LAMP SWITCH EXTENSION HARNESS, auto trans, switch to rear body connector	\$21.00	
33805	1964	BACKUP LAMP SWITCH EXTENSION HARNESS, manual trans, fuse panel to rear body connector	\$24.00	
37101	1965	BACKUP LAMP SWITCH EXTENSION HARNESS, auto trans, switch to rear body connector	\$21.00	
33805	1965	BACKUP LAMP SWITCH EXTENSION HARNESS, manual trans, fuse panel to rear body connector	\$24.00	
01400	1966	BACKUP LAMP SWITCH EXTENSION HARNESS, auto trans, switch to rear body connector	\$24.00	
33805	1966	BACKUP LAMP SWITCH EXTENSION HARNESS, manual trans, fuse panel to rear body connector	\$24.00	
33805	1967	BACKUP LAMP SWITCH EXTENSION HARNESS, manual trans, fuse panel to rear body connector	\$24.00	
10665	1968	BACKUP LAMP SWITCH EXTENSION HARNESS, all manual trans	\$24.00	
39504	1964	BACKUP LAMP SWITCH MOUNTING KIT, with muncie 4 speed transmission Note: Kit contains the bracket, rod with 2 clips, shield & bolts.	\$45.00	
39504	1965	BACKUP LAMP SWITCH MOUNTING KIT, with muncie 4 speed transmission Note: Kit contains the bracket, rod with 2 clips, shield & bolts.	\$45.00	
39504	1966	BACKUP LAMP SWITCH MOUNTING KIT, with muncie 4 speed transmission Note: Kit contains the bracket, rod with 2 clips, shield & bolts.	\$45.00	
39504	1967	BACKUP LAMP SWITCH MOUNTING KIT, with muncie 4 speed transmission Note: Kit contains the bracket, rod with 2 clips, shield & bolts.	\$45.00	
39504	1968	BACKUP LAMP SWITCH MOUNTING KIT, with muncie 4 speed transmission Note: Kit contains the bracket, rod with 2 clips, shield & bolts.	\$45.00	
37650	1964	BACKUP LAMP SWITCH MOUNTING BRACKET, with muncie 4 speed transmission	\$25.00	
37650	1965	BACKUP LAMP SWITCH MOUNTING BRACKET, with muncie 4 speed transmission	\$25.00	
37650	1966	BACKUP LAMP SWITCH MOUNTING BRACKET, with muncie 4 speed transmission	\$25.00	
37650	1967	BACKUP LAMP SWITCH MOUNTING BRACKET, with muncie 4 speed transmission	\$25.00	
37650	1968	BACKUP LAMP SWITCH MOUNTING BRACKET, with muncie 4 speed transmission	\$25.00	
01998728	1962	BACKUP LAMP SWITCH, 4 speed, manual trans	\$64.00	
01997929	1963	BACKUP LAMP SWITCH, 4 speed, manual trans (stamped 929)	\$64.00	
01993661	1964	BACKUP LAMP SWITCH, 4-speed, manual trans	\$64.00	
01993307	1965	BACKUP LAMP SWITCH, 4 speed, manual trans	\$64.00	
01993307	1966	BACKUP LAMP SWITCH, 4 speed, manual trans	\$64.00	
01993307	1967	BACKUP LAMP SWITCH, 4 speed, manual trans	\$64.00	
01993413	1968	BACKUP LAMP SWITCH, 4 speed, manual trans	\$64.00	
03943657	1969	BACKUP LAMP SWITCH, manual trans	\$50.00	
03943657	1970	BACKUP LAMP SWITCH, manual trans	\$50.00	
03943657	1971	BACKUP LAMP SWITCH, manual trans	\$50.00	
03943657	1972	BACKUP LAMP SWITCH, manual trans	\$50.00	
03882795	1968	BATTERY CABLE JUNCTION BLOCK, for positive cable secondary lead	\$10.00	
03882795	1969	BATTERY CABLE JUNCTION BLOCK, for positive cable secondary lead	\$10.00	
03882795	1970	BATTERY CABLE JUNCTION BLOCK, for positive cable secondary lead	\$10.00	
03882795	1971	BATTERY CABLE JUNCTION BLOCK, for positive cable secondary lead	\$10.00	
03515	1962	BATTERY CABLE, SPRING RING, neg, all	\$50.00	
04170	1963	BATTERY CABLE, SPRING RING, neg, 4 cylinder	\$50.00	
03500	1963	BATTERY CABLE, SPRING RING, neg, 6 cylinder, without a/c	\$50.00	
04170	1963	BATTERY CABLE, SPRING RING, neg, 6 cylinder, with a/c	\$50.00	
03515	1963	BATTERY CABLE, SPRING RING, neg, v/8, except 327 c.i.	\$50.00	

Part Number	Year	Description	Price	*Rev.
03720	1963	BATTERY CABLE, SPRING RING, neg, v/8, 327 c.i.	\$50.00	
04170	1964	BATTERY CABLE, SPRING RING, neg, 4 & 6 cylinder	\$50.00	
03515	1964	BATTERY CABLE, SPRING RING, neg, v/8	\$50.00	
03515	1965	BATTERY CABLE, SPRING RING, neg, all	\$50.00	
09190	1966	BATTERY CABLE, SPRING RING, neg, 4 & 6 cylinder, without a/c	\$50.00	
09795	1966	BATTERY CABLE, SPRING RING, neg, 6 cylinder, with a/c	\$50.00	
09190	1966	BATTERY CABLE, SPRING RING, neg, v/8	\$50.00	
05290	1967	BATTERY CABLE, SPRING RING, neg, 4 & 6 cylinder, without a/c	\$50.00	
09795	1967	BATTERY CABLE, SPRING RING, neg, 6 cylinder, with a/c	\$50.00	
09195	1967	BATTERY CABLE, SPRING RING, neg, v/8, all	\$50.00	
12505	1968	BATTERY CABLE, SPRING RING, neg, 4 cylinder	\$50.00	
05035	1968	BATTERY CABLE, SPRING RING, neg, 6 cylinder, without a/c, with standard battery	\$50.00	
04865	1968	BATTERY CABLE, SPRING RING, neg, 6 cylinder, all with heavy duty battery	\$50.00	
09930	1968	BATTERY CABLE, SPRING RING, neg, 6 cylinder, with a/c, with standard battery	\$50.00	
05145	1968	BATTERY CABLE, SPRING RING, neg, v/8, except 396 c.i., without a/c	\$50.00	
04830	1968	BATTERY CABLE, SPRING RING, neg, v/8, except 396 c.i., with a/c	\$50.00	
22700	1968	BATTERY CABLE, SPRING RING, neg, v/8, 396 c.i., all	\$50.00	
04865	1969	BATTERY CABLE, SPRING RING, neg, 4 & 6 cylinder, without a/c	\$50.00	
04830	1969	BATTERY CABLE, SPRING RING, neg, 6 cylinder, with a/c	\$50.00	
22305	1969	BATTERY CABLE, SPRING RING, neg, v/8, except 396 c.i.	\$50.00	
12565	1969	BATTERY CABLE, SPRING RING, neg, v/8, 396 c.i.	\$50.00	
22315	1970	BATTERY CABLE, SIDE POST, neg, 4 cylinder, with side mount type battery	\$54.00	
18875	1970	BATTERY CABLE, SPRING RING, neg, 6 cylinder	\$50.00	
22310	1970	BATTERY CABLE, SIDE POST, neg, 6 cylinder, with side mount type battery	\$54.00	
22305	1970	BATTERY CABLE, SPRING RING, neg, v/8, except 396 c.i.	\$50.00	
22330	1970	BATTERY CABLE, SIDE POST, neg, v/8, all with side mount type battery	\$54.00	
22235	1970	BATTERY CABLE, SPRING RING, neg, v/8, 396 c.i.	\$50.00	
22980	1971	BATTERY CABLE, SIDE POST, neg, 6 cylinder	\$60.00	
22985	1971	BATTERY CABLE, SIDE POST, neg, v/8	\$54.00	
22980	1972	BATTERY CABLE, SIDE POST, neg, 6 cylinder	\$60.00	
22985	1972	BATTERY CABLE, SIDE POST, neg, v/8, 307 c.i.	\$54.00	
22995	1972	BATTERY CABLE, SIDE POST, neg, v/8, 350 c.i.	\$54.00	
03730	1962	BATTERY CABLE, SPRING RING, pos, 4 & 6 cylinder	\$50.00	
03905	1962	BATTERY CABLE, SPRING RING, pos, v/8, with alternator	\$50.00	
03725	1962	BATTERY CABLE, SPRING RING, pos, v/8, with generator	\$50.00	
03730	1963	BATTERY CABLE, SPRING RING, pos, 4 & 6 cylinder	\$50.00	
04370	1963	BATTERY CABLE, SPRING RING, pos, v/8, 283 c.i.	\$50.00	
03905	1963	BATTERY CABLE, SPRING RING, pos, v/8, 327 c.i.	\$50.00	
05095	1964	BATTERY CABLE, SPRING RING, pos, 4 & 6 cylinder, without a/c	\$50.00	
05530	1964	BATTERY CABLE, SPRING RING, pos, 6 cylinder, with a/c	\$50.00	
05530	1964	BATTERY CABLE, SPRING RING, pos, v/8	\$50.00	
05095	1965	BATTERY CABLE, SPRING RING, pos, 4 & 6 cylinder	\$50.00	
05530	1965	BATTERY CABLE, SPRING RING, pos, v/8	\$50.00	
05095	1966	BATTERY CABLE, SPRING RING, pos, 4 & 6 cylinder	\$50.00	
05530	1966	BATTERY CABLE, SPRING RING, pos, v/8	\$50.00	
22160	1967	BATTERY CABLE, SPRING RING, pos, 4 & 6 cylinder, without a/c	\$50.00	
22165	1967	BATTERY CABLE, SPRING RING, pos, v/8, without a/c	\$50.00	
10715	1967	BATTERY CABLE, SPRING RING, pos, 6 cylinder & v/8, with a/c	\$50.00	
09935	1968	BATTERY CABLE, SPRING RING, pos, 4 & 6 cylinder	\$50.00	
10710	1968	BATTERY CABLE, SPRING RING, pos, v/8, except 396 c.i.	\$50.00	
18820	1968	BATTERY CABLE, SPRING RING, pos, v/8, 396 c.i.	\$50.00	

Part Number	Year	Description	Price	*Rev.
09935	1969	BATTERY CABLE, SPRING RING, pos, 4 & 6 cylinder	\$50.00	
10710	1969	BATTERY CABLE, SPRING RING, pos, v/8, except 396 c.i.	\$50.00	
12585	1969	BATTERY CABLE, SPRING RING, pos, v/8, 396 c.i.	\$50.00	
10700	1970	BATTERY CABLE, SPRING RING, pos, 4 & 6 cylinder	\$50.00	
22325	1970	BATTERY CABLE, SIDE POST, pos, 4 & 6 cylinder, with side mount type battery	\$54.00	
12450	1970	BATTERY CABLE, SPRING RING, pos, v/8, except 396 c.i.	\$50.00	
22320	1970	BATTERY CABLE, SIDE POST, pos, v/8, all with side mount type battery	\$54.00	
22710	1970	BATTERY CABLE, SPRING RING, pos, v/8, 396 c.i.	\$50.00	
22965	1971	BATTERY CABLE, SIDE POST, pos, 6 cylinder	\$54.00	
22940	1971	BATTERY CABLE, SIDE POST, pos, v/8	\$54.00	
22650	1972	BATTERY CABLE, SIDE POST, pos, 6 cylinder	\$60.00	
22975	1972	BATTERY CABLE, SIDE POST, pos, v/8, 307 c.i.	\$54.00	
22970	1972	BATTERY CABLE, SIDE POST, pos, v/8, 350 c.i.	\$54.00	
38131	ALL	BREAKERLESS SE SINGLE WIRE ELECTRONIC IGNITION KIT, for 1957-74 breaker point distributors with windowed type distributor cap.	\$169.00	
04850166	1967	CIRCUIT BREAKER, 30 AMP, wagon power tailgate window	\$14.00	
04850166	1975	CIRCUIT BREAKER, 30 AMP, power door locks & windows	\$14.00	
04850166	1976	CIRCUIT BREAKER, 30 AMP, power door locks & windows	\$14.00	
04850166	1977	CIRCUIT BREAKER, 30 AMP, power door locks & windows	\$14.00	
04850166	1978	CIRCUIT BREAKER, 30 AMP, power door locks & windows	\$14.00	
04850166	1979	CIRCUIT BREAKER, 30 AMP, power door locks & windows	\$14.00	
18275	1964	CLOCK HARNESS, dash mounted	\$19.00	
01365	1968	CLOCK HARNESS, dash mounted	\$19.00	
01365	1969	CLOCK HARNESS, dash mounted	\$19.00	
01365	1970	CLOCK HARNESS, dash mounted	\$19.00	
01365	1971	CLOCK HARNESS, dash mounted	\$19.00	
01365	1972	CLOCK HARNESS, dash mounted	\$19.00	
28925	1963	CONSOLE EXTENSION HARNESS, auto trans	\$32.00	
06450	1963	CONSOLE HARNESS, with courtesy lamps	\$32.00	
28925	1964	CONSOLE EXTENSION HARNESS, auto trans	\$32.00	
06450	1964	CONSOLE HARNESS, with courtesy lamps	\$32.00	
05890	1965	CONSOLE HARNESS, auto trans	\$39.00	
05890	1966	CONSOLE HARNESS, auto trans	\$39.00	
01350	1967	CONSOLE HARNESS, auto trans	\$39.00	
01355	1968	CONSOLE HARNESS, with console gauges	\$45.00	
01355	1969	CONSOLE HARNESS, with console gauges	\$45.00	
01355	1970	CONSOLE HARNESS, with console gauges	\$45.00	
01355	1971	CONSOLE HARNESS, with console gauges	\$45.00	
01355	1972	CONSOLE HARNESS, with console gauges	\$45.00	
40153	1973	CONSOLE HARNESS, with console gauges	\$50.00	
40153	1974	CONSOLE HARNESS, with console gauges	\$50.00	
40153	1975	CONSOLE HARNESS, with console gauges	\$50.00	
40154	1976	CONSOLE HARNESS, with console gauges	\$50.00	
36405	1968	CONSOLE GAUGE BACKING PLATES, the four console gauges mount to these plates	\$55.00	
36405	1969	CONSOLE GAUGE BACKING PLATES, the four console gauges mount to these plates	\$55.00	
36405	1970	CONSOLE GAUGE BACKING PLATES, the four console gauges mount to these plates	\$55.00	

Part Number	Year	Description	Price	*Rev.
36405	1971	CONSOLE GAUGE BACKING PLATES, the four console gauges mount to these plates	\$55.00	
36405	1972	CONSOLE GAUGE BACKING PLATES, the four console gauges mount to these plates	\$55.00	
36405	1973	CONSOLE GAUGE BACKING PLATES, the four console gauges mount to these plates	\$55.00	
36405	1974	CONSOLE GAUGE BACKING PLATES, the four console gauges mount to these plates	\$55.00	
36206	1968	CONSOLE GAUGE TERMINALS, terminals to insure correct electrical connection to harness	\$45.00	
36206	1969	CONSOLE GAUGE TERMINALS, terminals to insure correct electrical connection to harness	\$45.00	
36206	1970	CONSOLE GAUGE TERMINALS, terminals to insure correct electrical connection to harness	\$45.00	
36206	1971	CONSOLE GAUGE TERMINALS, terminals to insure correct electrical connection to harness	\$45.00	
36206	1972	CONSOLE GAUGE TERMINALS, terminals to insure correct electrical connection to harness	\$45.00	
36206	1973	CONSOLE GAUGE TERMINALS, terminals to insure correct electrical connection to harness	\$45.00	
36206	1974	CONSOLE GAUGE TERMINALS, terminals to insure correct electrical connection to harness	\$45.00	
08890	1962	COURTESY LAMP HARNESS, under dash	\$30.00	
08890	1963	COURTESY LAMP HARNESS, under dash	\$30.00	
04876930	1962	COURTESY LAMP MOUNTING BRACKET, UNDER DASH , left or right side, 2 required per car	\$11.00	
04876930	1963	COURTESY LAMP MOUNTING BRACKET, UNDER DASH , left or right side, 2 required per car	\$11.00	
04876930	1968	COURTESY LAMP MOUNTING BRACKET, UNDER DASH , left or right side, 2 required per car	\$11.00	
04876930	1969	COURTESY LAMP MOUNTING BRACKET, UNDER DASH , left or right side, 2 required per car	\$11.00	
04876930	1970	COURTESY LAMP MOUNTING BRACKET, UNDER DASH , left or right side, 2 required per car	\$11.00	
04876930	1971	COURTESY LAMP MOUNTING BRACKET, UNDER DASH , left or right side, 2 required per car	\$11.00	
04876930	1972	COURTESY LAMP MOUNTING BRACKET, UNDER DASH , left or right side, 2 required per car	\$11.00	
03995	1962	DASH HARNESS, auto trans	\$357.00	
19025	1962	DASH HARNESS, manual trans	\$371.00	
04960	1963	DASH HARNESS, with warning lights	\$357.00	
01315	1963	DASH HARNESS, with gauges	\$357.00	
04960	1964	DASH HARNESS, with warning lights	\$357.00	
01315	1964	DASH HARNESS, with gauges	\$357.00	
05670	1965	DASH HARNESS, with warning lights	\$357.00	
09320	1965	DASH HARNESS, with gauges	\$357.00	
09585	1966	DASH HARNESS, all	\$357.00	
10890	1967	DASH HARNESS, all	\$357.00	
18545	1968	DASH EXTENSION HARNESS, glove box & heater lamps	\$35.00	
01340	1968	DASH HARNESS, column shift, auto trans	\$432.00	
12050	1968	DASH HARNESS, console shift, auto trans	\$432.00	
12055	1968	DASH HARNESS, console shift, auto trans with gauges	\$450.00	
12060	1968	DASH HARNESS, console shift, manual trans with gauges	\$432.00	
18635	1968	DASH HARNESS, manual trans, all without gauges	\$432.00	
13060	1969	DASH HARNESS, column shift auto trans & all manual trans	\$432.00	
13110	1969	DASH HARNESS, column shift auto trans & all manual trans with a/c	\$432.00	
13070	1969	DASH HARNESS, console shift, auto trans	\$432.00	
13065	1969	DASH HARNESS, console shift, auto trans with gauges	\$432.00	
13075	1969	DASH HARNESS, console shift, manual trans with gauges	\$432.00	
14755	1970	DASH HARNESS, column shift, auto trans or floor shift manual trans	\$436.00	
14760	1970	DASH HARNESS, console shift, auto trans	\$450.00	
14770	1970	DASH HARNESS, console shift, auto trans with gauges	\$436.00	
14775	1970	DASH HARNESS, console shift, manual trans with gauges	\$436.00	
33840	1971	DASH HARNESS, column shift auto trans & all manual trans without gauges	\$436.00	
33845	1971	DASH HARNESS, console shift, auto trans	\$450.00	
33850	1971	DASH HARNESS, console shift, auto trans with gauges	\$436.00	

Part Number	Year	Description	Price	*Rev.
33855	1971	DASH HARNESS, console shift, manual trans with gauges	\$436.00	
16825	1972	DASH HARNESS, with warning lights	\$454.00	
17000	1972	DASH HARNESS, with warning lights & seat belt warning	\$495.00	
16830	1972	DASH HARNESS, with gauges	\$482.00	
17005	1972	DASH HARNESS, with gauges & seat belt warning	\$495.00	
18715	1973	DASH HARNESS, with warning lights	\$499.00	
16540	1973	DASH HARNESS, with gauges	\$482.00	
18660	1974	DASH HARNESS, with warning lights	\$499.00	
18655	1974	DASH HARNESS, with gauges	\$499.00	
36057	ALL	DISTRIBUTOR WIRE, distributor points to coil negative terminal, v/8	\$12.00	
07755	1965	DOME LAMP HARNESS, with separate door jamb switch connection	\$24.00	
07760	1965	DOME LAMP HARNESS, plugs into rear lamp harness	\$20.00	
07755	1966	DOME LAMP HARNESS, with separate door jamb switch connection	\$24.00	
07760	1966	DOME LAMP HARNESS, plugs into rear lamp harness	\$20.00	
07755	1967	DOME LAMP HARNESS, with separate door jamb switch connection	\$24.00	
07760	1967	DOME LAMP HARNESS, plugs into rear lamp harness	\$20.00	
40156	1969	DOME LAMP HARNESS, 2 door	\$24.00	
40155	1970	DOME LAMP HARNESS, 2 door	\$24.00	
40155	1971	DOME LAMP HARNESS, 2 door	\$24.00	
40155	1972	DOME LAMP HARNESS, 2 door	\$24.00	
06279669	1962	DOME LIGHT LENS Note: Manufactured with original GM tooling, not a reproduction part.	\$4.00	
06279669	1963	DOME LIGHT LENS Note: Manufactured with original GM tooling, not a reproduction part.	\$4.00	
06279669	1964	DOME LIGHT LENS Note: Manufactured with original GM tooling, not a reproduction part.	\$4.00	
06279669	1965	DOME LIGHT LENS Note: Manufactured with original GM tooling, not a reproduction part.	\$4.00	
06279669	1966	DOME LIGHT LENS Note: Manufactured with original GM tooling, not a reproduction part.	\$4.00	
06279669	1967	DOME LIGHT LENS Note: Manufactured with original GM tooling, not a reproduction part.	\$4.00	
06279669	1968	DOME LIGHT LENS Note: Manufactured with original GM tooling, not a reproduction part.	\$4.00	
06279669	1969	DOME LIGHT LENS Note: Manufactured with original GM tooling, not a reproduction part.	\$4.00	
06279669	1970	DOME LIGHT LENS Note: Manufactured with original GM tooling, not a reproduction part.	\$4.00	
23030	1962	ENGINE HARNESS, 4 cylinder	\$102.00	
04970	1962	ENGINE HARNESS, 6 cylinder	\$86.00	
04295	1962	ENGINE HARNESS, v/8	\$86.00	
38927	1962	ENGINE HARNESS - HEI, v/8 NOTE: This harness is modified for use with an HEI distributor	\$102.00	
23030	1963	ENGINE HARNESS, 4 cylinder	\$102.00	
04970	1963	ENGINE HARNESS, 6 cylinder	\$86.00	
05750	1963	ENGINE HARNESS, 6 cylinder, with gauges	\$86.00	
04295	1963	ENGINE HARNESS, v/8	\$86.00	

Part Number	Year	Description	Price	*Rev.
38927	1963	ENGINE HARNESS - HEI, v/8 NOTE: This harness is modified for use with an HEI distributor	\$102.00	
01345	1963	ENGINE HARNESS, v/8, with gauges	\$86.00	
38956	1963	ENGINE HARNESS - HEI, v/8, with gauges NOTE: This harness is modified for use with an HEI distributor	\$102.00	
23030	1964	ENGINE HARNESS, 4 cylinder	\$102.00	
04970	1964	ENGINE HARNESS, 6 cylinder	\$86.00	
05750	1964	ENGINE HARNESS, 6 cylinder, with gauges	\$86.00	
04295	1964	ENGINE HARNESS, v/8	\$86.00	
38927	1964	ENGINE HARNESS - HEI, v/8 NOTE: This harness is modified for use with an HEI distributor	\$102.00	
01345	1964	ENGINE HARNESS, v/8, with gauges	\$86.00	
38956	1964	ENGINE HARNESS - HEI, v/8, with gauges NOTE: This harness is modified for use with an HEI distributor	\$102.00	
23030	1965	ENGINE HARNESS, 4 cylinder	\$102.00	
04970	1965	ENGINE HARNESS, 6 cylinder	\$86.00	
05750	1965	ENGINE HARNESS, 6 cylinder, with gauges	\$86.00	
04295	1965	ENGINE HARNESS, v/8	\$86.00	
38927	1965	ENGINE HARNESS - HEI, v/8 NOTE: This harness is modified for use with an HEI distributor	\$102.00	
01345	1965	ENGINE HARNESS, v/8, with gauges	\$86.00	
38956	1965	ENGINE HARNESS - HEI, v/8, with gauges NOTE: This harness is modified for use with an HEI distributor	\$102.00	
23030	1966	ENGINE HARNESS, 4 cylinder	\$102.00	
04970	1966	ENGINE HARNESS, 6 cylinder	\$86.00	
04295	1966	ENGINE HARNESS, v/8	\$86.00	
38927	1966	ENGINE HARNESS - HEI, v/8 NOTE: This harness is modified for use with an HEI distributor	\$102.00	
10935	1967	ENGINE HARNESS, 4 cylinder	\$102.00	
11245	1967	ENGINE HARNESS, 6 cylinder	\$102.00	
11270	1967	ENGINE HARNESS, v/8	\$86.00	
38945	1967	ENGINE HARNESS - HEI, v/8 NOTE: This harness is modified for use with an HEI distributor	\$102.00	
11815	1968	ENGINE HARNESS, 4 & 6 cylinder	\$99.00	
11820	1968	ENGINE HARNESS, v/8	\$94.00	
38923	1968	ENGINE HARNESS - HEI, v/8 NOTE: This harness is modified for use with an HEI distributor	\$111.00	
12080	1968	ENGINE HARNESS, 396 c.i.	\$94.00	
38930	1968	ENGINE HARNESS - HEI, 396 c.i. NOTE: This harness is modified for use with an HEI distributor	\$111.00	
12025	1968	ENGINE HARNESS, v/8 & 396 c.i. with gauges	\$94.00	
38932	1968	ENGINE HARNESS - HEI, v/8 & 396 c.i. with gauges NOTE: This harness is modified for use with an HEI distributor	\$111.00	
11815	1969	ENGINE HARNESS, 4 & 6 cylinder	\$99.00	
12010	1969	ENGINE HARNESS, 6 cylinder, with idle stop solenoid	\$99.00	
12970	1969	ENGINE HARNESS, v/8	\$94.00	
38925	1969	ENGINE HARNESS - HEI, v/8 NOTE: This harness is modified for use with an HEI distributor	\$111.00	
13170	1969	ENGINE HARNESS, v/8, with idle stop solenoid	\$99.00	
39001	1969	ENGINE HARNESS - HEI, v/8, with idle stop solenoid NOTE: This harness is modified for use with an HEI distributor	\$116.00	
23025	1969	ENGINE HARNESS, 396 c.i.	\$94.00	

Part Number	Year	Description	Price	*Rev.
39120	1969	ENGINE HARNESS - HEI, 396 c.i. NOTE: This harness is modified for use with an HEI distributor	\$111.00	
13175	1969	ENGINE HARNESS, 396 c.i. with idle stop solenoid	\$99.00	
39016	1969	ENGINE HARNESS - HEI, 396 c.i. with idle stop solenoid NOTE: This harness is modified for use with an HEI distributor	\$116.00	
17545	1969	ENGINE HARNESS, v/8 & 396 c.i., with gauges	\$94.00	
38924	1969	ENGINE HARNESS - HEI, v/8 & 396 c.i., with gauges NOTE: This harness is modified for use with an HEI distributor	\$111.00	
13180	1969	ENGINE HARNESS, v/8 & 396 c.i. with gauges & idle stop solenoid	\$94.00	
38996	1969	ENGINE HARNESS - HEI, v/8 & 396 c.i. with gauges & idle stop solenoid NOTE: This harness is modified for use with an HEI distributor	\$111.00	
14895	1970	ENGINE HARNESS, 6 cylinder, auto trans	\$155.00	
14885	1970	ENGINE HARNESS, 6 cylinder, manual trans	\$155.00	
14900	1970	ENGINE HARNESS, v/8, auto trans	\$146.00	
38994	1970	ENGINE HARNESS - HEI, v/8, auto trans NOTE: This harness is modified for use with an HEI distributor	\$165.00	
14890	1970	ENGINE HARNESS, v/8, auto trans with gauges	\$146.00	
39121	1970	ENGINE HARNESS - HEI, v/8, auto trans with gauges NOTE: This harness is modified for use with an HEI distributor	\$165.00	
14910	1970	ENGINE HARNESS, v/8, manual trans	\$146.00	
39101	1970	ENGINE HARNESS - HEI, v/8, manual trans NOTE: This harness is modified for use with an HEI distributor	\$165.00	
14920	1970	ENGINE HARNESS, v/8, manual trans with gauges	\$155.00	
39193	1970	ENGINE HARNESS - HEI, v/8, manual trans with gauges NOTE: This harness is modified for use with an HEI distributor	\$174.00	
14905	1970	ENGINE HARNESS, 396 c.i., auto trans	\$155.00	
39151	1970	ENGINE HARNESS - HEI, 396 c.i., auto trans NOTE: This harness is modified for use with an HEI distributor	\$174.00	
14930	1970	ENGINE HARNESS, 396 c.i., auto trans with gauges	\$155.00	
39195	1970	ENGINE HARNESS - HEI, 396 c.i., auto trans with gauges NOTE: This harness is modified for use with an HEI distributor	\$174.00	
14915	1970	ENGINE HARNESS, 396 c.i., manual trans	\$146.00	
39281	1970	ENGINE HARNESS - HEI, 396 c.i., manual trans NOTE: This harness is modified for use with an HEI distributor	\$165.00	
14925	1970	ENGINE HARNESS, 396 c.i., manual trans with gauges	\$146.00	
39194	1970	ENGINE HARNESS - HEI, 396 c.i., manual trans with gauges NOTE: This harness is modified for use with an HEI distributor	\$165.00	
18480	1971	ENGINE HARNESS, 6 cylinder, auto trans	\$174.00	
18475	1971	ENGINE HARNESS, 6 cylinder, manual trans	\$174.00	
41135	1971	ENGINE HARNESS, v/8, auto trans	\$155.00	
10595	1971	ENGINE HARNESS, v/8, auto trans, with gauges	\$155.00	
38993	1971	ENGINE HARNESS - HEI, v/8, auto trans, with gauges NOTE: This harness is modified for use with an HEI distributor	\$174.00	
41136	1971	ENGINE HARNESS, v/8, manual trans	\$155.00	
18485	1971	ENGINE HARNESS, v/8, manual trans, with gauges	\$155.00	
39200	1971	ENGINE HARNESS - HEI, v/8, manual trans, with gauges NOTE: This harness is modified for use with an HEI distributor	\$174.00	
16375	1972	ENGINE HARNESS, 6 cylinder NOTE: manual trans requires use of #17355 T.C.S. extension	\$189.00	
16380	1972	ENGINE HARNESS, v/8 NOTE: manual trans requires use of #17355 T.C.S. extension	\$165.00	

Part Number	Year	Description	Price	*Rev.
16385	1972	ENGINE HARNESS, v/8 with gauges NOTE: manual trans requires use of #17355 T.C.S. extension	\$179.00	
17015	1973	ENGINE HARNESS, 6 cylinder	\$199.00	
15500	1973	ENGINE HARNESS, v/8 NOTE: manual trans requires use of part #17365 T.C.S. extension	\$179.00	
15505	1973	ENGINE HARNESS, v/8, with gauges NOTE: manual trans requires use of part #17355 T.C.S. extension	\$179.00	
16595	1974	ENGINE HARNESS, 6 cylinder	\$259.00	
22605	1974	ENGINE HARNESS, v/8, auto trans	\$199.00	
22590	1974	ENGINE HARNESS, v/8, auto trans with gauges	\$199.00	
22610	1974	ENGINE HARNESS, v/8, manual trans	\$199.00	
22595	1974	ENGINE HARNESS, v/8, manual trans with gauges	\$199.00	
18615	1975	ENGINE HARNESS, 6 cylinder, except integrated cylinder head	\$219.00	
18610	1975	ENGINE HARNESS, 6 cylinder, with integrated cylinder head	\$219.00	
18680	1975	ENGINE HARNESS, v/8, all without seat belt ignition interlock	\$199.00	
03690	1962	FORWARD LAMP HARNESS, with generator	\$169.00	
03900	1962	FORWARD LAMP HARNESS, with alternator & screw type regulator (original type)	\$179.00	
04965	1963	FORWARD LAMP HARNESS, all	\$160.00	
38942	1963	FORWARD LAMP HARNESS - INT REG ALT DRIVER SIDE, all NOTE: modified for driver side mounted 1972-84 non-serpentine belt ("SI" series) internal regulated alternators	\$179.00	
39044	1963	FORWARD LAMP HARNESS - INT REG ALT PASSENGER SIDE, all NOTE: modified for passenger side mounted 1972-84 non-serpentine belt ("SI" series) internal regulated alternators	\$189.00	
04965	1964	FORWARD LAMP HARNESS, all	\$160.00	
38942	1964	FORWARD LAMP HARNESS - INT REG ALT DRIVER SIDE, all NOTE: modified for driver side mounted 1972-84 non-serpentine belt ("SI" series) internal regulated alternators	\$179.00	
39044	1964	FORWARD LAMP HARNESS - INT REG ALT PASSENGER SIDE, all NOTE: modified for passenger side mounted 1972-84 non-serpentine belt ("SI" series) internal regulated alternators	\$189.00	
05865	1965	FORWARD LAMP HARNESS, all	\$160.00	
39010	1965	FORWARD LAMP HARNESS - INT REG ALT DRIVER SIDE, all NOTE: modified for driver side mounted 1972-84 non-serpentine belt ("SI" series) internal regulated alternators	\$179.00	
39278	1965	FORWARD LAMP HARNESS - INT REG ALT PASSENGER SIDE, all NOTE: modified for passenger side mounted 1972-84 non-serpentine belt ("SI" series) internal regulated alternators	\$189.00	
09590	1966	FORWARD LAMP HARNESS, all	\$160.00	
38964	1966	FORWARD LAMP HARNESS - INT REG ALT DRIVER SIDE, all NOTE: modified for driver side mounted 1972-84 non-serpentine belt ("SI" series) internal regulated alternators	\$179.00	
39191	1966	FORWARD LAMP HARNESS - INT REG ALT PASSENGER SIDE, all NOTE: modified for passenger side mounted 1972-84 non-serpentine belt ("SI" series) internal regulated alternators	\$189.00	
11400	1967	FORWARD LAMP HARNESS, all	\$160.00	
38965	1967	FORWARD LAMP HARNESS - INT REG ALT DRIVER SIDE, all NOTE: modified for driver side mounted 1972-84 non-serpentine belt ("SI" series) internal regulated alternators	\$179.00	
39119	1967	FORWARD LAMP HARNESS - INT REG ALT PASSENGER SIDE, all NOTE: modified for passenger side mounted 1972-84 non-serpentine belt ("SI" series) internal regulated alternators	\$189.00	
12030	1968	FORWARD LAMP HARNESS, 6 cylinder	\$199.00	
18460	1968	FORWARD LAMP HARNESS, v/8	\$189.00	
39080	1968	FORWARD LAMP HARNESS - INT REG ALT DRIVER SIDE, v/8 NOTE: modified for driver side mounted 1972-84 non-serpentine belt ("SI" series) internal regulated alternators	\$209.00	
39192	1968	FORWARD LAMP HARNESS - INT REG ALT PASSENGER SIDE, v/8 NOTE: modified for passenger side mounted 1972-84 non-serpentine belt ("SI" series) internal regulated alternators	\$219.00	
12035	1968	FORWARD LAMP HARNESS, v/8 with gauges	\$199.00	
39279	1968	FORWARD LAMP HARNESS - INT REG ALT DRIVER SIDE, v/8 with gauges NOTE: modified for driver side mounted 1972-84 non-serpentine belt ("SI" series) internal regulated alternators	\$219.00	

Part Number	Year	Description	Price	*Rev.
39280	1968	FORWARD LAMP HARNESS - INT REG ALT PASSENGER SIDE, v/8 with gauges NOTE: modified for passenger side mounted 1972-84 non-serpentine belt ("SI" series) internal regulated alternators	\$229.00	
13010	1969	FORWARD LAMP HARNESS, 6 cylinder	\$199.00	
18465	1969	FORWARD LAMP HARNESS, v/8	\$199.00	
39100	1969	FORWARD LAMP HARNESS - INT REG ALT PASSENGER SIDE, v/8 NOTE: modified for passenger side mounted 1972-84 non-serpentine belt ("SI" series) internal regulated alternators	\$219.00	
12990	1969	FORWARD LAMP HARNESS, v/8 with gauges	\$199.00	
39150	1969	FORWARD LAMP HARNESS - INT REG ALT PASSENGER SIDE, v/8 with gauges NOTE: modified for passenger side mounted 1972-84 non-serpentine belt ("SI" series) internal regulated alternators	\$219.00	
15040	1970	FORWARD LAMP HARNESS, 6 cylinder	\$199.00	
15050	1970	FORWARD LAMP HARNESS, v/8	\$199.00	
39036	1970	FORWARD LAMP HARNESS - INT REG ALT PASSENGER SIDE, v/8 NOTE: modified for passenger side mounted 1972-84 non-serpentine belt ("SI" series) internal regulated alternators	\$219.00	
33815	1970	FORWARD LAMP HARNESS, v/8 with a/c	\$199.00	
39196	1970	FORWARD LAMP HARNESS - INT REG ALT PASSENGER SIDE, v/8 with a/c NOTE: modified for passenger side mounted 1972-84 non-serpentine belt ("SI" series) internal regulated alternators	\$219.00	
15045	1970	FORWARD LAMP HARNESS, v/8 with gauges, all	\$199.00	
39197	1970	FORWARD LAMP HARNESS - INT REG ALT PASSENGER SIDE, v/8 with gauges, all NOTE: modified for passenger side mounted 1972-84 non-serpentine belt ("SI" series) internal regulated alternators	\$219.00	
15305	1971	FORWARD LAMP HARNESS, 6 cylinder	\$199.00	
18495	1971	FORWARD LAMP HARNESS, v/8	\$199.00	
39049	1971	FORWARD LAMP HARNESS - INT REG ALT PASSENGER SIDE, v/8 NOTE: modified for passenger side mounted 1972-84 non-serpentine belt ("SI" series) internal regulated alternators	\$219.00	
16285	1971	FORWARD LAMP HARNESS, v/8 with gauges	\$199.00	
39282	1971	FORWARD LAMP HARNESS - INT REG ALT PASSENGER SIDE, v/8 with gauges NOTE: modified for passenger side mounted 1972-84 non-serpentine belt ("SI" series) internal regulated alternators	\$219.00	
16390	1972	FORWARD LAMP HARNESS, all	\$179.00	
16545	1973	FORWARD LAMP HARNESS, all	\$199.00	
16590	1974	FORWARD LAMP HARNESS, all	\$199.00	
39704	1968	FUEL TANK SENDER WIRE	\$18.00	N
39704	1969	FUEL TANK SENDER WIRE	\$18.00	N
39704	1970	FUEL TANK SENDER WIRE	\$18.00	N
39704	1971	FUEL TANK SENDER WIRE	\$18.00	N
39704	1972	FUEL TANK SENDER WIRE	\$18.00	N
40603	1973	FUEL TANK SENDER WIRE	\$24.00	
40603	1974	FUEL TANK SENDER WIRE	\$24.00	
40603	1975	FUEL TANK SENDER WIRE	\$24.00	
40603	1976	FUEL TANK SENDER WIRE	\$24.00	N
40603	1977	FUEL TANK SENDER WIRE	\$24.00	N
40603	1978	FUEL TANK SENDER WIRE	\$24.00	N
40603	1979	FUEL TANK SENDER WIRE	\$24.00	N
03935	1962	GENERATOR JUMPER HARNESS, generator to alternator & screw type regulator (original type)	\$45.00	
18000	1962	GLOVE BOX LAMP KIT, socket, bulb & wire	\$18.00	
18000	1963	GLOVE BOX LAMP KIT, socket, bulb & wire	\$18.00	
18000	1964	GLOVE BOX LAMP KIT, socket, bulb & wire	\$18.00	
18000	1965	GLOVE BOX LAMP KIT, socket, bulb & wire	\$18.00	
18000	1966	GLOVE BOX LAMP KIT, socket, bulb & wire	\$18.00	
18000	1967	GLOVE BOX LAMP KIT, socket, bulb & wire	\$18.00	
18000	1968	GLOVE BOX LAMP KIT, socket, bulb & wire	\$18.00	

Part Number	Year	Description	Price	*Rev.
18000	1969	GLOVE BOX LAMP KIT, socket, bulb & wire	\$18.00	
18000	1970	GLOVE BOX LAMP KIT, socket, bulb & wire	\$18.00	
18000	1971	GLOVE BOX LAMP KIT, socket, bulb & wire	\$18.00	
18000	1972	GLOVE BOX LAMP KIT, socket, bulb & wire	\$18.00	
18000	1973	GLOVE BOX LAMP KIT, socket, bulb & wire	\$18.00	
18000	1974	GLOVE BOX LAMP KIT, socket, bulb & wire	\$18.00	
34975	1963	GROUND STRAP KIT, 4 cylinder	\$12.00	
34980	1963	GROUND STRAP KIT, 6 cylinder	\$12.00	
34985	1964	GROUND STRAP KIT, 4 cylinder	\$12.00	
34980	1964	GROUND STRAP KIT, 6 cylinder	\$12.00	
34990	1964	GROUND STRAP KIT, v/8	\$12.00	
34980	1965	GROUND STRAP KIT, 4 & 6 cylinder	\$12.00	
34990	1965	GROUND STRAP KIT, v/8	\$12.00	
34985	1966	GROUND STRAP KIT, 4 cylinder	\$12.00	
34980	1966	GROUND STRAP KIT, 6 cylinder	\$12.00	
34990	1966	GROUND STRAP KIT, v/8	\$12.00	
34995	1967	GROUND STRAP KIT, 4 cylinder	\$12.00	
35000	1967	GROUND STRAP KIT, 6 cylinder	\$12.00	
35005	1967	GROUND STRAP KIT, v/8	\$12.00	
35010	1968	GROUND STRAP KIT, 4 & 6 cylinder	\$12.00	
35015	1968	GROUND STRAP KIT, v/8	\$17.00	
35020	1969	GROUND STRAP KIT, 4 & 6 cylinder	\$18.00	
27380	1969	GROUND STRAP KIT, v/8	\$21.00	
38298	ALL	GROUND WIRE, DISTRIBUTOR POINT PLATE, from distributor point plate to distributor housing	\$11.00	
01995096	1962	HEADLIGHT SWITCH, all	\$29.00	
01995096	1963	HEADLIGHT SWITCH, all	\$29.00	
01995096	1964	HEADLIGHT SWITCH, all	\$29.00	
01520	1962	HEATER HARNESS, without a/c	\$22.00	
01520	1963	HEATER HARNESS, without a/c	\$22.00	
01520	1964	HEATER HARNESS, without a/c	\$22.00	
01520	1965	HEATER HARNESS, without a/c	\$22.00	
18410	ALL	HOOD LAMP REPLACEMENT KIT, under hood, includes socket, wire & bulb	\$45.00	
17495	1970	IDLE STOP SOLENOID WIRE, all v/8, except big block with manual trans	\$11.00	
06145	1968	KICKDOWN HARNESS, th400 auto trans	\$32.00	
06145	1969	KICKDOWN HARNESS, th400 auto trans	\$32.00	
01242101	1970	KICKDOWN SWITCH, th400 auto trans	\$39.00	
500274	ALL	LOW FUEL INDICATOR MODULE, generic "adjustable" low fuel warning module NOTE: a complete electronic control unit to activate a warning lamp or relay when fuel level drops below a user adjustable level	\$49.00	
01993659	1962	NEUTRAL SAFETY/BACKUP LAMP SWITCH, with column shift powerglide auto trans	\$14.00	
01993659	1963	NEUTRAL SAFETY/BACKUP LAMP SWITCH, with column shift powerglide auto trans	\$14.00	
01993659	1964	NEUTRAL SAFETY/BACKUP LAMP SWITCH, with column shift powerglide auto trans	\$14.00	
01993659	1965	NEUTRAL SAFETY/BACKUP LAMP SWITCH, with column shift powerglide auto trans	\$14.00	

Part Number	Year	Description	Price	*Rev.
01993696	1965	NEUTRAL SAFETY/BACKUP LAMP SWITCH, with console shift powerglide auto trans	\$64.00	
01993659	1966	NEUTRAL SAFETY/BACKUP LAMP SWITCH, with column shift powerglide auto trans	\$14.00	
01993696	1966	NEUTRAL SAFETY/BACKUP LAMP SWITCH, with console shift powerglide auto trans	\$64.00	
01993696	1967	NEUTRAL SAFETY/BACKUP LAMP SWITCH, with console shift powerglide auto trans	\$64.00	
03900503	1968	NEUTRAL SAFETY/BACKUP LAMP SWITCH, with console shift pg auto trans	\$44.00	
03909591	1968	NEUTRAL SAFETY/BACKUP LAMP SWITCH, with console shift th 350-400 auto trans	\$50.00	
01994235	1969	NEUTRAL SAFETY/BACKUP LAMP SWITCH, with column shift auto trans, all	\$14.00	
03900503	1969	NEUTRAL SAFETY/BACKUP LAMP SWITCH, with console shift pg auto trans	\$44.00	
03909591	1969	NEUTRAL SAFETY/BACKUP LAMP SWITCH, with console shift th 350-400 auto trans	\$50.00	
01994235	1970	NEUTRAL SAFETY/BACKUP LAMP SWITCH, with column shift auto trans, all	\$14.00	
03900503	1970	NEUTRAL SAFETY/BACKUP LAMP SWITCH, with console shift pg auto trans	\$44.00	
03909591	1970	NEUTRAL SAFETY/BACKUP LAMP SWITCH, with console shift th 350-400 auto trans	\$50.00	
01994235	1971	NEUTRAL SAFETY/BACKUP LAMP SWITCH, with column shift auto trans, all	\$14.00	
03900503	1971	NEUTRAL SAFETY/BACKUP LAMP SWITCH, with console shift pg auto trans	\$44.00	
03909591	1971	NEUTRAL SAFETY/BACKUP LAMP SWITCH, with console shift th 350-400 auto trans	\$50.00	
01994235	1972	NEUTRAL SAFETY/BACKUP LAMP SWITCH, with column shift auto trans, all	\$14.00	
03900503	1972	NEUTRAL SAFETY/BACKUP LAMP SWITCH, with console shift pg auto trans	\$44.00	
03909591	1972	NEUTRAL SAFETY/BACKUP LAMP SWITCH, with console shift th 350-400 auto trans	\$50.00	
01993494	1969	NEUTRAL SAFETY SWITCH, with manual trans	\$65.00	
03983965	1970	NEUTRAL SAFETY SWITCH, with manual trans	\$50.00	
03983965	1971	NEUTRAL SAFETY SWITCH, with manual trans	\$50.00	
03983965	1972	NEUTRAL SAFETY SWITCH, with manual trans	\$50.00	
03983965	1973	NEUTRAL SAFETY SWITCH, with manual trans	\$50.00	
03983965	1974	NEUTRAL SAFETY SWITCH, with manual trans	\$50.00	
03983965	1975	NEUTRAL SAFETY SWITCH, with manual trans	\$50.00	
15230	1970	NEUTRAL SAFETY SWITCH EXTENSION, manual trans, from dash to clutch switch	\$18.00	
15205	1970	PARKING BRAKE WARNING LAMP HARNESS	\$9.00	
15205	1971	PARKING BRAKE WARNING LAMP HARNESS	\$9.00	
15205	1972	PARKING BRAKE WARNING LAMP HARNESS	\$9.00	
36954	ALL	POWER WINDOW MOTOR ADAPTER HARNESS, adapts "t" shaped motor connector to side by side blade type motor connector NOTE: USED UP TO 1975	\$15.00	
04432790	1964	POWER WINDOW SWITCH, 1 button, round corner style, chrome	\$38.00	
04432793	1964	POWER WINDOW SWITCH, 2 button, round corner style, chrome. 2-door wagons	\$53.00	
04432791	1964	POWER WINDOW SWITCH, 4 button, round corner style, chrome	\$65.00	
04432790	1965	POWER WINDOW SWITCH, 1 button, round corner style, chrome	\$38.00	
04432793	1965	POWER WINDOW SWITCH, 2 button, round corner style, chrome. 2-door wagons	\$53.00	
04432791	1965	POWER WINDOW SWITCH, 4 button, round corner style, chrome	\$65.00	
04432790	1966	POWER WINDOW SWITCH, 1 button, round corner style, chrome	\$38.00	
04432793	1966	POWER WINDOW SWITCH, 2 button, round corner style, chrome. 2-door wagons	\$53.00	
04432791	1966	POWER WINDOW SWITCH, 4 button, round corner style, chrome	\$65.00	
04432790	1967	POWER WINDOW SWITCH, 1 button, round corner style, chrome	\$38.00	
04432793	1967	POWER WINDOW SWITCH, 2 button, round corner style, chrome. 2-door wagons	\$53.00	
04432791	1967	POWER WINDOW SWITCH, 4 button, round corner style, chrome	\$65.00	
04432790	1968	POWER WINDOW SWITCH, 1 button, round corner style, chrome	\$38.00	
04432793	1968	POWER WINDOW SWITCH, 2 button, round corner style, chrome. 2-door wagons	\$53.00	
04432791	1968	POWER WINDOW SWITCH, 4 button, round corner style, chrome	\$65.00	
04432790	1969	POWER WINDOW SWITCH, 1 button, round corner style, chrome	\$38.00	

Part Number	Year	Description	Price	*Rev.
04432793	1969	POWER WINDOW SWITCH, 2 button, round corner style, chrome. 2-door wagons	\$53.00	
04432791	1969	POWER WINDOW SWITCH, 4 button, round corner style, chrome	\$65.00	
04432790	1970	POWER WINDOW SWITCH, 1 button, round corner style, chrome	\$38.00	
04432793	1970	POWER WINDOW SWITCH, 2 button, round corner style, chrome. 2-door wagons	\$53.00	
04432791	1970	POWER WINDOW SWITCH, 4 button, round corner style, chrome	\$65.00	
28155	1962	REAR LAMP EXTENSION HARNESS, rear lamp harness to backup lamps, all	\$21.00	
01305	1962	REAR LAMP HARNESS, coupe, except wagons	\$134.00	
01310	1962	REAR LAMP HARNESS, convertible	\$145.00	
28155	1963	REAR LAMP EXTENSION HARNESS, rear lamp harness to backup lamps, all	\$21.00	
17375	1963	REAR LAMP HARNESS, coupe, except wagons	\$134.00	
17380	1963	REAR LAMP HARNESS, convertible	\$145.00	
37098	1964	REAR LAMP EXTENSION HARNESS, rear lamp harness to backup lamps, all	\$21.00	
17375	1964	REAR LAMP HARNESS, except wagons	\$134.00	
07225	1965	REAR LAMP HARNESS, except wagons	\$134.00	
17215	1966	REAR LAMP HARNESS, except wagons	\$134.00	
17215	1967	REAR LAMP HARNESS, except wagons	\$134.00	
01320	1968	REAR LAMP HARNESS	\$169.00	
20585	1968	REAR LAMP HARNESS, with under dash courtesy lamps	\$179.00	
18515	1969	REAR LAMP HARNESS, left side tail lamps	\$105.00	
18530	1969	REAR LAMP HARNESS, left side taillamps, with under dash courtesy lamps	\$135.00	
34965	1969	REAR LAMP EXTENSION HARNESS, right side taillamps	\$74.00	
21225	1970	REAR LAMP HARNESS, left side tail lamps	\$105.00	
20975	1970	REAR LAMP HARNESS, left side tail lamps, with under dash courtesy lamps	\$135.00	
34965	1970	REAR LAMP EXTENSION HARNESS, right side taillamps	\$74.00	
21225	1971	REAR LAMP HARNESS, left side tail lamps	\$105.00	
20975	1971	REAR LAMP HARNESS, left side tail lamps, with under dash courtesy lamps	\$135.00	
34965	1971	REAR LAMP EXTENSION HARNESS, right side taillamps	\$74.00	
21225	1972	REAR LAMP HARNESS, left side tail lamps	\$105.00	
20975	1972	REAR LAMP HARNESS, left side tail lamps, with under dash courtesy lamps	\$135.00	
20935	1972	REAR LAMP HARNESS, left side tail lamps, with seat belt warning	\$130.00	
20930	1972	REAR LAMP HARNESS, left side, with seat belt warn. & under dash courtesy lamps	\$150.00	
18535	1972	REAR LAMP EXTENSION HARNESS, right side tail lamps	\$74.00	
20960	1973	REAR LAMP INTERMEDIATE HARNESS	\$110.00	
20955	1973	REAR LAMP INTERMEDIATE HARNESS, with under dash courtesy lamps	\$135.00	
20965	1973	REAR LAMP HARNESS	\$99.00	
21235	1974	REAR LAMP HARNESS	\$99.00	
14420	1969	REAR WINDOW DEFOGGER HARNESS	\$44.00	
14420	1970	REAR WINDOW DEFOGGER HARNESS	\$44.00	
14420	1971	REAR WINDOW DEFOGGER HARNESS	\$44.00	
14420	1972	REAR WINDOW DEFOGGER HARNESS	\$44.00	
18510	1965	SPEAKER HARNESS, to single rear seat speaker	\$39.00	
18510	1966	SPEAKER HARNESS, to single rear seat speaker	\$39.00	
18510	1967	SPEAKER HARNESS, to single rear seat speaker	\$39.00	
18510	1968	SPEAKER HARNESS, to single rear seat speaker	\$39.00	
33430	1968	SPEAKER HARNESS, 4 stereo speakers, front & rear	\$62.00	
33430	1969	SPEAKER HARNESS, 4 stereo speakers, front & rear	\$62.00	
11050	1967	SPEED WARNING HARNESS	\$18.00	
13130	1969	SPEED WARNING HARNESS	\$18.00	

Part Number	Year	Description	Price	*Rev.
37616	1962	STEERING COLUMN ADAPTER HARNESS, for 1969-74 gm & ididit columns (exc. flaming river) to stock dash harness NOTE: adapts horn, directionals, hazard flashers to stock 6-way dash connector	\$37.00	
38124	1962	STEERING COLUMN ADAPTER HARNESS, for 1975 & up gm & flaming river columns (exc. ididit) to stock dash harness NOTE: adapts horn, directionals, hazard flashers to stock 6-way dash connector	\$40.00	
37618	1963	STEERING COLUMN ADAPTER HARNESS, for 1969-74 gm & ididit columns (exc. flaming river) to stock dash harness NOTE: adapts horn, directionals, hazard flashers to stock 8-way dash connector	\$37.00	
38125	1963	STEERING COLUMN ADAPTER HARNESS, for 1975 & up gm & flaming river columns (exc. ididit) to stock dash harness NOTE: adapts horn, directionals, hazard flashers to stock 8-way dash connector	\$38.00	
37618	1964	STEERING COLUMN ADAPTER HARNESS, for 1969-74 gm & ididit columns (exc. flaming river) to stock dash harness NOTE: adapts horn, directionals, hazard flashers to stock 8-way dash connector	\$37.00	
38125	1964	STEERING COLUMN ADAPTER HARNESS, for 1975 & up gm & flaming river columns (exc. ididit) to stock dash harness NOTE: adapts horn, directionals, hazard flashers to stock 8-way dash connector	\$38.00	
37618	1965	STEERING COLUMN ADAPTER HARNESS, for 1969-74 gm & ididit columns (exc. flaming river) to stock dash harness NOTE: adapts horn, directionals, hazard flashers to stock 8-way dash connector	\$37.00	
38125	1965	STEERING COLUMN ADAPTER HARNESS, for 1975 & up gm & flaming river columns (exc. ididit) to stock dash harness NOTE: adapts horn, directionals, hazard flashers to stock 8-way dash connector	\$38.00	
37542	1966	STEERING COLUMN ADAPTER HARNESS, for 1969-1974 gm & ididit columns (exc. flaming river) to stock dash harness NOTE: adapts horn, directionals, hazard flashers to stock 8 pin T/L dash connector	\$37.00	
37009	1966	STEERING COLUMN ADAPTER HARNESS, for 1975 & up gm & flaming river columns (exc. ididit) to stock dash harness NOTE: adapts horn, directionals, hazard flashers to stock 8 pin dash connector	\$39.00	
36882	1967	STEERING COLUMN ADAPTER HARNESS, for 1969-1974 gm & ididit columns (exc. flaming river) to stock dash harness NOTE: adapts horn, directionals, hazard flashers to stock 9-pin T/L dash connector	\$19.00	
38127	1967	STEERING COLUMN ADAPTER HARNESS, for 1975 & up gm & flaming river columns (exc. ididit) to stock dash harness NOTE: adapts horn, directionals, hazard flashers to stock 9-pin T/L dash connector	\$19.00	
36882	1968	STEERING COLUMN ADAPTER HARNESS, for 1969-1974 gm & ididit columns (exc. flaming river) to stock dash harness NOTE: adapts horn, directionals, hazard flashers to stock 9-pin T/L dash connector	\$19.00	
38127	1968	STEERING COLUMN ADAPTER HARNESS, for 1975 & up gm & flaming river columns (exc. ididit) to stock dash harness NOTE: adapts horn, directionals, hazard flashers to stock 9-pin T/L dash connector	\$19.00	
01525	1962	TACHOMETER HARNESS	\$45.00	
01530	1963	TACHOMETER HARNESS	\$37.00	
01535	1964	TACHOMETER HARNESS	\$37.00	
01535	1965	TACHOMETER HARNESS, dash mounted	\$37.00	
01540	1965	TACHOMETER HARNESS, steering column mounted	\$45.00	
01540	1966	TACHOMETER HARNESS, steering column mounted	\$45.00	
17355	1972	T.C.S. TRANSMISSION SWITCH EXTENSION, manual trans, from engine harness to trans switch NOTE: used with #16375, #16380 & #16385 engine harness	\$36.00	
17355	1973	T.C.S. TRANSMISSION SWITCH EXTENSION, manual trans, from engine harness to trans switch NOTE: used with #15500 & #15505 engine harness	\$36.00	
34620	1962	TEMPERATURE SENDER UNIT WIRE REPAIR KIT	\$13.00	
34620	1963	TEMPERATURE SENDER UNIT WIRE REPAIR KIT	\$13.00	
34620	1964	TEMPERATURE SENDER UNIT WIRE REPAIR KIT	\$13.00	
34620	1965	TEMPERATURE SENDER UNIT WIRE REPAIR KIT	\$13.00	
34620	1966	TEMPERATURE SENDER UNIT WIRE REPAIR KIT	\$13.00	
34620	1967	TEMPERATURE SENDER UNIT WIRE REPAIR KIT	\$13.00	
34620	1968	TEMPERATURE SENDER UNIT WIRE REPAIR KIT	\$13.00	
34620	1969	TEMPERATURE SENDER UNIT WIRE REPAIR KIT	\$13.00	
34620	1970	TEMPERATURE SENDER UNIT WIRE REPAIR KIT	\$13.00	
34620	1971	TEMPERATURE SENDER UNIT WIRE REPAIR KIT	\$13.00	

Part Number	Year	Description	Price	*Rev.
34620	1972	TEMPERATURE SENDER UNIT WIRE REPAIR KIT	\$13.00	
34620	1973	TEMPERATURE SENDER UNIT WIRE REPAIR KIT	\$13.00	
34620	1974	TEMPERATURE SENDER UNIT WIRE REPAIR KIT	\$13.00	
34620	1975	TEMPERATURE SENDER UNIT WIRE REPAIR KIT	\$13.00	
27565	1966	TRANSISTOR IGNITION HARNESS, amplifier to extension harness (part# 27570)	\$70.00	
33225	1966	TRANSISTOR IGNITION AMPLIFIER EXTENSION, from internal circuit board to amplifier housing connector	\$40.00	
27570	1966	TRANSISTOR IGNITION EXTENSION HARNESS, starter motor, coil & distributor	\$85.00	
21265	1966	TRANSISTOR IGNITION POWER FEED HARNESS, ignition switch to extension harness (part# 27570)	\$18.00	
32270	1966	TRANSISTOR IGNITION REPLACEMENT MODULE, replaces original circuit board in amplifier	\$149.00	
36379	1966	TRUNK LAMP ASSEMBLY, includes extension harness	\$32.00	
36379	1967	TRUNK LAMP ASSEMBLY, includes extension harness	\$32.00	
36380	1968	TRUNK LAMP ASSEMBLY, includes extension harness	\$32.00	
36380	1969	TRUNK LAMP ASSEMBLY, includes extension harness	\$32.00	
36380	1970	TRUNK LAMP ASSEMBLY, includes extension harness	\$32.00	
36380	1971	TRUNK LAMP ASSEMBLY, includes extension harness	\$32.00	
36380	1972	TRUNK LAMP ASSEMBLY, includes extension harness	\$32.00	
36380	1973	TRUNK LAMP ASSEMBLY, includes extension harness	\$32.00	
36380	1974	TRUNK LAMP ASSEMBLY, includes extension harness	\$32.00	
28210	1968	TRUNK LAMP EXTENSION HARNESS, coupe	\$11.00	
28210	1969	TRUNK LAMP EXTENSION HARNESS, coupe	\$11.00	
28210	1970	TRUNK LAMP EXTENSION HARNESS, coupe	\$11.00	
28210	1971	TRUNK LAMP EXTENSION HARNESS, coupe	\$11.00	
28210	1972	TRUNK LAMP EXTENSION HARNESS, coupe	\$11.00	
28210	1973	TRUNK LAMP EXTENSION HARNESS, coupe	\$11.00	
28210	1974	TRUNK LAMP EXTENSION HARNESS, coupe	\$11.00	
03765110	1962	TURN SIGNAL SWITCH	\$23.00	
00387115	1966	TURN SIGNAL SWITCH, without tilt (stamped "bpc"), replaces delco part# d6200 Note: This switch has a metal base.	\$95.00	
01893592	1967	TURN SIGNAL SWITCH, (delco-remy), replaces delco part# d6211 NOTE: this is a SERVICE PART, adapter pigtail included and is required for some applications	\$50.00	
07800482	1967	TURN SIGNAL SWITCH, without column shift a/t, without tilt, (delco type, black, white or green) NOTE: Emergency flasher actuator hole in outer cover is shaped like a doghouse.	\$50.00	
07800482	1967	TURN SIGNAL SWITCH, without column shift a/t, with tilt, (delco type, black, white or green) NOTE: Emergency flasher actuator hole in outer cover is shaped like a doghouse.	\$50.00	
05698897	1967	TURN SIGNAL SWITCH, with column shift a/t, without tilt, (delco type, black, white or green) NOTE: Emergency flasher actuator hole in outer cover is shaped like a doghouse.	\$50.00	
05698897	1967	TURN SIGNAL SWITCH, with column shift a/t, with tilt, (delco type, black, white or green) NOTE: Emergency flasher actuator hole in outer cover is shaped like a doghouse.	\$50.00	
01893592	1968	TURN SIGNAL SWITCH, (delco-remy), replaces delco part# d6211 NOTE: this is a SERVICE PART, adapter pigtail included and is required for some applications	\$50.00	
07800482	1968	TURN SIGNAL SWITCH, without column shift a/t, without tilt, (delco type, black, white or green) NOTE: Emergency flasher actuator hole in outer cover is shaped like a doghouse.	\$50.00	
07800482	1968	TURN SIGNAL SWITCH, without column shift a/t, with tilt, (delco type, black, white or green) NOTE: Emergency flasher actuator hole in outer cover is shaped like a doghouse.	\$50.00	
05698897	1968	TURN SIGNAL SWITCH, with column shift a/t, without tilt, (delco type, black, white or green) NOTE: Emergency flasher actuator hole in outer cover is shaped like a doghouse.	\$50.00	

Part Number	Year	Description	Price	*Rev.
05698897	1968	TURN SIGNAL SWITCH, with column shift a/t, with tilt, (delco type, black, white or green) NOTE: Emergency flasher actuator hole in outer cover is shaped like a doghouse.	\$50.00	
01997938	1969	TURN SIGNAL SWITCH correct part NOTE: correct part, no adapter pigtail required	\$48.00	
01893588	1969	TURN SIGNAL SWITCH, service part replaces delco part# d6208 NOTE: this is a service part, adapter pigtail included is required for installation	\$50.00	
01997983	1969	TURN SIGNAL SWITCH, service part replaces delco part# d6222 NOTE: this is a service part, adapter pigtail included is required for installation	\$48.00	
01997938	1970	TURN SIGNAL SWITCH correct part NOTE: correct part, no adapter pigtail required	\$48.00	
01893588	1970	TURN SIGNAL SWITCH, service part replaces delco part# d6208 NOTE: this is a service part, adapter pigtail included is required for installation	\$50.00	
01997983	1970	TURN SIGNAL SWITCH, service part replaces delco part# d6222 NOTE: this is a service part, adapter pigtail included is required for installation	\$48.00	
01997938	1971	TURN SIGNAL SWITCH correct part NOTE: correct part, no adapter pigtail required	\$48.00	
01893588	1971	TURN SIGNAL SWITCH, service part replaces delco part# d6208 NOTE: this is a service part, adapter pigtail included is required for installation	\$50.00	
01997983	1971	TURN SIGNAL SWITCH, service part replaces delco part# d6222 NOTE: this is a service part, adapter pigtail included is required for installation	\$48.00	
01997938	1972	TURN SIGNAL SWITCH correct part NOTE: correct part, no adapter pigtail required	\$48.00	
01893588	1972	TURN SIGNAL SWITCH, service part replaces delco part# d6208 NOTE: this is a service part, adapter pigtail included is required for installation	\$50.00	
01997983	1972	TURN SIGNAL SWITCH, service part replaces delco part# d6222 NOTE: this is a service part, adapter pigtail included is required for installation	\$48.00	
02115	1965	VOLTAGE REGULATOR ADAPTER HARNESS, with 62 amp alternator, from field terminal on voltage regulator to chassis ground (includes inline diode) NOTE: ONLY USED WITH ORIGINAL SOLID STATE VOLTAGE REGULATOR #1116368 AS A SAFE GUARD TO PREVENT VOLTAGE REGULATOR TRANSISTOR FAILURE	\$35.00	
01993541	1962	WINDSHIELD WIPER SWITCH, single speed, with washer	\$45.00	
01993541	1963	WINDSHIELD WIPER SWITCH, single speed, with washer	\$45.00	
01993584	1963	WINDSHIELD WIPER SWITCH, two speed, with washer	\$50.00	
01993541	1964	WINDSHIELD WIPER SWITCH, single speed, with washer	\$45.00	
01993584	1964	WINDSHIELD WIPER SWITCH, two speed, with washer	\$50.00	
01993680	1965	WINDSHIELD WIPER SWITCH, single speed, with washer	\$45.00	
01993679	1965	WINDSHIELD WIPER SWITCH, 2 speed, with washer	\$45.00	
01993680	1966	WINDSHIELD WIPER SWITCH, single speed, with washer	\$45.00	
01993679	1966	WINDSHIELD WIPER SWITCH, 2 speed, with washer	\$45.00	
01993395	1967	WINDSHIELD WIPER SWITCH	\$45.00	
01993395	1968	WINDSHIELD WIPER SWITCH	\$45.00	
01993464	1969	WINDSHIELD WIPER SWITCH	\$45.00	
01993464	1970	WINDSHIELD WIPER SWITCH	\$45.00	
01993464	1971	WINDSHIELD WIPER SWITCH	\$45.00	
01994180	1972	WINDSHIELD WIPER SWITCH	\$45.00	
01994180	1973	WINDSHIELD WIPER SWITCH	\$45.00	
01994180	1974	WINDSHIELD WIPER SWITCH	\$45.00	
36113	1962	WIPER MOTOR HARNESS, 2 speed	\$25.00	
20045	1963	WIPER MOTOR HARNESS, 2 speed wiper & washer	\$25.00	
36114	1964	WIPER MOTOR HARNESS, 2 speed	\$23.00	

Chevy II/Nova



Phone 562.926.9552
Fax 562.926.9572

Part Number	Year	Description	Price	*Rev.
30175	1965	WIPER MOTOR HARNESS, 2 speed wipers	\$23.00	
30175	1966	WIPER MOTOR HARNESS, 2 speed wipers	\$23.00	

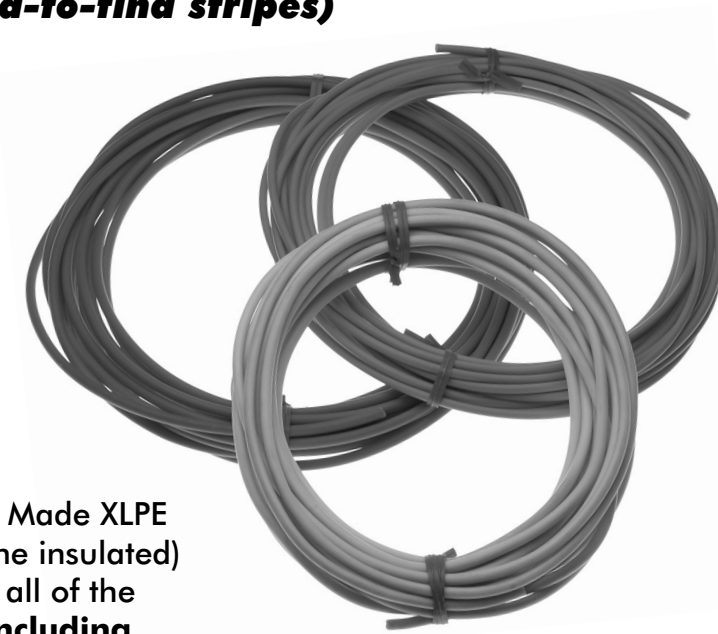
Rolls of Wire

25 Foot rolls of wire offered in all of the popular gauge sizes and colors (including hard-to-find stripes)

XLPE Type GXL Wire

Meets SAE Spec J-1128

125° Celsius Heat Rating



We now offer 25 foot rolls of USA Made XLPE Type GXL (cross-linked polyethylene insulated) automotive grade primary wire in all of the popular gauge sizes and colors (**including hard-to-find stripes**). This is the exact same wire we use in all of our harnesses, and the same grade of wire you would find in cars and trucks being manufactured today. OEM's now use this wire due to it's high heat rating of 125° Celsius. Harnesses manufactured in the '60's and '70's utilized PVC Type wire that only had a heat rating of 80° Celsius; thus the reason most original harnesses tend to melt and become brittle with age. We use XLPE Type GXL wire to avoid these types of problems. This is the best automotive grade wire money can buy.

Simply browse the next few pages to see our extensive list of color and gauge combinations. Keep in mind the price listed is for a 25 foot roll and please order by part number when ordering.

Special pricing is available on 1,000 feet of any one wire gauge and color, please call for a price quote.

**Wire
& Components**



**Phone 562.926.9552
Fax 562.926.9572**

Part Number	Year	Description	Price	*Rev.
R0041400	ALL	18 GA BLACK GXL WIRE, 25 foot roll	\$15.00	
R0041401	ALL	18 GA BLACK/BLUE LT GXL WIRE, 25 foot roll	\$16.00	
R0041402	ALL	18 GA BLACK/GREEN LT GXL WIRE, 25 foot roll	\$16.00	
R0041403	ALL	18 GA BLACK/ORANGE GXL WIRE, 25 foot roll	\$16.00	
R0041404	ALL	18 GA BLACK/PINK GXL WIRE, 25 foot roll	\$16.00	
R0041405	ALL	18 GA BLACK/RED GXL WIRE, 25 foot roll	\$16.00	
R0041406	ALL	18 GA BLACK/TAN GXL WIRE, 25 foot roll	\$16.00	
R0041407	ALL	18 GA BLACK/VIOLET GXL WIRE, 25 foot roll	\$16.00	
R0041408	ALL	18 GA BLACK/WHITE GXL WIRE, 25 foot roll	\$16.00	
R0041409	ALL	18 GA BLACK/YELLOW GXL WIRE, 25 foot roll	\$16.00	
R0041410	ALL	18 GA BLUE DK GXL WIRE, 25 foot roll	\$15.00	
R0041411	ALL	18 GA BLUE DK/BLACK GXL WIRE, 25 foot roll	\$16.00	
R0041412	ALL	18 GA BLUE DK/GRAY GXL WIRE, 25 foot roll	\$16.00	
R0041413	ALL	18 GA BLUE DK/RED GXL WIRE, 25 foot roll	\$16.00	
R0041414	ALL	18 GA BLUE DK/WHITE GXL WIRE, 25 foot roll	\$16.00	
R0041415	ALL	18 GA BLUE LT GXL WIRE, 25 foot roll	\$15.00	
R0041416	ALL	18 GA BLUE LT/BLACK GXL WIRE, 25 foot roll	\$16.00	
R0041417	ALL	18 GA BLUE LT/RED GXL WIRE, 25 foot roll	\$16.00	
R0041418	ALL	18 GA BLUE LT/YELLOW GXL WIRE, 25 foot roll	\$16.00	
R0041419	ALL	18 GA BROWN GXL WIRE, 25 foot roll	\$15.00	
R0041420	ALL	18 GA BROWN/TAN GXL WIRE, 25 foot roll	\$16.00	
R0041421	ALL	18 GA BROWN/WHITE GXL WIRE, 25 foot roll	\$16.00	
R0041422	ALL	18 GA BROWN/YELLOW GXL WIRE, 25 foot roll	\$16.00	
R0041423	ALL	18 GA GRAY GXL WIRE, 25 foot roll	\$15.00	
R0041424	ALL	18 GA GRAY/BLACK GXL WIRE, 25 foot roll	\$16.00	
R0041425	ALL	18 GA GRAY/RED GXL WIRE, 25 foot roll	\$16.00	
R0041426	ALL	18 GA GRAY/WHITE GXL WIRE, 25 foot roll	\$16.00	
R0041427	ALL	18 GA GREEN DK GXL WIRE, 25 foot roll	\$15.00	
R0041428	ALL	18 GA GREEN DK/BLACK GXL WIRE, 25 foot roll	\$16.00	
R0041429	ALL	18 GA GREEN DK/RED GXL WIRE, 25 foot roll	\$16.00	
R0041430	ALL	18 GA GREEN DK/WHITE GXL WIRE, 25 foot roll	\$16.00	
R0041431	ALL	18 GA GREEN DK/YELLOW GXL WIRE, 25 foot roll	\$16.00	
R0041432	ALL	18 GA GREEN LT GXL WIRE, 25 foot roll	\$15.00	
R0041433	ALL	18 GA GREEN LT/BLACK GXL WIRE, 25 foot roll	\$16.00	
R0041434	ALL	18 GA GREEN LT/ORANGE GXL WIRE, 25 foot roll	\$16.00	
R0041435	ALL	18 GA GREEN LT/WHITE GXL WIRE, 25 foot roll	\$16.00	
R0041436	ALL	18 GA GREEN LT/YELLOW GXL WIRE, 25 foot roll	\$16.00	
R0041437	ALL	18 GA ORANGE GXL WIRE, 25 foot roll	\$15.00	
R0041438	ALL	18 GA ORANGE/BLACK GXL WIRE, 25 foot roll	\$16.00	
R0041439	ALL	18 GA ORANGE/BLUE DK GXL WIRE, 25 foot roll	\$16.00	
R0041440	ALL	18 GA PINK GXL WIRE, 25 foot roll	\$15.00	
R0041441	ALL	18 GA PINK/BLACK GXL WIRE, 25 foot roll	\$16.00	
R0041442	ALL	18 GA PINK/WHITE GXL WIRE, 25 foot roll	\$16.00	
R0041443	ALL	18 GA PURPLE GXL WIRE, 25 foot roll	\$15.00	
R0041444	ALL	18 GA PURPLE/WHITE GXL WIRE, 25 foot roll	\$16.00	
R0041445	ALL	18 GA RED GXL WIRE, 25 foot roll	\$15.00	
R0041446	ALL	18 GA RED/BLACK GXL WIRE, 25 foot roll	\$16.00	
R0041447	ALL	18 GA RED/BLUE DK GXL WIRE, 25 foot roll	\$16.00	
R0041448	ALL	18 GA RED/GREEN LT GXL WIRE, 25 foot roll	\$16.00	
R0041449	ALL	18 GA RED/WHITE GXL WIRE, 25 foot roll	\$16.00	
R0041450	ALL	18 GA TAN GXL WIRE, 25 foot roll	\$15.00	
R0041451	ALL	18 GA TAN/BLACK GXL WIRE, 25 foot roll	\$16.00	

**Wire
& Components**



**Phone 562.926.9552
Fax 562.926.9572**

Part Number	Year	Description	Price	*Rev.
R0041452	ALL	18 GA TAN/WHITE GXL WIRE, 25 foot roll	\$16.00	
R0041453	ALL	18 GA WHITE GXL WIRE, 25 foot roll	\$15.00	
R0041454	ALL	18 GA WHITE/BLACK GXL WIRE, 25 foot roll	\$16.00	
R0041455	ALL	18 GA WHITE/BLUE DK GXL WIRE, 25 foot roll	\$16.00	
R0041456	ALL	18 GA WHITE/GREEN DK GXL WIRE, 25 foot roll	\$16.00	
R0041457	ALL	18 GA WHITE/RED GXL WIRE, 25 foot roll	\$16.00	
R0041458	ALL	18 GA YELLOW GXL WIRE, 25 foot roll	\$15.00	
R0041459	ALL	18 GA YELLOW/BLACK GXL WIRE, 25 foot roll	\$16.00	
R0041460	ALL	18 GA YELLOW/GREEN LT GXL WIRE, 25 foot roll	\$16.00	
R0041461	ALL	18 GA YELLOW/WHITE GXL WIRE, 25 foot roll	\$16.00	
R0041462	ALL	16 GA BLACK GXL WIRE, 25 foot roll	\$16.00	
R0041463	ALL	16 GA BLACK/BLUE LT GXL WIRE, 25 foot roll	\$17.00	
R0041464	ALL	16 GA BLACK/GREEN LT GXL WIRE, 25 foot roll	\$17.00	
R0041465	ALL	16 GA BLACK/ORANGE GXL WIRE, 25 foot roll	\$17.00	
R0041466	ALL	16 GA BLACK/PINK GXL WIRE, 25 foot roll	\$17.00	
R0041467	ALL	16 GA BLACK/RED GXL WIRE, 25 foot roll	\$17.00	
R0041468	ALL	16 GA BLACK/WHITE GXL WIRE, 25 foot roll	\$17.00	
R0041469	ALL	16 GA BLACK/YELLOW GXL WIRE, 25 foot roll	\$17.00	
R0041470	ALL	16 GA BLUE DK GXL WIRE, 25 foot roll	\$16.00	
R0041471	ALL	16 GA BLUE DK/WHITE GXL WIRE, 25 foot roll	\$17.00	
R0041472	ALL	16 GA BLUE DK/YELLOW GXL WIRE, 25 foot roll	\$17.00	
R0041473	ALL	16 GA BLUE LT GXL WIRE, 25 foot roll	\$16.00	
R0041474	ALL	16 GA BLUE LT/BLACK GXL WIRE, 25 foot roll	\$17.00	
R0041475	ALL	16 GA BLUE LT/YELLOW GXL WIRE, 25 foot roll	\$17.00	
R0041476	ALL	16 GA BROWN GXL WIRE, 25 foot roll	\$16.00	
R0041477	ALL	16 GA BROWN/BLUE DARK GXL WIRE, 25 foot roll	\$17.00	
R0041478	ALL	16 GA BROWN/WHITE GXL WIRE, 25 foot roll	\$17.00	
R0041479	ALL	16 GA GRAY GXL WIRE, 25 foot roll	\$16.00	
R0041480	ALL	16 GA GREEN DK GXL WIRE, 25 foot roll	\$16.00	
R0041481	ALL	16 GA GREEN DK/RED GXL WIRE, 25 foot roll	\$17.00	
R0041482	ALL	16 GA GREEN DK/WHITE GXL WIRE, 25 foot roll	\$17.00	
R0041483	ALL	16 GA GREEN LT GXL WIRE, 25 foot roll	\$16.00	
R0041484	ALL	16 GA GREEN LT/BLACK GXL WIRE, 25 foot roll	\$17.00	
R0041485	ALL	16 GA ORANGE GXL WIRE, 25 foot roll	\$16.00	
R0041486	ALL	16 GA ORANGE/BLACK GXL WIRE, 25 foot roll	\$17.00	
R0041487	ALL	16 GA ORANGE/YELLOW GXL WIRE, 25 foot roll	\$17.00	
R0041488	ALL	16 GA PINK GXL WIRE, 25 foot roll	\$16.00	
R0041489	ALL	16 GA PINK/BLACK GXL WIRE, 25 foot roll	\$17.00	
R0041490	ALL	16 GA PINK/WHITE GXL WIRE, 25 foot roll	\$17.00	
R0041491	ALL	16 GA PURPLE GXL WIRE, 25 foot roll	\$16.00	
R0041492	ALL	16 GA PURPLE/WHITE GXL WIRE, 25 foot roll	\$17.00	
R0041493	ALL	16 GA RED GXL WIRE, 25 foot roll	\$16.00	
R0041494	ALL	16 GA RED/BLACK GXL WIRE, 25 foot roll	\$17.00	
R0041495	ALL	16 GA RED/WHITE GXL WIRE, 25 foot roll	\$17.00	
R0041679	ALL	16 GA RED/YELLOW GXL WIRE, 25 foot roll	\$17.00	
R0041496	ALL	16 GA TAN GXL WIRE, 25 foot roll	\$16.00	
R0041497	ALL	16 GA TAN/WHITE GXL WIRE, 25 foot roll	\$17.00	
R0041498	ALL	16 GA WHITE GXL WIRE, 25 foot roll	\$16.00	
R0041499	ALL	16 GA WHITE/BLACK GXL WIRE, 25 foot roll	\$17.00	
R0041500	ALL	16 GA WHITE/RED GXL WIRE, 25 foot roll	\$17.00	
R0041501	ALL	16 GA YELLOW GXL WIRE, 25 foot roll	\$16.00	

**Wire
& Components**



**Phone 562.926.9552
Fax 562.926.9572**

Part Number	Year	Description	Price	*Rev.
R0041502	ALL	16 GA YELLOW/BLACK GXL WIRE, 25 foot roll	\$17.00	
R0041503	ALL	16 GA YELLOW/ORANGE GXL WIRE, 25 foot roll	\$17.00	
R0041504	ALL	14 GA BLACK GXL WIRE, 25 foot roll	\$18.00	
R0041505	ALL	14 GA BLACK/BLUE LT GXL WIRE, 25 foot roll	\$19.00	
R0041506	ALL	14 GA BLACK/LIGHT GREEN GXL WIRE, 25 foot roll	\$19.00	
R0041507	ALL	14 GA BLACK/ORANGE GXL WIRE, 25 foot roll	\$19.00	
R0041508	ALL	14 GA BLACK/PINK GXL WIRE, 25 foot roll	\$19.00	
R0041509	ALL	14 GA BLACK/RED GXL WIRE, 25 foot roll	\$19.00	
R0041510	ALL	14 GA BLACK/TAN GXL WIRE, 25 foot roll	\$19.00	
R0041511	ALL	14 GA BLACK/WHITE GXL WIRE, 25 foot roll	\$19.00	
R0041512	ALL	14 GA BLACK/YELLOW GXL WIRE, 25 foot roll	\$19.00	
R0041513	ALL	14 GA BLUE DK GXL WIRE, 25 foot roll	\$18.00	
R0041514	ALL	14 GA BLUE DK/WHITE GXL WIRE, 25 foot roll	\$19.00	
R0041515	ALL	14 GA BLUE LT GXL WIRE, 25 foot roll	\$18.00	
R0041516	ALL	14 GA BLUE LT/BLACK GXL WIRE, 25 foot roll	\$19.00	
R0041517	ALL	14 GA BLUE LT/YELLOW GXL WIRE, 25 foot roll	\$19.00	
R0041518	ALL	14 GA BROWN GXL WIRE, 25 foot roll	\$18.00	
R0041519	ALL	14 GA BROWN/WHITE GXL WIRE, 25 foot roll	\$19.00	
R0041520	ALL	14 GA GRAY GXL WIRE, 25 foot roll	\$18.00	
R0041521	ALL	14 GA GRAY/BLACK GXL WIRE, 25 foot roll	\$19.00	
R0041522	ALL	14 GA GRAY/WHITE GXL WIRE, 25 foot roll	\$19.00	
R0041523	ALL	14 GA GREEN DK GXL WIRE, 25 foot roll	\$18.00	
R0041524	ALL	14 GA GREEN DK/RED GXL WIRE, 25 foot roll	\$19.00	
R0041525	ALL	14 GA GREEN DK/WHITE GXL WIRE, 25 foot roll	\$19.00	
R0041526	ALL	14 GA GREEN LT GXL WIRE, 25 foot roll	\$18.00	
R0041527	ALL	14 GA GREEN LT/WHITE GXL WIRE, 25 foot roll	\$19.00	
R0041528	ALL	14 GA GREEN LT / BLACK GXL WIRE, 25 foot roll	\$19.00	
R0041529	ALL	14 GA ORANGE GXL WIRE, 25 foot roll	\$18.00	
R0041530	ALL	14 GA ORANGE/BLACK GXL WIRE, 25 foot roll	\$19.00	
R0041531	ALL	14 GA PINK GXL WIRE, 25 foot roll	\$18.00	
R0041532	ALL	14 GA PINK/BLACK GXL WIRE, 25 foot roll	\$19.00	
R0041533	ALL	14 GA PINK/WHITE GXL WIRE, 25 foot roll	\$19.00	
R0041534	ALL	14 GA PURPLE GXL WIRE, 25 foot roll	\$18.00	
R0041535	ALL	14 GA PURPLE/WHITE GXL WIRE, 25 foot roll	\$19.00	
R0041536	ALL	14 GA RED GXL WIRE, 25 foot roll	\$18.00	
R0041537	ALL	14 GA RED/BLACK GXL WIRE, 25 foot roll	\$19.00	
R0041538	ALL	14 GA RED/WHITE GXL WIRE, 25 foot roll	\$19.00	
R0041539	ALL	14 GA TAN GXL WIRE, 25 foot roll	\$18.00	
R0041540	ALL	14 GA TAN/WHITE GXL WIRE, 25 foot roll	\$19.00	
R0041541	ALL	14 GA WHITE GXL WIRE, 25 foot roll	\$18.00	
R0041542	ALL	14 GA WHITE/BLUE DK GXL WIRE, 25 foot roll	\$19.00	
R0041543	ALL	14 GA YELLOW GXL WIRE, 25 foot roll	\$18.00	
R0041544	ALL	14 GA YELLOW/BLACK GXL WIRE, 25 foot roll	\$19.00	
R0041545	ALL	12 GA BLACK GXL WIRE, 25 foot roll	\$20.00	
R0041546	ALL	12 GA BLACK/ORANGE GXL WIRE, 25 foot roll	\$21.00	
R0041547	ALL	12 GA BLACK/PINK GXL WIRE, 25 foot roll	\$21.00	
R0041548	ALL	12 GA BLACK/RED GXL WIRE, 25 foot roll	\$21.00	
R0041549	ALL	12 GA BLACK/WHITE GXL WIRE, 25 foot roll	\$21.00	
R0041550	ALL	12 GA BLACK/YELLOW GXL WIRE, 25 foot roll	\$21.00	
R0041551	ALL	12 GA BLUE DK/WHITE GXL WIRE, 25 foot roll	\$21.00	

**Wire
& Components**



**Phone 562.926.9552
Fax 562.926.9572**

Part Number	Year	Description	Price	*Rev.
R0041552	ALL	12 GA BLUE LIGHT GXL WIRE, 25 foot roll	\$20.00	
R0041553	ALL	12 GA BROWN GXL WIRE, 25 foot roll	\$20.00	
R0041554	ALL	12 GA BROWN/WHITE GXL WIRE, 25 foot roll	\$21.00	
R0041555	ALL	12 GA GREEN DK/RED GXL WIRE, 25 foot roll	\$21.00	
R0041556	ALL	12 GA GREEN LT/BLACK GXL WIRE, 25 foot roll	\$21.00	
R0041557	ALL	12 GA ORANGE GXL WIRE, 25 foot roll	\$20.00	
R0041558	ALL	12 GA ORANGE/BLACK GXL WIRE, 25 foot roll	\$21.00	
R0041559	ALL	12 GA PINK GXL WIRE, 25 foot roll	\$20.00	
R0041560	ALL	12 GA PINK/BLACK GXL WIRE, 25 foot roll	\$21.00	
R0041561	ALL	12 GA PINK/WHITE GXL WIRE, 25 foot roll	\$21.00	
R0041562	ALL	12 GA PURPLE GXL WIRE, 25 foot roll	\$20.00	
R0041563	ALL	12 GA PURPLE/WHITE GXL WIRE, 25 foot roll	\$21.00	
R0041564	ALL	12 GA RED GXL WIRE, 25 foot roll	\$20.00	
R0041565	ALL	12 GA RED/BLACK GXL WIRE, 25 foot roll	\$21.00	
R0041566	ALL	12 GA RED/WHITE GXL WIRE, 25 foot roll	\$21.00	
R0041567	ALL	12 GA RED/YELLOW GXL WIRE, 25 foot roll	\$21.00	
R0041568	ALL	12 GA TAN/WHITE GXL WIRE, 25 foot roll	\$21.00	
R0041569	ALL	12 GA WHITE GXL WIRE, 25 foot roll	\$20.00	
R0041570	ALL	12 GA YELLOW GXL WIRE, 25 foot roll	\$20.00	
R0041571	ALL	12 GA YELLOW/GREEN LT GXL WIRE, 25 foot roll	\$21.00	
R0041572	ALL	10 GA BLACK GXL WIRE, 25 foot roll	\$22.00	
R0041573	ALL	10 GA BLACK/RED GXL WIRE, 25 foot roll	\$23.00	
R0041574	ALL	10 GA BLACK/WHITE GXL WIRE, 25 foot roll	\$23.00	
R0041575	ALL	10 GA ORANGE/BLACK GXL WIRE, 25 foot roll	\$23.00	
R0041585	ALL	10 GA PINK GXL WIRE, 25 foot roll	\$22.00	
R0041576	ALL	10 GA PURPLE GXL WIRE, 25 foot roll	\$22.00	
R0041577	ALL	10 GA RED GXL WIRE, 25 foot roll	\$22.00	
R0041578	ALL	10 GA RED/WHITE GXL WIRE, 25 foot roll	\$23.00	
R0041579	ALL	10 GA YELLOW GXL WIRE, 25 foot roll	\$22.00	
R0041580	ALL	10 GA YELLOW/BLACK GXL WIRE, 25 foot roll	\$23.00	
R0041581	ALL	8 GA BLACK GXL WIRE, 25 foot roll	\$29.00	
R0041582	ALL	8 GA ORANGE GXL WIRE, 25 foot roll	\$29.00	
R0041583	ALL	8 GA RED GXL WIRE, 25 foot roll	\$29.00	
R0041584	ALL	8 GA YELLOW GXL WIRE, 25 foot roll	\$29.00	