



Electrical Restoration Products

**Pontiac Passenger
Grand Prix**

Phone 562.926.9552
Fax 562.926.9572
sparky@wiringharness.com

www.wiringharness.com

WIRING HARNESSES



BATTERY CABLES



SWITCHES



Buy with Confidence !

Made in the U.S.A.

All of our harnesses are hand assembled in the U.S.A.

Correct Color Wires

Our harnesses always match the original factory color codes and gauge sizes. We use U.S.A. made Cross Linked Polyethylene type GXL wire which is much more tolerant to heat than the original PVC type GPT wire that was used from the factory.

Dip Soldered (when applicable)

All terminals are dip soldered (when applicable) to limit resistance loss.

Correct Connectors & Terminals

With over 300,000 connectors and terminals in stock you can be sure the harness you receive will look identical to the original.

Correct Non-Adhesive & Cloth Tapes

All harnesses are wrapped with the correct non-adhesive or cloth woven tapes to assure a 100% factory appearance.

Technical Support

We don't expect our customers to be "wiring-wizards", you can call us direct with any technical questions you may have.

Custom Modifications

Custom modifications are available to allow you to convert from an external regulated alternator to an internal regulated alternator. This modification is available for most '63 and up GM cars and trucks. We can also convert many of our engine harnesses to work with H.E.I. distributors and electric chokes. Our modifications retain the factory appearance. Call our Customer Service Department for more details.

Reproduction Switches

We manufacture an extensive line of reproduction switches. These include Turn Signal, Backup Light, Neutral Safety, Wiper, Headlight Switches and others. As with all of our restoration products our switches will fit and function perfectly, just like the originals.

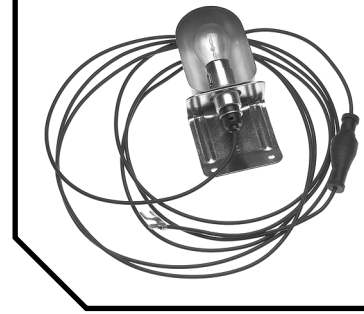
Guarantee & Warranty

We are so confident in the quality of all of our restoration products that we offer the following guarantee and warranty. If you are not 100% satisfied with the quality of any of our restoration products we will give you a full refund. Just return the unused item within 30 days of receipt for a full refund. We also offer a full 1 year replacement warranty on all of the products we sell (see our product warranty sheet for more info).

Method of Payment

We accept Visa, Master Card, American Express and Discover. If you prefer to pre-pay your order, we accept Money Orders, Cashiers Checks or Personal Checks. C.O.D. shipments are also available.

LIGHTING KITS



1 WIRE IGNITION



HARNESS TAPE



"M&H Harnesses are perfect reproductions created with correct color wires from Original GM wiring schematics".

**MUSCLECAR ENTHUSIAST
MAGAZINE**

www.wiringharness.com

Alternator Conversion Kits

**See catalog
for specific applications**

Alternator Conversion Kit External to "SI" Type Internal

Our most popular Alternator Conversion Kit. This kit makes it easy to convert from an External Regulated Alternator to an "SI" Type Internal Regulated Alternator. Kit includes both adapters and an instruction sheet.

Easy to install:

1) Disconnect the external voltage regulator leads and plug our "Special Regulator Adapter" into the voltage regulator lead wires. 2) Disconnect the alternator lead wires. 3) Install new "SI" Type Internal Regulated alternator. 4) Plug one end of our "Alternator Adapter" into the original alternator lead wires and the other into the alternator.

Typical application is '63-'74 GM Cars & Trucks, see carline catalogs for specific application information.

Part #27555

Retail \$21.00



Alternator Conversion Kit External to "CS" Type Internal

This kit makes it easy to convert from an External Regulated Alternator to a "CS" Type Internal Regulated Alternator. Kit includes both adapters and an instruction sheet.

Easy to install:

1) Disconnect the external voltage regulator leads and plug our "Special Regulator Adapter" into the voltage regulator lead wires. 2) Disconnect the alternator lead wires. 3) Install new "SI" Type Internal Regulated alternator. 4) Plug one end of our "Alternator Adapter" into the original alternator lead wires and the other into the alternator.

Typical application is '63-'74 GM Cars & Trucks, see carline catalogs for specific application information.

Part #37787

Retail \$21.00



Alternator Conversion Kit "SI" Type Internal to CS130/CS144 Type Internal

Allows for an easy conversion from an "SI" type internal regulated alternator to a "CS130" or "CS144" type internal regulated alternator. Simple to install, the mating end of the adapter pigtail plugs perfectly to the original alternator connector, and the other end plugs right into any "CS130" or "CS144" type alternator. Kit includes adapter pigtail and an instruction sheet.

Typical application is '69-'84 GM Cars & Trucks, see carline catalogs for specific application information.

Part #37796

Retail \$15.00



Alternator Conversion Kits

See car line catalogs
for specific applications

Alternator Conversion Kit

"SI" Type Internal to "CS130D" Type Internal

Allows for an easy conversion from an "SI" type internal regulated alternator to a "CS130D" type internal regulated alternator. Simple to install, the mating end of the adapter pigtail plugs perfectly to the original alternator connector, and the other end plugs right into any "CS130D" type alternator. Kit includes adapter pigtail and an instruction sheet.

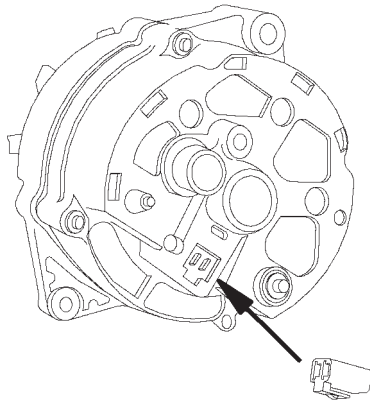
Typical application is '69-'84 GM Cars & Trucks, see carline catalogs for specific application information.

Part #39472

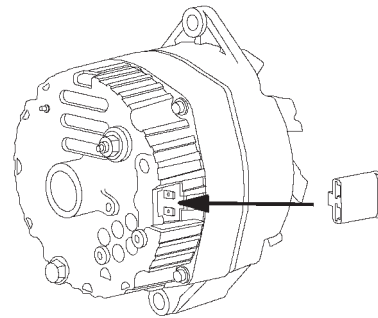
Retail \$18.00



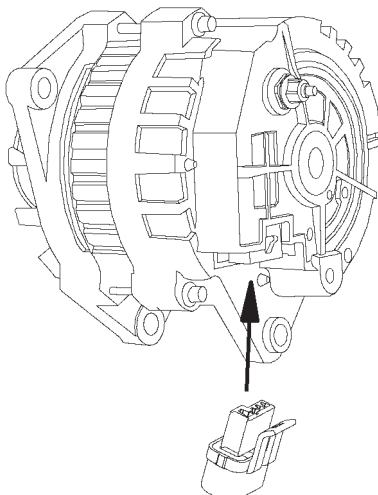
Alternator Identification



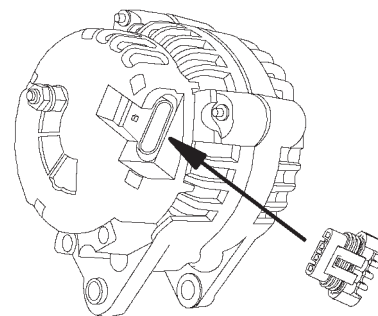
1963-1974
External Regulated Alternator



1969-1984 "SI" Type
Internal Regulated Alternator



1984-1999 "CS130" & "CS144" Type
Internal Regulated Alternator



1994-Newer "CS130D" Type
Internal Regulated Alternator

Breakerless SE Single Wire Ignition

Simple 1 Wire Hook-Up, just connect the original points wire to the module

Completely stock appearance

Emissions Legal in all 50 States

Three year warranty

The Breakerless SE allows you to convert any 1957 to 1974 GM, AMC or Jeep V8 breaker point type distributor (with a windowed type distributor cap) to a reliable solid-state electronic ignition, utilizing a fully integrated trigger and power module that fits completely inside the distributor.

Unlike competitive systems though, no additional wires protrude from the distributor, only the original points wire. The result is a state-of-the-art ignition with an absolutely stock appearance. The Breakerless SE is so unique that it's patented !



Outstanding features of this unit include:

- Single wire operation to preserve stock appearance and simplify wiring.
- Active dwell control maintains high rpm spark energy while reducing coil heating at idle.
- Auto-standby prevents coil damage or dead battery if the ignition is accidentally left on.
- Hall effect rotary-vane sensor design compensates for worn bearings and distributor end play. Magnetic sensor is unaffected by oil, dirt or other contaminants, unlike optical systems.
- Over-voltage/over-current protected against damage from high amp battery chargers, reversed battery, or improper wiring.
- Constructed with premium quality components. Sealed, hi-temp thermoplastic housing provides exceptional resistance against moisture and vibration.
- No distributor modification, disassembly, or removal is required.

Kit comes complete with everything you'll need to install the Breakerless SE Single Wire Ignition. Kit includes: 1 Module, 1 (two-piece) vane, all necessary installation hardware and a comprehensive instruction sheet.

Part #38131
Retail \$169.00

**For more info on this product
visit www.breakerless.com**

Transistor Ignition Replacement Module

Drop-In Replacement Module fits all Chevrolet & Pontiac cars equipped with the rare and optional Transistor Ignition System

Drops into the Original Finned Amplifier Housing

Quicker Starts

Improved Performance

M&H's Transistor Ignition Replacement Module is a drop-in performance upgrade, and provides state-of-the-art ignition technology. This replacement module generates twice the coil primary voltage providing up to 10% more available secondary voltage with the factory T.I. coil. It also can be used with point type or aftermarket coils or M&H's own T.I. Replacement Coil. It provides output protection against failure caused by broken or disconnected plug wires, and has an extended temperature range to over 300-degrees. The state-of-the-art electronics are completely sealed in thermoplastic to keep water and contaminants out. Superior construction provides superior performance, just like all M&H Electric's products.



Simple to Install

- Remove the backing plate from your original amplifier housing
- Remove wiring from original circuit board and unscrew it from the housing
- Thoroughly clean the inside of the housing
- Screw in M&H's new T.I. Replacement Module and attach the wiring
- ***That's it, you'll enjoy Quicker Starts and Improved Performance***

Fits all Chevrolet & Pontiac cars with Transistor Ignition

**Part #32270
Retail \$149.00**

Part Number	Year	Description	Price	*Rev.
FSP	ALL	PONTIAC PASSENGER/GRAND PRIX CATALOG	\$0.00	
R0058272	ALL	HARNESS TAPE, 3/4" vinyl (100 ft. roll) non-adhesive	\$12.00	
R0058276	ALL	HARNESS TAPE, 1" vinyl (100 ft. roll) non-adhesive	\$13.00	
R0067108	ALL	HARNESS TAPE, 1 1/4" vinyl (100 ft. roll) non-adhesive	\$15.00	
02270	1956	AIR CONDITIONING HARNESS, includes heater wiring	\$160.00	
02595	1957	AIR CONDITIONING HARNESS, includes heater wiring	\$160.00	
02780	1958	AIR CONDITIONING HARNESS, includes heater wiring	\$170.00	
06260	1958	AIR CONDITIONING EXTENSION HARNESS, clutch wire, with cool pack	\$30.00	
03735	1958	AIR CONDITIONING EXTENSION HARNESS, with 6 cylinder, compressor adapter	\$30.00	
02870	1959	AIR CONDITIONING HARNESS, with circulaire, includes heater wiring	\$160.00	
02915	1959	AIR CONDITIONING HARNESS, with cool pack, includes heater wiring	\$70.00	
06260	1959	AIR CONDITIONING EXTENSION HARNESS, clutch wire, with cool pack	\$30.00	
03735	1959	AIR CONDITIONING EXTENSION HARNESS, with 6 cylinder, compressor adapter	\$30.00	
03220	1960	AIR CONDITIONING HARNESS, with circulaire, includes heater wiring	\$160.00	
03170	1960	AIR CONDITIONING HARNESS, with cool pack, includes heater wiring	\$70.00	
03735	1960	AIR CONDITIONING EXTENSION HARNESS, with 6 cylinder, compressor adapter	\$30.00	
03605	1961	AIR CONDITIONING HARNESS, with circulaire, includes heater wiring	\$170.00	
03735	1961	AIR CONDITIONING EXTENSION HARNESS, with 6 cylinder, compressor adapter	\$30.00	
03585	1961	AIR CONDITIONING HARNESS, with cool pack, includes heater wiring	\$70.00	
03835	1962	AIR CONDITIONING HARNESS, with cool pack, (universal), includes heater wiring	\$70.00	
04425	1963	AIR CONDITIONING HARNESS, field installed, includes heater wiring	\$170.00	
05180	1964	AIR CONDITIONING HARNESS, factory installed, includes heater wiring	\$160.00	
04585	1964	AIR CONDITIONING HARNESS, field installed, includes heater wiring	\$170.00	
05820	1965	AIR CONDITIONING HARNESS, field installed, includes heater wiring	\$160.00	
05725	1965	AIR CONDITIONING HARNESS, standard, includes heater wiring	\$140.00	
05880	1965	AIR CONDITIONING HARNESS, with auto temp control, includes heater wiring	\$170.00	
38178	1970	AIR CONDITIONING HARNESS, grand prix, dash side, with heated rear defogger (use with #38177)	\$80.00	
38177	1970	AIR CONDITIONING HARNESS, grand prix, engine side, with heated rear defogger (use with #38178)	\$120.00	
27555	1969	ALTERNATOR CONVERSION KIT, external to internal regulator conversion harness ("si" series) NOTE: for use with 1972-84 non-serpentine belt ("SI" series) internal regulated alternators	\$21.00	
37787	1969	ALTERNATOR CONVERSION KIT, external to internal regulator conversion harness ("cs" series) NOTE: for use with serpentine belt ("CS" series) internal regulated alternators	\$21.00	
27555	1970	ALTERNATOR CONVERSION KIT, external to internal regulator conversion harness ("si" series) NOTE: for use with 1972-84 non-serpentine belt ("SI" series) internal regulated alternators	\$21.00	
37787	1970	ALTERNATOR CONVERSION KIT, external to internal regulator conversion harness ("cs" series) NOTE: for use with serpentine belt ("CS" series) internal regulated alternators	\$21.00	
43252	1969	ASSEMBLY MANUAL, pontiac passenger, factory assembly instruction guide	\$25.00	N
36359	1970	ASSEMBLY MANUAL, grand prix, factory assembly instruction guide	\$25.00	
43541	1970	ASSEMBLY MANUAL, pontiac passenger, factory assembly instruction guide	\$25.00	N
36360	1971	ASSEMBLY MANUAL, grand prix, factory assembly instruction guide	\$25.00	
43542	1971	ASSEMBLY MANUAL, pontiac passenger, factory assembly instruction guide	\$25.00	N
43543	1973	ASSEMBLY MANUAL, pontiac passenger, factory assembly instruction guide	\$25.00	N
43544	1974	ASSEMBLY MANUAL, pontiac passenger, factory assembly instruction guide	\$25.00	N
43545	1975	ASSEMBLY MANUAL, pontiac passenger, factory assembly instruction guide	\$25.00	N
43546	1976	ASSEMBLY MANUAL, pontiac passenger, factory assembly instruction guide	\$25.00	N
07105	1964	AUXILIARY GAUGE PANEL HARNESS, with auxiliary gauges	\$56.00	
06240	1965	AUXILIARY GAUGE PANEL HARNESS, with auxiliary gauges	\$54.00	

Part Number	Year	Description	Price	*Rev.
01993662	1960	BACKUP LAMP SWITCH, 4 speed, manual trans	\$64.00	
01993662	1961	BACKUP LAMP SWITCH, 4 speed, manual trans	\$64.00	
01993662	1962	BACKUP LAMP SWITCH, 4 speed, manual trans	\$64.00	
01993662	1963	BACKUP LAMP SWITCH, 4 speed, manual trans	\$64.00	
01993662	1964	BACKUP LAMP SWITCH, 4 speed, manual trans	\$64.00	
01993310	1965	BACKUP LAMP SWITCH, 3 speed, manual trans	\$64.00	
01993309	1965	BACKUP LAMP SWITCH, 4 speed, manual trans	\$64.00	
01993310	1966	BACKUP LAMP SWITCH, 3 speed, manual trans	\$64.00	
01993309	1966	BACKUP LAMP SWITCH, 4 speed, manual trans	\$64.00	
01993310	1967	BACKUP LAMP SWITCH, 3 speed, manual trans	\$64.00	
01993309	1967	BACKUP LAMP SWITCH, 4 speed, manual trans	\$64.00	
03943657	1969	BACKUP LAMP SWITCH, manual trans	\$50.00	
03943657	1970	BACKUP LAMP SWITCH, manual trans	\$50.00	
03943657	1971	BACKUP LAMP SWITCH, manual trans	\$50.00	
03943657	1972	BACKUP LAMP SWITCH, manual trans	\$50.00	
12695	1968	BACKUP LAMP SWITCH EXTENSION HARNESS, manual trans, dash harness side to engine compartment NOTE: connects to Part# 12690 backup lamp switch extension harness	\$24.00	
12690	1968	BACKUP LAMP SWITCH EXTENSION HARNESS, manual trans, engine compartment side to backup lamp switch NOTE: connects to Part# 12695 backup lamp switch extension harness	\$24.00	
02800	1959	BATTERY CABLE JUMPER, pos, v/8, junction block to starter	\$50.00	
02800	1960	BATTERY CABLE JUMPER, pos, v/8, junction block to starter	\$50.00	
03635	1961	BATTERY CABLE JUMPER, pos, v/8, junction block to starter, except super duty	\$50.00	
02800	1961	BATTERY CABLE JUMPER, pos, v/8, junction block to starter, super duty	\$50.00	
03635	1962	BATTERY CABLE JUMPER, pos, v/8, junction block to starter, except super duty	\$50.00	
02800	1962	BATTERY CABLE JUMPER, pos, v/8, junction block to starter, super duty	\$50.00	
04015	1963	BATTERY CABLE JUMPER, pos, v/8, junction block to starter,exc. 421 c.i. super duty	\$50.00	
23340	1963	BATTERY CABLE JUMPER, pos, junction block to starter, all 421 c.i. super duty	\$50.00	
04015	1964	BATTERY CABLE JUMPER, pos, v/8, junction block to starter, all	\$50.00	
27875	1955	BATTERY CABLE, TOP POST, neg (braided strap type)	\$50.00	
27875	1956	BATTERY CABLE, TOP POST, neg (braided strap type)	\$50.00	
27875	1957	BATTERY CABLE, TOP POST, neg (braided strap type)	\$50.00	
29715	1958	BATTERY CABLE, TOP POST, neg	\$50.00	
03470	1961	BATTERY CABLE, SPRING RING, neg, with a/c	\$50.00	
02920	1961	BATTERY CABLE, SPRING RING, neg, without a/c	\$50.00	
03470	1962	BATTERY CABLE, SPRING RING, neg, with a/c	\$50.00	
02920	1962	BATTERY CABLE, SPRING RING, neg, without a/c	\$50.00	
02920	1963	BATTERY CABLE, SPRING RING, neg, all	\$50.00	
03430	1964	BATTERY CABLE, SPRING RING, neg, all	\$50.00	
03430	1965	BATTERY CABLE, SPRING RING, neg, all	\$50.00	
03430	1966	BATTERY CABLE, SPRING RING, neg, all	\$50.00	
03430	1967	BATTERY CABLE, SPRING RING, neg, all	\$50.00	
03430	1968	BATTERY CABLE, SPRING RING, neg, all	\$50.00	
03425	1969	BATTERY CABLE, SPRING RING, neg, all, except grand prix	\$50.00	
12575	1969	BATTERY CABLE, SPRING RING, neg, grand prix	\$65.00	N
13675	1970	BATTERY CABLE, SIDE POST, neg, grand prix, with 455 c.i.	\$65.00	N
12575	1970	BATTERY CABLE, SPRING RING, neg, grand prix, except 455 c.i.	\$65.00	N
14640	1970	BATTERY CABLE, SPRING RING, neg, grand prix, with 455 c.i.	\$65.00	N
39348	1971	BATTERY CABLE, SIDE POST, neg, grand prix, with 455 c.i.	\$54.00	N

Part Number	Year	Description	Price	*Rev.
12575	1971	BATTERY CABLE, SPRING RING, neg, grand prix, except 455 c.i.	\$65.00	N
30405	1955	BATTERY CABLE, TOP POST , pos, battery to starter	\$50.00	
30440	1956	BATTERY CABLE, TOP POST , pos, battery to starter	\$50.00	
30440	1957	BATTERY CABLE, TOP POST , pos, battery to starter	\$50.00	
29710	1958	BATTERY CABLE, TOP POST , pos, manual trans	\$50.00	
34710	1961	BATTERY CABLE, SPRING RING, pos, battery to junction block, all	\$50.00	
34710	1962	BATTERY CABLE, SPRING RING, pos, battery to junction block, all	\$50.00	
34710	1963	BATTERY CABLE, SPRING RING, pos, battery to junction block, all, except grand prix	\$50.00	
04020	1963	BATTERY CABLE, SPRING RING, pos, battery to junction block, grand prix	\$50.00	
34710	1964	BATTERY CABLE, SPRING RING, pos, battery to junction block, all, except grand prix	\$50.00	
04020	1964	BATTERY CABLE, SPRING RING, pos, battery to junction block, grand prix	\$50.00	
04200	1969	BATTERY CABLE, SPRING RING, pos, all, except grand prix	\$50.00	
12515	1969	BATTERY CABLE, SPRING RING, pos, grand prix	\$65.00	N
12515	1970	BATTERY CABLE, SPRING RING, pos, grand prix, except 455 c.i.	\$65.00	N
13670	1970	BATTERY CABLE, SIDE POST, pos, grand prix, with 455 c.i.	\$65.00	N
14600	1970	BATTERY CABLE, SPRING RING, pos, grand prix, with 455 c.i.	\$65.00	N
38131	ALL	BREAKERLESS SE SINGLE WIRE ELECTRONIC IGNITION KIT, for 1957-74 breaker point distributors with windowed type distributor cap.	\$169.00	
05765	1965	CLOCK HARNESS, dash harness to clock	\$19.00	
05595	1964	CONSOLE HARNESS, auto trans	\$125.00	
36836	1964	CONSOLE HARNESS, manual trans	\$100.00	
06190	1965	CONSOLE HARNESS, auto trans	\$90.00	
00970	1965	CONSOLE HARNESS, manual trans	\$25.00	
10045	1966	CONSOLE HARNESS, auto trans	\$55.00	
09555	1966	CONSOLE HARNESS, manual trans	\$25.00	
10045	1967	CONSOLE HARNESS, auto trans	\$55.00	
11135	1967	CONSOLE HARNESS, manual trans	\$25.00	
10045	1968	CONSOLE HARNESS, auto trans	\$55.00	
11135	1968	CONSOLE HARNESS, manual trans	\$25.00	
32405	1959	COURTESY LAMP HARNESS, side roof rail lamp, bonneville 2 door sport coupe	\$29.00	
32410	1959	COURTESY LAMP HARNESS, side roof rail lamp, bonneville & star chief 4 door vista	\$29.00	
32420	1960	COURTESY LAMP HARNESS, reading lamp jumper, bonneville 4 door safari	\$29.00	
32420	1960	COURTESY LAMP HARNESS, reading lamp jumper, catalina, all except convertible	\$29.00	
32420	1960	COURTESY LAMP HARNESS, reading lamp jumper, star chief 2 & 4 door sport sedan	\$29.00	
08005	1965	COURTESY LAMP HARNESS, center roof mounted dome lamp	\$35.00	
08030	1965	COURTESY LAMP HARNESS, roof rail lamp, bonneville & star chief 4 door vista	\$39.00	
08005	1966	COURTESY LAMP HARNESS, center roof mounted dome lamp	\$35.00	
08030	1966	COURTESY LAMP HARNESS, roof rail lamp, bonneville & star chief 4 door vista	\$39.00	
08005	1967	COURTESY LAMP HARNESS, center roof mounted dome lamp	\$35.00	
02210	1955	DASH & ENGINE COMPARTMENT HARNESS, with directional signals	\$580.00	
02265	1956	DASH & ENGINE COMPARTMENT HARNESS, with directional signals	\$580.00	
02420	1957	DASH & ENGINE COMPARTMENT HARNESS	\$580.00	
02675	1958	DASH & ENGINE COMPARTMENT HARNESS	\$580.00	
02795	1959	DASH & ENGINE COMPARTMENT HARNESS, without a/c	\$625.00	
		NOTE: customer must supply their original fuseblock		
00985	1959	DASH & ENGINE COMPARTMENT HARNESS, with a/c	\$625.00	
		NOTE: customer must supply their original fuseblock		

Part Number	Year	Description	Price	*Rev.
03225	1960	DASH & ENGINE COMPARTMENT HARNESS, with manual control heater NOTE: customer must supply their original fuseblock	\$625.00	
03055	1960	DASH & ENGINE COMPARTMENT HARNESS, with push button control heater NOTE: customer must supply their original fuseblock	\$625.00	
03060	1960	DASH & ENGINE COMPARTMENT HARNESS, with a/c NOTE: customer must supply their original fuseblock	\$640.00	
03440	1961	DASH INSTRUMENT CLUSTER EXTENSION HARNESS	\$100.00	
03445	1961	DASH & ENGINE COMPARTMENT HARNESS, with manual control heater NOTE: customer must supply their original fuseblock	\$625.00	
03450	1961	DASH & ENGINE COMPARTMENT HARNESS, with push button control heater NOTE: customer must supply their original fuseblock	\$640.00	
03455	1961	DASH & ENGINE COMPARTMENT HARNESS, with a/c NOTE: customer must supply their original fuseblock	\$640.00	
03440	1962	DASH INSTRUMENT CLUSTER EXTENSION HARNESS	\$100.00	
03775	1962	DASH & ENGINE COMPARTMENT HARNESS, with push button control heater NOTE: customer must supply their original fuseblock	\$625.00	
04040	1962	DASH & ENGINE COMPARTMENT HARNESS, with a/c & alternator NOTE: customer must supply their original fuseblock	\$640.00	
03780	1962	DASH & ENGINE COMPARTMENT HARNESS, with a/c & generator NOTE: customer must supply their original fuseblock	\$640.00	
04065	1963	DASH & ENGINE HARNESS, without a/c NOTE: customer must supply their original fuseblock	\$625.00	
04310	1963	DASH & ENGINE HARNESS, with a/c NOTE: customer must supply their original fuseblock	\$625.00	
04545	1964	DASH HARNESS, column shift auto or all manual trans Note: Requires customers original dash harness	\$625.00	
04550	1964	DASH HARNESS, column shift auto or all manual trans, with a/c Note: Requires customers original dash harness	\$625.00	
05120	1964	DASH HARNESS, console shift, auto trans Note: Requires customers original dash harness	\$625.00	
05125	1964	DASH HARNESS, console shift, auto trans, with a/c Note: Requires customers original dash harness	\$625.00	
00975	1965	DASH HARNESS, column shift auto or all manual trans Note: Requires customers original dash harness	\$625.00	
05980	1965	DASH HARNESS, column shift auto or all manual trans, with standard a/c Note: Requires customers original dash harness	\$625.00	
09265	1965	DASH HARNESS, column shift auto or all manual trans, with auto temp a/c Note: Requires customers original dash harness	\$625.00	
05990	1965	DASH HARNESS, console shift, auto trans Note: Requires customers original dash harness	\$625.00	
05985	1965	DASH HARNESS, console shift, auto trans, with standard a/c Note: Requires customers original dash harness	\$625.00	
00980	1965	DASH HARNESS, console shift, auto trans, with auto temp control a/c Note: Requires customers original dash harness	\$640.00	
09335	1966	DASH HARNESS, column shift auto or all manual trans Note: Requires customers original dash harness	\$640.00	
09350	1966	DASH HARNESS, column shift auto or all manual trans, with gauges Note: Requires customers original dash harness	\$640.00	
09340	1966	DASH HARNESS, console shift, auto trans Note: Requires customers original dash harness	\$640.00	
09355	1966	DASH HARNESS, console shift, auto trans, with gauges Note: Requires customers original dash harness	\$640.00	

Part Number	Year	Description	Price	*Rev.
10360	1967	DASH HARNESS, column shift auto or all manual trans Note: Requires customers original dash harness	\$640.00	
10515	1967	DASH HARNESS, column shift auto or all manual trans, with gauges Note: Requires customers original dash harness	\$640.00	
10365	1967	DASH HARNESS, console shift, auto trans Note: Requires customers original dash harness	\$640.00	
10520	1967	DASH HARNESS, console shift, auto trans, with gauges Note: Requires customers original dash harness	\$640.00	
11330	1968	DASH HARNESS, column shift auto or all manual trans Note: Requires customers original dash harness	\$640.00	
11340	1968	DASH HARNESS, column shift auto or all manual trans, with gauges Note: Requires customers original dash harness	\$640.00	
11335	1968	DASH HARNESS, console shift, auto trans Note: Requires customers original dash harness	\$640.00	
11345	1968	DASH HARNESS, console shift, auto trans, with gauges Note: Requires customers original dash harness	\$640.00	
12810	1969	DASH HARNESS, passenger NOTE: this harness conatins a resistance wire in it and must be modified if using with a GM H.E.I. distributor	\$640.00	
12815	1969	DASH HARNESS, passenger, with gauges NOTE: this harness conatins a resistance wire in it and must be modified if using with a GM H.E.I. distributor	\$640.00	
13530	1969	DASH HARNESS, grand prix NOTE: this harness conatins a resistance wire in it and must be modified if using with a GM H.E.I. distributor	\$640.00	
13535	1969	DASH HARNESS, grand prix, with gauges NOTE: this harness conatins a resistance wire in it and must be modified if using with a GM H.E.I. distributor	\$640.00	
15835	1970	DASH HARNESS, passenger NOTE: this harness conatins a resistance wire in it and must be modified if using with a GM H.E.I. distributor	\$640.00	
15840	1970	DASH HARNESS, passenger, with gauges NOTE: this harness conatins a resistance wire in it and must be modified if using with a GM H.E.I. distributor	\$640.00	
15845	1970	DASH HARNESS, grand prix NOTE: this harness conatins a resistance wire in it and must be modified if using with a GM H.E.I. distributor	\$640.00	
15850	1970	DASH HARNESS, grand prix, with gauges NOTE: this harness conatins a resistance wire in it and must be modified if using with a GM H.E.I. distributor	\$640.00	
16215	1971	DASH HARNESS, passenger, all	\$640.00	
16225	1971	DASH HARNESS, grand prix	\$640.00	
16670	1971	DASH HARNESS, grand prix, with gauges	\$640.00	
36057	ALL	DISTRIBUTOR WIRE, distributor points to coil negative terminal, v/8	\$12.00	
32415	1959	DOME LAMP FEED & GROUND, catalina 4 door vista	\$31.00	
32400	1959	DOME LAMP FEED & GROUND, bonneville, catalina & star chief 4 dr sedan & safari and 2 dr sport coupe & sedan	\$28.00	
04555	1964	ENGINE HARNESS, v/8, (original 2 wire voltage regulator) NOTE: requires use of customers bulkhead connector	\$160.00	
36213	1964	ENGINE HARNESS, v/8, (updated 4 wire voltage regulator) NOTE: requires use of customers bulkhead connector	\$160.00	
05190	1964	ENGINE HARNESS, v/8, with a/c (original 2 wire voltage regulator) NOTE: requires use of customers bulkhead connector	\$170.00	
36214	1964	ENGINE HARNESS, v/8, with a/c (updated 4 wire voltage regulator) NOTE: requires use of customers bulkhead connector	\$170.00	
05925	1965	ENGINE HARNESS, v/8, (original 2 wire voltage regulator) NOTE: requires use of customers bulkhead connector	\$160.00	

Part Number	Year	Description	Price	*Rev.
36215	1965	ENGINE HARNESS, v/8, (updated wire 4 voltage regulator) NOTE: requires use of customers bulkhead connector	\$160.00	
05930	1965	ENGINE HARNESS, v/8, with standard a/c (original 2 wire voltage regulator) NOTE: requires use of customers bulkhead connector	\$170.00	
36216	1965	ENGINE HARNESS, v/8, with standard a/c (updated 4 wire voltage regulator) NOTE: requires use of customers bulkhead connector	\$170.00	
06050	1965	ENGINE HARNESS, v/8, with auto temp control a/c (original 2 wire voltage regulator) NOTE: requires use of customers bulkhead connector	\$170.00	
36217	1965	ENGINE HARNESS, v/8, with auto temp control a/c (updated 4 wire voltage regulator) NOTE: requires use of customers bulkhead connector	\$170.00	
09345	1966	ENGINE HARNESS, v/8, (original 2 wire voltage regulator) NOTE: requires use of customers bulkhead connector	\$160.00	
36218	1966	ENGINE HARNESS, v/8, (updated 4 wire voltage regulator) NOTE: requires use of customers bulkhead connector	\$160.00	
09545	1966	ENGINE HARNESS, v/8, with standard a/c (original 2 wire voltage regulator) NOTE: requires use of customers bulkhead connector	\$170.00	
36219	1966	ENGINE HARNESS, v/8, with standard a/c (updated 4 wire voltage regulator) NOTE: requires use of customers bulkhead connector	\$170.00	
09550	1966	ENGINE HARNESS, v/8, with auto temp control a/c (original 2 wire voltage regulator) NOTE: requires use of customers bulkhead connector	\$170.00	
36220	1966	ENGINE HARNESS, v/8, with auto temp control a/c (updated 4 wire voltage regulator) NOTE: requires use of customers bulkhead connector	\$170.00	
10230	1967	ENGINE HARNESS, v/8, (original 2 wire voltage regulator) NOTE: requires use of customers bulkhead connector	\$160.00	
36221	1967	ENGINE HARNESS, v/8, (updated 4 wire voltage regulator) NOTE: requires use of customers bulkhead connector	\$160.00	
10235	1967	ENGINE HARNESS, v/8, with standard a/c (original 2 wire voltage regulator) NOTE: requires use of customers bulkhead connector	\$170.00	
36222	1967	ENGINE HARNESS, v/8, with standard a/c (updated 4 wire voltage regulator) NOTE: requires use of customers bulkhead connector	\$170.00	
10240	1967	ENGINE HARNESS, v/8, with auto temp control a/c (original 2 wire voltage regulator) NOTE: requires use of customers bulkhead connector	\$170.00	
36223	1967	ENGINE HARNESS, v/8, with auto temp control a/c (updated 4 wire voltage regulator) NOTE: requires use of customers bulkhead connector	\$170.00	
10290	1967	ENGINE HARNESS, v/8, with t.i. (original 2 wire voltage regulator) NOTE: requires use of customers bulkhead connector	\$180.00	
36224	1967	ENGINE HARNESS, v/8, with t.i. (updated 4 wire voltage regulator) NOTE: requires use of customers bulkhead connector	\$180.00	
10295	1967	ENGINE HARNESS, v/8, with t.i. & standard a/c (original 2 wire voltage regulator) NOTE: requires use of customers bulkhead connector	\$180.00	
36225	1967	ENGINE HARNESS, v/8, with t.i. & standard a/c (updated 4 wire voltage regulator) NOTE: requires use of customers bulkhead connector	\$180.00	
10300	1967	ENGINE HARNESS, v/8, with t.i. & auto temp control a/c (original 2 wire voltage regulator) NOTE: requires use of customers bulkhead connector	\$180.00	
36226	1967	ENGINE HARNESS, v/8, with t.i. & auto temp control a/c (updated 4 wire voltage regulator) NOTE: requires use of customers bulkhead connector	\$180.00	
11355	1968	ENGINE HARNESS, v/8 (original 2 wire voltage regulator)	\$200.00	
36227	1968	ENGINE HARNESS, v/8 (updated 4 wire voltage regulator)	\$200.00	
11350	1968	ENGINE HARNESS, v/8, with a/c (original 2 wire voltage regulator)	\$210.00	
36228	1968	ENGINE HARNESS, v/8 with a/c (updated 4 wire voltage regulator)	\$210.00	
12175	1968	ENGINE HARNESS, v/8, with internal regulator	\$210.00	
12180	1968	ENGINE HARNESS, v/8, with internal regulator & a/c	\$210.00	

Part Number	Year	Description	Price	*Rev.
12840	1969	ENGINE HARNESS, passenger, v/8	\$200.00	
12845	1969	ENGINE HARNESS, passenger, v/8, with gauges	\$200.00	
12850	1969	ENGINE HARNESS, passenger, v/8, with internal regulator	\$210.00	
12855	1969	ENGINE HARNESS, passenger, v/8, with internal regulator & gauges	\$210.00	
12860	1969	ENGINE HARNESS, passenger, v/8, with heavy duty alternator (62 amp)	\$210.00	
13480	1969	ENGINE HARNESS, passenger, v/8, with heavy duty alternator (62 amp) & gauges	\$210.00	
13290	1969	ENGINE HARNESS, grand prix, v/8	\$190.00	
12870	1969	ENGINE HARNESS, grand prix, v/8, with internal regulator	\$190.00	
13705	1970	ENGINE HARNESS, passenger, v/8, auto trans	\$240.00	
13650	1970	ENGINE HARNESS, passenger, v/8, manual trans	\$240.00	
13700	1970	ENGINE HARNESS, passenger, v/8, auto trans, with gauges	\$240.00	
13690	1970	ENGINE HARNESS, passenger, v/8, manual trans, with gauges	\$240.00	
15580	1970	ENGINE HARNESS, passenger, v/8, auto trans & heavy duty alternator (62 amp)	\$240.00	
13710	1970	ENGINE HARNESS, passenger, v/8, manual trans & heavy duty alternator (62 amp)	\$240.00	
15565	1970	ENGINE HARNESS, grand prix, v/8, auto trans	\$199.00	
15560	1970	ENGINE HARNESS, grand prix, v/8, manual trans	\$199.00	
16070	1971	ENGINE HARNESS, passenger, v/8, 350 c.i. auto trans	\$240.00	
15915	1971	ENGINE HARNESS, passenger, v/8, 350 c.i., manual trans	\$240.00	
16705	1971	ENGINE HARNESS, passenger, v/8, all with unitized distributor	\$250.00	
16065	1971	ENGINE HARNESS, grand prix, v/8, auto trans	\$199.00	
37984	1971	ENGINE HARNESS, grand prix, v/8, auto trans, with a/c	\$209.00	
16060	1971	ENGINE HARNESS, grand prix, v/8, manual trans	\$199.00	
37985	1971	ENGINE HARNESS, grand prix, v/8, manual trans, with a/c	\$209.00	
16075	1971	ENGINE HARNESS, grand prix, v/8, all with unitized distributor	\$250.00	
16955	1972	ENGINE HARNESS, passenger, v/8	\$240.00	
16970	1972	ENGINE HARNESS, passenger, v/8, with unitized distributor	\$250.00	
16945	1972	ENGINE HARNESS, grand prix, v/8	\$240.00	
16950	1972	ENGINE HARNESS, grand prix, v/8, with unitized distributor	\$209.00	
41514	1973	ENGINE HARNESS, v/8, except grand prix, early production, without unitized distributor NOTE: WITH A 4 CONTACT CONNECTOR AT DISTRIBUTOR VACUUM SOLENOID, ALSO CUSTOMER MUST REUSE THEIR ORIGINAL PLASTIC CONNECTOR FOR THE DISTRIBUTOR VACUUM SOLENOID RELAY	\$249.00	N
41515	1973	ENGINE HARNESS, v/8, except grand prix, early production, with unitized distributor NOTE: WITH A 4 CONTACT CONNECTOR AT DISTRIBUTOR VACUUM SOLENOID, ALSO CUSTOMER MUST REUSE THEIR ORIGINAL PLASTIC CONNECTOR FOR THE DISTRIBUTOR VACUUM SOLENOID RELAY	\$269.00	N
17080	1973	ENGINE HARNESS, v/8, all, late production, without unitized distributor NOTE: WITH A 2 CONTACT CONNECTOR AT DISTRIBUTOR VACUUM SOLENOID	\$249.00	N
17085	1973	ENGINE HARNESS, v/8, all, late production, with unitized distributor NOTE: WITH A 2 CONTACT CONNECTOR AT DISTRIBUTOR VACUUM SOLENOID	\$269.00	N
17030	1973	ENGINE HARNESS, v/8, grand prix, early production, without unitized distributor NOTE: WITH A 4 CONTACT CONNECTOR AT DISTRIBUTOR VACUUM SOLENOID, ALSO CUSTOMER MUST REUSE THEIR ORIGINAL PLASTIC CONNECTOR FOR THE DISTRIBUTOR VACUUM SOLENOID RELAY	\$249.00	N
17035	1973	ENGINE HARNESS, v/8, grand prix, early production, with unitized distributor NOTE: WITH A 4 CONTACT CONNECTOR AT DISTRIBUTOR VACUUM SOLENOID, ALSO CUSTOMER MUST REUSE THEIR ORIGINAL PLASTIC CONNECTOR FOR THE DISTRIBUTOR VACUUM SOLENOID RELAY	\$269.00	N
17060	1974	ENGINE HARNESS, v/8, all, without unitized distributor NOTE: CUSTOMER MUST REUSE THEIR ORIGINAL PLASTIC CONNECTOR FOR THE SEAT BELT CONTROL SWITCH	\$249.00	N
17110	1974	ENGINE HARNESS, v/8, all, with unitized distributor NOTE: CUSTOMER MUST REUSE THEIR ORIGINAL PLASTIC CONNECTOR FOR THE SEAT BELT CONTROL SWITCH	\$269.00	N
39509	1974	ENGINE HARNESS, v/8, all, with hei distributor NOTE: CUSTOMER MUST REUSE THEIR ORIGINAL PLASTIC CONNECTOR FOR THE SEAT BELT CONTROL SWITCH	\$249.00	N
40824	1975	ENGINE HARNESS, 6 cylinder, without seat belt interlock	\$269.00	N

Part Number	Year	Description	Price	*Rev.
40813	1975	ENGINE HARNESS, 6 cylinder, with seat belt interlock NOTE: CUSTOMER MUST REUSE THEIR ORIGINAL PLASTIC CONNECTOR FOR THE SEAT BELT CONTROL SWITCH	\$269.00	N
40823	1975	ENGINE HARNESS, v/8, all, without seat belt interlock	\$249.00	N
40686	1975	ENGINE HARNESS, v/8, all, with seat belt interlock NOTE: CUSTOMER MUST REUSE THEIR ORIGINAL PLASTIC CONNECTOR FOR THE SEAT BELT CONTROL SWITCH	\$249.00	N
40833	1975	ENGINE HARNESS, v/8, all, with a/c, without seat belt interlock	\$249.00	N
41524	1975	ENGINE HARNESS, v/8, all, with a/c & seat belt interlock NOTE: CUSTOMER MUST REUSE THEIR ORIGINAL PLASTIC CONNECTOR FOR THE SEAT BELT CONTROL SWITCH	\$249.00	N
37622	1975	ENGINE HARNESS, v/8, all, without catalytic converter	\$249.00	N
41525	1975	ENGINE HARNESS, v/8, all, with catalytic converter	\$269.00	N
40828	1976	ENGINE HARNESS, 6 cylinder, all	\$269.00	N
40843	1976	ENGINE HARNESS, v/8, all	\$249.00	N
41534	1977	ENGINE HARNESS, 6 cylinder	\$269.00	N
41535	1977	ENGINE HARNESS, v/8, 350 c.i. & 403 c.i. oldsmobile engines, except california emission system	\$249.00	N
41536	1977	ENGINE HARNESS, v/8, 350 c.i. & 403 c.i. oldsmobile engines, with california emission system	\$249.00	N
41537	1977	ENGINE HARNESS, v/8, 301 c.i., 350 c.i. & 400 c.i. pontiac engines	\$249.00	N
38320	1977	ENGINE HARNESS, v/8, grand prix, with 301 c.i., 350 c.i. & 400 c.i. pontiac engines	\$249.00	N
38618	1977	ENGINE HARNESS, v/8, grand prix, with 350 c.i. & 403 c.i. oldsmobile engines	\$249.00	N
41542	1978	ENGINE HARNESS, 6 cylinder	\$269.00	N
41543	1978	ENGINE HARNESS, v/8, 350 c.i. buick engine	\$249.00	N
41535	1978	ENGINE HARNESS, v/8, 350 c.i. & 403 c.i. oldsmobile engines	\$249.00	N
41537	1978	ENGINE HARNESS, v/8, 301 c.i., 350 c.i. & 400 c.i. pontiac engines	\$249.00	N
04060	1963	FORWARD LAMP HARNESS	\$180.00	
04560	1964	FORWARD LAMP HARNESS NOTE: requires use of customers bulkhead connector	\$195.00	
05615	1965	FORWARD LAMP HARNESS NOTE: requires use of customers bulkhead connector	\$230.00	
09360	1966	FORWARD LAMP HARNESS NOTE: requires use of customers bulkhead connector	\$230.00	
10305	1967	FORWARD LAMP HARNESS, passenger NOTE: requires use of customers bulkhead connector	\$230.00	
10310	1967	FORWARD LAMP HARNESS, grand prix NOTE: requires use of customers bulkhead connector	\$240.00	
11360	1968	FORWARD LAMP HARNESS, passenger	\$240.00	
11365	1968	FORWARD LAMP HARNESS, grand prix	\$240.00	
13400	1969	FORWARD LAMP HARNESS, passenger	\$240.00	
12905	1969	FORWARD LAMP HARNESS, grand prix	\$240.00	
13695	1970	FORWARD LAMP HARNESS, passenger	\$240.00	
13620	1970	FORWARD LAMP HARNESS, grand prix	\$240.00	
15895	1971	FORWARD LAMP HARNESS, passenger	\$240.00	
13625	1970	FORWARD LAMP HARNESS, grand prix, with cornering lamps	\$240.00	
15900	1971	FORWARD LAMP HARNESS, grand prix	\$240.00	
43909	1972	FORWARD LAMP HARNESS, all, without cornering lamps, except grand prix		N
43910	1972	FORWARD LAMP HARNESS, all, with cornering lamps, except grand prix		N
43911	1972	FORWARD LAMP HARNESS, all, grand prix, without cornering lamps		N
40391	1972	FORWARD LAMP HARNESS, all, grand prix, with cornering lamps	\$180.00	N
41516	1973	FORWARD LAMP HARNESS, all, without cornering lamps, except grand prix	\$279.00	N
41517	1973	FORWARD LAMP HARNESS, all, with cornering lamps, except grand prix	\$279.00	N
41518	1973	FORWARD LAMP HARNESS, all, grand prix, without cornering lamps	\$279.00	N
41519	1973	FORWARD LAMP HARNESS, all, grand prix, with cornering lamps	\$279.00	N
41520	1974	FORWARD LAMP HARNESS, all, without cornering lamps, except grand prix	\$279.00	N

Part Number	Year	Description	Price	*Rev.
41521	1974	FORWARD LAMP HARNESS, all, with cornering lamps, except grand prix	\$279.00	N
41522	1974	FORWARD LAMP HARNESS, all, grand prix, without cornering lamps	\$279.00	N
41523	1974	FORWARD LAMP HARNESS, all, grand prix, with cornering lamps	\$279.00	N
41526	1975	FORWARD LAMP HARNESS, all, without cornering lamps, except grand prix NOTE: USED ON CARS WITH ROUND HEADLAMPS	\$279.00	N
41527	1975	FORWARD LAMP HARNESS, all, with cornering lamps, except grand prix NOTE: USED ON CARS WITH ROUND HEADLAMPS	\$279.00	N
41528	1975	FORWARD LAMP HARNESS, all, without cornering lamps, except grand prix NOTE: USED ON CARS WITH RECTANGULAR HEADLAMPS	\$279.00	N
41529	1975	FORWARD LAMP HARNESS, all, with cornering lamps, except grand prix NOTE: USED ON CARS WITH RECTANGULAR HEADLAMPS	\$279.00	N
41530	1975	FORWARD LAMP HARNESS, all, grand prix, without cornering lamps	\$279.00	N
41531	1975	FORWARD LAMP HARNESS, all, grand prix, with cornering lamps	\$279.00	N
41526	1976	FORWARD LAMP HARNESS, all, without cornering lamps, except grand prix NOTE: USED ON CARS WITH ROUND HEADLAMPS	\$279.00	N
41527	1976	FORWARD LAMP HARNESS, all, with cornering lamps, except grand prix NOTE: USED ON CARS WITH ROUND HEADLAMPS	\$279.00	N
41528	1976	FORWARD LAMP HARNESS, all, without cornering lamps, except grand prix NOTE: USED ON CARS WITH RECTANGULAR HEADLAMPS	\$279.00	N
41529	1976	FORWARD LAMP HARNESS, all, with cornering lamps, except grand prix NOTE: USED ON CARS WITH RECTANGULAR HEADLAMPS	\$279.00	N
41532	1976	FORWARD LAMP HARNESS, all, grand prix, without cornering lamps	\$279.00	N
41533	1976	FORWARD LAMP HARNESS, all, grand prix, with cornering lamps	\$279.00	N
41538	1977	FORWARD LAMP HARNESS, all, without cornering lamps, except grand prix	\$279.00	N
41539	1977	FORWARD LAMP HARNESS, all, with cornering lamps, except grand prix	\$279.00	N
41540	1977	FORWARD LAMP HARNESS, all, grand prix, without cornering lamps	\$279.00	N
41541	1977	FORWARD LAMP HARNESS, all, grand prix, with cornering lamps	\$279.00	N
41544	1978	FORWARD LAMP HARNESS, all, without cornering lamps	\$279.00	N
41545	1978	FORWARD LAMP HARNESS, all, with cornering lamps	\$279.00	N
18000	1963	GLOVE BOX LAMP KIT, socket, bulb & wire	\$18.00	
18000	1964	GLOVE BOX LAMP KIT, socket, bulb & wire	\$18.00	
18000	1965	GLOVE BOX LAMP KIT, socket, bulb & wire	\$18.00	
18000	1966	GLOVE BOX LAMP KIT, socket, bulb & wire	\$18.00	
18000	1967	GLOVE BOX LAMP KIT, socket, bulb & wire	\$18.00	
38298	ALL	GROUND WIRE, DISTRIBUTOR POINT PLATE, from distributor point plate to distributor housing	\$11.00	
09595	1966	HEATER & A/C INDICATOR LAMP HARNESS, dash harness to heater or a/c control panel indicator	\$19.00	
04270	1963	INSTUMENT CLUSTER LAMP EXTENSION HARNESS, dash harness to ammeter, clock & fuel gauges lamps	\$26.00	
01242101	1966	KICKDOWN SWITCH, th400 auto trans, except grand prix	\$39.00	
01242101	1967	KICKDOWN SWITCH, th400 auto trans, except grand prix	\$39.00	
01242101	1968	KICKDOWN SWITCH, th400 auto trans, except grand prix	\$39.00	
01242101	1969	KICKDOWN SWITCH, th400 auto trans, except grand prix	\$39.00	
01242101	1970	KICKDOWN SWITCH, th400 auto trans, except grand prix	\$39.00	
01242101	1971	KICKDOWN SWITCH, th400 auto trans, except grand prix	\$39.00	
01242101	1972	KICKDOWN SWITCH, th400 auto trans, except grand prix	\$39.00	
01242101	1973	KICKDOWN SWITCH, th400 auto trans	\$39.00	
01242101	1974	KICKDOWN SWITCH, th400 auto trans	\$39.00	

Part Number	Year	Description	Price	*Rev.
500274	ALL	LOW FUEL INDICATOR MODULE, generic "adjustable" low fuel warning module NOTE: a complete electronic control unit to activate a warning lamp or relay when fuel level drops below a user adjustable level	\$49.00	
01993659	1965	NEUTRAL SAFETY/BACKUP LAMP SWITCH, with column shift powerglide auto trans	\$14.00	
09779665	1965	NEUTRAL SAFETY/BACKUP LAMP SWITCH, with console shift auto trans	\$70.00	
01993659	1966	NEUTRAL SAFETY/BACKUP LAMP SWITCH, with column shift powerglide auto trans	\$14.00	
09779665	1966	NEUTRAL SAFETY/BACKUP LAMP SWITCH, with console shift auto trans	\$70.00	
09779665	1967	NEUTRAL SAFETY/BACKUP LAMP SWITCH, with console shift auto trans	\$70.00	
09779665	1968	NEUTRAL SAFETY/BACKUP LAMP SWITCH, with console shift auto trans	\$70.00	
01994235	1969	NEUTRAL SAFETY/BACKUP LAMP SWITCH, with column shift auto trans, all	\$14.00	
01994235	1970	NEUTRAL SAFETY/BACKUP LAMP SWITCH, with column shift auto trans, all	\$14.00	
01994235	1971	NEUTRAL SAFETY/BACKUP LAMP SWITCH, with column shift auto trans, all	\$14.00	
01994235	1972	NEUTRAL SAFETY/BACKUP LAMP SWITCH, with column shift auto trans, all	\$14.00	
01994235	1973	NEUTRAL SAFETY/BACKUP LAMP SWITCH, with column shift auto trans, all	\$14.00	
01994163	1974	NEUTRAL SAFETY/BACKUP LAMP SWITCH, with auto trans, all	\$14.00	
03983965	1970	NEUTRAL SAFETY SWITCH, with 3 speed manual trans	\$50.00	
03983965	1971	NEUTRAL SAFETY SWITCH, with 3 speed manual trans	\$50.00	
03983965	1972	NEUTRAL SAFETY SWITCH, with 3 speed manual trans	\$50.00	
08790	1961	POWER ACCESSORY FEED WIRE, power seat circuit breaker to battery junction block	\$24.00	
39440	1970	POWER DOOR LOCK RELAY AND ADAPTER HARNESS, includes new standard type relay and adapter to mate to factory harness	\$29.00	
39440	1971	POWER DOOR LOCK RELAY AND ADAPTER HARNESS, includes new standard type relay and adapter to mate to factory harness	\$29.00	
39440	1972	POWER DOOR LOCK RELAY AND ADAPTER HARNESS, includes new standard type relay and adapter to mate to factory harness	\$29.00	
39440	1970	POWER SEAT BACK RELAY AND ADAPTER HARNESS, includes new standard type relay and adapter to mate to factory harness	\$29.00	
39440	1971	POWER SEAT BACK RELAY AND ADAPTER HARNESS, includes new standard type relay and adapter to mate to factory harness	\$29.00	
39440	1972	POWER SEAT BACK RELAY AND ADAPTER HARNESS, includes new standard type relay and adapter to mate to factory harness	\$29.00	
40146	1964	POWER SEAT MOTOR RELAY AND ADAPTER HARNESS, includes new standard type relay and adapter to mate to factory harness	\$40.00	
40146	1965	POWER SEAT MOTOR RELAY AND ADAPTER HARNESS, includes new standard type relay and adapter to mate to factory harness	\$40.00	
40146	1966	POWER SEAT MOTOR RELAY AND ADAPTER HARNESS, includes new standard type relay and adapter to mate to factory harness	\$40.00	
40146	1967	POWER SEAT MOTOR RELAY AND ADAPTER HARNESS, includes new standard type relay and adapter to mate to factory harness	\$40.00	
40146	1968	POWER SEAT MOTOR RELAY AND ADAPTER HARNESS, includes new standard type relay and adapter to mate to factory harness	\$40.00	
40146	1969	POWER SEAT MOTOR RELAY AND ADAPTER HARNESS, includes new standard type relay and adapter to mate to factory harness	\$40.00	
40146	1970	POWER SEAT MOTOR RELAY AND ADAPTER HARNESS, includes new standard type relay and adapter to mate to factory harness	\$40.00	
40146	1971	POWER SEAT MOTOR RELAY AND ADAPTER HARNESS, includes new standard type relay and adapter to mate to factory harness	\$40.00	
40146	1972	POWER SEAT MOTOR RELAY AND ADAPTER HARNESS, includes new standard type relay and adapter to mate to factory harness	\$40.00	
40146	1973	POWER SEAT MOTOR RELAY AND ADAPTER HARNESS, includes new standard type relay and adapter to mate to factory harness	\$40.00	
40146	1974	POWER SEAT MOTOR RELAY AND ADAPTER HARNESS, includes new standard type relay and adapter to mate to factory harness	\$40.00	
40146	1975	POWER SEAT MOTOR RELAY AND ADAPTER HARNESS, includes new standard type relay and adapter to mate to factory harness	\$40.00	
06515	1963	POWER TAILGATE JUMPER HARNESS, bonneville & catalina 4 door safari,dash to tailgate harness	\$49.00	
08530	1959	POWER WINDOW HARNESS, bonneville & catalina sport coupe, front door & rear quarter window, r.h.	\$199.00	
08520	1959	POWER WINDOW JUMPER HARNESS, left to right side door & quarter window	\$85.00	
08520	1960	POWER WINDOW JUMPER HARNESS, left to right side door & quarter window	\$85.00	
08765	1961	POWER WINDOW HARNESS, front left & right doors	\$230.00	
08765	1962	POWER WINDOW HARNESS, front left & right doors	\$230.00	
08945	1962	POWER WINDOW HARNESS, bonneville 4 door safari wagon, catalina & star chief 4 door sedans, left rear door	\$109.00	
08940	1962	POWER WINDOW HARNESS, bonneville 4 door safari wagon, catalina & star chief 4 door sedans, right rear door	\$109.00	

Part Number	Year	Description	Price	*Rev.
08945	1963	POWER WINDOW HARNESS, bonneville 4 door safari wagon, catalina & star chief 4 door sedans, left rear door	\$109.00	
08940	1963	POWER WINDOW HARNESS, bonneville 4 door safari wagon, catalina & star chief 4 door sedans, right rear door	\$109.00	
06630	1963	POWER WINDOW HARNESS, bonneville & catalina convertible, left rear quarter window	\$89.00	
08945	1964	POWER WINDOW HARNESS, bonneville 4 door safari wagon, catalina & star chief 4 door sedans, left rear door	\$109.00	
08940	1964	POWER WINDOW HARNESS, bonneville 4 door safari wagon, catalina & star chief 4 door sedans, right rear door	\$109.00	
06625	1963	POWER WINDOW HARNESS, bonneville & catalina convertible, right rear quarter window	\$89.00	
06620	1963	POWER WINDOW HARNESS, catalina sport sedan, left rear quarter window	\$89.00	
06615	1963	POWER WINDOW HARNESS, catalina sport sedan, right rear quarter window	\$89.00	
06640	1963	POWER WINDOW HARNESS, all sport coupe, left rear quarter window	\$89.00	
06635	1963	POWER WINDOW HARNESS, all sport coupe, right rear quarter window	\$89.00	
07170	1963	POWER WINDOW MOTOR EXTENSION, rear quarter window harness to motor, 2 required per car	\$18.00	
06630	1964	POWER WINDOW HARNESS, bonneville & catalina convertible, left rear quarter window	\$89.00	
06625	1964	POWER WINDOW HARNESS, bonneville & catalina convertible, right rear quarter window	\$89.00	
06620	1964	POWER WINDOW HARNESS, catalina sport sedan, left rear quarter window	\$89.00	
06615	1964	POWER WINDOW HARNESS, catalina sport sedan, right rear quarter window	\$89.00	
07170	1964	POWER WINDOW MOTOR EXTENSION, rear quarter window harness to motor, 2 required per car	\$18.00	
08045	1965	POWER WINDOW HARNESS, all coupe & sport coupe quarter windows (lh & rh)	\$140.00	
07370	1965	POWER WINDOW HARNESS, bonneville & catalina convertible quarter windows (lh & rh)	\$130.00	
08085	1965	POWER WINDOW HARNESS, catalina 2 door sedan quarter windows (lh & rh)	\$140.00	
08045	1966	POWER WINDOW HARNESS, all coupe & sport coupe quarter windows (lh & rh)	\$140.00	
07370	1966	POWER WINDOW HARNESS, bonneville,catalina & 2+2 convertible qtr. windows (lh & rh)	\$130.00	
08085	1966	POWER WINDOW HARNESS, catalina 2 door sedan quarter windows (lh & rh)	\$140.00	
36954	ALL	POWER WINDOW MOTOR ADAPTER HARNESS, adapts "t" shaped motor connector to side by side blade type motor connector NOTE: USED UP TO 1975	\$15.00	
39440	1968	POWER WINDOW RELAY AND ADAPTER HARNESS, includes new standard type relay and adapter to mate to factory harness	\$29.00	
39440	1969	POWER WINDOW RELAY AND ADAPTER HARNESS, includes new standard type relay and adapter to mate to factory harness	\$29.00	
39440	1970	POWER WINDOW RELAY AND ADAPTER HARNESS, includes new standard type relay and adapter to mate to factory harness	\$29.00	
39440	1971	POWER WINDOW RELAY AND ADAPTER HARNESS, includes new standard type relay and adapter to mate to factory harness	\$29.00	
04432790	1964	POWER WINDOW SWITCH, 1 button, round corner style, chrome	\$38.00	
04432791	1964	POWER WINDOW SWITCH, 4 button, round corner style, chrome	\$65.00	
04432790	1965	POWER WINDOW SWITCH, 1 button, round corner style, chrome	\$38.00	
04432791	1965	POWER WINDOW SWITCH, 4 button, round corner style, chrome	\$65.00	
04432790	1966	POWER WINDOW SWITCH, 1 button, round corner style, chrome	\$38.00	
04432791	1966	POWER WINDOW SWITCH, 4 button, round corner style, chrome	\$65.00	
04432790	1967	POWER WINDOW SWITCH, 1 button, round corner style, chrome	\$38.00	
04432791	1967	POWER WINDOW SWITCH, 4 button, round corner style, chrome	\$65.00	
04432790	1968	POWER WINDOW SWITCH, 1 button, round corner style, chrome	\$38.00	
04432791	1968	POWER WINDOW SWITCH, 4 button, round corner style, chrome	\$65.00	
04432790	1969	POWER WINDOW SWITCH, 1 button, round corner style, chrome	\$38.00	
04432791	1969	POWER WINDOW SWITCH, 4 button, round corner style, chrome	\$65.00	
04432790	1970	POWER WINDOW SWITCH, 1 button, round corner style, chrome	\$38.00	
04432791	1970	POWER WINDOW SWITCH, 4 button, round corner style, chrome	\$65.00	
06500	1963	REAR LAMP INTERMEDIATE HARNESS, grand prix	\$135.00	
08980	1963	REAR LAMP HARNESS, grand prix, rear panel	\$130.00	
06500	1964	REAR LAMP INTERMEDIATE HARNESS, grand prix	\$135.00	
06840	1964	REAR LAMP HARNESS, grand prix, rear panel	\$135.00	

Part Number	Year	Description	Price	*Rev.
33345	1978	SPEAKER HARNESS, front stereo speakers	\$35.00	
43264	1963	SPEED WARNING HARNESS	\$40.00	N
43264	1964	SPEED WARNING HARNESS	\$40.00	N
09560	1966	SPEED WARNING HARNESS	\$27.00	
09560	1967	SPEED WARNING HARNESS	\$27.00	
09560	1968	SPEED WARNING HARNESS	\$27.00	
13500	1969	SPEED WARNING HARNESS	\$18.00	
13645	1970	SPEED WARNING HARNESS	\$18.00	
04000	1962	TACHOMETER HARNESS	\$42.00	
04250	1963	TACHOMETER HARNESS	\$42.00	
04320	1963	TACHOMETER HARNESS, with transistorized ignition	\$49.00	
04605	1964	TACHOMETER HARNESS	\$42.00	
04610	1964	TACHOMETER HARNESS, with transistorized ignition	\$49.00	
06245	1965	TACHOMETER HARNESS	\$42.00	
06250	1965	TACHOMETER HARNESS, with transistorized ignition	\$49.00	
06245	1966	TACHOMETER HARNESS	\$42.00	
10050	1966	TACHOMETER HARNESS, with transistorized ignition	\$49.00	
11040	1967	TACHOMETER HARNESS, hood mounted	\$30.00	
11040	1968	TACHOMETER HARNESS, hood mounted	\$30.00	
36003	1963	TRANSISTOR IGNITION EXTENSION HARNESS, used with gm part# 1115008 amplifier control unit	\$45.00	
36002	1963	TRANSISTOR IGNITION HARNESS	\$110.00	
33225	1964	TRANSISTOR IGNITION AMPLIFIER EXTENSION, from internal circuit board to amplifier housing connector	\$40.00	
28380	1964	TRANSISTOR IGNITION EXTENSION HARNESS	\$49.00	
35941	1964	TRANSISTOR IGNITION HARNESS	\$110.00	
36838	1965	TRANSISTOR IGNITION HARNESS	\$149.00	
36837	1966	TRANSISTOR IGNITION HARNESS	\$149.00	
32270	1963	TRANSISTOR IGNITION REPLACEMENT MODULE, replaces original circuit board in amplifier	\$149.00	
32270	1964	TRANSISTOR IGNITION REPLACEMENT MODULE, replaces original circuit board in amplifier	\$149.00	
32270	1965	TRANSISTOR IGNITION REPLACEMENT MODULE, replaces original circuit board in amplifier	\$149.00	
32270	1966	TRANSISTOR IGNITION REPLACEMENT MODULE, replaces original circuit board in amplifier	\$149.00	
13440	1969	TRUNK LAMP EXTENSION HARNESS, grand prix, coupe	\$18.00	
36239	1971	TRUNK LAMP EXTENSION WIRE, trunk lamp to rear lamp harness connector	\$19.00	
36239	1972	TRUNK LAMP EXTENSION WIRE, trunk lamp to rear lamp harness connector	\$19.00	
14570	1970	TRUNK RELEASE HARNESS, for electric trunk lid release, except grand prix	\$35.00	
01993624	1965	TURN SIGNAL SWITCH, with tilt, replaces delco part# d6220	\$70.00	
01993624	1966	TURN SIGNAL SWITCH, with tilt, replaces delco part# d6220	\$70.00	
07800482	1967	TURN SIGNAL SWITCH, all, except column shift a/t, without cornering lights, (delco type, white) NOTE: Emergency flasher actuator hole in outer cover is shaped like a doghouse.	\$50.00	
01893592	1967	TURN SIGNAL SWITCH, without cornering lights (delco-white), replaces delco part# d6211 NOTE: this is a SERVICE PART, adapter pigtail included and is required for some applications	\$50.00	
05698897	1967	TURN SIGNAL SWITCH, with column shift a/t, without tilt, without cornering lamps (delco type, black, white or green) NOTE: Emergency flasher actuator hole in outer cover is shaped like a doghouse.	\$50.00	
05698897	1967	TURN SIGNAL SWITCH, with column shift a/t, with tilt, without cornering lamps (delco type, black, white or green) NOTE: Emergency flasher actuator hole in outer cover is shaped like a doghouse.	\$50.00	

Part Number	Year	Description	Price	*Rev.
07800482	1968	TURN SIGNAL SWITCH, all, except column shift a/t, without cornering lights, (delco type, white) NOTE: Emergency flasher actuator hole in outer cover is shaped like a doghouse.	\$50.00	
01893592	1968	TURN SIGNAL SWITCH, without cornering lights (delco-white), replaces delco part# d6211 NOTE: this is a service part, adapter pigtail included and is required for some applications	\$50.00	
05698897	1968	TURN SIGNAL SWITCH, column shift a/t, without tilt, without cornering lamps (delco type, black, white or green) NOTE: Emergency flasher actuator hole in outer cover is shaped like a doghouse.	\$50.00	
05698897	1968	TURN SIGNAL SWITCH, column shift a/t, with tilt, without cornering lamps (delco type, black, white or green) NOTE: Emergency flasher actuator hole in outer cover is shaped like a doghouse.	\$50.00	
01997963	1969	TURN SIGNAL SWITCH, correct part without cornering lights NOTE: correct part, no adapter pigtail required	\$48.00	
01893588	1969	TURN SIGNAL SWITCH, service part without cornering lights, replaces delco part# d6208 NOTE: this is a service part, adapter pigtail included is required for installation	\$50.00	
01997963	1970	TURN SIGNAL SWITCH, correct part without cornering lights, without tilt NOTE: correct part, no adapter pigtail required	\$48.00	
01893588	1970	TURN SIGNAL SWITCH, service part without cornering lights, without tilt, replaces delco part# d6208 NOTE: this is a service part, adapter pigtail included is required for installation	\$50.00	
01997963	1971	TURN SIGNAL SWITCH, correct part without cornering lights NOTE: correct part, no adapter pigtail required	\$48.00	
01893588	1971	TURN SIGNAL SWITCH, service part without cornering lights, replaces delco part# d6208 NOTE: this is a service part, adapter pigtail included is required for installation	\$50.00	
01997963	1972	TURN SIGNAL SWITCH, correct part without cornering lights NOTE: correct part, no adapter pigtail required	\$48.00	
01893588	1972	TURN SIGNAL SWITCH, service part without cornering lights NOTE: this is a service part, adapter pigtail included is required for installation	\$50.00	
06185	1965	VACUUM GAUGE LAMP HARNESS, dash harness to vacuum gauge	\$19.00	
01998719	1959	WINDSHIELD WIPER SWITCH, single speed, with washer	\$45.00	
01998719	1960	WINDSHIELD WIPER SWITCH, single speed, with washer	\$45.00	
01998719	1961	WINDSHIELD WIPER SWITCH, single speed, with washer	\$45.00	
01998719	1962	WINDSHIELD WIPER SWITCH, single speed, with washer	\$45.00	
01993592	1963	WINDSHIELD WIPER SWITCH, single speed, with washer	\$45.00	
01993541	1964	WINDSHIELD WIPER SWITCH, single speed, with washer	\$45.00	
01993687	1965	WINDSHIELD WIPER SWITCH, single speed, with washer	\$45.00	
01993371	1967	WINDSHIELD WIPER SWITCH, with washer & recess park	\$85.00	
01993371	1968	WINDSHIELD WIPER SWITCH, with washer	\$85.00	

Rolls of Wire

25 Foot rolls of wire offered in all of the popular gauge sizes and colors (including hard-to-find stripes)

XLPE Type GXL Wire

Meets SAE Spec J-1128

125° Celsius Heat Rating



We now offer 25 foot rolls of USA Made XLPE Type GXL (cross-linked polyethylene insulated) automotive grade primary wire in all of the popular gauge sizes and colors (**including hard-to-find stripes**). This is the exact same wire we use in all of our harnesses, and the same grade of wire you would find in cars and trucks being manufactured today. OEM's now use this wire due to it's high heat rating of 125° Celsius. Harnesses manufactured in the '60's and '70's utilized PVC Type wire that only had a heat rating of 80° Celsius; thus the reason most original harnesses tend to melt and become brittle with age. We use XLPE Type GXL wire to avoid these types of problems. This is the best automotive grade wire money can buy.

Simply browse the next few pages to see our extensive list of color and gauge combinations. Keep in mind the price listed is for a 25 foot roll and please order by part number when ordering.

Special pricing is available on 1,000 feet of any one wire gauge and color, please call for a price quote.

**Wire
& Components**



**Phone 562.926.9552
Fax 562.926.9572**

Part Number	Year	Description	Price	*Rev.
R0041400	ALL	18 GA BLACK GXL WIRE, 25 foot roll	\$15.00	
R0041401	ALL	18 GA BLACK/BLUE LT GXL WIRE, 25 foot roll	\$16.00	
R0041402	ALL	18 GA BLACK/GREEN LT GXL WIRE, 25 foot roll	\$16.00	
R0041403	ALL	18 GA BLACK/ORANGE GXL WIRE, 25 foot roll	\$16.00	
R0041404	ALL	18 GA BLACK/PINK GXL WIRE, 25 foot roll	\$16.00	
R0041405	ALL	18 GA BLACK/RED GXL WIRE, 25 foot roll	\$16.00	
R0041406	ALL	18 GA BLACK/TAN GXL WIRE, 25 foot roll	\$16.00	
R0041407	ALL	18 GA BLACK/VIOLET GXL WIRE, 25 foot roll	\$16.00	
R0041408	ALL	18 GA BLACK/WHITE GXL WIRE, 25 foot roll	\$16.00	
R0041409	ALL	18 GA BLACK/YELLOW GXL WIRE, 25 foot roll	\$16.00	
R0041410	ALL	18 GA BLUE DK GXL WIRE, 25 foot roll	\$15.00	
R0041411	ALL	18 GA BLUE DK/BLACK GXL WIRE, 25 foot roll	\$16.00	
R0041412	ALL	18 GA BLUE DK/GRAY GXL WIRE, 25 foot roll	\$16.00	
R0041413	ALL	18 GA BLUE DK/RED GXL WIRE, 25 foot roll	\$16.00	
R0041414	ALL	18 GA BLUE DK/WHITE GXL WIRE, 25 foot roll	\$16.00	
R0041415	ALL	18 GA BLUE LT GXL WIRE, 25 foot roll	\$15.00	
R0041416	ALL	18 GA BLUE LT/BLACK GXL WIRE, 25 foot roll	\$16.00	
R0041417	ALL	18 GA BLUE LT/RED GXL WIRE, 25 foot roll	\$16.00	
R0041418	ALL	18 GA BLUE LT/YELLOW GXL WIRE, 25 foot roll	\$16.00	
R0041419	ALL	18 GA BROWN GXL WIRE, 25 foot roll	\$15.00	
R0041420	ALL	18 GA BROWN/TAN GXL WIRE, 25 foot roll	\$16.00	
R0041421	ALL	18 GA BROWN/WHITE GXL WIRE, 25 foot roll	\$16.00	
R0041422	ALL	18 GA BROWN/YELLOW GXL WIRE, 25 foot roll	\$16.00	
R0041423	ALL	18 GA GRAY GXL WIRE, 25 foot roll	\$15.00	
R0041424	ALL	18 GA GRAY/BLACK GXL WIRE, 25 foot roll	\$16.00	
R0041425	ALL	18 GA GRAY/RED GXL WIRE, 25 foot roll	\$16.00	
R0041426	ALL	18 GA GRAY/WHITE GXL WIRE, 25 foot roll	\$16.00	
R0041427	ALL	18 GA GREEN DK GXL WIRE, 25 foot roll	\$15.00	
R0041428	ALL	18 GA GREEN DK/BLACK GXL WIRE, 25 foot roll	\$16.00	
R0041429	ALL	18 GA GREEN DK/RED GXL WIRE, 25 foot roll	\$16.00	
R0041430	ALL	18 GA GREEN DK/WHITE GXL WIRE, 25 foot roll	\$16.00	
R0041431	ALL	18 GA GREEN DK/YELLOW GXL WIRE, 25 foot roll	\$16.00	
R0041432	ALL	18 GA GREEN LT GXL WIRE, 25 foot roll	\$15.00	
R0041433	ALL	18 GA GREEN LT/BLACK GXL WIRE, 25 foot roll	\$16.00	
R0041434	ALL	18 GA GREEN LT/ORANGE GXL WIRE, 25 foot roll	\$16.00	
R0041435	ALL	18 GA GREEN LT/WHITE GXL WIRE, 25 foot roll	\$16.00	
R0041436	ALL	18 GA GREEN LT/YELLOW GXL WIRE, 25 foot roll	\$16.00	
R0041437	ALL	18 GA ORANGE GXL WIRE, 25 foot roll	\$15.00	
R0041438	ALL	18 GA ORANGE/BLACK GXL WIRE, 25 foot roll	\$16.00	
R0041439	ALL	18 GA ORANGE/BLUE DK GXL WIRE, 25 foot roll	\$16.00	
R0041440	ALL	18 GA PINK GXL WIRE, 25 foot roll	\$15.00	
R0041441	ALL	18 GA PINK/BLACK GXL WIRE, 25 foot roll	\$16.00	
R0041442	ALL	18 GA PINK/WHITE GXL WIRE, 25 foot roll	\$16.00	
R0041443	ALL	18 GA PURPLE GXL WIRE, 25 foot roll	\$15.00	
R0041444	ALL	18 GA PURPLE/WHITE GXL WIRE, 25 foot roll	\$16.00	
R0041445	ALL	18 GA RED GXL WIRE, 25 foot roll	\$15.00	
R0041446	ALL	18 GA RED/BLACK GXL WIRE, 25 foot roll	\$16.00	
R0041447	ALL	18 GA RED/BLUE DK GXL WIRE, 25 foot roll	\$16.00	
R0041448	ALL	18 GA RED/GREEN LT GXL WIRE, 25 foot roll	\$16.00	
R0041449	ALL	18 GA RED/WHITE GXL WIRE, 25 foot roll	\$16.00	
R0041450	ALL	18 GA TAN GXL WIRE, 25 foot roll	\$15.00	
R0041451	ALL	18 GA TAN/BLACK GXL WIRE, 25 foot roll	\$16.00	

**Wire
& Components**



**Phone 562.926.9552
Fax 562.926.9572**

Part Number	Year	Description	Price	*Rev.
R0041452	ALL	18 GA TAN/WHITE GXL WIRE, 25 foot roll	\$16.00	
R0041453	ALL	18 GA WHITE GXL WIRE, 25 foot roll	\$15.00	
R0041454	ALL	18 GA WHITE/BLACK GXL WIRE, 25 foot roll	\$16.00	
R0041455	ALL	18 GA WHITE/BLUE DK GXL WIRE, 25 foot roll	\$16.00	
R0041456	ALL	18 GA WHITE/GREEN DK GXL WIRE, 25 foot roll	\$16.00	
R0041457	ALL	18 GA WHITE/RED GXL WIRE, 25 foot roll	\$16.00	
R0041458	ALL	18 GA YELLOW GXL WIRE, 25 foot roll	\$15.00	
R0041459	ALL	18 GA YELLOW/BLACK GXL WIRE, 25 foot roll	\$16.00	
R0041460	ALL	18 GA YELLOW/GREEN LT GXL WIRE, 25 foot roll	\$16.00	
R0041461	ALL	18 GA YELLOW/WHITE GXL WIRE, 25 foot roll	\$16.00	
R0041462	ALL	16 GA BLACK GXL WIRE, 25 foot roll	\$16.00	
R0041463	ALL	16 GA BLACK/BLUE LT GXL WIRE, 25 foot roll	\$17.00	
R0041464	ALL	16 GA BLACK/GREEN LT GXL WIRE, 25 foot roll	\$17.00	
R0041465	ALL	16 GA BLACK/ORANGE GXL WIRE, 25 foot roll	\$17.00	
R0041466	ALL	16 GA BLACK/PINK GXL WIRE, 25 foot roll	\$17.00	
R0041467	ALL	16 GA BLACK/RED GXL WIRE, 25 foot roll	\$17.00	
R0041468	ALL	16 GA BLACK/WHITE GXL WIRE, 25 foot roll	\$17.00	
R0041469	ALL	16 GA BLACK/YELLOW GXL WIRE, 25 foot roll	\$17.00	
R0041470	ALL	16 GA BLUE DK GXL WIRE, 25 foot roll	\$16.00	
R0041471	ALL	16 GA BLUE DK/WHITE GXL WIRE, 25 foot roll	\$17.00	
R0041472	ALL	16 GA BLUE DK/YELLOW GXL WIRE, 25 foot roll	\$17.00	
R0041473	ALL	16 GA BLUE LT GXL WIRE, 25 foot roll	\$16.00	
R0041474	ALL	16 GA BLUE LT/BLACK GXL WIRE, 25 foot roll	\$17.00	
R0041475	ALL	16 GA BLUE LT/YELLOW GXL WIRE, 25 foot roll	\$17.00	
R0041476	ALL	16 GA BROWN GXL WIRE, 25 foot roll	\$16.00	
R0041477	ALL	16 GA BROWN/BLUE DARK GXL WIRE, 25 foot roll	\$17.00	
R0041478	ALL	16 GA BROWN/WHITE GXL WIRE, 25 foot roll	\$17.00	
R0041479	ALL	16 GA GRAY GXL WIRE, 25 foot roll	\$16.00	
R0041480	ALL	16 GA GREEN DK GXL WIRE, 25 foot roll	\$16.00	
R0041481	ALL	16 GA GREEN DK/RED GXL WIRE, 25 foot roll	\$17.00	
R0041482	ALL	16 GA GREEN DK/WHITE GXL WIRE, 25 foot roll	\$17.00	
R0041483	ALL	16 GA GREEN LT GXL WIRE, 25 foot roll	\$16.00	
R0041484	ALL	16 GA GREEN LT/BLACK GXL WIRE, 25 foot roll	\$17.00	
R0041485	ALL	16 GA ORANGE GXL WIRE, 25 foot roll	\$16.00	
R0041486	ALL	16 GA ORANGE/BLACK GXL WIRE, 25 foot roll	\$17.00	
R0041487	ALL	16 GA ORANGE/YELLOW GXL WIRE, 25 foot roll	\$17.00	
R0041488	ALL	16 GA PINK GXL WIRE, 25 foot roll	\$16.00	
R0041489	ALL	16 GA PINK/BLACK GXL WIRE, 25 foot roll	\$17.00	
R0041490	ALL	16 GA PINK/WHITE GXL WIRE, 25 foot roll	\$17.00	
R0041491	ALL	16 GA PURPLE GXL WIRE, 25 foot roll	\$16.00	
R0041492	ALL	16 GA PURPLE/WHITE GXL WIRE, 25 foot roll	\$17.00	
R0041493	ALL	16 GA RED GXL WIRE, 25 foot roll	\$16.00	
R0041494	ALL	16 GA RED/BLACK GXL WIRE, 25 foot roll	\$17.00	
R0041495	ALL	16 GA RED/WHITE GXL WIRE, 25 foot roll	\$17.00	
R0041679	ALL	16 GA RED/YELLOW GXL WIRE, 25 foot roll	\$17.00	
R0041496	ALL	16 GA TAN GXL WIRE, 25 foot roll	\$16.00	
R0041497	ALL	16 GA TAN/WHITE GXL WIRE, 25 foot roll	\$17.00	
R0041498	ALL	16 GA WHITE GXL WIRE, 25 foot roll	\$16.00	
R0041499	ALL	16 GA WHITE/BLACK GXL WIRE, 25 foot roll	\$17.00	
R0041500	ALL	16 GA WHITE/RED GXL WIRE, 25 foot roll	\$17.00	
R0041501	ALL	16 GA YELLOW GXL WIRE, 25 foot roll	\$16.00	

**Wire
& Components**



**Phone 562.926.9552
Fax 562.926.9572**

Part Number	Year	Description	Price	*Rev.
R0041502	ALL	16 GA YELLOW/BLACK GXL WIRE, 25 foot roll	\$17.00	
R0041503	ALL	16 GA YELLOW/ORANGE GXL WIRE, 25 foot roll	\$17.00	
R0041504	ALL	14 GA BLACK GXL WIRE, 25 foot roll	\$18.00	
R0041505	ALL	14 GA BLACK/BLUE LT GXL WIRE, 25 foot roll	\$19.00	
R0041506	ALL	14 GA BLACK/LIGHT GREEN GXL WIRE, 25 foot roll	\$19.00	
R0041507	ALL	14 GA BLACK/ORANGE GXL WIRE, 25 foot roll	\$19.00	
R0041508	ALL	14 GA BLACK/PINK GXL WIRE, 25 foot roll	\$19.00	
R0041509	ALL	14 GA BLACK/RED GXL WIRE, 25 foot roll	\$19.00	
R0041510	ALL	14 GA BLACK/TAN GXL WIRE, 25 foot roll	\$19.00	
R0041511	ALL	14 GA BLACK/WHITE GXL WIRE, 25 foot roll	\$19.00	
R0041512	ALL	14 GA BLACK/YELLOW GXL WIRE, 25 foot roll	\$19.00	
R0041513	ALL	14 GA BLUE DK GXL WIRE, 25 foot roll	\$18.00	
R0041514	ALL	14 GA BLUE DK/WHITE GXL WIRE, 25 foot roll	\$19.00	
R0041515	ALL	14 GA BLUE LT GXL WIRE, 25 foot roll	\$18.00	
R0041516	ALL	14 GA BLUE LT/BLACK GXL WIRE, 25 foot roll	\$19.00	
R0041517	ALL	14 GA BLUE LT/YELLOW GXL WIRE, 25 foot roll	\$19.00	
R0041518	ALL	14 GA BROWN GXL WIRE, 25 foot roll	\$18.00	
R0041519	ALL	14 GA BROWN/WHITE GXL WIRE, 25 foot roll	\$19.00	
R0041520	ALL	14 GA GRAY GXL WIRE, 25 foot roll	\$18.00	
R0041521	ALL	14 GA GRAY/BLACK GXL WIRE, 25 foot roll	\$19.00	
R0041522	ALL	14 GA GRAY/WHITE GXL WIRE, 25 foot roll	\$19.00	
R0041523	ALL	14 GA GREEN DK GXL WIRE, 25 foot roll	\$18.00	
R0041524	ALL	14 GA GREEN DK/RED GXL WIRE, 25 foot roll	\$19.00	
R0041525	ALL	14 GA GREEN DK/WHITE GXL WIRE, 25 foot roll	\$19.00	
R0041526	ALL	14 GA GREEN LT GXL WIRE, 25 foot roll	\$18.00	
R0041527	ALL	14 GA GREEN LT/WHITE GXL WIRE, 25 foot roll	\$19.00	
R0041528	ALL	14 GA GREEN LT / BLACK GXL WIRE, 25 foot roll	\$19.00	
R0041529	ALL	14 GA ORANGE GXL WIRE, 25 foot roll	\$18.00	
R0041530	ALL	14 GA ORANGE/BLACK GXL WIRE, 25 foot roll	\$19.00	
R0041531	ALL	14 GA PINK GXL WIRE, 25 foot roll	\$18.00	
R0041532	ALL	14 GA PINK/BLACK GXL WIRE, 25 foot roll	\$19.00	
R0041533	ALL	14 GA PINK/WHITE GXL WIRE, 25 foot roll	\$19.00	
R0041534	ALL	14 GA PURPLE GXL WIRE, 25 foot roll	\$18.00	
R0041535	ALL	14 GA PURPLE/WHITE GXL WIRE, 25 foot roll	\$19.00	
R0041536	ALL	14 GA RED GXL WIRE, 25 foot roll	\$18.00	
R0041537	ALL	14 GA RED/BLACK GXL WIRE, 25 foot roll	\$19.00	
R0041538	ALL	14 GA RED/WHITE GXL WIRE, 25 foot roll	\$19.00	
R0041539	ALL	14 GA TAN GXL WIRE, 25 foot roll	\$18.00	
R0041540	ALL	14 GA TAN/WHITE GXL WIRE, 25 foot roll	\$19.00	
R0041541	ALL	14 GA WHITE GXL WIRE, 25 foot roll	\$18.00	
R0041542	ALL	14 GA WHITE/BLUE DK GXL WIRE, 25 foot roll	\$19.00	
R0041543	ALL	14 GA YELLOW GXL WIRE, 25 foot roll	\$18.00	
R0041544	ALL	14 GA YELLOW/BLACK GXL WIRE, 25 foot roll	\$19.00	
R0041545	ALL	12 GA BLACK GXL WIRE, 25 foot roll	\$20.00	
R0041546	ALL	12 GA BLACK/ORANGE GXL WIRE, 25 foot roll	\$21.00	
R0041547	ALL	12 GA BLACK/PINK GXL WIRE, 25 foot roll	\$21.00	
R0041548	ALL	12 GA BLACK/RED GXL WIRE, 25 foot roll	\$21.00	
R0041549	ALL	12 GA BLACK/WHITE GXL WIRE, 25 foot roll	\$21.00	
R0041550	ALL	12 GA BLACK/YELLOW GXL WIRE, 25 foot roll	\$21.00	
R0041551	ALL	12 GA BLUE DK/WHITE GXL WIRE, 25 foot roll	\$21.00	

**Wire
& Components**



**Phone 562.926.9552
Fax 562.926.9572**

Part Number	Year	Description	Price	*Rev.
R0041552	ALL	12 GA BLUE LIGHT GXL WIRE, 25 foot roll	\$20.00	
R0041553	ALL	12 GA BROWN GXL WIRE, 25 foot roll	\$20.00	
R0041554	ALL	12 GA BROWN/WHITE GXL WIRE, 25 foot roll	\$21.00	
R0041555	ALL	12 GA GREEN DK/RED GXL WIRE, 25 foot roll	\$21.00	
R0041556	ALL	12 GA GREEN LT/BLACK GXL WIRE, 25 foot roll	\$21.00	
R0041557	ALL	12 GA ORANGE GXL WIRE, 25 foot roll	\$20.00	
R0041558	ALL	12 GA ORANGE/BLACK GXL WIRE, 25 foot roll	\$21.00	
R0041559	ALL	12 GA PINK GXL WIRE, 25 foot roll	\$20.00	
R0041560	ALL	12 GA PINK/BLACK GXL WIRE, 25 foot roll	\$21.00	
R0041561	ALL	12 GA PINK/WHITE GXL WIRE, 25 foot roll	\$21.00	
R0041562	ALL	12 GA PURPLE GXL WIRE, 25 foot roll	\$20.00	
R0041563	ALL	12 GA PURPLE/WHITE GXL WIRE, 25 foot roll	\$21.00	
R0041564	ALL	12 GA RED GXL WIRE, 25 foot roll	\$20.00	
R0041565	ALL	12 GA RED/BLACK GXL WIRE, 25 foot roll	\$21.00	
R0041566	ALL	12 GA RED/WHITE GXL WIRE, 25 foot roll	\$21.00	
R0041567	ALL	12 GA RED/YELLOW GXL WIRE, 25 foot roll	\$21.00	
R0041568	ALL	12 GA TAN/WHITE GXL WIRE, 25 foot roll	\$21.00	
R0041569	ALL	12 GA WHITE GXL WIRE, 25 foot roll	\$20.00	
R0041570	ALL	12 GA YELLOW GXL WIRE, 25 foot roll	\$20.00	
R0041571	ALL	12 GA YELLOW/GREEN LT GXL WIRE, 25 foot roll	\$21.00	
R0041572	ALL	10 GA BLACK GXL WIRE, 25 foot roll	\$22.00	
R0041573	ALL	10 GA BLACK/RED GXL WIRE, 25 foot roll	\$23.00	
R0041574	ALL	10 GA BLACK/WHITE GXL WIRE, 25 foot roll	\$23.00	
R0041575	ALL	10 GA ORANGE/BLACK GXL WIRE, 25 foot roll	\$23.00	
R0041585	ALL	10 GA PINK GXL WIRE, 25 foot roll	\$22.00	
R0041576	ALL	10 GA PURPLE GXL WIRE, 25 foot roll	\$22.00	
R0041577	ALL	10 GA RED GXL WIRE, 25 foot roll	\$22.00	
R0041578	ALL	10 GA RED/WHITE GXL WIRE, 25 foot roll	\$23.00	
R0041579	ALL	10 GA YELLOW GXL WIRE, 25 foot roll	\$22.00	
R0041580	ALL	10 GA YELLOW/BLACK GXL WIRE, 25 foot roll	\$23.00	
R0041581	ALL	8 GA BLACK GXL WIRE, 25 foot roll	\$29.00	
R0041582	ALL	8 GA ORANGE GXL WIRE, 25 foot roll	\$29.00	
R0041583	ALL	8 GA RED GXL WIRE, 25 foot roll	\$29.00	
R0041584	ALL	8 GA YELLOW GXL WIRE, 25 foot roll	\$29.00	