



# Electrical Restoration Products

**Cutlass  
4-4-2/F-85**

## WIRING HARNESSES



## BATTERY CABLES



## SWITCHES



**Phone 562.926.9552**

**Fax 562.926.9572**

**sparky@wiringharness.com**

**[www.wiringharness.com](http://www.wiringharness.com)**

Part #CUT

## **Buy with Confidence !**

### **Made in the U.S.A.**

All of our harnesses are hand assembled in the U.S.A.

### **Correct Color Wires**

Our harnesses always match the original factory color codes and gauge sizes. We use U.S.A. made Cross Linked Polyethylene type GXL wire which is much more tolerant to heat than the original PVC type GPT wire that was used from the factory.

### **Dip Soldered (when applicable)**

All terminals are dip soldered (when applicable) to limit resistance loss.

### **Correct Connectors & Terminals**

With over 300,000 connectors and terminals in stock you can be sure the harness you receive will look identical to the original.

### **Correct Non-Adhesive & Cloth Tapes**

All harnesses are wrapped with the correct non-adhesive or cloth woven tapes to assure a 100% factory appearance.

### **Technical Support**

We don't expect our customers to be "wiring-wizards", you can call us direct with any technical questions you may have.

### **Custom Modifications**

Custom modifications are available to allow you to convert from an external regulated alternator to an internal regulated alternator. This modification is available for most '63 and up GM cars and trucks. We can also convert many of our engine harnesses to work with H.E.I. distributors and electric chokes. Our modifications retain the factory appearance. Call our Customer Service Department for more details.

### **Reproduction Switches**

We manufacture an extensive line of reproduction switches. These include Turn Signal, Backup Light, Neutral Safety, Wiper, Headlight Switches and others. As with all of our restoration products our switches will fit and function perfectly, just like the originals.

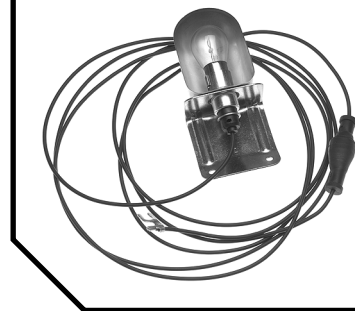
### **Guarantee & Warranty**

We are so confident in the quality of all of our restoration products that we offer the following guarantee and warranty. If you are not 100% satisfied with the quality of any of our restoration products we will give you a full refund. Just return the unused item within 30 days of receipt for a full refund. We also offer a full 1 year replacement warranty on all of the products we sell (see our product warranty sheet for more info).

### **Method of Payment**

We accept Visa, Master Card, American Express and Discover. If you prefer to pre-pay your order, we accept Money Orders, Cashiers Checks or Personal Checks. C.O.D. shipments are also available.

### **LIGHTING KITS**



### **1 WIRE IGNITION**



### **HARNESS TAPE**



***"M&H Harnesses are perfect reproductions created with correct color wires from Original GM wiring schematics".***

**MUSCLECAR ENTHUSIAST  
MAGAZINE**

# **[www.wiringharness.com](http://www.wiringharness.com)**

# Alternator Conversion Kits

**See catalog  
for specific applications**

## **Alternator Conversion Kit External to "SI" Type Internal**

Our most popular Alternator Conversion Kit. This kit makes it easy to convert from an External Regulated Alternator to an "SI" Type Internal Regulated Alternator. Kit includes both adapters and an instruction sheet.

Easy to install:

1) Disconnect the external voltage regulator leads and plug our "Special Regulator Adapter" into the voltage regulator lead wires. 2) Disconnect the alternator lead wires. 3) Install new "SI" Type Internal Regulated alternator. 4) Plug one end of our "Alternator Adapter" into the original alternator lead wires and the other into the alternator.

*Typical application is '63-'74 GM Cars & Trucks, see carline catalogs for specific application information.*

Part #27555

Retail \$21.00



## **Alternator Conversion Kit External to "CS" Type Internal**

This kit makes it easy to convert from an External Regulated Alternator to a "CS" Type Internal Regulated Alternator. Kit includes both adapters and an instruction sheet.

Easy to install:

1) Disconnect the external voltage regulator leads and plug our "Special Regulator Adapter" into the voltage regulator lead wires. 2) Disconnect the alternator lead wires. 3) Install new "SI" Type Internal Regulated alternator. 4) Plug one end of our "Alternator Adapter" into the original alternator lead wires and the other into the alternator.

*Typical application is '63-'74 GM Cars & Trucks, see carline catalogs for specific application information.*

Part #37787

Retail \$21.00



## **Alternator Conversion Kit "SI" Type Internal to CS130/CS144 Type Internal**

Allows for an easy conversion from an "SI" type internal regulated alternator to a "CS130" or "CS144" type internal regulated alternator. Simple to install, the mating end of the adapter pigtail plugs perfectly to the original alternator connector, and the other end plugs right into any "CS130" or "CS144" type alternator. Kit includes adapter pigtail and an instruction sheet.

*Typical application is '69-'84 GM Cars & Trucks, see carline catalogs for specific application information.*

Part #37796

Retail \$1) .00



# Alternator Conversion Kits

**See car line catalogs  
for specific applications**

## Alternator Conversion Kit

### "SI" Type Internal to "CS130D" Type Internal

Allows for an easy conversion from an "SI" type internal regulated alternator to a "CS130D" type internal regulated alternator. Simple to install, the mating end of the adapter pigtail plugs perfectly to the original alternator connector, and the other end plugs right into any "CS130D" type alternator. Kit includes adapter pigtail and an instruction sheet.

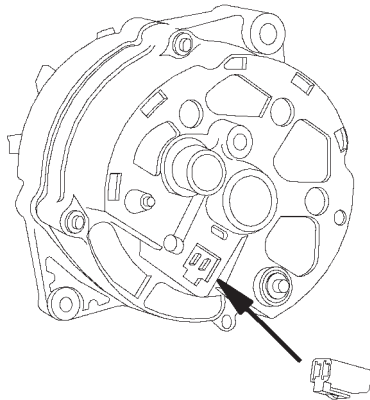
Typical application is '69-'84 GM Cars & Trucks, see carline catalogs for specific application information.

Part #39472

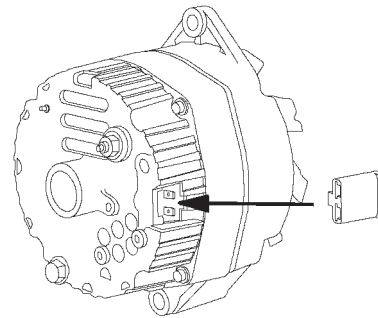
Retail \$18.00



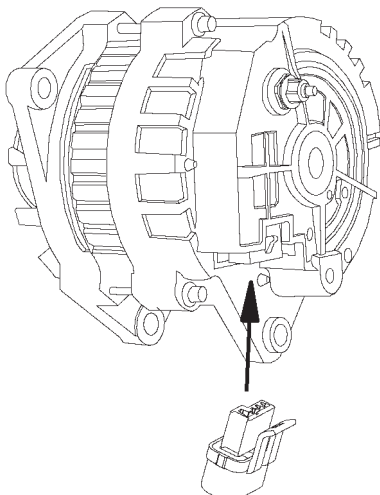
## Alternator Identification



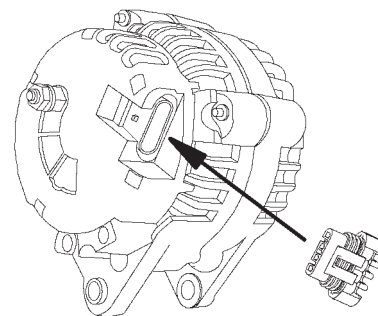
**1963-1974  
External Regulated Alternator**



**1969-1984 "SI" Type  
Internal Regulated Alternator**



**1984-1999 "CS130" & "CS144" Type  
Internal Regulated Alternator**



**1994-Newer "CS130D" Type  
Internal Regulated Alternator**

# **Breakerless SE Single Wire Ignition**

***Simple 1 Wire Hook-Up, just connect the original points wire to the module***

***Completely stock appearance***

***Emissions Legal in all 50 States***

***Three year warranty***

The Breakerless SE allows you to convert any 1957 to 1974 GM, AMC or Jeep V8 breaker point type distributor (with a windowed type distributor cap) to a reliable solid-state electronic ignition, utilizing a fully integrated trigger and power module that fits completely inside the distributor.

Unlike competitive systems though, no additional wires protrude from the distributor, only the original points wire. The result is a state-of-the-art ignition with an absolutely stock appearance. The Breakerless SE is so unique that it's patented !



## **Outstanding features of this unit include:**

- Single wire operation to preserve stock appearance and simplify wiring.
- Active dwell control maintains high rpm spark energy while reducing coil heating at idle.
- Auto-standby prevents coil damage or dead battery if the ignition is accidentally left on.
- Hall effect rotary-vane sensor design compensates for worn bearings and distributor end play. Magnetic sensor is unaffected by oil, dirt or other contaminants, unlike optical systems.
- Over-voltage/over-current protected against damage from high amp battery chargers, reversed battery, or improper wiring.
- Constructed with premium quality components. Sealed, hi-temp thermoplastic housing provides exceptional resistance against moisture and vibration.
- No distributor modification, disassembly, or removal is required.

Kit comes complete with everything you'll need to install the Breakerless SE Single Wire Ignition. Kit includes: 1 Module, 1 (two-piece) vane, all necessary installation hardware and a comprehensive instruction sheet.

**Part #38131**  
**Retail \$169.00**

**For more info on this product  
visit [www.breakerless.com](http://www.breakerless.com)**

**Cutlass**  
**4-4-2/F-85**



**Phone 562.926.9552**  
**Fax 562.926.9572**

Part Number	Year	Description	Price	*Rev.
CUT	ALL	CUTLASS / 442 / F85 CATALOG	\$0.00	
R0058272	ALL	HARNESS TAPE, 3/4" vinyl (100 ft. roll) non-adhesive	\$12.00	
R0058276	ALL	HARNESS TAPE, 1" vinyl (100 ft. roll) non-adhesive	\$13.00	
R0067108	ALL	HARNESS TAPE, 1 1/4" vinyl (100 ft. roll) non-adhesive	\$15.00	
06045	1964	AIR CONDITIONING HARNESS, v/8, includes heater wiring	\$130.00	
09370	1965	AIR CONDITIONING HARNESS, v/8, includes heater wiring	\$130.00	
09450	1966	AIR CONDITIONING HARNESS, v/8, includes heater wiring	\$130.00	
10600	1967	AIR CONDITIONING HARNESS, v/8, includes heater wiring	\$133.00	
12705	1968	AIR CONDITIONING HARNESS, v/8, includes heater wiring	\$133.00	
13325	1969	AIR CONDITIONING HARNESS, v/8, includes heater wiring	\$133.00	
18560	1970	AIR CONDITIONING HARNESS, v/8, includes heater wiring	\$133.00	
16035	1971	AIR CONDITIONING HARNESS, 6 cylinder, includes heater wiring	\$139.00	
15935	1971	AIR CONDITIONING HARNESS, v/8, includes heater wiring	\$133.00	
16690	1972	AIR CONDITIONING HARNESS, v/8, includes heater wiring, must be used with #36203 a/c extension	\$133.00	
36203	1972	AIR CONDITIONING EXTENSION HARNESS, thermo limiter jumper, used with #16690 a/c harness	\$34.00	
36203	1973	AIR CONDITIONING EXTENSION HARNESS, thermo limiter jumper	\$34.00	
36203	1974	AIR CONDITIONING EXTENSION HARNESS, thermo limiter jumper	\$34.00	
36203	1975	AIR CONDITIONING EXTENSION HARNESS, thermo limiter jumper	\$34.00	
27555	1963	ALTERNATOR CONVERSION KIT, external to internal regulator conversion harness ("si" series) NOTE: for use with 1972-84 non-serpentine belt ("SI" series) internal regulated alternators	\$21.00	
37787	1963	ALTERNATOR CONVERSION KIT, external to internal regulator conversion harness ("cs" series) NOTE: for use with serpentine belt ("CS" series) internal regulated alternators	\$21.00	
27555	1964	ALTERNATOR CONVERSION KIT, external to internal regulator conversion harness ("si" series) NOTE: for use with 1972-84 non-serpentine belt ("SI" series) internal regulated alternators	\$21.00	
37787	1964	ALTERNATOR CONVERSION KIT, external to internal regulator conversion harness ("cs" series) NOTE: for use with serpentine belt ("CS" series) internal regulated alternators	\$21.00	
27555	1965	ALTERNATOR CONVERSION KIT, external to internal regulator conversion harness ("si" series) NOTE: for use with 1972-84 non-serpentine belt ("SI" series) internal regulated alternators	\$21.00	
37787	1965	ALTERNATOR CONVERSION KIT, external to internal regulator conversion harness ("cs" series) NOTE: for use with serpentine belt ("CS" series) internal regulated alternators	\$21.00	
27555	1966	ALTERNATOR CONVERSION KIT, external to internal regulator conversion harness ("si" series) NOTE: for use with 1972-84 non-serpentine belt ("SI" series) internal regulated alternators	\$21.00	
37787	1966	ALTERNATOR CONVERSION KIT, external to internal regulator conversion harness ("cs" series) NOTE: for use with serpentine belt ("CS" series) internal regulated alternators	\$21.00	
27555	1967	ALTERNATOR CONVERSION KIT, external to internal regulator conversion harness ("si" series) NOTE: for use with 1972-84 non-serpentine belt ("SI" series) internal regulated alternators	\$21.00	
37787	1967	ALTERNATOR CONVERSION KIT, external to internal regulator conversion harness ("cs" series) NOTE: for use with serpentine belt ("CS" series) internal regulated alternators	\$21.00	
27555	1968	ALTERNATOR CONVERSION KIT, external to internal regulator conversion harness ("si" series) NOTE: for use with 1972-84 non-serpentine belt ("SI" series) internal regulated alternators	\$21.00	
37787	1968	ALTERNATOR CONVERSION KIT, external to internal regulator conversion harness ("cs" series) NOTE: for use with serpentine belt ("CS" series) internal regulated alternators	\$21.00	
27555	1969	ALTERNATOR CONVERSION KIT, external to internal regulator conversion harness ("si" series) NOTE: for use with 1972-84 non-serpentine belt ("SI" series) internal regulated alternators	\$21.00	
37787	1969	ALTERNATOR CONVERSION KIT, external to internal regulator conversion harness ("cs" series) NOTE: for use with serpentine belt ("CS" series) internal regulated alternators	\$21.00	
37796	1969	ALTERNATOR CONVERSION KIT, internal regulator "si" series alternator to "cs" series (serpentine belt) alternator NOTE: for use with serpentine belt ("CS130" or "CS144" type) internal regulated alternators	\$15.00	

**Cutlass**  
**4-4-2/F-85**



**Phone 562.926.9552**  
**Fax 562.926.9572**

Part Number	Year	Description	Price	*Rev.
27555	1970	ALTERNATOR CONVERSION KIT, external to internal regulator conversion harness ("si" series) NOTE: for use with 1972-84 non-serpentine belt ("SI" series) internal regulated alternators	\$21.00	
37787	1970	ALTERNATOR CONVERSION KIT, external to internal regulator conversion harness ("cs" series) NOTE: for use with serpentine belt ("CS" series) internal regulated alternators	\$21.00	
37796	1970	ALTERNATOR CONVERSION KIT, internal regulator "si" series alternator to "cs" series (serpentine belt) alternator NOTE: for use with serpentine belt ("CS130" or "CS144" type) internal regulated alternators	\$15.00	
27555	1971	ALTERNATOR CONVERSION KIT, external to internal regulator conversion harness ("si" series) NOTE: for use with 1972-84 non-serpentine belt ("SI" series) internal regulated alternators	\$21.00	
37787	1971	ALTERNATOR CONVERSION KIT, external to internal regulator conversion harness ("cs" series) NOTE: for use with serpentine belt ("CS" series) internal regulated alternators	\$21.00	
37796	1971	ALTERNATOR CONVERSION KIT, internal regulator "si" series alternator to "cs" series (serpentine belt) alternator NOTE: for use with serpentine belt ("CS130" or "CS144" type) internal regulated alternators	\$15.00	
27555	1972	ALTERNATOR CONVERSION KIT, external to internal regulator conversion harness ("si" series) NOTE: for use with 1972-84 non-serpentine belt ("SI" series) internal regulated alternators	\$21.00	
37787	1972	ALTERNATOR CONVERSION KIT, external to internal regulator conversion harness ("cs" series) NOTE: for use with serpentine belt ("CS" series) internal regulated alternators	\$21.00	
37796	1972	ALTERNATOR CONVERSION KIT, internal regulator "si" series alternator to "cs" series (serpentine belt) alternator NOTE: for use with serpentine belt ("CS130" or "CS144" type) internal regulated alternators	\$15.00	
37796	1973	ALTERNATOR CONVERSION KIT, internal regulator "si" series alternator to "cs" series (serpentine belt) alternator NOTE: for use with serpentine belt ("CS130" or "CS144" type) internal regulated alternators	\$15.00	
37796	1974	ALTERNATOR CONVERSION KIT, internal regulator "si" series alternator to "cs" series (serpentine belt) alternator NOTE: for use with serpentine belt ("CS130" or "CS144" type) internal regulated alternators	\$15.00	
37796	1975	ALTERNATOR CONVERSION KIT, internal regulator "si" series alternator to "cs" series (serpentine belt) alternator NOTE: for use with serpentine belt ("CS130" or "CS144" type) internal regulated alternators	\$15.00	
37796	1976	ALTERNATOR CONVERSION KIT, internal regulator "si" series alternator to "cs" series (serpentine belt) alternator NOTE: for use with serpentine belt ("CS130" or "CS144" type) internal regulated alternators	\$15.00	
37796	1977	ALTERNATOR CONVERSION KIT, internal regulator "si" series alternator to "cs" series (serpentine belt) alternator NOTE: for use with serpentine belt ("CS130" or "CS144" type) internal regulated alternators	\$15.00	
37796	1978	ALTERNATOR CONVERSION KIT, internal regulator "si" series alternator to "cs" series (serpentine belt) alternator NOTE: for use with serpentine belt ("CS130" or "CS144" type) internal regulated alternators	\$15.00	
37796	1979	ALTERNATOR CONVERSION KIT, internal regulator "si" series alternator to "cs" series (serpentine belt) alternator NOTE: for use with serpentine belt ("CS130" or "CS144" type) internal regulated alternators	\$15.00	
37796	1980	ALTERNATOR CONVERSION KIT, internal regulator "si" series alternator to "cs" series (serpentine belt) alternator NOTE: for use with serpentine belt ("CS130" or "CS144" type) internal regulated alternators	\$15.00	
37796	1981	ALTERNATOR CONVERSION KIT, internal regulator "si" series alternator to "cs" series (serpentine belt) alternator NOTE: for use with serpentine belt ("CS130" or "CS144" type) internal regulated alternators	\$15.00	
37796	1982	ALTERNATOR CONVERSION KIT, internal regulator "si" series alternator to "cs" series (serpentine belt) alternator NOTE: for use with serpentine belt ("CS130" or "CS144" type) internal regulated alternators	\$15.00	
37796	1983	ALTERNATOR CONVERSION KIT, internal regulator "si" series alternator to "cs" series (serpentine belt) alternator NOTE: for use with serpentine belt ("CS130" or "CS144" type) internal regulated alternators	\$15.00	
37796	1984	ALTERNATOR CONVERSION KIT, internal regulator "si" series alternator to "cs" series (serpentine belt) alternator NOTE: for use with serpentine belt ("CS130" or "CS144" type) internal regulated alternators	\$15.00	
37796	1985	ALTERNATOR CONVERSION KIT, internal regulator "si" series alternator to "cs" series (serpentine belt) alternator NOTE: for use with serpentine belt ("CS130" or "CS144" type) internal regulated alternators	\$15.00	
37796	1986	ALTERNATOR CONVERSION KIT, internal regulator "si" series alternator to "cs" series (serpentine belt) alternator NOTE: for use with serpentine belt ("CS130" or "CS144" type) internal regulated alternators	\$15.00	
16760	1972	ANTI-DIESEL SOLENOID EXTENSION WIRE	\$15.00	
09375	1966	ASH TRAY LAMP WIRE	\$18.00	
09375	1967	ASH TRAY LAMP WIRE	\$18.00	
12120	1968	ASH TRAY LAMP WIRE	\$18.00	

**Cutlass**  
**4-4-2/F-85**



**Phone 562.926.9552**  
**Fax 562.926.9572**

Part Number	Year	Description	Price	*Rev.
43238	1963	ASSEMBLY MANUAL, factory assembly instruction guide	\$25.00	
36368	1965	ASSEMBLY MANUAL, factory assembly instruction guide	\$25.00	
36369	1966	ASSEMBLY MANUAL, factory assembly instruction guide	\$25.00	
36370	1967	ASSEMBLY MANUAL, factory assembly instruction guide	\$25.00	
36371	1968	ASSEMBLY MANUAL, factory assembly instruction guide	\$25.00	
36372	1969	ASSEMBLY MANUAL, factory assembly instruction guide	\$25.00	
36373	1970	ASSEMBLY MANUAL, factory assembly instruction guide	\$25.00	
36374	1971	ASSEMBLY MANUAL, factory assembly instruction guide	\$25.00	
36375	1972	ASSEMBLY MANUAL, factory assembly instruction guide	\$25.00	
36376	1973	ASSEMBLY MANUAL, factory assembly instruction guide	\$25.00	
36377	1974	ASSEMBLY MANUAL, factory assembly instruction guide	\$25.00	
36378	1975	ASSEMBLY MANUAL, factory assembly instruction guide	\$25.00	
43239	1976	ASSEMBLY MANUAL, factory assembly instruction guide	\$25.00	
05100	1964	BACKUP LAMP SWITCH EXTENSION HARNESS, 4 speed manual trans, dash harness to backup lamp switch	\$23.00	
05100	1965	BACKUP LAMP SWITCH EXTENSION HARNESS, 4 speed manual trans, dash harness to backup lamp switch	\$23.00	
06070	1966	BACKUP LAMP SWITCH EXTENSION HARNESS, 3 speed manual trans, dash harness to backup lamp switch	\$24.00	
05100	1966	BACKUP LAMP SWITCH EXTENSION HARNESS, 4 speed manual trans, dash harness to backup lamp switch	\$23.00	
10480	1967	BACKUP LAMP SWITCH EXTENSION HARNESS, 3 speed manual trans, dash harness to backup lamp switch	\$24.00	
11130	1967	BACKUP LAMP SWITCH EXTENSION HARNESS, 4 speed manual trans, dash harness to backup lamp switch	\$29.00	
11130	1968	BACKUP LAMP SWITCH EXTENSION HARNESS, 4 speed manual trans, dash harness to backup lamp switch	\$29.00	
01993310	1964	BACKUP LAMP SWITCH, 3 speed, manual trans	\$64.00	
01993661	1964	BACKUP LAMP SWITCH, 4 speed, manual trans	\$64.00	
01993310	1965	BACKUP LAMP SWITCH, 3 speed, manual trans	\$64.00	
01993661	1965	BACKUP LAMP SWITCH, 4 speed, manual trans	\$64.00	
01993310	1966	BACKUP LAMP SWITCH, 3 speed, manual trans	\$64.00	
01993661	1966	BACKUP LAMP SWITCH, 4 speed, manual trans	\$64.00	
01993310	1967	BACKUP LAMP SWITCH, 3 speed, manual trans	\$64.00	
01993661	1967	BACKUP LAMP SWITCH, 4 speed, manual trans	\$64.00	
01993310	1968	BACKUP LAMP SWITCH, 3 speed, manual trans	\$64.00	
01993661	1968	BACKUP LAMP SWITCH, 4 speed, manual trans	\$64.00	
03943657	1969	BACKUP LAMP SWITCH, manual trans	\$50.00	
03943657	1970	BACKUP LAMP SWITCH, manual trans	\$50.00	
03943657	1971	BACKUP LAMP SWITCH, manual trans	\$50.00	
03943657	1972	BACKUP LAMP SWITCH, manual trans	\$50.00	
39504	1966	BACKUP LAMP SWITCH MOUNTING KIT, with manual transmission Note: Kit contains the bracket, rod with 2 clips, shield & bolts.	\$45.00	
39504	1967	BACKUP LAMP SWITCH MOUNTING KIT, with manual transmission Note: Kit contains the bracket, rod with 2 clips, shield & bolts.	\$45.00	
39504	1968	BACKUP LAMP SWITCH MOUNTING KIT, with manual transmission Note: Kit contains the bracket, rod with 2 clips, shield & bolts.	\$45.00	
37650	1964	BACKUP LAMP SWITCH MOUNTING BRACKET, with muncie 4 speed transmission	\$25.00	
37650	1965	BACKUP LAMP SWITCH MOUNTING BRACKET, with muncie 4 speed transmission	\$25.00	
37650	1966	BACKUP LAMP SWITCH MOUNTING BRACKET, with muncie 4 speed transmission	\$25.00	
37650	1967	BACKUP LAMP SWITCH MOUNTING BRACKET, with muncie 4 speed transmission	\$25.00	
37650	1968	BACKUP LAMP SWITCH MOUNTING BRACKET, with muncie 4 speed transmission	\$25.00	
21565	1966	BATTERY CABLE JUMPER, neg, v/8, with 442 & outside air induction, engine to frame	\$25.00	
21565	1967	BATTERY CABLE JUMPER, neg, v/8, with 442 & outside air induction, engine to frame	\$25.00	



**Cutlass**  
**4-4-2/F-85**



**Phone 562.926.9552**  
**Fax 562.926.9572**

Part Number	Year	Description	Price	*Rev.
21690	1961	BATTERY CABLE JUMPER, pos, junction block to starter solenoid	\$50.00	
21690	1962	BATTERY CABLE JUMPER, pos, junction block to starter solenoid	\$50.00	
21690	1963	BATTERY CABLE JUMPER, pos, junction block to starter solenoid	\$50.00	
05130	1964	BATTERY CABLE JUMPER, pos, v/8, junction block to starter solenoid	\$50.00	
05875	1965	BATTERY CABLE JUMPER, pos, v/8, junction block to starter solenoid, except 442	\$50.00	
11540	1965	BATTERY CABLE JUMPER, pos, v/8, junction block to starter solenoid, with 442	\$50.00	
05875	1966	BATTERY CABLE JUMPER, pos, v/8, junction block to starter solenoid, except 442	\$50.00	
11540	1966	BATTERY CABLE JUMPER, pos, v/8, junction block to starter solenoid, with 442	\$50.00	
05875	1967	BATTERY CABLE JUMPER, pos, v/8, junction block to starter solenoid, auto trans, except 442	\$50.00	
21550	1967	BATTERY CABLE JUMPER, pos, v/8, junction block to starter solenoid, manual trans, except 442	\$50.00	
11540	1967	BATTERY CABLE JUMPER, pos, v/8, junction block to starter solenoid, with 442	\$50.00	
04445	1964	BATTERY CABLE, SPRING RING, neg, v/6	\$50.00	
04380	1964	BATTERY CABLE, SPRING RING, neg, v/8	\$50.00	
04445	1965	BATTERY CABLE, SPRING RING, neg, v/6	\$50.00	
04380	1965	BATTERY CABLE, SPRING RING, neg, v/8, except 442	\$50.00	
05605	1965	BATTERY CABLE, TOP POST, neg, v/8, with 442	\$50.00	
09230	1966	BATTERY CABLE, SPRING RING, neg, 6 cylinder	\$50.00	
09230	1966	BATTERY CABLE, SPRING RING, neg, v/8, except 442	\$50.00	
09805	1966	BATTERY CABLE, SPRING RING, neg, v/8, with 442	\$50.00	
21540	1966	BATTERY CABLE, TOP POST, neg, v/8, with 442 & outside air induction	\$56.00	
09230	1967	BATTERY CABLE, SPRING RING, neg, 6 cylinder	\$50.00	
09230	1967	BATTERY CABLE, SPRING RING, neg, v/8, except 442	\$50.00	
09805	1967	BATTERY CABLE, SPRING RING, neg, v/8, with 442	\$50.00	
21540	1967	BATTERY CABLE, TOP POST, neg, v/8, with 442 & outside air induction	\$56.00	
12460	1968	BATTERY CABLE, SPRING RING, neg, 6 cylinder	\$50.00	
12475	1968	BATTERY CABLE, SPRING RING, neg, v/8, 350 c.i.	\$50.00	
12470	1968	BATTERY CABLE, SPRING RING, neg, v/8, 400 c.i.	\$50.00	
12460	1969	BATTERY CABLE, SPRING RING, neg, 6 cylinder	\$50.00	
12475	1969	BATTERY CABLE, SPRING RING, neg, v/8, 350 c.i., with 2 bbl. carburetor	\$50.00	
12470	1969	BATTERY CABLE, SPRING RING, neg, v/8, 350 c.i., with 4 bbl. carburetor & auto trans	\$50.00	
12475	1969	BATTERY CABLE, SPRING RING, neg, v/8, 350 c.i., with 4 bbl. carburetor & manual trans	\$50.00	
12470	1969	BATTERY CABLE, SPRING RING, neg, v/8, 400-455 c.i.	\$50.00	
12460	1970	BATTERY CABLE, SPRING RING, neg, 6 cylinder	\$50.00	
12475	1970	BATTERY CABLE, SPRING RING, neg, v/8, 350 c.i., with 2 bbl. carburetor & auto trans	\$50.00	
12470	1970	BATTERY CABLE, SPRING RING, neg, v/8, 350 c.i., with 4 bbl. carburetor & auto trans	\$50.00	
12475	1970	BATTERY CABLE, SPRING RING, neg, v/8, 350 c.i., with manual trans	\$50.00	
15670	1970	BATTERY CABLE, TOP POST, neg, v/8, 455 c.i.	\$69.00	
12460	1971	BATTERY CABLE, SPRING RING, neg, 6 cylinder	\$50.00	
12475	1971	BATTERY CABLE, SPRING RING, neg, v/8, 350 c.i.	\$50.00	
21765	1971	BATTERY CABLE, TOP POST, neg, v/8, 455 c.i.	\$62.00	
29675	1972	BATTERY CABLE, SIDE POST, neg, v/8, 350 c.i.	\$54.00	
29740	1972	BATTERY CABLE, SIDE POST, neg, v/8, 455 c.i.	\$54.00	
22195	1973	BATTERY CABLE, SIDE POST, neg, v/8, 350 c.i.	\$54.00	
22830	1973	BATTERY CABLE, SIDE POST, neg, v/8, 455 c.i.	\$54.00	
22195	1974	BATTERY CABLE, SIDE POST, neg, v/8, 350 c.i.	\$54.00	
22830	1974	BATTERY CABLE, SIDE POST, neg, v/8, 455 c.i.	\$54.00	
04640	1964	BATTERY CABLE, SPRING RING, pos, v/6	\$50.00	
05420	1964	BATTERY CABLE, SPRING RING, pos, v/8	\$50.00	
04640	1965	BATTERY CABLE, SPRING RING, pos, v/6	\$50.00	
05420	1965	BATTERY CABLE, SPRING RING, pos, v/8, except 442	\$50.00	

**Cutlass**  
**4-4-2/F-85**



**Phone 562.926.9552**  
**Fax 562.926.9572**

Part Number	Year	Description	Price	*Rev.
06205	1965	BATTERY CABLE, TOP POST , pos, v/8, with 442	\$50.00	
04640	1966	BATTERY CABLE, SPRING RING, pos, 6 cylinder	\$50.00	
09445	1966	BATTERY CABLE, SPRING RING, pos, v/8, except 442	\$50.00	
09800	1966	BATTERY CABLE, SPRING RING, pos, v/8, with 442	\$50.00	
22215	1966	BATTERY CABLE, TOP POST , pos, v/8, with 442 & outside air induction	\$115.00	
09825	1967	BATTERY CABLE, SPRING RING, pos, 6 cylinder	\$50.00	
09445	1967	BATTERY CABLE, SPRING RING, pos, v/8, except 442	\$50.00	
09800	1967	BATTERY CABLE, SPRING RING, pos, v/8, with 442	\$50.00	
22215	1967	BATTERY CABLE, TOP POST , pos, v/8, with 442 & outside air induction	\$115.00	
09825	1968	BATTERY CABLE, SPRING RING, pos, 6 cylinder	\$50.00	
12465	1968	BATTERY CABLE, SPRING RING, pos, v/8, 350 c.i., with 2 bbl. carburetor & auto trans	\$50.00	
09900	1968	BATTERY CABLE, SPRING RING, pos, v/8, 350 c.i., with 4 bbl. carburetor & auto trans	\$50.00	
09915	1968	BATTERY CABLE, SPRING RING, pos, v/8, 350 c.i., with manual trans	\$50.00	
09900	1968	BATTERY CABLE, SPRING RING, pos, v/8, 400 c.i.	\$50.00	
09825	1969	BATTERY CABLE, SPRING RING, pos, 6 cylinder	\$50.00	
12530	1969	BATTERY CABLE, SPRING RING, pos, v/8, 350 c.i., with 2 bbl. carburetor & auto trans, except 442	\$50.00	
12525	1969	BATTERY CABLE, SPRING RING, pos, v/8, 350 c.i. with 4 bbl. carburetor & manual trans, except 442	\$50.00	
12520	1969	BATTERY CABLE, SPRING RING, pos, v/8, 350 c.i., with manual trans, except 442	\$50.00	
12525	1969	BATTERY CABLE, SPRING RING, pos, v/8, 400-455 c.i., all 442	\$50.00	
09825	1970	BATTERY CABLE, SPRING RING, pos, 6 cylinder	\$50.00	
14575	1970	BATTERY CABLE, SPRING RING, pos, v/8, 350 c.i., with 2 bbl. carburetor & auto trans	\$50.00	
14580	1970	BATTERY CABLE, SPRING RING, pos, v/8, 350 c.i., with 4 bbl. carburetor & auto trans	\$50.00	
14575	1970	BATTERY CABLE, SPRING RING, pos, v/8, 350 c.i., with manual trans	\$50.00	
14580	1970	BATTERY CABLE, SPRING RING, pos, v/8, 455 c.i.	\$50.00	
09825	1971	BATTERY CABLE, SPRING RING, pos, 6 cylinder	\$50.00	
14575	1971	BATTERY CABLE, SPRING RING, pos, v/8, 350 c.i.	\$50.00	
21770	1971	BATTERY CABLE, SPRING RING, pos, v/8, 455 c.i.	\$50.00	
21795	1972	BATTERY CABLE, SIDE POST, pos, v/8, 350 c.i.	\$54.00	
21800	1972	BATTERY CABLE, SIDE POST, pos, v/8, 455 c.i.	\$54.00	
22840	1973	BATTERY CABLE, SIDE POST, pos, v/8, 350 c.i.	\$54.00	
22835	1973	BATTERY CABLE, SIDE POST, pos, v/8, 455 c.i.	\$54.00	
22865	1974	BATTERY CABLE, SIDE POST, pos, v/8, 350 c.i.	\$54.00	
22860	1974	BATTERY CABLE, SIDE POST, pos, v/8, 455 c.i.	\$54.00	
38131	ALL	BREAKERLESS SE SINGLE WIRE ELECTRONIC IGNITION KIT, for 1957-74 breaker point distributors with windowed type distributor cap.	\$169.00	
11375	1967	CAPACITOR DISCHARGE JUMPER WIRE, from dash harness to amplifier harness	\$11.00	
04850166	1962	CIRCUIT BREAKER, 30 AMP, power door locks, seat, top & windows	\$14.00	
04850166	1963	CIRCUIT BREAKER, 30 AMP, power door locks, seat, top & windows	\$14.00	
04850166	1964	CIRCUIT BREAKER, 30 AMP, power door locks, seat, top & windows	\$14.00	
04850166	1965	CIRCUIT BREAKER, 30 AMP, power door locks, seat, top & windows	\$14.00	
04850166	1966	CIRCUIT BREAKER, 30 AMP, power door locks, seat, top & windows	\$14.00	
04850166	1967	CIRCUIT BREAKER, 30 AMP, power door locks, seat, top & windows	\$14.00	
04850166	1968	CIRCUIT BREAKER, 30 AMP, power door locks, seat, top & windows	\$14.00	
04850166	1969	CIRCUIT BREAKER, 30 AMP, power door locks, seat, top & windows	\$14.00	
04850166	1970	CIRCUIT BREAKER, 30 AMP, power door locks, seat, top & windows	\$14.00	
09970	1966	CLOCK LAMP WIRE, dash mounted	\$12.00	
09970	1967	CLOCK LAMP WIRE, dash mounted	\$12.00	
11090	1968	CLOCK LAMP WIRE, dash mounted	\$12.00	
11090	1969	CLOCK LAMP WIRE, dash mounted	\$12.00	

**Cutlass**  
**4-4-2/F-85**



**Phone 562.926.9552**  
**Fax 562.926.9572**

Part Number	Year	Description	Price	*Rev.
11090	1970	CLOCK LAMP WIRE, dash mounted	\$12.00	
11090	1971	CLOCK LAMP WIRE, dash mounted	\$12.00	
11090	1972	CLOCK LAMP WIRE, dash mounted	\$12.00	
04455	1964	CONSOLE EXTENSION HARNESS, auto trans, from dash to console harness	\$65.00	
04450	1964	CONSOLE EXTENSION HARNESS, manual trans, from dash to console harness	\$50.00	
04455	1965	CONSOLE EXTENSION HARNESS, auto trans, from dash to console harness	\$65.00	
04450	1965	CONSOLE EXTENSION HARNESS, manual trans, from dash to console harness	\$50.00	
09435	1966	CONSOLE EXTENSION HARNESS, auto trans, from dash to console harness	\$70.00	
09420	1966	CONSOLE EXTENSION HARNESS, manual trans, from dash to console harness	\$45.00	
10490	1967	CONSOLE EXTENSION HARNESS, auto trans, from dash to console harness	\$70.00	
12770	1968	CONSOLE EXTENSION HARNESS, auto trans, from dash to console harness	\$70.00	
13420	1969	CONSOLE EXTENSION HARNESS, auto trans, from dash to console harness	\$70.00	
15695	1970	CONSOLE EXTENSION HARNESS, auto trans, from dash to console harness	\$70.00	
15995	1971	CONSOLE EXTENSION HARNESS, auto trans, from dash to console harness	\$40.00	
15995	1972	CONSOLE EXTENSION HARNESS, auto trans, from dash to console harness	\$40.00	
04460	1964	CONSOLE HARNESS, auto trans	\$65.00	
04465	1964	CONSOLE HARNESS, manual trans	\$50.00	
04460	1965	CONSOLE HARNESS, auto trans	\$65.00	
04465	1965	CONSOLE HARNESS, manual trans	\$50.00	
09430	1966	CONSOLE HARNESS, auto trans	\$70.00	
10485	1967	CONSOLE HARNESS, auto trans	\$65.00	
10485	1968	CONSOLE HARNESS, auto trans	\$65.00	
10485	1969	CONSOLE HARNESS, auto trans	\$65.00	
15590	1970	CONSOLE HARNESS, auto trans	\$60.00	
16000	1971	CONSOLE HARNESS, auto trans	\$65.00	
16000	1972	CONSOLE HARNESS, auto trans	\$65.00	
04470	1964	COURTESY LAMP HARNESS, under dash	\$45.00	
06890	1964	COURTESY LAMP HARNESS, cutlass holiday coupe, with dual rear sail panel lights	\$45.00	
06885	1964	COURTESY LAMP HARNESS, center roof mounted dome lamp, f-85 coupe	\$24.00	
06880	1964	COURTESY LAMP HARNESS, center roof mounted dome lamp, f-85 4 door sedan	\$24.00	
07110	1964	COURTESY LAMP HARNESS, with dual rear sail panel lights, f-85 vista cruiser wagon	\$45.00	
04470	1965	COURTESY LAMP HARNESS, under dash	\$45.00	
07710	1965	COURTESY LAMP HARNESS, with dual rear sail panel lights	\$40.00	
07580	1965	COURTESY LAMP HARNESS, center roof mounted dome lamp, all cutlass & f-85 coupes	\$24.00	
07575	1965	COURTESY LAMP HARNESS, center roof mounted dome lamp, f-85 4 door sedan	\$29.00	
04470	1966	COURTESY LAMP HARNESS, under dash	\$45.00	
07710	1966	COURTESY LAMP HARNESS, with dual rear sail panel lights	\$40.00	
04470	1967	COURTESY LAMP HARNESS, under dash	\$45.00	
07710	1967	COURTESY LAMP HARNESS, with dual rear sail panel lights	\$40.00	
12765	1968	COURTESY LAMP HARNESS, under dash	\$50.00	
13415	1969	COURTESY LAMP HARNESS, under dash	\$50.00	
15600	1970	COURTESY LAMP HARNESS, under dash	\$50.00	
15600	1971	COURTESY LAMP HARNESS, under dash	\$50.00	
15600	1972	COURTESY LAMP HARNESS, under dash	\$50.00	

Part Number	Year	Description	Price	*Rev.
43896	1964	COURTESY LAMP REPAIR PIGTAIL, convertible, 1/4 arm rest courtesy lamp, includes socket and 6" of 18 gauge, orange & white wire  NOTE: ORIGINAL WIRE WAS 18 GAUGE, SOMETIMES WITH A HEAVY WALL TYPE INSULATION. REPAIR PIGTAIL IS ALSO 18 GAUGE, BUT TODAY'S INSULATION IS OF MUCH HIGHER QUALITY, AND MAY NOT BE AS THICK AS SOME ORIGINAL CABLES.	\$11.00	N
43896	1965	COURTESY LAMP REPAIR PIGTAIL, convertible, 1/4 arm rest courtesy lamp, includes socket and 6" of 18 gauge, orange & white wire  NOTE: ORIGINAL WIRE WAS 18 GAUGE, SOMETIMES WITH A HEAVY WALL TYPE INSULATION. REPAIR PIGTAIL IS ALSO 18 GAUGE, BUT TODAY'S INSULATION IS OF MUCH HIGHER QUALITY, AND MAY NOT BE AS THICK AS SOME ORIGINAL CABLES.	\$11.00	N
43896	1966	COURTESY LAMP REPAIR PIGTAIL, convertible, 1/4 arm rest courtesy lamp, includes socket and 6" of 18 gauge, orange & white wire  NOTE: ORIGINAL WIRE WAS 18 GAUGE, SOMETIMES WITH A HEAVY WALL TYPE INSULATION. REPAIR PIGTAIL IS ALSO 18 GAUGE, BUT TODAY'S INSULATION IS OF MUCH HIGHER QUALITY, AND MAY NOT BE AS THICK AS SOME ORIGINAL CABLES.	\$11.00	N
43896	1967	COURTESY LAMP REPAIR PIGTAIL, convertible, 1/4 arm rest courtesy lamp, includes socket and 6" of 18 gauge, orange & white wire  NOTE: ORIGINAL WIRE WAS 18 GAUGE, SOMETIMES WITH A HEAVY WALL TYPE INSULATION. REPAIR PIGTAIL IS ALSO 18 GAUGE, BUT TODAY'S INSULATION IS OF MUCH HIGHER QUALITY, AND MAY NOT BE AS THICK AS SOME ORIGINAL CABLES.	\$11.00	N
43896	1968	COURTESY LAMP REPAIR PIGTAIL, convertible, 1/4 arm rest courtesy lamp, includes socket and 6" of 18 gauge, orange & white wire  NOTE: ORIGINAL WIRE WAS 18 GAUGE, SOMETIMES WITH A HEAVY WALL TYPE INSULATION. REPAIR PIGTAIL IS ALSO 18 GAUGE, BUT TODAY'S INSULATION IS OF MUCH HIGHER QUALITY, AND MAY NOT BE AS THICK AS SOME ORIGINAL CABLES.	\$11.00	N
43896	1969	COURTESY LAMP REPAIR PIGTAIL, convertible, 1/4 arm rest courtesy lamp, includes socket and 6" of 18 gauge, orange & white wire  NOTE: ORIGINAL WIRE WAS 18 GAUGE, SOMETIMES WITH A HEAVY WALL TYPE INSULATION. REPAIR PIGTAIL IS ALSO 18 GAUGE, BUT TODAY'S INSULATION IS OF MUCH HIGHER QUALITY, AND MAY NOT BE AS THICK AS SOME ORIGINAL CABLES.	\$11.00	N
43896	1970	COURTESY LAMP REPAIR PIGTAIL, convertible, 1/4 arm rest courtesy lamp, includes socket and 6" of 18 gauge, orange & white wire  NOTE: ORIGINAL WIRE WAS 18 GAUGE, SOMETIMES WITH A HEAVY WALL TYPE INSULATION. REPAIR PIGTAIL IS ALSO 18 GAUGE, BUT TODAY'S INSULATION IS OF MUCH HIGHER QUALITY, AND MAY NOT BE AS THICK AS SOME ORIGINAL CABLES.	\$11.00	N
43896	1971	COURTESY LAMP REPAIR PIGTAIL, convertible, 1/4 arm rest courtesy lamp, includes socket and 6" of 18 gauge, orange & white wire  NOTE: ORIGINAL WIRE WAS 18 GAUGE, SOMETIMES WITH A HEAVY WALL TYPE INSULATION. REPAIR PIGTAIL IS ALSO 18 GAUGE, BUT TODAY'S INSULATION IS OF MUCH HIGHER QUALITY, AND MAY NOT BE AS THICK AS SOME ORIGINAL CABLES.	\$11.00	N
43896	1972	COURTESY LAMP REPAIR PIGTAIL, convertible, 1/4 arm rest courtesy lamp, includes socket and 6" of 18 gauge, orange & white wire  NOTE: ORIGINAL WIRE WAS 18 GAUGE, SOMETIMES WITH A HEAVY WALL TYPE INSULATION. REPAIR PIGTAIL IS ALSO 18 GAUGE, BUT TODAY'S INSULATION IS OF MUCH HIGHER QUALITY, AND MAY NOT BE AS THICK AS SOME ORIGINAL CABLES.	\$11.00	N
05770	1965	CRUISE CONTROL HARNESS	\$50.00	
10055	1966	CRUISE CONTROL HARNESS	\$40.00	
11115	1967	CRUISE CONTROL HARNESS	\$40.00	
12270	1968	CRUISE CONTROL HARNESS	\$40.00	
13280	1969	CRUISE CONTROL HARNESS	\$60.00	
15610	1970	CRUISE CONTROL HARNESS	\$60.00	
15610	1971	CRUISE CONTROL HARNESS	\$60.00	
16730	1972	CRUISE CONTROL HARNESS	\$60.00	
04335	1964	DASH HARNESS, auto trans	\$480.00	
04330	1964	DASH HARNESS, manual trans	\$480.00	
05205	1965	DASH HARNESS, all NOTE: customer must supply their original fuseblock	\$480.00	
10645	1966	DASH HARNESS, cutlass NOTE: customer must supply their original fuseblock	\$480.00	
18300	1966	DASH HARNESS, cutlass, with gauges NOTE: customer must supply their original fuseblock	\$483.00	

**Cutlass**  
**4-4-2/F-85**



**Phone 562.926.9552**  
**Fax 562.926.9572**

Part Number	Year	Description	Price	*Rev.
10640	1966	DASH HARNESS, f-85 NOTE: customer must supply their original fuseblock	\$483.00	
10495	1966	DASH HARNESS, f-85, with gauges NOTE: customer must supply their original fuseblock	\$483.00	
10285	1967	DASH HARNESS, auto trans NOTE: customer must supply their original fuseblock	\$470.00	
11615	1967	DASH HARNESS, manual trans NOTE: customer must supply their original fuseblock	\$470.00	
11620	1967	DASH HARNESS, all with gauges NOTE: customer must supply their original fuseblock	\$470.00	
12760	1968	DASH HARNESS, auto trans	\$482.00	
12755	1968	DASH HARNESS, manual trans	\$482.00	
13250	1968	DASH HARNESS, all with gauges	\$482.00	
12775	1969	DASH HARNESS, auto trans	\$482.00	
13495	1969	DASH HARNESS, manual trans	\$496.00	
12720	1969	DASH HARNESS, all with gauges	\$482.00	
15660	1970	DASH HARNESS, auto trans	\$494.00	
13570	1970	DASH HARNESS, manual trans	\$494.00	
15665	1970	DASH HARNESS, all with gauges	\$494.00	
15820	1971	DASH HARNESS, auto trans	\$494.00	
15815	1971	DASH HARNESS, manual trans	\$513.00	
15825	1971	DASH HARNESS, all with gauges	\$494.00	
16700	1972	DASH HARNESS, auto trans	\$494.00	
16695	1972	DASH HARNESS, manual trans	\$513.00	
16880	1972	DASH HARNESS, all with gauges	\$513.00	
36057	ALL	DISTRIBUTOR WIRE, distributor points to coil negative terminal, v/8	\$12.00	
04350	1964	ENGINE HARNESS, 6 cylinder (v/6)	\$149.00	
04355	1964	ENGINE HARNESS, v/8	\$125.00	
43177	1964	ENGINE HARNESS - HEI, v/8 NOTE: THIS HARNESS IS MODIFIED FOR USE WITH AN HEI DISTRIBUTOR	\$143.00	N
43178	1964	ENGINE HARNESS - SI SERIES INT REG ALT, v/8 NOTE: MODIFIED FOR 1972-84 NON-SERPENTINE BELT ("SI" SERIES) INTERNAL REGULATED ALTERNATORS MOUNTED IN THE FACTORY LOCATION	\$154.00	N
43179	1964	ENGINE HARNESS - HEI & SI SERIES INT REG ALT, v/8 NOTE: MODIFIED FOR HEI & 1972-84 NON-SERPENTINE BELT ("SI" SERIES) INTERNAL REGULATED ALTERNATORS MOUNTED IN THE FACTORY LOCATION	\$164.00	N
05210	1965	ENGINE HARNESS, 6 cylinder (v/6)	\$149.00	
05215	1965	ENGINE HARNESS, v/8	\$125.00	
43180	1965	ENGINE HARNESS - HEI, v/8 NOTE: THIS HARNESS IS MODIFIED FOR USE WITH AN HEI DISTRIBUTOR	\$143.00	N
43181	1965	ENGINE HARNESS - SI SERIES INT REG ALT, v/8 NOTE: MODIFIED FOR 1972-84 NON-SERPENTINE BELT ("SI" SERIES) INTERNAL REGULATED ALTERNATORS MOUNTED IN THE FACTORY LOCATION	\$154.00	N
43182	1965	ENGINE HARNESS - HEI & SI SERIES INT REG ALT, v/8 NOTE: MODIFIED FOR HEI & 1972-84 NON-SERPENTINE BELT ("SI" SERIES) INTERNAL REGULATED ALTERNATORS MOUNTED IN THE FACTORY LOCATION	\$164.00	N
09280	1966	ENGINE HARNESS, 6 cylinder, auto trans	\$149.00	
10140	1966	ENGINE HARNESS, 6 cylinder, manual trans	\$149.00	
10180	1966	ENGINE HARNESS, v/8, cutlass	\$125.00	
43183	1966	ENGINE HARNESS - HEI, v/8, cutlass NOTE: THIS HARNESS IS MODIFIED FOR USE WITH AN HEI DISTRIBUTOR	\$143.00	N
43184	1966	ENGINE HARNESS - SI SERIES INT REG ALT, v/8, cutlass NOTE: MODIFIED FOR 1972-84 NON-SERPENTINE BELT ("SI" SERIES) INTERNAL REGULATED ALTERNATORS MOUNTED IN THE FACTORY LOCATION	\$154.00	N

**Cutlass**  
**4-4-2/F-85**



**Phone 562.926.9552**  
**Fax 562.926.9572**

Part Number	Year	Description	Price	*Rev.
43185	1966	ENGINE HARNESS - HEI & SI SERIES INT REG ALT, v/8, cutlass NOTE: MODIFIED FOR HEI & 1972-84 NON-SERPENTINE BELT ("SI" SERIES) INTERNAL REGULATED ALTERNATORS MOUNTED IN THE FACTORY LOCATION	\$164.00	N
10500	1966	ENGINE HARNESS, v/8, cutlass, with gauges	\$135.00	
43186	1966	ENGINE HARNESS - HEI, v/8, cutlass, with gauges NOTE: THIS HARNESS IS MODIFIED FOR USE WITH AN HEI DISTRIBUTOR	\$153.00	N
43187	1966	ENGINE HARNESS - SI SERIES INT REG ALT, v/8, cutlass, with gauges NOTE: MODIFIED FOR 1972-84 NON-SERPENTINE BELT ("SI" SERIES) INTERNAL REGULATED ALTERNATORS MOUNTED IN THE FACTORY LOCATION	\$164.00	N
43188	1966	ENGINE HARNESS - HEI & SI SERIES INT REG ALT, v/8, cutlass, with gauges NOTE: MODIFIED FOR HEI & 1972-84 NON-SERPENTINE BELT ("SI" SERIES) INTERNAL REGULATED ALTERNATORS MOUNTED IN THE FACTORY LOCATION	\$174.00	N
10155	1966	ENGINE HARNESS, v/8, f-85	\$125.00	
43189	1966	ENGINE HARNESS - HEI, v/8, f-85 NOTE: THIS HARNESS IS MODIFIED FOR USE WITH AN HEI DISTRIBUTOR	\$143.00	N
43190	1966	ENGINE HARNESS - SI SERIES INT REG ALT, v/8, f-85 NOTE: MODIFIED FOR 1972-84 NON-SERPENTINE BELT ("SI" SERIES) INTERNAL REGULATED ALTERNATORS MOUNTED IN THE FACTORY LOCATION	\$154.00	N
43191	1966	ENGINE HARNESS - HEI & SI SERIES INT REG ALT, v/8, f-85 NOTE: MODIFIED FOR HEI & 1972-84 NON-SERPENTINE BELT ("SI" SERIES) INTERNAL REGULATED ALTERNATORS MOUNTED IN THE FACTORY LOCATION	\$164.00	N
10505	1966	ENGINE HARNESS, v/8, f-85, with gauges	\$135.00	
43192	1966	ENGINE HARNESS - HEI, v/8, f-85, with gauges NOTE: THIS HARNESS IS MODIFIED FOR USE WITH AN HEI DISTRIBUTOR	\$153.00	N
43193	1966	ENGINE HARNESS - SI SERIES INT REG ALT, v/8, f-85, with gauges NOTE: MODIFIED FOR 1972-84 NON-SERPENTINE BELT ("SI" SERIES) INTERNAL REGULATED ALTERNATORS MOUNTED IN THE FACTORY LOCATION	\$164.00	N
43194	1966	ENGINE HARNESS - HEI & SI SERIES INT REG ALT, v/8, f-85, with gauges NOTE: MODIFIED FOR HEI & 1972-84 NON-SERPENTINE BELT ("SI" SERIES) INTERNAL REGULATED ALTERNATORS MOUNTED IN THE FACTORY LOCATION	\$174.00	N
10380	1967	ENGINE HARNESS, 6 cylinder, auto trans	\$149.00	
10385	1967	ENGINE HARNESS, 6 cylinder, manual trans	\$149.00	
10390	1967	ENGINE HARNESS, v/8	\$125.00	
43195	1967	ENGINE HARNESS - HEI, v/8 NOTE: THIS HARNESS IS MODIFIED FOR USE WITH AN HEI DISTRIBUTOR	\$143.00	N
43196	1967	ENGINE HARNESS - SI SERIES INT REG ALT, v/8 NOTE: MODIFIED FOR 1972-84 NON-SERPENTINE BELT ("SI" SERIES) INTERNAL REGULATED ALTERNATORS MOUNTED IN THE FACTORY LOCATION	\$154.00	N
43197	1967	ENGINE HARNESS - HEI & SI SERIES INT REG ALT, v/8 NOTE: MODIFIED FOR HEI & 1972-84 NON-SERPENTINE BELT ("SI" SERIES) INTERNAL REGULATED ALTERNATORS MOUNTED IN THE FACTORY LOCATION	\$164.00	N
10745	1967	ENGINE HARNESS, v/8, with gauges	\$135.00	
43198	1967	ENGINE HARNESS - HEI, v/8, with gauges NOTE: THIS HARNESS IS MODIFIED FOR USE WITH AN HEI DISTRIBUTOR	\$153.00	N
43199	1967	ENGINE HARNESS - SI SERIES INT REG ALT, v/8, with gauges NOTE: MODIFIED FOR 1972-84 NON-SERPENTINE BELT ("SI" SERIES) INTERNAL REGULATED ALTERNATORS MOUNTED IN THE FACTORY LOCATION	\$164.00	N
43200	1967	ENGINE HARNESS - HEI & SI SERIES INT REG ALT, v/8, with gauges NOTE: MODIFIED FOR HEI & 1972-84 NON-SERPENTINE BELT ("SI" SERIES) INTERNAL REGULATED ALTERNATORS MOUNTED IN THE FACTORY LOCATION	\$174.00	N
11580	1968	ENGINE HARNESS, 6 cylinder	\$125.00	
11585	1968	ENGINE HARNESS, v/8	\$110.00	
43201	1968	ENGINE HARNESS - HEI, v/8 NOTE: THIS HARNESS IS MODIFIED FOR USE WITH AN HEI DISTRIBUTOR	\$128.00	N
16170	1968	ENGINE HARNESS, v/8, with carburetor idle stop solenoid	\$110.00	
43202	1968	ENGINE HARNESS - HEI, v/8, with carburetor idle stop solenoid NOTE: THIS HARNESS IS MODIFIED FOR USE WITH AN HEI DISTRIBUTOR	\$128.00	N
11590	1968	ENGINE HARNESS, v/8, with carburetor idle stop solenoid & gauges	\$110.00	
43203	1968	ENGINE HARNESS - HEI, v/8, with carburetor idle stop solenoid & gauges NOTE: THIS HARNESS IS MODIFIED FOR USE WITH AN HEI DISTRIBUTOR	\$128.00	N
12640	1968	ENGINE HARNESS, v/8, with transistor ignition & gauges	\$125.00	
11580	1969	ENGINE HARNESS, 6 cylinder	\$125.00	
11585	1969	ENGINE HARNESS, v/8	\$110.00	

**Cutlass**  
**4-4-2/F-85**



**Phone 562.926.9552**  
**Fax 562.926.9572**

Part Number	Year	Description	Price	*Rev.
43206	1969	ENGINE HARNESS - HEI, v/8 NOTE: THIS HARNESS IS MODIFIED FOR USE WITH AN HEI DISTRIBUTOR	\$128.00	N
16170	1969	ENGINE HARNESS, v/8, with carburetor idle stop solenoid (4 bbl.) NOTE: on 2 BBL. carb cars with idle stop solenoid use part# 11585 engine harness and part# 12800 idle stop control wire	\$110.00	
43207	1969	ENGINE HARNESS - HEI, v/8, with carburetor idle stop solenoid (4 bbl.) NOTE: on 2 BBL. carb cars with idle stop solenoid use part# 11585 engine harness and part# 12800 idle stop control wire NOTE: THIS HARNESS IS MODIFIED FOR USE WITH AN HEI DISTRIBUTOR	\$128.00	N
11590	1969	ENGINE HARNESS, v/8, with carburetor idle stop solenoid (4 bbl.) & gauges NOTE: on 2 BBL. carb cars with idle stop solenoid use part# 11585 engine harness and part# 12800 idle stop control wire	\$110.00	
43208	1969	ENGINE HARNESS - HEI, v/8, with carburetor idle stop solenoid (4 bbl.) & gauges NOTE: on 2 BBL. carb cars with idle stop solenoid use part# 11585 engine harness and part# 12800 idle stop control wire NOTE: THIS HARNESS IS MODIFIED FOR USE WITH AN HEI DISTRIBUTOR	\$128.00	N
12640	1969	ENGINE HARNESS, v/8, with transistor ignition & gauges	\$125.00	
15785	1970	ENGINE HARNESS, 6 cylinder, auto trans	\$140.00	
15790	1970	ENGINE HARNESS, 6 cylinder, manual trans	\$140.00	
15675	1970	ENGINE HARNESS, v/8, auto trans	\$125.00	
43209	1970	ENGINE HARNESS - HEI, v/8, auto trans NOTE: THIS HARNESS IS MODIFIED FOR USE WITH AN HEI DISTRIBUTOR	\$143.00	N
15680	1970	ENGINE HARNESS, v/8, manual trans	\$125.00	
43210	1970	ENGINE HARNESS - HEI, v/8, manual trans NOTE: THIS HARNESS IS MODIFIED FOR USE WITH AN HEI DISTRIBUTOR	\$143.00	N
16101	1971	ENGINE HARNESS, 6 cylinder, auto trans	\$140.00	
16015	1971	ENGINE HARNESS, 6 cylinder, manual trans	\$140.00	
15865	1971	ENGINE HARNESS, v/8, auto trans	\$125.00	
43211	1971	ENGINE HARNESS - HEI, v/8, auto trans NOTE: THIS HARNESS IS MODIFIED FOR USE WITH AN HEI DISTRIBUTOR	\$143.00	N
16320	1971	ENGINE HARNESS, v/8, manual trans	\$125.00	
43212	1971	ENGINE HARNESS - HEI, v/8, manual trans NOTE: THIS HARNESS IS MODIFIED FOR USE WITH AN HEI DISTRIBUTOR	\$143.00	N
16630	1972	ENGINE HARNESS, v/8, auto trans	\$160.00	
43213	1972	ENGINE HARNESS - HEI, v/8, auto trans NOTE: THIS HARNESS IS MODIFIED FOR USE WITH AN HEI DISTRIBUTOR	\$178.00	N
43214	1972	ENGINE HARNESS - SI SERIES INT REG ALT, v/8, auto trans NOTE: MODIFIED FOR 1972-84 NON-SERPENTINE BELT ("SI" SERIES) INTERNAL REGULATED ALTERNATORS MOUNTED IN THE FACTORY LOCATION	\$189.00	N
43215	1972	ENGINE HARNESS - HEI & SI SERIES INT REG ALT, v/8, auto trans NOTE: MODIFIED FOR HEI & 1972-84 NON-SERPENTINE BELT ("SI" SERIES) INTERNAL REGULATED ALTERNATORS MOUNTED IN THE FACTORY LOCATION	\$199.00	N
16625	1972	ENGINE HARNESS, v/8, manual trans	\$160.00	
43216	1972	ENGINE HARNESS - HEI, v/8, manual trans NOTE: THIS HARNESS IS MODIFIED FOR USE WITH AN HEI DISTRIBUTOR	\$178.00	N
43217	1972	ENGINE HARNESS - SI SERIES INT REG ALT, v/8, manual trans NOTE: MODIFIED FOR 1972-84 NON-SERPENTINE BELT ("SI" SERIES) INTERNAL REGULATED ALTERNATORS MOUNTED IN THE FACTORY LOCATION	\$189.00	N
43218	1972	ENGINE HARNESS - HEI & SI SERIES INT REG ALT, v/8, manual trans NOTE: MODIFIED FOR HEI & 1972-84 NON-SERPENTINE BELT ("SI" SERIES) INTERNAL REGULATED ALTERNATORS MOUNTED IN THE FACTORY LOCATION	\$199.00	N
04340	1964	FORWARD LAMP HARNESS, 6 cylinder (v/6)	\$180.00	
04345	1964	FORWARD LAMP HARNESS, v/8	\$165.00	
05220	1965	FORWARD LAMP HARNESS, 6 cylinder (v/6)	\$180.00	
05225	1965	FORWARD LAMP HARNESS, v/8	\$165.00	
10625	1966	FORWARD LAMP HARNESS, 6 cylinder	\$180.00	
10630	1966	FORWARD LAMP HARNESS, v/8	\$165.00	
10510	1966	FORWARD LAMP HARNESS, v/8, with gauges	\$165.00	
10395	1967	FORWARD LAMP HARNESS, all	\$165.00	

**Cutlass**  
**4-4-2/F-85**



**Phone 562.926.9552**  
**Fax 562.926.9572**

Part Number	Year	Description	Price	*Rev.
12335	1968	FORWARD LAMP HARNESS, 6 cylinder	\$230.00	
12340	1968	FORWARD LAMP HARNESS, v/8	\$195.00	
43204	1968	FORWARD LAMP HARNESS - INT REG ALT, v/8 NOTE: MODIFIED FOR 1972-84 NON-SERPENTINE BELT ("SI" SERIES) INTERNAL REGULATED ALTERNATORS MOUNTED IN THE FACTORY LOCATION	\$224.00	N
12350	1968	FORWARD LAMP HARNESS, v/8, with a/c	\$210.00	
43205	1968	FORWARD LAMP HARNESS - INT REG ALT, v/8, with a/c NOTE: MODIFIED FOR 1972-84 NON-SERPENTINE BELT ("SI" SERIES) INTERNAL REGULATED ALTERNATORS MOUNTED IN THE FACTORY LOCATION	\$224.00	N
12785	1969	FORWARD LAMP HARNESS, 6 cylinder	\$210.00	
12790	1969	FORWARD LAMP HARNESS, v/8	\$210.00	
12795	1969	FORWARD LAMP HARNESS, v/8, with a/c	\$210.00	
13255	1969	FORWARD LAMP HARNESS, v/8, with internal regulator alternator	\$195.00	
13260	1969	FORWARD LAMP HARNESS, v/8, with a/c & internal regulator alternator	\$195.00	
13585	1970	FORWARD LAMP HARNESS, 6 cylinder	\$210.00	
13590	1970	FORWARD LAMP HARNESS, v/8	\$210.00	
13595	1970	FORWARD LAMP HARNESS, v/8, with a/c	\$195.00	
13600	1970	FORWARD LAMP HARNESS, v/8, with internal regulator alternator	\$195.00	
13605	1970	FORWARD LAMP HARNESS, v/8, with a/c & internal regulator alternator	\$195.00	
15965	1971	FORWARD LAMP HARNESS, 6 cylinder	\$210.00	
15870	1971	FORWARD LAMP HARNESS, v/8	\$210.00	
15875	1971	FORWARD LAMP HARNESS, v/8, with internal regulator alternator	\$210.00	
16635	1972	FORWARD LAMP HARNESS, all	\$195.00	
01040	1968	FUEL TANK SENDER WIRE, all, except wagons	\$14.00	
11910	1968	FUEL TANK SENDER WIRE, wagon	\$20.00	
01040	1969	FUEL TANK SENDER WIRE, all, except wagons	\$14.00	
11910	1969	FUEL TANK SENDER WIRE, wagon	\$20.00	
01040	1970	FUEL TANK SENDER WIRE, all, except wagons	\$14.00	
11910	1970	FUEL TANK SENDER WIRE, wagon	\$20.00	
01040	1971	FUEL TANK SENDER WIRE, all, except wagons	\$14.00	
11910	1971	FUEL TANK SENDER WIRE, wagon	\$20.00	
01040	1972	FUEL TANK SENDER WIRE, all, except wagons	\$14.00	
11910	1972	FUEL TANK SENDER WIRE, wagon	\$20.00	
18000	1961	GLOVE BOX LAMP KIT, socket, bulb & wire	\$18.00	
18000	1962	GLOVE BOX LAMP KIT, socket, bulb & wire	\$18.00	
18000	1963	GLOVE BOX LAMP KIT, socket, bulb & wire	\$18.00	
18000	1964	GLOVE BOX LAMP KIT, socket, bulb & wire	\$18.00	
18000	1965	GLOVE BOX LAMP KIT, socket, bulb & wire	\$18.00	
18000	1966	GLOVE BOX LAMP KIT, socket, bulb & wire	\$18.00	
18000	1967	GLOVE BOX LAMP KIT, socket, bulb & wire	\$18.00	
18000	1968	GLOVE BOX LAMP KIT, socket, bulb & wire	\$18.00	
18000	1969	GLOVE BOX LAMP KIT, socket, bulb & wire	\$18.00	
06075	1966	GLOVE BOX LAMP WIRE	\$12.00	
11665	1968	GLOVE BOX LAMP WIRE	\$20.00	
11665	1969	GLOVE BOX LAMP WIRE	\$20.00	
11070	1967	GROUND WIRE, instrument cluster	\$11.00	
11125	1967	GROUND WIRE, stereo tape player, player to dash	\$11.00	
11070	1968	GROUND WIRE, instrument cluster	\$11.00	
12255	1968	GROUND WIRE, map light	\$11.00	
11125	1968	GROUND WIRE, stereo tape player, player to dash	\$11.00	



**Cutlass**  
**4-4-2/F-85**



**Phone 562.926.9552**  
**Fax 562.926.9572**

Part Number	Year	Description	Price	*Rev.
11070	1969	GROUND WIRE, instrument cluster	\$11.00	
12255	1969	GROUND WIRE, map light	\$11.00	
11125	1969	GROUND WIRE, stereo tape player, player to dash	\$11.00	
11125	1970	GROUND WIRE, stereo tape player, player to dash	\$11.00	
11125	1971	GROUND WIRE, stereo tape player, player to dash	\$11.00	
38298	ALL	GROUND WIRE, DISTRIBUTOR POINT PLATE, from distributor point plate to distributor housing	\$11.00	
18305	1964	HEATER HARNESS, without a/c	\$30.00	
18305	1965	HEATER HARNESS, without a/c	\$30.00	
18305	1966	HEATER HARNESS, without a/c	\$30.00	
18305	1967	HEATER HARNESS, without a/c	\$30.00	
12115	1968	HEATER HARNESS, without a/c	\$30.00	
12115	1969	HEATER HARNESS, without a/c	\$30.00	
18310	1970	HEATER HARNESS, without a/c	\$30.00	
18310	1971	HEATER HARNESS, without a/c	\$30.00	
18310	1972	HEATER HARNESS, without a/c	\$30.00	
10070	1968	HOOD LAMP EXTENSION WIRE, underhood light (original factory type only)	\$14.00	
13270	1969	HOOD LAMP EXTENSION WIRE, underhood light (original factory type only)	\$14.00	
18410	ALL	HOOD LAMP REPLACEMENT KIT, under hood, includes socket, wire & bulb	\$45.00	
11550	1967	HORN WIRE EXTENSION HARNESS, with w-30 option	\$11.00	
12800	1969	IDLE STOP CONTROL WIRE, 2 bbl. carburetor only, from carburetor solenoid to fuse block NOTE: to be used with engine harness part# 11585	\$15.00	
01242101	1969	KICKDOWN SWITCH, th400 auto trans	\$39.00	
01242101	1970	KICKDOWN SWITCH, th400 auto trans	\$39.00	
01242101	1971	KICKDOWN SWITCH, th400 auto trans	\$39.00	
01242101	1972	KICKDOWN SWITCH, th400 auto trans	\$39.00	
01242101	1973	KICKDOWN SWITCH, th400 auto trans	\$39.00	
01242101	1974	KICKDOWN SWITCH, th400 auto trans	\$39.00	
01242101	1975	KICKDOWN SWITCH, th400 auto trans	\$39.00	
500274	ALL	LOW FUEL INDICATOR MODULE, generic "adjustable" low fuel warning module NOTE: a complete electronic control unit to activate a warning lamp or relay when fuel level drops below a user adjustable level	\$49.00	
01993659	1964	NEUTRAL SAFETY/BACKUP LAMP SWITCH, with column shift powerglide auto trans	\$14.00	
01993659	1965	NEUTRAL SAFETY/BACKUP LAMP SWITCH, with column shift powerglide auto trans	\$14.00	
01993659	1966	NEUTRAL SAFETY/BACKUP LAMP SWITCH, with column shift powerglide auto trans	\$14.00	
09779665	1968	NEUTRAL SAFETY/BACKUP LAMP SWITCH, with console shift hurst auto trans	\$70.00	
01994235	1969	NEUTRAL SAFETY/BACKUP LAMP SWITCH, with column shift auto trans, all	\$14.00	
01994235	1970	NEUTRAL SAFETY/BACKUP LAMP SWITCH, with column shift auto trans, all	\$14.00	
01994235	1971	NEUTRAL SAFETY/BACKUP LAMP SWITCH, with column shift auto trans, all	\$14.00	
01994235	1972	NEUTRAL SAFETY/BACKUP LAMP SWITCH, with column shift auto trans, all	\$14.00	
01994235	1973	NEUTRAL SAFETY/BACKUP LAMP SWITCH, with column shift auto trans, all	\$14.00	
01994163	1974	NEUTRAL SAFETY/BACKUP LAMP SWITCH, with auto trans, all	\$14.00	
01994163	1975	NEUTRAL SAFETY/BACKUP LAMP SWITCH, with auto trans, all	\$14.00	
13490	1969	NEUTRAL SAFETY SWITCH EXTENSION, manual trans, from clutch switch to dash harness	\$17.00	

**Cutlass**  
**4-4-2/F-85**



**Phone 562.926.9552**  
**Fax 562.926.9572**

Part Number	Year	Description	Price	*Rev.
13490	1970	NEUTRAL SAFETY SWITCH EXTENSION, manual trans, from clutch switch to dash harness	\$17.00	
13490	1971	NEUTRAL SAFETY SWITCH EXTENSION, manual trans, from clutch switch to dash harness	\$17.00	
13490	1972	NEUTRAL SAFETY SWITCH EXTENSION, manual trans, from clutch switch to dash harness	\$17.00	
10400	1966	OIL PRESSURE SENDER EXTENSION WIRE, v/8, with a/c	\$9.00	
10400	1967	OIL PRESSURE SENDER EXTENSION WIRE, v/8, with a/c	\$9.00	
07700	1965	POWER FEED EXTENSION, circuit breaker to power seat harness	\$18.00	
07700	1966	POWER FEED EXTENSION, circuit breaker to power seat harness	\$18.00	
07700	1967	POWER FEED EXTENSION, circuit breaker to power seat harness	\$18.00	
05195	1967	POWER FEED EXTENSION, battery junction block to circuit breaker	\$20.00	
12320	1968	POWER FEED EXTENSION, battery junction block to circuit breaker	\$16.00	
13275	1969	POWER FEED EXTENSION, battery junction block to circuit breaker	\$12.00	
13275	1970	POWER FEED EXTENSION, battery junction block to circuit breaker	\$12.00	
13275	1971	POWER FEED EXTENSION, battery junction block to circuit breaker	\$12.00	
06195	1966	POWER ANTENNA HARNESS, rear mounted, except wagons	\$39.00	
06195	1967	POWER ANTENNA HARNESS, rear mounted, except wagons	\$39.00	
30700	1968	POWER ANTENNA HARNESS, rear mounted, except wagons	\$32.00	
30700	1969	POWER ANTENNA HARNESS, rear mounted, except wagons	\$32.00	
39440	1970	POWER DOOR LOCK RELAY AND ADAPTER HARNESS, includes new standard type relay and adapter to mate to factory harness	\$29.00	
39440	1970	POWER SEAT BACK RELAY AND ADAPTER HARNESS, includes new standard type relay and adapter to mate to factory harness	\$29.00	
40146	1964	POWER SEAT MOTOR RELAY AND ADAPTER HARNESS, includes new standard type relay and adapter to mate to factory harness	\$40.00	
40146	1965	POWER SEAT MOTOR RELAY AND ADAPTER HARNESS, includes new standard type relay and adapter to mate to factory harness	\$40.00	
40146	1966	POWER SEAT MOTOR RELAY AND ADAPTER HARNESS, includes new standard type relay and adapter to mate to factory harness	\$40.00	
40146	1967	POWER SEAT MOTOR RELAY AND ADAPTER HARNESS, includes new standard type relay and adapter to mate to factory harness	\$40.00	
40146	1968	POWER SEAT MOTOR RELAY AND ADAPTER HARNESS, includes new standard type relay and adapter to mate to factory harness	\$40.00	
40146	1969	POWER SEAT MOTOR RELAY AND ADAPTER HARNESS, includes new standard type relay and adapter to mate to factory harness	\$40.00	
40146	1970	POWER SEAT MOTOR RELAY AND ADAPTER HARNESS, includes new standard type relay and adapter to mate to factory harness	\$40.00	
40146	1971	POWER SEAT MOTOR RELAY AND ADAPTER HARNESS, includes new standard type relay and adapter to mate to factory harness	\$40.00	
40146	1972	POWER SEAT MOTOR RELAY AND ADAPTER HARNESS, includes new standard type relay and adapter to mate to factory harness	\$40.00	
40146	1973	POWER SEAT MOTOR RELAY AND ADAPTER HARNESS, includes new standard type relay and adapter to mate to factory harness	\$40.00	
40146	1974	POWER SEAT MOTOR RELAY AND ADAPTER HARNESS, includes new standard type relay and adapter to mate to factory harness	\$40.00	
40146	1975	POWER SEAT MOTOR RELAY AND ADAPTER HARNESS, includes new standard type relay and adapter to mate to factory harness	\$40.00	
07600	1965	POWER SEAT HARNESS, 4 way bucket, drivers side	\$120.00	
07595	1965	POWER SEAT HARNESS, 4-way bench Note: Requires Customers Original Harness	\$120.00	
07595	1966	POWER SEAT HARNESS, 4-way bench Note: Requires Customers Original Harness	\$120.00	
07595	1967	POWER SEAT HARNESS, 4-way bench Note: Requires Customers Original Harness	\$120.00	
39440	1968	POWER TAILGATE RELAY AND ADAPTER HARNESS, includes new standard type relay and adapter to mate to factory harness	\$29.00	
39440	1969	POWER TAILGATE RELAY AND ADAPTER HARNESS, includes new standard type relay and adapter to mate to factory harness	\$29.00	
39440	1970	POWER TAILGATE RELAY AND ADAPTER HARNESS, includes new standard type relay and adapter to mate to factory harness	\$29.00	
39440	1971	POWER TAILGATE RELAY AND ADAPTER HARNESS, includes new standard type relay and adapter to mate to factory harness	\$29.00	
39440	1972	POWER TAILGATE RELAY AND ADAPTER HARNESS, includes new standard type relay and adapter to mate to factory harness	\$29.00	

**Cutlass**  
**4-4-2/F-85**



**Phone 562.926.9552**  
**Fax 562.926.9572**

Part Number	Year	Description	Price	*Rev.
18395	1964	POWER TOP HARNESS, convertible, from switch to body harness connector	\$62.00	
05805	1965	POWER TOP HARNESS, convertible, from switch to body harness connector	\$62.00	
09425	1966	POWER TOP HARNESS, convertible, from switch to body harness connector	\$61.00	
09425	1967	POWER TOP HARNESS, convertible, from switch to body harness connector	\$61.00	
15605	1970	POWER TOP HARNESS, convertible, from switch to body harness connector	\$61.00	
15605	1971	POWER TOP HARNESS, convertible, from switch to body harness connector	\$61.00	
16735	1972	POWER TOP HARNESS, convertible, from switch to body harness connector	\$61.00	
06680	1963	POWER WINDOW HARNESS, left rear quarter window, cutlass convertible	\$79.00	
06675	1963	POWER WINDOW HARNESS, right rear quarter window, cutlass convertible	\$79.00	
06670	1963	POWER WINDOW HARNESS, left rear quarter window, cutlass & jettfire coupe	\$79.00	
06665	1963	POWER WINDOW HARNESS, right rear quarter window, cutlass & jettfire coupe	\$79.00	
06960	1964	POWER WINDOW HARNESS, driver side door	\$160.00	
06955	1964	POWER WINDOW HARNESS, passenger side door	\$99.00	
07000	1964	POWER WINDOW INTERMEDIATE HARNESS, under dash, crossover	\$89.00	
06995	1964	POWER WINDOW HARNESS, quarter window, convertible, 2 required per car NOTE: CUSTOMER MUST REUSE THEIR ORIGINAL PLASTIC 3 TERMINAL CONNECTOR THAT ATTACHES THIS HARNESS TO RIBBON CABLE	\$60.00	
06990	1964	POWER WINDOW HARNESS, quarter window, sport coupe, 2 required per car NOTE: CUSTOMER MUST REUSE THEIR ORIGINAL PLASTIC 3 TERMINAL CONNECTOR THAT ATTACHES THIS HARNESS TO RIBBON CABLE	\$60.00	
07005	1964	POWER WINDOW MOTOR EXTENSION, convertible, quarter window harness to motor, 2 req. per car	\$20.00	
07170	1964	POWER WINDOW MOTOR EXTENSION, coupe, quarter window harness to motor, 2 req. per car	\$18.00	
07610	1965	POWER WINDOW HARNESS, driver side door	\$165.00	
07605	1965	POWER WINDOW HARNESS, passenger side door	\$99.00	
07715	1965	POWER WINDOW INTERMEDIATE HARNESS, under dash, crossover	\$89.00	
07695	1965	POWER WINDOW HARNESS, quarter window, cutlass convertible, 2 required per car NOTE: CUSTOMER MUST REUSE THEIR ORIGINAL PLASTIC 3 TERMINAL CONNECTOR THAT ATTACHES THIS HARNESS TO RIBBON CABLE	\$60.00	
07640	1965	POWER WINDOW HARNESS, quarter window, cutlass coupes, 2 required per car NOTE: CUSTOMER MUST REUSE THEIR ORIGINAL PLASTIC 3 TERMINAL CONNECTOR THAT ATTACHES THIS HARNESS TO RIBBON CABLE	\$60.00	
07660	1965	POWER WINDOW MOTOR EXTENSION, convertible, quarter window harness to motor, 2 req. per car	\$18.00	
07655	1965	POWER WINDOW MOTOR EXTENSION, coupe, quarter window harness to motor, 2 req. per car	\$18.00	
08260	1966	POWER WINDOW HARNESS, driver side door	\$160.00	
27310	1966	POWER WINDOW HARNESS, passenger side door	\$99.00	
07715	1966	POWER WINDOW INTERMEDIATE HARNESS, under dash, crossover	\$89.00	
07695	1966	POWER WINDOW HARNESS, quarter window, cutlass convertible, 2 required per car NOTE: CUSTOMER MUST REUSE THEIR ORIGINAL PLASTIC 3 TERMINAL CONNECTOR THAT ATTACHES THIS HARNESS TO RIBBON CABLE	\$60.00	
07640	1966	POWER WINDOW HARNESS, quarter window, cutlass coupes, 2 required per car NOTE: CUSTOMER MUST REUSE THEIR ORIGINAL PLASTIC 3 TERMINAL CONNECTOR THAT ATTACHES THIS HARNESS TO RIBBON CABLE	\$60.00	
07660	1966	POWER WINDOW MOTOR EXTENSION, convertible, quarter window harness to motor, 2 req. per car	\$18.00	
07655	1966	POWER WINDOW MOTOR EXTENSION, coupe, quarter window harness to motor, 2 req. per car	\$18.00	
08260	1967	POWER WINDOW HARNESS, driver side door	\$160.00	
27310	1967	POWER WINDOW HARNESS, passenger side door	\$99.00	
07715	1967	POWER WINDOW INTERMEDIATE HARNESS, under dash, crossover	\$89.00	
07695	1967	POWER WINDOW HARNESS, quarter window, cutlass convertible, 2 required per car NOTE: CUSTOMER MUST REUSE THEIR ORIGINAL PLASTIC 3 TERMINAL CONNECTOR THAT ATTACHES THIS HARNESS TO RIBBON CABLE	\$60.00	
07640	1967	POWER WINDOW HARNESS, quarter window, cutlass coupes, 2 required per car NOTE: CUSTOMER MUST REUSE THEIR ORIGINAL PLASTIC 3 TERMINAL CONNECTOR THAT ATTACHES THIS HARNESS TO RIBBON CABLE	\$60.00	
07660	1967	POWER WINDOW MOTOR EXTENSION, convertible, quarter window harness to motor, 2 req. per car	\$18.00	
07655	1967	POWER WINDOW MOTOR EXTENSION, coupe, quarter window harness to motor, 2 req. per car	\$18.00	
31135	1968	POWER WINDOW HARNESS, driver side door	\$160.00	
14165	1968	POWER WINDOW HARNESS, passenger side door	\$99.00	
14170	1968	POWER WINDOW HARNESS, quarter windows & intermediate body	\$120.00	N
39470	1969	POWER WINDOW HARNESS, driver side door and under dash crossover	\$195.00	

**Cutlass**  
**4-4-2/F-85**



**Phone 562.926.9552**  
**Fax 562.926.9572**

Part Number	Year	Description	Price	*Rev.
37817	1969	POWER WINDOW HARNESS, passenger side door	\$105.00	
14405	1969	POWER WINDOW HARNESS, quarter windows & intermediate body	\$120.00	
31140	1970	POWER WINDOW HARNESS, driver side door and under dash crossover	\$195.00	
14470	1970	POWER WINDOW HARNESS, passenger side door	\$105.00	
14505	1970	POWER WINDOW HARNESS, quarter windows & intermediate body	\$125.00	
31140	1971	POWER WINDOW HARNESS, driver side door and under dash crossover	\$195.00	
14470	1971	POWER WINDOW HARNESS, passenger side door	\$105.00	
14505	1971	POWER WINDOW HARNESS, quarter windows & intermediate body	\$125.00	
39471	1972	POWER WINDOW HARNESS, driver side door and under dash crossover	\$195.00	
14470	1972	POWER WINDOW HARNESS, passenger side door	\$105.00	
14505	1972	POWER WINDOW HARNESS, quarter windows & intermediate body	\$125.00	
36954	ALL	POWER WINDOW MOTOR ADAPTER HARNESS, adapts "t" shaped motor connector to side by side blade type motor connector NOTE: USED UP TO 1975	\$15.00	
39440	1967	POWER WINDOW RELAY AND ADAPTER HARNESS, includes new standard type relay and adapter to mate to factory harness	\$29.00	
39440	1968	POWER WINDOW RELAY AND ADAPTER HARNESS, includes new standard type relay and adapter to mate to factory harness	\$29.00	
39440	1969	POWER WINDOW RELAY AND ADAPTER HARNESS, includes new standard type relay and adapter to mate to factory harness	\$29.00	
39440	1970	POWER WINDOW RELAY AND ADAPTER HARNESS, includes new standard type relay and adapter to mate to factory harness	\$29.00	
39440	1971	POWER WINDOW RELAY AND ADAPTER HARNESS, includes new standard type relay and adapter to mate to factory harness	\$29.00	
39440	1972	POWER WINDOW RELAY AND ADAPTER HARNESS, includes new standard type relay and adapter to mate to factory harness	\$29.00	
04432790	1964	POWER WINDOW SWITCH, 1 button, round corner style, chrome	\$38.00	
04432791	1964	POWER WINDOW SWITCH, 4 button, round corner style, chrome	\$65.00	
04432790	1965	POWER WINDOW SWITCH, 1 button, round corner style, chrome	\$38.00	
04432791	1965	POWER WINDOW SWITCH, 4 button, round corner style, chrome	\$65.00	
04432790	1966	POWER WINDOW SWITCH, 1 button, round corner style, chrome	\$38.00	
04432791	1966	POWER WINDOW SWITCH, 4 button, round corner style, chrome	\$65.00	
04432790	1967	POWER WINDOW SWITCH, 1 button, round corner style, chrome	\$38.00	
04432791	1967	POWER WINDOW SWITCH, 4 button, round corner style, chrome	\$65.00	
04432790	1968	POWER WINDOW SWITCH, 1 button, round corner style, chrome	\$38.00	
04432791	1968	POWER WINDOW SWITCH, 4 button, round corner style, chrome	\$65.00	
04432790	1969	POWER WINDOW SWITCH, 1 button, round corner style, chrome	\$38.00	
04432791	1969	POWER WINDOW SWITCH, 4 button, round corner style, chrome	\$65.00	
04432790	1970	POWER WINDOW SWITCH, 1 button, round corner style, chrome	\$38.00	
04432791	1970	POWER WINDOW SWITCH, 4 button, round corner style, chrome	\$65.00	
04600	1964	REAR LAMP EXTENSION HARNESS, from rear body connector to backup lamps	\$24.00	
04600	1965	REAR LAMP EXTENSION HARNESS, from rear body connector to backup lamps	\$24.00	
04600	1966	REAR LAMP EXTENSION HARNESS, from rear body connector to backup lamps	\$24.00	
07195	1964	REAR LAMP HARNESS, convertible	\$169.00	
07190	1964	REAR LAMP HARNESS, coupe	\$149.00	
07740	1965	REAR LAMP HARNESS, convertible	\$169.00	
07735	1965	REAR LAMP HARNESS, coupe	\$149.00	
07435	1966	REAR LAMP HARNESS, convertible	\$169.00	
07015	1966	REAR LAMP HARNESS, coupe	\$149.00	
13905	1967	REAR LAMP HARNESS, cutlass supreme & 442, convertible	\$169.00	
13900	1967	REAR LAMP HARNESS, cutlass supreme & 442, coupe	\$149.00	
14030	1967	REAR LAMP HARNESS, f-85 & cutlass, convertible (except supreme & 442)	\$169.00	
13895	1967	REAR LAMP HARNESS, f-85 & cutlass, coupe (except supreme & 442)	\$149.00	
14160	1968	REAR LAMP HARNESS, convertible	\$175.00	

**Cutlass**  
**4-4-2/F-85**

**Phone 562.926.9552**  
**Fax 562.926.9572**

Part Number	Year	Description	Price	*Rev.
14155	1968	REAR LAMP HARNESS, 2 door coupe	\$159.00	
14150	1968	REAR LAMP HARNESS, 4 door coupe	\$159.00	
14360	1969	REAR LAMP INTERMEDIATE HARNESS, convertible	\$125.00	
14355	1969	REAR LAMP INTERMEDIATE HARNESS, coupe	\$100.00	
14365	1969	REAR LAMP HARNESS, rear panel, all	\$100.00	
18315	1970	REAR LAMP INTERMEDIATE HARNESS, convertible	\$125.00	
14460	1970	REAR LAMP INTERMEDIATE HARNESS, coupe	\$100.00	
14455	1970	REAR LAMP HARNESS, rear panel, all	\$100.00	
18315	1971	REAR LAMP INTERMEDIATE HARNESS, convertible	\$125.00	
14460	1971	REAR LAMP INTERMEDIATE HARNESS, coupe	\$100.00	
14455	1971	REAR LAMP HARNESS, rear panel, all	\$100.00	
18315	1972	REAR LAMP INTERMEDIATE HARNESS, convertible, without seat belt warning	\$125.00	
17185	1972	REAR LAMP INTERMEDIATE HARNESS, convertible, with seat belt warning	\$165.00	
14460	1972	REAR LAMP INTERMEDIATE HARNESS, coupe, without seat belt warning	\$100.00	
17180	1972	REAR LAMP INTERMEDIATE HARNESS, coupe, with seat belt warning	\$145.00	
14455	1972	REAR LAMP HARNESS, rear panel, all	\$100.00	
05245	1964	REAR WINDOW DEFROSTER HARNESS, from switch to blower motor connector	\$70.00	
05245	1965	REAR WINDOW DEFROSTER HARNESS, from switch to blower motor connector	\$70.00	
10690	1966	REAR WINDOW DEFROSTER HARNESS, from switch to blower motor connector	\$60.00	
10690	1967	REAR WINDOW DEFROSTER HARNESS, from switch to blower motor connector	\$60.00	
13295	1968	REAR WINDOW DEFROSTER HARNESS, from switch to blower motor connector	\$55.00	
13295	1969	REAR WINDOW DEFROSTER HARNESS, from switch to blower motor connector	\$55.00	
17175	1970	REAR WINDOW DEFROSTER HARNESS, from switch to blower motor connector	\$60.00	
15950	1971	REAR WINDOW DEFROSTER HARNESS, from switch to relay	\$80.00	
15955	1971	REAR WINDOW DEFROSTER HARNESS, relay jumper, used with part# 15950 on a/c equipped cars	\$40.00	
16745	1972	REAR WINDOW DEFROSTER HARNESS, from switch to relay	\$85.00	
16750	1972	REAR WINDOW DEFROSTER HARNESS, relay jumper, used with part# 16745 on a/c equipped cars	\$40.00	
36048	1964	REPAIR PIGTAIL, FOR POWER WINDOW SWITCH, for single power window switches, connector & wire	\$19.00	
36048	1965	REPAIR PIGTAIL, FOR POWER WINDOW SWITCH, for single power window switches, connector & wire	\$19.00	
36048	1966	REPAIR PIGTAIL, FOR POWER WINDOW SWITCH, for single power window switches, connector & wire	\$19.00	
36048	1967	REPAIR PIGTAIL, FOR POWER WINDOW SWITCH, for single power window switches, connector & wire	\$19.00	
36048	1968	REPAIR PIGTAIL, FOR POWER WINDOW SWITCH, for single power window switches, connector & wire	\$19.00	
36048	1969	REPAIR PIGTAIL, FOR POWER WINDOW SWITCH, for single power window switches, connector & wire	\$19.00	
36048	1970	REPAIR PIGTAIL, FOR POWER WINDOW SWITCH, for single power window switches, connector & wire	\$19.00	
37542	1964	STEERING COLUMN ADAPTER HARNESS, for 1969-1974 gm & ididit columns (exc. flaming river) to stock dash harness NOTE: adapts horn, directionals, hazard flashers to stock 8 pin T/L dash connector	\$37.00	
37009	1964	STEERING COLUMN ADAPTER HARNESS, for 1975 & up gm & flaming river columns (exc. ididit) to stock dash harness NOTE: adapts horn, directionals, hazard flashers to stock 8 pin dash connector	\$39.00	
37542	1965	STEERING COLUMN ADAPTER HARNESS, for 1969-1974 gm & ididit columns (exc. flaming river) to stock dash harness NOTE: adapts horn, directionals, hazard flashers to stock 8 pin T/L dash connector	\$37.00	
37009	1965	STEERING COLUMN ADAPTER HARNESS, for 1975 & up gm & flaming river columns (exc. ididit) to stock dash harness NOTE: adapts horn, directionals, hazard flashers to stock 8 pin dash connector	\$39.00	
37542	1966	STEERING COLUMN ADAPTER HARNESS, for 1969-1974 gm & ididit columns (exc. flaming river) to stock dash harness NOTE: adapts horn, directionals, hazard flashers to stock 8 pin T/L dash connector	\$37.00	
37009	1966	STEERING COLUMN ADAPTER HARNESS, for 1975 & up gm & flaming river columns (exc. ididit) to stock dash harness NOTE: adapts horn, directionals, hazard flashers to stock 8 pin dash connector	\$39.00	
36882	1967	STEERING COLUMN ADAPTER HARNESS, for 1969-1974 gm & ididit columns (exc. flaming river) to stock dash harness NOTE: adapts horn, directionals, hazard flashers to stock 9-pin T/L dash connector	\$19.00	

Part Number	Year	Description	Price	*Rev.
38127	1967	STEERING COLUMN ADAPTER HARNESS, for 1975 & up gm & flaming river columns (exc. ididit) to stock dash harness NOTE: adapts horn, directionals, hazard flashers to stock 9-pin T/L dash connector	\$19.00	
36882	1968	STEERING COLUMN ADAPTER HARNESS, for 1969-1974 gm & ididit columns (exc. flaming river) to stock dash harness NOTE: adapts horn, directionals, hazard flashers to stock 9-pin T/L dash connector	\$19.00	
38127	1968	STEERING COLUMN ADAPTER HARNESS, for 1975 & up gm & flaming river columns (exc. ididit) to stock dash harness NOTE: adapts horn, directionals, hazard flashers to stock 9-pin T/L dash connector	\$19.00	
10150	1966	TACHOMETER HARNESS, 6 cylinder	\$29.00	
10145	1966	TACHOMETER HARNESS, v/8	\$29.00	
13265	1969	TACHOMETER HARNESS, v/8	\$22.00	
15810	1970	TACHOMETER HARNESS, v/8	\$39.00	
15810	1971	TACHOMETER HARNESS, v/8	\$39.00	
15810	1972	TACHOMETER HARNESS, v/8	\$39.00	
05755	1965	TRANSMISSION KICKDOWN CONTROL WIRE, v/8, from carburetor throttle switch to transmission	\$18.00	
05755	1966	TRANSMISSION KICKDOWN CONTROL WIRE, v/8, from carburetor throttle switch to transmission	\$18.00	
05755	1967	TRANSMISSION KICKDOWN CONTROL WIRE, v/8, from carburetor throttle switch to transmission	\$18.00	
15615	1970	TRUNK RELEASE JUMPER WIRE, from glove box lamp lead to trunk release switch	\$12.00	
15615	1971	TRUNK RELEASE JUMPER WIRE, from glove box lamp lead to trunk release switch	\$12.00	
15615	1972	TRUNK RELEASE JUMPER WIRE, from glove box lamp lead to trunk release switch	\$12.00	
01993624	1964	TURN SIGNAL SWITCH, with tilt, replaces delco part# d6220	\$70.00	
00387115	1965	TURN SIGNAL SWITCH, boyne without tilt & cornering lamps stamped "bpc", replaces delco part# d6200 Note: This switch has a metal base.	\$95.00	
01993624	1965	TURN SIGNAL SWITCH, with tilt, replaces delco part# d6220	\$70.00	
00387115	1966	TURN SIGNAL SWITCH, boyne without tilt stamped "bpc", replaces delco part# d6200 Note: This switch has a metal base.	\$95.00	
01993624	1966	TURN SIGNAL SWITCH, with tilt, replaces delco part# d6220	\$70.00	
01893592	1967	TURN SIGNAL SWITCH, without cornering lights, without tilt (delco-white), replaces delco part# d6211 NOTE: this is a SERVICE PART, adapter pigtail included and is required for some applications	\$50.00	
07800482	1967	TURN SIGNAL SWITCH, without column shift a/t, (delco type, white) NOTE: Emergency flasher actuator hole in outer cover is shaped like a doghouse.	\$50.00	
05698897	1967	TURN SIGNAL SWITCH, with column shift a/t, without tilt, without cornering lights, (delco type, black, white or green) NOTE: Emergency flasher actuator hole in outer cover is shaped like a doghouse.	\$50.00	
05698897	1967	TURN SIGNAL SWITCH, with column shift a/t, with tilt, without cornering lights, (delco type, black, white or green) NOTE: Emergency flasher actuator hole in outer cover is shaped like a doghouse.	\$50.00	
01893592	1968	TURN SIGNAL SWITCH, without cornering lights, without tilt (delco-white), replaces delco part# d6211 NOTE: this is a SERVICE PART, adapter pigtail included and is required for some applications	\$50.00	
07800482	1967	TURN SIGNAL SWITCH, without column shift a/t, (delco type, white) NOTE: Emergency flasher actuator hole in outer cover is shaped like a doghouse.	\$50.00	
05698897	1968	TURN SIGNAL SWITCH, without tilt, without cornering lights, column shift a/t, (delco type, black, white or green) NOTE: Emergency flasher actuator hole in outer cover is shaped like a doghouse.	\$50.00	
05698897	1968	TURN SIGNAL SWITCH, with tilt, without cornering lights, column shift a/t, (delco type, black, white or green) NOTE: Emergency flasher actuator hole in outer cover is shaped like a doghouse.	\$50.00	
01997963	1969	TURN SIGNAL SWITCH, correct part without cornering lights, without tilt NOTE: correct part, no adapter pigtail required	\$48.00	
01893588	1969	TURN SIGNAL SWITCH, service part without cornering lights, without tilt, replaces delco part# d6208 NOTE: this is a SERVICE PART, adapter pigtail included is required for installation	\$50.00	

**Cutlass**  
**4-4-2/F-85**



**Phone 562.926.9552**  
**Fax 562.926.9572**

Part Number	Year	Description	Price	*Rev.
01997963	1970	<b>TURN SIGNAL SWITCH, correct part</b> without cornering lights, without tilt NOTE: correct part, no adapter pigtail required	\$48.00	
01893588	1970	<b>TURN SIGNAL SWITCH, service part</b> without cornering lights, without tilt, replaces delco part# d6208 NOTE: this is a SERVICE PART, adapter pigtail included is required for installation	\$50.00	
01997963	1971	<b>TURN SIGNAL SWITCH, correct part</b> without cornering lights, without tilt NOTE: correct part, no adapter pigtail required	\$48.00	
01893588	1971	<b>TURN SIGNAL SWITCH, service part</b> without cornering lights, without tilt, replaces delco part# d6208 NOTE: this is a SERVICE PART, adapter pigtail included is required for installation	\$50.00	
01997963	1972	<b>TURN SIGNAL SWITCH, correct part</b> without cornering lights, without tilt NOTE: correct part, no adapter pigtail required	\$48.00	
01893588	1972	<b>TURN SIGNAL SWITCH, service part</b> without cornering lights, without tilt, replaces delco part# d6208 NOTE: this is a SERVICE PART, adapter pigtail included is required for installation	\$50.00	
01997963	1973	<b>TURN SIGNAL SWITCH, correct part</b> without cornering lights, without tilt NOTE: correct part, no adapter pigtail required	\$48.00	
01893588	1973	<b>TURN SIGNAL SWITCH, service part</b> without cornering lights, without tilt, replaces delco part# d6208 NOTE: this is a SERVICE PART, adapter pigtail included is required for installation	\$50.00	
01997963	1974	<b>TURN SIGNAL SWITCH, correct part</b> without cornering lights, without tilt NOTE: correct part, no adapter pigtail required	\$48.00	
01893588	1974	<b>TURN SIGNAL SWITCH, service part</b> without cornering lights, without tilt, replaces delco part# d6208 NOTE: this is a SERVICE PART, adapter pigtail included is required for installation	\$50.00	
01997963	1975	<b>TURN SIGNAL SWITCH, correct part</b> without cornering lights, without tilt NOTE: correct part, no adapter pigtail required	\$48.00	
01893588	1975	<b>TURN SIGNAL SWITCH, service part</b> without cornering lights, without tilt, replaces delco part# d6208 NOTE: this is a SERVICE PART, adapter pigtail included is required for installation	\$50.00	
01993541	1961	<b>WINDSHIELD WIPER SWITCH,</b> single speed, with washer	\$45.00	
01993568	1962	<b>WINDSHIELD WIPER SWITCH,</b> single speed, with washer	\$45.00	
01993568	1963	<b>WINDSHIELD WIPER SWITCH,</b> single speed, with washer	\$45.00	
01993633	1964	<b>WINDSHIELD WIPER SWITCH,</b> single speed, with washer	\$45.00	
01993633	1965	<b>WINDSHIELD WIPER SWITCH,</b> single speed, with washer	\$45.00	
01993372	1967	<b>WINDSHIELD WIPER SWITCH</b>	\$45.00	
15885	1971	<b>WIPER MOTOR HARNESS,</b> wiper washer demand jumper	\$30.00	

# **Rolls of Wire**

**25 Foot rolls of wire offered in all of the popular gauge sizes and colors (including hard-to-find stripes)**

**XLPE Type GXL Wire**

**Meets SAE Spec J-1128**

**125° Celsius Heat Rating**



We now offer 25 foot rolls of USA Made XLPE Type GXL (cross-linked polyethylene insulated) automotive grade primary wire in all of the popular gauge sizes and colors (**including hard-to-find stripes**). This is the exact same wire we use in all of our harnesses, and the same grade of wire you would find in cars and trucks being manufactured today. OEM's now use this wire due to it's high heat rating of 125° Celsius. Harnesses manufactured in the '60's and '70's utilized PVC Type wire that only had a heat rating of 80° Celsius; thus the reason most original harnesses tend to melt and become brittle with age. We use XLPE Type GXL wire to avoid these types of problems. This is the best automotive grade wire money can buy.

Simply browse the next few pages to see our extensive list of color and gauge combinations. Keep in mind the price listed is for a 25 foot roll and please order by part number when ordering.

**Special pricing is available on 1,000 feet of any one wire gauge and color, please call for a price quote.**



**Wire  
& Components**



**Phone 562.926.9552  
Fax 562.926.9572**

Part Number	Year	Description	Price	*Rev.
R0041400	ALL	18 GA BLACK GXL WIRE, 25 foot roll	\$15.00	
R0041401	ALL	18 GA BLACK/BLUE LT GXL WIRE, 25 foot roll	\$16.00	
R0041402	ALL	18 GA BLACK/GREEN LT GXL WIRE, 25 foot roll	\$16.00	
R0041403	ALL	18 GA BLACK/ORANGE GXL WIRE, 25 foot roll	\$16.00	
R0041404	ALL	18 GA BLACK/PINK GXL WIRE, 25 foot roll	\$16.00	
R0041405	ALL	18 GA BLACK/RED GXL WIRE, 25 foot roll	\$16.00	
R0041406	ALL	18 GA BLACK/TAN GXL WIRE, 25 foot roll	\$16.00	
R0041407	ALL	18 GA BLACK/VIOLET GXL WIRE, 25 foot roll	\$16.00	
R0041408	ALL	18 GA BLACK/WHITE GXL WIRE, 25 foot roll	\$16.00	
R0041409	ALL	18 GA BLACK/YELLOW GXL WIRE, 25 foot roll	\$16.00	
R0041410	ALL	18 GA BLUE DK GXL WIRE, 25 foot roll	\$15.00	
R0041411	ALL	18 GA BLUE DK/BLACK GXL WIRE, 25 foot roll	\$16.00	
R0041412	ALL	18 GA BLUE DK/GRAY GXL WIRE, 25 foot roll	\$16.00	
R0041413	ALL	18 GA BLUE DK/RED GXL WIRE, 25 foot roll	\$16.00	
R0041414	ALL	18 GA BLUE DK/WHITE GXL WIRE, 25 foot roll	\$16.00	
R0041415	ALL	18 GA BLUE LT GXL WIRE, 25 foot roll	\$15.00	
R0041416	ALL	18 GA BLUE LT/BLACK GXL WIRE, 25 foot roll	\$16.00	
R0041417	ALL	18 GA BLUE LT/RED GXL WIRE, 25 foot roll	\$16.00	
R0041418	ALL	18 GA BLUE LT/YELLOW GXL WIRE, 25 foot roll	\$16.00	
R0041419	ALL	18 GA BROWN GXL WIRE, 25 foot roll	\$15.00	
R0041420	ALL	18 GA BROWN/TAN GXL WIRE, 25 foot roll	\$16.00	
R0041421	ALL	18 GA BROWN/WHITE GXL WIRE, 25 foot roll	\$16.00	
R0041422	ALL	18 GA BROWN/YELLOW GXL WIRE, 25 foot roll	\$16.00	
R0041423	ALL	18 GA GRAY GXL WIRE, 25 foot roll	\$15.00	
R0041424	ALL	18 GA GRAY/BLACK GXL WIRE, 25 foot roll	\$16.00	
R0041425	ALL	18 GA GRAY/RED GXL WIRE, 25 foot roll	\$16.00	
R0041426	ALL	18 GA GRAY/WHITE GXL WIRE, 25 foot roll	\$16.00	
R0041427	ALL	18 GA GREEN DK GXL WIRE, 25 foot roll	\$15.00	
R0041428	ALL	18 GA GREEN DK/BLACK GXL WIRE, 25 foot roll	\$16.00	
R0041429	ALL	18 GA GREEN DK/RED GXL WIRE, 25 foot roll	\$16.00	
R0041430	ALL	18 GA GREEN DK/WHITE GXL WIRE, 25 foot roll	\$16.00	
R0041431	ALL	18 GA GREEN DK/YELLOW GXL WIRE, 25 foot roll	\$16.00	
R0041432	ALL	18 GA GREEN LT GXL WIRE, 25 foot roll	\$15.00	
R0041433	ALL	18 GA GREEN LT/BLACK GXL WIRE, 25 foot roll	\$16.00	
R0041434	ALL	18 GA GREEN LT/ORANGE GXL WIRE, 25 foot roll	\$16.00	
R0041435	ALL	18 GA GREEN LT/WHITE GXL WIRE, 25 foot roll	\$16.00	
R0041436	ALL	18 GA GREEN LT/YELLOW GXL WIRE, 25 foot roll	\$16.00	
R0041437	ALL	18 GA ORANGE GXL WIRE, 25 foot roll	\$15.00	
R0041438	ALL	18 GA ORANGE/BLACK GXL WIRE, 25 foot roll	\$16.00	
R0041439	ALL	18 GA ORANGE/BLUE DK GXL WIRE, 25 foot roll	\$16.00	
R0041440	ALL	18 GA PINK GXL WIRE, 25 foot roll	\$15.00	
R0041441	ALL	18 GA PINK/BLACK GXL WIRE, 25 foot roll	\$16.00	
R0041442	ALL	18 GA PINK/WHITE GXL WIRE, 25 foot roll	\$16.00	
R0041443	ALL	18 GA PURPLE GXL WIRE, 25 foot roll	\$15.00	
R0041444	ALL	18 GA PURPLE/WHITE GXL WIRE, 25 foot roll	\$16.00	
R0041445	ALL	18 GA RED GXL WIRE, 25 foot roll	\$15.00	
R0041446	ALL	18 GA RED/BLACK GXL WIRE, 25 foot roll	\$16.00	
R0041447	ALL	18 GA RED/BLUE DK GXL WIRE, 25 foot roll	\$16.00	
R0041448	ALL	18 GA RED/GREEN LT GXL WIRE, 25 foot roll	\$16.00	
R0041449	ALL	18 GA RED/WHITE GXL WIRE, 25 foot roll	\$16.00	
R0041450	ALL	18 GA TAN GXL WIRE, 25 foot roll	\$15.00	
R0041451	ALL	18 GA TAN/BLACK GXL WIRE, 25 foot roll	\$16.00	

**Wire  
& Components**



**Phone 562.926.9552  
Fax 562.926.9572**

Part Number	Year	Description	Price	*Rev.
R0041452	ALL	18 GA TAN/WHITE GXL WIRE, 25 foot roll	\$16.00	
R0041453	ALL	18 GA WHITE GXL WIRE, 25 foot roll	\$15.00	
R0041454	ALL	18 GA WHITE/BLACK GXL WIRE, 25 foot roll	\$16.00	
R0041455	ALL	18 GA WHITE/BLUE DK GXL WIRE, 25 foot roll	\$16.00	
R0041456	ALL	18 GA WHITE/GREEN DK GXL WIRE, 25 foot roll	\$16.00	
R0041457	ALL	18 GA WHITE/RED GXL WIRE, 25 foot roll	\$16.00	
R0041458	ALL	18 GA YELLOW GXL WIRE, 25 foot roll	\$15.00	
R0041459	ALL	18 GA YELLOW/BLACK GXL WIRE, 25 foot roll	\$16.00	
R0041460	ALL	18 GA YELLOW/GREEN LT GXL WIRE, 25 foot roll	\$16.00	
R0041461	ALL	18 GA YELLOW/WHITE GXL WIRE, 25 foot roll	\$16.00	
R0041462	ALL	16 GA BLACK GXL WIRE, 25 foot roll	\$16.00	
R0041463	ALL	16 GA BLACK/BLUE LT GXL WIRE, 25 foot roll	\$17.00	
R0041464	ALL	16 GA BLACK/GREEN LT GXL WIRE, 25 foot roll	\$17.00	
R0041465	ALL	16 GA BLACK/ORANGE GXL WIRE, 25 foot roll	\$17.00	
R0041466	ALL	16 GA BLACK/PINK GXL WIRE, 25 foot roll	\$17.00	
R0041467	ALL	16 GA BLACK/RED GXL WIRE, 25 foot roll	\$17.00	
R0041468	ALL	16 GA BLACK/WHITE GXL WIRE, 25 foot roll	\$17.00	
R0041469	ALL	16 GA BLACK/YELLOW GXL WIRE, 25 foot roll	\$17.00	
R0041470	ALL	16 GA BLUE DK GXL WIRE, 25 foot roll	\$16.00	
R0041471	ALL	16 GA BLUE DK/WHITE GXL WIRE, 25 foot roll	\$17.00	
R0041472	ALL	16 GA BLUE DK/YELLOW GXL WIRE, 25 foot roll	\$17.00	
R0041473	ALL	16 GA BLUE LT GXL WIRE, 25 foot roll	\$16.00	
R0041474	ALL	16 GA BLUE LT/BLACK GXL WIRE, 25 foot roll	\$17.00	
R0041475	ALL	16 GA BLUE LT/YELLOW GXL WIRE, 25 foot roll	\$17.00	
R0041476	ALL	16 GA BROWN GXL WIRE, 25 foot roll	\$16.00	
R0041477	ALL	16 GA BROWN/BLUE DARK GXL WIRE, 25 foot roll	\$17.00	
R0041478	ALL	16 GA BROWN/WHITE GXL WIRE, 25 foot roll	\$17.00	
R0041479	ALL	16 GA GRAY GXL WIRE, 25 foot roll	\$16.00	
R0041480	ALL	16 GA GREEN DK GXL WIRE, 25 foot roll	\$16.00	
R0041481	ALL	16 GA GREEN DK/RED GXL WIRE, 25 foot roll	\$17.00	
R0041482	ALL	16 GA GREEN DK/WHITE GXL WIRE, 25 foot roll	\$17.00	
R0041483	ALL	16 GA GREEN LT GXL WIRE, 25 foot roll	\$16.00	
R0041484	ALL	16 GA GREEN LT/BLACK GXL WIRE, 25 foot roll	\$17.00	
R0041485	ALL	16 GA ORANGE GXL WIRE, 25 foot roll	\$16.00	
R0041486	ALL	16 GA ORANGE/BLACK GXL WIRE, 25 foot roll	\$17.00	
R0041487	ALL	16 GA ORANGE/YELLOW GXL WIRE, 25 foot roll	\$17.00	
R0041488	ALL	16 GA PINK GXL WIRE, 25 foot roll	\$16.00	
R0041489	ALL	16 GA PINK/BLACK GXL WIRE, 25 foot roll	\$17.00	
R0041490	ALL	16 GA PINK/WHITE GXL WIRE, 25 foot roll	\$17.00	
R0041491	ALL	16 GA PURPLE GXL WIRE, 25 foot roll	\$16.00	
R0041492	ALL	16 GA PURPLE/WHITE GXL WIRE, 25 foot roll	\$17.00	
R0041493	ALL	16 GA RED GXL WIRE, 25 foot roll	\$16.00	
R0041494	ALL	16 GA RED/BLACK GXL WIRE, 25 foot roll	\$17.00	
R0041495	ALL	16 GA RED/WHITE GXL WIRE, 25 foot roll	\$17.00	
R0041679	ALL	16 GA RED/YELLOW GXL WIRE, 25 foot roll	\$17.00	
R0041496	ALL	16 GA TAN GXL WIRE, 25 foot roll	\$16.00	
R0041497	ALL	16 GA TAN/WHITE GXL WIRE, 25 foot roll	\$17.00	
R0041498	ALL	16 GA WHITE GXL WIRE, 25 foot roll	\$16.00	
R0041499	ALL	16 GA WHITE/BLACK GXL WIRE, 25 foot roll	\$17.00	
R0041500	ALL	16 GA WHITE/RED GXL WIRE, 25 foot roll	\$17.00	
R0041501	ALL	16 GA YELLOW GXL WIRE, 25 foot roll	\$16.00	

**Wire  
& Components**



**Phone 562.926.9552  
Fax 562.926.9572**

Part Number	Year	Description	Price	*Rev.
R0041502	ALL	16 GA YELLOW/BLACK GXL WIRE, 25 foot roll	\$17.00	
R0041503	ALL	16 GA YELLOW/ORANGE GXL WIRE, 25 foot roll	\$17.00	
R0041504	ALL	14 GA BLACK GXL WIRE, 25 foot roll	\$18.00	
R0041505	ALL	14 GA BLACK/BLUE LT GXL WIRE, 25 foot roll	\$19.00	
R0041506	ALL	14 GA BLACK/LIGHT GREEN GXL WIRE, 25 foot roll	\$19.00	
R0041507	ALL	14 GA BLACK/ORANGE GXL WIRE, 25 foot roll	\$19.00	
R0041508	ALL	14 GA BLACK/PINK GXL WIRE, 25 foot roll	\$19.00	
R0041509	ALL	14 GA BLACK/RED GXL WIRE, 25 foot roll	\$19.00	
R0041510	ALL	14 GA BLACK/TAN GXL WIRE, 25 foot roll	\$19.00	
R0041511	ALL	14 GA BLACK/WHITE GXL WIRE, 25 foot roll	\$19.00	
R0041512	ALL	14 GA BLACK/YELLOW GXL WIRE, 25 foot roll	\$19.00	
R0041513	ALL	14 GA BLUE DK GXL WIRE, 25 foot roll	\$18.00	
R0041514	ALL	14 GA BLUE DK/WHITE GXL WIRE, 25 foot roll	\$19.00	
R0041515	ALL	14 GA BLUE LT GXL WIRE, 25 foot roll	\$18.00	
R0041516	ALL	14 GA BLUE LT/BLACK GXL WIRE, 25 foot roll	\$19.00	
R0041517	ALL	14 GA BLUE LT/YELLOW GXL WIRE, 25 foot roll	\$19.00	
R0041518	ALL	14 GA BROWN GXL WIRE, 25 foot roll	\$18.00	
R0041519	ALL	14 GA BROWN/WHITE GXL WIRE, 25 foot roll	\$19.00	
R0041520	ALL	14 GA GRAY GXL WIRE, 25 foot roll	\$18.00	
R0041521	ALL	14 GA GRAY/BLACK GXL WIRE, 25 foot roll	\$19.00	
R0041522	ALL	14 GA GRAY/WHITE GXL WIRE, 25 foot roll	\$19.00	
R0041523	ALL	14 GA GREEN DK GXL WIRE, 25 foot roll	\$18.00	
R0041524	ALL	14 GA GREEN DK/RED GXL WIRE, 25 foot roll	\$19.00	
R0041525	ALL	14 GA GREEN DK/WHITE GXL WIRE, 25 foot roll	\$19.00	
R0041526	ALL	14 GA GREEN LT GXL WIRE, 25 foot roll	\$18.00	
R0041527	ALL	14 GA GREEN LT/WHITE GXL WIRE, 25 foot roll	\$19.00	
R0041528	ALL	14 GA GREEN LT / BLACK GXL WIRE, 25 foot roll	\$19.00	
R0041529	ALL	14 GA ORANGE GXL WIRE, 25 foot roll	\$18.00	
R0041530	ALL	14 GA ORANGE/BLACK GXL WIRE, 25 foot roll	\$19.00	
R0041531	ALL	14 GA PINK GXL WIRE, 25 foot roll	\$18.00	
R0041532	ALL	14 GA PINK/BLACK GXL WIRE, 25 foot roll	\$19.00	
R0041533	ALL	14 GA PINK/WHITE GXL WIRE, 25 foot roll	\$19.00	
R0041534	ALL	14 GA PURPLE GXL WIRE, 25 foot roll	\$18.00	
R0041535	ALL	14 GA PURPLE/WHITE GXL WIRE, 25 foot roll	\$19.00	
R0041536	ALL	14 GA RED GXL WIRE, 25 foot roll	\$18.00	
R0041537	ALL	14 GA RED/BLACK GXL WIRE, 25 foot roll	\$19.00	
R0041538	ALL	14 GA RED/WHITE GXL WIRE, 25 foot roll	\$19.00	
R0041539	ALL	14 GA TAN GXL WIRE, 25 foot roll	\$18.00	
R0041540	ALL	14 GA TAN/WHITE GXL WIRE, 25 foot roll	\$19.00	
R0041541	ALL	14 GA WHITE GXL WIRE, 25 foot roll	\$18.00	
R0041542	ALL	14 GA WHITE/BLUE DK GXL WIRE, 25 foot roll	\$19.00	
R0041543	ALL	14 GA YELLOW GXL WIRE, 25 foot roll	\$18.00	
R0041544	ALL	14 GA YELLOW/BLACK GXL WIRE, 25 foot roll	\$19.00	
R0041545	ALL	12 GA BLACK GXL WIRE, 25 foot roll	\$20.00	
R0041546	ALL	12 GA BLACK/ORANGE GXL WIRE, 25 foot roll	\$21.00	
R0041547	ALL	12 GA BLACK/PINK GXL WIRE, 25 foot roll	\$21.00	
R0041548	ALL	12 GA BLACK/RED GXL WIRE, 25 foot roll	\$21.00	
R0041549	ALL	12 GA BLACK/WHITE GXL WIRE, 25 foot roll	\$21.00	
R0041550	ALL	12 GA BLACK/YELLOW GXL WIRE, 25 foot roll	\$21.00	
R0041551	ALL	12 GA BLUE DK/WHITE GXL WIRE, 25 foot roll	\$21.00	

**Wire  
& Components**



**Phone 562.926.9552  
Fax 562.926.9572**

Part Number	Year	Description	Price	*Rev.
R0041552	ALL	12 GA BLUE LIGHT GXL WIRE, 25 foot roll	\$20.00	
R0041553	ALL	12 GA BROWN GXL WIRE, 25 foot roll	\$20.00	
R0041554	ALL	12 GA BROWN/WHITE GXL WIRE, 25 foot roll	\$21.00	
R0041555	ALL	12 GA GREEN DK/RED GXL WIRE, 25 foot roll	\$21.00	
R0041556	ALL	12 GA GREEN LT/BLACK GXL WIRE, 25 foot roll	\$21.00	
R0041557	ALL	12 GA ORANGE GXL WIRE, 25 foot roll	\$20.00	
R0041558	ALL	12 GA ORANGE/BLACK GXL WIRE, 25 foot roll	\$21.00	
R0041559	ALL	12 GA PINK GXL WIRE, 25 foot roll	\$20.00	
R0041560	ALL	12 GA PINK/BLACK GXL WIRE, 25 foot roll	\$21.00	
R0041561	ALL	12 GA PINK/WHITE GXL WIRE, 25 foot roll	\$21.00	
R0041562	ALL	12 GA PURPLE GXL WIRE, 25 foot roll	\$20.00	
R0041563	ALL	12 GA PURPLE/WHITE GXL WIRE, 25 foot roll	\$21.00	
R0041564	ALL	12 GA RED GXL WIRE, 25 foot roll	\$20.00	
R0041565	ALL	12 GA RED/BLACK GXL WIRE, 25 foot roll	\$21.00	
R0041566	ALL	12 GA RED/WHITE GXL WIRE, 25 foot roll	\$21.00	
R0041567	ALL	12 GA RED/YELLOW GXL WIRE, 25 foot roll	\$21.00	
R0041568	ALL	12 GA TAN/WHITE GXL WIRE, 25 foot roll	\$21.00	
R0041569	ALL	12 GA WHITE GXL WIRE, 25 foot roll	\$20.00	
R0041570	ALL	12 GA YELLOW GXL WIRE, 25 foot roll	\$20.00	
R0041571	ALL	12 GA YELLOW/GREEN LT GXL WIRE, 25 foot roll	\$21.00	
R0041572	ALL	10 GA BLACK GXL WIRE, 25 foot roll	\$22.00	
R0041573	ALL	10 GA BLACK/RED GXL WIRE, 25 foot roll	\$23.00	
R0041574	ALL	10 GA BLACK/WHITE GXL WIRE, 25 foot roll	\$23.00	
R0041575	ALL	10 GA ORANGE/BLACK GXL WIRE, 25 foot roll	\$23.00	
R0041585	ALL	10 GA PINK GXL WIRE, 25 foot roll	\$22.00	
R0041576	ALL	10 GA PURPLE GXL WIRE, 25 foot roll	\$22.00	
R0041577	ALL	10 GA RED GXL WIRE, 25 foot roll	\$22.00	
R0041578	ALL	10 GA RED/WHITE GXL WIRE, 25 foot roll	\$23.00	
R0041579	ALL	10 GA YELLOW GXL WIRE, 25 foot roll	\$22.00	
R0041580	ALL	10 GA YELLOW/BLACK GXL WIRE, 25 foot roll	\$23.00	
R0041581	ALL	8 GA BLACK GXL WIRE, 25 foot roll	\$29.00	
R0041582	ALL	8 GA ORANGE GXL WIRE, 25 foot roll	\$29.00	
R0041583	ALL	8 GA RED GXL WIRE, 25 foot roll	\$29.00	
R0041584	ALL	8 GA YELLOW GXL WIRE, 25 foot roll	\$29.00	