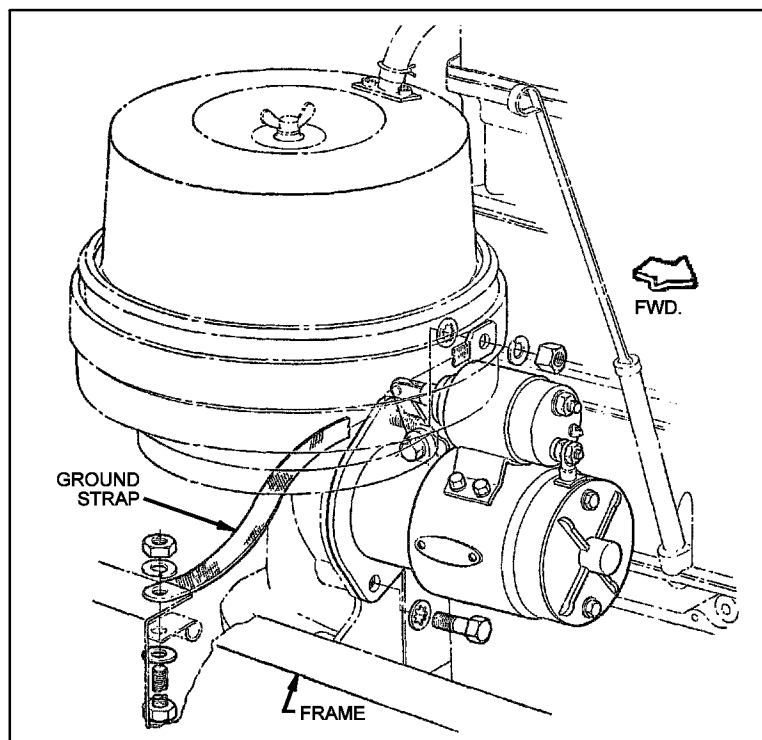
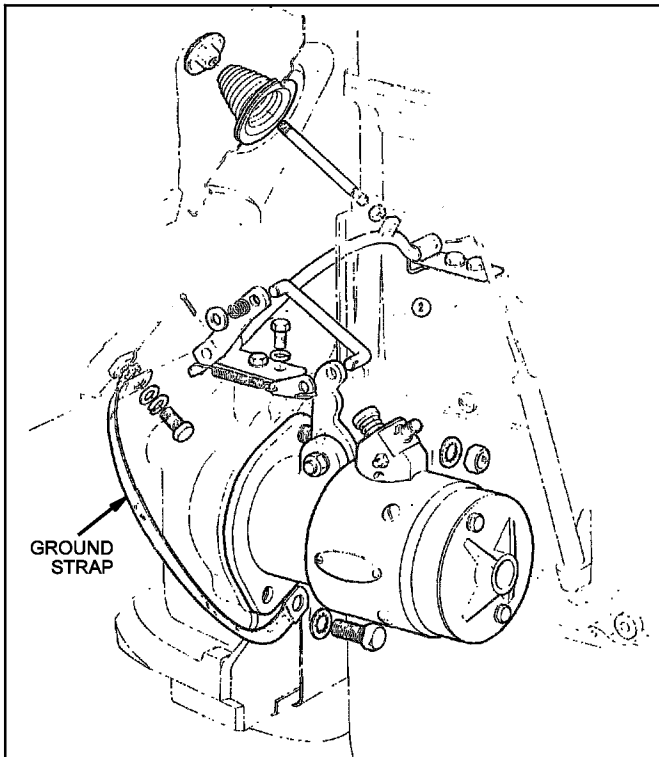


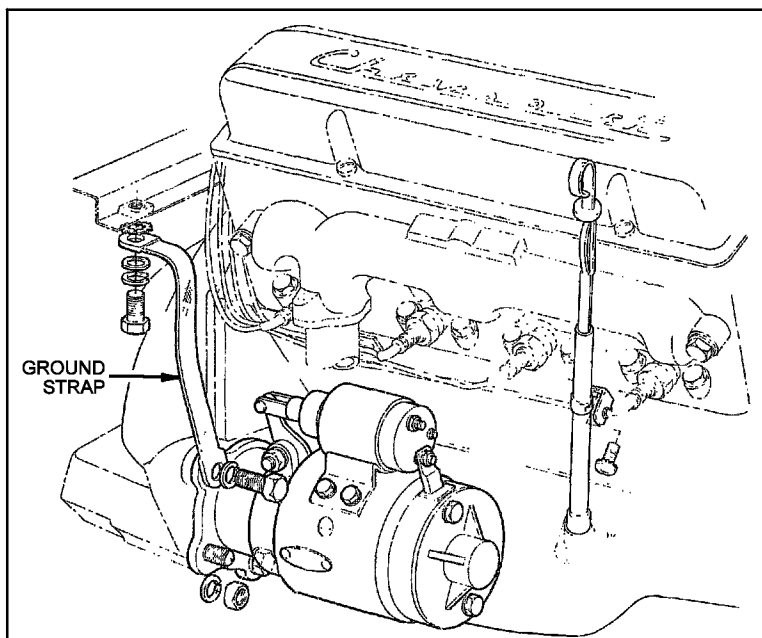
1956-62 CORVETTE POWER TOP



1955 CHEVY TRUCK, 6 CYL., STARTER TO FRAME



1955 CHEVY TRUCK STARTER TO FRAME WITH FOOT STARTER



1956-59 CHEVY TRUCK, V-8, STARTER TO FRAME

**GROUND STRAP APPLICATIONS:**

1956-62 CORVETTE POWER TOP

1955 CHEVY TRUCK/SUB/BLAZE, STARTER TO FRAME, 2ND SERIES, 12 VOLT

1956-59 CHEVY TRUCK/SUB/BLAZE, STARTER TO FRAME

<p><b>M&amp;H Electric Fabricators, Inc.</b>          AUTOMOTIVE WIRING SYSTEMS          Phone (562) 928-9562 Fax (562) 928-9572</p>	
TITLE	INSTRUCTION SHEET GROUND STRAP
DWG NO.	<b>92974115</b>