

For ease of installation, we have left the plastic connector off of the end of the turn signal switch.

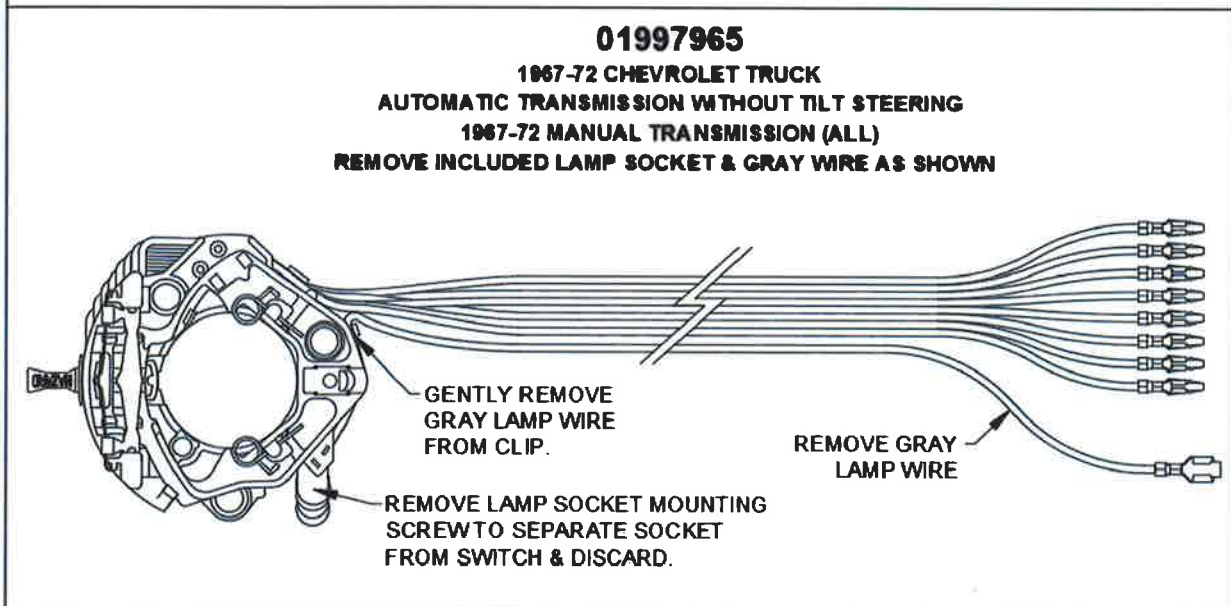
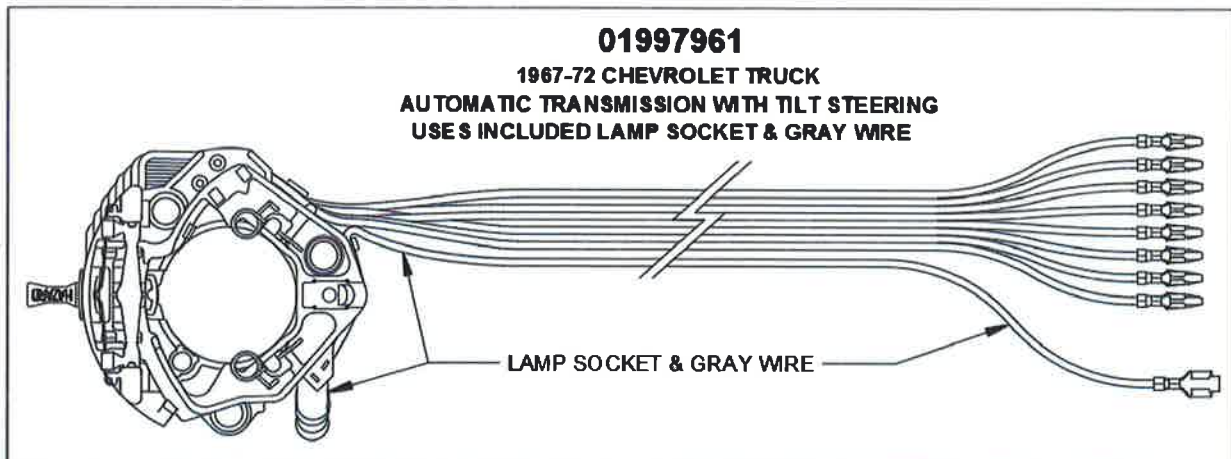
### Removal of old switch:

1. Remove the steering wheel (using a steering wheel puller) from the steering column.
2. Unscrew and remove the old turn signal switch from the column paying close attention to the proper routing of the wires through the collars.

### Installation of new switch:

1. Apply a flat piece of tape (blue masking tape is preferred due to its ease of removal) to one side of the terminals only so they will not catch or snag on anything as you are pushing them in through the collars. Group terminals together tightly while using caution not to compress locking tangs. See Figure 1.
2. Install the new switch into the top collar and screw in place. Remove tape and insert the terminals on the end of the wires into the proper cavities of the supplied plastic connector. See Figure 1 & 2. To identify which wire to insert into which cavity on the supplied connector See Figure 3. ***It is very important that you insert the correct terminal into the correct cavity of the connector the first time.*** You may damage the terminal or plastic inside cavity if you need to remove a terminal and re-insert it in another cavity. The wires must be indexed properly for the switch to operate correctly.

<b>INSTRUCTION SHEET</b> <b>TURN SIGNAL SWITCH INSTALLATION</b>	DATE: 03-23-22
	SHEET: 1 OF 2
THESE INSTRUCTIONS USED ON: 01997961 & 01997965	PART NO: <b>92966002</b>



**Removal of lamp socket & gray wire :**

1. Remove the lamp socket mounting screw and separate the lamp socket from the switch.
2. Gently remove the gray lamp wire from clip.
3. Discard lamp socket and gray wire.

<b>INSTRUCTION SHEET</b>	<small>DATE:</small> 03-23-22
<b>TURN SIGNAL SWITCH INSTALLATION</b>	<small>SHEET:</small> 2 OF 2
<b>THESE INSTRUCTIONS USED ON: 01997961 &amp; 01997965</b>	<small>PART NO.:</small> <b>92966002</b>