

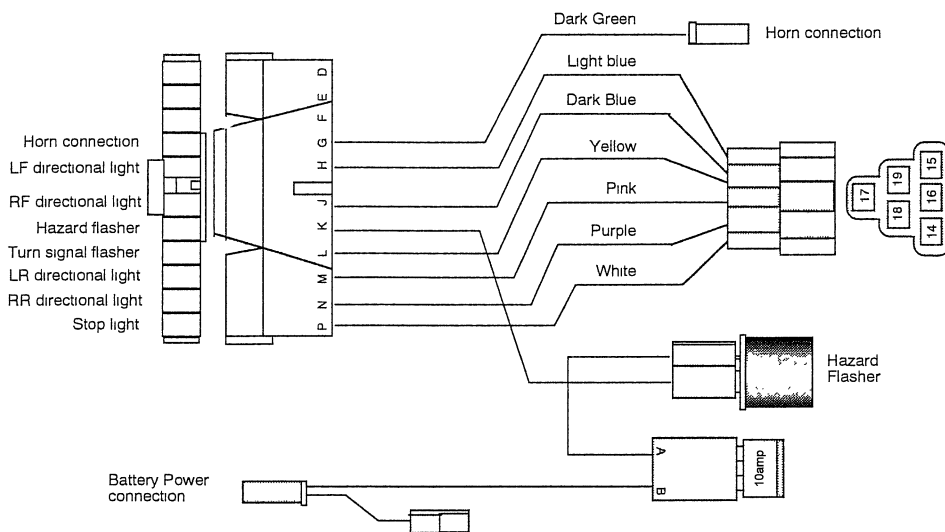
**Note:** Color sequences in the steering column connector will most often match the wire colors in the original dash harness. In those cases where they do not, it is not necessary to change any wires in the steering column connector. The horn wire connection wire color differs by year and can be either tan or dark green in the original dash harness.

**M&H Electric Fabricators, Inc.**  
**AUTOMOTIVE WIRING SYSTEMS**  
 Phone (562) 926-9552 Fax (562) 926-9572

1963 CHEVY CORVETTE  
 1962 CHEVY NOVA  
 1959-62 CHEVY PASS  
 1960-64 CHEVY CORVAIR  
 1960-62 CHEVY TRUCK (w/directional signals only)  
 to  
 1975 up steering column

TITLE  
**INSTRUCTION SHEET  
 STEERING COLUMN ADAPTER**

DWG NO.  
**92964894**



**Note:** Color sequences in the steering column connector will most often match the wire colors in the original dash harness. In those cases where they do not, it is not necessary to change any wires in the steering column connector. The horn wire connection wire color differs by year and can be either tan or dark green in the original dash harness.

**M&H Electric Fabricators, Inc.**  
**AUTOMOTIVE WIRING SYSTEMS**  
 Phone (562) 926-9552 Fax (562) 926-9572

1963 CHEVY CORVETTE  
 1962 CHEVY NOVA  
 1959-62 CHEVY PASS  
 1960-64 CHEVY CORVAIR  
 1960-62 CHEVY TRUCK (w/directional signals only)  
 to  
 1975 up steering column

TITLE  
**INSTRUCTION SHEET  
 STEERING COLUMN ADAPTER**

DWG NO.  
**92964894**