



Electrical Restoration Products

**Chevy II
Nova**

WIRING HARNESSES



BATTERY CABLES



SWITCHES



Phone 562.926.9552

Fax 562.926.9572

sparky@wiringharness.com

www.wiringharness.com

Part #NOV

Buy with Confidence !

Made in the U.S.A.

All of our harnesses are hand assembled in the U.S.A.

Correct Color Wires

Our harnesses always match the original factory color codes and gauge sizes. We use U.S.A. made Cross Linked Polyethylene type GXL wire which is much more tolerant to heat than the original PVC type GPT wire that was used from the factory.

Dip Soldered (when applicable)

All terminals are dip soldered (when applicable) to limit resistance loss.

Correct Connectors & Terminals

With over 300,000 connectors and terminals in stock you can be sure the harness you receive will look identical to the original.

Correct Non-Adhesive & Cloth Tapes

All harnesses are wrapped with the correct non-adhesive or cloth woven tapes to assure a 100% factory appearance.

Technical Support

We don't expect our customers to be "wiring-wizards", you can call us direct with any technical questions you may have.

Custom Modifications

Custom modifications are available to allow you to convert from an external regulated alternator to an internal regulated alternator. This modification is available for most '63 and up GM cars and trucks. We can also convert many of our engine harnesses to work with H.E.I. distributors and electric chokes. Our modifications retain the factory appearance. Call our Customer Service Department for more details.

Reproduction Switches

We manufacture an extensive line of reproduction switches. These include Turn Signal, Backup Light, Neutral Safety, Wiper, Headlight Switches and others. As with all of our restoration products our switches will fit and function perfectly, just like the originals.

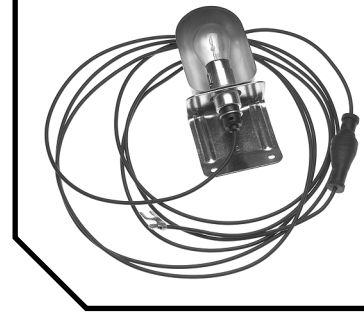
Guarantee & Warranty

We are so confident in the quality of all of our restoration products that we offer the following guarantee and warranty. If you are not 100% satisfied with the quality of any of our restoration products we will give you a full refund. Just return the unused item within 30 days of receipt for a full refund. We also offer a full 1 year replacement warranty on all of the products we sell (see our product warranty sheet for more info).

Method of Payment

We accept Visa, Master Card, American Express and Discover. If you prefer to pre-pay your order, we accept Money Orders, Cashiers Checks or Personal Checks. C.O.D. shipments are also available.

LIGHTING KITS



1 WIRE IGNITION



HARNESS TAPE



"M&H Harnesses are perfect reproductions created with correct color wires from Original GM wiring schematics".

**MUSCLECAR ENTHUSIAST
MAGAZINE**

www.wiringharness.com

Alternator Conversion Kits

**See car line catalogs
for specific applications**

Alternator Conversion Kit External to "SI" Type Internal

Our most popular Alternator Conversion Kit. This kit makes it easy to convert from an External Regulated Alternator to an "SI" Type Internal Regulated Alternator. Kit includes both adapters and an instruction sheet.

Easy to install:

1) Disconnect the external voltage regulator leads and plug our "Special Regulator Adapter" into the voltage regulator lead wires. 2) Disconnect the alternator lead wires. 3) Install new "SI" Type Internal Regulated alternator. 4) Plug one end of our "Alternator Adapter" into the original alternator lead wires and the other into the alternator.

Typical application is '63-'74 GM Cars & Trucks, see carline catalogs for specific application information.

Part #27555

Retail \$29.00



Alternator Conversion Kit External to "CS" Type Internal

This kit makes it easy to convert from an External Regulated Alternator to a "CS" Type Internal Regulated Alternator. Kit includes both adapters and an instruction sheet.

Easy to install:

1) Disconnect the external voltage regulator leads and plug our "Special Regulator Adapter" into the voltage regulator lead wires. 2) Disconnect the alternator lead wires. 3) Install new "SI" Type Internal Regulated alternator. 4) Plug one end of our "Alternator Adapter" into the original alternator lead wires and the other into the alternator.

Typical application is '63-'74 GM Cars & Trucks, see carline catalogs for specific application information.

Part #37787

Retail \$34.00



Alternator Conversion Kit "SI" Type Internal to CS130/CS144 Type Internal

Allows for an easy conversion from an "SI" type internal regulated alternator to a "CS130" or "CS144" type internal regulated alternator. Simple to install, the mating end of the adapter pigtail plugs perfectly to the original alternator connector, and the other end plugs right into any "CS130" or "CS144" type alternator. Kit includes adapter pigtail and an instruction sheet.

Typical application is '69-'84 GM Cars & Trucks, see carline catalogs for specific application information.

Part #37796

Retail \$26.00



Alternator Conversion Kits

See car line catalogs
for specific applications

Alternator Conversion Kit

"SI" Type Internal to "CS130D" Type Internal

Allows for an easy conversion from an "SI" type internal regulated alternator to a "CS130D" type internal regulated alternator. Simple to install, the mating end of the adapter pigtail plugs perfectly to the original alternator connector, and the other end plugs right into any "CS130D" type alternator. Kit includes adapter pigtail and an instruction sheet.

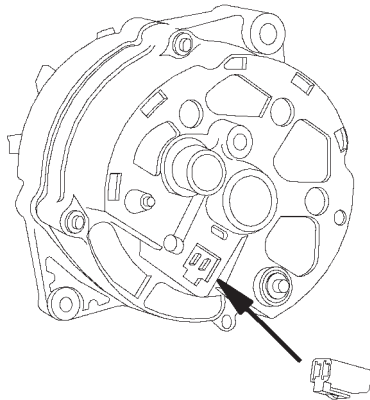
Typical application is '69-'84 GM Cars & Trucks, see carline catalogs for specific application information.

Part #39472

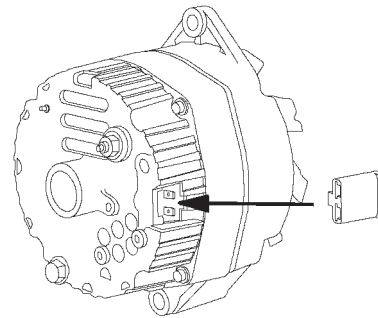
Retail \$27.00



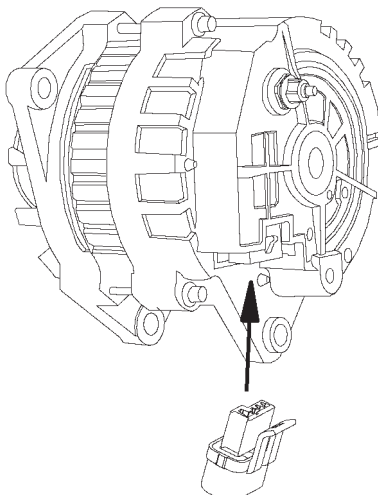
Alternator Identification



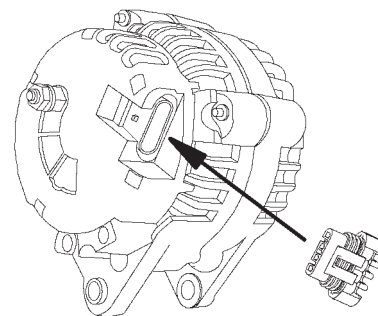
1963-1974
External Regulated Alternator



1969-1984 "SI" Type
Internal Regulated Alternator



1984-1999 "CS130" & "CS144" Type
Internal Regulated Alternator



1994-Newer "CS130D" Type
Internal Regulated Alternator

Breakerless SE Single Wire Ignition

Simple 1 Wire Hook-Up, just connect the original points wire to the module

Completely stock appearance

Emissions Legal in all 50 States

Three year warranty

The Breakerless SE allows you to convert any 1957 to 1974 GM, AMC or Jeep V8 breaker point type distributor (with a windowed type distributor cap) to a reliable solid-state electronic ignition, utilizing a fully integrated trigger and power module that fits completely inside the distributor.

Unlike competitive systems though, no additional wires protrude from the distributor, only the original points wire. The result is a state-of-the-art ignition with an absolutely stock appearance. The Breakerless SE is so unique that it's patented !



Outstanding features of this unit include:

- Single wire operation to preserve stock appearance and simplify wiring.
- Active dwell control maintains high rpm spark energy while reducing coil heating at idle.
- Auto-standby prevents coil damage or dead battery if the ignition is accidentally left on.
- Hall effect rotary-vane sensor design compensates for worn bearings and distributor end play. Magnetic sensor is unaffected by oil, dirt or other contaminants, unlike optical systems.
- Over-voltage/over-current protected against damage from high amp battery chargers, reversed battery, or improper wiring.
- Constructed with premium quality components. Sealed, hi-temp thermoplastic housing provides exceptional resistance against moisture and vibration.
- No distributor modification, disassembly, or removal is required.

Kit comes complete with everything you'll need to install the Breakerless SE Single Wire Ignition. Kit includes: 1 Module, 1 (two-piece) vane, all necessary installation hardware and a comprehensive instruction sheet.

Part #38131
Retail \$179.00

**For more info on this product
visit www.breakerless.com**

Transistor Ignition Replacement Module

Drop-In Replacement Module fits all Chevrolet & Pontiac cars equipped with the rare and optional Transistor Ignition System

Drops into the Original Finned Amplifier Housing

Quicker Starts

Improved Performance

M&H's Transistor Ignition Replacement Module is a drop-in performance upgrade, and provides state-of-the-art ignition technology. This replacement module generates twice the coil primary voltage providing up to 10% more available secondary voltage with the factory T.I. coil. It also can be used with point type or aftermarket coils or M&H's own T.I. Replacement Coil. It provides output protection against failure caused by broken or disconnected plug wires, and has an extended temperature range to over 300-degrees. The state-of-the-art electronics are completely sealed in thermoplastic to keep water and contaminants out. Superior construction provides superior performance, just like all M&H Electric's products.



Simple to Install

- Remove the backing plate from your original amplifier housing
- Remove wiring from original circuit board and unscrew it from the housing
- Thoroughly clean the inside of the housing
- Screw in M&H's new T.I. Replacement Module and attach the wiring
- ***That's it, you'll enjoy Quicker Starts and Improved Performance***

Fits all Chevrolet & Pontiac cars with Transistor Ignition

**Part #32270
Retail \$172.00**

Part Number	Year	Description	Price	*Rev.
AIR CONDITIONING GROMMET				
03791444	1962	AIR CONDITIONING GROMMET Located On The Radiator Core Support	\$11.00	
03791444	1963	AIR CONDITIONING GROMMET Located On The Radiator Core Support	\$11.00	
03793794	1963	AIR CONDITIONING GROMMET A/C Lines And Wiring Pass Through This Grommet At The Firewall	\$29.00	
03791444	1964	AIR CONDITIONING GROMMET Located On The Radiator Core Support	\$11.00	
03793794	1964	AIR CONDITIONING GROMMET A/C Lines And Wiring Pass Through This Grommet At The Firewall	\$29.00	
03791444	1965	AIR CONDITIONING GROMMET Located On The Radiator Core Support	\$11.00	
03793794	1965	AIR CONDITIONING GROMMET A/C Lines And Wiring Pass Through This Grommet At The Firewall	\$29.00	
AIR CONDITIONING HARNESS				
36139	1962	AIR CONDITIONING HARNESS 4 & 6 Cylinder, Includes Heater Wiring Note: 6 Cylinder Items Are Not Returnable.	\$173.00	
36252	1962	AIR CONDITIONING HARNESS V/8, Includes Heater Wiring	\$159.00	
36072	1963	AIR CONDITIONING HARNESS 4 & 6 Cylinder, Includes Heater Wiring Note: 6 Cylinder Items Are Not Returnable.	\$173.00	
23035	1963	AIR CONDITIONING HARNESS V/8, Includes Heater Wiring	\$159.00	
23035	1964	AIR CONDITIONING HARNESS Includes Heater Wiring	\$159.00	
18520	1965	AIR CONDITIONING HARNESS Includes Heater Wiring	\$145.00	
09575	1966	AIR CONDITIONING HARNESS Includes Heater Wiring	\$145.00	
09575	1967	AIR CONDITIONING HARNESS Includes Heater Wiring	\$145.00	
12100	1968	AIR CONDITIONING HARNESS Includes Heater Wiring	\$193.00	
13015	1969	AIR CONDITIONING HARNESS Includes Heater Wiring	\$173.00	
13015	1970	AIR CONDITIONING HARNESS Includes Heater Wiring	\$173.00	
15430	1971	AIR CONDITIONING HARNESS Includes Heater Wiring	\$199.00	
16400	1972	AIR CONDITIONING HARNESS Includes Heater Wiring	\$199.00	
18620	1973	AIR CONDITIONING HARNESS Includes Heater Wiring	\$221.00	
00990	1973	AIR CONDITIONING EXTENSION HARNESS Compressor To A/C Harness	\$59.00	
18620	1974	AIR CONDITIONING HARNESS Includes Heater Wiring	\$221.00	
00990	1974	AIR CONDITIONING EXTENSION HARNESS Compressor To A/C Harness	\$59.00	
AIR CONDITIONING POWER FEED WIRE				
19830	1962	AIR CONDITIONING POWER FEED WIRE 4 & 6 Cylinder, Starter Solenoid To A/C Harness Note: 6 Cylinder Items Are Not Returnable.	\$25.00	
33800	1962	AIR CONDITIONING POWER FEED WIRE V/8, Starter Solenoid To A/C Harness	\$22.00	
19830	1963	AIR CONDITIONING POWER FEED WIRE 4 & 6 Cylinder, Starter Solenoid To A/C Harness Note: 6 Cylinder Items Are Not Returnable.	\$25.00	
33800	1963	AIR CONDITIONING POWER FEED WIRE V/8, Starter Solenoid To A/C Harness	\$22.00	
28225	1964	AIR CONDITIONING POWER FEED WIRE 6 Cylinder, Starter Solenoid To A/C Harness Note: 6 Cylinder Items Are Not Returnable.	\$22.00	
36111	1964	AIR CONDITIONING POWER FEED WIRE V/8, Starter Solenoid To A/C Harness	\$27.00	
00995	1965	AIR CONDITIONING POWER FEED WIRE Horn Relay To A/C Fuse	\$23.00	
00995	1966	AIR CONDITIONING POWER FEED WIRE Horn Relay To A/C Fuse	\$23.00	
36112	1967	AIR CONDITIONING POWER FEED WIRE Horn Relay To A/C Fuse	\$25.00	
10970	1968	AIR CONDITIONING POWER FEED WIRE Horn Relay To A/C Fuse	\$22.00	
10970	1969	AIR CONDITIONING POWER FEED WIRE Horn Relay To A/C Fuse	\$22.00	
10970	1970	AIR CONDITIONING POWER FEED WIRE Horn Relay To A/C Fuse	\$22.00	
10970	1971	AIR CONDITIONING POWER FEED WIRE Horn Relay To A/C Fuse	\$22.00	

Part Number	Year	Description	Price	*Rev.
33865	1972	AIR CONDITIONING POWER FEED WIRE Horn Relay To A/C Fuse	\$25.00	
AIR CONDITIONING RELAY GROUND WIRE				
36258	1962	AIR CONDITIONING RELAY GROUND WIRE	\$18.00	
36258	1963	AIR CONDITIONING RELAY GROUND WIRE	\$18.00	
36258	1964	AIR CONDITIONING RELAY GROUND WIRE	\$18.00	
36258	1965	AIR CONDITIONING RELAY GROUND WIRE	\$18.00	
ALTERNATOR CONVERSION KIT				
27555	1963	ALTERNATOR CONVERSION KIT External To Internal Regulator Conversion Harness ("SI" Series) Note: For Use With 1972-84 Non-Serpentine Belt ("SI" Series) Internal Regulated Alternators.	\$29.00	
37787	1963	ALTERNATOR CONVERSION KIT External To Internal Regulator Conversion Harness ("CS" Series) Note: For Use With Serpentine Belt ("CS" Series) Internal Regulated Alternators.	\$34.00	
27555	1964	ALTERNATOR CONVERSION KIT External To Internal Regulator Conversion Harness ("SI" Series) Note: For Use With 1972-84 Non-Serpentine Belt ("SI" Series) Internal Regulated Alternators.	\$29.00	
37787	1964	ALTERNATOR CONVERSION KIT External To Internal Regulator Conversion Harness ("CS" Series) Note: For Use With Serpentine Belt ("CS" Series) Internal Regulated Alternators.	\$34.00	
27555	1965	ALTERNATOR CONVERSION KIT External To Internal Regulator Conversion Harness ("SI" Series) Note: For Use With 1972-84 Non-Serpentine Belt ("SI" Series) Internal Regulated Alternators.	\$29.00	
37787	1965	ALTERNATOR CONVERSION KIT External To Internal Regulator Conversion Harness ("CS" Series) Note: For Use With Serpentine Belt ("CS" Series) Internal Regulated Alternators.	\$34.00	
27555	1966	ALTERNATOR CONVERSION KIT External To Internal Regulator Conversion Harness ("SI" Series) Note: For Use With 1972-84 Non-Serpentine Belt ("SI" Series) Internal Regulated Alternators.	\$29.00	
37787	1966	ALTERNATOR CONVERSION KIT External To Internal Regulator Conversion Harness ("CS" Series) Note: For Use With Serpentine Belt ("CS" Series) Internal Regulated Alternators.	\$34.00	
27555	1967	ALTERNATOR CONVERSION KIT External To Internal Regulator Conversion Harness ("SI" Series) Note: For Use With 1972-84 Non-Serpentine Belt ("SI" Series) Internal Regulated Alternators.	\$29.00	
37787	1967	ALTERNATOR CONVERSION KIT External To Internal Regulator Conversion Harness ("CS" Series) Note: For Use With Serpentine Belt ("CS" Series) Internal Regulated Alternators.	\$34.00	
27555	1968	ALTERNATOR CONVERSION KIT External To Internal Regulator Conversion Harness ("SI" Series) Note: For Use With 1972-84 Non-Serpentine Belt ("SI" Series) Internal Regulated Alternators.	\$29.00	
37787	1968	ALTERNATOR CONVERSION KIT External To Internal Regulator Conversion Harness ("CS" Series) Note: For Use With Serpentine Belt ("CS" Series) Internal Regulated Alternators.	\$34.00	
27555	1969	ALTERNATOR CONVERSION KIT External To Internal Regulator Conversion Harness ("SI" Series) Note: For Use With 1972-84 Non-Serpentine Belt ("SI" Series) Internal Regulated Alternators.	\$29.00	
37787	1969	ALTERNATOR CONVERSION KIT External To Internal Regulator Conversion Harness ("CS" Series) Note: For Use With Serpentine Belt ("CS" Series) Internal Regulated Alternators.	\$34.00	
27555	1970	ALTERNATOR CONVERSION KIT External To Internal Regulator Conversion Harness ("SI" Series) Note: For Use With 1972-84 Non-Serpentine Belt ("SI" Series) Internal Regulated Alternators.	\$29.00	
37787	1970	ALTERNATOR CONVERSION KIT External To Internal Regulator Conversion Harness ("CS" Series) Note: For Use With Serpentine Belt ("CS" Series) Internal Regulated Alternators.	\$34.00	
27555	1971	ALTERNATOR CONVERSION KIT External To Internal Regulator Conversion Harness ("SI" Series) Note: For Use With 1972-84 Non-Serpentine Belt ("SI" Series) Internal Regulated Alternators.	\$29.00	
37787	1971	ALTERNATOR CONVERSION KIT External To Internal Regulator Conversion Harness ("CS" Series) Note: For Use With Serpentine Belt ("CS" Series) Internal Regulated Alternators.	\$34.00	
27555	1972	ALTERNATOR CONVERSION KIT External To Internal Regulator Conversion Harness ("SI" Series) Note: For Use With 1972-84 Non-Serpentine Belt ("SI" Series) Internal Regulated Alternators.	\$29.00	
37787	1972	ALTERNATOR CONVERSION KIT External To Internal Regulator Conversion Harness ("CS" Series) Note: For Use With Serpentine Belt ("CS" Series) Internal Regulated Alternators.	\$34.00	

Part Number	Year	Description	Price	*Rev.
ASSEMBLY MANUAL				
36303	1962	ASSEMBLY MANUAL Factory Assembly Instruction Guide	\$32.00	
36304	1963	ASSEMBLY MANUAL Factory Assembly Instruction Guide	\$32.00	
36305	1964	ASSEMBLY MANUAL Factory Assembly Instruction Guide	\$32.00	
36306	1965	ASSEMBLY MANUAL Factory Assembly Instruction Guide	\$32.00	
36307	1966	ASSEMBLY MANUAL Factory Assembly Instruction Guide	\$32.00	
36308	1967	ASSEMBLY MANUAL Factory Assembly Instruction Guide	\$32.00	
36309	1968	ASSEMBLY MANUAL Factory Assembly Instruction Guide	\$32.00	
36310	1969	ASSEMBLY MANUAL Factory Assembly Instruction Guide	\$32.00	
36311	1970	ASSEMBLY MANUAL Factory Assembly Instruction Guide	\$32.00	
36312	1971	ASSEMBLY MANUAL Factory Assembly Instruction Guide	\$32.00	
36313	1972	ASSEMBLY MANUAL Factory Assembly Instruction Guide	\$32.00	
BACKUP LAMP SWITCH				
01998728	1962	BACKUP LAMP SWITCH 4 Speed, Manual Trans	\$64.00	
01997929	1963	BACKUP LAMP SWITCH 4 Speed, Manual Trans (Stamped 929)	\$64.00	
01993661	1964	BACKUP LAMP SWITCH 4-Speed, Manual Trans	\$64.00	
01993307	1965	BACKUP LAMP SWITCH 4 Speed, Manual Trans	\$64.00	
01993307	1966	BACKUP LAMP SWITCH 4 Speed, Manual Trans	\$64.00	
01993307	1967	BACKUP LAMP SWITCH 4 Speed, Manual Trans	\$64.00	
01993413	1968	BACKUP LAMP SWITCH 4 Speed, Manual Trans	\$64.00	
03943657	1969	BACKUP LAMP SWITCH Manual Trans	\$53.00	
03943657	1970	BACKUP LAMP SWITCH Manual Trans	\$53.00	
03943657	1971	BACKUP LAMP SWITCH Manual Trans	\$53.00	
03943657	1972	BACKUP LAMP SWITCH Manual Trans	\$53.00	
BACKUP LAMP SWITCH EXTENSION HARNESS				
27315	1962	BACKUP LAMP SWITCH EXTENSION HARNESS Auto Trans, Switch To Rear Body Connector	\$22.00	
28160	1962	BACKUP LAMP SWITCH EXTENSION HARNESS Manual Trans, Switch To Rear Body Connector	\$41.00	
27315	1963	BACKUP LAMP SWITCH EXTENSION HARNESS All Trans Without Gauges, Switch To Rear Body Connector	\$22.00	
28335	1963	BACKUP LAMP SWITCH EXTENSION HARNESS Manual Trans, Switch To Part# 27315 Backup Extension Harness	\$33.00	
37101	1964	BACKUP LAMP SWITCH EXTENSION HARNESS Auto Trans, Switch To Rear Body Connector	\$29.00	
33805	1964	BACKUP LAMP SWITCH EXTENSION HARNESS Manual Trans, Fuse Panel To Rear Body Connector	\$33.00	
37101	1965	BACKUP LAMP SWITCH EXTENSION HARNESS Auto Trans, Switch To Rear Body Connector	\$29.00	
33805	1965	BACKUP LAMP SWITCH EXTENSION HARNESS Manual Trans, Fuse Panel To Rear Body Connector	\$33.00	
01400	1966	BACKUP LAMP SWITCH EXTENSION HARNESS Auto Trans, Switch To Rear Body Connector	\$33.00	
33805	1966	BACKUP LAMP SWITCH EXTENSION HARNESS Manual Trans, Fuse Panel To Rear Body Connector	\$33.00	
33805	1967	BACKUP LAMP SWITCH EXTENSION HARNESS Manual Trans, Fuse Panel To Rear Body Connector	\$33.00	
10665	1968	BACKUP LAMP SWITCH EXTENSION HARNESS All Manual Trans	\$31.00	
BACKUP LAMP SWITCH MOUNTING BRACKET				
37650	1964	BACKUP LAMP SWITCH MOUNTING BRACKET With Muncie 4 Speed Transmission	\$29.00	
37650	1965	BACKUP LAMP SWITCH MOUNTING BRACKET With Muncie 4 Speed Transmission	\$29.00	
37650	1966	BACKUP LAMP SWITCH MOUNTING BRACKET With Muncie 4 Speed Transmission	\$29.00	
37650	1967	BACKUP LAMP SWITCH MOUNTING BRACKET With Muncie 4 Speed Transmission	\$29.00	
37650	1968	BACKUP LAMP SWITCH MOUNTING BRACKET With Muncie 4 Speed Transmission	\$29.00	

Part Number	Year	Description	Price	*Rev.
BACKUP LAMP SWITCH MOUNTING KIT				
39504	1964	BACKUP LAMP SWITCH MOUNTING KIT With Muncie 4 Speed Transmission Note: Kit Contains The Bracket, Rod With 2 Clips, Shield & Bolts.	\$46.00	
39504	1965	BACKUP LAMP SWITCH MOUNTING KIT With Muncie 4 Speed Transmission Note: Kit Contains The Bracket, Rod With 2 Clips, Shield & Bolts.	\$46.00	
39504	1966	BACKUP LAMP SWITCH MOUNTING KIT With Muncie 4 Speed Transmission Note: Kit Contains The Bracket, Rod With 2 Clips, Shield & Bolts.	\$46.00	
39504	1967	BACKUP LAMP SWITCH MOUNTING KIT With Muncie 4 Speed Transmission Note: Kit Contains The Bracket, Rod With 2 Clips, Shield & Bolts.	\$46.00	
39504	1968	BACKUP LAMP SWITCH MOUNTING KIT With Muncie 4 Speed Transmission Note: Kit Contains The Bracket, Rod With 2 Clips, Shield & Bolts.	\$46.00	
BATTERY CABLE JUNCTION BLOCK				
03882795	1968	BATTERY CABLE JUNCTION BLOCK For Positive Cable Secondary Lead	\$11.00	
03882795	1969	BATTERY CABLE JUNCTION BLOCK For Positive Cable Secondary Lead	\$11.00	
03882795	1970	BATTERY CABLE JUNCTION BLOCK For Positive Cable Secondary Lead	\$11.00	
03882795	1971	BATTERY CABLE JUNCTION BLOCK For Positive Cable Secondary Lead	\$11.00	
BATTERY CABLE-NEGATIVE				
03515	1962	BATTERY CABLE, SPRING RING Neg, All	\$69.00	
04170	1963	BATTERY CABLE, SPRING RING Neg, 4 Cylinder	\$69.00	
03500	1963	BATTERY CABLE, SPRING RING Neg, 6 Cylinder, Without A/C Note: 6 Cylinder Items Are Not Returnable.	\$69.00	
04170	1963	BATTERY CABLE, SPRING RING Neg, 6 Cylinder, With A/C Note: 6 Cylinder Items Are Not Returnable.	\$69.00	
03515	1963	BATTERY CABLE, SPRING RING Neg, V/8, Except 327 C.I.	\$69.00	
03720	1963	BATTERY CABLE, SPRING RING Neg, V/8, 327 C.I.	\$69.00	
04170	1964	BATTERY CABLE, SPRING RING Neg, 4 & 6 Cylinder Note: 6 Cylinder Items Are Not Returnable.	\$69.00	
03515	1964	BATTERY CABLE, SPRING RING Neg, V/8	\$69.00	
03515	1965	BATTERY CABLE, SPRING RING Neg, All	\$69.00	
09190	1966	BATTERY CABLE, SPRING RING Neg, 4 & 6 Cylinder, Without A/C Note: 6 Cylinder Items Are Not Returnable.	\$69.00	
09795	1966	BATTERY CABLE, SPRING RING Neg, 6 Cylinder, With A/C Note: 6 Cylinder Items Are Not Returnable.	\$69.00	
09190	1966	BATTERY CABLE, SPRING RING Neg, V/8	\$69.00	
05290	1967	BATTERY CABLE, SPRING RING Neg, 4 & 6 Cylinder, Without A/C Note: 6 Cylinder Items Are Not Returnable.	\$69.00	
09795	1967	BATTERY CABLE, SPRING RING Neg, 6 Cylinder, With A/C Note: 6 Cylinder Items Are Not Returnable.	\$69.00	
09195	1967	BATTERY CABLE, SPRING RING Neg, V/8, All	\$69.00	
12505	1968	BATTERY CABLE, SPRING RING Neg, 4 Cylinder	\$69.00	
05035	1968	BATTERY CABLE, SPRING RING Neg, 6 Cylinder, Without A/C, With Standard Battery Note: 6 Cylinder Items Are Not Returnable.	\$69.00	
04865	1968	BATTERY CABLE, SPRING RING Neg, 6 Cylinder, All With Heavy Duty Battery Note: 6 Cylinder Items Are Not Returnable.	\$69.00	
09930	1968	BATTERY CABLE, SPRING RING Neg, 6 Cylinder, With A/C, With Standard Battery Note: 6 Cylinder Items Are Not Returnable.	\$69.00	
05145	1968	BATTERY CABLE, SPRING RING Neg, V/8, Except 396 C.I., Without A/C	\$69.00	
04830	1968	BATTERY CABLE, SPRING RING Neg, V/8, Except 396 C.I., With A/C	\$69.00	

Part Number	Year	Description	Price	*Rev.
22700	1968	BATTERY CABLE, SPRING RING Neg, V/8, 396 C.I., All	\$69.00	
04865	1969	BATTERY CABLE, SPRING RING Neg, 4 & 6 Cylinder, Without A/C Note: 6 Cylinder Items Are Not Returnable.	\$69.00	
04830	1969	BATTERY CABLE, SPRING RING Neg, 6 Cylinder, With A/C Note: 6 Cylinder Items Are Not Returnable.	\$69.00	
22305	1969	BATTERY CABLE, SPRING RING Neg, V/8, Except 396 C.I.	\$69.00	
12565	1969	BATTERY CABLE, SPRING RING Neg, V/8, 396 C.I.	\$69.00	
22315	1970	BATTERY CABLE, SIDE POST Neg, 4 Cylinder, With Side Mount Type Battery	\$74.00	
18875	1970	BATTERY CABLE, SPRING RING Neg, 6 Cylinder Note: 6 Cylinder Items Are Not Returnable.	\$69.00	
22310	1970	BATTERY CABLE, SIDE POST Neg, 6 Cylinder, With Side Mount Type Battery Note: 6 Cylinder Items Are Not Returnable.	\$74.00	
22305	1970	BATTERY CABLE, SPRING RING Neg, V/8, Except 396 C.I.	\$69.00	
22330	1970	BATTERY CABLE, SIDE POST Neg, V/8, All With Side Mount Type Battery	\$74.00	
22235	1970	BATTERY CABLE, SPRING RING Neg, V/8, 396 C.I.	\$69.00	
22980	1971	BATTERY CABLE, SIDE POST Neg, 6 Cylinder Note: 6 Cylinder Items Are Not Returnable.	\$74.00	
22985	1971	BATTERY CABLE, SIDE POST Neg, V/8	\$74.00	
22980	1972	BATTERY CABLE, SIDE POST Neg, 6 Cylinder Note: 6 Cylinder Items Are Not Returnable.	\$74.00	
22985	1972	BATTERY CABLE, SIDE POST Neg, V/8, 307 C.I.	\$74.00	
22995	1972	BATTERY CABLE, SIDE POST Neg, V/8, 350 C.I.	\$74.00	
BATTERY CABLE-POSITIVE				
03730	1962	BATTERY CABLE, SPRING RING Pos, 4 & 6 Cylinder Note: 6 Cylinder Items Are Not Returnable.	\$69.00	
03905	1962	BATTERY CABLE, SPRING RING Pos, V/8, With Alternator	\$69.00	
03725	1962	BATTERY CABLE, SPRING RING Pos, V/8, With Generator	\$69.00	
03730	1963	BATTERY CABLE, SPRING RING Pos, 4 & 6 Cylinder Note: 6 Cylinder Items Are Not Returnable.	\$69.00	
04370	1963	BATTERY CABLE, SPRING RING Pos, V/8, 283 C.I.	\$69.00	
03905	1963	BATTERY CABLE, SPRING RING Pos, V/8, 327 C.I.	\$69.00	
05095	1964	BATTERY CABLE, SPRING RING Pos, 4 & 6 Cylinder, Without A/C Note: 6 Cylinder Items Are Not Returnable.	\$69.00	
05530	1964	BATTERY CABLE, SPRING RING Pos, 6 Cylinder, With A/C Note: 6 Cylinder Items Are Not Returnable.	\$69.00	
05530	1964	BATTERY CABLE, SPRING RING Pos, V/8	\$69.00	
05095	1965	BATTERY CABLE, SPRING RING Pos, 4 & 6 Cylinder Note: 6 Cylinder Items Are Not Returnable.	\$69.00	
05530	1965	BATTERY CABLE, SPRING RING Pos, V/8	\$69.00	
36975	1965	BATTERY CABLE, SPRING RING Pos, V/8, With 250hp Or 300hp 327c.i.	\$69.00	
05095	1966	BATTERY CABLE, SPRING RING Pos, 4 & 6 Cylinder Note: 6 Cylinder Items Are Not Returnable.	\$69.00	
05530	1966	BATTERY CABLE, SPRING RING Pos, V/8	\$69.00	
36975	1966	BATTERY CABLE, SPRING RING Pos, V/8, With 250hp Or 300hp 327c.i.	\$69.00	
22160	1967	BATTERY CABLE, SPRING RING Pos, 4 & 6 Cylinder, Without A/C Note: 6 Cylinder Items Are Not Returnable.	\$69.00	
22165	1967	BATTERY CABLE, SPRING RING Pos, V/8, Without A/C	\$69.00	

Part Number	Year	Description	Price	*Rev.
10715	1967	BATTERY CABLE, SPRING RING Pos, 6 Cylinder & V/8, With A/C Note: 6 Cylinder Items Are Not Returnable.	\$69.00	
09935	1968	BATTERY CABLE, SPRING RING Pos, 4 & 6 Cylinder Note: 6 Cylinder Items Are Not Returnable.	\$69.00	
10710	1968	BATTERY CABLE, SPRING RING Pos, V/8, Except 396 C.I.	\$69.00	
18820	1968	BATTERY CABLE, SPRING RING Pos, V/8, 396 C.I.	\$69.00	
09935	1969	BATTERY CABLE, SPRING RING Pos, 4 & 6 Cylinder Note: 6 Cylinder Items Are Not Returnable.	\$69.00	
10710	1969	BATTERY CABLE, SPRING RING Pos, V/8, Except 396 C.I.	\$69.00	
12585	1969	BATTERY CABLE, SPRING RING Pos, V/8, 396 C.I.	\$69.00	
10700	1970	BATTERY CABLE, SPRING RING Pos, 4 & 6 Cylinder Note: 6 Cylinder Items Are Not Returnable.	\$69.00	
22325	1970	BATTERY CABLE, SIDE POST Pos, 4 & 6 Cylinder, With Side Mount Type Battery Note: 6 Cylinder Items Are Not Returnable.	\$74.00	
12450	1970	BATTERY CABLE, SPRING RING Pos, V/8, Except 396 C.I.	\$69.00	
22320	1970	BATTERY CABLE, SIDE POST Pos, V/8, All With Side Mount Type Battery	\$74.00	
22710	1970	BATTERY CABLE, SPRING RING Pos, V/8, 396 C.I.	\$69.00	
22965	1971	BATTERY CABLE, SIDE POST Pos, 6 Cylinder Note: 6 Cylinder Items Are Not Returnable.	\$74.00	
22940	1971	BATTERY CABLE, SIDE POST Pos, V/8	\$74.00	
22650	1972	BATTERY CABLE, SIDE POST Pos, 6 Cylinder Note: 6 Cylinder Items Are Not Returnable.	\$74.00	
22975	1972	BATTERY CABLE, SIDE POST Pos, V/8, 307 C.I.	\$74.00	
22970	1972	BATTERY CABLE, SIDE POST Pos, V/8, 350 C.I.	\$74.00	
BREAKERLESS SE SINGLE WIRE ELECTRONIC IGNITION				
38131	1962	BREAKERLESS SE SINGLE WIRE ELECTRONIC IGNITION KIT For 1957-74 Breaker Point Distributors With Windowed Type Distributor Cap	\$179.00	
38131	1963	BREAKERLESS SE SINGLE WIRE ELECTRONIC IGNITION KIT For 1957-74 Breaker Point Distributors With Windowed Type Distributor Cap	\$179.00	
38131	1964	BREAKERLESS SE SINGLE WIRE ELECTRONIC IGNITION KIT For 1957-74 Breaker Point Distributors With Windowed Type Distributor Cap	\$179.00	
38131	1965	BREAKERLESS SE SINGLE WIRE ELECTRONIC IGNITION KIT For 1957-74 Breaker Point Distributors With Windowed Type Distributor Cap	\$179.00	
38131	1966	BREAKERLESS SE SINGLE WIRE ELECTRONIC IGNITION KIT For 1957-74 Breaker Point Distributors With Windowed Type Distributor Cap	\$179.00	
38131	1967	BREAKERLESS SE SINGLE WIRE ELECTRONIC IGNITION KIT For 1957-74 Breaker Point Distributors With Windowed Type Distributor Cap	\$179.00	
38131	1968	BREAKERLESS SE SINGLE WIRE ELECTRONIC IGNITION KIT For 1957-74 Breaker Point Distributors With Windowed Type Distributor Cap	\$179.00	
38131	1969	BREAKERLESS SE SINGLE WIRE ELECTRONIC IGNITION KIT For 1957-74 Breaker Point Distributors With Windowed Type Distributor Cap	\$179.00	
38131	1970	BREAKERLESS SE SINGLE WIRE ELECTRONIC IGNITION KIT For 1957-74 Breaker Point Distributors With Windowed Type Distributor Cap	\$179.00	
38131	1971	BREAKERLESS SE SINGLE WIRE ELECTRONIC IGNITION KIT For 1957-74 Breaker Point Distributors With Windowed Type Distributor Cap	\$179.00	
38131	1972	BREAKERLESS SE SINGLE WIRE ELECTRONIC IGNITION KIT For 1957-74 Breaker Point Distributors With Windowed Type Distributor Cap	\$179.00	
38131	1973	BREAKERLESS SE SINGLE WIRE ELECTRONIC IGNITION KIT For 1957-74 Breaker Point Distributors With Windowed Type Distributor Cap	\$179.00	
38131	1974	BREAKERLESS SE SINGLE WIRE ELECTRONIC IGNITION KIT For 1957-74 Breaker Point Distributors With Windowed Type Distributor Cap	\$179.00	

Part Number	Year	Description	Price	*Rev.
CIRCUIT BREAKER				
04850166	1967	CIRCUIT BREAKER, 30 AMP Wagon Power Tailgate Window	\$14.00	
04850166	1975	CIRCUIT BREAKER, 30 AMP Power Door Locks & Windows	\$14.00	
04850166	1976	CIRCUIT BREAKER, 30 AMP Power Door Locks & Windows	\$14.00	
04850166	1977	CIRCUIT BREAKER, 30 AMP Power Door Locks & Windows	\$14.00	
04850166	1978	CIRCUIT BREAKER, 30 AMP Power Door Locks & Windows	\$14.00	
04850166	1979	CIRCUIT BREAKER, 30 AMP Power Door Locks & Windows	\$14.00	
CLOCK HARNESS				
18275	1964	CLOCK HARNESS Dash Mounted	\$29.00	
01365	1968	CLOCK HARNESS Dash Mounted	\$26.00	
01365	1969	CLOCK HARNESS Dash Mounted	\$26.00	
01365	1970	CLOCK HARNESS Dash Mounted	\$26.00	
01365	1971	CLOCK HARNESS Dash Mounted	\$26.00	
01365	1972	CLOCK HARNESS Dash Mounted	\$26.00	
CONSOLE GAUGE BACKING PLATES				
36405	1968	CONSOLE GAUGE BACKING PLATES The Four Console Gauges Mount To These Plates	\$60.00	
36405	1969	CONSOLE GAUGE BACKING PLATES The Four Console Gauges Mount To These Plates	\$60.00	
36405	1970	CONSOLE GAUGE BACKING PLATES The Four Console Gauges Mount To These Plates	\$60.00	
36405	1971	CONSOLE GAUGE BACKING PLATES The Four Console Gauges Mount To These Plates	\$60.00	
36405	1972	CONSOLE GAUGE BACKING PLATES The Four Console Gauges Mount To These Plates	\$60.00	
36405	1973	CONSOLE GAUGE BACKING PLATES The Four Console Gauges Mount To These Plates	\$60.00	
36405	1974	CONSOLE GAUGE BACKING PLATES The Four Console Gauges Mount To These Plates	\$60.00	
CONSOLE GAUGE TERMINALS				
36206	1968	CONSOLE GAUGE TERMINALS Terminals To Insure Correct Electrical Connection To Harness	\$64.00	
36206	1969	CONSOLE GAUGE TERMINALS Terminals To Insure Correct Electrical Connection To Harness	\$64.00	
36206	1970	CONSOLE GAUGE TERMINALS Terminals To Insure Correct Electrical Connection To Harness	\$64.00	
36206	1971	CONSOLE GAUGE TERMINALS Terminals To Insure Correct Electrical Connection To Harness	\$64.00	
36206	1972	CONSOLE GAUGE TERMINALS Terminals To Insure Correct Electrical Connection To Harness	\$64.00	
36206	1973	CONSOLE GAUGE TERMINALS Terminals To Insure Correct Electrical Connection To Harness	\$64.00	
36206	1974	CONSOLE GAUGE TERMINALS Terminals To Insure Correct Electrical Connection To Harness	\$64.00	
CONSOLE HARNESS				
28925	1963	CONSOLE EXTENSION HARNESS Auto Trans	\$46.00	
06450	1963	CONSOLE HARNESS With Courtesy Lamps	\$48.00	
28925	1964	CONSOLE EXTENSION HARNESS Auto Trans	\$46.00	
06450	1964	CONSOLE HARNESS With Courtesy Lamps	\$48.00	
05890	1965	CONSOLE HARNESS Auto Trans	\$57.00	
05890	1966	CONSOLE HARNESS Auto Trans	\$57.00	
01350	1967	CONSOLE HARNESS Auto Trans	\$57.00	
01355	1968	CONSOLE HARNESS With Console Gauges	\$65.00	
01355	1969	CONSOLE HARNESS With Console Gauges	\$65.00	
01355	1970	CONSOLE HARNESS With Console Gauges	\$65.00	
01355	1971	CONSOLE HARNESS With Console Gauges	\$65.00	
01355	1972	CONSOLE HARNESS With Console Gauges	\$65.00	
40153	1973	CONSOLE HARNESS With Console Gauges	\$74.00	
40153	1974	CONSOLE HARNESS With Console Gauges	\$74.00	
40153	1975	CONSOLE HARNESS With Console Gauges	\$74.00	

Part Number	Year	Description	Price	*Rev.
40154	1976	CONSOLE HARNESS With Console Gauges	\$81.00	
COURTESY LAMP HARNESS				
38511	1962	COURTESY LAMP HARNESS Deluxe Models, With Door Jamb Switches, Center Roof Mounted Dome Lamp.	\$24.00	N
08890	1962	COURTESY LAMP HARNESS Under Dash	\$56.00	
38511	1963	COURTESY LAMP HARNESS Deluxe Models, With Door Jamb Switches, Center Roof Mounted Dome Lamp.	\$24.00	N
08890	1963	COURTESY LAMP HARNESS Under Dash	\$56.00	
38511	1964	COURTESY LAMP HARNESS Deluxe Models, With Door Jamb Switches, Center Roof Mounted Dome Lamp.	\$24.00	N
COURTESY LAMP MOUNTING BRACKET-UNDER DASH				
04876930	1962	COURTESY LAMP MOUNTING BRACKET, UNDER DASH Left Or Right Side, 2 Required Per Car	\$11.00	
04876930	1963	COURTESY LAMP MOUNTING BRACKET, UNDER DASH Left Or Right Side, 2 Required Per Car	\$11.00	
04876930	1968	COURTESY LAMP MOUNTING BRACKET, UNDER DASH Left Or Right Side, 2 Required Per Car	\$11.00	
04876930	1969	COURTESY LAMP MOUNTING BRACKET, UNDER DASH Left Or Right Side, 2 Required Per Car	\$11.00	
04876930	1970	COURTESY LAMP MOUNTING BRACKET, UNDER DASH Left Or Right Side, 2 Required Per Car	\$11.00	
04876930	1971	COURTESY LAMP MOUNTING BRACKET, UNDER DASH Left Or Right Side, 2 Required Per Car	\$11.00	
04876930	1972	COURTESY LAMP MOUNTING BRACKET, UNDER DASH Left Or Right Side, 2 Required Per Car	\$11.00	
DASH HARNESS				
03995	1962	DASH HARNESS Auto Trans	\$473.00	
19025	1962	DASH HARNESS Manual Trans	\$492.00	
04960	1963	DASH HARNESS With Warning Lights	\$473.00	
01315	1963	DASH HARNESS With Gauges	\$473.00	
04960	1964	DASH HARNESS With Warning Lights	\$473.00	
01315	1964	DASH HARNESS With Gauges	\$473.00	
05670	1965	DASH HARNESS With Warning Lights	\$473.00	
09320	1965	DASH HARNESS With Gauges	\$473.00	
09585	1966	DASH HARNESS All	\$473.00	
10890	1967	DASH HARNESS All	\$473.00	
18545	1968	DASH EXTENSION HARNESS Glove Box & Heater Lamps	\$48.00	
01340	1968	DASH HARNESS Column Shift, Auto Trans	\$572.00	
12050	1968	DASH HARNESS Console Shift, Auto Trans	\$572.00	
12055	1968	DASH HARNESS Console Shift, Auto Trans With Gauges	\$609.00	
12060	1968	DASH HARNESS Console Shift, Manual Trans With Gauges	\$572.00	
18635	1968	DASH HARNESS Manual Trans, All Without Gauges	\$572.00	
13060	1969	DASH HARNESS Column Shift Auto Trans & All Manual Trans	\$572.00	
13110	1969	DASH HARNESS Column Shift Auto Trans & All Manual Trans With A/C	\$572.00	
13070	1969	DASH HARNESS Console Shift, Auto Trans	\$572.00	
13065	1969	DASH HARNESS Console Shift, Auto Trans With Gauges	\$572.00	
13075	1969	DASH HARNESS Console Shift, Manual Trans With Gauges	\$572.00	
14755	1970	DASH HARNESS Column Shift, Auto Trans Or Floor Shift Manual Trans	\$578.00	
14760	1970	DASH HARNESS Console Shift, Auto Trans	\$609.00	
14770	1970	DASH HARNESS Console Shift, Auto Trans With Gauges	\$578.00	
14775	1970	DASH HARNESS Console Shift, Manual Trans With Gauges	\$578.00	
33840	1971	DASH HARNESS Column Shift Auto Trans & All Manual Trans Without Gauges	\$578.00	
33845	1971	DASH HARNESS Console Shift, Auto Trans	\$609.00	
33850	1971	DASH HARNESS Console Shift, Auto Trans With Gauges	\$582.00	

Part Number	Year	Description	Price	*Rev.
33855	1971	DASH HARNESS Console Shift, Manual Trans With Gauges	\$578.00	
16825	1972	DASH HARNESS With Warning Lights	\$602.00	
17000	1972	DASH HARNESS With Warning Lights & Seat Belt Warning	\$676.00	
16830	1972	DASH HARNESS With Gauges	\$639.00	
17005	1972	DASH HARNESS With Gauges & Seat Belt Warning	\$676.00	
18715	1973	DASH HARNESS With Warning Lights	\$622.00	
16540	1973	DASH HARNESS With Gauges	\$639.00	
18660	1974	DASH HARNESS With Warning Lights	\$658.00	
18655	1974	DASH HARNESS With Gauges	\$658.00	
DISTRIBUTOR WIRE				
36057	1962	DISTRIBUTOR WIRE Distributor Points To Coil Negative Terminal, V/8 Note: Fits All GM V/8 Points Type Distributors From Approx. 1957 To 1974.	\$18.00	C
36057	1963	DISTRIBUTOR WIRE Distributor Points To Coil Negative Terminal, V/8 Note: Fits All GM V/8 Points Type Distributors From Approx. 1957 To 1974.	\$18.00	C
36057	1964	DISTRIBUTOR WIRE Distributor Points To Coil Negative Terminal, V/8 Note: Fits All GM V/8 Points Type Distributors From Approx. 1957 To 1974.	\$18.00	C
36057	1965	DISTRIBUTOR WIRE Distributor Points To Coil Negative Terminal, V/8 Note: Fits All GM V/8 Points Type Distributors From Approx. 1957 To 1974.	\$18.00	C
36057	1966	DISTRIBUTOR WIRE Distributor Points To Coil Negative Terminal, V/8 Note: Fits All GM V/8 Points Type Distributors From Approx. 1957 To 1974.	\$18.00	C
36057	1967	DISTRIBUTOR WIRE Distributor Points To Coil Negative Terminal, V/8 Note: Fits All GM V/8 Points Type Distributors From Approx. 1957 To 1974.	\$18.00	C
36057	1968	DISTRIBUTOR WIRE Distributor Points To Coil Negative Terminal, V/8 Note: Fits All GM V/8 Points Type Distributors From Approx. 1957 To 1974.	\$18.00	C
36057	1969	DISTRIBUTOR WIRE Distributor Points To Coil Negative Terminal, V/8 Note: Fits All GM V/8 Points Type Distributors From Approx. 1957 To 1974.	\$18.00	C
36057	1970	DISTRIBUTOR WIRE Distributor Points To Coil Negative Terminal, V/8 Note: Fits All GM V/8 Points Type Distributors From Approx. 1957 To 1974.	\$18.00	C
36057	1971	DISTRIBUTOR WIRE Distributor Points To Coil Negative Terminal, V/8 Note: Fits All GM V/8 Points Type Distributors From Approx. 1957 To 1974.	\$18.00	C
36057	1972	DISTRIBUTOR WIRE Distributor Points To Coil Negative Terminal, V/8 Note: Fits All GM V/8 Points Type Distributors From Approx. 1957 To 1974.	\$18.00	C
36057	1973	DISTRIBUTOR WIRE Distributor Points To Coil Negative Terminal, V/8 Note: Fits All GM V/8 Points Type Distributors From Approx. 1957 To 1974.	\$18.00	C
36057	1974	DISTRIBUTOR WIRE Distributor Points To Coil Negative Terminal, V/8 Note: Fits All GM V/8 Points Type Distributors From Approx. 1957 To 1974.	\$18.00	C
DOME LAMP HARNESS				
07755	1965	DOME LAMP HARNESS With Separate Door Jamb Switch Connection	\$34.00	
07760	1965	DOME LAMP HARNESS Plugs Into Rear Lamp Harness	\$27.00	
07755	1966	DOME LAMP HARNESS With Separate Door Jamb Switch Connection	\$34.00	
07760	1966	DOME LAMP HARNESS Plugs Into Rear Lamp Harness	\$27.00	
07755	1967	DOME LAMP HARNESS With Separate Door Jamb Switch Connection	\$34.00	
07760	1967	DOME LAMP HARNESS Plugs Into Rear Lamp Harness	\$27.00	
40156	1969	DOME LAMP HARNESS 2 Door	\$34.00	
40155	1970	DOME LAMP HARNESS 2 Door	\$40.00	
40155	1971	DOME LAMP HARNESS 2 Door	\$40.00	
40155	1972	DOME LAMP HARNESS 2 Door	\$40.00	

Part Number	Year	Description	Price	*Rev.
DOME LIGHT LENS				
06279669	1962	DOME LIGHT LENS Note: Manufactured With Original GM Tooling, Not A Reproduction Part.	\$6.00	
06279669	1963	DOME LIGHT LENS Note: Manufactured With Original GM Tooling, Not A Reproduction Part.	\$6.00	
06279669	1964	DOME LIGHT LENS Note: Manufactured With Original GM Tooling, Not A Reproduction Part.	\$6.00	
06279669	1965	DOME LIGHT LENS Note: Manufactured With Original GM Tooling, Not A Reproduction Part.	\$6.00	
06279669	1966	DOME LIGHT LENS Note: Manufactured With Original GM Tooling, Not A Reproduction Part.	\$6.00	
06279669	1967	DOME LIGHT LENS Note: Manufactured With Original GM Tooling, Not A Reproduction Part.	\$6.00	
06279669	1968	DOME LIGHT LENS Note: Manufactured With Original GM Tooling, Not A Reproduction Part.	\$6.00	
06279669	1969	DOME LIGHT LENS Note: Manufactured With Original GM Tooling, Not A Reproduction Part.	\$6.00	
06279669	1970	DOME LIGHT LENS Note: Manufactured With Original GM Tooling, Not A Reproduction Part.	\$6.00	
ENGINE HARNESS				
23030	1962	ENGINE HARNESS 4 Cylinder	\$140.00	
04970	1962	ENGINE HARNESS 6 Cylinder Note: 6 Cylinder Items Are Not Returnable.	\$114.00	
04295	1962	ENGINE HARNESS V/8	\$114.00	
38927	1962	ENGINE HARNESS-HEI V/8 Note: This Harness Is Modified For Use With An HEI Distributor.	\$129.00	
23030	1963	ENGINE HARNESS 4 Cylinder	\$140.00	
04970	1963	ENGINE HARNESS 6 Cylinder Note: 6 Cylinder Items Are Not Returnable.	\$114.00	
05750	1963	ENGINE HARNESS 6 Cylinder, With Gauges Note: 6 Cylinder Items Are Not Returnable.	\$114.00	
04295	1963	ENGINE HARNESS V/8	\$114.00	
38927	1963	ENGINE HARNESS-HEI V/8 Note: This Harness Is Modified For Use With An HEI Distributor.	\$129.00	
01345	1963	ENGINE HARNESS V/8, With Gauges	\$114.00	
38956	1963	ENGINE HARNESS-HEI V/8, With Gauges Note: This Harness Is Modified For Use With An HEI Distributor.	\$129.00	
23030	1964	ENGINE HARNESS 4 Cylinder	\$140.00	
04970	1964	ENGINE HARNESS 6 Cylinder Note: 6 Cylinder Items Are Not Returnable.	\$114.00	
05750	1964	ENGINE HARNESS 6 Cylinder, With Gauges Note: 6 Cylinder Items Are Not Returnable.	\$114.00	
04295	1964	ENGINE HARNESS V/8	\$114.00	
38927	1964	ENGINE HARNESS-HEI V/8 Note: This Harness Is Modified For Use With An HEI Distributor.	\$129.00	
01345	1964	ENGINE HARNESS V/8, With Gauges	\$114.00	
38956	1964	ENGINE HARNESS-HEI V/8, With Gauges Note: This Harness Is Modified For Use With An HEI Distributor.	\$129.00	

Part Number	Year	Description	Price	*Rev.
23030	1965	ENGINE HARNESS 4 Cylinder	\$140.00	
04970	1965	ENGINE HARNESS 6 Cylinder Note: 6 Cylinder Items Are Not Returnable.	\$114.00	
05750	1965	ENGINE HARNESS 6 Cylinder, With Gauges Note: 6 Cylinder Items Are Not Returnable.	\$114.00	
04295	1965	ENGINE HARNESS V/8	\$114.00	
38927	1965	ENGINE HARNESS-HEI V/8 Note: This Harness Is Modified For Use With An HEI Distributor.	\$129.00	
01345	1965	ENGINE HARNESS V/8, With Gauges	\$114.00	
38956	1965	ENGINE HARNESS-HEI V/8, With Gauges Note: This Harness Is Modified For Use With An HEI Distributor.	\$129.00	
23030	1966	ENGINE HARNESS 4 Cylinder	\$140.00	
04970	1966	ENGINE HARNESS 6 Cylinder Note: 6 Cylinder Items Are Not Returnable.	\$114.00	
04295	1966	ENGINE HARNESS V/8	\$114.00	
38927	1966	ENGINE HARNESS-HEI V/8 Note: This Harness Is Modified For Use With An HEI Distributor.	\$129.00	
10935	1967	ENGINE HARNESS 4 Cylinder	\$140.00	
11245	1967	ENGINE HARNESS 6 Cylinder Note: 6 Cylinder Items Are Not Returnable.	\$140.00	
11270	1967	ENGINE HARNESS V/8	\$114.00	
38945	1967	ENGINE HARNESS-HEI V/8 Note: This Harness Is Modified For Use With An HEI Distributor.	\$129.00	
11815	1968	ENGINE HARNESS 4 & 6 Cylinder Note: 6 Cylinder Items Are Not Returnable.	\$140.00	
11820	1968	ENGINE HARNESS V/8	\$126.00	
38923	1968	ENGINE HARNESS-HEI V/8 Note: This Harness Is Modified For Use With An HEI Distributor.	\$141.00	
12080	1968	ENGINE HARNESS 396 C.I.	\$126.00	
38930	1968	ENGINE HARNESS-HEI 396 C.I. Note: This Harness Is Modified For Use With An HEI Distributor.	\$141.00	
12025	1968	ENGINE HARNESS V/8 & 396 C.I. With Gauges	\$126.00	
38932	1968	ENGINE HARNESS-HEI V/8 & 396 C.I. With Gauges Note: This Harness Is Modified For Use With An HEI Distributor.	\$141.00	
11815	1969	ENGINE HARNESS 4 & 6 Cylinder Note: 6 Cylinder Items Are Not Returnable.	\$140.00	
12010	1969	ENGINE HARNESS 6 Cylinder, With Idle Stop Solenoid Note: 6 Cylinder Items Are Not Returnable.	\$140.00	
12970	1969	ENGINE HARNESS V/8	\$126.00	
38925	1969	ENGINE HARNESS-HEI V/8 Note: This Harness Is Modified For Use With An HEI Distributor.	\$141.00	
13170	1969	ENGINE HARNESS V/8, With Idle Stop Solenoid	\$132.00	
39001	1969	ENGINE HARNESS-HEI V/8, With Idle Stop Solenoid Note: This Harness Is Modified For Use With An HEI Distributor.	\$147.00	
23025	1969	ENGINE HARNESS 396 C.I.	\$126.00	
39120	1969	ENGINE HARNESS-HEI 396 C.I. Note: This Harness Is Modified For Use With An HEI Distributor.	\$141.00	
13175	1969	ENGINE HARNESS 396 C.I. With Idle Stop Solenoid	\$132.00	

Part Number	Year	Description	Price	*Rev.
39016	1969	ENGINE HARNESS-HEI 396 C.I. With Idle Stop Solenoid Note: This Harness Is Modified For Use With An HEI Distributor.	\$147.00	
17545	1969	ENGINE HARNESS V/8 & 396 C.I., With Gauges	\$126.00	
38924	1969	ENGINE HARNESS-HEI V/8 & 396 C.I., With Gauges Note: This Harness Is Modified For Use With An HEI Distributor.	\$141.00	
13180	1969	ENGINE HARNESS V/8 & 396 C.I. With Gauges & Idle Stop Solenoid	\$132.00	
38996	1969	ENGINE HARNESS-HEI V/8 & 396 C.I. With Gauges & Idle Stop Solenoid Note: This Harness Is Modified For Use With An HEI Distributor.	\$147.00	
14895	1970	ENGINE HARNESS 6 Cylinder, Auto Trans Note: 6 Cylinder Items Are Not Returnable.	\$212.00	
14885	1970	ENGINE HARNESS 6 Cylinder, Manual Trans Note: 6 Cylinder Items Are Not Returnable.	\$212.00	
14900	1970	ENGINE HARNESS V/8, Auto Trans	\$198.00	
38994	1970	ENGINE HARNESS-HEI V/8, Auto Trans Note: This Harness Is Modified For Use With An HEI Distributor.	\$213.00	
39198	1970	ENGINE HARNESS-HEI V8, With TH400 Auto Trans And Warning Lights Note: This Harness Is Modified For Use With An HEI Distributor.	\$234.00	
14890	1970	ENGINE HARNESS V/8, Auto Trans With Gauges	\$198.00	
39121	1970	ENGINE HARNESS-HEI V/8, Auto Trans With Gauges Note: This Harness Is Modified For Use With An HEI Distributor.	\$213.00	
14910	1970	ENGINE HARNESS V/8, Manual Trans	\$198.00	
39101	1970	ENGINE HARNESS-HEI V/8, Manual Trans Note: This Harness Is Modified For Use With An HEI Distributor.	\$213.00	
14920	1970	ENGINE HARNESS V/8, Manual Trans With Gauges	\$212.00	
39193	1970	ENGINE HARNESS-HEI V/8, Manual Trans With Gauges Note: This Harness Is Modified For Use With An HEI Distributor.	\$227.00	
14905	1970	ENGINE HARNESS 396 C.I., Auto Trans	\$219.00	
39151	1970	ENGINE HARNESS-HEI 396 C.I., Auto Trans Note: This Harness Is Modified For Use With An HEI Distributor.	\$234.00	
14930	1970	ENGINE HARNESS 396 C.I., Auto Trans With Gauges	\$212.00	
39195	1970	ENGINE HARNESS-HEI 396 C.I., Auto Trans With Gauges Note: This Harness Is Modified For Use With An HEI Distributor.	\$227.00	
14915	1970	ENGINE HARNESS 396 C.I., Manual Trans	\$198.00	
39281	1970	ENGINE HARNESS-HEI 396 C.I., Manual Trans Note: This Harness Is Modified For Use With An HEI Distributor.	\$213.00	
14925	1970	ENGINE HARNESS 396 C.I., Manual Trans With Gauges	\$198.00	
39194	1970	ENGINE HARNESS-HEI 396 C.I., Manual Trans With Gauges Note: This Harness Is Modified For Use With An HEI Distributor.	\$213.00	
18480	1971	ENGINE HARNESS 6 Cylinder, Auto Trans Note: 6 Cylinder Items Are Not Returnable.	\$272.00	
18475	1971	ENGINE HARNESS 6 Cylinder, Manual Trans Note: 6 Cylinder Items Are Not Returnable.	\$272.00	
41135	1971	ENGINE HARNESS V/8, Auto Trans	\$219.00	
10595	1971	ENGINE HARNESS V/8, Auto Trans, With Gauges	\$233.00	
38993	1971	ENGINE HARNESS-HEI V/8, Auto Trans, With Gauges Note: This Harness Is Modified For Use With An HEI Distributor.	\$248.00	
41136	1971	ENGINE HARNESS V/8, Manual Trans	\$219.00	
18485	1971	ENGINE HARNESS V/8, Manual Trans, With Gauges	\$233.00	

Part Number	Year	Description	Price	*Rev.
39200	1971	ENGINE HARNESS-HEI V/8, Manual Trans, With Gauges Note: This Harness Is Modified For Use With An HEI Distributor.	\$248.00	
16375	1972	ENGINE HARNESS 6 Cylinder Note: 6 Cylinder Items Are Not Returnable.	\$284.00	
16380	1972	ENGINE HARNESS V/8 Note: Manual Trans Requires Use Of #17355 T.C.S. Extension.	\$233.00	
16385	1972	ENGINE HARNESS V/8 With Gauges Note: Manual Trans Requires Use Of #17355 T.C.S. Extension.	\$251.00	
17015	1973	ENGINE HARNESS 6 Cylinder Note: 6 Cylinder Items Are Not Returnable.	\$304.00	
15500	1973	ENGINE HARNESS V/8 Note: Manual Trans Requires Use Of Part #17365 T.C.S. Extension.	\$278.00	
15505	1973	ENGINE HARNESS V/8, With Gauges Note: Manual Trans Requires Use Of Part #17355 T.C.S. Extension.	\$278.00	
16595	1974	ENGINE HARNESS 6 Cylinder Note: 6 Cylinder Items Are Not Returnable.	\$304.00	
22605	1974	ENGINE HARNESS V/8, Auto Trans	\$279.00	
22590	1974	ENGINE HARNESS V/8, Auto Trans With Gauges	\$278.00	
22610	1974	ENGINE HARNESS V/8, Manual Trans	\$290.00	
22595	1974	ENGINE HARNESS V/8, Manual Trans With Gauges	\$290.00	
18615	1975	ENGINE HARNESS 6 Cylinder, Except Integrated Cylinder Head Note: 6 Cylinder Items Are Not Returnable.	\$317.00	
18610	1975	ENGINE HARNESS 6 Cylinder, With Integrated Cylinder Head Note: 6 Cylinder Items Are Not Returnable.	\$317.00	
18680	1975	ENGINE HARNESS V/8, All Without Seat Belt Ignition Interlock	\$290.00	
FORWARD LAMP HARNESS				
03690	1962	FORWARD LAMP HARNESS With Generator	\$237.00	
03900	1962	FORWARD LAMP HARNESS With Alternator & Screw Type Regulator (Original Type)	\$251.00	
04965	1963	FORWARD LAMP HARNESS All	\$225.00	
38942	1963	FORWARD LAMP HARNESS-INT REG ALT DRIVER SIDE All Note: Modified For Driver Side Mounted 1972-84 Non-Serpentine Belt ("SI" Series) Internal Regulated Alternators.	\$250.00	
39044	1963	FORWARD LAMP HARNESS-INT REG ALT PASSENGER SIDE All Note: Modified For Passenger Side Mounted 1972-84 Non-Serpentine Belt ("SI" Series) Internal Regulated Alternators.	\$260.00	
04965	1964	FORWARD LAMP HARNESS All	\$225.00	
38942	1964	FORWARD LAMP HARNESS-INT REG ALT DRIVER SIDE All Note: Modified For Driver Side Mounted 1972-84 Non-Serpentine Belt ("SI" Series) Internal Regulated Alternators.	\$250.00	
39044	1964	FORWARD LAMP HARNESS-INT REG ALT PASSENGER SIDE All Note: Modified For Passenger Side Mounted 1972-84 Non-Serpentine Belt ("SI" Series) Internal Regulated Alternators.	\$260.00	
05865	1965	FORWARD LAMP HARNESS All	\$225.00	
39010	1965	FORWARD LAMP HARNESS-INT REG ALT DRIVER SIDE All Note: Modified For Driver Side Mounted 1972-84 Non-Serpentine Belt ("SI" Series) Internal Regulated Alternators.	\$250.00	
39278	1965	FORWARD LAMP HARNESS-INT REG ALT PASSENGER SIDE All Note: Modified For Passenger Side Mounted 1972-84 Non-Serpentine Belt ("SI" Series) Internal Regulated Alternators.	\$260.00	
09590	1966	FORWARD LAMP HARNESS All	\$225.00	
38964	1966	FORWARD LAMP HARNESS-INT REG ALT DRIVER SIDE All Note: Modified For Driver Side Mounted 1972-84 Non-Serpentine Belt ("SI" Series) Internal Regulated Alternators.	\$250.00	
39191	1966	FORWARD LAMP HARNESS-INT REG ALT PASSENGER SIDE All Note: Modified For Passenger Side Mounted 1972-84 Non-Serpentine Belt ("SI" Series) Internal Regulated Alternators.	\$260.00	

Part Number	Year	Description	Price	*Rev.
11400	1967	FORWARD LAMP HARNESS All	\$225.00	
38965	1967	FORWARD LAMP HARNESS-INT REG ALT DRIVER SIDE All Note: Modified For Driver Side Mounted 1972-84 Non-Serpentine Belt ("SI" Series) Internal Regulated Alternators.	\$250.00	
39119	1967	FORWARD LAMP HARNESS-INT REG ALT PASSENGER SIDE All Note: Modified For Passenger Side Mounted 1972-84 Non-Serpentine Belt ("SI" Series) Internal Regulated Alternators.	\$260.00	
12030	1968	FORWARD LAMP HARNESS 6 Cylinder Note: 6 Cylinder Items Are Not Returnable.	\$290.00	
18460	1968	FORWARD LAMP HARNESS V/8	\$264.00	
39080	1968	FORWARD LAMP HARNESS-INT REG ALT DRIVER SIDE V/8 Note: Modified For Driver Side Mounted 1972-84 Non-Serpentine Belt ("SI" Series) Internal Regulated Alternators.	\$303.00	
39192	1968	FORWARD LAMP HARNESS-INT REG ALT PASSENGER SIDE V/8 Note: Modified For Passenger Side Mounted 1972-84 Non-Serpentine Belt ("SI" Series) Internal Regulated Alternators.	\$313.00	
12035	1968	FORWARD LAMP HARNESS V/8 With Gauges	\$278.00	
39279	1968	FORWARD LAMP HARNESS-INT REG ALT DRIVER SIDE V/8 With Gauges Note: Modified For Driver Side Mounted 1972-84 Non-Serpentine Belt ("SI" Series) Internal Regulated Alternators.	\$303.00	
39280	1968	FORWARD LAMP HARNESS-INT REG ALT PASSENGER SIDE V/8 With Gauges Note: Modified For Passenger Side Mounted 1972-84 Non-Serpentine Belt ("SI" Series) Internal Regulated Alternators.	\$313.00	
13010	1969	FORWARD LAMP HARNESS 6 Cylinder Note: 6 Cylinder Items Are Not Returnable.	\$290.00	
18465	1969	FORWARD LAMP HARNESS V/8	\$278.00	
39100	1969	FORWARD LAMP HARNESS-INT REG ALT PASSENGER SIDE V/8 Note: Modified For Passenger Side Mounted 1972-84 Non-Serpentine Belt ("SI" Series) Internal Regulated Alternators.	\$313.00	
12990	1969	FORWARD LAMP HARNESS V/8 With Gauges	\$278.00	
39150	1969	FORWARD LAMP HARNESS-INT REG ALT PASSENGER SIDE V/8 With Gauges Note: Modified For Passenger Side Mounted 1972-84 Non-Serpentine Belt ("SI" Series) Internal Regulated Alternators.	\$313.00	
15040	1970	FORWARD LAMP HARNESS 6 Cylinder Note: 6 Cylinder Items Are Not Returnable.	\$298.00	
15050	1970	FORWARD LAMP HARNESS V/8	\$286.00	
39036	1970	FORWARD LAMP HARNESS-INT REG ALT PASSENGER SIDE V/8 Note: Modified For Passenger Side Mounted 1972-84 Non-Serpentine Belt ("SI" Series) Internal Regulated Alternators.	\$321.00	
33815	1970	FORWARD LAMP HARNESS V/8 With A/C	\$286.00	
39196	1970	FORWARD LAMP HARNESS-INT REG ALT PASSENGER SIDE V/8 With A/C Note: Modified For Passenger Side Mounted 1972-84 Non-Serpentine Belt ("SI" Series) Internal Regulated Alternators.	\$321.00	
15045	1970	FORWARD LAMP HARNESS V/8 With Gauges, All	\$286.00	
39197	1970	FORWARD LAMP HARNESS-INT REG ALT PASSENGER SIDE V/8 With Gauges, All Note: Modified For Passenger Side Mounted 1972-84 Non-Serpentine Belt ("SI" Series) Internal Regulated Alternators.	\$321.00	
15305	1971	FORWARD LAMP HARNESS 6 Cylinder Note: 6 Cylinder Items Are Not Returnable.	\$298.00	
18495	1971	FORWARD LAMP HARNESS V/8	\$286.00	
39049	1971	FORWARD LAMP HARNESS-INT REG ALT PASSENGER SIDE V/8 Note: Modified For Passenger Side Mounted 1972-84 Non-Serpentine Belt ("SI" Series) Internal Regulated Alternators.	\$321.00	
16285	1971	FORWARD LAMP HARNESS V/8 With Gauges	\$286.00	
39282	1971	FORWARD LAMP HARNESS-INT REG ALT PASSENGER SIDE V/8 With Gauges Note: Modified For Passenger Side Mounted 1972-84 Non-Serpentine Belt ("SI" Series) Internal Regulated Alternators.	\$333.00	
16390	1972	FORWARD LAMP HARNESS All	\$251.00	
16545	1973	FORWARD LAMP HARNESS All	\$278.00	
16590	1974	FORWARD LAMP HARNESS All	\$286.00	

Part Number	Year	Description	Price	*Rev.
FUEL TANK SENDER WIRE				
39704	1968	FUEL TANK SENDER WIRE	\$25.00	
39704	1969	FUEL TANK SENDER WIRE	\$25.00	
39704	1970	FUEL TANK SENDER WIRE	\$25.00	
39704	1971	FUEL TANK SENDER WIRE	\$25.00	
39704	1972	FUEL TANK SENDER WIRE	\$25.00	
40603	1973	FUEL TANK SENDER WIRE	\$33.00	
40603	1974	FUEL TANK SENDER WIRE	\$33.00	
40603	1975	FUEL TANK SENDER WIRE	\$33.00	
40603	1976	FUEL TANK SENDER WIRE	\$33.00	
40603	1977	FUEL TANK SENDER WIRE	\$33.00	
40603	1978	FUEL TANK SENDER WIRE	\$33.00	
40603	1979	FUEL TANK SENDER WIRE	\$33.00	
FUEL TANK SENDING UNIT				
06426299	1962	FUEL TANK SENDING UNIT 3/8" Fuel Line	\$43.00	N
06428066	1962	FUEL TANK SENDING UNIT 5/16" Fuel Line	\$43.00	N
06426299	1963	FUEL TANK SENDING UNIT 3/8" Fuel Line	\$43.00	N
06428066	1963	FUEL TANK SENDING UNIT 5/16" Fuel Line	\$43.00	N
06426299	1964	FUEL TANK SENDING UNIT 3/8" Fuel Line	\$43.00	N
06428066	1964	FUEL TANK SENDING UNIT 5/16" Fuel Line	\$43.00	N
06426299	1965	FUEL TANK SENDING UNIT 3/8" Fuel Line	\$43.00	N
06428066	1965	FUEL TANK SENDING UNIT 5/16" Fuel Line	\$43.00	N
06426500	1966	FUEL TANK SENDING UNIT 3/8" Fuel Line	\$43.00	N
06426499	1966	FUEL TANK SENDING UNIT 5/16" Fuel Line	\$43.00	N
06426500	1967	FUEL TANK SENDING UNIT 3/8" Fuel Line	\$43.00	N
06426499	1967	FUEL TANK SENDING UNIT 5/16" Fuel Line	\$43.00	N
06428845	1968	FUEL TANK SENDING UNIT 3/8" Fuel Line, Single Line	\$43.00	N
06428844	1968	FUEL TANK SENDING UNIT 5/16" Fuel Line, Single Line	\$43.00	N
06428845	1969	FUEL TANK SENDING UNIT 3/8" Fuel Line, Single Line	\$43.00	N
06428322	1969	FUEL TANK SENDING UNIT 3/8" Fuel Line, With 2nd Vent Line	\$43.00	N
06428844	1969	FUEL TANK SENDING UNIT 5/16" Fuel Line, Single Line	\$43.00	N
06428845	1970	FUEL TANK SENDING UNIT 3/8" Fuel Line, Single Line	\$43.00	N
06428322	1970	FUEL TANK SENDING UNIT 3/8" Fuel Line, With 2nd Vent Line	\$43.00	N
06428844	1970	FUEL TANK SENDING UNIT 5/16" Fuel Line, Single Line	\$43.00	N
06428845	1971	FUEL TANK SENDING UNIT 3/8" Fuel Line, Single Line	\$43.00	N
06428322	1971	FUEL TANK SENDING UNIT 3/8" Fuel Line, With 2nd Vent Line	\$43.00	N
06428844	1971	FUEL TANK SENDING UNIT 5/16" Fuel Line, Single Line	\$43.00	N
06428845	1972	FUEL TANK SENDING UNIT 3/8" Fuel Line, Single Line	\$43.00	N
06428322	1972	FUEL TANK SENDING UNIT 3/8" Fuel Line, With 2nd Vent Line	\$43.00	N
06428844	1972	FUEL TANK SENDING UNIT 5/16" Fuel Line, Single Line	\$43.00	N
GENERATOR JUMPER HARNESS				
03935	1962	GENERATOR JUMPER HARNESS Generator To Alternator & Screw Type Regulator (Original Type)	\$60.00	
GLOVE BOX LAMP KIT				
18000	1962	GLOVE BOX LAMP KIT Socket, Bulb & Wire	\$24.00	
18000	1963	GLOVE BOX LAMP KIT Socket, Bulb & Wire	\$24.00	
18000	1964	GLOVE BOX LAMP KIT Socket, Bulb & Wire	\$24.00	

Part Number	Year	Description	Price	*Rev.
18000	1965	GLOVE BOX LAMP KIT Socket, Bulb & Wire	\$24.00	
18000	1966	GLOVE BOX LAMP KIT Socket, Bulb & Wire	\$24.00	
18000	1967	GLOVE BOX LAMP KIT Socket, Bulb & Wire	\$24.00	
18000	1968	GLOVE BOX LAMP KIT Socket, Bulb & Wire	\$24.00	
18000	1969	GLOVE BOX LAMP KIT Socket, Bulb & Wire	\$24.00	
18000	1970	GLOVE BOX LAMP KIT Socket, Bulb & Wire	\$24.00	
18000	1971	GLOVE BOX LAMP KIT Socket, Bulb & Wire	\$24.00	
18000	1972	GLOVE BOX LAMP KIT Socket, Bulb & Wire	\$24.00	
18000	1973	GLOVE BOX LAMP KIT Socket, Bulb & Wire	\$24.00	
18000	1974	GLOVE BOX LAMP KIT Socket, Bulb & Wire	\$24.00	
GROUND STRAP KIT				
34975	1963	GROUND STRAP KIT 4 Cylinder	\$16.00	
34980	1963	GROUND STRAP KIT 6 Cylinder Note: 6 Cylinder Items Are Not Returnable.	\$16.00	
34985	1964	GROUND STRAP KIT 4 Cylinder	\$20.00	
34980	1964	GROUND STRAP KIT 6 Cylinder Note: 6 Cylinder Items Are Not Returnable.	\$16.00	
34990	1964	GROUND STRAP KIT V/8	\$16.00	
34980	1965	GROUND STRAP KIT 4 & 6 Cylinder Note: 6 Cylinder Items Are Not Returnable.	\$16.00	
34990	1965	GROUND STRAP KIT V/8	\$16.00	
34985	1966	GROUND STRAP KIT 4 Cylinder	\$20.00	
34980	1966	GROUND STRAP KIT 6 Cylinder Note: 6 Cylinder Items Are Not Returnable.	\$16.00	
34990	1966	GROUND STRAP KIT V/8	\$16.00	
34995	1967	GROUND STRAP KIT 4 Cylinder	\$20.00	
35000	1967	GROUND STRAP KIT 6 Cylinder Note: 6 Cylinder Items Are Not Returnable.	\$16.00	
35005	1967	GROUND STRAP KIT V/8	\$16.00	
35010	1968	GROUND STRAP KIT 4 & 6 Cylinder Note: 6 Cylinder Items Are Not Returnable.	\$16.00	
35015	1968	GROUND STRAP KIT V/8	\$23.00	
35020	1969	GROUND STRAP KIT 4 & 6 Cylinder Note: 6 Cylinder Items Are Not Returnable.	\$24.00	
27380	1969	GROUND STRAP KIT V/8	\$28.00	
GROUND WIRE-DISTRIBUTOR POINT PLATE				
38298	1962	GROUND WIRE, DISTRIBUTOR POINT PLATE From Distributor Point Plate To Distributor Housing Note: Replaces Spot Welded Wire Asm On Point Plate Side. Fits All GM V/8 Point Type Distributors From Approx. 1957-1974.	\$17.00	C
38298	1963	GROUND WIRE, DISTRIBUTOR POINT PLATE From Distributor Point Plate To Distributor Housing Note: Replaces Spot Welded Wire Asm On Point Plate Side. Fits All GM V/8 Point Type Distributors From Approx. 1957-1974.	\$17.00	C
38298	1964	GROUND WIRE, DISTRIBUTOR POINT PLATE From Distributor Point Plate To Distributor Housing Note: Replaces Spot Welded Wire Asm On Point Plate Side. Fits All GM V/8 Point Type Distributors From Approx. 1957-1974.	\$17.00	C
38298	1965	GROUND WIRE, DISTRIBUTOR POINT PLATE From Distributor Point Plate To Distributor Housing Note: Replaces Spot Welded Wire Asm On Point Plate Side. Fits All GM V/8 Point Type Distributors From Approx. 1957-1974.	\$17.00	C
38298	1966	GROUND WIRE, DISTRIBUTOR POINT PLATE From Distributor Point Plate To Distributor Housing Note: Replaces Spot Welded Wire Asm On Point Plate Side. Fits All GM V/8 Point Type Distributors From Approx. 1957-1974.	\$17.00	C
38298	1967	GROUND WIRE, DISTRIBUTOR POINT PLATE From Distributor Point Plate To Distributor Housing Note: Replaces Spot Welded Wire Asm On Point Plate Side. Fits All GM V/8 Point Type Distributors From Approx. 1957-1974.	\$17.00	C

Part Number	Year	Description	Price	*Rev.
38298	1968	GROUND WIRE, DISTRIBUTOR POINT PLATE From Distributor Point Plate To Distributor Housing Note: Replaces Spot Welded Wire Asm On Point Plate Side. Fits All GM V/8 Point Type Distributors From Approx. 1957-1974.	\$17.00	C
38298	1969	GROUND WIRE, DISTRIBUTOR POINT PLATE From Distributor Point Plate To Distributor Housing Note: Replaces Spot Welded Wire Asm On Point Plate Side. Fits All GM V/8 Point Type Distributors From Approx. 1957-1974.	\$17.00	C
38298	1970	GROUND WIRE, DISTRIBUTOR POINT PLATE From Distributor Point Plate To Distributor Housing Note: Replaces Spot Welded Wire Asm On Point Plate Side. Fits All GM V/8 Point Type Distributors From Approx. 1957-1974.	\$17.00	C
38298	1971	GROUND WIRE, DISTRIBUTOR POINT PLATE From Distributor Point Plate To Distributor Housing Note: Replaces Spot Welded Wire Asm On Point Plate Side. Fits All GM V/8 Point Type Distributors From Approx. 1957-1974.	\$17.00	C
38298	1972	GROUND WIRE, DISTRIBUTOR POINT PLATE From Distributor Point Plate To Distributor Housing Note: Replaces Spot Welded Wire Asm On Point Plate Side. Fits All GM V/8 Point Type Distributors From Approx. 1957-1974.	\$17.00	C
38298	1973	GROUND WIRE, DISTRIBUTOR POINT PLATE From Distributor Point Plate To Distributor Housing Note: Replaces Spot Welded Wire Asm On Point Plate Side. Fits All GM V/8 Point Type Distributors From Approx. 1957-1974.	\$17.00	C
38298	1974	GROUND WIRE, DISTRIBUTOR POINT PLATE From Distributor Point Plate To Distributor Housing Note: Replaces Spot Welded Wire Asm On Point Plate Side. Fits All GM V/8 Point Type Distributors From Approx. 1957-1974.	\$17.00	C
HARNESS TAPE				
R0058272	1962	HARNESS TAPE 3/4" Vinyl (100 Ft. Roll) Non-Adhesive	\$12.00	
R0058276	1962	HARNESS TAPE 1" Vinyl (100 Ft. Roll) Non-Adhesive	\$13.00	
R0067108	1962	HARNESS TAPE 1 1/4" Vinyl (100 Ft. Roll) Non-Adhesive	\$15.00	
R0058272	1963	HARNESS TAPE 3/4" Vinyl (100 Ft. Roll) Non-Adhesive	\$12.00	
R0058276	1963	HARNESS TAPE 1" Vinyl (100 Ft. Roll) Non-Adhesive	\$13.00	
R0067108	1963	HARNESS TAPE 1 1/4" Vinyl (100 Ft. Roll) Non-Adhesive	\$15.00	
R0058272	1964	HARNESS TAPE 3/4" Vinyl (100 Ft. Roll) Non-Adhesive	\$12.00	
R0058276	1964	HARNESS TAPE 1" Vinyl (100 Ft. Roll) Non-Adhesive	\$13.00	
R0067108	1964	HARNESS TAPE 1 1/4" Vinyl (100 Ft. Roll) Non-Adhesive	\$15.00	
R0058272	1965	HARNESS TAPE 3/4" Vinyl (100 Ft. Roll) Non-Adhesive	\$12.00	
R0058276	1965	HARNESS TAPE 1" Vinyl (100 Ft. Roll) Non-Adhesive	\$13.00	
R0067108	1965	HARNESS TAPE 1 1/4" Vinyl (100 Ft. Roll) Non-Adhesive	\$15.00	
R0058272	1966	HARNESS TAPE 3/4" Vinyl (100 Ft. Roll) Non-Adhesive	\$12.00	
R0058276	1966	HARNESS TAPE 1" Vinyl (100 Ft. Roll) Non-Adhesive	\$13.00	
R0067108	1966	HARNESS TAPE 1 1/4" Vinyl (100 Ft. Roll) Non-Adhesive	\$15.00	
R0058272	1967	HARNESS TAPE 3/4" Vinyl (100 Ft. Roll) Non-Adhesive	\$12.00	
R0058276	1967	HARNESS TAPE 1" Vinyl (100 Ft. Roll) Non-Adhesive	\$13.00	
R0067108	1967	HARNESS TAPE 1 1/4" Vinyl (100 Ft. Roll) Non-Adhesive	\$15.00	
R0058272	1968	HARNESS TAPE 3/4" Vinyl (100 Ft. Roll) Non-Adhesive	\$12.00	
R0058276	1968	HARNESS TAPE 1" Vinyl (100 Ft. Roll) Non-Adhesive	\$13.00	
R0067108	1968	HARNESS TAPE 1 1/4" Vinyl (100 Ft. Roll) Non-Adhesive	\$15.00	
R0058272	1969	HARNESS TAPE 3/4" Vinyl (100 Ft. Roll) Non-Adhesive	\$12.00	
R0058276	1969	HARNESS TAPE 1" Vinyl (100 Ft. Roll) Non-Adhesive	\$13.00	
R0067108	1969	HARNESS TAPE 1 1/4" Vinyl (100 Ft. Roll) Non-Adhesive	\$15.00	
R0058272	1970	HARNESS TAPE 3/4" Vinyl (100 Ft. Roll) Non-Adhesive	\$12.00	
R0058276	1970	HARNESS TAPE 1" Vinyl (100 Ft. Roll) Non-Adhesive	\$13.00	
R0067108	1970	HARNESS TAPE 1 1/4" Vinyl (100 Ft. Roll) Non-Adhesive	\$15.00	
R0058272	1971	HARNESS TAPE 3/4" Vinyl (100 Ft. Roll) Non-Adhesive	\$12.00	
R0058276	1971	HARNESS TAPE 1" Vinyl (100 Ft. Roll) Non-Adhesive	\$13.00	
R0067108	1971	HARNESS TAPE 1 1/4" Vinyl (100 Ft. Roll) Non-Adhesive	\$15.00	
R0058272	1972	HARNESS TAPE 3/4" Vinyl (100 Ft. Roll) Non-Adhesive	\$12.00	
R0058276	1972	HARNESS TAPE 1" Vinyl (100 Ft. Roll) Non-Adhesive	\$13.00	

Part Number	Year	Description	Price	*Rev.
R0067108	1972	HARNESS TAPE 1 1/4" Vinyl (100 Ft. Roll) Non-Adhesive	\$15.00	
R0058272	1973	HARNESS TAPE 3/4" Vinyl (100 Ft. Roll) Non-Adhesive	\$12.00	
R0058276	1973	HARNESS TAPE 1" Vinyl (100 Ft. Roll) Non-Adhesive	\$13.00	
R0067108	1973	HARNESS TAPE 1 1/4" Vinyl (100 Ft. Roll) Non-Adhesive	\$15.00	
R0058272	1974	HARNESS TAPE 3/4" Vinyl (100 Ft. Roll) Non-Adhesive	\$12.00	
R0058276	1974	HARNESS TAPE 1" Vinyl (100 Ft. Roll) Non-Adhesive	\$13.00	
R0067108	1974	HARNESS TAPE 1 1/4" Vinyl (100 Ft. Roll) Non-Adhesive	\$15.00	
R0058272	1975	HARNESS TAPE 3/4" Vinyl (100 Ft. Roll) Non-Adhesive	\$12.00	
R0058276	1975	HARNESS TAPE 1" Vinyl (100 Ft. Roll) Non-Adhesive	\$13.00	
R0067108	1975	HARNESS TAPE 1 1/4" Vinyl (100 Ft. Roll) Non-Adhesive	\$15.00	
R0058272	1976	HARNESS TAPE 3/4" Vinyl (100 Ft. Roll) Non-Adhesive	\$12.00	
R0058276	1976	HARNESS TAPE 1" Vinyl (100 Ft. Roll) Non-Adhesive	\$13.00	
R0067108	1976	HARNESS TAPE 1 1/4" Vinyl (100 Ft. Roll) Non-Adhesive	\$15.00	
R0058272	1977	HARNESS TAPE 3/4" Vinyl (100 Ft. Roll) Non-Adhesive	\$12.00	
R0058276	1977	HARNESS TAPE 1" Vinyl (100 Ft. Roll) Non-Adhesive	\$13.00	
R0067108	1977	HARNESS TAPE 1 1/4" Vinyl (100 Ft. Roll) Non-Adhesive	\$15.00	
R0058272	1978	HARNESS TAPE 3/4" Vinyl (100 Ft. Roll) Non-Adhesive	\$12.00	
R0058276	1978	HARNESS TAPE 1" Vinyl (100 Ft. Roll) Non-Adhesive	\$13.00	
R0067108	1978	HARNESS TAPE 1 1/4" Vinyl (100 Ft. Roll) Non-Adhesive	\$15.00	
R0058272	1979	HARNESS TAPE 3/4" Vinyl (100 Ft. Roll) Non-Adhesive	\$12.00	
R0058276	1979	HARNESS TAPE 1" Vinyl (100 Ft. Roll) Non-Adhesive	\$13.00	
R0067108	1979	HARNESS TAPE 1 1/4" Vinyl (100 Ft. Roll) Non-Adhesive	\$15.00	
HEADLAMP DIMMER SWITCH				
01997028	1962	HEADLAMP DIMMER SWITCH	\$7.50	N
01997028	1963	HEADLAMP DIMMER SWITCH	\$7.50	N
01997028	1964	HEADLAMP DIMMER SWITCH	\$7.50	N
01997028	1965	HEADLAMP DIMMER SWITCH	\$7.50	N
01997028	1966	HEADLAMP DIMMER SWITCH	\$7.50	N
01997028	1967	HEADLAMP DIMMER SWITCH	\$7.50	N
HEADLIGHT SWITCH				
01995096	1962	HEADLIGHT SWITCH All	\$31.00	
01995096	1963	HEADLIGHT SWITCH All	\$31.00	
01995096	1964	HEADLIGHT SWITCH All	\$31.00	
01995179	1964	HEADLIGHT SWITCH	\$20.00	N
01995179	1965	HEADLIGHT SWITCH	\$20.00	N
01995179	1966	HEADLIGHT SWITCH	\$20.00	N
01995179	1967	HEADLIGHT SWITCH	\$20.00	N
01995179	1968	HEADLIGHT SWITCH	\$20.00	N
01995179	1969	HEADLIGHT SWITCH	\$20.00	N
01995179	1970	HEADLIGHT SWITCH	\$20.00	N
01995179	1971	HEADLIGHT SWITCH	\$20.00	N
01995179	1972	HEADLIGHT SWITCH	\$20.00	N
01995179	1973	HEADLIGHT SWITCH	\$20.00	N
01995216	1974	HEADLIGHT SWITCH	\$20.00	N
01995216	1975	HEADLIGHT SWITCH	\$20.00	N
01995216	1976	HEADLIGHT SWITCH	\$20.00	N

Part Number	Year	Description	Price	*Rev.
01995216	1977	HEADLIGHT SWITCH	\$20.00	N
01995216	1978	HEADLIGHT SWITCH	\$20.00	N
01995216	1979	HEADLIGHT SWITCH	\$20.00	N
HEATER BLOWER MOTOR RESISTOR				
03929052	1962	HEATER BLOWER MOTOR RESISTOR Without A/C	\$15.00	N
03929052	1963	HEATER BLOWER MOTOR RESISTOR Without A/C	\$15.00	N
03929052	1964	HEATER BLOWER MOTOR RESISTOR Without A/C	\$15.00	N
03929052	1965	HEATER BLOWER MOTOR RESISTOR Without A/C	\$15.00	N
03929052	1966	HEATER BLOWER MOTOR RESISTOR Without A/C	\$15.00	N
03929052	1967	HEATER BLOWER MOTOR RESISTOR Without A/C	\$15.00	N
03929052	1968	HEATER BLOWER MOTOR RESISTOR Without A/C	\$15.00	N
03929052	1969	HEATER BLOWER MOTOR RESISTOR Without A/C	\$15.00	N
03929052	1970	HEATER BLOWER MOTOR RESISTOR Without A/C	\$15.00	N
03929052	1971	HEATER BLOWER MOTOR RESISTOR Without A/C	\$15.00	N
03929052	1972	HEATER BLOWER MOTOR RESISTOR Without A/C	\$15.00	N
03929052	1973	HEATER BLOWER MOTOR RESISTOR Without A/C	\$15.00	N
03929052	1974	HEATER BLOWER MOTOR RESISTOR Without A/C	\$15.00	N
03929052	1975	HEATER BLOWER MOTOR RESISTOR Without A/C	\$15.00	N
03929052	1976	HEATER BLOWER MOTOR RESISTOR Without A/C	\$15.00	N
03929052	1977	HEATER BLOWER MOTOR RESISTOR Without A/C	\$15.00	N
03929052	1978	HEATER BLOWER MOTOR RESISTOR Without A/C	\$15.00	N
03929052	1979	HEATER BLOWER MOTOR RESISTOR Without A/C	\$15.00	N
HEATER HARNESS				
01520	1962	HEATER HARNESS Without A/C	\$27.00	
01520	1963	HEATER HARNESS Without A/C	\$27.00	
01520	1964	HEATER HARNESS Without A/C	\$27.00	
01520	1965	HEATER HARNESS Without A/C	\$27.00	
HOOD LAMP REPLACEMENT KIT				
18410	1964	HOOD LAMP KIT Under Hood, Includes Socket, Wire & Bulb	\$60.00	C
18410	1965	HOOD LAMP KIT Under Hood, Includes Socket, Wire & Bulb	\$60.00	C
18410	1966	HOOD LAMP KIT Under Hood, Includes Socket, Wire & Bulb	\$60.00	C
18410	1967	HOOD LAMP KIT Under Hood, Includes Socket, Wire & Bulb	\$60.00	C
18410	1968	HOOD LAMP KIT Under Hood, Includes Socket, Wire & Bulb	\$60.00	C
18410	1969	HOOD LAMP KIT Under Hood, Includes Socket, Wire & Bulb	\$60.00	C
18410	1970	HOOD LAMP KIT Under Hood, Includes Socket, Wire & Bulb	\$60.00	C
18410	1971	HOOD LAMP KIT Under Hood, Includes Socket, Wire & Bulb	\$60.00	C
18410	1972	HOOD LAMP KIT Under Hood, Includes Socket, Wire & Bulb	\$60.00	C
18410	1973	HOOD LAMP KIT Under Hood, Includes Socket, Wire & Bulb	\$60.00	C
18410	1974	HOOD LAMP KIT Under Hood, Includes Socket, Wire & Bulb	\$60.00	C
18410	1975	HOOD LAMP KIT Under Hood, Includes Socket, Wire & Bulb	\$60.00	C
18410	1976	HOOD LAMP KIT Under Hood, Includes Socket, Wire & Bulb	\$60.00	C
18410	1977	HOOD LAMP KIT Under Hood, Includes Socket, Wire & Bulb	\$60.00	C
IDLE STOP SOLENOID WIRE				
17495	1970	IDLE STOP SOLENOID WIRE All V/8, Except Big Block With Manual Trans	\$17.00	
IGNITION CYLINDER AND KEYS				
20071252	1969	IGNITION CYLINDER AND KEYS Chrome, All	\$18.50	N

Part Number	Year	Description	Price	*Rev.
20071252	1970	IGNITION CYLINDER AND KEYS Chrome, All	\$18.50	N
20071252	1971	IGNITION CYLINDER AND KEYS Chrome, All	\$18.50	N
20071252	1972	IGNITION CYLINDER AND KEYS Chrome, All	\$18.50	N
20071252	1973	IGNITION CYLINDER AND KEYS Chrome, All	\$18.50	N
20071252	1974	IGNITION CYLINDER AND KEYS Chrome, All	\$18.50	N
20071252	1975	IGNITION CYLINDER AND KEYS Chrome, All	\$18.50	N
20071252	1976	IGNITION CYLINDER AND KEYS Chrome, All	\$18.50	N
20071252	1977	IGNITION CYLINDER AND KEYS Chrome, All	\$18.50	N
20071252	1978	IGNITION CYLINDER AND KEYS Chrome, All, 1st Design, Used On Columns Without Lock Cylinder Retaining Screw	\$18.50	N
07833759	1978	IGNITION CYLINDER AND KEYS Chrome, All, 2nd Design, Used On Columns With Lock Cylinder Retaining Screw	\$18.50	N
07833759	1979	IGNITION CYLINDER AND KEYS Chrome, All	\$18.50	N
IGNITION SWITCH				
01116626	1962	IGNITION SWITCH	\$24.00	N
01116626	1963	IGNITION SWITCH	\$24.00	N
01116626	1964	IGNITION SWITCH	\$24.00	N
44205	1965	IGNITION SWITCH KIT Note: Includes Ignition Switch, Connector And Instructions.	\$37.00	N
01990110	1969	IGNITION SWITCH All, With Tilt	\$14.00	N
01990110	1970	IGNITION SWITCH All, With Tilt	\$14.00	N
01990110	1971	IGNITION SWITCH All, With Tilt	\$14.00	N
01990110	1972	IGNITION SWITCH All, With Tilt	\$14.00	N
01990110	1973	IGNITION SWITCH All, With Tilt	\$14.00	N
01990110	1974	IGNITION SWITCH All, With Tilt	\$14.00	N
01990110	1975	IGNITION SWITCH All, With Tilt	\$14.00	N
01990110	1976	IGNITION SWITCH All, With Tilt	\$14.00	N
01990110	1977	IGNITION SWITCH All, With Tilt	\$14.00	N
01990110	1978	IGNITION SWITCH All, With Tilt	\$14.00	N
01990110	1979	IGNITION SWITCH All, With Tilt	\$14.00	N
INSTRUMENT GAUGE CLUSTER CLIP KIT				
08986000	1976	CLIP KIT All, Instrument Gauge Cluster / Printed Circuit Board Retaining Clip Note: Replaces Original GM Part Number 08986000, Includes 12 Clips Per Kit.	\$14.00	N
08986000	1977	CLIP KIT All, Instrument Gauge Cluster / Printed Circuit Board Retaining Clip Note: Replaces Original GM Part Number 08986000, Includes 12 Clips Per Kit.	\$14.00	N
08986000	1978	CLIP KIT All, Instrument Gauge Cluster / Printed Circuit Board Retaining Clip Note: Replaces Original GM Part Number 08986000, Includes 12 Clips Per Kit.	\$14.00	N
08986000	1979	CLIP KIT All, Instrument Gauge Cluster / Printed Circuit Board Retaining Clip Note: Replaces Original GM Part Number 08986000, Includes 12 Clips Per Kit.	\$14.00	N
KICKDOWN HARNESS				
06145	1968	KICKDOWN HARNESS TH400 Auto Trans	\$43.00	
06145	1969	KICKDOWN HARNESS TH400 Auto Trans	\$43.00	
KICKDOWN SWITCH				
01242101	1970	KICKDOWN SWITCH TH400 Auto Trans	\$19.00	

Part Number	Year	Description	Price	*Rev.
LOW FUEL INDICATOR MODULE				
500274	1962	LOW FUEL INDICATOR MODULE Generic "Adjustable" Low Fuel Warning Module Note: A Complete Electronic Control Unit To Activate A Warning Lamp Or Relay When Fuel Level Drops Below A User Adjustable Level. Includes instruction sheet.	\$64.00	C
500274	1963	LOW FUEL INDICATOR MODULE Generic "Adjustable" Low Fuel Warning Module Note: A Complete Electronic Control Unit To Activate A Warning Lamp Or Relay When Fuel Level Drops Below A User Adjustable Level. Includes instruction sheet.	\$64.00	C
500274	1964	LOW FUEL INDICATOR MODULE Generic "Adjustable" Low Fuel Warning Module Note: A Complete Electronic Control Unit To Activate A Warning Lamp Or Relay When Fuel Level Drops Below A User Adjustable Level. Includes instruction sheet.	\$64.00	C
500274	1965	LOW FUEL INDICATOR MODULE Generic "Adjustable" Low Fuel Warning Module Note: A Complete Electronic Control Unit To Activate A Warning Lamp Or Relay When Fuel Level Drops Below A User Adjustable Level. Includes instruction sheet.	\$64.00	C
500274	1966	LOW FUEL INDICATOR MODULE Generic "Adjustable" Low Fuel Warning Module Note: A Complete Electronic Control Unit To Activate A Warning Lamp Or Relay When Fuel Level Drops Below A User Adjustable Level. Includes instruction sheet.	\$64.00	C
500274	1967	LOW FUEL INDICATOR MODULE Generic "Adjustable" Low Fuel Warning Module Note: A Complete Electronic Control Unit To Activate A Warning Lamp Or Relay When Fuel Level Drops Below A User Adjustable Level. Includes instruction sheet.	\$64.00	C
500274	1968	LOW FUEL INDICATOR MODULE Generic "Adjustable" Low Fuel Warning Module Note: A Complete Electronic Control Unit To Activate A Warning Lamp Or Relay When Fuel Level Drops Below A User Adjustable Level. Includes instruction sheet.	\$64.00	C
500274	1969	LOW FUEL INDICATOR MODULE Generic "Adjustable" Low Fuel Warning Module Note: A Complete Electronic Control Unit To Activate A Warning Lamp Or Relay When Fuel Level Drops Below A User Adjustable Level. Includes instruction sheet.	\$64.00	C
500274	1970	LOW FUEL INDICATOR MODULE Generic "Adjustable" Low Fuel Warning Module Note: A Complete Electronic Control Unit To Activate A Warning Lamp Or Relay When Fuel Level Drops Below A User Adjustable Level. Includes instruction sheet.	\$64.00	C
500274	1971	LOW FUEL INDICATOR MODULE Generic "Adjustable" Low Fuel Warning Module Note: A Complete Electronic Control Unit To Activate A Warning Lamp Or Relay When Fuel Level Drops Below A User Adjustable Level. Includes instruction sheet.	\$64.00	C
500274	1972	LOW FUEL INDICATOR MODULE Generic "Adjustable" Low Fuel Warning Module Note: A Complete Electronic Control Unit To Activate A Warning Lamp Or Relay When Fuel Level Drops Below A User Adjustable Level. Includes instruction sheet.	\$64.00	C
500274	1973	LOW FUEL INDICATOR MODULE Generic "Adjustable" Low Fuel Warning Module Note: A Complete Electronic Control Unit To Activate A Warning Lamp Or Relay When Fuel Level Drops Below A User Adjustable Level. Includes instruction sheet.	\$64.00	C
500274	1974	LOW FUEL INDICATOR MODULE Generic "Adjustable" Low Fuel Warning Module Note: A Complete Electronic Control Unit To Activate A Warning Lamp Or Relay When Fuel Level Drops Below A User Adjustable Level. Includes instruction sheet.	\$64.00	C
NEUTRAL SAFETY AND BACKUP LAMP SWITCH				
01993659	1962	NEUTRAL SAFETY AND BACKUP LAMP SWITCH With Column Shift Powerglide Auto Trans	\$12.00	
01993659	1963	NEUTRAL SAFETY AND BACKUP LAMP SWITCH With Column Shift Powerglide Auto Trans	\$12.00	
01993659	1964	NEUTRAL SAFETY AND BACKUP LAMP SWITCH With Column Shift Powerglide Auto Trans	\$12.00	
01993659	1965	NEUTRAL SAFETY AND BACKUP LAMP SWITCH With Column Shift Powerglide Auto Trans	\$12.00	
01993696	1965	NEUTRAL SAFETY AND BACKUP LAMP SWITCH With Console Shift Powerglide Auto Trans	\$64.00	
01993659	1966	NEUTRAL SAFETY AND BACKUP LAMP SWITCH With Column Shift Powerglide Auto Trans	\$12.00	
01993696	1966	NEUTRAL SAFETY AND BACKUP LAMP SWITCH With Console Shift Powerglide Auto Trans	\$64.00	
01993696	1967	NEUTRAL SAFETY AND BACKUP LAMP SWITCH With Console Shift Powerglide Auto Trans	\$64.00	
03900503	1968	NEUTRAL SAFETY AND BACKUP LAMP SWITCH With Console Shift Pg Auto Trans	\$75.00	
03909591	1968	NEUTRAL SAFETY AND BACKUP LAMP SWITCH With Console Shift TH 350-400 Auto Trans	\$75.00	

Part Number	Year	Description	Price	*Rev.
01994235	1969	NEUTRAL SAFETY AND BACKUP LAMP SWITCH With Column Shift Auto Trans, All	\$19.00	
03900503	1969	NEUTRAL SAFETY AND BACKUP LAMP SWITCH With Console Shift Pg Auto Trans	\$75.00	
03909591	1969	NEUTRAL SAFETY AND BACKUP LAMP SWITCH With Console Shift TH 350-400 Auto Trans	\$75.00	
01994235	1970	NEUTRAL SAFETY AND BACKUP LAMP SWITCH With Column Shift Auto Trans, All	\$19.00	
03900503	1970	NEUTRAL SAFETY AND BACKUP LAMP SWITCH With Console Shift Pg Auto Trans	\$75.00	
03909591	1970	NEUTRAL SAFETY AND BACKUP LAMP SWITCH With Console Shift TH 350-400 Auto Trans	\$75.00	
01994235	1971	NEUTRAL SAFETY AND BACKUP LAMP SWITCH With Column Shift Auto Trans, All	\$19.00	
03900503	1971	NEUTRAL SAFETY AND BACKUP LAMP SWITCH With Console Shift Pg Auto Trans	\$75.00	
03909591	1971	NEUTRAL SAFETY AND BACKUP LAMP SWITCH With Console Shift TH 350-400 Auto Trans	\$75.00	
01994235	1972	NEUTRAL SAFETY AND BACKUP LAMP SWITCH With Column Shift Auto Trans, All	\$19.00	
03900503	1972	NEUTRAL SAFETY AND BACKUP LAMP SWITCH With Console Shift Pg Auto Trans	\$75.00	
03909591	1972	NEUTRAL SAFETY AND BACKUP LAMP SWITCH With Console Shift TH 350-400 Auto Trans	\$75.00	
NEUTRAL SAFETY SWITCH				
01993494	1969	NEUTRAL SAFETY SWITCH With Manual Trans Note: Includes Rod, 2 Retaining Clips, 2 Bushings And Bolt.	\$65.00	
03983965	1970	NEUTRAL SAFETY SWITCH With Manual Trans	\$58.00	
03983965	1971	NEUTRAL SAFETY SWITCH With Manual Trans	\$58.00	
03983965	1972	NEUTRAL SAFETY SWITCH With Manual Trans	\$58.00	
03983965	1973	NEUTRAL SAFETY SWITCH With Manual Trans	\$58.00	
03983965	1974	NEUTRAL SAFETY SWITCH With Manual Trans	\$58.00	
03983965	1975	NEUTRAL SAFETY SWITCH With Manual Trans	\$58.00	
NEUTRAL SAFETY SWITCH EXTENSION HARNESS				
15230	1970	NEUTRAL SAFETY SWITCH EXTENSION HARNESS Manual Trans, From Dash To Clutch Switch	\$25.00	
PARKING BRAKE WARNING LAMP HARNESS				
15205	1970	PARKING BRAKE WARNING LAMP HARNESS	\$13.00	
15205	1971	PARKING BRAKE WARNING LAMP HARNESS	\$13.00	
15205	1972	PARKING BRAKE WARNING LAMP HARNESS	\$13.00	
POWER DOOR LOCK SWITCH				
01725099	1973	POWER DOOR LOCK SWITCH 1 Button	\$62.00	
01725099	1974	POWER DOOR LOCK SWITCH 1 Button	\$62.00	
01725099	1975	POWER DOOR LOCK SWITCH 1 Button	\$62.00	
01725099	1976	POWER DOOR LOCK SWITCH 1 Button	\$62.00	
01725099	1977	POWER DOOR LOCK SWITCH 1 Button	\$62.00	
01725099	1979	POWER DOOR LOCK SWITCH 1 Button	\$62.00	M
POWER WINDOW MOTOR ADAPTER HARNESS				
36954	1962	POWER WINDOW MOTOR ADAPTER HARNESS Adapts "T" Shaped Motor Connector To Side By Side Blade Type Motor Connector	\$22.00	C
36954	1963	POWER WINDOW MOTOR ADAPTER HARNESS Adapts "T" Shaped Motor Connector To Side By Side Blade Type Motor Connector	\$22.00	C
36954	1964	POWER WINDOW MOTOR ADAPTER HARNESS Adapts "T" Shaped Motor Connector To Side By Side Blade Type Motor Connector	\$22.00	C
36954	1965	POWER WINDOW MOTOR ADAPTER HARNESS Adapts "T" Shaped Motor Connector To Side By Side Blade Type Motor Connector	\$22.00	C
36954	1966	POWER WINDOW MOTOR ADAPTER HARNESS Adapts "T" Shaped Motor Connector To Side By Side Blade Type Motor Connector	\$22.00	C
36954	1967	POWER WINDOW MOTOR ADAPTER HARNESS Adapts "T" Shaped Motor Connector To Side By Side Blade Type Motor Connector	\$22.00	C

Part Number	Year	Description	Price	*Rev.
36954	1968	POWER WINDOW MOTOR ADAPTER HARNESS Adapts "T" Shaped Motor Connector To Side By Side Blade Type Motor Connector	\$22.00	C
36954	1969	POWER WINDOW MOTOR ADAPTER HARNESS Adapts "T" Shaped Motor Connector To Side By Side Blade Type Motor Connector	\$22.00	C
36954	1970	POWER WINDOW MOTOR ADAPTER HARNESS Adapts "T" Shaped Motor Connector To Side By Side Blade Type Motor Connector	\$22.00	C
36954	1971	POWER WINDOW MOTOR ADAPTER HARNESS Adapts "T" Shaped Motor Connector To Side By Side Blade Type Motor Connector	\$22.00	C
36954	1972	POWER WINDOW MOTOR ADAPTER HARNESS Adapts "T" Shaped Motor Connector To Side By Side Blade Type Motor Connector	\$22.00	C
36954	1973	POWER WINDOW MOTOR ADAPTER HARNESS Adapts "T" Shaped Motor Connector To Side By Side Blade Type Motor Connector	\$22.00	C
36954	1974	POWER WINDOW MOTOR ADAPTER HARNESS Adapts "T" Shaped Motor Connector To Side By Side Blade Type Motor Connector	\$22.00	C
36954	1975	POWER WINDOW MOTOR ADAPTER HARNESS Adapts "T" Shaped Motor Connector To Side By Side Blade Type Motor Connector	\$22.00	C
POWER WINDOW SWITCH				
04432790	1964	POWER WINDOW SWITCH 1 Button, Round Corner Style, Chrome	\$49.00	
04432793	1964	POWER WINDOW SWITCH 2 Button, Round Corner Style, Chrome. 2-Door Wagons	\$61.00	
04432791	1964	POWER WINDOW SWITCH 4 Button, Round Corner Style, Chrome	\$67.00	
04432790	1965	POWER WINDOW SWITCH 1 Button, Round Corner Style, Chrome	\$49.00	
04432793	1965	POWER WINDOW SWITCH 2 Button, Round Corner Style, Chrome. 2-Door Wagons	\$61.00	
04432791	1965	POWER WINDOW SWITCH 4 Button, Round Corner Style, Chrome	\$67.00	
04432790	1966	POWER WINDOW SWITCH 1 Button, Round Corner Style, Chrome	\$49.00	
04432793	1966	POWER WINDOW SWITCH 2 Button, Round Corner Style, Chrome. 2-Door Wagons	\$61.00	
04432791	1966	POWER WINDOW SWITCH 4 Button, Round Corner Style, Chrome	\$67.00	
04432790	1967	POWER WINDOW SWITCH 1 Button, Round Corner Style, Chrome	\$49.00	
04432793	1967	POWER WINDOW SWITCH 2 Button, Round Corner Style, Chrome. 2-Door Wagons	\$61.00	
04432791	1967	POWER WINDOW SWITCH 4 Button, Round Corner Style, Chrome	\$67.00	
04432790	1968	POWER WINDOW SWITCH 1 Button, Round Corner Style, Chrome	\$49.00	
04432793	1968	POWER WINDOW SWITCH 2 Button, Round Corner Style, Chrome. 2-Door Wagons	\$61.00	
04432791	1968	POWER WINDOW SWITCH 4 Button, Round Corner Style, Chrome	\$67.00	
04432790	1969	POWER WINDOW SWITCH 1 Button, Round Corner Style, Chrome	\$49.00	
04432793	1969	POWER WINDOW SWITCH 2 Button, Round Corner Style, Chrome. 2-Door Wagons	\$61.00	
04432791	1969	POWER WINDOW SWITCH 4 Button, Round Corner Style, Chrome	\$67.00	
04432790	1970	POWER WINDOW SWITCH 1 Button, Round Corner Style, Chrome	\$49.00	
04432793	1970	POWER WINDOW SWITCH 2 Button, Round Corner Style, Chrome. 2-Door Wagons	\$61.00	
04432791	1970	POWER WINDOW SWITCH 4 Button, Round Corner Style, Chrome	\$67.00	
01725094	1975	POWER WINDOW SWITCH 1 Button, Square Corner Style, Chrome	\$21.00	M
01731231	1975	POWER WINDOW SWITCH 4 Button, Square Corner Style, Chrome	\$75.00	M
01725092	1975	POWER WINDOW SWITCH 2 Button, Square Corner Style, Chrome	\$53.00	M
01725094	1976	POWER WINDOW SWITCH 1 Button, Square Corner Style, Chrome	\$21.00	M
01731231	1976	POWER WINDOW SWITCH 4 Button, Square Corner Style, Chrome	\$75.00	M
01725092	1976	POWER WINDOW SWITCH 2 Button, Square Corner Style, Chrome	\$53.00	M
01725094	1977	POWER WINDOW SWITCH 1 Button, Square Corner Style, Chrome	\$21.00	M
01731231	1977	POWER WINDOW SWITCH 4 Button, Square Corner Style, Chrome	\$75.00	M
01725092	1977	POWER WINDOW SWITCH 2 Button, Square Corner Style, Chrome	\$53.00	M
01725094	1978	POWER WINDOW SWITCH 1 Button, Square Corner Style, Chrome	\$21.00	M
01731231	1978	POWER WINDOW SWITCH 4 Button, Square Corner Style, Chrome	\$75.00	M

Part Number	Year	Description	Price	*Rev.
01725092	1978	POWER WINDOW SWITCH 2 Button, Square Corner Style, Chrome	\$53.00	M
01725094	1979	POWER WINDOW SWITCH 1 Button, Square Corner Style, Chrome, 4 Door Sedan	\$21.00	M
01731231	1979	POWER WINDOW SWITCH 4 Button, Square Corner Style, Chrome	\$75.00	M
01725092	1979	POWER WINDOW SWITCH 2 Button, Square Corner Style, Chrome	\$53.00	M
REAR LAMP HARNESS				
28155	1962	REAR LAMP EXTENSION HARNESS Rear Lamp Harness To Backup Lamps, All	\$29.00	
01305	1962	REAR LAMP HARNESS Coupe, Except Wagons	\$184.00	
01310	1962	REAR LAMP HARNESS Convertible	\$193.00	
28155	1963	REAR LAMP EXTENSION HARNESS Rear Lamp Harness To Backup Lamps, All	\$29.00	
17375	1963	REAR LAMP HARNESS Coupe, Except Wagons	\$179.00	
17380	1963	REAR LAMP HARNESS Convertible	\$198.00	
37098	1964	REAR LAMP EXTENSION HARNESS Rear Lamp Harness To Backup Lamps, All	\$29.00	
17375	1964	REAR LAMP HARNESS Except Wagons	\$179.00	
07225	1965	REAR LAMP HARNESS Except Wagons	\$184.00	
17215	1966	REAR LAMP HARNESS Except Wagons	\$179.00	
17215	1967	REAR LAMP HARNESS Except Wagons	\$179.00	
01320	1968	REAR LAMP HARNESS	\$237.00	
20585	1968	REAR LAMP HARNESS With Under Dash Courtesy Lamps	\$262.00	
18515	1969	REAR LAMP HARNESS Left Side Tail Lamps	\$153.00	
18530	1969	REAR LAMP HARNESS Left Side Taillamps, With Under Dash Courtesy Lamps	\$199.00	
34965	1969	REAR LAMP EXTENSION HARNESS Right Side Taillamps	\$99.00	
21225	1970	REAR LAMP HARNESS Left Side Tail Lamps	\$153.00	
20975	1970	REAR LAMP HARNESS Left Side Tail Lamps, With Under Dash Courtesy Lamps	\$199.00	
34965	1970	REAR LAMP EXTENSION HARNESS Right Side Taillamps	\$99.00	
21225	1971	REAR LAMP HARNESS Left Side Tail Lamps	\$153.00	
20975	1971	REAR LAMP HARNESS Left Side Tail Lamps, With Under Dash Courtesy Lamps	\$199.00	
34965	1971	REAR LAMP EXTENSION HARNESS Right Side Taillamps	\$99.00	
21225	1972	REAR LAMP HARNESS Left Side Tail Lamps	\$153.00	
20975	1972	REAR LAMP HARNESS Left Side Tail Lamps, With Under Dash Courtesy Lamps	\$199.00	
20935	1972	REAR LAMP HARNESS Left Side Tail Lamps, With Seat Belt Warning	\$201.00	
20930	1972	REAR LAMP HARNESS Left Side, With Seat Belt Warn. & Under Dash Courtesy Lamps	\$219.00	
18535	1972	REAR LAMP EXTENSION HARNESS Right Side Tail Lamps	\$99.00	
20960	1973	REAR LAMP INTERMEDIATE HARNESS	\$173.00	
20955	1973	REAR LAMP INTERMEDIATE HARNESS With Under Dash Courtesy Lamps	\$206.00	
20965	1973	REAR LAMP HARNESS	\$153.00	
21235	1974	REAR LAMP HARNESS	\$153.00	
REAR WINDOW DEFROSTER HARNESS				
14420	1969	REAR WINDOW DEFROSTER HARNESS	\$59.00	
14420	1970	REAR WINDOW DEFROSTER HARNESS	\$59.00	
14420	1971	REAR WINDOW DEFROSTER HARNESS	\$59.00	
14420	1972	REAR WINDOW DEFROSTER HARNESS	\$59.00	
SPEAKER HARNESS				
18510	1965	SPEAKER HARNESS To Single Rear Seat Speaker	\$53.00	
18510	1966	SPEAKER HARNESS To Single Rear Seat Speaker	\$53.00	
18510	1967	SPEAKER HARNESS To Single Rear Seat Speaker	\$53.00	
18510	1968	SPEAKER HARNESS To Single Rear Seat Speaker	\$53.00	

Part Number	Year	Description	Price	*Rev.
33430	1968	SPEAKER HARNESS 4 Stereo Speakers, Front & Rear	\$83.00	
33430	1969	SPEAKER HARNESS 4 Stereo Speakers, Front & Rear	\$83.00	
SPEED WARNING HARNESS				
11050	1967	SPEED WARNING HARNESS	\$25.00	
13130	1969	SPEED WARNING HARNESS	\$25.00	
STEERING COLUMN ADAPTER HARNESS				
37616	1962	STEERING COLUMN ADAPTER HARNESS For 1969-74 GM & Ididit Columns (Exc. Flaming River) To Stock Dash Harness Note: Adapts Horn, Directionals, Hazard Flashers To Stock 6-Way Dash Connector.	\$50.00	
38124	1962	STEERING COLUMN ADAPTER HARNESS For 1975 & Up GM & Flaming River Columns (Exc. Ididit) To Stock Dash Harness Note: Adapts Horn, Directionals, Hazard Flashers To Stock 6-Way Dash Connector.	\$53.00	
37618	1963	STEERING COLUMN ADAPTER HARNESS For 1969-74 GM & Ididit Columns (Exc. Flaming River) To Stock Dash Harness Note: Adapts Horn, Directionals, Hazard Flashers To Stock 8-Way Dash Connector.	\$50.00	
38125	1963	STEERING COLUMN ADAPTER HARNESS For 1975 & Up GM & Flaming River Columns (Exc. Ididit) To Stock Dash Harness Note: Adapts Horn, Directionals, Hazard Flashers To Stock 8-Way Dash Connector.	\$51.00	
37618	1964	STEERING COLUMN ADAPTER HARNESS For 1969-74 GM & Ididit Columns (Exc. Flaming River) To Stock Dash Harness Note: Adapts Horn, Directionals, Hazard Flashers To Stock 8-Way Dash Connector.	\$50.00	
38125	1964	STEERING COLUMN ADAPTER HARNESS For 1975 & Up GM & Flaming River Columns (Exc. Ididit) To Stock Dash Harness Note: Adapts Horn, Directionals, Hazard Flashers To Stock 8-Way Dash Connector.	\$51.00	
37618	1965	STEERING COLUMN ADAPTER HARNESS For 1969-74 GM & Ididit Columns (Exc. Flaming River) To Stock Dash Harness Note: Adapts Horn, Directionals, Hazard Flashers To Stock 8-Way Dash Connector.	\$50.00	
38125	1965	STEERING COLUMN ADAPTER HARNESS For 1975 & Up GM & Flaming River Columns (Exc. Ididit) To Stock Dash Harness Note: Adapts Horn, Directionals, Hazard Flashers To Stock 8-Way Dash Connector.	\$51.00	
37542	1966	STEERING COLUMN ADAPTER HARNESS For 1969-1974 GM & Ididit Columns (Exc. Flaming River) To Stock Dash Harness Note: Adapts Horn, Directionals, Hazard Flashers To Stock 8 Pin T/L Dash Connector.	\$50.00	
37009	1966	STEERING COLUMN ADAPTER HARNESS For 1975 & Up GM & Flaming River Columns (Exc. Ididit) To Stock Dash Harness Note: Adapts Horn, Directionals, Hazard Flashers To Stock 8 Pin Dash Connector.	\$52.00	
36882	1967	STEERING COLUMN ADAPTER HARNESS For 1969-1974 GM & Ididit Columns (Exc. Flaming River) To Stock Dash Harness Note: Adapts Horn, Directionals, Hazard Flashers To Stock 9-Pin T/L Dash Connector.	\$27.00	
38127	1967	STEERING COLUMN ADAPTER HARNESS For 1975 & Up GM & Flaming River Columns (Exc. Ididit) To Stock Dash Harness Note: Adapts Horn, Directionals, Hazard Flashers To Stock 9-Pin T/L Dash Connector.	\$27.00	
36882	1968	STEERING COLUMN ADAPTER HARNESS For 1969-1974 GM & Ididit Columns (Exc. Flaming River) To Stock Dash Harness Note: Adapts Horn, Directionals, Hazard Flashers To Stock 9-Pin T/L Dash Connector.	\$27.00	
38127	1968	STEERING COLUMN ADAPTER HARNESS For 1975 & Up GM & Flaming River Columns (Exc. Ididit) To Stock Dash Harness Note: Adapts Horn, Directionals, Hazard Flashers To Stock 9-Pin T/L Dash Connector.	\$27.00	
STOP LAMP SWITCH				
01261219	1962	STOP LAMP SWITCH Without Cruise	\$5.80	N
01261219	1963	STOP LAMP SWITCH Without Cruise	\$5.80	N
01261219	1964	STOP LAMP SWITCH Without Cruise	\$5.80	N

Part Number	Year	Description	Price	*Rev.
01261219	1965	STOP LAMP SWITCH Without Cruise	\$5.80	N
01261219	1966	STOP LAMP SWITCH Without Cruise	\$5.80	N
01261219	1967	STOP LAMP SWITCH Without Cruise	\$5.80	N
01261219	1968	STOP LAMP SWITCH Without Cruise	\$5.80	N
01261219	1969	STOP LAMP SWITCH Without Cruise	\$5.80	N
01261219	1970	STOP LAMP SWITCH Without Cruise	\$5.80	N
01261219	1971	STOP LAMP SWITCH Without Cruise	\$5.80	N
01261219	1972	STOP LAMP SWITCH Without Cruise	\$5.80	N
01261219	1973	STOP LAMP SWITCH Without Cruise	\$5.80	N
01261219	1974	STOP LAMP SWITCH Without Cruise	\$5.80	N
01261219	1975	STOP LAMP SWITCH Without Cruise	\$5.80	N
01261219	1976	STOP LAMP SWITCH Without Power Brakes Or Cruise	\$5.80	N
01261219	1977	STOP LAMP SWITCH Without Power Brakes Or Cruise	\$5.80	N
01261219	1978	STOP LAMP SWITCH Without Power Brakes Or Cruise	\$5.80	N
01261219	1979	STOP LAMP SWITCH Without Power Brakes Or Cruise	\$5.80	N
TACHOMETER HARNESS				
01525	1962	TACHOMETER HARNESS	\$69.00	
01530	1963	TACHOMETER HARNESS	\$50.00	
01535	1964	TACHOMETER HARNESS	\$50.00	
01535	1965	TACHOMETER HARNESS Dash Mounted	\$50.00	
01540	1965	TACHOMETER HARNESS Steering Column Mounted	\$60.00	
01540	1966	TACHOMETER HARNESS Steering Column Mounted	\$60.00	
TCS TRANSMISSION SWITCH EXTENSION				
17355	1972	TCS TRANSMISSION SWITCH EXTENSION Manual Trans, From Engine Harness To Trans Switch Note: Used With #16375, #16380 & #16385 Engine Harness.	\$49.00	
17355	1973	TCS TRANSMISSION SWITCH EXTENSION Manual Trans, From Engine Harness To Trans Switch Note: Used With #15500 & #15505 Engine Harness.	\$49.00	
TEMPERATURE SENDING UNIT WIRE REPAIR KIT				
34620	1962	TEMPERATURE SENDING UNIT WIRE REPAIR KIT	\$20.00	
34620	1963	TEMPERATURE SENDING UNIT WIRE REPAIR KIT	\$20.00	
34620	1964	TEMPERATURE SENDING UNIT WIRE REPAIR KIT	\$20.00	
34620	1965	TEMPERATURE SENDING UNIT WIRE REPAIR KIT	\$20.00	
34620	1966	TEMPERATURE SENDING UNIT WIRE REPAIR KIT	\$20.00	
34620	1967	TEMPERATURE SENDING UNIT WIRE REPAIR KIT	\$20.00	
34620	1968	TEMPERATURE SENDING UNIT WIRE REPAIR KIT	\$20.00	
34620	1969	TEMPERATURE SENDING UNIT WIRE REPAIR KIT	\$20.00	
34620	1970	TEMPERATURE SENDING UNIT WIRE REPAIR KIT	\$20.00	
34620	1971	TEMPERATURE SENDING UNIT WIRE REPAIR KIT	\$20.00	
34620	1972	TEMPERATURE SENDING UNIT WIRE REPAIR KIT	\$20.00	
34620	1973	TEMPERATURE SENDING UNIT WIRE REPAIR KIT	\$20.00	
34620	1974	TEMPERATURE SENDING UNIT WIRE REPAIR KIT	\$20.00	
34620	1975	TEMPERATURE SENDING UNIT WIRE REPAIR KIT	\$20.00	
TRANSISTOR IGNITION HARNESS				
27565	1966	TRANSISTOR IGNITION HARNESS Amplifier To Extension Harness (Part# 27570)	\$98.00	
33225	1966	TRANSISTOR IGNITION AMPLIFIER EXTENSION From Internal Circuit Board To Amplifier Housing Connector	\$53.00	
27570	1966	TRANSISTOR IGNITION EXTENSION HARNESS Starter Motor, Coil & Distributor	\$113.00	

Part Number	Year	Description	Price	*Rev.
21265	1966	TRANSISTOR IGNITION POWER FEED HARNESS Ignition Switch To Extension Harness (Part# 27570)	\$25.00	
TRANSISTOR IGNITION REPLACEMENT MODULE				
32270	1966	TRANSISTOR IGNITION REPLACEMENT MODULE Replaces Original Circuit Board In Amplifier	\$189.00	
TRUNK LAMP ASSEMBLY				
36379	1966	TRUNK LAMP ASSEMBLY Includes Extension Harness	\$48.00	
36379	1967	TRUNK LAMP ASSEMBLY Includes Extension Harness	\$48.00	
36380	1968	TRUNK LAMP ASSEMBLY Includes Extension Harness	\$43.00	
36380	1969	TRUNK LAMP ASSEMBLY Includes Extension Harness	\$43.00	
36380	1970	TRUNK LAMP ASSEMBLY Includes Extension Harness	\$43.00	
36380	1971	TRUNK LAMP ASSEMBLY Includes Extension Harness	\$43.00	
36380	1972	TRUNK LAMP ASSEMBLY Includes Extension Harness	\$43.00	
36380	1973	TRUNK LAMP ASSEMBLY Includes Extension Harness	\$43.00	
36380	1974	TRUNK LAMP ASSEMBLY Includes Extension Harness	\$43.00	
TRUNK LAMP EXTENSION HARNESS				
28210	1968	TRUNK LAMP EXTENSION HARNESS Coupe	\$15.00	
28210	1969	TRUNK LAMP EXTENSION HARNESS Coupe	\$15.00	
28210	1970	TRUNK LAMP EXTENSION HARNESS Coupe	\$15.00	
28210	1971	TRUNK LAMP EXTENSION HARNESS Coupe	\$15.00	
28210	1972	TRUNK LAMP EXTENSION HARNESS Coupe	\$15.00	
28210	1973	TRUNK LAMP EXTENSION HARNESS Coupe	\$15.00	
28210	1974	TRUNK LAMP EXTENSION HARNESS Coupe	\$15.00	
TURN SIGNAL SWITCH				
03765110	1962	TURN SIGNAL SWITCH	\$23.00	
00898197	1963	TURN SIGNAL SWITCH All	\$65.00	N
00898197	1964	TURN SIGNAL SWITCH 1st Design	\$65.00	N
00910821	1964	TURN SIGNAL SWITCH 2nd Design	\$56.00	N
00910821	1965	TURN SIGNAL SWITCH Without Tilt	\$56.00	N
00387115	1966	TURN SIGNAL SWITCH Without Tilt (Stamped "BPC"), Replaces Delco Part# D6200 Note: This Switch Has A Metal Base.	\$96.00	
01893592	1967	TURN SIGNAL SWITCH (Delco-Remy), Replaces Delco Part# D6211 Note: This Is A Service Part, Adapter Pigtail Included And Is Required For Some Applications.	\$58.00	
07800482	1967	TURN SIGNAL SWITCH Without Column Shift A/T, Without Tilt, (Delco Type, Black, White Or Green) Note: Emergency Flasher Actuator Hole In Outer Cover Is Shaped Like A Doghouse.	\$50.00	
07800482	1967	TURN SIGNAL SWITCH Without Column Shift A/T, With Tilt, (Delco Type, Black, White Or Green) Note: Emergency Flasher Actuator Hole In Outer Cover Is Shaped Like A Doghouse.	\$50.00	
05698897	1967	TURN SIGNAL SWITCH With Column Shift A/T, Without Tilt, (Delco Type, Black, White Or Green) Note: Emergency Flasher Actuator Hole In Outer Cover Is Shaped Like A Doghouse.	\$50.00	
05698897	1967	TURN SIGNAL SWITCH With Column Shift A/T, With Tilt, (Delco Type, Black, White Or Green) Note: Emergency Flasher Actuator Hole In Outer Cover Is Shaped Like A Doghouse.	\$50.00	
01893592	1968	TURN SIGNAL SWITCH (Delco-Remy), Replaces Delco Part# D6211 Note: This Is A Service Part, Adapter Pigtail Included And Is Required For Some Applications.	\$58.00	
07800482	1968	TURN SIGNAL SWITCH Without Column Shift A/T, Without Tilt, (Delco Type, Black, White Or Green) Note: Emergency Flasher Actuator Hole In Outer Cover Is Shaped Like A Doghouse.	\$50.00	

Part Number	Year	Description	Price	*Rev.
07800482	1968	TURN SIGNAL SWITCH Without Column Shift A/T, With Tilt, (Delco Type, Black, White Or Green) Note: Emergency Flasher Actuator Hole In Outer Cover Is Shaped Like A Doghouse.	\$50.00	
05698897	1968	TURN SIGNAL SWITCH With Column Shift A/T, Without Tilt, (Delco Type, Black, White Or Green) Note: Emergency Flasher Actuator Hole In Outer Cover Is Shaped Like A Doghouse.	\$50.00	
05698897	1968	TURN SIGNAL SWITCH With Column Shift A/T, With Tilt, (Delco Type, Black, White Or Green) Note: Emergency Flasher Actuator Hole In Outer Cover Is Shaped Like A Doghouse.	\$50.00	
01997938	1969	TURN SIGNAL SWITCH, CORRECT PART Note: Correct Part, No Adapter Pigtail Required.	\$56.00	
01893588	1969	TURN SIGNAL SWITCH, SERVICE PART Replaces Delco Part# D6208 Note: This Is A Service Part, Adapter Pigtail Included Is Required For Installation.	\$58.00	
01997983	1969	TURN SIGNAL SWITCH, SERVICE PART Replaces Delco Part# D6222 Note: This Is A Service Part, Adapter Pigtail Included Is Required For Installation.	\$32.00	
01997938	1970	TURN SIGNAL SWITCH, CORRECT PART Note: Correct Part, No Adapter Pigtail Required.	\$56.00	
01893588	1970	TURN SIGNAL SWITCH, SERVICE PART Replaces Delco Part# D6208 Note: This Is A Service Part, Adapter Pigtail Included Is Required For Installation.	\$58.00	
01997983	1970	TURN SIGNAL SWITCH, SERVICE PART Replaces Delco Part# D6222 Note: This Is A Service Part, Adapter Pigtail Included Is Required For Installation.	\$32.00	
01997938	1971	TURN SIGNAL SWITCH, CORRECT PART Note: Correct Part, No Adapter Pigtail Required.	\$56.00	
01893588	1971	TURN SIGNAL SWITCH, SERVICE PART Replaces Delco Part# D6208 Note: This Is A Service Part, Adapter Pigtail Included Is Required For Installation.	\$58.00	
01997983	1971	TURN SIGNAL SWITCH, SERVICE PART Replaces Delco Part# D6222 Note: This Is A Service Part, Adapter Pigtail Included Is Required For Installation.	\$32.00	
01997938	1972	TURN SIGNAL SWITCH, CORRECT PART Note: Correct Part, No Adapter Pigtail Required.	\$56.00	
01893588	1972	TURN SIGNAL SWITCH, SERVICE PART Replaces Delco Part# D6208 Note: This Is A Service Part, Adapter Pigtail Included Is Required For Installation.	\$58.00	
01997983	1972	TURN SIGNAL SWITCH, SERVICE PART Replaces Delco Part# D6222 Note: This Is A Service Part, Adapter Pigtail Included Is Required For Installation.	\$32.00	
VOLTAGE REGULATOR ADAPTER HARNESS				
02115	1965	VOLTAGE REGULATOR ADAPTER HARNESS With 62 Amp Alternator, From Field Terminal On Voltage Regulator To Chassis Ground (Includes Inline Diode) Note: Only Used With Original Solid State Voltage Regulator #1116368 As A Safe Guard To Prevent Voltage Regulator Transistor Failure.	\$52.00	
WINDSHIELD WASHER PUMP				
04919332	1963	WINDSHIELD WASHER PUMP All	\$60.00	N
04919332	1964	WINDSHIELD WASHER PUMP All	\$60.00	N
04919332	1965	WINDSHIELD WASHER PUMP All	\$60.00	N
04919332	1966	WINDSHIELD WASHER PUMP All	\$60.00	N
04919332	1967	WINDSHIELD WASHER PUMP All	\$60.00	N
04919332	1968	WINDSHIELD WASHER PUMP All	\$60.00	N
04919332	1969	WINDSHIELD WASHER PUMP Without Recessed Park Wipers	\$60.00	N
04919332	1970	WINDSHIELD WASHER PUMP Without Recessed Park Wipers	\$60.00	N
04919332	1971	WINDSHIELD WASHER PUMP Without Recessed Park Wipers	\$60.00	N
04919332	1972	WINDSHIELD WASHER PUMP Without Recessed Park Wipers	\$60.00	N

Part Number	Year	Description	Price	*Rev.
04919332	1973	WINDSHIELD WASHER PUMP Without Recessed Park Wipers	\$60.00	N
04919332	1974	WINDSHIELD WASHER PUMP Without Recessed Park Wipers	\$60.00	N
WINDSHIELD WIPER MOTOR				
04911476	1963	WINDSHIELD WIPER MOTOR 2-Speed, 3-Terminal Type Motor	\$92.00	N
44609	1963	WINDSHIELD WIPER MOTOR 2-Speed, 4-Terminal Type Motor Note: This Can Be Used In Place Of The 3-Terminal Motor. The 4th Terminal Is A Keyed Hot From Wiper Fuse In Fuse Box And May Or May Not Be Used In Some Applications.	\$106.00	N
04911476	1964	WINDSHIELD WIPER MOTOR 2-Speed, 3-Terminal Type Motor	\$92.00	N
44609	1964	WINDSHIELD WIPER MOTOR 2-Speed, 4-Terminal Type Motor Note: This Can Be Used In Place Of The 3-Terminal Motor. The 4th Terminal Is A Keyed Hot From Wiper Fuse In Fuse Box And May Or May Not Be Used In Some Applications.	\$106.00	N
04911476	1965	WINDSHIELD WIPER MOTOR 2-Speed, 3-Terminal Type Motor	\$92.00	N
44609	1965	WINDSHIELD WIPER MOTOR 2-Speed, 4-Terminal Type Motor Note: This Can Be Used In Place Of The 3-Terminal Motor. The 4th Terminal Is A Keyed Hot From Wiper Fuse In Fuse Box And May Or May Not Be Used In Some Applications.	\$106.00	N
04911476	1966	WINDSHIELD WIPER MOTOR 2-Speed, 3-Terminal Type Motor	\$92.00	N
44609	1966	WINDSHIELD WIPER MOTOR 2-Speed, 4-Terminal Type Motor Note: This Can Be Used In Place Of The 3-Terminal Motor. The 4th Terminal Is A Keyed Hot From Wiper Fuse In Fuse Box And May Or May Not Be Used In Some Applications.	\$106.00	N
04911476	1967	WINDSHIELD WIPER MOTOR 2-Speed, 3-Terminal Type Motor	\$92.00	N
44609	1967	WINDSHIELD WIPER MOTOR 2-Speed, 4-Terminal Type Motor Note: This Can Be Used In Place Of The 3-Terminal Motor. The 4th Terminal Is A Keyed Hot From Wiper Fuse In Fuse Box And May Or May Not Be Used In Some Applications.	\$106.00	N
WINDSHIELD WIPER SWITCH				
01993541	1962	WINDSHIELD WIPER SWITCH Single Speed, With Washer	\$45.00	
01993541	1963	WINDSHIELD WIPER SWITCH Single Speed, With Washer	\$45.00	
01993584	1963	WINDSHIELD WIPER SWITCH Two Speed, With Washer	\$52.00	
01993541	1964	WINDSHIELD WIPER SWITCH Single Speed, With Washer	\$45.00	
01993584	1964	WINDSHIELD WIPER SWITCH Two Speed, With Washer	\$52.00	
01993680	1965	WINDSHIELD WIPER SWITCH Single Speed, With Washer	\$52.00	
01993679	1965	WINDSHIELD WIPER SWITCH 2 Speed, With Washer	\$52.00	
01993680	1966	WINDSHIELD WIPER SWITCH Single Speed, With Washer	\$52.00	
01993679	1966	WINDSHIELD WIPER SWITCH 2 Speed, With Washer	\$52.00	
01993395	1967	WINDSHIELD WIPER SWITCH	\$35.00	
01993395	1968	WINDSHIELD WIPER SWITCH	\$35.00	
01993464	1969	WINDSHIELD WIPER SWITCH	\$35.00	
01993464	1970	WINDSHIELD WIPER SWITCH	\$35.00	
01993464	1971	WINDSHIELD WIPER SWITCH	\$35.00	
01994180	1972	WINDSHIELD WIPER SWITCH	\$46.00	
01994180	1973	WINDSHIELD WIPER SWITCH	\$46.00	
01994180	1974	WINDSHIELD WIPER SWITCH	\$46.00	
WIPER MOTOR HARNESS				
36113	1962	WIPER MOTOR HARNESS 2 Speed	\$38.00	
20045	1963	WIPER MOTOR HARNESS 2 Speed Wiper & Washer	\$38.00	
36114	1964	WIPER MOTOR HARNESS 2 Speed	\$32.00	
30175	1965	WIPER MOTOR HARNESS 2 Speed Wipers	\$32.00	
30175	1966	WIPER MOTOR HARNESS 2 Speed Wipers	\$32.00	