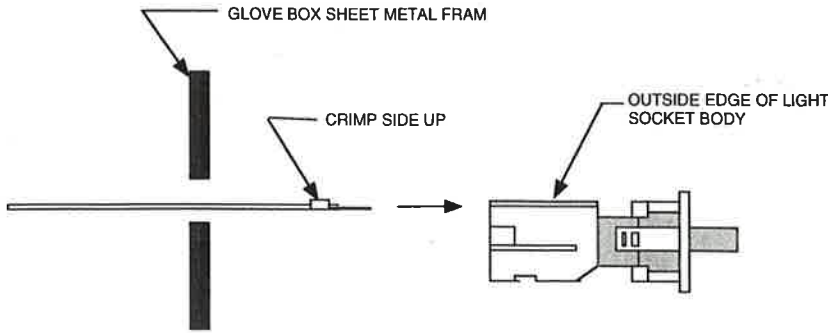


Route terminal and wire through hole in glove box frame. Position the wire and glove box light assembly as shown below. Insert terminal into glove box light socket with the wire crimp up towards the outside edge of the light socket.

PART #:

23190



Insert a bulb into the light socket and press the assembly into the hole to lock it in sheet metal frame.
Plug the other end of wire into a free POWER TERMINAL on the fuse panel.

PART #: 23190

DESC: GLOVE BOX LIGHT TRUCK

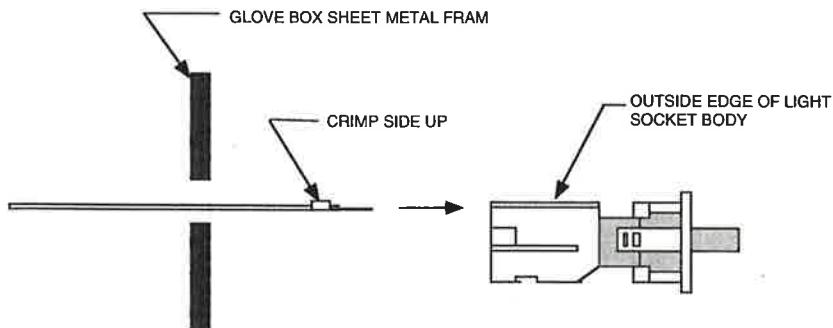
© 1998
23190

Rev 0 11/30/98
Instruction part number 92964513

Route terminal and wire through hole in glove box frame. Position the wire and glove box light assembly as shown below. Insert terminal into glove box light socket with the wire crimp up towards the outside edge of the light socket.

PART #:

23190



Insert a bulb into the light socket and press the assembly into the hole to lock it in sheet metal frame.
Plug the other end of wire into a free POWER TERMINAL on the fuse panel.

PART #: 23190

DESC: GLOVE BOX LIGHT TRUCK

© 1998
23190

Rev 0 11/30/98
Instruction part number 92964513

92964513