



Electrical Restoration Products

Master Catalog

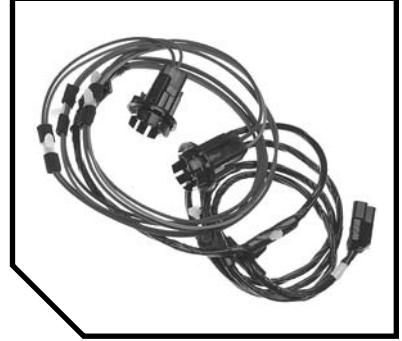
Phone 562.926.9552

Fax 562.926.9572

sparky@wiringharness.com

www.wiringharness.com

WIRING HARNESSES



BATTERY CABLES



SWITCHES



Buy with Confidence !

Made in the U.S.A.

All of our harnesses are hand assembled in the U.S.A.

Correct Color Wires

Our harnesses always match the original factory color codes and gauge sizes. We use U.S.A. made Cross Linked Polyethylene type GXL wire which is much more tolerant to heat than the original PVC type GPT wire that was used from the factory.

Dip Soldered (when applicable)

All terminals are dip soldered (when applicable) to limit resistance loss.

Correct Connectors & Terminals

With over 300,000 connectors and terminals in stock you can be sure the harness you receive will look identical to the original.

Correct Non-Adhesive & Cloth Tapes

All harnesses are wrapped with the correct non-adhesive or cloth woven tapes to assure a 100% factory appearance.

Technical Support

We don't expect our customers to be "wiring-wizards", you can call us direct with any technical questions you may have.

Custom Modifications

Custom modifications are available to allow you to convert from an external regulated alternator to an internal regulated alternator. This modification is available for most '63 and up GM cars and trucks. We can also convert many of our engine harnesses to work with H.E.I. distributors and electric chokes. Our modifications retain the factory appearance. Call our Customer Service Department for more details.

Reproduction Switches

We manufacture an extensive line of reproduction switches. These include Turn Signal, Backup Light, Neutral Safety, Wiper, Headlight Switches and others. As with all of our restoration products our switches will fit and function perfectly, just like the originals.

Guarantee & Warranty

We are so confident in the quality of all of our restoration products that we offer the following guarantee and warranty. If you are not 100% satisfied with the quality of any of our restoration products we will give you a full refund. Just return the unused item within 30 days of receipt for a full refund. We also offer a full 1 year replacement warranty on all of the products we sell (see our product warranty sheet for more info).

Method of Payment

We accept Visa, Master Card, American Express and Discover. If you prefer to pre-pay your order, we accept Money Orders, Cashiers Checks or Personal Checks.

LIGHTING KITS



1 WIRE IGNITION



HARNESS TAPE



"M&H Harnesses are perfect reproductions created with correct color wires from Original GM wiring schematics".

**MUSCLECAR ENTHUSIAST
MAGAZINE**

www.wiringharness.com

How to Reach Us

Normal Business Hours:

Monday - Friday 7:00 AM to 4:30 PM PST

We are closed weekends & most major holidays

Dealer Order Line

562.926.9552

24 Hour Fax Order Line

562.926.9572

Tech Support Line

562.926.9562

e-mail:

sparky@wiringharness.com

Website:

www.wiringharness.com

Mailing & Shipping Address:

M&H Electric Fabricators, Inc.

13537 Alondra Blvd.

Santa Fe Springs, CA 90670 USA

*** An RMA (Return Material Authorization) is required before making any returns.**

Requests for catalogs in electronic format such as Excel or Adobe Acrobat should be e-mailed to dave@wiringharness.com

Table of Contents

Section 1	AMC	Section 12	Corvette
Section 2	Buick Passenger	Section 13	Cutlass/4-4-2/F-85
Section 3	Cadillac	Section 14	Impala/Bel Air/58-63 El Camino
Section 4	Camaro	Section 15	Firebird
Section 5	Chevelle/El Camino/ Monte Carlo	Section 16	GMC Truck
Section 6	Chevy II/Nova	Section 17	GTO/Le Mans/Tempest
Section 7	Chevy Passenger	Section 18	Oldsmobile Passenger
Section 8	Chevy Truck	Section 19	Pontiac Fullsize/ Grand Prix
Section 9	Chrysler Products <i>(Non-Exclusive, Available to All Customers)</i>	Section 20	Skylark/Special/GS
Section 10	Chrysler Products <i>(Distributed Exclusively by Year One Inc.)</i>	Section 21	Wire & Components
Section 11	Corvair	Section 22	Product Announcements & Technical Bulletins

GM®, Buick®, Cadillac®, Chevrolet®, GMC®, Pontiac® and Oldsmobile® vehicle names are registered trademarks of the General Motors Corporation and are used in this catalog for reference and identification purposes only. Items in this catalog are sold without sponsorship or endorsement of the General Motors Corporation.

MOPAR®, JEEP®, DODGE®, HEMI®, PLYMOUTH®, RAM®, SRT®, CHRYSLER® and related logos, vehicle model names and trade dress are trademarks of Fiat Chrysler Automobiles used under license. © 2023 Fiat Chrysler Automobiles

Section 1

AMC

Part Number	Year	Description	Price	*Rev.
AIR CONDITIONING HARNESS				
43912	1968	AIR CONDITIONING HARNESS AMX & Javelin, Includes Heater Wiring	\$198.00	
43912	1969	AIR CONDITIONING HARNESS AMX & Javelin, Includes Heater Wiring	\$198.00	
43912	1970	AIR CONDITIONING HARNESS AMX & Javelin, Includes Heater Wiring	\$198.00	
BACKUP LAMP HARNESS				
40068	1969	BACKUP LAMP HARNESS Manual Trans	\$53.00	
40067	1970	BACKUP LAMP HARNESS Manual Trans	\$53.00	
40067	1971	BACKUP LAMP HARNESS Manual Trans	\$53.00	
BREAKERLESS SE SINGLE WIRE ELECTRONIC IGNITION				
38131	1965	BREAKERLESS SE SINGLE WIRE ELECTRONIC IGNITION KIT For 1957-74 Breaker Point Distributors With Windowed Type Distributor Cap	\$179.00	
38131	1966	BREAKERLESS SE SINGLE WIRE ELECTRONIC IGNITION KIT For 1957-74 Breaker Point Distributors With Windowed Type Distributor Cap	\$179.00	
38131	1967	BREAKERLESS SE SINGLE WIRE ELECTRONIC IGNITION KIT For 1957-74 Breaker Point Distributors With Windowed Type Distributor Cap	\$179.00	
38131	1968	BREAKERLESS SE SINGLE WIRE ELECTRONIC IGNITION KIT For 1957-74 Breaker Point Distributors With Windowed Type Distributor Cap	\$179.00	
38131	1969	BREAKERLESS SE SINGLE WIRE ELECTRONIC IGNITION KIT For 1957-74 Breaker Point Distributors With Windowed Type Distributor Cap	\$179.00	
38131	1970	BREAKERLESS SE SINGLE WIRE ELECTRONIC IGNITION KIT For 1957-74 Breaker Point Distributors With Windowed Type Distributor Cap	\$179.00	
38131	1971	BREAKERLESS SE SINGLE WIRE ELECTRONIC IGNITION KIT For 1957-74 Breaker Point Distributors With Windowed Type Distributor Cap	\$179.00	
38131	1972	BREAKERLESS SE SINGLE WIRE ELECTRONIC IGNITION KIT For 1957-74 Breaker Point Distributors With Windowed Type Distributor Cap	\$179.00	
38131	1973	BREAKERLESS SE SINGLE WIRE ELECTRONIC IGNITION KIT For 1957-74 Breaker Point Distributors With Windowed Type Distributor Cap	\$179.00	
38131	1974	BREAKERLESS SE SINGLE WIRE ELECTRONIC IGNITION KIT For 1957-74 Breaker Point Distributors With Windowed Type Distributor Cap	\$179.00	
BULKHEAD CONNECTOR MOUNTING BUSHING				
03197998	1970	BULKHEAD CONNECTOR MOUNTING BUSHING This Plastic Bushing Installs Into The Dash Harness Bulkhead Connector Allowing It To Be Attached To The Firewall, 2 Required Note: Used on vehicles when fuse block does not attach directly to bulkhead connector.	\$18.00	N
03197998	1971	BULKHEAD CONNECTOR MOUNTING BUSHING This Plastic Bushing Installs Into The Dash Harness Bulkhead Connector Allowing It To Be Attached To The Firewall, 2 Required Note: Used on vehicles when fuse block does not attach directly to bulkhead connector.	\$18.00	N
03197998	1972	BULKHEAD CONNECTOR MOUNTING BUSHING This Plastic Bushing Installs Into The Dash Harness Bulkhead Connector Allowing It To Be Attached To The Firewall, 2 Required Note: Used on vehicles when fuse block does not attach directly to bulkhead connector.	\$18.00	N
03197998	1973	BULKHEAD CONNECTOR MOUNTING BUSHING This Plastic Bushing Installs Into The Dash Harness Bulkhead Connector Allowing It To Be Attached To The Firewall, 2 Required Note: Used on vehicles when fuse block does not attach directly to bulkhead connector.	\$18.00	N
03197998	1974	BULKHEAD CONNECTOR MOUNTING BUSHING This Plastic Bushing Installs Into The Dash Harness Bulkhead Connector Allowing It To Be Attached To The Firewall, 2 Required Note: Used on vehicles when fuse block does not attach directly to bulkhead connector.	\$18.00	N
03197998	1975	BULKHEAD CONNECTOR MOUNTING BUSHING This Plastic Bushing Installs Into The Dash Harness Bulkhead Connector Allowing It To Be Attached To The Firewall, 2 Required Note: Used on vehicles when fuse block does not attach directly to bulkhead connector.	\$18.00	N
03197998	1976	BULKHEAD CONNECTOR MOUNTING BUSHING This Plastic Bushing Installs Into The Dash Harness Bulkhead Connector Allowing It To Be Attached To The Firewall, 2 Required Note: Used on vehicles when fuse block does not attach directly to bulkhead connector.	\$18.00	N

Part Number	Year	Description	Price	*Rev.
03197998	1977	BULKHEAD CONNECTOR MOUNTING BUSHING This Plastic Bushing Installs Into The Dash Harness Bulkhead Connector Allowing It To Be Attached To The Firewall, 2 Required Note: Used on vehicles when fuse block does not attach directly to bulkhead connector.	\$18.00	N
03197998	1978	BULKHEAD CONNECTOR MOUNTING BUSHING This Plastic Bushing Installs Into The Dash Harness Bulkhead Connector Allowing It To Be Attached To The Firewall, 2 Required Note: Used on vehicles when fuse block does not attach directly to bulkhead connector.	\$18.00	N
03197998	1979	BULKHEAD CONNECTOR MOUNTING BUSHING This Plastic Bushing Installs Into The Dash Harness Bulkhead Connector Allowing It To Be Attached To The Firewall, 2 Required Note: Used on vehicles when fuse block does not attach directly to bulkhead connector.	\$18.00	N
03197998	1980	BULKHEAD CONNECTOR MOUNTING BUSHING This Plastic Bushing Installs Into The Dash Harness Bulkhead Connector Allowing It To Be Attached To The Firewall, 2 Required Note: Used on vehicles when fuse block does not attach directly to bulkhead connector.	\$18.00	N
03197998	1981	BULKHEAD CONNECTOR MOUNTING BUSHING This Plastic Bushing Installs Into The Dash Harness Bulkhead Connector Allowing It To Be Attached To The Firewall, 2 Required Note: Used on vehicles when fuse block does not attach directly to bulkhead connector.	\$18.00	N
03197998	1982	BULKHEAD CONNECTOR MOUNTING BUSHING This Plastic Bushing Installs Into The Dash Harness Bulkhead Connector Allowing It To Be Attached To The Firewall, 2 Required Note: Used on vehicles when fuse block does not attach directly to bulkhead connector.	\$18.00	N
03197998	1983	BULKHEAD CONNECTOR MOUNTING BUSHING This Plastic Bushing Installs Into The Dash Harness Bulkhead Connector Allowing It To Be Attached To The Firewall, 2 Required Note: Used on vehicles when fuse block does not attach directly to bulkhead connector.	\$18.00	N
CARGO AREA LAMP HARNESS				
38899	1970	CARGO AREA LAMP HARNESS Ambassador And Rebel Wagons, Late Production Cars With Plastic Dome Lamp Housing	\$34.00	
38899	1971	CARGO AREA LAMP HARNESS Ambassador And Matador Wagon	\$34.00	
38899	1972	CARGO AREA LAMP HARNESS Ambassador And Matador Wagon	\$34.00	
38899	1973	CARGO AREA LAMP HARNESS Ambassador And Matador Wagon	\$34.00	
38899	1974	CARGO AREA LAMP HARNESS Ambassador And Matador Wagon	\$34.00	
CENTER DOME LAMP HARNESS				
33665	1967	CENTER DOME LAMP HARNESS American, 2 & 4 Door Sedan & Wagon	\$40.00	
33665	1968	CENTER DOME LAMP HARNESS American, 2 & 4 Door Sedan & Wagon	\$40.00	
33665	1969	CENTER DOME LAMP HARNESS American, 2 & 4 Door Sedan & Wagon	\$40.00	
33665	1970	CENTER DOME LAMP HARNESS Ambassador And Rebel Except Hardtop, early production cars with metal dome lamp housing	\$40.00	
38898	1970	CENTER DOME LAMP HARNESS Ambassador And Rebel Except Hardtop, Late Production Cars With Plastic Dome Lamp Housing	\$40.00	
38898	1970	CENTER DOME LAMP HARNESS Gremlin	\$40.00	
38897	1970	CENTER DOME LAMP HARNESS Hornet 2 And 4 Door Sedans	\$40.00	
38898	1971	CENTER DOME LAMP HARNESS Ambassador	\$40.00	
38898	1971	CENTER DOME LAMP HARNESS Gremlin	\$40.00	
38897	1971	CENTER DOME LAMP HARNESS Hornet 2 And 4 Door Sedans	\$40.00	
38903	1971	CENTER DOME LAMP HARNESS Hornet 4 Door Wagon	\$40.00	
38901	1971	CENTER DOME LAMP HARNESS Javelin, Javelin AMX	\$40.00	
38898	1971	CENTER DOME LAMP HARNESS Matador Except Hardtop	\$40.00	
38898	1972	CENTER DOME LAMP HARNESS Ambassador	\$40.00	
38898	1972	CENTER DOME LAMP HARNESS Gremlin	\$40.00	
38897	1972	CENTER DOME LAMP HARNESS Hornet 2 And 4 Door Sedans	\$40.00	
38903	1972	CENTER DOME LAMP HARNESS Hornet 4 Door Wagon	\$40.00	
38901	1972	CENTER DOME LAMP HARNESS Javelin, Javelin AMX	\$40.00	
38898	1972	CENTER DOME LAMP HARNESS Matador Except Hardtop	\$40.00	

Part Number	Year	Description	Price	*Rev.
38898	1973	CENTER DOME LAMP HARNESS Ambassador	\$40.00	
38898	1973	CENTER DOME LAMP HARNESS Gremlin	\$40.00	
38897	1973	CENTER DOME LAMP HARNESS Hornet 2 And 4 Door Sedans	\$40.00	
38903	1973	CENTER DOME LAMP HARNESS Hornet 4 Door Hatchback & 4 Door Wagon	\$40.00	
38901	1973	CENTER DOME LAMP HARNESS Javelin, Javelin AMX	\$40.00	
38898	1973	CENTER DOME LAMP HARNESS Matador Except Hardtop	\$40.00	
38898	1974	CENTER DOME LAMP HARNESS Gremlin	\$40.00	
38897	1974	CENTER DOME LAMP HARNESS Hornet 2 And 4 Door Sedans	\$40.00	
38903	1974	CENTER DOME LAMP HARNESS Hornet 4 Door Hatchback & 4 Door Wagon	\$40.00	
38901	1974	CENTER DOME LAMP HARNESS Javelin, Javelin AMX	\$40.00	
38898	1974	CENTER DOME LAMP HARNESS Matador Except Hardtop	\$40.00	
38898	1975	CENTER DOME LAMP HARNESS Gremlin	\$40.00	
38897	1975	CENTER DOME LAMP HARNESS Hornet 2 And 4 Door Sedans	\$40.00	
38903	1975	CENTER DOME LAMP HARNESS Hornet 4 Door Hatchback & 4 Door Wagon	\$40.00	
38898	1975	CENTER DOME LAMP HARNESS Matador All Except 2 Door Coupe	\$40.00	
CHOKE WIRE				
38917	1973	CHOKE WIRE Matador, Javelin, Javelin AMX And Ambassador, 360 Or 401 Engines With 4 Barrel Carb	\$21.00	
38917	1974	CHOKE WIRE Matador, Javelin, Javelin AMX And Ambassador, 360 Or 401 Engines With 4 Barrel Carb	\$21.00	
38917	1975	CHOKE WIRE Matador, All	\$21.00	
CLOCK HARNESS				
40083	1968	CLOCK HARNESS AMX & Javelin, Fuse Panel To Clock	\$18.00	
40083	1969	CLOCK HARNESS AMX & Javelin, Fuse Panel To Clock	\$18.00	
40083	1970	CLOCK HARNESS AMX & Javelin, Fuse Panel To Clock	\$18.00	
CLOCK LAMP WIRE				
40111	1967	CLOCK LAMP WIRE All, Dash Harness Panel Lamp Connector To Clock	\$18.00	
40111	1968	CLOCK LAMP WIRE All, Dash Harness Panel Lamp Connector To Clock	\$18.00	
40111	1969	CLOCK LAMP WIRE All, Dash Harness Panel Lamp Connector To Clock	\$18.00	
40111	1970	CLOCK LAMP WIRE All, Dash Harness Panel Lamp Connector To Clock	\$18.00	
CONSOLE GEAR SELECTOR LAMP HARNESS				
40100	1967	CONSOLE GEAR SELECTOR LAMP HARNESS All, From Neutral Safety & Backup Lamp Switch Harness To Console Gear Select Indicator	\$40.00	
40100	1968	CONSOLE GEAR SELECTOR LAMP HARNESS All, From Neutral Safety & Backup Lamp Switch Harness To Console Gear Select Indicator	\$40.00	
40100	1969	CONSOLE GEAR SELECTOR LAMP HARNESS All, From Neutral Safety & Backup Lamp Switch Harness To Console Gear Select Indicator	\$40.00	
40100	1970	CONSOLE GEAR SELECTOR LAMP HARNESS All, From Neutral Safety & Backup Lamp Switch Harness To Console Gear Select Indicator	\$40.00	
CONSOLE LAMP HARNESS				
40082	1969	CONSOLE LAMP HARNESS AMX & Javelin	\$40.00	
40087	1970	CONSOLE LAMP HARNESS AMX & Javelin	\$40.00	
COURTESY LAMP HARNESS-UNDER DASH				
40098	1969	COURTESY LAMP HARNESS, UNDER DASH American, All	\$73.00	
40109	1969	COURTESY LAMP HARNESS, UNDER DASH AMX & Javelin	\$73.00	
DASH AND ENGINE COMPARTMENT HARNESS				
23250	1968	DASH AND ENGINE COMPARTMENT HARNESS AMX & Javelin, V/8, With 6 Terminals In The Ignition Switch Connector	\$649.00	

Part Number	Year	Description	Price	*Rev.
23265	1968	DASH AND ENGINE COMPARTMENT HARNESS AMX & Javelin, V/8, With 7 Terminals In The Ignition Switch Connector	\$649.00	
40074	1969	DASH AND ENGINE COMPARTMENT HARNESS Rambler American, V/8, All	\$649.00	
23270	1969	DASH AND ENGINE COMPARTMENT HARNESS AMX & Javelin, V/8	\$649.00	
23240	1970	DASH AND ENGINE COMPARTMENT HARNESS AMX & Javelin, V/8, Parking Lamp With 2-Wire Pin & Sleeve Molded Connector And 6 Wires At The Dash Side Of Rear Lamp	\$649.00	
40089	1970	DASH AND ENGINE COMPARTMENT HARNESS AMX & Javelin, V/8, Parking Lamp With 3-Wire 90 Degree Molded Type Connector And 6 Wires At The Dash Side Of Rear Lamp	\$649.00	
23260	1970	DASH AND ENGINE COMPARTMENT HARNESS AMX & Javelin, V/8, Parking Lamp With 2-Wire Pin & Sleeve Molded Connector And 7 Wires At The Dash Side Of Rear Lamp	\$649.00	
23245	1970	DASH AND ENGINE COMPARTMENT HARNESS AMX & Javelin, V/8, Parking Lamp With 3-Wire 90 Degree Molded Type Connector And 7 Wires At The Dash Side Of Rear Lamp	\$649.00	
40080	1970	DASH AND ENGINE COMPARTMENT HARNESS Rebel, V/8	\$649.00	
38299	1971	DASH AND ENGINE COMPARTMENT HARNESS Javelin & Javelin AMX, V/8, With 120 M.P.H. Speedometer	\$649.00	
23255	1971	DASH AND ENGINE COMPARTMENT HARNESS Javelin & Javelin AMX, V/8, With 140 M.P.H. Speedometer	\$649.00	
DASH HARNESS				
40116	1971	DASH HARNESS Hornet & Gremlin, 6 Cylinder & V/8, All Note: 6 Cylinder Items Are Not Returnable.	\$623.00	
38904	1972	DASH HARNESS Javelin & Javelin AMX, 6 Cylinder And V/8, With Warning Lights, Usually With 120 M.P.H. Speedometer, Without Seat Belt Note: Brake Light Switch Is Bracket Mounted. 6 Cylinder Items Are Not Returnable.	\$556.00	C
38909	1972	DASH HARNESS Javelin & Javelin AMX, 6 Cylinder And V/8, With Warning Lights, Usually With 120 M.P.H. Speedometer, Without Seat Belt Note: Brake Light Switch Is Push Rod Mounted. 6 Cylinder Items Are Not Returnable.	\$556.00	C
38911	1972	DASH HARNESS Javelin & Javelin AMX, 6 Cylinder And V/8, With Warning Lights, Usually With 120 M.P.H. Speedometer, With Seat Belt Warning, Note: Brake Light Switch Is Push Rod Mounted. 6 Cylinder Items Are Not Returnable.	\$556.00	C
38905	1972	DASH HARNESS Javelin & Javelin AMX, V/8, With Gauges, Usually With 140 M.P. H. Speedometer, Without Seat Belt Warning, Brake Light Switch Is Note: Brake Light Switch Is Bracket Mounted.	\$556.00	C
38910	1972	DASH HARNESS Javelin & Javelin AMX, V/8, With Gauges, Usually With 140 M.P. H. Speedometer, Without Seat Belt Warning, Brake Light Switch Is Note: Brake Light Switch Is Push Rod Mounted.	\$556.00	C
38912	1972	DASH HARNESS Javelin & Javelin AMX, V/8, With Gauges, Usually With 140 M.P. H. Speedometer, With Seat Belt Warning, Brake Light Switch Is Note: Brake Light Switch Is Push Rod Mounted.	\$556.00	C
38918	1973	DASH HARNESS Javelin & Javelin AMX, 6 Cylinder And V/8 With 120 M.P.H. Speedometer Note: 6 Cylinder Items Are Not Returnable.	\$556.00	
38919	1973	DASH HARNESS Javelin & Javelin AMX, V/8 With 140 M.P.H. Speedometer Note: With Ammeter Gauge.	\$556.00	
DOOR JAM SWITCH EXTENSION-FRONT				
40072	1967	DOOR JAM SWITCH EXTENSION-FRONT All, From Door Jam Switch To Courtesy Lamp Harness	\$40.00	
40072	1968	DOOR JAM SWITCH EXTENSION-FRONT All, From Door Jam Switch To Courtesy Lamp Harness	\$40.00	
40072	1969	DOOR JAM SWITCH EXTENSION-FRONT All, From Door Jam Switch To Courtesy Lamp Harness	\$40.00	
ENGINE AND FORWARD LAMP HARNESS				
40115	1971	ENGINE AND FORWARD LAMP HARNESS Hornet, V/8, All	\$596.00	
ENGINE HARNESS				
38906	1972	ENGINE HARNESS Javelin & Javelin AMX, V/8 With 120 M.P.H. Speedometer Without Seat Belt Warning	\$251.00	

Part Number	Year	Description	Price	*Rev.
38907	1972	ENGINE HARNESS Javelin & Javelin AMX, V/8 With 140 M.P.H. Speedometer Without Seat Belt Warning	\$251.00	
38913	1972	ENGINE HARNESS Javelin & Javelin AMX, V/8 With 120 M.P.H. Speedometer With Seat Bealt Warning	\$251.00	
38914	1972	ENGINE HARNESS Javelin & Javelin AMX, V/8 With 140 M.P.H. Speedometer With Seat Bealt Warning	\$251.00	
38915	1973	ENGINE HARNESS Javelin & Javelin AMX, V/8 With 120 M.P.H. Speedometer Note: With Warning Light.	\$264.00	
38916	1973	ENGINE HARNESS Javelin & Javelin AMX, V/8 With 140 M.P.H. Speedometer Note: With Ammeter Gauge.	\$264.00	
38920	1974	ENGINE HARNESS Javelin & Javelin AMX, V/8 With 120 M.P.H. Speedometer	\$264.00	
38921	1974	ENGINE HARNESS Javelin & Javelin AMX, V/8 With 140 M.P.H. Speedometer	\$264.00	
FORWARD LAMP HARNESS				
38908	1972	FORWARD LAMP HARNESS Javelin & Javelin AMX	\$279.00	
40091	1973	FORWARD LAMP HARNESS Javelin & Javelin AMX	\$279.00	
40118	1974	FORWARD LAMP HARNESS Javelin & Javelin AMX	\$279.00	
FRONT SIDE MARKER LAMP EXTENTION				
40105	1970	FRONT SIDE MARKER LAMP EXTENTION Ambassador & Rebel	\$41.00	
40106	1970	FRONT SIDE MARKER LAMP EXTENTION AMX, Gremlin, Hornet & Javelin	\$41.00	
GROUND WIRE				
40084	1967	GROUND WIRE All, Motor Mount To Crossmember	\$18.00	
40084	1968	GROUND WIRE All, Motor Mount To Crossmember	\$18.00	
40084	1969	GROUND WIRE All, Motor Mount To Crossmember	\$18.00	
40084	1970	GROUND WIRE All, Motor Mount To Crossmember	\$18.00	
40084	1971	GROUND WIRE All, Motor Mount To Crossmember	\$18.00	
40084	1972	GROUND WIRE All, Motor Mount To Crossmember	\$18.00	
40084	1973	GROUND WIRE All, Motor Mount To Crossmember	\$18.00	
40084	1974	GROUND WIRE All, Motor Mount To Crossmember	\$18.00	
40085	1975	GROUND WIRE All, Motor Mount To Crossmember	\$18.00	
40085	1976	GROUND WIRE All, Motor Mount To Crossmember	\$18.00	
40085	1977	GROUND WIRE 6 Cyl. Only (Except Pacer With 4 Spd. Trans) , Motor Mount To Crossmember Note: 6 Cylinder Items Are Not Returnable.	\$18.00	
40084	1977	GROUND WIRE V/8, Motor Mount To Crossmember	\$18.00	
40085	1978	GROUND WIRE 6 Cyl. Only (Except Pacer With 4 Spd. Trans) , Motor Mount To Crossmember Note: 6 Cylinder Items Are Not Returnable.	\$18.00	
40084	1978	GROUND WIRE V/8, Motor Mount To Crossmember	\$18.00	
40085	1979	GROUND WIRE 6 Cyl. Only (Except Pacer With 4 Spd. Trans) , Motor Mount To Crossmember Note: 6 Cylinder Items Are Not Returnable.	\$18.00	
40084	1979	GROUND WIRE V/8, Motor Mount To Crossmember	\$18.00	
40085	1980	GROUND WIRE 6 Cyl. Only (Except Pacer With 4 Spd. Trans) , Motor Mount To Crossmember Note: 6 Cylinder Items Are Not Returnable.	\$18.00	
40085	1981	GROUND WIRE 6 Cyl. Only (Except Pacer With 4 Spd. Trans) , Motor Mount To Crossmember Note: 6 Cylinder Items Are Not Returnable.	\$18.00	

Part Number	Year	Description	Price	*Rev.
HARNESS TAPE				
R0058272	1965	HARNESS TAPE 3/4" Vinyl (100 Ft. Roll) Non-Adhesive	\$12.00	
R0058276	1965	HARNESS TAPE 1" Vinyl (100 Ft. Roll) Non-Adhesive	\$13.00	
R0067108	1965	HARNESS TAPE 1 1/4" Vinyl (100 Ft. Roll) Non-Adhesive	\$15.00	
R0058272	1966	HARNESS TAPE 3/4" Vinyl (100 Ft. Roll) Non-Adhesive	\$12.00	
R0058276	1966	HARNESS TAPE 1" Vinyl (100 Ft. Roll) Non-Adhesive	\$13.00	
R0067108	1966	HARNESS TAPE 1 1/4" Vinyl (100 Ft. Roll) Non-Adhesive	\$15.00	
R0058272	1967	HARNESS TAPE 3/4" Vinyl (100 Ft. Roll) Non-Adhesive	\$12.00	
R0058276	1967	HARNESS TAPE 1" Vinyl (100 Ft. Roll) Non-Adhesive	\$13.00	
R0067108	1967	HARNESS TAPE 1 1/4" Vinyl (100 Ft. Roll) Non-Adhesive	\$15.00	
R0058272	1968	HARNESS TAPE 3/4" Vinyl (100 Ft. Roll) Non-Adhesive	\$12.00	
R0058276	1968	HARNESS TAPE 1" Vinyl (100 Ft. Roll) Non-Adhesive	\$13.00	
R0067108	1968	HARNESS TAPE 1 1/4" Vinyl (100 Ft. Roll) Non-Adhesive	\$15.00	
R0058272	1969	HARNESS TAPE 3/4" Vinyl (100 Ft. Roll) Non-Adhesive	\$12.00	
R0058276	1969	HARNESS TAPE 1" Vinyl (100 Ft. Roll) Non-Adhesive	\$13.00	
R0067108	1969	HARNESS TAPE 1 1/4" Vinyl (100 Ft. Roll) Non-Adhesive	\$15.00	
R0058272	1970	HARNESS TAPE 3/4" Vinyl (100 Ft. Roll) Non-Adhesive	\$12.00	
R0058276	1970	HARNESS TAPE 1" Vinyl (100 Ft. Roll) Non-Adhesive	\$13.00	
R0067108	1970	HARNESS TAPE 1 1/4" Vinyl (100 Ft. Roll) Non-Adhesive	\$15.00	
R0058272	1971	HARNESS TAPE 3/4" Vinyl (100 Ft. Roll) Non-Adhesive	\$12.00	
R0058276	1971	HARNESS TAPE 1" Vinyl (100 Ft. Roll) Non-Adhesive	\$13.00	
R0067108	1971	HARNESS TAPE 1 1/4" Vinyl (100 Ft. Roll) Non-Adhesive	\$15.00	
R0058272	1972	HARNESS TAPE 3/4" Vinyl (100 Ft. Roll) Non-Adhesive	\$12.00	
R0058276	1972	HARNESS TAPE 1" Vinyl (100 Ft. Roll) Non-Adhesive	\$13.00	
R0067108	1972	HARNESS TAPE 1 1/4" Vinyl (100 Ft. Roll) Non-Adhesive	\$15.00	
R0058272	1973	HARNESS TAPE 3/4" Vinyl (100 Ft. Roll) Non-Adhesive	\$12.00	
R0058276	1973	HARNESS TAPE 1" Vinyl (100 Ft. Roll) Non-Adhesive	\$13.00	
R0067108	1973	HARNESS TAPE 1 1/4" Vinyl (100 Ft. Roll) Non-Adhesive	\$15.00	
R0058272	1974	HARNESS TAPE 3/4" Vinyl (100 Ft. Roll) Non-Adhesive	\$12.00	
R0058276	1974	HARNESS TAPE 1" Vinyl (100 Ft. Roll) Non-Adhesive	\$13.00	
R0067108	1974	HARNESS TAPE 1 1/4" Vinyl (100 Ft. Roll) Non-Adhesive	\$15.00	
R0058272	1975	HARNESS TAPE 3/4" Vinyl (100 Ft. Roll) Non-Adhesive	\$12.00	
R0058276	1975	HARNESS TAPE 1" Vinyl (100 Ft. Roll) Non-Adhesive	\$13.00	
R0067108	1975	HARNESS TAPE 1 1/4" Vinyl (100 Ft. Roll) Non-Adhesive	\$15.00	
HEATER CONTROL PANEL LAMP WIRE				
40112	1968	HEATER CONTROL PANEL LAMP WIRE Ambassador, AMX, Javelin & Rebel. Dash Harness Panel Lamp Connector To Heater Control Panel	\$21.00	
40112	1969	HEATER CONTROL PANEL LAMP WIRE Ambassador, AMX, Javelin & Rebel. Dash Harness Panel Lamp Connector To Heater Control Panel	\$21.00	
40112	1970	HEATER CONTROL PANEL LAMP WIRE Ambassador, AMX, Javelin & Rebel. Dash Harness Panel Lamp Connector To Heater Control Panel	\$21.00	
INSTRUMENT VOLTAGE REGULATOR				
39549	1965	INSTRUMENT VOLTAGE REGULATOR Classic	\$58.00	
39549	1966	INSTRUMENT VOLTAGE REGULATOR American & Classic	\$58.00	
39549	1967	INSTRUMENT VOLTAGE REGULATOR Marlin, Matador & Rebel	\$58.00	
39549	1968	INSTRUMENT VOLTAGE REGULATOR AMX, Javelin, Matador & Rebel	\$58.00	
39549	1969	INSTRUMENT VOLTAGE REGULATOR AMX, Javelin, Matador & Rebel	\$58.00	

Part Number	Year	Description	Price	*Rev.
39549	1970	INSTRUMENT VOLTAGE REGULATOR AMX, Javelin, Matador & Rebel	\$58.00	
39549	1971	INSTRUMENT VOLTAGE REGULATOR Matador	\$58.00	
39549	1972	INSTRUMENT VOLTAGE REGULATOR Matador	\$58.00	
39549	1973	INSTRUMENT VOLTAGE REGULATOR Matador	\$58.00	
39549	1974	INSTRUMENT VOLTAGE REGULATOR Matador	\$58.00	
39549	1975	INSTRUMENT VOLTAGE REGULATOR Matador	\$58.00	
39549	1976	INSTRUMENT VOLTAGE REGULATOR Matador	\$58.00	
39549	1977	INSTRUMENT VOLTAGE REGULATOR Matador	\$58.00	
39549	1978	INSTRUMENT VOLTAGE REGULATOR Matador	\$58.00	
KICKDOWN HARNESS				
40086	1967	KICKDOWN HARNESS Auto Trans, All	\$34.00	
40086	1968	KICKDOWN HARNESS Auto Trans, All	\$34.00	
40086	1969	KICKDOWN HARNESS Auto Trans, All	\$34.00	
40086	1970	KICKDOWN HARNESS Auto Trans, All	\$34.00	
40086	1971	KICKDOWN HARNESS Auto Trans, All	\$34.00	
LOW FUEL WARNING LAMP HARNESS				
38896	1970	LOW FUEL WARNING LAMP HARNESS All Models, With Lamp	\$74.00	
38902	1971	LOW FUEL WARNING LAMP HARNESS Javelin & Javelin AMX, Without Lamp	\$59.00	
NEUTRAL SAFETY AND BACKUP LAMP SWITCH HARNESS				
40110	1968	NEUTRAL SAFETY AND BACKUP LAMP SWITCH HARNESS AMX, Javelin	\$86.00	
40099	1970	NEUTRAL SAFETY AND BACKUP LAMP SWITCH HARNESS AMX, Javelin, With Floor Gear Shift	\$86.00	
40099	1971	NEUTRAL SAFETY AND BACKUP LAMP SWITCH HARNESS Javelin & Javelin AMX, With Floor Gear Shift	\$86.00	
PARKING BRAKE WARNING LAMP HARNESS				
40103	1967	PARKING BRAKE WARNING LAMP HARNESS Ambassador, Marlin & Rebel	\$66.00	
40101	1968	PARKING BRAKE WARNING LAMP HARNESS American, AMX, Javelin & Ambassador	\$66.00	
40101	1969	PARKING BRAKE WARNING LAMP HARNESS American, AMX, Javelin & Ambassador	\$66.00	
40103	1970	PARKING BRAKE WARNING LAMP HARNESS Ambassador, AMX, Hornet, Javelin & Rebel	\$66.00	
RALLY PAC FUSIBLE LINK				
40088	1968	RALLY PAC FUSIBLE LINK AMX & Javelin, With Rally Pac Gauges Note: Fusible Link Between Alternator "Batt" Terminal To 5/16 Stud On Junction Block.	\$21.00	
40088	1969	RALLY PAC FUSIBLE LINK AMX & Javelin, With Rally Pac Gauges Note: Fusible Link Between Alternator "Batt" Terminal To 5/16 Stud On Junction Block.	\$21.00	
40088	1970	RALLY PAC FUSIBLE LINK AMX & Javelin, With Rally Pac Gauges Note: Fusible Link Between Alternator "Batt" Terminal To 5/16 Stud On Junction Block.	\$21.00	
RALLY PAC GAUGE GROUND HARNESS				
40113	1968	RALLY PAC GAUGE GROUND HARNESS AMX, Javelin Note: Ground Harness From Rally Pac Gauges To Cigarette Lighter Ground Connector.	\$30.00	
40113	1969	RALLY PAC GAUGE GROUND HARNESS AMX, Javelin Note: Ground Harness From Rally Pac Gauges To Cigarette Lighter Ground Connector.	\$30.00	
40113	1970	RALLY PAC GAUGE GROUND HARNESS AMX, Javelin Note: Ground Harness From Rally Pac Gauges To Cigarette Lighter Ground Connector.	\$30.00	
RALLY PAC GAUGE HARNESS				
40070	1968	RALLY PAC GAUGE HARNESS AMX, Javelin	\$173.00	
33635	1969	RALLY PAC GAUGE HARNESS AMX, Javelin	\$173.00	
33625	1970	RALLY PAC GAUGE HARNESS AMX, Javelin	\$173.00	

Part Number	Year	Description	Price	*Rev.
RALLY PAC GAUGE LAMP HARNESS				
40114	1968	RALLY PAC GAUGE LAMP HARNESS AMX, Javelin Note: Lamp Harness From Gauges To Panel Lamp Connector, Includes Lamp Sockets.	\$33.00	
40114	1969	RALLY PAC GAUGE LAMP HARNESS AMX, Javelin Note: Lamp Harness From Gauges To Panel Lamp Connector, Includes Lamp Sockets.	\$33.00	
40114	1970	RALLY PAC GAUGE LAMP HARNESS AMX, Javelin Note: Lamp Harness From Gauges To Panel Lamp Connector, Includes Lamp Sockets.	\$33.00	
REAR LAMP HARNESS				
40073	1967	REAR LAMP HARNESS Rambler American, 2 Door Hardtop	\$272.00	
40078	1968	REAR LAMP HARNESS AMX	\$272.00	
40079	1968	REAR LAMP HARNESS Javelin	\$272.00	
40073	1968	REAR LAMP HARNESS Rambler American, 2 Door Hardtop	\$272.00	
40078	1969	REAR LAMP HARNESS AMX	\$272.00	
40079	1969	REAR LAMP HARNESS Javelin	\$272.00	
40073	1969	REAR LAMP HARNESS Rambler American, 2 Door Hardtop	\$272.00	
40069	1970	REAR LAMP HARNESS AMX	\$272.00	
40071	1970	REAR LAMP HARNESS Javelin	\$272.00	
40158	1970	REAR LAMP HARNESS Rebel 2 Door Note: (Type 1) Tail Lamp Housing Connector Inside Rubber Grommet.	\$272.00	
40157	1970	REAR LAMP HARNESS Rebel 2 Door Note: (Type 2) Tail Lamp Housing Connector Has 7 Inch Wire Harness Inside Trunk.	\$272.00	
40117	1971	REAR LAMP HARNESS Hornet, 2 Door & 4 Door	\$272.00	
40077	1971	REAR LAMP HARNESS Javelin & Javelin AMX	\$272.00	
40076	1972	REAR LAMP HARNESS Javelin & Javelin AMX	\$272.00	
40075	1973	REAR LAMP HARNESS Javelin & Javelin AMX	\$272.00	
40075	1974	REAR LAMP HARNESS Javelin & Javelin AMX	\$272.00	
REAR SIDE MARKER LAMP EXTENSION				
40104	1970	REAR SIDE MARKER LAMP EXTENSION Ambassador & Rebel 2 & 4 Door, AMX, Javelin & Gremlin	\$21.00	
STARTER CABLE				
44265	1967	STARTER CABLE American, Rebel, Marlin, Ambassador, Starter Solenoid To Starter Motor	\$66.00	N
44265	1968	STARTER CABLE American, Rebel, Ambassador, Starter Solenoid To Starter Motor	\$66.00	N
44265	1969	STARTER CABLE Rambler American, Rebel, Starter Solenoid To Starter Motor	\$66.00	N
40102	1970	STARTER CABLE Ambassador, AMX, Javelin & Rebel. V/8, Starter Solenoid To Starter Motor	\$66.00	
40102	1973	STARTER CABLE Ambassador, Javelin, Javelin AMX & Matador. V/8, Starter Solenoid To Starter Motor	\$66.00	
TACHOMETER HARNESS				
39659	1968	TACHOMETER HARNESS Javelin, AMX	\$79.00	
39660	1969	TACHOMETER HARNESS Javelin, AMX	\$79.00	
39661	1969	TACHOMETER HARNESS Rambler, SC (With Sun ST635 Tachometer)	\$86.00	
39660	1970	TACHOMETER HARNESS Javelin, AMX	\$79.00	
39662	1970	TACHOMETER HARNESS Rebel Machine	\$86.00	
38900	1971	TACHOMETER HARNESS Hornet, Sc-360	\$79.00	
39663	1971	TACHOMETER HARNESS Javelin & Javelin AMX	\$79.00	
39663	1972	TACHOMETER HARNESS Javelin & Javelin AMX	\$79.00	
39663	1973	TACHOMETER HARNESS Javelin & Javelin AMX	\$79.00	

AMC



Phone (562) 926-9552
Fax (562) 926-9572

Part Number	Year	Description	Price	*Rev.
39663	1974	TACHOMETER HARNESS Javelin & Javelin AMX	\$79.00	
TURN SIGNAL SWITCH				
01893592	1968	TURN SIGNAL SWITCH All Models With Manual Trans Or Floor Shift Auto Trans With Hazard Lamp In Low Position Note: This Is A Service Part, Adapter Pigtail Included And Is Required For Some Applications.	\$58.00	
01893592	1969	TURN SIGNAL SWITCH All Models With Manual Trans Or Floor Shift Auto Trans With Hazard Lamp In Low Position Note: This Is A Service Part, Adapter Pigtail Included And Is Required For Some Applications.	\$58.00	

Section 2

Buick Passenger

Part Number	Year	Description	Price	*Rev.
ALTERNATOR CONVERSION KIT				
27555	1963	ALTERNATOR CONVERSION KIT External To Internal Regulator Conversion Harness ("SI" Series) Note: For Use With 1972-84 Non-Serpentine Belt ("SI" Series) Internal Regulated Alternators.	\$29.00	
37787	1963	ALTERNATOR CONVERSION KIT External To Internal Regulator Conversion Harness ("CS" Series) Note: For Use With Serpentine Belt ("CS" Series) Internal Regulated Alternators.	\$34.00	
27555	1964	ALTERNATOR CONVERSION KIT External To Internal Regulator Conversion Harness ("SI" Series) Note: For Use With 1972-84 Non-Serpentine Belt ("SI" Series) Internal Regulated Alternators.	\$29.00	
37787	1964	ALTERNATOR CONVERSION KIT External To Internal Regulator Conversion Harness ("CS" Series) Note: For Use With Serpentine Belt ("CS" Series) Internal Regulated Alternators.	\$34.00	
27555	1965	ALTERNATOR CONVERSION KIT External To Internal Regulator Conversion Harness ("SI" Series) Note: For Use With 1972-84 Non-Serpentine Belt ("SI" Series) Internal Regulated Alternators.	\$29.00	
37787	1965	ALTERNATOR CONVERSION KIT External To Internal Regulator Conversion Harness ("CS" Series) Note: For Use With Serpentine Belt ("CS" Series) Internal Regulated Alternators.	\$34.00	
27555	1966	ALTERNATOR CONVERSION KIT External To Internal Regulator Conversion Harness ("SI" Series) Note: For Use With 1972-84 Non-Serpentine Belt ("SI" Series) Internal Regulated Alternators.	\$29.00	
37787	1966	ALTERNATOR CONVERSION KIT External To Internal Regulator Conversion Harness ("CS" Series) Note: For Use With Serpentine Belt ("CS" Series) Internal Regulated Alternators.	\$34.00	
27555	1967	ALTERNATOR CONVERSION KIT External To Internal Regulator Conversion Harness ("SI" Series) Note: For Use With 1972-84 Non-Serpentine Belt ("SI" Series) Internal Regulated Alternators.	\$29.00	
37787	1967	ALTERNATOR CONVERSION KIT External To Internal Regulator Conversion Harness ("CS" Series) Note: For Use With Serpentine Belt ("CS" Series) Internal Regulated Alternators.	\$34.00	
27555	1968	ALTERNATOR CONVERSION KIT External To Internal Regulator Conversion Harness ("SI" Series) Note: For Use With 1972-84 Non-Serpentine Belt ("SI" Series) Internal Regulated Alternators.	\$29.00	
37787	1968	ALTERNATOR CONVERSION KIT External To Internal Regulator Conversion Harness ("CS" Series) Note: For Use With Serpentine Belt ("CS" Series) Internal Regulated Alternators.	\$34.00	
27555	1969	ALTERNATOR CONVERSION KIT External To Internal Regulator Conversion Harness ("SI" Series) Note: For Use With 1972-84 Non-Serpentine Belt ("SI" Series) Internal Regulated Alternators.	\$29.00	
37787	1969	ALTERNATOR CONVERSION KIT External To Internal Regulator Conversion Harness ("CS" Series) Note: For Use With Serpentine Belt ("CS" Series) Internal Regulated Alternators.	\$34.00	
27555	1970	ALTERNATOR CONVERSION KIT External To Internal Regulator Conversion Harness ("SI" Series) Note: For Use With 1972-84 Non-Serpentine Belt ("SI" Series) Internal Regulated Alternators.	\$29.00	
37787	1970	ALTERNATOR CONVERSION KIT External To Internal Regulator Conversion Harness ("CS" Series) Note: For Use With Serpentine Belt ("CS" Series) Internal Regulated Alternators.	\$34.00	
27555	1971	ALTERNATOR CONVERSION KIT External To Internal Regulator Conversion Harness ("SI" Series) Note: For Use With 1972-84 Non-Serpentine Belt ("SI" Series) Internal Regulated Alternators.	\$29.00	
37787	1971	ALTERNATOR CONVERSION KIT External To Internal Regulator Conversion Harness ("CS" Series) Note: For Use With Serpentine Belt ("CS" Series) Internal Regulated Alternators.	\$34.00	
27555	1972	ALTERNATOR CONVERSION KIT External To Internal Regulator Conversion Harness ("SI" Series) Note: For Use With 1972-84 Non-Serpentine Belt ("SI" Series) Internal Regulated Alternators.	\$29.00	
37787	1972	ALTERNATOR CONVERSION KIT External To Internal Regulator Conversion Harness ("CS" Series) Note: For Use With Serpentine Belt ("CS" Series) Internal Regulated Alternators.	\$34.00	
27555	1973	ALTERNATOR CONVERSION KIT External To Internal Regulator Conversion Harness ("SI" Series) Note: For Use With 1972-84 Non-Serpentine Belt ("SI" Series) Internal Regulated Alternators.	\$29.00	
37787	1973	ALTERNATOR CONVERSION KIT External To Internal Regulator Conversion Harness ("CS" Series) Note: For Use With Serpentine Belt ("CS" Series) Internal Regulated Alternators.	\$34.00	
27555	1974	ALTERNATOR CONVERSION KIT External To Internal Regulator Conversion Harness ("SI" Series) Note: For Use With 1972-84 Non-Serpentine Belt ("SI" Series) Internal Regulated Alternators.	\$29.00	
37787	1974	ALTERNATOR CONVERSION KIT External To Internal Regulator Conversion Harness ("CS" Series) Note: For Use With Serpentine Belt ("CS" Series) Internal Regulated Alternators.	\$34.00	

Part Number	Year	Description	Price	*Rev.
ASSEMBLY MANUAL				
42300	1962	ASSEMBLY MANUAL Factory Assembly Instruction Guide	\$32.00	
42301	1969	ASSEMBLY MANUAL Factory Assembly Instruction Guide Note: Contains Buick Fullsize & Riviera.	\$32.00	
36365	1970	ASSEMBLY MANUAL Factory Assembly Instruction Guide	\$32.00	
36367	1972	ASSEMBLY MANUAL Factory Assembly Instruction Guide	\$32.00	
42302	1973	ASSEMBLY MANUAL Factory Assembly Instruction Guide	\$32.00	
BATTERY CABLE JUMPER				
26870	1962	BATTERY CABLE JUMPER Pos, Junction Block To Starter, Electra	\$69.00	
26870	1962	BATTERY CABLE JUMPER Pos, Junction Block To Starter, Invicta	\$69.00	
26870	1962	BATTERY CABLE JUMPER Pos, Junction Block To Starter, Le Sabre	\$69.00	
31940	1963	BATTERY CABLE JUMPER Pos, Junction Block To Starter, All	\$69.00	
31930	1965	BATTERY CABLE JUMPER Pos, Junction Block To Starter, Electra	\$69.00	
31930	1965	BATTERY CABLE JUMPER Pos, Junction Block To Starter, Wildcat	\$69.00	
31930	1966	BATTERY CABLE JUMPER Pos, Junction Block To Starter, Electra	\$69.00	
31930	1966	BATTERY CABLE JUMPER Pos, Junction Block To Starter, Riviera	\$69.00	
31930	1966	BATTERY CABLE JUMPER Pos, Junction Block To Starter, Wildcat	\$69.00	
BATTERY CABLE-NEGATIVE				
31005	1954	BATTERY CABLE, TOP POST Neg, All	\$69.00	
31005	1955	BATTERY CABLE, TOP POST Neg, All	\$69.00	
31005	1956	BATTERY CABLE, TOP POST Neg, All	\$69.00	
31020	1957	BATTERY CABLE, TOP POST Neg, All	\$69.00	
31005	1958	BATTERY CABLE, TOP POST Neg, All	\$69.00	
31005	1959	BATTERY CABLE, TOP POST Neg, All	\$69.00	
31005	1960	BATTERY CABLE, TOP POST Neg, All	\$69.00	
31035	1961	BATTERY CABLE, TOP POST Neg, Electra	\$69.00	
31035	1961	BATTERY CABLE, TOP POST Neg, Invicta	\$69.00	
31035	1961	BATTERY CABLE, TOP POST Neg, Le Sabre	\$69.00	
31005	1962	BATTERY CABLE, TOP POST Neg, Electra	\$69.00	
31005	1962	BATTERY CABLE, TOP POST Neg, Invicta	\$69.00	
31005	1962	BATTERY CABLE, TOP POST Neg, Le Sabre	\$69.00	
31915	1963	BATTERY CABLE, TOP POST Neg, Riviera	\$69.00	
31910	1963	BATTERY CABLE, TOP POST Neg, Wildcat 425 C.I.	\$69.00	
04520	1964	BATTERY CABLE, SPRING RING Neg, Le Sabre (Except Wagon)	\$69.00	
05460	1965	BATTERY CABLE, SPRING RING Neg, Le Sabre	\$69.00	
05340	1966	BATTERY CABLE, SPRING RING Neg, Electra	\$69.00	
05340	1966	BATTERY CABLE, SPRING RING Neg, Le Sabre	\$69.00	
05340	1966	BATTERY CABLE, SPRING RING Neg, Riviera	\$69.00	
05340	1966	BATTERY CABLE, SPRING RING Neg, Wildcat	\$69.00	
BATTERY CABLE-POSITIVE				
31895	1953	BATTERY CABLE, TOP POST Pos, Battery To Junction Block	\$69.00	
31920	1963	BATTERY CABLE, TOP POST Pos, Battery To Junction Block, Riviera	\$69.00	
04205	1964	BATTERY CABLE, TOP POST Pos, Battery To Junction Block, Electra, Without HD Cooling	\$69.00	
31920	1964	BATTERY CABLE, TOP POST Pos, Battery To Junction Block, Riviera	\$69.00	
04205	1964	BATTERY CABLE, TOP POST Pos, Battery To Junction Block, Wildcat, Without HD Cooling	\$69.00	
31870	1965	BATTERY CABLE, TOP POST Pos, Battery To Junction Block, Electra	\$69.00	

Part Number	Year	Description	Price	*Rev.
23665	1965	BATTERY CABLE, SPRING RING Pos, Le Sabre	\$69.00	
31920	1965	BATTERY CABLE, TOP POST Pos, Battery To Junction Block, Riviera	\$69.00	
31870	1965	BATTERY CABLE, TOP POST Pos, Battery To Junction Block, Wildcat	\$69.00	
31890	1966	BATTERY CABLE, SPRING RING Pos, Electra	\$69.00	
23665	1966	BATTERY CABLE, SPRING RING Pos, Le Sabre	\$69.00	
31890	1966	BATTERY CABLE, SPRING RING Pos, Riviera	\$69.00	
31890	1966	BATTERY CABLE, SPRING RING Pos, Wildcat	\$69.00	
CIRCUIT BREAKER				
04849850	1962	CIRCUIT BREAKER, 40 AMP Power Seat, Windows & Tailgate Window	\$14.00	
04849850	1963	CIRCUIT BREAKER, 40 AMP Power Seat, Windows & Tailgate Window	\$14.00	
04849850	1965	CIRCUIT BREAKER, 40 AMP Power Seat & Windows	\$14.00	
COURTESY LAMP HARNESS				
41559	1960	COURTESY LAMP HARNESS Center Roof Mounted Dome Lamp, Lesabre 2 Door Hardtop, 2 & 4 Door Sedan	\$60.00	
41559	1960	COURTESY LAMP HARNESS Center Roof Mounted Dome Lamp, Invicta 2 Door Hardtop & 4 Door Sedan	\$60.00	
41559	1960	COURTESY LAMP HARNESS Center Roof Mounted Dome Lamp, Electra 4 Door Sedan	\$60.00	
32335	1960	COURTESY LAMP HARNESS Dual Overhead Lights, Electra 2 & 4 Door Hardtop And Electra 225 2 Door Hardtop	\$60.00	
08780	1961	COURTESY LAMP HARNESS Side Roof Rail Lamp, Electra 2 & 4 Door Hardtop	\$63.00	
08780	1962	COURTESY LAMP HARNESS Side Roof Rail Lamp, Electra 2 Door Hardtop	\$63.00	
06880	1965	COURTESY LAMP HARNESS Center Roof Mounted Dome Lamp, Lesabre And Wildcat 2 & 4 Door Hardtops	\$34.00	
06880	1965	COURTESY LAMP HARNESS Center Roof Mounted Dome Lamp, Lesabre And Wildcat 2 & 4 Door Hardtops	\$34.00	
HARNESS TAPE				
R0058272	1953	HARNESS TAPE 3/4" Vinyl (100 Ft. Roll) Non-Adhesive	\$12.00	
R0058276	1953	HARNESS TAPE 1" Vinyl (100 Ft. Roll) Non-Adhesive	\$13.00	
R0067108	1953	HARNESS TAPE 1 1/4" Vinyl (100 Ft. Roll) Non-Adhesive	\$15.00	
R0058272	1954	HARNESS TAPE 3/4" Vinyl (100 Ft. Roll) Non-Adhesive	\$12.00	
R0058276	1954	HARNESS TAPE 1" Vinyl (100 Ft. Roll) Non-Adhesive	\$13.00	
R0067108	1954	HARNESS TAPE 1 1/4" Vinyl (100 Ft. Roll) Non-Adhesive	\$15.00	
R0058272	1955	HARNESS TAPE 3/4" Vinyl (100 Ft. Roll) Non-Adhesive	\$12.00	
R0058276	1955	HARNESS TAPE 1" Vinyl (100 Ft. Roll) Non-Adhesive	\$13.00	
R0067108	1955	HARNESS TAPE 1 1/4" Vinyl (100 Ft. Roll) Non-Adhesive	\$15.00	
R0058272	1956	HARNESS TAPE 3/4" Vinyl (100 Ft. Roll) Non-Adhesive	\$12.00	
R0058276	1956	HARNESS TAPE 1" Vinyl (100 Ft. Roll) Non-Adhesive	\$13.00	
R0067108	1956	HARNESS TAPE 1 1/4" Vinyl (100 Ft. Roll) Non-Adhesive	\$15.00	
R0058272	1957	HARNESS TAPE 3/4" Vinyl (100 Ft. Roll) Non-Adhesive	\$12.00	
R0058276	1957	HARNESS TAPE 1" Vinyl (100 Ft. Roll) Non-Adhesive	\$13.00	
R0067108	1957	HARNESS TAPE 1 1/4" Vinyl (100 Ft. Roll) Non-Adhesive	\$15.00	
R0058272	1958	HARNESS TAPE 3/4" Vinyl (100 Ft. Roll) Non-Adhesive	\$12.00	
R0058276	1958	HARNESS TAPE 1" Vinyl (100 Ft. Roll) Non-Adhesive	\$13.00	
R0067108	1958	HARNESS TAPE 1 1/4" Vinyl (100 Ft. Roll) Non-Adhesive	\$15.00	
R0058272	1959	HARNESS TAPE 3/4" Vinyl (100 Ft. Roll) Non-Adhesive	\$12.00	
R0058276	1959	HARNESS TAPE 1" Vinyl (100 Ft. Roll) Non-Adhesive	\$13.00	
R0067108	1959	HARNESS TAPE 1 1/4" Vinyl (100 Ft. Roll) Non-Adhesive	\$15.00	
R0058272	1960	HARNESS TAPE 3/4" Vinyl (100 Ft. Roll) Non-Adhesive	\$12.00	

Part Number	Year	Description	Price	*Rev.
R0058276	1960	HARNESS TAPE 1" Vinyl (100 Ft. Roll) Non-Adhesive	\$13.00	
R0067108	1960	HARNESS TAPE 1 1/4" Vinyl (100 Ft. Roll) Non-Adhesive	\$15.00	
R0058272	1961	HARNESS TAPE 3/4" Vinyl (100 Ft. Roll) Non-Adhesive	\$12.00	
R0058276	1961	HARNESS TAPE 1" Vinyl (100 Ft. Roll) Non-Adhesive	\$13.00	
R0067108	1961	HARNESS TAPE 1 1/4" Vinyl (100 Ft. Roll) Non-Adhesive	\$15.00	
R0058272	1962	HARNESS TAPE 3/4" Vinyl (100 Ft. Roll) Non-Adhesive	\$12.00	
R0058276	1962	HARNESS TAPE 1" Vinyl (100 Ft. Roll) Non-Adhesive	\$13.00	
R0067108	1962	HARNESS TAPE 1 1/4" Vinyl (100 Ft. Roll) Non-Adhesive	\$15.00	
R0058272	1963	HARNESS TAPE 3/4" Vinyl (100 Ft. Roll) Non-Adhesive	\$12.00	
R0058276	1963	HARNESS TAPE 1" Vinyl (100 Ft. Roll) Non-Adhesive	\$13.00	
R0067108	1963	HARNESS TAPE 1 1/4" Vinyl (100 Ft. Roll) Non-Adhesive	\$15.00	
R0058272	1964	HARNESS TAPE 3/4" Vinyl (100 Ft. Roll) Non-Adhesive	\$12.00	
R0058276	1964	HARNESS TAPE 1" Vinyl (100 Ft. Roll) Non-Adhesive	\$13.00	
R0067108	1964	HARNESS TAPE 1 1/4" Vinyl (100 Ft. Roll) Non-Adhesive	\$15.00	
R0058272	1965	HARNESS TAPE 3/4" Vinyl (100 Ft. Roll) Non-Adhesive	\$12.00	
R0058276	1965	HARNESS TAPE 1" Vinyl (100 Ft. Roll) Non-Adhesive	\$13.00	
R0067108	1965	HARNESS TAPE 1 1/4" Vinyl (100 Ft. Roll) Non-Adhesive	\$15.00	
R0058272	1966	HARNESS TAPE 3/4" Vinyl (100 Ft. Roll) Non-Adhesive	\$12.00	
R0058276	1966	HARNESS TAPE 1" Vinyl (100 Ft. Roll) Non-Adhesive	\$13.00	
R0067108	1966	HARNESS TAPE 1 1/4" Vinyl (100 Ft. Roll) Non-Adhesive	\$15.00	
R0058272	1967	HARNESS TAPE 3/4" Vinyl (100 Ft. Roll) Non-Adhesive	\$12.00	
R0058276	1967	HARNESS TAPE 1" Vinyl (100 Ft. Roll) Non-Adhesive	\$13.00	
R0067108	1967	HARNESS TAPE 1 1/4" Vinyl (100 Ft. Roll) Non-Adhesive	\$15.00	
R0058272	1968	HARNESS TAPE 3/4" Vinyl (100 Ft. Roll) Non-Adhesive	\$12.00	
R0058276	1968	HARNESS TAPE 1" Vinyl (100 Ft. Roll) Non-Adhesive	\$13.00	
R0067108	1968	HARNESS TAPE 1 1/4" Vinyl (100 Ft. Roll) Non-Adhesive	\$15.00	
R0058272	1969	HARNESS TAPE 3/4" Vinyl (100 Ft. Roll) Non-Adhesive	\$12.00	
R0058276	1969	HARNESS TAPE 1" Vinyl (100 Ft. Roll) Non-Adhesive	\$13.00	
R0067108	1969	HARNESS TAPE 1 1/4" Vinyl (100 Ft. Roll) Non-Adhesive	\$15.00	
R0058272	1970	HARNESS TAPE 3/4" Vinyl (100 Ft. Roll) Non-Adhesive	\$12.00	
R0058276	1970	HARNESS TAPE 1" Vinyl (100 Ft. Roll) Non-Adhesive	\$13.00	
R0067108	1970	HARNESS TAPE 1 1/4" Vinyl (100 Ft. Roll) Non-Adhesive	\$15.00	
R0058272	1971	HARNESS TAPE 3/4" Vinyl (100 Ft. Roll) Non-Adhesive	\$12.00	
R0058276	1971	HARNESS TAPE 1" Vinyl (100 Ft. Roll) Non-Adhesive	\$13.00	
R0067108	1971	HARNESS TAPE 1 1/4" Vinyl (100 Ft. Roll) Non-Adhesive	\$15.00	
R0058272	1972	HARNESS TAPE 3/4" Vinyl (100 Ft. Roll) Non-Adhesive	\$12.00	
R0058276	1972	HARNESS TAPE 1" Vinyl (100 Ft. Roll) Non-Adhesive	\$13.00	
R0067108	1972	HARNESS TAPE 1 1/4" Vinyl (100 Ft. Roll) Non-Adhesive	\$15.00	
R0058272	1973	HARNESS TAPE 3/4" Vinyl (100 Ft. Roll) Non-Adhesive	\$12.00	
R0058276	1973	HARNESS TAPE 1" Vinyl (100 Ft. Roll) Non-Adhesive	\$13.00	
R0067108	1973	HARNESS TAPE 1 1/4" Vinyl (100 Ft. Roll) Non-Adhesive	\$15.00	
R0058272	1974	HARNESS TAPE 3/4" Vinyl (100 Ft. Roll) Non-Adhesive	\$12.00	
R0058276	1974	HARNESS TAPE 1" Vinyl (100 Ft. Roll) Non-Adhesive	\$13.00	
R0067108	1974	HARNESS TAPE 1 1/4" Vinyl (100 Ft. Roll) Non-Adhesive	\$15.00	
HEADLAMP DIMMER SWITCH				
01997023	1959	HEADLAMP DIMMER SWITCH Without Autronic Eye	\$16.00	N
01997023	1960	HEADLAMP DIMMER SWITCH Without Autronic Eye	\$16.00	N

Part Number	Year	Description	Price	*Rev.
IGNITION BALLAST RESISTOR				
01957154	1954	IGNITION BALLAST RESISTOR All	\$12.00	N
01957154	1955	IGNITION BALLAST RESISTOR All	\$12.00	N
01957154	1956	IGNITION BALLAST RESISTOR All	\$12.00	N
01957154	1957	IGNITION BALLAST RESISTOR All	\$12.00	N
01957154	1958	IGNITION BALLAST RESISTOR All	\$12.00	N
01957154	1959	IGNITION BALLAST RESISTOR All	\$12.00	N
IGNITION CYLINDER AND KEYS				
20071252	1969	IGNITION CYLINDER AND KEYS Chrome, Lesabre, Wildcat, Electra, Riviera	\$18.50	N
20071252	1970	IGNITION CYLINDER AND KEYS Chrome, Lesabre, Wildcat, Electra, Riviera	\$18.50	N
20071252	1971	IGNITION CYLINDER AND KEYS Chrome, Lesabre, Centurion, Electra, Riviera	\$18.50	N
20071252	1972	IGNITION CYLINDER AND KEYS Chrome, Lesabre, Centurion, Electra, Riviera	\$18.50	N
20071252	1973	IGNITION CYLINDER AND KEYS Chrome, Lesabre, Centurion, Electra, Riviera	\$18.50	N
20071252	1974	IGNITION CYLINDER AND KEYS Chrome, Lesabre, Electra, Riviera	\$18.50	N
20071252	1975	IGNITION CYLINDER AND KEYS Chrome, Lesabre, Electra, Riviera	\$18.50	N
20071252	1976	IGNITION CYLINDER AND KEYS Chrome, Lesabre, Electra, Riviera	\$18.50	N
20071252	1977	IGNITION CYLINDER AND KEYS Chrome, Lesabre, Electra, Riviera	\$18.50	N
07833759	1978	IGNITION CYLINDER AND KEYS Chrome, Electra, Lesabre, Riviera, 2nd Design, Used On Columns With Lock Cylinder Retaining Screw	\$18.50	N
20071252	1978	IGNITION CYLINDER AND KEYS Chrome, Lesabre, Electra, Riviera, 1st Design, Used On Columns Without Lock Cylinder Retaining Screw	\$18.50	N
07833759	1979	IGNITION CYLINDER AND KEYS Chrome, Electra, Lesabre, Riviera	\$18.50	N
07833759	1980	IGNITION CYLINDER AND KEYS Chrome, Electra, Lesabre, Riviera	\$18.50	N
07833759	1981	IGNITION CYLINDER AND KEYS Chrome, Electra, Lesabre, Riviera	\$18.50	N
07833759	1982	IGNITION CYLINDER AND KEYS Chrome, Electra, Lesabre, Riviera	\$18.50	N
07833759	1983	IGNITION CYLINDER AND KEYS Chrome, Electra, Lesabre, Riviera	\$18.50	N
07833759	1984	IGNITION CYLINDER AND KEYS Chrome, Electra, Lesabre, Riviera	\$18.50	N
07833759	1985	IGNITION CYLINDER AND KEYS Chrome, Electra, Lesabre, Riviera	\$18.50	N
IGNITION SWITCH				
01990110	1969	IGNITION SWITCH All, With Tilt	\$14.00	N
01990110	1970	IGNITION SWITCH All, With Tilt	\$14.00	N
01990110	1971	IGNITION SWITCH All, With Tilt	\$14.00	N
01990110	1972	IGNITION SWITCH All, With Tilt	\$14.00	N
01990110	1973	IGNITION SWITCH All, With Tilt	\$14.00	N
01990110	1974	IGNITION SWITCH All, With Tilt	\$14.00	N
01990110	1975	IGNITION SWITCH All, With Tilt	\$14.00	N
01990110	1976	IGNITION SWITCH All, With Tilt	\$14.00	N
01990110	1977	IGNITION SWITCH All, With Tilt	\$14.00	N
01990110	1978	IGNITION SWITCH All, With Tilt	\$14.00	N
01990110	1979	IGNITION SWITCH All, With Tilt	\$14.00	N
01990110	1980	IGNITION SWITCH All, With Tilt	\$14.00	N
01990110	1981	IGNITION SWITCH All, With Tilt	\$14.00	N
01990110	1982	IGNITION SWITCH All, With Tilt	\$14.00	N
01990110	1983	IGNITION SWITCH All, With Tilt	\$14.00	N
01990110	1984	IGNITION SWITCH All, With Tilt	\$14.00	N
01990110	1985	IGNITION SWITCH All, With Tilt	\$14.00	N
01990110	1986	IGNITION SWITCH All, With Tilt	\$14.00	N

Part Number	Year	Description	Price	*Rev.
01990110	1987	IGNITION SWITCH All, With Tilt	\$14.00	N
01990110	1988	IGNITION SWITCH All, With Tilt	\$14.00	N
01990110	1989	IGNITION SWITCH All, With Tilt	\$14.00	N
01990110	1990	IGNITION SWITCH All, With Tilt	\$14.00	N
INSTRUMENT GAUGE CLUSTER CLIP KIT				
08986000	1976	CLIP KIT Century, Regal, Le Sabre, Electra, Riviera, Skylark, All, Instrument Gauge Cluster / Printed Circuit Board Retaining Clip Note: Replaces Original GM Part Number 08986000, Includes 12 Clips Per Kit.	\$14.00	N
08986000	1977	CLIP KIT Century, Regal, Le Sabre, Electra, Riviera, Skylark, All, Instrument Gauge Cluster / Printed Circuit Board Retaining Clip Note: Replaces Original GM Part Number 08986000, Includes 12 Clips Per Kit.	\$14.00	N
08986000	1978	CLIP KIT Century, Regal, Le Sabre, Electra, Riviera, Skylark, All, Instrument Gauge Cluster / Printed Circuit Board Retaining Clip Note: Replaces Original GM Part Number 08986000, Includes 12 Clips Per Kit.	\$14.00	N
08986000	1979	CLIP KIT Century, Regal, Le Sabre, Electra, Riviera, Skylark, All, Instrument Gauge Cluster / Printed Circuit Board Retaining Clip Note: Replaces Original GM Part Number 08986000, Includes 12 Clips Per Kit.	\$14.00	N
08986000	1980	CLIP KIT Century, Regal, Le Sabre, Electra, Riviera, Skylark, All, Instrument Gauge Cluster / Printed Circuit Board Retaining Clip Note: Replaces Original GM Part Number 08986000, Includes 12 Clips Per Kit.	\$14.00	N
08986000	1981	CLIP KIT Century, Regal, Le Sabre, Electra, Riviera, Skylark, All, Instrument Gauge Cluster / Printed Circuit Board Retaining Clip Note: Replaces Original GM Part Number 08986000, Includes 12 Clips Per Kit.	\$14.00	N
08986000	1982	CLIP KIT Regal, Le Sabre, Electra, Riviera, Skylark, All, Instrument Gauge Cluster / Printed Circuit Board Retaining Clip Note: Replaces Original GM Part Number 08986000, Includes 12 Clips Per Kit.	\$14.00	N
08986000	1983	CLIP KIT Regal, Le Sabre, Electra, Riviera, Skylark, All, Instrument Gauge Cluster / Printed Circuit Board Retaining Clip Note: Replaces Original GM Part Number 08986000, Includes 12 Clips Per Kit.	\$14.00	N
08986000	1984	CLIP KIT Regal, Le Sabre, Riviera, Skylark, All, Instrument Gauge Cluster / Printed Circuit Board Retaining Clip Note: Replaces Original GM Part Number 08986000, Includes 12 Clips Per Kit.	\$14.00	N
08986000	1985	CLIP KIT Regal, Le Sabre, Riviera, Skylark, All, Instrument Gauge Cluster / Printed Circuit Board Retaining Clip Note: Replaces Original GM Part Number 08986000, Includes 12 Clips Per Kit.	\$14.00	N
08986000	1986	CLIP KIT Regal, Electra, All, Instrument Gauge Cluster / Printed Circuit Board Retaining Clip Note: Replaces Original GM Part Number 08986000, Includes 12 Clips Per Kit.	\$14.00	N
08986000	1987	CLIP KIT Regal, Electra, All, Instrument Gauge Cluster / Printed Circuit Board Retaining Clip Note: Replaces Original GM Part Number 08986000, Includes 12 Clips Per Kit.	\$14.00	N
08986000	1988	CLIP KIT Le Sabre Wagon, All, Instrument Gauge Cluster / Printed Circuit Board Retaining Clip Note: Replaces Original GM Part Number 08986000, Includes 12 Clips Per Kit.	\$14.00	N
08986000	1989	CLIP KIT Le Sabre Wagon, All, Instrument Gauge Cluster / Printed Circuit Board Retaining Clip Note: Replaces Original GM Part Number 08986000, Includes 12 Clips Per Kit.	\$14.00	N
08986000	1990	CLIP KIT Le Sabre Wagon, All, Instrument Gauge Cluster / Printed Circuit Board Retaining Clip Note: Replaces Original GM Part Number 08986000, Includes 12 Clips Per Kit.	\$14.00	N
KICKDOWN SWITCH				
01242101	1968	KICKDOWN SWITCH Lesabre, Electra, Wildcat, Riviera, TH400, Auto Trans	\$19.00	
01242101	1969	KICKDOWN SWITCH Lesabre, Electra, Wildcat, Riviera, TH400, Auto Trans	\$19.00	

Part Number	Year	Description	Price	*Rev.
01242101	1970	KICKDOWN SWITCH Lesabre, Electra, Wildcat, Riviera, TH400, Auto Trans	\$19.00	
01242101	1971	KICKDOWN SWITCH Centurion, Lesabre, Electra, Riviera, TH400, Auto Trans	\$19.00	
01242101	1972	KICKDOWN SWITCH Centurion, Lesabre, Electra, Riviera, TH400, Auto Trans	\$19.00	
01242101	1973	KICKDOWN SWITCH Centurion, Lesabre, Electra, Riviera, TH400, Auto Trans	\$19.00	
01242101	1974	KICKDOWN SWITCH Lesabre, Electra, Riviera, TH400, Auto Trans	\$19.00	
01242101	1975	KICKDOWN SWITCH Lesabre, Electra, Riviera, TH400, Auto Trans	\$19.00	
01242101	1976	KICKDOWN SWITCH Lesabre, Electra, Riviera, TH400, Auto Trans	\$19.00	
01242101	1977	KICKDOWN SWITCH Lesabre, Electra, TH400, Auto Trans	\$19.00	
01242101	1978	KICKDOWN SWITCH Lesabre, Electra, TH400, Auto Trans	\$19.00	
01242101	1979	KICKDOWN SWITCH Lesabre, Electra, TH400, Auto Trans	\$19.00	
01242101	1980	KICKDOWN SWITCH Lesabre, Electra, TH400, Auto Trans	\$19.00	
01242101	1981	KICKDOWN SWITCH Lesabre, Electra, TH400, Auto Trans	\$19.00	
POWER ACCESSORY FEED WIRE				
08770	1961	POWER ACCESSORY FEED WIRE Power Window, Kick Panel To Power Window Harness	\$13.00	
08770	1962	POWER ACCESSORY FEED WIRE Power Window, Kick Panel To Power Window Harness	\$13.00	
POWER DOOR LOCK SWITCH				
01725099	1971	POWER DOOR LOCK SWITCH Lesabre, Centurion, Electra, Estate Wagon, 1 Button	\$62.00	M
01725099	1971	POWER DOOR LOCK SWITCH Electra Custom, Riviera, Without Deluxe Arm Rest, 1 Button	\$62.00	M
01725099	1972	POWER DOOR LOCK SWITCH Lesabre, Centurion, Electra, Estate Wagon, 1 Button	\$62.00	M
01725099	1973	POWER DOOR LOCK SWITCH Lesabre, Centurion, Electra, Estate Wagon, Riviera, 1 Button	\$62.00	M
01725099	1974	POWER DOOR LOCK SWITCH Lesabre, Electra, Estate Wagon, Riviera, 1 Button	\$62.00	M
01725099	1975	POWER DOOR LOCK SWITCH Lesabre, Electra, Estate Wagon, Riviera, 1 Button	\$62.00	M
01725099	1973	POWER DOOR LOCK SWITCH Electra Custom, Without Power Windows, 1 Button	\$62.00	M
01725099	1974	POWER DOOR LOCK SWITCH Electra Custom, Without Power Windows, 1 Button	\$62.00	M
01725099	1976	POWER DOOR LOCK SWITCH Lesabre, Electra, Estate Wagon, 1 Button	\$62.00	M
20043224	1977	POWER DOOR LOCK SWITCH Le Sabre, Without Power Windows	\$9.00	N
20043224	1978	POWER DOOR LOCK SWITCH Le Sabre, Without Power Windows	\$9.00	N
20043224	1979	POWER DOOR LOCK SWITCH Le Sabre, Without Power Windows	\$9.00	N
POWER WINDOW HARNESS				
08530	1959	POWER WINDOW HARNESS Electra, Invicta & Lesabre 2 Door Hardtops , Front Door & Rear Quarter Window, R.H.	\$291.00	
08535	1959	POWER WINDOW HARNESS Electra, Invicta & Lesabre 2 Door Hardtops , Front Door & Rear Quarter Window, L.H. With Power Seat Feed Wire	\$344.00	
31200	1959	POWER WINDOW HARNESS Electra 225 4 Door Hardtop & Sedan, Front & Rear Door, R.H.	\$291.00	
31200	1959	POWER WINDOW HARNESS Electra, Invicta & Lesabre 4 Door Hardtop & Sedans, Front & Rear Door, R.H.	\$291.00	
08545	1959	POWER WINDOW HARNESS Electra, Invicta & Lesabre Convertible, Front Door & Rear Quarter Window, L.H. With Power Seat Feed Wire	\$359.00	
08540	1959	POWER WINDOW HARNESS Electra, Invicta & Lesabre Convertible, Front Door & Rear Quarter Window, R.H.	\$291.00	
08520	1959	POWER WINDOW JUMPER HARNESS Left To Right Side Door & Quarter Window	\$113.00	
08520	1960	POWER WINDOW JUMPER HARNESS Left To Right Side Door & Quarter Window	\$113.00	
08765	1961	POWER WINDOW HARNESS Front Left & Right Doors	\$305.00	
08765	1962	POWER WINDOW HARNESS Front Left & Right Doors	\$305.00	
08945	1962	POWER WINDOW HARNESS Lesabre 4 Door Sedan, Left Rear Door	\$132.00	
08940	1962	POWER WINDOW HARNESS Lesabre 4 Door Sedan, Right Rear Door	\$132.00	
08945	1963	POWER WINDOW HARNESS Lesabre 4 Door Sedan, Left Rear Door	\$132.00	
08940	1963	POWER WINDOW HARNESS Lesabre 4 Door Sedan, Right Rear Door	\$132.00	

Part Number	Year	Description	Price	*Rev.
06640	1963	POWER WINDOW HARNESS Lesabre 2 Door Hardtop & Wildcat 2 Door Coupe, Left Rear Quarter Window	\$119.00	
06635	1963	POWER WINDOW HARNESS Lesabre 2 Door Hardtop & Wildcat 2 Door Coupe, Right Rear Quarter Window	\$119.00	
07170	1963	POWER WINDOW MOTOR EXTENSION Rear Quarter Window Harness To Motor, 2 Required Per Car	\$25.00	
08945	1964	POWER WINDOW HARNESS Lesabre & Wildcat 4 Door Sedan, Left Rear Door	\$132.00	
08940	1964	POWER WINDOW HARNESS Lesabre & Wildcat 4 Door Sedan, Right Rear Door	\$132.00	
07170	1964	POWER WINDOW MOTOR EXTENSION Rear Quarter Window Harness To Motor, 2 Required Per Car	\$25.00	
08045	1965	POWER WINDOW HARNESS All Coupe & Sport Coupe Quarter Windows (LH & RH)	\$212.00	
07370	1965	POWER WINDOW HARNESS Electra, Lesabre & Wildcat Convertible Qtr. Windows (LH & RH)	\$173.00	
08045	1966	POWER WINDOW HARNESS All Coupe & Sport Coupe Quarter Windows (LH & RH)	\$212.00	
07370	1966	POWER WINDOW HARNESS Electra, Lesabre & Wildcat Convertible Qtr. Windows (LH & RH)	\$173.00	
08045	1967	POWER WINDOW HARNESS All Coupe & Sport Coupe Quarter Windows (LH & RH)	\$212.00	
POWER WINDOW MOTOR ADAPTER HARNESS				
36954	1958	POWER WINDOW MOTOR ADAPTER HARNESS Adapts "T" Shaped Motor Connector To Side By Side Blade Type Motor Connector	\$22.00	C
36954	1959	POWER WINDOW MOTOR ADAPTER HARNESS Adapts "T" Shaped Motor Connector To Side By Side Blade Type Motor Connector	\$22.00	C
36954	1960	POWER WINDOW MOTOR ADAPTER HARNESS Adapts "T" Shaped Motor Connector To Side By Side Blade Type Motor Connector	\$22.00	C
36954	1961	POWER WINDOW MOTOR ADAPTER HARNESS Adapts "T" Shaped Motor Connector To Side By Side Blade Type Motor Connector	\$22.00	C
36954	1962	POWER WINDOW MOTOR ADAPTER HARNESS Adapts "T" Shaped Motor Connector To Side By Side Blade Type Motor Connector	\$22.00	C
36954	1963	POWER WINDOW MOTOR ADAPTER HARNESS Adapts "T" Shaped Motor Connector To Side By Side Blade Type Motor Connector	\$22.00	C
36954	1964	POWER WINDOW MOTOR ADAPTER HARNESS Adapts "T" Shaped Motor Connector To Side By Side Blade Type Motor Connector	\$22.00	C
36954	1965	POWER WINDOW MOTOR ADAPTER HARNESS Adapts "T" Shaped Motor Connector To Side By Side Blade Type Motor Connector	\$22.00	C
36954	1966	POWER WINDOW MOTOR ADAPTER HARNESS Adapts "T" Shaped Motor Connector To Side By Side Blade Type Motor Connector	\$22.00	C
36954	1967	POWER WINDOW MOTOR ADAPTER HARNESS Adapts "T" Shaped Motor Connector To Side By Side Blade Type Motor Connector	\$22.00	C
36954	1968	POWER WINDOW MOTOR ADAPTER HARNESS Adapts "T" Shaped Motor Connector To Side By Side Blade Type Motor Connector	\$22.00	C
36954	1969	POWER WINDOW MOTOR ADAPTER HARNESS Adapts "T" Shaped Motor Connector To Side By Side Blade Type Motor Connector	\$22.00	C
36954	1970	POWER WINDOW MOTOR ADAPTER HARNESS Adapts "T" Shaped Motor Connector To Side By Side Blade Type Motor Connector	\$22.00	C
36954	1971	POWER WINDOW MOTOR ADAPTER HARNESS Adapts "T" Shaped Motor Connector To Side By Side Blade Type Motor Connector	\$22.00	C
36954	1972	POWER WINDOW MOTOR ADAPTER HARNESS Adapts "T" Shaped Motor Connector To Side By Side Blade Type Motor Connector	\$22.00	C
36954	1973	POWER WINDOW MOTOR ADAPTER HARNESS Adapts "T" Shaped Motor Connector To Side By Side Blade Type Motor Connector	\$22.00	C
36954	1974	POWER WINDOW MOTOR ADAPTER HARNESS Adapts "T" Shaped Motor Connector To Side By Side Blade Type Motor Connector	\$22.00	C
POWER WINDOW SWITCH				
04432790	1958	POWER WINDOW SWITCH Limited, Roadmaster, 1 Button, Round Corner Style, Chrome	\$49.00	M
04432790	1959	POWER WINDOW SWITCH All, Except Lesabre 2dr Sedan, 1 Button, Round Corner Style, Chrome	\$49.00	M

Part Number	Year	Description	Price	*Rev.
04432790	1960	POWER WINDOW SWITCH All, Except Lesabre 2dr Sedan, 1 Button, Round Corner Style, Chrome	\$49.00	M
04432790	1961	POWER WINDOW SWITCH Electra Hardtop, Invicta, Lesabre, 1 Button, Round Corner Style, Chrome	\$49.00	M
04432793	1961	POWER WINDOW SWITCH Electra, 2 Button, Round Corner Style, Chrome	\$61.00	M
04432790	1962	POWER WINDOW SWITCH Electra, Invicta, Special, 1 Button, Round Corner Style, Chrome	\$49.00	M
04432793	1962	POWER WINDOW SWITCH Electra, 2 Button, Round Corner Style, Chrome	\$61.00	M
04432793	1963	POWER WINDOW SWITCH Riviera, 2 Button, Round Corner Style, Chrome	\$61.00	M
04432793	1964	POWER WINDOW SWITCH Riviera, 2 Button, Round Corner Style, Chrome	\$61.00	M
04432790	1965	POWER WINDOW SWITCH Riviera, Except Deluxe Arm Rest, 1 Button, Round Corner Style, Chrome	\$49.00	M
04432791	1965	POWER WINDOW SWITCH Riviera, Except Deluxe Arm Rest, 4 Button, Round Corner Style, Chrome	\$67.00	M
04432790	1966	POWER WINDOW SWITCH Riviera, Except Deluxe Arm Rest, 1 Button, Round Corner Style, Chrome	\$49.00	M
04432791	1966	POWER WINDOW SWITCH Riviera, Except Deluxe Arm Rest, 4 Button, Round Corner Style, Chrome	\$67.00	M
04432790	1967	POWER WINDOW SWITCH Riviera, Except Deluxe Arm Rest, 1 Button, Round Corner Style, Chrome	\$49.00	M
04432791	1967	POWER WINDOW SWITCH Riviera, Except Deluxe Arm Rest, 4 Button, Round Corner Style, Chrome	\$67.00	M
04432790	1968	POWER WINDOW SWITCH Riviera, Except Deluxe Arm Rest, 1 Button, Round Corner Style, Chrome	\$49.00	M
04432791	1968	POWER WINDOW SWITCH Riviera, Except Deluxe Arm Rest, 4 Button, Round Corner Style, Chrome	\$67.00	M
01725094	1971	POWER WINDOW SWITCH 1 Button, Square Corner Style, Chrome	\$21.00	M
01725094	1971	POWER WINDOW SWITCH Riviera, Without Deluxe Arm Rest, 1 Button, Square Corner Style, Chrome	\$21.00	M
01731231	1971	POWER WINDOW SWITCH Lesabre, Centurion, Estate Wagon, Electra, 4 Button, Square Corner Style, Chrome	\$75.00	M
01725094	1972	POWER WINDOW SWITCH 1 Button, Square Corner Style, Chrome	\$21.00	M
01725094	1972	POWER WINDOW SWITCH Riviera, Without Deluxe Arm Rest, 1 Button, Square Corner Style, Chrome	\$21.00	M
01731231	1972	POWER WINDOW SWITCH Lesabre, Centurion, Estate Wagon, Electra, 4 Button, Square Corner Style, Chrome	\$75.00	M
01725094	1973	POWER WINDOW SWITCH Riviera, 1 Button, Square Corner Style, Chrome	\$21.00	M
01725094	1973	POWER WINDOW SWITCH Electra, 1 Button, Square Corner Style, Chrome	\$21.00	M
01725094	1973	POWER WINDOW SWITCH Lesabre, 1 Button, Square Corner Style, Chrome	\$21.00	M
01725094	1973	POWER WINDOW SWITCH Centurion, 1 Button, Square Corner Style, Chrome	\$21.00	M
01725094	1973	POWER WINDOW SWITCH Estate Wagon, 1 Button, Square Corner Style, Chrome	\$21.00	M
01731231	1973	POWER WINDOW SWITCH Lesabre, Centurion, Estate Wagon, Electra, 4 Button, Square Corner Style, Chrome	\$75.00	M
01731231	1973	POWER WINDOW SWITCH Riviera, 4 Button, Square Corner Style, Chrome	\$75.00	M
01725094	1974	POWER WINDOW SWITCH Riviera, 1 Button, Square Corner Style, Chrome	\$21.00	M
01725094	1974	POWER WINDOW SWITCH Electra, 1 Button, Square Corner Style, Chrome	\$21.00	M
01725094	1974	POWER WINDOW SWITCH Lesabre, 1 Button, Square Corner Style, Chrome	\$21.00	M
01725094	1974	POWER WINDOW SWITCH Centurion, 1 Button, Square Corner Style, Chrome	\$21.00	M
01725094	1974	POWER WINDOW SWITCH Estate Wagon, 1 Button, Square Corner Style, Chrome	\$21.00	M
01731231	1974	POWER WINDOW SWITCH Lesabre, Estate Wagon, Electra, 4 Button, Square Corner Style, Chrome	\$75.00	M
01725092	1974	POWER WINDOW SWITCH Riviera, With Standard Trim, 2 Button, Square Corner Style, Chrome	\$53.00	M

Part Number	Year	Description	Price	*Rev.
01725094	1975	POWER WINDOW SWITCH Lesabre, 1 Button, Square Corner Style, Chrome	\$21.00	M
01725094	1975	POWER WINDOW SWITCH Centurion, 1 Button, Square Corner Style, Chrome	\$21.00	M
01725094	1975	POWER WINDOW SWITCH Estate Wagon, 1 Button, Square Corner Style, Chrome	\$21.00	M
01731231	1975	POWER WINDOW SWITCH Lesabre, Estate Wagon, 4 Button, Square Corner Style, Chrome	\$75.00	M
01725094	1976	POWER WINDOW SWITCH Lesabre, 1 Button, Square Corner Style, Chrome	\$21.00	M
01725094	1976	POWER WINDOW SWITCH Centurion, 1 Button, Square Corner Style, Chrome	\$21.00	M
01725094	1976	POWER WINDOW SWITCH Estate Wagon, 1 Button, Square Corner Style, Chrome	\$21.00	M
01731231	1976	POWER WINDOW SWITCH Lesabre, Estate Wagon, 4 Button, Square Corner Style, Chrome	\$75.00	M
01725094	1977	POWER WINDOW SWITCH Lesabre, 1 Button, Square Corner Style, Chrome	\$21.00	M
01725094	1977	POWER WINDOW SWITCH Centurion, 1 Button, Square Corner Style, Chrome	\$21.00	M
01725094	1977	POWER WINDOW SWITCH Estate Wagon, 1 Button, Square Corner Style, Chrome	\$21.00	M
01731231	1977	POWER WINDOW SWITCH Lesabre, Estate Wagon, 4 Button, Square Corner Style, Chrome	\$75.00	M
01725092	1977	POWER WINDOW SWITCH Lesabre, 2 Button, Square Corner Style, Chrome	\$53.00	M
01725094	1978	POWER WINDOW SWITCH Lesabre, 1 Button, Square Corner Style, Chrome	\$21.00	M
01725094	1978	POWER WINDOW SWITCH Centurion, 1 Button, Square Corner Style, Chrome	\$21.00	M
01725094	1978	POWER WINDOW SWITCH Estate Wagon, 1 Button, Square Corner Style, Chrome	\$21.00	M
01731231	1978	POWER WINDOW SWITCH Lesabre, Estate Wagon, 4 Button, Square Corner Style, Chrome	\$75.00	M
01725092	1978	POWER WINDOW SWITCH Lesabre, 2 Button, Square Corner Style, Chrome	\$53.00	M
TRUNK LAMP EXTENSION WIRE				
36239	1971	TRUNK LAMP EXTENSION WIRE Trunk Lamp To Rear Lamp Harness Connector, All Lesabre & Centurion	\$25.00	
TURN SIGNAL LEVER WIPER SWITCH				
22510733	1982	TURN SIGNAL LEVER WIPER SWITCH All, Black, With Pulse Wipers, Without Cruise Control	\$20.00	N
22510732	1982	TURN SIGNAL LEVER WIPER SWITCH All, Black, Without Pulse Wipers, Without Cruise Control	\$20.00	N
22510144	1982	TURN SIGNAL LEVER WIPER SWITCH All, Chrome, With Pulse Wipers, Without Cruise Control	\$20.00	N
22510733	1983	TURN SIGNAL LEVER WIPER SWITCH All, Black, With Pulse Wipers, Without Cruise Control	\$20.00	N
22510732	1983	TURN SIGNAL LEVER WIPER SWITCH All, Black, Without Pulse Wipers, Without Cruise Control	\$20.00	N
22510144	1983	TURN SIGNAL LEVER WIPER SWITCH All, Chrome, With Pulse Wipers, Without Cruise Control	\$20.00	N
22510733	1984	TURN SIGNAL LEVER WIPER SWITCH All, Black, With Pulse Wipers, Without Cruise Control	\$20.00	N
22510732	1984	TURN SIGNAL LEVER WIPER SWITCH All, Black, Without Pulse Wipers, Without Cruise Control	\$20.00	N
22510144	1984	TURN SIGNAL LEVER WIPER SWITCH All, Chrome, With Pulse Wipers, Without Cruise Control	\$20.00	N
22510733	1985	TURN SIGNAL LEVER WIPER SWITCH All, Black, With Pulse Wipers, Without Cruise Control	\$20.00	N
22510732	1985	TURN SIGNAL LEVER WIPER SWITCH All, Black, Without Pulse Wipers, Without Cruise Control	\$20.00	N
22510144	1985	TURN SIGNAL LEVER WIPER SWITCH All, Chrome, With Pulse Wipers, Without Cruise Control	\$20.00	N
22510733	1986	TURN SIGNAL LEVER WIPER SWITCH All, Black, With Pulse Wipers, Without Cruise Control	\$20.00	N
22510732	1986	TURN SIGNAL LEVER WIPER SWITCH All, Black, Without Pulse Wipers, Without Cruise Control	\$20.00	N
22510144	1986	TURN SIGNAL LEVER WIPER SWITCH All, Chrome, With Pulse Wipers, Without Cruise Control	\$20.00	N
22510733	1987	TURN SIGNAL LEVER WIPER SWITCH All, Black, With Pulse Wipers, Without Cruise Control	\$20.00	N
22510732	1987	TURN SIGNAL LEVER WIPER SWITCH All, Black, Without Pulse Wipers, Without Cruise Control	\$20.00	N
22510144	1987	TURN SIGNAL LEVER WIPER SWITCH All, Chrome, With Pulse Wipers, Without Cruise Control	\$20.00	N
22510144	1988	TURN SIGNAL LEVER WIPER SWITCH All, Chrome, With Pulse Wipers, Without Cruise Control	\$20.00	N
22510144	1989	TURN SIGNAL LEVER WIPER SWITCH All, Chrome, With Pulse Wipers, Without Cruise Control	\$20.00	N
22510144	1990	TURN SIGNAL LEVER WIPER SWITCH All, Chrome, With Pulse Wipers, Without Cruise Control	\$20.00	N
TURN SIGNAL SWITCH				
07800482	1967	TURN SIGNAL SWITCH All, Except Column Shift A/T, Without Cornering Lamps (Delco Type, White Or Green)	\$50.00	

Note: Emergency Flasher Actuator Hole In Outer Cover Is Shaped Like A Doghouse.

Part Number	Year	Description	Price	*Rev.
05698897	1967	TURN SIGNAL SWITCH Column Shift A/T, (Delco Type, Black, White Or Green) Without Tilt, Without Cornering Lamps Note: Emergency Flasher Actuator Hole In Outer Cover Is Shaped Like A Doghouse.	\$50.00	
05698897	1967	TURN SIGNAL SWITCH Column Shift A/T, (Delco Type, Black, White Or Green) With Tilt, Without Cornering Lamps Note: Emergency Flasher Actuator Hole In Outer Cover Is Shaped Like A Doghouse.	\$50.00	
07800482	1968	TURN SIGNAL SWITCH All, Except Column Shift A/T, Without Cornering Lamps (Delco Type, White Or Green) Note: Emergency Flasher Actuator Hole In Outer Cover Is Shaped Like A Doghouse.	\$50.00	
05698897	1968	TURN SIGNAL SWITCH Column Shift A/T, (Delco Type, Black, White Or Green) Without Tilt, Without Cornering Lamps Note: Emergency Flasher Actuator Hole In Outer Cover Is Shaped Like A Doghouse.	\$50.00	
05698897	1968	TURN SIGNAL SWITCH Column Shift A/T, (Delco Type, Black, White Or Green) With Tilt, Without Cornering Lamps Note: Emergency Flasher Actuator Hole In Outer Cover Is Shaped Like A Doghouse.	\$50.00	
WINDSHIELD WASHER PUMP				
04919332	1963	WINDSHIELD WASHER PUMP Lesabre, Wildcat, With Single Speed Wiper Motor	\$60.00	N
04919332	1964	WINDSHIELD WASHER PUMP Lesabre, Wildcat, With Single Speed Wiper Motor	\$60.00	N
04919332	1965	WINDSHIELD WASHER PUMP Lesabre, Wildcat, With Single Speed Wiper Motor	\$60.00	N
WINDSHIELD WIPER SWITCH				
01993543	1959	WINDSHIELD WIPER SWITCH 2 Speed With Washer	\$45.00	M
01993543	1961	WINDSHIELD WIPER SWITCH 2 Speed With Washer	\$45.00	M
01993543	1962	WINDSHIELD WIPER SWITCH 2 Speed With Washer	\$45.00	M
01993371	1967	WINDSHIELD WIPER SWITCH Buick Passenger, Lesabre, Electra, Wildcat, With Washer	\$65.00	
WIRING JUNCTION BLOCK				
01865535	1940	WIRING JUNCTION BLOCK 3-Terminal, Headlamp Wire Junction	\$12.00	N
01998756	1940	WIRING JUNCTION BLOCK 4-Terminal, Headlamp Wire Junction	\$13.00	N
01998757	1940	WIRING JUNCTION BLOCK 5-Terminal, Headlamp Wire Junction	\$19.00	N
01865535	1941	WIRING JUNCTION BLOCK 3-Terminal, Headlamp Wire Junction	\$12.00	N
01998756	1941	WIRING JUNCTION BLOCK 4-Terminal, Headlamp Wire Junction	\$13.00	N
01998757	1941	WIRING JUNCTION BLOCK 5-Terminal, Headlamp Wire Junction	\$19.00	N
01865535	1942	WIRING JUNCTION BLOCK 3-Terminal, Headlamp Wire Junction	\$12.00	N
01998756	1942	WIRING JUNCTION BLOCK 4-Terminal, Headlamp Wire Junction	\$13.00	N
01998757	1942	WIRING JUNCTION BLOCK 5-Terminal, Headlamp Wire Junction	\$19.00	N
01865535	1943	WIRING JUNCTION BLOCK 3-Terminal, Headlamp Wire Junction	\$12.00	N
01998756	1943	WIRING JUNCTION BLOCK 4-Terminal, Headlamp Wire Junction	\$13.00	N
01998757	1943	WIRING JUNCTION BLOCK 5-Terminal, Headlamp Wire Junction	\$19.00	N
01865535	1944	WIRING JUNCTION BLOCK 3-Terminal, Headlamp Wire Junction	\$12.00	N
01998756	1944	WIRING JUNCTION BLOCK 4-Terminal, Headlamp Wire Junction	\$13.00	N
01998757	1944	WIRING JUNCTION BLOCK 5-Terminal, Headlamp Wire Junction	\$19.00	N
01865535	1945	WIRING JUNCTION BLOCK 3-Terminal, Headlamp Wire Junction	\$12.00	N
01998756	1945	WIRING JUNCTION BLOCK 4-Terminal, Headlamp Wire Junction	\$13.00	N
01998757	1945	WIRING JUNCTION BLOCK 5-Terminal, Headlamp Wire Junction	\$19.00	N
01865535	1946	WIRING JUNCTION BLOCK 3-Terminal, Headlamp Wire Junction	\$12.00	N
01998756	1946	WIRING JUNCTION BLOCK 4-Terminal, Headlamp Wire Junction	\$13.00	N
01998757	1946	WIRING JUNCTION BLOCK 5-Terminal, Headlamp Wire Junction	\$19.00	N
01865535	1947	WIRING JUNCTION BLOCK 3-Terminal, Headlamp Wire Junction	\$12.00	N
01998756	1947	WIRING JUNCTION BLOCK 4-Terminal, Headlamp Wire Junction	\$13.00	N

Part Number	Year	Description	Price	*Rev.
01998757	1947	WIRING JUNCTION BLOCK 5-Terminal, Headlamp Wire Junction	\$19.00	N
01865535	1948	WIRING JUNCTION BLOCK 3-Terminal, Headlamp Wire Junction	\$12.00	N
01998756	1948	WIRING JUNCTION BLOCK 4-Terminal, Headlamp Wire Junction	\$13.00	N
01998757	1948	WIRING JUNCTION BLOCK 5-Terminal, Headlamp Wire Junction	\$19.00	N
01865535	1949	WIRING JUNCTION BLOCK 3-Terminal, Headlamp Wire Junction	\$12.00	N
01998756	1949	WIRING JUNCTION BLOCK 4-Terminal, Headlamp Wire Junction	\$13.00	N
01998757	1949	WIRING JUNCTION BLOCK 5-Terminal, Headlamp Wire Junction	\$19.00	N
01865535	1950	WIRING JUNCTION BLOCK 3-Terminal, Headlamp Wire Junction	\$12.00	N
01998756	1950	WIRING JUNCTION BLOCK 4-Terminal, Headlamp Wire Junction	\$13.00	N
01998757	1950	WIRING JUNCTION BLOCK 5-Terminal, Headlamp Wire Junction	\$19.00	N
01865535	1951	WIRING JUNCTION BLOCK 3-Terminal, Headlamp Wire Junction	\$12.00	N
01998756	1951	WIRING JUNCTION BLOCK 4-Terminal, Headlamp Wire Junction	\$13.00	N
01998757	1951	WIRING JUNCTION BLOCK 5-Terminal, Headlamp Wire Junction	\$19.00	N
01865535	1952	WIRING JUNCTION BLOCK 3-Terminal, Headlamp Wire Junction	\$12.00	N
01998756	1952	WIRING JUNCTION BLOCK 4-Terminal, Headlamp Wire Junction	\$13.00	N
01998757	1952	WIRING JUNCTION BLOCK 5-Terminal, Headlamp Wire Junction	\$19.00	N
01865535	1953	WIRING JUNCTION BLOCK 3-Terminal, Headlamp Wire Junction	\$12.00	N
01998756	1953	WIRING JUNCTION BLOCK 4-Terminal, Headlamp Wire Junction	\$13.00	N
01998757	1953	WIRING JUNCTION BLOCK 5-Terminal, Headlamp Wire Junction	\$19.00	N
01865535	1954	WIRING JUNCTION BLOCK 3-Terminal, Headlamp Wire Junction	\$12.00	N
01998756	1954	WIRING JUNCTION BLOCK 4-Terminal, Headlamp Wire Junction	\$13.00	N
01998757	1954	WIRING JUNCTION BLOCK 5-Terminal, Headlamp Wire Junction	\$19.00	N

Section 3

Cadillac

Part Number	Year	Description	Price	*Rev.
AIR CONDITIONING COMPRESSOR EXTENSION HARNESS				
40895	1966	AIR CONDITIONING COMPRESSOR EXTENSION HARNESS All, From Compressor To Forward Lamp Harness	\$87.00	
40895	1966	AIR CONDITIONING COMPRESSOR EXTENSION HARNESS All, From Compressor To Forward Lamp Harness	\$87.00	
AIR CONDITIONING HARNESS				
19920	1958	AIR CONDITIONING HARNESS	\$180.00	
27690	1959	AIR CONDITIONING HARNESS	\$166.00	
BATTERY CABLE				
41354	1963	BATTERY CABLE, SPRING RING Neg	\$65.00	N
41353	1963	BATTERY CABLE, SPRING RING Pos	\$65.00	N
41354	1964	BATTERY CABLE, SPRING RING Neg	\$65.00	N
29435	1964	BATTERY CABLE, SPRING RING Pos	\$65.00	N
41354	1965	BATTERY CABLE, SPRING RING Neg, 28 Inches Long	\$65.00	N
29485	1965	BATTERY CABLE, SPRING RING Neg, 40 Inches Long	\$65.00	N
29450	1965	BATTERY CABLE, SPRING RING Pos, 42-1/2 Inches Long	\$65.00	N
29435	1965	BATTERY CABLE, SPRING RING Pos, 52-1/2 Inches Long	\$65.00	N
29485	1966	BATTERY CABLE, SPRING RING Neg, Except 75 Series Fleetwood	\$65.00	N
29450	1966	BATTERY CABLE, SPRING RING Pos, Except 75 Series Fleetwood	\$65.00	N
02925	1967	BATTERY CABLE, SPRING RING Neg, Eldorado	\$65.00	N
29470	1967	BATTERY CABLE, SPRING RING Pos, Eldorado	\$140.00	N
29485	1967	BATTERY CABLE, SPRING RING Neg, Except 75 Series Eldorado And Fleetwood	\$65.00	N
29450	1967	BATTERY CABLE, SPRING RING Pos, Except 75 Series Eldorado And Fleetwood	\$65.00	N
27235	1968	BATTERY CABLE, SPRING RING Neg, Eldorado	\$65.00	N
27225	1968	BATTERY CABLE, SPRING RING Pos, Eldorado	\$65.00	N
27230	1968	BATTERY CABLE, SPRING RING Neg, Except Eldorado	\$65.00	N
44309	1968	BATTERY CABLE, SPRING RING Pos, Except Eldorado	\$65.00	N
27235	1969	BATTERY CABLE, SPRING RING Neg, Eldorado	\$65.00	N
27225	1969	BATTERY CABLE, SPRING RING Pos, Eldorado	\$65.00	N
44311	1969	BATTERY CABLE, SPRING RING Neg, Except Eldorado	\$65.00	N
44310	1969	BATTERY CABLE, SPRING RING Pos, Except Eldorado	\$65.00	N
27235	1970	BATTERY CABLE, SPRING RING Neg, Eldorado	\$65.00	N
27225	1970	BATTERY CABLE, SPRING RING Pos, Eldorado	\$65.00	N
44310	1970	BATTERY CABLE, SPRING RING Pos, Except Eldorado	\$65.00	N
44311	1970	BATTERY CABLE, SPRING RING Neg, Except Eldorado	\$65.00	N
COURTESY LAMP HARNESS				
41559	1960	COURTESY LAMP HARNESS All 62 Series, Center Roof Mounted Dome Lamp	\$60.00	
DASH HARNESS				
22890	1957	DASH AND ENGINE COMPARTMENT HARNESS Note: Customer Must Supply Their Original Fuseblock And Turn Signal Switch Connector.	\$1367.00	
19910	1957	DASH AND ENGINE COMPARTMENT HARNESS Eldorado Brougham, Model 7059 Only Note: Customer Must Supply Their Original Fuseblock And Turn Signal Switch Connector.	\$1367.00	
19915	1958	DASH AND ENGINE COMPARTMENT HARNESS NOTE: customer must supply their original fuseblock and turn signal switch connector.	\$1367.00	
22615	1959	DASH AND FORWARD LAMP HARNESS NOTE: customer must supply their original fuseblock and turn signal switch connector.	\$1058.00	
22095	1959	DASH INSTRUMENT CLUSTER HARNESS Upper Half	\$332.00	
22100	1959	DASH INSTRUMENT CLUSTER HARNESS Lower Half	\$245.00	

Part Number	Year	Description	Price	*Rev.
28995	1960	DASH AND FORWARD LAMP HARNESS NOTE: customer must supply their original fuseblock and turn signal switch connector.	\$1125.00	
29005	1960	DASH INSTRUMENT CLUSTER HARNESS Upper Half	\$332.00	
29020	1960	DASH INSTRUMENT CLUSTER HARNESS Lower Half, Without A/C	\$276.00	
29025	1960	DASH INSTRUMENT CLUSTER HARNESS Lower Half, With A/C	\$276.00	
29045	1961	DASH HARNESS With A/C, Except Fleetwood (Series 75) & Commercial Chassis NOTE: customer must supply their original fuseblock, bulkhead and turn signal switch connectors.	\$993.00	
29000	1961	DASH HARNESS Without A/C, Except Fleetwood Series 75 & Commercial Chassis NOTE: customer must supply their original fuseblock, bulkhead and turn signal switch connectors.	\$993.00	
28745	1962	DASH HARNESS With A/C, Except Fleetwood (Series 75) & Commercial Chassis NOTE: customer must supply their original fuseblock, bulkhead and turn signal switch connectors.	\$993.00	
29050	1962	DASH HARNESS Without A/C, Except Fleetwood Series 75 & Commercial Chassis NOTE: customer must supply their original fuseblock, bulkhead and turn signal switch connectors.	\$993.00	
28655	1963	DASH HARNESS With A/C, Except Fleetwood (Series 75) & Commercial Chassis NOTE: customer must supply their original fuseblock, bulkhead and turn signal switch connectors.	\$993.00	
29055	1963	DASH HARNESS Without A/C, Except Fleetwood Series 75 & Commercial Chassis NOTE: customer must supply their original fuseblock, bulkhead and turn signal switch connectors.	\$993.00	
28660	1964	DASH HARNESS With A/C, Except Fleetwood (Series 75) & Commercial Chassis NOTE: customer must supply their original fuseblock, bulkhead and turn signal switch connectors.	\$993.00	
29060	1964	DASH HARNESS Without A/C, Except Fleetwood Series 75 & Commercial Chassis NOTE: customer must supply their original fuseblock, bulkhead and turn signal switch connectors.	\$1035.00	
28735	1965	DASH HARNESS With A/C, Except Fleetwood Sedan, Limousine (Series 75) NOTE: customer must supply their original fuseblock and bulkhead connector. Tape connectors for twilight sentinel when used on cars not equipped with twilight sentinel.	\$1035.00	
29065	1965	DASH HARNESS Without A/C, Except Fleetwood Sedan, Limousine (Series 75) NOTE: customer must supply their original fuseblock and bulkhead connector. Tape connectors for twilight sentinel when used on cars not equipped with twilight sentinel.	\$993.00	
28725	1966	DASH HARNESS With A/C, (Early) Bef. Eng.#251240, Exc. Fleetwood Series 75 Note: Customer Must Supply Their Original Fuseblock and Bulkhead Connector.	\$993.00	
29075	1966	DASH HARNESS Without A/C, (Early) Bef. Eng.#251240, Exc. Fleetwood (75) Note: Customer Must Supply Their Original Fuseblock and Bulkhead Connector.	\$993.00	
28730	1966	DASH HARNESS With A/C, (Late) Aft. Eng.#251239, Exc. Fleetwood Series 75 Note: Customer Must Supply Their Original Fuseblock.	\$993.00	
29070	1966	DASH HARNESS Without A/C, (Late) Aft. Eng.#251239, Exc. Fleetwood (75) Note: Customer Must Supply Their Original Fuseblock.	\$993.00	
28740	1967	DASH HARNESS With A/C, Except Eldorado Note: Customer Must Supply Their Original Fuseblock.	\$1026.00	
28900	1967	DASH AND ENGINE COMPARTMENT HARNESS Eldorado, With A/C, Without Starter & Coil Wires Note: Customer Must Supply Their Original Fuseblock.	\$1026.00	
28885	1968	DASH HARNESS With A/C, Except Eldorado & Commercial Chassis Note: Customer Must Supply Their Original Fuseblock.	\$1026.00	
29030	1968	DASH AND ENGINE COMPARTMENT HARNESS Eldorado, With A/C & Twilight Sentinel Note: Customer Must Supply Their Original Fuseblock.	\$1026.00	
28880	1969	DASH HARNESS With A/C, Except Commercial Chassis Note: Customer Must Supply Their Original Fuseblock.	\$1058.00	
28890	1970	DASH HARNESS With A/C, Except Commercial Chassis Note: Customer Must Supply Their Original Fuseblock.	\$1104.00	
ENGINE HARNESS				
22090	1959	ENGINE HARNESS Ignition Switch To Engine, All	\$207.00	

Part Number	Year	Description	Price	*Rev.
27705	1960	ENGINE HARNESS Ignition Switch To Engine, All	\$207.00	
28290	1961	ENGINE HARNESS Ignition Switch To Engine, Except Fleetwood (Series 75)	\$207.00	
27705	1961	ENGINE HARNESS Ignition Switch To Engine, Fleetwood (Series 75)	\$207.00	
28290	1962	ENGINE HARNESS Ignition Switch To Engine, Except Fleetwood (Series 75)	\$207.00	
27705	1962	ENGINE HARNESS Ignition Switch To Engine, Fleetwood (Series 75)	\$207.00	
28315	1963	ENGINE HARNESS Ignition Switch To Engine, All	\$228.00	
28295	1964	ENGINE HARNESS Ignition Switch To Engine, All	\$228.00	
28720	1965	ENGINE HARNESS Ignition Switch To Engine, Except Fleetwood (Series 75)	\$228.00	
29080	1966	ENGINE HARNESS Without Seat Warmer, Early 1st Design, Before Engine #251240 Note: Requires Use Of Customers Original Harness.	\$249.00	
29095	1966	ENGINE HARNESS Without Seat Warmer, Late 2nd Design, After Engine #251239 Note: Requires Use Of Customers Original Harness.	\$249.00	
29085	1966	ENGINE HARNESS With Seat Warmer, Early 1st Design, Before Engine #215484 Note: Requires Use Of Customers Original Harness.	\$249.00	
29090	1966	ENGINE HARNESS With Seat Warmer, Late 1st Design, Aft. Eng#215483 To 251240 Note: Requires Use Of Customers Original Harness.	\$249.00	
29100	1966	ENGINE HARNESS With Seat Warmer, Late 2nd Design, After Engine #251239 Note: Requires Use Of Customers Original Harness.	\$249.00	
28625	1967	ENGINE HARNESS Except Eldorado	\$249.00	
23575	1968	ENGINE COMPARTMENT HARNESS With A/C, Except Eldorado	\$690.00	
23580	1969	ENGINE COMPARTMENT HARNESS With A/C, Except Eldorado	\$690.00	
28610	1969	ENGINE COMPARTMENT HARNESS With A/C, Eldorado	\$690.00	
28600	1970	ENGINE COMPARTMENT HARNESS With A/C, Except Eldorado	\$690.00	
28605	1970	ENGINE COMPARTMENT HARNESS With A/C, Eldorado	\$690.00	
FORWARD LAMP HARNESS				
38382	1961	FORWARD LAMP HARNESS	\$413.00	
29015	1961	FORWARD LAMP EXTENSION HARNESS	\$413.00	
38383	1962	FORWARD LAMP HARNESS	\$413.00	
28320	1962	FORWARD LAMP EXTENSION HARNESS	\$413.00	
28350	1963	FORWARD LAMP HARNESS With A/C, Except Fleetwood (Series 75)	\$442.00	
28355	1964	FORWARD LAMP HARNESS With A/C, Except Fleetwood (Series 75)	\$442.00	
29110	1965	FORWARD LAMP HARNESS With A/C	\$442.00	
29105	1965	FORWARD LAMP HARNESS Without A/C	\$442.00	
28620	1966	FORWARD LAMP AND AIR CONDITIONING HARNESS All	\$442.00	
28615	1967	FORWARD LAMP AND AIR CONDITIONING HARNESS Except Eldorado	\$442.00	
GENERATOR TO REGULATOR HARNESS				
27700	1959	GENERATOR TO REGULATOR HARNESS All	\$63.00	
27700	1960	GENERATOR TO REGULATOR HARNESS All	\$63.00	
28305	1961	GENERATOR TO REGULATOR HARNESS All	\$63.00	
28305	1962	GENERATOR TO REGULATOR HARNESS All	\$63.00	
28310	1963	GENERATOR TO REGULATOR HARNESS All	\$63.00	
28310	1964	GENERATOR TO REGULATOR HARNESS All	\$63.00	
28630	1965	GENERATOR TO REGULATOR HARNESS Except Fleetwood (Series 75)	\$56.00	
28310	1965	GENERATOR TO REGULATOR HARNESS Fleetwood (Series 75)	\$63.00	
28630	1966	GENERATOR TO REGULATOR HARNESS All	\$56.00	
28630	1967	GENERATOR TO REGULATOR HARNESS Except Eldorado	\$56.00	

Part Number	Year	Description	Price	*Rev.
HARNESS TAPE				
R0058272	1957	HARNESS TAPE 3/4" Vinyl (100 Ft. Roll) Non-Adhesive	\$12.00	
R0058276	1957	HARNESS TAPE 1" Vinyl (100 Ft. Roll) Non-Adhesive	\$13.00	
R0067108	1957	HARNESS TAPE 1 1/4" Vinyl (100 Ft. Roll) Non-Adhesive	\$15.00	
R0058272	1958	HARNESS TAPE 3/4" Vinyl (100 Ft. Roll) Non-Adhesive	\$12.00	
R0058276	1958	HARNESS TAPE 1" Vinyl (100 Ft. Roll) Non-Adhesive	\$13.00	
R0067108	1958	HARNESS TAPE 1 1/4" Vinyl (100 Ft. Roll) Non-Adhesive	\$15.00	
R0058272	1959	HARNESS TAPE 3/4" Vinyl (100 Ft. Roll) Non-Adhesive	\$12.00	
R0058276	1959	HARNESS TAPE 1" Vinyl (100 Ft. Roll) Non-Adhesive	\$13.00	
R0067108	1959	HARNESS TAPE 1 1/4" Vinyl (100 Ft. Roll) Non-Adhesive	\$15.00	
R0058272	1960	HARNESS TAPE 3/4" Vinyl (100 Ft. Roll) Non-Adhesive	\$12.00	
R0058276	1960	HARNESS TAPE 1" Vinyl (100 Ft. Roll) Non-Adhesive	\$13.00	
R0067108	1960	HARNESS TAPE 1 1/4" Vinyl (100 Ft. Roll) Non-Adhesive	\$15.00	
R0058272	1961	HARNESS TAPE 3/4" Vinyl (100 Ft. Roll) Non-Adhesive	\$12.00	
R0058276	1961	HARNESS TAPE 1" Vinyl (100 Ft. Roll) Non-Adhesive	\$13.00	
R0067108	1961	HARNESS TAPE 1 1/4" Vinyl (100 Ft. Roll) Non-Adhesive	\$15.00	
R0058272	1962	HARNESS TAPE 3/4" Vinyl (100 Ft. Roll) Non-Adhesive	\$12.00	
R0058276	1962	HARNESS TAPE 1" Vinyl (100 Ft. Roll) Non-Adhesive	\$13.00	
R0067108	1962	HARNESS TAPE 1 1/4" Vinyl (100 Ft. Roll) Non-Adhesive	\$15.00	
R0058272	1963	HARNESS TAPE 3/4" Vinyl (100 Ft. Roll) Non-Adhesive	\$12.00	
R0058276	1963	HARNESS TAPE 1" Vinyl (100 Ft. Roll) Non-Adhesive	\$13.00	
R0067108	1963	HARNESS TAPE 1 1/4" Vinyl (100 Ft. Roll) Non-Adhesive	\$15.00	
R0058272	1964	HARNESS TAPE 3/4" Vinyl (100 Ft. Roll) Non-Adhesive	\$12.00	
R0058276	1964	HARNESS TAPE 1" Vinyl (100 Ft. Roll) Non-Adhesive	\$13.00	
R0067108	1964	HARNESS TAPE 1 1/4" Vinyl (100 Ft. Roll) Non-Adhesive	\$15.00	
R0058272	1965	HARNESS TAPE 3/4" Vinyl (100 Ft. Roll) Non-Adhesive	\$12.00	
R0058276	1965	HARNESS TAPE 1" Vinyl (100 Ft. Roll) Non-Adhesive	\$13.00	
R0067108	1965	HARNESS TAPE 1 1/4" Vinyl (100 Ft. Roll) Non-Adhesive	\$15.00	
R0058272	1966	HARNESS TAPE 3/4" Vinyl (100 Ft. Roll) Non-Adhesive	\$12.00	
R0058276	1966	HARNESS TAPE 1" Vinyl (100 Ft. Roll) Non-Adhesive	\$13.00	
R0067108	1966	HARNESS TAPE 1 1/4" Vinyl (100 Ft. Roll) Non-Adhesive	\$15.00	
R0058272	1967	HARNESS TAPE 3/4" Vinyl (100 Ft. Roll) Non-Adhesive	\$12.00	
R0058276	1967	HARNESS TAPE 1" Vinyl (100 Ft. Roll) Non-Adhesive	\$13.00	
R0067108	1967	HARNESS TAPE 1 1/4" Vinyl (100 Ft. Roll) Non-Adhesive	\$15.00	
R0058272	1968	HARNESS TAPE 3/4" Vinyl (100 Ft. Roll) Non-Adhesive	\$12.00	
R0058276	1968	HARNESS TAPE 1" Vinyl (100 Ft. Roll) Non-Adhesive	\$13.00	
R0067108	1968	HARNESS TAPE 1 1/4" Vinyl (100 Ft. Roll) Non-Adhesive	\$15.00	
R0058272	1969	HARNESS TAPE 3/4" Vinyl (100 Ft. Roll) Non-Adhesive	\$12.00	
R0058276	1969	HARNESS TAPE 1" Vinyl (100 Ft. Roll) Non-Adhesive	\$13.00	
R0067108	1969	HARNESS TAPE 1 1/4" Vinyl (100 Ft. Roll) Non-Adhesive	\$15.00	
R0058272	1970	HARNESS TAPE 3/4" Vinyl (100 Ft. Roll) Non-Adhesive	\$12.00	
R0058276	1970	HARNESS TAPE 1" Vinyl (100 Ft. Roll) Non-Adhesive	\$13.00	
R0067108	1970	HARNESS TAPE 1 1/4" Vinyl (100 Ft. Roll) Non-Adhesive	\$15.00	
R0058272	1971	HARNESS TAPE 3/4" Vinyl (100 Ft. Roll) Non-Adhesive	\$12.00	
R0058276	1971	HARNESS TAPE 1" Vinyl (100 Ft. Roll) Non-Adhesive	\$13.00	
R0067108	1971	HARNESS TAPE 1 1/4" Vinyl (100 Ft. Roll) Non-Adhesive	\$15.00	
R0058272	1972	HARNESS TAPE 3/4" Vinyl (100 Ft. Roll) Non-Adhesive	\$12.00	

Part Number	Year	Description	Price	*Rev.
R0058276	1972	HARNESS TAPE 1" Vinyl (100 Ft. Roll) Non-Adhesive	\$13.00	
R0067108	1972	HARNESS TAPE 1 1/4" Vinyl (100 Ft. Roll) Non-Adhesive	\$15.00	
R0058272	1973	HARNESS TAPE 3/4" Vinyl (100 Ft. Roll) Non-Adhesive	\$12.00	
R0058276	1973	HARNESS TAPE 1" Vinyl (100 Ft. Roll) Non-Adhesive	\$13.00	
R0067108	1973	HARNESS TAPE 1 1/4" Vinyl (100 Ft. Roll) Non-Adhesive	\$15.00	
HEADLAMP-PARKING AND CORNERING LAMP EXTENSION				
28595	1965	HEADLAMP, PARKING AND CORNERING LAMP EXTENSION Except Fleetwood (Series 75), 2 Required Per Car	\$53.00	
IGNITION CYLINDER AND KEYS				
20071252	1969	IGNITION CYLINDER AND KEYS Chrome, All	\$18.50	N
20071252	1970	IGNITION CYLINDER AND KEYS Chrome, All	\$18.50	N
20071252	1971	IGNITION CYLINDER AND KEYS Chrome, All	\$18.50	N
20071252	1972	IGNITION CYLINDER AND KEYS Chrome, All	\$18.50	N
20071252	1973	IGNITION CYLINDER AND KEYS Chrome, All	\$18.50	N
20071252	1974	IGNITION CYLINDER AND KEYS Chrome, All	\$18.50	N
20071252	1975	IGNITION CYLINDER AND KEYS Chrome, All	\$18.50	N
20071252	1976	IGNITION CYLINDER AND KEYS Chrome, All	\$18.50	N
20071252	1977	IGNITION CYLINDER AND KEYS Chrome, All	\$18.50	N
20071252	1978	IGNITION CYLINDER AND KEYS Chrome, All, 1st Design, Used On Columns Without Lock Cylinder Retaining Screw	\$18.50	N
07833759	1978	IGNITION CYLINDER AND KEYS Chrome, All, 2nd Design, Used On Columns With Lock Cylinder Retaining Screw	\$18.50	N
07833759	1979	IGNITION CYLINDER AND KEYS Chrome, All	\$18.50	N
07833759	1980	IGNITION CYLINDER AND KEYS Chrome, All	\$18.50	N
07833759	1981	IGNITION CYLINDER AND KEYS Chrome, All	\$18.50	N
07833759	1982	IGNITION CYLINDER AND KEYS Chrome, All	\$18.50	N
07833759	1983	IGNITION CYLINDER AND KEYS Chrome, All	\$18.50	N
07833759	1984	IGNITION CYLINDER AND KEYS Chrome, Eldorado, Seville	\$18.50	N
07833759	1985	IGNITION CYLINDER AND KEYS Chrome, Eldorado, Seville	\$18.50	N
IGNITION SWITCH				
01990110	1969	IGNITION SWITCH All, With Tilt	\$14.00	N
01990110	1970	IGNITION SWITCH All, With Tilt	\$14.00	N
01990110	1971	IGNITION SWITCH All, With Tilt	\$14.00	N
01990110	1972	IGNITION SWITCH All, With Tilt	\$14.00	N
01990110	1973	IGNITION SWITCH All, With Tilt	\$14.00	N
01990110	1974	IGNITION SWITCH All, With Tilt	\$14.00	N
01990110	1975	IGNITION SWITCH All, With Tilt	\$14.00	N
01990110	1976	IGNITION SWITCH All, With Tilt	\$14.00	N
01990110	1977	IGNITION SWITCH All, With Tilt	\$14.00	N
01990110	1978	IGNITION SWITCH All, With Tilt	\$14.00	N
01990110	1979	IGNITION SWITCH All, With Tilt	\$14.00	N
01990110	1980	IGNITION SWITCH All, With Tilt	\$14.00	N
01990110	1981	IGNITION SWITCH All, With Tilt	\$14.00	N
01990110	1982	IGNITION SWITCH All, With Tilt	\$14.00	N
01990110	1983	IGNITION SWITCH All, With Tilt	\$14.00	N
01990110	1984	IGNITION SWITCH All, With Tilt	\$14.00	N
01990110	1985	IGNITION SWITCH All, With Tilt	\$14.00	N

Part Number	Year	Description	Price	*Rev.
INSTRUMENT GAUGE CLUSTER CLIP KIT				
08986000	1976	CLIP KIT All, Instrument Gauge Cluster / Printed Circuit Board Retaining Clip Note: Replaces Original GM Part Number 08986000, Includes 12 Clips Per Kit.	\$14.00	N
08986000	1977	CLIP KIT All, Instrument Gauge Cluster / Printed Circuit Board Retaining Clip Note: Replaces Original GM Part Number 08986000, Includes 12 Clips Per Kit.	\$14.00	N
08986000	1978	CLIP KIT All, Instrument Gauge Cluster / Printed Circuit Board Retaining Clip Note: Replaces Original GM Part Number 08986000, Includes 12 Clips Per Kit.	\$14.00	N
08986000	1979	CLIP KIT All, Instrument Gauge Cluster / Printed Circuit Board Retaining Clip Note: Replaces Original GM Part Number 08986000, Includes 12 Clips Per Kit.	\$14.00	N
08986000	1980	CLIP KIT All, Instrument Gauge Cluster / Printed Circuit Board Retaining Clip Note: Replaces Original GM Part Number 08986000, Includes 12 Clips Per Kit.	\$14.00	N
08986000	1981	CLIP KIT All, Instrument Gauge Cluster / Printed Circuit Board Retaining Clip Note: Replaces Original GM Part Number 08986000, Includes 12 Clips Per Kit.	\$14.00	N
08986000	1982	CLIP KIT Eldorado, Seville, All, Instrument Gauge Cluster / Printed Circuit Board Retaining Clip Note: Replaces Original GM Part Number 08986000, Includes 12 Clips Per Kit.	\$14.00	N
08986000	1983	CLIP KIT Eldorado, Seville, All, Instrument Gauge Cluster / Printed Circuit Board Retaining Clip Note: Replaces Original GM Part Number 08986000, Includes 12 Clips Per Kit.	\$14.00	N
08986000	1984	CLIP KIT Eldorado, Seville, All, Instrument Gauge Cluster / Printed Circuit Board Retaining Clip Note: Replaces Original GM Part Number 08986000, Includes 12 Clips Per Kit.	\$14.00	N
08986000	1985	CLIP KIT Eldorado, Seville, All, Instrument Gauge Cluster / Printed Circuit Board Retaining Clip Note: Replaces Original GM Part Number 08986000, Includes 12 Clips Per Kit.	\$14.00	N
POWER FEED WIRE				
08150	1965	POWER FEED WIRE Bucket Seat Adjuster	\$35.00	
08150	1966	POWER FEED WIRE Bucket Seat Adjuster	\$35.00	
08150	1967	POWER FEED WIRE Bucket Seat Adjuster	\$35.00	
08150	1968	POWER FEED WIRE Bucket Seat Adjuster	\$35.00	
REAR LAMP INTERMEDIATE HARNESS				
07240	1965	REAR LAMP INTERMEDIATE HARNESS All Models, Except Fleetwood 4 Door Sedan, Limousine & Commercial Chassis	\$207.00	
07240	1966	REAR LAMP INTERMEDIATE HARNESS All Models, Except Fleetwood 4 Door Sedan, Limousine & Commercial Chassis	\$207.00	
SPEAKER WIRE				
07275	1965	SPEAKER WIRE Rear Speakers	\$29.00	
07275	1966	SPEAKER WIRE Rear Speakers	\$29.00	
07275	1967	SPEAKER WIRE Rear Speakers	\$29.00	
07275	1968	SPEAKER WIRE Rear Speakers	\$29.00	
07275	1969	SPEAKER WIRE Rear Speakers	\$29.00	
07275	1970	SPEAKER WIRE Rear Speakers	\$29.00	
STARTER EXTENSION HARNESS				
29009	1964	STARTER EXTENSION HARNESS	\$74.00	
29009	1965	STARTER EXTENSION HARNESS	\$74.00	

Cadillac



Phone (562) 926-9552

Fax (562) 926-9572

Part Number	Year	Description	Price	*Rev.
26750	1967	STARTER MOTOR JUMPER HARNESS Eldorado, Dash To Starter Motor Extension	\$116.00	
29010	1968	STARTER EXTENSION HARNESS Eldorado, Starter Solenoid To Engine Harness Connector	\$72.00	
29010	1969	STARTER EXTENSION HARNESS Eldorado, Starter Solenoid To Engine Harness Connector	\$72.00	
29010	1970	STARTER EXTENSION HARNESS Eldorado, Starter Solenoid To Engine Harness Connector	\$72.00	
29010	1971	STARTER EXTENSION HARNESS All With 80 Amp Gen., Eldorado With 42 & 63 Amp Gen.	\$72.00	
29010	1972	STARTER EXTENSION HARNESS All With 80 Amp Gen., Eldorado With 42 & 63 Amp Gen.	\$72.00	
29010	1973	STARTER EXTENSION HARNESS Eldorado, With 42 & 63 Amp Gen.	\$72.00	

Section 4

Camaro

Classic Auto Fuse Series Dash Harnesses

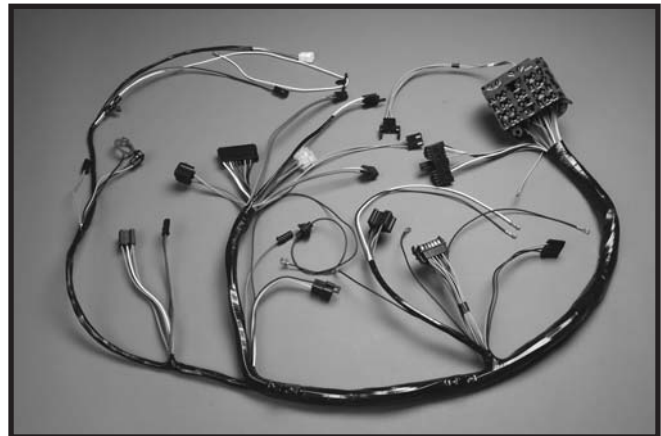
Now Available for 1968-1969 Camaro's

Factory replacement style Dash Harnesses with ATO Type fuse blocks

No cutting, modifying of any sort required !

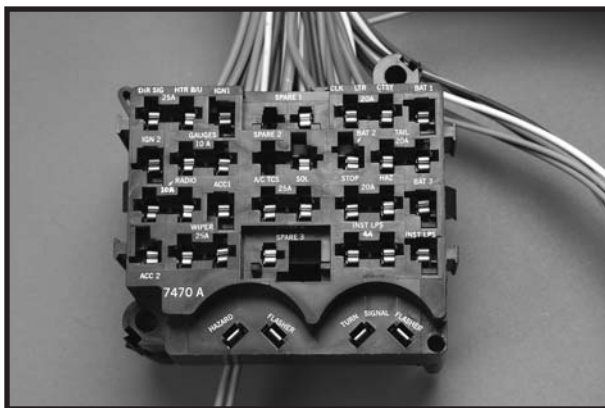
Our new Classic Auto Fuse Series Dash Harnesses allow the professional restorer to maintain the easy plug and play function of original factory type harnesses, while converting the entire fuse block to an Auto Fuse Series (ATO Type) fuse block. The Classic Auto Fuse Series Dash Harnesses give restorers the flexibility to add additional power circuits, without the installation headaches normally associated with this type of fuse box conversion.

The plug and play Classic Auto Fuse Series Dash Harnesses are a first in the industry. Don't be fooled by clever advertising and claims by others that their do-it-yourself harnesses are easy to install. There is no other product like this on the market anywhere.



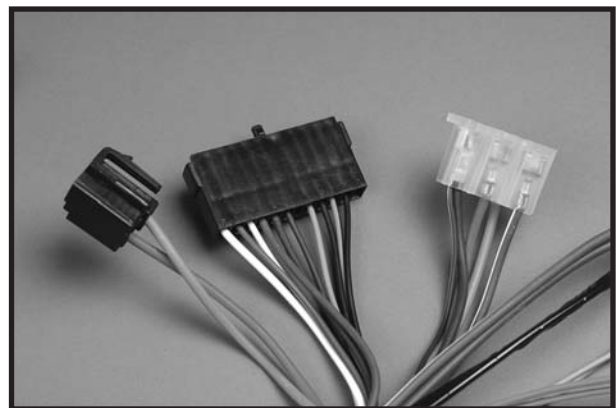
There is no cutting, modifying or altering of any sort required. Just plug it in and turn it on, it's that simple. The Classic Auto Fuse Dash Harnesses are completely compatible with the remaining harnesses in the car; couple that with our world renowned technical support for the finest product money can buy.

Browse our catalog for specific applications, part numbers and prices



Features an ATO Type Fuse Block

ATO Type Fuse Block with additional, fully integrated power ports allow the restorer to easily tap power for aftermarket electronic devices such as audio accessories, electric fans & ignition boxes.



Features Factory Type Connectors

Original factory type connectors are used on every wire. Wire colors match the OEM specs, but heavier gauge wires are used on the appropriate power circuits to accommodate aftermarket accessories.

Classic Auto Fuse Series Dash Harnesses

Check Out These Outstanding Features

• Upgraded Main Power Circuits

The main power circuits have been upgraded to ensure the extra capacity of the new Classic Auto Fuse Series fuse block. No need to worry about splicing onto existing fuses and circuits for aftermarket type accessories and overloading the fuse.

• Three Constant Battery Power Accessory Ports

Original Glass Series fuse boxes have only one port. These 3 ports supply constant battery power regardless of the ignition switch position. Each of these ports has a maximum fuse capacity of 10 amps.

• One Instrument Cluster Lamps Accessory Port

Original Glass Series fuse boxes have only one port. This port is used to access the rheostat circuit on the headlamp switch, so the optional lamps connected to this port will dim and brighten with the dash lamps. This port has a maximum fuse capacity of 1 amp which is perfect for night lights in tachs and gauges etc.

• Two Ignition Power Accessory Ports

Original Glass Series fuse boxes have only one port. These 2 ports supply switched battery power when the ignition switch is in the run position only. Each of these ports has a maximum fuse capacity of 5 amps.

• Two Accessory Power Accessory Ports

Original Glass Series fuse boxes have only one port. These two ports supply switched battery power when the ignition switch is in the run or accessory position only. Each of these ports has a maximum fuse capacity of 5 amps.

• Three Spare Fuse Ports

These three Spare Fuse Ports have an undefined fuse rating that can be designed by the customer based on the individual need and each port can handle up to 20 amps per cavity. If all three are not used, restorers may increase the remaining individual fuse ratings up to 30 amps for the remaining one to two cavities. In order to use these spare fuses, the optional kit part number 39383 "Spare Fuse Power Wiring Extension Harness" will be required. Instructions are included with this kit.

Optional Items for Classic Auto Fuse Series Dash Harnesses



Spare Fuse Power Wiring Extension Harness

Used to add the functionality of the three extra spare fuses if desired. If this kit is not purchased the three spare fuses will not function.
Part Number 39383 1968-1969 Camaro Retail \$70.00



Accessory Connector and Terminal Kit

The connectors and terminals in this kit are used to access the front of the Classic Auto Fuse Series fuse block accessory ports, while maintaining the indexing capability of the cavities on the fuse block. Use of this kit helps ensure that you do not plug accessories into the wrong port.
Part Number 39384 1968-1969 Camaro Retail \$24.00



Glass Fuse Series Accessory Adapter Kit

This kit is used to convert any old accessory style indexed connectors designed to plug into a specific port on the old Glass Fuse Series fuse block. The adapters allow you to plug the leads into the appropriate port on the new Classic Auto Fuse Series fuse block without any modifications to the old accessory leads. The best part is that you will still have the extra accessory ports designed into the new Classic Auto Fuse Series Dash Harnesses for new or aftermarket options without sacrificing valuable accessory ports on the fuse block.
Part Number 39385 1968-1969 Camaro Retail \$63.00



Fuse & Flasher Kit

Contains two flashers, one complete set of ATO fuses, plus one spare of each amperage. Does not contain fuses for the three spare cavities.
Part Number 39464 1968 Camaro Retail \$27.00
Part Number 39466 1969 Camaro Retail \$27.00

Part Number	Year	Description	Price	*Rev.
AIR CONDITIONING COMPRESSOR GROUND WIRE				
12975	1969	AIR CONDITIONING COMPRESSOR GROUND WIRE	\$18.00	
12975	1970	AIR CONDITIONING COMPRESSOR GROUND WIRE	\$18.00	
12975	1971	AIR CONDITIONING COMPRESSOR GROUND WIRE	\$18.00	
12975	1972	AIR CONDITIONING COMPRESSOR GROUND WIRE	\$18.00	
12975	1973	AIR CONDITIONING COMPRESSOR GROUND WIRE	\$18.00	
12975	1974	AIR CONDITIONING COMPRESSOR GROUND WIRE	\$18.00	
12975	1975	AIR CONDITIONING COMPRESSOR GROUND WIRE V/8	\$18.00	
12975	1976	AIR CONDITIONING COMPRESSOR GROUND WIRE V/8	\$18.00	
37995	1977	AIR CONDITIONING COMPRESSOR GROUND WIRE V/8	\$15.00	
37995	1978	AIR CONDITIONING COMPRESSOR GROUND WIRE V/8	\$15.00	
37995	1979	AIR CONDITIONING COMPRESSOR GROUND WIRE V/8	\$15.00	
AIR CONDITIONING HARNESS				
10750	1967	AIR CONDITIONING HARNESS Without Low Blower Switch, Includes Heater Wiring	\$173.00	
29925	1967	AIR CONDITIONING HARNESS With Low Blower Switch (Early Design),Includes Heater Wiring	\$186.00	
12095	1968	AIR CONDITIONING HARNESS Includes Heater Wiring	\$173.00	
13015	1969	AIR CONDITIONING HARNESS Includes Heater Wiring	\$173.00	
15200	1970	AIR CONDITIONING HARNESS Includes Heater Wiring	\$193.00	
15435	1971	AIR CONDITIONING HARNESS Includes Heater Wiring	\$208.00	
16395	1972	AIR CONDITIONING HARNESS Includes Heater Wiring	\$208.00	
37799	1973	AIR CONDITIONING HARNESS Early Before 1/5/73, With 4 Contact A/C Relay Connection, Includes Heater Wiring	\$208.00	
37801	1973	AIR CONDITIONING HARNESS Late After 1/5/73, With 5 Contact A/C Relay Connection, Includes Heater Wiring	\$199.00	
00990	1973	AIR CONDITIONING EXTENSION HARNESS Compressor To A/C Harness	\$59.00	
37800	1974	AIR CONDITIONING HARNESS Includes Heater Wiring	\$221.00	
00990	1974	AIR CONDITIONING EXTENSION HARNESS Compressor To A/C Harness	\$59.00	
16610	1975	AIR CONDITIONING HARNESS Early, Before 6/6/75, With Ambient Sensor Switch, Includes Heater Wiring	\$212.00	
17140	1975	AIR CONDITIONING HARNESS Late, After 6/6/75, With Pressure Cutout Switch, Includes Heater Wiring	\$212.00	
00990	1975	AIR CONDITIONING EXTENSION HARNESS Early, Before 6/6/75, Compressor To A/C Harness	\$59.00	
37992	1975	AIR CONDITIONING EXTENSION HARNESS Late, After 6/6/75, 6 Cylinder, Compressor To A/C Harness Note: 6 Cylinder Items Are Not Returnable.	\$21.00	
37993	1975	AIR CONDITIONING EXTENSION HARNESS Late, After 6/6/75, V/8, Compressor To A/C Harness	\$21.00	
17140	1976	AIR CONDITIONING HARNESS Includes Heater Wiring	\$212.00	
37992	1976	AIR CONDITIONING EXTENSION HARNESS 6 Cylinder, Compressor To A/C Harness Note: 6 Cylinder Items Are Not Returnable.	\$21.00	
37993	1976	AIR CONDITIONING EXTENSION HARNESS V/8, Compressor To A/C Harness	\$21.00	
37992	1977	AIR CONDITIONING EXTENSION HARNESS 6 Cylinder, Compressor To A/C Harness Note: 6 Cylinder Items Are Not Returnable.	\$21.00	
37994	1977	AIR CONDITIONING EXTENSION HARNESS V/8, Compressor To A/C Harness, With Idle Stop Solenoid Lead Wire	\$59.00	
37992	1978	AIR CONDITIONING EXTENSION HARNESS 6 Cylinder, Compressor To A/C Harness Note: 6 Cylinder Items Are Not Returnable.	\$21.00	
37994	1978	AIR CONDITIONING EXTENSION HARNESS V/8, Compressor To A/C Harness, With Idle Stop Solenoid Lead Wire	\$59.00	
37991	1979	AIR CONDITIONING HARNESS Includes Heater Wiring	\$233.00	

Part Number	Year	Description	Price	*Rev.
37992	1979	AIR CONDITIONING EXTENSION HARNESS 6 Cylinder, Compressor To A/C Harness Note: 6 Cylinder Items Are Not Returnable.	\$21.00	
37994	1979	AIR CONDITIONING EXTENSION HARNESS V/8, Compressor To A/C Harness, With Idle Stop Solenoid Lead Wire	\$59.00	
AIR CONDITIONING POWER FEED WIRE				
10970	1967	AIR CONDITIONING POWER FEED WIRE Horn Relay To A/C Fuse	\$22.00	
10970	1968	AIR CONDITIONING POWER FEED WIRE Horn Relay To A/C Fuse	\$22.00	
10970	1969	AIR CONDITIONING POWER FEED WIRE Horn Relay To A/C Fuse	\$22.00	
10970	1970	AIR CONDITIONING POWER FEED WIRE Horn Relay To A/C Fuse	\$22.00	
10970	1971	AIR CONDITIONING POWER FEED WIRE Horn Relay To A/C Fuse	\$22.00	
16405	1972	AIR CONDITIONING POWER FEED WIRE Horn Relay To A/C Fuse	\$22.00	
AIR INDUCTION				
36268	1980	AIR INDUCTION KICKDOWN HARNESS Kickdown Switch & Fusebox To Solenoid Extension	\$43.00	
36270	1980	AIR INDUCTION SOLENOID EXTENSION Hood Solenoid To Kickdown Harness	\$23.00	
ALTERNATOR CONVERSION KIT				
27555	1967	ALTERNATOR CONVERSION KIT External To Internal Regulator Conversion Harness ("SI" Series) Note: For Use With 1972-84 Non-Serpentine Belt ("SI" Series) Internal Regulated Alternators.	\$29.00	
37787	1967	ALTERNATOR CONVERSION KIT External To Internal Regulator Conversion Harness ("CS" Series) Note: For Use With Serpentine Belt ("CS" Series) Internal Regulated Alternators.	\$34.00	
27555	1968	ALTERNATOR CONVERSION KIT External To Internal Regulator Conversion Harness ("SI" Series) Note: For Use With 1972-84 Non-Serpentine Belt ("SI" Series) Internal Regulated Alternators.	\$29.00	
37787	1968	ALTERNATOR CONVERSION KIT External To Internal Regulator Conversion Harness ("CS" Series) Note: For Use With Serpentine Belt ("CS" Series) Internal Regulated Alternators.	\$34.00	
27555	1969	ALTERNATOR CONVERSION KIT External To Internal Regulator Conversion Harness ("SI" Series) Note: For Use With 1972-84 Non-Serpentine Belt ("SI" Series) Internal Regulated Alternators.	\$29.00	
37787	1969	ALTERNATOR CONVERSION KIT External To Internal Regulator Conversion Harness ("CS" Series) Note: For Use With Serpentine Belt ("CS" Series) Internal Regulated Alternators.	\$34.00	
27555	1970	ALTERNATOR CONVERSION KIT External To Internal Regulator Conversion Harness ("SI" Series) Note: For Use With 1972-84 Non-Serpentine Belt ("SI" Series) Internal Regulated Alternators.	\$29.00	
37787	1970	ALTERNATOR CONVERSION KIT External To Internal Regulator Conversion Harness ("CS" Series) Note: For Use With Serpentine Belt ("CS" Series) Internal Regulated Alternators.	\$34.00	
27555	1971	ALTERNATOR CONVERSION KIT External To Internal Regulator Conversion Harness ("SI" Series) Note: For Use With 1972-84 Non-Serpentine Belt ("SI" Series) Internal Regulated Alternators.	\$29.00	
37787	1971	ALTERNATOR CONVERSION KIT External To Internal Regulator Conversion Harness ("CS" Series) Note: For Use With Serpentine Belt ("CS" Series) Internal Regulated Alternators.	\$34.00	
27555	1972	ALTERNATOR CONVERSION KIT External To Internal Regulator Conversion Harness ("SI" Series) Note: For Use With 1972-84 Non-Serpentine Belt ("SI" Series) Internal Regulated Alternators.	\$29.00	
37787	1972	ALTERNATOR CONVERSION KIT External To Internal Regulator Conversion Harness ("CS" Series) Note: For Use With Serpentine Belt ("CS" Series) Internal Regulated Alternators.	\$34.00	
37796	1973	ALTERNATOR CONVERSION KIT Internal Regulator "SI" Series Alternator To "CS" Series (Serpentine Belt) Alternator Note: For Use With Serpentine Belt ("CS130" Or "CS144" Type) Internal Regulated Alternators.	\$26.00	
37796	1974	ALTERNATOR CONVERSION KIT Internal Regulator "SI" Series Alternator To "CS" Series (Serpentine Belt) Alternator Note: For Use With Serpentine Belt ("CS130" Or "CS144" Type) Internal Regulated Alternators.	\$26.00	
37796	1975	ALTERNATOR CONVERSION KIT Internal Regulator "SI" Series Alternator To "CS" Series (Serpentine Belt) Alternator Note: For Use With Serpentine Belt ("CS130" Or "CS144" Type) Internal Regulated Alternators.	\$26.00	

Part Number	Year	Description	Price	*Rev.
37796	1976	ALTERNATOR CONVERSION KIT Internal Regulator "SI" Series Alternator To "CS" Series (Serpentine Belt) Alternator Note: For Use With Serpentine Belt ("CS130" Or "CS144" Type) Internal Regulated Alternators.	\$26.00	
37796	1977	ALTERNATOR CONVERSION KIT Internal Regulator "SI" Series Alternator To "CS" Series (Serpentine Belt) Alternator Note: For Use With Serpentine Belt ("CS130" Or "CS144" Type) Internal Regulated Alternators.	\$26.00	
37796	1978	ALTERNATOR CONVERSION KIT Internal Regulator "SI" Series Alternator To "CS" Series (Serpentine Belt) Alternator Note: For Use With Serpentine Belt ("CS130" Or "CS144" Type) Internal Regulated Alternators.	\$26.00	
37796	1979	ALTERNATOR CONVERSION KIT Internal Regulator "SI" Series Alternator To "CS" Series (Serpentine Belt) Alternator Note: For Use With Serpentine Belt ("CS130" Or "CS144" Type) Internal Regulated Alternators.	\$26.00	
37796	1980	ALTERNATOR CONVERSION KIT Internal Regulator "SI" Series Alternator To "CS" Series (Serpentine Belt) Alternator Note: For Use With Serpentine Belt ("CS130" Or "CS144" Type) Internal Regulated Alternators.	\$26.00	
37796	1981	ALTERNATOR CONVERSION KIT Internal Regulator "SI" Series Alternator To "CS" Series (Serpentine Belt) Alternator Note: For Use With Serpentine Belt ("CS130" Or "CS144" Type) Internal Regulated Alternators.	\$26.00	
37796	1982	ALTERNATOR CONVERSION KIT Internal Regulator "SI" Series Alternator To "CS" Series (Serpentine Belt) Alternator Note: For Use With Serpentine Belt ("CS130" Or "CS144" Type) Internal Regulated Alternators.	\$26.00	
37796	1983	ALTERNATOR CONVERSION KIT Internal Regulator "SI" Series Alternator To "CS" Series (Serpentine Belt) Alternator Note: For Use With Serpentine Belt ("CS130" Or "CS144" Type) Internal Regulated Alternators.	\$26.00	
37796	1984	ALTERNATOR CONVERSION KIT Internal Regulator "SI" Series Alternator To "CS" Series (Serpentine Belt) Alternator Note: For Use With Serpentine Belt ("CS130" Or "CS144" Type) Internal Regulated Alternators.	\$26.00	
37796	1985	ALTERNATOR CONVERSION KIT Internal Regulator "SI" Series Alternator To "CS" Series (Serpentine Belt) Alternator Note: For Use With Serpentine Belt ("CS130" Or "CS144" Type) Internal Regulated Alternators.	\$26.00	
37796	1986	ALTERNATOR CONVERSION KIT Internal Regulator "SI" Series Alternator To "CS" Series (Serpentine Belt) Alternator Note: For Use With Serpentine Belt ("CS130" Or "CS144" Type) Internal Regulated Alternators.	\$26.00	
ASH TRAY LAMP WIRE				
35125	1967	ASH TRAY LAMP WIRE Wire & Socket, Does Not Include Ash Tray Socket Retainer Note: Customer Must Use Original Bracket And Shield Assembly.	\$21.00	C
ASSEMBLY MANUAL				
36278	1967	ASSEMBLY MANUAL Factory Assembly Instruction Guide	\$32.00	
36279	1968	ASSEMBLY MANUAL Factory Assembly Instruction Guide	\$32.00	
36280	1969	ASSEMBLY MANUAL Factory Assembly Instruction Guide	\$32.00	
36281	1970	ASSEMBLY MANUAL Factory Assembly Instruction Guide	\$32.00	
36282	1971	ASSEMBLY MANUAL Factory Assembly Instruction Guide	\$32.00	
36283	1972	ASSEMBLY MANUAL Factory Assembly Instruction Guide	\$32.00	
36284	1973	ASSEMBLY MANUAL Factory Assembly Instruction Guide	\$32.00	
36285	1974	ASSEMBLY MANUAL Factory Assembly Instruction Guide	\$32.00	
36286	1975	ASSEMBLY MANUAL Factory Assembly Instruction Guide	\$32.00	
36287	1976	ASSEMBLY MANUAL Factory Assembly Instruction Guide	\$32.00	
36288	1977	ASSEMBLY MANUAL Factory Assembly Instruction Guide	\$32.00	
36289	1978	ASSEMBLY MANUAL Factory Assembly Instruction Guide	\$32.00	
36290	1979	ASSEMBLY MANUAL Factory Assembly Instruction Guide	\$32.00	
36291	1980	ASSEMBLY MANUAL Factory Assembly Instruction Guide	\$32.00	

Part Number	Year	Description	Price	*Rev.
36292	1982	ASSEMBLY MANUAL Factory Assembly Instruction Guide	\$32.00	
36293	1986	ASSEMBLY MANUAL Factory Assembly Instruction Guide	\$32.00	
BACKUP LAMP SWITCH				
01993413	1967	BACKUP LAMP SWITCH Manual Trans	\$64.00	
01993413	1968	BACKUP LAMP SWITCH Manual Trans	\$64.00	
03943657	1969	BACKUP LAMP SWITCH Manual Trans	\$53.00	
03943657	1970	BACKUP LAMP SWITCH Manual Trans	\$53.00	
03943657	1971	BACKUP LAMP SWITCH Manual Trans	\$53.00	
03943657	1972	BACKUP LAMP SWITCH Manual Trans	\$53.00	
BACKUP LAMP SWITCH EXTENSION HARNESS				
10665	1967	BACKUP LAMP SWITCH EXTENSION HARNESS Manual Trans, Dash To Backup Lamp Switch At Firewall	\$31.00	
10665	1968	BACKUP LAMP SWITCH EXTENSION HARNESS Manual Trans, Dash To Backup Lamp Switch At Firewall	\$31.00	
BACKUP LAMP SWITCH MOUNTING BRACKET				
37650	1967	BACKUP LAMP SWITCH MOUNTING BRACKET With Muncie 4 Speed Transmission	\$29.00	
37650	1968	BACKUP LAMP SWITCH MOUNTING BRACKET With Muncie 4 Speed Transmission	\$29.00	
BACKUP LAMP SWITCH MOUNTING KIT				
39504	1967	BACKUP LAMP SWITCH MOUNTING KIT With Muncie 4 Speed Transmission Note: Kit Contains The Bracket, Rod With 2 Clips, Shield & Bolts.	\$46.00	
39504	1968	BACKUP LAMP SWITCH MOUNTING KIT With Muncie 4 Speed Transmission Note: Kit Contains The Bracket, Rod With 2 Clips, Shield & Bolts.	\$46.00	
BATTERY CABLE JUNCTION BLOCK				
03882795	1967	BATTERY CABLE JUNCTION BLOCK For Positive Cable Secondary Lead	\$11.00	
03882795	1968	BATTERY CABLE JUNCTION BLOCK For Positive Cable Secondary Lead	\$11.00	
03882795	1969	BATTERY CABLE JUNCTION BLOCK For Positive Cable Secondary Lead	\$11.00	
03882795	1970	BATTERY CABLE JUNCTION BLOCK For Positive Cable Secondary Lead	\$11.00	
03882795	1971	BATTERY CABLE JUNCTION BLOCK For Positive Cable Secondary Lead	\$11.00	
BATTERY CABLE-NEGATIVE				
05055	1967	BATTERY CABLE, SPRING RING Neg, 6 Cylinder, Without A/C Note: 6 Cylinder Items Are Not Returnable.	\$69.00	
09100	1967	BATTERY CABLE, SPRING RING Neg, 6 Cylinder, With A/C Note: 6 Cylinder Items Are Not Returnable.	\$69.00	
09195	1967	BATTERY CABLE, SPRING RING Neg, V/8, All With Standard Battery	\$69.00	
04865	1967	BATTERY CABLE, SPRING RING Neg, V/8, All With Heavy Duty Battery	\$69.00	
05035	1968	BATTERY CABLE, SPRING RING Neg, 6 Cylinder, Without A/C, With Standard Battery Note: 6 Cylinder Items Are Not Returnable.	\$69.00	
04865	1968	BATTERY CABLE, SPRING RING Neg, 6 Cylinder, Without A/C, With Heavy Duty Battery Note: 6 Cylinder Items Are Not Returnable.	\$69.00	
09930	1968	BATTERY CABLE, SPRING RING Neg, 6 Cylinder, With A/C, With Standard Battery Note: 6 Cylinder Items Are Not Returnable.	\$69.00	
04830	1968	BATTERY CABLE, SPRING RING Neg, 6 Cylinder, With A/C, With Heavy Duty Battery Note: 6 Cylinder Items Are Not Returnable.	\$69.00	
09195	1968	BATTERY CABLE, SPRING RING Neg, V/8, Without A/C, Prior To 8/28/67, Standard Battery	\$69.00	
04865	1968	BATTERY CABLE, SPRING RING Neg, V/8, Without A/C, From 8/28/67, Standard Battery	\$69.00	
04830	1968	BATTERY CABLE, SPRING RING Neg, V/8, All With A/C & Heavy Duty Battery	\$69.00	
18875	1969	BATTERY CABLE, SPRING RING Neg, 6 Cylinder, Without A/C, With Standard Battery Note: 6 Cylinder Items Are Not Returnable.	\$69.00	

Part Number	Year	Description	Price	*Rev.
13200	1969	BATTERY CABLE, SIDE POST Neg, 6 Cylinder, Without A/C, With Side Mount Type Battery Note: 6 Cylinder Items Are Not Returnable.	\$74.00	
12555	1969	BATTERY CABLE, SPRING RING Neg, 6 Cylinder, With A/C, With Standard Battery Note: 6 Cylinder Items Are Not Returnable.	\$69.00	
15235	1969	BATTERY CABLE, SIDE POST Neg, 6 Cylinder, With A/C, With Side Mount Type Battery Note: 6 Cylinder Items Are Not Returnable.	\$74.00	
12570	1969	BATTERY CABLE, SPRING RING Neg, V/8, 307 C.I., With Heavy Duty Battery	\$69.00	
12560	1969	BATTERY CABLE, SPRING RING Neg, V/8, 302-350 C.I., With Heavy Duty Battery	\$69.00	
12565	1969	BATTERY CABLE, SPRING RING Neg, V/8, 396-427 C.I., With Heavy Duty Battery	\$69.00	
13195	1969	BATTERY CABLE, SIDE POST Neg, V/8, 307 C.I., Side Mount Type Battery	\$74.00	
36030	1969	BATTERY CABLE, SIDE POST Neg, V/8, 396-427 C.I., Side Mount Type Battery	\$74.00	
15030	1970	BATTERY CABLE, SIDE POST Neg, 6 Cylinder, Without A/C Note: 6 Cylinder Items Are Not Returnable.	\$74.00	
12555	1970	BATTERY CABLE, SPRING RING Neg, 6 Cylinder, With A/C Note: 6 Cylinder Items Are Not Returnable.	\$69.00	
15035	1970	BATTERY CABLE, SIDE POST Neg, V/8, All	\$74.00	
22810	1971	BATTERY CABLE, SIDE POST Neg, 6 Cylinder Note: 6 Cylinder Items Are Not Returnable.	\$74.00	
22815	1971	BATTERY CABLE, SIDE POST Neg, V/8, Except 350 C.I. Special High Perf. & 402 C.I.	\$74.00	
29445	1971	BATTERY CABLE, SIDE POST Neg, V/8, 350 C.I. Special High Performance & 402 C.I.	\$74.00	
22810	1972	BATTERY CABLE, SIDE POST Neg, 6 Cylinder Note: 6 Cylinder Items Are Not Returnable.	\$74.00	
22815	1972	BATTERY CABLE, SIDE POST Neg, V/8, Except 350 C.I. Special High Perf. & 402 C.I.	\$74.00	
29445	1972	BATTERY CABLE, SIDE POST Neg, V/8, 350 C.I. Special High Performance & 402 C.I.	\$74.00	
22810	1973	BATTERY CABLE, SIDE POST Neg, 6 Cylinder Note: 6 Cylinder Items Are Not Returnable.	\$74.00	
22815	1973	BATTERY CABLE, SIDE POST Neg, V/8, 307 C.I.	\$74.00	
29445	1973	BATTERY CABLE, SIDE POST Neg, V/8, 350 C.I.	\$74.00	
22810	1974	BATTERY CABLE, SIDE POST Neg, 6 Cylinder Note: 6 Cylinder Items Are Not Returnable.	\$74.00	
29445	1974	BATTERY CABLE, SIDE POST Neg, V/8	\$74.00	
29465	1975	BATTERY CABLE, SIDE POST Neg, 6 Cylinder Note: 6 Cylinder Items Are Not Returnable.	\$74.00	
29445	1975	BATTERY CABLE, SIDE POST Neg, V/8	\$74.00	
29465	1976	BATTERY CABLE, SIDE POST Neg, 6 Cylinder Note: 6 Cylinder Items Are Not Returnable.	\$74.00	
29445	1976	BATTERY CABLE, SIDE POST Neg, V/8	\$74.00	
29465	1977	BATTERY CABLE, SIDE POST Neg, 6 Cylinder Note: 6 Cylinder Items Are Not Returnable.	\$74.00	
29445	1977	BATTERY CABLE, SIDE POST Neg, V/8	\$74.00	
29465	1978	BATTERY CABLE, SIDE POST Neg, 6 Cylinder Note: 6 Cylinder Items Are Not Returnable.	\$74.00	
29445	1978	BATTERY CABLE, SIDE POST Neg, V/8	\$74.00	
BATTERY CABLE-POSITIVE				
10700	1967	BATTERY CABLE, SPRING RING Pos, 6 Cylinder Note: 6 Cylinder Items Are Not Returnable.	\$69.00	
10705	1967	BATTERY CABLE, SPRING RING Pos, V/8, Except 396 C.I.	\$69.00	
18820	1967	BATTERY CABLE, SPRING RING Pos, V/8, 396 C.I.	\$69.00	

Part Number	Year	Description	Price	*Rev.
10700	1968	BATTERY CABLE, SPRING RING Pos, 6 Cylinder, With Standard Battery Note: 6 Cylinder Items Are Not Returnable.	\$69.00	
09935	1968	BATTERY CABLE, SPRING RING Pos, 6 Cylinder, With Heavy Duty Battery Note: 6 Cylinder Items Are Not Returnable.	\$69.00	
10705	1968	BATTERY CABLE, SPRING RING Pos, V/8, Except 396 C.I., Prior To 8/28/67	\$69.00	
10710	1968	BATTERY CABLE, SPRING RING Pos, V/8, Except 396 C.I., From 8/28/67	\$69.00	
18820	1968	BATTERY CABLE, SPRING RING Pos, V/8, 396 C.I.	\$69.00	
10700	1969	BATTERY CABLE, SPRING RING Pos, 6 Cylinder, With Standard Battery Note: 6 Cylinder Items Are Not Returnable.	\$69.00	
13230	1969	BATTERY CABLE, SIDE POST Pos, 6 Cylinder, With Side Mount Type Battery Note: 6 Cylinder Items Are Not Returnable.	\$74.00	
10705	1969	BATTERY CABLE, SPRING RING Pos, V/8, 302-350 C.I., With Heavy Duty Battery	\$69.00	
10710	1969	BATTERY CABLE, SPRING RING Pos, V/8, 307 C.I., With Heavy Duty Battery	\$69.00	
18820	1969	BATTERY CABLE, SPRING RING Pos, V/8, 396-427 C.I., With Standard Battery	\$69.00	
12585	1969	BATTERY CABLE, SPRING RING Pos, V/8, 396 C.I., With Heavy Duty Battery	\$69.00	
13235	1969	BATTERY CABLE, SIDE POST Pos, V/8, Except 396-427 C.I., With Side Mount Type Battery	\$74.00	
13240	1969	BATTERY CABLE, SIDE POST Pos, V/8, 396-427 C.I., With Side Mount Type Battery	\$74.00	
15020	1970	BATTERY CABLE, SIDE POST Pos, 6 Cylinder Note: 6 Cylinder Items Are Not Returnable.	\$74.00	
15025	1970	BATTERY CABLE, SIDE POST Pos, V/8	\$74.00	
22820	1971	BATTERY CABLE, SIDE POST Pos, 6 Cylinder Note: 6 Cylinder Items Are Not Returnable.	\$74.00	
22805	1971	BATTERY CABLE, SIDE POST Pos, V/8, Except 350 C.I. Special High Perf. & 402 C.I.	\$74.00	
36031	1971	BATTERY CABLE, SIDE POST Pos, V/8, 350 C.I. Special High Performance & 402 C.I.	\$74.00	
22795	1972	BATTERY CABLE, SIDE POST Pos, 6 Cylinder Note: 6 Cylinder Items Are Not Returnable.	\$74.00	
22800	1972	BATTERY CABLE, SIDE POST Pos, V/8, Except 350 C.I. Special High Perf. & 402 C.I.	\$74.00	
22645	1972	BATTERY CABLE, SIDE POST Pos, V/8, 350 C.I. Special High Performance & 402 C.I.	\$74.00	
22650	1973	BATTERY CABLE, SIDE POST Pos, 6 Cylinder, Prior To 2/21/73 Note: 6 Cylinder Items Are Not Returnable.	\$74.00	
22795	1973	BATTERY CABLE, SIDE POST Pos, 6 Cylinder, From 2/21/73 Note: 6 Cylinder Items Are Not Returnable.	\$74.00	
22800	1973	BATTERY CABLE, SIDE POST Pos, V/8, 307 C.I.	\$74.00	
22645	1973	BATTERY CABLE, SIDE POST Pos, V/8, 350 C.I.	\$74.00	
22650	1974	BATTERY CABLE, SIDE POST Pos, 6 Cylinder Note: 6 Cylinder Items Are Not Returnable.	\$74.00	
22645	1974	BATTERY CABLE, SIDE POST Pos, V/8	\$74.00	
29455	1975	BATTERY CABLE, SIDE POST Pos, 6 Cylinder Note: 6 Cylinder Items Are Not Returnable.	\$74.00	
22645	1975	BATTERY CABLE, SIDE POST Pos, V/8	\$74.00	
29455	1976	BATTERY CABLE, SIDE POST Pos, 6 Cylinder Note: 6 Cylinder Items Are Not Returnable.	\$74.00	
22645	1976	BATTERY CABLE, SIDE POST Pos, V/8	\$74.00	
29455	1977	BATTERY CABLE, SIDE POST Pos, 6 Cylinder Note: 6 Cylinder Items Are Not Returnable.	\$74.00	
22645	1977	BATTERY CABLE, SIDE POST Pos, V/8	\$74.00	
29455	1978	BATTERY CABLE, SIDE POST Pos, 6 Cylinder, Prior To 11/4/78 Note: 6 Cylinder Items Are Not Returnable.	\$74.00	

Part Number	Year	Description	Price	*Rev.
22645	1978	BATTERY CABLE, SIDE POST Pos, V/8, Prior 11/4/78	\$74.00	
BREAKERLESS SE SINGLE WIRE ELECTRONIC IGNITION				
38131	1967	BREAKERLESS SE SINGLE WIRE ELECTRONIC IGNITION KIT For 1957-74 Breaker Point Distributors With Windowed Type Distributor Cap	\$179.00	
38131	1968	BREAKERLESS SE SINGLE WIRE ELECTRONIC IGNITION KIT For 1957-74 Breaker Point Distributors With Windowed Type Distributor Cap	\$179.00	
38131	1969	BREAKERLESS SE SINGLE WIRE ELECTRONIC IGNITION KIT For 1957-74 Breaker Point Distributors With Windowed Type Distributor Cap	\$179.00	
38131	1970	BREAKERLESS SE SINGLE WIRE ELECTRONIC IGNITION KIT For 1957-74 Breaker Point Distributors With Windowed Type Distributor Cap	\$179.00	
38131	1971	BREAKERLESS SE SINGLE WIRE ELECTRONIC IGNITION KIT For 1957-74 Breaker Point Distributors With Windowed Type Distributor Cap	\$179.00	
38131	1972	BREAKERLESS SE SINGLE WIRE ELECTRONIC IGNITION KIT For 1957-74 Breaker Point Distributors With Windowed Type Distributor Cap	\$179.00	
38131	1973	BREAKERLESS SE SINGLE WIRE ELECTRONIC IGNITION KIT For 1957-74 Breaker Point Distributors With Windowed Type Distributor Cap	\$179.00	
38131	1974	BREAKERLESS SE SINGLE WIRE ELECTRONIC IGNITION KIT For 1957-74 Breaker Point Distributors With Windowed Type Distributor Cap	\$179.00	
CIRCUIT BREAKER				
04749164	1967	CIRCUIT BREAKER, 10 AMP Rally Sport Headlamp	\$18.00	
04850166	1967	CIRCUIT BREAKER, 30 AMP Power Top & Windows	\$14.00	
04850166	1968	CIRCUIT BREAKER, 30 AMP Power Top & Windows	\$14.00	
04850166	1969	CIRCUIT BREAKER, 30 AMP Power Top & Windows	\$14.00	
04850166	1973	CIRCUIT BREAKER, 30 AMP Power Door Locks & Windows	\$14.00	
04850166	1974	CIRCUIT BREAKER, 30 AMP Power Door Locks & Windows	\$14.00	
04850166	1975	CIRCUIT BREAKER, 30 AMP Power Door Locks & Windows	\$14.00	
04850166	1976	CIRCUIT BREAKER, 30 AMP Power Door Locks & Windows	\$14.00	
04850166	1977	CIRCUIT BREAKER, 30 AMP Power Door Locks & Windows	\$14.00	
04850166	1978	CIRCUIT BREAKER, 30 AMP Power Door Locks & Windows	\$14.00	
04850166	1979	CIRCUIT BREAKER, 30 AMP Power Door Locks & Windows	\$14.00	
CLASSIC AUTO FUSE SERIES-FUSE AND FLASHER KIT				
39464	1968	CLASSIC AUTO FUSE SERIES-FUSE AND FLASHER KIT Contains Two Flashers And A Complete Set Of ATO Fuses With One Spare Of Each Amperage Note: Used Only With Classic Auto Fuse Series Updated Dash Harnesses, See Dash Harnesses For Applications.	\$27.00	
39466	1969	CLASSIC AUTO FUSE SERIES-FUSE AND FLASHER KIT Contains Two Flashers And A Complete Set Of ATO Fuses With One Spare Of Each Amperage Note: Used Only With Classic Auto Fuse Series Updated Dash Harnesses, See Dash Harnesses For Applications.	\$27.00	
CLASSIC AUTO FUSE SERIES-OPTIONAL KIT				
39384	1968	CLASSIC AUTO FUSE SERIES-OPTIONAL KIT Accessory Connector And Terminal Kit Note: Connectors And Terminals To Use In The Classic Auto Fuse Series Fuse Block Accessory Ports.	\$24.00	
39385	1968	CLASSIC AUTO FUSE SERIES-OPTIONAL KIT Glass Fuse Series Accessory Adapter Kit Note: Adapter To Convert Original Glass Fusebox Style Accessory Connectors For Use With The Updated Classic Auto Fuse Series Fuseblock.	\$63.00	
39383	1968	CLASSIC AUTO FUSE SERIES-OPTIONAL KIT Spare Fuse Power Wiring Extension Harness Note: Used To Add The Functionality Of The Three Extra Spare Fuses.	\$70.00	
39384	1969	CLASSIC AUTO FUSE SERIES-OPTIONAL KIT Accessory Connector And Terminal Kit Note: Connectors And Terminals To Use In The Classic Auto Fuse Series Fuse Block Accessory Ports.	\$24.00	
39385	1969	CLASSIC AUTO FUSE SERIES-OPTIONAL KIT Glass Fuse Series Accessory Adapter Kit Note: Adapter To Convert Original Glass Fusebox Style Accessory Connectors For Use With The Updated Classic Auto Fuse Series Fuseblock.	\$63.00	

Part Number	Year	Description	Price	*Rev.
39383	1969	CLASSIC AUTO FUSE SERIES-OPTIONAL KIT Spare Fuse Power Wiring Extension Harness Note: Used To Add The Functionality Of The Three Extra Spare Fuses.	\$70.00	
CLOCK HARNESS				
10855	1967	CLOCK HARNESS Console Mounted Clock, Without Gauges	\$51.00	
11960	1968	CLOCK HARNESS Console Mounted Clock, Without Gauges	\$51.00	
11960	1969	CLOCK HARNESS Console Mounted Clock, Without Gauges	\$51.00	
12965	1969	CLOCK HARNESS Dash Mounted Clock, Without Gauges	\$51.00	
17500	1970	CLOCK HARNESS Dash Mounted Clock	\$27.00	
17500	1971	CLOCK HARNESS Dash Mounted Clock	\$27.00	
17500	1972	CLOCK HARNESS Dash Mounted Clock	\$27.00	
17500	1973	CLOCK HARNESS Dash Mounted Clock	\$27.00	
17500	1974	CLOCK HARNESS Dash Mounted Clock	\$27.00	
17500	1975	CLOCK HARNESS Dash Mounted Clock	\$27.00	
17500	1976	CLOCK HARNESS Dash Mounted Clock	\$27.00	
17500	1977	CLOCK HARNESS Dash Mounted Clock	\$27.00	
17500	1978	CLOCK HARNESS Dash Mounted Clock	\$27.00	
17500	1979	CLOCK HARNESS Dash Mounted Clock	\$27.00	
36267	1980	CLOCK AND GLOVE BOX LAMP HARNESS Dash Mounted Clock	\$44.00	
CONSOLE GAUGE BACKING PLATES				
36405	1968	CONSOLE GAUGE BACKING PLATES The Four Console Gauges Mount To These Plates	\$60.00	
36405	1969	CONSOLE GAUGE BACKING PLATES The Four Console Gauges Mount To These Plates	\$60.00	
CONSOLE GAUGE CONVERSION HARNESS				
32640	1967	CONSOLE GAUGE CONVERSION HARNESS For Original Column Shift Auto Trans	\$166.00	
32635	1967	CONSOLE GAUGE CONVERSION HARNESS For Original Console Shift Auto Trans	\$147.00	
32630	1967	CONSOLE GAUGE CONVERSION HARNESS For Original Manual Trans	\$147.00	
32655	1968	CONSOLE GAUGE CONVERSION HARNESS For Original Column Shift Auto Trans	\$166.00	
32650	1968	CONSOLE GAUGE CONVERSION HARNESS For Original Console Shift Auto Trans	\$147.00	
32645	1968	CONSOLE GAUGE CONVERSION HARNESS For Original Manual Trans	\$147.00	
32670	1969	CONSOLE GAUGE CONVERSION HARNESS For Original Column Shift Auto Trans	\$166.00	
32665	1969	CONSOLE GAUGE CONVERSION HARNESS For Original Console Shift Auto Trans	\$147.00	
32660	1969	CONSOLE GAUGE CONVERSION HARNESS For Original Manual Trans	\$147.00	
CONSOLE GAUGE TERMINALS				
36206	1967	CONSOLE GAUGE TERMINALS Terminals To Insure Correct Electrical Connection To Harness	\$64.00	
36206	1968	CONSOLE GAUGE TERMINALS Terminals To Insure Correct Electrical Connection To Harness	\$64.00	
36206	1969	CONSOLE GAUGE TERMINALS Terminals To Insure Correct Electrical Connection To Harness	\$64.00	
CONSOLE HARNESS				
10790	1967	CONSOLE HARNESS Auto Trans	\$74.00	
10795	1967	CONSOLE HARNESS Auto Trans, With Gauges	\$113.00	
10800	1967	CONSOLE HARNESS Manual Trans	\$26.00	
10805	1967	CONSOLE HARNESS Manual Trans, With Gauges	\$87.00	
11945	1968	CONSOLE HARNESS Auto Trans	\$74.00	
11950	1968	CONSOLE HARNESS Auto Trans, With Gauges	\$113.00	
11940	1968	CONSOLE HARNESS Manual Trans	\$26.00	
11955	1968	CONSOLE HARNESS Manual Trans, With Gauges	\$87.00	
17510	1969	CONSOLE HARNESS Auto Trans	\$74.00	
13085	1969	CONSOLE HARNESS Auto Trans, With Gauges	\$113.00	

Part Number	Year	Description	Price	*Rev.
17505	1969	CONSOLE HARNESS Manual Trans	\$26.00	
13090	1969	CONSOLE HARNESS Manual Trans, With Gauges	\$87.00	
17515	1970	CONSOLE HARNESS Auto Trans	\$60.00	
17505	1970	CONSOLE HARNESS Manual Trans	\$26.00	
17515	1971	CONSOLE HARNESS Auto Trans	\$60.00	
17505	1971	CONSOLE HARNESS Manual Trans	\$26.00	
17515	1972	CONSOLE HARNESS Early Production, Auto Trans With Neutral Safety Switch Mounted In Console. Note: Neutral Safety Switch Mounted In Console.	\$60.00	
17505	1972	CONSOLE HARNESS All Manual Trans & Late Production Auto Trans With Neutral Safety Switch Mounted On Steering Column Note: Neutral Safety Switch Mounted On Steering Column.	\$26.00	
15650	1979	CONSOLE HARNESS Auto Trans, Shift Plate Indicator	\$26.00	
15650	1980	CONSOLE HARNESS Auto Trans, Shift Plate Indicator	\$26.00	
COURTESY LAMP HARNESS				
13875	1967	COURTESY LAMP HARNESS Deluxe Interior, Rear Seat, Upper Panels	\$52.00	
13870	1967	COURTESY LAMP HARNESS Center Roof Mounted Dome Light	\$32.00	
17525	1967	COURTESY LAMP HARNESS Under Dash, Convertible	\$48.00	
08300	1967	COURTESY LAMP HARNESS Under Dash, Coupe	\$43.00	
13870	1968	COURTESY LAMP HARNESS Center Roof Mounted Dome Light	\$32.00	
33820	1968	COURTESY LAMP HARNESS Under Dash, Convertible	\$48.00	
08300	1968	COURTESY LAMP HARNESS Under Dash, Coupe	\$43.00	
13870	1969	COURTESY LAMP HARNESS Center Roof Mounted Dome Light	\$32.00	
14295	1969	COURTESY LAMP HARNESS Under Dash, Coupe Only	\$43.00	
17575	1970	COURTESY LAMP HARNESS Center Roof Mounted Dome Light	\$40.00	
15170	1970	COURTESY LAMP HARNESS Under Dash	\$48.00	
17575	1971	COURTESY LAMP HARNESS Center Roof Mounted Dome Light	\$40.00	
15170	1971	COURTESY LAMP HARNESS Under Dash	\$48.00	
17575	1972	COURTESY LAMP HARNESS Center Roof Mounted Dome Light	\$40.00	
15170	1972	COURTESY LAMP HARNESS Under Dash	\$48.00	
17575	1973	COURTESY LAMP HARNESS Center Roof Mounted Dome Light	\$40.00	
36230	1973	COURTESY LAMP HARNESS Under Dash	\$52.00	
40042	1974	COURTESY LAMP HARNESS Center Roof Mounted Dome Light	\$48.00	
36230	1974	COURTESY LAMP HARNESS Under Dash	\$52.00	
40130	1975	COURTESY LAMP HARNESS Center Roof Mounted Dome Light	\$48.00	
36230	1975	COURTESY LAMP HARNESS Under Dash	\$52.00	
40130	1976	COURTESY LAMP HARNESS Center Roof Mounted Dome Light	\$48.00	
36230	1976	COURTESY LAMP HARNESS Under Dash	\$52.00	
40130	1977	COURTESY LAMP HARNESS Center Roof Mounted Dome Light	\$48.00	
36230	1977	COURTESY LAMP HARNESS Under Dash	\$52.00	
36230	1978	COURTESY LAMP HARNESS Under Dash	\$52.00	
36230	1979	COURTESY LAMP HARNESS Under Dash	\$52.00	
COURTESY LAMP MOUNTING BRACKET-UNDER DASH				
04876930	1967	COURTESY LAMP MOUNTING BRACKET, UNDER DASH Left Or Right Side, 2 Required Per Car	\$11.00	
04876930	1968	COURTESY LAMP MOUNTING BRACKET, UNDER DASH Left Or Right Side, 2 Required Per Car	\$11.00	
04876930	1969	COURTESY LAMP MOUNTING BRACKET, UNDER DASH Left Or Right Side, 2 Required Per Car	\$11.00	

Part Number	Year	Description	Price	*Rev.
COURTESY LAMP SWITCH JUMPER HARNESS				
36038	1973	COURTESY LAMP SWITCH JUMPER HARNESS Driver Side, Door Jamb Switch To Dash Harness	\$17.00	
36039	1973	COURTESY LAMP SWITCH JUMPER HARNESS Passenger Side, Door Jamb Switch To Dash Harness	\$12.00	
36038	1974	COURTESY LAMP SWITCH JUMPER HARNESS Driver Side, Door Jamb Switch To Dash Harness	\$17.00	
36039	1974	COURTESY LAMP SWITCH JUMPER HARNESS Passenger Side, Door Jamb Switch To Dash Harness	\$12.00	
36038	1975	COURTESY LAMP SWITCH JUMPER HARNESS Driver Side, Door Jamb Switch To Dash Harness	\$17.00	
36039	1975	COURTESY LAMP SWITCH JUMPER HARNESS Passenger Side, Door Jamb Switch To Dash Harness	\$12.00	
36038	1976	COURTESY LAMP SWITCH JUMPER HARNESS Driver Side, Door Jamb Switch To Dash Harness	\$17.00	
36039	1976	COURTESY LAMP SWITCH JUMPER HARNESS Passenger Side, Door Jamb Switch To Dash Harness	\$12.00	
36038	1977	COURTESY LAMP SWITCH JUMPER HARNESS Driver Side, Door Jamb Switch To Dash Harness	\$17.00	
36039	1977	COURTESY LAMP SWITCH JUMPER HARNESS Passenger Side, Door Jamb Switch To Dash Harness	\$12.00	
36038	1978	COURTESY LAMP SWITCH JUMPER HARNESS Driver Side, Door Jamb Switch To Dash Harness	\$17.00	
36039	1978	COURTESY LAMP SWITCH JUMPER HARNESS Passenger Side, Door Jamb Switch To Dash Harness	\$12.00	
36038	1979	COURTESY LAMP SWITCH JUMPER HARNESS Driver Side, Door Jamb Switch To Dash Harness	\$17.00	
36039	1979	COURTESY LAMP SWITCH JUMPER HARNESS Passenger Side, Door Jamb Switch To Dash Harness	\$12.00	
36038	1980	COURTESY LAMP SWITCH JUMPER HARNESS Driver Side, Door Jamb Switch To Dash Harness	\$17.00	
36039	1980	COURTESY LAMP SWITCH JUMPER HARNESS Passenger Side, Door Jamb Switch To Dash Harness	\$12.00	
COWL INDUCTION HARNESS				
13135	1969	COWL INDUCTION HARNESS	\$66.00	
CRUISE CONTROL HARNESS				
10775	1967	CRUISE CONTROL HARNESS	\$94.00	
11885	1968	CRUISE CONTROL HARNESS	\$101.00	
13185	1969	CRUISE CONTROL HARNESS	\$94.00	
13185	1970	CRUISE CONTROL HARNESS	\$94.00	
DASH HARNESS				
10220	1967	DASH HARNESS Column Shift, Auto Trans	\$524.00	
10780	1967	DASH HARNESS Column Shift, Manual Trans	\$524.00	
10785	1967	DASH HARNESS Console Shift, Auto Trans	\$524.00	
17535	1967	DASH HARNESS Console Shift, Auto Trans With Gauges	\$538.00	
10990	1967	DASH HARNESS Console Shift, Manual Trans	\$524.00	
10995	1967	DASH HARNESS Console Shift, Manual Trans With Gauges	\$538.00	
18005	1968	DASH HARNESS Column Shift, Auto Trans	\$572.00	
39386	1968	DASH HARNESS-CLASSIC AUTO FUSE SERIES Column Shift, Auto Trans Note: With Updated Modern ATO Series Fuseblock. Uses Fuse & Flasher Kit # 39464. Also See Optional Accessory Kits.	\$632.00	
11840	1968	DASH HARNESS Column Shift, Manual Trans	\$572.00	
39387	1968	DASH HARNESS-CLASSIC AUTO FUSE SERIES Column Shift, Manual Trans Note: With Updated Modern ATO Series Fuseblock. Uses Fuse & Flasher Kit # 39464. Also See Optional Accessory Kits.	\$632.00	
11850	1968	DASH HARNESS Console Shift, Auto Trans	\$572.00	
39388	1968	DASH HARNESS-CLASSIC AUTO FUSE SERIES Console Shift, Auto Trans Note: With Updated Modern ATO Series Fuseblock. Uses Fuse & Flasher Kit # 39464. Also See Optional Accessory Kits.	\$632.00	
11860	1968	DASH HARNESS Console Shift, Auto Trans With Gauges	\$572.00	
39389	1968	DASH HARNESS-CLASSIC AUTO FUSE SERIES Console Shift, Auto Trans With Gauges Note: With Updated Modern ATO Series Fuseblock. Uses Fuse & Flasher Kit # 39464. Also See Optional Accessory Kits.	\$632.00	
11845	1968	DASH HARNESS Console Shift, Manual Trans	\$572.00	
39390	1968	DASH HARNESS-CLASSIC AUTO FUSE SERIES Console Shift, Manual Trans Note: With Updated Modern ATO Series Fuseblock. Uses Fuse & Flasher Kit # 39464. Also See Optional Accessory Kits.	\$632.00	
11855	1968	DASH HARNESS Console Shift, Manual Trans With Gauges	\$572.00	

Part Number	Year	Description	Price	*Rev.
39391	1968	DASH HARNESS-CLASSIC AUTO FUSE SERIES Console Shift, Manual Trans With Gauges Note: With Updated Modern ATO Series Fuseblock. Uses Fuse & Flasher Kit # 39464. Also See Optional Accessory Kits.	\$632.00	
12065	1968	DASH HARNESS Floor Shift, Auto Trans (Without Console)	\$572.00	
39392	1968	DASH HARNESS-CLASSIC AUTO FUSE SERIES Floor Shift, Auto Trans (Without Console) Note: With Updated Modern ATO Series Fuseblock. Uses Fuse & Flasher Kit # 39464. Also See Optional Accessory Kits.	\$632.00	
13025	1969	DASH HARNESS Column Shift, Auto Or Manual Trans	\$572.00	
39393	1969	DASH HARNESS-CLASSIC AUTO FUSE SERIES Column Shift, Auto Or Manual Trans Note: With Updated Modern ATO Series Fuseblock. Uses Fuse & Flasher Kit # 39466. Also See Optional Accessory Kits.	\$632.00	
13115	1969	DASH HARNESS Column Shift, Auto Or Manual Trans With A/C	\$572.00	
39394	1969	DASH HARNESS-CLASSIC AUTO FUSE SERIES Column Shift, Auto Or Manual Trans With A/C Note: With Updated Modern ATO Series Fuseblock. Uses Fuse & Flasher Kit # 39466. Also See Optional Accessory Kits.	\$632.00	
13205	1969	DASH HARNESS Column Shift, Auto Or Manual Trans With Tach & Center Fuel Gauge, All	\$572.00	
39395	1969	DASH HARNESS-CLASSIC AUTO FUSE SERIES Column Shift, Auto Or Manual Trans With Tach & Center Fuel Gauge, All Note: With Updated Modern ATO Series Fuseblock. Uses Fuse & Flasher Kit # 39466. Also See Optional Accessory Kits.	\$632.00	
13035	1969	DASH HARNESS Console Shift, Auto Trans	\$572.00	
39396	1969	DASH HARNESS-CLASSIC AUTO FUSE SERIES Console Shift, Auto Trans Note: With Updated Modern ATO Series Fuseblock. Uses Fuse & Flasher Kit # 39466. Also See Optional Accessory Kits.	\$632.00	
13125	1969	DASH HARNESS Console Shift, Auto Trans With A/C	\$572.00	
39397	1969	DASH HARNESS-CLASSIC AUTO FUSE SERIES Console Shift, Auto Trans With A/C Note: With Updated Modern ATO Series Fuseblock. Uses Fuse & Flasher Kit # 39466. Also See Optional Accessory Kits.	\$632.00	
13225	1969	DASH HARNESS Console Shift, Auto Trans With Gauges & Tachometer, All	\$572.00	
39398	1969	DASH HARNESS-CLASSIC AUTO FUSE SERIES Console Shift, Auto Trans With Gauges & Tachometer, All Note: With Updated Modern ATO Series Fuseblock. Uses Fuse & Flasher Kit # 39466. Also See Optional Accessory Kits.	\$632.00	
13215	1969	DASH HARNESS Console Shift, Auto Trans With Tach, Center Fuel Gauge & Warning Lights	\$572.00	
39399	1969	DASH HARNESS-CLASSIC AUTO FUSE SERIES Console Shift, Auto Trans With Tach, Center Fuel Gauge & Warning Lights Note: With Updated Modern ATO Series Fuseblock. Uses Fuse & Flasher Kit # 39466. Also See Optional Accessory Kits.	\$632.00	
13030	1969	DASH HARNESS Console Shift, Manual Trans	\$572.00	
39400	1969	DASH HARNESS-CLASSIC AUTO FUSE SERIES Console Shift, Manual Trans Note: With Updated Modern ATO Series Fuseblock. Uses Fuse & Flasher Kit # 39466. Also See Optional Accessory Kits.	\$632.00	
13120	1969	DASH HARNESS Console Shift, Manual Trans With A/C	\$572.00	
39401	1969	DASH HARNESS-CLASSIC AUTO FUSE SERIES Console Shift, Manual Trans With A/C Note: With Updated Modern ATO Series Fuseblock. Uses Fuse & Flasher Kit # 39466. Also See Optional Accessory Kits.	\$632.00	
13220	1969	DASH HARNESS Console Shift, Manual Trans With Gauges & Tachometer, All	\$572.00	
39402	1969	DASH HARNESS-CLASSIC AUTO FUSE SERIES Console Shift, Manual Trans With Gauges & Tachometer, All Note: With Updated Modern ATO Series Fuseblock. Uses Fuse & Flasher Kit # 39466. Also See Optional Accessory Kits.	\$632.00	
13210	1969	DASH HARNESS Console Shift, Manual Trans With Tach, Center Fuel Gauge & Warning Lights	\$572.00	
39403	1969	DASH HARNESS-CLASSIC AUTO FUSE SERIES Console Shift, Manual Trans With Tach, Center Fuel Gauge & Warning Lights Note: With Updated Modern ATO Series Fuseblock. Uses Fuse & Flasher Kit # 39466. Also See Optional Accessory Kits.	\$632.00	
35915	1970	DASH HARNESS Column Shift, Auto Trans	\$524.00	
35916	1970	DASH HARNESS Column Shift, Auto Trans With A/C	\$524.00	
35917	1970	DASH HARNESS Console Shift, Auto Trans	\$497.00	
35918	1970	DASH HARNESS Console Shift, Manual Trans	\$497.00	
35919	1970	DASH HARNESS Floor Shift, Manual Trans	\$510.00	
35920	1970	DASH HARNESS Floor Shift, Manual Trans With A/C	\$497.00	

Part Number	Year	Description	Price	*Rev.
14975	1970	DASH INSTRUMENT CLUSTER HARNESS All With Warning Lights	\$159.00	
14985	1970	DASH INSTRUMENT CLUSTER HARNESS All With Gauges	\$159.00	
35921	1971	DASH HARNESS All	\$497.00	
15365	1971	DASH INSTRUMENT CLUSTER HARNESS With Warning Lights	\$159.00	
15370	1971	DASH INSTRUMENT CLUSTER HARNESS With Gauges	\$159.00	
35922	1972	DASH HARNESS All, Except Early Production Console Shift Auto Trans With Neutral Safety Switch Mounted In Console. Note: Neutral Safety Switch Mounted On Steering Column.	\$524.00	
35923	1972	DASH HARNESS Early Production, Console Shift, Auto Trans With Neutral Safety Switch Mounted In Console Note: Neutral Safety Switch Mounted In Console.	\$510.00	
34920	1972	DASH INSTRUMENT CLUSTER HARNESS With Warning Lights	\$186.00	
33870	1972	DASH INSTRUMENT CLUSTER HARNESS With Warning Lights & Seat Belt Warning	\$199.00	
16325	1972	DASH INSTRUMENT CLUSTER HARNESS With Gauges	\$173.00	
16525	1972	DASH INSTRUMENT CLUSTER HARNESS With Gauges & Seat Belt Warning	\$186.00	
16555	1973	DASH HARNESS With Warning Lights	\$656.00	
16560	1973	DASH HARNESS With Gauges	\$616.00	
18700	1974	DASH HARNESS With Warning Lights	\$762.00	
18705	1974	DASH HARNESS With Gauges	\$722.00	
18710	1975	DASH HARNESS With Warning Lights, 1st Design, With Seatbelt Ignition Interlock Relay	\$788.00	
36020	1975	DASH HARNESS With Warning Lights, 2nd Design, Without Seatbelt Ignition Interlock Relay	\$762.00	
36015	1975	DASH HARNESS With Gauges, 1st Design, With Seatbelt Ignition Interlock Relay	\$788.00	
36019	1975	DASH HARNESS With Gauges, 2nd Design, Without Seatbelt Ignition Interlock Relay	\$762.00	
38079	1976	DASH HARNESS With Warning Lights	\$748.00	
38080	1976	DASH HARNESS With Gauges	\$748.00	
36018	1977	DASH HARNESS With Warning Lights	\$748.00	
36017	1977	DASH HARNESS With Gauges	\$748.00	
37999	1978	DASH HARNESS With Warning Lights	\$762.00	
37998	1978	DASH HARNESS With Gauges	\$748.00	
38001	1979	DASH HARNESS Auto Trans, With Warning Lights Note: 1979 Camaro Did Not Contain A Neutral Safety Switch, The Steering Column Contains A Mechanical Lockout To Prevent Starter Engagement.	\$768.00	
38000	1979	DASH HARNESS Auto Trans, With Gauges Note: 1979 Camaro Did Not Contain A Neutral Safety Switch, The Steering Column Contains A Mechanical Lockout To Prevent Starter Engagement.	\$748.00	
38003	1979	DASH HARNESS Manual Trans, With Warning Lights	\$768.00	
38002	1979	DASH HARNESS Manual Trans, With Gauges	\$768.00	
DISTRIBUTOR WIRE				
36057	1967	DISTRIBUTOR WIRE Distributor Points To Coil Negative Terminal, V/8 Note: Fits All GM V/8 Points Type Distributors From Approx. 1957 To 1974.	\$18.00	C
36057	1968	DISTRIBUTOR WIRE Distributor Points To Coil Negative Terminal, V/8 Note: Fits All GM V/8 Points Type Distributors From Approx. 1957 To 1974.	\$18.00	C
36057	1969	DISTRIBUTOR WIRE Distributor Points To Coil Negative Terminal, V/8 Note: Fits All GM V/8 Points Type Distributors From Approx. 1957 To 1974.	\$18.00	C
36057	1970	DISTRIBUTOR WIRE Distributor Points To Coil Negative Terminal, V/8 Note: Fits All GM V/8 Points Type Distributors From Approx. 1957 To 1974.	\$18.00	C

Part Number	Year	Description	Price	*Rev.
36057	1971	DISTRIBUTOR WIRE Distributor Points To Coil Negative Terminal, V/8 Note: Fits All GM V/8 Points Type Distributors From Approx. 1957 To 1974.	\$18.00	C
36057	1972	DISTRIBUTOR WIRE Distributor Points To Coil Negative Terminal, V/8 Note: Fits All GM V/8 Points Type Distributors From Approx. 1957 To 1974.	\$18.00	C
36057	1973	DISTRIBUTOR WIRE Distributor Points To Coil Negative Terminal, V/8 Note: Fits All GM V/8 Points Type Distributors From Approx. 1957 To 1974.	\$18.00	C
36057	1974	DISTRIBUTOR WIRE Distributor Points To Coil Negative Terminal, V/8 Note: Fits All GM V/8 Points Type Distributors From Approx. 1957 To 1974.	\$18.00	C
DOME LIGHT LENS				
06279669	1967	DOME LIGHT LENS Note: Manufactured With Original GM Tooling, Not A Reproduction Part.	\$6.00	
06279669	1968	DOME LIGHT LENS Note: Manufactured With Original GM Tooling, Not A Reproduction Part.	\$6.00	
06279669	1969	DOME LIGHT LENS Note: Manufactured With Original GM Tooling, Not A Reproduction Part.	\$6.00	
ENGINE HARNESS				
11260	1967	ENGINE HARNESS 6 Cylinder Note: 6 Cylinder Items Are Not Returnable.	\$140.00	
11290	1967	ENGINE HARNESS V/8	\$129.00	
38926	1967	ENGINE HARNESS-HEI V/8 Note: This Harness Is Modified For Use With An HEI Distributor.	\$144.00	
11295	1967	ENGINE HARNESS V/8, With Gauges	\$129.00	
38946	1967	ENGINE HARNESS-HEI V/8, With Gauges Note: This Harness Is Modified For Use With An HEI Distributor.	\$144.00	
11300	1967	ENGINE HARNESS 396 C.I.	\$132.00	
38966	1967	ENGINE HARNESS-HEI 396 C.I. Note: This Harness Is Modified For Use With An HEI Distributor.	\$147.00	
11305	1967	ENGINE HARNESS 396 C.I., With Gauges	\$132.00	
39000	1967	ENGINE HARNESS-HEI 396 C.I., With Gauges Note: This Harness Is Modified For Use With An HEI Distributor.	\$147.00	
11815	1968	ENGINE HARNESS 6 Cylinder Note: 6 Cylinder Items Are Not Returnable.	\$140.00	
12010	1968	ENGINE HARNESS 6 Cylinder, With Idle Stop Solenoid Note: 6 Cylinder Items Are Not Returnable.	\$140.00	
11820	1968	ENGINE HARNESS V/8	\$126.00	
38923	1968	ENGINE HARNESS-HEI V/8 Note: This Harness Is Modified For Use With An HEI Distributor.	\$141.00	
12080	1968	ENGINE HARNESS 396 C.I.	\$126.00	
38930	1968	ENGINE HARNESS-HEI 396 C.I. Note: This Harness Is Modified For Use With An HEI Distributor.	\$141.00	
12025	1968	ENGINE HARNESS V/8 & 396 C.I., With Gauges	\$126.00	
38932	1968	ENGINE HARNESS-HEI V/8 & 396 C.I. With Gauges Note: This Harness Is Modified For Use With An HEI Distributor.	\$141.00	
11815	1969	ENGINE HARNESS 6 Cylinder Note: 6 Cylinder Items Are Not Returnable.	\$140.00	
12010	1969	ENGINE HARNESS 6 Cylinder, With Idle Stop Solenoid Note: 6 Cylinder Items Are Not Returnable.	\$140.00	
12970	1969	ENGINE HARNESS V/8	\$126.00	

Part Number	Year	Description	Price	*Rev.
38925	1969	ENGINE HARNESS-HEI V/8 Note: This Harness Is Modified For Use With An HEI Distributor.	\$141.00	
13170	1969	ENGINE HARNESS V/8, With Idle Stop Solenoid	\$132.00	
39001	1969	ENGINE HARNESS-HEI V/8, With Idle Stop Solenoid Note: This Harness Is Modified For Use With An HEI Distributor.	\$147.00	
12080	1969	ENGINE HARNESS 396 C.I.	\$126.00	
38930	1969	ENGINE HARNESS-HEI 396 C.I. Note: This Harness Is Modified For Use With An HEI Distributor.	\$141.00	
13175	1969	ENGINE HARNESS 396 C.I., With Idle Stop Solenoid	\$132.00	
39016	1969	ENGINE HARNESS-HEI 396 C.I. With Idle Stop Solenoid Note: This Harness Is Modified For Use With An HEI Distributor.	\$147.00	
17545	1969	ENGINE HARNESS V/8 & 396 C.I., With Gauges	\$126.00	
38924	1969	ENGINE HARNESS-HEI V/8 & 396 C.I., With Gauges Note: This Harness Is Modified For Use With An HEI Distributor.	\$141.00	
13180	1969	ENGINE HARNESS V/8 & 396 C.I., With Gauges & Idle Stop Solenoid	\$132.00	
38996	1969	ENGINE HARNESS-HEI V/8 & 396 C.I. With Gauges & Idle Stop Solenoid Note: This Harness Is Modified For Use With An HEI Distributor.	\$147.00	
14945	1970	ENGINE HARNESS 6 Cylinder, Auto Trans Note: 6 Cylinder Items Are Not Returnable.	\$226.00	
14935	1970	ENGINE HARNESS 6 Cylinder, Manual Trans Note: 6 Cylinder Items Are Not Returnable.	\$226.00	
14955	1970	ENGINE HARNESS V/8, Auto Trans	\$199.00	
38968	1970	ENGINE HARNESS-HEI V/8, Auto Trans Note: This Harness Is Modified For Use With An HEI Distributor.	\$214.00	
15255	1970	ENGINE HARNESS V/8, TH-400 Auto Trans Only	\$226.00	
39052	1970	ENGINE HARNESS-HEI V/8, TH-400 Auto Trans Only Note: This Harness Is Modified For Use With An HEI Distributor.	\$241.00	
14940	1970	ENGINE HARNESS V/8, Manual Trans	\$199.00	
39002	1970	ENGINE HARNESS-HEI V/8, Manual Trans Note: This Harness Is Modified For Use With An HEI Distributor.	\$214.00	
14960	1970	ENGINE HARNESS 396-454 C.I., Auto Trans	\$226.00	
39038	1970	ENGINE HARNESS-HEI 396-454 C.I., Auto Trans Note: This Harness Is Modified For Use With An HEI Distributor.	\$241.00	
14950	1970	ENGINE HARNESS 396-454 C.I., Manual Trans	\$212.00	
39069	1970	ENGINE HARNESS-HEI 396-454 C.I., Manual Trans Note: This Harness Is Modified For Use With An HEI Distributor.	\$227.00	
15390	1971	ENGINE HARNESS 6 Cylinder, Auto Trans Note: 6 Cylinder Items Are Not Returnable.	\$236.00	
15380	1971	ENGINE HARNESS 6 Cylinder, Manual Trans Note: 6 Cylinder Items Are Not Returnable.	\$236.00	
15485	1971	ENGINE HARNESS V/8, Auto Trans	\$212.00	
38977	1971	ENGINE HARNESS-HEI V/8, Auto Trans Note: This Harness Is Modified For Use With An HEI Distributor.	\$229.00	
15385	1971	ENGINE HARNESS V/8, Manual Trans	\$212.00	
39017	1971	ENGINE HARNESS-HEI V/8, Manual Trans Note: This Harness Is Modified For Use With An HEI Distributor.	\$229.00	
15450	1971	ENGINE HARNESS V/8, TH400 Auto Trans Only	\$226.00	
39090	1971	ENGINE HARNESS-HEI V/8, TH400 Auto Trans Only Note: This Harness Is Modified For Use With An HEI Distributor.	\$243.00	

Part Number	Year	Description	Price	*Rev.
15445	1971	ENGINE HARNESS 396-454 C.I., Auto Trans	\$226.00	
39089	1971	ENGINE HARNESS-HEI 396-454 C.I., Auto Trans Note: This Harness Is Modified For Use With An HEI Distributor.	\$243.00	
15395	1971	ENGINE HARNESS 396-454 C.I. Manual Trans	\$226.00	
39070	1971	ENGINE HARNESS-HEI 396-454 C.I. Manual Trans Note: This Harness Is Modified For Use With An HEI Distributor.	\$243.00	
16330	1972	ENGINE HARNESS 6 Cylinder Note: 6 Cylinder Items Are Not Returnable.	\$290.00	
16335	1972	ENGINE HARNESS V/8 Note: Manual Trans Requires Use Of #17355 T.C.S. Extension.	\$264.00	
16350	1972	ENGINE HARNESS V/8 With Gauges Note: Manual Trans Requires Use Of #17355 T.C.S. Extension.	\$264.00	
16355	1972	ENGINE HARNESS V/8 TH400 Auto Trans With Gauges	\$278.00	
16345	1972	ENGINE HARNESS 396-454 C.I., Auto Trans	\$278.00	
16365	1972	ENGINE HARNESS 396-454 C.I., Auto Trans With Gauges	\$278.00	
16340	1972	ENGINE HARNESS 396-454 C.I., Manual Trans	\$264.00	
16360	1972	ENGINE HARNESS 396-454 C.I., Manual Trans With Gauges	\$278.00	
17015	1973	ENGINE HARNESS 6 Cylinder Note: 6 Cylinder Items Are Not Returnable.	\$304.00	
15500	1973	ENGINE HARNESS V/8 Note: Manual Trans Requires Use Of Part #17365 T.C.S. Extension.	\$278.00	
15505	1973	ENGINE HARNESS V/8, With Gauges Note: Manual Trans Requires Use Of Part #17365 T.C.S. Extension.	\$278.00	
16565	1973	ENGINE HARNESS V/8, TH-400 Auto Trans Only	\$290.00	
16570	1973	ENGINE HARNESS V/8, TH-400 Auto Trans & Gauges	\$290.00	
38008	1974	ENGINE HARNESS 6 Cylinder, Auto Trans, With Warning Lights Note: 6 Cylinder Items Are Not Returnable.	\$304.00	
16595	1974	ENGINE HARNESS 6 Cylinder, Manual Trans, With Warning Lights Note: 6 Cylinder Items Are Not Returnable.	\$304.00	
22605	1974	ENGINE HARNESS V/8, Auto Trans	\$279.00	
22590	1974	ENGINE HARNESS V/8, Auto Trans With Gauges	\$278.00	
22585	1974	ENGINE HARNESS V/8, TH400 Auto Trans Only	\$304.00	
36009	1974	ENGINE HARNESS V/8, TH-400 Auto Trans With H.E.I.	\$285.00	
22600	1974	ENGINE HARNESS V/8, TH400 Auto Trans With Gauges	\$297.00	
36010	1974	ENGINE HARNESS V/8, TH-400 Auto Trans With Gauges & H.E.I.	\$285.00	
22610	1974	ENGINE HARNESS V/8, Manual Trans	\$290.00	
36012	1974	ENGINE HARNESS V/8, Manual Trans With H.E.I.	\$297.00	
22595	1974	ENGINE HARNESS V/8, Manual Trans With Gauges	\$290.00	
36013	1974	ENGINE HARNESS V/8, Manual Trans With Gauges & H.E.I.	\$297.00	
18615	1975	ENGINE HARNESS 6 Cylinder, Except Integrated Cylinder Head Note: 6 Cylinder Items Are Not Returnable.	\$317.00	
18610	1975	ENGINE HARNESS 6 Cylinder, With Integrated Cylinder Head Note: 6 Cylinder Items Are Not Returnable.	\$317.00	
18680	1975	ENGINE HARNESS V/8, All	\$290.00	
35990	1976	ENGINE HARNESS 6 Cylinder Note: 6 Cylinder Items Are Not Returnable.	\$304.00	
18680	1976	ENGINE HARNESS V/8, All	\$290.00	

Part Number	Year	Description	Price	*Rev.
35989	1977	ENGINE HARNESS 6 Cylinder, Except California Emission Option Note: 6 Cylinder Items Are Not Returnable.	\$290.00	
35988	1977	ENGINE HARNESS 6 Cylinder, With California Emission Option Note: 6 Cylinder Items Are Not Returnable.	\$290.00	
36007	1977	ENGINE HARNESS V/8, All	\$264.00	
35981	1978	ENGINE HARNESS 6 Cylinder, Except California Emission Option Note: 6 Cylinder Items Are Not Returnable.	\$303.00	
35980	1978	ENGINE HARNESS 6 Cylinder, With California Emission Option Note: 6 Cylinder Items Are Not Returnable.	\$303.00	
36007	1978	ENGINE HARNESS V/8, Except California Emission Option	\$264.00	
36027	1978	ENGINE HARNESS V/8, With California Emission Option	\$290.00	
35986	1979	ENGINE HARNESS 6 Cylinder, Except California Emission Option Note: 6 Cylinder Items Are Not Returnable.	\$330.00	
35985	1979	ENGINE HARNESS 6 Cylinder, With California Emission Option Note: 6 Cylinder Items Are Not Returnable.	\$330.00	
36007	1979	ENGINE HARNESS V/8, Except California Emission Option	\$264.00	
36025	1979	ENGINE HARNESS V/8, With California Emission Option	\$264.00	
38010	1980	ENGINE HARNESS V/6, 229 C.I.	\$304.00	
36029	1980	ENGINE HARNESS V/8, 267, 305, 350 C.I.	\$278.00	
FORWARD LAMP HARNESS				
11425	1967	FORWARD LAMP HARNESS 6 Cylinder, Rally Sport Note: 6 Cylinder Items Are Not Returnable.	\$332.00	
11410	1967	FORWARD LAMP HARNESS 6 Cylinder, Standard Note: 6 Cylinder Items Are Not Returnable.	\$251.00	
11430	1967	FORWARD LAMP HARNESS V/8, Rally Sport	\$291.00	
39015	1967	FORWARD LAMP HARNESS-INT REG ALT DRIVER SIDE V/8, Rally Sport Note: Modified For Driver Side Mounted 1972-84 Non-Serpentine Belt ("SI" Series) Internal Regulated Alternators.	\$316.00	
39168	1967	FORWARD LAMP HARNESS-INT REG ALT PASSENGER SIDE V/8, Rally Sport Note: Modified For Passenger Side Mounted 1972-84 Non-Serpentine Belt ("SI" Series) Internal Regulated Alternators.	\$326.00	
11435	1967	FORWARD LAMP HARNESS V/8, Rally Sport With Gauges	\$298.00	
38995	1967	FORWARD LAMP HARNESS-INT REG ALT DRIVER SIDE V/8, Rally Sport With Gauges Note: Modified For Driver Side Mounted 1972-84 Non-Serpentine Belt ("SI" Series) Internal Regulated Alternators.	\$323.00	
39169	1967	FORWARD LAMP HARNESS-INT REG ALT PASSENGER SIDE V/8, Rally Sport With Gauges Note: Modified For Passenger Side Mounted 1972-84 Non-Serpentine Belt ("SI" Series) Internal Regulated Alternators.	\$333.00	
11415	1967	FORWARD LAMP HARNESS V/8, Standard	\$226.00	
38973	1967	FORWARD LAMP HARNESS-INT REG ALT DRIVER SIDE V/8, Standard Note: Modified For Driver Side Mounted 1972-84 Non-Serpentine Belt ("SI" Series) Internal Regulated Alternators.	\$251.00	
39037	1967	FORWARD LAMP HARNESS-INT REG ALT PASSENGER SIDE V/8, Standard Note: Modified For Passenger Side Mounted 1972-84 Non-Serpentine Belt ("SI" Series) Internal Regulated Alternators.	\$261.00	
11420	1967	FORWARD LAMP HARNESS V/8, Standard With Gauges	\$226.00	
39027	1967	FORWARD LAMP HARNESS-INT REG ALT DRIVER SIDE V/8, Standard With Gauges Note: Modified For Driver Side Mounted 1972-84 Non-Serpentine Belt ("SI" Series) Internal Regulated Alternators.	\$251.00	
39227	1967	FORWARD LAMP HARNESS-INT REG ALT PASSENGER SIDE V/8, Standard With Gauges Note: Modified For Passenger Side Mounted 1972-84 Non-Serpentine Belt ("SI" Series) Internal Regulated Alternators.	\$261.00	
11895	1968	FORWARD LAMP HARNESS 6 Cylinder, Rally Sport Note: 6 Cylinder Items Are Not Returnable.	\$276.00	
11825	1968	FORWARD LAMP HARNESS 6 Cylinder, Standard Note: 6 Cylinder Items Are Not Returnable.	\$276.00	

Part Number	Year	Description	Price	*Rev.
39170	1968	FORWARD LAMP HARNESS-INT REG ALT DRIVER SIDE 6 Cylinder, Standard Note: 6 Cylinder Items Are Not Returnable.	\$301.00	
11900	1968	FORWARD LAMP HARNESS V/8, Rally Sport	\$239.00	
39088	1968	FORWARD LAMP HARNESS-INT REG ALT DRIVER SIDE V/8, Rally Sport Note: Modified For Driver Side Mounted 1972-84 Non-Serpentine Belt ("SI" Series) Internal Regulated Alternators.	\$264.00	
39133	1968	FORWARD LAMP HARNESS-INT REG ALT PASSENGER SIDE V/8, Rally Sport Note: Modified For Passenger Side Mounted 1972-84 Non-Serpentine Belt ("SI" Series) Internal Regulated Alternators.	\$274.00	
11905	1968	FORWARD LAMP HARNESS V/8, Rally Sport With Gauges	\$239.00	
39028	1968	FORWARD LAMP HARNESS-INT REG ALT DRIVER SIDE V/8, Rally Sport With Gauges Note: Modified For Driver Side Mounted 1972-84 Non-Serpentine Belt ("SI" Series) Internal Regulated Alternators.	\$264.00	
39171	1968	FORWARD LAMP HARNESS-INT REG ALT PASSENGER SIDE V/8, Rally Sport With Gauges Note: Modified For Passenger Side Mounted 1972-84 Non-Serpentine Belt ("SI" Series) Internal Regulated Alternators.	\$274.00	
11830	1968	FORWARD LAMP HARNESS V/8, Standard	\$239.00	
38961	1968	FORWARD LAMP HARNESS-INT REG ALT DRIVER SIDE V/8, Standard Note: Modified For Driver Side Mounted 1972-84 Non-Serpentine Belt ("SI" Series) Internal Regulated Alternators.	\$264.00	
38970	1968	FORWARD LAMP HARNESS-INT REG ALT PASSENGER SIDE V/8, Standard Note: Modified For Passenger Side Mounted 1972-84 Non-Serpentine Belt ("SI" Series) Internal Regulated Alternators.	\$274.00	
11835	1968	FORWARD LAMP HARNESS V/8, Standard With Gauges	\$239.00	
38987	1968	FORWARD LAMP HARNESS-INT REG ALT DRIVER SIDE V/8, Standard With Gauges Note: Modified For Driver Side Mounted 1972-84 Non-Serpentine Belt ("SI" Series) Internal Regulated Alternators.	\$264.00	
39229	1968	FORWARD LAMP HARNESS-INT REG ALT PASSENGER SIDE V/8, Standard With Gauges Note: Modified For Passenger Side Mounted 1972-84 Non-Serpentine Belt ("SI" Series) Internal Regulated Alternators.	\$274.00	
12995	1969	FORWARD LAMP HARNESS 6 Cylinder Note: 6 Cylinder Items Are Not Returnable.	\$276.00	
13000	1969	FORWARD LAMP HARNESS V/8	\$239.00	
38933	1969	FORWARD LAMP HARNESS-INT REG ALT PASSENGER SIDE V/8 Note: Modified For Passenger Side Mounted 1972-84 Non-Serpentine Belt ("SI" Series) Internal Regulated Alternators.	\$274.00	
13005	1969	FORWARD LAMP HARNESS V/8 With Gauges	\$239.00	
38951	1969	FORWARD LAMP HARNESS-INT REG ALT PASSENGER SIDE V/8 With Gauges Note: Modified For Passenger Side Mounted 1972-84 Non-Serpentine Belt ("SI" Series) Internal Regulated Alternators.	\$274.00	
14865	1970	FORWARD LAMP HARNESS 6 Cylinder Note: 6 Cylinder Items Are Not Returnable.	\$291.00	
14870	1970	FORWARD LAMP HARNESS V/8	\$265.00	
39108	1970	FORWARD LAMP HARNESS-INT REG ALT PASSENGER SIDE V/8 Note: Modified For Passenger Side Mounted 1972-84 Non-Serpentine Belt ("SI" Series) Internal Regulated Alternators.	\$300.00	
15195	1970	FORWARD LAMP HARNESS V/8, With A/C	\$265.00	
39135	1970	FORWARD LAMP HARNESS-INT REG ALT PASSENGER SIDE V/8, With A/C Note: Modified For Passenger Side Mounted 1972-84 Non-Serpentine Belt ("SI" Series) Internal Regulated Alternators.	\$300.00	
14875	1970	FORWARD LAMP HARNESS V/8, With Gauges, All	\$265.00	
39109	1970	FORWARD LAMP HARNESS-INT REG ALT PASSENGER SIDE V/8, With Gauges, All Note: Modified For Passenger Side Mounted 1972-84 Non-Serpentine Belt ("SI" Series) Internal Regulated Alternators.	\$300.00	
15320	1971	FORWARD LAMP HARNESS 6 Cylinder Note: 6 Cylinder Items Are Not Returnable.	\$332.00	
15405	1971	FORWARD LAMP HARNESS V/8	\$265.00	
39029	1971	FORWARD LAMP HARNESS-INT REG ALT PASSENGER SIDE V/8 Note: Modified For Passenger Side Mounted 1972-84 Non-Serpentine Belt ("SI" Series) Internal Regulated Alternators.	\$300.00	
15330	1971	FORWARD LAMP HARNESS V/8, With Gauges	\$265.00	
39053	1971	FORWARD LAMP HARNESS-INT REG ALT PASSENGER SIDE V/8, With Gauges Note: Modified For Passenger Side Mounted 1972-84 Non-Serpentine Belt ("SI" Series) Internal Regulated Alternators.	\$300.00	

Part Number	Year	Description	Price	*Rev.
16370	1972	FORWARD LAMP HARNESS All Models	\$265.00	
16550	1973	FORWARD LAMP HARNESS All Models	\$265.00	
16585	1974	FORWARD LAMP HARNESS All Models	\$304.00	
36028	1975	FORWARD LAMP HARNESS All Models, Without Seatbelt Ignition Interlock Relay	\$291.00	
18685	1975	FORWARD LAMP HARNESS All Models, With Seatbelt Ignition Interlock Relay	\$318.00	
36026	1976	FORWARD LAMP HARNESS All Models	\$291.00	
36026	1977	FORWARD LAMP HARNESS All Models	\$291.00	
36023	1978	FORWARD LAMP HARNESS All Models	\$291.00	
36021	1979	FORWARD LAMP HARNESS All Models	\$291.00	
36021	1980	FORWARD LAMP HARNESS All Models	\$291.00	
36022	1981	FORWARD LAMP HARNESS All Models	\$291.00	
FUEL TANK SENDER WIRE				
18915	1967	FUEL TANK SENDER WIRE	\$22.00	
18915	1968	FUEL TANK SENDER WIRE	\$22.00	
18910	1969	FUEL TANK SENDER WIRE	\$22.00	
33825	1970	FUEL TANK SENDER WIRE	\$23.00	
33825	1971	FUEL TANK SENDER WIRE	\$23.00	
33835	1972	FUEL TANK SENDER WIRE	\$23.00	
33835	1973	FUEL TANK SENDER WIRE	\$23.00	
36275	1974	FUEL TANK SENDER WIRE	\$25.00	
36272	1975	FUEL TANK SENDER WIRE	\$23.00	
36272	1976	FUEL TANK SENDER WIRE	\$23.00	
36272	1977	FUEL TANK SENDER WIRE	\$23.00	
36269	1978	FUEL TANK SENDER WIRE	\$32.00	
36269	1979	FUEL TANK SENDER WIRE	\$32.00	
36269	1980	FUEL TANK SENDER WIRE	\$32.00	
FUEL TANK SENDING UNIT				
06428845	1968	FUEL TANK SENDING UNIT 3/8" Fuel Line, Single Line	\$43.00	N
06428844	1968	FUEL TANK SENDING UNIT 5/16" Fuel Line, Single Line	\$43.00	N
06428845	1969	FUEL TANK SENDING UNIT 3/8" Fuel Line, Single Line	\$43.00	N
06428322	1969	FUEL TANK SENDING UNIT 3/8" Fuel Line, With 2nd Vent Line	\$43.00	N
06428844	1969	FUEL TANK SENDING UNIT 5/16" Fuel Line, Single Line	\$43.00	N
06428800	1970	FUEL TANK SENDING UNIT 3/8" Fuel Line	\$43.00	N
06428800	1971	FUEL TANK SENDING UNIT 3/8" Fuel Line	\$43.00	N
06428800	1972	FUEL TANK SENDING UNIT 3/8" Fuel Line	\$43.00	N
06428800	1973	FUEL TANK SENDING UNIT 3/8" Fuel Line	\$43.00	N
GLOVE BOX LAMP EXTENSION HARNESS				
17530	1970	GLOVE BOX LAMP EXTENSION HARNESS Without A/C, Plugs Into Glove Box Lamp Switch Assembly	\$23.00	
15290	1970	GLOVE BOX LAMP EXTENSION HARNESS With A/C Only, Plugs Into Glove Box Lamp Switch Assembly	\$23.00	
17530	1971	GLOVE BOX LAMP EXTENSION HARNESS Without A/C, Plugs Into Glove Box Lamp Switch Assembly	\$23.00	
15290	1971	GLOVE BOX LAMP EXTENSION HARNESS With A/C Only, Plugs Into Glove Box Lamp Switch Assembly	\$23.00	
17530	1972	GLOVE BOX LAMP EXTENSION HARNESS Without A/C, Plugs Into Glove Box Lamp Switch Assembly	\$23.00	
15290	1972	GLOVE BOX LAMP EXTENSION HARNESS With A/C Only, Plugs Into Glove Box Lamp Switch Assembly	\$23.00	
17530	1973	GLOVE BOX LAMP EXTENSION HARNESS Without A/C, Plugs Into Glove Box Lamp Switch Assembly	\$23.00	
15290	1973	GLOVE BOX LAMP EXTENSION HARNESS With A/C Only, Plugs Into Glove Box Lamp Switch Assembly	\$23.00	
17530	1974	GLOVE BOX LAMP EXTENSION HARNESS Without A/C, Plugs Into Glove Box Lamp Switch Assembly	\$23.00	

Part Number	Year	Description	Price	*Rev.
15290	1974	GLOVE BOX LAMP EXTENSION HARNESS With A/C Only, Plugs Into Glove Box Lamp Switch Assembly	\$23.00	
17530	1975	GLOVE BOX LAMP EXTENSION HARNESS Without A/C, Plugs Into Glove Box Lamp Switch Assembly	\$23.00	
15290	1975	GLOVE BOX LAMP EXTENSION HARNESS With A/C Only, Plugs Into Glove Box Lamp Switch Assembly	\$23.00	
17530	1976	GLOVE BOX LAMP EXTENSION HARNESS Without A/C, Plugs Into Glove Box Lamp Switch Assembly	\$23.00	
15290	1976	GLOVE BOX LAMP EXTENSION HARNESS With A/C Only, Plugs Into Glove Box Lamp Switch Assembly	\$23.00	
17530	1977	GLOVE BOX LAMP EXTENSION HARNESS Without A/C, Plugs Into Glove Box Lamp Switch Assembly	\$23.00	
15290	1977	GLOVE BOX LAMP EXTENSION HARNESS With A/C Only, Plugs Into Glove Box Lamp Switch Assembly	\$23.00	
17530	1978	GLOVE BOX LAMP EXTENSION HARNESS Without A/C, Plugs Into Glove Box Lamp Switch Assembly	\$23.00	
15290	1978	GLOVE BOX LAMP EXTENSION HARNESS With A/C Only, Plugs Into Glove Box Lamp Switch Assembly	\$23.00	
17530	1979	GLOVE BOX LAMP EXTENSION HARNESS Without A/C, Plugs Into Glove Box Lamp Switch Assembly	\$23.00	
15290	1979	GLOVE BOX LAMP EXTENSION HARNESS With A/C Only, Plugs Into Glove Box Lamp Switch Assembly	\$23.00	
GLOVE BOX LAMP KIT				
18000	1967	GLOVE BOX LAMP KIT Socket, Bulb & Wire	\$24.00	
18000	1968	GLOVE BOX LAMP KIT Socket, Bulb & Wire	\$24.00	
18000	1969	GLOVE BOX LAMP KIT Socket, Bulb & Wire	\$24.00	
GLOVE BOX LAMP SWITCH ASSEMBLY				
36134	1970	GLOVE BOX LAMP SWITCH ASSEMBLY Socket, Bulb & Wire	\$26.00	
36134	1971	GLOVE BOX LAMP SWITCH ASSEMBLY Socket, Bulb & Wire	\$26.00	
36134	1972	GLOVE BOX LAMP SWITCH ASSEMBLY Socket, Bulb & Wire	\$26.00	
36134	1973	GLOVE BOX LAMP SWITCH ASSEMBLY Socket, Bulb & Wire	\$26.00	
36134	1974	GLOVE BOX LAMP SWITCH ASSEMBLY Socket, Bulb & Wire	\$26.00	
36134	1975	GLOVE BOX LAMP SWITCH ASSEMBLY Socket, Bulb & Wire	\$26.00	
36134	1976	GLOVE BOX LAMP SWITCH ASSEMBLY Socket, Bulb & Wire	\$26.00	
36134	1977	GLOVE BOX LAMP SWITCH ASSEMBLY Socket, Bulb & Wire	\$26.00	
36134	1978	GLOVE BOX LAMP SWITCH ASSEMBLY Socket, Bulb & Wire	\$26.00	
36134	1979	GLOVE BOX LAMP SWITCH ASSEMBLY Socket, Bulb & Wire	\$26.00	
36136	1980	GLOVE BOX LAMP SWITCH ASSEMBLY Switch, Bulb & Terminals	\$25.00	
36136	1981	GLOVE BOX LAMP SWITCH ASSEMBLY Switch, Bulb & Terminals	\$25.00	
GROUND STRAP				
27930	1977	GROUND STRAP Valve Cover	\$16.00	
27930	1978	GROUND STRAP Valve Cover	\$16.00	
GROUND STRAP KIT				
27365	1967	GROUND STRAP KIT 6 Cylinder, For Engine & Subframe Grounding Note: 6 Cylinder Items Are Not Returnable.	\$14.00	
27370	1967	GROUND STRAP KIT V/8, For Engine & Subframe Grounding	\$22.00	
27365	1968	GROUND STRAP KIT 6 Cylinder, For Engine & Subframe Grounding Note: 6 Cylinder Items Are Not Returnable.	\$14.00	
27370	1968	GROUND STRAP KIT V/8, For Engine & Subframe Grounding	\$22.00	
27375	1969	GROUND STRAP KIT 6 Cylinder, For Engine & Subframe Grounding Note: 6 Cylinder Items Are Not Returnable.	\$22.00	
27380	1969	GROUND STRAP KIT V/8, For Engine & Subframe Grounding	\$28.00	
GROUND WIRE				
01655	1967	GROUND WIRE Voltage Regulator	\$18.00	
01655	1968	GROUND WIRE Voltage Regulator	\$18.00	
01655	1969	GROUND WIRE Voltage Regulator	\$18.00	

Part Number	Year	Description	Price	*Rev.
GROUND WIRE-DISTRIBUTOR POINT PLATE				
38298	1967	GROUND WIRE, DISTRIBUTOR POINT PLATE From Distributor Point Plate To Distributor Housing Note: Replaces Spot Welded Wire Asm On Point Plate Side. Fits All GM V/8 Point Type Distributors From Approx. 1957-1974.	\$17.00	C
38298	1968	GROUND WIRE, DISTRIBUTOR POINT PLATE From Distributor Point Plate To Distributor Housing Note: Replaces Spot Welded Wire Asm On Point Plate Side. Fits All GM V/8 Point Type Distributors From Approx. 1957-1974.	\$17.00	C
38298	1969	GROUND WIRE, DISTRIBUTOR POINT PLATE From Distributor Point Plate To Distributor Housing Note: Replaces Spot Welded Wire Asm On Point Plate Side. Fits All GM V/8 Point Type Distributors From Approx. 1957-1974.	\$17.00	C
38298	1970	GROUND WIRE, DISTRIBUTOR POINT PLATE From Distributor Point Plate To Distributor Housing Note: Replaces Spot Welded Wire Asm On Point Plate Side. Fits All GM V/8 Point Type Distributors From Approx. 1957-1974.	\$17.00	C
38298	1971	GROUND WIRE, DISTRIBUTOR POINT PLATE From Distributor Point Plate To Distributor Housing Note: Replaces Spot Welded Wire Asm On Point Plate Side. Fits All GM V/8 Point Type Distributors From Approx. 1957-1974.	\$17.00	C
38298	1972	GROUND WIRE, DISTRIBUTOR POINT PLATE From Distributor Point Plate To Distributor Housing Note: Replaces Spot Welded Wire Asm On Point Plate Side. Fits All GM V/8 Point Type Distributors From Approx. 1957-1974.	\$17.00	C
38298	1973	GROUND WIRE, DISTRIBUTOR POINT PLATE From Distributor Point Plate To Distributor Housing Note: Replaces Spot Welded Wire Asm On Point Plate Side. Fits All GM V/8 Point Type Distributors From Approx. 1957-1974.	\$17.00	C
38298	1974	GROUND WIRE, DISTRIBUTOR POINT PLATE From Distributor Point Plate To Distributor Housing Note: Replaces Spot Welded Wire Asm On Point Plate Side. Fits All GM V/8 Point Type Distributors From Approx. 1957-1974.	\$17.00	C
HARNESS TAPE				
R0058272	1967	HARNESS TAPE 3/4" Vinyl (100 Ft. Roll) Non-Adhesive	\$12.00	
R0058276	1967	HARNESS TAPE 1" Vinyl (100 Ft. Roll) Non-Adhesive	\$13.00	
R0067108	1967	HARNESS TAPE 1 1/4" Vinyl (100 Ft. Roll) Non-Adhesive	\$15.00	
R0058272	1968	HARNESS TAPE 3/4" Vinyl (100 Ft. Roll) Non-Adhesive	\$12.00	
R0058276	1968	HARNESS TAPE 1" Vinyl (100 Ft. Roll) Non-Adhesive	\$13.00	
R0067108	1968	HARNESS TAPE 1 1/4" Vinyl (100 Ft. Roll) Non-Adhesive	\$15.00	
R0058272	1969	HARNESS TAPE 3/4" Vinyl (100 Ft. Roll) Non-Adhesive	\$12.00	
R0058276	1969	HARNESS TAPE 1" Vinyl (100 Ft. Roll) Non-Adhesive	\$13.00	
R0067108	1969	HARNESS TAPE 1 1/4" Vinyl (100 Ft. Roll) Non-Adhesive	\$15.00	
R0058272	1970	HARNESS TAPE 3/4" Vinyl (100 Ft. Roll) Non-Adhesive	\$12.00	
R0058276	1970	HARNESS TAPE 1" Vinyl (100 Ft. Roll) Non-Adhesive	\$13.00	
R0067108	1970	HARNESS TAPE 1 1/4" Vinyl (100 Ft. Roll) Non-Adhesive	\$15.00	
R0058272	1971	HARNESS TAPE 3/4" Vinyl (100 Ft. Roll) Non-Adhesive	\$12.00	
R0058276	1971	HARNESS TAPE 1" Vinyl (100 Ft. Roll) Non-Adhesive	\$13.00	
R0067108	1971	HARNESS TAPE 1 1/4" Vinyl (100 Ft. Roll) Non-Adhesive	\$15.00	
R0058272	1972	HARNESS TAPE 3/4" Vinyl (100 Ft. Roll) Non-Adhesive	\$12.00	
R0058276	1972	HARNESS TAPE 1" Vinyl (100 Ft. Roll) Non-Adhesive	\$13.00	
R0067108	1972	HARNESS TAPE 1 1/4" Vinyl (100 Ft. Roll) Non-Adhesive	\$15.00	
R0058272	1973	HARNESS TAPE 3/4" Vinyl (100 Ft. Roll) Non-Adhesive	\$12.00	
R0058276	1973	HARNESS TAPE 1" Vinyl (100 Ft. Roll) Non-Adhesive	\$13.00	
R0067108	1973	HARNESS TAPE 1 1/4" Vinyl (100 Ft. Roll) Non-Adhesive	\$15.00	
R0058272	1974	HARNESS TAPE 3/4" Vinyl (100 Ft. Roll) Non-Adhesive	\$12.00	
R0058276	1974	HARNESS TAPE 1" Vinyl (100 Ft. Roll) Non-Adhesive	\$13.00	
R0067108	1974	HARNESS TAPE 1 1/4" Vinyl (100 Ft. Roll) Non-Adhesive	\$15.00	
R0058272	1975	HARNESS TAPE 3/4" Vinyl (100 Ft. Roll) Non-Adhesive	\$12.00	
R0058276	1975	HARNESS TAPE 1" Vinyl (100 Ft. Roll) Non-Adhesive	\$13.00	
R0067108	1975	HARNESS TAPE 1 1/4" Vinyl (100 Ft. Roll) Non-Adhesive	\$15.00	
R0058272	1976	HARNESS TAPE 3/4" Vinyl (100 Ft. Roll) Non-Adhesive	\$12.00	
R0058276	1976	HARNESS TAPE 1" Vinyl (100 Ft. Roll) Non-Adhesive	\$13.00	

Part Number	Year	Description	Price	*Rev.
R0067108	1976	HARNESS TAPE 1 1/4" Vinyl (100 Ft. Roll) Non-Adhesive	\$15.00	
R0058272	1977	HARNESS TAPE 3/4" Vinyl (100 Ft. Roll) Non-Adhesive	\$12.00	
R0058276	1977	HARNESS TAPE 1" Vinyl (100 Ft. Roll) Non-Adhesive	\$13.00	
R0067108	1977	HARNESS TAPE 1 1/4" Vinyl (100 Ft. Roll) Non-Adhesive	\$15.00	
R0058272	1978	HARNESS TAPE 3/4" Vinyl (100 Ft. Roll) Non-Adhesive	\$12.00	
R0058276	1978	HARNESS TAPE 1" Vinyl (100 Ft. Roll) Non-Adhesive	\$13.00	
R0067108	1978	HARNESS TAPE 1 1/4" Vinyl (100 Ft. Roll) Non-Adhesive	\$15.00	
R0058272	1979	HARNESS TAPE 3/4" Vinyl (100 Ft. Roll) Non-Adhesive	\$12.00	
R0058276	1979	HARNESS TAPE 1" Vinyl (100 Ft. Roll) Non-Adhesive	\$13.00	
R0067108	1979	HARNESS TAPE 1 1/4" Vinyl (100 Ft. Roll) Non-Adhesive	\$15.00	
R0058272	1980	HARNESS TAPE 3/4" Vinyl (100 Ft. Roll) Non-Adhesive	\$12.00	
R0058276	1980	HARNESS TAPE 1" Vinyl (100 Ft. Roll) Non-Adhesive	\$13.00	
R0067108	1980	HARNESS TAPE 1 1/4" Vinyl (100 Ft. Roll) Non-Adhesive	\$15.00	
R0058272	1981	HARNESS TAPE 3/4" Vinyl (100 Ft. Roll) Non-Adhesive	\$12.00	
R0058276	1981	HARNESS TAPE 1" Vinyl (100 Ft. Roll) Non-Adhesive	\$13.00	
R0067108	1981	HARNESS TAPE 1 1/4" Vinyl (100 Ft. Roll) Non-Adhesive	\$15.00	
HEADLAMP WASHER PUMP EXTENSION				
17585	1969	HEADLAMP WASHER PUMP EXTENSION Rally Sport, From Wiper Motor To Headlight Washer Pump (Set Of 2)	\$18.00	
HEADLIGHT SWITCH				
01995179	1967	HEADLIGHT SWITCH	\$20.00	N
01995179	1968	HEADLIGHT SWITCH Except Rallysport	\$20.00	N
01995191	1968	HEADLIGHT SWITCH Rallysport Note: Not Exact Replacement, But Can Be Used In Place Of Original Switch Number 01995176.	\$39.00	N
01995216	1969	HEADLIGHT SWITCH Except Rallysport	\$20.00	N
01995191	1969	HEADLIGHT SWITCH Rallysport Note: Not Exact Replacement, But Can Be Used In Place Of Original Switch Number 01995176.	\$39.00	N
01995216	1970	HEADLIGHT SWITCH	\$20.00	N
01995216	1971	HEADLIGHT SWITCH	\$20.00	N
01995216	1972	HEADLIGHT SWITCH	\$20.00	N
01995216	1973	HEADLIGHT SWITCH	\$20.00	N
01995216	1974	HEADLIGHT SWITCH	\$20.00	N
01995216	1975	HEADLIGHT SWITCH	\$20.00	N
01995216	1976	HEADLIGHT SWITCH	\$20.00	N
01995216	1977	HEADLIGHT SWITCH	\$20.00	N
01995216	1978	HEADLIGHT SWITCH	\$20.00	N
01995216	1979	HEADLIGHT SWITCH	\$20.00	N
01995216	1980	HEADLIGHT SWITCH	\$20.00	N
01995216	1981	HEADLIGHT SWITCH	\$20.00	N
HEATER BLOWER MOTOR RESISTOR				
03929052	1967	HEATER BLOWER MOTOR RESISTOR Without A/C	\$15.00	N
03929052	1968	HEATER BLOWER MOTOR RESISTOR Without A/C	\$15.00	N
03929052	1969	HEATER BLOWER MOTOR RESISTOR Without A/C	\$15.00	N
03929052	1970	HEATER BLOWER MOTOR RESISTOR Without A/C	\$15.00	N
03929052	1971	HEATER BLOWER MOTOR RESISTOR Without A/C	\$15.00	N
03929052	1972	HEATER BLOWER MOTOR RESISTOR Without A/C	\$15.00	N
03929052	1973	HEATER BLOWER MOTOR RESISTOR Without A/C	\$15.00	N

Part Number	Year	Description	Price	*Rev.
03929052	1974	HEATER BLOWER MOTOR RESISTOR Without A/C	\$15.00	N
03929052	1975	HEATER BLOWER MOTOR RESISTOR Without A/C	\$15.00	N
03929052	1976	HEATER BLOWER MOTOR RESISTOR Without A/C	\$15.00	N
03929052	1977	HEATER BLOWER MOTOR RESISTOR Without A/C	\$15.00	N
03929052	1978	HEATER BLOWER MOTOR RESISTOR Without A/C	\$15.00	N
03929052	1979	HEATER BLOWER MOTOR RESISTOR Without A/C	\$15.00	N
03929052	1980	HEATER BLOWER MOTOR RESISTOR Without A/C	\$15.00	N
03929052	1981	HEATER BLOWER MOTOR RESISTOR Without A/C	\$15.00	N
03929052	1982	HEATER BLOWER MOTOR RESISTOR Without A/C	\$15.00	N
03929052	1983	HEATER BLOWER MOTOR RESISTOR Without A/C	\$15.00	N
HEATER HARNESS				
33875	1973	HEATER HARNESS Without A/C	\$52.00	
33875	1974	HEATER HARNESS Without A/C	\$52.00	
33875	1975	HEATER HARNESS Without A/C	\$52.00	
33875	1976	HEATER HARNESS Without A/C	\$52.00	
33875	1977	HEATER HARNESS Without A/C	\$52.00	
33875	1978	HEATER HARNESS Without A/C	\$52.00	
33875	1979	HEATER HARNESS Without A/C	\$52.00	
33875	1980	HEATER HARNESS Without A/C	\$52.00	
HOOD AIR INTAKE LOUVER SWITCH				
01242101	1980	HOOD AIR INTAKE LOUVER SWITCH Z-28	\$19.00	
01242101	1981	HOOD AIR INTAKE LOUVER SWITCH Z-28	\$19.00	
HOOD LAMP REPLACEMENT KIT				
18410	1967	HOOD LAMP KIT Under Hood, Includes Socket, Wire & Bulb	\$60.00	C
18410	1968	HOOD LAMP KIT Under Hood, Includes Socket, Wire & Bulb	\$60.00	C
18410	1969	HOOD LAMP KIT Under Hood, Includes Socket, Wire & Bulb	\$60.00	C
18410	1970	HOOD LAMP KIT Under Hood, Includes Socket, Wire & Bulb	\$60.00	C
18410	1971	HOOD LAMP KIT Under Hood, Includes Socket, Wire & Bulb	\$60.00	C
18410	1972	HOOD LAMP KIT Under Hood, Includes Socket, Wire & Bulb	\$60.00	C
18410	1973	HOOD LAMP KIT Under Hood, Includes Socket, Wire & Bulb	\$60.00	C
18410	1974	HOOD LAMP KIT Under Hood, Includes Socket, Wire & Bulb	\$60.00	C
18410	1975	HOOD LAMP KIT Under Hood, Includes Socket, Wire & Bulb	\$60.00	C
18410	1976	HOOD LAMP KIT Under Hood, Includes Socket, Wire & Bulb	\$60.00	C
18410	1977	HOOD LAMP KIT Under Hood, Includes Socket, Wire & Bulb	\$60.00	C
HORN WIRE				
38011	1974	HORN WIRE With Dual Horns	\$22.00	
38011	1975	HORN WIRE With Dual Horns	\$22.00	
38011	1976	HORN WIRE With Dual Horns	\$22.00	
38012	1977	HORN WIRE With Dual Horns	\$23.00	
38013	1978	HORN WIRE With Dual Horns	\$22.00	
38013	1979	HORN WIRE With Dual Horns	\$22.00	
38013	1980	HORN WIRE With Dual Horns	\$22.00	
IDLE STOP SOLENOID WIRE				
17495	1970	IDLE STOP SOLENOID WIRE All V/8, Except Big Block With Manual Trans	\$17.00	
IGNITION CYLINDER AND KEYS				
20071252	1969	IGNITION CYLINDER AND KEYS Chrome, All	\$18.50	N

Part Number	Year	Description	Price	*Rev.
20071252	1970	IGNITION CYLINDER AND KEYS Chrome, All	\$18.50	N
20071252	1971	IGNITION CYLINDER AND KEYS Chrome, All	\$18.50	N
20071252	1972	IGNITION CYLINDER AND KEYS Chrome, All	\$18.50	N
20071252	1973	IGNITION CYLINDER AND KEYS Chrome, All	\$18.50	N
20071252	1974	IGNITION CYLINDER AND KEYS Chrome, All	\$18.50	N
20071252	1975	IGNITION CYLINDER AND KEYS Chrome, All	\$18.50	N
20071252	1976	IGNITION CYLINDER AND KEYS Chrome, All	\$18.50	N
20071252	1977	IGNITION CYLINDER AND KEYS Chrome, All	\$18.50	N
20071252	1978	IGNITION CYLINDER AND KEYS Chrome, All, 1st Design, Used On Columns Without Lock Cylinder Retaining Screw	\$18.50	N
07833759	1978	IGNITION CYLINDER AND KEYS Chrome, All, 2nd Design, Used On Columns With Lock Cylinder Retaining Screw	\$18.50	N
07833759	1979	IGNITION CYLINDER AND KEYS Chrome, All	\$18.50	N
07833759	1980	IGNITION CYLINDER AND KEYS Chrome, All	\$18.50	N
07833759	1981	IGNITION CYLINDER AND KEYS Chrome, All	\$18.50	N
07833759	1982	IGNITION CYLINDER AND KEYS Chrome, All	\$18.50	N
07833759	1983	IGNITION CYLINDER AND KEYS Chrome, All	\$18.50	N
07833759	1984	IGNITION CYLINDER AND KEYS Chrome, All	\$18.50	N
07833759	1985	IGNITION CYLINDER AND KEYS Chrome, All	\$18.50	N
07833759	1986	IGNITION CYLINDER AND KEYS Chrome, All	\$18.50	N
07833759	1987	IGNITION CYLINDER AND KEYS Chrome, All	\$18.50	N
07833759	1988	IGNITION CYLINDER AND KEYS Chrome, All	\$18.50	N
IGNITION SWITCH				
01990110	1969	IGNITION SWITCH All, With Tilt	\$14.00	N
01990110	1970	IGNITION SWITCH All, With Tilt	\$14.00	N
01990110	1971	IGNITION SWITCH All, With Tilt	\$14.00	N
01990110	1972	IGNITION SWITCH All, With Tilt	\$14.00	N
01990110	1973	IGNITION SWITCH All, With Tilt	\$14.00	N
01990110	1974	IGNITION SWITCH All, With Tilt	\$14.00	N
01990110	1975	IGNITION SWITCH All, With Tilt	\$14.00	N
01990110	1976	IGNITION SWITCH All, With Tilt	\$14.00	N
01990110	1977	IGNITION SWITCH All, With Tilt	\$14.00	N
01990110	1978	IGNITION SWITCH All, With Tilt	\$14.00	N
01990110	1979	IGNITION SWITCH All, With Tilt	\$14.00	N
01990110	1980	IGNITION SWITCH All, With Tilt	\$14.00	N
01990110	1981	IGNITION SWITCH All, With Tilt	\$14.00	N
01990110	1982	IGNITION SWITCH All, With Tilt	\$14.00	N
01990110	1983	IGNITION SWITCH All, With Tilt	\$14.00	N
INSTRUMENT GAUGE CLUSTER CLIP KIT				
08986000	1976	CLIP KIT All, Instrument Gauge Cluster / Printed Circuit Board Retaining Clip Note: Replaces Original GM Part Number 08986000, Includes 12 Clips Per Kit.	\$14.00	N
08986000	1977	CLIP KIT All, Instrument Gauge Cluster / Printed Circuit Board Retaining Clip Note: Replaces Original GM Part Number 08986000, Includes 12 Clips Per Kit.	\$14.00	N
08986000	1978	CLIP KIT All, Instrument Gauge Cluster / Printed Circuit Board Retaining Clip Note: Replaces Original GM Part Number 08986000, Includes 12 Clips Per Kit.	\$14.00	N

Part Number	Year	Description	Price	*Rev.
08986000	1979	CLIP KIT All, Instrument Gauge Cluster / Printed Circuit Board Retaining Clip Note: Replaces Original GM Part Number 08986000, Includes 12 Clips Per Kit.	\$14.00	N
08986000	1980	CLIP KIT All, Instrument Gauge Cluster / Printed Circuit Board Retaining Clip Note: Replaces Original GM Part Number 08986000, Includes 12 Clips Per Kit.	\$14.00	N
08986000	1981	CLIP KIT All, Instrument Gauge Cluster / Printed Circuit Board Retaining Clip Note: Replaces Original GM Part Number 08986000, Includes 12 Clips Per Kit.	\$14.00	N
08986000	1982	CLIP KIT All, Instrument Gauge Cluster / Printed Circuit Board Retaining Clip Note: Replaces Original GM Part Number 08986000, Includes 12 Clips Per Kit.	\$14.00	N
08986000	1983	CLIP KIT All, Instrument Gauge Cluster / Printed Circuit Board Retaining Clip Note: Replaces Original GM Part Number 08986000, Includes 12 Clips Per Kit.	\$14.00	N
08986000	1984	CLIP KIT All, Instrument Gauge Cluster / Printed Circuit Board Retaining Clip Note: Replaces Original GM Part Number 08986000, Includes 12 Clips Per Kit.	\$14.00	N
08986000	1985	CLIP KIT All, Instrument Gauge Cluster / Printed Circuit Board Retaining Clip Note: Replaces Original GM Part Number 08986000, Includes 12 Clips Per Kit.	\$14.00	N
08986000	1986	CLIP KIT All, Instrument Gauge Cluster / Printed Circuit Board Retaining Clip Note: Replaces Original GM Part Number 08986000, Includes 12 Clips Per Kit.	\$14.00	N
08986000	1987	CLIP KIT All, Instrument Gauge Cluster / Printed Circuit Board Retaining Clip Note: Replaces Original GM Part Number 08986000, Includes 12 Clips Per Kit.	\$14.00	N
08986000	1988	CLIP KIT All, Instrument Gauge Cluster / Printed Circuit Board Retaining Clip Note: Replaces Original GM Part Number 08986000, Includes 12 Clips Per Kit.	\$14.00	N
08986000	1989	CLIP KIT All, Instrument Gauge Cluster / Printed Circuit Board Retaining Clip Note: Replaces Original GM Part Number 08986000, Includes 12 Clips Per Kit.	\$14.00	N
KICKDOWN EXTENSION HARNESS				
17565	1971	KICKDOWN EXTENSION HARNESS TH400 Auto Trans, Gas Pedal Switch To Engine Harness	\$32.00	
17565	1972	KICKDOWN EXTENSION HARNESS TH400 Auto Trans, Gas Pedal Switch To Engine Harness	\$32.00	
17565	1973	KICKDOWN EXTENSION HARNESS TH400 Auto Trans, Gas Pedal Switch To Engine Harness	\$32.00	
17565	1974	KICKDOWN EXTENSION HARNESS TH400 Auto Trans, Gas Pedal Switch To Engine Harness	\$32.00	
KICKDOWN HARNESS				
06085	1967	KICKDOWN HARNESS TH400 Auto Trans, Carburetor Switch To Trans	\$46.00	
06145	1968	KICKDOWN HARNESS TH400 Auto Trans, Carburetor Switch To Trans	\$43.00	
06145	1969	KICKDOWN HARNESS TH400 Auto Trans, Carburetor Switch To Trans	\$43.00	
KICKDOWN SWITCH				
01242101	1970	KICKDOWN SWITCH TH400 Auto Trans	\$19.00	
01242101	1971	KICKDOWN SWITCH TH400 Auto Trans	\$19.00	
01242101	1972	KICKDOWN SWITCH TH400 Auto Trans	\$19.00	
01242101	1973	KICKDOWN SWITCH TH400 Auto Trans	\$19.00	
01242101	1974	KICKDOWN SWITCH TH400 Auto Trans	\$19.00	
01242101	1975	KICKDOWN SWITCH TH400 Auto Trans	\$19.00	

Part Number	Year	Description	Price	*Rev.
LOW FUEL INDICATOR LENS				
06457873	1967	LOW FUEL INDICATOR LENS Used When Converting From Warning Lights To Gauges Note: Manufactured With Original GM Tooling, Not A Reproduction Part.	\$11.00	C
06457873	1968	LOW FUEL INDICATOR LENS Used When Converting From Warning Lights To Gauges Note: Manufactured With Original GM Tooling, Not A Reproduction Part.	\$11.00	C
LOW FUEL INDICATOR MODULE				
37651	1967	LOW FUEL INDICATOR MODULE Replacement Adjustable Low Fuel Warning Module Note: Includes Module, Harness, Low Fuel Indicator Lens Part Number 06457873 And Instructions. Replaces Original Non-Adjustable Console Gauge Mounted Low Fuel Indicator Unit.	\$75.00	C
37651	1968	LOW FUEL INDICATOR MODULE Replacement Adjustable Low Fuel Warning Module Note: Includes Module, Harness, Low Fuel Indicator Lens Part Number 06457873 And Instructions. Replaces Original Non-Adjustable Console Gauge Mounted Low Fuel Indicator Unit.	\$75.00	C
500274	1967	LOW FUEL INDICATOR MODULE Generic "Adjustable" Low Fuel Warning Module Note: A Complete Electronic Control Unit To Activate A Warning Lamp Or Relay When Fuel Level Drops Below A User Adjustable Level. Includes instruction sheet.	\$64.00	C
500274	1968	LOW FUEL INDICATOR MODULE Generic "Adjustable" Low Fuel Warning Module Note: A Complete Electronic Control Unit To Activate A Warning Lamp Or Relay When Fuel Level Drops Below A User Adjustable Level. Includes instruction sheet.	\$64.00	C
500274	1969	LOW FUEL INDICATOR MODULE Generic "Adjustable" Low Fuel Warning Module Note: A Complete Electronic Control Unit To Activate A Warning Lamp Or Relay When Fuel Level Drops Below A User Adjustable Level. Includes instruction sheet.	\$64.00	C
500274	1970	LOW FUEL INDICATOR MODULE Generic "Adjustable" Low Fuel Warning Module Note: A Complete Electronic Control Unit To Activate A Warning Lamp Or Relay When Fuel Level Drops Below A User Adjustable Level. Includes instruction sheet.	\$64.00	C
500274	1971	LOW FUEL INDICATOR MODULE Generic "Adjustable" Low Fuel Warning Module Note: A Complete Electronic Control Unit To Activate A Warning Lamp Or Relay When Fuel Level Drops Below A User Adjustable Level. Includes instruction sheet.	\$64.00	C
500274	1972	LOW FUEL INDICATOR MODULE Generic "Adjustable" Low Fuel Warning Module Note: A Complete Electronic Control Unit To Activate A Warning Lamp Or Relay When Fuel Level Drops Below A User Adjustable Level. Includes instruction sheet.	\$64.00	C
500274	1973	LOW FUEL INDICATOR MODULE Generic "Adjustable" Low Fuel Warning Module Note: A Complete Electronic Control Unit To Activate A Warning Lamp Or Relay When Fuel Level Drops Below A User Adjustable Level. Includes instruction sheet.	\$64.00	C
500274	1974	LOW FUEL INDICATOR MODULE Generic "Adjustable" Low Fuel Warning Module Note: A Complete Electronic Control Unit To Activate A Warning Lamp Or Relay When Fuel Level Drops Below A User Adjustable Level. Includes instruction sheet.	\$64.00	C
500274	1975	LOW FUEL INDICATOR MODULE Generic "Adjustable" Low Fuel Warning Module Note: A Complete Electronic Control Unit To Activate A Warning Lamp Or Relay When Fuel Level Drops Below A User Adjustable Level. Includes instruction sheet.	\$64.00	C
500274	1976	LOW FUEL INDICATOR MODULE Generic "Adjustable" Low Fuel Warning Module Note: A Complete Electronic Control Unit To Activate A Warning Lamp Or Relay When Fuel Level Drops Below A User Adjustable Level. Includes instruction sheet.	\$64.00	C
500274	1977	LOW FUEL INDICATOR MODULE Generic "Adjustable" Low Fuel Warning Module Note: A Complete Electronic Control Unit To Activate A Warning Lamp Or Relay When Fuel Level Drops Below A User Adjustable Level. Includes instruction sheet.	\$64.00	C
NEUTRAL SAFETY AND BACKUP LAMP SWITCH				
03900503	1967	NEUTRAL SAFETY AND BACKUP LAMP SWITCH With Console Shift Pg Auto Trans	\$75.00	
03909591	1967	NEUTRAL SAFETY AND BACKUP LAMP SWITCH With Console Shift TH 350-400 Auto Trans	\$75.00	
01994235	1969	NEUTRAL SAFETY AND BACKUP LAMP SWITCH With Column Shift Auto Trans, All	\$19.00	
01994235	1970	NEUTRAL SAFETY AND BACKUP LAMP SWITCH With Column Shift Auto Trans, All	\$19.00	
01994235	1971	NEUTRAL SAFETY AND BACKUP LAMP SWITCH With Column Shift Auto Trans, All	\$19.00	

Part Number	Year	Description	Price	*Rev.
01994235	1972	NEUTRAL SAFETY AND BACKUP LAMP SWITCH With Column Shift Auto Trans, All	\$19.00	
01994235	1973	NEUTRAL SAFETY AND BACKUP LAMP SWITCH With Column Shift Auto Trans, All	\$19.00	
01994163	1974	NEUTRAL SAFETY AND BACKUP LAMP SWITCH With Auto Trans, All	\$19.00	
01994163	1975	NEUTRAL SAFETY AND BACKUP LAMP SWITCH With Auto Trans, All	\$19.00	
01994163	1976	NEUTRAL SAFETY AND BACKUP LAMP SWITCH With Auto Trans, All	\$19.00	
01994163	1977	NEUTRAL SAFETY AND BACKUP LAMP SWITCH With Auto Trans, All	\$19.00	
01994163	1978	NEUTRAL SAFETY AND BACKUP LAMP SWITCH With Auto Trans, All	\$19.00	
01994163	1979	NEUTRAL SAFETY AND BACKUP LAMP SWITCH With Auto Trans, All	\$19.00	
NEUTRAL SAFETY SWITCH				
01993494	1969	NEUTRAL SAFETY SWITCH With Manual Trans Note: Includes Rod, 2 Retaining Clips, 2 Bushings And Bolt.	\$65.00	
03983965	1970	NEUTRAL SAFETY SWITCH With Manual Trans	\$58.00	
03983965	1971	NEUTRAL SAFETY SWITCH With Manual Trans	\$58.00	
03983965	1972	NEUTRAL SAFETY SWITCH With Manual Trans	\$58.00	
03983965	1973	NEUTRAL SAFETY SWITCH With Manual Trans	\$58.00	
03983965	1974	NEUTRAL SAFETY SWITCH With Manual Trans	\$58.00	
03983965	1975	NEUTRAL SAFETY SWITCH With Manual Trans	\$58.00	
03983965	1976	NEUTRAL SAFETY SWITCH With Manual Trans	\$58.00	
03983965	1977	NEUTRAL SAFETY SWITCH With Manual Trans	\$58.00	
03983965	1978	NEUTRAL SAFETY SWITCH With Manual Trans	\$58.00	
NEUTRAL SAFETY SWITCH EXTENSION HARNESS				
15230	1970	NEUTRAL SAFETY SWITCH EXTENSION HARNESS Manual Trans, From Dash To Clutch Switch	\$25.00	
15230	1971	NEUTRAL SAFETY SWITCH EXTENSION HARNESS Manual Trans, From Dash To Clutch Switch	\$25.00	
15230	1972	NEUTRAL SAFETY SWITCH EXTENSION HARNESS Manual Trans, From Dash To Clutch Switch	\$25.00	
15230	1973	NEUTRAL SAFETY SWITCH EXTENSION HARNESS Manual Trans, From Dash To Clutch Switch	\$25.00	
NEUTRAL SAFETY SWITCH HARNESS				
36273	1976	NEUTRAL SAFETY SWITCH HARNESS Manual Trans	\$30.00	
36273	1977	NEUTRAL SAFETY SWITCH HARNESS Manual Trans	\$30.00	
36273	1978	NEUTRAL SAFETY SWITCH HARNESS Manual Trans	\$30.00	
POWER ACCESSORY FEED WIRE				
10755	1967	POWER ACCESSORY FEED WIRE Horn Relay To Power Window & Power Top Circuit Breaker	\$15.00	
14040	1967	POWER ACCESSORY FEED WIRE Power Window & Power Top, Circuit Breaker To Harness	\$25.00	
10755	1968	POWER ACCESSORY FEED WIRE Horn Relay To Power Window & Power Top Circuit Breaker	\$15.00	
14040	1968	POWER ACCESSORY FEED WIRE Power Window & Power Top, Circuit Breaker To Harness	\$25.00	
10755	1969	POWER ACCESSORY FEED WIRE Horn Relay To Power Window & Power Top Circuit Breaker	\$15.00	
14305	1969	POWER ACCESSORY FEED WIRE Power Window & Power Top, Circuit Breaker To Harness	\$17.00	
10755	1970	POWER ACCESSORY FEED WIRE Horn Relay To Power Window & Power Top Circuit Breaker	\$15.00	
10755	1971	POWER ACCESSORY FEED WIRE Horn Relay To Power Window & Power Top Circuit Breaker	\$15.00	
POWER DOOR LOCK SWITCH				
01725099	1973	POWER DOOR LOCK SWITCH 1 Button	\$62.00	
01725099	1974	POWER DOOR LOCK SWITCH 1 Button	\$62.00	
01725099	1975	POWER DOOR LOCK SWITCH 1 Button	\$62.00	
01725099	1976	POWER DOOR LOCK SWITCH 1 Button	\$62.00	
01725099	1977	POWER DOOR LOCK SWITCH 1 Button	\$62.00	
POWER SEAT ADJUSTER FEED HARNESS				
14260	1968	POWER SEAT ADJUSTER FEED HARNESS Power Seat To Power Feed & Power Top Harness Connectors	\$63.00	

Part Number	Year	Description	Price	*Rev.
POWER SEAT HARNESS				
14255	1968	POWER SEAT HARNESS 4-Way, Drivers Side	\$166.00	
14255	1969	POWER SEAT HARNESS 4-Way, Drivers Side	\$166.00	
POWER TOP HARNESS				
14035	1967	POWER TOP HARNESS Convertible	\$78.00	
14035	1968	POWER TOP HARNESS Convertible	\$78.00	
14310	1969	POWER TOP HARNESS Convertible	\$78.00	
POWER TOP SWITCH				
03906118	1967	POWER TOP SWITCH With Power Convertible Top Note: This Is The Removable "Black Knob" Type Switch, This Allows Customers With Original Removable "Chrome Knob" Type Switches To Reuse Their Original "Chrome Knob" To Retain An Original Appearance.	\$66.00	
03906118	1968	POWER TOP SWITCH With Power Convertible Top Note: This Is The Removable "Black Knob" Type Switch, This Allows Customers With Original Removable "Chrome Knob" Type Switches To Reuse Their Original "Chrome Knob" To Retain An Original Appearance.	\$66.00	
POWER WINDOW HARNESS				
13790	1967	POWER WINDOW HARNESS Driver Side Door & Under Dash Crossover	\$219.00	
13795	1967	POWER WINDOW HARNESS Passenger Side Door	\$101.00	
14070	1967	POWER WINDOW HARNESS Rear Quarter Window (2 Required Per Car)	\$74.00	
14207	1968	POWER WINDOW HARNESS Driver Side Door & Under Dash Crossover	\$219.00	
14290	1968	POWER WINDOW HARNESS Passenger Side Door	\$101.00	
14070	1968	POWER WINDOW HARNESS Rear Quarter Window (2 Required Per Car)	\$74.00	
14300	1969	POWER WINDOW HARNESS Driver Side Door & Under Dash Crossover	\$219.00	
14290	1969	POWER WINDOW HARNESS Passenger Side Door	\$101.00	
14070	1969	POWER WINDOW HARNESS Rear Quarter Window (2 Required Per Car)	\$74.00	
39311	1976	POWER WINDOW HARNESS From Console Mounted Power Window Switch To Intermediate Rear Lamp Harness	\$119.00	
39311	1977	POWER WINDOW HARNESS From Console Mounted Power Window Switch To Intermediate Rear Lamp Harness	\$119.00	
39311	1978	POWER WINDOW HARNESS From Console Mounted Power Window Switch To Intermediate Rear Lamp Harness	\$119.00	
39311	1979	POWER WINDOW HARNESS From Console Mounted Power Window Switch To Intermediate Rear Lamp Harness	\$119.00	
39311	1980	POWER WINDOW HARNESS From Console Mounted Power Window Switch To Intermediate Rear Lamp Harness	\$119.00	
39311	1981	POWER WINDOW HARNESS From Console Mounted Power Window Switch To Intermediate Rear Lamp Harness	\$119.00	
POWER WINDOW MOTOR ADAPTER HARNESS				
36954	1967	POWER WINDOW MOTOR ADAPTER HARNESS Adapts "T" Shaped Motor Connector To Side By Side Blade Type Motor Connector	\$22.00	C
36954	1968	POWER WINDOW MOTOR ADAPTER HARNESS Adapts "T" Shaped Motor Connector To Side By Side Blade Type Motor Connector	\$22.00	C
36954	1969	POWER WINDOW MOTOR ADAPTER HARNESS Adapts "T" Shaped Motor Connector To Side By Side Blade Type Motor Connector	\$22.00	C
36954	1970	POWER WINDOW MOTOR ADAPTER HARNESS Adapts "T" Shaped Motor Connector To Side By Side Blade Type Motor Connector	\$22.00	C
36954	1971	POWER WINDOW MOTOR ADAPTER HARNESS Adapts "T" Shaped Motor Connector To Side By Side Blade Type Motor Connector	\$22.00	C
36954	1972	POWER WINDOW MOTOR ADAPTER HARNESS Adapts "T" Shaped Motor Connector To Side By Side Blade Type Motor Connector	\$22.00	C
36954	1973	POWER WINDOW MOTOR ADAPTER HARNESS Adapts "T" Shaped Motor Connector To Side By Side Blade Type Motor Connector	\$22.00	C

Part Number	Year	Description	Price	*Rev.
36954	1974	POWER WINDOW MOTOR ADAPTER HARNESS Adapts "T" Shaped Motor Connector To Side By Side Blade Type Motor Connector	\$22.00	C
36954	1975	POWER WINDOW MOTOR ADAPTER HARNESS Adapts "T" Shaped Motor Connector To Side By Side Blade Type Motor Connector	\$22.00	C
POWER WINDOW RELAY AND ADAPTER HARNESS				
39440	1967	POWER WINDOW RELAY AND ADAPTER HARNESS Includes New Standard Type Relay And Adapter To Mate To Factory Harness	\$40.00	
39440	1968	POWER WINDOW RELAY AND ADAPTER HARNESS Includes New Standard Type Relay And Adapter To Mate To Factory Harness	\$40.00	
39440	1969	POWER WINDOW RELAY AND ADAPTER HARNESS Includes New Standard Type Relay And Adapter To Mate To Factory Harness	\$40.00	
39440	1973	POWER WINDOW RELAY AND ADAPTER HARNESS Includes New Standard Type Relay And Adapter To Mate To Factory Harness	\$40.00	
39440	1974	POWER WINDOW RELAY AND ADAPTER HARNESS Includes New Standard Type Relay And Adapter To Mate To Factory Harness	\$40.00	
39440	1975	POWER WINDOW RELAY AND ADAPTER HARNESS Includes New Standard Type Relay And Adapter To Mate To Factory Harness	\$40.00	
POWER WINDOW SWITCH				
04432790	1967	POWER WINDOW SWITCH 1 Button, Round Corner Style, Chrome	\$49.00	
04432791	1967	POWER WINDOW SWITCH 4 Button, Round Corner Style, Chrome	\$67.00	
04432790	1968	POWER WINDOW SWITCH 1 Button, Round Corner Style, Chrome	\$49.00	
04432791	1968	POWER WINDOW SWITCH 4 Button, Round Corner Style, Chrome	\$67.00	
04432790	1969	POWER WINDOW SWITCH 1 Button, Round Corner Style, Chrome	\$49.00	
04432791	1969	POWER WINDOW SWITCH 4 Button, Round Corner Style, Chrome	\$67.00	
04432793	1973	POWER WINDOW SWITCH 2 Button, Round Corner Style, Chrome	\$61.00	
04432793	1974	POWER WINDOW SWITCH 2 Button, Round Corner Style, Chrome	\$61.00	
04432793	1975	POWER WINDOW SWITCH 2 Button, Round Corner Style, Chrome	\$61.00	
04432793	1976	POWER WINDOW SWITCH 2 Button, Round Corner Style, Chrome	\$61.00	
01725092	1976	POWER WINDOW SWITCH 2 Button, Square Corner Style, Chrome	\$53.00	M
01725092	1977	POWER WINDOW SWITCH 2 Button, Square Corner Style, Chrome	\$53.00	M
04432793	1977	POWER WINDOW SWITCH 2 Button, Round Corner Style, Chrome	\$61.00	M
01725092	1978	POWER WINDOW SWITCH 2 Button, Square Corner Style, Chrome	\$53.00	M
01725092	1979	POWER WINDOW SWITCH 2 Button, Square Corner Style, Chrome	\$53.00	M
01725092	1980	POWER WINDOW SWITCH 2 Button, Square Corner Style, Chrome	\$53.00	M
01725092	1981	POWER WINDOW SWITCH 2 Button, Square Corner Style, Chrome	\$53.00	M
RALLY SPORT EXTENSION HARNESS				
11200	1967	RALLY SPORT EXTENSION HARNESS With In-Line Diode, Forward Lamp Harness To Light & Ignition Switch	\$49.00	
REAR LAMP HARNESS				
14080	1967	REAR LAMP HARNESS Convertible, Rally Sport	\$193.00	
14075	1967	REAR LAMP HARNESS Convertible, Standard	\$193.00	
14090	1967	REAR LAMP HARNESS Coupe, Rally Sport, With Under Dash Courtesy Lamps	\$193.00	
14085	1967	REAR LAMP HARNESS Coupe, Standard	\$193.00	
14095	1967	REAR LAMP HARNESS Coupe, Standard, With Under Dash Courtesy Lamps	\$193.00	
14215	1968	REAR LAMP HARNESS Convertible, Rally Sport	\$212.00	
14210	1968	REAR LAMP HARNESS Convertible, Standard	\$206.00	
14205	1968	REAR LAMP HARNESS Coupe, Rally Sport, With Under Dash Courtesy Lamps	\$212.00	
14195	1968	REAR LAMP HARNESS Coupe, Standard	\$206.00	
14200	1968	REAR LAMP HARNESS Coupe, Standard, With Under Dash Courtesy Lamps	\$206.00	

Part Number	Year	Description	Price	*Rev.
14340	1969	REAR LAMP INTERMEDIATE HARNESS Convertible, Dash To Quarter Panel	\$127.00	
14330	1969	REAR LAMP INTERMEDIATE HARNESS Coupe, Dash To Quarter Panel	\$106.00	
14335	1969	REAR LAMP INTERMEDIATE HARNESS Coupe, With Under Dash Courtesy Lamps, Dash To Quarter Panel	\$113.00	
14350	1969	REAR LAMP HARNESS Rear Panel, Rally Sport	\$173.00	
14345	1969	REAR LAMP HARNESS Rear Panel, Standard	\$173.00	
17170	1970	REAR LAMP INTERMEDIATE HARNESS Dash To Quarter Panel	\$138.00	
14440	1970	REAR LAMP HARNESS Rear Panel, All	\$180.00	
17170	1971	REAR LAMP INTERMEDIATE HARNESS Dash To Quarter Panel	\$138.00	
14440	1971	REAR LAMP HARNESS Rear Panel, All	\$180.00	
17170	1972	REAR LAMP INTERMEDIATE HARNESS Without Seat Belt Warning, Dash To Quarter Panel	\$138.00	
35924	1972	REAR LAMP INTERMEDIATE HARNESS With Seat Belt Warning, Dash To Quarter Panel	\$157.00	
14440	1972	REAR LAMP HARNESS Rear Panel, All	\$180.00	
35924	1973	REAR LAMP INTERMEDIATE HARNESS Dash To Quarter Panel	\$157.00	
14440	1973	REAR LAMP HARNESS Rear Panel, All	\$180.00	
21240	1974	REAR LAMP INTERMEDIATE HARNESS With Pwr Windows & Door Locks & Seatbelt Ignition Interlock, Dash To Qtr Panel	\$275.00	
Note: Customer Must Supply Some Of Their Original Connectors To Build This Harness.				
REAR WINDOW DEFROSTER HARNESS				
13785	1967	REAR WINDOW DEFROSTER HARNESS	\$59.00	
14180	1968	REAR WINDOW DEFROSTER HARNESS	\$59.00	
17555	1969	REAR WINDOW DEFROSTER HARNESS	\$59.00	
14515	1970	REAR WINDOW DEFROSTER HARNESS	\$80.00	
14515	1971	REAR WINDOW DEFROSTER HARNESS	\$80.00	
14515	1972	REAR WINDOW DEFROSTER HARNESS	\$80.00	
14515	1973	REAR WINDOW DEFROSTER HARNESS	\$80.00	
14515	1974	REAR WINDOW DEFROSTER HARNESS	\$80.00	
14515	1975	REAR WINDOW DEFROSTER HARNESS	\$80.00	
14515	1976	REAR WINDOW DEFROSTER HARNESS	\$80.00	
14515	1977	REAR WINDOW DEFROSTER HARNESS	\$80.00	
14515	1978	REAR WINDOW DEFROSTER HARNESS	\$80.00	
35984	1979	REAR WINDOW DEFROSTER HARNESS Dash Side	\$120.00	
REPAIR PIGTAIL-FOR POWER WINDOW SWITCH				
36048	1967	REPAIR PIGTAIL, FOR POWER WINDOW SWITCH For Single Power Window Switches, Connector & Wire	\$25.00	
36048	1968	REPAIR PIGTAIL, FOR POWER WINDOW SWITCH For Single Power Window Switches, Connector & Wire	\$25.00	
36048	1969	REPAIR PIGTAIL, FOR POWER WINDOW SWITCH For Single Power Window Switches, Connector & Wire	\$25.00	
SPEAKER HARNESS				
18510	1967	SPEAKER HARNESS Single Rear Seat Speaker	\$53.00	
33425	1967	SPEAKER HARNESS Front Stereo Speakers	\$59.00	
08210	1967	SPEAKER HARNESS Rear Stereo Speakers	\$53.00	
33430	1967	SPEAKER HARNESS 4 Stereo Speakers, Front & Rear	\$83.00	
18510	1968	SPEAKER HARNESS Single Rear Seat Speaker	\$53.00	
33425	1968	SPEAKER HARNESS Front Stereo Speakers	\$59.00	
08210	1968	SPEAKER HARNESS Rear Stereo Speakers	\$53.00	
33430	1968	SPEAKER HARNESS 4 Stereo Speakers, Front & Rear	\$83.00	
33425	1969	SPEAKER HARNESS Front Stereo Speakers	\$59.00	
08210	1969	SPEAKER HARNESS Rear Stereo Speakers	\$53.00	
33430	1969	SPEAKER HARNESS 4 Stereo Speakers, Front & Rear	\$83.00	

Part Number	Year	Description	Price	*Rev.
SPEED WARNING HARNESS				
11050	1967	SPEED WARNING HARNESS	\$25.00	
11935	1968	SPEED WARNING HARNESS	\$25.00	
13130	1969	SPEED WARNING HARNESS	\$25.00	
STEERING COLUMN ADAPTER HARNESS				
36882	1967	STEERING COLUMN ADAPTER HARNESS For 1969-1974 GM & Ididit Columns (Exc. Flaming River) To Stock Dash Harness Note: Adapts Horn, Directionals, Hazard Flashers To Stock 9-Pin T/L Dash Connector.	\$27.00	
38127	1967	STEERING COLUMN ADAPTER HARNESS For 1975 & Up GM & Flaming River Columns (Exc. Ididit) To Stock Dash Harness Note: Adapts Horn, Directionals, Hazard Flashers To Stock 9-Pin T/L Dash Connector.	\$27.00	
36882	1968	STEERING COLUMN ADAPTER HARNESS For 1969-1974 GM & Ididit Columns (Exc. Flaming River) To Stock Dash Harness Note: Adapts Horn, Directionals, Hazard Flashers To Stock 9-Pin T/L Dash Connector.	\$27.00	
38127	1968	STEERING COLUMN ADAPTER HARNESS For 1975 & Up GM & Flaming River Columns (Exc. Ididit) To Stock Dash Harness Note: Adapts Horn, Directionals, Hazard Flashers To Stock 9-Pin T/L Dash Connector.	\$27.00	
STEREO MULTIPLEX ADAPTER HARNESS				
35940	1968	STEREO MULTIPLEX ADAPTER HARNESS	\$43.00	
STEREO TAPE PLAYER AND MULTIPLEX SPEAKER EXT.				
35939	1968	STEREO TAPE PLAYER AND MULTIPLEX SPEAKER EXT.	\$59.00	
35939	1969	STEREO TAPE PLAYER AND MULTIPLEX SPEAKER EXT.	\$59.00	
STOP LAMP SWITCH				
01261219	1967	STOP LAMP SWITCH Without Cruise	\$5.80	N
01261219	1968	STOP LAMP SWITCH Without Cruise	\$5.80	N
01261219	1969	STOP LAMP SWITCH Without Cruise	\$5.80	N
01261219	1970	STOP LAMP SWITCH Without Cruise	\$5.80	N
01261219	1971	STOP LAMP SWITCH Without Cruise	\$5.80	N
01261219	1972	STOP LAMP SWITCH Without Cruise	\$5.80	N
01261219	1973	STOP LAMP SWITCH Without Cruise	\$5.80	N
01261219	1974	STOP LAMP SWITCH Without Cruise	\$5.80	N
01261219	1975	STOP LAMP SWITCH Without Cruise	\$5.80	N
01261219	1976	STOP LAMP SWITCH Without Power Brakes Or Cruise	\$5.80	N
01261219	1977	STOP LAMP SWITCH Without Power Brakes Or Cruise	\$5.80	N
01261219	1978	STOP LAMP SWITCH Without Power Brakes Or Cruise	\$5.80	N
01261219	1979	STOP LAMP SWITCH Without Power Brakes Or Cruise	\$5.80	N
01261219	1980	STOP LAMP SWITCH Without Power Brakes Or Cruise	\$5.80	N
01261219	1981	STOP LAMP SWITCH Without Power Brakes Or Cruise	\$5.80	N
01261219	1982	STOP LAMP SWITCH With Manual Trans, Without Cruise	\$5.80	N
01261219	1983	STOP LAMP SWITCH With Manual Trans, Without Cruise	\$5.80	N
01261219	1984	STOP LAMP SWITCH With Manual Trans, Without Cruise	\$5.80	N
01261219	1985	STOP LAMP SWITCH With Manual Trans, Without Cruise	\$5.80	N
01261219	1986	STOP LAMP SWITCH With Manual Trans, Without Cruise	\$5.80	N
TACHOMETER CONVERSION HARNESS				
33970	1969	TACHOMETER CONVERSION HARNESS For Adding A Tachometer To A Car THat Did Not Have A Tachometer Or Gauges.	\$35.00	

Part Number	Year	Description	Price	*Rev.
TACHOMETER FILTER EXTENSION WIRE				
38014	1977	TACHOMETER FILTER EXTENSION WIRE 6 Cyl. 250 C.I. (L6), Tachometer Filter To Distributor Ext. Note: 6 Cylinder Items Are Not Returnable.	\$32.00	
35987	1978	TACHOMETER FILTER EXTENSION WIRE 6 Cyl. 250 C.I. (L6), Tachometer Filter To Distributor Ext. Note: 6 Cylinder Items Are Not Returnable.	\$32.00	
35987	1979	TACHOMETER FILTER EXTENSION WIRE 6 Cyl. 250 C.I. (L6), Tachometer Filter To Distributor Ext. Note: 6 Cylinder Items Are Not Returnable.	\$32.00	
35987	1980	TACHOMETER FILTER EXTENSION WIRE 231 C.I. V/6 (Ld5), Tachometer Filter To Distributor Extension	\$32.00	
TACHOMETER LEAD WIRE				
36271	1976	TACHOMETER LEAD WIRE Dash Harness To Tachometer Filter	\$32.00	
36271	1977	TACHOMETER LEAD WIRE Dash Harness To Tachometer Filter	\$32.00	
36271	1978	TACHOMETER LEAD WIRE Dash Harness To Tachometer Filter	\$32.00	
36271	1979	TACHOMETER LEAD WIRE Dash Harness To Tachometer Filter	\$32.00	
36271	1980	TACHOMETER LEAD WIRE Dash Harness To Tachometer Filter	\$32.00	
TCS TEMPERATURE CONTROLLED SPARK JUMPER WIRE				
15410	1971	TCS TEMP. CONTROLLED SPARK JUMPER WIRE With Single Terminal Temp. Control Switch	\$17.00	
15415	1971	TCS TEMP. CONTROLLED SPARK JUMPER WIRE With Double Terminal Temp. Sender UNits, A/C Without Gauges	\$17.00	
TCS TRANSMISSION SWITCH EXTENSION				
17355	1972	TCS TRANSMISSION SWITCH EXTENSION Manual Trans, From Engine Harness To Trans Switch Note: Used With #16335, #16350 & #16330 Engine Harnesses.	\$49.00	
17365	1973	TCS TRANSMISSION SWITCH EXTENSION Manual Trans, From Engine Harness To Trans Switch Note: Used With #15500 And #15505 Engine Harnesses.	\$49.00	
TEMPERATURE SENDING UNIT WIRE REPAIR KIT				
34620	1967	TEMPERATURE SENDING UNIT WIRE REPAIR KIT	\$20.00	
34620	1968	TEMPERATURE SENDING UNIT WIRE REPAIR KIT	\$20.00	
34620	1969	TEMPERATURE SENDING UNIT WIRE REPAIR KIT	\$20.00	
34620	1970	TEMPERATURE SENDING UNIT WIRE REPAIR KIT	\$20.00	
34620	1971	TEMPERATURE SENDING UNIT WIRE REPAIR KIT	\$20.00	
34620	1972	TEMPERATURE SENDING UNIT WIRE REPAIR KIT	\$20.00	
34620	1973	TEMPERATURE SENDING UNIT WIRE REPAIR KIT	\$20.00	
34620	1974	TEMPERATURE SENDING UNIT WIRE REPAIR KIT	\$20.00	
34620	1975	TEMPERATURE SENDING UNIT WIRE REPAIR KIT	\$20.00	
34620	1976	TEMPERATURE SENDING UNIT WIRE REPAIR KIT	\$20.00	
34620	1977	TEMPERATURE SENDING UNIT WIRE REPAIR KIT	\$20.00	
34620	1978	TEMPERATURE SENDING UNIT WIRE REPAIR KIT	\$20.00	
34620	1979	TEMPERATURE SENDING UNIT WIRE REPAIR KIT	\$20.00	
TRANSISTOR IGNITION HARNESS				
33215	1967	TRANSISTOR IGNITION EXTENSION HARNESS Ignition Switch To Main T.I. Harness	\$22.00	
33215	1968	TRANSISTOR IGNITION EXTENSION HARNESS Ignition Switch To Main T.I. Harness	\$22.00	
36053	1969	TRANSISTOR IGNITION AMPLIFIER EXTENSION From Internal Circuit Board To Inline Transistor Ignition Harness Connector	\$92.00	
23015	1969	TRANSISTOR IGNITION COIL GROUND WIRE	\$14.00	
23060	1969	TRANSISTOR IGNITION EXTENSION HARNESS Ignition Switch To T.I. Harness, Dealer Installed Original Equip	\$22.00	
23140	1969	TRANSISTOR IGNITION EXTENSION WIRE Bulkhead Conn. To Amplifier Harn, Dealer Service Replacement	\$14.00	
23020	1969	TRANSISTOR IGNITION HARNESS	\$159.00	

Part Number	Year	Description	Price	*Rev.
TRANSISTOR IGNITION REPLACEMENT MODULE				
32270	1967	TRANSISTOR IGNITION REPLACEMENT MODULE Replaces Original Circuit Board In Amplifier	\$189.00	
32270	1968	TRANSISTOR IGNITION REPLACEMENT MODULE Replaces Original Circuit Board In Amplifier	\$189.00	
32270	1969	TRANSISTOR IGNITION REPLACEMENT MODULE Replaces Original Circuit Board In Amplifier	\$189.00	
TRUNK LAMP ASSEMBLY				
28175	1967	TRUNK LAMP ASSEMBLY Convertible, Includes Extension Harness	\$48.00	
28180	1967	TRUNK LAMP ASSEMBLY Coupe, Includes Extension Harness	\$43.00	
28175	1968	TRUNK LAMP ASSEMBLY Convertible, Includes Extension Harness	\$48.00	
28180	1968	TRUNK LAMP ASSEMBLY Coupe, Includes Extension Harness	\$43.00	
28175	1969	TRUNK LAMP ASSEMBLY Convertible, Includes Extension Harness	\$48.00	
28180	1969	TRUNK LAMP ASSEMBLY Coupe, Includes Extension Harness	\$43.00	
28185	1970	TRUNK LAMP ASSEMBLY All, Includes Extension Harness	\$48.00	
28185	1971	TRUNK LAMP ASSEMBLY All, Includes Extension Harness	\$48.00	
28185	1972	TRUNK LAMP ASSEMBLY All, Includes Extension Harness	\$48.00	
28185	1973	TRUNK LAMP ASSEMBLY All, Includes Extension Harness	\$48.00	
28185	1974	TRUNK LAMP ASSEMBLY All, Includes Extension Harness	\$48.00	
28185	1975	TRUNK LAMP ASSEMBLY All, Includes Extension Harness	\$48.00	
28185	1976	TRUNK LAMP ASSEMBLY All, Includes Extension Harness	\$48.00	
28185	1977	TRUNK LAMP ASSEMBLY All, Includes Extension Harness	\$48.00	
28185	1978	TRUNK LAMP ASSEMBLY All, Includes Extension Harness	\$48.00	
28185	1979	TRUNK LAMP ASSEMBLY All, Includes Extension Harness	\$48.00	
28185	1980	TRUNK LAMP ASSEMBLY All, Includes Extension Harness	\$48.00	
28185	1981	TRUNK LAMP ASSEMBLY All, Includes Extension Harness	\$48.00	
TRUNK LAMP EXTENSION HARNESS				
28195	1967	TRUNK LAMP EXTENSION HARNESS Convertible	\$20.00	
28210	1967	TRUNK LAMP EXTENSION HARNESS Coupe	\$15.00	
28195	1968	TRUNK LAMP EXTENSION HARNESS Convertible	\$20.00	
28210	1968	TRUNK LAMP EXTENSION HARNESS Coupe	\$15.00	
28195	1969	TRUNK LAMP EXTENSION HARNESS Convertible	\$20.00	
28210	1969	TRUNK LAMP EXTENSION HARNESS Coupe	\$15.00	
15225	1970	TRUNK LAMP EXTENSION HARNESS All	\$21.00	
14535	1971	TRUNK LAMP EXTENSION HARNESS All	\$28.00	
14535	1972	TRUNK LAMP EXTENSION HARNESS All	\$28.00	
14535	1973	TRUNK LAMP EXTENSION HARNESS All	\$28.00	
14535	1974	TRUNK LAMP EXTENSION HARNESS All	\$28.00	
14535	1975	TRUNK LAMP EXTENSION HARNESS All	\$28.00	
14535	1976	TRUNK LAMP EXTENSION HARNESS All	\$28.00	
14535	1977	TRUNK LAMP EXTENSION HARNESS All	\$28.00	
TURN SIGNAL LEVER WIPER SWITCH				
22510733	1982	TURN SIGNAL LEVER WIPER SWITCH Black, With Pulse Wipers, Without Cruise Control	\$20.00	N
22510732	1982	TURN SIGNAL LEVER WIPER SWITCH Black, Without Pulse Wipers, Without Cruise Control	\$20.00	N
22510144	1982	TURN SIGNAL LEVER WIPER SWITCH Chrome, With Pulse Wipers, Without Cruise Control	\$20.00	N
22510733	1983	TURN SIGNAL LEVER WIPER SWITCH Black, With Pulse Wipers, Without Cruise Control	\$20.00	N
22510732	1983	TURN SIGNAL LEVER WIPER SWITCH Black, Without Pulse Wipers, Without Cruise Control	\$20.00	N
22510144	1983	TURN SIGNAL LEVER WIPER SWITCH Chrome, With Pulse Wipers, Without Cruise Control	\$20.00	N
25111262	1984	TURN SIGNAL LEVER WIPER SWITCH Black, With Pulse Wipers, With Cruise Control	\$26.00	N

Part Number	Year	Description	Price	*Rev.
22510733	1984	TURN SIGNAL LEVER WIPER SWITCH Black, With Pulse Wipers, Without Cruise Control	\$20.00	N
22510732	1984	TURN SIGNAL LEVER WIPER SWITCH Black, Without Pulse Wipers, Without Cruise Control	\$20.00	N
22510144	1984	TURN SIGNAL LEVER WIPER SWITCH Chrome, With Pulse Wipers, Without Cruise Control	\$20.00	N
25111262	1985	TURN SIGNAL LEVER WIPER SWITCH Black, With Pulse Wipers, With Cruise Control	\$26.00	N
22510733	1985	TURN SIGNAL LEVER WIPER SWITCH Black, With Pulse Wipers, Without Cruise Control	\$20.00	N
22510732	1985	TURN SIGNAL LEVER WIPER SWITCH Black, Without Pulse Wipers, Without Cruise Control	\$20.00	N
22510144	1985	TURN SIGNAL LEVER WIPER SWITCH Chrome, With Pulse Wipers, Without Cruise Control	\$20.00	N
25111262	1986	TURN SIGNAL LEVER WIPER SWITCH Black, With Pulse Wipers, With Cruise Control	\$26.00	N
22510733	1986	TURN SIGNAL LEVER WIPER SWITCH Black, With Pulse Wipers, Without Cruise Control	\$20.00	N
22510732	1986	TURN SIGNAL LEVER WIPER SWITCH Black, Without Pulse Wipers, Without Cruise Control	\$20.00	N
22510144	1986	TURN SIGNAL LEVER WIPER SWITCH Chrome, With Pulse Wipers, Without Cruise Control	\$20.00	N
25111262	1987	TURN SIGNAL LEVER WIPER SWITCH Black, With Pulse Wipers, With Cruise Control	\$26.00	N
22510733	1987	TURN SIGNAL LEVER WIPER SWITCH Black, With Pulse Wipers, Without Cruise Control	\$20.00	N
22510732	1987	TURN SIGNAL LEVER WIPER SWITCH Black, Without Pulse Wipers, Without Cruise Control	\$20.00	N
22510144	1987	TURN SIGNAL LEVER WIPER SWITCH Chrome, With Pulse Wipers, Without Cruise Control	\$20.00	N
25111262	1988	TURN SIGNAL LEVER WIPER SWITCH Black, With Pulse Wipers, With Cruise Control	\$26.00	N
22510733	1988	TURN SIGNAL LEVER WIPER SWITCH Black, With Pulse Wipers, Without Cruise Control	\$20.00	N
22510732	1988	TURN SIGNAL LEVER WIPER SWITCH Black, Without Pulse Wipers, Without Cruise Control	\$20.00	N
25111262	1989	TURN SIGNAL LEVER WIPER SWITCH Black, With Pulse Wipers, With Cruise Control	\$26.00	N
22510733	1989	TURN SIGNAL LEVER WIPER SWITCH Black, With Pulse Wipers, Without Cruise Control	\$20.00	N
22510732	1989	TURN SIGNAL LEVER WIPER SWITCH Black, Without Pulse Wipers, Without Cruise Control	\$20.00	N
TURN SIGNAL SWITCH				
01893592	1967	TURN SIGNAL SWITCH Without Tilt, (Delco-Remy), Replaces Delco Part# D6211 Note: This Is A Service Part, Adapter Pigtail Included And Is Required For Some Applications.	\$58.00	
07800482	1967	TURN SIGNAL SWITCH Without Column Shift A/T, Without Tilt, (Delco Type, Black, White Or Green) Note: Emergency Flasher Actuator Hole In Outer Cover Is Shaped Like A Doghouse.	\$50.00	
07800482	1967	TURN SIGNAL SWITCH Without Column Shift A/T, With Tilt, (Delco Type, Black, White Or Green) Note: Emergency Flasher Actuator Hole In Outer Cover Is Shaped Like A Doghouse.	\$50.00	
05698897	1967	TURN SIGNAL SWITCH With Column Shift A/T, Without Tilt, (Delco Type, Black, White Or Green) Note: Emergency Flasher Actuator Hole In Outer Cover Is Shaped Like A Doghouse.	\$50.00	
05698897	1967	TURN SIGNAL SWITCH With Column Shift A/T, With Tilt, (Delco Type, Black, White Or Green) Note: Emergency Flasher Actuator Hole In Outer Cover Is Shaped Like A Doghouse.	\$50.00	
01893592	1968	TURN SIGNAL SWITCH Without Tilt, (Delco-Remy), Replaces Delco Part# D6211 Note: This Is A Service Part, Adapter Pigtail Included And Is Required For Some Applications.	\$58.00	
07800482	1968	TURN SIGNAL SWITCH Without Column Shift A/T, Without Tilt, (Delco Type, Black, White Or Green) Note: Emergency Flasher Actuator Hole In Outer Cover Is Shaped Like A Doghouse.	\$50.00	
07800482	1968	TURN SIGNAL SWITCH Without Column Shift A/T, With Tilt, (Delco Type, Black, White Or Green) Note: Emergency Flasher Actuator Hole In Outer Cover Is Shaped Like A Doghouse.	\$50.00	
05698897	1968	TURN SIGNAL SWITCH With Column Shift A/T, Without Tilt, (Delco Type, Black, White Or Green) Note: Emergency Flasher Actuator Hole In Outer Cover Is Shaped Like A Doghouse.	\$50.00	
05698897	1968	TURN SIGNAL SWITCH With Column Shift A/T, With Tilt, (Delco Type, Black, White Or Green) Note: Emergency Flasher Actuator Hole In Outer Cover Is Shaped Like A Doghouse.	\$50.00	

Part Number	Year	Description	Price	*Rev.
01997938	1969	TURN SIGNAL SWITCH, CORRECT PART Note: Correct Part, No Adapter Pigtail Required.	\$56.00	
01893588	1969	TURN SIGNAL SWITCH, SERVICE PART Replaces Delco Part# D6208 Note: This Is A Service Part, Adapter Pigtail Included Is Required For Installation.	\$58.00	
01997938	1970	TURN SIGNAL SWITCH, CORRECT PART Note: Correct Part, No Adapter Pigtail Required.	\$56.00	
01893588	1970	TURN SIGNAL SWITCH, SERVICE PART Replaces Delco Part# D6208 Note: This Is A Service Part, Adapter Pigtail Included Is Required For Installation.	\$58.00	
01997938	1971	TURN SIGNAL SWITCH, CORRECT PART Note: Correct Part, No Adapter Pigtail Required.	\$56.00	
01893588	1971	TURN SIGNAL SWITCH, SERVICE PART Replaces Delco Part# D6208 Note: This Is A Service Part, Adapter Pigtail Included Is Required For Installation.	\$58.00	
01997938	1972	TURN SIGNAL SWITCH, CORRECT PART Note: Correct Part, No Adapter Pigtail Required.	\$56.00	
01893588	1972	TURN SIGNAL SWITCH, SERVICE PART Replaces Delco Part# D6208 Note: This Is A Service Part, Adapter Pigtail Included Is Required For Installation.	\$58.00	
01997938	1973	TURN SIGNAL SWITCH, CORRECT PART Note: Correct Part, No Adapter Pigtail Required.	\$56.00	
01893588	1973	TURN SIGNAL SWITCH, SERVICE PART Replaces Delco Part# D6208 Note: This Is A Service Part, Adapter Pigtail Included Is Required For Installation.	\$58.00	
01997938	1974	TURN SIGNAL SWITCH, CORRECT PART Note: Correct Part, No Adapter Pigtail Required.	\$56.00	
01893588	1974	TURN SIGNAL SWITCH, SERVICE PART Replaces Delco Part# D6208 Note: This Is A Service Part, Adapter Pigtail Included Is Required For Installation.	\$58.00	
01997938	1975	TURN SIGNAL SWITCH, CORRECT PART Note: Correct Part, No Adapter Pigtail Required.	\$56.00	
01893588	1975	TURN SIGNAL SWITCH, SERVICE PART Replaces Delco Part# D6208 Note: This Is A Service Part, Adapter Pigtail Included Is Required For Installation.	\$58.00	
01997938	1976	TURN SIGNAL SWITCH, CORRECT PART Note: Correct Part, No Adapter Pigtail Required.	\$56.00	
01893588	1976	TURN SIGNAL SWITCH, SERVICE PART Replaces Delco Part# D6208 Note: This Is A Service Part, Adapter Pigtail Included Is Required For Installation.	\$58.00	
01997983	1977	TURN SIGNAL SWITCH Replaces Delco Part# D6222	\$32.00	
01997983	1978	TURN SIGNAL SWITCH Replaces Delco Part# D6222	\$32.00	
01997983	1979	TURN SIGNAL SWITCH Replaces Delco Part# D6222	\$32.00	
01997983	1980	TURN SIGNAL SWITCH Replaces Delco Part# D6222	\$32.00	
01997983	1981	TURN SIGNAL SWITCH Replaces Delco Part# D6222	\$32.00	
01995963	1989	TURN SIGNAL SWITCH Replaces Delco Part# D6210A	\$56.00	
01995963	1990	TURN SIGNAL SWITCH Replaces Delco Part# D6210A	\$56.00	
01995963	1991	TURN SIGNAL SWITCH Replaces Delco Part# D6210A	\$56.00	
01995963	1992	TURN SIGNAL SWITCH Replaces Delco Part# D6210A	\$56.00	
01995963	1993	TURN SIGNAL SWITCH Replaces Delco Part# D6210A	\$56.00	
01995963	1994	TURN SIGNAL SWITCH Replaces Delco Part# D6210A	\$56.00	
01995963	1995	TURN SIGNAL SWITCH Replaces Delco Part# D6210A	\$56.00	
01995963	1996	TURN SIGNAL SWITCH Replaces Delco Part# D6210A	\$56.00	
01995963	1997	TURN SIGNAL SWITCH Replaces Delco Part# D6210A	\$56.00	
01995963	1998	TURN SIGNAL SWITCH Replaces Delco Part# D6210A	\$56.00	
01995963	1999	TURN SIGNAL SWITCH Replaces Delco Part# D6210A	\$56.00	

Part Number	Year	Description	Price	*Rev.
WINDSHIELD WASHER PUMP				
04919332	1967	WINDSHIELD WASHER PUMP All	\$60.00	N
04919332	1968	WINDSHIELD WASHER PUMP All	\$60.00	N
04919332	1969	WINDSHIELD WASHER PUMP All	\$60.00	N
04919332	1970	WINDSHIELD WASHER PUMP Without Recessed Park Wipers	\$60.00	N
04919332	1971	WINDSHIELD WASHER PUMP Without Recessed Park Wipers	\$60.00	N
04919332	1972	WINDSHIELD WASHER PUMP Without Recessed Park Wipers	\$60.00	N
04919332	1973	WINDSHIELD WASHER PUMP Without Recessed Park Wipers	\$60.00	N
04919332	1974	WINDSHIELD WASHER PUMP Without Recessed Park Wipers	\$60.00	N
WINDSHIELD WIPER MOTOR				
04911476	1967	WINDSHIELD WIPER MOTOR 2-Speed, 3-Terminal Type Motor	\$92.00	N
44609	1967	WINDSHIELD WIPER MOTOR 2-Speed, 4-Terminal Type Motor	\$106.00	N
		Note: This Can Be Used In Place Of The 3-Terminal Motor. The 4th Terminal Is A Keyed Hot From Wiper Fuse In Fuse Box And May Or May Not Be Used In Some Applications.		
WINDSHIELD WIPER SWITCH				
01993395	1967	WINDSHIELD WIPER SWITCH	\$35.00	
01993395	1968	WINDSHIELD WIPER SWITCH	\$35.00	
01993464	1969	WINDSHIELD WIPER SWITCH	\$35.00	

Section 5

Cheveller

El Camino

Monte Carlo

Classic Auto Fuse Series Dash Harnesses

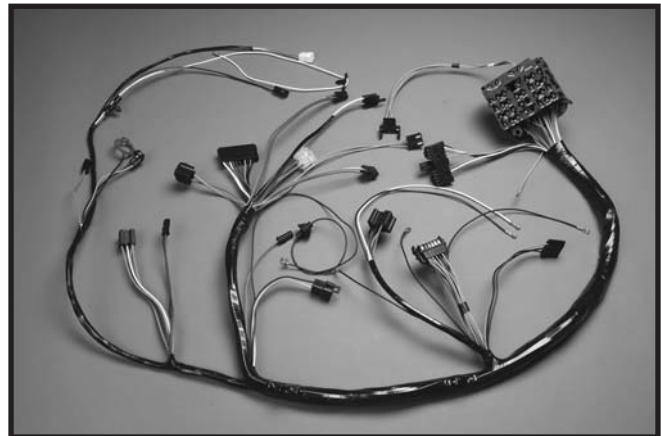
Now Available for 1968-1972 Chevelle & El Camino

Factory replacement style Dash Harnesses with ATO Type fuse blocks

No cutting, modifying of any sort required !

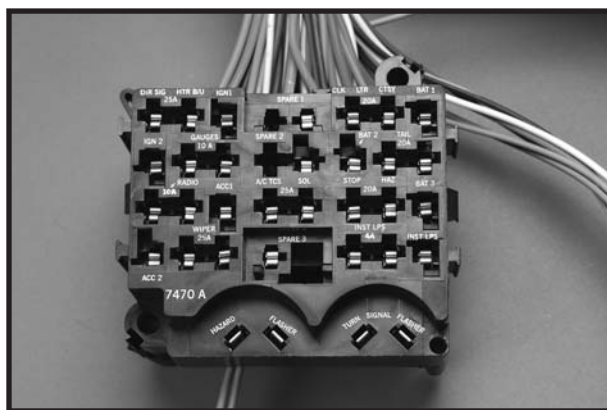
Our new Classic Auto Fuse Series Dash Harnesses allow the professional restorer to maintain the easy plug and play function of original factory type harnesses, while converting the entire fuse block to an Auto Fuse Series (ATO Type) fuse block. The Classic Auto Fuse Series Dash Harnesses give restorers the flexibility to add additional power circuits, without the installation headaches normally associated with this type of fuse box conversion.

The plug and play Classic Auto Fuse Series Dash Harnesses are a first in the industry. Don't be fooled by clever advertising and claims by others that their do-it-yourself harnesses are easy to install. There is no other product like this on the market anywhere.



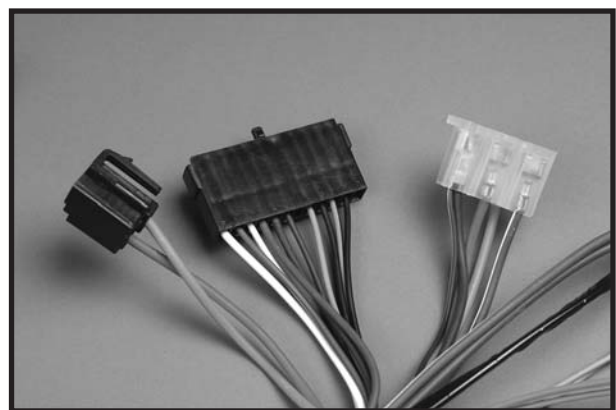
There is no cutting, modifying or altering of any sort required. Just plug it in and turn it on, it's that simple. The Classic Auto Fuse Dash Harnesses are completely compatible with the remaining harnesses in the car; couple that with our world renowned technical support for the finest product money can buy.

Browse our catalog for specific applications, part numbers and prices



Features an ATO Type Fuse Block

ATO Type Fuse Block with additional, fully integrated power ports allow the restorer to easily tap power for aftermarket electronic devices such as audio accessories, electric fans & ignition boxes.



Features Factory Type Connectors

Original factory type connectors are used on every wire. Wire colors match the OEM specs, but heavier gauge wires are used on the appropriate power circuits to accommodate aftermarket accessories.

Classic Auto Fuse Series Dash Harnesses

Check Out These Outstanding Features

• Upgraded Main Power Circuits

The main power circuits have been upgraded to ensure the extra capacity of the new Classic Auto Fuse Series fuse block. No need to worry about splicing onto existing fuses and circuits for aftermarket type accessories and overloading the fuse.

• Three Constant Battery Power Accessory Ports

Original Glass Series fuse boxes have only one port. These 3 ports supply constant battery power regardless of the ignition switch position. Each of these ports has a maximum fuse capacity of 10 amps.

• One Instrument Cluster Lamps Accessory Port

Original Glass Series fuse boxes have only one port. This port is used to access the rheostat circuit on the headlamp switch, so the optional lamps connected to this port will dim and brighten with the dash lamps. This port has a maximum fuse capacity of 1 amp which is perfect for night lights in tachs and gauges etc.

• Two Ignition Power Accessory Ports

Original Glass Series fuse boxes have only one port. These 2 ports supply switched battery power when the ignition switch is in the run position only. Each of these ports has a maximum fuse capacity of 5 amps.

• Two Accessory Power Accessory Ports

Original Glass Series fuse boxes have only one port. These two ports supply switched battery power when the ignition switch is in the run or accessory position only. Each of these ports has a maximum fuse capacity of 5 amps.

• Three Spare Fuse Ports

These three Spare Fuse Ports have an undefined fuse rating that can be designed by the customer based on the individual need and each port can handle up to 20 amps per cavity. If all three are not used, restorers may increase the remaining individual fuse ratings up to 30 amps for the remaining one to two cavities. In order to use these spare fuses, the optional kit part number 39383 "Spare Fuse Power Wiring Extension Harness" will be required. Instructions are included with this kit.

Optional Items for Classic Auto Fuse Series Dash Harnesses



Spare Fuse Power Wiring Extension Harness

Used to add the functionality of the three extra spare fuses if desired. If this kit is not purchased the three spare fuses will not function.
Part Number 39383 1968-1972 Chevelle/El Camino Retail \$70.00



Accessory Connector and Terminal Kit

The connectors and terminals in this kit are used to access the front of the Classic Auto Fuse Series fuse block accessory ports, while maintaining the indexing capability of the cavities on the fuse block. Use of this kit helps ensure that you do not plug accessories into the wrong port.
Part Number 39384 1968-1972 Chevelle/El Camino Retail \$24.00



Glass Fuse Series Accessory Adapter Kit

This kit is used to convert any old accessory style indexed connectors designed to plug into a specific port on the old Glass Fuse Series fuse block. The adapters allow you to plug the leads into the appropriate port on the new Classic Auto Fuse Series fuse block without any modifications to the old accessory leads. The best part is that you will still have the extra accessory ports designed into the new Classic Auto Fuse Series Dash Harnesses for new or aftermarket options without sacrificing valuable accessory ports on the fuse block.
Part Number 39385 1968-1972 Chevelle/El Camino Retail \$63.00



Fuse & Flasher Kit

Contains two flashers, one complete set of ATO fuses, plus one spare of each amperage. Does not contain fuses for the three spare cavities.
Part Number 39464 1968 Chevelle/El Camino Retail \$27.00
Part Number 39466 1969 Chevelle/El Camino Retail \$27.00
Part Number 39463 1970 Chevelle/El Camino Retail \$27.00
Part Number 39466 1971 Chevelle/El Camino Retail \$27.00
Part Number 39465 1972 Chevelle/El Camino Retail \$28.00

Part Number	Year	Description	Price	*Rev.
AIR CONDITIONING COMPRESSOR EXTENSION HARNESS				
00990	1973	AIR CONDITIONING COMPRESSOR EXTENSION HARNESS All, From Compressor To Main A/C Harness	\$59.00	
00990	1974	AIR CONDITIONING COMPRESSOR EXTENSION HARNESS All, From Compressor To Main A/C Harness	\$59.00	
41626	1975	AIR CONDITIONING COMPRESSOR EXTENSION HARNESS 6 Cylinder, From Compressor To Main A/C Harness Note: 6 Cylinder Items Are Not Returnable.	\$59.00	
00990	1975	AIR CONDITIONING COMPRESSOR EXTENSION HARNESS V/8, From Compressor To Main A/C Harness	\$59.00	
41627	1976	AIR CONDITIONING COMPRESSOR EXTENSION HARNESS 6 Cylinder, From Compressor To Main A/C Harness Note: 6 Cylinder Items Are Not Returnable.	\$59.00	
00990	1976	AIR CONDITIONING COMPRESSOR EXTENSION HARNESS V/8, From Compressor To Main A/C Harness	\$59.00	
41628	1977	AIR CONDITIONING COMPRESSOR EXTENSION HARNESS 6 Cylinder, From Compressor To Main A/C Harness Note: 6 Cylinder Items Are Not Returnable.	\$59.00	
41629	1977	AIR CONDITIONING COMPRESSOR EXTENSION HARNESS V/8, From Compressor To Main A/C Harness	\$48.00	
41630	1980	AIR CONDITIONING COMPRESSOR EXTENSION HARNESS V/6, 231 C.I. Turbo, From Compressor To Main A/C Harness	\$67.00	
41631	1981	AIR CONDITIONING COMPRESSOR EXTENSION HARNESS V/6, 231 C.I. Turbo, From Compressor To Main A/C Harness Note: 1978-1982 Compressor Wiring Is Part Of Engine Harness, Except For 1980-81 V/6, 231 C.i. Turbo Cars.	\$67.00	
AIR CONDITIONING HARNESS				
04945	1964	AIR CONDITIONING HARNESS With Factory Installed Under Dash Mounted A/C	\$153.00	
04940	1964	AIR CONDITIONING HARNESS Includes Heater Wiring	\$166.00	
04895	1965	AIR CONDITIONING HARNESS Includes Heater Wiring	\$149.00	
04895	1966	AIR CONDITIONING HARNESS Separate A/C Wiring, Only Used When A/C Wiring Is Not Part Of Dash & Engine Harnesses	\$149.00	
10770	1967	AIR CONDITIONING HARNESS Includes Heater Wiring	\$158.00	
11880	1968	AIR CONDITIONING HARNESS Includes Heater Wiring	\$184.00	
12955	1969	AIR CONDITIONING HARNESS Includes Heater Wiring	\$184.00	
14965	1970	AIR CONDITIONING HARNESS Includes Heater Wiring	\$184.00	
15440	1971	AIR CONDITIONING HARNESS Includes Heater Wiring	\$184.00	
28235	1971	AIR CONDITIONING ANTI-DIESEL RELAY FEED WIRE From Fuse Box To A/C Harness	\$15.00	
16465	1972	AIR CONDITIONING HARNESS Includes Heater Wiring	\$184.00	
41632	1973	AIR CONDITIONING HARNESS Main, Engine Compartment Note: Customer Must Supply Their Original Firewall Grommet.	\$228.00	
41633	1973	AIR CONDITIONING EXTENSION HARNESS Blower Switch, Under Dash	\$60.00	
41499	1974	AIR CONDITIONING HARNESS Main, Engine Compartment Note: Customer Must Supply Their Original Firewall Grommet.	\$228.00	
41498	1974	AIR CONDITIONING EXTENSION HARNESS Blower Switch, Under Dash	\$60.00	
41636	1975	AIR CONDITIONING HARNESS Main, Engine Compartment Note: Customer Must Supply Their Original Firewall Grommet.	\$228.00	
41498	1975	AIR CONDITIONING EXTENSION HARNESS Blower Switch, Under Dash	\$60.00	
41636	1976	AIR CONDITIONING HARNESS Main, Engine Compartment Note: Customer Must Supply Their Original Firewall Grommet.	\$228.00	
41498	1976	AIR CONDITIONING EXTENSION HARNESS Blower Switch, Under Dash	\$60.00	
41634	1977	AIR CONDITIONING HARNESS Main, Engine Compartment Note: Customer Must Supply Their Original Firewall Grommet.	\$228.00	
41498	1977	AIR CONDITIONING EXTENSION HARNESS Blower Switch, Under Dash	\$60.00	
41635	1978	AIR CONDITIONING HARNESS Main, Engine Compartment Note: Compressor Wiring Is Part Of Engine Harness.	\$228.00	
41916	1978	AIR CONDITIONING EXTENSION HARNESS Blower Switch, Under Dash	\$125.00	
41635	1979	AIR CONDITIONING HARNESS Main, Engine Compartment Note: Compressor Wiring Is Part Of Engine Harness.	\$228.00	

Part Number	Year	Description	Price	*Rev.
41916	1979	AIR CONDITIONING EXTENSION HARNESS Blower Switch, Under Dash	\$125.00	
41930	1980	AIR CONDITIONING HARNESS Main, Engine Compartment Note: Compressor Wiring Is Part Of Engine Harness, Except For Turbo Cars.	\$228.00	
41916	1980	AIR CONDITIONING EXTENSION HARNESS Blower Switch, Under Dash	\$125.00	
41982	1981	AIR CONDITIONING HARNESS Main, Engine Compartment, V/6, 231 C.I. Turbo & All V/8 Note: Compressor Wiring Is Part Of Engine Harness, Except For Turbo Cars.	\$228.00	
41937	1981	AIR CONDITIONING HARNESS Main, Engine Compartment, All V/6, Without Turbo Note: Compressor Wiring Is Part Of Engine Harness, Except For Turbo Cars.	\$228.00	
41936	1981	AIR CONDITIONING EXTENSION HARNESS Blower Switch, Under Dash	\$125.00	
41982	1982	AIR CONDITIONING HARNESS Main, Engine Compartment Note: Compressor Wiring Is Part Of Engine Harness.	\$228.00	
41936	1982	AIR CONDITIONING EXTENSION HARNESS Blower Switch, Under Dash, Without Diesel	\$125.00	
41980	1982	AIR CONDITIONING EXTENSION HARNESS Blower Switch, Under Dash, With Diesel	\$228.00	
AIR CONDITIONING POWER FEED WIRE				
28225	1964	AIR CONDITIONING POWER FEED WIRE From Starter Solenoid To A/C Fuse, All Except Malibu SS	\$22.00	
43554	1964	AIR CONDITIONING POWER FEED WIRE From Horn Relay To A/C Fuse, Malibu SS	\$23.00	
43554	1965	AIR CONDITIONING POWER FEED WIRE From Horn Relay To A/C Fuse	\$23.00	
43554	1966	AIR CONDITIONING POWER FEED WIRE From Horn Relay To A/C Fuse	\$23.00	
05165	1967	AIR CONDITIONING POWER FEED WIRE From Horn Relay To A/C Fuse	\$23.00	
10970	1968	AIR CONDITIONING POWER FEED WIRE From Horn Relay To A/C Fuse	\$22.00	
10970	1969	AIR CONDITIONING POWER FEED WIRE From Horn Relay To A/C Fuse	\$22.00	
10970	1970	AIR CONDITIONING POWER FEED WIRE From Horn Relay To A/C Fuse, Chevelle & El Camino	\$22.00	
28545	1970	AIR CONDITIONING POWER FEED WIRE From Horn Relay To A/C Fuse, Monte Carlo	\$24.00	
10970	1971	AIR CONDITIONING POWER FEED WIRE From Horn Relay To A/C Fuse, Chevelle & El Camino	\$22.00	
28545	1971	AIR CONDITIONING POWER FEED WIRE From Horn Relay To A/C Fuse, Monte Carlo	\$24.00	
16405	1972	AIR CONDITIONING POWER FEED WIRE From Horn Relay To A/C Fuse, All	\$22.00	
41500	1973	AIR CONDITIONING POWER FEED WIRE From Horn Relay To A/C Fuse, All	\$27.00	
41500	1974	AIR CONDITIONING POWER FEED WIRE From Horn Relay To A/C Fuse, All	\$27.00	
ALTERNATOR CONVERSION KIT				
27555	1964	ALTERNATOR CONVERSION KIT External To Internal Regulator Conversion Harness ("SI" Series) Note: For Use With 1972-84 Non-Serpentine Belt ("SI" Series) Internal Regulated Alternators.	\$29.00	
37787	1964	ALTERNATOR CONVERSION KIT External To Internal Regulator Conversion Harness ("CS" Series) Note: For Use With Serpentine Belt ("CS" Series) Internal Regulated Alternators.	\$34.00	
27555	1965	ALTERNATOR CONVERSION KIT External To Internal Regulator Conversion Harness ("SI" Series) Note: For Use With 1972-84 Non-Serpentine Belt ("SI" Series) Internal Regulated Alternators.	\$29.00	
37787	1965	ALTERNATOR CONVERSION KIT External To Internal Regulator Conversion Harness ("CS" Series) Note: For Use With Serpentine Belt ("CS" Series) Internal Regulated Alternators.	\$34.00	
27555	1966	ALTERNATOR CONVERSION KIT External To Internal Regulator Conversion Harness ("SI" Series) Note: For Use With 1972-84 Non-Serpentine Belt ("SI" Series) Internal Regulated Alternators.	\$29.00	
37787	1966	ALTERNATOR CONVERSION KIT External To Internal Regulator Conversion Harness ("CS" Series) Note: For Use With Serpentine Belt ("CS" Series) Internal Regulated Alternators.	\$34.00	
27555	1967	ALTERNATOR CONVERSION KIT External To Internal Regulator Conversion Harness ("SI" Series) Note: For Use With 1972-84 Non-Serpentine Belt ("SI" Series) Internal Regulated Alternators.	\$29.00	
37787	1967	ALTERNATOR CONVERSION KIT External To Internal Regulator Conversion Harness ("CS" Series) Note: For Use With Serpentine Belt ("CS" Series) Internal Regulated Alternators.	\$34.00	
27555	1968	ALTERNATOR CONVERSION KIT External To Internal Regulator Conversion Harness ("SI" Series) Note: For Use With 1972-84 Non-Serpentine Belt ("SI" Series) Internal Regulated Alternators.	\$29.00	

Part Number	Year	Description	Price	*Rev.
37787	1968	ALTERNATOR CONVERSION KIT External To Internal Regulator Conversion Harness ("CS" Series) Note: For Use With Serpentine Belt ("CS" Series) Internal Regulated Alternators.	\$34.00	
27555	1969	ALTERNATOR CONVERSION KIT External To Internal Regulator Conversion Harness ("SI" Series) Note: For Use With 1972-84 Non-Serpentine Belt ("SI" Series) Internal Regulated Alternators.	\$29.00	
37787	1969	ALTERNATOR CONVERSION KIT External To Internal Regulator Conversion Harness ("CS" Series) Note: For Use With Serpentine Belt ("CS" Series) Internal Regulated Alternators.	\$34.00	
27555	1970	ALTERNATOR CONVERSION KIT External To Internal Regulator Conversion Harness ("SI" Series) Note: For Use With 1972-84 Non-Serpentine Belt ("SI" Series) Internal Regulated Alternators.	\$29.00	
37787	1970	ALTERNATOR CONVERSION KIT External To Internal Regulator Conversion Harness ("CS" Series) Note: For Use With Serpentine Belt ("CS" Series) Internal Regulated Alternators.	\$34.00	
27555	1971	ALTERNATOR CONVERSION KIT External To Internal Regulator Conversion Harness ("SI" Series) Note: For Use With 1972-84 Non-Serpentine Belt ("SI" Series) Internal Regulated Alternators.	\$29.00	
37787	1971	ALTERNATOR CONVERSION KIT External To Internal Regulator Conversion Harness ("CS" Series) Note: For Use With Serpentine Belt ("CS" Series) Internal Regulated Alternators.	\$34.00	
27555	1972	ALTERNATOR CONVERSION KIT External To Internal Regulator Conversion Harness ("SI" Series) Note: For Use With 1972-84 Non-Serpentine Belt ("SI" Series) Internal Regulated Alternators.	\$29.00	
37787	1972	ALTERNATOR CONVERSION KIT External To Internal Regulator Conversion Harness ("CS" Series) Note: For Use With Serpentine Belt ("CS" Series) Internal Regulated Alternators.	\$34.00	
37796	1973	ALTERNATOR CONVERSION KIT Internal Regulator "SI" Series Alternator To "CS130 or CS144" Series (Serpentine Belt) Alternator Note: For Use With Serpentine Belt ("CS130" Or "CS144" Type) Internal Regulated Alternators.	\$26.00	
39472	1973	ALTERNATOR CONVERSION KIT Internal Regulator "SI" Series Alternator To "CS130D" Series (Serpentine Belt) Alternator Note: For Use With Serpentine Belt ("CS130D" Type) Internal Regulated Alternators.	\$27.00	
39472	1974	ALTERNATOR CONVERSION KIT Internal Regulator "SI" Series Alternator To "CS130D" Series (Serpentine Belt) Alternator Note: For Use With Serpentine Belt ("CS130D" Type) Internal Regulated Alternators.	\$27.00	
39472	1975	ALTERNATOR CONVERSION KIT Internal Regulator "SI" Series Alternator To "CS130D" Series (Serpentine Belt) Alternator Note: For Use With Serpentine Belt ("CS130D" Type) Internal Regulated Alternators.	\$27.00	
39472	1976	ALTERNATOR CONVERSION KIT Internal Regulator "SI" Series Alternator To "CS130D" Series (Serpentine Belt) Alternator Note: For Use With Serpentine Belt ("CS130D" Type) Internal Regulated Alternators.	\$27.00	
39472	1977	ALTERNATOR CONVERSION KIT Internal Regulator "SI" Series Alternator To "CS130D" Series (Serpentine Belt) Alternator Note: For Use With Serpentine Belt ("CS130D" Type) Internal Regulated Alternators.	\$27.00	
39472	1978	ALTERNATOR CONVERSION KIT Internal Regulator "SI" Series Alternator To "CS130D" Series (Serpentine Belt) Alternator Note: For Use With Serpentine Belt ("CS130D" Type) Internal Regulated Alternators.	\$27.00	
39472	1979	ALTERNATOR CONVERSION KIT Internal Regulator "SI" Series Alternator To "CS130D" Series (Serpentine Belt) Alternator Note: For Use With Serpentine Belt ("CS130D" Type) Internal Regulated Alternators.	\$27.00	
39472	1980	ALTERNATOR CONVERSION KIT Internal Regulator "SI" Series Alternator To "CS130D" Series (Serpentine Belt) Alternator Note: For Use With Serpentine Belt ("CS130D" Type) Internal Regulated Alternators.	\$27.00	
39472	1981	ALTERNATOR CONVERSION KIT Internal Regulator "SI" Series Alternator To "CS130D" Series (Serpentine Belt) Alternator Note: For Use With Serpentine Belt ("CS130D" Type) Internal Regulated Alternators.	\$27.00	
39472	1982	ALTERNATOR CONVERSION KIT Internal Regulator "SI" Series Alternator To "CS130D" Series (Serpentine Belt) Alternator Note: For Use With Serpentine Belt ("CS130D" Type) Internal Regulated Alternators.	\$27.00	

Part Number	Year	Description	Price	*Rev.
39472	1983	ALTERNATOR CONVERSION KIT Internal Regulator "SI" Series Alternator To "CS130D" Series (Serpentine Belt) Alternator Note: For Use With Serpentine Belt ("CS130D" Type) Internal Regulated Alternators.	\$27.00	
39472	1984	ALTERNATOR CONVERSION KIT Internal Regulator "SI" Series Alternator To "CS130D" Series (Serpentine Belt) Alternator Note: For Use With Serpentine Belt ("CS130D" Type) Internal Regulated Alternators.	\$27.00	
39472	1985	ALTERNATOR CONVERSION KIT Internal Regulator "SI" Series Alternator To "CS130D" Series (Serpentine Belt) Alternator Note: For Use With Serpentine Belt ("CS130D" Type) Internal Regulated Alternators.	\$27.00	
39472	1986	ALTERNATOR CONVERSION KIT Internal Regulator "SI" Series Alternator To "CS130D" Series (Serpentine Belt) Alternator Note: For Use With Serpentine Belt ("CS130D" Type) Internal Regulated Alternators.	\$27.00	
37796	1974	ALTERNATOR CONVERSION KIT Internal Regulator "SI" Series Alternator To "CS130 or CS144" Series (Serpentine Belt) Alternator Note: For Use With Serpentine Belt ("CS130" Or "CS144" Type) Internal Regulated Alternators.	\$26.00	
37796	1975	ALTERNATOR CONVERSION KIT Internal Regulator "SI" Series Alternator To "CS130 or CS144" Series (Serpentine Belt) Alternator Note: For Use With Serpentine Belt ("CS130" Or "CS144" Type) Internal Regulated Alternators.	\$26.00	
37796	1976	ALTERNATOR CONVERSION KIT Internal Regulator "SI" Series Alternator To "CS130 or CS144" Series (Serpentine Belt) Alternator Note: For Use With Serpentine Belt ("CS130" Or "CS144" Type) Internal Regulated Alternators.	\$26.00	
37796	1977	ALTERNATOR CONVERSION KIT Internal Regulator "SI" Series Alternator To "CS130 or CS144" Series (Serpentine Belt) Alternator Note: For Use With Serpentine Belt ("CS130" Or "CS144" Type) Internal Regulated Alternators.	\$26.00	
37796	1978	ALTERNATOR CONVERSION KIT Internal Regulator "SI" Series Alternator To "CS130 or CS144" Series (Serpentine Belt) Alternator Note: For Use With Serpentine Belt ("CS130" Or "CS144" Type) Internal Regulated Alternators.	\$26.00	
37796	1979	ALTERNATOR CONVERSION KIT Internal Regulator "SI" Series Alternator To "CS130 or CS144" Series (Serpentine Belt) Alternator Note: For Use With Serpentine Belt ("CS130" Or "CS144" Type) Internal Regulated Alternators.	\$26.00	
37796	1980	ALTERNATOR CONVERSION KIT Internal Regulator "SI" Series Alternator To "CS130 or CS144" Series (Serpentine Belt) Alternator Note: For Use With Serpentine Belt ("CS130" Or "CS144" Type) Internal Regulated Alternators.	\$26.00	
37796	1981	ALTERNATOR CONVERSION KIT Internal Regulator "SI" Series Alternator To "CS130 or CS144" Series (Serpentine Belt) Alternator Note: For Use With Serpentine Belt ("CS130" Or "CS144" Type) Internal Regulated Alternators.	\$26.00	
37796	1982	ALTERNATOR CONVERSION KIT Internal Regulator "SI" Series Alternator To "CS130 or CS144" Series (Serpentine Belt) Alternator Note: For Use With Serpentine Belt ("CS130" Or "CS144" Type) Internal Regulated Alternators.	\$26.00	
37796	1983	ALTERNATOR CONVERSION KIT Internal Regulator "SI" Series Alternator To "CS130 or CS144" Series (Serpentine Belt) Alternator Note: For Use With Serpentine Belt ("CS130" Or "CS144" Type) Internal Regulated Alternators.	\$26.00	
37796	1984	ALTERNATOR CONVERSION KIT Internal Regulator "SI" Series Alternator To "CS130 or CS144" Series (Serpentine Belt) Alternator Note: For Use With Serpentine Belt ("CS130" Or "CS144" Type) Internal Regulated Alternators.	\$26.00	
37796	1985	ALTERNATOR CONVERSION KIT Internal Regulator "SI" Series Alternator To "CS130 or CS144" Series (Serpentine Belt) Alternator Note: For Use With Serpentine Belt ("CS130" Or "CS144" Type) Internal Regulated Alternators.	\$26.00	
37796	1986	ALTERNATOR CONVERSION KIT Internal Regulator "SI" Series Alternator To "CS130 or CS144" Series (Serpentine Belt) Alternator Note: For Use With Serpentine Belt ("CS130" Or "CS144" Type) Internal Regulated Alternators.	\$26.00	
ALTERNATOR POWER FEED WIRE				
41670	1964	ALTERNATOR POWER FEED WIRE Used With Regular Production Option Code (RPO) K81, (62 Amp Alternator), From Horn Relay To Alternator	\$40.00	

Part Number	Year	Description	Price	*Rev.
41670	1965	ALTERNATOR POWER FEED WIRE Used With Regular Production Option Code (RPO) K81, (62 Amp Alternator), From Horn Relay To Alternator	\$40.00	
41670	1966	ALTERNATOR POWER FEED WIRE Used With Regular Production Option Code (RPO) K81, (62 Amp Alternator), From Horn Relay To Alternator	\$40.00	
ASH TRAY LAMP WIRE				
12950	1970	ASH TRAY LAMP WIRE Fiber Optic Note: Lead Only With Crimped Brass Terminals, Does Not Include Lamp Socket Or Ash Tray Retainer.	\$30.00	
12950	1971	ASH TRAY LAMP WIRE Fiber Optic Note: Lead Only With Crimped Brass Terminals, Does Not Include Lamp Socket Or Ash Tray Retainer.	\$30.00	
12950	1972	ASH TRAY LAMP WIRE Fiber Optic Note: Lead Only With Crimped Brass Terminals, Does Not Include Lamp Socket Or Ash Tray Retainer.	\$30.00	
12950	1973	ASH TRAY LAMP WIRE Fiber Optic Note: Lead Only With Crimped Brass Terminals, Does Not Include Lamp Socket Or Ash Tray Retainer.	\$30.00	
12950	1974	ASH TRAY LAMP WIRE Fiber Optic Note: Lead Only With Crimped Brass Terminals, Does Not Include Lamp Socket Or Ash Tray Retainer.	\$30.00	
12950	1975	ASH TRAY LAMP WIRE Fiber Optic Note: Lead Only With Crimped Brass Terminals, Does Not Include Lamp Socket Or Ash Tray Retainer.	\$30.00	
12950	1976	ASH TRAY LAMP WIRE Fiber Optic Note: Lead Only With Crimped Brass Terminals, Does Not Include Lamp Socket Or Ash Tray Retainer.	\$30.00	
12950	1977	ASH TRAY LAMP WIRE Fiber Optic Note: Lead Only With Crimped Brass Terminals, Does Not Include Lamp Socket Or Ash Tray Retainer.	\$30.00	
ASSEMBLY MANUAL				
36294	1964	ASSEMBLY MANUAL Factory Assembly Instruction Guide	\$32.00	
36295	1965	ASSEMBLY MANUAL Factory Assembly Instruction Guide	\$32.00	
36296	1966	ASSEMBLY MANUAL Factory Assembly Instruction Guide	\$32.00	
36297	1967	ASSEMBLY MANUAL Factory Assembly Instruction Guide	\$32.00	
36298	1968	ASSEMBLY MANUAL Factory Assembly Instruction Guide	\$32.00	
36299	1969	ASSEMBLY MANUAL Factory Assembly Instruction Guide	\$32.00	
36300	1970	ASSEMBLY MANUAL Factory Assembly Instruction Guide	\$32.00	
36301	1971	ASSEMBLY MANUAL Factory Assembly Instruction Guide	\$32.00	
36302	1972	ASSEMBLY MANUAL Factory Assembly Instruction Guide	\$32.00	
BACKUP LAMP HARNESS				
41829	1974	BACKUP LAMP HARNESS Monte Carlo, From Rear Lamp Harness To Backup Lamps Note: Includes Wire For Fuel Sender & License Lamp.	\$101.00	
41829	1975	BACKUP LAMP HARNESS Monte Carlo, From Rear Lamp Harness To Backup Lamps Note: Includes Wire For Fuel Sender & License Lamp.	\$101.00	
BACKUP LAMP SWITCH				
01993661	1964	BACKUP LAMP SWITCH 4 Speed, Manual Trans	\$64.00	
01993307	1965	BACKUP LAMP SWITCH 4 Speed, Manual Trans	\$64.00	
01993307	1966	BACKUP LAMP SWITCH 4 Speed, Manual Trans	\$64.00	
01993307	1967	BACKUP LAMP SWITCH 4 Speed, Manual Trans	\$64.00	
01993307	1968	BACKUP LAMP SWITCH 4 Speed, Manual Trans	\$64.00	
03943657	1969	BACKUP LAMP SWITCH Manual Trans	\$53.00	
03943657	1970	BACKUP LAMP SWITCH Manual Trans	\$53.00	
03943657	1971	BACKUP LAMP SWITCH Manual Trans	\$53.00	
03943657	1972	BACKUP LAMP SWITCH Manual Trans	\$53.00	

Part Number	Year	Description	Price	*Rev.
BACKUP LAMP SWITCH EXTENSION HARNESS				
05100	1964	BACKUP LAMP SWITCH EXTENSION HARNESS Manual Trans, From Dash To Backup Lamp Switch At Firewall	\$54.00	
19240	1965	BACKUP LAMP SWITCH EXTENSION HARNESS Manual Trans, From Dash To Backup Lamp Switch At Firewall	\$31.00	
19240	1966	BACKUP LAMP SWITCH EXTENSION HARNESS Manual Trans, From Dash To Backup Lamp Switch At Firewall	\$31.00	
10665	1967	BACKUP LAMP SWITCH EXTENSION HARNESS Manual Trans, From Dash To Backup Lamp Switch At Firewall	\$31.00	
10665	1968	BACKUP LAMP SWITCH EXTENSION HARNESS Manual Trans, From Dash To Backup Lamp Switch At Firewall	\$31.00	
41867	1978	BACKUP LAMP SWITCH EXTENSION HARNESS Manual Trans, From Dash To Backup Lamp Switch	\$49.00	
41895	1979	BACKUP LAMP SWITCH EXTENSION HARNESS Manual Trans, From Dash To Backup Lamp Switch	\$49.00	
41895	1980	BACKUP LAMP SWITCH EXTENSION HARNESS Manual Trans, From Dash To Backup Lamp Switch	\$49.00	
41943	1981	BACKUP LAMP SWITCH EXTENSION HARNESS Manual Trans, From Dash To Backup Lamp Switch	\$49.00	
BACKUP LAMP SWITCH MOUNTING BRACKET				
37650	1964	BACKUP LAMP SWITCH MOUNTING BRACKET With Muncie 4 Speed Transmission Note: Included In Item Number 39504.	\$29.00	
37650	1965	BACKUP LAMP SWITCH MOUNTING BRACKET With Muncie 4 Speed Transmission Note: Included In Item Number 39504.	\$29.00	
37650	1966	BACKUP LAMP SWITCH MOUNTING BRACKET With Muncie 4 Speed Transmission Note: Included In Item Number 39504.	\$29.00	
37650	1967	BACKUP LAMP SWITCH MOUNTING BRACKET With Muncie 4 Speed Transmission Note: Included In Item Number 39504.	\$29.00	
37650	1968	BACKUP LAMP SWITCH MOUNTING BRACKET With Muncie 4 Speed Transmission Note: Included In Item Number 39504.	\$29.00	
BACKUP LAMP SWITCH MOUNTING KIT				
39504	1964	BACKUP LAMP SWITCH MOUNTING KIT With Muncie 4 Speed Transmission Note: Kit Contains The Bracket, Rod With 2 Clips, Shield & Bolts.	\$46.00	
39504	1965	BACKUP LAMP SWITCH MOUNTING KIT With Muncie 4 Speed Transmission Note: Kit Contains The Bracket, Rod With 2 Clips, Shield & Bolts.	\$46.00	
39504	1966	BACKUP LAMP SWITCH MOUNTING KIT With Muncie 4 Speed Transmission Note: Kit Contains The Bracket, Rod With 2 Clips, Shield & Bolts.	\$46.00	
39504	1967	BACKUP LAMP SWITCH MOUNTING KIT With Muncie 4 Speed Transmission Note: Kit Contains The Bracket, Rod With 2 Clips, Shield & Bolts.	\$46.00	
39504	1968	BACKUP LAMP SWITCH MOUNTING KIT With Muncie 4 Speed Transmission Note: Kit Contains The Bracket, Rod With 2 Clips, Shield & Bolts.	\$46.00	
BATTERY CABLE JUNCTION BLOCK				
03882795	1965	BATTERY CABLE JUNCTION BLOCK For Positive Cable Secondary Lead Note: This Item Is Mounted On Radiator Support Behind Battery.	\$11.00	
03882795	1966	BATTERY CABLE JUNCTION BLOCK For Positive Cable Secondary Lead Note: This Item Is Mounted On Radiator Support Behind Battery.	\$11.00	
03882795	1967	BATTERY CABLE JUNCTION BLOCK For Positive Cable Secondary Lead Note: This Item Is Mounted On Radiator Support Behind Battery.	\$11.00	
03882795	1968	BATTERY CABLE JUNCTION BLOCK For Positive Cable Secondary Lead Note: This Item Is Mounted On Radiator Support Behind Battery.	\$11.00	
03882795	1969	BATTERY CABLE JUNCTION BLOCK For Positive Cable Secondary Lead Note: This Item Is Mounted On Radiator Support Behind Battery.	\$11.00	
03882795	1970	BATTERY CABLE JUNCTION BLOCK For Positive Cable Secondary Lead Note: This Item Is Mounted On Radiator Support Behind Battery.	\$11.00	
03882795	1971	BATTERY CABLE JUNCTION BLOCK For Positive Cable Secondary Lead Note: This Item Is Mounted On Radiator Support Behind Battery.	\$11.00	

Part Number	Year	Description	Price	*Rev.
BATTERY CABLE-NEGATIVE				
04840	1964	BATTERY CABLE, SPRING RING Neg, 6 Cylinder Note: 6 Cylinder Items Are Not Returnable.	\$69.00	
04850	1964	BATTERY CABLE, SPRING RING Neg, V/8	\$69.00	
05500	1965	BATTERY CABLE, SPRING RING Neg, 6 Cylinder Note: 6 Cylinder Items Are Not Returnable.	\$69.00	
04830	1965	BATTERY CABLE, SPRING RING Neg, V/8, With Standard Battery Note: Used On Batteries With Negative Post Close To Radiator.	\$69.00	
05515	1965	BATTERY CABLE, SPRING RING Neg, V/8, With Heavy Duty Battery Note: Used On Batteries With Negative Post Close To Passenger Fender.	\$69.00	
09215	1966	BATTERY CABLE, SPRING RING Neg, 6 Cylinder Note: 6 Cylinder Items Are Not Returnable.	\$69.00	
05515	1966	BATTERY CABLE, SPRING RING Neg, V/8, All	\$69.00	
09130	1967	BATTERY CABLE, SPRING RING Neg, 6 Cylinder & V/8, With Standard Battery Note: 6 Cylinder Items Are Not Returnable.	\$69.00	
09155	1967	BATTERY CABLE, SPRING RING Neg, 6 Cylinder & V/8, With Heavy Duty Battery Note: 6 Cylinder Items Are Not Returnable.	\$69.00	
09940	1968	BATTERY CABLE, SPRING RING Neg, 6 Cylinder Note: 6 Cylinder Items Are Not Returnable.	\$69.00	
12455	1968	BATTERY CABLE, SPRING RING Neg, V/8, Except 396 C.I.	\$69.00	
12445	1968	BATTERY CABLE, SPRING RING Neg, V/8, 396 C.I.	\$69.00	
12540	1969	BATTERY CABLE, SPRING RING Neg, 6 Cylinder Note: 6 Cylinder Items Are Not Returnable.	\$69.00	
12535	1969	BATTERY CABLE, SPRING RING Neg, V/8, Except 396 C.I.	\$69.00	
12550	1969	BATTERY CABLE, SPRING RING Neg, V/8, 396 C.I.	\$69.00	
12540	1970	BATTERY CABLE, SPRING RING Neg, 6 Cylinder, Chevelle Note: 6 Cylinder Items Are Not Returnable.	\$69.00	
14810	1970	BATTERY CABLE, SIDE POST Neg, 6 Cylinder, Chevelle, With Side Mount Type Battery Note: 6 Cylinder Items Are Not Returnable.	\$74.00	
14660	1970	BATTERY CABLE, SPRING RING Neg, V/8, Chevelle	\$69.00	
21755	1970	BATTERY CABLE, SIDE POST Neg, V/8, Chevelle, With Side Mount Type Battery	\$74.00	
14665	1970	BATTERY CABLE, SPRING RING Neg, V/8, Monte Carlo, 350 C.I.	\$69.00	
14660	1970	BATTERY CABLE, SPRING RING Neg, V/8, Monte Carlo, 396 C.I.	\$69.00	
21760	1970	BATTERY CABLE, SIDE POST Neg, V8, Monte Carlo, With Side Mount Type Battery	\$74.00	
22675	1971	BATTERY CABLE, SIDE POST Neg, 6 Cylinder, Chevelle Note: 6 Cylinder Items Are Not Returnable.	\$74.00	
22665	1971	BATTERY CABLE, SIDE POST Neg, V/8, Chevelle, 307-350 C.I.	\$74.00	
22735	1971	BATTERY CABLE, SIDE POST Neg, V/8, Chevelle, 396-454 C.I.	\$74.00	
22685	1971	BATTERY CABLE, SIDE POST Neg, V/8, Monte Carlo, All	\$74.00	
22675	1972	BATTERY CABLE, SIDE POST Neg, 6 Cylinder, Chevelle Note: 6 Cylinder Items Are Not Returnable.	\$74.00	
22665	1972	BATTERY CABLE, SIDE POST Neg, V/8, Chevelle, 307-350 C.I.	\$74.00	
22735	1972	BATTERY CABLE, SIDE POST Neg, V/8, Chevelle, 396-454 C.I.	\$74.00	
22685	1972	BATTERY CABLE, SIDE POST Neg, V/8, Monte Carlo, All	\$74.00	
22675	1973	BATTERY CABLE, SIDE POST Neg, 6 Cylinder, Chevelle Note: 6 Cylinder Items Are Not Returnable.	\$74.00	
22665	1973	BATTERY CABLE, SIDE POST Neg, V/8, Chevelle	\$74.00	
22685	1973	BATTERY CABLE, SIDE POST Neg, V/8, Monte Carlo, All	\$74.00	

Part Number	Year	Description	Price	*Rev.
22675	1974	BATTERY CABLE, SIDE POST Neg, 6 Cylinder, Chevelle Note: 6 Cylinder Items Are Not Returnable.	\$74.00	
22665	1974	BATTERY CABLE, SIDE POST Neg, V/8, Chevelle	\$74.00	
22685	1974	BATTERY CABLE, SIDE POST Neg, V/8, Monte Carlo, All	\$74.00	
41791	1975	BATTERY CABLE, SIDE POST Neg, 6 Cylinder, Chevelle Note: 6 Cylinder Items Are Not Returnable.	\$74.00	
22665	1975	BATTERY CABLE, SIDE POST Neg, V/8, Chevelle	\$74.00	
22685	1975	BATTERY CABLE, SIDE POST Neg, V/8, Monte Carlo, All	\$74.00	
41791	1976	BATTERY CABLE, SIDE POST Neg, 6 Cylinder, Chevelle Note: 6 Cylinder Items Are Not Returnable.	\$74.00	
22735	1976	BATTERY CABLE, SIDE POST Neg, V/8, Chevelle	\$74.00	
22685	1976	BATTERY CABLE, SIDE POST Neg, V/8, Monte Carlo, All	\$74.00	
41791	1977	BATTERY CABLE, SIDE POST Neg, 6 Cylinder, Chevelle Note: 6 Cylinder Items Are Not Returnable.	\$74.00	
22735	1977	BATTERY CABLE, SIDE POST Neg, V/8, Chevelle	\$74.00	
22685	1977	BATTERY CABLE, SIDE POST Neg, V/8, Monte Carlo, All	\$74.00	
41814	1978	BATTERY CABLE, SIDE POST Neg, V/6, 200 C.I.	\$87.00	
41856	1978	BATTERY CABLE, SIDE POST Neg, V/6, 231 C.I.	\$87.00	
22735	1978	BATTERY CABLE, SIDE POST Neg, V/8	\$74.00	
41814	1979	BATTERY CABLE, SIDE POST Neg, V/6, 200 C.I.	\$87.00	
41856	1979	BATTERY CABLE, SIDE POST Neg, V/6, 231 C.I.	\$87.00	
22735	1979	BATTERY CABLE, SIDE POST Neg, V/8	\$74.00	
41814	1980	BATTERY CABLE, SIDE POST Neg, V/6, 200 C.I.	\$87.00	
41926	1980	BATTERY CABLE, SIDE POST Neg, V/6, 231 C.I.	\$87.00	
22735	1980	BATTERY CABLE, SIDE POST Neg, V/8	\$74.00	
41814	1981	BATTERY CABLE, SIDE POST Neg, V/6, 200 C.I.	\$87.00	
41926	1981	BATTERY CABLE, SIDE POST Neg, V/6, 231 C.I.	\$87.00	
22735	1981	BATTERY CABLE, SIDE POST Neg, V/8	\$74.00	
41814	1982	BATTERY CABLE, SIDE POST Neg, V/6, 229 C.I.	\$87.00	
41926	1982	BATTERY CABLE, SIDE POST Neg, V/6, 231 C.I.	\$87.00	
22735	1982	BATTERY CABLE, SIDE POST Neg, V/8	\$74.00	
BATTERY CABLE-POSITIVE				
41973	1982	BATTERY CABLE, SIDE POST Neg, 263 C.I. Diesel, Driver Side, Negative Post To Engine Block	\$87.00	
41972	1982	BATTERY CABLE, SIDE POST Neg, 263 C.I. Diesel, Passenger Side, Negative Post To Engine Block	\$87.00	
41924	1982	BATTERY CABLE, SIDE POST Neg, 350 C.I. Diesel, Without Heavy Duty Battery, Driver Side, Negative Post To Engine Block Note: This Is A 2 Gauge Cable.	\$87.00	
41928	1982	BATTERY CABLE, SIDE POST Neg, 350 C.I. Diesel, With Heavy Duty Battery, Driver Side, Negative Post To Engine Block Note: This Is A 0 Gauge Cable.	\$87.00	
41923	1982	BATTERY CABLE, SIDE POST Neg, 350 C.I. Diesel, Without Heavy Duty Battery, Passenger Side, Negative Post To Engine Block Note: This Is A 2 Gauge Cable.	\$87.00	
41929	1982	BATTERY CABLE, SIDE POST Neg, 350 C.I. Diesel, With Heavy Duty Battery, Passenger Side, Negative Post To Engine Block Note: This Is A 0 Gauge Cable.	\$87.00	
04810	1964	BATTERY CABLE, SPRING RING Pos, 6 Cylinder Note: 6 Cylinder Items Are Not Returnable.	\$69.00	

Part Number	Year	Description	Price	*Rev.
05415	1964	BATTERY CABLE, SPRING RING Pos, V/8	\$69.00	
05495	1965	BATTERY CABLE, SPRING RING Pos, 6 Cylinder Note: 6 Cylinder Items Are Not Returnable.	\$69.00	
05490	1965	BATTERY CABLE, SPRING RING Pos, V/8, 283 C.I., With Standard Battery Note: Used On Batteries With Positive Post Close To Passenger Fender.	\$69.00	
36976	1965	BATTERY CABLE, SPRING RING Pos, V/8, 396 C.I. Note: Used On Batteries With Positive Post Close To Radiator.	\$69.00	
05510	1965	BATTERY CABLE, SPRING RING Pos, V/8, All With Heavy Duty Battery Note: Used On Batteries With Positive Post Close To Radiator.	\$69.00	
09220	1966	BATTERY CABLE, SPRING RING Pos, 6 Cylinder Note: 6 Cylinder Items Are Not Returnable.	\$69.00	
09225	1966	BATTERY CABLE, SPRING RING Pos, V/8, With Heavy Duty Battery, Except 396 C.I. Note: Used On Batteries With Positive Post Close To Passenger Fender.	\$69.00	
09830	1966	BATTERY CABLE, SPRING RING Pos, V/8, With Standard Battery & All 396 C.I. Note: Used On Batteries With Positive Post Close To Radiator.	\$69.00	
10715	1967	BATTERY CABLE, SPRING RING Pos, 6 Cylinder Note: 6 Cylinder Items Are Not Returnable.	\$69.00	
10705	1967	BATTERY CABLE, SPRING RING Pos, V/8, Except 396 C.I.	\$69.00	
10725	1967	BATTERY CABLE, SPRING RING Pos, V/8, 396 C.I.	\$69.00	
09945	1968	BATTERY CABLE, SPRING RING Pos, 6 Cylinder Note: 6 Cylinder Items Are Not Returnable.	\$69.00	
09950	1968	BATTERY CABLE, SPRING RING Pos, V/8, Except 396 C.I.	\$69.00	
12450	1968	BATTERY CABLE, SPRING RING Pos, V/8, 396 C.I.	\$69.00	
12590	1969	BATTERY CABLE, SPRING RING Pos, 6 Cylinder Note: 6 Cylinder Items Are Not Returnable.	\$69.00	
09950	1969	BATTERY CABLE, SPRING RING Pos, V/8, Except 396 C.I.	\$69.00	
12595	1969	BATTERY CABLE, SPRING RING Pos, V/8, 396 C.I.	\$69.00	
12600	1970	BATTERY CABLE, SPRING RING Pos, 6 Cylinder, Chevelle Note: 6 Cylinder Items Are Not Returnable.	\$69.00	
14790	1970	BATTERY CABLE, SIDE POST Pos, 6 Cylinder, Chevelle, With Side Mount Type Battery Note: 6 Cylinder Items Are Not Returnable.	\$74.00	
14635	1970	BATTERY CABLE, SPRING RING Pos, V/8, Chevelle	\$69.00	
21740	1970	BATTERY CABLE, SIDE POST Pos, V/8, Chevelle, With Side Mount Type Battery	\$74.00	
14630	1970	BATTERY CABLE, SPRING RING Pos, V/8, Monte Carlo, 350 C.I.	\$69.00	
14635	1970	BATTERY CABLE, SPRING RING Pos, V/8, Monte Carlo, 396-454 C.I.	\$69.00	
21745	1970	BATTERY CABLE, SIDE POST Pos, V/8, Monte Carlo, All With Side Mount Type Battery	\$74.00	
22655	1971	BATTERY CABLE, SIDE POST Pos, 6 Cylinder Note: 6 Cylinder Items Are Not Returnable.	\$74.00	
22660	1971	BATTERY CABLE, SIDE POST Pos, V/8, Chevelle, 307-350 C.I.	\$74.00	
22680	1971	BATTERY CABLE, SIDE POST Pos, V/8, Chevelle, 396-454 C.I.	\$74.00	
28955	1971	BATTERY CABLE, SIDE POST Pos, V/8, Monte Carlo, All	\$74.00	
22640	1972	BATTERY CABLE, SIDE POST Pos, 6 Cylinder Note: 6 Cylinder Items Are Not Returnable.	\$74.00	
28970	1972	BATTERY CABLE, SIDE POST Pos, V/8, Chevelle, 307-350 C.I.	\$74.00	
28980	1972	BATTERY CABLE, SIDE POST Pos, V/8, Chevelle, 396-454 C.I.	\$74.00	
28975	1972	BATTERY CABLE, SIDE POST Pos, V/8, Monte Carlo, All	\$74.00	
41750	1973	BATTERY CABLE, SIDE POST Pos, 6 Cylinder, Chevelle Note: 6 Cylinder Items Are Not Returnable.	\$74.00	

Part Number	Year	Description	Price	*Rev.
41751	1973	BATTERY CABLE, SIDE POST Pos, V/8, Chevelle	\$74.00	
41752	1973	BATTERY CABLE, SIDE POST Pos, V/8, Monte Carlo	\$74.00	
41750	1974	BATTERY CABLE, SIDE POST Pos, 6 Cylinder, Chevelle Note: 6 Cylinder Items Are Not Returnable.	\$74.00	
41751	1974	BATTERY CABLE, SIDE POST Pos, V/8, Chevelle	\$74.00	
41752	1974	BATTERY CABLE, SIDE POST Pos, V/8, Monte Carlo	\$74.00	
41789	1975	BATTERY CABLE, SIDE POST Pos, 6 Cylinder, Chevelle Note: 6 Cylinder Items Are Not Returnable.	\$74.00	
41790	1975	BATTERY CABLE, SIDE POST Pos, V/8, Chevelle	\$74.00	
41410	1975	BATTERY CABLE, SIDE POST Pos, V/8, Monte Carlo	\$74.00	
41789	1976	BATTERY CABLE, SIDE POST Pos, 6 Cylinder, Chevelle Note: 6 Cylinder Items Are Not Returnable.	\$74.00	
41790	1976	BATTERY CABLE, SIDE POST Pos, V/8, Chevelle	\$74.00	
41410	1976	BATTERY CABLE, SIDE POST Pos, V/8, Monte Carlo	\$74.00	
41789	1977	BATTERY CABLE, SIDE POST Pos, 6 Cylinder, Chevelle Note: 6 Cylinder Items Are Not Returnable.	\$74.00	
41790	1977	BATTERY CABLE, SIDE POST Pos, V/8, Chevelle	\$74.00	
41410	1977	BATTERY CABLE, SIDE POST Pos, V/8, Monte Carlo	\$74.00	
41823	1978	BATTERY CABLE, SIDE POST Pos, V/6, 200 C.I. & All V/8	\$87.00	
41920	1978	BATTERY CABLE, SIDE POST Pos, V/6, 231 C.I.	\$87.00	
41823	1979	BATTERY CABLE, SIDE POST Pos, V/6, 200 C.I. & All V/8	\$87.00	
41920	1979	BATTERY CABLE, SIDE POST Pos, V/6, 231 C.I.	\$87.00	
41823	1980	BATTERY CABLE, SIDE POST Pos, V/6, 200 C.I. & All V/8	\$87.00	
41934	1980	BATTERY CABLE, SIDE POST Pos, V/6, 231 C.I.	\$87.00	
41823	1981	BATTERY CABLE, SIDE POST Pos, V/6, 200 C.I. & All V/8	\$87.00	
41934	1981	BATTERY CABLE, SIDE POST Pos, V/6, 231 C.I.	\$87.00	
41823	1982	BATTERY CABLE, SIDE POST Pos, V/6, 229 C.I. & All V/8	\$87.00	
41934	1982	BATTERY CABLE, SIDE POST Pos, V/6, 231 C.I.	\$87.00	
41971	1982	BATTERY CABLE, SIDE POST Pos, Diesel, Without Heavy Duty Battery, Driver Side Battery + Post To Passenger Side Battery + Post Note: This Is A 2 Gauge Cable.	\$87.00	
41927	1982	BATTERY CABLE, SIDE POST Pos, Diesel, With Heavy Duty Battery, Driver Side Battery + Post To Passenger Side Battery + Post Note: This Is A 0 Gauge Cable.	\$87.00	
41925	1982	BATTERY CABLE, SIDE POST Pos, Diesel, Battery To Starter	\$87.00	
BREAKERLESS SE SINGLE WIRE ELECTRONIC IGNITION				
38131	1964	BREAKERLESS SE SINGLE WIRE ELECTRONIC IGNITION KIT For 1957-74 Breaker Point Distributors With Windowed Type Distributor Cap	\$179.00	
38131	1965	BREAKERLESS SE SINGLE WIRE ELECTRONIC IGNITION KIT For 1957-74 Breaker Point Distributors With Windowed Type Distributor Cap	\$179.00	
38131	1966	BREAKERLESS SE SINGLE WIRE ELECTRONIC IGNITION KIT For 1957-74 Breaker Point Distributors With Windowed Type Distributor Cap	\$179.00	
38131	1967	BREAKERLESS SE SINGLE WIRE ELECTRONIC IGNITION KIT For 1957-74 Breaker Point Distributors With Windowed Type Distributor Cap	\$179.00	
38131	1968	BREAKERLESS SE SINGLE WIRE ELECTRONIC IGNITION KIT For 1957-74 Breaker Point Distributors With Windowed Type Distributor Cap	\$179.00	
38131	1969	BREAKERLESS SE SINGLE WIRE ELECTRONIC IGNITION KIT For 1957-74 Breaker Point Distributors With Windowed Type Distributor Cap	\$179.00	
38131	1970	BREAKERLESS SE SINGLE WIRE ELECTRONIC IGNITION KIT For 1957-74 Breaker Point Distributors With Windowed Type Distributor Cap	\$179.00	

Part Number	Year	Description	Price	*Rev.
38131	1971	BREAKERLESS SE SINGLE WIRE ELECTRONIC IGNITION KIT For 1957-74 Breaker Point Distributors With Windowed Type Distributor Cap	\$179.00	
38131	1972	BREAKERLESS SE SINGLE WIRE ELECTRONIC IGNITION KIT For 1957-74 Breaker Point Distributors With Windowed Type Distributor Cap	\$179.00	
38131	1973	BREAKERLESS SE SINGLE WIRE ELECTRONIC IGNITION KIT For 1957-74 Breaker Point Distributors With Windowed Type Distributor Cap	\$179.00	
38131	1974	BREAKERLESS SE SINGLE WIRE ELECTRONIC IGNITION KIT For 1957-74 Breaker Point Distributors With Windowed Type Distributor Cap	\$179.00	
CIRCUIT BREAKER				
04850166	1964	CIRCUIT BREAKER, 30 AMP Power Seat, Windows, Tailgate Window & Top	\$14.00	
04850166	1965	CIRCUIT BREAKER, 30 AMP Power Seat, Windows, Tailgate Window & Top	\$14.00	
04850166	1966	CIRCUIT BREAKER, 30 AMP Power Seat, Windows, Tailgate Window & Top	\$14.00	
04850166	1967	CIRCUIT BREAKER, 30 AMP Power Seat, Windows, Tailgate Window & Top	\$14.00	
04850166	1968	CIRCUIT BREAKER, 30 AMP Power Seat, Windows, Tailgate Window & Top	\$14.00	
04850166	1969	CIRCUIT BREAKER, 30 AMP Power Seat, Windows, Tailgate Window & Top	\$14.00	
04850166	1970	CIRCUIT BREAKER, 30 AMP Power Seat, Windows, Tailgate Window & Top	\$14.00	
04850166	1971	CIRCUIT BREAKER, 30 AMP Power Seat, Windows, Tailgate Window & Top	\$14.00	
CLASSIC AUTO FUSE SERIES-FUSE AND FLASHER KIT				
39464	1968	CLASSIC AUTO FUSE SERIES-FUSE AND FLASHER KIT Contains Two Flashers And A Complete Set Of ATO Fuses With One Spare Of Each Amperage Note: Used Only With Classic Auto Fuse Series Updated Dash Harnesses, See Dash Harnesses For Applications.	\$27.00	
39466	1969	CLASSIC AUTO FUSE SERIES-FUSE AND FLASHER KIT Contains Two Flashers And A Complete Set Of ATO Fuses With One Spare Of Each Amperage Note: Used Only With Classic Auto Fuse Series Updated Dash Harnesses, See Dash Harnesses For Applications.	\$27.00	
39463	1970	CLASSIC AUTO FUSE SERIES-FUSE AND FLASHER KIT Contains Two Flashers And A Complete Set Of ATO Fuses With One Spare Of Each Amperage Note: Used Only With Classic Auto Fuse Series Updated Dash Harnesses.	\$27.00	
39466	1971	CLASSIC AUTO FUSE SERIES-FUSE AND FLASHER KIT Contains Two Flashers And A Complete Set Of ATO Fuses With One Spare Of Each Amperage Note: Used Only With Classic Auto Fuse Series Updated Dash Harnesses, See Dash Harnesses For Applications.	\$27.00	
39465	1972	CLASSIC AUTO FUSE SERIES-FUSE AND FLASHER KIT Contains Two Flashers And A Complete Set Of ATO Fuses With One Spare Of Each Amperage Note: Used Only With Classic Auto Fuse Series Updated Dash Harnesses.	\$28.00	
CLASSIC AUTO FUSE SERIES-OPTIONAL KIT				
39383	1968	CLASSIC AUTO FUSE SERIES-OPTIONAL KIT Spare Fuse Power Wiring Extension Harness Note: Used To Add The Functionality Of The Three Extra Spare Fuses.	\$70.00	
39383	1969	CLASSIC AUTO FUSE SERIES-OPTIONAL KIT Spare Fuse Power Wiring Extension Harness Note: Used To Add The Functionality Of The Three Extra Spare Fuses.	\$70.00	
39383	1970	CLASSIC AUTO FUSE SERIES-OPTIONAL KIT Spare Fuse Power Wiring Extension Harness Note: Used To Add The Functionality Of The Three Extra Spare Fuses.	\$70.00	
39383	1971	CLASSIC AUTO FUSE SERIES-OPTIONAL KIT Spare Fuse Power Wiring Extension Harness Note: Used To Add The Functionality Of The Three Extra Spare Fuses.	\$70.00	
39383	1972	CLASSIC AUTO FUSE SERIES-OPTIONAL KIT Spare Fuse Power Wiring Extension Harness Note: Used To Add The Functionality Of The Three Extra Spare Fuses.	\$70.00	
39384	1968	CLASSIC AUTO FUSE SERIES-OPTIONAL KIT Accessory Connector And Terminal Kit Note: Connectors And Terminals To Use In The Classic Auto Fuse Series Fuse Block Accessory Ports.	\$24.00	
39384	1969	CLASSIC AUTO FUSE SERIES-OPTIONAL KIT Accessory Connector And Terminal Kit Note: Connectors And Terminals To Use In The Classic Auto Fuse Series Fuse Block Accessory Ports.	\$24.00	
39384	1970	CLASSIC AUTO FUSE SERIES-OPTIONAL KIT Accessory Connector And Terminal Kit Note: Connectors And Terminals To Use In The Classic Auto Fuse Series Fuse Block Accessory Ports.	\$24.00	

Part Number	Year	Description	Price	*Rev.
39384	1971	CLASSIC AUTO FUSE SERIES-OPTIONAL KIT Accessory Connector And Terminal Kit Note: Connectors And Terminals To Use In The Classic Auto Fuse Series Fuse Block Accessory Ports.	\$24.00	
39384	1972	CLASSIC AUTO FUSE SERIES-OPTIONAL KIT Accessory Connector And Terminal Kit Note: Connectors And Terminals To Use In The Classic Auto Fuse Series Fuse Block Accessory Ports.	\$24.00	
39385	1968	CLASSIC AUTO FUSE SERIES-OPTIONAL KIT Glass Fuse Series Accessory Adapter Kit Note: Adapter To Convert Original Glass Fusebox Style Accessory Connectors For Use With The Updated Classic Auto Fuse Series Fuseblock.	\$63.00	
39385	1969	CLASSIC AUTO FUSE SERIES-OPTIONAL KIT Glass Fuse Series Accessory Adapter Kit Note: Adapter To Convert Original Glass Fusebox Style Accessory Connectors For Use With The Updated Classic Auto Fuse Series Fuseblock.	\$63.00	
39385	1970	CLASSIC AUTO FUSE SERIES-OPTIONAL KIT Glass Fuse Series Accessory Adapter Kit Note: Adapter To Convert Original Glass Fusebox Style Accessory Connectors For Use With The Updated Classic Auto Fuse Series Fuseblock.	\$63.00	
39385	1971	CLASSIC AUTO FUSE SERIES-OPTIONAL KIT Glass Fuse Series Accessory Adapter Kit Note: Adapter To Convert Original Glass Fusebox Style Accessory Connectors For Use With The Updated Classic Auto Fuse Series Fuseblock.	\$63.00	
39385	1972	CLASSIC AUTO FUSE SERIES-OPTIONAL KIT Glass Fuse Series Accessory Adapter Kit Note: Adapter To Convert Original Glass Fusebox Style Accessory Connectors For Use With The Updated Classic Auto Fuse Series Fuseblock.	\$63.00	
CLOCK AND DIGITAL FUEL CONSUMPTION METER HARNESS				
41793	1975	CLOCK AND DIGITAL FUEL CONSUMPTION METER HARNESS From Fuse Block To Clock & Digital Fuel Consumption Meter	\$67.00	
CLOCK HARNESS				
18275	1964	CLOCK HARNESS Top Of Dash Mounted Clock	\$29.00	
18275	1965	CLOCK HARNESS Top Of Dash Mounted Clock	\$29.00	
41680	1966	CLOCK HARNESS Used With Accessory Type In Dash Clock	\$29.00	
18275	1966	CLOCK HARNESS Top Of Dash Mounted Clock	\$29.00	
41684	1967	CLOCK HARNESS Floor Mounted Clock	\$42.00	
01365	1968	CLOCK HARNESS Dash Mounted Clock	\$26.00	
41692	1968	CLOCK HARNESS Right Hand Drive (Export Only), Dash Mounted Clock	\$29.00	
01365	1969	CLOCK HARNESS Dash Mounted Clock	\$26.00	
41692	1969	CLOCK HARNESS Right Hand Drive (Export Only), Dash Mounted Clock	\$29.00	
18600	1970	CLOCK HARNESS Dash Mounted Clock, With Sweep Speedometer	\$27.00	
18600	1971	CLOCK HARNESS Dash Mounted Clock, With Sweep Speedometer	\$27.00	
18600	1972	CLOCK HARNESS Dash Mounted Clock, With Sweep Speedometer	\$27.00	
41877	1979	CLOCK HARNESS Radio, Digital Clock, From Fuse Block To Radio	\$33.00	
41877	1980	CLOCK HARNESS Radio, Digital Clock, From Fuse Block To Radio	\$33.00	
COMPUTER CARB CONTROL PWR FEED AND LAMP HARNESS				
41880	1979	COMPUTER CARB CONTROL POWER FEED AND LAMP HARNESS From Ignition Cavity On Fuse Block To Ecm Harness	\$41.00	
COMPUTER ECM FEED HARNESS				
41908	1980	COMPUTER ECM FEED HARNESS V/6, 231 C.I., With Warning Lights, From Fuse Block To Ecm Harness	\$65.00	
41909	1980	COMPUTER ECM FEED HARNESS V/6, 231 C.I., With Gauges, From Fuse Block To Ecm Harness	\$65.00	
41910	1980	COMPUTER ECM FEED HARNESS V/6, 231 C.I., With Turbo, From Fuse Block To Ecm Harness	\$65.00	
41900	1980	COMPUTER ECM FEED HARNESS V/8, With Warning Lights, From Fuse Block To Ecm Harness	\$65.00	
41899	1980	COMPUTER ECM FEED HARNESS V/8, With Gauges, From Fuse Block To Ecm Harness	\$65.00	
COMPUTER ECM HARNESS				
41933	1979	COMPUTER ECM HARNESS Dash Side	\$175.00	

Part Number	Year	Description	Price	*Rev.
41932	1979	COMPUTER ECM HARNESS Engine Side Note: Customer Must Supply Us With Their Original Harness.	\$367.00	
41931	1980	COMPUTER ECM HARNESS V/6, 231 C.I., Except Turbo Note: Customer Must Supply Us With Their Original Harness.	\$386.00	
41935	1980	COMPUTER ECM HARNESS V/6, 231 C.I., With Turbo Note: Customer Must Supply Us With Their Original Harness.	\$386.00	
41946	1980	COMPUTER ECM HARNESS V/8 Note: Customer Must Supply Us With Their Original Harness.	\$386.00	
41955	1981	COMPUTER ECM HARNESS V/6, 229 C.I., Auto Trans Note: Customer Must Supply Us With Their Original Harness.	\$400.00	
41954	1981	COMPUTER ECM HARNESS V/6, 229 C.I., Manual Trans Note: Customer Must Supply Us With Their Original Harness.	\$400.00	
41983	1981	COMPUTER ECM HARNESS V/6, 231 C.I., Without Turbo Note: Customer Must Supply Us With Their Original Harness.	\$400.00	
41976	1981	COMPUTER ECM HARNESS V/6, 231 C.I., With Turbo Note: Customer Must Supply Us With Their Original Harness.	\$400.00	
41953	1981	COMPUTER ECM HARNESS V/8, 267 C.I. & 305 C.I. Engines Note: Customer Must Supply Us With Their Original Harness.	\$400.00	
41956	1981	COMPUTER ECM HARNESS V/8, 350 C.I. Note: Customer Must Supply Us With Their Original Harness.	\$400.00	
41964	1982	COMPUTER ECM HARNESS V/6, 229 C.I. Note: Customer Must Supply Us With Their Original Harness.	\$400.00	
41978	1982	COMPUTER ECM HARNESS V/6, 231 C.I. Note: Customer Must Supply Us With Their Original Harness.	\$400.00	
41965	1982	COMPUTER ECM HARNESS V/8, 267 C.I. Note: Customer Must Supply Us With Their Original Harness.	\$400.00	
41989	1982	COMPUTER ECM HARNESS V/8, 305 C.I. Note: Customer Must Supply Us With Their Original Harness.	\$400.00	
41967	1982	COMPUTER ECM HARNESS V/8, 350 C.I. Note: Customer Must Supply Us With Their Original Harness.	\$400.00	
COMPUTER EGR RELAY HARNESS				
41984	1981	COMPUTER EGR RELAY HARNESS V/6, 231 C.I., From Egr Cut-Out Relay To Ecm Harness	\$65.00	
COMPUTER ELECTRONIC SPARK CONTROL HARNESS				
41914	1980	COMPUTER ELECTRONIC SPARK CONTROL HARNESS V/6, 231 C.I. Turbo, Without Closed Loop Emission System, From Esc Module To Ecm Harness Note: Customer Must Supply Us With Their Original Harness.	\$63.00	
41913	1980	COMPUTER ELECTRONIC SPARK CONTROL HARNESS V/6, 231 C.I. Turbo, With Closed Loop Emission System, From Esc Module To Ecm Harness Note: Customer Must Supply Us With Their Original Harness.	\$63.00	
41381	1980	COMPUTER ELECTRONIC SPARK CONTROL POWER JUMPER HARNESS V/6, 231 C.I. Turbo, Without Closed Loop Emission System, From Engine Harness To Esc Harness	\$63.00	
41977	1981	COMPUTER ELECTRONIC SPARK CONTROL HARNESS V/6, 231 C.I., With Turbo From Instrument Panel Jumper To Esc Controller	\$63.00	
CONSOLE EXTENSION HARNESS				
09665	1966	CONSOLE EXTENSION HARNESS Auto Trans	\$45.00	
09670	1966	CONSOLE EXTENSION HARNESS All, Clock And Courtesy Light, From Dash To Console Harness	\$32.00	
10590	1967	CONSOLE EXTENSION HARNESS Auto Trans, From Dash To Neutral Safety & Back Up Switch On Shifter	\$45.00	
11475	1967	CONSOLE EXTENSION HARNESS All, Clock And Courtesy Light, From Dash To Console Harness	\$32.00	

Part Number	Year	Description	Price	*Rev.
11930	1968	CONSOLE EXTENSION HARNESS Auto Trans	\$59.00	
11920	1968	CONSOLE EXTENSION HARNESS Manual Trans	\$26.00	
28190	1969	CONSOLE EXTENSION HARNESS Auto Trans	\$59.00	
11920	1969	CONSOLE EXTENSION HARNESS Manual Trans	\$26.00	
28190	1970	CONSOLE EXTENSION HARNESS Auto Trans	\$59.00	
11920	1970	CONSOLE EXTENSION HARNESS Manual Trans	\$26.00	
28190	1971	CONSOLE EXTENSION HARNESS Auto Trans	\$59.00	
11920	1971	CONSOLE EXTENSION HARNESS Manual Trans	\$26.00	
28190	1972	CONSOLE EXTENSION HARNESS Auto Trans	\$59.00	
11920	1972	CONSOLE EXTENSION HARNESS Manual Trans	\$26.00	
41748	1973	CONSOLE EXTENSION HARNESS Auto Trans, From Fuse Block To Console Shift Indicator Plate Lamp Harness	\$32.00	

CONSOLE HARNESS

04985	1964	CONSOLE HARNESS Auto Trans	\$84.00	
04990	1964	CONSOLE HARNESS Manual Trans	\$32.00	
05910	1965	CONSOLE HARNESS Auto Trans	\$84.00	
04990	1965	CONSOLE HARNESS Manual Trans	\$32.00	
09680	1966	CONSOLE HARNESS Auto Trans	\$71.00	
09675	1966	CONSOLE HARNESS Manual Trans	\$71.00	
11485	1967	CONSOLE HARNESS Auto Trans, Clock & Courtesy Light	\$71.00	
11480	1967	CONSOLE HARNESS Manual Trans, Clock & Courtesy Light	\$64.00	
11925	1968	CONSOLE HARNESS Auto Trans	\$64.00	
11915	1968	CONSOLE HARNESS Manual Trans	\$39.00	
11925	1969	CONSOLE HARNESS Auto Trans	\$64.00	
11915	1969	CONSOLE HARNESS Manual Trans	\$39.00	
11925	1970	CONSOLE HARNESS Auto Trans	\$64.00	
11915	1970	CONSOLE HARNESS Manual Trans	\$39.00	
11925	1971	CONSOLE HARNESS Auto Trans	\$64.00	
11915	1971	CONSOLE HARNESS Manual Trans	\$39.00	
11925	1972	CONSOLE HARNESS Auto Trans	\$64.00	
11915	1972	CONSOLE HARNESS Manual Trans	\$39.00	
41749	1973	CONSOLE SHIFT INDICATOR LAMP HARNESS Auto Trans, From Shift Indicator Plate To Console Extension Harness	\$35.00	

CORNERING LAMP EXTENSION HARNESS

41947	1981	CORNERING LAMP INNER EXTENSION HARNESS Monte Carlo, From Turn Signal Switch To Outer Extension Harness	\$32.00	
41881	1981	CORNERING LAMP OUTER EXTENSION HARNESS Monte Carlo, From Forward Lamp Harness To Inner Extension Harness	\$32.00	
41947	1982	CORNERING LAMP INNER EXTENSION HARNESS Monte Carlo, From Turn Signal Switch To Outer Extension Harness	\$32.00	
41881	1982	CORNERING LAMP OUTER EXTENSION HARNESS Monte Carlo, From Forward Lamp Harness To Inner Extension Harness	\$32.00	

COURTESY LAMP HARNESS

07130	1964	COURTESY LAMP HARNESS El Camino, Center Roof Mounted Dome Lamp Note: Customer Must Reuse Their Original Plastic Connector.	\$35.00	
06880	1964	COURTESY LAMP HARNESS Center Roof Mounted Dome Lamp, Sedan	\$34.00	
06885	1964	COURTESY LAMP HARNESS Center Roof Mounted Dome Lamp, Sport Coupe	\$33.00	

Part Number	Year	Description	Price	*Rev.
07100	1964	COURTESY LAMP HARNESS Wagon, Center Roof Mounted Dome Lamp Note: Customer Must Reuse Their Original Plastic Connector.	\$35.00	
28450	1964	COURTESY LAMP HARNESS Under Dash	\$53.00	
07055	1964	COURTESY LAMP HARNESS 4 Door, From Rear Door Jamb Switches To Roof Mounted Dome Lamp Harness	\$48.00	
07840	1965	COURTESY LAMP HARNESS El Camino, Center Roof Mounted Dome Lamp Note: Customer Must Reuse Their Original Plastic Connector.	\$32.00	
07575	1965	COURTESY LAMP HARNESS Center Roof Mounted Dome Lamp, Sedan	\$40.00	
07580	1965	COURTESY LAMP HARNESS Center Roof Mounted Dome Lamp, Sport Coupe	\$33.00	
07835	1965	COURTESY LAMP HARNESS Wagon, Center Roof Mounted Dome Lamp Note: Customer Must Reuse Their Original Plastic Connector.	\$40.00	
39621	1965	COURTESY LAMP HARNESS Under Dash, Except Convertible	\$52.00	
28450	1965	COURTESY LAMP HARNESS Under Dash, Convertible	\$53.00	
07650	1965	COURTESY LAMP HARNESS 4 Door, From Rear Door Jamb Switches To Roof Mounted Dome Lamp Harness	\$48.00	
07840	1966	COURTESY LAMP HARNESS El Camino, Center Roof Mounted Dome Lamp Note: Customer Must Reuse Their Original Plastic Connector.	\$32.00	
17590	1966	COURTESY LAMP HARNESS Center Roof Mounted Dome Lamp, Sedan	\$33.00	
17600	1966	COURTESY LAMP HARNESS Center Roof Mounted Dome Lamp, Sport Coupe	\$27.00	
07835	1966	COURTESY LAMP HARNESS Wagon, Center Roof Mounted Dome Lamp Note: Customer Must Reuse Their Original Plastic Connector.	\$40.00	
28490	1966	COURTESY LAMP HARNESS Under Dash	\$46.00	
07650	1966	COURTESY LAMP HARNESS 4 Door, From Rear Door Jamb Switches To Roof Mounted Dome Lamp Harness	\$48.00	
07840	1967	COURTESY LAMP HARNESS El Camino, Center Roof Mounted Dome Lamp Note: Customer Must Reuse Their Original Plastic Connector.	\$32.00	
17590	1967	COURTESY LAMP HARNESS Center Roof Mounted Dome Lamp, Sedan	\$33.00	
17600	1967	COURTESY LAMP HARNESS Center Roof Mounted Dome Lamp, Sport Coupe	\$27.00	
07835	1967	COURTESY LAMP HARNESS Wagon, Center Roof Mounted Dome Lamp Note: Customer Must Reuse Their Original Plastic Connector.	\$40.00	
28490	1967	COURTESY LAMP HARNESS Under Dash	\$46.00	
07650	1967	COURTESY LAMP HARNESS 4 Door, From Rear Door Jamb Switches To Roof Mounted Dome Lamp Harness	\$48.00	
41700	1968	COURTESY LAMP HARNESS El Camino, Center Roof Mounted Dome Lamp	\$33.00	
40526	1968	COURTESY LAMP HARNESS Center Roof Mounted Dome Lamp, 4 Door Sedan	\$46.00	
40523	1968	COURTESY LAMP HARNESS 4 Door Sedan & Hardtop, From Rear Door Jamb Switches To Dome Lamp Harness	\$46.00	
41705	1968	COURTESY LAMP HARNESS Wagon, From Rear Door Jamb Switches To Dome Lamp Harness	\$46.00	
30205	1968	COURTESY LAMP HARNESS Center Roof Mounted Dome Lamp, Except Sedan	\$30.00	
28530	1968	COURTESY LAMP HARNESS Under Dash	\$49.00	
41700	1969	COURTESY LAMP HARNESS El Camino, Center Roof Mounted Dome Lamp	\$33.00	
40523	1969	COURTESY LAMP HARNESS 4 Door Sedan & Hardtop, From Rear Door Jamb Switches To Dome Lamp Harness	\$46.00	
30205	1969	COURTESY LAMP HARNESS Center Roof Mounted Dome Lamp, Except Sedan	\$30.00	
28950	1969	COURTESY LAMP HARNESS Under Dash	\$49.00	
41700	1970	COURTESY LAMP HARNESS El Camino, Center Roof Mounted Dome Lamp	\$33.00	
40523	1970	COURTESY LAMP HARNESS 4 Door Sedan, From Rear Door Jamb Switches To Dome Lamp Harness	\$46.00	
30205	1970	COURTESY LAMP HARNESS Center Roof Mounted Dome Lamp, Except Sedan	\$30.00	
28950	1970	COURTESY LAMP HARNESS Under Dash	\$49.00	

Part Number	Year	Description	Price	*Rev.
41700	1971	COURTESY LAMP HARNESS El Camino, Center Roof Mounted Dome Lamp	\$33.00	
41723	1971	COURTESY LAMP HARNESS 4 Door Sedan, From Rear Door Jamb Switches To Dome Lamp Harness	\$46.00	
30205	1971	COURTESY LAMP HARNESS Center Roof Mounted Dome Lamp, Except Sedan	\$30.00	
15295	1971	COURTESY LAMP HARNESS Under Dash	\$53.00	
41700	1972	COURTESY LAMP HARNESS El Camino, Center Roof Mounted Dome Lamp	\$33.00	
41723	1972	COURTESY LAMP HARNESS 4 Door Sedan, From Rear Door Jamb Switches To Dome Lamp Harness	\$46.00	
30205	1972	COURTESY LAMP HARNESS Center Roof Mounted Dome Lamp, Except Sedan	\$30.00	
15295	1972	COURTESY LAMP HARNESS Under Dash	\$53.00	
40765	1973	COURTESY LAMP HARNESS Wagon, Center Roof Mounted Dome Lamp	\$48.00	
40766	1973	COURTESY LAMP HARNESS All, Except Wagon & El Camino, Center Roof Mounted Dome Lamp	\$35.00	
41845	1973	COURTESY LAMP HARNESS El Camino, Center Roof Mounted Dome Lamp	\$35.00	
40698	1973	COURTESY LAMP HARNESS Wagon, Rear Header Courtesy Lamp	\$33.00	
40733	1974	COURTESY LAMP HARNESS Wagon, Center Roof Mounted Dome Lamp	\$46.00	
40766	1974	COURTESY LAMP HARNESS All, Except Wagon & El Camino, Center Roof Mounted Dome Lamp	\$35.00	
41845	1974	COURTESY LAMP HARNESS El Camino, Center Roof Mounted Dome Lamp	\$35.00	
40698	1974	COURTESY LAMP HARNESS Wagon, Rear Header Courtesy Lamp	\$33.00	
40733	1975	COURTESY LAMP HARNESS Wagon, Center Roof Mounted Dome Lamp	\$46.00	
40766	1975	COURTESY LAMP HARNESS All, Except Wagon & El Camino, Center Roof Mounted Dome Lamp	\$35.00	
41845	1975	COURTESY LAMP HARNESS El Camino, Center Roof Mounted Dome Lamp	\$35.00	
40415	1975	COURTESY LAMP HARNESS All, Wagon, Rear Header Courtesy Lamp	\$33.00	
41663	1976	COURTESY LAMP HARNESS El Camino, Roof Mounted Dome Lamp	\$35.00	
40733	1976	COURTESY LAMP HARNESS Wagon, Center Roof Mounted Dome Lamp	\$46.00	
40766	1976	COURTESY LAMP HARNESS All, Except Wagon & El Camino, Center Roof Mounted Dome Lamp	\$35.00	
40415	1976	COURTESY LAMP HARNESS All, Wagon, Rear Header Courtesy Lamp	\$33.00	
41663	1977	COURTESY LAMP HARNESS El Camino, Roof Mounted Dome Lamp	\$35.00	
40733	1977	COURTESY LAMP HARNESS Wagon, Center Roof Mounted Dome Lamp	\$46.00	
40766	1977	COURTESY LAMP HARNESS All, Except Wagon & El Camino, Center Roof Mounted Dome Lamp	\$35.00	
40415	1977	COURTESY LAMP HARNESS All, Wagon, Rear Header Courtesy Lamp	\$33.00	
41997	1978	COURTESY LAMP HARNESS All, Except Coupe, With Roof Mounted Dome Lamp, Without Reading Lamp	\$46.00	
41999	1978	COURTESY LAMP HARNESS All, Coupe, With Roof Mounted Dome Lamp, Without Reading Lamp	\$46.00	
42001	1978	COURTESY LAMP HARNESS Wagon, Rear Header Courtesy Lamp, Without Reading Lamp	\$46.00	
42029	1978	COURTESY LAMP HARNESS Wagon, Rear Header Courtesy Lamp, With Reading Lamp	\$46.00	
41998	1978	COURTESY LAMP HARNESS All, Except Coupe, With Roof Mounted Dome Lamp & Reading Lamp	\$46.00	
42000	1978	COURTESY LAMP HARNESS All, Coupe, With Roof Mounted Dome Lamp & Reading Lamp	\$46.00	
42034	1978	COURTESY LAMP HARNESS Coupe With Removable Roof & Sail Panel Mounted Dome Lamps	\$46.00	
40413	1978	COURTESY LAMP JUMPER HARNESS All, Connects Dome Lamp To Reading Lamp Sockets	\$26.00	
41997	1979	COURTESY LAMP HARNESS All, Except Coupe, With Roof Mounted Dome Lamp, Without Reading Lamp	\$46.00	
41999	1979	COURTESY LAMP HARNESS All, Coupe, With Roof Mounted Dome Lamp, Without Reading Lamp	\$46.00	
42001	1979	COURTESY LAMP HARNESS Wagon, Rear Header Courtesy Lamp, Without Reading Lamp	\$46.00	

Part Number	Year	Description	Price	*Rev.
42029	1979	COURTESY LAMP HARNESS Wagon, Rear Header Courtesy Lamp, With Reading Lamp	\$46.00	
41998	1979	COURTESY LAMP HARNESS All, Except Coupe, With Roof Mounted Dome Lamp & Reading Lamp	\$46.00	
42000	1979	COURTESY LAMP HARNESS All, Coupe, With Roof Mounted Dome Lamp & Reading Lamp	\$46.00	
42034	1979	COURTESY LAMP HARNESS Coupe With Removable Roof & Sail Panel Mounted Dome Lamps	\$46.00	
40413	1979	COURTESY LAMP JUMPER HARNESS All, Connects Dome Lamp To Reading Lamp Sockets	\$26.00	
42018	1980	COURTESY LAMP DOOR JAMB SWITCH WIRE 4 Door, Connects Rear Door Jamb Switch To Front Door Jamb Switch (2 Required Per Car)	\$26.00	
41997	1980	COURTESY LAMP HARNESS All, Except Coupe, With Roof Mounted Dome Lamp, Without Reading Lamp	\$46.00	
41999	1980	COURTESY LAMP HARNESS All, Coupe, With Roof Mounted Dome Lamp, Without Reading Lamp	\$46.00	
42001	1980	COURTESY LAMP HARNESS Wagon, Rear Header Courtesy Lamp, Without Reading Lamp	\$46.00	
41998	1980	COURTESY LAMP HARNESS All, Except Coupe, With Roof Mounted Dome Lamp & Reading Lamp	\$46.00	
42034	1980	COURTESY LAMP HARNESS Coupe With Removable Roof & Sail Panel Mounted Dome Lamps	\$46.00	
40413	1980	COURTESY LAMP JUMPER HARNESS All, Connects Dome Lamp To Reading Lamp Sockets	\$26.00	
42018	1981	COURTESY LAMP DOOR JAMB SWITCH WIRE 4 Door, Connects Rear Door Jamb Switch To Front Door Jamb Switch (2 Required Per Car)	\$26.00	
41997	1981	COURTESY LAMP HARNESS All, With Roof Mounted Dome Lamp, Without Reading Lamp	\$46.00	
42001	1981	COURTESY LAMP HARNESS Wagon, Rear Header Courtesy Lamp	\$46.00	
41998	1981	COURTESY LAMP HARNESS All, Except Coupe, With Roof Mounted Dome Lamp & Reading Lamp	\$46.00	
42034	1981	COURTESY LAMP HARNESS Coupe With Removable Roof & Sail Panel Mounted Dome Lamps	\$46.00	
40413	1981	COURTESY LAMP JUMPER HARNESS All, Connects Dome Lamp To Reading Lamp Sockets	\$26.00	
42018	1982	COURTESY LAMP DOOR JAMB SWITCH WIRE 4 Door, Connects Rear Door Jamb Switch To Front Door Jamb Switch (2 Required Per Car)	\$26.00	
41997	1982	COURTESY LAMP HARNESS All, With Roof Mounted Dome Lamp, Without Reading Lamp	\$46.00	
42001	1982	COURTESY LAMP HARNESS Wagon, Rear Header Courtesy Lamp	\$46.00	
41998	1982	COURTESY LAMP HARNESS All, Except Coupe, With Roof Mounted Dome Lamp & Reading Lamp	\$46.00	
42034	1982	COURTESY LAMP HARNESS Coupe With Removable Roof & Sail Panel Mounted Dome Lamps	\$46.00	
40413	1982	COURTESY LAMP JUMPER HARNESS All, Connects Dome Lamp To Reading Lamp Sockets	\$26.00	
COURTESY LAMP MOUNTING BRACKET-UNDER DASH				
04876930	1964	COURTESY LAMP MOUNTING BRACKET, UNDER DASH Left Or Right Side, 2 Required Per Car	\$11.00	
04876930	1965	COURTESY LAMP MOUNTING BRACKET, UNDER DASH Left Or Right Side, 2 Required Per Car	\$11.00	
04876930	1966	COURTESY LAMP MOUNTING BRACKET, UNDER DASH Left Or Right Side, 2 Required Per Car	\$11.00	
04876930	1967	COURTESY LAMP MOUNTING BRACKET, UNDER DASH Left Or Right Side, 2 Required Per Car	\$11.00	
04876930	1968	COURTESY LAMP MOUNTING BRACKET, UNDER DASH Left Or Right Side, 2 Required Per Car	\$11.00	
04876930	1969	COURTESY LAMP MOUNTING BRACKET, UNDER DASH Left Or Right Side, 2 Required Per Car	\$11.00	
04876930	1970	COURTESY LAMP MOUNTING BRACKET, UNDER DASH Left Or Right Side, 2 Required Per Car	\$11.00	
COWL INDUCTION HARNESS				
05005	1970	COWL INDUCTION HARNESS	\$64.00	
05005	1971	COWL INDUCTION HARNESS	\$64.00	
05005	1972	COWL INDUCTION HARNESS	\$64.00	
COWL INDUCTION HOOD DOOR SWITCH				
01242101	1970	COWL INDUCTION HOOD DOOR SWITCH Mounts To Bracket Near Gas Pedal	\$19.00	
01242101	1971	COWL INDUCTION HOOD DOOR SWITCH Mounts To Bracket Near Gas Pedal	\$19.00	
01242101	1972	COWL INDUCTION HOOD DOOR SWITCH Mounts To Bracket Near Gas Pedal	\$19.00	

Part Number	Year	Description	Price	*Rev.
CRUISE CONTROL HARNESS				
41675	1965	CRUISE CONTROL HARNESS	\$87.00	
41675	1966	CRUISE CONTROL HARNESS	\$87.00	
41683	1967	CRUISE CONTROL HARNESS Only Used With Accessory Dealer Installed Cruise Control	\$87.00	
10775	1967	CRUISE CONTROL HARNESS	\$94.00	
41683	1968	CRUISE CONTROL HARNESS Only Used With Accessory Dealer Installed Cruise Control	\$87.00	
11885	1968	CRUISE CONTROL HARNESS	\$101.00	
13185	1969	CRUISE CONTROL HARNESS	\$94.00	
13185	1970	CRUISE CONTROL HARNESS	\$94.00	
13185	1971	CRUISE CONTROL HARNESS	\$94.00	
13185	1972	CRUISE CONTROL HARNESS	\$94.00	
41762	1973	CRUISE CONTROL HARNESS	\$133.00	
41762	1974	CRUISE CONTROL HARNESS	\$133.00	
41762	1975	CRUISE CONTROL HARNESS	\$133.00	
41762	1976	CRUISE CONTROL HARNESS	\$133.00	
41815	1977	CRUISE CONTROL HARNESS	\$133.00	
41863	1978	CRUISE CONTROL HARNESS	\$133.00	
41905	1979	CRUISE CONTROL HARNESS With Transmission Torque Converter Clutch (T.C.C..) Note: Harness With (T.C.C..) Does Not Connect To Stop Lamp Switch.	\$133.00	
41863	1979	CRUISE CONTROL HARNESS Without Transmission Torque Converter Clutch (T.C.C..) Note: Harness Without (T.C.C..) Connects To Stop Lamp Switch.	\$133.00	
41905	1980	CRUISE CONTROL HARNESS With Transmission Torque Converter Clutch (T.C.C..) Note: Harness With (T.C.C..) Does Not Connect To Stop Lamp Switch.	\$133.00	
41906	1980	CRUISE CONTROL HARNESS Without Transmission Torque Converter Clutch (T.C.C..) Note: Harness Without (T.C.C..) Connects To Stop Lamp Switch.	\$133.00	
41938	1981	CRUISE CONTROL HARNESS	\$133.00	
41938	1982	CRUISE CONTROL HARNESS Without Diesel	\$133.00	
41957	1982	CRUISE CONTROL HARNESS With Diesel	\$133.00	
DASH HARNESS				
05780	1964	DASH HARNESS With Warning Lights	\$554.00	
05785	1964	DASH HARNESS With Gauges	\$554.00	
41667	1964	DASH HARNESS Right Hand Drive (Export Only)	\$643.00	
05955	1965	DASH HARNESS With Warning Lights	\$554.00	
05960	1965	DASH HARNESS With Gauges	\$554.00	
41676	1965	DASH HARNESS Right Hand Drive (Export Only)	\$643.00	
09455	1966	DASH HARNESS Column Shift, With Warning Lights	\$554.00	
10200	1966	DASH HARNESS Column Shift, With Warning Lights & Integrated A/C Note: A/C Wiring Is Incorporated Into The Dash And Engine Harnesses.	\$554.00	
17605	1966	DASH HARNESS Console Shift, With Warning Lights	\$554.00	
10210	1966	DASH HARNESS Console Shift, With Warning Lights & Integrated A/C Note: A/C Wiring Is Incorporated Into The Dash And Engine Harnesses.	\$554.00	
09460	1966	DASH HARNESS All With Gauges Note: For Column Shift Auto Trans, Use #28485 Neutral Safety Switch Jumper.	\$554.00	
10205	1966	DASH HARNESS All With Gauges & Integrated A/C Note: A/C Wiring Is Incorporated Into The Dash And Engine Harnesses. Column Shift Auto Trans Cars Will Also Require Part #28485 Neutral Safety Switch Jumper.	\$554.00	
41676	1966	DASH HARNESS Right Hand Drive (Export Only)	\$643.00	

Part Number	Year	Description	Price	*Rev.
10540	1967	DASH HARNESS With Warning Lights Note: Couolumn Shift Auto Trans Cars Will Also Require Part #28485 Neutral Safety Jumper.	\$554.00	
10535	1967	DASH HARNESS With Gauges Note: Couolumn Shift Auto Trans Cars Will Also Require Part #28485 Neutral Safety Jumper.	\$554.00	
41681	1967	DASH HARNESS Right Hand Drive (Export Only)	\$643.00	
11760	1968	DASH HARNESS With Warning Lights	\$567.00	
39404	1968	DASH HARNESS-CLASSIC AUTO FUSE SERIES With Warning Lights Note: With Updated Modern ATO Series Fuseblock. Uses Fuse & Flasher Kit # 39464. Also See Optional Accessory Kits.	\$632.00	
11780	1968	DASH HARNESS With Gauges	\$567.00	
39405	1968	DASH HARNESS-CLASSIC AUTO FUSE SERIES With Gauges Note: With Updated Modern ATO Series Fuseblock. Uses Fuse & Flasher Kit # 39464. Also See Optional Accessory Kits.	\$632.00	
41686	1968	DASH HARNESS Right Hand Drive (Export Only)	\$643.00	
17410	1969	DASH HARNESS With Warning Lights	\$567.00	
39406	1969	DASH HARNESS-CLASSIC AUTO FUSE SERIES With Warning Lights Note: With Updated Modern ATO Series Fuseblock. Uses Fuse & Flasher Kit # 39466. Also See Optional Accessory Kits.	\$632.00	
12935	1969	DASH HARNESS With Warning Lights & A/C	\$567.00	
39407	1969	DASH HARNESS-CLASSIC AUTO FUSE SERIES With Warning Lights & A/C Note: With Updated Modern ATO Series Fuseblock. Uses Fuse & Flasher Kit # 39466. Also See Optional Accessory Kits.	\$632.00	
12980	1969	DASH HARNESS With Gauges	\$567.00	
39408	1969	DASH HARNESS-CLASSIC AUTO FUSE SERIES With Gauges Note: With Updated Modern ATO Series Fuseblock. Uses Fuse & Flasher Kit # 39466. Also See Optional Accessory Kits.	\$632.00	
12985	1969	DASH HARNESS With Gauges & A/C	\$567.00	
39409	1969	DASH HARNESS-CLASSIC AUTO FUSE SERIES With Gauges & A/C Note: With Updated Modern ATO Series Fuseblock. Uses Fuse & Flasher Kit # 39466. Also See Optional Accessory Kits.	\$632.00	
41694	1969	DASH HARNESS Right Hand Drive (Export Only)	\$643.00	
15075	1970	DASH HARNESS Round Gauge, With Warning Lights	\$567.00	
39410	1970	DASH HARNESS-CLASSIC AUTO FUSE SERIES Round Gauge, With Warning Lights Note: With Updated Modern ATO Series Fuseblock. Uses Fuse & Flasher Kit # 39463. Also See Optional Accessory Kits.	\$632.00	
15065	1970	DASH HARNESS Round Gauge, With Gauges	\$567.00	
39377	1970	DASH HARNESS-CLASSIC AUTO FUSE SERIES Round Gauge, With Gauges Note: With Updated Modern ATO Series Fuseblock. Uses Fuse & Flasher Kit # 39463. Also See Optional Accessory Kits.	\$632.00	
14710	1970	DASH HARNESS Sweep Style Speedometer, With Column Shift, Except A/C	\$567.00	
42783	1970	DASH HARNESS-CLASSIC AUTO FUSE SERIES Sweep Style Speedometer, With Column Shift, Except A/C Note: With Updated Modern ATO Series Fuseblock. Uses Fuse & Flasher Kit# 39463 Also See Optional Accessory Kits.	\$632.00	
14730	1970	DASH HARNESS Sweep Style Speedometer, With Column Shift & A/C	\$567.00	
42784	1970	DASH HARNESS-CLASSIC AUTO FUSE SERIES Sweep Style Speedometer, With Column Shift & A/C Note: With Updated Modern ATO Series Fuseblock. Uses Fuse & Flasher Kit# 39463 Also See Optional Accessory Kits.	\$632.00	
14720	1970	DASH HARNESS With Sweep Style Speedometer	\$567.00	
39412	1970	DASH HARNESS-CLASSIC AUTO FUSE SERIES With Sweep Style Speedometer Note: With Updated Modern ATO Series Fuseblock. Uses Fuse & Flasher Kit # 39463 Also See Optional Accessory Kits.	\$632.00	
15265	1971	DASH HARNESS Round Gauge, With Warning Lights	\$567.00	
39413	1971	DASH HARNESS-CLASSIC AUTO FUSE SERIES Round Gauge, With Warning Lights Note: With Updated Modern ATO Series Fuseblock. Uses Fuse & Flasher Kit # 39466. Also See Optional Accessory Kits.	\$632.00	
15270	1971	DASH HARNESS Round Gauge, With Gauges	\$581.00	
39414	1971	DASH HARNESS-CLASSIC AUTO FUSE SERIES Round Gauge, With Gauges Note: With Updated Modern ATO Series Fuseblock. Uses Fuse & Flasher Kit # 39466. Also See Optional Accessory Kits.	\$632.00	
16290	1971	DASH HARNESS With Sweep Style Speedometer	\$593.00	

Part Number	Year	Description	Price	*Rev.
39415	1971	DASH HARNESS-CLASSIC AUTO FUSE SERIES With Sweep Style Speedometer Note: With Updated Modern ATO Series Fuseblock. Uses Fuse & Flasher Kit # 39466. Also See Optional Accessory Kits.	\$632.00	
16420	1972	DASH HARNESS Round Gauge, With Warning Lights	\$632.00	
39416	1972	DASH HARNESS-CLASSIC AUTO FUSE SERIES Round Gauge, With Warning Lights Note: With Updated Modern ATO Series Fuseblock. Uses Fuse & Flasher Kit # 39465. Also See Optional Accessory Kits.	\$632.00	
16425	1972	DASH HARNESS Round Gauge, With Gauges	\$599.00	
39417	1972	DASH HARNESS-CLASSIC AUTO FUSE SERIES Round Gauge, With Gauges Note: With Updated Modern ATO Series Fuseblock. Uses Fuse & Flasher Kit # 39465. Also See Optional Accessory Kits.	\$632.00	
16505	1972	DASH HARNESS Round Gauge, With Warning Lights & Seat Belt Warning	\$632.00	
39418	1972	DASH HARNESS-CLASSIC AUTO FUSE SERIES Round Gauge, With Warning Lights & Seat Belt Warning Note: With Updated Modern ATO Series Fuseblock. Uses Fuse & Flasher Kit # 39465. Also See Optional Accessory Kits.	\$632.00	
16510	1972	DASH HARNESS Round Gauge, With Gauges & Seat Belt Warning	\$606.00	
39419	1972	DASH HARNESS-CLASSIC AUTO FUSE SERIES Round Gauge, With Gauges & Seat Belt Warning Note: With Updated Modern ATO Series Fuseblock. Uses Fuse & Flasher Kit # 39465. Also See Optional Accessory Kits.	\$632.00	
17405	1972	DASH HARNESS With Sweep Style Speedometer	\$632.00	
39420	1972	DASH HARNESS-CLASSIC AUTO FUSE SERIES With Sweep Style Speedometer Note: With Updated ATO Series Fuseblock. Uses Fuse & Flasher Kit # 39465. Also See Optional Accessory Kits.	\$632.00	
16985	1972	DASH HARNESS With Sweep Style Speedometer & Seat Belt Warning	\$632.00	
39421	1972	DASH HARNESS-CLASSIC AUTO FUSE SERIES With Sweep Style Speedometer & Seat Belt Warning Note: With Updated ATO Series Fuseblock. Uses Fuse & Flasher Kit # 39465. Also See Optional Accessory Kits.	\$632.00	
41740	1973	DASH HARNESS Lower Half, With Warning Lights (Includes Fuse Box)	\$696.00	
41741	1973	DASH INSTRUMENT CLUSTER HARNESS Upper Half, With Sweep Style Speedometer Note: Customer Must Supply Their Original 36 Pin Instrument Cluster Connector.	\$342.00	
41742	1973	DASH INSTRUMENT CLUSTER HARNESS Upper Half, Round Gauge, With Warning Lights Note: Customer Must Supply Their Original 36 Pin Instrument Cluster Connector.	\$342.00	
15490	1973	DASH HARNESS Lower Half, With Gauges (Includes Fuse Box)	\$696.00	
15495	1973	DASH INSTRUMENT CLUSTER HARNESS Upper Half, All, With Gauges Note: Customer Must Supply Their Original 36 Pin Instrument Cluster Connector.	\$342.00	
41770	1974	DASH HARNESS With Sweep Style Speedometer	\$773.00	
41491	1974	DASH HARNESS Round Gauge, With Warning Lights	\$773.00	
20740	1974	DASH HARNESS All, With Gauges	\$728.00	
41776	1975	DASH HARNESS With Sweep Style Speedometer	\$801.00	
41777	1975	DASH HARNESS Round Gauge, With Warning Lights	\$768.00	
41778	1975	DASH HARNESS All, With Gauges	\$768.00	
41798	1976	DASH HARNESS With Sweep Style Speedometer	\$781.00	
41799	1976	DASH HARNESS Round Gauge, With Warning Lights	\$815.00	
41800	1976	DASH HARNESS All, With Gauges	\$815.00	
41808	1977	DASH HARNESS With Sweep Style Speedometer	\$781.00	
41809	1977	DASH HARNESS Round Gauge, With Warning Lights	\$781.00	
41810	1977	DASH HARNESS All, With Gauges	\$781.00	
41820	1978	DASH HARNESS With Warning Lights, Except Monte Carlo Note: Customer Must Supply Us With Their Original Harness.	\$715.00	
41821	1978	DASH HARNESS Monte Carlo, With Warning Lights Note: Customer Must Supply Us With Their Original Harness.	\$715.00	
18055	1978	DASH HARNESS All, With Gauges Note: Customer Must Supply Us With Their Original Harness.	\$715.00	
41902	1979	DASH HARNESS With Warning Lights, Except Monte Carlo Note: Customer Must Supply Us With Their Original Harness.	\$715.00	

Part Number	Year	Description	Price	*Rev.
41903	1979	DASH HARNESS Monte Carlo, With Warning Lights Note: Customer Must Supply Us With Their Original Harness.	\$715.00	
41901	1979	DASH HARNESS All, With Gauges Note: Customer Must Supply Us With Their Original Harness.	\$715.00	
41891	1980	DASH HARNESS Manual Trans, With Warning Lamps, Except Monte Carlo Note: Customer Must Supply Us With Their Original Harness.	\$715.00	
41893	1980	DASH HARNESS Auto Trans, With Warning Lamps, Except Monte Carlo Note: Customer Must Supply Us With Their Original Harness.	\$715.00	
41894	1980	DASH HARNESS All, Monte Carlo, With Warning Lights Note: Customer Must Supply Us With Their Original Harness.	\$715.00	
41892	1980	DASH HARNESS All, With Gauges Note: Customer Must Supply Us With Their Original Harness.	\$715.00	
41962	1981	DASH HARNESS All, Auto Trans, With Warning Lights Note: Customer Must Supply Us With Their Original Harness.	\$715.00	
41961	1981	DASH HARNESS All, Manual Trans, With Warning Lights Note: Customer Must Supply Us With Their Original Harness.	\$715.00	
41963	1981	DASH HARNESS All, Auto Trans, With Gauges Note: Customer Must Supply Us With Their Original Harness.	\$715.00	
41960	1981	DASH HARNESS All, Manual Trans, With Gauges Note: Customer Must Supply Us With Their Original Harness.	\$715.00	
41985	1982	DASH HARNESS All, With Warning Lights Note: Customer Must Supply Us With Their Original Harness.	\$715.00	
41986	1982	DASH HARNESS All, With Gauges Note: Customer Must Supply Us With Their Original Harness.	\$715.00	
DISTRIBUTOR WIRE				
36057	1964	DISTRIBUTOR WIRE Distributor Points To Coil Negative Terminal, V/8 Note: Fits All GM V/8 Points Type Distributors From Approx. 1957 To 1974.	\$18.00	C
36057	1965	DISTRIBUTOR WIRE Distributor Points To Coil Negative Terminal, V/8 Note: Fits All GM V/8 Points Type Distributors From Approx. 1957 To 1974.	\$18.00	C
36057	1966	DISTRIBUTOR WIRE Distributor Points To Coil Negative Terminal, V/8 Note: Fits All GM V/8 Points Type Distributors From Approx. 1957 To 1974.	\$18.00	C
36057	1967	DISTRIBUTOR WIRE Distributor Points To Coil Negative Terminal, V/8 Note: Fits All GM V/8 Points Type Distributors From Approx. 1957 To 1974.	\$18.00	C
36057	1968	DISTRIBUTOR WIRE Distributor Points To Coil Negative Terminal, V/8 Note: Fits All GM V/8 Points Type Distributors From Approx. 1957 To 1974.	\$18.00	C
36057	1969	DISTRIBUTOR WIRE Distributor Points To Coil Negative Terminal, V/8 Note: Fits All GM V/8 Points Type Distributors From Approx. 1957 To 1974.	\$18.00	C
36057	1970	DISTRIBUTOR WIRE Distributor Points To Coil Negative Terminal, V/8 Note: Fits All GM V/8 Points Type Distributors From Approx. 1957 To 1974.	\$18.00	C
36057	1971	DISTRIBUTOR WIRE Distributor Points To Coil Negative Terminal, V/8 Note: Fits All GM V/8 Points Type Distributors From Approx. 1957 To 1974.	\$18.00	C
36057	1972	DISTRIBUTOR WIRE Distributor Points To Coil Negative Terminal, V/8 Note: Fits All GM V/8 Points Type Distributors From Approx. 1957 To 1974.	\$18.00	C
36057	1973	DISTRIBUTOR WIRE Distributor Points To Coil Negative Terminal, V/8 Note: Fits All GM V/8 Points Type Distributors From Approx. 1957 To 1974.	\$18.00	C
36057	1974	DISTRIBUTOR WIRE Distributor Points To Coil Negative Terminal, V/8 Note: Fits All GM V/8 Points Type Distributors From Approx. 1957 To 1974.	\$18.00	C

Part Number	Year	Description	Price	*Rev.
DOME LIGHT LENS				
06279669	1965	DOME LIGHT LENS Note: Manufactured With Original GM Tooling, Not A Reproduction Part.	\$6.00	
06279669	1966	DOME LIGHT LENS Note: Manufactured With Original GM Tooling, Not A Reproduction Part.	\$6.00	
06279669	1967	DOME LIGHT LENS Note: Manufactured With Original GM Tooling, Not A Reproduction Part.	\$6.00	
DOOR JAMB SWITCH HARNESS				
41847	1973	DOOR JAMB SWITCH HARNESS All, Front Crossover, Without Power Windows Or Door Locks	\$74.00	
40712	1974	DOOR JAMB SWITCH HARNESS All, Front Crossover, Without Power Windows Or Door Locks	\$74.00	
40712	1975	DOOR JAMB SWITCH HARNESS All, Front Crossover, Without Power Windows Or Door Locks	\$74.00	
40712	1976	DOOR JAMB SWITCH HARNESS All, Front Crossover, Without Power Windows Or Door Locks	\$74.00	
40712	1977	DOOR JAMB SWITCH HARNESS All, Front Crossover, Without Power Windows Or Door Locks	\$74.00	
42005	1978	DOOR JAMB SWITCH HARNESS All, Front Crossover, Without Power Windows Or Door Locks	\$74.00	
42005	1979	DOOR JAMB SWITCH HARNESS All, Front Crossover, Without Power Windows Or Door Locks	\$74.00	
42005	1980	DOOR JAMB SWITCH HARNESS All, Front Crossover, Without Power Windows Or Door Locks	\$74.00	
42005	1981	DOOR JAMB SWITCH HARNESS All, Front Crossover, Without Power Windows Or Door Locks	\$74.00	
42005	1982	DOOR JAMB SWITCH HARNESS All, Front Crossover, Without Power Windows Or Door Locks	\$74.00	
ENGINE HARNESS				
17750	1964	ENGINE HARNESS 6 Cylinder, With Warning Lights Note: 6 Cylinder Items Are Not Returnable.	\$166.00	
33115	1964	ENGINE HARNESS 6 Cylinder, With Gauges Note: 6 Cylinder Items Are Not Returnable.	\$166.00	
05730	1964	ENGINE HARNESS V/8, With Warning Lights	\$144.00	
38988	1964	ENGINE HARNESS-HEI V/8, With Warning Lights Note: This Harness Is Modified For Use With An HEI Distributor.	\$159.00	
05735	1964	ENGINE HARNESS V/8, With Gauges	\$144.00	
38957	1964	ENGINE HARNESS-HEI V/8, With Gauges Note: This Harness Is Modified For Use With An HEI Distributor.	\$159.00	
05965	1965	ENGINE HARNESS 6 Cylinder, With Warning Lights Note: 6 Cylinder Items Are Not Returnable.	\$145.00	
05975	1965	ENGINE HARNESS 6 Cylinder, With Gauges Note: 6 Cylinder Items Are Not Returnable.	\$149.00	
05970	1965	ENGINE HARNESS V/8, With Warning Lights	\$144.00	
38936	1965	ENGINE HARNESS-HEI V/8, With Warning Lights Note: This Harness Is Modified For Use With An HEI Distributor.	\$159.00	
17610	1965	ENGINE HARNESS V/8, With Gauges	\$144.00	
38953	1965	ENGINE HARNESS-HEI V/8, With Gauges Note: This Harness Is Modified For Use With An HEI Distributor.	\$159.00	
06140	1965	ENGINE HARNESS 396, With Gauges (Z16 Models)	\$144.00	
39072	1965	ENGINE HARNESS-HEI 396, With Gauges (Z16 Models) Note: This Harness Is Modified For Use With An HEI Distributor.	\$159.00	
41677	1965	ENGINE HARNESS V/8, 327, L76 & L79 Option Code, (350 & 365 Hp) Engines Only, With Warning Lights	\$144.00	
41312	1965	ENGINE HARNESS-HEI V/8, 327, L76 & L79 Option Code, (350 & 365 Hp) Engines Only, With Warning Lights Note: This Harness Is Modified For Use With An HEI Distributor.	\$167.00	

Part Number	Year	Description	Price	*Rev.
41678	1965	ENGINE HARNESS V/8, 327, L76 & L79 Option Code, (350 & 365 Hp) Engines Only, With Gauges	\$144.00	
41314	1965	ENGINE HARNESS-HEI V/8, 327, L76 & L79 Option Code, (350 & 365 Hp) Engines Only, With Gauges Note: This Harness Is Modified For Use With An HEI Distributor.	\$167.00	
05965	1966	ENGINE HARNESS 6 Cylinder, With Warning Lights Note: 6 Cylinder Items Are Not Returnable.	\$145.00	
14025	1966	ENGINE HARNESS 6 Cylinder, With Warning Lights & Integrated A/C Note: 6 Cylinder Items Are Not Returnable.	\$219.00	
05975	1966	ENGINE HARNESS 6 Cylinder, With Gauges Note: 6 Cylinder Items Are Not Returnable.	\$149.00	
14020	1966	ENGINE HARNESS 6 Cylinder, With Gauges & Integrated A/C Note: 6 Cylinder Items Are Not Returnable.	\$219.00	
05970	1966	ENGINE HARNESS V/8, 283-327 C.I., With Warning Lights	\$144.00	
38936	1966	ENGINE HARNESS-HEI V/8, 283-327 C.I., With Warning Lights Note: This Harness Is Modified For Use With An HEI Distributor.	\$159.00	
09510	1966	ENGINE HARNESS V/8, 283-327 C.I., With Warning Lights & Integrated A/C Note: A/C Wiring Is Integrated Into The Dash And Engine Harnesses.	\$199.00	
39073	1966	ENGINE HARNESS-HEI V/8, 283-327 C.I., With Warning Lights & Integrated A/C Note: This Harness Is Modified For Use With An HEI Distributor. A/C Wiring Is Integrated Into The Dash And Engine Harnesses.	\$217.00	
17610	1966	ENGINE HARNESS V/8, 283-327 C.I. With Gauges	\$144.00	
38953	1966	ENGINE HARNESS-HEI V/8, 283-327 C.I. With Gauges Note: This Harness Is Modified For Use With An HEI Distributor.	\$159.00	
10440	1966	ENGINE HARNESS V/8, 283-327 C.I. With Gauges & Integrated A/C Note: A/C Wiring Is Integrated Into The Dash And Engine Harnesses.	\$219.00	
39091	1966	ENGINE HARNESS-HEI V/8, 283-327 C.I. With Gauges & Integrated A/C Note: This Harness Is Modified For Use With An HEI Distributor. A/C Wiring Is Integrated Into The Dash And Engine Harnesses.	\$236.00	
10605	1966	ENGINE HARNESS V/8, 327 C.I., 350 H.P. Special High Perf.	\$159.00	
38974	1966	ENGINE HARNESS-HEI V/8, 327 C.I., 350 H.P. Special High Perf. Note: This Harness Is Modified For Use With An HEI Distributor.	\$174.00	
10610	1966	ENGINE HARNESS V/8, 327 C.I., 350 H.P. Special High Perf. With Integrated A/C Note: A/C Wiring Is Integrated Into The Dash And Engine Harnesses.	\$219.00	
39137	1966	ENGINE HARNESS-HEI V/8, 327 C.I., 350 H.P. Special High Perf. With Integrated A/C Note: This Harness Is Modified For Use With An HEI Distributor. A/C Wiring Is Integrated Into The Dash And Engine Harnesses.	\$236.00	
17385	1966	ENGINE HARNESS V/8, 327 C.I., 350 H.P. Special High Perf. With Gauges	\$147.00	
39040	1966	ENGINE HARNESS-HEI V/8, 327 C.I., 350 H.P. Special High Perf. With Gauges Note: This Harness Is Modified For Use With An HEI Distributor.	\$164.00	
18605	1966	ENGINE HARNESS V/8, 327 C.I., 350 H.P. Spec. High Perf. With Gauges & Integrated A/C Note: A/C Wiring Is Integrated Into The Dash And Engine Harnesses.	\$219.00	
39231	1966	ENGINE HARNESS-HEI V/8, 327 C.I., 350 H.P. Spec. High Perf. With Gauges & Integrated A/C Note: This Harness Is Modified For Use With An HEI Distributor. A/C Wiring Is Integrated Into The Dash And Engine Harnesses.	\$236.00	
09630	1966	ENGINE HARNESS 396 C.I., With Warning Lights	\$144.00	
38955	1966	ENGINE HARNESS-HEI 396 C.I., With Warning Lights Note: This Harness Is Modified For Use With An HEI Distributor.	\$159.00	
09515	1966	ENGINE HARNESS 396 C.I., With Warning Lights & Integrated A/C Note: A/C Wiring Is Integrated Into The Dash And Engine Harnesses.	\$219.00	
39039	1966	ENGINE HARNESS-HEI 396 C.I., With Warning Lights & Integrated A/C Note: This Harness Is Modified For Use With An HEI Distributor. A/C Wiring Is Integrated Into The Dash And Engine Harnesses.	\$234.00	

Part Number	Year	Description	Price	*Rev.
10430	1966	ENGINE HARNESS 396 C.I., With Gauges	\$144.00	
38963	1966	ENGINE HARNESS-HEI 396 C.I., With Gauges Note: This Harness Is Modified For Use With An HEI Distributor.	\$159.00	
10450	1966	ENGINE HARNESS 396 C.I., With Gauges & Integrated A/C Note: A/C Wiring Is Integrated Into The Dash And Engine Harnesses.	\$219.00	
39074	1966	ENGINE HARNESS-HEI 396 C.I., With Gauges & Integrated A/C Note: This Harness Is Modified For Use With An HEI Distributor. A/C Wiring Is Integrated Into The Dash And Engine Harnesses.	\$234.00	
11255	1967	ENGINE HARNESS 6 Cylinder, With Warning Lights Note: 6 Cylinder Items Are Not Returnable.	\$173.00	
41685	1967	ENGINE HARNESS 6 Cylinder, Right Hand Drive, Export Note: 6 Cylinder Items Are Not Returnable.	\$198.00	
11280	1967	ENGINE HARNESS Small Block V/8, With Warning Lights	\$147.00	
38935	1967	ENGINE HARNESS-HEI Small Block V/8, With Warning Lights Note: This Harness Is Modified For Use With An HEI Distributor.	\$162.00	
11285	1967	ENGINE HARNESS Small Block V/8, With Gauges	\$147.00	
38989	1967	ENGINE HARNESS-HEI Small Block V/8, With Gauges Note: This Harness Is Modified For Use With An HEI Distributor.	\$162.00	
10565	1967	ENGINE HARNESS Big Block V/8, With Warning Lights	\$147.00	
38937	1967	ENGINE HARNESS-HEI Big Block V/8, With Warning Lights Note: This Harness Is Modified For Use With An HEI Distributor.	\$162.00	
10570	1967	ENGINE HARNESS Big Block V/8, With Gauges	\$147.00	
38983	1967	ENGINE HARNESS-HEI Big Block V/8, With Gauges Note: This Harness Is Modified For Use With An HEI Distributor.	\$162.00	
14015	1968	ENGINE HARNESS 6 Cylinder, With Warning Lights Note: 6 Cylinder Items Are Not Returnable.	\$159.00	
12005	1968	ENGINE HARNESS 6 Cylinder, With Warning Lights & Idle Stop Solenoid Note: 6 Cylinder Items Are Not Returnable.	\$159.00	
41687	1968	ENGINE HARNESS 6 Cylinder, Right Hand Drive, Export Note: 6 Cylinder Items Are Not Returnable.	\$198.00	
11805	1968	ENGINE HARNESS Small Block V/8, With Warning Lights	\$147.00	
38959	1968	ENGINE HARNESS-HEI Small Block V/8, With Warning Lights Note: This Harness Is Modified For Use With An HEI Distributor.	\$162.00	
12070	1968	ENGINE HARNESS Big Block V/8, With Warning Lights	\$147.00	
38947	1968	ENGINE HARNESS-HEI Big Block V/8, With Warning Lights Note: This Harness Is Modified For Use With An HEI Distributor.	\$162.00	
12075	1968	ENGINE HARNESS Small & Big Block V/8, With Gauges	\$147.00	
38978	1968	ENGINE HARNESS-HEI Small & Big Block V/8, With Gauges Note: This Harness Is Modified For Use With An HEI Distributor.	\$162.00	
12000	1968	ENGINE HARNESS Small & Big Block V/8, With Gauges & Idle Stop Solenoid Note: Idle Stop Circuit Can Also Be Used For An Electric Choke.	\$159.00	
39077	1968	ENGINE HARNESS-HEI Small & Big Block V/8, With Gauges & Idle Stop Solenoid Note: This Harness Is Modified For Use With An HEI Distributor. Idle Stop Circuit Can Also Be Used For An Electric Choke.	\$174.00	
14015	1969	ENGINE HARNESS 6 Cylinder, With Warning Lights Note: 6 Cylinder Items Are Not Returnable.	\$159.00	
12005	1969	ENGINE HARNESS 6 Cylinder, With Warning Lights & Idle Stop Solenoid Note: 6 Cylinder Items Are Not Returnable.	\$159.00	
41687	1969	ENGINE HARNESS 6 Cylinder, Right Hand Drive, Export Note: 6 Cylinder Items Are Not Returnable.	\$198.00	
17615	1969	ENGINE HARNESS Small Block V/8, With Warning Lights	\$147.00	

Part Number	Year	Description	Price	*Rev.
38960	1969	ENGINE HARNESS-HEI Small Block V/8, With Warning Lights Note: This Harness Is Modified For Use With An HEI Distributor.	\$162.00	
13160	1969	ENGINE HARNESS Small Block V/8, With Warning Lights & Idle Stop Solenoid Note: Idle Stop Circuit Can Also Be Used For An Electric Choke.	\$147.00	
39012	1969	ENGINE HARNESS-HEI Small Block V/8, With Warning Lights & Idle Stop Solenoid Note: This Harness Is Modified For Use With An HEI Distributor. Idle Stop Circuit Can Also Be Used For An Electric Choke.	\$174.00	
17620	1969	ENGINE HARNESS Small Block V/8, With Gauges Note: With Original Pin Type Oil Pressure Sending Unit.	\$147.00	
39004	1969	ENGINE HARNESS-HEI Small Block V/8, With Gauges Note: This Harness Is Modified For Use With An HEI Distributor And Original Pin Type Oil Pressure Sending Units.	\$162.00	
17625	1969	ENGINE HARNESS Small Block V/8, With Gauges & Idle Stop Solenoid Note: With Original Pin Type Oil Pressure Sending Unit. Idle Stop Circuit Can Also Be Used For An Electric Choke.	\$159.00	
39232	1969	ENGINE HARNESS-HEI Small Block V/8, With Gauges & Idle Stop Solenoid Note: This Harness Is Modified For Use With An HEI Distributor And Original Pin Type Oil Pressure Sending Units. Idle Stop Circuit Can Also Be Used For An Electric Choke.	\$174.00	
12070	1969	ENGINE HARNESS Big Block V/8, With Warning Lights	\$147.00	
38947	1969	ENGINE HARNESS-HEI Big Block V/8, With Warning Lights Note: This Harness Is Modified For Use With An HEI Distributor.	\$162.00	
13150	1969	ENGINE HARNESS Big Block V/8, With Warning Lights & Idle Stop Solenoid Note: Idle Stop Circuit Can Also Be Used For An Electric Choke.	\$147.00	
39011	1969	ENGINE HARNESS-HEI Big Block V/8, With Warning Lights & Idle Stop Solenoid Note: This Harness Is Modified For Use With An HEI Distributor. Idle Stop Circuit Can Also Be Used For An Electric Choke.	\$162.00	
17630	1969	ENGINE HARNESS Big Block V/8, With Gauges Note: With Original Pin Type Oil Pressure Sending Unit.	\$147.00	
38939	1969	ENGINE HARNESS-HEI Big Block V/8, With Gauges Note: This Harness Is Modified For Use With An HEI Distributor And Original Pin Type Oil Pressure Sending Units.	\$162.00	
13155	1969	ENGINE HARNESS Big Block V/8, With Gauges & Idle Stop Solenoid Note: With Original Pin Type Oil Pressure Sending Unit. Idle Stop Circuit Can Also Be Used For An Electric Choke.	\$147.00	
39022	1969	ENGINE HARNESS-HEI Big Block V/8, With Gauges & Idle Stop Solenoid Note: This Harness Is Modified For Use With An HEI Distributor And Original Pin Type Oil Pressure Sending Units. Idle Stop Circuit Can Also Be Used For An Electric Choke.	\$162.00	
14695	1970	ENGINE HARNESS 6 Cylinder, With Auto Trans Note: 6 Cylinder Items Are Not Returnable.	\$219.00	
15085	1970	ENGINE HARNESS 6 Cylinder, With Manual Trans Note: 6 Cylinder Items Are Not Returnable.	\$219.00	
14700	1970	ENGINE HARNESS Small Block V/8, With Auto Trans	\$199.00	
38934	1970	ENGINE HARNESS-HEI Small Block V/8, With Auto Trans Note: This Harness Is Modified For Use With An HEI Distributor.	\$214.00	
15090	1970	ENGINE HARNESS Small Block V/8, With Manual Trans	\$199.00	
39023	1970	ENGINE HARNESS-HEI Small Block V/8, With Manual Trans Note: This Harness Is Modified For Use With An HEI Distributor.	\$214.00	
15100	1970	ENGINE HARNESS Big Block V/8, With Auto Trans	\$219.00	
38928	1970	ENGINE HARNESS-HEI Big Block V/8, With Auto Trans Note: This Harness Is Modified For Use With An HEI Distributor.	\$234.00	
15095	1970	ENGINE HARNESS Big Block V/8, With Manual Trans	\$199.00	
38931	1970	ENGINE HARNESS-HEI Big Block V/8, With Manual Trans Note: This Harness Is Modified For Use With An HEI Distributor.	\$214.00	
17640	1971	ENGINE HARNESS 6 Cylinder, With Auto Trans Note: 6 Cylinder Items Are Not Returnable.	\$233.00	

Part Number	Year	Description	Price	*Rev.
17635	1971	ENGINE HARNESS 6 Cylinder, With Manual Trans Note: 6 Cylinder Items Are Not Returnable.	\$233.00	
17435	1971	ENGINE HARNESS Small Block V/8, With Auto Trans	\$206.00	
38948	1971	ENGINE HARNESS-HEI Small Block V/8, With Auto Trans Note: This Harness Is Modified For Use With An HEI Distributor.	\$221.00	
17455	1971	ENGINE HARNESS Small Block V/8, With Manual Trans	\$226.00	
39041	1971	ENGINE HARNESS-HEI Small Block V/8, With Manual Trans Note: This Harness Is Modified For Use With An HEI Distributor.	\$241.00	
17440	1971	ENGINE HARNESS Small Block V/8, 350 C.I., With TH-400 Auto Trans	\$226.00	
39031	1971	ENGINE HARNESS-HEI Small Block V/8, 350 C.I., With TH-400 Auto Trans Note: This Harness Is Modified For Use With An HEI Distributor.	\$241.00	
17445	1971	ENGINE HARNESS Big Block V/8, With Auto Trans	\$219.00	
38975	1971	ENGINE HARNESS-HEI Big Block V/8, With Auto Trans Note: This Harness Is Modified For Use With An HEI Distributor.	\$234.00	
17450	1971	ENGINE HARNESS Big Block V/8, With Manual Trans	\$212.00	
38990	1971	ENGINE HARNESS-HEI Big Block V/8, With Manual Trans Note: This Harness Is Modified For Use With An HEI Distributor.	\$227.00	
16430	1972	ENGINE HARNESS 6 Cylinder, All Note: 6 Cylinder Items Are Not Returnable.	\$286.00	
16435	1972	ENGINE HARNESS Small Block V/8, With Warning Lights Note: Manual Trans Requires Use Of Part #17365 T.C.S. Extension.	\$252.00	
41330	1972	ENGINE HARNESS-HEI Small Block V/8, With Warning Lights Note: This Harness Is Modified For Use With An HEI Distributor. Manual Trans Requires Use Of Part #17365 T.C.S. Extension.	\$272.00	
41640	1972	ENGINE HARNESS-SI SERIES INT REG ALT PASSENGER SIDE Small Block V/8, With Warning Lights Note: Manual Trans Also Requires Part 17365 TCS Extension. Harness Must Be Used With A Forward Lamp Harness Modified For An Int Regulated Alt. If Using Your Original Forward Lamp An Adapter & Instructions Are Included To Alter Your Original Harness.	\$290.00	
41641	1972	ENGINE HARNESS-HEI AND SI SERIES INT REG ALT PASSENGER SIDE Small Block V/8, With Warning Lights Note: Manual Trans Also Requires Part 17365 TCS Extension. Harness Must Be Used With A Forward Lamp Harness Modified For An Int Regulated Alt. If Using Your Original Forward Lamp An Adapter & Instructions Are Included To Alter Your Original Harness.	\$304.00	
16450	1972	ENGINE HARNESS Small Block V/8, With Gauges Note: Manual Trans Requires Use Of Part #17365 T.C.S. Extension.	\$252.00	
41332	1972	ENGINE HARNESS-HEI Small Block V/8, With Gauges Note: This Harness Is Modified For Use With An HEI Distributor. Manual Trans Requires Use Of Part #17365 T.C.S. Extension.	\$272.00	
41642	1972	ENGINE HARNESS-SI SERIES INT REG ALT PASSENGER SIDE Small Block V/8, With Gauges Note: Manual Trans Also Requires Part 17365 TCS Extension. Harness Must Be Used With A Forward Lamp Harness Modified For An Int Regulated Alt. If Using Your Original Forward Lamp An Adapter & Instructions Are Included To Alter Your Original Harness.	\$290.00	
41643	1972	ENGINE HARNESS-HEI AND SI SERIES INT REG ALT PASSENGER SIDE Small Block V/8, With Gauges Note: Manual Trans Also Requires Part 17365 TCS Extension. Harness Must Be Used With A Forward Lamp Harness Modified For An Int Regulated Alt. If Using Your Original Forward Lamp An Adapter & Instructions Are Included To Alter Your Original Harness.	\$304.00	
17490	1972	ENGINE HARNESS Small Block V/8, With TH-400 Auto Trans & Warning Lights	\$252.00	
41334	1972	ENGINE HARNESS-HEI Small Block V/8, With TH-400 Auto Trans & Warning Lights Note: This Harness Is Modified For Use With An HEI Distributor.	\$272.00	
41644	1972	ENGINE HARNESS-SI SERIES INT REG ALT PASSENGER SIDE Small Block V/8, With TH-400 Auto Trans & Warning Lights Note: This Harness Is To Be Used With A Forward Lamp Harness Modified For An Internal Regulated Alt. If Customer Is Not Changing The Original Forward Lamp Harness, An Adapter And Instruction Sheet Is Included To Alter The Factory Harness.	\$290.00	

Part Number	Year	Description	Price	*Rev.
41645	1972	ENGINE HARNESS-HEI AND SI SERIES INT REG ALT PASSENGER SIDE Small Block V/8, With TH-400 Auto Trans & Warning Lights Note: Harness Is Modified For Use With An HEI Distributor. It Must Be Used With A Forward Lamp Harness Modified For Internal Regulated Alt. If Using Your Original Forward Lamp, An Adapter & Instructions Are Included To Alter Your Original Harness.	\$304.00	
17645	1972	ENGINE HARNESS Small Block V/8, With TH-400 Auto Trans & Gauges	\$252.00	
41335	1972	ENGINE HARNESS-HEI Small Block V/8, With TH-400 Auto Trans & Gauges Note: This Harness Is Modified For Use With An HEI Distributor.	\$272.00	
41646	1972	ENGINE HARNESS-SI SERIES INT REG ALT PASSENGER SIDE Small Block V/8, With TH-400 Auto Trans & Gauges Note: This Harness Is To Be Used With A Forward Lamp Harness Modified For An Internal Regulated Alt. If Customer Is Not Changing The Original Forward Lamp Harness, An Adapter And Instruction Sheet Is Included To Alter The Factory Harness.	\$290.00	
41647	1972	ENGINE HARNESS-HEI AND SI SERIES INT REG ALT PASSENGER SIDE Small Block V/8, With TH-400 Auto Trans & Gauges Note: Harness Is Modified For Use With An HEI Distributor. It Must Be Used With A Forward Lamp Harness Modified For Internal Regulated Alt. If Using Your Original Forward Lamp, An Adapter & Instructions Are Included To Alter Your Original Harness.	\$304.00	
17430	1972	ENGINE HARNESS Big Block V/8, With Auto Trans & Warning Lights	\$252.00	
41336	1972	ENGINE HARNESS-HEI Big Block V/8, With Auto Trans & Warning Lights Note: This Harness Is Modified For Use With An HEI Distributor.	\$272.00	
41648	1972	ENGINE HARNESS-SI SERIES INT REG ALT PASSENGER SIDE Big Block V/8, With Auto Trans & Warning Lights Note: This Harness Is To Be Used With A Forward Lamp Harness Modified For An Internal Regulated Alt. If Customer Is Not Changing The Original Forward Lamp Harness, An Adapter And Instruction Sheet Is Included To Alter The Factory Harness.	\$290.00	
41649	1972	ENGINE HARNESS-HEI AND SI SERIES INT REG ALT PASSENGER SIDE Big Block V/8, With Auto Trans & Warning Lights Note: Harness Is Modified For Use With An HEI Distributor. It Must Be Used With A Forward Lamp Harness Modified For Internal Regulated Alt. If Using Your Original Forward Lamp, An Adapter & Instructions Are Included To Alter Your Original Harness.	\$304.00	
17415	1972	ENGINE HARNESS Big Block V/8, With Auto Trans & Gauges	\$252.00	
41338	1972	ENGINE HARNESS-HEI Big Block V/8, With Auto Trans & Gauges Note: This Harness Is Modified For Use With An HEI Distributor.	\$272.00	
41650	1972	ENGINE HARNESS-SI SERIES INT REG ALT PASSENGER SIDE Big Block V/8, With Auto Trans & Gauges Note: This Harness Is To Be Used With A Forward Lamp Harness Modified For An Internal Regulated Alt. If Customer Is Not Changing The Original Forward Lamp Harness, An Adapter And Instruction Sheet Is Included To Alter The Factory Harness.	\$290.00	
41651	1972	ENGINE HARNESS-HEI AND SI SERIES INT REG ALT PASSENGER SIDE Big Block V/8, With Auto Trans & Gauges Note: Harness Is Modified For Use With An HEI Distributor. It Must Be Used With A Forward Lamp Harness Modified For Internal Regulated Alt. If Using Your Original Forward Lamp, An Adapter & Instructions Are Included To Alter Your Original Harness.	\$304.00	
17425	1972	ENGINE HARNESS Big Block V/8, With Manual Trans & Warning Lights	\$252.00	
41340	1972	ENGINE HARNESS-HEI Big Block V/8, With Manual Trans & Warning Lights Note: This Harness Is Modified For Use With An HEI Distributor.	\$272.00	
41652	1972	ENGINE HARNESS-SI SERIES INT REG ALT PASSENGER SIDE Big Block V/8, With Manual Trans & Warning Lights Note: This Harness Is To Be Used With A Forward Lamp Harness Modified For An Internal Regulated Alt. If Customer Is Not Changing The Original Forward Lamp Harness, An Adapter And Instruction Sheet Is Included To Alter The Factory Harness.	\$290.00	
41653	1972	ENGINE HARNESS-HEI AND SI SERIES INT REG ALT PASSENGER SIDE Big Block V/8, With Manual Trans & Warning Lights Note: Harness Is Modified For Use With An HEI Distributor. It Must Be Used With A Forward Lamp Harness Modified For Internal Regulated Alt. If Using Your Original Forward Lamp, An Adapter & Instructions Are Included To Alter Your Original Harness.	\$304.00	
17420	1972	ENGINE HARNESS Big Block V/8, With Manual Trans & Gauges	\$252.00	
41342	1972	ENGINE HARNESS-HEI Big Block V/8, With Manual Trans & Gauges Note: This Harness Is Modified For Use With An HEI Distributor.	\$272.00	

Part Number	Year	Description	Price	*Rev.
41654	1972	ENGINE HARNESS-SI SERIES INT REG ALT PASSENGER SIDE Big Block V/8, With Manual Trans & Gauges Note: This Harness Is To Be Used With A Forward Lamp Harness Modified For An Internal Regulated Alt. If Customer Is Not Changing The Original Forward Lamp Harness, An Adapter And Instruction Sheet Is Included To Alter The Factory Harness.	\$290.00	
41655	1972	ENGINE HARNESS-HEI AND SI SERIES INT REG ALT PASSENGER SIDE Big Block V/8, With Manual Trans & Gauges Note: Harness Is Modified For Use With An HEI Distributor. It Must Be Used With A Forward Lamp Harness Modified For Internal Regulated Alt. If Using Your Original Forward Lamp, An Adapter & Instructions Are Included To Alter Your Original Harness.	\$304.00	
17015	1973	ENGINE HARNESS 6 Cylinder, All Note: 6 Cylinder Items Are Not Returnable.	\$304.00	
15500	1973	ENGINE HARNESS Small Block V/8, With Warning Lights Note: Manual Trans Requires Use Of Part #17365 T.C.S. Extension.	\$278.00	
41318	1973	ENGINE HARNESS-HEI Small Block V/8, With Warning Lights Note: This Harness Is Modified For Use With An HEI Distributor. Manual Trans Requires Use Of Part #17365 T.C.S. Extension.	\$294.00	
15505	1973	ENGINE HARNESS Small Block V/8, With Gauges Note: Manual Trans Requires Use Of Part #17355 T.C.S. Extension.	\$278.00	
41320	1973	ENGINE HARNESS-HEI Small Block V/8, With Gauges Note: This Harness Is Modified For Use With An HEI Distributor. Manual Trans Requires Use Of Part #17355 T.C.S. Extension.	\$294.00	
16565	1973	ENGINE HARNESS Small Block V/8, With TH-400 Auto Trans & Warning Lights	\$290.00	
41322	1973	ENGINE HARNESS-HEI Small Block V/8, With TH-400 Auto Trans & Warning Lights Note: This Harness Is Modified For Use With An HEI Distributor.	\$306.00	
16570	1973	ENGINE HARNESS Small Block V/8, With TH-400 Auto Trans & Gauges	\$290.00	
41323	1973	ENGINE HARNESS-HEI Small Block V/8, With TH-400 Auto Trans & Gauges Note: This Harness Is Modified For Use With An HEI Distributor.	\$306.00	
19010	1973	ENGINE HARNESS Big Block V/8, With Auto Trans & Warning Lights	\$290.00	
41316	1973	ENGINE HARNESS-HEI Big Block V/8, With Auto Trans & Warning Lights Note: This Harness Is Modified For Use With An HEI Distributor.	\$306.00	
19005	1973	ENGINE HARNESS Big Block V/8, With Manual Trans & Warning Lights	\$317.00	
41324	1973	ENGINE HARNESS-HEI Big Block V/8, With Manual Trans & Warning Lights Note: This Harness Is Modified For Use With An HEI Distributor.	\$333.00	
19020	1973	ENGINE HARNESS Big Block V/8, With Auto Trans & Gauges	\$290.00	
41326	1973	ENGINE HARNESS-HEI Big Block V/8, With Auto Trans & Gauges Note: This Harness Is Modified For Use With An HEI Distributor.	\$306.00	
19015	1973	ENGINE HARNESS Big Block V/8, With Manual Trans & Gauges	\$317.00	
41328	1973	ENGINE HARNESS-HEI Big Block V/8, With Manual Trans & Gauges Note: This Harness Is Modified For Use With An HEI Distributor.	\$333.00	
38008	1974	ENGINE HARNESS 6 Cylinder, With Auto Trans & Warning Lights Note: 6 Cylinder Items Are Not Returnable.	\$304.00	
41794	1974	ENGINE HARNESS 6 Cylinder, With Auto Trans & Gauges Note: 6 Cylinder Items Are Not Returnable.	\$304.00	
16595	1974	ENGINE HARNESS 6 Cylinder, With Manual Trans & Warning Lights Note: 6 Cylinder Items Are Not Returnable.	\$304.00	
41795	1974	ENGINE HARNESS 6 Cylinder, With Manual Trans & Gauges Note: 6 Cylinder Items Are Not Returnable.	\$304.00	
22605	1974	ENGINE HARNESS Small Block V/8, With Auto Trans & Warning Lights	\$279.00	
41493	1974	ENGINE HARNESS-HEI Small Block V/8, With Auto Trans & Warning Lights Note: This Harness Is For Use With An HEI Distributor.	\$290.00	
22610	1974	ENGINE HARNESS Small Block V/8, With Manual Trans & Warning Lights	\$290.00	
41344	1974	ENGINE HARNESS-HEI Small Block V/8, With Manual Trans & Warning Lights Note: This Harness Is Modified For Use With An HEI Distributor.	\$304.00	

Part Number	Year	Description	Price	*Rev.
22590	1974	ENGINE HARNESS Small Block V/8, With Auto Trans & Gauges	\$278.00	
41785	1974	ENGINE HARNESS-HEI Small Block V/8, With Auto Trans & Gauges Note: This Harness Is For Use With An HEI Distributor.	\$304.00	
22595	1974	ENGINE HARNESS Small Block V/8, With Manual Trans & Gauges	\$290.00	
41346	1974	ENGINE HARNESS-HEI Small Block V/8, With Manual Trans & Gauges Note: This Harness Is Modified For Use With An HEI Distributor.	\$304.00	
19010	1974	ENGINE HARNESS Big Block V/8, With Auto Trans & Warning Lights	\$290.00	
41637	1974	ENGINE HARNESS-HEI Big Block V/8, With Auto Trans & Warning Lights Note: This Harness Is Modified For Use With An HEI Distributor.	\$304.00	
19005	1974	ENGINE HARNESS Big Block V/8, With Manual Trans & Warning Lights	\$317.00	
41786	1974	ENGINE HARNESS-HEI Big Block V/8, With Manual Trans & Warning Lights Note: This Harness Is For Use With An HEI Distributor.	\$317.00	
19020	1974	ENGINE HARNESS Big Block V/8, With Auto Trans & Gauges	\$290.00	
41788	1974	ENGINE HARNESS-HEI Big Block V/8, With Auto Trans & Gauges Note: This Harness Is For Use With An HEI Distributor.	\$317.00	
19015	1974	ENGINE HARNESS Big Block V/8, With Manual Trans & Gauges	\$317.00	
41787	1974	ENGINE HARNESS-HEI Big Block V/8, With Manual Trans & Gauges Note: This Harness Is For Use With An HEI Distributor.	\$317.00	
18615	1975	ENGINE HARNESS 6 Cylinder, Except Integrated Cylinder Head Note: 6 Cylinder Items Are Not Returnable.	\$317.00	
18610	1975	ENGINE HARNESS 6 Cylinder, With Integrated Cylinder Head Note: 6 Cylinder Items Are Not Returnable.	\$317.00	
18680	1975	ENGINE HARNESS V/8, Without TH-400 Auto Trans	\$290.00	
19045	1975	ENGINE HARNESS V/8, With TH-400 Auto Trans	\$290.00	
35990	1976	ENGINE HARNESS 6 Cylinder, All Note: 6 Cylinder Items Are Not Returnable.	\$304.00	
36007	1976	ENGINE HARNESS V/8, All	\$264.00	
35989	1977	ENGINE HARNESS 6 Cylinder, Without California Emissions Note: 6 Cylinder Items Are Not Returnable.	\$290.00	
35988	1977	ENGINE HARNESS 6 Cylinder, With California Emissions Note: 6 Cylinder Items Are Not Returnable.	\$290.00	
36007	1977	ENGINE HARNESS V/8, All	\$264.00	
41865	1978	ENGINE HARNESS V/6, With Warning Lights	\$396.00	
41864	1978	ENGINE HARNESS V/6, With Gauges, Except California Emissions	\$396.00	
41870	1978	ENGINE HARNESS V/6, With Gauges & California Emissions	\$396.00	
41557	1978	ENGINE HARNESS V/8, 305c.i., Without California Emissions, Or All With 350 C.I. V/8	\$331.00	
41817	1978	ENGINE HARNESS V/8, 305c.i., With California Emissions	\$396.00	
41871	1979	ENGINE HARNESS V/6, 200 C.I., All	\$396.00	
41872	1979	ENGINE HARNESS V/6, 231 C.I., With Warning Lights	\$396.00	
41873	1979	ENGINE HARNESS V/6, 231 C.I., With Gauges	\$396.00	
41458	1979	ENGINE HARNESS V/8	\$396.00	
41904	1979	ENGINE HARNESS V/8, With Transmission Torque Converter Clutch (T.C.C..)	\$396.00	
41883	1980	ENGINE HARNESS V/6, 229 C.I., With Warning Lights, Except TH200C Computer Controlled Auto Transmission	\$436.00	
41884	1980	ENGINE HARNESS V/6, 229 C.I., With Gauges, Except TH200C Computer Controlled Auto Transmission	\$436.00	
41911	1980	ENGINE HARNESS V/6, 229 C.I., With Warning Lights & TH200C Computer Controlled Auto Transmission	\$436.00	

Part Number	Year	Description	Price	*Rev.
41912	1980	ENGINE HARNESS V/6, 229 C.I., With Gauges & TH200C Computer Controlled Auto Transmission	\$436.00	
41885	1980	ENGINE HARNESS V/6, 231 C.I., With Warning Lights, Except Turbo	\$436.00	
41886	1980	ENGINE HARNESS V/6, 231 C.I., With Gauges, Except Turbo	\$436.00	
41907	1980	ENGINE HARNESS V/6, 231 C.I., With Warning Lights & Turbo	\$436.00	
41915	1980	ENGINE HARNESS V/6, 231 C.I., With Gauges & Turbo	\$436.00	
41887	1980	ENGINE HARNESS V/8, With Warning Lights, Except TH200C Computer Controlled Auto Transmission	\$436.00	
41888	1980	ENGINE HARNESS V/8, With Gauges, Except TH200C Computer Controlled Auto Transmission	\$436.00	
41890	1980	ENGINE HARNESS V/8, With Gauges & TH200C Computer Controlled Auto Transmission	\$436.00	
41897	1980	ENGINE HARNESS V/8, With Warning Lights & TH200C Computer Controlled Auto Transmission	\$463.00	
41949	1981	ENGINE HARNESS V/6, 229 C.I. With Warning Lights	\$436.00	
41950	1981	ENGINE HARNESS V/6, 229 C.I. With Gauges	\$436.00	
41951	1981	ENGINE HARNESS V/6, 231 C.I. With Warning Lights	\$436.00	
41952	1981	ENGINE HARNESS V/6, 231 C.I. With Gauges	\$436.00	
41944	1981	ENGINE HARNESS V/6, 231 C.I. Turbo, Monte Carlo, With Warning Lights	\$436.00	
41945	1981	ENGINE HARNESS V/6, 231 C.I. Turbo, Monte Carlo, With Gauges	\$436.00	
38815	1981	ENGINE HARNESS V/8, With Warning Lights	\$436.00	
38816	1981	ENGINE HARNESS V/8, With Gauges	\$436.00	
41968	1982	ENGINE HARNESS V/6, 229 C.I., With Warning Lights	\$436.00	
41969	1982	ENGINE HARNESS V/6, 229 C.I., With Gauges	\$436.00	
41987	1982	ENGINE HARNESS V/6, 231 C.I., With Warning Lights	\$436.00	
41988	1982	ENGINE HARNESS V/6, 231 C.I., With Gauges	\$436.00	
41970	1982	ENGINE HARNESS V/8, With Warning Lights	\$436.00	
41435	1982	ENGINE HARNESS V/8, With Gauges	\$436.00	
ERG CUTOUT JUMPER HARNESS				
41958	1982	ERG CUTOUT JUMPER HARNESS V/6, 231 C.I. Only	\$34.00	
FORWARD LAMP HARNESS				
05745	1964	FORWARD LAMP HARNESS All, With Warning Lights	\$247.00	
39030	1964	FORWARD LAMP HARNESS-INT REG ALT DRIVER SIDE All, With Warning Lights Note: Modified For Driver Side Mounted 1972-84 Non-Serpentine Belt ("SI" Series) Internal Regulated Alternators.	\$275.00	
39230	1964	FORWARD LAMP HARNESS-INT REG ALT PASSENGER SIDE All, With Warning Lights Note: Modified For Passenger Side Mounted 1972-84 Non-Serpentine Belt ("SI" Series) Internal Regulated Alternators.	\$286.00	
05740	1964	FORWARD LAMP HARNESS All, With Gauges	\$247.00	
39071	1964	FORWARD LAMP HARNESS-INT REG ALT DRIVER SIDE All, With Gauges Note: Modified For Driver Side Mounted 1972-84 Non-Serpentine Belt ("SI" Series) Internal Regulated Alternators.	\$275.00	
39136	1964	FORWARD LAMP HARNESS-INT REG ALT PASSENGER SIDE All, With Gauges Note: Modified For Passenger Side Mounted 1972-84 Non-Serpentine Belt ("SI" Series) Internal Regulated Alternators.	\$286.00	
30925	1964	FORWARD LAMP EXTENSION HARNESS Los Angeles Built Cars With Power Brakes, Bulkhead To Front Lamp Harness	\$69.00	
18010	1965	FORWARD LAMP HARNESS All, With Warning Lights	\$247.00	
38991	1965	FORWARD LAMP HARNESS-INT REG ALT DRIVER SIDE All, With Warning Lights Note: Modified For Driver Side Mounted 1972-84 Non-Serpentine Belt ("SI" Series) Internal Regulated Alternators.	\$275.00	
39172	1965	FORWARD LAMP HARNESS-INT REG ALT PASSENGER SIDE All, With Warning Lights Note: Modified For Passenger Side Mounted 1972-84 Non-Serpentine Belt ("SI" Series) Internal Regulated Alternators.	\$286.00	
09400	1965	FORWARD LAMP HARNESS All, With Gauges	\$247.00	

Part Number	Year	Description	Price	*Rev.
38992	1965	FORWARD LAMP HARNESS-INT REG ALT DRIVER SIDE All, With Gauges Note: Modified For Driver Side Mounted 1972-84 Non-Serpentine Belt ("SI" Series) Internal Regulated Alternators.	\$275.00	
39054	1965	FORWARD LAMP HARNESS-INT REG ALT PASSENGER SIDE All, With Gauges Note: Modified For Passenger Side Mounted 1972-84 Non-Serpentine Belt ("SI" Series) Internal Regulated Alternators.	\$286.00	
28410	1965	FORWARD LAMP EXTENSION HARNESS Los Angeles Built Cars With Power Brakes, Bulkhead To Front Lamp Harness	\$69.00	
10060	1966	FORWARD LAMP HARNESS All, With Warning Lights	\$247.00	
38981	1966	FORWARD LAMP HARNESS-INT REG ALT DRIVER SIDE All, With Warning Lights Note: Modified For Driver Side Mounted 1972-84 Non-Serpentine Belt ("SI" Series) Internal Regulated Alternators.	\$275.00	
39092	1966	FORWARD LAMP HARNESS-INT REG ALT PASSENGER SIDE All, With Warning Lights Note: Modified For Passenger Side Mounted 1972-84 Non-Serpentine Belt ("SI" Series) Internal Regulated Alternators.	\$286.00	
10065	1966	FORWARD LAMP HARNESS All, With Gauges	\$247.00	
39003	1966	FORWARD LAMP HARNESS-INT REG ALT DRIVER SIDE All, With Gauges Note: Modified For Driver Side Mounted 1972-84 Non-Serpentine Belt ("SI" Series) Internal Regulated Alternators.	\$275.00	
39174	1966	FORWARD LAMP HARNESS-INT REG ALT PASSENGER SIDE All, With Gauges Note: Modified For Passenger Side Mounted 1972-84 Non-Serpentine Belt ("SI" Series) Internal Regulated Alternators.	\$286.00	
28410	1966	FORWARD LAMP EXTENSION HARNESS Los Angeles Built Cars With Power Brakes, Bulkhead To Front Lamp Harness	\$69.00	
17395	1967	FORWARD LAMP HARNESS All, With Warning Lights	\$247.00	
38958	1967	FORWARD LAMP HARNESS-INT REG ALT DRIVER SIDE All, With Warning Lights Note: Modified For Driver Side Mounted 1972-84 Non-Serpentine Belt ("SI" Series) Internal Regulated Alternators.	\$275.00	
39110	1967	FORWARD LAMP HARNESS-INT REG ALT PASSENGER SIDE All, With Warning Lights Note: Modified For Passenger Side Mounted 1972-84 Non-Serpentine Belt ("SI" Series) Internal Regulated Alternators.	\$286.00	
11515	1967	FORWARD LAMP HARNESS All, With Gauges	\$247.00	
39018	1967	FORWARD LAMP HARNESS-INT REG ALT DRIVER SIDE All, With Gauges Note: Modified For Driver Side Mounted 1972-84 Non-Serpentine Belt ("SI" Series) Internal Regulated Alternators.	\$275.00	
39138	1967	FORWARD LAMP HARNESS-INT REG ALT PASSENGER SIDE All, With Gauges Note: Modified For Passenger Side Mounted 1972-84 Non-Serpentine Belt ("SI" Series) Internal Regulated Alternators.	\$286.00	
11770	1968	FORWARD LAMP HARNESS 6 Cylinder Note: 6 Cylinder Items Are Not Returnable.	\$303.00	
41688	1968	FORWARD LAMP HARNESS 6 Cylinder, Right Hand Drive, Export Note: 6 Cylinder Items Are Not Returnable.	\$330.00	
11775	1968	FORWARD LAMP HARNESS V/8, With Warning Lights	\$259.00	
38997	1968	FORWARD LAMP HARNESS-INT REG ALT DRIVER SIDE V/8, With Warning Lights Note: Modified For Driver Side Mounted 1972-84 Non-Serpentine Belt ("SI" Series) Internal Regulated Alternators.	\$288.00	
39093	1968	FORWARD LAMP HARNESS-INT REG ALT PASSENGER SIDE V/8, With Warning Lights Note: Modified For Passenger Side Mounted 1972-84 Non-Serpentine Belt ("SI" Series) Internal Regulated Alternators.	\$299.00	
11810	1968	FORWARD LAMP HARNESS V/8, With Gauges	\$273.00	
39076	1968	FORWARD LAMP HARNESS-INT REG ALT DRIVER SIDE V/8, With Gauges Note: Modified For Driver Side Mounted 1972-84 Non-Serpentine Belt ("SI" Series) Internal Regulated Alternators.	\$301.00	
39175	1968	FORWARD LAMP HARNESS-INT REG ALT PASSENGER SIDE V/8, With Gauges Note: Modified For Passenger Side Mounted 1972-84 Non-Serpentine Belt ("SI" Series) Internal Regulated Alternators.	\$312.00	
14005	1969	FORWARD LAMP HARNESS 6 Cylinder Note: 6 Cylinder Items Are Not Returnable.	\$317.00	
41693	1969	FORWARD LAMP HARNESS 6 Cylinder, Right Hand Drive, Export Note: 6 Cylinder Items Are Not Returnable.	\$345.00	
18015	1969	FORWARD LAMP HARNESS V/8, With Warning Lights	\$273.00	
41656	1969	FORWARD LAMP HARNESS-INT REG ALT DRIVER SIDE V/8, With Warning Lights Note: Modified For Driver Side Mounted 1972-84 Non-Serpentine Belt ("SI" Series) Internal Regulated Alternators.	\$288.00	C

Part Number	Year	Description	Price	*Rev.
38976	1969	FORWARD LAMP HARNESS-INT REG ALT PASSENGER SIDE V/8, With Warning Lights Note: Modified For Passenger Side Mounted 1972-84 Non-Serpentine Belt ("SI" Series) Internal Regulated Alternators.	\$312.00	
12960	1969	FORWARD LAMP HARNESS V/8, With Gauges	\$273.00	
39176	1969	FORWARD LAMP HARNESS-INT REG ALT DRIVER SIDE V/8, With Gauges	\$332.00	
38962	1969	FORWARD LAMP HARNESS-INT REG ALT PASSENGER SIDE V/8, With Gauges Note: Modified For Passenger Side Mounted 1972-84 Non-Serpentine Belt ("SI" Series) Internal Regulated Alternators.	\$312.00	
14680	1970	FORWARD LAMP HARNESS 6 Cylinder, Chevelle & El Camino Note: 6 Cylinder Items Are Not Returnable.	\$358.00	
15160	1970	FORWARD LAMP HARNESS V/8, Chevelle & El Camino, With Warning Lights, Without A/C, Except 396-454 C.I. Engines	\$273.00	
38998	1970	FORWARD LAMP HARNESS-INT REG ALT PASSENGER SIDE V/8, Chevelle & El Camino, With Warning Lights, Without A/C, Except 396-454 C.I. Engines Note: Modified For Passenger Side Mounted 1972-84 Non-Serpentine Belt ("SI" Series) Internal Regulated Alternators.	\$312.00	
14685	1970	FORWARD LAMP HARNESS V/8, Chevelle & El Camino, With Warning Lights & A/C, Or All 396-454 C.I. With Warning Lights	\$273.00	
39019	1970	FORWARD LAMP HARNESS-INT REG ALT PASSENGER SIDE V/8, Chevelle & El Camino, With Warning Lights & A/C, Or All 396-454 C.I. With Warning Lights Note: Modified For Passenger Side Mounted 1972-84 Non-Serpentine Belt ("SI" Series) Internal Regulated Alternators.	\$312.00	
14690	1970	FORWARD LAMP HARNESS V/8, Chevelle & El Camino, All With Gauges	\$273.00	
38940	1970	FORWARD LAMP HARNESS-INT REG ALT PASSENGER SIDE V/8, Chevelle & El Camino, All With Gauges Note: Modified For Passenger Side Mounted 1972-84 Non-Serpentine Belt ("SI" Series) Internal Regulated Alternators.	\$312.00	
15165	1970	FORWARD LAMP HARNESS V/8, Monte Carlo, With Warning Lights	\$299.00	
39139	1970	FORWARD LAMP HARNESS-INT REG ALT PASSENGER SIDE V/8, Monte Carlo, With Warning Lights Note: Modified For Passenger Side Mounted 1972-84 Non-Serpentine Belt ("SI" Series) Internal Regulated Alternators.	\$338.00	
15010	1970	FORWARD LAMP HARNESS V/8, Monte Carlo, With Warning Lights & A/C	\$299.00	
39233	1970	FORWARD LAMP HARNESS-INT REG ALT PASSENGER SIDE V/8, Monte Carlo, With Warning Lights & A/C Note: Modified For Passenger Side Mounted 1972-84 Non-Serpentine Belt ("SI" Series) Internal Regulated Alternators.	\$338.00	
17650	1970	FORWARD LAMP HARNESS V/8, Monte Carlo, All With Gauges	\$299.00	
39234	1970	FORWARD LAMP HARNESS-INT REG ALT PASSENGER SIDE V/8, Monte Carlo, All With Gauges Note: Modified For Passenger Side Mounted 1972-84 Non-Serpentine Belt ("SI" Series) Internal Regulated Alternators.	\$338.00	
14010	1971	FORWARD LAMP HARNESS 6 Cylinder, Chevelle & El Camino Note: 6 Cylinder Items Are Not Returnable.	\$358.00	
17465	1971	FORWARD LAMP HARNESS V/8, Chevelle & El Camino, With Warning Lights	\$285.00	
39094	1971	FORWARD LAMP HARNESS-INT REG ALT PASSENGER SIDE V/8, Chevelle & El Camino, With Warning Lights Note: Modified For Passenger Side Mounted 1972-84 Non-Serpentine Belt ("SI" Series) Internal Regulated Alternators.	\$325.00	
15275	1971	FORWARD LAMP HARNESS V/8, Chevelle & El Camino, With Warning Lights & A/C	\$285.00	
39140	1971	FORWARD LAMP HARNESS-INT REG ALT PASSENGER SIDE V/8, Chevelle & El Camino, With Warning Lights & A/C Note: Modified For Passenger Side Mounted 1972-84 Non-Serpentine Belt ("SI" Series) Internal Regulated Alternators.	\$325.00	
17460	1971	FORWARD LAMP HARNESS V/8, Chevelle & El Camino, All With Gauges	\$285.00	
39005	1971	FORWARD LAMP HARNESS-INT REG ALT PASSENGER SIDE V/8, Chevelle & El Camino, All With Gauges Note: Modified For Passenger Side Mounted 1972-84 Non-Serpentine Belt ("SI" Series) Internal Regulated Alternators.	\$325.00	
17475	1971	FORWARD LAMP HARNESS V/8, Monte Carlo, With Warning Lights	\$299.00	
39235	1971	FORWARD LAMP HARNESS-INT REG ALT PASSENGER SIDE V/8, Monte Carlo, With Warning Lights Note: Modified For Passenger Side Mounted 1972-84 Non-Serpentine Belt ("SI" Series) Internal Regulated Alternators.	\$338.00	
17480	1971	FORWARD LAMP HARNESS V/8, Monte Carlo, With Warning Lights & A/C	\$299.00	
39237	1971	FORWARD LAMP HARNESS-INT REG ALT PASSENGER SIDE V/8, Monte Carlo, With Warning Lights & A/C Note: Modified For Passenger Side Mounted 1972-84 Non-Serpentine Belt ("SI" Series) Internal Regulated Alternators.	\$338.00	
17470	1971	FORWARD LAMP HARNESS V/8, Monte Carlo, All With Gauges	\$299.00	
39236	1971	FORWARD LAMP HARNESS-INT REG ALT PASSENGER SIDE V/8, Monte Carlo, All With Gauges Note: Modified For Passenger Side Mounted 1972-84 Non-Serpentine Belt ("SI" Series) Internal Regulated Alternators.	\$338.00	

Part Number	Year	Description	Price	*Rev.
18540	1971	FORWARD PARK AND MARKER LAMP EXTENSION Monte Carlo (2 Required Per Car)	\$59.00	
16455	1972	FORWARD LAMP HARNESS Chevelle & El Camino	\$278.00	
41638	1972	FORWARD LAMP HARNESS-SI SERIES INT REG ALT Chevelle & El Camino Note: This Harness Must Be Used Together With A New Engine Harness Also Modified For Int. Reg. Alt.	\$343.00	
16460	1972	FORWARD LAMP HARNESS Monte Carlo	\$304.00	
41639	1972	FORWARD LAMP HARNESS-SI SERIES INT REG ALT Monte Carlo Note: This Harness Must Be Used Together With A New Engine Harness Also Modified For Int. Reg. Alt.	\$343.00	
19035	1973	FORWARD LAMP HARNESS Chevelle & El Camino	\$290.00	
41764	1973	FORWARD LAMP HARNESS Laguna	\$304.00	
41744	1973	FORWARD LAMP HARNESS Monte Carlo	\$304.00	
19040	1974	FORWARD LAMP HARNESS Chevelle & El Camino Note: Customer Must Reuse Their Original Plastic Connector For The Seat Belt Ignition Interlock Override Switch.	\$331.00	
41768	1974	FORWARD LAMP HARNESS Laguna Note: Customer Must Reuse Their Original Plastic Connector For The Seat Belt Ignition Interlock Override Switch.	\$331.00	
41492	1974	FORWARD LAMP HARNESS Monte Carlo Note: Customer Must Reuse Their Original Plastic Connector For The Seat Belt Ignition Interlock Override Switch.	\$331.00	
41779	1975	FORWARD LAMP HARNESS Chevelle & El Camino Note: Customer Must Reuse Their Original Plastic Connector For The Seat Belt Ignition Interlock Override Switch.	\$357.00	
41782	1975	FORWARD LAMP HARNESS Laguna Note: Customer Must Reuse Their Original Plastic Connector For The Seat Belt Ignition Interlock Override Switch.	\$357.00	
41780	1975	FORWARD LAMP HARNESS Monte Carlo Note: Customer Must Reuse Their Original Plastic Connector For The Seat Belt Ignition Interlock Override Switch.	\$357.00	
41801	1976	FORWARD LAMP HARNESS Chevelle & El Camino, With Round Headlamps	\$357.00	
41802	1976	FORWARD LAMP HARNESS Chevelle & El Camino, With Rectangular Headlamps	\$357.00	
41804	1976	FORWARD LAMP HARNESS Laguna	\$357.00	
41803	1976	FORWARD LAMP HARNESS Monte Carlo	\$357.00	
41811	1977	FORWARD LAMP HARNESS Chevelle & El Camino, With Round Headlamps	\$357.00	
41812	1977	FORWARD LAMP HARNESS Chevelle & El Camino, With Rectangular Headlamps	\$357.00	
41813	1977	FORWARD LAMP HARNESS Monte Carlo	\$357.00	
41558	1978	FORWARD LAMP HARNESS All, Except Monte Carlo Note: Customer Must Supply Us With Their Original Harness.	\$396.00	
41822	1978	FORWARD LAMP HARNESS Monte Carlo Note: Customer Must Supply Us With Their Original Harness.	\$528.00	
41878	1979	FORWARD LAMP HARNESS All, Except Monte Carlo Note: Customer Must Supply Us With Their Original Harness.	\$528.00	
41879	1979	FORWARD LAMP HARNESS Monte Carlo	\$528.00	
41878	1980	FORWARD LAMP HARNESS All, Except Monte Carlo Note: Customer Must Supply Us With Their Original Harness.	\$528.00	
41882	1980	FORWARD LAMP HARNESS Monte Carlo Note: Customer Must Supply Us With Their Original Harness.	\$528.00	
41948	1981	FORWARD LAMP HARNESS All, Except Monte Carlo Note: Customer Must Supply Us With Their Original Harness.	\$528.00	
41939	1981	FORWARD LAMP HARNESS Monte Carlo, Without Cornering Lamps	\$528.00	
41940	1981	FORWARD LAMP HARNESS Monte Carlo, With Cornering Lamps	\$528.00	
41966	1982	FORWARD LAMP HARNESS All, Except Monte Carlo	\$528.00	
41939	1982	FORWARD LAMP HARNESS Monte Carlo, Without Cornering Lamps	\$528.00	
41940	1982	FORWARD LAMP HARNESS Monte Carlo, With Cornering Lamps	\$528.00	

Part Number	Year	Description	Price	*Rev.
FUEL SYSTEM WATER SENSOR HARNESS				
42048	1982	FUEL SYSTEM WATER SENSOR HARNESS Diesel, From Rear Body Harness To Water Sensor	\$48.00	
FUEL TANK SENDER WIRE				
28495	1967	FUEL TANK SENDER WIRE Chevelle	\$25.00	
28480	1967	FUEL TANK SENDER WIRE El Camino & Wagon	\$26.00	
28540	1968	FUEL TANK SENDER WIRE Chevelle	\$25.00	
28535	1968	FUEL TANK SENDER WIRE El Camino	\$25.00	
11910	1968	FUEL TANK SENDER WIRE Wagon	\$30.00	
28540	1969	FUEL TANK SENDER WIRE Chevelle	\$25.00	
28535	1969	FUEL TANK SENDER WIRE El Camino	\$25.00	
11910	1969	FUEL TANK SENDER WIRE Wagon	\$30.00	
28940	1970	FUEL TANK SENDER WIRE Chevelle	\$25.00	
28535	1970	FUEL TANK SENDER WIRE El Camino	\$25.00	
11910	1970	FUEL TANK SENDER WIRE Wagon	\$30.00	
28945	1970	FUEL TANK SENDER WIRE Monte Carlo	\$25.00	
28940	1971	FUEL TANK SENDER WIRE Chevelle	\$25.00	
28535	1971	FUEL TANK SENDER WIRE El Camino	\$25.00	
11910	1971	FUEL TANK SENDER WIRE Wagon	\$30.00	
28945	1971	FUEL TANK SENDER WIRE Monte Carlo	\$25.00	
28940	1972	FUEL TANK SENDER WIRE Chevelle	\$25.00	
28535	1972	FUEL TANK SENDER WIRE El Camino	\$25.00	
11910	1972	FUEL TANK SENDER WIRE Wagon	\$30.00	
28945	1972	FUEL TANK SENDER WIRE Monte Carlo	\$25.00	
41739	1973	FUEL TANK SENDER WIRE All, Except Wagon & El Camino Note: 1973-1982 Wagon Fuel Sender Wire Is Part Of Rear Lamp Harness.	\$35.00	
41757	1973	FUEL TANK SENDER WIRE El Camino	\$35.00	
41772	1974	FUEL TANK SENDER WIRE Chevelle, Coupe & Sedan Note: 1974-1975 Monte Carlo Fuel Sender Wire Is Part Of Backup Lamp Harness. 1973-1982 Wagon Fuel Sender Wire Is Part Of Rear Lamp Harness.	\$35.00	
41757	1974	FUEL TANK SENDER WIRE El Camino	\$35.00	
41772	1975	FUEL TANK SENDER WIRE Chevelle, Coupe & Sedan Note: 1974-1975 Monte Carlo Fuel Sender Wire Is Part Of Backup Lamp Harness. 1973-1982 Wagon Fuel Sender Wire Is Part Of Rear Lamp Harness.	\$35.00	
41757	1975	FUEL TANK SENDER WIRE El Camino	\$35.00	
41772	1976	FUEL TANK SENDER WIRE All, Coupe & Sedan Note: 1973-1982 Wagon Fuel Sender Wire Is Part Of Rear Lamp Harness.	\$35.00	
41757	1976	FUEL TANK SENDER WIRE El Camino	\$35.00	
41772	1977	FUEL TANK SENDER WIRE All, Coupe & Sedan Note: 1973-1982 Wagon Fuel Sender Wire Is Part Of Rear Lamp Harness.	\$35.00	
41757	1977	FUEL TANK SENDER WIRE El Camino	\$35.00	
41919	1978	FUEL TANK SENDER WIRE All, Except Wagon & El Camino Note: 1973-1982 Wagon Fuel Sender Wire Is Part Of Rear Lamp Harness.	\$40.00	
41860	1978	FUEL TANK SENDER WIRE El Camino	\$40.00	
41919	1979	FUEL TANK SENDER WIRE All, Except Wagon & El Camino	\$40.00	
41860	1979	FUEL TANK SENDER WIRE El Camino	\$40.00	
41919	1980	FUEL TANK SENDER WIRE All, Except Wagon & El Camino Note: 1973-1982 Wagon Fuel Sender Wire Is Part Of Rear Lamp Harness.	\$40.00	
41860	1980	FUEL TANK SENDER WIRE El Camino	\$40.00	

Part Number	Year	Description	Price	*Rev.
41919	1981	FUEL TANK SENDER WIRE All, Except Wagon & El Camino Note: 1973-1982 Wagon Fuel Sender Wire Is Part Of Rear Lamp Harness.	\$40.00	
41860	1981	FUEL TANK SENDER WIRE El Camino	\$40.00	
41919	1982	FUEL TANK SENDER WIRE All, Except Wagon & El Camino Note: 1973-1982 Wagon Fuel Sender Wire Is Part Of Rear Lamp Harness.	\$40.00	
41860	1982	FUEL TANK SENDER WIRE El Camino	\$40.00	
FUEL TANK SENDING UNIT				
06425600	1964	FUEL TANK SENDING UNIT 3/8" Fuel Line, Except 3 Seat Station Wagon	\$43.00	N
05642836	1964	FUEL TANK SENDING UNIT 5/16" Fuel Line, Except 3 Seat Station Wagon	\$43.00	N
06426973	1965	FUEL TANK SENDING UNIT 3/8" Fuel Line	\$43.00	N
06428067	1965	FUEL TANK SENDING UNIT 5/16" Fuel Line	\$43.00	N
06426973	1966	FUEL TANK SENDING UNIT 3/8" Fuel Line	\$43.00	N
06428067	1966	FUEL TANK SENDING UNIT 5/16" Fuel Line	\$43.00	N
06426973	1967	FUEL TANK SENDING UNIT 3/8" Fuel Line	\$43.00	N
06428067	1967	FUEL TANK SENDING UNIT 5/16" Fuel Line	\$43.00	N
06428034	1968	FUEL TANK SENDING UNIT 3/8" Fuel Line, Single Outlet, Except Wagon	\$43.00	N
06428034	1969	FUEL TANK SENDING UNIT 3/8" Fuel Line, Single Outlet, Except Wagon	\$43.00	N
06428035	1969	FUEL TANK SENDING UNIT 3/8" Fuel Line, With 2nd Vent Line, Except Wagon	\$43.00	N
06428034	1970	FUEL TANK SENDING UNIT 3/8" Fuel Line, Single Outlet, Except Wagon	\$43.00	N
06428035	1970	FUEL TANK SENDING UNIT 3/8" Fuel Line, With 2nd Vent Line, Except Wagon	\$43.00	N
06428845	1970	FUEL TANK SENDING UNIT V/8 Wagon, With A/C, 3/8" Fuel Line, Single Line	\$43.00	N
06428838	1971	FUEL TANK SENDING UNIT 3/8" Fuel Line, Single Outlet, Except Wagon	\$43.00	N
06428837	1971	FUEL TANK SENDING UNIT 3/8" Fuel Line, With 2nd Vent Line, Except Wagon	\$43.00	N
06428838	1972	FUEL TANK SENDING UNIT 3/8" Fuel Line, Single Outlet, Except Wagon	\$43.00	N
06428837	1972	FUEL TANK SENDING UNIT 3/8" Fuel Line, With 2nd Vent Line, Except Wagon	\$43.00	N
19180450	1978	FUEL TANK SENDING UNIT El Camino, 3/8" Fuel Line, With 17.5 Gallon Fuel Tank Note: 19180450 Is The Latest GM Replacement Part Number For Original 25000932.	\$77.00	N
19180451	1978	FUEL TANK SENDING UNIT El Camino, 3/8" Fuel Line, With 22 Gallon Fuel Tank Note: 19180451 Is The Latest GM Replacement Part Number For Original 25001076.	\$77.00	N
19180450	1979	FUEL TANK SENDING UNIT El Camino, 3/8" Fuel Line, With 17.5 Gallon Fuel Tank Note: 19180450 Is The Latest GM Replacement Part Number For Original 25000932.	\$77.00	N
19180451	1979	FUEL TANK SENDING UNIT El Camino, 3/8" Fuel Line, With 22 Gallon Fuel Tank Note: 19180451 Is The Latest GM Replacement Part Number For Original 25001076.	\$77.00	N
19180450	1980	FUEL TANK SENDING UNIT El Camino, 3/8" Fuel Line, With 17.5 Gallon Fuel Tank Note: 19180450 Is The Latest GM Replacement Part Number For Original 25000932.	\$77.00	N
19180451	1980	FUEL TANK SENDING UNIT El Camino, 3/8" Fuel Line, With 22 Gallon Fuel Tank Note: 19180451 Is The Latest GM Replacement Part Number For Original 25001076.	\$77.00	N

Part Number	Year	Description	Price	*Rev.
19180450	1981	FUEL TANK SENDING UNIT El Camino, 3/8" Fuel Line, With 17.5 Gallon Fuel Tank Note: 19180450 Is The Latest GM Replacement Part Number For Original 25000932.	\$77.00	N
19180451	1981	FUEL TANK SENDING UNIT El Camino, 3/8" Fuel Line, With 22 Gallon Fuel Tank Note: 19180451 Is The Latest GM Replacement Part Number For Original 25001076.	\$77.00	N
19180450	1982	FUEL TANK SENDING UNIT El Camino, 3/8" Fuel Line, With 17.5 Gallon Fuel Tank Note: 19180450 Is The Latest GM Replacement Part Number For Original 25000932.	\$77.00	N
19180451	1982	FUEL TANK SENDING UNIT El Camino, 3/8" Fuel Line, With 22 Gallon Fuel Tank Note: 19180451 Is The Latest GM Replacement Part Number For Original 25001076.	\$77.00	N
19180450	1983	FUEL TANK SENDING UNIT El Camino, 3/8" Fuel Line, With 17.5 Gallon Fuel Tank Note: 19180450 Is The Latest GM Replacement Part Number For Original 25000932.	\$77.00	N
19180451	1983	FUEL TANK SENDING UNIT El Camino, 3/8" Fuel Line, With 22 Gallon Fuel Tank Note: 19180451 Is The Latest GM Replacement Part Number For Original 25001076.	\$77.00	N
19180450	1984	FUEL TANK SENDING UNIT El Camino, 3/8" Fuel Line, With 17.5 Gallon Fuel Tank Note: 19180450 Is The Latest GM Replacement Part Number For Original 25000932.	\$77.00	N
19180451	1984	FUEL TANK SENDING UNIT El Camino, 3/8" Fuel Line, With 22 Gallon Fuel Tank Note: 19180451 Is The Latest GM Replacement Part Number For Original 25001076.	\$77.00	N
19180450	1985	FUEL TANK SENDING UNIT El Camino, 3/8" Fuel Line, With 17.5 Gallon Fuel Tank Note: 19180450 Is The Latest GM Replacement Part Number For Original 25000932.	\$77.00	N
19180451	1985	FUEL TANK SENDING UNIT El Camino, 3/8" Fuel Line, With 22 Gallon Fuel Tank Note: 19180451 Is The Latest GM Replacement Part Number For Original 25001076.	\$77.00	N
19180450	1986	FUEL TANK SENDING UNIT El Camino, 3/8" Fuel Line, With 17.5 Gallon Fuel Tank Note: 19180450 Is The Latest GM Replacement Part Number For Original 25000932.	\$77.00	N
19180451	1986	FUEL TANK SENDING UNIT El Camino, 3/8" Fuel Line, With 22 Gallon Fuel Tank Note: 19180451 Is The Latest GM Replacement Part Number For Original 25001076.	\$77.00	N
19180450	1987	FUEL TANK SENDING UNIT El Camino, 3/8" Fuel Line, With 17.5 Gallon Fuel Tank Note: 19180450 Is The Latest GM Replacement Part Number For Original 25000932.	\$77.00	N
19180451	1987	FUEL TANK SENDING UNIT El Camino, 3/8" Fuel Line, With 22 Gallon Fuel Tank Note: 19180451 Is The Latest GM Replacement Part Number For Original 25001076.	\$77.00	N
GLOVE BOX LAMP HARNESS				
33830	1970	GLOVE BOX LAMP HARNESS Plugs Into Glove Box Light Switch Assembly Note: This Harness Is Used When Adding The Glove Box Lamp Option To Vehicles With Their Original Dash Harness.	\$25.00	
33830	1971	GLOVE BOX LAMP HARNESS Plugs Into Glove Box Light Switch Assembly Note: This Harness Is Used When Adding The Glove Box Lamp Option To Vehicles With Their Original Dash Harness.	\$25.00	
GLOVE BOX LAMP KIT				
18000	1964	GLOVE BOX LAMP KIT Socket, Bulb & Wire	\$24.00	
18000	1965	GLOVE BOX LAMP KIT Socket, Bulb & Wire	\$24.00	
18000	1966	GLOVE BOX LAMP KIT Socket, Bulb & Wire	\$24.00	
18000	1967	GLOVE BOX LAMP KIT Socket, Bulb & Wire	\$24.00	
18000	1968	GLOVE BOX LAMP KIT Socket, Bulb & Wire	\$24.00	
18000	1969	GLOVE BOX LAMP KIT Socket, Bulb & Wire	\$24.00	
GROUND STRAP KIT				
27420	1964	GROUND STRAP KIT 6 Cylinder Note: 6 Cylinder Items Are Not Returnable.	\$22.00	
27425	1964	GROUND STRAP KIT V/8	\$23.00	
27420	1965	GROUND STRAP KIT 6 Cylinder Note: 6 Cylinder Items Are Not Returnable.	\$22.00	
27425	1965	GROUND STRAP KIT V/8	\$23.00	

Part Number	Year	Description	Price	*Rev.
27430	1966	GROUND STRAP KIT 6 Cylinder Note: 6 Cylinder Items Are Not Returnable.	\$25.00	
27435	1966	GROUND STRAP KIT V/8	\$29.00	
27445	1967	GROUND STRAP KIT 6 Cylinder Note: 6 Cylinder Items Are Not Returnable.	\$27.00	
27440	1967	GROUND STRAP KIT V/8	\$29.00	
27445	1968	GROUND STRAP KIT 6 Cylinder Note: 6 Cylinder Items Are Not Returnable.	\$27.00	
27440	1968	GROUND STRAP KIT V/8	\$29.00	
27445	1969	GROUND STRAP KIT 6 Cylinder Note: 6 Cylinder Items Are Not Returnable.	\$27.00	
27440	1969	GROUND STRAP KIT V/8	\$29.00	
GROUND WIRE				
01655	1964	GROUND WIRE Instrument Cluster, From Brake & Clutch Pedal Bracket To Cluster	\$18.00	
01655	1964	GROUND WIRE Voltage Regulator, From Radiator Support To Regulator	\$18.00	
01655	1965	GROUND WIRE Instrument Cluster, From Brake & Clutch Pedal Bracket To Cluster	\$18.00	
01655	1965	GROUND WIRE Voltage Regulator, From Radiator Support To Regulator	\$18.00	
07295	1965	GROUND WIRE Power Seat	\$21.00	
01655	1966	GROUND WIRE Instrument Cluster, From Brake & Clutch Pedal Bracket To Cluster	\$18.00	
01655	1966	GROUND WIRE Voltage Regulator, From Radiator Support To Regulator	\$18.00	
07295	1966	GROUND WIRE Power Seat	\$21.00	
01655	1967	GROUND WIRE Instrument Cluster, From Brake & Clutch Pedal Bracket To Cluster	\$18.00	
01655	1967	GROUND WIRE Voltage Regulator, From Radiator Support To Regulator	\$18.00	
41696	1967	GROUND WIRE Stereo Tape Player	\$27.00	
07295	1967	GROUND WIRE Power Seat	\$21.00	
20460	1968	GROUND WIRE Instrument Cluster, From Parking Brake Release Bracket To Cluster	\$17.00	
01655	1968	GROUND WIRE Voltage Regulator, From Radiator Support To Regulator	\$18.00	
41696	1968	GROUND WIRE Stereo Tape Player	\$27.00	
07295	1968	GROUND WIRE Power Seat	\$21.00	
01655	1969	GROUND WIRE Voltage Regulator, From Radiator Support To Regulator	\$18.00	
41696	1969	GROUND WIRE Stereo Tape Player	\$27.00	
07295	1969	GROUND WIRE Power Seat	\$21.00	
07295	1970	GROUND WIRE Power Seat	\$21.00	
07295	1971	GROUND WIRE Power Seat	\$21.00	
07295	1972	GROUND WIRE Power Seat	\$21.00	
40724	1973	GROUND WIRE Power Seat	\$21.00	
40724	1974	GROUND WIRE Power Seat	\$21.00	
01655	1974	GROUND WIRE Cruise Control	\$18.00	
01655	1975	GROUND WIRE Cruise Control	\$18.00	
40724	1975	GROUND WIRE Power Seat	\$21.00	
01655	1976	GROUND WIRE Cruise Control	\$18.00	
40724	1976	GROUND WIRE Power Seat	\$21.00	
40863	1977	GROUND WIRE Vanity Mirror, Passenger Side Sunshade	\$17.00	
40724	1977	GROUND WIRE Power Seat	\$21.00	
40487	1977	GROUND WIRE All, Blower Motor	\$21.00	
01655	1977	GROUND WIRE Cruise Control	\$18.00	

Part Number	Year	Description	Price	*Rev.
01655	1978	GROUND WIRE Cruise Control	\$18.00	
41921	1979	GROUND WIRE Cruise Control	\$21.00	
41921	1980	GROUND WIRE Cruise Control	\$21.00	
41921	1981	GROUND WIRE Cruise Control	\$21.00	
41921	1982	GROUND WIRE Cruise Control	\$21.00	
GROUND WIRE HARNESS				
41922	1979	GROUND WIRE HARNESS Heater Cars Only, Heater Vent Door Ground Wires	\$21.00	
41922	1980	GROUND WIRE HARNESS Heater Cars Only, Heater Vent Door Ground Wires	\$21.00	
41922	1981	GROUND WIRE HARNESS Heater Cars Only, Heater Vent Door Ground Wires	\$21.00	
41922	1982	GROUND WIRE HARNESS Heater Cars Only, Heater Vent Door Ground Wires	\$21.00	
GROUND WIRE-DISTRIBUTOR POINT PLATE				
38298	1964	GROUND WIRE, DISTRIBUTOR POINT PLATE From Distributor Point Plate To Distributor Housing, For Vacuum Advance Note: Replaces Spot Welded Wire Asm On Point Plate Side. Fits All GM V/8 Point Type Distributors From Approx. 1957-1974.	\$17.00	C
38298	1965	GROUND WIRE, DISTRIBUTOR POINT PLATE From Distributor Point Plate To Distributor Housing, For Vacuum Advance Note: Replaces Spot Welded Wire Asm On Point Plate Side. Fits All GM V/8 Point Type Distributors From Approx. 1957-1974.	\$17.00	C
38298	1966	GROUND WIRE, DISTRIBUTOR POINT PLATE From Distributor Point Plate To Distributor Housing, For Vacuum Advance Note: Replaces Spot Welded Wire Asm On Point Plate Side. Fits All GM V/8 Point Type Distributors From Approx. 1957-1974.	\$17.00	C
38298	1967	GROUND WIRE, DISTRIBUTOR POINT PLATE From Distributor Point Plate To Distributor Housing, For Vacuum Advance Note: Replaces Spot Welded Wire Asm On Point Plate Side. Fits All GM V/8 Point Type Distributors From Approx. 1957-1974.	\$17.00	C
38298	1968	GROUND WIRE, DISTRIBUTOR POINT PLATE From Distributor Point Plate To Distributor Housing, For Vacuum Advance Note: Replaces Spot Welded Wire Asm On Point Plate Side. Fits All GM V/8 Point Type Distributors From Approx. 1957-1974.	\$17.00	C
38298	1969	GROUND WIRE, DISTRIBUTOR POINT PLATE From Distributor Point Plate To Distributor Housing, For Vacuum Advance Note: Replaces Spot Welded Wire Asm On Point Plate Side. Fits All GM V/8 Point Type Distributors From Approx. 1957-1974.	\$17.00	C
38298	1970	GROUND WIRE, DISTRIBUTOR POINT PLATE From Distributor Point Plate To Distributor Housing, For Vacuum Advance Note: Replaces Spot Welded Wire Asm On Point Plate Side. Fits All GM V/8 Point Type Distributors From Approx. 1957-1974.	\$17.00	C
38298	1971	GROUND WIRE, DISTRIBUTOR POINT PLATE From Distributor Point Plate To Distributor Housing, For Vacuum Advance Note: Replaces Spot Welded Wire Asm On Point Plate Side. Fits All GM V/8 Point Type Distributors From Approx. 1957-1974.	\$17.00	C
38298	1972	GROUND WIRE, DISTRIBUTOR POINT PLATE From Distributor Point Plate To Distributor Housing, For Vacuum Advance Note: Replaces Spot Welded Wire Asm On Point Plate Side. Fits All GM V/8 Point Type Distributors From Approx. 1957-1974.	\$17.00	C
38298	1973	GROUND WIRE, DISTRIBUTOR POINT PLATE From Distributor Point Plate To Distributor Housing, For Vacuum Advance Note: Replaces Spot Welded Wire Asm On Point Plate Side. Fits All GM V/8 Point Type Distributors From Approx. 1957-1974.	\$17.00	C
38298	1974	GROUND WIRE, DISTRIBUTOR POINT PLATE From Distributor Point Plate To Distributor Housing, For Vacuum Advance Note: Replaces Spot Welded Wire Asm On Point Plate Side. Fits All GM V/8 Point Type Distributors From Approx. 1957-1974.	\$17.00	C
HARNESS TAPE				
R0058272	1964	HARNESS TAPE 3/4" Vinyl (100 Ft. Roll) Non-Adhesive	\$12.00	
R0058276	1964	HARNESS TAPE 1" Vinyl (100 Ft. Roll) Non-Adhesive	\$13.00	
R0067108	1964	HARNESS TAPE 1 1/4" Vinyl (100 Ft. Roll) Non-Adhesive	\$15.00	
R0058272	1965	HARNESS TAPE 3/4" Vinyl (100 Ft. Roll) Non-Adhesive	\$12.00	
R0058276	1965	HARNESS TAPE 1" Vinyl (100 Ft. Roll) Non-Adhesive	\$13.00	
R0067108	1965	HARNESS TAPE 1 1/4" Vinyl (100 Ft. Roll) Non-Adhesive	\$15.00	

Part Number	Year	Description	Price	*Rev.
R0058272	1966	HARNESS TAPE 3/4" Vinyl (100 Ft. Roll) Non-Adhesive	\$12.00	
R0058276	1966	HARNESS TAPE 1" Vinyl (100 Ft. Roll) Non-Adhesive	\$13.00	
R0067108	1966	HARNESS TAPE 1 1/4" Vinyl (100 Ft. Roll) Non-Adhesive	\$15.00	
R0058272	1967	HARNESS TAPE 3/4" Vinyl (100 Ft. Roll) Non-Adhesive	\$12.00	
R0058276	1967	HARNESS TAPE 1" Vinyl (100 Ft. Roll) Non-Adhesive	\$13.00	
R0067108	1967	HARNESS TAPE 1 1/4" Vinyl (100 Ft. Roll) Non-Adhesive	\$15.00	
R0058272	1968	HARNESS TAPE 3/4" Vinyl (100 Ft. Roll) Non-Adhesive	\$12.00	
R0058276	1968	HARNESS TAPE 1" Vinyl (100 Ft. Roll) Non-Adhesive	\$13.00	
R0067108	1968	HARNESS TAPE 1 1/4" Vinyl (100 Ft. Roll) Non-Adhesive	\$15.00	
R0058272	1969	HARNESS TAPE 3/4" Vinyl (100 Ft. Roll) Non-Adhesive	\$12.00	
R0058276	1969	HARNESS TAPE 1" Vinyl (100 Ft. Roll) Non-Adhesive	\$13.00	
R0067108	1969	HARNESS TAPE 1 1/4" Vinyl (100 Ft. Roll) Non-Adhesive	\$15.00	
R0058272	1970	HARNESS TAPE 3/4" Vinyl (100 Ft. Roll) Non-Adhesive	\$12.00	
R0058276	1970	HARNESS TAPE 1" Vinyl (100 Ft. Roll) Non-Adhesive	\$13.00	
R0067108	1970	HARNESS TAPE 1 1/4" Vinyl (100 Ft. Roll) Non-Adhesive	\$15.00	
R0058272	1971	HARNESS TAPE 3/4" Vinyl (100 Ft. Roll) Non-Adhesive	\$12.00	
R0058276	1971	HARNESS TAPE 1" Vinyl (100 Ft. Roll) Non-Adhesive	\$13.00	
R0067108	1971	HARNESS TAPE 1 1/4" Vinyl (100 Ft. Roll) Non-Adhesive	\$15.00	
R0058272	1972	HARNESS TAPE 3/4" Vinyl (100 Ft. Roll) Non-Adhesive	\$12.00	
R0058276	1972	HARNESS TAPE 1" Vinyl (100 Ft. Roll) Non-Adhesive	\$13.00	
R0067108	1972	HARNESS TAPE 1 1/4" Vinyl (100 Ft. Roll) Non-Adhesive	\$15.00	
R0058272	1973	HARNESS TAPE 3/4" Vinyl (100 Ft. Roll) Non-Adhesive	\$12.00	
R0058276	1973	HARNESS TAPE 1" Vinyl (100 Ft. Roll) Non-Adhesive	\$13.00	
R0067108	1973	HARNESS TAPE 1 1/4" Vinyl (100 Ft. Roll) Non-Adhesive	\$15.00	
R0058272	1974	HARNESS TAPE 3/4" Vinyl (100 Ft. Roll) Non-Adhesive	\$12.00	
R0058276	1974	HARNESS TAPE 1" Vinyl (100 Ft. Roll) Non-Adhesive	\$13.00	
R0067108	1974	HARNESS TAPE 1 1/4" Vinyl (100 Ft. Roll) Non-Adhesive	\$15.00	
R0058272	1975	HARNESS TAPE 3/4" Vinyl (100 Ft. Roll) Non-Adhesive	\$12.00	
R0058276	1975	HARNESS TAPE 1" Vinyl (100 Ft. Roll) Non-Adhesive	\$13.00	
R0067108	1975	HARNESS TAPE 1 1/4" Vinyl (100 Ft. Roll) Non-Adhesive	\$15.00	
R0058272	1976	HARNESS TAPE 3/4" Vinyl (100 Ft. Roll) Non-Adhesive	\$12.00	
R0058276	1976	HARNESS TAPE 1" Vinyl (100 Ft. Roll) Non-Adhesive	\$13.00	
R0067108	1976	HARNESS TAPE 1 1/4" Vinyl (100 Ft. Roll) Non-Adhesive	\$15.00	
R0058272	1977	HARNESS TAPE 3/4" Vinyl (100 Ft. Roll) Non-Adhesive	\$12.00	
R0058276	1977	HARNESS TAPE 1" Vinyl (100 Ft. Roll) Non-Adhesive	\$13.00	
R0067108	1977	HARNESS TAPE 1 1/4" Vinyl (100 Ft. Roll) Non-Adhesive	\$15.00	
R0058272	1978	HARNESS TAPE 3/4" Vinyl (100 Ft. Roll) Non-Adhesive	\$12.00	
R0058276	1978	HARNESS TAPE 1" Vinyl (100 Ft. Roll) Non-Adhesive	\$13.00	
R0067108	1978	HARNESS TAPE 1 1/4" Vinyl (100 Ft. Roll) Non-Adhesive	\$15.00	
R0058272	1979	HARNESS TAPE 3/4" Vinyl (100 Ft. Roll) Non-Adhesive	\$12.00	
R0058276	1979	HARNESS TAPE 1" Vinyl (100 Ft. Roll) Non-Adhesive	\$13.00	
R0067108	1979	HARNESS TAPE 1 1/4" Vinyl (100 Ft. Roll) Non-Adhesive	\$15.00	
R0058272	1980	HARNESS TAPE 3/4" Vinyl (100 Ft. Roll) Non-Adhesive	\$12.00	
R0058276	1980	HARNESS TAPE 1" Vinyl (100 Ft. Roll) Non-Adhesive	\$13.00	
R0067108	1980	HARNESS TAPE 1 1/4" Vinyl (100 Ft. Roll) Non-Adhesive	\$15.00	
R0058272	1981	HARNESS TAPE 3/4" Vinyl (100 Ft. Roll) Non-Adhesive	\$12.00	
R0058276	1981	HARNESS TAPE 1" Vinyl (100 Ft. Roll) Non-Adhesive	\$13.00	

Part Number	Year	Description	Price	*Rev.
R0067108	1981	HARNESS TAPE 1 1/4" Vinyl (100 Ft. Roll) Non-Adhesive	\$15.00	
R0058272	1982	HARNESS TAPE 3/4" Vinyl (100 Ft. Roll) Non-Adhesive	\$12.00	
R0058276	1982	HARNESS TAPE 1" Vinyl (100 Ft. Roll) Non-Adhesive	\$13.00	
R0067108	1982	HARNESS TAPE 1 1/4" Vinyl (100 Ft. Roll) Non-Adhesive	\$15.00	
R0058272	1983	HARNESS TAPE 3/4" Vinyl (100 Ft. Roll) Non-Adhesive	\$12.00	
R0058276	1983	HARNESS TAPE 1" Vinyl (100 Ft. Roll) Non-Adhesive	\$13.00	
R0067108	1983	HARNESS TAPE 1 1/4" Vinyl (100 Ft. Roll) Non-Adhesive	\$15.00	
R0058272	1984	HARNESS TAPE 3/4" Vinyl (100 Ft. Roll) Non-Adhesive	\$12.00	
R0058276	1984	HARNESS TAPE 1" Vinyl (100 Ft. Roll) Non-Adhesive	\$13.00	
R0067108	1984	HARNESS TAPE 1 1/4" Vinyl (100 Ft. Roll) Non-Adhesive	\$15.00	
R0058272	1985	HARNESS TAPE 3/4" Vinyl (100 Ft. Roll) Non-Adhesive	\$12.00	
R0058276	1985	HARNESS TAPE 1" Vinyl (100 Ft. Roll) Non-Adhesive	\$13.00	
R0067108	1985	HARNESS TAPE 1 1/4" Vinyl (100 Ft. Roll) Non-Adhesive	\$15.00	
R0058272	1986	HARNESS TAPE 3/4" Vinyl (100 Ft. Roll) Non-Adhesive	\$12.00	
R0058276	1986	HARNESS TAPE 1" Vinyl (100 Ft. Roll) Non-Adhesive	\$13.00	
R0067108	1986	HARNESS TAPE 1 1/4" Vinyl (100 Ft. Roll) Non-Adhesive	\$15.00	
R0058272	1987	HARNESS TAPE 3/4" Vinyl (100 Ft. Roll) Non-Adhesive	\$12.00	
R0058276	1987	HARNESS TAPE 1" Vinyl (100 Ft. Roll) Non-Adhesive	\$13.00	
R0067108	1987	HARNESS TAPE 1 1/4" Vinyl (100 Ft. Roll) Non-Adhesive	\$15.00	
HEADLIGHT EXTENSION HARNESS				
39668	1976	HEADLIGHT EXTENSION HARNESS From Forward Lamp Harness To Sealed Beam Headlamps Note: 2 Required Per Car.	\$60.00	
41807	1976	HEADLIGHT EXTENSION HARNESS For Export Use Only, From Forward Lamp Harness To Sealed Beam Headlamps Note: 2 Required Per Car.	\$60.00	
39668	1977	HEADLIGHT EXTENSION HARNESS From Forward Lamp Harness To Sealed Beam Headlamps Note: 2 Required Per Car.	\$60.00	
41807	1977	HEADLIGHT EXTENSION HARNESS For Export Use Only, From Forward Lamp Harness To Sealed Beam Headlamps Note: 2 Required Per Car.	\$60.00	
HEADLIGHT SWITCH				
01995179	1964	HEADLIGHT SWITCH	\$20.00	N
01995179	1965	HEADLIGHT SWITCH	\$20.00	N
01995179	1966	HEADLIGHT SWITCH	\$20.00	N
01995179	1967	HEADLIGHT SWITCH	\$20.00	N
01995179	1968	HEADLIGHT SWITCH	\$20.00	N
01995179	1969	HEADLIGHT SWITCH	\$20.00	N
01995216	1970	HEADLIGHT SWITCH	\$20.00	N
01995179	1971	HEADLIGHT SWITCH	\$20.00	N
01995179	1972	HEADLIGHT SWITCH	\$20.00	N
01995179	1973	HEADLIGHT SWITCH	\$20.00	N
01995216	1974	HEADLIGHT SWITCH	\$20.00	N
01995216	1975	HEADLIGHT SWITCH	\$20.00	N
01995216	1976	HEADLIGHT SWITCH	\$20.00	N
01995216	1977	HEADLIGHT SWITCH	\$20.00	N
01995216	1978	HEADLIGHT SWITCH	\$20.00	N
01995216	1979	HEADLIGHT SWITCH	\$20.00	N

Part Number	Year	Description	Price	*Rev.
01995216	1980	HEADLIGHT SWITCH	\$20.00	N
01995216	1981	HEADLIGHT SWITCH	\$20.00	N
01995216	1982	HEADLIGHT SWITCH	\$20.00	N
01995216	1983	HEADLIGHT SWITCH	\$20.00	N
01995216	1984	HEADLIGHT SWITCH	\$20.00	N
01995216	1985	HEADLIGHT SWITCH	\$20.00	N
01995216	1986	HEADLIGHT SWITCH	\$20.00	N
01995216	1987	HEADLIGHT SWITCH	\$20.00	N
01995216	1988	HEADLIGHT SWITCH	\$20.00	N
HEATER BLOWER MOTOR RESISTOR				
03929052	1964	HEATER BLOWER MOTOR RESISTOR Without A/C	\$15.00	N
03929052	1965	HEATER BLOWER MOTOR RESISTOR Without A/C	\$15.00	N
03929052	1966	HEATER BLOWER MOTOR RESISTOR Without A/C	\$15.00	N
03929052	1967	HEATER BLOWER MOTOR RESISTOR Without A/C	\$15.00	N
03929052	1968	HEATER BLOWER MOTOR RESISTOR Without A/C	\$15.00	N
03929052	1969	HEATER BLOWER MOTOR RESISTOR Without A/C	\$15.00	N
03929052	1970	HEATER BLOWER MOTOR RESISTOR Without A/C	\$15.00	N
03929052	1971	HEATER BLOWER MOTOR RESISTOR Without A/C	\$15.00	N
03929052	1972	HEATER BLOWER MOTOR RESISTOR Without A/C	\$15.00	N
03929052	1973	HEATER BLOWER MOTOR RESISTOR Without A/C	\$15.00	N
03929052	1974	HEATER BLOWER MOTOR RESISTOR Without A/C	\$15.00	N
03929052	1975	HEATER BLOWER MOTOR RESISTOR Without A/C	\$15.00	N
HEATER BLOWER MOTOR SWITCH				
03963743	1970	HEATER BLOWER MOTOR SWITCH Without A/C Note: Once our current stock runs out, this item will be discontinued.	\$58.00	
03963743	1971	HEATER BLOWER MOTOR SWITCH Without A/C Note: Once our current stock runs out, this item will be discontinued.	\$58.00	
03963743	1972	HEATER BLOWER MOTOR SWITCH Without A/C Note: Once our current stock runs out, this item will be discontinued.	\$58.00	
HEATER HARNESS				
41689	1968	HEATER HARNESS Right Hand Drive (Export Only), Without A/C, From Blower Resister To Heater Switch	\$53.00	
41695	1969	HEATER HARNESS Right Hand Drive (Export Only), Without A/C, From Blower Resister To Heater Switch	\$53.00	
41747	1973	HEATER HARNESS Without A/C, From Blower Resistor To Heater Extension Harness	\$94.00	
41763	1973	HEATER HARNESS EXTENSION Without A/C, From Blower Switch To Heater Harness	\$41.00	
41765	1973	HEATER HARNESS EXTENSION Without A/C, From Heater Harness To Low Blower Delay Switch	\$30.00	
41747	1974	HEATER HARNESS Without A/C, From Blower Resistor To Heater Extension Harness	\$94.00	
41763	1974	HEATER HARNESS EXTENSION Without A/C, From Blower Switch To Heater Harness	\$41.00	
41765	1974	HEATER HARNESS EXTENSION Without A/C, From Heater Harness To Low Blower Delay Switch	\$30.00	
41747	1975	HEATER HARNESS Without A/C, From Blower Resistor To Heater Extension Harness	\$94.00	
41763	1975	HEATER HARNESS EXTENSION Without A/C, From Blower Switch To Heater Harness	\$41.00	
41792	1975	HEATER HARNESS EXTENSION Without A/C, From Heater Harness To Low Blower Delay Switch	\$41.00	
41747	1976	HEATER HARNESS Without A/C, From Blower Resistor To Heater Extension Harness	\$94.00	
41763	1976	HEATER HARNESS EXTENSION Without A/C, From Blower Switch To Heater Harness	\$41.00	
41806	1976	HEATER HARNESS EXTENSION Without A/C, From Heater Harness To Low Blower Delay Switch	\$30.00	
41818	1977	HEATER HARNESS Without A/C, From Blower Resistor To Heater Extension Harness	\$94.00	

Part Number	Year	Description	Price	*Rev.
41763	1977	HEATER HARNESS EXTENSION Without A/C, From Blower Switch To Heater Harness	\$41.00	
41917	1978	HEATER HARNESS Without A/C, From Blower Motor To Blower Switch Harness	\$94.00	
41918	1978	HEATER HARNESS Without A/C, From Blower Switch, Under Dash	\$94.00	
41917	1979	HEATER HARNESS Without A/C, From Blower Motor To Blower Switch Harness	\$94.00	
41918	1979	HEATER HARNESS Without A/C, From Blower Switch, Under Dash	\$94.00	
41917	1980	HEATER HARNESS Without A/C, From Blower Motor To Blower Switch Harness	\$94.00	
41918	1980	HEATER HARNESS Without A/C, From Blower Switch, Under Dash	\$94.00	
41917	1981	HEATER HARNESS Without A/C, From Blower Motor To Blower Switch Harness	\$94.00	
41942	1981	HEATER HARNESS Without A/C, From Blower Switch, Under Dash	\$94.00	
41917	1982	HEATER HARNESS Without A/C, From Blower Motor To Blower Switch Harness	\$94.00	
41942	1982	HEATER HARNESS Without A/C, From Blower Switch, Under Dash	\$94.00	
HOOD LAMP REPLACEMENT KIT				
18410	1964	HOOD LAMP KIT Under Hood, Includes Socket, Wire & Bulb	\$60.00	C
18410	1965	HOOD LAMP KIT Under Hood, Includes Socket, Wire & Bulb	\$60.00	C
18410	1966	HOOD LAMP KIT Under Hood, Includes Socket, Wire & Bulb	\$60.00	C
18410	1967	HOOD LAMP KIT Under Hood, Includes Socket, Wire & Bulb	\$60.00	C
18410	1968	HOOD LAMP KIT Under Hood, Includes Socket, Wire & Bulb	\$60.00	C
18410	1969	HOOD LAMP KIT Under Hood, Includes Socket, Wire & Bulb	\$60.00	C
18410	1970	HOOD LAMP KIT Under Hood, Includes Socket, Wire & Bulb	\$60.00	C
18410	1971	HOOD LAMP KIT Under Hood, Includes Socket, Wire & Bulb	\$60.00	C
18410	1972	HOOD LAMP KIT Under Hood, Includes Socket, Wire & Bulb	\$60.00	C
18410	1973	HOOD LAMP KIT Under Hood, Includes Socket, Wire & Bulb	\$60.00	C
18410	1974	HOOD LAMP KIT Under Hood, Includes Socket, Wire & Bulb	\$60.00	C
18410	1975	HOOD LAMP KIT Under Hood, Includes Socket, Wire & Bulb	\$60.00	C
18410	1976	HOOD LAMP KIT Under Hood, Includes Socket, Wire & Bulb	\$60.00	C
18410	1977	HOOD LAMP KIT Under Hood, Includes Socket, Wire & Bulb	\$60.00	C
HORN WIRE				
41673	1965	HORN WIRE All With Low Note Horn, Option Code U03 Note: Used Only With Low Note Horn, (Option Code U03) Mounted On Driver Side Inner Fender Skirt.	\$23.00	
41577	1966	HORN WIRE All With Low Note Horn, Option Code U03 Note: Used Only With Low Note Horn, (Option Code U03) Mounted Under Lip Of Driver Side Fender.	\$23.00	
01395	1967	HORN WIRE All With Low Note Horn, Option Code U03 Note: Used Only With Low Note Horn, (Option Code U03) Mounted On Driver Side Inner Fender Skirt.	\$22.00	
41691	1968	HORN WIRE All With Low Note Horn, Option Code U03 Note: Used On Cars With The Low Note Horn Option Code U03 Where Horn Is Mounted On Lower Section Of The Hood Catch Support Bracket.	\$22.00	
27735	1968	HORN WIRE All With Single Horn	\$21.00	
27740	1968	HORN WIRE All With Dual Horns	\$21.00	
27735	1969	HORN WIRE All With Single Horn	\$21.00	
27740	1969	HORN WIRE All With Dual Horns	\$21.00	
15055	1970	HORN WIRE All With Single Horn	\$21.00	
27730	1970	HORN WIRE All With Dual Horns	\$21.00	
15055	1971	HORN WIRE All With Single Horn	\$21.00	
27730	1971	HORN WIRE All With Dual Horns	\$21.00	
01690	1973	HORN WIRE All With Dual Horns	\$26.00	
01690	1974	HORN WIRE All With Dual Horns	\$26.00	
41797	1975	HORN WIRE All With Dual Horns	\$25.00	

Part Number	Year	Description	Price	*Rev.
41758	1976	HORN WIRE All With Dual Horns, Except Laguna	\$26.00	
41797	1976	HORN WIRE Dual Horns, Laguna	\$25.00	
41758	1977	HORN WIRE All With Dual Horns	\$26.00	
IDLE STOP SOLENOID JUMPER WIRE				
41889	1979	IDLE STOP SOLENOID JUMPER WIRE Fast Idle Soleniod Note: Idle Stop Circuit Can Also Be Used For An Electric Choke.	\$21.00	
IDLE STOP SOLENOID WIRE				
17495	1970	IDLE STOP SOLENOID WIRE All V/8, Except Big Block With Manual Trans Note: Idle Stop Circuit Can Also Be Used For An Electric Choke.	\$17.00	
IGNITION CYLINDER AND KEYS				
20071252	1969	IGNITION CYLINDER AND KEYS Chrome, All	\$18.50	N
20071252	1970	IGNITION CYLINDER AND KEYS Chrome, All	\$18.50	N
20071252	1971	IGNITION CYLINDER AND KEYS Chrome, All	\$18.50	N
20071252	1972	IGNITION CYLINDER AND KEYS Chrome, All	\$18.50	N
20071252	1973	IGNITION CYLINDER AND KEYS Chrome, All	\$18.50	N
20071252	1974	IGNITION CYLINDER AND KEYS Chrome, All	\$18.50	N
20071252	1975	IGNITION CYLINDER AND KEYS Chrome, All	\$18.50	N
20071252	1976	IGNITION CYLINDER AND KEYS Chrome, All	\$18.50	N
20071252	1977	IGNITION CYLINDER AND KEYS Chrome, All	\$18.50	N
20071252	1978	IGNITION CYLINDER AND KEYS Chrome, All, 1st Design, Used On Columns Without Lock Cylinder Retaining Screw	\$18.50	N
07833759	1978	IGNITION CYLINDER AND KEYS Chrome, Malibu, El Camino, Monte Carlo, 2nd Design, Used On Columns With Lock Cylinder Retaining Screw	\$18.50	N
07833759	1979	IGNITION CYLINDER AND KEYS Chrome, Malibu, El Camino, Monte Carlo	\$18.50	N
07833759	1980	IGNITION CYLINDER AND KEYS Chrome, Malibu, El Camino, Monte Carlo	\$18.50	N
07833759	1981	IGNITION CYLINDER AND KEYS Chrome, Malibu, El Camino, Monte Carlo	\$18.50	N
07833759	1982	IGNITION CYLINDER AND KEYS Chrome, Malibu, El Camino, Monte Carlo	\$18.50	N
07833759	1983	IGNITION CYLINDER AND KEYS Chrome, Malibu, El Camino, Monte Carlo	\$18.50	N
07833759	1984	IGNITION CYLINDER AND KEYS Chrome, El Camino, Monte Carlo	\$18.50	N
07833759	1985	IGNITION CYLINDER AND KEYS Chrome, El Camino, Monte Carlo	\$18.50	N
07833759	1986	IGNITION CYLINDER AND KEYS Chrome, El Camino, Monte Carlo	\$18.50	N
07833759	1987	IGNITION CYLINDER AND KEYS Chrome, El Camino, Monte Carlo	\$18.50	N
07833759	1988	IGNITION CYLINDER AND KEYS Chrome, El Camino, Monte Carlo	\$18.50	N
IGNITION SWITCH				
44205	1964	IGNITION SWITCH KIT Note: Includes Ignition Switch, Connector And Instructions.	\$37.00	N
44205	1965	IGNITION SWITCH KIT Note: Includes Ignition Switch, Connector And Instructions.	\$37.00	N
01990110	1969	IGNITION SWITCH All, With Tilt	\$14.00	N
01990110	1970	IGNITION SWITCH All, With Tilt	\$14.00	N
01990110	1971	IGNITION SWITCH All, With Tilt	\$14.00	N
01990110	1972	IGNITION SWITCH All, With Tilt	\$14.00	N
01990110	1973	IGNITION SWITCH All, With Tilt	\$14.00	N
01990110	1974	IGNITION SWITCH All, With Tilt	\$14.00	N
01990110	1975	IGNITION SWITCH All, With Tilt	\$14.00	N
01990110	1976	IGNITION SWITCH All, With Tilt	\$14.00	N
01990110	1977	IGNITION SWITCH All, With Tilt	\$14.00	N

Part Number	Year	Description	Price	*Rev.
01990110	1978	IGNITION SWITCH All, With Tilt	\$14.00	N
01990110	1979	IGNITION SWITCH All, With Tilt	\$14.00	N
01990110	1980	IGNITION SWITCH All, With Tilt	\$14.00	N
01990110	1981	IGNITION SWITCH All, With Tilt	\$14.00	N
01990110	1982	IGNITION SWITCH All, With Tilt	\$14.00	N
01990110	1983	IGNITION SWITCH All, With Tilt	\$14.00	N
01990110	1984	IGNITION SWITCH All, With Tilt	\$14.00	N
01990110	1985	IGNITION SWITCH All, With Tilt	\$14.00	N
01990110	1986	IGNITION SWITCH All, With Tilt	\$14.00	N
01990110	1987	IGNITION SWITCH All, With Tilt	\$14.00	N
01990110	1988	IGNITION SWITCH All, With Tilt	\$14.00	N
INSTRUMENT GAUGE CLUSTER CLIP KIT				
08986000	1976	CLIP KIT Malibu, El Camino, Monte Carlo, All, Instrument Gauge Cluster / Printed Circuit Board Retaining Clip Note: Replaces Original GM Part Number 08986000, Includes 12 Clips Per Kit.	\$14.00	N
08986000	1977	CLIP KIT Malibu, El Camino, Monte Carlo, All, Instrument Gauge Cluster / Printed Circuit Board Retaining Clip Note: Replaces Original GM Part Number 08986000, Includes 12 Clips Per Kit.	\$14.00	N
08986000	1978	CLIP KIT Malibu, El Camino, Monte Carlo, All, Instrument Gauge Cluster / Printed Circuit Board Retaining Clip Note: Replaces Original GM Part Number 08986000, Includes 12 Clips Per Kit.	\$14.00	N
08986000	1979	CLIP KIT Malibu, El Camino, Monte Carlo, All, Instrument Gauge Cluster / Printed Circuit Board Retaining Clip Note: Replaces Original GM Part Number 08986000, Includes 12 Clips Per Kit.	\$14.00	N
08986000	1980	CLIP KIT Malibu, El Camino, Monte Carlo, All, Instrument Gauge Cluster / Printed Circuit Board Retaining Clip Note: Replaces Original GM Part Number 08986000, Includes 12 Clips Per Kit.	\$14.00	N
08986000	1981	CLIP KIT Malibu, El Camino, Monte Carlo, All, Instrument Gauge Cluster / Printed Circuit Board Retaining Clip Note: Replaces Original GM Part Number 08986000, Includes 12 Clips Per Kit.	\$14.00	N
08986000	1982	CLIP KIT Malibu, El Camino, Monte Carlo, All, Instrument Gauge Cluster / Printed Circuit Board Retaining Clip Note: Replaces Original GM Part Number 08986000, Includes 12 Clips Per Kit.	\$14.00	N
08986000	1983	CLIP KIT Malibu, El Camino, Monte Carlo, All, Instrument Gauge Cluster / Printed Circuit Board Retaining Clip Note: Replaces Original GM Part Number 08986000, Includes 12 Clips Per Kit.	\$14.00	N
08986000	1984	CLIP KIT El Camino, Monte Carlo, All, Instrument Gauge Cluster / Printed Circuit Board Retaining Clip Note: Replaces Original GM Part Number 08986000, Includes 12 Clips Per Kit.	\$14.00	N
08986000	1985	CLIP KIT El Camino, Monte Carlo, All, Instrument Gauge Cluster / Printed Circuit Board Retaining Clip Note: Replaces Original GM Part Number 08986000, Includes 12 Clips Per Kit.	\$14.00	N
08986000	1986	CLIP KIT El Camino, Monte Carlo, All, Instrument Gauge Cluster / Printed Circuit Board Retaining Clip Note: Replaces Original GM Part Number 08986000, Includes 12 Clips Per Kit.	\$14.00	N
08986000	1987	CLIP KIT El Camino, Monte Carlo, All, Instrument Gauge Cluster / Printed Circuit Board Retaining Clip Note: Replaces Original GM Part Number 08986000, Includes 12 Clips Per Kit.	\$14.00	N
08986000	1988	CLIP KIT El Camino, Monte Carlo, All, Instrument Gauge Cluster / Printed Circuit Board Retaining Clip Note: Replaces Original GM Part Number 08986000, Includes 12 Clips Per Kit.	\$14.00	N

Part Number	Year	Description	Price	*Rev.
KICKDOWN HARNESS				
06145	1965	KICKDOWN HARNESS TH400 Auto Trans	\$43.00	
06145	1966	KICKDOWN HARNESS TH400 Auto Trans	\$43.00	
06145	1967	KICKDOWN HARNESS TH400 Auto Trans	\$43.00	
11980	1968	KICKDOWN HARNESS TH400 Auto Trans	\$48.00	
11980	1969	KICKDOWN HARNESS TH400 Auto Trans	\$48.00	
17565	1971	KICKDOWN EXTENSION HARNESS TH400 Auto Trans, From Gas Pedal Switch To Engine Harness	\$32.00	
17565	1972	KICKDOWN EXTENSION HARNESS TH400 Auto Trans, From Gas Pedal Switch To Engine Harness	\$32.00	
41754	1973	KICKDOWN EXTENSION HARNESS TH400 Auto Trans, From Gas Pedal Switch To Engine Harness	\$43.00	
41754	1974	KICKDOWN EXTENSION HARNESS TH400 Auto Trans, From Gas Pedal Switch To Engine Harness	\$43.00	
41754	1975	KICKDOWN EXTENSION HARNESS TH400 Auto Trans, From Gas Pedal Switch To Engine Harness	\$43.00	
KICKDOWN SWITCH				
01242101	1970	KICKDOWN SWITCH TH400 Auto Trans	\$19.00	
01242101	1971	KICKDOWN SWITCH TH400 Auto Trans	\$19.00	
01242101	1972	KICKDOWN SWITCH TH400 Auto Trans	\$19.00	
01242101	1973	KICKDOWN SWITCH TH400 Auto Trans	\$19.00	
01242101	1974	KICKDOWN SWITCH TH400 Auto Trans	\$19.00	
01242101	1975	KICKDOWN SWITCH TH400 Auto Trans	\$19.00	
LICENSE LAMP HARNESS				
41995	1978	LICENSE LAMP HARNESS Wagon, Without Electric Tailgate Release Note: Customer Must Supply Their Original Harness.	\$41.00	
41996	1978	LICENSE LAMP HARNESS Wagon, With Electric Tailgate Release Note: Customer Must Supply Their Original Harness.	\$41.00	
42032	1978	LICENSE LAMP HARNESS El Camino Note: Customer Must Supply Their Original Harness.	\$41.00	
41995	1979	LICENSE LAMP HARNESS Wagon, Without Electric Tailgate Release Note: Customer Must Supply Their Original Harness.	\$41.00	
41996	1979	LICENSE LAMP HARNESS Wagon, With Electric Tailgate Release Note: Customer Must Supply Their Original Harness.	\$41.00	
42032	1979	LICENSE LAMP HARNESS El Camino Note: Customer Must Supply Their Original Harness.	\$41.00	
41995	1980	LICENSE LAMP HARNESS Wagon, Without Electric Tailgate Release Note: Customer Must Supply Their Original Harness.	\$41.00	
41996	1980	LICENSE LAMP HARNESS Wagon, With Electric Tailgate Release Note: Customer Must Supply Their Original Harness.	\$41.00	
42032	1980	LICENSE LAMP HARNESS El Camino Note: Customer Must Supply Their Original Harness.	\$41.00	
41995	1981	LICENSE LAMP HARNESS Wagon, Without Electric Tailgate Release Note: Customer Must Supply Their Original Harness.	\$41.00	
41996	1981	LICENSE LAMP HARNESS Wagon, With Electric Tailgate Release Note: Customer Must Supply Their Original Harness.	\$41.00	
42032	1981	LICENSE LAMP HARNESS El Camino Note: Customer Must Supply Their Original Harness.	\$41.00	
41995	1982	LICENSE LAMP HARNESS Wagon, Without Electric Tailgate Release Note: Customer Must Supply Their Original Harness.	\$41.00	
41996	1982	LICENSE LAMP HARNESS Wagon, With Electric Tailgate Release Note: Customer Must Supply Their Original Harness.	\$41.00	

Part Number	Year	Description	Price	*Rev.
42032	1982	LICENSE LAMP HARNESS El Camino Note: Customer Must Supply Their Original Harness.	\$41.00	
LOW FUEL INDICATOR MODULE				
500274	1964	LOW FUEL INDICATOR MODULE Generic "Adjustable" Low Fuel Warning Module Note: A Complete Electronic Control Unit To Activate A Warning Lamp Or Relay When Fuel Level Drops Below A User Adjustable Level. Includes instruction sheet.	\$64.00	C
500274	1965	LOW FUEL INDICATOR MODULE Generic "Adjustable" Low Fuel Warning Module Note: A Complete Electronic Control Unit To Activate A Warning Lamp Or Relay When Fuel Level Drops Below A User Adjustable Level. Includes instruction sheet.	\$64.00	C
500274	1966	LOW FUEL INDICATOR MODULE Generic "Adjustable" Low Fuel Warning Module Note: A Complete Electronic Control Unit To Activate A Warning Lamp Or Relay When Fuel Level Drops Below A User Adjustable Level. Includes instruction sheet.	\$64.00	C
500274	1967	LOW FUEL INDICATOR MODULE Generic "Adjustable" Low Fuel Warning Module Note: A Complete Electronic Control Unit To Activate A Warning Lamp Or Relay When Fuel Level Drops Below A User Adjustable Level. Includes instruction sheet.	\$64.00	C
500274	1968	LOW FUEL INDICATOR MODULE Generic "Adjustable" Low Fuel Warning Module Note: A Complete Electronic Control Unit To Activate A Warning Lamp Or Relay When Fuel Level Drops Below A User Adjustable Level. Includes instruction sheet.	\$64.00	C
500274	1969	LOW FUEL INDICATOR MODULE Generic "Adjustable" Low Fuel Warning Module Note: A Complete Electronic Control Unit To Activate A Warning Lamp Or Relay When Fuel Level Drops Below A User Adjustable Level. Includes instruction sheet.	\$64.00	C
500274	1970	LOW FUEL INDICATOR MODULE Generic "Adjustable" Low Fuel Warning Module Note: A Complete Electronic Control Unit To Activate A Warning Lamp Or Relay When Fuel Level Drops Below A User Adjustable Level. Includes instruction sheet.	\$64.00	C
500274	1971	LOW FUEL INDICATOR MODULE Generic "Adjustable" Low Fuel Warning Module Note: A Complete Electronic Control Unit To Activate A Warning Lamp Or Relay When Fuel Level Drops Below A User Adjustable Level. Includes instruction sheet.	\$64.00	C
500274	1972	LOW FUEL INDICATOR MODULE Generic "Adjustable" Low Fuel Warning Module Note: A Complete Electronic Control Unit To Activate A Warning Lamp Or Relay When Fuel Level Drops Below A User Adjustable Level. Includes instruction sheet.	\$64.00	C
500274	1973	LOW FUEL INDICATOR MODULE Generic "Adjustable" Low Fuel Warning Module Note: A Complete Electronic Control Unit To Activate A Warning Lamp Or Relay When Fuel Level Drops Below A User Adjustable Level. Includes instruction sheet.	\$64.00	C
500274	1974	LOW FUEL INDICATOR MODULE Generic "Adjustable" Low Fuel Warning Module Note: A Complete Electronic Control Unit To Activate A Warning Lamp Or Relay When Fuel Level Drops Below A User Adjustable Level. Includes instruction sheet.	\$64.00	C
500274	1975	LOW FUEL INDICATOR MODULE Generic "Adjustable" Low Fuel Warning Module Note: A Complete Electronic Control Unit To Activate A Warning Lamp Or Relay When Fuel Level Drops Below A User Adjustable Level. Includes instruction sheet.	\$64.00	C
500274	1976	LOW FUEL INDICATOR MODULE Generic "Adjustable" Low Fuel Warning Module Note: A Complete Electronic Control Unit To Activate A Warning Lamp Or Relay When Fuel Level Drops Below A User Adjustable Level. Includes instruction sheet.	\$64.00	C
500274	1977	LOW FUEL INDICATOR MODULE Generic "Adjustable" Low Fuel Warning Module Note: A Complete Electronic Control Unit To Activate A Warning Lamp Or Relay When Fuel Level Drops Below A User Adjustable Level. Includes instruction sheet.	\$64.00	C
MAP LIGHT HARNESS				
41720	1969	MAP LIGHT HARNESS EXTENSION HARNESS From Fuse Box To Interior Rear View Mirror Connector	\$33.00	
40868	1970	MAP LIGHT HARNESS EXTENSION HARNESS From Fuse Box To Interior Rear View Mirror Connector	\$33.00	
41852	1971	MAP LIGHT HARNESS EXTENSION HARNESS From Fuse Box To Interior Rear View Mirror Connector	\$33.00	
41852	1972	MAP LIGHT HARNESS EXTENSION HARNESS From Fuse Box To Interior Rear View Mirror Connector	\$33.00	
41846	1973	MAP LIGHT HARNESS From Fuse Block To Map Lamp	\$33.00	

Part Number	Year	Description	Price	*Rev.
41846	1974	MAP LIGHT HARNESS From Fuse Block To Map Lamp	\$33.00	
41846	1975	MAP LIGHT HARNESS From Fuse Block To Map Lamp	\$33.00	
41666	1976	MAP LIGHT HARNESS From Fuse Block To Map Lamp	\$33.00	
41666	1977	MAP LIGHT HARNESS From Fuse Block To Map Lamp	\$33.00	
NEUTRAL SAFETY AND BACKUP LAMP SWITCH				
01993658	1964	NEUTRAL SAFETY AND BACKUP LAMP SWITCH With Console Shift Powerglide Auto Trans	\$55.00	M
01993320	1965	NEUTRAL SAFETY AND BACKUP LAMP SWITCH With Column Shift TH350-400 Auto Trans	\$12.00	
01993696	1965	NEUTRAL SAFETY AND BACKUP LAMP SWITCH With Console Shift Powerglide Auto Trans	\$64.00	
01993321	1965	NEUTRAL SAFETY AND BACKUP LAMP SWITCH With Console Shift TH350-400 Auto Trans	\$55.00	
01993320	1966	NEUTRAL SAFETY AND BACKUP LAMP SWITCH With Column Shift TH350-400 Auto Trans	\$12.00	
01993696	1966	NEUTRAL SAFETY AND BACKUP LAMP SWITCH With Console Shift Powerglide Auto Trans	\$64.00	
01993321	1966	NEUTRAL SAFETY AND BACKUP LAMP SWITCH With Console Shift TH350-400 Auto Trans	\$55.00	
01993696	1967	NEUTRAL SAFETY AND BACKUP LAMP SWITCH With Console Shift Powerglide Auto Trans	\$64.00	
01993321	1967	NEUTRAL SAFETY AND BACKUP LAMP SWITCH With Console Shift TH350-400 Auto Trans	\$55.00	
01994235	1969	NEUTRAL SAFETY AND BACKUP LAMP SWITCH With Column Shift Auto Trans, All	\$19.00	
01994235	1970	NEUTRAL SAFETY AND BACKUP LAMP SWITCH With Column Shift Auto Trans, All	\$19.00	
01994235	1971	NEUTRAL SAFETY AND BACKUP LAMP SWITCH With Column Shift Auto Trans, All	\$19.00	
01994235	1972	NEUTRAL SAFETY AND BACKUP LAMP SWITCH With Column Shift Auto Trans, All	\$19.00	
01994235	1973	NEUTRAL SAFETY AND BACKUP LAMP SWITCH With Column Shift Auto Trans, All	\$19.00	
01994163	1974	NEUTRAL SAFETY AND BACKUP LAMP SWITCH With Auto Trans, All	\$19.00	
01994163	1975	NEUTRAL SAFETY AND BACKUP LAMP SWITCH With Auto Trans, All	\$19.00	
01994163	1976	NEUTRAL SAFETY AND BACKUP LAMP SWITCH With Auto Trans, All	\$19.00	
NEUTRAL SAFETY SWITCH				
01993490	1969	NEUTRAL SAFETY SWITCH With Manual Trans (Clutch Pedal Activated)	\$65.00	
03983966	1970	NEUTRAL SAFETY SWITCH With Manual Trans (Clutch Pedal Activated)	\$58.00	
03986841	1971	NEUTRAL SAFETY SWITCH With Manual Trans (Clutch Pedal Activated)	\$58.00	
03986841	1972	NEUTRAL SAFETY SWITCH With Manual Trans (Clutch Pedal Activated)	\$58.00	
NEUTRAL SAFETY SWITCH EXTENSION HARNESS				
28240	1969	NEUTRAL SAFETY SWITCH EXTENSION HARNESS With Manual Trans, From Dash To Clutch Switch	\$33.00	
28240	1970	NEUTRAL SAFETY SWITCH EXTENSION HARNESS With Manual Trans, From Dash To Clutch Switch	\$33.00	
28240	1971	NEUTRAL SAFETY SWITCH EXTENSION HARNESS With Manual Trans, From Dash To Clutch Switch	\$33.00	
28240	1972	NEUTRAL SAFETY SWITCH EXTENSION HARNESS With Manual Trans, From Dash To Clutch Switch	\$33.00	
28240	1973	NEUTRAL SAFETY SWITCH EXTENSION HARNESS With Manual Trans, From Dash To Clutch Switch	\$33.00	
36273	1974	NEUTRAL SAFETY SWITCH EXTENSION HARNESS With Manual Trans, From Dash To Clutch Switch	\$30.00	
36273	1975	NEUTRAL SAFETY SWITCH EXTENSION HARNESS With Manual Trans, From Dash To Clutch Switch	\$30.00	
36273	1976	NEUTRAL SAFETY SWITCH EXTENSION HARNESS With Manual Trans, From Dash To Clutch Switch	\$30.00	
36273	1977	NEUTRAL SAFETY SWITCH EXTENSION HARNESS With Manual Trans, From Dash To Clutch Switch	\$30.00	
NEUTRAL SAFETY SWITCH JUMPER				
28485	1966	NEUTRAL SAFETY SWITCH JUMPER From Dash Harness To Column Mounted Neutral Safety Switch Note: This Jumper Is Necessary For Coulmn Shift Auto Trans.	\$25.00	
28485	1967	NEUTRAL SAFETY SWITCH JUMPER From Dash Harness To Column Mounted Neutral Safety Switch Note: This Jumper Is Necessary For Coulmn Shift Auto Trans.	\$25.00	
28485	1968	NEUTRAL SAFETY SWITCH JUMPER From Dash Harness To Column Mounted Neutral Safety Switch Note: This Jumper Is Necessary For Coulmn Shift Auto Trans.	\$25.00	

Part Number	Year	Description	Price	*Rev.
OVERDRIVE HARNESS				
41671	1964	OVERDRIVE HARNESS 6 Cylinder Note: 6 Cylinder Items Are Not Returnable.	\$132.00	
41672	1964	OVERDRIVE HARNESS V/8	\$132.00	
37785	1964	OVERDRIVE EXTENSION HARNESS From Overdrive Harness To Transmission	\$80.00	
19065	1965	OVERDRIVE HARNESS 6 Cylinder Note: 6 Cylinder Items Are Not Returnable.	\$132.00	
19055	1965	OVERDRIVE HARNESS V/8	\$132.00	
37785	1965	OVERDRIVE EXTENSION HARNESS From Overdrive Harness To Transmission	\$80.00	
19065	1966	OVERDRIVE HARNESS 6 Cylinder Note: 6 Cylinder Items Are Not Returnable.	\$132.00	
19055	1966	OVERDRIVE HARNESS V/8	\$132.00	
04800	1966	OVERDRIVE EXTENSION HARNESS From Overdrive Harness To Transmission	\$67.00	
19060	1967	OVERDRIVE HARNESS 6 Cylinder Note: 6 Cylinder Items Are Not Returnable.	\$132.00	
41682	1967	OVERDRIVE HARNESS V/8	\$132.00	
04800	1967	OVERDRIVE EXTENSION HARNESS From Overdrive Harness To Transmission	\$67.00	
11970	1968	OVERDRIVE HARNESS 6 Cylinder Note: 6 Cylinder Items Are Not Returnable.	\$132.00	
11975	1968	OVERDRIVE HARNESS V/8	\$132.00	
04800	1968	OVERDRIVE EXTENSION HARNESS From Overdrive Harness To Transmission	\$67.00	
11970	1969	OVERDRIVE HARNESS 6 Cylinder Note: 6 Cylinder Items Are Not Returnable.	\$132.00	
11975	1969	OVERDRIVE HARNESS V/8	\$132.00	
04800	1969	OVERDRIVE EXTENSION HARNESS From Overdrive Harness To Transmission	\$67.00	
PARKING LAMP HARNESS				
41745	1973	PARKING LAMP HARNESS Monte Carlo, From Forward Lamp Harness To Parking Lamp (2 Required Per Car)	\$60.00	
41769	1974	PARKING LAMP HARNESS Monte Carlo, From Forward Lamp Harness To Parking & Marker Lamp (2 Required Per Car)	\$60.00	
41769	1975	PARKING LAMP HARNESS Monte Carlo, From Forward Lamp Harness To Parking & Marker Lamp (2 Required Per Car)	\$60.00	
POWER ACCESSORY FEED WIRE				
28230	1964	POWER ACCESSORY FEED WIRE From Starter Solenoid To Firewall Circuit Breaker, All Power Accessories	\$26.00	
06940	1964	POWER ACCESSORY FEED WIRE Power Feed, From Circuit Breaker To Power Seat Harness	\$26.00	
28430	1965	POWER ACCESSORY FEED WIRE From Horn Relay To Circuit Breaker, All Power Accessories	\$18.00	
07590	1965	POWER ACCESSORY FEED WIRE Power Feed, From Circuit Breaker To Power Seat Harness	\$26.00	
28430	1966	POWER ACCESSORY FEED WIRE From Horn Relay To Circuit Breaker, All Power Accessories	\$18.00	
07590	1966	POWER ACCESSORY FEED WIRE Power Feed, From Circuit Breaker To Power Seat Harness	\$26.00	
10755	1967	POWER ACCESSORY FEED WIRE From Horn Relay To Circuit Breaker, All Power Accessories	\$15.00	
07590	1967	POWER ACCESSORY FEED WIRE Power Feed, From Circuit Breaker To Power Seat Harness	\$26.00	
14175	1968	POWER ACCESSORY FEED WIRE From Circuit Breaker Power Feed To Power Seat Harness Note: Connects Item #35550 To Power Seat Harness.	\$17.00	
35550	1968	POWER ACCESSORY FEED WIRE From Circuit Breaker To Main Harness, Power Window, Top Or Seat	\$18.00	
40025	1968	POWER ACCESSORY, IGNITION FEED WIRE From Ignition Cavity On Fuse Block To Power Window Harness	\$17.00	
28220	1968	POWER ACCESSORY FEED WIRE From Horn Relay To Circuit Breaker, Used With All Power Accessories	\$17.00	

Part Number	Year	Description	Price	*Rev.
14175	1969	POWER ACCESSORY FEED WIRE From Circuit Breaker Power Feed To Power Seat Harness Note: Connects Item #35550 To Power Seat Harness.	\$17.00	
35550	1969	POWER ACCESSORY FEED WIRE From Circuit Breaker To Main Harness, Power Window, Top Or Seat	\$18.00	
40025	1969	POWER ACCESSORY, IGNITION FEED WIRE From Ignition Cavity On Fuse Block To Power Window Harness	\$17.00	
28220	1969	POWER ACCESSORY FEED WIRE From Horn Relay To Circuit Breaker, Used With All Power Accessories	\$17.00	
14175	1970	POWER ACCESSORY FEED WIRE From Circuit Breaker Power Feed To Power Seat Harness Note: Connects Item #28215 Or 36861 To Power Seat Harness.	\$17.00	
10755	1970	POWER ACCESSORY FEED WIRE Monte Carlo, From Horn Relay To Circuit Breaker, Used With All Power Accessories	\$15.00	
14325	1970	POWER ACCESSORY, IGNITION FEED WIRE From Ignition Cavity On Fuse Block To Power Window Harness	\$17.00	
28220	1970	POWER ACCESSORY FEED WIRE From Horn Relay To Circuit Breaker, Used With All Power Accessories	\$17.00	
28215	1970	POWER ACCESSORY FEED WIRE, 1 CAVITY CONNECTOR From Circuit Breaker To Main Harness, Power Window, Top Or Seat Note: Used With One Power Option Only, Windows Or Seat Or Top.	\$20.00	
36861	1970	POWER ACCESSORY FEED WIRE, 3 CAVITY CONNECTOR From Circuit Breaker To Main Harness, Power Window, Top & Seat Note: Used With Multiple Power Options, Windows, Seat And/Or Top.	\$27.00	
14175	1971	POWER ACCESSORY FEED WIRE From Circuit Breaker Power Feed To Power Seat Harness Note: Connects Item #28215 Or 36861 To Power Seat Harness.	\$17.00	
14325	1971	POWER ACCESSORY, IGNITION FEED WIRE From Ignition Cavity On Fuse Block To Power Window Harness	\$17.00	
10755	1971	POWER ACCESSORY FEED WIRE Monte Carlo, From Horn Relay To Circuit Breaker, Used With All Power Accessories	\$15.00	
28220	1971	POWER ACCESSORY FEED WIRE From Horn Relay To Circuit Breaker, Used With All Power Accessories	\$17.00	
28215	1971	POWER ACCESSORY FEED WIRE, 1 CAVITY CONNECTOR From Circuit Breaker To Main Harness, Power Window, Top Or Seat Note: Used With One Power Option Only, Windows Or Seat Or Top.	\$20.00	
36861	1971	POWER ACCESSORY FEED WIRE, 3 CAVITY CONNECTOR From Circuit Breaker To Main Harness, Power Window, Top & Seat Note: Used With Multiple Power Options, Windows, Seat And/Or Top.	\$27.00	
14175	1972	POWER ACCESSORY FEED WIRE From Circuit Breaker Power Feed To Power Seat Harness	\$17.00	
40776	1973	POWER ACCESSORY FEED WIRE From Power Seat Harness To Ignition Feed Wire	\$21.00	
40768	1973	POWER ACCESSORY FEED WIRE From Battery Fused Cavity In Fuse Block To Power Seat And/Or Door Lock Harness	\$26.00	
40776	1974	POWER ACCESSORY FEED WIRE From Power Seat Harness To Ignition Feed Wire	\$21.00	
40768	1974	POWER ACCESSORY FEED WIRE From Battery Fused Cavity In Fuse Block To Power Seat And/Or Door Lock Harness	\$26.00	
40416	1975	POWER ACCESSORY FEED WIRE From Ignition & Power Feed Jumper To Power Seat Harness	\$27.00	
40768	1975	POWER ACCESSORY FEED WIRE From Battery Fused Cavity In Fuse Block To Power Seat And/Or Door Lock Harness	\$26.00	
40423	1976	POWER ACCESSORY FEED WIRE From Ignition & Power Feed Jumper To Power Seat Harness	\$27.00	
40768	1976	POWER ACCESSORY FEED WIRE From Battery Fused Cavity In Fuse Block To Power Seat And/Or Door Lock Harness	\$26.00	
40423	1977	POWER ACCESSORY FEED WIRE From Ignition & Power Feed Jumper To Power Seat Harness	\$27.00	
40768	1977	POWER ACCESSORY FEED WIRE From Battery Fused Cavity In Fuse Block To Power Seat And/Or Door Lock Harness	\$26.00	
42020	1978	POWER ACCESSORY FEED WIRE From Junction Block To Power Seat Harness	\$25.00	
42004	1978	POWER ACCESSORY FEED WIRE From Battery Fused Cavity In Fuse Block To Power Accessories	\$25.00	
42031	1978	POWER ACCESSORY FEED WIRE From Ignition Cavity In Fuse Block To Sun Roof Harness	\$25.00	

Part Number	Year	Description	Price	*Rev.
42020	1979	POWER ACCESSORY FEED WIRE From Junction Block To Power Seat Harness	\$25.00	
42004	1979	POWER ACCESSORY FEED WIRE From Battery Fused Cavity In Fuse Block To Power Accessories	\$25.00	
42031	1979	POWER ACCESSORY FEED WIRE From Ignition Cavity In Fuse Block To Sun Roof Harness	\$25.00	
42020	1980	POWER ACCESSORY FEED WIRE From Junction Block To Power Seat Harness	\$25.00	
42004	1980	POWER ACCESSORY FEED WIRE From Battery Fused Cavity In Fuse Block To Power Accessories	\$25.00	
42031	1980	POWER ACCESSORY FEED WIRE From Ignition Cavity In Fuse Block To Sun Roof Harness	\$25.00	
42020	1981	POWER ACCESSORY FEED WIRE From Junction Block To Power Seat Harness	\$25.00	
42004	1981	POWER ACCESSORY FEED WIRE From Battery Fused Cavity In Fuse Block To Power Accessories	\$25.00	
42031	1981	POWER ACCESSORY FEED WIRE From Ignition Cavity In Fuse Block To Sun Roof Harness	\$25.00	
42020	1982	POWER ACCESSORY FEED WIRE From Junction Block To Power Seat Harness	\$25.00	
42004	1982	POWER ACCESSORY FEED WIRE From Battery Fused Cavity In Fuse Block To Power Accessories	\$25.00	
POWER ANTENNA HARNESS				
39627	1966	POWER ANTENNA HARNESS From Antenna Switch To Fuse Box	\$50.00	
32520	1966	POWER ANTENNA HARNESS Rear Power Antenna, All Except Convertible, From Switch To Antenna	\$41.00	
32525	1966	POWER ANTENNA HARNESS Rear Power Antenna, Convertible, From Switch To Antenna	\$41.00	
41866	1978	POWER ANTENNA HARNESS From Battery Cavity In Fuse Block To Relay	\$48.00	
41866	1979	POWER ANTENNA HARNESS From Battery Cavity In Fuse Block To Relay	\$48.00	
41866	1980	POWER ANTENNA HARNESS From Battery Cavity In Fuse Block To Relay	\$48.00	
41866	1981	POWER ANTENNA HARNESS From Battery Cavity In Fuse Block To Relay	\$48.00	
41866	1982	POWER ANTENNA HARNESS From Battery Cavity In Fuse Block To Relay	\$48.00	
POWER DOOR LOCK HARNESS				
40349	1970	POWER DOOR LOCK HARNESS Driver Side Door & Crossover, Coupe & Convertible Note: Customer Must Reuse Their Original Plastic Connector For Door Jamb Switch.	\$221.00	
40348	1970	POWER DOOR LOCK HARNESS Passenger Side Door, Coupe & Convertible Note: Customer Must Reuse Their Original Plastic Connector For Door Jamb Switch.	\$137.00	
40748	1970	POWER DOOR LOCK HARNESS Driver Side Door & Crossover, El Camino Note: Customer Must Reuse Their Original Plastic Connector For Door Jamb Switch.	\$212.00	
40749	1970	POWER DOOR LOCK HARNESS Passenger Side Door, El Camino Note: Customer Must Reuse Their Original Plastic Connector For Door Jamb Switch.	\$186.00	
40560	1970	POWER DOOR LOCK HARNESS 4 Door, Driver Side Front Door And Under Dash Crossover	\$212.00	
40561	1970	POWER DOOR LOCK HARNESS 4 Door, Passenger Side Front Door	\$180.00	
40551	1970	POWER DOOR LOCK HARNESS 4 Door Sport Sedan, From Rear Door Lock Solenoid To Intermediate Door Lock Harness, (2 Required Per Car)	\$60.00	
40552	1970	POWER DOOR LOCK HARNESS 4 Door, Except Sport Sedan, From Rear Door Lock Solenoid To Intermediate Door Lock Harness, (2 Required Per Car)	\$60.00	
40548	1970	POWER DOOR LOCK INTERMEDIATE HARNESS 4 Door Sport Sedan, From Under Dash To Rear Door Lock Solenoid Harness, (2 Required Per Car)	\$101.00	
40747	1970	POWER DOOR LOCK INTERMEDIATE HARNESS 4 Door, Except Sport Sedan, From Under Dash To Rear Door Lock Solenoid Harness, (2 Required Per Car)	\$87.00	
40349	1971	POWER DOOR LOCK HARNESS Driver Side Door & Crossover, Coupe & Convertible Note: Customer Must Reuse Their Original Plastic Connector For Door Jamb Switch.	\$221.00	
40348	1971	POWER DOOR LOCK HARNESS Passenger Side Door, Coupe & Convertible Note: Customer Must Reuse Their Original Plastic Connector For Door Jamb Switch.	\$137.00	
40748	1971	POWER DOOR LOCK HARNESS Driver Side Door & Crossover, El Camino Note: Customer Must Reuse Their Original Plastic Connector For Door Jamb Switch.	\$212.00	
40749	1971	POWER DOOR LOCK HARNESS Passenger Side Door, El Camino Note: Customer Must Reuse Their Original Plastic Connector For Door Jamb Switch.	\$186.00	
40560	1971	POWER DOOR LOCK HARNESS 4 Door, Driver Side Front Door And Under Dash Crossover	\$212.00	

Part Number	Year	Description	Price	*Rev.
40561	1971	POWER DOOR LOCK HARNESS 4 Door, Passenger Side Front Door	\$180.00	
40551	1971	POWER DOOR LOCK HARNESS 4 Door Sport Sedan, From Rear Door Lock Solenoid To Intermediate Door Lock Harness, (2 Required Per Car)	\$60.00	
40552	1971	POWER DOOR LOCK HARNESS 4 Door, Except Sport Sedan, From Rear Door Lock Solenoid To Intermediate Door Lock Harness, (2 Required Per Car)	\$60.00	
40794	1971	POWER DOOR LOCK INTERMEDIATE HARNESS 4 Door, Sport Sedan, Driver Side, From Under Dash To Rear Door Lock Solenoid Harness	\$60.00	
40548	1971	POWER DOOR LOCK INTERMEDIATE HARNESS 4 Door Sport Sedan, Passenger Side, From Under Dash To Rear Door Lock Solenoid Harness	\$101.00	
40795	1971	POWER DOOR LOCK INTERMEDIATE HARNESS 4 Door, Except Sport Sedan, Driver Side, From Under Dash To Rear Door Lock Solenoid Harness	\$60.00	
40747	1971	POWER DOOR LOCK INTERMEDIATE HARNESS 4 Door, Except Sport Sedan, Passenger Side, From Under Dash To Rear Door Lock Solenoid Harness	\$87.00	
40349	1972	POWER DOOR LOCK HARNESS Driver Side Door & Crossover, Coupe & Convertible Note: Customer Must Reuse Their Original Plastic Connector For Door Jamb Switch.	\$221.00	
40348	1972	POWER DOOR LOCK HARNESS Passenger Side Door, Coupe & Convertible Note: Customer Must Reuse Their Original Plastic Connector For Door Jamb Switch.	\$137.00	
40748	1972	POWER DOOR LOCK HARNESS Driver Side Door & Crossover, El Camino Note: Customer Must Reuse Their Original Plastic Connector For Door Jamb Switch.	\$212.00	
40749	1972	POWER DOOR LOCK HARNESS Passenger Side Door, El Camino Note: Customer Must Reuse Their Original Plastic Connector For Door Jamb Switch.	\$186.00	
40560	1972	POWER DOOR LOCK HARNESS 4 Door, Driver Side Front Door And Under Dash Crossover	\$212.00	
40561	1972	POWER DOOR LOCK HARNESS 4 Door, Passenger Side Front Door	\$180.00	
40548	1972	POWER DOOR LOCK INTERMEDIATE HARNESS 4 Door Sport Sedan, Passenger Side, From Under Dash To Rear Door Lock Solenoid Harness	\$101.00	
40794	1972	POWER DOOR LOCK INTERMEDIATE HARNESS 4 Door, Sport Sedan, Driver Side, From Under Dash To Rear Door Lock Solenoid Harness	\$60.00	
40747	1972	POWER DOOR LOCK INTERMEDIATE HARNESS 4 Door, Except Sport Sedan, Passenger Side, From Under Dash To Rear Door Lock Solenoid Harness	\$87.00	
40551	1972	POWER DOOR LOCK HARNESS 4 Door Sport Sedan, From Rear Door Lock Solenoid To Intermediate Door Lock Harness, (2 Required Per Car)	\$60.00	
40552	1972	POWER DOOR LOCK HARNESS 4 Door, Except Sport Sedan, From Rear Door Lock Solenoid To Intermediate Door Lock Harness, (2 Required Per Car)	\$60.00	
40795	1972	POWER DOOR LOCK INTERMEDIATE HARNESS 4 Door, Except Sport Sedan, Driver Side, From Under Dash To Rear Door Lock Solenoid Harness	\$60.00	
40779	1973	POWER DOOR LOCK HARNESS All, Without Power Windows, From Under Dash Crossover (Includes Courtesy Lamp Door Jamb Switch Wiring)	\$80.00	
40761	1973	POWER DOOR LOCK HARNESS 2 Door Models, All, Driver Or Passenger Side Note: 2 Required Per Car.	\$106.00	
40762	1973	POWER DOOR LOCK HARNESS 4 Door Models, All, Driver Or Passenger Side Front Door Note: 2 Required Per Car.	\$106.00	
40764	1973	POWER DOOR LOCK HARNESS Rear Door, 4 Door Models, All, Driver Or Passenger Side (2 Required Per Car)	\$60.00	
40715	1974	POWER DOOR LOCK HARNESS Center Crossover, Without Power Windows, (Includes Courtesy Lamp Door Jamb Switch Wiring)	\$106.00	
40761	1974	POWER DOOR LOCK HARNESS 2 Door Models, All, Driver Or Passenger Side Note: 2 Required Per Car.	\$106.00	
40762	1974	POWER DOOR LOCK HARNESS 4 Door Models, All, Driver Or Passenger Side Front Door Note: 2 Required Per Car.	\$106.00	
40764	1974	POWER DOOR LOCK HARNESS Rear Door, 4 Door Models, All, Driver Or Passenger Side (2 Required Per Car)	\$60.00	
40715	1975	POWER DOOR LOCK HARNESS Center Crossover, Without Power Windows, (Includes Courtesy Lamp Door Jamb Switch Wiring)	\$106.00	

Part Number	Year	Description	Price	*Rev.
40761	1975	POWER DOOR LOCK HARNESS 2 Door Models, All, Driver Or Passenger Side Note: 2 Required Per Car.	\$106.00	
40762	1975	POWER DOOR LOCK HARNESS 4 Door Models, All, Driver Or Passenger Side Front Door Note: 2 Required Per Car.	\$106.00	
40764	1975	POWER DOOR LOCK HARNESS Rear Door, 4 Door Models, All, Driver Or Passenger Side (2 Required Per Car)	\$60.00	
40424	1976	POWER DOOR LOCK HARNESS Center Crossover, Without Power Windows, (Includes Courtesy Lamp Door Jamb Switch Wiring)	\$106.00	
40409	1976	POWER DOOR LOCK HARNESS 2 Door, Driver Or Passenger Side Note: 2 Required Per Car.	\$106.00	
40410	1976	POWER DOOR LOCK HARNESS 4 Door, Driver Or Passenger Side Front Door	\$106.00	
40412	1976	POWER DOOR LOCK HARNESS Rear Door, 4 Door, Driver Or Passenger Side	\$60.00	
40858	1977	POWER DOOR LOCK HARNESS Center Crossover, Without Power Windows, (Includes Courtesy Lamp Door Jamb Switch Wiring)	\$106.00	
40859	1977	POWER DOOR LOCK HARNESS 2 Door, Driver Or Passenger Side (2 Required Per Car)	\$106.00	
40860	1977	POWER DOOR LOCK HARNESS 4 Door, Driver Or Passenger Side Front Door (2 Required Per Car)	\$106.00	
40861	1977	POWER DOOR LOCK HARNESS Rear Door, 4 Door, Driver Or Passenger Side (2 Required Per Car)	\$60.00	
42006	1978	POWER DOOR LOCK HARNESS Center Crossover, Without Power Windows, (Includes Courtesy Lamp Door Jamb Switch Wiring)	\$106.00	
42015	1978	POWER DOOR LOCK HARNESS 2 Door, Driver Or Passenger Side (2 Required Per Car)	\$106.00	
42016	1978	POWER DOOR LOCK HARNESS 4 Door, Driver Or Passenger Side Front Door (2 Required Per Car) Note: Customer Must Supply Their Original Harness.	\$106.00	
42017	1978	POWER DOOR LOCK HARNESS Rear Door, 4 Door, Driver Or Passenger Side (2 Required Per Car) Note: Customer Must Supply Their Original Harness.	\$60.00	
42006	1979	POWER DOOR LOCK HARNESS Center Crossover, Without Power Windows, (Includes Courtesy Lamp Door Jamb Switch Wiring)	\$106.00	
42015	1979	POWER DOOR LOCK HARNESS 2 Door, Driver Or Passenger Side (2 Required Per Car)	\$106.00	
42016	1979	POWER DOOR LOCK HARNESS 4 Door, Driver Or Passenger Side Front Door (2 Required Per Car) Note: Customer Must Supply Their Original Harness.	\$106.00	
42017	1979	POWER DOOR LOCK HARNESS Rear Door, 4 Door, Driver Or Passenger Side (2 Required Per Car) Note: Customer Must Supply Their Original Harness.	\$60.00	
42006	1980	POWER DOOR LOCK HARNESS Center Crossover, Without Power Windows, (Includes Courtesy Lamp Door Jamb Switch Wiring)	\$106.00	
42015	1980	POWER DOOR LOCK HARNESS 2 Door, Driver Or Passenger Side (2 Required Per Car)	\$106.00	
42045	1980	POWER DOOR LOCK HARNESS 4 Door, Driver Or Passenger Side Front Door (2 Required Per Car) Note: Customer Must Supply Their Original Harness.	\$106.00	
42017	1980	POWER DOOR LOCK HARNESS Rear Door, 4 Door, Driver Or Passenger Side (2 Required Per Car) Note: Customer Must Supply Their Original Harness.	\$60.00	
42015	1981	POWER DOOR LOCK HARNESS 2 Door, Driver Or Passenger Side (2 Required Per Car)	\$106.00	

Part Number	Year	Description	Price	*Rev.
42045	1981	POWER DOOR LOCK HARNESS 4 Door, Driver Or Passenger Side Front Door (2 Required Per Car) Note: Customer Must Supply Their Original Harness.	\$106.00	
42017	1981	POWER DOOR LOCK HARNESS Rear Door, 4 Door, Driver Or Passenger Side (2 Required Per Car) Note: Customer Must Supply Their Original Harness.	\$60.00	
42006	1981	POWER DOOR LOCK HARNESS Center Crossover, Without Power Windows, (Includes Courtesy Lamp Door Jamb Switch Wiring)	\$106.00	
42006	1982	POWER DOOR LOCK HARNESS Center Crossover, Without Power Windows, (Includes Courtesy Lamp Door Jamb Switch Wiring)	\$106.00	
42015	1982	POWER DOOR LOCK HARNESS 2 Door, Driver Or Passenger Side (2 Required Per Car)	\$106.00	
42045	1982	POWER DOOR LOCK HARNESS 4 Door, Driver Or Passenger Side Front Door (2 Required Per Car) Note: Customer Must Supply Their Original Harness.	\$106.00	
42017	1982	POWER DOOR LOCK HARNESS Rear Door, 4 Door, Driver Or Passenger Side (2 Required Per Car) Note: Customer Must Supply Their Original Harness.	\$60.00	
POWER DOOR LOCK SWITCH				
01725099	1973	POWER DOOR LOCK SWITCH 1 Button	\$62.00	
01725099	1974	POWER DOOR LOCK SWITCH 1 Button	\$62.00	
01725099	1975	POWER DOOR LOCK SWITCH 1 Button	\$62.00	
01725099	1976	POWER DOOR LOCK SWITCH 1 Button	\$62.00	
20031475	1977	POWER DOOR LOCK SWITCH	\$62.00	N
POWER SEAT BACK LOCK HARNESS				
40750	1970	POWER SEAT BACK LOCK HARNESS All, From Seat Back Lock Relay To Power Door Lock Harness	\$132.00	
40752	1970	POWER SEAT BACK LOCK EXTENSION WIRE All, With Bucket Seats, Connects Solenoid In Seat To Seat Back Lock Main Harness (2 Required Per Car)	\$41.00	
14510	1970	POWER SEAT BACK LOCK EXTENSION WIRE All, Without Bucket Seats, Connects Solenoid In Seat To Seat Back Lock Main Harness (2 Required Per Car)	\$41.00	
40750	1971	POWER SEAT BACK LOCK HARNESS All, From Seat Back Lock Relay To Power Door Lock Harness	\$132.00	
40752	1971	POWER SEAT BACK LOCK EXTENSION WIRE All, With Bucket Seats, Connects Solenoid In Seat To Seat Back Lock Main Harness (2 Required Per Car)	\$41.00	
14510	1971	POWER SEAT BACK LOCK EXTENSION WIRE All, Without Bucket Seats, Connects Solenoid In Seat To Seat Back Lock Main Harness (2 Required Per Car)	\$41.00	
40750	1972	POWER SEAT BACK LOCK HARNESS All, From Seat Back Lock Relay To Power Door Lock Harness	\$132.00	
40752	1972	POWER SEAT BACK LOCK EXTENSION WIRE All, With Bucket Seats, Connects Solenoid In Seat To Seat Back Lock Main Harness (2 Required Per Car)	\$41.00	
14510	1972	POWER SEAT BACK LOCK EXTENSION WIRE All, Without Bucket Seats, Connects Solenoid In Seat To Seat Back Lock Main Harness (2 Required Per Car)	\$41.00	
40722	1973	POWER SEAT BACK LOCK HARNESS 2 Door Models, Except Monte Carlo, Under Dash Crossover Note: Customer Must Reuse Their Original Plastic Connector For Door Jamb Switch.	\$41.00	
40721	1973	POWER SEAT BACK LOCK EXTENSION 2 Door Models, Except Monte Carlo, From Under Dash To Seat Back Lock Harness In Seat (2 Required Per Car)	\$41.00	
POWER SEAT HARNESS				
06950	1964	POWER SEAT HARNESS 4 Way Bucket, Drivers Side Note: Customer Must Reuse Their Original Plastic Connector For Master Switch.	\$166.00	
06945	1964	POWER SEAT HARNESS 4 Way Bench Note: Customer Must Reuse Their Original Plastic Connector For Master Switch.	\$173.00	
07600	1965	POWER SEAT HARNESS 4 Way Bucket, Drivers Side Note: Customer Must Reuse Their Original Plastic Connector For Master Switch.	\$159.00	

Part Number	Year	Description	Price	*Rev.
07595	1965	POWER SEAT HARNESS 4-Way Bench Note: Customer Must Reuse Their Original Plastic Connector For Master Switch.	\$166.00	
07020	1966	POWER SEAT HARNESS 4 Way Bucket, Drivers Side Note: Customer Must Reuse Their Original Plastic Connector For Master Switch.	\$159.00	
07595	1966	POWER SEAT HARNESS 4-Way Bench Note: Customer Must Reuse Their Original Plastic Connector For Master Switch.	\$166.00	
07020	1967	POWER SEAT HARNESS 4 Way Bucket, Drivers Side Note: Customer Must Reuse Their Original Plastic Connector For Master Switch.	\$159.00	
32325	1967	POWER SEAT HARNESS 4-Way Bench Note: Customer Must Reuse Their Original Plastic Connector For Master Switch.	\$166.00	
07020	1968	POWER SEAT HARNESS 4 Way Bucket, Drivers Side Note: Customer Must Reuse Their Original Plastic Connector For Master Switch.	\$159.00	
32325	1968	POWER SEAT HARNESS 4-Way Bench Note: Customer Must Reuse Their Original Plastic Connector For Master Switch.	\$166.00	
07020	1969	POWER SEAT HARNESS 4 Way Bucket, Drivers Side Note: Customer Must Reuse Their Original Plastic Connector For Master Switch.	\$159.00	
32325	1969	POWER SEAT HARNESS 4-Way Bench Note: Customer Must Reuse Their Original Plastic Connector For Master Switch.	\$166.00	
07020	1970	POWER SEAT HARNESS 4 Way Bucket, Drivers Side Note: Customer Must Reuse Their Original Plastic Connector For Master Switch.	\$159.00	
14435	1970	POWER SEAT HARNESS 4 Way Bench Note: Customer Must Reuse Their Original Plastic Connector For Master Switch.	\$176.00	
07020	1971	POWER SEAT HARNESS 4 Way Bucket, Drivers Side Note: Customer Must Reuse Their Original Plastic Connector For Master Switch.	\$159.00	
14435	1971	POWER SEAT HARNESS 4 Way Bench Note: Customer Must Reuse Their Original Plastic Connector For Master Switch.	\$176.00	
07020	1972	POWER SEAT HARNESS 4 Way Bucket, Drivers Side Note: Customer Must Reuse Their Original Plastic Connector For Master Switch.	\$159.00	
14435	1972	POWER SEAT HARNESS 4 Way Bench Note: Customer Must Reuse Their Original Plastic Connector For Master Switch.	\$176.00	
40793	1973	POWER SEAT HARNESS All, With Bucket Seat, Drivers Side Note: Customer Must Reuse Their Original Plastic Connector For Master Switch.	\$179.00	
40727	1973	POWER SEAT HARNESS All, With Bench Seat Note: Customer Must Reuse Their Original Plastic Connector For Master Switch.	\$190.00	
40793	1974	POWER SEAT HARNESS All, With Bucket Seat, Drivers Side Note: Customer Must Reuse Their Original Plastic Connector For Master Switch.	\$179.00	
40727	1974	POWER SEAT HARNESS All, With Bench Seat Note: Customer Must Reuse Their Original Plastic Connector For Master Switch.	\$190.00	
40793	1975	POWER SEAT HARNESS All, With Bucket Seat, Drivers Side Note: Customer Must Reuse Their Original Plastic Connector For Master Switch.	\$179.00	
40727	1975	POWER SEAT HARNESS All, With Bench Seat Note: Customer Must Reuse Their Original Plastic Connector For Master Switch.	\$190.00	
40418	1976	POWER SEAT HARNESS All, With Bucket Seat, Drivers Side Note: Customer Must Reuse Their Original Plastic Connector For Master Switch.	\$167.00	
40417	1976	POWER SEAT HARNESS All, With Bench Seat Note: Customer Must Reuse Their Original Plastic Connector For Master Switch.	\$173.00	
40418	1977	POWER SEAT HARNESS All, With Bucket Seat, Drivers Side Note: Customer Must Reuse Their Original Plastic Connector For Master Switch.	\$167.00	

Part Number	Year	Description	Price	*Rev.
40417	1977	POWER SEAT HARNESS All, With Bench Seat Note: Customer Must Reuse Their Original Plastic Connector For Master Switch.	\$173.00	
41660	1978	POWER SEAT HARNESS All, With Bucket Seat Note: Customer Must Reuse Their Original Plastic Connector For Master Switch.	\$173.00	
41659	1978	POWER SEAT HARNESS All, With Bench Seat Note: Customer Must Reuse Their Original Plastic Connector For Master Switch.	\$173.00	
41660	1979	POWER SEAT HARNESS All, With Bucket Seat Note: Customer Must Reuse Their Original Plastic Connector For Master Switch.	\$173.00	
41659	1979	POWER SEAT HARNESS All, With Bench Seat Note: Customer Must Reuse Their Original Plastic Connector For Master Switch.	\$173.00	
42044	1980	POWER SEAT HARNESS With 6 Way Power Seat Note: Customer Must Reuse Their Original Plastic Connector For Master Switch.	\$98.00	
42043	1980	POWER SEAT JUMPER HARNESS With 6 Way Power Seat, Relay To Motor	\$22.00	
42044	1981	POWER SEAT HARNESS With 6 Way Power Seat Note: Customer Must Reuse Their Original Plastic Connector For Master Switch.	\$98.00	
42043	1981	POWER SEAT JUMPER HARNESS With 6 Way Power Seat, Relay To Motor	\$22.00	
42044	1982	POWER SEAT HARNESS With 6 Way Power Seat Note: Customer Must Reuse Their Original Plastic Connector For Master Switch.	\$98.00	
POWER SEAT MOTOR RELAY AND ADAPTER HARNESS				
40146	1964	POWER SEAT MOTOR RELAY AND ADAPTER HARNESS Includes New Aftermarket Relay And Adapter To Mate To Factory Harness Without Any Harness Modifications	\$74.00	
40146	1965	POWER SEAT MOTOR RELAY AND ADAPTER HARNESS Includes New Aftermarket Relay And Adapter To Mate To Factory Harness Without Any Harness Modifications	\$74.00	
40146	1966	POWER SEAT MOTOR RELAY AND ADAPTER HARNESS Includes New Aftermarket Relay And Adapter To Mate To Factory Harness Without Any Harness Modifications	\$74.00	
40146	1967	POWER SEAT MOTOR RELAY AND ADAPTER HARNESS Includes New Aftermarket Relay And Adapter To Mate To Factory Harness Without Any Harness Modifications	\$74.00	
40146	1968	POWER SEAT MOTOR RELAY AND ADAPTER HARNESS Includes New Aftermarket Relay And Adapter To Mate To Factory Harness Without Any Harness Modifications	\$74.00	
40146	1969	POWER SEAT MOTOR RELAY AND ADAPTER HARNESS Includes New Aftermarket Relay And Adapter To Mate To Factory Harness Without Any Harness Modifications	\$74.00	
40146	1970	POWER SEAT MOTOR RELAY AND ADAPTER HARNESS Includes New Aftermarket Relay And Adapter To Mate To Factory Harness Without Any Harness Modifications	\$74.00	
40146	1971	POWER SEAT MOTOR RELAY AND ADAPTER HARNESS Includes New Aftermarket Relay And Adapter To Mate To Factory Harness Without Any Harness Modifications	\$74.00	
40146	1972	POWER SEAT MOTOR RELAY AND ADAPTER HARNESS Includes New Aftermarket Relay And Adapter To Mate To Factory Harness Without Any Harness Modifications	\$74.00	
40146	1973	POWER SEAT MOTOR RELAY AND ADAPTER HARNESS Includes New Aftermarket Relay And Adapter To Mate To Factory Harness Without Any Harness Modifications	\$74.00	
40146	1974	POWER SEAT MOTOR RELAY AND ADAPTER HARNESS Includes New Aftermarket Relay And Adapter To Mate To Factory Harness Without Any Harness Modifications	\$74.00	
40146	1975	POWER SEAT MOTOR RELAY AND ADAPTER HARNESS Includes New Aftermarket Relay And Adapter To Mate To Factory Harness Without Any Harness Modifications	\$74.00	
POWER TAILGATE RELAY AND ADAPTER HARNESS				
39440	1967	POWER TAILGATE RELAY AND ADAPTER HARNESS Includes New Aftermarket Relay And Adapter To Mate To Factory Harness Without Any Harness Modifications	\$40.00	
39440	1968	POWER TAILGATE RELAY AND ADAPTER HARNESS Includes New Aftermarket Relay And Adapter To Mate To Factory Harness Without Any Harness Modifications	\$40.00	
39440	1969	POWER TAILGATE RELAY AND ADAPTER HARNESS Includes New Aftermarket Relay And Adapter To Mate To Factory Harness Without Any Harness Modifications	\$40.00	
39440	1970	POWER TAILGATE RELAY AND ADAPTER HARNESS Includes New Aftermarket Relay And Adapter To Mate To Factory Harness Without Any Harness Modifications	\$40.00	

Part Number	Year	Description	Price	*Rev.
39440	1971	POWER TAILGATE RELAY AND ADAPTER HARNESS Includes New Aftermarket Relay And Adapter To Mate To Factory Harness Without Any Harness Modifications	\$40.00	
39440	1972	POWER TAILGATE RELAY AND ADAPTER HARNESS Includes New Aftermarket Relay And Adapter To Mate To Factory Harness Without Any Harness Modifications	\$40.00	
POWER TAILGATE WINDOW HARNESS				
41669	1964	POWER TAILGATE WINDOW HARNESS Wagon, Under Dash, From Switch To Ribbon Cable (Body) Note: Customer Must Reuse Their Original Plastic Connector That Attaches This Harness To The Ribbon Cable.	\$82.00	
28505	1965	POWER TAILGATE WINDOW HARNESS Wagon, Under Dash, From Switch To Ribbon Cable (Body) Note: Customer Must Reuse Their Original Plastic Connector That Attaches This Harness To The Ribbon Cable.	\$79.00	
28505	1966	POWER TAILGATE WINDOW HARNESS Wagon, Under Dash, From Switch To Ribbon Cable (Body) Note: Customer Must Reuse Their Original Plastic Connector That Attaches This Harness To The Ribbon Cable.	\$79.00	
28505	1967	POWER TAILGATE WINDOW HARNESS Wagon, Under Dash, Without Power Side Windows & Ignition Relay, From Switch To Ribbon Cable (Body) Note: Customer Must Reuse Their Original Plastic Connector That Attaches This Harness To The Ribbon Cable.	\$79.00	
32470	1967	POWER TAILGATE WINDOW HARNESS Wagon, Under Dash, Without Power Side Windows, With Ignition Relay, From Switch To Ribbon Cable (Body) Note: Customer Must Reuse Their Original Plastic Connector That Attaches This Harness To The Ribbon Cable.	\$113.00	
41699	1967	POWER TAILGATE WINDOW HARNESS Wagon, Under Dash, With Power Side Windows, From Switch To Ribbon Cable (Body) Note: Customer Must Reuse Their Original Plastic Connector That Attaches This Harness To The Ribbon Cable.	\$79.00	
41701	1968	POWER TAILGATE WINDOW HARNESS Wagon, Under Dash, Without Power Side Windows, From Switch To Body Harness	\$79.00	
41706	1968	POWER TAILGATE WINDOW HARNESS Wagon, Under Dash, With Power Side Windows, From Switch To Body Harness	\$79.00	
41715	1969	POWER TAILGATE WINDOW HARNESS Wagon, Under Dash, Without Power Side Windows, From Switch To Body Harness	\$79.00	
41716	1969	POWER TAILGATE WINDOW HARNESS Wagon, Under Dash, With Power Side Windows, From Switch To Body Harness	\$79.00	
41722	1969	POWER TAILGATE WINDOW EXTENSION HARNESS Wagon, From Tailgate Window Cutout Switch To Tailgate Window Harness	\$79.00	
41729	1970	POWER TAILGATE WINDOW HARNESS Wagon, Under Dash, Without Power Side Windows, From Switch To Body Harness	\$79.00	
41730	1970	POWER TAILGATE WINDOW HARNESS Wagon, Under Dash, With Power Side Windows, From Switch To Body Harness	\$79.00	
40796	1970	POWER TAILGATE WINDOW EXTENSION HARNESS From Tailgate Window Cutout Switch To Tailgate Window Harness	\$40.00	
41851	1971	POWER TAILGATE WINDOW HARNESS Wagon, Under Dash, Without Power Side Windows, From Switch To Body Harness	\$79.00	
41850	1971	POWER TAILGATE WINDOW HARNESS Wagon, Under Dash, With Power Side Windows, From Switch To Body Harness	\$79.00	
40796	1971	POWER TAILGATE WINDOW EXTENSION HARNESS From Tailgate Window Cutout Switch To Tailgate Window Harness	\$40.00	
41851	1972	POWER TAILGATE WINDOW HARNESS Wagon, Under Dash, Without Power Side Windows, From Switch To Body Harness	\$79.00	
41850	1972	POWER TAILGATE WINDOW HARNESS Wagon, Under Dash, With Power Side Windows, From Switch To Body Harness	\$79.00	
40796	1972	POWER TAILGATE WINDOW EXTENSION HARNESS From Tailgate Window Cutout Switch To Tailgate Window Harness	\$40.00	
POWER TAILGATE WINDOW SWITCH				
03906118	1964	POWER TAILGATE WINDOW SWITCH Station Wagon, With Power Tail Gate Window Note: This Is The Removable "Black Knob" Type Switch, This Allows Customers With Original Removable "Chrome Knob" Type Switches To Reuse Their Original "Chrome Knob" To Retain An Original Appearance.	\$66.00	

Part Number	Year	Description	Price	*Rev.
03906118	1965	POWER TAILGATE WINDOW SWITCH Station Wagon, With Power Tail Gate Window Note: This Is The Removable "Black Knob" Type Switch, This Allows Customers With Original Removable "Chrome Knob" Type Switches To Reuse Their Original "Chrome Knob" To Retain An Original Appearance.	\$66.00	
03906118	1966	POWER TAILGATE WINDOW SWITCH Station Wagon, With Power Tail Gate Window Note: This Is The Removable "Black Knob" Type Switch, This Allows Customers With Original Removable "Chrome Knob" Type Switches To Reuse Their Original "Chrome Knob" To Retain An Original Appearance.	\$66.00	
03906118	1967	POWER TAILGATE WINDOW SWITCH Station Wagon, With Power Tail Gate Window Note: This Is The Removable "Black Knob" Type Switch, This Allows Customers With Original Removable "Chrome Knob" Type Switches To Reuse Their Original "Chrome Knob" To Retain An Original Appearance.	\$66.00	
03906118	1968	POWER TAILGATE WINDOW SWITCH Station Wagon, With Power Tail Gate Window Note: This Is The Removable "Black Knob" Type Switch, This Allows Customers With Original Removable "Chrome Knob" Type Switches To Reuse Their Original "Chrome Knob" To Retain An Original Appearance.	\$66.00	
POWER TOP HARNESS				
22015	1964	POWER TOP HARNESS Convertible, Under Dash, From Switch To Ribbon Cable (Body)	\$75.00	
06080	1965	POWER TOP HARNESS Convertible, Under Dash, From Switch To Ribbon Cable (Body)	\$75.00	
06080	1966	POWER TOP HARNESS Convertible, Under Dash, From Switch To Ribbon Cable (Body)	\$75.00	
06080	1967	POWER TOP HARNESS Convertible, Under Dash, From Switch To Ribbon Cable (Body)	\$75.00	
21940	1968	POWER TOP HARNESS Convertible, Under Dash, From Switch To Power Top Motor	\$79.00	
21930	1969	POWER TOP HARNESS Convertible, Under Dash, From Switch To Power Top Motor	\$79.00	
35715	1970	POWER TOP HARNESS Convertible, Under Dash, From Switch To Intermediate Body Harness	\$75.00	
35715	1971	POWER TOP HARNESS Convertible, Under Dash, From Switch To Intermediate Body Harness	\$75.00	
35715	1972	POWER TOP HARNESS Convertible, Under Dash, From Switch To Intermediate Body Harness	\$75.00	
POWER TOP SWITCH				
03906118	1964	POWER TOP SWITCH With Power Convertible Top Note: This Is The Removable "Black Knob" Type Switch, This Allows Customers With Original Removable "Chrome Knob" Type Switches To Reuse Their Original "Chrome Knob" To Retain An Original Appearance.	\$66.00	
03906118	1965	POWER TOP SWITCH With Power Convertible Top Note: This Is The Removable "Black Knob" Type Switch, This Allows Customers With Original Removable "Chrome Knob" Type Switches To Reuse Their Original "Chrome Knob" To Retain An Original Appearance.	\$66.00	
03906118	1966	POWER TOP SWITCH With Power Convertible Top Note: This Is The Removable "Black Knob" Type Switch, This Allows Customers With Original Removable "Chrome Knob" Type Switches To Reuse Their Original "Chrome Knob" To Retain An Original Appearance.	\$66.00	
03906118	1967	POWER TOP SWITCH With Power Convertible Top Note: This Is The Removable "Black Knob" Type Switch, This Allows Customers With Original Removable "Chrome Knob" Type Switches To Reuse Their Original "Chrome Knob" To Retain An Original Appearance.	\$66.00	
03906118	1968	POWER TOP SWITCH With Power Convertible Top Note: This Is The Removable "Black Knob" Type Switch, This Allows Customers With Original Removable "Chrome Knob" Type Switches To Reuse Their Original "Chrome Knob" To Retain An Original Appearance.	\$66.00	
POWER WINDOW HARNESS				
06960	1964	POWER WINDOW HARNESS Driver Side Door, Except 2 Door Wagon & El Camino	\$212.00	
07145	1964	POWER WINDOW HARNESS Driver Side Door & Crossover, El Camino & All 2 Door Wagons	\$226.00	
06965	1964	POWER WINDOW INTERMEDIATE HARNESS Under Dash, Crossover, Except 2 Door Wagon & El Camino Note: Customer Must Reuse Their Original Connector That Attaches This Harness To Ribbon Cable.	\$132.00	
06955	1964	POWER WINDOW HARNESS Passenger Side Door, All	\$147.00	
06985	1964	POWER WINDOW HARNESS Quarter Window, Chevelle 2 Door Sedan (2 Required Per Car) Note: Customer Must Reuse Their Original Connector That Attaches This Harness To Ribbon Cable.	\$63.00	
06990	1964	POWER WINDOW HARNESS Quarter Window, Malibu, Sport Coupe (2 Required Per Car) Note: Customer Must Reuse Their Original Connector That Attaches This Harness To Ribbon Cable.	\$87.00	

Part Number	Year	Description	Price	*Rev.
06995	1964	POWER WINDOW HARNESS Quarter Window, Malibu, Convertible (2 Required Per Car) Note: Customer Must Reuse Their Original Connector That Attaches This Harness To Ribbon Cable.	\$87.00	
07200	1964	POWER WINDOW HARNESS Rear Door, 4 Door, Driver Or Passenger Side (2 Req. Per Car) Note: Customer Must Supply Their Original Rubber Door Jamb Boot.	\$153.00	
07170	1964	POWER WINDOW MOTOR EXTENSION From Rear Quarter Window Harness To Motor, Coupe (2 Req. Per Car)	\$25.00	
07005	1964	POWER WINDOW MOTOR EXTENSION From Rear Quarter Window Harness To Motor, Convertible (2 Req. Per Car)	\$32.00	
07610	1965	POWER WINDOW HARNESS Driver Side Door, Except 2 Door Wagon & El Camino	\$219.00	
07145	1965	POWER WINDOW HARNESS Driver Side Door & Crossover, El Camino & All 2 Door Wagons	\$226.00	
07615	1965	POWER WINDOW INTERMEDIATE HARNESS Under Dash, Crossover, Except 2 Door Wagon & El Camino Note: Customer Must Reuse Their Original Connector That Attaches This Harness To Ribbon Cable.	\$212.00	
07605	1965	POWER WINDOW HARNESS Passenger Side Door, All	\$147.00	
07635	1965	POWER WINDOW HARNESS Quarter Window, Chevelle 2 Door (2 Required Per Car) Note: Customer Must Reuse Their Original Connector That Attaches This Harness To Ribbon Cable.	\$105.00	
07640	1965	POWER WINDOW HARNESS Quarter Window, Sport Coupe (2 Required Per Car) Note: Customer Must Reuse Their Original Connector That Attaches This Harness To Ribbon Cable.	\$87.00	
07695	1965	POWER WINDOW HARNESS Quarter Window, Convertible (2 Required Per Car) Note: Customer Must Reuse Their Original Connector That Attaches This Harness To Ribbon Cable.	\$87.00	
07630	1965	POWER WINDOW HARNESS Rear Door, 4 Door, Driver Or Passenger Side (2 Req. Per Car) Note: Customer Must Supply Their Original Rubber Door Jamb Boot.	\$153.00	
07655	1965	POWER WINDOW MOTOR EXTENSION From Rear Quarter Window Harness To Motor, Coupe (2 Req. Per Car)	\$25.00	
07660	1965	POWER WINDOW MOTOR EXTENSION From Rear Quarter Window Harness To Motor, Convertible (2 Req. Per Car)	\$25.00	
08260	1966	POWER WINDOW HARNESS Driver Side Door, Except 2 Door Wagon & El Camino	\$212.00	
07145	1966	POWER WINDOW HARNESS Driver Side Door & Crossover, El Camino & All 2 Door Wagons	\$226.00	
07615	1966	POWER WINDOW INTERMEDIATE HARNESS Under Dash, Crossover, Except 2 Door Wagon & El Camino Note: Customer Must Reuse Their Original Connector That Attaches This Harness To Ribbon Cable.	\$212.00	
27310	1966	POWER WINDOW HARNESS Passenger Side Door, All	\$147.00	
07635	1966	POWER WINDOW HARNESS Quarter Window, Chevelle 2 Door (2 Required Per Car) Note: Customer Must Reuse Their Original Connector That Attaches This Harness To Ribbon Cable.	\$105.00	
07640	1966	POWER WINDOW HARNESS Quarter Window, Sport Coupe (2 Required Per Car) Note: Customer Must Reuse Their Original Connector That Attaches This Harness To Ribbon Cable.	\$87.00	
07695	1966	POWER WINDOW HARNESS Quarter Window, Convertible (2 Required Per Car) Note: Customer Must Reuse Their Original Connector That Attaches This Harness To Ribbon Cable.	\$87.00	
32485	1966	POWER WINDOW HARNESS Rear Door, 4 Door Hardtop, Driver Side Note: Customer Must Supply Their Original Rubber Door Jamb Boot.	\$153.00	
32480	1966	POWER WINDOW HARNESS Rear Door, 4 Door Hardtop, Passenger Side Note: Customer Must Supply Their Original Rubber Door Jamb Boot.	\$153.00	
07630	1966	POWER WINDOW HARNESS Rear Door, 4 Door, Except Hardtop, Driver Or Passenger Side (2 Req. Per Car) Note: Customer Must Supply Their Original Rubber Door Jamb Boot.	\$153.00	
07655	1966	POWER WINDOW MOTOR EXTENSION From Rear Quarter Window Harness To Motor, Coupe (2 Req. Per Car)	\$25.00	
07660	1966	POWER WINDOW MOTOR EXTENSION From Rear Quarter Window Harness To Motor, Convertible (2 Req. Per Car)	\$25.00	
08260	1967	POWER WINDOW HARNESS Driver Side Door, Except El Camino	\$212.00	
30955	1967	POWER WINDOW HARNESS Driver Side Door & Crossover, El Camino	\$219.00	
07615	1967	POWER WINDOW INTERMEDIATE HARNESS Under Dash, Crossover, Except El Camino, Without Ignition Relay Note: Customer Must Reuse Their Original Connector That Attaches This Harness To Ribbon Cable.	\$212.00	

Part Number	Year	Description	Price	*Rev.
32455	1967	POWER WINDOW INTERMEDIATE HARNESS Under Dash, Crossover, Except El Camino, With Ignition Relay Note: Customer Must Reuse Their Original Connector That Attaches This Harness To Ribbon Cable.	\$226.00	
27310	1967	POWER WINDOW HARNESS Passenger Side Door, All	\$147.00	
07640	1967	POWER WINDOW HARNESS Quarter Window, All Coupes (2 Required Per Car) Note: Customer Must Reuse Their Original Connector That Attaches This Harness To Ribbon Cable.	\$87.00	
07695	1967	POWER WINDOW HARNESS Quarter Window, Convertible (2 Required Per Car) Note: Customer Must Reuse Their Original Connector That Attaches This Harness To Ribbon Cable.	\$87.00	
32485	1967	POWER WINDOW HARNESS Rear Door, 4 Door Hardtop, Driver Side Note: Customer Must Supply Their Original Rubber Door Jamb Boot.	\$153.00	
32480	1967	POWER WINDOW HARNESS Rear Door, 4 Door Hardtop, Passenger Side Note: Customer Must Supply Their Original Rubber Door Jamb Boot.	\$153.00	
07630	1967	POWER WINDOW HARNESS Rear Door, 4 Door, Except Hardtop, Driver Or Passenger Side (2 Req. Per Car) Note: Customer Must Supply Their Original Rubber Door Jamb Boot.	\$153.00	
07655	1967	POWER WINDOW MOTOR EXTENSION From Rear Quarter Window Harness To Motor, Coupe (2 Req. Per Car)	\$25.00	
07660	1967	POWER WINDOW MOTOR EXTENSION From Rear Quarter Window Harness To Motor, Convertible (2 Req. Per Car)	\$25.00	
31135	1968	POWER WINDOW HARNESS Driver Side Door, Except El Camino	\$219.00	
38522	1968	POWER WINDOW HARNESS Driver Side Door, El Camino	\$219.00	
14165	1968	POWER WINDOW HARNESS Passenger Side Door, All	\$147.00	
14170	1968	POWER WINDOW HARNESS Quarter Windows & Intermediate Body	\$186.00	
41704	1968	POWER WINDOW HARNESS Rear Door, 4 Door, Sport Sedan, Driver Or Passenger Side (2 Required Per Car) Note: Customer Must Supply Their Original Rubber Door Jamb Boot.	\$153.00	
14190	1968	POWER WINDOW HARNESS Rear Door, 4 Door, Except Sport Sedan, Driver Or Passenger Side (2 Required Per Car) Note: Customer Must Supply Their Original Rubber Door Jamb Boot.	\$153.00	
40524	1968	POWER WINDOW INTERMEDIATE HARNESS Wagon & 4 Door, From Driver Side Front Door Harness To Harness In Rear Doors	\$153.00	
39470	1969	POWER WINDOW HARNESS Driver Side Door And Under Dash Crossover, Coupe & Convertible	\$264.00	
40034	1969	POWER WINDOW HARNESS Driver Side Door, El Camino	\$264.00	
37817	1969	POWER WINDOW HARNESS Passenger Side Door, Coupe & Convertible	\$147.00	
37819	1969	POWER WINDOW HARNESS Passenger Side Door, El Camino & Wagon	\$153.00	
14405	1969	POWER WINDOW HARNESS Quarter Windows & Intermediate Body	\$186.00	
40541	1969	POWER WINDOW HARNESS Rear Door, 4 Door Sport Sedan, (2 Required Per Car) Note: Customer Must Supply Their Original Rubber Door Jamb Boot.	\$153.00	
40542	1969	POWER WINDOW HARNESS Rear Door, 4 Door Except Sport Sedan, (2 Required Per Car) Note: Customer Must Supply Their Original Rubber Door Jamb Boot.	\$153.00	
14410	1969	POWER WINDOW INTERMEDIATE HARNESS Wagon & 4 Door, From Driver Side Front Door Harness To Rear Door Harness	\$153.00	
31140	1970	POWER WINDOW HARNESS Driver Side Door And Under Dash Crossover, Coupe & Convertible	\$264.00	
40906	1970	POWER WINDOW HARNESS Driver Side Door, El Camino	\$251.00	
14470	1970	POWER WINDOW HARNESS Passenger Side Door, Coupe & Convertible	\$147.00	
40554	1970	POWER WINDOW HARNESS 4 Door, Driver Side Front Door And Under Dash	\$251.00	
40555	1970	POWER WINDOW HARNESS Passenger Side Door, El Camino & 4 Door	\$147.00	
14505	1970	POWER WINDOW HARNESS Quarter Windows & Intermediate Body	\$186.00	
40550	1970	POWER WINDOW HARNESS Rear Door, 4 Door Sport Sedan, (2 Required Per Car) Note: Customer Must Supply Their Original Rubber Door Jamb Boot.	\$147.00	

Part Number	Year	Description	Price	*Rev.
14445	1970	POWER WINDOW HARNESS Rear Door, 4 Door, Except Sport Sedan, (2 Required Per Car) Note: Customer Must Supply Their Original Rubber Door Jamb Boot.	\$147.00	
40549	1970	POWER WINDOW INTERMEDIATE HARNESS 4 Door Sport Sedan, From Driver Side Front Door Harness To Rear Door Harness	\$153.00	
14450	1970	POWER WINDOW INTERMEDIATE HARNESS 4 Door, Except Sport Sedan, From Driver Side Front Door Harness To Rear Door Harness	\$153.00	
31140	1971	POWER WINDOW HARNESS Driver Side Door And Under Dash Crossover, Coupe & Convertible	\$264.00	
40906	1971	POWER WINDOW HARNESS Driver Side Door, El Camino	\$251.00	
40811	1971	POWER WINDOW HARNESS 4 Door Sedan, Driver Side Front Door	\$251.00	
14470	1971	POWER WINDOW HARNESS Passenger Side Door, Coupe & Convertible	\$147.00	
40555	1971	POWER WINDOW HARNESS Passenger Side Door, El Camino	\$147.00	
14505	1971	POWER WINDOW HARNESS Quarter Windows & Intermediate Body	\$186.00	
40801	1971	POWER WINDOW HARNESS Rear Door, 4 Door Sport Sedan, (2 Required Per Car) Note: Customer Must Supply Their Original Rubber Door Jamb Boot.	\$147.00	
40802	1971	POWER WINDOW HARNESS Rear Door, 4 Door Sedan, Except Sport Sedan, (2 Required Per Car) Note: Customer Must Supply Their Original Rubber Door Jamb Boot.	\$147.00	
40549	1971	POWER WINDOW INTERMEDIATE HARNESS 4 Door Sport Sedan, From Driver Side Front Door Harness To Rear Door Harness	\$153.00	
14450	1971	POWER WINDOW INTERMEDIATE HARNESS 4 Door, Except Sport Sedan, From Driver Side Front Door Harness To Rear Door Harness	\$153.00	
39471	1972	POWER WINDOW HARNESS Driver Side Door And Under Dash Crossover, Coupe & Convertible	\$264.00	
40906	1972	POWER WINDOW HARNESS Driver Side Door, El Camino	\$251.00	
40811	1972	POWER WINDOW HARNESS 4 Door Sedan, Driver Side Front Door	\$251.00	
14470	1972	POWER WINDOW HARNESS Passenger Side Door, Coupe & Convertible	\$147.00	
40555	1972	POWER WINDOW HARNESS Passenger Side Door, El Camino	\$147.00	
14505	1972	POWER WINDOW HARNESS Quarter Windows & Intermediate Body	\$186.00	
40801	1972	POWER WINDOW HARNESS Rear Door, 4 Door Sport Sedan, (2 Required Per Car) Note: Customer Must Supply Their Original Rubber Door Jamb Boot.	\$147.00	
40802	1972	POWER WINDOW HARNESS Rear Door, 4 Door Sedan, Except Sport Sedan, (2 Required Per Car) Note: Customer Must Supply Their Original Rubber Door Jamb Boot.	\$147.00	
40549	1972	POWER WINDOW INTERMEDIATE HARNESS 4 Door Sport Sedan, From Driver Side Front Door Harness To Rear Door Harness	\$153.00	
14450	1972	POWER WINDOW INTERMEDIATE HARNESS 4 Door, Except Sport Sedan, From Driver Side Front Door Harness To Rear Door Harness	\$153.00	
40786	1973	POWER WINDOW HARNESS Under Dash Crossover, 2 Door Models, Without Power Door Locks Note: Includes Courtesy Lamp Door Jamb Switch Wiring.	\$290.00	
40792	1973	POWER WINDOW HARNESS Under Dash Crossover, 2 Door Models, With Power Door Locks Note: Includes Courtesy Lamp Door Jamb Switch Wiring.	\$290.00	
40770	1973	POWER WINDOW HARNESS Under Dash Crossover, 4 Door Models, Without Power Door Locks Note: Includes Courtesy Lamp Door Jamb Switch Wiring.	\$290.00	
40791	1973	POWER WINDOW HARNESS Under Dash Crossover, 4 Door Models, With Power Door Locks Note: Includes Courtesy Lamp Door Jamb Switch Wiring.	\$290.00	
40771	1973	POWER WINDOW HARNESS Driver Side Front Door, 2 Door Models Note: Customer Must Supply Their Original Rubber Door Jamb Boot.	\$251.00	
40772	1973	POWER WINDOW HARNESS Driver Side Front Door, 4 Door Models Note: Customer Must Supply Their Original Rubber Door Jamb Boot.	\$251.00	

Part Number	Year	Description	Price	*Rev.
40773	1973	POWER WINDOW HARNESS Passenger Side Front Door, 2 Door Models Note: Customer Must Supply Their Original Rubber Door Jamb Boot.	\$251.00	
40774	1973	POWER WINDOW HARNESS Passenger Side Front Door, 4 Door Models Note: Customer Must Supply Their Original Rubber Door Jamb Boot.	\$251.00	
40775	1973	POWER WINDOW HARNESS Rear Door, 4 Door Models, Driver Or Passenger Side Note: Customer Must Supply Their Original Rubber Door Jamb Boot.	\$251.00	
40718	1974	POWER WINDOW HARNESS Center Crossover, 2 Door Models Note: Includes Courtesy Lamp Door Jamb Switch Wiring.	\$290.00	
40719	1974	POWER WINDOW HARNESS Center Crossover, 4 Door Models Note: Includes Courtesy Lamp Door Jamb Switch Wiring.	\$290.00	
40717	1974	POWER WINDOW HARNESS Center Crossover, All, With Power Door Locks Note: Includes Courtesy Lamp Door Jamb Switch Wiring.	\$290.00	
40771	1974	POWER WINDOW HARNESS Driver Side Front Door, 2 Door Models Note: Customer Must Supply Their Original Rubber Door Jamb Boot.	\$251.00	
40772	1974	POWER WINDOW HARNESS Driver Side Front Door, 4 Door Models Note: Customer Must Supply Their Original Rubber Door Jamb Boot.	\$251.00	
40773	1974	POWER WINDOW HARNESS Passenger Side Front Door, 2 Door Models Note: Customer Must Supply Their Original Rubber Door Jamb Boot.	\$251.00	
40774	1974	POWER WINDOW HARNESS Passenger Side Front Door, 4 Door Models Note: Customer Must Supply Their Original Rubber Door Jamb Boot.	\$251.00	
40775	1974	POWER WINDOW HARNESS Rear Door, 4 Door Models, Driver Or Passenger Side Note: Customer Must Supply Their Original Rubber Door Jamb Boot.	\$251.00	
40718	1975	POWER WINDOW HARNESS Center Crossover, 2 Door Models Note: Includes Courtesy Lamp Door Jamb Switch Wiring.	\$290.00	
40719	1975	POWER WINDOW HARNESS Center Crossover, 4 Door Models Note: Includes Courtesy Lamp Door Jamb Switch Wiring.	\$290.00	
40717	1975	POWER WINDOW HARNESS Center Crossover, All, With Power Door Locks Note: Includes Courtesy Lamp Door Jamb Switch Wiring.	\$290.00	
40771	1975	POWER WINDOW HARNESS Driver Side Front Door, 2 Door Models Note: Customer Must Supply Their Original Rubber Door Jamb Boot.	\$251.00	
40772	1975	POWER WINDOW HARNESS Driver Side Front Door, 4 Door Models Note: Customer Must Supply Their Original Rubber Door Jamb Boot.	\$251.00	
40773	1975	POWER WINDOW HARNESS Passenger Side Front Door, 2 Door Models Note: Customer Must Supply Their Original Rubber Door Jamb Boot.	\$251.00	
40774	1975	POWER WINDOW HARNESS Passenger Side Front Door, 4 Door Models Note: Customer Must Supply Their Original Rubber Door Jamb Boot.	\$251.00	
40775	1975	POWER WINDOW HARNESS Rear Door, 4 Door Models, Driver Or Passenger Side (2 Required Per Car) Note: Customer Must Supply Their Original Rubber Door Jamb Boot.	\$251.00	
40427	1976	POWER WINDOW HARNESS Center Crossover, 2 Door Models, Without Power Door Locks Note: Includes Courtesy Lamp Door Jamb Switch Wiring.	\$290.00	
40425	1976	POWER WINDOW HARNESS Center Crossover, 2 Door Models, With Power Door Locks Note: Includes Courtesy Lamp Door Jamb Switch Wiring.	\$290.00	
40428	1976	POWER WINDOW HARNESS Center Crossover, 4 Door Models, Without Power Door Locks Note: Includes Courtesy Lamp Door Jamb Switch Wiring.	\$290.00	
40426	1976	POWER WINDOW HARNESS Center Crossover, 4 Door Models, With Power Door Locks Note: Includes Courtesy Lamp Door Jamb Switch Wiring.	\$290.00	
40405	1976	POWER WINDOW HARNESS Driver Side Front Door, 2 Door Models Note: Customer Must Supply Their Original Rubber Door Jamb Boot.	\$251.00	

Part Number	Year	Description	Price	*Rev.
40406	1976	POWER WINDOW HARNESS Driver Side Front Door, 4 Door Models Note: Customer Must Supply Their Original Rubber Door Jamb Boot.	\$251.00	
40402	1976	POWER WINDOW HARNESS Passenger Side Front Door, 2 Door Models Note: Customer Must Supply Their Original Rubber Door Jamb Boot.	\$251.00	
40403	1976	POWER WINDOW HARNESS Passenger Side Front Door, 4 Door Models Note: Customer Must Supply Their Original Rubber Door Jamb Boot.	\$251.00	
40408	1976	POWER WINDOW HARNESS Rear Door, 4 Door Cars, Driver Or Passenger Side Note: Customer Must Supply Their Original Rubber Door Jamb Boot.	\$251.00	
40427	1977	POWER WINDOW HARNESS Center Crossover, 2 Door, Without Power Door Locks Note: Includes Courtesy Lamp Door Jamb Switch Wiring.	\$290.00	
40857	1977	POWER WINDOW HARNESS Center Crossover, 2 Door, With Power Door Locks Note: Includes Courtesy Lamp Door Jamb Switch Wiring.	\$290.00	
40428	1977	POWER WINDOW HARNESS Center Crossover, 4 Door, Without Power Door Locks Note: Includes Courtesy Lamp Door Jamb Switch Wiring.	\$290.00	
40856	1977	POWER WINDOW HARNESS Center Crossover, 4 Door, With Power Door Locks Note: Includes Courtesy Lamp Door Jamb Switch Wiring.	\$290.00	
40405	1977	POWER WINDOW HARNESS Driver Side Front Door, 2 Door Models Note: Customer Must Supply Their Original Rubber Door Jamb Boot.	\$251.00	
40406	1977	POWER WINDOW HARNESS Driver Side Front Door, 4 Door Models Note: Customer Must Supply Their Original Rubber Door Jamb Boot.	\$251.00	
40402	1977	POWER WINDOW HARNESS Passenger Side Front Door, 2 Door Models Note: Customer Must Supply Their Original Rubber Door Jamb Boot.	\$251.00	
40403	1977	POWER WINDOW HARNESS Passenger Side Front Door, 4 Door Models Note: Customer Must Supply Their Original Rubber Door Jamb Boot.	\$251.00	
40408	1977	POWER WINDOW HARNESS Rear Door, 4 Door Models, Driver Or Passenger Side Note: Customer Must Supply Their Original Rubber Door Jamb Boot.	\$251.00	
42007	1978	POWER WINDOW HARNESS Center Crossover, 2 Door Models, Without Power Door Locks Note: Includes Courtesy Lamp Door Jamb Switch Wiring.	\$290.00	
42009	1978	POWER WINDOW HARNESS Center Crossover, 2 Door Models, With Power Door Locks Note: Includes Courtesy Lamp Door Jamb Switch Wiring. Customer To Supply Plastic Conduit, Or Can Be Made Without Conduit. Customer To Supply Seat Belt Warning Harness Mating Connector.	\$290.00	
42008	1978	POWER WINDOW HARNESS Center Crossover, 4 Door Models, Without Power Door Locks Note: Includes Courtesy Lamp Door Jamb Switch Wiring.	\$290.00	
42010	1978	POWER WINDOW HARNESS Center Crossover, 4 Door Models, With Power Door Locks Note: Includes Courtesy Lamp Door Jamb Switch Wiring.	\$290.00	
42012	1978	POWER WINDOW HARNESS Driver Side Front Door, 2 Door Models Note: Customer Must Supply Their Original Rubber Door Jamb Boot.	\$158.00	
42013	1978	POWER WINDOW HARNESS Driver Side Front Door, 4 Door Models Note: Customer Must Supply Their Original Rubber Door Jamb Boot.	\$158.00	
42011	1978	POWER WINDOW HARNESS Passenger Side Front Door, All Note: Customer Must Supply Their Original Rubber Door Jamb Boot.	\$145.00	
42028	1978	POWER WINDOW HARNESS Rear Door, 4 Door Models, Except Wagon, Passenger Or Driver Side (2 Required Per Car) Note: Customer Must Supply Their Original Rubber Door Jamb Boot.	\$145.00	
42014	1978	POWER WINDOW HARNESS Rear Door, Wagon, Passenger Or Driver Side (2 Required Per Car) Note: Customer Must Supply Their Original Rubber Door Jamb Boot.	\$145.00	
42007	1979	POWER WINDOW HARNESS Center Crossover, 2 Door Models, Without Power Door Locks Note: Includes Courtesy Lamp Door Jamb Switch Wiring.	\$290.00	

Part Number	Year	Description	Price	*Rev.
42009	1979	POWER WINDOW HARNESS Center Crossover, 2 Door Models, With Power Door Locks Note: Includes Courtesy Lamp Door Jamb Switch Wiring. Customer To Supply Plastic Conduit, Or Can Be Made Without Conduit. Customer To Supply Seat Belt Warning Harness Mating Connector.	\$290.00	
42008	1979	POWER WINDOW HARNESS Center Crossover, 4 Door Models, Without Power Door Locks Note: Includes Courtesy Lamp Door Jamb Switch Wiring.	\$290.00	
42010	1979	POWER WINDOW HARNESS Center Crossover, 4 Door Models, With Power Door Locks Note: Includes Courtesy Lamp Door Jamb Switch Wiring.	\$290.00	
42039	1979	POWER WINDOW HARNESS Driver Side Front Door, 2 Door Models Note: Customer Must Supply Their Original Rubber Door Jamb Boot.	\$158.00	
42040	1979	POWER WINDOW HARNESS Driver Side Front Door, 4 Door Models Note: Customer Must Supply Their Original Rubber Door Jamb Boot.	\$158.00	
42038	1979	POWER WINDOW HARNESS Passenger Side Front Door, All Note: Customer Must Supply Their Original Rubber Door Jamb Boot.	\$158.00	
42028	1979	POWER WINDOW HARNESS Rear Door, 4 Door Models, Except Wagon, Passenger Or Driver Side (2 Required Per Car) Note: Customer Must Supply Their Original Rubber Door Jamb Boot.	\$145.00	
42014	1979	POWER WINDOW HARNESS Rear Door, Wagon, Passenger Or Driver Side (2 Required Per Car) Note: Customer Must Supply Their Original Rubber Door Jamb Boot.	\$145.00	
42007	1980	POWER WINDOW HARNESS Center Crossover, 2 Door Models, Without Power Door Locks Note: Includes Courtesy Lamp Door Jamb Switch Wiring.	\$290.00	
42009	1980	POWER WINDOW HARNESS Center Crossover, 2 Door Models, With Power Door Locks Note: Includes Courtesy Lamp Door Jamb Switch Wiring. Customer To Supply Plastic Conduit, Or Can Be Made Without Conduit. Customer To Supply Seat Belt Warning Harness Mating Connector.	\$290.00	
42008	1980	POWER WINDOW HARNESS Center Crossover, 4 Door Models, Without Power Door Locks Note: Includes Courtesy Lamp Door Jamb Switch Wiring.	\$290.00	
42010	1980	POWER WINDOW HARNESS Center Crossover, 4 Door Models, With Power Door Locks Note: Includes Courtesy Lamp Door Jamb Switch Wiring.	\$290.00	
42039	1980	POWER WINDOW HARNESS Driver Side Front Door, 2 Door Models Note: Customer Must Supply Their Original Rubber Door Jamb Boot.	\$158.00	
42040	1980	POWER WINDOW HARNESS Driver Side Front Door, 4 Door Models Note: Customer Must Supply Their Original Rubber Door Jamb Boot.	\$158.00	
42038	1980	POWER WINDOW HARNESS Passenger Side Front Door, All Note: Customer Must Supply Their Original Rubber Door Jamb Boot.	\$158.00	
42028	1980	POWER WINDOW HARNESS Rear Door, 4 Door Models, Except Wagon, Passenger Or Driver Side (2 Required Per Car) Note: Customer Must Supply Their Original Rubber Door Jamb Boot.	\$145.00	
42014	1980	POWER WINDOW HARNESS Rear Door, Wagon, Passenger Or Driver Side (2 Required Per Car) Note: Customer Must Supply Their Original Rubber Door Jamb Boot.	\$145.00	
42007	1981	POWER WINDOW HARNESS Center Crossover, 2 Door Models, Without Power Door Locks Note: Includes Courtesy Lamp Door Jamb Switch Wiring.	\$290.00	
42009	1981	POWER WINDOW HARNESS Center Crossover, 2 Door Models, With Power Door Locks Note: Includes Courtesy Lamp Door Jamb Switch Wiring. Customer To Supply Plastic Conduit, Or Can Be Made Without Conduit. Customer To Supply Seat Belt Warning Harness Mating Connector.	\$290.00	
42008	1981	POWER WINDOW HARNESS Center Crossover, 4 Door Models, Without Power Door Locks Note: Includes Courtesy Lamp Door Jamb Switch Wiring.	\$290.00	
42010	1981	POWER WINDOW HARNESS Center Crossover, 4 Door Models, With Power Door Locks Note: Includes Courtesy Lamp Door Jamb Switch Wiring.	\$290.00	
42039	1981	POWER WINDOW HARNESS Driver Side Front Door, 2 Door Models Note: Customer Must Supply Their Original Rubber Door Jamb Boot.	\$158.00	

Part Number	Year	Description	Price	*Rev.
42040	1981	POWER WINDOW HARNESS Driver Side Front Door, 4 Door Models Note: Customer Must Supply Their Original Rubber Door Jamb Boot.	\$158.00	
42038	1981	POWER WINDOW HARNESS Passenger Side Front Door, All Note: Customer Must Supply Their Original Rubber Door Jamb Boot.	\$158.00	
42014	1981	POWER WINDOW HARNESS Rear Door, 4 Door Models, Passenger Or Driver Side (2 Required Per Car) Note: Customer Must Supply Their Original Rubber Door Jamb Boot.	\$145.00	
42007	1982	POWER WINDOW HARNESS Center Crossover, 2 Door Models, Without Power Door Locks Note: Includes Courtesy Lamp Door Jamb Switch Wiring.	\$290.00	
42009	1982	POWER WINDOW HARNESS Center Crossover, 2 Door Models, With Power Door Locks Note: Includes Courtesy Lamp Door Jamb Switch Wiring. Customer To Supply Plastic Conduit, Or Can Be Made Without Conduit. Customer To Supply Seat Belt Warning Harness Mating Connector.	\$290.00	
42008	1982	POWER WINDOW HARNESS Center Crossover, 4 Door Models, Without Power Door Locks Note: Includes Courtesy Lamp Door Jamb Switch Wiring.	\$290.00	
42010	1982	POWER WINDOW HARNESS Center Crossover, 4 Door Models, With Power Door Locks Note: Includes Courtesy Lamp Door Jamb Switch Wiring.	\$290.00	
42039	1982	POWER WINDOW HARNESS Driver Side Front Door, 2 Door Models Note: Customer Must Supply Their Original Rubber Door Jamb Boot.	\$158.00	
42040	1982	POWER WINDOW HARNESS Driver Side Front Door, 4 Door Models Note: Customer Must Supply Their Original Rubber Door Jamb Boot.	\$158.00	
42038	1982	POWER WINDOW HARNESS Passenger Side Front Door, All Note: Customer Must Supply Their Original Rubber Door Jamb Boot.	\$158.00	
42014	1982	POWER WINDOW HARNESS Rear Door, 4 Door Models, Passenger Or Driver Side (2 Required Per Car) Note: Customer Must Supply Their Original Rubber Door Jamb Boot.	\$145.00	
POWER WINDOW MOTOR ADAPTER HARNESS				
36954	1964	POWER WINDOW MOTOR ADAPTER HARNESS Adapts "T" Shaped Motor Connector To Side By Side Blade Type Motor Connector	\$22.00	C
36954	1965	POWER WINDOW MOTOR ADAPTER HARNESS Adapts "T" Shaped Motor Connector To Side By Side Blade Type Motor Connector	\$22.00	C
36954	1966	POWER WINDOW MOTOR ADAPTER HARNESS Adapts "T" Shaped Motor Connector To Side By Side Blade Type Motor Connector	\$22.00	C
36954	1967	POWER WINDOW MOTOR ADAPTER HARNESS Adapts "T" Shaped Motor Connector To Side By Side Blade Type Motor Connector	\$22.00	C
36954	1968	POWER WINDOW MOTOR ADAPTER HARNESS Adapts "T" Shaped Motor Connector To Side By Side Blade Type Motor Connector	\$22.00	C
36954	1969	POWER WINDOW MOTOR ADAPTER HARNESS Adapts "T" Shaped Motor Connector To Side By Side Blade Type Motor Connector	\$22.00	C
36954	1970	POWER WINDOW MOTOR ADAPTER HARNESS Adapts "T" Shaped Motor Connector To Side By Side Blade Type Motor Connector	\$22.00	C
36954	1971	POWER WINDOW MOTOR ADAPTER HARNESS Adapts "T" Shaped Motor Connector To Side By Side Blade Type Motor Connector	\$22.00	C
36954	1972	POWER WINDOW MOTOR ADAPTER HARNESS Adapts "T" Shaped Motor Connector To Side By Side Blade Type Motor Connector	\$22.00	C
36954	1973	POWER WINDOW MOTOR ADAPTER HARNESS Adapts "T" Shaped Motor Connector To Side By Side Blade Type Motor Connector	\$22.00	C
36954	1974	POWER WINDOW MOTOR ADAPTER HARNESS Adapts "T" Shaped Motor Connector To Side By Side Blade Type Motor Connector	\$22.00	C
36954	1975	POWER WINDOW MOTOR ADAPTER HARNESS Adapts "T" Shaped Motor Connector To Side By Side Blade Type Motor Connector	\$22.00	C
POWER WINDOW RELAY AND ADAPTER HARNESS				
39440	1967	POWER WINDOW RELAY AND ADAPTER HARNESS Includes New Aftermarket Relay And Adapter To Mate To Factory Harness Without Any Harness Modifications	\$40.00	

Part Number	Year	Description	Price	*Rev.
39440	1968	POWER WINDOW RELAY AND ADAPTER HARNESS Includes New Aftermarket Relay And Adapter To Mate To Factory Harness Without Any Harness Modifications	\$40.00	
39440	1969	POWER WINDOW RELAY AND ADAPTER HARNESS Includes New Aftermarket Relay And Adapter To Mate To Factory Harness Without Any Harness Modifications	\$40.00	
39440	1970	POWER WINDOW RELAY AND ADAPTER HARNESS Includes New Aftermarket Relay And Adapter To Mate To Factory Harness Without Any Harness Modifications	\$40.00	
39440	1971	POWER WINDOW RELAY AND ADAPTER HARNESS Includes New Aftermarket Relay And Adapter To Mate To Factory Harness Without Any Harness Modifications	\$40.00	
39440	1972	POWER WINDOW RELAY AND ADAPTER HARNESS Includes New Aftermarket Relay And Adapter To Mate To Factory Harness Without Any Harness Modifications	\$40.00	

POWER WINDOW SWITCH

04432790	1964	POWER WINDOW SWITCH 1 Button, Round Corner Style, Chrome	\$49.00	
04432791	1964	POWER WINDOW SWITCH 4 Button, Round Corner Style, Chrome	\$67.00	
04432790	1965	POWER WINDOW SWITCH 1 Button, Round Corner Style, Chrome	\$49.00	
04432791	1965	POWER WINDOW SWITCH 4 Button, Round Corner Style, Chrome	\$67.00	
04432790	1966	POWER WINDOW SWITCH 1 Button, Round Corner Style, Chrome	\$49.00	
04432791	1966	POWER WINDOW SWITCH 4 Button, Round Corner Style, Chrome	\$67.00	
04432790	1967	POWER WINDOW SWITCH 1 Button, Round Corner Style, Chrome	\$49.00	
04432791	1967	POWER WINDOW SWITCH 4 Button, Round Corner Style, Chrome	\$67.00	
04432790	1968	POWER WINDOW SWITCH 1 Button, Round Corner Style, Chrome	\$49.00	
04432791	1968	POWER WINDOW SWITCH 4 Button, Round Corner Style, Chrome	\$67.00	
04432790	1969	POWER WINDOW SWITCH 1 Button, Round Corner Style, Chrome	\$49.00	
04432791	1969	POWER WINDOW SWITCH 4 Button, Round Corner Style, Chrome	\$67.00	
04432790	1970	POWER WINDOW SWITCH 1 Button, Round Corner Style, Chrome	\$49.00	
04432791	1970	POWER WINDOW SWITCH 4 Button, Round Corner Style, Chrome	\$67.00	
01725094	1971	POWER WINDOW SWITCH 1 Button, Square Corner Style, Chrome	\$21.00	
01731231	1971	POWER WINDOW SWITCH 4 Button, Square Corner Style, Chrome	\$75.00	
01725092	1971	POWER WINDOW SWITCH 2 Button, Square Corner Style, Chrome	\$53.00	
01725094	1972	POWER WINDOW SWITCH 1 Button, Square Corner Style, Chrome	\$21.00	
01731231	1972	POWER WINDOW SWITCH 4 Button, Square Corner Style, Chrome	\$75.00	
01725092	1972	POWER WINDOW SWITCH 2 Button, Square Corner Style, Chrome	\$53.00	
01725094	1973	POWER WINDOW SWITCH 1 Button, Square Corner Style, Chrome	\$21.00	
01731231	1973	POWER WINDOW SWITCH 4 Button, Square Corner Style, Chrome	\$75.00	
01725092	1973	POWER WINDOW SWITCH 2 Button, Square Corner Style, Chrome	\$53.00	
01725094	1974	POWER WINDOW SWITCH 1 Button, Square Corner Style, Chrome	\$21.00	
01731231	1974	POWER WINDOW SWITCH 4 Button, Square Corner Style, Chrome	\$75.00	
01725092	1974	POWER WINDOW SWITCH 2 Button, Square Corner Style, Chrome	\$53.00	
01725094	1975	POWER WINDOW SWITCH 1 Button, Square Corner Style, Chrome	\$21.00	
01731231	1975	POWER WINDOW SWITCH 4 Button, Square Corner Style, Chrome	\$75.00	
01725092	1975	POWER WINDOW SWITCH 2 Button, Square Corner Style, Chrome	\$53.00	
01725094	1976	POWER WINDOW SWITCH 1 Button, Square Corner Style, Chrome	\$21.00	
01731231	1976	POWER WINDOW SWITCH 4 Button, Square Corner Style, Chrome	\$75.00	
01725092	1976	POWER WINDOW SWITCH 2 Button, Square Corner Style, Chrome	\$53.00	
01725094	1977	POWER WINDOW SWITCH 1 Button, Square Corner Style, Chrome	\$21.00	
01731231	1977	POWER WINDOW SWITCH 4 Button, Square Corner Style, Chrome	\$75.00	M
01725092	1977	POWER WINDOW SWITCH 2 Button, Square Corner Style, Chrome	\$53.00	
01725094	1978	POWER WINDOW SWITCH 1 Button, Square Corner Style, Chrome	\$21.00	
01725092	1978	POWER WINDOW SWITCH 2 Button, Square Corner Style, Chrome	\$53.00	

Part Number	Year	Description	Price	*Rev.
20061549	1982	POWER WINDOW SWITCH 2-Button	\$14.00	N
20061549	1983	POWER WINDOW SWITCH 2-Button	\$14.00	N
20061549	1984	POWER WINDOW SWITCH 2-Button	\$14.00	N
20061549	1985	POWER WINDOW SWITCH 2-Button	\$14.00	N
20061549	1986	POWER WINDOW SWITCH 2-Button	\$14.00	N
20061549	1987	POWER WINDOW SWITCH 2-Button	\$14.00	N
20061549	1988	POWER WINDOW SWITCH 2-Button	\$14.00	N
RADIO AND SPEAKER HARNESS				
36251	1970	RADIO AND SPEAKER HARNESS With 4 Speaker Stereo, All Except El Camino	\$145.00	
36251	1971	RADIO AND SPEAKER HARNESS With 4 Speaker Stereo, All Except El Camino	\$145.00	
36251	1972	RADIO AND SPEAKER HARNESS With 4 Speaker Stereo, All Except El Camino	\$145.00	
RADIO POWER FEED HARNESS				
41690	1968	RADIO POWER FEED HARNESS Right Hand Drive (Export Only), From Fuse Block To Radio	\$46.00	
41690	1969	RADIO POWER FEED HARNESS Right Hand Drive (Export Only), From Fuse Block To Radio	\$46.00	
REAR DOOR WARNING LAMP HARNESS				
39609	1964	REAR DOOR WARNING LAMP HARNESS 4 Door, Sedan & Wagon, From Rear Door Jamb Switches To Dash	\$66.00	
REAR LAMP HARNESS				
07175	1964	REAR LAMP HARNESS Coupe, Without Backup Lights	\$174.00	
07180	1964	REAR LAMP HARNESS Coupe, With Backup Lights	\$174.00	
07185	1964	REAR LAMP HARNESS Convertible	\$174.00	
07120	1964	REAR LAMP HARNESS El Camino, Without Backup Lights	\$180.00	
07125	1964	REAR LAMP HARNESS El Camino, With Backup Lights	\$174.00	
07080	1964	REAR LAMP HARNESS Wagon, Without Backup Lights Or Power Tailgate Window	\$212.00	
07090	1964	REAR LAMP HARNESS Wagon, Without Backup Lights, With Power Tailgate Window Note: Customer Must Supply Their Original Rubber Boot At Tailgate From Their Original Harness.	\$252.00	
07085	1964	REAR LAMP HARNESS Wagon, With Backup Lights, Without Power Tailgate Window	\$239.00	
07150	1964	REAR LAMP HARNESS Wagon, With Backup Lights & Power Tailgate Window Note: Customer Must Supply Their Original Rubber Boot At Tailgate From Their Original Harness.	\$252.00	
07095	1964	REAR LAMP HARNESS Wagon, With Backup Lights, Power Tailgate Window & Dual Front & Rear Window Control Switch Note: The Extra Window Control Switch Is Located In The Left Rear Quarter Trim Panel. Customer Must Supply Their Original Rubber Boot At Tailgate From Their Original Harness.	\$279.00	
07545	1965	REAR LAMP HARNESS Coupe, Without Backup Lights	\$180.00	
07550	1965	REAR LAMP HARNESS Coupe, With Backup Lights	\$174.00	
07555	1965	REAR LAMP HARNESS Convertible	\$174.00	
07810	1965	REAR LAMP HARNESS El Camino, Without Backup Lights	\$180.00	
07800	1965	REAR LAMP HARNESS El Camino, With Backup Lights	\$174.00	
07795	1965	REAR LAMP HARNESS Wagon, Without Backup Lights & Power Tailgate Window	\$252.00	
07815	1965	REAR LAMP HARNESS Wagon, Without Backup Lights, With Power Tailgate Window Note: Customer Must Supply Their Original Rubber Boot At Tailgate From Their Original Harness.	\$252.00	
07805	1965	REAR LAMP HARNESS Wagon, With Backup Lights, Without Power Tailgate Window	\$239.00	
07820	1965	REAR LAMP HARNESS Wagon, With Backup Lights & Power Tailgate Window Note: Customer Must Supply Their Original Rubber Boot At Tailgate From Their Original Harness.	\$233.00	
07825	1965	REAR LAMP HARNESS Wagon, With Backup Lights, Power Tailgate Window & Dual Front & Rear Window Control Switch Note: The Extra Window Control Switch Is Located In The Left Rear Quarter Trim Panel. Customer Must Supply Their Original Rubber Boot At Tailgate From Their Original Harness.	\$279.00	

Part Number	Year	Description	Price	*Rev.
08240	1966	REAR LAMP HARNESS Coupe	\$174.00	
17655	1966	REAR LAMP HARNESS Convertible	\$174.00	
08255	1966	REAR LAMP HARNESS El Camino	\$180.00	
40092	1966	REAR LAMP HARNESS Wagon, With Power Tailgate Window Note: Customer Must Supply Their Original Rubber Boot At Tailgate From Their Original Harness.	\$343.00	
41679	1966	REAR LAMP HARNESS Wagon, Without Power Tailgate Window	\$331.00	
13925	1967	REAR LAMP HARNESS Coupe	\$174.00	
13930	1967	REAR LAMP HARNESS Convertible	\$174.00	
14060	1967	REAR LAMP HARNESS El Camino	\$180.00	
39498	1967	REAR LAMP HARNESS Wagon, With Power Tailgate Window Note: Customer Must Supply Their Original Rubber Boot At Tailgate From Their Original Harness.	\$331.00	
41698	1967	REAR LAMP HARNESS Wagon, Without Power Tailgate Window	\$317.00	
41709	1968	REAR LAMP HARNESS Wagon, All, Without Power Tailgate Window	\$233.00	
14110	1968	REAR LAMP INTERMEDIATE HARNESS El Camino, From Dash To Rear Lamp Harness	\$132.00	
40522	1968	REAR LAMP INTERMEDIATE HARNESS Wagon, Except 9-Passenger & Nomad Custom 3 Seat, With Power Tailgate Window, From Dash To Rear Lamp Harness	\$226.00	
41710	1968	REAR LAMP HARNESS Wagon, All, With Power Tailgate Window Note: Customer Must Supply Their Original Rubber Boot At Tailgate From Their Original Harness.	\$290.00	
41702	1968	REAR LAMP INTERMEDIATE HARNESS Wagon, 9-Passenger, With Power Tailgate Window, From Dash To Rear Lamp Harness	\$252.00	
41721	1968	REAR LAMP INTERMEDIATE HARNESS Wagon, Nomad Custom 3 Seat, With Power Tailgate Window, From Dash To Rear Lamp Harness	\$239.00	
40521	1968	REAR LAMP INTERMEDIATE HARNESS Wagon, All, Without Power Tailgate Window, From Dash To Rear Lamp Harness	\$226.00	
17660	1968	REAR LAMP HARNESS Chevelle Deluxe, 2 Door (Back-Up Lights In Taillight Lens)	\$226.00	
17665	1968	REAR LAMP HARNESS Chevelle Deluxe, 4 Door (Back-Up Lights In Taillight Lens)	\$226.00	
17670	1968	REAR LAMP HARNESS Malibu, 4 Door (Back-Up Lights Mounted In Bumper)	\$219.00	
17675	1968	REAR LAMP HARNESS Sport Coupe (Back-Up Lights Mounted In Bumper)	\$219.00	
17680	1968	REAR LAMP HARNESS Convertible (Back-Up Lights Mounted In Bumper)	\$239.00	
17685	1968	REAR LAMP HARNESS Rear Panel, El Camino, Without Side Marker Lamps	\$199.00	
14115	1968	REAR LAMP HARNESS Rear Panel, El Camino, With Side Marker Lamps	\$219.00	
17700	1969	REAR LAMP INTERMEDIATE HARNESS Coupe, From Dash To Rear Lamp Harness	\$132.00	
17710	1969	REAR LAMP INTERMEDIATE HARNESS Convertible, From Dash To Rear Lamp Harness	\$132.00	
14320	1969	REAR LAMP INTERMEDIATE HARNESS El Camino, From Dash To Rear Lamp Harness	\$145.00	
17705	1969	REAR LAMP INTERMEDIATE HARNESS 4 Door Sedan, From Dash To Rear Lamp Harness	\$145.00	
41712	1969	REAR LAMP INTERMEDIATE HARNESS Wagon, Nomad, Greenbrier, Without Power Tailgate Window, From Dash To Rear Lamp Harness	\$173.00	
41714	1969	REAR LAMP INTERMEDIATE HARNESS Wagon, Nomad, Greenbrier, With Power Tailgate Window, From Dash To Rear Lamp Harness	\$199.00	
41713	1969	REAR LAMP INTERMEDIATE HARNESS Wagon, Concours, With Power Tailgate Window, From Dash To Rear Lamp Harness	\$226.00	
17690	1969	REAR LAMP HARNESS Trunk, Chevelle, All	\$145.00	
14230	1969	REAR LAMP HARNESS Rear Panel, El Camino Note: Customer Must Reuse Their Original Rubber Boot At Tailgate From Their Original Harness.	\$211.00	
41708	1969	REAR LAMP HARNESS Wagon, Nomad, Greenbrier, Without Power Tailgate Window	\$212.00	
41839	1969	REAR LAMP HARNESS Wagon, Nomad, Greenbrier, With Power Tailgate Window Note: Customer Must Supply Their Original Rubber Boot At Tailgate & Connector For Window Switch.	\$245.00	
41732	1969	REAR LAMP HARNESS Wagon, Concours, With Power Tailgate Window Note: Customer Must Supply Their Original Rubber Boot At Tailgate From Their Original Harness.	\$245.00	
17715	1970	REAR LAMP INTERMEDIATE HARNESS Coupe, From Dash To Rear Lamp Harness	\$126.00	

Part Number	Year	Description	Price	*Rev.
19950	1970	REAR LAMP INTERMEDIATE HARNESS Convertible, From Dash To Rear Lamp Harness	\$158.00	
14500	1970	REAR LAMP INTERMEDIATE HARNESS El Camino, From Dash To Rear Lamp Harness	\$145.00	
41724	1970	REAR LAMP INTERMEDIATE HARNESS Wagon, 6 Passenger, Without Power Tailgate Window, From Dash To Rear Lamp Harness	\$180.00	
41725	1970	REAR LAMP INTERMEDIATE HARNESS Wagon, 6 Passenger, With Power Tailgate Window, From Dash To Rear Lamp Harness	\$239.00	
41728	1970	REAR LAMP INTERMEDIATE HARNESS Wagon, All, 9 Passenger, From Dash To Rear Lamp Harness	\$265.00	
14745	1970	REAR LAMP HARNESS Trunk, Chevelle, All	\$184.00	
14485	1970	REAR LAMP HARNESS Rear Panel, El Camino Note: Customer Must Reuse Their Original Rubber Boot At Tailgate From Their Original Harness.	\$211.00	
34005	1970	REAR LAMP HARNESS Monte Carlo, Rear Panel	\$225.00	
41841	1970	REAR LAMP HARNESS Wagon, 6 Passenger, Without Power Tailgate Window Note: Customer Must Reuse Their Original Rubber Boot At Tailgate From Their Original Harness.	\$226.00	
41848	1970	REAR LAMP HARNESS Wagon, All, With Power Tailgate Window Note: Customer Must Supply Their Original Rubber Boot At Tailgate From Their Original Harness.	\$239.00	
17715	1971	REAR LAMP INTERMEDIATE HARNESS Coupe, From Dash To Rear Lamp Harness	\$126.00	
19950	1971	REAR LAMP INTERMEDIATE HARNESS Convertible, From Dash To Rear Lamp Harness	\$158.00	
14500	1971	REAR LAMP INTERMEDIATE HARNESS El Camino, From Dash To Rear Lamp Harness	\$145.00	
41724	1971	REAR LAMP INTERMEDIATE HARNESS Wagon, 6 Passenger, Without Power Tailgate Window, From Dash To Rear Lamp Harness	\$180.00	
41725	1971	REAR LAMP INTERMEDIATE HARNESS Wagon, 6 Passenger, With Power Tailgate Window, From Dash To Rear Lamp Harness	\$239.00	
41849	1971	REAR LAMP INTERMEDIATE HARNESS Wagon, All, 9 Passenger, From Dash To Rear Lamp Harness	\$265.00	
17695	1971	REAR LAMP HARNESS Trunk, Chevelle, All	\$184.00	
14485	1971	REAR LAMP HARNESS Rear Panel, El Camino Note: Customer Must Reuse Their Original Rubber Boot At Tailgate From Their Original Harness.	\$211.00	
34005	1971	REAR LAMP HARNESS Monte Carlo, Rear Panel	\$225.00	
41841	1971	REAR LAMP HARNESS Wagon, 6 Passenger, Without Power Tailgate Window Note: Customer Must Reuse Their Original Rubber Boot At Tailgate From Their Original Harness.	\$226.00	
41848	1971	REAR LAMP HARNESS Wagon, All, With Power Tailgate Window Note: Customer Must Supply Their Original Rubber Boot At Tailgate From Their Original Harness.	\$239.00	
17715	1972	REAR LAMP INTERMEDIATE HARNESS Coupe, Without Seat Belt Warning, From Dash To Rear Lamp Harness	\$126.00	
36412	1972	REAR LAMP INTERMEDIATE HARNESS Coupe, With Seat Belt Warning, From Dash To Rear Lamp Harness	\$184.00	
36411	1972	REAR LAMP INTERMEDIATE HARNESS Convertible, Without Seat Belt Warning, From Dash To Rear Lamp Harness	\$158.00	
17720	1972	REAR LAMP INTERMEDIATE HARNESS Convertible, With Seat Belt Warning, From Dash To Rear Lamp Harness	\$172.00	
14500	1972	REAR LAMP INTERMEDIATE HARNESS El Camino, Without Seat Belt Warning, From Dash To Rear Lamp Harness	\$145.00	
36413	1972	REAR LAMP INTERMEDIATE HARNESS El Camino, With Seat Belt Warning, From Dash To Rear Lamp Harness	\$184.00	
41724	1972	REAR LAMP INTERMEDIATE HARNESS Wagon, 6 Passenger, Without Power Tailgate Window & Seat Belt Warning, From Dash To Rear Lamp Harness	\$180.00	
41853	1972	REAR LAMP INTERMEDIATE HARNESS Wagon, 6 Passenger, Without Power Tailgate Window, With Seat Belt Warning, From Dash To Rear Lamp Harness	\$226.00	
41725	1972	REAR LAMP INTERMEDIATE HARNESS Wagon, 6 Passenger, With Power Tailgate Window, Except Seat Belt Warning, From Dash To Rear Lamp Harness	\$239.00	
41855	1972	REAR LAMP INTERMEDIATE HARNESS Wagon, 6 Passenger, With Power Tailgate Window & Seat Belt Warning, From Dash To Rear Lamp Harness	\$239.00	

Part Number	Year	Description	Price	*Rev.
41849	1972	REAR LAMP INTERMEDIATE HARNESS Wagon, All, 9 Passenger, Without Seat Belt Warning, From Dash To Rear Lamp Harness	\$265.00	
41854	1972	REAR LAMP INTERMEDIATE HARNESS Wagon, All, 9 Passenger, With Seat Belt Warning, From Dash To Rear Lamp Harness	\$265.00	
17695	1972	REAR LAMP HARNESS Trunk, Chevelle, All	\$184.00	
14485	1972	REAR LAMP HARNESS Rear Panel, El Camino Note: Customer Must Reuse Their Original Rubber Boot At Tailgate From Their Original Harness.	\$211.00	
34005	1972	REAR LAMP HARNESS Monte Carlo, Rear Panel	\$225.00	
41841	1972	REAR LAMP HARNESS Wagon, 6 Passenger, Without Power Tailgate Window Note: Customer Must Reuse Their Original Rubber Boot At Tailgate From Their Original Harness.	\$226.00	
41848	1972	REAR LAMP HARNESS Wagon, All, With Power Tailgate Window Note: Customer Must Supply Their Original Rubber Boot At Tailgate From Their Original Harness.	\$239.00	
40759	1973	REAR LAMP INTERMEDIATE HARNESS All, Except Wagon & El Camino, From Dash To Rear Lamp Harness	\$193.00	
41844	1973	REAR LAMP INTERMEDIATE HARNESS El Camino, From Dash To Rear Lamp Harness Note: Customer Must Supply Us With Their Original Harness.	\$166.00	
40760	1973	REAR LAMP INTERMEDIATE HARNESS Wagon, From Dash To Rear Lamp Harness	\$199.00	
41842	1973	REAR LAMP HARNESS Chevelle, Coupe & Sedan	\$237.00	
41755	1973	REAR LAMP HARNESS El Camino, In Rear Bumper Note: Customer Must Supply Us With Their Original Harness.	\$237.00	
41828	1973	REAR SIDE MARKER LAMP HARNESS El Camino, From Passenger Side Rear Marker Lamp To Rear Lamp Intermediate Harness	\$60.00	
41843	1973	REAR LAMP HARNESS Monte Carlo, Rear Panel	\$237.00	
40787	1973	REAR LAMP HARNESS Wagon, Rear Body, From Intermediate Harness To Rear Lamp Harness In Bumper Note: Customer Must Supply Us With Their Original Harness.	\$113.00	
41753	1973	REAR LAMP HARNESS Wagon, In Rear Bumper Note: Customer Must Supply Us With Their Original Harness.	\$225.00	
40759	1974	REAR LAMP INTERMEDIATE HARNESS All, Except Wagon & El Camino, From Dash To Rear Lamp Harness	\$193.00	
41832	1974	REAR LAMP INTERMEDIATE HARNESS El Camino, From Dash To Rear Lamp Harness Note: Customer Must Supply Us With Their Original Harness.	\$166.00	
40760	1974	REAR LAMP INTERMEDIATE HARNESS Wagon, From Dash To Rear Lamp Harness	\$199.00	
41830	1974	REAR LAMP HARNESS Coupe & Sedan, Except Monte Carlo, Rear Panel	\$251.00	
41755	1974	REAR LAMP HARNESS El Camino, In Rear Bumper Note: Customer Must Supply Us With Their Original Harness.	\$237.00	
41833	1974	REAR SIDE MARKER LAMP HARNESS El Camino, From Passenger Side Rear Marker Lamp To Rear Lamp Intermediate Harness	\$53.00	
41827	1974	REAR LAMP HARNESS Monte Carlo, Rear Panel	\$251.00	
40787	1974	REAR LAMP HARNESS Wagon, Rear Body, From Intermediate Harness To Rear Lamp Harness In Bumper Note: Customer Must Supply Us With Their Original Harness.	\$113.00	
41771	1974	REAR LAMP HARNESS Wagon, In Rear Bumper Note: Customer Must Supply Us With Their Original Harness.	\$219.00	
40399	1975	REAR LAMP INTERMEDIATE HARNESS All, Except Wagon & El Camino, From Dash To Rear Lamp Harness	\$226.00	
41832	1975	REAR LAMP INTERMEDIATE HARNESS El Camino, From Dash To Rear Lamp Harness Note: Customer Must Supply Us With Their Original Harness.	\$166.00	
40414	1975	REAR LAMP INTERMEDIATE HARNESS Wagon, From Dash To Rear Lamp Harness	\$199.00	
41834	1975	REAR LAMP HARNESS Coupe & Sedan, Except Monte Carlo, Rear Panel	\$251.00	

Part Number	Year	Description	Price	*Rev.
41796	1975	REAR LAMP HARNESS El Camino, In Rear Bumper Note: Customer Must Supply Us With Their Original Harness.	\$337.00	
41833	1975	REAR SIDE MARKER LAMP HARNESS El Camino, From Passenger Side Rear Marker Lamp To Rear Lamp Intermediate Harness	\$53.00	
41827	1975	REAR LAMP HARNESS Monte Carlo, Rear Panel	\$251.00	
40787	1975	REAR LAMP HARNESS Wagon, Rear Body, From Intermediate Harness To Rear Lamp Harness In Bumper Note: Customer Must Supply Us With Their Original Harness.	\$113.00	
41771	1975	REAR LAMP HARNESS Wagon, In Rear Bumper Note: Customer Must Supply Us With Their Original Harness.	\$219.00	
40399	1976	REAR LAMP INTERMEDIATE HARNESS All, Except Wagon & El Camino, From Dash To Rear Lamp Harness	\$226.00	
41661	1976	REAR LAMP INTERMEDIATE HARNESS El Camino, From Dash To Rear Lamp Harness Note: Customer Must Supply Us With Their Original Harness.	\$199.00	
40414	1976	REAR LAMP INTERMEDIATE HARNESS Wagon, From Dash To Rear Lamp Harness	\$199.00	
41658	1976	REAR LAMP HARNESS Coupe & Sedan, Except Monte Carlo, Rear Panel	\$251.00	
41796	1976	REAR LAMP HARNESS El Camino, In Rear Bumper Note: Customer Must Supply Us With Their Original Harness.	\$337.00	
41662	1976	REAR SIDE MARKER LAMP HARNESS El Camino, From Passenger Side Rear Marker Lamp To Rear Lamp Intermediate Harness	\$53.00	
41657	1976	REAR LAMP HARNESS Monte Carlo, Rear Panel	\$251.00	
40787	1976	REAR LAMP HARNESS Wagon, Rear Body, From Intermediate Harness To Rear Lamp Harness In Bumper Note: Customer Must Supply Us With Their Original Harness.	\$113.00	
41771	1976	REAR LAMP HARNESS Wagon, In Rear Bumper Note: Customer Must Supply Us With Their Original Harness.	\$219.00	
40399	1977	REAR LAMP INTERMEDIATE HARNESS All, Except Wagon & El Camino, From Dash To Rear Lamp Harness	\$226.00	
41661	1977	REAR LAMP INTERMEDIATE HARNESS El Camino, From Dash To Rear Lamp Harness Note: Customer Must Supply Us With Their Original Harness.	\$199.00	
40414	1977	REAR LAMP INTERMEDIATE HARNESS Wagon, From Dash To Rear Lamp Harness	\$199.00	
41658	1977	REAR LAMP HARNESS Coupe & Sedan, Except Monte Carlo, Rear Panel	\$251.00	
41796	1977	REAR LAMP HARNESS El Camino, In Rear Bumper Note: Customer Must Supply Us With Their Original Harness.	\$337.00	
41662	1977	REAR SIDE MARKER LAMP HARNESS El Camino, From Passenger Side Rear Marker Lamp To Rear Lamp Intermediate Harness	\$53.00	
41990	1977	REAR LAMP HARNESS Monte Carlo, Rear Panel	\$251.00	
40787	1977	REAR LAMP HARNESS Wagon, Rear Body, From Intermediate Harness To Rear Lamp Harness In Bumper Note: Customer Must Supply Us With Their Original Harness.	\$113.00	
41771	1977	REAR LAMP HARNESS Wagon, In Rear Bumper Note: Customer Must Supply Us With Their Original Harness.	\$219.00	
41991	1978	REAR LAMP INTERMEDIATE HARNESS All, Except El Camino, From Dash To Rear Lamp Harness	\$211.00	
41992	1978	REAR LAMP INTERMEDIATE HARNESS El Camino, Front Section, From Dash To Rear Body Section	\$145.00	
41861	1978	REAR LAMP INTERMEDIATE HARNESS El Camino, Rear Section, From Front Section To Rear Lamp Harness Note: Customer Must Supply Us With Their Original Harness.	\$132.00	
41993	1978	REAR LAMP HARNESS Coupe & Sedan, Except Monte Carlo, Rear Panel	\$436.00	
41858	1978	REAR LAMP HARNESS El Camino, In Rear Bumper Note: Customer Must Supply Us With Their Original Harness.	\$211.00	
41994	1978	REAR LAMP HARNESS Monte Carlo, Rear Panel	\$436.00	

Part Number	Year	Description	Price	*Rev.
42041	1978	REAR LAMP HARNESS Wagon, Rear Body, From Intermediate Harness To Rear Lamp Harness In Bumper	\$158.00	
41826	1978	REAR LAMP HARNESS Wagon, In Rear Bumper Note: Customer Must Supply Us With Their Original Harness.	\$317.00	
41991	1979	REAR LAMP INTERMEDIATE HARNESS All, Except El Camino, From Dash To Rear Lamp Harness	\$211.00	
41992	1979	REAR LAMP INTERMEDIATE HARNESS El Camino, Front Section, From Dash To Rear Body Section	\$145.00	
41861	1979	REAR LAMP INTERMEDIATE HARNESS El Camino, Rear Section, From Front Section To Rear Lamp Harness Note: Customer Must Supply Us With Their Original Harness.	\$132.00	
42042	1979	REAR LAMP HARNESS Coupe & Sedan, Except Monte Carlo, Rear Panel Note: Customer Must Supply Us With Their Original Harness.	\$436.00	
41875	1979	REAR LAMP HARNESS El Camino, In Rear Bumper Note: Customer Must Supply Us With Their Original Harness.	\$410.00	
42036	1979	REAR LAMP HARNESS Monte Carlo, Rear Panel	\$436.00	
42041	1979	REAR LAMP HARNESS Wagon, Rear Body, From Intermediate Harness To Rear Lamp Harness In Bumper	\$158.00	
41874	1979	REAR LAMP HARNESS Wagon, In Rear Bumper Note: Customer Must Supply Us With Their Original Harness.	\$317.00	
41991	1980	REAR LAMP INTERMEDIATE HARNESS All, Except El Camino, From Dash To Rear Lamp Harness	\$211.00	
41992	1980	REAR LAMP INTERMEDIATE HARNESS El Camino, Front Section, From Dash To Rear Body Section	\$145.00	
41861	1980	REAR LAMP INTERMEDIATE HARNESS El Camino, Rear Section, From Front Section To Rear Lamp Harness Note: Customer Must Supply Us With Their Original Harness.	\$132.00	
42042	1980	REAR LAMP HARNESS Coupe & Sedan, Except Monte Carlo, Rear Panel Note: Customer Must Supply Us With Their Original Harness.	\$436.00	
41875	1980	REAR LAMP HARNESS El Camino, In Rear Bumper Note: Customer Must Supply Us With Their Original Harness.	\$410.00	
42037	1980	REAR LAMP HARNESS Monte Carlo, Rear Panel Note: Customer Must Supply Us With Their Original Harness.	\$436.00	
42041	1980	REAR LAMP HARNESS Wagon, Rear Body, From Intermediate Harness To Rear Lamp Harness In Bumper	\$158.00	
41874	1980	REAR LAMP HARNESS Wagon, In Rear Bumper Note: Customer Must Supply Us With Their Original Harness.	\$317.00	
41991	1981	REAR LAMP INTERMEDIATE HARNESS All, Except El Camino, From Dash To Rear Lamp Harness	\$211.00	
41992	1981	REAR LAMP INTERMEDIATE HARNESS El Camino, Front Section, From Dash To Rear Body Section	\$145.00	
41861	1981	REAR LAMP INTERMEDIATE HARNESS El Camino, Rear Section, From Front Section To Rear Lamp Harness Note: Customer Must Supply Us With Their Original Harness.	\$132.00	
42047	1981	REAR LAMP HARNESS Coupe & Sedan, Except Monte Carlo, Rear Panel	\$436.00	
41875	1981	REAR LAMP HARNESS El Camino, In Rear Bumper Note: Customer Must Supply Us With Their Original Harness.	\$410.00	
42046	1981	REAR LAMP HARNESS Monte Carlo, Rear Panel	\$436.00	
42041	1981	REAR LAMP HARNESS Wagon, Rear Body, From Intermediate Harness To Rear Lamp Harness In Bumper	\$158.00	
41874	1981	REAR LAMP HARNESS Wagon, In Rear Bumper Note: Customer Must Supply Us With Their Original Harness.	\$317.00	
41991	1982	REAR LAMP INTERMEDIATE HARNESS All, Except El Camino, From Dash To Rear Lamp Harness	\$211.00	
41992	1982	REAR LAMP INTERMEDIATE HARNESS El Camino, Front Section, From Dash To Rear Body Section	\$145.00	
41861	1982	REAR LAMP INTERMEDIATE HARNESS El Camino, Rear Section, From Front Section To Rear Lamp Harness Note: Customer Must Supply Us With Their Original Harness.	\$132.00	

Part Number	Year	Description	Price	*Rev.
42047	1982	REAR LAMP HARNESS Without Diesel, Except Monte Carlo, Rear Panel	\$436.00	
42051	1982	REAR LAMP HARNESS With Diesel, Except Monte Carlo, Rear Panel	\$463.00	
42046	1982	REAR LAMP HARNESS Monte Carlo, Without Diesel, Rear Panel	\$436.00	
42050	1982	REAR LAMP HARNESS Monte Carlo, With Diesel, Rear Panel	\$463.00	
41875	1982	REAR LAMP HARNESS El Camino, In Rear Bumper Note: Customer Must Supply Us With Their Original Harness.	\$410.00	
42041	1982	REAR LAMP HARNESS Wagon, Without Diesel, Rear Body, From Intermediate Harness To Rear Lamp Harness In Bumper	\$158.00	
42049	1982	REAR LAMP HARNESS Wagon, With Diesel, Rear Body, From Intermediate Harness To Rear Lamp Harness In Bumper	\$158.00	
41874	1982	REAR LAMP HARNESS Wagon, In Rear Bumper Note: Customer Must Supply Us With Their Original Harness.	\$317.00	
REAR WINDOW DEFROSTER HARNESS				
36070	1964	REAR WINDOW DEFROSTER HARNESS From Dash Switch To Blower Motor	\$60.00	
36070	1965	REAR WINDOW DEFROSTER HARNESS From Dash Switch To Blower Motor	\$60.00	
36070	1966	REAR WINDOW DEFROSTER HARNESS From Dash Switch To Blower Motor	\$60.00	
36070	1967	REAR WINDOW DEFROSTER HARNESS From Dash Switch To Blower Motor	\$60.00	
14185	1968	REAR WINDOW DEFROSTER HARNESS Except Wagon, From Dash Switch To Blower Motor	\$67.00	
41711	1968	REAR WINDOW DEFROSTER HARNESS Wagon, From Dash Switch To Blower Motor	\$80.00	
14415	1969	REAR WINDOW DEFROSTER HARNESS Except Wagon, From Dash Switch To Blower Motor	\$67.00	
41719	1969	REAR WINDOW DEFROSTER HARNESS Wagon, From Dash Switch To Blower Motor	\$80.00	
14555	1970	REAR WINDOW DEFROSTER HARNESS Except Wagon, From Dash Switch To Blower Motor	\$80.00	
41731	1970	REAR WINDOW DEFROSTER HARNESS Wagon, From Dash Switch To Blower Motor	\$80.00	
19445	1970	REAR WINDOW DEFROSTER WIRE Resistance Wire, Used With Blower Type Defroster Note: This Wire Is Included In Our Harness #14555.	\$80.00	
14555	1971	REAR WINDOW DEFROSTER HARNESS Except Wagon, From Dash Switch To Blower Motor	\$80.00	
41731	1971	REAR WINDOW DEFROSTER HARNESS Wagon, From Dash Switch To Blower Motor	\$80.00	
14555	1972	REAR WINDOW DEFROSTER HARNESS Except Wagon, From Dash Switch To Blower Motor	\$80.00	
41731	1972	REAR WINDOW DEFROSTER HARNESS Wagon, From Dash Switch To Blower Motor	\$80.00	
41759	1973	REAR WINDOW DEFROSTER HARNESS Fuse Block To Extension Harness Note: Customer Must Reuse Their Original 3 Terminal Plastic Connector On Cluster End Of Harness.	\$80.00	
41760	1973	REAR WINDOW DEFROSTER EXTENSION HARNESS Defroster Harness To Switch Note: Customer Must Reuse Their Original 3 Terminal Plastic Connector On Cluster End Of Harness.	\$80.00	
40781	1973	REAR WINDOW DEFROSTER HARNESS Rear Section, Under Dash To Blower Motor	\$58.00	
41775	1974	REAR WINDOW DEFROSTER HARNESS From Dash Switch To Fuse Block	\$71.00	
40781	1974	REAR WINDOW DEFROSTER HARNESS From Under Dash To Blower Motor	\$58.00	
41775	1975	REAR WINDOW DEFROSTER HARNESS From Dash Switch To Fuse Block	\$71.00	
40781	1975	REAR WINDOW DEFROSTER HARNESS From Under Dash To Blower Motor	\$58.00	
41775	1976	REAR WINDOW DEFROSTER HARNESS Blower Type Defroster, From Dash Switch To Fuse Block	\$71.00	
40781	1976	REAR WINDOW DEFROSTER HARNESS Blower Type Defroster, From Under Dash To Blower Motor	\$58.00	
41805	1976	REAR WINDOW DEFROSTER HARNESS Electric Type Defroster, From Dash Switch To Circuit Breaker	\$95.00	
40767	1976	REAR WINDOW DEFROSTER HARNESS Electric Type Defroster, From Dash To Rear Window	\$51.00	
41775	1977	REAR WINDOW DEFROSTER HARNESS Blower Type Defroster, From Dash Switch To Fuse Block	\$71.00	
40781	1977	REAR WINDOW DEFROSTER HARNESS Blower Type Defroster, From Dash To Blower Motor	\$58.00	
41816	1977	REAR WINDOW DEFROSTER HARNESS Electric Type Defroster, From Dash Switch To Fuse Block	\$95.00	
40767	1977	REAR WINDOW DEFROSTER HARNESS Electric Type Defroster, From Dash To Rear Window	\$51.00	
41775	1978	REAR WINDOW DEFROSTER HARNESS Blower Type Defroster, From Dash Switch To Fuse Block	\$71.00	
42025	1978	REAR WINDOW DEFROSTER HARNESS Blower Type Defroster, From Dash To Blower Motor	\$80.00	

Part Number	Year	Description	Price	*Rev.
41857	1978	REAR WINDOW DEFROSTER HARNESS Electric Type Defroster, From Fuse Block To Dash Switch	\$80.00	
42024	1978	REAR WINDOW DEFROSTER HARNESS Electric Type Defroster, Without Removable Roof, From Dash To Rear Window	\$80.00	
42033	1978	REAR WINDOW DEFROSTER HARNESS Electric Type Defroster, With Removable Roof, From Dash To Rear Window	\$80.00	
42035	1978	REAR WINDOW DEFROSTER HARNESS Wagon, With Heated Liftgate Window, From Dash To Rear Window	\$80.00	
41825	1979	REAR WINDOW DEFROSTER HARNESS Blower Type Defroster, From Fuse Block To Blower Switch	\$80.00	
42025	1979	REAR WINDOW DEFROSTER HARNESS Blower Type Defroster, From Dash To Blower Motor	\$80.00	
41857	1979	REAR WINDOW DEFROSTER HARNESS Electric Type Defroster, From Fuse Block To Dash Switch	\$80.00	
42024	1979	REAR WINDOW DEFROSTER HARNESS Electric Type Defroster, Without Removable Roof, From Dash To Rear Window	\$80.00	
42033	1979	REAR WINDOW DEFROSTER HARNESS Electric Type Defroster, With Removable Roof, From Dash To Rear Window	\$80.00	
42035	1979	REAR WINDOW DEFROSTER HARNESS Wagon, With Heated Liftgate Window, From Dash To Rear Window	\$80.00	
41825	1980	REAR WINDOW DEFROSTER HARNESS Blower Type Defroster, From Fuse Block To Blower Switch	\$80.00	
42025	1980	REAR WINDOW DEFROSTER HARNESS Blower Type Defroster, From Dash To Blower Motor	\$80.00	
41898	1980	REAR WINDOW DEFROSTER HARNESS Electric Type Defroster, From Fuse Block To Dash Switch	\$80.00	
42024	1980	REAR WINDOW DEFROSTER HARNESS Electric Type Defroster, Without Removable Roof, From Dash To Rear Window	\$80.00	
42033	1980	REAR WINDOW DEFROSTER HARNESS Electric Type Defroster, With Removable Roof, From Dash To Rear Window	\$80.00	
42035	1980	REAR WINDOW DEFROSTER HARNESS Wagon, With Heated Liftgate Window, From Dash To Rear Window	\$80.00	
41941	1981	REAR WINDOW DEFROSTER HARNESS Electric Type Defroster, From Fuse Block To Dash Switch	\$80.00	
42024	1981	REAR WINDOW DEFROSTER HARNESS Electric Type Defroster, Without Removable Roof, From Dash To Rear Window	\$80.00	
42033	1981	REAR WINDOW DEFROSTER HARNESS Electric Type Defroster, With Removable Roof, From Dash To Rear Window	\$80.00	
42035	1981	REAR WINDOW DEFROSTER HARNESS Wagon, With Heated Liftgate Window, From Dash To Rear Window	\$80.00	
41941	1982	REAR WINDOW DEFROSTER HARNESS Electric Type Defroster, From Fuse Block To Dash Switch	\$80.00	
42024	1982	REAR WINDOW DEFROSTER HARNESS Electric Type Defroster, Without Removable Roof, From Dash To Rear Window	\$80.00	
42033	1982	REAR WINDOW DEFROSTER HARNESS Electric Type Defroster, With Removable Roof, From Dash To Rear Window	\$80.00	
42035	1982	REAR WINDOW DEFROSTER HARNESS Wagon, With Heated Liftgate Window, From Dash To Rear Window	\$80.00	
REPAIR PIGTAIL-FOR POWER WINDOW SWITCH				
36048	1964	REPAIR PIGTAIL, FOR POWER WINDOW SWITCH For Single Power Window Switches, Includes Connector & Wire	\$25.00	
36048	1965	REPAIR PIGTAIL, FOR POWER WINDOW SWITCH For Single Power Window Switches, Includes Connector & Wire	\$25.00	
36048	1966	REPAIR PIGTAIL, FOR POWER WINDOW SWITCH For Single Power Window Switches, Includes Connector & Wire	\$25.00	
36048	1967	REPAIR PIGTAIL, FOR POWER WINDOW SWITCH For Single Power Window Switches, Includes Connector & Wire	\$25.00	
36048	1968	REPAIR PIGTAIL, FOR POWER WINDOW SWITCH For Single Power Window Switches, Includes Connector & Wire	\$25.00	
36048	1969	REPAIR PIGTAIL, FOR POWER WINDOW SWITCH For Single Power Window Switches, Includes Connector & Wire	\$25.00	
36048	1970	REPAIR PIGTAIL, FOR POWER WINDOW SWITCH For Single Power Window Switches, Includes Connector & Wire	\$25.00	
SEAT BELT WARNING HARNESS				
41761	1972	SEAT BELT WARNING HARNESS Manual Trans, From Dash Harness To Parking Brake Relay	\$80.00	
19955	1972	SEAT BELT WARNING EXTENSION HARNESS From Intermediate Body Connector To Seat Belt Retractor	\$52.00	
41756	1973	SEAT BELT WARNING HARNESS Manual Trans, From Dash Harness To Parking Brake Relay	\$80.00	

Part Number	Year	Description	Price	*Rev.
40701	1973	SEAT BELT WARNING HARNESS All, Passenger Side, From Seat Sensor Switch To Seat Belt Retractor	\$34.00	
40702	1973	SEAT BELT WARNING HARNESS All, Driver Side, From Under Dash To Seat Belt Retractor	\$34.00	
41783	1974	SEAT BELT IGNITION INTERLOCK WARNING EXTENSION HARNESS With 3 Speed Manual Trans, From Warning Switch On Column To Clutch Start Switch	\$66.00	
41784	1974	SEAT BELT IGNITION INTERLOCK WARNING EXTENSION HARNESS With 4 Speed Manual Trans, From Warning Relay To Clutch Start Switch	\$66.00	
41831	1974	SEAT BELT IGNITION INTERLOCK WARNING HARNESS El Camino, From Right & Left Retractor To Seat Sensor Switch	\$52.00	
41837	1974	SEAT BELT IGNITION INTERLOCK WARNING HARNESS With Bench Seat, Harness Located On Passenger Side Front End And Under Body Note: Customer Must Supply Us With Their Original Harness.	\$132.00	
41838	1974	SEAT BELT IGNITION INTERLOCK WARNING HARNESS With Bucket Seat, Harness Located On Passenger Side Front End And Under Body Note: Customer Must Supply Us With Their Original Harness.	\$132.00	
40716	1974	SEAT BELT IGNITION INTERLOCK WARNING HARNESS With Bucket Seats, In Passenger Side Seat Note: Customer Must Supply Us With Their Original Harness.	\$52.00	
41835	1974	SEAT BELT IGNITION INTERLOCK WARNING HARNESS With Standard Bench Seat, In Seat Note: Customer Must Supply Us With Their Original Harness.	\$65.00	
41836	1974	SEAT BELT IGNITION INTERLOCK WARNING HARNESS With Reclining Split Bench Seat, In Seat Note: Customer Must Supply Us With Their Original Harness.	\$65.00	
41831	1975	SEAT BELT IGNITION INTERLOCK WARNING HARNESS El Camino, From Right & Left Retractor To Seat Sensor Switch	\$52.00	
40421	1975	SEAT BELT IGNITION INTERLOCK WARNING HARNESS All, Dash Harness To Timer & Buzzer Note: Customer Must Reuse Their Original Single Wire Plastic Connector That Attaches This Harness To The Instrument Panel Harness.	\$80.00	
40422	1975	SEAT BELT IGNITION INTERLOCK WARNING HARNESS All, From Driver Side Seat Belt Retractor To Seat Belt Warning Harness	\$53.00	
40438	1976	SEAT BELT WARNING JUMPER All, From Buzzer To Driver Side Seat Belt Retractor	\$41.00	
40438	1977	SEAT BELT WARNING JUMPER All, From Buzzer To Driver Side Seat Belt Retractor	\$41.00	
42019	1978	SEAT BELT WARNING EXTENSION HARNESS All, From Buzzer Ground To Seat Belt Buckle	\$35.00	
42019	1979	SEAT BELT WARNING EXTENSION HARNESS All, From Buzzer Ground To Seat Belt Buckle	\$35.00	
42019	1980	SEAT BELT WARNING EXTENSION HARNESS All, From Buzzer Ground To Seat Belt Buckle	\$35.00	
42019	1981	SEAT BELT WARNING EXTENSION HARNESS All, From Buzzer Ground To Seat Belt Buckle	\$35.00	
42019	1982	SEAT BELT WARNING EXTENSION HARNESS All, From Buzzer Ground To Seat Belt Buckle	\$35.00	
SPEAKER HARNESS				
06905	1964	SPEAKER WIRE Except Wagon, Single Rear Seat Speaker, From Radio To Speaker	\$25.00	
07155	1964	SPEAKER HARNESS Wagon, Single Rear Seat Speaker, From Radio To Speaker	\$32.00	
20375	1965	SPEAKER WIRE Convertible, With Stereo, Rear Speaker Ground, From Speaker To Body Note: When Using A Factory Stereo, 2 Of These Wires Are Required.	\$21.00	
08115	1965	SPEAKER WIRE Except Convertible, Single Rear Seat Speaker, From Radio To Speaker	\$32.00	
07885	1965	SPEAKER HARNESS Wagon, Single Rear Seat Speaker, From Radio To Speaker	\$32.00	
33430	1965	SPEAKER HARNESS 4 Stereo Speakers, From Radio To Front & Rear Speakers	\$83.00	
18510	1965	SPEAKER HARNESS All, From Radio To Speaker Fader Control	\$53.00	
08115	1966	SPEAKER WIRE Except Convertible, Single Rear Seat Speaker, From Radio To Speaker	\$32.00	
38419	1966	SPEAKER HARNESS Wagon, Single Rear Seat Speaker, From Radio To Speaker	\$32.00	
05855	1966	SPEAKER WIRE Convertible, Single Rear Seat Speaker, From Radio To Speaker	\$32.00	
38864	1966	SPEAKER WIRE Convertible, Rear Seat Speaker Ground, From Speaker To Body Note: When Using A Factory Stereo, 2 Of These Wires Are Required.	\$23.00	
33430	1966	SPEAKER HARNESS 4 Stereo Speakers, From Radio To Front & Rear Speakers	\$83.00	

Part Number	Year	Description	Price	*Rev.
18510	1966	SPEAKER HARNESS All, From Radio To Speaker Fader Control	\$53.00	
05855	1967	SPEAKER WIRE Convertible, Single Rear Seat Speaker, From Radio To Speaker	\$32.00	
09315	1967	SPEAKER HARNESS With Stereo Tape Player, From Radio Rear Seat Speakers	\$53.00	
38864	1967	SPEAKER WIRE Convertible, Rear Seat Speaker Ground, From Speaker To Body Note: When Using A Factory Stereo, 2 Of These Wires Are Required.	\$23.00	
08115	1967	SPEAKER WIRE Except Convertible, Single Rear Seat Speaker, From Radio To Speaker	\$32.00	
08210	1967	SPEAKER HARNESS Except Wagon, From Radio To Rear Stereo Speakers	\$53.00	
38419	1967	SPEAKER HARNESS Wagon, Single Rear Seat Speaker, From Radio To Speaker	\$32.00	
41697	1967	SPEAKER HARNESS Wagon, With Stereo, From Radio To Rear Seat Speakers	\$48.00	
33430	1967	SPEAKER HARNESS 4 Stereo Speakers, From Radio To Front & Rear Speakers	\$83.00	
18510	1967	SPEAKER HARNESS All, From Radio To Speaker Fader Control	\$53.00	
05855	1968	SPEAKER WIRE Convertible, Single Rear Seat Speaker, From Radio To Speaker	\$32.00	
09315	1968	SPEAKER HARNESS With Stereo Tape Player, From Radio Rear Seat Speakers	\$53.00	
40492	1968	SPEAKER WIRE Convertible, Rear Seat Speaker Ground, From Speaker To Body Note: When Using A Factory Stereo, 2 Of These Wires Are Required.	\$21.00	
08115	1968	SPEAKER WIRE Except Convertible, Single Rear Seat Speaker, From Radio To Speaker	\$32.00	
08210	1968	SPEAKER HARNESS Except Wagon, From Radio To Rear Stereo Speakers	\$53.00	
41703	1968	SPEAKER HARNESS Wagon, Single Rear Seat Speaker, From Radio To Speaker	\$34.00	
41707	1968	SPEAKER HARNESS Wagon, With Stereo, From Radio To Rear Seat Speakers	\$52.00	
33430	1968	SPEAKER HARNESS 4 Stereo Speakers, From Radio To Front & Rear Speakers	\$83.00	
18510	1968	SPEAKER HARNESS All, From Radio To Speaker Fader Control	\$53.00	
05855	1969	SPEAKER WIRE Convertible, Single Rear Seat Speaker, From Radio To Speaker	\$32.00	
09315	1969	SPEAKER HARNESS With Stereo Tape Player, From Radio Rear Seat Speakers	\$53.00	
40492	1969	SPEAKER WIRE Convertible, Rear Seat Speaker Ground, From Speaker To Body Note: When Using A Factory Stereo, 2 Of These Wires Are Required.	\$21.00	
41707	1969	SPEAKER HARNESS Wagon, With Stereo, From Radio To Rear Seat Speakers	\$52.00	
40889	1969	SPEAKER HARNESS Wagon, Single Rear Seat Speaker, From Radio To Speaker	\$52.00	
41717	1969	SPEAKER HARNESS Except Wagon & El Camino, From Radio To Rear Stereo Speakers	\$52.00	
41718	1969	SPEAKER HARNESS Except Wagon & El Camino, From Radio To Rear Speaker	\$32.00	
33430	1969	SPEAKER HARNESS 4 Stereo Speakers, From Radio To Front & Rear Speakers	\$83.00	
18510	1969	SPEAKER HARNESS All, From Radio To Speaker Fader Control	\$53.00	
20730	1970	SPEAKER HARNESS AM, AM/FM With Single Center Dash Speaker & Single Rear Seat Speaker, Without A/C, From Radio To Fader Control Note: This Harness Is Used On Vehicles With U80 Option Code.	\$101.00	
20735	1970	SPEAKER HARNESS AM/FM With Left & Right Dash Speakers & Single Rear Seat Speaker, With A/C, From Radio To Fader Control Note: This Harness Is Used On A/C Equiped Cars With U80 Option Code.	\$113.00	
41578	1970	SPEAKER HARNESS Coupe & Sedan, From Radio To Single Rear Seat Speaker Note: This Harness Is Used On Vehicles With U80 Option Code.	\$63.00	
41726	1970	SPEAKER HARNESS Wagon, With Stereo, From Radio To Rear Seat Speakers Note: This Harness Is Used On Vehicles With U79, Um1 Or Um2 Option Code.	\$60.00	
41727	1970	SPEAKER HARNESS All, With Stereo, Except Wagon, From Radio To Rear Seat Speakers Note: This Harness Is Used On Vehicles With U79, Um1 Or Um2 Option Code.	\$60.00	
41840	1970	SPEAKER HARNESS Convertible, From Radio To Single Rear Seat Speaker Note: This Harness Is Used On Vehicles With U80 Option Code.	\$60.00	

Part Number	Year	Description	Price	*Rev.
40492	1970	SPEAKER WIRE Convertible, Rear Seat Speaker Ground, From Speaker To Body Note: When Using A Factory Stereo, 2 Of These Wires Are Required.	\$21.00	
20725	1970	SPEAKER HARNESS AM, AM/FM, From Radio To Single Center Dash Speaker	\$40.00	
38529	1970	SPEAKER HARNESS AM, AM/FM, From Radio To Left & Right Front Speakers, Used In A/C Equiped Cars	\$61.00	
36251	1970	SPEAKER HARNESS With 4 Speaker Stereo, All Except El Camino, From Radio To Front & Rear Speakers	\$145.00	
05855	1970	SPEAKER WIRE Used With Accessory, Dealer Installed Speaker, From Radio To Rear Seat Speaker	\$32.00	
18510	1970	SPEAKER HARNESS All, From Radio To Speaker Fader Control	\$53.00	
20730	1971	SPEAKER HARNESS AM, AM/FM With Single Center Dash Speaker & Single Rear Seat Speaker, Without A/C, From Radio To Fader Control Note: This Harness Is Used On Vehicles With U80 Option Code.	\$101.00	
41738	1971	SPEAKER HARNESS AM/FM With Left & Right Dash Speakers & Single Rear Seat Speaker, With A/C, From Radio To Fader Control Note: This Harness Is Used On A/C Equiped Cars With Radio Speaker Option U80.	\$101.00	
41578	1971	SPEAKER HARNESS Wagon, From Radio To Single Rear Seat Speaker Note: This Harness Is Used On Vehicles With U80 Option Code.	\$63.00	
41726	1971	SPEAKER HARNESS Wagon, With Stereo, From Radio To Rear Seat Speakers Note: This Harness Is Used On Vehicles With U79, Um1 Or Um2 Option Code.	\$60.00	
40799	1971	SPEAKER HARNESS All, Except Wagon, From Radio To Single Rear Seat Speaker Note: This Harness Is Used On Vehicles With U80 Option Code.	\$52.00	
20725	1971	SPEAKER HARNESS AM, AM/FM, From Radio To Single Center Dash Speaker	\$40.00	
38529	1971	SPEAKER HARNESS AM, AM/FM, From Radio To Left & Right Front Speakers, Used In A/C Equiped Cars	\$61.00	
36251	1971	SPEAKER HARNESS With 4 Speaker Stereo, All Except El Camino, From Radio To Front & Rear Speakers	\$145.00	
05855	1971	SPEAKER WIRE Used With Accessory, Dealer Installed Speaker, From Radio To Rear Seat Speaker	\$32.00	
20730	1972	SPEAKER HARNESS AM, Push Button, With Single Center Dash Speaker & Single Rear Seat Speaker, From Radio To Fader Control Note: This Harness Is Used On Vehicles With U63 Option Code.	\$101.00	
39550	1972	SPEAKER HARNESS AM, Push Button, From Radio To Left & Right Front Speakers, Used In A/C Equiped Cars Note: This Harness Is Used On A/C Equiped Cars With Radio Option U63.	\$101.00	
41746	1972	SPEAKER HARNESS AM/FM, From Radio To Left & Right Front Speakers & Single Rear Seat Speaker, Used In A/C Equiped Cars Note: This Harness Is Used On A/C Equiped Cars With Radio Option U79 & U80.	\$98.00	
39511	1972	SPEAKER HARNESS AM, AM/FM With Single Center Dash Speaker & Single Rear Seat Speaker, From Radio To Dash Harness Note: This Harness Is Used On Cars With Radio Speaker Option U80.	\$87.00	
41578	1972	SPEAKER HARNESS Wagon, From Radio To Single Rear Seat Speaker Note: This Harness Is Used On Vehicles With U80 Option Code.	\$63.00	
41726	1972	SPEAKER HARNESS Wagon, With Stereo, From Radio To Rear Seat Speakers Note: This Harness Is Used On Vehicles With U79, Um1 Or Um2 Option Code.	\$60.00	
40799	1972	SPEAKER HARNESS All, Except Wagon, From Radio To Single Rear Seat Speaker Note: This Harness Is Used On Vehicles With U80 Option Code.	\$52.00	
20725	1972	SPEAKER HARNESS AM, AM/FM, From Radio To Single Center Dash Speaker	\$40.00	
36251	1972	SPEAKER HARNESS With 4 Speaker Stereo, All Except El Camino, From Radio To Front & Rear Speakers	\$145.00	
39318	1973	SPEAKER HARNESS AM, From Radio To Center Dash Speaker	\$35.00	
41743	1973	SPEAKER HARNESS Stereo, Without Tape Player, From Radio To Left & Right Front Speakers	\$52.00	

Part Number	Year	Description	Price	*Rev.
40782	1973	SPEAKER HARNESS Single Rear Speaker, Except Wagon, From Radio To Speaker	\$33.00	
40783	1973	SPEAKER HARNESS Wagon, Single Rear Speaker, From Radio To Speaker	\$52.00	
40784	1973	SPEAKER HARNESS With Stereo, Rear Seat Speakers, Except Wagon, From Radio To Speakers	\$101.00	
40785	1973	SPEAKER HARNESS Wagon, With Stereo, From Radio To Rear Speakers	\$52.00	
39318	1974	SPEAKER HARNESS AM, From Radio To Center Dash Speaker	\$35.00	
41743	1974	SPEAKER HARNESS Stereo, Without Tape Player, From Radio To Left & Right Front Speakers	\$52.00	
40782	1974	SPEAKER HARNESS Single Rear Speaker, Except Wagon, From Radio To Speaker	\$33.00	
40783	1974	SPEAKER HARNESS Wagon, Single Rear Speaker, From Radio To Speaker	\$52.00	
40784	1974	SPEAKER HARNESS With Stereo, Rear Seat Speakers, Except Wagon, From Radio To Speakers	\$101.00	
40785	1974	SPEAKER HARNESS Wagon, With Stereo, From Radio To Rear Speakers	\$52.00	
39318	1975	SPEAKER HARNESS AM, From Radio To Center Dash Speaker	\$35.00	
41743	1975	SPEAKER HARNESS Stereo, Without Tape Player, From Radio To Left & Right Front Speakers	\$52.00	
40784	1975	SPEAKER HARNESS With Stereo, Rear Seat Speakers, Except Wagon, From Radio To Speakers	\$101.00	
40785	1975	SPEAKER HARNESS Wagon, With Stereo, From Radio To Rear Speakers	\$52.00	
40782	1975	SPEAKER HARNESS Single Rear Speaker, Except Wagon, From Radio To Speaker	\$33.00	
40783	1975	SPEAKER HARNESS Wagon, Single Rear Speaker, From Radio To Speaker	\$52.00	
39318	1976	SPEAKER HARNESS AM,AM/FM, Pushbutton, From Radio To Center Dash Speaker	\$35.00	
41743	1976	SPEAKER HARNESS Stereo, From Radio To Left & Right Front Speakers	\$52.00	
41665	1976	SPEAKER HARNESS El Camino, From Radio To Rear Stereo Speakers	\$52.00	
40784	1976	SPEAKER HARNESS With Stereo, Rear Seat Speakers, Except Wagon, From Radio To Speakers	\$101.00	
40785	1976	SPEAKER HARNESS Wagon, With Stereo, From Radio To Rear Speakers	\$52.00	
40782	1976	SPEAKER HARNESS Single Rear Speaker, Except Wagon, From Radio To Speaker	\$33.00	
40783	1976	SPEAKER HARNESS Wagon, Single Rear Speaker, From Radio To Speaker	\$52.00	
41665	1977	SPEAKER HARNESS El Camino, From Radio To Rear Stereo Speakers	\$52.00	
40785	1977	SPEAKER HARNESS Wagon, With Stereo, From Radio To Rear Speakers	\$52.00	
40782	1977	SPEAKER HARNESS Single Rear Speaker, Except Wagon, From Radio To Speaker	\$33.00	
40783	1977	SPEAKER HARNESS Wagon, Single Rear Speaker, From Radio To Speaker	\$52.00	
39318	1977	SPEAKER HARNESS AM,AM/FM, Pushbutton, From Radio To Center Dash Speaker	\$35.00	
41743	1977	SPEAKER HARNESS Stereo, From Radio To Left & Right Front Speakers	\$52.00	
41824	1978	SPEAKER HARNESS Stereo, Except El Camino, From Radio To Right & Left Front Speakers	\$67.00	
41868	1978	SPEAKER HARNESS Stereo, El Camino, From Radio To Right & Left Front Speakers	\$67.00	
42022	1978	SPEAKER HARNESS With Stereo, Except Wagon & El Camino, From Radio To Rear Seat Speakers	\$67.00	
42023	1978	SPEAKER HARNESS With Stereo, Wagon, From Radio To Rear Seat Speakers	\$67.00	
42021	1978	SPEAKER HARNESS All, Without Stereo, From Radio To Rear Seat Speaker	\$33.00	
42022	1979	SPEAKER HARNESS With Stereo, Except Wagon & El Camino, From Radio To Rear Seat Speakers	\$67.00	
41824	1979	SPEAKER HARNESS Stereo, Except El Camino, From Radio To Right & Left Front Speakers	\$67.00	
41868	1979	SPEAKER HARNESS Stereo, El Camino, From Radio To Right & Left Front Speakers	\$67.00	
42023	1979	SPEAKER HARNESS With Stereo, Wagon, From Radio To Rear Seat Speakers	\$67.00	
42021	1979	SPEAKER HARNESS All, Without Stereo, From Radio To Rear Seat Speaker	\$33.00	

Part Number	Year	Description	Price	*Rev.
41824	1980	SPEAKER HARNESS Stereo, Except El Camino, From Radio To Right & Left Front Speakers	\$67.00	
41868	1980	SPEAKER HARNESS Stereo, El Camino, From Radio To Right & Left Front Speakers	\$67.00	
42022	1980	SPEAKER HARNESS With Stereo, Except Wagon & El Camino, From Radio To Rear Seat Speakers	\$67.00	
42023	1980	SPEAKER HARNESS With Stereo, Wagon, From Radio To Rear Seat Speakers	\$67.00	
42021	1980	SPEAKER HARNESS All, Without Stereo, From Radio To Rear Seat Speaker	\$33.00	
42022	1981	SPEAKER HARNESS With Stereo, Except Wagon & El Camino, From Radio To Rear Seat Speakers	\$67.00	
42023	1981	SPEAKER HARNESS With Stereo, Wagon, From Radio To Rear Seat Speakers	\$67.00	
42021	1981	SPEAKER HARNESS All, Without Stereo, From Radio To Rear Seat Speaker	\$33.00	
41824	1981	SPEAKER HARNESS Stereo, Except El Camino, From Radio To Right & Left Front Speakers	\$67.00	
41868	1981	SPEAKER HARNESS Stereo, El Camino, From Radio To Right & Left Front Speakers	\$67.00	
41824	1982	SPEAKER HARNESS Stereo, Except El Camino, From Radio To Right & Left Front Speakers	\$67.00	
41868	1982	SPEAKER HARNESS Stereo, El Camino, From Radio To Right & Left Front Speakers	\$67.00	
42022	1982	SPEAKER HARNESS With Stereo, Except Wagon & El Camino, From Radio To Rear Seat Speakers	\$67.00	
42023	1982	SPEAKER HARNESS With Stereo, Wagon, From Radio To Rear Seat Speakers	\$67.00	
42021	1982	SPEAKER HARNESS All, Without Stereo, From Radio To Rear Seat Speaker	\$33.00	
SPEED WARNING HARNESS				
11045	1966	SPEED WARNING HARNESS From Fuse Block To Warning Buzzer	\$22.00	
11045	1967	SPEED WARNING HARNESS From Fuse Block To Warning Buzzer	\$22.00	
17735	1968	SPEED WARNING HARNESS From Fuse Block To Warning Buzzer	\$22.00	
17730	1969	SPEED WARNING HARNESS From Fuse Block To Warning Buzzer	\$22.00	
STEERING COLUMN ADAPTER HARNESS				
37542	1964	STEERING COLUMN ADAPTER HARNESS For 1969-1974 GM & Ididit Columns (Exc. Flaming River) To Stock Dash Harness Note: Adapts Horn, Directionals, & Adds Hazard Flashers To Stock 8 Pin T/L Dash Connector.	\$50.00	
37009	1964	STEERING COLUMN ADAPTER HARNESS For 1975 & Up GM & Flaming River Columns (Exc. Ididit) To Stock Dash Harness Note: Adapts Horn, Directionals, & Adds Hazard Flashers To Stock 8 Pin T/L Dash Connector.	\$52.00	
37542	1965	STEERING COLUMN ADAPTER HARNESS For 1969-1974 GM & Ididit Columns (Exc. Flaming River) To Stock Dash Harness Note: Adapts Horn, Directionals, & Adds Hazard Flashers To Stock 8 Pin T/L Dash Connector.	\$50.00	
37009	1965	STEERING COLUMN ADAPTER HARNESS For 1975 & Up GM & Flaming River Columns (Exc. Ididit) To Stock Dash Harness Note: Adapts Horn, Directionals, & Adds Hazard Flashers To Stock 8 Pin T/L Dash Connector.	\$52.00	
37542	1966	STEERING COLUMN ADAPTER HARNESS For 1969-1974 GM & Ididit Columns (Exc. Flaming River) To Stock Dash Harness Note: Adapts Horn, Directionals, & Adds Hazard Flashers To Stock 8 Pin T/L Dash Connector.	\$50.00	
37009	1966	STEERING COLUMN ADAPTER HARNESS For 1975 & Up GM & Flaming River Columns (Exc. Ididit) To Stock Dash Harness Note: Adapts Horn, Directionals, & Adds Hazard Flashers To Stock 8 Pin T/L Dash Connector.	\$52.00	
36882	1967	STEERING COLUMN ADAPTER HARNESS For 1969-1974 GM & Ididit Columns (Exc. Flaming River) To Stock Dash Harness Note: Adapts Horn, Directionals, & Adds Hazard Flashers To Stock 9 Pin T/L Dash Connector.	\$27.00	
38127	1967	STEERING COLUMN ADAPTER HARNESS For 1975 & Up GM & Flaming River Columns (Exc. Ididit) To Stock Dash Harness Note: Adapts Horn, Directionals, & Adds Hazard Flashers To Stock 9 Pin T/L Dash Connector.	\$27.00	

Part Number	Year	Description	Price	*Rev.
36882	1968	STEERING COLUMN ADAPTER HARNESS For 1969-1974 GM & Ididit Columns (Exc. Flaming River) To Stock Dash Harness Note: Adapts Horn, Directionals, & Adds Hazard Flashers To Stock 9 Pin T/L Dash Connector.	\$27.00	
38127	1968	STEERING COLUMN ADAPTER HARNESS For 1975 & Up GM & Flaming River Columns (Exc. Ididit) To Stock Dash Harness Note: Adapts Horn, Directionals, & Adds Hazard Flashers To Stock 9 Pin T/L Dash Connector.	\$27.00	
STOP LAMP SWITCH				
01261219	1964	STOP LAMP SWITCH Without Cruise	\$5.80	N
01261219	1965	STOP LAMP SWITCH Without Cruise	\$5.80	N
01261219	1966	STOP LAMP SWITCH Without Cruise	\$5.80	N
01261219	1967	STOP LAMP SWITCH Without Cruise	\$5.80	N
01261219	1968	STOP LAMP SWITCH Without Cruise	\$5.80	N
01261219	1969	STOP LAMP SWITCH Without Cruise	\$5.80	N
01261219	1970	STOP LAMP SWITCH Without Cruise	\$5.80	N
01261219	1971	STOP LAMP SWITCH Without Cruise	\$5.80	N
01261219	1972	STOP LAMP SWITCH Without Cruise	\$5.80	N
01261219	1973	STOP LAMP SWITCH Without Cruise	\$5.80	N
01261219	1974	STOP LAMP SWITCH Without Cruise	\$5.80	N
01261219	1975	STOP LAMP SWITCH Without Cruise	\$5.80	N
01261219	1976	STOP LAMP SWITCH Without Power Brakes Or Cruise	\$5.80	N
01261219	1977	STOP LAMP SWITCH Without Power Brakes Or Cruise	\$5.80	N
01261219	1978	STOP LAMP SWITCH Without Power Brakes Or Cruise	\$5.80	N
01261219	1979	STOP LAMP SWITCH Without Power Brakes Or Cruise	\$5.80	N
01261219	1980	STOP LAMP SWITCH Without Power Brakes Or Cruise	\$5.80	N
SUN ROOF HARNESS				
40725	1973	SUN ROOF HARNESS 2 Door, All, Without Power Windows, From Ignition Relay To Sun Roof Switch	\$67.00	
40723	1973	SUN ROOF HARNESS 2 Door, All, With Power Windows, From Ignition Relay To Sun Roof Switch	\$67.00	
40725	1974	SUN ROOF HARNESS 2 Door, All, Without Power Windows, From Ignition Relay To Sun Roof Switch	\$67.00	
40723	1974	SUN ROOF HARNESS 2 Door, All, With Power Windows, From Ignition Relay To Sun Roof Switch	\$67.00	
40419	1975	SUN ROOF HARNESS 2 Door, All, Without Power Windows, From Ignition Relay To Sun Roof Switch	\$101.00	
40420	1975	SUN ROOF HARNESS 2 Door, All, With Power Windows, From Ignition Relay To Sun Roof Switch	\$106.00	
40439	1976	SUN ROOF HARNESS 2 Door, All, Without Power Windows, From Ignition Relay To Sun Roof Switch	\$101.00	
40440	1976	SUN ROOF HARNESS 2 Door, All, With Power Windows, From Ignition Relay To Sun Roof Switch	\$106.00	
40439	1977	SUN ROOF HARNESS 2 Door, All, Without Power Windows, From Ignition Relay To Sun Roof Switch	\$101.00	
40440	1977	SUN ROOF HARNESS 2 Door, All, With Power Windows, From Ignition Relay To Sun Roof Switch	\$106.00	
42002	1978	SUN ROOF HARNESS 2 Door, All, From Actuating Motor To Sun Roof Switch	\$106.00	
42002	1979	SUN ROOF HARNESS 2 Door, All, From Actuating Motor To Sun Roof Switch	\$106.00	
42002	1980	SUN ROOF HARNESS 2 Door, All, From Actuating Motor To Sun Roof Switch	\$106.00	
42002	1981	SUN ROOF HARNESS 2 Door, All, From Actuating Motor To Sun Roof Switch	\$106.00	

Part Number	Year	Description	Price	*Rev.
TACHOMETER HARNESS				
04950	1964	TACHOMETER HARNESS In Dash Mounted, From Fuse Block & Coil To Tachometer	\$50.00	
05170	1964	TACHOMETER HARNESS Steering Column Mounted, From Fuse Block & Coil To Tachometer	\$52.00	
05905	1965	TACHOMETER HARNESS In Dash Mounted, From Fuse Block & Coil To Tachometer	\$50.00	
09710	1966	TACHOMETER HARNESS In Front Of Dash Mounted, From Fuse Block & Coil To Tachometer	\$60.00	
41494	1966	TACHOMETER HARNESS In Front Of Dash Mounted, From Circuit Board To #09710 Tach Harness Note: This Is The Harness That Is Normally Part Of The Factory Original Tach Assembly. Reproduction Tachs May Already Include This Harness.	\$60.00	
10985	1967	TACHOMETER HARNESS In Front Of Dash Mounted, From Fuse Block & Coil To Tachometer	\$60.00	
41494	1967	TACHOMETER HARNESS In Front Of Dash Mounted, From Circuit Board To #10985 Tach Harness Note: This Is The Harness That Is Normally Part Of The Factory Original Tach Assembly. Reproduction Tachs May Already Include This Harness.	\$60.00	
11060	1967	TACHOMETER TURN SIGNAL LEAD WIRES From Dash Harness Turn Signal Switch Connector To Tach Harness Note: Used Only When Adding An Original Or Reproduction Tachometer To A Non Gauge Dash Wiring Harness.	\$17.00	
36271	1975	TACHOMETER EXTENSION From Dash Harness To Tach Connection On HEI Distributor Cap	\$32.00	
40898	1978	TACHOMETER FILTER EXTENSION WIRE From Tach Connection On HEI Distributor Cap To Tach Filter	\$38.00	
40898	1979	TACHOMETER FILTER EXTENSION WIRE From Tach Connection On HEI Distributor Cap To Tach Filter	\$38.00	
40898	1980	TACHOMETER FILTER EXTENSION WIRE From Tach Connection On HEI Distributor Cap To Tach Filter	\$38.00	
40898	1981	TACHOMETER FILTER EXTENSION WIRE From Tach Connection On HEI Distributor Cap To Tach Filter	\$38.00	
40898	1982	TACHOMETER FILTER EXTENSION WIRE From Tach Connection On HEI Distributor Cap To Tach Filter	\$38.00	
TAILGATE AJAR WARNING LAMP HARNESS				
40696	1973	TAILGATE AJAR WARNING LAMP HARNESS Wagon, Front Section, Without Electric Tailgate Release Or Rear Window Defroster, From Dash To Tailgate Warning Lamp	\$48.00	
40697	1973	TAILGATE AJAR WARNING LAMP HARNESS Wagon, Rear Section, Without Electric Tailgate Release Or Rear Window Defroster, From Tailgate Warning Lamp Harness Front Note: Customer Must Supply Their Original Rubber Boot.	\$48.00	
40699	1973	TAILGATE AJAR WARNING LAMP HARNESS Wagon, Front Section, With Electric Tailgate Release, From Dash To Tailgate Warning Lamp Harness Rear Section	\$48.00	
40700	1973	TAILGATE AJAR WARNING LAMP HARNESS Wagon, Rear Section, With Electric Tailgate Release Or Rear Window Defroster, From Tailgate Warning Lamp Harness Front Note: Customer Must Supply Their Original Rubber Boot.	\$48.00	
40709	1973	TAILGATE AJAR WARNING LAMP HARNESS Wagon, Front Section, With Rear Window Defroster, Except Electric Tailgate Release, From Dash To Tailgate Warning Lamp	\$48.00	
40710	1973	TAILGATE AJAR WARNING LAMP HARNESS Wagon, Front Section, With Rear Window Defroster & Electric Tailgate Release, From Dash To Tailgate Warning Lamp Harness	\$48.00	
40711	1973	TAILGATE AJAR WARNING LAMP HARNESS Wagon, Rear Section, With Rear Window Defroster & Electric Tailgate Release, From Tailgate Warning Lamp Harness Front Note: Customer Must Supply Their Original Rubber Boot.	\$48.00	
40696	1974	TAILGATE AJAR WARNING LAMP HARNESS Wagon, Front Section, Without Electric Tailgate Release Or Rear Window Defroster, From Dash To Tailgate Warning Lamp	\$48.00	
40697	1974	TAILGATE AJAR WARNING LAMP HARNESS Wagon, Rear Section, Without Electric Tailgate Release Or Rear Window Defroster, From Tailgate Warning Lamp Harness Front Note: Customer Must Supply Their Original Rubber Boot.	\$48.00	
40699	1974	TAILGATE AJAR WARNING LAMP HARNESS Wagon, Front Section, With Electric Tailgate Release, From Dash To Tailgate Warning Lamp Harness Rear Section	\$48.00	

Part Number	Year	Description	Price	*Rev.
40700	1974	TAILGATE AJAR WARNING LAMP HARNESS Wagon, Rear Section, With Electric Tailgate Release Or Rear Window Defroster, From Tailgate Warning Lamp Harness Front Note: Customer Must Supply Their Original Rubber Boot.	\$48.00	
40709	1974	TAILGATE AJAR WARNING LAMP HARNESS Wagon, Front Section, With Rear Window Defroster, Except Electric Tailgate Release, From Dash To Tailgate Warning Lamp	\$48.00	
40710	1974	TAILGATE AJAR WARNING LAMP HARNESS Wagon, Front Section, With Rear Window Defroster & Electric Tailgate Release, From Dash To Tailgate Warning Lamp Harness	\$48.00	
40711	1974	TAILGATE AJAR WARNING LAMP HARNESS Wagon, Rear Section, With Rear Window Defroster & Electric Tailgate Release, From Tailgate Warning Lamp Harness Front Note: Customer Must Supply Their Original Rubber Boot.	\$48.00	
40696	1975	TAILGATE AJAR WARNING LAMP HARNESS Wagon, Front Section, Without Electric Tailgate Release Or Rear Window Defroster, From Dash To Tailgate Warning Lamp	\$48.00	
40697	1975	TAILGATE AJAR WARNING LAMP HARNESS Wagon, Rear Section, Without Electric Tailgate Release Or Rear Window Defroster, From Tailgate Warning Lamp Harness Front Note: Customer Must Supply Their Original Rubber Boot.	\$48.00	
40699	1975	TAILGATE AJAR WARNING LAMP HARNESS Wagon, Front Section, With Electric Tailgate Release, From Dash To Tailgate Warning Lamp Harness Rear Section	\$48.00	
40700	1975	TAILGATE AJAR WARNING LAMP HARNESS Wagon, Rear Section, With Electric Tailgate Release Or Rear Window Defroster, From Tailgate Warning Lamp Harness Front Note: Customer Must Supply Their Original Rubber Boot.	\$48.00	
40709	1975	TAILGATE AJAR WARNING LAMP HARNESS Wagon, Front Section, With Rear Window Defroster, From Dash To Tailgate Warning Lamp Harness Rear Section	\$48.00	
40710	1975	TAILGATE AJAR WARNING LAMP HARNESS Wagon, Front Section, With Rear Window Defroster & Electric Tailgate Release, From Dash To Tailgate Warning Lamp Harness	\$48.00	
40711	1975	TAILGATE AJAR WARNING LAMP HARNESS Wagon, Rear Section, With Rear Window Defroster & Electric Tailgate Release, From Tailgate Warning Lamp Harness Front Note: Customer Must Supply Their Original Rubber Boot.	\$48.00	
40430	1976	TAILGATE AJAR WARNING LAMP HARNESS Wagon, Front Section, Without Electric Tailgate Release, From Dash To Tailgate Warning Lamp Harness Rear Section	\$48.00	
40431	1976	TAILGATE AJAR WARNING LAMP HARNESS Wagon, Rear Section, Without Electric Tailgate Release Or Rear Window Defroster, From Tailgate Warning Lamp Harness Front Note: Customer Must Supply Their Original Rubber Boot & The Plastic Connector That Attaches This Harness To The Front Harness.	\$60.00	
40432	1976	TAILGATE AJAR WARNING LAMP HARNESS Wagon, Front Section, With Electric Tailgate Release, From Dash To Tailgate Warning Lamp Harness Rear Section	\$48.00	
40433	1976	TAILGATE AJAR WARNING LAMP HARNESS Wagon, Rear Section, With Electric Tailgate Release Or Rear Window Defroster, From Tailgate Warning Lamp Harness Front Note: Customer Must Supply Their Original Rubber Boot.	\$60.00	
41664	1976	TAILGATE AJAR WARNING LAMP HARNESS Wagon, Front Section, With Blower Type Rear Window Defroster, From Dash To Tailgate Warning Lamp Harness Rear Section	\$60.00	
40434	1976	TAILGATE AJAR WARNING LAMP HARNESS Wagon, Front Section, With Blower Type Rear Window Defroster & Electric Tailgate Release, From Dash To Tailgate Warning Lamp	\$60.00	
40435	1976	TAILGATE AJAR WARNING LAMP HARNESS Wagon, Rear Section, With Blower Type Rear Window Defroster & Electric Tailgate Release, From Tailgate Warning Lamp Harness Note: Customer Must Supply Their Original Rubber Boot.	\$67.00	
40430	1977	TAILGATE AJAR WARNING LAMP HARNESS Wagon, Front Section, Without Electric Tailgate Release, From Dash To Tailgate Warning Lamp Harness Rear Section	\$48.00	
40431	1977	TAILGATE AJAR WARNING LAMP HARNESS Wagon, Rear Section, Without Electric Tailgate Release Or Rear Window Defroster, From Tailgate Warning Lamp Harness Front Note: Customer Must Supply Their Original Rubber Boot & The Plastic Connector That Attaches This Harness To The Front Harness.	\$60.00	
40432	1977	TAILGATE AJAR WARNING LAMP HARNESS Wagon, Front Section, With Electric Tailgate Release, From Dash To Tailgate Warning Lamp Harness Rear Section	\$48.00	

Part Number	Year	Description	Price	*Rev.
40433	1977	TAILGATE AJAR WARNING LAMP HARNESS Wagon, Rear Section, With Electric Tailgate Release Or Rear Window Defroster, From Tailgate Warning Lamp Harness Front Note: Customer Must Supply Their Original Rubber Boot.	\$60.00	
41664	1977	TAILGATE AJAR WARNING LAMP HARNESS Wagon, Front Section, With Blower Type Rear Window Defroster, From Dash To Tailgate Warning Lamp Harness Rear Section	\$60.00	
40434	1977	TAILGATE AJAR WARNING LAMP HARNESS Wagon, Front Section, With Blower Type Rear Window Defroster & Electric Tailgate Release, From Dash To Tailgate Warning Lamp	\$60.00	
40435	1977	TAILGATE AJAR WARNING LAMP HARNESS Wagon, Rear Section, With Blower Type Rear Window Defroster & Electric Tailgate Release, From Tailgate Warning Lamp Harness Note: Customer Must Supply Their Original Rubber Boot.	\$67.00	
TAILGATE ELECTRIC RELEASE HARNESS				
41766	1973	TAILGATE ELECTRIC RELEASE HARNESS Wagon, Without 3 Speed Trans, From Dash Switch To Warning Lamp Front Harness	\$60.00	
41767	1973	TAILGATE ELECTRIC RELEASE HARNESS Wagon, With 3 Speed Trans, From Dash Switch To Warning Lamp Front Harness	\$67.00	
41773	1974	TAILGATE ELECTRIC RELEASE HARNESS Wagon, Without 3 Speed Trans, From Dash Switch To Warning Lamp Front Harness	\$60.00	
41767	1974	TAILGATE ELECTRIC RELEASE HARNESS Wagon, With 3 Speed Trans, From Dash Switch To Warning Lamp Front Harness	\$67.00	
41773	1975	TAILGATE ELECTRIC RELEASE HARNESS Wagon, Without Gauges, From Dash Switch To Warning Lamp Front Harness	\$60.00	
41774	1975	TAILGATE ELECTRIC RELEASE HARNESS Wagon, With Gauges, From Dash Switch To Warning Lamp Front Harness	\$60.00	
41773	1976	TAILGATE ELECTRIC RELEASE HARNESS Wagon, Without Gauges, From Dash Switch To Warning Lamp Front Harness	\$60.00	
41774	1976	TAILGATE ELECTRIC RELEASE HARNESS Wagon, With Gauges, From Dash Switch To Warning Lamp Front Harness	\$60.00	
41773	1977	TAILGATE ELECTRIC RELEASE HARNESS Wagon, Without Gauges, From Dash Switch To Warning Lamp Front Harness	\$60.00	
41774	1977	TAILGATE ELECTRIC RELEASE HARNESS Wagon, With Gauges, From Dash Switch To Warning Lamp Front Harness	\$60.00	
42030	1978	TAILGATE ELECTRIC RELEASE WIRE Wagon, Front Section, From Dash Switch To Rear Liftgate Harness	\$32.00	
42030	1979	TAILGATE ELECTRIC RELEASE WIRE Wagon, Front Section, From Dash Switch To Rear Liftgate Harness	\$32.00	
42030	1980	TAILGATE ELECTRIC RELEASE WIRE Wagon, Front Section, From Dash Switch To Rear Liftgate Harness	\$32.00	
42030	1981	TAILGATE ELECTRIC RELEASE WIRE Wagon, Front Section, From Dash Switch To Rear Liftgate Harness	\$32.00	
42030	1982	TAILGATE ELECTRIC RELEASE WIRE Wagon, Front Section, From Dash Switch To Rear Liftgate Harness	\$32.00	
TAPE PLAYER HARNESS				
41734	1970	TAPE PLAYER HARNESS With Stereo Radio, From Radio To Tape Player Note: This Harness Is Used With Radio Option U79.	\$105.00	
15145	1970	TAPE PLAYER HARNESS From Tape Player To Speaker Wiring Note: This Harness Is Used With The Under Dash Mounted Tape Player.	\$101.00	
15150	1970	TAPE PLAYER HARNESS With AM, AM/FM Push Button Radio, From Tape Player To Speaker Wiring Note: This Harness Is Used With Radio Option U63 Or U69 With The U80 Rear Speaker Option.	\$101.00	
41734	1971	TAPE PLAYER HARNESS With Stereo, From Radio To Tape Player	\$105.00	
41735	1971	TAPE PLAYER HARNESS Without Radio, From Tape Player To Speaker Wiring	\$101.00	
41736	1971	TAPE PLAYER HARNESS With AM, AM/FM Push Button Radio, From Tape Player To Radio Note: This Harness Is Used With Radio Option U63 Or U69.	\$101.00	

Part Number	Year	Description	Price	*Rev.
41734	1972	TAPE PLAYER HARNESS With Stereo, From Radio To Tape Player	\$105.00	
41735	1972	TAPE PLAYER HARNESS Without Radio, From Tape Player To Speaker Wiring	\$101.00	
41736	1972	TAPE PLAYER HARNESS With AM, AM/FM Push Button Radio, From Tape Player To Radio Note: This Harness Is Used With Radio Option U63 Or U69.	\$101.00	
TCC COLD INHIBIT JUMPER HARNESS				
41981	1982	TCC COLD INHIBIT JUMPER HARNESS V/8, 350 C.I. Diesel, With TH2004r Trans, From Engine Harness To Headbolt Temp Switch	\$41.00	
TCS JUMPER WIRE-ENGINE HARNESS				
17740	1971	TCS JUMPER WIRE, ENGINE HARNESS From Engine Harness To Passenger Side Temp Sending Unit, With Gauges Or A/C Only	\$20.00	
TCS TRANSMISSION SWITCH EXTENSION				
17365	1972	TCS TRANSMISSION SWITCH EXTENSION Manual Trans, From Engine Harness To Trans Switch Note: Used With #16430, #16435 And #16450 Engine Harnesses.	\$49.00	
17355	1973	TCS TRANSMISSION SWITCH EXTENSION Manual Trans, From Engine Harness To Trans Switch Note: Used With #16375, #16380 & #16385 Engine Harnesses.	\$49.00	
TILT COLUMN ADAPTER HARNESS				
04430	1964	TILT COLUMN ADAPTER HARNESS Turn Signal Switch Adapter, With Factory Type Tilt Column	\$50.00	
04430	1965	TILT COLUMN ADAPTER HARNESS Turn Signal Switch Adapter, With Factory Type Tilt Column	\$50.00	
04430	1966	TILT COLUMN ADAPTER HARNESS Turn Signal Switch Adapter, With Factory Type Tilt Column	\$50.00	
TRANSISTOR IGNITION HARNESS				
21260	1964	TRANSISTOR IGNITION HARNESS From Amplifier To Extension Harness	\$101.00	
33225	1964	TRANSISTOR IGNITION AMPLIFIER EXTENSION From Internal Circuit Board To Amplifier Housing Connector	\$53.00	
21270	1964	TRANSISTOR IGNITION EXTENSION HARNESS From Starter Motor To Coil & Distributor	\$118.00	
21265	1964	TRANSISTOR IGNITION POWER FEED HARNESS From Ignition Switch To Extension Harness	\$25.00	
28365	1965	TRANSISTOR IGNITION HARNESS From Amplifier To Extension Harness	\$94.00	
33225	1965	TRANSISTOR IGNITION AMPLIFIER EXTENSION From Internal Circuit Board To Amplifier Housing Connector	\$53.00	
21270	1965	TRANSISTOR IGNITION EXTENSION HARNESS From Starter Motor To Coil & Distributor	\$118.00	
28435	1965	TRANSISTOR IGNITION POWER FEED HARNESS From Ignition Switch To Extension Harness	\$30.00	
28475	1966	TRANSISTOR IGNITION HARNESS From Amplifier To Extension Harness	\$94.00	
33225	1966	TRANSISTOR IGNITION AMPLIFIER EXTENSION From Internal Circuit Board To Amplifier Housing Connector	\$53.00	
28385	1966	TRANSISTOR IGNITION EXTENSION HARNESS From Starter Motor To Coil & Distributor	\$113.00	
28460	1966	TRANSISTOR IGNITION POWER FEED HARNESS From Ignition Switch To Extension Harness	\$30.00	
TRANSISTOR IGNITION REPLACEMENT MODULE				
32270	1964	TRANSISTOR IGNITION REPLACEMENT MODULE Replaces Original Circuit Board In Amplifier	\$189.00	
32270	1965	TRANSISTOR IGNITION REPLACEMENT MODULE Replaces Original Circuit Board In Amplifier	\$189.00	
32270	1966	TRANSISTOR IGNITION REPLACEMENT MODULE Replaces Original Circuit Board In Amplifier	\$189.00	
TRUNK LAMP ASSEMBLY				
36379	1966	TRUNK LAMP ASSEMBLY Includes Extension Harness	\$48.00	
36379	1967	TRUNK LAMP ASSEMBLY Includes Extension Harness	\$48.00	
35520	1968	TRUNK LAMP ASSEMBLY Includes Extension Harness	\$52.00	
35520	1969	TRUNK LAMP ASSEMBLY Includes Extension Harness	\$52.00	
36380	1970	TRUNK LAMP ASSEMBLY Includes Extension Harness	\$43.00	
36380	1971	TRUNK LAMP ASSEMBLY Includes Extension Harness	\$43.00	
36380	1972	TRUNK LAMP ASSEMBLY Includes Extension Harness	\$43.00	
36381	1973	TRUNK LAMP ASSEMBLY Includes Extension Harness	\$48.00	
36381	1974	TRUNK LAMP ASSEMBLY Includes Extension Harness	\$48.00	

Part Number	Year	Description	Price	*Rev.
36381	1975	TRUNK LAMP ASSEMBLY Includes Extension Harness	\$48.00	
36381	1976	TRUNK LAMP ASSEMBLY Includes Extension Harness	\$48.00	
TRUNK LAMP EXTENSION HARNESS				
10455	1966	TRUNK LAMP EXTENSION HARNESS All	\$23.00	
10455	1967	TRUNK LAMP EXTENSION HARNESS All	\$23.00	
28210	1968	TRUNK LAMP EXTENSION HARNESS Coupe	\$15.00	
28525	1968	TRUNK LAMP EXTENSION HARNESS Convertible	\$18.00	
28210	1969	TRUNK LAMP EXTENSION HARNESS Coupe	\$15.00	
28525	1969	TRUNK LAMP EXTENSION HARNESS Convertible	\$18.00	
28525	1970	TRUNK LAMP EXTENSION HARNESS Convertible	\$18.00	
42027	1978	TRUNK LAMP EXTENSION HARNESS All	\$60.00	
42027	1979	TRUNK LAMP EXTENSION HARNESS All	\$60.00	
42027	1980	TRUNK LAMP EXTENSION HARNESS All	\$60.00	
42027	1981	TRUNK LAMP EXTENSION HARNESS All	\$60.00	
42027	1982	TRUNK LAMP EXTENSION HARNESS All	\$60.00	
TRUNK RELEASE HARNESS				
41144	1970	TRUNK RELEASE HARNESS From Fuse Box To Trunk Release Switch	\$48.00	
40347	1970	TRUNK RELEASE HARNESS From Trunk Release Switch To Solenoid	\$35.00	
41144	1971	TRUNK RELEASE HARNESS From Fuse Box To Trunk Release Switch	\$48.00	
40347	1971	TRUNK RELEASE HARNESS From Trunk Release Switch To Solenoid	\$35.00	
41144	1972	TRUNK RELEASE HARNESS From Fuse Box To Trunk Release Switch	\$48.00	
40347	1972	TRUNK RELEASE HARNESS From Trunk Release Switch To Solenoid	\$35.00	
41144	1973	TRUNK RELEASE HARNESS From Fuse Box To Trunk Release Switch	\$48.00	
40777	1973	TRUNK RELEASE HARNESS From Trunk Release Switch To Solenoid	\$48.00	
41737	1974	TRUNK RELEASE HARNESS From Fuse Block To Trunk Release Switch	\$48.00	
40777	1974	TRUNK RELEASE HARNESS From Trunk Release Switch To Solenoid	\$48.00	
41737	1975	TRUNK RELEASE HARNESS From Fuse Block To Trunk Release Switch	\$48.00	
40777	1975	TRUNK RELEASE HARNESS From Trunk Release Switch To Solenoid	\$48.00	
41737	1976	TRUNK RELEASE HARNESS From Fuse Block To Trunk Release Switch	\$48.00	
40777	1976	TRUNK RELEASE HARNESS From Trunk Release Switch To Solenoid	\$48.00	
41819	1977	TRUNK RELEASE HARNESS From Fuse Block To Trunk Release Switch	\$48.00	
40777	1977	TRUNK RELEASE HARNESS From Trunk Release Switch To Solenoid	\$48.00	
41859	1978	TRUNK RELEASE HARNESS From Fuse Block To Trunk Release Switch	\$41.00	
42026	1978	TRUNK RELEASE HARNESS From Trunk Release Switch To Solenoid	\$41.00	
41859	1979	TRUNK RELEASE HARNESS From Fuse Block To Trunk Release Switch	\$41.00	
42026	1979	TRUNK RELEASE HARNESS From Trunk Release Switch To Solenoid	\$41.00	
41859	1980	TRUNK RELEASE HARNESS From Fuse Block To Trunk Release Switch	\$41.00	
42026	1980	TRUNK RELEASE HARNESS From Trunk Release Switch To Solenoid	\$41.00	
41859	1981	TRUNK RELEASE HARNESS From Fuse Block To Trunk Release Switch	\$41.00	
42026	1981	TRUNK RELEASE HARNESS From Trunk Release Switch To Solenoid	\$41.00	
41859	1982	TRUNK RELEASE HARNESS From Fuse Block To Trunk Release Switch	\$41.00	
42026	1982	TRUNK RELEASE HARNESS From Trunk Release Switch To Solenoid	\$41.00	
TURN SIGNAL LEVER WIPER SWITCH				
22510733	1982	TURN SIGNAL LEVER WIPER SWITCH Malibu, El Camino, Monte Carlo, Black, With Pulse Wipers, Without Cruise Control	\$20.00	N
22510732	1982	TURN SIGNAL LEVER WIPER SWITCH Malibu, El Camino, Monte Carlo, Black, Without Pulse Wipers, Without Cruise Control	\$20.00	N

Part Number	Year	Description	Price	*Rev.
22510144	1982	TURN SIGNAL LEVER WIPER SWITCH Malibu, El Camino, Monte Carlo, Chrome, With Pulse Wipers, Without Cruise Control	\$20.00	N
22510733	1983	TURN SIGNAL LEVER WIPER SWITCH Malibu, El Camino, Monte Carlo, Black, With Pulse Wipers, Without Cruise Control	\$20.00	N
22510732	1983	TURN SIGNAL LEVER WIPER SWITCH Malibu, El Camino, Monte Carlo, Black, Without Pulse Wipers, Without Cruise Control	\$20.00	N
22510144	1983	TURN SIGNAL LEVER WIPER SWITCH Malibu, El Camino, Monte Carlo, Chrome, With Pulse Wipers, Without Cruise Control	\$20.00	N
22510733	1984	TURN SIGNAL LEVER WIPER SWITCH El Camino, Monte Carlo, Black, With Pulse Wipers, Without Cruise Control	\$20.00	N
22510732	1984	TURN SIGNAL LEVER WIPER SWITCH El Camino, Monte Carlo, Black, Without Pulse Wipers, Without Cruise Control	\$20.00	N
22510144	1984	TURN SIGNAL LEVER WIPER SWITCH El Camino, Monte Carlo, Chrome, With Pulse Wipers, Without Cruise Control	\$20.00	N
25111262	1985	TURN SIGNAL LEVER WIPER SWITCH El Camino, Monte Carlo, Black, With Pulse Wipers, With Cruise Control	\$26.00	N
22510733	1985	TURN SIGNAL LEVER WIPER SWITCH El Camino, Monte Carlo, Black, With Pulse Wipers, Without Cruise Control	\$20.00	N
22510732	1985	TURN SIGNAL LEVER WIPER SWITCH El Camino, Monte Carlo, Black, Without Pulse Wipers, Without Cruise Control	\$20.00	N
22510144	1985	TURN SIGNAL LEVER WIPER SWITCH El Camino, Monte Carlo, Chrome, With Pulse Wipers, Without Cruise Control	\$20.00	N
25111262	1986	TURN SIGNAL LEVER WIPER SWITCH El Camino, Monte Carlo, Black, With Pulse Wipers, With Cruise Control	\$26.00	N
22510733	1986	TURN SIGNAL LEVER WIPER SWITCH El Camino, Monte Carlo, Black, With Pulse Wipers, Without Cruise Control	\$20.00	N
22510732	1986	TURN SIGNAL LEVER WIPER SWITCH El Camino, Monte Carlo, Black, Without Pulse Wipers, Without Cruise Control	\$20.00	N
22510144	1986	TURN SIGNAL LEVER WIPER SWITCH El Camino, Monte Carlo, Chrome, With Pulse Wipers, Without Cruise Control	\$20.00	N
25111262	1987	TURN SIGNAL LEVER WIPER SWITCH El Camino, Monte Carlo, Black, With Pulse Wipers, With Cruise Control	\$26.00	N
22510733	1987	TURN SIGNAL LEVER WIPER SWITCH El Camino, Monte Carlo, Black, With Pulse Wipers, Without Cruise Control	\$20.00	N
22510732	1987	TURN SIGNAL LEVER WIPER SWITCH El Camino, Monte Carlo, Black, Without Pulse Wipers, Without Cruise Control	\$20.00	N
22510144	1987	TURN SIGNAL LEVER WIPER SWITCH El Camino, Monte Carlo, Chrome, With Pulse Wipers, Without Cruise Control	\$20.00	N
25111262	1988	TURN SIGNAL LEVER WIPER SWITCH El Camino, Monte Carlo, Black, With Pulse Wipers, With Cruise Control	\$26.00	N
22510733	1988	TURN SIGNAL LEVER WIPER SWITCH El Camino, Monte Carlo, Black, With Pulse Wipers, Without Cruise Control	\$20.00	N
22510732	1988	TURN SIGNAL LEVER WIPER SWITCH El Camino, Monte Carlo, Black, Without Pulse Wipers, Without Cruise Control	\$20.00	N
22510144	1988	TURN SIGNAL LEVER WIPER SWITCH El Camino, Monte Carlo, Chrome, With Pulse Wipers, Without Cruise Control	\$20.00	N
TURN SIGNAL SWITCH				
00383033	1964	TURN SIGNAL SWITCH Without Tilt (Stamped "BPC"), Replaces Delco Part# D6200	\$138.00	
01993624	1964	TURN SIGNAL SWITCH With Tilt, Replaces Delco Part# D6220	\$71.00	
00387115	1965	TURN SIGNAL SWITCH Without Tilt (Stamped "BPC"), Replaces Delco Part# D6200	\$96.00	
01993624	1965	TURN SIGNAL SWITCH With Tilt, Replaces Delco Part# D6220	\$71.00	
00387115	1966	TURN SIGNAL SWITCH Without Tilt (Stamped "BPC"), Replaces Delco Part# D6200	\$96.00	
01993624	1966	TURN SIGNAL SWITCH With Tilt, Replaces Delco Part# D6220	\$71.00	

Part Number	Year	Description	Price	*Rev.
01893592	1967	TURN SIGNAL SWITCH (Delco-Remy), Replaces Delco Part# D6211 Note: This Is A Service Part, Adapter Pigtail Included And Is Required For Some Applications.	\$58.00	
07800482	1967	TURN SIGNAL SWITCH Without Column Shift A/T, Without Tilt, (Delco Type, Black, White Or Green) Note: Emergency Flasher Actuator Hole In Outer Cover Is Shaped Like A Doghouse.	\$50.00	
07800482	1967	TURN SIGNAL SWITCH Without Column Shift A/T, With Tilt, (Delco Type, Black, White Or Green) Note: Emergency Flasher Actuator Hole In Outer Cover Is Shaped Like A Doghouse.	\$50.00	
05698897	1967	TURN SIGNAL SWITCH With Column Shift A/T, Without Tilt, (Delco Type, Black, White Or Green) Note: Emergency Flasher Actuator Hole In Outer Cover Is Shaped Like A Doghouse.	\$50.00	
05698897	1967	TURN SIGNAL SWITCH With Column Shift A/T, With Tilt, (Delco Type, Black, White Or Green) Note: Emergency Flasher Actuator Hole In Outer Cover Is Shaped Like A Doghouse.	\$50.00	
01893592	1968	TURN SIGNAL SWITCH (Delco-Remy), Replaces Delco Part# D6211 Note: This Is A Service Part, Adapter Pigtail Included And Is Required For Some Applications.	\$58.00	
07800482	1968	TURN SIGNAL SWITCH Without Column Shift A/T, Without Tilt, (Delco Type, Black, White Or Green) Note: Emergency Flasher Actuator Hole In Outer Cover Is Shaped Like A Doghouse.	\$50.00	
07800482	1968	TURN SIGNAL SWITCH Without Column Shift A/T, With Tilt, (Delco Type, Black, White Or Green) Note: Emergency Flasher Actuator Hole In Outer Cover Is Shaped Like A Doghouse.	\$50.00	
05698897	1968	TURN SIGNAL SWITCH With Column Shift A/T, Without Tilt, (Delco Type, Black, White Or Green) Note: Emergency Flasher Actuator Hole In Outer Cover Is Shaped Like A Doghouse.	\$50.00	
05698897	1968	TURN SIGNAL SWITCH With Column Shift A/T, With Tilt, (Delco Type, Black, White Or Green) Note: Emergency Flasher Actuator Hole In Outer Cover Is Shaped Like A Doghouse.	\$50.00	
01997938	1969	TURN SIGNAL SWITCH, CORRECT PART Note: Correct Part, No Adapter Pigtail Required.	\$56.00	
01893588	1969	TURN SIGNAL SWITCH, SERVICE PART Replaces Delco Part# D6208 Note: This Is A Service Part, Adapter Pigtail Included Is Required For Installation.	\$58.00	
01997983	1969	TURN SIGNAL SWITCH, SERVICE PART Replaces Delco Part# D6222 Note: This Is A Service Part, Adapter Pigtail Included Is Required For Installation.	\$32.00	
01997938	1970	TURN SIGNAL SWITCH, CORRECT PART Note: Correct Part, No Adapter Pigtail Required.	\$56.00	
01893588	1970	TURN SIGNAL SWITCH, SERVICE PART Replaces Delco Part# D6208 Note: This Is A Service Part, Adapter Pigtail Included Is Required For Installation.	\$58.00	
01997983	1970	TURN SIGNAL SWITCH, SERVICE PART Replaces Delco Part# D6222 Note: This Is A Service Part, Adapter Pigtail Included Is Required For Installation.	\$32.00	
01997938	1971	TURN SIGNAL SWITCH, CORRECT PART Note: Correct Part, No Adapter Pigtail Required.	\$56.00	
01893588	1971	TURN SIGNAL SWITCH, SERVICE PART Replaces Delco Part# D6208 Note: This Is A Service Part, Adapter Pigtail Included Is Required For Installation.	\$58.00	
01997983	1971	TURN SIGNAL SWITCH, SERVICE PART Replaces Delco Part# D6222 Note: This Is A Service Part, Adapter Pigtail Included Is Required For Installation.	\$32.00	
01997938	1972	TURN SIGNAL SWITCH, CORRECT PART Note: Correct Part, No Adapter Pigtail Required.	\$56.00	
01893588	1972	TURN SIGNAL SWITCH, SERVICE PART Replaces Delco Part# D6208 Note: This Is A Service Part, Adapter Pigtail Included Is Required For Installation.	\$58.00	

Part Number	Year	Description	Price	*Rev.
01997983	1972	TURN SIGNAL SWITCH, SERVICE PART Replaces Delco Part# D6222 Note: This Is A Service Part, Adapter Pigtail Included Is Required For Installation.	\$32.00	
01997938	1973	TURN SIGNAL SWITCH, CORRECT PART Note: Correct Part, No Adapter Pigtail Required.	\$56.00	
01893588	1973	TURN SIGNAL SWITCH, SERVICE PART Replaces Delco Part# D6208 Note: This Is A Service Part, Adapter Pigtail Included Is Required For Installation.	\$58.00	
01997983	1973	TURN SIGNAL SWITCH, SERVICE PART Replaces Delco Part# D6222 Note: This Is A Service Part, Adapter Pigtail Included Is Required For Installation.	\$32.00	
01997938	1974	TURN SIGNAL SWITCH, CORRECT PART Note: Correct Part, No Adapter Pigtail Required.	\$56.00	
01893588	1974	TURN SIGNAL SWITCH, SERVICE PART Replaces Delco Part# D6208 Note: This Is A Service Part, Adapter Pigtail Included Is Required For Installation.	\$58.00	
01997983	1974	TURN SIGNAL SWITCH, SERVICE PART Replaces Delco Part# D6222 Note: This Is A Service Part, Adapter Pigtail Included Is Required For Installation.	\$32.00	
01997938	1975	TURN SIGNAL SWITCH, CORRECT PART Note: Correct Part, No Adapter Pigtail Required.	\$56.00	
01893588	1975	TURN SIGNAL SWITCH, SERVICE PART Replaces Delco Part# D6208 Note: This Is A Service Part, Adapter Pigtail Included Is Required For Installation.	\$58.00	
01997983	1975	TURN SIGNAL SWITCH, SERVICE PART Replaces Delco Part# D6222 Note: This Is A Service Part, Adapter Pigtail Included Is Required For Installation.	\$32.00	
01997938	1976	TURN SIGNAL SWITCH, CORRECT PART Note: Correct Part, No Adapter Pigtail Required.	\$56.00	
01893588	1976	TURN SIGNAL SWITCH, SERVICE PART Replaces Delco Part# D6208 Note: This Is A Service Part, Adapter Pigtail Included Is Required For Installation.	\$58.00	
01997983	1976	TURN SIGNAL SWITCH, SERVICE PART Replaces Delco Part# D6222 Note: This Is A Service Part, Adapter Pigtail Included Is Required For Installation.	\$32.00	
01997983	1977	TURN SIGNAL SWITCH Replaces Delco Part# D6222	\$32.00	
VANITY MIRROR LAMP HARNESS				
40441	1977	VANITY MIRROR LAMP HARNESS All, Passenger Side Sunshade, From Fuse Block To Sunshade Lamp	\$42.00	
42003	1978	VANITY MIRROR LAMP HARNESS All, Passenger Side Sunshade, From Fuse Block To Sunshade Lamp	\$33.00	
42003	1979	VANITY MIRROR LAMP HARNESS All, Passenger Side Sunshade, From Fuse Block To Sunshade Lamp	\$33.00	
42003	1980	VANITY MIRROR LAMP HARNESS All, Passenger Side Sunshade, From Fuse Block To Sunshade Lamp	\$33.00	
42003	1981	VANITY MIRROR LAMP HARNESS All, Passenger Side Sunshade, From Fuse Block To Sunshade Lamp	\$33.00	
42003	1982	VANITY MIRROR LAMP HARNESS All, Passenger Side Sunshade, From Fuse Block To Sunshade Lamp	\$33.00	
VOLTAGE REGULATOR ADAPTER HARNESS				
02115	1965	VOLTAGE REGULATOR ADAPTER HARNESS With 62 Amp Alternator, From Field Terminal On Voltage Regulator To Chassis Ground (Includes Inline Diode) Note: Only Used With Original Solid State Voltage Regulator #1116368 As A Safe Guard To Prevent Voltage Regulator Transistor Failure.	\$52.00	
WINDSHIELD WASHER JAR FLUID LEVEL HARNESS				
40030	1970	WINDSHIELD WASHER JAR FLUID LEVEL INDICATOR HARNESS Bulb Socket & Wire Asm, From Sending Unit In Washer Jar To Wiper Motor Note: This Harness Is Designed To Splice Onto Windshield Washer Wire At Pump.	\$34.00	

Part Number	Year	Description	Price	*Rev.
41389	1970	WINDSHIELD WASHER JAR FLUID LEVEL INDICATOR HARNESS Bulb Socket & Wire Asm, From Sending Unit In Washer Jar To Wiper Motor Note: This Harness Is Designed To Plug Into Windshield Wiper Harness.	\$34.00	
WINDSHIELD WASHER PUMP				
04919332	1964	WINDSHIELD WASHER PUMP All	\$60.00	N
04919332	1965	WINDSHIELD WASHER PUMP All	\$60.00	N
04919332	1966	WINDSHIELD WASHER PUMP All	\$60.00	N
04919332	1967	WINDSHIELD WASHER PUMP All	\$60.00	N
04919332	1968	WINDSHIELD WASHER PUMP Without Recessed Park Wipers	\$60.00	N
04919332	1969	WINDSHIELD WASHER PUMP Without Recessed Park Wipers	\$60.00	N
04919332	1970	WINDSHIELD WASHER PUMP Without Recessed Park Wipers	\$60.00	N
04919332	1971	WINDSHIELD WASHER PUMP Without Recessed Park Wipers	\$60.00	N
04919332	1972	WINDSHIELD WASHER PUMP Without Recessed Park Wipers	\$60.00	N
WINDSHIELD WIPER JUMPER HARNESS				
41974	1980	WINDSHIELD WIPER JUMPER HARNESS V/6, 231c.i., From Forward Lamp Harness To Wiper Motor	\$48.00	
WINDSHIELD WIPER MOTOR				
04911476	1964	WINDSHIELD WIPER MOTOR 2-Speed, 3-Terminal Type Motor	\$92.00	N
44609	1964	WINDSHIELD WIPER MOTOR 2-Speed, 4-Terminal Type Motor Note: This Can Be Used In Place Of The 3-Terminal Motor. The 4th Terminal Is A Keyed Hot From Wiper Fuse In Fuse Box And May Or May Not Be Used In Some Applications.	\$106.00	N
04911476	1965	WINDSHIELD WIPER MOTOR 2-Speed, 3-Terminal Type Motor	\$92.00	N
44609	1965	WINDSHIELD WIPER MOTOR 2-Speed, 4-Terminal Type Motor Note: This Can Be Used In Place Of The 3-Terminal Motor. The 4th Terminal Is A Keyed Hot From Wiper Fuse In Fuse Box And May Or May Not Be Used In Some Applications.	\$106.00	N
04911476	1966	WINDSHIELD WIPER MOTOR 2-Speed, 3-Terminal Type Motor	\$92.00	N
44609	1966	WINDSHIELD WIPER MOTOR 2-Speed, 4-Terminal Type Motor Note: This Can Be Used In Place Of The 3-Terminal Motor. The 4th Terminal Is A Keyed Hot From Wiper Fuse In Fuse Box And May Or May Not Be Used In Some Applications.	\$106.00	N
04911476	1967	WINDSHIELD WIPER MOTOR 2-Speed, 3-Terminal Type Motor	\$92.00	N
44609	1967	WINDSHIELD WIPER MOTOR 2-Speed, 4-Terminal Type Motor Note: This Can Be Used In Place Of The 3-Terminal Motor. The 4th Terminal Is A Keyed Hot From Wiper Fuse In Fuse Box And May Or May Not Be Used In Some Applications.	\$106.00	N
WINDSHIELD WIPER SWITCH				
01993633	1964	WINDSHIELD WIPER SWITCH Single Speed, With Washer Note: Once our current stock runs out, this item will be discontinued.	\$46.00	
01993632	1964	WINDSHIELD WIPER SWITCH 2 Speed, With Washer (1st Design), Used With #40910 Wiper Harness Note: 01993665 2nd Design Wiper Switch With Straight Terminals On Back Of Switch, Is Not Currently Available From M&H. Once our current stock of 01993632 runs out, this item will be discontinued.	\$46.00	
01993680	1965	WINDSHIELD WIPER SWITCH Single Speed, With Washer	\$52.00	
01993678	1965	WINDSHIELD WIPER SWITCH 2 Speed, With Washer	\$52.00	
01993679	1966	WINDSHIELD WIPER SWITCH 2 Speed, With Washer	\$52.00	
01993395	1967	WINDSHIELD WIPER SWITCH 2 Speed, With Washer	\$35.00	
01993443	1968	WINDSHIELD WIPER SWITCH Without Recess Park	\$52.00	
01993442	1968	WINDSHIELD WIPER SWITCH With Recess Park	\$52.00	
01993464	1969	WINDSHIELD WIPER SWITCH Without Recess Park	\$35.00	
01993465	1969	WINDSHIELD WIPER SWITCH With Recess Park	\$52.00	
01993464	1970	WINDSHIELD WIPER SWITCH Without Recess Park	\$35.00	
01993465	1970	WINDSHIELD WIPER SWITCH With Recess Park	\$52.00	

Part Number	Year	Description	Price	*Rev.
01993464	1971	WINDSHIELD WIPER SWITCH Without Recess Park	\$35.00	
01993465	1971	WINDSHIELD WIPER SWITCH With Recess Park	\$52.00	
01994180	1972	WINDSHIELD WIPER SWITCH Without Recess Park	\$46.00	
01994131	1972	WINDSHIELD WIPER SWITCH With Recess Park	\$45.00	
01994123	1973	WINDSHIELD WIPER SWITCH Except Pulse Wiper Note: Once our current stock runs out, this item will be discontinued.	\$58.00	
01994123	1974	WINDSHIELD WIPER SWITCH Except Pulse Wiper Note: Once our current stock runs out, this item will be discontinued.	\$58.00	
01994123	1975	WINDSHIELD WIPER SWITCH Except Pulse Wiper Note: Once our current stock runs out, this item will be discontinued.	\$58.00	
01994123	1976	WINDSHIELD WIPER SWITCH Except Pulse Wiper Note: Once our current stock runs out, this item will be discontinued.	\$58.00	
01994123	1977	WINDSHIELD WIPER SWITCH Except Pulse Wiper Note: Once our current stock runs out, this item will be discontinued.	\$58.00	
WIPER MOTOR HARNESS				
28420	1964	WIPER MOTOR HARNESS Single Speed, With Washer Motor Option	\$32.00	
28440	1964	WIPER MOTOR HARNESS 2 Speed, With Washer Motor Option Note: Used With The 01993665 2nd Design Wiper Switch With Straight Terminals On Back Of Switch.	\$35.00	
40910	1964	WIPER MOTOR HARNESS 2 Speed, With Washer Motor Option Note: Used With The 01993632 1st Design Wiper Switch With 90 Degree Terminals On Back Of Switch.	\$37.00	
41668	1964	WIPER MOTOR HARNESS Right Hand Drive, (Export Only)	\$41.00	
28415	1965	WIPER MOTOR HARNESS Single Speed, With Washer Motor Option	\$41.00	
28425	1965	WIPER MOTOR HARNESS 2 Speed, With Washer Motor Option	\$43.00	
41674	1965	WIPER MOTOR HARNESS Right Hand Drive, (Export Only)	\$41.00	
28465	1966	WIPER MOTOR HARNESS 2 Speed, With Washer Motor Option, From Wiper Motor To Wiper Motor Extension Harness	\$43.00	
28470	1966	WIPER MOTOR EXTENSION HARNESS 2 Speed Wiper, From Wiper Motor Harness To Wiper Switch	\$26.00	
28255	1970	WIPER MOTOR HARNESS Electro-Tip Demand Wipers Note: Customer Must Reuse Their Original Plastic 4 Cavity Connector & Also 2 Cavity Washer Pump Connector.	\$74.00	
41781	1975	WIPER MOTOR HARNESS With Pulse Wipers, From Wiper Switch To Wiper Motor	\$74.00	
41781	1976	WIPER MOTOR HARNESS With Pulse Wipers, From Wiper Switch To Wiper Motor	\$74.00	
41781	1977	WIPER MOTOR HARNESS With Pulse Wipers, From Wiper Switch To Wiper Motor	\$74.00	
41862	1978	WIPER MOTOR HARNESS With Pulse Wipers, From Wiper Switch To Wiper Motor	\$74.00	
41876	1979	WIPER MOTOR HARNESS With Pulse Wipers, From Wiper Switch To Wiper Motor	\$74.00	
41896	1980	WIPER MOTOR HARNESS With Pulse Wipers, From Wiper Switch To Wiper Motor	\$40.00	
41896	1981	WIPER MOTOR HARNESS With Pulse Wipers, From Wiper Switch To Wiper Motor	\$40.00	
41959	1982	WIPER MOTOR HARNESS With Pulse Wipers, From Wiper Switch To Wiper Motor	\$40.00	

Section 7

Chevy II / Nova

Part Number	Year	Description	Price	*Rev.
AIR CONDITIONING GROMMET				
03791444	1962	AIR CONDITIONING GROMMET Located On The Radiator Core Support	\$11.00	
03791444	1963	AIR CONDITIONING GROMMET Located On The Radiator Core Support	\$11.00	
03793794	1963	AIR CONDITIONING GROMMET A/C Lines And Wiring Pass Through This Grommet At The Firewall	\$29.00	
03791444	1964	AIR CONDITIONING GROMMET Located On The Radiator Core Support	\$11.00	
03793794	1964	AIR CONDITIONING GROMMET A/C Lines And Wiring Pass Through This Grommet At The Firewall	\$29.00	
03791444	1965	AIR CONDITIONING GROMMET Located On The Radiator Core Support	\$11.00	
03793794	1965	AIR CONDITIONING GROMMET A/C Lines And Wiring Pass Through This Grommet At The Firewall	\$29.00	
AIR CONDITIONING HARNESS				
36139	1962	AIR CONDITIONING HARNESS 4 & 6 Cylinder, Includes Heater Wiring Note: 6 Cylinder Items Are Not Returnable.	\$173.00	
36252	1962	AIR CONDITIONING HARNESS V/8, Includes Heater Wiring	\$159.00	
36072	1963	AIR CONDITIONING HARNESS 4 & 6 Cylinder, Includes Heater Wiring Note: 6 Cylinder Items Are Not Returnable.	\$173.00	
23035	1963	AIR CONDITIONING HARNESS V/8, Includes Heater Wiring	\$159.00	
23035	1964	AIR CONDITIONING HARNESS Includes Heater Wiring	\$159.00	
18520	1965	AIR CONDITIONING HARNESS Includes Heater Wiring	\$145.00	
09575	1966	AIR CONDITIONING HARNESS Includes Heater Wiring	\$145.00	
09575	1967	AIR CONDITIONING HARNESS Includes Heater Wiring	\$145.00	
12100	1968	AIR CONDITIONING HARNESS Includes Heater Wiring	\$193.00	
13015	1969	AIR CONDITIONING HARNESS Includes Heater Wiring	\$173.00	
13015	1970	AIR CONDITIONING HARNESS Includes Heater Wiring	\$173.00	
15430	1971	AIR CONDITIONING HARNESS Includes Heater Wiring	\$199.00	
16400	1972	AIR CONDITIONING HARNESS Includes Heater Wiring	\$199.00	
18620	1973	AIR CONDITIONING HARNESS Includes Heater Wiring	\$221.00	
00990	1973	AIR CONDITIONING EXTENSION HARNESS Compressor To A/C Harness	\$59.00	
18620	1974	AIR CONDITIONING HARNESS Includes Heater Wiring	\$221.00	
00990	1974	AIR CONDITIONING EXTENSION HARNESS Compressor To A/C Harness	\$59.00	
AIR CONDITIONING POWER FEED WIRE				
19830	1962	AIR CONDITIONING POWER FEED WIRE 4 & 6 Cylinder, Starter Solenoid To A/C Harness Note: 6 Cylinder Items Are Not Returnable.	\$25.00	
33800	1962	AIR CONDITIONING POWER FEED WIRE V/8, Starter Solenoid To A/C Harness	\$22.00	
19830	1963	AIR CONDITIONING POWER FEED WIRE 4 & 6 Cylinder, Starter Solenoid To A/C Harness Note: 6 Cylinder Items Are Not Returnable.	\$25.00	
33800	1963	AIR CONDITIONING POWER FEED WIRE V/8, Starter Solenoid To A/C Harness	\$22.00	
28225	1964	AIR CONDITIONING POWER FEED WIRE 6 Cylinder, Starter Solenoid To A/C Harness Note: 6 Cylinder Items Are Not Returnable.	\$22.00	
36111	1964	AIR CONDITIONING POWER FEED WIRE V/8, Starter Solenoid To A/C Harness	\$27.00	
00995	1965	AIR CONDITIONING POWER FEED WIRE Horn Relay To A/C Fuse	\$23.00	
00995	1966	AIR CONDITIONING POWER FEED WIRE Horn Relay To A/C Fuse	\$23.00	
36112	1967	AIR CONDITIONING POWER FEED WIRE Horn Relay To A/C Fuse	\$25.00	
10970	1968	AIR CONDITIONING POWER FEED WIRE Horn Relay To A/C Fuse	\$22.00	
10970	1969	AIR CONDITIONING POWER FEED WIRE Horn Relay To A/C Fuse	\$22.00	
10970	1970	AIR CONDITIONING POWER FEED WIRE Horn Relay To A/C Fuse	\$22.00	
10970	1971	AIR CONDITIONING POWER FEED WIRE Horn Relay To A/C Fuse	\$22.00	

Part Number	Year	Description	Price	*Rev.
33865	1972	AIR CONDITIONING POWER FEED WIRE Horn Relay To A/C Fuse	\$25.00	
AIR CONDITIONING RELAY GROUND WIRE				
36258	1962	AIR CONDITIONING RELAY GROUND WIRE	\$18.00	
36258	1963	AIR CONDITIONING RELAY GROUND WIRE	\$18.00	
36258	1964	AIR CONDITIONING RELAY GROUND WIRE	\$18.00	
36258	1965	AIR CONDITIONING RELAY GROUND WIRE	\$18.00	
ALTERNATOR CONVERSION KIT				
27555	1963	ALTERNATOR CONVERSION KIT External To Internal Regulator Conversion Harness ("SI" Series) Note: For Use With 1972-84 Non-Serpentine Belt ("SI" Series) Internal Regulated Alternators.	\$29.00	
37787	1963	ALTERNATOR CONVERSION KIT External To Internal Regulator Conversion Harness ("CS" Series) Note: For Use With Serpentine Belt ("CS" Series) Internal Regulated Alternators.	\$34.00	
27555	1964	ALTERNATOR CONVERSION KIT External To Internal Regulator Conversion Harness ("SI" Series) Note: For Use With 1972-84 Non-Serpentine Belt ("SI" Series) Internal Regulated Alternators.	\$29.00	
37787	1964	ALTERNATOR CONVERSION KIT External To Internal Regulator Conversion Harness ("CS" Series) Note: For Use With Serpentine Belt ("CS" Series) Internal Regulated Alternators.	\$34.00	
27555	1965	ALTERNATOR CONVERSION KIT External To Internal Regulator Conversion Harness ("SI" Series) Note: For Use With 1972-84 Non-Serpentine Belt ("SI" Series) Internal Regulated Alternators.	\$29.00	
37787	1965	ALTERNATOR CONVERSION KIT External To Internal Regulator Conversion Harness ("CS" Series) Note: For Use With Serpentine Belt ("CS" Series) Internal Regulated Alternators.	\$34.00	
27555	1966	ALTERNATOR CONVERSION KIT External To Internal Regulator Conversion Harness ("SI" Series) Note: For Use With 1972-84 Non-Serpentine Belt ("SI" Series) Internal Regulated Alternators.	\$29.00	
37787	1966	ALTERNATOR CONVERSION KIT External To Internal Regulator Conversion Harness ("CS" Series) Note: For Use With Serpentine Belt ("CS" Series) Internal Regulated Alternators.	\$34.00	
27555	1967	ALTERNATOR CONVERSION KIT External To Internal Regulator Conversion Harness ("SI" Series) Note: For Use With 1972-84 Non-Serpentine Belt ("SI" Series) Internal Regulated Alternators.	\$29.00	
37787	1967	ALTERNATOR CONVERSION KIT External To Internal Regulator Conversion Harness ("CS" Series) Note: For Use With Serpentine Belt ("CS" Series) Internal Regulated Alternators.	\$34.00	
27555	1968	ALTERNATOR CONVERSION KIT External To Internal Regulator Conversion Harness ("SI" Series) Note: For Use With 1972-84 Non-Serpentine Belt ("SI" Series) Internal Regulated Alternators.	\$29.00	
37787	1968	ALTERNATOR CONVERSION KIT External To Internal Regulator Conversion Harness ("CS" Series) Note: For Use With Serpentine Belt ("CS" Series) Internal Regulated Alternators.	\$34.00	
27555	1969	ALTERNATOR CONVERSION KIT External To Internal Regulator Conversion Harness ("SI" Series) Note: For Use With 1972-84 Non-Serpentine Belt ("SI" Series) Internal Regulated Alternators.	\$29.00	
37787	1969	ALTERNATOR CONVERSION KIT External To Internal Regulator Conversion Harness ("CS" Series) Note: For Use With Serpentine Belt ("CS" Series) Internal Regulated Alternators.	\$34.00	
27555	1970	ALTERNATOR CONVERSION KIT External To Internal Regulator Conversion Harness ("SI" Series) Note: For Use With 1972-84 Non-Serpentine Belt ("SI" Series) Internal Regulated Alternators.	\$29.00	
37787	1970	ALTERNATOR CONVERSION KIT External To Internal Regulator Conversion Harness ("CS" Series) Note: For Use With Serpentine Belt ("CS" Series) Internal Regulated Alternators.	\$34.00	
27555	1971	ALTERNATOR CONVERSION KIT External To Internal Regulator Conversion Harness ("SI" Series) Note: For Use With 1972-84 Non-Serpentine Belt ("SI" Series) Internal Regulated Alternators.	\$29.00	
37787	1971	ALTERNATOR CONVERSION KIT External To Internal Regulator Conversion Harness ("CS" Series) Note: For Use With Serpentine Belt ("CS" Series) Internal Regulated Alternators.	\$34.00	
27555	1972	ALTERNATOR CONVERSION KIT External To Internal Regulator Conversion Harness ("SI" Series) Note: For Use With 1972-84 Non-Serpentine Belt ("SI" Series) Internal Regulated Alternators.	\$29.00	
37787	1972	ALTERNATOR CONVERSION KIT External To Internal Regulator Conversion Harness ("CS" Series) Note: For Use With Serpentine Belt ("CS" Series) Internal Regulated Alternators.	\$34.00	

Part Number	Year	Description	Price	*Rev.
ASSEMBLY MANUAL				
36303	1962	ASSEMBLY MANUAL Factory Assembly Instruction Guide	\$32.00	
36304	1963	ASSEMBLY MANUAL Factory Assembly Instruction Guide	\$32.00	
36305	1964	ASSEMBLY MANUAL Factory Assembly Instruction Guide	\$32.00	
36306	1965	ASSEMBLY MANUAL Factory Assembly Instruction Guide	\$32.00	
36307	1966	ASSEMBLY MANUAL Factory Assembly Instruction Guide	\$32.00	
36308	1967	ASSEMBLY MANUAL Factory Assembly Instruction Guide	\$32.00	
36309	1968	ASSEMBLY MANUAL Factory Assembly Instruction Guide	\$32.00	
36310	1969	ASSEMBLY MANUAL Factory Assembly Instruction Guide	\$32.00	
36311	1970	ASSEMBLY MANUAL Factory Assembly Instruction Guide	\$32.00	
36312	1971	ASSEMBLY MANUAL Factory Assembly Instruction Guide	\$32.00	
36313	1972	ASSEMBLY MANUAL Factory Assembly Instruction Guide	\$32.00	
BACKUP LAMP SWITCH				
01998728	1962	BACKUP LAMP SWITCH 4 Speed, Manual Trans	\$64.00	
01997929	1963	BACKUP LAMP SWITCH 4 Speed, Manual Trans (Stamped 929)	\$64.00	
01993661	1964	BACKUP LAMP SWITCH 4-Speed, Manual Trans	\$64.00	
01993307	1965	BACKUP LAMP SWITCH 4 Speed, Manual Trans	\$64.00	
01993307	1966	BACKUP LAMP SWITCH 4 Speed, Manual Trans	\$64.00	
01993307	1967	BACKUP LAMP SWITCH 4 Speed, Manual Trans	\$64.00	
01993413	1968	BACKUP LAMP SWITCH 4 Speed, Manual Trans	\$64.00	
03943657	1969	BACKUP LAMP SWITCH Manual Trans	\$53.00	
03943657	1970	BACKUP LAMP SWITCH Manual Trans	\$53.00	
03943657	1971	BACKUP LAMP SWITCH Manual Trans	\$53.00	
03943657	1972	BACKUP LAMP SWITCH Manual Trans	\$53.00	
BACKUP LAMP SWITCH EXTENSION HARNESS				
27315	1962	BACKUP LAMP SWITCH EXTENSION HARNESS Auto Trans, Switch To Rear Body Connector	\$22.00	
28160	1962	BACKUP LAMP SWITCH EXTENSION HARNESS Manual Trans, Switch To Rear Body Connector	\$41.00	
27315	1963	BACKUP LAMP SWITCH EXTENSION HARNESS All Trans Without Gauges, Switch To Rear Body Connector	\$22.00	
28335	1963	BACKUP LAMP SWITCH EXTENSION HARNESS Manual Trans, Switch To Part# 27315 Backup Extension Harness	\$33.00	
37101	1964	BACKUP LAMP SWITCH EXTENSION HARNESS Auto Trans, Switch To Rear Body Connector	\$29.00	
33805	1964	BACKUP LAMP SWITCH EXTENSION HARNESS Manual Trans, Fuse Panel To Rear Body Connector	\$33.00	
37101	1965	BACKUP LAMP SWITCH EXTENSION HARNESS Auto Trans, Switch To Rear Body Connector	\$29.00	
33805	1965	BACKUP LAMP SWITCH EXTENSION HARNESS Manual Trans, Fuse Panel To Rear Body Connector	\$33.00	
01400	1966	BACKUP LAMP SWITCH EXTENSION HARNESS Auto Trans, Switch To Rear Body Connector	\$33.00	
33805	1966	BACKUP LAMP SWITCH EXTENSION HARNESS Manual Trans, Fuse Panel To Rear Body Connector	\$33.00	
33805	1967	BACKUP LAMP SWITCH EXTENSION HARNESS Manual Trans, Fuse Panel To Rear Body Connector	\$33.00	
10665	1968	BACKUP LAMP SWITCH EXTENSION HARNESS All Manual Trans	\$31.00	
BACKUP LAMP SWITCH MOUNTING BRACKET				
37650	1964	BACKUP LAMP SWITCH MOUNTING BRACKET With Muncie 4 Speed Transmission	\$29.00	
37650	1965	BACKUP LAMP SWITCH MOUNTING BRACKET With Muncie 4 Speed Transmission	\$29.00	
37650	1966	BACKUP LAMP SWITCH MOUNTING BRACKET With Muncie 4 Speed Transmission	\$29.00	
37650	1967	BACKUP LAMP SWITCH MOUNTING BRACKET With Muncie 4 Speed Transmission	\$29.00	
37650	1968	BACKUP LAMP SWITCH MOUNTING BRACKET With Muncie 4 Speed Transmission	\$29.00	

Part Number	Year	Description	Price	*Rev.
BACKUP LAMP SWITCH MOUNTING KIT				
39504	1964	BACKUP LAMP SWITCH MOUNTING KIT With Muncie 4 Speed Transmission Note: Kit Contains The Bracket, Rod With 2 Clips, Shield & Bolts.	\$46.00	
39504	1965	BACKUP LAMP SWITCH MOUNTING KIT With Muncie 4 Speed Transmission Note: Kit Contains The Bracket, Rod With 2 Clips, Shield & Bolts.	\$46.00	
39504	1966	BACKUP LAMP SWITCH MOUNTING KIT With Muncie 4 Speed Transmission Note: Kit Contains The Bracket, Rod With 2 Clips, Shield & Bolts.	\$46.00	
39504	1967	BACKUP LAMP SWITCH MOUNTING KIT With Muncie 4 Speed Transmission Note: Kit Contains The Bracket, Rod With 2 Clips, Shield & Bolts.	\$46.00	
39504	1968	BACKUP LAMP SWITCH MOUNTING KIT With Muncie 4 Speed Transmission Note: Kit Contains The Bracket, Rod With 2 Clips, Shield & Bolts.	\$46.00	
BATTERY CABLE JUNCTION BLOCK				
03882795	1968	BATTERY CABLE JUNCTION BLOCK For Positive Cable Secondary Lead	\$11.00	
03882795	1969	BATTERY CABLE JUNCTION BLOCK For Positive Cable Secondary Lead	\$11.00	
03882795	1970	BATTERY CABLE JUNCTION BLOCK For Positive Cable Secondary Lead	\$11.00	
03882795	1971	BATTERY CABLE JUNCTION BLOCK For Positive Cable Secondary Lead	\$11.00	
BATTERY CABLE-NEGATIVE				
03515	1962	BATTERY CABLE, SPRING RING Neg, All	\$69.00	
04170	1963	BATTERY CABLE, SPRING RING Neg, 4 Cylinder	\$69.00	
03500	1963	BATTERY CABLE, SPRING RING Neg, 6 Cylinder, Without A/C Note: 6 Cylinder Items Are Not Returnable.	\$69.00	
04170	1963	BATTERY CABLE, SPRING RING Neg, 6 Cylinder, With A/C Note: 6 Cylinder Items Are Not Returnable.	\$69.00	
03515	1963	BATTERY CABLE, SPRING RING Neg, V/8, Except 327 C.I.	\$69.00	
03720	1963	BATTERY CABLE, SPRING RING Neg, V/8, 327 C.I.	\$69.00	
04170	1964	BATTERY CABLE, SPRING RING Neg, 4 & 6 Cylinder Note: 6 Cylinder Items Are Not Returnable.	\$69.00	
03515	1964	BATTERY CABLE, SPRING RING Neg, V/8	\$69.00	
03515	1965	BATTERY CABLE, SPRING RING Neg, All	\$69.00	
09190	1966	BATTERY CABLE, SPRING RING Neg, 4 & 6 Cylinder, Without A/C Note: 6 Cylinder Items Are Not Returnable.	\$69.00	
09795	1966	BATTERY CABLE, SPRING RING Neg, 6 Cylinder, With A/C Note: 6 Cylinder Items Are Not Returnable.	\$69.00	
09190	1966	BATTERY CABLE, SPRING RING Neg, V/8	\$69.00	
05290	1967	BATTERY CABLE, SPRING RING Neg, 4 & 6 Cylinder, Without A/C Note: 6 Cylinder Items Are Not Returnable.	\$69.00	
09795	1967	BATTERY CABLE, SPRING RING Neg, 6 Cylinder, With A/C Note: 6 Cylinder Items Are Not Returnable.	\$69.00	
09195	1967	BATTERY CABLE, SPRING RING Neg, V/8, All	\$69.00	
12505	1968	BATTERY CABLE, SPRING RING Neg, 4 Cylinder	\$69.00	
05035	1968	BATTERY CABLE, SPRING RING Neg, 6 Cylinder, Without A/C, With Standard Battery Note: 6 Cylinder Items Are Not Returnable.	\$69.00	
04865	1968	BATTERY CABLE, SPRING RING Neg, 6 Cylinder, All With Heavy Duty Battery Note: 6 Cylinder Items Are Not Returnable.	\$69.00	
09930	1968	BATTERY CABLE, SPRING RING Neg, 6 Cylinder, With A/C, With Standard Battery Note: 6 Cylinder Items Are Not Returnable.	\$69.00	
05145	1968	BATTERY CABLE, SPRING RING Neg, V/8, Except 396 C.I., Without A/C	\$69.00	
04830	1968	BATTERY CABLE, SPRING RING Neg, V/8, Except 396 C.I., With A/C	\$69.00	

Part Number	Year	Description	Price	*Rev.
22700	1968	BATTERY CABLE, SPRING RING Neg, V/8, 396 C.I., All	\$69.00	
04865	1969	BATTERY CABLE, SPRING RING Neg, 4 & 6 Cylinder, Without A/C Note: 6 Cylinder Items Are Not Returnable.	\$69.00	
04830	1969	BATTERY CABLE, SPRING RING Neg, 6 Cylinder, With A/C Note: 6 Cylinder Items Are Not Returnable.	\$69.00	
22305	1969	BATTERY CABLE, SPRING RING Neg, V/8, Except 396 C.I.	\$69.00	
12565	1969	BATTERY CABLE, SPRING RING Neg, V/8, 396 C.I.	\$69.00	
22315	1970	BATTERY CABLE, SIDE POST Neg, 4 Cylinder, With Side Mount Type Battery	\$74.00	
18875	1970	BATTERY CABLE, SPRING RING Neg, 6 Cylinder Note: 6 Cylinder Items Are Not Returnable.	\$69.00	
22310	1970	BATTERY CABLE, SIDE POST Neg, 6 Cylinder, With Side Mount Type Battery Note: 6 Cylinder Items Are Not Returnable.	\$74.00	
22305	1970	BATTERY CABLE, SPRING RING Neg, V/8, Except 396 C.I.	\$69.00	
22330	1970	BATTERY CABLE, SIDE POST Neg, V/8, All With Side Mount Type Battery	\$74.00	
22235	1970	BATTERY CABLE, SPRING RING Neg, V/8, 396 C.I.	\$69.00	
22980	1971	BATTERY CABLE, SIDE POST Neg, 6 Cylinder Note: 6 Cylinder Items Are Not Returnable.	\$74.00	
22985	1971	BATTERY CABLE, SIDE POST Neg, V/8	\$74.00	
22980	1972	BATTERY CABLE, SIDE POST Neg, 6 Cylinder Note: 6 Cylinder Items Are Not Returnable.	\$74.00	
22985	1972	BATTERY CABLE, SIDE POST Neg, V/8, 307 C.I.	\$74.00	
22995	1972	BATTERY CABLE, SIDE POST Neg, V/8, 350 C.I.	\$74.00	
BATTERY CABLE-POSITIVE				
03730	1962	BATTERY CABLE, SPRING RING Pos, 4 & 6 Cylinder Note: 6 Cylinder Items Are Not Returnable.	\$69.00	
03905	1962	BATTERY CABLE, SPRING RING Pos, V/8, With Alternator	\$69.00	
03725	1962	BATTERY CABLE, SPRING RING Pos, V/8, With Generator	\$69.00	
03730	1963	BATTERY CABLE, SPRING RING Pos, 4 & 6 Cylinder Note: 6 Cylinder Items Are Not Returnable.	\$69.00	
04370	1963	BATTERY CABLE, SPRING RING Pos, V/8, 283 C.I.	\$69.00	
03905	1963	BATTERY CABLE, SPRING RING Pos, V/8, 327 C.I.	\$69.00	
05095	1964	BATTERY CABLE, SPRING RING Pos, 4 & 6 Cylinder, Without A/C Note: 6 Cylinder Items Are Not Returnable.	\$69.00	
05530	1964	BATTERY CABLE, SPRING RING Pos, 6 Cylinder, With A/C Note: 6 Cylinder Items Are Not Returnable.	\$69.00	
05530	1964	BATTERY CABLE, SPRING RING Pos, V/8	\$69.00	
05095	1965	BATTERY CABLE, SPRING RING Pos, 4 & 6 Cylinder Note: 6 Cylinder Items Are Not Returnable.	\$69.00	
05530	1965	BATTERY CABLE, SPRING RING Pos, V/8	\$69.00	
36975	1965	BATTERY CABLE, SPRING RING Pos, V/8, With 250hp Or 300hp 327c.i.	\$69.00	
05095	1966	BATTERY CABLE, SPRING RING Pos, 4 & 6 Cylinder Note: 6 Cylinder Items Are Not Returnable.	\$69.00	
05530	1966	BATTERY CABLE, SPRING RING Pos, V/8	\$69.00	
36975	1966	BATTERY CABLE, SPRING RING Pos, V/8, With 250hp Or 300hp 327c.i.	\$69.00	
22160	1967	BATTERY CABLE, SPRING RING Pos, 4 & 6 Cylinder, Without A/C Note: 6 Cylinder Items Are Not Returnable.	\$69.00	
22165	1967	BATTERY CABLE, SPRING RING Pos, V/8, Without A/C	\$69.00	

Part Number	Year	Description	Price	*Rev.
10715	1967	BATTERY CABLE, SPRING RING Pos, 6 Cylinder & V/8, With A/C Note: 6 Cylinder Items Are Not Returnable.	\$69.00	
09935	1968	BATTERY CABLE, SPRING RING Pos, 4 & 6 Cylinder Note: 6 Cylinder Items Are Not Returnable.	\$69.00	
10710	1968	BATTERY CABLE, SPRING RING Pos, V/8, Except 396 C.I.	\$69.00	
18820	1968	BATTERY CABLE, SPRING RING Pos, V/8, 396 C.I.	\$69.00	
09935	1969	BATTERY CABLE, SPRING RING Pos, 4 & 6 Cylinder Note: 6 Cylinder Items Are Not Returnable.	\$69.00	
10710	1969	BATTERY CABLE, SPRING RING Pos, V/8, Except 396 C.I.	\$69.00	
12585	1969	BATTERY CABLE, SPRING RING Pos, V/8, 396 C.I.	\$69.00	
10700	1970	BATTERY CABLE, SPRING RING Pos, 4 & 6 Cylinder Note: 6 Cylinder Items Are Not Returnable.	\$69.00	
22325	1970	BATTERY CABLE, SIDE POST Pos, 4 & 6 Cylinder, With Side Mount Type Battery Note: 6 Cylinder Items Are Not Returnable.	\$74.00	
12450	1970	BATTERY CABLE, SPRING RING Pos, V/8, Except 396 C.I.	\$69.00	
22320	1970	BATTERY CABLE, SIDE POST Pos, V/8, All With Side Mount Type Battery	\$74.00	
22710	1970	BATTERY CABLE, SPRING RING Pos, V/8, 396 C.I.	\$69.00	
22965	1971	BATTERY CABLE, SIDE POST Pos, 6 Cylinder Note: 6 Cylinder Items Are Not Returnable.	\$74.00	
22940	1971	BATTERY CABLE, SIDE POST Pos, V/8	\$74.00	
22650	1972	BATTERY CABLE, SIDE POST Pos, 6 Cylinder Note: 6 Cylinder Items Are Not Returnable.	\$74.00	
22975	1972	BATTERY CABLE, SIDE POST Pos, V/8, 307 C.I.	\$74.00	
22970	1972	BATTERY CABLE, SIDE POST Pos, V/8, 350 C.I.	\$74.00	
BREAKERLESS SE SINGLE WIRE ELECTRONIC IGNITION				
38131	1962	BREAKERLESS SE SINGLE WIRE ELECTRONIC IGNITION KIT For 1957-74 Breaker Point Distributors With Windowed Type Distributor Cap	\$179.00	
38131	1963	BREAKERLESS SE SINGLE WIRE ELECTRONIC IGNITION KIT For 1957-74 Breaker Point Distributors With Windowed Type Distributor Cap	\$179.00	
38131	1964	BREAKERLESS SE SINGLE WIRE ELECTRONIC IGNITION KIT For 1957-74 Breaker Point Distributors With Windowed Type Distributor Cap	\$179.00	
38131	1965	BREAKERLESS SE SINGLE WIRE ELECTRONIC IGNITION KIT For 1957-74 Breaker Point Distributors With Windowed Type Distributor Cap	\$179.00	
38131	1966	BREAKERLESS SE SINGLE WIRE ELECTRONIC IGNITION KIT For 1957-74 Breaker Point Distributors With Windowed Type Distributor Cap	\$179.00	
38131	1967	BREAKERLESS SE SINGLE WIRE ELECTRONIC IGNITION KIT For 1957-74 Breaker Point Distributors With Windowed Type Distributor Cap	\$179.00	
38131	1968	BREAKERLESS SE SINGLE WIRE ELECTRONIC IGNITION KIT For 1957-74 Breaker Point Distributors With Windowed Type Distributor Cap	\$179.00	
38131	1969	BREAKERLESS SE SINGLE WIRE ELECTRONIC IGNITION KIT For 1957-74 Breaker Point Distributors With Windowed Type Distributor Cap	\$179.00	
38131	1970	BREAKERLESS SE SINGLE WIRE ELECTRONIC IGNITION KIT For 1957-74 Breaker Point Distributors With Windowed Type Distributor Cap	\$179.00	
38131	1971	BREAKERLESS SE SINGLE WIRE ELECTRONIC IGNITION KIT For 1957-74 Breaker Point Distributors With Windowed Type Distributor Cap	\$179.00	
38131	1972	BREAKERLESS SE SINGLE WIRE ELECTRONIC IGNITION KIT For 1957-74 Breaker Point Distributors With Windowed Type Distributor Cap	\$179.00	
38131	1973	BREAKERLESS SE SINGLE WIRE ELECTRONIC IGNITION KIT For 1957-74 Breaker Point Distributors With Windowed Type Distributor Cap	\$179.00	
38131	1974	BREAKERLESS SE SINGLE WIRE ELECTRONIC IGNITION KIT For 1957-74 Breaker Point Distributors With Windowed Type Distributor Cap	\$179.00	

Part Number	Year	Description	Price	*Rev.
CIRCUIT BREAKER				
04850166	1967	CIRCUIT BREAKER, 30 AMP Wagon Power Tailgate Window	\$14.00	
04850166	1975	CIRCUIT BREAKER, 30 AMP Power Door Locks & Windows	\$14.00	
04850166	1976	CIRCUIT BREAKER, 30 AMP Power Door Locks & Windows	\$14.00	
04850166	1977	CIRCUIT BREAKER, 30 AMP Power Door Locks & Windows	\$14.00	
04850166	1978	CIRCUIT BREAKER, 30 AMP Power Door Locks & Windows	\$14.00	
04850166	1979	CIRCUIT BREAKER, 30 AMP Power Door Locks & Windows	\$14.00	
CLOCK HARNESS				
18275	1964	CLOCK HARNESS Dash Mounted	\$29.00	
01365	1968	CLOCK HARNESS Dash Mounted	\$26.00	
01365	1969	CLOCK HARNESS Dash Mounted	\$26.00	
01365	1970	CLOCK HARNESS Dash Mounted	\$26.00	
01365	1971	CLOCK HARNESS Dash Mounted	\$26.00	
01365	1972	CLOCK HARNESS Dash Mounted	\$26.00	
CONSOLE GAUGE BACKING PLATES				
36405	1968	CONSOLE GAUGE BACKING PLATES The Four Console Gauges Mount To These Plates	\$60.00	
36405	1969	CONSOLE GAUGE BACKING PLATES The Four Console Gauges Mount To These Plates	\$60.00	
36405	1970	CONSOLE GAUGE BACKING PLATES The Four Console Gauges Mount To These Plates	\$60.00	
36405	1971	CONSOLE GAUGE BACKING PLATES The Four Console Gauges Mount To These Plates	\$60.00	
36405	1972	CONSOLE GAUGE BACKING PLATES The Four Console Gauges Mount To These Plates	\$60.00	
36405	1973	CONSOLE GAUGE BACKING PLATES The Four Console Gauges Mount To These Plates	\$60.00	
36405	1974	CONSOLE GAUGE BACKING PLATES The Four Console Gauges Mount To These Plates	\$60.00	
CONSOLE GAUGE TERMINALS				
36206	1968	CONSOLE GAUGE TERMINALS Terminals To Insure Correct Electrical Connection To Harness	\$64.00	
36206	1969	CONSOLE GAUGE TERMINALS Terminals To Insure Correct Electrical Connection To Harness	\$64.00	
36206	1970	CONSOLE GAUGE TERMINALS Terminals To Insure Correct Electrical Connection To Harness	\$64.00	
36206	1971	CONSOLE GAUGE TERMINALS Terminals To Insure Correct Electrical Connection To Harness	\$64.00	
36206	1972	CONSOLE GAUGE TERMINALS Terminals To Insure Correct Electrical Connection To Harness	\$64.00	
36206	1973	CONSOLE GAUGE TERMINALS Terminals To Insure Correct Electrical Connection To Harness	\$64.00	
36206	1974	CONSOLE GAUGE TERMINALS Terminals To Insure Correct Electrical Connection To Harness	\$64.00	
CONSOLE HARNESS				
28925	1963	CONSOLE EXTENSION HARNESS Auto Trans	\$46.00	
06450	1963	CONSOLE HARNESS With Courtesy Lamps	\$48.00	
28925	1964	CONSOLE EXTENSION HARNESS Auto Trans	\$46.00	
06450	1964	CONSOLE HARNESS With Courtesy Lamps	\$48.00	
05890	1965	CONSOLE HARNESS Auto Trans	\$57.00	
05890	1966	CONSOLE HARNESS Auto Trans	\$57.00	
01350	1967	CONSOLE HARNESS Auto Trans	\$57.00	
01355	1968	CONSOLE HARNESS With Console Gauges	\$65.00	
01355	1969	CONSOLE HARNESS With Console Gauges	\$65.00	
01355	1970	CONSOLE HARNESS With Console Gauges	\$65.00	
01355	1971	CONSOLE HARNESS With Console Gauges	\$65.00	
01355	1972	CONSOLE HARNESS With Console Gauges	\$65.00	
40153	1973	CONSOLE HARNESS With Console Gauges	\$74.00	
40153	1974	CONSOLE HARNESS With Console Gauges	\$74.00	
40153	1975	CONSOLE HARNESS With Console Gauges	\$74.00	

Part Number	Year	Description	Price	*Rev.
40154	1976	CONSOLE HARNESS With Console Gauges	\$81.00	
COURTESY LAMP HARNESS				
38511	1962	COURTESY LAMP HARNESS Deluxe Models, With Door Jamb Switches, Center Roof Mounted Dome Lamp.	\$24.00	N
08890	1962	COURTESY LAMP HARNESS Under Dash	\$56.00	
38511	1963	COURTESY LAMP HARNESS Deluxe Models, With Door Jamb Switches, Center Roof Mounted Dome Lamp.	\$24.00	N
08890	1963	COURTESY LAMP HARNESS Under Dash	\$56.00	
38511	1964	COURTESY LAMP HARNESS Deluxe Models, With Door Jamb Switches, Center Roof Mounted Dome Lamp.	\$24.00	N
COURTESY LAMP MOUNTING BRACKET-UNDER DASH				
04876930	1962	COURTESY LAMP MOUNTING BRACKET, UNDER DASH Left Or Right Side, 2 Required Per Car	\$11.00	
04876930	1963	COURTESY LAMP MOUNTING BRACKET, UNDER DASH Left Or Right Side, 2 Required Per Car	\$11.00	
04876930	1968	COURTESY LAMP MOUNTING BRACKET, UNDER DASH Left Or Right Side, 2 Required Per Car	\$11.00	
04876930	1969	COURTESY LAMP MOUNTING BRACKET, UNDER DASH Left Or Right Side, 2 Required Per Car	\$11.00	
04876930	1970	COURTESY LAMP MOUNTING BRACKET, UNDER DASH Left Or Right Side, 2 Required Per Car	\$11.00	
04876930	1971	COURTESY LAMP MOUNTING BRACKET, UNDER DASH Left Or Right Side, 2 Required Per Car	\$11.00	
04876930	1972	COURTESY LAMP MOUNTING BRACKET, UNDER DASH Left Or Right Side, 2 Required Per Car	\$11.00	
DASH HARNESS				
03995	1962	DASH HARNESS Auto Trans	\$473.00	
19025	1962	DASH HARNESS Manual Trans	\$492.00	
04960	1963	DASH HARNESS With Warning Lights	\$473.00	
01315	1963	DASH HARNESS With Gauges	\$473.00	
04960	1964	DASH HARNESS With Warning Lights	\$473.00	
01315	1964	DASH HARNESS With Gauges	\$473.00	
05670	1965	DASH HARNESS With Warning Lights	\$473.00	
09320	1965	DASH HARNESS With Gauges	\$473.00	
09585	1966	DASH HARNESS All	\$473.00	
10890	1967	DASH HARNESS All	\$473.00	
18545	1968	DASH EXTENSION HARNESS Glove Box & Heater Lamps	\$48.00	
01340	1968	DASH HARNESS Column Shift, Auto Trans	\$572.00	
12050	1968	DASH HARNESS Console Shift, Auto Trans	\$572.00	
12055	1968	DASH HARNESS Console Shift, Auto Trans With Gauges	\$609.00	
12060	1968	DASH HARNESS Console Shift, Manual Trans With Gauges	\$572.00	
18635	1968	DASH HARNESS Manual Trans, All Without Gauges	\$572.00	
13060	1969	DASH HARNESS Column Shift Auto Trans & All Manual Trans	\$572.00	
13110	1969	DASH HARNESS Column Shift Auto Trans & All Manual Trans With A/C	\$572.00	
13070	1969	DASH HARNESS Console Shift, Auto Trans	\$572.00	
13065	1969	DASH HARNESS Console Shift, Auto Trans With Gauges	\$572.00	
13075	1969	DASH HARNESS Console Shift, Manual Trans With Gauges	\$572.00	
14755	1970	DASH HARNESS Column Shift, Auto Trans Or Floor Shift Manual Trans	\$578.00	
14760	1970	DASH HARNESS Console Shift, Auto Trans	\$609.00	
14770	1970	DASH HARNESS Console Shift, Auto Trans With Gauges	\$578.00	
14775	1970	DASH HARNESS Console Shift, Manual Trans With Gauges	\$578.00	
33840	1971	DASH HARNESS Column Shift Auto Trans & All Manual Trans Without Gauges	\$578.00	
33845	1971	DASH HARNESS Console Shift, Auto Trans	\$609.00	
33850	1971	DASH HARNESS Console Shift, Auto Trans With Gauges	\$582.00	

Part Number	Year	Description	Price	*Rev.
33855	1971	DASH HARNESS Console Shift, Manual Trans With Gauges	\$578.00	
16825	1972	DASH HARNESS With Warning Lights	\$602.00	
17000	1972	DASH HARNESS With Warning Lights & Seat Belt Warning	\$676.00	
16830	1972	DASH HARNESS With Gauges	\$639.00	
17005	1972	DASH HARNESS With Gauges & Seat Belt Warning	\$676.00	
18715	1973	DASH HARNESS With Warning Lights	\$622.00	
16540	1973	DASH HARNESS With Gauges	\$639.00	
18660	1974	DASH HARNESS With Warning Lights	\$658.00	
18655	1974	DASH HARNESS With Gauges	\$658.00	
DISTRIBUTOR WIRE				
36057	1962	DISTRIBUTOR WIRE Distributor Points To Coil Negative Terminal, V/8 Note: Fits All GM V/8 Points Type Distributors From Approx. 1957 To 1974.	\$18.00	C
36057	1963	DISTRIBUTOR WIRE Distributor Points To Coil Negative Terminal, V/8 Note: Fits All GM V/8 Points Type Distributors From Approx. 1957 To 1974.	\$18.00	C
36057	1964	DISTRIBUTOR WIRE Distributor Points To Coil Negative Terminal, V/8 Note: Fits All GM V/8 Points Type Distributors From Approx. 1957 To 1974.	\$18.00	C
36057	1965	DISTRIBUTOR WIRE Distributor Points To Coil Negative Terminal, V/8 Note: Fits All GM V/8 Points Type Distributors From Approx. 1957 To 1974.	\$18.00	C
36057	1966	DISTRIBUTOR WIRE Distributor Points To Coil Negative Terminal, V/8 Note: Fits All GM V/8 Points Type Distributors From Approx. 1957 To 1974.	\$18.00	C
36057	1967	DISTRIBUTOR WIRE Distributor Points To Coil Negative Terminal, V/8 Note: Fits All GM V/8 Points Type Distributors From Approx. 1957 To 1974.	\$18.00	C
36057	1968	DISTRIBUTOR WIRE Distributor Points To Coil Negative Terminal, V/8 Note: Fits All GM V/8 Points Type Distributors From Approx. 1957 To 1974.	\$18.00	C
36057	1969	DISTRIBUTOR WIRE Distributor Points To Coil Negative Terminal, V/8 Note: Fits All GM V/8 Points Type Distributors From Approx. 1957 To 1974.	\$18.00	C
36057	1970	DISTRIBUTOR WIRE Distributor Points To Coil Negative Terminal, V/8 Note: Fits All GM V/8 Points Type Distributors From Approx. 1957 To 1974.	\$18.00	C
36057	1971	DISTRIBUTOR WIRE Distributor Points To Coil Negative Terminal, V/8 Note: Fits All GM V/8 Points Type Distributors From Approx. 1957 To 1974.	\$18.00	C
36057	1972	DISTRIBUTOR WIRE Distributor Points To Coil Negative Terminal, V/8 Note: Fits All GM V/8 Points Type Distributors From Approx. 1957 To 1974.	\$18.00	C
36057	1973	DISTRIBUTOR WIRE Distributor Points To Coil Negative Terminal, V/8 Note: Fits All GM V/8 Points Type Distributors From Approx. 1957 To 1974.	\$18.00	C
36057	1974	DISTRIBUTOR WIRE Distributor Points To Coil Negative Terminal, V/8 Note: Fits All GM V/8 Points Type Distributors From Approx. 1957 To 1974.	\$18.00	C
DOME LAMP HARNESS				
07755	1965	DOME LAMP HARNESS With Separate Door Jamb Switch Connection	\$34.00	
07760	1965	DOME LAMP HARNESS Plugs Into Rear Lamp Harness	\$27.00	
07755	1966	DOME LAMP HARNESS With Separate Door Jamb Switch Connection	\$34.00	
07760	1966	DOME LAMP HARNESS Plugs Into Rear Lamp Harness	\$27.00	
07755	1967	DOME LAMP HARNESS With Separate Door Jamb Switch Connection	\$34.00	
07760	1967	DOME LAMP HARNESS Plugs Into Rear Lamp Harness	\$27.00	
40156	1969	DOME LAMP HARNESS 2 Door	\$34.00	
40155	1970	DOME LAMP HARNESS 2 Door	\$40.00	
40155	1971	DOME LAMP HARNESS 2 Door	\$40.00	
40155	1972	DOME LAMP HARNESS 2 Door	\$40.00	

Part Number	Year	Description	Price	*Rev.
DOME LIGHT LENS				
06279669	1962	DOME LIGHT LENS Note: Manufactured With Original GM Tooling, Not A Reproduction Part.	\$6.00	
06279669	1963	DOME LIGHT LENS Note: Manufactured With Original GM Tooling, Not A Reproduction Part.	\$6.00	
06279669	1964	DOME LIGHT LENS Note: Manufactured With Original GM Tooling, Not A Reproduction Part.	\$6.00	
06279669	1965	DOME LIGHT LENS Note: Manufactured With Original GM Tooling, Not A Reproduction Part.	\$6.00	
06279669	1966	DOME LIGHT LENS Note: Manufactured With Original GM Tooling, Not A Reproduction Part.	\$6.00	
06279669	1967	DOME LIGHT LENS Note: Manufactured With Original GM Tooling, Not A Reproduction Part.	\$6.00	
06279669	1968	DOME LIGHT LENS Note: Manufactured With Original GM Tooling, Not A Reproduction Part.	\$6.00	
06279669	1969	DOME LIGHT LENS Note: Manufactured With Original GM Tooling, Not A Reproduction Part.	\$6.00	
06279669	1970	DOME LIGHT LENS Note: Manufactured With Original GM Tooling, Not A Reproduction Part.	\$6.00	
ENGINE HARNESS				
23030	1962	ENGINE HARNESS 4 Cylinder	\$140.00	
04970	1962	ENGINE HARNESS 6 Cylinder Note: 6 Cylinder Items Are Not Returnable.	\$114.00	
04295	1962	ENGINE HARNESS V/8	\$114.00	
38927	1962	ENGINE HARNESS-HEI V/8 Note: This Harness Is Modified For Use With An HEI Distributor.	\$129.00	
23030	1963	ENGINE HARNESS 4 Cylinder	\$140.00	
04970	1963	ENGINE HARNESS 6 Cylinder Note: 6 Cylinder Items Are Not Returnable.	\$114.00	
05750	1963	ENGINE HARNESS 6 Cylinder, With Gauges Note: 6 Cylinder Items Are Not Returnable.	\$114.00	
04295	1963	ENGINE HARNESS V/8	\$114.00	
38927	1963	ENGINE HARNESS-HEI V/8 Note: This Harness Is Modified For Use With An HEI Distributor.	\$129.00	
01345	1963	ENGINE HARNESS V/8, With Gauges	\$114.00	
38956	1963	ENGINE HARNESS-HEI V/8, With Gauges Note: This Harness Is Modified For Use With An HEI Distributor.	\$129.00	
23030	1964	ENGINE HARNESS 4 Cylinder	\$140.00	
04970	1964	ENGINE HARNESS 6 Cylinder Note: 6 Cylinder Items Are Not Returnable.	\$114.00	
05750	1964	ENGINE HARNESS 6 Cylinder, With Gauges Note: 6 Cylinder Items Are Not Returnable.	\$114.00	
04295	1964	ENGINE HARNESS V/8	\$114.00	
38927	1964	ENGINE HARNESS-HEI V/8 Note: This Harness Is Modified For Use With An HEI Distributor.	\$129.00	
01345	1964	ENGINE HARNESS V/8, With Gauges	\$114.00	
38956	1964	ENGINE HARNESS-HEI V/8, With Gauges Note: This Harness Is Modified For Use With An HEI Distributor.	\$129.00	

Part Number	Year	Description	Price	*Rev.
23030	1965	ENGINE HARNESS 4 Cylinder	\$140.00	
04970	1965	ENGINE HARNESS 6 Cylinder Note: 6 Cylinder Items Are Not Returnable.	\$114.00	
05750	1965	ENGINE HARNESS 6 Cylinder, With Gauges Note: 6 Cylinder Items Are Not Returnable.	\$114.00	
04295	1965	ENGINE HARNESS V/8	\$114.00	
38927	1965	ENGINE HARNESS-HEI V/8 Note: This Harness Is Modified For Use With An HEI Distributor.	\$129.00	
01345	1965	ENGINE HARNESS V/8, With Gauges	\$114.00	
38956	1965	ENGINE HARNESS-HEI V/8, With Gauges Note: This Harness Is Modified For Use With An HEI Distributor.	\$129.00	
23030	1966	ENGINE HARNESS 4 Cylinder	\$140.00	
04970	1966	ENGINE HARNESS 6 Cylinder Note: 6 Cylinder Items Are Not Returnable.	\$114.00	
04295	1966	ENGINE HARNESS V/8	\$114.00	
38927	1966	ENGINE HARNESS-HEI V/8 Note: This Harness Is Modified For Use With An HEI Distributor.	\$129.00	
10935	1967	ENGINE HARNESS 4 Cylinder	\$140.00	
11245	1967	ENGINE HARNESS 6 Cylinder Note: 6 Cylinder Items Are Not Returnable.	\$140.00	
11270	1967	ENGINE HARNESS V/8	\$114.00	
38945	1967	ENGINE HARNESS-HEI V/8 Note: This Harness Is Modified For Use With An HEI Distributor.	\$129.00	
11815	1968	ENGINE HARNESS 4 & 6 Cylinder Note: 6 Cylinder Items Are Not Returnable.	\$140.00	
11820	1968	ENGINE HARNESS V/8	\$126.00	
38923	1968	ENGINE HARNESS-HEI V/8 Note: This Harness Is Modified For Use With An HEI Distributor.	\$141.00	
12080	1968	ENGINE HARNESS 396 C.I.	\$126.00	
38930	1968	ENGINE HARNESS-HEI 396 C.I. Note: This Harness Is Modified For Use With An HEI Distributor.	\$141.00	
12025	1968	ENGINE HARNESS V/8 & 396 C.I. With Gauges	\$126.00	
38932	1968	ENGINE HARNESS-HEI V/8 & 396 C.I. With Gauges Note: This Harness Is Modified For Use With An HEI Distributor.	\$141.00	
11815	1969	ENGINE HARNESS 4 & 6 Cylinder Note: 6 Cylinder Items Are Not Returnable.	\$140.00	
12010	1969	ENGINE HARNESS 6 Cylinder, With Idle Stop Solenoid Note: 6 Cylinder Items Are Not Returnable.	\$140.00	
12970	1969	ENGINE HARNESS V/8	\$126.00	
38925	1969	ENGINE HARNESS-HEI V/8 Note: This Harness Is Modified For Use With An HEI Distributor.	\$141.00	
13170	1969	ENGINE HARNESS V/8, With Idle Stop Solenoid	\$132.00	
39001	1969	ENGINE HARNESS-HEI V/8, With Idle Stop Solenoid Note: This Harness Is Modified For Use With An HEI Distributor.	\$147.00	
23025	1969	ENGINE HARNESS 396 C.I.	\$126.00	
39120	1969	ENGINE HARNESS-HEI 396 C.I. Note: This Harness Is Modified For Use With An HEI Distributor.	\$141.00	
13175	1969	ENGINE HARNESS 396 C.I. With Idle Stop Solenoid	\$132.00	

Part Number	Year	Description	Price	*Rev.
39016	1969	ENGINE HARNESS-HEI 396 C.I. With Idle Stop Solenoid Note: This Harness Is Modified For Use With An HEI Distributor.	\$147.00	
17545	1969	ENGINE HARNESS V/8 & 396 C.I., With Gauges	\$126.00	
38924	1969	ENGINE HARNESS-HEI V/8 & 396 C.I., With Gauges Note: This Harness Is Modified For Use With An HEI Distributor.	\$141.00	
13180	1969	ENGINE HARNESS V/8 & 396 C.I. With Gauges & Idle Stop Solenoid	\$132.00	
38996	1969	ENGINE HARNESS-HEI V/8 & 396 C.I. With Gauges & Idle Stop Solenoid Note: This Harness Is Modified For Use With An HEI Distributor.	\$147.00	
14895	1970	ENGINE HARNESS 6 Cylinder, Auto Trans Note: 6 Cylinder Items Are Not Returnable.	\$212.00	
14885	1970	ENGINE HARNESS 6 Cylinder, Manual Trans Note: 6 Cylinder Items Are Not Returnable.	\$212.00	
14900	1970	ENGINE HARNESS V/8, Auto Trans	\$198.00	
38994	1970	ENGINE HARNESS-HEI V/8, Auto Trans Note: This Harness Is Modified For Use With An HEI Distributor.	\$213.00	
39198	1970	ENGINE HARNESS-HEI V8, With TH400 Auto Trans And Warning Lights Note: This Harness Is Modified For Use With An HEI Distributor.	\$234.00	
14890	1970	ENGINE HARNESS V/8, Auto Trans With Gauges	\$198.00	
39121	1970	ENGINE HARNESS-HEI V/8, Auto Trans With Gauges Note: This Harness Is Modified For Use With An HEI Distributor.	\$213.00	
14910	1970	ENGINE HARNESS V/8, Manual Trans	\$198.00	
39101	1970	ENGINE HARNESS-HEI V/8, Manual Trans Note: This Harness Is Modified For Use With An HEI Distributor.	\$213.00	
14920	1970	ENGINE HARNESS V/8, Manual Trans With Gauges	\$212.00	
39193	1970	ENGINE HARNESS-HEI V/8, Manual Trans With Gauges Note: This Harness Is Modified For Use With An HEI Distributor.	\$227.00	
14905	1970	ENGINE HARNESS 396 C.I., Auto Trans	\$219.00	
39151	1970	ENGINE HARNESS-HEI 396 C.I., Auto Trans Note: This Harness Is Modified For Use With An HEI Distributor.	\$234.00	
14930	1970	ENGINE HARNESS 396 C.I., Auto Trans With Gauges	\$212.00	
39195	1970	ENGINE HARNESS-HEI 396 C.I., Auto Trans With Gauges Note: This Harness Is Modified For Use With An HEI Distributor.	\$227.00	
14915	1970	ENGINE HARNESS 396 C.I., Manual Trans	\$198.00	
39281	1970	ENGINE HARNESS-HEI 396 C.I., Manual Trans Note: This Harness Is Modified For Use With An HEI Distributor.	\$213.00	
14925	1970	ENGINE HARNESS 396 C.I., Manual Trans With Gauges	\$198.00	
39194	1970	ENGINE HARNESS-HEI 396 C.I., Manual Trans With Gauges Note: This Harness Is Modified For Use With An HEI Distributor.	\$213.00	
18480	1971	ENGINE HARNESS 6 Cylinder, Auto Trans Note: 6 Cylinder Items Are Not Returnable.	\$272.00	
18475	1971	ENGINE HARNESS 6 Cylinder, Manual Trans Note: 6 Cylinder Items Are Not Returnable.	\$272.00	
41135	1971	ENGINE HARNESS V/8, Auto Trans	\$219.00	
10595	1971	ENGINE HARNESS V/8, Auto Trans, With Gauges	\$233.00	
38993	1971	ENGINE HARNESS-HEI V/8, Auto Trans, With Gauges Note: This Harness Is Modified For Use With An HEI Distributor.	\$248.00	
41136	1971	ENGINE HARNESS V/8, Manual Trans	\$219.00	
18485	1971	ENGINE HARNESS V/8, Manual Trans, With Gauges	\$233.00	

Part Number	Year	Description	Price	*Rev.
39200	1971	ENGINE HARNESS-HEI V/8, Manual Trans, With Gauges Note: This Harness Is Modified For Use With An HEI Distributor.	\$248.00	
16375	1972	ENGINE HARNESS 6 Cylinder Note: 6 Cylinder Items Are Not Returnable.	\$284.00	
16380	1972	ENGINE HARNESS V/8 Note: Manual Trans Requires Use Of #17355 T.C.S. Extension.	\$233.00	
16385	1972	ENGINE HARNESS V/8 With Gauges Note: Manual Trans Requires Use Of #17355 T.C.S. Extension.	\$251.00	
17015	1973	ENGINE HARNESS 6 Cylinder Note: 6 Cylinder Items Are Not Returnable.	\$304.00	
15500	1973	ENGINE HARNESS V/8 Note: Manual Trans Requires Use Of Part #17365 T.C.S. Extension.	\$278.00	
15505	1973	ENGINE HARNESS V/8, With Gauges Note: Manual Trans Requires Use Of Part #17355 T.C.S. Extension.	\$278.00	
16595	1974	ENGINE HARNESS 6 Cylinder Note: 6 Cylinder Items Are Not Returnable.	\$304.00	
22605	1974	ENGINE HARNESS V/8, Auto Trans	\$279.00	
22590	1974	ENGINE HARNESS V/8, Auto Trans With Gauges	\$278.00	
22610	1974	ENGINE HARNESS V/8, Manual Trans	\$290.00	
22595	1974	ENGINE HARNESS V/8, Manual Trans With Gauges	\$290.00	
18615	1975	ENGINE HARNESS 6 Cylinder, Except Integrated Cylinder Head Note: 6 Cylinder Items Are Not Returnable.	\$317.00	
18610	1975	ENGINE HARNESS 6 Cylinder, With Integrated Cylinder Head Note: 6 Cylinder Items Are Not Returnable.	\$317.00	
18680	1975	ENGINE HARNESS V/8, All Without Seat Belt Ignition Interlock	\$290.00	
FORWARD LAMP HARNESS				
03690	1962	FORWARD LAMP HARNESS With Generator	\$237.00	
03900	1962	FORWARD LAMP HARNESS With Alternator & Screw Type Regulator (Original Type)	\$251.00	
04965	1963	FORWARD LAMP HARNESS All	\$225.00	
38942	1963	FORWARD LAMP HARNESS-INT REG ALT DRIVER SIDE All Note: Modified For Driver Side Mounted 1972-84 Non-Serpentine Belt ("SI" Series) Internal Regulated Alternators.	\$250.00	
39044	1963	FORWARD LAMP HARNESS-INT REG ALT PASSENGER SIDE All Note: Modified For Passenger Side Mounted 1972-84 Non-Serpentine Belt ("SI" Series) Internal Regulated Alternators.	\$260.00	
04965	1964	FORWARD LAMP HARNESS All	\$225.00	
38942	1964	FORWARD LAMP HARNESS-INT REG ALT DRIVER SIDE All Note: Modified For Driver Side Mounted 1972-84 Non-Serpentine Belt ("SI" Series) Internal Regulated Alternators.	\$250.00	
39044	1964	FORWARD LAMP HARNESS-INT REG ALT PASSENGER SIDE All Note: Modified For Passenger Side Mounted 1972-84 Non-Serpentine Belt ("SI" Series) Internal Regulated Alternators.	\$260.00	
05865	1965	FORWARD LAMP HARNESS All	\$225.00	
39010	1965	FORWARD LAMP HARNESS-INT REG ALT DRIVER SIDE All Note: Modified For Driver Side Mounted 1972-84 Non-Serpentine Belt ("SI" Series) Internal Regulated Alternators.	\$250.00	
39278	1965	FORWARD LAMP HARNESS-INT REG ALT PASSENGER SIDE All Note: Modified For Passenger Side Mounted 1972-84 Non-Serpentine Belt ("SI" Series) Internal Regulated Alternators.	\$260.00	
09590	1966	FORWARD LAMP HARNESS All	\$225.00	
38964	1966	FORWARD LAMP HARNESS-INT REG ALT DRIVER SIDE All Note: Modified For Driver Side Mounted 1972-84 Non-Serpentine Belt ("SI" Series) Internal Regulated Alternators.	\$250.00	
39191	1966	FORWARD LAMP HARNESS-INT REG ALT PASSENGER SIDE All Note: Modified For Passenger Side Mounted 1972-84 Non-Serpentine Belt ("SI" Series) Internal Regulated Alternators.	\$260.00	

Part Number	Year	Description	Price	*Rev.
11400	1967	FORWARD LAMP HARNESS All	\$225.00	
38965	1967	FORWARD LAMP HARNESS-INT REG ALT DRIVER SIDE All Note: Modified For Driver Side Mounted 1972-84 Non-Serpentine Belt ("SI" Series) Internal Regulated Alternators.	\$250.00	
39119	1967	FORWARD LAMP HARNESS-INT REG ALT PASSENGER SIDE All Note: Modified For Passenger Side Mounted 1972-84 Non-Serpentine Belt ("SI" Series) Internal Regulated Alternators.	\$260.00	
12030	1968	FORWARD LAMP HARNESS 6 Cylinder Note: 6 Cylinder Items Are Not Returnable.	\$290.00	
18460	1968	FORWARD LAMP HARNESS V/8	\$264.00	
39080	1968	FORWARD LAMP HARNESS-INT REG ALT DRIVER SIDE V/8 Note: Modified For Driver Side Mounted 1972-84 Non-Serpentine Belt ("SI" Series) Internal Regulated Alternators.	\$303.00	
39192	1968	FORWARD LAMP HARNESS-INT REG ALT PASSENGER SIDE V/8 Note: Modified For Passenger Side Mounted 1972-84 Non-Serpentine Belt ("SI" Series) Internal Regulated Alternators.	\$313.00	
12035	1968	FORWARD LAMP HARNESS V/8 With Gauges	\$278.00	
39279	1968	FORWARD LAMP HARNESS-INT REG ALT DRIVER SIDE V/8 With Gauges Note: Modified For Driver Side Mounted 1972-84 Non-Serpentine Belt ("SI" Series) Internal Regulated Alternators.	\$303.00	
39280	1968	FORWARD LAMP HARNESS-INT REG ALT PASSENGER SIDE V/8 With Gauges Note: Modified For Passenger Side Mounted 1972-84 Non-Serpentine Belt ("SI" Series) Internal Regulated Alternators.	\$313.00	
13010	1969	FORWARD LAMP HARNESS 6 Cylinder Note: 6 Cylinder Items Are Not Returnable.	\$290.00	
18465	1969	FORWARD LAMP HARNESS V/8	\$278.00	
39100	1969	FORWARD LAMP HARNESS-INT REG ALT PASSENGER SIDE V/8 Note: Modified For Passenger Side Mounted 1972-84 Non-Serpentine Belt ("SI" Series) Internal Regulated Alternators.	\$313.00	
12990	1969	FORWARD LAMP HARNESS V/8 With Gauges	\$278.00	
39150	1969	FORWARD LAMP HARNESS-INT REG ALT PASSENGER SIDE V/8 With Gauges Note: Modified For Passenger Side Mounted 1972-84 Non-Serpentine Belt ("SI" Series) Internal Regulated Alternators.	\$313.00	
15040	1970	FORWARD LAMP HARNESS 6 Cylinder Note: 6 Cylinder Items Are Not Returnable.	\$298.00	
15050	1970	FORWARD LAMP HARNESS V/8	\$286.00	
39036	1970	FORWARD LAMP HARNESS-INT REG ALT PASSENGER SIDE V/8 Note: Modified For Passenger Side Mounted 1972-84 Non-Serpentine Belt ("SI" Series) Internal Regulated Alternators.	\$321.00	
33815	1970	FORWARD LAMP HARNESS V/8 With A/C	\$286.00	
39196	1970	FORWARD LAMP HARNESS-INT REG ALT PASSENGER SIDE V/8 With A/C Note: Modified For Passenger Side Mounted 1972-84 Non-Serpentine Belt ("SI" Series) Internal Regulated Alternators.	\$321.00	
15045	1970	FORWARD LAMP HARNESS V/8 With Gauges, All	\$286.00	
39197	1970	FORWARD LAMP HARNESS-INT REG ALT PASSENGER SIDE V/8 With Gauges, All Note: Modified For Passenger Side Mounted 1972-84 Non-Serpentine Belt ("SI" Series) Internal Regulated Alternators.	\$321.00	
15305	1971	FORWARD LAMP HARNESS 6 Cylinder Note: 6 Cylinder Items Are Not Returnable.	\$298.00	
18495	1971	FORWARD LAMP HARNESS V/8	\$286.00	
39049	1971	FORWARD LAMP HARNESS-INT REG ALT PASSENGER SIDE V/8 Note: Modified For Passenger Side Mounted 1972-84 Non-Serpentine Belt ("SI" Series) Internal Regulated Alternators.	\$321.00	
16285	1971	FORWARD LAMP HARNESS V/8 With Gauges	\$286.00	
39282	1971	FORWARD LAMP HARNESS-INT REG ALT PASSENGER SIDE V/8 With Gauges Note: Modified For Passenger Side Mounted 1972-84 Non-Serpentine Belt ("SI" Series) Internal Regulated Alternators.	\$333.00	
16390	1972	FORWARD LAMP HARNESS All	\$251.00	
16545	1973	FORWARD LAMP HARNESS All	\$278.00	
16590	1974	FORWARD LAMP HARNESS All	\$286.00	

Part Number	Year	Description	Price	*Rev.
FUEL TANK SENDER WIRE				
39704	1968	FUEL TANK SENDER WIRE	\$25.00	
39704	1969	FUEL TANK SENDER WIRE	\$25.00	
39704	1970	FUEL TANK SENDER WIRE	\$25.00	
39704	1971	FUEL TANK SENDER WIRE	\$25.00	
39704	1972	FUEL TANK SENDER WIRE	\$25.00	
40603	1973	FUEL TANK SENDER WIRE	\$33.00	
40603	1974	FUEL TANK SENDER WIRE	\$33.00	
40603	1975	FUEL TANK SENDER WIRE	\$33.00	
40603	1976	FUEL TANK SENDER WIRE	\$33.00	
40603	1977	FUEL TANK SENDER WIRE	\$33.00	
40603	1978	FUEL TANK SENDER WIRE	\$33.00	
40603	1979	FUEL TANK SENDER WIRE	\$33.00	
FUEL TANK SENDING UNIT				
06426299	1962	FUEL TANK SENDING UNIT 3/8" Fuel Line	\$43.00	N
06428066	1962	FUEL TANK SENDING UNIT 5/16" Fuel Line	\$43.00	N
06426299	1963	FUEL TANK SENDING UNIT 3/8" Fuel Line	\$43.00	N
06428066	1963	FUEL TANK SENDING UNIT 5/16" Fuel Line	\$43.00	N
06426299	1964	FUEL TANK SENDING UNIT 3/8" Fuel Line	\$43.00	N
06428066	1964	FUEL TANK SENDING UNIT 5/16" Fuel Line	\$43.00	N
06426299	1965	FUEL TANK SENDING UNIT 3/8" Fuel Line	\$43.00	N
06428066	1965	FUEL TANK SENDING UNIT 5/16" Fuel Line	\$43.00	N
06426500	1966	FUEL TANK SENDING UNIT 3/8" Fuel Line	\$43.00	N
06426499	1966	FUEL TANK SENDING UNIT 5/16" Fuel Line	\$43.00	N
06426500	1967	FUEL TANK SENDING UNIT 3/8" Fuel Line	\$43.00	N
06426499	1967	FUEL TANK SENDING UNIT 5/16" Fuel Line	\$43.00	N
06428845	1968	FUEL TANK SENDING UNIT 3/8" Fuel Line, Single Line	\$43.00	N
06428844	1968	FUEL TANK SENDING UNIT 5/16" Fuel Line, Single Line	\$43.00	N
06428845	1969	FUEL TANK SENDING UNIT 3/8" Fuel Line, Single Line	\$43.00	N
06428322	1969	FUEL TANK SENDING UNIT 3/8" Fuel Line, With 2nd Vent Line	\$43.00	N
06428844	1969	FUEL TANK SENDING UNIT 5/16" Fuel Line, Single Line	\$43.00	N
06428845	1970	FUEL TANK SENDING UNIT 3/8" Fuel Line, Single Line	\$43.00	N
06428322	1970	FUEL TANK SENDING UNIT 3/8" Fuel Line, With 2nd Vent Line	\$43.00	N
06428844	1970	FUEL TANK SENDING UNIT 5/16" Fuel Line, Single Line	\$43.00	N
06428845	1971	FUEL TANK SENDING UNIT 3/8" Fuel Line, Single Line	\$43.00	N
06428322	1971	FUEL TANK SENDING UNIT 3/8" Fuel Line, With 2nd Vent Line	\$43.00	N
06428844	1971	FUEL TANK SENDING UNIT 5/16" Fuel Line, Single Line	\$43.00	N
06428845	1972	FUEL TANK SENDING UNIT 3/8" Fuel Line, Single Line	\$43.00	N
06428322	1972	FUEL TANK SENDING UNIT 3/8" Fuel Line, With 2nd Vent Line	\$43.00	N
06428844	1972	FUEL TANK SENDING UNIT 5/16" Fuel Line, Single Line	\$43.00	N
GENERATOR JUMPER HARNESS				
03935	1962	GENERATOR JUMPER HARNESS Generator To Alternator & Screw Type Regulator (Original Type)	\$60.00	
GLOVE BOX LAMP KIT				
18000	1962	GLOVE BOX LAMP KIT Socket, Bulb & Wire	\$24.00	
18000	1963	GLOVE BOX LAMP KIT Socket, Bulb & Wire	\$24.00	
18000	1964	GLOVE BOX LAMP KIT Socket, Bulb & Wire	\$24.00	

Part Number	Year	Description	Price	*Rev.
18000	1965	GLOVE BOX LAMP KIT Socket, Bulb & Wire	\$24.00	
18000	1966	GLOVE BOX LAMP KIT Socket, Bulb & Wire	\$24.00	
18000	1967	GLOVE BOX LAMP KIT Socket, Bulb & Wire	\$24.00	
18000	1968	GLOVE BOX LAMP KIT Socket, Bulb & Wire	\$24.00	
18000	1969	GLOVE BOX LAMP KIT Socket, Bulb & Wire	\$24.00	
18000	1970	GLOVE BOX LAMP KIT Socket, Bulb & Wire	\$24.00	
18000	1971	GLOVE BOX LAMP KIT Socket, Bulb & Wire	\$24.00	
18000	1972	GLOVE BOX LAMP KIT Socket, Bulb & Wire	\$24.00	
18000	1973	GLOVE BOX LAMP KIT Socket, Bulb & Wire	\$24.00	
18000	1974	GLOVE BOX LAMP KIT Socket, Bulb & Wire	\$24.00	
GROUND STRAP KIT				
34975	1963	GROUND STRAP KIT 4 Cylinder	\$16.00	
34980	1963	GROUND STRAP KIT 6 Cylinder Note: 6 Cylinder Items Are Not Returnable.	\$16.00	
34985	1964	GROUND STRAP KIT 4 Cylinder	\$20.00	
34980	1964	GROUND STRAP KIT 6 Cylinder Note: 6 Cylinder Items Are Not Returnable.	\$16.00	
34990	1964	GROUND STRAP KIT V/8	\$16.00	
34980	1965	GROUND STRAP KIT 4 & 6 Cylinder Note: 6 Cylinder Items Are Not Returnable.	\$16.00	
34990	1965	GROUND STRAP KIT V/8	\$16.00	
34985	1966	GROUND STRAP KIT 4 Cylinder	\$20.00	
34980	1966	GROUND STRAP KIT 6 Cylinder Note: 6 Cylinder Items Are Not Returnable.	\$16.00	
34990	1966	GROUND STRAP KIT V/8	\$16.00	
34995	1967	GROUND STRAP KIT 4 Cylinder	\$20.00	
35000	1967	GROUND STRAP KIT 6 Cylinder Note: 6 Cylinder Items Are Not Returnable.	\$16.00	
35005	1967	GROUND STRAP KIT V/8	\$16.00	
35010	1968	GROUND STRAP KIT 4 & 6 Cylinder Note: 6 Cylinder Items Are Not Returnable.	\$16.00	
35015	1968	GROUND STRAP KIT V/8	\$23.00	
35020	1969	GROUND STRAP KIT 4 & 6 Cylinder Note: 6 Cylinder Items Are Not Returnable.	\$24.00	
27380	1969	GROUND STRAP KIT V/8	\$28.00	
GROUND WIRE-DISTRIBUTOR POINT PLATE				
38298	1962	GROUND WIRE, DISTRIBUTOR POINT PLATE From Distributor Point Plate To Distributor Housing Note: Replaces Spot Welded Wire Asm On Point Plate Side. Fits All GM V/8 Point Type Distributors From Approx. 1957-1974.	\$17.00	C
38298	1963	GROUND WIRE, DISTRIBUTOR POINT PLATE From Distributor Point Plate To Distributor Housing Note: Replaces Spot Welded Wire Asm On Point Plate Side. Fits All GM V/8 Point Type Distributors From Approx. 1957-1974.	\$17.00	C
38298	1964	GROUND WIRE, DISTRIBUTOR POINT PLATE From Distributor Point Plate To Distributor Housing Note: Replaces Spot Welded Wire Asm On Point Plate Side. Fits All GM V/8 Point Type Distributors From Approx. 1957-1974.	\$17.00	C
38298	1965	GROUND WIRE, DISTRIBUTOR POINT PLATE From Distributor Point Plate To Distributor Housing Note: Replaces Spot Welded Wire Asm On Point Plate Side. Fits All GM V/8 Point Type Distributors From Approx. 1957-1974.	\$17.00	C
38298	1966	GROUND WIRE, DISTRIBUTOR POINT PLATE From Distributor Point Plate To Distributor Housing Note: Replaces Spot Welded Wire Asm On Point Plate Side. Fits All GM V/8 Point Type Distributors From Approx. 1957-1974.	\$17.00	C
38298	1967	GROUND WIRE, DISTRIBUTOR POINT PLATE From Distributor Point Plate To Distributor Housing Note: Replaces Spot Welded Wire Asm On Point Plate Side. Fits All GM V/8 Point Type Distributors From Approx. 1957-1974.	\$17.00	C

Part Number	Year	Description	Price	*Rev.
38298	1968	GROUND WIRE, DISTRIBUTOR POINT PLATE From Distributor Point Plate To Distributor Housing Note: Replaces Spot Welded Wire Asm On Point Plate Side. Fits All GM V/8 Point Type Distributors From Approx. 1957-1974.	\$17.00	C
38298	1969	GROUND WIRE, DISTRIBUTOR POINT PLATE From Distributor Point Plate To Distributor Housing Note: Replaces Spot Welded Wire Asm On Point Plate Side. Fits All GM V/8 Point Type Distributors From Approx. 1957-1974.	\$17.00	C
38298	1970	GROUND WIRE, DISTRIBUTOR POINT PLATE From Distributor Point Plate To Distributor Housing Note: Replaces Spot Welded Wire Asm On Point Plate Side. Fits All GM V/8 Point Type Distributors From Approx. 1957-1974.	\$17.00	C
38298	1971	GROUND WIRE, DISTRIBUTOR POINT PLATE From Distributor Point Plate To Distributor Housing Note: Replaces Spot Welded Wire Asm On Point Plate Side. Fits All GM V/8 Point Type Distributors From Approx. 1957-1974.	\$17.00	C
38298	1972	GROUND WIRE, DISTRIBUTOR POINT PLATE From Distributor Point Plate To Distributor Housing Note: Replaces Spot Welded Wire Asm On Point Plate Side. Fits All GM V/8 Point Type Distributors From Approx. 1957-1974.	\$17.00	C
38298	1973	GROUND WIRE, DISTRIBUTOR POINT PLATE From Distributor Point Plate To Distributor Housing Note: Replaces Spot Welded Wire Asm On Point Plate Side. Fits All GM V/8 Point Type Distributors From Approx. 1957-1974.	\$17.00	C
38298	1974	GROUND WIRE, DISTRIBUTOR POINT PLATE From Distributor Point Plate To Distributor Housing Note: Replaces Spot Welded Wire Asm On Point Plate Side. Fits All GM V/8 Point Type Distributors From Approx. 1957-1974.	\$17.00	C
HARNESS TAPE				
R0058272	1962	HARNESS TAPE 3/4" Vinyl (100 Ft. Roll) Non-Adhesive	\$12.00	
R0058276	1962	HARNESS TAPE 1" Vinyl (100 Ft. Roll) Non-Adhesive	\$13.00	
R0067108	1962	HARNESS TAPE 1 1/4" Vinyl (100 Ft. Roll) Non-Adhesive	\$15.00	
R0058272	1963	HARNESS TAPE 3/4" Vinyl (100 Ft. Roll) Non-Adhesive	\$12.00	
R0058276	1963	HARNESS TAPE 1" Vinyl (100 Ft. Roll) Non-Adhesive	\$13.00	
R0067108	1963	HARNESS TAPE 1 1/4" Vinyl (100 Ft. Roll) Non-Adhesive	\$15.00	
R0058272	1964	HARNESS TAPE 3/4" Vinyl (100 Ft. Roll) Non-Adhesive	\$12.00	
R0058276	1964	HARNESS TAPE 1" Vinyl (100 Ft. Roll) Non-Adhesive	\$13.00	
R0067108	1964	HARNESS TAPE 1 1/4" Vinyl (100 Ft. Roll) Non-Adhesive	\$15.00	
R0058272	1965	HARNESS TAPE 3/4" Vinyl (100 Ft. Roll) Non-Adhesive	\$12.00	
R0058276	1965	HARNESS TAPE 1" Vinyl (100 Ft. Roll) Non-Adhesive	\$13.00	
R0067108	1965	HARNESS TAPE 1 1/4" Vinyl (100 Ft. Roll) Non-Adhesive	\$15.00	
R0058272	1966	HARNESS TAPE 3/4" Vinyl (100 Ft. Roll) Non-Adhesive	\$12.00	
R0058276	1966	HARNESS TAPE 1" Vinyl (100 Ft. Roll) Non-Adhesive	\$13.00	
R0067108	1966	HARNESS TAPE 1 1/4" Vinyl (100 Ft. Roll) Non-Adhesive	\$15.00	
R0058272	1967	HARNESS TAPE 3/4" Vinyl (100 Ft. Roll) Non-Adhesive	\$12.00	
R0058276	1967	HARNESS TAPE 1" Vinyl (100 Ft. Roll) Non-Adhesive	\$13.00	
R0067108	1967	HARNESS TAPE 1 1/4" Vinyl (100 Ft. Roll) Non-Adhesive	\$15.00	
R0058272	1968	HARNESS TAPE 3/4" Vinyl (100 Ft. Roll) Non-Adhesive	\$12.00	
R0058276	1968	HARNESS TAPE 1" Vinyl (100 Ft. Roll) Non-Adhesive	\$13.00	
R0067108	1968	HARNESS TAPE 1 1/4" Vinyl (100 Ft. Roll) Non-Adhesive	\$15.00	
R0058272	1969	HARNESS TAPE 3/4" Vinyl (100 Ft. Roll) Non-Adhesive	\$12.00	
R0058276	1969	HARNESS TAPE 1" Vinyl (100 Ft. Roll) Non-Adhesive	\$13.00	
R0067108	1969	HARNESS TAPE 1 1/4" Vinyl (100 Ft. Roll) Non-Adhesive	\$15.00	
R0058272	1970	HARNESS TAPE 3/4" Vinyl (100 Ft. Roll) Non-Adhesive	\$12.00	
R0058276	1970	HARNESS TAPE 1" Vinyl (100 Ft. Roll) Non-Adhesive	\$13.00	
R0067108	1970	HARNESS TAPE 1 1/4" Vinyl (100 Ft. Roll) Non-Adhesive	\$15.00	
R0058272	1971	HARNESS TAPE 3/4" Vinyl (100 Ft. Roll) Non-Adhesive	\$12.00	
R0058276	1971	HARNESS TAPE 1" Vinyl (100 Ft. Roll) Non-Adhesive	\$13.00	
R0067108	1971	HARNESS TAPE 1 1/4" Vinyl (100 Ft. Roll) Non-Adhesive	\$15.00	
R0058272	1972	HARNESS TAPE 3/4" Vinyl (100 Ft. Roll) Non-Adhesive	\$12.00	
R0058276	1972	HARNESS TAPE 1" Vinyl (100 Ft. Roll) Non-Adhesive	\$13.00	

Part Number	Year	Description	Price	*Rev.
R0067108	1972	HARNESS TAPE 1 1/4" Vinyl (100 Ft. Roll) Non-Adhesive	\$15.00	
R0058272	1973	HARNESS TAPE 3/4" Vinyl (100 Ft. Roll) Non-Adhesive	\$12.00	
R0058276	1973	HARNESS TAPE 1" Vinyl (100 Ft. Roll) Non-Adhesive	\$13.00	
R0067108	1973	HARNESS TAPE 1 1/4" Vinyl (100 Ft. Roll) Non-Adhesive	\$15.00	
R0058272	1974	HARNESS TAPE 3/4" Vinyl (100 Ft. Roll) Non-Adhesive	\$12.00	
R0058276	1974	HARNESS TAPE 1" Vinyl (100 Ft. Roll) Non-Adhesive	\$13.00	
R0067108	1974	HARNESS TAPE 1 1/4" Vinyl (100 Ft. Roll) Non-Adhesive	\$15.00	
R0058272	1975	HARNESS TAPE 3/4" Vinyl (100 Ft. Roll) Non-Adhesive	\$12.00	
R0058276	1975	HARNESS TAPE 1" Vinyl (100 Ft. Roll) Non-Adhesive	\$13.00	
R0067108	1975	HARNESS TAPE 1 1/4" Vinyl (100 Ft. Roll) Non-Adhesive	\$15.00	
R0058272	1976	HARNESS TAPE 3/4" Vinyl (100 Ft. Roll) Non-Adhesive	\$12.00	
R0058276	1976	HARNESS TAPE 1" Vinyl (100 Ft. Roll) Non-Adhesive	\$13.00	
R0067108	1976	HARNESS TAPE 1 1/4" Vinyl (100 Ft. Roll) Non-Adhesive	\$15.00	
R0058272	1977	HARNESS TAPE 3/4" Vinyl (100 Ft. Roll) Non-Adhesive	\$12.00	
R0058276	1977	HARNESS TAPE 1" Vinyl (100 Ft. Roll) Non-Adhesive	\$13.00	
R0067108	1977	HARNESS TAPE 1 1/4" Vinyl (100 Ft. Roll) Non-Adhesive	\$15.00	
R0058272	1978	HARNESS TAPE 3/4" Vinyl (100 Ft. Roll) Non-Adhesive	\$12.00	
R0058276	1978	HARNESS TAPE 1" Vinyl (100 Ft. Roll) Non-Adhesive	\$13.00	
R0067108	1978	HARNESS TAPE 1 1/4" Vinyl (100 Ft. Roll) Non-Adhesive	\$15.00	
R0058272	1979	HARNESS TAPE 3/4" Vinyl (100 Ft. Roll) Non-Adhesive	\$12.00	
R0058276	1979	HARNESS TAPE 1" Vinyl (100 Ft. Roll) Non-Adhesive	\$13.00	
R0067108	1979	HARNESS TAPE 1 1/4" Vinyl (100 Ft. Roll) Non-Adhesive	\$15.00	
HEADLAMP DIMMER SWITCH				
01997028	1962	HEADLAMP DIMMER SWITCH	\$7.50	N
01997028	1963	HEADLAMP DIMMER SWITCH	\$7.50	N
01997028	1964	HEADLAMP DIMMER SWITCH	\$7.50	N
01997028	1965	HEADLAMP DIMMER SWITCH	\$7.50	N
01997028	1966	HEADLAMP DIMMER SWITCH	\$7.50	N
01997028	1967	HEADLAMP DIMMER SWITCH	\$7.50	N
HEADLIGHT SWITCH				
01995096	1962	HEADLIGHT SWITCH All	\$31.00	
01995096	1963	HEADLIGHT SWITCH All	\$31.00	
01995096	1964	HEADLIGHT SWITCH All	\$31.00	
01995179	1964	HEADLIGHT SWITCH	\$20.00	N
01995179	1965	HEADLIGHT SWITCH	\$20.00	N
01995179	1966	HEADLIGHT SWITCH	\$20.00	N
01995179	1967	HEADLIGHT SWITCH	\$20.00	N
01995179	1968	HEADLIGHT SWITCH	\$20.00	N
01995179	1969	HEADLIGHT SWITCH	\$20.00	N
01995179	1970	HEADLIGHT SWITCH	\$20.00	N
01995179	1971	HEADLIGHT SWITCH	\$20.00	N
01995179	1972	HEADLIGHT SWITCH	\$20.00	N
01995179	1973	HEADLIGHT SWITCH	\$20.00	N
01995216	1974	HEADLIGHT SWITCH	\$20.00	N
01995216	1975	HEADLIGHT SWITCH	\$20.00	N
01995216	1976	HEADLIGHT SWITCH	\$20.00	N

Part Number	Year	Description	Price	*Rev.
01995216	1977	HEADLIGHT SWITCH	\$20.00	N
01995216	1978	HEADLIGHT SWITCH	\$20.00	N
01995216	1979	HEADLIGHT SWITCH	\$20.00	N
HEATER BLOWER MOTOR RESISTOR				
03929052	1962	HEATER BLOWER MOTOR RESISTOR Without A/C	\$15.00	N
03929052	1963	HEATER BLOWER MOTOR RESISTOR Without A/C	\$15.00	N
03929052	1964	HEATER BLOWER MOTOR RESISTOR Without A/C	\$15.00	N
03929052	1965	HEATER BLOWER MOTOR RESISTOR Without A/C	\$15.00	N
03929052	1966	HEATER BLOWER MOTOR RESISTOR Without A/C	\$15.00	N
03929052	1967	HEATER BLOWER MOTOR RESISTOR Without A/C	\$15.00	N
03929052	1968	HEATER BLOWER MOTOR RESISTOR Without A/C	\$15.00	N
03929052	1969	HEATER BLOWER MOTOR RESISTOR Without A/C	\$15.00	N
03929052	1970	HEATER BLOWER MOTOR RESISTOR Without A/C	\$15.00	N
03929052	1971	HEATER BLOWER MOTOR RESISTOR Without A/C	\$15.00	N
03929052	1972	HEATER BLOWER MOTOR RESISTOR Without A/C	\$15.00	N
03929052	1973	HEATER BLOWER MOTOR RESISTOR Without A/C	\$15.00	N
03929052	1974	HEATER BLOWER MOTOR RESISTOR Without A/C	\$15.00	N
03929052	1975	HEATER BLOWER MOTOR RESISTOR Without A/C	\$15.00	N
03929052	1976	HEATER BLOWER MOTOR RESISTOR Without A/C	\$15.00	N
03929052	1977	HEATER BLOWER MOTOR RESISTOR Without A/C	\$15.00	N
03929052	1978	HEATER BLOWER MOTOR RESISTOR Without A/C	\$15.00	N
03929052	1979	HEATER BLOWER MOTOR RESISTOR Without A/C	\$15.00	N
HEATER HARNESS				
01520	1962	HEATER HARNESS Without A/C	\$27.00	
01520	1963	HEATER HARNESS Without A/C	\$27.00	
01520	1964	HEATER HARNESS Without A/C	\$27.00	
01520	1965	HEATER HARNESS Without A/C	\$27.00	
HOOD LAMP REPLACEMENT KIT				
18410	1964	HOOD LAMP KIT Under Hood, Includes Socket, Wire & Bulb	\$60.00	C
18410	1965	HOOD LAMP KIT Under Hood, Includes Socket, Wire & Bulb	\$60.00	C
18410	1966	HOOD LAMP KIT Under Hood, Includes Socket, Wire & Bulb	\$60.00	C
18410	1967	HOOD LAMP KIT Under Hood, Includes Socket, Wire & Bulb	\$60.00	C
18410	1968	HOOD LAMP KIT Under Hood, Includes Socket, Wire & Bulb	\$60.00	C
18410	1969	HOOD LAMP KIT Under Hood, Includes Socket, Wire & Bulb	\$60.00	C
18410	1970	HOOD LAMP KIT Under Hood, Includes Socket, Wire & Bulb	\$60.00	C
18410	1971	HOOD LAMP KIT Under Hood, Includes Socket, Wire & Bulb	\$60.00	C
18410	1972	HOOD LAMP KIT Under Hood, Includes Socket, Wire & Bulb	\$60.00	C
18410	1973	HOOD LAMP KIT Under Hood, Includes Socket, Wire & Bulb	\$60.00	C
18410	1974	HOOD LAMP KIT Under Hood, Includes Socket, Wire & Bulb	\$60.00	C
18410	1975	HOOD LAMP KIT Under Hood, Includes Socket, Wire & Bulb	\$60.00	C
18410	1976	HOOD LAMP KIT Under Hood, Includes Socket, Wire & Bulb	\$60.00	C
18410	1977	HOOD LAMP KIT Under Hood, Includes Socket, Wire & Bulb	\$60.00	C
IDLE STOP SOLENOID WIRE				
17495	1970	IDLE STOP SOLENOID WIRE All V/8, Except Big Block With Manual Trans	\$17.00	
IGNITION CYLINDER AND KEYS				
20071252	1969	IGNITION CYLINDER AND KEYS Chrome, All	\$18.50	N

Part Number	Year	Description	Price	*Rev.
20071252	1970	IGNITION CYLINDER AND KEYS Chrome, All	\$18.50	N
20071252	1971	IGNITION CYLINDER AND KEYS Chrome, All	\$18.50	N
20071252	1972	IGNITION CYLINDER AND KEYS Chrome, All	\$18.50	N
20071252	1973	IGNITION CYLINDER AND KEYS Chrome, All	\$18.50	N
20071252	1974	IGNITION CYLINDER AND KEYS Chrome, All	\$18.50	N
20071252	1975	IGNITION CYLINDER AND KEYS Chrome, All	\$18.50	N
20071252	1976	IGNITION CYLINDER AND KEYS Chrome, All	\$18.50	N
20071252	1977	IGNITION CYLINDER AND KEYS Chrome, All	\$18.50	N
20071252	1978	IGNITION CYLINDER AND KEYS Chrome, All, 1st Design, Used On Columns Without Lock Cylinder Retaining Screw	\$18.50	N
07833759	1978	IGNITION CYLINDER AND KEYS Chrome, All, 2nd Design, Used On Columns With Lock Cylinder Retaining Screw	\$18.50	N
07833759	1979	IGNITION CYLINDER AND KEYS Chrome, All	\$18.50	N
IGNITION SWITCH				
01116626	1962	IGNITION SWITCH	\$24.00	N
01116626	1963	IGNITION SWITCH	\$24.00	N
01116626	1964	IGNITION SWITCH	\$24.00	N
44205	1965	IGNITION SWITCH KIT Note: Includes Ignition Switch, Connector And Instructions.	\$37.00	N
01990110	1969	IGNITION SWITCH All, With Tilt	\$14.00	N
01990110	1970	IGNITION SWITCH All, With Tilt	\$14.00	N
01990110	1971	IGNITION SWITCH All, With Tilt	\$14.00	N
01990110	1972	IGNITION SWITCH All, With Tilt	\$14.00	N
01990110	1973	IGNITION SWITCH All, With Tilt	\$14.00	N
01990110	1974	IGNITION SWITCH All, With Tilt	\$14.00	N
01990110	1975	IGNITION SWITCH All, With Tilt	\$14.00	N
01990110	1976	IGNITION SWITCH All, With Tilt	\$14.00	N
01990110	1977	IGNITION SWITCH All, With Tilt	\$14.00	N
01990110	1978	IGNITION SWITCH All, With Tilt	\$14.00	N
01990110	1979	IGNITION SWITCH All, With Tilt	\$14.00	N
INSTRUMENT GAUGE CLUSTER CLIP KIT				
08986000	1976	CLIP KIT All, Instrument Gauge Cluster / Printed Circuit Board Retaining Clip Note: Replaces Original GM Part Number 08986000, Includes 12 Clips Per Kit.	\$14.00	N
08986000	1977	CLIP KIT All, Instrument Gauge Cluster / Printed Circuit Board Retaining Clip Note: Replaces Original GM Part Number 08986000, Includes 12 Clips Per Kit.	\$14.00	N
08986000	1978	CLIP KIT All, Instrument Gauge Cluster / Printed Circuit Board Retaining Clip Note: Replaces Original GM Part Number 08986000, Includes 12 Clips Per Kit.	\$14.00	N
08986000	1979	CLIP KIT All, Instrument Gauge Cluster / Printed Circuit Board Retaining Clip Note: Replaces Original GM Part Number 08986000, Includes 12 Clips Per Kit.	\$14.00	N
KICKDOWN HARNESS				
06145	1968	KICKDOWN HARNESS TH400 Auto Trans	\$43.00	
06145	1969	KICKDOWN HARNESS TH400 Auto Trans	\$43.00	
KICKDOWN SWITCH				
01242101	1970	KICKDOWN SWITCH TH400 Auto Trans	\$19.00	

Part Number	Year	Description	Price	*Rev.
LOW FUEL INDICATOR MODULE				
500274	1962	LOW FUEL INDICATOR MODULE Generic "Adjustable" Low Fuel Warning Module Note: A Complete Electronic Control Unit To Activate A Warning Lamp Or Relay When Fuel Level Drops Below A User Adjustable Level. Includes instruction sheet.	\$64.00	C
500274	1963	LOW FUEL INDICATOR MODULE Generic "Adjustable" Low Fuel Warning Module Note: A Complete Electronic Control Unit To Activate A Warning Lamp Or Relay When Fuel Level Drops Below A User Adjustable Level. Includes instruction sheet.	\$64.00	C
500274	1964	LOW FUEL INDICATOR MODULE Generic "Adjustable" Low Fuel Warning Module Note: A Complete Electronic Control Unit To Activate A Warning Lamp Or Relay When Fuel Level Drops Below A User Adjustable Level. Includes instruction sheet.	\$64.00	C
500274	1965	LOW FUEL INDICATOR MODULE Generic "Adjustable" Low Fuel Warning Module Note: A Complete Electronic Control Unit To Activate A Warning Lamp Or Relay When Fuel Level Drops Below A User Adjustable Level. Includes instruction sheet.	\$64.00	C
500274	1966	LOW FUEL INDICATOR MODULE Generic "Adjustable" Low Fuel Warning Module Note: A Complete Electronic Control Unit To Activate A Warning Lamp Or Relay When Fuel Level Drops Below A User Adjustable Level. Includes instruction sheet.	\$64.00	C
500274	1967	LOW FUEL INDICATOR MODULE Generic "Adjustable" Low Fuel Warning Module Note: A Complete Electronic Control Unit To Activate A Warning Lamp Or Relay When Fuel Level Drops Below A User Adjustable Level. Includes instruction sheet.	\$64.00	C
500274	1968	LOW FUEL INDICATOR MODULE Generic "Adjustable" Low Fuel Warning Module Note: A Complete Electronic Control Unit To Activate A Warning Lamp Or Relay When Fuel Level Drops Below A User Adjustable Level. Includes instruction sheet.	\$64.00	C
500274	1969	LOW FUEL INDICATOR MODULE Generic "Adjustable" Low Fuel Warning Module Note: A Complete Electronic Control Unit To Activate A Warning Lamp Or Relay When Fuel Level Drops Below A User Adjustable Level. Includes instruction sheet.	\$64.00	C
500274	1970	LOW FUEL INDICATOR MODULE Generic "Adjustable" Low Fuel Warning Module Note: A Complete Electronic Control Unit To Activate A Warning Lamp Or Relay When Fuel Level Drops Below A User Adjustable Level. Includes instruction sheet.	\$64.00	C
500274	1971	LOW FUEL INDICATOR MODULE Generic "Adjustable" Low Fuel Warning Module Note: A Complete Electronic Control Unit To Activate A Warning Lamp Or Relay When Fuel Level Drops Below A User Adjustable Level. Includes instruction sheet.	\$64.00	C
500274	1972	LOW FUEL INDICATOR MODULE Generic "Adjustable" Low Fuel Warning Module Note: A Complete Electronic Control Unit To Activate A Warning Lamp Or Relay When Fuel Level Drops Below A User Adjustable Level. Includes instruction sheet.	\$64.00	C
500274	1973	LOW FUEL INDICATOR MODULE Generic "Adjustable" Low Fuel Warning Module Note: A Complete Electronic Control Unit To Activate A Warning Lamp Or Relay When Fuel Level Drops Below A User Adjustable Level. Includes instruction sheet.	\$64.00	C
500274	1974	LOW FUEL INDICATOR MODULE Generic "Adjustable" Low Fuel Warning Module Note: A Complete Electronic Control Unit To Activate A Warning Lamp Or Relay When Fuel Level Drops Below A User Adjustable Level. Includes instruction sheet.	\$64.00	C
NEUTRAL SAFETY AND BACKUP LAMP SWITCH				
01993659	1962	NEUTRAL SAFETY AND BACKUP LAMP SWITCH With Column Shift Powerglide Auto Trans	\$12.00	
01993659	1963	NEUTRAL SAFETY AND BACKUP LAMP SWITCH With Column Shift Powerglide Auto Trans	\$12.00	
01993659	1964	NEUTRAL SAFETY AND BACKUP LAMP SWITCH With Column Shift Powerglide Auto Trans	\$12.00	
01993659	1965	NEUTRAL SAFETY AND BACKUP LAMP SWITCH With Column Shift Powerglide Auto Trans	\$12.00	
01993696	1965	NEUTRAL SAFETY AND BACKUP LAMP SWITCH With Console Shift Powerglide Auto Trans	\$64.00	
01993659	1966	NEUTRAL SAFETY AND BACKUP LAMP SWITCH With Column Shift Powerglide Auto Trans	\$12.00	
01993696	1966	NEUTRAL SAFETY AND BACKUP LAMP SWITCH With Console Shift Powerglide Auto Trans	\$64.00	
01993696	1967	NEUTRAL SAFETY AND BACKUP LAMP SWITCH With Console Shift Powerglide Auto Trans	\$64.00	
03900503	1968	NEUTRAL SAFETY AND BACKUP LAMP SWITCH With Console Shift Pg Auto Trans	\$75.00	
03909591	1968	NEUTRAL SAFETY AND BACKUP LAMP SWITCH With Console Shift TH 350-400 Auto Trans	\$75.00	

Part Number	Year	Description	Price	*Rev.
01994235	1969	NEUTRAL SAFETY AND BACKUP LAMP SWITCH With Column Shift Auto Trans, All	\$19.00	
03900503	1969	NEUTRAL SAFETY AND BACKUP LAMP SWITCH With Console Shift Pg Auto Trans	\$75.00	
03909591	1969	NEUTRAL SAFETY AND BACKUP LAMP SWITCH With Console Shift TH 350-400 Auto Trans	\$75.00	
01994235	1970	NEUTRAL SAFETY AND BACKUP LAMP SWITCH With Column Shift Auto Trans, All	\$19.00	
03900503	1970	NEUTRAL SAFETY AND BACKUP LAMP SWITCH With Console Shift Pg Auto Trans	\$75.00	
03909591	1970	NEUTRAL SAFETY AND BACKUP LAMP SWITCH With Console Shift TH 350-400 Auto Trans	\$75.00	
01994235	1971	NEUTRAL SAFETY AND BACKUP LAMP SWITCH With Column Shift Auto Trans, All	\$19.00	
03900503	1971	NEUTRAL SAFETY AND BACKUP LAMP SWITCH With Console Shift Pg Auto Trans	\$75.00	
03909591	1971	NEUTRAL SAFETY AND BACKUP LAMP SWITCH With Console Shift TH 350-400 Auto Trans	\$75.00	
01994235	1972	NEUTRAL SAFETY AND BACKUP LAMP SWITCH With Column Shift Auto Trans, All	\$19.00	
03900503	1972	NEUTRAL SAFETY AND BACKUP LAMP SWITCH With Console Shift Pg Auto Trans	\$75.00	
03909591	1972	NEUTRAL SAFETY AND BACKUP LAMP SWITCH With Console Shift TH 350-400 Auto Trans	\$75.00	
NEUTRAL SAFETY SWITCH				
01993494	1969	NEUTRAL SAFETY SWITCH With Manual Trans Note: Includes Rod, 2 Retaining Clips, 2 Bushings And Bolt.	\$65.00	
03983965	1970	NEUTRAL SAFETY SWITCH With Manual Trans	\$58.00	
03983965	1971	NEUTRAL SAFETY SWITCH With Manual Trans	\$58.00	
03983965	1972	NEUTRAL SAFETY SWITCH With Manual Trans	\$58.00	
03983965	1973	NEUTRAL SAFETY SWITCH With Manual Trans	\$58.00	
03983965	1974	NEUTRAL SAFETY SWITCH With Manual Trans	\$58.00	
03983965	1975	NEUTRAL SAFETY SWITCH With Manual Trans	\$58.00	
NEUTRAL SAFETY SWITCH EXTENSION HARNESS				
15230	1970	NEUTRAL SAFETY SWITCH EXTENSION HARNESS Manual Trans, From Dash To Clutch Switch	\$25.00	
PARKING BRAKE WARNING LAMP HARNESS				
15205	1970	PARKING BRAKE WARNING LAMP HARNESS	\$13.00	
15205	1971	PARKING BRAKE WARNING LAMP HARNESS	\$13.00	
15205	1972	PARKING BRAKE WARNING LAMP HARNESS	\$13.00	
POWER DOOR LOCK SWITCH				
01725099	1973	POWER DOOR LOCK SWITCH 1 Button	\$62.00	
01725099	1974	POWER DOOR LOCK SWITCH 1 Button	\$62.00	
01725099	1975	POWER DOOR LOCK SWITCH 1 Button	\$62.00	
01725099	1976	POWER DOOR LOCK SWITCH 1 Button	\$62.00	
01725099	1977	POWER DOOR LOCK SWITCH 1 Button	\$62.00	
01725099	1979	POWER DOOR LOCK SWITCH 1 Button	\$62.00	M
POWER WINDOW MOTOR ADAPTER HARNESS				
36954	1962	POWER WINDOW MOTOR ADAPTER HARNESS Adapts "T" Shaped Motor Connector To Side By Side Blade Type Motor Connector	\$22.00	C
36954	1963	POWER WINDOW MOTOR ADAPTER HARNESS Adapts "T" Shaped Motor Connector To Side By Side Blade Type Motor Connector	\$22.00	C
36954	1964	POWER WINDOW MOTOR ADAPTER HARNESS Adapts "T" Shaped Motor Connector To Side By Side Blade Type Motor Connector	\$22.00	C
36954	1965	POWER WINDOW MOTOR ADAPTER HARNESS Adapts "T" Shaped Motor Connector To Side By Side Blade Type Motor Connector	\$22.00	C
36954	1966	POWER WINDOW MOTOR ADAPTER HARNESS Adapts "T" Shaped Motor Connector To Side By Side Blade Type Motor Connector	\$22.00	C
36954	1967	POWER WINDOW MOTOR ADAPTER HARNESS Adapts "T" Shaped Motor Connector To Side By Side Blade Type Motor Connector	\$22.00	C

Part Number	Year	Description	Price	*Rev.
36954	1968	POWER WINDOW MOTOR ADAPTER HARNESS Adapts "T" Shaped Motor Connector To Side By Side Blade Type Motor Connector	\$22.00	C
36954	1969	POWER WINDOW MOTOR ADAPTER HARNESS Adapts "T" Shaped Motor Connector To Side By Side Blade Type Motor Connector	\$22.00	C
36954	1970	POWER WINDOW MOTOR ADAPTER HARNESS Adapts "T" Shaped Motor Connector To Side By Side Blade Type Motor Connector	\$22.00	C
36954	1971	POWER WINDOW MOTOR ADAPTER HARNESS Adapts "T" Shaped Motor Connector To Side By Side Blade Type Motor Connector	\$22.00	C
36954	1972	POWER WINDOW MOTOR ADAPTER HARNESS Adapts "T" Shaped Motor Connector To Side By Side Blade Type Motor Connector	\$22.00	C
36954	1973	POWER WINDOW MOTOR ADAPTER HARNESS Adapts "T" Shaped Motor Connector To Side By Side Blade Type Motor Connector	\$22.00	C
36954	1974	POWER WINDOW MOTOR ADAPTER HARNESS Adapts "T" Shaped Motor Connector To Side By Side Blade Type Motor Connector	\$22.00	C
36954	1975	POWER WINDOW MOTOR ADAPTER HARNESS Adapts "T" Shaped Motor Connector To Side By Side Blade Type Motor Connector	\$22.00	C
POWER WINDOW SWITCH				
04432790	1964	POWER WINDOW SWITCH 1 Button, Round Corner Style, Chrome	\$49.00	
04432793	1964	POWER WINDOW SWITCH 2 Button, Round Corner Style, Chrome. 2-Door Wagons	\$61.00	
04432791	1964	POWER WINDOW SWITCH 4 Button, Round Corner Style, Chrome	\$67.00	
04432790	1965	POWER WINDOW SWITCH 1 Button, Round Corner Style, Chrome	\$49.00	
04432793	1965	POWER WINDOW SWITCH 2 Button, Round Corner Style, Chrome. 2-Door Wagons	\$61.00	
04432791	1965	POWER WINDOW SWITCH 4 Button, Round Corner Style, Chrome	\$67.00	
04432790	1966	POWER WINDOW SWITCH 1 Button, Round Corner Style, Chrome	\$49.00	
04432793	1966	POWER WINDOW SWITCH 2 Button, Round Corner Style, Chrome. 2-Door Wagons	\$61.00	
04432791	1966	POWER WINDOW SWITCH 4 Button, Round Corner Style, Chrome	\$67.00	
04432790	1967	POWER WINDOW SWITCH 1 Button, Round Corner Style, Chrome	\$49.00	
04432793	1967	POWER WINDOW SWITCH 2 Button, Round Corner Style, Chrome. 2-Door Wagons	\$61.00	
04432791	1967	POWER WINDOW SWITCH 4 Button, Round Corner Style, Chrome	\$67.00	
04432790	1968	POWER WINDOW SWITCH 1 Button, Round Corner Style, Chrome	\$49.00	
04432793	1968	POWER WINDOW SWITCH 2 Button, Round Corner Style, Chrome. 2-Door Wagons	\$61.00	
04432791	1968	POWER WINDOW SWITCH 4 Button, Round Corner Style, Chrome	\$67.00	
04432790	1969	POWER WINDOW SWITCH 1 Button, Round Corner Style, Chrome	\$49.00	
04432793	1969	POWER WINDOW SWITCH 2 Button, Round Corner Style, Chrome. 2-Door Wagons	\$61.00	
04432791	1969	POWER WINDOW SWITCH 4 Button, Round Corner Style, Chrome	\$67.00	
04432790	1970	POWER WINDOW SWITCH 1 Button, Round Corner Style, Chrome	\$49.00	
04432793	1970	POWER WINDOW SWITCH 2 Button, Round Corner Style, Chrome. 2-Door Wagons	\$61.00	
04432791	1970	POWER WINDOW SWITCH 4 Button, Round Corner Style, Chrome	\$67.00	
01725094	1975	POWER WINDOW SWITCH 1 Button, Square Corner Style, Chrome	\$21.00	M
01731231	1975	POWER WINDOW SWITCH 4 Button, Square Corner Style, Chrome	\$75.00	M
01725092	1975	POWER WINDOW SWITCH 2 Button, Square Corner Style, Chrome	\$53.00	M
01725094	1976	POWER WINDOW SWITCH 1 Button, Square Corner Style, Chrome	\$21.00	M
01731231	1976	POWER WINDOW SWITCH 4 Button, Square Corner Style, Chrome	\$75.00	M
01725092	1976	POWER WINDOW SWITCH 2 Button, Square Corner Style, Chrome	\$53.00	M
01725094	1977	POWER WINDOW SWITCH 1 Button, Square Corner Style, Chrome	\$21.00	M
01731231	1977	POWER WINDOW SWITCH 4 Button, Square Corner Style, Chrome	\$75.00	M
01725092	1977	POWER WINDOW SWITCH 2 Button, Square Corner Style, Chrome	\$53.00	M
01725094	1978	POWER WINDOW SWITCH 1 Button, Square Corner Style, Chrome	\$21.00	M
01731231	1978	POWER WINDOW SWITCH 4 Button, Square Corner Style, Chrome	\$75.00	M

Part Number	Year	Description	Price	*Rev.
01725092	1978	POWER WINDOW SWITCH 2 Button, Square Corner Style, Chrome	\$53.00	M
01725094	1979	POWER WINDOW SWITCH 1 Button, Square Corner Style, Chrome, 4 Door Sedan	\$21.00	M
01731231	1979	POWER WINDOW SWITCH 4 Button, Square Corner Style, Chrome	\$75.00	M
01725092	1979	POWER WINDOW SWITCH 2 Button, Square Corner Style, Chrome	\$53.00	M
REAR LAMP HARNESS				
28155	1962	REAR LAMP EXTENSION HARNESS Rear Lamp Harness To Backup Lamps, All	\$29.00	
01305	1962	REAR LAMP HARNESS Coupe, Except Wagons	\$184.00	
01310	1962	REAR LAMP HARNESS Convertible	\$193.00	
28155	1963	REAR LAMP EXTENSION HARNESS Rear Lamp Harness To Backup Lamps, All	\$29.00	
17375	1963	REAR LAMP HARNESS Coupe, Except Wagons	\$179.00	
17380	1963	REAR LAMP HARNESS Convertible	\$198.00	
37098	1964	REAR LAMP EXTENSION HARNESS Rear Lamp Harness To Backup Lamps, All	\$29.00	
17375	1964	REAR LAMP HARNESS Except Wagons	\$179.00	
07225	1965	REAR LAMP HARNESS Except Wagons	\$184.00	
17215	1966	REAR LAMP HARNESS Except Wagons	\$179.00	
17215	1967	REAR LAMP HARNESS Except Wagons	\$179.00	
01320	1968	REAR LAMP HARNESS	\$237.00	
20585	1968	REAR LAMP HARNESS With Under Dash Courtesy Lamps	\$262.00	
18515	1969	REAR LAMP HARNESS Left Side Tail Lamps	\$153.00	
18530	1969	REAR LAMP HARNESS Left Side Taillamps, With Under Dash Courtesy Lamps	\$199.00	
34965	1969	REAR LAMP EXTENSION HARNESS Right Side Taillamps	\$99.00	
21225	1970	REAR LAMP HARNESS Left Side Tail Lamps	\$153.00	
20975	1970	REAR LAMP HARNESS Left Side Tail Lamps, With Under Dash Courtesy Lamps	\$199.00	
34965	1970	REAR LAMP EXTENSION HARNESS Right Side Taillamps	\$99.00	
21225	1971	REAR LAMP HARNESS Left Side Tail Lamps	\$153.00	
20975	1971	REAR LAMP HARNESS Left Side Tail Lamps, With Under Dash Courtesy Lamps	\$199.00	
34965	1971	REAR LAMP EXTENSION HARNESS Right Side Taillamps	\$99.00	
21225	1972	REAR LAMP HARNESS Left Side Tail Lamps	\$153.00	
20975	1972	REAR LAMP HARNESS Left Side Tail Lamps, With Under Dash Courtesy Lamps	\$199.00	
20935	1972	REAR LAMP HARNESS Left Side Tail Lamps, With Seat Belt Warning	\$201.00	
20930	1972	REAR LAMP HARNESS Left Side, With Seat Belt Warn. & Under Dash Courtesy Lamps	\$219.00	
18535	1972	REAR LAMP EXTENSION HARNESS Right Side Tail Lamps	\$99.00	
20960	1973	REAR LAMP INTERMEDIATE HARNESS	\$173.00	
20955	1973	REAR LAMP INTERMEDIATE HARNESS With Under Dash Courtesy Lamps	\$206.00	
20965	1973	REAR LAMP HARNESS	\$153.00	
21235	1974	REAR LAMP HARNESS	\$153.00	
REAR WINDOW DEFROSTER HARNESS				
14420	1969	REAR WINDOW DEFROSTER HARNESS	\$59.00	
14420	1970	REAR WINDOW DEFROSTER HARNESS	\$59.00	
14420	1971	REAR WINDOW DEFROSTER HARNESS	\$59.00	
14420	1972	REAR WINDOW DEFROSTER HARNESS	\$59.00	
SPEAKER HARNESS				
18510	1965	SPEAKER HARNESS To Single Rear Seat Speaker	\$53.00	
18510	1966	SPEAKER HARNESS To Single Rear Seat Speaker	\$53.00	
18510	1967	SPEAKER HARNESS To Single Rear Seat Speaker	\$53.00	
18510	1968	SPEAKER HARNESS To Single Rear Seat Speaker	\$53.00	

Part Number	Year	Description	Price	*Rev.
33430	1968	SPEAKER HARNESS 4 Stereo Speakers, Front & Rear	\$83.00	
33430	1969	SPEAKER HARNESS 4 Stereo Speakers, Front & Rear	\$83.00	
SPEED WARNING HARNESS				
11050	1967	SPEED WARNING HARNESS	\$25.00	
13130	1969	SPEED WARNING HARNESS	\$25.00	
STEERING COLUMN ADAPTER HARNESS				
37616	1962	STEERING COLUMN ADAPTER HARNESS For 1969-74 GM & Ididit Columns (Exc. Flaming River) To Stock Dash Harness Note: Adapts Horn, Directionals, Hazard Flashers To Stock 6-Way Dash Connector.	\$50.00	
38124	1962	STEERING COLUMN ADAPTER HARNESS For 1975 & Up GM & Flaming River Columns (Exc. Ididit) To Stock Dash Harness Note: Adapts Horn, Directionals, Hazard Flashers To Stock 6-Way Dash Connector.	\$53.00	
37618	1963	STEERING COLUMN ADAPTER HARNESS For 1969-74 GM & Ididit Columns (Exc. Flaming River) To Stock Dash Harness Note: Adapts Horn, Directionals, Hazard Flashers To Stock 8-Way Dash Connector.	\$50.00	
38125	1963	STEERING COLUMN ADAPTER HARNESS For 1975 & Up GM & Flaming River Columns (Exc. Ididit) To Stock Dash Harness Note: Adapts Horn, Directionals, Hazard Flashers To Stock 8-Way Dash Connector.	\$51.00	
37618	1964	STEERING COLUMN ADAPTER HARNESS For 1969-74 GM & Ididit Columns (Exc. Flaming River) To Stock Dash Harness Note: Adapts Horn, Directionals, Hazard Flashers To Stock 8-Way Dash Connector.	\$50.00	
38125	1964	STEERING COLUMN ADAPTER HARNESS For 1975 & Up GM & Flaming River Columns (Exc. Ididit) To Stock Dash Harness Note: Adapts Horn, Directionals, Hazard Flashers To Stock 8-Way Dash Connector.	\$51.00	
37618	1965	STEERING COLUMN ADAPTER HARNESS For 1969-74 GM & Ididit Columns (Exc. Flaming River) To Stock Dash Harness Note: Adapts Horn, Directionals, Hazard Flashers To Stock 8-Way Dash Connector.	\$50.00	
38125	1965	STEERING COLUMN ADAPTER HARNESS For 1975 & Up GM & Flaming River Columns (Exc. Ididit) To Stock Dash Harness Note: Adapts Horn, Directionals, Hazard Flashers To Stock 8-Way Dash Connector.	\$51.00	
37542	1966	STEERING COLUMN ADAPTER HARNESS For 1969-1974 GM & Ididit Columns (Exc. Flaming River) To Stock Dash Harness Note: Adapts Horn, Directionals, Hazard Flashers To Stock 8 Pin T/L Dash Connector.	\$50.00	
37009	1966	STEERING COLUMN ADAPTER HARNESS For 1975 & Up GM & Flaming River Columns (Exc. Ididit) To Stock Dash Harness Note: Adapts Horn, Directionals, Hazard Flashers To Stock 8 Pin Dash Connector.	\$52.00	
36882	1967	STEERING COLUMN ADAPTER HARNESS For 1969-1974 GM & Ididit Columns (Exc. Flaming River) To Stock Dash Harness Note: Adapts Horn, Directionals, Hazard Flashers To Stock 9-Pin T/L Dash Connector.	\$27.00	
38127	1967	STEERING COLUMN ADAPTER HARNESS For 1975 & Up GM & Flaming River Columns (Exc. Ididit) To Stock Dash Harness Note: Adapts Horn, Directionals, Hazard Flashers To Stock 9-Pin T/L Dash Connector.	\$27.00	
36882	1968	STEERING COLUMN ADAPTER HARNESS For 1969-1974 GM & Ididit Columns (Exc. Flaming River) To Stock Dash Harness Note: Adapts Horn, Directionals, Hazard Flashers To Stock 9-Pin T/L Dash Connector.	\$27.00	
38127	1968	STEERING COLUMN ADAPTER HARNESS For 1975 & Up GM & Flaming River Columns (Exc. Ididit) To Stock Dash Harness Note: Adapts Horn, Directionals, Hazard Flashers To Stock 9-Pin T/L Dash Connector.	\$27.00	
STOP LAMP SWITCH				
01261219	1962	STOP LAMP SWITCH Without Cruise	\$5.80	N
01261219	1963	STOP LAMP SWITCH Without Cruise	\$5.80	N
01261219	1964	STOP LAMP SWITCH Without Cruise	\$5.80	N

Part Number	Year	Description	Price	*Rev.
01261219	1965	STOP LAMP SWITCH Without Cruise	\$5.80	N
01261219	1966	STOP LAMP SWITCH Without Cruise	\$5.80	N
01261219	1967	STOP LAMP SWITCH Without Cruise	\$5.80	N
01261219	1968	STOP LAMP SWITCH Without Cruise	\$5.80	N
01261219	1969	STOP LAMP SWITCH Without Cruise	\$5.80	N
01261219	1970	STOP LAMP SWITCH Without Cruise	\$5.80	N
01261219	1971	STOP LAMP SWITCH Without Cruise	\$5.80	N
01261219	1972	STOP LAMP SWITCH Without Cruise	\$5.80	N
01261219	1973	STOP LAMP SWITCH Without Cruise	\$5.80	N
01261219	1974	STOP LAMP SWITCH Without Cruise	\$5.80	N
01261219	1975	STOP LAMP SWITCH Without Cruise	\$5.80	N
01261219	1976	STOP LAMP SWITCH Without Power Brakes Or Cruise	\$5.80	N
01261219	1977	STOP LAMP SWITCH Without Power Brakes Or Cruise	\$5.80	N
01261219	1978	STOP LAMP SWITCH Without Power Brakes Or Cruise	\$5.80	N
01261219	1979	STOP LAMP SWITCH Without Power Brakes Or Cruise	\$5.80	N
TACHOMETER HARNESS				
01525	1962	TACHOMETER HARNESS	\$69.00	
01530	1963	TACHOMETER HARNESS	\$50.00	
01535	1964	TACHOMETER HARNESS	\$50.00	
01535	1965	TACHOMETER HARNESS Dash Mounted	\$50.00	
01540	1965	TACHOMETER HARNESS Steering Column Mounted	\$60.00	
01540	1966	TACHOMETER HARNESS Steering Column Mounted	\$60.00	
TCS TRANSMISSION SWITCH EXTENSION				
17355	1972	TCS TRANSMISSION SWITCH EXTENSION Manual Trans, From Engine Harness To Trans Switch Note: Used With #16375, #16380 & #16385 Engine Harness.	\$49.00	
17355	1973	TCS TRANSMISSION SWITCH EXTENSION Manual Trans, From Engine Harness To Trans Switch Note: Used With #15500 & #15505 Engine Harness.	\$49.00	
TEMPERATURE SENDING UNIT WIRE REPAIR KIT				
34620	1962	TEMPERATURE SENDING UNIT WIRE REPAIR KIT	\$20.00	
34620	1963	TEMPERATURE SENDING UNIT WIRE REPAIR KIT	\$20.00	
34620	1964	TEMPERATURE SENDING UNIT WIRE REPAIR KIT	\$20.00	
34620	1965	TEMPERATURE SENDING UNIT WIRE REPAIR KIT	\$20.00	
34620	1966	TEMPERATURE SENDING UNIT WIRE REPAIR KIT	\$20.00	
34620	1967	TEMPERATURE SENDING UNIT WIRE REPAIR KIT	\$20.00	
34620	1968	TEMPERATURE SENDING UNIT WIRE REPAIR KIT	\$20.00	
34620	1969	TEMPERATURE SENDING UNIT WIRE REPAIR KIT	\$20.00	
34620	1970	TEMPERATURE SENDING UNIT WIRE REPAIR KIT	\$20.00	
34620	1971	TEMPERATURE SENDING UNIT WIRE REPAIR KIT	\$20.00	
34620	1972	TEMPERATURE SENDING UNIT WIRE REPAIR KIT	\$20.00	
34620	1973	TEMPERATURE SENDING UNIT WIRE REPAIR KIT	\$20.00	
34620	1974	TEMPERATURE SENDING UNIT WIRE REPAIR KIT	\$20.00	
34620	1975	TEMPERATURE SENDING UNIT WIRE REPAIR KIT	\$20.00	
TRANSISTOR IGNITION HARNESS				
27565	1966	TRANSISTOR IGNITION HARNESS Amplifier To Extension Harness (Part# 27570)	\$98.00	
33225	1966	TRANSISTOR IGNITION AMPLIFIER EXTENSION From Internal Circuit Board To Amplifier Housing Connector	\$53.00	
27570	1966	TRANSISTOR IGNITION EXTENSION HARNESS Starter Motor, Coil & Distributor	\$113.00	

Part Number	Year	Description	Price	*Rev.
21265	1966	TRANSISTOR IGNITION POWER FEED HARNESS Ignition Switch To Extension Harness (Part# 27570)	\$25.00	
TRANSISTOR IGNITION REPLACEMENT MODULE				
32270	1966	TRANSISTOR IGNITION REPLACEMENT MODULE Replaces Original Circuit Board In Amplifier	\$189.00	
TRUNK LAMP ASSEMBLY				
36379	1966	TRUNK LAMP ASSEMBLY Includes Extension Harness	\$48.00	
36379	1967	TRUNK LAMP ASSEMBLY Includes Extension Harness	\$48.00	
36380	1968	TRUNK LAMP ASSEMBLY Includes Extension Harness	\$43.00	
36380	1969	TRUNK LAMP ASSEMBLY Includes Extension Harness	\$43.00	
36380	1970	TRUNK LAMP ASSEMBLY Includes Extension Harness	\$43.00	
36380	1971	TRUNK LAMP ASSEMBLY Includes Extension Harness	\$43.00	
36380	1972	TRUNK LAMP ASSEMBLY Includes Extension Harness	\$43.00	
36380	1973	TRUNK LAMP ASSEMBLY Includes Extension Harness	\$43.00	
36380	1974	TRUNK LAMP ASSEMBLY Includes Extension Harness	\$43.00	
TRUNK LAMP EXTENSION HARNESS				
28210	1968	TRUNK LAMP EXTENSION HARNESS Coupe	\$15.00	
28210	1969	TRUNK LAMP EXTENSION HARNESS Coupe	\$15.00	
28210	1970	TRUNK LAMP EXTENSION HARNESS Coupe	\$15.00	
28210	1971	TRUNK LAMP EXTENSION HARNESS Coupe	\$15.00	
28210	1972	TRUNK LAMP EXTENSION HARNESS Coupe	\$15.00	
28210	1973	TRUNK LAMP EXTENSION HARNESS Coupe	\$15.00	
28210	1974	TRUNK LAMP EXTENSION HARNESS Coupe	\$15.00	
TURN SIGNAL SWITCH				
03765110	1962	TURN SIGNAL SWITCH	\$23.00	
00898197	1963	TURN SIGNAL SWITCH All	\$65.00	N
00898197	1964	TURN SIGNAL SWITCH 1st Design	\$65.00	N
00910821	1964	TURN SIGNAL SWITCH 2nd Design	\$56.00	N
00910821	1965	TURN SIGNAL SWITCH Without Tilt	\$56.00	N
00387115	1966	TURN SIGNAL SWITCH Without Tilt (Stamped "BPC"), Replaces Delco Part# D6200 Note: This Switch Has A Metal Base.	\$96.00	
01893592	1967	TURN SIGNAL SWITCH (Delco-Remy), Replaces Delco Part# D6211 Note: This Is A Service Part, Adapter Pigtail Included And Is Required For Some Applications.	\$58.00	
07800482	1967	TURN SIGNAL SWITCH Without Column Shift A/T, Without Tilt, (Delco Type, Black, White Or Green) Note: Emergency Flasher Actuator Hole In Outer Cover Is Shaped Like A Doghouse.	\$50.00	
07800482	1967	TURN SIGNAL SWITCH Without Column Shift A/T, With Tilt, (Delco Type, Black, White Or Green) Note: Emergency Flasher Actuator Hole In Outer Cover Is Shaped Like A Doghouse.	\$50.00	
05698897	1967	TURN SIGNAL SWITCH With Column Shift A/T, Without Tilt, (Delco Type, Black, White Or Green) Note: Emergency Flasher Actuator Hole In Outer Cover Is Shaped Like A Doghouse.	\$50.00	
05698897	1967	TURN SIGNAL SWITCH With Column Shift A/T, With Tilt, (Delco Type, Black, White Or Green) Note: Emergency Flasher Actuator Hole In Outer Cover Is Shaped Like A Doghouse.	\$50.00	
01893592	1968	TURN SIGNAL SWITCH (Delco-Remy), Replaces Delco Part# D6211 Note: This Is A Service Part, Adapter Pigtail Included And Is Required For Some Applications.	\$58.00	
07800482	1968	TURN SIGNAL SWITCH Without Column Shift A/T, Without Tilt, (Delco Type, Black, White Or Green) Note: Emergency Flasher Actuator Hole In Outer Cover Is Shaped Like A Doghouse.	\$50.00	

Part Number	Year	Description	Price	*Rev.
07800482	1968	TURN SIGNAL SWITCH Without Column Shift A/T, With Tilt, (Delco Type, Black, White Or Green) Note: Emergency Flasher Actuator Hole In Outer Cover Is Shaped Like A Doghouse.	\$50.00	
05698897	1968	TURN SIGNAL SWITCH With Column Shift A/T, Without Tilt, (Delco Type, Black, White Or Green) Note: Emergency Flasher Actuator Hole In Outer Cover Is Shaped Like A Doghouse.	\$50.00	
05698897	1968	TURN SIGNAL SWITCH With Column Shift A/T, With Tilt, (Delco Type, Black, White Or Green) Note: Emergency Flasher Actuator Hole In Outer Cover Is Shaped Like A Doghouse.	\$50.00	
01997938	1969	TURN SIGNAL SWITCH, CORRECT PART Note: Correct Part, No Adapter Pigtail Required.	\$56.00	
01893588	1969	TURN SIGNAL SWITCH, SERVICE PART Replaces Delco Part# D6208 Note: This Is A Service Part, Adapter Pigtail Included Is Required For Installation.	\$58.00	
01997983	1969	TURN SIGNAL SWITCH, SERVICE PART Replaces Delco Part# D6222 Note: This Is A Service Part, Adapter Pigtail Included Is Required For Installation.	\$32.00	
01997938	1970	TURN SIGNAL SWITCH, CORRECT PART Note: Correct Part, No Adapter Pigtail Required.	\$56.00	
01893588	1970	TURN SIGNAL SWITCH, SERVICE PART Replaces Delco Part# D6208 Note: This Is A Service Part, Adapter Pigtail Included Is Required For Installation.	\$58.00	
01997983	1970	TURN SIGNAL SWITCH, SERVICE PART Replaces Delco Part# D6222 Note: This Is A Service Part, Adapter Pigtail Included Is Required For Installation.	\$32.00	
01997938	1971	TURN SIGNAL SWITCH, CORRECT PART Note: Correct Part, No Adapter Pigtail Required.	\$56.00	
01893588	1971	TURN SIGNAL SWITCH, SERVICE PART Replaces Delco Part# D6208 Note: This Is A Service Part, Adapter Pigtail Included Is Required For Installation.	\$58.00	
01997983	1971	TURN SIGNAL SWITCH, SERVICE PART Replaces Delco Part# D6222 Note: This Is A Service Part, Adapter Pigtail Included Is Required For Installation.	\$32.00	
01997938	1972	TURN SIGNAL SWITCH, CORRECT PART Note: Correct Part, No Adapter Pigtail Required.	\$56.00	
01893588	1972	TURN SIGNAL SWITCH, SERVICE PART Replaces Delco Part# D6208 Note: This Is A Service Part, Adapter Pigtail Included Is Required For Installation.	\$58.00	
01997983	1972	TURN SIGNAL SWITCH, SERVICE PART Replaces Delco Part# D6222 Note: This Is A Service Part, Adapter Pigtail Included Is Required For Installation.	\$32.00	
VOLTAGE REGULATOR ADAPTER HARNESS				
02115	1965	VOLTAGE REGULATOR ADAPTER HARNESS With 62 Amp Alternator, From Field Terminal On Voltage Regulator To Chassis Ground (Includes Inline Diode) Note: Only Used With Original Solid State Voltage Regulator #1116368 As A Safe Guard To Prevent Voltage Regulator Transistor Failure.	\$52.00	
WINDSHIELD WASHER PUMP				
04919332	1963	WINDSHIELD WASHER PUMP All	\$60.00	N
04919332	1964	WINDSHIELD WASHER PUMP All	\$60.00	N
04919332	1965	WINDSHIELD WASHER PUMP All	\$60.00	N
04919332	1966	WINDSHIELD WASHER PUMP All	\$60.00	N
04919332	1967	WINDSHIELD WASHER PUMP All	\$60.00	N
04919332	1968	WINDSHIELD WASHER PUMP All	\$60.00	N
04919332	1969	WINDSHIELD WASHER PUMP Without Recessed Park Wipers	\$60.00	N
04919332	1970	WINDSHIELD WASHER PUMP Without Recessed Park Wipers	\$60.00	N
04919332	1971	WINDSHIELD WASHER PUMP Without Recessed Park Wipers	\$60.00	N
04919332	1972	WINDSHIELD WASHER PUMP Without Recessed Park Wipers	\$60.00	N

Part Number	Year	Description	Price	*Rev.
04919332	1973	WINDSHIELD WASHER PUMP Without Recessed Park Wipers	\$60.00	N
04919332	1974	WINDSHIELD WASHER PUMP Without Recessed Park Wipers	\$60.00	N
WINDSHIELD WIPER MOTOR				
04911476	1963	WINDSHIELD WIPER MOTOR 2-Speed, 3-Terminal Type Motor	\$92.00	N
44609	1963	WINDSHIELD WIPER MOTOR 2-Speed, 4-Terminal Type Motor Note: This Can Be Used In Place Of The 3-Terminal Motor. The 4th Terminal Is A Keyed Hot From Wiper Fuse In Fuse Box And May Or May Not Be Used In Some Applications.	\$106.00	N
04911476	1964	WINDSHIELD WIPER MOTOR 2-Speed, 3-Terminal Type Motor	\$92.00	N
44609	1964	WINDSHIELD WIPER MOTOR 2-Speed, 4-Terminal Type Motor Note: This Can Be Used In Place Of The 3-Terminal Motor. The 4th Terminal Is A Keyed Hot From Wiper Fuse In Fuse Box And May Or May Not Be Used In Some Applications.	\$106.00	N
04911476	1965	WINDSHIELD WIPER MOTOR 2-Speed, 3-Terminal Type Motor	\$92.00	N
44609	1965	WINDSHIELD WIPER MOTOR 2-Speed, 4-Terminal Type Motor Note: This Can Be Used In Place Of The 3-Terminal Motor. The 4th Terminal Is A Keyed Hot From Wiper Fuse In Fuse Box And May Or May Not Be Used In Some Applications.	\$106.00	N
04911476	1966	WINDSHIELD WIPER MOTOR 2-Speed, 3-Terminal Type Motor	\$92.00	N
44609	1966	WINDSHIELD WIPER MOTOR 2-Speed, 4-Terminal Type Motor Note: This Can Be Used In Place Of The 3-Terminal Motor. The 4th Terminal Is A Keyed Hot From Wiper Fuse In Fuse Box And May Or May Not Be Used In Some Applications.	\$106.00	N
04911476	1967	WINDSHIELD WIPER MOTOR 2-Speed, 3-Terminal Type Motor	\$92.00	N
44609	1967	WINDSHIELD WIPER MOTOR 2-Speed, 4-Terminal Type Motor Note: This Can Be Used In Place Of The 3-Terminal Motor. The 4th Terminal Is A Keyed Hot From Wiper Fuse In Fuse Box And May Or May Not Be Used In Some Applications.	\$106.00	N
WINDSHIELD WIPER SWITCH				
01993541	1962	WINDSHIELD WIPER SWITCH Single Speed, With Washer	\$45.00	
01993541	1963	WINDSHIELD WIPER SWITCH Single Speed, With Washer	\$45.00	
01993584	1963	WINDSHIELD WIPER SWITCH Two Speed, With Washer	\$52.00	
01993541	1964	WINDSHIELD WIPER SWITCH Single Speed, With Washer	\$45.00	
01993584	1964	WINDSHIELD WIPER SWITCH Two Speed, With Washer	\$52.00	
01993680	1965	WINDSHIELD WIPER SWITCH Single Speed, With Washer	\$52.00	
01993679	1965	WINDSHIELD WIPER SWITCH 2 Speed, With Washer	\$52.00	
01993680	1966	WINDSHIELD WIPER SWITCH Single Speed, With Washer	\$52.00	
01993679	1966	WINDSHIELD WIPER SWITCH 2 Speed, With Washer	\$52.00	
01993395	1967	WINDSHIELD WIPER SWITCH	\$35.00	
01993395	1968	WINDSHIELD WIPER SWITCH	\$35.00	
01993464	1969	WINDSHIELD WIPER SWITCH	\$35.00	
01993464	1970	WINDSHIELD WIPER SWITCH	\$35.00	
01993464	1971	WINDSHIELD WIPER SWITCH	\$35.00	
01994180	1972	WINDSHIELD WIPER SWITCH	\$46.00	
01994180	1973	WINDSHIELD WIPER SWITCH	\$46.00	
01994180	1974	WINDSHIELD WIPER SWITCH	\$46.00	
WIPER MOTOR HARNESS				
36113	1962	WIPER MOTOR HARNESS 2 Speed	\$38.00	
20045	1963	WIPER MOTOR HARNESS 2 Speed Wiper & Washer	\$38.00	
36114	1964	WIPER MOTOR HARNESS 2 Speed	\$32.00	
30175	1965	WIPER MOTOR HARNESS 2 Speed Wipers	\$32.00	
30175	1966	WIPER MOTOR HARNESS 2 Speed Wipers	\$32.00	

Section 7

Chevy Passenger

Part Number	Year	Description	Price	*Rev.
ACCESSORY FUSEBLOCK-POWER FEED HARNESS				
06280	1955	ACCESSORY FUSEBLOCK, POWER FEED HARNESS Lights, Battery & Ignition Power To Optional Fuseblock	\$26.00	
AIR CONDITIONING LEAD WIRE				
06300	1955	AIR CONDITIONING LEAD WIRE Fuse Panel To Blower Switch	\$17.00	
06375	1955	AIR CONDITIONING COMPRESSOR LEAD WIRE A/C Relay To Compressor	\$17.00	
06385	1955	AIR CONDITIONING CONTROL LEAD WIRE A/C Relay To Thermostat Switch	\$17.00	
06380	1955	AIR CONDITIONING CONTROL LEAD WIRE Fuse Panel To A/C Relay	\$17.00	
ALTERNATOR CONVERSION HARNESS				
20125	1955	ALTERNATOR CONVERSION HARNESS V/8, External Regulated Alternator, Driver Side Mounted	\$87.00	
20130	1955	ALTERNATOR CONVERSION HARNESS V/8, Internal Regulated Alternator, Driver Side Mounted	\$74.00	
20135	1956	ALTERNATOR CONVERSION HARNESS V/8, External Regulated Alternator, Driver Side Mounted	\$87.00	
20140	1956	ALTERNATOR CONVERSION HARNESS V/8, Internal Regulated Alternator, Driver Side Mounted	\$74.00	
20145	1957	ALTERNATOR CONVERSION HARNESS V/8, External Regulated Alternator, Driver Side Mounted	\$90.00	
20150	1957	ALTERNATOR CONVERSION HARNESS V/8, Internal Regulated Alternator, Driver Side Mounted	\$80.00	
ASSEMBLY MANUAL				
36314	1955	ASSEMBLY MANUAL Factory Assembly Instruction Guide	\$32.00	
36315	1956	ASSEMBLY MANUAL Factory Assembly Instruction Guide	\$32.00	
36316	1957	ASSEMBLY MANUAL Factory Assembly Instruction Guide	\$32.00	
BACKUP LAMP HARNESS				
20155	1955	BACKUP LAMP HARNESS From Fuse Panel And Backup Switch To Backup Lights	\$52.00	
20155	1956	BACKUP LAMP HARNESS From Fuse Panel And Backup Switch To Backup Lights	\$52.00	
20160	1957	BACKUP LAMP HARNESS From Fuse Panel & Backup Switch To Backup Light Connections	\$40.00	
BATTERY CABLE-NEGATIVE				
21610	1957	BATTERY CABLE, TOP POST Neg, 6 Cylinder, Without A/C Note: 6 Cylinder Items Are Not Returnable.	\$63.00	
22930	1957	BATTERY CABLE, TOP POST Neg, V/8 Without A/C	\$63.00	
29400	1957	BATTERY CABLE, TOP POST Neg, All With A/C	\$63.00	
BATTERY CABLE-POSITIVE				
21600	1955	BATTERY CABLE, TOP POST Pos, 6 Cylinder, All Note: 6 Cylinder Items Are Not Returnable.	\$63.00	
21650	1955	BATTERY CABLE, TOP POST Pos, V/8, All	\$63.00	
21600	1956	BATTERY CABLE, TOP POST Pos, 6 Cylinder, All Note: 6 Cylinder Items Are Not Returnable.	\$63.00	
21650	1956	BATTERY CABLE, TOP POST Pos, V/8, All	\$63.00	
21605	1957	BATTERY CABLE, TOP POST Pos, 6 Cylinder, All Note: 6 Cylinder Items Are Not Returnable.	\$63.00	
21665	1957	BATTERY CABLE, TOP POST Pos, V/8, All	\$63.00	
BATTERY GROUND STRAP				
21595	1955	BATTERY GROUND STRAP Neg, 6 Cylinder, All (Braided Strap Type) Note: 6 Cylinder Items Are Not Returnable.	\$63.00	
06345	1955	BATTERY GROUND STRAP Neg, V/8 With A/C (Braided Strap Type)	\$63.00	
21595	1955	BATTERY GROUND STRAP Neg, V/8 Without A/C (Braided Strap Type)	\$63.00	
21595	1956	BATTERY GROUND STRAP Neg, 6 Cylinder, All (Braided Strap Type) Note: 6 Cylinder Items Are Not Returnable.	\$63.00	
06345	1956	BATTERY GROUND STRAP Neg, V/8 With A/C (Braided Strap Type)	\$63.00	
21595	1956	BATTERY GROUND STRAP Neg, V/8 Without A/C (Braided Strap Type)	\$63.00	

Part Number	Year	Description	Price	*Rev.
BREAKERLESS SE SINGLE WIRE ELECTRONIC IGNITION				
38131	1955	BREAKERLESS SE SINGLE WIRE ELECTRONIC IGNITION KIT For 1957-74 Breaker Point Distributors With Windowed Type Distributor Cap	\$179.00	
38131	1956	BREAKERLESS SE SINGLE WIRE ELECTRONIC IGNITION KIT For 1957-74 Breaker Point Distributors With Windowed Type Distributor Cap	\$179.00	
38131	1957	BREAKERLESS SE SINGLE WIRE ELECTRONIC IGNITION KIT For 1957-74 Breaker Point Distributors With Windowed Type Distributor Cap	\$179.00	
CIRCUIT BREAKER				
04849850	1955	CIRCUIT BREAKER, 40 AMP Power Seat, Windows & Tailgate Window	\$14.00	
04849850	1956	CIRCUIT BREAKER, 40 AMP Power Seat, Windows & Tailgate Window	\$14.00	
04849850	1957	CIRCUIT BREAKER, 40 AMP Power Seat, Windows & Tailgate Window	\$14.00	
CLOCK				
03710648	1955	CLOCK	\$137.00	N
03710648	1956	CLOCK	\$137.00	N
03733684	1957	CLOCK	\$145.00	N
CLOCK HARNESS				
02295	1955	CLOCK HARNESS Dash Mounted	\$27.00	
01095	1956	CLOCK HARNESS Dash Mounted	\$27.00	
02515	1957	CLOCK HARNESS Dash Mounted, Right Hand Drive	\$27.00	
02445	1957	CLOCK HARNESS Dash Mounted	\$27.00	
COIL TO DISTRIBUTOR LOW TENSION LEAD WIRE				
02300	1955	COIL TO DISTRIBUTOR LOW TENSION LEAD WIRE 6 Cylinder Note: 6 Cylinder Items Are Not Returnable.	\$13.00	
30510	1955	COIL TO DISTRIBUTOR LOW TENSION LEAD WIRE V/8	\$15.00	
02300	1956	COIL TO DISTRIBUTOR LOW TENSION LEAD WIRE 6 Cylinder Note: 6 Cylinder Items Are Not Returnable.	\$13.00	
30510	1956	COIL TO DISTRIBUTOR LOW TENSION LEAD WIRE V/8	\$15.00	
02300	1957	COIL TO DISTRIBUTOR LOW TENSION LEAD WIRE 6 Cylinder Note: 6 Cylinder Items Are Not Returnable.	\$13.00	
30515	1957	COIL TO DISTRIBUTOR LOW TENSION LEAD WIRE V/8	\$17.00	
COMPASS LAMP HARNESS				
37816	1955	COMPASS LAMP HARNESS	\$27.00	
37816	1956	COMPASS LAMP HARNESS	\$27.00	
37816	1957	COMPASS LAMP HARNESS	\$27.00	
COURTESY LAMP HARNESS				
30110	1955	COURTESY LAMP HARNESS Under Dash (Includes Mounting Bracket)	\$52.00	
30110	1956	COURTESY LAMP HARNESS Under Dash (Includes Mounting Bracket)	\$52.00	
30115	1957	COURTESY LAMP HARNESS Under Dash (Includes Mounting Bracket)	\$52.00	
COURTESY LAMP MOUNTING BRACKET-UNDER DASH				
04876930	1955	COURTESY LAMP MOUNTING BRACKET, UNDER DASH Left Or Right Side, 2 Required Per Car	\$11.00	
04876930	1956	COURTESY LAMP MOUNTING BRACKET, UNDER DASH Left Or Right Side, 2 Required Per Car	\$11.00	
04876930	1957	COURTESY LAMP MOUNTING BRACKET, UNDER DASH Left Or Right Side, 2 Required Per Car	\$11.00	
DASH AND FORWARD LAMP HARNESS				
18550	1955	DASH AND FORWARD LAMP HARNESS With Stock Generator	\$272.00	
20115	1955	DASH AND FORWARD LAMP HARNESS With External Regulated Alternator, Driver Side Mounted	\$332.00	
20120	1955	DASH AND FORWARD LAMP HARNESS With Internal Regulated Alternator, Driver Side Mounted	\$286.00	

Part Number	Year	Description	Price	*Rev.
36040	1955	DASH AND FORWARD LAMP HARNESS With Dakota Digital Dash, Includes Wiring For Control Box	\$371.00	
DASH HARNESS				
02275	1956	DASH HARNESS Standard, Without Radio & Heater	\$291.00	
02235	1956	DASH HARNESS Deluxe, With Radio & Heater	\$265.00	
36042	1956	DASH HARNESS With Dakota Digital Dash, Includes Wiring For Control Box	\$371.00	
38696	1957	DASH HARNESS Right Hand Drive	\$325.00	
02575	1957	DASH HARNESS Standard, Without Radio & Heater	\$291.00	
02600	1957	DASH HARNESS Deluxe, With Radio & Heater	\$265.00	
36044	1957	DASH HARNESS With Dakota Digital Dash, Includes Wiring For Control Box	\$371.00	
DASH PANEL LAMP KIT				
36390	1955	DASH PANEL LAMP KIT Includes 6 Metal & 2 Plastic Light Sockets For Dash Panel	\$46.00	
DISTRIBUTOR WIRE				
36057	1955	DISTRIBUTOR WIRE Distributor Points To Coil Negative Terminal, V/8 Note: Fits All GM V/8 Points Type Distributors From Approx. 1957 To 1974.	\$18.00	C
36057	1956	DISTRIBUTOR WIRE Distributor Points To Coil Negative Terminal, V/8 Note: Fits All GM V/8 Points Type Distributors From Approx. 1957 To 1974.	\$18.00	C
36057	1957	DISTRIBUTOR WIRE Distributor Points To Coil Negative Terminal, V/8 Note: Fits All GM V/8 Points Type Distributors From Approx. 1957 To 1974.	\$18.00	C
DOOR JAMB SWITCH				
04598597	1941	DOOR JAMB SWITCH	\$21.00	N
04598597	1942	DOOR JAMB SWITCH	\$21.00	N
04598597	1946	DOOR JAMB SWITCH	\$21.00	N
04598597	1947	DOOR JAMB SWITCH	\$21.00	N
04598597	1948	DOOR JAMB SWITCH	\$21.00	N
04598597	1949	DOOR JAMB SWITCH	\$21.00	N
04598597	1950	DOOR JAMB SWITCH	\$21.00	N
04598597	1951	DOOR JAMB SWITCH	\$21.00	N
04598597	1952	DOOR JAMB SWITCH	\$21.00	N
04598597	1953	DOOR JAMB SWITCH	\$21.00	N
04598597	1954	DOOR JAMB SWITCH	\$21.00	N
04598597	1955	DOOR JAMB SWITCH	\$21.00	N
04598597	1956	DOOR JAMB SWITCH	\$21.00	N
04826444	1957	DOOR JAMB SWITCH	\$22.00	N
ENGINE HARNESS				
02325	1955	ENGINE HARNESS 6 Cylinder, Auto Trans Note: 6 Cylinder Items Are Not Returnable.	\$118.00	
02320	1955	ENGINE HARNESS 6 Cylinder, Manual Trans Note: 6 Cylinder Items Are Not Returnable.	\$101.00	
06370	1955	ENGINE HARNESS V/8, Auto Trans	\$101.00	
06330	1955	ENGINE HARNESS V/8, Auto Trans & A/C	\$101.00	
30231	1955	ENGINE HARNESS V/8, Auto Trans, With H.E.I.	\$113.00	
20165	1955	ENGINE HARNESS V/8, Manual Trans	\$94.00	
06335	1955	ENGINE HARNESS V/8, Manual Trans & A/C	\$106.00	
30230	1955	ENGINE HARNESS V/8, Manual Trans, With H.E.I.	\$101.00	
02290	1956	ENGINE HARNESS 6 Cylinder, Auto Trans Note: 6 Cylinder Items Are Not Returnable.	\$120.00	

Part Number	Year	Description	Price	*Rev.
20170	1956	ENGINE HARNESS 6 Cylinder, Manual Trans Note: 6 Cylinder Items Are Not Returnable.	\$101.00	
02455	1956	ENGINE HARNESS V/8, Auto Trans	\$101.00	
02240	1956	ENGINE HARNESS V/8, Auto Trans & Dual 4 Barrel Carbs	\$120.00	
02365	1956	ENGINE HARNESS V/8, Auto Trans & A/C	\$120.00	
30233	1956	ENGINE HARNESS V/8, Auto Trans, With H.e.i	\$113.00	
02460	1956	ENGINE HARNESS V/8, Manual Trans	\$101.00	
02260	1956	ENGINE HARNESS V/8, Manual Trans & Dual 4 Barrel Carbs	\$120.00	
02360	1956	ENGINE HARNESS V/8, Manual Trans & A/C	\$120.00	
30232	1956	ENGINE HARNESS V/8, Manual Trans, With H.E.I.	\$113.00	
02580	1957	ENGINE HARNESS 6 Cylinder, Auto Trans Note: 6 Cylinder Items Are Not Returnable.	\$113.00	
02605	1957	ENGINE HARNESS 6 Cylinder, Manual Trans Note: 6 Cylinder Items Are Not Returnable.	\$101.00	
02585	1957	ENGINE HARNESS V/8, Auto Trans	\$101.00	
02620	1957	ENGINE HARNESS V/8, Auto Trans & Dual 4 Barrel Carbs	\$120.00	
02645	1957	ENGINE HARNESS V/8, Auto Trans & Fuel Injection	\$120.00	
30235	1957	ENGINE HARNESS V/8, Auto Trans, With H.E.I.	\$101.00	
02610	1957	ENGINE HARNESS V/8, Manual Trans	\$101.00	
02615	1957	ENGINE HARNESS V/8, Manual Trans & Dual 4 Barrel Carbs	\$120.00	
20175	1957	ENGINE HARNESS V/8, Manual Trans & Fuel Injection	\$113.00	
30234	1957	ENGINE HARNESS V/8, Manual Trans, With H.E.I.	\$106.00	
FORWARD LAMP HARNESS				
02250	1956	FORWARD LAMP HARNESS With Stock Generator	\$140.00	
20180	1956	FORWARD LAMP HARNESS External Regulated Alternator, Driver Side Mounted	\$186.00	
20185	1956	FORWARD LAMP HARNESS Internal Regulated Alternator, Driver Side Mounted	\$166.00	
20190	1957	FORWARD LAMP HARNESS 6 Cyl, With Stock Generator Note: 6 Cylinder Items Are Not Returnable.	\$147.00	
20195	1957	FORWARD LAMP HARNESS 6 Cyl, External Regulated Alternator, Driver Side Mounted Note: 6 Cylinder Items Are Not Returnable.	\$199.00	
20200	1957	FORWARD LAMP HARNESS 6 Cyl, Internal Regulated Alternator, Driver Side Mounted Note: 6 Cylinder Items Are Not Returnable.	\$186.00	
02505	1957	FORWARD LAMP HARNESS V/8, With Stock Generator	\$140.00	
20205	1957	FORWARD LAMP HARNESS V/8, External Regulated Alternator, Driver Side Mounted	\$186.00	
20210	1957	FORWARD LAMP HARNESS V/8, Internal Regulated Alternator, Driver Side Mounted	\$166.00	
02440	1957	FORWARD LAMP HARNESS Front Parking Light Bar Extension	\$53.00	
FUEL TANK SENDING UNIT				
01516280	1941	FUEL TANK SENDING UNIT Original Style, Without Fuel Pickup Tube	\$43.00	N
01516280	1942	FUEL TANK SENDING UNIT Original Style, Without Fuel Pickup Tube	\$43.00	N
01516280	1946	FUEL TANK SENDING UNIT Original Style, Without Fuel Pickup Tube	\$43.00	N

Part Number	Year	Description	Price	*Rev.
01516280	1947	FUEL TANK SENDING UNIT Original Style, Without Fuel Pickup Tube	\$43.00	N
01516280	1948	FUEL TANK SENDING UNIT Original Style, Without Fuel Pickup Tube	\$43.00	N
01516280	1949	FUEL TANK SENDING UNIT Original Style, Without Fuel Pickup Tube	\$43.00	N
01518032	1949	FUEL TANK SENDING UNIT Sedan Delivery, Station Wagon, Original Style, Without Fuel Pickup Tube	\$43.00	N
01516280	1950	FUEL TANK SENDING UNIT Original Style, Without Fuel Pickup Tube	\$43.00	N
01518032	1950	FUEL TANK SENDING UNIT Sedan Delivery, Station Wagon, Original Style, Without Fuel Pickup Tube	\$43.00	N
01516280	1951	FUEL TANK SENDING UNIT Original Style, Without Fuel Pickup Tube	\$43.00	N
01518032	1951	FUEL TANK SENDING UNIT Sedan Delivery, Station Wagon, Original Style, Without Fuel Pickup Tube	\$43.00	N
01516280	1952	FUEL TANK SENDING UNIT Original Style, Without Fuel Pickup Tube	\$43.00	N
01518032	1952	FUEL TANK SENDING UNIT Sedan Delivery, Station Wagon, Original Style, Without Fuel Pickup Tube	\$43.00	N
01517761	1953	FUEL TANK SENDING UNIT Original Style, Without Fuel Pickup Tube	\$43.00	N
01518032	1953	FUEL TANK SENDING UNIT Sedan Delivery, Station Wagon, Original Style, Without Fuel Pickup Tube	\$43.00	N
01517761	1954	FUEL TANK SENDING UNIT Original Style, Without Fuel Pickup Tube	\$43.00	N
01518032	1954	FUEL TANK SENDING UNIT Sedan Delivery, Station Wagon, Original Style, Without Fuel Pickup Tube	\$43.00	N
01518784	1955	FUEL TANK SENDING UNIT 3/8" Fuel Line	\$43.00	N
01518776	1955	FUEL TANK SENDING UNIT 5/16" Fuel Line	\$43.00	N

Part Number	Year	Description	Price	*Rev.
01518774	1955	FUEL TANK SENDING UNIT 9 Passenger Station Wagon, 5/16" Fuel Line	\$55.00	N
01518180	1955	FUEL TANK SENDING UNIT Sedan Delivery, Station Wagon, 3/8" Fuel Line, Except 9 Passenger Wagon	\$47.00	N
01518775	1955	FUEL TANK SENDING UNIT Sedan Delivery, Station Wagon, 5/16" Fuel Line, Except 9 Passenger Wagon	\$47.00	N
01518784	1956	FUEL TANK SENDING UNIT 3/8" Fuel Line	\$43.00	N
01518776	1956	FUEL TANK SENDING UNIT 5/16" Fuel Line	\$43.00	N
01518774	1956	FUEL TANK SENDING UNIT 9 Passenger Station Wagon, 5/16" Fuel Line	\$55.00	N
01518180	1956	FUEL TANK SENDING UNIT Sedan Delivery, Station Wagon, 3/8" Fuel Line, Except 9 Passenger Wagon	\$47.00	N
01518775	1956	FUEL TANK SENDING UNIT Sedan Delivery, Station Wagon, 5/16" Fuel Line, Except 9 Passenger Wagon	\$47.00	N
01518784	1957	FUEL TANK SENDING UNIT 3/8" Fuel Line	\$43.00	N
01518776	1957	FUEL TANK SENDING UNIT 5/16" Fuel Line	\$43.00	N
01518774	1957	FUEL TANK SENDING UNIT 9 Passenger Station Wagon, 5/16" Fuel Line	\$55.00	N
01518180	1957	FUEL TANK SENDING UNIT Sedan Delivery, Station Wagon, 3/8" Fuel Line, Except 9 Passenger Wagon	\$47.00	N
01518775	1957	FUEL TANK SENDING UNIT Sedan Delivery, Station Wagon, 5/16" Fuel Line, Except 9 Passenger Wagon	\$47.00	N
FUSE PANEL KIT				
37138	1955	FUSE PANEL KIT ATO Replacement Fuse Panel For The Stock Glass Fuse Panel	\$166.00	
37139	1956	FUSE PANEL KIT ATO Replacement Fuse Panel For The Stock Glass Fuse Panel	\$166.00	
37139	1957	FUSE PANEL KIT ATO Replacement Fuse Panel For The Stock Glass Fuse Panel	\$166.00	
GAS TANK LEAD WIRE				
02305	1955	GAS TANK LEAD WIRE 7.5 Inch, All 9 Passenger Wagons	\$19.00	
02305	1956	GAS TANK LEAD WIRE 7.5 Inch, All 9 Passenger Wagons	\$19.00	
02475	1957	GAS TANK LEAD WIRE 7.5 Inch, All 9 Passenger Wagons	\$19.00	

Part Number	Year	Description	Price	*Rev.
GLOVE BOX LAMP KIT				
30165	1955	GLOVE BOX LAMP KIT Socket, Bulb & Wire	\$27.00	
20220	1956	GLOVE BOX LAMP KIT Socket, Bulb & Wire	\$27.00	
20220	1957	GLOVE BOX LAMP KIT Socket, Bulb & Wire	\$27.00	
GROUND WIRE-DISTRIBUTOR POINT PLATE				
38298	1955	GROUND WIRE, DISTRIBUTOR POINT PLATE From Distributor Point Plate To Distributor Housing Note: Replaces Spot Welded Wire Asm On Point Plate Side. Fits All GM V/8 Point Type Distributors From Approx. 1957-1974.	\$17.00	C
38298	1956	GROUND WIRE, DISTRIBUTOR POINT PLATE From Distributor Point Plate To Distributor Housing Note: Replaces Spot Welded Wire Asm On Point Plate Side. Fits All GM V/8 Point Type Distributors From Approx. 1957-1974.	\$17.00	C
38298	1957	GROUND WIRE, DISTRIBUTOR POINT PLATE From Distributor Point Plate To Distributor Housing Note: Replaces Spot Welded Wire Asm On Point Plate Side. Fits All GM V/8 Point Type Distributors From Approx. 1957-1974.	\$17.00	C
HARNESSTAPE				
R0058272	1955	HARNESSTAPE 3/4" Vinyl (100 Ft. Roll) Non-Adhesive	\$12.00	
R0058276	1955	HARNESSTAPE 1" Vinyl (100 Ft. Roll) Non-Adhesive	\$13.00	
R0067108	1955	HARNESSTAPE 1 1/4" Vinyl (100 Ft. Roll) Non-Adhesive	\$15.00	
R0058272	1956	HARNESSTAPE 3/4" Vinyl (100 Ft. Roll) Non-Adhesive	\$12.00	
R0058276	1956	HARNESSTAPE 1" Vinyl (100 Ft. Roll) Non-Adhesive	\$13.00	
R0067108	1956	HARNESSTAPE 1 1/4" Vinyl (100 Ft. Roll) Non-Adhesive	\$15.00	
R0058272	1957	HARNESSTAPE 3/4" Vinyl (100 Ft. Roll) Non-Adhesive	\$12.00	
R0058276	1957	HARNESSTAPE 1" Vinyl (100 Ft. Roll) Non-Adhesive	\$13.00	
R0067108	1957	HARNESSTAPE 1 1/4" Vinyl (100 Ft. Roll) Non-Adhesive	\$15.00	
HEADLAMP DIMMER SWITCH				
01997008	1929	HEADLAMP DIMMER SWITCH	\$12.00	N
01997008	1930	HEADLAMP DIMMER SWITCH	\$12.00	N
01997008	1931	HEADLAMP DIMMER SWITCH	\$12.00	N
01997008	1932	HEADLAMP DIMMER SWITCH	\$12.00	N
01997008	1933	HEADLAMP DIMMER SWITCH	\$12.00	N
01997008	1934	HEADLAMP DIMMER SWITCH	\$12.00	N
01997008	1935	HEADLAMP DIMMER SWITCH	\$12.00	N
01997008	1936	HEADLAMP DIMMER SWITCH	\$12.00	N
01997008	1937	HEADLAMP DIMMER SWITCH	\$12.00	N
01997008	1938	HEADLAMP DIMMER SWITCH	\$12.00	N
01997008	1939	HEADLAMP DIMMER SWITCH	\$12.00	N
01997008	1940	HEADLAMP DIMMER SWITCH	\$12.00	N
01997008	1941	HEADLAMP DIMMER SWITCH	\$12.00	N
01997008	1942	HEADLAMP DIMMER SWITCH	\$12.00	N
01997008	1946	HEADLAMP DIMMER SWITCH	\$12.00	N
01997008	1947	HEADLAMP DIMMER SWITCH	\$12.00	N
01997008	1948	HEADLAMP DIMMER SWITCH	\$12.00	N
01997008	1949	HEADLAMP DIMMER SWITCH	\$12.00	N
01997008	1950	HEADLAMP DIMMER SWITCH	\$12.00	N
01997008	1951	HEADLAMP DIMMER SWITCH	\$12.00	N
01997008	1952	HEADLAMP DIMMER SWITCH	\$12.00	N
01997008	1953	HEADLAMP DIMMER SWITCH	\$12.00	N
01997008	1954	HEADLAMP DIMMER SWITCH	\$12.00	N
01997008	1955	HEADLAMP DIMMER SWITCH 6 Volt	\$12.00	N

Part Number	Year	Description	Price	*Rev.
01997021	1955	HEADLAMP DIMMER SWITCH 12 Volt	\$19.00	N
01997021	1956	HEADLAMP DIMMER SWITCH	\$19.00	N
01997023	1957	HEADLAMP DIMMER SWITCH	\$16.00	N
HEADLIGHT BUCKET EXTENSION HARNESS				
20225	1955	HEADLIGHT BUCKET EXTENSION HARNESS Set Of 2	\$48.00	
20225	1956	HEADLIGHT BUCKET EXTENSION HARNESS Set Of 2	\$48.00	
20230	1957	HEADLIGHT BUCKET EXTENSION HARNESS Set Of 2	\$53.00	
HEADLIGHT SWITCH				
01995041	1940	HEADLIGHT SWITCH Snap On Terminal Note: Used On Vehicles With A Fused Dome, Stop Lamp, & Glove Box Light Circuit.	\$62.00	N
01995041	1941	HEADLIGHT SWITCH Snap On Terminal Note: Used On Vehicles With A Fused Dome, Stop Lamp, & Glove Box Light Circuit.	\$62.00	N
01995041	1942	HEADLIGHT SWITCH Snap On Terminal Note: Used On Vehicles With A Fused Dome, Stop Lamp, & Glove Box Light Circuit.	\$62.00	N
01995041	1946	HEADLIGHT SWITCH Snap On Terminal Note: Used On Vehicles With A Fused Dome, Stop Lamp, & Glove Box Light Circuit.	\$62.00	N
01995041	1947	HEADLIGHT SWITCH Snap On Terminal Note: Used On Vehicles With A Fused Dome, Stop Lamp, & Glove Box Light Circuit.	\$62.00	N
01995031	1947	HEADLIGHT SWITCH With Screw Terminals Note: Used On Vehicles Without A Fused Dome, Stop Lamp, & Glove Box Light Circuit.	\$62.00	N
01995041	1948	HEADLIGHT SWITCH Snap On Terminal Note: Used On Vehicles With A Fused Dome, Stop Lamp, & Glove Box Light Circuit.	\$62.00	N
01995031	1948	HEADLIGHT SWITCH With Screw Terminals Note: Used On Vehicles Without A Fused Dome, Stop Lamp, & Glove Box Light Circuit.	\$62.00	N
01995041	1949	HEADLIGHT SWITCH Snap On Terminal Note: Used On Vehicles With A Fused Dome, Stop Lamp, & Glove Box Light Circuit.	\$62.00	N
01995031	1949	HEADLIGHT SWITCH With Screw Terminals Note: Used On Vehicles Without A Fused Dome, Stop Lamp, & Glove Box Light Circuit.	\$62.00	N
01995041	1950	HEADLIGHT SWITCH Snap On Terminal Note: Used On Vehicles With A Fused Dome, Stop Lamp, & Glove Box Light Circuit.	\$62.00	N
01995031	1950	HEADLIGHT SWITCH With Screw Terminals Note: Used On Vehicles Without A Fused Dome, Stop Lamp, & Glove Box Light Circuit.	\$62.00	N
01995041	1951	HEADLIGHT SWITCH Snap On Terminal Note: Used On Vehicles With A Fused Dome, Stop Lamp, & Glove Box Light Circuit.	\$62.00	N
01995041	1952	HEADLIGHT SWITCH Snap On Terminal Note: Used On Vehicles With A Fused Dome, Stop Lamp, & Glove Box Light Circuit.	\$62.00	N
01995041	1953	HEADLIGHT SWITCH Snap On Terminal Note: Used On Vehicles With A Fused Dome, Stop Lamp, & Glove Box Light Circuit.	\$62.00	N
01995041	1954	HEADLIGHT SWITCH Snap On Terminal Note: Used On Vehicles With A Fused Dome, Stop Lamp, & Glove Box Light Circuit.	\$62.00	N
01995041	1955	HEADLIGHT SWITCH 6 Volt, Snap On Terminal Note: Used On Vehicles With A Fused Dome, Stop Lamp, & Glove Box Light Circuit.	\$62.00	N
01995082	1955	HEADLIGHT SWITCH	\$45.00	
01995082	1956	HEADLIGHT SWITCH	\$45.00	
01995096	1957	HEADLIGHT SWITCH	\$31.00	
HEATER AND RADIO ACCESSORY HARNESS				
20270	1956	HEATER AND RADIO ACCESSORY HARNESS Use With Dash #02275 When Adding Heater & Radio	\$70.00	
02590	1957	HEATER AND RADIO ACCESSORY HARNESS Use With Dash #02575 When Adding Heater & Radio	\$67.00	

Part Number	Year	Description	Price	*Rev.
HEATER BLOWER MOTOR LEAD WIRE				
06295	1955	HEATER BLOWER MOTOR LEAD WIRE Heater Switch To Blower Motor Connector	\$15.00	
HEATER BLOWER MOTOR POWER WIRE				
06290	1955	HEATER BLOWER MOTOR POWER WIRE Fuse Panel To Heater Switch	\$15.00	
HEATER BLOWER MOTOR RESISTOR				
03929052	1938	HEATER BLOWER MOTOR RESISTOR Without A/C	\$15.00	N
03929052	1939	HEATER BLOWER MOTOR RESISTOR Without A/C	\$15.00	N
03929052	1940	HEATER BLOWER MOTOR RESISTOR Without A/C	\$15.00	N
03929052	1941	HEATER BLOWER MOTOR RESISTOR Without A/C	\$15.00	N
03929052	1942	HEATER BLOWER MOTOR RESISTOR Without A/C	\$15.00	N
03929052	1946	HEATER BLOWER MOTOR RESISTOR Without A/C	\$15.00	N
03929052	1947	HEATER BLOWER MOTOR RESISTOR Without A/C	\$15.00	N
03929052	1948	HEATER BLOWER MOTOR RESISTOR Without A/C	\$15.00	N
03929052	1949	HEATER BLOWER MOTOR RESISTOR Without A/C	\$15.00	N
03929052	1950	HEATER BLOWER MOTOR RESISTOR Without A/C	\$15.00	N
03929052	1951	HEATER BLOWER MOTOR RESISTOR Without A/C	\$15.00	N
03929052	1952	HEATER BLOWER MOTOR RESISTOR Without A/C	\$15.00	N
03929052	1953	HEATER BLOWER MOTOR RESISTOR Without A/C	\$15.00	N
03929052	1954	HEATER BLOWER MOTOR RESISTOR Without A/C	\$15.00	N
03929052	1955	HEATER BLOWER MOTOR RESISTOR Without A/C	\$15.00	N
03929052	1956	HEATER BLOWER MOTOR RESISTOR Without A/C	\$15.00	N
03929052	1957	HEATER BLOWER MOTOR RESISTOR Without A/C	\$15.00	N
HEATER BLOWER MOTOR SWITCH				
03132945	1955	HEATER BLOWER MOTOR SWITCH 2-Speed	\$41.00	N
03132945	1956	HEATER BLOWER MOTOR SWITCH 2-Speed	\$41.00	N
HEATER BLOWER MOTOR WIRE				
02520	1957	HEATER BLOWER MOTOR WIRE Deluxe Heater Only, Heater Resistor To Blower Motor Connector	\$19.00	
IGNITION BALLAST RESISTOR				
01957154	1955	IGNITION BALLAST RESISTOR All, Without F.i., Or Dual 4 Barrel Carburetors	\$12.00	N
01957154	1956	IGNITION BALLAST RESISTOR All, Without F.i., Or Dual 4 Barrel Carburetors	\$12.00	N
01957154	1957	IGNITION BALLAST RESISTOR All, Without F.i., Or Dual 4 Barrel Carburetors	\$12.00	N
IGNITION SWITCH				
01116551	1947	IGNITION SWITCH	\$41.00	N
01116551	1948	IGNITION SWITCH	\$41.00	N
01116551	1949	IGNITION SWITCH	\$41.00	N
01116551	1950	IGNITION SWITCH	\$41.00	N
01116469	1951	IGNITION SWITCH 6 Volt	\$54.00	N
01116469	1952	IGNITION SWITCH 6 Volt	\$54.00	N
01116514	1955	IGNITION SWITCH	\$50.00	N
01116514	1956	IGNITION SWITCH	\$50.00	N
LAMP ASSEMBLY				
06305	1955	LAMP ASSEMBLY Deluxe Heater & A/C Control Panel, Fuse Panel To Heater	\$13.00	
02245	1956	LAMP ASSEMBLY Auto Trans Column Shift Indicator Lamp	\$13.00	
20280	1957	LAMP ASSEMBLY Heater Control Panel Lamp	\$13.00	

Part Number	Year	Description	Price	*Rev.
LICENSE PLATE LAMP ASSEMBLY				
34635	1955	LICENSE PLATE LAMP ASSEMBLY (Some Models May Require 2)	\$18.00	
34635	1956	LICENSE PLATE LAMP ASSEMBLY (Some Models May Require 2)	\$18.00	
34635	1957	LICENSE PLATE LAMP ASSEMBLY (Some Models May Require 2)	\$18.00	
LOW FUEL INDICATOR MODULE				
500274	1955	LOW FUEL INDICATOR MODULE Generic "Adjustable" Low Fuel Warning Module Note: A Complete Electronic Control Unit To Activate A Warning Lamp Or Relay When Fuel Level Drops Below A User Adjustable Level. Includes instruction sheet.	\$64.00	C
500274	1956	LOW FUEL INDICATOR MODULE Generic "Adjustable" Low Fuel Warning Module Note: A Complete Electronic Control Unit To Activate A Warning Lamp Or Relay When Fuel Level Drops Below A User Adjustable Level. Includes instruction sheet.	\$64.00	C
500274	1957	LOW FUEL INDICATOR MODULE Generic "Adjustable" Low Fuel Warning Module Note: A Complete Electronic Control Unit To Activate A Warning Lamp Or Relay When Fuel Level Drops Below A User Adjustable Level. Includes instruction sheet.	\$64.00	C
NEUTRAL SAFETY SWITCH				
01998182	1955	NEUTRAL SAFETY SWITCH Powerglide Trans	\$25.00	N
01998182	1956	NEUTRAL SAFETY SWITCH Powerglide Trans	\$25.00	N
01998173	1957	NEUTRAL SAFETY SWITCH Powerglide Trans	\$24.00	N
OVERDRIVE HARNESS				
06360	1955	OVERDRIVE HARNESS 6 Cylinder Note: 6 Cylinder Items Are Not Returnable.	\$140.00	
06410	1955	OVERDRIVE HARNESS V/8	\$140.00	
02370	1956	OVERDRIVE HARNESS 6 Cylinder Note: 6 Cylinder Items Are Not Returnable.	\$140.00	
02380	1956	OVERDRIVE HARNESS V/8	\$140.00	
02480	1957	OVERDRIVE HARNESS 6 Cylinder Note: 6 Cylinder Items Are Not Returnable.	\$140.00	
02485	1957	OVERDRIVE HARNESS V/8	\$140.00	
02535	1957	OVERDRIVE HARNESS V/8, With Dual 4 Barrel Carbs	\$140.00	
PARKING LAMP AND LEAD WIRE				
26900	1955	PARKING LAMP AND LEAD WIRE Set Of 2	\$48.00	
26900	1956	PARKING LAMP AND LEAD WIRE Set Of 2	\$48.00	
POWER FEED WIRE				
06320	1955	POWER FEED WIRE 6 Cyl., Starter Solenoid To Power Top Connector Note: 6 Cylinder Items Are Not Returnable.	\$18.00	
06315	1955	POWER FEED WIRE V/8, Starter Solenoid To Power Top Connector	\$18.00	
06320	1956	POWER FEED WIRE 6 Cyl., Starter Solenoid To Power Top Connector Note: 6 Cylinder Items Are Not Returnable.	\$18.00	
02350	1956	POWER FEED WIRE 6 Cyl., Starter Solenoid To Power Acc. Circuit Breaker (Used On Cars With Power Windows And/Or Power Seats) Note: 6 Cylinder Items Are Not Returnable.	\$18.00	
06315	1956	POWER FEED WIRE V/8, Starter Solenoid To Power Top Connector	\$18.00	
02355	1956	POWER FEED WIRE V/8, Starter Solenoid To Power Acc. Circuit Breaker Note: Used On Cars With Power Windows And/Or Power Seats.	\$20.00	
02495	1957	POWER FEED WIRE 6 Cyl., Starter Solenoid To Rear Body Connector (For Power Seats, Windows And Top) Note: 6 Cylinder Items Are Not Returnable.	\$20.00	

Part Number	Year	Description	Price	*Rev.
02490	1957	POWER FEED WIRE V/8, Starter Solenoid To Rear Body Connector Note: Used On Cars With Power Windows And Top.	\$18.00	
POWER SEAT FEED HARNESS				
32890	1956	POWER SEAT FEED HARNESS All, From Starter Solenoid Power Feed To Seat Harness	\$60.00	
31710	1957	POWER SEAT FEED HARNESS All, From Starter Solenoid Power Feed To Seat Harness	\$60.00	
POWER SEAT HARNESS				
34220	1955	POWER SEAT HARNESS All	\$60.00	
34220	1956	POWER SEAT HARNESS All	\$60.00	
31715	1957	POWER SEAT HARNESS All	\$60.00	
POWER WINDOW HARNESS				
34225	1955	POWER WINDOW HARNESS 150 2 Door Sedan (Model 1211) & 210 2 Door Sedan (Model1011)	\$401.00	
34225	1955	POWER WINDOW HARNESS 210 Club Coupe (Model 1011A) & Belair 2 Dr Sdn (Model 1011D)	\$401.00	
34195	1955	POWER WINDOW HARNESS 210 2 Door Wagon (Model 1063F)	\$385.00	
34190	1955	POWER WINDOW HARNESS 210 Sport Coupe (Model 1037) & Belair Sport Cpe (Model1037D)	\$401.00	
34210	1955	POWER WINDOW HARNESS All 4 Door Sedans & Wagons	\$401.00	
34185	1955	POWER WINDOW HARNESS Belair Convertible (Model 1067DTX)	\$414.00	
34775	1955	POWER WINDOW HARNESS Nomad (Model 1064DF)	\$265.00	
31190	1955	POWER WINDOW JUMPER Adapts 1955-56 Harness To Use 1957 & Up Type Motor	\$22.00	
31700	1956	POWER WINDOW HARNESS 210 2 Door Sedan (Model 1011) & 2 Dr Club Coupe (Model1011A)	\$401.00	
31755	1956	POWER WINDOW HARNESS 210 2 Door Wagon (Model 1063F)	\$401.00	
31765	1956	POWER WINDOW HARNESS 210 4 Door Sedan (Model 1019) & 4 Door Wagon (Model 1062F)	\$401.00	
31765	1956	POWER WINDOW HARNESS 210 4 Door Wagon, 9 Pass. (Model 1062FC)	\$401.00	
31775	1956	POWER WINDOW HARNESS 210 Sport Coupe (Model 1037) & Belair Sport Cpe (Model1037D)	\$401.00	
31760	1956	POWER WINDOW HARNESS 210 Sport Sedan (Model 1039) & Belair Sport Sdn (Model1039D)	\$401.00	
31700	1956	POWER WINDOW HARNESS Belair 2 Door Sedan (Model 1011D)	\$401.00	
31765	1956	POWER WINDOW HARNESS Belair 4 Door Sedan (Model 1019D) & 4 Dr Wagon (Model1062DF)	\$401.00	
31780	1956	POWER WINDOW HARNESS Belair Convertible (Model 1067D)	\$414.00	
31770	1956	POWER WINDOW HARNESS Belair Nomad (Model 1064DF)	\$265.00	
31190	1956	POWER WINDOW JUMPER Adapts 1955-56 Harness To Use 1957 & Up Type Motor	\$22.00	
31735	1957	POWER WINDOW HARNESS 210 2 Door Sedan (Model 1011) & 2 Dr Club Coupe (Model1011A)	\$401.00	
31705	1957	POWER WINDOW HARNESS 210 2 Door Wagon (Model 1063F)	\$401.00	
31690	1957	POWER WINDOW HARNESS 210 4 Door Sedan (Model 1019) & 4 Door Wagon (Model 1062F)	\$401.00	
31690	1957	POWER WINDOW HARNESS 210 4 Door Wagon, 9 Pass. (Model 1062FC)	\$401.00	
31720	1957	POWER WINDOW HARNESS 210 Sport Coupe (Model 1037) & Belair Sport Cpe (Model1037D)	\$401.00	
31730	1957	POWER WINDOW HARNESS 210 Sport Sedan (Model 1039) & Belair Sport Sdn (Model1039D)	\$401.00	
31735	1957	POWER WINDOW HARNESS Belair 2 Door Sedan (Model 1011D)	\$401.00	
31690	1957	POWER WINDOW HARNESS Belair 4 Door Sedan (Model 1019D) & 4 Dr Wagon (Model1062DF)	\$401.00	
31740	1957	POWER WINDOW HARNESS Belair Convertible (Model 1067D)	\$414.00	
31725	1957	POWER WINDOW HARNESS Belair Nomad (Model 1064DF)	\$265.00	
REAR BODY GROMMET REPAIR KIT				
27765	1955	REAR BODY GROMMET REPAIR KIT Tube & Grommet Only (Set Of 2)	\$38.00	
27770	1955	REAR BODY GROMMET AND PIGTAIL REPAIR KIT Tube, Grommet & Lamp Socket Pigtail (Set Of 2)	\$52.00	

Part Number	Year	Description	Price	*Rev.
27765	1956	REAR BODY GROMMET REPAIR KIT Tube & Grommet Only (Set Of 2)	\$38.00	
27770	1956	REAR BODY GROMMET AND PIGTAIL REPAIR KIT Tube, Grommet & Lamp Socket Pigtail (Set Of 2)	\$52.00	
27775	1957	REAR BODY GROMMET REPAIR KIT Tube & Grommet Only (Set Of 2)	\$38.00	
27780	1957	REAR BODY GROMMET AND PIGTAIL REPAIR KIT Tube, Grommet & Lamp Socket Pigtail Kit (Set Of 2)	\$52.00	
REAR LAMP HARNESS				
36244	1955	REAR LAMP HARNESS 150 2 Door Sedan (Model 1211) & Utility Sedan (Model 1211B)	\$212.00	
36245	1955	REAR LAMP HARNESS 150 4 Door Sedan (Model 1219)	\$239.00	
36246	1955	REAR LAMP HARNESS 150 2 Door Wagon (Model 1263F) & Sedan Delivery (Model 1271)	\$226.00	
31170	1955	REAR LAMP HARNESS 210 2 Door Sedan (Model 1011) & Belair 2 Dr Sdn (Model1011D)	\$199.00	
36246	1955	REAR LAMP HARNESS 210 2 Door Wagon (Model 1063F) & 4 Door Wagon (Model 1062F)	\$226.00	
36240	1955	REAR LAMP HARNESS 210 4 Door Sedan (Model 1019) & Belair 4 Dr Sdn (Model1019D)	\$212.00	
31170	1955	REAR LAMP HARNESS 210 Sport Coupe (Model 1037) & Club Coupe (Model 1011A)	\$199.00	
36247	1955	REAR LAMP HARNESS Belair 4 Door Wagon (Model 1062df)	\$239.00	
36243	1955	REAR LAMP HARNESS Belair Convertible (Model 1067d)	\$272.00	
36241	1955	REAR LAMP HARNESS Belair Sport Coupe (Model 1037D)	\$199.00	
36242	1955	REAR LAMP HARNESS Belair Nomad Wagon (Model 1064DF)	\$259.00	
20235	1956	REAR LAMP HARNESS 150 2 Door Sedan (Model 1211) & Utility Sedan (Model 1211B)	\$212.00	
08315	1956	REAR LAMP HARNESS 150 2 Door Wagon (Model 1263F) & Sedan Delivery (Model 1271)	\$239.00	
20240	1956	REAR LAMP HARNESS 150 4 Door Sedan (Model 1219)	\$239.00	
07040	1956	REAR LAMP HARNESS 210 2 Door Sedan (Model 1011) & Belair 2 Dr Sdn (Model1011D)	\$193.00	
20245	1956	REAR LAMP HARNESS 210 4 Door Sedan (Model 1019) & Belair 4 Dr Sdn (Model1019D)	\$239.00	
08305	1956	REAR LAMP HARNESS 210 2 Door Wagon (Model 1063F) & 4 Door Wagon (Model 1062F)	\$239.00	
08325	1956	REAR LAMP HARNESS 210 4 Door Wagon, 9 Pass. (Model 1062FC)	\$239.00	
07040	1956	REAR LAMP HARNESS 210 Sport Coupe (Model 1037) & Club Coupe (Model 1011A)	\$193.00	
20250	1956	REAR LAMP HARNESS 210 Sport Sedan (Model 1039) & Belair Sport Sdn (Model1039D)	\$212.00	
08310	1956	REAR LAMP HARNESS Belair 4 Door Wagon, 9 Pass. (Model 1062df)	\$252.00	
07045	1956	REAR LAMP HARNESS Belair Convertible (Model 1067d)	\$265.00	
07040	1956	REAR LAMP HARNESS Belair Sport Coupe (Model 1037D)	\$193.00	
08320	1956	REAR LAMP HARNESS Belair Nomad Wagon (Model 1064DF)	\$239.00	
08355	1957	REAR LAMP HARNESS 150 2 Door Sedan (Model 1211) & Utility Sedan (Model 1211B)	\$212.00	
08345	1957	REAR LAMP HARNESS 150 2 Door Wagon (Model 1263F) & Sedan Delivery (Model 1271)	\$239.00	
20255	1957	REAR LAMP HARNESS 150 4 Door Sedan (Model 1219)	\$212.00	
08360	1957	REAR LAMP HARNESS 210 2 Door Sedan (Model 1011) & Club Coupe (Model 1011A)	\$193.00	
32340	1957	REAR LAMP HARNESS 210 4 Door Sedan (Model 1019)	\$212.00	
08365	1957	REAR LAMP HARNESS 210 2 Door Wagon (Model 1063F)	\$226.00	
08350	1957	REAR LAMP HARNESS 210 4 Door Wagon (Model 1062F)	\$239.00	
31695	1957	REAR LAMP HARNESS 210 4 Door Wagon, 9 Pass. (Model 1062FC)	\$252.00	
08330	1957	REAR LAMP HARNESS 210 Sport Coupe (Model 1037) & Belair Sport Cpe (Model1037D)	\$193.00	
08370	1957	REAR LAMP HARNESS 210 Sport Sedan (Model1039) & Belair Sport Sdn (Model1039D)	\$239.00	
08360	1957	REAR LAMP HARNESS Belair 2 Door Sedan (Model 1011D)	\$193.00	
08340	1957	REAR LAMP HARNESS Belair 4 Door Sedan (Model 1019D)	\$212.00	

Part Number	Year	Description	Price	*Rev.
20260	1957	REAR LAMP HARNESS Belair 4 Door Wagon (Model 1062df)	\$226.00	
08335	1957	REAR LAMP HARNESS Belair Convertible (Model 1067d)	\$252.00	
20265	1957	REAR LAMP HARNESS Belair Nomad Wagon (Model 1064DF)	\$252.00	
STARTER BUTTON SWITCH				
01996055	1949	STARTER BUTTON SWITCH Dash Mounted, Chrome Button, With Retainer	\$50.00	N
01996055	1950	STARTER BUTTON SWITCH Dash Mounted, Chrome Button, With Retainer	\$50.00	N
01996055	1951	STARTER BUTTON SWITCH Dash Mounted, Chrome Button, With Retainer	\$50.00	N
01996055	1952	STARTER BUTTON SWITCH Dash Mounted, Chrome Button, With Retainer	\$50.00	N
STARTER SWITCH				
00820052	1938	STARTER SWITCH Foot Operated, On Starter	\$24.00	N
00820052	1939	STARTER SWITCH Foot Operated, On Starter	\$24.00	N
00820052	1940	STARTER SWITCH Foot Operated, On Starter	\$24.00	N
00820052	1941	STARTER SWITCH Foot Operated, On Starter	\$24.00	N
00820052	1942	STARTER SWITCH Foot Operated, On Starter	\$24.00	N
00820052	1946	STARTER SWITCH Foot Operated, On Starter	\$24.00	N
00820052	1947	STARTER SWITCH Foot Operated, On Starter	\$24.00	N
00820052	1948	STARTER SWITCH Foot Operated, On Starter	\$24.00	N
STEERING COLUMN ADAPTER HARNESS				
35130	1955	STEERING COLUMN ADAPTER HARNESS For 1964-66 GM Column (Without Tilt Only) To Stock Dash	\$41.00	
35775	1955	STEERING COLUMN ADAPTER HARNESS For 1969-74 GM Column & Ididit Column (Except Flaming River) To Stock Dash	\$50.00	
13593	1955	STEERING COLUMN ADAPTER HARNESS For 1975 & Up GM Column & Flaming River Column (Except Ididit) To Stock Dash	\$50.00	
35780	1956	STEERING COLUMN ADAPTER HARNESS For 1969-74 GM Column & Ididit Column (Except Flaming River) To Stock Dash	\$50.00	
34160	1956	STEERING COLUMN ADAPTER HARNESS For 1975 & Up GM Column & Flaming River Column (Except Ididit) To Stock Dash	\$50.00	
35785	1957	STEERING COLUMN ADAPTER HARNESS For 1969-74 GM & Ididit Columns (Exc. Flaming River) To Stock Dash	\$50.00	
		Note: Adapts Horn, Directionals, Hazard Flasher To Stock Dash Harness.		
13597	1957	STEERING COLUMN ADAPTER HARNESS For 1975 & Up GM & Flaming River Columns (Exc. Ididit) To Stock Dash	\$51.00	
		Note: Adapts Horn, Directionals, Hazard Flasher To Stock Dash Harness.		
STOP LAMP SWITCH				
01997922	1942	STOP LAMP SWITCH	\$8.00	N
01997922	1946	STOP LAMP SWITCH	\$8.00	N
01997922	1947	STOP LAMP SWITCH	\$8.00	N
01997922	1948	STOP LAMP SWITCH	\$8.00	N
01997922	1949	STOP LAMP SWITCH	\$8.00	N
01997922	1950	STOP LAMP SWITCH	\$8.00	N
01997921	1951	STOP LAMP SWITCH	\$8.00	N
01997921	1952	STOP LAMP SWITCH	\$8.00	N
01997921	1953	STOP LAMP SWITCH	\$8.00	N
01997921	1954	STOP LAMP SWITCH Except Power Brakes	\$8.00	N
TEMPERATURE SENDING UNIT WIRE REPAIR KIT				
34620	1956	TEMPERATURE SENDING UNIT WIRE REPAIR KIT	\$20.00	
34620	1957	TEMPERATURE SENDING UNIT WIRE REPAIR KIT	\$20.00	

Part Number	Year	Description	Price	*Rev.
TRUNK LAMP ASSEMBLY				
36383	1955	TRUNK LAMP ASSEMBLY	\$48.00	
36383	1956	TRUNK LAMP ASSEMBLY	\$48.00	
36383	1957	TRUNK LAMP ASSEMBLY	\$48.00	
TURN SIGNAL SWITCH				
00897125	1953	TURN SIGNAL HOUSING BUCKET ASSEMBLY Complete With Turn Signal Switch	\$135.00	N
00897125	1954	TURN SIGNAL HOUSING BUCKET ASSEMBLY Complete With Turn Signal Switch	\$135.00	N
05947677	1953	TURN SIGNAL SWITCH	\$27.00	M
05947677	1954	TURN SIGNAL SWITCH	\$27.00	M
05946119	1955	TURN SIGNAL SWITCH	\$27.00	
05947081	1956	TURN SIGNAL SWITCH Note: Includes A Loose Piece 6 Way Connector.	\$27.00	
05948447	1957	TURN SIGNAL SWITCH Note: Includes A Loose Piece 6 Way Connector.	\$27.00	
WINDSHIELD WIPER EXTENSION				
06355	1955	WINDSHIELD WIPER EXTENSION Power Wire, Ballast Resistor To Electric Wiper Motor	\$16.00	
06355	1956	WINDSHIELD WIPER EXTENSION Power Wire, Ballast Resistor To Electric Wiper Motor	\$16.00	
WIRING JUNCTION BLOCK				
01865535	1937	WIRING JUNCTION BLOCK 3-Terminal, Headlamp Wire Junction	\$12.00	N
01998756	1937	WIRING JUNCTION BLOCK 4-Terminal, Headlamp Wire Junction	\$13.00	N
01998757	1937	WIRING JUNCTION BLOCK 5-Terminal, Headlamp Wire Junction	\$19.00	N
01865535	1938	WIRING JUNCTION BLOCK 3-Terminal, Headlamp Wire Junction	\$12.00	N
01998756	1938	WIRING JUNCTION BLOCK 4-Terminal, Headlamp Wire Junction	\$13.00	N
01998757	1938	WIRING JUNCTION BLOCK 5-Terminal, Headlamp Wire Junction	\$19.00	N
01865535	1939	WIRING JUNCTION BLOCK 3-Terminal, Headlamp Wire Junction	\$12.00	N
01998756	1939	WIRING JUNCTION BLOCK 4-Terminal, Headlamp Wire Junction	\$13.00	N
01998757	1939	WIRING JUNCTION BLOCK 5-Terminal, Headlamp Wire Junction	\$19.00	N
01998756	1940	WIRING JUNCTION BLOCK 4-Terminal, Headlamp Wire Junction	\$13.00	N
01998757	1940	WIRING JUNCTION BLOCK 5-Terminal, Headlamp Wire Junction	\$19.00	N
01998756	1941	WIRING JUNCTION BLOCK 4-Terminal, Headlamp Wire Junction	\$13.00	N
01998757	1941	WIRING JUNCTION BLOCK 5-Terminal, Headlamp Wire Junction	\$19.00	N
01998756	1942	WIRING JUNCTION BLOCK 4-Terminal, Headlamp Wire Junction	\$13.00	N
01998757	1942	WIRING JUNCTION BLOCK 5-Terminal, Headlamp Wire Junction	\$19.00	N
01998756	1943	WIRING JUNCTION BLOCK 4-Terminal, Headlamp Wire Junction	\$13.00	N
01998757	1943	WIRING JUNCTION BLOCK 5-Terminal, Headlamp Wire Junction	\$19.00	N
01998756	1944	WIRING JUNCTION BLOCK 4-Terminal, Headlamp Wire Junction	\$13.00	N
01998757	1944	WIRING JUNCTION BLOCK 5-Terminal, Headlamp Wire Junction	\$19.00	N
01998756	1945	WIRING JUNCTION BLOCK 4-Terminal, Headlamp Wire Junction	\$13.00	N
01998757	1945	WIRING JUNCTION BLOCK 5-Terminal, Headlamp Wire Junction	\$19.00	N
01998756	1946	WIRING JUNCTION BLOCK 4-Terminal, Headlamp Wire Junction	\$13.00	N
01998757	1946	WIRING JUNCTION BLOCK 5-Terminal, Headlamp Wire Junction	\$19.00	N
01998756	1947	WIRING JUNCTION BLOCK 4-Terminal, Headlamp Wire Junction	\$13.00	N
01998757	1947	WIRING JUNCTION BLOCK 5-Terminal, Headlamp Wire Junction	\$19.00	N
01998756	1948	WIRING JUNCTION BLOCK 4-Terminal, Headlamp Wire Junction	\$13.00	N
01998757	1948	WIRING JUNCTION BLOCK 5-Terminal, Headlamp Wire Junction	\$19.00	N
01998756	1949	WIRING JUNCTION BLOCK 4-Terminal, Headlamp Wire Junction	\$13.00	N

Chevy Passenger



Phone (562) 926-9552

Fax (562) 926-9572

Part Number	Year	Description	Price	*Rev.
01998757	1949	WIRING JUNCTION BLOCK 5-Terminal, Headlamp Wire Junction	\$19.00	N
01998756	1950	WIRING JUNCTION BLOCK 4-Terminal, Headlamp Wire Junction	\$13.00	N
01998757	1950	WIRING JUNCTION BLOCK 5-Terminal, Headlamp Wire Junction	\$19.00	N
01998756	1951	WIRING JUNCTION BLOCK 4-Terminal, Headlamp Wire Junction	\$13.00	N
01998757	1951	WIRING JUNCTION BLOCK 5-Terminal, Headlamp Wire Junction	\$19.00	N
01998756	1952	WIRING JUNCTION BLOCK 4-Terminal, Headlamp Wire Junction	\$13.00	N
01998757	1952	WIRING JUNCTION BLOCK 5-Terminal, Headlamp Wire Junction	\$19.00	N
01998756	1953	WIRING JUNCTION BLOCK 4-Terminal, Headlamp Wire Junction	\$13.00	N
01998757	1953	WIRING JUNCTION BLOCK 5-Terminal, Headlamp Wire Junction	\$19.00	N
01998756	1954	WIRING JUNCTION BLOCK 4-Terminal, Headlamp Wire Junction	\$13.00	N
01998757	1954	WIRING JUNCTION BLOCK 5-Terminal, Headlamp Wire Junction	\$19.00	N

Section 8

Chevy Truck

Classic Auto Fuse Series Dash Harnesses

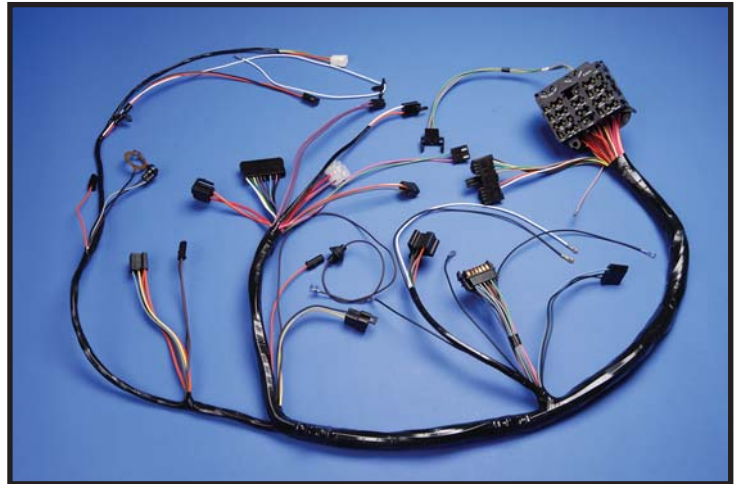
Now Available for 1967-1978 Chevy Trucks

Factory Replacement Style Dash Harnesses with ATO Type Fuse Blocks

No cutting, modifying or altering of any sort required

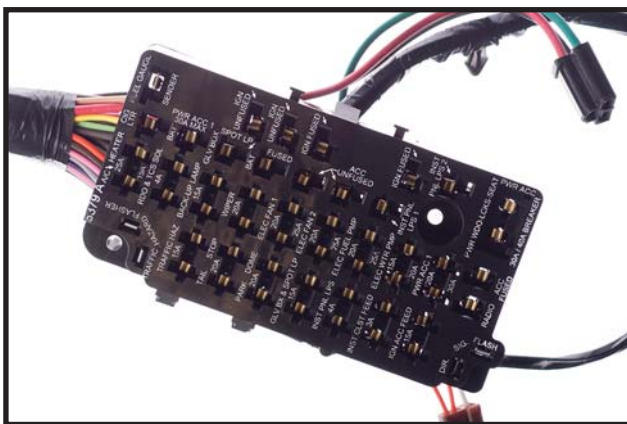
Our new Classic Auto Fuse Series Dash Harnesses allow the professional restorer to maintain the plug and play functionality of the original factory type harnesses, while converting the entire fuse block to an Auto Fuse Series (ATO Type) fuse block. The Classic Auto Fuse Series Dash Harnesses give restorers the flexibility to add additional power circuits, without the installation headaches normally associated with this type of fuse box conversion.

The plug and play Classic Auto Fuse Series Dash Harness are a first in the industry. Don't be fooled by clever advertising and claims by others that their do-it-yourself harnesses are easy to install. There is no other product like this on the market, anywhere.



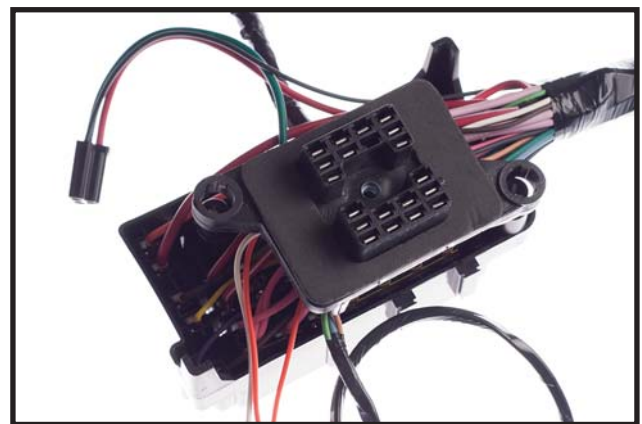
There is no cutting, modifying or altering of any sort required. Just plug it in and turn it on, it's that simple. The Classic Auto Fuse Dash Harnesses are completely compatible with the remaining harnesses in the car; couple that with our world renowned Free technical support for the finest product money can buy.

See our Chevy Truck Catalog Listings for Part Numbers, Fitment & Pricing



ATO Type Fuse Block

ATO Type Fuse Block with additional, fully integrated power ports allows the restorer to easily tap power for aftermarket electronic devices such as electric radiator fans, fuel pumps & ignition boxes.



Original Factory Bulkhead Connector

An Original Factory Bulkhead Connector is used on the back of the ATO Fuse Block. This allows the restorer to maintain the plug & play functionality of factory original style Engine & Forward Harnesses.

Classic Auto Fuse Series Dash Harnesses

Check Out These Outstanding Features

Easy Installation

The Classic Auto Fuse Series Dash Harnesses install just like the factory originals. No modifications are required to any of the other harnesses in the car. Stock wiring diagrams and Assembly Manuals can be used to aid in the installation, as the wire colors match the original GM color code specifications.

Upgraded Main Power Circuits

The main power circuits have been upgraded to ensure the extra capacity of the new Classic Auto Fuse Series fuse block. No need to worry about splicing on to existing fuses and circuits for aftermarket type accessories and overloading the fuse.

One 30 Amp Fuse Port

This port can be used for power seats, power windows, power door locks or other accessories. This port has a maximum fuse capacity of 30 amps.

Three Separate 25 Amp Fuse Ports

These three ports can be used for a single electric radiator fan, a dual electric fan setup, an electric fuel pump or other accessories. Each of these ports has a maximum fuse capacity of 25 amps.

One 20 Amp Fuse Port

This port can be used for an electric water pump or other accessories. This port has a maximum fuse capacity of 20 amps.

One 40 Amp Circuit Breaker Port

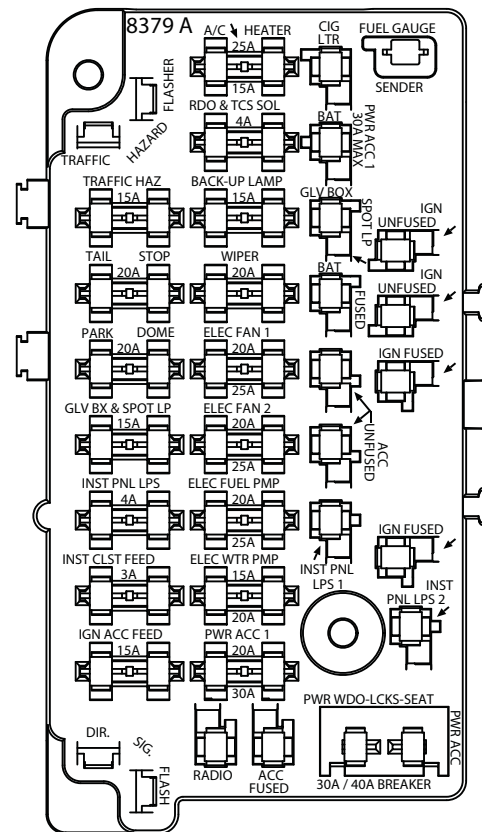
This port can be used for power seats, power windows, power door locks or other accessories. This port is designed for a circuit breaker, but a fuse may be used in place of a circuit breaker should you choose to.

**All of Our Wiring Harnesses are
Hand Assembled in the USA!**



GXL Wire & Original Factory Type Connectors

We use U.S.A. made Cross Linked Polyethylene type GXL wire which is much more tolerant to heat than the original PVC type GPT wire that was used from the factory. Wire colors match the OEM specs and Original Factory Type Connectors are used on every wire.



Example of a Classic Auto Fuse Series ATO Type Fuse Block. Design varies based on year of vehicle.

Part Number	Year	Description	Price	*Rev.
ACCESSORY FUSEBLOCK-POWER FEED HARNESS				
06280	1955	ACCESSORY FUSEBLOCK, POWER FEED HARNESS Lights, Battery & Ignition Power To Optional Fuseblock	\$26.00	
42800	1956	ACCESSORY FUSEBLOCK, POWER FEED HARNESS Lights, Battery & Ignition Power To Optional Fuseblock	\$37.00	
42801	1957	ACCESSORY FUSEBLOCK, POWER FEED HARNESS Lights, Battery & Ignition Power To Optional Fuseblock	\$37.00	
42801	1958	ACCESSORY FUSEBLOCK, POWER FEED HARNESS Lights, Battery & Ignition Power To Optional Fuseblock	\$37.00	
42801	1959	ACCESSORY FUSEBLOCK, POWER FEED HARNESS Lights, Battery & Ignition Power To Optional Fuseblock	\$37.00	
AIR CONDITIONING CONTROL ASSEMBLY				
01222890	1967	AIR CONDITIONING CONTROL ASSEMBLY With A/C, Complete With Fan Switch	\$185.00	N
01222890	1968	AIR CONDITIONING CONTROL ASSEMBLY With A/C, Complete With Fan Switch	\$185.00	N
01222890	1969	AIR CONDITIONING CONTROL ASSEMBLY With A/C, Complete With Fan Switch	\$185.00	N
01222890	1970	AIR CONDITIONING CONTROL ASSEMBLY With A/C, Complete With Fan Switch	\$185.00	N
01222890	1971	AIR CONDITIONING CONTROL ASSEMBLY With A/C, Complete With Fan Switch	\$185.00	N
01222890	1972	AIR CONDITIONING CONTROL ASSEMBLY With A/C, Complete With Fan Switch	\$185.00	N
AIR CONDITIONING EXTENSION HARNESS				
20840	1965	AIR CONDITIONING EXTENSION HARNESS Blower Switch Wire Assembly	\$18.00	
20840	1966	AIR CONDITIONING EXTENSION HARNESS Blower Switch Wire Assembly	\$18.00	
41617	1967	AIR CONDITIONING EXTENSION HARNESS Blower Switch Wire Assembly	\$24.00	N
39731	1973	AIR CONDITIONING EXTENSION HARNESS Suburban, With Overhead A/C, Blower Switch Harness To Blower Motor	\$42.00	M
39735	1973	AIR CONDITIONING EXTENSION HARNESS Compressor To A/C Harness	\$63.00	M
39731	1974	AIR CONDITIONING EXTENSION HARNESS Suburban, With Overhead A/C, Blower Switch Harness To Blower Motor	\$42.00	M
39735	1974	AIR CONDITIONING EXTENSION HARNESS Compressor To A/C Harness	\$63.00	M
39777	1975	AIR CONDITIONING EXTENSION HARNESS All, Except 1/2-Ton With 250 6 Cyl, Compressor To A/C Harness Note: 6 Cylinder Items Are Not Returnable.	\$63.00	M
39790	1975	AIR CONDITIONING EXTENSION HARNESS Suburban, With Overhead A/C, Blower Switch Harness To Blower Motor	\$42.00	M
39817	1976	AIR CONDITIONING EXTENSION HARNESS All 2 Wheel Drive, & 1/2, 3/4-Ton 4 Wheel Drive, Compressor To A/C Harness	\$35.00	M
39790	1976	AIR CONDITIONING EXTENSION HARNESS Suburban, With Overhead A/C, Blower Switch Harness To Blower Motor	\$42.00	M
39652	1977	AIR CONDITIONING EXTENSION HARNESS All 2 Wheel Drive, & 1/2, 3/4-Ton 4 Wheel Drive, With 350 & 400 V/8, Compressor To A/C Harness	\$83.00	M
39817	1977	AIR CONDITIONING EXTENSION HARNESS All 2 Wheel Drive, & 1/2, 3/4-Ton 4 Wheel Drive, With 454 V/8, Compressor To A/C Harness	\$35.00	M
39790	1977	AIR CONDITIONING EXTENSION HARNESS Suburban, With Overhead A/C, Blower Switch Harness To Blower Motor	\$42.00	M
39652	1978	AIR CONDITIONING EXTENSION HARNESS All 2 Wheel Drive, & 1/2, 3/4-Ton 4 Wheel Drive, With 350 & 400 V/8, Compressor To A/C Harness	\$83.00	M
39817	1978	AIR CONDITIONING EXTENSION HARNESS All 2 Wheel Drive, & 1/2, 3/4-Ton 4 Wheel Drive, With 454 V/8, Compressor To A/C Harness	\$35.00	M
39790	1978	AIR CONDITIONING EXTENSION HARNESS Suburban, With Overhead A/C, Blower Switch Harness To Blower Motor	\$42.00	M
39876	1978	AIR CONDITIONING EXTENSION HARNESS 1/2 Ton Models, With 250 6 Cyl. Compressor To A/C Harness	\$63.00	M
39879	1978	AIR CONDITIONING EXTENSION HARNESS 2 Wheel Drives, With Diesel, Compressor To A/C Harness	\$42.00	M
39901	1979	AIR CONDITIONING EXTENSION HARNESS All 2 Wheel Drive, & 1/2, 3/4-Ton 4 Wheel Drive, With 350 & 400 V/8, Compressor To A/C Harness	\$50.00	M
39900	1979	AIR CONDITIONING EXTENSION HARNESS 2 Wheel Drive 1-Ton, With 454 V/8, Compressor To A/C Harness	\$42.00	M
39790	1979	AIR CONDITIONING EXTENSION HARNESS Suburban, With Overhead A/C, Blower Switch Harness To Blower Motor	\$42.00	M
39876	1979	AIR CONDITIONING EXTENSION HARNESS 1/2 Ton Models, With 250 6 Cyl. Compressor To A/C Harness	\$63.00	M

Part Number	Year	Description	Price	*Rev.
39879	1979	AIR CONDITIONING EXTENSION HARNESS 2 Wheel Drive 1/2 Ton, With Diesel, Compressor To A/C Harness	\$42.00	M
39902	1979	AIR CONDITIONING EXTENSION HARNESS 2 Wheel Drives, With Diesel, Compressor To Fast Idle Relay	\$63.00	M
39909	1979	AIR CONDITIONING EXTENSION HARNESS 2 Wheel Drive 1/2 & 3/4-Ton, With 454 V/8, Compressor To A/C Harness	\$50.00	M
39790	1980	AIR CONDITIONING EXTENSION HARNESS Suburban, With Overhead A/C, Blower Switch Harness To Blower Motor	\$42.00	M
39876	1980	AIR CONDITIONING EXTENSION HARNESS 1/2 Ton Models, With 250 6 Cyl. Compressor To A/C Harness Note: 6 Cylinder Items Are Not Returnable.	\$63.00	M
39902	1980	AIR CONDITIONING EXTENSION HARNESS 2 Wheel Drive 1/2 Ton, With Diesel, Compressor To Fast Idle Relay	\$63.00	M
39355	1980	AIR CONDITIONING EXTENSION HARNESS With V/8 & Fast Idle Solenoid, Except 454 V/8, Compressor To A/C Harness	\$63.00	M
39933	1980	AIR CONDITIONING EXTENSION HARNESS With V/8, Without Fast Idle Solenoid, Except 454 V/8, Compressor To A/C Harness	\$63.00	M
39930	1980	AIR CONDITIONING EXTENSION HARNESS With 454 V/8, Without Fast Idle Solenoid, Compressor To A/C Harness	\$63.00	M
39931	1980	AIR CONDITIONING EXTENSION HARNESS With 454 V/8 & Fast Idle Solenoid, Compressor To A/C Harness	\$63.00	M
39790	1981	AIR CONDITIONING EXTENSION HARNESS Suburban, With Overhead A/C, Blower Switch Harness To Blower Motor	\$42.00	M
39876	1981	AIR CONDITIONING EXTENSION HARNESS 1/2 Ton Models, With 250 6 Cyl , Compressor To A/C Harness Note: 6 Cylinder Items Are Not Returnable.	\$63.00	M
39902	1981	AIR CONDITIONING EXTENSION HARNESS 2 Wheel Drives, With Diesel, With Federal Emissions, Compressor To Fast Idle Relay	\$63.00	M
39930	1981	AIR CONDITIONING EXTENSION HARNESS With 454 V/8, Without Fast Idle Solenoid, Compressor To A/C Harness	\$63.00	M
39355	1981	AIR CONDITIONING EXTENSION HARNESS Suburban 1/2 Ton, With 3 Spd Auto Trans & Overhead A/C, Compressor To A/C Harness	\$63.00	M
39956	1981	AIR CONDITIONING EXTENSION HARNESS With V/8, Without Fast Idle Solenoid, Except 454 V/8, Compressor To A/C Harness	\$63.00	M
39967	1981	AIR CONDITIONING EXTENSION HARNESS With V/8 & Fast Idle Solenoid, Except 454 V/8, Compressor To A/C Harness	\$63.00	M
39931	1981	AIR CONDITIONING EXTENSION HARNESS With 454 V/8 & Fast Idle Solenoid, Compressor To A/C Harness	\$63.00	M
39978	1981	AIR CONDITIONING EXTENSION HARNESS 2 Wheel Drives, With Diesel, Compressor To A/C Harness	\$63.00	M
39876	1982	AIR CONDITIONING EXTENSION HARNESS 1/2 Ton Models, With 250 6 Cyl. Compressor To A/C Harness Note: 6 Cylinder Items Are Not Returnable.	\$63.00	M
39930	1982	AIR CONDITIONING EXTENSION HARNESS With 454 V/8, Without Fast Idle Solenoid, Compressor To A/C Harness	\$63.00	M
39355	1982	AIR CONDITIONING EXTENSION HARNESS Suburban 1/2 Ton, With 3 Spd Auto Trans & Overhead A/C, Compressor To A/C Harness	\$63.00	M
39956	1982	AIR CONDITIONING EXTENSION HARNESS With V/8, Without Fast Idle Solenoid, Except 454 V/8, Compressor To A/C Harness	\$63.00	M
39995	1982	AIR CONDITIONING EXTENSION HARNESS With Diesel, Compressor To A/C Harness	\$63.00	M
39790	1982	AIR CONDITIONING EXTENSION HARNESS Suburban, With Overhead A/C, Blower Switch Harness To Blower Motor	\$42.00	M
39967	1982	AIR CONDITIONING EXTENSION HARNESS With V/8 & Fast Idle Solenoid, Compressor To A/C Harness	\$63.00	M
AIR CONDITIONING HARNESS				
20820	1962	AIR CONDITIONING HARNESS Includes Heater Wiring	\$153.00	
20820	1963	AIR CONDITIONING HARNESS Includes Heater Wiring	\$153.00	
20815	1964	AIR CONDITIONING HARNESS Includes Heater Wiring	\$153.00	
19965	1965	AIR CONDITIONING HARNESS Includes Heater Wiring	\$153.00	
19965	1966	AIR CONDITIONING HARNESS Includes Heater Wiring	\$153.00	
20825	1967	AIR CONDITIONING HARNESS Includes Heater Wiring	\$153.00	

Part Number	Year	Description	Price	*Rev.
20835	1968	AIR CONDITIONING HARNESS Includes Heater Wiring	\$153.00	
35260	1969	AIR CONDITIONING HARNESS Includes Heater Wiring	\$159.00	
35260	1970	AIR CONDITIONING HARNESS Includes Heater Wiring	\$159.00	
20805	1971	AIR CONDITIONING HARNESS Includes Heater Wiring	\$173.00	
35260	1972	AIR CONDITIONING HARNESS Includes Heater Wiring	\$159.00	
39303	1973	AIR CONDITIONING HARNESS Includes Heater Wiring	\$270.00	M
39727	1973	AIR CONDITIONING HARNESS Suburban, With Overhead A/C, Fuse Panel To Blower Switch	\$133.00	M
39727	1974	AIR CONDITIONING HARNESS Suburban, With Overhead A/C, Fuse Panel To Blower Switch	\$133.00	M
39759	1974	AIR CONDITIONING HARNESS Includes Heater Wiring	\$291.00	M
39727	1975	AIR CONDITIONING HARNESS Suburban, With Overhead A/C, Fuse Panel To Blower Switch	\$133.00	M
39776	1975	AIR CONDITIONING HARNESS Includes Heater Wiring	\$291.00	M
39727	1976	AIR CONDITIONING HARNESS Suburban, With Overhead A/C, Fuse Panel To Blower Switch	\$133.00	M
39827	1976	AIR CONDITIONING HARNESS Includes Heater Wiring	\$291.00	M
39727	1977	AIR CONDITIONING HARNESS Suburban, With Overhead A/C, Fuse Panel To Blower Switch	\$133.00	M
39653	1977	AIR CONDITIONING HARNESS Includes Heater Wiring	\$291.00	M
39727	1978	AIR CONDITIONING HARNESS Suburban, With Overhead A/C, Fuse Panel To Blower Switch	\$133.00	M
39859	1978	AIR CONDITIONING HARNESS Includes Heater Wiring, (1st Design) Note: with a/c temp. control switch mounted on evaporator inlet pipe support bracket.	\$291.00	M
39356	1978	AIR CONDITIONING HARNESS Includes Heater Wiring, (2nd Design) Note: with a/c temp. control switch mounted near top of accumulator bottle.	\$291.00	M
39883	1979	AIR CONDITIONING HARNESS Suburban, With Overhead A/C, Fuse Panel To Blower Switch	\$133.00	M
39356	1979	AIR CONDITIONING HARNESS Includes Heater Wiring	\$291.00	M
39883	1980	AIR CONDITIONING HARNESS Suburban, With Overhead A/C, Fuse Panel To Blower Switch	\$133.00	M
39356	1980	AIR CONDITIONING HARNESS Includes Heater Wiring	\$291.00	M
39936	1981	AIR CONDITIONING HARNESS Suburban, With Overhead A/C, Fuse Panel To Blower Switch	\$133.00	M
39937	1981	AIR CONDITIONING HARNESS Includes Heater Wiring	\$291.00	M
39937	1982	AIR CONDITIONING HARNESS Includes Heater Wiring	\$291.00	M
39997	1982	AIR CONDITIONING HARNESS Suburban, With Overhead A/C, Fuse Panel To Blower Switch	\$133.00	M
ALTERNATOR CONVERSION HARNESS				
30380	1947	ALTERNATOR CONVERSION HARNESS Generator To Internal Regulated Alternator	\$53.00	
30380	1948	ALTERNATOR CONVERSION HARNESS Generator To Internal Regulated Alternator	\$53.00	
30380	1949	ALTERNATOR CONVERSION HARNESS Generator To Internal Regulated Alternator	\$53.00	
30380	1950	ALTERNATOR CONVERSION HARNESS Generator To Internal Regulated Alternator	\$53.00	
30380	1951	ALTERNATOR CONVERSION HARNESS Generator To Internal Regulated Alternator	\$53.00	
30380	1952	ALTERNATOR CONVERSION HARNESS Generator To Internal Regulated Alternator	\$53.00	
30380	1953	ALTERNATOR CONVERSION HARNESS Generator To Internal Regulated Alternator	\$53.00	
30370	1954	ALTERNATOR CONVERSION HARNESS Generator To Internal Regulated Alternator	\$53.00	
30370	1955	ALTERNATOR CONVERSION HARNESS Generator To Internal Regulated Alternator, 1st. Series Note: For Use With Original 6 Volt Electrical System (1st Series).	\$53.00	
30360	1955	ALTERNATOR CONVERSION HARNESS V/8, Generator To Internal Regulated Alternator, 2nd. Series Note: For Use With Original 12 Volt Electrical System (2nd Series).	\$74.00	
30360	1956	ALTERNATOR CONVERSION HARNESS V/8, Generator To Internal Regulated Alternator	\$74.00	
30320	1957	ALTERNATOR CONVERSION HARNESS V/8, Generator To Internal Regulated Alternator	\$74.00	
30320	1958	ALTERNATOR CONVERSION HARNESS V/8, Generator To Internal Regulated Alternator	\$74.00	
30320	1959	ALTERNATOR CONVERSION HARNESS V/8, Generator To Internal Regulated Alternator	\$74.00	

Part Number	Year	Description	Price	*Rev.
31560	1960	ALTERNATOR CONVERSION HARNESS V/8, Generator To Internal Regulated Alternator Note: Due To The Design Of Your Original Dash Harness For Generator Wiring, It Is Not Possible To Make The Generator Light Work When Using Our Alternator Conversion Harness.	\$80.00	
31560	1961	ALTERNATOR CONVERSION HARNESS V/8, Generator To Internal Regulated Alternator Note: Due To The Design Of Your Original Dash Harness For Generator Wiring, It Is Not Possible To Make The Generator Light Work When Using Our Alternator Conversion Harness.	\$80.00	
31560	1962	ALTERNATOR CONVERSION HARNESS V/8, Generator To Internal Regulated Alternator Note: Due To The Design Of Your Original Dash Harness For Generator Wiring, It Is Not Possible To Make The Generator Light Work When Using Our Alternator Conversion Harness.	\$80.00	
ALTERNATOR CONVERSION KIT				
27555	1963	ALTERNATOR CONVERSION KIT External To Internal Regulator Conversion Harness ("SI" Series) Note: For Use With 1972-84 Non-Serpentine Belt ("SI" Series) Internal Regulated Alternators.	\$29.00	
37787	1963	ALTERNATOR CONVERSION KIT External To Internal Regulator Conversion Harness ("CS" Series) Note: For Use With Serpentine Belt ("CS" Series) Internal Regulated Alternators.	\$34.00	
27555	1964	ALTERNATOR CONVERSION KIT External To Internal Regulator Conversion Harness ("SI" Series) Note: For Use With 1972-84 Non-Serpentine Belt ("SI" Series) Internal Regulated Alternators.	\$29.00	
37787	1964	ALTERNATOR CONVERSION KIT External To Internal Regulator Conversion Harness ("CS" Series) Note: For Use With Serpentine Belt ("CS" Series) Internal Regulated Alternators.	\$34.00	
27555	1965	ALTERNATOR CONVERSION KIT External To Internal Regulator Conversion Harness ("SI" Series) Note: For Use With 1972-84 Non-Serpentine Belt ("SI" Series) Internal Regulated Alternators.	\$29.00	
37787	1965	ALTERNATOR CONVERSION KIT External To Internal Regulator Conversion Harness ("CS" Series) Note: For Use With Serpentine Belt ("CS" Series) Internal Regulated Alternators.	\$34.00	
27555	1966	ALTERNATOR CONVERSION KIT External To Internal Regulator Conversion Harness ("SI" Series) Note: For Use With 1972-84 Non-Serpentine Belt ("SI" Series) Internal Regulated Alternators.	\$29.00	
37787	1966	ALTERNATOR CONVERSION KIT External To Internal Regulator Conversion Harness ("CS" Series) Note: For Use With Serpentine Belt ("CS" Series) Internal Regulated Alternators.	\$34.00	
27555	1967	ALTERNATOR CONVERSION KIT External To Internal Regulator Conversion Harness ("SI" Series) Note: For Use With 1972-84 Non-Serpentine Belt ("SI" Series) Internal Regulated Alternators.	\$29.00	
37787	1967	ALTERNATOR CONVERSION KIT External To Internal Regulator Conversion Harness ("CS" Series) Note: For Use With Serpentine Belt ("CS" Series) Internal Regulated Alternators.	\$34.00	
27555	1968	ALTERNATOR CONVERSION KIT External To Internal Regulator Conversion Harness ("SI" Series) Note: For Use With 1972-84 Non-Serpentine Belt ("SI" Series) Internal Regulated Alternators.	\$29.00	
37787	1968	ALTERNATOR CONVERSION KIT External To Internal Regulator Conversion Harness ("CS" Series) Note: For Use With Serpentine Belt ("CS" Series) Internal Regulated Alternators.	\$34.00	
27555	1969	ALTERNATOR CONVERSION KIT External To Internal Regulator Conversion Harness ("SI" Series) Note: For Use With 1972-84 Non-Serpentine Belt ("SI" Series) Internal Regulated Alternators.	\$29.00	
37787	1969	ALTERNATOR CONVERSION KIT External To Internal Regulator Conversion Harness ("CS" Series) Note: For Use With Serpentine Belt ("CS" Series) Internal Regulated Alternators.	\$34.00	
27555	1970	ALTERNATOR CONVERSION KIT External To Internal Regulator Conversion Harness ("SI" Series) Note: For Use With 1972-84 Non-Serpentine Belt ("SI" Series) Internal Regulated Alternators.	\$29.00	
37787	1970	ALTERNATOR CONVERSION KIT External To Internal Regulator Conversion Harness ("CS" Series) Note: For Use With Serpentine Belt ("CS" Series) Internal Regulated Alternators.	\$34.00	
27555	1971	ALTERNATOR CONVERSION KIT External To Internal Regulator Conversion Harness ("SI" Series) Note: For Use With 1972-84 Non-Serpentine Belt ("SI" Series) Internal Regulated Alternators.	\$29.00	
37787	1971	ALTERNATOR CONVERSION KIT External To Internal Regulator Conversion Harness ("CS" Series) Note: For Use With Serpentine Belt ("CS" Series) Internal Regulated Alternators.	\$34.00	
27555	1972	ALTERNATOR CONVERSION KIT External To Internal Regulator Conversion Harness ("SI" Series) Note: For Use With 1972-84 Non-Serpentine Belt ("SI" Series) Internal Regulated Alternators.	\$29.00	
37787	1972	ALTERNATOR CONVERSION KIT External To Internal Regulator Conversion Harness ("CS" Series) Note: For Use With Serpentine Belt ("CS" Series) Internal Regulated Alternators.	\$34.00	

Part Number	Year	Description	Price	*Rev.
37796	1975	ALTERNATOR CONVERSION KIT Internal Regulator "SI" Series Alternator To "CS" Series (Serpentine Belt) Alternator Note: For Use With Serpentine Belt ("CS130" Or "CS144" Type) Internal Regulated Alternators.	\$26.00	M
AMMETER GAUGE				
01500928	1947	AMMETER GAUGE Red Needle	\$74.00	N
01500928	1948	AMMETER GAUGE Red Needle	\$74.00	N
01501198	1949	AMMETER GAUGE White Needle	\$74.00	N
01501198	1950	AMMETER GAUGE White Needle	\$74.00	N
01501198	1951	AMMETER GAUGE White Needle	\$74.00	N
01501198	1952	AMMETER GAUGE White Needle	\$74.00	N
01501198	1953	AMMETER GAUGE White Needle	\$74.00	N
01501471	1954	AMMETER GAUGE	\$74.00	N
01501471	1955	AMMETER GAUGE 1st Series	\$74.00	N
01501740	1955	AMMETER GAUGE Used Only With Electric Type Temperature Gauge	\$85.00	N
01501735	1955	AMMETER GAUGE Used Only With Mechanical Type Temperature Gauge	\$85.00	N
01501740	1956	AMMETER GAUGE Used Only With Electric Type Temperature Gauge	\$85.00	N
01501735	1956	AMMETER GAUGE Used Only With Mechanical Type Temperature Gauge	\$85.00	N
01501740	1957	AMMETER GAUGE Used Only With Electric Type Temperature Gauge	\$85.00	N
01501735	1957	AMMETER GAUGE Used Only With Mechanical Type Temperature Gauge	\$85.00	N
01501740	1958	AMMETER GAUGE Used Only With Electric Type Temperature Gauge	\$85.00	N
01501735	1958	AMMETER GAUGE Used Only With Mechanical Type Temperature Gauge	\$85.00	N
01501740	1959	AMMETER GAUGE Used Only With Electric Type Temperature Gauge	\$85.00	N
01501735	1959	AMMETER GAUGE Used Only With Mechanical Type Temperature Gauge	\$85.00	N
01501949	1960	AMMETER GAUGE	\$74.00	N
01501949	1961	AMMETER GAUGE	\$74.00	N
01501949	1962	AMMETER GAUGE	\$74.00	N
01501949	1963	AMMETER GAUGE	\$74.00	N
01502803	1964	AMMETER GAUGE	\$74.00	N
01502803	1965	AMMETER GAUGE	\$74.00	N
01502803	1966	AMMETER GAUGE	\$74.00	N
01503428	1967	AMMETER GAUGE	\$47.00	N
44220	1967	AMMETER GAUGE With -40 / +40 Numeric Face Plate Note: This Is A Replacement For OEM Gauge 01503428 (With Discharge & Charge Graduations) In Trucks With Factory Gauge Type Clusters.	\$39.00	N
01503428	1968	AMMETER GAUGE	\$47.00	N
44220	1968	AMMETER GAUGE With -40 / +40 Numeric Face Plate Note: This Is A Replacement For OEM Gauge 01503428 (With Discharge & Charge Graduations) In Trucks With Factory Gauge Type Clusters.	\$39.00	N
01503428	1969	AMMETER GAUGE	\$47.00	N
44220	1969	AMMETER GAUGE With -40 / +40 Numeric Face Plate Note: This Is A Replacement For OEM Gauge 01503428 (With Discharge & Charge Graduations) In Trucks With Factory Gauge Type Clusters.	\$39.00	N
01503428	1970	AMMETER GAUGE	\$47.00	N
44220	1970	AMMETER GAUGE With -40 / +40 Numeric Face Plate Note: This Is A Replacement For OEM Gauge 01503428 (With Discharge & Charge Graduations) In Trucks With Factory Gauge Type Clusters.	\$39.00	N
01503428	1971	AMMETER GAUGE	\$47.00	N

Part Number	Year	Description	Price	*Rev.
44220	1971	AMMETER GAUGE With -40 / +40 Numeric Face Plate Note: This Is A Replacement For OEM Gauge 01503428 (With Discharge & Charge Graduations) In Trucks With Factory Gauge Type Clusters.	\$39.00	N
01503428	1972	AMMETER GAUGE	\$47.00	N
44220	1972	AMMETER GAUGE With -40 / +40 Numeric Face Plate Note: This Is A Replacement For OEM Gauge 01503428 (With Discharge & Charge Graduations) In Trucks With Factory Gauge Type Clusters.	\$39.00	N
06474468	1973	AMMETER GAUGE Fire Orange Needle	\$39.00	N
06474468	1974	AMMETER GAUGE Fire Orange Needle	\$39.00	N
06474468	1975	AMMETER GAUGE Fire Orange Needle	\$39.00	N
ASSEMBLY MANUAL				
36385	1947	ASSEMBLY MANUAL Factory Assembly Instruction Guide	\$42.00	
36385	1948	ASSEMBLY MANUAL Factory Assembly Instruction Guide	\$42.00	
36385	1949	ASSEMBLY MANUAL Factory Assembly Instruction Guide	\$42.00	
36385	1950	ASSEMBLY MANUAL Factory Assembly Instruction Guide	\$42.00	
36385	1951	ASSEMBLY MANUAL Factory Assembly Instruction Guide	\$42.00	
36385	1952	ASSEMBLY MANUAL Factory Assembly Instruction Guide	\$42.00	
36385	1953	ASSEMBLY MANUAL Factory Assembly Instruction Guide	\$42.00	
36385	1954	ASSEMBLY MANUAL Factory Assembly Instruction Guide	\$42.00	
41482	1955	ASSEMBLY MANUAL Factory Assembly Instruction Guide Note: This Is A Original Uncut Manual Containing Unedited Data And GM Part Numbers.	\$42.00	
36386	1955	ASSEMBLY MANUAL Factory Assembly Instruction Guide Note: This Manual Is A Edited And Cut Version Without Original GM Part Numbers. If You Have A 1955 Chevy Truck It Is Recommended That You Use The Unedited #41482 Assembly Manual.	\$42.00	
36386	1956	ASSEMBLY MANUAL Factory Assembly Instruction Guide Note: This Manual Is A Edited And Cut Version Without Original GM Part Numbers.	\$42.00	
36386	1957	ASSEMBLY MANUAL Factory Assembly Instruction Guide Note: This Manual Is A Edited And Cut Version Without Original GM Part Numbers.	\$42.00	
36386	1958	ASSEMBLY MANUAL Factory Assembly Instruction Guide Note: This Manual Is A Edited And Cut Version Without Original GM Part Numbers.	\$42.00	
36386	1959	ASSEMBLY MANUAL Factory Assembly Instruction Guide Note: This Manual Is A Edited And Cut Version Without Original GM Part Numbers.	\$42.00	
36387	1960	ASSEMBLY MANUAL Factory Assembly Instruction Guide	\$42.00	
36387	1961	ASSEMBLY MANUAL Factory Assembly Instruction Guide	\$42.00	
36387	1962	ASSEMBLY MANUAL Factory Assembly Instruction Guide	\$42.00	
36387	1963	ASSEMBLY MANUAL Factory Assembly Instruction Guide	\$42.00	
36387	1964	ASSEMBLY MANUAL Factory Assembly Instruction Guide	\$42.00	
36387	1965	ASSEMBLY MANUAL Factory Assembly Instruction Guide	\$42.00	
36387	1966	ASSEMBLY MANUAL Factory Assembly Instruction Guide	\$42.00	
36388	1967	ASSEMBLY MANUAL Factory Assembly Instruction Guide	\$51.00	
36388	1968	ASSEMBLY MANUAL Factory Assembly Instruction Guide	\$51.00	
36388	1969	ASSEMBLY MANUAL Factory Assembly Instruction Guide	\$51.00	
36388	1970	ASSEMBLY MANUAL Factory Assembly Instruction Guide	\$51.00	
36388	1971	ASSEMBLY MANUAL Factory Assembly Instruction Guide	\$51.00	
36388	1972	ASSEMBLY MANUAL Factory Assembly Instruction Guide	\$51.00	
39354	1982	ASSEMBLY MANUAL Factory Assembly Instruction Guide	\$54.00	M

Part Number	Year	Description	Price	*Rev.
AUXILIARY BATTERY GROUND WIRE				
44138	1968	AUXILIARY BATTERY GROUND WIRE All, With Dual Auxiliary Camper Battery Option, Secondary Battery Negative Post To Ground	\$30.00	N
44138	1969	AUXILIARY BATTERY GROUND WIRE All, With Dual Auxiliary Camper Battery Option, Secondary Battery Negative Post To Ground	\$30.00	N
44138	1970	AUXILIARY BATTERY GROUND WIRE All, With Dual Auxiliary Camper Battery Option, Secondary Battery Negative Post To Ground	\$30.00	N
44138	1971	AUXILIARY BATTERY GROUND WIRE All, With Dual Auxiliary Camper Battery Option, Secondary Battery Negative Post To Ground	\$30.00	N
44138	1972	AUXILIARY BATTERY GROUND WIRE All, With Dual Auxiliary Camper Battery Option, Secondary Battery Negative Post To Ground	\$30.00	N
39716	1973	AUXILIARY BATTERY GROUND WIRE All, With Dual Auxiliary Camper Battery Option, Secondary Battery Negative Post To Ground	\$30.00	M
39716	1974	AUXILIARY BATTERY GROUND WIRE All, With Dual Auxiliary Camper Battery Option, Secondary Battery Negative Post To Ground	\$30.00	M
39716	1975	AUXILIARY BATTERY GROUND WIRE All, With Dual Auxiliary Camper Battery Option, Secondary Battery Negative Post To Ground	\$30.00	M
39716	1976	AUXILIARY BATTERY GROUND WIRE All, With Dual Auxiliary Camper Battery Option, Secondary Battery Negative Post To Ground	\$30.00	M
39716	1977	AUXILIARY BATTERY GROUND WIRE All, With Dual Auxiliary Camper Battery Option, Secondary Battery Negative Post To Ground	\$30.00	M
39716	1978	AUXILIARY BATTERY GROUND WIRE All, With Dual Auxiliary Camper Battery Option, Secondary Battery Negative Post To Ground	\$30.00	M
39716	1979	AUXILIARY BATTERY GROUND WIRE All, With Dual Auxiliary Camper Battery Option, Secondary Battery Negative Post To Ground	\$30.00	M
39716	1980	AUXILIARY BATTERY GROUND WIRE All, With Dual Auxiliary Camper Battery Option, Secondary Battery Negative Post To Ground	\$30.00	M
39941	1981	AUXILIARY BATTERY GROUND WIRE All, With Dual Auxiliary Camper Battery Option, Secondary Battery Negative Post To Ground	\$30.00	M
39941	1982	AUXILIARY BATTERY GROUND WIRE All, With Dual Auxiliary Camper Battery Option, Secondary Battery Negative Post To Ground	\$30.00	M
AUXILIARY BATTERY HARNESS				
37450	1968	AUXILIARY BATTERY HARNESS All, With Dual Auxiliary Camper Battery Option, Secondary Battery To Junction Block & Relay	\$67.00	N
37450	1969	AUXILIARY BATTERY HARNESS All, With Dual Auxiliary Camper Battery Option, Secondary Battery To Junction Block & Relay	\$67.00	N
42950	1970	AUXILIARY BATTERY HARNESS All, With Dual Auxiliary Camper Battery Option, Secondary Battery To Junction Block & Relay	\$67.00	N
42950	1971	AUXILIARY BATTERY HARNESS All, With Dual Auxiliary Camper Battery Option, Secondary Battery To Junction Block & Relay	\$67.00	N
42950	1972	AUXILIARY BATTERY HARNESS All, With Dual Auxiliary Camper Battery Option, Secondary Battery To Junction Block & Relay	\$67.00	N
39720	1973	AUXILIARY BATTERY HARNESS All, With Dual Auxiliary Camper Battery Option, Secondary Battery To Junction Block & Relay	\$132.00	M
39720	1974	AUXILIARY BATTERY HARNESS All, With Dual Auxiliary Camper Battery Option, Secondary Battery To Junction Block & Relay	\$132.00	M
39785	1975	AUXILIARY BATTERY HARNESS All, With Dual Auxiliary Camper Battery Option, Secondary Battery To Junction Block & Relay	\$132.00	M
39812	1976	AUXILIARY BATTERY HARNESS All, With Dual Auxiliary Camper Battery Option, Secondary Battery To Junction Block & Relay	\$132.00	M
39812	1977	AUXILIARY BATTERY HARNESS All, With Dual Auxiliary Camper Battery Option, Secondary Battery To Junction Block & Relay	\$132.00	M
39812	1978	AUXILIARY BATTERY HARNESS All, With Dual Auxiliary Camper Battery Option, Secondary Battery To Junction Block & Relay	\$132.00	M

Part Number	Year	Description	Price	*Rev.
39884	1979	AUXILIARY BATTERY HARNESS All, With Dual Auxiliary Camper Battery Option, Secondary Battery To Junction Block & Relay	\$132.00	M
39884	1980	AUXILIARY BATTERY HARNESS All, With Dual Auxiliary Camper Battery Option, Secondary Battery To Junction Block & Relay	\$132.00	M
39942	1981	AUXILIARY BATTERY HARNESS All, With Dual Auxiliary Camper Battery Option, Secondary Battery To Junction Block & Relay	\$132.00	M
39942	1982	AUXILIARY BATTERY HARNESS All, With Dual Auxiliary Camper Battery Option, Secondary Battery To Junction Block & Relay	\$132.00	M
BACKUP LAMP EXTENSION HARNESS				
30645	1962	BACKUP LAMP EXTENSION HARNESS Firewall To Rear Frame Connector	\$27.00	
30645	1963	BACKUP LAMP EXTENSION HARNESS Firewall To Rear Frame Connector	\$27.00	
30645	1964	BACKUP LAMP EXTENSION HARNESS Firewall To Rear Frame Connector	\$27.00	
30645	1965	BACKUP LAMP EXTENSION HARNESS Firewall To Rear Frame Connector	\$27.00	
30645	1966	BACKUP LAMP EXTENSION HARNESS Firewall To Rear Frame Connector	\$27.00	
BACKUP LAMP HARNESS				
19930	1962	BACKUP LAMP HARNESS Rear Frame Connector To Backup Lamps, Except Suburban	\$30.00	
19930	1963	BACKUP LAMP HARNESS Rear Frame Connector To Backup Lamps, Except Suburban	\$30.00	
19930	1964	BACKUP LAMP HARNESS Rear Frame Connector To Backup Lamps, Except Suburban	\$30.00	
19930	1965	BACKUP LAMP HARNESS Rear Frame Connector To Backup Lamps, Except Suburban	\$30.00	
19930	1966	BACKUP LAMP HARNESS Rear Frame Connector To Backup Lamps, Except Suburban	\$30.00	
BACKUP LAMP SWITCH HARNESS				
39770	1974	BACKUP LAMP SWITCH HARNESS With 4 Speed Trans, Backup Lamp Switch To Extension Harness	\$48.00	M
37500	1975	BACKUP LAMP SWITCH HARNESS With 4 Speed Trans, Backup Lamp Switch To Extension Harness	\$48.00	M
37500	1976	BACKUP LAMP SWITCH HARNESS With 4 Speed Trans, Backup Lamp Switch To Extension Harness	\$48.00	M
37500	1977	BACKUP LAMP SWITCH HARNESS With 4 Speed Trans, Backup Lamp Switch To Extension Harness	\$48.00	M
37500	1978	BACKUP LAMP SWITCH HARNESS With 4 Speed Trans, Backup Lamp Switch To Extension Harness	\$48.00	M
37500	1979	BACKUP LAMP SWITCH HARNESS With 4 Speed Trans, Backup Lamp Switch To Extension Harness	\$48.00	M
37500	1980	BACKUP LAMP SWITCH HARNESS With 4 Speed Trans, Backup Lamp Switch To Extension Harness	\$48.00	M
39989	1981	BACKUP LAMP SWITCH HARNESS With 4 Speed Trans, Switch To Extension Harness	\$48.00	M
39989	1982	BACKUP LAMP SWITCH HARNESS With 4 Speed Trans, Except New Process, Switch To Extension Harness	\$48.00	M
37537	1982	BACKUP LAMP SWITCH HARNESS With New Process 4 Speed Trans, Switch To Extension Harness	\$48.00	M
BATTERY CABLE JUNCTION BLOCK				
03882795	1967	BATTERY CABLE JUNCTION BLOCK For Positive Cable Secondary Lead, Also Used With Auxiliary Camper Battery Harness	\$11.00	N
03882795	1968	BATTERY CABLE JUNCTION BLOCK For Positive Cable Secondary Lead, Also Used With Auxiliary Camper Battery Harness	\$11.00	N
03882795	1969	BATTERY CABLE JUNCTION BLOCK For Positive Cable Secondary Lead, Also Used With Auxiliary Camper Battery Harness	\$11.00	N
03882795	1970	BATTERY CABLE JUNCTION BLOCK For Positive Cable Secondary Lead, Also Used With Auxiliary Camper Battery Harness	\$11.00	N
03882795	1971	BATTERY CABLE JUNCTION BLOCK For Positive Cable Secondary Lead, Also Used With Auxiliary Camper Battery Harness	\$11.00	N
03882795	1972	BATTERY CABLE JUNCTION BLOCK For Positive Cable Secondary Lead, Also Used With Auxiliary Camper Battery Harness	\$11.00	N
BATTERY CABLE-NEGATIVE				
03005	1960	BATTERY CABLE, SPRING RING Neg, 6 Cylinder Note: 6 Cylinder Items Are Not Returnable.	\$69.00	
03000	1960	BATTERY CABLE, SPRING RING Neg, V/8	\$69.00	

Part Number	Year	Description	Price	*Rev.
03720	1961	BATTERY CABLE, SPRING RING Neg, All	\$69.00	
04135	1962	BATTERY CABLE, SPRING RING Neg, 6 Cylinder Note: 6 Cylinder Items Are Not Returnable.	\$69.00	
03720	1962	BATTERY CABLE, SPRING RING Neg, V/8	\$69.00	
04135	1963	BATTERY CABLE, SPRING RING Neg, 6 Cylinder, Except Accessory A/C Note: 6 Cylinder Items Are Not Returnable.	\$69.00	
03005	1963	BATTERY CABLE, SPRING RING Neg, 6 Cylinder, With Accessory A/C Note: 6 Cylinder Items Are Not Returnable.	\$69.00	
03720	1963	BATTERY CABLE, SPRING RING Neg, V/8	\$69.00	
05515	1964	BATTERY CABLE, SPRING RING Neg, 6 Cylinder Note: 6 Cylinder Items Are Not Returnable.	\$69.00	
04870	1964	BATTERY CABLE, SPRING RING Neg, V/8	\$69.00	
05515	1965	BATTERY CABLE, SPRING RING Neg, 6 Cylinder Note: 6 Cylinder Items Are Not Returnable.	\$69.00	
04870	1965	BATTERY CABLE, SPRING RING Neg, V/8	\$69.00	
05515	1966	BATTERY CABLE, SPRING RING Neg, 6 Cylinder Note: 6 Cylinder Items Are Not Returnable.	\$69.00	
04870	1966	BATTERY CABLE, SPRING RING Neg, V/8	\$69.00	
BATTERY CABLE-POSITIVE				
30615	1955	BATTERY CABLE, TOP POST Pos, 6 Cylinder Note: 6 Cylinder Items Are Not Returnable.	\$63.00	
29405	1955	BATTERY CABLE, TOP POST Pos, V/8	\$63.00	
30615	1956	BATTERY CABLE, TOP POST Pos, 6 Cylinder Note: 6 Cylinder Items Are Not Returnable.	\$63.00	
29405	1956	BATTERY CABLE, TOP POST Pos, V/8	\$63.00	
30615	1957	BATTERY CABLE, TOP POST Pos, 6 Cylinder Note: 6 Cylinder Items Are Not Returnable.	\$63.00	
29405	1957	BATTERY CABLE, TOP POST Pos, V/8	\$63.00	
30615	1958	BATTERY CABLE, TOP POST Pos, 6 Cylinder Note: 6 Cylinder Items Are Not Returnable.	\$63.00	
29405	1958	BATTERY CABLE, TOP POST Pos, V/8, With Auto Trans	\$63.00	
30610	1958	BATTERY CABLE, TOP POST Pos, V/8, With Manual Trans	\$63.00	
30615	1959	BATTERY CABLE, TOP POST Pos, 6 Cylinder Note: 6 Cylinder Items Are Not Returnable.	\$63.00	
29405	1959	BATTERY CABLE, TOP POST Pos, V/8, With Auto Trans	\$63.00	
30610	1959	BATTERY CABLE, TOP POST Pos, V/8, With Manual Trans	\$63.00	
21290	1960	BATTERY CABLE, SPRING RING Pos, All	\$69.00	
21350	1961	BATTERY CABLE, SPRING RING Pos, All	\$69.00	
21350	1962	BATTERY CABLE, SPRING RING Pos, All	\$69.00	
03930	1963	BATTERY CABLE, SPRING RING Pos, All, With A/C	\$69.00	
21125	1963	BATTERY CABLE, SPRING RING Pos, All, Without A/C	\$69.00	
03930	1964	BATTERY CABLE, SPRING RING Pos, All, With A/C	\$69.00	
21125	1964	BATTERY CABLE, SPRING RING Pos, All, Without A/C	\$69.00	
03930	1965	BATTERY CABLE, SPRING RING Pos, All, With A/C	\$69.00	
21125	1965	BATTERY CABLE, SPRING RING Pos, All, Without A/C	\$69.00	
03930	1966	BATTERY CABLE, SPRING RING Pos, All, With A/C	\$69.00	
21125	1966	BATTERY CABLE, SPRING RING Pos, All, Without A/C	\$69.00	

Part Number	Year	Description	Price	*Rev.
BATTERY GROUND STRAP				
21595	1955	BATTERY GROUND STRAP Neg, 6 Cylinder & V/8 Note: 6 Cylinder Items Are Not Returnable.	\$63.00	
21595	1956	BATTERY GROUND STRAP Neg, 6 Cylinder & V/8 Note: 6 Cylinder Items Are Not Returnable.	\$63.00	
21595	1957	BATTERY GROUND STRAP Neg, 6 Cylinder & V/8 Note: 6 Cylinder Items Are Not Returnable.	\$63.00	
21595	1958	BATTERY GROUND STRAP Neg, 6 Cylinder & V/8 Note: 6 Cylinder Items Are Not Returnable.	\$63.00	
21595	1959	BATTERY GROUND STRAP Neg, 6 Cylinder & V/8 Note: 6 Cylinder Items Are Not Returnable.	\$63.00	
BRAKE WARNING SWITCH JUMPER				
39757	1973	BRAKE WARNING SWITCH JUMPER 2 Wheel Drive, Brake Warning Switch To Front Light Harness	\$34.00	M
39758	1973	BRAKE WARNING SWITCH JUMPER 4 Wheel Drive, Brake Warning Switch To Front Light Harness	\$34.00	M
39757	1974	BRAKE WARNING SWITCH JUMPER 2 Wheel Drive, Brake Warning Switch To Front Light Harness	\$34.00	M
39758	1974	BRAKE WARNING SWITCH JUMPER 4 Wheel Drive, Brake Warning Switch To Front Light Harness	\$34.00	M
39757	1975	BRAKE WARNING SWITCH JUMPER 2 Wheel Drive, Brake Warning Switch To Front Light Harness	\$34.00	M
39758	1975	BRAKE WARNING SWITCH JUMPER 4 Wheel Drive, Brake Warning Switch To Front Light Harness	\$34.00	M
39757	1976	BRAKE WARNING SWITCH JUMPER 2 Wheel Drive, Brake Warning Switch To Front Light Harness	\$34.00	M
39758	1976	BRAKE WARNING SWITCH JUMPER 4 Wheel Drive, Brake Warning Switch To Front Light Harness	\$34.00	M
39757	1977	BRAKE WARNING SWITCH JUMPER 2 Wheel Drive, Brake Warning Switch To Front Light Harness	\$34.00	M
39758	1977	BRAKE WARNING SWITCH JUMPER 4 Wheel Drive, Brake Warning Switch To Front Light Harness	\$34.00	M
39862	1978	BRAKE WARNING SWITCH JUMPER 2 Wheel Drive, Brake Warning Switch To Front Light Harness	\$41.00	M
39863	1978	BRAKE WARNING SWITCH JUMPER 4 Wheel Drive, Brake Warning Switch To Front Light Harness	\$41.00	M
39862	1979	BRAKE WARNING SWITCH JUMPER 2 Wheel Drive, Brake Warning Switch To Front Light Harness	\$41.00	M
39863	1979	BRAKE WARNING SWITCH JUMPER 4 Wheel Drive, Brake Warning Switch To Front Light Harness	\$41.00	M
39862	1980	BRAKE WARNING SWITCH JUMPER 2 Wheel Drive, Brake Warning Switch To Front Light Harness	\$41.00	M
39863	1980	BRAKE WARNING SWITCH JUMPER 4 Wheel Drive, Brake Warning Switch To Front Light Harness	\$41.00	M
39862	1981	BRAKE WARNING SWITCH JUMPER 2 Wheel Drive, Brake Warning Switch To Front Light Harness	\$41.00	M
39863	1981	BRAKE WARNING SWITCH JUMPER 4 Wheel Drive, Brake Warning Switch To Front Light Harness	\$41.00	M
39862	1982	BRAKE WARNING SWITCH JUMPER 2 Wheel Drive, Brake Warning Switch To Front Light Harness	\$41.00	M
39863	1982	BRAKE WARNING SWITCH JUMPER 4 Wheel Drive, Brake Warning Switch To Front Light Harness	\$41.00	M
BREAKERLESS SE SINGLE WIRE ELECTRONIC IGNITION				
38131	1957	BREAKERLESS SE SINGLE WIRE ELECTRONIC IGNITION KIT For 1957-74 Breaker Point Distributors With Windowed Type Distributor Cap	\$179.00	
38131	1958	BREAKERLESS SE SINGLE WIRE ELECTRONIC IGNITION KIT For 1957-74 Breaker Point Distributors With Windowed Type Distributor Cap	\$179.00	
38131	1959	BREAKERLESS SE SINGLE WIRE ELECTRONIC IGNITION KIT For 1957-74 Breaker Point Distributors With Windowed Type Distributor Cap	\$179.00	
38131	1960	BREAKERLESS SE SINGLE WIRE ELECTRONIC IGNITION KIT For 1957-74 Breaker Point Distributors With Windowed Type Distributor Cap	\$179.00	
38131	1961	BREAKERLESS SE SINGLE WIRE ELECTRONIC IGNITION KIT For 1957-74 Breaker Point Distributors With Windowed Type Distributor Cap	\$179.00	
38131	1962	BREAKERLESS SE SINGLE WIRE ELECTRONIC IGNITION KIT For 1957-74 Breaker Point Distributors With Windowed Type Distributor Cap	\$179.00	
38131	1963	BREAKERLESS SE SINGLE WIRE ELECTRONIC IGNITION KIT For 1957-74 Breaker Point Distributors With Windowed Type Distributor Cap	\$179.00	
38131	1964	BREAKERLESS SE SINGLE WIRE ELECTRONIC IGNITION KIT For 1957-74 Breaker Point Distributors With Windowed Type Distributor Cap	\$179.00	

Part Number	Year	Description	Price	*Rev.
38131	1965	BREAKERLESS SE SINGLE WIRE ELECTRONIC IGNITION KIT For 1957-74 Breaker Point Distributors With Windowed Type Distributor Cap	\$179.00	
38131	1966	BREAKERLESS SE SINGLE WIRE ELECTRONIC IGNITION KIT For 1957-74 Breaker Point Distributors With Windowed Type Distributor Cap	\$179.00	
38131	1967	BREAKERLESS SE SINGLE WIRE ELECTRONIC IGNITION KIT For 1957-74 Breaker Point Distributors With Windowed Type Distributor Cap	\$179.00	
38131	1968	BREAKERLESS SE SINGLE WIRE ELECTRONIC IGNITION KIT For 1957-74 Breaker Point Distributors With Windowed Type Distributor Cap	\$179.00	
38131	1969	BREAKERLESS SE SINGLE WIRE ELECTRONIC IGNITION KIT For 1957-74 Breaker Point Distributors With Windowed Type Distributor Cap	\$179.00	
38131	1970	BREAKERLESS SE SINGLE WIRE ELECTRONIC IGNITION KIT For 1957-74 Breaker Point Distributors With Windowed Type Distributor Cap	\$179.00	
38131	1971	BREAKERLESS SE SINGLE WIRE ELECTRONIC IGNITION KIT For 1957-74 Breaker Point Distributors With Windowed Type Distributor Cap	\$179.00	
38131	1972	BREAKERLESS SE SINGLE WIRE ELECTRONIC IGNITION KIT For 1957-74 Breaker Point Distributors With Windowed Type Distributor Cap	\$179.00	
38131	1973	BREAKERLESS SE SINGLE WIRE ELECTRONIC IGNITION KIT For 1957-74 Breaker Point Distributors With Windowed Type Distributor Cap	\$179.00	M
38131	1974	BREAKERLESS SE SINGLE WIRE ELECTRONIC IGNITION KIT For 1957-74 Breaker Point Distributors With Windowed Type Distributor Cap	\$179.00	M
CAMPER HARNESS				
40043	1976	CAMPER HARNESS Blazer Chinook, Rear Lamp Harness On Blazer, To Wiring Harness On Camper	\$120.00	M
40043	1977	CAMPER HARNESS Blazer Chinook, Rear Lamp Harness On Blazer, To Wiring Harness On Camper	\$120.00	M
CAMPER POWER FEED WIRE				
39788	1975	CAMPER POWER FEED WIRE Battery Junction Block To Wiring Harness On Camper	\$34.00	M
39811	1976	CAMPER POWER FEED WIRE Battery Junction Block To Wiring Harness On Camper	\$34.00	M
39811	1977	CAMPER POWER FEED WIRE Battery Junction Block To Wiring Harness On Camper	\$34.00	M
39811	1978	CAMPER POWER FEED WIRE Battery Junction Block To Wiring Harness On Camper	\$34.00	M
39811	1979	CAMPER POWER FEED WIRE Battery Junction Block To Wiring Harness On Camper	\$34.00	M
39919	1980	CAMPER POWER FEED WIRE Battery Junction Block To Wiring Harness On Camper	\$34.00	M
39919	1981	CAMPER POWER FEED WIRE Battery Junction Block To Wiring Harness On Camper	\$34.00	M
39919	1982	CAMPER POWER FEED WIRE Battery Junction Block To Wiring Harness On Camper	\$34.00	M
CAMPER REAR LAMP HARNESS				
39717	1973	CAMPER REAR LAMP HARNESS All With Camper Option, Rear Lamp Harness On Truck, To Tail Lamp Harness On Camper Note: this harness is universal, it can be used with all types of campers.	\$101.00	M
39717	1974	CAMPER REAR LAMP HARNESS All With Camper Option, Rear Lamp Harness On Truck, To Tail Lamp Harness On Camper Note: this harness is universal, it can be used with all types of campers.	\$101.00	M
39784	1975	CAMPER REAR LAMP HARNESS All With Camper Option, Rear Lamp Harness On Truck, To Tail Lamp Harness On Camper Note: this harness is universal, it can be used with all types of campers.	\$101.00	M
39784	1976	CAMPER REAR LAMP HARNESS All With Camper Option, Rear Lamp Harness On Truck, To Tail Lamp Harness On Camper Note: this harness is universal, it can be used with all types of campers.	\$101.00	M
39784	1977	CAMPER REAR LAMP HARNESS All With Camper Option, Rear Lamp Harness On Truck, To Tail Lamp Harness On Camper Note: this harness is universal, it can be used with all types of campers.	\$101.00	M
39784	1978	CAMPER REAR LAMP HARNESS All With Camper Option, Rear Lamp Harness On Truck, To Tail Lamp Harness On Camper Note: this harness is universal, it can be used with all types of campers.	\$101.00	M

Part Number	Year	Description	Price	*Rev.
39784	1979	CAMPER REAR LAMP HARNESS All With Camper Option, Rear Lamp Harness On Truck, To Tail Lamp Harness On Camper Note: this harness is universal, it can be used with all types of campers.	\$101.00	M
39784	1980	CAMPER REAR LAMP HARNESS All With Camper Option, Rear Lamp Harness On Truck, To Tail Lamp Harness On Camper Note: this harness is universal, it can be used with all types of campers.	\$101.00	M
39784	1981	CAMPER REAR LAMP HARNESS All With Camper Option, Rear Lamp Harness On Truck, To Tail Lamp Harness On Camper Note: this harness is universal, it can be used with all types of campers.	\$101.00	M
39784	1982	CAMPER REAR LAMP HARNESS All With Camper Option, Rear Lamp Harness On Truck, To Tail Lamp Harness On Camper Note: this harness is universal, it can be used with all types of campers.	\$101.00	M
CARGO LAMP HARNESS				
30850	1969	CARGO LAMP HARNESS External, Above Cab Rear Window	\$48.00	
30850	1970	CARGO LAMP HARNESS External, Above Cab Rear Window	\$48.00	
30850	1971	CARGO LAMP HARNESS External, Above Cab Rear Window	\$48.00	
30850	1972	CARGO LAMP HARNESS External, Above Cab Rear Window	\$48.00	
39715	1973	CARGO LAMP HARNESS 2 Door Trucks, With Cargo Lamp Option	\$92.00	M
39733	1973	CARGO LAMP HARNESS 4 Door Trucks, With Cargo Lamp Option	\$92.00	M
39715	1974	CARGO LAMP HARNESS 2 Door Trucks, With Cargo Lamp Option	\$92.00	M
39733	1974	CARGO LAMP HARNESS 4 Door Trucks, With Cargo Lamp Option	\$92.00	M
39715	1975	CARGO LAMP HARNESS 2 Door Trucks, With Cargo Lamp Option	\$92.00	M
39733	1975	CARGO LAMP HARNESS 4 Door Trucks, With Cargo Lamp Option	\$92.00	M
39715	1976	CARGO LAMP HARNESS 2 Door Trucks, With Cargo Lamp Option	\$92.00	M
39804	1976	CARGO LAMP HARNESS 4 Door Trucks, With Cargo Lamp Option	\$92.00	M
39804	1977	CARGO LAMP HARNESS 4 Door Trucks, With Cargo Lamp Option	\$92.00	M
39850	1977	CARGO LAMP HARNESS 2 Door Trucks, With Cargo Lamp Option	\$92.00	M
39804	1978	CARGO LAMP HARNESS 4 Door Trucks, With Cargo Lamp Option	\$92.00	M
39850	1978	CARGO LAMP HARNESS 2 Door Trucks, With Cargo Lamp Option	\$92.00	M
39804	1979	CARGO LAMP HARNESS 4 Door Trucks, With Cargo Lamp Option	\$92.00	M
39850	1979	CARGO LAMP HARNESS 2 Door Trucks, With Cargo Lamp Option	\$92.00	M
39804	1980	CARGO LAMP HARNESS 4 Door Trucks, With Cargo Lamp Option	\$92.00	M
39850	1980	CARGO LAMP HARNESS 2 Door Trucks, With Cargo Lamp Option	\$92.00	M
39804	1981	CARGO LAMP HARNESS 4 Door Trucks, With Cargo Lamp Option	\$92.00	M
39850	1981	CARGO LAMP HARNESS 2 Door Trucks, With Cargo Lamp Option	\$92.00	M
39804	1982	CARGO LAMP HARNESS 4 Door Trucks, With Cargo Lamp Option	\$92.00	M
39850	1982	CARGO LAMP HARNESS 2 Door Trucks, With Cargo Lamp Option	\$92.00	M
CARGO LAMP SWITCH				
03959232	1969	CARGO LAMP SWITCH	\$19.50	N
03959232	1970	CARGO LAMP SWITCH	\$19.50	N
03959232	1971	CARGO LAMP SWITCH	\$19.50	N
03959232	1972	CARGO LAMP SWITCH	\$19.50	N
00329821	1973	CARGO LAMP SWITCH	\$27.00	N
00329821	1974	CARGO LAMP SWITCH	\$27.00	N
00339880	1975	CARGO LAMP SWITCH	\$21.00	N
00339880	1976	CARGO LAMP SWITCH	\$21.00	N
00339880	1977	CARGO LAMP SWITCH	\$21.00	N
00339880	1978	CARGO LAMP SWITCH	\$21.00	N

Part Number	Year	Description	Price	*Rev.
00339880	1979	CARGO LAMP SWITCH	\$21.00	N
00339880	1980	CARGO LAMP SWITCH	\$21.00	N
00339880	1981	CARGO LAMP SWITCH	\$21.00	N
00339880	1982	CARGO LAMP SWITCH	\$21.00	N
00339880	1983	CARGO LAMP SWITCH	\$21.00	N
00339880	1984	CARGO LAMP SWITCH	\$21.00	N
00339880	1985	CARGO LAMP SWITCH	\$21.00	N
00339880	1986	CARGO LAMP SWITCH	\$21.00	N
00339880	1987	CARGO LAMP SWITCH RV Body Style	\$21.00	N
CIGARETTE LIGHTER WIRE				
19935	1960	CIGARETTE LIGHTER WIRE	\$14.00	
19935	1961	CIGARETTE LIGHTER WIRE	\$14.00	
19935	1962	CIGARETTE LIGHTER WIRE	\$14.00	
19935	1963	CIGARETTE LIGHTER WIRE	\$14.00	
19935	1964	CIGARETTE LIGHTER WIRE	\$14.00	
19935	1965	CIGARETTE LIGHTER WIRE	\$14.00	
19935	1966	CIGARETTE LIGHTER WIRE	\$14.00	
CIRCUIT BREAKER				
04850166	1973	CIRCUIT BREAKER, 30 AMP Power Tailgate Window, Blazer, Jimmy & Suburban	\$14.00	M
04850166	1974	CIRCUIT BREAKER, 30 AMP Power Tailgate Window, Blazer, Jimmy & Suburban	\$14.00	M
04850166	1975	CIRCUIT BREAKER, 30 AMP Power Tailgate Window, Blazer, Jimmy & Suburban	\$14.00	M
04850166	1976	CIRCUIT BREAKER, 30 AMP Power Tailgate Window, Blazer, Jimmy & Suburban	\$14.00	M
04850166	1977	CIRCUIT BREAKER, 30 AMP Power Tailgate Window, Blazer, Jimmy & Suburban	\$14.00	M
04850166	1978	CIRCUIT BREAKER, 30 AMP Power Tailgate Window, Blazer, Jimmy & Suburban	\$14.00	M
CLASSIC AUTO FUSE SERIES-11-WAY CONNECTOR KIT				
41355	1967	CLASSIC AUTO FUSE SERIES-11-WAY CONNECTOR KIT Includes Male & Female Connectors And Terminals Note: Used With 1967-78 Chevy Truck Classic Auto Fuse Series ATO Fuse Type Dash Harnesses.	\$26.00	
41355	1968	CLASSIC AUTO FUSE SERIES-11-WAY CONNECTOR KIT Includes Male & Female Connectors And Terminals Note: Used With 1967-78 Chevy Truck Classic Auto Fuse Series ATO Fuse Type Dash Harnesses.	\$26.00	
41355	1969	CLASSIC AUTO FUSE SERIES-11-WAY CONNECTOR KIT Includes Male & Female Connectors And Terminals Note: Used With 1967-78 Chevy Truck Classic Auto Fuse Series ATO Fuse Type Dash Harnesses.	\$26.00	
41355	1970	CLASSIC AUTO FUSE SERIES-11-WAY CONNECTOR KIT Includes Male & Female Connectors And Terminals Note: Used With 1967-78 Chevy Truck Classic Auto Fuse Series ATO Fuse Type Dash Harnesses.	\$26.00	
41355	1971	CLASSIC AUTO FUSE SERIES-11-WAY CONNECTOR KIT Includes Male & Female Connectors And Terminals Note: Used With 1967-78 Chevy Truck Classic Auto Fuse Series ATO Fuse Type Dash Harnesses.	\$26.00	
41355	1972	CLASSIC AUTO FUSE SERIES-11-WAY CONNECTOR KIT Includes Male & Female Connectors And Terminals Note: Used With 1967-78 Chevy Truck Classic Auto Fuse Series ATO Fuse Type Dash Harnesses.	\$26.00	
41355	1973	CLASSIC AUTO FUSE SERIES-11-WAY CONNECTOR KIT Includes Male & Female Connectors And Terminals Note: Used With 1967-78 Chevy Truck Classic Auto Fuse Series ATO Fuse Type Dash Harnesses.	\$26.00	M
41355	1974	CLASSIC AUTO FUSE SERIES-11-WAY CONNECTOR KIT Includes Male & Female Connectors And Terminals Note: Used With 1967-78 Chevy Truck Classic Auto Fuse Series ATO Fuse Type Dash Harnesses.	\$26.00	M
41355	1975	CLASSIC AUTO FUSE SERIES-11-WAY CONNECTOR KIT Includes Male & Female Connectors And Terminals Note: Used With 1967-78 Chevy Truck Classic Auto Fuse Series ATO Fuse Type Dash Harnesses.	\$26.00	M
41355	1976	CLASSIC AUTO FUSE SERIES-11-WAY CONNECTOR KIT Includes Male & Female Connectors And Terminals Note: Used With 1967-78 Chevy Truck Classic Auto Fuse Series ATO Fuse Type Dash Harnesses.	\$26.00	M
41355	1977	CLASSIC AUTO FUSE SERIES-11-WAY CONNECTOR KIT Includes Male & Female Connectors And Terminals Note: Used With 1967-78 Chevy Truck Classic Auto Fuse Series ATO Fuse Type Dash Harnesses.	\$26.00	M

Part Number	Year	Description	Price	*Rev.
41355	1978	CLASSIC AUTO FUSE SERIES-11-WAY CONNECTOR KIT Includes Male & Female Connectors And Terminals Note: Used With 1967-78 Chevy Truck Classic Auto Fuse Series ATO Fuse Type Dash Harnesses.	\$26.00	M
CLASSIC AUTO FUSE SERIES-6-WAY ACCESSORY KIT				
41359	1967	CLASSIC AUTO FUSE SERIES-6-WAY ACCESSORY FUSEBLOCK KIT Includes 6-Way Accessory Fuseblock, & Terminal Bus Bars Note: Used With 1967-78 Chevy Truck Classic Auto Fuse Series ATO Fuse Type Dash Harnesses.	\$21.00	
41359	1968	CLASSIC AUTO FUSE SERIES-6-WAY ACCESSORY FUSEBLOCK KIT Includes 6-Way Accessory Fuseblock, & Terminal Bus Bars Note: Used With 1967-78 Chevy Truck Classic Auto Fuse Series ATO Fuse Type Dash Harnesses.	\$21.00	
41359	1969	CLASSIC AUTO FUSE SERIES-6-WAY ACCESSORY FUSEBLOCK KIT Includes 6-Way Accessory Fuseblock, & Terminal Bus Bars Note: Used With 1967-78 Chevy Truck Classic Auto Fuse Series ATO Fuse Type Dash Harnesses.	\$21.00	
41359	1970	CLASSIC AUTO FUSE SERIES-6-WAY ACCESSORY FUSEBLOCK KIT Includes 6-Way Accessory Fuseblock, & Terminal Bus Bars Note: Used With 1967-78 Chevy Truck Classic Auto Fuse Series ATO Fuse Type Dash Harnesses.	\$21.00	
41359	1971	CLASSIC AUTO FUSE SERIES-6-WAY ACCESSORY FUSEBLOCK KIT Includes 6-Way Accessory Fuseblock, & Terminal Bus Bars Note: Used With 1967-78 Chevy Truck Classic Auto Fuse Series ATO Fuse Type Dash Harnesses.	\$21.00	
41359	1972	CLASSIC AUTO FUSE SERIES-6-WAY ACCESSORY FUSEBLOCK KIT Includes 6-Way Accessory Fuseblock, & Terminal Bus Bars Note: Used With 1967-78 Chevy Truck Classic Auto Fuse Series ATO Fuse Type Dash Harnesses.	\$21.00	
41359	1973	CLASSIC AUTO FUSE SERIES-6-WAY ACCESSORY FUSEBLOCK KIT Includes 6-Way Accessory Fuseblock, & Terminal Bus Bars Note: Used With 1967-78 Chevy Truck Classic Auto Fuse Series ATO Fuse Type Dash Harnesses.	\$21.00	M
41359	1974	CLASSIC AUTO FUSE SERIES-6-WAY ACCESSORY FUSEBLOCK KIT Includes 6-Way Accessory Fuseblock, & Terminal Bus Bars Note: Used With 1967-78 Chevy Truck Classic Auto Fuse Series ATO Fuse Type Dash Harnesses.	\$21.00	M
41359	1975	CLASSIC AUTO FUSE SERIES-6-WAY ACCESSORY FUSEBLOCK KIT Includes 6-Way Accessory Fuseblock, & Terminal Bus Bars Note: Used With 1967-78 Chevy Truck Classic Auto Fuse Series ATO Fuse Type Dash Harnesses.	\$21.00	M
41359	1976	CLASSIC AUTO FUSE SERIES-6-WAY ACCESSORY FUSEBLOCK KIT Includes 6-Way Accessory Fuseblock, & Terminal Bus Bars Note: Used With 1967-78 Chevy Truck Classic Auto Fuse Series ATO Fuse Type Dash Harnesses.	\$21.00	M
41359	1977	CLASSIC AUTO FUSE SERIES-6-WAY ACCESSORY FUSEBLOCK KIT Includes 6-Way Accessory Fuseblock, & Terminal Bus Bars Note: Used With 1967-78 Chevy Truck Classic Auto Fuse Series ATO Fuse Type Dash Harnesses.	\$21.00	M
41359	1978	CLASSIC AUTO FUSE SERIES-6-WAY ACCESSORY FUSEBLOCK KIT Includes 6-Way Accessory Fuseblock, & Terminal Bus Bars Note: Used With 1967-78 Chevy Truck Classic Auto Fuse Series ATO Fuse Type Dash Harnesses.	\$21.00	M
CLASSIC AUTO FUSE SERIES-FUSE AND FLASHER KIT				
40355	1967	CLASSIC AUTO FUSE SERIES-FUSE AND FLASHER KIT Includes Flashers, Fuses & Circuit Breakers, Also Includes 1 Each Spare Fuse Note: Used With 1967-72 Chevy Truck Classic Auto Fuse Series ATO Fuse Type Dash Harnesses.	\$40.00	
40355	1968	CLASSIC AUTO FUSE SERIES-FUSE AND FLASHER KIT Includes Flashers, Fuses & Circuit Breakers, Also Includes 1 Each Spare Fuse Note: Used With 1967-72 Chevy Truck Classic Auto Fuse Series ATO Fuse Type Dash Harnesses.	\$40.00	
40355	1969	CLASSIC AUTO FUSE SERIES-FUSE AND FLASHER KIT Includes Flashers, Fuses & Circuit Breakers, Also Includes 1 Each Spare Fuse Note: Used With 1967-72 Chevy Truck Classic Auto Fuse Series ATO Fuse Type Dash Harnesses.	\$40.00	
40355	1970	CLASSIC AUTO FUSE SERIES-FUSE AND FLASHER KIT Includes Flashers, Fuses & Circuit Breakers, Also Includes 1 Each Spare Fuse Note: Used With 1967-72 Chevy Truck Classic Auto Fuse Series ATO Fuse Type Dash Harnesses.	\$40.00	

Part Number	Year	Description	Price	*Rev.
40355	1971	CLASSIC AUTO FUSE SERIES-FUSE AND FLASHER KIT Includes Flashers, Fuses & Circuit Breakers, Also Includes 1 Each Spare Fuse Note: Used With 1967-72 Chevy Truck Classic Auto Fuse Series ATO Fuse Type Dash Harnesses.	\$40.00	
40355	1972	CLASSIC AUTO FUSE SERIES-FUSE AND FLASHER KIT Includes Flashers, Fuses & Circuit Breakers, Also Includes 1 Each Spare Fuse Note: Used With 1967-72 Chevy Truck Classic Auto Fuse Series ATO Fuse Type Dash Harnesses.	\$40.00	
40356	1973	CLASSIC AUTO FUSE SERIES-FUSE AND FLASHER KIT Includes Flashers, Fuses & Circuit Breakers, Also Includes 1 Each Spare Fuse Note: Used With 1973-74 Chevy Truck Classic Auto Fuse Series ATO Fuse Type Dash Harnesses.	\$40.00	M
40356	1974	CLASSIC AUTO FUSE SERIES-FUSE AND FLASHER KIT Includes Flashers, Fuses & Circuit Breakers, Also Includes 1 Each Spare Fuse Note: Used With 1973-74 Chevy Truck Classic Auto Fuse Series ATO Fuse Type Dash Harnesses.	\$40.00	M
40357	1975	CLASSIC AUTO FUSE SERIES-FUSE AND FLASHER KIT Includes Flashers, Fuses & Circuit Breakers, Also Includes 1 Each Spare Fuse Note: Used With 1975-78 Chevy Truck Classic Auto Fuse Series ATO Fuse Type Dash Harnesses.	\$40.00	M
40357	1976	CLASSIC AUTO FUSE SERIES-FUSE AND FLASHER KIT Includes Flashers, Fuses & Circuit Breakers, Also Includes 1 Each Spare Fuse Note: Used With 1975-78 Chevy Truck Classic Auto Fuse Series ATO Fuse Type Dash Harnesses.	\$40.00	M
40357	1977	CLASSIC AUTO FUSE SERIES-FUSE AND FLASHER KIT Includes Flashers, Fuses & Circuit Breakers, Also Includes 1 Each Spare Fuse Note: Used With 1975-78 Chevy Truck Classic Auto Fuse Series ATO Fuse Type Dash Harnesses.	\$40.00	M
40357	1978	CLASSIC AUTO FUSE SERIES-FUSE AND FLASHER KIT Includes Flashers, Fuses & Circuit Breakers, Also Includes 1 Each Spare Fuse Note: Used With 1975-78 Chevy Truck Classic Auto Fuse Series ATO Fuse Type Dash Harnesses.	\$40.00	M
CLASSIC AUTO FUSE SERIES-FUSEBLOCK CONN KIT				
41358	1967	CLASSIC AUTO FUSE SERIES-FRONT OF FUSEBLOCK ACCESSORY CONNECTOR KIT Includes Front Of Fuseblock Accessory Connectors & Terminals Note: Used With 1967-78 Chevy Truck Classic Auto Fuse Series ATO Fuse Type Dash Harnesses.	\$33.00	
41358	1968	CLASSIC AUTO FUSE SERIES-FRONT OF FUSEBLOCK ACCESSORY CONNECTOR KIT Includes Front Of Fuseblock Accessory Connectors & Terminals Note: Used With 1967-78 Chevy Truck Classic Auto Fuse Series ATO Fuse Type Dash Harnesses.	\$33.00	
41358	1969	CLASSIC AUTO FUSE SERIES-FRONT OF FUSEBLOCK ACCESSORY CONNECTOR KIT Includes Front Of Fuseblock Accessory Connectors & Terminals Note: Used With 1967-78 Chevy Truck Classic Auto Fuse Series ATO Fuse Type Dash Harnesses.	\$33.00	
41358	1970	CLASSIC AUTO FUSE SERIES-FRONT OF FUSEBLOCK ACCESSORY CONNECTOR KIT Includes Front Of Fuseblock Accessory Connectors & Terminals Note: Used With 1967-78 Chevy Truck Classic Auto Fuse Series ATO Fuse Type Dash Harnesses.	\$33.00	
41358	1971	CLASSIC AUTO FUSE SERIES-FRONT OF FUSEBLOCK ACCESSORY CONNECTOR KIT Includes Front Of Fuseblock Accessory Connectors & Terminals Note: Used With 1967-78 Chevy Truck Classic Auto Fuse Series ATO Fuse Type Dash Harnesses.	\$33.00	
41358	1972	CLASSIC AUTO FUSE SERIES-FRONT OF FUSEBLOCK ACCESSORY CONNECTOR KIT Includes Front Of Fuseblock Accessory Connectors & Terminals Note: Used With 1967-78 Chevy Truck Classic Auto Fuse Series ATO Fuse Type Dash Harnesses.	\$33.00	
41358	1973	CLASSIC AUTO FUSE SERIES-FRONT OF FUSEBLOCK ACCESSORY CONNECTOR KIT Includes Front Of Fuseblock Accessory Connectors & Terminals Note: Used With 1967-78 Chevy Truck Classic Auto Fuse Series ATO Fuse Type Dash Harnesses.	\$33.00	M
41358	1974	CLASSIC AUTO FUSE SERIES-FRONT OF FUSEBLOCK ACCESSORY CONNECTOR KIT Includes Front Of Fuseblock Accessory Connectors & Terminals Note: Used With 1967-78 Chevy Truck Classic Auto Fuse Series ATO Fuse Type Dash Harnesses.	\$33.00	M
41358	1975	CLASSIC AUTO FUSE SERIES-FRONT OF FUSEBLOCK ACCESSORY CONNECTOR KIT Includes Front Of Fuseblock Accessory Connectors & Terminals Note: Used With 1967-78 Chevy Truck Classic Auto Fuse Series ATO Fuse Type Dash Harnesses.	\$33.00	M

Part Number	Year	Description	Price	*Rev.
41358	1976	CLASSIC AUTO FUSE SERIES-FRONT OF FUSEBLOCK ACCESSORY CONNECTOR KIT Includes Front Of Fuseblock Accessory Connectors & Terminals Note: Used With 1967-78 Chevy Truck Classic Auto Fuse Series ATO Fuse Type Dash Harnesses.	\$33.00	M
41358	1977	CLASSIC AUTO FUSE SERIES-FRONT OF FUSEBLOCK ACCESSORY CONNECTOR KIT Includes Front Of Fuseblock Accessory Connectors & Terminals Note: Used With 1967-78 Chevy Truck Classic Auto Fuse Series ATO Fuse Type Dash Harnesses.	\$33.00	M
41358	1978	CLASSIC AUTO FUSE SERIES-FRONT OF FUSEBLOCK ACCESSORY CONNECTOR KIT Includes Front Of Fuseblock Accessory Connectors & Terminals Note: Used With 1967-78 Chevy Truck Classic Auto Fuse Series ATO Fuse Type Dash Harnesses.	\$33.00	M
CLASSIC AUTO FUSE SERIES-RELAY AND CONNECTOR KIT				
41356	1967	CLASSIC AUTO FUSE SERIES-RELAY AND CONNECTOR KIT Includes Relay, 5-Way Relay Connector, Terminals & Secondary Lock Note: Used With 1967-78 Chevy Truck Classic Auto Fuse Series ATO Fuse Type Dash Harnesses.	\$24.00	
41356	1968	CLASSIC AUTO FUSE SERIES-RELAY AND CONNECTOR KIT Includes Relay, 5-Way Relay Connector, Terminals & Secondary Lock Note: Used With 1967-78 Chevy Truck Classic Auto Fuse Series ATO Fuse Type Dash Harnesses.	\$24.00	
41356	1969	CLASSIC AUTO FUSE SERIES-RELAY AND CONNECTOR KIT Includes Relay, 5-Way Relay Connector, Terminals & Secondary Lock Note: Used With 1967-78 Chevy Truck Classic Auto Fuse Series ATO Fuse Type Dash Harnesses.	\$24.00	
41356	1970	CLASSIC AUTO FUSE SERIES-RELAY AND CONNECTOR KIT Includes Relay, 5-Way Relay Connector, Terminals & Secondary Lock Note: Used With 1967-78 Chevy Truck Classic Auto Fuse Series ATO Fuse Type Dash Harnesses.	\$24.00	
41356	1971	CLASSIC AUTO FUSE SERIES-RELAY AND CONNECTOR KIT Includes Relay, 5-Way Relay Connector, Terminals & Secondary Lock Note: Used With 1967-78 Chevy Truck Classic Auto Fuse Series ATO Fuse Type Dash Harnesses.	\$24.00	
41356	1972	CLASSIC AUTO FUSE SERIES-RELAY AND CONNECTOR KIT Includes Relay, 5-Way Relay Connector, Terminals & Secondary Lock Note: Used With 1967-78 Chevy Truck Classic Auto Fuse Series ATO Fuse Type Dash Harnesses.	\$24.00	
41356	1973	CLASSIC AUTO FUSE SERIES-RELAY AND CONNECTOR KIT Includes Relay, 5-Way Relay Connector, Terminals & Secondary Lock Note: Used With 1967-78 Chevy Truck Classic Auto Fuse Series ATO Fuse Type Dash Harnesses.	\$24.00	M
41356	1974	CLASSIC AUTO FUSE SERIES-RELAY AND CONNECTOR KIT Includes Relay, 5-Way Relay Connector, Terminals & Secondary Lock Note: Used With 1967-78 Chevy Truck Classic Auto Fuse Series ATO Fuse Type Dash Harnesses.	\$24.00	M
41356	1975	CLASSIC AUTO FUSE SERIES-RELAY AND CONNECTOR KIT Includes Relay, 5-Way Relay Connector, Terminals & Secondary Lock Note: Used With 1967-78 Chevy Truck Classic Auto Fuse Series ATO Fuse Type Dash Harnesses.	\$24.00	M
41356	1976	CLASSIC AUTO FUSE SERIES-RELAY AND CONNECTOR KIT Includes Relay, 5-Way Relay Connector, Terminals & Secondary Lock Note: Used With 1967-78 Chevy Truck Classic Auto Fuse Series ATO Fuse Type Dash Harnesses.	\$24.00	M
41356	1977	CLASSIC AUTO FUSE SERIES-RELAY AND CONNECTOR KIT Includes Relay, 5-Way Relay Connector, Terminals & Secondary Lock Note: Used With 1967-78 Chevy Truck Classic Auto Fuse Series ATO Fuse Type Dash Harnesses.	\$24.00	M
41356	1978	CLASSIC AUTO FUSE SERIES-RELAY AND CONNECTOR KIT Includes Relay, 5-Way Relay Connector, Terminals & Secondary Lock Note: Used With 1967-78 Chevy Truck Classic Auto Fuse Series ATO Fuse Type Dash Harnesses.	\$24.00	M
CLOCK				
06499466	1973	CLOCK Dash Mounted	\$100.00	N
06499466	1974	CLOCK Dash Mounted	\$100.00	N
06499466	1975	CLOCK Dash Mounted	\$100.00	N
06499466	1976	CLOCK Dash Mounted	\$100.00	N
06499466	1977	CLOCK Dash Mounted	\$100.00	N
06499466	1978	CLOCK Dash Mounted	\$100.00	N

Part Number	Year	Description	Price	*Rev.
06499466	1979	CLOCK Dash Mounted	\$100.00	N
25080399	1981	CLOCK Dash Mounted	\$112.00	N
25080399	1982	CLOCK Dash Mounted	\$112.00	N
25080399	1983	CLOCK Dash Mounted	\$112.00	N
25080399	1984	CLOCK Dash Mounted	\$112.00	N
25080399	1985	CLOCK Dash Mounted	\$112.00	N
25080399	1986	CLOCK Dash Mounted	\$112.00	N
25080399	1987	CLOCK Dash Mounted	\$112.00	N
25080399	1988	CLOCK Dash Mounted	\$112.00	N
CLOCK WIRE				
39724	1973	CLOCK WIRE Fuse Panel To Optional In Dash Clock	\$30.00	M
39724	1974	CLOCK WIRE Fuse Panel To Optional In Dash Clock	\$30.00	M
39724	1975	CLOCK WIRE Fuse Panel To Optional In Dash Clock	\$30.00	M
39724	1976	CLOCK WIRE Fuse Panel To Optional In Dash Clock	\$30.00	M
39724	1977	CLOCK WIRE Fuse Panel To Optional In Dash Clock	\$30.00	M
39856	1978	CLOCK WIRE Fuse Panel To Optional In Dash Clock	\$30.00	M
39882	1979	CLOCK WIRE Fuse Panel To Optional In Dash Clock	\$30.00	M
39882	1980	CLOCK WIRE Fuse Panel To Optional In Dash Clock	\$30.00	M
39882	1981	CLOCK WIRE Fuse Panel To Optional In Dash Clock	\$30.00	M
39882	1982	CLOCK WIRE Fuse Panel To Optional In Dash Clock	\$30.00	M
COMPLETE WIRING SET				
30905	1947	COMPLETE WIRING SET See Note Note: Includes Additional Wiring For Directional Lamps & Options. Set Includes Dash, Engine, Forward Lamp, Gas Tank Sender, Headlight Bucket, Rear Lamp Extension & Turn Signal Harnesses. Comes Complete With A Wiring Schematic.	\$357.00	
30905	1948	COMPLETE WIRING SET See Note Note: Includes Additional Wiring For Directional Lamps & Options. Set Includes Dash, Engine, Forward Lamp, Gas Tank Sender, Headlight Bucket, Rear Lamp Extension & Turn Signal Harnesses. Comes Complete With A Wiring Schematic.	\$357.00	
30905	1949	COMPLETE WIRING SET See Note Note: Includes Additional Wiring For Directional Lamps & Options. Set Includes Dash, Engine, Forward Lamp, Gas Tank Sender, Headlight Bucket, Rear Lamp Extension & Turn Signal Harnesses. Comes Complete With A Wiring Schematic.	\$357.00	
05053	1950	COMPLETE WIRING SET See Note Note: Includes Additional Wiring For Directional Lamps & Options. Set Includes Dash, Engine, Forward Lamp, Gas Tank Sender, Headlight Bucket, Rear Lamp Extension & Turn Signal Harnesses. Comes Complete With A Wiring Schematic.	\$317.00	
05053	1951	COMPLETE WIRING SET See Note Note: Includes Additional Wiring For Directional Lamps & Options. Set Includes Dash, Engine, Forward Lamp, Gas Tank Sender, Headlight Bucket, Rear Lamp Extension & Turn Signal Harnesses. Comes Complete With A Wiring Schematic.	\$317.00	
05053	1952	COMPLETE WIRING SET See Note Note: Includes Additional Wiring For Directional Lamps & Options. Set Includes Dash, Engine, Forward Lamp, Gas Tank Sender, Headlight Bucket, Rear Lamp Extension & Turn Signal Harnesses. Comes Complete With A Wiring Schematic.	\$317.00	
05053	1953	COMPLETE WIRING SET See Note Note: Includes Additional Wiring For Directional Lamps & Options. Set Includes Dash, Engine, Forward Lamp, Gas Tank Sender, Headlight Bucket, Rear Lamp Extension & Turn Signal Harnesses. Comes Complete With A Wiring Schematic.	\$317.00	
30910	1954	COMPLETE WIRING SET See Note Note: Includes Additional Wiring For Directional Lamps & Options. Set Includes Dash, Engine, Forward Lamp, Gas Tank Sender, Headlight Bucket, Rear Lamp Extension & Turn Signal Harnesses. Comes Complete With A Wiring Schematic.	\$357.00	
30910	1955	COMPLETE WIRING SET Original 6 Volt System (1 St. Design), See Note Note: Includes Additional Wiring For Directional Lamps & Options. Set Includes Dash, Engine, Forward Lamp, Gas Tank Sender, Headlight Bucket, Rear Lamp Extension & Turn Signal Harnesses. Comes Complete With A Wiring Schematic.	\$357.00	
18935	1955	COMPLETE WIRING SET 6 Cylinder, Original 12 Volt System (2nd Design), See Note Note: 6 Cylinder Items Are Not Returnable.	\$411.00	

Part Number	Year	Description	Price	*Rev.
18940	1955	COMPLETE WIRING SET V/8, Original 12 Volt System, See Note Note: Includes Additional Wiring For Directional Lamps & Options. Set Includes Dash, Engine, Forward Lamp, Gas Tank Sender, Headlight Bucket, Rear Lamp Extension & Turn Signal Harnesses. Comes Complete With A Wiring Schematic.	\$411.00	
30250	1955	COMPLETE WIRING SET V/8, With Internal Regulator Alternator & H.E.I., 12 Volt, See Note Note: Includes Additional Wiring For Directional Lamps & Options. Set Includes Dash, Engine, Forward Lamp, Gas Tank Sender, Headlight Bucket, Rear Lamp Extension & Turn Signal Harnesses. Comes Complete With A Wiring Schematic.	\$424.00	
18935	1956	COMPLETE WIRING SET 6 Cylinder, See Note Note: 6 Cylinder Items Are Not Returnable.	\$411.00	
18940	1956	COMPLETE WIRING SET V/8, See Note Note: Includes Additional Wiring For Directional Lamps & Options. Set Includes Dash, Engine, Forward Lamp, Gas Tank Sender, Headlight Bucket, Rear Lamp Extension & Turn Signal Harnesses. Comes Complete With A Wiring Schematic.	\$411.00	
30250	1956	COMPLETE WIRING SET V/8, With Internal Regulator Alternator & H.E.I., See Note Note: Includes Additional Wiring For Directional Lamps & Options. Set Includes Dash, Engine, Forward Lamp, Gas Tank Sender, Headlight Bucket, Rear Lamp Extension & Turn Signal Harnesses. Comes Complete With A Wiring Schematic.	\$424.00	
26695	1957	COMPLETE WIRING SET 6 Cylinder, See Note Note: 6 Cylinder Items Are Not Returnable.	\$424.00	
18950	1957	COMPLETE WIRING SET V/8, See Note Note: Includes Wiring For Directional Lamps & Options, as well as Dash, Engine, Forward Lamp, Gas Tank Sender, Headlight Bucket, Rear Lamp Ext. & Turn Signal Harnesses. Includes A Wiring Schematic. You May Need Ignition Switch Adapter Part #37444.	\$424.00	
30255	1957	COMPLETE WIRING SET V/8, With Internal Regulator Alternator & H.E.I., See Note Note: Includes Wiring For Directional Lamps & Options, as well as Dash, Engine, Forward Lamp, Gas Tank Sender, Headlight Bucket, Rear Lamp Ext. & Turn Signal Harnesses. Includes A Wiring Schematic. You May Need Ignition Switch Adapter Part #37444.	\$424.00	
18955	1958	COMPLETE WIRING SET 6 Cylinder, Auto Trans, See Note Note: 6 Cylinder Items Are Not Returnable.	\$424.00	C
43931	1958	COMPLETE WIRING SET 6 Cylinder, Manual Trans, See Note Note: 6 Cylinder Items Are Not Returnable.	\$424.00	N
18960	1958	COMPLETE WIRING SET V/8, See Note Note: Includes Wiring For Directional Lamps & Options, as well as Dash, Engine, Forward Lamp, Gas Tank Sender, Headlight Bucket, Rear Lamp Ext. & Turn Signal Harnesses. Includes A Wiring Schematic. You May Need Ignition Switch Adapter Part #37444.	\$424.00	
30260	1958	COMPLETE WIRING SET V/8, With Internal Regulator Alternator & H.E.I., See Note Note: Includes Wiring For Directional Lamps & Options, as well as Dash, Engine, Forward Lamp, Gas Tank Sender, Headlight Bucket, Rear Lamp Ext. & Turn Signal Harnesses. Includes A Wiring Schematic. You May Need Ignition Switch Adapter Part #37444.	\$424.00	
18955	1959	COMPLETE WIRING SET 6 Cylinder, Auto Trans, See Note Note: 6 Cylinder Items Are Not Returnable.	\$424.00	C
43931	1959	COMPLETE WIRING SET 6 Cylinder, Manual Trans, See Note Note: 6 Cylinder Items Are Not Returnable.	\$424.00	N
18960	1959	COMPLETE WIRING SET V/8, See Note Note: Includes Wiring For Directional Lamps & Options, as well as Dash, Engine, Forward Lamp, Gas Tank Sender, Headlight Bucket, Rear Lamp Ext. & Turn Signal Harnesses. Includes A Wiring Schematic. You May Need Ignition Switch Adapter Part #37444.	\$424.00	
30260	1959	COMPLETE WIRING SET V/8, With Internal Regulator Alternator & H.E.I., See Note Note: Includes Wiring For Directional Lamps & Options, as well as Dash, Engine, Forward Lamp, Gas Tank Sender, Headlight Bucket, Rear Lamp Ext. & Turn Signal Harnesses. Includes A Wiring Schematic. You May Need Ignition Switch Adapter Part #37444.	\$424.00	
COURTESY AND DOME LAMP EXTENSION HARNESS				
31680	1967	COURTESY AND DOME LAMP EXTENSION HARNESS Activates Under Dash Courtesy Lamps And/Or Dome Lamps	\$22.00	
31680	1968	COURTESY AND DOME LAMP EXTENSION HARNESS Activates Under Dash Courtesy Lamps And/Or Dome Lamps	\$22.00	
31680	1969	COURTESY AND DOME LAMP EXTENSION HARNESS Activates Under Dash Courtesy Lamps And/Or Dome Lamps	\$22.00	

Part Number	Year	Description	Price	*Rev.
31680	1970	COURTESY AND DOME LAMP EXTENSION HARNESS Activates Under Dash Courtesy Lamps And/Or Dome Lamps	\$22.00	
31680	1971	COURTESY AND DOME LAMP EXTENSION HARNESS Activates Under Dash Courtesy Lamps And/Or Dome Lamps	\$22.00	
31680	1972	COURTESY AND DOME LAMP EXTENSION HARNESS Activates Under Dash Courtesy Lamps And/Or Dome Lamps	\$22.00	
COURTESY LAMP HARNESS				
31685	1967	COURTESY LAMP HARNESS Under Dash	\$46.00	
31685	1968	COURTESY LAMP HARNESS Under Dash	\$46.00	
31685	1969	COURTESY LAMP HARNESS Under Dash	\$46.00	
31685	1970	COURTESY LAMP HARNESS Under Dash	\$46.00	
31685	1971	COURTESY LAMP HARNESS Under Dash	\$46.00	
31685	1972	COURTESY LAMP HARNESS Under Dash	\$46.00	
CRUISE CONTROL CLUTCH SWITCH JUMPER WIRE				
39996	1982	CRUISE CONTROL CLUTCH SWITCH JUMPER WIRE With Manual Trans, Without Clutch Switch	\$30.00	M
CRUISE CONTROL HARNESS				
35255	1969	CRUISE CONTROL HARNESS	\$105.00	
35255	1970	CRUISE CONTROL HARNESS	\$105.00	
DASH HARNESS				
02465	1955	DASH HARNESS With Generator	\$193.00	
02465	1956	DASH HARNESS With Generator	\$193.00	
02750	1957	DASH HARNESS With Generator	\$193.00	
02750	1958	DASH HARNESS With Generator	\$193.00	
02750	1959	DASH HARNESS With Generator	\$193.00	
03130	1960	DASH HARNESS Without Gauges	\$450.00	
38028	1960	DASH HARNESS With Gauges	\$396.00	
02995	1960	DASH INSTRUMENT CLUSTER HARNESS With Ammeter Gauge	\$113.00	
02940	1960	DASH INSTRUMENT CLUSTER HARNESS With Generator Light	\$113.00	
03625	1961	DASH HARNESS All	\$383.00	
02995	1961	DASH INSTRUMENT CLUSTER HARNESS With Ammeter Gauge	\$113.00	
02940	1961	DASH INSTRUMENT CLUSTER HARNESS With Generator Light	\$113.00	
03985	1962	DASH HARNESS All	\$396.00	
30800	1962	DASH INSTRUMENT CLUSTER HARNESS With Gauges	\$113.00	
04100	1962	DASH INSTRUMENT CLUSTER HARNESS With Gauges & Overspeed Warning Light	\$132.00	
03660	1962	DASH INSTRUMENT CLUSTER HARNESS Without Gauges	\$113.00	
04420	1963	DASH HARNESS With Gauges	\$370.00	
30800	1963	DASH INSTRUMENT CLUSTER HARNESS With Gauges	\$113.00	
04100	1963	DASH INSTRUMENT CLUSTER HARNESS With Gauges & Overspeed Warning Light	\$132.00	
22525	1963	DASH HARNESS Without Gauges	\$383.00	
03660	1963	DASH INSTRUMENT CLUSTER HARNESS Without Gauges	\$113.00	
18965	1964	DASH HARNESS With Gauges	\$370.00	
04685	1964	DASH INSTRUMENT CLUSTER HARNESS With Gauges	\$105.00	
04690	1964	DASH INSTRUMENT CLUSTER HARNESS With Gauges & Overspeed Warning Light	\$113.00	
04700	1964	DASH HARNESS Without Gauges	\$383.00	
04680	1964	DASH INSTRUMENT CLUSTER HARNESS Without Gauges	\$113.00	
18965	1965	DASH HARNESS With Gauges	\$370.00	
04685	1965	DASH INSTRUMENT CLUSTER HARNESS With Gauges	\$105.00	
04690	1965	DASH INSTRUMENT CLUSTER HARNESS With Gauges & Overspeed Warning Light	\$113.00	
04700	1965	DASH HARNESS Without Gauges	\$383.00	

Part Number	Year	Description	Price	*Rev.
04680	1965	DASH INSTRUMENT CLUSTER HARNESS Without Gauges	\$113.00	
22570	1966	DASH HARNESS With Gauges	\$383.00	
04685	1966	DASH INSTRUMENT CLUSTER HARNESS With Gauges	\$105.00	
04690	1966	DASH INSTRUMENT CLUSTER HARNESS With Gauges & Overspeed Warning Light	\$113.00	
22560	1966	DASH HARNESS Without Gauges	\$370.00	
04680	1966	DASH INSTRUMENT CLUSTER HARNESS Without Gauges	\$113.00	
33915	1967	DASH HARNESS Pickup, With Gauges	\$488.00	
40358	1967	DASH HARNESS-CLASSIC AUTO FUSE SERIES Pickup, With Gauges Note: With Updated Modern ATO Series Fuseblock. Use Fuse & Flasher Kit # 40355. Also See Optional Classic Auto Fuse Accessory Kits.	\$538.00	
33920	1967	DASH HARNESS Pickup, Without Gauges	\$501.00	
40359	1967	DASH HARNESS-CLASSIC AUTO FUSE SERIES Pickup, Without Gauges Note: With Updated Modern ATO Series Fuseblock. Use Fuse & Flasher Kit # 40355. Also See Optional Classic Auto Fuse Accessory Kits.	\$538.00	
33905	1967	DASH HARNESS Panel & Suburban, With Gauges	\$545.00	
40360	1967	DASH HARNESS-CLASSIC AUTO FUSE SERIES Panel & Suburban, With Gauges Note: With Updated Modern ATO Series Fuseblock. Use Fuse & Flasher Kit # 40355. Also See Optional Classic Auto Fuse Accessory Kits.	\$570.00	
33910	1967	DASH HARNESS Panel & Suburban, Without Gauges	\$570.00	
40361	1967	DASH HARNESS-CLASSIC AUTO FUSE SERIES Panel & Suburban, Without Gauges Note: With Updated Modern ATO Series Fuseblock. Use Fuse & Flasher Kit # 40355. Also See Optional Classic Auto Fuse Accessory Kits.	\$596.00	
33915	1968	DASH HARNESS Pickup, With Gauges	\$488.00	
40358	1968	DASH HARNESS-CLASSIC AUTO FUSE SERIES Pickup, With Gauges Note: With Updated Modern ATO Series Fuseblock. Use Fuse & Flasher Kit # 40355. Also See Optional Classic Auto Fuse Accessory Kits.	\$538.00	
33920	1968	DASH HARNESS Pickup, Without Gauges	\$501.00	
40359	1968	DASH HARNESS-CLASSIC AUTO FUSE SERIES Pickup, Without Gauges Note: With Updated Modern ATO Series Fuseblock. Use Fuse & Flasher Kit # 40355. Also See Optional Classic Auto Fuse Accessory Kits.	\$538.00	
33905	1968	DASH HARNESS Panel & Suburban, With Gauges	\$545.00	
40360	1968	DASH HARNESS-CLASSIC AUTO FUSE SERIES Panel & Suburban, With Gauges Note: With Updated Modern ATO Series Fuseblock. Use Fuse & Flasher Kit # 40355. Also See Optional Classic Auto Fuse Accessory Kits.	\$570.00	
33910	1968	DASH HARNESS Panel & Suburban, Without Gauges	\$570.00	
40361	1968	DASH HARNESS-CLASSIC AUTO FUSE SERIES Panel & Suburban, Without Gauges Note: With Updated Modern ATO Series Fuseblock. Use Fuse & Flasher Kit # 40355. Also See Optional Classic Auto Fuse Accessory Kits.	\$596.00	
30100	1969	DASH HARNESS Pickup & Blazer, With Gauges	\$476.00	
40366	1969	DASH HARNESS-CLASSIC AUTO FUSE SERIES Pickup & Blazer, With Gauges Note: With Updated Modern ATO Series Fuseblock. Use Fuse & Flasher Kit # 40355. Also See Optional Classic Auto Fuse Accessory Kits.	\$526.00	
30105	1969	DASH HARNESS Pickup & Blazer, Without Gauges	\$476.00	
40367	1969	DASH HARNESS-CLASSIC AUTO FUSE SERIES Pickup & Blazer, Without Gauges Note: With Updated Modern ATO Series Fuseblock. Use Fuse & Flasher Kit # 40355. Also See Optional Classic Auto Fuse Accessory Kits.	\$526.00	
30090	1969	DASH HARNESS Panel & Suburban, With Gauges	\$545.00	
40368	1969	DASH HARNESS-CLASSIC AUTO FUSE SERIES Panel & Suburban, With Gauges Note: With Updated Modern ATO Series Fuseblock. Use Fuse & Flasher Kit # 40355. Also See Optional Classic Auto Fuse Accessory Kits.	\$570.00	
30095	1969	DASH HARNESS Panel & Suburban, Without Gauges	\$570.00	

Part Number	Year	Description	Price	*Rev.
40369	1969	DASH HARNESS-CLASSIC AUTO FUSE SERIES Panel & Suburban, Without Gauges Note: With Updated Modern ATO Series Fuseblock. Use Fuse & Flasher Kit # 40355. Also See Optional Classic Auto Fuse Accessory Kits.	\$596.00	
30100	1970	DASH HARNESS With Gauges	\$476.00	
40366	1970	DASH HARNESS-CLASSIC AUTO FUSE SERIES With Gauges Note: With Updated Modern ATO Series Fuseblock. Use Fuse & Flasher Kit # 40355. Also See Optional Classic Auto Fuse Accessory Kits.	\$526.00	
30105	1970	DASH HARNESS Without Gauges	\$476.00	
40367	1970	DASH HARNESS-CLASSIC AUTO FUSE SERIES Without Gauges Note: With Updated Modern ATO Series Fuseblock. Use Fuse & Flasher Kit # 40355. Also See Optional Classic Auto Fuse Accessory Kits.	\$526.00	
30100	1971	DASH HARNESS With Gauges	\$476.00	
40366	1971	DASH HARNESS-CLASSIC AUTO FUSE SERIES With Gauges Note: With Updated Modern ATO Series Fuseblock. Use Fuse & Flasher Kit # 40355. Also See Optional Classic Auto Fuse Accessory Kits.	\$526.00	
30105	1971	DASH HARNESS Without Gauges	\$476.00	
40367	1971	DASH HARNESS-CLASSIC AUTO FUSE SERIES Without Gauges Note: With Updated Modern ATO Series Fuseblock. Use Fuse & Flasher Kit # 40355. Also See Optional Classic Auto Fuse Accessory Kits.	\$526.00	
30100	1972	DASH HARNESS With Gauges	\$476.00	
40366	1972	DASH HARNESS-CLASSIC AUTO FUSE SERIES With Gauges Note: With Updated Modern ATO Series Fuseblock. Use Fuse & Flasher Kit # 40355. Also See Optional Classic Auto Fuse Accessory Kits.	\$526.00	
30105	1972	DASH HARNESS Without Gauges	\$476.00	
40367	1972	DASH HARNESS-CLASSIC AUTO FUSE SERIES Without Gauges Note: With Updated Modern ATO Series Fuseblock. Use Fuse & Flasher Kit # 40355. Also See Optional Classic Auto Fuse Accessory Kits.	\$526.00	
37491	1973	DASH HARNESS With Warning Lights	\$735.00	M
40376	1973	DASH HARNESS-CLASSIC AUTO FUSE SERIES With Warning Lights Note: With Updated Modern ATO Series Fuseblock. Use Fuse & Flasher Kit # 40356. Also See Optional Classic Auto Fuse Accessory Kits.	\$758.00	M
35927	1973	DASH HARNESS With Gauges	\$735.00	M
40377	1973	DASH HARNESS-CLASSIC AUTO FUSE SERIES With Gauges Note: With Updated Modern ATO Series Fuseblock. Use Fuse & Flasher Kit # 40356. Also See Optional Classic Auto Fuse Accessory Kits.	\$758.00	M
37509	1974	DASH HARNESS With Warning Lights	\$748.00	M
40378	1974	DASH HARNESS-CLASSIC AUTO FUSE SERIES With Warning Lights Note: With Updated Modern ATO Series Fuseblock. Use Fuse & Flasher Kit # 40356. Also See Optional Classic Auto Fuse Accessory Kits.	\$758.00	M
37510	1974	DASH HARNESS With Gauges	\$735.00	M
40379	1974	DASH HARNESS-CLASSIC AUTO FUSE SERIES With Gauges Note: With Updated Modern ATO Series Fuseblock. Use Fuse & Flasher Kit # 40356. Also See Optional Classic Auto Fuse Accessory Kits.	\$758.00	M
37511	1975	DASH HARNESS With Warning Lights	\$735.00	M
40380	1975	DASH HARNESS-CLASSIC AUTO FUSE SERIES With Warning Lights Note: With Updated Modern ATO Series Fuseblock. Use Fuse & Flasher Kit # 40357. Also See Optional Classic Auto Fuse Accessory Kits.	\$758.00	M
37512	1975	DASH HARNESS With Gauges	\$735.00	M
40381	1975	DASH HARNESS-CLASSIC AUTO FUSE SERIES With Gauges Note: With Updated Modern ATO Series Fuseblock. Use Fuse & Flasher Kit # 40357. Also See Optional Classic Auto Fuse Accessory Kits.	\$758.00	M

Part Number	Year	Description	Price	*Rev.
35933	1976	DASH HARNESS With Warning Lights	\$735.00	M
40382	1976	DASH HARNESS-CLASSIC AUTO FUSE SERIES With Warning Lights Note: With Updated Modern ATO Series Fuseblock. Use Fuse & Flasher Kit # 40357. Also See Optional Classic Auto Fuse Accessory Kits.	\$758.00	M
35934	1976	DASH HARNESS With Gauges	\$735.00	M
40383	1976	DASH HARNESS-CLASSIC AUTO FUSE SERIES With Gauges Note: With Updated Modern ATO Series Fuseblock. Use Fuse & Flasher Kit # 40357. Also See Optional Classic Auto Fuse Accessory Kits.	\$758.00	M
37514	1977	DASH HARNESS With Warning Lights	\$735.00	M
40384	1977	DASH HARNESS-CLASSIC AUTO FUSE SERIES With Warning Lights Note: With Updated Modern ATO Series Fuseblock. Use Fuse & Flasher Kit # 40357. Also See Optional Classic Auto Fuse Accessory Kits.	\$758.00	M
37515	1977	DASH HARNESS With Gauges	\$748.00	M
40385	1977	DASH HARNESS-CLASSIC AUTO FUSE SERIES With Gauges Note: With Updated Modern ATO Series Fuseblock. Use Fuse & Flasher Kit # 40357. Also See Optional Classic Auto Fuse Accessory Kits.	\$758.00	M
40054	1977	DASH HARNESS With Diesel	\$748.00	M
40386	1977	DASH HARNESS-CLASSIC AUTO FUSE SERIES With Diesel Note: With Updated Modern ATO Series Fuseblock. Use Fuse & Flasher Kit # 40357. Also See Optional Classic Auto Fuse Accessory Kits.	\$758.00	M
38138	1978	DASH HARNESS With Warning Lights	\$768.00	M
40387	1978	DASH HARNESS-CLASSIC AUTO FUSE SERIES With Warning Lights Note: With Updated Modern ATO Series Fuseblock. Use Fuse & Flasher Kit # 40357. Also See Optional Classic Auto Fuse Accessory Kits.	\$758.00	M
37517	1978	DASH HARNESS With Gauges	\$735.00	M
40388	1978	DASH HARNESS-CLASSIC AUTO FUSE SERIES With Gauges Note: With Updated Modern ATO Series Fuseblock. Use Fuse & Flasher Kit # 40357. Also See Optional Classic Auto Fuse Accessory Kits.	\$758.00	M
38139	1978	DASH HARNESS With Diesel	\$768.00	M
40389	1978	DASH HARNESS-CLASSIC AUTO FUSE SERIES With Diesel Note: With Updated Modern ATO Series Fuseblock. Use Fuse & Flasher Kit # 40357. Also See Optional Classic Auto Fuse Accessory Kits.	\$758.00	M
38142	1979	DASH HARNESS With Warning Lights	\$787.00	M
38152	1979	DASH HARNESS 6 Cylinder, With Gauges Note: 6 Cylinder Items Are Not Returnable.	\$787.00	M
38143	1979	DASH HARNESS V/8, With Gauges	\$735.00	M
38142	1980	DASH HARNESS With Warning Lights	\$787.00	M
38152	1980	DASH HARNESS 6 Cylinder, With Gauges Note: 6 Cylinder Items Are Not Returnable.	\$787.00	M
38143	1980	DASH HARNESS V/8, With Gauges	\$735.00	M
38146	1981	DASH HARNESS With Warning Lights	\$748.00	M
38147	1981	DASH HARNESS 6 Cylinder, With Gauges Note: 6 Cylinder Items Are Not Returnable.	\$787.00	M
38148	1981	DASH HARNESS V/8, With Gauges	\$735.00	M
38146	1982	DASH HARNESS With Warning Lights	\$748.00	M
38147	1982	DASH HARNESS 6 Cylinder, With Gauges Note: 6 Cylinder Items Are Not Returnable.	\$787.00	M
38148	1982	DASH HARNESS V/8, With Gauges	\$735.00	M

Part Number	Year	Description	Price	*Rev.
DISTRIBUTOR WIRE				
36057	1957	DISTRIBUTOR WIRE Distributor Points To Coil Negative Terminal, V/8 Note: Fits All GM V/8 Points Type Distributors From Approx. 1957 To 1974.	\$18.00	C
36057	1958	DISTRIBUTOR WIRE Distributor Points To Coil Negative Terminal, V/8 Note: Fits All GM V/8 Points Type Distributors From Approx. 1957 To 1974.	\$18.00	C
36057	1959	DISTRIBUTOR WIRE Distributor Points To Coil Negative Terminal, V/8 Note: Fits All GM V/8 Points Type Distributors From Approx. 1957 To 1974.	\$18.00	C
36057	1960	DISTRIBUTOR WIRE Distributor Points To Coil Negative Terminal, V/8 Note: Fits All GM V/8 Points Type Distributors From Approx. 1957 To 1974.	\$18.00	C
36057	1961	DISTRIBUTOR WIRE Distributor Points To Coil Negative Terminal, V/8 Note: Fits All GM V/8 Points Type Distributors From Approx. 1957 To 1974.	\$18.00	C
36057	1962	DISTRIBUTOR WIRE Distributor Points To Coil Negative Terminal, V/8 Note: Fits All GM V/8 Points Type Distributors From Approx. 1957 To 1974.	\$18.00	C
36057	1963	DISTRIBUTOR WIRE Distributor Points To Coil Negative Terminal, V/8 Note: Fits All GM V/8 Points Type Distributors From Approx. 1957 To 1974.	\$18.00	C
36057	1964	DISTRIBUTOR WIRE Distributor Points To Coil Negative Terminal, V/8 Note: Fits All GM V/8 Points Type Distributors From Approx. 1957 To 1974.	\$18.00	C
36057	1965	DISTRIBUTOR WIRE Distributor Points To Coil Negative Terminal, V/8 Note: Fits All GM V/8 Points Type Distributors From Approx. 1957 To 1974.	\$18.00	C
36057	1966	DISTRIBUTOR WIRE Distributor Points To Coil Negative Terminal, V/8 Note: Fits All GM V/8 Points Type Distributors From Approx. 1957 To 1974.	\$18.00	C
36057	1967	DISTRIBUTOR WIRE Distributor Points To Coil Negative Terminal, V/8 Note: Fits All GM V/8 Points Type Distributors From Approx. 1957 To 1974.	\$18.00	C
36057	1968	DISTRIBUTOR WIRE Distributor Points To Coil Negative Terminal, V/8 Note: Fits All GM V/8 Points Type Distributors From Approx. 1957 To 1974.	\$18.00	C
36057	1969	DISTRIBUTOR WIRE Distributor Points To Coil Negative Terminal, V/8 Note: Fits All GM V/8 Points Type Distributors From Approx. 1957 To 1974.	\$18.00	C
36057	1970	DISTRIBUTOR WIRE Distributor Points To Coil Negative Terminal, V/8 Note: Fits All GM V/8 Points Type Distributors From Approx. 1957 To 1974.	\$18.00	C
36057	1971	DISTRIBUTOR WIRE Distributor Points To Coil Negative Terminal, V/8 Note: Fits All GM V/8 Points Type Distributors From Approx. 1957 To 1974.	\$18.00	C
36057	1972	DISTRIBUTOR WIRE Distributor Points To Coil Negative Terminal, V/8 Note: Fits All GM V/8 Points Type Distributors From Approx. 1957 To 1974.	\$18.00	C
36057	1973	DISTRIBUTOR WIRE Distributor Points To Coil Negative Terminal, V/8 Note: Fits All GM V/8 Points Type Distributors From Approx. 1957 To 1974.	\$18.00	C
36057	1974	DISTRIBUTOR WIRE Distributor Points To Coil Negative Terminal, V/8 Note: Fits All GM V/8 Points Type Distributors From Approx. 1957 To 1974.	\$18.00	C
DOME LAMP EXTENSION HARNESS				
39714	1973	DOME LAMP EXTENSION HARNESS All Trucks, Except Blazer & Jimmy, Front Door Jamb Switch To Cargo Lamp Or Roof Dome Lamp Harness	\$106.00	M
39738	1973	DOME LAMP EXTENSION HARNESS Blazer & Jimmy, Front Door Jamb Switch To Roof Dome Lamp Harness	\$106.00	M
39714	1974	DOME LAMP EXTENSION HARNESS All Trucks, Except Blazer & Jimmy, Front Door Jamb Switch To Cargo Lamp Or Roof Dome Lamp Harness	\$106.00	M
39738	1974	DOME LAMP EXTENSION HARNESS Blazer & Jimmy, Front Door Jamb Switch To Roof Dome Lamp Harness	\$106.00	M
39714	1975	DOME LAMP EXTENSION HARNESS All Trucks, Except Blazer & Jimmy, Front Door Jamb Switch To Cargo Lamp Or Dome Lamp Harness	\$106.00	M
39738	1975	DOME LAMP EXTENSION HARNESS Blazer & Jimmy, Front Door Jamb Switch To Dome Lamp Harness	\$106.00	M

Part Number	Year	Description	Price	*Rev.
39714	1976	DOMELAMP EXTENSION HARNESS All, Front Door Jamb Switch To Cargo Lamp Or Dome Lamp Harness	\$106.00	M
39714	1977	DOMELAMP EXTENSION HARNESS All, Front Door Jamb Switch To Cargo Lamp Or Dome Lamp Harness	\$106.00	M
39714	1978	DOMELAMP EXTENSION HARNESS All, Front Door Jamb Switch To Cargo Lamp Or Dome Lamp Harness	\$106.00	M
39346	1979	DOMELAMP EXTENSION HARNESS All, Front Door Jamb Switch To Cargo Lamp Or Dome Lamp Harness	\$106.00	M
39346	1980	DOMELAMP EXTENSION HARNESS All, Front Door Jamb Switch To Cargo Lamp Or Dome Lamp Harness	\$106.00	M
39346	1981	DOMELAMP EXTENSION HARNESS All, Front Door Jamb Switch To Cargo Lamp Or Dome Lamp Harness	\$106.00	M
39346	1982	DOMELAMP EXTENSION HARNESS All, Front Door Jamb Switch To Cargo Lamp Or Dome Lamp Harness	\$106.00	M
39346	1982	DOMELAMP EXTENSION HARNESS All, Front Door Jamb Switch To Cargo Lamp Or Dome Lamp Harness	\$106.00	M
DOMELAMP HARNESS				
34890	1955	DOMELAMP HARNESS Overhead	\$26.00	
34890	1956	DOMELAMP HARNESS Overhead	\$26.00	
34890	1957	DOMELAMP HARNESS Overhead	\$26.00	
34890	1958	DOMELAMP HARNESS Overhead	\$26.00	
34890	1959	DOMELAMP HARNESS Overhead	\$26.00	
30620	1960	DOMELAMP HARNESS Overhead	\$26.00	
30620	1961	DOMELAMP HARNESS Overhead	\$26.00	
30620	1962	DOMELAMP HARNESS Overhead	\$26.00	
30620	1963	DOMELAMP HARNESS Overhead	\$26.00	
30620	1964	DOMELAMP HARNESS Overhead	\$26.00	
30620	1965	DOMELAMP HARNESS Overhead	\$26.00	
30620	1966	DOMELAMP HARNESS Overhead	\$26.00	
32750	1967	DOMELAMP HARNESS Overhead, Also See Courtesy & Dome Lamp Extension	\$26.00	
32750	1968	DOMELAMP HARNESS Overhead, Also See Courtesy & Dome Lamp Extension	\$26.00	
32750	1969	DOMELAMP HARNESS Overhead, Also See Courtesy & Dome Lamp Extension	\$26.00	
32750	1970	DOMELAMP HARNESS Overhead, Also See Courtesy & Dome Lamp Extension	\$26.00	
32750	1971	DOMELAMP HARNESS Overhead, Also See Courtesy & Dome Lamp Extension	\$26.00	
32750	1972	DOMELAMP HARNESS Overhead, Also See Courtesy & Dome Lamp Extension	\$26.00	
39347	1973	DOMELAMP HARNESS All 2 Door Trucks, Except Blazer & Jimmy, Roof Dome Lamp To Extension Harness	\$41.00	M
39737	1973	DOMELAMP HARNESS Blazer & Jimmy, Roof Dome Lamp To Extension Harness	\$48.00	M
39732	1973	DOMELAMP HARNESS 4 Door Trucks, Roof Dome Lamp To Extension Harness	\$48.00	M
39748	1973	DOMELAMP HARNESS Suburban, Front & Rear Roof Dome Lamps, Includes Extension Harness	\$60.00	M
39347	1974	DOMELAMP HARNESS All 2 Door Trucks, Except Blazer & Jimmy, Roof Dome Lamp To Extension Harness	\$41.00	M
39737	1974	DOMELAMP HARNESS Blazer & Jimmy, Roof Dome Lamp To Extension Harness	\$48.00	M
39732	1974	DOMELAMP HARNESS 4 Door Trucks, Roof Dome Lamp To Extension Harness	\$48.00	M
39760	1974	DOMELAMP HARNESS Suburban, Front & Rear Roof Dome Lamp, Without Overhead A/C	\$60.00	M
39761	1974	DOMELAMP HARNESS Suburban, Front & Rear Roof Dome Lamp, With Overhead A/C	\$60.00	M
39347	1975	DOMELAMP HARNESS All 2 Door Trucks, Except Blazer & Jimmy, Roof Dome Lamp To Extension Harness	\$41.00	M
39737	1975	DOMELAMP HARNESS Blazer & Jimmy, Dome Lamp To Extension Harness	\$48.00	M

Part Number	Year	Description	Price	*Rev.
39775	1975	DOME LAMP HARNESS 4 Door Trucks, Roof Dome Lamp To Extension Harness	\$48.00	M
39760	1975	DOME LAMP HARNESS Suburban, Front & Rear Roof Dome Lamp, Without Overhead A/C	\$60.00	M
39761	1975	DOME LAMP HARNESS Suburban, Front & Rear Roof Dome Lamp, With Overhead A/C	\$60.00	M
39347	1976	DOME LAMP HARNESS All 2 Door Trucks, Except Blazer & Jimmy, Roof Dome Lamp To Extension Harness	\$41.00	M
39805	1976	DOME LAMP HARNESS All Trucks, Except Blazer & Jimmy, Dome & Cargo Lamp Jumper, Extension Harness To Dome/Cargo Lamp	\$41.00	M
39799	1976	DOME LAMP HARNESS Blazer & Jimmy, Extension Harness To Dome Lamp On Removable Top	\$41.00	M
39831	1976	DOME LAMP HARNESS Blazer & Jimmy, Cab Mounted Roof Dome Lamp To Extension Harness	\$53.00	M
39760	1976	DOME LAMP HARNESS Suburban, Front & Rear Roof Dome Lamp, Without Overhead A/C	\$60.00	M
39761	1976	DOME LAMP HARNESS Suburban, Front & Rear Roof Dome Lamp, With Overhead A/C	\$60.00	M
39775	1976	DOME LAMP HARNESS 4 Door Trucks, Roof Dome Lamp To Extension Harness	\$48.00	M
39347	1977	DOME LAMP HARNESS All 2 Door Trucks, Except Blazer & Jimmy, Roof Dome Lamp To Extension Harness	\$41.00	M
39760	1977	DOME LAMP HARNESS Suburban, Front & Rear Roof Dome Lamp, Without Overhead A/C	\$60.00	M
39761	1977	DOME LAMP HARNESS Suburban, Front & Rear Roof Dome Lamp, With Overhead A/C	\$60.00	M
39775	1977	DOME LAMP HARNESS 4 Door Trucks, Roof Dome Lamp To Extension Harness	\$48.00	M
39799	1977	DOME LAMP HARNESS Blazer & Jimmy, Extension Harness To Dome Lamp On Removable Top	\$41.00	M
39805	1977	DOME LAMP HARNESS All Trucks, Except Blazer & Jimmy, Dome & Cargo Lamp Jumper, Extension Harness To Dome/Cargo Lamp	\$41.00	M
39831	1977	DOME LAMP HARNESS Blazer & Jimmy, Cab Mounted Roof Dome Lamp To Extension Harness	\$53.00	M
39347	1978	DOME LAMP HARNESS All 2 Door Trucks, Except Blazer & Jimmy, Roof Dome Lamp To Extension Harness	\$41.00	M
39760	1978	DOME LAMP HARNESS Suburban, Front & Rear Roof Dome Lamp, Without Overhead A/C	\$60.00	M
39805	1978	DOME LAMP HARNESS All Trucks, Except Blazer & Jimmy, Dome & Cargo Lamp Jumper, Extension Harness To Dome/Cargo Lamp	\$41.00	M
39799	1978	DOME LAMP HARNESS Blazer & Jimmy, Extension Harness To Dome Lamp On Removable Top	\$41.00	M
39831	1978	DOME LAMP HARNESS Blazer & Jimmy, Cab Mounted Roof Dome Lamp To Extension Harness	\$53.00	M
39761	1978	DOME LAMP HARNESS Suburban, Front & Rear Roof Dome Lamp, With Overhead A/C	\$60.00	M
39775	1978	DOME LAMP HARNESS 4 Door Trucks, Roof Dome Lamp To Extension Harness	\$48.00	M
39347	1979	DOME LAMP HARNESS All 2 Door Trucks, Except Blazer & Jimmy, Roof Dome Lamp To Extension Harness	\$41.00	M
39805	1979	DOME LAMP HARNESS All Trucks, Except Blazer & Jimmy, Dome & Cargo Lamp Jumper, Extension Harness To Dome/Cargo Lamp	\$41.00	M
39799	1979	DOME LAMP HARNESS Blazer & Jimmy, Extension Harness To Dome Lamp On Removable Top	\$41.00	M
39831	1979	DOME LAMP HARNESS Blazer & Jimmy, Cab Mounted Roof Dome Lamp To Extension Harness	\$53.00	M
39760	1979	DOME LAMP HARNESS Suburban, Front & Rear Roof Dome Lamp, Without Overhead A/C	\$60.00	M
39761	1979	DOME LAMP HARNESS Suburban, Front & Rear Roof Dome Lamp, With Overhead A/C	\$60.00	M
39775	1979	DOME LAMP HARNESS 4 Door Trucks, Roof Dome Lamp To Extension Harness	\$48.00	M
39347	1980	DOME LAMP HARNESS All 2 Door Trucks, Except Blazer & Jimmy, Roof Dome Lamp To Extension Harness	\$41.00	M
39799	1980	DOME LAMP HARNESS Blazer & Jimmy, Extension Harness To Dome Lamp On Removable Top	\$41.00	M
39831	1980	DOME LAMP HARNESS Blazer & Jimmy, Cab Mounted Roof Dome Lamp To Extension Harness	\$53.00	M

Part Number	Year	Description	Price	*Rev.
39760	1980	DOMELAMP HARNESS Suburban, Front & Rear Roof Dome Lamp, Without Overhead A/C	\$60.00	M
39775	1980	DOMELAMP HARNESS 4 Door Trucks, Roof Dome Lamp To Extension Harness	\$48.00	M
39761	1980	DOMELAMP HARNESS Suburban, Front & Rear Roof Dome Lamp, With Overhead A/C	\$60.00	M
39347	1981	DOMELAMP HARNESS All 2 Door Trucks, Except Blazer & Jimmy, Roof Dome Lamp To Extension Harness	\$41.00	M
39799	1981	DOMELAMP HARNESS Blazer & Jimmy, Extension Harness To Dome Lamp On Removable Top	\$41.00	M
39831	1981	DOMELAMP HARNESS Blazer & Jimmy, Cab Mounted Roof Dome Lamp To Extension Harness	\$53.00	M
39760	1981	DOMELAMP HARNESS Suburban, Front & Rear Roof Dome Lamp, Without Overhead A/C	\$60.00	M
39775	1981	DOMELAMP HARNESS 4 Door Trucks, Roof Dome Lamp To Extension Harness	\$48.00	M
39761	1981	DOMELAMP HARNESS Suburban, Front & Rear Roof Dome Lamp, With Overhead A/C	\$60.00	M
39347	1982	DOMELAMP HARNESS All 2 Door Trucks, Except Blazer & Jimmy, Roof Dome Lamp To Extension Harness	\$41.00	M
39831	1982	DOMELAMP HARNESS Blazer & Jimmy, Cab Mounted Roof Dome Lamp To Extension Harness	\$53.00	M
39761	1982	DOMELAMP HARNESS Suburban, Front & Rear Roof Dome Lamp, With Overhead A/C	\$60.00	M
39760	1982	DOMELAMP HARNESS Suburban, Front & Rear Roof Dome Lamp, Without Overhead A/C	\$60.00	M
39775	1982	DOMELAMP HARNESS 4 Door Trucks, Roof Dome Lamp To Extension Harness	\$48.00	M
41592	1984	DOMELAMP HARNESS	\$53.00	M
41592	1985	DOMELAMP HARNESS	\$53.00	M
41592	1986	DOMELAMP HARNESS	\$53.00	M
41592	1987	DOMELAMP HARNESS	\$53.00	M
41592	1988	DOMELAMP HARNESS	\$53.00	M
41592	1989	DOMELAMP HARNESS	\$53.00	M
41592	1990	DOMELAMP HARNESS	\$53.00	M
41592	1991	DOMELAMP HARNESS	\$53.00	M
DOMELIGHT LENS				
02973210	1960	DOMELIGHT LENS Note: Manufactured Using Original GM Tooling.	\$4.00	
02973210	1961	DOMELIGHT LENS Note: Manufactured Using Original GM Tooling.	\$4.00	
02973210	1962	DOMELIGHT LENS Note: Manufactured Using Original GM Tooling.	\$4.00	
02973210	1963	DOMELIGHT LENS Note: Manufactured Using Original GM Tooling.	\$4.00	
02973210	1964	DOMELIGHT LENS Note: Manufactured Using Original GM Tooling.	\$4.00	
02973210	1965	DOMELIGHT LENS Note: Manufactured Using Original GM Tooling.	\$4.00	
02973210	1966	DOMELIGHT LENS Note: Manufactured Using Original GM Tooling.	\$4.00	
02973210	1967	DOMELIGHT LENS Note: Manufactured Using Original GM Tooling.	\$4.00	
02973210	1968	DOMELIGHT LENS Note: Manufactured Using Original GM Tooling.	\$4.00	
02973210	1969	DOMELIGHT LENS Note: Manufactured Using Original GM Tooling.	\$4.00	

Part Number	Year	Description	Price	*Rev.
02973210	1970	DOME LIGHT LENS Note: Manufactured Using Original GM Tooling.	\$4.00	
02973210	1971	DOME LIGHT LENS Note: Manufactured Using Original GM Tooling.	\$4.00	
02973210	1972	DOME LIGHT LENS Note: Manufactured Using Original GM Tooling.	\$4.00	
ELECTRONIC SPARK CONTROL EXTENSION HARNESS				
37535	1981	ELECTRONIC SPARK CONTROL EXTENSION HARNESS 1/2 & 3/4-Ton, With 305 V/8, Distributor To Electronic Spark Control Harness	\$67.00	M
37535	1982	ELECTRONIC SPARK CONTROL EXTENSION HARNESS 1/2 & 3/4-Ton, With 305 V/8, Engine Code H, & 700R4, Or TH350 Trans, Distributor To Electronic Spark Control Harness	\$67.00	M
ENGINE HARNESS				
06400	1955	ENGINE HARNESS 6 Cylinder, Auto Trans (12 Volt) Note: 6 Cylinder Items Are Not Returnable.	\$110.00	
06395	1955	ENGINE HARNESS 6 Cylinder, Manual Trans (12 Volt) Note: 6 Cylinder Items Are Not Returnable.	\$96.00	
02285	1955	ENGINE HARNESS V/8, Auto Trans	\$105.00	
30290	1955	ENGINE HARNESS V/8, Auto Trans, With H.E.I.	\$119.00	
02385	1955	ENGINE HARNESS V/8, Manual Trans	\$92.00	
30295	1955	ENGINE HARNESS V/8, Manual Trans, With H.E.I.	\$119.00	
02395	1956	ENGINE HARNESS 6 Cylinder, Auto Trans Note: 6 Cylinder Items Are Not Returnable.	\$124.00	
02390	1956	ENGINE HARNESS 6 Cylinder, Manual Trans Note: 6 Cylinder Items Are Not Returnable.	\$110.00	
02405	1956	ENGINE HARNESS V/8, Auto Trans	\$105.00	
30290	1956	ENGINE HARNESS V/8, Auto Trans, With H.E.I.	\$119.00	
02425	1956	ENGINE HARNESS V/8, Manual Trans	\$105.00	
30295	1956	ENGINE HARNESS V/8, Manual Trans, With H.E.I.	\$119.00	
02570	1957	ENGINE HARNESS 6 Cylinder, Auto Trans, Also See Ignition Switch Adapter Note: 6 Cylinder Items Are Not Returnable.	\$124.00	
02550	1957	ENGINE HARNESS 6 Cylinder, Manual Trans, Also See Ignition Switch Adapter Note: 6 Cylinder Items Are Not Returnable.	\$110.00	
02560	1957	ENGINE HARNESS V/8, Auto Trans, Also See Ignition Switch Adapter Note: The Ignition Switch Adapter #37444 Allows 1957-59 Chevy Truck Engine Harnesses To Be Connected To The Reproduction Ignition Switch Available For 1955-56 Chevy Trucks And Cars.	\$119.00	
30310	1957	ENGINE HARNESS V/8, Auto Trans, With H.E.I., Also See Ignition Switch Adapter Note: The Ignition Switch Adapter #37444 Allows 1957-59 Chevy Truck Engine Harnesses To Be Connected To The Reproduction Ignition Switch Available For 1955-56 Chevy Trucks And Cars.	\$119.00	
02565	1957	ENGINE HARNESS V/8, Manual Trans, Also See Ignition Switch Adapter Note: The Ignition Switch Adapter #37444 Allows 1957-59 Chevy Truck Engine Harnesses To Be Connected To The Reproduction Ignition Switch Available For 1955-56 Chevy Trucks And Cars.	\$119.00	
30315	1957	ENGINE HARNESS V/8, Manual Trans, With H.E.I., Also See Ignition Switch Adapter Note: The Ignition Switch Adapter #37444 Allows 1957-59 Chevy Truck Engine Harnesses To Be Connected To The Reproduction Ignition Switch Available For 1955-56 Chevy Trucks And Cars.	\$119.00	
02910	1958	ENGINE HARNESS 6 Cylinder, Auto Trans, Also See Ignition Switch Adapter Note: 6 Cylinder Items Are Not Returnable.	\$124.00	
02905	1958	ENGINE HARNESS 6 Cylinder, Manual Trans, Also See Ignition Switch Adapter Note: 6 Cylinder Items Are Not Returnable.	\$110.00	

Part Number	Year	Description	Price	*Rev.
02735	1958	ENGINE HARNESS V/8, Auto Trans, Also See Ignition Switch Adapter Note: The Ignition Switch Adapter #37444 Allows 1957-59 Chevy Truck Engine Harnesses To Be Connected To The Reproduction Ignition Switch Available For 1955-56 Chevy Trucks And Cars.	\$119.00	
30310	1958	ENGINE HARNESS V/8, Auto Trans, With H.E.I., Also See Ignition Switch Adapter Note: The Ignition Switch Adapter #37444 Allows 1957-59 Chevy Truck Engine Harnesses To Be Connected To The Reproduction Ignition Switch Available For 1955-56 Chevy Trucks And Cars.	\$119.00	
30810	1958	ENGINE HARNESS V/8, Manual Trans, Also See Ignition Switch Adapter Note: The Ignition Switch Adapter #37444 Allows 1957-59 Chevy Truck Engine Harnesses To Be Connected To The Reproduction Ignition Switch Available For 1955-56 Chevy Trucks And Cars.	\$119.00	
02790	1958	ENGINE HARNESS V/8, Manual Trans, With Overspeed Governor Lt, Also See Ignition Switch Adapter Note: The Ignition Switch Adapter #37444 Allows 1957-59 Chevy Truck Engine Harnesses To Be Connected To The Reproduction Ignition Switch Available For 1955-56 Chevy Trucks And Cars.	\$172.00	
30315	1958	ENGINE HARNESS V/8, Manual Trans, With H.E.I., Also See Ignition Switch Adapter Note: The Ignition Switch Adapter #37444 Allows 1957-59 Chevy Truck Engine Harnesses To Be Connected To The Reproduction Ignition Switch Available For 1955-56 Chevy Trucks And Cars.	\$119.00	
02910	1959	ENGINE HARNESS 6 Cylinder, Auto Trans, Also See Ignition Switch Adapter Note: 6 Cylinder Items Are Not Returnable.	\$124.00	
02905	1959	ENGINE HARNESS 6 Cylinder, Manual Trans, Also See Ignition Switch Adapter Note: 6 Cylinder Items Are Not Returnable.	\$110.00	
02735	1959	ENGINE HARNESS V/8, Auto Trans, Also See Ignition Switch Adapter Note: The Ignition Switch Adapter #37444 Allows 1957-59 Chevy Truck Engine Harnesses To Be Connected To The Reproduction Ignition Switch Available For 1955-56 Chevy Trucks And Cars.	\$119.00	
30310	1959	ENGINE HARNESS V/8, Auto Trans, With H.E.I., Also See Ignition Switch Adapter Note: The Ignition Switch Adapter #37444 Allows 1957-59 Chevy Truck Engine Harnesses To Be Connected To The Reproduction Ignition Switch Available For 1955-56 Chevy Trucks And Cars.	\$119.00	
30810	1959	ENGINE HARNESS V/8, Manual Trans, Also See Ignition Switch Adapter Note: The Ignition Switch Adapter #37444 Allows 1957-59 Chevy Truck Engine Harnesses To Be Connected To The Reproduction Ignition Switch Available For 1955-56 Chevy Trucks And Cars.	\$119.00	
02790	1959	ENGINE HARNESS V/8, Manual Trans, With Overspeed Governor Lt, Also See Ignition Switch Adapter Note: The Ignition Switch Adapter #37444 Allows 1957-59 Chevy Truck Engine Harnesses To Be Connected To The Reproduction Ignition Switch Available For 1955-56 Chevy Trucks And Cars.	\$172.00	
30315	1959	ENGINE HARNESS V/8, Manual Trans, With H.E.I., Also See Ignition Switch Adapter Note: The Ignition Switch Adapter #37444 Allows 1957-59 Chevy Truck Engine Harnesses To Be Connected To The Reproduction Ignition Switch Available For 1955-56 Chevy Trucks And Cars.	\$119.00	
38030	1960	ENGINE HARNESS 6 Cylinder, Without Gauges Note: 6 Cylinder Items Are Not Returnable.	\$119.00	
38038	1960	ENGINE HARNESS 6 Cylinder, With Gauges Note: 6 Cylinder Items Are Not Returnable.	\$119.00	
38037	1960	ENGINE HARNESS V/8, Without Gauges	\$119.00	
39122	1960	ENGINE HARNESS-HEI V/8, Without Gauges Note: This Harness Is Modified For Use With An HEI Distributor.	\$134.00	
38031	1960	ENGINE HARNESS V/8, With Gauges	\$119.00	
38032	1960	ENGINE HARNESS V/8, 348 C.I., With Gauges	\$119.00	
03085	1961	ENGINE HARNESS 6 Cylinder Note: 6 Cylinder Items Are Not Returnable.	\$132.00	
03050	1961	ENGINE HARNESS V/8	\$132.00	
39061	1961	ENGINE HARNESS-HEI V/8 Note: This Harness Is Modified For Use With An HEI Distributor.	\$147.00	
04050	1962	ENGINE HARNESS 6 Cylinder, With Gauges Note: 6 Cylinder Items Are Not Returnable.	\$119.00	

Part Number	Year	Description	Price	*Rev.
04045	1962	ENGINE HARNESS 6 Cylinder, Without Gauges Note: 6 Cylinder Items Are Not Returnable.	\$119.00	
38075	1962	ENGINE HARNESS V/8, With Gauges	\$119.00	
39202	1962	ENGINE HARNESS-HEI V/8, With Gauges Note: This Harness Is Modified For Use With An HEI Distributor.	\$145.00	
03655	1962	ENGINE HARNESS V/8, Without Gauges	\$105.00	
39201	1962	ENGINE HARNESS-HEI V/8, Without Gauges Note: This Harness Is Modified For Use With An HEI Distributor.	\$120.00	
04110	1963	ENGINE HARNESS 6 Cylinder, With Gauges Note: 6 Cylinder Items Are Not Returnable.	\$105.00	
20650	1963	ENGINE HARNESS 6 Cylinder, Without Gauges Note: 6 Cylinder Items Are Not Returnable.	\$105.00	
04305	1963	ENGINE HARNESS V/8, With Gauges	\$119.00	
39081	1963	ENGINE HARNESS-HEI V/8, With Gauges Note: This Harness Is Modified For Use With An HEI Distributor.	\$147.00	
04710	1963	ENGINE HARNESS V/8, Without Gauges	\$105.00	
38967	1963	ENGINE HARNESS-HEI V/8, Without Gauges Note: This Harness Is Modified For Use With An HEI Distributor.	\$120.00	
04110	1964	ENGINE HARNESS 6 Cylinder, With Gauges Note: 6 Cylinder Items Are Not Returnable.	\$105.00	
20650	1964	ENGINE HARNESS 6 Cylinder, Without Gauges Note: 6 Cylinder Items Are Not Returnable.	\$105.00	
30830	1964	ENGINE HARNESS V/8, With Gauges	\$105.00	
38969	1964	ENGINE HARNESS-HEI V/8, With Gauges Note: This Harness Is Modified For Use With An HEI Distributor.	\$120.00	
05160	1964	ENGINE HARNESS V/8, With Gauges & Overspeed Warning	\$132.00	
04710	1964	ENGINE HARNESS V/8, Without Gauges	\$105.00	
38967	1964	ENGINE HARNESS-HEI V/8, Without Gauges Note: This Harness Is Modified For Use With An HEI Distributor.	\$120.00	
04110	1965	ENGINE HARNESS 6 Cylinder, With Gauges Note: 6 Cylinder Items Are Not Returnable.	\$105.00	
20650	1965	ENGINE HARNESS 6 Cylinder, Without Gauges Note: 6 Cylinder Items Are Not Returnable.	\$105.00	
30830	1965	ENGINE HARNESS V/8, With Gauges	\$105.00	
38969	1965	ENGINE HARNESS-HEI V/8, With Gauges Note: This Harness Is Modified For Use With An HEI Distributor.	\$120.00	
05160	1965	ENGINE HARNESS V/8, With Gauges & Overspeed Warning	\$132.00	
04710	1965	ENGINE HARNESS V/8, Without Gauges	\$105.00	
38967	1965	ENGINE HARNESS-HEI V/8, Without Gauges Note: This Harness Is Modified For Use With An HEI Distributor.	\$120.00	
04110	1966	ENGINE HARNESS 6 Cylinder, With Gauges Note: 6 Cylinder Items Are Not Returnable.	\$105.00	
20650	1966	ENGINE HARNESS 6 Cylinder, Without Gauges Note: 6 Cylinder Items Are Not Returnable.	\$105.00	
30830	1966	ENGINE HARNESS V/8, With Gauges	\$105.00	
38969	1966	ENGINE HARNESS-HEI V/8, With Gauges Note: This Harness Is Modified For Use With An HEI Distributor.	\$120.00	
05160	1966	ENGINE HARNESS V/8, With Gauges & Overspeed Warning	\$132.00	
04710	1966	ENGINE HARNESS V/8, Without Gauges	\$105.00	

Part Number	Year	Description	Price	*Rev.
38967	1966	ENGINE HARNESS-HEI V/8, Without Gauges Note: This Harness Is Modified For Use With An HEI Distributor.	\$120.00	
23420	1967	ENGINE HARNESS 6 Cylinder, Auto Trans Note: 6 Cylinder Items Are Not Returnable.	\$184.00	
21980	1967	ENGINE HARNESS 6 Cylinder, Manual Trans Note: 6 Cylinder Items Are Not Returnable.	\$145.00	
23425	1967	ENGINE HARNESS V/8, Auto Trans	\$145.00	
39007	1967	ENGINE HARNESS-HEI V/8, Auto Trans Note: This Harness Is Modified For Use With An HEI Distributor.	\$160.00	
21245	1967	ENGINE HARNESS V/8, Manual Trans	\$158.00	
39153	1967	ENGINE HARNESS-HEI V/8, Manual Trans Note: This Harness Is Modified For Use With An HEI Distributor.	\$173.00	
20665	1968	ENGINE HARNESS 6 Cylinder, Auto Trans Note: 6 Cylinder Items Are Not Returnable.	\$172.00	
23430	1968	ENGINE HARNESS 6 Cylinder, Manual Trans Note: 6 Cylinder Items Are Not Returnable.	\$172.00	
06420	1968	ENGINE HARNESS V/8, Auto Trans	\$158.00	
38943	1968	ENGINE HARNESS-HEI V/8, Auto Trans Note: This Harness Is Modified For Use With An HEI Distributor.	\$173.00	
21985	1968	ENGINE HARNESS V/8, Manual Trans	\$158.00	
38971	1968	ENGINE HARNESS-HEI V/8, Manual Trans Note: This Harness Is Modified For Use With An HEI Distributor.	\$173.00	
20655	1968	ENGINE HARNESS V/8, 396 C.I., Auto Trans	\$172.00	
39026	1968	ENGINE HARNESS-HEI V/8, 396 C.I., Auto Trans Note: This Harness Is Modified For Use With An HEI Distributor.	\$187.00	
20660	1968	ENGINE HARNESS V/8, 396 C.I., Manual Trans	\$184.00	
39205	1968	ENGINE HARNESS-HEI V/8, 396 C.I., Manual Trans Note: This Harness Is Modified For Use With An HEI Distributor.	\$199.00	
20665	1969	ENGINE HARNESS 6 Cylinder, Auto Trans Note: 6 Cylinder Items Are Not Returnable.	\$172.00	
23430	1969	ENGINE HARNESS 6 Cylinder, Manual Trans Note: 6 Cylinder Items Are Not Returnable.	\$172.00	
06420	1969	ENGINE HARNESS V/8, Auto Trans	\$158.00	
38943	1969	ENGINE HARNESS-HEI V/8, Auto Trans Note: This Harness Is Modified For Use With An HEI Distributor.	\$173.00	
21985	1969	ENGINE HARNESS V/8, Manual Trans	\$158.00	
38971	1969	ENGINE HARNESS-HEI V/8, Manual Trans Note: This Harness Is Modified For Use With An HEI Distributor.	\$173.00	
20655	1969	ENGINE HARNESS V/8, 396 C.I., Auto Trans	\$172.00	
39026	1969	ENGINE HARNESS-HEI V/8, 396 C.I., Auto Trans Note: This Harness Is Modified For Use With An HEI Distributor.	\$187.00	
20660	1969	ENGINE HARNESS V/8, 396 C.I., Manual Trans	\$184.00	
39205	1969	ENGINE HARNESS-HEI V/8, 396 C.I., Manual Trans Note: This Harness Is Modified For Use With An HEI Distributor.	\$199.00	
23435	1970	ENGINE HARNESS 6 Cylinder, Auto Trans Note: 6 Cylinder Items Are Not Returnable.	\$172.00	
20850	1970	ENGINE HARNESS 6 Cylinder, Manual Trans Note: 6 Cylinder Items Are Not Returnable.	\$172.00	
31520	1970	ENGINE HARNESS V/8, Auto Trans	\$158.00	

Part Number	Year	Description	Price	*Rev.
38922	1970	ENGINE HARNESS-HEI V/8, Auto Trans Note: This Harness Is Modified For Use With An HEI Distributor.	\$173.00	
20795	1970	ENGINE HARNESS V/8, Manual Trans	\$158.00	
38950	1970	ENGINE HARNESS-HEI V/8, Manual Trans Note: This Harness Is Modified For Use With An HEI Distributor.	\$173.00	
23230	1970	ENGINE HARNESS V/8, 396 C.I., Auto Trans	\$172.00	
38954	1970	ENGINE HARNESS-HEI V/8, 396 C.I., Auto Trans Note: This Harness Is Modified For Use With An HEI Distributor.	\$187.00	
21945	1970	ENGINE HARNESS V/8, 396 C.I., Manual Trans	\$184.00	
39062	1970	ENGINE HARNESS-HEI V/8, 396 C.I., Manual Trans Note: This Harness Is Modified For Use With An HEI Distributor.	\$199.00	
23435	1971	ENGINE HARNESS 6 Cylinder, Auto Trans Note: 6 Cylinder Items Are Not Returnable.	\$172.00	
20850	1971	ENGINE HARNESS 6 Cylinder, Manual Trans Note: 6 Cylinder Items Are Not Returnable.	\$172.00	
31520	1971	ENGINE HARNESS V/8, Auto Trans	\$158.00	
38922	1971	ENGINE HARNESS-HEI V/8, Auto Trans Note: This Harness Is Modified For Use With An HEI Distributor.	\$173.00	
20795	1971	ENGINE HARNESS V/8, Manual Trans	\$158.00	
38950	1971	ENGINE HARNESS-HEI V/8, Manual Trans Note: This Harness Is Modified For Use With An HEI Distributor.	\$173.00	
23230	1971	ENGINE HARNESS V/8, 396 C.I., Auto Trans	\$172.00	
38954	1971	ENGINE HARNESS-HEI V/8, 396 C.I., Auto Trans Note: This Harness Is Modified For Use With An HEI Distributor.	\$187.00	
21945	1971	ENGINE HARNESS V/8, 396 C.I., Manual Trans	\$184.00	
39062	1971	ENGINE HARNESS-HEI V/8, 396 C.I., Manual Trans Note: This Harness Is Modified For Use With An HEI Distributor.	\$199.00	
23435	1972	ENGINE HARNESS 6 Cylinder, Auto Trans Note: 6 Cylinder Items Are Not Returnable.	\$172.00	
20850	1972	ENGINE HARNESS 6 Cylinder, Manual Trans Note: 6 Cylinder Items Are Not Returnable.	\$172.00	
31520	1972	ENGINE HARNESS V/8, Auto Trans	\$158.00	
38922	1972	ENGINE HARNESS-HEI V/8, Auto Trans Note: This Harness Is Modified For Use With An HEI Distributor.	\$173.00	
20795	1972	ENGINE HARNESS V/8, Manual Trans	\$158.00	
38950	1972	ENGINE HARNESS-HEI V/8, Manual Trans Note: This Harness Is Modified For Use With An HEI Distributor.	\$173.00	
23230	1972	ENGINE HARNESS V/8, 396 C.I., Auto Trans	\$172.00	
38954	1972	ENGINE HARNESS-HEI V/8, 396 C.I., Auto Trans Note: This Harness Is Modified For Use With An HEI Distributor.	\$187.00	
21945	1972	ENGINE HARNESS V/8, 396 C.I., Manual Trans	\$184.00	
39062	1972	ENGINE HARNESS-HEI V/8, 396 C.I., Manual Trans Note: This Harness Is Modified For Use With An HEI Distributor.	\$199.00	
35928	1973	ENGINE HARNESS 6 Cylinder, All Note: 6 Cylinder Items Are Not Returnable.	\$318.00	M
37458	1973	ENGINE HARNESS V/8, 307, 350 C.I., Auto Trans, Without Gauges	\$305.00	M
40136	1973	ENGINE HARNESS-HEI V/8, 307, 350 C.I., Auto Trans, Without Gauges Note: This Harness Is Modified For Use With An HEI Distributor.	\$322.00	M
37459	1973	ENGINE HARNESS V/8, 307, 350 C.I., Auto Trans, With Gauges	\$305.00	M

Part Number	Year	Description	Price	*Rev.
39158	1973	ENGINE HARNESS-HEI V/8, 307, 350 C.I., Auto Trans, With Gauges Note: This Harness Is Modified For Use With An HEI Distributor.	\$322.00	M
37456	1973	ENGINE HARNESS V/8, 307, 350 C.I., Manual Trans, Without Gauges	\$305.00	M
40134	1973	ENGINE HARNESS-HEI V/8, 307, 350 C.I., Manual Trans, Without Gauges Note: This Harness Is Modified For Use With An HEI Distributor.	\$322.00	M
37457	1973	ENGINE HARNESS V/8, 307, 350 C.I., Manual Trans, With Gauges	\$305.00	M
40135	1973	ENGINE HARNESS-HEI V/8, 307, 350 C.I., Manual Trans, With Gauges Note: This Harness Is Modified For Use With An HEI Distributor.	\$322.00	M
37462	1973	ENGINE HARNESS V/8, 454 C.I., Auto Trans, Without Gauges	\$305.00	M
40139	1973	ENGINE HARNESS-HEI V/8, 454 C.I., Auto Trans, Without Gauges Note: This Harness Is Modified For Use With An HEI Distributor.	\$322.00	M
37463	1973	ENGINE HARNESS V/8, 454 C.I., Auto Trans, With Gauges	\$305.00	M
39209	1973	ENGINE HARNESS-HEI V/8, 454 C.I., Auto Trans, With Gauges Note: This Harness Is Modified For Use With An HEI Distributor.	\$322.00	M
37460	1973	ENGINE HARNESS V/8, 454 C.I., Manual Trans, Without Gauges	\$305.00	M
40137	1973	ENGINE HARNESS-HEI V/8, 454 C.I., Manual Trans, Without Gauges Note: This Harness Is Modified For Use With An HEI Distributor.	\$322.00	M
37461	1973	ENGINE HARNESS V/8, 454 C.I., Manual Trans, With Gauges	\$305.00	M
40138	1973	ENGINE HARNESS-HEI V/8, 454 C.I., Manual Trans, With Gauges Note: This Harness Is Modified For Use With An HEI Distributor.	\$322.00	M
35977	1974	ENGINE HARNESS 6 Cylinder, All Note: 6 Cylinder Items Are Not Returnable.	\$359.00	M
37481	1974	ENGINE HARNESS V/8, 350 C.I., Auto Trans, Without Gauges	\$344.00	M
40140	1974	ENGINE HARNESS-HEI V/8, 350 C.I., Auto Trans, Without Gauges Note: This Harness Is Modified For Use With An HEI Distributor.	\$344.00	M
37482	1974	ENGINE HARNESS V/8, 350 C.I., Auto Trans, With Gauges	\$344.00	M
39210	1974	ENGINE HARNESS-HEI V/8, 350 C.I., Auto Trans, With Gauges Note: This Harness Is Modified For Use With An HEI Distributor.	\$344.00	M
38871	1974	ENGINE HARNESS V/8, 350 C.I., Manual Trans, Without Gauges	\$344.00	M
40144	1974	ENGINE HARNESS-HEI V/8, 350 C.I., Manual Trans, Without Gauges Note: This Harness Is Modified For Use With An HEI Distributor.	\$344.00	M
37480	1974	ENGINE HARNESS V/8, 350 C.I., Manual Trans, With Gauges	\$344.00	M
40143	1974	ENGINE HARNESS-HEI V/8, 350 C.I., Manual Trans, With Gauges Note: This Harness Is Modified For Use With An HEI Distributor.	\$344.00	M
37484	1974	ENGINE HARNESS V/8, 454 C.I., Without Gauges	\$344.00	M
40141	1974	ENGINE HARNESS-HEI V/8, 454 C.I., Without Gauges Note: This Harness Is Modified For Use With An HEI Distributor.	\$344.00	M
37485	1974	ENGINE HARNESS V/8, 454 C.I., With Gauges	\$344.00	M
40142	1974	ENGINE HARNESS-HEI V/8, 454 C.I., With Gauges Note: This Harness Is Modified For Use With An HEI Distributor.	\$344.00	M
35935	1975	ENGINE HARNESS 6 Cylinder, All Note: 6 Cylinder Items Are Not Returnable.	\$374.00	M
37496	1975	ENGINE HARNESS V/8, 350, 400 C.I., Without Gauges	\$344.00	M
37497	1975	ENGINE HARNESS V/8, 350, 400 C.I., With Gauges	\$344.00	M
37498	1975	ENGINE HARNESS V/8, 454 C.I., Without Gauges & California Emission System	\$344.00	M
38872	1975	ENGINE HARNESS V/8, 454 C.I., With Gauges, Without California Emission System	\$344.00	M
37502	1975	ENGINE HARNESS V/8, 454 C.I., 1/2 Ton, Without Gauges, With California Emission System	\$344.00	M

Part Number	Year	Description	Price	*Rev.
37503	1975	ENGINE HARNESS V/8, 454 C.I., 1/2 Ton, With Gauges & California Emission System	\$344.00	M
37506	1975	ENGINE HARNESS V/8, 454 C.I., 3/4 & 1-Ton, Without Gauges, With California Emission System	\$344.00	M
37507	1975	ENGINE HARNESS V/8, 454 C.I., 3/4 & 1-Ton, With Gauges & California Emission System	\$344.00	M
35954	1976	ENGINE HARNESS 6 Cylinder, 250 C.I. Note: 6 Cylinder Items Are Not Returnable.	\$374.00	M
35932	1976	ENGINE HARNESS 6 Cylinder, 292 C.I. Note: 6 Cylinder Items Are Not Returnable.	\$359.00	M
38135	1976	ENGINE HARNESS V/8, 350, 400 C.I.	\$318.00	M
35967	1976	ENGINE HARNESS V/8, 454 C.I., With Heavy Duty Chassis	\$344.00	M
35968	1976	ENGINE HARNESS V/8, 454 C.I., Without Heavy Duty Chassis	\$358.00	M
35969	1977	ENGINE HARNESS 6 Cylinder, 250 C.I. Note: 6 Cylinder Items Are Not Returnable.	\$374.00	M
37516	1977	ENGINE HARNESS 6 Cylinder, 292 C.I. Note: 6 Cylinder Items Are Not Returnable.	\$374.00	M
38136	1977	ENGINE HARNESS V/8, 305, 350, 400 C.I.	\$318.00	M
35970	1977	ENGINE HARNESS V/8, 454 C.I., Except Heavy Duty Chassis	\$358.00	M
35972	1977	ENGINE HARNESS V/8, 454 C.I., With Heavy Duty Chassis	\$318.00	M
35975	1978	ENGINE HARNESS 6 Cylinder, 250 C.I., Without California Emissions, & All 292 C.I. Note: 6 Cylinder Items Are Not Returnable.	\$374.00	M
35911	1978	ENGINE HARNESS 6 Cylinder, 250 C.I., With California Emissions Note: 6 Cylinder Items Are Not Returnable.	\$374.00	M
38140	1978	ENGINE HARNESS V/8, 305, 350, 400 C.I.	\$332.00	M
35973	1978	ENGINE HARNESS V/8, 454 C.I.	\$332.00	M
37520	1979	ENGINE HARNESS 6 Cylinder, 250 C.I. Note: 6 Cylinder Items Are Not Returnable.	\$387.00	M
37522	1979	ENGINE HARNESS 6 Cylinder, 292 C.I. Note: 6 Cylinder Items Are Not Returnable.	\$387.00	M
22630	1979	ENGINE HARNESS V/8, 454 C.I.	\$332.00	M
38144	1979	ENGINE HARNESS V/8, 305, 350, 400 C.I.	\$332.00	M
37520	1980	ENGINE HARNESS 6 Cylinder, 250 C.I. Note: 6 Cylinder Items Are Not Returnable.	\$387.00	M
37522	1980	ENGINE HARNESS 6 Cylinder, 292 C.I. Note: 6 Cylinder Items Are Not Returnable.	\$387.00	M
38144	1980	ENGINE HARNESS V/8, 305, 350, 400 C.I.	\$332.00	M
22630	1980	ENGINE HARNESS V/8, 454 C.I.	\$332.00	M
37528	1981	ENGINE HARNESS 6 Cylinder, 250 C.I. Note: 6 Cylinder Items Are Not Returnable.	\$387.00	M
37531	1981	ENGINE HARNESS 6 Cylinder, 292 C.I. Note: 6 Cylinder Items Are Not Returnable.	\$401.00	M
37530	1981	ENGINE HARNESS V/8, 305, 350 C.I.	\$332.00	M
37529	1981	ENGINE HARNESS V/8, 454 C.I.	\$344.00	M
37528	1982	ENGINE HARNESS 6 Cylinder, 250 C.I., With California Emissions Note: 6 Cylinder Items Are Not Returnable.	\$387.00	M
37531	1982	ENGINE HARNESS 6 Cylinder, 292 C.I. Note: 6 Cylinder Items Are Not Returnable.	\$401.00	M

Part Number	Year	Description	Price	*Rev.
37539	1982	ENGINE HARNESS 6 Cylinder, 250 C.I., Without California Emissions Note: 6 Cylinder Items Are Not Returnable.	\$401.00	M
37530	1982	ENGINE HARNESS V/8, 305, 350 C.I., With Electric Choke	\$332.00	M
38149	1982	ENGINE HARNESS V/8, 305, 350 C.I., Without Electric Choke	\$332.00	M
37529	1982	ENGINE HARNESS V/8, 454 C.I.	\$344.00	M
38883	1982	ENGINE HARNESS EXTENSION Diesel, Glow Plug Relay To Engine Harness	\$133.00	M
ENGINE INDICATOR LAMP HARNESS				
37538	1982	ENGINE INDICATOR LAMP HARNESS Diesel, Fuse Block To Dash Indicator Warning Lamps	\$147.00	M
FORWARD LAMP HARNESS				
06350	1955	FORWARD LAMP HARNESS 6 Cylinder, With Stock Generator, (12 Volt) Note: 6 Cylinder Items Are Not Returnable.	\$119.00	
02415	1955	FORWARD LAMP HARNESS V/8, With Stock Generator, (12 Volt)	\$119.00	
35035	1955	FORWARD LAMP HARNESS V/8, With Stock Generator, (12 Volt) & Directional Leads	\$132.00	
02400	1956	FORWARD LAMP HARNESS 6 Cylinder, With Stock Generator Note: 6 Cylinder Items Are Not Returnable.	\$132.00	
35045	1956	FORWARD LAMP HARNESS 6 Cylinder, With Stock Generator & Directional Leads Note: 6 Cylinder Items Are Not Returnable.	\$132.00	
02415	1956	FORWARD LAMP HARNESS V/8, With Stock Generator	\$119.00	
35030	1956	FORWARD LAMP HARNESS V/8, With Stock Generator & Directional Leads	\$132.00	
02555	1957	FORWARD LAMP HARNESS With Stock Generator	\$119.00	
35040	1957	FORWARD LAMP HARNESS With Stock Generator & Directional Leads	\$119.00	
30860	1957	FORWARD LAMP HARNESS With Stock Heavy Duty Generator	\$132.00	
02715	1958	FORWARD LAMP HARNESS With Stock Generator	\$119.00	
35055	1958	FORWARD LAMP HARNESS With Stock Generator & Directional Leads	\$119.00	
30805	1958	FORWARD LAMP HARNESS With Stock Heavy Duty Generator	\$132.00	
02715	1959	FORWARD LAMP HARNESS With Stock Generator	\$119.00	
35055	1959	FORWARD LAMP HARNESS With Stock Generator & Directional Leads	\$119.00	
02960	1960	FORWARD LAMP AND GENERATOR HARNESS Without Gauges Note: Requires Part #03065 To Complete Voltage Regulator Wiring.	\$140.00	
02990	1960	FORWARD LAMP AND GENERATOR HARNESS With Gauges Note: Requires Part #03065 To Complete Voltage Regulator Wiring.	\$153.00	
03065	1960	FORWARD LAMP EXTENSION HARNESS Generator To Voltage Regulator Note: Not Needed If Using Alternator Conversion Harness.	\$49.00	
03590	1961	FORWARD LAMP AND GENERATOR HARNESS	\$147.00	
03590	1962	FORWARD LAMP AND GENERATOR HARNESS	\$147.00	
04025	1962	FORWARD LAMP AND ALTERNATOR HARNESS With Original Type (1962 Only) Voltage Regulator	\$147.00	
04715	1963	FORWARD LAMP HARNESS With Gauges	\$140.00	
39020	1963	FORWARD LAMP HARNESS-INT REG ALT DRIVER SIDE With Gauges Note: Modified For Driver Side Mounted 1972-84 Non-Serpentine Belt ("SI" Series) Internal Regulated Alternators.	\$165.00	
39102	1963	FORWARD LAMP HARNESS-INT REG ALT PASSENGER SIDE With Gauges Note: Modified For Passenger Side Mounted 1972-84 Non-Serpentine Belt ("SI" Series) Internal Regulated Alternators.	\$175.00	
04125	1963	FORWARD LAMP HARNESS Without Gauges	\$140.00	
39025	1963	FORWARD LAMP HARNESS-INT REG ALT DRIVER SIDE Without Gauges Note: Modified For Driver Side Mounted 1972-84 Non-Serpentine Belt ("SI" Series) Internal Regulated Alternators.	\$165.00	
39284	1963	FORWARD LAMP HARNESS-INT REG ALT PASSENGER SIDE Without Gauges Note: Modified For Passenger Side Mounted 1972-84 Non-Serpentine Belt ("SI" Series) Internal Regulated Alternators.	\$175.00	
04715	1964	FORWARD LAMP HARNESS With Gauges	\$140.00	

Part Number	Year	Description	Price	*Rev.
39020	1964	FORWARD LAMP HARNESS-INT REG ALT DRIVER SIDE With Gauges Note: Modified For Driver Side Mounted 1972-84 Non-Serpentine Belt ("SI" Series) Internal Regulated Alternators.	\$165.00	
39102	1964	FORWARD LAMP HARNESS-INT REG ALT PASSENGER SIDE With Gauges Note: Modified For Passenger Side Mounted 1972-84 Non-Serpentine Belt ("SI" Series) Internal Regulated Alternators.	\$175.00	
04125	1964	FORWARD LAMP HARNESS Without Gauges	\$140.00	
39025	1964	FORWARD LAMP HARNESS-INT REG ALT DRIVER SIDE Without Gauges Note: Modified For Driver Side Mounted 1972-84 Non-Serpentine Belt ("SI" Series) Internal Regulated Alternators.	\$165.00	
39284	1964	FORWARD LAMP HARNESS-INT REG ALT PASSENGER SIDE Without Gauges Note: Modified For Passenger Side Mounted 1972-84 Non-Serpentine Belt ("SI" Series) Internal Regulated Alternators.	\$175.00	
04715	1965	FORWARD LAMP HARNESS With Gauges	\$140.00	
39020	1965	FORWARD LAMP HARNESS-INT REG ALT DRIVER SIDE With Gauges Note: Modified For Driver Side Mounted 1972-84 Non-Serpentine Belt ("SI" Series) Internal Regulated Alternators.	\$165.00	
39102	1965	FORWARD LAMP HARNESS-INT REG ALT PASSENGER SIDE With Gauges Note: Modified For Passenger Side Mounted 1972-84 Non-Serpentine Belt ("SI" Series) Internal Regulated Alternators.	\$175.00	
04125	1965	FORWARD LAMP HARNESS Without Gauges	\$140.00	
39025	1965	FORWARD LAMP HARNESS-INT REG ALT DRIVER SIDE Without Gauges Note: Modified For Driver Side Mounted 1972-84 Non-Serpentine Belt ("SI" Series) Internal Regulated Alternators.	\$165.00	
39284	1965	FORWARD LAMP HARNESS-INT REG ALT PASSENGER SIDE Without Gauges Note: Modified For Passenger Side Mounted 1972-84 Non-Serpentine Belt ("SI" Series) Internal Regulated Alternators.	\$175.00	
04715	1966	FORWARD LAMP HARNESS With Gauges	\$140.00	
39020	1966	FORWARD LAMP HARNESS-INT REG ALT DRIVER SIDE With Gauges Note: Modified For Driver Side Mounted 1972-84 Non-Serpentine Belt ("SI" Series) Internal Regulated Alternators.	\$165.00	
39102	1966	FORWARD LAMP HARNESS-INT REG ALT PASSENGER SIDE With Gauges Note: Modified For Passenger Side Mounted 1972-84 Non-Serpentine Belt ("SI" Series) Internal Regulated Alternators.	\$175.00	
04125	1966	FORWARD LAMP HARNESS Without Gauges	\$140.00	
39025	1966	FORWARD LAMP HARNESS-INT REG ALT DRIVER SIDE Without Gauges Note: Modified For Driver Side Mounted 1972-84 Non-Serpentine Belt ("SI" Series) Internal Regulated Alternators.	\$165.00	
39284	1966	FORWARD LAMP HARNESS-INT REG ALT PASSENGER SIDE Without Gauges Note: Modified For Passenger Side Mounted 1972-84 Non-Serpentine Belt ("SI" Series) Internal Regulated Alternators.	\$175.00	
21250	1967	FORWARD LAMP HARNESS With Gauges	\$264.00	
39045	1967	FORWARD LAMP HARNESS-INT REG ALT DRIVER SIDE With Gauges Note: Modified For Driver Side Mounted 1972-84 Non-Serpentine Belt ("SI" Series) Internal Regulated Alternators.	\$289.00	
39203	1967	FORWARD LAMP HARNESS-INT REG ALT PASSENGER SIDE With Gauges Note: Modified For Passenger Side Mounted 1972-84 Non-Serpentine Belt ("SI" Series) Internal Regulated Alternators.	\$299.00	
23440	1967	FORWARD LAMP HARNESS Without Gauges	\$264.00	
39124	1967	FORWARD LAMP HARNESS-INT REG ALT DRIVER SIDE Without Gauges Note: Modified For Driver Side Mounted 1972-84 Non-Serpentine Belt ("SI" Series) Internal Regulated Alternators.	\$289.00	
39285	1967	FORWARD LAMP HARNESS-INT REG ALT PASSENGER SIDE Without Gauges Note: Modified For Passenger Side Mounted 1972-84 Non-Serpentine Belt ("SI" Series) Internal Regulated Alternators.	\$299.00	
22500	1968	FORWARD LAMP HARNESS With Gauges, Without Side Marker Lights	\$264.00	
39125	1968	FORWARD LAMP HARNESS-INT REG ALT DRIVER SIDE With Gauges, Without Side Marker Lights Note: Modified For Driver Side Mounted 1972-84 Non-Serpentine Belt ("SI" Series) Internal Regulated Alternators.	\$289.00	
39204	1968	FORWARD LAMP HARNESS-INT REG ALT PASSENGER SIDE With Gauges, Without Side Marker Lights Note: Modified For Passenger Side Mounted 1972-84 Non-Serpentine Belt ("SI" Series) Internal Regulated Alternators.	\$299.00	
22490	1968	FORWARD LAMP HARNESS Without Gauges, Without Side Marker Lights	\$264.00	
39154	1968	FORWARD LAMP HARNESS-INT REG ALT DRIVER SIDE Without Gauges, Without Side Marker Lights Note: Modified For Driver Side Mounted 1972-84 Non-Serpentine Belt ("SI" Series) Internal Regulated Alternators.	\$289.00	
39286	1968	FORWARD LAMP HARNESS-INT REG ALT PASSENGER SIDE Without Gauges, Without Side Marker Lights Note: Modified For Passenger Side Mounted 1972-84 Non-Serpentine Belt ("SI" Series) Internal Regulated Alternators.	\$299.00	

Part Number	Year	Description	Price	*Rev.
22220	1969	FORWARD LAMP HARNESS With Gauges, With Side Marker Lights	\$264.00	
38929	1969	FORWARD LAMP HARNESS-INT REG ALT DRIVER SIDE With Gauges, With Side Marker Lights Note: Modified For Driver Side Mounted 1972-84 Non-Serpentine Belt ("SI" Series) Internal Regulated Alternators.	\$289.00	
39155	1969	FORWARD LAMP HARNESS-INT REG ALT PASSENGER SIDE With Gauges, With Side Marker Lights Note: Modified For Passenger Side Mounted 1972-84 Non-Serpentine Belt ("SI" Series) Internal Regulated Alternators.	\$299.00	
22500	1969	FORWARD LAMP HARNESS With Gauges, Without Side Marker Lights	\$264.00	
39125	1969	FORWARD LAMP HARNESS-INT REG ALT DRIVER SIDE With Gauges, Without Side Marker Lights Note: Modified For Driver Side Mounted 1972-84 Non-Serpentine Belt ("SI" Series) Internal Regulated Alternators.	\$289.00	
39204	1969	FORWARD LAMP HARNESS-INT REG ALT PASSENGER SIDE With Gauges, Without Side Marker Lights Note: Modified For Passenger Side Mounted 1972-84 Non-Serpentine Belt ("SI" Series) Internal Regulated Alternators.	\$299.00	
23445	1969	FORWARD LAMP HARNESS Without Gauges, With Side Marker Lights	\$264.00	
39021	1969	FORWARD LAMP HARNESS-INT REG ALT DRIVER SIDE Without Gauges, With Side Marker Lights Note: Modified For Driver Side Mounted 1972-84 Non-Serpentine Belt ("SI" Series) Internal Regulated Alternators.	\$289.00	
39207	1969	FORWARD LAMP HARNESS-INT REG ALT PASSENGER SIDE Without Gauges, With Side Marker Lights Note: Modified For Passenger Side Mounted 1972-84 Non-Serpentine Belt ("SI" Series) Internal Regulated Alternators.	\$299.00	
37665	1969	FORWARD LAMP HARNESS Without Gauges, Without Side Marker Lights	\$304.00	
22220	1970	FORWARD LAMP HARNESS With Gauges	\$264.00	
38929	1970	FORWARD LAMP HARNESS-INT REG ALT DRIVER SIDE With Gauges Note: Modified For Driver Side Mounted 1972-84 Non-Serpentine Belt ("SI" Series) Internal Regulated Alternators.	\$289.00	
39155	1970	FORWARD LAMP HARNESS-INT REG ALT PASSENGER SIDE With Gauges Note: Modified For Passenger Side Mounted 1972-84 Non-Serpentine Belt ("SI" Series) Internal Regulated Alternators.	\$299.00	
23445	1970	FORWARD LAMP HARNESS Without Gauges	\$264.00	
39021	1970	FORWARD LAMP HARNESS-INT REG ALT DRIVER SIDE Without Gauges Note: Modified For Driver Side Mounted 1972-84 Non-Serpentine Belt ("SI" Series) Internal Regulated Alternators.	\$289.00	
39207	1970	FORWARD LAMP HARNESS-INT REG ALT PASSENGER SIDE Without Gauges Note: Modified For Passenger Side Mounted 1972-84 Non-Serpentine Belt ("SI" Series) Internal Regulated Alternators.	\$299.00	
22220	1971	FORWARD LAMP HARNESS With Gauges	\$264.00	
38929	1971	FORWARD LAMP HARNESS-INT REG ALT DRIVER SIDE With Gauges Note: Modified For Driver Side Mounted 1972-84 Non-Serpentine Belt ("SI" Series) Internal Regulated Alternators.	\$289.00	
39155	1971	FORWARD LAMP HARNESS-INT REG ALT PASSENGER SIDE With Gauges Note: Modified For Passenger Side Mounted 1972-84 Non-Serpentine Belt ("SI" Series) Internal Regulated Alternators.	\$299.00	
23445	1971	FORWARD LAMP HARNESS Without Gauges	\$264.00	
39021	1971	FORWARD LAMP HARNESS-INT REG ALT DRIVER SIDE Without Gauges Note: Modified For Driver Side Mounted 1972-84 Non-Serpentine Belt ("SI" Series) Internal Regulated Alternators.	\$289.00	
39207	1971	FORWARD LAMP HARNESS-INT REG ALT PASSENGER SIDE Without Gauges Note: Modified For Passenger Side Mounted 1972-84 Non-Serpentine Belt ("SI" Series) Internal Regulated Alternators.	\$299.00	
22220	1972	FORWARD LAMP HARNESS With Gauges	\$264.00	
38929	1972	FORWARD LAMP HARNESS-INT REG ALT DRIVER SIDE With Gauges Note: Modified For Driver Side Mounted 1972-84 Non-Serpentine Belt ("SI" Series) Internal Regulated Alternators.	\$289.00	
39155	1972	FORWARD LAMP HARNESS-INT REG ALT PASSENGER SIDE With Gauges Note: Modified For Passenger Side Mounted 1972-84 Non-Serpentine Belt ("SI" Series) Internal Regulated Alternators.	\$299.00	
23445	1972	FORWARD LAMP HARNESS Without Gauges	\$264.00	
39021	1972	FORWARD LAMP HARNESS-INT REG ALT DRIVER SIDE Without Gauges Note: Modified For Driver Side Mounted 1972-84 Non-Serpentine Belt ("SI" Series) Internal Regulated Alternators.	\$289.00	
39207	1972	FORWARD LAMP HARNESS-INT REG ALT PASSENGER SIDE Without Gauges Note: Modified For Passenger Side Mounted 1972-84 Non-Serpentine Belt ("SI" Series) Internal Regulated Alternators.	\$299.00	
35925	1973	FORWARD LAMP HARNESS	\$304.00	M
35925	1974	FORWARD LAMP HARNESS	\$304.00	M
35971	1975	FORWARD LAMP HARNESS	\$290.00	M

Part Number	Year	Description	Price	*Rev.
35971	1976	FORWARD LAMP HARNESS	\$290.00	M
35971	1977	FORWARD LAMP HARNESS	\$290.00	M
35971	1978	FORWARD LAMP HARNESS	\$290.00	M
35971	1979	FORWARD LAMP HARNESS	\$290.00	M
37524	1980	FORWARD LAMP HARNESS With Rectangular Headlights	\$304.00	M
35971	1980	FORWARD LAMP HARNESS With Round Headlights	\$290.00	M
37526	1981	FORWARD LAMP HARNESS With Single Headlights	\$330.00	M
37527	1981	FORWARD LAMP HARNESS With Dual Headlights	\$317.00	M
38150	1982	FORWARD LAMP HARNESS With Single Headlights	\$317.00	M
38151	1982	FORWARD LAMP HARNESS With Dual Headlights	\$317.00	M
FOUR WHEEL DRIVE INDICATOR LAMP EXT HARNESS				
39842	1977	FOUR WHEEL DRIVE INDICATOR LAMP EXTENSION HARNESS With Auto Trans, Transfer Case Switch To Indicator Lamp Harness	\$53.00	M
39842	1978	FOUR WHEEL DRIVE INDICATOR LAMP EXTENSION HARNESS With Auto Trans, Transfer Case Switch To Indicator Lamp Harness	\$53.00	M
39842	1979	FOUR WHEEL DRIVE INDICATOR LAMP EXTENSION HARNESS With Auto Trans, Transfer Case Switch To Indicator Lamp Harness	\$53.00	M
FRONT CORNER MARKER LAMP HARNESS				
39746	1973	FRONT CORNER MARKER LAMP HARNESS Stakebed & Flatbed	\$60.00	M
39746	1974	FRONT CORNER MARKER LAMP HARNESS Stakebed & Flatbed	\$60.00	M
39746	1975	FRONT CORNER MARKER LAMP HARNESS Stakebed & Flatbed	\$60.00	M
39746	1976	FRONT CORNER MARKER LAMP HARNESS 1-Ton, Stakebed & Flatbed, With 135.5 In. Wheel Base	\$60.00	M
39746	1977	FRONT CORNER MARKER LAMP HARNESS 1-Ton, Stakebed & Flatbed, With 135.5 In. Wheel Base	\$60.00	M
39746	1978	FRONT CORNER MARKER LAMP HARNESS 1-Ton, Stakebed & Flatbed, With 135.5 In. Wheel Base	\$60.00	M
39746	1979	FRONT CORNER MARKER LAMP HARNESS 1-Ton, Stakebed & Flatbed, With 135.5 In. Wheel Base	\$60.00	M
39746	1980	FRONT CORNER MARKER LAMP HARNESS 1-Ton, Stakebed & Flatbed, With 135.5 In. Wheel Base	\$60.00	M
39746	1981	FRONT CORNER MARKER LAMP HARNESS 1-Ton, Stakebed & Flatbed, With 135.5 In. Wheel Base	\$60.00	M
39746	1982	FRONT CORNER MARKER LAMP HARNESS 1-Ton, Stakebed & Flatbed, With 135.5 In. Wheel Base	\$60.00	M
FUEL GAUGE				
44222	1947	FUEL GAUGE 12 Volt, Red Needle Note: GM Did Not Sell This Gauge Originally, This Gauge Is For Vehicles Converted Over To 12 Volts, But Still Maintains The Original Appearance.	\$74.00	N
01516973	1947	FUEL GAUGE 6 Volt, Red Needle	\$74.00	N
44222	1948	FUEL GAUGE 12 Volt, Red Needle Note: GM Did Not Sell This Gauge Originally, This Gauge Is For Vehicles Converted Over To 12 Volts, But Still Maintains The Original Appearance.	\$74.00	N
01516973	1948	FUEL GAUGE 6 Volt, Red Needle	\$74.00	N
44229	1949	FUEL GAUGE 12 Volt, White Needle Note: GM Did Not Sell This Gauge Originally, This Gauge Is For Vehicles Converted Over To 12 Volts, But Still Maintains The Original Appearance.	\$74.00	N
01517169	1949	FUEL GAUGE 6 Volt, White Needle	\$74.00	N
44229	1950	FUEL GAUGE 12 Volt, White Needle Note: GM Did Not Sell This Gauge Originally, This Gauge Is For Vehicles Converted Over To 12 Volts, But Still Maintains The Original Appearance.	\$74.00	N
01517169	1950	FUEL GAUGE 6 Volt, White Needle	\$74.00	N
44229	1951	FUEL GAUGE 12 Volt, White Needle Note: GM Did Not Sell This Gauge Originally, This Gauge Is For Vehicles Converted Over To 12 Volts, But Still Maintains The Original Appearance.	\$74.00	N
01517169	1951	FUEL GAUGE 6 Volt, White Needle	\$74.00	N

Part Number	Year	Description	Price	*Rev.
44229	1952	FUEL GAUGE 12 Volt, White Needle Note: GM Did Not Sell This Gauge Originally, This Gauge Is For Vehicles Converted Over To 12 Volts, But Still Maintains The Original Appearance.	\$74.00	N
01517169	1952	FUEL GAUGE 6 Volt, White Needle	\$74.00	N
44229	1953	FUEL GAUGE 12 Volt, White Needle Note: GM Did Not Sell This Gauge Originally, This Gauge Is For Vehicles Converted Over To 12 Volts, But Still Maintains The Original Appearance.	\$74.00	N
01517169	1953	FUEL GAUGE 6 Volt, White Needle	\$74.00	N
01517880	1954	FUEL GAUGE 6 Volt	\$74.00	N
44236	1955	FUEL GAUGE 12 Volt	\$74.00	N
44236	1955	FUEL GAUGE 1st Series, 12 Volt	\$74.00	N
01517880	1955	FUEL GAUGE 1st Series, 6 Volt	\$74.00	N
01518462	1955	FUEL GAUGE	\$85.00	N
01518462	1956	FUEL GAUGE	\$85.00	N
01518462	1957	FUEL GAUGE	\$85.00	N
01518462	1958	FUEL GAUGE	\$85.00	N
01518462	1959	FUEL GAUGE	\$85.00	N
05644548	1960	FUEL GAUGE	\$74.00	N
05644548	1961	FUEL GAUGE	\$74.00	N
05644548	1962	FUEL GAUGE	\$74.00	N
05644548	1963	FUEL GAUGE	\$74.00	N
05644735	1964	FUEL GAUGE With Gauges	\$74.00	N
05644488	1964	FUEL GAUGE With Warning Lights	\$74.00	N
05644735	1965	FUEL GAUGE With Gauges	\$74.00	N
05644488	1965	FUEL GAUGE With Warning Lights	\$74.00	N
05644735	1966	FUEL GAUGE With Gauges	\$74.00	N
05644488	1966	FUEL GAUGE With Warning Lights	\$74.00	N
06457910	1967	FUEL GAUGE	\$47.00	N
06457910	1968	FUEL GAUGE	\$47.00	N
06457910	1969	FUEL GAUGE	\$47.00	N
06457910	1970	FUEL GAUGE	\$47.00	N
06457910	1971	FUEL GAUGE	\$47.00	N
06457910	1972	FUEL GAUGE	\$47.00	N
06431698	1973	FUEL GAUGE Fire Orange Needle, With Tachometer	\$54.00	N
06431731	1973	FUEL GAUGE Fire Orange Needle, Without Tachometer	\$54.00	N
06431698	1974	FUEL GAUGE Fire Orange Needle, With Tachometer	\$54.00	N
06431731	1974	FUEL GAUGE Fire Orange Needle, Without Tachometer	\$54.00	N
06432019	1975	FUEL GAUGE Fire Orange Needle, Unleaded Fuel Only, With Tachometer	\$54.00	N
06431698	1975	FUEL GAUGE Fire Orange Needle, With Tachometer	\$54.00	N
06431731	1975	FUEL GAUGE Fire Orange Needle, Without Tachometer	\$54.00	N
06432326	1976	FUEL GAUGE Fire Orange Needle, Unleaded Fuel Only, Without Tachometer	\$54.00	N
06432019	1976	FUEL GAUGE Fire Orange Needle, Unleaded Fuel Only, With Tachometer	\$54.00	N
06431698	1976	FUEL GAUGE Fire Orange Needle, With Tachometer	\$54.00	N
06432170	1976	FUEL GAUGE Fire Orange Needle, Without Tachometer	\$54.00	N
06432326	1977	FUEL GAUGE Fire Orange Needle, Unleaded Fuel Only, Without Tachometer	\$54.00	N
06432019	1977	FUEL GAUGE Fire Orange Needle, Unleaded Fuel Only, With Tachometer	\$54.00	N
06431698	1977	FUEL GAUGE Fire Orange Needle, With Tachometer	\$54.00	N

Part Number	Year	Description	Price	*Rev.
06432170	1977	FUEL GAUGE Fire Orange Needle, Without Tachometer	\$54.00	N
06432326	1978	FUEL GAUGE Fire Orange Needle, Unleaded Fuel Only, Without Tachometer	\$54.00	N
06432019	1978	FUEL GAUGE Fire Orange Needle, Unleaded Fuel Only, With Tachometer	\$54.00	N
06431698	1978	FUEL GAUGE Fire Orange Needle, With Tachometer	\$54.00	N
06432170	1978	FUEL GAUGE Fire Orange Needle, Without Tachometer	\$54.00	N
06432326	1979	FUEL GAUGE 1st Design, Fire Orange Needle, Unleaded Fuel Only, Without Tachometer	\$54.00	N
06432019	1979	FUEL GAUGE 1st Design, Fire Orange Needle, Unleaded Fuel Only, With Tachometer	\$54.00	N
06431698	1979	FUEL GAUGE 1st Design, Fire Orange Needle, With Tachometer	\$54.00	N
06432170	1979	FUEL GAUGE 1st Design, Fire Orange Needle, Without Tachometer	\$54.00	N
06433358	1979	FUEL GAUGE 2nd Design, Light Orange Needle, Unleaded Fuel Only, Without Tachometer	\$54.00	N
06432844	1979	FUEL GAUGE 2nd Design, Light Orange Needle, With Tachometer	\$54.00	N
06433358	1980	FUEL GAUGE Light Orange Needle, Unleaded Fuel Only, Without Tachometer	\$54.00	N
06432844	1980	FUEL GAUGE Light Orange Needle, With Tachometer	\$54.00	N
06433358	1981	FUEL GAUGE Light Orange Needle, Unleaded Fuel Only, Without Tachometer	\$54.00	N
06432844	1981	FUEL GAUGE Light Orange Needle, With Tachometer	\$54.00	N
06433358	1982	FUEL GAUGE Light Orange Needle, Unleaded Fuel Only, Without Tachometer	\$54.00	N
06432844	1982	FUEL GAUGE Light Orange Needle, With Tachometer	\$54.00	N
06433358	1983	FUEL GAUGE Light Orange Needle, Unleaded Fuel Only, Without Tachometer	\$54.00	N
06432844	1983	FUEL GAUGE Light Orange Needle, With Tachometer	\$54.00	N
06433358	1984	FUEL GAUGE Light Orange Needle, Unleaded Fuel Only, Without Tachometer	\$54.00	N
06432844	1984	FUEL GAUGE Light Orange Needle, With Tachometer	\$54.00	N
06433358	1985	FUEL GAUGE Light Orange Needle, Unleaded Fuel Only, Without Tachometer	\$54.00	N
06432844	1985	FUEL GAUGE Light Orange Needle, With Tachometer	\$54.00	N
06433358	1986	FUEL GAUGE Light Orange Needle, Unleaded Fuel Only, Without Tachometer	\$54.00	N
06432844	1986	FUEL GAUGE Light Orange Needle, With Tachometer	\$54.00	N
06433358	1987	FUEL GAUGE Light Orange Needle, Unleaded Fuel Only, Without Tachometer	\$54.00	N
06432844	1987	FUEL GAUGE Light Orange Needle, With Tachometer	\$54.00	N
FUEL TANK SELECTOR SWITCH HARNESS				
39756	1973	FUEL TANK SELECTOR SWITCH HARNESS All, Except Fleetside Bed, Dash Switch To Firewall,	\$80.00	M
39756	1974	FUEL TANK SELECTOR SWITCH HARNESS All, With Fleetside Bed, Dash Switch To Firewall,	\$80.00	M
39756	1975	FUEL TANK SELECTOR SWITCH HARNESS All, With Fleetside Bed, Dash Switch To Firewall	\$80.00	M
39357	1980	FUEL TANK SELECTOR SWITCH HARNESS All, Dash Switch To Firewall	\$80.00	M
40019	1982	FUEL TANK SELECTOR SWITCH HARNESS All, Dash Switch To Firewall, (2nd Design), Firewall Connector Has 2 Wires In A -"T" -Shaped Pattern	\$80.00	M
FUEL TANK SENDER WIRE				
23045	1955	FUEL TANK SENDER WIRE	\$17.00	
23045	1955	FUEL TANK SENDER WIRE	\$17.00	
23045	1956	FUEL TANK SENDER WIRE	\$17.00	
22510	1957	FUEL TANK SENDER WIRE	\$17.00	
22510	1958	FUEL TANK SENDER WIRE	\$17.00	
22510	1959	FUEL TANK SENDER WIRE	\$17.00	
38069	1960	FUEL TANK SENDER WIRE	\$17.00	
38069	1961	FUEL TANK SENDER WIRE	\$17.00	
43980	1962	FUEL TANK SENDER WIRE	\$22.00	
43980	1963	FUEL TANK SENDER WIRE	\$22.00	

Part Number	Year	Description	Price	*Rev.
19960	1964	FUEL TANK SENDER WIRE	\$22.00	
19960	1965	FUEL TANK SENDER WIRE	\$22.00	
19960	1966	FUEL TANK SENDER WIRE	\$22.00	
23570	1967	FUEL TANK SENDER WIRE Except Panel & Suburban	\$22.00	
36249	1967	FUEL TANK SENDER EXTENSION, PANEL AND SUBURBAN Sender To #36237 Rear License Plate & Fuel Tank Harness	\$17.00	
23570	1968	FUEL TANK SENDER WIRE Except Panel & Suburban	\$22.00	
36249	1968	FUEL TANK SENDER EXTENSION, PANEL AND SUBURBAN Sender To #36237 Rear License Plate & Fuel Tank Harness	\$17.00	
37652	1969	FUEL TANK SENDER WIRE Blazer	\$27.00	
23570	1969	FUEL TANK SENDER WIRE Except Panel & Suburban	\$22.00	
36249	1969	FUEL TANK SENDER EXTENSION, PANEL AND SUBURBAN Sender To #36237 Rear License Plate & Fuel Tank Harness	\$17.00	
37652	1970	FUEL TANK SENDER WIRE Blazer	\$27.00	
23570	1970	FUEL TANK SENDER WIRE Except Panel & Suburban	\$22.00	
36249	1970	FUEL TANK SENDER EXTENSION, PANEL AND SUBURBAN Sender To #36237 Rear License Plate & Fuel Tank Harness	\$17.00	
37652	1971	FUEL TANK SENDER WIRE Blazer	\$27.00	
23570	1971	FUEL TANK SENDER WIRE Except Panel & Suburban	\$22.00	
36249	1971	FUEL TANK SENDER EXTENSION, PANEL AND SUBURBAN Sender To #36237 Rear License Plate & Fuel Tank Harness	\$17.00	
37652	1972	FUEL TANK SENDER WIRE Blazer	\$27.00	
23570	1972	FUEL TANK SENDER WIRE Except Panel & Suburban	\$22.00	
36249	1972	FUEL TANK SENDER EXTENSION, PANEL AND SUBURBAN Sender To #36237 Rear License Plate & Fuel Tank Harness	\$17.00	
39739	1973	FUEL TANK SENDER EXTENSION WIRE Blazer	\$35.00	N
39739	1974	FUEL TANK SENDER EXTENSION WIRE Blazer	\$35.00	N
39739	1975	FUEL TANK SENDER EXTENSION WIRE Blazer	\$35.00	N
39739	1976	FUEL TANK SENDER EXTENSION WIRE Blazer	\$35.00	N
39739	1977	FUEL TANK SENDER EXTENSION WIRE Blazer	\$35.00	N
39739	1978	FUEL TANK SENDER EXTENSION WIRE Blazer	\$35.00	N
39739	1979	FUEL TANK SENDER EXTENSION WIRE Blazer	\$35.00	N
39739	1980	FUEL TANK SENDER EXTENSION WIRE Blazer	\$35.00	N
FUEL TANK SENDING UNIT				
01517500	1947	FUEL TANK SENDING UNIT Original Style, No Fuel Pick-Up Tube Note: Includes Gaskets, No Filter Sock Included As It Is Separate.	\$39.00	N
06428049	1947	FUEL TANK SENDING UNIT Replacement, With Fuel Pick-Up Tube, Includes Gaskets & Filter Sock Note: In 1947 To 1953 The Pick-Up Tube Was A Separate Item, See 01517500. On 1954 To 1959 This Is A Stock Unit But Can Also Replace 1947 To 1953.	\$39.00	N
01517500	1948	FUEL TANK SENDING UNIT Original Style, No Fuel Pick-Up Tube Note: Includes Gaskets, No Filter Sock Included As It Is Separate.	\$39.00	N
06428049	1948	FUEL TANK SENDING UNIT Replacement, With Fuel Pick-Up Tube, Includes Gaskets & Filter Sock Note: In 1947 To 1953 The Pick-Up Tube Was A Separate Item, See 01517500. On 1954 To 1959 This Is A Stock Unit But Can Also Replace 1947 To 1953.	\$39.00	N
01517500	1949	FUEL TANK SENDING UNIT Original Style, No Fuel Pick-Up Tube Note: Includes Gaskets, No Filter Sock Included As It Is Separate.	\$39.00	N
06428049	1949	FUEL TANK SENDING UNIT Replacement, With Fuel Pick-Up Tube, Includes Gaskets & Filter Sock Note: In 1947 To 1953 The Pick-Up Tube Was A Separate Item, See 01517500. On 1954 To 1959 This Is A Stock Unit But Can Also Replace 1947 To 1953.	\$39.00	N
01517500	1950	FUEL TANK SENDING UNIT Original Style, No Fuel Pick-Up Tube Note: Includes Gaskets, No Filter Sock Included As It Is Separate.	\$39.00	N

Part Number	Year	Description	Price	*Rev.
06428049	1950	FUEL TANK SENDING UNIT Replacement, With Fuel Pick-Up Tube, Includes Gaskets & Filter Sock Note: In 1947 To 1953 The Pick-Up Tube Was A Separate Item, See 01517500. On 1954 To 1959 This Is A Stock Unit But Can Also Replace 1947 To 1953.	\$39.00	N
01517500	1951	FUEL TANK SENDING UNIT Original Style, No Fuel Pick-Up Tube Note: Includes Gaskets, No Filter Sock Included As It Is Separate.	\$39.00	N
06428049	1951	FUEL TANK SENDING UNIT Replacement, With Fuel Pick-Up Tube, Includes Gaskets & Filter Sock Note: In 1947 To 1953 The Pick-Up Tube Was A Separate Item, See 01517500. On 1954 To 1959 This Is A Stock Unit But Can Also Replace 1947 To 1953.	\$39.00	N
01517500	1952	FUEL TANK SENDING UNIT Original Style, No Fuel Pick-Up Tube Note: Includes Gaskets, No Filter Sock Included As It Is Separate.	\$39.00	N
06428049	1952	FUEL TANK SENDING UNIT Replacement, With Fuel Pick-Up Tube, Includes Gaskets & Filter Sock Note: In 1947 To 1953 The Pick-Up Tube Was A Separate Item, See 01517500. On 1954 To 1959 This Is A Stock Unit But Can Also Replace 1947 To 1953.	\$39.00	N
01517500	1953	FUEL TANK SENDING UNIT Original Style, No Fuel Pick-Up Tube Note: Includes Gaskets, No Filter Sock Included As It Is Separate.	\$39.00	N
06428049	1953	FUEL TANK SENDING UNIT Replacement, With Fuel Pick-Up Tube, Includes Gaskets & Filter Sock Note: In 1947 To 1953 The Pick-Up Tube Was A Separate Item, See 01517500. On 1954 To 1959 This Is A Stock Unit But Can Also Replace 1947 To 1953.	\$39.00	N
06428049	1954	FUEL TANK SENDING UNIT Includes Gaskets & Filter Sock	\$39.00	N
06428049	1955	FUEL TANK SENDING UNIT Includes Gaskets & Filter Sock	\$39.00	N
06428049	1956	FUEL TANK SENDING UNIT Includes Gaskets & Filter Sock	\$39.00	N
06428049	1957	FUEL TANK SENDING UNIT Includes Gaskets & Filter Sock	\$39.00	N
06428049	1958	FUEL TANK SENDING UNIT Includes Gaskets & Filter Sock	\$39.00	N
06428049	1959	FUEL TANK SENDING UNIT Includes Gaskets & Filter Sock	\$39.00	N
06428058	1960	FUEL TANK SENDING UNIT Includes Gaskets & Filter Sock	\$39.00	N
06428058	1961	FUEL TANK SENDING UNIT Includes Gaskets & Filter Sock	\$39.00	N
06428058	1962	FUEL TANK SENDING UNIT Includes Gaskets & Filter Sock	\$39.00	N
06428058	1963	FUEL TANK SENDING UNIT Includes Gaskets & Filter Sock	\$39.00	N
06428058	1964	FUEL TANK SENDING UNIT Includes Gaskets & Filter Sock	\$39.00	N
06428058	1965	FUEL TANK SENDING UNIT Includes Gaskets & Filter Sock	\$39.00	N
06428058	1966	FUEL TANK SENDING UNIT Includes Gaskets & Filter Sock	\$39.00	N
06428362	1967	FUEL TANK SENDING UNIT 6 Cylinder, Includes Gaskets And Filter Sock	\$39.00	N
06428271	1967	FUEL TANK SENDING UNIT Suburban, Includes Gaskets And Filter Sock	\$39.00	N
06428361	1967	FUEL TANK SENDING UNIT V/8, Includes Gaskets And Filter Sock	\$39.00	N
06428362	1968	FUEL TANK SENDING UNIT 6 Cylinder, Includes Gaskets And Filter Sock	\$39.00	N
06428271	1968	FUEL TANK SENDING UNIT Suburban, Includes Gaskets And Filter Sock	\$39.00	N
06428361	1968	FUEL TANK SENDING UNIT V/8, Includes Gaskets And Filter Sock	\$39.00	N
06428362	1969	FUEL TANK SENDING UNIT 6 Cylinder, Includes Gaskets And Filter Sock	\$39.00	N
06428271	1969	FUEL TANK SENDING UNIT Blazer, Suburban, Includes Gaskets And Filter Sock	\$39.00	N
06428361	1969	FUEL TANK SENDING UNIT V/8, Includes Gaskets And Filter Sock	\$39.00	N
06428362	1970	FUEL TANK SENDING UNIT 6 Cylinder, Includes Gaskets And Filter Sock	\$39.00	N
06428271	1970	FUEL TANK SENDING UNIT Blazer, Suburban, Includes Gaskets And Filter Sock	\$39.00	N
06428361	1970	FUEL TANK SENDING UNIT V/8, Includes Gaskets And Filter Sock	\$39.00	N
06428362	1971	FUEL TANK SENDING UNIT 6 Cylinder, Includes Gaskets And Filter Sock	\$39.00	N
06428271	1971	FUEL TANK SENDING UNIT Blazer, Suburban, Includes Gaskets And Filter Sock	\$39.00	N
06428361	1971	FUEL TANK SENDING UNIT V/8, Includes Gaskets And Filter Sock	\$39.00	N

Part Number	Year	Description	Price	*Rev.
06429117	1972	FUEL TANK SENDING UNIT Auto Trans, Includes Gaskets And Filter Sock	\$39.00	N
06428271	1972	FUEL TANK SENDING UNIT Blazer, Suburban, Includes Gaskets And Filter Sock	\$39.00	N
06429116	1972	FUEL TANK SENDING UNIT Manual Trans, Includes Gaskets And Filter Sock	\$39.00	N
06429389	1973	FUEL TANK SENDING UNIT Suburban, 1/2, 3/4 Ton, 2 Wheel Drive, With 350 V/8 (Except Automatic Transmission, 32 Gallon Tank) 3 Outlets	\$62.00	N
06429389	1973	FUEL TANK SENDING UNIT Suburban, Blazer, 1/2, 3/4 Ton, 2 & 4 Wheel Drive, (Except 32 Gallon Tank) 3 Outlets	\$62.00	N
25000610	1973	FUEL TANK SENDING UNIT Truck, 1/2 Ton, (250, 305, 307, 350), 2 Wheel Drive, (With H.D Chassis) (Except L.P. Gas) 2 Outlets	\$62.00	N
25000612	1973	FUEL TANK SENDING UNIT Truck, 1/2 Ton, 2 Wheel Drive, (250, 307, 350), (With Auxiliary Tank) 2 Outlets	\$62.00	N
25000610	1973	FUEL TANK SENDING UNIT Truck, 1/2 Ton, 4 Wheel Drive 2 Outlets	\$62.00	N
25000612	1973	FUEL TANK SENDING UNIT Truck, 1/2, 3/4 Ton, 4 Wheel Drive, (E.E.S. With Auxiliary Tank) 2 Outlets	\$62.00	N
25000611	1973	FUEL TANK SENDING UNIT Truck, 1/2, 3/4, 1-Ton, (350), 2 Wheel Drive, (With Auto Trans, E.E.S.) 3 Outlets	\$62.00	N
25000613	1973	FUEL TANK SENDING UNIT Truck, 1/2, 3/4, 1-Ton, (454), 2 Wheel Drive, (With E.E.S. Auxiliary Tank) 3 Outlets	\$62.00	N
25000611	1973	FUEL TANK SENDING UNIT Truck, 1/2, 3/4, 1-Ton, (454), 2 Wheel Drive, (With E.E.S.) 3 Outlets	\$62.00	N
06429439	1973	FUEL TANK SENDING UNIT Truck, 3/4 Ton, 4 Wheel Drive, (Except E.E.S.) 1 Outlet	\$62.00	N
25000610	1973	FUEL TANK SENDING UNIT Truck, 3/4 Ton, 4 Wheel Drive, (With E.E.S.) 2 Outlets	\$62.00	N
25000610	1973	FUEL TANK SENDING UNIT Truck, 3/4, 1-Ton, (250, 292, 307, 350), 2 Wheel Drive, (With E. E.S.) 2 Outlets	\$62.00	N
25000612	1973	FUEL TANK SENDING UNIT Truck, 3/4, 1-Ton, 2 Wheel Drive, (292, 307, 350), (E.E.S. With Auxiliary Tank) 2 Outlets	\$62.00	N
06429439	1973	FUEL TANK SENDING UNIT Truck, 3/4, 1-Ton, 2 Wheel Drive, (Except E.E.S., 454) 1 Outlet	\$62.00	N
06429389	1974	FUEL TANK SENDING UNIT Blazer, 1/2 Ton, 2 & 4 Wheel Drive, With 250 6 Cylinder (Except 31 Gallon Tank) 3 Outlets	\$62.00	N
06429389	1974	FUEL TANK SENDING UNIT Suburban, 1/2 Ton, 2 Wheel Drive, With 250 6 Cylinder (Except 31, 40 Gallon Tank) 3 Outlets	\$62.00	N
06429389	1974	FUEL TANK SENDING UNIT Suburban, Blazer, 1/2, 3/4 Ton, 2 & 4 Wheel Drive, With 305, 350 V/8 (Except Automatic Transmission, 31 or 40 Gallon Tank) 3 Outlets	\$62.00	N
25000610	1974	FUEL TANK SENDING UNIT Truck, 1/2 Ton, (250, 305, 307, 350), 2 Wheel Drive, (With H.D Chassis) (Except L.P. Gas) 2 Outlets	\$62.00	N

Part Number	Year	Description	Price	*Rev.
25000612	1974	FUEL TANK SENDING UNIT Truck, 1/2 Ton, 2 Wheel Drive, (250, 307, 350), (With Auxiliary Tank) 2 Outlets	\$62.00	N
06429439	1974	FUEL TANK SENDING UNIT Truck, 1/2 Ton, 2 Wheel Drive, With L.P. Gas 1 Outlet	\$62.00	N
25000610	1974	FUEL TANK SENDING UNIT Truck, 1/2 Ton, 4 Wheel Drive 2 Outlets	\$62.00	N
25000612	1974	FUEL TANK SENDING UNIT Truck, 1/2, 3/4 Ton, 4 Wheel Drive, (E.E.S. With Auxiliary Tank) 2 Outlets	\$62.00	N
25000613	1974	FUEL TANK SENDING UNIT Truck, 1/2, 3/4, 1-Ton, (454), 2 Wheel Drive, (With E.E.S. Auxiliary Tank) 3 Outlets	\$62.00	N
25000611	1974	FUEL TANK SENDING UNIT Truck, 1/2, 3/4, 1-Ton, (454), 2 Wheel Drive, (With E.E.S.) 3 Outlets	\$62.00	N
06429439	1974	FUEL TANK SENDING UNIT Truck, 3/4 Ton, 4 Wheel Drive, (Except E.E.S.) 1 Outlet	\$62.00	N
25000610	1974	FUEL TANK SENDING UNIT Truck, 3/4 Ton, 4 Wheel Drive, (With E.E.S.) 2 Outlets	\$62.00	N
25000610	1974	FUEL TANK SENDING UNIT Truck, 3/4, 1-Ton, (250, 292, 307, 350), 2 Wheel Drive, (With E. E.S.) 2 Outlets	\$62.00	N
25000612	1974	FUEL TANK SENDING UNIT Truck, 3/4, 1-Ton, 2 Wheel Drive, (292, 307, 350), (E.E.S. With Auxiliary Tank) 2 Outlets	\$62.00	N
06429439	1974	FUEL TANK SENDING UNIT Truck, 3/4, 1-Ton, 2 Wheel Drive, (Except E.E.S., 454) 1 Outlet	\$62.00	N
06429389	1975	FUEL TANK SENDING UNIT Blazer, 1/2 Ton, 2 & 4 Wheel Drive, With 250 6 Cylinder (Except 31 Gallon Tank) 3 Outlets	\$62.00	N
06429389	1975	FUEL TANK SENDING UNIT Suburban, 1/2 Ton, 2 Wheel Drive, With 250 6 Cylinder (Except 31, 40 Gallon Tank) 3 Outlets	\$62.00	N
06429389	1975	FUEL TANK SENDING UNIT Suburban, Blazer, 1/2, 3/4 Ton, 2 & 4 Wheel Drive, With 305, 350 V/8 (Except Automatic Transmission, 31 or 40 Gallon Tank) 3 Outlets	\$62.00	N
25000610	1975	FUEL TANK SENDING UNIT Truck, 1/2 Ton, (250, 305, 307, 350), 2 Wheel Drive, (With H.D Chassis) (Except L.P. Gas) 2 Outlets	\$62.00	N
25000611	1975	FUEL TANK SENDING UNIT Truck, 1/2 Ton, (454), 2 Wheel Drive, (With H.D. Chassis) 3 Outlets	\$62.00	N
25000612	1975	FUEL TANK SENDING UNIT Truck, 1/2 Ton, 2 Wheel Drive, (350 With Auxiliary Tank) (Except 117.5 W.B.) 2 Outlets	\$62.00	N
06429439	1975	FUEL TANK SENDING UNIT Truck, 1/2 Ton, 2 Wheel Drive, With L.P. Gas 1 Outlet	\$62.00	N
25000610	1975	FUEL TANK SENDING UNIT Truck, 1/2 Ton, 4 Wheel Drive 2 Outlets	\$62.00	N
25000613	1975	FUEL TANK SENDING UNIT Truck, 1/2, 3/4 Ton, (Fleetside, Wideside) (350, 400), 4 Wheel Drive, (With Auto Trans) 3 Outlets	\$62.00	N

Part Number	Year	Description	Price	*Rev.
25000611	1975	FUEL TANK SENDING UNIT Truck, 1/2, 3/4, 1-Ton, (350, 400), 4 Wheel Drive, (With Auto Trans) 3 Outlets	\$62.00	N
25000613	1975	FUEL TANK SENDING UNIT Truck, 1/2, 3/4, 1-Ton, (Fleetside) (454), 2 Wheel Drive, (Except 117.5 W.B.) 3 Outlets	\$62.00	N
06429439	1975	FUEL TANK SENDING UNIT Truck, 3/4 Ton, 4 Wheel Drive, (Except E.E.S.) 1 Outlet	\$62.00	N
25000610	1975	FUEL TANK SENDING UNIT Truck, 3/4 Ton, 4 Wheel Drive, (With E.E.S.) 2 Outlets	\$62.00	N
25000610	1975	FUEL TANK SENDING UNIT Truck, 3/4, 1-Ton, (250, 292, 307, 350), 2 Wheel Drive, (With E.E.S.) 2 Outlets	\$62.00	N
25000610	1975	FUEL TANK SENDING UNIT Truck, 3/4, 1-Ton, (292, 350), 2 Wheel Drive, (Except 25 Gallon Tank) 2 Outlets	\$62.00	N
25000611	1975	FUEL TANK SENDING UNIT Truck, 3/4, 1-Ton, (454), 2 Wheel Drive, (Except 25 Gallon Tank) 3 Outlets	\$62.00	N
06429439	1975	FUEL TANK SENDING UNIT Truck, 3/4, 1-Ton, 2 Wheel Drive, (Except E.E.S., 454) 1 Outlet	\$62.00	N
06429389	1975	FUEL TANK SENDING UNIT Truck, 3/4, 1-Ton, 2 Wheel Drive, With 292 6 Cylinder or 350 V/8, With 25 Gallon Tank 3 Outlets	\$62.00	N
06429389	1976	FUEL TANK SENDING UNIT Blazer, 1/2 Ton, 2 & 4 Wheel Drive, With 250 6 Cylinder (Except 31 Gallon Tank) 3 Outlets	\$62.00	N
06429389	1976	FUEL TANK SENDING UNIT Suburban, 1/2 Ton, 2 Wheel Drive, With 250 6 Cylinder (Except 31, 40 Gallon Tank) 3 Outlets	\$62.00	N
06429389	1976	FUEL TANK SENDING UNIT Suburban, Blazer, 1/2, 3/4 Ton, 2 & 4 Wheel Drive, With 305, 350 V/8 (Except Automatic Transmission, 31 or 40 Gallon Tank) 3 Outlets	\$62.00	N
25000610	1976	FUEL TANK SENDING UNIT Truck, 1/2 Ton, (250, 305, 307, 350), 2 Wheel Drive, (With H.D Chassis) (Except L.P. Gas) 2 Outlets	\$62.00	N
25000611	1976	FUEL TANK SENDING UNIT Truck, 1/2 Ton, (454), 2 Wheel Drive, (With H.D. Chassis) 3 Outlets	\$62.00	N
25000613	1976	FUEL TANK SENDING UNIT Truck, 1/2, 3/4 Ton, (Fleetside, Wideside) (350, 400), 4 Wheel Drive, (With Auto Trans) 3 Outlets	\$62.00	N
25000612	1976	FUEL TANK SENDING UNIT Truck, 1/2, 3/4 Ton, 4 Wheel Drive, (350) (With Auxiliary Tank) (Except Auto Trans) 2 Outlets	\$62.00	N
25000612	1976	FUEL TANK SENDING UNIT Truck, 1/2, 3/4, 1 Ton, 2 Wheel Drive, (292, 350) (With Auxiliary Tank) 2 Outlets	\$62.00	N
25000610	1976	FUEL TANK SENDING UNIT Truck, 1/2, 3/4, 1-Ton, (250, 292), 4 Wheel Drive 2 Outlets	\$62.00	N
25000611	1976	FUEL TANK SENDING UNIT Truck, 1/2, 3/4, 1-Ton, (350, 400), 4 Wheel Drive, (With Auto Trans) 3 Outlets	\$62.00	N
25000610	1976	FUEL TANK SENDING UNIT Truck, 1/2, 3/4, 1-Ton, (350), 4 Wheel Drive, (Except Auto Trans) 2 Outlets	\$62.00	N

Part Number	Year	Description	Price	*Rev.
25000613	1976	FUEL TANK SENDING UNIT Truck, 1/2, 3/4, 1-Ton, (454), 2 Wheel Drive, (With Auxiliary Tank) 3 Outlets	\$62.00	N
25000612	1976	FUEL TANK SENDING UNIT Truck, 3/4 Ton, 4 Wheel Drive, (292) (With Auxiliary Tank) 2 Outlets	\$62.00	N
25000610	1976	FUEL TANK SENDING UNIT Truck, 3/4, 1-Ton, (292, 350), 2 Wheel Drive, (Except 25 Gallon Tank) 2 Outlets	\$62.00	N
25000611	1976	FUEL TANK SENDING UNIT Truck, 3/4, 1-Ton, (454), 2 Wheel Drive, (Except 25 Gallon Tank) 3 Outlets	\$62.00	N
06429389	1976	FUEL TANK SENDING UNIT Truck, 3/4, 1-Ton, 2 Wheel Drive, With 292 6 Cylinder or 350 V/8, With 25 Gallon Tank 3 Outlets	\$62.00	N
06429389	1977	FUEL TANK SENDING UNIT Blazer, 1/2 Ton, 2 & 4 Wheel Drive, With 250 6 Cylinder (Except 31 Gallon Tank) 3 Outlets	\$62.00	N
06429389	1977	FUEL TANK SENDING UNIT Suburban, 1/2 Ton, 2 Wheel Drive, With 250 6 Cylinder (Except 31, 40 Gallon Tank) 3 Outlets	\$62.00	N
06429389	1977	FUEL TANK SENDING UNIT Suburban, Blazer, 1/2, 3/4 Ton, 2 & 4 Wheel Drive, With 305, 350 V/8 (Except Automatic Transmission, 31 or 40 Gallon Tank) 3 Outlets	\$62.00	N
25000612	1977	FUEL TANK SENDING UNIT Truck, 1 Ton, 4 Wheel Drive, (With Auxiliary Tank) 2 Outlets	\$62.00	N
25000610	1977	FUEL TANK SENDING UNIT Truck, 1/2 Ton, (250, 305, 307, 350), 2 Wheel Drive, (With H.D Chassis) (Except L.P. Gas) 2 Outlets	\$62.00	N
25000610	1977	FUEL TANK SENDING UNIT Truck, 1/2 Ton, (250, 305, 350), 2 Wheel Drive, (Except H.D Chassis) 2 Outlets	\$62.00	N
25000611	1977	FUEL TANK SENDING UNIT Truck, 1/2 Ton, (454), 2 Wheel Drive, (Except H.D. Chassis) 3 Outlets	\$62.00	N
25000613	1977	FUEL TANK SENDING UNIT Truck, 1/2 Ton, (454), 2 Wheel Drive, (With Auxiliary Tank) (Except H.D.Chassis) 3 Outlets	\$62.00	N
25000611	1977	FUEL TANK SENDING UNIT Truck, 1/2 Ton, (454), 2 Wheel Drive, (With H.D. Chassis) 3 Outlets	\$62.00	N
25000613	1977	FUEL TANK SENDING UNIT Truck, 1/2, 3/4 Ton, (Fleetside, Wideside) (350, 400), 4 Wheel Drive, (With Auto Trans) 3 Outlets	\$62.00	N
25000612	1977	FUEL TANK SENDING UNIT Truck, 1/2, 3/4 Ton, 4 Wheel Drive, (350) (With Auxiliary Tank) (Except Auto Trans) 2 Outlets	\$62.00	N
25000612	1977	FUEL TANK SENDING UNIT Truck, 1/2, 3/4, 1 Ton, 2 Wheel Drive, (292, 350) (With Auxiliary Tank) 2 Outlets	\$62.00	N
25000610	1977	FUEL TANK SENDING UNIT Truck, 1/2, 3/4, 1-Ton, (250, 292), 4 Wheel Drive 2 Outlets	\$62.00	N
25000611	1977	FUEL TANK SENDING UNIT Truck, 1/2, 3/4, 1-Ton, (350, 400), 4 Wheel Drive, (With Auto Trans) 3 Outlets	\$62.00	N
25000610	1977	FUEL TANK SENDING UNIT Truck, 1/2, 3/4, 1-Ton, (350), 4 Wheel Drive, (Except Auto Trans) 2 Outlets	\$62.00	N

Part Number	Year	Description	Price	*Rev.
25000613	1977	FUEL TANK SENDING UNIT Truck, 1/2, 3/4, 1-Ton, (454), 2 Wheel Drive, (With Auxiliary Tank) 3 Outlets	\$62.00	N
25000612	1977	FUEL TANK SENDING UNIT Truck, 3/4 Ton, 4 Wheel Drive, (292) (With Auxiliary Tank) 2 Outlets	\$62.00	N
25000610	1977	FUEL TANK SENDING UNIT Truck, 3/4, 1-Ton, (292, 350), 2 Wheel Drive, (Except 25 Gallon Tank) 2 Outlets	\$62.00	N
25000611	1977	FUEL TANK SENDING UNIT Truck, 3/4, 1-Ton, (454), 2 Wheel Drive, (Except 25 Gallon Tank) 3 Outlets	\$62.00	N
06429389	1977	FUEL TANK SENDING UNIT Truck, 3/4, 1-Ton, 2 Wheel Drive, With 292 6 Cylinder or 350 V/8, With 25 Gallon Tank 3 Outlets	\$62.00	N
25001483	1978	FUEL TANK SENDING UNIT Suburban, Blazer, 1/2, 3/4 Ton, 250, 305, 350, (With Manual Trans), 2 & 4 Wheel Drive, (Except 31, 41 Gallon California) 3 Outlets	\$68.00	N
25000612	1978	FUEL TANK SENDING UNIT Truck, 1/2 Ton (250, 350), 2 Wheel Drive, (With Auxiliary Tank, H.D. Suspension) (Except California) 2 Outlets	\$62.00	N
25000610	1978	FUEL TANK SENDING UNIT Truck, 1/2 Ton, (250, 350), 2 Wheel Drive, (With H.D Chassis) (Except California) 2 Outlets	\$62.00	N
25000610	1978	FUEL TANK SENDING UNIT Truck, 1/2, 3/4, 1-Ton, (250, 292), 4 Wheel Drive, (Except California) 2 Outlets	\$62.00	N
25000613	1978	FUEL TANK SENDING UNIT Truck, 1/2, 3/4, 1-Ton, (350), 4 Wheel Drive, (With Auto Trans, Auxiliary Tank) (Except California) 3 Outlets	\$62.00	N
25000610	1978	FUEL TANK SENDING UNIT Truck, 1/2, 3/4, 1-Ton, (350), 4 Wheel Drive, (With Manual Trans) (MC1, M20), (Except California) 2 Outlets	\$62.00	N
25000611	1978	FUEL TANK SENDING UNIT Truck, 1/2, 3/4, 1-Ton, (350), With Auto Trans (M38, M40), 4 Wheel Drive, (Except California) 3 Outlets	\$62.00	N
25000611	1978	FUEL TANK SENDING UNIT Truck, 1/2, 3/4, 1-Ton, (400), 4 Wheel Drive, (Except California) 3 Outlets	\$62.00	N
25000613	1978	FUEL TANK SENDING UNIT Truck, 1/2, 3/4, 1-Ton, (400), 4 Wheel Drive, (With Auxiliary Tank) (Except California) 3 Outlets	\$62.00	N
25000613	1978	FUEL TANK SENDING UNIT Truck, 1/2, 3/4, 1-Ton, (454), 2 Wheel Drive, (With Auxiliary Tank) (Except California) 3 Outlets	\$62.00	N
25000611	1978	FUEL TANK SENDING UNIT Truck, 1/2, 3/4, 1-Ton, (454), 2 Wheel Drive, (With H.D. Suspension) (Except California Rear Mounted Fuel Tank) 3 Outlets	\$62.00	N
25000612	1978	FUEL TANK SENDING UNIT Truck, 1/2, 3/4, 1-Ton, 4 Wheel Drive, With MT, (MC1, M20), (With Auxiliary Tank) (Except California) 2 Outlets	\$62.00	N
25000612	1978	FUEL TANK SENDING UNIT Truck, 3/4 Ton (Crew Cab) (292, 350), 2 Wheel Drive, (With Auxiliary Tank) 2 Outlets	\$62.00	N
25000612	1978	FUEL TANK SENDING UNIT Truck, 3/4, 1-Ton (250, 350), 2 Wheel Drive, (With Auxiliary Tank) (Except California) 2 Outlets	\$62.00	N

Chevy Truck



Phone (562) 926-9552

Fax (562) 926-9572

Part Number	Year	Description	Price	*Rev.
25000612	1978	FUEL TANK SENDING UNIT Truck, 3/4, 1-Ton (292), 4 Wheel Drive, (Auxiliary Tank) (Except California) 2 Outlets	\$62.00	N
25000610	1978	FUEL TANK SENDING UNIT Truck, 3/4, 1-Ton, (292, 350), 2 Wheel Drive, (Except California, Rear Mounted Tank) 2 Outlets	\$62.00	N
25001483	1978	FUEL TANK SENDING UNIT Truck, 3/4, 1-Ton, 250, 292, 350, 2 & 4 Wheel Drive, (With Rear Mounted Tank) (Except California) 3 Outlets	\$68.00	N
25001483	1979	FUEL TANK SENDING UNIT Suburban, Blazer, 1/2 Ton, 250, 2 & 4 Wheel Drive, (With 20 Gallon Tank) 3 Outlets	\$68.00	N
25001483	1979	FUEL TANK SENDING UNIT Suburban, Blazer, 1/2, 3/4 Ton, 305, 350, 2 & 4 Wheel Drive, (With Manual Trans, 20 Gallon Tank) 3 Outlets	\$68.00	N
25000610	1979	FUEL TANK SENDING UNIT Truck, 1-Ton, (292), 2 & 4 Wheel Drive, (Except California, Rear Mounted Tank) 2 Outlets	\$62.00	N
25000613	1979	FUEL TANK SENDING UNIT Truck, 1-Ton, (350), 2 & 4 Wheel Drive, (With Auto Trans, California) 3 Outlets	\$62.00	N
25000611	1979	FUEL TANK SENDING UNIT Truck, 1-Ton, (350), With Auto Trans, 2 & 4 Wheel Drive, (Except California, Rear Mounted Tank) 3 Outlets	\$62.00	N
25000610	1979	FUEL TANK SENDING UNIT Truck, 1-Ton, (350), With Manual Trans (M20), 2 & 4 Wheel Drive, (Except California, Rear Mounted Tank) 2 Outlets	\$62.00	N
25000611	1979	FUEL TANK SENDING UNIT Truck, 1-Ton, (400, 454), 2 & 4 Wheel Drive, (Except California, Rear Mounted Tank) 3 Outlets	\$62.00	N
25000613	1979	FUEL TANK SENDING UNIT Truck, 1-Ton, (400, 454), 2 & 4 Wheel Drive, (With California) 3 Outlets	\$62.00	N
25000613	1979	FUEL TANK SENDING UNIT Truck, 1/2, 3/4 Ton, (305, 350), 2 & 4 Wheel Drive, (With Auto Trans) 3 Outlets	\$62.00	N
25000613	1979	FUEL TANK SENDING UNIT Truck, 1/2, 3/4 Ton, (400), 4 Wheel Drive 3 Outlets	\$62.00	N
25000613	1979	FUEL TANK SENDING UNIT Truck, 1/2, 3/4 Ton, (454), 2 Wheel Drive, (With Auto Trans) 3 Outlets	\$62.00	N
25000611	1979	FUEL TANK SENDING UNIT Truck, 1/2, 3/4, 1-Ton, (350), With Auto Trans (M38, M40), 4 Wheel Drive, (Primary Tank), (Except California) 3 Outlets	\$62.00	N
25000611	1979	FUEL TANK SENDING UNIT Truck, 1/2, 3/4, 1-Ton, (400), 4 Wheel Drive, (Except California) 3 Outlets	\$62.00	N
25000612	1979	FUEL TANK SENDING UNIT Truck, 1/2, 3/4, 1-Ton, 4 Wheel Drive, With MT, (MC1, M20), (With Auxiliary Tank) (Except California) 2 Outlets	\$62.00	N
25000612	1979	FUEL TANK SENDING UNIT Truck, 3/4, 1-Ton (292), 4 Wheel Drive, (Auxiliary Tank) (Except California) 2 Outlets	\$62.00	N
25001483	1979	FUEL TANK SENDING UNIT Truck, 3/4, 1-Ton, 250, 292, 2 & 4 Wheel Drive, (With Rear Mounted Tank) 3 Outlets	\$68.00	N

Part Number	Year	Description	Price	*Rev.
25001483	1979	FUEL TANK SENDING UNIT Truck, 3/4, 1-Ton, 350, 2 & 4 Wheel Drive, (With Manual Trans, Rear Mounted Tank) 3 Outlets	\$68.00	N
25001483	1980	FUEL TANK SENDING UNIT Suburban, Blazer, 1/2 Ton, 250, 2 & 4 Wheel Drive 3 Outlets	\$68.00	N
25001483	1980	FUEL TANK SENDING UNIT Suburban, Blazer, 1/2, 3/4 Ton, 305, 350, 2 & 4 Wheel Drive, (With Manual Trans) 3 Outlets	\$68.00	N
25002009	1980	FUEL TANK SENDING UNIT Truck, 1/2, 3/4 Ton, (250, 292) With Auxiliary Tank 2 Outlets	\$77.00	N
25002010	1980	FUEL TANK SENDING UNIT Truck, 1/2, 3/4 Ton, 305, 350, 2 & 4 Wheel Drive, (With Auxiliary Tank) (Except Diesel) 3 Outlets	\$62.00	N
25002006	1980	FUEL TANK SENDING UNIT Truck, 1/2, 3/4, 1-Ton, (250, 292), 2 & 4 Wheel Drive, (Except Rear Mounted Tank) 2 Outlets	\$77.00	N
25002007	1980	FUEL TANK SENDING UNIT Truck, 1/2, 3/4, 1-Ton, 305, 350, 400, 454W, 2 & 4 Wheel Drive, (Except Rear Mounted Tank) 3 Outlets	\$77.00	N
25001483	1980	FUEL TANK SENDING UNIT Truck, 3/4, 1-Ton, 250, 292, 2 & 4 Wheel Drive, (With Rear Mounted Tank) 3 Outlets	\$68.00	N
25001483	1980	FUEL TANK SENDING UNIT Truck, 3/4, 1-Ton, 350, 2 & 4 Wheel Drive, (With Manual Trans, Rear Mounted Tank) 3 Outlets	\$68.00	N
25002010	1980	FUEL TANK SENDING UNIT Truck, 3/4, 1-Ton, 350, 400, 4 Wheel Drive, (With Auxiliary Tank) 3 Outlets	\$62.00	N
25002010	1980	FUEL TANK SENDING UNIT Truck, 3/4, 1-Ton, 350, 454, 2 Wheel Drive, (With Auxiliary Tank) 3 Outlets	\$62.00	N
25001483	1981	FUEL TANK SENDING UNIT Blazer, 1/2 Ton, 250, 2 & 4 Wheel Drive, (Except 117 Liter Tank) 3 Outlets	\$68.00	N
25002009	1981	FUEL TANK SENDING UNIT Truck, 1/2, 3/4 Ton, (292) With Auxiliary Tank 2 Outlets	\$77.00	N
25002010	1981	FUEL TANK SENDING UNIT Truck, 1/2, 3/4 Ton, 305, 350L, 2 & 4 Wheel Drive 3 Outlets	\$62.00	N
25002007	1981	FUEL TANK SENDING UNIT Truck, 1/2, 3/4 Ton, 350L-M, 4 Wheel Drive, (With Auxiliary Tank) 3 Outlets	\$77.00	N
25002006	1981	FUEL TANK SENDING UNIT Truck, 1/2, 3/4, 1-Ton, (250, 292), 2 & 4 Wheel Drive, (Except Rear Mounted Tank) 2 Outlets	\$77.00	N
25002007	1981	FUEL TANK SENDING UNIT Truck, 1/2, 3/4, 1-Ton, 350L-M, 454W, 2 Wheel Drive, (With Auxiliary Tank) 3 Outlets	\$77.00	N
25002010	1981	FUEL TANK SENDING UNIT Truck, 3/4 Ton, 350M, 4 Wheel Drive, (With California) 3 Outlets	\$62.00	N
25001483	1981	FUEL TANK SENDING UNIT Truck, 3/4, 1-Ton, 250, 292, 2 & 4 Wheel Drive, (With Rear Mounted Tank) 3 Outlets	\$68.00	N
25002010	1981	FUEL TANK SENDING UNIT Truck, 3/4, 1-Ton, 350M, 454W, 2 Wheel Drive, (With California) 3 Outlets	\$62.00	N

Part Number	Year	Description	Price	*Rev.
25001483	1982	FUEL TANK SENDING UNIT Blazer, 1/2 Ton, 250, 2 & 4 Wheel Drive, (Except 117 Liter Tank) 3 Outlets	\$68.00	N
25002009	1982	FUEL TANK SENDING UNIT Truck, 1/2, 3/4, 1-Ton, (250, 292), 2 & 4 Wheel Drive 2 Outlets	\$77.00	N
25002006	1982	FUEL TANK SENDING UNIT Truck, 1/2, 3/4, 1-Ton, (292), 2 & 4 Wheel Drive, With Auxiliary Tank 2 Outlets	\$77.00	N
25002010	1982	FUEL TANK SENDING UNIT Truck, 1/2, 3/4, 1-Ton, 305, 350, 454, 2 & 4 Wheel Drive 3 Outlets	\$62.00	N
25002007	1982	FUEL TANK SENDING UNIT Truck, 1/2, 3/4, 1-Ton, 305, 350L, 350M, 454, 2 & 4 Wheel Drive, (Auxiliary Tank) 3 Outlets	\$77.00	N
25002009	1983	FUEL TANK SENDING UNIT Truck, 1/2, 3/4, 1-Ton, (250, 292), 2 & 4 Wheel Drive 2 Outlets	\$77.00	N
25002006	1983	FUEL TANK SENDING UNIT Truck, 1/2, 3/4, 1-Ton, (292), 2 & 4 Wheel Drive, With Auxiliary Tank 2 Outlets	\$77.00	N
25002010	1983	FUEL TANK SENDING UNIT Truck, 1/2, 3/4, 1-Ton, 305, 350, 454, 2 & 4 Wheel Drive 3 Outlets	\$62.00	N
25002007	1983	FUEL TANK SENDING UNIT Truck, 1/2, 3/4, 1-Ton, 305, 350L, 350M, 454, 2 & 4 Wheel Drive, (Auxiliary Tank) 3 Outlets	\$77.00	N
25002009	1984	FUEL TANK SENDING UNIT Truck, 1/2, 3/4, 1-Ton, (250, 292), 2 & 4 Wheel Drive 2 Outlets	\$77.00	N
25002006	1984	FUEL TANK SENDING UNIT Truck, 1/2, 3/4, 1-Ton, (292), 2 & 4 Wheel Drive, With Auxiliary Tank 2 Outlets	\$77.00	N
25002010	1984	FUEL TANK SENDING UNIT Truck, 1/2, 3/4, 1-Ton, 305, 350, 454, 2 & 4 Wheel Drive 3 Outlets	\$62.00	N
25002007	1984	FUEL TANK SENDING UNIT Truck, 1/2, 3/4, 1-Ton, 305, 350L, 350M, 454, 2 & 4 Wheel Drive, (Auxiliary Tank) 3 Outlets	\$77.00	N
25002007	1985	FUEL TANK SENDING UNIT Truck, 1/2, 3/4 Ton, 4.3N, 305F-H, 350L, 2 & 4 Wheel Drive, (Auxiliary Tank) 3 Outlets	\$77.00	N
25002010	1985	FUEL TANK SENDING UNIT Truck, 1/2, 3/4, 1-Ton, 6 Cylinder, V/8 (Primary Tank) 3 Outlets	\$62.00	N
25002007	1986	FUEL TANK SENDING UNIT Truck, 1/2, 3/4 Ton, 4.3N, 305F-H, 350L, 2 & 4 Wheel Drive, (Auxiliary Tank) 3 Outlets	\$77.00	N
25002010	1986	FUEL TANK SENDING UNIT Truck, 1/2, 3/4, 1-Ton, 6 Cylinder, V/8 (Primary Tank) 3 Outlets	\$62.00	N
25002007	1987	FUEL TANK SENDING UNIT Truck, 1/2, 3/4 Ton, 292T, 350M, 454W, 2 & 4 Wheel Drive, (With Auxiliary Tank) 3 Outlets	\$77.00	N
25002010	1987	FUEL TANK SENDING UNIT Truck, 1/2, 3/4, 1-Ton, 292T, 350M, 454W Engines (Primary Tank) 3 Outlets	\$62.00	N
25002007	1988	FUEL TANK SENDING UNIT Truck, 1/2, 3/4 Ton, 292T, 350M, 454W, 2 & 4 Wheel Drive, (With Auxiliary Tank) 3 Outlets	\$77.00	N

Part Number	Year	Description	Price	*Rev.
25002010	1988	FUEL TANK SENDING UNIT Truck, 3/4, 1-Ton, 292T, 350M, 454W Engines (Primary Tank) 3 Outlets	\$62.00	N
25002007	1989	FUEL TANK SENDING UNIT Truck, 1/2, 3/4 Ton, 292T, 350M, 454W, 2 & 4 Wheel Drive, (With Auxiliary Tank) 3 Outlets	\$77.00	N
25002010	1989	FUEL TANK SENDING UNIT Truck, 3/4, 1-Ton, 292T, 350M, 454W Engines (Primary Tank) 3 Outlets	\$62.00	N

GAUGE CLUSTER ASSEMBLY

44245	1947	GAUGE CLUSTER ASSEMBLY 6 Cylinder, 12 Volt, 0-30 Lbs. Oil Gauge, 100-212 Temperature Gauge, Red Needle	\$445.00	N
44246	1947	GAUGE CLUSTER ASSEMBLY 6 Cylinder, 12 Volt, 0-30 Lbs. Oil Gauge, 100-220 Temperature Gauge, Red Needle	\$445.00	N
44243	1947	GAUGE CLUSTER ASSEMBLY 6 Cylinder, 6 Volt, 0-30 Lbs. Oil Gauge, 100-212 Temperature Gauge, Red Needle	\$445.00	N
44241	1947	GAUGE CLUSTER ASSEMBLY 6 Cylinder, 6 Volt, 0-30 Lbs. Oil Gauge, 100-220 Temperature Gauge, Red Needle	\$445.00	N
44244	1947	GAUGE CLUSTER ASSEMBLY V/8, 12 Volt, 0-60 Lbs. Oil Gauge, 100-212 Temperature Gauge, Red Needle	\$445.00	N
44242	1947	GAUGE CLUSTER ASSEMBLY V/8, 12 Volt, 0-60 Lbs. Oil Gauge, 100-220 Temperature Gauge, Red Needle	\$445.00	N
44245	1948	GAUGE CLUSTER ASSEMBLY 6 Cylinder, 12 Volt, 0-30 Lbs. Oil Gauge, 100-212 Temperature Gauge, Red Needle	\$445.00	N
44246	1948	GAUGE CLUSTER ASSEMBLY 6 Cylinder, 12 Volt, 0-30 Lbs. Oil Gauge, 100-220 Temperature Gauge, Red Needle	\$445.00	N
44243	1948	GAUGE CLUSTER ASSEMBLY 6 Cylinder, 6 Volt, 0-30 Lbs. Oil Gauge, 100-212 Temperature Gauge, Red Needle	\$445.00	N
44241	1948	GAUGE CLUSTER ASSEMBLY 6 Cylinder, 6 Volt, 0-30 Lbs. Oil Gauge, 100-220 Temperature Gauge, Red Needle	\$445.00	N
44244	1948	GAUGE CLUSTER ASSEMBLY V/8, 12 Volt, 0-60 Lbs. Oil Gauge, 100-212 Temperature Gauge, Red Needle	\$445.00	N
44242	1948	GAUGE CLUSTER ASSEMBLY V/8, 12 Volt, 0-60 Lbs. Oil Gauge, 100-220 Temperature Gauge, Red Needle	\$445.00	N
44251	1949	GAUGE CLUSTER ASSEMBLY 6 Cylinder, 12 Volt, 0-30 Lbs. Oil Gauge, 100-212 Temperature Gauge, White Needle	\$445.00	N
44252	1949	GAUGE CLUSTER ASSEMBLY 6 Cylinder, 12 Volt, 0-30 Lbs. Oil Gauge, 100-220 Temperature Gauge, White Needle	\$445.00	N
44249	1949	GAUGE CLUSTER ASSEMBLY 6 Cylinder, 6 Volt, 0-30 Lbs. Oil Gauge, 100-212 Temperature Gauge, White Needle	\$445.00	N
44247	1949	GAUGE CLUSTER ASSEMBLY 6 Cylinder, 6 Volt, 0-30 Lbs. Oil Gauge, 100-220 Temperature Gauge, White Needle	\$445.00	N
44250	1949	GAUGE CLUSTER ASSEMBLY V/8, 12 Volt, 0-60 Lbs. Oil Gauge, 100-212 Temperature Gauge, White Needle	\$445.00	N
44248	1949	GAUGE CLUSTER ASSEMBLY V/8, 12 Volt, 0-60 Lbs. Oil Gauge, 100-220 Temperature Gauge, White Needle	\$445.00	N
44251	1950	GAUGE CLUSTER ASSEMBLY 6 Cylinder, 12 Volt, 0-30 Lbs. Oil Gauge, 100-212 Temperature Gauge, White Needle	\$445.00	N
44252	1950	GAUGE CLUSTER ASSEMBLY 6 Cylinder, 12 Volt, 0-30 Lbs. Oil Gauge, 100-220 Temperature Gauge, White Needle	\$445.00	N
44249	1950	GAUGE CLUSTER ASSEMBLY 6 Cylinder, 6 Volt, 0-30 Lbs. Oil Gauge, 100-212 Temperature Gauge, White Needle	\$445.00	N
44247	1950	GAUGE CLUSTER ASSEMBLY 6 Cylinder, 6 Volt, 0-30 Lbs. Oil Gauge, 100-220 Temperature Gauge, White Needle	\$445.00	N
44250	1950	GAUGE CLUSTER ASSEMBLY V/8, 12 Volt, 0-60 Lbs. Oil Gauge, 100-212 Temperature Gauge, White Needle	\$445.00	N

Part Number	Year	Description	Price	*Rev.
44248	1950	GAUGE CLUSTER ASSEMBLY V/8, 12 Volt, 0-60 Lbs. Oil Gauge, 100-220 Temperature Gauge, White Needle	\$445.00	N
44251	1951	GAUGE CLUSTER ASSEMBLY 6 Cylinder, 12 Volt, 0-30 Lbs. Oil Gauge, 100-212 Temperature Gauge, White Needle	\$445.00	N
44252	1951	GAUGE CLUSTER ASSEMBLY 6 Cylinder, 12 Volt, 0-30 Lbs. Oil Gauge, 100-220 Temperature Gauge, White Needle	\$445.00	N
44249	1951	GAUGE CLUSTER ASSEMBLY 6 Cylinder, 6 Volt, 0-30 Lbs. Oil Gauge, 100-212 Temperature Gauge, White Needle	\$445.00	N
44247	1951	GAUGE CLUSTER ASSEMBLY 6 Cylinder, 6 Volt, 0-30 Lbs. Oil Gauge, 100-220 Temperature Gauge, White Needle	\$445.00	N
44250	1951	GAUGE CLUSTER ASSEMBLY V/8, 12 Volt, 0-60 Lbs. Oil Gauge, 100-212 Temperature Gauge, White Needle	\$445.00	N
44248	1951	GAUGE CLUSTER ASSEMBLY V/8, 12 Volt, 0-60 Lbs. Oil Gauge, 100-220 Temperature Gauge, White Needle	\$445.00	N
44251	1952	GAUGE CLUSTER ASSEMBLY 6 Cylinder, 12 Volt, 0-30 Lbs. Oil Gauge, 100-212 Temperature Gauge, White Needle	\$445.00	N
44252	1952	GAUGE CLUSTER ASSEMBLY 6 Cylinder, 12 Volt, 0-30 Lbs. Oil Gauge, 100-220 Temperature Gauge, White Needle	\$445.00	N
44249	1952	GAUGE CLUSTER ASSEMBLY 6 Cylinder, 6 Volt, 0-30 Lbs. Oil Gauge, 100-212 Temperature Gauge, White Needle	\$445.00	N
44247	1952	GAUGE CLUSTER ASSEMBLY 6 Cylinder, 6 Volt, 0-30 Lbs. Oil Gauge, 100-220 Temperature Gauge, White Needle	\$445.00	N
44250	1952	GAUGE CLUSTER ASSEMBLY V/8, 12 Volt, 0-60 Lbs. Oil Gauge, 100-212 Temperature Gauge, White Needle	\$445.00	N
44248	1952	GAUGE CLUSTER ASSEMBLY V/8, 12 Volt, 0-60 Lbs. Oil Gauge, 100-220 Temperature Gauge, White Needle	\$445.00	N
44251	1953	GAUGE CLUSTER ASSEMBLY 6 Cylinder, 12 Volt, 0-30 Lbs. Oil Gauge, 100-212 Temperature Gauge, White Needle	\$445.00	N
44252	1953	GAUGE CLUSTER ASSEMBLY 6 Cylinder, 12 Volt, 0-30 Lbs. Oil Gauge, 100-220 Temperature Gauge, White Needle	\$445.00	N
44249	1953	GAUGE CLUSTER ASSEMBLY 6 Cylinder, 6 Volt, 0-30 Lbs. Oil Gauge, 100-212 Temperature Gauge, White Needle	\$445.00	N
44247	1953	GAUGE CLUSTER ASSEMBLY 6 Cylinder, 6 Volt, 0-30 Lbs. Oil Gauge, 100-220 Temperature Gauge, White Needle	\$445.00	N
44250	1953	GAUGE CLUSTER ASSEMBLY V/8, 12 Volt, 0-60 Lbs. Oil Gauge, 100-212 Temperature Gauge, White Needle	\$445.00	N
44248	1953	GAUGE CLUSTER ASSEMBLY V/8, 12 Volt, 0-60 Lbs. Oil Gauge, 100-220 Temperature Gauge, White Needle	\$445.00	N
44258	1954	GAUGE CLUSTER ASSEMBLY 6 Cylinder, 12 Volt, Complete Assembly	\$445.00	N
44257	1954	GAUGE CLUSTER ASSEMBLY 6 Cylinder, 6 Volt, Complete Assembly	\$445.00	N
44259	1954	GAUGE CLUSTER ASSEMBLY V/8, 12 Volt, Complete Assembly	\$445.00	N
44258	1955	GAUGE CLUSTER ASSEMBLY 1st Series, 6 Cylinder, 12 Volt, Complete Assembly	\$445.00	N
44257	1955	GAUGE CLUSTER ASSEMBLY 1st Series, 6 Cylinder, 6 Volt, Complete Assembly	\$445.00	N
44259	1955	GAUGE CLUSTER ASSEMBLY 1st Series, V/8, 12 Volt, Complete Assembly	\$445.00	N
44260	1955	GAUGE CLUSTER ASSEMBLY Complete Assembly With Speedometer & Gauges Note: This Kit Uses The 1956-59 Electric Type Temperature Gauge.	\$660.00	N
44261	1955	GAUGE CLUSTER ASSEMBLY Complete Assembly With Speedometer & Gauges Note: This Kit Uses The 1955 2nd Series Mechanical Type Temperature Gauge.	\$660.00	N
44260	1956	GAUGE CLUSTER ASSEMBLY Complete Assembly With Speedometer & Gauges Note: This Kit Uses The 1956-59 Electric Type Temperature Gauge.	\$660.00	N
44261	1956	GAUGE CLUSTER ASSEMBLY Complete Assembly With Speedometer & Gauges Note: This Kit Uses The 1955 2nd Series Mechanical Type Temperature Gauge.	\$660.00	N

Part Number	Year	Description	Price	*Rev.
44260	1957	GAUGE CLUSTER ASSEMBLY Complete Assembly With Speedometer & Gauges Note: This Kit Uses The 1956-59 Electric Type Temperature Gauge.	\$660.00	N
44261	1957	GAUGE CLUSTER ASSEMBLY Complete Assembly With Speedometer & Gauges Note: This Kit Uses The 1955 2nd Series Mechanical Type Temperature Gauge.	\$660.00	N
44260	1958	GAUGE CLUSTER ASSEMBLY Complete Assembly With Speedometer & Gauges Note: This Kit Uses The 1956-59 Electric Type Temperature Gauge.	\$660.00	N
44261	1958	GAUGE CLUSTER ASSEMBLY Complete Assembly With Speedometer & Gauges Note: This Kit Uses The 1955 2nd Series Mechanical Type Temperature Gauge.	\$660.00	N
44260	1959	GAUGE CLUSTER ASSEMBLY Complete Assembly With Speedometer & Gauges Note: This Kit Uses The 1956-59 Electric Type Temperature Gauge.	\$660.00	N
44261	1959	GAUGE CLUSTER ASSEMBLY Complete Assembly With Speedometer & Gauges Note: This Kit Uses The 1955 2nd Series Mechanical Type Temperature Gauge.	\$660.00	N
44262	1967	GAUGE CLUSTER ASSEMBLY V/8, With Gauges & 5000 RPM Tachometer	\$707.00	N
44263	1967	GAUGE CLUSTER ASSEMBLY V/8, With Gauges & 8000 RPM Tachometer	\$707.00	N
06457882	1967	GAUGE CLUSTER ASSEMBLY With Gauges, Without Tachometer	\$584.00	N
44262	1968	GAUGE CLUSTER ASSEMBLY V/8, With Gauges & 5000 RPM Tachometer	\$707.00	N
44263	1968	GAUGE CLUSTER ASSEMBLY V/8, With Gauges & 8000 RPM Tachometer	\$707.00	N
06457882	1968	GAUGE CLUSTER ASSEMBLY With Gauges, Without Tachometer	\$584.00	N
06457909	1969	GAUGE CLUSTER ASSEMBLY V/8, With Gauges & 5000 RPM Tachometer Note: Complete Gauge Cluster Assembly, Assembled.	\$707.00	N
44264	1969	GAUGE CLUSTER ASSEMBLY V/8, With Gauges & 8000 RPM Tachometer Note: Complete Gauge Cluster Assembly, Assembled.	\$707.00	N
06458263	1969	GAUGE CLUSTER ASSEMBLY With Gauges, Without Tachometer Note: Complete Gauge Cluster Assembly, Assembled.	\$584.00	N
06457909	1970	GAUGE CLUSTER ASSEMBLY V/8, With Gauges & 5000 RPM Tachometer Note: Complete Gauge Cluster Assembly, Assembled.	\$707.00	N
44264	1970	GAUGE CLUSTER ASSEMBLY V/8, With Gauges & 8000 RPM Tachometer Note: Complete Gauge Cluster Assembly, Assembled.	\$707.00	N
06458263	1970	GAUGE CLUSTER ASSEMBLY With Gauges, Without Tachometer Note: Complete Gauge Cluster Assembly, Assembled.	\$584.00	N
06457909	1971	GAUGE CLUSTER ASSEMBLY V/8, With Gauges & 5000 RPM Tachometer Note: Complete Gauge Cluster Assembly, Assembled.	\$707.00	N
44264	1971	GAUGE CLUSTER ASSEMBLY V/8, With Gauges & 8000 RPM Tachometer Note: Complete Gauge Cluster Assembly, Assembled.	\$707.00	N
06458263	1971	GAUGE CLUSTER ASSEMBLY With Gauges, Without Tachometer Note: Complete Gauge Cluster Assembly, Assembled.	\$584.00	N
06457909	1972	GAUGE CLUSTER ASSEMBLY V/8, With Gauges & 5000 RPM Tachometer Note: Complete Gauge Cluster Assembly, Assembled.	\$707.00	N
44264	1972	GAUGE CLUSTER ASSEMBLY V/8, With Gauges & 8000 RPM Tachometer Note: Complete Gauge Cluster Assembly, Assembled.	\$707.00	N
06458263	1972	GAUGE CLUSTER ASSEMBLY With Gauges, Without Tachometer Note: Complete Gauge Cluster Assembly, Assembled.	\$584.00	N
GLOVE BOX LAMP KIT				
18000	1955	GLOVE BOX LAMP KIT Socket, Bulb & Wire	\$24.00	
18000	1956	GLOVE BOX LAMP KIT Socket, Bulb & Wire	\$24.00	
18000	1957	GLOVE BOX LAMP KIT Socket, Bulb & Wire	\$24.00	
18000	1958	GLOVE BOX LAMP KIT Socket, Bulb & Wire	\$24.00	
18000	1959	GLOVE BOX LAMP KIT Socket, Bulb & Wire	\$24.00	

Part Number	Year	Description	Price	*Rev.
18000	1960	GLOVE BOX LAMP KIT Socket, Bulb & Wire	\$24.00	
18000	1961	GLOVE BOX LAMP KIT Socket, Bulb & Wire	\$24.00	
18000	1962	GLOVE BOX LAMP KIT Socket, Bulb & Wire	\$24.00	
18000	1963	GLOVE BOX LAMP KIT Socket, Bulb & Wire	\$24.00	
18000	1964	GLOVE BOX LAMP KIT Socket, Bulb & Wire	\$24.00	
18000	1965	GLOVE BOX LAMP KIT Socket, Bulb & Wire	\$24.00	
18000	1966	GLOVE BOX LAMP KIT Socket, Bulb & Wire	\$24.00	
23190	1967	GLOVE BOX LAMP KIT Socket, Bulb & Wire	\$34.00	
23190	1968	GLOVE BOX LAMP KIT Socket, Bulb & Wire	\$34.00	
23190	1969	GLOVE BOX LAMP KIT Socket, Bulb & Wire	\$34.00	
23190	1970	GLOVE BOX LAMP KIT Socket, Bulb & Wire	\$34.00	
23190	1971	GLOVE BOX LAMP KIT Socket, Bulb & Wire	\$34.00	
23190	1972	GLOVE BOX LAMP KIT Socket, Bulb & Wire	\$34.00	
GROUND STRAP				
22920	1955	GROUND STRAP 2nd Series, 12 Volt, Starter To Frame	\$32.00	N
22920	1956	GROUND STRAP Starter To Frame	\$32.00	N
22920	1957	GROUND STRAP Starter To Frame	\$32.00	N
22920	1958	GROUND STRAP Starter To Frame	\$32.00	N
22920	1959	GROUND STRAP Starter To Frame	\$32.00	N
GROUND WIRE-DISTRIBUTOR POINT PLATE				
38298	1957	GROUND WIRE, DISTRIBUTOR POINT PLATE From Distributor Point Plate To Distributor Housing Note: Replaces Spot Welded Wire Asm On Point Plate Side. Fits All GM V/8 Point Type Distributors From Approx. 1957-1974.	\$17.00	C
38298	1958	GROUND WIRE, DISTRIBUTOR POINT PLATE From Distributor Point Plate To Distributor Housing Note: Replaces Spot Welded Wire Asm On Point Plate Side. Fits All GM V/8 Point Type Distributors From Approx. 1957-1974.	\$17.00	C
38298	1959	GROUND WIRE, DISTRIBUTOR POINT PLATE From Distributor Point Plate To Distributor Housing Note: Replaces Spot Welded Wire Asm On Point Plate Side. Fits All GM V/8 Point Type Distributors From Approx. 1957-1974.	\$17.00	C
38298	1960	GROUND WIRE, DISTRIBUTOR POINT PLATE From Distributor Point Plate To Distributor Housing Note: Replaces Spot Welded Wire Asm On Point Plate Side. Fits All GM V/8 Point Type Distributors From Approx. 1957-1974.	\$17.00	C
38298	1961	GROUND WIRE, DISTRIBUTOR POINT PLATE From Distributor Point Plate To Distributor Housing Note: Replaces Spot Welded Wire Asm On Point Plate Side. Fits All GM V/8 Point Type Distributors From Approx. 1957-1974.	\$17.00	C
38298	1962	GROUND WIRE, DISTRIBUTOR POINT PLATE From Distributor Point Plate To Distributor Housing Note: Replaces Spot Welded Wire Asm On Point Plate Side. Fits All GM V/8 Point Type Distributors From Approx. 1957-1974.	\$17.00	C
38298	1963	GROUND WIRE, DISTRIBUTOR POINT PLATE From Distributor Point Plate To Distributor Housing Note: Replaces Spot Welded Wire Asm On Point Plate Side. Fits All GM V/8 Point Type Distributors From Approx. 1957-1974.	\$17.00	C
38298	1964	GROUND WIRE, DISTRIBUTOR POINT PLATE From Distributor Point Plate To Distributor Housing Note: Replaces Spot Welded Wire Asm On Point Plate Side. Fits All GM V/8 Point Type Distributors From Approx. 1957-1974.	\$17.00	C
38298	1965	GROUND WIRE, DISTRIBUTOR POINT PLATE From Distributor Point Plate To Distributor Housing Note: Replaces Spot Welded Wire Asm On Point Plate Side. Fits All GM V/8 Point Type Distributors From Approx. 1957-1974.	\$17.00	C
38298	1966	GROUND WIRE, DISTRIBUTOR POINT PLATE From Distributor Point Plate To Distributor Housing Note: Replaces Spot Welded Wire Asm On Point Plate Side. Fits All GM V/8 Point Type Distributors From Approx. 1957-1974.	\$17.00	C
38298	1967	GROUND WIRE, DISTRIBUTOR POINT PLATE From Distributor Point Plate To Distributor Housing Note: Replaces Spot Welded Wire Asm On Point Plate Side. Fits All GM V/8 Point Type Distributors From Approx. 1957-1974.	\$17.00	C
38298	1968	GROUND WIRE, DISTRIBUTOR POINT PLATE From Distributor Point Plate To Distributor Housing Note: Replaces Spot Welded Wire Asm On Point Plate Side. Fits All GM V/8 Point Type Distributors From Approx. 1957-1974.	\$17.00	C
38298	1969	GROUND WIRE, DISTRIBUTOR POINT PLATE From Distributor Point Plate To Distributor Housing Note: Replaces Spot Welded Wire Asm On Point Plate Side. Fits All GM V/8 Point Type Distributors From Approx. 1957-1974.	\$17.00	C
38298	1970	GROUND WIRE, DISTRIBUTOR POINT PLATE From Distributor Point Plate To Distributor Housing Note: Replaces Spot Welded Wire Asm On Point Plate Side. Fits All GM V/8 Point Type Distributors From Approx. 1957-1974.	\$17.00	C

Part Number	Year	Description	Price	*Rev.
38298	1971	GROUND WIRE, DISTRIBUTOR POINT PLATE From Distributor Point Plate To Distributor Housing Note: Replaces Spot Welded Wire Asm On Point Plate Side. Fits All GM V/8 Point Type Distributors From Approx. 1957-1974.	\$17.00	C
38298	1972	GROUND WIRE, DISTRIBUTOR POINT PLATE From Distributor Point Plate To Distributor Housing Note: Replaces Spot Welded Wire Asm On Point Plate Side. Fits All GM V/8 Point Type Distributors From Approx. 1957-1974.	\$17.00	C
38298	1973	GROUND WIRE, DISTRIBUTOR POINT PLATE From Distributor Point Plate To Distributor Housing Note: Replaces Spot Welded Wire Asm On Point Plate Side. Fits All GM V/8 Point Type Distributors From Approx. 1957-1974.	\$17.00	C
38298	1974	GROUND WIRE, DISTRIBUTOR POINT PLATE From Distributor Point Plate To Distributor Housing Note: Replaces Spot Welded Wire Asm On Point Plate Side. Fits All GM V/8 Point Type Distributors From Approx. 1957-1974.	\$17.00	C
HARNESS TAPE				
R0058272	1947	HARNESS TAPE 3/4" Vinyl (100 Ft. Roll) Non-Adhesive	\$12.00	
R0058276	1947	HARNESS TAPE 1" Vinyl (100 Ft. Roll) Non-Adhesive	\$13.00	
R0067108	1947	HARNESS TAPE 1 1/4" Vinyl (100 Ft. Roll) Non-Adhesive	\$15.00	
R0058272	1948	HARNESS TAPE 3/4" Vinyl (100 Ft. Roll) Non-Adhesive	\$12.00	
R0058276	1948	HARNESS TAPE 1" Vinyl (100 Ft. Roll) Non-Adhesive	\$13.00	
R0067108	1948	HARNESS TAPE 1 1/4" Vinyl (100 Ft. Roll) Non-Adhesive	\$15.00	
R0058272	1949	HARNESS TAPE 3/4" Vinyl (100 Ft. Roll) Non-Adhesive	\$12.00	
R0058276	1949	HARNESS TAPE 1" Vinyl (100 Ft. Roll) Non-Adhesive	\$13.00	
R0067108	1949	HARNESS TAPE 1 1/4" Vinyl (100 Ft. Roll) Non-Adhesive	\$15.00	
R0058272	1950	HARNESS TAPE 3/4" Vinyl (100 Ft. Roll) Non-Adhesive	\$12.00	
R0058276	1950	HARNESS TAPE 1" Vinyl (100 Ft. Roll) Non-Adhesive	\$13.00	
R0067108	1950	HARNESS TAPE 1 1/4" Vinyl (100 Ft. Roll) Non-Adhesive	\$15.00	
R0058272	1951	HARNESS TAPE 3/4" Vinyl (100 Ft. Roll) Non-Adhesive	\$12.00	
R0058276	1951	HARNESS TAPE 1" Vinyl (100 Ft. Roll) Non-Adhesive	\$13.00	
R0067108	1951	HARNESS TAPE 1 1/4" Vinyl (100 Ft. Roll) Non-Adhesive	\$15.00	
R0058272	1952	HARNESS TAPE 3/4" Vinyl (100 Ft. Roll) Non-Adhesive	\$12.00	
R0058276	1952	HARNESS TAPE 1" Vinyl (100 Ft. Roll) Non-Adhesive	\$13.00	
R0067108	1952	HARNESS TAPE 1 1/4" Vinyl (100 Ft. Roll) Non-Adhesive	\$15.00	
R0058272	1953	HARNESS TAPE 3/4" Vinyl (100 Ft. Roll) Non-Adhesive	\$12.00	
R0058276	1953	HARNESS TAPE 1" Vinyl (100 Ft. Roll) Non-Adhesive	\$13.00	
R0067108	1953	HARNESS TAPE 1 1/4" Vinyl (100 Ft. Roll) Non-Adhesive	\$15.00	
R0058272	1954	HARNESS TAPE 3/4" Vinyl (100 Ft. Roll) Non-Adhesive	\$12.00	
R0058276	1954	HARNESS TAPE 1" Vinyl (100 Ft. Roll) Non-Adhesive	\$13.00	
R0067108	1954	HARNESS TAPE 1 1/4" Vinyl (100 Ft. Roll) Non-Adhesive	\$15.00	
R0058272	1955	HARNESS TAPE 3/4" Vinyl (100 Ft. Roll) Non-Adhesive	\$12.00	
R0058276	1955	HARNESS TAPE 1" Vinyl (100 Ft. Roll) Non-Adhesive	\$13.00	
R0067108	1955	HARNESS TAPE 1 1/4" Vinyl (100 Ft. Roll) Non-Adhesive	\$15.00	
R0058272	1956	HARNESS TAPE 3/4" Vinyl (100 Ft. Roll) Non-Adhesive	\$12.00	
R0058276	1956	HARNESS TAPE 1" Vinyl (100 Ft. Roll) Non-Adhesive	\$13.00	
R0067108	1956	HARNESS TAPE 1 1/4" Vinyl (100 Ft. Roll) Non-Adhesive	\$15.00	
R0058272	1957	HARNESS TAPE 3/4" Vinyl (100 Ft. Roll) Non-Adhesive	\$12.00	
R0058276	1957	HARNESS TAPE 1" Vinyl (100 Ft. Roll) Non-Adhesive	\$13.00	
R0067108	1957	HARNESS TAPE 1 1/4" Vinyl (100 Ft. Roll) Non-Adhesive	\$15.00	
R0058272	1958	HARNESS TAPE 3/4" Vinyl (100 Ft. Roll) Non-Adhesive	\$12.00	
R0058276	1958	HARNESS TAPE 1" Vinyl (100 Ft. Roll) Non-Adhesive	\$13.00	
R0067108	1958	HARNESS TAPE 1 1/4" Vinyl (100 Ft. Roll) Non-Adhesive	\$15.00	
R0058272	1959	HARNESS TAPE 3/4" Vinyl (100 Ft. Roll) Non-Adhesive	\$12.00	
R0058276	1959	HARNESS TAPE 1" Vinyl (100 Ft. Roll) Non-Adhesive	\$13.00	

Part Number	Year	Description	Price	*Rev.
R0067108	1959	HARNESS TAPE 1 1/4" Vinyl (100 Ft. Roll) Non-Adhesive	\$15.00	
R0058272	1960	HARNESS TAPE 3/4" Vinyl (100 Ft. Roll) Non-Adhesive	\$12.00	
R0058276	1960	HARNESS TAPE 1" Vinyl (100 Ft. Roll) Non-Adhesive	\$13.00	
R0067108	1960	HARNESS TAPE 1 1/4" Vinyl (100 Ft. Roll) Non-Adhesive	\$15.00	
R0058272	1961	HARNESS TAPE 3/4" Vinyl (100 Ft. Roll) Non-Adhesive	\$12.00	
R0058276	1961	HARNESS TAPE 1" Vinyl (100 Ft. Roll) Non-Adhesive	\$13.00	
R0067108	1961	HARNESS TAPE 1 1/4" Vinyl (100 Ft. Roll) Non-Adhesive	\$15.00	
R0058272	1962	HARNESS TAPE 3/4" Vinyl (100 Ft. Roll) Non-Adhesive	\$12.00	
R0058276	1962	HARNESS TAPE 1" Vinyl (100 Ft. Roll) Non-Adhesive	\$13.00	
R0067108	1962	HARNESS TAPE 1 1/4" Vinyl (100 Ft. Roll) Non-Adhesive	\$15.00	
R0058272	1963	HARNESS TAPE 3/4" Vinyl (100 Ft. Roll) Non-Adhesive	\$12.00	
R0058276	1963	HARNESS TAPE 1" Vinyl (100 Ft. Roll) Non-Adhesive	\$13.00	
R0067108	1963	HARNESS TAPE 1 1/4" Vinyl (100 Ft. Roll) Non-Adhesive	\$15.00	
R0058272	1964	HARNESS TAPE 3/4" Vinyl (100 Ft. Roll) Non-Adhesive	\$12.00	
R0058276	1964	HARNESS TAPE 1" Vinyl (100 Ft. Roll) Non-Adhesive	\$13.00	
R0067108	1964	HARNESS TAPE 1 1/4" Vinyl (100 Ft. Roll) Non-Adhesive	\$15.00	
R0058272	1965	HARNESS TAPE 3/4" Vinyl (100 Ft. Roll) Non-Adhesive	\$12.00	
R0058276	1965	HARNESS TAPE 1" Vinyl (100 Ft. Roll) Non-Adhesive	\$13.00	
R0067108	1965	HARNESS TAPE 1 1/4" Vinyl (100 Ft. Roll) Non-Adhesive	\$15.00	
R0058272	1966	HARNESS TAPE 3/4" Vinyl (100 Ft. Roll) Non-Adhesive	\$12.00	
R0058276	1966	HARNESS TAPE 1" Vinyl (100 Ft. Roll) Non-Adhesive	\$13.00	
R0067108	1966	HARNESS TAPE 1 1/4" Vinyl (100 Ft. Roll) Non-Adhesive	\$15.00	
R0058272	1967	HARNESS TAPE 3/4" Vinyl (100 Ft. Roll) Non-Adhesive	\$12.00	
R0058276	1967	HARNESS TAPE 1" Vinyl (100 Ft. Roll) Non-Adhesive	\$13.00	
R0067108	1967	HARNESS TAPE 1 1/4" Vinyl (100 Ft. Roll) Non-Adhesive	\$15.00	
R0058272	1968	HARNESS TAPE 3/4" Vinyl (100 Ft. Roll) Non-Adhesive	\$12.00	
R0058276	1968	HARNESS TAPE 1" Vinyl (100 Ft. Roll) Non-Adhesive	\$13.00	
R0067108	1968	HARNESS TAPE 1 1/4" Vinyl (100 Ft. Roll) Non-Adhesive	\$15.00	
R0058272	1969	HARNESS TAPE 3/4" Vinyl (100 Ft. Roll) Non-Adhesive	\$12.00	
R0058276	1969	HARNESS TAPE 1" Vinyl (100 Ft. Roll) Non-Adhesive	\$13.00	
R0067108	1969	HARNESS TAPE 1 1/4" Vinyl (100 Ft. Roll) Non-Adhesive	\$15.00	
R0058272	1970	HARNESS TAPE 3/4" Vinyl (100 Ft. Roll) Non-Adhesive	\$12.00	
R0058276	1970	HARNESS TAPE 1" Vinyl (100 Ft. Roll) Non-Adhesive	\$13.00	
R0067108	1970	HARNESS TAPE 1 1/4" Vinyl (100 Ft. Roll) Non-Adhesive	\$15.00	
R0058272	1971	HARNESS TAPE 3/4" Vinyl (100 Ft. Roll) Non-Adhesive	\$12.00	
R0058276	1971	HARNESS TAPE 1" Vinyl (100 Ft. Roll) Non-Adhesive	\$13.00	
R0067108	1971	HARNESS TAPE 1 1/4" Vinyl (100 Ft. Roll) Non-Adhesive	\$15.00	
R0058272	1972	HARNESS TAPE 3/4" Vinyl (100 Ft. Roll) Non-Adhesive	\$12.00	
R0058276	1972	HARNESS TAPE 1" Vinyl (100 Ft. Roll) Non-Adhesive	\$13.00	
R0067108	1972	HARNESS TAPE 1 1/4" Vinyl (100 Ft. Roll) Non-Adhesive	\$15.00	
R0058272	1973	HARNESS TAPE 3/4" Vinyl (100 Ft. Roll) Non-Adhesive	\$12.00	M
R0058276	1973	HARNESS TAPE 1" Vinyl (100 Ft. Roll) Non-Adhesive	\$13.00	M
R0067108	1973	HARNESS TAPE 1 1/4" Vinyl (100 Ft. Roll) Non-Adhesive	\$15.00	M
R0058272	1974	HARNESS TAPE 3/4" Vinyl (100 Ft. Roll) Non-Adhesive	\$12.00	M
R0058276	1974	HARNESS TAPE 1" Vinyl (100 Ft. Roll) Non-Adhesive	\$13.00	M
R0067108	1974	HARNESS TAPE 1 1/4" Vinyl (100 Ft. Roll) Non-Adhesive	\$15.00	M
R0058272	1975	HARNESS TAPE 3/4" Vinyl (100 Ft. Roll) Non-Adhesive	\$12.00	M

Part Number	Year	Description	Price	*Rev.
R0058276	1975	HARNESS TAPE 1" Vinyl (100 Ft. Roll) Non-Adhesive	\$13.00	M
R0067108	1975	HARNESS TAPE 1 1/4" Vinyl (100 Ft. Roll) Non-Adhesive	\$15.00	M
R0058272	1976	HARNESS TAPE 3/4" Vinyl (100 Ft. Roll) Non-Adhesive	\$12.00	M
R0058276	1976	HARNESS TAPE 1" Vinyl (100 Ft. Roll) Non-Adhesive	\$13.00	M
R0067108	1976	HARNESS TAPE 1 1/4" Vinyl (100 Ft. Roll) Non-Adhesive	\$15.00	M
R0058272	1977	HARNESS TAPE 3/4" Vinyl (100 Ft. Roll) Non-Adhesive	\$12.00	M
R0058276	1977	HARNESS TAPE 1" Vinyl (100 Ft. Roll) Non-Adhesive	\$13.00	M
R0067108	1977	HARNESS TAPE 1 1/4" Vinyl (100 Ft. Roll) Non-Adhesive	\$15.00	M
R0058272	1978	HARNESS TAPE 3/4" Vinyl (100 Ft. Roll) Non-Adhesive	\$12.00	M
R0058276	1978	HARNESS TAPE 1" Vinyl (100 Ft. Roll) Non-Adhesive	\$13.00	M
R0067108	1978	HARNESS TAPE 1 1/4" Vinyl (100 Ft. Roll) Non-Adhesive	\$15.00	M
R0058272	1979	HARNESS TAPE 3/4" Vinyl (100 Ft. Roll) Non-Adhesive	\$12.00	M
R0058276	1979	HARNESS TAPE 1" Vinyl (100 Ft. Roll) Non-Adhesive	\$13.00	M
R0067108	1979	HARNESS TAPE 1 1/4" Vinyl (100 Ft. Roll) Non-Adhesive	\$15.00	M
R0058272	1980	HARNESS TAPE 3/4" Vinyl (100 Ft. Roll) Non-Adhesive	\$12.00	M
R0058276	1980	HARNESS TAPE 1" Vinyl (100 Ft. Roll) Non-Adhesive	\$13.00	M
R0067108	1980	HARNESS TAPE 1 1/4" Vinyl (100 Ft. Roll) Non-Adhesive	\$15.00	M
R0058272	1981	HARNESS TAPE 3/4" Vinyl (100 Ft. Roll) Non-Adhesive	\$12.00	M
R0058276	1981	HARNESS TAPE 1" Vinyl (100 Ft. Roll) Non-Adhesive	\$13.00	M
R0067108	1981	HARNESS TAPE 1 1/4" Vinyl (100 Ft. Roll) Non-Adhesive	\$15.00	M
R0058272	1982	HARNESS TAPE 3/4" Vinyl (100 Ft. Roll) Non-Adhesive	\$12.00	M
R0058276	1982	HARNESS TAPE 1" Vinyl (100 Ft. Roll) Non-Adhesive	\$13.00	M
R0067108	1982	HARNESS TAPE 1 1/4" Vinyl (100 Ft. Roll) Non-Adhesive	\$15.00	M
R0058272	1983	HARNESS TAPE 3/4" Vinyl (100 Ft. Roll) Non-Adhesive	\$12.00	M
R0058276	1983	HARNESS TAPE 1" Vinyl (100 Ft. Roll) Non-Adhesive	\$13.00	M
R0067108	1983	HARNESS TAPE 1 1/4" Vinyl (100 Ft. Roll) Non-Adhesive	\$15.00	M
R0058272	1984	HARNESS TAPE 3/4" Vinyl (100 Ft. Roll) Non-Adhesive	\$12.00	M
R0058276	1984	HARNESS TAPE 1" Vinyl (100 Ft. Roll) Non-Adhesive	\$13.00	M
R0067108	1984	HARNESS TAPE 1 1/4" Vinyl (100 Ft. Roll) Non-Adhesive	\$15.00	M
R0058272	1985	HARNESS TAPE 3/4" Vinyl (100 Ft. Roll) Non-Adhesive	\$12.00	M
R0058276	1985	HARNESS TAPE 1" Vinyl (100 Ft. Roll) Non-Adhesive	\$13.00	M
R0067108	1985	HARNESS TAPE 1 1/4" Vinyl (100 Ft. Roll) Non-Adhesive	\$15.00	M
R0058272	1986	HARNESS TAPE 3/4" Vinyl (100 Ft. Roll) Non-Adhesive	\$12.00	M
R0058276	1986	HARNESS TAPE 1" Vinyl (100 Ft. Roll) Non-Adhesive	\$13.00	M
R0067108	1986	HARNESS TAPE 1 1/4" Vinyl (100 Ft. Roll) Non-Adhesive	\$15.00	M
R0058272	1987	HARNESS TAPE 3/4" Vinyl (100 Ft. Roll) Non-Adhesive	\$12.00	M
R0058276	1987	HARNESS TAPE 1" Vinyl (100 Ft. Roll) Non-Adhesive	\$13.00	M
R0067108	1987	HARNESS TAPE 1 1/4" Vinyl (100 Ft. Roll) Non-Adhesive	\$15.00	M
R0058272	1988	HARNESS TAPE 3/4" Vinyl (100 Ft. Roll) Non-Adhesive	\$12.00	M
R0058276	1988	HARNESS TAPE 1" Vinyl (100 Ft. Roll) Non-Adhesive	\$13.00	M
R0067108	1988	HARNESS TAPE 1 1/4" Vinyl (100 Ft. Roll) Non-Adhesive	\$15.00	M
R0058272	1989	HARNESS TAPE 3/4" Vinyl (100 Ft. Roll) Non-Adhesive	\$12.00	M
R0058276	1989	HARNESS TAPE 1" Vinyl (100 Ft. Roll) Non-Adhesive	\$13.00	M
R0067108	1989	HARNESS TAPE 1 1/4" Vinyl (100 Ft. Roll) Non-Adhesive	\$15.00	M
R0058272	1990	HARNESS TAPE 3/4" Vinyl (100 Ft. Roll) Non-Adhesive	\$12.00	M
R0058276	1990	HARNESS TAPE 1" Vinyl (100 Ft. Roll) Non-Adhesive	\$13.00	M
R0067108	1990	HARNESS TAPE 1 1/4" Vinyl (100 Ft. Roll) Non-Adhesive	\$15.00	M

Part Number	Year	Description	Price	*Rev.
R0058272	1991	HARNESS TAPE 3/4" Vinyl (100 Ft. Roll) Non-Adhesive	\$12.00	M
R0058276	1991	HARNESS TAPE 1" Vinyl (100 Ft. Roll) Non-Adhesive	\$13.00	M
R0067108	1991	HARNESS TAPE 1 1/4" Vinyl (100 Ft. Roll) Non-Adhesive	\$15.00	M
HEADLAMP DIMMER SWITCH				
01997008	1929	HEADLAMP DIMMER SWITCH	\$12.00	N
01997008	1930	HEADLAMP DIMMER SWITCH	\$12.00	N
01997008	1931	HEADLAMP DIMMER SWITCH	\$12.00	N
01997008	1932	HEADLAMP DIMMER SWITCH	\$12.00	N
01997008	1933	HEADLAMP DIMMER SWITCH	\$12.00	N
01997008	1934	HEADLAMP DIMMER SWITCH	\$12.00	N
01997008	1935	HEADLAMP DIMMER SWITCH	\$12.00	N
01997008	1936	HEADLAMP DIMMER SWITCH	\$12.00	N
01997008	1937	HEADLAMP DIMMER SWITCH	\$12.00	N
01997008	1938	HEADLAMP DIMMER SWITCH	\$12.00	N
01997008	1939	HEADLAMP DIMMER SWITCH	\$12.00	N
01997008	1940	HEADLAMP DIMMER SWITCH	\$12.00	N
01997008	1941	HEADLAMP DIMMER SWITCH	\$12.00	N
01997008	1942	HEADLAMP DIMMER SWITCH	\$12.00	N
01997008	1946	HEADLAMP DIMMER SWITCH	\$12.00	N
01997008	1947	HEADLAMP DIMMER SWITCH	\$12.00	N
01997008	1948	HEADLAMP DIMMER SWITCH	\$12.00	N
01997008	1949	HEADLAMP DIMMER SWITCH	\$12.00	N
01997008	1950	HEADLAMP DIMMER SWITCH	\$12.00	N
01997008	1951	HEADLAMP DIMMER SWITCH	\$12.00	N
01997008	1952	HEADLAMP DIMMER SWITCH	\$12.00	N
01997008	1953	HEADLAMP DIMMER SWITCH	\$12.00	N
01997008	1954	HEADLAMP DIMMER SWITCH	\$12.00	N
01997008	1955	HEADLAMP DIMMER SWITCH 6 Volt	\$12.00	N
01997021	1955	HEADLAMP DIMMER SWITCH 12 Volt	\$19.00	N
01997021	1956	HEADLAMP DIMMER SWITCH	\$19.00	N
01997023	1957	HEADLAMP DIMMER SWITCH	\$16.00	N
01997023	1958	HEADLAMP DIMMER SWITCH	\$16.00	N
01997023	1959	HEADLAMP DIMMER SWITCH	\$16.00	N
01997023	1960	HEADLAMP DIMMER SWITCH	\$16.00	N
01997028	1961	HEADLAMP DIMMER SWITCH	\$7.50	N
01997028	1962	HEADLAMP DIMMER SWITCH	\$7.50	N
01997028	1963	HEADLAMP DIMMER SWITCH	\$7.50	N
01997028	1964	HEADLAMP DIMMER SWITCH	\$7.50	N
01997023	1965	HEADLAMP DIMMER SWITCH Without 4 Wheel Drive	\$16.00	N
01997028	1965	HEADLAMP DIMMER SWITCH	\$7.50	N
01997023	1966	HEADLAMP DIMMER SWITCH Without 4 Wheel Drive	\$16.00	N
01997028	1966	HEADLAMP DIMMER SWITCH	\$7.50	N
01997028	1967	HEADLAMP DIMMER SWITCH	\$7.50	N
01997028	1968	HEADLAMP DIMMER SWITCH	\$7.50	N
01997028	1969	HEADLAMP DIMMER SWITCH	\$7.50	N
01997028	1970	HEADLAMP DIMMER SWITCH	\$7.50	N
07844166	1984	HEADLAMP DIMMER SWITCH Column Mounted	\$13.00	N

Part Number	Year	Description	Price	*Rev.
07844166	1985	HEADLAMP DIMMER SWITCH Column Mounted	\$13.00	N
07844166	1986	HEADLAMP DIMMER SWITCH Column Mounted	\$13.00	N
07844166	1987	HEADLAMP DIMMER SWITCH Column Mounted Note: RV Model, Square Body Style.	\$13.00	N
07844166	1988	HEADLAMP DIMMER SWITCH Column Mounted Note: RV Model, Square Body Style.	\$13.00	N
07844166	1989	HEADLAMP DIMMER SWITCH Column Mounted Note: RV Model, Square Body Style.	\$13.00	N
07844166	1990	HEADLAMP DIMMER SWITCH Column Mounted Note: RV Model, Square Body Style.	\$13.00	N
07844166	1991	HEADLAMP DIMMER SWITCH Column Mounted Note: RV Model, Square Body Style.	\$13.00	N
HEADLAMP EXTENSION HARNESS				
03340	1960	HEADLAMP EXTENSION HARNESS Dual Headlights, Front Grill Extension	\$98.00	
03340	1961	HEADLAMP EXTENSION HARNESS Dual Headlights, Front Grill Extension	\$98.00	
20690	1962	HEADLAMP EXTENSION HARNESS Single Headlights, Front Grill Extension	\$94.00	
04720	1963	HEADLAMP EXTENSION HARNESS Single Headlights, Front Grill Extension	\$80.00	
04720	1964	HEADLAMP EXTENSION HARNESS Single Headlights, Front Grill Extension	\$80.00	
04720	1965	HEADLAMP EXTENSION HARNESS Single Headlights, Front Grill Extension	\$80.00	
04720	1966	HEADLAMP EXTENSION HARNESS Single Headlights, Front Grill Extension	\$80.00	
HEADLIGHT BUCKET EXTENSION HARNESS				
20225	1955	HEADLIGHT BUCKET EXTENSION HARNESS Set Of 2	\$48.00	
20225	1956	HEADLIGHT BUCKET EXTENSION HARNESS Set Of 2	\$48.00	
20225	1957	HEADLIGHT BUCKET EXTENSION HARNESS Set Of 2	\$48.00	
19645	1958	HEADLIGHT BUCKET EXTENSION HARNESS Set Of 2	\$63.00	
19645	1959	HEADLIGHT BUCKET EXTENSION HARNESS Set Of 2	\$63.00	
HEADLIGHT SWITCH				
01995041	1947	HEADLIGHT SWITCH Snap On Terminal Note: Used On Vehicles With A Fused Dome, Stop Lamp, & Glove Box Light Circuit.	\$62.00	N
01995031	1947	HEADLIGHT SWITCH With Screw Terminals Note: Used On Vehicles Without A Fused Dome, Stop Lamp, & Glove Box Light Circuit.	\$62.00	N
01995041	1948	HEADLIGHT SWITCH Snap On Terminal Note: Used On Vehicles With A Fused Dome, Stop Lamp, & Glove Box Light Circuit.	\$62.00	N
01995031	1948	HEADLIGHT SWITCH With Screw Terminals Note: Used On Vehicles Without A Fused Dome, Stop Lamp, & Glove Box Light Circuit.	\$62.00	N
01995041	1949	HEADLIGHT SWITCH Snap On Terminal Note: Used On Vehicles With A Fused Dome, Stop Lamp, & Glove Box Light Circuit.	\$62.00	N
01995031	1949	HEADLIGHT SWITCH With Screw Terminals Note: Used On Vehicles Without A Fused Dome, Stop Lamp, & Glove Box Light Circuit.	\$62.00	N
01995041	1950	HEADLIGHT SWITCH Snap On Terminal Note: Used On Vehicles With A Fused Dome, Stop Lamp, & Glove Box Light Circuit.	\$62.00	N
01995031	1950	HEADLIGHT SWITCH With Screw Terminals Note: Used On Vehicles Without A Fused Dome, Stop Lamp, & Glove Box Light Circuit.	\$62.00	N
01995041	1951	HEADLIGHT SWITCH Snap On Terminal Note: Used On Vehicles With A Fused Dome, Stop Lamp, & Glove Box Light Circuit.	\$62.00	N
01995041	1952	HEADLIGHT SWITCH Snap On Terminal Note: Used On Vehicles With A Fused Dome, Stop Lamp, & Glove Box Light Circuit.	\$62.00	N

Part Number	Year	Description	Price	*Rev.
01995041	1953	HEADLIGHT SWITCH Snap On Terminal Note: Used On Vehicles With A Fused Dome, Stop Lamp, & Glove Box Light Circuit.	\$62.00	N
01995041	1954	HEADLIGHT SWITCH Snap On Terminal Note: Used On Vehicles With A Fused Dome, Stop Lamp, & Glove Box Light Circuit.	\$62.00	N
01995041	1955	HEADLIGHT SWITCH 6 Volt, Snap On Terminal Note: Used On Vehicles With A Fused Dome, Stop Lamp, & Glove Box Light Circuit.	\$62.00	N
01995082	1955	HEADLIGHT SWITCH 12 Volt	\$45.00	
01995082	1956	HEADLIGHT SWITCH All	\$45.00	
01995082	1957	HEADLIGHT SWITCH All	\$45.00	
01995082	1958	HEADLIGHT SWITCH All	\$45.00	
01995082	1959	HEADLIGHT SWITCH All	\$45.00	
01995096	1960	HEADLIGHT SWITCH All	\$31.00	
01995096	1961	HEADLIGHT SWITCH All	\$31.00	
01995096	1962	HEADLIGHT SWITCH All	\$31.00	
01995096	1963	HEADLIGHT SWITCH All	\$31.00	
01995179	1964	HEADLIGHT SWITCH	\$20.00	N
01995179	1965	HEADLIGHT SWITCH	\$20.00	N
01995179	1966	HEADLIGHT SWITCH	\$20.00	N
01995179	1967	HEADLIGHT SWITCH	\$20.00	N
01995179	1968	HEADLIGHT SWITCH	\$20.00	N
01995179	1969	HEADLIGHT SWITCH	\$20.00	N
01995179	1970	HEADLIGHT SWITCH	\$20.00	N
01995179	1971	HEADLIGHT SWITCH	\$20.00	N
01995179	1972	HEADLIGHT SWITCH	\$20.00	N
01995216	1973	HEADLIGHT SWITCH	\$20.00	N
01995216	1974	HEADLIGHT SWITCH	\$20.00	N
01995216	1975	HEADLIGHT SWITCH	\$20.00	N
01995216	1976	HEADLIGHT SWITCH	\$20.00	N
01995216	1977	HEADLIGHT SWITCH	\$20.00	N
01995216	1978	HEADLIGHT SWITCH	\$20.00	N
01995216	1979	HEADLIGHT SWITCH	\$20.00	N
01995216	1980	HEADLIGHT SWITCH	\$20.00	N
01995216	1981	HEADLIGHT SWITCH	\$20.00	N
01995216	1982	HEADLIGHT SWITCH	\$20.00	N
01995216	1983	HEADLIGHT SWITCH	\$20.00	N
01995216	1984	HEADLIGHT SWITCH	\$20.00	N
01995216	1985	HEADLIGHT SWITCH	\$20.00	N
01995216	1986	HEADLIGHT SWITCH	\$20.00	N
01995216	1987	HEADLIGHT SWITCH RV Body Style	\$20.00	N
01995216	1988	HEADLIGHT SWITCH RV Body Style	\$20.00	N
01995216	1989	HEADLIGHT SWITCH RV Body Style	\$20.00	N
01995216	1990	HEADLIGHT SWITCH RV Body Style	\$20.00	N
01995216	1991	HEADLIGHT SWITCH RV Body Style	\$20.00	N
HEATER BLOWER MOTOR RESISTOR				
03929052	1938	HEATER BLOWER MOTOR RESISTOR Without A/C	\$15.00	N
03929052	1939	HEATER BLOWER MOTOR RESISTOR Without A/C	\$15.00	N
03929052	1940	HEATER BLOWER MOTOR RESISTOR Without A/C	\$15.00	N

Part Number	Year	Description	Price	*Rev.
03929052	1941	HEATER BLOWER MOTOR RESISTOR Without A/C	\$15.00	N
03929052	1942	HEATER BLOWER MOTOR RESISTOR Without A/C	\$15.00	N
03929052	1946	HEATER BLOWER MOTOR RESISTOR Without A/C	\$15.00	N
03929052	1947	HEATER BLOWER MOTOR RESISTOR Without A/C	\$15.00	N
03929052	1948	HEATER BLOWER MOTOR RESISTOR Without A/C	\$15.00	N
03929052	1949	HEATER BLOWER MOTOR RESISTOR Without A/C	\$15.00	N
03929052	1950	HEATER BLOWER MOTOR RESISTOR Without A/C	\$15.00	N
03929052	1951	HEATER BLOWER MOTOR RESISTOR Without A/C	\$15.00	N
03929052	1952	HEATER BLOWER MOTOR RESISTOR Without A/C	\$15.00	N
03929052	1953	HEATER BLOWER MOTOR RESISTOR Without A/C	\$15.00	N
03929052	1954	HEATER BLOWER MOTOR RESISTOR Without A/C	\$15.00	N
03929052	1955	HEATER BLOWER MOTOR RESISTOR Without A/C	\$15.00	N
03929052	1956	HEATER BLOWER MOTOR RESISTOR Without A/C	\$15.00	N
03929052	1957	HEATER BLOWER MOTOR RESISTOR Without A/C	\$15.00	N
03929052	1958	HEATER BLOWER MOTOR RESISTOR Without A/C	\$15.00	N
03929052	1959	HEATER BLOWER MOTOR RESISTOR Without A/C	\$15.00	N
03929052	1960	HEATER BLOWER MOTOR RESISTOR Without A/C	\$15.00	N
03929052	1961	HEATER BLOWER MOTOR RESISTOR Without A/C	\$15.00	N
03929052	1962	HEATER BLOWER MOTOR RESISTOR Without A/C	\$15.00	N
03929052	1963	HEATER BLOWER MOTOR RESISTOR Without A/C	\$15.00	N
03929052	1964	HEATER BLOWER MOTOR RESISTOR Without A/C	\$15.00	N
03929052	1965	HEATER BLOWER MOTOR RESISTOR Without A/C	\$15.00	N
03929052	1966	HEATER BLOWER MOTOR RESISTOR Without A/C	\$15.00	N
03929052	1967	HEATER BLOWER MOTOR RESISTOR Without A/C	\$15.00	N
03929052	1968	HEATER BLOWER MOTOR RESISTOR Without A/C	\$15.00	N
03929052	1969	HEATER BLOWER MOTOR RESISTOR Without A/C	\$15.00	N
03929052	1970	HEATER BLOWER MOTOR RESISTOR Without A/C	\$15.00	N
03929052	1971	HEATER BLOWER MOTOR RESISTOR Without A/C	\$15.00	N
03929052	1972	HEATER BLOWER MOTOR RESISTOR Without A/C	\$15.00	N
03929052	1982	HEATER BLOWER MOTOR RESISTOR Suburban, Auxiliary Blower Motor, Without A/C	\$15.00	N
03929052	1983	HEATER BLOWER MOTOR RESISTOR Suburban, Auxiliary Blower Motor, Without A/C	\$15.00	N
03929052	1984	HEATER BLOWER MOTOR RESISTOR Suburban, Auxiliary Blower Motor, Without A/C	\$15.00	N
03929052	1985	HEATER BLOWER MOTOR RESISTOR Suburban, Auxiliary Blower Motor, Without A/C	\$15.00	N
03929052	1986	HEATER BLOWER MOTOR RESISTOR Suburban, Auxiliary Blower Motor, Without A/C	\$15.00	N
03929052	1987	HEATER BLOWER MOTOR RESISTOR Suburban, Auxiliary Blower Motor, Without A/C	\$15.00	N
03929052	1988	HEATER BLOWER MOTOR RESISTOR Suburban, Auxiliary Blower Motor, Without A/C	\$15.00	N
03929052	1989	HEATER BLOWER MOTOR RESISTOR Suburban, Auxiliary Blower Motor, Without A/C	\$15.00	N
03929052	1990	HEATER BLOWER MOTOR RESISTOR Suburban, Auxiliary Blower Motor, Without A/C	\$15.00	N
03929052	1991	HEATER BLOWER MOTOR RESISTOR Suburban, Auxiliary Blower Motor, Without A/C	\$15.00	N
HEATER BLOWER MOTOR SWITCH				
03757698	1955	HEATER BLOWER MOTOR SWITCH With Deluxe Heater	\$39.00	N
03757698	1956	HEATER BLOWER MOTOR SWITCH With Deluxe Heater	\$39.00	N
03757698	1957	HEATER BLOWER MOTOR SWITCH With Deluxe Heater	\$39.00	N
03757698	1958	HEATER BLOWER MOTOR SWITCH With Deluxe Heater	\$39.00	N
03757698	1959	HEATER BLOWER MOTOR SWITCH With Deluxe Heater	\$39.00	N
03840039	1964	HEATER BLOWER MOTOR SWITCH With Deluxe Heater, Without A/C	\$13.00	
03840039	1965	HEATER BLOWER MOTOR SWITCH With Deluxe Heater, Without A/C	\$13.00	

Part Number	Year	Description	Price	*Rev.
03840039	1966	HEATER BLOWER MOTOR SWITCH With Deluxe Heater, Without A/C	\$13.00	
03840039	1967	HEATER BLOWER MOTOR SWITCH Without A/C	\$13.00	
03857992	1967	HEATER BLOWER MOTOR SWITCH With A/C	\$17.00	
03840039	1968	HEATER BLOWER MOTOR SWITCH Without A/C	\$13.00	
03857992	1968	HEATER BLOWER MOTOR SWITCH With A/C	\$17.00	
03840039	1969	HEATER BLOWER MOTOR SWITCH Without A/C	\$13.00	
03857992	1969	HEATER BLOWER MOTOR SWITCH With A/C	\$17.00	
03840039	1970	HEATER BLOWER MOTOR SWITCH Without A/C	\$13.00	
03857992	1970	HEATER BLOWER MOTOR SWITCH With A/C	\$17.00	
03840039	1971	HEATER BLOWER MOTOR SWITCH Without A/C	\$13.00	
03857992	1971	HEATER BLOWER MOTOR SWITCH With A/C	\$17.00	
03857992	1972	HEATER BLOWER MOTOR SWITCH With A/C	\$17.00	
03840039	1972	HEATER BLOWER MOTOR SWITCH Without A/C	\$13.00	
HEATER BLOWER MOTOR WIRE				
30775	1964	HEATER BLOWER MOTOR WIRE Fuse Block To Blower Switch	\$18.00	
30775	1965	HEATER BLOWER MOTOR WIRE Fuse Block To Blower Switch	\$18.00	
30775	1966	HEATER BLOWER MOTOR WIRE Fuse Block To Blower Switch	\$18.00	
HEATER CONTROL LAMP WIRE				
19940	1964	HEATER CONTROL LAMP WIRE Deluxe Heater, Without A/C	\$18.00	
19940	1965	HEATER CONTROL LAMP WIRE Deluxe Heater, Without A/C	\$18.00	
19940	1966	HEATER CONTROL LAMP WIRE Deluxe Heater, Without A/C	\$18.00	
40132	1967	HEATER CONTROL LAMP WIRE Deluxe Heater, Without A/C	\$26.00	
40132	1968	HEATER CONTROL LAMP WIRE Deluxe Heater, Without A/C	\$26.00	
HEATER HARNESS				
38071	1960	HEATER HARNESS Standard 2 Speed Heater, Without A/C	\$40.00	
38071	1961	HEATER HARNESS Standard 2 Speed Heater, Without A/C	\$40.00	
38071	1962	HEATER HARNESS Standard 2 Speed Heater, Without A/C	\$40.00	
41474	1963	HEATER HARNESS Standard 2 Speed Heater, Without A/C	\$45.00	
19970	1964	HEATER HARNESS Standard 2 Speed Heater, Without A/C	\$40.00	
19925	1964	HEATER HARNESS Deluxe 3 Speed Heater, Without A/C	\$40.00	
19970	1965	HEATER HARNESS Standard 2 Speed Heater, Without A/C	\$40.00	
19925	1965	HEATER HARNESS Deluxe 3 Speed Heater, Without A/C	\$40.00	
19970	1966	HEATER HARNESS Standard 2 Speed Heater, Without A/C	\$40.00	
19925	1966	HEATER HARNESS Deluxe 3 Speed Heater, Without A/C	\$40.00	
28520	1967	HEATER HARNESS Without A/C	\$40.00	
28520	1968	HEATER HARNESS Without A/C	\$40.00	
23470	1969	HEATER HARNESS Without A/C	\$40.00	
23470	1970	HEATER HARNESS Without A/C	\$40.00	
23470	1971	HEATER HARNESS Without A/C	\$40.00	
23470	1972	HEATER HARNESS Without A/C	\$40.00	
39707	1973	HEATER HARNESS Except Heavy Duty Heater, Without A/C, (For Use With 3 Terminal Heater Resistor)	\$80.00	M
39305	1973	HEATER HARNESS With Heavy Duty Heater, Without A/C, (For Use With 4 Terminal Heater Resistor)	\$94.00	M
39707	1974	HEATER HARNESS Except Heavy Duty Heater, Without A/C, (For Use With 3 Terminal Heater Resistor)	\$80.00	M
39305	1974	HEATER HARNESS With Heavy Duty Heater, Without A/C, (For Use With 4 Terminal Heater Resistor)	\$94.00	M

Part Number	Year	Description	Price	*Rev.
39707	1975	HEATER HARNESS Except Heavy Duty Heater, Without A/C, (For Use With 3 Terminal Heater Resistor)	\$80.00	M
39305	1975	HEATER HARNESS With Heavy Duty Heater, Without A/C, (For Use With 4 Terminal Heater Resistor)	\$94.00	M
39707	1976	HEATER HARNESS Except Heavy Duty Heater, Without A/C, (For Use With 3 Terminal Heater Resistor)	\$80.00	M
39305	1976	HEATER HARNESS With Heavy Duty Heater, Without A/C, (For Use With 4 Terminal Heater Resistor)	\$94.00	M
39815	1976	HEATER HARNESS All Suburban, & 2 Wheel Drive Blazer & Jimmy, With Rear Auxiliary Heater	\$87.00	M
39707	1977	HEATER HARNESS Except Heavy Duty Heater, Without A/C, (For Use With 3 Terminal Heater Resistor)	\$80.00	M
39305	1977	HEATER HARNESS With Heavy Duty Heater, Without A/C, (For Use With 4 Terminal Heater Resistor)	\$94.00	M
39815	1977	HEATER HARNESS All Suburban, & 2 Wheel Drive Blazer & Jimmy, With Rear Auxiliary Heater	\$87.00	M
39707	1978	HEATER HARNESS Except Heavy Duty Heater, Without A/C, (For Use With 3 Terminal Heater Resistor)	\$80.00	M
39305	1978	HEATER HARNESS With Heavy Duty Heater, Without A/C, (For Use With 4 Terminal Heater Resistor)	\$94.00	M
39815	1978	HEATER HARNESS All Suburban, & 2 Wheel Drive Blazer & Jimmy, With Rear Auxiliary Heater	\$87.00	M
39707	1979	HEATER HARNESS Except Heavy Duty Heater, Without A/C, (For Use With 3 Terminal Heater Resistor)	\$80.00	M
39305	1979	HEATER HARNESS With Heavy Duty Heater, Without A/C, (For Use With 4 Terminal Heater Resistor)	\$94.00	M
39910	1979	HEATER HARNESS All Suburban, & 2 Wheel Drive Blazer & Jimmy, With Rear Auxiliary Heater	\$87.00	M
39707	1980	HEATER HARNESS Except Heavy Duty Heater, Without A/C, (For Use With 3 Terminal Heater Resistor)	\$80.00	M
39305	1980	HEATER HARNESS With Heavy Duty Heater, Without A/C, (For Use With 4 Terminal Heater Resistor)	\$94.00	M
39910	1980	HEATER HARNESS All Suburban, & 2 Wheel Drive Blazer & Jimmy, With Rear Auxiliary Heater	\$87.00	M
39910	1981	HEATER HARNESS All Suburban, & 2 Wheel Drive Blazer & Jimmy, With Rear Auxiliary Heater	\$87.00	M
39934	1981	HEATER HARNESS Except Heavy Duty Heater, Without A/C, (For Use With 3 Terminal Heater Resistor)	\$80.00	M
39935	1981	HEATER HARNESS With Heavy Duty Heater, Without A/C, (For Use With 4 Terminal Heater Resistor)	\$87.00	M
39934	1982	HEATER HARNESS Except Heavy Duty Heater, Without A/C, (For Use With 3 Terminal Heater Resistor)	\$80.00	M
39935	1982	HEATER HARNESS With Heavy Duty Heater, Without A/C, (For Use With 4 Terminal Heater Resistor)	\$87.00	M
HOOD LAMP HARNESS				
38070	1960	HOOD LAMP HARNESS For Park & Directional Lights In Hood	\$67.00	
38070	1961	HOOD LAMP HARNESS For Park & Directional Lights In Hood	\$67.00	
38082	1962	HOOD LAMP HARNESS For Park & Directional Lights In Hood	\$67.00	
02667	1963	HOOD LAMP HARNESS For Park & Directional Lights In Hood	\$67.00	
02667	1964	HOOD LAMP HARNESS For Park & Directional Lights In Hood	\$67.00	
02667	1965	HOOD LAMP HARNESS For Park & Directional Lights In Hood	\$67.00	
02667	1966	HOOD LAMP HARNESS For Park & Directional Lights In Hood	\$67.00	
HORN WIRE				
39706	1974	HORN WIRE Used With Hi Note Horn	\$30.00	M

Part Number	Year	Description	Price	*Rev.
39789	1975	HORN WIRE Used With Hi Note Horn	\$30.00	M
IDLE SPEED SWITCH HARNESS				
37523	1979	IDLE SPEED SWITCH HARNESS 1-Ton Truck, With V/8	\$66.00	M
37523	1980	IDLE SPEED SWITCH HARNESS 1-Ton Truck, With V/8	\$66.00	M
IDLE STOP SOLENOID JUMPER WIRE				
40013	1982	IDLE STOP SOLENOID JUMPER WIRE Idle Stop Solenoid To A/C Harness	\$26.00	M
IGNITION BALLAST RESISTOR				
01957154	1955	IGNITION BALLAST RESISTOR All, 12 Volt	\$12.00	N
01957154	1956	IGNITION BALLAST RESISTOR All	\$12.00	N
01957154	1957	IGNITION BALLAST RESISTOR All	\$12.00	N
01957154	1958	IGNITION BALLAST RESISTOR All	\$12.00	N
01957154	1959	IGNITION BALLAST RESISTOR All	\$12.00	N
IGNITION CYLINDER AND KEYS				
20071252	1973	IGNITION CYLINDER AND KEYS Chrome, All	\$18.50	N
20071252	1974	IGNITION CYLINDER AND KEYS Chrome, All	\$18.50	N
20071252	1975	IGNITION CYLINDER AND KEYS Chrome, All	\$18.50	N
20071252	1976	IGNITION CYLINDER AND KEYS Chrome, All	\$18.50	N
20071252	1977	IGNITION CYLINDER AND KEYS Chrome, All	\$18.50	N
20071252	1978	IGNITION CYLINDER AND KEYS Chrome, All, 1st Design, Used On Columns Without Lock Cylinder Retaining Screw	\$18.50	N
07833759	1978	IGNITION CYLINDER AND KEYS Chrome, All, 2nd Design, Used On Columns With Lock Cylinder Retaining Screw	\$18.50	N
07833759	1979	IGNITION CYLINDER AND KEYS Chrome, All	\$18.50	N
07833759	1980	IGNITION CYLINDER AND KEYS Chrome, All	\$18.50	N
07833759	1981	IGNITION CYLINDER AND KEYS Chrome, All	\$18.50	N
07833759	1982	IGNITION CYLINDER AND KEYS Chrome, All	\$18.50	N
07833759	1983	IGNITION CYLINDER AND KEYS Chrome, All	\$18.50	N
07833759	1984	IGNITION CYLINDER AND KEYS Chrome, All	\$18.50	N
07833759	1985	IGNITION CYLINDER AND KEYS Chrome, All	\$18.50	N
07833759	1986	IGNITION CYLINDER AND KEYS Chrome, All	\$18.50	N
07833759	1987	IGNITION CYLINDER AND KEYS Chrome, All	\$18.50	N
07833759	1988	IGNITION CYLINDER AND KEYS Chrome, All	\$18.50	N
07833759	1989	IGNITION CYLINDER AND KEYS Chrome, All	\$18.50	N
07833759	1990	IGNITION CYLINDER AND KEYS Chrome, All	\$18.50	N
07833759	1991	IGNITION CYLINDER AND KEYS Chrome, All	\$18.50	N
IGNITION SWITCH				
01116464	1947	IGNITION SWITCH	\$39.00	N
01116464	1948	IGNITION SWITCH	\$39.00	N
01116464	1949	IGNITION SWITCH	\$39.00	N
01116464	1950	IGNITION SWITCH	\$39.00	N
01116464	1951	IGNITION SWITCH	\$39.00	N
01116464	1952	IGNITION SWITCH	\$39.00	N
01116464	1953	IGNITION SWITCH	\$39.00	N
01116469	1954	IGNITION SWITCH 6 Volt	\$54.00	N
01116469	1955	IGNITION SWITCH 1st Series, 6 Volt	\$54.00	N
01116514	1955	IGNITION SWITCH V/8	\$50.00	N

Part Number	Year	Description	Price	*Rev.
01116514	1956	IGNITION SWITCH V/8	\$50.00	N
01116570	1957	IGNITION SWITCH 6 Cylinder, With Automatic Transmission	\$62.00	N
01116570	1957	IGNITION SWITCH V/8	\$62.00	N
01116570	1958	IGNITION SWITCH 6 Cylinder, With Automatic Transmission	\$62.00	N
01116570	1958	IGNITION SWITCH V/8	\$62.00	N
01116570	1959	IGNITION SWITCH 6 Cylinder, With Automatic Transmission	\$62.00	N
01116570	1959	IGNITION SWITCH V/8	\$62.00	N
44206	1960	IGNITION SWITCH KIT Note: Includes Wiring Adapter, Ignition Switch And Instructions.	\$54.00	N
44206	1961	IGNITION SWITCH KIT Note: Includes Wiring Adapter, Ignition Switch And Instructions.	\$54.00	N
01116626	1962	IGNITION SWITCH	\$24.00	N
01116626	1963	IGNITION SWITCH	\$24.00	N
01116626	1964	IGNITION SWITCH	\$24.00	N
01116626	1965	IGNITION SWITCH	\$24.00	N
01116626	1966	IGNITION SWITCH	\$24.00	N
01116712	1967	IGNITION SWITCH	\$18.00	N
01116712	1968	IGNITION SWITCH	\$18.00	N
01116712	1969	IGNITION SWITCH	\$18.00	N
01116712	1970	IGNITION SWITCH	\$18.00	N
01116712	1971	IGNITION SWITCH	\$18.00	N
01116712	1972	IGNITION SWITCH	\$18.00	N
01990110	1973	IGNITION SWITCH All, With Tilt	\$14.00	N
01990110	1974	IGNITION SWITCH All, With Tilt	\$14.00	N
01990110	1975	IGNITION SWITCH All, With Tilt	\$14.00	N
01990110	1976	IGNITION SWITCH All, With Tilt	\$14.00	N
01990110	1977	IGNITION SWITCH All, With Tilt	\$14.00	N
01990110	1978	IGNITION SWITCH All, With Tilt	\$14.00	N
01990110	1979	IGNITION SWITCH All, With Tilt	\$14.00	N
01990110	1980	IGNITION SWITCH All, With Tilt	\$14.00	N
01990110	1981	IGNITION SWITCH All, With Tilt	\$14.00	N
01990110	1982	IGNITION SWITCH All, With Tilt	\$14.00	N
01990110	1983	IGNITION SWITCH All, With Tilt	\$14.00	N
01990110	1984	IGNITION SWITCH All, With Tilt	\$14.00	N
01990110	1985	IGNITION SWITCH All, With Tilt	\$14.00	N
01990110	1986	IGNITION SWITCH All, With Tilt	\$14.00	N
01990110	1987	IGNITION SWITCH All, With Tilt Note: Used On R & V Body Styles.	\$14.00	N
01990110	1988	IGNITION SWITCH All, With Tilt Note: Used On R & V Body Styles.	\$14.00	N
01990110	1989	IGNITION SWITCH All, With Tilt Note: Used On R & V Body Styles.	\$14.00	N
01990110	1990	IGNITION SWITCH All, With Tilt Note: Used On R & V Body Styles.	\$14.00	N
01990110	1991	IGNITION SWITCH All, With Tilt Note: Used On R & V Body Styles.	\$14.00	N
01990110	1992	IGNITION SWITCH All, With Tilt	\$14.00	N

Part Number	Year	Description	Price	*Rev.
01990110	1993	IGNITION SWITCH All, With Tilt	\$14.00	N
01990110	1994	IGNITION SWITCH All, With Tilt	\$14.00	N
IGNITION SWITCH ADAPTER				
37444	1957	IGNITION SWITCH ADAPTER For Using 1955-56 Ignition Switch In 1957-59 Chevy Trucks Note: Allows 1957-59 Chevy Truck Engine Harnesses To Be Connected To The Reproduction Ignition Switch Available For 1955-56 Chevy Trucks & Cars.	\$25.00	
37444	1958	IGNITION SWITCH ADAPTER For Using 1955-56 Ignition Switch In 1957-59 Chevy Trucks Note: Allows 1957-59 Chevy Truck Engine Harnesses To Be Connected To The Reproduction Ignition Switch Available For 1955-56 Chevy Trucks & Cars.	\$25.00	
37444	1959	IGNITION SWITCH ADAPTER For Using 1955-56 Ignition Switch In 1957-59 Chevy Trucks Note: Allows 1957-59 Chevy Truck Engine Harnesses To Be Connected To The Reproduction Ignition Switch Available For 1955-56 Chevy Trucks & Cars.	\$25.00	
INSTRUMENT GAUGE CLUSTER CLIP KIT				
08986000	1973	CLIP KIT All, Instrument Gauge Cluster / Printed Circuit Board Retaining Clip Note: Replaces Original GM Part Number 08986000, Includes 12 Clips Per Kit.	\$14.00	N
08986000	1974	CLIP KIT All, Instrument Gauge Cluster / Printed Circuit Board Retaining Clip Note: Replaces Original GM Part Number 08986000, Includes 12 Clips Per Kit.	\$14.00	N
08986000	1975	CLIP KIT All, Instrument Gauge Cluster / Printed Circuit Board Retaining Clip Note: Replaces Original GM Part Number 08986000, Includes 12 Clips Per Kit.	\$14.00	N
08986000	1976	CLIP KIT All, Instrument Gauge Cluster / Printed Circuit Board Retaining Clip Note: Replaces Original GM Part Number 08986000, Includes 12 Clips Per Kit.	\$14.00	N
08986000	1977	CLIP KIT All, Instrument Gauge Cluster / Printed Circuit Board Retaining Clip Note: Replaces Original GM Part Number 08986000, Includes 12 Clips Per Kit.	\$14.00	N
08986000	1978	CLIP KIT All, Instrument Gauge Cluster / Printed Circuit Board Retaining Clip Note: Replaces Original GM Part Number 08986000, Includes 12 Clips Per Kit.	\$14.00	N
08986000	1979	CLIP KIT All, Instrument Gauge Cluster / Printed Circuit Board Retaining Clip Note: Replaces Original GM Part Number 08986000, Includes 12 Clips Per Kit.	\$14.00	N
08986000	1980	CLIP KIT All, Instrument Gauge Cluster / Printed Circuit Board Retaining Clip Note: Replaces Original GM Part Number 08986000, Includes 12 Clips Per Kit.	\$14.00	N
08986000	1981	CLIP KIT All, Instrument Gauge Cluster / Printed Circuit Board Retaining Clip Note: Replaces Original GM Part Number 08986000, Includes 12 Clips Per Kit.	\$14.00	N
08986000	1982	CLIP KIT All, Instrument Gauge Cluster / Printed Circuit Board Retaining Clip Note: Replaces Original GM Part Number 08986000, Includes 12 Clips Per Kit.	\$14.00	N
08986000	1983	CLIP KIT All, Instrument Gauge Cluster / Printed Circuit Board Retaining Clip Note: Replaces Original GM Part Number 08986000, Includes 12 Clips Per Kit.	\$14.00	N
08986000	1984	CLIP KIT All, Instrument Gauge Cluster / Printed Circuit Board Retaining Clip Note: Replaces Original GM Part Number 08986000, Includes 12 Clips Per Kit.	\$14.00	N
08986000	1985	CLIP KIT All, Instrument Gauge Cluster / Printed Circuit Board Retaining Clip Note: Replaces Original GM Part Number 08986000, Includes 12 Clips Per Kit.	\$14.00	N

Part Number	Year	Description	Price	*Rev.
08986000	1986	CLIP KIT All, Instrument Gauge Cluster / Printed Circuit Board Retaining Clip Note: Replaces Original GM Part Number 08986000, Includes 12 Clips Per Kit.	\$14.00	N
08986000	1987	CLIP KIT All, Instrument Gauge Cluster / Printed Circuit Board Retaining Clip Note: Replaces Original GM Part Number 08986000, Includes 12 Clips Per Kit.	\$14.00	N
08986000	1988	CLIP KIT All, Instrument Gauge Cluster / Printed Circuit Board Retaining Clip Note: Replaces Original GM Part Number 08986000, Includes 12 Clips Per Kit.	\$14.00	N
08986000	1989	CLIP KIT All, Instrument Gauge Cluster / Printed Circuit Board Retaining Clip Note: Replaces Original GM Part Number 08986000, Includes 12 Clips Per Kit.	\$14.00	N
08986000	1990	CLIP KIT All, Instrument Gauge Cluster / Printed Circuit Board Retaining Clip Note: Replaces Original GM Part Number 08986000, Includes 12 Clips Per Kit.	\$14.00	N
INSTRUMENT GAUGE CLUSTER LENS				
00158368	1955	INSTRUMENT GAUGE CLUSTER LENS	\$58.00	N
00158368	1956	INSTRUMENT GAUGE CLUSTER LENS	\$58.00	N
00158368	1957	INSTRUMENT GAUGE CLUSTER LENS	\$58.00	N
00158368	1958	INSTRUMENT GAUGE CLUSTER LENS	\$58.00	N
00158368	1959	INSTRUMENT GAUGE CLUSTER LENS	\$58.00	N
05656305	1960	INSTRUMENT GAUGE CLUSTER LENS With Gauges	\$56.00	N
05656320	1960	INSTRUMENT GAUGE CLUSTER LENS With Warning Lights	\$56.00	N
05656305	1961	INSTRUMENT GAUGE CLUSTER LENS With Gauges	\$56.00	N
05656320	1961	INSTRUMENT GAUGE CLUSTER LENS With Warning Lights	\$56.00	N
05656305	1962	INSTRUMENT GAUGE CLUSTER LENS With Gauges	\$56.00	N
05656320	1962	INSTRUMENT GAUGE CLUSTER LENS With Warning Lights	\$56.00	N
05656305	1963	INSTRUMENT GAUGE CLUSTER LENS With Gauges	\$56.00	N
05656320	1963	INSTRUMENT GAUGE CLUSTER LENS With Warning Lights	\$56.00	N
06408208	1964	INSTRUMENT GAUGE CLUSTER LENS With Gauges	\$39.00	N
06408516	1964	INSTRUMENT GAUGE CLUSTER LENS With Warning Lights	\$39.00	N
06408208	1965	INSTRUMENT GAUGE CLUSTER LENS With Gauges	\$39.00	N
06408516	1965	INSTRUMENT GAUGE CLUSTER LENS With Warning Lights	\$39.00	N
06408208	1966	INSTRUMENT GAUGE CLUSTER LENS With Gauges	\$39.00	N
06408516	1966	INSTRUMENT GAUGE CLUSTER LENS With Warning Lights	\$39.00	N
06458266	1967	INSTRUMENT GAUGE CLUSTER LENS With Gauges & Tachometer, Without Vacuum Gauge	\$44.00	N
44274	1967	INSTRUMENT GAUGE CLUSTER LENS With Gauges, Tachometer & Vacuum Gauge	\$44.00	N
06458264	1967	INSTRUMENT GAUGE CLUSTER LENS With Gauges, Without Tachometer Or Vacuum Gauge	\$44.00	N
06430776	1967	INSTRUMENT GAUGE CLUSTER LENS With Warning Lights	\$40.00	N
06458266	1968	INSTRUMENT GAUGE CLUSTER LENS With Gauges & Tachometer, Without Vacuum Gauge	\$44.00	N
44274	1968	INSTRUMENT GAUGE CLUSTER LENS With Gauges, Tachometer & Vacuum Gauge	\$44.00	N
06458264	1968	INSTRUMENT GAUGE CLUSTER LENS With Gauges, Without Tachometer Or Vacuum Gauge	\$44.00	N
06430776	1968	INSTRUMENT GAUGE CLUSTER LENS With Warning Lights	\$40.00	N
06458266	1969	INSTRUMENT GAUGE CLUSTER LENS With Gauges & Tachometer, Without Vacuum Gauge	\$44.00	N
44274	1969	INSTRUMENT GAUGE CLUSTER LENS With Gauges, Tachometer & Vacuum Gauge	\$44.00	N
06458264	1969	INSTRUMENT GAUGE CLUSTER LENS With Gauges, Without Tachometer Or Vacuum Gauge	\$44.00	N
06430776	1969	INSTRUMENT GAUGE CLUSTER LENS With Warning Lights	\$40.00	N
06458266	1970	INSTRUMENT GAUGE CLUSTER LENS With Gauges & Tachometer, Without Vacuum Gauge	\$44.00	N
44274	1970	INSTRUMENT GAUGE CLUSTER LENS With Gauges, Tachometer & Vacuum Gauge	\$44.00	N

Part Number	Year	Description	Price	*Rev.
06458264	1970	INSTRUMENT GAUGE CLUSTER LENS With Gauges, Without Tachometer Or Vacuum Gauge	\$44.00	N
06430776	1970	INSTRUMENT GAUGE CLUSTER LENS With Warning Lights	\$40.00	N
06458266	1971	INSTRUMENT GAUGE CLUSTER LENS With Gauges & Tachometer, Without Vacuum Gauge	\$44.00	N
44274	1971	INSTRUMENT GAUGE CLUSTER LENS With Gauges, Tachometer & Vacuum Gauge	\$44.00	N
06458264	1971	INSTRUMENT GAUGE CLUSTER LENS With Gauges, Without Tachometer Or Vacuum Gauge	\$44.00	N
06430776	1971	INSTRUMENT GAUGE CLUSTER LENS With Warning Lights	\$40.00	N
06458266	1972	INSTRUMENT GAUGE CLUSTER LENS With Gauges & Tachometer, Without Vacuum Gauge	\$44.00	N
44274	1972	INSTRUMENT GAUGE CLUSTER LENS With Gauges, Tachometer & Vacuum Gauge	\$44.00	N
06458264	1972	INSTRUMENT GAUGE CLUSTER LENS With Gauges, Without Tachometer Or Vacuum Gauge	\$44.00	N
06430776	1972	INSTRUMENT GAUGE CLUSTER LENS With Warning Lights	\$40.00	N
25017378	1973	INSTRUMENT GAUGE CLUSTER LENS With Gauges & Clock	\$50.00	N
06497473	1973	INSTRUMENT GAUGE CLUSTER LENS With Gauges, Without Clock	\$50.00	N
06497472	1973	INSTRUMENT GAUGE CLUSTER LENS With Warning Lights	\$47.00	N
25017378	1974	INSTRUMENT GAUGE CLUSTER LENS With Gauges & Clock	\$50.00	N
06497473	1974	INSTRUMENT GAUGE CLUSTER LENS With Gauges, Without Clock	\$50.00	N
06497472	1974	INSTRUMENT GAUGE CLUSTER LENS With Warning Lights	\$47.00	N
25017378	1975	INSTRUMENT GAUGE CLUSTER LENS With Gauges & Clock	\$50.00	N
06497473	1975	INSTRUMENT GAUGE CLUSTER LENS With Gauges, Without Clock	\$50.00	N
06497472	1975	INSTRUMENT GAUGE CLUSTER LENS With Warning Lights	\$47.00	N
25017378	1976	INSTRUMENT GAUGE CLUSTER LENS With Gauges & Clock	\$50.00	N
06497473	1976	INSTRUMENT GAUGE CLUSTER LENS With Gauges, Without Clock	\$50.00	N
06497472	1976	INSTRUMENT GAUGE CLUSTER LENS With Warning Lights	\$47.00	N
25017378	1977	INSTRUMENT GAUGE CLUSTER LENS With Gauges & Clock	\$50.00	N
06497473	1977	INSTRUMENT GAUGE CLUSTER LENS With Gauges, Without Clock	\$50.00	N
06497472	1977	INSTRUMENT GAUGE CLUSTER LENS With Warning Lights	\$47.00	N
25017378	1978	INSTRUMENT GAUGE CLUSTER LENS With Gauges & Clock	\$50.00	N
06497473	1978	INSTRUMENT GAUGE CLUSTER LENS With Gauges, Without Clock	\$50.00	N
06497472	1978	INSTRUMENT GAUGE CLUSTER LENS With Warning Lights	\$47.00	N
25017378	1979	INSTRUMENT GAUGE CLUSTER LENS With Gauges & Clock	\$50.00	N
06497473	1979	INSTRUMENT GAUGE CLUSTER LENS With Gauges, Without Clock	\$50.00	N
06497472	1979	INSTRUMENT GAUGE CLUSTER LENS With Warning Lights	\$47.00	N
25017378	1980	INSTRUMENT GAUGE CLUSTER LENS With Gauges & Clock	\$50.00	N
06497473	1980	INSTRUMENT GAUGE CLUSTER LENS With Gauges, Without Clock	\$50.00	N
06497472	1980	INSTRUMENT GAUGE CLUSTER LENS With Warning Lights	\$47.00	N
25044306	1981	INSTRUMENT GAUGE CLUSTER LENS With Gauges & Clock	\$50.00	N
06497473	1981	INSTRUMENT GAUGE CLUSTER LENS With Gauges, Without Clock	\$50.00	N
06497472	1981	INSTRUMENT GAUGE CLUSTER LENS With Warning Lights	\$47.00	N
25044306	1982	INSTRUMENT GAUGE CLUSTER LENS With Gauges & Clock	\$50.00	N
06497473	1982	INSTRUMENT GAUGE CLUSTER LENS With Gauges, Without Clock	\$50.00	N
06497472	1982	INSTRUMENT GAUGE CLUSTER LENS With Warning Lights	\$47.00	N
25044306	1983	INSTRUMENT GAUGE CLUSTER LENS With Gauges & Clock	\$50.00	N
06497473	1983	INSTRUMENT GAUGE CLUSTER LENS With Gauges, Without Clock	\$50.00	N
06497472	1983	INSTRUMENT GAUGE CLUSTER LENS With Warning Lights	\$47.00	N
25044306	1984	INSTRUMENT GAUGE CLUSTER LENS With Gauges & Clock	\$50.00	N
06497473	1984	INSTRUMENT GAUGE CLUSTER LENS With Gauges, Without Clock	\$50.00	N
06497472	1984	INSTRUMENT GAUGE CLUSTER LENS With Warning Lights	\$47.00	N
25044306	1985	INSTRUMENT GAUGE CLUSTER LENS With Gauges & Clock	\$50.00	N

Part Number	Year	Description	Price	*Rev.
06497473	1985	INSTRUMENT GAUGE CLUSTER LENS With Gauges, Without Clock	\$50.00	N
06497472	1985	INSTRUMENT GAUGE CLUSTER LENS With Warning Lights	\$47.00	N
25044306	1986	INSTRUMENT GAUGE CLUSTER LENS With Gauges & Clock	\$50.00	N
06497473	1986	INSTRUMENT GAUGE CLUSTER LENS With Gauges, Without Clock	\$50.00	N
06497472	1986	INSTRUMENT GAUGE CLUSTER LENS With Warning Lights	\$47.00	N
25044306	1987	INSTRUMENT GAUGE CLUSTER LENS With Gauges & Clock	\$50.00	N
06497473	1987	INSTRUMENT GAUGE CLUSTER LENS With Gauges, Without Clock	\$50.00	N
06497472	1987	INSTRUMENT GAUGE CLUSTER LENS With Warning Lights	\$47.00	N
INSTRUMENT GAUGE DASH BEZEL				
01500923	1947	INSTRUMENT GAUGE DASH BEZEL Chrome Note: 2 Required Per Vehicle.	\$12.00	N
01500923	1948	INSTRUMENT GAUGE DASH BEZEL Chrome Note: 2 Required Per Vehicle.	\$12.00	N
01500923	1949	INSTRUMENT GAUGE DASH BEZEL Chrome Note: 2 Required Per Vehicle.	\$12.00	N
01500923	1950	INSTRUMENT GAUGE DASH BEZEL Chrome Note: 2 Required Per Vehicle.	\$12.00	N
01500923	1951	INSTRUMENT GAUGE DASH BEZEL Chrome Note: 2 Required Per Vehicle.	\$12.00	N
01500923	1952	INSTRUMENT GAUGE DASH BEZEL Chrome Note: 2 Required Per Vehicle.	\$12.00	N
01500923	1953	INSTRUMENT GAUGE DASH BEZEL Chrome Note: 2 Required Per Vehicle.	\$12.00	N
01582659	1954	INSTRUMENT GAUGE DASH BEZEL Chrome, Chevrolet Truck Note: 2 Required Per Vehicle.	\$28.00	N
01582659	1955	INSTRUMENT GAUGE DASH BEZEL Chrome, 1st Series Chevrolet Truck Note: 2 Required Per Vehicle.	\$28.00	N
01583687	1955	INSTRUMENT GAUGE DASH BEZEL Chrome, Chevrolet Truck	\$53.00	N
01583687	1956	INSTRUMENT GAUGE DASH BEZEL Chrome, Chevrolet Truck	\$53.00	N
01583687	1957	INSTRUMENT GAUGE DASH BEZEL Chrome, Chevrolet Truck	\$53.00	N
01583687	1958	INSTRUMENT GAUGE DASH BEZEL Chrome, Chevrolet Truck	\$53.00	N
01583687	1959	INSTRUMENT GAUGE DASH BEZEL Chrome, Chevrolet Truck	\$53.00	N
06482927	1967	INSTRUMENT GAUGE DASH BEZEL With Gauges, Black With Chrome Trim	\$54.00	N
06482927	1968	INSTRUMENT GAUGE DASH BEZEL With Gauges, Black With Chrome Trim	\$54.00	N
06491404	1969	INSTRUMENT GAUGE DASH BEZEL With Gauges, Black With Chrome Trim	\$54.00	N
06491402	1969	INSTRUMENT GAUGE DASH BEZEL Without Gauges, Black With Chrome Trim	\$50.00	N
06491404	1970	INSTRUMENT GAUGE DASH BEZEL With Gauges, Black With Chrome Trim	\$54.00	N
06491402	1970	INSTRUMENT GAUGE DASH BEZEL Without Gauges, Black With Chrome Trim	\$50.00	N
06491404	1971	INSTRUMENT GAUGE DASH BEZEL With Gauges, Black With Chrome Trim	\$54.00	N
06491402	1971	INSTRUMENT GAUGE DASH BEZEL Without Gauges, Black With Chrome Trim	\$50.00	N
06491404	1972	INSTRUMENT GAUGE DASH BEZEL With Gauges, Black With Chrome Trim	\$54.00	N
06491402	1972	INSTRUMENT GAUGE DASH BEZEL Without Gauges, Black With Chrome Trim	\$50.00	N
KICKDOWN HARNESS				
20900	1967	KICKDOWN HARNESS TH400 Auto Trans, With Carb Mounted Kickdown Switch	\$43.00	
20900	1968	KICKDOWN HARNESS TH400 Auto Trans, With Carb Mounted Kickdown Switch	\$43.00	
20895	1969	KICKDOWN HARNESS TH400 Auto Trans, With Carb Mounted Kickdown Switch	\$48.00	

Part Number	Year	Description	Price	*Rev.
20890	1970	KICKDOWN HARNESS TH400 Auto Trans, With Carb Mounted Kickdown Switch, Without T.C.S. Note: Kickdown Harness, TH400 With T.C.S., See Transmission Controlled Spark Harness.	\$94.00	
40039	1971	KICKDOWN HARNESS TH400 Auto Trans	\$52.00	
40040	1971	KICKDOWN EXTENSION HARNESS TH400 Auto Trans	\$33.00	
40039	1972	KICKDOWN HARNESS TH400 Auto Trans	\$52.00	
40040	1972	KICKDOWN EXTENSION HARNESS TH400 Auto Trans	\$33.00	
39722	1973	KICKDOWN HARNESS With 454 V/8 & TH400 Trans, Dash Side	\$67.00	M
39721	1973	KICKDOWN EXTENSION HARNESS With 454 V/8 & 400 Trans, Transmission Switch To Dash Kickdown Harness	\$41.00	M
39722	1974	KICKDOWN HARNESS With 454 V/8 & TH400 Trans, Dash Side	\$67.00	M
39721	1974	KICKDOWN EXTENSION HARNESS With 454 V/8 & TH400 Trans, Transmission Switch To Kickdown Harness	\$41.00	M
39786	1975	KICKDOWN HARNESS With 454 V/8 & TH400 Trans, Dash Side	\$67.00	M
39360	1975	KICKDOWN EXTENSION HARNESS With 454 V/8 & TH400 Trans, Transmission Switch To Kickdown Harness	\$41.00	M
39786	1976	KICKDOWN HARNESS With 454 V/8 & TH400 Trans, Dash Side	\$67.00	M
39360	1976	KICKDOWN EXTENSION HARNESS With 454 V/8 & TH400 Trans, Transmission Switch To Kickdown Harness	\$41.00	M
39786	1977	KICKDOWN HARNESS With 454 V/8 & TH400 Trans, Dash Side	\$67.00	M
39360	1977	KICKDOWN EXTENSION HARNESS With 454 V/8 & TH400 Trans, Transmission Switch To Kickdown Harness	\$41.00	M
39786	1978	KICKDOWN HARNESS With 454 V/8 & TH400 Trans, Dash Side	\$67.00	M
39360	1978	KICKDOWN EXTENSION HARNESS With 454 V/8 & TH400 Trans, Transmission Switch To Kickdown Harness	\$41.00	M
39359	1979	KICKDOWN HARNESS With 454 V/8 & TH400 Trans, Dash Side	\$67.00	M
39360	1979	KICKDOWN EXTENSION HARNESS With 454 V/8 & TH400 Trans, Transmission Switch To Kickdown Harness	\$41.00	M
39359	1980	KICKDOWN HARNESS With 454 V/8 & TH400 Trans, Dash Side	\$67.00	M
39360	1980	KICKDOWN EXTENSION HARNESS With 454 V/8 & TH400 Trans, Transmission Switch To Kickdown Harness	\$41.00	M
39359	1981	KICKDOWN HARNESS With 454 V/8 & TH400 Trans, Dash Side	\$67.00	M
39360	1981	KICKDOWN EXTENSION HARNESS With 454 V/8 & TH400 Trans, Transmission Switch To Kickdown Harness	\$41.00	M
39359	1982	KICKDOWN HARNESS With 454 V/8 & TH400 Trans, Dash Side	\$67.00	M
39360	1982	KICKDOWN EXTENSION HARNESS With 454 V/8 & TH400 Trans, Transmission Switch To Kickdown Harness	\$41.00	M
KICKDOWN SWITCH				
01242101	1971	KICKDOWN SWITCH M40 Auto Trans	\$19.00	
01242101	1972	KICKDOWN SWITCH M40 Auto Trans	\$19.00	
01242101	1973	KICKDOWN SWITCH M40 Auto Trans	\$19.00	
01242101	1974	KICKDOWN SWITCH M40 Auto Trans	\$19.00	
01242101	1975	KICKDOWN SWITCH M40 Auto Trans	\$19.00	
01242101	1976	KICKDOWN SWITCH M40 Auto Trans	\$19.00	
01242101	1977	KICKDOWN SWITCH M40 Auto Trans	\$19.00	
01242101	1978	KICKDOWN SWITCH M40 Auto Trans	\$19.00	
01242101	1979	KICKDOWN SWITCH M40 Auto Trans	\$19.00	
01242101	1980	KICKDOWN SWITCH M40 Auto Trans	\$19.00	
01242101	1981	KICKDOWN SWITCH M40 Auto Trans	\$19.00	
01242101	1982	KICKDOWN SWITCH M40 Auto Trans	\$19.00	

Part Number	Year	Description	Price	*Rev.
01242101	1983	KICKDOWN SWITCH M40 Auto Trans	\$19.00	
01242101	1984	KICKDOWN SWITCH M40 Auto Trans	\$19.00	
01242101	1985	KICKDOWN SWITCH M40 Auto Trans	\$19.00	
01242101	1986	KICKDOWN SWITCH M40 Auto Trans	\$19.00	
01242101	1987	KICKDOWN SWITCH M40 Auto Trans Note: Used On R & V Models, Square Body Style.	\$19.00	
01242101	1988	KICKDOWN SWITCH M40 Auto Trans Note: Used On R & V Models, Square Body Style.	\$19.00	
01242101	1989	KICKDOWN SWITCH M40 Auto Trans Note: Used On R & V Models, Square Body Style.	\$19.00	
LICENSE LAMP HARNESS				
39725	1973	LICENSE LAMP HARNESS All Trucks, With Painted Step Bumper & Dual License Lamps	\$48.00	M
39725	1974	LICENSE LAMP HARNESS All Trucks, With Painted Step Bumper & Dual License Lamps	\$48.00	M
39725	1975	LICENSE LAMP HARNESS All Trucks, With Painted Step Bumper & Dual License Lamps	\$48.00	M
39725	1976	LICENSE LAMP HARNESS All Trucks With Painted Step Bumper & Dual License Lamps	\$48.00	M
39725	1977	LICENSE LAMP HARNESS All Trucks With Painted Step Bumper & Dual License Lamps	\$48.00	M
39872	1978	LICENSE LAMP HARNESS All Trucks With Painted Step Bumper & Dual License Lamps	\$48.00	M
39872	1979	LICENSE LAMP HARNESS All Trucks With Painted Step Bumper & Dual License Lamps	\$48.00	M
39912	1980	LICENSE LAMP HARNESS All Trucks, With Painted Step Bumper & Dual License Lamps	\$67.00	M
39912	1981	LICENSE LAMP HARNESS All Trucks, With Painted Step Bumper & Dual License Lamps	\$67.00	M
39912	1982	LICENSE LAMP HARNESS All Trucks, With Painted Step Bumper & Dual License Lamps	\$67.00	M
LICENSE LAMP WIRE				
39814	1975	LICENSE LAMP WIRE All, 3/4 & 1-Ton, With Rear Mounted Gas Tank, Without Pickup Bed	\$21.00	M
39814	1976	LICENSE LAMP WIRE All, 3/4 & 1-Ton, With Rear Mounted Gas Tank, Without Pickup Bed	\$21.00	M
39814	1977	LICENSE LAMP WIRE All, 3/4 & 1-Ton, With Rear Mounted Gas Tank, Without Pickup Bed	\$21.00	M
LICENSE PLATE LAMP LEAD WIRE				
38068	1960	LICENSE PLATE LAMP LEAD WIRE Panel & Suburban With Panel Type Rear Doors, From License Lamp To Rear Body Harness (Includes Original Style Door Jamb	\$20.00	
38068	1961	LICENSE PLATE LAMP LEAD WIRE Panel Or Suburban With Panel Type Rear Doors, From License Lamp To Rear Body Harness (Includes Original Style Door Jamb	\$20.00	
38068	1962	LICENSE PLATE LAMP LEAD WIRE Panel & Suburban With Panel Type Rear Doors, From License Lamp To Rear Body Harness (Includes Original Style Door Jamb	\$20.00	
38068	1963	LICENSE PLATE LAMP LEAD WIRE Panel & Suburban With Panel Type Rear Doors, From License Lamp To Rear Body Harness (Includes Original Style Door Jamb	\$20.00	
LOW FUEL INDICATOR MODULE				
500274	1947	LOW FUEL INDICATOR MODULE Generic "Adjustable" Low Fuel Warning Module Note: A Complete Electronic Control Unit To Activate A Warning Lamp Or Relay When Fuel Level Drops Below A User Adjustable Level. Includes instruction sheet.	\$64.00	C
500274	1948	LOW FUEL INDICATOR MODULE Generic "Adjustable" Low Fuel Warning Module Note: A Complete Electronic Control Unit To Activate A Warning Lamp Or Relay When Fuel Level Drops Below A User Adjustable Level. Includes instruction sheet.	\$64.00	C
500274	1949	LOW FUEL INDICATOR MODULE Generic "Adjustable" Low Fuel Warning Module Note: A Complete Electronic Control Unit To Activate A Warning Lamp Or Relay When Fuel Level Drops Below A User Adjustable Level. Includes instruction sheet.	\$64.00	C
500274	1950	LOW FUEL INDICATOR MODULE Generic "Adjustable" Low Fuel Warning Module Note: A Complete Electronic Control Unit To Activate A Warning Lamp Or Relay When Fuel Level Drops Below A User Adjustable Level. Includes instruction sheet.	\$64.00	C

Part Number	Year	Description	Price	*Rev.
500274	1951	LOW FUEL INDICATOR MODULE Generic "Adjustable" Low Fuel Warning Module Note: A Complete Electronic Control Unit To Activate A Warning Lamp Or Relay When Fuel Level Drops Below A User Adjustable Level. Includes instruction sheet.	\$64.00	C
500274	1952	LOW FUEL INDICATOR MODULE Generic "Adjustable" Low Fuel Warning Module Note: A Complete Electronic Control Unit To Activate A Warning Lamp Or Relay When Fuel Level Drops Below A User Adjustable Level. Includes instruction sheet.	\$64.00	C
500274	1953	LOW FUEL INDICATOR MODULE Generic "Adjustable" Low Fuel Warning Module Note: A Complete Electronic Control Unit To Activate A Warning Lamp Or Relay When Fuel Level Drops Below A User Adjustable Level. Includes instruction sheet.	\$64.00	C
500274	1954	LOW FUEL INDICATOR MODULE Generic "Adjustable" Low Fuel Warning Module Note: A Complete Electronic Control Unit To Activate A Warning Lamp Or Relay When Fuel Level Drops Below A User Adjustable Level. Includes instruction sheet.	\$64.00	C
500274	1955	LOW FUEL INDICATOR MODULE Generic "Adjustable" Low Fuel Warning Module Note: A Complete Electronic Control Unit To Activate A Warning Lamp Or Relay When Fuel Level Drops Below A User Adjustable Level. Includes instruction sheet.	\$64.00	C
500274	1956	LOW FUEL INDICATOR MODULE Generic "Adjustable" Low Fuel Warning Module Note: A Complete Electronic Control Unit To Activate A Warning Lamp Or Relay When Fuel Level Drops Below A User Adjustable Level. Includes instruction sheet.	\$64.00	C
500274	1957	LOW FUEL INDICATOR MODULE Generic "Adjustable" Low Fuel Warning Module Note: A Complete Electronic Control Unit To Activate A Warning Lamp Or Relay When Fuel Level Drops Below A User Adjustable Level. Includes instruction sheet.	\$64.00	C
500274	1958	LOW FUEL INDICATOR MODULE Generic "Adjustable" Low Fuel Warning Module Note: A Complete Electronic Control Unit To Activate A Warning Lamp Or Relay When Fuel Level Drops Below A User Adjustable Level. Includes instruction sheet.	\$64.00	C
500274	1959	LOW FUEL INDICATOR MODULE Generic "Adjustable" Low Fuel Warning Module Note: A Complete Electronic Control Unit To Activate A Warning Lamp Or Relay When Fuel Level Drops Below A User Adjustable Level. Includes instruction sheet.	\$64.00	C
500274	1960	LOW FUEL INDICATOR MODULE Generic "Adjustable" Low Fuel Warning Module Note: A Complete Electronic Control Unit To Activate A Warning Lamp Or Relay When Fuel Level Drops Below A User Adjustable Level. Includes instruction sheet.	\$64.00	C
500274	1961	LOW FUEL INDICATOR MODULE Generic "Adjustable" Low Fuel Warning Module Note: A Complete Electronic Control Unit To Activate A Warning Lamp Or Relay When Fuel Level Drops Below A User Adjustable Level. Includes instruction sheet.	\$64.00	C
500274	1962	LOW FUEL INDICATOR MODULE Generic "Adjustable" Low Fuel Warning Module Note: A Complete Electronic Control Unit To Activate A Warning Lamp Or Relay When Fuel Level Drops Below A User Adjustable Level. Includes instruction sheet.	\$64.00	C
500274	1963	LOW FUEL INDICATOR MODULE Generic "Adjustable" Low Fuel Warning Module Note: A Complete Electronic Control Unit To Activate A Warning Lamp Or Relay When Fuel Level Drops Below A User Adjustable Level. Includes instruction sheet.	\$64.00	C
500274	1964	LOW FUEL INDICATOR MODULE Generic "Adjustable" Low Fuel Warning Module Note: A Complete Electronic Control Unit To Activate A Warning Lamp Or Relay When Fuel Level Drops Below A User Adjustable Level. Includes instruction sheet.	\$64.00	C
500274	1965	LOW FUEL INDICATOR MODULE Generic "Adjustable" Low Fuel Warning Module Note: A Complete Electronic Control Unit To Activate A Warning Lamp Or Relay When Fuel Level Drops Below A User Adjustable Level. Includes instruction sheet.	\$64.00	C
500274	1966	LOW FUEL INDICATOR MODULE Generic "Adjustable" Low Fuel Warning Module Note: A Complete Electronic Control Unit To Activate A Warning Lamp Or Relay When Fuel Level Drops Below A User Adjustable Level. Includes instruction sheet.	\$64.00	C
500274	1967	LOW FUEL INDICATOR MODULE Generic "Adjustable" Low Fuel Warning Module Note: A Complete Electronic Control Unit To Activate A Warning Lamp Or Relay When Fuel Level Drops Below A User Adjustable Level. Includes instruction sheet.	\$64.00	C

Part Number	Year	Description	Price	*Rev.
500274	1968	LOW FUEL INDICATOR MODULE Generic "Adjustable" Low Fuel Warning Module Note: A Complete Electronic Control Unit To Activate A Warning Lamp Or Relay When Fuel Level Drops Below A User Adjustable Level. Includes instruction sheet.	\$64.00	C
500274	1969	LOW FUEL INDICATOR MODULE Generic "Adjustable" Low Fuel Warning Module Note: A Complete Electronic Control Unit To Activate A Warning Lamp Or Relay When Fuel Level Drops Below A User Adjustable Level. Includes instruction sheet.	\$64.00	C
500274	1970	LOW FUEL INDICATOR MODULE Generic "Adjustable" Low Fuel Warning Module Note: A Complete Electronic Control Unit To Activate A Warning Lamp Or Relay When Fuel Level Drops Below A User Adjustable Level. Includes instruction sheet.	\$64.00	C
500274	1971	LOW FUEL INDICATOR MODULE Generic "Adjustable" Low Fuel Warning Module Note: A Complete Electronic Control Unit To Activate A Warning Lamp Or Relay When Fuel Level Drops Below A User Adjustable Level. Includes instruction sheet.	\$64.00	C
500274	1972	LOW FUEL INDICATOR MODULE Generic "Adjustable" Low Fuel Warning Module Note: A Complete Electronic Control Unit To Activate A Warning Lamp Or Relay When Fuel Level Drops Below A User Adjustable Level. Includes instruction sheet.	\$64.00	C

MARKER LAMP HARNESS

39723	1973	MARKER LAMP HARNESS All Trucks, With Roof Mounted Cab Lights	\$106.00	M
39723	1974	MARKER LAMP HARNESS All Trucks, With Roof Mounted Cab Lights	\$106.00	M
39723	1975	MARKER LAMP HARNESS All Trucks, With Roof Mounted Cab Lights	\$106.00	M
39723	1976	MARKER LAMP HARNESS All Trucks, With Roof Mounted Cab Lights	\$106.00	M
39723	1977	MARKER LAMP HARNESS All Trucks, With Roof Mounted Cab Lights	\$106.00	M
39723	1978	MARKER LAMP HARNESS All Trucks, With Roof Mounted Cab Lights	\$106.00	M
39723	1979	MARKER LAMP HARNESS All Trucks, With Roof Mounted Cab Lights	\$106.00	M
39723	1980	MARKER LAMP HARNESS All Trucks, With Roof Mounted Cab Lights	\$106.00	M
39723	1981	MARKER LAMP HARNESS All Trucks, With Roof Mounted Cab Lights	\$106.00	M
39723	1982	MARKER LAMP HARNESS All Trucks, With Roof Mounted Cab Lights	\$106.00	M

NEUTRAL SAFETY AND BACKUP LAMP SWITCH

01993659	1960	NEUTRAL SAFETY AND BACKUP LAMP SWITCH With Column Shift Powerglide Auto Trans	\$12.00	
01993320	1960	NEUTRAL SAFETY AND BACKUP LAMP SWITCH With Column Shift TH350-400 Auto Trans	\$12.00	
01993659	1961	NEUTRAL SAFETY AND BACKUP LAMP SWITCH With Column Shift Powerglide Auto Trans	\$12.00	
01993320	1961	NEUTRAL SAFETY AND BACKUP LAMP SWITCH With Column Shift TH350-400 Auto Trans	\$12.00	
01993659	1962	NEUTRAL SAFETY AND BACKUP LAMP SWITCH With Column Shift Powerglide Auto Trans	\$12.00	
01993320	1962	NEUTRAL SAFETY AND BACKUP LAMP SWITCH With Column Shift TH350-400 Auto Trans	\$12.00	
01993659	1963	NEUTRAL SAFETY AND BACKUP LAMP SWITCH With Column Shift Powerglide Auto Trans	\$12.00	
01993320	1963	NEUTRAL SAFETY AND BACKUP LAMP SWITCH With Column Shift TH350-400 Auto Trans	\$12.00	
01993659	1964	NEUTRAL SAFETY AND BACKUP LAMP SWITCH With Column Shift Powerglide Auto Trans	\$12.00	
01993320	1964	NEUTRAL SAFETY AND BACKUP LAMP SWITCH With Column Shift TH350-400 Auto Trans	\$12.00	
01993659	1965	NEUTRAL SAFETY AND BACKUP LAMP SWITCH With Column Shift Powerglide Auto Trans	\$12.00	
01993320	1965	NEUTRAL SAFETY AND BACKUP LAMP SWITCH With Column Shift TH350-400 Auto Trans	\$12.00	
01993659	1966	NEUTRAL SAFETY AND BACKUP LAMP SWITCH With Column Shift Powerglide Auto Trans	\$12.00	
01993320	1966	NEUTRAL SAFETY AND BACKUP LAMP SWITCH With Column Shift TH350-400 Auto Trans	\$12.00	
01993659	1967	NEUTRAL SAFETY AND BACKUP LAMP SWITCH With Column Shift Powerglide Auto Trans	\$12.00	
01993320	1967	NEUTRAL SAFETY AND BACKUP LAMP SWITCH With Column Shift TH350-400 Auto Trans	\$12.00	
01993659	1968	NEUTRAL SAFETY AND BACKUP LAMP SWITCH With Column Shift Powerglide Auto Trans	\$12.00	
01993320	1968	NEUTRAL SAFETY AND BACKUP LAMP SWITCH With Column Shift TH350-400 Auto Trans	\$12.00	
01993659	1969	NEUTRAL SAFETY AND BACKUP LAMP SWITCH With Column Shift Powerglide Auto Trans	\$12.00	
01993320	1969	NEUTRAL SAFETY AND BACKUP LAMP SWITCH With Column Shift TH350-400 Auto Trans	\$12.00	
01993659	1970	NEUTRAL SAFETY AND BACKUP LAMP SWITCH With Column Shift Powerglide Auto Trans	\$12.00	

Part Number	Year	Description	Price	*Rev.
01993320	1970	NEUTRAL SAFETY AND BACKUP LAMP SWITCH With Column Shift TH350-400 Auto Trans	\$12.00	
01993659	1971	NEUTRAL SAFETY AND BACKUP LAMP SWITCH With Column Shift Powerglide Auto Trans	\$12.00	
01993320	1971	NEUTRAL SAFETY AND BACKUP LAMP SWITCH With Column Shift TH350-400 Auto Trans	\$12.00	
01993659	1972	NEUTRAL SAFETY AND BACKUP LAMP SWITCH With Column Shift Powerglide Auto Trans	\$12.00	
01993320	1972	NEUTRAL SAFETY AND BACKUP LAMP SWITCH With Column Shift TH350-400 Auto Trans	\$12.00	
01994235	1973	NEUTRAL SAFETY AND BACKUP LAMP SWITCH With Column Shift TH350-400 Auto Trans	\$19.00	M
01994235	1974	NEUTRAL SAFETY AND BACKUP LAMP SWITCH With Column Shift TH350-400 Auto Trans	\$19.00	M
01994235	1975	NEUTRAL SAFETY AND BACKUP LAMP SWITCH With Column Shift TH350-400 Auto Trans	\$19.00	M
01994163	1976	NEUTRAL SAFETY AND BACKUP LAMP SWITCH With Auto Trans, All	\$19.00	M
01994163	1977	NEUTRAL SAFETY AND BACKUP LAMP SWITCH With Auto Trans, All	\$19.00	M
01994163	1978	NEUTRAL SAFETY AND BACKUP LAMP SWITCH With Auto Trans, All	\$19.00	M
01994163	1979	NEUTRAL SAFETY AND BACKUP LAMP SWITCH With Auto Trans, All	\$19.00	M
01994163	1980	NEUTRAL SAFETY AND BACKUP LAMP SWITCH With Auto Trans, All	\$19.00	M
OIL PRESSURE GAUGE				
01507088	1947	OIL PRESSURE GAUGE 0-30 Lbs., Red Needle	\$74.00	N
44226	1947	OIL PRESSURE GAUGE 0-60 Lbs., Red Needle Note: GM Did Not Sell This Gauge Originally, This Gauge Has A Range From 0-60 Lbs, But Still Maintains The Original Appearance.	\$74.00	N
01507088	1948	OIL PRESSURE GAUGE 0-30 Lbs., Red Needle	\$74.00	N
44226	1948	OIL PRESSURE GAUGE 0-60 Lbs., Red Needle Note: GM Did Not Sell This Gauge Originally, This Gauge Has A Range From 0-60 Lbs, But Still Maintains The Original Appearance.	\$74.00	N
01507401	1949	OIL PRESSURE GAUGE 0-30 Lbs, White Needle	\$74.00	N
01507963	1949	OIL PRESSURE GAUGE 0-60 Lbs, White Needle	\$74.00	N
01507401	1950	OIL PRESSURE GAUGE 0-30 Lbs, White Needle	\$74.00	N
01507963	1950	OIL PRESSURE GAUGE 0-60 Lbs, White Needle	\$74.00	N
01507401	1951	OIL PRESSURE GAUGE 0-30 Lbs, White Needle	\$74.00	N
01507963	1951	OIL PRESSURE GAUGE 0-60 Lbs, White Needle	\$74.00	N
01507401	1952	OIL PRESSURE GAUGE 0-30 Lbs, White Needle	\$74.00	N
01507963	1952	OIL PRESSURE GAUGE 0-60 Lbs, White Needle	\$74.00	N
01507401	1953	OIL PRESSURE GAUGE 0-30 Lbs, White Needle	\$74.00	N
01507963	1953	OIL PRESSURE GAUGE 0-60 Lbs, White Needle	\$74.00	N
01508014	1954	OIL GAUGE	\$74.00	N
01508014	1955	OIL GAUGE 1st Series	\$74.00	N
01508246	1955	OIL GAUGE	\$85.00	N
01508246	1956	OIL GAUGE	\$85.00	N
01508246	1957	OIL GAUGE	\$85.00	N
01508246	1958	OIL GAUGE	\$85.00	N
01508246	1959	OIL GAUGE	\$85.00	N
01509021	1960	OIL GAUGE	\$74.00	N
01509021	1961	OIL GAUGE	\$74.00	N
01509021	1962	OIL GAUGE	\$74.00	N
01509021	1963	OIL GAUGE	\$74.00	N
01582460	1964	OIL GAUGE	\$74.00	N
01582460	1965	OIL GAUGE	\$74.00	N
01582460	1966	OIL GAUGE	\$74.00	N
06460746	1967	OIL PRESSURE GAUGE 0-60 Lbs.	\$70.00	N

Part Number	Year	Description	Price	*Rev.
44221	1967	OIL PRESSURE GAUGE With 0-60 Lbs. Numeric Face Plate Note: This Is A Replacement For OEM Gauge 06460746 (With Low & High Graduations) In Trucks With Factory Gauge Type Clusters.	\$54.00	N
06460746	1968	OIL PRESSURE GAUGE 0-60 Lbs.	\$70.00	N
44221	1968	OIL PRESSURE GAUGE With 0-60 Lbs. Numeric Face Plate Note: This Is A Replacement For OEM Gauge 06460746 (With Low & High Graduations) In Trucks With Factory Gauge Type Clusters.	\$54.00	N
06460746	1969	OIL PRESSURE GAUGE 0-60 Lbs.	\$70.00	N
44221	1969	OIL PRESSURE GAUGE With 0-60 Lbs. Numeric Face Plate Note: This Is A Replacement For OEM Gauge 06460746 (With Low & High Graduations) In Trucks With Factory Gauge Type Clusters.	\$54.00	N
06460746	1970	OIL PRESSURE GAUGE 0-60 Lbs.	\$70.00	N
44221	1970	OIL PRESSURE GAUGE With 0-60 Lbs. Numeric Face Plate Note: This Is A Replacement For OEM Gauge 06460746 (With Low & High Graduations) In Trucks With Factory Gauge Type Clusters.	\$54.00	N
06460746	1971	OIL PRESSURE GAUGE 0-60 Lbs.	\$70.00	N
44221	1971	OIL PRESSURE GAUGE With 0-60 Lbs. Numeric Face Plate Note: This Is A Replacement For OEM Gauge 06460746 (With Low & High Graduations) In Trucks With Factory Gauge Type Clusters.	\$54.00	N
06460746	1972	OIL PRESSURE GAUGE 0-60 Lbs.	\$70.00	N
44221	1972	OIL PRESSURE GAUGE With 0-60 Lbs. Numeric Face Plate Note: This Is A Replacement For OEM Gauge 06460746 (With Low & High Graduations) In Trucks With Factory Gauge Type Clusters.	\$54.00	N
06463341	1973	OIL PRESSURE GAUGE Fire Orange Needle, Mechanical Type	\$54.00	N
06463341	1974	OIL PRESSURE GAUGE Fire Orange Needle, Mechanical Type	\$54.00	N
06463341	1975	OIL PRESSURE GAUGE Fire Orange Needle, Mechanical Type	\$54.00	N
06463341	1976	OIL PRESSURE GAUGE Fire Orange Needle, Mechanical Type	\$54.00	N
06463341	1977	OIL PRESSURE GAUGE Fire Orange Needle, Mechanical Type	\$54.00	N
25025164	1978	OIL PRESSURE GAUGE Fire Orange Needle, Electric Type	\$54.00	N
25025164	1979	OIL PRESSURE GAUGE 1st Design, Fire Orange Needle, Electric Type	\$54.00	N
25025563	1979	OIL PRESSURE GAUGE 2nd Design, Light Orange Needle, Electric Type	\$54.00	N
25025563	1980	OIL PRESSURE GAUGE Light Orange Needle, Electric Type	\$54.00	N
25025563	1981	OIL PRESSURE GAUGE Light Orange Needle, Electric Type	\$54.00	N
25025563	1982	OIL PRESSURE GAUGE Light Orange Needle, Electric Type	\$54.00	N
25025563	1983	OIL PRESSURE GAUGE Light Orange Needle, Electric Type	\$54.00	N
25025563	1984	OIL PRESSURE GAUGE Light Orange Needle, Electric Type	\$54.00	N
25025563	1985	OIL PRESSURE GAUGE Light Orange Needle, Electric Type	\$54.00	N
25025563	1986	OIL PRESSURE GAUGE Light Orange Needle, Electric Type	\$54.00	N
25025563	1987	OIL PRESSURE GAUGE Light Orange Needle, Electric Type	\$54.00	N
OVERDRIVE HARNESS				
02280	1955	OVERDRIVE HARNESS V/8	\$132.00	
02280	1956	OVERDRIVE HARNESS V/8	\$132.00	
02545	1957	OVERDRIVE HARNESS V/8	\$132.00	
POWER ACCESSORY FEED WIRE				
20560	1973	POWER ACCESSORY FEED WIRE Suburban, Blazer & Jimmy, Junction Block To Circuit Breaker, Power Tailgate Window	\$27.00	M
20560	1974	POWER ACCESSORY FEED WIRE Suburban, Blazer & Jimmy, Junction Block To Circuit Breaker, Power Tailgate Window	\$27.00	M

Part Number	Year	Description	Price	*Rev.
39787	1975	POWER ACCESSORY FEED WIRE Suburban, Blazer & Jimmy, Junction Block To Circuit Breaker, Power Tailgate Window	\$27.00	M
39787	1976	POWER ACCESSORY FEED WIRE Suburban, Blazer & Jimmy, Junction Block To Circuit Breaker, Power Tailgate Window	\$27.00	M
39736	1977	POWER ACCESSORY FEED WIRE 2 Door Models, Junction Block To Power Window Circuit Breaker	\$27.00	M
39832	1977	POWER ACCESSORY FEED WIRE Suburban, Blazer & Jimmy, Junction Block To Circuit Breaker, Power Tailgate Window	\$34.00	M
39736	1978	POWER ACCESSORY FEED WIRE 2 Door Models, Junction Block To Power Window Circuit Breaker	\$27.00	M
39832	1978	POWER ACCESSORY FEED WIRE Suburban, Blazer & Jimmy, Junction Block To Circuit Breaker, Power Tailgate Window	\$34.00	M
40023	1979	POWER ACCESSORY FEED WIRE Fuse Box To Power Window Or Power Tailgate Window	\$27.00	M
40023	1980	POWER ACCESSORY FEED WIRE Fuse Box To Power Window Or Power Tailgate Window	\$27.00	M
40023	1981	POWER ACCESSORY FEED WIRE Fuse Box To Power Window Or Power Tailgate Window	\$27.00	M
POWER DOOR LOCK HARNESS				
39845	1977	POWER DOOR LOCK HARNESS 2 Door Models, Body Crossover, With Power Door Locks, Except Power Windows	\$272.00	M
39848	1977	POWER DOOR LOCK HARNESS 2 Door Models, Driver Side Or Passenger Side Door, With Power Door Locks, Except Power Windows	\$210.00	
39845	1978	POWER DOOR LOCK HARNESS 2 Door Models, Body Crossover, With Power Door Locks, Except Power Windows	\$272.00	M
39851	1978	POWER DOOR LOCK HARNESS 2 Door Models, Driver Side Or Passenger Side Door, With Power Door Locks, Except Power Windows	\$210.00	
39897	1979	POWER DOOR LOCK HARNESS 2 Door Models, Body Crossover, With Power Door Locks, Except Power Windows	\$272.00	M
39899	1979	POWER DOOR LOCK HARNESS 2 Door Models, Driver Side Or Passenger Side Door, With Power Door Locks, Except Power Windows	\$210.00	
39897	1980	POWER DOOR LOCK HARNESS 2 Door Models, Body Crossover, With Power Door Locks, Except Power Windows	\$272.00	M
39892	1980	POWER DOOR LOCK HARNESS 4 Door Models, Body Crossover, With Power Door Locks, Except Power Windows	\$272.00	M
39893	1980	POWER DOOR LOCK HARNESS 4 Door Models, Driver Side Or Passenger Side Rear Door, With Power Door Locks, Except Power Windows Note: Customer Must Reuse Their Original Rubber Door Jamb Boot.	\$75.00	
39899	1980	POWER DOOR LOCK HARNESS All Models, Driver Side Or Passenger Side Front Door, With Power Door Locks, Except Power Windows	\$210.00	
39951	1981	POWER DOOR LOCK HARNESS 2 Door Models, Body Crossover, With Power Door Locks, Except Power Windows	\$272.00	M
39949	1981	POWER DOOR LOCK HARNESS 4 Door Models, Body Crossover, With Power Door Locks, Except Power Windows	\$272.00	M
39893	1981	POWER DOOR LOCK HARNESS 4 Door Models, Driver Side Or Passenger Side Rear Door, With Power Door Locks, Except Power Windows Note: Customer Must Reuse Their Original Rubber Door Jamb Boot.	\$75.00	
39899	1981	POWER DOOR LOCK HARNESS All Models, Driver Side Or Passenger Side Front Door, With Power Door Locks, Except Power Windows	\$210.00	
39951	1982	POWER DOOR LOCK HARNESS 2 Door Models, Body Crossover, With Power Door Locks, Except Power Windows	\$272.00	M
39949	1982	POWER DOOR LOCK HARNESS 4 Door Models, Body Crossover, With Power Door Locks, Except Power Windows	\$272.00	M
39893	1982	POWER DOOR LOCK HARNESS 4 Door Models, Driver Side Or Passenger Side Rear Door, With Power Door Locks, Except Power Windows Note: Customer Must Reuse Their Original Rubber Door Jamb Boot.	\$75.00	
39899	1982	POWER DOOR LOCK HARNESS All Models, Driver Side Or Passenger Side Front Door, With Power Door Locks, Except Power Windows	\$210.00	

Part Number	Year	Description	Price	*Rev.
39951	1983	POWER DOOR LOCK HARNESS 2 Door Models, Body Crossover, With Power Door Locks, Except Power Windows	\$272.00	M
39949	1983	POWER DOOR LOCK HARNESS 4 Door Models, Body Crossover, With Power Door Locks, Except Power Windows	\$272.00	M
39893	1983	POWER DOOR LOCK HARNESS 4 Door Models, Driver Side Or Passenger Side Rear Door, With Power Door Locks, Except Power Windows Note: Customer Must Reuse Their Original Rubber Door Jamb Boot.	\$75.00	
39893	1983	POWER DOOR LOCK HARNESS 4 Door Models, Driver Side Or Passenger Side Rear Door, With Power Door Locks, Except Power Windows Note: Customer Must Reuse Their Original Rubber Door Jamb Boot.	\$75.00	
39899	1983	POWER DOOR LOCK HARNESS All Models, Driver Side Or Passenger Side Front Door, With Power Door Locks, Except Power Windows	\$210.00	
39951	1984	POWER DOOR LOCK HARNESS 2 Door Models, Body Crossover, With Power Door Locks, Except Power Windows	\$272.00	M
39949	1984	POWER DOOR LOCK HARNESS 4 Door Models, Body Crossover, With Power Door Locks, Except Power Windows	\$272.00	M
39893	1984	POWER DOOR LOCK HARNESS 4 Door Models, Driver Side Or Passenger Side Rear Door, With Power Door Locks, Except Power Windows Note: Customer Must Reuse Their Original Rubber Door Jamb Boot.	\$75.00	
39899	1984	POWER DOOR LOCK HARNESS All Models, Driver Side Or Passenger Side Front Door, With Power Door Locks, Except Power Windows	\$210.00	
44176	1985	POWER DOOR LOCK HARNESS 2 Door Models, Body Crossover, With Power Door Locks, Except Power Windows	\$272.00	M
44177	1985	POWER DOOR LOCK HARNESS 4 Door Models, Body Crossover, With Power Door Locks, Except Power Windows	\$272.00	M
39893	1985	POWER DOOR LOCK HARNESS 4 Door Models, Driver Side Or Passenger Side Rear Door, With Power Door Locks, Except Power Windows Note: Customer Must Reuse Their Original Rubber Door Jamb Boot.	\$75.00	
39899	1985	POWER DOOR LOCK HARNESS All Models, Driver Side Or Passenger Side Front Door, With Power Door Locks, Except Power Windows	\$210.00	
44176	1986	POWER DOOR LOCK HARNESS 2 Door Models, Body Crossover, With Power Door Locks, Except Power Windows	\$272.00	M
44177	1986	POWER DOOR LOCK HARNESS 4 Door Models, Body Crossover, With Power Door Locks, Except Power Windows	\$272.00	M
39893	1986	POWER DOOR LOCK HARNESS 4 Door Models, Driver Side Or Passenger Side Rear Door, With Power Door Locks, Except Power Windows Note: Customer Must Reuse Their Original Rubber Door Jamb Boot.	\$75.00	
39899	1986	POWER DOOR LOCK HARNESS All Models, Driver Side Or Passenger Side Front Door, With Power Door Locks, Except Power Windows	\$210.00	
44183	1987	POWER DOOR LOCK HARNESS 2 Door Models, Body Crossover, With Power Door Locks, Except Power Windows	\$272.00	M
44185	1987	POWER DOOR LOCK HARNESS 4 Door Models, Body Crossover, With Power Door Locks, Except Power Windows	\$272.00	M
44186	1987	POWER DOOR LOCK HARNESS 4 Door Models, Driver Side Or Passenger Side Rear Door, With Power Door Locks, Except Power Windows Note: Customer Must Reuse Their Original Rubber Door Jamb Boot.	\$75.00	
44184	1987	POWER DOOR LOCK HARNESS All Models, Driver Side Or Passenger Side Front Door, With Power Door Locks, Except Power Windows	\$210.00	
44185	1988	POWER DOOR LOCK HARNESS 4 Door Models, Body Crossover, With Power Door Locks, Except Power Windows	\$272.00	M
44184	1988	POWER DOOR LOCK HARNESS 4 Door Models, Driver Side Or Passenger Side Front Door, With Power Door Locks, Except Power Windows	\$210.00	
44186	1988	POWER DOOR LOCK HARNESS 4 Door Models, Driver Side Or Passenger Side Rear Door, With Power Door Locks, Except Power Windows Note: Customer Must Reuse Their Original Rubber Door Jamb Boot.	\$75.00	

Part Number	Year	Description	Price	*Rev.
44185	1989	POWER DOOR LOCK HARNESS 4 Door Models, Body Crossover, With Power Door Locks, Except Power Windows	\$272.00	M
44184	1989	POWER DOOR LOCK HARNESS 4 Door Models, Driver Side Or Passenger Side Front Door, With Power Door Locks, Except Power Windows	\$210.00	
44186	1989	POWER DOOR LOCK HARNESS 4 Door Models, Driver Side Or Passenger Side Rear Door, With Power Door Locks, Except Power Windows Note: Customer Must Reuse Their Original Rubber Door Jamb Boot.	\$75.00	
44185	1990	POWER DOOR LOCK HARNESS 4 Door Models, Body Crossover, With Power Door Locks, Except Power Windows	\$272.00	M
44184	1990	POWER DOOR LOCK HARNESS 4 Door Models, Driver Side Or Passenger Side Front Door, With Power Door Locks, Except Power Windows	\$210.00	
44186	1990	POWER DOOR LOCK HARNESS 4 Door Models, Driver Side Or Passenger Side Rear Door, With Power Door Locks, Except Power Windows Note: Customer Must Reuse Their Original Rubber Door Jamb Boot.	\$75.00	
44185	1991	POWER DOOR LOCK HARNESS 4 Door Models, Body Crossover, With Power Door Locks, Except Power Windows	\$272.00	M
44184	1991	POWER DOOR LOCK HARNESS 4 Door Models, Driver Side Or Passenger Side Front Door, With Power Door Locks, Except Power Windows	\$210.00	
44186	1991	POWER DOOR LOCK HARNESS 4 Door Models, Driver Side Or Passenger Side Rear Door, With Power Door Locks, Except Power Windows Note: Customer Must Reuse Their Original Rubber Door Jamb Boot.	\$75.00	
POWER DOOR LOCK SWITCH				
01725099	1977	POWER DOOR LOCK SWITCH 1 Button	\$62.00	M
01725099	1978	POWER DOOR LOCK SWITCH 1 Button	\$62.00	M
20031475	1979	POWER DOOR LOCK SWITCH 1-Button	\$62.00	N
20031475	1980	POWER DOOR LOCK SWITCH 1-Button	\$62.00	N
20031475	1981	POWER DOOR LOCK SWITCH 1-Button	\$62.00	N
20043224	1982	POWER DOOR LOCK SWITCH 1-Button	\$9.00	N
20043224	1983	POWER DOOR LOCK SWITCH 1-Button	\$9.00	N
20043224	1984	POWER DOOR LOCK SWITCH 1-Button	\$9.00	N
20043224	1985	POWER DOOR LOCK SWITCH 1-Button	\$9.00	N
20043224	1986	POWER DOOR LOCK SWITCH 1-Button	\$9.00	N
20043224	1987	POWER DOOR LOCK SWITCH 1-Button, RV Body Style	\$9.00	N
20043224	1988	POWER DOOR LOCK SWITCH 1-Button, RV Body Style	\$9.00	N
20043224	1989	POWER DOOR LOCK SWITCH 1-Button, RV Body Style	\$9.00	N
20043224	1990	POWER DOOR LOCK SWITCH 1-Button, RV Body Style	\$9.00	N
20043224	1991	POWER DOOR LOCK SWITCH 1-Button, RV Body Style	\$9.00	N
POWER TAILGATE WINDOW HARNESS				
39728	1973	POWER TAILGATE WINDOW HARNESS Suburban, Blazer & Jimmy, Dash Switch To Intermediate Body Harness	\$113.00	M
39729	1973	POWER TAILGATE WINDOW HARNESS Suburban, Blazer & Jimmy, Intermediate Body Harness	\$127.00	M
39768	1974	POWER TAILGATE WINDOW HARNESS Suburban, Blazer & Jimmy, Dash Switch To Intermediate Body Harness	\$113.00	M
39768	1975	POWER TAILGATE WINDOW HARNESS Suburban, Blazer & Jimmy, Dash Switch To Intermediate Body Harness	\$113.00	M
39803	1976	POWER TAILGATE WINDOW HARNESS Suburban, Blazer & Jimmy, Dash Switch To Intermediate Body Harness	\$113.00	M
39833	1977	POWER TAILGATE WINDOW HARNESS Suburban, Blazer & Jimmy, Dash Switch To Intermediate Body Harness	\$113.00	M
39830	1977	POWER TAILGATE WINDOW HARNESS Suburban, Blazer & Jimmy, Intermediate Body Harness	\$127.00	M
39833	1978	POWER TAILGATE WINDOW HARNESS Suburban, Blazer & Jimmy, Dash Switch To Intermediate Body Harness	\$113.00	M

Part Number	Year	Description	Price	*Rev.
39861	1978	POWER TAILGATE WINDOW HARNESS Suburban, Intermediate Body Harness	\$127.00	M
39864	1978	POWER TAILGATE WINDOW HARNESS Blazer & Jimmy, Intermediate Body Harness	\$127.00	M
39888	1979	POWER TAILGATE WINDOW HARNESS Suburban, Blazer & Jimmy, Dash Switch To Intermediate Body Harness	\$113.00	M
39885	1979	POWER TAILGATE WINDOW HARNESS 4 Wheel Drive Suburban, Intermediate Body Harness	\$127.00	M
39886	1979	POWER TAILGATE WINDOW HARNESS Blazer & Jimmy, Intermediate Body Harness	\$127.00	M
39887	1979	POWER TAILGATE WINDOW HARNESS 2 Wheel Drive Suburban, Intermediate Body Harness	\$127.00	M
39888	1980	POWER TAILGATE WINDOW HARNESS Suburban, Blazer & Jimmy, Dash Switch To Intermediate Body Harness	\$113.00	M
39920	1980	POWER TAILGATE WINDOW HARNESS 4 Wheel Drive Suburban, Intermediate Body Harness	\$127.00	M
39921	1980	POWER TAILGATE WINDOW HARNESS Blazer & Jimmy, Intermediate Body Harness	\$127.00	M
39922	1980	POWER TAILGATE WINDOW HARNESS 2 Wheel Drive Suburban, Intermediate Body Harness	\$127.00	M
39888	1981	POWER TAILGATE WINDOW HARNESS Suburban, Blazer & Jimmy, Dash Switch To Intermediate Body Harness	\$113.00	M
39971	1981	POWER TAILGATE WINDOW HARNESS Suburban, 4 Wheel Drive , Intermediate Body Harness	\$127.00	M
39972	1981	POWER TAILGATE WINDOW HARNESS Blazer & Jimmy, Intermediate Body Harness	\$127.00	M
39973	1981	POWER TAILGATE WINDOW HARNESS 2 Wheel Drive Suburban, Intermediate Body Harness	\$127.00	M
39990	1982	POWER TAILGATE WINDOW HARNESS Suburban, Blazer & Jimmy, Dash Switch To Intermediate Body Harness, (1st Design) Note: this harness has a 3 wire plastic connector where it plugs into body harness.	\$113.00	M
40010	1982	POWER TAILGATE WINDOW HARNESS Suburban, Intermediate Body Harness, (1st Design) Note: this harness has a 3 wire rubber molded connector where it plugs into dash switch harness.	\$127.00	M
40011	1982	POWER TAILGATE WINDOW HARNESS Blazer & Jimmy, Intermediate Body Harness, (1st Design) Note: this harness has a 3 wire rubber molded connector where it plugs into dash switch harness.	\$127.00	M
40018	1982	POWER TAILGATE WINDOW HARNESS Suburban, Blazer & Jimmy, Dash Switch To Intermediate Body Harness, (2nd Design) Note: This Harness Has A 2 Wire Rubber Molded Connector Where It Plugs Into Body Harness.	\$113.00	M
40016	1982	POWER TAILGATE WINDOW HARNESS Blazer & Jimmy, Intermediate Body Harness, (2nd Design) Note: this harness has a 2 wire rubber molded connector where it plugs into dash switch harness.	\$127.00	M
40017	1982	POWER TAILGATE WINDOW HARNESS Suburban, Intermediate Body Harness, (2nd Design) Note: this harness has a 2 wire rubber molded connector where it plugs into dash switch harness.	\$127.00	M
POWER WINDOW DOOR BOOT				
12010247	1977	POWER WINDOW OR POWER DOOR LOCK DOOR BOOT Front Door, Each Boot Comes With 2 Metal Mounting Flanges, 2 Boots Required Per Truck Note: Used On All C & K Models, Square Body Style.	\$12.00	N
12010247	1978	POWER WINDOW OR POWER DOOR LOCK DOOR BOOT Front Door, Each Boot Comes With 2 Metal Mounting Flanges, 2 Boots Required Per Truck Note: Used On All C & K Models, Square Body Style.	\$12.00	N
12010247	1979	POWER WINDOW OR POWER DOOR LOCK DOOR BOOT Front Door, Each Boot Comes With 2 Metal Mounting Flanges, 2 Boots Required Per Truck Note: Used On All C & K Models, Square Body Style.	\$12.00	N
12010247	1980	POWER WINDOW OR POWER DOOR LOCK DOOR BOOT Front Door, Each Boot Comes With 2 Metal Mounting Flanges, 2 Boots Required Per Truck Note: Used On All C & K Models, Square Body Style.	\$12.00	N
12010247	1981	POWER WINDOW OR POWER DOOR LOCK DOOR BOOT Front Door, Each Boot Comes With 2 Metal Mounting Flanges, 2 Boots Required Per Truck Note: Used On All C & K Models, Square Body Style.	\$12.00	N
12010247	1982	POWER WINDOW OR POWER DOOR LOCK DOOR BOOT Front Door, Each Boot Comes With 2 Metal Mounting Flanges, 2 Boots Required Per Truck Note: Used On All C & K Models, Square Body Style.	\$12.00	N

Part Number	Year	Description	Price	*Rev.
12010247	1983	POWER WINDOW OR POWER DOOR LOCK DOOR BOOT Front Door, Each Boot Comes With 2 Metal Mounting Flanges, 2 Boots Required Per Truck Note: Used On All C & K Models, Square Body Style.	\$12.00	N
12010247	1984	POWER WINDOW OR POWER DOOR LOCK DOOR BOOT Front Door, Each Boot Comes With 2 Metal Mounting Flanges, 2 Boots Required Per Truck Note: Used On All C & K Models, Square Body Style.	\$12.00	N
12010247	1985	POWER WINDOW OR POWER DOOR LOCK DOOR BOOT Front Door, Each Boot Comes With 2 Metal Mounting Flanges, 2 Boots Required Per Truck Note: Used On All C & K Models, Square Body Style.	\$12.00	N
12010247	1986	POWER WINDOW OR POWER DOOR LOCK DOOR BOOT Front Door, Each Boot Comes With 2 Metal Mounting Flanges, 2 Boots Required Per Truck Note: Used On All C & K Models, Square Body Style.	\$12.00	N
12010247	1987	POWER WINDOW OR POWER DOOR LOCK DOOR BOOT Front Door, Each Boot Comes With 2 Metal Mounting Flanges, 2 Boots Required Per Truck Note: Used On R & V Models, Square Body Style.	\$12.00	N
12010247	1988	POWER WINDOW OR POWER DOOR LOCK DOOR BOOT Front Door, Each Boot Comes With 2 Metal Mounting Flanges, 2 Boots Required Per Truck Note: Used On R & V Models, Square Body Style.	\$12.00	N
12010247	1989	POWER WINDOW OR POWER DOOR LOCK DOOR BOOT Front Door, Each Boot Comes With 2 Metal Mounting Flanges, 2 Boots Required Per Truck Note: Used On R & V Models, Square Body Style.	\$12.00	N
12010247	1990	POWER WINDOW OR POWER DOOR LOCK DOOR BOOT Front Door, Each Boot Comes With 2 Metal Mounting Flanges, 2 Boots Required Per Truck Note: Used On R & V Models, Square Body Style.	\$12.00	N
12010247	1991	POWER WINDOW OR POWER DOOR LOCK DOOR BOOT Front Door, Each Boot Comes With 2 Metal Mounting Flanges, 2 Boots Required Per Truck Note: Used On R & V Models, Square Body Style.	\$12.00	N
POWER WINDOW HARNESS				
39844	1977	POWER WINDOW HARNESS 2 Door Models, Body Crossover, With Power Windows, Except Power Door Locks	\$278.00	
39846	1977	POWER WINDOW HARNESS 2 Door Models, Driver Side Door, With Power Windows, Except Power Door Locks	\$210.00	
39847	1977	POWER WINDOW HARNESS 2 Door Models, Passenger Side Door, With Power Windows, Except Power Door Locks	\$210.00	
39824	1977	POWER WINDOW HARNESS 2 Door Models, Body Crossover, With Power Windows & Power Door Locks	\$278.00	
39825	1977	POWER WINDOW HARNESS 2 Door Models, Driver Side Door, With Power Windows And Power Door Locks	\$235.00	
39826	1977	POWER WINDOW HARNESS 2 Door Models, Passenger Side Door, With Power Windows And Power Door Locks	\$235.00	
39858	1978	POWER WINDOW HARNESS 2 Door Models, Body Crossover, With Power Windows, Except Power Door Locks	\$278.00	
39852	1978	POWER WINDOW HARNESS 2 Door Models, Driver Side Door, With Power Windows, Except Power Door Locks	\$210.00	
39853	1978	POWER WINDOW HARNESS 2 Door Models, Passenger Side Door, With Power Windows, Except Power Door Locks	\$210.00	
39857	1978	POWER WINDOW HARNESS 2 Door Models, Body Crossover, With Power Windows And Power Door Locks	\$278.00	
39854	1978	POWER WINDOW HARNESS 2 Door Models, Driver Side Door, With Power Windows And Power Door Locks	\$235.00	
39855	1978	POWER WINDOW HARNESS 2 Door Models, Passenger Side Door, With Power Windows And Power Door Locks	\$235.00	
38200	1979	POWER WINDOW HARNESS 2 Door Models, Body Crossover, With Power Windows, Except Power Door Locks	\$278.00	M

Part Number	Year	Description	Price	*Rev.
39852	1979	POWER WINDOW HARNESS 2 Door Models, Driver Side Door, With Power Windows, Except Power Door Locks	\$210.00	
38199	1979	POWER WINDOW HARNESS 2 Door Models, Passenger Side Door, With Power Windows, Except Power Door Locks	\$210.00	
38195	1979	POWER WINDOW HARNESS 2 Door Models, Body Crossover, With Power Windows And Power Door Locks	\$278.00	M
38196	1979	POWER WINDOW HARNESS 2 Door Models, Driver Side Door, With Power Windows And Power Door Locks	\$235.00	
38197	1979	POWER WINDOW HARNESS 2 Door Models, Passenger Side Door, With Power Windows And Power Door Locks	\$235.00	
38200	1980	POWER WINDOW HARNESS 2 Door Models, Body Crossover, With Power Windows, Except Power Door Locks	\$278.00	M
39889	1980	POWER WINDOW HARNESS 4 Door Models, Body Crossover, With Power Windows, Except Power Door Locks	\$278.00	
39852	1980	POWER WINDOW HARNESS 2 Door Models, Driver Side Door, With Power Windows, Except Power Door Locks	\$210.00	
39891	1980	POWER WINDOW HARNESS 4 Door Models, Driver Side Front Door, With Power Windows, Except Power Door Locks	\$210.00	
38199	1980	POWER WINDOW HARNESS All Models, Passenger Side Front Door, With Power Windows, Except Power Door Locks	\$210.00	
39890	1980	POWER WINDOW HARNESS 4 Door Models, Driver Side Or Passenger Side Rear Door, With Power Windows, Except Power Door Locks	\$90.00	
		Note: Customer Must Reuse Their Original Rubber Door Jamb Boot.		
38195	1980	POWER WINDOW HARNESS 2 Door Models, Body Crossover, With Power Windows And Power Door Locks	\$278.00	M
39894	1980	POWER WINDOW HARNESS 4 Door Models, Body Crossover, With Power Windows And Power Door Locks	\$278.00	
38196	1980	POWER WINDOW HARNESS 2 Door Models, Driver Side Door, With Power Windows And Power Door Locks	\$235.00	
39895	1980	POWER WINDOW HARNESS 4 Door Models, Driver Side Front Door, With Power Windows And Power Door Locks	\$235.00	
38197	1980	POWER WINDOW HARNESS All Models, Passenger Side Front Door, With Power Windows And Power Door Locks	\$235.00	
39896	1980	POWER WINDOW HARNESS 4 Door Models, Driver Side Or Passenger Side Rear Door, With Power Windows And Power Door Locks	\$90.00	
		Note: Customer Must Reuse Their Original Rubber Door Jamb Boot.		
39974	1981	POWER WINDOW HARNESS 2 Door Models, Body Crossover, With Power Windows, Except Power Door Locks	\$278.00	M
39976	1981	POWER WINDOW HARNESS 4 Door Models, Body Crossover, With Power Windows, Except Power Door Locks	\$278.00	
39852	1981	POWER WINDOW HARNESS 2 Door Models, Driver Side Door, With Power Windows, Except Power Door Locks	\$210.00	
39891	1981	POWER WINDOW HARNESS 4 Door Models, Driver Side Front Door, With Power Windows, Except Power Door Locks	\$210.00	
38199	1981	POWER WINDOW HARNESS All Models, Passenger Side Front Door, With Power Windows, Except Power Door Locks	\$210.00	
39890	1981	POWER WINDOW HARNESS 4 Door Models, Driver Side Or Passenger Side Rear Door, With Power Windows, Except Power Door Locks	\$90.00	
		Note: Customer Must Reuse Their Original Rubber Door Jamb Boot.		
39977	1981	POWER WINDOW HARNESS 2 Door Models, Body Crossover, With Power Windows And Power Door Locks	\$278.00	M
39975	1981	POWER WINDOW HARNESS 4 Door Models, Body Crossover, With Power Windows And Power Door Locks	\$278.00	
38196	1981	POWER WINDOW HARNESS 2 Door Models, Driver Side Door, With Power Windows And Power Door Locks	\$235.00	

Part Number	Year	Description	Price	*Rev.
39895	1981	POWER WINDOW HARNESS 4 Door Models, Driver Side Front Door, With Power Windows And Power Door Locks	\$235.00	
38197	1981	POWER WINDOW HARNESS All Models, Passenger Side Front Door, With Power Windows And Power Door Locks	\$235.00	
39896	1981	POWER WINDOW HARNESS 4 Door Models, Driver Side Or Passenger Side Rear Door, With Power Windows And Power Door Locks Note: Customer Must Reuse Their Original Rubber Door Jamb Boot.	\$90.00	
39952	1982	POWER WINDOW HARNESS 2 Door Models, Body Crossover, With Power Windows, Except Power Door Locks	\$278.00	M
39948	1982	POWER WINDOW HARNESS 4 Door Models, Body Crossover, With Power Windows, Except Power Door Locks	\$278.00	
39958	1982	POWER WINDOW HARNESS 2 Door Models, Driver Side Door, With Power Windows, Except Power Door Locks	\$210.00	
39960	1982	POWER WINDOW HARNESS 4 Door Models, Driver Side Front Door, With Power Windows, Except Power Door Locks	\$210.00	
39965	1982	POWER WINDOW HARNESS All Models, Passenger Side Front Door, With Power Windows, Except Power Door Locks	\$210.00	
39959	1982	POWER WINDOW HARNESS 4 Door Models, Driver Side Rear Door, With Power Windows, Except Power Door Locks Note: Customer Must Reuse Their Original Rubber Door Jamb Boot.	\$90.00	
40014	1982	POWER WINDOW HARNESS 4 Door Models, Passenger Side Rear Door, With Power Windows, Except Power Door Locks Note: Customer Must Reuse Their Original Rubber Door Jamb Boot.	\$90.00	
40029	1982	POWER WINDOW HARNESS 2 Door Models, Body Crossover, With Power Windows And Power Door Locks	\$278.00	M
39950	1982	POWER WINDOW HARNESS 4 Door Models, Body Crossover, With Power Windows And Power Door Locks	\$278.00	
39963	1982	POWER WINDOW HARNESS 2 Door Models, Driver Side Door, With Power Windows And Power Door Locks	\$235.00	
39961	1982	POWER WINDOW HARNESS 4 Door Models, Driver Side Front Door, With Power Windows And Power Door Locks	\$235.00	
39964	1982	POWER WINDOW HARNESS All Models, Passenger Side Front Door, With Power Windows And Power Door Locks	\$235.00	
39962	1982	POWER WINDOW HARNESS 4 Door Models, Driver Side Rear Door, With Power Windows And Power Door Locks Note: Customer Must Reuse Their Original Rubber Door Jamb Boot.	\$110.00	
40015	1982	POWER WINDOW HARNESS 4 Door Models, Passenger Side Rear Door, With Power Windows And Power Door Locks Note: Customer Must Reuse Their Original Rubber Door Jamb Boot.	\$110.00	
39952	1983	POWER WINDOW HARNESS 2 Door Models, Body Crossover, With Power Windows, Except Power Door Locks	\$278.00	M
39948	1983	POWER WINDOW HARNESS 4 Door Models, Body Crossover, With Power Windows, Except Power Door Locks	\$278.00	
39958	1983	POWER WINDOW HARNESS 2 Door Models, Driver Side Door, With Power Windows, Except Power Door Locks	\$210.00	
39960	1983	POWER WINDOW HARNESS 4 Door Models, Driver Side Front Door, With Power Windows, Except Power Door Locks	\$210.00	
39965	1983	POWER WINDOW HARNESS All Models, Passenger Side Front Door, With Power Windows, Except Power Door Locks	\$210.00	
39959	1983	POWER WINDOW HARNESS 4 Door Models, Driver Side Rear Door, With Power Windows, Except Power Door Locks Note: Customer Must Reuse Their Original Rubber Door Jamb Boot.	\$90.00	
40014	1983	POWER WINDOW HARNESS 4 Door Models, Passenger Side Rear Door, With Power Windows, Except Power Door Locks Note: Customer Must Reuse Their Original Rubber Door Jamb Boot.	\$90.00	

Part Number	Year	Description	Price	*Rev.
40029	1983	POWER WINDOW HARNESS 2 Door Models, Body Crossover, With Power Windows And Power Door Locks	\$278.00	M
39950	1983	POWER WINDOW HARNESS 4 Door Models, Body Crossover, With Power Windows And Power Door Locks	\$278.00	
39963	1983	POWER WINDOW HARNESS 2 Door Models, Driver Side Door, With Power Windows And Power Door Locks	\$235.00	
39961	1983	POWER WINDOW HARNESS 4 Door Models, Driver Side Front Door, With Power Windows And Power Door Locks	\$235.00	
39964	1983	POWER WINDOW HARNESS All Models, Passenger Side Front Door, With Power Windows And Power Door Locks	\$235.00	
39962	1983	POWER WINDOW HARNESS 4 Door Models, Driver Side Rear Door, With Power Windows And Power Door Locks Note: Customer Must Reuse Their Original Rubber Door Jamb Boot.	\$110.00	
40015	1983	POWER WINDOW HARNESS 4 Door Models, Passenger Side Rear Door, With Power Windows And Power Door Locks Note: Customer Must Reuse Their Original Rubber Door Jamb Boot.	\$110.00	
39952	1984	POWER WINDOW HARNESS 2 Door Models, Body Crossover, With Power Windows, Except Power Door Locks	\$278.00	M
39948	1984	POWER WINDOW HARNESS 4 Door Models, Body Crossover, With Power Windows, Except Power Door Locks	\$278.00	
39958	1984	POWER WINDOW HARNESS 2 Door Models, Driver Side Door, With Power Windows, Except Power Door Locks	\$210.00	
39960	1984	POWER WINDOW HARNESS 4 Door Models, Driver Side Front Door, With Power Windows, Except Power Door Locks	\$210.00	
39965	1984	POWER WINDOW HARNESS All Models, Passenger Side Front Door, With Power Windows, Except Power Door Locks	\$210.00	
39959	1984	POWER WINDOW HARNESS 4 Door Models, Driver Side Rear Door, With Power Windows, Except Power Door Locks Note: Customer Must Reuse Their Original Rubber Door Jamb Boot.	\$90.00	
40014	1984	POWER WINDOW HARNESS 4 Door Models, Passenger Side Rear Door, With Power Windows, Except Power Door Locks Note: Customer Must Reuse Their Original Rubber Door Jamb Boot.	\$90.00	
40029	1984	POWER WINDOW HARNESS 2 Door Models, Body Crossover, With Power Windows And Power Door Locks	\$278.00	M
39950	1984	POWER WINDOW HARNESS 4 Door Models, Body Crossover, With Power Windows And Power Door Locks	\$278.00	
39963	1984	POWER WINDOW HARNESS 2 Door Models, Driver Side Door, With Power Windows And Power Door Locks	\$235.00	
39961	1984	POWER WINDOW HARNESS 4 Door Models, Driver Side Front Door, With Power Windows And Power Door Locks	\$235.00	
39964	1984	POWER WINDOW HARNESS All Models, Passenger Side Front Door, With Power Windows And Power Door Locks	\$235.00	
44163	1984	POWER WINDOW HARNESS 4 Door Models, Driver Side Rear Door, With Power Windows And Power Door Locks Note: Customer Must Reuse Their Original Rubber Door Jamb Boot.	\$110.00	
44164	1984	POWER WINDOW HARNESS 4 Door Models, Passenger Side Rear Door, With Power Windows And Power Door Locks Note: Customer Must Reuse Their Original Rubber Door Jamb Boot.	\$110.00	
44165	1985	POWER WINDOW HARNESS 2 Door Models, Body Crossover, With Power Windows, Except Power Door Locks	\$278.00	M
44172	1985	POWER WINDOW HARNESS 4 Door Models, Body Crossover, With Power Windows, Except Power Door Locks	\$278.00	
44166	1985	POWER WINDOW HARNESS 2 Door Models, Driver Side Door, With Power Windows, Except Power Door Locks	\$210.00	

Part Number	Year	Description	Price	*Rev.
44173	1985	POWER WINDOW HARNESS 4 Door Models, Driver Side Front Door, With Power Windows, Except Power Door Locks	\$210.00	
44167	1985	POWER WINDOW HARNESS All Models, Passenger Side Front Door, With Power Windows, Except Power Door Locks	\$210.00	
44174	1985	POWER WINDOW HARNESS 4 Door Models, Driver Side Rear Door, With Power Windows, Except Power Door Locks Note: Customer Must Reuse Their Original Rubber Door Jamb Boot.	\$90.00	
44175	1985	POWER WINDOW HARNESS 4 Door Models, Passenger Side Rear Door, With Power Windows, Except Power Door Locks Note: Customer Must Reuse Their Original Rubber Door Jamb Boot.	\$90.00	
44001	1985	POWER WINDOW HARNESS 2 Door Models, Body Crossover, With Power Windows And Power Door Locks	\$278.00	
44168	1985	POWER WINDOW HARNESS 4 Door Models, Body Crossover, With Power Windows And Power Door Locks	\$278.00	
44002	1985	POWER WINDOW HARNESS 2 Door Models, Driver Side Door, With Power Windows And Power Door Locks	\$235.00	
44169	1985	POWER WINDOW HARNESS 4 Door Models, Driver Side Front Door, With Power Windows And Power Door Locks	\$235.00	
44003	1985	POWER WINDOW HARNESS All Models, Passenger Side Front Door, With Power Windows And Power Door Locks	\$235.00	
44170	1985	POWER WINDOW HARNESS 4 Door Models, Driver Side Rear Door, With Power Windows And Power Door Locks Note: Customer Must Reuse Their Original Rubber Door Jamb Boot.	\$110.00	
44171	1985	POWER WINDOW HARNESS 4 Door Models, Passenger Side Rear Door, With Power Windows And Power Door Locks Note: Customer Must Reuse Their Original Rubber Door Jamb Boot.	\$110.00	
44165	1986	POWER WINDOW HARNESS 2 Door Models, Body Crossover, With Power Windows, Except Power Door Locks	\$278.00	M
44172	1986	POWER WINDOW HARNESS 4 Door Models, Body Crossover, With Power Windows, Except Power Door Locks	\$278.00	
44166	1986	POWER WINDOW HARNESS 2 Door Models, Driver Side Door, With Power Windows, Except Power Door Locks	\$210.00	
44173	1986	POWER WINDOW HARNESS 4 Door Models, Driver Side Front Door, With Power Windows, Except Power Door Locks	\$210.00	
44167	1986	POWER WINDOW HARNESS All Models, Passenger Side Front Door, With Power Windows, Except Power Door Locks	\$210.00	
44174	1986	POWER WINDOW HARNESS 4 Door Models, Driver Side Rear Door, With Power Windows, Except Power Door Locks Note: Customer Must Reuse Their Original Rubber Door Jamb Boot.	\$90.00	
44175	1986	POWER WINDOW HARNESS 4 Door Models, Passenger Side Rear Door, With Power Windows, Except Power Door Locks Note: Customer Must Reuse Their Original Rubber Door Jamb Boot.	\$90.00	
44001	1986	POWER WINDOW HARNESS 2 Door Models, Body Crossover, With Power Windows And Power Door Locks	\$278.00	
44168	1986	POWER WINDOW HARNESS 4 Door Models, Body Crossover, With Power Windows And Power Door Locks	\$278.00	
44002	1986	POWER WINDOW HARNESS 2 Door Models, Driver Side Door, With Power Windows And Power Door Locks	\$235.00	
44169	1986	POWER WINDOW HARNESS 4 Door Models, Driver Side Front Door, With Power Windows And Power Door Locks	\$235.00	
44003	1986	POWER WINDOW HARNESS All Models, Passenger Side Front Door, With Power Windows And Power Door Locks	\$235.00	
44170	1986	POWER WINDOW HARNESS 4 Door Models, Driver Side Rear Door, With Power Windows And Power Door Locks Note: Customer Must Reuse Their Original Rubber Door Jamb Boot.	\$110.00	

Part Number	Year	Description	Price	*Rev.
44171	1986	POWER WINDOW HARNESS 4 Door Models, Passenger Side Rear Door, With Power Windows And Power Door Locks Note: Customer Must Reuse Their Original Rubber Door Jamb Boot.	\$110.00	
44165	1987	POWER WINDOW HARNESS 2 Door Models, Body Crossover, With Power Windows, Except Power Door Locks	\$278.00	M
44172	1987	POWER WINDOW HARNESS 4 Door Models, Body Crossover, With Power Windows, Except Power Door Locks	\$278.00	
44166	1987	POWER WINDOW HARNESS 2 Door Models, Driver Side Door, With Power Windows, Except Power Door Locks	\$210.00	
44173	1987	POWER WINDOW HARNESS 4 Door Models, Driver Side Front Door, With Power Windows, Except Power Door Locks	\$210.00	
44167	1987	POWER WINDOW HARNESS All Models, Passenger Side Front Door, With Power Windows, Except Power Door Locks	\$210.00	
44174	1987	POWER WINDOW HARNESS 4 Door Models, Driver Side Rear Door, With Power Windows, Except Power Door Locks Note: Customer Must Reuse Their Original Rubber Door Jamb Boot.	\$90.00	
44175	1987	POWER WINDOW HARNESS 4 Door Models, Passenger Side Rear Door, With Power Windows, Except Power Door Locks Note: Customer Must Reuse Their Original Rubber Door Jamb Boot.	\$90.00	
44178	1987	POWER WINDOW HARNESS 2 Door Models, Body Crossover, With Power Windows And Power Door Locks	\$278.00	M
44181	1987	POWER WINDOW HARNESS 4 Door Models, Body Crossover, With Power Windows And Power Door Locks	\$278.00	
44179	1987	POWER WINDOW HARNESS 2 Door Models, Driver Side Door, With Power Windows And Power Door Locks	\$235.00	
44182	1987	POWER WINDOW HARNESS 4 Door Models, Driver Side Front Door, With Power Windows And Power Door Locks	\$235.00	
44180	1987	POWER WINDOW HARNESS All Models, Passenger Side Front Door, With Power Windows And Power Door Locks	\$235.00	
44170	1987	POWER WINDOW HARNESS 4 Door Models, Driver Side Rear Door, With Power Windows And Power Door Locks Note: Customer Must Reuse Their Original Rubber Door Jamb Boot.	\$110.00	
44171	1987	POWER WINDOW HARNESS 4 Door Models, Passenger Side Rear Door, With Power Windows And Power Door Locks Note: Customer Must Reuse Their Original Rubber Door Jamb Boot.	\$110.00	
44165	1988	POWER WINDOW HARNESS Blazer & Jimmy, Body Crossover, With Power Windows, Except Power Door Locks	\$278.00	M
44172	1988	POWER WINDOW HARNESS 4 Door Models, Body Crossover, With Power Windows, Except Power Door Locks	\$278.00	
44166	1988	POWER WINDOW HARNESS Blazer & Jimmy, Driver Side Door, With Power Windows, Except Power Door Locks	\$210.00	
44173	1988	POWER WINDOW HARNESS 4 Door Models, Driver Side Front Door, With Power Windows, Except Power Door Locks	\$210.00	
44167	1988	POWER WINDOW HARNESS All Models, Passenger Side Front Door, With Power Windows, Except Power Door Locks	\$210.00	
44174	1988	POWER WINDOW HARNESS 4 Door Models, Driver Side Rear Door, With Power Windows, Except Power Door Locks Note: Customer Must Reuse Their Original Rubber Door Jamb Boot.	\$90.00	
44175	1988	POWER WINDOW HARNESS 4 Door Models, Passenger Side Rear Door, With Power Windows, Except Power Door Locks Note: Customer Must Reuse Their Original Rubber Door Jamb Boot.	\$90.00	
44178	1988	POWER WINDOW HARNESS Blazer & Jimmy, Body Crossover, With Power Windows And Power Door Locks	\$278.00	M
44181	1988	POWER WINDOW HARNESS 4 Door Models, Body Crossover, With Power Windows And Power Door Locks	\$278.00	

Part Number	Year	Description	Price	*Rev.
44179	1988	POWER WINDOW HARNESS Blazer & Jimmy, Driver Side Door, With Power Windows And Power Door Locks	\$235.00	
44182	1988	POWER WINDOW HARNESS 4 Door Models, Driver Side Front Door, With Power Windows And Power Door Locks	\$235.00	
44180	1988	POWER WINDOW HARNESS All Models, Passenger Side Front Door, With Power Windows And Power Door Locks	\$235.00	
44170	1988	POWER WINDOW HARNESS 4 Door Models, Driver Side Rear Door, With Power Windows And Power Door Locks	\$110.00	
		Note: Customer Must Reuse Their Original Rubber Door Jamb Boot.		
44171	1988	POWER WINDOW HARNESS 4 Door Models, Passenger Side Rear Door, With Power Windows And Power Door Locks	\$110.00	
		Note: Customer Must Reuse Their Original Rubber Door Jamb Boot.		
44165	1989	POWER WINDOW HARNESS Blazer & Jimmy, Body Crossover, With Power Windows, Except Power Door Locks	\$278.00	M
44166	1989	POWER WINDOW HARNESS Blazer & Jimmy, Driver Side Door, With Power Windows, Except Power Door Locks	\$210.00	
44167	1989	POWER WINDOW HARNESS Blazer & Jimmy, Passenger Side Front Door, With Power Windows, Except Power Door Locks	\$210.00	
44178	1989	POWER WINDOW HARNESS Blazer & Jimmy, Body Crossover, With Power Windows And Power Door Locks	\$278.00	M
44181	1989	POWER WINDOW HARNESS 4 Door Models, Body Crossover, With Power Windows And Power Door Locks	\$278.00	
44179	1989	POWER WINDOW HARNESS Blazer & Jimmy, Driver Side Door, With Power Windows And Power Door Locks	\$235.00	
44182	1989	POWER WINDOW HARNESS 4 Door Models, Driver Side Front Door, With Power Windows And Power Door Locks	\$235.00	
44180	1989	POWER WINDOW HARNESS All Models, Passenger Side Front Door, With Power Windows And Power Door Locks	\$235.00	
44170	1989	POWER WINDOW HARNESS 4 Door Models, Driver Side Rear Door, With Power Windows And Power Door Locks	\$110.00	
		Note: Customer Must Reuse Their Original Rubber Door Jamb Boot.		
44171	1989	POWER WINDOW HARNESS 4 Door Models, Passenger Side Rear Door, With Power Windows And Power Door Locks	\$110.00	
		Note: Customer Must Reuse Their Original Rubber Door Jamb Boot.		
44165	1990	POWER WINDOW HARNESS Blazer & Jimmy, Body Crossover, With Power Windows, Except Power Door Locks	\$278.00	M
44166	1990	POWER WINDOW HARNESS Blazer & Jimmy, Driver Side Door, With Power Windows, Except Power Door Locks	\$210.00	
44167	1990	POWER WINDOW HARNESS Blazer & Jimmy, Passenger Side Front Door, With Power Windows, Except Power Door Locks	\$210.00	
44178	1990	POWER WINDOW HARNESS Blazer & Jimmy, Body Crossover, With Power Windows And Power Door Locks	\$278.00	M
44181	1990	POWER WINDOW HARNESS 4 Door Models, Body Crossover, With Power Windows And Power Door Locks	\$278.00	
44179	1990	POWER WINDOW HARNESS Blazer & Jimmy, Driver Side Door, With Power Windows And Power Door Locks	\$235.00	
44182	1990	POWER WINDOW HARNESS 4 Door Models, Driver Side Front Door, With Power Windows And Power Door Locks	\$235.00	
44180	1990	POWER WINDOW HARNESS All Models, Passenger Side Front Door, With Power Windows And Power Door Locks	\$235.00	
44170	1990	POWER WINDOW HARNESS 4 Door Models, Driver Side Rear Door, With Power Windows And Power Door Locks	\$110.00	
		Note: Customer Must Reuse Their Original Rubber Door Jamb Boot.		

Part Number	Year	Description	Price	*Rev.
44171	1990	POWER WINDOW HARNESS 4 Door Models, Passenger Side Rear Door, With Power Windows And Power Door Locks Note: Customer Must Reuse Their Original Rubber Door Jamb Boot.	\$110.00	
44165	1991	POWER WINDOW HARNESS Blazer & Jimmy, Body Crossover, With Power Windows, Except Power Door Locks	\$278.00	M
44166	1991	POWER WINDOW HARNESS Blazer & Jimmy, Driver Side Door, With Power Windows, Except Power Door Locks	\$210.00	
44167	1991	POWER WINDOW HARNESS Blazer & Jimmy, Passenger Side Front Door, With Power Windows, Except Power Door Locks	\$210.00	
44178	1991	POWER WINDOW HARNESS Blazer & Jimmy, Body Crossover, With Power Windows And Power Door Locks	\$278.00	M
44181	1991	POWER WINDOW HARNESS 4 Door Models, Body Crossover, With Power Windows And Power Door Locks	\$278.00	
44179	1991	POWER WINDOW HARNESS Blazer & Jimmy, Driver Side Door, With Power Windows And Power Door Locks	\$235.00	
44182	1991	POWER WINDOW HARNESS 4 Door Models, Driver Side Front Door, With Power Windows And Power Door Locks	\$235.00	
44180	1991	POWER WINDOW HARNESS All Models, Passenger Side Front Door, With Power Windows And Power Door Locks	\$235.00	
44170	1991	POWER WINDOW HARNESS 4 Door Models, Driver Side Rear Door, With Power Windows And Power Door Locks Note: Customer Must Reuse Their Original Rubber Door Jamb Boot.	\$110.00	
44171	1991	POWER WINDOW HARNESS 4 Door Models, Passenger Side Rear Door, With Power Windows And Power Door Locks Note: Customer Must Reuse Their Original Rubber Door Jamb Boot.	\$110.00	
POWER WINDOW SWITCH				
01725094	1977	POWER WINDOW SWITCH 1 Button, Square Corner Style, Chrome	\$21.00	M
01725092	1977	POWER WINDOW SWITCH 2 Button, Square Corner Style, Chrome	\$53.00	M
01725094	1978	POWER WINDOW SWITCH 1 Button, Square Corner Style, Chrome	\$21.00	M
01725092	1978	POWER WINDOW SWITCH 2 Button, Square Corner Style, Chrome	\$53.00	M
01725094	1979	POWER WINDOW SWITCH 1 Button, Square Corner Style, Chrome	\$21.00	M
01731231	1979	POWER WINDOW SWITCH 4 Button, Square Corner Style, Chrome	\$75.00	M
01725092	1979	POWER WINDOW SWITCH 2 Button, Square Corner Style, Chrome	\$53.00	M
01725094	1980	POWER WINDOW SWITCH 1 Button, Square Corner Style, Chrome	\$21.00	M
01731231	1980	POWER WINDOW SWITCH 4 Button, Square Corner Style, Chrome	\$75.00	M
01725092	1980	POWER WINDOW SWITCH 2 Button, Square Corner Style, Chrome	\$53.00	M
01725092	1981	POWER WINDOW SWITCH 2 Button, Square Corner Style, Chrome	\$53.00	M
20061549	1981	POWER WINDOW SWITCH 2-Button	\$14.00	N
01725094	1981	POWER WINDOW SWITCH 1 Button, Square Corner Style, Chrome	\$21.00	M
20043940	1981	POWER WINDOW SWITCH 1-Button	\$9.00	N
01731231	1981	POWER WINDOW SWITCH 4 Button, Square Corner Style, Chrome	\$75.00	M
20043940	1982	POWER WINDOW SWITCH 1-Button	\$9.00	N
20061549	1982	POWER WINDOW SWITCH 2-Button	\$14.00	N
20106968	1982	POWER WINDOW SWITCH 4-Button	\$19.00	N
20043940	1983	POWER WINDOW SWITCH 1-Button	\$9.00	N
20061549	1983	POWER WINDOW SWITCH 2-Button	\$14.00	N
20106968	1983	POWER WINDOW SWITCH 4-Button	\$19.00	N
20043940	1984	POWER WINDOW SWITCH 1-Button	\$9.00	N
20061549	1984	POWER WINDOW SWITCH 2-Button	\$14.00	N
20106968	1984	POWER WINDOW SWITCH 4-Button	\$19.00	N

Part Number	Year	Description	Price	*Rev.
20043940	1985	POWER WINDOW SWITCH 1-Button	\$9.00	N
20061549	1985	POWER WINDOW SWITCH 2-Button	\$14.00	N
20106968	1985	POWER WINDOW SWITCH 4-Button	\$19.00	N
20043940	1986	POWER WINDOW SWITCH 1-Button	\$9.00	N
20061549	1986	POWER WINDOW SWITCH 2-Button	\$14.00	N
20106968	1986	POWER WINDOW SWITCH 4-Button	\$19.00	N
20043940	1987	POWER WINDOW SWITCH 1-Button, RV Body Style	\$9.00	N
20061549	1987	POWER WINDOW SWITCH 2-Button, RV Body Style	\$14.00	N
20106968	1987	POWER WINDOW SWITCH 4-Button, RV Body Style	\$19.00	N
20043940	1988	POWER WINDOW SWITCH 1-Button, RV Body Style	\$9.00	N
20061549	1988	POWER WINDOW SWITCH 2-Button, RV Body Style	\$14.00	N
20106968	1988	POWER WINDOW SWITCH 4-Button, RV Body Style	\$19.00	N
20043940	1989	POWER WINDOW SWITCH 1-Button, RV Body Style	\$9.00	N
20061549	1989	POWER WINDOW SWITCH 2-Button, RV Body Style	\$14.00	N
20106968	1989	POWER WINDOW SWITCH 4-Button, RV Body Style	\$19.00	N
20043940	1990	POWER WINDOW SWITCH 1-Button, RV Body Style	\$9.00	N
20061549	1990	POWER WINDOW SWITCH 2-Button, RV Body Style	\$14.00	N
20106968	1990	POWER WINDOW SWITCH 4-Button, RV Body Style	\$19.00	N
20043940	1991	POWER WINDOW SWITCH 1-Button, RV Body Style	\$9.00	N
20061549	1991	POWER WINDOW SWITCH 2-Button, RV Body Style	\$14.00	N
20106968	1991	POWER WINDOW SWITCH 4-Button, RV Body Style	\$19.00	N
PRINTED CIRCUIT BOARD				
06290459	1967	PRINTED CIRCUIT BOARD With Gauges And Tach	\$42.00	N
06290458	1967	PRINTED CIRCUIT BOARD With Gauges, Without Tach	\$42.00	N
06290457	1967	PRINTED CIRCUIT BOARD With Warning Lights	\$42.00	N
06290459	1968	PRINTED CIRCUIT BOARD With Gauges And Tach	\$42.00	N
06290458	1968	PRINTED CIRCUIT BOARD With Gauges, Without Tach	\$42.00	N
06290457	1968	PRINTED CIRCUIT BOARD With Warning Lights	\$42.00	N
06290459	1969	PRINTED CIRCUIT BOARD With Gauges And Tach	\$42.00	N
06290458	1969	PRINTED CIRCUIT BOARD With Gauges, Without Tach	\$42.00	N
06290457	1969	PRINTED CIRCUIT BOARD With Warning Lights	\$42.00	N
06290459	1970	PRINTED CIRCUIT BOARD With Gauges And Tach	\$42.00	N
06290458	1970	PRINTED CIRCUIT BOARD With Gauges, Without Tach	\$42.00	N
06290457	1970	PRINTED CIRCUIT BOARD With Warning Lights	\$42.00	N
06290459	1971	PRINTED CIRCUIT BOARD With Gauges And Tach	\$42.00	N
06290458	1971	PRINTED CIRCUIT BOARD With Gauges, Without Tach	\$42.00	N
06290457	1971	PRINTED CIRCUIT BOARD With Warning Lights	\$42.00	N
06290459	1972	PRINTED CIRCUIT BOARD With Gauges And Tach	\$42.00	N
06290458	1972	PRINTED CIRCUIT BOARD With Gauges, Without Tach	\$42.00	N
06290457	1972	PRINTED CIRCUIT BOARD With Warning Lights	\$42.00	N
25044898	1981	PRINTED CIRCUIT BOARD With Gauges And Tach	\$54.00	N
25044897	1981	PRINTED CIRCUIT BOARD With Gauges, Without Tach	\$54.00	N
25044898	1982	PRINTED CIRCUIT BOARD With Gauges And Tach	\$54.00	N
25044897	1982	PRINTED CIRCUIT BOARD With Gauges, Without Tach	\$54.00	N
25044898	1983	PRINTED CIRCUIT BOARD With Gauges And Tach	\$54.00	N
25044897	1983	PRINTED CIRCUIT BOARD With Gauges, Without Tach	\$54.00	N
25044898	1984	PRINTED CIRCUIT BOARD With Gauges And Tach	\$54.00	N

Part Number	Year	Description	Price	*Rev.
25044897	1984	PRINTED CIRCUIT BOARD With Gauges, Without Tach	\$54.00	N
25044898	1985	PRINTED CIRCUIT BOARD With Gauges And Tach	\$54.00	N
25044897	1985	PRINTED CIRCUIT BOARD With Gauges, Without Tach	\$54.00	N
25044898	1986	PRINTED CIRCUIT BOARD With Gauges And Tach	\$54.00	N
25044897	1986	PRINTED CIRCUIT BOARD With Gauges, Without Tach	\$54.00	N
25044898	1987	PRINTED CIRCUIT BOARD With Gauges And Tach Note: For RV Model Square Body Style.	\$54.00	N
25044897	1987	PRINTED CIRCUIT BOARD With Gauges, Without Tach Note: For RV Model Square Body Style.	\$54.00	N
RADIO POWER WIRE				
39578	1960	RADIO POWER WIRE	\$26.00	
39578	1961	RADIO POWER WIRE	\$26.00	
39578	1962	RADIO POWER WIRE	\$26.00	
39578	1963	RADIO POWER WIRE	\$26.00	
39578	1964	RADIO POWER WIRE	\$26.00	
39578	1965	RADIO POWER WIRE	\$26.00	
39578	1966	RADIO POWER WIRE	\$26.00	
32120	1967	RADIO POWER WIRE	\$23.00	
32120	1968	RADIO POWER WIRE	\$23.00	
32120	1969	RADIO POWER WIRE	\$23.00	
32120	1970	RADIO POWER WIRE	\$23.00	
32120	1971	RADIO POWER WIRE	\$23.00	
32120	1972	RADIO POWER WIRE	\$23.00	
39708	1973	RADIO POWER WIRE Fuse Box To Radio, Except Stereo	\$53.00	M
39708	1974	RADIO POWER WIRE Fuse Box To Radio, Except Stereo	\$53.00	M
REAR BODY LIGHT HARNESS KIT				
38166	1957	REAR BODY LIGHT HARNESS KIT Complete, Cameo Only	\$374.00	
REAR FENDER MARKER LAMP HARNESS				
39742	1973	REAR FENDER MARKER LAMP HARNESS Dually, With Rear Fender Marker Lamps	\$219.00	M
39742	1974	REAR FENDER MARKER LAMP HARNESS Dually, With Rear Fender Marker Lamps	\$219.00	M
39742	1975	REAR FENDER MARKER LAMP HARNESS Dually, With Rear Fender Marker Lamps	\$219.00	M
39742	1976	REAR FENDER MARKER LAMP HARNESS Dually, With Rear Fender Marker Lamps	\$219.00	M
39742	1977	REAR FENDER MARKER LAMP HARNESS Dually, With Rear Fender Marker Lamps	\$219.00	M
39742	1978	REAR FENDER MARKER LAMP HARNESS Dually, With Rear Fender Marker Lamps	\$219.00	M
REAR LAMP HARNESS				
38158	1955	REAR BODY LIGHT HARNESS KIT Complete, Cameo Only	\$374.00	
23135	1955	REAR LAMP HARNESS Single Tail & Brake Lights Only	\$59.00	
34370	1955	REAR LAMP HARNESS Dual Tail, Brake & Directional Lights	\$149.00	
34370	1955	REAR LAMP HARNESS Dual Tail, Brake & Directional Lights	\$149.00	
34155	1955	REAR LAMP LONG BED EXTENSION HARNESS Set Of 2	\$28.00	
38164	1956	REAR BODY LIGHT HARNESS KIT Complete, Cameo Only	\$389.00	
23135	1956	REAR LAMP HARNESS Single Tail & Brake Lights Only	\$59.00	
34350	1956	REAR LAMP HARNESS Dual Tail, Brake & Directional Lights	\$149.00	
34155	1956	REAR LAMP LONG BED EXTENSION HARNESS Set Of 2	\$28.00	
34345	1957	REAR LAMP HARNESS Single Tail & Brake Lamps	\$59.00	
34150	1957	REAR LAMP HARNESS Dual Tail, Brake & Directional Lights	\$134.00	

Part Number	Year	Description	Price	*Rev.
34155	1957	REAR LAMP LONG BED EXTENSION HARNESS Set Of 2	\$28.00	
38166	1958	REAR BODY LIGHT HARNESS KIT Complete, Cameo Only	\$374.00	
34345	1958	REAR LAMP HARNESS Single Tail & Brake Lamps	\$59.00	
34150	1958	REAR LAMP HARNESS Dual Tail, Brake & Directional Lights	\$134.00	
34155	1958	REAR LAMP LONG BED EXTENSION HARNESS Set Of 2	\$28.00	
34345	1959	REAR LAMP HARNESS Single Tail & Brake Lamps	\$59.00	
34150	1959	REAR LAMP HARNESS Dual Tail, Brake & Directional Lights	\$134.00	
34155	1959	REAR LAMP LONG BED EXTENSION HARNESS Set Of 2	\$28.00	
02955	1960	REAR LAMP INTERMEDIATE HARNESS	\$108.00	
40151	1960	REAR LAMP HARNESS Rear, Fleetside	\$128.00	
42290	1960	REAR LAMP HARNESS Rear, Stepside, 2 Wheel Drive	\$128.00	
42291	1960	REAR LAMP HARNESS Rear, Stepside, 4 Wheel Drive	\$128.00	
02955	1961	REAR LAMP INTERMEDIATE HARNESS	\$108.00	
40151	1961	REAR LAMP HARNESS Rear, Fleetside	\$128.00	
42290	1961	REAR LAMP HARNESS Rear, Stepside, 2 Wheel Drive	\$128.00	
42291	1961	REAR LAMP HARNESS Rear, Stepside, 4 Wheel Drive	\$128.00	
19945	1962	REAR LAMP INTERMEDIATE HARNESS	\$122.00	
30845	1962	REAR LAMP HARNESS Rear, Fleetside & Stepside	\$97.00	
40867	1962	REAR LAMP HARNESS Rear, Suburban & C10 Panel	\$97.00	
19945	1963	REAR LAMP INTERMEDIATE HARNESS	\$122.00	
30845	1963	REAR LAMP HARNESS Rear, Fleetside & Stepside	\$97.00	
40867	1963	REAR LAMP HARNESS Rear, Suburban & C10 Panel	\$97.00	
19945	1964	REAR LAMP INTERMEDIATE HARNESS	\$122.00	
30845	1964	REAR LAMP HARNESS Rear, Fleetside & Stepside	\$97.00	
40867	1964	REAR LAMP HARNESS Rear, Suburban & C10 Panel	\$97.00	
19945	1965	REAR LAMP INTERMEDIATE HARNESS	\$122.00	
30845	1965	REAR LAMP HARNESS Rear, Fleetside & Stepside	\$97.00	
40867	1965	REAR LAMP HARNESS Rear, Suburban & C10 Panel	\$97.00	
19945	1966	REAR LAMP INTERMEDIATE HARNESS	\$122.00	
30845	1966	REAR LAMP HARNESS Rear, Fleetside & Stepside	\$97.00	
40867	1966	REAR LAMP HARNESS Rear, Suburban & C10 Panel	\$97.00	
21965	1967	REAR LAMP INTERMEDIATE HARNESS 104-115 In. Wheelbase, Fleetside & Stepside	\$107.00	
22005	1967	REAR LAMP INTERMEDIATE HARNESS 127-133 In. Wheelbase, Fleetside & Stepside	\$115.00	
36235	1967	REAR LAMP INTERMEDIATE HARNESS Panel & Suburban Only	\$224.00	
21855	1967	REAR LAMP HARNESS Rear, Fleetside	\$128.00	
36852	1967	REAR LAMP HARNESS Rear, Stepside	\$128.00	
21975	1967	REAR LAMP HARNESS Rear, Panel & Suburban, (2 Required Per Vehicle)	\$68.00	
21965	1968	REAR LAMP INTERMEDIATE HARNESS 104-115 In. Wheelbase, Fleetside & Stepside	\$107.00	
22005	1968	REAR LAMP INTERMEDIATE HARNESS 127-133 In. Wheelbase, Fleetside & Stepside	\$115.00	
36235	1968	REAR LAMP INTERMEDIATE HARNESS Panel & Suburban Only	\$224.00	
21855	1968	REAR LAMP HARNESS Rear, Fleetside	\$128.00	
23450	1968	REAR LAMP HARNESS Rear, Stepside (6 1/2 Foot Bed)	\$120.00	
37004	1968	REAR LAMP HARNESS Rear, Stepside (8 Foot Bed)	\$158.00	
21975	1968	REAR LAMP HARNESS Rear, Panel & Suburban, (2 Required Per Vehicle)	\$68.00	
21965	1969	REAR LAMP INTERMEDIATE HARNESS 104-115 In. Wheelbase, Blazer, Fleetside & Stepside	\$107.00	
22005	1969	REAR LAMP INTERMEDIATE HARNESS 127-133 In. Wheelbase, Fleetside & Stepside	\$115.00	
36235	1969	REAR LAMP INTERMEDIATE HARNESS Panel & Suburban Only	\$224.00	

Part Number	Year	Description	Price	*Rev.
22075	1969	REAR LAMP HARNESS Rear, Blazer & Fleetside	\$158.00	
16095	1969	REAR LAMP HARNESS Rear, Stepside	\$158.00	
21905	1969	REAR LAMP HARNESS Rear, Panel & Suburban, (2 Required Per Vehicle)	\$44.00	
21965	1970	REAR LAMP INTERMEDIATE HARNESS 104-115 In. Wheelbase, Blazer, Fleetside & Stepside	\$107.00	
22005	1970	REAR LAMP INTERMEDIATE HARNESS 127-133 In. Wheelbase, Fleetside & Stepside	\$115.00	
36234	1970	REAR LAMP INTERMEDIATE HARNESS Panel & Suburban Only	\$224.00	
22075	1970	REAR LAMP HARNESS Rear, Blazer & Fleetside	\$158.00	
16095	1970	REAR LAMP HARNESS Rear, Stepside	\$158.00	
21905	1970	REAR LAMP HARNESS Rear, Panel & Suburban, (2 Required Per Vehicle)	\$44.00	
21965	1971	REAR LAMP INTERMEDIATE HARNESS 104-115 In. Wheelbase, Blazer, Fleetside & Stepside	\$107.00	
22005	1971	REAR LAMP INTERMEDIATE HARNESS 127-133 In. Wheelbase, Fleetside & Stepside	\$115.00	
36234	1971	REAR LAMP INTERMEDIATE HARNESS Panel & Suburban Only	\$224.00	
22075	1971	REAR LAMP HARNESS Rear, Blazer & Fleetside	\$158.00	
16095	1971	REAR LAMP HARNESS Rear, Stepside	\$158.00	
21905	1971	REAR LAMP HARNESS Rear, Panel & Suburban, (2 Required Per Vehicle)	\$44.00	
21965	1972	REAR LAMP INTERMEDIATE HARNESS 104-115 In. Wheelbase, Blazer, Fleetside & Stepside	\$107.00	
22005	1972	REAR LAMP INTERMEDIATE HARNESS 127-133 In. Wheelbase, Fleetside & Stepside	\$115.00	
36234	1972	REAR LAMP INTERMEDIATE HARNESS Panel & Suburban Only	\$224.00	
22075	1972	REAR LAMP HARNESS Rear, Blazer & Fleetside	\$158.00	
16095	1972	REAR LAMP HARNESS Rear, Stepside	\$158.00	
21905	1972	REAR LAMP HARNESS Rear, Panel & Suburban, (2 Required Per Vehicle)	\$44.00	
39304	1973	REAR LAMP INTERMEDIATE HARNESS Blazer & Jimmy	\$209.00	M
38412	1973	REAR LAMP INTERMEDIATE HARNESS Fleetside & Stepside Bed, With 117.5 In. Wheel Base	\$118.00	M
38413	1973	REAR LAMP INTERMEDIATE HARNESS Fleetside & Stepside Bed, With 131.5 In. & 164.5 In. Wheel Base	\$120.00	M
39710	1973	REAR LAMP INTERMEDIATE HARNESS Suburban	\$143.00	M
39711	1973	REAR LAMP INTERMEDIATE HARNESS 2 Door, 1-Ton, Without Bed, With 159.5 In. Wheel Base	\$143.00	M
39712	1973	REAR LAMP INTERMEDIATE HARNESS 4 Door, 3/4 & 1-Ton, Without Bed, With 164.5 In. Wheel Base	\$143.00	M
35902	1973	REAR LAMP HARNESS Rear, Stepside, Except 117.5 In. Wheel Base	\$248.00	M
37624	1973	REAR LAMP HARNESS Rear, Stepside, With 117.5 In. Wheel Base	\$248.00	M
37464	1973	REAR LAMP HARNESS Rear, 2 Door, Without Bed, With 117.5 In. Wheel Base	\$248.00	M
37465	1973	REAR LAMP HARNESS Rear, 2 & 4 Door, 3/4 & 1-Ton, Without Bed, With 131.5 In. & 164.5 In. Wheel Base	\$248.00	M
35903	1973	REAR LAMP HARNESS Rear, 2 Door, 1-Ton, Without Bed, With 135.5 & 159.5 In. Wheel Base	\$248.00	M
35904	1973	REAR LAMP HARNESS Rear, Blazer & Jimmy, (2 Required Per Vehicle)	\$143.00	M
37470	1973	REAR LAMP HARNESS Rear, Fleetside	\$248.00	M
39747	1973	REAR LAMP HARNESS Rear, Suburban, Driver Side	\$143.00	M
35906	1973	REAR LAMP HARNESS Rear, Suburban, Passenger Side	\$143.00	M
35905	1973	REAR LAMP HARNESS Rear, Fleetside, With Camper Special Option	\$314.00	M
39304	1974	REAR LAMP INTERMEDIATE HARNESS Blazer & Jimmy	\$209.00	M
38412	1974	REAR LAMP INTERMEDIATE HARNESS Fleetside & Stepside Bed, With 117.5 In. Wheel Base	\$118.00	M
38413	1974	REAR LAMP INTERMEDIATE HARNESS Fleetside & Stepside Bed, With 131.5 In. & 164.5 In. Wheel Base	\$120.00	M
39711	1974	REAR LAMP INTERMEDIATE HARNESS 2 Door, 1-Ton, Without Bed, With 159.5 In. Wheel Base	\$143.00	M
39712	1974	REAR LAMP INTERMEDIATE HARNESS 4 Door, 3/4 & 1-Ton, Without Bed, With 164.5 In. Wheel Base	\$143.00	M
39772	1974	REAR LAMP INTERMEDIATE HARNESS Suburban	\$143.00	M
35902	1974	REAR LAMP HARNESS Rear, Stepside, Except 117.5 In. Wheel Base	\$248.00	M
37624	1974	REAR LAMP HARNESS Rear, Stepside, With 117.5 In. Wheel Base	\$248.00	M

Part Number	Year	Description	Price	*Rev.
35903	1974	REAR LAMP HARNESS Rear, 2 Door, 1-Ton, Without Bed, With 135.5 & 159.5 In. Wheel Base	\$248.00	M
35904	1974	REAR LAMP HARNESS Rear, Blazer & Jimmy, (2 Required Per Vehicle)	\$143.00	M
37470	1974	REAR LAMP HARNESS Rear, Fleetside	\$248.00	M
39747	1974	REAR LAMP HARNESS Rear, Suburban, Driver Side	\$143.00	M
35906	1974	REAR LAMP HARNESS Rear, Suburban, Passenger Side	\$143.00	M
35905	1974	REAR LAMP HARNESS Rear, Fleetside, With Camper Special Option, (1st Design), Except Rear Fender Marker Lamp Wiring	\$314.00	M
35976	1974	REAR LAMP HARNESS Rear, Fleetside, With Camper Special Option, (2nd Design), With Rear Fender Marker Lamp Wiring	\$314.00	M
39778	1975	REAR LAMP INTERMEDIATE HARNESS Blazer & Jimmy	\$209.00	M
39779	1975	REAR LAMP INTERMEDIATE HARNESS Fleetside & Stepside Bed, With 117.5 In. Wheel Base	\$209.00	M
39780	1975	REAR LAMP INTERMEDIATE HARNESS Fleetside & Stepside Bed, With 131.5 In. & 164.5 In. Wheel Base	\$209.00	M
39781	1975	REAR LAMP INTERMEDIATE HARNESS 2 Door, 1-Ton, Without Bed, With 159.5 In. Wheel Base	\$209.00	M
39782	1975	REAR LAMP INTERMEDIATE HARNESS 4 Door, 3/4 & 1-Ton, Without Bed, With 164.5 In. Wheel Base	\$209.00	M
39783	1975	REAR LAMP INTERMEDIATE HARNESS Suburban	\$268.00	M
35902	1975	REAR LAMP HARNESS Rear, Stepside, Except 117.5 In. Wheel Base	\$248.00	M
37624	1975	REAR LAMP HARNESS Rear, Stepside, With 117.5 In. Wheel Base	\$248.00	M
37464	1975	REAR LAMP HARNESS Rear, 2 Door, Without Bed, With 117.5 In. Wheel Base	\$248.00	M
37465	1975	REAR LAMP HARNESS Rear, 2 & 4 Door, 3/4 & 1-Ton, Without Bed, With 131.5 In. & 164.5 In. Wheel Base	\$248.00	M
35903	1975	REAR LAMP HARNESS Rear, 2 Door, 1-Ton, Without Bed, With 135.5 & 159.5 In. Wheel Base	\$248.00	M
35904	1975	REAR LAMP HARNESS Rear, Blazer & Jimmy, (2 Required Per Vehicle)	\$143.00	M
35905	1975	REAR LAMP HARNESS Rear, Fleetside, With Camper Special Option	\$314.00	M
37470	1975	REAR LAMP HARNESS Rear, Fleetside	\$248.00	M
39747	1975	REAR LAMP HARNESS Rear, Suburban, Driver Side	\$143.00	M
35906	1975	REAR LAMP HARNESS Rear, Suburban, Passenger Side	\$143.00	M
39806	1976	REAR LAMP INTERMEDIATE HARNESS Fleetside & Stepside Bed, With 117.5 In. Wheel Base	\$194.00	M
39807	1976	REAR LAMP INTERMEDIATE HARNESS Fleetside & Stepside Bed, With 131.5 In. & 135.5 In. Wheel Base	\$194.00	M
39809	1976	REAR LAMP INTERMEDIATE HARNESS Blazer & Jimmy	\$268.00	M
35907	1976	REAR LAMP INTERMEDIATE HARNESS Suburban, Except 40 Gal. Gas Tank Option	\$268.00	M
37657	1976	REAR LAMP INTERMEDIATE HARNESS 1-Ton, Stakebed & Flatbed, With 159.5 Wheel Base	\$194.00	M
37658	1976	REAR LAMP INTERMEDIATE HARNESS 4 Door, 3/4 & 1-Ton, Without Bed, With 164.5 In. Wheel Base	\$209.00	M
39810	1976	REAR LAMP INTERMEDIATE HARNESS Suburban, With 40 Gal. Gas Tank Option	\$268.00	M
35902	1976	REAR LAMP HARNESS Rear, Stepside, Except 117.5 In. Wheel Base	\$248.00	M
37624	1976	REAR LAMP HARNESS Rear, Stepside, With 117.5 In. Wheel Base	\$248.00	M
37464	1976	REAR LAMP HARNESS Rear, 2 Door, Without Bed, With 117.5 In. Wheel Base	\$248.00	M
37465	1976	REAR LAMP HARNESS Rear, 2 & 4 Door, 3/4 & 1-Ton, Without Bed, With 131.5 In. & 164.5 In. Wheel Base	\$248.00	M
35903	1976	REAR LAMP HARNESS Rear, 2 Door, 1-Ton, Without Bed, With 135.5 & 159.5 In. Wheel Base	\$248.00	M
35904	1976	REAR LAMP HARNESS Rear, Blazer & Jimmy, (2 Required Per Vehicle)	\$143.00	M
35905	1976	REAR LAMP HARNESS Rear, 1-Ton Fleetside Bed, With Dual Rear Wheels	\$314.00	M
37470	1976	REAR LAMP HARNESS Rear, Fleetside	\$248.00	M
39747	1976	REAR LAMP HARNESS Rear, Suburban, Passenger Side	\$143.00	M
35906	1976	REAR LAMP HARNESS Rear, Suburban, Driver Side	\$143.00	M
38394	1977	REAR LAMP INTERMEDIATE HARNESS Fleetside & Stepside, With 117.5 In. Wheel Base & Heavy Duty Chassis	\$194.00	M

Part Number	Year	Description	Price	*Rev.
39382	1977	REAR LAMP INTERMEDIATE HARNESS Fleetside & Stepside, With 131.5 In. Wheel Base	\$194.00	M
39818	1977	REAR LAMP INTERMEDIATE HARNESS Fleetside & Stepside, With 117.5 In. Wheel Base, Except Heavy Duty Chassis	\$194.00	M
39819	1977	REAR LAMP INTERMEDIATE HARNESS Fleetside & Stepside, 1-Ton With 135.5 In. Wheel Base	\$194.00	M
39820	1977	REAR LAMP INTERMEDIATE HARNESS 2 Door, 1-Ton, With 159.5 In. Wheel Base	\$194.00	M
39821	1977	REAR LAMP INTERMEDIATE HARNESS 4 Door Truck, 3/4 & 1-Ton	\$194.00	M
39822	1977	REAR LAMP INTERMEDIATE HARNESS Suburban	\$268.00	M
37623	1977	REAR LAMP INTERMEDIATE HARNESS Blazer & Jimmy	\$268.00	M
35902	1977	REAR LAMP HARNESS Rear, Stepside, Except 117.5 In. Wheel Base	\$248.00	M
37624	1977	REAR LAMP HARNESS Rear, Stepside, With 117.5 In. Wheel Base	\$248.00	M
35904	1977	REAR LAMP HARNESS Rear, Blazer & Jimmy, (2 Required Per Vehicle)	\$143.00	M
35905	1977	REAR LAMP HARNESS Rear, 1-Ton Fleetside Bed, With Dual Rear Wheels	\$314.00	M
37470	1977	REAR LAMP HARNESS Rear, Fleetside	\$248.00	M
39823	1977	REAR LAMP HARNESS Rear, Suburban, (2 Required Per Vehicle)	\$143.00	M
39828	1977	REAR LAMP HARNESS Rear, 2 & 4 Door, Without Bed, With 117.5, 131.5, & 164.5 In. Wheel Base	\$248.00	M
35908	1977	REAR LAMP HARNESS Rear, 2 Door, Without Bed, With 131.5, 135.5, & 159.5 In. Wheel Base	\$248.00	M
35914	1977	REAR LAMP HARNESS Rear, 1-Ton, Stakebed & Flatbed, With 135.5 In. Wheel Base	\$248.00	M
38394	1978	REAR LAMP INTERMEDIATE HARNESS Fleetside & Stepside, With 117.5 In. Wheel Base & Heavy Duty Chassis	\$194.00	M
39382	1978	REAR LAMP INTERMEDIATE HARNESS Fleetside & Stepside, With 131.5 In. Wheel Base & Heavy Duty Chassis	\$194.00	M
39818	1978	REAR LAMP INTERMEDIATE HARNESS Fleetside & Stepside, With 117.5 In. Wheel Base, Except Heavy Duty Chassis	\$194.00	M
39819	1978	REAR LAMP INTERMEDIATE HARNESS Fleetside & Stepside, 1/2-Ton With 131.5 In. Wheel Base & 1-Ton With 135.5 In. Wheel Base	\$194.00	M
39820	1978	REAR LAMP INTERMEDIATE HARNESS 2 Door, 1-Ton, With 159.5 In. Wheel Base	\$194.00	M
39821	1978	REAR LAMP INTERMEDIATE HARNESS 4 Door Truck, 3/4 & 1-Ton	\$194.00	M
39822	1978	REAR LAMP INTERMEDIATE HARNESS Suburban, Without California Emission Option	\$268.00	M
37623	1978	REAR LAMP INTERMEDIATE HARNESS Blazer & Jimmy	\$268.00	M
35913	1978	REAR LAMP INTERMEDIATE HARNESS Suburban, With California Emission Option	\$268.00	M
35902	1978	REAR LAMP HARNESS Rear, Stepside, Except 117.5 In. Wheel Base	\$248.00	M
37624	1978	REAR LAMP HARNESS Rear, Stepside, With 117.5 In. Wheel Base	\$248.00	M
35904	1978	REAR LAMP HARNESS Rear, Blazer & Jimmy, (2 Required Per Vehicle)	\$143.00	M
35905	1978	REAR LAMP HARNESS Rear, 1-Ton Fleetside Bed, With Dual Rear Wheels	\$314.00	M
37470	1978	REAR LAMP HARNESS Rear, Fleetside	\$248.00	M
39823	1978	REAR LAMP HARNESS Rear, Suburban, (2 Required Per Vehicle)	\$143.00	M
39828	1978	REAR LAMP HARNESS Rear, 2 & 4 Door, Without Bed, With 117.5, 131.5, & 164.5 In. Wheel Base	\$248.00	M
35908	1978	REAR LAMP HARNESS Rear, 2 Door, Without Bed, With 135.5, & 159.5 In. Wheel Base	\$248.00	M
35914	1978	REAR LAMP HARNESS Rear, 1-Ton, Stakebed & Flatbed, With 135.5 In. Wheel Base	\$248.00	M
39818	1979	REAR LAMP INTERMEDIATE HARNESS Fleetside & Stepside, With 117.5 In. Wheel Base, Except Heavy Duty Chassis	\$194.00	M
38394	1979	REAR LAMP INTERMEDIATE HARNESS Fleetside & Stepside, With 117.5 In. Wheel Base & Heavy Duty Chassis	\$194.00	M
39382	1979	REAR LAMP INTERMEDIATE HARNESS Fleetside & Stepside, With 131.5 In. Wheel Base & Heavy Duty Chassis	\$194.00	M
39819	1979	REAR LAMP INTERMEDIATE HARNESS Fleetside & Stepside, 1/2-Ton With 131.5 In. Wheel Base & 1-Ton With 135.5 In. Wheel Base	\$194.00	M
39820	1979	REAR LAMP INTERMEDIATE HARNESS 2 Door, 1-Ton, With 159.5 In. Wheel Base	\$194.00	M

Part Number	Year	Description	Price	*Rev.
39821	1979	REAR LAMP INTERMEDIATE HARNESS 4 Door Truck, 3/4 & 1-Ton	\$194.00	M
39822	1979	REAR LAMP INTERMEDIATE HARNESS Suburban, Without California Emission Option	\$268.00	M
35913	1979	REAR LAMP INTERMEDIATE HARNESS Suburban, With California Emission Option	\$268.00	M
39908	1979	REAR LAMP INTERMEDIATE HARNESS Blazer & Jimmy	\$268.00	M
35904	1979	REAR LAMP HARNESS Rear, Blazer & Jimmy, (2 Required Per Vehicle)	\$143.00	M
37470	1979	REAR LAMP HARNESS Rear, Fleetside	\$248.00	M
39823	1979	REAR LAMP HARNESS Rear, Suburban, (2 Required Per Vehicle)	\$143.00	M
39828	1979	REAR LAMP HARNESS Rear, 2 & 4 Door, Without Bed, With 117.5, 131.5, & 164.5 In. Wheel Base	\$248.00	M
35908	1979	REAR LAMP HARNESS Rear, 2 Door, Without Bed, With 135.5, & 159.5 In. Wheel Base	\$248.00	M
35914	1979	REAR LAMP HARNESS Rear, 1-Ton, Stakebed & Flatbed, With 135.5 In. Wheel Base	\$248.00	M
39898	1979	REAR LAMP HARNESS Rear, 1-Ton Fleetside Bed, With Dual Rear Wheels	\$248.00	M
38881	1979	REAR LAMP HARNESS Rear, Stepside	\$165.00	M
39382	1980	REAR LAMP INTERMEDIATE HARNESS Fleetside & Stepside, With 131.5 In. Wheel Base & Heavy Duty Chassis	\$194.00	M
39819	1980	REAR LAMP INTERMEDIATE HARNESS Fleetside & Stepside, 1-Ton With 135.5 In. Wheel Base	\$194.00	M
39820	1980	REAR LAMP INTERMEDIATE HARNESS 2 Door, 1-Ton, With 159.5 In. Wheel Base	\$194.00	M
39821	1980	REAR LAMP INTERMEDIATE HARNESS 4 Door Truck, 3/4 & 1-Ton	\$194.00	M
39913	1980	REAR LAMP INTERMEDIATE HARNESS Suburban, Without California Emission Option	\$268.00	M
39914	1980	REAR LAMP INTERMEDIATE HARNESS Suburban, With California Emission Option	\$268.00	M
39915	1980	REAR LAMP INTERMEDIATE HARNESS Fleetside & Stepside, With 117.5 In. Wheel Base	\$194.00	M
39916	1980	REAR LAMP INTERMEDIATE HARNESS Fleetside & Stepside, With 131.5 In. Wheel Base	\$194.00	M
39917	1980	REAR LAMP INTERMEDIATE HARNESS Blazer & Jimmy	\$268.00	M
35904	1980	REAR LAMP HARNESS Rear, Blazer & Jimmy, (2 Required Per Vehicle)	\$143.00	M
37470	1980	REAR LAMP HARNESS Rear, Fleetside	\$248.00	M
39823	1980	REAR LAMP HARNESS Rear, Suburban, (2 Required Per Vehicle)	\$143.00	M
39828	1980	REAR LAMP HARNESS Rear, 2 & 4 Door, Without Bed, With 117.5, 131.5, & 164.5 In. Wheel Base	\$248.00	M
35908	1980	REAR LAMP HARNESS Rear, 2 Door, Without Bed, With 135.5, & 159.5 In. Wheel Base	\$248.00	M
35914	1980	REAR LAMP HARNESS Rear, 1-Ton, Stakebed & Flatbed, With 135.5 In. Wheel Base	\$248.00	M
39898	1980	REAR LAMP HARNESS Rear, 1-Ton Fleetside Bed, With Dual Rear Wheels	\$248.00	M
38881	1980	REAR LAMP HARNESS Rear, Stepside	\$165.00	M
38394	1981	REAR LAMP INTERMEDIATE HARNESS Fleetside & Stepside, With 350 Diesel & 117.5 In. Wheel Base	\$194.00	M
39382	1981	REAR LAMP INTERMEDIATE HARNESS Fleetside & Stepside, 2 Wheel Drive 1/2 Ton, With 350 Diesel, & All 4 Wheel Drives, With 131.5 In. Wheel Base & Heavy Duty	\$194.00	M
39913	1981	REAR LAMP INTERMEDIATE HARNESS Suburban, Without California Emission Option	\$268.00	M
39914	1981	REAR LAMP INTERMEDIATE HARNESS Suburban, With California Emission Option	\$268.00	M
39915	1981	REAR LAMP INTERMEDIATE HARNESS Fleetside & Stepside, With 117.5 In. Wheel Base	\$194.00	M
39916	1981	REAR LAMP INTERMEDIATE HARNESS Fleetside & Stepside, With 131.5 In. Wheel Base	\$194.00	M
39917	1981	REAR LAMP INTERMEDIATE HARNESS Blazer & Jimmy	\$268.00	M
39986	1981	REAR LAMP INTERMEDIATE HARNESS 2 Door, 1-Ton, With 135.5 In. Wheel Base	\$194.00	M
39987	1981	REAR LAMP INTERMEDIATE HARNESS 2 Door, 1-Ton, With 159.5 In. Wheel Base	\$194.00	M
39988	1981	REAR LAMP INTERMEDIATE HARNESS 4 Door, 3/4 & 1-Ton, With 164.5 In. Wheel Base	\$194.00	M
35904	1981	REAR LAMP HARNESS Rear, Blazer & Jimmy, (2 Required Per Vehicle)	\$143.00	M
37470	1981	REAR LAMP HARNESS Rear, Fleetside	\$248.00	M
39823	1981	REAR LAMP HARNESS Rear, Suburban, (2 Required Per Vehicle)	\$143.00	M
39828	1981	REAR LAMP HARNESS Rear, 2 & 4 Door, Without Bed, With 117.5, 131.5, & 164.5 In. Wheel Base	\$248.00	M

Part Number	Year	Description	Price	*Rev.
35908	1981	REAR LAMP HARNESS Rear, 2 Door, Without Bed, With 135.5, & 159.5 In. Wheel Base	\$248.00	M
35914	1981	REAR LAMP HARNESS Rear, 1-Ton, Stakebed & Flatbed, With 135.5 In. Wheel Base	\$248.00	M
38881	1981	REAR LAMP HARNESS Rear, Stepside	\$165.00	M
39991	1981	REAR LAMP HARNESS Rear, 1-Ton Fleetside Bed, With Dual Rear Wheels	\$248.00	M
38394	1982	REAR LAMP INTERMEDIATE HARNESS Fleetside & Stepside, With 350 Diesel & 117.5 In. Wheel Base	\$194.00	M
39382	1982	REAR LAMP INTERMEDIATE HARNESS Fleetside & Stepside, 2 Wheel Drive 1/2 Ton, With 350 Diesel, & All 4 Wheel Drives, With 131.5 In. Wheel Base & Heavy Duty	\$194.00	M
39913	1982	REAR LAMP INTERMEDIATE HARNESS Suburban, Without California Emission Option	\$268.00	M
39914	1982	REAR LAMP INTERMEDIATE HARNESS Suburban, With California Emission Option	\$268.00	M
39915	1982	REAR LAMP INTERMEDIATE HARNESS Fleetside & Stepside, With 117.5 In. Wheel Base	\$194.00	M
39916	1982	REAR LAMP INTERMEDIATE HARNESS Fleetside & Stepside, With 131.5 In. Wheel Base	\$194.00	M
39917	1982	REAR LAMP INTERMEDIATE HARNESS Blazer & Jimmy	\$268.00	M
39986	1982	REAR LAMP INTERMEDIATE HARNESS 2 Door, 1-Ton, With 135.5 In. Wheel Base	\$194.00	M
39987	1982	REAR LAMP INTERMEDIATE HARNESS 2 Door, 1-Ton, With 159.5 In. Wheel Base	\$194.00	M
39988	1982	REAR LAMP INTERMEDIATE HARNESS 4 Door, 3/4 & 1-Ton, With 164.5 In. Wheel Base	\$194.00	M
35904	1982	REAR LAMP HARNESS Rear, Blazer & Jimmy, (2 Required Per Vehicle)	\$143.00	M
37470	1982	REAR LAMP HARNESS Rear, Fleetside	\$248.00	M
39823	1982	REAR LAMP HARNESS Rear, Suburban, (2 Required Per Vehicle)	\$143.00	M
39828	1982	REAR LAMP HARNESS Rear, 2 & 4 Door, Without Bed, With 117.5, 131.5, & 164.5 In. Wheel Base	\$248.00	M
35908	1982	REAR LAMP HARNESS Rear, 2 Door, Without Bed, With 135.5, & 159.5 In. Wheel Base	\$248.00	M
35914	1982	REAR LAMP HARNESS Rear, 1-Ton, Stakebed & Flatbed, With 135.5 In. Wheel Base	\$248.00	M
38881	1982	REAR LAMP HARNESS Rear, Stepside	\$165.00	M
39991	1982	REAR LAMP HARNESS Rear, 1-Ton Fleetside Bed, With Dual Rear Wheels	\$248.00	M
REAR LICENSE PLATE AND FUEL TANK HARNESS				
36237	1967	REAR LICENSE PLATE AND FUEL TANK HARNESS Panel & Suburban Only	\$54.00	
36237	1968	REAR LICENSE PLATE AND FUEL TANK HARNESS Panel & Suburban Only	\$54.00	
36237	1969	REAR LICENSE PLATE AND FUEL TANK HARNESS Panel & Suburban Only	\$54.00	
36237	1970	REAR LICENSE PLATE AND FUEL TANK HARNESS Panel & Suburban Only	\$54.00	
36237	1971	REAR LICENSE PLATE AND FUEL TANK HARNESS Panel & Suburban Only	\$54.00	
36237	1972	REAR LICENSE PLATE AND FUEL TANK HARNESS Panel & Suburban Only	\$54.00	
REAR MARKER LAMP HARNESS				
39834	1977	REAR MARKER LAMP HARNESS 2 Door, 3/4 Ton, With Stakebed & Flatbed, Tail Lamp Harness To Rear Marker Lamps	\$101.00	M
39835	1977	REAR MARKER LAMP HARNESS 2 Door, 1-Ton, With 135.5 In. Wheel Base, With Stakebed & Flatbed, Tail Lamp Harness To Rear Marker & Corner Lamps	\$127.00	M
39834	1978	REAR MARKER LAMP HARNESS 2 Door, 3/4 Ton, With Stakebed & Flatbed, Tail Lamp Harness To Rear Marker Lamps	\$101.00	M
39835	1978	REAR MARKER LAMP HARNESS 2 Door, 1-Ton, With 135.5 In. Wheel Base, With Stakebed & Flatbed, Tail Lamp Harness To Rear Marker & Corner Lamps	\$127.00	M
39834	1979	REAR MARKER LAMP HARNESS 2 Door, 3/4 Ton, With Stakebed & Flatbed, Tail Lamp Harness To Rear Marker Lamps	\$101.00	M
39835	1979	REAR MARKER LAMP HARNESS 2 Door, 1-Ton, With 135.5 In. Wheel Base, With Stakebed & Flatbed, Tail Lamp Harness To Rear Marker & Corner Lamps	\$127.00	M
39834	1980	REAR MARKER LAMP HARNESS 2 Door, 3/4 Ton, With Stakebed & Flatbed, Tail Lamp Harness To Rear Marker Lamps	\$101.00	M
39835	1980	REAR MARKER LAMP HARNESS 2 Door, 1-Ton, With 135.5 In. Wheel Base, With Stakebed & Flatbed, Tail Lamp Harness To Rear Marker & Corner Lamps	\$127.00	M
39834	1981	REAR MARKER LAMP HARNESS 2 Door, 3/4 Ton, With Stakebed & Flatbed, Tail Lamp Harness To Rear Marker Lamps	\$101.00	M

Part Number	Year	Description	Price	*Rev.
39835	1981	REAR MARKER LAMP HARNESS 2 Door, 1-Ton, With 135.5 In. Wheel Base, With Stakebed & Flatbed, Tail Lamp Harness To Rear Marker & Corner Lamps	\$127.00	M
39835	1982	REAR MARKER LAMP HARNESS 2 Door, 1-Ton, With 135.5 In. Wheel Base, With Stakebed & Flatbed, Tail Lamp Harness To Rear Marker & Corner Lamps	\$127.00	M
REAR WINDOW DEFROSTER EXTENSION WIRE				
40002	1982	REAR WINDOW DEFROSTER EXTENSION WIRE Suburban, Dash Harness To Tailgate Harness	\$52.00	M
40002	1982	REAR WINDOW DEFROSTER EXTENSION WIRE Suburban, Dash Harness To Tailgate Harness	\$52.00	M
REAR WINDOW DEFROSTER HARNESS				
40003	1982	REAR WINDOW DEFROSTER HARNESS Suburban, Tailgate Harness	\$66.00	M
SIDE MARKER AND LICENSE LAMP HARNESS				
39740	1973	SIDE MARKER AND LICENSE LAMP HARNESS 8ft Stakebed & Flatbed, Without Clearance Lamps	\$101.00	M
39743	1973	SIDE MARKER AND LICENSE LAMP HARNESS 8ft Stakebed & Flatbed, With Clearance Lamps	\$127.00	M
39740	1974	SIDE MARKER AND LICENSE LAMP HARNESS 8ft Stakebed & Flatbed, Without Clearance Lamps	\$101.00	M
39743	1974	SIDE MARKER AND LICENSE LAMP HARNESS 8ft Stakebed & Flatbed, With Clearance Lamps	\$127.00	M
39740	1975	SIDE MARKER AND LICENSE LAMP HARNESS 8ft Stakebed & Flatbed, Without Clearance Lamps	\$101.00	M
39743	1975	SIDE MARKER AND LICENSE LAMP HARNESS 8ft Stakebed & Flatbed, With Clearance Lamps	\$127.00	M
39740	1976	SIDE MARKER AND LICENSE LAMP HARNESS 8ft Stakebed & Flatbed, Without Clearance Lamps	\$101.00	M
39743	1976	SIDE MARKER AND LICENSE LAMP HARNESS 8ft Stakebed & Flatbed, With Clearance Lamps	\$127.00	M
SPEAKER EXTENSION WIRE				
39866	1981	SPEAKER EXTENSION WIRE Suburban, Rear Speaker To Extension Harness (2 Required Per Vehicle)	\$26.00	M
SPEAKER HARNESS				
39709	1973	SPEAKER HARNESS Radio To Center Front Speaker, Except Stereo	\$40.00	M
39726	1973	SPEAKER HARNESS Radio To Front Kick Panel Speakers, With Stereo	\$66.00	M
39749	1973	SPEAKER HARNESS All, Radio To Rear Speakers, With Stereo	\$66.00	M
39709	1974	SPEAKER HARNESS Radio To Center Front Speaker, Except Stereo	\$40.00	M
39749	1974	SPEAKER HARNESS Radio To Rear Speakers, With Stereo	\$66.00	M
39750	1974	SPEAKER HARNESS Radio To Driver Side Kick Panel Speaker	\$66.00	M
39751	1974	SPEAKER HARNESS Radio To Passenger Side Kick Panel Speaker	\$66.00	M
39709	1975	SPEAKER HARNESS Radio To Center Front Speaker, Except Stereo	\$40.00	M
39749	1975	SPEAKER HARNESS Radio To Rear Speakers, With Stereo	\$66.00	M
39794	1975	SPEAKER HARNESS Suburban, Driver Side Rear Speaker	\$66.00	M
39795	1975	SPEAKER HARNESS Suburban, Passenger Side Rear Speaker	\$66.00	M
39709	1976	SPEAKER HARNESS Radio To Center Front Speaker, Except Stereo	\$40.00	M
39749	1976	SPEAKER HARNESS Radio To Rear Speakers, With Stereo	\$66.00	M
39794	1976	SPEAKER HARNESS Suburban, Driver Side Rear Speaker	\$66.00	M
39795	1976	SPEAKER HARNESS Suburban, Passenger Side Rear Speaker	\$66.00	M
39796	1976	SPEAKER HARNESS Suburban, Radio To Rear Speaker Harness, Except Stereo	\$66.00	M
39709	1977	SPEAKER HARNESS Radio To Center Front Speaker, Except Stereo	\$40.00	M
39749	1977	SPEAKER HARNESS Radio To Rear Speakers, With Stereo	\$66.00	M
39794	1977	SPEAKER HARNESS Suburban, Driver Side Rear Speaker	\$66.00	M
39795	1977	SPEAKER HARNESS Suburban, Passenger Side Rear Speaker	\$66.00	M
39796	1977	SPEAKER HARNESS Suburban, Radio To Rear Speaker Harness, Except Stereo	\$66.00	M
39838	1977	SPEAKER HARNESS Suburban, Blazer & Jimmy, Front Section, Radio To Rear Speaker Harness	\$66.00	M
39843	1977	SPEAKER HARNESS Suburban, Rear Section, Radio Harness To Rear Speaker	\$66.00	M
39849	1977	SPEAKER HARNESS Blazer & Jimmy, Rear Section, Radio Harness To Rear Speaker	\$66.00	M

Part Number	Year	Description	Price	*Rev.
39868	1978	SPEAKER HARNESS Radio To Center Front Speaker, Except Stereo	\$40.00	M
39874	1978	SPEAKER HARNESS Suburban, With Rear Auxiliary Speaker	\$66.00	M
39875	1978	SPEAKER HARNESS Blazer & Jimmy, With Rear Auxiliary Speaker	\$66.00	M
39868	1979	SPEAKER HARNESS Radio To Center Front Speaker, Except Stereo	\$40.00	M
39874	1979	SPEAKER HARNESS Suburban, With Rear Auxiliary Speaker	\$66.00	M
39875	1979	SPEAKER HARNESS Blazer & Jimmy, With Rear Auxiliary Speaker	\$66.00	M
40044	1979	SPEAKER HARNESS C.B. Radio To Center Dash Speaker	\$66.00	M
39903	1980	SPEAKER HARNESS All Trucks, With 4 Speaker Stereo System	\$153.00	M
39904	1980	SPEAKER HARNESS Suburban With 4 Speaker Stereo System	\$153.00	M
39905	1980	SPEAKER HARNESS Blazer & Jimmy, With 4 Speaker Stereo System	\$153.00	M
39906	1980	SPEAKER HARNESS All With Front Door Speakers, (2 Required Per Vehicle)	\$66.00	M
39868	1980	SPEAKER HARNESS Radio To Center Front Speaker, Except Stereo	\$40.00	M
39875	1980	SPEAKER HARNESS Blazer & Jimmy, With Rear Auxiliary Speaker	\$66.00	M
39907	1980	SPEAKER HARNESS Suburban, With Rear Auxiliary Speaker	\$66.00	M
40044	1980	SPEAKER HARNESS C.B. Radio To Center Dash Speaker	\$66.00	M
39906	1981	SPEAKER HARNESS All With Front Door Speakers, (2 Required Per Vehicle)	\$66.00	M
39938	1981	SPEAKER HARNESS All Trucks, With 4 Speaker Stereo System	\$153.00	M
39939	1981	SPEAKER HARNESS Suburban, With 4 Speaker Stereo System	\$153.00	M
39940	1981	SPEAKER HARNESS Blazer & Jimmy, With 4 Speaker Stereo System	\$153.00	M
39868	1981	SPEAKER HARNESS Radio To Center Front Speaker, Except Stereo	\$40.00	M
40044	1981	SPEAKER HARNESS C.B. Radio To Center Dash Speaker	\$66.00	M
39954	1981	SPEAKER HARNESS Suburban, With Rear Auxiliary Speaker	\$66.00	M
39955	1981	SPEAKER HARNESS Blazer & Jimmy, With Rear Auxiliary Speaker	\$66.00	M
39938	1982	SPEAKER HARNESS All Trucks, With 4 Speaker Stereo System	\$153.00	M
39940	1982	SPEAKER HARNESS Blazer & Jimmy, With 4 Speaker Stereo System	\$153.00	M
40012	1982	SPEAKER HARNESS Suburban, With 4 Speaker Stereo System	\$153.00	M
39868	1982	SPEAKER HARNESS Radio To Center Front Speaker, Except Stereo	\$40.00	M
40044	1982	SPEAKER HARNESS C.B. Radio To Center Dash Speaker	\$66.00	M
39954	1982	SPEAKER HARNESS Suburban, With Rear Auxiliary Speaker	\$66.00	M
39955	1982	SPEAKER HARNESS Blazer & Jimmy, With Rear Auxiliary Speaker	\$66.00	M
SPEED WARNING HARNESS				
23185	1967	SPEED WARNING HARNESS	\$27.00	
23185	1968	SPEED WARNING HARNESS	\$27.00	
23185	1969	SPEED WARNING HARNESS	\$27.00	
23185	1970	SPEED WARNING HARNESS	\$27.00	
23185	1971	SPEED WARNING HARNESS	\$27.00	
23185	1972	SPEED WARNING HARNESS	\$27.00	
SPEEDOMETER				
44227	1947	SPEEDOMETER 0-80 MPH, White Needle Note: GM Did Not Sell This Gauge Separately, This Speedometer Has A Range From 0-80 Mph With A White Needle.	\$162.00	N
44238	1947	SPEEDOMETER CLUSTER 0-80 MPH, White Needle, Complete Assembly	\$276.00	N
44227	1948	SPEEDOMETER 0-80 MPH, White Needle Note: GM Did Not Sell This Gauge Separately, This Speedometer Has A Range From 0-80 Mph With A White Needle.	\$162.00	N
44238	1948	SPEEDOMETER CLUSTER 0-80 MPH, White Needle, Complete Assembly	\$276.00	N
44227	1949	SPEEDOMETER 0-80 MPH, White Needle Note: GM Did Not Sell This Gauge Separately, This Speedometer Has A Range From 0-80 Mph With A White Needle.	\$162.00	N
44238	1949	SPEEDOMETER CLUSTER 0-80 MPH, White Needle, Complete Assembly	\$276.00	N

Part Number	Year	Description	Price	*Rev.
44227	1950	SPEEDOMETER 0-80 MPH, White Needle Note: GM Did Not Sell This Gauge Separately, This Speedometer Has A Range From 0-80 Mph With A White Needle.	\$162.00	N
44238	1950	SPEEDOMETER CLUSTER 0-80 MPH, White Needle, Complete Assembly	\$276.00	N
44227	1951	SPEEDOMETER 0-80 MPH, White Needle Note: GM Did Not Sell This Gauge Separately, This Speedometer Has A Range From 0-80 Mph With A White Needle.	\$162.00	N
44238	1951	SPEEDOMETER CLUSTER 0-80 MPH, White Needle, Complete Assembly	\$276.00	N
44228	1952	SPEEDOMETER 0-90 MPH, White Needle Note: GM Did Not Sell This Gauge Separately, This Speedometer Has A Range From 0-90 Mph With A White Needle.	\$162.00	N
44239	1952	SPEEDOMETER CLUSTER 0-90 MPH, White Needle, Complete Assembly	\$276.00	N
44228	1953	SPEEDOMETER 0-90 MPH, White Needle Note: GM Did Not Sell This Gauge Separately, This Speedometer Has A Range From 0-90 Mph With A White Needle.	\$162.00	N
44239	1953	SPEEDOMETER CLUSTER 0-90 MPH, White Needle, Complete Assembly	\$276.00	N
44235	1954	SPEEDOMETER	\$185.00	N
44256	1954	SPEEDOMETER CLUSTER Complete Assembly	\$276.00	N
44235	1955	SPEEDOMETER 1st Series	\$185.00	N
44256	1955	SPEEDOMETER CLUSTER 1st Series, Complete Assembly	\$276.00	N
01583683	1955	SPEEDOMETER	\$185.00	N
01583683	1956	SPEEDOMETER	\$185.00	N
01583683	1957	SPEEDOMETER	\$185.00	N
01583683	1958	SPEEDOMETER	\$185.00	N
01583683	1959	SPEEDOMETER	\$185.00	N
01587444	1960	SPEEDOMETER	\$185.00	N
01587444	1961	SPEEDOMETER	\$185.00	N
01587444	1962	SPEEDOMETER	\$185.00	N
01587444	1963	SPEEDOMETER	\$185.00	N
06407465	1964	SPEEDOMETER	\$185.00	N
06407465	1965	SPEEDOMETER	\$185.00	N
06407465	1966	SPEEDOMETER	\$185.00	N
06492868	1967	SPEEDOMETER	\$93.00	N
06492868	1968	SPEEDOMETER	\$93.00	N
06492868	1969	SPEEDOMETER	\$93.00	N
06492868	1970	SPEEDOMETER	\$93.00	N
06492868	1971	SPEEDOMETER	\$93.00	N
06492868	1972	SPEEDOMETER	\$93.00	N
25045176	1976	SPEEDOMETER	\$139.00	N
25045176	1977	SPEEDOMETER	\$139.00	N
25045176	1978	SPEEDOMETER	\$139.00	N
25045176	1979	SPEEDOMETER 1st Design, Fire Orange Needle	\$139.00	N
25044301	1979	SPEEDOMETER 2nd Design, Light Orange Needle	\$139.00	N
25044301	1980	SPEEDOMETER	\$139.00	N
25051889	1981	SPEEDOMETER Light Orange Needle	\$139.00	N
25051889	1982	SPEEDOMETER Light Orange Needle	\$139.00	N
25051889	1983	SPEEDOMETER Light Orange Needle	\$139.00	N
25051889	1984	SPEEDOMETER Light Orange Needle	\$139.00	N
25051889	1985	SPEEDOMETER Light Orange Needle	\$139.00	N
25051889	1986	SPEEDOMETER Light Orange Needle	\$139.00	N
25051889	1987	SPEEDOMETER Light Orange Needle	\$139.00	N

Part Number	Year	Description	Price	*Rev.
STARTER SWITCH				
00820052	1938	STARTER SWITCH Foot Operated, On Starter	\$24.00	N
00820052	1939	STARTER SWITCH Foot Operated, On Starter	\$24.00	N
00820052	1940	STARTER SWITCH Foot Operated, On Starter	\$24.00	N
00820052	1941	STARTER SWITCH Foot Operated, On Starter	\$24.00	N
00820052	1942	STARTER SWITCH Foot Operated, On Starter	\$24.00	N
00820052	1946	STARTER SWITCH Foot Operated, On Starter	\$24.00	N
00820052	1947	STARTER SWITCH Foot Operated, On Starter	\$24.00	N
00820052	1948	STARTER SWITCH Foot Operated, On Starter	\$24.00	N
00820052	1949	STARTER SWITCH Foot Operated, On Starter	\$24.00	N
00820052	1950	STARTER SWITCH Foot Operated, On Starter	\$24.00	N
00820052	1951	STARTER SWITCH Foot Operated, On Starter	\$24.00	N
00820052	1952	STARTER SWITCH Foot Operated, On Starter	\$24.00	N
00820052	1953	STARTER SWITCH Foot Operated, On Starter	\$24.00	N
00820052	1954	STARTER SWITCH Foot Operated, On Starter	\$24.00	N
00820052	1955	STARTER SWITCH 1st Series, 6 Volt, Except H.T. Transmission, Foot Operated, On Starter	\$24.00	N
01930496	1955	STARTER SWITCH 2nd Series, 12 Volt, 6 Cylinder, Except H.T. Transmission, Foot Operated, On Starter	\$24.00	N
01930496	1956	STARTER SWITCH 6 Cylinder, Except H.T. Transmission, Foot Operated, On Starter	\$24.00	N
01930496	1957	STARTER SWITCH 6 Cylinder, Except H.T. Transmission, Foot Operated, On Starter	\$24.00	N
01930496	1958	STARTER SWITCH 6 Cylinder, Except H.T. Transmission, Foot Operated, On Starter	\$24.00	N
01930496	1959	STARTER SWITCH 6 Cylinder, Except H.T. Transmission, Foot Operated, On Starter	\$24.00	N
STEERING COLUMN ADAPTER HARNESS				
39468	1955	STEERING COLUMN ADAPTER HARNESS For 1969-74 GM & Ididit Columns (Exc. Flaming River) To Stock Dash Note: Adapts Horn, Directionals, Hazard Flasher To Stock Dash Harness.	\$50.00	
39467	1955	STEERING COLUMN ADAPTER HARNESS For 1975 & Up GM & Flaming River Columns (Exc. Ididit) To Stock Dash Note: Adapts Horn, Directionals, Hazard Flasher To Stock Dash Harness.	\$50.00	
39468	1956	STEERING COLUMN ADAPTER HARNESS For 1969-74 GM & Ididit Columns (Exc. Flaming River) To Stock Dash Note: Adapts Horn, Directionals, Hazard Flasher To Stock Dash Harness.	\$50.00	
39467	1956	STEERING COLUMN ADAPTER HARNESS For 1975 & Up GM & Flaming River Columns (Exc. Ididit) To Stock Dash Note: Adapts Horn, Directionals, Hazard Flasher To Stock Dash Harness.	\$50.00	
35785	1957	STEERING COLUMN ADAPTER HARNESS For 1969-74 GM & Ididit Columns (Exc. Flaming River) To Stock Dash Note: Adapts Horn, Directionals, Hazard Flasher To Stock Dash Harness.	\$50.00	
13597	1957	STEERING COLUMN ADAPTER HARNESS For 1975 & Up GM & Flaming River Columns (Exc. Ididit) To Stock Dash Note: Adapts Horn, Directionals, Hazard Flasher To Stock Dash Harness.	\$51.00	
35785	1958	STEERING COLUMN ADAPTER HARNESS For 1969-74 GM & Ididit Columns (Exc. Flaming River) To Stock Dash Note: Adapts Horn, Directionals, Hazard Flasher To Stock Dash Harness.	\$50.00	
13597	1958	STEERING COLUMN ADAPTER HARNESS For 1975 & Up GM & Flaming River Columns (Exc. Ididit) To Stock Dash Note: Adapts Horn, Directionals, Hazard Flasher To Stock Dash Harness.	\$51.00	
35785	1959	STEERING COLUMN ADAPTER HARNESS For 1969-74 GM & Ididit Columns (Exc. Flaming River) To Stock Dash Note: Adapts Horn, Directionals, Hazard Flasher To Stock Dash Harness.	\$50.00	

Part Number	Year	Description	Price	*Rev.
13597	1959	STEERING COLUMN ADAPTER HARNESS For 1975 & Up GM & Flaming River Columns (Exc. Ididit) To Stock Dash Note: Adapts Horn, Directionals, Hazard Flasher To Stock Dash Harness.	\$51.00	
37616	1960	STEERING COLUMN ADAPTER HARNESS For 1969-74 GM & Ididit Columns (Exc. Flaming River) To Stock Dash Harness Note: Adapts Horn, Directionals, Hazard Flashers To Stock 6-Way Dash Connector.	\$50.00	
38124	1960	STEERING COLUMN ADAPTER HARNESS For 1975 & Up GM & Flaming River Columns (Exc. Ididit) To Stock Dash Harness Note: Adapts Horn, Directionals, Hazard Flashers To Stock 6-Way Dash Connector.	\$53.00	
37616	1961	STEERING COLUMN ADAPTER HARNESS For 1969-74 GM & Ididit Columns (Exc. Flaming River) To Stock Dash Harness Note: Adapts Horn, Directionals, Hazard Flashers To Stock 6-Way Dash Connector.	\$50.00	
38124	1961	STEERING COLUMN ADAPTER HARNESS For 1975 & Up GM & Flaming River Columns (Exc. Ididit) To Stock Dash Harness Note: Adapts Horn, Directionals, Hazard Flashers To Stock 6-Way Dash Connector.	\$53.00	
37616	1962	STEERING COLUMN ADAPTER HARNESS For 1969-74 GM & Ididit Columns (Exc. Flaming River) To Stock Dash Harness Note: Adapts Horn, Directionals, Hazard Flashers To Stock 6-Way Dash Connector.	\$50.00	
38124	1962	STEERING COLUMN ADAPTER HARNESS For 1975 & Up GM & Flaming River Columns (Exc. Ididit) To Stock Dash Harness Note: Adapts Horn, Directionals, Hazard Flashers To Stock 6-Way Dash Connector.	\$53.00	
37618	1963	STEERING COLUMN ADAPTER HARNESS For 1969-74 GM & Ididit Columns (Exc. Flaming River) To Stock Dash Harness Note: Adapts Horn, Directionals, Hazard Flashers To Stock 8-Way Dash Connector.	\$50.00	
38125	1963	STEERING COLUMN ADAPTER HARNESS For 1975 & Up GM & Flaming River Columns (Exc. Ididit) To Stock Dash Harness Note: Adapts Horn, Directionals, Hazard Flashers To Stock 8-Way Dash Connector.	\$51.00	
37618	1964	STEERING COLUMN ADAPTER HARNESS For 1969-74 GM & Ididit Columns (Exc. Flaming River) To Stock Dash Harness Note: Adapts Horn, Directionals, Hazard Flashers To Stock 8-Way Dash Connector.	\$50.00	
38125	1964	STEERING COLUMN ADAPTER HARNESS For 1975 & Up GM & Flaming River Columns (Exc. Ididit) To Stock Dash Harness Note: Adapts Horn, Directionals, Hazard Flashers To Stock 8-Way Dash Connector.	\$51.00	
37618	1965	STEERING COLUMN ADAPTER HARNESS For 1969-74 GM & Ididit Columns (Exc. Flaming River) To Stock Dash Harness Note: Adapts Horn, Directionals, Hazard Flashers To Stock 8-Way Dash Connector.	\$50.00	
38125	1965	STEERING COLUMN ADAPTER HARNESS For 1975 & Up GM & Flaming River Columns (Exc. Ididit) To Stock Dash Harness Note: Adapts Horn, Directionals, Hazard Flashers To Stock 8-Way Dash Connector.	\$51.00	
37618	1966	STEERING COLUMN ADAPTER HARNESS For 1969-74 GM & Ididit Columns (Exc. Flaming River) To Stock Dash Harness Note: Adapts Horn, Directionals, Hazard Flashers To Stock 8-Way Dash Connector.	\$50.00	
38125	1966	STEERING COLUMN ADAPTER HARNESS For 1975 & Up GM & Flaming River Columns (Exc. Ididit) To Stock Dash Harness Note: Adapts Horn, Directionals, Hazard Flashers To Stock 8-Way Dash Connector.	\$51.00	
36878	1967	STEERING COLUMN ADAPTER HARNESS For 1969-74 GM & Ididit Columns (Exc. Flaming River) To Stock Dash Harness Note: Adapts Horn, Directionals, Hazard Flashers To Stock 8 Pin Dash Connector.	\$27.00	
38126	1967	STEERING COLUMN ADAPTER HARNESS For 1975 & Up GM & Flaming River Columns (Exc. Ididit) To Stock Dash Harness Note: Adapts Horn, Directionals, Hazard Flashers To Stock 8 Pin Dash Connector.	\$27.00	
36878	1968	STEERING COLUMN ADAPTER HARNESS For 1969-74 GM & Ididit Columns (Exc. Flaming River) To Stock Dash Harness Note: Adapts Horn, Directionals, Hazard Flashers To Stock 8 Pin Dash Connector.	\$27.00	

Part Number	Year	Description	Price	*Rev.
38126	1968	STEERING COLUMN ADAPTER HARNESS For 1975 & Up GM & Flaming River Columns (Exc. Ididit) To Stock Dash Harness Note: Adapts Horn, Directionals, Hazard Flashers To Stock 8 Pin Dash Connector.	\$27.00	
36878	1969	STEERING COLUMN ADAPTER HARNESS For 1969-74 GM & Ididit Columns (Exc. Flaming River) To Stock Dash Harness Note: Adapts Horn, Directionals, Hazard Flashers To Stock 8 Pin Dash Connector.	\$27.00	
38126	1969	STEERING COLUMN ADAPTER HARNESS For 1975 & Up GM & Flaming River Columns (Exc. Ididit) To Stock Dash Harness Note: Adapts Horn, Directionals, Hazard Flashers To Stock 8 Pin Dash Connector.	\$27.00	
36878	1970	STEERING COLUMN ADAPTER HARNESS For 1969-74 GM & Ididit Columns (Exc. Flaming River) To Stock Dash Harness Note: Adapts Horn, Directionals, Hazard Flashers To Stock 8 Pin Dash Connector.	\$27.00	
38126	1970	STEERING COLUMN ADAPTER HARNESS For 1975 & Up GM & Flaming River Columns (Exc. Ididit) To Stock Dash Harness Note: Adapts Horn, Directionals, Hazard Flashers To Stock 8 Pin Dash Connector.	\$27.00	
36878	1971	STEERING COLUMN ADAPTER HARNESS For 1969-74 GM & Ididit Columns (Exc. Flaming River) To Stock Dash Harness Note: Adapts Horn, Directionals, Hazard Flashers To Stock 8 Pin Dash Connector.	\$27.00	
38126	1971	STEERING COLUMN ADAPTER HARNESS For 1975 & Up GM & Flaming River Columns (Exc. Ididit) To Stock Dash Harness Note: Adapts Horn, Directionals, Hazard Flashers To Stock 8 Pin Dash Connector.	\$27.00	
36878	1972	STEERING COLUMN ADAPTER HARNESS For 1969-74 GM & Ididit Columns (Exc. Flaming River) To Stock Dash Harness Note: Adapts Horn, Directionals, Hazard Flashers To Stock 8 Pin Dash Connector.	\$27.00	
38126	1972	STEERING COLUMN ADAPTER HARNESS For 1975 & Up GM & Flaming River Columns (Exc. Ididit) To Stock Dash Harness Note: Adapts Horn, Directionals, Hazard Flashers To Stock 8 Pin Dash Connector.	\$27.00	
STOP LAMP SWITCH				
01997922	1942	STOP LAMP SWITCH	\$8.00	N
01997922	1946	STOP LAMP SWITCH	\$8.00	N
01997922	1947	STOP LAMP SWITCH	\$8.00	N
01997922	1948	STOP LAMP SWITCH	\$8.00	N
01997922	1949	STOP LAMP SWITCH	\$8.00	N
01997922	1950	STOP LAMP SWITCH	\$8.00	N
01997922	1951	STOP LAMP SWITCH	\$8.00	N
01997922	1952	STOP LAMP SWITCH	\$8.00	N
01997922	1953	STOP LAMP SWITCH	\$8.00	N
01997922	1954	STOP LAMP SWITCH	\$8.00	N
01997922	1955	STOP LAMP SWITCH 1st Series, 6 Volt	\$8.00	N
01997921	1955	STOP LAMP SWITCH 2nd Series, 12 Volt	\$8.00	N
01997921	1956	STOP LAMP SWITCH	\$8.00	N
01997921	1957	STOP LAMP SWITCH	\$8.00	N
01997921	1958	STOP LAMP SWITCH	\$8.00	N
01997921	1959	STOP LAMP SWITCH	\$8.00	N
01261219	1960	STOP LAMP SWITCH All, Without Cruise	\$5.80	N
01261219	1961	STOP LAMP SWITCH All, Without Cruise	\$5.80	N
01261219	1962	STOP LAMP SWITCH All, Without Cruise	\$5.80	N
01261219	1963	STOP LAMP SWITCH All, Without Cruise	\$5.80	N
01261219	1964	STOP LAMP SWITCH All, Without Cruise	\$5.80	N
01261219	1965	STOP LAMP SWITCH All, Without Cruise	\$5.80	N

Part Number	Year	Description	Price	*Rev.
01261219	1966	STOP LAMP SWITCH All, Without Cruise	\$5.80	N
01261219	1967	STOP LAMP SWITCH All, Without Cruise	\$5.80	N
01261219	1968	STOP LAMP SWITCH All, Without Cruise	\$5.80	N
01261219	1969	STOP LAMP SWITCH All, Without Cruise	\$5.80	N
01261219	1970	STOP LAMP SWITCH All, Without Cruise	\$5.80	N
01261219	1971	STOP LAMP SWITCH All, Without Cruise	\$5.80	N
01261219	1972	STOP LAMP SWITCH All, Without Cruise	\$5.80	N
01261219	1973	STOP LAMP SWITCH All, Without Cruise	\$5.80	N
01261219	1974	STOP LAMP SWITCH All, Without Cruise	\$5.80	N
01261219	1975	STOP LAMP SWITCH All, Without Cruise	\$5.80	N
01261219	1976	STOP LAMP SWITCH All, Without Cruise	\$5.80	N
01261219	1977	STOP LAMP SWITCH All, Without Cruise	\$5.80	N
01261219	1978	STOP LAMP SWITCH All, Without Cruise	\$5.80	N
01261219	1979	STOP LAMP SWITCH All, Without Cruise	\$5.80	N
01261219	1980	STOP LAMP SWITCH With Manual Trans, Without Cruise	\$5.80	N
01261219	1981	STOP LAMP SWITCH With Manual Trans, Without Cruise	\$5.80	N
01261219	1982	STOP LAMP SWITCH With Manual Trans Or TH400, Without Cruise	\$5.80	N
01261219	1983	STOP LAMP SWITCH With Manual Trans Or TH400, Without Cruise	\$5.80	N
01261219	1984	STOP LAMP SWITCH With Manual Trans Or TH400, Without Cruise	\$5.80	N
01261219	1985	STOP LAMP SWITCH With Manual Trans Or TH400, Without Cruise	\$5.80	N
01261219	1986	STOP LAMP SWITCH With Manual Trans Or TH400, Without Cruise	\$5.80	N
01261219	1987	STOP LAMP SWITCH RV Body Style, With Manual Trans Or TH400, Without Cruise	\$5.80	N
01261219	1988	STOP LAMP SWITCH RV Body Style, With Manual Trans Or TH400, Without Cruise	\$5.80	N
01261219	1989	STOP LAMP SWITCH RV Body Style, With Manual Trans Or TH 400, Without Cruise	\$5.80	N
TACHOMETER				
44269	1963	TACHOMETER KIT V/8, 5000 RPM, Includes Tachometer, Tachometer Wire Harness, All Necessary Hardware & Instructions Note: Kit Will Replace Original Tachometer, Or Can Be Added In Original Gauge Type Clusters Without Tachometer Using Block-Off Plate.	\$247.00	N
44269	1964	TACHOMETER KIT V/8, 5000 RPM, Includes Tachometer, Tachometer Wire Harness, All Necessary Hardware & Instructions Note: Kit Will Replace Original Tachometer, Or Can Be Added In Original Gauge Type Clusters Without Tachometer Using Block-Off Plate.	\$247.00	N
44269	1965	TACHOMETER KIT V/8, 5000 RPM, Includes Tachometer, Tachometer Wire Harness, All Necessary Hardware & Instructions Note: Kit Will Replace Original Tachometer, Or Can Be Added In Original Gauge Type Clusters Without Tachometer Using Block-Off Plate.	\$247.00	N
44269	1966	TACHOMETER KIT V/8, 5000 RPM, Includes Tachometer, Tachometer Wire Harness, All Necessary Hardware & Instructions Note: Kit Will Replace Original Tachometer, Or Can Be Added In Original Gauge Type Clusters Without Tachometer Using Block-Off Plate.	\$247.00	N
06468228	1967	TACHOMETER V/8, 5000 RPM	\$116.00	N
44217	1967	TACHOMETER CONVERSION KIT V/8 Only, 5000 RPM Tach Note: Kit Includes: 5000 RPM Tachometer, Printed Circuit, Instrument Lens, Front & Back Gauge Housings, And Tachometer Wiring Harness.	\$331.00	N
44218	1967	TACHOMETER CONVERSION KIT V/8 Only, 8000 RPM Tach. Note: Kit Includes: 8000 RPM Tachometer, Printed Circuit, Instrument Lens, Front & Back Gauge Housings, And Tachometer Wiring Harness.	\$355.00	N
06468228	1968	TACHOMETER V/8, 5000 RPM	\$116.00	N

Part Number	Year	Description	Price	*Rev.
44217	1968	TACHOMETER CONVERSION KIT V/8 Only, 5000 RPM Tach Note: Kit Includes: 5000 RPM Tachometer, Printed Circuit, Instrument Lens, Front & Back Gauge Housings, And Tachometer Wiring Harness.	\$331.00	N
44218	1968	TACHOMETER CONVERSION KIT V/8 Only, 8000 RPM Tach. Note: Kit Includes: 8000 RPM Tachometer, Printed Circuit, Instrument Lens, Front & Back Gauge Housings, And Tachometer Wiring Harness.	\$355.00	N
06468228	1969	TACHOMETER V/8, 5000 RPM	\$116.00	N
44217	1969	TACHOMETER CONVERSION KIT V/8 Only, 5000 RPM Tach Note: Kit Includes: 5000 RPM Tachometer, Printed Circuit, Instrument Lens, Front & Back Gauge Housings, And Tachometer Wiring Harness.	\$331.00	N
44218	1969	TACHOMETER CONVERSION KIT V/8 Only, 8000 RPM Tach. Note: Kit Includes: 8000 RPM Tachometer, Printed Circuit, Instrument Lens, Front & Back Gauge Housings, And Tachometer Wiring Harness.	\$355.00	N
06468228	1970	TACHOMETER V/8, 5000 RPM	\$116.00	N
44217	1970	TACHOMETER CONVERSION KIT V/8 Only, 5000 RPM Tach Note: Kit Includes: 5000 RPM Tachometer, Printed Circuit, Instrument Lens, Front & Back Gauge Housings, And Tachometer Wiring Harness.	\$331.00	N
44218	1970	TACHOMETER CONVERSION KIT V/8 Only, 8000 RPM Tach. Note: Kit Includes: 8000 RPM Tachometer, Printed Circuit, Instrument Lens, Front & Back Gauge Housings, And Tachometer Wiring Harness.	\$355.00	N
06468228	1971	TACHOMETER V/8, 5000 RPM	\$116.00	N
44217	1971	TACHOMETER CONVERSION KIT V/8 Only, 5000 RPM Tach Note: Kit Includes: 5000 RPM Tachometer, Printed Circuit, Instrument Lens, Front & Back Gauge Housings, And Tachometer Wiring Harness.	\$331.00	N
44218	1971	TACHOMETER CONVERSION KIT V/8 Only, 8000 RPM Tach. Note: Kit Includes: 8000 RPM Tachometer, Printed Circuit, Instrument Lens, Front & Back Gauge Housings, And Tachometer Wiring Harness.	\$355.00	N
06468228	1972	TACHOMETER V/8, 5000 RPM	\$116.00	N
44217	1972	TACHOMETER CONVERSION KIT V/8 Only, 5000 RPM Tach Note: Kit Includes: 5000 RPM Tachometer, Printed Circuit, Instrument Lens, Front & Back Gauge Housings, And Tachometer Wiring Harness.	\$331.00	N
44218	1972	TACHOMETER CONVERSION KIT V/8 Only, 8000 RPM Tach. Note: Kit Includes: 8000 RPM Tachometer, Printed Circuit, Instrument Lens, Front & Back Gauge Housings, And Tachometer Wiring Harness.	\$355.00	N
05658293	1973	TACHOMETER V/8, 5000 RPM	\$127.00	N
05658293	1974	TACHOMETER V/8, 5000 RPM	\$127.00	N
05658293	1975	TACHOMETER V/8, 5000 RPM	\$127.00	N
05659232	1976	TACHOMETER V/8, 5000 RPM	\$127.00	N
05659232	1977	TACHOMETER V/8, 5000 RPM	\$127.00	N
05659232	1978	TACHOMETER V/8, 5000 RPM	\$127.00	N
05659232	1979	TACHOMETER 1st Design, V/8, 5000 RPM, With Fire Orange Pointer	\$127.00	N
25054251	1979	TACHOMETER 2nd Design, V/8, 5000 RPM, With Yellow Pointer	\$127.00	N
25054251	1980	TACHOMETER V/8, 5000 RPM	\$127.00	N
25054251	1981	TACHOMETER V/8, 5000 RPM	\$127.00	N
25054251	1982	TACHOMETER V/8, 5000 RPM	\$127.00	N
25054251	1983	TACHOMETER V/8, 5000 RPM	\$127.00	N
25054251	1984	TACHOMETER V/8, 5000 RPM	\$127.00	N
25054251	1985	TACHOMETER V/8, 5000 RPM	\$127.00	N
25054251	1986	TACHOMETER V/8, 5000 RPM	\$127.00	N
25054251	1987	TACHOMETER V/8, 5000 RPM	\$127.00	N

Part Number	Year	Description	Price	*Rev.
TACHOMETER HARNESS				
03290	1961	TACHOMETER HARNESS	\$56.00	
03290	1962	TACHOMETER HARNESS	\$56.00	
04225	1963	TACHOMETER HARNESS	\$56.00	
20705	1964	TACHOMETER HARNESS 6 Cylinder Note: 6 Cylinder Items Are Not Returnable.	\$56.00	
20670	1964	TACHOMETER HARNESS V/8	\$56.00	
39693	1964	TACHOMETER HARNESS V/8, With HEI Note: Not All Tachometers Will Operate Or Indicate Correctly When Used On An HEI Ignition System. While Some Original And Reproduction Tachometers May Give A Reading, This Does Not Necessarily Mean The Reading Is Correct.	\$56.00	
20705	1965	TACHOMETER HARNESS 6 Cylinder Note: 6 Cylinder Items Are Not Returnable.	\$56.00	
20670	1965	TACHOMETER HARNESS V/8	\$56.00	
39693	1965	TACHOMETER HARNESS V/8, With HEI Note: Not All Tachometers Will Operate Or Indicate Correctly When Used On An HEI Ignition System. While Some Original And Reproduction Tachometers May Give A Reading, This Does Not Necessarily Mean The Reading Is Correct.	\$56.00	
20705	1966	TACHOMETER HARNESS 6 Cylinder Note: 6 Cylinder Items Are Not Returnable.	\$56.00	
20670	1966	TACHOMETER HARNESS V/8	\$56.00	
39693	1966	TACHOMETER HARNESS V/8, With HEI Note: Not All Tachometers Will Operate Or Indicate Correctly When Used On An HEI Ignition System. While Some Original And Reproduction Tachometers May Give A Reading, This Does Not Necessarily Mean The Reading Is Correct.	\$56.00	
20645	1967	TACHOMETER HARNESS	\$39.00	
39694	1967	TACHOMETER HARNESS With HEI Note: Not All Tachometers Will Operate Or Indicate Correctly When Used On An HEI Ignition System. While Some Original And Reproduction Tachometers May Give A Reading, This Does Not Necessarily Mean The Reading Is Correct.	\$39.00	
20635	1968	TACHOMETER HARNESS	\$45.00	
39695	1968	TACHOMETER HARNESS With HEI Note: Not All Tachometers Will Operate Or Indicate Correctly When Used On An HEI Ignition System. While Some Original And Reproduction Tachometers May Give A Reading, This Does Not Necessarily Mean The Reading Is Correct.	\$45.00	
20635	1969	TACHOMETER HARNESS	\$45.00	
39695	1969	TACHOMETER HARNESS With HEI Note: Not All Tachometers Will Operate Or Indicate Correctly When Used On An HEI Ignition System. While Some Original And Reproduction Tachometers May Give A Reading, This Does Not Necessarily Mean The Reading Is Correct.	\$45.00	
20635	1970	TACHOMETER HARNESS	\$45.00	
39695	1970	TACHOMETER HARNESS With HEI Note: Not All Tachometers Will Operate Or Indicate Correctly When Used On An HEI Ignition System. While Some Original And Reproduction Tachometers May Give A Reading, This Does Not Necessarily Mean The Reading Is Correct.	\$45.00	
20635	1971	TACHOMETER HARNESS	\$45.00	
39695	1971	TACHOMETER HARNESS With HEI Note: Not All Tachometers Will Operate Or Indicate Correctly When Used On An HEI Ignition System. While Some Original And Reproduction Tachometers May Give A Reading, This Does Not Necessarily Mean The Reading Is Correct.	\$45.00	
20635	1972	TACHOMETER HARNESS	\$45.00	
39695	1972	TACHOMETER HARNESS With HEI Note: Not All Tachometers Will Operate Or Indicate Correctly When Used On An HEI Ignition System. While Some Original And Reproduction Tachometers May Give A Reading, This Does Not Necessarily Mean The Reading Is Correct.	\$45.00	
20800	1973	TACHOMETER HARNESS	\$54.00	M
39696	1973	TACHOMETER HARNESS With HEI Note: Not All Tachometers Will Operate Or Indicate Correctly When Used On An HEI Ignition System. While Some Original And Reproduction Tachometers May Give A Reading, This Does Not Necessarily Mean The Reading Is Correct.	\$54.00	M

Part Number	Year	Description	Price	*Rev.
20800	1974	TACHOMETER HARNESS	\$54.00	M
39696	1974	TACHOMETER HARNESS With HEI Note: Not All Tachometers Will Operate Or Indicate Correctly When Used On An HEI Ignition System. While Some Original And Reproduction Tachometers May Give A Reading, This Does Not Necessarily Mean The Reading Is Correct.	\$54.00	M
38281	1975	TACHOMETER HARNESS All	\$54.00	M
38281	1976	TACHOMETER HARNESS All	\$54.00	M
38282	1977	TACHOMETER HARNESS V/8	\$54.00	M
38281	1977	TACHOMETER HARNESS 6 Cylinder Note: 6 Cylinder Items Are Not Returnable.	\$54.00	M
38867	1978	TACHOMETER HARNESS All	\$54.00	M
38284	1979	TACHOMETER HARNESS All	\$54.00	M
38284	1980	TACHOMETER HARNESS All	\$54.00	M
38285	1981	TACHOMETER HARNESS All	\$54.00	M
38285	1982	TACHOMETER HARNESS All	\$54.00	M
38285	1983	TACHOMETER HARNESS All	\$54.00	M
38285	1984	TACHOMETER HARNESS All	\$54.00	M
38285	1985	TACHOMETER HARNESS All	\$54.00	M
38285	1986	TACHOMETER HARNESS All	\$54.00	M
38285	1987	TACHOMETER HARNESS All	\$54.00	M
TAILGATE MARKER LAMP HARNESS				
39741	1973	TAILGATE MARKER LAMP HARNESS Fleetside, 3/4 & 1-Ton, With Tailgate Marker Lamps	\$127.00	M
39741	1974	TAILGATE MARKER LAMP HARNESS Fleetside, 3/4 & 1-Ton, With Tailgate Marker Lamps, (1st Design) Note: This Harness Has A Single Wire Plastic Connector Where It Plugs Into Rear Lamp Harness.	\$127.00	M
39773	1974	TAILGATE MARKER LAMP HARNESS Fleetside, 3/4 & 1-Ton, With Tailgate Marker Lamps, (2nd Design) Note: This Harness Has A 2 Wire Rubber Molded Connector Where It Plugs Into Rear Lamp Harness.	\$132.00	M
39741	1975	TAILGATE MARKER LAMP HARNESS Fleetside, 3/4 & 1-Ton, With Tailgate Marker Lamps	\$127.00	M
39741	1976	TAILGATE MARKER LAMP HARNESS Fleetside, 3/4 & 1-Ton, With Tailgate Marker Lamps	\$127.00	M
39741	1977	TAILGATE MARKER LAMP HARNESS Fleetside, 3/4 & 1-Ton, With Tailgate Marker Lamps	\$127.00	M
39741	1978	TAILGATE MARKER LAMP HARNESS Fleetside, 3/4 & 1-Ton, With Tailgate Marker Lamps	\$127.00	M
39741	1979	TAILGATE MARKER LAMP HARNESS Fleetside, 3/4 & 1-Ton, With Tailgate Marker Lamps	\$127.00	M
39741	1980	TAILGATE MARKER LAMP HARNESS Fleetside, 3/4 & 1-Ton, With Tailgate Marker Lamps	\$127.00	M
39992	1981	TAILGATE MARKER LAMP HARNESS 1-Tons, With Fleetside Bed & Dual Rear Wheels	\$132.00	M
39992	1982	TAILGATE MARKER LAMP HARNESS 1-Ton, With Fleetside Bed & Dual Rear Wheels	\$132.00	M
TEMPERATURE GAUGE				
01511898	1947	TEMPERATURE GAUGE 6 Cylinder, 100-212 Degree, Red Needle, 45 Inch	\$74.00	N
44224	1947	TEMPERATURE GAUGE 6 Cylinder, 100-220 Degree, Red Needle, 45 Inch Note: GM Did Not Sell This Gauge Originally, This Gauge Has A Range From 100-220 Degrees, But Still Maintains The Original Appearance.	\$74.00	N
44223	1947	TEMPERATURE GAUGE V/8, 100-212 Degree, Red Needle, 60 Inch Note: GM Did Not Sell This Gauge Originally, This Gauge Is For Vehicles With V/8, But Still Maintains The Original Appearance.	\$74.00	N
44225	1947	TEMPERATURE GAUGE V/8, 100-220 Degree, Red Needle, 60 Inch Note: GM Did Not Sell This Gauge Originally, This Gauge Has A Range From 100-220 Degrees, But Still Maintains The Original Appearance.	\$74.00	N
01511898	1948	TEMPERATURE GAUGE 6 Cylinder, 100-212 Degree, Red Needle, 45 Inch	\$74.00	N
44224	1948	TEMPERATURE GAUGE 6 Cylinder, 100-220 Degree, Red Needle, 45 Inch Note: GM Did Not Sell This Gauge Originally, This Gauge Has A Range From 100-220 Degrees, But Still Maintains The Original Appearance.	\$74.00	N

Part Number	Year	Description	Price	*Rev.
44223	1948	TEMPERATURE GAUGE V/8, 100-212 Degree, Red Needle, 60 Inch Note: GM Did Not Sell This Gauge Originally, This Gauge Is For Vehicles With V/8, But Still Maintains The Original Appearance.	\$74.00	N
44225	1948	TEMPERATURE GAUGE V/8, 100-220 Degree, Red Needle, 60 Inch Note: GM Did Not Sell This Gauge Originally, This Gauge Has A Range From 100-220 Degrees, But Still Maintains The Original Appearance.	\$74.00	N
01512148	1949	TEMPERATURE GAUGE 6 Cylinder, 100-212 Degree, White Needle, 45 Inch	\$74.00	N
01512701	1949	TEMPERATURE GAUGE 6 Cylinder, 100-220 Degree, White Needle, 45 Inch	\$74.00	N
44230	1949	TEMPERATURE GAUGE V/8, 100-212 Degree, White Needle, 60 Inch Note: GM Did Not Sell This Gauge Originally, This Gauge Is For Vehicles With V/8, But Still Maintains The Original Appearance.	\$74.00	N
44231	1949	TEMPERATURE GAUGE V/8, 100-220 Degree, White Needle, 60 Inch Note: GM Did Not Sell This Gauge Originally, This Gauge Is For Vehicles With V/8, But Still Maintains The Original Appearance.	\$74.00	N
01512148	1950	TEMPERATURE GAUGE 6 Cylinder, 100-212 Degree, White Needle, 45 Inch	\$74.00	N
01512701	1950	TEMPERATURE GAUGE 6 Cylinder, 100-220 Degree, White Needle, 45 Inch	\$74.00	N
44230	1950	TEMPERATURE GAUGE V/8, 100-212 Degree, White Needle, 60 Inch Note: GM Did Not Sell This Gauge Originally, This Gauge Is For Vehicles With V/8, But Still Maintains The Original Appearance.	\$74.00	N
44231	1950	TEMPERATURE GAUGE V/8, 100-220 Degree, White Needle, 60 Inch Note: GM Did Not Sell This Gauge Originally, This Gauge Is For Vehicles With V/8, But Still Maintains The Original Appearance.	\$74.00	N
01512148	1951	TEMPERATURE GAUGE 6 Cylinder, 100-212 Degree, White Needle, 45 Inch	\$74.00	N
01512701	1951	TEMPERATURE GAUGE 6 Cylinder, 100-220 Degree, White Needle, 45 Inch	\$74.00	N
44230	1951	TEMPERATURE GAUGE V/8, 100-212 Degree, White Needle, 60 Inch Note: GM Did Not Sell This Gauge Originally, This Gauge Is For Vehicles With V/8, But Still Maintains The Original Appearance.	\$74.00	N
44231	1951	TEMPERATURE GAUGE V/8, 100-220 Degree, White Needle, 60 Inch Note: GM Did Not Sell This Gauge Originally, This Gauge Is For Vehicles With V/8, But Still Maintains The Original Appearance.	\$74.00	N
01512148	1952	TEMPERATURE GAUGE 6 Cylinder, 100-212 Degree, White Needle, 45 Inch	\$74.00	N
01512701	1952	TEMPERATURE GAUGE 6 Cylinder, 100-220 Degree, White Needle, 45 Inch	\$74.00	N
44230	1952	TEMPERATURE GAUGE V/8, 100-212 Degree, White Needle, 60 Inch Note: GM Did Not Sell This Gauge Originally, This Gauge Is For Vehicles With V/8, But Still Maintains The Original Appearance.	\$74.00	N
44231	1952	TEMPERATURE GAUGE V/8, 100-220 Degree, White Needle, 60 Inch Note: GM Did Not Sell This Gauge Originally, This Gauge Is For Vehicles With V/8, But Still Maintains The Original Appearance.	\$74.00	N
01512148	1953	TEMPERATURE GAUGE 6 Cylinder, 100-212 Degree, White Needle, 45 Inch	\$74.00	N
01512701	1953	TEMPERATURE GAUGE 6 Cylinder, 100-220 Degree, White Needle, 45 Inch	\$74.00	N
44230	1953	TEMPERATURE GAUGE V/8, 100-212 Degree, White Needle, 60 Inch Note: GM Did Not Sell This Gauge Originally, This Gauge Is For Vehicles With V/8, But Still Maintains The Original Appearance.	\$74.00	N
44231	1953	TEMPERATURE GAUGE V/8, 100-220 Degree, White Needle, 60 Inch Note: GM Did Not Sell This Gauge Originally, This Gauge Is For Vehicles With V/8, But Still Maintains The Original Appearance.	\$74.00	N
01512692	1954	TEMPERATURE GAUGE 6 Cylinder, 45 Inch	\$74.00	N
44237	1954	TEMPERATURE GAUGE 8 Cylinder, 60 Inch	\$74.00	N
01512692	1955	TEMPERATURE GAUGE 1st Series, 6 Cylinder, 45 Inch	\$74.00	N
44237	1955	TEMPERATURE GAUGE 1st Series, 8 Cylinder, 60 Inch	\$74.00	N
01513381	1955	TEMPERATURE GAUGE Electric	\$85.00	N
01513163	1955	TEMPERATURE GAUGE Mechanical, 60" Tube Length	\$85.00	N
01513381	1956	TEMPERATURE GAUGE Electric	\$85.00	N
01513163	1956	TEMPERATURE GAUGE Mechanical, 60" Tube Length	\$85.00	N
01513381	1957	TEMPERATURE GAUGE Electric	\$85.00	N
01513163	1957	TEMPERATURE GAUGE Mechanical, 60" Tube Length	\$85.00	N
01513381	1958	TEMPERATURE GAUGE Electric	\$85.00	N
01513163	1958	TEMPERATURE GAUGE Mechanical, 60" Tube Length	\$85.00	N
01513381	1959	TEMPERATURE GAUGE Electric	\$85.00	N

Part Number	Year	Description	Price	*Rev.
01513163	1959	TEMPERATURE GAUGE Mechanical, 60" Tube Length	\$85.00	N
06401218	1960	TEMPERATURE GAUGE	\$74.00	N
06401218	1961	TEMPERATURE GAUGE	\$74.00	N
06401218	1962	TEMPERATURE GAUGE	\$74.00	N
06401218	1963	TEMPERATURE GAUGE	\$74.00	N
06401220	1964	TEMPERATURE GAUGE	\$74.00	N
06401220	1965	TEMPERATURE GAUGE	\$74.00	N
06401220	1966	TEMPERATURE GAUGE	\$74.00	N
06489838	1967	TEMPERATURE GAUGE	\$47.00	N
44219	1967	TEMPERATURE GAUGE With 100-250 Fahrenheit Numeric Face Plate Note: This Is A Replacement For OEM Gauge 06489838 (With Cold / Hot Graduations) In Trucks With Factory Gauge Type Clusters.	\$39.00	N
06489838	1968	TEMPERATURE GAUGE	\$47.00	N
44219	1968	TEMPERATURE GAUGE With 100-250 Fahrenheit Numeric Face Plate Note: This Is A Replacement For OEM Gauge 06489838 (With Cold / Hot Graduations) In Trucks With Factory Gauge Type Clusters.	\$39.00	N
06489838	1969	TEMPERATURE GAUGE	\$47.00	N
44219	1969	TEMPERATURE GAUGE With 100-250 Fahrenheit Numeric Face Plate Note: This Is A Replacement For OEM Gauge 06489838 (With Cold / Hot Graduations) In Trucks With Factory Gauge Type Clusters.	\$39.00	N
06489838	1970	TEMPERATURE GAUGE	\$47.00	N
44219	1970	TEMPERATURE GAUGE With 100-250 Fahrenheit Numeric Face Plate Note: This Is A Replacement For OEM Gauge 06489838 (With Cold / Hot Graduations) In Trucks With Factory Gauge Type Clusters.	\$39.00	N
06489838	1971	TEMPERATURE GAUGE	\$47.00	N
44219	1971	TEMPERATURE GAUGE With 100-250 Fahrenheit Numeric Face Plate Note: This Is A Replacement For OEM Gauge 06489838 (With Cold / Hot Graduations) In Trucks With Factory Gauge Type Clusters.	\$39.00	N
06489838	1972	TEMPERATURE GAUGE	\$47.00	N
44219	1972	TEMPERATURE GAUGE With 100-250 Fahrenheit Numeric Face Plate Note: This Is A Replacement For OEM Gauge 06489838 (With Cold / Hot Graduations) In Trucks With Factory Gauge Type Clusters.	\$39.00	N
06490371	1973	TEMPERATURE GAUGE Fire Orange Needle	\$39.00	N
06490371	1974	TEMPERATURE GAUGE Fire Orange Needle	\$39.00	N
06490371	1975	TEMPERATURE GAUGE Fire Orange Needle	\$39.00	N
08993329	1976	TEMPERATURE GAUGE Fire Orange Needle	\$39.00	N
08993329	1977	TEMPERATURE GAUGE Fire Orange Needle	\$39.00	N
08993329	1978	TEMPERATURE GAUGE Fire Orange Needle	\$39.00	N
08993329	1979	TEMPERATURE GAUGE 1st Design, Fire Orange Needle	\$39.00	N
08993630	1979	TEMPERATURE GAUGE 2nd Design, Light Orange Needle	\$39.00	N
08993630	1980	TEMPERATURE GAUGE Light Orange Needle	\$39.00	N
08993630	1981	TEMPERATURE GAUGE Light Orange Needle	\$39.00	N
08993630	1982	TEMPERATURE GAUGE Light Orange Needle	\$39.00	N
08993630	1983	TEMPERATURE GAUGE Light Orange Needle	\$39.00	N
08993630	1984	TEMPERATURE GAUGE Light Orange Needle	\$39.00	N
08993630	1985	TEMPERATURE GAUGE Light Orange Needle	\$39.00	N
08993630	1986	TEMPERATURE GAUGE Light Orange Needle	\$39.00	N
08993630	1987	TEMPERATURE GAUGE Light Orange Needle	\$39.00	N

Part Number	Year	Description	Price	*Rev.
TEMPERATURE SENDING UNIT WIRE REPAIR KIT				
41366	1962	TEMPERATURE SENDING UNIT WIRE REPAIR KIT Dual Wire	\$27.00	
41366	1963	TEMPERATURE SENDING UNIT WIRE REPAIR KIT Dual Wire	\$27.00	
41366	1964	TEMPERATURE SENDING UNIT WIRE REPAIR KIT Dual Wire	\$27.00	
41366	1965	TEMPERATURE SENDING UNIT WIRE REPAIR KIT Dual Wire	\$27.00	
41366	1966	TEMPERATURE SENDING UNIT WIRE REPAIR KIT Dual Wire	\$27.00	
TRAILER LIGHT ADAPTER HARNESS				
39375	1962	TRAILER LIGHT ADAPTER HARNESS Step Side And Fleet Side Only Note: Connects Between The Intermediate And Rear Lamp Harnesses With Original Style Connectors To Easily Add Trailer Wiring Without Splicing Into Stock Harnesses.	\$92.00	
39375	1963	TRAILER LIGHT ADAPTER HARNESS Step Side And Fleet Side Only Note: Connects Between The Intermediate And Rear Lamp Harnesses With Original Style Connectors To Easily Add Trailer Wiring Without Splicing Into Stock Harnesses.	\$92.00	
39375	1964	TRAILER LIGHT ADAPTER HARNESS Step Side And Fleet Side Only Note: Connects Between The Intermediate And Rear Lamp Harnesses With Original Style Connectors To Easily Add Trailer Wiring Without Splicing Into Stock Harnesses.	\$92.00	
39375	1965	TRAILER LIGHT ADAPTER HARNESS Step Side And Fleet Side Only Note: Connects Between The Intermediate And Rear Lamp Harnesses With Original Style Connectors To Easily Add Trailer Wiring Without Splicing Into Stock Harnesses.	\$92.00	
39375	1966	TRAILER LIGHT ADAPTER HARNESS Step Side And Fleet Side Only Note: Connects Between The Intermediate And Rear Lamp Harnesses With Original Style Connectors To Easily Add Trailer Wiring Without Splicing Into Stock Harnesses.	\$92.00	
39374	1967	TRAILER LIGHT ADAPTER HARNESS Step Side And Fleet Side Only Note: Connects Between The Intermediate And Rear Lamp Harnesses With Original Style Connectors To Easily Add Trailer Wiring Without Splicing Into Stock Harnesses.	\$92.00	
39374	1968	TRAILER LIGHT ADAPTER HARNESS Step Side And Fleet Side Only Note: Connects Between The Intermediate And Rear Lamp Harnesses With Original Style Connectors To Easily Add Trailer Wiring Without Splicing Into Stock Harnesses.	\$92.00	
39374	1969	TRAILER LIGHT ADAPTER HARNESS Step Side And Fleet Side Only Note: Connects Between The Intermediate And Rear Lamp Harnesses With Original Style Connectors To Easily Add Trailer Wiring Without Splicing Into Stock Harnesses.	\$92.00	
39374	1970	TRAILER LIGHT ADAPTER HARNESS Step Side And Fleet Side Only Note: Connects Between The Intermediate And Rear Lamp Harnesses With Original Style Connectors To Easily Add Trailer Wiring Without Splicing Into Stock Harnesses.	\$92.00	
39374	1971	TRAILER LIGHT ADAPTER HARNESS Step Side And Fleet Side Only Note: Connects Between The Intermediate And Rear Lamp Harnesses With Original Style Connectors To Easily Add Trailer Wiring Without Splicing Into Stock Harnesses.	\$92.00	M
39374	1972	TRAILER LIGHT ADAPTER HARNESS Step Side And Fleet Side Only Note: Connects Between The Intermediate And Rear Lamp Harnesses With Original Style Connectors To Easily Add Trailer Wiring Without Splicing Into Stock Harnesses.	\$92.00	
39374	1973	TRAILER LIGHT ADAPTER HARNESS Step Side And Fleet Side Only Note: Connects Between The Intermediate And Rear Lamp Harnesses With Original Style Connectors To Easily Add Trailer Wiring Without Splicing Into Stock Harnesses.	\$92.00	M
39374	1974	TRAILER LIGHT ADAPTER HARNESS Step Side And Fleet Side Only Note: Connects Between The Intermediate And Rear Lamp Harnesses With Original Style Connectors To Easily Add Trailer Wiring Without Splicing Into Stock Harnesses.	\$92.00	M
39374	1975	TRAILER LIGHT ADAPTER HARNESS Step Side And Fleet Side Only Note: Connects Between The Intermediate And Rear Lamp Harnesses With Original Style Connectors To Easily Add Trailer Wiring Without Splicing Into Stock Harnesses.	\$92.00	M
39374	1976	TRAILER LIGHT ADAPTER HARNESS Step Side And Fleet Side Only Note: Connects Between The Intermediate And Rear Lamp Harnesses With Original Style Connectors To Easily Add Trailer Wiring Without Splicing Into Stock Harnesses.	\$92.00	M

Part Number	Year	Description	Price	*Rev.
39374	1977	TRAILER LIGHT ADAPTER HARNESS Step Side And Fleet Side Only Note: Connects Between The Intermediate And Rear Lamp Harnesses With Original Style Connectors To Easily Add Trailer Wiring Without Splicing Into Stock Harnesses.	\$92.00	M
39374	1978	TRAILER LIGHT ADAPTER HARNESS Step Side And Fleet Side Only Note: Connects Between The Intermediate And Rear Lamp Harnesses With Original Style Connectors To Easily Add Trailer Wiring Without Splicing Into Stock Harnesses.	\$92.00	M
39374	1979	TRAILER LIGHT ADAPTER HARNESS Step Side And Fleet Side Only Note: Connects Between The Intermediate And Rear Lamp Harnesses With Original Style Connectors To Easily Add Trailer Wiring Without Splicing Into Stock Harnesses.	\$92.00	M
39374	1980	TRAILER LIGHT ADAPTER HARNESS Step Side And Fleet Side Only Note: Connects Between The Intermediate And Rear Lamp Harnesses With Original Style Connectors To Easily Add Trailer Wiring Without Splicing Into Stock Harnesses.	\$92.00	M
39374	1981	TRAILER LIGHT ADAPTER HARNESS Step Side And Fleet Side Only Note: Connects Between The Intermediate And Rear Lamp Harnesses With Original Style Connectors To Easily Add Trailer Wiring Without Splicing Into Stock Harnesses.	\$92.00	M
39374	1982	TRAILER LIGHT ADAPTER HARNESS Step Side And Fleet Side Only Note: Connects Between The Intermediate And Rear Lamp Harnesses With Original Style Connectors To Easily Add Trailer Wiring Without Splicing Into Stock Harnesses.	\$92.00	M
TRANS TORQUE CONVERTER CLUTCH SOL FEED HARNESS				
39993	1982	TRANSMISSION TORQUE CONVERTER CLUTCH SOLENOID FEED HARNESS 2 Wheel Drive, 1/2 & 3/4-Ton, With 700R4 & TH350 Trans	\$127.00	M
TRANS TORQUE CONVERTER CLUTCH SOLENOID EXT WIRE				
39923	1980	TRANSMISSION TORQUE CONVERTER CLUTCH SOLENOID EXTENSION WIRE 1/2 & 3/4-Ton, With TH350 Auto Trans, Except Diesel, Trans Solenoid To Trans Clutch Solenoid Feed Harness	\$87.00	M
39966	1981	TRANSMISSION TORQUE CONVERTER CLUTCH SOLENOID EXTENSION WIRE 1/2 & 3/4-Ton, With TH350 Trans, Trans Solenoid To Trans Clutch Solenoid Feed Harness	\$87.00	M
39979	1981	TRANSMISSION TORQUE CONVERTER CLUTCH SOLENOID EXTENSION WIRE 2 Wheel Drive, With Egr Bleed Solenoid, Trans Solenoid To Clutch Solenoid Feed Harness	\$127.00	M
39994	1982	TRANSMISSION TORQUE CONVERTER CLUTCH SOLENOID EXTENSION WIRE 1/2-Ton, 2 Wheel Drive, With 250 6cyl & TH350 Trans, Trans Solenoid To Trans Clutch Solenoid Feed Harness	\$127.00	M
40000	1982	TRANSMISSION TORQUE CONVERTER CLUTCH SOLENOID EXTENSION WIRE 1/2-Ton 4 Wheel Drive, 305 & 350 V/8, With 700R4 Trans & California Emission System, Without Egr Bleed Solenoid, Trans	\$127.00	M
40001	1982	TRANSMISSION TORQUE CONVERTER CLUTCH SOLENOID EXTENSION WIRE Suburban, 1/2-Ton 4 Wheel Drive, With 350 V/8, 700R4 Trans & Federal Emissions, & All 3/4-Tons, 4 Wheel Drive, With 350 V/8	\$127.00	M
40004	1982	TRANSMISSION TORQUE CONVERTER CLUTCH SOLENOID EXTENSION WIRE 1/2 & 3/4-Ton, 2 Wheel Drive, With 700R4 Trans & California Emission System, Trans Solenoid To Clutch Solenoid Feed	\$127.00	M
40005	1982	TRANSMISSION TORQUE CONVERTER CLUTCH SOLENOID EXTENSION WIRE 1/2 & 3/4-Ton, 2 Wheel Drive, With 700R4 Trans, Without California Emission System, Trans Solenoid To Clutch Solenoid	\$127.00	M
TRANSMISSION CONTROLLED SPARK HARNESS				
20880	1970	TRANSMISSION CONTROLLED SPARK HARNESS 6 Cylinder, Auto Trans Note: 6 Cylinder Items Are Not Returnable.	\$101.00	
20885	1970	TRANSMISSION CONTROLLED SPARK HARNESS 6 Cylinder, Manual Trans Note: 6 Cylinder Items Are Not Returnable.	\$94.00	
20870	1970	TRANSMISSION CONTROLLED SPARK HARNESS V/8, Auto Trans	\$94.00	
20860	1970	TRANSMISSION CONTROLLED SPARK HARNESS V/8, Manual Trans	\$105.00	
20865	1970	TRANSMISSION CONTROLLED SPARK HARNESS All V/8 With TH400 A/T, (Includes TH400 Kickdown Wiring)	\$137.00	
20875	1970	TRANSMISSION CONTROLLED SPARK HARNESS 396-400 C.I. Manual Trans Only	\$105.00	
22040	1971	TRANSMISSION CONTROLLED SPARK HARNESS 6 Cylinder, Auto Trans Note: 6 Cylinder Items Are Not Returnable.	\$105.00	
22020	1971	TRANSMISSION CONTROLLED SPARK HARNESS 6 Cylinder, Manual Trans Note: 6 Cylinder Items Are Not Returnable.	\$101.00	
22045	1971	TRANSMISSION CONTROLLED SPARK HARNESS V/8, Auto Trans	\$105.00	

Part Number	Year	Description	Price	*Rev.
22055	1971	TRANSMISSION CONTROLLED SPARK HARNESS V/8, TH400 Auto Trans	\$105.00	
22050	1971	TRANSMISSION CONTROLLED SPARK HARNESS V/8, Manual Trans	\$105.00	
23475	1972	TRANSMISSION CONTROLLED SPARK HARNESS Auto Trans	\$111.00	
22025	1972	TRANSMISSION CONTROLLED SPARK HARNESS Manual Trans	\$111.00	
22035	1972	TRANSMISSION CONTROLLED SPARK HARNESS 396-400 C.I. Auto Trans Only	\$106.00	
22030	1972	TRANSMISSION CONTROLLED SPARK HARNESS 396-400 C.I. Manual Trans Only	\$111.00	
39752	1973	TRANSMISSION CONTROLLED SPARK HARNESS 6 Cyl., With Auto Trans Note: 6 Cylinder Items Are Not Returnable.	\$105.00	M
39753	1973	TRANSMISSION CONTROLLED SPARK HARNESS 6 Cyl, With 3 Speed Manual Trans Note: 6 Cylinder Items Are Not Returnable.	\$105.00	M
21220	1973	TRANSMISSION CONTROLLED SPARK HARNESS V/8, With 3 Speed Manual Trans	\$105.00	M
21215	1973	TRANSMISSION CONTROLLED SPARK HARNESS V/8, With Auto Trans	\$105.00	M
39765	1974	TRANSMISSION CONTROLLED SPARK HARNESS 6 Cyl, With 3 Speed Manual Trans Note: 6 Cylinder Items Are Not Returnable.	\$105.00	M
39766	1974	TRANSMISSION CONTROLLED SPARK HARNESS V/8, With 3 Speed Manual Trans	\$105.00	M
TURN SIGNAL HARNESS				
34365	1955	TURN SIGNAL HARNESS Dash Side	\$80.00	
34430	1955	TURN SIGNAL HARNESS Engine Side	\$26.00	
34360	1956	TURN SIGNAL HARNESS Dash Side	\$74.00	
34570	1956	TURN SIGNAL HARNESS Engine Side	\$26.00	
34355	1957	TURN SIGNAL HARNESS Dash Side	\$67.00	
34570	1957	TURN SIGNAL HARNESS Engine Side	\$26.00	
34355	1958	TURN SIGNAL HARNESS Dash Side	\$67.00	
34570	1958	TURN SIGNAL HARNESS Engine Side	\$26.00	
34355	1959	TURN SIGNAL HARNESS Dash Side	\$67.00	
34570	1959	TURN SIGNAL HARNESS Engine Side	\$26.00	
TURN SIGNAL LEVER WIPER SWITCH				
25111262	1984	TURN SIGNAL LEVER WIPER SWITCH Black, With Pulse Wipers, With Cruise Control	\$26.00	N
22510733	1984	TURN SIGNAL LEVER WIPER SWITCH Black, With Pulse Wipers, Without Cruise Control	\$20.00	N
22510732	1984	TURN SIGNAL LEVER WIPER SWITCH Black, Without Pulse Wipers, Without Cruise Control	\$20.00	N
25031456	1984	TURN SIGNAL LEVER WIPER SWITCH Chrome, With Pulse Wipers, With Cruise Control	\$26.00	N
22510144	1984	TURN SIGNAL LEVER WIPER SWITCH Chrome, With Pulse Wipers, Without Cruise Control	\$20.00	N
25111262	1985	TURN SIGNAL LEVER WIPER SWITCH Black, With Pulse Wipers, With Cruise Control	\$26.00	N
22510733	1985	TURN SIGNAL LEVER WIPER SWITCH Black, With Pulse Wipers, Without Cruise Control	\$20.00	N
22510732	1985	TURN SIGNAL LEVER WIPER SWITCH Black, Without Pulse Wipers, Without Cruise Control	\$20.00	N
25031456	1985	TURN SIGNAL LEVER WIPER SWITCH Chrome, With Pulse Wipers, With Cruise Control	\$26.00	N
22510144	1985	TURN SIGNAL LEVER WIPER SWITCH Chrome, With Pulse Wipers, Without Cruise Control	\$20.00	N
25111262	1986	TURN SIGNAL LEVER WIPER SWITCH Black, With Pulse Wipers, With Cruise Control	\$26.00	N
22510733	1986	TURN SIGNAL LEVER WIPER SWITCH Black, With Pulse Wipers, Without Cruise Control	\$20.00	N
22510732	1986	TURN SIGNAL LEVER WIPER SWITCH Black, Without Pulse Wipers, Without Cruise Control	\$20.00	N
25031456	1986	TURN SIGNAL LEVER WIPER SWITCH Chrome, With Pulse Wipers, With Cruise Control	\$26.00	N
22510144	1986	TURN SIGNAL LEVER WIPER SWITCH Chrome, With Pulse Wipers, Without Cruise Control	\$20.00	N
25111262	1987	TURN SIGNAL LEVER WIPER SWITCH Black, With Pulse Wipers, With Cruise Control	\$26.00	N
22510733	1987	TURN SIGNAL LEVER WIPER SWITCH Black, With Pulse Wipers, Without Cruise Control	\$20.00	N
22510732	1987	TURN SIGNAL LEVER WIPER SWITCH Black, Without Pulse Wipers, Without Cruise Control	\$20.00	N
25031456	1987	TURN SIGNAL LEVER WIPER SWITCH Chrome, With Pulse Wipers, With Cruise Control	\$26.00	N
22510144	1987	TURN SIGNAL LEVER WIPER SWITCH Chrome, With Pulse Wipers, Without Cruise Control	\$20.00	N

Part Number	Year	Description	Price	*Rev.
25111262	1988	TURN SIGNAL LEVER WIPER SWITCH Black, With Pulse Wipers, With Cruise Control	\$26.00	N
22510733	1988	TURN SIGNAL LEVER WIPER SWITCH Black, With Pulse Wipers, Without Cruise Control	\$20.00	N
22510732	1988	TURN SIGNAL LEVER WIPER SWITCH Black, Without Pulse Wipers, Without Cruise Control	\$20.00	N
25031456	1988	TURN SIGNAL LEVER WIPER SWITCH Chrome, With Pulse Wipers, With Cruise Control	\$26.00	N
22510144	1988	TURN SIGNAL LEVER WIPER SWITCH Chrome, With Pulse Wipers, Without Cruise Control	\$20.00	N
25111262	1989	TURN SIGNAL LEVER WIPER SWITCH Black, With Pulse Wipers, With Cruise Control	\$26.00	N
22510733	1989	TURN SIGNAL LEVER WIPER SWITCH Black, With Pulse Wipers, Without Cruise Control	\$20.00	N
22510732	1989	TURN SIGNAL LEVER WIPER SWITCH Black, Without Pulse Wipers, Without Cruise Control	\$20.00	N
25031456	1989	TURN SIGNAL LEVER WIPER SWITCH Chrome, With Pulse Wipers, With Cruise Control	\$26.00	N
22510144	1989	TURN SIGNAL LEVER WIPER SWITCH Chrome, With Pulse Wipers, Without Cruise Control	\$20.00	N
25111262	1990	TURN SIGNAL LEVER WIPER SWITCH Black, With Pulse Wipers, With Cruise Control	\$26.00	N
22510733	1990	TURN SIGNAL LEVER WIPER SWITCH Black, With Pulse Wipers, Without Cruise Control	\$20.00	N
22510732	1990	TURN SIGNAL LEVER WIPER SWITCH Black, Without Pulse Wipers, Without Cruise Control	\$20.00	N
25031456	1990	TURN SIGNAL LEVER WIPER SWITCH Chrome, With Pulse Wipers, With Cruise Control	\$26.00	N
22510144	1990	TURN SIGNAL LEVER WIPER SWITCH Chrome, With Pulse Wipers, Without Cruise Control	\$20.00	N
25111262	1991	TURN SIGNAL LEVER WIPER SWITCH Black, With Pulse Wipers, With Cruise Control	\$26.00	N
22510733	1991	TURN SIGNAL LEVER WIPER SWITCH Black, With Pulse Wipers, Without Cruise Control	\$20.00	N
22510732	1991	TURN SIGNAL LEVER WIPER SWITCH Black, Without Pulse Wipers, Without Cruise Control	\$20.00	N
25031456	1991	TURN SIGNAL LEVER WIPER SWITCH Chrome, With Pulse Wipers, With Cruise Control	\$26.00	N
22510144	1991	TURN SIGNAL LEVER WIPER SWITCH Chrome, With Pulse Wipers, Without Cruise Control	\$20.00	N
25111262	1992	TURN SIGNAL LEVER WIPER SWITCH Black, With Pulse Wipers, With Cruise Control	\$26.00	N
22510733	1992	TURN SIGNAL LEVER WIPER SWITCH Black, With Pulse Wipers, Without Cruise Control	\$20.00	N
22510732	1992	TURN SIGNAL LEVER WIPER SWITCH Black, Without Pulse Wipers, Without Cruise Control	\$20.00	N
25031456	1992	TURN SIGNAL LEVER WIPER SWITCH Chrome, With Pulse Wipers, With Cruise Control	\$26.00	N
22510144	1992	TURN SIGNAL LEVER WIPER SWITCH Chrome, With Pulse Wipers, Without Cruise Control	\$20.00	N
25111262	1993	TURN SIGNAL LEVER WIPER SWITCH Black, With Pulse Wipers, With Cruise Control	\$26.00	N
22510733	1993	TURN SIGNAL LEVER WIPER SWITCH Black, With Pulse Wipers, Without Cruise Control	\$20.00	N
22510732	1993	TURN SIGNAL LEVER WIPER SWITCH Black, Without Pulse Wipers, Without Cruise Control	\$20.00	N
25031456	1993	TURN SIGNAL LEVER WIPER SWITCH Chrome, With Pulse Wipers, With Cruise Control	\$26.00	N
22510144	1993	TURN SIGNAL LEVER WIPER SWITCH Chrome, With Pulse Wipers, Without Cruise Control	\$20.00	N
25111262	1994	TURN SIGNAL LEVER WIPER SWITCH Black, With Pulse Wipers, With Cruise Control	\$26.00	N
22510733	1994	TURN SIGNAL LEVER WIPER SWITCH Black, With Pulse Wipers, Without Cruise Control	\$20.00	N
22510732	1994	TURN SIGNAL LEVER WIPER SWITCH Black, Without Pulse Wipers, Without Cruise Control	\$20.00	N
25031456	1994	TURN SIGNAL LEVER WIPER SWITCH Chrome, With Pulse Wipers, With Cruise Control	\$26.00	N
22510144	1994	TURN SIGNAL LEVER WIPER SWITCH Chrome, With Pulse Wipers, Without Cruise Control	\$20.00	N
TURN SIGNAL SWITCH				
00897125	1954	TURN SIGNAL HOUSING BUCKET ASSEMBLY Complete With Turn Signal Switch	\$135.00	N
00897125	1955	TURN SIGNAL HOUSING BUCKET ASSEMBLY 1st Series, Complete With Turn Signal Switch	\$135.00	N
00897126	1955	TURN SIGNAL HOUSING BUCKET ASSEMBLY Complete With Turn Signal Switch	\$135.00	N
00897126	1956	TURN SIGNAL HOUSING BUCKET ASSEMBLY Complete With Turn Signal Switch	\$135.00	N
00897151	1957	TURN SIGNAL HOUSING BUCKET ASSEMBLY Complete With Turn Signal Switch	\$135.00	N
00897151	1958	TURN SIGNAL HOUSING BUCKET ASSEMBLY Complete With Turn Signal Switch	\$135.00	N
00897151	1959	TURN SIGNAL HOUSING BUCKET ASSEMBLY Complete With Turn Signal Switch	\$135.00	N
05947677	1954	TURN SIGNAL SWITCH 6 Volt Note: Can Be Used With 12 Volt System Conversions.	\$27.00	
05947677	1955	TURN SIGNAL SWITCH 6 Volt Note: Can Be Used With 12 Volt System Conversions.	\$27.00	

Part Number	Year	Description	Price	*Rev.
05947739	1955	TURN SIGNAL SWITCH 12 Volt Note: Includes Instruction Sheet.	\$27.00	
05947739	1956	TURN SIGNAL SWITCH All Note: Includes Instruction Sheet.	\$27.00	
05948718	1957	TURN SIGNAL SWITCH Note: Includes A Loose Piece 6 Way Connector.	\$27.00	
05948718	1958	TURN SIGNAL SWITCH Note: Includes A Loose Piece 6 Way Connector.	\$27.00	
05948718	1959	TURN SIGNAL SWITCH Note: Includes A Loose Piece 6 Way Connector.	\$27.00	
03765110	1960	TURN SIGNAL SWITCH	\$23.00	
03765110	1961	TURN SIGNAL SWITCH	\$23.00	
03765110	1962	TURN SIGNAL SWITCH	\$23.00	
00898197	1963	TURN SIGNAL SWITCH	\$65.00	N
00910821	1964	TURN SIGNAL SWITCH Without Tilt	\$56.00	N
00910821	1965	TURN SIGNAL SWITCH Without Tilt	\$56.00	N
00910821	1966	TURN SIGNAL SWITCH Without Tilt	\$56.00	N
01997961	1967	TURN SIGNAL SWITCH All With Correct Red "Hazard" Knob	\$57.00	C
01997961	1968	TURN SIGNAL SWITCH All With Correct Red "Hazard" Knob	\$57.00	C
01997961	1969	TURN SIGNAL SWITCH All With Correct Red "Hazard" Knob	\$57.00	C
01997961	1970	TURN SIGNAL SWITCH All With Correct Red "Hazard" Knob	\$57.00	C
01997961	1971	TURN SIGNAL SWITCH All With Correct Red "Hazard" Knob	\$57.00	C
01997961	1972	TURN SIGNAL SWITCH All With Correct Red "Hazard" Knob	\$57.00	C
01997975	1973	TURN SIGNAL SWITCH All	\$38.00	N
01997975	1974	TURN SIGNAL SWITCH All	\$38.00	N
01997975	1975	TURN SIGNAL SWITCH All	\$38.00	N
01997975	1976	TURN SIGNAL SWITCH All	\$38.00	N
01997985	1977	TURN SIGNAL SWITCH All Note: Correct Part, No Adapter Pigtail Required.	\$32.00	C
01997985	1978	TURN SIGNAL SWITCH All Note: Correct Part, No Adapter Pigtail Required.	\$32.00	C
01997985	1979	TURN SIGNAL SWITCH All Note: Correct Part, No Adapter Pigtail Required.	\$32.00	C
01997985	1980	TURN SIGNAL SWITCH All Note: Correct Part, No Adapter Pigtail Required.	\$32.00	C
01997985	1981	TURN SIGNAL SWITCH All Note: Correct Part, No Adapter Pigtail Required.	\$32.00	C
01997985	1982	TURN SIGNAL SWITCH All Note: Correct Part, No Adapter Pigtail Required.	\$32.00	C
01997985	1983	TURN SIGNAL SWITCH All Note: Correct Part, No Adapter Pigtail Required.	\$32.00	C
01997983	1984	TURN SIGNAL SWITCH All	\$32.00	C
01997983	1985	TURN SIGNAL SWITCH All	\$32.00	N
01997983	1986	TURN SIGNAL SWITCH All	\$32.00	N
01997983	1987	TURN SIGNAL SWITCH All	\$32.00	N
01997983	1988	TURN SIGNAL SWITCH Without Pulse Wipers	\$32.00	N
01997988	1988	TURN SIGNAL SWITCH With Pulse Wipers	\$32.00	N
01997983	1989	TURN SIGNAL SWITCH Without Pulse Wipers	\$32.00	N

Part Number	Year	Description	Price	*Rev.
01997988	1989	TURN SIGNAL SWITCH With Pulse Wipers	\$32.00	N
01997983	1990	TURN SIGNAL SWITCH Without Pulse Wipers	\$32.00	N
01997988	1990	TURN SIGNAL SWITCH With Pulse Wipers	\$32.00	N
01997983	1991	TURN SIGNAL SWITCH With Tilt Wheel	\$32.00	N
01997988	1991	TURN SIGNAL SWITCH Without Tilt Wheel	\$32.00	N
01997988	1992	TURN SIGNAL SWITCH All	\$32.00	N
01997988	1993	TURN SIGNAL SWITCH All	\$32.00	N
01997988	1994	TURN SIGNAL SWITCH All	\$32.00	N
VOLTMETER GAUGE				
06474474	1976	VOLTMETER GAUGE Fire Orange Needle	\$39.00	N
06474474	1977	VOLTMETER GAUGE Fire Orange Needle	\$39.00	N
06474474	1978	VOLTMETER GAUGE Fire Orange Needle	\$39.00	N
06474474	1979	VOLTMETER GAUGE 1st Design, Fire Orange Needle	\$39.00	N
06474584	1979	VOLTMETER GAUGE 2nd Design, Light Orange Needle	\$39.00	N
06474584	1980	VOLTMETER GAUGE Light Orange Needle	\$39.00	N
06474584	1981	VOLTMETER GAUGE Light Orange Needle	\$39.00	N
06474584	1982	VOLTMETER GAUGE Light Orange Needle	\$39.00	N
06474584	1983	VOLTMETER GAUGE Light Orange Needle	\$39.00	N
06474584	1984	VOLTMETER GAUGE Light Orange Needle	\$39.00	N
06474584	1985	VOLTMETER GAUGE Light Orange Needle	\$39.00	N
06474584	1986	VOLTMETER GAUGE Light Orange Needle	\$39.00	N
06474584	1987	VOLTMETER GAUGE Light Orange Needle	\$39.00	N
WINDSHIELD WASHER PUMP				
04919332	1964	WINDSHIELD WASHER PUMP All	\$60.00	N
04919332	1965	WINDSHIELD WASHER PUMP All	\$60.00	N
04919332	1966	WINDSHIELD WASHER PUMP All	\$60.00	N
04919332	1967	WINDSHIELD WASHER PUMP All	\$60.00	N
04919332	1968	WINDSHIELD WASHER PUMP All	\$60.00	N
04919332	1969	WINDSHIELD WASHER PUMP All	\$60.00	N
04919332	1970	WINDSHIELD WASHER PUMP All	\$60.00	N
04919332	1971	WINDSHIELD WASHER PUMP All	\$60.00	N
04919332	1972	WINDSHIELD WASHER PUMP All	\$60.00	N
WINDSHIELD WIPER MOTOR				
44610	1947	WINDSHIELD WIPER MOTOR KIT 12 Volt Conversion Kit Note: Replaces Original Vacuum Operated Wiper Motor.	\$231.00	N
44611	1947	WINDSHIELD WIPER MOTOR KIT 6 Volt Conversion Kit Note: Replaces Original Vacuum Operated Wiper Motor.	\$231.00	N
44610	1948	WINDSHIELD WIPER MOTOR KIT 12 Volt Conversion Kit Note: Replaces Original Vacuum Operated Wiper Motor.	\$231.00	N
44611	1948	WINDSHIELD WIPER MOTOR KIT 6 Volt Conversion Kit Note: Replaces Original Vacuum Operated Wiper Motor.	\$231.00	N
44610	1949	WINDSHIELD WIPER MOTOR KIT 12 Volt Conversion Kit Note: Replaces Original Vacuum Operated Wiper Motor.	\$231.00	N
44611	1949	WINDSHIELD WIPER MOTOR KIT 6 Volt Conversion Kit Note: Replaces Original Vacuum Operated Wiper Motor.	\$231.00	N
44610	1950	WINDSHIELD WIPER MOTOR KIT 12 Volt Conversion Kit Note: Replaces Original Vacuum Operated Wiper Motor.	\$231.00	N

Part Number	Year	Description	Price	*Rev.
44611	1950	WINDSHIELD WIPER MOTOR KIT 6 Volt Conversion Kit Note: Replaces Original Vacuum Operated Wiper Motor.	\$231.00	N
44610	1951	WINDSHIELD WIPER MOTOR KIT 12 Volt Conversion Kit Note: Replaces Original Vacuum Operated Wiper Motor.	\$231.00	N
44611	1951	WINDSHIELD WIPER MOTOR KIT 6 Volt Conversion Kit Note: Replaces Original Vacuum Operated Wiper Motor.	\$231.00	N
44610	1952	WINDSHIELD WIPER MOTOR KIT 12 Volt Conversion Kit Note: Replaces Original Vacuum Operated Wiper Motor.	\$231.00	N
44611	1952	WINDSHIELD WIPER MOTOR KIT 6 Volt Conversion Kit Note: Replaces Original Vacuum Operated Wiper Motor.	\$231.00	N
44610	1953	WINDSHIELD WIPER MOTOR KIT 12 Volt Conversion Kit Note: Replaces Original Vacuum Operated Wiper Motor.	\$231.00	N
44611	1953	WINDSHIELD WIPER MOTOR KIT 6 Volt Conversion Kit Note: Replaces Original Vacuum Operated Wiper Motor.	\$231.00	N
44612	1954	WINDSHIELD WIPER MOTOR KIT 12 Volt Conversion Kit Note: Replaces Original Vacuum Operated Wiper Motor.	\$231.00	N
44613	1954	WINDSHIELD WIPER MOTOR KIT 6 Volt Conversion Kit Note: Replaces Original Vacuum Operated Wiper Motor.	\$231.00	N
44612	1955	WINDSHIELD WIPER MOTOR KIT 1st Series, 12 Volt Conversion Kit Note: Replaces Original Vacuum Operated Wiper Motor.	\$231.00	N
44613	1955	WINDSHIELD WIPER MOTOR KIT 1st Series, 6 Volt Conversion Kit Note: Replaces Original Vacuum Operated Wiper Motor.	\$231.00	N
04911476	1963	WINDSHIELD WIPER MOTOR 2-Speed, 3-Terminal Type Motor	\$92.00	N
44609	1963	WINDSHIELD WIPER MOTOR 2-Speed, 4-Terminal Type Motor Note: This Can Be Used In Place Of The 3-Terminal Motor. The 4th Terminal Is A Keyed Hot From Wiper Fuse In Fuse Box And May Or May Not Be Used In Some Applications.	\$106.00	N
04911476	1964	WINDSHIELD WIPER MOTOR 2-Speed, 3-Terminal Type Motor	\$92.00	N
44609	1964	WINDSHIELD WIPER MOTOR 2-Speed, 4-Terminal Type Motor Note: This Can Be Used In Place Of The 3-Terminal Motor. The 4th Terminal Is A Keyed Hot From Wiper Fuse In Fuse Box And May Or May Not Be Used In Some Applications.	\$106.00	N
04911476	1965	WINDSHIELD WIPER MOTOR 2-Speed, 3-Terminal Type Motor	\$92.00	N
44609	1965	WINDSHIELD WIPER MOTOR 2-Speed, 4-Terminal Type Motor Note: This Can Be Used In Place Of The 3-Terminal Motor. The 4th Terminal Is A Keyed Hot From Wiper Fuse In Fuse Box And May Or May Not Be Used In Some Applications.	\$106.00	N
04911476	1966	WINDSHIELD WIPER MOTOR 2-Speed, 3-Terminal Type Motor	\$92.00	N
44609	1966	WINDSHIELD WIPER MOTOR 2-Speed, 4-Terminal Type Motor Note: This Can Be Used In Place Of The 3-Terminal Motor. The 4th Terminal Is A Keyed Hot From Wiper Fuse In Fuse Box And May Or May Not Be Used In Some Applications.	\$106.00	N
04911476	1967	WINDSHIELD WIPER MOTOR 2-Speed, 3-Terminal Type Motor	\$92.00	N
44609	1967	WINDSHIELD WIPER MOTOR 2-Speed, 4-Terminal Type Motor Note: This Can Be Used In Place Of The 3-Terminal Motor. The 4th Terminal Is A Keyed Hot From Wiper Fuse In Fuse Box And May Or May Not Be Used In Some Applications.	\$106.00	N
04911476	1968	WINDSHIELD WIPER MOTOR 2-Speed, 3-Terminal Type Motor	\$92.00	N
44609	1968	WINDSHIELD WIPER MOTOR 2-Speed, 4-Terminal Type Motor Note: This Can Be Used In Place Of The 3-Terminal Motor. The 4th Terminal Is A Keyed Hot From Wiper Fuse In Fuse Box And May Or May Not Be Used In Some Applications.	\$106.00	N
04911476	1969	WINDSHIELD WIPER MOTOR 2-Speed, 3-Terminal Type Motor	\$92.00	N
44609	1969	WINDSHIELD WIPER MOTOR 2-Speed, 4-Terminal Type Motor Note: This Can Be Used In Place Of The 3-Terminal Motor. The 4th Terminal Is A Keyed Hot From Wiper Fuse In Fuse Box And May Or May Not Be Used In Some Applications.	\$106.00	N

Part Number	Year	Description	Price	*Rev.
04911476	1970	WINDSHIELD WIPER MOTOR 2-Speed, 3-Terminal Type Motor	\$92.00	N
44609	1970	WINDSHIELD WIPER MOTOR 2-Speed, 4-Terminal Type Motor Note: This Can Be Used In Place Of The 3-Terminal Motor. The 4th Terminal Is A Keyed Hot From Wiper Fuse In Fuse Box And May Or May Not Be Used In Some Applications.	\$106.00	N
04911476	1971	WINDSHIELD WIPER MOTOR 2-Speed, 3-Terminal Type Motor	\$92.00	N
44609	1971	WINDSHIELD WIPER MOTOR 2-Speed, 4-Terminal Type Motor Note: This Can Be Used In Place Of The 3-Terminal Motor. The 4th Terminal Is A Keyed Hot From Wiper Fuse In Fuse Box And May Or May Not Be Used In Some Applications.	\$106.00	N
04911476	1972	WINDSHIELD WIPER MOTOR 2-Speed, 3-Terminal Type Motor	\$92.00	N
44609	1972	WINDSHIELD WIPER MOTOR 2-Speed, 4-Terminal Type Motor Note: This Can Be Used In Place Of The 3-Terminal Motor. The 4th Terminal Is A Keyed Hot From Wiper Fuse In Fuse Box And May Or May Not Be Used In Some Applications.	\$106.00	N
WINDSHIELD WIPER SWITCH				
01993541	1960	WINDSHIELD WIPER SWITCH Single Speed, With Washer	\$45.00	
01993541	1961	WINDSHIELD WIPER SWITCH Single Speed, With Washer	\$45.00	
01993541	1962	WINDSHIELD WIPER SWITCH Single Speed, With Washer	\$45.00	
01993541	1963	WINDSHIELD WIPER SWITCH Single Speed, With Washer	\$45.00	
01993584	1963	WINDSHIELD WIPER SWITCH Two Speed, With Washer	\$52.00	
01993641	1964	WINDSHIELD WIPER SWITCH Two Speed, With Washer	\$45.00	
01993641	1965	WINDSHIELD WIPER SWITCH Two Speed, With Washer	\$45.00	
01993641	1966	WINDSHIELD WIPER SWITCH Two Speed, With Washer	\$45.00	
01993372	1967	WINDSHIELD WIPER SWITCH All	\$45.00	
01993432	1968	WINDSHIELD WIPER SWITCH All	\$24.00	
01993432	1969	WINDSHIELD WIPER SWITCH All	\$24.00	
01993432	1970	WINDSHIELD WIPER SWITCH All	\$24.00	
01993432	1971	WINDSHIELD WIPER SWITCH All	\$24.00	
01993432	1972	WINDSHIELD WIPER SWITCH All	\$24.00	
01994151	1973	WINDSHIELD WIPER SWITCH	\$47.00	M
01994151	1974	WINDSHIELD WIPER SWITCH	\$47.00	M
01994172	1975	WINDSHIELD WIPER SWITCH Without Pulse Wipers	\$47.00	N
01994172	1976	WINDSHIELD WIPER SWITCH Without Pulse Wipers	\$47.00	N
01994172	1977	WINDSHIELD WIPER SWITCH Without Pulse Wipers	\$47.00	N
14028808	1978	WINDSHIELD WIPER SWITCH With Pulse Wipers	\$35.00	N
14028807	1978	WINDSHIELD WIPER SWITCH Without Pulse Wipers	\$27.00	N
14028808	1979	WINDSHIELD WIPER SWITCH With Pulse Wipers	\$35.00	N
14028807	1979	WINDSHIELD WIPER SWITCH Without Pulse Wipers	\$27.00	N
14028808	1980	WINDSHIELD WIPER SWITCH With Pulse Wipers	\$35.00	N
14028807	1980	WINDSHIELD WIPER SWITCH Without Pulse Wipers	\$27.00	N
14028808	1981	WINDSHIELD WIPER SWITCH With Pulse Wipers	\$35.00	N
14028807	1981	WINDSHIELD WIPER SWITCH Without Pulse Wipers	\$27.00	N
14028808	1982	WINDSHIELD WIPER SWITCH With Pulse Wipers	\$35.00	N
14028807	1982	WINDSHIELD WIPER SWITCH Without Pulse Wipers	\$27.00	N
14028808	1983	WINDSHIELD WIPER SWITCH With Pulse Wipers	\$35.00	N
14028807	1983	WINDSHIELD WIPER SWITCH Without Pulse Wipers	\$27.00	N
WIPER MOTOR HARNESS				
38066	1961	WIPER MOTOR HARNESS Single Speed Wipers	\$48.00	
38063	1961	WIPER MOTOR HARNESS 2 Speed Wipers	\$38.00	

Part Number	Year	Description	Price	*Rev.
30175	1964	WIPER MOTOR HARNESS 2 Speed Wipers	\$32.00	
30175	1965	WIPER MOTOR HARNESS 2 Speed Wipers	\$32.00	
30175	1966	WIPER MOTOR HARNESS 2 Speed Wipers	\$32.00	
WIRING JUNCTION BLOCK				
01865535	1940	WIRING JUNCTION BLOCK 3-Terminal, Headlamp Wire Junction	\$12.00	N
01998756	1940	WIRING JUNCTION BLOCK 4-Terminal, Headlamp Wire Junction	\$13.00	N
01998757	1940	WIRING JUNCTION BLOCK 5-Terminal, Headlamp Wire Junction	\$19.00	N
01865535	1941	WIRING JUNCTION BLOCK 3-Terminal, Headlamp Wire Junction	\$12.00	N
01998756	1941	WIRING JUNCTION BLOCK 4-Terminal, Headlamp Wire Junction	\$13.00	N
01998757	1941	WIRING JUNCTION BLOCK 5-Terminal, Headlamp Wire Junction	\$19.00	N
01865535	1942	WIRING JUNCTION BLOCK 3-Terminal, Headlamp Wire Junction	\$12.00	N
01998756	1942	WIRING JUNCTION BLOCK 4-Terminal, Headlamp Wire Junction	\$13.00	N
01998757	1942	WIRING JUNCTION BLOCK 5-Terminal, Headlamp Wire Junction	\$19.00	N
01865535	1943	WIRING JUNCTION BLOCK 3-Terminal, Headlamp Wire Junction	\$12.00	N
01998756	1943	WIRING JUNCTION BLOCK 4-Terminal, Headlamp Wire Junction	\$13.00	N
01998757	1943	WIRING JUNCTION BLOCK 5-Terminal, Headlamp Wire Junction	\$19.00	N
01865535	1944	WIRING JUNCTION BLOCK 3-Terminal, Headlamp Wire Junction	\$12.00	N
01998756	1944	WIRING JUNCTION BLOCK 4-Terminal, Headlamp Wire Junction	\$13.00	N
01998757	1944	WIRING JUNCTION BLOCK 5-Terminal, Headlamp Wire Junction	\$19.00	N
01865535	1945	WIRING JUNCTION BLOCK 3-Terminal, Headlamp Wire Junction	\$12.00	N
01998756	1945	WIRING JUNCTION BLOCK 4-Terminal, Headlamp Wire Junction	\$13.00	N
01998757	1945	WIRING JUNCTION BLOCK 5-Terminal, Headlamp Wire Junction	\$19.00	N
01865535	1946	WIRING JUNCTION BLOCK 3-Terminal, Headlamp Wire Junction	\$12.00	N
01998756	1946	WIRING JUNCTION BLOCK 4-Terminal, Headlamp Wire Junction	\$13.00	N
01998757	1946	WIRING JUNCTION BLOCK 5-Terminal, Headlamp Wire Junction	\$19.00	N
01865535	1947	WIRING JUNCTION BLOCK 3-Terminal, Headlamp Wire Junction	\$12.00	N
01998756	1947	WIRING JUNCTION BLOCK 4-Terminal, Headlamp Wire Junction	\$13.00	N
01998757	1947	WIRING JUNCTION BLOCK 5-Terminal, Headlamp Wire Junction	\$19.00	N
01865535	1948	WIRING JUNCTION BLOCK 3-Terminal, Headlamp Wire Junction	\$12.00	N
01998756	1948	WIRING JUNCTION BLOCK 4-Terminal, Headlamp Wire Junction	\$13.00	N
01998757	1948	WIRING JUNCTION BLOCK 5-Terminal, Headlamp Wire Junction	\$19.00	N
01865535	1949	WIRING JUNCTION BLOCK 3-Terminal, Headlamp Wire Junction	\$12.00	N
01998756	1949	WIRING JUNCTION BLOCK 4-Terminal, Headlamp Wire Junction	\$13.00	N
01998757	1949	WIRING JUNCTION BLOCK 5-Terminal, Headlamp Wire Junction	\$19.00	N
01865535	1950	WIRING JUNCTION BLOCK 3-Terminal, Headlamp Wire Junction	\$12.00	N
01998756	1950	WIRING JUNCTION BLOCK 4-Terminal, Headlamp Wire Junction	\$13.00	N
01998757	1950	WIRING JUNCTION BLOCK 5-Terminal, Headlamp Wire Junction	\$19.00	N
01865535	1951	WIRING JUNCTION BLOCK 3-Terminal, Headlamp Wire Junction	\$12.00	N
01998756	1951	WIRING JUNCTION BLOCK 4-Terminal, Headlamp Wire Junction	\$13.00	N
01998757	1951	WIRING JUNCTION BLOCK 5-Terminal, Headlamp Wire Junction	\$19.00	N
01865535	1952	WIRING JUNCTION BLOCK 3-Terminal, Headlamp Wire Junction	\$12.00	N
01998756	1952	WIRING JUNCTION BLOCK 4-Terminal, Headlamp Wire Junction	\$13.00	N
01998757	1952	WIRING JUNCTION BLOCK 5-Terminal, Headlamp Wire Junction	\$19.00	N
01865535	1953	WIRING JUNCTION BLOCK 3-Terminal, Headlamp Wire Junction	\$12.00	N
01998756	1953	WIRING JUNCTION BLOCK 4-Terminal, Headlamp Wire Junction	\$13.00	N
01998757	1953	WIRING JUNCTION BLOCK 5-Terminal, Headlamp Wire Junction	\$19.00	N
01998756	1954	WIRING JUNCTION BLOCK 4-Terminal, Headlamp Wire Junction	\$13.00	N

Chevy Truck



Phone (562) 926-9552

Fax (562) 926-9572

Part Number	Year	Description	Price	*Rev.
01998757	1954	WIRING JUNCTION BLOCK 5-Terminal, Headlamp Wire Junction	\$19.00	N
01998756	1955	WIRING JUNCTION BLOCK 1st Series, 4-Terminal, Headlamp Wire Junction	\$13.00	N
01998757	1955	WIRING JUNCTION BLOCK 1st Series, 5-Terminal, Headlamp Wire Junction	\$19.00	N

Section 9

***Chrysler Products
Non-Exclusive
Available to All
Customers***

New Product Announcement

Announcing 3 New Precision Electronic Instrument Voltage Regulators!



Santa Fe Springs, Calif. – M&H Electric Fabricators, the restorer's first choice for automotive wiring systems, proudly introduces 3 versions of the most advanced Precision Electronic Instrument Voltage Regulator (PEIVR) ever produced for 1950s, '60s, and '70s American-made automobiles, guaranteed to improve the accuracy, efficiency and longevity of their factory gauges.

Based on 1950s technology, the OE instrument voltage regulators operated mechanically, using a bi-metal resistance wire to create heat. Based on heat, these mechanical devices would thermally oscillate the bi-metal – switching on and off rapidly – to reduce and regulate the voltage driving the gauges.

Not only is this old technology crude (factory tolerances of the overall system varied by $\pm 10-15\%$ meaning that no two mechanical regulators read alike, even on the same set of gauges!), but the necessary heat generated by this process inherently degrades the gauges and circuitry. Furthermore, mechanical regulators usually peg the gauge needles on startup – as the bi-metal wire warms up inside – which will eventually lead to gauge failure, and many factory gauges can be destroyed by sticking regulators that stop oscillating all together.

All that, however, is finally ancient history thanks to M&H's revolutionary, new PEIVRs, which control voltage using a computer chip rather than the antiquated bi-metal resistance. The PEIVRs oscillate many times faster than their mechanical predecessor, offering a 99% increase in efficiency and accuracy, while eliminating ALL the side effects of the mechanical units. Best of all, this modern technology is invisibly integrated within the stock voltage regulator housing for a factory-original appearance!

The PEIVRs provide 100% consistent voltage/current output, with as little as 5.8 volts DC input at temperatures from -40F to +185F! Gauge needles will hold perfectly steady at all times with no random fluctuations, deflections or jerking movements from rough terrain, warm-up periods or varying voltages in the electrical system.

The PEIVRs are surge protected and polarity protected to prevent accidental damage to them or your gauges. The PEIVRs can continuously drive up to five factory gauges at 100% duty cycle. Their voltage output comes preset from the factory and NEVER requires adjustment, unlike original mechanical units that were set via a screw.

The PEIVRs generate NO heat, preventing heat-related damage common in the mechanical units as well as many aftermarket conversions of factory mechanical units using chips that require heat sinking. They even function with factory Radio Frequency Interference filters, although an RFI suppression capacitor is unnecessary since the PEIVRs do not generate any RFI noise!

For more information, please contact M&H ELECTRIC FABRICATORS, 13537 Alondra Blvd., Santa Fe Springs, CA 90670. Telephone: 562-926-9552. Or visit us on the Web at www.wiringharness.com

Precision Electronic Instrument Voltage Regulators



Part: 39532

OEM: B9MZ-10804-C

Applications:

1960-65	Ford	Car, All
1966	Ford	Car, Except Fairlane, Falcon & Torino
1957-60	Ford	Truck
1961-64	Ford	Truck, All except C-CT-H-HT550 Through 1100
1961-64	Ford	Truck, C-CT-H-HT550 Through 1100 with PCB
1965-66	Ford	Truck
1966-77	Ford	Bronco
1967-69	Ford	Truck, F-T-800 ~ 1000, N-NT-500 ~ 1000P-100 ~ 500



Part: 39533

OEM: C6DZ-10504-A

Applications:

1966-68	Ford	Fairlane, Falcon & Torino
1967-68	Ford	Mustang, LTD, Galaxie 500, Custom, country Squire & Sedan
1969	Ford	Fairlane & Torino
1967-70	Ford	Truck, B-F-100 ~ 750
1969	Ford	Van, E-100 ~ 300
1970	Ford	Truck, F-350
1970	Ford	Truck, L-LT-LTS-800 ~ 900 & LN-LNT-500 ~ 800
1973-75	Ford	Truck, F-350 ~ 500

Precision Electronic Instrument Voltage Regulators



Part: 39549

Ford OEM: COMF-10804-A AMC OEM: 3205695 Chrysler OEM: 2258413

Applications:

1961-64	Ford	Truck, C-CT-H-HT-500 ~ 1100 only
1965-66	AMC	Classic
1966	AMC	American
1967	AMC	Marlin
1967-70	AMC	Rebel
1967-78	AMC	Matador
1968-70	AMC	AMX & Javelin
1962-63	Plymouth	C-Body, Except Imperial
1964	Plymouth & Dodge	C-Body, Except Imperial
1965	Plymouth & Dodge	All Except Imperial
1966	Plymouth & Dodge	All Except Charger & Imperial
1967	Plymouth & Dodge	All Except Charger & Dodge Full Size
1968	Plymouth & Dodge	All A & B-Bodies
1969	Plymouth & Dodge	All A, B & Chryslers, Except Imperial
1970	Plymouth & Dodge	All A, B & Chryslers, Except Imperial
1971-74	Plymouth & Dodge	All A, B-Bodies, Except Chryslers & Imperial, Except Rallye Dash

More new products are on the drawing board, soon to come are Power Window Switches, 4-way hazard switches and many other products still under development.

Please contact M & H Electric Fabricators, Inc.
Marketing Department for more information.

877-977-WIRE

562-926-9552

562-407-2024 Marketing Dept.

Date Coded Chrysler Coils

**Chrysler Coils may be
purchased direct from M&H**

These quality Mopar licensed, American made coils are faithful reproductions of the factory installed ignition coils found on 1966 thru 1971 Chrysler cars. Built using state-of-the-art manufacturing processes, these coils will give years of trouble-free service while maintaining the original look of your vehicle.

Features

- Coils are date stamped with the three digit date code as original
- Over 100 date codes are available to ensure the closest possible match to vehicle
- Part Numbers are stamped in Green ink in the same type style as the original
- Features the correct shaped canister and tower design with fluted style crimp
- Heavy duty primary and secondary windings ensure outstanding performance
- Includes correct nuts and washers
- Custom date codes are also available



**AUTHENTIC
RESTORATION™
PRODUCT**

MOPAR, JEEP, DODGE, HEMI, PLYMOUTH, RAM, SRT, CHRYSLER and related logos, vehicle model names and trade dress are trademarks of Chrysler Group LLC used under license. © 2014 Chrysler Group LLC



Please READ THIS before ordering Date Coded Coils

Restoration Plus Series coils are correct for many 1966 to 1971 Chrysler cars. It is important to note that there were originally two distinct types of coils utilized in these vehicles, each manufactured by a different company. The coil we have reproduced is known by restorers as the "Long Skinny Type" and was manufactured by Essex. The Essex coil features the part number 2444241 and the words Made in USA stamped on the side of it. The Essex coil was used in a good majority of vehicles produced from 1966 to 1971. The other coil that was used was known as the "Short Fat Type" and was manufactured by Prestolite. The Prestolite coil has part number 2444242 on the side of it and the words Made in USA on top of the tower and is not currently being reproduced.

CONTINUED



Correct Tower Design

The tower is shaped just like the original, and features a fluted style crimp as original.



Date Coded

Coils feature a three digit date code stamped in green. Over 100 date codes are available.



Correct Part Number

Coils are stamped with the correct part number, in the same type style as the original.

Chrysler Coils

Selecting the correct date code

The date code that is stamped on the coil is easy to decode. The first two digits of the date code stamped on the coil indicate the week the coil was manufactured, and the last digit of the date code indicates the year the coil was manufactured. Using a date code of 078 as an example, the 07 would indicate the coil was made during the 7th week of the year and the 8 would indicate it was made in 1968.

If you are fortunate enough to have your original coil simply look to see if the date code is still visible and simply pick the matching date (or one that is as close as possible) from our list of available date codes.

If you do not have an original coil to match from the process is a little more complicated, but not difficult. *In most cases*, all you need to do is subtract 1 to 4 weeks from the build date of your vehicle to determine an approximate date code for the coil. Here's an example:

Year of Vehicle: 1968

Build Date of Vehicle: Mar 1968

A vehicle built in March would have been built sometime between 9th and 12th weeks of the year, lets just assume it was built during the 10th week. The coil that was installed in the vehicle would have been manufactured anywhere from 1 to 4 weeks before that. Based on this example you would choose a date code of 078 from our catalog.

Keep in mind that there is absolutely no way for anyone to know exactly what date code was used in a given vehicle (unless you are fortunate enough to have the original coil). If you are not lucky enough to have your original, then all one can do is approximate by ordering a coil that is date coded 1 to 4 weeks prior to the build date of the vehicle (with some exceptions).

You may have noticed that we allude to the fact that there are some exceptions to determining proper date codes. Some special vehicles (i.e. limited production) and HEMI equipped vehicles may have been equipped with a date code that was dated more than 4 weeks prior to the production date of the vehicle. If you believe you have one of these special vehicles or a HEMI equipped vehicle (and the proper date code is imperative to your restoration) you will want to call and speak with Frank Badalson at Auto Restoration Parts (804) 275-2155. For a small fee Frank will get the details about the car and determine the proper date code that is necessary for the restoration to be correct.

F.A.Q.'s

What if I don't know the build date of my vehicle?

Determining the build date of some Chryslers can be a very complicated process and one that we don't have room here to cover. Please call Frank Badalson at Auto Restoration Parts (804) 275-2155 if you need to find out a vehicles build date. For a small fee Frank will get the details about the car, let you know a probable build date and determine the proper date coded coil you need. As an alternative, there are books published on build dates and VIN identification that you can order from Chrysler restoration parts suppliers.

Is the lettering "CH412" stamped on the coils?

Yes, but only when applicable. All coils prior to date code 018 have "CH412" stamped on them. You'll find a note in our catalog descriptions indicating "CH412" on any coil that features the additional "CH412" lettering/stamping.

What were the cut-off dates for vehicle production?

Vehicle production for a given year was typically August 1st to July 31st. (with some deviation).

You don't list the particular date code I am looking for?

Essex, Chryslers original coil supplier made coils every week of the production year and the coils were stamped accordingly with 52 date code combinations per year. We have chosen to consolidate the date code stamps to every three weeks in order to keep the project economically viable. We do offer a selection of Non-Standard date codes. The Non-Standard date coded coils are non-returnable and require a 4 to 6 week lead time.

Chrysler



Phone (562) 926-9552

Fax (562) 926-9572

Part Number	Year	Description	Price	*Rev.
COIL				
38698	1966	COIL, STANDARD DATE CODE Chrysler Ch412 Essex 2444241 Dated 265	\$84.00	P
38699	1966	COIL, STANDARD DATE CODE Chrysler Ch412 Essex 2444241 Dated 295	\$84.00	P
38700	1966	COIL, STANDARD DATE CODE Chrysler Ch412 Essex 2444241 Dated 325	\$84.00	P
38701	1966	COIL, STANDARD DATE CODE Chrysler Ch412 Essex 2444241 Dated 355	\$84.00	P
38702	1966	COIL, STANDARD DATE CODE Chrysler Ch412 Essex 2444241 Dated 385	\$84.00	P
38703	1966	COIL, STANDARD DATE CODE Chrysler Ch412 Essex 2444241 Dated 415	\$84.00	P
38704	1966	COIL, STANDARD DATE CODE Chrysler Ch412 Essex 2444241 Dated 445	\$84.00	P
38705	1966	COIL, STANDARD DATE CODE Chrysler Ch412 Essex 2444241 Dated 475	\$84.00	P
38706	1966	COIL, STANDARD DATE CODE Chrysler Ch412 Essex 2444241 Dated 505	\$84.00	P
38707	1966	COIL, STANDARD DATE CODE Chrysler Ch412 Essex 2444241 Dated 016	\$84.00	P
38708	1966	COIL, STANDARD DATE CODE Chrysler Ch412 Essex 2444241 Dated 046	\$84.00	P
38709	1966	COIL, STANDARD DATE CODE Chrysler Ch412 Essex 2444241 Dated 076	\$84.00	P
38710	1966	COIL, STANDARD DATE CODE Chrysler Ch412 Essex 2444241 Dated 106	\$84.00	P
38711	1966	COIL, STANDARD DATE CODE Chrysler Ch412 Essex 2444241 Dated 136	\$84.00	P
38712	1966	COIL, STANDARD DATE CODE Chrysler Ch412 Essex 2444241 Dated 166	\$84.00	P
38713	1966	COIL, STANDARD DATE CODE Chrysler Ch412 Essex 2444241 Dated 196	\$84.00	P
38714	1966	COIL, STANDARD DATE CODE Chrysler Ch412 Essex 2444241 Dated 226	\$84.00	P
38715	1966	COIL, STANDARD DATE CODE Chrysler Ch412 Essex 2444241 Dated 266	\$84.00	P
38716	1966	COIL, STANDARD DATE CODE Chrysler Ch412 Essex 2444241 Dated 296	\$84.00	P
38715	1967	COIL, STANDARD DATE CODE Chrysler Ch412 Essex 2444241 Dated 266	\$84.00	P
38716	1967	COIL, STANDARD DATE CODE Chrysler Ch412 Essex 2444241 Dated 296	\$84.00	P
38717	1967	COIL, STANDARD DATE CODE Chrysler Ch412 Essex 2444241 Dated 326	\$84.00	P
38718	1967	COIL, STANDARD DATE CODE Chrysler Ch412 Essex 2444241 Dated 356	\$84.00	P
38719	1967	COIL, STANDARD DATE CODE Chrysler Ch412 Essex 2444241 Dated 386	\$84.00	P
38720	1967	COIL, STANDARD DATE CODE Chrysler Ch412 Essex 2444241 Dated 416	\$84.00	P
38721	1967	COIL, STANDARD DATE CODE Chrysler Ch412 Essex 2444241 Dated 446	\$84.00	P
38722	1967	COIL, STANDARD DATE CODE Chrysler Ch412 Essex 2444241 Dated 476	\$84.00	P
38723	1967	COIL, STANDARD DATE CODE Chrysler Ch412 Essex 2444241 Dated 506	\$84.00	P
38724	1967	COIL, STANDARD DATE CODE Chrysler Ch412 Essex 2444241 Dated 017	\$84.00	P
38725	1967	COIL, STANDARD DATE CODE Chrysler Ch412 Essex 2444241 Dated 047	\$84.00	P
38726	1967	COIL, STANDARD DATE CODE Chrysler Ch412 Essex 2444241 Dated 077	\$84.00	P
38727	1967	COIL, STANDARD DATE CODE Chrysler Ch412 Essex 2444241 Dated 107	\$84.00	P
38728	1967	COIL, STANDARD DATE CODE Chrysler Ch412 Essex 2444241 Dated 137	\$84.00	P
38729	1967	COIL, STANDARD DATE CODE Chrysler Ch412 Essex 2444241 Dated 167	\$84.00	P
38730	1967	COIL, STANDARD DATE CODE Chrysler Ch412 Essex 2444241 Dated 197	\$84.00	P
38731	1967	COIL, STANDARD DATE CODE Chrysler Ch412 Essex 2444241 Dated 227	\$84.00	P
38732	1967	COIL, STANDARD DATE CODE Chrysler Ch412 Essex 2444241 Dated 267	\$84.00	P
38733	1967	COIL, STANDARD DATE CODE Chrysler Ch412 Essex 2444241 Dated 297	\$84.00	P
38732	1968	COIL, STANDARD DATE CODE Chrysler Ch412 Essex 2444241 Dated 267	\$84.00	P
38733	1968	COIL, STANDARD DATE CODE Chrysler Ch412 Essex 2444241 Dated 297	\$84.00	P
38734	1968	COIL, STANDARD DATE CODE Chrysler Ch412 Essex 2444241 Dated 327	\$84.00	P
38735	1968	COIL, STANDARD DATE CODE Chrysler Ch412 Essex 2444241 Dated 357	\$84.00	P
38736	1968	COIL, STANDARD DATE CODE Chrysler Ch412 Essex 2444241 Dated 387	\$84.00	P
38737	1968	COIL, STANDARD DATE CODE Chrysler Ch412 Essex 2444241 Dated 417	\$84.00	P
38738	1968	COIL, STANDARD DATE CODE Chrysler Ch412 Essex 2444241 Dated 447	\$84.00	P
38739	1968	COIL, STANDARD DATE CODE Chrysler Ch412 Essex 2444241 Dated 477	\$84.00	P

Chrysler



Phone (562) 926-9552

Fax (562) 926-9572

Part Number	Year	Description	Price	*Rev.
38740	1968	COIL, STANDARD DATE CODE Chrysler Ch412 Essex 2444241 Dated 507	\$84.00	P
38741	1968	COIL, STANDARD DATE CODE Chrysler Essex 2444241 Dated 018	\$84.00	P
38743	1968	COIL, STANDARD DATE CODE Chrysler Essex 2444241 Dated 078	\$84.00	P
38744	1968	COIL, STANDARD DATE CODE Chrysler Essex 2444241 Dated 108	\$84.00	P
38745	1968	COIL, STANDARD DATE CODE Chrysler Essex 2444241 Dated 138	\$84.00	P
38746	1968	COIL, STANDARD DATE CODE Chrysler Essex 2444241 Dated 168	\$84.00	P
38747	1968	COIL, STANDARD DATE CODE Chrysler Essex 2444241 Dated 198	\$84.00	P
38748	1968	COIL, STANDARD DATE CODE Chrysler Essex 2444241 Dated 228	\$84.00	P
38749	1968	COIL, STANDARD DATE CODE Chrysler Essex 2444241 Dated 268	\$84.00	P
38750	1968	COIL, STANDARD DATE CODE Chrysler Essex 2444241 Dated 298	\$84.00	P
38749	1969	COIL, STANDARD DATE CODE Chrysler Essex 2444241 Dated 268	\$84.00	P
38750	1969	COIL, STANDARD DATE CODE Chrysler Essex 2444241 Dated 298	\$84.00	P
38751	1969	COIL, STANDARD DATE CODE Chrysler Essex 2444241 Dated 328	\$84.00	P
38752	1969	COIL, STANDARD DATE CODE Chrysler Essex 2444241 Dated 358	\$84.00	P
38753	1969	COIL, STANDARD DATE CODE Chrysler Essex 2444241 Dated 388	\$84.00	P
38754	1969	COIL, STANDARD DATE CODE Chrysler Essex 2444241 Dated 418	\$84.00	P
38755	1969	COIL, STANDARD DATE CODE Chrysler Essex 2444241 Dated 448	\$84.00	P
38756	1969	COIL, STANDARD DATE CODE Chrysler Essex 2444241 Dated 478	\$84.00	P
38757	1969	COIL, STANDARD DATE CODE Chrysler Essex 2444241 Dated 508	\$84.00	P
38758	1969	COIL, STANDARD DATE CODE Chrysler Essex 2444241 Dated 019	\$84.00	P
38759	1969	COIL, STANDARD DATE CODE Chrysler Essex 2444241 Dated 049	\$84.00	P
38760	1969	COIL, STANDARD DATE CODE Chrysler Essex 2444241 Dated 079	\$84.00	P
38761	1969	COIL, STANDARD DATE CODE Chrysler Essex 2444241 Dated 109	\$84.00	P
38762	1969	COIL, STANDARD DATE CODE Chrysler Essex 2444241 Dated 139	\$84.00	P
38763	1969	COIL, STANDARD DATE CODE Chrysler Essex 2444241 Dated 169	\$84.00	P
38764	1969	COIL, STANDARD DATE CODE Chrysler Essex 2444241 Dated 199	\$84.00	P
38765	1969	COIL, STANDARD DATE CODE Chrysler Essex 2444241 Dated 229	\$84.00	P
38766	1969	COIL, STANDARD DATE CODE Chrysler Essex 2444241 Dated 269	\$84.00	P
38767	1969	COIL, STANDARD DATE CODE Chrysler Essex 2444241 Dated 299	\$84.00	P
38766	1970	COIL, STANDARD DATE CODE Chrysler Essex 2444241 Dated 269	\$84.00	P
38767	1970	COIL, STANDARD DATE CODE Chrysler Essex 2444241 Dated 299	\$84.00	P
38768	1970	COIL, STANDARD DATE CODE Chrysler Essex 2444241 Dated 329	\$84.00	P
38769	1970	COIL, STANDARD DATE CODE Chrysler Essex 2444241 Dated 359	\$84.00	P
38770	1970	COIL, STANDARD DATE CODE Chrysler Essex 2444241 Dated 389	\$84.00	P
38771	1970	COIL, STANDARD DATE CODE Chrysler Essex 2444241 Dated 419	\$84.00	P
38772	1970	COIL, STANDARD DATE CODE Chrysler Essex 2444241 Dated 449	\$84.00	P
38773	1970	COIL, STANDARD DATE CODE Chrysler Essex 2444241 Dated 479	\$84.00	P
38774	1970	COIL, STANDARD DATE CODE Chrysler Essex 2444241 Dated 509	\$84.00	P
38775	1970	COIL, STANDARD DATE CODE Chrysler Essex 2444241 Dated 010	\$84.00	P
38776	1970	COIL, STANDARD DATE CODE Chrysler Essex 2444241 Dated 040	\$84.00	P
38777	1970	COIL, STANDARD DATE CODE Chrysler Essex 2444241 Dated 070	\$84.00	P
38778	1970	COIL, STANDARD DATE CODE Chrysler Essex 2444241 Dated 100	\$84.00	P
38779	1970	COIL, STANDARD DATE CODE Chrysler Essex 2444241 Dated 130	\$84.00	P
38780	1970	COIL, STANDARD DATE CODE Chrysler Essex 2444241 Dated 160	\$84.00	P
38781	1970	COIL, STANDARD DATE CODE Chrysler Essex 2444241 Dated 190	\$84.00	P
38782	1970	COIL, STANDARD DATE CODE Chrysler Essex 2444241 Dated 220	\$84.00	P
38783	1970	COIL, STANDARD DATE CODE Chrysler Essex 2444241 Dated 260	\$84.00	P

Part Number	Year	Description	Price	*Rev.
38784	1970	COIL, STANDARD DATE CODE Chrysler Essex 2444241 Dated 290	\$84.00	P
38783	1971	COIL, STANDARD DATE CODE Chrysler Essex 2444241 Dated 260	\$84.00	P
38784	1971	COIL, STANDARD DATE CODE Chrysler Essex 2444241 Dated 290	\$84.00	P
38785	1971	COIL, STANDARD DATE CODE Chrysler Essex 2444241 Dated 320	\$84.00	P
38786	1971	COIL, STANDARD DATE CODE Chrysler Essex 2444241 Dated 350	\$84.00	P
38787	1971	COIL, STANDARD DATE CODE Chrysler Essex 2444241 Dated 380	\$84.00	P
38788	1971	COIL, STANDARD DATE CODE Chrysler Essex 2444241 Dated 410	\$84.00	P
38789	1971	COIL, STANDARD DATE CODE Chrysler Essex 2444241 Dated 440	\$84.00	P
38790	1971	COIL, STANDARD DATE CODE Chrysler Essex 2444241 Dated 470	\$84.00	P
38791	1971	COIL, STANDARD DATE CODE Chrysler Essex 2444241 Dated 500	\$84.00	P
38792	1971	COIL, STANDARD DATE CODE Chrysler Essex 2444241 Dated 011	\$84.00	P
38793	1971	COIL, STANDARD DATE CODE Chrysler Essex 2444241 Dated 041	\$84.00	P
38794	1971	COIL, STANDARD DATE CODE Chrysler Essex 2444241 Dated 071	\$84.00	P
38795	1971	COIL, STANDARD DATE CODE Chrysler Essex 2444241 Dated 101	\$84.00	P
38796	1971	COIL, STANDARD DATE CODE Chrysler Essex 2444241 Dated 131	\$84.00	P
38797	1971	COIL, STANDARD DATE CODE Chrysler Essex 2444241 Dated 161	\$84.00	P
38798	1971	COIL, STANDARD DATE CODE Chrysler Essex 2444241 Dated 191	\$84.00	P
38799	1971	COIL, STANDARD DATE CODE Chrysler Essex 2444241 Dated 221	\$84.00	P
40913	1966	COIL, NON-STANDARD DATE CODE Chrysler Ch412 Essex 2444241 Dated 275 Note: Non-Standard date coded coils are not returnable and require a 6 to 8 week lead time.	\$139.00	
40914	1966	COIL, NON-STANDARD DATE CODE Chrysler Ch412 Essex 2444241 Dated 285 Note: Non-Standard date coded coils are not returnable and require a 6 to 8 week lead time.	\$139.00	
40915	1966	COIL, NON-STANDARD DATE CODE Chrysler Ch412 Essex 2444241 Dated 305 Note: Non-Standard date coded coils are not returnable and require a 6 to 8 week lead time.	\$139.00	
40916	1966	COIL, NON-STANDARD DATE CODE Chrysler Ch412 Essex 2444241 Dated 315 Note: Non-Standard date coded coils are not returnable and require a 6 to 8 week lead time.	\$139.00	
40917	1966	COIL, NON-STANDARD DATE CODE Chrysler Ch412 Essex 2444241 Dated 335 Note: Non-Standard date coded coils are not returnable and require a 6 to 8 week lead time.	\$139.00	
40918	1966	COIL, NON-STANDARD DATE CODE Chrysler Ch412 Essex 2444241 Dated 345 Note: Non-Standard date coded coils are not returnable and require a 6 to 8 week lead time.	\$139.00	
40919	1966	COIL, NON-STANDARD DATE CODE Chrysler Ch412 Essex 2444241 Dated 365 Note: Non-Standard date coded coils are not returnable and require a 6 to 8 week lead time.	\$139.00	
40920	1966	COIL, NON-STANDARD DATE CODE Chrysler Ch412 Essex 2444241 Dated 375 Note: Non-Standard date coded coils are not returnable and require a 6 to 8 week lead time.	\$139.00	
40921	1966	COIL, NON-STANDARD DATE CODE Chrysler Ch412 Essex 2444241 Dated 395 Note: Non-Standard date coded coils are not returnable and require a 6 to 8 week lead time.	\$139.00	
40922	1966	COIL, NON-STANDARD DATE CODE Chrysler Ch412 Essex 2444241 Dated 405 Note: Non-Standard date coded coils are not returnable and require a 6 to 8 week lead time.	\$139.00	
40923	1966	COIL, NON-STANDARD DATE CODE Chrysler Ch412 Essex 2444241 Dated 425 Note: Non-Standard date coded coils are not returnable and require a 6 to 8 week lead time.	\$139.00	
40924	1966	COIL, NON-STANDARD DATE CODE Chrysler Ch412 Essex 2444241 Dated 435 Note: Non-Standard date coded coils are not returnable and require a 6 to 8 week lead time.	\$139.00	
40925	1966	COIL, NON-STANDARD DATE CODE Chrysler Ch412 Essex 2444241 Dated 455 Note: Non-Standard date coded coils are not returnable and require a 6 to 8 week lead time.	\$139.00	
40926	1966	COIL, NON-STANDARD DATE CODE Chrysler Ch412 Essex 2444241 Dated 465 Note: Non-Standard date coded coils are not returnable and require a 6 to 8 week lead time.	\$139.00	
40927	1966	COIL, NON-STANDARD DATE CODE Chrysler Ch412 Essex 2444241 Dated 485 Note: Non-Standard date coded coils are not returnable and require a 6 to 8 week lead time.	\$139.00	

Part Number	Year	Description	Price	*Rev.
40928	1966	COIL, NON-STANDARD DATE CODE Chrysler Ch412 Essex 2444241 Dated 495 Note: Non-Standard date coded coils are not returnable and require a 6 to 8 week lead time.	\$139.00	
40929	1966	COIL, NON-STANDARD DATE CODE Chrysler Ch412 Essex 2444241 Dated 515 Note: Non-Standard date coded coils are not returnable and require a 6 to 8 week lead time.	\$139.00	
40930	1966	COIL, NON-STANDARD DATE CODE Chrysler Ch412 Essex 2444241 Dated 525 Note: Non-Standard date coded coils are not returnable and require a 6 to 8 week lead time.	\$139.00	
40931	1966	COIL, NON-STANDARD DATE CODE Chrysler Ch412 Essex 2444241 Dated 026 Note: Non-Standard date coded coils are not returnable and require a 6 to 8 week lead time.	\$139.00	
40932	1966	COIL, NON-STANDARD DATE CODE Chrysler Ch412 Essex 2444241 Dated 036 Note: Non-Standard date coded coils are not returnable and require a 6 to 8 week lead time.	\$139.00	
40933	1966	COIL, NON-STANDARD DATE CODE Chrysler Ch412 Essex 2444241 Dated 056 Note: Non-Standard date coded coils are not returnable and require a 6 to 8 week lead time.	\$139.00	
40934	1966	COIL, NON-STANDARD DATE CODE Chrysler Ch412 Essex 2444241 Dated 066 Note: Non-Standard date coded coils are not returnable and require a 6 to 8 week lead time.	\$139.00	
40935	1966	COIL, NON-STANDARD DATE CODE Chrysler Ch412 Essex 2444241 Dated 086 Note: Non-Standard date coded coils are not returnable and require a 6 to 8 week lead time.	\$139.00	
40936	1966	COIL, NON-STANDARD DATE CODE Chrysler Ch412 Essex 2444241 Dated 096 Note: Non-Standard date coded coils are not returnable and require a 6 to 8 week lead time.	\$139.00	
40937	1966	COIL, NON-STANDARD DATE CODE Chrysler Ch412 Essex 2444241 Dated 116 Note: Non-Standard date coded coils are not returnable and require a 6 to 8 week lead time.	\$139.00	
40938	1966	COIL, NON-STANDARD DATE CODE Chrysler Ch412 Essex 2444241 Dated 126 Note: Non-Standard date coded coils are not returnable and require a 6 to 8 week lead time.	\$139.00	
40939	1966	COIL, NON-STANDARD DATE CODE Chrysler Ch412 Essex 2444241 Dated 146 Note: Non-Standard date coded coils are not returnable and require a 6 to 8 week lead time.	\$139.00	
40940	1966	COIL, NON-STANDARD DATE CODE Chrysler Ch412 Essex 2444241 Dated 156 Note: Non-Standard date coded coils are not returnable and require a 6 to 8 week lead time.	\$139.00	
40941	1966	COIL, NON-STANDARD DATE CODE Chrysler Ch412 Essex 2444241 Dated 176 Note: Non-Standard date coded coils are not returnable and require a 6 to 8 week lead time.	\$139.00	
40942	1966	COIL, NON-STANDARD DATE CODE Chrysler Ch412 Essex 2444241 Dated 186 Note: Non-Standard date coded coils are not returnable and require a 6 to 8 week lead time.	\$139.00	
40943	1966	COIL, NON-STANDARD DATE CODE Chrysler Ch412 Essex 2444241 Dated 206 Note: Non-Standard date coded coils are not returnable and require a 6 to 8 week lead time.	\$139.00	
40944	1966	COIL, NON-STANDARD DATE CODE Chrysler Ch412 Essex 2444241 Dated 216 Note: Non-Standard date coded coils are not returnable and require a 6 to 8 week lead time.	\$139.00	
40945	1966	COIL, NON-STANDARD DATE CODE Chrysler Ch412 Essex 2444241 Dated 236 Note: Non-Standard date coded coils are not returnable and require a 6 to 8 week lead time.	\$139.00	
40946	1966	COIL, NON-STANDARD DATE CODE Chrysler Ch412 Essex 2444241 Dated 246 Note: Non-Standard date coded coils are not returnable and require a 6 to 8 week lead time.	\$139.00	
40947	1966	COIL, NON-STANDARD DATE CODE Chrysler Ch412 Essex 2444241 Dated 276 Note: Non-Standard date coded coils are not returnable and require a 6 to 8 week lead time.	\$139.00	
40948	1966	COIL, NON-STANDARD DATE CODE Chrysler Ch412 Essex 2444241 Dated 286 Note: Non-Standard date coded coils are not returnable and require a 6 to 8 week lead time.	\$139.00	
40949	1967	COIL, NON-STANDARD DATE CODE Chrysler Ch412 Essex 2444241 Dated 306 Note: Non-Standard date coded coils are not returnable and require a 6 to 8 week lead time.	\$139.00	
40950	1967	COIL, NON-STANDARD DATE CODE Chrysler Ch412 Essex 2444241 Dated 316 Note: Non-Standard date coded coils are not returnable and require a 6 to 8 week lead time.	\$139.00	
40951	1967	COIL, NON-STANDARD DATE CODE Chrysler Ch412 Essex 2444241 Dated 336 Note: Non-Standard date coded coils are not returnable and require a 6 to 8 week lead time.	\$139.00	

Part Number	Year	Description	Price	*Rev.
40952	1967	COIL, NON-STANDARD DATE CODE Chrysler Ch412 Essex 2444241 Dated 346 Note: Non-Standard date coded coils are not returnable and require a 6 to 8 week lead time.	\$139.00	
40953	1967	COIL, NON-STANDARD DATE CODE Chrysler Ch412 Essex 2444241 Dated 366 Note: Non-Standard date coded coils are not returnable and require a 6 to 8 week lead time.	\$139.00	
40954	1967	COIL, NON-STANDARD DATE CODE Chrysler Ch412 Essex 2444241 Dated 376 Note: Non-Standard date coded coils are not returnable and require a 6 to 8 week lead time.	\$139.00	
40955	1967	COIL, NON-STANDARD DATE CODE Chrysler Ch412 Essex 2444241 Dated 396 Note: Non-Standard date coded coils are not returnable and require a 6 to 8 week lead time.	\$139.00	
40956	1967	COIL, NON-STANDARD DATE CODE Chrysler Ch412 Essex 2444241 Dated 406 Note: Non-Standard date coded coils are not returnable and require a 6 to 8 week lead time.	\$139.00	
40957	1967	COIL, NON-STANDARD DATE CODE Chrysler Ch412 Essex 2444241 Dated 426 Note: Non-Standard date coded coils are not returnable and require a 6 to 8 week lead time.	\$139.00	
40958	1967	COIL, NON-STANDARD DATE CODE Chrysler Ch412 Essex 2444241 Dated 436 Note: Non-Standard date coded coils are not returnable and require a 6 to 8 week lead time.	\$139.00	
40959	1967	COIL, NON-STANDARD DATE CODE Chrysler Ch412 Essex 2444241 Dated 456 Note: Non-Standard date coded coils are not returnable and require a 6 to 8 week lead time.	\$139.00	
40960	1967	COIL, NON-STANDARD DATE CODE Chrysler Ch412 Essex 2444241 Dated 466 Note: Non-Standard date coded coils are not returnable and require a 6 to 8 week lead time.	\$139.00	
40961	1967	COIL, NON-STANDARD DATE CODE Chrysler Ch412 Essex 2444241 Dated 486 Note: Non-Standard date coded coils are not returnable and require a 6 to 8 week lead time.	\$139.00	
40962	1967	COIL, NON-STANDARD DATE CODE Chrysler Ch412 Essex 2444241 Dated 496 Note: Non-Standard date coded coils are not returnable and require a 6 to 8 week lead time.	\$139.00	
40963	1967	COIL, NON-STANDARD DATE CODE Chrysler Ch412 Essex 2444241 Dated 516 Note: Non-Standard date coded coils are not returnable and require a 6 to 8 week lead time.	\$139.00	
40964	1967	COIL, NON-STANDARD DATE CODE Chrysler Ch412 Essex 2444241 Dated 526 Note: Non-Standard date coded coils are not returnable and require a 6 to 8 week lead time.	\$139.00	
40965	1967	COIL, NON-STANDARD DATE CODE Chrysler Ch412 Essex 2444241 Dated 027 Note: Non-Standard date coded coils are not returnable and require a 6 to 8 week lead time.	\$139.00	
40966	1967	COIL, NON-STANDARD DATE CODE Chrysler Ch412 Essex 2444241 Dated 037 Note: Non-Standard date coded coils are not returnable and require a 6 to 8 week lead time.	\$139.00	
40967	1967	COIL, NON-STANDARD DATE CODE Chrysler Ch412 Essex 2444241 Dated 057 Note: Non-Standard date coded coils are not returnable and require a 6 to 8 week lead time.	\$139.00	
40968	1967	COIL, NON-STANDARD DATE CODE Chrysler Ch412 Essex 2444241 Dated 067 Note: Non-Standard date coded coils are not returnable and require a 6 to 8 week lead time.	\$139.00	
40969	1967	COIL, NON-STANDARD DATE CODE Chrysler Ch412 Essex 2444241 Dated 087 Note: Non-Standard date coded coils are not returnable and require a 6 to 8 week lead time.	\$139.00	
40970	1967	COIL, NON-STANDARD DATE CODE Chrysler Ch412 Essex 2444241 Dated 097 Note: Non-Standard date coded coils are not returnable and require a 6 to 8 week lead time.	\$139.00	
40971	1967	COIL, NON-STANDARD DATE CODE Chrysler Ch412 Essex 2444241 Dated 117 Note: Non-Standard date coded coils are not returnable and require a 6 to 8 week lead time.	\$139.00	
40972	1967	COIL, NON-STANDARD DATE CODE Chrysler Ch412 Essex 2444241 Dated 127 Note: Non-Standard date coded coils are not returnable and require a 6 to 8 week lead time.	\$139.00	
40973	1967	COIL, NON-STANDARD DATE CODE Chrysler Ch412 Essex 2444241 Dated 147 Note: Non-Standard date coded coils are not returnable and require a 6 to 8 week lead time.	\$139.00	
40974	1967	COIL, NON-STANDARD DATE CODE Chrysler Ch412 Essex 2444241 Dated 157 Note: Non-Standard date coded coils are not returnable and require a 6 to 8 week lead time.	\$139.00	
40975	1967	COIL, NON-STANDARD DATE CODE Chrysler Ch412 Essex 2444241 Dated 177 Note: Non-Standard date coded coils are not returnable and require a 6 to 8 week lead time.	\$139.00	

Part Number	Year	Description	Price	*Rev.
40976	1967	COIL, NON-STANDARD DATE CODE Chrysler Ch412 Essex 2444241 Dated 187 Note: Non-Standard date coded coils are not returnable and require a 6 to 8 week lead time.	\$139.00	
40977	1967	COIL, NON-STANDARD DATE CODE Chrysler Ch412 Essex 2444241 Dated 207 Note: Non-Standard date coded coils are not returnable and require a 6 to 8 week lead time.	\$139.00	
40978	1967	COIL, NON-STANDARD DATE CODE Chrysler Ch412 Essex 2444241 Dated 217 Note: Non-Standard date coded coils are not returnable and require a 6 to 8 week lead time.	\$139.00	
40979	1967	COIL, NON-STANDARD DATE CODE Chrysler Ch412 Essex 2444241 Dated 237 Note: Non-Standard date coded coils are not returnable and require a 6 to 8 week lead time.	\$139.00	
40980	1967	COIL, NON-STANDARD DATE CODE Chrysler Ch412 Essex 2444241 Dated 247 Note: Non-Standard date coded coils are not returnable and require a 6 to 8 week lead time.	\$139.00	
40981	1967	COIL, NON-STANDARD DATE CODE Chrysler Ch412 Essex 2444241 Dated 277 Note: Non-Standard date coded coils are not returnable and require a 6 to 8 week lead time.	\$139.00	
40982	1967	COIL, NON-STANDARD DATE CODE Chrysler Ch412 Essex 2444241 Dated 287 Note: Non-Standard date coded coils are not returnable and require a 6 to 8 week lead time.	\$139.00	
40983	1968	COIL, NON-STANDARD DATE CODE Chrysler Ch412 Essex 2444241 Dated 307 Note: Non-Standard date coded coils are not returnable and require a 6 to 8 week lead time.	\$139.00	
40984	1968	COIL, NON-STANDARD DATE CODE Chrysler Ch412 Essex 2444241 Dated 317 Note: Non-Standard date coded coils are not returnable and require a 6 to 8 week lead time.	\$139.00	
40985	1968	COIL, NON-STANDARD DATE CODE Chrysler Ch412 Essex 2444241 Dated 337 Note: Non-Standard date coded coils are not returnable and require a 6 to 8 week lead time.	\$139.00	
40986	1968	COIL, NON-STANDARD DATE CODE Chrysler Ch412 Essex 2444241 Dated 347 Note: Non-Standard date coded coils are not returnable and require a 6 to 8 week lead time.	\$139.00	
40987	1968	COIL, NON-STANDARD DATE CODE Chrysler Ch412 Essex 2444241 Dated 367 Note: Non-Standard date coded coils are not returnable and require a 6 to 8 week lead time.	\$139.00	
40988	1968	COIL, NON-STANDARD DATE CODE Chrysler Ch412 Essex 2444241 Dated 377 Note: Non-Standard date coded coils are not returnable and require a 6 to 8 week lead time.	\$139.00	
40989	1968	COIL, NON-STANDARD DATE CODE Chrysler Ch412 Essex 2444241 Dated 397 Note: Non-Standard date coded coils are not returnable and require a 6 to 8 week lead time.	\$139.00	
40990	1968	COIL, NON-STANDARD DATE CODE Chrysler Ch412 Essex 2444241 Dated 407 Note: Non-Standard date coded coils are not returnable and require a 6 to 8 week lead time.	\$139.00	
40991	1968	COIL, NON-STANDARD DATE CODE Chrysler Ch412 Essex 2444241 Dated 427 Note: Non-Standard date coded coils are not returnable and require a 6 to 8 week lead time.	\$139.00	
40992	1968	COIL, NON-STANDARD DATE CODE Chrysler Ch412 Essex 2444241 Dated 437 Note: Non-Standard date coded coils are not returnable and require a 6 to 8 week lead time.	\$139.00	
40993	1968	COIL, NON-STANDARD DATE CODE Chrysler Ch412 Essex 2444241 Dated 457 Note: Non-Standard date coded coils are not returnable and require a 6 to 8 week lead time.	\$139.00	
40994	1968	COIL, NON-STANDARD DATE CODE Chrysler Ch412 Essex 2444241 Dated 467 Note: Non-Standard date coded coils are not returnable and require a 6 to 8 week lead time.	\$139.00	
40995	1968	COIL, NON-STANDARD DATE CODE Chrysler Ch412 Essex 2444241 Dated 487 Note: Non-Standard date coded coils are not returnable and require a 6 to 8 week lead time.	\$139.00	
40996	1968	COIL, NON-STANDARD DATE CODE Chrysler Ch412 Essex 2444241 Dated 497 Note: Non-Standard date coded coils are not returnable and require a 6 to 8 week lead time.	\$139.00	
40997	1968	COIL, NON-STANDARD DATE CODE Chrysler, Essex 2444241 Dated 517 Note: Non-Standard date coded coils are not returnable and require a 6 to 8 week lead time.	\$139.00	
40998	1968	COIL, NON-STANDARD DATE CODE Chrysler, Essex 2444241 Dated 527 Note: Non-Standard date coded coils are not returnable and require a 6 to 8 week lead time.	\$139.00	
40999	1968	COIL, NON-STANDARD DATE CODE Chrysler, Essex 2444241 Dated 028 Note: Non-Standard date coded coils are not returnable and require a 6 to 8 week lead time.	\$139.00	

Part Number	Year	Description	Price	*Rev.
41000	1968	COIL, NON-STANDARD DATE CODE Chrysler, Essex 2444241 Dated 038 Note: Non-Standard date coded coils are not returnable and require a 6 to 8 week lead time.	\$139.00	
41001	1968	COIL, NON-STANDARD DATE CODE Chrysler, Essex 2444241 Dated 088 Note: Non-Standard date coded coils are not returnable and require a 6 to 8 week lead time.	\$139.00	
41002	1968	COIL, NON-STANDARD DATE CODE Chrysler, Essex 2444241 Dated 098 Note: Non-Standard date coded coils are not returnable and require a 6 to 8 week lead time.	\$139.00	
41003	1968	COIL, NON-STANDARD DATE CODE Chrysler, Essex 2444241 Dated 118 Note: Non-Standard date coded coils are not returnable and require a 6 to 8 week lead time.	\$139.00	
41004	1968	COIL, NON-STANDARD DATE CODE Chrysler, Essex 2444241 Dated 128 Note: Non-Standard date coded coils are not returnable and require a 6 to 8 week lead time.	\$139.00	
41005	1968	COIL, NON-STANDARD DATE CODE Chrysler, Essex 2444241 Dated 148 Note: Non-Standard date coded coils are not returnable and require a 6 to 8 week lead time.	\$139.00	
41006	1968	COIL, NON-STANDARD DATE CODE Chrysler, Essex 2444241 Dated 158 Note: Non-Standard date coded coils are not returnable and require a 6 to 8 week lead time.	\$139.00	
41007	1968	COIL, NON-STANDARD DATE CODE Chrysler, Essex 2444241 Dated 178 Note: Non-Standard date coded coils are not returnable and require a 6 to 8 week lead time.	\$139.00	
41008	1968	COIL, NON-STANDARD DATE CODE Chrysler, Essex 2444241 Dated 188 Note: Non-Standard date coded coils are not returnable and require a 6 to 8 week lead time.	\$139.00	
41009	1968	COIL, NON-STANDARD DATE CODE Chrysler, Essex 2444241 Dated 208 Note: Non-Standard date coded coils are not returnable and require a 6 to 8 week lead time.	\$139.00	
41010	1968	COIL, NON-STANDARD DATE CODE Chrysler, Essex 2444241 Dated 218 Note: Non-Standard date coded coils are not returnable and require a 6 to 8 week lead time.	\$139.00	
41011	1968	COIL, NON-STANDARD DATE CODE Chrysler, Essex 2444241 Dated 238 Note: Non-Standard date coded coils are not returnable and require a 6 to 8 week lead time.	\$139.00	
41012	1968	COIL, NON-STANDARD DATE CODE Chrysler, Essex 2444241 Dated 248 Note: Non-Standard date coded coils are not returnable and require a 6 to 8 week lead time.	\$139.00	
41013	1968	COIL, NON-STANDARD DATE CODE Chrysler, Essex 2444241 Dated 278 Note: Non-Standard date coded coils are not returnable and require a 6 to 8 week lead time.	\$139.00	
41014	1968	COIL, NON-STANDARD DATE CODE Chrysler, Essex 2444241 Dated 288 Note: Non-Standard date coded coils are not returnable and require a 6 to 8 week lead time.	\$139.00	
41015	1969	COIL, NON-STANDARD DATE CODE Chrysler, Essex 2444241 Dated 308 Note: Non-Standard date coded coils are not returnable and require a 6 to 8 week lead time.	\$139.00	
41016	1969	COIL, NON-STANDARD DATE CODE Chrysler, Essex 2444241 Dated 318 Note: Non-Standard date coded coils are not returnable and require a 6 to 8 week lead time.	\$139.00	
41017	1969	COIL, NON-STANDARD DATE CODE Chrysler, Essex 2444241 Dated 338 Note: Non-Standard date coded coils are not returnable and require a 6 to 8 week lead time.	\$139.00	
41018	1969	COIL, NON-STANDARD DATE CODE Chrysler, Essex 2444241 Dated 348 Note: Non-Standard date coded coils are not returnable and require a 6 to 8 week lead time.	\$139.00	
41019	1969	COIL, NON-STANDARD DATE CODE Chrysler, Essex 2444241 Dated 368 Note: Non-Standard date coded coils are not returnable and require a 6 to 8 week lead time.	\$139.00	
41020	1969	COIL, NON-STANDARD DATE CODE Chrysler, Essex 2444241 Dated 378 Note: Non-Standard date coded coils are not returnable and require a 6 to 8 week lead time.	\$139.00	
41021	1969	COIL, NON-STANDARD DATE CODE Chrysler, Essex 2444241 Dated 398 Note: Non-Standard date coded coils are not returnable and require a 6 to 8 week lead time.	\$139.00	
41022	1969	COIL, NON-STANDARD DATE CODE Chrysler, Essex 2444241 Dated 408 Note: Non-Standard date coded coils are not returnable and require a 6 to 8 week lead time.	\$139.00	
41023	1969	COIL, NON-STANDARD DATE CODE Chrysler, Essex 2444241 Dated 428 Note: Non-Standard date coded coils are not returnable and require a 6 to 8 week lead time.	\$139.00	

Part Number	Year	Description	Price	*Rev.
41024	1969	COIL, NON-STANDARD DATE CODE Chrysler, Essex 2444241 Dated 438 Note: Non-Standard date coded coils are not returnable and require a 6 to 8 week lead time.	\$139.00	
41025	1969	COIL, NON-STANDARD DATE CODE Chrysler, Essex 2444241 Dated 458 Note: Non-Standard date coded coils are not returnable and require a 6 to 8 week lead time.	\$139.00	
41026	1969	COIL, NON-STANDARD DATE CODE Chrysler, Essex 2444241 Dated 468 Note: Non-Standard date coded coils are not returnable and require a 6 to 8 week lead time.	\$139.00	
41027	1969	COIL, NON-STANDARD DATE CODE Chrysler, Essex 2444241 Dated 488 Note: Non-Standard date coded coils are not returnable and require a 6 to 8 week lead time.	\$139.00	
41028	1969	COIL, NON-STANDARD DATE CODE Chrysler, Essex 2444241 Dated 498 Note: Non-Standard date coded coils are not returnable and require a 6 to 8 week lead time.	\$139.00	
41029	1969	COIL, NON-STANDARD DATE CODE Chrysler, Essex 2444241 Dated 518 Note: Non-Standard date coded coils are not returnable and require a 6 to 8 week lead time.	\$139.00	
41030	1969	COIL, NON-STANDARD DATE CODE Chrysler, Essex 2444241 Dated 528 Note: Non-Standard date coded coils are not returnable and require a 6 to 8 week lead time.	\$139.00	
41031	1969	COIL, NON-STANDARD DATE CODE Chrysler, Essex 2444241 Dated 029 Note: Non-Standard date coded coils are not returnable and require a 6 to 8 week lead time.	\$139.00	
41032	1969	COIL, NON-STANDARD DATE CODE Chrysler, Essex 2444241 Dated 039 Note: Non-Standard date coded coils are not returnable and require a 6 to 8 week lead time.	\$139.00	
41033	1969	COIL, NON-STANDARD DATE CODE Chrysler, Essex 2444241 Dated 059 Note: Non-Standard date coded coils are not returnable and require a 6 to 8 week lead time.	\$139.00	
41034	1969	COIL, NON-STANDARD DATE CODE Chrysler, Essex 2444241 Dated 069 Note: Non-Standard date coded coils are not returnable and require a 6 to 8 week lead time.	\$139.00	
41035	1969	COIL, NON-STANDARD DATE CODE Chrysler, Essex 2444241 Dated 089 Note: Non-Standard date coded coils are not returnable and require a 6 to 8 week lead time.	\$139.00	
41036	1969	COIL, NON-STANDARD DATE CODE Chrysler, Essex 2444241 Dated 099 Note: Non-Standard date coded coils are not returnable and require a 6 to 8 week lead time.	\$139.00	
41037	1969	COIL, NON-STANDARD DATE CODE Chrysler, Essex 2444241 Dated 119 Note: Non-Standard date coded coils are not returnable and require a 6 to 8 week lead time.	\$139.00	
41038	1969	COIL, NON-STANDARD DATE CODE Chrysler, Essex 2444241 Dated 129 Note: Non-Standard date coded coils are not returnable and require a 6 to 8 week lead time.	\$139.00	
41039	1969	COIL, NON-STANDARD DATE CODE Chrysler, Essex 2444241 Dated 149 Note: Non-Standard date coded coils are not returnable and require a 6 to 8 week lead time.	\$139.00	
41040	1969	COIL, NON-STANDARD DATE CODE Chrysler, Essex 2444241 Dated 159 Note: Non-Standard date coded coils are not returnable and require a 6 to 8 week lead time.	\$139.00	
41041	1969	COIL, NON-STANDARD DATE CODE Chrysler, Essex 2444241 Dated 179 Note: Non-Standard date coded coils are not returnable and require a 6 to 8 week lead time.	\$139.00	
41042	1969	COIL, NON-STANDARD DATE CODE Chrysler, Essex 2444241 Dated 189 Note: Non-Standard date coded coils are not returnable and require a 6 to 8 week lead time.	\$139.00	
41043	1969	COIL, NON-STANDARD DATE CODE Chrysler, Essex 2444241 Dated 209 Note: Non-Standard date coded coils are not returnable and require a 6 to 8 week lead time.	\$139.00	
41044	1969	COIL, NON-STANDARD DATE CODE Chrysler, Essex 2444241 Dated 219 Note: Non-Standard date coded coils are not returnable and require a 6 to 8 week lead time.	\$139.00	
41045	1969	COIL, NON-STANDARD DATE CODE Chrysler, Essex 2444241 Dated 239 Note: Non-Standard date coded coils are not returnable and require a 6 to 8 week lead time.	\$139.00	
41046	1969	COIL, NON-STANDARD DATE CODE Chrysler, Essex 2444241 Dated 249 Note: Non-Standard date coded coils are not returnable and require a 6 to 8 week lead time.	\$139.00	
41047	1969	COIL, NON-STANDARD DATE CODE Chrysler, Essex 2444241 Dated 279 Note: Non-Standard date coded coils are not returnable and require a 6 to 8 week lead time.	\$139.00	

Part Number	Year	Description	Price	*Rev.
41048	1969	COIL, NON-STANDARD DATE CODE Chrysler, Essex 2444241 Dated 289 Note: Non-Standard date coded coils are not returnable and require a 6 to 8 week lead time.	\$139.00	
41049	1970	COIL, NON-STANDARD DATE CODE Chrysler, Essex 2444241 Dated 309 Note: Non-Standard date coded coils are not returnable and require a 6 to 8 week lead time.	\$139.00	
41050	1970	COIL, NON-STANDARD DATE CODE Chrysler, Essex 2444241 Dated 319 Note: Non-Standard date coded coils are not returnable and require a 6 to 8 week lead time.	\$139.00	
41051	1970	COIL, NON-STANDARD DATE CODE Chrysler, Essex 2444241 Dated 339 Note: Non-Standard date coded coils are not returnable and require a 6 to 8 week lead time.	\$139.00	
41052	1970	COIL, NON-STANDARD DATE CODE Chrysler, Essex 2444241 Dated 349 Note: Non-Standard date coded coils are not returnable and require a 6 to 8 week lead time.	\$139.00	
41053	1970	COIL, NON-STANDARD DATE CODE Chrysler, Essex 2444241 Dated 369 Note: Non-Standard date coded coils are not returnable and require a 6 to 8 week lead time.	\$139.00	
41054	1970	COIL, NON-STANDARD DATE CODE Chrysler, Essex 2444241 Dated 379 Note: Non-Standard date coded coils are not returnable and require a 6 to 8 week lead time.	\$139.00	
41055	1970	COIL, NON-STANDARD DATE CODE Chrysler, Essex 2444241 Dated 399 Note: Non-Standard date coded coils are not returnable and require a 6 to 8 week lead time.	\$139.00	
41056	1970	COIL, NON-STANDARD DATE CODE Chrysler, Essex 2444241 Dated 409 Note: Non-Standard date coded coils are not returnable and require a 6 to 8 week lead time.	\$139.00	
41057	1970	COIL, NON-STANDARD DATE CODE Chrysler, Essex 2444241 Dated 429 Note: Non-Standard date coded coils are not returnable and require a 6 to 8 week lead time.	\$139.00	
41058	1970	COIL, NON-STANDARD DATE CODE Chrysler, Essex 2444241 Dated 439 Note: Non-Standard date coded coils are not returnable and require a 6 to 8 week lead time.	\$139.00	
41059	1970	COIL, NON-STANDARD DATE CODE Chrysler, Essex 2444241 Dated 459 Note: Non-Standard date coded coils are not returnable and require a 6 to 8 week lead time.	\$139.00	
41060	1970	COIL, NON-STANDARD DATE CODE Chrysler, Essex 2444241 Dated 469 Note: Non-Standard date coded coils are not returnable and require a 6 to 8 week lead time.	\$139.00	
41061	1970	COIL, NON-STANDARD DATE CODE Chrysler, Essex 2444241 Dated 489 Note: Non-Standard date coded coils are not returnable and require a 6 to 8 week lead time.	\$139.00	
41062	1970	COIL, NON-STANDARD DATE CODE Chrysler, Essex 2444241 Dated 499 Note: Non-Standard date coded coils are not returnable and require a 6 to 8 week lead time.	\$139.00	
41063	1970	COIL, NON-STANDARD DATE CODE Chrysler, Essex 2444241 Dated 519 Note: Non-Standard date coded coils are not returnable and require a 6 to 8 week lead time.	\$139.00	
41064	1970	COIL, NON-STANDARD DATE CODE Chrysler, Essex 2444241 Dated 529 Note: Non-Standard date coded coils are not returnable and require a 6 to 8 week lead time.	\$139.00	
41065	1970	COIL, NON-STANDARD DATE CODE Chrysler, Essex 2444241 Dated 020 Note: Non-Standard date coded coils are not returnable and require a 6 to 8 week lead time.	\$139.00	
41066	1970	COIL, NON-STANDARD DATE CODE Chrysler, Essex 2444241 Dated 030 Note: Non-Standard date coded coils are not returnable and require a 6 to 8 week lead time.	\$139.00	
41067	1970	COIL, NON-STANDARD DATE CODE Chrysler, Essex 2444241 Dated 050 Note: Non-Standard date coded coils are not returnable and require a 6 to 8 week lead time.	\$139.00	
41068	1970	COIL, NON-STANDARD DATE CODE Chrysler, Essex 2444241 Dated 060 Note: Non-Standard date coded coils are not returnable and require a 6 to 8 week lead time.	\$139.00	
41069	1970	COIL, NON-STANDARD DATE CODE Chrysler, Essex 2444241 Dated 080 Note: Non-Standard date coded coils are not returnable and require a 6 to 8 week lead time.	\$139.00	
41070	1970	COIL, NON-STANDARD DATE CODE Chrysler, Essex 2444241 Dated 090 Note: Non-Standard date coded coils are not returnable and require a 6 to 8 week lead time.	\$139.00	
41071	1970	COIL, NON-STANDARD DATE CODE Chrysler, Essex 2444241 Dated 110 Note: Non-Standard date coded coils are not returnable and require a 6 to 8 week lead time.	\$139.00	

Part Number	Year	Description	Price	*Rev.
41072	1970	COIL, NON-STANDARD DATE CODE Chrysler, Essex 2444241 Dated 120 Note: Non-Standard date coded coils are not returnable and require a 6 to 8 week lead time.	\$139.00	
41073	1970	COIL, NON-STANDARD DATE CODE Chrysler, Essex 2444241 Dated 140 Note: Non-Standard date coded coils are not returnable and require a 6 to 8 week lead time.	\$139.00	
41074	1970	COIL, NON-STANDARD DATE CODE Chrysler, Essex 2444241 Dated 150 Note: Non-Standard date coded coils are not returnable and require a 6 to 8 week lead time.	\$139.00	
41075	1970	COIL, NON-STANDARD DATE CODE Chrysler, Essex 2444241 Dated 170 Note: Non-Standard date coded coils are not returnable and require a 6 to 8 week lead time.	\$139.00	
41076	1970	COIL, NON-STANDARD DATE CODE Chrysler, Essex 2444241 Dated 180 Note: Non-Standard date coded coils are not returnable and require a 6 to 8 week lead time.	\$139.00	
41077	1970	COIL, NON-STANDARD DATE CODE Chrysler, Essex 2444241 Dated 200 Note: Non-Standard date coded coils are not returnable and require a 6 to 8 week lead time.	\$139.00	
41078	1970	COIL, NON-STANDARD DATE CODE Chrysler, Essex 2444241 Dated 210 Note: Non-Standard date coded coils are not returnable and require a 6 to 8 week lead time.	\$139.00	
41079	1970	COIL, NON-STANDARD DATE CODE Chrysler, Essex 2444241 Dated 230 Note: Non-Standard date coded coils are not returnable and require a 6 to 8 week lead time.	\$139.00	
41080	1970	COIL, NON-STANDARD DATE CODE Chrysler, Essex 2444241 Dated 240 Note: Non-Standard date coded coils are not returnable and require a 6 to 8 week lead time.	\$139.00	
41081	1970	COIL, NON-STANDARD DATE CODE Chrysler, Essex 2444241 Dated 270 Note: Non-Standard date coded coils are not returnable and require a 6 to 8 week lead time.	\$139.00	
41082	1970	COIL, NON-STANDARD DATE CODE Chrysler, Essex 2444241 Dated 280 Note: Non-Standard date coded coils are not returnable and require a 6 to 8 week lead time.	\$139.00	
41083	1971	COIL, NON-STANDARD DATE CODE Chrysler, Essex 2444241 Dated 300 Note: Non-Standard date coded coils are not returnable and require a 6 to 8 week lead time.	\$139.00	
41084	1971	COIL, NON-STANDARD DATE CODE Chrysler, Essex 2444241 Dated 310 Note: Non-Standard date coded coils are not returnable and require a 6 to 8 week lead time.	\$139.00	
41085	1971	COIL, NON-STANDARD DATE CODE Chrysler, Essex 2444241 Dated 330 Note: Non-Standard date coded coils are not returnable and require a 6 to 8 week lead time.	\$139.00	
41086	1971	COIL, NON-STANDARD DATE CODE Chrysler, Essex 2444241 Dated 340 Note: Non-Standard date coded coils are not returnable and require a 6 to 8 week lead time.	\$139.00	
41087	1971	COIL, NON-STANDARD DATE CODE Chrysler, Essex 2444241 Dated 360 Note: Non-Standard date coded coils are not returnable and require a 6 to 8 week lead time.	\$139.00	
41088	1971	COIL, NON-STANDARD DATE CODE Chrysler, Essex 2444241 Dated 370 Note: Non-Standard date coded coils are not returnable and require a 6 to 8 week lead time.	\$139.00	
41089	1971	COIL, NON-STANDARD DATE CODE Chrysler, Essex 2444241 Dated 390 Note: Non-Standard date coded coils are not returnable and require a 6 to 8 week lead time.	\$139.00	
41090	1971	COIL, NON-STANDARD DATE CODE Chrysler, Essex 2444241 Dated 400 Note: Non-Standard date coded coils are not returnable and require a 6 to 8 week lead time.	\$139.00	
41091	1971	COIL, NON-STANDARD DATE CODE Chrysler, Essex 2444241 Dated 420 Note: Non-Standard date coded coils are not returnable and require a 6 to 8 week lead time.	\$139.00	
41092	1971	COIL, NON-STANDARD DATE CODE Chrysler, Essex 2444241 Dated 430 Note: Non-Standard date coded coils are not returnable and require a 6 to 8 week lead time.	\$139.00	
41093	1971	COIL, NON-STANDARD DATE CODE Chrysler, Essex 2444241 Dated 450 Note: Non-Standard date coded coils are not returnable and require a 6 to 8 week lead time.	\$139.00	
41094	1971	COIL, NON-STANDARD DATE CODE Chrysler, Essex 2444241 Dated 460 Note: Non-Standard date coded coils are not returnable and require a 6 to 8 week lead time.	\$139.00	
41095	1971	COIL, NON-STANDARD DATE CODE Chrysler, Essex 2444241 Dated 480 Note: Non-Standard date coded coils are not returnable and require a 6 to 8 week lead time.	\$139.00	

Part Number	Year	Description	Price	*Rev.
41096	1971	COIL, NON-STANDARD DATE CODE Chrysler, Essex 2444241 Dated 490 Note: Non-Standard date coded coils are not returnable and require a 6 to 8 week lead time.	\$139.00	
41097	1971	COIL, NON-STANDARD DATE CODE Chrysler, Essex 2444241 Dated 510 Note: Non-Standard date coded coils are not returnable and require a 6 to 8 week lead time.	\$139.00	
41098	1971	COIL, NON-STANDARD DATE CODE Chrysler, Essex 2444241 Dated 520 Note: Non-Standard date coded coils are not returnable and require a 6 to 8 week lead time.	\$139.00	
41099	1971	COIL, NON-STANDARD DATE CODE Chrysler, Essex 2444241 Dated 021 Note: Non-Standard date coded coils are not returnable and require a 6 to 8 week lead time.	\$139.00	
41100	1971	COIL, NON-STANDARD DATE CODE Chrysler, Essex 2444241 Dated 031 Note: Non-Standard date coded coils are not returnable and require a 6 to 8 week lead time.	\$139.00	
41101	1971	COIL, NON-STANDARD DATE CODE Chrysler, Essex 2444241 Dated 051 Note: Non-Standard date coded coils are not returnable and require a 6 to 8 week lead time.	\$139.00	
41102	1971	COIL, NON-STANDARD DATE CODE Chrysler, Essex 2444241 Dated 061 Note: Non-Standard date coded coils are not returnable and require a 6 to 8 week lead time.	\$139.00	
41103	1971	COIL, NON-STANDARD DATE CODE Chrysler, Essex 2444241 Dated 081 Note: Non-Standard date coded coils are not returnable and require a 6 to 8 week lead time.	\$139.00	
41104	1971	COIL, NON-STANDARD DATE CODE Chrysler, Essex 2444241 Dated 091 Note: Non-Standard date coded coils are not returnable and require a 6 to 8 week lead time.	\$139.00	
41105	1971	COIL, NON-STANDARD DATE CODE Chrysler, Essex 2444241 Dated 111 Note: Non-Standard date coded coils are not returnable and require a 6 to 8 week lead time.	\$139.00	
41106	1971	COIL, NON-STANDARD DATE CODE Chrysler, Essex 2444241 Dated 121 Note: Non-Standard date coded coils are not returnable and require a 6 to 8 week lead time.	\$139.00	
41107	1971	COIL, NON-STANDARD DATE CODE Chrysler, Essex 2444241 Dated 141 Note: Non-Standard date coded coils are not returnable and require a 6 to 8 week lead time.	\$139.00	
41108	1971	COIL, NON-STANDARD DATE CODE Chrysler, Essex 2444241 Dated 151 Note: Non-Standard date coded coils are not returnable and require a 6 to 8 week lead time.	\$139.00	
41109	1971	COIL, NON-STANDARD DATE CODE Chrysler, Essex 2444241 Dated 171 Note: Non-Standard date coded coils are not returnable and require a 6 to 8 week lead time.	\$139.00	
41110	1971	COIL, NON-STANDARD DATE CODE Chrysler, Essex 2444241 Dated 181 Note: Non-Standard date coded coils are not returnable and require a 6 to 8 week lead time.	\$139.00	
41111	1971	COIL, NON-STANDARD DATE CODE Chrysler, Essex 2444241 Dated 201 Note: Non-Standard date coded coils are not returnable and require a 6 to 8 week lead time.	\$139.00	
41112	1971	COIL, NON-STANDARD DATE CODE Chrysler, Essex 2444241 Dated 211 Note: Non-Standard date coded coils are not returnable and require a 6 to 8 week lead time.	\$139.00	
41113	1971	COIL, NON-STANDARD DATE CODE Chrysler, Essex 2444241 Dated 231 Note: Non-Standard date coded coils are not returnable and require a 6 to 8 week lead time.	\$139.00	
41114	1971	COIL, NON-STANDARD DATE CODE Chrysler, Essex 2444241 Dated 241 Note: Non-Standard date coded coils are not returnable and require a 6 to 8 week lead time.	\$139.00	

Section 10

Chrysler Products

Distributed Exclusively By

YearOne
www.yearone.com

Chrysler Wiring Harnesses

Exact reproduction wiring harnesses for Chrysler Muscle Cars

Available exclusively through Year One, Inc.

M&H Electric Fabricators manufactures concours quality replacement wiring harnesses for Chrysler Muscle Cars. **Our complete line of reproduction wiring harnesses for 1964-'74 Chrysler, Dodge and Plymouth Muscle Cars is available exclusively through Year One, Inc.** These beautifully made M&H harnesses are the plug and go choice for the amateur and professional restorer interested in the finest quality available. All harnesses are manufactured to strict OEM specifications and are identical in length, wire gauge and color, making them perfect in every detail. Original style connectors, terminals and sockets are featured on every wire end, again just as the originals. Additionally, every harness, regardless of model, is wrapped with the correct style wrapping material such as non-adhesive vinyl tape, cloth tape, cloth braid, plastic conduit or asphalt coated loom, to insure a 100% factory appearance. If you want the best for your Mopar, insist on an M&H harness.



Log on to www.wiringharness.com to search for applications, then place your order with Year One, Inc. at 800.932.7663

Manufactured By

**M&H Electric
Fabricators, Inc.**
AUTOMOTIVE WIRING SYSTEMS

Distributed Exclusively By

YearOne
www.yearone.com

Chrysler Wiring Harnesses

**Used by professional
restorers like Roger Gibson
and Chip Foose from Overhulin**

Chrysler Wiring Harness F.A.Q.'s

My company is a dealer for M&H, can we buy Chrysler harnesses direct from M&H?

No, Year One, Inc. is our exclusive distributor for Chrysler wiring harnesses.

My company is a dealer for M&H, why can't I buy Chrysler harnesses direct from M&H?

Year One has been granted an exclusive distributorship on Chrysler wiring harnesses. This particular product line is a joint venture between the two companies; where Year One has invested into making all of the necessary tooling and M&H manufactures the harnesses exclusively for them.

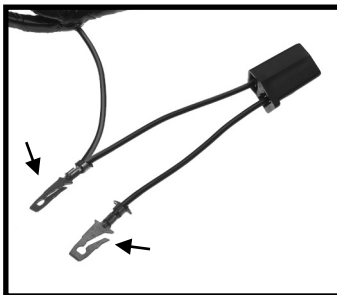
Can I buy Chrysler wiring harnesses at a discount from Year One?

Yes, you will need to contact Year One directly to inquire about their requirements for becoming an authorized dealer of our harnesses.

Why are Chrysler harnesses manufactured by M&H more expensive then some of the others on the market?

Our Chrysler harnesses are a perfect match to the originals; from the braiding to the connectors they are 100% correct. Ask the other guys if they can make that same statement and the answer will be no. Other Chrysler harnesses on the market use generic connectors and terminals or require that you re-use connectors from the original harness. Keep in mind that Chrysler Muscle Cars are most valuable when they are restored correctly, so think twice before trying to save a few dollars on an inferior product.

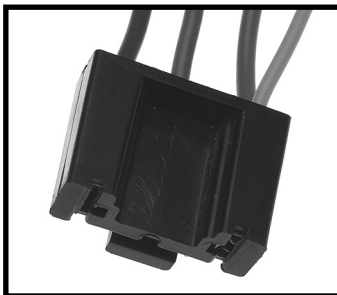
Competitors Harness



Missing connector, customer must re-use their original part. Incorrect metal terminals as well.

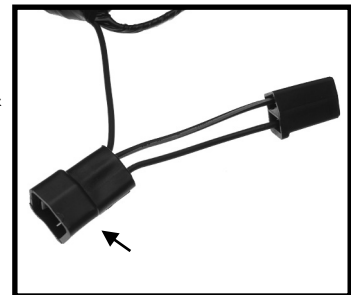


Wrong 2 piece connectors, not original.

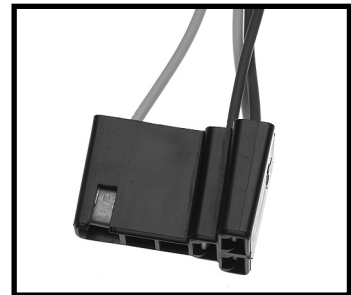


Functional replacement connector, not original.

M&H Harness



Correct connector & terminals already installed, ready for installation.



Correct 1 piece 4-way connector.



Correct replica of the original connector.

Year One Part #	Year	Description	*Rev.
ADAPTER HARNESS-ELECTRONIC IGNITION			
37794	1964	ADAPTER HARNESS, CHRYSLER ELECTRONIC IGNITION Big Block	
37794	1965	ADAPTER HARNESS, CHRYSLER ELECTRONIC IGNITION Big Block	
37794	1966	ADAPTER HARNESS, CHRYSLER ELECTRONIC IGNITION Big Block	
37794	1967	ADAPTER HARNESS, CHRYSLER ELECTRONIC IGNITION Big Block	
37794	1968	ADAPTER HARNESS, CHRYSLER ELECTRONIC IGNITION Big Block	
37794	1969	ADAPTER HARNESS, CHRYSLER ELECTRONIC IGNITION Big Block	
37794	1970	ADAPTER HARNESS, CHRYSLER ELECTRONIC IGNITION Big Block	
37794	1971	ADAPTER HARNESS, CHRYSLER ELECTRONIC IGNITION Big Block	
37794	1972	ADAPTER HARNESS, CHRYSLER ELECTRONIC IGNITION Big Block	
38296	1964	ADAPTER HARNESS, CHRYSLER ELECTRONIC IGNITION Small Block	
38296	1965	ADAPTER HARNESS, CHRYSLER ELECTRONIC IGNITION Small Block	
38296	1966	ADAPTER HARNESS, CHRYSLER ELECTRONIC IGNITION Small Block	
38296	1967	ADAPTER HARNESS, CHRYSLER ELECTRONIC IGNITION Small Block	
38296	1968	ADAPTER HARNESS, CHRYSLER ELECTRONIC IGNITION Small Block	
38296	1969	ADAPTER HARNESS, CHRYSLER ELECTRONIC IGNITION Small Block	
38296	1970	ADAPTER HARNESS, CHRYSLER ELECTRONIC IGNITION Small Block	
38296	1971	ADAPTER HARNESS, CHRYSLER ELECTRONIC IGNITION Small Block	
38296	1972	ADAPTER HARNESS, CHRYSLER ELECTRONIC IGNITION Small Block	
AIR CONDITIONING AND HEATER HARNESS			
38432	1965	AIR CONDITIONING AND HEATER HARNESS A-Body, Dash & Engine Compartment	
38430	1965	AIR CONDITIONING AND HEATER HARNESS B-Body, Dash Side	
38436	1966	AIR CONDITIONING AND HEATER HARNESS A-Body, Dash Side	
38437	1966	AIR CONDITIONING AND HEATER HARNESS B-Body, Dash Side, Belvedere	
38439	1966	AIR CONDITIONING AND HEATER HARNESS B-Body, Dash Side, Coronet	
38442	1967	AIR CONDITIONING AND HEATER HARNESS A-Body, Dash Side, Dart	
38443	1967	AIR CONDITIONING AND HEATER HARNESS A-Body, Dash Side, Valiant	
38441	1967	AIR CONDITIONING AND HEATER HARNESS B-Body, Dash Side, Belvedere, Satellite, Gtx	
38440	1967	AIR CONDITIONING AND HEATER HARNESS B-Body, Dash Side, Coronet	
38445	1968	AIR CONDITIONING AND HEATER HARNESS A-Body, Dash Side, Barracuda & Dart	
38444	1968	AIR CONDITIONING AND HEATER HARNESS A-Body, Dash Side, Valiant	
38449	1968	AIR CONDITIONING AND HEATER HARNESS B-Body, Engine Side, 8 Cyl.	
38447	1968	AIR CONDITIONING AND HEATER HARNESS B-Body, Dash Side	
38445	1969	AIR CONDITIONING AND HEATER HARNESS A-Body, Dash Side, Baracuda & Dart	
38444	1969	AIR CONDITIONING AND HEATER HARNESS A-Body, Dash Side, Valiant	
38452	1969	AIR CONDITIONING AND HEATER HARNESS B-Body, Engine Side, 8 Cyl.	
38447	1969	AIR CONDITIONING AND HEATER HARNESS B-Body, Dash Side	
38444	1970	AIR CONDITIONING AND HEATER HARNESS A-Body, Dash Side	
38465	1970	AIR CONDITIONING AND HEATER HARNESS A-Body, Dash Side, 340	
23530	1970	AIR CONDITIONING AND HEATER HARNESS B-Body, Engine Side, 8 Cyl.	
38447	1970	AIR CONDITIONING AND HEATER HARNESS B-Body, Dash Side	
38460	1970	AIR CONDITIONING AND HEATER HARNESS E-Body, Engine Side, 8 Cyl.	
38457	1970	AIR CONDITIONING AND HEATER HARNESS E-Body, Dash Side	
38444	1971	AIR CONDITIONING AND HEATER HARNESS A-Body, Dash Side, 2 Door Fastback & Swinger	
38465	1971	AIR CONDITIONING AND HEATER HARNESS A-Body, Dash Side, 2 Door Hardtop & 4 Door	
38470	1971	AIR CONDITIONING AND HEATER HARNESS B-Body, Dash Side	

Year One Part #	Year	Description	*Rev.
38457	1971	AIR CONDITIONING AND HEATER HARNESS E-Body, Dash Side	
38478	1971	AIR CONDITIONING AND HEATER HARNESS B-Body, Engine Side	M
38478	1971	AIR CONDITIONING AND HEATER HARNESS E-Body, Engine Side	M
38444	1972	AIR CONDITIONING AND HEATER HARNESS A-Body, Dash Side	
38483	1972	AIR CONDITIONING AND HEATER HARNESS A-Body, Engine Side, With Emission Control	
38470	1972	AIR CONDITIONING AND HEATER HARNESS B-Body, Dash Side	
38457	1972	AIR CONDITIONING AND HEATER HARNESS E-Body, Dash Side	
38484	1973	AIR CONDITIONING AND HEATER HARNESS A-Body, Dash Side	
38487	1973	AIR CONDITIONING AND HEATER HARNESS A-Body, Engine Side	
38486	1973	AIR CONDITIONING AND HEATER HARNESS B-Body, Dash Side	
38488	1973	AIR CONDITIONING AND HEATER HARNESS B-Body, Engine Side	
38457	1973	AIR CONDITIONING AND HEATER HARNESS E-Body, Dash Side	
38493	1974	AIR CONDITIONING AND HEATER HARNESS A-Body, Dash Side	
38494	1974	AIR CONDITIONING AND HEATER HARNESS B-Body, Dash Side	
38495	1974	AIR CONDITIONING AND HEATER HARNESS B-Body, Engine Side	
38491	1974	AIR CONDITIONING AND HEATER HARNESS E-Body, Dash Side	
AIR CONDITIONING CLUTCH LOW PRESSURE CUTOFF EXT			
38479	1971	AIR CONDITIONING CLUTCH LOW PRESSURE CUTOFF EXTENSION E-Body	
AIR CONDITIONING EXTENSION HARNESS			
38490	1972	AIR CONDITIONING EXTENSION HARNESS B-Body, Engine Compartment, Cars Equiped With A/C Relay Only	
38492	1973	AIR CONDITIONING EXTENSION HARNESS B-Body, Engine Compartment, Cars Equiped With A/C Relay Only	
BACKUP LAMP AND NEUTRAL SAFETY SWITCH HARNESS			
00915	1969	BACKUP LAMP AND NEUTRAL SAFETY SWITCH HARNESS A-Body, Auto Trans, After Approx. Nov. 15 1968, Backup Lamp Wires Plug Into 2-Way Connector With 4" Pigtail On Wiper Motor	
38569	1969	BACKUP LAMP AND NEUTRAL SAFETY SWITCH HARNESS A-Body, Auto Trans, Up To Approx. Nov. 15 1968, Terminals On Backup Lamp Wires Insert Directly Into Cavities Marked C & D On	
00915	1969	BACKUP LAMP AND NEUTRAL SAFETY SWITCH HARNESS B-Body, Auto Trans, After Approx. Nov. 15 1968, Backup Lamp Wires Plug Into 2-Way Connector With 4" Pigtail On Wiper Motor	
38569	1969	BACKUP LAMP AND NEUTRAL SAFETY SWITCH HARNESS B-Body, Auto Trans, Up To Approx. Nov. 15 1968, Terminals On Backup Lamp Wires Insert Directly Into Cavities Marked C & D On	
00915	1969	BACKUP LAMP AND NEUTRAL SAFETY SWITCH HARNESS C-Body, Auto Trans, After Approx. Nov. 15 1968, Backup Lamp Wires Plug Into 2-Way Connector With 4" Pigtail On Wiper Motor	
38569	1969	BACKUP LAMP AND NEUTRAL SAFETY SWITCH HARNESS C-Body, Auto Trans, Up To Approx. Nov. 15 1968, Terminals On Backup Lamp Wires Insert Directly Into Cavities Marked C & D On	
00915	1970	BACKUP LAMP AND NEUTRAL SAFETY SWITCH HARNESS B-Body, Auto Trans, Backup Lamp Wires Plug Into 2-Way Connector With 4" Pigtail On Wiper Motor Harness	
00910	1970	BACKUP LAMP AND NEUTRAL SAFETY SWITCH HARNESS E-Body With Automatic	
00910	1971	BACKUP LAMP AND NEUTRAL SAFETY SWITCH HARNESS B-Body With Automatic	
23540	1971	BACKUP LAMP AND NEUTRAL SAFETY SWITCH HARNESS B-Body, With Automatic & Nox Exhaust Emission Control	
00910	1971	BACKUP LAMP AND NEUTRAL SAFETY SWITCH HARNESS E-Body With Automatic	
23540	1971	BACKUP LAMP AND NEUTRAL SAFETY SWITCH HARNESS E-Body, With Automatic & Nox Exhaust Emission Control	
22740	1972	BACKUP LAMP AND NEUTRAL SAFETY SWITCH HARNESS B-Body With Automatic	
22740	1972	BACKUP LAMP AND NEUTRAL SAFETY SWITCH HARNESS E-Body With Automatic	
22740	1973	BACKUP LAMP AND NEUTRAL SAFETY SWITCH HARNESS B-Body With Automatic	
22740	1973	BACKUP LAMP AND NEUTRAL SAFETY SWITCH HARNESS E-Body With Automatic	
22740	1974	BACKUP LAMP AND NEUTRAL SAFETY SWITCH HARNESS B-Body With Automatic	
22740	1974	BACKUP LAMP AND NEUTRAL SAFETY SWITCH HARNESS E-Body With Automatic	

Year One Part #	Year	Description	*Rev.
BACKUP LAMP HARNESS			
38435	1967	BACKUP LAMP HARNESS B-Body, All Manual Trans	
38435	1968	BACKUP LAMP HARNESS A-Body, All Manual Trans	
38435	1968	BACKUP LAMP HARNESS B-Body, All Manual Trans	
00620	1968	BACKUP LAMP HARNESS B-Body Late Production With 4 Speed	
38455	1969	BACKUP LAMP HARNESS A-Body, All Manual Trans	
38455	1969	BACKUP LAMP HARNESS B-Body, All Manual Trans, After Approx. Nov. 15 1968, Backup Lamp Wires Plug Into 2-Way Connector With 4" Pigtail On Wiper	
00620	1969	BACKUP LAMP HARNESS B-Body, All Manual Trans, Up To Approx. Nov. 15 1968, Terminals On Backup Lamp Wires Insert Directly Into Cavities	
38455	1970	BACKUP LAMP HARNESS A-Body, All Manual Trans	
38455	1970	BACKUP LAMP HARNESS B-Body, All Manual Trans	
38469	1970	BACKUP LAMP HARNESS E-Body, With 3-Speed	
23180	1970	BACKUP LAMP HARNESS E-Body With 4-Speed, Except Hemi	
38498	1971	BACKUP LAMP HARNESS A-Body, With 3-Speed, Includes Nox Exhaust Emission Control	
38480	1971	BACKUP LAMP HARNESS A-Body, With 4-Speed, Includes Nox Exhaust Emission Control	
23545	1971	BACKUP LAMP HARNESS B-Body, With 3-Speed & Nox Exhaust Emission Control, Small Block Engine	
23180	1971	BACKUP LAMP HARNESS B-Body With 4-Speed, Except Hemi, Without Nox Emission Control	
23550	1971	BACKUP LAMP HARNESS B-Body, With 4-Speed & Nox Exhaust Emission Control, Small Block Engine	
23545	1971	BACKUP LAMP HARNESS E-Body, With 3-Speed & Nox Exhaust Emission Control, Small Block Engine	
38474	1971	BACKUP LAMP HARNESS E-Body, With 3-Speed, Without Nox Exhaust Emission Control	
23550	1971	BACKUP LAMP HARNESS E-Body, With 4-Speed & Nox Exhaust Emission Control, Small Block Engine	
38475	1971	BACKUP LAMP HARNESS E-Body, With 4-Speed, Without Nox Exhaust Emission Control	
38476	1971	BACKUP LAMP HARNESS E-Body, With Auto Trans, Without Nox Exhaust Emission Control	
23180	1972	BACKUP LAMP HARNESS B-Body With 4-Speed, Except Hemi, Without Nox Emission Control	
CARBURETOR IDLE SOLENOID HARNESS			
38500	1971	CARBURETOR IDLE SOLENOID HARNESS 340 C.I., 4 Bbl.	
38496	1971	CARBURETOR IDLE SOLENOID HARNESS 383 C.I., 4 Bbl., 4-Spd Trans	
CLUTCH SAFETY SWITCH WIRE			
23490	1970	CLUTCH SAFETY SWITCH WIRE A-Body, From Clutch Pedal To Starter Relay	
23490	1970	CLUTCH SAFETY SWITCH WIRE B-Body, From Clutch Pedal To Starter Relay	
23490	1970	CLUTCH SAFETY SWITCH WIRE E-Body, From Clutch Pedal To Starter Relay	
23490	1971	CLUTCH SAFETY SWITCH WIRE A-Body, From Clutch Pedal To Starter Relay	
23490	1971	CLUTCH SAFETY SWITCH WIRE B-Body, From Clutch Pedal To Starter Relay	
23490	1971	CLUTCH SAFETY SWITCH WIRE E-Body, From Clutch Pedal To Starter Relay	
23490	1972	CLUTCH SAFETY SWITCH WIRE A-Body, From Clutch Pedal To Starter Relay	
23490	1972	CLUTCH SAFETY SWITCH WIRE B-Body, From Clutch Pedal To Starter Relay	
23490	1972	CLUTCH SAFETY SWITCH WIRE E-Body, From Clutch Pedal To Starter Relay	
23490	1973	CLUTCH SAFETY SWITCH WIRE A-Body, From Clutch Pedal To Starter Relay	
23490	1973	CLUTCH SAFETY SWITCH WIRE B-Body, From Clutch Pedal To Starter Relay	
23490	1973	CLUTCH SAFETY SWITCH WIRE E-Body, From Clutch Pedal To Starter Relay	
23490	1974	CLUTCH SAFETY SWITCH WIRE A-Body, From Clutch Pedal To Starter Relay	
23490	1974	CLUTCH SAFETY SWITCH WIRE B-Body, From Clutch Pedal To Starter Relay	

Year One Part #	Year	Description	*Rev.
23490	1974	CLUTCH SAFETY SWITCH WIRE E-Body, From Clutch Pedal To Starter Relay	
DASH HARNESS			
31250	1964	DASH HARNESS Dart	
30030	1964	DASH HARNESS Dodge, B-Body	
30035	1964	DASH HARNESS Plymouth, B-Body	
30520	1964	DASH HARNESS Valiant & Barracuda	
30530	1965	DASH HARNESS Dart	
29135	1965	DASH HARNESS Dodge, B-Body	
29155	1965	DASH HARNESS Plymouth, B-Body	
30525	1965	DASH HARNESS Valiant & Barracuda	
30600	1966	DASH HARNESS Barracuda	
29160	1966	DASH HARNESS Charger	
30595	1966	DASH HARNESS Dart	
30040	1966	DASH HARNESS Dodge, B-Body Except Charger	
29115	1966	DASH HARNESS Plymouth, B-Body	
30540	1966	DASH HARNESS Valiant	
30565	1967	DASH HARNESS Barracuda	
29125	1967	DASH HARNESS Charger	
30570	1967	DASH HARNESS Dart	
29130	1967	DASH HARNESS Dodge, B-Body Except Charger	
33510	1967	DASH HARNESS Plymouth, B-Body	
30575	1967	DASH HARNESS Valiant	
30555	1968	DASH HARNESS Barracuda	
30580	1968	DASH HARNESS Dart	
00105	1968	DASH HARNESS Dodge & Plymouth, B-Body Except Rally Gauges	
00135	1968	DASH HARNESS Dodge & Plymouth B-Body With Rally Gauges	
30560	1968	DASH HARNESS Valiant	
30605	1969	DASH HARNESS Barracuda	
30545	1969	DASH HARNESS Dart	
00125	1969	DASH HARNESS Dodge & Plymouth, B-Body Except Rally Gauges	
00130	1969	DASH HARNESS Dodge & Plymouth, B-Body With Oil Pressure Gauge	
30535	1969	DASH HARNESS Valiant	
30640	1970	DASH HARNESS Dart & Duster With 340 C.I.	
28705	1970	DASH HARNESS Dodge & Plymouth, B-Body Except Rally Gauges	
00945	1970	DASH HARNESS Dodge & Plymouth, B-Body With Rally Gauges	
30635	1970	DASH HARNESS Dodge & Plymouth, E-Body Except Rally Gauges	
00225	1970	DASH HARNESS Dodge & Plymouth, E-Body With Rally Gauges	
43986	1970	DASH HARNESS Dart Except Rally Gauges	N
30625	1970	DASH HARNESS Duster & Valiant Except 340	C
30020	1971	DASH HARNESS Dart Except 340 C.I.	
30045	1971	DASH HARNESS Dodge & Plymouth, B-Body Except Rally Gauges	
30055	1971	DASH HARNESS Dodge & Plymouth, B-Body With Rally Gauges	
30050	1971	DASH HARNESS Dodge & Plymouth, E-Body Except Rally Gauges	
00245	1971	DASH HARNESS Dodge & Plymouth, E-Body With Rally Gauges	
30025	1971	DASH HARNESS Duster & Demon 340 C.I. With Rally Gauges	
30550	1971	DASH HARNESS Duster & Demon Except 340 C.I. And Rally Gauges	

Year One Part #	Year	Description	*Rev.
30590	1972	DASH HARNESS Dodge & Plymouth, A-Body, Early Production, Up To November 1971	
30585	1972	DASH HARNESS Dodge & Plymouth, A-Body, Late Production, After November 1971	
30080	1972	DASH HARNESS Dodge & Plymouth, B-Body Except Rally Gauges	
30630	1972	DASH HARNESS Dodge & Plymouth, B-Body With Rally Gauges	
30075	1972	DASH HARNESS Dodge & Plymouth, E-Body Except Rally Gauges	
30070	1972	DASH HARNESS Dodge & Plymouth, E-Body With Rally Gauges	
33555	1973	DASH HARNESS Dodge & Plymouth, A-Body, All	
33590	1973	DASH HARNESS Dodge & Plymouth, B-Body Except Rally Gauges	
33595	1973	DASH HARNESS Dodge & Plymouth, B-Body With Rally Gauges	
33575	1973	DASH HARNESS Dodge & Plymouth, E-Body Except Rally Gauges	
33580	1973	DASH HARNESS Dodge & Plymouth, E-Body, With Rally Gauges	
33565	1974	DASH HARNESS Dodge & Plymouth, A-Body, All	
33560	1974	DASH HARNESS Dodge & Plymouth, B-Body Except Rally Gauges	
33550	1974	DASH HARNESS Dodge & Plymouth, B-Body With Rally Gauges	
33585	1974	DASH HARNESS Dodge & Plymouth, E-Body Except Rally Gauges	
33545	1974	DASH HARNESS Dodge & Plymouth, E-Body With Rally Gauges	
EMISSION NOX CONTROL-ENGINE COMPARTMENT			
38501	1971	EMISSION NOX CONTROL HARNESS, ENGINE COMPARTMENT A-Body, With Auto Trans	
38501	1972	EMISSION NOX CONTROL HARNESS, ENGINE COMPARTMENT A-Body, With Auto Trans	
ENGINE AND FORWARD LAMP HARNESS			
33935	1964	ENGINE AND FORWARD LAMP HARNESS Dodge & Plymouth, A-Body, All V/8 Except Hemi	
38321	1964	ENGINE AND FORWARD LAMP HARNESS Dodge & Plymouth, A-Body, All V/8 Except Hemi, With Electronic Ignition & Updated Alternator	
33930	1965	ENGINE AND FORWARD LAMP HARNESS Dodge & Plymouth, A-Body, All V/8 Except Hemi	
38324	1965	ENGINE AND FORWARD LAMP HARNESS Dodge & Plymouth, A-Body, All V/8 Except Hemi, With Electronic Ignition & Updated Alternator	
00340	1966	ENGINE AND FORWARD LAMP HARNESS Charger, All V/8 Except Hemi	
38327	1966	ENGINE AND FORWARD LAMP HARNESS Charger, All V/8 Except Hemi, With Electronic Ignition & Updated Alternator	
00380	1966	ENGINE AND FORWARD LAMP HARNESS Charger, With Hemi	
38328	1966	ENGINE AND FORWARD LAMP HARNESS Charger, With Hemi, With Electronic Ignition & Updated Alternator	
00335	1966	ENGINE AND FORWARD LAMP HARNESS Coronet, V/8 Except Hemi	
38329	1966	ENGINE AND FORWARD LAMP HARNESS Coronet, All V/8 Except Hemi, With Electronic Ignition & Updated Alternator	
00365	1966	ENGINE AND FORWARD LAMP HARNESS Coronet, V/8 With 59/60 Amp Alternator Except Hemi	
00375	1966	ENGINE AND FORWARD LAMP HARNESS Coronet, With Hemi	
38334	1966	ENGINE AND FORWARD LAMP HARNESS Coronet, With Hemi, With Electronic Ignition & Updated Alternator	
28710	1966	ENGINE AND FORWARD LAMP HARNESS Dodge & Plymouth, A-Body, All V/8 Except Hemi	
38326	1966	ENGINE AND FORWARD LAMP HARNESS Dodge & Plymouth, A-Body, All V/8 Except Hemi, With Electronic Ignition & Updated Alternator	
00330	1966	ENGINE AND FORWARD LAMP HARNESS Plymouth, B-Body Except Hemi	
38331	1966	ENGINE AND FORWARD LAMP HARNESS Plymouth, B-Body, All V/8 Except Hemi, With Electronic Ignition & Updated Alternator	
00355	1966	ENGINE AND FORWARD LAMP HARNESS Plymouth, B-Body With 59/60 Amp Alternator Except Hemi	
00370	1966	ENGINE AND FORWARD LAMP HARNESS Plymouth, B-Body With Hemi	

Year One Part #	Year	Description	*Rev.
38333	1966	ENGINE AND FORWARD LAMP HARNESS Plymouth, B-Body With Hemi, With Electronic Ignition & Updated Alternator	
00395	1967	ENGINE AND FORWARD LAMP HARNESS B-Body, HD 60 Amp Alternator, All V/8 Except Hemi	
00585	1967	ENGINE AND FORWARD LAMP HARNESS B-Body, With Hemi, Except Charger	
38342	1967	ENGINE AND FORWARD LAMP HARNESS B-Body, With Hemi, Except Charger, With Electronic Ignition & Updated Alternator	
23120	1967	ENGINE AND FORWARD LAMP HARNESS Barracuda, All V/8 Except Hemi	
38336	1967	ENGINE AND FORWARD LAMP HARNESS Barracuda, All V/8 Except Hemi, With Electronic Ignition & Updated Alternator	
00390	1967	ENGINE AND FORWARD LAMP HARNESS Charger, All V/8 Except Hemi	
38338	1967	ENGINE AND FORWARD LAMP HARNESS Charger, All V/8 Except Hemi, With Electronic Ignition & Updated Alternator	
00605	1967	ENGINE AND FORWARD LAMP HARNESS Charger, With Hemi	
38339	1967	ENGINE AND FORWARD LAMP HARNESS Charger, With Hemi, With Electronic Ignition & Updated Alternator	
00610	1967	ENGINE AND FORWARD LAMP HARNESS Coronet, All V/8 Except Hemi	
38337	1967	ENGINE AND FORWARD LAMP HARNESS Coronet, All V/8 Except Hemi, With Electronic Ignition & Updated Alternator	
23125	1967	ENGINE AND FORWARD LAMP HARNESS Dart And Vallant, All V/8 Except Hemi	
38335	1967	ENGINE AND FORWARD LAMP HARNESS Dart And Vallant, All V/8 Except Hemi, With Electronic Ignition & Updated Alternator	
00425	1967	ENGINE AND FORWARD LAMP HARNESS Plymouth, B-Body, All V/8 Except Hemi	
38341	1967	ENGINE AND FORWARD LAMP HARNESS Plymouth, B-Body, All V/8 Except Hemi, With Electronic Ignition & Updated Alternator	
00680	1968	ENGINE AND FORWARD LAMP HARNESS Barracuda 318-340 C.I.	
38345	1968	ENGINE AND FORWARD LAMP HARNESS Barracuda 318-340 C.I., With Electronic Ignition & Updated Alternator	
00670	1968	ENGINE AND FORWARD LAMP HARNESS Barracuda 6 Cyl. Or 383 Note: 6 Cylinder Items Are Not Returnable.	
38346	1968	ENGINE AND FORWARD LAMP HARNESS Barracuda 383, With Electronic Ignition & Updated Alternator	
00590	1968	ENGINE AND FORWARD LAMP HARNESS Dart 6 Cyl. And 383 Or Valiant 6 Cyl. Note: 6 Cylinder Items Are Not Returnable.	
38344	1968	ENGINE AND FORWARD LAMP HARNESS Dart 383, With Electronic Ignition & Updated Alternator	
00675	1968	ENGINE AND FORWARD LAMP HARNESS Dart, With 318-340 C.I. Or Valiant V/8	
38343	1968	ENGINE AND FORWARD LAMP HARNESS Dart With 318-340 C.I. Or Valiant V/8, With Electronic Ignition & Updated Alternator	
00445	1969	ENGINE AND FORWARD LAMP HARNESS Barracuda, 318-340 C.I.	
38357	1969	ENGINE AND FORWARD LAMP HARNESS Barracuda, 318-340 C.I., With Electronic Ignition & Updated Alternator	
00165	1969	ENGINE AND FORWARD LAMP HARNESS Barracuda, 383-440 And 6 Cyl. Note: 6 Cylinder Items Are Not Returnable.	
38356	1969	ENGINE AND FORWARD LAMP HARNESS Barracuda, 383-440 With Electronic Ignition & Updated Alternator	
00440	1969	ENGINE AND FORWARD LAMP HARNESS Dart 318 Or 340 C.I. And Valiant V/8 All	
38354	1969	ENGINE AND FORWARD LAMP HARNESS Dart 318 Or 340 C.I. And Valiant V/8 All, With Electronic Ignition & Updated Alternator	
00435	1969	ENGINE AND FORWARD LAMP HARNESS Dart 383 Or 440 And 6 Cyl., Valiant 6 Cyl. Note: 6 Cylinder Items Are Not Returnable.	
38355	1969	ENGINE AND FORWARD LAMP HARNESS Dart 383 Or 440, With Electronic Ignition & Updated Alternator	
00460	1970	ENGINE AND FORWARD LAMP HARNESS A-Body 318-340 C.I.	
38359	1970	ENGINE AND FORWARD LAMP HARNESS A-Body 318-340 C.I., With Electronic Ignition Update	
22910	1973	ENGINE AND FORWARD LAMP HARNESS A-Body 318-340 C.I.	
00765	1974	ENGINE AND FORWARD LAMP HARNESS A-Body, Built Before 10/12/73	

Year One Part #	Year	Description	*Rev.
00855	1974	ENGINE AND FORWARD LAMP HARNESS A-Body, Bulit After 10/11/73	
ENGINE HARNESS			
23095	1964	ENGINE HARNESS Dodge & Plymouth, B-Body, All V/8, Except 426 Max Wedge Note: For Hemi Applications Ballast Resistor Wires Will Need To Be Folded And Taped Over As Original Harnesses Were From The Factory.	
38323	1964	ENGINE HARNESS Dodge & Plymouth, B-Body, All V/8 Except Hemi, With Electronic Ignition & Updated Alternator, All V/8, Except 426 Max Wedge Note: For Hemi Applications Ballast Resistor Wires Will Need To Be Folded And Taped Over As Original Harnesses Were From The Factory.	
23080	1964	ENGINE HARNESS Dodge & Plymouth, B-Body With 426 Max Wedge	
38322	1964	ENGINE HARNESS Dodge & Plymouth, B-Body With Hemi, With 426 Max Wedge, With Electronic Ignition & Updated Alternator	
23110	1965	ENGINE HARNESS Dodge & Plymouth, B-Body, All V/8 Note: For Hemi Applications Ballast Resistor Wires Will Need To Be Folded And Taped Over As Original Harnesses Were From The Factory.	
38325	1965	ENGINE HARNESS Dodge & Plymouth, B-Body, All V/8 With Electronic Ignition & Updated Alternator Note: For Hemi Applications Ballast Resistor Wires Will Need To Be Folded And Taped Over As Original Harnesses Were From The Factory.	
00290	1968	ENGINE HARNESS Dodge & Plymouth, B-Body 273 Or 318 C.I.	
38347	1968	ENGINE HARNESS Dodge & Plymouth, B-Body 273 Or 318 C.I., With Electronic Ignition & Updated Alternator	
00115	1968	ENGINE HARNESS Dodge & Plymouth, B-Body 383 Or 440 C.I.	
38348	1968	ENGINE HARNESS Dodge & Plymouth, B-Body 383 Or 440 C.I., With Electronic Ignition & Updated Alternator	
00120	1968	ENGINE HARNESS Dodge & Plymouth, With Hemi	
38349	1968	ENGINE HARNESS Dodge & Plymouth, With Hemi, With Electronic Ignition & Updated Alternator	
00275	1969	ENGINE HARNESS Dodge & Plymouth, B-Body 318 C.I.	
38351	1969	ENGINE HARNESS Dodge & Plymouth, B-Body 318 C.I., With Electronic Ignition & Updated Alternator	
00140	1969	ENGINE HARNESS Dodge & Plymouth, B-Body 383 Or 440 C.I. Except 6 Pack	
38352	1969	ENGINE HARNESS Dodge & Plymouth, B-Body 383 Or 440 C.I. Except 6 Pack, With Electronic Ignition & Updated Alternator	
00270	1969	ENGINE HARNESS Dodge & Plymouth, B-Body 440 6 Pack	
38353	1969	ENGINE HARNESS Dodge & Plymouth, B-Body 440 6 Pack, With Electronic Ignition & Updated Alternator	
00155	1969	ENGINE HARNESS Dodge & Plymouth, C-Body V/8 Except 318 Without 60-Amp Alt.	
00120	1969	ENGINE HARNESS Dodge & Plymouth, With Hemi	
38349	1969	ENGINE HARNESS Dodge & Plymouth, With Hemi, With Electronic Ignition & Updated Alternator	
00280	1970	ENGINE HARNESS Dodge & Plymouth, B-Body 318 C.I.	
38360	1970	ENGINE HARNESS Dodge & Plymouth, B-Body 318 C.I.,With Electronic Ignition Update	
00215	1970	ENGINE HARNESS Dodge & Plymouth, B-Body 383 Or 440 C.I. Except 6 Pack	
38361	1970	ENGINE HARNESS Dodge & Plymouth, B-Body 383 Or 440 C.I. Except 6 Pack,With Electronic Ignition Update	
00210	1970	ENGINE HARNESS Dodge & Plymouth, B-Body 440 With 6 Pack	
38362	1970	ENGINE HARNESS Dodge & Plymouth, B-Body 440 With 6 Pack,With Electronic Ignition Update	
00285	1970	ENGINE HARNESS Dodge & Plymouth, B-Body With Hemi	

Year One Part #	Year	Description	*Rev.
38363	1970	ENGINE HARNESS Dodge & Plymouth, B-Body With Hemi,With Electronic Ignition Update	
23210	1970	ENGINE HARNESS Dodge & Plymouth, C-Body 383 Or 440 C.I., Fury, Polara & Monaco	
00190	1970	ENGINE HARNESS Dodge & Plymouth, E-Body 318 & 340 4 Bbl. Except 6 Pack	
38365	1970	ENGINE HARNESS Dodge & Plymouth, E-Body 318 & 340 4 Bbl. Except 6 Pack, With Electronic Ignition Update	
00235	1970	ENGINE HARNESS Dodge & Plymouth, E-Body 340 With 6 Pack	
38367	1970	ENGINE HARNESS Dodge & Plymouth, E-Body 340 With 6 Pack,With Electronic Ignition Update	
00220	1970	ENGINE HARNESS Dodge & Plymouth, E-Body 383 All And 440 C.I. Except 6 Pack	
38366	1970	ENGINE HARNESS Dodge & Plymouth, E-Body 383 All And 440 C.I. Except 6 Pack, With Electronic Ignition Update	
00230	1970	ENGINE HARNESS Dodge & Plymouth, E-Body 440 C.I. With 6 Pack	
38368	1970	ENGINE HARNESS Dodge & Plymouth, E-Body 440 C.I. With 6 Pack,With Electronic Ignition Update	
00200	1970	ENGINE HARNESS Dodge & Plymouth, E-Body With Hemi	
38369	1970	ENGINE HARNESS Dodge & Plymouth, E-Body With Hemi,With Electronic Ignition Update	
00520	1971	ENGINE HARNESS Dodge & Plymouth, A-Body 318-340 C.I. Except Electronic Ign.	
00735	1971	ENGINE HARNESS Dodge & Plymouth, A-Body 340 C.I. With Electronic Ignition	
00250	1971	ENGINE HARNESS Dodge & Plymouth, B-Body 318-340 C.I. Except Electronic Ign.	
00740	1971	ENGINE HARNESS Dodge & Plymouth, B-Body 340 C.I. With Electronic Ignition	
00255	1971	ENGINE HARNESS Dodge & Plymouth, B-Body 383 C.I. All And 440 C.I. Except. 6 Pack	
38371	1971	ENGINE HARNESS Dodge & Plymouth, B-Body 383 C.I. All And 440 C.I. Exc. 6 Pack, With Electronic Ignition Update	
00260	1971	ENGINE HARNESS Dodge & Plymouth, B-Body 440 C.I. With 6 Pack	
38372	1971	ENGINE HARNESS Dodge & Plymouth, B-Body 440 C.I. With 6 Pack,With Electronic Ignition Update	
00265	1971	ENGINE HARNESS Dodge & Plymouth, B-Body With Hemi	
38370	1971	ENGINE HARNESS Dodge & Plymouth, B-Body With Hemi,With Electronic Ignition Update	
23215	1971	ENGINE HARNESS Dodge & Plymouth, C-Body 383 C.I. Or 440 C.I.	
00250	1971	ENGINE HARNESS Dodge & Plymouth, E-Body 318-340 C.I. Except Electronic Ign.	
00740	1971	ENGINE HARNESS Dodge & Plymouth, E-Body 340 C.I. With Electronic Ignition	
00255	1971	ENGINE HARNESS Dodge & Plymouth, E-Body 383 C.I. All And 440 C.I. Except 6 Pack	
38371	1971	ENGINE HARNESS Dodge & Plymouth, E-Body 383 C.I. All And 440 C.I. Exc. 6 Pack, With Electronic Ignition Update	
00260	1971	ENGINE HARNESS Dodge & Plymouth, E-Body 440 C.I. With 6 Pack	
38372	1971	ENGINE HARNESS Dodge & Plymouth, E-Body 440 C.I. With 6 Pack,With Electronic Ignition Update	
00265	1971	ENGINE HARNESS Dodge & Plymouth, E-Body With Hemi	
38370	1971	ENGINE HARNESS Dodge & Plymouth, E-Body With Hemi,With Electronic Ignition Update	
00710	1972	ENGINE HARNESS B-Body 400-440 C.I. 60 Amp. Alt & Air Pump Except Electronic Ignition	
00720	1972	ENGINE HARNESS B-Body 400-440 C.I. With 41-51 Alt, Air Pump & Electronic Ignition	
00900	1972	ENGINE HARNESS B-Body 400-440 C.I. With 41-51 Alt & Air Pump Except Electronic Ignition	

Year One Part #	Year	Description	*Rev.
00690	1972	ENGINE HARNESS B-Body 400-440 C.I. With 41-51 Alt & Electronic Ignition Except Air Pump	
00895	1972	ENGINE HARNESS B-Body 400-440 C.I. With 41-51 Alt Except Air Pump & Electronic Ignition	
23225	1972	ENGINE HARNESS C-Body 318-360 C.I. With 41 Amp Alternator	
00715	1972	ENGINE HARNESS Dodge & Plymouth, A-Body 318-340 C.I. Except Electronic Ignition	
00695	1972	ENGINE HARNESS Dodge & Plymouth, A-Body 340 C.I. With Electronic Ignition	
00700	1972	ENGINE HARNESS Dodge & Plymouth, B-Body 318 C.I. Except Electronic Ignition	
38350	1972	ENGINE HARNESS Dodge & Plymouth, B-Body 318 C.I. With Electronic Ignition Update	
00705	1972	ENGINE HARNESS B-Body 318-340ci. With 41-51 Amp Alt. & Electronic Ignition Except Air Pump	
00700	1972	ENGINE HARNESS Dodge & Plymouth, E-Body 318 C.I. Except Electronic Ignition	
38350	1972	ENGINE HARNESS Dodge & Plymouth, E-Body 318 C.I. With Electronic Ignition Update	
00790	1973	ENGINE HARNESS Dodge & Plymouth, B-Body 318-340 C.I.	
00795	1973	ENGINE HARNESS Dodge & Plymouth, B-Body 400-440 C.I.	
00860	1973	ENGINE HARNESS Dodge & Plymouth, E-Body 318-340 C.I.	
00805	1974	ENGINE HARNESS Dodge & Plymouth, B-Body 318-360 C.I.	
00785	1974	ENGINE HARNESS Dodge & Plymouth, B-Body 400-440 C.I.	
33520	1974	ENGINE HARNESS Dodge & Plymouth, E-Body, After 10/12/73	
33525	1974	ENGINE HARNESS Dodge & Plymouth, E-Body, Before 10/12/73	
FENDER TURN SIGNAL LAMP EXTENSION			
23625	1966	FENDER TURN SIGNAL LAMP EXTENSION Belvedere & Satellite	
FORWARD LAMP HARNESS			
23085	1964	FORWARD LAMP HARNESS Dodge, B-Body	
23090	1964	FORWARD LAMP HARNESS Plymouth, B-Body	
23100	1965	FORWARD LAMP HARNESS Dodge, B-Body	
23105	1965	FORWARD LAMP HARNESS Plymouth, B-Body	
00405	1968	FORWARD LAMP HARNESS Charger	
00420	1968	FORWARD LAMP HARNESS Coronet & Superbee	
00415	1968	FORWARD LAMP HARNESS Plymouth, B-Body	
00430	1969	FORWARD LAMP HARNESS B-Body Except Charger	
00170	1969	FORWARD LAMP HARNESS Charger	
43945	1969	FORWARD LAMP HARNESS Daytona	C
00205	1970	FORWARD LAMP HARNESS Barracuda	
00185	1970	FORWARD LAMP HARNESS Challenger	
00465	1970	FORWARD LAMP HARNESS Coronet, R/T & Superbee With Fender Mounted Turn Signals	
00480	1970	FORWARD LAMP HARNESS Coronet, R/T & Superbee Without Fender Mounted Turn Signals	
00470	1970	FORWARD LAMP HARNESS Plymouth, B-Body & Charger Except Superbird	
23155	1970	FORWARD LAMP HARNESS Superbird	C
23220	1971	FORWARD LAMP HARNESS A-Body	
00730	1971	FORWARD LAMP HARNESS Barracuda	
00185	1971	FORWARD LAMP HARNESS Challenger	
00490	1971	FORWARD LAMP HARNESS Charger With Concealed Headlamps	
23205	1971	FORWARD LAMP HARNESS Charger Without Concealed Headlamps	
00485	1971	FORWARD LAMP HARNESS Plymouth, B-Body With Fender Mounted Turn Signals	

Year One Part #	Year	Description	*Rev.
00495	1971	FORWARD LAMP HARNESS Plymouth B-Body With Hood Mounted Turn Signals	
00745	1972	FORWARD LAMP HARNESS A-Body	
20920	1972	FORWARD LAMP HARNESS B-Body With Concealed Headlamps	
00815	1972	FORWARD LAMP HARNESS B-Body With Fender Mounted Turn Signal Without Concealed Lights	
00840	1972	FORWARD LAMP HARNESS Barracuda	
00845	1972	FORWARD LAMP HARNESS Challenger	
00835	1972	FORWARD LAMP HARNESS Plymouth B-Body With Hood Turn Signal Without Air Grabber	
00840	1973	FORWARD LAMP HARNESS Barracuda	
00845	1973	FORWARD LAMP HARNESS Challenger	
33940	1973	FORWARD LAMP HARNESS Dodge, B-Body, All & Plymouth B-Body, 4-Door Or Station Wagon	
00760	1973	FORWARD LAMP HARNESS Plymouth B-Body, Except 4 Door & Wagon	
00770	1974	FORWARD LAMP HARNESS Barracuda	
00775	1974	FORWARD LAMP HARNESS Challenger	
35867	1974	FORWARD LAMP HARNESS Charger	
00850	1974	FORWARD LAMP HARNESS Plymouth, B-Body	
FUSIBLE LINK			
35140	1964	FUSIBLE LINK With 60 Amp (Starter To Relay)	
02661772	Universal	FUSIBLE LINK	
02661909	Universal	FUSIBLE LINK	
02770412	Universal	FUSIBLE LINK	
02822229	Universal	FUSIBLE LINK	
02822472	Universal	FUSIBLE LINK	
02983706	Universal	FUSIBLE LINK	
03588280	Universal	FUSIBLE LINK	
HEADLAMP ON WARNING BUZZER DIODE			
43262	1970	HEADLAMP ON WARNING BUZZER DIODE All	
IDLE STOP SOLENOID HARNESS			
23495	1970	IDLE STOP SOLENOID HARNESS A-Body & E-Body With 440 Engine, Without Six Pack	
31265	1971	IDLE STOP SOLENOID EXTENSION WIRE B-Body With 440 C.I. 6 Pack	
INSTRUMENT VOLTAGE REGULATOR			
39549	1962	INSTRUMENT VOLTAGE REGULATOR All, Except Valiant	
39549	1963	INSTRUMENT VOLTAGE REGULATOR All, Except Valiant	
39549	1964	INSTRUMENT VOLTAGE REGULATOR All, Except Valiant & Dart	
39549	1965	INSTRUMENT VOLTAGE REGULATOR All	
39549	1966	INSTRUMENT VOLTAGE REGULATOR All, Except Charger	
39549	1967	INSTRUMENT VOLTAGE REGULATOR All, Except Barracuda, Charger & Fury	
39549	1968	INSTRUMENT VOLTAGE REGULATOR All A (Except Barracuda) & B Bodies	
39549	1969	INSTRUMENT VOLTAGE REGULATOR All A (Except Barracuda), B Bodies, Chryslers & Imperial	
39549	1970	INSTRUMENT VOLTAGE REGULATOR All A, B Bodies & Chryslers, Except Imperial	
39549	1971	INSTRUMENT VOLTAGE REGULATOR All A & B Bodies (Except B Rallye Dash)	
39549	1972	INSTRUMENT VOLTAGE REGULATOR All A & B Bodies (Except B Rallye Dash), Chryslers & Imperials	
39549	1973	INSTRUMENT VOLTAGE REGULATOR All A & B Bodies (Except B Rallye Dash), Chryslers & Imperials	
39549	1974	INSTRUMENT VOLTAGE REGULATOR All A & B Bodies (Except B Rallye Dash), Chryslers & Imperials	
39549	1975	INSTRUMENT VOLTAGE REGULATOR All, Chrysler, Plymouth, Dodge & Imperial	
39549	1976	INSTRUMENT VOLTAGE REGULATOR All, Chrysler, Plymouth, Dodge & Imperial	

Year One Part #	Year	Description	*Rev.
39549	1977	INSTRUMENT VOLTAGE REGULATOR All, Chrysler, Plymouth, Dodge & Imperials	
39549	1978	INSTRUMENT VOLTAGE REGULATOR All, Chrysler, Plymouth, Dodge & Imperial	
39549	1979	INSTRUMENT VOLTAGE REGULATOR All, Chrysler, Plymouth, Dodge & Imperial	
39549	1980	INSTRUMENT VOLTAGE REGULATOR All, Chrysler, Plymouth, Dodge & Imperial	
NEUTRAL SAFETY SWITCH WIRE			
38434	1968	NEUTRAL SAFETY SWITCH WIRE Neutral Safety Switch To Starter Relay	
OVERHEAD CONSOLE-BODY HARNESS			
39368	1970	OVERHEAD CONSOLE, BODY HARNESS E-Body, From Console Harness To Low Fuel Relay Extension Harness	
39369	1971	OVERHEAD CONSOLE, BODY HARNESS E-Body, From Console Harness To Low Fuel Relay Extension Harness	
OVERHEAD CONSOLE-LOW FUEL RELAY EXT HARNESS			
39372	1970	OVERHEAD CONSOLE, LOW FUEL RELAY EXTENSION HARNESS E-Body, From Dash Harness To Body Harness	
39372	1971	OVERHEAD CONSOLE, LOW FUEL RELAY EXTENSION HARNESS E-Body, From Dash Harness To Body Harness	
OVERHEAD CONSOLE-MAIN HARNESS			
38510	1970	OVERHEAD CONSOLE, MAIN HARNESS E-Body, From Console To Body Harness	
39370	1971	OVERHEAD CONSOLE, MAIN HARNESS E-Body, From Console To Body Harness	
OVERHEAD CONSOLE-RT HAND DOOR AJAR SWITCH EXT			
39371	1970	OVERHEAD CONSOLE, RIGHT HAND DOOR AJAR SWITCH EXTENSION E-Body, From Body Harness To Right Door Ajar Switch	
39371	1971	OVERHEAD CONSOLE, RIGHT HAND DOOR AJAR SWITCH EXTENSION E-Body, From Body Harness To Right Door Ajar Switch	
REAR LAMP HARNESS			
34145	1964	REAR LAMP HARNESS Barracuda	
34075	1964	REAR LAMP HARNESS Dart	
34055	1964	REAR LAMP HARNESS Dodge, 330 & 440	
34080	1964	REAR LAMP HARNESS Dodge, Polara & Polara 500	
34085	1964	REAR LAMP HARNESS Plymouth, B-Body With Backup Lamps	
34050	1964	REAR LAMP HARNESS Valiant	
31415	1965	REAR LAMP HARNESS Barracuda	
35865	1965	REAR LAMP HARNESS Belvedere & Satellite	
31470	1965	REAR LAMP HARNESS Coronet	
34105	1965	REAR LAMP HARNESS Dart	
34060	1965	REAR LAMP HARNESS Valiant	
31410	1966	REAR LAMP HARNESS Barracuda	
34090	1966	REAR LAMP HARNESS Charger	
31440	1966	REAR LAMP HARNESS Coronet & Belvedere, Convertible	
31435	1966	REAR LAMP HARNESS Coronet & Belvedere, Coupe	
31405	1966	REAR LAMP HARNESS Dart, Convertible	
34070	1966	REAR LAMP HARNESS Dart, Coupe	
34095	1966	REAR LAMP HARNESS Valiant, Convertible	
34100	1966	REAR LAMP HARNESS Valiant, Coupe	
31445	1967	REAR LAMP HARNESS Barracuda, Convertible	
34040	1967	REAR LAMP HARNESS Barracuda, Fastback	
31450	1967	REAR LAMP HARNESS Barracuda, Hardtop	
08690	1967	REAR LAMP HARNESS Plymouth, Convertible	

Chrysler

Available exclusively from Year One



Year One (800) 932-7663

All Chrysler Wiring Harnesses
must be ordered through Year One

Year One Part #	Year	Description	*Rev.
34035	1967	REAR LAMP HARNESS Plymouth, Coupe	
00640	1967	REAR LAMP HARNESS Dodge, Charger	
08895	1967	REAR LAMP HARNESS Dodge, Convertible	
31390	1967	REAR LAMP HARNESS Dodge Coupe, Except Charger	
31395	1967	REAR LAMP HARNESS Dart, Convertible	
31400	1967	REAR LAMP HARNESS Dart, Coupe	
34030	1967	REAR LAMP HARNESS Valiant	
31425	1968	REAR LAMP HARNESS Barracuda, Convertible	
31370	1968	REAR LAMP HARNESS Barracuda, Fastback	
31420	1968	REAR LAMP HARNESS Barracuda, Hardtop	
00750	1968	REAR LAMP HARNESS Dodge, Charger	
31375	1968	REAR LAMP HARNESS Dart, Convertible	
31380	1968	REAR LAMP HARNESS Dart, Coupe	
31385	1968	REAR LAMP HARNESS Dodge & Plymouth, Convertible	
00755	1968	REAR LAMP HARNESS Dodge, Except Charger & Plymouth Coupe	
33535	1968	REAR LAMP HARNESS Valiant	
31460	1969	REAR LAMP HARNESS Barracuda, Convertible	
31475	1969	REAR LAMP HARNESS Barracuda, Fastback	
31465	1969	REAR LAMP HARNESS Barracuda, Hardtop	
34020	1969	REAR LAMP HARNESS Charger	
32585	1969	REAR LAMP HARNESS Dart, Convertible	
32590	1969	REAR LAMP HARNESS Dart, Coupe	
05105	1969	REAR LAMP HARNESS Dodge, B-Body, Convertible	
32570	1969	REAR LAMP HARNESS Dodge, B-Body, Coupe, Two Tail Light Per Side, Exc Charger	
32595	1969	REAR LAMP HARNESS Dodge, B-Body, Coupe With One Taillight Per Side Exc Charger	
01000	1969	REAR LAMP HARNESS Plymouth, B-Body Convertible	
32550	1969	REAR LAMP HARNESS Plymouth, B-Body Coupe	
32545	1969	REAR LAMP HARNESS Valiant	
33315	1970	REAR LAMP HARNESS Barracuda, Convertible	
33300	1970	REAR LAMP HARNESS Barracuda, Coupe	
34015	1970	REAR LAMP HARNESS Challenger, Convertible	
33305	1970	REAR LAMP HARNESS Challenger, Coupe	
32555	1970	REAR LAMP HARNESS Charger	
32565	1970	REAR LAMP HARNESS Coronet 500 And R/T	
32535	1970	REAR LAMP HARNESS Coronet, Coronet 440 & Super Bee	
32560	1970	REAR LAMP HARNESS Dart, 2-Door Hardtop	
32540	1970	REAR LAMP HARNESS Dodge, B-Body Convertible	
33310	1970	REAR LAMP HARNESS Duster	
33290	1970	REAR LAMP HARNESS Plymouth, B-Body Convertible	
33295	1970	REAR LAMP HARNESS Plymouth, B-Body Coupe Except Station Wagon	
33375	1971	REAR LAMP HARNESS Barracuda, Convertible	
33370	1971	REAR LAMP HARNESS Barracuda, Coupe	
33365	1971	REAR LAMP HARNESS Challenger, Convertible	
33360	1971	REAR LAMP HARNESS Challenger, Coupe	
32560	1971	REAR LAMP HARNESS Dart & Valiant, 2-Door Hardtop	
33320	1971	REAR LAMP HARNESS Demon	
33380	1971	REAR LAMP HARNESS Dodge & Plymouth, B-Body	

Year One Part #	Year	Description	*Rev.
33385	1971	REAR LAMP HARNESS Duster	
34650	1972	REAR LAMP HARNESS Barracuda	
34665	1972	REAR LAMP HARNESS Challenger	
33395	1972	REAR LAMP HARNESS Dart & Valiant, 2-Door Hardtop	
33390	1972	REAR LAMP HARNESS Demon	
34660	1972	REAR LAMP HARNESS Dodge & Plymouth, B-Body	
34655	1972	REAR LAMP HARNESS Duster	
34675	1973	REAR LAMP HARNESS Barracuda	
34665	1973	REAR LAMP HARNESS Challenger	
34670	1973	REAR LAMP HARNESS Dart Sport & Duster	
34660	1973	REAR LAMP HARNESS Dodge & Plymouth, B-Body	
34680	1974	REAR LAMP HARNESS A-Body, Except Dart Sport Or Duster	
34675	1974	REAR LAMP HARNESS Barracuda	
34665	1974	REAR LAMP HARNESS Challenger	
33540	1974	REAR LAMP HARNESS Dart Sport & Duster	
34685	1974	REAR LAMP HARNESS Dodge & Plymouth, B-Body	
ROAD LAMP HARNESS EXTENSION			
38310	1970	ROAD LAMP HARNESS EXTENSION Barracuda, Engine Compartment, From Firewall Connector To Road Lamp Connection	
23130	1970	ROAD LAMP HARNESS EXTENSION Barracuda, Light Bulb To Engine Compartment Extension (2 Req. Per Car)	
38310	1971	ROAD LAMP HARNESS EXTENSION Barracuda, Engine Compartment, From Firewall Connector To Road Lamp Connection	
23130	1971	ROAD LAMP HARNESS EXTENSION Barracuda, Light Bulb To Engine Compartment Extension (2 Req. Per Car)	
ROAD LAMP HARNESS-UNDERDASH			
38308	1970	ROAD LAMP HARNESS, UNDERDASH Barracuda	
38309	1971	ROAD LAMP HARNESS, UNDERDASH Barracuda	
SPEAKER HARNESS			
39365	1968	SPEAKER HARNESS B-Body, Single Rear Seat Speaker	
39365	1969	SPEAKER HARNESS B-Body, Single Rear Seat Speaker	
39365	1970	SPEAKER HARNESS B-Body, Single Rear Seat Speaker	
TACHOMETER HARNESS			
38438	1965	TACHOMETER HARNESS A-Body	
38499	1968	TACHOMETER HARNESS Dash Side, B-Body, With Rally Gauges	
00925	1968	TACHOMETER HARNESS Dash Side, Dodge & Plymouth, B-Body Except Gauges	
38448	1968	TACHOMETER HARNESS Engine Side, B-Body, All Big Blocks, Except Hemi	
38497	1968	TACHOMETER HARNESS Engine Side, B-Body, All Small Blocks, Except Hemi	
38499	1969	TACHOMETER HARNESS Dash Side, B-Body, With Rally Gauges	
00925	1969	TACHOMETER HARNESS Dash Side, Dodge & Plymouth, B-Body Except Gauges	
38451	1969	TACHOMETER HARNESS Engine Side, B-Body, All Small Blocks, Except Hemi	
35866	1969	TACHOMETER HARNESS Engine Side, Dodge & Plymouth, B-Body, All Big Blocks, Except Hemi	
38499	1970	TACHOMETER HARNESS Dash Side, B-Body, With Rally Gauges	
38463	1970	TACHOMETER HARNESS Engine Side, E-Body, All Big Blocks	
38462	1970	TACHOMETER HARNESS Engine Side, E-Body, All Small Blocks	
38471	1971	TACHOMETER HARNESS Engine Side, E-Body, All Big Blocks	
00880	1974	TACHOMETER HARNESS Engine Side, E-Body, With Rally Gauges	

Year One Part #	Year	Description	*Rev.
WIPER MOTOR HARNESS			
38446	1968	WIPER MOTOR HARNESS 2-Speed, A-Body	
38446	1968	WIPER MOTOR HARNESS 2-Speed, B-Body	
23500	1969	WIPER MOTOR HARNESS 2-Speed, A-Body	
38446	1969	WIPER MOTOR HARNESS 2-Speed, B-Body, Up To Approx. Nov. 15 1968, Does Not Include 2-Way Connector With 4" Pigtail For The Backup Lamp Extension	
23500	1969	WIPER MOTOR HARNESS 2-Speed, B-Body, After Approx. Nov. 15 1968, Includes 2-Way Connector With 4" Pigtail For The Backup Lamp Extension	
23500	1970	WIPER MOTOR HARNESS 2-Speed, A-Body	
23500	1970	WIPER MOTOR HARNESS 2-Speed, B-Body	
31260	1970	WIPER MOTOR HARNESS 2-Speed, E-Body	
23500	1971	WIPER MOTOR HARNESS 2-Speed, A-Body	
31260	1971	WIPER MOTOR HARNESS 2-Speed, B-Body	
31260	1971	WIPER MOTOR HARNESS 2-Speed, E-Body	
23500	1972	WIPER MOTOR HARNESS 2-Speed, A-Body	
38482	1972	WIPER MOTOR HARNESS 2-Speed, B-Body, With Air Pump (Emission Control)	
31260	1972	WIPER MOTOR HARNESS 2-Speed, B-Body, Without Air Pump	
31260	1972	WIPER MOTOR HARNESS 2-Speed, E-Body	
38485	1973	WIPER MOTOR HARNESS 2-Speed, A-Body	
38489	1973	WIPER MOTOR HARNESS 2-Speed, B-Body	
31260	1973	WIPER MOTOR HARNESS 2-Speed, E-Body	
38485	1974	WIPER MOTOR HARNESS 2-Speed, A-Body	
38489	1974	WIPER MOTOR HARNESS 2-Speed, B-Body	
38489	1974	WIPER MOTOR HARNESS 2-Speed, E-Body	

Section 11

Corvair

Part Number	Year	Description	Price	*Rev.
39591	1961	AIR CONDITIONING EXTENSION HARNESS Dimmer Switch To Selenium Rectifier Adapter Asm.	\$44.00	
39591	1962	AIR CONDITIONING EXTENSION HARNESS Dimmer Switch To Selenium Rectifier Adapter Asm.	\$44.00	
39591	1963	AIR CONDITIONING EXTENSION HARNESS Dimmer Switch To Selenium Rectifier Adapter Asm.	\$44.00	
39591	1964	AIR CONDITIONING EXTENSION HARNESS Dimmer Switch To Selenium Rectifier Adapter Asm.	\$44.00	
26995	1962	AIR CONDITIONING HARNESS Evaporator To Compressor	\$38.00	
26995	1963	AIR CONDITIONING HARNESS Evaporator To Compressor	\$38.00	
39625	1963	AIR CONDITIONING HARNESS Main Air Conditioning Harness	\$145.00	
26995	1964	AIR CONDITIONING HARNESS Evaporator To Compressor	\$38.00	
39625	1964	AIR CONDITIONING HARNESS Main Air Conditioning Harness	\$145.00	
39644	1965	AIR CONDITIONING HARNESS Main Air Conditioning Harness, Early Production, Contains Striped Color Wires Note: Used With Accessory Style A/C (Field Installed).	\$145.00	
38217	1965	AIR CONDITIONING HARNESS Main Air Conditioning Harness, Late Production, Contains Solid Color Wires Note: Used With Accessory Style A/C (Field Installed).	\$145.00	
27020	1965	AIR CONDITIONING HARNESS Evaporator To Compressor Note: Used With Accessory Style A/C (Field Installed).	\$38.00	
38217	1966	AIR CONDITIONING HARNESS Main Air Conditioning Harness Note: Used With Accessory Style A/C (Field Installed).	\$145.00	
27020	1966	AIR CONDITIONING HARNESS Evaporator To Compressor Note: Used With Accessory Style A/C (Field Installed).	\$38.00	
27020	1967	AIR CONDITIONING HARNESS Evaporator To Compressor	\$38.00	
27020	1968	AIR CONDITIONING HARNESS Evaporator To Compressor	\$38.00	
39589	1961	AIR CONDITIONING WIRE A/C Evaporator To Compressor	\$30.00	
39593	1962	AIR CONDITIONING WIRE Dash Harness To A/C Cutout Relay	\$38.00	
39594	1962	AIR CONDITIONING WIRE Ignition Switch To Blower Switch	\$38.00	
39593	1963	AIR CONDITIONING WIRE Dash Harness To A/C Cutout Relay	\$38.00	
39594	1963	AIR CONDITIONING WIRE Ignition Switch To Blower Switch	\$38.00	
39593	1964	AIR CONDITIONING WIRE Dash Harness To A/C Cutout Relay	\$38.00	
39594	1964	AIR CONDITIONING WIRE Ignition Switch To Blower Switch	\$38.00	
39622	1965	AIR CONDITIONING WIRE Dash Harness To A/C Cutout Relay Note: Used With Accessory Style A/C (Field Installed).	\$30.00	
39630	1966	AIR CONDITIONING WIRE Compressor To Fast Idle Solenoid & Evaporator	\$38.00	
39622	1966	AIR CONDITIONING WIRE Dash Harness To A/C Cutout Relay Note: Used With Accessory Style A/C (Field Installed).	\$30.00	
27555	1965	ALTERNATOR CONVERSION KIT External To Internal Regulator Conversion Harness ("SI" Series) Note: For Use With 1972-84 Non-Serpentine Belt ("SI" Series) Internal Regulated Alternators.	\$29.00	
37787	1965	ALTERNATOR CONVERSION KIT External To Internal Regulator Conversion Harness ("CS" Series) Note: For Use With Serpentine Belt ("CS" Series) Internal Regulated Alternators.	\$34.00	
27555	1966	ALTERNATOR CONVERSION KIT External To Internal Regulator Conversion Harness ("SI" Series) Note: For Use With 1972-84 Non-Serpentine Belt ("SI" Series) Internal Regulated Alternators.	\$29.00	
37787	1966	ALTERNATOR CONVERSION KIT External To Internal Regulator Conversion Harness ("CS" Series) Note: For Use With Serpentine Belt ("CS" Series) Internal Regulated Alternators.	\$34.00	
27555	1967	ALTERNATOR CONVERSION KIT External To Internal Regulator Conversion Harness ("SI" Series) Note: For Use With 1972-84 Non-Serpentine Belt ("SI" Series) Internal Regulated Alternators.	\$29.00	
37787	1967	ALTERNATOR CONVERSION KIT External To Internal Regulator Conversion Harness ("CS" Series) Note: For Use With Serpentine Belt ("CS" Series) Internal Regulated Alternators.	\$34.00	
27555	1968	ALTERNATOR CONVERSION KIT External To Internal Regulator Conversion Harness ("SI" Series) Note: For Use With 1972-84 Non-Serpentine Belt ("SI" Series) Internal Regulated Alternators.	\$29.00	

Part Number	Year	Description	Price	*Rev.
37787	1968	ALTERNATOR CONVERSION KIT External To Internal Regulator Conversion Harness ("CS" Series) Note: For Use With Serpentine Belt ("CS" Series) Internal Regulated Alternators.	\$34.00	
27555	1969	ALTERNATOR CONVERSION KIT External To Internal Regulator Conversion Harness ("SI" Series) Note: For Use With 1972-84 Non-Serpentine Belt ("SI" Series) Internal Regulated Alternators.	\$29.00	
37787	1969	ALTERNATOR CONVERSION KIT External To Internal Regulator Conversion Harness ("CS" Series) Note: For Use With Serpentine Belt ("CS" Series) Internal Regulated Alternators.	\$34.00	
39554	1960	BACKUP LAMP HARNESS 500 & 700 Model, With Automatic Transmission, For Vehicles Not Originally Equipped With The Backup Lamp Option	\$73.00	
39553	1960	BACKUP LAMP HARNESS 500 & 700 Model, With Manual Transmission, For Vehicles Not Originally Equipped With The Backup Lamp Option	\$58.00	
39574	1961	BACKUP LAMP HARNESS 500 & 700 Model, For Vehicles Not Originally Equipped With The Backup Lamp Option	\$73.00	
39575	1961	BACKUP LAMP HARNESS Wagon, Front, For Vehicles Not Originally Equipped With The Backup Lamp Option	\$67.00	
39576	1961	BACKUP LAMP HARNESS Wagon, Rear, For Vehicles Not Originally Equipped With The Backup Lamp Option	\$58.00	
39574	1962	BACKUP LAMP HARNESS 500 & 700 Model, For Vehicles Not Originally Equipped With The Backup Lamp Option	\$73.00	
39575	1962	BACKUP LAMP HARNESS Wagon, Front, For Vehicles Not Originally Equipped With The Backup Lamp Option	\$67.00	
39576	1962	BACKUP LAMP HARNESS Wagon, Rear, For Vehicles Not Originally Equipped With The Backup Lamp Option	\$58.00	
39597	1963	BACKUP LAMP HARNESS 500 & 700 Model, For Vehicles Not Originally Equipped With The Backup Lamp Option	\$58.00	
39605	1964	BACKUP LAMP HARNESS 500 & 700 Model, For Vehicles Not Originally Equipped With The Backup Lamp Option	\$51.00	
39620	1965	BACKUP LAMP HARNESS 500 & 700 Model, For Vehicles Not Originally Equipped With The Backup Lamp Option	\$58.00	
39577	1961	BACKUP LAMP JUMPER WIRE 500 & 700 Model, Used To Jump Backup Lamp Wires In Dash Harness, For Vehicles Not Equipped With Backup Lamps	\$23.00	
39577	1962	BACKUP LAMP JUMPER WIRE 500 & 700 Model, Used To Jump Backup Lamp Wires In Dash Harness, For Vehicles Not Equipped With Backup Lamps	\$23.00	
36238	1960	BATTERY GROUND CABLE Neg, Bumper Brace Bolt To Coil Mounting Stud	\$22.00	
02900	1960	BATTERY CABLE, SPRING RING Neg, All, Battery To Bumper Brace Bolt	\$69.00	
36236	1961	BATTERY CABLE, SPRING RING Neg, Truck (Braided Strap Type)	\$86.00	
03525	1961	BATTERY CABLE, SPRING RING Neg, Wagon (Braided Strap Type)	\$86.00	
03520	1961	BATTERY CABLE, SPRING RING Neg, Except Wagon & Truck (Braided Strap Type)	\$95.00	
36236	1962	BATTERY CABLE, SPRING RING Neg, Truck (Braided Strap Type)	\$86.00	
03525	1962	BATTERY CABLE, SPRING RING Neg, Wagon (Braided Strap Type)	\$86.00	
03520	1962	BATTERY CABLE, SPRING RING Neg, Except Wagon & Truck (Braided Strap Type)	\$95.00	
36236	1963	BATTERY CABLE, SPRING RING Neg, Truck (Braided Strap Type)	\$86.00	
03520	1963	BATTERY CABLE, SPRING RING Neg, Except Wagon & Truck (Braided Strap Type)	\$95.00	
36236	1964	BATTERY CABLE, SPRING RING Neg, Truck (Braided Strap Type)	\$86.00	
03520	1964	BATTERY CABLE, SPRING RING Neg, Except Wagon & Truck (Braided Strap Type)	\$95.00	
09795	1965	BATTERY CABLE, SPRING RING Neg, All Except Truck, With Standard Battery	\$69.00	
09130	1965	BATTERY CABLE, SPRING RING Neg, All Except Truck, With Original Heavy Duty Battery Note: For Original Style Heavy Duty Batteries With Positive Terminal On Passenger Side Of Battery.	\$69.00	
40024	1965	BATTERY CABLE, SPRING RING Neg, All Except Truck, With Reproduction Heavy Duty Battery Note: For New Reproduction Heavy Duty Batteries With Positive Terminal On Driver Side Of Battery.	\$69.00	
04850	1965	BATTERY CABLE, SPRING RING Neg, Truck, All	\$69.00	
09795	1966	BATTERY CABLE, SPRING RING Neg, With Standard Battery	\$69.00	

Part Number	Year	Description	Price	*Rev.
09130	1966	BATTERY CABLE, SPRING RING Neg, With Original Heavy Duty Battery Note: For Original Style Heavy Duty Batteries With Positive Terminal On Passenger Side Of Battery.	\$69.00	
40024	1966	BATTERY CABLE, SPRING RING Neg, With Reproduction Heavy Duty Battery Note: For New Reproduction Heavy Duty Batteries With Positive Terminal On Driver Side Of Battery.	\$69.00	
09795	1967	BATTERY CABLE, SPRING RING Neg, With Standard Battery	\$69.00	
09130	1967	BATTERY CABLE, SPRING RING Neg, With Original Heavy Duty Battery Note: For Original Style Heavy Duty Batteries With Positive Terminal On Passenger Side Of Battery.	\$69.00	
40024	1967	BATTERY CABLE, SPRING RING Neg, With Reproduction Heavy Duty Battery Note: For New Reproduction Heavy Duty Batteries With Positive Terminal On Driver Side Of Battery.	\$69.00	
09795	1968	BATTERY CABLE, SPRING RING Neg, With Standard Battery	\$69.00	
09130	1968	BATTERY CABLE, SPRING RING Neg, With Original Heavy Duty Battery Note: For Original Style Heavy Duty Batteries With Positive Terminal On Passenger Side Of Battery.	\$69.00	
40024	1968	BATTERY CABLE, SPRING RING Neg, With Reproduction Heavy Duty Battery Note: For New Reproduction Heavy Duty Batteries With Positive Terminal On Driver Side Of Battery.	\$69.00	
09795	1969	BATTERY CABLE, SPRING RING Neg, With Standard Battery	\$69.00	
09130	1969	BATTERY CABLE, SPRING RING Neg, With Original Heavy Duty Battery Note: For Original Style Heavy Duty Batteries With Positive Terminal On Passenger Side Of Battery.	\$69.00	
40024	1969	BATTERY CABLE, SPRING RING Neg, With Reproduction Heavy Duty Battery Note: For New Reproduction Heavy Duty Batteries With Positive Terminal On Driver Side Of Battery.	\$69.00	
03145	1960	BATTERY CABLE, SPRING RING Pos, All	\$69.00	
03570	1961	BATTERY CABLE, SPRING RING Pos, All, Except Truck	\$69.00	
21320	1961	BATTERY CABLE, SPRING RING Pos, Truck	\$69.00	
03970	1962	BATTERY CABLE, SPRING RING Pos, All, Except Wagon & Truck	\$69.00	
21320	1962	BATTERY CABLE, SPRING RING Pos, Truck	\$69.00	
03975	1962	BATTERY CABLE, SPRING RING Pos, Wagon	\$69.00	
04435	1963	BATTERY CABLE, SPRING RING Pos, All, Except Truck	\$69.00	
21320	1963	BATTERY CABLE, SPRING RING Pos, Truck	\$69.00	
04930	1964	BATTERY CABLE, SPRING RING Pos, All, Except Truck	\$69.00	
21110	1964	BATTERY CABLE, SPRING RING Pos, Truck	\$69.00	
05470	1965	BATTERY CABLE, SPRING RING Pos, All, Except Truck	\$69.00	
21110	1965	BATTERY CABLE, SPRING RING Pos, Truck	\$69.00	
05470	1966	BATTERY CABLE, SPRING RING Pos, All	\$69.00	
09835	1967	BATTERY CABLE, SPRING RING Pos, All	\$69.00	
09835	1968	BATTERY CABLE, SPRING RING Pos, All	\$69.00	
09835	1969	BATTERY CABLE, SPRING RING Pos, All	\$69.00	
39588	1961	CARGO DOOR WARNING LAMP HARNESS Greenbrier, Lamp Side Of Harness	\$38.00	
39586	1961	CARGO DOOR WARNING LAMP HARNESS Greenbrier, Switch Side Of Harness	\$38.00	
39588	1962	CARGO DOOR WARNING LAMP HARNESS Greenbrier, Lamp Side Of Harness	\$38.00	
39586	1962	CARGO DOOR WARNING LAMP HARNESS Greenbrier, Switch Side Of Harness	\$38.00	
39562	1960	CIGARETTE LIGHTER WIRE All Models	\$15.00	
39562	1961	CIGARETTE LIGHTER WIRE All Models	\$15.00	
39562	1962	CIGARETTE LIGHTER WIRE All Models	\$15.00	
39562	1963	CIGARETTE LIGHTER WIRE All Models	\$15.00	
39562	1964	CIGARETTE LIGHTER WIRE All Models	\$15.00	
39562	1965	CIGARETTE LIGHTER WIRE All Models	\$15.00	
04849850	1962	CIRCUIT BREAKER 40 Amp, Power Top	\$14.00	
04849850	1963	CIRCUIT BREAKER 40 Amp, Power Top	\$14.00	
04849850	1964	CIRCUIT BREAKER 40 Amp, Power Top	\$14.00	

Part Number	Year	Description	Price	*Rev.
04850166	1965	CIRCUIT BREAKER 30 Amp, Power Top	\$14.00	
04850166	1966	CIRCUIT BREAKER 30 Amp, Power Top	\$14.00	
04850166	1967	CIRCUIT BREAKER 30 Amp, Power Top	\$14.00	
04850166	1968	CIRCUIT BREAKER 30 Amp, Power Top	\$14.00	
04850166	1969	CIRCUIT BREAKER 30 Amp, Power Top	\$14.00	
39571	1961	CLOCK HARNESS All Models	\$43.00	
39571	1962	CLOCK HARNESS All Models	\$43.00	
39571	1963	CLOCK HARNESS All Models	\$43.00	
39571	1964	CLOCK HARNESS All Models	\$43.00	
39571	1965	CLOCK HARNESS All Models	\$43.00	
39571	1966	CLOCK HARNESS All Models	\$43.00	
39635	1967	CLOCK HARNESS All Models	\$33.00	
39635	1968	CLOCK HARNESS All Models	\$33.00	
39635	1969	CLOCK HARNESS All Models	\$33.00	
40038	1960	COURTESY LAMP HARNESS Overhead Dome Lamp	\$29.00	
39555	1960	COURTESY LAMP HARNESS Under Dash, 500 & 700 Model	\$52.00	
40038	1961	COURTESY LAMP HARNESS Overhead Dome Lamp	\$29.00	
39555	1961	COURTESY LAMP HARNESS Under Dash, 500 & 700 Model	\$52.00	
40038	1962	COURTESY LAMP HARNESS Overhead Dome Lamp	\$29.00	
39626	1962	COURTESY LAMP HARNESS Under Dash, Car & Wagon, Except Convertible	\$66.00	
26805	1962	COURTESY LAMP HARNESS Under Dash, Convertible	\$66.00	
40038	1963	COURTESY LAMP HARNESS Overhead Dome Lamp	\$29.00	
39604	1963	COURTESY LAMP HARNESS Under Dash, Car & Wagon	\$66.00	
26805	1963	COURTESY LAMP HARNESS Under Dash, Convertible	\$66.00	
40038	1964	COURTESY LAMP HARNESS Overhead Dome Lamp	\$29.00	
38249	1964	COURTESY LAMP HARNESS Under Dash, Car & Wagon	\$52.00	
26770	1964	COURTESY LAMP HARNESS Under Dash, Convertible	\$66.00	
07945	1965	COURTESY LAMP HARNESS Overhead Dome Lamp	\$29.00	
39606	1965	COURTESY LAMP HARNESS Overhead Dome Lamp, Van	\$29.00	
39621	1965	COURTESY LAMP HARNESS Under Dash, Car & Wagon, Except Convertible	\$52.00	
26925	1965	COURTESY LAMP HARNESS Under Dash, Convertible	\$52.00	
07945	1966	COURTESY LAMP HARNESS Overhead Dome Lamp	\$29.00	
39621	1966	COURTESY LAMP HARNESS Under Dash, Car & Wagon, Except Convertible	\$52.00	
26925	1966	COURTESY LAMP HARNESS Under Dash, Convertible	\$52.00	
07945	1967	COURTESY LAMP HARNESS Overhead Dome Lamp	\$29.00	
26915	1967	COURTESY LAMP HARNESS Under Dash, Car & Wagon	\$66.00	
26925	1967	COURTESY LAMP HARNESS Under Dash, Convertible	\$52.00	
07945	1968	COURTESY LAMP HARNESS Overhead Dome Lamp	\$29.00	
26915	1968	COURTESY LAMP HARNESS Under Dash, Car & Wagon	\$66.00	
26925	1968	COURTESY LAMP HARNESS Under Dash, Convertible	\$52.00	
07945	1969	COURTESY LAMP HARNESS Overhead Dome Lamp	\$29.00	
26915	1969	COURTESY LAMP HARNESS Under Dash, Car & Wagon	\$66.00	
26925	1969	COURTESY LAMP HARNESS Under Dash, Convertible	\$52.00	
39559	1960	COURTESY LAMP HARNESS EXTENSION Under Dash Extension, 700 Model Only, From Door Jamb Switch To Courtest Lamp Harness	\$43.00	
39559	1961	COURTESY LAMP HARNESS EXTENSION Under Dash Extension, 700 Model Only, From Door Jamb Switch To Courtest Lamp Harness	\$43.00	

Part Number	Year	Description	Price	*Rev.
39559	1962	COURTESY LAMP HARNESS EXTENSION Under Dash Extension, 700 Model Only, From Door Jamb Switch To Courtest Lamp Harness	\$43.00	
26840	1960	DASH HARNESS Car & Wagon, Auto Trans, With Backup Lamps	\$527.00	
39558	1960	DASH HARNESS Car & Wagon, Auto Trans, Without Backup Lamps	\$527.00	
39565	1960	DASH HARNESS Car & Wagon, Manual Trans, With Backup Lamps	\$527.00	
39552	1960	DASH HARNESS Car & Wagon, Manual Trans, Without Backup Lamps	\$527.00	
26810	1961	DASH HARNESS Car & Wagon, Auto Trans, With Backup Lamps	\$527.00	
39570	1961	DASH HARNESS Car & Wagon, Auto Trans, Without Backup Lamps	\$527.00	
39583	1961	DASH HARNESS Car & Wagon, Manual Trans, With Backup Lamps	\$527.00	
39569	1961	DASH HARNESS Car & Wagon, Manual Trans, Without Backup Lamps	\$527.00	
39580	1961	DASH HARNESS Van & Truck, Auto Trans	\$527.00	
37603	1961	DASH HARNESS Van & Truck, Manual Trans	\$527.00	
26965	1962	DASH HARNESS Car & Wagon, Auto Trans	\$527.00	
26940	1962	DASH HARNESS Car & Wagon, Auto Trans, With Gauges	\$527.00	
26825	1962	DASH HARNESS Car & Wagon, Manual Trans	\$527.00	
26835	1962	DASH HARNESS Car & Wagon, Manual Trans, With Gauges	\$527.00	
39529	1962	DASH HARNESS Van & Truck, Auto Trans, With Optional Wiper Fuse At Fuse Box	\$527.00	
39580	1962	DASH HARNESS Van & Truck, Auto Trans, Without Optional Wiper Fuse At Fuse Box	\$527.00	
39590	1962	DASH HARNESS Van & Truck, Manual Trans, With Optional Wiper Fuse At Fuse Box	\$527.00	
37603	1962	DASH HARNESS Van & Truck, Manual Trans, Without Optional Wiper Fuse At Fuse Box	\$527.00	
26965	1963	DASH HARNESS Car & Wagon, Auto Trans	\$527.00	
26825	1963	DASH HARNESS Car & Wagon, Manual Trans	\$527.00	
26830	1963	DASH HARNESS Car & Wagon, All, With Gauges	\$527.00	
39529	1963	DASH HARNESS Van & Truck, Auto Trans, With Optional Wiper Fuse At Fuse Box	\$527.00	
39580	1963	DASH HARNESS Van & Truck, Auto Trans, Without Optional Wiper Fuse At Fuse Box	\$527.00	
39590	1963	DASH HARNESS Van & Truck, Manual Trans, With Optional Wiper Fuse At Fuse Box	\$527.00	
37603	1963	DASH HARNESS Van & Truck, Manual Trans, Without Fused Wiper Circuit	\$527.00	
26945	1964	DASH HARNESS Car, Auto Trans	\$527.00	
26820	1964	DASH HARNESS Car, Manual Trans	\$527.00	
20035	1964	DASH HARNESS Car, All, With Gauges	\$527.00	
39612	1964	DASH HARNESS Van & Truck, Auto Trans	\$527.00	
38141	1964	DASH HARNESS Van & Truck, Manual Trans	\$527.00	
37957	1965	DASH HARNESS Car, Auto Trans, Early Production, Contains Striped Color Wires	\$527.00	
26960	1965	DASH HARNESS Car, Auto Trans, Late Production, Contains Solid Color Wires	\$527.00	
37958	1965	DASH HARNESS Car, Auto Trans, With Air Conditioning, Early Production, Contains Striped Color Wires Note: A/C Wiring Is Incorporated Into The Dash Harness (Factory Installed Type).	\$527.00	
26975	1965	DASH HARNESS Car, Auto Trans, With Air Conditioning, Late Production, Contains Solid Color Wires Note: A/C Wiring Is Incorporated Into The Dash Harness (Factory Installed Type).	\$527.00	
37959	1965	DASH HARNESS Car, Manual Trans, Early Production, Contains Striped Color Wires	\$527.00	
26930	1965	DASH HARNESS Car, Manual Trans, Late Production, Contains Solid Color Wires	\$527.00	

Part Number	Year	Description	Price	*Rev.
37960	1965	DASH HARNESS Car, Manual Trans, With Air Conditioning, Early Production, Contains Striped Color Wires Note: A/C Wiring Is Incorporated Into The Dash Harness (Factory Installed Type).	\$527.00	
26970	1965	DASH HARNESS Car, Manual Trans, With Air Conditioning, Late Production, Contains Solid Color Wires Note: A/C Wiring Is Incorporated Into The Dash Harness (Factory Installed Type).	\$527.00	
37956	1965	DASH HARNESS Car, All, With Gauges, Early Production, Contains Striped Color Wires	\$527.00	
26815	1965	DASH HARNESS Car, All, With Gauges, Late Production, Contains Solid Color Wires	\$527.00	
39612	1965	DASH HARNESS Van, Auto Trans, Has 3 Wire Ignition Switch Connector	\$527.00	
39619	1965	DASH HARNESS Van, Auto Trans, Has 4 Wire Ignition Switch Connector	\$527.00	
38141	1965	DASH HARNESS Van, Manual Trans, Has 3 Wire Ignition Switch Connector	\$527.00	
39618	1965	DASH HARNESS Van, Manual Trans, Has 4 Wire Ignition Switch Connector	\$527.00	
26960	1966	DASH HARNESS All, Auto Trans	\$527.00	
26975	1966	DASH HARNESS All, Auto Trans, With Air Conditioning Note: A/C Wiring Is Incorporated Into The Dash Harness (Factory Installed Type).	\$527.00	
26930	1966	DASH HARNESS All, Manual Trans	\$527.00	
26970	1966	DASH HARNESS All, Manual Trans, With Air Conditioning Note: A/C Wiring Is Incorporated Into The Dash Harness (Factory Installed Type).	\$527.00	
26815	1966	DASH HARNESS All, With Gauges, Except Air Conditioning	\$527.00	
38812	1966	DASH HARNESS All, With Gauges & Air Conditioning Note: A/C Wiring Is Incorporated Into The Dash Harness (Factory Installed Type).	\$513.00	
39634	1967	DASH HARNESS All, Auto Trans	\$513.00	
39633	1967	DASH HARNESS All, Auto Trans, With Air Conditioning Note: A/C Wiring Is Incorporated Into The Dash Harness (Factory Installed Type).	\$513.00	
38137	1967	DASH HARNESS All, Manual Trans	\$513.00	
39632	1967	DASH HARNESS All, Manual Trans, With Air Conditioning Note: A/C Wiring Is Incorporated Into The Dash Harness (Factory Installed Type).	\$513.00	
35540	1968	DASH HARNESS All, Auto Trans	\$513.00	
39637	1968	DASH HARNESS All, Auto Trans, With Air Conditioning Note: A/C Wiring Is Incorporated Into The Dash Harness (Factory Installed Type).	\$513.00	
26935	1968	DASH HARNESS All, Manual Trans	\$513.00	
39636	1968	DASH HARNESS All, Manual Trans, With Air Conditioning Note: A/C Wiring Is Incorporated Into The Dash Harness (Factory Installed Type).	\$513.00	
35540	1969	DASH HARNESS All, Auto Trans	\$513.00	
26935	1969	DASH HARNESS All, Manual Trans	\$513.00	
37962	1965	DASH INSTRUMENT CLUSTER HARNESS Car, Without Gauges, Early Production, Contains Striped Color Wires	\$126.00	
26775	1965	DASH INSTRUMENT CLUSTER HARNESS Car, Without Gauges, Late Production, Contains Solid Color Wires	\$126.00	
37961	1965	DASH INSTRUMENT CLUSTER HARNESS Car, All, With Gauges, Early Production, Contains Striped Color Wires	\$126.00	
26780	1965	DASH INSTRUMENT CLUSTER HARNESS Car, All, With Gauges, Late Production, Contains Solid Color Wires	\$126.00	
26775	1966	DASH INSTRUMENT CLUSTER HARNESS All, Without Gauges	\$126.00	
26780	1966	DASH INSTRUMENT CLUSTER HARNESS All, With Gauges	\$126.00	
26795	1967	DASH INSTRUMENT CLUSTER HARNESS All Models	\$126.00	
26795	1968	DASH INSTRUMENT CLUSTER HARNESS All Models	\$126.00	
26795	1969	DASH INSTRUMENT CLUSTER HARNESS All Models	\$126.00	
39587	1961	DOME LAMP WIRE Van, Voltage Regulator To Dome Lamp Housing	\$33.00	

Part Number	Year	Description	Price	*Rev.
39587	1962	DOME LAMP WIRE Van, Voltage Regulator To Dome Lamp Housing	\$33.00	
39587	1963	DOME LAMP WIRE Van, Voltage Regulator To Dome Lamp Housing	\$33.00	
02973210	1961	DOME LIGHT LENS Truck Note: Manufactured Using Original GM Tooling.	\$4.00	
02973210	1962	DOME LIGHT LENS Truck Note: Manufactured Using Original GM Tooling.	\$4.00	
02973210	1963	DOME LIGHT LENS Truck Note: Manufactured Using Original GM Tooling.	\$4.00	
02973210	1964	DOME LIGHT LENS Truck Note: Manufactured Using Original GM Tooling.	\$4.00	
02973210	1965	DOME LIGHT LENS Truck Note: Manufactured Using Original GM Tooling.	\$4.00	
04826444	1960	DOOR JAMB SWITCH Car, Front Door	\$22.00	N
04826444	1961	DOOR JAMB SWITCH Car, Front Door	\$22.00	N
04826444	1961	DOOR JAMB SWITCH Van, Side & Rear Doors	\$22.00	N
04826444	1962	DOOR JAMB SWITCH Car, Front Door	\$22.00	N
04826444	1962	DOOR JAMB SWITCH Van, Side & Rear Doors	\$22.00	N
04826444	1963	DOOR JAMB SWITCH Van, Side & Rear Doors	\$22.00	N
04826444	1964	DOOR JAMB SWITCH Van, Side & Rear Doors	\$22.00	N
04826444	1965	DOOR JAMB SWITCH Van, Side & Rear Doors	\$22.00	N
03155	1960	ENGINE HARNESS All, With Backup Lamps	\$145.00	
44039	1960	ENGINE HARNESS-INT REG ALTERNATOR All, With Backup Lamps Note: This Harness Has Been Modified For 1972-84 Non-Serpentine Belt ("SI" Series) Internal Regulated Alternators.	\$152.00	
03150	1960	ENGINE HARNESS All, Without Backup Lamps	\$145.00	
44040	1960	ENGINE HARNESS-INT REG ALTERNATOR All, Without Backup Lamps Note: This Harness Has Been Modified For 1972-84 Non-Serpentine Belt ("SI" Series) Internal Regulated Alternators.	\$152.00	
03645	1961	ENGINE HARNESS All, With Backup Lamps, Except Wagon	\$145.00	
44041	1961	ENGINE HARNESS-INT REG ALTERNATOR All, With Backup Lamps, Except Wagon Note: This Harness Has Been Modified For 1972-84 Non-Serpentine Belt ("SI" Series) Internal Regulated Alternators.	\$152.00	
03640	1961	ENGINE HARNESS All, Without Backup Lamps, Except Wagon	\$145.00	
44042	1961	ENGINE HARNESS-INT REG ALTERNATOR All, Without Backup Lamps, Except Wagon Note: This Harness Has Been Modified For 1972-84 Non-Serpentine Belt ("SI" Series) Internal Regulated Alternators.	\$152.00	
03600	1961	ENGINE HARNESS Wagon, With Backup Lamps	\$145.00	
44043	1961	ENGINE HARNESS-INT REG ALTERNATOR Wagon, With Backup Lamps Note: This Harness Has Been Modified For 1972-84 Non-Serpentine Belt ("SI" Series) Internal Regulated Alternators.	\$152.00	
03595	1961	ENGINE HARNESS Wagon, Without Backup Lamps	\$145.00	
44044	1961	ENGINE HARNESS-INT REG ALTERNATOR Wagon, Without Backup Lamps Note: This Harness Has Been Modified For 1972-84 Non-Serpentine Belt ("SI" Series) Internal Regulated Alternators.	\$152.00	
22120	1961	ENGINE HARNESS All, Van & Truck	\$145.00	C
44045	1961	ENGINE HARNESS-INT REG ALTERNATOR All, Van & Truck Note: This Harness Has Been Modified For 1972-84 Non-Serpentine Belt ("SI" Series) Internal Regulated Alternators.	\$152.00	C
03795	1962	ENGINE HARNESS With Gauges	\$145.00	
44047	1962	ENGINE HARNESS-INT REG ALTERNATOR With Gauges Note: This Harness Has Been Modified For 1972-84 Non-Serpentine Belt ("SI" Series) Internal Regulated Alternators.	\$152.00	
03965	1962	ENGINE HARNESS Standard Model, With Backup Lamps	\$145.00	
44048	1962	ENGINE HARNESS-INT REG ALTERNATOR Standard Model, With Backup Lamps Note: This Harness Has Been Modified For 1972-84 Non-Serpentine Belt ("SI" Series) Internal Regulated Alternators.	\$152.00	
03960	1962	ENGINE HARNESS Standard Model, Without Backup Lamps	\$145.00	

Part Number	Year	Description	Price	*Rev.
44049	1962	ENGINE HARNESS-INT REG ALTERNATOR Standard Model, Without Backup Lamps Note: This Harness Has Been Modified For 1972-84 Non-Serpentine Belt ("SI" Series) Internal Regulated Alternators.	\$152.00	
04005	1962	ENGINE HARNESS All, With Turbo Charger	\$145.00	
44050	1962	ENGINE HARNESS-INT REG ALTERNATOR All, With Turbo Charger, Modified For Int Reg Alt. Note: This Harness Has Been Modified For 1972-84 Non-Serpentine Belt ("SI" Series) Internal Regulated Alternators.	\$152.00	
03980	1962	ENGINE HARNESS Wagon, With Backup Lamps	\$145.00	
44051	1962	ENGINE HARNESS-INT REG ALTERNATOR Wagon, With Backup Lamps Note: This Harness Has Been Modified For 1972-84 Non-Serpentine Belt ("SI" Series) Internal Regulated Alternators.	\$152.00	
03955	1962	ENGINE HARNESS Wagon, Without Backup Lamps	\$145.00	
44052	1962	ENGINE HARNESS-INT REG ALTERNATOR Wagon, Without Backup Lamps Note: This Harness Has Been Modified For 1972-84 Non-Serpentine Belt ("SI" Series) Internal Regulated Alternators.	\$152.00	
41481	1962	ENGINE HARNESS Van & Truck With Air Heater	\$145.00	
44046	1962	ENGINE HARNESS-INT REG ALTERNATOR Van & Truck With Air Heater Note: This Harness Has Been Modified For 1972-84 Non-Serpentine Belt ("SI" Series) Internal Regulated Alternators.	\$152.00	
22120	1962	ENGINE HARNESS Van & Truck With Gas Heater	\$145.00	
44045	1962	ENGINE HARNESS-INT REG ALTERNATOR Van & Truck With Gas Heater Note: This Harness Has Been Modified For 1972-84 Non-Serpentine Belt ("SI" Series) Internal Regulated Alternators.	\$152.00	
03965	1963	ENGINE HARNESS Standard Model, With Backup Lamps	\$145.00	
44048	1963	ENGINE HARNESS-INT REG ALTERNATOR Standard Model, With Backup Lamps Note: This Harness Has Been Modified For 1972-84 Non-Serpentine Belt ("SI" Series) Internal Regulated Alternators.	\$152.00	
03960	1963	ENGINE HARNESS Standard Model, Without Backup Lamps	\$145.00	
44049	1963	ENGINE HARNESS-INT REG ALTERNATOR Standard Model, Without Backup Lamps Note: This Harness Has Been Modified For 1972-84 Non-Serpentine Belt ("SI" Series) Internal Regulated Alternators.	\$152.00	
04005	1963	ENGINE HARNESS All, With Turbo Charger	\$145.00	
44050	1963	ENGINE HARNESS-INT REG ALTERNATOR All, With Turbo Charger, Modified For Int Reg Alt. Note: This Harness Has Been Modified For 1972-84 Non-Serpentine Belt ("SI" Series) Internal Regulated Alternators.	\$152.00	
41481	1963	ENGINE HARNESS Van & Truck With Air Heater	\$145.00	
44046	1963	ENGINE HARNESS-INT REG ALTERNATOR Van & Truck With Air Heater Note: This Harness Has Been Modified For 1972-84 Non-Serpentine Belt ("SI" Series) Internal Regulated Alternators.	\$152.00	
22120	1963	ENGINE HARNESS Van & Truck With Gas Heater	\$145.00	
44045	1963	ENGINE HARNESS-INT REG ALTERNATOR Van & Truck With Gas Heater Note: This Harness Has Been Modified For 1972-84 Non-Serpentine Belt ("SI" Series) Internal Regulated Alternators.	\$152.00	
04915	1964	ENGINE HARNESS Standard Model, With Backup Lamps	\$145.00	
44053	1964	ENGINE HARNESS-INT REG ALTERNATOR Standard Model, With Backup Lamps Note: This Harness Has Been Modified For 1972-84 Non-Serpentine Belt ("SI" Series) Internal Regulated Alternators.	\$152.00	
04910	1964	ENGINE HARNESS Standard Model, Without Backup Lamps	\$145.00	
44054	1964	ENGINE HARNESS-INT REG ALTERNATOR Standard Model, Without Backup Lamps Note: This Harness Has Been Modified For 1972-84 Non-Serpentine Belt ("SI" Series) Internal Regulated Alternators.	\$152.00	
04920	1964	ENGINE HARNESS All, With Turbo Charger	\$145.00	
44055	1964	ENGINE HARNESS-INT REG ALTERNATOR All, With Turbo Charger, Modified For Int Reg Alt. Note: This Harness Has Been Modified For 1972-84 Non-Serpentine Belt ("SI" Series) Internal Regulated Alternators.	\$152.00	
20010	1964	ENGINE HARNESS Van & Truck	\$145.00	
44056	1964	ENGINE HARNESS-INT REG ALTERNATOR Van & Truck Note: This Harness Has Been Modified For 1972-84 Non-Serpentine Belt ("SI" Series) Internal Regulated Alternators.	\$152.00	
37964	1965	ENGINE HARNESS Standard Model, With Backup Lamps, Early Production, Contains Striped Color Wires	\$145.00	
44058	1965	ENGINE HARNESS-INT REG ALTERNATOR Standard Model, With Backup Lamps, Early Production, Contains Striped Color Wires Note: This Harness Has Been Modified For 1972-84 Non-Serpentine Belt ("SI" Series) Internal Regulated Alternators.	\$152.00	

Part Number	Year	Description	Price	*Rev.
06150	1965	ENGINE HARNESS Standard Model, With Backup Lamps, Late Production, Contains Solid Color Wires	\$145.00	
44059	1965	ENGINE HARNESS-INT REG ALTERNATOR Standard Model, With Backup Lamps, Late Production, Contains Solid Color Wires Note: This Harness Has Been Modified For 1972-84 Non-Serpentine Belt ("SI" Series) Internal Regulated Alternators.	\$152.00	
37965	1965	ENGINE HARNESS Standard Model, Without Backup Lamps, Early Production, Contains Striped Color Wires	\$145.00	
44060	1965	ENGINE HARNESS-INT REG ALTERNATOR Standard Model, Without Backup Lamps, Early Production, Contains Striped Color Wires Note: This Harness Has Been Modified For 1972-84 Non-Serpentine Belt ("SI" Series) Internal Regulated Alternators.	\$152.00	
06160	1965	ENGINE HARNESS Standard Model, Without Backup Lamps, Late Production, Contains Solid Color Wires	\$145.00	
44061	1965	ENGINE HARNESS-INT REG ALTERNATOR Standard Model, Without Backup Lamps, Late Production, Contains Solid Color Wires Note: This Harness Has Been Modified For 1972-84 Non-Serpentine Belt ("SI" Series) Internal Regulated Alternators.	\$152.00	
37963	1965	ENGINE HARNESS Corsa, All Early Production, Contains Striped Color Wires	\$145.00	
44062	1965	ENGINE HARNESS-INT REG ALTERNATOR Corsa, All Early Production, Contains Striped Color Wires Note: This Harness Has Been Modified For 1972-84 Non-Serpentine Belt ("SI" Series) Internal Regulated Alternators.	\$152.00	
06155	1965	ENGINE HARNESS Corsa, All Late Production, Contains Solid Color Wires	\$145.00	
44063	1965	ENGINE HARNESS-INT REG ALTERNATOR Corsa, All Late Production, Contains Solid Color Wires Note: This Harness Has Been Modified For 1972-84 Non-Serpentine Belt ("SI" Series) Internal Regulated Alternators.	\$152.00	
28635	1965	ENGINE HARNESS Van	\$145.00	
44057	1965	ENGINE HARNESS-INT REG ALTERNATOR Van Note: This Harness Has Been Modified For 1972-84 Non-Serpentine Belt ("SI" Series) Internal Regulated Alternators.	\$152.00	
06150	1966	ENGINE HARNESS Standard Model, With Backup Lamps	\$145.00	
44059	1966	ENGINE HARNESS-INT REG ALTERNATOR Standard Model, With Backup Lamps Note: This Harness Has Been Modified For 1972-84 Non-Serpentine Belt ("SI" Series) Internal Regulated Alternators.	\$152.00	
06160	1966	ENGINE HARNESS Standard Model, Without Backup Lamps	\$145.00	
44061	1966	ENGINE HARNESS-INT REG ALTERNATOR Standard Model, Without Backup Lamps Note: This Harness Has Been Modified For 1972-84 Non-Serpentine Belt ("SI" Series) Internal Regulated Alternators.	\$152.00	
06155	1966	ENGINE HARNESS Corsa, All	\$145.00	
44063	1966	ENGINE HARNESS-INT REG ALTERNATOR Corsa, All Note: This Harness Has Been Modified For 1972-84 Non-Serpentine Belt ("SI" Series) Internal Regulated Alternators.	\$152.00	
10975	1967	ENGINE HARNESS All Models	\$145.00	
44064	1967	ENGINE HARNESS-INT REG ALTERNATOR All Models Note: This Harness Has Been Modified For 1972-84 Non-Serpentine Belt ("SI" Series) Internal Regulated Alternators.	\$152.00	
12045	1968	ENGINE HARNESS All Models	\$145.00	
44065	1968	ENGINE HARNESS-INT REG ALTERNATOR All Models Note: This Harness Has Been Modified For 1972-84 Non-Serpentine Belt ("SI" Series) Internal Regulated Alternators.	\$152.00	
12045	1969	ENGINE HARNESS All Models	\$145.00	
44065	1969	ENGINE HARNESS-INT REG ALTERNATOR All Models Note: This Harness Has Been Modified For 1972-84 Non-Serpentine Belt ("SI" Series) Internal Regulated Alternators.	\$152.00	
40160	1960	FORWARD LAMP HARNESS 500 Model, (1st Design), With Round Headlamp Connector	\$145.00	
39566	1960	FORWARD LAMP HARNESS 500 Model, (2nd Design), With T Shaped Headlamp Connector	\$145.00	
40204	1960	FORWARD LAMP HARNESS 700 Model, (1st Design), With Round Headlamp Connector	\$145.00	
26785	1960	FORWARD LAMP HARNESS 700 Model, (2nd Design), With T Shaped Headlamp Connector	\$145.00	
26985	1961	FORWARD LAMP HARNESS 500 Model	\$145.00	
26990	1961	FORWARD LAMP HARNESS 700 & 900 Model	\$145.00	
26985	1962	FORWARD LAMP HARNESS 500 Model	\$145.00	
26990	1962	FORWARD LAMP HARNESS 700 & 900 Model	\$145.00	

Part Number	Year	Description	Price	*Rev.
26985	1963	FORWARD LAMP HARNESS 500 Model	\$145.00	
26990	1963	FORWARD LAMP HARNESS 700 & 900 Model	\$145.00	
39607	1964	FORWARD LAMP HARNESS 500 Model	\$145.00	
20050	1964	FORWARD LAMP HARNESS 700 & 900 Model	\$145.00	
37966	1965	FORWARD LAMP HARNESS 10100 Model, Early Production, Contains Striped Color Wires	\$145.00	
37967	1965	FORWARD LAMP HARNESS 10500 & 10700 Model, Early Production, Contains Striped Color Wires	\$145.00	
26920	1965	FORWARD LAMP HARNESS 10100 Model, Late Production, Contains Solid Color Wires	\$145.00	
22125	1965	FORWARD LAMP HARNESS 10500 & 10700 Model, Late Production, Contains Solid Color Wires	\$145.00	
26920	1966	FORWARD LAMP HARNESS 10100 Model	\$145.00	
22125	1966	FORWARD LAMP HARNESS 10500 & 10700 Model	\$145.00	
39631	1967	FORWARD LAMP HARNESS 10100 Model	\$145.00	
23640	1967	FORWARD LAMP HARNESS 10500 Model	\$145.00	
26790	1968	FORWARD LAMP HARNESS 10100 Model	\$145.00	
11875	1968	FORWARD LAMP HARNESS 10500 Model	\$145.00	
26790	1969	FORWARD LAMP HARNESS 10100 Model	\$145.00	
11875	1969	FORWARD LAMP HARNESS 10500 Model	\$145.00	
18000	1960	GLOVE BOX LAMP KIT Socket, Bulb & Wire	\$24.00	
18000	1961	GLOVE BOX LAMP KIT Socket, Bulb & Wire	\$24.00	
18000	1962	GLOVE BOX LAMP KIT Socket, Bulb & Wire	\$24.00	
18000	1963	GLOVE BOX LAMP KIT Socket, Bulb & Wire	\$24.00	
18000	1964	GLOVE BOX LAMP KIT Socket, Bulb & Wire	\$24.00	
18000	1965	GLOVE BOX LAMP KIT Socket, Bulb & Wire	\$24.00	
18000	1966	GLOVE BOX LAMP KIT Socket, Bulb & Wire	\$24.00	
18000	1967	GLOVE BOX LAMP KIT Socket, Bulb & Wire	\$24.00	
18000	1968	GLOVE BOX LAMP KIT Socket, Bulb & Wire	\$24.00	
18000	1969	GLOVE BOX LAMP KIT Socket, Bulb & Wire	\$24.00	
38023	1960	GLOVE BOX LAMP WIRE Wire, From Fuseblock To Switch	\$22.00	
38023	1961	GLOVE BOX LAMP WIRE Wire, From Fuseblock To Switch	\$22.00	
26800	1962	GLOVE BOX LAMP WIRE Wire, From Fuseblock To Switch	\$22.00	
26800	1963	GLOVE BOX LAMP WIRE Wire, From Fuseblock To Switch	\$22.00	
26800	1964	GLOVE BOX LAMP WIRE Wire, From Fuseblock To Switch	\$22.00	
R0058272	1960	HARNESS TAPE 3/4" Vinyl (100 Ft. Roll) Non-Adhesive	\$12.00	
R0058276	1960	HARNESS TAPE 1" Vinyl (100 Ft. Roll) Non-Adhesive	\$13.00	
R0067108	1960	HARNESS TAPE 1 1/4" Vinyl (100 Ft. Roll) Non-Adhesive	\$15.00	
R0058272	1961	HARNESS TAPE 3/4" Vinyl (100 Ft. Roll) Non-Adhesive	\$12.00	
R0058276	1961	HARNESS TAPE 1" Vinyl (100 Ft. Roll) Non-Adhesive	\$13.00	
R0067108	1961	HARNESS TAPE 1 1/4" Vinyl (100 Ft. Roll) Non-Adhesive	\$15.00	
R0058272	1962	HARNESS TAPE 3/4" Vinyl (100 Ft. Roll) Non-Adhesive	\$12.00	
R0058276	1962	HARNESS TAPE 1" Vinyl (100 Ft. Roll) Non-Adhesive	\$13.00	
R0067108	1962	HARNESS TAPE 1 1/4" Vinyl (100 Ft. Roll) Non-Adhesive	\$15.00	
R0058272	1963	HARNESS TAPE 3/4" Vinyl (100 Ft. Roll) Non-Adhesive	\$12.00	
R0058276	1963	HARNESS TAPE 1" Vinyl (100 Ft. Roll) Non-Adhesive	\$13.00	
R0067108	1963	HARNESS TAPE 1 1/4" Vinyl (100 Ft. Roll) Non-Adhesive	\$15.00	
R0058272	1964	HARNESS TAPE 3/4" Vinyl (100 Ft. Roll) Non-Adhesive	\$12.00	
R0058276	1964	HARNESS TAPE 1" Vinyl (100 Ft. Roll) Non-Adhesive	\$13.00	

Part Number	Year	Description	Price	*Rev.
R0067108	1964	HARNESS TAPE 1 1/4" Vinyl (100 Ft. Roll) Non-Adhesive	\$15.00	
R0058272	1965	HARNESS TAPE 3/4" Vinyl (100 Ft. Roll) Non-Adhesive	\$12.00	
R0058276	1965	HARNESS TAPE 1" Vinyl (100 Ft. Roll) Non-Adhesive	\$13.00	
R0067108	1965	HARNESS TAPE 1 1/4" Vinyl (100 Ft. Roll) Non-Adhesive	\$15.00	
R0058272	1966	HARNESS TAPE 3/4" Vinyl (100 Ft. Roll) Non-Adhesive	\$12.00	
R0058276	1966	HARNESS TAPE 1" Vinyl (100 Ft. Roll) Non-Adhesive	\$13.00	
R0067108	1966	HARNESS TAPE 1 1/4" Vinyl (100 Ft. Roll) Non-Adhesive	\$15.00	
R0058272	1967	HARNESS TAPE 3/4" Vinyl (100 Ft. Roll) Non-Adhesive	\$12.00	
R0058276	1967	HARNESS TAPE 1" Vinyl (100 Ft. Roll) Non-Adhesive	\$13.00	
R0067108	1967	HARNESS TAPE 1 1/4" Vinyl (100 Ft. Roll) Non-Adhesive	\$15.00	
R0058272	1968	HARNESS TAPE 3/4" Vinyl (100 Ft. Roll) Non-Adhesive	\$12.00	
R0058276	1968	HARNESS TAPE 1" Vinyl (100 Ft. Roll) Non-Adhesive	\$13.00	
R0067108	1968	HARNESS TAPE 1 1/4" Vinyl (100 Ft. Roll) Non-Adhesive	\$15.00	
R0058272	1969	HARNESS TAPE 3/4" Vinyl (100 Ft. Roll) Non-Adhesive	\$12.00	
R0058276	1969	HARNESS TAPE 1" Vinyl (100 Ft. Roll) Non-Adhesive	\$13.00	
R0067108	1969	HARNESS TAPE 1 1/4" Vinyl (100 Ft. Roll) Non-Adhesive	\$15.00	
01997028	1960	HEADLAMP DIMMER SWITCH	\$7.50	N
01997028	1961	HEADLAMP DIMMER SWITCH	\$7.50	N
01997028	1962	HEADLAMP DIMMER SWITCH	\$7.50	N
01997028	1963	HEADLAMP DIMMER SWITCH	\$7.50	N
01997028	1964	HEADLAMP DIMMER SWITCH	\$7.50	N
01997028	1965	HEADLAMP DIMMER SWITCH	\$7.50	N
01997028	1966	HEADLAMP DIMMER SWITCH	\$7.50	N
01997028	1967	HEADLAMP DIMMER SWITCH	\$7.50	N
01997028	1968	HEADLAMP DIMMER SWITCH	\$7.50	N
01997028	1969	HEADLAMP DIMMER SWITCH	\$7.50	N
40161	1961	HEADLIGHT BUCKET EXTENSION HARNESS Set Of 2, Car	\$73.00	
40036	1961	HEADLIGHT BUCKET EXTENSION HARNESS Set Of 2, Van & Truck	\$73.00	
40161	1962	HEADLIGHT BUCKET EXTENSION HARNESS Set Of 2, Car	\$73.00	
40036	1962	HEADLIGHT BUCKET EXTENSION HARNESS Set Of 2, Van & Truck	\$73.00	
40161	1963	HEADLIGHT BUCKET EXTENSION HARNESS Set Of 2, Car	\$73.00	
40036	1963	HEADLIGHT BUCKET EXTENSION HARNESS Set Of 2, Van & Truck	\$73.00	
40161	1964	HEADLIGHT BUCKET EXTENSION HARNESS Set Of 2, Car	\$73.00	
40036	1964	HEADLIGHT BUCKET EXTENSION HARNESS Set Of 2, Van & Truck	\$73.00	
40036	1965	HEADLIGHT BUCKET EXTENSION HARNESS Set Of 2, Van & Truck	\$73.00	
01995096	1960	HEADLIGHT SWITCH All Models	\$31.00	
01995096	1961	HEADLIGHT SWITCH All Models	\$31.00	
01995096	1962	HEADLIGHT SWITCH All Models	\$31.00	
01995096	1963	HEADLIGHT SWITCH All Models	\$31.00	
42806	1961	HEATER BLOWER MOTOR ADAPTER WIRE All, From Original Blower Motor Wire In Harness, To Later Style Blade Type Terminal Blower Motors Note: Only Used When Replacing Original GM Pin Type Terminal Blower Motor, With Later Style Male Blade Type Terminal Motors.	\$20.00	
42806	1962	HEATER BLOWER MOTOR ADAPTER WIRE All, From Original Blower Motor Wire In Harness, To Later Style Blade Type Terminal Blower Motors Note: Only Used When Replacing Original GM Pin Type Terminal Blower Motor, With Later Style Male Blade Type Terminal Motors.	\$20.00	
42806	1963	HEATER BLOWER MOTOR ADAPTER WIRE All, From Original Blower Motor Wire In Harness, To Later Style Blade Type Terminal Blower Motors Note: Only Used When Replacing Original GM Pin Type Terminal Blower Motor, With Later Style Male Blade Type Terminal Motors.	\$20.00	

Part Number	Year	Description	Price	*Rev.
39584	1961	HEATER CONTROL LAMP WIRE Car & Wagon, Heater Control Lamp, With Gas Heater, Includes Wire & Bulb Socket	\$22.00	
39584	1962	HEATER CONTROL LAMP WIRE Car & Wagon, Heater Control Lamp, With Gas Heater, Includes Wire & Bulb Socket	\$22.00	
39563	1960	HEATER HARNESS Car & Wagon, Main Harness, With Gas Heater	\$83.00	
39624	1961	HEATER HARNESS All With Gas Heater, Ignition Coil To Safety Switch	\$18.00	
39582	1961	HEATER HARNESS Car & Wagon, Main Harness, With Air Heater	\$83.00	
39572	1961	HEATER HARNESS Car & Wagon, Main Harness, With Gas Heater	\$83.00	
39581	1961	HEATER HARNESS Van & Truck, Main Harness, With Air Heater	\$83.00	
39568	1961	HEATER HARNESS Van & Truck, Main Harness, With Gas Heater	\$83.00	
39484	1962	HEATER HARNESS Car & Wagon, Main Harness, With Air Heater	\$42.00	
39572	1962	HEATER HARNESS Car & Wagon, Main Harness, With Gas Heater	\$83.00	
39581	1962	HEATER HARNESS Van & Truck, Main Harness, With Air Heater	\$83.00	
39568	1962	HEATER HARNESS Van & Truck, Main Harness, With Gas Heater	\$83.00	
39484	1963	HEATER HARNESS Car & Wagon, Main Harness, With Air Heater	\$42.00	
39581	1963	HEATER HARNESS Van & Truck, Main Harness, With Air Heater	\$83.00	
39568	1963	HEATER HARNESS Van & Truck, Main Harness, With Gas Heater	\$83.00	
39484	1964	HEATER HARNESS Car & Wagon, Main Harness, With Air Heater	\$42.00	
39613	1964	HEATER HARNESS Van & Truck, Heater Control Switch To Heater Resistor	\$83.00	
39614	1964	HEATER HARNESS Van & Truck, Main Harness, With Gas Heater	\$83.00	
39568	1965	HEATER HARNESS Van & Truck, Main Harness, With Gas Heater	\$83.00	
39561	1960	HEATER HARNESS EXTENSION Car & Wagon, Extension, With Gas Heater, Junction Block To Main Harness	\$83.00	
39567	1961	HEATER HARNESS EXTENSION All, With Gas Heater, From Ignition Coil To Main Harness	\$66.00	
39585	1961	HEATER HARNESS EXTENSION Car & Wagon, With Gas Heater, From Junction Block To Heater Purge Switch	\$59.00	
39567	1962	HEATER HARNESS EXTENSION All, With Gas Heater, From Ignition Coil To Main Harness	\$66.00	
39585	1962	HEATER HARNESS EXTENSION Car & Wagon, With Gas Heater, From Junction Block To Heater Purge Switch	\$59.00	
39567	1963	HEATER HARNESS EXTENSION All, With Gas Heater, From Ignition Coil To Main Harness	\$66.00	
39615	1964	HEATER HARNESS EXTENSION Van & Truck, With Gas Heater, From Main Harness To Ignition Coil	\$59.00	
39567	1965	HEATER HARNESS EXTENSION All, With Gas Heater, From Ignition Coil To Main Harness	\$66.00	
39623	1960	HEATER WIRE Car & Wagon, With Gas Heater, Burner To Overheat Switch	\$23.00	
39623	1961	HEATER WIRE Car & Wagon, With Gas Heater, Burner To Overheat Switch	\$23.00	
39623	1962	HEATER WIRE Car & Wagon, With Gas Heater, Burner To Overheat Switch	\$23.00	
44131	1960	HOOD LAMP KIT REPLACEMENT KIT-REAR All	\$73.00	N
44131	1961	HOOD LAMP KIT REPLACEMENT KIT-REAR All Except FC And Wagon	\$73.00	N
44132	1962	HOOD LAMP KIT REPLACEMENT KIT-REAR All Except FC And Wagon	\$74.00	N
44132	1963	HOOD LAMP KIT REPLACEMENT KIT-REAR All Except FC	\$74.00	N
44132	1964	HOOD LAMP KIT REPLACEMENT KIT-REAR All Except FC	\$74.00	N
44134	1965	HOOD LAMP KIT REPLACEMENT KIT-REAR All Except FC	\$69.00	N
44134	1966	HOOD LAMP KIT REPLACEMENT KIT-REAR All	\$69.00	N
44134	1967	HOOD LAMP KIT REPLACEMENT KIT-REAR All	\$69.00	N
44134	1968	HOOD LAMP KIT REPLACEMENT KIT-REAR All	\$69.00	N
44134	1969	HOOD LAMP KIT REPLACEMENT KIT-REAR All	\$69.00	N
39556	1960	HORN WIRE With Dual Horns	\$44.00	
39556	1961	HORN WIRE With Dual Horns	\$44.00	
01116626	1965	IGNITION SWITCH Van, With 4 Wire Ignition Switch	\$24.00	C

Part Number	Year	Description	Price	*Rev.
44206	1960	IGNITION SWITCH KIT All Note: Includes Wiring Adapter, Ignition Switch And Instructions.	\$54.00	N
44206	1961	IGNITION SWITCH KIT All Note: Includes Wiring Adapter, Ignition Switch And Instructions.	\$54.00	N
44206	1962	IGNITION SWITCH KIT All Note: Includes Wiring Adapter, Ignition Switch And Instructions.	\$54.00	N
44206	1963	IGNITION SWITCH KIT All Note: Includes Wiring Adapter, Ignition Switch And Instructions.	\$54.00	N
44206	1964	IGNITION SWITCH KIT All Note: Includes Wiring Adapter, Ignition Switch And Instructions.	\$54.00	N
44205	1965	IGNITION SWITCH KIT Car, All Note: Includes Ignition Switch, Connector And Instructions.	\$37.00	N
44206	1965	IGNITION SWITCH KIT Van, With 3 Wire Ignition Switch Note: Includes Wiring Adapter, Ignition Switch And Instructions.	\$54.00	N
500274	1960	LOW FUEL INDICATOR MODULE Generic "Adjustable" Low Fuel Warning Module Note: A Complete Electronic Control Unit To Activate A Warning Lamp Or Relay When Fuel Level Drops Below A User Adjustable Level. Includes instruction sheet.	\$64.00	C
500274	1961	LOW FUEL INDICATOR MODULE Generic "Adjustable" Low Fuel Warning Module Note: A Complete Electronic Control Unit To Activate A Warning Lamp Or Relay When Fuel Level Drops Below A User Adjustable Level. Includes instruction sheet.	\$64.00	C
500274	1962	LOW FUEL INDICATOR MODULE Generic "Adjustable" Low Fuel Warning Module Note: A Complete Electronic Control Unit To Activate A Warning Lamp Or Relay When Fuel Level Drops Below A User Adjustable Level. Includes instruction sheet.	\$64.00	C
500274	1963	LOW FUEL INDICATOR MODULE Generic "Adjustable" Low Fuel Warning Module Note: A Complete Electronic Control Unit To Activate A Warning Lamp Or Relay When Fuel Level Drops Below A User Adjustable Level. Includes instruction sheet.	\$64.00	C
500274	1964	LOW FUEL INDICATOR MODULE Generic "Adjustable" Low Fuel Warning Module Note: A Complete Electronic Control Unit To Activate A Warning Lamp Or Relay When Fuel Level Drops Below A User Adjustable Level. Includes instruction sheet.	\$64.00	C
500274	1965	LOW FUEL INDICATOR MODULE Generic "Adjustable" Low Fuel Warning Module Note: A Complete Electronic Control Unit To Activate A Warning Lamp Or Relay When Fuel Level Drops Below A User Adjustable Level. Includes instruction sheet.	\$64.00	C
500274	1966	LOW FUEL INDICATOR MODULE Generic "Adjustable" Low Fuel Warning Module Note: A Complete Electronic Control Unit To Activate A Warning Lamp Or Relay When Fuel Level Drops Below A User Adjustable Level. Includes instruction sheet.	\$64.00	C
500274	1967	LOW FUEL INDICATOR MODULE Generic "Adjustable" Low Fuel Warning Module Note: A Complete Electronic Control Unit To Activate A Warning Lamp Or Relay When Fuel Level Drops Below A User Adjustable Level. Includes instruction sheet.	\$64.00	C
500274	1968	LOW FUEL INDICATOR MODULE Generic "Adjustable" Low Fuel Warning Module Note: A Complete Electronic Control Unit To Activate A Warning Lamp Or Relay When Fuel Level Drops Below A User Adjustable Level. Includes instruction sheet.	\$64.00	C
500274	1969	LOW FUEL INDICATOR MODULE Generic "Adjustable" Low Fuel Warning Module Note: A Complete Electronic Control Unit To Activate A Warning Lamp Or Relay When Fuel Level Drops Below A User Adjustable Level. Includes instruction sheet.	\$64.00	C
22880	1960	MAIN BODY HARNESS Car, Auto Trans	\$153.00	
21305	1960	MAIN BODY HARNESS Car, Manual Trans	\$153.00	
23415	1961	MAIN BODY HARNESS Car & Wagon, Auto Trans, With Air Heater	\$160.00	
39573	1961	MAIN BODY HARNESS Car & Wagon, Auto Trans, With Gas Heater	\$153.00	
22140	1961	MAIN BODY HARNESS Car & Wagon, Manual Trans, With Air Heater	\$160.00	
26760	1961	MAIN BODY HARNESS Car & Wagon, Manual Trans, With Gas Heater	\$153.00	
40035	1961	MAIN BODY HARNESS Van & Truck, With Air Heater	\$160.00	

Part Number	Year	Description	Price	*Rev.
22115	1961	MAIN BODY HARNESS Van & Truck, With Gas Heater	\$153.00	
39595	1962	MAIN BODY HARNESS Car & Wagon, Auto Trans, With Air Heater	\$160.00	
22145	1962	MAIN BODY HARNESS Car & Wagon, Manual Trans, With Air Heater	\$160.00	
03950	1962	MAIN BODY HARNESS Car & Wagon, Auto Trans, With Gas Heater	\$153.00	
03945	1962	MAIN BODY HARNESS Car & Wagon, Manual Trans, With Gas Heater	\$153.00	
22105	1962	MAIN BODY HARNESS Spyder	\$160.00	
39601	1962	MAIN BODY HARNESS Van & Truck, With Air Heater	\$160.00	
22115	1962	MAIN BODY HARNESS Van & Truck, With Gas Heater	\$153.00	
39600	1963	MAIN BODY HARNESS Car & Wagon, Auto Trans, With Air Heater	\$160.00	
03950	1963	MAIN BODY HARNESS Car & Wagon, Auto Trans, With Gas Heater	\$153.00	
39599	1963	MAIN BODY HARNESS Car & Wagon, Manual Trans, With Air Heater	\$160.00	
03945	1963	MAIN BODY HARNESS Car & Wagon, Manual Trans, With Gas Heater	\$153.00	
39598	1963	MAIN BODY HARNESS Spyder	\$160.00	
39602	1963	MAIN BODY HARNESS Van & Truck, With Air Heater	\$160.00	
22115	1963	MAIN BODY HARNESS Van & Truck, With Gas Heater	\$153.00	
39608	1964	MAIN BODY HARNESS Car, Auto Trans, With Air Heater	\$153.00	
22110	1964	MAIN BODY HARNESS Car, Manual Trans, With Air Heater	\$153.00	
20055	1964	MAIN BODY HARNESS Spyder	\$153.00	
22885	1964	MAIN BODY HARNESS Van, With Air Heater	\$153.00	C
39610	1964	MAIN BODY HARNESS Van, With Gas Heater	\$153.00	C
37969	1965	MAIN BODY HARNESS Car, Auto Trans, With Air Heater, Early Production, Contains Striped Color Wires	\$153.00	
23410	1965	MAIN BODY HARNESS Car, Auto Trans, With Air Heater, Late Production, Contains Solid Color Wires	\$153.00	
37970	1965	MAIN BODY HARNESS Car, Manual Trans, With Air Heater, Early Production, Contains Striped Color Wires	\$153.00	
22130	1965	MAIN BODY HARNESS Car, Manual Trans, With Air Heater, Late Production, Contains Solid Color Wires	\$153.00	
37968	1965	MAIN BODY HARNESS Spyder, Early Production, Contains Striped Color Wires	\$153.00	
22135	1965	MAIN BODY HARNESS Spyder, Late Production, Contains Solid Color Wires	\$153.00	
39610	1965	MAIN BODY HARNESS Van	\$153.00	
23410	1966	MAIN BODY HARNESS All, With Auto Trans	\$153.00	
22875	1966	MAIN BODY HARNESS All, With Manual Trans	\$153.00	
09465	1966	MAIN BODY HARNESS Corsa	\$153.00	
11405	1967	MAIN BODY HARNESS All, With Auto Trans	\$153.00	
22150	1967	MAIN BODY HARNESS All, With Manual Trans	\$153.00	
11405	1968	MAIN BODY HARNESS All, With Auto Trans	\$153.00	
22150	1968	MAIN BODY HARNESS All, With Manual Trans	\$153.00	
11405	1969	MAIN BODY HARNESS All, With Auto Trans	\$153.00	
22150	1969	MAIN BODY HARNESS All, With Manual Trans	\$153.00	
02935	1960	OIL AND TEMP WIRE All	\$17.00	
03790	1961	OIL AND TEMP WIRE All, With Air Conditioning	\$17.00	
03370	1961	OIL AND TEMP WIRE All, Without Air Conditioning	\$17.00	
04230	1962	OIL AND TEMP WIRE All, Except Gauges, Without Air Conditioning	\$17.00	
03790	1962	OIL AND TEMP WIRE All, With Air Conditioning	\$17.00	
04215	1962	OIL AND TEMP WIRE All, With Gauges	\$17.00	
04230	1963	OIL AND TEMP WIRE All, Except Gauges, Without Air Conditioning	\$17.00	

Part Number	Year	Description	Price	*Rev.
03790	1963	OIL AND TEMP WIRE All, With Air Conditioning	\$17.00	
04215	1963	OIL AND TEMP WIRE All, With Gauges	\$17.00	
04230	1964	OIL AND TEMP WIRE All, Except Van & Truck, Without Gauges, Without Air Conditioning	\$17.00	
04215	1964	OIL AND TEMP WIRE All, With Gauges	\$17.00	
03790	1964	OIL AND TEMP WIRE All, With Air Conditioning	\$17.00	
39616	1964	OIL AND TEMP WIRE All, Van & Truck	\$17.00	
05650	1965	OIL AND TEMP WIRE All, Except Van, Without Gauges, Without Air Conditioning	\$17.00	
03790	1965	OIL AND TEMP WIRE All, With Air Conditioning	\$17.00	
05655	1965	OIL AND TEMP WIRE All, With Gauges	\$17.00	
39616	1965	OIL AND TEMP WIRE All, Van	\$17.00	
05650	1966	OIL AND TEMP WIRE All, Except Gauges, Without Air Conditioning	\$17.00	
03790	1966	OIL AND TEMP WIRE All, With Air Conditioning, Except Gauges	\$17.00	
05655	1966	OIL AND TEMP WIRE All, With Gauges, Except Air Conditioning	\$17.00	
22375	1966	OIL AND TEMP WIRE All, With Gauges And Air Conditioning	\$17.00	
05650	1967	OIL AND TEMP WIRE All, Without Air Conditioning	\$17.00	
03790	1967	OIL AND TEMP WIRE All, With Air Conditioning	\$17.00	
03790	1968	OIL AND TEMP WIRE All	\$17.00	
03790	1969	OIL AND TEMP WIRE All	\$17.00	
40037	1961	PARKING LAMP AND TURN SIGNAL REPAIR KIT Van & Truck Note: Requires Customer To Remove Original Socket That Was Factory Crimped On Headlight Bucket Housing.	\$73.00	
40037	1962	PARKING LAMP AND TURN SIGNAL REPAIR KIT Van & Truck Note: Requires Customer To Remove Original Socket That Was Factory Crimped On Headlight Bucket Housing.	\$73.00	
40037	1963	PARKING LAMP AND TURN SIGNAL REPAIR KIT Van & Truck Note: Requires Customer To Remove Original Socket That Was Factory Crimped On Headlight Bucket Housing.	\$73.00	
40037	1964	PARKING LAMP AND TURN SIGNAL REPAIR KIT Van & Truck Note: Requires Customer To Remove Original Socket That Was Factory Crimped On Headlight Bucket Housing.	\$73.00	
40037	1965	PARKING LAMP AND TURN SIGNAL REPAIR KIT Van & Truck Note: Requires Customer To Remove Original Socket That Was Factory Crimped On Headlight Bucket Housing.	\$73.00	
39628	1966	POWER ANTENNA HARNESS Switch To Antenna	\$50.00	
39627	1966	POWER ANTENNA HARNESS Switch To Fuse Panel	\$50.00	
39627	1967	POWER ANTENNA HARNESS Switch To Fuse Panel	\$50.00	
39627	1968	POWER ANTENNA HARNESS Switch To Fuse Panel	\$50.00	
26765	1962	POWER TOP HARNESS All Models, Except Spyder	\$73.00	
04130	1962	POWER TOP HARNESS Spyder, All	\$73.00	
26765	1963	POWER TOP HARNESS All Models, Except Spyder	\$73.00	
04130	1963	POWER TOP HARNESS Spyder, All	\$73.00	
26765	1964	POWER TOP HARNESS All Models, Except Spyder	\$73.00	
04130	1964	POWER TOP HARNESS Spyder, All	\$73.00	
39645	1965	POWER TOP HARNESS All, Main Power Top, Power Top Switch To Circuit Breaker, Early Production, Contains Striped Color Wires	\$73.00	
26980	1965	POWER TOP HARNESS All, Main Power Top, Power Top Switch To Circuit Breaker, Late Production, Contains Solid Color Wires	\$73.00	
27015	1966	POWER TOP HARNESS All, Main Power Top, Power Top Switch To Circuit Breaker	\$73.00	
27010	1967	POWER TOP HARNESS All, Main Power Top, Power Top Switch To Circuit Breaker	\$73.00	
27010	1968	POWER TOP HARNESS All, Main Power Top, Power Top Switch To Circuit Breaker	\$73.00	
27010	1969	POWER TOP HARNESS All, Main Power Top, Power Top Switch To Circuit Breaker	\$73.00	
40146	1965	POWER TOP RELAY AND ADAPTER HARNESS Includes New Standard Type Relay And Adapter To Mate To Factory Harness	\$74.00	

Part Number	Year	Description	Price	*Rev.
40146	1966	POWER TOP RELAY AND ADAPTER HARNESS Includes New Standard Type Relay And Adapter To Mate To Factory Harness	\$74.00	
40146	1967	POWER TOP RELAY AND ADAPTER HARNESS Includes New Standard Type Relay And Adapter To Mate To Factory Harness	\$74.00	
40146	1968	POWER TOP RELAY AND ADAPTER HARNESS Includes New Standard Type Relay And Adapter To Mate To Factory Harness	\$74.00	
40146	1969	POWER TOP RELAY AND ADAPTER HARNESS Includes New Standard Type Relay And Adapter To Mate To Factory Harness	\$74.00	
32510	1965	POWER TOP RELAY HARNESS All, Power Top Relay To Main Power Top Harness	\$60.00	
32510	1966	POWER TOP RELAY HARNESS All, Power Top Relay To Main Power Top Harness	\$60.00	
32510	1967	POWER TOP RELAY HARNESS All, Power Top Relay To Main Power Top Harness	\$60.00	
32510	1968	POWER TOP RELAY HARNESS All, Power Top Relay To Main Power Top Harness	\$60.00	
32510	1969	POWER TOP RELAY HARNESS All, Power Top Relay To Main Power Top Harness	\$60.00	
39557	1960	RADIO POWER FEED WIRE Junction Block To Radio	\$42.00	
39578	1961	RADIO POWER FEED WIRE Junction Block To Radio	\$26.00	
39603	1962	REAR DOOR WARNING LAMP HARNESS 4 Door Models, All	\$66.00	
39603	1963	REAR DOOR WARNING LAMP HARNESS 4 Door Models, All	\$66.00	
39609	1964	REAR DOOR WARNING LAMP HARNESS 4 Door Models, All	\$66.00	
39639	1968	REAR WINDOW DEFROSTER HARNESS	\$66.00	
39639	1969	REAR WINDOW DEFROSTER HARNESS	\$66.00	
28345	1965	REGULATOR GROUND WIRE Voltage Regulator	\$13.00	C
28345	1966	REGULATOR GROUND WIRE Voltage Regulator	\$13.00	C
28345	1967	REGULATOR GROUND WIRE Voltage Regulator	\$13.00	C
28345	1968	REGULATOR GROUND WIRE Voltage Regulator	\$13.00	C
28345	1969	REGULATOR GROUND WIRE Voltage Regulator	\$13.00	C
18510	1965	SPEAKER HARNESS All, From Radio To Speaker Fader Control	\$53.00	
18510	1966	SPEAKER HARNESS All, From Radio To Speaker Fader Control	\$53.00	
18510	1967	SPEAKER HARNESS All, From Radio To Speaker Fader Control	\$53.00	
18510	1968	SPEAKER HARNESS All, From Radio To Speaker Fader Control	\$53.00	
39629	1968	SPEAKER HARNESS Front Speakers, With Stereo	\$80.00	
09315	1968	SPEAKER HARNESS Rear Speakers, With Stereo	\$53.00	
18510	1969	SPEAKER HARNESS All, From Radio To Speaker Fader Control	\$53.00	
39629	1969	SPEAKER HARNESS Front Speakers, With Stereo	\$80.00	
09315	1969	SPEAKER HARNESS Rear Speakers, With Stereo	\$53.00	
06540	1964	SPEAKER WIRE Single Rear Speaker	\$27.00	
27025	1965	SPEAKER WIRE Single Rear Speaker	\$27.00	
27025	1966	SPEAKER WIRE Single Rear Speaker	\$27.00	
27025	1967	SPEAKER WIRE Single Rear Speaker	\$27.00	
27025	1968	SPEAKER WIRE Single Rear Speaker	\$27.00	
38864	1968	SPEAKER WIRE Rear Speakers, Ground Wire, With Stereo	\$23.00	
27025	1969	SPEAKER WIRE Single Rear Speaker	\$27.00	
38864	1969	SPEAKER WIRE Rear Speakers, Ground Wire, With Stereo	\$23.00	
39638	1968	SPEED WARNING HARNESS	\$25.00	
39638	1969	SPEED WARNING HARNESS	\$25.00	
04925	1961	STARTER EXTENSION All, Except Van & Truck	\$27.00	
22300	1961	STARTER EXTENSION Van & Truck	\$27.00	
04925	1962	STARTER EXTENSION All, Except Van & Truck	\$27.00	
22300	1962	STARTER EXTENSION Van & Truck	\$27.00	

Part Number	Year	Description	Price	*Rev.
04925	1963	STARTER EXTENSION All, Except Van & Truck	\$27.00	
22300	1963	STARTER EXTENSION Van & Truck	\$27.00	
04925	1964	STARTER EXTENSION All, Except Van & Truck	\$27.00	
22300	1964	STARTER EXTENSION Van & Truck	\$27.00	
39646	1965	STARTER EXTENSION All, Except Van, Early Production, Contains Striped Color Wires	\$27.00	
05660	1965	STARTER EXTENSION All, Except Van, Late Production, Contains Solid Color Wires	\$27.00	
22300	1965	STARTER EXTENSION Van	\$27.00	
05660	1966	STARTER EXTENSION All	\$27.00	
05660	1967	STARTER EXTENSION All	\$27.00	
05660	1968	STARTER EXTENSION All	\$27.00	
05660	1969	STARTER EXTENSION All	\$27.00	
37616	1960	STEERING COLUMN ADAPTER HARNESS For 1969-74 GM & Ididit Columns (Exc. Flaming River) To Stock Dash Harness Note: Adapts Horn, Directionals, Hazard Flashers To Stock 6-Way Dash Connector.	\$50.00	
38124	1960	STEERING COLUMN ADAPTER HARNESS For 1975 & Up GM & Flaming River Columns (Exc. Ididit) To Stock Dash Harness Note: Adapts Horn, Directionals, Hazard Flashers To Stock 6-Way Dash Connector.	\$53.00	
37616	1961	STEERING COLUMN ADAPTER HARNESS For 1969-74 GM & Ididit Columns (Exc. Flaming River) To Stock Dash Harness Note: Adapts Horn, Directionals, Hazard Flashers To Stock 6-Way Dash Connector.	\$50.00	
38124	1961	STEERING COLUMN ADAPTER HARNESS For 1975 & Up GM & Flaming River Columns (Exc. Ididit) To Stock Dash Harness Note: Adapts Horn, Directionals, Hazard Flashers To Stock 6-Way Dash Connector.	\$53.00	
37616	1962	STEERING COLUMN ADAPTER HARNESS For 1969-74 GM & Ididit Columns (Exc. Flaming River) To Stock Dash Harness Note: Adapts Horn, Directionals, Hazard Flashers To Stock 6-Way Dash Connector.	\$50.00	
38124	1962	STEERING COLUMN ADAPTER HARNESS For 1975 & Up GM & Flaming River Columns (Exc. Ididit) To Stock Dash Harness Note: Adapts Horn, Directionals, Hazard Flashers To Stock 6-Way Dash Connector.	\$53.00	
37616	1963	STEERING COLUMN ADAPTER HARNESS For 1969-74 GM & Ididit Columns (Exc. Flaming River) To Stock Dash Harness Note: Adapts Horn, Directionals, Hazard Flashers To Stock 6-Way Dash Connector.	\$50.00	
38124	1963	STEERING COLUMN ADAPTER HARNESS For 1975 & Up GM & Flaming River Columns (Exc. Ididit) To Stock Dash Harness Note: Adapts Horn, Directionals, Hazard Flashers To Stock 6-Way Dash Connector.	\$53.00	
37616	1964	STEERING COLUMN ADAPTER HARNESS For 1969-74 GM & Ididit Columns (Exc. Flaming River) To Stock Dash Harness Note: Adapts Horn, Directionals, Hazard Flashers To Stock 6-Way Dash Connector.	\$50.00	
38124	1964	STEERING COLUMN ADAPTER HARNESS For 1975 & Up GM & Flaming River Columns (Exc. Ididit) To Stock Dash Harness Note: Adapts Horn, Directionals, Hazard Flashers To Stock 6-Way Dash Connector.	\$53.00	
37618	1965	STEERING COLUMN ADAPTER HARNESS For 1969-74 GM & Ididit Columns (Exc. Flaming River) To Stock Dash Harness Note: Adapts Horn, Directionals, Hazard Flashers To Stock 8-Way Dash Connector.	\$50.00	
38125	1965	STEERING COLUMN ADAPTER HARNESS For 1975 & Up GM & Flaming River Columns (Exc. Ididit) To Stock Dash Harness Note: Adapts Horn, Directionals, Hazard Flashers To Stock 8-Way Dash Connector.	\$51.00	
37618	1966	STEERING COLUMN ADAPTER HARNESS For 1969-74 GM & Ididit Columns (Exc. Flaming River) To Stock Dash Harness Note: Adapts Horn, Directionals, Hazard Flashers To Stock 8-Way Dash Connector.	\$50.00	
38125	1966	STEERING COLUMN ADAPTER HARNESS For 1975 & Up GM & Flaming River Columns (Exc. Ididit) To Stock Dash Harness Note: Adapts Horn, Directionals, Hazard Flashers To Stock 8-Way Dash Connector.	\$51.00	

Part Number	Year	Description	Price	*Rev.
04235	1962	TEMP SWITCH RESISTOR EXTENSION All With Turbo	\$34.00	
04235	1963	TEMP SWITCH RESISTOR EXTENSION All With Turbo	\$34.00	
18050	1962	THERMO TEMP WIRE All With Turbo	\$15.00	
18050	1963	THERMO TEMP WIRE All With Turbo	\$15.00	
18050	1964	THERMO TEMP WIRE All With Turbo	\$15.00	
18050	1965	THERMO TEMP WIRE All With Turbo	\$15.00	
18050	1966	THERMO TEMP WIRE All With Turbo	\$15.00	
27005	1966	TRUNK LAMP EXTENSION HARNESS Front Hood, Fuse Box To Hood Lamp	\$23.00	
10455	1967	TRUNK LAMP EXTENSION HARNESS Front Hood, Fuse Box To Hood Lamp	\$23.00	
10455	1968	TRUNK LAMP EXTENSION HARNESS Front Hood, Fuse Box To Hood Lamp	\$23.00	
10455	1969	TRUNK LAMP EXTENSION HARNESS Front Hood, Fuse Box To Hood Lamp	\$23.00	
44133	1960	TRUNK LAMP ASSEMBLY-FRONT All	\$83.00	N
44133	1961	TRUNK LAMP ASSEMBLY-FRONT All Includes Wagon Except FC	\$83.00	N
44133	1962	TRUNK LAMP ASSEMBLY-FRONT All Includes Wagon Except FC	\$83.00	N
44133	1963	TRUNK LAMP ASSEMBLY-FRONT All Except FC	\$83.00	N
44133	1964	TRUNK LAMP ASSEMBLY-FRONT All Except FC	\$83.00	N
44135	1965	TRUNK LAMP ASSEMBLY-FRONT All Except FC	\$81.00	N
44135	1966	TRUNK LAMP ASSEMBLY-FRONT All	\$81.00	N
44135	1967	TRUNK LAMP ASSEMBLY-FRONT All	\$81.00	N
44135	1968	TRUNK LAMP ASSEMBLY-FRONT All	\$81.00	N
44135	1969	TRUNK LAMP ASSEMBLY-FRONT All	\$81.00	N
03765110	1960	TURN SIGNAL SWITCH	\$23.00	
03765110	1961	TURN SIGNAL SWITCH	\$23.00	
03765110	1962	TURN SIGNAL SWITCH	\$23.00	
03765110	1963	TURN SIGNAL SWITCH	\$23.00	
03765110	1964	TURN SIGNAL SWITCH	\$23.00	
00910821	1964	TURN SIGNAL SWITCH Vans	\$56.00	N
00910821	1965	TURN SIGNAL SWITCH Without Telescopic	\$56.00	N
00910821	1966	TURN SIGNAL SWITCH Without Telescopic	\$56.00	N
05694262	1966	TURN SIGNAL SWITCH With Telescopic	\$229.00	
		Note: Once our current stock runs out, this item will be discontinued.		
01893592	1967	TURN SIGNAL SWITCH	\$58.00	
		Note: This Is A Service Part, Adapter Pigtail Included And Is Required For Some Applications.		
05698520	1968	TURN SIGNAL SWITCH Without Column Shift A/T	\$85.00	
		Note: Emergency Flasher Actuator Hole In Outer Cover Is Round. Once our current stock runs out, this item will be discontinued.		
01893592	1968	TURN SIGNAL SWITCH	\$58.00	
		Note: This Is A Service Part, Adapter Pigtail Included And Is Required For Some Applications.		
05698520	1969	TURN SIGNAL SWITCH Without Column Shift A/T	\$85.00	
		Note: Emergency Flasher Actuator Hole In Outer Cover Is Round. Once our current stock runs out, this item will be discontinued.		
01893592	1969	TURN SIGNAL SWITCH	\$58.00	
		Note: This Is A Service Part, Adapter Pigtail Included And Is Required For Some Applications.		
02115	1965	VOLTAGE REGULATOR ADAPTER HARNESS Car, With A/C, From Field Terminal On Voltage Regulator To Chassis Ground (Includes Inline Diode)	\$52.00	
02115	1965	VOLTAGE REGULATOR ADAPTER HARNESS Van & Truck, With H.D. 47 Amp Alt, From Field Terminal On Voltage Regulator To Chassis Ground (Includes Inline Diode)	\$52.00	
04919332	1963	WINDSHIELD WASHER PUMP All	\$60.00	N
04919332	1964	WINDSHIELD WASHER PUMP All	\$60.00	N
04919332	1965	WINDSHIELD WASHER PUMP All	\$60.00	N

Part Number	Year	Description	Price	*Rev.
04919332	1966	WINDSHIELD WASHER PUMP All	\$60.00	N
04919332	1967	WINDSHIELD WASHER PUMP All	\$60.00	N
04919332	1968	WINDSHIELD WASHER PUMP All	\$60.00	N
04919332	1969	WINDSHIELD WASHER PUMP All	\$60.00	N
04911476	1963	WINDSHIELD WIPER MOTOR All, 2-Speed, 3-Terminal Type Motor	\$92.00	N
44609	1963	WINDSHIELD WIPER MOTOR All, 2-Speed, 4-Terminal Type Motor Note: This Can Be Used In Place Of The 3-Terminal Motor. The 4th Terminal Is A Keyed Hot From Wiper Fuse In Fuse Box And May Or May Not Be Used In Some Applications.	\$106.00	N
04911476	1964	WINDSHIELD WIPER MOTOR All, 2-Speed, 3-Terminal Type Motor	\$92.00	N
44609	1964	WINDSHIELD WIPER MOTOR All, 2-Speed, 4-Terminal Type Motor Note: This Can Be Used In Place Of The 3-Terminal Motor. The 4th Terminal Is A Keyed Hot From Wiper Fuse In Fuse Box And May Or May Not Be Used In Some Applications.	\$106.00	N
04911476	1965	WINDSHIELD WIPER MOTOR All, 2-Speed, 3-Terminal Type Motor	\$92.00	N
44609	1965	WINDSHIELD WIPER MOTOR All, 2-Speed, 4-Terminal Type Motor Note: This Can Be Used In Place Of The 3-Terminal Motor. The 4th Terminal Is A Keyed Hot From Wiper Fuse In Fuse Box And May Or May Not Be Used In Some Applications.	\$106.00	N
04911476	1966	WINDSHIELD WIPER MOTOR 2-Speed, 3-Terminal Type Motor	\$92.00	N
44609	1966	WINDSHIELD WIPER MOTOR 2-Speed, 4-Terminal Type Motor Note: This Can Be Used In Place Of The 3-Terminal Motor. The 4th Terminal Is A Keyed Hot From Wiper Fuse In Fuse Box And May Or May Not Be Used In Some Applications.	\$106.00	N
04911476	1967	WINDSHIELD WIPER MOTOR 2-Speed, 3-Terminal Type Motor	\$92.00	N
44609	1967	WINDSHIELD WIPER MOTOR 2-Speed, 4-Terminal Type Motor Note: This Can Be Used In Place Of The 3-Terminal Motor. The 4th Terminal Is A Keyed Hot From Wiper Fuse In Fuse Box And May Or May Not Be Used In Some Applications.	\$106.00	N
04911476	1968	WINDSHIELD WIPER MOTOR 2-Speed, 3-Terminal Type Motor	\$92.00	N
44609	1968	WINDSHIELD WIPER MOTOR 2-Speed, 4-Terminal Type Motor Note: This Can Be Used In Place Of The 3-Terminal Motor. The 4th Terminal Is A Keyed Hot From Wiper Fuse In Fuse Box And May Or May Not Be Used In Some Applications.	\$106.00	N
04911476	1969	WINDSHIELD WIPER MOTOR 2-Speed, 3-Terminal Type Motor	\$92.00	N
44609	1969	WINDSHIELD WIPER MOTOR 2-Speed, 4-Terminal Type Motor Note: This Can Be Used In Place Of The 3-Terminal Motor. The 4th Terminal Is A Keyed Hot From Wiper Fuse In Fuse Box And May Or May Not Be Used In Some Applications.	\$106.00	N
01993541	1960	WINDSHIELD WIPER SWITCH Single Speed, With Washer	\$45.00	
01993541	1961	WINDSHIELD WIPER SWITCH Single Speed, With Washer	\$45.00	
01993541	1962	WINDSHIELD WIPER SWITCH Single Speed, With Washer	\$45.00	
01993541	1963	WINDSHIELD WIPER SWITCH Single Speed, With Washer	\$45.00	
01993584	1963	WINDSHIELD WIPER SWITCH Two Speed, With Washer	\$52.00	
01993541	1964	WINDSHIELD WIPER SWITCH Single Speed, With Washer	\$45.00	
01993584	1964	WINDSHIELD WIPER SWITCH Two Speed, With Washer	\$52.00	
01993680	1965	WINDSHIELD WIPER SWITCH Single Speed, With Washer	\$52.00	
01993679	1965	WINDSHIELD WIPER SWITCH 2 Speed, With Washer	\$52.00	M
01993680	1966	WINDSHIELD WIPER SWITCH Single Speed, With Washer	\$52.00	
01993679	1966	WINDSHIELD WIPER SWITCH 2 Speed, With Washer	\$52.00	M
01993395	1967	WINDSHIELD WIPER SWITCH	\$35.00	
01993395	1968	WINDSHIELD WIPER SWITCH	\$35.00	
01993395	1969	WINDSHIELD WIPER SWITCH	\$35.00	
39560	1960	WIPER MOTOR HARNESS All	\$38.00	
39560	1961	WIPER MOTOR HARNESS All, With Single Speed Wiper, Except Van & Truck	\$38.00	
39579	1961	WIPER MOTOR HARNESS All, With 2 Speed Wiper, Except Van & Truck	\$38.00	

Corvair



Phone (562) 926-9552

Fax (562) 926-9572

Part Number	Year	Description	Price	*Rev.
39564	1961	WIPER MOTOR HARNESS All, Van & Truck With Single Speed Wiper	\$38.00	
38063	1961	WIPER MOTOR HARNESS All, Van & Truck With 2 Speed Wiper	\$38.00	
39592	1962	WIPER MOTOR HARNESS All, With Single Speed Wiper	\$38.00	
36113	1962	WIPER MOTOR HARNESS All, With 2 Speed Wiper	\$38.00	
39592	1963	WIPER MOTOR HARNESS All, With Single Speed Wiper	\$38.00	
20045	1963	WIPER MOTOR HARNESS All, With 2 Speed Wiper	\$38.00	
39592	1964	WIPER MOTOR HARNESS All, With Single Speed Wiper	\$38.00	
20045	1964	WIPER MOTOR HARNESS All, With 2 Speed Wiper	\$38.00	
39647	1965	WIPER MOTOR HARNESS All, With Single Speed Wiper, Early Production, Contains Striped Color Wires	\$38.00	
39617	1965	WIPER MOTOR HARNESS All, With Single Speed Wiper, Late Production, Contains Soild Color Wires	\$38.00	
39648	1965	WIPER MOTOR HARNESS All, With 2 Speed Wiper, Early Production, Contains Striped Color Wires	\$38.00	
27000	1965	WIPER MOTOR HARNESS All, With 2 Speed Wiper, Late Production, Contains Soild Color Wires	\$38.00	
39617	1966	WIPER MOTOR HARNESS All, With Single Speed Wiper	\$38.00	
27000	1966	WIPER MOTOR HARNESS All, With 2 Speed Wiper	\$38.00	

Section 12

Corvette

Part Number	Year	Description	Price	*Rev.
AIR CONDITIONING COMPRESSOR GROUND WIRE				
01640	1963	AIR CONDITIONING COMPRESSOR GROUND WIRE Note: This Wire Is Included In Our Reproduction A/C Harnesses, You Do Not Need If Using Our A/C Harness.	\$18.00	
01645	1964	AIR CONDITIONING COMPRESSOR GROUND WIRE Note: This Wire Is Included In Our Reproduction A/C Harnesses, You Do Not Need If Using Our A/C Harness.	\$18.00	
01645	1965	AIR CONDITIONING COMPRESSOR GROUND WIRE Note: This Wire Is Included In Our Reproduction A/C Harnesses, You Do Not Need If Using Our A/C Harness.	\$18.00	
01645	1966	AIR CONDITIONING COMPRESSOR GROUND WIRE Note: This Wire Is Included In Our Reproduction A/C Harnesses, You Do Not Need If Using Our A/C Harness.	\$18.00	
01645	1967	AIR CONDITIONING COMPRESSOR GROUND WIRE Note: This Wire Is Included In Our Reproduction A/C Harnesses, You Do Not Need If Using Our A/C Harness.	\$18.00	
01645	1968	AIR CONDITIONING COMPRESSOR GROUND WIRE Note: This Wire Is Included In Our Reproduction A/C Harnesses, You Do Not Need If Using Our A/C Harness.	\$18.00	
01645	1969	AIR CONDITIONING COMPRESSOR GROUND WIRE Note: This Wire Is Included In Our Reproduction A/C Harnesses, You Do Not Need If Using Our A/C Harness.	\$18.00	
01645	1970	AIR CONDITIONING COMPRESSOR GROUND WIRE Note: This Wire Is Included In Our Reproduction A/C Harnesses, You Do Not Need If Using Our A/C Harness.	\$18.00	
01645	1971	AIR CONDITIONING COMPRESSOR GROUND WIRE Note: This Wire Is Included In Our Reproduction A/C Harnesses, You Do Not Need If Using Our A/C Harness.	\$18.00	
01645	1972	AIR CONDITIONING COMPRESSOR GROUND WIRE Note: This Wire Is Included In Our Reproduction A/C Harnesses, You Do Not Need If Using Our A/C Harness.	\$18.00	
01645	1973	AIR CONDITIONING COMPRESSOR GROUND WIRE Note: This Wire Is Included In Our Reproduction A/C Harnesses, You Do Not Need If Using Our A/C Harness.	\$18.00	
01645	1974	AIR CONDITIONING COMPRESSOR GROUND WIRE Note: This Wire Is Included In Our Reproduction A/C Harnesses, You Do Not Need If Using Our A/C Harness.	\$18.00	
12975	1975	AIR CONDITIONING COMPRESSOR GROUND WIRE Note: This Wire Is Included In Our Reproduction A/C Harnesses, You Do Not Need If Using Our A/C Harness.	\$18.00	
27605	1976	AIR CONDITIONING COMPRESSOR GROUND WIRE Note: This Wire Is Included In Our Reproduction A/C Harnesses, You Do Not Need If Using Our A/C Harness.	\$18.00	
27605	1977	AIR CONDITIONING COMPRESSOR GROUND WIRE Note: This Wire Is Included In Our Reproduction A/C Harnesses, You Do Not Need If Using Our A/C Harness.	\$18.00	
27605	1978	AIR CONDITIONING COMPRESSOR GROUND WIRE Note: This Wire Is Included In Our Reproduction A/C Harnesses, You Do Not Need If Using Our A/C Harness.	\$18.00	
27605	1979	AIR CONDITIONING COMPRESSOR GROUND WIRE Note: This Wire Is Included In Our Reproduction A/C Harnesses, You Do Not Need If Using Our A/C Harness.	\$18.00	
AIR CONDITIONING HARNESS				
01005	1966	AIR CONDITIONING HARNESS Includes Heater Wiring	\$179.00	
01010	1967	AIR CONDITIONING HARNESS Includes Heater Wiring	\$179.00	
01015	1968	AIR CONDITIONING HARNESS Includes Heater Wiring	\$191.00	
01020	1969	AIR CONDITIONING HARNESS Includes Heater Wiring	\$191.00	
01020	1970	AIR CONDITIONING HARNESS Includes Heater Wiring	\$191.00	
01030	1971	AIR CONDITIONING HARNESS Includes Heater Wiring	\$191.00	
01035	1972	AIR CONDITIONING HARNESS Includes Heater Wiring	\$247.00	
01035	1973	AIR CONDITIONING HARNESS Includes Heater Wiring	\$247.00	
01045	1974	AIR CONDITIONING HARNESS Includes Heater Wiring	\$247.00	
01050	1975	AIR CONDITIONING HARNESS Includes Heater Wiring	\$247.00	
27540	1976	AIR CONDITIONING HARNESS Includes Heater Wiring	\$247.00	
27550	1976	AIR CONDITIONING EXTENSION HARNESS From A/C Harness To Idle Stop Solenoid	\$26.00	

Part Number	Year	Description	Price	*Rev.
27585	1977	AIR CONDITIONING HARNESS Includes Heater Wiring Note: For Cars With Anti-Theft Switch Mounted In Fender, Before 3/2/77 (Early).	\$247.00	
27575	1977	AIR CONDITIONING HARNESS Includes Heater Wiring Note: For Cars With Anti-Theft Switch Mounted In Door Lock, After 3/2/77 (Late).	\$247.00	
27755	1978	AIR CONDITIONING HARNESS Includes Heater Wiring	\$247.00	
28145	1979	AIR CONDITIONING HARNESS Without Auxillary Cooling Fan, Includes Heater Wiring	\$247.00	
27750	1979	AIR CONDITIONING HARNESS With Auxillary Cooling Fan (L82), Includes Heater Wiring	\$247.00	
ALARM SYSTEM HARNESS				
01055	1968	ALARM SYSTEM HARNESS	\$184.00	
01060	1969	ALARM SYSTEM HARNESS	\$184.00	
01065	1970	ALARM SYSTEM HARNESS	\$134.00	
01070	1971	ALARM SYSTEM HARNESS	\$56.00	
01070	1972	ALARM SYSTEM HARNESS	\$56.00	
01070	1973	ALARM SYSTEM HARNESS	\$56.00	
27600	1977	ALARM SYSTEM HARNESS Anti-Theft Control Switch To Dash, Without Power Windows Note: With Anti-Theft Switch Mounted In Door Lock.	\$40.00	
27600	1978	ALARM SYSTEM HARNESS Anti-Theft Control Switch To Dash, Without Power Windows Note: With Courtesy Lamp Timer Mounted Left Of Steering Column, Before 1/19/78 (Early).	\$40.00	
27935	1978	ALARM SYSTEM HARNESS Anti-Theft Control Switch To Dash, Without Power Windows Note: With Courtesy Lamp Timer Mounted To The Right Of Glove Box, After 1/19/78 (Late).	\$40.00	
ALTERNATOR CONVERSION KIT				
27555	1963	ALTERNATOR CONVERSION KIT External To Internal Regulator Conversion Harness ("SI" Series) Note: For Use With 1972-84 Non-Serpentine Belt ("SI" Series) Internal Regulated Alternators.	\$29.00	
37787	1963	ALTERNATOR CONVERSION KIT External To Internal Regulator Conversion Harness ("CS" Series) Note: For Use With Serpentine Belt ("CS" Series) Internal Regulated Alternators.	\$34.00	
27555	1964	ALTERNATOR CONVERSION KIT External To Internal Regulator Conversion Harness ("SI" Series) Note: For Use With 1972-84 Non-Serpentine Belt ("SI" Series) Internal Regulated Alternators.	\$29.00	
37787	1964	ALTERNATOR CONVERSION KIT External To Internal Regulator Conversion Harness ("CS" Series) Note: For Use With Serpentine Belt ("CS" Series) Internal Regulated Alternators.	\$34.00	
27555	1965	ALTERNATOR CONVERSION KIT External To Internal Regulator Conversion Harness ("SI" Series) Note: For Use With 1972-84 Non-Serpentine Belt ("SI" Series) Internal Regulated Alternators.	\$29.00	
37787	1965	ALTERNATOR CONVERSION KIT External To Internal Regulator Conversion Harness ("CS" Series) Note: For Use With Serpentine Belt ("CS" Series) Internal Regulated Alternators.	\$34.00	
27555	1966	ALTERNATOR CONVERSION KIT External To Internal Regulator Conversion Harness ("SI" Series) Note: For Use With 1972-84 Non-Serpentine Belt ("SI" Series) Internal Regulated Alternators.	\$29.00	
37787	1966	ALTERNATOR CONVERSION KIT External To Internal Regulator Conversion Harness ("CS" Series) Note: For Use With Serpentine Belt ("CS" Series) Internal Regulated Alternators.	\$34.00	
27555	1967	ALTERNATOR CONVERSION KIT External To Internal Regulator Conversion Harness ("SI" Series) Note: For Use With 1972-84 Non-Serpentine Belt ("SI" Series) Internal Regulated Alternators.	\$29.00	
37787	1967	ALTERNATOR CONVERSION KIT External To Internal Regulator Conversion Harness ("CS" Series) Note: For Use With Serpentine Belt ("CS" Series) Internal Regulated Alternators.	\$34.00	
27555	1968	ALTERNATOR CONVERSION KIT External To Internal Regulator Conversion Harness ("SI" Series) Note: For Use With 1972-84 Non-Serpentine Belt ("SI" Series) Internal Regulated Alternators.	\$29.00	
37787	1968	ALTERNATOR CONVERSION KIT External To Internal Regulator Conversion Harness ("CS" Series) Note: For Use With Serpentine Belt ("CS" Series) Internal Regulated Alternators.	\$34.00	
37796	1969	ALTERNATOR CONVERSION KIT Internal Regulator "SI" Series Alternator To "CS" Series (Serpentine Belt) Alternator Note: For Use With Serpentine Belt ("CS130" Or "CS144" Type) Internal Regulated Alternators.	\$26.00	

Part Number	Year	Description	Price	*Rev.
37796	1970	ALTERNATOR CONVERSION KIT Internal Regulator "SI" Series Alternator To "CS" Series (Serpentine Belt) Alternator Note: For Use With Serpentine Belt ("CS130" Or "CS144" Type) Internal Regulated Alternators.	\$26.00	
37796	1971	ALTERNATOR CONVERSION KIT Internal Regulator "SI" Series Alternator To "CS" Series (Serpentine Belt) Alternator Note: For Use With Serpentine Belt ("CS130" Or "CS144" Type) Internal Regulated Alternators.	\$26.00	
37796	1972	ALTERNATOR CONVERSION KIT Internal Regulator "SI" Series Alternator To "CS" Series (Serpentine Belt) Alternator Note: For Use With Serpentine Belt ("CS130" Or "CS144" Type) Internal Regulated Alternators.	\$26.00	
37796	1973	ALTERNATOR CONVERSION KIT Internal Regulator "SI" Series Alternator To "CS" Series (Serpentine Belt) Alternator Note: For Use With Serpentine Belt ("CS130" Or "CS144" Type) Internal Regulated Alternators.	\$26.00	
37796	1974	ALTERNATOR CONVERSION KIT Internal Regulator "SI" Series Alternator To "CS" Series (Serpentine Belt) Alternator Note: For Use With Serpentine Belt ("CS130" Or "CS144" Type) Internal Regulated Alternators.	\$26.00	
37796	1975	ALTERNATOR CONVERSION KIT Internal Regulator "SI" Series Alternator To "CS" Series (Serpentine Belt) Alternator Note: For Use With Serpentine Belt ("CS130" Or "CS144" Type) Internal Regulated Alternators.	\$26.00	
37796	1976	ALTERNATOR CONVERSION KIT Internal Regulator "SI" Series Alternator To "CS" Series (Serpentine Belt) Alternator Note: For Use With Serpentine Belt ("CS130" Or "CS144" Type) Internal Regulated Alternators.	\$26.00	
37796	1977	ALTERNATOR CONVERSION KIT Internal Regulator "SI" Series Alternator To "CS" Series (Serpentine Belt) Alternator Note: For Use With Serpentine Belt ("CS130" Or "CS144" Type) Internal Regulated Alternators.	\$26.00	
37796	1978	ALTERNATOR CONVERSION KIT Internal Regulator "SI" Series Alternator To "CS" Series (Serpentine Belt) Alternator Note: For Use With Serpentine Belt ("CS130" Or "CS144" Type) Internal Regulated Alternators.	\$26.00	
37796	1979	ALTERNATOR CONVERSION KIT Internal Regulator "SI" Series Alternator To "CS" Series (Serpentine Belt) Alternator Note: For Use With Serpentine Belt ("CS130" Or "CS144" Type) Internal Regulated Alternators.	\$26.00	
37796	1980	ALTERNATOR CONVERSION KIT Internal Regulator "SI" Series Alternator To "CS" Series (Serpentine Belt) Alternator Note: For Use With Serpentine Belt ("CS130" Or "CS144" Type) Internal Regulated Alternators.	\$26.00	
37796	1981	ALTERNATOR CONVERSION KIT Internal Regulator "SI" Series Alternator To "CS" Series (Serpentine Belt) Alternator Note: For Use With Serpentine Belt ("CS130" Or "CS144" Type) Internal Regulated Alternators.	\$26.00	
37796	1982	ALTERNATOR CONVERSION KIT Internal Regulator "SI" Series Alternator To "CS" Series (Serpentine Belt) Alternator Note: For Use With Serpentine Belt ("CS130" Or "CS144" Type) Internal Regulated Alternators.	\$26.00	
37796	1983	ALTERNATOR CONVERSION KIT Internal Regulator "SI" Series Alternator To "CS" Series (Serpentine Belt) Alternator Note: For Use With Serpentine Belt ("CS130" Or "CS144" Type) Internal Regulated Alternators.	\$26.00	
37796	1984	ALTERNATOR CONVERSION KIT Internal Regulator "SI" Series Alternator To "CS" Series (Serpentine Belt) Alternator Note: For Use With Serpentine Belt ("CS130" Or "CS144" Type) Internal Regulated Alternators.	\$26.00	
37796	1985	ALTERNATOR CONVERSION KIT Internal Regulator "SI" Series Alternator To "CS" Series (Serpentine Belt) Alternator Note: For Use With Serpentine Belt ("CS130" Or "CS144" Type) Internal Regulated Alternators.	\$26.00	
37796	1986	ALTERNATOR CONVERSION KIT Internal Regulator "SI" Series Alternator To "CS" Series (Serpentine Belt) Alternator Note: For Use With Serpentine Belt ("CS130" Or "CS144" Type) Internal Regulated Alternators.	\$26.00	
ALTERNATOR RELOCATION HARNESS				
37918	1963	ALTERNATOR RELOCATION HARNESS From Original Passenger Side Location To Drivers Side	\$92.00	
37918	1964	ALTERNATOR RELOCATION HARNESS From Original Passenger Side Location To Drivers Side	\$92.00	

Part Number	Year	Description	Price	*Rev.
37918	1965	ALTERNATOR RELOCATION HARNESS From Original Passenger Side Location To Drivers Side	\$92.00	
AMMETER GAUGE				
01502598	1963	AMMETER GAUGE	\$39.00	N
01502578	1964	AMMETER GAUGE	\$39.00	N
01503035	1965	AMMETER GAUGE	\$47.00	N
01503035	1966	AMMETER GAUGE	\$47.00	N
01503035	1967	AMMETER GAUGE	\$47.00	N
ANTI-THEFT HARNESS				
33070	1981	ANTI-THEFT EXTENSION HARNESS Dash Harness To Driver & Passenger Door Alarm Harnesses	\$40.00	
36079	1981	ANTI-THEFT JUMPER HARNESS With Power Door Locks	\$22.00	
36081	1981	ANTI-THEFT DOOR LOCK JUMPER WIRE Without Power Door Locks	\$22.00	
33065	1982	ANTI-THEFT JUMPER HARNESS With Power Door Locks	\$22.00	
33255	1982	ANTI-THEFT DOOR LOCK JUMPER WIRE Without Power Door Locks	\$22.00	
ASSEMBLY MANUAL				
38387	1953	ASSEMBLY MANUAL Factory Assembly Instruction Guide	\$32.00	
38387	1954	ASSEMBLY MANUAL Factory Assembly Instruction Guide	\$32.00	
38387	1955	ASSEMBLY MANUAL Factory Assembly Instruction Guide	\$32.00	
36331	1956	ASSEMBLY MANUAL Factory Assembly Instruction Guide	\$32.00	
36331	1957	ASSEMBLY MANUAL Factory Assembly Instruction Guide	\$32.00	
36332	1958	ASSEMBLY MANUAL Factory Assembly Instruction Guide	\$32.00	
36333	1959	ASSEMBLY MANUAL Factory Assembly Instruction Guide	\$32.00	
36334	1960	ASSEMBLY MANUAL Factory Assembly Instruction Guide	\$32.00	
36335	1961	ASSEMBLY MANUAL Factory Assembly Instruction Guide	\$32.00	
36336	1962	ASSEMBLY MANUAL Factory Assembly Instruction Guide	\$32.00	
36337	1963	ASSEMBLY MANUAL Factory Assembly Instruction Guide	\$32.00	
36338	1964	ASSEMBLY MANUAL Factory Assembly Instruction Guide	\$32.00	
36339	1965	ASSEMBLY MANUAL Factory Assembly Instruction Guide	\$32.00	
36340	1966	ASSEMBLY MANUAL Factory Assembly Instruction Guide	\$32.00	
36341	1967	ASSEMBLY MANUAL Factory Assembly Instruction Guide	\$32.00	
36342	1968	ASSEMBLY MANUAL Factory Assembly Instruction Guide	\$32.00	
36343	1969	ASSEMBLY MANUAL Factory Assembly Instruction Guide	\$32.00	
36344	1970	ASSEMBLY MANUAL Factory Assembly Instruction Guide	\$32.00	
36345	1971	ASSEMBLY MANUAL Factory Assembly Instruction Guide	\$32.00	
36346	1972	ASSEMBLY MANUAL Factory Assembly Instruction Guide	\$32.00	
36347	1973	ASSEMBLY MANUAL Factory Assembly Instruction Guide	\$32.00	
36348	1974	ASSEMBLY MANUAL Factory Assembly Instruction Guide	\$32.00	
36349	1975	ASSEMBLY MANUAL Factory Assembly Instruction Guide	\$32.00	
36350	1976	ASSEMBLY MANUAL Factory Assembly Instruction Guide	\$32.00	
36351	1977	ASSEMBLY MANUAL Factory Assembly Instruction Guide	\$32.00	
36352	1978	ASSEMBLY MANUAL Factory Assembly Instruction Guide	\$32.00	
36353	1979	ASSEMBLY MANUAL Factory Assembly Instruction Guide	\$32.00	
36354	1980	ASSEMBLY MANUAL Factory Assembly Instruction Guide	\$32.00	
36355	1981	ASSEMBLY MANUAL Factory Assembly Instruction Guide	\$32.00	
36356	1982	ASSEMBLY MANUAL Factory Assembly Instruction Guide	\$32.00	
BACKUP LAMP SWITCH				
01993666	1963	BACKUP LAMP SWITCH Manual Trans, 4 Speed Only	\$64.00	

Part Number	Year	Description	Price	*Rev.
01993666	1964	BACKUP LAMP SWITCH Manual Trans, 4 Speed Only	\$64.00	
01993666	1965	BACKUP LAMP SWITCH Manual Trans, 4 Speed Only	\$64.00	
01993666	1966	BACKUP LAMP SWITCH Manual Trans, 4 Speed Only	\$64.00	
01993666	1967	BACKUP LAMP SWITCH Manual Trans, 4 Speed Only	\$64.00	
01993430	1968	BACKUP LAMP SWITCH Manual Trans	\$64.00	
01993430	1969	BACKUP LAMP SWITCH Manual Trans	\$64.00	
01993430	1970	BACKUP LAMP SWITCH Manual Trans	\$64.00	
01993430	1971	BACKUP LAMP SWITCH Manual Trans	\$64.00	
01993430	1972	BACKUP LAMP SWITCH Manual Trans	\$64.00	
01993430	1973	BACKUP LAMP SWITCH Manual Trans	\$64.00	
01993430	1974	BACKUP LAMP SWITCH Manual Trans	\$64.00	
01993430	1975	BACKUP LAMP SWITCH Manual Trans	\$64.00	
01993430	1976	BACKUP LAMP SWITCH Manual Trans	\$64.00	
01993430	1977	BACKUP LAMP SWITCH Manual Trans	\$64.00	
01993430	1978	BACKUP LAMP SWITCH Manual Trans, L82	\$64.00	
01994218	1979	BACKUP LAMP SWITCH Manual Trans	\$64.00	
01994218	1980	BACKUP LAMP SWITCH Manual Trans, With Plastic "T" Connector & Female Terminals	\$64.00	
01994220	1980	BACKUP LAMP SWITCH Manual Trans, With Round Rubber Mold-On Connector & Male Blades	\$86.00	
01994220	1981	BACKUP LAMP SWITCH Manual Trans	\$86.00	
BACKUP LAMP SWITCH EXTENSION HARNESS				
27940	1978	BACKUP LAMP SWITCH EXTENSION HARNESS L48 Only, Backup Lamp Switch To Engine Harness	\$40.00	C
BACKUP LAMP SWITCH MOUNTING BRACKET				
37650	1965	BACKUP LAMP SWITCH MOUNTING BRACKET With Muncie 4 Speed Transmission	\$29.00	
37650	1966	BACKUP LAMP SWITCH MOUNTING BRACKET With Muncie 4 Speed Transmission	\$29.00	
37650	1967	BACKUP LAMP SWITCH MOUNTING BRACKET With Muncie 4 Speed Transmission	\$29.00	
37650	1968	BACKUP LAMP SWITCH MOUNTING BRACKET With Muncie 4 Speed Transmission	\$29.00	
37650	1969	BACKUP LAMP SWITCH MOUNTING BRACKET With Muncie 4 Speed Transmission	\$29.00	
37650	1970	BACKUP LAMP SWITCH MOUNTING BRACKET With Muncie 4 Speed Transmission	\$29.00	
37650	1971	BACKUP LAMP SWITCH MOUNTING BRACKET With Muncie 4 Speed Transmission	\$29.00	
37650	1972	BACKUP LAMP SWITCH MOUNTING BRACKET With Muncie 4 Speed Transmission	\$29.00	
37650	1973	BACKUP LAMP SWITCH MOUNTING BRACKET With Muncie 4 Speed Transmission	\$29.00	
37650	1974	BACKUP LAMP SWITCH MOUNTING BRACKET With Muncie 4 Speed Transmission	\$29.00	
37650	1974	BACKUP LAMP SWITCH MOUNTING BRACKET With Muncie 4 Speed Transmission	\$29.00	
BACKUP LAMP SWITCH MOUNTING KIT				
39505	1963	BACKUP LAMP SWITCH MOUNTING KIT With Muncie 4 Speed Transmission Note: Kit Contains The Bracket, Rod With 2 Clips, Shield & Bolts.	\$46.00	
39505	1964	BACKUP LAMP SWITCH MOUNTING KIT With Muncie 4 Speed Transmission Note: Kit Contains The Bracket, Rod With 2 Clips, Shield & Bolts.	\$46.00	
39505	1965	BACKUP LAMP SWITCH MOUNTING KIT With Muncie 4 Speed Transmission Note: Kit Contains The Bracket, Rod With 2 Clips, Shield & Bolts.	\$46.00	
39505	1966	BACKUP LAMP SWITCH MOUNTING KIT With Muncie 4 Speed Transmission Note: Kit Contains The Bracket, Rod With 2 Clips, Shield & Bolts.	\$46.00	
39505	1967	BACKUP LAMP SWITCH MOUNTING KIT With Muncie 4 Speed Transmission Note: Kit Contains The Bracket, Rod With 2 Clips, Shield & Bolts.	\$46.00	
39506	1968	BACKUP LAMP SWITCH MOUNTING KIT With Muncie 4 Speed Transmission Note: Kit Contains The Bracket, Rod With 2 Clips, Shield & Bolts.	\$46.00	

Part Number	Year	Description	Price	*Rev.
39506	1969	BACKUP LAMP SWITCH MOUNTING KIT With Muncie 4 Speed Transmission Note: Kit Contains The Bracket, Rod With 2 Clips, Shield & Bolts.	\$46.00	
39506	1970	BACKUP LAMP SWITCH MOUNTING KIT With Muncie 4 Speed Transmission Note: Kit Contains The Bracket, Rod With 2 Clips, Shield & Bolts.	\$46.00	
39506	1971	BACKUP LAMP SWITCH MOUNTING KIT With Muncie 4 Speed Transmission Note: Kit Contains The Bracket, Rod With 2 Clips, Shield & Bolts.	\$46.00	
39506	1972	BACKUP LAMP SWITCH MOUNTING KIT With Muncie 4 Speed Transmission Note: Kit Contains The Bracket, Rod With 2 Clips, Shield & Bolts.	\$46.00	
39506	1973	BACKUP LAMP SWITCH MOUNTING KIT With Muncie 4 Speed Transmission Note: Kit Contains The Bracket, Rod With 2 Clips, Shield & Bolts.	\$46.00	
BATTERY CABLE-NEGATIVE				
04010	1962	BATTERY CABLE, SPRING RING Neg, All	\$69.00	
04010	1963	BATTERY CABLE, SPRING RING Neg, Without A/C	\$69.00	
18595	1963	BATTERY CABLE, SPRING RING Neg, With A/C, Braided Strap Style	\$69.00	
04010	1964	BATTERY CABLE, SPRING RING Neg, Without A/C	\$69.00	
03720	1964	BATTERY CABLE, SPRING RING Neg, With A/C	\$69.00	
04010	1965	BATTERY CABLE, SPRING RING Neg, 327 C.I. Without A/C	\$69.00	
03720	1965	BATTERY CABLE, SPRING RING Neg, 396 C.I. Without A/C	\$69.00	
03720	1965	BATTERY CABLE, SPRING RING Neg, All With A/C	\$69.00	
04010	1966	BATTERY CABLE, SPRING RING Neg, 327 C.I. Without A/C	\$69.00	
03720	1966	BATTERY CABLE, SPRING RING Neg, 427 C.I. Without A/C	\$69.00	
03720	1966	BATTERY CABLE, SPRING RING Neg, All With A/C	\$69.00	
04010	1967	BATTERY CABLE, SPRING RING Neg, 327 C.I. Without A/C	\$69.00	
03720	1967	BATTERY CABLE, SPRING RING Neg, 427 C.I. Without A/C	\$69.00	
03720	1967	BATTERY CABLE, SPRING RING Neg, All With A/C	\$69.00	
20575	1968	BATTERY CABLE, SPRING RING Neg, All	\$81.00	
20575	1969	BATTERY CABLE, SPRING RING Neg	\$81.00	
21720	1969	BATTERY CABLE, SIDE POST Neg, With Heavy Duty Side Post Battery	\$81.00	
15285	1970	BATTERY CABLE, SIDE POST Neg, All	\$81.00	
22350	1971	BATTERY CABLE, SIDE POST Neg, All	\$81.00	
22345	1972	BATTERY CABLE, SIDE POST Neg, All	\$81.00	
22345	1973	BATTERY CABLE, SIDE POST Neg, All	\$81.00	
22345	1974	BATTERY CABLE, SIDE POST Neg, All	\$81.00	
22355	1975	BATTERY CABLE, SIDE POST Neg, All	\$81.00	
22355	1976	BATTERY CABLE, SIDE POST Neg, All	\$81.00	
22355	1977	BATTERY CABLE, SIDE POST Neg, All	\$81.00	
22355	1978	BATTERY CABLE, SIDE POST Neg, All	\$81.00	
22355	1979	BATTERY CABLE, SIDE POST Neg, All	\$81.00	
22355	1980	BATTERY CABLE, SIDE POST Neg, All	\$81.00	
22355	1981	BATTERY CABLE, SIDE POST Neg, All	\$81.00	
31585	1982	BATTERY CABLE, SIDE POST Neg, All	\$81.00	
BATTERY CABLE-POSITIVE				
27215	1955	BATTERY CABLE, TOP POST Pos, V/8, 12 Volt	\$63.00	
27215	1956	BATTERY CABLE, TOP POST Pos	\$63.00	
27215	1957	BATTERY CABLE, TOP POST Pos	\$63.00	
36260	1958	BATTERY CABLE, TOP POST Pos	\$63.00	
27220	1959	BATTERY CABLE, TOP POST Pos	\$63.00	

Part Number	Year	Description	Price	*Rev.
27220	1960	BATTERY CABLE, TOP POST Pos	\$63.00	
27220	1961	BATTERY CABLE, TOP POST Pos	\$63.00	
03785	1962	BATTERY CABLE, SPRING RING Pos, All	\$69.00	
04410	1963	BATTERY CABLE, SPRING RING Pos, Without A/C	\$69.00	
04415	1963	BATTERY CABLE, SPRING RING Pos, With A/C	\$69.00	
04410	1964	BATTERY CABLE, SPRING RING Pos, Without A/C	\$69.00	
04415	1964	BATTERY CABLE, SPRING RING Pos, With A/C	\$69.00	
04410	1965	BATTERY CABLE, SPRING RING Pos, 327 C.I. Without A/C	\$69.00	
04415	1965	BATTERY CABLE, SPRING RING Pos, 396 C.I. Without A/C	\$69.00	
04415	1965	BATTERY CABLE, SPRING RING Pos, All With A/C	\$69.00	
09235	1966	BATTERY CABLE, SPRING RING Pos, 327 C.I. Without A/C	\$69.00	
09245	1966	BATTERY CABLE, SPRING RING Pos, 427 C.I. Without A/C	\$69.00	
09240	1966	BATTERY CABLE, SPRING RING Pos, All With A/C	\$69.00	
09235	1967	BATTERY CABLE, SPRING RING Pos, 327 C.I. Without A/C	\$69.00	
09245	1967	BATTERY CABLE, SPRING RING Pos, 427 C.I. Without A/C	\$69.00	
09240	1967	BATTERY CABLE, SPRING RING Pos, All With A/C	\$69.00	
20910	1968	BATTERY CABLE, SPRING RING Pos, All	\$81.00	
20910	1969	BATTERY CABLE, SPRING RING Pos	\$81.00	
13190	1969	BATTERY CABLE, SIDE POST Pos, With Heavy Duty Side Post Battery	\$94.00	
15280	1970	BATTERY CABLE, SIDE POST Pos, All	\$94.00	
22370	1971	BATTERY CABLE, SIDE POST Pos, All	\$94.00	
22365	1972	BATTERY CABLE, SIDE POST Pos, All	\$94.00	
22365	1973	BATTERY CABLE, SIDE POST Pos, All	\$94.00	
22365	1974	BATTERY CABLE, SIDE POST Pos, All	\$94.00	
22360	1975	BATTERY CABLE, SIDE POST Pos, All	\$94.00	
22360	1976	BATTERY CABLE, SIDE POST Pos, All	\$94.00	
22360	1977	BATTERY CABLE, SIDE POST Pos, All	\$94.00	
22360	1978	BATTERY CABLE, SIDE POST Pos, All	\$94.00	
22360	1979	BATTERY CABLE, SIDE POST Pos, All	\$94.00	
22360	1980	BATTERY CABLE, SIDE POST Pos, With AM/FM Stereo/Cb (Up6), AM/FM Stereo Pushbutton (U58) Or AM/FM Mono Pushbutton (U69) Option	\$94.00	
28125	1980	BATTERY CABLE, SIDE POST Pos, With AM/FM Stereo Pushbutton Tape Player (UM2) Or Cassette Player (UN3) Option	\$94.00	
22360	1981	BATTERY CABLE, SIDE POST Pos, With AM/FM Stereo Pushbutton (U58) Or AM/FM Mono Pushbutton (U69) Option	\$94.00	
28125	1981	BATTERY CABLE, SIDE POST Pos, With AM/FM Stereo Tape Player (UM4, UM5) Or AM/FM Stereo Cassette Player (UM6, UN5) Option	\$94.00	
31925	1982	BATTERY CABLE, SIDE POST Pos, All	\$94.00	
BATTERY CHARGE CIRCUIT HARNESS				
28110	1980	BATTERY CHARGE CIRCUIT HARNESS With Stereo, Alternator To Rear Junction Block Note: Used With Part #27660 Forward Lamp Harness Only.	\$132.00	
28110	1981	BATTERY CHARGE CIRCUIT HARNESS Alternator To Rear Junction Block Note: Used With Part #32785 Forward Lamp Harness Only.	\$132.00	
28110	1982	BATTERY CHARGE CIRCUIT HARNESS Alternator To Rear Junction Block Note: Used With Part #32795 Forward Lamp Harness Only.	\$132.00	
BATTERY GROUND STRAP				
27210	1955	BATTERY GROUND STRAP Neg, V/8, 12 Volt	\$63.00	
27210	1956	BATTERY GROUND STRAP Neg	\$63.00	

Part Number	Year	Description	Price	*Rev.
27210	1957	BATTERY GROUND STRAP Neg	\$63.00	
27210	1958	BATTERY GROUND STRAP Neg	\$63.00	
27210	1959	BATTERY GROUND STRAP Neg	\$63.00	
27210	1960	BATTERY GROUND STRAP Neg	\$63.00	
27210	1961	BATTERY GROUND STRAP Neg	\$63.00	
BREAKERLESS SE SINGLE WIRE ELECTRONIC IGNITION				
38131	1957	BREAKERLESS SE SINGLE WIRE ELECTRONIC IGNITION KIT For 1957-74 Breaker Point Distributors With Windowed Type Distributor Cap	\$179.00	
38131	1958	BREAKERLESS SE SINGLE WIRE ELECTRONIC IGNITION KIT For 1957-74 Breaker Point Distributors With Windowed Type Distributor Cap	\$179.00	
38131	1959	BREAKERLESS SE SINGLE WIRE ELECTRONIC IGNITION KIT For 1957-74 Breaker Point Distributors With Windowed Type Distributor Cap	\$179.00	
38131	1960	BREAKERLESS SE SINGLE WIRE ELECTRONIC IGNITION KIT For 1957-74 Breaker Point Distributors With Windowed Type Distributor Cap	\$179.00	
38131	1961	BREAKERLESS SE SINGLE WIRE ELECTRONIC IGNITION KIT For 1957-74 Breaker Point Distributors With Windowed Type Distributor Cap	\$179.00	
38131	1962	BREAKERLESS SE SINGLE WIRE ELECTRONIC IGNITION KIT For 1957-74 Breaker Point Distributors With Windowed Type Distributor Cap	\$179.00	
38131	1963	BREAKERLESS SE SINGLE WIRE ELECTRONIC IGNITION KIT For 1957-74 Breaker Point Distributors With Windowed Type Distributor Cap	\$179.00	
38131	1964	BREAKERLESS SE SINGLE WIRE ELECTRONIC IGNITION KIT For 1957-74 Breaker Point Distributors With Windowed Type Distributor Cap	\$179.00	
38131	1965	BREAKERLESS SE SINGLE WIRE ELECTRONIC IGNITION KIT For 1957-74 Breaker Point Distributors With Windowed Type Distributor Cap	\$179.00	
38131	1966	BREAKERLESS SE SINGLE WIRE ELECTRONIC IGNITION KIT For 1957-74 Breaker Point Distributors With Windowed Type Distributor Cap	\$179.00	
38131	1967	BREAKERLESS SE SINGLE WIRE ELECTRONIC IGNITION KIT For 1957-74 Breaker Point Distributors With Windowed Type Distributor Cap	\$179.00	
38131	1968	BREAKERLESS SE SINGLE WIRE ELECTRONIC IGNITION KIT For 1957-74 Breaker Point Distributors With Windowed Type Distributor Cap	\$179.00	
38131	1969	BREAKERLESS SE SINGLE WIRE ELECTRONIC IGNITION KIT For 1957-74 Breaker Point Distributors With Windowed Type Distributor Cap	\$179.00	
38131	1970	BREAKERLESS SE SINGLE WIRE ELECTRONIC IGNITION KIT For 1957-74 Breaker Point Distributors With Windowed Type Distributor Cap	\$179.00	
38131	1971	BREAKERLESS SE SINGLE WIRE ELECTRONIC IGNITION KIT For 1957-74 Breaker Point Distributors With Windowed Type Distributor Cap	\$179.00	
38131	1972	BREAKERLESS SE SINGLE WIRE ELECTRONIC IGNITION KIT For 1957-74 Breaker Point Distributors With Windowed Type Distributor Cap	\$179.00	
38131	1973	BREAKERLESS SE SINGLE WIRE ELECTRONIC IGNITION KIT For 1957-74 Breaker Point Distributors With Windowed Type Distributor Cap	\$179.00	
38131	1974	BREAKERLESS SE SINGLE WIRE ELECTRONIC IGNITION KIT For 1957-74 Breaker Point Distributors With Windowed Type Distributor Cap	\$179.00	
CHOKE WIRE				
36054	1958	CHOKE WIRE Fuel Injection Cold Enrichment	\$25.00	
36054	1959	CHOKE WIRE Fuel Injection Cold Enrichment	\$25.00	
36054	1960	CHOKE WIRE Fuel Injection Cold Enrichment	\$25.00	
36054	1961	CHOKE WIRE Fuel Injection Cold Enrichment	\$25.00	
01085	1962	CHOKE WIRE Fuel Injection Cold Enrichment	\$25.00	
01090	1964	CHOKE WIRE Fuel Injection Cold Enrichment	\$20.00	
01090	1965	CHOKE WIRE Fuel Injection Cold Enrichment	\$20.00	
CIGARETTE LIGHTER LAMP ASSEMBLY				
36055	1953	CIGARETTE LIGHTER LAMP ASSEMBLY Includes Shield	\$26.00	

Part Number	Year	Description	Price	*Rev.
36055	1954	CIGARETTE LIGHTER LAMP ASSEMBLY Includes Shield	\$26.00	
06285	1955	CIGARETTE LIGHTER LAMP ASSEMBLY Includes Shield	\$26.00	
06285	1956	CIGARETTE LIGHTER LAMP ASSEMBLY Includes Shield	\$26.00	
06285	1957	CIGARETTE LIGHTER LAMP ASSEMBLY Includes Shield	\$26.00	
06285	1958	CIGARETTE LIGHTER LAMP ASSEMBLY Includes Shield	\$26.00	
06285	1959	CIGARETTE LIGHTER LAMP ASSEMBLY Includes Shield	\$26.00	
06285	1960	CIGARETTE LIGHTER LAMP ASSEMBLY Includes Shield	\$26.00	
06285	1961	CIGARETTE LIGHTER LAMP ASSEMBLY Includes Shield	\$26.00	
06285	1962	CIGARETTE LIGHTER LAMP ASSEMBLY Includes Shield	\$26.00	
CIGARETTE LIGHTER LAMP SHIELD				
02977777	1953	CIGARETTE LIGHTER LAMP SHIELD	\$20.00	
02977777	1954	CIGARETTE LIGHTER LAMP SHIELD	\$20.00	
02977777	1955	CIGARETTE LIGHTER LAMP SHIELD	\$20.00	
02977777	1956	CIGARETTE LIGHTER LAMP SHIELD	\$20.00	
02977777	1957	CIGARETTE LIGHTER LAMP SHIELD	\$20.00	
02977777	1958	CIGARETTE LIGHTER LAMP SHIELD	\$20.00	
02977777	1959	CIGARETTE LIGHTER LAMP SHIELD	\$20.00	
02977777	1960	CIGARETTE LIGHTER LAMP SHIELD	\$20.00	
02977777	1961	CIGARETTE LIGHTER LAMP SHIELD	\$20.00	
02977777	1962	CIGARETTE LIGHTER LAMP SHIELD	\$20.00	
02977777	1963	CIGARETTE LIGHTER LAMP SHIELD	\$20.00	
02977777	1964	CIGARETTE LIGHTER LAMP SHIELD	\$20.00	
02977777	1965	CIGARETTE LIGHTER LAMP SHIELD	\$20.00	
02977777	1966	CIGARETTE LIGHTER LAMP SHIELD	\$20.00	
02977777	1967	CIGARETTE LIGHTER LAMP SHIELD	\$20.00	
02977777	1968	CIGARETTE LIGHTER LAMP SHIELD	\$20.00	
02977777	1969	CIGARETTE LIGHTER LAMP SHIELD	\$20.00	
02977777	1970	CIGARETTE LIGHTER LAMP SHIELD	\$20.00	
02977777	1971	CIGARETTE LIGHTER LAMP SHIELD	\$20.00	
02977777	1972	CIGARETTE LIGHTER LAMP SHIELD	\$20.00	
02977777	1973	CIGARETTE LIGHTER LAMP SHIELD	\$20.00	
02977777	1974	CIGARETTE LIGHTER LAMP SHIELD	\$20.00	
02977777	1975	CIGARETTE LIGHTER LAMP SHIELD	\$20.00	
02977777	1976	CIGARETTE LIGHTER LAMP SHIELD	\$20.00	
CIRCUIT BREAKER				
04849850	1963	CIRCUIT BREAKER, 40 AMP Headlight Motor	\$14.00	N
04849850	1964	CIRCUIT BREAKER, 40 AMP Headlight Motor	\$14.00	N
04849850	1965	CIRCUIT BREAKER, 40 AMP Headlight Motor	\$14.00	N
04849850	1966	CIRCUIT BREAKER, 40 AMP Headlight Motor	\$14.00	N
04849850	1967	CIRCUIT BREAKER, 40 AMP Headlight Motor	\$14.00	N
04849850	1965	CIRCUIT BREAKER, 40 AMP Power Windows	\$14.00	N
04849850	1966	CIRCUIT BREAKER, 40 AMP Power Windows	\$14.00	N
04850166	1967	CIRCUIT BREAKER, 30 AMP Power Windows	\$14.00	
04849850	1967	CIRCUIT BREAKER, 40 AMP Power Windows	\$14.00	N
04850166	1968	CIRCUIT BREAKER, 30 AMP Power Windows	\$14.00	
04850166	1969	CIRCUIT BREAKER, 30 AMP Power Windows	\$14.00	

Part Number	Year	Description	Price	*Rev.
04850166	1970	CIRCUIT BREAKER, 30 AMP Power Windows	\$14.00	
04850166	1971	CIRCUIT BREAKER, 30 AMP Power Windows	\$14.00	
04850166	1972	CIRCUIT BREAKER, 30 AMP Power Windows	\$14.00	
04850166	1973	CIRCUIT BREAKER, 30 AMP Power Windows	\$14.00	
04850166	1974	CIRCUIT BREAKER, 30 AMP Power Windows	\$14.00	
CLOCK				
03710648	1958	CLOCK	\$137.00	N
03710648	1959	CLOCK	\$137.00	N
03710648	1960	CLOCK	\$137.00	N
03710648	1961	CLOCK	\$137.00	N
03710648	1962	CLOCK	\$137.00	N
CLOCK HARNESS				
01095	1958	CLOCK HARNESS Instrument Panel Clock	\$27.00	
01095	1959	CLOCK HARNESS Instrument Panel Clock	\$27.00	
01095	1960	CLOCK HARNESS Instrument Panel Clock	\$27.00	
01095	1961	CLOCK HARNESS Instrument Panel Clock	\$27.00	
COIL WIRE				
36056	1955	COIL WIRE V/8, All, Coil To Coaxial Condenser Lead Wire, Includes Braided Shielding Note: This Is The Lead From Coil To Radio Condenser/Capacitor Mounted On Coil Cover.	\$38.00	
01100	1958	COIL WIRE Resistor To Coil Note: Included In Ground Strap Kit.	\$18.00	
01100	1959	COIL WIRE Resistor To Coil Note: Included In Ground Strap Kit.	\$18.00	
01100	1960	COIL WIRE Resistor To Coil Note: Included In Ground Strap Kit.	\$18.00	
01100	1961	COIL WIRE Resistor To Coil Note: Included In Ground Strap Kit.	\$18.00	
01100	1962	COIL WIRE Resistor To Coil Note: Included In Ground Strap Kit.	\$18.00	
COMPUTER ECM HARNESS				
28105	1980	COMPUTER ECM HARNESS Dash Side, All	\$380.00	
28140	1980	COMPUTER ECM HARNESS Engine Side, 305 C.I. (California Emission Car)	\$399.00	
CONSOLE DOOR LAMP HARNESS AND SWITCH ASSEMBLY				
33465	1968	CONSOLE DOOR LAMP HARNESS AND SWITCH ASSEMBLY Rear Compartment, Includes Socket, Bulb & Wire	\$25.00	
33465	1969	CONSOLE DOOR LAMP HARNESS AND SWITCH ASSEMBLY Rear Compartment, Includes Socket, Bulb & Wire	\$25.00	
33465	1970	CONSOLE DOOR LAMP HARNESS AND SWITCH ASSEMBLY Rear Compartment, Includes Socket, Bulb & Wire	\$25.00	
33465	1971	CONSOLE DOOR LAMP HARNESS AND SWITCH ASSEMBLY Rear Compartment, Includes Socket, Bulb & Wire	\$25.00	
33465	1972	CONSOLE DOOR LAMP HARNESS AND SWITCH ASSEMBLY Rear Compartment, Includes Socket, Bulb & Wire	\$25.00	
33465	1973	CONSOLE DOOR LAMP HARNESS AND SWITCH ASSEMBLY Rear Compartment, Includes Socket, Bulb & Wire	\$25.00	
33465	1974	CONSOLE DOOR LAMP HARNESS AND SWITCH ASSEMBLY Rear Compartment, Includes Socket, Bulb & Wire	\$25.00	
33465	1975	CONSOLE DOOR LAMP HARNESS AND SWITCH ASSEMBLY Rear Compartment, Includes Socket, Bulb & Wire	\$25.00	
33465	1976	CONSOLE DOOR LAMP HARNESS AND SWITCH ASSEMBLY Rear Compartment, Includes Socket, Bulb & Wire	\$25.00	
33465	1977	CONSOLE DOOR LAMP HARNESS AND SWITCH ASSEMBLY Rear Compartment, Includes Socket, Bulb & Wire, Without Dome Lamp	\$25.00	
CONSOLE HARNESS				
01105	1971	CONSOLE HARNESS Shifter Plate Indicator Lamp With Auto Trans	\$18.00	

Part Number	Year	Description	Price	*Rev.
01105	1972	CONSOLE HARNESS Shifter Plate Indicator Lamp With Auto Trans	\$18.00	
01105	1973	CONSOLE HARNESS Shifter Plate Indicator Lamp With Auto Trans	\$18.00	
01105	1974	CONSOLE HARNESS Shifter Plate Indicator Lamp With Auto Trans	\$18.00	
01105	1975	CONSOLE HARNESS Shifter Plate Indicator Lamp With Auto Trans	\$18.00	
COURTESY LAMP EXTENSION WIRES				
01110	1956	COURTESY LAMP EXTENSION WIRES Includes All 4 Required Wires	\$26.00	
01110	1957	COURTESY LAMP EXTENSION WIRES Includes All 4 Required Wires	\$26.00	
COURTESY LAMP HARNESS				
36061	1958	COURTESY LAMP HARNESS	\$26.00	
36061	1959	COURTESY LAMP HARNESS	\$26.00	
36061	1960	COURTESY LAMP HARNESS	\$26.00	
36061	1961	COURTESY LAMP HARNESS	\$26.00	
36061	1962	COURTESY LAMP HARNESS	\$26.00	
01115	1968	COURTESY LAMP HARNESS Rear Compartment, Convertible	\$32.00	
01117	1968	COURTESY LAMP HARNESS Rear Compartment, Coupe	\$41.00	
COURTESY LAMP WIRE				
36066	1977	COURTESY LAMP WIRE	\$52.00	
27085	1978	COURTESY LAMP WIRE With Delay Dome Lamp Note: With Courtesy Lamp Timer Mounted Left Of Steering Column, Before 1/19/78 (Early).	\$52.00	
27055	1978	COURTESY LAMP WIRE With Delay Dome Lamp Note: With Courtesy Lamp Timer Mounted To The Right Of Glove Box, After 1/19/78 (Late).	\$52.00	
CRUISE CONTROL GROUND WIRE				
27800	1977	CRUISE CONTROL GROUND WIRE Transducer To Frame	\$18.00	
27800	1978	CRUISE CONTROL GROUND WIRE Transducer To Frame	\$18.00	
27800	1979	CRUISE CONTROL GROUND WIRE Transducer To Frame	\$18.00	
27800	1980	CRUISE CONTROL GROUND WIRE Transducer To Frame	\$18.00	
27800	1981	CRUISE CONTROL GROUND WIRE Transducer To Frame	\$18.00	
27800	1982	CRUISE CONTROL GROUND WIRE Transducer To Frame	\$18.00	
CRUISE CONTROL HARNESS				
27825	1977	CRUISE CONTROL HARNESS	\$247.00	
27825	1978	CRUISE CONTROL HARNESS	\$247.00	
28080	1979	CRUISE CONTROL HARNESS	\$247.00	
28170	1980	CRUISE CONTROL HARNESS	\$247.00	
31840	1981	CRUISE CONTROL HARNESS	\$247.00	
31840	1982	CRUISE CONTROL HARNESS	\$247.00	
DASH AND FORWARD LAMP HARNESS				
32130	1953	DASH AND FORWARD LAMP HARNESS 6 Cylinder, 6 Volt System Note: 6 Cylinder Items Are Not Returnable.	\$678.00	
32130	1954	DASH AND FORWARD LAMP HARNESS 6 Cylinder, 6 Volt System Note: 6 Cylinder Items Are Not Returnable.	\$678.00	
32130	1955	DASH AND FORWARD LAMP HARNESS 6 Cylinder, 6 Volt System Note: 6 Cylinder Items Are Not Returnable.	\$678.00	
32075	1955	DASH AND FORWARD LAMP HARNESS V/8, 12 Volt System	\$678.00	
01120	1956	DASH AND FORWARD LAMP HARNESS	\$612.00	
01120	1957	DASH AND FORWARD LAMP HARNESS	\$612.00	
01145	1958	DASH AND FORWARD LAMP HARNESS	\$612.00	

Part Number	Year	Description	Price	*Rev.
01145	1959	DASH AND FORWARD LAMP HARNESS	\$612.00	
01145	1960	DASH AND FORWARD LAMP HARNESS	\$612.00	
01145	1961	DASH AND FORWARD LAMP HARNESS	\$612.00	
01160	1962	DASH AND FORWARD LAMP HARNESS	\$612.00	
DASH HARNESS				
01170	1963	DASH HARNESS With Backup Lamps	\$705.00	
01165	1963	DASH HARNESS Without Backup Lamps	\$705.00	
01180	1964	DASH HARNESS With Backup Lamps	\$705.00	
01175	1964	DASH HARNESS Without Backup Lamps	\$705.00	
01190	1965	DASH HARNESS With Backup Lamps	\$705.00	
		Note: Contains A Solid Light Green Wire At The Dimmer Switch Connector (Late).		
35882	1965	DASH HARNESS With Backup Lights	\$705.00	
		Note: Contains A Black With Light Green Striped Wire At The Dimmer Switch Connector (Early).		
01185	1965	DASH HARNESS Without Backup Lamps	\$705.00	
		Note: Contains A Solid Light Green Wire At The Dimmer Switch Connector (Late).		
35881	1965	DASH HARNESS Without Backup Lights	\$705.00	
		Note: Contains A Black With Light Green Striped Wire At The Dimmer Switch Connector (Early).		
01190	1966	DASH HARNESS All	\$705.00	
01200	1967	DASH HARNESS All	\$705.00	
01205	1968	DASH HARNESS All	\$743.00	
01215	1969	DASH HARNESS With A/C	\$743.00	
01210	1969	DASH HARNESS Without A/C	\$743.00	
01225	1970	DASH HARNESS With A/C, 1st Design: Harness Routes Behind Lower Backside Of Speedometer And Tachometer	\$743.00	
01220	1970	DASH HARNESS Without A/C, 1st Design: Harness Routes Behind Lower Backside Of Speedometer And Tachometer	\$743.00	
43928	1970	DASH HARNESS With A/C, 2nd Design: Harness Routes Over Speedometer And Tachometer	\$743.00	
17225	1970	DASH HARNESS Without A/C, 2nd Design: Harness Routes Over Speedometer And Tachometer	\$743.00	
01235	1971	DASH HARNESS With A/C	\$743.00	
01230	1971	DASH HARNESS Without A/C	\$743.00	
35960	1972	DASH HARNESS With A/C, Without Seat Belt Warning	\$771.00	
01245	1972	DASH HARNESS With A/C & Seat Belt Warning	\$771.00	
35959	1972	DASH HARNESS Without A/C & Seat Belt Warning	\$771.00	
01240	1972	DASH HARNESS Without A/C, With Seat Belt Warning	\$771.00	
01255	1973	DASH HARNESS With A/C	\$771.00	
01250	1973	DASH HARNESS Without A/C	\$771.00	
01265	1974	DASH HARNESS With A/C, Includes Seatbelt Ignition Interlock	\$771.00	
01260	1974	DASH HARNESS Without A/C, Includes Seatbelt Ignition Interlock	\$771.00	
16615	1975	DASH HARNESS Auto Trans, With Seatbelt Ignition Interlock	\$771.00	
16620	1975	DASH HARNESS Manual Trans, With Seatbelt Ignition Interlock	\$771.00	
01270	1975	DASH HARNESS Auto Trans, Without Seatbelt Ignition Interlock (Second Design)	\$771.00	
		Note: If Eliminating Seatbelt Ignition Interlock, The Dash, Engine & Rear Lamp Harnesses All Need To Be Replaced.		
01275	1975	DASH HARNESS Manual Trans, Without Seatbelt Ignition Interlock (Second Design)	\$771.00	
		Note: If Eliminating Seatbelt Ignition Interlock, The Dash, Engine & Rear Lamp Harnesses All Need To Be Replaced.		
17130	1976	DASH HARNESS With Auto Trans	\$771.00	
17135	1976	DASH HARNESS With Manual Trans	\$771.00	

Part Number	Year	Description	Price	*Rev.
33610	1977	DASH HARNESS Auto Trans, (Early) With Anti-Theft Switch Mounted In Fender	\$807.00	
36116	1977	DASH HARNESS Manual Trans, (Early) Anti-Theft Switch Mounted In Fender	\$807.00	
27170	1977	DASH HARNESS Auto Or Manual Trans, Anti-Theft Switch Mounted In Door Lock Note: Manual Trans Requires Use Of Part #27795 Neutral Safety Extension.	\$912.00	
27150	1978	DASH HARNESS Courtesy Lamp Timer Mounted Left Of Steering Column (Early)	\$1110.00	
27160	1978	DASH HARNESS Courtesy Lamp Timer Mounted To The Right Of Glove Box (Late)	\$1110.00	
27155	1979	DASH HARNESS Without Power Windows, Door Locks, Dome Lamp Delay & Pulse Wiper	\$1369.00	
27630	1979	DASH HARNESS With Power Windows, Door Locks, Dome Lamp Delay & Pulse Wipers	\$1369.00	
27745	1980	DASH HARNESS Auto Trans	\$1369.00	
27670	1980	DASH HARNESS Manual Trans	\$1369.00	
DISTRIBUTOR WIRE				
37830	1953	DISTRIBUTOR WIRE Distributor Points To Coil Negative Terminal, All 6 Cylinder Note: 6 Cylinder Items Are Not Returnable.	\$18.00	
37830	1954	DISTRIBUTOR WIRE Distributor Points To Coil Negative Terminal, All 6 Cylinder Note: 6 Cylinder Items Are Not Returnable.	\$18.00	
37830	1955	DISTRIBUTOR WIRE Distributor Points To Coil Negative Terminal, All 6 Cylinder Note: 6 Cylinder Items Are Not Returnable.	\$18.00	
36057	1957	DISTRIBUTOR WIRE Distributor Points To Coil Negative Terminal, V/8 Note: Fits All GM V/8 Points Type Distributors From Approx. 1957 To 1974.	\$18.00	C
36057	1958	DISTRIBUTOR WIRE Distributor Points To Coil Negative Terminal, V/8 Note: Fits All GM V/8 Points Type Distributors From Approx. 1957 To 1974.	\$18.00	C
36057	1959	DISTRIBUTOR WIRE Distributor Points To Coil Negative Terminal, V/8 Note: Fits All GM V/8 Points Type Distributors From Approx. 1957 To 1974.	\$18.00	C
36057	1960	DISTRIBUTOR WIRE Distributor Points To Coil Negative Terminal, V/8 Note: Fits All GM V/8 Points Type Distributors From Approx. 1957 To 1974.	\$18.00	C
36057	1961	DISTRIBUTOR WIRE Distributor Points To Coil Negative Terminal, V/8 Note: Fits All GM V/8 Points Type Distributors From Approx. 1957 To 1974.	\$18.00	C
36057	1962	DISTRIBUTOR WIRE Distributor Points To Coil Negative Terminal, V/8 Note: Fits All GM V/8 Points Type Distributors From Approx. 1957 To 1974.	\$18.00	C
36057	1963	DISTRIBUTOR WIRE Distributor Points To Coil Negative Terminal, V/8 Note: Fits All GM V/8 Points Type Distributors From Approx. 1957 To 1974.	\$18.00	C
36057	1964	DISTRIBUTOR WIRE Distributor Points To Coil Negative Terminal, V/8 Note: Fits All GM V/8 Points Type Distributors From Approx. 1957 To 1974.	\$18.00	C
36057	1965	DISTRIBUTOR WIRE Distributor Points To Coil Negative Terminal, V/8 Note: Fits All GM V/8 Points Type Distributors From Approx. 1957 To 1974.	\$18.00	C
36057	1966	DISTRIBUTOR WIRE Distributor Points To Coil Negative Terminal, V/8 Note: Fits All GM V/8 Points Type Distributors From Approx. 1957 To 1974.	\$18.00	C
36057	1967	DISTRIBUTOR WIRE Distributor Points To Coil Negative Terminal, V/8 Note: Fits All GM V/8 Points Type Distributors From Approx. 1957 To 1974.	\$18.00	C
36057	1968	DISTRIBUTOR WIRE Distributor Points To Coil Negative Terminal, V/8 Note: Fits All GM V/8 Points Type Distributors From Approx. 1957 To 1974.	\$18.00	C
36057	1969	DISTRIBUTOR WIRE Distributor Points To Coil Negative Terminal, V/8 Note: Fits All GM V/8 Points Type Distributors From Approx. 1957 To 1974.	\$18.00	C
36057	1970	DISTRIBUTOR WIRE Distributor Points To Coil Negative Terminal, V/8 Note: Fits All GM V/8 Points Type Distributors From Approx. 1957 To 1974.	\$18.00	C
36057	1971	DISTRIBUTOR WIRE Distributor Points To Coil Negative Terminal, V/8 Note: Fits All GM V/8 Points Type Distributors From Approx. 1957 To 1974.	\$18.00	C

Part Number	Year	Description	Price	*Rev.
36057	1972	DISTRIBUTOR WIRE Distributor Points To Coil Negative Terminal, V/8 Note: Fits All GM V/8 Points Type Distributors From Approx. 1957 To 1974.	\$18.00	C
36057	1973	DISTRIBUTOR WIRE Distributor Points To Coil Negative Terminal, V/8 Note: Fits All GM V/8 Points Type Distributors From Approx. 1957 To 1974.	\$18.00	C
36057	1974	DISTRIBUTOR WIRE Distributor Points To Coil Negative Terminal, V/8 Note: Fits All GM V/8 Points Type Distributors From Approx. 1957 To 1974.	\$18.00	C
DOOR JAMB SWITCH				
04598597	1953	DOOR JAMB SWITCH	\$21.00	N
04598597	1954	DOOR JAMB SWITCH	\$21.00	N
EMERGENCY BRAKE FLASHER LEADS				
36065	1953	EMERGENCY BRAKE FLASHER LEADS Flasher & Fuse Panel To Lamp Assembly	\$26.00	
36065	1954	EMERGENCY BRAKE FLASHER LEADS Flasher & Fuse Panel To Lamp Assembly	\$26.00	
36083	1955	EMERGENCY BRAKE FLASHER LEADS Flasher & Fuse Panel To Lamp Assembly	\$26.00	
36083	1956	EMERGENCY BRAKE FLASHER LEADS Flasher & Fuse Panel To Lamp Assembly	\$26.00	
36083	1957	EMERGENCY BRAKE FLASHER LEADS Flasher & Fuse Panel To Lamp Assembly	\$26.00	
ENGINE HARNESS				
30995	1953	ENGINE HARNESS 6 Cylinder, 6 Volt System Note: 6 Cylinder Items Are Not Returnable.	\$132.00	
30995	1954	ENGINE HARNESS 6 Cylinder, 6 Volt System Note: 6 Cylinder Items Are Not Returnable.	\$132.00	
30995	1955	ENGINE HARNESS 6 Cylinder, 6 Volt System Note: 6 Cylinder Items Are Not Returnable.	\$132.00	
30990	1955	ENGINE HARNESS V/8, Auto Trans, 12 Volt System	\$132.00	
36014	1955	ENGINE HARNESS V/8, Manual Trans, 12 Volt System	\$132.00	
31805	1956	ENGINE HARNESS With Auto Trans	\$132.00	
31810	1956	ENGINE HARNESS With Manual Trans	\$132.00	
02655	1957	ENGINE HARNESS With Auto Trans, 1st Design, Before April 1957	\$132.00	
01280	1957	ENGINE HARNESS With Auto Trans, 2nd Design, After April 1957	\$132.00	
02650	1957	ENGINE HARNESS With Manual Trans, 1st Design, Before April 1957	\$132.00	
01285	1957	ENGINE HARNESS With Manual Trans, 2nd Design, After April 1957	\$132.00	
01300	1957	ENGINE HARNESS With Auto Trans & Fuel Injection	\$132.00	
01290	1957	ENGINE HARNESS With Manual Trans & Fuel Injection	\$132.00	
01330	1958	ENGINE HARNESS With Auto Trans	\$132.00	
01325	1958	ENGINE HARNESS With Manual Trans	\$132.00	
01330	1959	ENGINE HARNESS With Auto Trans	\$132.00	
01325	1959	ENGINE HARNESS With Manual Trans	\$132.00	
01330	1960	ENGINE HARNESS With Auto Trans	\$132.00	
01325	1960	ENGINE HARNESS With Manual Trans	\$132.00	
01330	1961	ENGINE HARNESS With Auto Trans	\$132.00	
01325	1961	ENGINE HARNESS With Manual Trans	\$132.00	
01370	1962	ENGINE HARNESS With Auto Trans	\$132.00	
01325	1962	ENGINE HARNESS With Manual Trans	\$132.00	
01380	1963	ENGINE HARNESS With A/C	\$304.00	
01375	1963	ENGINE HARNESS Without A/C	\$251.00	
35883	1964	ENGINE HARNESS With A/C	\$304.00	
35884	1964	ENGINE HARNESS Without A/C	\$251.00	

Part Number	Year	Description	Price	*Rev.
35883	1965	ENGINE HARNESS With A/C Note: Contains A Black With Pink Striped Wire At The Positive Side Of Coil (Early).	\$304.00	
01390	1965	ENGINE HARNESS With A/C Note: Contains A Solid Pink Wire At The Positive Side Of Coil (Late).	\$304.00	
35884	1965	ENGINE HARNESS Without A/C Note: Contains A Black With Pink Striped Wire At The Positive Side Of Coil (Early).	\$251.00	
01385	1965	ENGINE HARNESS Without A/C Note: Contains A Solid Pink Wire At The Positive Side Of Coil (Late).	\$251.00	
35885	1965	ENGINE HARNESS 396 C.I. Note: Contains A Black With Pink Striped Wire At The Positive Side Of Coil (Early).	\$251.00	
37105	1965	ENGINE HARNESS 396 C.I., With T.I. Ignition (K66) Note: Contains A Black With Pink Striped Wire At The Positive Side Of Coil (Early).	\$251.00	
01405	1965	ENGINE HARNESS 396 C.I. Note: Contains A Solid Pink Wire At The Positive Side Of Coil (Late), This Harness Can Be Used With Point Ignition Distributors Or Can Be Modified Per The Factory Assembly Manual To Transistor Ignition (K66).	\$251.00	
01410	1966	ENGINE AND FORWARD LAMP HARNESS All, Forward Lamp & Engine Harness Are One Complete Unit	\$485.00	
01415	1967	ENGINE AND FORWARD LAMP HARNESS All, Forward Lamp & Engine Harness Are One Complete Unit	\$498.00	
01420	1968	ENGINE HARNESS All	\$304.00	
01425	1969	ENGINE HARNESS All	\$304.00	
01435	1970	ENGINE HARNESS With Auto Trans	\$304.00	
01430	1970	ENGINE HARNESS With Manual Trans	\$304.00	
01445	1971	ENGINE HARNESS With Auto Trans	\$304.00	
01440	1971	ENGINE HARNESS With Manual Trans	\$304.00	
01455	1972	ENGINE HARNESS Small Block, With Auto Trans	\$304.00	
01450	1972	ENGINE HARNESS Small Block, With Manual Trans	\$304.00	
01465	1972	ENGINE HARNESS Big Block, With Auto Trans	\$304.00	
01460	1972	ENGINE HARNESS Big Block, With Manual Trans	\$304.00	
01475	1973	ENGINE HARNESS Small Block, With Auto Trans	\$304.00	
01470	1973	ENGINE HARNESS Small Block, With Manual Trans	\$304.00	
01485	1973	ENGINE HARNESS Big Block, With Auto Trans	\$304.00	
01480	1973	ENGINE HARNESS Big Block, With Manual Trans	\$304.00	
01495	1974	ENGINE HARNESS Small Block, Auto Trans, Includes Seatbelt Ignition Interlock	\$304.00	
01490	1974	ENGINE HARNESS Small Block, Manual Trans, Includes Seatbelt Ignition Interlock	\$304.00	
01505	1974	ENGINE HARNESS Big Block, Auto Trans, Includes Seatbelt Ignition Interlock	\$304.00	
01500	1974	ENGINE HARNESS Big Block, Manual Trans, Includes Seatbelt Ignition Interlock	\$304.00	
20065	1975	ENGINE HARNESS Auto Trans, With Seatbelt Ignition Interlock System (Early)	\$304.00	
20030	1975	ENGINE HARNESS Manual Trans, With Seatbelt Ignition Interlock System (Early)	\$304.00	
01515	1975	ENGINE HARNESS Auto Trans, Without Seatbelt Ignition Interlock System (Late) Note: If Eliminating Seatbelt Ignition Interlock, The Dash, Engine & Rear Lamp Harnesses All Need To Be Replaced.	\$304.00	
01510	1975	ENGINE HARNESS Manual Trans, Without Seatbelt Ignition Interlock System (Late) Note: If Eliminating Seatbelt Ignition Interlock, The Dash, Engine & Rear Lamp Harnesses All Need To Be Replaced.	\$304.00	
18930	1976	ENGINE HARNESS With Auto Trans	\$304.00	
18920	1976	ENGINE HARNESS With Manual Trans	\$304.00	
31160	1977	ENGINE HARNESS Auto Trans, Anti-Theft Switch Mounted In Fender (Early)	\$304.00	
27065	1977	ENGINE HARNESS Manual Trans, Anti-Theft Switch Mounted In Fender (Early)	\$304.00	
27590	1977	ENGINE HARNESS All, With Anti-Theft Switch Mounted In Door Lock (Late)	\$304.00	
27080	1978	ENGINE HARNESS All	\$304.00	
27040	1979	ENGINE HARNESS All	\$304.00	

Part Number	Year	Description	Price	*Rev.
27760	1980	ENGINE HARNESS All, Except Computer Control Option (Mv4) TH350C Auto Trans	\$323.00	
27675	1980	ENGINE HARNESS Auto Trans, TH350C With Computer Control Option (Mv4)	\$323.00	
34445	1981	ENGINE HARNESS Auto Trans	\$323.00	
32800	1981	ENGINE HARNESS Manual Trans	\$323.00	
32805	1982	ENGINE HARNESS Auto Trans	\$323.00	
FAN EXTENSION HARNESS				
32775	1979	FAN EXTENSION HARNESS For Auxiliary Cooling Fan (L82)	\$92.00	
32775	1980	FAN EXTENSION HARNESS For Auxiliary Cooling Fan (L82)	\$92.00	
32775	1981	FAN EXTENSION HARNESS For Auxiliary Cooling Fan	\$92.00	
32770	1982	FAN EXTENSION HARNESS For Auxiliary Cooling Fan	\$92.00	
FORWARD LAMP HARNESS				
01555	1963	FORWARD LAMP HARNESS	\$235.00	
35886	1964	FORWARD LAMP HARNESS	\$235.00	
35886	1965	FORWARD LAMP HARNESS Note: Contains A Black With Light Green Striped Wire At The Headlight Connector (Early).	\$235.00	
01560	1965	FORWARD LAMP HARNESS Note: Contains A Solid Light Green Wire At The Headlight Connector (Late).	\$235.00	
01580	1968	FORWARD LAMP HARNESS Includes Fiber Optic Sub Assembly	\$480.00	
16165	1968	FIBER OPTIC SUB ASSEMBLY ONLY For Servicing Forward Lamp Fiber Optics Only	\$264.00	
01585	1969	FORWARD LAMP HARNESS Includes Fiber Optic Sub Assembly	\$480.00	
16165	1969	FIBER OPTIC SUB ASSEMBLY ONLY For Servicing Forward Lamp Fiber Optics Only	\$264.00	
01590	1970	FORWARD LAMP HARNESS Includes Fiber Optic Sub Assembly	\$480.00	
16165	1970	FIBER OPTIC SUB ASSEMBLY ONLY For Servicing Forward Lamp Fiber Optics Only	\$264.00	
01595	1971	FORWARD LAMP HARNESS Includes Fiber Optic Sub Assembly	\$480.00	
16165	1971	FIBER OPTIC SUB ASSEMBLY ONLY For Servicing Forward Lamp Fiber Optics Only	\$264.00	
01600	1972	FORWARD LAMP HARNESS	\$418.00	
01605	1973	FORWARD LAMP HARNESS	\$418.00	
01610	1974	FORWARD LAMP HARNESS	\$418.00	
01615	1975	FORWARD LAMP HARNESS	\$418.00	
17125	1976	FORWARD LAMP HARNESS	\$418.00	
27130	1977	FORWARD LAMP HARNESS Anti-Theft Switch Mounted In Fender (Early) Before 3/2/77	\$418.00	
27125	1977	FORWARD LAMP HARNESS Anti-Theft Switch Mounted In Door Lock (Late) After 3/2/77	\$418.00	
38245	1978	FORWARD LAMP HARNESS	\$418.00	
27135	1979	FORWARD LAMP HARNESS	\$418.00	
27685	1980	FORWARD LAMP HARNESS Except Stereo, Includes Alternator Power Wire In Harness	\$480.00	
27660	1980	FORWARD LAMP HARNESS With Stereo & Separate Alternator Power Output Harness Note: Requires Use Of Battery Charge Circuit Harness Part #28110.	\$480.00	
32790	1981	FORWARD LAMP HARNESS Includes Alternator Power Wire In Harness	\$480.00	
32785	1981	FORWARD LAMP HARNESS With Separate Alternator Power Output Harness Note: Requires Use Of Battery Charge Circuit Harness Part #28110.	\$480.00	
32815	1982	FORWARD LAMP HARNESS Includes Alternator Power Wire In Harness	\$480.00	
32795	1982	FORWARD LAMP HARNESS Separate Alternator Power Output Harness Note: Requires Use Of Battery Charge Circuit Harness Part #28110.	\$480.00	
FRONT PARKING LAMP EXTENSION HARNESS				
37828	1958	FRONT PARKING LAMP EXTENSION HARNESS Set Of 2, Includes Grommets, Tubing & Sockets	\$75.00	
37828	1959	FRONT PARKING LAMP EXTENSION HARNESS Set Of 2, Includes Grommets, Tubing & Sockets	\$75.00	
37828	1960	FRONT PARKING LAMP EXTENSION HARNESS Set Of 2, Includes Grommets, Tubing & Sockets	\$75.00	

Part Number	Year	Description	Price	*Rev.
37828	1961	FRONT PARKING LAMP EXTENSION HARNESS Set Of 2, Includes Grommets, Tubing & Sockets	\$75.00	
37828	1962	FRONT PARKING LAMP EXTENSION HARNESS Set Of 2, Includes Grommets, Tubing & Sockets	\$75.00	
01620	1970	FRONT PARKING LAMP EXTENSION HARNESS Set Of 2	\$69.00	
01620	1970	FRONT PARKING LAMP EXTENSION HARNESS Set Of 2	\$69.00	
01620	1971	FRONT PARKING LAMP EXTENSION HARNESS Set Of 2	\$69.00	
01620	1972	FRONT PARKING LAMP EXTENSION HARNESS Set Of 2	\$69.00	
01620	1973	FRONT PARKING LAMP EXTENSION HARNESS Set Of 2	\$69.00	
01620	1974	FRONT PARKING LAMP EXTENSION HARNESS Set Of 2	\$69.00	
01620	1975	FRONT PARKING LAMP EXTENSION HARNESS Set Of 2	\$69.00	
01620	1976	FRONT PARKING LAMP EXTENSION HARNESS Set Of 2	\$69.00	
01620	1977	FRONT PARKING LAMP EXTENSION HARNESS Set Of 2 Note: With Round Rubber Mold On Connector, Before 3/2/77.	\$69.00	
27910	1977	FRONT PARKING LAMP EXTENSION HARNESS Set Of 2 Note: With Square Plastic Connector, After 3/2/77.	\$69.00	
27910	1978	FRONT PARKING LAMP EXTENSION HARNESS Set Of 2	\$69.00	
28030	1979	FRONT PARKING LAMP EXTENSION HARNESS Set Of 2	\$69.00	
FUEL GAUGE				
05644696	1963	FUEL GAUGE	\$39.00	N
05644966	1964	FUEL GAUGE	\$39.00	N
06430263	1965	FUEL GAUGE	\$47.00	N
06430263	1966	FUEL GAUGE	\$47.00	N
06430263	1967	FUEL GAUGE	\$47.00	N
FUEL INJECTION ELECTRIC CHOKE REPAIR HARNESS				
37870	1957	FUEL INJECTION ELECTRIC CHOKE REPAIR HARNESS	\$33.00	
36137	1958	FUEL INJECTION ELECTRIC CHOKE REPAIR HARNESS	\$33.00	
36137	1959	FUEL INJECTION ELECTRIC CHOKE REPAIR HARNESS	\$33.00	
36137	1960	FUEL INJECTION ELECTRIC CHOKE REPAIR HARNESS	\$33.00	
36137	1961	FUEL INJECTION ELECTRIC CHOKE REPAIR HARNESS	\$33.00	
36138	1962	FUEL INJECTION ELECTRIC CHOKE REPAIR HARNESS	\$33.00	
FUEL TANK SENDER HARNESS				
01625	1963	FUEL TANK SENDER HARNESS With Optional 35.5 Gallon Fuel Tank	\$66.00	
01630	1964	FUEL TANK SENDER HARNESS With Optional 35.5 Gallon Fuel Tank	\$66.00	
01635	1965	FUEL TANK SENDER HARNESS With Optional 35.5 Gallon Fuel Tank Note: Harness Is Wrapped With Vinyl Tape Over Solid Color Wire.	\$66.00	
35888	1965	FUEL TANK SENDER HARNESS With Optional 35.5 Gallon Fuel Tank Note: Harness Uses 3-Wire Ripcord, Black/Tan And Black With Pink Stripe.	\$66.00	
01635	1966	FUEL TANK SENDER HARNESS With Optional 35.5 Gallon Fuel Tank	\$66.00	
01635	1967	FUEL TANK SENDER HARNESS With Optional 35.5 Gallon Fuel Tank	\$66.00	
27715	1975	FUEL TANK SENDER HARNESS From Rear Lamp Harness To Fuel Tank Meter Unit	\$43.00	
27715	1976	FUEL TANK SENDER HARNESS From Rear Lamp Harness To Fuel Tank Meter Unit	\$43.00	
27715	1977	FUEL TANK SENDER HARNESS From Rear Lamp Harness To Fuel Tank Meter Unit	\$43.00	
38378	1978	FUEL TANK SENDER HARNESS From Rear Lamp Harness To Fuel Tank Meter Unit	\$52.00	
FUEL TANK SENDING UNIT				
01518785	1956	FUEL TANK SENDING UNIT 3/8" Fuel Line	\$43.00	N

Corvette



Phone (562) 926-9552

Fax (562) 926-9572

Part Number	Year	Description	Price	*Rev.
01518785	1957	FUEL TANK SENDING UNIT 3/8" Fuel Line	\$43.00	N
01518785	1958	FUEL TANK SENDING UNIT 3/8" Fuel Line	\$43.00	N
01518785	1959	FUEL TANK SENDING UNIT 3/8" Fuel Line	\$43.00	N
01518785	1960	FUEL TANK SENDING UNIT 3/8" Fuel Line	\$43.00	N
05642125	1961	FUEL TANK SENDING UNIT 3/8" Fuel Line	\$43.00	N
05642125	1962	FUEL TANK SENDING UNIT 3/8" Fuel Line	\$43.00	N
06428065	1963	FUEL TANK SENDING UNIT 3/8" Fuel Line	\$43.00	N
06428065	1964	FUEL TANK SENDING UNIT 3/8" Fuel Line	\$43.00	N
06428065	1965	FUEL TANK SENDING UNIT 3/8" Fuel Line	\$43.00	N
06428065	1966	FUEL TANK SENDING UNIT 3/8" Fuel Line	\$43.00	N
06428065	1967	FUEL TANK SENDING UNIT 3/8" Fuel Line	\$43.00	N
06428164	1968	FUEL TANK SENDING UNIT 3/8" Fuel Line	\$43.00	N
06428164	1969	FUEL TANK SENDING UNIT 3/8" Fuel Line	\$43.00	N
06428164	1970	FUEL TANK SENDING UNIT 3/8" Fuel Line	\$43.00	N
06428164	1971	FUEL TANK SENDING UNIT 3/8" Fuel Line	\$43.00	N
06428164	1972	FUEL TANK SENDING UNIT 3/8" Fuel Line	\$43.00	N
06428164	1973	FUEL TANK SENDING UNIT 3/8" Fuel Line	\$43.00	N

Part Number	Year	Description	Price	*Rev.
06428164	1974	FUEL TANK SENDING UNIT 3/8" Fuel Line	\$43.00	N
25000316	1975	FUEL TANK SENDING UNIT 3/8" Fuel Line	\$154.00	N
25000316	1976	FUEL TANK SENDING UNIT 3/8" Fuel Line	\$154.00	N
25000316	1977	FUEL TANK SENDING UNIT 3/8" Fuel Line	\$154.00	N
25001013	1978	FUEL TANK SENDING UNIT 3/8" Fuel Line	\$78.00	N
25001013	1979	FUEL TANK SENDING UNIT 3/8" Fuel Line	\$78.00	N
25001013	1980	FUEL TANK SENDING UNIT 3/8" Fuel Line	\$78.00	N
25001013	1981	FUEL TANK SENDING UNIT 3/8" Fuel Line	\$78.00	N
25003153	1982	FUEL TANK SENDING UNIT 3/8" Fuel Line	\$154.00	N
FUSE BLOCK REPAIR KIT-ALL				
37871	1958	FUSE BLOCK REPAIR KIT, ALL New Fuse Block With Buss Bars Installed Note: This Item Is Non-Returnable And Non-Refundable.	\$165.00	
37871	1959	FUSE BLOCK REPAIR KIT, ALL New Fuse Block With Buss Bars Installed Note: This Item Is Non-Returnable And Non-Refundable.	\$165.00	
37871	1960	FUSE BLOCK REPAIR KIT, ALL New Fuse Block With Buss Bars Installed Note: This Item Is Non-Returnable And Non-Refundable.	\$165.00	
37871	1961	FUSE BLOCK REPAIR KIT, ALL New Fuse Block With Buss Bars Installed Note: This Item Is Non-Returnable And Non-Refundable.	\$165.00	
37871	1962	FUSE BLOCK REPAIR KIT, ALL New Fuse Block With Buss Bars Installed Note: This Item Is Non-Returnable And Non-Refundable.	\$165.00	
37872	1963	FUSE BLOCK REPAIR KIT, ALL New Fuse Block With Buss Bars Installed Note: This Item Is Non-Returnable And Non-Refundable.	\$165.00	
37873	1964	FUSE BLOCK REPAIR KIT, ALL New Fuse Block With Buss Bars Installed Note: This Item Is Non-Returnable And Non-Refundable.	\$165.00	
37873	1965	FUSE BLOCK REPAIR KIT, ALL New Fuse Block With Buss Bars Installed Note: This Item Is Non-Returnable And Non-Refundable.	\$165.00	
37873	1966	FUSE BLOCK REPAIR KIT, ALL New Fuse Block With Buss Bars Installed Note: This Item Is Non-Returnable And Non-Refundable.	\$165.00	
37874	1967	FUSE BLOCK REPAIR KIT, ALL New Fuse Block With Buss Bars Installed Note: This Item Is Non-Returnable And Non-Refundable.	\$165.00	
GLOVE BOX LAMP SWITCH ASSEMBLY				
36088	1963	GLOVE BOX LAMP SWITCH ASSEMBLY Switch, Bulb & Terminal, 1st Design, Without Metal Bulb Reflector	\$22.00	

Part Number	Year	Description	Price	*Rev.
36135	1963	GLOVE BOX LAMP SWITCH ASSEMBLY Switch, Bulb & Terminal, 2nd Design With Metal Bulb Reflector	\$22.00	
36135	1964	GLOVE BOX LAMP SWITCH ASSEMBLY Switch, Bulb & Terminal	\$22.00	
36135	1965	GLOVE BOX LAMP SWITCH ASSEMBLY Switch, Bulb & Terminal	\$22.00	
36135	1966	GLOVE BOX LAMP SWITCH ASSEMBLY Switch, Bulb & Terminal	\$22.00	
36135	1967	GLOVE BOX LAMP SWITCH ASSEMBLY Switch, Bulb & Terminal	\$22.00	
36136	1978	GLOVE BOX LAMP SWITCH ASSEMBLY Switch, Bulb & Terminals	\$25.00	
36136	1979	GLOVE BOX LAMP SWITCH ASSEMBLY Switch, Bulb & Terminals	\$25.00	
36136	1980	GLOVE BOX LAMP SWITCH ASSEMBLY Switch, Bulb & Terminals	\$25.00	
36136	1981	GLOVE BOX LAMP SWITCH ASSEMBLY Switch, Bulb & Terminals	\$25.00	
36136	1982	GLOVE BOX LAMP SWITCH ASSEMBLY Switch, Bulb & Terminals	\$25.00	
GROUND CABLE				
11995	1968	GROUND CABLE Starter To Frame	\$43.00	
11995	1969	GROUND CABLE Starter To Frame	\$43.00	
11995	1970	GROUND CABLE Starter To Frame	\$43.00	
11995	1971	GROUND CABLE Starter To Frame	\$43.00	
27560	1972	GROUND CABLE Starter To Frame	\$43.00	
27560	1973	GROUND CABLE Starter To Frame	\$43.00	
27560	1974	GROUND CABLE Starter To Frame	\$43.00	
27560	1975	GROUND CABLE Starter To Frame	\$43.00	
27560	1976	GROUND CABLE Starter To Frame	\$43.00	
27560	1977	GROUND CABLE Starter To Frame	\$43.00	
27560	1978	GROUND CABLE Starter To Frame	\$43.00	
27560	1979	GROUND CABLE Starter To Frame	\$43.00	
27560	1980	GROUND CABLE Starter To Frame	\$43.00	
27560	1981	GROUND CABLE Starter To Frame	\$43.00	
27560	1982	GROUND CABLE Starter To Frame	\$43.00	
GROUND STRAP				
22920	1956	GROUND STRAP Power Top Motor To Frame, All With Trunk Lid Safety Switch On Passenger's Side	\$32.00	C
22920	1957	GROUND STRAP All, Power Top Motor To Frame	\$32.00	C
22920	1958	GROUND STRAP All, Power Top Motor To Frame	\$32.00	C
22920	1959	GROUND STRAP All, Power Top Motor To Frame	\$32.00	C
22920	1960	GROUND STRAP All, Power Top Motor To Frame	\$32.00	C
22920	1961	GROUND STRAP All, Power Top Motor To Frame	\$32.00	C
22920	1962	GROUND STRAP All, Power Top Motor To Frame	\$32.00	C
33240	1982	GROUND STRAP Door Sill Note: This Item Is Included In Our Ground Strap Kit 36078 & 36087.	\$16.00	C
GROUND STRAP KIT				
32600	1955	GROUND STRAP KIT All V/8	\$46.00	C
32600	1956	GROUND STRAP KIT All Without Power Top, With Power Top Also Requires #22920	\$46.00	C
32600	1957	GROUND STRAP KIT All Without Power Top, With Power Top Also Requires #22920	\$46.00	C
32600	1958	GROUND STRAP KIT All Without Power Top, With Power Top Also Requires #22920	\$46.00	C
32600	1959	GROUND STRAP KIT All Without Power Top, With Power Top Also Requires #22920	\$46.00	C
32600	1960	GROUND STRAP KIT All Without Power Top, With Power Top Also Requires #22920	\$46.00	C
38191	1961	GROUND STRAP KIT All Without Power Top, With Power Top Also Requires #22920	\$46.00	C
38191	1962	GROUND STRAP KIT All Without Power Top, With Power Top Also Requires #22920	\$46.00	C
44213	1963	GROUND STRAP KIT All With Side Exhaust	\$34.00	N

Part Number	Year	Description	Price	*Rev.
32610	1963	GROUND STRAP KIT All Without Side Exhaust	\$42.00	C
44213	1964	GROUND STRAP KIT All With Side Exhaust	\$34.00	N
32620	1964	GROUND STRAP KIT All Without Side Exhaust	\$39.00	C
44213	1965	GROUND STRAP KIT All With Side Exhaust	\$34.00	N
32620	1965	GROUND STRAP KIT All Without Side Exhaust	\$39.00	C
44213	1966	GROUND STRAP KIT All With Side Exhaust	\$34.00	N
32620	1966	GROUND STRAP KIT All Without Side Exhaust	\$39.00	C
44214	1967	GROUND STRAP KIT All With Side Exhaust	\$34.00	N
44215	1967	GROUND STRAP KIT All Without Side Exhaust	\$39.00	N
33990	1968	GROUND STRAP KIT All	\$32.00	C
33985	1969	GROUND STRAP KIT All With Side Exhaust	\$24.00	C
33990	1969	GROUND STRAP KIT All Without Side Exhaust	\$32.00	C
33990	1970	GROUND STRAP KIT All	\$32.00	C
33985	1971	GROUND STRAP KIT All	\$24.00	C
33985	1972	GROUND STRAP KIT All	\$24.00	C
34000	1973	GROUND STRAP KIT All	\$24.00	
34000	1974	GROUND STRAP KIT All	\$24.00	
33995	1975	GROUND STRAP KIT All	\$24.00	
33995	1976	GROUND STRAP KIT All	\$24.00	
33995	1977	GROUND STRAP KIT All	\$24.00	
36102	1978	GROUND STRAP KIT All With Power Antenna	\$32.00	C
36103	1978	GROUND STRAP KIT All Without Power Antenna	\$32.00	C
36104	1979	GROUND STRAP KIT All With Power Antenna	\$32.00	C
36103	1979	GROUND STRAP KIT All Without Power Antenna	\$32.00	N
36104	1980	GROUND STRAP KIT All With Power Antenna	\$32.00	C
36103	1980	GROUND STRAP KIT All Without Power Antenna	\$32.00	N
36078	1981	GROUND STRAP KIT All With Power Antenna	\$32.00	C
36087	1981	GROUND STRAP KIT All Without Power Antenna	\$32.00	C
36078	1982	GROUND STRAP KIT All With Power Antenna	\$32.00	C
36087	1982	GROUND STRAP KIT All Without Power Antenna	\$32.00	C
GROUND WIRE				
37825	1953	GROUND WIRE Cigarette Lighter	\$18.00	
01650	1955	GROUND WIRE Cigarette Lighter	\$18.00	
22335	1955	GROUND WIRE Wiper Motor	\$18.00	
01650	1956	GROUND WIRE Cigarette Lighter	\$18.00	
22335	1956	GROUND WIRE Wiper Motor	\$18.00	
01650	1957	GROUND WIRE Cigarette Lighter	\$18.00	
22335	1957	GROUND WIRE Wiper Motor	\$18.00	
36069	1958	GROUND WIRE Radio To Valve Cover	\$18.00	
22335	1958	GROUND WIRE Wiper Motor	\$18.00	
36069	1959	GROUND WIRE Radio To Valve Cover	\$18.00	
22335	1959	GROUND WIRE Wiper Motor	\$18.00	
36069	1960	GROUND WIRE Radio To Valve Cover	\$18.00	
22335	1960	GROUND WIRE Wiper Motor	\$18.00	
36069	1961	GROUND WIRE Radio To Valve Cover	\$18.00	
22335	1961	GROUND WIRE Wiper Motor	\$18.00	
36069	1962	GROUND WIRE Radio To Valve Cover	\$18.00	

Part Number	Year	Description	Price	*Rev.
22335	1962	GROUND WIRE Wiper Motor	\$18.00	
01655	1964	GROUND WIRE Voltage Regulator	\$18.00	
01655	1965	GROUND WIRE Voltage Regulator	\$18.00	
01660	1965	GROUND WIRE Voltage Regulator, With Transistor Ignition, A/C Equiped Car	\$18.00	
20385	1966	GROUND WIRE Horn To Radiator Core Support, A/C Equiped Cars Only	\$18.00	
20385	1967	GROUND WIRE Horn To Radiator Core Support, A/C Equiped Cars Only	\$18.00	
36210	1977	GROUND WIRE Hood Lamp	\$18.00	
36210	1978	GROUND WIRE Hood Lamp	\$18.00	
36210	1979	GROUND WIRE Hood Lamp	\$18.00	
36210	1980	GROUND WIRE Hood Lamp	\$18.00	
GROUND WIRE-DISTRIBUTOR POINT PLATE				
38298	1957	GROUND WIRE, DISTRIBUTOR POINT PLATE From Distributor Point Plate To Distributor Housing Note: Replaces Spot Welded Wire Asm On Point Plate Side. Fits All GM V/8 Point Type Distributors From Approx. 1957-1974.	\$17.00	C
38298	1958	GROUND WIRE, DISTRIBUTOR POINT PLATE From Distributor Point Plate To Distributor Housing Note: Replaces Spot Welded Wire Asm On Point Plate Side. Fits All GM V/8 Point Type Distributors From Approx. 1957-1974.	\$17.00	C
38298	1959	GROUND WIRE, DISTRIBUTOR POINT PLATE From Distributor Point Plate To Distributor Housing Note: Replaces Spot Welded Wire Asm On Point Plate Side. Fits All GM V/8 Point Type Distributors From Approx. 1957-1974.	\$17.00	C
38298	1960	GROUND WIRE, DISTRIBUTOR POINT PLATE From Distributor Point Plate To Distributor Housing Note: Replaces Spot Welded Wire Asm On Point Plate Side. Fits All GM V/8 Point Type Distributors From Approx. 1957-1974.	\$17.00	C
38298	1961	GROUND WIRE, DISTRIBUTOR POINT PLATE From Distributor Point Plate To Distributor Housing Note: Replaces Spot Welded Wire Asm On Point Plate Side. Fits All GM V/8 Point Type Distributors From Approx. 1957-1974.	\$17.00	C
38298	1962	GROUND WIRE, DISTRIBUTOR POINT PLATE From Distributor Point Plate To Distributor Housing Note: Replaces Spot Welded Wire Asm On Point Plate Side. Fits All GM V/8 Point Type Distributors From Approx. 1957-1974.	\$17.00	C
38298	1963	GROUND WIRE, DISTRIBUTOR POINT PLATE From Distributor Point Plate To Distributor Housing Note: Replaces Spot Welded Wire Asm On Point Plate Side. Fits All GM V/8 Point Type Distributors From Approx. 1957-1974.	\$17.00	C
38298	1964	GROUND WIRE, DISTRIBUTOR POINT PLATE From Distributor Point Plate To Distributor Housing Note: Replaces Spot Welded Wire Asm On Point Plate Side. Fits All GM V/8 Point Type Distributors From Approx. 1957-1974.	\$17.00	C
38298	1965	GROUND WIRE, DISTRIBUTOR POINT PLATE From Distributor Point Plate To Distributor Housing Note: Replaces Spot Welded Wire Asm On Point Plate Side. Fits All GM V/8 Point Type Distributors From Approx. 1957-1974.	\$17.00	C
38298	1966	GROUND WIRE, DISTRIBUTOR POINT PLATE From Distributor Point Plate To Distributor Housing Note: Replaces Spot Welded Wire Asm On Point Plate Side. Fits All GM V/8 Point Type Distributors From Approx. 1957-1974.	\$17.00	C
38298	1967	GROUND WIRE, DISTRIBUTOR POINT PLATE From Distributor Point Plate To Distributor Housing Note: Replaces Spot Welded Wire Asm On Point Plate Side. Fits All GM V/8 Point Type Distributors From Approx. 1957-1974.	\$17.00	C
38298	1968	GROUND WIRE, DISTRIBUTOR POINT PLATE From Distributor Point Plate To Distributor Housing Note: Replaces Spot Welded Wire Asm On Point Plate Side. Fits All GM V/8 Point Type Distributors From Approx. 1957-1974.	\$17.00	C
38298	1969	GROUND WIRE, DISTRIBUTOR POINT PLATE From Distributor Point Plate To Distributor Housing Note: Replaces Spot Welded Wire Asm On Point Plate Side. Fits All GM V/8 Point Type Distributors From Approx. 1957-1974.	\$17.00	C
38298	1970	GROUND WIRE, DISTRIBUTOR POINT PLATE From Distributor Point Plate To Distributor Housing Note: Replaces Spot Welded Wire Asm On Point Plate Side. Fits All GM V/8 Point Type Distributors From Approx. 1957-1974.	\$17.00	C
38298	1971	GROUND WIRE, DISTRIBUTOR POINT PLATE From Distributor Point Plate To Distributor Housing Note: Replaces Spot Welded Wire Asm On Point Plate Side. Fits All GM V/8 Point Type Distributors From Approx. 1957-1974.	\$17.00	C
38298	1972	GROUND WIRE, DISTRIBUTOR POINT PLATE From Distributor Point Plate To Distributor Housing Note: Replaces Spot Welded Wire Asm On Point Plate Side. Fits All GM V/8 Point Type Distributors From Approx. 1957-1974.	\$17.00	C
38298	1973	GROUND WIRE, DISTRIBUTOR POINT PLATE From Distributor Point Plate To Distributor Housing Note: Replaces Spot Welded Wire Asm On Point Plate Side. Fits All GM V/8 Point Type Distributors From Approx. 1957-1974.	\$17.00	C
38298	1974	GROUND WIRE, DISTRIBUTOR POINT PLATE From Distributor Point Plate To Distributor Housing Note: Replaces Spot Welded Wire Asm On Point Plate Side. Fits All GM V/8 Point Type Distributors From Approx. 1957-1974.	\$17.00	C

Part Number	Year	Description	Price	*Rev.
HARNESS TAPE				
R0058272	1953	HARNESS TAPE 3/4" Vinyl (100 Ft. Roll) Non-Adhesive	\$12.00	
R0058276	1953	HARNESS TAPE 1" Vinyl (100 Ft. Roll) Non-Adhesive	\$13.00	
R0067108	1953	HARNESS TAPE 1 1/4" Vinyl (100 Ft. Roll) Non-Adhesive	\$15.00	
R0058272	1954	HARNESS TAPE 3/4" Vinyl (100 Ft. Roll) Non-Adhesive	\$12.00	
R0058276	1954	HARNESS TAPE 1" Vinyl (100 Ft. Roll) Non-Adhesive	\$13.00	
R0067108	1954	HARNESS TAPE 1 1/4" Vinyl (100 Ft. Roll) Non-Adhesive	\$15.00	
R0058272	1955	HARNESS TAPE 3/4" Vinyl (100 Ft. Roll) Non-Adhesive	\$12.00	
R0058276	1955	HARNESS TAPE 1" Vinyl (100 Ft. Roll) Non-Adhesive	\$13.00	
R0067108	1955	HARNESS TAPE 1 1/4" Vinyl (100 Ft. Roll) Non-Adhesive	\$15.00	
R0058272	1956	HARNESS TAPE 3/4" Vinyl (100 Ft. Roll) Non-Adhesive	\$12.00	
R0058276	1956	HARNESS TAPE 1" Vinyl (100 Ft. Roll) Non-Adhesive	\$13.00	
R0067108	1956	HARNESS TAPE 1 1/4" Vinyl (100 Ft. Roll) Non-Adhesive	\$15.00	
R0058272	1957	HARNESS TAPE 3/4" Vinyl (100 Ft. Roll) Non-Adhesive	\$12.00	
R0058276	1957	HARNESS TAPE 1" Vinyl (100 Ft. Roll) Non-Adhesive	\$13.00	
R0067108	1957	HARNESS TAPE 1 1/4" Vinyl (100 Ft. Roll) Non-Adhesive	\$15.00	
R0058272	1958	HARNESS TAPE 3/4" Vinyl (100 Ft. Roll) Non-Adhesive	\$12.00	
R0058276	1958	HARNESS TAPE 1" Vinyl (100 Ft. Roll) Non-Adhesive	\$13.00	
R0067108	1958	HARNESS TAPE 1 1/4" Vinyl (100 Ft. Roll) Non-Adhesive	\$15.00	
R0058272	1959	HARNESS TAPE 3/4" Vinyl (100 Ft. Roll) Non-Adhesive	\$12.00	
R0058276	1959	HARNESS TAPE 1" Vinyl (100 Ft. Roll) Non-Adhesive	\$13.00	
R0067108	1959	HARNESS TAPE 1 1/4" Vinyl (100 Ft. Roll) Non-Adhesive	\$15.00	
R0058272	1960	HARNESS TAPE 3/4" Vinyl (100 Ft. Roll) Non-Adhesive	\$12.00	
R0058276	1960	HARNESS TAPE 1" Vinyl (100 Ft. Roll) Non-Adhesive	\$13.00	
R0067108	1960	HARNESS TAPE 1 1/4" Vinyl (100 Ft. Roll) Non-Adhesive	\$15.00	
R0058272	1961	HARNESS TAPE 3/4" Vinyl (100 Ft. Roll) Non-Adhesive	\$12.00	
R0058276	1961	HARNESS TAPE 1" Vinyl (100 Ft. Roll) Non-Adhesive	\$13.00	
R0067108	1961	HARNESS TAPE 1 1/4" Vinyl (100 Ft. Roll) Non-Adhesive	\$15.00	
R0058272	1962	HARNESS TAPE 3/4" Vinyl (100 Ft. Roll) Non-Adhesive	\$12.00	
R0058276	1962	HARNESS TAPE 1" Vinyl (100 Ft. Roll) Non-Adhesive	\$13.00	
R0067108	1962	HARNESS TAPE 1 1/4" Vinyl (100 Ft. Roll) Non-Adhesive	\$15.00	
R0058272	1963	HARNESS TAPE 3/4" Vinyl (100 Ft. Roll) Non-Adhesive	\$12.00	
R0058276	1963	HARNESS TAPE 1" Vinyl (100 Ft. Roll) Non-Adhesive	\$13.00	
R0067108	1963	HARNESS TAPE 1 1/4" Vinyl (100 Ft. Roll) Non-Adhesive	\$15.00	
R0058272	1964	HARNESS TAPE 3/4" Vinyl (100 Ft. Roll) Non-Adhesive	\$12.00	
R0058276	1964	HARNESS TAPE 1" Vinyl (100 Ft. Roll) Non-Adhesive	\$13.00	
R0067108	1964	HARNESS TAPE 1 1/4" Vinyl (100 Ft. Roll) Non-Adhesive	\$15.00	
R0058272	1965	HARNESS TAPE 3/4" Vinyl (100 Ft. Roll) Non-Adhesive	\$12.00	
R0058276	1965	HARNESS TAPE 1" Vinyl (100 Ft. Roll) Non-Adhesive	\$13.00	
R0067108	1965	HARNESS TAPE 1 1/4" Vinyl (100 Ft. Roll) Non-Adhesive	\$15.00	
R0058272	1966	HARNESS TAPE 3/4" Vinyl (100 Ft. Roll) Non-Adhesive	\$12.00	
R0058276	1966	HARNESS TAPE 1" Vinyl (100 Ft. Roll) Non-Adhesive	\$13.00	
R0067108	1966	HARNESS TAPE 1 1/4" Vinyl (100 Ft. Roll) Non-Adhesive	\$15.00	
R0058272	1967	HARNESS TAPE 3/4" Vinyl (100 Ft. Roll) Non-Adhesive	\$12.00	
R0058276	1967	HARNESS TAPE 1" Vinyl (100 Ft. Roll) Non-Adhesive	\$13.00	
R0067108	1967	HARNESS TAPE 1 1/4" Vinyl (100 Ft. Roll) Non-Adhesive	\$15.00	
R0058272	1968	HARNESS TAPE 3/4" Vinyl (100 Ft. Roll) Non-Adhesive	\$12.00	

Part Number	Year	Description	Price	*Rev.
R0058276	1968	HARNESS TAPE 1" Vinyl (100 Ft. Roll) Non-Adhesive	\$13.00	
R0067108	1968	HARNESS TAPE 1 1/4" Vinyl (100 Ft. Roll) Non-Adhesive	\$15.00	
R0058272	1969	HARNESS TAPE 3/4" Vinyl (100 Ft. Roll) Non-Adhesive	\$12.00	
R0058276	1969	HARNESS TAPE 1" Vinyl (100 Ft. Roll) Non-Adhesive	\$13.00	
R0067108	1969	HARNESS TAPE 1 1/4" Vinyl (100 Ft. Roll) Non-Adhesive	\$15.00	
R0058272	1970	HARNESS TAPE 3/4" Vinyl (100 Ft. Roll) Non-Adhesive	\$12.00	
R0058276	1970	HARNESS TAPE 1" Vinyl (100 Ft. Roll) Non-Adhesive	\$13.00	
R0067108	1970	HARNESS TAPE 1 1/4" Vinyl (100 Ft. Roll) Non-Adhesive	\$15.00	
R0058272	1971	HARNESS TAPE 3/4" Vinyl (100 Ft. Roll) Non-Adhesive	\$12.00	
R0058276	1971	HARNESS TAPE 1" Vinyl (100 Ft. Roll) Non-Adhesive	\$13.00	
R0067108	1971	HARNESS TAPE 1 1/4" Vinyl (100 Ft. Roll) Non-Adhesive	\$15.00	
R0058272	1972	HARNESS TAPE 3/4" Vinyl (100 Ft. Roll) Non-Adhesive	\$12.00	
R0058276	1972	HARNESS TAPE 1" Vinyl (100 Ft. Roll) Non-Adhesive	\$13.00	
R0067108	1972	HARNESS TAPE 1 1/4" Vinyl (100 Ft. Roll) Non-Adhesive	\$15.00	
R0058272	1973	HARNESS TAPE 3/4" Vinyl (100 Ft. Roll) Non-Adhesive	\$12.00	
R0058276	1973	HARNESS TAPE 1" Vinyl (100 Ft. Roll) Non-Adhesive	\$13.00	
R0067108	1973	HARNESS TAPE 1 1/4" Vinyl (100 Ft. Roll) Non-Adhesive	\$15.00	
R0058272	1974	HARNESS TAPE 3/4" Vinyl (100 Ft. Roll) Non-Adhesive	\$12.00	
R0058276	1974	HARNESS TAPE 1" Vinyl (100 Ft. Roll) Non-Adhesive	\$13.00	
R0067108	1974	HARNESS TAPE 1 1/4" Vinyl (100 Ft. Roll) Non-Adhesive	\$15.00	
R0058272	1975	HARNESS TAPE 3/4" Vinyl (100 Ft. Roll) Non-Adhesive	\$12.00	
R0058276	1975	HARNESS TAPE 1" Vinyl (100 Ft. Roll) Non-Adhesive	\$13.00	
R0067108	1975	HARNESS TAPE 1 1/4" Vinyl (100 Ft. Roll) Non-Adhesive	\$15.00	
R0058272	1976	HARNESS TAPE 3/4" Vinyl (100 Ft. Roll) Non-Adhesive	\$12.00	
R0058276	1976	HARNESS TAPE 1" Vinyl (100 Ft. Roll) Non-Adhesive	\$13.00	
R0067108	1976	HARNESS TAPE 1 1/4" Vinyl (100 Ft. Roll) Non-Adhesive	\$15.00	
R0058272	1977	HARNESS TAPE 3/4" Vinyl (100 Ft. Roll) Non-Adhesive	\$12.00	
R0058276	1977	HARNESS TAPE 1" Vinyl (100 Ft. Roll) Non-Adhesive	\$13.00	
R0067108	1977	HARNESS TAPE 1 1/4" Vinyl (100 Ft. Roll) Non-Adhesive	\$15.00	
R0058272	1978	HARNESS TAPE 3/4" Vinyl (100 Ft. Roll) Non-Adhesive	\$12.00	
R0058276	1978	HARNESS TAPE 1" Vinyl (100 Ft. Roll) Non-Adhesive	\$13.00	
R0067108	1978	HARNESS TAPE 1 1/4" Vinyl (100 Ft. Roll) Non-Adhesive	\$15.00	
R0058272	1979	HARNESS TAPE 3/4" Vinyl (100 Ft. Roll) Non-Adhesive	\$12.00	
R0058276	1979	HARNESS TAPE 1" Vinyl (100 Ft. Roll) Non-Adhesive	\$13.00	
R0067108	1979	HARNESS TAPE 1 1/4" Vinyl (100 Ft. Roll) Non-Adhesive	\$15.00	
R0058272	1980	HARNESS TAPE 3/4" Vinyl (100 Ft. Roll) Non-Adhesive	\$12.00	
R0058276	1980	HARNESS TAPE 1" Vinyl (100 Ft. Roll) Non-Adhesive	\$13.00	
R0067108	1980	HARNESS TAPE 1 1/4" Vinyl (100 Ft. Roll) Non-Adhesive	\$15.00	
R0058272	1981	HARNESS TAPE 3/4" Vinyl (100 Ft. Roll) Non-Adhesive	\$12.00	
R0058276	1981	HARNESS TAPE 1" Vinyl (100 Ft. Roll) Non-Adhesive	\$13.00	
R0067108	1981	HARNESS TAPE 1 1/4" Vinyl (100 Ft. Roll) Non-Adhesive	\$15.00	
R0058272	1982	HARNESS TAPE 3/4" Vinyl (100 Ft. Roll) Non-Adhesive	\$12.00	
R0058276	1982	HARNESS TAPE 1" Vinyl (100 Ft. Roll) Non-Adhesive	\$13.00	
R0067108	1982	HARNESS TAPE 1 1/4" Vinyl (100 Ft. Roll) Non-Adhesive	\$15.00	
R0058272	1983	HARNESS TAPE 3/4" Vinyl (100 Ft. Roll) Non-Adhesive	\$12.00	
R0058276	1983	HARNESS TAPE 1" Vinyl (100 Ft. Roll) Non-Adhesive	\$13.00	
R0067108	1983	HARNESS TAPE 1 1/4" Vinyl (100 Ft. Roll) Non-Adhesive	\$15.00	

Part Number	Year	Description	Price	*Rev.
R0058272	1984	HARNESS TAPE 3/4" Vinyl (100 Ft. Roll) Non-Adhesive	\$12.00	
R0058276	1984	HARNESS TAPE 1" Vinyl (100 Ft. Roll) Non-Adhesive	\$13.00	
R0067108	1984	HARNESS TAPE 1 1/4" Vinyl (100 Ft. Roll) Non-Adhesive	\$15.00	
R0058272	1985	HARNESS TAPE 3/4" Vinyl (100 Ft. Roll) Non-Adhesive	\$12.00	
R0058276	1985	HARNESS TAPE 1" Vinyl (100 Ft. Roll) Non-Adhesive	\$13.00	
R0067108	1985	HARNESS TAPE 1 1/4" Vinyl (100 Ft. Roll) Non-Adhesive	\$15.00	
R0058272	1986	HARNESS TAPE 3/4" Vinyl (100 Ft. Roll) Non-Adhesive	\$12.00	
R0058276	1986	HARNESS TAPE 1" Vinyl (100 Ft. Roll) Non-Adhesive	\$13.00	
R0067108	1986	HARNESS TAPE 1 1/4" Vinyl (100 Ft. Roll) Non-Adhesive	\$15.00	
HEADLAMP DIMMER SWITCH				
01997008	1953	HEADLAMP DIMMER SWITCH	\$12.00	N
01997008	1954	HEADLAMP DIMMER SWITCH	\$12.00	N
01997008	1955	HEADLAMP DIMMER SWITCH 6 Volt	\$12.00	N
01997021	1955	HEADLAMP DIMMER SWITCH 12 Volt	\$19.00	N
01997021	1956	HEADLAMP DIMMER SWITCH	\$19.00	N
01997023	1957	HEADLAMP DIMMER SWITCH 2 Hole Mounting Flange	\$16.00	N
01997023	1958	HEADLAMP DIMMER SWITCH 2 Hole Mounting Flange	\$16.00	N
01997023	1959	HEADLAMP DIMMER SWITCH 2 Hole Mounting Flange	\$16.00	N
01997023	1960	HEADLAMP DIMMER SWITCH 2 Hole Mounting Flange	\$16.00	N
01997023	1961	HEADLAMP DIMMER SWITCH 2 Hole Mounting Flange	\$16.00	N
01997023	1962	HEADLAMP DIMMER SWITCH 2 Hole Mounting Flange	\$16.00	N
01997028	1963	HEADLAMP DIMMER SWITCH	\$7.50	N
01997028	1964	HEADLAMP DIMMER SWITCH	\$7.50	N
01997028	1965	HEADLAMP DIMMER SWITCH	\$7.50	N
01997028	1966	HEADLAMP DIMMER SWITCH	\$7.50	N
01997028	1967	HEADLAMP DIMMER SWITCH	\$7.50	N
HEADLIGHT BUCKET EXTENSION HARNESS				
36074	1953	HEADLIGHT BUCKET EXTENSION HARNESS Set Of 2, 6 Cylinder, 6 Volt Note: 6 Cylinder Items Are Not Returnable.	\$112.00	
36074	1954	HEADLIGHT BUCKET EXTENSION HARNESS Set Of 2, 6 Cylinder, 6 Volt Note: 6 Cylinder Items Are Not Returnable.	\$112.00	
36074	1955	HEADLIGHT BUCKET EXTENSION HARNESS Set Of 2, 6 Cylinder, 6 Volt Note: 6 Cylinder Items Are Not Returnable.	\$112.00	
01663	1955	HEADLIGHT BUCKET EXTENSION HARNESS Set Of 2, V/8, 12 Volt	\$83.00	
01663	1956	HEADLIGHT BUCKET EXTENSION HARNESS Set Of 2	\$83.00	
01663	1957	HEADLIGHT BUCKET EXTENSION HARNESS Set Of 2	\$83.00	
01664	1958	HEADLIGHT BUCKET EXTENSION HARNESS Set Of 2	\$83.00	
01664	1959	HEADLIGHT BUCKET EXTENSION HARNESS Set Of 2	\$83.00	
01664	1960	HEADLIGHT BUCKET EXTENSION HARNESS Set Of 2	\$83.00	
01664	1961	HEADLIGHT BUCKET EXTENSION HARNESS Set Of 2	\$83.00	
01664	1962	HEADLIGHT BUCKET EXTENSION HARNESS Set Of 2	\$83.00	
01665	1963	HEADLIGHT BUCKET EXTENSION HARNESS Set Of 2, For Fiberglass Headlight Buckets	\$83.00	
35889	1963	HEADLIGHT BUCKET EXTENSION HARNESS Set Of 2, For Metal Headlight Buckets	\$61.00	
35889	1964	HEADLIGHT BUCKET EXTENSION HARNESS Set Of 2	\$61.00	
35889	1965	HEADLIGHT BUCKET EXTENSION HARNESS Set Of 2 Note: Contains A Black With Light Green Wire In The Headlight Connector (Early).	\$61.00	

Part Number	Year	Description	Price	*Rev.
01670	1965	HEADLIGHT BUCKET EXTENSION HARNESS Set Of 2 Note: Contains A Solid Light Green Wire In The Headlight Connector (Late).	\$61.00	
01670	1966	HEADLIGHT BUCKET EXTENSION HARNESS Set Of 2	\$61.00	
01670	1967	HEADLIGHT BUCKET EXTENSION HARNESS Set Of 2	\$61.00	
HEADLIGHT SWITCH				
01995041	1953	HEADLIGHT SWITCH 6 Volt, Snap On Terminal Note: Used On Vehicles With A Fused Dome, Stop Lamp, & Glove Box Light Circuit.	\$62.00	N
01995041	1954	HEADLIGHT SWITCH 6 Volt, Snap On Terminal Note: Used On Vehicles With A Fused Dome, Stop Lamp, & Glove Box Light Circuit.	\$62.00	N
01995041	1955	HEADLIGHT SWITCH 6 Volt, Snap On Terminal Note: Used On Vehicles With A Fused Dome, Stop Lamp, & Glove Box Light Circuit.	\$62.00	N
01995082	1955	HEADLIGHT SWITCH 12 Volt	\$45.00	
01995082	1956	HEADLIGHT SWITCH 12 Volt	\$45.00	
01995082	1957	HEADLIGHT SWITCH 12 Volt	\$45.00	
01995096	1958	HEADLIGHT SWITCH All	\$31.00	
01995096	1959	HEADLIGHT SWITCH All	\$31.00	
01995096	1960	HEADLIGHT SWITCH All	\$31.00	
01995096	1961	HEADLIGHT SWITCH All	\$31.00	
01995096	1962	HEADLIGHT SWITCH All	\$31.00	
01995096	1963	HEADLIGHT SWITCH All	\$31.00	
01995179	1964	HEADLIGHT SWITCH	\$20.00	N
01995179	1965	HEADLIGHT SWITCH	\$20.00	N
01995179	1966	HEADLIGHT SWITCH	\$20.00	N
01995179	1967	HEADLIGHT SWITCH	\$20.00	N
01995191	1968	HEADLIGHT SWITCH	\$39.00	N
01995191	1969	HEADLIGHT SWITCH	\$39.00	N
01995191	1970	HEADLIGHT SWITCH	\$39.00	N
01995191	1971	HEADLIGHT SWITCH	\$39.00	N
01995191	1972	HEADLIGHT SWITCH	\$39.00	N
01995191	1973	HEADLIGHT SWITCH	\$39.00	N
01995191	1974	HEADLIGHT SWITCH	\$39.00	N
01995191	1975	HEADLIGHT SWITCH	\$39.00	N
01995191	1976	HEADLIGHT SWITCH	\$39.00	N
01995191	1977	HEADLIGHT SWITCH	\$39.00	N
HEATER AND A/C INDICATOR LAMP HARNESS				
01675	1964	HEATER AND A/C INDICATOR LAMP HARNESS With A/C Only	\$32.00	
01675	1965	HEATER AND A/C INDICATOR LAMP HARNESS With A/C Only	\$32.00	
01675	1966	HEATER AND A/C INDICATOR LAMP HARNESS With A/C Only	\$32.00	
01675	1967	HEATER AND A/C INDICATOR LAMP HARNESS With A/C Only	\$32.00	
27945	1977	HEATER AND A/C INDICATOR LAMP HARNESS With A/C Only	\$23.00	
27945	1978	HEATER AND A/C INDICATOR LAMP HARNESS With A/C Only	\$23.00	
27945	1979	HEATER AND A/C INDICATOR LAMP HARNESS With A/C Only	\$23.00	
27945	1980	HEATER AND A/C INDICATOR LAMP HARNESS With A/C Only	\$23.00	
27945	1981	HEATER AND A/C INDICATOR LAMP HARNESS With A/C Only	\$23.00	
27945	1982	HEATER AND A/C INDICATOR LAMP HARNESS With A/C Only	\$23.00	

Part Number	Year	Description	Price	*Rev.
HEATER AND HEATER SWITCH WIRING KIT				
36211	1953	HEATER AND HEATER SWITCH WIRING KIT Heater Switch To Fuse Panel, Blower Motor Extension, And Ground	\$43.00	
36211	1954	HEATER AND HEATER SWITCH WIRING KIT Heater Switch To Fuse Panel, Blower Motor Extension, And Ground	\$43.00	
23285	1955	HEATER AND HEATER SWITCH WIRING KIT Heater Switch To Fuse Panel, Blower Motor Extension, And Ground	\$43.00	
23285	1956	HEATER AND HEATER SWITCH WIRING KIT Heater Switch To Fuse Panel, Blower Motor Extension, And Ground	\$43.00	
23285	1957	HEATER AND HEATER SWITCH WIRING KIT Heater Switch To Fuse Panel, Blower Motor Extension, And Ground	\$43.00	
HEATER BLOWER MOTOR RESISTOR				
03929052	1962	HEATER BLOWER MOTOR RESISTOR Without A/C	\$15.00	N
03929052	1963	HEATER BLOWER MOTOR RESISTOR Without A/C	\$15.00	N
03929052	1964	HEATER BLOWER MOTOR RESISTOR Without A/C	\$15.00	N
03929052	1965	HEATER BLOWER MOTOR RESISTOR Without A/C	\$15.00	N
03929052	1966	HEATER BLOWER MOTOR RESISTOR Without A/C	\$15.00	N
03929052	1967	HEATER BLOWER MOTOR RESISTOR Without A/C	\$15.00	N
03929052	1968	HEATER BLOWER MOTOR RESISTOR Without A/C	\$15.00	N
03929052	1969	HEATER BLOWER MOTOR RESISTOR Without A/C	\$15.00	N
03929052	1970	HEATER BLOWER MOTOR RESISTOR Without A/C	\$15.00	N
03929052	1971	HEATER BLOWER MOTOR RESISTOR Without A/C	\$15.00	N
03929052	1972	HEATER BLOWER MOTOR RESISTOR Without A/C	\$15.00	N
03929052	1973	HEATER BLOWER MOTOR RESISTOR Without A/C	\$15.00	N
03929052	1974	HEATER BLOWER MOTOR RESISTOR Without A/C	\$15.00	N
03929052	1975	HEATER BLOWER MOTOR RESISTOR Without A/C	\$15.00	N
03929052	1976	HEATER BLOWER MOTOR RESISTOR Without A/C	\$15.00	N
03929052	1977	HEATER BLOWER MOTOR RESISTOR Without A/C	\$15.00	N
03929052	1978	HEATER BLOWER MOTOR RESISTOR Without A/C	\$15.00	N
03929052	1979	HEATER BLOWER MOTOR RESISTOR Without A/C	\$15.00	N
03929052	1980	HEATER BLOWER MOTOR RESISTOR Without A/C	\$15.00	N
03929052	1981	HEATER BLOWER MOTOR RESISTOR Without A/C	\$15.00	N
03929052	1982	HEATER BLOWER MOTOR RESISTOR Without A/C	\$15.00	N
HEATER HARNESS				
01680	1975	HEATER HARNESS Without A/C	\$112.00	
27545	1976	HEATER HARNESS Without A/C	\$112.00	
27050	1977	HEATER HARNESS Without A/C, Harness Covered In Non-Adhesive Vinyl Tape Only	\$112.00	
27645	1977	HEATER HARNESS Without A/C, Harness Covered With Plastic Split Conduit	\$112.00	
27090	1978	HEATER HARNESS Without A/C	\$112.00	
27090	1979	HEATER HARNESS Without A/C	\$112.00	
HOOD SCOOP HARNESS				
01685	1973	HOOD SCOOP HARNESS Cowl Air Door	\$32.00	
01685	1974	HOOD SCOOP HARNESS Cowl Air Door	\$32.00	
01685	1975	HOOD SCOOP HARNESS Cowl Air Door	\$32.00	
HORN TO FORWARD LAMP JUMPER				
33235	1982	HORN TO FORWARD LAMP JUMPER With Diode	\$59.00	

Part Number	Year	Description	Price	*Rev.
HORN WIRE EXTENSION HARNESS				
36076	1953	HORN WIRE EXTENSION HARNESS This Wire Must Be Soldered Onto Existing Horn Contact Ring	\$20.00	
36076	1954	HORN WIRE EXTENSION HARNESS This Wire Must Be Soldered Onto Existing Horn Contact Ring	\$20.00	
36076	1955	HORN WIRE EXTENSION HARNESS This Wire Must Be Soldered Onto Existing Horn Contact Ring	\$20.00	
36076	1956	HORN WIRE EXTENSION HARNESS This Wire Must Be Soldered Onto Existing Horn Contact Ring	\$20.00	
36076	1957	HORN WIRE EXTENSION HARNESS This Wire Must Be Soldered Onto Existing Horn Contact Ring	\$20.00	
36076	1958	HORN WIRE EXTENSION HARNESS This Wire Must Be Soldered Onto Existing Horn Contact Ring	\$20.00	
36076	1959	HORN WIRE EXTENSION HARNESS This Wire Must Be Soldered Onto Existing Horn Contact Ring	\$20.00	
36076	1960	HORN WIRE EXTENSION HARNESS This Wire Must Be Soldered Onto Existing Horn Contact Ring	\$20.00	
36076	1961	HORN WIRE EXTENSION HARNESS This Wire Must Be Soldered Onto Existing Horn Contact Ring	\$20.00	
36076	1962	HORN WIRE EXTENSION HARNESS This Wire Must Be Soldered Onto Existing Horn Contact Ring	\$20.00	
01690	1974	HORN WIRE EXTENSION HARNESS With Dual Horns	\$26.00	
01690	1975	HORN WIRE EXTENSION HARNESS With Dual Horns	\$26.00	
01690	1976	HORN WIRE EXTENSION HARNESS With Dual Horns	\$26.00	
IDLE STOP SOLENOID EXTENSION HARNESS				
01695	1968	IDLE STOP SOLENOID EXTENSION HARNESS With A/C	\$26.00	
01700	1969	IDLE STOP SOLENOID EXTENSION HARNESS With A/C	\$26.00	
01700	1970	IDLE STOP SOLENOID EXTENSION HARNESS With A/C	\$26.00	
IGNITION BALLAST RESISTOR				
01957154	1963	IGNITION BALLAST RESISTOR All, 2nd Design, Without F.i., Or High Performance	\$12.00	N
01957154	1964	IGNITION BALLAST RESISTOR All, 2nd Design, Without F.i., Or High Performance	\$12.00	N
01957154	1965	IGNITION BALLAST RESISTOR All, Without 396 C.i.	\$12.00	N
01957154	1966	IGNITION BALLAST RESISTOR All, Without Transistor Ignition	\$12.00	N
01957154	1967	IGNITION BALLAST RESISTOR All, Without Transistor Ignition	\$12.00	N
IGNITION CYLINDER AND KEYS				
20071252	1969	IGNITION CYLINDER AND KEYS Chrome, All	\$18.50	N
20071252	1970	IGNITION CYLINDER AND KEYS Chrome, All	\$18.50	N
20071252	1971	IGNITION CYLINDER AND KEYS Chrome, All	\$18.50	N
20071252	1972	IGNITION CYLINDER AND KEYS Chrome, All	\$18.50	N
20071252	1973	IGNITION CYLINDER AND KEYS Chrome, All	\$18.50	N
20071252	1974	IGNITION CYLINDER AND KEYS Chrome, All	\$18.50	N
20071252	1975	IGNITION CYLINDER AND KEYS Chrome, All	\$18.50	N
20071252	1976	IGNITION CYLINDER AND KEYS Chrome, All	\$18.50	N
20071252	1977	IGNITION CYLINDER AND KEYS Chrome, All	\$18.50	N
20071252	1978	IGNITION CYLINDER AND KEYS Chrome, All, 1st Design, Used On Columns Without Lock Cylinder Retaining Screw	\$18.50	N
07833759	1978	IGNITION CYLINDER AND KEYS Chrome, All, 2nd Design, Used On Columns With Lock Cylinder Retaining Screw	\$18.50	N
07833759	1979	IGNITION CYLINDER AND KEYS Chrome, All	\$18.50	N
07833759	1980	IGNITION CYLINDER AND KEYS Chrome, All	\$18.50	N
07833759	1981	IGNITION CYLINDER AND KEYS Chrome, All	\$18.50	N
07833759	1982	IGNITION CYLINDER AND KEYS Chrome, All	\$18.50	N
07833759	1984	IGNITION CYLINDER AND KEYS Chrome, All	\$18.50	N
07833759	1985	IGNITION CYLINDER AND KEYS Chrome, All	\$18.50	N
IGNITION SWITCH				
01116514	1955	IGNITION SWITCH 12 Volt	\$50.00	N

Part Number	Year	Description	Price	*Rev.
01116514	1956	IGNITION SWITCH	\$50.00	N
01116514	1957	IGNITION SWITCH	\$50.00	N
01116626	1963	IGNITION SWITCH	\$24.00	M
01116626	1964	IGNITION SWITCH	\$24.00	M
44205	1965	IGNITION SWITCH KIT Note: Includes Ignition Switch, Connector And Instructions.	\$37.00	N
01990110	1969	IGNITION SWITCH All, With Tilt	\$14.00	N
01990110	1970	IGNITION SWITCH All, With Tilt	\$14.00	N
01990110	1971	IGNITION SWITCH All, With Tilt	\$14.00	N
01990110	1972	IGNITION SWITCH All, With Tilt	\$14.00	N
01990110	1973	IGNITION SWITCH All, With Tilt	\$14.00	N
01990110	1974	IGNITION SWITCH All, With Tilt	\$14.00	N
01990110	1975	IGNITION SWITCH All, With Tilt	\$14.00	N
01990110	1976	IGNITION SWITCH All, With Tilt	\$14.00	N
01990110	1977	IGNITION SWITCH All, With Tilt	\$14.00	N
01990110	1978	IGNITION SWITCH All, With Tilt	\$14.00	N
01990110	1979	IGNITION SWITCH All, With Tilt	\$14.00	N
01990110	1980	IGNITION SWITCH All, With Tilt	\$14.00	N
01990110	1981	IGNITION SWITCH All, With Tilt	\$14.00	N
01990110	1982	IGNITION SWITCH All, With Tilt	\$14.00	N
01990110	1984	IGNITION SWITCH All, With Tilt	\$14.00	N
01990110	1985	IGNITION SWITCH All, With Tilt	\$14.00	N
01990110	1986	IGNITION SWITCH All, With Tilt	\$14.00	N
01990110	1987	IGNITION SWITCH All, With Tilt	\$14.00	N
01990110	1988	IGNITION SWITCH All, With Tilt	\$14.00	N
01990110	1989	IGNITION SWITCH All, With Tilt	\$14.00	N
01990110	1990	IGNITION SWITCH All, With Tilt	\$14.00	N
01990110	1991	IGNITION SWITCH All, With Tilt	\$14.00	N
01990110	1992	IGNITION SWITCH All, With Tilt	\$14.00	N
01990110	1993	IGNITION SWITCH All, With Tilt	\$14.00	N
KICKDOWN HARNESS				
01705	1968	KICKDOWN HARNESS TH400 Auto Trans	\$46.00	
01705	1969	KICKDOWN HARNESS TH400 Auto Trans	\$46.00	
20915	1976	KICKDOWN HARNESS TH400 Auto Trans	\$46.00	
20915	1977	KICKDOWN HARNESS TH400 Auto Trans	\$46.00	
20915	1978	KICKDOWN HARNESS TH400 Auto Trans	\$46.00	
KICKDOWN SWITCH				
01242101	1970	KICKDOWN SWITCH TH400 Auto Trans	\$19.00	
01242101	1971	KICKDOWN SWITCH TH400 Auto Trans	\$19.00	
01242101	1972	KICKDOWN SWITCH TH400 Auto Trans	\$19.00	
01242101	1973	KICKDOWN SWITCH TH400 Auto Trans	\$19.00	
01242101	1974	KICKDOWN SWITCH TH400 Auto Trans	\$19.00	
01242101	1975	KICKDOWN SWITCH TH400 Auto Trans	\$19.00	
01242101	1976	KICKDOWN SWITCH TH400 Auto Trans	\$19.00	
01242101	1977	KICKDOWN SWITCH TH400 Auto Trans	\$19.00	

Part Number	Year	Description	Price	*Rev.
LICENSE PLATE LAMP ASSEMBLY				
36212	1956	LICENSE PLATE LAMP ASSEMBLY Set Of 2	\$35.00	
36212	1957	LICENSE PLATE LAMP ASSEMBLY Set Of 2	\$35.00	
01707	1958	LICENSE PLATE LAMP ASSEMBLY Set Of 2	\$35.00	
01707	1959	LICENSE PLATE LAMP ASSEMBLY Set Of 2	\$35.00	
01707	1960	LICENSE PLATE LAMP ASSEMBLY Set Of 2	\$35.00	
LICENSE PLATE LAMP LEAD WIRES				
37791	1953	LICENSE PLATE LAMP LEAD WIRES All 6 Volt Note: Must Use Original Lamp Sockets.	\$35.00	
37791	1954	LICENSE PLATE LAMP LEAD WIRES All 6 Volt Note: Must Use Original Lamp Sockets.	\$35.00	
37791	1955	LICENSE PLATE LAMP LEAD WIRES All 6 Volt Note: Must Use Original Lamp Sockets.	\$35.00	
37792	1955	LICENSE PLATE LAMP LEAD WIRES All 12 Volt Note: Must Use Original Lamp Sockets.	\$35.00	
LOW FUEL INDICATOR MODULE				
500274	1958	LOW FUEL INDICATOR MODULE Generic "Adjustable" Low Fuel Warning Module Note: A Complete Electronic Control Unit To Activate A Warning Lamp Or Relay When Fuel Level Drops Below A User Adjustable Level. Includes instruction sheet.	\$64.00	C
500274	1959	LOW FUEL INDICATOR MODULE Generic "Adjustable" Low Fuel Warning Module Note: A Complete Electronic Control Unit To Activate A Warning Lamp Or Relay When Fuel Level Drops Below A User Adjustable Level. Includes instruction sheet.	\$64.00	C
500274	1960	LOW FUEL INDICATOR MODULE Generic "Adjustable" Low Fuel Warning Module Note: A Complete Electronic Control Unit To Activate A Warning Lamp Or Relay When Fuel Level Drops Below A User Adjustable Level. Includes instruction sheet.	\$64.00	C
500274	1961	LOW FUEL INDICATOR MODULE Generic "Adjustable" Low Fuel Warning Module Note: A Complete Electronic Control Unit To Activate A Warning Lamp Or Relay When Fuel Level Drops Below A User Adjustable Level. Includes instruction sheet.	\$64.00	C
500274	1962	LOW FUEL INDICATOR MODULE Generic "Adjustable" Low Fuel Warning Module Note: A Complete Electronic Control Unit To Activate A Warning Lamp Or Relay When Fuel Level Drops Below A User Adjustable Level. Includes instruction sheet.	\$64.00	C
500274	1963	LOW FUEL INDICATOR MODULE Generic "Adjustable" Low Fuel Warning Module Note: A Complete Electronic Control Unit To Activate A Warning Lamp Or Relay When Fuel Level Drops Below A User Adjustable Level. Includes instruction sheet.	\$64.00	C
500274	1964	LOW FUEL INDICATOR MODULE Generic "Adjustable" Low Fuel Warning Module Note: A Complete Electronic Control Unit To Activate A Warning Lamp Or Relay When Fuel Level Drops Below A User Adjustable Level. Includes instruction sheet.	\$64.00	C
500274	1965	LOW FUEL INDICATOR MODULE Generic "Adjustable" Low Fuel Warning Module Note: A Complete Electronic Control Unit To Activate A Warning Lamp Or Relay When Fuel Level Drops Below A User Adjustable Level. Includes instruction sheet.	\$64.00	C
500274	1966	LOW FUEL INDICATOR MODULE Generic "Adjustable" Low Fuel Warning Module Note: A Complete Electronic Control Unit To Activate A Warning Lamp Or Relay When Fuel Level Drops Below A User Adjustable Level. Includes instruction sheet.	\$64.00	C
500274	1967	LOW FUEL INDICATOR MODULE Generic "Adjustable" Low Fuel Warning Module Note: A Complete Electronic Control Unit To Activate A Warning Lamp Or Relay When Fuel Level Drops Below A User Adjustable Level. Includes instruction sheet.	\$64.00	C
500274	1968	LOW FUEL INDICATOR MODULE Generic "Adjustable" Low Fuel Warning Module Note: A Complete Electronic Control Unit To Activate A Warning Lamp Or Relay When Fuel Level Drops Below A User Adjustable Level. Includes instruction sheet.	\$64.00	C

Part Number	Year	Description	Price	*Rev.
500274	1969	LOW FUEL INDICATOR MODULE Generic "Adjustable" Low Fuel Warning Module Note: A Complete Electronic Control Unit To Activate A Warning Lamp Or Relay When Fuel Level Drops Below A User Adjustable Level. Includes instruction sheet.	\$64.00	C
500274	1970	LOW FUEL INDICATOR MODULE Generic "Adjustable" Low Fuel Warning Module Note: A Complete Electronic Control Unit To Activate A Warning Lamp Or Relay When Fuel Level Drops Below A User Adjustable Level. Includes instruction sheet.	\$64.00	C
500274	1971	LOW FUEL INDICATOR MODULE Generic "Adjustable" Low Fuel Warning Module Note: A Complete Electronic Control Unit To Activate A Warning Lamp Or Relay When Fuel Level Drops Below A User Adjustable Level. Includes instruction sheet.	\$64.00	C
500274	1972	LOW FUEL INDICATOR MODULE Generic "Adjustable" Low Fuel Warning Module Note: A Complete Electronic Control Unit To Activate A Warning Lamp Or Relay When Fuel Level Drops Below A User Adjustable Level. Includes instruction sheet.	\$64.00	C
500274	1973	LOW FUEL INDICATOR MODULE Generic "Adjustable" Low Fuel Warning Module Note: A Complete Electronic Control Unit To Activate A Warning Lamp Or Relay When Fuel Level Drops Below A User Adjustable Level. Includes instruction sheet.	\$64.00	C
500274	1974	LOW FUEL INDICATOR MODULE Generic "Adjustable" Low Fuel Warning Module Note: A Complete Electronic Control Unit To Activate A Warning Lamp Or Relay When Fuel Level Drops Below A User Adjustable Level. Includes instruction sheet.	\$64.00	C
500274	1975	LOW FUEL INDICATOR MODULE Generic "Adjustable" Low Fuel Warning Module Note: A Complete Electronic Control Unit To Activate A Warning Lamp Or Relay When Fuel Level Drops Below A User Adjustable Level. Includes instruction sheet.	\$64.00	C
500274	1976	LOW FUEL INDICATOR MODULE Generic "Adjustable" Low Fuel Warning Module Note: A Complete Electronic Control Unit To Activate A Warning Lamp Or Relay When Fuel Level Drops Below A User Adjustable Level. Includes instruction sheet.	\$64.00	C
MAP LIGHT HARNESS				
27815	1973	MAP LIGHT HARNESS Rear View Mirror	\$32.00	
27815	1974	MAP LIGHT HARNESS Rear View Mirror	\$32.00	
27815	1975	MAP LIGHT HARNESS Rear View Mirror	\$32.00	
27815	1976	MAP LIGHT HARNESS Rear View Mirror	\$32.00	
NEUTRAL SAFETY AND BACKUP LAMP SWITCH				
03923916	1968	NEUTRAL SAFETY AND BACKUP LAMP SWITCH Auto Trans	\$65.00	
03948538	1969	NEUTRAL SAFETY AND BACKUP LAMP SWITCH Auto Trans	\$65.00	
03948538	1970	NEUTRAL SAFETY AND BACKUP LAMP SWITCH Auto Trans	\$65.00	
03948538	1971	NEUTRAL SAFETY AND BACKUP LAMP SWITCH Auto Trans	\$65.00	
03948538	1972	NEUTRAL SAFETY AND BACKUP LAMP SWITCH Auto Trans, Without Seat Belt Warning	\$65.00	
06273357	1972	NEUTRAL SAFETY AND BACKUP LAMP SWITCH Auto Trans, With Seat Belt Warning	\$75.00	
06273357	1973	NEUTRAL SAFETY AND BACKUP LAMP SWITCH Auto Trans	\$75.00	
06258276	1974	NEUTRAL SAFETY AND BACKUP LAMP SWITCH Auto Trans	\$85.00	
06258276	1975	NEUTRAL SAFETY AND BACKUP LAMP SWITCH Auto Trans	\$85.00	
00370176	1976	NEUTRAL SAFETY AND BACKUP LAMP SWITCH Auto Trans	\$65.00	
00370176	1977	NEUTRAL SAFETY AND BACKUP LAMP SWITCH Auto Trans	\$65.00	
00370176	1978	NEUTRAL SAFETY AND BACKUP LAMP SWITCH Auto Trans	\$65.00	
00370176	1979	NEUTRAL SAFETY AND BACKUP LAMP SWITCH Auto Trans	\$65.00	
00370176	1980	NEUTRAL SAFETY AND BACKUP LAMP SWITCH Auto Trans	\$65.00	
00370176	1981	NEUTRAL SAFETY AND BACKUP LAMP SWITCH Auto Trans	\$65.00	
00370176	1982	NEUTRAL SAFETY AND BACKUP LAMP SWITCH Auto Trans	\$65.00	
NEUTRAL SAFETY SWITCH				
01993495	1969	NEUTRAL SAFETY SWITCH Manual Trans Note: Includes Rod, 2 Retaining Clips, 2 Bushings And Bolt.	\$65.00	

Part Number	Year	Description	Price	*Rev.
01993495	1970	NEUTRAL SAFETY SWITCH Manual Trans Note: Includes Rod, 2 Retaining Clips, 2 Bushings And Bolt.	\$65.00	
01993495	1971	NEUTRAL SAFETY SWITCH Manual Trans Note: Includes Rod, 2 Retaining Clips, 2 Bushings And Bolt.	\$65.00	
01993495	1972	NEUTRAL SAFETY SWITCH Manual Trans Note: Includes Rod, 2 Retaining Clips, 2 Bushings And Bolt.	\$65.00	
01993495	1973	NEUTRAL SAFETY SWITCH Manual Trans Note: Includes Rod, 2 Retaining Clips, 2 Bushings And Bolt.	\$65.00	
01993495	1974	NEUTRAL SAFETY SWITCH Manual Trans Note: Includes Rod, 2 Retaining Clips, 2 Bushings And Bolt.	\$65.00	
01993495	1975	NEUTRAL SAFETY SWITCH Manual Trans Note: Includes Rod, 2 Retaining Clips, 2 Bushings And Bolt.	\$65.00	
01993495	1976	NEUTRAL SAFETY SWITCH Manual Trans Note: Includes Rod, 2 Retaining Clips, 2 Bushings And Bolt.	\$65.00	
01993495	1977	NEUTRAL SAFETY SWITCH Manual Trans Note: Includes Rod, 2 Retaining Clips, 2 Bushings And Bolt.	\$65.00	
01993495	1978	NEUTRAL SAFETY SWITCH Manual Trans Note: Includes Rod, 2 Retaining Clips, 2 Bushings And Bolt.	\$65.00	
01993495	1979	NEUTRAL SAFETY SWITCH Manual Trans Note: Includes Rod, 2 Retaining Clips, 2 Bushings And Bolt.	\$65.00	
01993495	1980	NEUTRAL SAFETY SWITCH Manual Trans Note: Includes Rod, 2 Retaining Clips, 2 Bushings And Bolt.	\$65.00	
01993495	1981	NEUTRAL SAFETY SWITCH Manual Trans Note: Includes Rod, 2 Retaining Clips, 2 Bushings And Bolt.	\$65.00	
NEUTRAL SAFETY SWITCH EXTENSION HARNESS				
36077	1953	NEUTRAL SAFETY SWITCH EXTENSION HARNESS Switch To Starter Motor Relay	\$18.00	
36077	1954	NEUTRAL SAFETY SWITCH EXTENSION HARNESS Switch To Starter Motor Relay	\$18.00	
01715	1955	NEUTRAL SAFETY SWITCH EXTENSION HARNESS Switch To Firewall Mounted Relay	\$18.00	
01715	1956	NEUTRAL SAFETY SWITCH EXTENSION HARNESS Switch To Firewall Mounted Relay	\$18.00	
01715	1957	NEUTRAL SAFETY SWITCH EXTENSION HARNESS Switch To Firewall Mounted Relay	\$18.00	
01715	1958	NEUTRAL SAFETY SWITCH EXTENSION HARNESS Switch To Firewall Mounted Relay	\$18.00	
01715	1959	NEUTRAL SAFETY SWITCH EXTENSION HARNESS Switch To Firewall Mounted Relay	\$18.00	
01715	1960	NEUTRAL SAFETY SWITCH EXTENSION HARNESS Switch To Firewall Mounted Relay	\$18.00	
01715	1961	NEUTRAL SAFETY SWITCH EXTENSION HARNESS Switch To Firewall Mounted Relay	\$18.00	
01710	1969	NEUTRAL SAFETY SWITCH EXTENSION HARNESS Manual Trans	\$23.00	
01710	1970	NEUTRAL SAFETY SWITCH EXTENSION HARNESS Manual Trans	\$23.00	
01710	1971	NEUTRAL SAFETY SWITCH EXTENSION HARNESS Manual Trans	\$23.00	
01710	1972	NEUTRAL SAFETY SWITCH EXTENSION HARNESS Manual Trans	\$23.00	
01710	1973	NEUTRAL SAFETY SWITCH EXTENSION HARNESS Manual Trans	\$23.00	
01710	1974	NEUTRAL SAFETY SWITCH EXTENSION HARNESS Manual Trans	\$23.00	
01710	1975	NEUTRAL SAFETY SWITCH EXTENSION HARNESS Manual Trans	\$23.00	
01710	1976	NEUTRAL SAFETY SWITCH EXTENSION HARNESS Manual Trans	\$23.00	
01710	1977	NEUTRAL SAFETY SWITCH EXTENSION HARNESS Manual Trans, With Anti-Theft Switch Mounted In Fender	\$23.00	
27795	1977	NEUTRAL SAFETY AND BACKUP LAMP SWITCH EXTENSION Manual Trans, With Anti-Theft Switch Mounted In Door Lock	\$46.00	
27925	1978	NEUTRAL SAFETY AND BACKUP LAMP SWITCH EXTENSION Manual Trans	\$46.00	
28050	1979	NEUTRAL SAFETY SWITCH EXTENSION HARNESS Manual Trans	\$23.00	
28135	1980	NEUTRAL SAFETY SWITCH EXTENSION HARNESS Manual Trans	\$23.00	
28135	1981	NEUTRAL SAFETY SWITCH EXTENSION HARNESS Manual Trans	\$23.00	

Part Number	Year	Description	Price	*Rev.
OIL PRESSURE GAUGE				
05654100	1963	OIL PRESSURE GAUGE 0-60 Lbs.	\$39.00	N
05638487	1964	OIL PRESSURE GAUGE 0-80 Lbs.	\$39.00	N
05654906	1965	OIL PRESSURE GAUGE 0-60 Lbs.	\$47.00	N
05654626	1965	OIL PRESSURE GAUGE 0-80 Lbs.	\$47.00	N
05654906	1966	OIL GAUGE 0-60 Lbs.	\$47.00	N
05654626	1966	OIL GAUGE 0-80 Lbs.	\$47.00	N
05654906	1967	OIL GAUGE 0-60 Lbs.	\$47.00	N
05654626	1967	OIL GAUGE 0-80 Lbs.	\$47.00	N
OIL PRESSURE SENDER JUMPER WIRE				
27035	1980	OIL PRESSURE SENDER JUMPER WIRE Engine Harness To Oil Pressure Sending Unit, All	\$26.00	
27035	1981	OIL PRESSURE SENDER JUMPER WIRE Engine Harness To Oil Pressure Sending Unit, All	\$26.00	
PARKING BRAKE WARNING HARNESS				
01720	1958	PARKING BRAKE WARNING HARNESS Flasher To Switch & Fuse Panel	\$26.00	
01730	1958	PARKING BRAKE WARNING LAMP ASSEMBLY Dash Panel To Flasher	\$26.00	
01720	1959	PARKING BRAKE WARNING HARNESS Flasher To Switch & Fuse Panel	\$26.00	
01730	1959	PARKING BRAKE WARNING LAMP ASSEMBLY Dash Panel To Flasher	\$26.00	
01720	1960	PARKING BRAKE WARNING HARNESS Flasher To Switch & Fuse Panel	\$26.00	
01730	1960	PARKING BRAKE WARNING LAMP ASSEMBLY Dash Panel To Flasher	\$26.00	
01725	1961	PARKING BRAKE WARNING HARNESS Includes Warning Lamp Assembly	\$26.00	
01725	1962	PARKING BRAKE WARNING HARNESS Includes Warning Lamp Assembly	\$26.00	
POWER ANTENNA HARNESS				
33140	1978	POWER ANTENNA HARNESS Radio To Relay,Courtesy Lamp Timer Mounted Left Of Steering Column	\$40.00	
27915	1978	POWER ANTENNA HARNESS Radio To Relay, Courtesy Lamp Timer Mounted Right Of Glove Box	\$40.00	
33145	1979	POWER ANTENNA HARNESS Relay To Antenna	\$40.00	
28020	1979	POWER ANTENNA HARNESS Radio To Relay	\$40.00	
28130	1980	POWER ANTENNA HARNESS Relay To Antenna	\$40.00	
28165	1980	POWER ANTENNA HARNESS Radio To Relay	\$40.00	
28130	1981	POWER ANTENNA HARNESS Relay To Antenna	\$40.00	
28165	1981	POWER ANTENNA HARNESS Radio To Relay	\$40.00	
28130	1982	POWER ANTENNA HARNESS Relay To Antenna	\$40.00	
28165	1982	POWER ANTENNA HARNESS Radio To Relay	\$40.00	
POWER ANTENNA SWITCH TO DASH REPAIR HARNESS				
37815	1965	POWER ANTENNA SWITCH TO DASH REPAIR HARNESS All, Attaches Directly To Switch Assembly Note: This Harness Is Used To Repair The Lead Wires From Original Power Antenna Switch.	\$26.00	
POWER DOOR LOCK HARNESS				
36100	1978	POWER DOOR LOCK HARNESS Early, Under Dash Crossover, Driver Side To Pass Side Door Locks	\$126.00	
27920	1978	POWER DOOR LOCK HARNESS Late, Under Dash Crossover, Driver Side To Pass Side Door Locks	\$126.00	
27995	1978	POWER DOOR LOCK HARNESS Driver Side Door Lock	\$126.00	
27905	1978	POWER DOOR LOCK HARNESS Passenger Side Door Lock	\$126.00	
POWER MIRROR HARNESS				
32780	1981	POWER MIRROR HARNESS Dual Electric Side View Mirrors	\$113.00	
32780	1982	POWER MIRROR HARNESS Dual Electric Side View Mirrors	\$113.00	

Corvette



Phone (562) 926-9552

Fax (562) 926-9572

Part Number	Year	Description	Price	*Rev.
POWER SEAT JUMPER WIRE				
36080	1981	POWER SEAT JUMPER WIRE Power Supply From Dash Harness To Seat Switch	\$33.00	
33250	1982	POWER SEAT JUMPER WIRE Power Supply From Dash Harness To Seat Switch	\$33.00	
POWER TOP HARNESS				
36096	1956	POWER TOP HARNESS Main	\$225.00	
01735	1957	POWER TOP HARNESS Main	\$225.00	
01740	1958	POWER TOP HARNESS Main	\$225.00	
01740	1959	POWER TOP HARNESS Main	\$225.00	
01740	1960	POWER TOP HARNESS Main	\$225.00	
01740	1961	POWER TOP HARNESS Main	\$225.00	
01740	1962	POWER TOP HARNESS Main	\$225.00	
POWER TOP LIMIT SWITCH HARNESS				
36097	1956	POWER TOP LIMIT SWITCH HARNESS For Cover Limit Switch	\$110.00	
36098	1956	POWER TOP LIMIT SWITCH HARNESS For Top Limit Switch	\$102.00	
01745	1957	POWER TOP LIMIT SWITCH HARNESS For Cover Limit Switch	\$102.00	
01750	1957	POWER TOP LIMIT SWITCH HARNESS For Top Limit Switch	\$102.00	
01745	1958	POWER TOP LIMIT SWITCH HARNESS For Cover Limit Switch	\$102.00	
01750	1958	POWER TOP LIMIT SWITCH HARNESS For Top Limit Switch	\$102.00	
01745	1959	POWER TOP LIMIT SWITCH HARNESS For Cover Limit Switch	\$102.00	
01750	1959	POWER TOP LIMIT SWITCH HARNESS For Top Limit Switch	\$102.00	
01745	1960	POWER TOP LIMIT SWITCH HARNESS For Cover Limit Switch	\$102.00	
01750	1960	POWER TOP LIMIT SWITCH HARNESS For Top Limit Switch	\$102.00	
01745	1961	POWER TOP LIMIT SWITCH HARNESS For Cover Limit Switch	\$102.00	
01750	1961	POWER TOP LIMIT SWITCH HARNESS For Top Limit Switch	\$102.00	
01745	1962	POWER TOP LIMIT SWITCH HARNESS For Cover Limit Switch	\$102.00	
01750	1962	POWER TOP LIMIT SWITCH HARNESS For Top Limit Switch	\$102.00	
POWER TOP MAIN FEED WIRE				
01755	1956	POWER TOP MAIN FEED WIRE Starter Motor To Circuit Breaker	\$21.00	
01755	1957	POWER TOP MAIN FEED WIRE Starter Motor To Circuit Breaker	\$21.00	
01755	1958	POWER TOP MAIN FEED WIRE Starter Motor To Circuit Breaker	\$21.00	
01755	1959	POWER TOP MAIN FEED WIRE Starter Motor To Circuit Breaker	\$21.00	
01755	1960	POWER TOP MAIN FEED WIRE Starter Motor To Circuit Breaker	\$21.00	
01755	1961	POWER TOP MAIN FEED WIRE Starter Motor To Circuit Breaker	\$21.00	
01755	1962	POWER TOP MAIN FEED WIRE Starter Motor To Circuit Breaker	\$21.00	
POWER WINDOW DOOR BOOT				
12004902	1968	POWER WINDOW DOOR BOOT 2 Required Per Car	\$16.00	C
12004902	1969	POWER WINDOW DOOR BOOT 2 Required Per Car	\$16.00	C
12004902	1970	POWER WINDOW DOOR BOOT 2 Required Per Car	\$16.00	C
12004902	1971	POWER WINDOW DOOR BOOT 2 Required Per Car	\$16.00	C
12004902	1972	POWER WINDOW DOOR BOOT 2 Required Per Car	\$16.00	C
12004902	1973	POWER WINDOW DOOR BOOT 2 Required Per Car	\$16.00	C
12004902	1974	POWER WINDOW DOOR BOOT 2 Required Per Car	\$16.00	C
12004902	1975	POWER WINDOW DOOR BOOT 2 Required Per Car	\$16.00	C
12004902	1976	POWER WINDOW DOOR BOOT 2 Required Per Car	\$16.00	C
12004902	1977	POWER WINDOW DOOR BOOT 2 Required Per Car	\$16.00	C
12004902	1978	POWER WINDOW DOOR BOOT 2 Required Per Car	\$16.00	C

Part Number	Year	Description	Price	*Rev.
12004902	1979	POWER WINDOW DOOR BOOT 2 Required Per Car	\$16.00	C
12004902	1980	POWER WINDOW DOOR BOOT 2 Required Per Car	\$16.00	C
12004902	1981	POWER WINDOW DOOR BOOT 2 Required Per Car, With Early Round Type Grommet	\$16.00	C
POWER WINDOW HARNESS				
01760	1956	POWER WINDOW HARNESS Complete	\$218.00	
01760	1957	POWER WINDOW HARNESS Complete	\$218.00	
01765	1958	POWER WINDOW HARNESS Complete	\$218.00	
01770	1959	POWER WINDOW HARNESS Complete	\$218.00	
01770	1960	POWER WINDOW HARNESS Complete	\$218.00	
01770	1961	POWER WINDOW HARNESS Complete	\$218.00	
01770	1962	POWER WINDOW HARNESS Complete	\$218.00	
01775	1963	POWER WINDOW HARNESS Complete	\$184.00	
35890	1964	POWER WINDOW HARNESS Complete	\$184.00	
01780	1965	POWER WINDOW HARNESS Complete Note: Contains A Solid White Wire At The Power Window Switch Connector.	\$184.00	
35890	1965	POWER WINDOW HARNESS Complete Note: Contains A Black With White Stripe Wire At The Power Window Switch Connector.	\$184.00	
01780	1966	POWER WINDOW HARNESS Complete	\$184.00	
18280	1967	POWER WINDOW HARNESS Complete	\$198.00	
01785	1968	POWER WINDOW HARNESS Complete	\$225.00	
01790	1969	POWER WINDOW HARNESS Complete	\$225.00	
01795	1970	POWER WINDOW HARNESS Complete	\$225.00	
01795	1971	POWER WINDOW HARNESS Complete	\$225.00	
01800	1972	POWER WINDOW HARNESS Complete	\$225.00	
01800	1973	POWER WINDOW HARNESS Complete	\$225.00	
01800	1974	POWER WINDOW HARNESS Complete	\$225.00	
01805	1975	POWER WINDOW HARNESS Complete	\$225.00	
01805	1976	POWER WINDOW HARNESS Complete Note: With Round Motor Connector, "T" Terminal Configuration, Before 11/25/75 (Early).	\$225.00	
27270	1976	POWER WINDOW HARNESS Complete Note: With Rectangular Motor Connector, Parallel Terminal Configuration, After 11/25/75 (Late).	\$225.00	
27045	1977	POWER WINDOW HARNESS Without Anti-Theft Switch Wiring	\$225.00	
27595	1977	POWER WINDOW HARNESS With Anti-Theft Switch Wiring	\$225.00	
27595	1978	POWER WINDOW HARNESS With Anti-Theft Switch Wiring Note: With Courtesy Lamp Timer Mounted Left Of Steering Column, Before 1/19/78 (Early).	\$225.00	
27110	1978	POWER WINDOW HARNESS With Anti-Theft Switch Wiring Note: With Courtesy Lamp Timer Mounted To The Right Of Glove Box (Late), After 1/19/78 (Late).	\$225.00	
27030	1979	POWER WINDOW HARNESS Driver Side, Without Power Door Locks	\$83.00	
28040	1979	POWER WINDOW HARNESS Passenger Side, Without Power Door Locks	\$83.00	
27105	1979	POWER WINDOW AND DOOR LOCK HARNESS Driver Side	\$126.00	
27100	1979	POWER WINDOW AND DOOR LOCK HARNESS Passenger Side	\$126.00	
27030	1980	POWER WINDOW HARNESS Driver Side, Without Power Door Locks	\$83.00	
28040	1980	POWER WINDOW HARNESS Passenger Side, Without Power Door Locks	\$83.00	
28090	1980	POWER WINDOW AND DOOR LOCK HARNESS Driver Side	\$126.00	
28120	1980	POWER WINDOW AND DOOR LOCK HARNESS Passenger Side	\$126.00	
33400	1981	POWER WINDOW HARNESS Driver Side, Without Power Door Locks	\$83.00	
33075	1981	POWER WINDOW HARNESS Passenger Side, Without Power Door Locks	\$83.00	

Part Number	Year	Description	Price	*Rev.
28090	1981	POWER WINDOW AND DOOR LOCK HARNESS Driver Side	\$126.00	
28120	1981	POWER WINDOW AND DOOR LOCK HARNESS Passenger Side	\$126.00	
33400	1982	POWER WINDOW HARNESS Driver Side, Without Power Door Locks	\$83.00	
33075	1982	POWER WINDOW HARNESS Passenger Side, Without Power Door Locks	\$83.00	
28090	1982	POWER WINDOW AND DOOR LOCK HARNESS Driver Side	\$126.00	
28120	1982	POWER WINDOW AND DOOR LOCK HARNESS Passenger Side	\$126.00	
POWER WINDOW MOTOR ADAPTER HARNESS				
36954	1958	POWER WINDOW MOTOR ADAPTER HARNESS Adapts "T" Shaped Motor Connector To Side By Side Blade Type Motor Connector	\$22.00	C
36954	1959	POWER WINDOW MOTOR ADAPTER HARNESS Adapts "T" Shaped Motor Connector To Side By Side Blade Type Motor Connector	\$22.00	C
36954	1960	POWER WINDOW MOTOR ADAPTER HARNESS Adapts "T" Shaped Motor Connector To Side By Side Blade Type Motor Connector	\$22.00	C
36954	1961	POWER WINDOW MOTOR ADAPTER HARNESS Adapts "T" Shaped Motor Connector To Side By Side Blade Type Motor Connector	\$22.00	C
36954	1962	POWER WINDOW MOTOR ADAPTER HARNESS Adapts "T" Shaped Motor Connector To Side By Side Blade Type Motor Connector	\$22.00	C
36954	1963	POWER WINDOW MOTOR ADAPTER HARNESS Adapts "T" Shaped Motor Connector To Side By Side Blade Type Motor Connector	\$22.00	C
36954	1964	POWER WINDOW MOTOR ADAPTER HARNESS Adapts "T" Shaped Motor Connector To Side By Side Blade Type Motor Connector	\$22.00	C
36954	1965	POWER WINDOW MOTOR ADAPTER HARNESS Adapts "T" Shaped Motor Connector To Side By Side Blade Type Motor Connector	\$22.00	C
36954	1966	POWER WINDOW MOTOR ADAPTER HARNESS Adapts "T" Shaped Motor Connector To Side By Side Blade Type Motor Connector	\$22.00	C
36954	1967	POWER WINDOW MOTOR ADAPTER HARNESS Adapts "T" Shaped Motor Connector To Side By Side Blade Type Motor Connector	\$22.00	C
36954	1968	POWER WINDOW MOTOR ADAPTER HARNESS Adapts "T" Shaped Motor Connector To Side By Side Blade Type Motor Connector	\$22.00	C
36954	1969	POWER WINDOW MOTOR ADAPTER HARNESS Adapts "T" Shaped Motor Connector To Side By Side Blade Type Motor Connector	\$22.00	C
36954	1970	POWER WINDOW MOTOR ADAPTER HARNESS Adapts "T" Shaped Motor Connector To Side By Side Blade Type Motor Connector	\$22.00	C
36954	1971	POWER WINDOW MOTOR ADAPTER HARNESS Adapts "T" Shaped Motor Connector To Side By Side Blade Type Motor Connector	\$22.00	C
36954	1972	POWER WINDOW MOTOR ADAPTER HARNESS Adapts "T" Shaped Motor Connector To Side By Side Blade Type Motor Connector	\$22.00	C
36954	1973	POWER WINDOW MOTOR ADAPTER HARNESS Adapts "T" Shaped Motor Connector To Side By Side Blade Type Motor Connector	\$22.00	C
36954	1974	POWER WINDOW MOTOR ADAPTER HARNESS Adapts "T" Shaped Motor Connector To Side By Side Blade Type Motor Connector	\$22.00	C
36954	1975	POWER WINDOW MOTOR ADAPTER HARNESS Adapts "T" Shaped Motor Connector To Side By Side Blade Type Motor Connector	\$22.00	C
POWER WINDOW RELAY AND ADAPTER HARNESS				
39440	1967	POWER WINDOW RELAY AND ADAPTER HARNESS Includes New Standard Type Relay And Adapter To Mate To Factory Harness	\$40.00	
POWER WINDOW SWITCH				
01725109	1968	POWER WINDOW SWITCH Single Button	\$35.00	
01725109	1969	POWER WINDOW SWITCH Single Button	\$35.00	
01725109	1970	POWER WINDOW SWITCH Single Button	\$35.00	
01725109	1971	POWER WINDOW SWITCH Single Button	\$35.00	
01725109	1972	POWER WINDOW SWITCH Single Button	\$35.00	

Part Number	Year	Description	Price	*Rev.
01725109	1973	POWER WINDOW SWITCH Single Button	\$35.00	
01725109	1974	POWER WINDOW SWITCH Single Button	\$35.00	
01725109	1975	POWER WINDOW SWITCH Single Button	\$35.00	
01725109	1976	POWER WINDOW SWITCH Single Button	\$35.00	
01725109	1977	POWER WINDOW SWITCH Single Button	\$35.00	
01725109	1978	POWER WINDOW SWITCH Single Button	\$35.00	
01725109	1979	POWER WINDOW SWITCH Single Button	\$35.00	
20043940	1980	POWER WINDOW SWITCH Single Button	\$9.00	N
20043940	1981	POWER WINDOW SWITCH Single Button	\$9.00	N
PULSE WIPER OVERRIDE JUMPER				
28070	1979	PULSE WIPER OVERRIDE JUMPER Note: Used With #27630 Dash Harness And #28065 Wiper Override Jumper To Bypass Pulse Wiper Controller.	\$18.00	
28065	1979	PULSE WIPER OVERRIDE JUMPER Note: Used With #27630 Dash Harness And #28070 Wiper Override Jumper To Bypass Pulse Wiper Controller.	\$18.00	
RADIO POWER LEADS				
36082	1953	RADIO POWER LEADS All	\$29.00	
36082	1954	RADIO POWER LEADS All	\$29.00	
36084	1955	RADIO POWER LEADS All	\$29.00	
36084	1956	RADIO POWER LEADS All	\$29.00	
36084	1957	RADIO POWER LEADS All	\$29.00	
REAR LAMP HARNESS				
31860	1953	REAR LAMP HARNESS 6 Cylinder, 6 Volt System Note: 6 Cylinder Items Are Not Returnable.	\$184.00	
31860	1954	REAR LAMP HARNESS 6 Cylinder, 6 Volt System Note: 6 Cylinder Items Are Not Returnable.	\$184.00	
31860	1955	REAR LAMP HARNESS 6 Cylinder, 6 Volt System Note: 6 Cylinder Items Are Not Returnable.	\$184.00	
31845	1955	REAR LAMP HARNESS V/8, 12 Volt System	\$184.00	
01810	1956	REAR LAMP HARNESS All	\$158.00	
01810	1957	REAR LAMP HARNESS All	\$158.00	
01815	1958	REAR LAMP HARNESS All	\$158.00	
01815	1959	REAR LAMP HARNESS All	\$158.00	
01815	1960	REAR LAMP HARNESS All	\$158.00	
01820	1961	REAR LAMP HARNESS All	\$184.00	
01820	1962	REAR LAMP HARNESS All	\$184.00	
01825	1963	REAR LAMP HARNESS Without Backup Lamps	\$311.00	
01830	1963	REAR LAMP HARNESS With Backup Lamps	\$311.00	
01840	1964	REAR LAMP HARNESS Without Backup Lamps, Convertible Or 35.5 Gal Gas Tank Coupe	\$311.00	
01845	1964	REAR LAMP HARNESS Without Backup Lamps, Coupe	\$311.00	
01850	1964	REAR LAMP HARNESS With Backup Lamps, Convertible Or 35.5 Gal Gas Tank Coupe	\$311.00	
01835	1964	REAR LAMP HARNESS With Backup Lamps, Coupe	\$311.00	
35891	1965	REAR LAMP HARNESS Without Backup Lamps, Convertible Or 35.5 Gal Gas Tank Coupe Note: Has A Black With Yellow Striped Wire On The LH Tail Lamp Plug (Early).	\$311.00	
01868	1965	REAR LAMP HARNESS Without Backup Lamps, Convertible Or 35.5 Gal Gas Tank Coupe Note: Has A Solid Yellow Wire On The LH Tail Lamp Plug (Late).	\$311.00	
35893	1965	REAR LAMP HARNESS Without Backup Lamps, Coupe Note: Has A Black With Yellow Striped Wire On The LH Tail Lamp Plug (Early).	\$311.00	

Part Number	Year	Description	Price	*Rev.
01855	1965	REAR LAMP HARNESS Without Backup Lamps, Coupe Note: Has A Solid Yellow Wire On The LH Tail Lamp Plug (Late).	\$311.00	
35892	1965	REAR LAMP HARNESS With Backup Lamps, Conv. Or 35.5 Gal Gas Tank Coupe Note: Has A Black With Yellow Striped Wire On The LH Tail Lamp Plug (Early).	\$311.00	
01870	1965	REAR LAMP HARNESS With Backup Lamps, Conv. Or 35.5 Gal Gas Tank Coupe Note: Has A Solid Yellow Wire On The LH Tail Lamp Plug (Late).	\$311.00	
35894	1965	REAR LAMP HARNESS With Backup Lamps, Coupe Note: Has A Black With Yellow Striped Wire On The LH Tail Lamp Plug (Early).	\$311.00	
01865	1965	REAR LAMP HARNESS With Backup Lamps, Coupe Note: Has A Solid Yellow Wire On The LH Tail Lamp Plug (Late).	\$311.00	
01870	1966	REAR LAMP HARNESS All	\$311.00	
01880	1967	REAR LAMP HARNESS All	\$311.00	
01885	1968	REAR LAMP HARNESS All, Includes Fiber Optics	\$449.00	
37989	1968	FIBER OPTIC SUB ASSEMBLY ONLY For Servicing Rear Lamp Fiber Optics Only	\$264.00	
01890	1969	REAR LAMP HARNESS All, Includes Fiber Optics	\$449.00	
37989	1969	FIBER OPTIC SUB ASSEMBLY ONLY For Servicing Rear Lamp Fiber Optics Only	\$264.00	
01895	1970	REAR LAMP HARNESS All, Includes Fiber Optics	\$449.00	
16160	1970	FIBER OPTIC SUB ASSEMBLY ONLY For Servicing Rear Lamp Fiber Optics Only	\$477.00	
02005	1971	REAR LAMP HARNESS With Anti-Theft System, Includes Fiber Optics	\$449.00	
02000	1971	REAR LAMP HARNESS Without Anti-Theft System, Includes Fiber Optics	\$449.00	
16205	1971	FIBER OPTIC SUB ASSEMBLY ONLY For Servicing Rear Lamp Fiber Optics Only	\$477.00	
02010	1972	REAR LAMP HARNESS With Seat Belt Warning	\$449.00	
36033	1972	REAR LAMP HARNESS Without Seat Belt Warning	\$449.00	
02015	1973	REAR LAMP HARNESS All	\$449.00	
28325	1974	REAR LAMP HARNESS All, Includes Seatbelt Ignition Interlock	\$480.00	
28330	1975	REAR LAMP HARNESS With Seatbelt Ignition Interlock (Early Production)	\$480.00	
02030	1975	REAR LAMP HARNESS Without Seatbelt Ignition Interlock (Late Production) Note: If Eliminating Seatbelt Ignition Interlock, The Dash, Engine & Rear Lamp Harnesses All Need To Be Replaced.	\$480.00	
02030	1976	REAR LAMP HARNESS All	\$480.00	
33050	1977	REAR LAMP HARNESS Before 3/2/77	\$480.00	
27580	1977	REAR LAMP HARNESS After 3/2/77, With Spare Tire Illumination Lamp	\$480.00	
27635	1978	REAR LAMP HARNESS Without Stereo Dual Rear Speaker Option (U81)	\$511.00	
27075	1978	REAR LAMP HARNESS With Stereo Dual Rear Speaker Option (U81)	\$511.00	
27615	1979	REAR LAMP HARNESS Without Electric Rear Window Defogger Option (C49)	\$511.00	
27620	1979	REAR LAMP HARNESS With Electric Rear Window Defogger Option (C49)	\$511.00	
27665	1980	REAR LAMP HARNESS Without Electric Rear Window Defogger	\$511.00	
27680	1980	REAR LAMP HARNESS With Electric Rear Defogger, With Separate Timer & Relay Note: 1st Design Requires Part #28115 To Complete Defogger Wiring.	\$511.00	
33025	1980	REAR LAMP HARNESS With Electric Defogger, With Integral Timer & Relay Note: 2nd Design With A 4 Contact Switch Connector All In A Straight Line.	\$511.00	
33035	1981	REAR LAMP HARNESS Without Electric Rear Window Defogger	\$511.00	
33030	1981	REAR LAMP HARNESS With Electric Rear Defogger	\$511.00	
33040	1982	REAR LAMP HARNESS Without Electric Rear Window Defogger	\$511.00	
33045	1982	REAR LAMP HARNESS With Electric Rear Defogger	\$511.00	
36099	1982	REAR LAMP HARNESS Collector Edition Only	\$511.00	
REAR WINDOW DEFROSTER HARNESS				
02035	1968	REAR WINDOW DEFROSTER HARNESS From Defogger Switch To Blower Motor Connector	\$96.00	

Part Number	Year	Description	Price	*Rev.
02035	1969	REAR WINDOW DEFROSTER HARNESS From Defogger Switch To Blower Motor Connector	\$96.00	
02035	1970	REAR WINDOW DEFROSTER HARNESS From Defogger Switch To Blower Motor Connector	\$96.00	
02035	1971	REAR WINDOW DEFROSTER HARNESS From Defogger Switch To Blower Motor Connector	\$96.00	
02035	1972	REAR WINDOW DEFROSTER HARNESS From Defogger Switch To Blower Motor Connector	\$96.00	
02035	1973	REAR WINDOW DEFROSTER HARNESS From Defogger Switch To Blower Motor Connector	\$96.00	
02040	1974	REAR WINDOW DEFROSTER HARNESS From Defogger Switch To Blower Motor Connector	\$96.00	
02040	1975	REAR WINDOW DEFROSTER HARNESS From Defogger Switch To Blower Motor Connector	\$96.00	
27810	1976	REAR WINDOW DEFROSTER HARNESS From Defogger Switch To Heated Glass Connector	\$96.00	
27805	1977	REAR WINDOW DEFROSTER HARNESS From Defogger Switch To Heated Glass Connector	\$96.00	
28360	1978	REAR WINDOW DEFROSTER HARNESS From Defogger Switch To Heated Glass Connector	\$96.00	
28005	1979	REAR WINDOW DEFROSTER HARNESS From Defogger Switch To Rear Lamp Harness	\$96.00	
28115	1980	REAR WINDOW DEFROSTER HARNESS From Defogger Switch To Rear Lamp Harness	\$96.00	
Note: 1st Design With A 4 Contact Switch Connector, 3 Straight And 1 Offset.				
REGULATOR TO GENERATOR HARNESS				
36075	1958	REGULATOR TO GENERATOR HARNESS	\$73.00	
36075	1959	REGULATOR TO GENERATOR HARNESS	\$73.00	
02045	1960	REGULATOR TO GENERATOR HARNESS	\$59.00	
02045	1961	REGULATOR TO GENERATOR HARNESS	\$59.00	
02045	1962	REGULATOR TO GENERATOR HARNESS	\$59.00	
REPAIR PIGTAIL				
27970	1963	REPAIR PIGTAIL Backup Lamp Plug, Does Not Include Lamp Boot	\$20.00	
27970	1964	REPAIR PIGTAIL Backup Lamp Plug, Does Not Include Lamp Boot	\$20.00	
27970	1965	REPAIR PIGTAIL Backup Lamp Plug, Does Not Include Lamp Boot	\$20.00	
27970	1966	REPAIR PIGTAIL Backup Lamp Plug, Does Not Include Lamp Boot	\$20.00	
27970	1967	REPAIR PIGTAIL Backup Lamp Plug, Does Not Include Lamp Boot	\$20.00	
27970	1968	REPAIR PIGTAIL Backup Lamp Plug, Does Not Include Lamp Boot	\$20.00	
27970	1969	REPAIR PIGTAIL Backup Lamp Plug, Does Not Include Lamp Boot	\$20.00	
27970	1970	REPAIR PIGTAIL Backup Lamp Plug, Does Not Include Lamp Boot	\$20.00	
27970	1971	REPAIR PIGTAIL Backup Lamp Plug, Does Not Include Lamp Boot	\$20.00	
27970	1972	REPAIR PIGTAIL Backup Lamp Plug, Does Not Include Lamp Boot	\$20.00	
27970	1973	REPAIR PIGTAIL Backup Lamp Plug, Does Not Include Lamp Boot	\$20.00	
27975	1953	REPAIR PIGTAIL Tail & Brake Lamp Plug, Does Not Include Lamp Boot	\$20.00	
27975	1954	REPAIR PIGTAIL Tail & Brake Lamp Plug, Does Not Include Lamp Boot	\$20.00	
27975	1955	REPAIR PIGTAIL Tail & Brake Lamp Plug, Does Not Include Lamp Boot	\$20.00	
27975	1956	REPAIR PIGTAIL Tail & Brake Lamp Plug, Does Not Include Lamp Boot	\$20.00	
27975	1957	REPAIR PIGTAIL Tail & Brake Lamp Plug, Does Not Include Lamp Boot	\$20.00	
27975	1958	REPAIR PIGTAIL Tail & Brake Lamp Plug, Does Not Include Lamp Boot	\$20.00	
27975	1959	REPAIR PIGTAIL Tail & Brake Lamp Plug, Does Not Include Lamp Boot	\$20.00	
27975	1960	REPAIR PIGTAIL Tail & Brake Lamp Plug, Does Not Include Lamp Boot	\$20.00	
27975	1961	REPAIR PIGTAIL Tail & Brake Lamp Plug, Does Not Include Lamp Boot	\$20.00	
27975	1962	REPAIR PIGTAIL Tail & Brake Lamp Plug, Does Not Include Lamp Boot	\$20.00	
27975	1963	REPAIR PIGTAIL Tail & Brake Lamp Plug, Does Not Include Lamp Boot	\$20.00	
27975	1964	REPAIR PIGTAIL Tail & Brake Lamp Plug, Does Not Include Lamp Boot	\$20.00	
27975	1965	REPAIR PIGTAIL Tail & Brake Lamp Plug, Does Not Include Lamp Boot	\$20.00	
27975	1966	REPAIR PIGTAIL Tail & Brake Lamp Plug, Does Not Include Lamp Boot	\$20.00	
27975	1967	REPAIR PIGTAIL Tail & Brake Lamp Plug, Does Not Include Lamp Boot	\$20.00	
27975	1968	REPAIR PIGTAIL Tail & Brake Lamp Plug, Does Not Include Lamp Boot	\$20.00	

Part Number	Year	Description	Price	*Rev.
27975	1969	REPAIR PIGTAIL Tail & Brake Lamp Plug, Does Not Include Lamp Boot	\$20.00	
27975	1970	REPAIR PIGTAIL Tail & Brake Lamp Plug, Does Not Include Lamp Boot	\$20.00	
27975	1971	REPAIR PIGTAIL Tail & Brake Lamp Plug, Does Not Include Lamp Boot	\$20.00	
27975	1972	REPAIR PIGTAIL Tail & Brake Lamp Plug, Does Not Include Lamp Boot	\$20.00	
27975	1973	REPAIR PIGTAIL Tail & Brake Lamp Plug, Does Not Include Lamp Boot	\$20.00	
REPAIR PIGTAIL-FOR POWER DOOR LOCK SWITCH				
27240	1978	REPAIR PIGTAIL, FOR POWER DOOR LOCK SWITCH For Left (Driver) Side Power Door Lock Switches, Connector & Wire	\$26.00	
27245	1978	REPAIR PIGTAIL, FOR POWER DOOR LOCK SWITCH For Right (Passenger) Side Power Door Lock Switches, Connector & Wire	\$26.00	
27240	1979	REPAIR PIGTAIL, FOR POWER DOOR LOCK SWITCH For Left (Driver) Side Power Door Lock Switches, Connector & Wire	\$26.00	
27245	1979	REPAIR PIGTAIL, FOR POWER DOOR LOCK SWITCH For Right (Passenger) Side Power Door Lock Switches, Connector & Wire	\$26.00	
27240	1980	REPAIR PIGTAIL, FOR POWER DOOR LOCK SWITCH For Left (Driver) Side Power Door Lock Switches, Connector & Wire	\$26.00	
27245	1980	REPAIR PIGTAIL, FOR POWER DOOR LOCK SWITCH For Right (Passenger) Side Power Door Lock Switches, Connector & Wire	\$26.00	
27240	1981	REPAIR PIGTAIL, FOR POWER DOOR LOCK SWITCH For Left (Driver) Side Power Door Lock Switches, Connector & Wire	\$26.00	
27245	1981	REPAIR PIGTAIL, FOR POWER DOOR LOCK SWITCH For Right (Passenger) Side Power Door Lock Switches, Connector & Wire	\$26.00	
27240	1982	REPAIR PIGTAIL, FOR POWER DOOR LOCK SWITCH For Left (Driver) Side Power Door Lock Switches, Connector & Wire	\$26.00	
27245	1982	REPAIR PIGTAIL, FOR POWER DOOR LOCK SWITCH For Right (Passenger) Side Power Door Lock Switches, Connector & Wire	\$26.00	
REPAIR PIGTAIL-FOR POWER WINDOW SWITCH				
36048	1968	REPAIR PIGTAIL, FOR POWER WINDOW SWITCH For Single Power Window Switches, Connector & Wire	\$25.00	
36048	1969	REPAIR PIGTAIL, FOR POWER WINDOW SWITCH For Single Power Window Switches, Connector & Wire	\$25.00	
36048	1970	REPAIR PIGTAIL, FOR POWER WINDOW SWITCH For Single Power Window Switches, Connector & Wire	\$25.00	
36048	1971	REPAIR PIGTAIL, FOR POWER WINDOW SWITCH For Single Power Window Switches, Connector & Wire	\$25.00	
36048	1972	REPAIR PIGTAIL, FOR POWER WINDOW SWITCH For Single Power Window Switches, Connector & Wire	\$25.00	
36048	1973	REPAIR PIGTAIL, FOR POWER WINDOW SWITCH For Single Power Window Switches, Connector & Wire	\$25.00	
36048	1974	REPAIR PIGTAIL, FOR POWER WINDOW SWITCH For Single Power Window Switches, Connector & Wire	\$25.00	
36048	1975	REPAIR PIGTAIL, FOR POWER WINDOW SWITCH For Single Power Window Switches, Connector & Wire	\$25.00	
36048	1976	REPAIR PIGTAIL, FOR POWER WINDOW SWITCH For Single Power Window Switches, Connector & Wire	\$25.00	
36048	1977	REPAIR PIGTAIL, FOR POWER WINDOW SWITCH For Single Power Window Switches, Connector & Wire	\$25.00	
36048	1978	REPAIR PIGTAIL, FOR POWER WINDOW SWITCH For Single Power Window Switches, Connector & Wire	\$25.00	
36048	1979	REPAIR PIGTAIL, FOR POWER WINDOW SWITCH For Single Power Window Switches, Connector & Wire	\$25.00	
36048	1980	REPAIR PIGTAIL, FOR POWER WINDOW SWITCH For Single Power Window Switches, Connector & Wire	\$25.00	
REPLACEMENT REAR LAMP BOOT-DUST SHIELD				
02977660	1963	REPLACEMENT REAR LAMP BOOT, DUST SHIELD FOR LAMP SOCKETS Tail, Brake Lamp & Back Up Lamp (Accordian Type)	\$13.00	
02977660	1964	REPLACEMENT REAR LAMP BOOT, DUST SHIELD FOR LAMP SOCKETS Tail, Brake Lamp & Back Up Lamp (Accordian Type)	\$13.00	
02977660	1965	REPLACEMENT REAR LAMP BOOT, DUST SHIELD FOR LAMP SOCKETS Tail, Brake Lamp & Back Up Lamp (Accordian Type)	\$13.00	
02977660	1966	REPLACEMENT REAR LAMP BOOT, DUST SHIELD FOR LAMP SOCKETS Tail, Brake Lamp & Back Up Lamp (Accordian Type)	\$13.00	
02977660	1967	REPLACEMENT REAR LAMP BOOT, DUST SHIELD FOR LAMP SOCKETS Tail, Brake Lamp & Back Up Lamp (Accordian Type)	\$13.00	

Part Number	Year	Description	Price	*Rev.
02977660	1968	REPLACEMENT REAR LAMP BOOT, DUST SHIELD FOR LAMP SOCKETS Tail, Brake Lamp & Back Up Lamp (Accordian Type)	\$13.00	
02977660	1969	REPLACEMENT REAR LAMP BOOT, DUST SHIELD FOR LAMP SOCKETS Tail, Brake Lamp & Back Up Lamp (Accordian Type)	\$13.00	
02977660	1970	REPLACEMENT REAR LAMP BOOT, DUST SHIELD FOR LAMP SOCKETS Tail, Brake Lamp & Back Up Lamp (Accordian Type)	\$13.00	
02977660	1971	REPLACEMENT REAR LAMP BOOT, DUST SHIELD FOR LAMP SOCKETS Tail, Brake Lamp & Back Up Lamp (Accordian Type)	\$13.00	
02977660	1972	REPLACEMENT REAR LAMP BOOT, DUST SHIELD FOR LAMP SOCKETS Tail, Brake Lamp & Back Up Lamp (Accordian Type)	\$13.00	
SEAT BELT WARNING HARNESS				
02050	1972	SEAT BELT WARNING HARNESS	\$66.00	
02050	1973	SEAT BELT WARNING HARNESS	\$66.00	
02055	1974	SEAT BELT WARNING HARNESS With Manual Trans	\$66.00	
SEAT BELT WARNING POWER FEED WIRE				
36866	1971	SEAT BELT WARNING POWER FEED WIRE	\$17.00	
SPEAKER CONVERSION HARNESS				
37833	1970	SPEAKER CONVERSION HARNESS All (2 Required Per Car) Note: Use When Installing Current Gm Replacement Speaker Part #16047855.	\$22.00	
37833	1971	SPEAKER CONVERSION HARNESS All (2 Required Per Car) Note: Use When Installing Current GM Replacement Speaker Part #16047855.	\$22.00	
37833	1972	SPEAKER CONVERSION HARNESS All (2 Required Per Car) Note: Use When Installing Current GM Replacement Speaker Part #16047855.	\$22.00	
37833	1973	SPEAKER CONVERSION HARNESS All (2 Required Per Car) Note: Use When Installing Current GM Replacement Speaker Part #16047855.	\$22.00	
37833	1974	SPEAKER CONVERSION HARNESS All (2 Required Per Car) Note: Use When Installing Current GM Replacement Speaker Part #16047855.	\$22.00	
37833	1975	SPEAKER CONVERSION HARNESS All (2 Required Per Car) Note: Use When Installing Current GM Replacement Speaker Part #16047855.	\$22.00	
37833	1976	SPEAKER CONVERSION HARNESS All (2 Required Per Car) Note: Use When Installing Current GM Replacement Speaker Part #16047855.	\$22.00	
37833	1977	SPEAKER CONVERSION HARNESS All (2 Required Per Car) Note: Use When Installing Current GM Replacement Speaker Part #16047855.	\$22.00	
SPEAKER HARNESS				
36089	1958	SPEAKER HARNESS Front	\$22.00	
36089	1959	SPEAKER HARNESS Front	\$22.00	
36089	1960	SPEAKER HARNESS Front	\$22.00	
36089	1961	SPEAKER HARNESS Front	\$22.00	
36089	1962	SPEAKER HARNESS Front	\$22.00	
36090	1963	SPEAKER HARNESS Front	\$22.00	
36090	1964	SPEAKER HARNESS Front	\$22.00	
36090	1965	SPEAKER HARNESS Front	\$22.00	
36090	1966	SPEAKER HARNESS Front	\$22.00	
36090	1967	SPEAKER HARNESS Front	\$22.00	
02060	1974	SPEAKER HARNESS Front	\$40.00	
02060	1975	SPEAKER HARNESS Front	\$40.00	
02060	1976	SPEAKER HARNESS Front	\$40.00	
36091	1977	SPEAKER HARNESS Front, Monoaural	\$40.00	

Part Number	Year	Description	Price	*Rev.
28300	1977	SPEAKER HARNESS Front, Stereo	\$40.00	
28025	1978	SPEAKER HARNESS Front, AM/FM Pushbutton Radio (U69)	\$48.00	
28015	1978	SPEAKER HARNESS Front, AM/FM Stereo Pushbutton Tape Player, Pushbutton & Cb	\$48.00	
27820	1978	SPEAKER HARNESS With Dual Front & Rear Speakers (U81)	\$80.00	
28025	1979	SPEAKER HARNESS Front, Monaural Radio	\$48.00	
28015	1979	SPEAKER HARNESS Front, Stereo Radio	\$48.00	
28010	1979	SPEAKER HARNESS With Dual Front & Rear Speakers (U81)	\$80.00	
28025	1980	SPEAKER HARNESS Front, Monaural Radio & U81 Option Front Speakers Only	\$48.00	
28015	1980	SPEAKER HARNESS Front, Stereo Radio	\$48.00	
28075	1980	SPEAKER HARNESS Rear Speaker Only (U81 Option)	\$80.00	
28010	1980	SPEAKER HARNESS With Dual Front & Rear Speakers (U81)	\$80.00	
28025	1981	SPEAKER HARNESS Front, Monaural Radio & U81 Option Front Speakers Only	\$48.00	
28015	1981	SPEAKER HARNESS Front, Stereo Radio	\$48.00	
33245	1981	SPEAKER HARNESS Rear, Dual Speakers (U81 Option)	\$40.00	
28025	1982	SPEAKER HARNESS Front, Monaural Radio & U81 Option Front Speakers Only	\$48.00	
28015	1982	SPEAKER HARNESS Front, Stereo Radio	\$48.00	
33245	1982	SPEAKER HARNESS Rear, Dual Speakers (U81 Option)	\$40.00	
SPEED WARNING HARNESS				
02065	1967	SPEED WARNING HARNESS	\$32.00	
02070	1968	SPEED WARNING HARNESS	\$32.00	
02070	1969	SPEED WARNING HARNESS	\$32.00	
STARTER EXTENSION HARNESS				
27650	1977	STARTER EXTENSION HARNESS Without A/C, Engine Harness To Starter Solenoid Note: With Anti-Theft Switch Mounted In Door Lock, After 3/2/77.	\$110.00	
27070	1977	STARTER EXTENSION HARNESS With A/C, Engine Harness To Starter Solenoid Note: With Anti-Theft Switch Mounted In Door Lock, After 3/2/77.	\$110.00	
27650	1978	STARTER EXTENSION HARNESS Without A/C	\$110.00	
27070	1978	STARTER EXTENSION HARNESS With A/C	\$110.00	
27655	1979	STARTER EXTENSION HARNESS All, Without A/C	\$110.00	
27095	1979	STARTER EXTENSION HARNESS With A/C, Except L82	\$110.00	
27120	1979	STARTER EXTENSION HARNESS With A/C, L82, With Connector For Auxillary Fan Thermostat	\$110.00	
28275	1980	STARTER EXTENSION HARNESS Except L82	\$110.00	
28095	1980	STARTER EXTENSION HARNESS L82, With Connector For Auxillary Fan Thermostat	\$110.00	
32810	1981	STARTER EXTENSION HARNESS	\$110.00	
32810	1982	STARTER EXTENSION HARNESS	\$110.00	
STARTER EXTENSION WIRE				
02075	1975	STARTER EXTENSION WIRE All, Engine Harness To Starter Solenoid	\$20.00	
02075	1976	STARTER EXTENSION WIRE All, Engine Harness To Starter Solenoid	\$20.00	
02075	1977	STARTER EXTENSION WIRE Engine Harness To Starter Solenoid Note: With Anti-Theft Switch Mounted In Fender, Before 3/2/77.	\$20.00	
STEERING COLUMN ADAPTER HARNESS				
37616	1963	STEERING COLUMN ADAPTER HARNESS For 1969-74 GM & Ididit Columns (Exc. Flaming River) To Stock Dash Harness Note: Adapts Horn, Directionals, Hazard Flashers To Stock 6-Way Dash Connector.	\$50.00	
38124	1963	STEERING COLUMN ADAPTER HARNESS For 1975 & Up GM & Flaming River Columns (Exc. Ididit) To Stock Dash Harness Note: Adapts Horn, Directionals, Hazard Flashers To Stock 6-Way Dash Connector.	\$53.00	

Part Number	Year	Description	Price	*Rev.
37618	1964	STEERING COLUMN ADAPTER HARNESS For 1969-74 GM & Ididit Columns (Exc. Flaming River) To Stock Dash Harness Note: Adapts Horn, Directionals, Hazard Flashers To Stock 8-Way Dash Connector.	\$50.00	
38125	1964	STEERING COLUMN ADAPTER HARNESS For 1975 & Up GM & Flaming River Columns (Exc. Ididit) To Stock Dash Harness Note: Adapts Horn, Directionals, Hazard Flashers To Stock 8-Way Dash Connector.	\$51.00	
37618	1965	STEERING COLUMN ADAPTER HARNESS For 1969-74 GM & Ididit Columns (Exc. Flaming River) To Stock Dash Harness Note: Adapts Horn, Directionals, Hazard Flashers To Stock 8-Way Dash Connector.	\$50.00	
38125	1965	STEERING COLUMN ADAPTER HARNESS For 1975 & Up GM & Flaming River Columns (Exc. Ididit) To Stock Dash Harness Note: Adapts Horn, Directionals, Hazard Flashers To Stock 8-Way Dash Connector.	\$51.00	
37618	1966	STEERING COLUMN ADAPTER HARNESS For 1969-74 GM & Ididit Columns (Exc. Flaming River) To Stock Dash Harness Note: Adapts Horn, Directionals, Hazard Flashers To Stock 8-Way Dash Connector.	\$50.00	
38125	1966	STEERING COLUMN ADAPTER HARNESS For 1975 & Up GM & Flaming River Columns (Exc. Ididit) To Stock Dash Harness Note: Adapts Horn, Directionals, Hazard Flashers To Stock 8-Way Dash Connector.	\$51.00	
36882	1967	STEERING COLUMN ADAPTER HARNESS For 1969-1974 GM & Ididit Columns (Exc. Flaming River) To Stock Dash Harness Note: Adapts Horn, Directionals, Hazard Flashers To Stock 9-Pin T/L Dash Connector.	\$27.00	
38127	1967	STEERING COLUMN ADAPTER HARNESS For 1975 & Up GM & Flaming River Columns (Exc. Ididit) To Stock Dash Harness Note: Adapts Horn, Directionals, Hazard Flashers To Stock 9-Pin T/L Dash Connector.	\$27.00	
36882	1968	STEERING COLUMN ADAPTER HARNESS For 1969-1974 GM & Ididit Columns (Exc. Flaming River) To Stock Dash Harness Note: Adapts Horn, Directionals, Hazard Flashers To Stock 9-Pin T/L Dash Connector.	\$27.00	
38127	1968	STEERING COLUMN ADAPTER HARNESS For 1975 & Up GM & Flaming River Columns (Exc. Ididit) To Stock Dash Harness Note: Adapts Horn, Directionals, Hazard Flashers To Stock 9-Pin T/L Dash Connector.	\$27.00	
STOP LAMP SWITCH				
01261219	1953	STOP LAMP SWITCH	\$5.80	N
01261219	1954	STOP LAMP SWITCH	\$5.80	N
01261219	1955	STOP LAMP SWITCH	\$5.80	N
01261219	1956	STOP LAMP SWITCH	\$5.80	N
01261219	1957	STOP LAMP SWITCH	\$5.80	N
01261219	1958	STOP LAMP SWITCH	\$5.80	N
01261219	1959	STOP LAMP SWITCH	\$5.80	N
01261219	1960	STOP LAMP SWITCH	\$5.80	N
01261219	1961	STOP LAMP SWITCH	\$5.80	N
01261219	1962	STOP LAMP SWITCH	\$5.80	N
01261219	1963	STOP LAMP SWITCH	\$5.80	N
01261219	1964	STOP LAMP SWITCH	\$5.80	N
01261219	1965	STOP LAMP SWITCH	\$5.80	N
01261219	1966	STOP LAMP SWITCH	\$5.80	N
01261219	1967	STOP LAMP SWITCH	\$5.80	N
01261219	1968	STOP LAMP SWITCH Except Lever Type	\$5.80	N
01261219	1969	STOP LAMP SWITCH	\$5.80	N
01261219	1970	STOP LAMP SWITCH	\$5.80	N
01261219	1971	STOP LAMP SWITCH	\$5.80	N
01261219	1972	STOP LAMP SWITCH	\$5.80	N

Part Number	Year	Description	Price	*Rev.
01261219	1973	STOP LAMP SWITCH	\$5.80	N
01261219	1974	STOP LAMP SWITCH	\$5.80	N
01261219	1975	STOP LAMP SWITCH	\$5.80	N
01261219	1976	STOP LAMP SWITCH	\$5.80	N
01261219	1977	STOP LAMP SWITCH Without Cruise	\$5.80	N
01261219	1978	STOP LAMP SWITCH Without Cruise	\$5.80	N
01261219	1979	STOP LAMP SWITCH Without Cruise	\$5.80	N
01261219	1980	STOP LAMP SWITCH Without Cruise	\$5.80	N
01261219	1981	STOP LAMP SWITCH Without Cruise	\$5.80	N
TACHOMETER WARNING HARNESS				
33355	1963	TACHOMETER WARNING HARNESS R.p.m. Overrev Warning Buzzer Wiring	\$32.00	
TCS JUMPER HARNESS				
02080	1970	TCS JUMPER HARNESS All, From Engine Harness To Temperature Sender	\$30.00	
02080	1971	TCS JUMPER HARNESS All, From Engine Harness To Temperature Sender	\$30.00	
02080	1972	TCS JUMPER HARNESS All, From Engine Harness To Temperature Sender	\$30.00	
02080	1973	TCS JUMPER HARNESS All, From Engine Harness To Temperature Sender	\$30.00	
02080	1974	TCS JUMPER HARNESS All, From Engine Harness To Temperature Sender	\$30.00	
TEMPERATURE GAUGE				
06400566	1963	TEMPERATURE GAUGE	\$39.00	N
06401290	1964	TEMPERATURE GAUGE	\$39.00	N
06402594	1965	TEMPERATURE GAUGE 250 Degree With Yellow And Orange Overheat Warning Marks Note: Face Plate Features 100-210-250 Marks, And Both Yellow And Orange Overheat Warning Marks.	\$47.00	N
06402594	1966	TEMPERATURE GAUGE 250 Degree With Yellow And Orange Overheat Warning Marks Note: Face Plate Features 100-210-250 Marks, And Both Yellow And Orange Overheat Warning Marks.	\$47.00	N
06402594	1967	TEMPERATURE GAUGE 250 Degree With Yellow And Orange Overheat Warning Marks Note: Face Plate Features 100-210-250 Marks, And Both Yellow And Orange Overheat Warning Marks.	\$47.00	N
TEMPERATURE SENDING UNIT LEAD WIRE REPAIR KIT				
37891	1956	TEMPERATURE SENDING UNIT LEAD WIRE REPAIR KIT Pre-Assembled Note: Includes New Asphalt Loom, Wire, Terminal & Connector.	\$20.00	
37892	1957	TEMPERATURE SENDING UNIT LEAD WIRE REPAIR KIT Pre-Assembled Note: Includes New Asphalt Loom, Wire, Terminal & Connector.	\$20.00	
37892	1958	TEMPERATURE SENDING UNIT LEAD WIRE REPAIR KIT Pre-Assembled Note: Includes New Asphalt Loom, Wire, Terminal & Connector.	\$20.00	
37892	1959	TEMPERATURE SENDING UNIT LEAD WIRE REPAIR KIT Pre-Assembled Note: Includes New Asphalt Loom, Wire, Terminal & Connector.	\$20.00	
37892	1960	TEMPERATURE SENDING UNIT LEAD WIRE REPAIR KIT Pre-Assembled Note: Includes New Asphalt Loom, Wire, Terminal & Connector.	\$20.00	
37892	1961	TEMPERATURE SENDING UNIT LEAD WIRE REPAIR KIT Pre-Assembled Note: Includes New Asphalt Loom, Wire, Terminal & Connector.	\$20.00	
37892	1962	TEMPERATURE SENDING UNIT LEAD WIRE REPAIR KIT Pre-Assembled Note: Includes New Asphalt Loom, Wire, Terminal & Connector.	\$20.00	
37893	1963	TEMPERATURE SENDING UNIT LEAD WIRE REPAIR KIT Pre-Assembled Note: Includes New Asphalt Loom, Wire, Terminal & Connector.	\$20.00	
37893	1964	TEMPERATURE SENDING UNIT LEAD WIRE REPAIR KIT Pre-Assembled Note: Includes New Asphalt Loom, Wire, Terminal & Connector.	\$20.00	
37893	1965	TEMPERATURE SENDING UNIT LEAD WIRE REPAIR KIT Pre-Assembled Note: Includes New Asphalt Loom, Wire, Terminal & Connector.	\$20.00	

Part Number	Year	Description	Price	*Rev.
37893	1966	TEMPERATURE SENDING UNIT LEAD WIRE REPAIR KIT Pre-Assembled Note: Includes New Asphalt Loom, Wire, Terminal & Connector.	\$20.00	
37893	1967	TEMPERATURE SENDING UNIT LEAD WIRE REPAIR KIT Pre-Assembled Note: Includes New Asphalt Loom, Wire, Terminal & Connector.	\$20.00	
TRANSISTOR IGNITION AMPLIFIER EXTENSION				
33225	1964	TRANSISTOR IGNITION AMPLIFIER EXTENSION From Internal Circuit Board To Amplifier Housing Connector	\$53.00	
33225	1965	TRANSISTOR IGNITION AMPLIFIER EXTENSION From Internal Circuit Board To Amplifier Housing Connector	\$53.00	
33225	1966	TRANSISTOR IGNITION AMPLIFIER EXTENSION From Internal Circuit Board To Amplifier Housing Connector	\$53.00	
33225	1967	TRANSISTOR IGNITION AMPLIFIER EXTENSION From Internal Circuit Board To Amplifier Housing Connector	\$53.00	
33225	1968	TRANSISTOR IGNITION AMPLIFIER EXTENSION From Internal Circuit Board To Amplifier Housing Connector (Early Production)	\$53.00	
36053	1968	TRANSISTOR IGNITION AMPLIFIER EXTENSION From Internal Circuit Board To Inline Transistor Ignition Harness Connector (Late Production)	\$92.00	
36053	1969	TRANSISTOR IGNITION AMPLIFIER EXTENSION From Internal Circuit Board To Inline Transistor Ignition Harness Connector	\$92.00	
36053	1970	TRANSISTOR IGNITION AMPLIFIER EXTENSION From Internal Circuit Board To Inline Transistor Ignition Harness Connector	\$92.00	
36053	1971	TRANSISTOR IGNITION AMPLIFIER EXTENSION From Internal Circuit Board To Inline Transistor Ignition Harness Connector	\$92.00	
TRANSISTOR IGNITION EXTENSION HARNESS				
02085	1968	TRANSISTOR IGNITION EXTENSION HARNESS Ignition Switch To T.I. Harness	\$26.00	
02085	1969	TRANSISTOR IGNITION EXTENSION HARNESS Ignition Switch To T.I. Harness	\$26.00	
02085	1970	TRANSISTOR IGNITION EXTENSION HARNESS Ignition Switch To T.I. Harness	\$26.00	
02085	1971	TRANSISTOR IGNITION EXTENSION HARNESS Ignition Switch To T.I. Harness	\$26.00	
02085	1972	TRANSISTOR IGNITION EXTENSION HARNESS Ignition Switch To T.I. Harness	\$26.00	
TRANSISTOR IGNITION HARNESS				
02090	1964	TRANSISTOR IGNITION HARNESS From Amplifier To Coil & Distributor	\$196.00	
35887	1965	TRANSISTOR IGNITION HARNESS From Amplifier To Coil & Distributor Note: Contains A Black With Pink Striped Wire In Connector At Distributor.	\$196.00	
02095	1965	TRANSISTOR IGNITION HARNESS From Amplifier To Coil & Distributor Note: Contains A Solid Pink Wire In Connector At Distributor.	\$196.00	
02100	1966	TRANSISTOR IGNITION HARNESS From Amplifier To Coil & Distributor	\$196.00	
02100	1967	TRANSISTOR IGNITION HARNESS From Amplifier To Coil & Distributor	\$196.00	
11870	1968	TRANSISTOR IGNITION HARNESS Early Style, With Connector On Amplifier	\$196.00	
02110	1968	TRANSISTOR IGNITION HARNESS Late Style, With Pigtail On Amplifier	\$196.00	
02110	1969	TRANSISTOR IGNITION HARNESS From Amplifier To Coil & Distributor	\$196.00	
02110	1970	TRANSISTOR IGNITION HARNESS From Amplifier To Coil & Distributor	\$196.00	
02110	1971	TRANSISTOR IGNITION HARNESS From Amplifier To Coil & Distributor	\$196.00	
02110	1972	TRANSISTOR IGNITION HARNESS From Amplifier To Coil & Distributor	\$196.00	
TRANSISTOR IGNITION REPLACEMENT MODULE				
32270	1964	TRANSISTOR IGNITION REPLACEMENT MODULE Replaces Original Circuit Board In Amplifier	\$189.00	
32270	1965	TRANSISTOR IGNITION REPLACEMENT MODULE Replaces Original Circuit Board In Amplifier	\$189.00	
32270	1966	TRANSISTOR IGNITION REPLACEMENT MODULE Replaces Original Circuit Board In Amplifier	\$189.00	
32270	1967	TRANSISTOR IGNITION REPLACEMENT MODULE Replaces Original Circuit Board In Amplifier	\$189.00	
32270	1968	TRANSISTOR IGNITION REPLACEMENT MODULE Replaces Original Circuit Board In Amplifier	\$189.00	
32270	1969	TRANSISTOR IGNITION REPLACEMENT MODULE Replaces Original Circuit Board In Amplifier	\$189.00	
32270	1970	TRANSISTOR IGNITION REPLACEMENT MODULE Replaces Original Circuit Board In Amplifier	\$189.00	
32270	1971	TRANSISTOR IGNITION REPLACEMENT MODULE Replaces Original Circuit Board In Amplifier	\$189.00	

Part Number	Year	Description	Price	*Rev.
32270	1972	TRANSISTOR IGNITION REPLACEMENT MODULE Replaces Original Circuit Board In Amplifier	\$189.00	
TRANSMISSION CONTROL JUMPER HARNESS				
28100	1980	TRANSMISSION CONTROL JUMPER HARNESS With TH350C Computer Controlled Auto Trans (MV4) Note: Used With Part #27675 Engine Harness.	\$57.00	
31835	1981	TRANSMISSION CONTROL JUMPER HARNESS With TH350C Computer Controlled Auto Trans (MV4)	\$57.00	
32320	1982	TRANSMISSION CONTROL JUMPER HARNESS With Computer Controlled Auto Trans (Md8)	\$57.00	
TURN SIGNAL FLASHER POWER LEAD WIRE				
37790	1953	TURN SIGNAL FLASHER POWER LEAD WIRE All 6 Volt Note: This Wire Connects From The Fuel Gauge To An Inline Fuse Connector In The Dash Harness.	\$18.00	
37790	1954	TURN SIGNAL FLASHER POWER LEAD WIRE All 6 Volt Note: This Wire Connects From The Fuel Gauge To An Inline Fuse Connector In The Dash Harness.	\$18.00	
37790	1955	TURN SIGNAL FLASHER POWER LEAD WIRE All 6 Volt Note: This Wire Connects From The Fuel Gauge To An Inline Fuse Connector In The Dash Harness.	\$18.00	
TURN SIGNAL SWITCH				
05947677	1953	TURN SIGNAL SWITCH 6 Cylinder Note: 6 Cylinder Items Are Not Returnable.	\$27.00	
05947677	1954	TURN SIGNAL SWITCH 6 Cylinder Note: 6 Cylinder Items Are Not Returnable.	\$27.00	
05947677	1955	TURN SIGNAL SWITCH 6 Cylinder Note: 6 Cylinder Items Are Not Returnable.	\$27.00	
05946173	1955	TURN SIGNAL SWITCH 12 Volt	\$27.00	
05946173	1956	TURN SIGNAL SWITCH All	\$27.00	
05946173	1957	TURN SIGNAL SWITCH All	\$27.00	
05946173	1958	TURN SIGNAL SWITCH All	\$27.00	
05946173	1959	TURN SIGNAL SWITCH All	\$27.00	
05946173	1960	TURN SIGNAL SWITCH All	\$27.00	
05946173	1961	TURN SIGNAL SWITCH All	\$27.00	
05946173	1962	TURN SIGNAL SWITCH All	\$27.00	
00910821	1964	TURN SIGNAL SWITCH Without Tilt	\$56.00	N
00910821	1965	TURN SIGNAL SWITCH Without Tilt	\$56.00	N
00910821	1966	TURN SIGNAL SWITCH Without Tilt	\$56.00	N
01893584	1969	TURN SIGNAL SWITCH With Tilt & Telescopic (Delco# D6207)	\$82.00	
01997969	1969	TURN SIGNAL SWITCH Without Tilt & Telescopic	\$56.00	
01893584	1970	TURN SIGNAL SWITCH With Tilt & Telescopic (Delco# D6207)	\$82.00	
01997969	1970	TURN SIGNAL SWITCH Without Tilt & Telescopic	\$56.00	
01893584	1971	TURN SIGNAL SWITCH With Tilt & Telescopic (Delco# D6207)	\$82.00	
01997969	1971	TURN SIGNAL SWITCH Without Tilt & Telescopic	\$56.00	
01893584	1972	TURN SIGNAL SWITCH With Tilt & Telescopic (Delco# D6207)	\$82.00	
01997969	1972	TURN SIGNAL SWITCH Without Tilt & Telescopic	\$56.00	
01893584	1973	TURN SIGNAL SWITCH With Tilt & Telescopic (Delco# D6207)	\$82.00	
01997969	1973	TURN SIGNAL SWITCH Without Tilt & Telescopic	\$56.00	
01893584	1974	TURN SIGNAL SWITCH With Tilt & Telescopic (Delco# D6207)	\$82.00	
01997969	1974	TURN SIGNAL SWITCH Without Tilt & Telescopic	\$56.00	
01893584	1975	TURN SIGNAL SWITCH With Tilt & Telescopic (Delco# D6207)	\$82.00	
01997969	1975	TURN SIGNAL SWITCH Without Tilt & Telescopic	\$56.00	
01893584	1976	TURN SIGNAL SWITCH With Tilt & Telescopic (Delco# D6207)	\$82.00	
01997969	1976	TURN SIGNAL SWITCH Without Tilt & Telescopic	\$56.00	

Part Number	Year	Description	Price	*Rev.
01997983	1977	TURN SIGNAL SWITCH With Tilt & Telescopic (Delco# D6222)	\$32.00	
01997988	1977	TURN SIGNAL SWITCH Without Tilt & Telescopic	\$32.00	
01997983	1978	TURN SIGNAL SWITCH With Tilt & Telescopic (Delco# D6222)	\$32.00	
01997988	1978	TURN SIGNAL SWITCH Without Tilt & Telescopic	\$32.00	
01997983	1979	TURN SIGNAL SWITCH With Tilt & Telescopic, With Bent Lever (Delco# D6222)	\$32.00	
01997988	1979	TURN SIGNAL SWITCH Without Tilt & Telescopic	\$32.00	
VOLTAGE REGULATOR ADAPTER HARNESS				
02115	1965	VOLTAGE REGULATOR ADAPTER HARNESS Without 396 C.I. Engine, From Field Terminal On Voltage Regulator To Chassis Ground (Includes Inline Diode)	\$52.00	
Note: Only Used With Original Solid State Voltage Regulator #1116368 On Small Block Cars, As A Safe Guard To Prevent Voltage Regulator Transistor Failure.				
WINDSHIELD WASHER MONITOR LAMP HARNESS				
02120	1970	WINDSHIELD WASHER MONITOR LAMP HARNESS With A/C	\$22.00	
36853	1970	WINDSHIELD WASHER MONITOR LAMP HARNESS Without A/C	\$27.00	
WINDSHIELD WIPER DOOR LIMIT SWITCH EXTENSION				
37586	1968	WINDSHIELD WIPER DOOR LIMIT SWITCH EXTENSION Note: Customer Must Solder Wires To Switch.	\$40.00	
37587	1969	WINDSHIELD WIPER DOOR LIMIT SWITCH EXTENSION Note: Customer Must Solder Wires To Switch.	\$40.00	
37587	1970	WINDSHIELD WIPER DOOR LIMIT SWITCH EXTENSION Note: Customer Must Solder Wires To Switch.	\$40.00	
37587	1971	WINDSHIELD WIPER DOOR LIMIT SWITCH EXTENSION Note: Customer Must Solder Wires To Switch.	\$40.00	
37587	1972	WINDSHIELD WIPER DOOR LIMIT SWITCH EXTENSION Note: Customer Must Solder Wires To Switch.	\$40.00	
WINDSHIELD WIPER SWITCH				
01993543	1963	WINDSHIELD WIPER SWITCH 2 Speed, With Washer	\$45.00	
01993543	1964	WINDSHIELD WIPER SWITCH 2 Speed, With Washer	\$45.00	
01993678	1965	WINDSHIELD WIPER SWITCH 2 Speed, With Washer	\$52.00	
01993678	1966	WINDSHIELD WIPER SWITCH 2 Speed, With Washer	\$52.00	
01993394	1967	WINDSHIELD WIPER SWITCH	\$39.00	

Section 13

Cutlass

4-4-2

F-85

Cutlass
4-4-2/F-85



Phone (562) 926-9552
Fax (562) 926-9572

Part Number	Year	Description	Price	*Rev.
AIR CONDITIONING EXTENSION HARNESS				
36203	1972	AIR CONDITIONING EXTENSION HARNESS Thermo Limiter Jumper, Used With #16690 A/C Harness	\$46.00	
36203	1973	AIR CONDITIONING EXTENSION HARNESS Thermo Limiter Jumper	\$46.00	
36203	1974	AIR CONDITIONING EXTENSION HARNESS Thermo Limiter Jumper	\$46.00	
36203	1975	AIR CONDITIONING EXTENSION HARNESS Thermo Limiter Jumper	\$46.00	
AIR CONDITIONING HARNESS				
06045	1964	AIR CONDITIONING HARNESS V/8, Includes Heater Wiring	\$173.00	
09370	1965	AIR CONDITIONING HARNESS V/8, Includes Heater Wiring	\$173.00	
09450	1966	AIR CONDITIONING HARNESS V/8, Includes Heater Wiring	\$173.00	
10600	1967	AIR CONDITIONING HARNESS V/8, Includes Heater Wiring	\$176.00	
12705	1968	AIR CONDITIONING HARNESS V/8, Includes Heater Wiring	\$180.00	
13325	1969	AIR CONDITIONING HARNESS V/8, Includes Heater Wiring	\$180.00	
18560	1970	AIR CONDITIONING HARNESS V/8, Includes Heater Wiring	\$180.00	
16035	1971	AIR CONDITIONING HARNESS 6 Cylinder, Includes Heater Wiring Note: 6 Cylinder Items Are Not Returnable.	\$198.00	
15935	1971	AIR CONDITIONING HARNESS V/8, Includes Heater Wiring	\$180.00	
16690	1972	AIR CONDITIONING HARNESS V/8, Includes Heater Wiring, Must Be Used With #36203 A/C Extension	\$180.00	
ALTERNATOR CONVERSION KIT				
27555	1963	ALTERNATOR CONVERSION KIT External To Internal Regulator Conversion Harness ("SI" Series) Note: For Use With 1972-84 Non-Serpentine Belt ("SI" Series) Internal Regulated Alternators.	\$29.00	
37787	1963	ALTERNATOR CONVERSION KIT External To Internal Regulator Conversion Harness ("CS" Series) Note: For Use With Serpentine Belt ("CS" Series) Internal Regulated Alternators.	\$34.00	
27555	1964	ALTERNATOR CONVERSION KIT External To Internal Regulator Conversion Harness ("SI" Series) Note: For Use With 1972-84 Non-Serpentine Belt ("SI" Series) Internal Regulated Alternators.	\$29.00	
37787	1964	ALTERNATOR CONVERSION KIT External To Internal Regulator Conversion Harness ("CS" Series) Note: For Use With Serpentine Belt ("CS" Series) Internal Regulated Alternators.	\$34.00	
27555	1965	ALTERNATOR CONVERSION KIT External To Internal Regulator Conversion Harness ("SI" Series) Note: For Use With 1972-84 Non-Serpentine Belt ("SI" Series) Internal Regulated Alternators.	\$29.00	
37787	1965	ALTERNATOR CONVERSION KIT External To Internal Regulator Conversion Harness ("CS" Series) Note: For Use With Serpentine Belt ("CS" Series) Internal Regulated Alternators.	\$34.00	
27555	1966	ALTERNATOR CONVERSION KIT External To Internal Regulator Conversion Harness ("SI" Series) Note: For Use With 1972-84 Non-Serpentine Belt ("SI" Series) Internal Regulated Alternators.	\$29.00	
37787	1966	ALTERNATOR CONVERSION KIT External To Internal Regulator Conversion Harness ("CS" Series) Note: For Use With Serpentine Belt ("CS" Series) Internal Regulated Alternators.	\$34.00	
27555	1967	ALTERNATOR CONVERSION KIT External To Internal Regulator Conversion Harness ("SI" Series) Note: For Use With 1972-84 Non-Serpentine Belt ("SI" Series) Internal Regulated Alternators.	\$29.00	
37787	1967	ALTERNATOR CONVERSION KIT External To Internal Regulator Conversion Harness ("CS" Series) Note: For Use With Serpentine Belt ("CS" Series) Internal Regulated Alternators.	\$34.00	
27555	1968	ALTERNATOR CONVERSION KIT External To Internal Regulator Conversion Harness ("SI" Series) Note: For Use With 1972-84 Non-Serpentine Belt ("SI" Series) Internal Regulated Alternators.	\$29.00	
37787	1968	ALTERNATOR CONVERSION KIT External To Internal Regulator Conversion Harness ("CS" Series) Note: For Use With Serpentine Belt ("CS" Series) Internal Regulated Alternators.	\$34.00	
27555	1969	ALTERNATOR CONVERSION KIT External To Internal Regulator Conversion Harness ("SI" Series) Note: For Use With 1972-84 Non-Serpentine Belt ("SI" Series) Internal Regulated Alternators.	\$29.00	
37787	1969	ALTERNATOR CONVERSION KIT External To Internal Regulator Conversion Harness ("CS" Series) Note: For Use With Serpentine Belt ("CS" Series) Internal Regulated Alternators.	\$34.00	

Part Number	Year	Description	Price	*Rev.
37796	1969	ALTERNATOR CONVERSION KIT Internal Regulator "SI" Series Alternator To "CS" Series (Serpentine Belt) Alternator Note: For Use With Serpentine Belt ("CS130" Or "CS144" Type) Internal Regulated Alternators.	\$26.00	
27555	1970	ALTERNATOR CONVERSION KIT External To Internal Regulator Conversion Harness ("SI" Series) Note: For Use With 1972-84 Non-Serpentine Belt ("SI" Series) Internal Regulated Alternators.	\$29.00	
37787	1970	ALTERNATOR CONVERSION KIT External To Internal Regulator Conversion Harness ("CS" Series) Note: For Use With Serpentine Belt ("CS" Series) Internal Regulated Alternators.	\$34.00	
37796	1970	ALTERNATOR CONVERSION KIT Internal Regulator "SI" Series Alternator To "CS" Series (Serpentine Belt) Alternator Note: For Use With Serpentine Belt ("CS130" Or "CS144" Type) Internal Regulated Alternators.	\$26.00	
27555	1971	ALTERNATOR CONVERSION KIT External To Internal Regulator Conversion Harness ("SI" Series) Note: For Use With 1972-84 Non-Serpentine Belt ("SI" Series) Internal Regulated Alternators.	\$29.00	
37787	1971	ALTERNATOR CONVERSION KIT External To Internal Regulator Conversion Harness ("CS" Series) Note: For Use With Serpentine Belt ("CS" Series) Internal Regulated Alternators.	\$34.00	
37796	1971	ALTERNATOR CONVERSION KIT Internal Regulator "SI" Series Alternator To "CS" Series (Serpentine Belt) Alternator Note: For Use With Serpentine Belt ("CS130" Or "CS144" Type) Internal Regulated Alternators.	\$26.00	
27555	1972	ALTERNATOR CONVERSION KIT External To Internal Regulator Conversion Harness ("SI" Series) Note: For Use With 1972-84 Non-Serpentine Belt ("SI" Series) Internal Regulated Alternators.	\$29.00	
37787	1972	ALTERNATOR CONVERSION KIT External To Internal Regulator Conversion Harness ("CS" Series) Note: For Use With Serpentine Belt ("CS" Series) Internal Regulated Alternators.	\$34.00	
37796	1972	ALTERNATOR CONVERSION KIT Internal Regulator "SI" Series Alternator To "CS" Series (Serpentine Belt) Alternator Note: For Use With Serpentine Belt ("CS130" Or "CS144" Type) Internal Regulated Alternators.	\$26.00	
37796	1973	ALTERNATOR CONVERSION KIT Internal Regulator "SI" Series Alternator To "CS" Series (Serpentine Belt) Alternator Note: For Use With Serpentine Belt ("CS130" Or "CS144" Type) Internal Regulated Alternators.	\$26.00	
37796	1974	ALTERNATOR CONVERSION KIT Internal Regulator "SI" Series Alternator To "CS" Series (Serpentine Belt) Alternator Note: For Use With Serpentine Belt ("CS130" Or "CS144" Type) Internal Regulated Alternators.	\$26.00	
37796	1975	ALTERNATOR CONVERSION KIT Internal Regulator "SI" Series Alternator To "CS" Series (Serpentine Belt) Alternator Note: For Use With Serpentine Belt ("CS130" Or "CS144" Type) Internal Regulated Alternators.	\$26.00	
37796	1976	ALTERNATOR CONVERSION KIT Internal Regulator "SI" Series Alternator To "CS" Series (Serpentine Belt) Alternator Note: For Use With Serpentine Belt ("CS130" Or "CS144" Type) Internal Regulated Alternators.	\$26.00	
37796	1977	ALTERNATOR CONVERSION KIT Internal Regulator "SI" Series Alternator To "CS" Series (Serpentine Belt) Alternator Note: For Use With Serpentine Belt ("CS130" Or "CS144" Type) Internal Regulated Alternators.	\$26.00	
37796	1978	ALTERNATOR CONVERSION KIT Internal Regulator "SI" Series Alternator To "CS" Series (Serpentine Belt) Alternator Note: For Use With Serpentine Belt ("CS130" Or "CS144" Type) Internal Regulated Alternators.	\$26.00	
37796	1979	ALTERNATOR CONVERSION KIT Internal Regulator "SI" Series Alternator To "CS" Series (Serpentine Belt) Alternator Note: For Use With Serpentine Belt ("CS130" Or "CS144" Type) Internal Regulated Alternators.	\$26.00	
37796	1980	ALTERNATOR CONVERSION KIT Internal Regulator "SI" Series Alternator To "CS" Series (Serpentine Belt) Alternator Note: For Use With Serpentine Belt ("CS130" Or "CS144" Type) Internal Regulated Alternators.	\$26.00	
37796	1981	ALTERNATOR CONVERSION KIT Internal Regulator "SI" Series Alternator To "CS" Series (Serpentine Belt) Alternator Note: For Use With Serpentine Belt ("CS130" Or "CS144" Type) Internal Regulated Alternators.	\$26.00	

Cutlass
4-4-2/F-85



Phone (562) 926-9552
Fax (562) 926-9572

Part Number	Year	Description	Price	*Rev.
37796	1982	ALTERNATOR CONVERSION KIT Internal Regulator "SI" Series Alternator To "CS" Series (Serpentine Belt) Alternator Note: For Use With Serpentine Belt ("CS130" Or "CS144" Type) Internal Regulated Alternators.	\$26.00	
37796	1983	ALTERNATOR CONVERSION KIT Internal Regulator "SI" Series Alternator To "CS" Series (Serpentine Belt) Alternator Note: For Use With Serpentine Belt ("CS130" Or "CS144" Type) Internal Regulated Alternators.	\$26.00	
37796	1984	ALTERNATOR CONVERSION KIT Internal Regulator "SI" Series Alternator To "CS" Series (Serpentine Belt) Alternator Note: For Use With Serpentine Belt ("CS130" Or "CS144" Type) Internal Regulated Alternators.	\$26.00	
37796	1985	ALTERNATOR CONVERSION KIT Internal Regulator "SI" Series Alternator To "CS" Series (Serpentine Belt) Alternator Note: For Use With Serpentine Belt ("CS130" Or "CS144" Type) Internal Regulated Alternators.	\$26.00	
37796	1986	ALTERNATOR CONVERSION KIT Internal Regulator "SI" Series Alternator To "CS" Series (Serpentine Belt) Alternator Note: For Use With Serpentine Belt ("CS130" Or "CS144" Type) Internal Regulated Alternators.	\$26.00	
ANTI-DIESEL SOLENOID EXTENSION WIRE				
16760	1972	ANTI-DIESEL SOLENOID EXTENSION WIRE	\$22.00	
ASH TRAY LAMP WIRE				
09375	1966	ASH TRAY LAMP WIRE	\$21.00	
09375	1967	ASH TRAY LAMP WIRE	\$21.00	
12120	1968	ASH TRAY LAMP WIRE	\$25.00	
ASSEMBLY MANUAL				
43238	1963	ASSEMBLY MANUAL Factory Assembly Instruction Guide	\$32.00	
36368	1965	ASSEMBLY MANUAL Factory Assembly Instruction Guide	\$32.00	
36369	1966	ASSEMBLY MANUAL Factory Assembly Instruction Guide	\$32.00	
36370	1967	ASSEMBLY MANUAL Factory Assembly Instruction Guide	\$32.00	
36371	1968	ASSEMBLY MANUAL Factory Assembly Instruction Guide	\$32.00	
36372	1969	ASSEMBLY MANUAL Factory Assembly Instruction Guide	\$32.00	
36373	1970	ASSEMBLY MANUAL Factory Assembly Instruction Guide	\$32.00	
36374	1971	ASSEMBLY MANUAL Factory Assembly Instruction Guide	\$32.00	
36375	1972	ASSEMBLY MANUAL Factory Assembly Instruction Guide	\$32.00	
36376	1973	ASSEMBLY MANUAL Factory Assembly Instruction Guide	\$32.00	
36377	1974	ASSEMBLY MANUAL Factory Assembly Instruction Guide	\$32.00	
36378	1975	ASSEMBLY MANUAL Factory Assembly Instruction Guide	\$32.00	
43239	1976	ASSEMBLY MANUAL Factory Assembly Instruction Guide	\$32.00	
BACKUP LAMP SWITCH				
01993310	1964	BACKUP LAMP SWITCH 3 Speed, Manual Trans	\$64.00	
01993661	1964	BACKUP LAMP SWITCH 4 Speed, Manual Trans	\$64.00	
01993310	1965	BACKUP LAMP SWITCH 3 Speed, Manual Trans	\$64.00	
01993661	1965	BACKUP LAMP SWITCH 4 Speed, Manual Trans	\$64.00	
01993310	1966	BACKUP LAMP SWITCH 3 Speed, Manual Trans	\$64.00	
01993661	1966	BACKUP LAMP SWITCH 4 Speed, Manual Trans	\$64.00	
01993310	1967	BACKUP LAMP SWITCH 3 Speed, Manual Trans	\$64.00	
01993661	1967	BACKUP LAMP SWITCH 4 Speed, Manual Trans	\$64.00	
01993310	1968	BACKUP LAMP SWITCH 3 Speed, Manual Trans	\$64.00	
01993661	1968	BACKUP LAMP SWITCH 4 Speed, Manual Trans	\$64.00	
03943657	1969	BACKUP LAMP SWITCH Manual Trans	\$53.00	
03943657	1970	BACKUP LAMP SWITCH Manual Trans	\$53.00	

Part Number	Year	Description	Price	*Rev.
03943657	1971	BACKUP LAMP SWITCH Manual Trans	\$53.00	
03943657	1972	BACKUP LAMP SWITCH Manual Trans	\$53.00	
BACKUP LAMP SWITCH EXTENSION HARNESS				
05100	1964	BACKUP LAMP SWITCH EXTENSION HARNESS 4 Speed Manual Trans, Dash Harness To Backup Lamp Switch	\$54.00	
05100	1965	BACKUP LAMP SWITCH EXTENSION HARNESS 4 Speed Manual Trans, Dash Harness To Backup Lamp Switch	\$54.00	
06070	1966	BACKUP LAMP SWITCH EXTENSION HARNESS 3 Speed Manual Trans, Dash Harness To Backup Lamp Switch	\$33.00	
05100	1966	BACKUP LAMP SWITCH EXTENSION HARNESS 4 Speed Manual Trans, Dash Harness To Backup Lamp Switch	\$54.00	
10480	1967	BACKUP LAMP SWITCH EXTENSION HARNESS 3 Speed Manual Trans, Dash Harness To Backup Lamp Switch	\$33.00	
11130	1967	BACKUP LAMP SWITCH EXTENSION HARNESS 4 Speed Manual Trans, Dash Harness To Backup Lamp Switch	\$48.00	
11130	1968	BACKUP LAMP SWITCH EXTENSION HARNESS 4 Speed Manual Trans, Dash Harness To Backup Lamp Switch	\$48.00	
BACKUP LAMP SWITCH MOUNTING BRACKET				
37650	1964	BACKUP LAMP SWITCH MOUNTING BRACKET With Muncie 4 Speed Transmission	\$29.00	
37650	1965	BACKUP LAMP SWITCH MOUNTING BRACKET With Muncie 4 Speed Transmission	\$29.00	
37650	1966	BACKUP LAMP SWITCH MOUNTING BRACKET With Muncie 4 Speed Transmission	\$29.00	
37650	1967	BACKUP LAMP SWITCH MOUNTING BRACKET With Muncie 4 Speed Transmission	\$29.00	
37650	1968	BACKUP LAMP SWITCH MOUNTING BRACKET With Muncie 4 Speed Transmission	\$29.00	
BACKUP LAMP SWITCH MOUNTING KIT				
39504	1966	BACKUP LAMP SWITCH MOUNTING KIT With Manual Transmission Note: Kit Contains The Bracket, Rod With 2 Clips, Shield & Bolts.	\$46.00	
39504	1967	BACKUP LAMP SWITCH MOUNTING KIT With Manual Transmission Note: Kit Contains The Bracket, Rod With 2 Clips, Shield & Bolts.	\$46.00	
39504	1968	BACKUP LAMP SWITCH MOUNTING KIT With Manual Transmission Note: Kit Contains The Bracket, Rod With 2 Clips, Shield & Bolts.	\$46.00	
BATTERY CABLE JUMPER				
21565	1966	BATTERY CABLE JUMPER Neg, V/8, With 442 & Outside Air Induction, Engine To Frame	\$38.00	
21565	1967	BATTERY CABLE JUMPER Neg, V/8, With 442 & Outside Air Induction, Engine To Frame	\$38.00	
21690	1961	BATTERY CABLE JUMPER Pos, Junction Block To Starter Solenoid	\$69.00	
21690	1962	BATTERY CABLE JUMPER Pos, Junction Block To Starter Solenoid	\$69.00	
21690	1963	BATTERY CABLE JUMPER Pos, Junction Block To Starter Solenoid	\$69.00	
05130	1964	BATTERY CABLE JUMPER Pos, V/8, Junction Block To Starter Solenoid	\$69.00	
05875	1965	BATTERY CABLE JUMPER Pos, V/8, Junction Block To Starter Solenoid, Except 442	\$69.00	
11540	1965	BATTERY CABLE JUMPER Pos, V/8, Junction Block To Starter Solenoid, With 442	\$69.00	
05875	1966	BATTERY CABLE JUMPER Pos, V/8, Junction Block To Starter Solenoid, Except 442	\$69.00	
11540	1966	BATTERY CABLE JUMPER Pos, V/8, Junction Block To Starter Solenoid, With 442	\$69.00	
05875	1967	BATTERY CABLE JUMPER Pos, V/8, Junction Block To Starter Solenoid, Auto Trans, Except 442	\$69.00	
21550	1967	BATTERY CABLE JUMPER Pos, V/8, Junction Block To Starter Solenoid, Manual Trans, Except 442	\$69.00	
11540	1967	BATTERY CABLE JUMPER Pos, V/8, Junction Block To Starter Solenoid, With 442	\$69.00	
BATTERY CABLE-NEGATIVE				
04445	1964	BATTERY CABLE, SPRING RING Neg, V/6	\$69.00	
04380	1964	BATTERY CABLE, SPRING RING Neg, V/8	\$69.00	
04445	1965	BATTERY CABLE, SPRING RING Neg, V/6	\$69.00	
04380	1965	BATTERY CABLE, SPRING RING Neg, V/8, Except 442	\$69.00	
05605	1965	BATTERY CABLE, TOP POST Neg, V/8, With 442	\$69.00	
09230	1966	BATTERY CABLE, SPRING RING Neg, 6 Cylinder Note: 6 Cylinder Items Are Not Returnable.	\$69.00	

Cutlass
4-4-2/F-85



Phone (562) 926-9552
Fax (562) 926-9572

Part Number	Year	Description	Price	*Rev.
09230	1966	BATTERY CABLE, SPRING RING Neg, V/8, Except 442	\$69.00	
09805	1966	BATTERY CABLE, SPRING RING Neg, V/8, With 442	\$69.00	
21540	1966	BATTERY CABLE, TOP POST Neg, V/8, With 442 & Outside Air Induction	\$74.00	
09230	1967	BATTERY CABLE, SPRING RING Neg, 6 Cylinder Note: 6 Cylinder Items Are Not Returnable.	\$69.00	
09230	1967	BATTERY CABLE, SPRING RING Neg, V/8, Except 442	\$69.00	
09805	1967	BATTERY CABLE, SPRING RING Neg, V/8, With 442	\$69.00	
21540	1967	BATTERY CABLE, TOP POST Neg, V/8, With 442 & Outside Air Induction	\$74.00	
12460	1968	BATTERY CABLE, SPRING RING Neg, 6 Cylinder Note: 6 Cylinder Items Are Not Returnable.	\$69.00	
12475	1968	BATTERY CABLE, SPRING RING Neg, V/8, 350 C.I.	\$69.00	
12470	1968	BATTERY CABLE, SPRING RING Neg, V/8, 400 C.I.	\$69.00	
12460	1969	BATTERY CABLE, SPRING RING Neg, 6 Cylinder Note: 6 Cylinder Items Are Not Returnable.	\$69.00	
12475	1969	BATTERY CABLE, SPRING RING Neg, V/8, 350 C.I., With 2 Bbl. Carburetor	\$69.00	
12470	1969	BATTERY CABLE, SPRING RING Neg, V/8, 350 C.I., With 4 Bbl. Carburetor & Auto Trans	\$69.00	
12475	1969	BATTERY CABLE, SPRING RING Neg, V/8, 350 C.I., With 4 Bbl. Carburetor & Manual Trans	\$69.00	
12470	1969	BATTERY CABLE, SPRING RING Neg, V/8, 400-455 C.I.	\$69.00	
12460	1970	BATTERY CABLE, SPRING RING Neg, 6 Cylinder Note: 6 Cylinder Items Are Not Returnable.	\$69.00	
12475	1970	BATTERY CABLE, SPRING RING Neg, V/8, 350 C.I., With 2 Bbl. Carburetor & Auto Trans	\$69.00	
12470	1970	BATTERY CABLE, SPRING RING Neg, V/8, 350 C.I., With 4 Bbl. Carburetor & Auto Trans	\$69.00	
12475	1970	BATTERY CABLE, SPRING RING Neg, V/8, 350 C.I., With Manual Trans	\$69.00	
15670	1970	BATTERY CABLE, TOP POST Neg, V/8, 455 C.I.	\$94.00	
12460	1971	BATTERY CABLE, SPRING RING Neg, 6 Cylinder Note: 6 Cylinder Items Are Not Returnable.	\$69.00	
12475	1971	BATTERY CABLE, SPRING RING Neg, V/8, 350 C.I.	\$69.00	
21765	1971	BATTERY CABLE, TOP POST Neg, V/8, 455 C.I.	\$81.00	
29675	1972	BATTERY CABLE, SIDE POST Neg, V/8, 350 C.I.	\$74.00	
29740	1972	BATTERY CABLE, SIDE POST Neg, V/8, 455 C.I.	\$74.00	
22195	1973	BATTERY CABLE, SIDE POST Neg, V/8, 350 C.I.	\$74.00	
22830	1973	BATTERY CABLE, SIDE POST Neg, V/8, 455 C.I.	\$74.00	
22195	1974	BATTERY CABLE, SIDE POST Neg, V/8, 350 C.I.	\$74.00	
22830	1974	BATTERY CABLE, SIDE POST Neg, V/8, 455 C.I.	\$74.00	
BATTERY CABLE-POSITIVE				
04640	1964	BATTERY CABLE, SPRING RING Pos, V/6	\$69.00	
05420	1964	BATTERY CABLE, SPRING RING Pos, V/8	\$69.00	
04640	1965	BATTERY CABLE, SPRING RING Pos, V/6	\$69.00	
05420	1965	BATTERY CABLE, SPRING RING Pos, V/8, Except 442	\$69.00	
06205	1965	BATTERY CABLE, TOP POST Pos, V/8, With 442	\$69.00	
04640	1966	BATTERY CABLE, SPRING RING Pos, 6 Cylinder Note: 6 Cylinder Items Are Not Returnable.	\$69.00	
09445	1966	BATTERY CABLE, SPRING RING Pos, V/8, Except 442	\$69.00	
09800	1966	BATTERY CABLE, SPRING RING Pos, V/8, With 442	\$69.00	
22215	1966	BATTERY CABLE, TOP POST Pos, V/8, With 442 & Outside Air Induction	\$148.00	
09825	1967	BATTERY CABLE, SPRING RING Pos, 6 Cylinder Note: 6 Cylinder Items Are Not Returnable.	\$69.00	

Part Number	Year	Description	Price	*Rev.
09445	1967	BATTERY CABLE, SPRING RING Pos, V/8, Except 442	\$69.00	
09800	1967	BATTERY CABLE, SPRING RING Pos, V/8, With 442	\$69.00	
22215	1967	BATTERY CABLE, TOP POST Pos, V/8, With 442 & Outside Air Induction	\$148.00	
09825	1968	BATTERY CABLE, SPRING RING Pos, 6 Cylinder Note: 6 Cylinder Items Are Not Returnable.	\$69.00	
12465	1968	BATTERY CABLE, SPRING RING Pos, V/8, 350 C.I., With 2 Bbl. Carburetor & Auto Trans	\$69.00	
09900	1968	BATTERY CABLE, SPRING RING Pos, V/8, 350 C.I., With 4 Bbl. Carburetor & Auto Trans	\$69.00	
09915	1968	BATTERY CABLE, SPRING RING Pos, V/8, 350 C.I., With Manual Trans	\$69.00	
09900	1968	BATTERY CABLE, SPRING RING Pos, V/8, 400 C.I.	\$69.00	
09825	1969	BATTERY CABLE, SPRING RING Pos, 6 Cylinder Note: 6 Cylinder Items Are Not Returnable.	\$69.00	
12530	1969	BATTERY CABLE, SPRING RING Pos, V/8, 350 C.I., With 2 Bbl. Carburetor & Auto Trans, Except 442	\$69.00	
12525	1969	BATTERY CABLE, SPRING RING Pos, V/8, 350 C.I. With 4 Bbl. Carburetor & Manual Trans, Except 442	\$69.00	
12520	1969	BATTERY CABLE, SPRING RING Pos, V/8, 350 C.I., With Manual Trans, Except 442	\$69.00	
12525	1969	BATTERY CABLE, SPRING RING Pos, V/8, 400-455 C.I., All 442	\$69.00	
09825	1970	BATTERY CABLE, SPRING RING Pos, 6 Cylinder Note: 6 Cylinder Items Are Not Returnable.	\$69.00	
14575	1970	BATTERY CABLE, SPRING RING Pos, V/8, 350 C.I., With 2 Bbl. Carburetor & Auto Trans	\$69.00	
14580	1970	BATTERY CABLE, SPRING RING Pos, V/8, 350 C.I., With 4 Bbl. Carburetor & Auto Trans	\$69.00	
14575	1970	BATTERY CABLE, SPRING RING Pos, V/8, 350 C.I., With Manual Trans	\$69.00	
14580	1970	BATTERY CABLE, SPRING RING Pos, V/8, 455 C.I.	\$69.00	
09825	1971	BATTERY CABLE, SPRING RING Pos, 6 Cylinder Note: 6 Cylinder Items Are Not Returnable.	\$69.00	
14575	1971	BATTERY CABLE, SPRING RING Pos, V/8, 350 C.I.	\$69.00	
21770	1971	BATTERY CABLE, SPRING RING Pos, V/8, 455 C.I.	\$69.00	
21795	1972	BATTERY CABLE, SIDE POST Pos, V/8, 350 C.I.	\$74.00	
21800	1972	BATTERY CABLE, SIDE POST Pos, V/8, 455 C.I.	\$74.00	
22840	1973	BATTERY CABLE, SIDE POST Pos, V/8, 350 C.I.	\$74.00	
22835	1973	BATTERY CABLE, SIDE POST Pos, V/8, 455 C.I.	\$74.00	
22865	1974	BATTERY CABLE, SIDE POST Pos, V/8, 350 C.I.	\$74.00	
22860	1974	BATTERY CABLE, SIDE POST Pos, V/8, 455 C.I.	\$74.00	
BREAKERLESS SE SINGLE WIRE ELECTRONIC IGNITION				
38131	1964	BREAKERLESS SE SINGLE WIRE ELECTRONIC IGNITION KIT For 1957-74 Breaker Point Distributors With Windowed Type Distributor Cap	\$179.00	
38131	1965	BREAKERLESS SE SINGLE WIRE ELECTRONIC IGNITION KIT For 1957-74 Breaker Point Distributors With Windowed Type Distributor Cap	\$179.00	
38131	1966	BREAKERLESS SE SINGLE WIRE ELECTRONIC IGNITION KIT For 1957-74 Breaker Point Distributors With Windowed Type Distributor Cap	\$179.00	
38131	1967	BREAKERLESS SE SINGLE WIRE ELECTRONIC IGNITION KIT For 1957-74 Breaker Point Distributors With Windowed Type Distributor Cap	\$179.00	
38131	1968	BREAKERLESS SE SINGLE WIRE ELECTRONIC IGNITION KIT For 1957-74 Breaker Point Distributors With Windowed Type Distributor Cap	\$179.00	
38131	1969	BREAKERLESS SE SINGLE WIRE ELECTRONIC IGNITION KIT For 1957-74 Breaker Point Distributors With Windowed Type Distributor Cap	\$179.00	
38131	1970	BREAKERLESS SE SINGLE WIRE ELECTRONIC IGNITION KIT For 1957-74 Breaker Point Distributors With Windowed Type Distributor Cap	\$179.00	
38131	1971	BREAKERLESS SE SINGLE WIRE ELECTRONIC IGNITION KIT For 1957-74 Breaker Point Distributors With Windowed Type Distributor Cap	\$179.00	

Cutlass
4-4-2/F-85



Phone (562) 926-9552
Fax (562) 926-9572

Part Number	Year	Description	Price	*Rev.
38131	1972	BREAKERLESS SE SINGLE WIRE ELECTRONIC IGNITION KIT For 1957-74 Breaker Point Distributors With Windowed Type Distributor Cap	\$179.00	
38131	1973	BREAKERLESS SE SINGLE WIRE ELECTRONIC IGNITION KIT For 1957-74 Breaker Point Distributors With Windowed Type Distributor Cap	\$179.00	
38131	1974	BREAKERLESS SE SINGLE WIRE ELECTRONIC IGNITION KIT For 1957-74 Breaker Point Distributors With Windowed Type Distributor Cap	\$179.00	
CAPACITOR DISCHARGE JUMPER WIRE				
11375	1967	CAPACITOR DISCHARGE JUMPER WIRE From Dash Harness To Amplifier Harness	\$22.00	
CIRCUIT BREAKER				
04850166	1962	CIRCUIT BREAKER, 30 AMP Power Door Locks, Seat, Top & Windows	\$14.00	
04850166	1963	CIRCUIT BREAKER, 30 AMP Power Door Locks, Seat, Top & Windows	\$14.00	
04850166	1964	CIRCUIT BREAKER, 30 AMP Power Door Locks, Seat, Top & Windows	\$14.00	
04850166	1965	CIRCUIT BREAKER, 30 AMP Power Door Locks, Seat, Top & Windows	\$14.00	
04850166	1966	CIRCUIT BREAKER, 30 AMP Power Door Locks, Seat, Top & Windows	\$14.00	
04850166	1967	CIRCUIT BREAKER, 30 AMP Power Door Locks, Seat, Top & Windows	\$14.00	
04850166	1968	CIRCUIT BREAKER, 30 AMP Power Door Locks, Seat, Top & Windows	\$14.00	
04850166	1969	CIRCUIT BREAKER, 30 AMP Power Door Locks, Seat, Top & Windows	\$14.00	
04850166	1970	CIRCUIT BREAKER, 30 AMP Power Door Locks, Seat, Top & Windows	\$14.00	
CLOCK LAMP WIRE				
09970	1966	CLOCK LAMP WIRE Dash Mounted	\$17.00	
09970	1967	CLOCK LAMP WIRE Dash Mounted	\$17.00	
11090	1968	CLOCK LAMP WIRE Dash Mounted	\$17.00	
11090	1969	CLOCK LAMP WIRE Dash Mounted	\$17.00	
11090	1970	CLOCK LAMP WIRE Dash Mounted	\$17.00	
11090	1971	CLOCK LAMP WIRE Dash Mounted	\$17.00	
11090	1972	CLOCK LAMP WIRE Dash Mounted	\$17.00	
CONSOLE EXTENSION HARNESS				
04455	1964	CONSOLE EXTENSION HARNESS Auto Trans, From Dash To Console Harness	\$94.00	
04450	1964	CONSOLE EXTENSION HARNESS Manual Trans, From Dash To Console Harness	\$74.00	
04455	1965	CONSOLE EXTENSION HARNESS Auto Trans, From Dash To Console Harness	\$94.00	
04450	1965	CONSOLE EXTENSION HARNESS Manual Trans, From Dash To Console Harness	\$74.00	
09435	1966	CONSOLE EXTENSION HARNESS Auto Trans, From Dash To Console Harness	\$94.00	
09420	1966	CONSOLE EXTENSION HARNESS Manual Trans, From Dash To Console Harness	\$60.00	
10490	1967	CONSOLE EXTENSION HARNESS Auto Trans, From Dash To Console Harness	\$105.00	
12770	1968	CONSOLE EXTENSION HARNESS Auto Trans, From Dash To Console Harness	\$105.00	
13420	1969	CONSOLE EXTENSION HARNESS Auto Trans, From Dash To Console Harness	\$105.00	
15695	1970	CONSOLE EXTENSION HARNESS Auto Trans, From Dash To Console Harness	\$105.00	
15995	1971	CONSOLE EXTENSION HARNESS Auto Trans, From Dash To Console Harness	\$53.00	
15995	1972	CONSOLE EXTENSION HARNESS Auto Trans, From Dash To Console Harness	\$53.00	
CONSOLE HARNESS				
04460	1964	CONSOLE HARNESS Auto Trans	\$98.00	
04465	1964	CONSOLE HARNESS Manual Trans	\$74.00	
04460	1965	CONSOLE HARNESS Auto Trans	\$98.00	
04465	1965	CONSOLE HARNESS Manual Trans	\$74.00	
09430	1966	CONSOLE HARNESS Auto Trans	\$101.00	
10485	1967	CONSOLE HARNESS Auto Trans	\$94.00	
10485	1968	CONSOLE HARNESS Auto Trans	\$94.00	

Cutlass
4-4-2/F-85



Phone (562) 926-9552
Fax (562) 926-9572

Part Number	Year	Description	Price	*Rev.
10485	1969	CONSOLE HARNESS Auto Trans	\$94.00	
15590	1970	CONSOLE HARNESS Auto Trans	\$80.00	
16000	1971	CONSOLE HARNESS Auto Trans	\$87.00	
16000	1972	CONSOLE HARNESS Auto Trans	\$87.00	
COURTESY LAMP HARNESS				
04470	1964	COURTESY LAMP HARNESS Under Dash	\$67.00	
06890	1964	COURTESY LAMP HARNESS Cutlass Holiday Coupe, With Dual Rear Sail Panel Lights	\$60.00	
06885	1964	COURTESY LAMP HARNESS Center Roof Mounted Dome Lamp, F-85 Coupe	\$33.00	
06880	1964	COURTESY LAMP HARNESS Center Roof Mounted Dome Lamp, F-85 4 Door Sedan	\$34.00	
07110	1964	COURTESY LAMP HARNESS With Dual Rear Sail Panel Lights, F-85 Vista Cruiser Wagon	\$67.00	
04470	1965	COURTESY LAMP HARNESS Under Dash	\$67.00	
07710	1965	COURTESY LAMP HARNESS With Dual Rear Sail Panel Lights	\$53.00	
07580	1965	COURTESY LAMP HARNESS Center Roof Mounted Dome Lamp, All Cutlass & F-85 Coupes	\$33.00	
07575	1965	COURTESY LAMP HARNESS Center Roof Mounted Dome Lamp, F-85 4 Door Sedan	\$40.00	
04470	1966	COURTESY LAMP HARNESS Under Dash	\$67.00	
07710	1966	COURTESY LAMP HARNESS With Dual Rear Sail Panel Lights	\$53.00	
04470	1967	COURTESY LAMP HARNESS Under Dash	\$67.00	
07710	1967	COURTESY LAMP HARNESS With Dual Rear Sail Panel Lights	\$53.00	
12765	1968	COURTESY LAMP HARNESS Under Dash	\$83.00	
13415	1969	COURTESY LAMP HARNESS Under Dash	\$83.00	
15600	1970	COURTESY LAMP HARNESS Under Dash	\$83.00	
15600	1971	COURTESY LAMP HARNESS Under Dash	\$83.00	
15600	1972	COURTESY LAMP HARNESS Under Dash	\$83.00	
COURTESY LAMP REPAIR PIGTAIL				
43896	1964	COURTESY LAMP REPAIR PIGTAIL Convertible, 1/4 Arm Rest Courtesy Lamp, Includes Socket And 6" Of 18 Gauge, Orange & White Wire. 2 Required Per Car. Note: Original Wire Was 18 Gauge, Sometimes With A Heavy Wall Type Insulation. Repair Pigtail Is Also 18 Gauge, But Today's Insulation Is Of Much Higher Quality, And May Not Be As Thick As Some Original Cables.	\$17.00	
43896	1965	COURTESY LAMP REPAIR PIGTAIL Convertible, 1/4 Arm Rest Courtesy Lamp, Includes Socket And 6" Of 18 Gauge, Orange & White Wire. 2 Required Per Car. Note: Original Wire Was 18 Gauge, Sometimes With A Heavy Wall Type Insulation. Repair Pigtail Is Also 18 Gauge, But Today's Insulation Is Of Much Higher Quality, And May Not Be As Thick As Some Original Cables.	\$17.00	
43896	1966	COURTESY LAMP REPAIR PIGTAIL Convertible, 1/4 Arm Rest Courtesy Lamp, Includes Socket And 6" Of 18 Gauge, Orange & White Wire. 2 Required Per Car. Note: Original Wire Was 18 Gauge, Sometimes With A Heavy Wall Type Insulation. Repair Pigtail Is Also 18 Gauge, But Today's Insulation Is Of Much Higher Quality, And May Not Be As Thick As Some Original Cables.	\$17.00	
43896	1967	COURTESY LAMP REPAIR PIGTAIL Convertible, 1/4 Arm Rest Courtesy Lamp, Includes Socket And 6" Of 18 Gauge, Orange & White Wire. 2 Required Per Car. Note: Original Wire Was 18 Gauge, Sometimes With A Heavy Wall Type Insulation. Repair Pigtail Is Also 18 Gauge, But Today's Insulation Is Of Much Higher Quality, And May Not Be As Thick As Some Original Cables.	\$17.00	
43896	1968	COURTESY LAMP REPAIR PIGTAIL Convertible, 1/4 Arm Rest Courtesy Lamp, Includes Socket And 6" Of 18 Gauge, Orange & White Wire. 2 Required Per Car. Note: Original Wire Was 18 Gauge, Sometimes With A Heavy Wall Type Insulation. Repair Pigtail Is Also 18 Gauge, But Today's Insulation Is Of Much Higher Quality, And May Not Be As Thick As Some Original Cables.	\$17.00	
43896	1969	COURTESY LAMP REPAIR PIGTAIL Convertible, 1/4 Arm Rest Courtesy Lamp, Includes Socket And 6" Of 18 Gauge, Orange & White Wire. 2 Required Per Car. Note: Original Wire Was 18 Gauge, Sometimes With A Heavy Wall Type Insulation. Repair Pigtail Is Also 18 Gauge, But Today's Insulation Is Of Much Higher Quality, And May Not Be As Thick As Some Original Cables.	\$17.00	

Cutlass
4-4-2/F-85



Phone (562) 926-9552
Fax (562) 926-9572

Part Number	Year	Description	Price	*Rev.
43896	1970	COURTESY LAMP REPAIR PIGTAIL Convertible, 1/4 Arm Rest Courtesy Lamp, Includes Socket And 6" Of 18 Gauge, Orange & White Wire. 2 Required Per Car. Note: Original Wire Was 18 Gauge, Sometimes With A Heavy Wall Type Insulation. Repair Pigtail Is Also 18 Gauge, But Today's Insulation Is Of Much Higher Quality, And May Not Be As Thick As Some Original Cables.	\$17.00	
43896	1971	COURTESY LAMP REPAIR PIGTAIL Convertible, 1/4 Arm Rest Courtesy Lamp, Includes Socket And 6" Of 18 Gauge, Orange & White Wire. 2 Required Per Car. Note: Original Wire Was 18 Gauge, Sometimes With A Heavy Wall Type Insulation. Repair Pigtail Is Also 18 Gauge, But Today's Insulation Is Of Much Higher Quality, And May Not Be As Thick As Some Original Cables.	\$17.00	
43896	1972	COURTESY LAMP REPAIR PIGTAIL Convertible, 1/4 Arm Rest Courtesy Lamp, Includes Socket And 6" Of 18 Gauge, Orange & White Wire. 2 Required Per Car. Note: Original Wire Was 18 Gauge, Sometimes With A Heavy Wall Type Insulation. Repair Pigtail Is Also 18 Gauge, But Today's Insulation Is Of Much Higher Quality, And May Not Be As Thick As Some Original Cables.	\$17.00	
CRUISE CONTROL HARNESS				
05770	1965	CRUISE CONTROL HARNESS	\$87.00	
10055	1966	CRUISE CONTROL HARNESS	\$87.00	
11115	1967	CRUISE CONTROL HARNESS	\$87.00	
12270	1968	CRUISE CONTROL HARNESS	\$87.00	
13280	1969	CRUISE CONTROL HARNESS	\$118.00	
15610	1970	CRUISE CONTROL HARNESS	\$118.00	
15610	1971	CRUISE CONTROL HARNESS	\$118.00	
16730	1972	CRUISE CONTROL HARNESS	\$118.00	
DASH HARNESS				
04335	1964	DASH HARNESS Auto Trans	\$661.00	
04330	1964	DASH HARNESS Manual Trans	\$648.00	
05205	1965	DASH HARNESS All Note: Customer Must Supply Their Original Fuseblock.	\$630.00	
10645	1966	DASH HARNESS Cutlass Note: Customer Must Supply Their Original Fuseblock.	\$648.00	
18300	1966	DASH HARNESS Cutlass, With Gauges Note: Customer Must Supply Their Original Fuseblock.	\$661.00	
10640	1966	DASH HARNESS F-85 Note: Customer Must Supply Their Original Fuseblock.	\$661.00	
10495	1966	DASH HARNESS F-85, With Gauges Note: Customer Must Supply Their Original Fuseblock.	\$661.00	
10285	1967	DASH HARNESS Auto Trans Note: Customer Must Supply Their Original Fuseblock.	\$630.00	
11615	1967	DASH HARNESS Manual Trans Note: Customer Must Supply Their Original Fuseblock.	\$648.00	
11620	1967	DASH HARNESS All With Gauges Note: Customer Must Supply Their Original Fuseblock.	\$630.00	
12760	1968	DASH HARNESS Auto Trans	\$648.00	
12755	1968	DASH HARNESS Manual Trans	\$661.00	
13250	1968	DASH HARNESS All With Gauges	\$648.00	
12775	1969	DASH HARNESS Auto Trans	\$648.00	
13495	1969	DASH HARNESS Manual Trans	\$661.00	
12720	1969	DASH HARNESS All With Gauges	\$648.00	
15660	1970	DASH HARNESS Auto Trans	\$661.00	
13570	1970	DASH HARNESS Manual Trans	\$661.00	
15665	1970	DASH HARNESS All With Gauges	\$661.00	

Cutlass
4-4-2/F-85



Phone (562) 926-9552
Fax (562) 926-9572

Part Number	Year	Description	Price	*Rev.
15820	1971	DASH HARNESS Auto Trans	\$661.00	
15815	1971	DASH HARNESS Manual Trans	\$695.00	
15825	1971	DASH HARNESS All With Gauges	\$661.00	
16700	1972	DASH HARNESS Auto Trans	\$661.00	
16695	1972	DASH HARNESS Manual Trans	\$695.00	
16880	1972	DASH HARNESS All With Gauges	\$695.00	
DISTRIBUTOR WIRE				
36057	1964	DISTRIBUTOR WIRE Distributor Points To Coil Negative Terminal, V/8 Note: Fits All GM V/8 Points Type Distributors From Approx. 1957 To 1974.	\$18.00	C
36057	1965	DISTRIBUTOR WIRE Distributor Points To Coil Negative Terminal, V/8 Note: Fits All GM V/8 Points Type Distributors From Approx. 1957 To 1974.	\$18.00	C
36057	1966	DISTRIBUTOR WIRE Distributor Points To Coil Negative Terminal, V/8 Note: Fits All GM V/8 Points Type Distributors From Approx. 1957 To 1974.	\$18.00	C
36057	1967	DISTRIBUTOR WIRE Distributor Points To Coil Negative Terminal, V/8 Note: Fits All GM V/8 Points Type Distributors From Approx. 1957 To 1974.	\$18.00	C
36057	1968	DISTRIBUTOR WIRE Distributor Points To Coil Negative Terminal, V/8 Note: Fits All GM V/8 Points Type Distributors From Approx. 1957 To 1974.	\$18.00	C
36057	1969	DISTRIBUTOR WIRE Distributor Points To Coil Negative Terminal, V/8 Note: Fits All GM V/8 Points Type Distributors From Approx. 1957 To 1974.	\$18.00	C
36057	1970	DISTRIBUTOR WIRE Distributor Points To Coil Negative Terminal, V/8 Note: Fits All GM V/8 Points Type Distributors From Approx. 1957 To 1974.	\$18.00	C
36057	1971	DISTRIBUTOR WIRE Distributor Points To Coil Negative Terminal, V/8 Note: Fits All GM V/8 Points Type Distributors From Approx. 1957 To 1974.	\$18.00	C
36057	1972	DISTRIBUTOR WIRE Distributor Points To Coil Negative Terminal, V/8 Note: Fits All GM V/8 Points Type Distributors From Approx. 1957 To 1974.	\$18.00	C
36057	1973	DISTRIBUTOR WIRE Distributor Points To Coil Negative Terminal, V/8 Note: Fits All GM V/8 Points Type Distributors From Approx. 1957 To 1974.	\$18.00	C
36057	1974	DISTRIBUTOR WIRE Distributor Points To Coil Negative Terminal, V/8 Note: Fits All GM V/8 Points Type Distributors From Approx. 1957 To 1974.	\$18.00	C
ENGINE HARNESS				
04350	1964	ENGINE HARNESS 6 Cylinder (V/6) Note: 6 Cylinder Items Are Not Returnable.	\$220.00	
04355	1964	ENGINE HARNESS V/8	\$172.00	
43177	1964	ENGINE HARNESS-HEI V/8 Note: This Harness Is Modified For Use With An HEI Distributor.	\$196.00	
43178	1964	ENGINE HARNESS-SI SERIES INT REG ALT V/8 Note: Modified For 1972-84 Non-Serpentine Belt ("SI" Series) Internal Regulated Alternators Mounted In The Factory Location.	\$210.00	
43179	1964	ENGINE HARNESS-HEI AND SI SERIES INT REG ALT V/8 Note: Modified For HEI & 1972-84 Non-Serpentine Belt ("SI" Series) Internal Regulated Alternators Mounted In The Factory Location.	\$224.00	
05210	1965	ENGINE HARNESS 6 Cylinder (V/6) Note: 6 Cylinder Items Are Not Returnable.	\$220.00	
05215	1965	ENGINE HARNESS V/8	\$172.00	
43180	1965	ENGINE HARNESS-HEI V/8 Note: This Harness Is Modified For Use With An HEI Distributor.	\$196.00	
43181	1965	ENGINE HARNESS-SI SERIES INT REG ALT V/8 Note: Modified For 1972-84 Non-Serpentine Belt ("SI" Series) Internal Regulated Alternators Mounted In The Factory Location.	\$210.00	

Cutlass
4-4-2/F-85



Phone (562) 926-9552
Fax (562) 926-9572

Part Number	Year	Description	Price	*Rev.
43182	1965	ENGINE HARNESS-HEI AND SI SERIES INT REG ALT V/8 Note: Modified For HEI & 1972-84 Non-Serpentine Belt ("SI" Series) Internal Regulated Alternators Mounted In The Factory Location.	\$224.00	
09280	1966	ENGINE HARNESS 6 Cylinder, Auto Trans Note: 6 Cylinder Items Are Not Returnable.	\$220.00	
10140	1966	ENGINE HARNESS 6 Cylinder, Manual Trans Note: 6 Cylinder Items Are Not Returnable.	\$220.00	
10180	1966	ENGINE HARNESS V/8, Cutlass	\$172.00	
43183	1966	ENGINE HARNESS-HEI V/8, Cutlass Note: This Harness Is Modified For Use With An HEI Distributor.	\$196.00	
43184	1966	ENGINE HARNESS-SI SERIES INT REG ALT V/8, Cutlass Note: Modified For 1972-84 Non-Serpentine Belt ("SI" Series) Internal Regulated Alternators Mounted In The Factory Location.	\$210.00	
43185	1966	ENGINE HARNESS-HEI AND SI SERIES INT REG ALT V/8, Cutlass Note: Modified For HEI & 1972-84 Non-Serpentine Belt ("SI" Series) Internal Regulated Alternators Mounted In The Factory Location.	\$224.00	
10500	1966	ENGINE HARNESS V/8, Cutlass, With Gauges	\$184.00	
43186	1966	ENGINE HARNESS-HEI V/8, Cutlass, With Gauges Note: This Harness Is Modified For Use With An HEI Distributor.	\$209.00	
43187	1966	ENGINE HARNESS-SI SERIES INT REG ALT V/8, Cutlass, With Gauges Note: Modified For 1972-84 Non-Serpentine Belt ("SI" Series) Internal Regulated Alternators Mounted In The Factory Location.	\$224.00	
43188	1966	ENGINE HARNESS-HEI AND SI SERIES INT REG ALT V/8, Cutlass, With Gauges Note: Modified For HEI & 1972-84 Non-Serpentine Belt ("SI" Series) Internal Regulated Alternators Mounted In The Factory Location.	\$236.00	
10155	1966	ENGINE HARNESS V/8, F-85	\$172.00	
43189	1966	ENGINE HARNESS-HEI V/8, F-85 Note: This Harness Is Modified For Use With An HEI Distributor.	\$196.00	
43190	1966	ENGINE HARNESS-SI SERIES INT REG ALT V/8, F-85 Note: Modified For 1972-84 Non-Serpentine Belt ("SI" Series) Internal Regulated Alternators Mounted In The Factory Location.	\$210.00	
43191	1966	ENGINE HARNESS-HEI AND SI SERIES INT REG ALT V/8, F-85 Note: Modified For HEI & 1972-84 Non-Serpentine Belt ("SI" Series) Internal Regulated Alternators Mounted In The Factory Location.	\$224.00	
10505	1966	ENGINE HARNESS V/8, F-85, With Gauges	\$184.00	
43192	1966	ENGINE HARNESS-HEI V/8, F-85, With Gauges Note: This Harness Is Modified For Use With An HEI Distributor.	\$209.00	
43193	1966	ENGINE HARNESS-SI SERIES INT REG ALT V/8, F-85, With Gauges Note: Modified For 1972-84 Non-Serpentine Belt ("SI" Series) Internal Regulated Alternators Mounted In The Factory Location.	\$224.00	
43194	1966	ENGINE HARNESS-HEI AND SI SERIES INT REG ALT V/8, F-85, With Gauges Note: Modified For HEI & 1972-84 Non-Serpentine Belt ("SI" Series) Internal Regulated Alternators Mounted In The Factory Location.	\$236.00	
10380	1967	ENGINE HARNESS 6 Cylinder, Auto Trans Note: 6 Cylinder Items Are Not Returnable.	\$220.00	
10385	1967	ENGINE HARNESS 6 Cylinder, Manual Trans Note: 6 Cylinder Items Are Not Returnable.	\$220.00	
10390	1967	ENGINE HARNESS V/8	\$172.00	
43195	1967	ENGINE HARNESS-HEI V/8 Note: This Harness Is Modified For Use With An HEI Distributor.	\$196.00	
43196	1967	ENGINE HARNESS-SI SERIES INT REG ALT V/8 Note: Modified For 1972-84 Non-Serpentine Belt ("SI" Series) Internal Regulated Alternators Mounted In The Factory Location.	\$210.00	

Cutlass
4-4-2/F-85



Phone (562) 926-9552
Fax (562) 926-9572

Part Number	Year	Description	Price	*Rev.
43197	1967	ENGINE HARNESS-HEI AND SI SERIES INT REG ALT V/8 Note: Modified For HEI & 1972-84 Non-Serpentine Belt ("SI" Series) Internal Regulated Alternators Mounted In The Factory Location.	\$224.00	
10745	1967	ENGINE HARNESS V/8, With Gauges	\$184.00	
43198	1967	ENGINE HARNESS-HEI V/8, With Gauges Note: This Harness Is Modified For Use With An HEI Distributor.	\$209.00	
43199	1967	ENGINE HARNESS-SI SERIES INT REG ALT V/8, With Gauges Note: Modified For 1972-84 Non-Serpentine Belt ("SI" Series) Internal Regulated Alternators Mounted In The Factory Location.	\$224.00	
43200	1967	ENGINE HARNESS-HEI AND SI SERIES INT REG ALT V/8, With Gauges Note: Modified For HEI & 1972-84 Non-Serpentine Belt ("SI" Series) Internal Regulated Alternators Mounted In The Factory Location.	\$236.00	
11580	1968	ENGINE HARNESS 6 Cylinder Note: 6 Cylinder Items Are Not Returnable.	\$188.00	
11585	1968	ENGINE HARNESS V/8	\$147.00	
43201	1968	ENGINE HARNESS-HEI V/8 Note: This Harness Is Modified For Use With An HEI Distributor.	\$171.00	
16170	1968	ENGINE HARNESS V/8, With Carburetor Idle Stop Solenoid	\$147.00	
43202	1968	ENGINE HARNESS-HEI V/8, With Carburetor Idle Stop Solenoid Note: This Harness Is Modified For Use With An HEI Distributor.	\$171.00	
11590	1968	ENGINE HARNESS V/8, With Carburetor Idle Stop Solenoid & Gauges	\$147.00	
43203	1968	ENGINE HARNESS-HEI V/8, With Carburetor Idle Stop Solenoid & Gauges Note: This Harness Is Modified For Use With An HEI Distributor.	\$171.00	
12640	1968	ENGINE HARNESS V/8, With Transistor Ignition & Gauges	\$166.00	
11580	1969	ENGINE HARNESS 6 Cylinder Note: 6 Cylinder Items Are Not Returnable.	\$188.00	
11585	1969	ENGINE HARNESS V/8	\$147.00	
43206	1969	ENGINE HARNESS-HEI V/8 Note: This Harness Is Modified For Use With An HEI Distributor.	\$171.00	
16170	1969	ENGINE HARNESS V/8, With Carburetor Idle Stop Solenoid (4 Bbl.) Note: On 2 Bbl. Carb Cars With Idle Stop Solenoid Use Part# 11585 Engine Harness And Part# 12800 Idle Stop Control Wire.	\$147.00	
43207	1969	ENGINE HARNESS-HEI V/8, With Carburetor Idle Stop Solenoid (4 Bbl.) Note: This Harness Is Modified For Use With An HEI Distributor. On 2 Bbl. Carb Cars With Idle Stop Solenoid Use Part# 11585 Engine Harness And Part# 12800 Idle Stop Control Wire.	\$171.00	
11590	1969	ENGINE HARNESS V/8, With Carburetor Idle Stop Solenoid (4 Bbl.) & Gauges Note: On 2 Bbl. Carb Cars With Idle Stop Solenoid Use Part# 11585 Engine Harness And Part# 12800 Idle Stop Control Wire.	\$147.00	
43208	1969	ENGINE HARNESS-HEI V/8, With Carburetor Idle Stop Solenoid (4 Bbl.) & Gauges Note: This Harness Is Modified For Use With An HEI Distributor. On 2 Bbl. Carb Cars With Idle Stop Solenoid Use Part# 11585 Engine Harness And Part# 12800 Idle Stop Control Wire.	\$171.00	
12640	1969	ENGINE HARNESS V/8, With Transistor Ignition & Gauges	\$166.00	
15785	1970	ENGINE HARNESS 6 Cylinder, Auto Trans Note: 6 Cylinder Items Are Not Returnable.	\$194.00	
15790	1970	ENGINE HARNESS 6 Cylinder, Manual Trans Note: 6 Cylinder Items Are Not Returnable.	\$194.00	
15675	1970	ENGINE HARNESS V/8, Auto Trans	\$166.00	
43209	1970	ENGINE HARNESS-HEI V/8, Auto Trans Note: This Harness Is Modified For Use With An HEI Distributor.	\$190.00	
15680	1970	ENGINE HARNESS V/8, Manual Trans	\$166.00	
43210	1970	ENGINE HARNESS-HEI V/8, Manual Trans Note: This Harness Is Modified For Use With An HEI Distributor.	\$190.00	

Cutlass
4-4-2/F-85



Phone (562) 926-9552
Fax (562) 926-9572

Part Number	Year	Description	Price	*Rev.
16101	1971	ENGINE HARNESS 6 Cylinder, Auto Trans Note: 6 Cylinder Items Are Not Returnable.	\$199.00	
16015	1971	ENGINE HARNESS 6 Cylinder, Manual Trans Note: 6 Cylinder Items Are Not Returnable.	\$199.00	
15865	1971	ENGINE HARNESS V/8, Auto Trans	\$166.00	
43211	1971	ENGINE HARNESS-HEI V/8, Auto Trans Note: This Harness Is Modified For Use With An HEI Distributor.	\$190.00	
16320	1971	ENGINE HARNESS V/8, Manual Trans	\$166.00	
43212	1971	ENGINE HARNESS-HEI V/8, Manual Trans Note: This Harness Is Modified For Use With An HEI Distributor.	\$190.00	
16630	1972	ENGINE HARNESS V/8, Auto Trans	\$226.00	
43213	1972	ENGINE HARNESS-HEI V/8, Auto Trans Note: This Harness Is Modified For Use With An HEI Distributor.	\$250.00	
43214	1972	ENGINE HARNESS-SI SERIES INT REG ALT V/8, Auto Trans Note: Modified For 1972-84 Non-Serpentine Belt ("SI" Series) Internal Regulated Alternators Mounted In The Factory Location.	\$264.00	
43215	1972	ENGINE HARNESS-HEI AND SI SERIES INT REG ALT V/8, Auto Trans Note: Modified For HEI & 1972-84 Non-Serpentine Belt ("SI" Series) Internal Regulated Alternators Mounted In The Factory Location.	\$278.00	
16625	1972	ENGINE HARNESS V/8, Manual Trans	\$226.00	
43216	1972	ENGINE HARNESS-HEI V/8, Manual Trans Note: This Harness Is Modified For Use With An HEI Distributor.	\$250.00	
43217	1972	ENGINE HARNESS-SI SERIES INT REG ALT V/8, Manual Trans Note: Modified For 1972-84 Non-Serpentine Belt ("SI" Series) Internal Regulated Alternators Mounted In The Factory Location.	\$264.00	
43218	1972	ENGINE HARNESS-HEI AND SI SERIES INT REG ALT V/8, Manual Trans Note: Modified For HEI & 1972-84 Non-Serpentine Belt ("SI" Series) Internal Regulated Alternators Mounted In The Factory Location.	\$278.00	
FORWARD LAMP HARNESS				
04340	1964	FORWARD LAMP HARNESS 6 Cylinder (V/6) Note: 6 Cylinder Items Are Not Returnable.	\$249.00	
04345	1964	FORWARD LAMP HARNESS V/8	\$219.00	
05220	1965	FORWARD LAMP HARNESS 6 Cylinder (V/6) Note: 6 Cylinder Items Are Not Returnable.	\$249.00	
05225	1965	FORWARD LAMP HARNESS V/8	\$219.00	
10625	1966	FORWARD LAMP HARNESS 6 Cylinder Note: 6 Cylinder Items Are Not Returnable.	\$249.00	
10630	1966	FORWARD LAMP HARNESS V/8	\$219.00	
10510	1966	FORWARD LAMP HARNESS V/8, With Gauges	\$226.00	
10395	1967	FORWARD LAMP HARNESS All	\$219.00	
12335	1968	FORWARD LAMP HARNESS 6 Cylinder Note: 6 Cylinder Items Are Not Returnable.	\$318.00	
12340	1968	FORWARD LAMP HARNESS V/8	\$265.00	
43204	1968	FORWARD LAMP HARNESS-INT REG ALT V/8 Note: Modified For 1972-84 Non-Serpentine Belt ("SI" Series) Internal Regulated Alternators Mounted In The Factory Location.	\$304.00	
12350	1968	FORWARD LAMP HARNESS V/8, With A/C	\$291.00	
43205	1968	FORWARD LAMP HARNESS-INT REG ALT V/8, With A/C Note: Modified For 1972-84 Non-Serpentine Belt ("SI" Series) Internal Regulated Alternators Mounted In The Factory Location.	\$304.00	
12785	1969	FORWARD LAMP HARNESS 6 Cylinder Note: 6 Cylinder Items Are Not Returnable.	\$304.00	
12790	1969	FORWARD LAMP HARNESS V/8	\$291.00	

Part Number	Year	Description	Price	*Rev.
12795	1969	FORWARD LAMP HARNESS V/8, With A/C	\$291.00	
13255	1969	FORWARD LAMP HARNESS V/8, With Internal Regulator Alternator	\$265.00	
13260	1969	FORWARD LAMP HARNESS V/8, With A/C & Internal Regulator Alternator	\$265.00	
13585	1970	FORWARD LAMP HARNESS 6 Cylinder Note: 6 Cylinder Items Are Not Returnable.	\$304.00	
13590	1970	FORWARD LAMP HARNESS V/8	\$291.00	
13595	1970	FORWARD LAMP HARNESS V/8, With A/C	\$265.00	
13600	1970	FORWARD LAMP HARNESS V/8, With Internal Regulator Alternator	\$265.00	
13605	1970	FORWARD LAMP HARNESS V/8, With A/C & Internal Regulator Alternator	\$265.00	
15965	1971	FORWARD LAMP HARNESS 6 Cylinder Note: 6 Cylinder Items Are Not Returnable.	\$318.00	
15870	1971	FORWARD LAMP HARNESS V/8	\$291.00	
15875	1971	FORWARD LAMP HARNESS V/8, With Internal Regulator Alternator	\$291.00	
16635	1972	FORWARD LAMP HARNESS All	\$259.00	
FUEL TANK SENDER WIRE				
01040	1968	FUEL TANK SENDER WIRE All, Except Wagons	\$20.00	
11910	1968	FUEL TANK SENDER WIRE Wagon	\$30.00	
01040	1969	FUEL TANK SENDER WIRE All, Except Wagons	\$20.00	
11910	1969	FUEL TANK SENDER WIRE Wagon	\$30.00	
01040	1970	FUEL TANK SENDER WIRE All, Except Wagons	\$20.00	
11910	1970	FUEL TANK SENDER WIRE Wagon	\$30.00	
01040	1971	FUEL TANK SENDER WIRE All, Except Wagons	\$20.00	
11910	1971	FUEL TANK SENDER WIRE Wagon	\$30.00	
01040	1972	FUEL TANK SENDER WIRE All, Except Wagons	\$20.00	
11910	1972	FUEL TANK SENDER WIRE Wagon	\$30.00	
FUEL TANK SENDING UNIT				
06428034	1968	FUEL TANK SENDING UNIT 3/8" Fuel Line, Single Outlet, Except Wagon	\$43.00	N
06428034	1969	FUEL TANK SENDING UNIT 3/8" Fuel Line, Single Outlet, Except Wagon	\$43.00	N
06428034	1970	FUEL TANK SENDING UNIT 3/8" Fuel Line, Single Outlet, Except Wagon	\$43.00	N
06428838	1971	FUEL TANK SENDING UNIT 3/8" Fuel Line, Single Outlet, Except Wagon	\$43.00	N
06428837	1971	FUEL TANK SENDING UNIT 3/8" Fuel Line, With 2nd Vent Line, Except Wagon	\$43.00	N
06428838	1972	FUEL TANK SENDING UNIT 3/8" Fuel Line, Single Outlet, Except Wagon	\$43.00	N
06428837	1972	FUEL TANK SENDING UNIT 3/8" Fuel Line, With 2nd Vent Line, Except Wagon	\$43.00	N
GLOVE BOX LAMP KIT				
18000	1961	GLOVE BOX LAMP KIT Socket, Bulb & Wire	\$24.00	
18000	1962	GLOVE BOX LAMP KIT Socket, Bulb & Wire	\$24.00	
18000	1963	GLOVE BOX LAMP KIT Socket, Bulb & Wire	\$24.00	
18000	1964	GLOVE BOX LAMP KIT Socket, Bulb & Wire	\$24.00	
18000	1965	GLOVE BOX LAMP KIT Socket, Bulb & Wire	\$24.00	
18000	1966	GLOVE BOX LAMP KIT Socket, Bulb & Wire	\$24.00	
18000	1967	GLOVE BOX LAMP KIT Socket, Bulb & Wire	\$24.00	
18000	1968	GLOVE BOX LAMP KIT Socket, Bulb & Wire	\$24.00	
18000	1969	GLOVE BOX LAMP KIT Socket, Bulb & Wire	\$24.00	
GLOVE BOX LAMP WIRE				
06075	1966	GLOVE BOX LAMP WIRE	\$17.00	
11665	1968	GLOVE BOX LAMP WIRE	\$27.00	

Part Number	Year	Description	Price	*Rev.
11665	1969	GLOVE BOX LAMP WIRE	\$27.00	
GROUND WIRE				
11070	1967	GROUND WIRE Instrument Cluster	\$18.00	
11125	1967	GROUND WIRE Stereo Tape Player, Player To Dash	\$13.00	
11070	1968	GROUND WIRE Instrument Cluster	\$18.00	
12255	1968	GROUND WIRE Map Light	\$13.00	
11125	1968	GROUND WIRE Stereo Tape Player, Player To Dash	\$13.00	
11070	1969	GROUND WIRE Instrument Cluster	\$18.00	
12255	1969	GROUND WIRE Map Light	\$13.00	
11125	1969	GROUND WIRE Stereo Tape Player, Player To Dash	\$13.00	
11125	1970	GROUND WIRE Stereo Tape Player, Player To Dash	\$13.00	
11125	1971	GROUND WIRE Stereo Tape Player, Player To Dash	\$13.00	
GROUND WIRE-DISTRIBUTOR POINT PLATE				
38298	1964	GROUND WIRE, DISTRIBUTOR POINT PLATE From Distributor Point Plate To Distributor Housing Note: Replaces Spot Welded Wire Asm On Point Plate Side. Fits All GM V/8 Point Type Distributors From Approx. 1957-1974.	\$17.00	C
38298	1965	GROUND WIRE, DISTRIBUTOR POINT PLATE From Distributor Point Plate To Distributor Housing Note: Replaces Spot Welded Wire Asm On Point Plate Side. Fits All GM V/8 Point Type Distributors From Approx. 1957-1974.	\$17.00	C
38298	1966	GROUND WIRE, DISTRIBUTOR POINT PLATE From Distributor Point Plate To Distributor Housing Note: Replaces Spot Welded Wire Asm On Point Plate Side. Fits All GM V/8 Point Type Distributors From Approx. 1957-1974.	\$17.00	C
38298	1967	GROUND WIRE, DISTRIBUTOR POINT PLATE From Distributor Point Plate To Distributor Housing Note: Replaces Spot Welded Wire Asm On Point Plate Side. Fits All GM V/8 Point Type Distributors From Approx. 1957-1974.	\$17.00	C
38298	1968	GROUND WIRE, DISTRIBUTOR POINT PLATE From Distributor Point Plate To Distributor Housing Note: Replaces Spot Welded Wire Asm On Point Plate Side. Fits All GM V/8 Point Type Distributors From Approx. 1957-1974.	\$17.00	C
38298	1969	GROUND WIRE, DISTRIBUTOR POINT PLATE From Distributor Point Plate To Distributor Housing Note: Replaces Spot Welded Wire Asm On Point Plate Side. Fits All GM V/8 Point Type Distributors From Approx. 1957-1974.	\$17.00	C
38298	1970	GROUND WIRE, DISTRIBUTOR POINT PLATE From Distributor Point Plate To Distributor Housing Note: Replaces Spot Welded Wire Asm On Point Plate Side. Fits All GM V/8 Point Type Distributors From Approx. 1957-1974.	\$17.00	C
38298	1971	GROUND WIRE, DISTRIBUTOR POINT PLATE From Distributor Point Plate To Distributor Housing Note: Replaces Spot Welded Wire Asm On Point Plate Side. Fits All GM V/8 Point Type Distributors From Approx. 1957-1974.	\$17.00	C
38298	1972	GROUND WIRE, DISTRIBUTOR POINT PLATE From Distributor Point Plate To Distributor Housing Note: Replaces Spot Welded Wire Asm On Point Plate Side. Fits All GM V/8 Point Type Distributors From Approx. 1957-1974.	\$17.00	C
38298	1973	GROUND WIRE, DISTRIBUTOR POINT PLATE From Distributor Point Plate To Distributor Housing Note: Replaces Spot Welded Wire Asm On Point Plate Side. Fits All GM V/8 Point Type Distributors From Approx. 1957-1974.	\$17.00	C
38298	1974	GROUND WIRE, DISTRIBUTOR POINT PLATE From Distributor Point Plate To Distributor Housing Note: Replaces Spot Welded Wire Asm On Point Plate Side. Fits All GM V/8 Point Type Distributors From Approx. 1957-1974.	\$17.00	C
HARNESS TAPE				
R0058272	1961	HARNESS TAPE 3/4" Vinyl (100 Ft. Roll) Non-Adhesive	\$12.00	
R0058276	1961	HARNESS TAPE 1" Vinyl (100 Ft. Roll) Non-Adhesive	\$13.00	
R0067108	1961	HARNESS TAPE 1 1/4" Vinyl (100 Ft. Roll) Non-Adhesive	\$15.00	
R0058272	1962	HARNESS TAPE 3/4" Vinyl (100 Ft. Roll) Non-Adhesive	\$12.00	
R0058276	1962	HARNESS TAPE 1" Vinyl (100 Ft. Roll) Non-Adhesive	\$13.00	
R0067108	1962	HARNESS TAPE 1 1/4" Vinyl (100 Ft. Roll) Non-Adhesive	\$15.00	
R0058272	1963	HARNESS TAPE 3/4" Vinyl (100 Ft. Roll) Non-Adhesive	\$12.00	
R0058276	1963	HARNESS TAPE 1" Vinyl (100 Ft. Roll) Non-Adhesive	\$13.00	
R0067108	1963	HARNESS TAPE 1 1/4" Vinyl (100 Ft. Roll) Non-Adhesive	\$15.00	
R0058272	1964	HARNESS TAPE 3/4" Vinyl (100 Ft. Roll) Non-Adhesive	\$12.00	
R0058276	1964	HARNESS TAPE 1" Vinyl (100 Ft. Roll) Non-Adhesive	\$13.00	

Cutlass
4-4-2/F-85



Phone (562) 926-9552
Fax (562) 926-9572

Part Number	Year	Description	Price	*Rev.
R0067108	1964	HARNESS TAPE 1 1/4" Vinyl (100 Ft. Roll) Non-Adhesive	\$15.00	
R0058272	1965	HARNESS TAPE 3/4" Vinyl (100 Ft. Roll) Non-Adhesive	\$12.00	
R0058276	1965	HARNESS TAPE 1" Vinyl (100 Ft. Roll) Non-Adhesive	\$13.00	
R0067108	1965	HARNESS TAPE 1 1/4" Vinyl (100 Ft. Roll) Non-Adhesive	\$15.00	
R0058272	1966	HARNESS TAPE 3/4" Vinyl (100 Ft. Roll) Non-Adhesive	\$12.00	
R0058276	1966	HARNESS TAPE 1" Vinyl (100 Ft. Roll) Non-Adhesive	\$13.00	
R0067108	1966	HARNESS TAPE 1 1/4" Vinyl (100 Ft. Roll) Non-Adhesive	\$15.00	
R0058272	1967	HARNESS TAPE 3/4" Vinyl (100 Ft. Roll) Non-Adhesive	\$12.00	
R0058276	1967	HARNESS TAPE 1" Vinyl (100 Ft. Roll) Non-Adhesive	\$13.00	
R0067108	1967	HARNESS TAPE 1 1/4" Vinyl (100 Ft. Roll) Non-Adhesive	\$15.00	
R0058272	1968	HARNESS TAPE 3/4" Vinyl (100 Ft. Roll) Non-Adhesive	\$12.00	
R0058276	1968	HARNESS TAPE 1" Vinyl (100 Ft. Roll) Non-Adhesive	\$13.00	
R0067108	1968	HARNESS TAPE 1 1/4" Vinyl (100 Ft. Roll) Non-Adhesive	\$15.00	
R0058272	1969	HARNESS TAPE 3/4" Vinyl (100 Ft. Roll) Non-Adhesive	\$12.00	
R0058276	1969	HARNESS TAPE 1" Vinyl (100 Ft. Roll) Non-Adhesive	\$13.00	
R0067108	1969	HARNESS TAPE 1 1/4" Vinyl (100 Ft. Roll) Non-Adhesive	\$15.00	
R0058272	1970	HARNESS TAPE 3/4" Vinyl (100 Ft. Roll) Non-Adhesive	\$12.00	
R0058276	1970	HARNESS TAPE 1" Vinyl (100 Ft. Roll) Non-Adhesive	\$13.00	
R0067108	1970	HARNESS TAPE 1 1/4" Vinyl (100 Ft. Roll) Non-Adhesive	\$15.00	
R0058272	1971	HARNESS TAPE 3/4" Vinyl (100 Ft. Roll) Non-Adhesive	\$12.00	
R0058276	1971	HARNESS TAPE 1" Vinyl (100 Ft. Roll) Non-Adhesive	\$13.00	
R0067108	1971	HARNESS TAPE 1 1/4" Vinyl (100 Ft. Roll) Non-Adhesive	\$15.00	
R0058272	1972	HARNESS TAPE 3/4" Vinyl (100 Ft. Roll) Non-Adhesive	\$12.00	
R0058276	1972	HARNESS TAPE 1" Vinyl (100 Ft. Roll) Non-Adhesive	\$13.00	
R0067108	1972	HARNESS TAPE 1 1/4" Vinyl (100 Ft. Roll) Non-Adhesive	\$15.00	
R0058272	1973	HARNESS TAPE 3/4" Vinyl (100 Ft. Roll) Non-Adhesive	\$12.00	
R0058276	1973	HARNESS TAPE 1" Vinyl (100 Ft. Roll) Non-Adhesive	\$13.00	
R0067108	1973	HARNESS TAPE 1 1/4" Vinyl (100 Ft. Roll) Non-Adhesive	\$15.00	
R0058272	1974	HARNESS TAPE 3/4" Vinyl (100 Ft. Roll) Non-Adhesive	\$12.00	
R0058276	1974	HARNESS TAPE 1" Vinyl (100 Ft. Roll) Non-Adhesive	\$13.00	
R0067108	1974	HARNESS TAPE 1 1/4" Vinyl (100 Ft. Roll) Non-Adhesive	\$15.00	
R0058272	1975	HARNESS TAPE 3/4" Vinyl (100 Ft. Roll) Non-Adhesive	\$12.00	
R0058276	1975	HARNESS TAPE 1" Vinyl (100 Ft. Roll) Non-Adhesive	\$13.00	
R0067108	1975	HARNESS TAPE 1 1/4" Vinyl (100 Ft. Roll) Non-Adhesive	\$15.00	
R0058272	1976	HARNESS TAPE 3/4" Vinyl (100 Ft. Roll) Non-Adhesive	\$12.00	
R0058276	1976	HARNESS TAPE 1" Vinyl (100 Ft. Roll) Non-Adhesive	\$13.00	
R0067108	1976	HARNESS TAPE 1 1/4" Vinyl (100 Ft. Roll) Non-Adhesive	\$15.00	
HEADLIGHT SWITCH				
01995179	1964	HEADLIGHT SWITCH	\$20.00	N
01995179	1965	HEADLIGHT SWITCH	\$20.00	N
01995179	1966	HEADLIGHT SWITCH	\$20.00	N
01995179	1967	HEADLIGHT SWITCH	\$20.00	N
01995216	1969	HEADLIGHT SWITCH	\$20.00	N
01995216	1970	HEADLIGHT SWITCH	\$20.00	N
01995216	1971	HEADLIGHT SWITCH	\$20.00	N
01995216	1972	HEADLIGHT SWITCH	\$20.00	N

Cutlass
4-4-2/F-85



Phone (562) 926-9552
Fax (562) 926-9572

Part Number	Year	Description	Price	*Rev.
HEATER HARNESS				
43914	1964	HEATER HARNESS Without A/C	\$41.00	
43914	1965	HEATER HARNESS Without A/C	\$41.00	
43914	1966	HEATER HARNESS Without A/C	\$41.00	
18305	1967	HEATER HARNESS Without A/C	\$41.00	
12115	1968	HEATER HARNESS Without A/C	\$41.00	
12115	1969	HEATER HARNESS Without A/C	\$41.00	
18310	1970	HEATER HARNESS Without A/C	\$41.00	
18310	1971	HEATER HARNESS Without A/C	\$41.00	
18310	1972	HEATER HARNESS Without A/C	\$41.00	
HOOD LAMP EXTENSION WIRE				
10070	1968	HOOD LAMP EXTENSION WIRE Underhood Light (Original Factory Type Only)	\$20.00	
13270	1969	HOOD LAMP EXTENSION WIRE Underhood Light (Original Factory Type Only)	\$20.00	
HOOD LAMP REPLACEMENT KIT				
18410	1964	HOOD LAMP KIT Under Hood, Includes Socket, Wire & Bulb	\$60.00	C
18410	1965	HOOD LAMP KIT Under Hood, Includes Socket, Wire & Bulb	\$60.00	C
18410	1966	HOOD LAMP KIT Under Hood, Includes Socket, Wire & Bulb	\$60.00	C
18410	1967	HOOD LAMP KIT Under Hood, Includes Socket, Wire & Bulb	\$60.00	C
18410	1968	HOOD LAMP KIT Under Hood, Includes Socket, Wire & Bulb	\$60.00	C
18410	1969	HOOD LAMP KIT Under Hood, Includes Socket, Wire & Bulb	\$60.00	C
18410	1970	HOOD LAMP KIT Under Hood, Includes Socket, Wire & Bulb	\$60.00	C
18410	1971	HOOD LAMP KIT Under Hood, Includes Socket, Wire & Bulb	\$60.00	C
18410	1972	HOOD LAMP KIT Under Hood, Includes Socket, Wire & Bulb	\$60.00	C
18410	1973	HOOD LAMP KIT Under Hood, Includes Socket, Wire & Bulb	\$60.00	C
18410	1974	HOOD LAMP KIT Under Hood, Includes Socket, Wire & Bulb	\$60.00	C
18410	1975	HOOD LAMP KIT Under Hood, Includes Socket, Wire & Bulb	\$60.00	C
18410	1976	HOOD LAMP KIT Under Hood, Includes Socket, Wire & Bulb	\$60.00	C
18410	1977	HOOD LAMP KIT Under Hood, Includes Socket, Wire & Bulb	\$60.00	C
HORN WIRE EXTENSION HARNESS				
11550	1967	HORN WIRE EXTENSION HARNESS With W-30 Option	\$17.00	
IDLE STOP CONTROL WIRE				
12800	1969	IDLE STOP CONTROL WIRE 2 Bbl. Carburetor Only, From Carburetor Solenoid To Fuse Block Note: To Be Used With Engine Harness Part# 11585.	\$22.00	
IGNITION CYLINDER AND KEYS				
20071252	1969	IGNITION CYLINDER AND KEYS Chrome, All	\$18.50	N
20071252	1970	IGNITION CYLINDER AND KEYS Chrome, All	\$18.50	N
20071252	1971	IGNITION CYLINDER AND KEYS Chrome, All	\$18.50	N
20071252	1972	IGNITION CYLINDER AND KEYS Chrome, All	\$18.50	N
20071252	1973	IGNITION CYLINDER AND KEYS Chrome, All	\$18.50	N
20071252	1974	IGNITION CYLINDER AND KEYS Chrome, All	\$18.50	N
20071252	1975	IGNITION CYLINDER AND KEYS Chrome, All	\$18.50	N
20071252	1976	IGNITION CYLINDER AND KEYS Chrome, All	\$18.50	N
20071252	1977	IGNITION CYLINDER AND KEYS Chrome, All	\$18.50	N
20071252	1978	IGNITION CYLINDER AND KEYS Chrome, All, 1st Design, Used On Columns Without Lock Cylinder Retaining Screw	\$18.50	N

Cutlass
4-4-2/F-85



Phone (562) 926-9552
Fax (562) 926-9572

Part Number	Year	Description	Price	*Rev.
07833759	1978	IGNITION CYLINDER AND KEYS Chrome, All, 2nd Design, Used On Columns With Lock Cylinder Retaining Screw	\$18.50	N
07833759	1979	IGNITION CYLINDER AND KEYS Chrome, All	\$18.50	N
07833759	1980	IGNITION CYLINDER AND KEYS Chrome, All	\$18.50	N
07833759	1981	IGNITION CYLINDER AND KEYS Chrome, All	\$18.50	N
07833759	1982	IGNITION CYLINDER AND KEYS Chrome, All	\$18.50	N
07833759	1983	IGNITION CYLINDER AND KEYS Chrome, All	\$18.50	N
07833759	1984	IGNITION CYLINDER AND KEYS Chrome, All	\$18.50	N
07833759	1985	IGNITION CYLINDER AND KEYS Chrome, All	\$18.50	N
07833759	1986	IGNITION CYLINDER AND KEYS Chrome, All	\$18.50	N
07833759	1987	IGNITION CYLINDER AND KEYS Chrome, All	\$18.50	N
07833759	1988	IGNITION CYLINDER AND KEYS Chrome, All	\$18.50	N
IGNITION SWITCH				
44205	1965	IGNITION SWITCH KIT F-85 Note: Includes Ignition Switch, Connector And Instructions.	\$37.00	N
01990110	1969	IGNITION SWITCH All, With Tilt	\$14.00	N
01990110	1970	IGNITION SWITCH All, With Tilt	\$14.00	N
01990110	1971	IGNITION SWITCH All, With Tilt	\$14.00	N
01990110	1972	IGNITION SWITCH All, With Tilt	\$14.00	N
01990110	1973	IGNITION SWITCH All, With Tilt	\$14.00	N
01990110	1974	IGNITION SWITCH All, With Tilt	\$14.00	N
01990110	1975	IGNITION SWITCH All, With Tilt	\$14.00	N
01990110	1976	IGNITION SWITCH All, With Tilt	\$14.00	N
01990110	1977	IGNITION SWITCH All, With Tilt	\$14.00	N
01990110	1978	IGNITION SWITCH All, With Tilt	\$14.00	N
01990110	1979	IGNITION SWITCH All, With Tilt	\$14.00	N
01990110	1980	IGNITION SWITCH All, With Tilt	\$14.00	N
01990110	1981	IGNITION SWITCH All, With Tilt	\$14.00	N
01990110	1982	IGNITION SWITCH All, With Tilt	\$14.00	N
01990110	1983	IGNITION SWITCH All, With Tilt	\$14.00	N
01990110	1984	IGNITION SWITCH All, With Tilt	\$14.00	N
01990110	1985	IGNITION SWITCH All, With Tilt	\$14.00	N
01990110	1986	IGNITION SWITCH All, With Tilt	\$14.00	N
01990110	1987	IGNITION SWITCH All, With Tilt	\$14.00	N
01990110	1988	IGNITION SWITCH All, With Tilt	\$14.00	N
INSTRUMENT GAUGE CLUSTER CLIP KIT				
08986000	1976	CLIP KIT Cutlass, All, Instrument Gauge Cluster / Printed Circuit Board Retaining Clip Note: Replaces Original GM Part Number 08986000, Includes 12 Clips Per Kit.	\$14.00	N
08986000	1977	CLIP KIT Cutlass, All, Instrument Gauge Cluster / Printed Circuit Board Retaining Clip Note: Replaces Original GM Part Number 08986000, Includes 12 Clips Per Kit.	\$14.00	N
08986000	1978	CLIP KIT Cutlass, All, Instrument Gauge Cluster / Printed Circuit Board Retaining Clip Note: Replaces Original GM Part Number 08986000, Includes 12 Clips Per Kit.	\$14.00	N
08986000	1979	CLIP KIT Cutlass, All, Instrument Gauge Cluster / Printed Circuit Board Retaining Clip Note: Replaces Original GM Part Number 08986000, Includes 12 Clips Per Kit.	\$14.00	N

Cutlass
4-4-2/F-85



Phone (562) 926-9552
Fax (562) 926-9572

Part Number	Year	Description	Price	*Rev.
08986000	1980	CLIP KIT Cutlass, All, Instrument Gauge Cluster / Printed Circuit Board Retaining Clip Note: Replaces Original GM Part Number 08986000, Includes 12 Clips Per Kit.	\$14.00	N
08986000	1981	CLIP KIT Cutlass, All, Instrument Gauge Cluster / Printed Circuit Board Retaining Clip Note: Replaces Original GM Part Number 08986000, Includes 12 Clips Per Kit.	\$14.00	N
08986000	1982	CLIP KIT Cutlass, All, Instrument Gauge Cluster / Printed Circuit Board Retaining Clip Note: Replaces Original GM Part Number 08986000, Includes 12 Clips Per Kit.	\$14.00	N
08986000	1983	CLIP KIT Cutlass, All, Instrument Gauge Cluster / Printed Circuit Board Retaining Clip Note: Replaces Original GM Part Number 08986000, Includes 12 Clips Per Kit.	\$14.00	N
08986000	1984	CLIP KIT Cutlass, All, Instrument Gauge Cluster / Printed Circuit Board Retaining Clip Note: Replaces Original GM Part Number 08986000, Includes 12 Clips Per Kit.	\$14.00	N
08986000	1985	CLIP KIT Cutlass, All, Instrument Gauge Cluster / Printed Circuit Board Retaining Clip Note: Replaces Original GM Part Number 08986000, Includes 12 Clips Per Kit.	\$14.00	N
08986000	1986	CLIP KIT Cutlass, All, Instrument Gauge Cluster / Printed Circuit Board Retaining Clip Note: Replaces Original GM Part Number 08986000, Includes 12 Clips Per Kit.	\$14.00	N
08986000	1987	CLIP KIT Cutlass, All, Instrument Gauge Cluster / Printed Circuit Board Retaining Clip Note: Replaces Original GM Part Number 08986000, Includes 12 Clips Per Kit.	\$14.00	N
08986000	1988	CLIP KIT Cutlass, All, Instrument Gauge Cluster / Printed Circuit Board Retaining Clip Note: Replaces Original GM Part Number 08986000, Includes 12 Clips Per Kit.	\$14.00	N
KICKDOWN SWITCH				
01242101	1969	KICKDOWN SWITCH TH400 Auto Trans	\$19.00	
01242101	1970	KICKDOWN SWITCH TH400 Auto Trans	\$19.00	
01242101	1971	KICKDOWN SWITCH TH400 Auto Trans	\$19.00	
01242101	1972	KICKDOWN SWITCH TH400 Auto Trans	\$19.00	
01242101	1973	KICKDOWN SWITCH TH400 Auto Trans	\$19.00	
01242101	1974	KICKDOWN SWITCH TH400 Auto Trans	\$19.00	
01242101	1975	KICKDOWN SWITCH TH400 Auto Trans	\$19.00	
01242101	1976	KICKDOWN SWITCH TH400, Auto Trans	\$19.00	
01242101	1977	KICKDOWN SWITCH TH400, Auto Trans	\$19.00	
LOW FUEL INDICATOR MODULE				
500274	1964	LOW FUEL INDICATOR MODULE Generic "Adjustable" Low Fuel Warning Module Note: A Complete Electronic Control Unit To Activate A Warning Lamp Or Relay When Fuel Level Drops Below A User Adjustable Level. Includes instruction sheet.	\$64.00	C
500274	1965	LOW FUEL INDICATOR MODULE Generic "Adjustable" Low Fuel Warning Module Note: A Complete Electronic Control Unit To Activate A Warning Lamp Or Relay When Fuel Level Drops Below A User Adjustable Level. Includes instruction sheet.	\$64.00	C
500274	1966	LOW FUEL INDICATOR MODULE Generic "Adjustable" Low Fuel Warning Module Note: A Complete Electronic Control Unit To Activate A Warning Lamp Or Relay When Fuel Level Drops Below A User Adjustable Level. Includes instruction sheet.	\$64.00	C
500274	1967	LOW FUEL INDICATOR MODULE Generic "Adjustable" Low Fuel Warning Module Note: A Complete Electronic Control Unit To Activate A Warning Lamp Or Relay When Fuel Level Drops Below A User Adjustable Level. Includes instruction sheet.	\$64.00	C

Cutlass
4-4-2/F-85



Phone (562) 926-9552
Fax (562) 926-9572

Part Number	Year	Description	Price	*Rev.
500274	1968	LOW FUEL INDICATOR MODULE Generic "Adjustable" Low Fuel Warning Module Note: A Complete Electronic Control Unit To Activate A Warning Lamp Or Relay When Fuel Level Drops Below A User Adjustable Level. Includes instruction sheet.	\$64.00	C
500274	1969	LOW FUEL INDICATOR MODULE Generic "Adjustable" Low Fuel Warning Module Note: A Complete Electronic Control Unit To Activate A Warning Lamp Or Relay When Fuel Level Drops Below A User Adjustable Level. Includes instruction sheet.	\$64.00	C
500274	1970	LOW FUEL INDICATOR MODULE Generic "Adjustable" Low Fuel Warning Module Note: A Complete Electronic Control Unit To Activate A Warning Lamp Or Relay When Fuel Level Drops Below A User Adjustable Level. Includes instruction sheet.	\$64.00	C
500274	1971	LOW FUEL INDICATOR MODULE Generic "Adjustable" Low Fuel Warning Module Note: A Complete Electronic Control Unit To Activate A Warning Lamp Or Relay When Fuel Level Drops Below A User Adjustable Level. Includes instruction sheet.	\$64.00	C
500274	1972	LOW FUEL INDICATOR MODULE Generic "Adjustable" Low Fuel Warning Module Note: A Complete Electronic Control Unit To Activate A Warning Lamp Or Relay When Fuel Level Drops Below A User Adjustable Level. Includes instruction sheet.	\$64.00	C
500274	1973	LOW FUEL INDICATOR MODULE Generic "Adjustable" Low Fuel Warning Module Note: A Complete Electronic Control Unit To Activate A Warning Lamp Or Relay When Fuel Level Drops Below A User Adjustable Level. Includes instruction sheet.	\$64.00	C
500274	1974	LOW FUEL INDICATOR MODULE Generic "Adjustable" Low Fuel Warning Module Note: A Complete Electronic Control Unit To Activate A Warning Lamp Or Relay When Fuel Level Drops Below A User Adjustable Level. Includes instruction sheet.	\$64.00	C
500274	1975	LOW FUEL INDICATOR MODULE Generic "Adjustable" Low Fuel Warning Module Note: A Complete Electronic Control Unit To Activate A Warning Lamp Or Relay When Fuel Level Drops Below A User Adjustable Level. Includes instruction sheet.	\$64.00	C
500274	1976	LOW FUEL INDICATOR MODULE Generic "Adjustable" Low Fuel Warning Module Note: A Complete Electronic Control Unit To Activate A Warning Lamp Or Relay When Fuel Level Drops Below A User Adjustable Level. Includes instruction sheet.	\$64.00	C
500274	1977	LOW FUEL INDICATOR MODULE Generic "Adjustable" Low Fuel Warning Module Note: A Complete Electronic Control Unit To Activate A Warning Lamp Or Relay When Fuel Level Drops Below A User Adjustable Level. Includes instruction sheet.	\$64.00	C
NEUTRAL SAFETY AND BACKUP LAMP SWITCH				
01993659	1964	NEUTRAL SAFETY AND BACKUP LAMP SWITCH With Column Shift Powerglide Auto Trans	\$12.00	
01993659	1965	NEUTRAL SAFETY AND BACKUP LAMP SWITCH With Column Shift Powerglide Auto Trans	\$12.00	
01993659	1966	NEUTRAL SAFETY AND BACKUP LAMP SWITCH With Column Shift Powerglide Auto Trans	\$12.00	
09779665	1968	NEUTRAL SAFETY AND BACKUP LAMP SWITCH With Console Shift Hurst Auto Trans	\$71.00	
01994235	1969	NEUTRAL SAFETY AND BACKUP LAMP SWITCH With Column Shift Auto Trans, All	\$19.00	
01994235	1970	NEUTRAL SAFETY AND BACKUP LAMP SWITCH With Column Shift Auto Trans, All	\$19.00	
01994235	1971	NEUTRAL SAFETY AND BACKUP LAMP SWITCH With Column Shift Auto Trans, All	\$19.00	
01994235	1972	NEUTRAL SAFETY AND BACKUP LAMP SWITCH With Column Shift Auto Trans, All	\$19.00	
01994235	1973	NEUTRAL SAFETY AND BACKUP LAMP SWITCH With Column Shift Auto Trans, All	\$19.00	
01994163	1974	NEUTRAL SAFETY AND BACKUP LAMP SWITCH With Auto Trans, All	\$19.00	
01994163	1975	NEUTRAL SAFETY AND BACKUP LAMP SWITCH With Auto Trans, All	\$19.00	
NEUTRAL SAFETY SWITCH				
03983965	1973	NEUTRAL SAFETY SWITCH Omega, With 3 Speed Manual Trans	\$58.00	N
03983965	1974	NEUTRAL SAFETY SWITCH Omega, With 3 Speed Manual Trans	\$58.00	N
03983965	1975	NEUTRAL SAFETY SWITCH Omega, With 3 Speed Manual Trans	\$58.00	N
03983965	1976	NEUTRAL SAFETY SWITCH Omega, With Manual Trans	\$58.00	N
03983965	1977	NEUTRAL SAFETY SWITCH Omega, With Manual Trans	\$58.00	N
03983965	1978	NEUTRAL SAFETY SWITCH Omega, With Manual Trans	\$58.00	N
03983965	1979	NEUTRAL SAFETY SWITCH Omega, With Manual Trans	\$58.00	N

Cutlass
4-4-2/F-85



Phone (562) 926-9552
Fax (562) 926-9572

Part Number	Year	Description	Price	*Rev.
NEUTRAL SAFETY SWITCH EXTENSION HARNESS				
13490	1969	NEUTRAL SAFETY SWITCH EXTENSION HARNESS Manual Trans, From Clutch Switch To Dash Harness	\$23.00	
13490	1970	NEUTRAL SAFETY SWITCH EXTENSION HARNESS Manual Trans, From Clutch Switch To Dash Harness	\$23.00	
13490	1971	NEUTRAL SAFETY SWITCH EXTENSION HARNESS Manual Trans, From Clutch Switch To Dash Harness	\$23.00	
13490	1972	NEUTRAL SAFETY SWITCH EXTENSION HARNESS Manual Trans, From Clutch Switch To Dash Harness	\$23.00	
OIL PRESSURE SENDER EXTENSION WIRE				
10400	1966	OIL PRESSURE SENDER EXTENSION WIRE V/8, With A/C	\$13.00	
10400	1967	OIL PRESSURE SENDER EXTENSION WIRE V/8, With A/C	\$13.00	
POWER ANTENNA HARNESS				
06195	1966	POWER ANTENNA HARNESS Rear Mounted, Except Wagons	\$52.00	
06195	1967	POWER ANTENNA HARNESS Rear Mounted, Except Wagons	\$52.00	
30700	1968	POWER ANTENNA HARNESS Rear Mounted, Except Wagons	\$43.00	
30700	1969	POWER ANTENNA HARNESS Rear Mounted, Except Wagons	\$43.00	
POWER DOOR LOCK RELAY AND ADAPTER HARNESS				
39440	1970	POWER DOOR LOCK RELAY AND ADAPTER HARNESS Includes New Standard Type Relay And Adapter To Mate To Factory Harness	\$40.00	
POWER DOOR LOCK SWITCH				
20031475	1977	POWER DOOR LOCK SWITCH	\$62.00	N
01725099	1971	POWER DOOR LOCK SWITCH 1 Button	\$62.00	
01725099	1972	POWER DOOR LOCK SWITCH 1 Button	\$62.00	
01725099	1973	POWER DOOR LOCK SWITCH 1 Button	\$62.00	
01725099	1974	POWER DOOR LOCK SWITCH 1 Button	\$62.00	
01725099	1975	POWER DOOR LOCK SWITCH 1 Button	\$62.00	
01725099	1976	POWER DOOR LOCK SWITCH 1 Button	\$62.00	
01725099	1976	POWER DOOR LOCK SWITCH Omega, 1 Button	\$62.00	M
01725099	1977	POWER DOOR LOCK SWITCH Omega, 1 Button	\$62.00	M
01725099	1979	POWER DOOR LOCK SWITCH Omega, 1 Button	\$62.00	M
POWER FEED EXTENSION				
07700	1965	POWER FEED EXTENSION Circuit Breaker To Power Seat Harness	\$26.00	
07700	1966	POWER FEED EXTENSION Circuit Breaker To Power Seat Harness	\$26.00	
07700	1967	POWER FEED EXTENSION Circuit Breaker To Power Seat Harness	\$26.00	
05195	1967	POWER FEED EXTENSION Battery Junction Block To Circuit Breaker	\$27.00	
12320	1968	POWER FEED EXTENSION Battery Junction Block To Circuit Breaker	\$22.00	
13275	1969	POWER FEED EXTENSION Battery Junction Block To Circuit Breaker	\$17.00	
13275	1970	POWER FEED EXTENSION Battery Junction Block To Circuit Breaker	\$17.00	
13275	1971	POWER FEED EXTENSION Battery Junction Block To Circuit Breaker	\$17.00	
POWER SEAT BACK RELAY AND ADAPTER HARNESS				
39440	1970	POWER SEAT BACK RELAY AND ADAPTER HARNESS Includes New Standard Type Relay And Adapter To Mate To Factory Harness	\$40.00	
POWER SEAT HARNESS				
07600	1965	POWER SEAT HARNESS 4 Way Bucket, Drivers Side	\$159.00	
07595	1965	POWER SEAT HARNESS 4-Way Bench Note: Requires Customers Original Harness.	\$166.00	
07595	1966	POWER SEAT HARNESS 4-Way Bench Note: Requires Customers Original Harness.	\$166.00	

Cutlass
4-4-2/F-85



Phone (562) 926-9552
Fax (562) 926-9572

Part Number	Year	Description	Price	*Rev.
07595	1967	POWER SEAT HARNESS 4-Way Bench Note: Requires Customers Original Harness.	\$166.00	
POWER SEAT MOTOR RELAY AND ADAPTER HARNESS				
40146	1964	POWER SEAT MOTOR RELAY AND ADAPTER HARNESS Includes New Standard Type Relay And Adapter To Mate To Factory Harness	\$74.00	
40146	1965	POWER SEAT MOTOR RELAY AND ADAPTER HARNESS Includes New Standard Type Relay And Adapter To Mate To Factory Harness	\$74.00	
40146	1966	POWER SEAT MOTOR RELAY AND ADAPTER HARNESS Includes New Standard Type Relay And Adapter To Mate To Factory Harness	\$74.00	
40146	1967	POWER SEAT MOTOR RELAY AND ADAPTER HARNESS Includes New Standard Type Relay And Adapter To Mate To Factory Harness	\$74.00	
40146	1968	POWER SEAT MOTOR RELAY AND ADAPTER HARNESS Includes New Standard Type Relay And Adapter To Mate To Factory Harness	\$74.00	
40146	1969	POWER SEAT MOTOR RELAY AND ADAPTER HARNESS Includes New Standard Type Relay And Adapter To Mate To Factory Harness	\$74.00	
40146	1970	POWER SEAT MOTOR RELAY AND ADAPTER HARNESS Includes New Standard Type Relay And Adapter To Mate To Factory Harness	\$74.00	
40146	1971	POWER SEAT MOTOR RELAY AND ADAPTER HARNESS Includes New Standard Type Relay And Adapter To Mate To Factory Harness	\$74.00	
40146	1972	POWER SEAT MOTOR RELAY AND ADAPTER HARNESS Includes New Standard Type Relay And Adapter To Mate To Factory Harness	\$74.00	
40146	1973	POWER SEAT MOTOR RELAY AND ADAPTER HARNESS Includes New Standard Type Relay And Adapter To Mate To Factory Harness	\$74.00	
40146	1974	POWER SEAT MOTOR RELAY AND ADAPTER HARNESS Includes New Standard Type Relay And Adapter To Mate To Factory Harness	\$74.00	
40146	1975	POWER SEAT MOTOR RELAY AND ADAPTER HARNESS Includes New Standard Type Relay And Adapter To Mate To Factory Harness	\$74.00	
POWER TAILGATE RELAY AND ADAPTER HARNESS				
39440	1968	POWER TAILGATE RELAY AND ADAPTER HARNESS Includes New Standard Type Relay And Adapter To Mate To Factory Harness	\$40.00	
39440	1969	POWER TAILGATE RELAY AND ADAPTER HARNESS Includes New Standard Type Relay And Adapter To Mate To Factory Harness	\$40.00	
39440	1970	POWER TAILGATE RELAY AND ADAPTER HARNESS Includes New Standard Type Relay And Adapter To Mate To Factory Harness	\$40.00	
39440	1971	POWER TAILGATE RELAY AND ADAPTER HARNESS Includes New Standard Type Relay And Adapter To Mate To Factory Harness	\$40.00	
39440	1972	POWER TAILGATE RELAY AND ADAPTER HARNESS Includes New Standard Type Relay And Adapter To Mate To Factory Harness	\$40.00	
POWER TOP HARNESS				
18395	1964	POWER TOP HARNESS Convertible, From Switch To Body Harness Connector	\$83.00	
05805	1965	POWER TOP HARNESS Convertible, From Switch To Body Harness Connector	\$83.00	
09425	1966	POWER TOP HARNESS Convertible, From Switch To Body Harness Connector	\$82.00	
09425	1967	POWER TOP HARNESS Convertible, From Switch To Body Harness Connector	\$82.00	
15605	1970	POWER TOP HARNESS Convertible, From Switch To Body Harness Connector	\$82.00	
15605	1971	POWER TOP HARNESS Convertible, From Switch To Body Harness Connector	\$82.00	
16735	1972	POWER TOP HARNESS Convertible, From Switch To Body Harness Connector	\$82.00	
POWER WINDOW HARNESS				
06680	1963	POWER WINDOW HARNESS Left Rear Quarter Window, Cutlass Convertible	\$105.00	
06675	1963	POWER WINDOW HARNESS Right Rear Quarter Window, Cutlass Convertible	\$105.00	
06670	1963	POWER WINDOW HARNESS Left Rear Quarter Window, Cutlass & Jetfire Coupe	\$105.00	
06665	1963	POWER WINDOW HARNESS Right Rear Quarter Window, Cutlass & Jetfire Coupe	\$105.00	
06960	1964	POWER WINDOW HARNESS Driver Side Door	\$212.00	

Cutlass
4-4-2/F-85



Phone (562) 926-9552
Fax (562) 926-9572

Part Number	Year	Description	Price	*Rev.
06955	1964	POWER WINDOW HARNESS Passenger Side Door	\$147.00	
07000	1964	POWER WINDOW INTERMEDIATE HARNESS Under Dash, Crossover	\$132.00	
06995	1964	POWER WINDOW HARNESS Quarter Window, Convertible, 2 Required Per Car Note: Customer Must Reuse Their Original Plastic 3 Terminal Connector That Attaches This Harness To Ribbon Cable.	\$87.00	
06990	1964	POWER WINDOW HARNESS Quarter Window, Sport Coupe, 2 Required Per Car Note: Customer Must Reuse Their Original Plastic 3 Terminal Connector That Attaches This Harness To Ribbon Cable.	\$87.00	
07005	1964	POWER WINDOW MOTOR EXTENSION Convertible, Quarter Window Harness To Motor, 2 Req. Per Car	\$32.00	
07170	1964	POWER WINDOW MOTOR EXTENSION Coupe, Quarter Window Harness To Motor, 2 Req. Per Car	\$25.00	
07610	1965	POWER WINDOW HARNESS Driver Side Door	\$219.00	
07605	1965	POWER WINDOW HARNESS Passenger Side Door	\$147.00	
07715	1965	POWER WINDOW INTERMEDIATE HARNESS Under Dash, Crossover	\$137.00	
07695	1965	POWER WINDOW HARNESS Quarter Window, Cutlass Convertible, 2 Required Per Car Note: Customer Must Reuse Their Original Plastic 3 Terminal Connector That Attaches This Harness To Ribbon Cable.	\$87.00	
07640	1965	POWER WINDOW HARNESS Quarter Window, Cutlass Coupes, 2 Required Per Car Note: Customer Must Reuse Their Original Plastic 3 Terminal Connector That Attaches This Harness To Ribbon Cable.	\$87.00	
07660	1965	POWER WINDOW MOTOR EXTENSION Convertible, Quarter Window Harness To Motor, 2 Req. Per Car	\$25.00	
07655	1965	POWER WINDOW MOTOR EXTENSION Coupe, Quarter Window Harness To Motor, 2 Req. Per Car	\$25.00	
08260	1966	POWER WINDOW HARNESS Driver Side Door	\$212.00	
27310	1966	POWER WINDOW HARNESS Passenger Side Door	\$147.00	
07715	1966	POWER WINDOW INTERMEDIATE HARNESS Under Dash, Crossover	\$137.00	
07695	1966	POWER WINDOW HARNESS Quarter Window, Cutlass Convertible, 2 Required Per Car Note: Customer Must Reuse Their Original Plastic 3 Terminal Connector That Attaches This Harness To Ribbon Cable.	\$87.00	
07640	1966	POWER WINDOW HARNESS Quarter Window, Cutlass Coupes, 2 Required Per Car Note: Customer Must Reuse Their Original Plastic 3 Terminal Connector That Attaches This Harness To Ribbon Cable.	\$87.00	
07660	1966	POWER WINDOW MOTOR EXTENSION Convertible, Quarter Window Harness To Motor, 2 Req. Per Car	\$25.00	
07655	1966	POWER WINDOW MOTOR EXTENSION Coupe, Quarter Window Harness To Motor, 2 Req. Per Car	\$25.00	
08260	1967	POWER WINDOW HARNESS Driver Side Door	\$212.00	
27310	1967	POWER WINDOW HARNESS Passenger Side Door	\$147.00	
07715	1967	POWER WINDOW INTERMEDIATE HARNESS Under Dash, Crossover	\$137.00	
07695	1967	POWER WINDOW HARNESS Quarter Window, Cutlass Convertible, 2 Required Per Car Note: Customer Must Reuse Their Original Plastic 3 Terminal Connector That Attaches This Harness To Ribbon Cable.	\$87.00	
07640	1967	POWER WINDOW HARNESS Quarter Window, Cutlass Coupes, 2 Required Per Car Note: Customer Must Reuse Their Original Plastic 3 Terminal Connector That Attaches This Harness To Ribbon Cable.	\$87.00	
07660	1967	POWER WINDOW MOTOR EXTENSION Convertible, Quarter Window Harness To Motor, 2 Req. Per Car	\$25.00	
07655	1967	POWER WINDOW MOTOR EXTENSION Coupe, Quarter Window Harness To Motor, 2 Req. Per Car	\$25.00	
31135	1968	POWER WINDOW HARNESS Driver Side Door	\$219.00	
14165	1968	POWER WINDOW HARNESS Passenger Side Door	\$147.00	
14170	1968	POWER WINDOW HARNESS Quarter Windows & Intermediate Body	\$186.00	
39470	1969	POWER WINDOW HARNESS Driver Side Door And Under Dash Crossover	\$264.00	
37817	1969	POWER WINDOW HARNESS Passenger Side Door	\$147.00	
14405	1969	POWER WINDOW HARNESS Quarter Windows & Intermediate Body	\$186.00	
31140	1970	POWER WINDOW HARNESS Driver Side Door And Under Dash Crossover	\$264.00	
14470	1970	POWER WINDOW HARNESS Passenger Side Door	\$147.00	
14505	1970	POWER WINDOW HARNESS Quarter Windows & Intermediate Body	\$186.00	
31140	1971	POWER WINDOW HARNESS Driver Side Door And Under Dash Crossover	\$264.00	
14470	1971	POWER WINDOW HARNESS Passenger Side Door	\$147.00	
14505	1971	POWER WINDOW HARNESS Quarter Windows & Intermediate Body	\$186.00	
39471	1972	POWER WINDOW HARNESS Driver Side Door And Under Dash Crossover	\$264.00	

Cutlass
4-4-2/F-85



Phone (562) 926-9552
Fax (562) 926-9572

Part Number	Year	Description	Price	*Rev.
14470	1972	POWER WINDOW HARNESS Passenger Side Door	\$147.00	
14505	1972	POWER WINDOW HARNESS Quarter Windows & Intermediate Body	\$186.00	
POWER WINDOW MOTOR ADAPTER HARNESS				
36954	1964	POWER WINDOW MOTOR ADAPTER HARNESS Adapts "T" Shaped Motor Connector To Side By Side Blade Type Motor Connector	\$22.00	C
36954	1965	POWER WINDOW MOTOR ADAPTER HARNESS Adapts "T" Shaped Motor Connector To Side By Side Blade Type Motor Connector	\$22.00	C
36954	1966	POWER WINDOW MOTOR ADAPTER HARNESS Adapts "T" Shaped Motor Connector To Side By Side Blade Type Motor Connector	\$22.00	C
36954	1967	POWER WINDOW MOTOR ADAPTER HARNESS Adapts "T" Shaped Motor Connector To Side By Side Blade Type Motor Connector	\$22.00	C
36954	1968	POWER WINDOW MOTOR ADAPTER HARNESS Adapts "T" Shaped Motor Connector To Side By Side Blade Type Motor Connector	\$22.00	C
36954	1969	POWER WINDOW MOTOR ADAPTER HARNESS Adapts "T" Shaped Motor Connector To Side By Side Blade Type Motor Connector	\$22.00	C
36954	1970	POWER WINDOW MOTOR ADAPTER HARNESS Adapts "T" Shaped Motor Connector To Side By Side Blade Type Motor Connector	\$22.00	C
36954	1971	POWER WINDOW MOTOR ADAPTER HARNESS Adapts "T" Shaped Motor Connector To Side By Side Blade Type Motor Connector	\$22.00	C
36954	1972	POWER WINDOW MOTOR ADAPTER HARNESS Adapts "T" Shaped Motor Connector To Side By Side Blade Type Motor Connector	\$22.00	C
36954	1973	POWER WINDOW MOTOR ADAPTER HARNESS Adapts "T" Shaped Motor Connector To Side By Side Blade Type Motor Connector	\$22.00	C
36954	1974	POWER WINDOW MOTOR ADAPTER HARNESS Adapts "T" Shaped Motor Connector To Side By Side Blade Type Motor Connector	\$22.00	C
36954	1975	POWER WINDOW MOTOR ADAPTER HARNESS Adapts "T" Shaped Motor Connector To Side By Side Blade Type Motor Connector	\$22.00	C
POWER WINDOW RELAY AND ADAPTER HARNESS				
39440	1967	POWER WINDOW RELAY AND ADAPTER HARNESS Includes New Standard Type Relay And Adapter To Mate To Factory Harness	\$40.00	
39440	1968	POWER WINDOW RELAY AND ADAPTER HARNESS Includes New Standard Type Relay And Adapter To Mate To Factory Harness	\$40.00	
39440	1969	POWER WINDOW RELAY AND ADAPTER HARNESS Includes New Standard Type Relay And Adapter To Mate To Factory Harness	\$40.00	
39440	1970	POWER WINDOW RELAY AND ADAPTER HARNESS Includes New Standard Type Relay And Adapter To Mate To Factory Harness	\$40.00	
39440	1971	POWER WINDOW RELAY AND ADAPTER HARNESS Includes New Standard Type Relay And Adapter To Mate To Factory Harness	\$40.00	
39440	1972	POWER WINDOW RELAY AND ADAPTER HARNESS Includes New Standard Type Relay And Adapter To Mate To Factory Harness	\$40.00	
POWER WINDOW SWITCH				
20061549	1982	POWER WINDOW SWITCH 2-Button, Without Custom Door Panels (Option Codes Yt1 Or Yt3)	\$14.00	N
20061549	1983	POWER WINDOW SWITCH 2-Button, Without Custom Door Panels (Option Codes Yt1 Or Yt3)	\$14.00	N
20061549	1984	POWER WINDOW SWITCH 2-Button, Without Custom Door Panels (Option Codes Yt1 Or Yt3)	\$14.00	N
20061549	1985	POWER WINDOW SWITCH 2-Button, Without Custom Door Panels (Option Codes Yt1 Or Yt3)	\$14.00	N
20061549	1986	POWER WINDOW SWITCH 2-Button, Without Custom Door Panels (Option Codes Yt1 Or Yt3)	\$14.00	N
04432790	1964	POWER WINDOW SWITCH 1 Button, Round Corner Style, Chrome	\$49.00	
04432791	1964	POWER WINDOW SWITCH 4 Button, Round Corner Style, Chrome	\$67.00	
04432790	1965	POWER WINDOW SWITCH 1 Button, Round Corner Style, Chrome	\$49.00	

Effective Date: 4/10/2024

*Revision Key: N=NEW ITEM
C=CHANGED DESCRIPTION/APPLICATION

P=PRICE CHANGE
M=MORE APPLICATIONS

Page: 24

Cutlass
4-4-2/F-85



Phone (562) 926-9552
Fax (562) 926-9572

Part Number	Year	Description	Price	*Rev.
04432791	1965	POWER WINDOW SWITCH 4 Button, Round Corner Style, Chrome	\$67.00	
04432790	1966	POWER WINDOW SWITCH 1 Button, Round Corner Style, Chrome	\$49.00	
04432791	1966	POWER WINDOW SWITCH 4 Button, Round Corner Style, Chrome	\$67.00	
04432790	1967	POWER WINDOW SWITCH 1 Button, Round Corner Style, Chrome	\$49.00	
04432791	1967	POWER WINDOW SWITCH 4 Button, Round Corner Style, Chrome	\$67.00	
04432790	1968	POWER WINDOW SWITCH 1 Button, Round Corner Style, Chrome	\$49.00	
04432791	1968	POWER WINDOW SWITCH 4 Button, Round Corner Style, Chrome	\$67.00	
04432790	1969	POWER WINDOW SWITCH 1 Button, Round Corner Style, Chrome	\$49.00	
04432791	1969	POWER WINDOW SWITCH 4 Button, Round Corner Style, Chrome	\$67.00	
04432790	1970	POWER WINDOW SWITCH 1 Button, Round Corner Style, Chrome	\$49.00	
04432791	1970	POWER WINDOW SWITCH 4 Button, Round Corner Style, Chrome	\$67.00	
01731231	1971	POWER WINDOW SWITCH All, With Switch On Door Panel, 4 Button, Square Corner Style, Chrome	\$75.00	M
01731231	1972	POWER WINDOW SWITCH All, With Switch On Door Panel, 4 Button, Square Corner Style, Chrome	\$75.00	M
01731231	1973	POWER WINDOW SWITCH 4 Button, Square Corner Style, Chrome	\$75.00	M
01725092	1973	POWER WINDOW SWITCH Cutlass, 2 Button, Square Corner Style, Chrome	\$53.00	M
01725092	1973	POWER WINDOW SWITCH Omega, 2 Button, Square Corner Style, Chrome	\$53.00	M
01731231	1974	POWER WINDOW SWITCH 4 Button, Square Corner Style, Chrome	\$75.00	M
01725092	1974	POWER WINDOW SWITCH Cutlass, 2 Button, Square Corner Style, Chrome	\$53.00	M
01725092	1974	POWER WINDOW SWITCH Omega, 2 Button, Square Corner Style, Chrome	\$53.00	M
01731231	1975	POWER WINDOW SWITCH 4 Button, Square Corner Style, Chrome	\$75.00	M
01731231	1975	POWER WINDOW SWITCH Omega, 4 Button, Square Corner Style, Chrome	\$75.00	M
01725092	1975	POWER WINDOW SWITCH Cutlass, 2 Button, Square Corner Style, Chrome	\$53.00	M
01725092	1975	POWER WINDOW SWITCH Omega, 2 Button, Square Corner Style, Chrome	\$53.00	M
01725094	1976	POWER WINDOW SWITCH 1 Button, Square Corner Style, Chrome	\$21.00	M
01731231	1976	POWER WINDOW SWITCH 4 Button, Square Corner Style, Chrome	\$75.00	M
01731231	1976	POWER WINDOW SWITCH Omega, 4 Button, Square Corner Style, Chrome	\$75.00	M
01725092	1976	POWER WINDOW SWITCH Cutlass, 2 Button, Square Corner Style, Chrome	\$53.00	M
01725092	1976	POWER WINDOW SWITCH Omega, 2 Button, Square Corner Style, Chrome	\$53.00	M
01725094	1977	POWER WINDOW SWITCH 1 Button, Square Corner Style, Chrome	\$21.00	M
01731231	1977	POWER WINDOW SWITCH 4 Button, Square Corner Style, Chrome	\$75.00	M
01731231	1977	POWER WINDOW SWITCH Omega, 4 Button, Square Corner Style, Chrome	\$75.00	M
01725092	1977	POWER WINDOW SWITCH Cutlass, 2 Button, Square Corner Style, Chrome	\$53.00	M
01725092	1977	POWER WINDOW SWITCH Omega, 2 Button, Square Corner Style, Chrome	\$53.00	M
01725094	1978	POWER WINDOW SWITCH 1 Button, Square Corner Style, Chrome	\$21.00	M
01731231	1978	POWER WINDOW SWITCH Omega, 4 Button, Square Corner Style, Chrome	\$75.00	M
01725092	1978	POWER WINDOW SWITCH Cutlass, 2 Button, Square Corner Style, Chrome	\$53.00	M
01725092	1978	POWER WINDOW SWITCH Omega, 2 Button, Square Corner Style, Chrome	\$53.00	M
01731231	1979	POWER WINDOW SWITCH Omega, 4 Button, Square Corner Style, Chrome	\$75.00	M
01725092	1979	POWER WINDOW SWITCH Omega, 2 Button, Square Corner Style, Chrome	\$53.00	M
REAR LAMP HARNESS				
04600	1964	REAR LAMP EXTENSION HARNESS From Rear Body Connector To Backup Lamps	\$33.00	
04600	1965	REAR LAMP EXTENSION HARNESS From Rear Body Connector To Backup Lamps	\$33.00	
04600	1966	REAR LAMP EXTENSION HARNESS From Rear Body Connector To Backup Lamps	\$33.00	
07195	1964	REAR LAMP HARNESS Convertible	\$237.00	
07190	1964	REAR LAMP HARNESS Coupe	\$198.00	

Cutlass
4-4-2/F-85



Phone (562) 926-9552
Fax (562) 926-9572

Part Number	Year	Description	Price	*Rev.
07740	1965	REAR LAMP HARNESS Convertible	\$237.00	
07735	1965	REAR LAMP HARNESS Coupe	\$198.00	
07435	1966	REAR LAMP HARNESS Convertible	\$237.00	
07015	1966	REAR LAMP HARNESS Coupe	\$198.00	
13905	1967	REAR LAMP HARNESS Cutlass Supreme & 442, Convertible	\$237.00	
13900	1967	REAR LAMP HARNESS Cutlass Supreme & 442, Coupe	\$198.00	
14030	1967	REAR LAMP HARNESS F-85 & Cutlass, Convertible (Except Supreme & 442)	\$237.00	
13895	1967	REAR LAMP HARNESS F-85 & Cutlass, Coupe (Except Supreme & 442)	\$198.00	
14160	1968	REAR LAMP HARNESS Convertible	\$264.00	
14155	1968	REAR LAMP HARNESS 2 Door Coupe	\$225.00	
14150	1968	REAR LAMP HARNESS 4 Door Coupe	\$225.00	
14360	1969	REAR LAMP INTERMEDIATE HARNESS Convertible	\$193.00	
14355	1969	REAR LAMP INTERMEDIATE HARNESS Coupe	\$147.00	
14365	1969	REAR LAMP HARNESS Rear Panel, All	\$133.00	
18315	1970	REAR LAMP INTERMEDIATE HARNESS Convertible	\$193.00	
14460	1970	REAR LAMP INTERMEDIATE HARNESS Coupe	\$147.00	
14455	1970	REAR LAMP HARNESS Rear Panel, All	\$133.00	
18315	1971	REAR LAMP INTERMEDIATE HARNESS Convertible	\$193.00	
14460	1971	REAR LAMP INTERMEDIATE HARNESS Coupe	\$147.00	
14455	1971	REAR LAMP HARNESS Rear Panel, All	\$133.00	
18315	1972	REAR LAMP INTERMEDIATE HARNESS Convertible, Without Seat Belt Warning	\$193.00	
17185	1972	REAR LAMP INTERMEDIATE HARNESS Convertible, With Seat Belt Warning	\$245.00	
14460	1972	REAR LAMP INTERMEDIATE HARNESS Coupe, Without Seat Belt Warning	\$147.00	
17180	1972	REAR LAMP INTERMEDIATE HARNESS Coupe, With Seat Belt Warning	\$219.00	
14455	1972	REAR LAMP HARNESS Rear Panel, All	\$133.00	
REAR WINDOW DEFROSTER HARNESS				
05245	1964	REAR WINDOW DEFROSTER HARNESS From Switch To Blower Motor Connector	\$94.00	
05245	1965	REAR WINDOW DEFROSTER HARNESS From Switch To Blower Motor Connector	\$94.00	
10690	1966	REAR WINDOW DEFROSTER HARNESS From Switch To Blower Motor Connector	\$87.00	
10690	1967	REAR WINDOW DEFROSTER HARNESS From Switch To Blower Motor Connector	\$87.00	
13295	1968	REAR WINDOW DEFROSTER HARNESS From Switch To Blower Motor Connector	\$74.00	
13295	1969	REAR WINDOW DEFROSTER HARNESS From Switch To Blower Motor Connector	\$74.00	
17175	1970	REAR WINDOW DEFROSTER HARNESS From Switch To Blower Motor Connector	\$87.00	
15950	1971	REAR WINDOW DEFROSTER HARNESS From Switch To Relay	\$118.00	
15955	1971	REAR WINDOW DEFROSTER HARNESS Relay Jumper, Used With Part# 15950 On A/C Equipped Cars	\$53.00	
16745	1972	REAR WINDOW DEFROSTER HARNESS From Switch To Relay	\$113.00	
16750	1972	REAR WINDOW DEFROSTER HARNESS Relay Jumper, Used With Part# 16745 On A/C Equipped Cars	\$53.00	
REPAIR PIGTAIL-FOR POWER WINDOW SWITCH				
36048	1964	REPAIR PIGTAIL, FOR POWER WINDOW SWITCH For Single Power Window Switches, Connector & Wire	\$25.00	
36048	1965	REPAIR PIGTAIL, FOR POWER WINDOW SWITCH For Single Power Window Switches, Connector & Wire	\$25.00	
36048	1966	REPAIR PIGTAIL, FOR POWER WINDOW SWITCH For Single Power Window Switches, Connector & Wire	\$25.00	
36048	1967	REPAIR PIGTAIL, FOR POWER WINDOW SWITCH For Single Power Window Switches, Connector & Wire	\$25.00	
36048	1968	REPAIR PIGTAIL, FOR POWER WINDOW SWITCH For Single Power Window Switches, Connector & Wire	\$25.00	
36048	1969	REPAIR PIGTAIL, FOR POWER WINDOW SWITCH For Single Power Window Switches, Connector & Wire	\$25.00	
36048	1970	REPAIR PIGTAIL, FOR POWER WINDOW SWITCH For Single Power Window Switches, Connector & Wire	\$25.00	

Cutlass
4-4-2/F-85



Phone (562) 926-9552
Fax (562) 926-9572

Part Number	Year	Description	Price	*Rev.
STEERING COLUMN ADAPTER HARNESS				
37542	1964	STEERING COLUMN ADAPTER HARNESS For 1969-1974 GM & Ididit Columns (Exc. Flaming River) To Stock Dash Harness Note: Adapts Horn, Directionals, Hazard Flashers To Stock 8 Pin T/L Dash Connector.	\$50.00	
37009	1964	STEERING COLUMN ADAPTER HARNESS For 1975 & Up GM & Flaming River Columns (Exc. Ididit) To Stock Dash Harness Note: Adapts Horn, Directionals, Hazard Flashers To Stock 8 Pin Dash Connector.	\$52.00	
37542	1965	STEERING COLUMN ADAPTER HARNESS For 1969-1974 GM & Ididit Columns (Exc. Flaming River) To Stock Dash Harness Note: Adapts Horn, Directionals, Hazard Flashers To Stock 8 Pin T/L Dash Connector.	\$50.00	
37009	1965	STEERING COLUMN ADAPTER HARNESS For 1975 & Up GM & Flaming River Columns (Exc. Ididit) To Stock Dash Harness Note: Adapts Horn, Directionals, Hazard Flashers To Stock 8 Pin Dash Connector.	\$52.00	
37542	1966	STEERING COLUMN ADAPTER HARNESS For 1969-1974 GM & Ididit Columns (Exc. Flaming River) To Stock Dash Harness Note: Adapts Horn, Directionals, Hazard Flashers To Stock 8 Pin T/L Dash Connector.	\$50.00	
37009	1966	STEERING COLUMN ADAPTER HARNESS For 1975 & Up GM & Flaming River Columns (Exc. Ididit) To Stock Dash Harness Note: Adapts Horn, Directionals, Hazard Flashers To Stock 8 Pin Dash Connector.	\$52.00	
36882	1967	STEERING COLUMN ADAPTER HARNESS For 1969-1974 GM & Ididit Columns (Exc. Flaming River) To Stock Dash Harness Note: Adapts Horn, Directionals, Hazard Flashers To Stock 9-Pin T/L Dash Connector.	\$27.00	
38127	1967	STEERING COLUMN ADAPTER HARNESS For 1975 & Up GM & Flaming River Columns (Exc. Ididit) To Stock Dash Harness Note: Adapts Horn, Directionals, Hazard Flashers To Stock 9-Pin T/L Dash Connector.	\$27.00	
36882	1968	STEERING COLUMN ADAPTER HARNESS For 1969-1974 GM & Ididit Columns (Exc. Flaming River) To Stock Dash Harness Note: Adapts Horn, Directionals, Hazard Flashers To Stock 9-Pin T/L Dash Connector.	\$27.00	
38127	1968	STEERING COLUMN ADAPTER HARNESS For 1975 & Up GM & Flaming River Columns (Exc. Ididit) To Stock Dash Harness Note: Adapts Horn, Directionals, Hazard Flashers To Stock 9-Pin T/L Dash Connector.	\$27.00	
STOP LAMP SWITCH				
01261219	1964	STOP LAMP SWITCH Without Cruise	\$5.80	N
01261219	1965	STOP LAMP SWITCH Without Cruise	\$5.80	N
01261219	1966	STOP LAMP SWITCH Without Cruise	\$5.80	N
01261219	1967	STOP LAMP SWITCH Without Cruise	\$5.80	N
01261219	1968	STOP LAMP SWITCH Without Cruise	\$5.80	N
01261219	1969	STOP LAMP SWITCH Without Cruise	\$5.80	N
01261219	1970	STOP LAMP SWITCH Without Cruise	\$5.80	N
01261219	1971	STOP LAMP SWITCH Without Cruise	\$5.80	N
01261219	1972	STOP LAMP SWITCH Without Cruise	\$5.80	N
01261219	1973	STOP LAMP SWITCH Without Cruise	\$5.80	N
01261219	1974	STOP LAMP SWITCH Without Cruise	\$5.80	N
01261219	1975	STOP LAMP SWITCH Without Cruise	\$5.80	N
01261219	1976	STOP LAMP SWITCH Without Power Brakes Or Cruise	\$5.80	N
01261219	1977	STOP LAMP SWITCH Without Power Brakes Or Cruise	\$5.80	N
01261219	1978	STOP LAMP SWITCH Without Power Brakes Or Cruise	\$5.80	N
01261219	1979	STOP LAMP SWITCH Without Power Brakes Or Cruise	\$5.80	N
TACHOMETER HARNESS				
10150	1966	TACHOMETER HARNESS 6 Cylinder Note: 6 Cylinder Items Are Not Returnable.	\$52.00	

Part Number	Year	Description	Price	*Rev.
10145	1966	TACHOMETER HARNESS V/8	\$52.00	
13265	1969	TACHOMETER HARNESS V/8	\$30.00	
15810	1970	TACHOMETER HARNESS V/8	\$52.00	
15810	1971	TACHOMETER HARNESS V/8	\$52.00	
15810	1972	TACHOMETER HARNESS V/8	\$52.00	
TRANSMISSION KICKDOWN CONTROL WIRE				
05755	1965	TRANSMISSION KICKDOWN CONTROL WIRE V/8, From Carburetor Throttle Switch To Transmission	\$25.00	
05755	1966	TRANSMISSION KICKDOWN CONTROL WIRE V/8, From Carburetor Throttle Switch To Transmission	\$25.00	
05755	1967	TRANSMISSION KICKDOWN CONTROL WIRE V/8, From Carburetor Throttle Switch To Transmission	\$25.00	
TRUNK RELEASE JUMPER WIRE				
15615	1970	TRUNK RELEASE JUMPER WIRE From Glove Box Lamp Lead To Trunk Release Switch	\$17.00	
15615	1971	TRUNK RELEASE JUMPER WIRE From Glove Box Lamp Lead To Trunk Release Switch	\$17.00	
15615	1972	TRUNK RELEASE JUMPER WIRE From Glove Box Lamp Lead To Trunk Release Switch	\$17.00	
TURN SIGNAL LEVER WIPER SWITCH				
22510733	1982	TURN SIGNAL LEVER WIPER SWITCH Black, With Pulse Wipers, Without Cruise Control	\$20.00	N
22510732	1982	TURN SIGNAL LEVER WIPER SWITCH Black, Without Pulse Wipers, Without Cruise Control	\$20.00	N
22510144	1982	TURN SIGNAL LEVER WIPER SWITCH Chrome, With Pulse Wipers, Without Cruise Control	\$20.00	N
22510733	1983	TURN SIGNAL LEVER WIPER SWITCH Black, With Pulse Wipers, Without Cruise Control	\$20.00	N
22510732	1983	TURN SIGNAL LEVER WIPER SWITCH Black, Without Pulse Wipers, Without Cruise Control	\$20.00	N
22510144	1983	TURN SIGNAL LEVER WIPER SWITCH Chrome, With Pulse Wipers, Without Cruise Control	\$20.00	N
22510733	1984	TURN SIGNAL LEVER WIPER SWITCH Black, With Pulse Wipers, Without Cruise Control	\$20.00	N
22510732	1984	TURN SIGNAL LEVER WIPER SWITCH Black, Without Pulse Wipers, Without Cruise Control	\$20.00	N
22510144	1984	TURN SIGNAL LEVER WIPER SWITCH Chrome, With Pulse Wipers, Without Cruise Control	\$20.00	N
22510733	1985	TURN SIGNAL LEVER WIPER SWITCH Black, With Pulse Wipers, Without Cruise Control	\$20.00	N
22510732	1985	TURN SIGNAL LEVER WIPER SWITCH Black, Without Pulse Wipers, Without Cruise Control	\$20.00	N
22510144	1985	TURN SIGNAL LEVER WIPER SWITCH Chrome, With Pulse Wipers, Without Cruise Control	\$20.00	N
22510733	1986	TURN SIGNAL LEVER WIPER SWITCH Black, With Pulse Wipers, Without Cruise Control	\$20.00	N
22510732	1986	TURN SIGNAL LEVER WIPER SWITCH Black, Without Pulse Wipers, Without Cruise Control	\$20.00	N
22510144	1986	TURN SIGNAL LEVER WIPER SWITCH Chrome, With Pulse Wipers, Without Cruise Control	\$20.00	N
22510733	1987	TURN SIGNAL LEVER WIPER SWITCH Black, With Pulse Wipers, Without Cruise Control	\$20.00	N
22510732	1987	TURN SIGNAL LEVER WIPER SWITCH Black, Without Pulse Wipers, Without Cruise Control	\$20.00	N
22510144	1987	TURN SIGNAL LEVER WIPER SWITCH Chrome, With Pulse Wipers, Without Cruise Control	\$20.00	N
22510733	1988	TURN SIGNAL LEVER WIPER SWITCH Black, With Pulse Wipers, Without Cruise Control	\$20.00	N
22510732	1988	TURN SIGNAL LEVER WIPER SWITCH Black, Without Pulse Wipers, Without Cruise Control	\$20.00	N
22510144	1988	TURN SIGNAL LEVER WIPER SWITCH Chrome, With Pulse Wipers, Without Cruise Control	\$20.00	N
TURN SIGNAL SWITCH				
01993624	1964	TURN SIGNAL SWITCH With Tilt, Replaces Delco Part# D6220	\$71.00	
00387115	1965	TURN SIGNAL SWITCH Boyne Without Tilt & Cornering Lamps Stamped "Bpc", Replaces Delco Part# D6200 Note: This Switch Has A Metal Base.	\$96.00	
01993624	1965	TURN SIGNAL SWITCH With Tilt, Replaces Delco Part# D6220	\$71.00	
00387115	1966	TURN SIGNAL SWITCH Boyne Without Tilt Stamped "Bpc", Replaces Delco Part# D6200 Note: This Switch Has A Metal Base.	\$96.00	
01993624	1966	TURN SIGNAL SWITCH With Tilt, Replaces Delco Part# D6220	\$71.00	
01893592	1967	TURN SIGNAL SWITCH Without Cornering Lights, Without Tilt (Delco-White), Replaces Delco Part# D6211 Note: This Is A Service Part, Adapter Pigtail Included And Is Required For Some Applications.	\$58.00	

Part Number	Year	Description	Price	*Rev.
07800482	1967	TURN SIGNAL SWITCH Without Column Shift A/T, (Delco Type, White) Note: Emergency Flasher Actuator Hole In Outer Cover Is Shaped Like A Doghouse.	\$50.00	
05698897	1967	TURN SIGNAL SWITCH With Column Shift A/T, Without Tilt, Without Cornering Lights, (Delco Type, Black, White Or Green) Note: Emergency Flasher Actuator Hole In Outer Cover Is Shaped Like A Doghouse.	\$50.00	
05698897	1967	TURN SIGNAL SWITCH With Column Shift A/T, With Tilt, Without Cornering Lights, (Delco Type, Black, White Or Green) Note: Emergency Flasher Actuator Hole In Outer Cover Is Shaped Like A Doghouse.	\$50.00	
01893592	1968	TURN SIGNAL SWITCH Without Cornering Lights, Without Tilt (Delco-White), Replaces Delco Part# D6211 Note: This Is A Service Part, Adapter Pigtail Included And Is Required For Some Applications.	\$58.00	
07800482	1967	TURN SIGNAL SWITCH Without Column Shift A/T, (Delco Type, White) Note: Emergency Flasher Actuator Hole In Outer Cover Is Shaped Like A Doghouse.	\$50.00	
05698897	1968	TURN SIGNAL SWITCH Without Tilt, Without Cornering Lights, Column Shift A/T, (Delco Type, Black, White Or Green) Note: Emergency Flasher Actuator Hole In Outer Cover Is Shaped Like A Doghouse.	\$50.00	
05698897	1968	TURN SIGNAL SWITCH With Tilt, Without Cornering Lights, Column Shift A/T, (Delco Type, Black, White Or Green) Note: Emergency Flasher Actuator Hole In Outer Cover Is Shaped Like A Doghouse.	\$50.00	
01997963	1969	TURN SIGNAL SWITCH, CORRECT PART Without Cornering Lights, Without Tilt Note: Correct Part, No Adapter Pigtail Required.	\$41.00	
01893588	1969	TURN SIGNAL SWITCH, SERVICE PART Without Cornering Lights, Without Tilt, Replaces Delco Part# D6208 Note: This Is A Service Part, Adapter Pigtail Included Is Required For Installation.	\$58.00	
01997963	1970	TURN SIGNAL SWITCH, CORRECT PART Without Cornering Lights, Without Tilt Note: Correct Part, No Adapter Pigtail Required.	\$41.00	
01893588	1970	TURN SIGNAL SWITCH, SERVICE PART Without Cornering Lights, Without Tilt, Replaces Delco Part# D6208 Note: This Is A Service Part, Adapter Pigtail Included Is Required For Installation.	\$58.00	
01997963	1971	TURN SIGNAL SWITCH, CORRECT PART Without Cornering Lights, Without Tilt Note: Correct Part, No Adapter Pigtail Required.	\$41.00	
01893588	1971	TURN SIGNAL SWITCH, SERVICE PART Without Cornering Lights, Without Tilt, Replaces Delco Part# D6208 Note: This Is A Service Part, Adapter Pigtail Included Is Required For Installation.	\$58.00	
01997963	1972	TURN SIGNAL SWITCH, CORRECT PART Without Cornering Lights, Without Tilt Note: Correct Part, No Adapter Pigtail Required.	\$41.00	
01893588	1972	TURN SIGNAL SWITCH, SERVICE PART Without Cornering Lights, Without Tilt, Replaces Delco Part# D6208 Note: This Is A Service Part, Adapter Pigtail Included Is Required For Installation.	\$58.00	
01997963	1973	TURN SIGNAL SWITCH, CORRECT PART Without Cornering Lights, Without Tilt Note: Correct Part, No Adapter Pigtail Required.	\$41.00	
01893588	1973	TURN SIGNAL SWITCH, SERVICE PART Without Cornering Lights, Without Tilt, Replaces Delco Part# D6208 Note: This Is A Service Part, Adapter Pigtail Included Is Required For Installation.	\$58.00	
01997963	1974	TURN SIGNAL SWITCH, CORRECT PART Without Cornering Lights, Without Tilt Note: Correct Part, No Adapter Pigtail Required.	\$41.00	
01893588	1974	TURN SIGNAL SWITCH, SERVICE PART Without Cornering Lights, Without Tilt, Replaces Delco Part# D6208 Note: This Is A Service Part, Adapter Pigtail Included Is Required For Installation.	\$58.00	
01997963	1975	TURN SIGNAL SWITCH, CORRECT PART Without Cornering Lights, Without Tilt Note: Correct Part, No Adapter Pigtail Required.	\$41.00	

Part Number	Year	Description	Price	*Rev.
01893588	1975	TURN SIGNAL SWITCH, SERVICE PART Without Cornering Lights, Without Tilt, Replaces Delco Part# D6208	\$58.00	
Note: This Is A Service Part, Adapter Pigtail Included Is Required For Installation.				
WINDSHIELD WASHER PUMP				
04919332	1963	WINDSHIELD WASHER PUMP F-85, Except J/Fire	\$60.00	N
04919332	1964	WINDSHIELD WASHER PUMP F-85, With Single Speed Wiper Motor	\$60.00	N
04919332	1965	WINDSHIELD WASHER PUMP F-85, With Single Speed Wiper Motor	\$60.00	N
04919332	1966	WINDSHIELD WASHER PUMP F-85, With Rectangular Type Wiper Motor	\$60.00	N
04919332	1967	WINDSHIELD WASHER PUMP F-85, With Rectangular Type Wiper Motor	\$60.00	N
04919332	1968	WINDSHIELD WASHER PUMP F-85, With Rectangular Type Wiper Motor	\$60.00	N
04919332	1969	WINDSHIELD WASHER PUMP F-85, Without Recessed Park Wipers	\$60.00	N
04919332	1970	WINDSHIELD WASHER PUMP F-85, Without Recessed Park Wipers	\$60.00	N
04919332	1971	WINDSHIELD WASHER PUMP F-85, Without Recessed Park Wipers	\$60.00	N
04919332	1972	WINDSHIELD WASHER PUMP F-85, Without Recessed Park Wipers	\$60.00	N
04919332	1973	WINDSHIELD WASHER PUMP Omega, All	\$60.00	N
04919332	1974	WINDSHIELD WASHER PUMP Omega, All	\$60.00	N
WINDSHIELD WIPER MOTOR				
04911476	1966	WINDSHIELD WIPER MOTOR F-85, 2-Speed, 3-Terminal Type Motor	\$92.00	N
44609	1966	WINDSHIELD WIPER MOTOR F-85, 2-Speed, 4-Terminal Type Motor Note: This Can Be Used In Place Of The 3-Terminal Motor. The 4th Terminal Is A Keyed Hot From Wiper Fuse In Fuse Box And May Or May Not Be Used In Some Applications.	\$106.00	N
04911476	1967	WINDSHIELD WIPER MOTOR F-85, 2-Speed, 3-Terminal Type Motor	\$92.00	N
44609	1967	WINDSHIELD WIPER MOTOR F-85, 2-Speed, 4-Terminal Type Motor Note: This Can Be Used In Place Of The 3-Terminal Motor. The 4th Terminal Is A Keyed Hot From Wiper Fuse In Fuse Box And May Or May Not Be Used In Some Applications.	\$106.00	N
WINDSHIELD WIPER SWITCH				
01993541	1961	WINDSHIELD WIPER SWITCH Single Speed, With Washer	\$45.00	
01993568	1962	WINDSHIELD WIPER SWITCH Single Speed, With Washer Note: Once our current stock runs out, this item will be discontinued.	\$52.00	
01993568	1963	WINDSHIELD WIPER SWITCH Single Speed, With Washer Note: Once our current stock runs out, this item will be discontinued.	\$52.00	
01993633	1964	WINDSHIELD WIPER SWITCH Single Speed, With Washer Note: Once our current stock runs out, this item will be discontinued.	\$46.00	
01993633	1965	WINDSHIELD WIPER SWITCH Single Speed, With Washer Note: Once our current stock runs out, this item will be discontinued.	\$46.00	
01993372	1967	WINDSHIELD WIPER SWITCH	\$45.00	
WIPER MOTOR HARNESS				
15885	1971	WIPER MOTOR HARNESS Wiper Washer Demand Jumper	\$41.00	

Section 14

Impala

Bel Air

58-63 El Camino

Part Number	Year	Description	Price	*Rev.
AIR CONDITIONING CONTROL ASSEMBLY				
01222890	1965	AIR CONDITIONING CONTROL ASSEMBLY With A/C, Complete With Fan Switch	\$185.00	N
01222890	1966	AIR CONDITIONING CONTROL ASSEMBLY With A/C, Complete With Fan Switch	\$185.00	N
AIR CONDITIONING HARNESS				
22340	1958	AIR CONDITIONING HARNESS	\$153.00	
18370	1959	AIR CONDITIONING HARNESS	\$153.00	
36085	1959	AIR CONDITIONING HARNESS For "Cool Pack" Under Dash Unit	\$149.00	
18370	1960	AIR CONDITIONING HARNESS	\$153.00	
36085	1960	AIR CONDITIONING HARNESS For "Cool Pack" Under Dash Unit	\$149.00	
20720	1961	AIR CONDITIONING HARNESS	\$160.00	
19215	1962	AIR CONDITIONING HARNESS	\$153.00	
29035	1963	AIR CONDITIONING HARNESS Early, Before 3/22/63 Production Date	\$153.00	
19220	1963	AIR CONDITIONING HARNESS Late, After 3/22/63 Production Date	\$149.00	
04945	1964	AIR CONDITIONING HARNESS With Under Dash A/C	\$153.00	
04895	1964	AIR CONDITIONING HARNESS With C.A.C. A/C	\$149.00	
06255	1965	AIR CONDITIONING HARNESS With Under Dash A/C Note: A/C Wiring Is Not An Integral Part Of Dash And Engine Harness.	\$153.00	
10620	1965	AIR CONDITIONING HARNESS Caprice, With Auto Temp Control A/C Note: A/C Wiring Is Not An Integral Part Of Dash And Engine Harness.	\$211.00	
06255	1966	AIR CONDITIONING HARNESS With Under Dash A/C Note: A/C Wiring Is Not An Integral Part Of Dash And Engine Harness.	\$153.00	
10620	1966	AIR CONDITIONING HARNESS Caprice, With Auto Temp Control A/C Note: A/C Wiring Is Not An Integral Part Of Dash And Engine Harness.	\$211.00	
10965	1967	AIR CONDITIONING HARNESS Caprice, With Auto Temp Control A/C	\$211.00	
10850	1967	AIR CONDITIONING HARNESS With C.A.C. A/C	\$211.00	
10965	1968	AIR CONDITIONING HARNESS Caprice, With Auto Temp Control A/C	\$211.00	
11890	1968	AIR CONDITIONING HARNESS With C.A.C. A/C	\$220.00	
13055	1969	AIR CONDITIONING HARNESS With Auto Temp Control A/C	\$211.00	
13040	1969	AIR CONDITIONING HARNESS With C.A.C. A/C	\$220.00	
14785	1970	AIR CONDITIONING HARNESS With Auto Temp Control A/C	\$211.00	
13040	1970	AIR CONDITIONING HARNESS With C.A.C. A/C	\$220.00	
AIR CONDITIONING POWER FEED WIRE				
19830	1961	AIR CONDITIONING POWER FEED WIRE Starter Solenoid To A/C Harness	\$25.00	
19830	1962	AIR CONDITIONING POWER FEED WIRE Starter Solenoid To A/C Harness	\$25.00	
33800	1963	AIR CONDITIONING POWER FEED WIRE C.A.C. A/C, Starter Solenoid To A/C Harness	\$22.00	
28225	1964	AIR CONDITIONING POWER FEED WIRE Starter Solenoid To A/C Fuse	\$22.00	
43554	1965	AIR CONDITIONING POWER FEED WIRE C.A.C. A/C, Horn Relay To Engine Harness	\$23.00	
33800	1966	AIR CONDITIONING POWER FEED WIRE Auto Temp Control A/C, Starter Solenoid To A/C Harness	\$22.00	
43554	1966	AIR CONDITIONING POWER FEED WIRE C.A.C. A/C, Horn Relay To Engine Harness	\$23.00	
10970	1967	AIR CONDITIONING POWER FEED WIRE C.A.C. A/C, Horn Relay To A/C Fuse	\$22.00	
10970	1968	AIR CONDITIONING POWER FEED WIRE C.A.C. A/C, Horn Relay To A/C Fuse	\$22.00	
35120	1969	AIR CONDITIONING POWER FEED WIRE Horn Relay To A/C Harness	\$25.00	
35120	1970	AIR CONDITIONING POWER FEED WIRE Horn Relay To A/C Harness	\$25.00	
ALTERNATOR CONVERSION KIT				
27555	1963	ALTERNATOR CONVERSION KIT External To Internal Regulator Conversion Harness ("SI" Series) Note: For Use With 1972-84 Non-Serpentine Belt ("SI" Series) Internal Regulated Alternators.	\$29.00	

Part Number	Year	Description	Price	*Rev.
37787	1963	ALTERNATOR CONVERSION KIT External To Internal Regulator Conversion Harness ("CS" Series) Note: For Use With Serpentine Belt ("CS" Series) Internal Regulated Alternators.	\$34.00	
27555	1964	ALTERNATOR CONVERSION KIT External To Internal Regulator Conversion Harness ("SI" Series) Note: For Use With 1972-84 Non-Serpentine Belt ("SI" Series) Internal Regulated Alternators.	\$29.00	
37787	1964	ALTERNATOR CONVERSION KIT External To Internal Regulator Conversion Harness ("CS" Series) Note: For Use With Serpentine Belt ("CS" Series) Internal Regulated Alternators.	\$34.00	
27555	1965	ALTERNATOR CONVERSION KIT External To Internal Regulator Conversion Harness ("SI" Series) Note: For Use With 1972-84 Non-Serpentine Belt ("SI" Series) Internal Regulated Alternators.	\$29.00	
37787	1965	ALTERNATOR CONVERSION KIT External To Internal Regulator Conversion Harness ("CS" Series) Note: For Use With Serpentine Belt ("CS" Series) Internal Regulated Alternators.	\$34.00	
27555	1966	ALTERNATOR CONVERSION KIT External To Internal Regulator Conversion Harness ("SI" Series) Note: For Use With 1972-84 Non-Serpentine Belt ("SI" Series) Internal Regulated Alternators.	\$29.00	
37787	1966	ALTERNATOR CONVERSION KIT External To Internal Regulator Conversion Harness ("CS" Series) Note: For Use With Serpentine Belt ("CS" Series) Internal Regulated Alternators.	\$34.00	
27555	1967	ALTERNATOR CONVERSION KIT External To Internal Regulator Conversion Harness ("SI" Series) Note: For Use With 1972-84 Non-Serpentine Belt ("SI" Series) Internal Regulated Alternators.	\$29.00	
37787	1967	ALTERNATOR CONVERSION KIT External To Internal Regulator Conversion Harness ("CS" Series) Note: For Use With Serpentine Belt ("CS" Series) Internal Regulated Alternators.	\$34.00	
27555	1968	ALTERNATOR CONVERSION KIT External To Internal Regulator Conversion Harness ("SI" Series) Note: For Use With 1972-84 Non-Serpentine Belt ("SI" Series) Internal Regulated Alternators.	\$29.00	
37787	1968	ALTERNATOR CONVERSION KIT External To Internal Regulator Conversion Harness ("CS" Series) Note: For Use With Serpentine Belt ("CS" Series) Internal Regulated Alternators.	\$34.00	
27555	1969	ALTERNATOR CONVERSION KIT External To Internal Regulator Conversion Harness ("SI" Series) Note: For Use With 1972-84 Non-Serpentine Belt ("SI" Series) Internal Regulated Alternators.	\$29.00	
37787	1969	ALTERNATOR CONVERSION KIT External To Internal Regulator Conversion Harness ("CS" Series) Note: For Use With Serpentine Belt ("CS" Series) Internal Regulated Alternators.	\$34.00	
27555	1970	ALTERNATOR CONVERSION KIT External To Internal Regulator Conversion Harness ("SI" Series) Note: For Use With 1972-84 Non-Serpentine Belt ("SI" Series) Internal Regulated Alternators.	\$29.00	
37787	1970	ALTERNATOR CONVERSION KIT External To Internal Regulator Conversion Harness ("CS" Series) Note: For Use With Serpentine Belt ("CS" Series) Internal Regulated Alternators.	\$34.00	
27555	1971	ALTERNATOR CONVERSION KIT External To Internal Regulator Conversion Harness ("SI" Series) Note: For Use With 1972-84 Non-Serpentine Belt ("SI" Series) Internal Regulated Alternators.	\$29.00	
37787	1971	ALTERNATOR CONVERSION KIT External To Internal Regulator Conversion Harness ("CS" Series) Note: For Use With Serpentine Belt ("CS" Series) Internal Regulated Alternators.	\$34.00	
27555	1972	ALTERNATOR CONVERSION KIT External To Internal Regulator Conversion Harness ("SI" Series) Note: For Use With 1972-84 Non-Serpentine Belt ("SI" Series) Internal Regulated Alternators.	\$29.00	
37787	1972	ALTERNATOR CONVERSION KIT External To Internal Regulator Conversion Harness ("CS" Series) Note: For Use With Serpentine Belt ("CS" Series) Internal Regulated Alternators.	\$34.00	
ASSEMBLY MANUAL				
36317	1958	ASSEMBLY MANUAL Factory Assembly Instruction Guide	\$32.00	
36318	1959	ASSEMBLY MANUAL Factory Assembly Instruction Guide	\$32.00	
36319	1960	ASSEMBLY MANUAL Factory Assembly Instruction Guide	\$32.00	
36320	1961	ASSEMBLY MANUAL Factory Assembly Instruction Guide	\$32.00	
36321	1962	ASSEMBLY MANUAL Factory Assembly Instruction Guide	\$32.00	
36322	1963	ASSEMBLY MANUAL Factory Assembly Instruction Guide	\$32.00	
36323	1964	ASSEMBLY MANUAL Factory Assembly Instruction Guide	\$32.00	
36324	1965	ASSEMBLY MANUAL Factory Assembly Instruction Guide	\$32.00	
36325	1966	ASSEMBLY MANUAL Factory Assembly Instruction Guide	\$32.00	

Part Number	Year	Description	Price	*Rev.
36326	1967	ASSEMBLY MANUAL Factory Assembly Instruction Guide	\$32.00	
36327	1968	ASSEMBLY MANUAL Factory Assembly Instruction Guide	\$32.00	
36328	1969	ASSEMBLY MANUAL Factory Assembly Instruction Guide	\$32.00	
36329	1970	ASSEMBLY MANUAL Factory Assembly Instruction Guide	\$32.00	
36330	1972	ASSEMBLY MANUAL Factory Assembly Instruction Guide	\$32.00	
BACKUP LAMP SWITCH				
01998728	1959	BACKUP LAMP SWITCH 4 Speed, Manual Trans	\$64.00	
01998728	1960	BACKUP LAMP SWITCH 4 Speed, Manual Trans	\$64.00	
01998728	1961	BACKUP LAMP SWITCH 4 Speed, Manual Trans	\$64.00	
01998728	1962	BACKUP LAMP SWITCH 4 Speed, Manual Trans	\$64.00	
01997929	1963	BACKUP LAMP SWITCH 4 Speed, Manual Trans	\$64.00	
01993661	1964	BACKUP LAMP SWITCH 4 Speed, Manual Trans	\$64.00	
01993307	1965	BACKUP LAMP SWITCH 4 Speed, Manual Trans	\$64.00	
01993307	1966	BACKUP LAMP SWITCH 4 Speed, Manual Trans	\$64.00	
01993307	1967	BACKUP LAMP SWITCH 4 Speed, Manual Trans	\$64.00	
01993431	1968	BACKUP LAMP SWITCH 4 Speed, Manual Trans	\$64.00	
03943657	1969	BACKUP LAMP SWITCH Manual Trans	\$53.00	
03943657	1970	BACKUP LAMP SWITCH Manual Trans	\$53.00	
03943657	1971	BACKUP LAMP SWITCH Manual Trans	\$53.00	
03943657	1972	BACKUP LAMP SWITCH Manual Trans	\$53.00	
BACKUP LAMP SWITCH EXTENSION HARNESS				
19225	1958	BACKUP LAMP SWITCH EXTENSION HARNESS Biscayne & Delray	\$34.00	
19230	1958	BACKUP LAMP SWITCH EXTENSION HARNESS Impala	\$29.00	
19235	1959	BACKUP LAMP SWITCH EXTENSION HARNESS Fuse Box To Column Mounted Backup Switch	\$29.00	
33185	1959	BACKUP LAMP SWITCH EXTENSION HARNESS Floor Shift, MT, Fusebox To Backup Switch & Rear Body Harness	\$32.00	
19235	1960	BACKUP LAMP SWITCH EXTENSION HARNESS Fuse Box To Column Mounted Backup Switch	\$29.00	
33185	1960	BACKUP LAMP SWITCH EXTENSION HARNESS Floor Shift, MT, Fusebox To Backup Switch & Rear Body Harness	\$32.00	
33000	1961	BACKUP LAMP SWITCH EXTENSION HARNESS Manual Trans	\$29.00	
33000	1962	BACKUP LAMP SWITCH EXTENSION HARNESS Manual Trans	\$29.00	
28335	1963	BACKUP LAMP SWITCH EXTENSION HARNESS Manual Trans	\$33.00	
33325	1964	BACKUP LAMP SWITCH EXTENSION HARNESS Manual Trans	\$32.00	
19240	1965	BACKUP LAMP SWITCH EXTENSION HARNESS Manual Trans	\$31.00	
19240	1966	BACKUP LAMP SWITCH EXTENSION HARNESS Manual Trans	\$31.00	
33330	1967	BACKUP LAMP SWITCH EXTENSION HARNESS Manual Trans	\$33.00	
BACKUP LAMP SWITCH MOUNTING BRACKET				
37650	1964	BACKUP LAMP SWITCH MOUNTING BRACKET With Muncie 4 Speed Transmission	\$29.00	
37650	1965	BACKUP LAMP SWITCH MOUNTING BRACKET With Muncie 4 Speed Transmission	\$29.00	
37650	1966	BACKUP LAMP SWITCH MOUNTING BRACKET With Muncie 4 Speed Transmission	\$29.00	
37650	1967	BACKUP LAMP SWITCH MOUNTING BRACKET With Muncie 4 Speed Transmission	\$29.00	
37650	1968	BACKUP LAMP SWITCH MOUNTING BRACKET With Muncie 4 Speed Transmission	\$29.00	
BACKUP LAMP SWITCH MOUNTING KIT				
39504	1963	BACKUP LAMP SWITCH MOUNTING KIT With Muncie 4 Speed Transmission Note: Kit Contains The Bracket, Rod With 2 Clips, Shield & Bolts.	\$46.00	
39504	1964	BACKUP LAMP SWITCH MOUNTING KIT With Muncie 4 Speed Transmission Note: Kit Contains The Bracket, Rod With 2 Clips, Shield & Bolts.	\$46.00	

Part Number	Year	Description	Price	*Rev.
39504	1965	BACKUP LAMP SWITCH MOUNTING KIT With Muncie 4 Speed Transmission Note: Kit Contains The Bracket, Rod With 2 Clips, Shield & Bolts.	\$46.00	
39504	1966	BACKUP LAMP SWITCH MOUNTING KIT With Muncie 4 Speed Transmission Note: Kit Contains The Bracket, Rod With 2 Clips, Shield & Bolts.	\$46.00	
39504	1967	BACKUP LAMP SWITCH MOUNTING KIT With Muncie 4 Speed Transmission Note: Kit Contains The Bracket, Rod With 2 Clips, Shield & Bolts.	\$46.00	
39504	1968	BACKUP LAMP SWITCH MOUNTING KIT With Muncie 4 Speed Transmission Note: Kit Contains The Bracket, Rod With 2 Clips, Shield & Bolts.	\$46.00	
BATTERY CABLE JUNCTION BLOCK				
03882795	1965	BATTERY CABLE JUNCTION BLOCK For Positive Cable Secondary Lead	\$11.00	
03882795	1966	BATTERY CABLE JUNCTION BLOCK For Positive Cable Secondary Lead	\$11.00	
03882795	1967	BATTERY CABLE JUNCTION BLOCK For Positive Cable Secondary Lead	\$11.00	
03882795	1968	BATTERY CABLE JUNCTION BLOCK For Positive Cable Secondary Lead	\$11.00	
03882795	1969	BATTERY CABLE JUNCTION BLOCK For Positive Cable Secondary Lead	\$11.00	
03882795	1970	BATTERY CABLE JUNCTION BLOCK For Positive Cable Secondary Lead	\$11.00	
03882795	1971	BATTERY CABLE JUNCTION BLOCK For Positive Cable Secondary Lead	\$11.00	
BATTERY CABLE-NEGATIVE				
02845	1958	BATTERY CABLE, TOP POST Neg, All	\$63.00	
02840	1959	BATTERY CABLE, TOP POST Neg, 6 Cylinder Note: 6 Cylinder Items Are Not Returnable.	\$63.00	
02845	1959	BATTERY CABLE, TOP POST Neg, V/8	\$63.00	
02840	1960	BATTERY CABLE, TOP POST Neg, 6 Cylinder Note: 6 Cylinder Items Are Not Returnable.	\$63.00	
02845	1960	BATTERY CABLE, TOP POST Neg, V/8	\$63.00	
03320	1961	BATTERY CABLE, SPRING RING Neg, 6 Cylinder Note: 6 Cylinder Items Are Not Returnable.	\$69.00	
03325	1961	BATTERY CABLE, SPRING RING Neg, 283 C.I.	\$69.00	
03330	1961	BATTERY CABLE, SPRING RING Neg, 348 C.I.	\$69.00	
03325	1962	BATTERY CABLE, SPRING RING Neg, 6 Cylinder Note: 6 Cylinder Items Are Not Returnable.	\$69.00	
03325	1962	BATTERY CABLE, SPRING RING Neg, 283 C.I.	\$69.00	
04010	1962	BATTERY CABLE, SPRING RING Neg, 327 C.I. Special High Performance	\$69.00	
03330	1962	BATTERY CABLE, SPRING RING Neg, 409 C.I.	\$69.00	
04170	1963	BATTERY CABLE, SPRING RING Neg, 6 Cylinder, All Note: 6 Cylinder Items Are Not Returnable.	\$69.00	
03325	1963	BATTERY CABLE, SPRING RING Neg, V/8, All, Except 327 C.I. Special High Performance & 409 C.I.	\$69.00	
04010	1963	BATTERY CABLE, SPRING RING Neg, 327 C.I. Special High Performance	\$69.00	
04010	1963	BATTERY CABLE, SPRING RING Neg, 409 C.I.	\$69.00	
05395	1964	BATTERY CABLE, SPRING RING Neg, 6 Cylinder, With A/C Note: 6 Cylinder Items Are Not Returnable.	\$69.00	
05040	1964	BATTERY CABLE, SPRING RING Neg, 6 Cylinder, Without A/C Note: 6 Cylinder Items Are Not Returnable.	\$69.00	
05145	1964	BATTERY CABLE, SPRING RING Neg, 283-327 C.I., With A/C	\$69.00	
05045	1964	BATTERY CABLE, SPRING RING Neg, 283-327 C.I., Without A/C	\$69.00	
05050	1964	BATTERY CABLE, SPRING RING Neg, 327 C.I., Special High Performance	\$69.00	
05050	1964	BATTERY CABLE, SPRING RING Neg, 409 C.I., With A/C	\$69.00	
05055	1964	BATTERY CABLE, SPRING RING Neg, 409 C.I., Without A/C	\$69.00	

Part Number	Year	Description	Price	*Rev.
05395	1965	BATTERY CABLE, SPRING RING Neg, 6 Cylinder, With A/C Note: 6 Cylinder Items Are Not Returnable.	\$69.00	
05040	1965	BATTERY CABLE, SPRING RING Neg, 6 Cylinder, Without A/C Note: 6 Cylinder Items Are Not Returnable.	\$69.00	
05145	1965	BATTERY CABLE, SPRING RING Neg, 283-327 C.I., With A/C	\$69.00	
05050	1965	BATTERY CABLE, SPRING RING Neg, V/8, All Without A/C	\$69.00	
04665	1965	BATTERY CABLE, SPRING RING Neg, 396 C.I., With A/C	\$69.00	
05050	1965	BATTERY CABLE, SPRING RING Neg, 409 C.I., With A/C	\$69.00	
09770	1966	BATTERY CABLE, SPRING RING Neg, 6 Cylinder, All Note: 6 Cylinder Items Are Not Returnable.	\$69.00	
05045	1966	BATTERY CABLE, SPRING RING Neg, V/8, All Without A/C	\$69.00	
05145	1966	BATTERY CABLE, SPRING RING Neg, 283-327 C.I., With A/C	\$69.00	
04665	1966	BATTERY CABLE, SPRING RING Neg, 396-427 C.I., With A/C	\$69.00	
09875	1967	BATTERY CABLE, SPRING RING Neg, 6 Cylinder, Without A/C Note: 6 Cylinder Items Are Not Returnable.	\$69.00	
09255	1967	BATTERY CABLE, SPRING RING Neg, 6 Cylinder, With A/C Note: 6 Cylinder Items Are Not Returnable.	\$69.00	
09870	1967	BATTERY CABLE, SPRING RING Neg, V/8, All Without A/C	\$69.00	
06805	1967	BATTERY CABLE, SPRING RING Neg, 283-327 C.I., With A/C	\$69.00	
05055	1967	BATTERY CABLE, SPRING RING Neg, 396-427 C.I., With A/C	\$69.00	
12500	1968	BATTERY CABLE, SPRING RING Neg, 6 Cylinder, Without A/C Note: 6 Cylinder Items Are Not Returnable.	\$69.00	
12490	1968	BATTERY CABLE, SPRING RING Neg, 6 Cylinder, With A/C Note: 6 Cylinder Items Are Not Returnable.	\$69.00	
12505	1968	BATTERY CABLE, SPRING RING Neg, V/8, All Without A/C	\$69.00	
20775	1968	BATTERY CABLE, SPRING RING Neg, 307-327 C.I., With A/C	\$69.00	
12495	1968	BATTERY CABLE, SPRING RING Neg, 396-427 C.I., With A/C	\$69.00	
22775	1969	BATTERY CABLE, SPRING RING Neg, 6 Cylinder, Without A/C Note: 6 Cylinder Items Are Not Returnable.	\$69.00	
22765	1969	BATTERY CABLE, SPRING RING Neg, 6 Cylinder, With A/C Note: 6 Cylinder Items Are Not Returnable.	\$69.00	
22760	1969	BATTERY CABLE, SPRING RING Neg, V/8, Except 396-427 C.I.	\$69.00	
22770	1969	BATTERY CABLE, SPRING RING Neg, 396-427 C.I.	\$69.00	
12580	1970	BATTERY CABLE, SPRING RING Neg, 6 Cylinder Note: 6 Cylinder Items Are Not Returnable.	\$69.00	
14850	1970	BATTERY CABLE, SIDE POST Neg, 6 Cylinder, With Side Mount Type Battery Note: 6 Cylinder Items Are Not Returnable.	\$74.00	
20770	1970	BATTERY CABLE, SPRING RING Neg, V/8	\$69.00	
22690	1970	BATTERY CABLE, SIDE POST Neg, V/8, With Side Mount Type Battery	\$74.00	
BATTERY CABLE-POSITIVE				
21675	1958	BATTERY CABLE, TOP POST Pos, 6 Cylinder Note: 6 Cylinder Items Are Not Returnable.	\$63.00	
21680	1958	BATTERY CABLE, TOP POST Pos, V/8	\$63.00	
02835	1959	BATTERY CABLE, TOP POST Pos, 6 Cylinder & V/8 Note: 6 Cylinder Items Are Not Returnable.	\$63.00	
03285	1960	BATTERY CABLE, TOP POST Pos, 6 Cylinder & V/8 Note: 6 Cylinder Items Are Not Returnable.	\$63.00	

Part Number	Year	Description	Price	*Rev.
04105	1961	BATTERY CABLE, SPRING RING Pos, 6 Cylinder Note: 6 Cylinder Items Are Not Returnable.	\$69.00	
03310	1961	BATTERY CABLE, SPRING RING Pos, 283 C.I.	\$69.00	
03315	1961	BATTERY CABLE, SPRING RING Pos, 348 C.I.	\$69.00	
04105	1962	BATTERY CABLE, SPRING RING Pos, 6 Cylinder Note: 6 Cylinder Items Are Not Returnable.	\$69.00	
03310	1962	BATTERY CABLE, SPRING RING Pos, 283 C.I.	\$69.00	
03315	1962	BATTERY CABLE, SPRING RING Pos, 327 C.I. Special High Performance	\$69.00	
03315	1962	BATTERY CABLE, SPRING RING Pos, 409 C.I.	\$69.00	
18925	1963	BATTERY CABLE, SPRING RING Pos, 6 Cylinder Note: 6 Cylinder Items Are Not Returnable.	\$69.00	
03930	1963	BATTERY CABLE, SPRING RING Pos, V/8, All	\$69.00	
20780	1964	BATTERY CABLE, SPRING RING Pos, 6 Cylinder Note: 6 Cylinder Items Are Not Returnable.	\$69.00	
05385	1964	BATTERY CABLE, SPRING RING Pos, 283-327 C.I., All	\$69.00	
05410	1964	BATTERY CABLE, SPRING RING Pos, 409 C.I., With A/C	\$69.00	
21130	1964	BATTERY CABLE, SPRING RING Pos, 409 C.I., Without A/C	\$69.00	
05450	1965	BATTERY CABLE, SPRING RING Pos, 6 Cylinder, All Note: 6 Cylinder Items Are Not Returnable.	\$69.00	
05455	1965	BATTERY CABLE, SPRING RING Pos, V/8, All	\$69.00	
09780	1966	BATTERY CABLE, SPRING RING Pos, 6 Cylinder, All Note: 6 Cylinder Items Are Not Returnable.	\$69.00	
05455	1966	BATTERY CABLE, SPRING RING Pos, V/8, All	\$69.00	
10720	1967	BATTERY CABLE, SPRING RING Pos, 6 Cylinder, All Note: 6 Cylinder Items Are Not Returnable.	\$69.00	
09755	1967	BATTERY CABLE, SPRING RING Pos, V/8, All	\$69.00	
09850	1968	BATTERY CABLE, SPRING RING Pos, 6 Cylinder, All Note: 6 Cylinder Items Are Not Returnable.	\$69.00	
21560	1968	BATTERY CABLE, SPRING RING Pos, V/8, All	\$69.00	
22785	1969	BATTERY CABLE, SPRING RING Pos, 6 Cylinder, All Note: 6 Cylinder Items Are Not Returnable.	\$69.00	
22755	1969	BATTERY CABLE, SPRING RING Pos, V/8, Except 396-427 C.I.	\$69.00	
22945	1969	BATTERY CABLE, SPRING RING Pos, 396-427 C.I.	\$69.00	
12615	1970	BATTERY CABLE, SPRING RING Pos, 6 Cylinder Note: 6 Cylinder Items Are Not Returnable.	\$69.00	
14880	1970	BATTERY CABLE, SIDE POST Pos, 6 Cylinder, With Side Mount Type Battery Note: 6 Cylinder Items Are Not Returnable.	\$74.00	
15115	1970	BATTERY CABLE, SPRING RING Pos, V/8	\$69.00	
15120	1970	BATTERY CABLE, SIDE POST Pos, V/8, With Side Mount Type Battery	\$74.00	
BREAKERLESS SE SINGLE WIRE ELECTRONIC IGNITION				
38131	1958	BREAKERLESS SE SINGLE WIRE ELECTRONIC IGNITION KIT For 1957-74 Breaker Point Distributors With Windowed Type Distributor Cap	\$179.00	
38131	1959	BREAKERLESS SE SINGLE WIRE ELECTRONIC IGNITION KIT For 1957-74 Breaker Point Distributors With Windowed Type Distributor Cap	\$179.00	
38131	1960	BREAKERLESS SE SINGLE WIRE ELECTRONIC IGNITION KIT For 1957-74 Breaker Point Distributors With Windowed Type Distributor Cap	\$179.00	
38131	1961	BREAKERLESS SE SINGLE WIRE ELECTRONIC IGNITION KIT For 1957-74 Breaker Point Distributors With Windowed Type Distributor Cap	\$179.00	

Part Number	Year	Description	Price	*Rev.
38131	1962	BREAKERLESS SE SINGLE WIRE ELECTRONIC IGNITION KIT For 1957-74 Breaker Point Distributors With Windowed Type Distributor Cap	\$179.00	
38131	1963	BREAKERLESS SE SINGLE WIRE ELECTRONIC IGNITION KIT For 1957-74 Breaker Point Distributors With Windowed Type Distributor Cap	\$179.00	
38131	1964	BREAKERLESS SE SINGLE WIRE ELECTRONIC IGNITION KIT For 1957-74 Breaker Point Distributors With Windowed Type Distributor Cap	\$179.00	
38131	1965	BREAKERLESS SE SINGLE WIRE ELECTRONIC IGNITION KIT For 1957-74 Breaker Point Distributors With Windowed Type Distributor Cap	\$179.00	
38131	1966	BREAKERLESS SE SINGLE WIRE ELECTRONIC IGNITION KIT For 1957-74 Breaker Point Distributors With Windowed Type Distributor Cap	\$179.00	
38131	1967	BREAKERLESS SE SINGLE WIRE ELECTRONIC IGNITION KIT For 1957-74 Breaker Point Distributors With Windowed Type Distributor Cap	\$179.00	
38131	1968	BREAKERLESS SE SINGLE WIRE ELECTRONIC IGNITION KIT For 1957-74 Breaker Point Distributors With Windowed Type Distributor Cap	\$179.00	
38131	1969	BREAKERLESS SE SINGLE WIRE ELECTRONIC IGNITION KIT For 1957-74 Breaker Point Distributors With Windowed Type Distributor Cap	\$179.00	
38131	1970	BREAKERLESS SE SINGLE WIRE ELECTRONIC IGNITION KIT For 1957-74 Breaker Point Distributors With Windowed Type Distributor Cap	\$179.00	
38131	1971	BREAKERLESS SE SINGLE WIRE ELECTRONIC IGNITION KIT For 1957-74 Breaker Point Distributors With Windowed Type Distributor Cap	\$179.00	
38131	1972	BREAKERLESS SE SINGLE WIRE ELECTRONIC IGNITION KIT For 1957-74 Breaker Point Distributors With Windowed Type Distributor Cap	\$179.00	
38131	1973	BREAKERLESS SE SINGLE WIRE ELECTRONIC IGNITION KIT For 1957-74 Breaker Point Distributors With Windowed Type Distributor Cap	\$179.00	
38131	1974	BREAKERLESS SE SINGLE WIRE ELECTRONIC IGNITION KIT For 1957-74 Breaker Point Distributors With Windowed Type Distributor Cap	\$179.00	
CIGARETTE LIGHTER HARNESS				
33440	1959	CIGARETTE LIGHTER HARNESS Biscayne	\$21.00	
33440	1960	CIGARETTE LIGHTER HARNESS Biscayne	\$21.00	
CIRCUIT BREAKER				
04849850	1958	CIRCUIT BREAKER, 40 AMP Power Seat, Windows & Tailgate Window	\$14.00	
04849850	1959	CIRCUIT BREAKER, 40 AMP Power Seat, Windows & Tailgate Window	\$14.00	
04849850	1960	CIRCUIT BREAKER, 40 AMP Power Seat, Windows & Tailgate Window	\$14.00	
04849850	1961	CIRCUIT BREAKER, 40 AMP Power Seat, Windows & Tailgate Window	\$14.00	
04849850	1962	CIRCUIT BREAKER, 40 AMP Power Seat, Windows & Tailgate Window	\$14.00	
04849850	1963	CIRCUIT BREAKER, 40 AMP Power Seat, Windows & Tailgate Window	\$14.00	
04849850	1964	CIRCUIT BREAKER, 40 AMP Power Seat, Windows & Tailgate Window	\$14.00	
04849850	1965	CIRCUIT BREAKER, 40 AMP Power Seat, Windows & Tailgate Window	\$14.00	
04849850	1966	CIRCUIT BREAKER, 40 AMP Power Seat, Windows & Tailgate Window	\$14.00	
04850166	1967	CIRCUIT BREAKER, 30 AMP Power Seat, Windows, Tailgate Window & Top	\$14.00	
04850166	1968	CIRCUIT BREAKER, 30 AMP Power Seat, Windows, Tailgate Window & Top	\$14.00	
04850166	1969	CIRCUIT BREAKER, 30 AMP Power Seat, Windows, Tailgate Window & Top	\$14.00	
04850166	1970	CIRCUIT BREAKER, 30 AMP Power Seat, Windows, Tailgate Window & Top	\$14.00	
04850166	1971	CIRCUIT BREAKER, 30 AMP Power Seat, Windows, Tailgate Window & Top	\$14.00	
CLOCK HARNESS				
19245	1958	CLOCK HARNESS Dash Mounted	\$32.00	
33175	1959	CLOCK HARNESS Dash Mounted Clock And Generator, Oil, Brake Cluster Dash Light	\$35.00	
33175	1960	CLOCK HARNESS Dash Mounted Clock And Generator, Oil, Brake Cluster Dash Light	\$35.00	
40876	1961	CLOCK HARNESS Dash Mounted Clock	\$35.00	
40876	1962	CLOCK HARNESS Dash Mounted Clock	\$35.00	

Part Number	Year	Description	Price	*Rev.
40877	1963	CLOCK HARNESS Dash Mounted Clock	\$41.00	
40877	1964	CLOCK HARNESS Dash Mounted Clock	\$41.00	
36115	1965	CLOCK HARNESS In Dash Mounted Clock	\$46.00	
18275	1965	CLOCK HARNESS Top Of Dash Mounted Clock	\$29.00	
18275	1966	CLOCK HARNESS Top Of Dash Mounted Clock	\$29.00	
33490	1966	CLOCK WIRE EXTENSION For Console Mounted Clock	\$15.00	
01365	1968	CLOCK HARNESS Dash Mounted Clock	\$26.00	
38297	1969	CLOCK HARNESS Dash Mounted Clock	\$37.00	
38297	1970	CLOCK HARNESS Dash Mounted Clock	\$37.00	
COIL TO DISTRIBUTOR LOW TENSION LEAD WIRE				
02300	1958	COIL TO DISTRIBUTOR LOW TENSION LEAD WIRE 6 Cylinder Note: 6 Cylinder Items Are Not Returnable.	\$13.00	
30515	1958	COIL TO DISTRIBUTOR LOW TENSION LEAD WIRE V/8	\$17.00	
02300	1959	COIL TO DISTRIBUTOR LOW TENSION LEAD WIRE 6 Cylinder Note: 6 Cylinder Items Are Not Returnable.	\$13.00	
30515	1959	COIL TO DISTRIBUTOR LOW TENSION LEAD WIRE V/8	\$17.00	
02300	1960	COIL TO DISTRIBUTOR LOW TENSION LEAD WIRE 6 Cylinder Note: 6 Cylinder Items Are Not Returnable.	\$13.00	
30515	1960	COIL TO DISTRIBUTOR LOW TENSION LEAD WIRE V/8	\$17.00	
02300	1961	COIL TO DISTRIBUTOR LOW TENSION LEAD WIRE 6 Cylinder Note: 6 Cylinder Items Are Not Returnable.	\$13.00	
30515	1961	COIL TO DISTRIBUTOR LOW TENSION LEAD WIRE V/8	\$17.00	
02300	1962	COIL TO DISTRIBUTOR LOW TENSION LEAD WIRE 6 Cylinder Note: 6 Cylinder Items Are Not Returnable.	\$13.00	
30515	1962	COIL TO DISTRIBUTOR LOW TENSION LEAD WIRE V/8	\$17.00	
COMPASS LAMP WIRE				
31515	1958	COMPASS LAMP WIRE	\$21.00	
31515	1959	COMPASS LAMP WIRE	\$21.00	
31515	1960	COMPASS LAMP WIRE	\$21.00	
31515	1961	COMPASS LAMP WIRE	\$21.00	
31515	1962	COMPASS LAMP WIRE	\$21.00	
31515	1963	COMPASS LAMP WIRE	\$21.00	
31515	1964	COMPASS LAMP WIRE	\$21.00	
CONSOLE DOOR LAMP HARNESS AND SWITCH ASSEMBLY				
33455	1963	CONSOLE DOOR LAMP HARNESS AND SWITCH ASSEMBLY Includes Socket, Bulb & Wire	\$32.00	
33460	1964	CONSOLE DOOR LAMP HARNESS AND SWITCH ASSEMBLY Includes Socket, Bulb & Wire	\$32.00	
33465	1966	CONSOLE DOOR LAMP HARNESS AND SWITCH ASSEMBLY Includes Socket, Bulb & Wire	\$25.00	
33465	1967	CONSOLE DOOR LAMP HARNESS AND SWITCH ASSEMBLY Includes Socket, Bulb & Wire	\$25.00	
33465	1968	CONSOLE DOOR LAMP HARNESS AND SWITCH ASSEMBLY Includes Socket, Bulb & Wire	\$25.00	
33465	1969	CONSOLE DOOR LAMP HARNESS AND SWITCH ASSEMBLY Includes Socket, Bulb & Wire	\$25.00	
CONSOLE HARNESS				
08915	1962	CONSOLE HARNESS "SS" Convertible, With Courtesy Lights	\$61.00	
08910	1962	CONSOLE HARNESS "SS" Coupe, With Courtesy Lights	\$61.00	
06610	1963	CONSOLE HARNESS "SS", With Courtesy Lights	\$61.00	
28925	1963	CONSOLE EXTENSION HARNESS Auto Trans	\$46.00	
05000	1964	CONSOLE HARNESS All, Courtesy Light Extension	\$27.00	
04995	1964	CONSOLE EXTENSION HARNESS Auto Trans	\$80.00	

Part Number	Year	Description	Price	*Rev.
19265	1964	CONSOLE EXTENSION HARNESS Manual Trans	\$46.00	
06175	1965	CONSOLE HARNESS Auto Trans, Includes Console Clock Lead	\$66.00	
06055	1965	CONSOLE HARNESS Manual Trans, Includes Console Clock Lead	\$60.00	
19270	1966	CONSOLE HARNESS Auto Trans	\$90.00	
18585	1966	CONSOLE HARNESS Auto Trans, With Gauges	\$137.00	
19275	1966	CONSOLE HARNESS Manual Trans	\$63.00	
19280	1966	CONSOLE HARNESS Manual Trans, With Gauges	\$119.00	
19285	1967	CONSOLE HARNESS Auto Trans	\$98.00	
19290	1967	CONSOLE HARNESS Manual Trans	\$63.00	
19295	1968	CONSOLE HARNESS Auto Trans	\$98.00	
19300	1968	CONSOLE HARNESS Manual Trans	\$63.00	
COURTESY LAMP HARNESS				
38428	1959	COURTESY LAMP HARNESS Dual Overhead Lights, Bel Air & Impala Sport Coupe & Sport Sedans	\$63.00	
36046	1959	COURTESY LAMP HARNESS Under Dash	\$60.00	
41559	1960	COURTESY LAMP HARNESS Center Roof Mounted Dome Lamp, Biscayne, Belair 2 & 4 Door Sedan	\$60.00	
41559	1960	COURTESY LAMP HARNESS Center Roof Mounted Dome Lamp, El Camino	\$60.00	
41559	1960	COURTESY LAMP HARNESS Center Roof Mounted Dome Lamp, Impala 4 Door Sedan	\$60.00	
32335	1960	COURTESY LAMP HARNESS Dual Overhead Lights, Bel Air & Impala Sport Coupe & Sport Sedans	\$60.00	
36046	1960	COURTESY LAMP HARNESS Under Dash	\$60.00	
08780	1961	COURTESY LAMP HARNESS Side Roof Rail Lamp, Impala Sport Sedan	\$63.00	
08780	1962	COURTESY LAMP HARNESS Side Roof Rail Lamp, Impala Sport Sedan	\$63.00	
19305	1962	COURTESY LAMP HARNESS Coupe, Dual Overhead Lights, In Rear Seat Upper Roof Panels	\$60.00	
08780	1963	COURTESY LAMP HARNESS Side Roof Rail Lamp, Impala Sport Sedan	\$63.00	
09050	1963	COURTESY LAMP HARNESS Coupe, Dual Overhead Lights, In Rear Seat Upper Roof Panels	\$60.00	
38249	1963	COURTESY LAMP HARNESS Impala, Under Dash	\$52.00	
08780	1964	COURTESY LAMP HARNESS Side Roof Rail Lamp, Impala Sport Sedan	\$63.00	
09050	1964	COURTESY LAMP HARNESS Coupe, Dual Overhead Lights, In Rear Seat Upper Roof Panels	\$60.00	
38249	1964	COURTESY LAMP HARNESS Impala, Under Dash	\$52.00	
08005	1965	COURTESY LAMP HARNESS Center Roof Mounted Dome Lamp	\$49.00	
19310	1965	COURTESY LAMP HARNESS Convertible, Under Dash	\$67.00	
07215	1965	COURTESY LAMP HARNESS Sport Coupe (Except Caprice), Dual Quarter Roof Rail Lamps	\$67.00	
07210	1965	COURTESY LAMP HARNESS Sport Sedan, Dual Quarter Roof Rail Lamps	\$74.00	
07160	1965	COURTESY LAMP HARNESS Caprice, Quarter Corner Lamp	\$74.00	
08005	1966	COURTESY LAMP HARNESS Center Roof Mounted Dome Lamp	\$49.00	
19310	1966	COURTESY LAMP HARNESS Convertible, Under Dash	\$67.00	
07160	1966	COURTESY LAMP HARNESS Caprice Sport Sedan, Quarter Corner Lamp	\$74.00	
32515	1966	COURTESY LAMP HARNESS Caprice Sport Coupe, Quarter Corner Lamp	\$77.00	
07215	1966	COURTESY LAMP HARNESS Sport Coupe (Except Caprice), Dual Quarter Roof Rail Lamps	\$67.00	
07210	1966	COURTESY LAMP HARNESS Sport Sedan (Except Caprice), Dual Quarter Roof Rail Lamps	\$74.00	
08005	1967	COURTESY LAMP HARNESS Center Roof Mounted Dome Lamp	\$49.00	
19310	1967	COURTESY LAMP HARNESS Convertible, Under Dash	\$67.00	
32515	1967	COURTESY LAMP HARNESS Caprice Sport Coupe, Quarter Corner Lamp	\$77.00	
13850	1967	COURTESY LAMP HARNESS Impala Sport Coupe, Quarter Roof Rail Lamps	\$77.00	
13840	1967	COURTESY LAMP HARNESS Impala Sport Sedan, Quarter Roof Rail Lamps	\$77.00	
38180	1969	COURTESY LAMP HARNESS Under Dash	\$67.00	

Impala/Bel Air
 '58-'63 El Camino



Phone (562) 926-9552
 Fax (562) 926-9572

Part Number	Year	Description	Price	*Rev.
38180	1970	COURTESY LAMP HARNESS Under Dash	\$67.00	
COURTESY LAMP MOUNTING BRACKET-UNDER DASH				
04876930	1959	COURTESY LAMP MOUNTING BRACKET, UNDER DASH Left Or Right Side, 2 Required Per Car	\$11.00	
04876930	1960	COURTESY LAMP MOUNTING BRACKET, UNDER DASH Left Or Right Side, 2 Required Per Car	\$11.00	
04876930	1961	COURTESY LAMP MOUNTING BRACKET, UNDER DASH Left Or Right Side, 2 Required Per Car	\$11.00	
04876930	1962	COURTESY LAMP MOUNTING BRACKET, UNDER DASH Left Or Right Side, 2 Required Per Car	\$11.00	
04876930	1963	COURTESY LAMP MOUNTING BRACKET, UNDER DASH Left Or Right Side, 2 Required Per Car	\$11.00	
04876930	1964	COURTESY LAMP MOUNTING BRACKET, UNDER DASH Left Or Right Side, 2 Required Per Car	\$11.00	
04876930	1965	COURTESY LAMP MOUNTING BRACKET, UNDER DASH Left Or Right Side, 2 Required Per Car	\$11.00	
04876930	1966	COURTESY LAMP MOUNTING BRACKET, UNDER DASH Left Or Right Side, 2 Required Per Car	\$11.00	
04876930	1967	COURTESY LAMP MOUNTING BRACKET, UNDER DASH Left Or Right Side, 2 Required Per Car	\$11.00	
CRUISE CONTROL HARNESS				
40870	1960	CRUISE CONTROL HARNESS V/8, All	\$101.00	
41145	1960	CRUISE CONTROL ADAPTER HARNESS V/8, Manual Trans Note: Attaches To The Clutch Pedal Switch And Disengages The Cruise If The Clutch Pedal Is Depressed.	\$42.00	
33475	1965	CRUISE CONTROL HARNESS	\$105.00	
33475	1966	CRUISE CONTROL HARNESS	\$105.00	
10775	1967	CRUISE CONTROL HARNESS	\$94.00	
11885	1968	CRUISE CONTROL HARNESS	\$101.00	
13185	1969	CRUISE CONTROL HARNESS	\$94.00	
13185	1970	CRUISE CONTROL HARNESS	\$94.00	
DASH HARNESS				
02710	1958	DASH HARNESS All	\$398.00	
02980	1959	DASH HARNESS Auto Trans, Belair, Impala & El Camino	\$398.00	
02970	1959	DASH HARNESS Auto Trans, Biscayne	\$433.00	
02975	1959	DASH HARNESS Manual Trans, Belair, Impala & El Camino	\$398.00	
02965	1959	DASH HARNESS Manual Trans, Biscayne	\$433.00	
28645	1959	DASH HARNESS Right Hand Drive (Export Only)	\$548.00	
03140	1960	DASH HARNESS Auto Trans, All	\$398.00	
03165	1960	DASH HARNESS Manual Trans, All	\$398.00	
28645	1960	DASH HARNESS Right Hand Drive (Export Only)	\$548.00	
03295	1961	DASH HARNESS Auto Trans, Belair	\$452.00	
03300	1961	DASH HARNESS Auto Trans, Biscayne	\$464.00	
03485	1961	DASH HARNESS Auto Trans, Impala	\$426.00	
18185	1961	DASH HARNESS Manual Trans, Belair	\$452.00	
03305	1961	DASH HARNESS Manual Trans, Biscayne	\$459.00	
03490	1961	DASH HARNESS Manual Trans, Impala	\$426.00	
18155	1962	DASH HARNESS Auto Trans, Belair	\$452.00	
18430	1962	DASH HARNESS Auto Trans, Biscayne	\$452.00	
03685	1962	DASH HARNESS Auto Trans, Impala	\$426.00	
18160	1962	DASH HARNESS Manual Trans, Belair	\$426.00	
18425	1962	DASH HARNESS Manual Trans, Biscayne	\$452.00	
18180	1962	DASH HARNESS Manual Trans, Impala	\$426.00	
17785	1963	DASH HARNESS Auto Trans, Belair	\$471.00	
18140	1963	DASH HARNESS Auto Trans, Biscayne	\$490.00	
19785	1963	DASH INSTRUMENT CLUSTER HARNESS Belair & Biscayne	\$136.00	

Impala/Bel Air
'58-'63 El Camino



Phone (562) 926-9552
Fax (562) 926-9572

Part Number	Year	Description	Price	*Rev.
04035	1963	DASH HARNESS Auto Trans, Impala	\$450.00	
17780	1963	DASH INSTRUMENT CLUSTER HARNESS Impala	\$124.00	
18135	1963	DASH HARNESS Manual Trans, Belair	\$471.00	
18130	1963	DASH HARNESS Manual Trans, Biscayne	\$471.00	
19785	1963	DASH INSTRUMENT CLUSTER HARNESS Belair & Biscayne	\$136.00	
18145	1963	DASH HARNESS Manual Trans, Impala	\$450.00	
17780	1963	DASH INSTRUMENT CLUSTER HARNESS Impala	\$124.00	
18125	1964	DASH HARNESS Column Shift, Auto Trans, Belair	\$452.00	
18110	1964	DASH HARNESS Column Shift, Auto Trans, Biscayne	\$452.00	
18435	1964	DASH INSTRUMENT CLUSTER HARNESS Belair & Biscayne	\$136.00	
18105	1964	DASH HARNESS Column Shift, Auto Trans, Impala	\$426.00	
04935	1964	DASH HARNESS Column Shift, Auto Trans, Impala With A/C	\$426.00	
18440	1964	DASH INSTRUMENT CLUSTER HARNESS Impala	\$110.00	
18120	1964	DASH HARNESS Column Shift, Manual Trans, Belair	\$471.00	
18100	1964	DASH HARNESS Column Shift, Manual Trans, Biscayne	\$471.00	
18435	1964	DASH INSTRUMENT CLUSTER HARNESS Belair & Biscayne	\$136.00	
18115	1964	DASH HARNESS Column Shift, Manual Trans, Impala	\$459.00	
05090	1964	DASH HARNESS Console Shift, Auto Or Manual Trans, Impala	\$426.00	
31525	1964	DASH HARNESS Console Shift, Auto Or Manual Trans, Impala With A/C	\$426.00	
18440	1964	DASH INSTRUMENT CLUSTER HARNESS Impala	\$110.00	
22245	1965	DASH HARNESS Column Shift, Auto Trans	\$500.00	
06000	1965	DASH HARNESS Column Shift, Auto Trans, With Under Dash Courtesy Lights	\$500.00	
19315	1965	DASH HARNESS Column Shift, Auto Trans, With A/C Note: A/C Wiring Is Actually Incorporated Into The Dash And Engine Harnesses.	\$500.00	
22270	1965	DASH HARNESS Column Shift, Manual Trans	\$529.00	
19320	1965	DASH HARNESS Column Shift, Manual Trans, With Under Dash Courtesy Lights	\$529.00	
05640	1965	DASH INSTRUMENT CLUSTER HARNESS Without Gauges	\$143.00	
06060	1965	DASH HARNESS Console Shift, Auto Trans, With Gauges	\$500.00	
06115	1965	DASH HARNESS Console Shift, Auto Trans, With Gauges & A/C Note: A/C Wiring Is Actually Incorporated Into The Dash And Engine Harnesses.	\$500.00	
19325	1965	DASH HARNESS Console Shift, Manual Trans, With Gauges	\$500.00	
19330	1965	DASH HARNESS Console Shift, Manual Trans, With Gauges & A/C Note: A/C Wiring Is Actually Incorporated Into The Dash And Engine Harnesses.	\$500.00	
05645	1965	DASH INSTRUMENT CLUSTER HARNESS With Gauges	\$117.00	
10865	1966	DASH HARNESS Column Shift, Auto Trans	\$548.00	
10870	1966	DASH HARNESS Column Shift, Auto Trans With A/C Note: A/C Wiring Is Actually Incorporated Into The Dash And Engine Harnesses.	\$554.00	
19335	1966	DASH HARNESS Column Shift, Manual Trans	\$574.00	
10875	1966	DASH HARNESS Console Shift, Auto Trans	\$554.00	
10885	1966	DASH HARNESS Console Shift, Auto Trans With A/C Note: A/C Wiring Is Actually Incorporated Into The Dash And Engine Harnesses.	\$554.00	
10860	1966	DASH HARNESS Console Shift, Manual Trans	\$554.00	
10880	1966	DASH HARNESS Console Shift, Manual Trans With A/C Note: A/C Wiring Is Actually Incorporated Into The Dash And Engine Harnesses.	\$574.00	
22280	1967	DASH HARNESS Column Shift, Auto Trans	\$569.00	
11225	1967	DASH HARNESS Column Shift, Auto Trans, With Under Dash Courtesy Lights	\$591.00	
19345	1967	DASH HARNESS Column Shift, Auto Trans With A/C	\$569.00	

Impala/Bel Air
'58-'63 El Camino



Phone (562) 926-9552
Fax (562) 926-9572

Part Number	Year	Description	Price	*Rev.
11235	1967	DASH HARNESS Column Shift, Auto Trans With Gauges	\$591.00	
33445	1967	DASH HARNESS Column Shift, Auto Trans With Gauges & A/C	\$591.00	
19360	1967	DASH HARNESS Console Shift, Auto Trans	\$591.00	
19365	1967	DASH HARNESS Console Shift, Auto Trans With A/C	\$591.00	
19350	1967	DASH HARNESS Console Shift, Auto Trans With Gauges	\$569.00	
19355	1967	DASH HARNESS Console Shift, Auto Trans, With Gauges & A/C	\$591.00	
19380	1967	DASH HARNESS Console Shift, Manual Trans	\$606.00	
19385	1967	DASH HARNESS Console Shift, Manual Trans With A/C	\$600.00	
19370	1967	DASH HARNESS Console Shift, Manual Trans With Gauges	\$591.00	
19375	1967	DASH HARNESS Console Shift, Manual Trans With Gauges & A/C	\$608.00	
33450	1968	DASH HARNESS Column Shift, Auto Trans	\$606.00	
11700	1968	DASH HARNESS Column Shift, Auto Trans, With Under Dash Courtesy Lights	\$639.00	
19400	1968	DASH HARNESS Column Shift, Auto Trans & A/C,With Under Dash Courtesy Lamp	\$623.00	
11720	1968	DASH HARNESS Column Shift, Auto Trans With Gauges	\$606.00	
19390	1968	DASH HARNESS Column Shift, Auto Trans With Gauges & A/C	\$593.00	
19405	1968	DASH HARNESS Column Shift, Manual Trans	\$665.00	
11715	1968	DASH HARNESS Console Shift, Auto Trans	\$665.00	
11730	1968	DASH HARNESS Console Shift, Auto Trans With Gauges	\$619.00	
19790	1968	DASH HARNESS Console Shift, Auto Trans With Gauges & A/C	\$606.00	
11710	1968	DASH HARNESS Console Shift, Manual Trans	\$639.00	
11725	1968	DASH HARNESS Console Shift, Manual Trans With Gauges	\$606.00	
19410	1968	DASH HARNESS Console Shift, Manual Trans With Gauges & A/C	\$606.00	
12940	1969	DASH HARNESS Column Shift, Auto Trans,With Under Dash Crtsy Lamps & Clock	\$709.00	
18450	1969	DASH HARNESS Column Shift, Auto Trans With A/C	\$709.00	
19415	1969	DASH HARNESS Console Shift, Auto Trans	\$709.00	
35355	1969	DASH HARNESS Console Shift, Auto Trans With A/C	\$709.00	
13145	1969	DASH HARNESS Console Shift, Manual Trans	\$709.00	
19420	1969	DASH HARNESS Console Shift, Manual Trans With A/C	\$709.00	
35370	1969	DASH HARNESS Auto Trans, With Gauges	\$722.00	
14705	1970	DASH HARNESS Column Shift, Auto Trans	\$761.00	
19430	1970	DASH HARNESS Column Shift, Auto Trans With A/C	\$761.00	
14970	1970	DASH HARNESS Column Shift, Auto Trans With A/C, Clock & Under Dash Courtesy Lamp	\$748.00	
15105	1970	DASH HARNESS Column Shift, Auto Trans, With Headlamp Delay Timing	\$761.00	
19435	1970	DASH HARNESS Column Shift, Manual Trans, With Clock & Under Dash Courtesy Lamps	\$761.00	
15250	1971	DASH HARNESS Column Shift, Auto Trans Note: Requires Customers Original Dash Harness.	\$503.00	
19440	1971	DASH EXTENSION HARNESS For Ignition & Neutral Safety Switch Note: Customer Must Supply Their Original Dash Connector.	\$91.00	
15245	1971	DASH INSTRUMENT CLUSTER HARNESS To Upper Speedometer Cluster	\$375.00	
DISTRIBUTOR WIRE				
36057	1958	DISTRIBUTOR WIRE Distributor Points To Coil Negative Terminal, V/8 Note: Fits All GM V/8 Points Type Distributors From Approx. 1957 To 1974.	\$18.00	C
36057	1959	DISTRIBUTOR WIRE Distributor Points To Coil Negative Terminal, V/8 Note: Fits All GM V/8 Points Type Distributors From Approx. 1957 To 1974.	\$18.00	C
36057	1960	DISTRIBUTOR WIRE Distributor Points To Coil Negative Terminal, V/8 Note: Fits All GM V/8 Points Type Distributors From Approx. 1957 To 1974.	\$18.00	C

Part Number	Year	Description	Price	*Rev.
36057	1961	DISTRIBUTOR WIRE Distributor Points To Coil Negative Terminal, V/8 Note: Fits All GM V/8 Points Type Distributors From Approx. 1957 To 1974.	\$18.00	C
36057	1962	DISTRIBUTOR WIRE Distributor Points To Coil Negative Terminal, V/8 Note: Fits All GM V/8 Points Type Distributors From Approx. 1957 To 1974.	\$18.00	C
36057	1963	DISTRIBUTOR WIRE Distributor Points To Coil Negative Terminal, V/8 Note: Fits All GM V/8 Points Type Distributors From Approx. 1957 To 1974.	\$18.00	C
36057	1964	DISTRIBUTOR WIRE Distributor Points To Coil Negative Terminal, V/8 Note: Fits All GM V/8 Points Type Distributors From Approx. 1957 To 1974.	\$18.00	C
36057	1965	DISTRIBUTOR WIRE Distributor Points To Coil Negative Terminal, V/8 Note: Fits All GM V/8 Points Type Distributors From Approx. 1957 To 1974.	\$18.00	C
36057	1966	DISTRIBUTOR WIRE Distributor Points To Coil Negative Terminal, V/8 Note: Fits All GM V/8 Points Type Distributors From Approx. 1957 To 1974.	\$18.00	C
36057	1967	DISTRIBUTOR WIRE Distributor Points To Coil Negative Terminal, V/8 Note: Fits All GM V/8 Points Type Distributors From Approx. 1957 To 1974.	\$18.00	C
36057	1968	DISTRIBUTOR WIRE Distributor Points To Coil Negative Terminal, V/8 Note: Fits All GM V/8 Points Type Distributors From Approx. 1957 To 1974.	\$18.00	C
36057	1969	DISTRIBUTOR WIRE Distributor Points To Coil Negative Terminal, V/8 Note: Fits All GM V/8 Points Type Distributors From Approx. 1957 To 1974.	\$18.00	C
36057	1970	DISTRIBUTOR WIRE Distributor Points To Coil Negative Terminal, V/8 Note: Fits All GM V/8 Points Type Distributors From Approx. 1957 To 1974.	\$18.00	C
36057	1971	DISTRIBUTOR WIRE Distributor Points To Coil Negative Terminal, V/8 Note: Fits All GM V/8 Points Type Distributors From Approx. 1957 To 1974.	\$18.00	C
36057	1972	DISTRIBUTOR WIRE Distributor Points To Coil Negative Terminal, V/8 Note: Fits All GM V/8 Points Type Distributors From Approx. 1957 To 1974.	\$18.00	C
36057	1973	DISTRIBUTOR WIRE Distributor Points To Coil Negative Terminal, V/8 Note: Fits All GM V/8 Points Type Distributors From Approx. 1957 To 1974.	\$18.00	C
36057	1974	DISTRIBUTOR WIRE Distributor Points To Coil Negative Terminal, V/8 Note: Fits All GM V/8 Points Type Distributors From Approx. 1957 To 1974.	\$18.00	C
DOME LAMP HARNESS				
08490	1958	DOME LAMP HARNESS Belair & Biscayne 2 Door Sedan & Belair Sport Coupe	\$34.00	
08490	1958	DOME LAMP HARNESS Delray 2 Door Sedan & Utility Sedan	\$34.00	
38129	1958	DOME LAMP HARNESS Impala, 2 Door Hardtop	\$49.00	
32400	1959	DOME LAMP FEED AND GROUND All Wagons	\$42.00	
DOOR AJAR WARNING LAMP HARNESS				
38415	1963	DOOR AJAR WARNING LAMP HARNESS Taxi Cab Or Conventional Vehicles Note: Does Not Include Bracket Or Bezel For Lamp Socket.	\$34.00	
DOOR JAMB SWITCH				
04826444	1958	DOOR JAMB SWITCH	\$22.00	N
04826444	1959	DOOR JAMB SWITCH	\$22.00	N
04826444	1960	DOOR JAMB SWITCH	\$22.00	N
04826444	1961	DOOR JAMB SWITCH	\$22.00	N
04826444	1962	DOOR JAMB SWITCH	\$22.00	N
ENGINE HARNESS				
02685	1958	ENGINE HARNESS 6 Cylinder, Auto Trans Note: 6 Cylinder Items Are Not Returnable.	\$125.00	
02680	1958	ENGINE HARNESS 6 Cylinder, Manual Trans Note: 6 Cylinder Items Are Not Returnable.	\$125.00	
19450	1958	ENGINE HARNESS V/8, 283 C.I., Auto Trans	\$106.00	

Part Number	Year	Description	Price	*Rev.
38985	1958	ENGINE HARNESS-HEI V/8, 283 C.I., Auto Trans Note: This Harness Is Modified For Use With An HEI Distributor.	\$127.00	
02760	1958	ENGINE HARNESS V/8, 283 C.I., Auto Trans, With Fuel Injection	\$140.00	
02690	1958	ENGINE HARNESS V/8, 283 C.I., Manual Trans	\$120.00	
39141	1958	ENGINE HARNESS-HEI V/8, 283 C.I., Manual Trans Note: This Harness Is Modified For Use With An HEI Distributor.	\$140.00	
02755	1958	ENGINE HARNESS V/8, 283 C.I., Manual Trans, With Fuel Injection	\$120.00	
02770	1958	ENGINE HARNESS V/8, 348 C.I.,Auto Trans *Requires Starter Motor Extension #02775	\$101.00	
39078	1958	ENGINE HARNESS-HEI V/8, 348 C.I.,Auto Trans *Requires Starter Motor Extension #02775 Note: This Harness Is Modified For Use With An HEI Distributor.	\$127.00	
02765	1958	ENGINE HARNESS V/8, 348 C.I.,Manual Trans *Requires Starter Motor Extension #02775	\$106.00	
39142	1958	ENGINE HARNESS-HEI V/8, 348 C.I.,Manual Trans *Requires Starter Motor Extension #02775 Note: This Harness Is Modified For Use With An HEI Distributor.	\$127.00	
02985	1959	ENGINE HARNESS 6 Cylinder Note: 6 Cylinder Items Are Not Returnable.	\$118.00	
02855	1959	ENGINE HARNESS V/8, 283 C.I.	\$101.00	
39032	1959	ENGINE HARNESS-HEI V/8, 283 C.I. Note: This Harness Is Modified For Use With An HEI Distributor.	\$127.00	
02865	1959	ENGINE HARNESS V/8, 283 C.I., With Fuel Injection	\$120.00	
02860	1959	ENGINE HARNESS V/8, 348 C.I.	\$101.00	
39055	1959	ENGINE HARNESS-HEI V/8, 348 C.I. Note: This Harness Is Modified For Use With An HEI Distributor.	\$127.00	
02895	1959	ENGINE HARNESS V/8, 348 C.I., Special High Performance 3 X 2 Bbl	\$101.00	
39238	1959	ENGINE HARNESS-HEI V/8, 348 C.I., Special High Performance 3 X 2 Bbl Note: This Harness Is Modified For Use With An HEI Distributor.	\$127.00	
28650	1959	ENGINE HARNESS V/8, Right Hand Drive	\$127.00	
03190	1960	ENGINE HARNESS 6 Cylinder Note: 6 Cylinder Items Are Not Returnable.	\$125.00	
03280	1960	ENGINE HARNESS V/8	\$101.00	
38986	1960	ENGINE HARNESS-HEI V/8 Note: This Harness Is Modified For Use With An HEI Distributor.	\$127.00	
03185	1960	ENGINE HARNESS V/8, 348 C.I.	\$101.00	
39056	1960	ENGINE HARNESS-HEI V/8, 348 C.I. Note: This Harness Is Modified For Use With An HEI Distributor.	\$127.00	
02895	1960	ENGINE HARNESS V/8, 348 C.I., Special High Performance 3 X 2 Bbl	\$101.00	
39238	1960	ENGINE HARNESS-HEI V/8, 348 C.I., Special High Performance 3 X 2 Bbl Note: This Harness Is Modified For Use With An HEI Distributor.	\$127.00	
03740	1961	ENGINE HARNESS 6 Cylinder Note: 6 Cylinder Items Are Not Returnable.	\$138.00	
03745	1961	ENGINE HARNESS V/8, 283 C.I.	\$106.00	
38979	1961	ENGINE HARNESS-HEI V/8, 283 C.I. Note: This Harness Is Modified For Use With An HEI Distributor.	\$127.00	
03750	1961	ENGINE HARNESS V/8, 348 C.I.	\$106.00	
39046	1961	ENGINE HARNESS-HEI V/8, 348 C.I. Note: This Harness Is Modified For Use With An HEI Distributor.	\$127.00	
03755	1961	ENGINE HARNESS V/8, 348 & 409 C.I., Special High Performance 3 X 2 Bbl	\$106.00	

Part Number	Year	Description	Price	*Rev.
39177	1961	ENGINE HARNESS-HEI V/8, 348 & 409 C.I., Special High Performance 3 X 2 Bbl Note: This Harness Is Modified For Use With An HEI Distributor.	\$127.00	
03670	1962	ENGINE HARNESS 6 Cylinder Note: 6 Cylinder Items Are Not Returnable.	\$138.00	
03665	1962	ENGINE HARNESS V/8, 283 & 327 C.I.	\$106.00	
38952	1962	ENGINE HARNESS-HEI V/8, 283 & 327 C.I. Note: This Harness Is Modified For Use With An HEI Distributor.	\$127.00	
03675	1962	ENGINE HARNESS V/8, 409 C.I.	\$106.00	
39013	1962	ENGINE HARNESS-HEI V/8, 409 C.I. Note: This Harness Is Modified For Use With An HEI Distributor.	\$127.00	
04280	1963	ENGINE HARNESS 6 Cylinder Note: 6 Cylinder Items Are Not Returnable.	\$138.00	
04285	1963	ENGINE HARNESS V/8, 283 & 327 C.I.	\$106.00	
38949	1963	ENGINE HARNESS-HEI V/8, 283 & 327 C.I. Note: This Harness Is Modified For Use With An HEI Distributor.	\$127.00	
04290	1963	ENGINE HARNESS V/8, 409 C.I.	\$106.00	
39033	1963	ENGINE HARNESS-HEI V/8, 409 C.I. Note: This Harness Is Modified For Use With An HEI Distributor.	\$127.00	
05620	1964	ENGINE HARNESS 6 Cylinder Note: 6 Cylinder Items Are Not Returnable.	\$138.00	
05625	1964	ENGINE HARNESS V/8, 283 & 327 C.I.	\$106.00	
38941	1964	ENGINE HARNESS-HEI V/8, 283 & 327 C.I. Note: This Harness Is Modified For Use With An HEI Distributor.	\$133.00	
05630	1964	ENGINE HARNESS V/8, 409 C.I.	\$113.00	
39112	1964	ENGINE HARNESS-HEI V/8, 409 C.I. Note: This Harness Is Modified For Use With An HEI Distributor.	\$133.00	
06020	1965	ENGINE HARNESS 6 Cylinder Note: 6 Cylinder Items Are Not Returnable.	\$166.00	
09295	1965	ENGINE HARNESS 6 Cylinder, With Incorporated A/C Note: 6 Cylinder Items Are Not Returnable.	\$236.00	
06030	1965	ENGINE HARNESS 6 Cylinder, With Gauges Note: 6 Cylinder Items Are Not Returnable.	\$166.00	
09305	1965	ENGINE HARNESS 6 Cylinder, With Gauges & Incorporated A/C Note: 6 Cylinder Items Are Not Returnable.	\$208.00	
06025	1965	ENGINE HARNESS V/8, 283 & 327 C.I.	\$133.00	
39047	1965	ENGINE HARNESS-HEI V/8, 283 & 327 C.I. Note: This Harness Is Modified For Use With An HEI Distributor.	\$159.00	
09300	1965	ENGINE HARNESS V/8, 283 & 327 C.I. With Incorporated A/C Note: A/C Wiring Is Incorporated Into The Dash And Engine Harnesses.	\$226.00	
39024	1965	ENGINE HARNESS-HEI V/8, 283 & 327 C.I. With Incorporated A/C Note: This Harness Is Modified For Use With An HEI Distributor. A/C Wiring Is Incorporated Into The Dash And Engine Harnesses.	\$245.00	
06035	1965	ENGINE HARNESS V/8, 283 & 327 C.I. With Gauges	\$133.00	
39035	1965	ENGINE HARNESS-HEI V/8, 283 & 327 C.I. With Gauges Note: This Harness Is Modified For Use With An HEI Distributor.	\$159.00	
09310	1965	ENGINE HARNESS V/8, 283 & 327 C.I. With Gauges & Incorporated A/C Note: A/C Wiring Is Incorporated Into The Dash And Engine Harnesses.	\$226.00	
39097	1965	ENGINE HARNESS-HEI V/8, 283 & 327 C.I. With Gauges & Incorporated A/C Note: This Harness Is Modified For Use With An HEI Distributor. A/C Wiring Is Incorporated Into The Dash And Engine Harnesses.	\$245.00	
09380	1965	ENGINE HARNESS V/8, 396 C.I.	\$147.00	

Part Number	Year	Description	Price	*Rev.
39143	1965	ENGINE HARNESS-HEI V/8, 396 C.I. Note: This Harness Is Modified For Use With An HEI Distributor.	\$166.00	
09390	1965	ENGINE HARNESS V/8, 396 C.I. With Incorporated A/C Note: A/C Wiring Is Incorporated Into The Dash And Engine Harnesses.	\$226.00	
39240	1965	ENGINE HARNESS-HEI V/8, 396 C.I. With Incorporated A/C Note: This Harness Is Modified For Use With An HEI Distributor. A/C Wiring Is Incorporated Into The Dash And Engine Harnesses.	\$245.00	
09385	1965	ENGINE HARNESS V/8, 396 C.I. With Gauges	\$133.00	
39113	1965	ENGINE HARNESS-HEI V/8, 396 C.I. With Gauges Note: This Harness Is Modified For Use With An HEI Distributor.	\$159.00	
09395	1965	ENGINE HARNESS V/8, 396 C.I. With Gauges & Incorporated A/C Note: A/C Wiring Is Incorporated Into The Dash And Engine Harnesses.	\$199.00	
39098	1965	ENGINE HARNESS-HEI V/8, 396 C.I. With Gauges & Incorporated A/C Note: This Harness Is Modified For Use With An HEI Distributor. A/C Wiring Is Incorporated Into The Dash And Engine Harnesses.	\$219.00	
19465	1965	ENGINE HARNESS V/8, 409 C.I.	\$159.00	
39241	1965	ENGINE HARNESS-HEI V/8, 409 C.I. Note: This Harness Is Modified For Use With An HEI Distributor.	\$180.00	
19470	1965	ENGINE HARNESS V/8, 409 C.I. With Incorporated A/C Note: A/C Wiring Is Incorporated Into The Dash And Engine Harnesses.	\$226.00	
39239	1965	ENGINE HARNESS-HEI V/8, 409 C.I. With Incorporated A/C Note: This Harness Is Modified For Use With An HEI Distributor. A/C Wiring Is Incorporated Into The Dash And Engine Harnesses.	\$245.00	
19455	1965	ENGINE HARNESS V/8, 409 C.I. With Gauges	\$159.00	
39181	1965	ENGINE HARNESS-HEI V/8, 409 C.I. With Gauges Note: This Harness Is Modified For Use With An HEI Distributor.	\$180.00	
19460	1965	ENGINE HARNESS V/8, 409 C.I. With Gauges & Incorporated A/C Note: A/C Wiring Is Incorporated Into The Dash And Engine Harnesses.	\$226.00	
39180	1965	ENGINE HARNESS-HEI V/8, 409 C.I. With Gauges & Incorporated A/C Note: This Harness Is Modified For Use With An HEI Distributor. A/C Wiring Is Incorporated Into The Dash And Engine Harnesses.	\$245.00	
06020	1966	ENGINE HARNESS 6 Cylinder Note: 6 Cylinder Items Are Not Returnable.	\$166.00	
09295	1966	ENGINE HARNESS 6 Cylinder, With Incorporated A/C Note: 6 Cylinder Items Are Not Returnable.	\$236.00	
06030	1966	ENGINE HARNESS 6 Cylinder, With Gauges Note: 6 Cylinder Items Are Not Returnable.	\$166.00	
09305	1966	ENGINE HARNESS 6 Cylinder, With Gauges & Incorporated A/C Note: 6 Cylinder Items Are Not Returnable.	\$208.00	
06025	1966	ENGINE HARNESS V/8, 283 & 327 C.I.	\$133.00	
39047	1966	ENGINE HARNESS-HEI V/8, 283 & 327 C.I. Note: This Harness Is Modified For Use With An HEI Distributor.	\$159.00	
09300	1966	ENGINE HARNESS V/8, 283 & 327 C.I. With Incorporated A/C Note: A/C Wiring Is Incorporated Into The Dash And Engine Harnesses.	\$226.00	
39024	1966	ENGINE HARNESS-HEI V/8, 283 & 327 C.I. With Incorporated A/C Note: This Harness Is Modified For Use With An HEI Distributor. A/C Wiring Is Incorporated Into The Dash And Engine Harnesses.	\$245.00	
06035	1966	ENGINE HARNESS V/8, 283 & 327 C.I. With Gauges	\$133.00	
39035	1966	ENGINE HARNESS-HEI V/8, 283 & 327 C.I. With Gauges Note: This Harness Is Modified For Use With An HEI Distributor.	\$159.00	
09310	1966	ENGINE HARNESS V/8, 283 & 327 C.I. With Gauges & Incorporated A/C Note: A/C Wiring Is Incorporated Into The Dash And Engine Harnesses.	\$226.00	
39097	1966	ENGINE HARNESS-HEI V/8, 283 & 327 C.I. With Gauges & Incorporated A/C Note: This Harness Is Modified For Use With An HEI Distributor. A/C Wiring Is Incorporated Into The Dash And Engine Harnesses.	\$245.00	

**Impala/Bel Air
'58-'63 El Camino**



**Phone (562) 926-9552
Fax (562) 926-9572**

Part Number	Year	Description	Price	*Rev.
09490	1966	ENGINE HARNESS V/8, 396 & 427 C.I.	\$147.00	
39048	1966	ENGINE HARNESS-HEI V/8, 396 & 427 C.I. Note: This Harness Is Modified For Use With An HEI Distributor.	\$166.00	
09495	1966	ENGINE HARNESS V/8, 396 & 427 C.I. With Incorporated A/C Note: A/C Wiring Is Incorporated Into The Dash And Engine Harnesses.	\$226.00	
39244	1966	ENGINE HARNESS-HEI V/8, 396 & 427 C.I. With Incorporated A/C Note: This Harness Is Modified For Use With An HEI Distributor. A/C Wiring Is Incorporated Into The Dash And Engine Harnesses.	\$245.00	
19475	1966	ENGINE HARNESS V/8, 396 & 427 C.I. With Gauges	\$147.00	
39058	1966	ENGINE HARNESS-HEI V/8, 396 & 427 C.I. With Gauges Note: This Harness Is Modified For Use With An HEI Distributor.	\$166.00	
09500	1966	ENGINE HARNESS V/8, 396 & 427 C.I. With Gauges & Incorporated A/C Note: A/C Wiring Is Incorporated Into The Dash And Engine Harnesses.	\$226.00	
39099	1966	ENGINE HARNESS-HEI V/8, 396 & 427 C.I. With Gauges & Incorporated A/C Note: This Harness Is Modified For Use With An HEI Distributor. A/C Wiring Is Incorporated Into The Dash And Engine Harnesses.	\$245.00	
11250	1967	ENGINE HARNESS 6 Cylinder Note: 6 Cylinder Items Are Not Returnable.	\$188.00	
19480	1967	ENGINE HARNESS 6 Cylinder, With A/C Note: 6 Cylinder Items Are Not Returnable.	\$194.00	
11275	1967	ENGINE HARNESS V/8, 283 & 327 C.I.	\$140.00	
39114	1967	ENGINE HARNESS-HEI V/8, 283 & 327 C.I. Note: This Harness Is Modified For Use With An HEI Distributor.	\$166.00	
19495	1967	ENGINE HARNESS V/8, 283 & 327 C.I. With A/C	\$140.00	
39145	1967	ENGINE HARNESS-HEI V/8, 283 & 327 C.I. With A/C Note: This Harness Is Modified For Use With An HEI Distributor.	\$166.00	
19485	1967	ENGINE HARNESS V/8, 283 & 327 C.I. With Gauges	\$140.00	
39245	1967	ENGINE HARNESS-HEI V/8, 283 & 327 C.I. With Gauges Note: This Harness Is Modified For Use With An HEI Distributor.	\$166.00	
19490	1967	ENGINE HARNESS V/8, 283 & 327 C.I. With Gauges & A/C	\$140.00	
39246	1967	ENGINE HARNESS-HEI V/8, 283 & 327 C.I. With Gauges & A/C Note: This Harness Is Modified For Use With An HEI Distributor.	\$166.00	
11310	1967	ENGINE HARNESS V/8, 396 & 427 C.I.	\$147.00	
39183	1967	ENGINE HARNESS-HEI V/8, 396 & 427 C.I. Note: This Harness Is Modified For Use With An HEI Distributor.	\$166.00	
11315	1967	ENGINE HARNESS V/8, 396 & 427 C.I. With A/C	\$147.00	
39247	1967	ENGINE HARNESS-HEI V/8, 396 & 427 C.I. With A/C Note: This Harness Is Modified For Use With An HEI Distributor.	\$166.00	
11320	1967	ENGINE HARNESS V/8, 396 & 427 C.I. With Gauges	\$147.00	
39184	1967	ENGINE HARNESS-HEI V/8, 396 & 427 C.I. With Gauges Note: This Harness Is Modified For Use With An HEI Distributor.	\$166.00	
19500	1967	ENGINE HARNESS V/8, 396 & 427 C.I. With Gauges & A/C	\$147.00	
39115	1967	ENGINE HARNESS-HEI V/8, 396 & 427 C.I. With Gauges & A/C Note: This Harness Is Modified For Use With An HEI Distributor.	\$166.00	
19505	1968	ENGINE HARNESS 6 Cylinder Note: 6 Cylinder Items Are Not Returnable.	\$180.00	
12015	1968	ENGINE HARNESS 6 Cylinder, With Idle Stop Solenoid Note: 6 Cylinder Items Are Not Returnable.	\$194.00	
11705	1968	ENGINE HARNESS V/8, 307 & 327 C.I.	\$140.00	
39060	1968	ENGINE HARNESS-HEI V/8, 307 & 327 C.I. Note: This Harness Is Modified For Use With An HEI Distributor.	\$166.00	

Part Number	Year	Description	Price	*Rev.
12090	1968	ENGINE HARNESS V/8, All With Gauges	\$140.00	
39260	1968	ENGINE HARNESS-HEI V/8, All With Gauges Note: This Harness Is Modified For Use With An HEI Distributor.	\$166.00	
19510	1968	ENGINE HARNESS V/8, All With Gauges & A/C	\$140.00	
39259	1968	ENGINE HARNESS-HEI V/8, All With Gauges & A/C Note: This Harness Is Modified For Use With An HEI Distributor.	\$166.00	
19515	1968	ENGINE HARNESS V/8, 396 & 427 C.I.	\$147.00	
39188	1968	ENGINE HARNESS-HEI V/8, 396 & 427 C.I. Note: This Harness Is Modified For Use With An HEI Distributor.	\$166.00	
12015	1969	ENGINE HARNESS 6 Cylinder Note: 6 Cylinder Items Are Not Returnable.	\$194.00	
19520	1969	ENGINE HARNESS V/8, 327 & 350 C.I.	\$153.00	
39264	1969	ENGINE HARNESS-HEI V/8, 327 & 350 C.I. Note: This Harness Is Modified For Use With An HEI Distributor.	\$173.00	
13165	1969	ENGINE HARNESS V/8, 327 & 350 C.I. With A/C	\$153.00	
39265	1969	ENGINE HARNESS-HEI V/8, 327 & 350 C.I. With A/C Note: This Harness Is Modified For Use With An HEI Distributor.	\$173.00	
19525	1969	ENGINE HARNESS V/8, 396 & 427 C.I.	\$153.00	
39117	1969	ENGINE HARNESS-HEI V/8, 396 & 427 C.I. Note: This Harness Is Modified For Use With An HEI Distributor.	\$173.00	
19530	1970	ENGINE HARNESS 6 Cylinder, Auto Trans Note: 6 Cylinder Items Are Not Returnable.	\$270.00	
19535	1970	ENGINE HARNESS 6 Cylinder, Manual Trans Note: 6 Cylinder Items Are Not Returnable.	\$270.00	
15210	1970	ENGINE HARNESS V/8, 350 & 400 C.I., Auto Trans	\$245.00	
39190	1970	ENGINE HARNESS-HEI V/8, 350 & 400 C.I., Auto Trans Note: This Harness Is Modified For Use With An HEI Distributor.	\$263.00	
15310	1970	ENGINE HARNESS V/8, 350 & 400 C.I., TH400 Auto Trans	\$259.00	
39271	1970	ENGINE HARNESS-HEI V/8, 350 & 400 C.I., TH400 Auto Trans Note: This Harness Is Modified For Use With An HEI Distributor.	\$279.00	
19540	1970	ENGINE HARNESS V/8, 350 & 400 C.I., Auto Trans With A/C	\$226.00	
39268	1970	ENGINE HARNESS-HEI V/8, 350 & 400 C.I., Auto Trans With A/C Note: This Harness Is Modified For Use With An HEI Distributor.	\$279.00	
19550	1970	ENGINE HARNESS V/8, 350 & 400 C.I., TH400 Auto Trans With A/C	\$259.00	
39270	1970	ENGINE HARNESS-HEI V/8, 350 & 400 C.I., TH400 Auto Trans With A/C Note: This Harness Is Modified For Use With An HEI Distributor.	\$279.00	
19545	1970	ENGINE HARNESS V/8, 350 & 400 C.I., Manual Trans	\$259.00	
39266	1970	ENGINE HARNESS-HEI V/8, 350 & 400 C.I., Manual Trans Note: This Harness Is Modified For Use With An HEI Distributor.	\$263.00	
19555	1970	ENGINE HARNESS V/8, 396, 454 C.I. TH400 Auto Trans	\$259.00	
39269	1970	ENGINE HARNESS-HEI V/8, 396, 454 C.I. TH400 Auto Trans Note: This Harness Is Modified For Use With An HEI Distributor.	\$263.00	
19560	1970	ENGINE HARNESS V/8, 396 & 454 C.I. TH400 Auto Trans & A/C	\$259.00	
39267	1970	ENGINE HARNESS-HEI V/8, 396 & 454 C.I. TH400 Auto Trans & A/C Note: This Harness Is Modified For Use With An HEI Distributor.	\$263.00	
19565	1971	ENGINE HARNESS 6 Cylinder, Auto Trans Note: 6 Cylinder Items Are Not Returnable.	\$270.00	
19570	1971	ENGINE HARNESS 6 Cylinder, Manual Trans Note: 6 Cylinder Items Are Not Returnable.	\$270.00	

Part Number	Year	Description	Price	*Rev.
19575	1971	ENGINE HARNESS V/8, 350 & 400 C.I., Auto Trans	\$259.00	
39272	1971	ENGINE HARNESS-HEI V/8, 350 & 400 C.I., Auto Trans Note: This Harness Is Modified For Use With An HEI Distributor.	\$279.00	
19580	1971	ENGINE HARNESS V/8, 350 & 400 C.I., Manual Trans	\$259.00	
39273	1971	ENGINE HARNESS-HEI V/8, 350 & 400 C.I., Manual Trans Note: This Harness Is Modified For Use With An HEI Distributor.	\$279.00	
23375	1971	ENGINE HARNESS V/8, 350 & 400 C.I., TH400 Auto Trans	\$259.00	
39274	1971	ENGINE HARNESS-HEI V/8, 350 & 400 C.I., TH400 Auto Trans Note: This Harness Is Modified For Use With An HEI Distributor.	\$279.00	
15420	1971	ENGINE HARNESS V/8, 396 & 454 C.I., TH400 Auto Trans	\$259.00	
39275	1971	ENGINE HARNESS-HEI V/8, 396 & 454 C.I., TH400 Auto Trans Note: This Harness Is Modified For Use With An HEI Distributor.	\$279.00	
17550	1972	ENGINE HARNESS V/8, Small Block, TH400 Auto Trans, With Warning Lights	\$279.00	
19010	1973	ENGINE HARNESS V/8, 396 & 454 C.I., With Auto Trans & Warning Lights	\$290.00	
16595	1974	ENGINE HARNESS 6 Cylinder Note: 6 Cylinder Items Are Not Returnable.	\$304.00	
22605	1974	ENGINE HARNESS V/8, With Auto Trans & Warning Lights	\$279.00	
22585	1974	ENGINE HARNESS V/8, With TH400 Auto Trans & Warning Lights	\$304.00	
19010	1974	ENGINE HARNESS V/8, 396 & 454 C.I., With Auto Trans & Warning Lights	\$290.00	
18615	1975	ENGINE HARNESS 6 Cylinder, Except Integrated Cylinder Head Note: 6 Cylinder Items Are Not Returnable.	\$317.00	
18610	1975	ENGINE HARNESS 6 Cylinder, With Integrated Cylinder Head Note: 6 Cylinder Items Are Not Returnable.	\$317.00	
19045	1975	ENGINE HARNESS V/8, 454 C.I., With TH400 Auto Trans & H.E.I.	\$290.00	
FORWARD LAMP HARNESS				
02705	1958	FORWARD LAMP HARNESS 6 Cylinder Note: 6 Cylinder Items Are Not Returnable.	\$192.00	
02700	1958	FORWARD LAMP HARNESS 6 Cylinder, With H.D. Generator Note: 6 Cylinder Items Are Not Returnable.	\$192.00	
02695	1958	FORWARD LAMP HARNESS V/8	\$145.00	
18380	1958	FORWARD LAMP HARNESS V/8, With Air Suspension	\$184.00	
19590	1958	FORWARD LAMP HARNESS V/8, With H.D. Generator	\$184.00	
35590	1958	FORWARD LAMP HARNESS-INT REG ALT DRIVER SIDE V/8 Note: Modified For Driver Side Mounted 1972-84 Non-Serpentine Belt ("SI" Series) Internal Regulated Alternators And Requires A Delco Horn Relay #12339243 (D1709A).	\$172.00	
39079	1958	FORWARD LAMP HARNESS-INT REG ALT PASSENGER SIDE V/8 Note: Modified For Passenger Side Mounted 1972-84 Non-Serpentine Belt ("SI" Series) Internal Regulated Alternators And Requires A Delco Horn Relay #12339243 (D1709A).	\$212.00	
19585	1958	FORWARD LAMP EXTENSION HARNESS All, Front Parking Light Bar Wiring	\$74.00	
02805	1959	FORWARD LAMP HARNESS 6 Cylinder Note: 6 Cylinder Items Are Not Returnable.	\$220.00	
02815	1959	FORWARD LAMP HARNESS 6 Cylinder, With H.D. Generator Note: 6 Cylinder Items Are Not Returnable.	\$220.00	
02810	1959	FORWARD LAMP HARNESS V/8, With Stock Generator	\$198.00	
02825	1959	FORWARD LAMP HARNESS V/8, With H.D. Generator	\$198.00	
35390	1959	FORWARD LAMP HARNESS-INT REG ALT DRIVER SIDE V/8 Note: Modified For Driver Side Mounted 1972-84 Non-Serpentine Belt ("SI" Series) Internal Regulated Alternators And Requires A Delco Horn Relay #12339243 (D1709A).	\$198.00	

Part Number	Year	Description	Price	*Rev.
39111	1959	FORWARD LAMP HARNESS-INT REG ALT PASSENGER SIDE V/8 Note: Modified For Passenger Side Mounted 1972-84 Non-Serpentine Belt ("SI" Series) Internal Regulated Alternators And Requires A Delco Horn Relay #12339243 (D1709A).	\$239.00	
03020	1960	FORWARD LAMP HARNESS 6 Cylinder Note: 6 Cylinder Items Are Not Returnable.	\$275.00	
19595	1960	FORWARD LAMP HARNESS 6 Cylinder, With H.D. Generator Note: 6 Cylinder Items Are Not Returnable.	\$275.00	
03025	1960	FORWARD LAMP HARNESS V/8, With Stock Generator	\$211.00	
03030	1960	FORWARD LAMP HARNESS V/8, With H.D. Generator	\$251.00	
38304	1960	FORWARD LAMP HARNESS-INT REG ALT DRIVER SIDE V/8 Note: Modified For Driver Side Mounted 1972-84 Non-Serpentine Belt ("SI" Series) Internal Regulated Alternators And Requires A Delco Horn Relay #12339243 (D1709A).	\$251.00	
39095	1960	FORWARD LAMP HARNESS-INT REG ALT PASSENGER SIDE V/8 Note: Modified For Passenger Side Mounted 1972-84 Non-Serpentine Belt ("SI" Series) Internal Regulated Alternators And Requires A Delco Horn Relay #12339243 (D1709A).	\$291.00	
33275	1961	FORWARD LAMP HARNESS 6 Cylinder Note: 6 Cylinder Items Are Not Returnable.	\$275.00	
33265	1961	FORWARD LAMP HARNESS 6 Cylinder, With H.D. Generator Note: 6 Cylinder Items Are Not Returnable.	\$275.00	
33270	1961	FORWARD LAMP HARNESS V/8, With Stock Generator	\$251.00	
33260	1961	FORWARD LAMP HARNESS V/8, With H.D. Generator	\$264.00	
38305	1961	FORWARD LAMP HARNESS-INT REG ALT DRIVER SIDE V/8 Note: Modified For Driver Side Mounted 1972-84 Non-Serpentine Belt ("SI" Series) Internal Regulated Alternators And Requires A Delco Horn Relay #12339243 (D1709A).	\$251.00	
39057	1961	FORWARD LAMP HARNESS-INT REG ALT PASSENGER SIDE V/8 Note: Modified For Passenger Side Mounted 1972-84 Non-Serpentine Belt ("SI" Series) Internal Regulated Alternators And Requires A Delco Horn Relay #12339243 (D1709A).	\$297.00	
33130	1962	FORWARD LAMP HARNESS 6 Cylinder Note: 6 Cylinder Items Are Not Returnable.	\$275.00	
33135	1962	FORWARD LAMP HARNESS V/8, With Stock Generator	\$251.00	
03925	1962	FORWARD LAMP HARNESS V/8, With Alternator & Screw Type Regulator (Original Type)	\$251.00	
32950	1962	FORWARD LAMP HARNESS V/8, With Alternator & Late Model Regulator(Connector Type)	\$264.00	
32965	1962	FORWARD LAMP HARNESS-INT REG ALT DRIVER SIDE V/8 Note: Modified For Driver Side Mounted 1972-84 Non-Serpentine Belt ("SI" Series) Internal Regulated Alternators And Requires A Delco Horn Relay #12339243 (D1709A).	\$237.00	
38999	1962	FORWARD LAMP HARNESS-INT REG ALT PASSENGER SIDE V/8 Note: Modified For Passenger Side Mounted 1972-84 Non-Serpentine Belt ("SI" Series) Internal Regulated Alternators And Requires A Delco Horn Relay #12339243 (D1709A).	\$278.00	
04275	1963	FORWARD LAMP HARNESS 6 Cylinder Note: 6 Cylinder Items Are Not Returnable.	\$275.00	
39178	1963	FORWARD LAMP HARNESS-INT REG ALT DRIVER SIDE 6 Cylinder Note: 6 Cylinder Items Are Not Returnable.	\$305.00	
33120	1963	FORWARD LAMP HARNESS V/8	\$237.00	
38944	1963	FORWARD LAMP HARNESS-INT REG ALT DRIVER SIDE V/8 Note: Modified For Driver Side Mounted 1972-84 Non-Serpentine Belt ("SI" Series) Internal Regulated Alternators.	\$266.00	
39096	1963	FORWARD LAMP HARNESS-INT REG ALT PASSENGER SIDE V/8 Note: Modified For Passenger Side Mounted 1972-84 Non-Serpentine Belt ("SI" Series) Internal Regulated Alternators.	\$278.00	
05635	1964	FORWARD LAMP HARNESS 6 Cylinder Note: 6 Cylinder Items Are Not Returnable.	\$290.00	

Part Number	Year	Description	Price	*Rev.
39179	1964	FORWARD LAMP HARNESS-INT REG ALT DRIVER SIDE 6 Cylinder Note: 6 Cylinder Items Are Not Returnable.	\$320.00	
33165	1964	FORWARD LAMP HARNESS V/8	\$237.00	
38938	1964	FORWARD LAMP HARNESS-INT REG ALT DRIVER SIDE V/8 Note: Modified For Driver Side Mounted 1972-84 Non-Serpentine Belt ("SI" Series) Internal Regulated Alternators.	\$266.00	
39042	1964	FORWARD LAMP HARNESS-INT REG ALT PASSENGER SIDE V/8 Note: Modified For Passenger Side Mounted 1972-84 Non-Serpentine Belt ("SI" Series) Internal Regulated Alternators.	\$278.00	
38215	1964	FORWARD LAMP HARNESS V/8, Right Hand Drive, Export	\$311.00	
19600	1965	FORWARD LAMP HARNESS 6 Cylinder Note: 6 Cylinder Items Are Not Returnable.	\$330.00	
06010	1965	FORWARD LAMP HARNESS 6 Cylinder, With Gauges Note: 6 Cylinder Items Are Not Returnable.	\$345.00	
06005	1965	FORWARD LAMP HARNESS V/8	\$264.00	
39034	1965	FORWARD LAMP HARNESS-INT REG ALT DRIVER SIDE V/8 Note: Modified For Driver Side Mounted 1972-84 Non-Serpentine Belt ("SI" Series) Internal Regulated Alternators.	\$293.00	
39182	1965	FORWARD LAMP HARNESS-INT REG ALT PASSENGER SIDE V/8 Note: Modified For Passenger Side Mounted 1972-84 Non-Serpentine Belt ("SI" Series) Internal Regulated Alternators.	\$304.00	
06015	1965	FORWARD LAMP HARNESS V/8, With Gauges	\$264.00	
38980	1965	FORWARD LAMP HARNESS-INT REG ALT DRIVER SIDE V/8, With Gauges Note: Modified For Driver Side Mounted 1972-84 Non-Serpentine Belt ("SI" Series) Internal Regulated Alternators.	\$293.00	
39144	1965	FORWARD LAMP HARNESS-INT REG ALT PASSENGER SIDE V/8, With Gauges Note: Modified For Passenger Side Mounted 1972-84 Non-Serpentine Belt ("SI" Series) Internal Regulated Alternators.	\$304.00	
10105	1966	FORWARD LAMP HARNESS 6 Cylinder Note: 6 Cylinder Items Are Not Returnable.	\$345.00	
10185	1966	FORWARD LAMP HARNESS 6 Cylinder, With Gauges Note: 6 Cylinder Items Are Not Returnable.	\$345.00	
19605	1966	FORWARD LAMP HARNESS V/8	\$278.00	
39006	1966	FORWARD LAMP HARNESS-INT REG ALT DRIVER SIDE V/8 Note: Modified For Driver Side Mounted 1972-84 Non-Serpentine Belt ("SI" Series) Internal Regulated Alternators.	\$306.00	
39242	1966	FORWARD LAMP HARNESS-INT REG ALT PASSENGER SIDE V/8 Note: Modified For Passenger Side Mounted 1972-84 Non-Serpentine Belt ("SI" Series) Internal Regulated Alternators.	\$318.00	
09440	1966	FORWARD LAMP HARNESS V/8, With Gauges	\$278.00	
39059	1966	FORWARD LAMP HARNESS-INT REG ALT DRIVER SIDE V/8, With Gauges Note: Modified For Driver Side Mounted 1972-84 Non-Serpentine Belt ("SI" Series) Internal Regulated Alternators.	\$306.00	
39243	1966	FORWARD LAMP HARNESS-INT REG ALT PASSENGER SIDE V/8, With Gauges Note: Modified For Passenger Side Mounted 1972-84 Non-Serpentine Belt ("SI" Series) Internal Regulated Alternators.	\$318.00	
19610	1967	FORWARD LAMP HARNESS 6 Cylinder, With (T78) Running Lights Note: 6 Cylinder Items Are Not Returnable.	\$358.00	
19625	1967	FORWARD LAMP HARNESS V/8	\$304.00	
39249	1967	FORWARD LAMP HARNESS-INT REG ALT DRIVER SIDE V/8 Note: Modified For Driver Side Mounted 1972-84 Non-Serpentine Belt ("SI" Series) Internal Regulated Alternators.	\$333.00	
39250	1967	FORWARD LAMP HARNESS-INT REG ALT PASSENGER SIDE V/8 Note: Modified For Passenger Side Mounted 1972-84 Non-Serpentine Belt ("SI" Series) Internal Regulated Alternators.	\$344.00	
19630	1967	FORWARD LAMP HARNESS V/8, With (T78) Running Lights	\$304.00	
39185	1967	FORWARD LAMP HARNESS-INT REG ALT DRIVER SIDE V/8, With (T78) Running Lights Note: Modified For Driver Side Mounted 1972-84 Non-Serpentine Belt ("SI" Series) Internal Regulated Alternators.	\$333.00	
39248	1967	FORWARD LAMP HARNESS-INT REG ALT PASSENGER SIDE V/8, With (T78) Running Lights Note: Modified For Passenger Side Mounted 1972-84 Non-Serpentine Belt ("SI" Series) Internal Regulated Alternators.	\$344.00	
19620	1967	FORWARD LAMP HARNESS V/8, With Gauges	\$304.00	

Part Number	Year	Description	Price	*Rev.
39186	1967	FORWARD LAMP HARNESS-INT REG ALT DRIVER SIDE V/8, With Gauges Note: Modified For Driver Side Mounted 1972-84 Non-Serpentine Belt ("SI" Series) Internal Regulated Alternators.	\$333.00	
39251	1967	FORWARD LAMP HARNESS-INT REG ALT PASSENGER SIDE V/8, With Gauges Note: Modified For Passenger Side Mounted 1972-84 Non-Serpentine Belt ("SI" Series) Internal Regulated Alternators.	\$344.00	
18445	1967	FORWARD LAMP HARNESS V/8, With Gauges & (T78) Running Lights	\$317.00	
39252	1967	FORWARD LAMP HARNESS-INT REG ALT DRIVER SIDE V/8, With Gauges & (T78) Running Lights Note: Modified For Driver Side Mounted 1972-84 Non-Serpentine Belt ("SI" Series) Internal Regulated Alternators.	\$345.00	
39187	1967	FORWARD LAMP HARNESS-INT REG ALT PASSENGER SIDE V/8, With Gauges & (T78) Running Lights Note: Modified For Passenger Side Mounted 1972-84 Non-Serpentine Belt ("SI" Series) Internal Regulated Alternators.	\$357.00	
33495	1967	FORWARD LAMP EXTENSION HARNESS Light Switch To (T78) Running Light Lead	\$17.00	
11800	1968	FORWARD LAMP HARNESS 6 Cylinder Note: 6 Cylinder Items Are Not Returnable.	\$372.00	
11785	1968	FORWARD LAMP HARNESS 6 Cylinder, With Fender Lights Note: 6 Cylinder Items Are Not Returnable.	\$372.00	
19635	1968	FORWARD LAMP HARNESS V/8	\$331.00	
39146	1968	FORWARD LAMP HARNESS-INT REG ALT DRIVER SIDE V/8 Note: Modified For Driver Side Mounted 1972-84 Non-Serpentine Belt ("SI" Series) Internal Regulated Alternators.	\$359.00	
39253	1968	FORWARD LAMP HARNESS-INT REG ALT PASSENGER SIDE V/8 Note: Modified For Passenger Side Mounted 1972-84 Non-Serpentine Belt ("SI" Series) Internal Regulated Alternators.	\$371.00	
19640	1968	FORWARD LAMP HARNESS V/8, With Fender Lights	\$331.00	
39116	1968	FORWARD LAMP HARNESS-INT REG ALT DRIVER SIDE V/8, With Fender Lights Note: Modified For Driver Side Mounted 1972-84 Non-Serpentine Belt ("SI" Series) Internal Regulated Alternators.	\$359.00	
39254	1968	FORWARD LAMP HARNESS-INT REG ALT PASSENGER SIDE V/8, With Fender Lights Note: Modified For Passenger Side Mounted 1972-84 Non-Serpentine Belt ("SI" Series) Internal Regulated Alternators.	\$371.00	
11790	1968	FORWARD LAMP HARNESS V/8, With Gauges	\$331.00	
39255	1968	FORWARD LAMP HARNESS-INT REG ALT DRIVER SIDE V/8, With Gauges Note: Modified For Driver Side Mounted 1972-84 Non-Serpentine Belt ("SI" Series) Internal Regulated Alternators.	\$359.00	
39256	1968	FORWARD LAMP HARNESS-INT REG ALT PASSENGER SIDE V/8, With Gauges Note: Modified For Passenger Side Mounted 1972-84 Non-Serpentine Belt ("SI" Series) Internal Regulated Alternators.	\$371.00	
11795	1968	FORWARD LAMP HARNESS V/8, With Gauges & Fender Lights	\$331.00	
39257	1968	FORWARD LAMP HARNESS-INT REG ALT DRIVER SIDE V/8, With Gauges & Fender Lights Note: Modified For Driver Side Mounted 1972-84 Non-Serpentine Belt ("SI" Series) Internal Regulated Alternators.	\$359.00	
39258	1968	FORWARD LAMP HARNESS-INT REG ALT PASSENGER SIDE V/8, With Gauges & Fender Lights Note: Modified For Passenger Side Mounted 1972-84 Non-Serpentine Belt ("SI" Series) Internal Regulated Alternators.	\$371.00	
13080	1969	FORWARD LAMP HARNESS 6 Cylinder Note: 6 Cylinder Items Are Not Returnable.	\$372.00	
13105	1969	FORWARD LAMP HARNESS 6 Cylinder, With Retractable Headlights Note: 6 Cylinder Items Are Not Returnable.	\$386.00	
13045	1969	FORWARD LAMP HARNESS V/8, 327 & 350 C.I.	\$331.00	
39261	1969	FORWARD LAMP HARNESS-INT REG ALT PASSENGER SIDE V/8, 327 & 350 C.I. Note: Modified For Passenger Side Mounted 1972-84 Non-Serpentine Belt ("SI" Series) Internal Regulated Alternators.	\$371.00	
13095	1969	FORWARD LAMP HARNESS V/8, 327 & 350 C.I., With Retractable Headlights	\$331.00	
39262	1969	FORWARD LAMP HARNESS-INT REG ALT PASSENGER SIDE V/8, 327 & 350 C.I., With Retractable Headlights Note: Modified For Passenger Side Mounted 1972-84 Non-Serpentine Belt ("SI" Series) Internal Regulated Alternators.	\$371.00	
13050	1969	FORWARD LAMP HARNESS V/8, 396 & 427 C.I.	\$343.00	
39147	1969	FORWARD LAMP HARNESS-INT REG ALT PASSENGER SIDE V/8, 396 & 427 C.I. Note: Modified For Passenger Side Mounted 1972-84 Non-Serpentine Belt ("SI" Series) Internal Regulated Alternators.	\$383.00	
35365	1969	FORWARD LAMP HARNESS V/8, 396 & 427 C.I., With Gauges Special Police Car Only Application	\$370.00	

Part Number	Year	Description	Price	*Rev.
13100	1969	FORWARD LAMP HARNESS V/8, 396 & 427 C.I., With Retractable Headlights	\$343.00	
39263	1969	FORWARD LAMP HARNESS-INT REG ALT PASSENGER SIDE V/8, 396 & 427 C.I., With Retractable Headlights Note: Modified For Passenger Side Mounted 1972-84 Non-Serpentine Belt ("SI" Series) Internal Regulated Alternators.	\$383.00	
14780	1970	FORWARD LAMP HARNESS 6 Cylinder Note: 6 Cylinder Items Are Not Returnable.	\$372.00	
15015	1970	FORWARD LAMP HARNESS V/8	\$357.00	
39189	1970	FORWARD LAMP HARNESS-INT REG ALT PASSENGER SIDE V/8 Note: Modified For Passenger Side Mounted 1972-84 Non-Serpentine Belt ("SI" Series) Internal Regulated Alternators.	\$397.00	
15455	1971	FORWARD LAMP HARNESS 6 Cylinder Note: 6 Cylinder Items Are Not Returnable.	\$386.00	
15460	1971	FORWARD LAMP HARNESS V/8	\$357.00	
39276	1971	FORWARD LAMP HARNESS-INT REG ALT PASSENGER SIDE V/8 Note: Modified For Passenger Side Mounted 1972-84 Non-Serpentine Belt ("SI" Series) Internal Regulated Alternators.	\$397.00	
FUEL TANK SENDER WIRE				
41459	1967	FUEL TANK SENDER WIRE All Except Station Wagons	\$38.00	
FUEL TANK SENDING UNIT				
06428052	1958	FUEL TANK SENDING UNIT 3/8" Fuel Line	\$43.00	N
06428051	1958	FUEL TANK SENDING UNIT 5/16" Fuel Line	\$43.00	N
06428053	1958	FUEL TANK SENDING UNIT Sedan Delivery, Station Wagon, 5/16" Fuel Line, Except 9 Passenger Wagon	\$55.00	N
06428051	1959	FUEL TANK SENDING UNIT 5/16" Fuel Line	\$43.00	N
06428052	1959	FUEL TANK SENDING UNIT Car & 9 Passenger Wagon, 3/8" Fuel Line	\$43.00	N
06428053	1959	FUEL TANK SENDING UNIT El Camino, Sedan Delivery, Station Wagon, 5/16" Fuel Line, Except 9 Passenger Wagon	\$55.00	N
06428051	1960	FUEL TANK SENDING UNIT 5/16" Fuel Line	\$43.00	N
06428052	1960	FUEL TANK SENDING UNIT Car & 9 Passenger Wagon, 3/8" Fuel Line	\$43.00	N
06428053	1960	FUEL TANK SENDING UNIT El Camino, Sedan Delivery, Station Wagon, 5/16" Fuel Line, Except 9 Passenger Wagon	\$55.00	N
06428057	1961	FUEL TANK SENDING UNIT 3/8" Fuel Line	\$43.00	N
06428056	1961	FUEL TANK SENDING UNIT 5/16" Fuel Line	\$43.00	N

Impala/Bel Air
'58-'63 El Camino



Phone (562) 926-9552
Fax (562) 926-9572

Part Number	Year	Description	Price	*Rev.
06428060	1961	FUEL TANK SENDING UNIT Station Wagon, 5/16" Fuel Line	\$43.00	N
06428057	1962	FUEL TANK SENDING UNIT 3/8" Fuel Line	\$43.00	N
06428056	1962	FUEL TANK SENDING UNIT 5/16" Fuel Line	\$43.00	N
06428060	1962	FUEL TANK SENDING UNIT Station Wagon, 5/16" Fuel Line	\$43.00	N
06428057	1963	FUEL TANK SENDING UNIT 3/8" Fuel Line	\$43.00	N
06428056	1963	FUEL TANK SENDING UNIT 5/16" Fuel Line	\$43.00	N
06428060	1963	FUEL TANK SENDING UNIT Station Wagon, 5/16" Fuel Line	\$43.00	N
06428057	1964	FUEL TANK SENDING UNIT 3/8" Fuel Line	\$43.00	N
06428056	1964	FUEL TANK SENDING UNIT 5/16" Fuel Line	\$43.00	N
06428060	1964	FUEL TANK SENDING UNIT Station Wagon, 5/16" Fuel Line	\$43.00	N
06426973	1965	FUEL TANK SENDING UNIT 3/8" Fuel Line	\$43.00	N
06428067	1965	FUEL TANK SENDING UNIT 5/16" Fuel Line	\$43.00	N
06426973	1966	FUEL TANK SENDING UNIT 3/8" Fuel Line	\$43.00	N
06428067	1966	FUEL TANK SENDING UNIT 5/16" Fuel Line	\$43.00	N
06428084	1967	FUEL TANK SENDING UNIT 3/8" Fuel Line	\$55.00	N
06428084	1968	FUEL TANK SENDING UNIT 3/8" Fuel Line	\$55.00	N
06428084	1969	FUEL TANK SENDING UNIT 3/8" Fuel Line	\$55.00	N

Part Number	Year	Description	Price	*Rev.
06428084	1970	FUEL TANK SENDING UNIT 3/8" Fuel Line	\$55.00	N
GLOVE BOX LAMP KIT				
18000	1958	GLOVE BOX LAMP KIT Socket, Bulb & Wire	\$24.00	
18000	1959	GLOVE BOX LAMP KIT Socket, Bulb & Wire	\$24.00	
18000	1960	GLOVE BOX LAMP KIT Socket, Bulb & Wire	\$24.00	
18000	1961	GLOVE BOX LAMP KIT Socket, Bulb & Wire	\$24.00	
18000	1962	GLOVE BOX LAMP KIT Socket, Bulb & Wire	\$24.00	
18000	1963	GLOVE BOX LAMP KIT Socket, Bulb & Wire	\$24.00	
18000	1964	GLOVE BOX LAMP KIT Socket, Bulb & Wire	\$24.00	
18000	1965	GLOVE BOX LAMP KIT Socket, Bulb & Wire	\$24.00	
18000	1966	GLOVE BOX LAMP KIT Socket, Bulb & Wire	\$24.00	
18000	1967	GLOVE BOX LAMP KIT Socket, Bulb & Wire	\$24.00	
18000	1968	GLOVE BOX LAMP KIT Socket, Bulb & Wire	\$24.00	
18000	1969	GLOVE BOX LAMP KIT Socket, Bulb & Wire	\$24.00	
18000	1970	GLOVE BOX LAMP KIT Socket, Bulb & Wire	\$24.00	
18000	1971	GLOVE BOX LAMP KIT Socket, Bulb & Wire	\$24.00	
18000	1972	GLOVE BOX LAMP KIT Socket, Bulb & Wire	\$24.00	
GROUND STRAP KIT				
27320	1958	GROUND STRAP KIT 6 Cylinder Note: 6 Cylinder Items Are Not Returnable.	\$17.00	
27325	1958	GROUND STRAP KIT V/8, 283-348 C.I.	\$23.00	
27330	1959	GROUND STRAP KIT 6 Cylinder Note: 6 Cylinder Items Are Not Returnable.	\$16.00	
27335	1959	GROUND STRAP KIT V/8, 283-348 C.I.	\$23.00	
27340	1960	GROUND STRAP KIT 6 Cylinder Note: 6 Cylinder Items Are Not Returnable.	\$16.00	
27345	1960	GROUND STRAP KIT V/8, 283-348 C.I.	\$23.00	
27350	1961	GROUND STRAP KIT 6 Cylinder Note: 6 Cylinder Items Are Not Returnable.	\$17.00	
27355	1961	GROUND STRAP KIT V/8, 283-327 C.I.	\$23.00	
27360	1961	GROUND STRAP KIT V/8, 348-409 C.I.	\$23.00	
27350	1962	GROUND STRAP KIT 6 Cylinder Note: 6 Cylinder Items Are Not Returnable.	\$17.00	
27355	1962	GROUND STRAP KIT V/8, 283-327 C.I.	\$23.00	
27360	1962	GROUND STRAP KIT V/8, 348-409 C.I.	\$23.00	
27350	1963	GROUND STRAP KIT 6 Cylinder Note: 6 Cylinder Items Are Not Returnable.	\$17.00	
27355	1963	GROUND STRAP KIT V/8, 283-327 C.I.	\$23.00	
27360	1963	GROUND STRAP KIT V/8, 348-409 C.I.	\$23.00	
27350	1964	GROUND STRAP KIT 6 Cylinder Note: 6 Cylinder Items Are Not Returnable.	\$17.00	
27355	1964	GROUND STRAP KIT V/8, 283-327 C.I.	\$23.00	
27360	1964	GROUND STRAP KIT V/8, 348-409 C.I.	\$23.00	
27385	1965	GROUND STRAP KIT 6 Cylinder Note: 6 Cylinder Items Are Not Returnable.	\$20.00	
27395	1965	GROUND STRAP KIT V/8, 283-327 C.I.	\$23.00	

Part Number	Year	Description	Price	*Rev.
27400	1965	GROUND STRAP KIT V/8, 396 C.I.	\$23.00	
27405	1965	GROUND STRAP KIT V/8, 409 C.I.	\$23.00	
27385	1966	GROUND STRAP KIT 6 Cylinder Note: 6 Cylinder Items Are Not Returnable.	\$20.00	
27395	1966	GROUND STRAP KIT V/8, 283-327 C.I.	\$23.00	
27400	1966	GROUND STRAP KIT V/8, 396 C.I.	\$23.00	
27390	1967	GROUND STRAP KIT 6 Cylinder Note: 6 Cylinder Items Are Not Returnable.	\$17.00	
27410	1967	GROUND STRAP KIT V/8, 283-327-350 C.I.	\$23.00	
27415	1967	GROUND STRAP KIT V/8, 396 C.I.	\$28.00	
27390	1968	GROUND STRAP KIT 6 Cylinder Note: 6 Cylinder Items Are Not Returnable.	\$17.00	
27410	1968	GROUND STRAP KIT V/8, 283-327-350 C.I.	\$23.00	
27415	1968	GROUND STRAP KIT V/8, 396 C.I.	\$28.00	
27390	1969	GROUND STRAP KIT 6 Cylinder Note: 6 Cylinder Items Are Not Returnable.	\$17.00	
27410	1969	GROUND STRAP KIT V/8, 283-327-350 C.I.	\$23.00	
27450	1969	GROUND STRAP KIT V/8, 396-427 C.I.	\$28.00	
GROUND WIRE				
01655	1965	GROUND WIRE Voltage Regulator	\$18.00	
01655	1966	GROUND WIRE Voltage Regulator	\$18.00	
01655	1967	GROUND WIRE Voltage Regulator	\$18.00	
01655	1968	GROUND WIRE Voltage Regulator	\$18.00	
01655	1969	GROUND WIRE Voltage Regulator	\$18.00	
GROUND WIRE-DISTRIBUTOR POINT PLATE				
38298	1958	GROUND WIRE, DISTRIBUTOR POINT PLATE From Distributor Point Plate To Distributor Housing Note: Replaces Spot Welded Wire Asm On Point Plate Side. Fits All GM V/8 Point Type Distributors From Approx. 1957-1974.	\$17.00	C
38298	1959	GROUND WIRE, DISTRIBUTOR POINT PLATE From Distributor Point Plate To Distributor Housing Note: Replaces Spot Welded Wire Asm On Point Plate Side. Fits All GM V/8 Point Type Distributors From Approx. 1957-1974.	\$17.00	C
38298	1960	GROUND WIRE, DISTRIBUTOR POINT PLATE From Distributor Point Plate To Distributor Housing Note: Replaces Spot Welded Wire Asm On Point Plate Side. Fits All GM V/8 Point Type Distributors From Approx. 1957-1974.	\$17.00	C
38298	1961	GROUND WIRE, DISTRIBUTOR POINT PLATE From Distributor Point Plate To Distributor Housing Note: Replaces Spot Welded Wire Asm On Point Plate Side. Fits All GM V/8 Point Type Distributors From Approx. 1957-1974.	\$17.00	C
38298	1962	GROUND WIRE, DISTRIBUTOR POINT PLATE From Distributor Point Plate To Distributor Housing Note: Replaces Spot Welded Wire Asm On Point Plate Side. Fits All GM V/8 Point Type Distributors From Approx. 1957-1974.	\$17.00	C
38298	1963	GROUND WIRE, DISTRIBUTOR POINT PLATE From Distributor Point Plate To Distributor Housing Note: Replaces Spot Welded Wire Asm On Point Plate Side. Fits All GM V/8 Point Type Distributors From Approx. 1957-1974.	\$17.00	C
38298	1964	GROUND WIRE, DISTRIBUTOR POINT PLATE From Distributor Point Plate To Distributor Housing Note: Replaces Spot Welded Wire Asm On Point Plate Side. Fits All GM V/8 Point Type Distributors From Approx. 1957-1974.	\$17.00	C
38298	1965	GROUND WIRE, DISTRIBUTOR POINT PLATE From Distributor Point Plate To Distributor Housing Note: Replaces Spot Welded Wire Asm On Point Plate Side. Fits All GM V/8 Point Type Distributors From Approx. 1957-1974.	\$17.00	C
38298	1966	GROUND WIRE, DISTRIBUTOR POINT PLATE From Distributor Point Plate To Distributor Housing Note: Replaces Spot Welded Wire Asm On Point Plate Side. Fits All GM V/8 Point Type Distributors From Approx. 1957-1974.	\$17.00	C
38298	1967	GROUND WIRE, DISTRIBUTOR POINT PLATE From Distributor Point Plate To Distributor Housing Note: Replaces Spot Welded Wire Asm On Point Plate Side. Fits All GM V/8 Point Type Distributors From Approx. 1957-1974.	\$17.00	C
38298	1968	GROUND WIRE, DISTRIBUTOR POINT PLATE From Distributor Point Plate To Distributor Housing Note: Replaces Spot Welded Wire Asm On Point Plate Side. Fits All GM V/8 Point Type Distributors From Approx. 1957-1974.	\$17.00	C

Part Number	Year	Description	Price	*Rev.
38298	1969	GROUND WIRE, DISTRIBUTOR POINT PLATE From Distributor Point Plate To Distributor Housing Note: Replaces Spot Welded Wire Asm On Point Plate Side. Fits All GM V/8 Point Type Distributors From Approx. 1957-1974.	\$17.00	C
38298	1970	GROUND WIRE, DISTRIBUTOR POINT PLATE From Distributor Point Plate To Distributor Housing Note: Replaces Spot Welded Wire Asm On Point Plate Side. Fits All GM V/8 Point Type Distributors From Approx. 1957-1974.	\$17.00	C
38298	1971	GROUND WIRE, DISTRIBUTOR POINT PLATE From Distributor Point Plate To Distributor Housing Note: Replaces Spot Welded Wire Asm On Point Plate Side. Fits All GM V/8 Point Type Distributors From Approx. 1957-1974.	\$17.00	C
38298	1972	GROUND WIRE, DISTRIBUTOR POINT PLATE From Distributor Point Plate To Distributor Housing Note: Replaces Spot Welded Wire Asm On Point Plate Side. Fits All GM V/8 Point Type Distributors From Approx. 1957-1974.	\$17.00	C
38298	1973	GROUND WIRE, DISTRIBUTOR POINT PLATE From Distributor Point Plate To Distributor Housing Note: Replaces Spot Welded Wire Asm On Point Plate Side. Fits All GM V/8 Point Type Distributors From Approx. 1957-1974.	\$17.00	C
38298	1974	GROUND WIRE, DISTRIBUTOR POINT PLATE From Distributor Point Plate To Distributor Housing Note: Replaces Spot Welded Wire Asm On Point Plate Side. Fits All GM V/8 Point Type Distributors From Approx. 1957-1974.	\$17.00	C
GUIDEMATIC DIMMER SWITCH EXTENSION				
40912	1961	GUIDEMATIC DIMMER SWITCH EXTENSION	\$25.00	
40912	1962	GUIDEMATIC DIMMER SWITCH EXTENSION	\$25.00	
40912	1963	GUIDEMATIC DIMMER SWITCH EXTENSION	\$25.00	
40912	1964	GUIDEMATIC DIMMER SWITCH EXTENSION	\$25.00	
40912	1965	GUIDEMATIC DIMMER SWITCH EXTENSION	\$25.00	
HARNESS TAPE				
R0058272	1958	HARNESS TAPE 3/4" Vinyl (100 Ft. Roll) Non-Adhesive	\$12.00	
R0058276	1958	HARNESS TAPE 1" Vinyl (100 Ft. Roll) Non-Adhesive	\$13.00	
R0067108	1958	HARNESS TAPE 1 1/4" Vinyl (100 Ft. Roll) Non-Adhesive	\$15.00	
R0058272	1959	HARNESS TAPE 3/4" Vinyl (100 Ft. Roll) Non-Adhesive	\$12.00	
R0058276	1959	HARNESS TAPE 1" Vinyl (100 Ft. Roll) Non-Adhesive	\$13.00	
R0067108	1959	HARNESS TAPE 1 1/4" Vinyl (100 Ft. Roll) Non-Adhesive	\$15.00	
R0058272	1960	HARNESS TAPE 3/4" Vinyl (100 Ft. Roll) Non-Adhesive	\$12.00	
R0058276	1960	HARNESS TAPE 1" Vinyl (100 Ft. Roll) Non-Adhesive	\$13.00	
R0067108	1960	HARNESS TAPE 1 1/4" Vinyl (100 Ft. Roll) Non-Adhesive	\$15.00	
R0058272	1961	HARNESS TAPE 3/4" Vinyl (100 Ft. Roll) Non-Adhesive	\$12.00	
R0058276	1961	HARNESS TAPE 1" Vinyl (100 Ft. Roll) Non-Adhesive	\$13.00	
R0067108	1961	HARNESS TAPE 1 1/4" Vinyl (100 Ft. Roll) Non-Adhesive	\$15.00	
R0058272	1962	HARNESS TAPE 3/4" Vinyl (100 Ft. Roll) Non-Adhesive	\$12.00	
R0058276	1962	HARNESS TAPE 1" Vinyl (100 Ft. Roll) Non-Adhesive	\$13.00	
R0067108	1962	HARNESS TAPE 1 1/4" Vinyl (100 Ft. Roll) Non-Adhesive	\$15.00	
R0058272	1963	HARNESS TAPE 3/4" Vinyl (100 Ft. Roll) Non-Adhesive	\$12.00	
R0058276	1963	HARNESS TAPE 1" Vinyl (100 Ft. Roll) Non-Adhesive	\$13.00	
R0067108	1963	HARNESS TAPE 1 1/4" Vinyl (100 Ft. Roll) Non-Adhesive	\$15.00	
R0058272	1964	HARNESS TAPE 3/4" Vinyl (100 Ft. Roll) Non-Adhesive	\$12.00	
R0058276	1964	HARNESS TAPE 1" Vinyl (100 Ft. Roll) Non-Adhesive	\$13.00	
R0067108	1964	HARNESS TAPE 1 1/4" Vinyl (100 Ft. Roll) Non-Adhesive	\$15.00	
R0058272	1965	HARNESS TAPE 3/4" Vinyl (100 Ft. Roll) Non-Adhesive	\$12.00	
R0058276	1965	HARNESS TAPE 1" Vinyl (100 Ft. Roll) Non-Adhesive	\$13.00	
R0067108	1965	HARNESS TAPE 1 1/4" Vinyl (100 Ft. Roll) Non-Adhesive	\$15.00	
R0058272	1966	HARNESS TAPE 3/4" Vinyl (100 Ft. Roll) Non-Adhesive	\$12.00	
R0058276	1966	HARNESS TAPE 1" Vinyl (100 Ft. Roll) Non-Adhesive	\$13.00	
R0067108	1966	HARNESS TAPE 1 1/4" Vinyl (100 Ft. Roll) Non-Adhesive	\$15.00	
R0058272	1967	HARNESS TAPE 3/4" Vinyl (100 Ft. Roll) Non-Adhesive	\$12.00	

Part Number	Year	Description	Price	*Rev.
R0058276	1967	HARNESS TAPE 1" Vinyl (100 Ft. Roll) Non-Adhesive	\$13.00	
R0067108	1967	HARNESS TAPE 1 1/4" Vinyl (100 Ft. Roll) Non-Adhesive	\$15.00	
R0058272	1968	HARNESS TAPE 3/4" Vinyl (100 Ft. Roll) Non-Adhesive	\$12.00	
R0058276	1968	HARNESS TAPE 1" Vinyl (100 Ft. Roll) Non-Adhesive	\$13.00	
R0067108	1968	HARNESS TAPE 1 1/4" Vinyl (100 Ft. Roll) Non-Adhesive	\$15.00	
R0058272	1969	HARNESS TAPE 3/4" Vinyl (100 Ft. Roll) Non-Adhesive	\$12.00	
R0058276	1969	HARNESS TAPE 1" Vinyl (100 Ft. Roll) Non-Adhesive	\$13.00	
R0067108	1969	HARNESS TAPE 1 1/4" Vinyl (100 Ft. Roll) Non-Adhesive	\$15.00	
R0058272	1970	HARNESS TAPE 3/4" Vinyl (100 Ft. Roll) Non-Adhesive	\$12.00	
R0058276	1970	HARNESS TAPE 1" Vinyl (100 Ft. Roll) Non-Adhesive	\$13.00	
R0067108	1970	HARNESS TAPE 1 1/4" Vinyl (100 Ft. Roll) Non-Adhesive	\$15.00	
R0058272	1971	HARNESS TAPE 3/4" Vinyl (100 Ft. Roll) Non-Adhesive	\$12.00	
R0058276	1971	HARNESS TAPE 1" Vinyl (100 Ft. Roll) Non-Adhesive	\$13.00	
R0067108	1971	HARNESS TAPE 1 1/4" Vinyl (100 Ft. Roll) Non-Adhesive	\$15.00	
R0058272	1972	HARNESS TAPE 3/4" Vinyl (100 Ft. Roll) Non-Adhesive	\$12.00	
R0058276	1972	HARNESS TAPE 1" Vinyl (100 Ft. Roll) Non-Adhesive	\$13.00	
R0067108	1972	HARNESS TAPE 1 1/4" Vinyl (100 Ft. Roll) Non-Adhesive	\$15.00	
R0058272	1973	HARNESS TAPE 3/4" Vinyl (100 Ft. Roll) Non-Adhesive	\$12.00	
R0058276	1973	HARNESS TAPE 1" Vinyl (100 Ft. Roll) Non-Adhesive	\$13.00	
R0067108	1973	HARNESS TAPE 1 1/4" Vinyl (100 Ft. Roll) Non-Adhesive	\$15.00	
R0058272	1974	HARNESS TAPE 3/4" Vinyl (100 Ft. Roll) Non-Adhesive	\$12.00	
R0058276	1974	HARNESS TAPE 1" Vinyl (100 Ft. Roll) Non-Adhesive	\$13.00	
R0067108	1974	HARNESS TAPE 1 1/4" Vinyl (100 Ft. Roll) Non-Adhesive	\$15.00	
R0058272	1975	HARNESS TAPE 3/4" Vinyl (100 Ft. Roll) Non-Adhesive	\$12.00	
R0058276	1975	HARNESS TAPE 1" Vinyl (100 Ft. Roll) Non-Adhesive	\$13.00	
R0067108	1975	HARNESS TAPE 1 1/4" Vinyl (100 Ft. Roll) Non-Adhesive	\$15.00	
R0058272	1976	HARNESS TAPE 3/4" Vinyl (100 Ft. Roll) Non-Adhesive	\$12.00	
R0058276	1976	HARNESS TAPE 1" Vinyl (100 Ft. Roll) Non-Adhesive	\$13.00	
R0067108	1976	HARNESS TAPE 1 1/4" Vinyl (100 Ft. Roll) Non-Adhesive	\$15.00	
R0058272	1977	HARNESS TAPE 3/4" Vinyl (100 Ft. Roll) Non-Adhesive	\$12.00	
R0058276	1977	HARNESS TAPE 1" Vinyl (100 Ft. Roll) Non-Adhesive	\$13.00	
R0067108	1977	HARNESS TAPE 1 1/4" Vinyl (100 Ft. Roll) Non-Adhesive	\$15.00	
HEADLAMP DIMMER SWITCH				
01997023	1958	HEADLAMP DIMMER SWITCH	\$16.00	N
01997023	1959	HEADLAMP DIMMER SWITCH	\$16.00	N
01997023	1960	HEADLAMP DIMMER SWITCH	\$16.00	N
01997028	1961	HEADLAMP DIMMER SWITCH	\$7.50	N
01997028	1962	HEADLAMP DIMMER SWITCH	\$7.50	N
01997028	1963	HEADLAMP DIMMER SWITCH	\$7.50	N
01997028	1964	HEADLAMP DIMMER SWITCH	\$7.50	N
HEADLIGHT BUCKET EXTENSION HARNESS				
19645	1958	HEADLIGHT BUCKET EXTENSION HARNESS Set Of 2	\$63.00	
19650	1959	HEADLIGHT BUCKET EXTENSION HARNESS Set Of 2	\$67.00	
HEADLIGHT SWITCH				
01995096	1958	HEADLIGHT SWITCH All	\$31.00	
01995096	1959	HEADLIGHT SWITCH All	\$31.00	

Impala/Bel Air
 '58-'63 El Camino



Phone (562) 926-9552
 Fax (562) 926-9572

Part Number	Year	Description	Price	*Rev.
01995096	1960	HEADLIGHT SWITCH All	\$31.00	
01995096	1961	HEADLIGHT SWITCH All	\$31.00	
01995096	1962	HEADLIGHT SWITCH All	\$31.00	
01995096	1963	HEADLIGHT SWITCH All	\$31.00	
01995179	1964	HEADLIGHT SWITCH	\$20.00	N
01995179	1965	HEADLIGHT SWITCH	\$20.00	N
01995179	1966	HEADLIGHT SWITCH	\$20.00	N
01995179	1967	HEADLIGHT SWITCH	\$20.00	N
01995191	1968	HEADLIGHT SWITCH With Retractable Headlights	\$39.00	N
01995216	1969	HEADLIGHT SWITCH Without Retractable Headlamps	\$20.00	N
01995216	1970	HEADLIGHT SWITCH	\$20.00	N
01995216	1971	HEADLIGHT SWITCH	\$20.00	N
01995216	1972	HEADLIGHT SWITCH	\$20.00	N
01995216	1973	HEADLIGHT SWITCH	\$20.00	N
01995216	1974	HEADLIGHT SWITCH	\$20.00	N
01995216	1975	HEADLIGHT SWITCH	\$20.00	N
01995216	1976	HEADLIGHT SWITCH	\$20.00	N
01995216	1977	HEADLIGHT SWITCH	\$20.00	N
01995216	1978	HEADLIGHT SWITCH	\$20.00	N
01995216	1979	HEADLIGHT SWITCH	\$20.00	N
01995216	1980	HEADLIGHT SWITCH	\$20.00	N
01995216	1981	HEADLIGHT SWITCH	\$20.00	N
01995216	1982	HEADLIGHT SWITCH	\$20.00	N
01995216	1983	HEADLIGHT SWITCH	\$20.00	N
01995216	1984	HEADLIGHT SWITCH	\$20.00	N
HEATER BLOWER MOTOR RESISTOR				
03929052	1958	HEATER BLOWER MOTOR RESISTOR Without A/C	\$15.00	N
03929052	1959	HEATER BLOWER MOTOR RESISTOR Without A/C	\$15.00	N
03929052	1960	HEATER BLOWER MOTOR RESISTOR Without A/C	\$15.00	N
03929052	1961	HEATER BLOWER MOTOR RESISTOR Without A/C	\$15.00	N
03929052	1962	HEATER BLOWER MOTOR RESISTOR Without A/C	\$15.00	N
03929052	1963	HEATER BLOWER MOTOR RESISTOR Without A/C	\$15.00	N
03929052	1964	HEATER BLOWER MOTOR RESISTOR Without A/C	\$15.00	N
03929052	1965	HEATER BLOWER MOTOR RESISTOR Without A/C	\$15.00	N
03929052	1966	HEATER BLOWER MOTOR RESISTOR Without A/C	\$15.00	N
03929052	1967	HEATER BLOWER MOTOR RESISTOR Without A/C	\$15.00	N
03929052	1968	HEATER BLOWER MOTOR RESISTOR Without A/C	\$15.00	N
03929052	1969	HEATER BLOWER MOTOR RESISTOR Without A/C	\$15.00	N
03929052	1970	HEATER BLOWER MOTOR RESISTOR Without A/C	\$15.00	N
03929052	1971	HEATER BLOWER MOTOR RESISTOR Without A/C	\$15.00	N
03929052	1972	HEATER BLOWER MOTOR RESISTOR Without A/C	\$15.00	N
03929052	1973	HEATER BLOWER MOTOR RESISTOR Without A/C	\$15.00	N
03929052	1974	HEATER BLOWER MOTOR RESISTOR Without A/C	\$15.00	N
03929052	1975	HEATER BLOWER MOTOR RESISTOR Without A/C	\$15.00	N
HEATER BLOWER MOTOR SWITCH				
03857992	1965	HEATER BLOWER MOTOR SWITCH C.A.C. Air Conditioning, Without Auto Temp Control	\$17.00	

Part Number	Year	Description	Price	*Rev.
03857992	1966	HEATER BLOWER MOTOR SWITCH C.A.C. Air Conditioning, Without Auto Temp Control	\$17.00	
HOOD LAMP REPLACEMENT KIT				
18410	1964	HOOD LAMP KIT Under Hood, Includes Socket, Wire & Bulb	\$60.00	C
18410	1965	HOOD LAMP KIT Under Hood, Includes Socket, Wire & Bulb	\$60.00	C
18410	1966	HOOD LAMP KIT Under Hood, Includes Socket, Wire & Bulb	\$60.00	C
18410	1967	HOOD LAMP KIT Under Hood, Includes Socket, Wire & Bulb	\$60.00	C
18410	1968	HOOD LAMP KIT Under Hood, Includes Socket, Wire & Bulb	\$60.00	C
18410	1969	HOOD LAMP KIT Under Hood, Includes Socket, Wire & Bulb	\$60.00	C
18410	1970	HOOD LAMP KIT Under Hood, Includes Socket, Wire & Bulb	\$60.00	C
18410	1971	HOOD LAMP KIT Under Hood, Includes Socket, Wire & Bulb	\$60.00	C
18410	1972	HOOD LAMP KIT Under Hood, Includes Socket, Wire & Bulb	\$60.00	C
18410	1973	HOOD LAMP KIT Under Hood, Includes Socket, Wire & Bulb	\$60.00	C
18410	1974	HOOD LAMP KIT Under Hood, Includes Socket, Wire & Bulb	\$60.00	C
18410	1975	HOOD LAMP KIT Under Hood, Includes Socket, Wire & Bulb	\$60.00	C
18410	1976	HOOD LAMP KIT Under Hood, Includes Socket, Wire & Bulb	\$60.00	C
18410	1977	HOOD LAMP KIT Under Hood, Includes Socket, Wire & Bulb	\$60.00	C
HORN RELAY				
12339243	1958	HORN RELAY Required When Converting To Internal Regulator Alternators	\$12.00	
12339243	1959	HORN RELAY Required When Converting To Internal Regulator Alternators	\$12.00	
12339243	1960	HORN RELAY Required When Converting To Internal Regulator Alternators	\$12.00	
12339243	1961	HORN RELAY Required When Converting To Internal Regulator Alternators	\$12.00	
12339243	1962	HORN RELAY Required When Converting To Internal Regulator Alternators	\$12.00	
IGNITION BALLAST RESISTOR				
01957154	1958	IGNITION BALLAST RESISTOR All, Without Hi Lift Cam	\$12.00	N
01957154	1963	IGNITION BALLAST RESISTOR All, 409 C.i., Without High Performance, Or Dual 4 Barrel Carburetors	\$12.00	N
01957154	1964	IGNITION BALLAST RESISTOR All, 409 C.i., Without High Performance, Or Dual 4 Barrel Carburetors	\$12.00	N
01957154	1965	IGNITION BALLAST RESISTOR All, 396, 409 C.i., Without High Performance, Or Transistor Ignition	\$12.00	N
01957154	1966	IGNITION BALLAST RESISTOR All, With High Performance 427 C.i.	\$12.00	N
IGNITION CYLINDER AND KEYS				
20071252	1969	IGNITION CYLINDER AND KEYS Chrome, All	\$18.50	N
20071252	1970	IGNITION CYLINDER AND KEYS Chrome, All	\$18.50	N
20071252	1971	IGNITION CYLINDER AND KEYS Chrome, All	\$18.50	N
20071252	1972	IGNITION CYLINDER AND KEYS Chrome, All	\$18.50	N
20071252	1973	IGNITION CYLINDER AND KEYS Chrome, All	\$18.50	N
20071252	1974	IGNITION CYLINDER AND KEYS Chrome, All	\$18.50	N
20071252	1975	IGNITION CYLINDER AND KEYS Chrome, All	\$18.50	N
20071252	1976	IGNITION CYLINDER AND KEYS Chrome, All	\$18.50	N
20071252	1977	IGNITION CYLINDER AND KEYS Chrome, All	\$18.50	N
20071252	1978	IGNITION CYLINDER AND KEYS Chrome, All, 1st Design, Used On Columns Without Lock Cylinder Retaining Screw	\$18.50	N
07833759	1978	IGNITION CYLINDER AND KEYS Chrome, Impala, Caprice, 2nd Design, Used On Columns With Lock Cylinder Retaining Screw	\$18.50	N
07833759	1979	IGNITION CYLINDER AND KEYS Chrome, Impala, Caprice	\$18.50	N
07833759	1980	IGNITION CYLINDER AND KEYS Chrome, Impala, Caprice	\$18.50	N
07833759	1981	IGNITION CYLINDER AND KEYS Chrome, Impala, Caprice	\$18.50	N

Impala/Bel Air
'58-'63 El Camino



Phone (562) 926-9552
Fax (562) 926-9572

Part Number	Year	Description	Price	*Rev.
07833759	1982	IGNITION CYLINDER AND KEYS Chrome, Impala, Caprice	\$18.50	N
07833759	1983	IGNITION CYLINDER AND KEYS Chrome, Impala, Caprice	\$18.50	N
07833759	1984	IGNITION CYLINDER AND KEYS Chrome, Impala, Caprice	\$18.50	N
07833759	1985	IGNITION CYLINDER AND KEYS Chrome, Impala, Caprice	\$18.50	N
07833759	1986	IGNITION CYLINDER AND KEYS Chrome, Caprice	\$18.50	N
07833759	1987	IGNITION CYLINDER AND KEYS Chrome, Caprice	\$18.50	N
07833759	1988	IGNITION CYLINDER AND KEYS Chrome, Caprice	\$18.50	N
07833759	1989	IGNITION CYLINDER AND KEYS Chrome, Caprice	\$18.50	N
07833759	1990	IGNITION CYLINDER AND KEYS Chrome, Caprice	\$18.50	N
IGNITION SWITCH				
01116570	1959	IGNITION SWITCH	\$62.00	N
01116576	1960	IGNITION SWITCH	\$62.00	N
01116626	1961	IGNITION SWITCH	\$24.00	M
01116626	1962	IGNITION SWITCH	\$24.00	M
01116626	1963	IGNITION SWITCH	\$24.00	M
44205	1964	IGNITION SWITCH KIT Note: Includes Ignition Switch, Connector And Instructions.	\$37.00	N
44205	1965	IGNITION SWITCH KIT Note: Includes Ignition Switch, Connector And Instructions.	\$37.00	N
01990110	1969	IGNITION SWITCH All, With Tilt	\$14.00	N
01990110	1970	IGNITION SWITCH All, With Tilt	\$14.00	N
01990110	1971	IGNITION SWITCH All, With Tilt	\$14.00	N
01990110	1972	IGNITION SWITCH All, With Tilt	\$14.00	N
01990110	1973	IGNITION SWITCH All, With Tilt	\$14.00	N
01990110	1974	IGNITION SWITCH All, With Tilt	\$14.00	N
01990110	1975	IGNITION SWITCH All, With Tilt	\$14.00	N
01990110	1976	IGNITION SWITCH All, With Tilt	\$14.00	N
01990110	1977	IGNITION SWITCH All, With Tilt	\$14.00	N
01990110	1978	IGNITION SWITCH All, With Tilt	\$14.00	N
01990110	1979	IGNITION SWITCH All, With Tilt	\$14.00	N
01990110	1980	IGNITION SWITCH All, With Tilt	\$14.00	N
01990110	1981	IGNITION SWITCH All, With Tilt	\$14.00	N
01990110	1982	IGNITION SWITCH All, With Tilt	\$14.00	N
01990110	1983	IGNITION SWITCH All, With Tilt	\$14.00	N
01990110	1984	IGNITION SWITCH All, With Tilt	\$14.00	N
01990110	1985	IGNITION SWITCH All, With Tilt	\$14.00	N
01990110	1986	IGNITION SWITCH All, With Tilt	\$14.00	N
01990110	1987	IGNITION SWITCH All, With Tilt	\$14.00	N
01990110	1988	IGNITION SWITCH All, With Tilt	\$14.00	N
01990110	1989	IGNITION SWITCH All, With Tilt	\$14.00	N
01990110	1990	IGNITION SWITCH All, With Tilt	\$14.00	N
INSTRUMENT GAUGE CLUSTER CLIP KIT				
08986000	1976	CLIP KIT Caprice, Impala, All, Instrument Gauge Cluster / Printed Circuit Board Retaining Clip Note: Replaces Original GM Part Number 08986000, Includes 12 Clips Per Kit.	\$14.00	N

Part Number	Year	Description	Price	*Rev.
08986000	1977	CLIP KIT Caprice, Impala, All, Instrument Gauge Cluster / Printed Circuit Board Retaining Clip Note: Replaces Original GM Part Number 08986000, Includes 12 Clips Per Kit.	\$14.00	N
08986000	1978	CLIP KIT Caprice, Impala, All, Instrument Gauge Cluster / Printed Circuit Board Retaining Clip Note: Replaces Original GM Part Number 08986000, Includes 12 Clips Per Kit.	\$14.00	N
08986000	1979	CLIP KIT Caprice, Impala, All, Instrument Gauge Cluster / Printed Circuit Board Retaining Clip Note: Replaces Original GM Part Number 08986000, Includes 12 Clips Per Kit.	\$14.00	N
08986000	1980	CLIP KIT Caprice, Impala, All, Instrument Gauge Cluster / Printed Circuit Board Retaining Clip Note: Replaces Original GM Part Number 08986000, Includes 12 Clips Per Kit.	\$14.00	N
08986000	1981	CLIP KIT Caprice, Impala, All, Instrument Gauge Cluster / Printed Circuit Board Retaining Clip Note: Replaces Original GM Part Number 08986000, Includes 12 Clips Per Kit.	\$14.00	N
08986000	1982	CLIP KIT Caprice, Impala, All, Instrument Gauge Cluster / Printed Circuit Board Retaining Clip Note: Replaces Original GM Part Number 08986000, Includes 12 Clips Per Kit.	\$14.00	N
08986000	1983	CLIP KIT Caprice, Impala, All, Instrument Gauge Cluster / Printed Circuit Board Retaining Clip Note: Replaces Original GM Part Number 08986000, Includes 12 Clips Per Kit.	\$14.00	N
08986000	1984	CLIP KIT Caprice, Impala, All, Instrument Gauge Cluster / Printed Circuit Board Retaining Clip Note: Replaces Original GM Part Number 08986000, Includes 12 Clips Per Kit.	\$14.00	N
08986000	1985	CLIP KIT Caprice, Impala, All, Instrument Gauge Cluster / Printed Circuit Board Retaining Clip Note: Replaces Original GM Part Number 08986000, Includes 12 Clips Per Kit.	\$14.00	N
08986000	1986	CLIP KIT Caprice, All, Instrument Gauge Cluster / Printed Circuit Board Retaining Clip Note: Replaces Original GM Part Number 08986000, Includes 12 Clips Per Kit.	\$14.00	N
08986000	1987	CLIP KIT Caprice, All, Instrument Gauge Cluster / Printed Circuit Board Retaining Clip Note: Replaces Original GM Part Number 08986000, Includes 12 Clips Per Kit.	\$14.00	N
08986000	1988	CLIP KIT Caprice, All, Instrument Gauge Cluster / Printed Circuit Board Retaining Clip Note: Replaces Original GM Part Number 08986000, Includes 12 Clips Per Kit.	\$14.00	N
08986000	1989	CLIP KIT Caprice, All, Instrument Gauge Cluster / Printed Circuit Board Retaining Clip Note: Replaces Original GM Part Number 08986000, Includes 12 Clips Per Kit.	\$14.00	N
08986000	1990	CLIP KIT Caprice, All, Instrument Gauge Cluster / Printed Circuit Board Retaining Clip Note: Replaces Original GM Part Number 08986000, Includes 12 Clips Per Kit.	\$14.00	N
KICKDOWN HARNESS				
06085	1965	KICKDOWN HARNESS TH400 Auto Trans, Carburetor Switch To Trans	\$46.00	
06085	1966	KICKDOWN HARNESS TH400 Auto Trans, Carburetor Switch To Trans	\$46.00	
06085	1967	KICKDOWN HARNESS TH400 Auto Trans, Carburetor Switch To Trans	\$46.00	
37659	1968	KICKDOWN HARNESS TH400 Auto Trans, 4 Bbl Carb. Only, Carburetor Switch To Trans	\$46.00	
37659	1969	KICKDOWN HARNESS TH400 Auto Trans, 4 Bbl Carb. Only, Carburetor Switch To Trans	\$46.00	
KICKDOWN SWITCH				
01242101	1970	KICKDOWN SWITCH TH400 Auto Trans	\$19.00	
01242101	1971	KICKDOWN SWITCH TH400 Auto Trans	\$19.00	
01242101	1972	KICKDOWN SWITCH TH400 Auto Trans	\$19.00	

Part Number	Year	Description	Price	*Rev.
01242101	1976	KICKDOWN SWITCH Caprice, Impala, TH400, Auto Trans	\$19.00	
01242101	1977	KICKDOWN SWITCH Caprice, Impala, TH400, Auto Trans	\$19.00	
LICENSE PLATE LAMP EXTENSION				
39667	1960	LICENSE PLATE LAMP EXTENSION El Camino Note: Set Of 2.	\$22.00	
LOW FUEL INDICATOR MODULE				
500274	1958	LOW FUEL INDICATOR MODULE Generic "Adjustable" Low Fuel Warning Module Note: A Complete Electronic Control Unit To Activate A Warning Lamp Or Relay When Fuel Level Drops Below A User Adjustable Level. Includes instruction sheet.	\$64.00	C
500274	1959	LOW FUEL INDICATOR MODULE Generic "Adjustable" Low Fuel Warning Module Note: A Complete Electronic Control Unit To Activate A Warning Lamp Or Relay When Fuel Level Drops Below A User Adjustable Level. Includes instruction sheet.	\$64.00	C
500274	1960	LOW FUEL INDICATOR MODULE Generic "Adjustable" Low Fuel Warning Module Note: A Complete Electronic Control Unit To Activate A Warning Lamp Or Relay When Fuel Level Drops Below A User Adjustable Level. Includes instruction sheet.	\$64.00	C
500274	1961	LOW FUEL INDICATOR MODULE Generic "Adjustable" Low Fuel Warning Module Note: A Complete Electronic Control Unit To Activate A Warning Lamp Or Relay When Fuel Level Drops Below A User Adjustable Level. Includes instruction sheet.	\$64.00	C
500274	1962	LOW FUEL INDICATOR MODULE Generic "Adjustable" Low Fuel Warning Module Note: A Complete Electronic Control Unit To Activate A Warning Lamp Or Relay When Fuel Level Drops Below A User Adjustable Level. Includes instruction sheet.	\$64.00	C
500274	1963	LOW FUEL INDICATOR MODULE Generic "Adjustable" Low Fuel Warning Module Note: A Complete Electronic Control Unit To Activate A Warning Lamp Or Relay When Fuel Level Drops Below A User Adjustable Level. Includes instruction sheet.	\$64.00	C
500274	1964	LOW FUEL INDICATOR MODULE Generic "Adjustable" Low Fuel Warning Module Note: A Complete Electronic Control Unit To Activate A Warning Lamp Or Relay When Fuel Level Drops Below A User Adjustable Level. Includes instruction sheet.	\$64.00	C
500274	1965	LOW FUEL INDICATOR MODULE Generic "Adjustable" Low Fuel Warning Module Note: A Complete Electronic Control Unit To Activate A Warning Lamp Or Relay When Fuel Level Drops Below A User Adjustable Level. Includes instruction sheet.	\$64.00	C
500274	1966	LOW FUEL INDICATOR MODULE Generic "Adjustable" Low Fuel Warning Module Note: A Complete Electronic Control Unit To Activate A Warning Lamp Or Relay When Fuel Level Drops Below A User Adjustable Level. Includes instruction sheet.	\$64.00	C
500274	1967	LOW FUEL INDICATOR MODULE Generic "Adjustable" Low Fuel Warning Module Note: A Complete Electronic Control Unit To Activate A Warning Lamp Or Relay When Fuel Level Drops Below A User Adjustable Level. Includes instruction sheet.	\$64.00	C
500274	1968	LOW FUEL INDICATOR MODULE Generic "Adjustable" Low Fuel Warning Module Note: A Complete Electronic Control Unit To Activate A Warning Lamp Or Relay When Fuel Level Drops Below A User Adjustable Level. Includes instruction sheet.	\$64.00	C
500274	1969	LOW FUEL INDICATOR MODULE Generic "Adjustable" Low Fuel Warning Module Note: A Complete Electronic Control Unit To Activate A Warning Lamp Or Relay When Fuel Level Drops Below A User Adjustable Level. Includes instruction sheet.	\$64.00	C
500274	1970	LOW FUEL INDICATOR MODULE Generic "Adjustable" Low Fuel Warning Module Note: A Complete Electronic Control Unit To Activate A Warning Lamp Or Relay When Fuel Level Drops Below A User Adjustable Level. Includes instruction sheet.	\$64.00	C
500274	1971	LOW FUEL INDICATOR MODULE Generic "Adjustable" Low Fuel Warning Module Note: A Complete Electronic Control Unit To Activate A Warning Lamp Or Relay When Fuel Level Drops Below A User Adjustable Level. Includes instruction sheet.	\$64.00	C
500274	1972	LOW FUEL INDICATOR MODULE Generic "Adjustable" Low Fuel Warning Module Note: A Complete Electronic Control Unit To Activate A Warning Lamp Or Relay When Fuel Level Drops Below A User Adjustable Level. Includes instruction sheet.	\$64.00	C

Part Number	Year	Description	Price	*Rev.
NEUTRAL SAFETY AND BACKUP LAMP SWITCH				
01993659	1958	NEUTRAL SAFETY AND BACKUP LAMP SWITCH With Column Shift Powerglide Auto Trans	\$12.00	
01993659	1959	NEUTRAL SAFETY AND BACKUP LAMP SWITCH With Column Shift Powerglide Auto Trans	\$12.00	
01993659	1960	NEUTRAL SAFETY AND BACKUP LAMP SWITCH With Column Shift Powerglide Auto Trans	\$12.00	
01993659	1961	NEUTRAL SAFETY AND BACKUP LAMP SWITCH With Column Shift Powerglide Auto Trans	\$12.00	
01993659	1962	NEUTRAL SAFETY AND BACKUP LAMP SWITCH With Column Shift Powerglide Auto Trans	\$12.00	
01993659	1963	NEUTRAL SAFETY AND BACKUP LAMP SWITCH With Column Shift Powerglide Auto Trans	\$12.00	
01993659	1964	NEUTRAL SAFETY AND BACKUP LAMP SWITCH With Column Shift Powerglide Auto Trans	\$12.00	
01993658	1964	NEUTRAL SAFETY AND BACKUP LAMP SWITCH With Console Shift Powerglide Auto Trans	\$55.00	
01993659	1965	NEUTRAL SAFETY AND BACKUP LAMP SWITCH With Column Shift Powerglide Auto Trans	\$12.00	
01993320	1965	NEUTRAL SAFETY AND BACKUP LAMP SWITCH With Column Shift TH350-400 Auto Trans	\$12.00	
01993696	1965	NEUTRAL SAFETY AND BACKUP LAMP SWITCH With Console Shift Powerglide Auto Trans	\$64.00	
01993321	1965	NEUTRAL SAFETY AND BACKUP LAMP SWITCH With Console Shift TH350-400 Auto Trans	\$55.00	
01993659	1966	NEUTRAL SAFETY AND BACKUP LAMP SWITCH With Column Shift Powerglide Auto Trans	\$12.00	
01993320	1966	NEUTRAL SAFETY AND BACKUP LAMP SWITCH With Column Shift TH350-400 Auto Trans	\$12.00	
01993696	1966	NEUTRAL SAFETY AND BACKUP LAMP SWITCH With Console Shift Powerglide Auto Trans	\$64.00	
01993321	1966	NEUTRAL SAFETY AND BACKUP LAMP SWITCH With Console Shift TH350-400 Auto Trans	\$55.00	
01993696	1967	NEUTRAL SAFETY AND BACKUP LAMP SWITCH With Console Shift Powerglide Auto Trans	\$64.00	
01993321	1967	NEUTRAL SAFETY AND BACKUP LAMP SWITCH With Console Shift TH350-400 Auto Trans	\$55.00	
01993696	1968	NEUTRAL SAFETY AND BACKUP LAMP SWITCH Powerglide Auto Trans, Except SS	\$64.00	M
01994235	1969	NEUTRAL SAFETY AND BACKUP LAMP SWITCH With Column Shift Auto Trans, All	\$19.00	
01994235	1970	NEUTRAL SAFETY AND BACKUP LAMP SWITCH With Column Shift Auto Trans, All	\$19.00	
01994235	1971	NEUTRAL SAFETY AND BACKUP LAMP SWITCH With Column Shift Auto Trans, All	\$19.00	
01994235	1972	NEUTRAL SAFETY AND BACKUP LAMP SWITCH With Column Shift Auto Trans, All	\$19.00	
NEUTRAL SAFETY SWITCH				
03983965	1970	NEUTRAL SAFETY SWITCH With Manual Trans	\$58.00	
03983965	1971	NEUTRAL SAFETY SWITCH With 4 Speed Manual Trans	\$58.00	M
03983965	1972	NEUTRAL SAFETY SWITCH With 4 Speed Manual Trans	\$58.00	M
03986841	1971	NEUTRAL SAFETY SWITCH With Manual Trans	\$58.00	
03986841	1972	NEUTRAL SAFETY SWITCH With Manual Trans	\$58.00	
OVERDRIVE HARNESS				
41455	1959	OVERDRIVE HARNESS 6 Cyl., Early 1 Piece Design Note: 6 Cylinder Items Are Not Returnable.	\$159.00	
41576	1959	OVERDRIVE HARNESS V/8, Early 1 Piece Design	\$166.00	
28750	1961	OVERDRIVE HARNESS V/8	\$147.00	
05860	1965	OVERDRIVE HARNESS 6 Cylinder Note: 6 Cylinder Items Are Not Returnable.	\$159.00	
27290	1965	OVERDRIVE HARNESS V/8	\$159.00	
05860	1966	OVERDRIVE HARNESS 6 Cylinder Note: 6 Cylinder Items Are Not Returnable.	\$159.00	
10955	1967	OVERDRIVE HARNESS 6 Cylinder Note: 6 Cylinder Items Are Not Returnable.	\$173.00	
10960	1967	OVERDRIVE HARNESS V/8	\$166.00	
11965	1968	OVERDRIVE HARNESS V/8	\$166.00	
PARKING BRAKE WARNING LAMP HARNESS				
33335	1959	PARKING BRAKE WARNING LAMP HARNESS	\$23.00	

Part Number	Year	Description	Price	*Rev.
33190	1960	PARKING BRAKE WARNING LAMP HARNESS	\$23.00	
POWER ACCESSORY FEED WIRE				
02725	1958	POWER ACCESSORY FEED WIRE All, Starter Solenoid To Main Accesory Harness	\$20.00	
08470	1958	POWER ACCESSORY FEED WIRE Circuit Breaker To Power Seat Harness	\$46.00	
08430	1958	POWER ACCESSORY FEED WIRE Convertible, Used Only With Power Top & Seats Combined	\$21.00	
02875	1958	POWER ACCESSORY FEED WIRE, 348 C.I. ONLY Power Top, Seat & Windows, Starter Soleniod To Part# 02880	\$15.00	
02880	1958	POWER ACCESSORY FEED WIRE, 348 C.I. ONLY Power Top, Seat & Windows, Part#02875 To Rear Body Connector	\$15.00	
08550	1960	POWER ACCESSORY FEED WIRE Power Windows & Seat, Convertible	\$17.00	
08770	1961	POWER ACCESSORY FEED WIRE Power Window, Kick Panel To Power Window Harness	\$13.00	
08785	1961	POWER ACCESSORY FEED WIRE Power Window Or Power Seat, Except Convertible, Bulkhead To Circuit Breaker	\$26.00	
19655	1961	POWER ACCESSORY FEED WIRE Convertible Top, Power Window, Starter Solenoid To Bulkhead	\$17.00	
08750	1961	POWER ACCESSORY FEED WIRE Power Seats, Circuit Breaker To Seat Adjuster Control	\$21.00	
08770	1962	POWER ACCESSORY FEED WIRE Power Window, Kick Panel To Power Window Harness	\$13.00	
08785	1962	POWER ACCESSORY FEED WIRE Power Window Or Power Seat, Except Convertible, Bulkhead To Circuit Breaker	\$26.00	
19655	1962	POWER ACCESSORY FEED WIRE Convertible Top, Power Window, Starter Solenoid To Bulkhead	\$17.00	
08750	1962	POWER ACCESSORY FEED WIRE Power Seats, Circuit Breaker To Seat Adjuster Control	\$21.00	
08770	1963	POWER ACCESSORY FEED WIRE Power Window, Kick Panel To Power Window Harness	\$13.00	
09035	1963	POWER ACCESSORY FEED WIRE Power Window, Bulkhead To Circuit Breaker	\$22.00	
09040	1963	POWER ACCESSORY FEED WIRE Power Seats, Circuit Breaker To Seat Adjuster Control	\$22.00	
19655	1963	POWER ACCESSORY FEED WIRE 6 Cyl, Convertible Top, Power Window, Starter Solenoid To Bulkhead	\$17.00	
Note: 6 Cylinder Items Are Not Returnable.				
19665	1963	POWER ACCESSORY FEED WIRE V/8, Convertible Top, Starter Solenoid To Bulkhead	\$17.00	
08770	1964	POWER ACCESSORY FEED WIRE Power Window, Kick Panel To Power Window Harness	\$13.00	
09035	1964	POWER ACCESSORY FEED WIRE Power Window, Bulkhead To Circuit Breaker	\$22.00	
19655	1964	POWER ACCESSORY FEED WIRE 6 Cyl, Convertible Top, Power Window, Starter Solenoid To Bulkhead	\$17.00	
Note: 6 Cylinder Items Are Not Returnable.				
19665	1964	POWER ACCESSORY FEED WIRE V/8, Convertible Top, Starter Solenoid To Bulkhead	\$17.00	
06830	1964	POWER ACCESSORY FEED WIRE Power Seat, Circuit Breaker To Seat Adjuster Control	\$36.00	
08120	1965	POWER ACCESSORY FEED WIRE Convertible Top, Power Window, Bulkhead To Circuit Breaker	\$36.00	
19670	1965	POWER ACCESSORY FEED WIRE Convertible Top, Power Window, Horn Relay To Bulkhead	\$17.00	
32505	1965	POWER ACCESSORY FEED WIRE Power Seat Feed	\$33.00	
08120	1966	POWER ACCESSORY FEED WIRE Convertible Top, Power Window, Bulkhead To Circuit Breaker	\$36.00	
19670	1966	POWER ACCESSORY FEED WIRE Convertible Top, Power Window, Horn Relay To Bulkhead	\$17.00	
32505	1966	POWER ACCESSORY FEED WIRE Power Seat Feed	\$33.00	
19675	1967	POWER ACCESSORY FEED WIRE Convertible, Power Window, Circuit Breaker To Power Top Harness	\$23.00	
19680	1967	POWER ACCESSORY FEED WIRE Convetible Top, Power Window, Horn Relay To Circuit Breaker	\$23.00	
32505	1967	POWER ACCESSORY FEED WIRE Power Seat Feed	\$33.00	
19680	1968	POWER ACCESSORY FEED WIRE Convetible Top, Power Window, Horn Relay To Circuit Breaker	\$23.00	
19685	1968	POWER ACCESSORY FEED WIRE Convertible Top, Power Window, Circuit Breaker To Power Top	\$36.00	
32505	1968	POWER ACCESSORY FEED WIRE Power Seat Feed	\$33.00	
19685	1969	POWER ACCESSORY FEED WIRE Convertible Top, Power Window, Circuit Breaker To Power Top	\$36.00	
10755	1970	POWER ACCESSORY FEED WIRE Convertible Top, Power Window, Horn Relay To Circuit Breaker	\$15.00	

Part Number	Year	Description	Price	*Rev.
POWER ANTENNA HARNESS				
32520	1966	POWER ANTENNA HARNESS Rear Power Antenna, All Except Convertible	\$41.00	
32525	1966	POWER ANTENNA HARNESS Rear Power Antenna, Convertible	\$41.00	
32490	1967	POWER ANTENNA HARNESS Rear Power Antenna, All Except Convertible	\$42.00	
32500	1967	POWER ANTENNA HARNESS Rear Power Antenna, Convertible	\$42.00	
32490	1968	POWER ANTENNA HARNESS Rear Power Antenna, All Except Convertible	\$42.00	
32500	1968	POWER ANTENNA HARNESS Rear Power Antenna, Convertible	\$42.00	
POWER DOOR LOCK SWITCH				
01725099	1973	POWER DOOR LOCK SWITCH 1 Button	\$62.00	
01725099	1974	POWER DOOR LOCK SWITCH 1 Button	\$62.00	
01725099	1975	POWER DOOR LOCK SWITCH 1 Button	\$62.00	
01725099	1976	POWER DOOR LOCK SWITCH 1 Button	\$62.00	
20043224	1977	POWER DOOR LOCK SWITCH Impala, Caprice, Without Power Windows	\$9.00	N
20043224	1978	POWER DOOR LOCK SWITCH Impala, Caprice, Without Power Windows	\$9.00	N
20043224	1979	POWER DOOR LOCK SWITCH Impala, Caprice, Without Power Windows	\$9.00	N
POWER SEAT HARNESS				
08480	1958	POWER SEAT HARNESS	\$59.00	
08485	1958	POWER SEAT SWITCH JUMPER HARNESS Power Seat Harness To Switch	\$40.00	
07020	1966	POWER SEAT HARNESS 4 Way Bucket, Drivers Side	\$159.00	
07020	1967	POWER SEAT HARNESS 4 Way Bucket, Drivers Side	\$159.00	
07020	1968	POWER SEAT HARNESS 4 Way Bucket, Drivers Side	\$159.00	
POWER SEAT MOTOR RELAY AND ADAPTER HARNESS				
40146	1964	POWER SEAT MOTOR RELAY AND ADAPTER HARNESS Includes New Standard Type Relay And Adapter To Mate To Factory Harness	\$74.00	
40146	1965	POWER SEAT MOTOR RELAY AND ADAPTER HARNESS Includes New Standard Type Relay And Adapter To Mate To Factory Harness	\$74.00	
40146	1966	POWER SEAT MOTOR RELAY AND ADAPTER HARNESS Includes New Standard Type Relay And Adapter To Mate To Factory Harness	\$74.00	
40146	1967	POWER SEAT MOTOR RELAY AND ADAPTER HARNESS Includes New Standard Type Relay And Adapter To Mate To Factory Harness	\$74.00	
40146	1968	POWER SEAT MOTOR RELAY AND ADAPTER HARNESS Includes New Standard Type Relay And Adapter To Mate To Factory Harness	\$74.00	
40146	1969	POWER SEAT MOTOR RELAY AND ADAPTER HARNESS Includes New Standard Type Relay And Adapter To Mate To Factory Harness	\$74.00	
40146	1970	POWER SEAT MOTOR RELAY AND ADAPTER HARNESS Includes New Standard Type Relay And Adapter To Mate To Factory Harness	\$74.00	
40146	1971	POWER SEAT MOTOR RELAY AND ADAPTER HARNESS Includes New Standard Type Relay And Adapter To Mate To Factory Harness	\$74.00	
40146	1972	POWER SEAT MOTOR RELAY AND ADAPTER HARNESS Includes New Standard Type Relay And Adapter To Mate To Factory Harness	\$74.00	
40146	1973	POWER SEAT MOTOR RELAY AND ADAPTER HARNESS Includes New Standard Type Relay And Adapter To Mate To Factory Harness	\$74.00	
40146	1974	POWER SEAT MOTOR RELAY AND ADAPTER HARNESS Includes New Standard Type Relay And Adapter To Mate To Factory Harness	\$74.00	
40146	1975	POWER SEAT MOTOR RELAY AND ADAPTER HARNESS Includes New Standard Type Relay And Adapter To Mate To Factory Harness	\$74.00	
POWER TAILGATE WINDOW FEED WIRE				
08525	1959	POWER TAILGATE WINDOW FEED WIRE	\$35.00	
08525	1960	POWER TAILGATE WINDOW FEED WIRE	\$35.00	
31205	1960	POWER TAILGATE WINDOW HARNESS Nomad & Parkwood 4 Door Wagon	\$119.00	

Part Number	Year	Description	Price	*Rev.
POWER TAILGATE WINDOW SWITCH				
03906118	1965	POWER TAILGATE WINDOW SWITCH Station Wagon, With Power Tail Gate Window Note: This Is The Removable "Black Knob" Type Switch, This Allows Customers With Original Removable "Chrome Knob" Type Switches To Reuse Their Original "Chrome Knob" To Retain An Original Appearance.	\$66.00	
03906118	1966	POWER TAILGATE WINDOW SWITCH Station Wagon, With Power Tail Gate Window Note: This Is The Removable "Black Knob" Type Switch, This Allows Customers With Original Removable "Chrome Knob" Type Switches To Reuse Their Original "Chrome Knob" To Retain An Original Appearance.	\$66.00	
03906118	1967	POWER TAILGATE WINDOW SWITCH Station Wagon, With Power Tail Gate Window Note: This Is The Removable "Black Knob" Type Switch, This Allows Customers With Original Removable "Chrome Knob" Type Switches To Reuse Their Original "Chrome Knob" To Retain An Original Appearance.	\$66.00	
03906118	1968	POWER TAILGATE WINDOW SWITCH Station Wagon, With Power Tail Gate Window Note: This Is The Removable "Black Knob" Type Switch, This Allows Customers With Original Removable "Chrome Knob" Type Switches To Reuse Their Original "Chrome Knob" To Retain An Original Appearance.	\$66.00	
POWER TOP SWITCH				
03814719	1958	POWER TOP SWITCH	\$93.00	N
03814719	1959	POWER TOP SWITCH	\$93.00	N
03814719	1960	POWER TOP SWITCH	\$93.00	N
03814719	1961	POWER TOP SWITCH	\$93.00	N
03814719	1962	POWER TOP SWITCH	\$93.00	N
03906118	1965	POWER TOP SWITCH With Power Convertible Top Note: This Is The Removable "Black Knob" Type Switch, This Allows Customers With Original Removable "Chrome Knob" Type Switches To Reuse Their Original "Chrome Knob" To Retain An Original Appearance.	\$66.00	
03906118	1966	POWER TOP SWITCH With Power Convertible Top Note: This Is The Removable "Black Knob" Type Switch, This Allows Customers With Original Removable "Chrome Knob" Type Switches To Reuse Their Original "Chrome Knob" To Retain An Original Appearance.	\$66.00	
03906118	1967	POWER TOP SWITCH With Power Convertible Top Note: This Is The Removable "Black Knob" Type Switch, This Allows Customers With Original Removable "Chrome Knob" Type Switches To Reuse Their Original "Chrome Knob" To Retain An Original Appearance.	\$66.00	
03906118	1968	POWER TOP SWITCH With Power Convertible Top Note: This Is The Removable "Black Knob" Type Switch, This Allows Customers With Original Removable "Chrome Knob" Type Switches To Reuse Their Original "Chrome Knob" To Retain An Original Appearance.	\$66.00	
POWER TOP SWITCH HARNESS				
05900	1965	POWER TOP SWITCH HARNESS Convertible	\$48.00	
33500	1967	POWER TOP SWITCH HARNESS Convertible	\$78.00	
POWER WINDOW HARNESS				
08440	1958	POWER WINDOW AND SEAT HARNESS Belair & Biscayne, 2 Door	\$595.00	
08455	1958	POWER WINDOW AND SEAT HARNESS Belair & Biscayne, 4 Door Sedan	\$595.00	
08445	1958	POWER WINDOW AND SEAT HARNESS Belair Sport Sedan	\$595.00	
08465	1958	POWER WINDOW AND SEAT HARNESS Nomad & Brookwood, 4 Door Wagon	\$595.00	
08460	1958	POWER WINDOW AND SEAT HARNESS Impala, Convertible	\$595.00	
08450	1958	POWER WINDOW AND SEAT HARNESS Impala, Sport Coupe	\$595.00	
08560	1959	POWER WINDOW HARNESS Belair 2 Door Sedan, Front Door & Rear Quarter Window, L.H.	\$344.00	
08555	1959	POWER WINDOW HARNESS Belair 2 Door Sedan, Front Door & Rear Quarter Window, R.H.	\$291.00	
08610	1959	POWER WINDOW HARNESS Belair Sport Sedan, Front & Rear Door, L.H.	\$344.00	
08610	1959	POWER WINDOW HARNESS Impala Sport Sedan & 4 Door Sedan, Front & Rear Door, L.H.	\$344.00	
08610	1959	POWER WINDOW HARNESS Nomad, Kingswood & Parkwood Wagons, Front & Rear Door, L.H.	\$344.00	
31200	1959	POWER WINDOW HARNESS Belair Sport Sedan & 4 Door Sedan, Front & Rear Door, R.H.	\$291.00	
31200	1959	POWER WINDOW HARNESS Impala Sport Sedan & 4 Door Sedan, Front & Rear Door, R.H.	\$291.00	

Part Number	Year	Description	Price	*Rev.
31200	1959	POWER WINDOW HARNESS Nomad, Kingswood & Parkwood Wagons, Front & Rear Door, R. H.	\$291.00	
08545	1959	POWER WINDOW HARNESS Impala, Convertible, Front Door & Rear Quarter Window, L.H.	\$359.00	
08540	1959	POWER WINDOW HARNESS Impala, Convertible, Front Door & Rear Quarter Window, R.H.	\$291.00	
08535	1959	POWER WINDOW HARNESS Impala Sport Coupe, Front Door & Rear Quarter Window, L.H.	\$344.00	
08530	1959	POWER WINDOW HARNESS Impala Sport Coupe, Front Door & Rear Quarter Window, R.H.	\$291.00	
08520	1959	POWER WINDOW JUMPER HARNESS Left To Right Side Door & Quarter Window	\$113.00	
08630	1960	POWER WINDOW HARNESS Belair 2 Door Sedan, Front Door & Rear Quarter Window, L.H.	\$344.00	
08625	1960	POWER WINDOW HARNESS Belair 2 Door Sedan, Front Door & Rear Quarter Window, R.H.	\$344.00	
08610	1960	POWER WINDOW HARNESS Belair Sport Sedan, Front & Rear Door, L.H.	\$344.00	
08610	1960	POWER WINDOW HARNESS Impala Sport Sedan & 4 Door Sedan, Front & Rear Door, L.H.	\$344.00	
08610	1960	POWER WINDOW HARNESS Nomad, Kingswood & Parkwood Wagons, Front & Rear Door, L. H.	\$344.00	
08605	1960	POWER WINDOW HARNESS Belair Sport Sedan & 4 Door Sedan, Front & Rear Door, R.H.	\$344.00	
08605	1960	POWER WINDOW HARNESS Impala 4 Door & Sport Sedan, Front & Rear Door, R.H.	\$344.00	
08605	1960	POWER WINDOW HARNESS Nomad, Kingswood & Parkwood Wagons, Front & Rear Door, R. H.	\$344.00	
08635	1960	POWER WINDOW HARNESS Impala Convertible, Front Door & Rear Quarter Window, L.H.	\$344.00	
08595	1960	POWER WINDOW HARNESS Impala Convertible, Front Door & Rear Quarter Window, R.H.	\$344.00	
08620	1960	POWER WINDOW HARNESS Belair & Impala Sport Coupe, Front Door & Rear Quarter, L.H.	\$358.00	
08615	1960	POWER WINDOW HARNESS Belair & Impala Sport Coupe, Front Door & Rear Quarter, R.H.	\$344.00	
08520	1960	POWER WINDOW JUMPER HARNESS Left To Right Side Door & Quarter Window	\$113.00	
08765	1961	POWER WINDOW HARNESS Front Left & Right Doors	\$305.00	
06620	1961	POWER WINDOW HARNESS Belair 2 Door Sedan, Left Rear Quarter Window	\$132.00	
06615	1961	POWER WINDOW HARNESS Belair 2 Door Sedan, Right Rear Quarter Window	\$132.00	
08945	1961	POWER WINDOW HARNESS Belair & Impala 4 Door Sedan, Left Rear Door	\$132.00	
08940	1961	POWER WINDOW HARNESS Belair & Impala 4 Door Sedan, Right Rear Door	\$132.00	
06630	1961	POWER WINDOW HARNESS Impala Convertible, Left Rear Quarter Window	\$119.00	
06625	1961	POWER WINDOW HARNESS Impala Convertible, Right Rear Quarter Window	\$119.00	
06640	1961	POWER WINDOW HARNESS Impala Sport Coupe, Left Rear Quarter Window	\$119.00	
06635	1961	POWER WINDOW HARNESS Impala Sport Coupe, Right Rear Quarter Window	\$119.00	
07170	1961	POWER WINDOW MOTOR EXTENSION Rear Quarter Window Harness To Motor, 2 Required Per Car	\$25.00	
38268	1962	POWER VENT WINDOW HARNESS Left Power Vent Wing & Crossover To Right Power Vent Wing Harness	\$226.00	
38269	1962	POWER VENT WINDOW HARNESS Right (Passenger Side) Power Vent Wing Window Harness.	\$226.00	
08765	1962	POWER WINDOW HARNESS Front Left & Right Doors	\$305.00	
06620	1962	POWER WINDOW HARNESS Belair 2 Door Sedan, Left Rear Quarter Window	\$132.00	
06615	1962	POWER WINDOW HARNESS Belair 2 Door Sedan, Right Rear Quarter Window	\$132.00	
08945	1962	POWER WINDOW HARNESS Belair & Impala 4 Door Sedan, Left Rear Door	\$132.00	
08940	1962	POWER WINDOW HARNESS Belair & Impala 4 Door Sedan, Right Rear Door	\$132.00	
06630	1962	POWER WINDOW HARNESS Impala Convertible, Left Rear Quarter Window	\$119.00	
06625	1962	POWER WINDOW HARNESS Impala Convertible, Right Rear Quarter Window	\$119.00	
06640	1962	POWER WINDOW HARNESS Impala Sport Coupe, Left Rear Quarter Window	\$119.00	
06635	1962	POWER WINDOW HARNESS Impala Sport Coupe, Right Rear Quarter Window	\$119.00	
07170	1962	POWER WINDOW MOTOR EXTENSION Rear Quarter Window Harness To Motor, 2 Required Per Car	\$25.00	
38268	1963	POWER VENT WINDOW HARNESS Left Power Vent Wing & Crossover To Right Power Vent Wing Harness	\$226.00	
38269	1963	POWER VENT WINDOW HARNESS Right (Passenger Side) Power Vent Wing Window Harness.	\$226.00	

Part Number	Year	Description	Price	*Rev.
09045	1963	POWER WINDOW HARNESS Front Left & Right Doors	\$305.00	
06620	1963	POWER WINDOW HARNESS Belair 2 Door Sedan, Left Rear Quarter Window	\$132.00	
06615	1963	POWER WINDOW HARNESS Belair 2 Door Sedan, Right Rear Quarter Window	\$132.00	
08945	1963	POWER WINDOW HARNESS Belair & Impala 4 Door Sedan, Left Rear Door	\$132.00	
08940	1963	POWER WINDOW HARNESS Belair & Impala 4 Door Sedan, Right Rear Door	\$132.00	
06630	1963	POWER WINDOW HARNESS Impala Convertible, Left Rear Quarter Window	\$119.00	
06625	1963	POWER WINDOW HARNESS Impala Convertible, Right Rear Quarter Window	\$119.00	
06640	1963	POWER WINDOW HARNESS Impala Sport Coupe, Left Rear Quarter Window	\$119.00	
06635	1963	POWER WINDOW HARNESS Impala Sport Coupe, Right Rear Quarter Window	\$119.00	
07170	1963	POWER WINDOW MOTOR EXTENSION Rear Quarter Window Harness To Motor, 2 Required Per Car	\$25.00	
38268	1964	POWER VENT WINDOW HARNESS Left Power Vent Wing & Crossover To Right Power Vent Wing Harness	\$226.00	
38269	1964	POWER VENT WINDOW HARNESS Right (Passenger Side) Power Vent Wing Window Harness.	\$226.00	
09045	1964	POWER WINDOW HARNESS Front Left & Right Doors	\$305.00	
06620	1964	POWER WINDOW HARNESS Belair 2 Door Sedan, Left Rear Quarter Window	\$132.00	
06615	1964	POWER WINDOW HARNESS Belair 2 Door Sedan, Right Rear Quarter Window	\$132.00	
08945	1964	POWER WINDOW HARNESS Belair & Impala 4 Door Sedan, Left Rear Door	\$132.00	
08940	1964	POWER WINDOW HARNESS Belair & Impala 4 Door Sedan, Right Rear Door	\$132.00	
06630	1964	POWER WINDOW HARNESS Impala Convertible, Left Rear Quarter Window	\$119.00	
06625	1964	POWER WINDOW HARNESS Impala Convertible, Right Rear Quarter Window	\$119.00	
06640	1964	POWER WINDOW HARNESS Impala Sport Coupe, Left Rear Quarter Window	\$119.00	
06635	1964	POWER WINDOW HARNESS Impala Sport Coupe, Right Rear Quarter Window	\$119.00	
07170	1964	POWER WINDOW MOTOR EXTENSION Rear Quarter Window Harness To Motor, 2 Required Per Car	\$25.00	
38268	1965	POWER VENT WINDOW HARNESS Left Power Vent Wing & Crossover To Right Power Vent Wing Harness	\$226.00	
38269	1965	POWER VENT WINDOW HARNESS Right (Passenger Side) Power Vent Wing Window Harness.	\$226.00	
08085	1965	POWER WINDOW HARNESS Belair 2 Door Sedan, Rear Quarter Windows (LH & RH)	\$186.00	
08045	1965	POWER WINDOW HARNESS All Coupe & Sport Coupe Quarter Windows (LH & RH)	\$212.00	
07655	1965	POWER WINDOW MOTOR EXTENSION Impala Convertible, 2 Required Per Car	\$25.00	
07370	1965	POWER WINDOW HARNESS Impala Convertible Quarter Windows (LH & RH)	\$173.00	
08045	1966	POWER WINDOW HARNESS All Coupe & Sport Coupe Quarter Windows (LH & RH)	\$212.00	
07370	1966	POWER WINDOW HARNESS Impala Convertible Quarter Windows (LH & RH)	\$173.00	
07655	1966	POWER WINDOW MOTOR EXTENSION Impala Convertible, 2 Required Per Car	\$25.00	
07370	1967	POWER WINDOW HARNESS Impala Convertible Quarter Windows (LH & RH)	\$173.00	
08045	1967	POWER WINDOW HARNESS All Coupe & Sport Coupe Quarter Windows (LH & RH)	\$212.00	
07655	1967	POWER WINDOW MOTOR EXTENSION Impala Convertible, 2 Required Per Car	\$25.00	
07655	1968	POWER WINDOW MOTOR EXTENSION Impala Convertible, 2 Required Per Car	\$25.00	
42193	1968	POWER WINDOW HARNESS All Coupe & Sport Coupe Quarter Windows (LH & RH)	\$249.00	
POWER WINDOW MOTOR ADAPTER HARNESS				
36954	1958	POWER WINDOW MOTOR ADAPTER HARNESS Adapts "T" Shaped Motor Connector To Side By Side Blade Type Motor Connector	\$22.00	C
36954	1958	POWER WINDOW MOTOR ADAPTER HARNESS Adapts "T" Shaped Motor Connector To Side By Side Blade Type Motor Connector	\$22.00	C
36954	1959	POWER WINDOW MOTOR ADAPTER HARNESS Adapts "T" Shaped Motor Connector To Side By Side Blade Type Motor Connector	\$22.00	C
36954	1960	POWER WINDOW MOTOR ADAPTER HARNESS Adapts "T" Shaped Motor Connector To Side By Side Blade Type Motor Connector	\$22.00	C
36954	1961	POWER WINDOW MOTOR ADAPTER HARNESS Adapts "T" Shaped Motor Connector To Side By Side Blade Type Motor Connector	\$22.00	C

Part Number	Year	Description	Price	*Rev.
36954	1962	POWER WINDOW MOTOR ADAPTER HARNESS Adapts "T" Shaped Motor Connector To Side By Side Blade Type Motor Connector	\$22.00	C
36954	1963	POWER WINDOW MOTOR ADAPTER HARNESS Adapts "T" Shaped Motor Connector To Side By Side Blade Type Motor Connector	\$22.00	C
36954	1964	POWER WINDOW MOTOR ADAPTER HARNESS Adapts "T" Shaped Motor Connector To Side By Side Blade Type Motor Connector	\$22.00	C
36954	1965	POWER WINDOW MOTOR ADAPTER HARNESS Adapts "T" Shaped Motor Connector To Side By Side Blade Type Motor Connector	\$22.00	C
36954	1966	POWER WINDOW MOTOR ADAPTER HARNESS Adapts "T" Shaped Motor Connector To Side By Side Blade Type Motor Connector	\$22.00	C
36954	1967	POWER WINDOW MOTOR ADAPTER HARNESS Adapts "T" Shaped Motor Connector To Side By Side Blade Type Motor Connector	\$22.00	C
36954	1968	POWER WINDOW MOTOR ADAPTER HARNESS Adapts "T" Shaped Motor Connector To Side By Side Blade Type Motor Connector	\$22.00	C
36954	1969	POWER WINDOW MOTOR ADAPTER HARNESS Adapts "T" Shaped Motor Connector To Side By Side Blade Type Motor Connector	\$22.00	C
36954	1970	POWER WINDOW MOTOR ADAPTER HARNESS Adapts "T" Shaped Motor Connector To Side By Side Blade Type Motor Connector	\$22.00	C
36954	1971	POWER WINDOW MOTOR ADAPTER HARNESS Adapts "T" Shaped Motor Connector To Side By Side Blade Type Motor Connector	\$22.00	C
36954	1972	POWER WINDOW MOTOR ADAPTER HARNESS Adapts "T" Shaped Motor Connector To Side By Side Blade Type Motor Connector	\$22.00	C
36954	1973	POWER WINDOW MOTOR ADAPTER HARNESS Adapts "T" Shaped Motor Connector To Side By Side Blade Type Motor Connector	\$22.00	C
36954	1974	POWER WINDOW MOTOR ADAPTER HARNESS Adapts "T" Shaped Motor Connector To Side By Side Blade Type Motor Connector	\$22.00	C
36954	1975	POWER WINDOW MOTOR ADAPTER HARNESS Adapts "T" Shaped Motor Connector To Side By Side Blade Type Motor Connector	\$22.00	C
36954	1959	POWER WINDOW MOTOR ADAPTER HARNESS Adapts "T" Shaped Motor Connector To Side By Side Blade Type Motor Connector	\$22.00	C
36954	1960	POWER WINDOW MOTOR ADAPTER HARNESS Adapts "T" Shaped Motor Connector To Side By Side Blade Type Motor Connector	\$22.00	C
36954	1961	POWER WINDOW MOTOR ADAPTER HARNESS Adapts "T" Shaped Motor Connector To Side By Side Blade Type Motor Connector	\$22.00	C
36954	1962	POWER WINDOW MOTOR ADAPTER HARNESS Adapts "T" Shaped Motor Connector To Side By Side Blade Type Motor Connector	\$22.00	C
36954	1963	POWER WINDOW MOTOR ADAPTER HARNESS Adapts "T" Shaped Motor Connector To Side By Side Blade Type Motor Connector	\$22.00	C
36954	1964	POWER WINDOW MOTOR ADAPTER HARNESS Adapts "T" Shaped Motor Connector To Side By Side Blade Type Motor Connector	\$22.00	C
36954	1965	POWER WINDOW MOTOR ADAPTER HARNESS Adapts "T" Shaped Motor Connector To Side By Side Blade Type Motor Connector	\$22.00	C
36954	1966	POWER WINDOW MOTOR ADAPTER HARNESS Adapts "T" Shaped Motor Connector To Side By Side Blade Type Motor Connector	\$22.00	C
36954	1967	POWER WINDOW MOTOR ADAPTER HARNESS Adapts "T" Shaped Motor Connector To Side By Side Blade Type Motor Connector	\$22.00	C
36954	1968	POWER WINDOW MOTOR ADAPTER HARNESS Adapts "T" Shaped Motor Connector To Side By Side Blade Type Motor Connector	\$22.00	C
POWER WINDOW SWITCH				
04432790	1964	POWER WINDOW SWITCH 1 Button, Round Corner Style, Chrome	\$49.00	
04432793	1964	POWER WINDOW SWITCH 2 Button, Round Corner Style, Chrome. 2-Door Wagons	\$61.00	
04432791	1964	POWER WINDOW SWITCH 4 Button, Round Corner Style, Chrome	\$67.00	
04432790	1965	POWER WINDOW SWITCH 1 Button, Round Corner Style, Chrome	\$49.00	
04432793	1965	POWER WINDOW SWITCH 2 Button, Round Corner Style, Chrome. 2-Door Wagons	\$61.00	

Impala/Bel Air
'58-'63 El Camino



Phone (562) 926-9552
Fax (562) 926-9572

Part Number	Year	Description	Price	*Rev.
04432791	1965	POWER WINDOW SWITCH 4 Button, Round Corner Style, Chrome	\$67.00	
04432790	1966	POWER WINDOW SWITCH 1 Button, Round Corner Style, Chrome	\$49.00	
04432793	1966	POWER WINDOW SWITCH 2 Button, Round Corner Style, Chrome. 2-Door Wagons	\$61.00	
04432791	1966	POWER WINDOW SWITCH 4 Button, Round Corner Style, Chrome	\$67.00	
04432790	1967	POWER WINDOW SWITCH 1 Button, Round Corner Style, Chrome	\$49.00	
04432793	1967	POWER WINDOW SWITCH 2 Button, Round Corner Style, Chrome. 2-Door Wagons	\$61.00	
04432791	1967	POWER WINDOW SWITCH 4 Button, Round Corner Style, Chrome	\$67.00	
04432790	1968	POWER WINDOW SWITCH 1 Button, Round Corner Style, Chrome	\$49.00	
04432793	1968	POWER WINDOW SWITCH 2 Button, Round Corner Style, Chrome. 2-Door Wagons	\$61.00	
04432791	1968	POWER WINDOW SWITCH 4 Button, Round Corner Style, Chrome	\$67.00	
04432790	1969	POWER WINDOW SWITCH 1 Button, Round Corner Style, Chrome	\$49.00	
04432793	1969	POWER WINDOW SWITCH 2 Button, Round Corner Style, Chrome. 2-Door Wagons	\$61.00	
04432791	1969	POWER WINDOW SWITCH 4 Button, Round Corner Style, Chrome	\$67.00	
04432790	1970	POWER WINDOW SWITCH 1 Button, Round Corner Style, Chrome	\$49.00	
04432793	1970	POWER WINDOW SWITCH 2 Button, Round Corner Style, Chrome. 2-Door Wagons	\$61.00	
04432791	1970	POWER WINDOW SWITCH 4 Button, Round Corner Style, Chrome	\$67.00	
01725094	1971	POWER WINDOW SWITCH 1 Button, Square Corner Style, Chrome	\$21.00	M
01731231	1971	POWER WINDOW SWITCH 4 Button, Square Corner Style, Chrome	\$75.00	M
01725094	1972	POWER WINDOW SWITCH 1 Button, Square Corner Style, Chrome	\$21.00	M
01731231	1972	POWER WINDOW SWITCH 4 Button, Square Corner Style, Chrome	\$75.00	M
01725094	1973	POWER WINDOW SWITCH 1 Button, Square Corner Style, Chrome	\$21.00	M
01731231	1973	POWER WINDOW SWITCH 4 Button, Square Corner Style, Chrome	\$75.00	M
01725094	1974	POWER WINDOW SWITCH 1 Button, Square Corner Style, Chrome	\$21.00	M
01731231	1974	POWER WINDOW SWITCH 4 Button, Square Corner Style, Chrome	\$75.00	M
01725092	1974	POWER WINDOW SWITCH 2 Button, Square Corner Style, Chrome	\$53.00	M
01725094	1975	POWER WINDOW SWITCH 1 Button, Square Corner Style, Chrome	\$21.00	M
01731231	1975	POWER WINDOW SWITCH 4 Button, Square Corner Style, Chrome	\$75.00	M
01725092	1975	POWER WINDOW SWITCH 2 Button, Square Corner Style, Chrome	\$53.00	M
01725094	1976	POWER WINDOW SWITCH 1 Button, Square Corner Style, Chrome	\$21.00	M
01731231	1976	POWER WINDOW SWITCH 4 Button, Square Corner Style, Chrome	\$75.00	M
01725092	1976	POWER WINDOW SWITCH 2 Button, Square Corner Style, Chrome	\$53.00	M
01725094	1977	POWER WINDOW SWITCH 1 Button, Square Corner Style, Chrome	\$21.00	M
01731231	1977	POWER WINDOW SWITCH 4 Button, Square Corner Style, Chrome	\$75.00	M
01725092	1977	POWER WINDOW SWITCH 2 Button, Square Corner Style, Chrome	\$53.00	M
01725094	1978	POWER WINDOW SWITCH 1 Button, Square Corner Style, Chrome	\$21.00	M
01731231	1978	POWER WINDOW SWITCH 4 Button, Square Corner Style, Chrome	\$75.00	M
01725092	1978	POWER WINDOW SWITCH 2 Button, Square Corner Style, Chrome	\$53.00	M
01725094	1979	POWER WINDOW SWITCH 1 Button, Square Corner Style, Chrome	\$21.00	M
01731231	1979	POWER WINDOW SWITCH 4 Button, Square Corner Style, Chrome	\$75.00	M
01725092	1979	POWER WINDOW SWITCH 2 Button, Square Corner Style, Chrome	\$53.00	M
REAR LAMP HARNESS				
08405	1958	REAR LAMP HARNESS Belair & Biscayne	\$186.00	
08404	1958	REAR LAMP HARNESS Delray	\$186.00	
08400	1958	REAR LAMP HARNESS Impala, Except Convertible	\$186.00	
08415	1958	REAR LAMP HARNESS Impala, Convertible	\$239.00	
08505	1959	REAR LAMP HARNESS Front, Belair & Impala	\$140.00	
08500	1959	REAR LAMP HARNESS Front, Biscayne (Except Sedan Delivery)	\$140.00	

Impala/Bel Air
 '58-'63 El Camino



Phone (562) 926-9552
 Fax (562) 926-9572

Part Number	Year	Description	Price	*Rev.
08510	1959	REAR LAMP HARNESS Front, Impala, Convertible	\$225.00	
32935	1959	REAR LAMP HARNESS Front Section, El Camino & Biscayne Sedan Delivery	\$113.00	
32935	1959	REAR LAMP HARNESS Front Section, Brookwood 2 & 4 Door Wagon	\$113.00	
32940	1959	REAR LAMP HARNESS Front Section, Nomad Wagon & Parkwood 4 Door Wagon	\$147.00	
34165	1959	REAR LAMP HARNESS Front Section, Kingswood 4 Door Wagon, With Power Tailgate	\$291.00	
19695	1959	REAR LAMP HARNESS Rear, Impala, Belair & Biscayne (Except Wagons)	\$92.00	
32875	1959	REAR LAMP HARNESS Rear Section, Biscayne Sedan Delivery	\$140.00	
32930	1959	REAR LAMP HARNESS Rear Section, El Camino & Nomad Wagon	\$132.00	
32930	1959	REAR LAMP HARNESS Rear Section, Brookwood 2 Door & 4 Door Wagon	\$132.00	
32930	1959	REAR LAMP HARNESS Rear Section, Parkwood 4 Door Wagon	\$132.00	
32865	1959	REAR LAMP HARNESS Rear Section, Kingswood 4 Door Wagon, With Power Tailgate	\$279.00	
31215	1959	REAR LAMP HARNESS Rear Tailgate Lamps, Biscayne Sedan Delivery	\$92.00	
32925	1959	REAR LAMP HARNESS Rear Tailgate Lamps, Belair, Biscayne & Impala Wagon	\$113.00	
32925	1959	REAR LAMP HARNESS Rear Tailgate Lamps, Brookwood 2 Door & 4 Door Wagon	\$113.00	
32925	1959	REAR LAMP HARNESS Rear Tailgate Lamps, El Camino & Nomad Wagon	\$113.00	
32925	1959	REAR LAMP HARNESS Rear Tailgate Lamps, Parkwood 4 Door Wagon	\$113.00	
33180	1959	REAR LAMP EXTENSION HARNESS Rear Lamp Harness To Backup Lamps	\$29.00	
08580	1960	REAR LAMP HARNESS Front, Belair & Impala	\$140.00	
08575	1960	REAR LAMP HARNESS Front, Biscayne	\$140.00	
08585	1960	REAR LAMP HARNESS Front, Impala Convertible, Without Power Feed In Kick Panel	\$226.00	
08650	1960	REAR LAMP HARNESS Front, Impala Convertible, With Power Feed In Kick Panel	\$226.00	
32895	1960	REAR LAMP HARNESS Front Section, El Camino & Brookwood 2 Door Wagon	\$124.00	
32895	1960	REAR LAMP HARNESS Front Section, Biscayne Sedan Delivery	\$124.00	
32910	1960	REAR LAMP HARNESS Front Section, Brookwood 4 Door Wagon	\$140.00	
32905	1960	REAR LAMP HARNESS Front Section, Kingswood 4 Door Wagon, With Power Tailgate	\$279.00	
32900	1960	REAR LAMP HARNESS Front Section, Nomad Wagon & Parkwood 4 Door Wagon	\$132.00	
03010	1960	REAR LAMP HARNESS Rear, Belair & Biscayne	\$113.00	
03015	1960	REAR LAMP HARNESS Rear, Impala	\$113.00	
32915	1960	REAR LAMP HARNESS Rear Section, El Camino & Biscayne Sedan Delivery	\$180.00	
32915	1960	REAR LAMP HARNESS Rear Section, Brookwood 2 & 4 Door Wagon	\$180.00	
32915	1960	REAR LAMP HARNESS Rear Section, Parkwood 4 Door Wagon	\$180.00	
32920	1960	REAR LAMP HARNESS Rear Section, Kingswood 4 Door Wagon	\$192.00	
32860	1960	REAR LAMP HARNESS Rear Section, Nomad	\$211.00	
08720	1961	REAR LAMP DECK LID HARNESS Belair	\$60.00	
08725	1961	REAR LAMP DECK LID HARNESS Impala	\$80.00	
08740	1961	REAR LAMP HARNESS Front, Belair & Impala 2 Door	\$92.00	
08735	1961	REAR LAMP HARNESS Front, Biscayne 2 Door	\$105.00	
08825	1961	REAR LAMP HARNESS Front, Belair & Impala 4 Door	\$101.00	
08820	1961	REAR LAMP HARNESS Front, Biscayne 4 Door	\$113.00	
08745	1961	REAR LAMP HARNESS Front, Impala Convertible	\$193.00	
08705	1961	REAR LAMP HARNESS Rear, Belair	\$67.00	
08700	1961	REAR LAMP HARNESS Rear, Biscayne	\$67.00	
08710	1961	REAR LAMP HARNESS Rear, Impala, Except Convertible	\$74.00	
08715	1961	REAR LAMP HARNESS Rear, Impala Convertible	\$80.00	
08730	1961	REAR LAMP EXTENSION HARNESS All, (Extension To The Right Rear Tail Lamp)	\$60.00	
19700	1962	REAR LAMP DECK LID HARNESS Belair, With Special Order Backup Lights In Trunk Lid	\$60.00	
08875	1962	REAR LAMP DECK LID HARNESS Belair, With Stock Tail Lights In Trunk Lid	\$60.00	

**Impala/Bel Air
'58-'63 El Camino**



**Phone (562) 926-9552
Fax (562) 926-9572**

Part Number	Year	Description	Price	*Rev.
08935	1962	REAR LAMP DECK LID HARNESS Impala	\$80.00	
08845	1962	REAR LAMP HARNESS Front, Belair 2 Door (Except Sport Coupe)	\$173.00	
08885	1962	REAR LAMP HARNESS Front, Belair Sport Coupe	\$173.00	
08850	1962	REAR LAMP HARNESS Front, Belair 4 Door	\$173.00	
08835	1962	REAR LAMP HARNESS Front, Biscayne 2 Door	\$166.00	
08840	1962	REAR LAMP HARNESS Front, Biscayne 4 Door	\$173.00	
08865	1962	REAR LAMP HARNESS Front, Impala Convertible	\$233.00	
08855	1962	REAR LAMP HARNESS Front, Impala Sedan	\$173.00	
08860	1962	REAR LAMP HARNESS Front, Impala Sport Coupe	\$173.00	
08870	1962	REAR LAMP EXTENSION HARNESS All, (Extension To The Right Rear Tail Lamp)	\$60.00	
09015	1963	REAR LAMP DECK LID HARNESS Belair & Biscayne, Without Backup Lamps	\$60.00	
09025	1963	REAR LAMP DECK LID HARNESS Belair & Biscayne, With Backup Lamps	\$74.00	
09020	1963	REAR LAMP DECK LID HARNESS Impala	\$80.00	
08995	1963	REAR LAMP HARNESS Belair & Biscayne, 2 Door, Without Backup Lights	\$199.00	
06570	1963	REAR LAMP HARNESS Belair & Biscayne, 2 Door, With Backup Lights	\$199.00	
19705	1963	REAR LAMP HARNESS Belair & Biscayne, 4 Door, Without Backup Lights	\$199.00	
06575	1963	REAR LAMP HARNESS Belair & Biscayne, 4 Door, With Backup Lights	\$199.00	
06580	1963	REAR LAMP HARNESS Impala, 4 Door Sedan & Sport Sedan	\$199.00	
06585	1963	REAR LAMP HARNESS Impala Sport Coupe	\$199.00	
06590	1963	REAR LAMP HARNESS Impala Convertible	\$245.00	
06430	1963	REAR TAILGATE HARNESS Belair & Biscayne 4 Door Wagon	\$79.00	
06435	1963	REAR TAILGATE HARNESS Impala 4 Door Wagon	\$140.00	
06440	1963	REAR TAILGATE HARNESS Impala 4 Door Wagon, With Power Tailgate Window	\$207.00	
06780	1964	REAR LAMP DECK LID HARNESS Belair, Without Backup Lights	\$60.00	
06790	1964	REAR LAMP DECK LID HARNESS Belair & Biscayne (Optional), With Backup Lamps	\$67.00	
06785	1964	REAR LAMP DECK LID HARNESS Impala	\$87.00	
06755	1964	REAR LAMP HARNESS Belair, 2 Door Sedan, Without Backup Lights	\$198.00	
06740	1964	REAR LAMP HARNESS Belair & Biscayne, 2 Door Sedan, With Backup Lights	\$206.00	
06760	1964	REAR LAMP HARNESS Belair & Biscayne, 4 Door Sedan, Without Backup Lights	\$198.00	
06750	1964	REAR LAMP HARNESS Belair & Biscayne, 4 Door Sedan, With Backup Lights	\$206.00	
06735	1964	REAR LAMP HARNESS Biscayne, 2 Door Sedan, Without Trunk Light	\$198.00	
06745	1964	REAR LAMP HARNESS Biscayne, 4 Door Sedan, Without Trunk Light	\$212.00	
06765	1964	REAR LAMP HARNESS Impala, 4 Door Sedan	\$206.00	
06770	1964	REAR LAMP HARNESS Impala Sport Coupe	\$206.00	
06775	1964	REAR LAMP HARNESS Impala, Convertible	\$264.00	
07915	1965	REAR LAMP DECK LID HARNESS Belair	\$60.00	
07910	1965	REAR LAMP DECK LID HARNESS Impala, Sedan & Convertible	\$94.00	
13965	1965	REAR LAMP DECK LID HARNESS Impala, Sport Coupe	\$87.00	
07905	1965	REAR LAMP HARNESS Belair & Biscayne	\$174.00	
14000	1965	REAR LAMP HARNESS Impala, Convertible	\$174.00	
07900	1965	REAR LAMP HARNESS Impala, Sedan	\$174.00	
13995	1965	REAR LAMP HARNESS Impala, Sport Coupe	\$174.00	
08225	1966	REAR LAMP HARNESS Belair & Biscayne	\$184.00	
08290	1966	REAR LAMP HARNESS Caprice, Sport Coupe	\$193.00	
08220	1966	REAR LAMP HARNESS Impala & Caprice, Sedan	\$193.00	
08230	1966	REAR LAMP HARNESS Impala, Convertible	\$184.00	
08215	1966	REAR LAMP HARNESS Impala, Sport Coupe	\$184.00	

Part Number	Year	Description	Price	*Rev.
19710	1967	REAR LAMP HARNESS Belair & Impala Sedan, Impala Sport Sedan Note: Wires On The Ribbon Connectors For Some 67 Rear Lamp Harnesses Were Indexed Two Ways. Our Harnesses Are Supplied With The Mating Connector For The Ribbon Cable Uninstalled. Instructions Are Provided For Correct Installation Of The Connectors.	\$206.00	
19715	1967	REAR LAMP HARNESS Biscayne Note: Wires On The Ribbon Connectors For Some 67 Rear Lamp Harnesses Were Indexed Two Ways. Our Harnesses Are Supplied With The Mating Connector For The Ribbon Cable Uninstalled. Instructions Are Provided For Correct Installation Of The Connectors.	\$206.00	
19720	1967	REAR LAMP HARNESS Caprice, Sport Coupe Note: Wires On The Ribbon Connectors For Some 67 Rear Lamp Harnesses Were Indexed Two Ways. Our Harnesses Are Supplied With The Mating Connector For The Ribbon Cable Uninstalled. Instructions Are Provided For Correct Installation Of The Connectors.	\$212.00	
19725	1967	REAR LAMP HARNESS Caprice, Sport Sedan Note: Wires On The Ribbon Connectors For Some 67 Rear Lamp Harnesses Were Indexed Two Ways. Our Harnesses Are Supplied With The Mating Connector For The Ribbon Cable Uninstalled. Instructions Are Provided For Correct Installation Of The Connectors.	\$206.00	
19730	1967	REAR LAMP HARNESS Impala, Convertible Note: Wires On The Ribbon Connectors For Some 67 Rear Lamp Harnesses Were Indexed Two Ways. Our Harnesses Are Supplied With The Mating Connector For The Ribbon Cable Uninstalled. Instructions Are Provided For Correct Installation Of The Connectors.	\$206.00	
13830	1967	REAR LAMP HARNESS Impala, Sport Coupe Note: Wires On The Ribbon Connectors For Some 67 Rear Lamp Harnesses Were Indexed Two Ways. Our Harnesses Are Supplied With The Mating Connector For The Ribbon Cable Uninstalled. Instructions Are Provided For Correct Installation Of The Connectors.	\$206.00	
19740	1968	REAR LAMP INTERMEDIATE HARNESS Impala, Convertible	\$180.00	
19745	1968	REAR LAMP INTERMEDIATE HARNESS Impala, Sport Coupe	\$173.00	
22895	1968	REAR LAMP INTERMEDIATE HARNESS Impala, Sedan	\$173.00	
19750	1968	REAR LAMP INTERMEDIATE HARNESS Sport Coupe, Except Impala	\$173.00	
20595	1968	REAR LAMP INTERMEDIATE HARNESS Biscayne & Caprice, 4 Door Sedan	\$173.00	
19770	1968	REAR LAMP HARNESS Impala, Sport Coupe	\$180.00	
19755	1968	REAR LAMP HARNESS Impala, Sedan, Convertible & Custom Coupe	\$180.00	
19755	1968	REAR LAMP HARNESS Caprice, Sedan & Sport Coupe	\$180.00	
20590	1968	REAR LAMP HARNESS Belair & Biscayne, 2 & 4 Door Sedan	\$180.00	
20925	1969	REAR LAMP INTERMEDIATE HARNESS Caprice, 4 Door	\$194.00	
20945	1969	REAR LAMP INTERMEDIATE HARNESS Caprice Sport Coupe & Impala Custom Coupe	\$173.00	
20950	1969	REAR LAMP HARNESS Belair & Biscayne	\$172.00	
22900	1969	REAR LAMP HARNESS Caprice & Impala	\$180.00	
14490	1970	REAR LAMP INTERMEDIATE HARNESS Caprice Sport Sedan	\$212.00	
14495	1970	REAR LAMP INTERMEDIATE HARNESS Impala, Convertible	\$221.00	
REAR WINDOW DEFROSTER HARNESS				
36070	1960	REAR WINDOW DEFROSTER HARNESS	\$60.00	
36070	1961	REAR WINDOW DEFROSTER HARNESS	\$60.00	
36070	1962	REAR WINDOW DEFROSTER HARNESS	\$60.00	
36070	1963	REAR WINDOW DEFROSTER HARNESS	\$60.00	
36070	1964	REAR WINDOW DEFROSTER HARNESS	\$60.00	
08195	1965	REAR WINDOW DEFROSTER HARNESS	\$60.00	
08195	1966	REAR WINDOW DEFROSTER HARNESS	\$60.00	
08195	1967	REAR WINDOW DEFROSTER HARNESS	\$60.00	
33470	1968	REAR WINDOW DEFROSTER HARNESS	\$60.00	
14415	1969	REAR WINDOW DEFROSTER HARNESS	\$67.00	

Part Number	Year	Description	Price	*Rev.
19445	1970	REAR WINDOW DEFROSTER HARNESS Blower Type, Except Impala Sport Coupe	\$80.00	
14555	1970	REAR WINDOW DEFROSTER HARNESS Blower Type, Impala Sport Coupe	\$80.00	
REPAIR PIGTAIL-FOR POWER WINDOW SWITCH				
36048	1964	REPAIR PIGTAIL, FOR POWER WINDOW SWITCH For Single Power Window Switches, Connector & Wire	\$25.00	
36048	1965	REPAIR PIGTAIL, FOR POWER WINDOW SWITCH For Single Power Window Switches, Connector & Wire	\$25.00	
36048	1966	REPAIR PIGTAIL, FOR POWER WINDOW SWITCH For Single Power Window Switches, Connector & Wire	\$25.00	
36048	1967	REPAIR PIGTAIL, FOR POWER WINDOW SWITCH For Single Power Window Switches, Connector & Wire	\$25.00	
36048	1968	REPAIR PIGTAIL, FOR POWER WINDOW SWITCH For Single Power Window Switches, Connector & Wire	\$25.00	
36048	1969	REPAIR PIGTAIL, FOR POWER WINDOW SWITCH For Single Power Window Switches, Connector & Wire	\$25.00	
36048	1970	REPAIR PIGTAIL, FOR POWER WINDOW SWITCH For Single Power Window Switches, Connector & Wire	\$25.00	
SPEAKER HARNESS				
06550	1963	SPEAKER WIRE All Sedans, Rear Seat Speaker	\$32.00	
06545	1963	SPEAKER WIRE Impala Convertible, Rear Seat Speaker (Front Section)	\$34.00	
06555	1963	SPEAKER WIRE Impala Convertible, Rear Seat Speaker (Rear Section)	\$25.00	
06540	1963	SPEAKER WIRE Impala Sport Coupe, Rear Seat Speaker	\$27.00	
06550	1964	SPEAKER WIRE All Sedans, Rear Seat Speaker	\$32.00	
06545	1964	SPEAKER WIRE Impala Convertible, Rear Seat Speaker (Front Section)	\$34.00	
06555	1964	SPEAKER WIRE Impala Convertible, Rear Seat Speaker (Rear Section)	\$25.00	
06540	1964	SPEAKER WIRE Impala Sport Coupe, Rear Seat Speaker	\$27.00	
33430	1965	SPEAKER HARNESS 4 Stereo Speakers, Front & Rear	\$83.00	
18510	1965	SPEAKER HARNESS To Rear Seat Speaker	\$53.00	
33430	1966	SPEAKER HARNESS 4 Stereo Speakers, Front & Rear	\$83.00	
18510	1966	SPEAKER HARNESS To Rear Seat Speaker	\$53.00	
33430	1967	SPEAKER HARNESS 4 Stereo Speakers, Front & Rear	\$83.00	
33425	1967	SPEAKER HARNESS Front Stereo Speakers	\$59.00	
18510	1967	SPEAKER HARNESS To Rear Seat Speaker	\$53.00	
33430	1968	SPEAKER HARNESS 4 Stereo Speakers, Front & Rear	\$83.00	
33425	1968	SPEAKER HARNESS Front Stereo Speakers	\$59.00	
18510	1968	SPEAKER HARNESS To Rear Seat Speaker	\$53.00	
33430	1969	SPEAKER HARNESS 4 Stereo Speakers, Front & Rear	\$83.00	
33425	1969	SPEAKER HARNESS Front Stereo Speakers	\$59.00	
SPEED WARNING HARNESS				
11045	1967	SPEED WARNING HARNESS	\$22.00	
35115	1968	SPEED WARNING HARNESS	\$23.00	
STARTER MOTOR EXTENSION HARNESS				
02775	1958	STARTER MOTOR EXTENSION HARNESS 348 C.I. Only, Engine Harness To Starter Motor Solenoid	\$35.00	
STEERING COLUMN ADAPTER HARNESS				
35785	1958	STEERING COLUMN ADAPTER HARNESS For 1969-74 GM & Ididit Columns (Exc. Flaming River) To Stock Dash Note: Adapts Horn, Directionals, Hazard Flasher To Stock Dash Harness.	\$50.00	
13597	1958	STEERING COLUMN ADAPTER HARNESS For 1975 & Up GM & Flaming River Columns (Exc. Ididit) To Stock Dash Note: Adapts Horn, Directionals, Hazard Flasher To Stock Dash Harness.	\$51.00	
37616	1959	STEERING COLUMN ADAPTER HARNESS For 1969-74 GM & Ididit Columns (Exc. Flaming River) To Stock Dash Harness Note: Adapts Horn, Directionals, Hazard Flashers To Stock 6-Way Dash Connector.	\$50.00	

Part Number	Year	Description	Price	*Rev.
38124	1959	STEERING COLUMN ADAPTER HARNESS For 1975 & Up GM & Flaming River Columns (Exc. Ididit) To Stock Dash Harness Note: Adapts Horn, Directionals, Hazard Flashers To Stock 6-Way Dash Connector.	\$53.00	
37616	1960	STEERING COLUMN ADAPTER HARNESS For 1969-74 GM & Ididit Columns (Exc. Flaming River) To Stock Dash Harness Note: Adapts Horn, Directionals, Hazard Flashers To Stock 6-Way Dash Connector.	\$50.00	
38124	1960	STEERING COLUMN ADAPTER HARNESS For 1975 & Up GM & Flaming River Columns (Exc. Ididit) To Stock Dash Harness Note: Adapts Horn, Directionals, Hazard Flashers To Stock 6-Way Dash Connector.	\$53.00	
37616	1961	STEERING COLUMN ADAPTER HARNESS For 1969-74 GM & Ididit Columns (Exc. Flaming River) To Stock Dash Harness Note: Adapts Horn, Directionals, Hazard Flashers To Stock 6-Way Dash Connector.	\$50.00	
38124	1961	STEERING COLUMN ADAPTER HARNESS For 1975 & Up GM & Flaming River Columns (Exc. Ididit) To Stock Dash Harness Note: Adapts Horn, Directionals, Hazard Flashers To Stock 6-Way Dash Connector.	\$53.00	
37616	1962	STEERING COLUMN ADAPTER HARNESS For 1969-74 GM & Ididit Columns (Exc. Flaming River) To Stock Dash Harness Note: Adapts Horn, Directionals, Hazard Flashers To Stock 6-Way Dash Connector.	\$50.00	
38124	1962	STEERING COLUMN ADAPTER HARNESS For 1975 & Up GM & Flaming River Columns (Exc. Ididit) To Stock Dash Harness Note: Adapts Horn, Directionals, Hazard Flashers To Stock 6-Way Dash Connector.	\$53.00	
37618	1963	STEERING COLUMN ADAPTER HARNESS For 1969-74 GM & Ididit Columns (Exc. Flaming River) To Stock Dash Harness Note: Adapts Horn, Directionals, Hazard Flashers To Stock 8-Way Dash Connector.	\$50.00	
38125	1963	STEERING COLUMN ADAPTER HARNESS For 1975 & Up GM & Flaming River Columns (Exc. Ididit) To Stock Dash Harness Note: Adapts Horn, Directionals, Hazard Flashers To Stock 8-Way Dash Connector.	\$51.00	
37618	1964	STEERING COLUMN ADAPTER HARNESS For 1969-74 GM & Ididit Columns (Exc. Flaming River) To Stock Dash Harness Note: Adapts Horn, Directionals, Hazard Flashers To Stock 8-Way Dash Connector.	\$50.00	
38125	1964	STEERING COLUMN ADAPTER HARNESS For 1975 & Up GM & Flaming River Columns (Exc. Ididit) To Stock Dash Harness Note: Adapts Horn, Directionals, Hazard Flashers To Stock 8-Way Dash Connector.	\$51.00	
37618	1965	STEERING COLUMN ADAPTER HARNESS For 1969-74 GM & Ididit Columns (Exc. Flaming River) To Stock Dash Harness Note: Adapts Horn, Directionals, Hazard Flashers To Stock 8-Way Dash Connector.	\$50.00	
38125	1965	STEERING COLUMN ADAPTER HARNESS For 1975 & Up GM & Flaming River Columns (Exc. Ididit) To Stock Dash Harness Note: Adapts Horn, Directionals, Hazard Flashers To Stock 8-Way Dash Connector.	\$51.00	
37618	1966	STEERING COLUMN ADAPTER HARNESS For 1969-74 GM & Ididit Columns (Exc. Flaming River) To Stock Dash Harness Note: Adapts Horn, Directionals, Hazard Flashers To Stock 8-Way Dash Connector.	\$50.00	
38125	1966	STEERING COLUMN ADAPTER HARNESS For 1975 & Up GM & Flaming River Columns (Exc. Ididit) To Stock Dash Harness Note: Adapts Horn, Directionals, Hazard Flashers To Stock 8-Way Dash Connector.	\$51.00	
36882	1967	STEERING COLUMN ADAPTER HARNESS For 1969-1974 GM & Ididit Columns (Exc. Flaming River) To Stock Dash Harness Note: Adapts Horn, Directionals, Hazard Flashers To Stock 9-Pin T/L Dash Connector.	\$27.00	
38127	1967	STEERING COLUMN ADAPTER HARNESS For 1975 & Up GM & Flaming River Columns (Exc. Ididit) To Stock Dash Harness Note: Adapts Horn, Directionals, Hazard Flashers To Stock 9-Pin T/L Dash Connector.	\$27.00	
36882	1968	STEERING COLUMN ADAPTER HARNESS For 1969-1974 GM & Ididit Columns (Exc. Flaming River) To Stock Dash Harness Note: Adapts Horn, Directionals, Hazard Flashers To Stock 9-Pin T/L Dash Connector.	\$27.00	

Part Number	Year	Description	Price	*Rev.
38127	1968	STEERING COLUMN ADAPTER HARNESS For 1975 & Up GM & Flaming River Columns (Exc. Ididit) To Stock Dash Harness Note: Adapts Horn, Directionals, Hazard Flashers To Stock 9-Pin T/L Dash Connector.	\$27.00	
STOP LAMP SWITCH				
01261219	1958	STOP LAMP SWITCH Without Cruise	\$5.80	N
01261219	1959	STOP LAMP SWITCH Without Cruise	\$5.80	N
01261219	1960	STOP LAMP SWITCH Without Cruise	\$5.80	N
01261219	1961	STOP LAMP SWITCH Without Cruise	\$5.80	N
01261219	1962	STOP LAMP SWITCH Without Cruise	\$5.80	N
01261219	1963	STOP LAMP SWITCH Without Cruise	\$5.80	N
01261219	1964	STOP LAMP SWITCH Without Cruise	\$5.80	N
01261219	1965	STOP LAMP SWITCH Without Cruise	\$5.80	N
01261219	1966	STOP LAMP SWITCH Without Cruise	\$5.80	N
01261219	1967	STOP LAMP SWITCH Without Cruise	\$5.80	N
01261219	1968	STOP LAMP SWITCH Without Cruise	\$5.80	N
01261219	1969	STOP LAMP SWITCH Without Cruise	\$5.80	N
01261219	1970	STOP LAMP SWITCH Without Cruise	\$5.80	N
01261219	1971	STOP LAMP SWITCH Without Cruise	\$5.80	N
01261219	1972	STOP LAMP SWITCH Without Cruise	\$5.80	N
01261219	1973	STOP LAMP SWITCH Without Cruise	\$5.80	N
01261219	1974	STOP LAMP SWITCH Without Cruise	\$5.80	N
01261219	1975	STOP LAMP SWITCH Without Cruise	\$5.80	N
01261219	1976	STOP LAMP SWITCH Without Power Brakes Or Cruise	\$5.80	N
01261219	1977	STOP LAMP SWITCH Without Power Brakes Or Cruise	\$5.80	N
01261219	1978	STOP LAMP SWITCH Without Power Brakes Or Cruise	\$5.80	N
01261219	1979	STOP LAMP SWITCH Without Power Brakes Or Cruise	\$5.80	N
01261219	1980	STOP LAMP SWITCH Without Power Brakes Or Cruise	\$5.80	N
TACHOMETER HARNESS				
03615	1961	TACHOMETER HARNESS	\$74.00	
03615	1962	TACHOMETER HARNESS	\$74.00	
04175	1963	TACHOMETER HARNESS Dash Mounted	\$52.00	
04975	1964	TACHOMETER HARNESS Dash Mounted	\$52.00	
05170	1964	TACHOMETER HARNESS Steering Column Mounted	\$52.00	
05870	1965	TACHOMETER HARNESS Dash Mounted	\$66.00	
01540	1965	TACHOMETER HARNESS Steering Column Mounted Tach	\$60.00	
19775	1966	TACHOMETER HARNESS Dash Mounted	\$52.00	
01540	1966	TACHOMETER HARNESS Steering Column Mounted Tach	\$60.00	
TEMPERATURE SENDING UNIT WIRE REPAIR KIT				
34620	1958	TEMPERATURE SENDING UNIT WIRE REPAIR KIT Single Wire	\$20.00	
34620	1959	TEMPERATURE SENDING UNIT WIRE REPAIR KIT Single Wire	\$20.00	
34620	1960	TEMPERATURE SENDING UNIT WIRE REPAIR KIT Single Wire	\$20.00	
34620	1961	TEMPERATURE SENDING UNIT WIRE REPAIR KIT Single Wire	\$20.00	
34620	1962	TEMPERATURE SENDING UNIT WIRE REPAIR KIT Single Wire	\$20.00	
41366	1962	TEMPERATURE SENDING UNIT WIRE REPAIR KIT Dual Wire	\$27.00	
34620	1963	TEMPERATURE SENDING UNIT WIRE REPAIR KIT Single Wire	\$20.00	
41366	1963	TEMPERATURE SENDING UNIT WIRE REPAIR KIT Dual Wire	\$27.00	
34620	1964	TEMPERATURE SENDING UNIT WIRE REPAIR KIT Single Wire	\$20.00	

Part Number	Year	Description	Price	*Rev.
41366	1964	TEMPERATURE SENDING UNIT WIRE REPAIR KIT Dual Wire	\$27.00	
34620	1965	TEMPERATURE SENDING UNIT WIRE REPAIR KIT Single Wire	\$20.00	
41366	1965	TEMPERATURE SENDING UNIT WIRE REPAIR KIT Dual Wire	\$27.00	
34620	1966	TEMPERATURE SENDING UNIT WIRE REPAIR KIT Single Wire	\$20.00	
41366	1966	TEMPERATURE SENDING UNIT WIRE REPAIR KIT Dual Wire	\$27.00	
34620	1967	TEMPERATURE SENDING UNIT WIRE REPAIR KIT Single Wire	\$20.00	
34620	1968	TEMPERATURE SENDING UNIT WIRE REPAIR KIT Single Wire	\$20.00	
34620	1969	TEMPERATURE SENDING UNIT WIRE REPAIR KIT Single Wire	\$20.00	
34620	1970	TEMPERATURE SENDING UNIT WIRE REPAIR KIT Single Wire	\$20.00	
34620	1971	TEMPERATURE SENDING UNIT WIRE REPAIR KIT Single Wire	\$20.00	
34620	1972	TEMPERATURE SENDING UNIT WIRE REPAIR KIT Single Wire	\$20.00	
34620	1973	TEMPERATURE SENDING UNIT WIRE REPAIR KIT Single Wire	\$20.00	
34620	1974	TEMPERATURE SENDING UNIT WIRE REPAIR KIT Single Wire	\$20.00	
34620	1975	TEMPERATURE SENDING UNIT WIRE REPAIR KIT Single Wire	\$20.00	
34620	1976	TEMPERATURE SENDING UNIT WIRE REPAIR KIT Single Wire	\$20.00	
34620	1977	TEMPERATURE SENDING UNIT WIRE REPAIR KIT Single Wire	\$20.00	
TILT COLUMN ADAPTER HARNESS				
37590	1963	TILT COLUMN ADAPTER HARNESS From Dash Harness To Directional Switch On Column	\$52.00	
37591	1964	TILT COLUMN ADAPTER HARNESS From Dash Harness To Directional Switch On Column	\$52.00	
31165	1965	TILT COLUMN ADAPTER HARNESS From Dash Harness To Directional Switch On Column	\$52.00	
31165	1966	TILT COLUMN ADAPTER HARNESS From Dash Harness To Directional Switch On Column	\$52.00	
TRANSISTOR IGNITION AMPLIFIER EXTENSION				
33225	1964	TRANSISTOR IGNITION AMPLIFIER EXTENSION From Internal Circuit Board To Amplifier Housing Connector	\$53.00	
33225	1965	TRANSISTOR IGNITION AMPLIFIER EXTENSION From Internal Circuit Board To Amplifier Housing Connector	\$53.00	
33225	1966	TRANSISTOR IGNITION AMPLIFIER EXTENSION From Internal Circuit Board To Amplifier Housing Connector	\$53.00	
33225	1967	TRANSISTOR IGNITION AMPLIFIER EXTENSION From Internal Circuit Board To Amplifier Housing Connector	\$53.00	
TRANSISTOR IGNITION EXTENSION HARNESS				
21270	1964	TRANSISTOR IGNITION EXTENSION HARNESS Starter Motor, Coil & Distributor	\$118.00	
33215	1964	TRANSISTOR IGNITION EXTENSION HARNESS Ignition Switch To Main T.I. Harness	\$22.00	
18765	1965	TRANSISTOR IGNITION EXTENSION HARNESS Starter Motor, Coil & Distributor	\$106.00	
33215	1965	TRANSISTOR IGNITION EXTENSION HARNESS Ignition Switch To Main T.I. Harness	\$22.00	
09620	1966	TRANSISTOR IGNITION EXTENSION HARNESS Starter Motor, Coil & Distributor	\$106.00	
33215	1966	TRANSISTOR IGNITION EXTENSION HARNESS Ignition Switch To Main T.I. Harness	\$22.00	
09620	1967	TRANSISTOR IGNITION EXTENSION HARNESS Starter Motor, Coil & Distributor	\$106.00	
33215	1967	TRANSISTOR IGNITION EXTENSION HARNESS Ignition Switch To Main T.I. Harness	\$22.00	
TRANSISTOR IGNITION HARNESS				
21260	1964	TRANSISTOR IGNITION HARNESS Amplifier To Extension Harness	\$101.00	
05790	1965	TRANSISTOR IGNITION HARNESS Amplifier To Extension Harness	\$101.00	
05790	1966	TRANSISTOR IGNITION HARNESS Amplifier To Extension Harness	\$101.00	
05790	1967	TRANSISTOR IGNITION HARNESS Amplifier To Extension Harness	\$101.00	
TRANSISTOR IGNITION REPLACEMENT MODULE				
32270	1964	TRANSISTOR IGNITION REPLACEMENT MODULE Replaces Original Circuit Board In Amplifier	\$189.00	
32270	1965	TRANSISTOR IGNITION REPLACEMENT MODULE Replaces Original Circuit Board In Amplifier	\$189.00	
32270	1966	TRANSISTOR IGNITION REPLACEMENT MODULE Replaces Original Circuit Board In Amplifier	\$189.00	
32270	1967	TRANSISTOR IGNITION REPLACEMENT MODULE Replaces Original Circuit Board In Amplifier	\$189.00	

Part Number	Year	Description	Price	*Rev.
TRUNK LAMP ASSEMBLY				
33530	1962	TRUNK LAMP ASSEMBLY	\$43.00	
33530	1963	TRUNK LAMP ASSEMBLY	\$43.00	
33530	1964	TRUNK LAMP ASSEMBLY	\$43.00	
33530	1965	TRUNK LAMP ASSEMBLY	\$43.00	
28180	1966	TRUNK LAMP ASSEMBLY Coupe, Includes Extension Harness	\$43.00	
28180	1967	TRUNK LAMP ASSEMBLY Coupe, Includes Extension Harness	\$43.00	
36380	1968	TRUNK LAMP ASSEMBLY Coupe, Includes Extension Harness	\$43.00	
36382	1968	TRUNK LAMP ASSEMBLY Convertible, Includes Extension Harness	\$50.00	
36380	1969	TRUNK LAMP ASSEMBLY Coupe, Includes Extension Harness	\$43.00	
36382	1969	TRUNK LAMP ASSEMBLY Convertible, Includes Extension Harness	\$50.00	
36380	1970	TRUNK LAMP ASSEMBLY Coupe, Includes Extension Harness	\$43.00	
36382	1970	TRUNK LAMP ASSEMBLY Convertible, Includes Extension Harness	\$50.00	
36380	1971	TRUNK LAMP ASSEMBLY Coupe, Includes Extension Harness	\$43.00	
TRUNK LAMP EXTENSION				
35687	1962	TRUNK LAMP EXTENSION For Belair & Biscayne Only	\$23.00	
35687	1963	TRUNK LAMP EXTENSION For Belair & Biscayne Only	\$23.00	
35687	1964	TRUNK LAMP EXTENSION For Belair & Biscayne Only	\$23.00	
35686	1965	TRUNK LAMP EXTENSION For Belair & Biscayne Only	\$22.00	
37641	1968	TRUNK LAMP EXTENSION WIRE Convertible	\$20.00	
37641	1969	TRUNK LAMP EXTENSION WIRE Convertible	\$20.00	
37641	1970	TRUNK LAMP EXTENSION WIRE Convertible	\$20.00	
36239	1971	TRUNK LAMP EXTENSION WIRE Trunk Lamp To Rear Lamp Harness Connector	\$25.00	
36239	1972	TRUNK LAMP EXTENSION WIRE Trunk Lamp To Rear Lamp Harness Connector	\$25.00	
TRUNK RELEASE HARNESS				
14570	1970	TRUNK RELEASE HARNESS For Electric Trunk Lid Release	\$48.00	
TURN SIGNAL LEVER WIPER SWITCH				
22510733	1984	TURN SIGNAL LEVER WIPER SWITCH All, Black, With Pulse Wipers, Without Cruise Control	\$20.00	N
22510732	1984	TURN SIGNAL LEVER WIPER SWITCH All, Black, Without Pulse Wipers, Without Cruise Control	\$20.00	N
22510144	1984	TURN SIGNAL LEVER WIPER SWITCH All, Chrome, With Pulse Wipers, Without Cruise Control	\$20.00	N
22510733	1985	TURN SIGNAL LEVER WIPER SWITCH All, Black, With Pulse Wipers, Without Cruise Control	\$20.00	N
22510732	1985	TURN SIGNAL LEVER WIPER SWITCH All, Black, Without Pulse Wipers, Without Cruise Control	\$20.00	N
22510144	1985	TURN SIGNAL LEVER WIPER SWITCH All, Chrome, With Pulse Wipers, Without Cruise Control	\$20.00	N
22510733	1986	TURN SIGNAL LEVER WIPER SWITCH All, Black, With Pulse Wipers, Without Cruise Control	\$20.00	N
22510732	1986	TURN SIGNAL LEVER WIPER SWITCH All, Black, Without Pulse Wipers, Without Cruise Control	\$20.00	N
22510144	1986	TURN SIGNAL LEVER WIPER SWITCH All, Chrome, With Pulse Wipers, Without Cruise Control	\$20.00	N
22510733	1987	TURN SIGNAL LEVER WIPER SWITCH All, Black, With Pulse Wipers, Without Cruise Control	\$20.00	N
22510732	1987	TURN SIGNAL LEVER WIPER SWITCH All, Black, Without Pulse Wipers, Without Cruise Control	\$20.00	N
22510144	1987	TURN SIGNAL LEVER WIPER SWITCH All, Chrome, With Pulse Wipers, Without Cruise Control	\$20.00	N
22510144	1988	TURN SIGNAL LEVER WIPER SWITCH All, Chrome, With Pulse Wipers, Without Cruise Control	\$20.00	N
22510144	1989	TURN SIGNAL LEVER WIPER SWITCH All, Chrome, With Pulse Wipers, Without Cruise Control	\$20.00	N
22510144	1990	TURN SIGNAL LEVER WIPER SWITCH All, Chrome, With Pulse Wipers, Without Cruise Control	\$20.00	N
TURN SIGNAL SWITCH				
05948447	1958	TURN SIGNAL SWITCH Note: Includes A Loose Piece 6 Way Connector.	\$27.00	M
03765110	1959	TURN SIGNAL SWITCH	\$23.00	

Part Number	Year	Description	Price	*Rev.
03765110	1960	TURN SIGNAL SWITCH	\$23.00	
03765110	1961	TURN SIGNAL SWITCH	\$23.00	
03765110	1962	TURN SIGNAL SWITCH	\$23.00	
01993624	1963	TURN SIGNAL SWITCH With Tilt, Replaces Delco Part# D6220	\$71.00	
00898197	1963	TURN SIGNAL SWITCH Without Tilt	\$65.00	N
01993624	1964	TURN SIGNAL SWITCH With Tilt, Replaces Delco Part# D6220	\$71.00	
00910821	1964	TURN SIGNAL SWITCH Without Tilt	\$56.00	N
01993624	1965	TURN SIGNAL SWITCH With Tilt, Replaces Delco Part# D6220	\$71.00	
00910821	1965	TURN SIGNAL SWITCH Without Tilt	\$56.00	N
01993624	1966	TURN SIGNAL SWITCH With Tilt, Replaces Delco Part# D6220	\$71.00	
00910821	1966	TURN SIGNAL SWITCH Without Tilt	\$56.00	N
01893592	1967	TURN SIGNAL SWITCH (Delco-Remy), Replaces Delco Part# D6211 Note: This Is A Service Part, Adapter Pigtail Included And Is Required For Some Applications.	\$58.00	
07800482	1967	TURN SIGNAL SWITCH Without Column Shift A/T, Without Tilt, (Delco Type, Black, White Or Green) Note: Emergency Flasher Actuator Hole In Outer Cover Is Shaped Like A Doghouse.	\$50.00	
07800482	1967	TURN SIGNAL SWITCH Without Column Shift A/T, With Tilt, (Delco Type, Black, White Or Green) Note: Emergency Flasher Actuator Hole In Outer Cover Is Shaped Like A Doghouse.	\$50.00	
05698897	1967	TURN SIGNAL SWITCH With Column Shift A/T, Without Tilt, (Delco Type, Black, White Or Green) Note: Emergency Flasher Actuator Hole In Outer Cover Is Shaped Like A Doghouse.	\$50.00	
05698897	1967	TURN SIGNAL SWITCH With Column Shift A/T, With Tilt, (Delco Type, Black, White Or Green) Note: Emergency Flasher Actuator Hole In Outer Cover Is Shaped Like A Doghouse.	\$50.00	
01893592	1968	TURN SIGNAL SWITCH (Delco-Remy), Replaces Delco Part# D6211 Note: This Is A Service Part, Adapter Pigtail Included And Is Required For Some Applications.	\$58.00	
07800482	1968	TURN SIGNAL SWITCH Without Column Shift A/T, Without Tilt, (Delco Type, Black, White Or Green) Note: Emergency Flasher Actuator Hole In Outer Cover Is Shaped Like A Doghouse.	\$50.00	
07800482	1968	TURN SIGNAL SWITCH Without Column Shift A/T, With Tilt, (Delco Type, Black, White Or Green) Note: Emergency Flasher Actuator Hole In Outer Cover Is Shaped Like A Doghouse.	\$50.00	
05698897	1968	TURN SIGNAL SWITCH With Column Shift A/T, Without Tilt, (Delco Type, Black, White Or Green) Note: Emergency Flasher Actuator Hole In Outer Cover Is Shaped Like A Doghouse.	\$50.00	
05698897	1968	TURN SIGNAL SWITCH With Column Shift A/T, With Tilt, (Delco Type, Black, White Or Green) Note: Emergency Flasher Actuator Hole In Outer Cover Is Shaped Like A Doghouse.	\$50.00	
01997938	1969	TURN SIGNAL SWITCH, CORRECT PART Note: Correct Part, No Adapter Pigtail Required.	\$56.00	
01893588	1969	TURN SIGNAL SWITCH, SERVICE PART Replaces Delco Part# D6208 Note: This Is A Service Part, Adapter Pigtail Included Is Required For Installation.	\$58.00	
01997983	1969	TURN SIGNAL SWITCH, SERVICE PART Replaces Delco Part# D6222 Note: This Is A Service Part, Adapter Pigtail Included Is Required For Installation.	\$32.00	
01997938	1970	TURN SIGNAL SWITCH, CORRECT PART Note: Correct Part, No Adapter Pigtail Required.	\$56.00	
01893588	1970	TURN SIGNAL SWITCH, SERVICE PART Replaces Delco Part# D6208 Note: This Is A Service Part, Adapter Pigtail Included Is Required For Installation.	\$58.00	
01997983	1970	TURN SIGNAL SWITCH, SERVICE PART Replaces Delco Part# D6222 Note: This Is A Service Part, Adapter Pigtail Included Is Required For Installation.	\$32.00	

Part Number	Year	Description	Price	*Rev.
01997938	1971	TURN SIGNAL SWITCH, CORRECT PART Note: Correct Part, No Adapter Pigtail Required.	\$56.00	
01893588	1971	TURN SIGNAL SWITCH, SERVICE PART Replaces Delco Part# D6208 Note: This Is A Service Part, Adapter Pigtail Included Is Required For Installation.	\$58.00	
01997983	1971	TURN SIGNAL SWITCH, SERVICE PART Replaces Delco Part# D6222 Note: This Is A Service Part, Adapter Pigtail Included Is Required For Installation.	\$32.00	
01997938	1972	TURN SIGNAL SWITCH, CORRECT PART Note: Correct Part, No Adapter Pigtail Required.	\$56.00	
01893588	1972	TURN SIGNAL SWITCH, SERVICE PART Replaces Delco Part# D6208 Note: This Is A Service Part, Adapter Pigtail Included Is Required For Installation.	\$58.00	
01997983	1972	TURN SIGNAL SWITCH, SERVICE PART Replaces Delco Part# D6222 Note: This Is A Service Part, Adapter Pigtail Included Is Required For Installation.	\$32.00	
VOLTAGE REGULATOR ADAPTER HARNESS				
02115	1965	VOLTAGE REGULATOR ADAPTER HARNESS With 62 Amp Alternator, From Field Terminal On Voltage Regulator To Chassis Ground (Includes Inline Diode) Note: Only Used With Original Solid State Voltage Regulator #1116368 As A Safe Guard To Prevent Voltage Regulator Transistor Failure.	\$52.00	
WINDSHIELD WASHER PUMP				
04919332	1965	WINDSHIELD WASHER PUMP With Single Speed Wiper Motor	\$60.00	N
WINDSHIELD WIPER SWITCH				
01993541	1959	WINDSHIELD WIPER SWITCH Single Speed, With Washer	\$45.00	
01993543	1959	WINDSHIELD WIPER SWITCH 2 Speed, With Washer	\$45.00	
01993541	1960	WINDSHIELD WIPER SWITCH Single Speed, With Washer	\$45.00	
01993543	1960	WINDSHIELD WIPER SWITCH 2 Speed, With Washer	\$45.00	
01993541	1961	WINDSHIELD WIPER SWITCH Single Speed, With Washer	\$45.00	
01993543	1961	WINDSHIELD WIPER SWITCH 2 Speed, With Washer	\$45.00	
01993541	1962	WINDSHIELD WIPER SWITCH Single Speed, With Washer	\$45.00	
01993543	1962	WINDSHIELD WIPER SWITCH 2 Speed, With Washer	\$45.00	
01993541	1963	WINDSHIELD WIPER SWITCH Single Speed, With Washer	\$45.00	
01993543	1963	WINDSHIELD WIPER SWITCH 2 Speed, With Washer	\$45.00	
01993642	1964	WINDSHIELD WIPER SWITCH Single Speed, With Washer Note: Once our current stock runs out, this item will be discontinued.	\$52.00	
01993643	1964	WINDSHIELD WIPER SWITCH 2 Speed, With Washer	\$45.00	
01993678	1965	WINDSHIELD WIPER SWITCH 2 Speed, With Washer	\$52.00	
01993680	1965	WINDSHIELD WIPER SWITCH Single Speed, With Washer	\$52.00	
01993678	1966	WINDSHIELD WIPER SWITCH 2 Speed, With Washer	\$52.00	
01993680	1966	WINDSHIELD WIPER SWITCH Single Speed, With Washer	\$52.00	
01993394	1967	WINDSHIELD WIPER SWITCH	\$39.00	
01993442	1968	WINDSHIELD WIPER SWITCH With Recess Park	\$52.00	
WIPER MOTOR HARNESS				
19795	1958	WIPER MOTOR HARNESS 6 Cylinder Note: 6 Cylinder Items Are Not Returnable.	\$27.00	
41149	1958	WIPER MOTOR HARNESS V/8	\$23.00	
34460	1959	WIPER MOTOR HARNESS Single Speed	\$27.00	
33480	1959	WIPER MOTOR HARNESS Single Speed, With Washer	\$60.00	
19800	1959	WIPER MOTOR HARNESS 2 Speed, With Production Washer	\$40.00	
34470	1960	WIPER MOTOR HARNESS Single Speed	\$27.00	

Impala/Bel Air
'58-'63 El Camino



Phone (562) 926-9552
Fax (562) 926-9572

Part Number	Year	Description	Price	*Rev.
33480	1960	WIPER MOTOR HARNESS Single Speed, With Washer	\$60.00	
34475	1960	WIPER MOTOR HARNESS Single Speed, With Production Washer	\$52.00	
34480	1960	WIPER MOTOR HARNESS Single Speed, With Accessory Washer	\$60.00	
19800	1960	WIPER MOTOR HARNESS 2 Speed, With Production Washer	\$40.00	
27505	1961	WIPER MOTOR HARNESS Single Speed	\$27.00	
34485	1961	WIPER MOTOR HARNESS Single Speed, With Accessory Washer	\$52.00	
19805	1961	WIPER MOTOR HARNESS 2 Speed, With Washer	\$40.00	
27505	1962	WIPER MOTOR HARNESS Single Speed	\$27.00	
19805	1962	WIPER MOTOR HARNESS 2 Speed, With Washer	\$40.00	
37608	1963	WIPER MOTOR HARNESS Single Speed	\$27.00	
37607	1963	WIPER MOTOR HARNESS Single Speed, With Washer	\$40.00	
19810	1963	WIPER MOTOR HARNESS 2 Speed, With Washer	\$34.00	
19820	1964	WIPER MOTOR HARNESS Single Speed	\$27.00	
34510	1964	WIPER MOTOR HARNESS Single Speed, With Washer	\$40.00	
19815	1964	WIPER MOTOR HARNESS 2 Speed, With Washer	\$40.00	
19820	1965	WIPER MOTOR HARNESS Single Speed	\$27.00	
34510	1965	WIPER MOTOR HARNESS Single Speed, With Washer	\$40.00	
33485	1965	WIPER MOTOR HARNESS 2 Speed, With Washer	\$40.00	
33485	1966	WIPER MOTOR HARNESS 2 Speed, With Washer	\$40.00	
34450	1967	WIPER MOTOR HARNESS 2 Speed, With Washer	\$52.00	
34455	1970	WIPER MOTOR HARNESS Electro-Tip Demand	\$60.00	

Section 15

Firebird

Part Number	Year	Description	Price	*Rev.
AIR CONDITIONING COMPRESSOR JUMPER HARNESS				
38587	1975	AIR CONDITIONING COMPRESSOR JUMPER HARNESS From Compressor To Main Engine Harness, 6 Cyl Note: 6 Cylinder Items Are Not Returnable.	\$61.00	
38587	1976	AIR CONDITIONING COMPRESSOR JUMPER HARNESS From Compressor To Main Engine Harness, 6 Cyl, Used Up To 1976 1/2 Note: 6 Cylinder Items Are Not Returnable.	\$61.00	
38613	1976	AIR CONDITIONING COMPRESSOR JUMPER HARNESS From Compressor To Main Engine Harness, 6 Cyl, Used After 1976 1/2 Note: 6 Cylinder Items Are Not Returnable.	\$61.00	
38619	1977	AIR CONDITIONING COMPRESSOR JUMPER HARNESS From Compressor To Main Engine Harness, 231 V/6	\$67.00	
38616	1977	AIR CONDITIONING COMPRESSOR JUMPER HARNESS From Compressor To Main Engine Harness, 301 V/8	\$80.00	
38633	1977	AIR CONDITIONING COMPRESSOR JUMPER HARNESS From Compressor To Main Engine Harness, 350 & 400 V/8	\$67.00	
38421	1977	AIR CONDITIONING COMPRESSOR JUMPER HARNESS From Compressor To Main Engine Harness, 350 & 400 V/8 Note: With Idle Stop Solenoid.	\$67.00	
38619	1978	AIR CONDITIONING COMPRESSOR JUMPER HARNESS From Compressor To Main Engine Harness, 231 V/6	\$67.00	
38616	1978	AIR CONDITIONING COMPRESSOR JUMPER HARNESS From Compressor To Main Engine Harness, 301 V/8	\$80.00	
38629	1978	AIR CONDITIONING COMPRESSOR JUMPER HARNESS From Compressor To Main Engine Harness, 305 & 350 V/8	\$74.00	
38633	1978	AIR CONDITIONING COMPRESSOR JUMPER HARNESS From Compressor To Main Engine Harness, 350 & 400 V/8	\$67.00	
38421	1978	AIR CONDITIONING COMPRESSOR JUMPER HARNESS From Compressor To Main Engine Harness, 350 & 400 V/8 Note: With Idle Stop Solenoid.	\$67.00	
38619	1979	AIR CONDITIONING COMPRESSOR JUMPER HARNESS From Compressor To Main Engine Harness, 231 V/6 Note: With California Emissions.	\$67.00	
38641	1979	AIR CONDITIONING COMPRESSOR JUMPER HARNESS From Compressor To Main Engine Harness, 231 V/6 Note: With Federal Emissions.	\$61.00	
38616	1979	AIR CONDITIONING COMPRESSOR JUMPER HARNESS From Compressor To Main Engine Harness, 301 V/8	\$80.00	
38629	1979	AIR CONDITIONING COMPRESSOR JUMPER HARNESS From Compressor To Main Engine Harness, 305 & 350 V/8	\$74.00	
38421	1979	AIR CONDITIONING COMPRESSOR JUMPER HARNESS From Compressor To Main Engine Harness, 350 & 400 V/8 Note: With Idle Stop Solenoid.	\$67.00	
38619	1980	AIR CONDITIONING COMPRESSOR JUMPER HARNESS From Compressor To Main Engine Harness, 231 V/6 Note: With California Emissions.	\$67.00	
38641	1980	AIR CONDITIONING COMPRESSOR JUMPER HARNESS From Compressor To Main Engine Harness, 231 V/6 Note: With Federal Emissions.	\$61.00	
38616	1980	AIR CONDITIONING COMPRESSOR JUMPER HARNESS From Compressor To Main Engine Harness, 301 V/8	\$80.00	
36955	1980	AIR CONDITIONING COMPRESSOR JUMPER HARNESS From Compressor To Main Engine Harness, 305 & 350 V/8	\$59.00	
38654	1980	AIR CONDITIONING COMPRESSOR JUMPER HARNESS from compressor to main engine harness, 301 turbo charged v/8 Note: For 301 V/8 With The Eighth Digit Of The Vin Number Being The Letter T.	\$67.00	
38669	1981	AIR CONDITIONING COMPRESSOR JUMPER HARNESS From Compressor To Main Engine Harness, 231 V/6	\$80.00	
36955	1981	AIR CONDITIONING COMPRESSOR JUMPER HARNESS From Compressor To Main Engine Harness, 267, 305, 350 V/8 Note: Without Diode Taped Into Compressor Connector.	\$59.00	
38676	1981	AIR CONDITIONING COMPRESSOR JUMPER HARNESS From Compressor To Main Engine Harness, 267, 305, 350 V/8 Note: With Diode Tapes Into Compressor Connector.	\$59.00	
38661	1981	AIR CONDITIONING COMPRESSOR JUMPER HARNESS From Compressor To Main Engine Harness, 265 & 301 V/8	\$80.00	
38654	1981	AIR CONDITIONING COMPRESSOR JUMPER HARNESS From Compressor To Main Engine Harness, All 301 Turbo Charged V/8	\$67.00	
AIR CONDITIONING EXTENSION HARNESS				
13365	1969	AIR CONDITIONING EXTENSION HARNESS Blower Switch, Under Dash	\$87.00	
17390	1969	AIR CONDITIONING EXTENSION HARNESS V/8, Power Feed & Compressor To A/C Harness	\$52.00	
15710	1970	AIR CONDITIONING EXTENSION HARNESS Blower Switch, Under Dash, Without Rear Window Defroster	\$87.00	
15720	1970	AIR CONDITIONING EXTENSION HARNESS Blower Switch, Under Dash, With Rear Window Defroster	\$101.00	

Part Number	Year	Description	Price	*Rev.
15710	1971	AIR CONDITIONING EXTENSION HARNESS Blower Switch, Under Dash	\$87.00	
15710	1972	AIR CONDITIONING EXTENSION HARNESS Blower Switch, Under Dash	\$87.00	
15710	1973	AIR CONDITIONING EXTENSION HARNESS All, Blower Switch, Under Dash	\$87.00	
15710	1974	AIR CONDITIONING EXTENSION HARNESS All, Blower Switch, Under Dash	\$87.00	
15710	1975	AIR CONDITIONING EXTENSION HARNESS All, Blower Switch, Under Dash	\$87.00	
15710	1976	AIR CONDITIONING EXTENSION HARNESS All, Blower Switch, Under Dash, Used Up To 1976 1/2 Note: Has A 5 Cavity Connector With 6 Wires At Blower Switch.	\$87.00	
38606	1976	AIR CONDITIONING EXTENSION HARNESS All, Blower Switch, Under Dash, Used After 1976 1/2 Note: Has A 4 Cavity Connector With 5 Wires At Blower Switch.	\$101.00	
38627	1977	AIR CONDITIONING EXTENSION HARNESS All, Blower Switch, Under Dash	\$101.00	
38630	1978	AIR CONDITIONING EXTENSION HARNESS All, Blower Switch, Under Dash	\$101.00	
38630	1979	AIR CONDITIONING EXTENSION HARNESS All, Blower Switch, Under Dash	\$101.00	
38630	1980	AIR CONDITIONING EXTENSION HARNESS All, Blower Switch, Under Dash	\$101.00	
38663	1981	AIR CONDITIONING EXTENSION HARNESS All, Blower Switch, Under Dash	\$101.00	
AIR CONDITIONING HARNESS				
11195	1967	AIR CONDITIONING HARNESS 6 Cylinder (Includes Heater Wiring) Note: 6 Cylinder Items Are Not Returnable.	\$208.00	
11190	1967	AIR CONDITIONING HARNESS V/8 (Includes Heater Wiring)	\$186.00	
12285	1968	AIR CONDITIONING HARNESS 6 Cylinder (Includes Heater Wiring) Note: 6 Cylinder Items Are Not Returnable.	\$208.00	
12280	1968	AIR CONDITIONING HARNESS V/8 (Includes Heater Wiring)	\$186.00	
36093	1969	AIR CONDITIONING HARNESS Main, Engine Compartment, All (Includes Heater Wiring)	\$119.00	
36094	1970	AIR CONDITIONING HARNESS Main, Engine Compartment, Without Rear Window Defroster (Includes Heater Wiring)	\$127.00	
36095	1970	AIR CONDITIONING HARNESS Main, Engine Compartment, With Rear Window Defroster (Includes Heater Wiring)	\$180.00	
36094	1971	AIR CONDITIONING HARNESS Main, Engine Compartment, All (Includes Heater Wiring)	\$127.00	
42227	1972	AIR CONDITIONING HARNESS Main, Engine Compartment, All (Includes Heater Wiring)	\$138.00	
38588	1973	AIR CONDITIONING HARNESS Main Engine Compartment, All	\$194.00	
38589	1974	AIR CONDITIONING HARNESS Main Engine Compartment, All	\$194.00	
38596	1975	AIR CONDITIONING HARNESS Main Engine Compartment, 6 Cyl Note: 6 Cylinder Items Are Not Returnable.	\$221.00	
38595	1975	AIR CONDITIONING HARNESS Main Engine Compartment, V/8	\$194.00	
38596	1976	AIR CONDITIONING HARNESS Main Engine Compartment, 6 Cyl, Used Up To 1976 1/2 Note: 6 Cylinder Items Are Not Returnable.	\$221.00	
38608	1976	AIR CONDITIONING HARNESS Main Engine Compartment, 6 Cyl, Used After 1976 1/2 Note: 6 Cylinder Items Are Not Returnable.	\$221.00	
38595	1976	AIR CONDITIONING HARNESS Main Engine Compartment, V/8, Used Up To 1976 1/2 Note: For Cars With Inline Fuse Between Blower Relay & Resistor Connections.	\$194.00	
38607	1976	AIR CONDITIONING HARNESS Main Engine Compartment, V/8, Used After 1976 1/2 Note: For Cars Without Inline Fuse Between Blower Relay & Resistor Connections.	\$194.00	
38517	1977	AIR CONDITIONING HARNESS Main, Engine Compartment, All 6 Cyl & V/8, Except 305 & 350 V/8 Note: 6 Cylinder Items Are Not Returnable.	\$212.00	
38628	1977	AIR CONDITIONING HARNESS Main Engine Compartment, 305 & 350 V/8	\$233.00	
38517	1978	AIR CONDITIONING HARNESS Main, Engine Compartment, All 6 Cyl & V/8, Except 305 & 350 V/8 Note: 6 Cylinder Items Are Not Returnable.	\$212.00	
38628	1978	AIR CONDITIONING HARNESS Main Engine Compartment, 305 & 350 V/8	\$233.00	

Part Number	Year	Description	Price	*Rev.
38422	1979	AIR CONDITIONING HARNESS Main, Engine Compartment, All, 6 Cyl & V/8, Except 305 & 350 V/8 Note: 6 Cylinder Items Are Not Returnable.	\$212.00	
38636	1979	AIR CONDITIONING HARNESS Main, Engine Compartment, 305 & 350 V/8	\$233.00	
38422	1980	AIR CONDITIONING HARNESS Main, Engine Compartment, All, 6 Cyl & V/8, Except 305, 350 V/8 & 301 Turbo Charged Note: 6 Cylinder Items Are Not Returnable.	\$212.00	
38655	1980	AIR CONDITIONING HARNESS Main, Engine Compartment, 305 & 350 V/8 Engine	\$233.00	
38648	1980	AIR CONDITIONING HARNESS Main, Engine Compartment, All With 301 Turbo Charged V/8 Note: For 301 V/8 With The Eighth Digit Of The Vin Number Being The Letter T.	\$233.00	
38666	1981	AIR CONDITIONING HARNESS Main, Engine Compartment, 231 V/6, 265 & 301 V/8	\$233.00	
38655	1981	AIR CONDITIONING HARNESS Main, Engine Compartment, All 305 V/8	\$233.00	
38672	1981	AIR CONDITIONING HARNESS Main, Engine Compartment, All 301, For Export Only	\$243.00	
38667	1981	AIR CONDITIONING HARNESS Main, Engine Compartment, All 301 Turbo Charged V/8	\$233.00	
ALTERNATOR CONVERSION KIT				
27555	1967	ALTERNATOR CONVERSION KIT External To Internal Regulator Conversion Harness ("SI" Series) Note: For Use With 1972-84 Non-Serpentine Belt ("SI" Series) Internal Regulated Alternators.	\$29.00	
27555	1968	ALTERNATOR CONVERSION KIT External To Internal Regulator Conversion Harness ("SI" Series) Note: For Use With 1972-84 Non-Serpentine Belt ("SI" Series) Internal Regulated Alternators.	\$29.00	
27555	1969	ALTERNATOR CONVERSION KIT External To Internal Regulator Conversion Harness ("SI" Series) Note: For Use With 1972-84 Non-Serpentine Belt ("SI" Series) Internal Regulated Alternators.	\$29.00	
37787	1969	ALTERNATOR CONVERSION KIT External To Internal Regulator Conversion Harness ("CS" Series) Note: For Use With Serpentine Belt ("CS" Series) Internal Regulated Alternators.	\$34.00	
37796	1969	ALTERNATOR CONVERSION KIT Internal Regulator "SI" Series Alternator To "CS" Series (Serpentine Belt) Alternator Note: For Use With Serpentine Belt ("CS130" Or "CS144" Type) Internal Regulated Alternators.	\$26.00	
37796	1970	ALTERNATOR CONVERSION KIT Internal Regulator "SI" Series Alternator To "CS" Series (Serpentine Belt) Alternator Note: For Use With Serpentine Belt ("CS130" Or "CS144" Type) Internal Regulated Alternators.	\$26.00	
37796	1971	ALTERNATOR CONVERSION KIT Internal Regulator "SI" Series Alternator To "CS" Series (Serpentine Belt) Alternator Note: For Use With Serpentine Belt ("CS130" Or "CS144" Type) Internal Regulated Alternators.	\$26.00	
37796	1972	ALTERNATOR CONVERSION KIT Internal Regulator "SI" Series Alternator To "CS" Series (Serpentine Belt) Alternator Note: For Use With Serpentine Belt ("CS130" Or "CS144" Type) Internal Regulated Alternators.	\$26.00	
37796	1973	ALTERNATOR CONVERSION KIT Internal Regulator "SI" Series Alternator To "CS" Series (Serpentine Belt) Alternator Note: For Use With Serpentine Belt ("CS130" Or "CS144" Type) Internal Regulated Alternators.	\$26.00	
37796	1974	ALTERNATOR CONVERSION KIT Internal Regulator "SI" Series Alternator To "CS" Series (Serpentine Belt) Alternator Note: For Use With Serpentine Belt ("CS130" Or "CS144" Type) Internal Regulated Alternators.	\$26.00	
37796	1975	ALTERNATOR CONVERSION KIT Internal Regulator "SI" Series Alternator To "CS" Series (Serpentine Belt) Alternator Note: For Use With Serpentine Belt ("CS130" Or "CS144" Type) Internal Regulated Alternators.	\$26.00	
37796	1976	ALTERNATOR CONVERSION KIT Internal Regulator "SI" Series Alternator To "CS" Series (Serpentine Belt) Alternator Note: For Use With Serpentine Belt ("CS130" Or "CS144" Type) Internal Regulated Alternators.	\$26.00	
37796	1977	ALTERNATOR CONVERSION KIT Internal Regulator "SI" Series Alternator To "CS" Series (Serpentine Belt) Alternator Note: For Use With Serpentine Belt ("CS130" Or "CS144" Type) Internal Regulated Alternators.	\$26.00	

Part Number	Year	Description	Price	*Rev.
37796	1978	ALTERNATOR CONVERSION KIT Internal Regulator "SI" Series Alternator To "CS" Series (Serpentine Belt) Alternator Note: For Use With Serpentine Belt ("CS130" Or "CS144" Type) Internal Regulated Alternators.	\$26.00	
37796	1979	ALTERNATOR CONVERSION KIT Internal Regulator "SI" Series Alternator To "CS" Series (Serpentine Belt) Alternator Note: For Use With Serpentine Belt ("CS130" Or "CS144" Type) Internal Regulated Alternators.	\$26.00	
37796	1980	ALTERNATOR CONVERSION KIT Internal Regulator "SI" Series Alternator To "CS" Series (Serpentine Belt) Alternator Note: For Use With Serpentine Belt ("CS130" Or "CS144" Type) Internal Regulated Alternators.	\$26.00	
37796	1981	ALTERNATOR CONVERSION KIT Internal Regulator "SI" Series Alternator To "CS" Series (Serpentine Belt) Alternator Note: For Use With Serpentine Belt ("CS130" Or "CS144" Type) Internal Regulated Alternators.	\$26.00	
37796	1982	ALTERNATOR CONVERSION KIT Internal Regulator "SI" Series Alternator To "CS" Series (Serpentine Belt) Alternator Note: For Use With Serpentine Belt ("CS130" Or "CS144" Type) Internal Regulated Alternators.	\$26.00	
37796	1983	ALTERNATOR CONVERSION KIT Internal Regulator "SI" Series Alternator To "CS" Series (Serpentine Belt) Alternator Note: For Use With Serpentine Belt ("CS130" Or "CS144" Type) Internal Regulated Alternators.	\$26.00	
37796	1984	ALTERNATOR CONVERSION KIT Internal Regulator "SI" Series Alternator To "CS" Series (Serpentine Belt) Alternator Note: For Use With Serpentine Belt ("CS130" Or "CS144" Type) Internal Regulated Alternators.	\$26.00	
37796	1985	ALTERNATOR CONVERSION KIT Internal Regulator "SI" Series Alternator To "CS" Series (Serpentine Belt) Alternator Note: For Use With Serpentine Belt ("CS130" Or "CS144" Type) Internal Regulated Alternators.	\$26.00	
37796	1986	ALTERNATOR CONVERSION KIT Internal Regulator "SI" Series Alternator To "CS" Series (Serpentine Belt) Alternator Note: For Use With Serpentine Belt ("CS130" Or "CS144" Type) Internal Regulated Alternators.	\$26.00	
ASSEMBLY MANUAL				
38570	1969	ASSEMBLY MANUAL Factory Assembly Instruction Guide	\$32.00	
43249	1970	ASSEMBLY MANUAL Factory Assembly Instruction Guide	\$32.00	
43537	1971	ASSEMBLY MANUAL Factory Assembly Instruction Guide	\$32.00	
43253	1972	ASSEMBLY MANUAL Factory Assembly Instruction Guide	\$32.00	
43538	1973	ASSEMBLY MANUAL Factory Assembly Instruction Guide	\$32.00	
43539	1974	ASSEMBLY MANUAL Factory Assembly Instruction Guide	\$32.00	
43540	1975	ASSEMBLY MANUAL Factory Assembly Instruction Guide	\$32.00	
43250	1976	ASSEMBLY MANUAL Factory Assembly Instruction Guide	\$32.00	
36357	1980	ASSEMBLY MANUAL Factory Assembly Instruction Guide	\$32.00	
BACKUP LAMP SWITCH				
01993420	1967	BACKUP LAMP SWITCH 326 C.I. 3 Speed & All 4 Speed Manual Trans	\$64.00	
03943657	1969	BACKUP LAMP SWITCH Manual Trans	\$53.00	
03943657	1970	BACKUP LAMP SWITCH Manual Trans	\$53.00	
03943657	1971	BACKUP LAMP SWITCH Manual Trans	\$53.00	
03943657	1972	BACKUP LAMP SWITCH Manual Trans	\$53.00	
BACKUP LAMP SWITCH EXTENSION HARNESS				
10665	1967	BACKUP LAMP SWITCH EXTENSION HARNESS All Manual Trans	\$31.00	
12695	1968	BACKUP LAMP SWITCH EXTENSION HARNESS Manual Trans, Dash Harness Side To Engine Compartment Note: Connects To Part# 12690 Backup Lamp Switch Extension Harness.	\$31.00	
12690	1968	BACKUP LAMP SWITCH EXTENSION HARNESS Manual Trans, Engine Compartment Side To Backup Lamp Switch Note: Connects To Part# 12695 Backup Lamp Switch Extension Harness.	\$31.00	

Part Number	Year	Description	Price	*Rev.
BACKUP LAMP SWITCH MOUNTING BRACKET				
37650	1967	BACKUP LAMP SWITCH MOUNTING BRACKET With Muncie 4 Speed Transmission	\$29.00	
BACKUP LAMP SWITCH MOUNTING KIT				
39504	1967	BACKUP LAMP SWITCH MOUNTING KIT With Muncie 4 Speed Transmission Note: Kit Contains The Bracket, Rod With 2 Clips, Shield & Bolts.	\$46.00	
BATTERY CABLE JUNCTION BLOCK				
03882795	1967	BATTERY CABLE JUNCTION BLOCK For Positive Cable Secondary Lead	\$11.00	
03882795	1968	BATTERY CABLE JUNCTION BLOCK For Positive Cable Secondary Lead	\$11.00	
BATTERY CABLE-NEGATIVE				
05555	1967	BATTERY CABLE, SPRING RING Neg, 6 Cylinder, Without A/C Note: 6 Cylinder Items Are Not Returnable.	\$69.00	
05560	1967	BATTERY CABLE, SPRING RING Neg, 6 Cylinder, With A/C Note: 6 Cylinder Items Are Not Returnable.	\$69.00	
05555	1967	BATTERY CABLE, SPRING RING Neg, V/8, All	\$69.00	
05555	1968	BATTERY CABLE, SPRING RING Neg, 6 Cylinder, Without A/C Note: 6 Cylinder Items Are Not Returnable.	\$69.00	
05560	1968	BATTERY CABLE, SPRING RING Neg, 6 Cylinder, With A/C Note: 6 Cylinder Items Are Not Returnable.	\$69.00	
05555	1968	BATTERY CABLE, SPRING RING Neg, V/8, All	\$69.00	
03430	1969	BATTERY CABLE, SPRING RING Neg, 6 Cylinder & V/8, All Note: 6 Cylinder Items Are Not Returnable.	\$69.00	
09840	1970	BATTERY CABLE, SPRING RING Neg, 6 Cylinder, Without A/C Note: 6 Cylinder Items Are Not Returnable.	\$69.00	
03325	1970	BATTERY CABLE, SPRING RING Neg, 6 Cylinder, With A/C Note: 6 Cylinder Items Are Not Returnable.	\$69.00	
04265	1970	BATTERY CABLE, SPRING RING Neg, V/8, All	\$69.00	
09840	1971	BATTERY CABLE, SPRING RING Neg, 6 Cylinder With Heavy Duty Battery Note: 6 Cylinder Items Are Not Returnable.	\$69.00	
14615	1971	BATTERY CABLE, SPRING RING Neg, 6 Cylinder, Without Heavy Duty Battery Note: 6 Cylinder Items Are Not Returnable.	\$69.00	
38853	1971	BATTERY CABLE, SIDE POST Neg, V/8, All	\$74.00	
04265	1971	BATTERY CABLE, SPRING RING Neg, V/8, Except 455 C.I. (L75 & LS5)	\$69.00	
09840	1972	BATTERY CABLE, SPRING RING Neg, 6 Cylinder With Heavy Duty Battery Note: 6 Cylinder Items Are Not Returnable.	\$69.00	
14615	1972	BATTERY CABLE, SPRING RING Neg, 6 Cylinder Without Heavy Duty Battery Note: 6 Cylinder Items Are Not Returnable.	\$69.00	
38854	1972	BATTERY CABLE, SIDE POST Neg, V/8, All	\$74.00	
41378	1973	BATTERY CABLE, SIDE POST Neg, 6 Cylinder Note: 6 Cylinder Items Are Not Returnable.	\$74.00	
38854	1973	BATTERY CABLE, SIDE POST Neg, V/8, All	\$74.00	
41378	1974	BATTERY CABLE, SIDE POST Neg, 6 Cylinder Note: 6 Cylinder Items Are Not Returnable.	\$74.00	
38854	1974	BATTERY CABLE, SIDE POST Neg, V/8, All	\$74.00	
38855	1974	BATTERY CABLE GROUND Neg, Redundant Ground, Frame To Motor	\$69.00	
38856	1975	BATTERY CABLE, SIDE POST Neg, 6 Cylinder Note: 6 Cylinder Items Are Not Returnable.	\$74.00	
38875	1975	BATTERY CABLE, SIDE POST Neg, V/8, All	\$74.00	

Part Number	Year	Description	Price	*Rev.
38855	1975	BATTERY CABLE GROUND Neg, Redundant Ground, Frame To Motor	\$69.00	
38856	1976	BATTERY CABLE, SIDE POST Neg, 6 Cylinder Note: 6 Cylinder Items Are Not Returnable.	\$74.00	
38875	1976	BATTERY CABLE, SIDE POST Neg, V/8, All	\$74.00	
38855	1976	BATTERY CABLE GROUND Neg, Redundant Ground, Frame To Motor	\$69.00	
38830	1977	BATTERY CABLE, SIDE POST Neg, V/6, 231 C.I.	\$74.00	
38857	1977	BATTERY CABLE, SIDE POST Neg, V/8, 305 C.I.	\$74.00	
38875	1977	BATTERY CABLE, SIDE POST Neg, V/8, All, Except Chevrolet Engines	\$74.00	
38855	1977	BATTERY CABLE GROUND Neg, Redundant Ground, Frame To Motor	\$69.00	
38830	1978	BATTERY CABLE, SIDE POST Neg, V/6, 231 C.I.	\$74.00	
38857	1978	BATTERY CABLE, SIDE POST Neg, V/8, 305 C.I., 350 C.I. Chevrolet	\$74.00	
38875	1978	BATTERY CABLE, SIDE POST Neg, V/8, All, Except Chevrolet Engines	\$74.00	
38855	1978	BATTERY CABLE GROUND Neg, Redundant Ground, Frame To Motor	\$69.00	
38830	1979	BATTERY CABLE, SIDE POST Neg, V/6, 231 C.I.	\$74.00	
38857	1979	BATTERY CABLE, SIDE POST Neg, V/8, 305 C.I., 350 C.I.	\$74.00	
38875	1979	BATTERY CABLE, SIDE POST Neg, V/8, All, Except Chevrolet Engines	\$74.00	
38855	1979	BATTERY CABLE GROUND Neg, Redundant Ground, Frame To Motor	\$69.00	
38830	1980	BATTERY CABLE, SIDE POST Neg, V/6, 231 C.I.	\$74.00	
38875	1980	BATTERY CABLE, SIDE POST Neg, V/8, 265 C.I., 301 C.I.	\$74.00	
38857	1980	BATTERY CABLE, SIDE POST Neg, V/8, 305 C.I.	\$74.00	
38855	1980	BATTERY CABLE GROUND Neg, Redundant Ground, Frame To Motor	\$69.00	
38830	1981	BATTERY CABLE, SIDE POST Neg, V/6, 231 C.I.	\$74.00	
38875	1981	BATTERY CABLE, SIDE POST Neg, V/8, 265 C.I., 301 C.I.	\$74.00	
38857	1981	BATTERY CABLE, SIDE POST Neg, V/8, 305 C.I.	\$74.00	
38855	1981	BATTERY CABLE GROUND Neg, Redundant Ground, Frame To Motor	\$69.00	
BATTERY CABLE-POSITIVE				
10700	1967	BATTERY CABLE, SPRING RING Pos, 6 Cylinder, Without A/C Note: 6 Cylinder Items Are Not Returnable.	\$69.00	
09855	1967	BATTERY CABLE, SPRING RING Pos, 6 Cylinder, With A/C Note: 6 Cylinder Items Are Not Returnable.	\$69.00	
21590	1967	BATTERY CABLE, SPRING RING Pos, V/8, All	\$69.00	
10700	1968	BATTERY CABLE, SPRING RING Pos, 6 Cylinder, Without A/C Note: 6 Cylinder Items Are Not Returnable.	\$69.00	
09855	1968	BATTERY CABLE, SPRING RING Pos, 6 Cylinder, With A/C Note: 6 Cylinder Items Are Not Returnable.	\$69.00	
21590	1968	BATTERY CABLE, SPRING RING Pos, V/8, All	\$69.00	
04195	1969	BATTERY CABLE, SPRING RING Pos, 6 Cylinder, All Note: 6 Cylinder Items Are Not Returnable.	\$69.00	
12510	1969	BATTERY CABLE, SPRING RING Pos, V/8, All	\$69.00	
04195	1970	BATTERY CABLE, SPRING RING Pos, 6 Cylinder, All Note: 6 Cylinder Items Are Not Returnable.	\$69.00	
27640	1970	BATTERY CABLE, SPRING RING Pos, V/8, Except Ram Air	\$69.00	
35957	1970	BATTERY CABLE, SPRING RING Pos, V/8, With Ram Air	\$69.00	
41367	1971	BATTERY CABLE, SPRING RING Pos, 6 Cylinder, All Note: 6 Cylinder Items Are Not Returnable.	\$69.00	
40148	1971	BATTERY CABLE, SPRING RING Pos, V/8, Except 455 C.I.	\$69.00	
41352	1971	BATTERY CABLE, SIDE POST Pos, 455 C.I. (L75)	\$68.00	

Part Number	Year	Description	Price	*Rev.
38852	1971	BATTERY CABLE, SIDE POST Pos, HD 455 C.I. (LS5)	\$74.00	
41367	1972	BATTERY CABLE, SPRING RING Pos, 6 Cylinder Note: 6 Cylinder Items Are Not Returnable.	\$69.00	
41375	1972	BATTERY CABLE, SIDE POST Pos, V/8, Except 455 C.I. (L75 & LS5)	\$74.00	
38426	1972	BATTERY CABLE, SIDE POST Pos, HD 455 C.I. (LS5)	\$74.00	
41379	1973	BATTERY CABLE, SIDE POST Pos, 6 Cylinder Note: 6 Cylinder Items Are Not Returnable.	\$74.00	
41375	1973	BATTERY CABLE, SIDE POST Pos, V/8, Except 455 C.I.	\$74.00	
38426	1973	BATTERY CABLE, SIDE POST Pos, V/8 455 C.I.	\$74.00	
22650	1974	BATTERY CABLE, SIDE POST Pos, 6 Cylinder Note: 6 Cylinder Items Are Not Returnable.	\$74.00	
41375	1974	BATTERY CABLE, SIDE POST Pos, V/8, Except 455 C.I.	\$74.00	
38426	1974	BATTERY CABLE, SIDE POST Pos, V/8 455 C.I.	\$74.00	
29455	1975	BATTERY CABLE, SIDE POST Pos, 6 Cylinder Note: 6 Cylinder Items Are Not Returnable.	\$74.00	
38859	1975	BATTERY CABLE, SIDE POST Pos, V/8, Except 455 C.I., Without Heavy Duty Battery	\$74.00	
38858	1975	BATTERY CABLE, SIDE POST Pos, V/8, All, With Heavy Duty Battery	\$74.00	
29455	1976	BATTERY CABLE, SIDE POST Pos, 6 Cylinder Note: 6 Cylinder Items Are Not Returnable.	\$74.00	
38859	1976	BATTERY CABLE, SIDE POST Pos, V/8, Except 455 C.I., Without Heavy Duty Battery	\$74.00	
38858	1976	BATTERY CABLE, SIDE POST Pos, V/8, All, With Heavy Duty Battery	\$74.00	
38860	1977	BATTERY CABLE, SIDE POST Pos, V/6, 231 C.I.	\$74.00	
38859	1977	BATTERY CABLE, SIDE POST Pos, V/8, 301 C.I., 350 C.I., 400 C.I. Pontiac	\$74.00	
22645	1977	BATTERY CABLE, SIDE POST Pos, V/8, 305 C.I. Chevrolet	\$74.00	
38861	1977	BATTERY CABLE, SIDE POST Pos, V/8, 350 C.I., 403 C.I.	\$74.00	
38860	1978	BATTERY CABLE, SIDE POST Pos, V/6, 231 C.I.	\$74.00	
38862	1978	BATTERY CABLE, SIDE POST Pos, V/8, 301 C.I., 400 C.I.	\$74.00	
38831	1978	BATTERY CABLE, SIDE POST Pos, V/8, 305 C.I., 350 C.I. Chevrolet	\$74.00	
38861	1978	BATTERY CABLE, SIDE POST Pos, V/8, 403 C.I.	\$74.00	
38860	1979	BATTERY CABLE, SIDE POST Pos, V/6, 231 C.I.	\$74.00	
38862	1979	BATTERY CABLE, SIDE POST Pos, V/8, 301 C.I., 400 C.I.	\$74.00	
38831	1979	BATTERY CABLE, SIDE POST Pos, V/8, 305 C.I., 350 C.I. Chevrolet	\$74.00	
38861	1979	BATTERY CABLE, SIDE POST Pos, V/8, 403 C.I.	\$74.00	
38844	1980	BATTERY CABLE, SIDE POST Pos, V/6, 231 C.I., With Air Conditioning	\$74.00	
38843	1980	BATTERY CABLE, SIDE POST Pos, V/6, 231 C.I., Without Air Conditioning	\$74.00	
38863	1980	BATTERY CABLE, SIDE POST Pos, V/8, 265 C.I., 301 C.I.	\$74.00	
38831	1980	BATTERY CABLE, SIDE POST Pos, V/8, 305 C.I.	\$74.00	
38844	1981	BATTERY CABLE, SIDE POST Pos, V/6, 231 C.I.	\$74.00	
38863	1981	BATTERY CABLE, SIDE POST Pos, V/8, 265 C.I., 301 C.I.	\$74.00	
38831	1981	BATTERY CABLE, SIDE POST Pos, V/8, 267 C.I., 305 C.I.	\$74.00	
BREAKERLESS SE SINGLE WIRE ELECTRONIC IGNITION				
38131	1967	BREAKERLESS SE SINGLE WIRE ELECTRONIC IGNITION KIT For 1957-74 Breaker Point Distributors With Windowed Type Distributor Cap	\$179.00	
38131	1968	BREAKERLESS SE SINGLE WIRE ELECTRONIC IGNITION KIT For 1957-74 Breaker Point Distributors With Windowed Type Distributor Cap	\$179.00	
38131	1969	BREAKERLESS SE SINGLE WIRE ELECTRONIC IGNITION KIT For 1957-74 Breaker Point Distributors With Windowed Type Distributor Cap	\$179.00	

Part Number	Year	Description	Price	*Rev.
38131	1970	BREAKERLESS SE SINGLE WIRE ELECTRONIC IGNITION KIT For 1957-74 Breaker Point Distributors With Windowed Type Distributor Cap	\$179.00	
38131	1971	BREAKERLESS SE SINGLE WIRE ELECTRONIC IGNITION KIT For 1957-74 Breaker Point Distributors With Windowed Type Distributor Cap	\$179.00	
38131	1972	BREAKERLESS SE SINGLE WIRE ELECTRONIC IGNITION KIT For 1957-74 Breaker Point Distributors With Windowed Type Distributor Cap	\$179.00	
38131	1973	BREAKERLESS SE SINGLE WIRE ELECTRONIC IGNITION KIT For 1957-74 Breaker Point Distributors With Windowed Type Distributor Cap	\$179.00	
38131	1974	BREAKERLESS SE SINGLE WIRE ELECTRONIC IGNITION KIT For 1957-74 Breaker Point Distributors With Windowed Type Distributor Cap	\$179.00	
CIRCUIT BREAKER				
04850166	1967	CIRCUIT BREAKER, 30 AMP Power Seat, Top & Windows	\$14.00	
04850166	1968	CIRCUIT BREAKER, 30 AMP Power Seat, Top & Windows	\$14.00	
CLOCK HARNESS				
11960	1967	CLOCK HARNESS Console Mounted Clock	\$51.00	
11960	1968	CLOCK HARNESS Console Mounted Clock	\$51.00	
CLOCK LAMP WIRE				
13315	1969	CLOCK LAMP WIRE Dash Mounted	\$15.00	
CONSOLE HARNESS				
10790	1967	CONSOLE HARNESS Auto Trans	\$74.00	
10800	1967	CONSOLE HARNESS Manual Trans	\$26.00	
12635	1968	CONSOLE HARNESS Auto Trans	\$46.00	
13305	1969	CONSOLE HARNESS Auto Trans	\$26.00	
15650	1970	CONSOLE HARNESS Auto Trans, Shift Plate Indicator	\$26.00	
15650	1971	CONSOLE HARNESS Auto Trans, Shift Plate Indicator	\$26.00	
15650	1972	CONSOLE HARNESS Auto Trans, Shift Plate Indicator	\$26.00	
15650	1973	CONSOLE HARNESS All, With Automatic Trans	\$26.00	
15650	1974	CONSOLE HARNESS All, With Automatic Trans	\$26.00	
15650	1975	CONSOLE HARNESS All, With Automatic Trans	\$26.00	
15650	1976	CONSOLE HARNESS All, With Automatic Trans	\$26.00	
15650	1977	CONSOLE HARNESS All, With Automatic Trans	\$26.00	
15650	1978	CONSOLE HARNESS All, With Automatic Trans	\$26.00	
15650	1979	CONSOLE HARNESS All, With Automatic Trans	\$26.00	
15650	1980	CONSOLE HARNESS All, With Automatic Trans	\$26.00	
38670	1981	CONSOLE HARNESS All, With Automatic Trans	\$32.00	
COURTESY LAMP HARNESS				
13870	1967	COURTESY LAMP HARNESS Center Roof Mounted Dome Light	\$32.00	
13875	1967	COURTESY LAMP HARNESS Deluxe Interior, Rear Seat, Upper Panels	\$52.00	
17525	1967	COURTESY LAMP HARNESS Under Dash, Convertible	\$48.00	
08300	1967	COURTESY LAMP HARNESS Under Dash, Coupe	\$43.00	
13870	1968	COURTESY LAMP HARNESS Center Roof Mounted Dome Light	\$32.00	
33820	1968	COURTESY LAMP HARNESS Under Dash	\$48.00	
13870	1969	COURTESY LAMP HARNESS Center Roof Mounted Dome Light	\$32.00	
17575	1970	COURTESY LAMP HARNESS Center Roof Mounted Dome Light	\$40.00	
17575	1971	COURTESY LAMP HARNESS Center Roof Mounted Dome Light	\$40.00	
17575	1972	COURTESY LAMP HARNESS Center Roof Mounted Dome Light	\$40.00	
17575	1973	COURTESY LAMP HARNESS Center Roof Mounted Dome Light	\$40.00	

Part Number	Year	Description	Price	*Rev.
40042	1974	COURTESY LAMP HARNESS Center Roof Mounted Dome Light	\$48.00	
40130	1975	COURTESY LAMP HARNESS Center Roof Mounted Dome Light	\$48.00	
40130	1976	COURTESY LAMP HARNESS Center Roof Mounted Dome Light	\$48.00	
40130	1977	COURTESY LAMP HARNESS Center Roof Mounted Dome Light	\$48.00	
COURTESY LAMP MOUNTING BRACKET-UNDER DASH				
04876930	1967	COURTESY LAMP MOUNTING BRACKET, UNDER DASH Left Or Right, 2 Required Per Car	\$11.00	
04876930	1968	COURTESY LAMP MOUNTING BRACKET, UNDER DASH Left Or Right, 2 Required Per Car	\$11.00	
COURTESY LAMP SWITCH JUMPER HARNESS				
36038	1970	COURTESY LAMP SWITCH JUMPER HARNESS Driver Side, Door Jamb Switch To Dash Harness	\$17.00	
36039	1970	COURTESY LAMP SWITCH JUMPER HARNESS Passenger Side, Door Jamb Switch To Dash Harness	\$12.00	
36038	1971	COURTESY LAMP SWITCH JUMPER HARNESS Driver Side, Door Jamb Switch To Dash Harness	\$17.00	
36039	1971	COURTESY LAMP SWITCH JUMPER HARNESS Passenger Side, Door Jamb Switch To Dash Harness	\$12.00	
36038	1972	COURTESY LAMP SWITCH JUMPER HARNESS Driver Side, Door Jamb Switch To Dash Harness	\$17.00	
36039	1972	COURTESY LAMP SWITCH JUMPER HARNESS Passenger Side, Door Jamb Switch To Dash Harness	\$12.00	
36038	1973	COURTESY LAMP SWITCH JUMPER HARNESS Driver Side, Door Jamb Switch To Dash Harness	\$17.00	
36039	1973	COURTESY LAMP SWITCH JUMPER HARNESS Passenger Side, Door Jamb Switch To Dash Harness	\$12.00	
36038	1974	COURTESY LAMP SWITCH JUMPER HARNESS Driver Side, Door Jamb Switch To Dash Harness	\$17.00	
36039	1974	COURTESY LAMP SWITCH JUMPER HARNESS Passenger Side, Door Jamb Switch To Dash Harness	\$12.00	
36038	1975	COURTESY LAMP SWITCH JUMPER HARNESS Driver Side, Door Jamb Switch To Dash Harness	\$17.00	
36039	1975	COURTESY LAMP SWITCH JUMPER HARNESS Passenger Side, Door Jamb Switch To Dash Harness	\$12.00	
36038	1976	COURTESY LAMP SWITCH JUMPER HARNESS Driver Side, Door Jamb Switch To Dash Harness	\$17.00	
36039	1976	COURTESY LAMP SWITCH JUMPER HARNESS Passenger Side, Door Jamb Switch To Dash Harness	\$12.00	
36038	1977	COURTESY LAMP SWITCH JUMPER HARNESS Driver Side, Door Jamb Switch To Dash Harness	\$17.00	
36039	1977	COURTESY LAMP SWITCH JUMPER HARNESS Passenger Side, Door Jamb Switch To Dash Harness	\$12.00	
36038	1978	COURTESY LAMP SWITCH JUMPER HARNESS Driver Side, Door Jamb Switch To Dash Harness	\$17.00	
36039	1978	COURTESY LAMP SWITCH JUMPER HARNESS Passenger Side, Door Jamb Switch To Dash Harness	\$12.00	
36038	1979	COURTESY LAMP SWITCH JUMPER HARNESS Driver Side, Door Jamb Switch To Dash Harness	\$17.00	
36039	1979	COURTESY LAMP SWITCH JUMPER HARNESS Passenger Side, Door Jamb Switch To Dash Harness	\$12.00	
36038	1980	COURTESY LAMP SWITCH JUMPER HARNESS Driver Side, Door Jamb Switch To Dash Harness	\$17.00	
36039	1980	COURTESY LAMP SWITCH JUMPER HARNESS Passenger Side, Door Jamb Switch To Dash Harness	\$12.00	
36038	1981	COURTESY LAMP SWITCH JUMPER HARNESS Driver Side, Door Jamb Switch To Dash Harness	\$17.00	
36039	1981	COURTESY LAMP SWITCH JUMPER HARNESS Passenger Side, Door Jamb Switch To Dash Harness	\$12.00	
DASH HARNESS				
10220	1967	DASH HARNESS Column Shift, Auto Trans	\$524.00	
11530	1967	DASH HARNESS Column Shift, Auto Trans With Gauges	\$557.00	
10780	1967	DASH HARNESS Column Shift, Manual Trans	\$524.00	
11535	1967	DASH HARNESS Column Shift, Manual Trans With Gauges	\$557.00	
10785	1967	DASH HARNESS Console Shift, Auto Trans	\$524.00	
11520	1967	DASH HARNESS Console Shift, Auto Trans With Gauges	\$524.00	
10990	1967	DASH HARNESS Console Shift, Manual Trans	\$524.00	
11525	1967	DASH HARNESS Console Shift, Manual Trans With Gauges	\$524.00	
12290	1968	DASH HARNESS Column Shift Auto Or All Manual Trans	\$557.00	
12195	1968	DASH HARNESS Column Shift Auto Or All Manual Trans With Gauges	\$557.00	
12295	1968	DASH HARNESS Console Shift, Auto Trans	\$557.00	
12190	1968	DASH HARNESS Console Shift, Auto Trans With Gauges	\$557.00	

Part Number	Year	Description	Price	*Rev.
12830	1969	DASH HARNESS With Warning Lights Note: This Harness Contains A Resistance Wire In It And Must Be Modified If Using With A GM H.E.I. Distributor.	\$557.00	
12835	1969	DASH HARNESS With Gauges, Standard Dash Mounted Rally Gauges Note: Speedometer Mounted In Left Dash Pod, This Harness Contains A Resistance Wire In It And Must Be Modified If Using With A GM H.E.I. Distributor.	\$557.00	
13520	1969	DASH HARNESS With Special Stacked Gauges, Trans AM Note: Speedometer Mounted In Right Dash Pod, Tach Mounted In Left, This Harness Contains A Resistance Wire In It And Must Be Modified If Using With A GM H.E.I. Distributor.	\$557.00	
15755	1970	DASH HARNESS Without Gauges	\$639.00	
15760	1970	DASH HARNESS With Gauges	\$614.00	
16220	1971	DASH HARNESS With Warning Lights	\$625.00	
16675	1971	DASH HARNESS With Gauges	\$639.00	
16220	1972	DASH HARNESS With Warning Lights	\$625.00	
17760	1972	DASH HARNESS With Warning Lights & Seat Belt Warning	\$658.00	
16675	1972	DASH HARNESS With Gauges	\$639.00	
16870	1972	DASH HARNESS With Gauges & Seat Belt Warning	\$639.00	
17760	1973	DASH HARNESS With Warning Lights	\$658.00	
16870	1973	DASH HARNESS With Gauges	\$639.00	
17765	1974	DASH HARNESS With Warning Lights	\$703.00	
17075	1974	DASH HARNESS With Gauges	\$703.00	
38599	1975	DASH HARNESS Base Model Note: Used Up To 3-24-75, With Pink & Yellow Wire In L Shape Connector On Neutral Safety Switch, Without Seat Belt Ignition Interlock.	\$876.00	
38602	1975	DASH HARNESS Base Model Note: Used After 3-24-75, Without Pink & Yellow Wire In L Shape Connector On Neutral Safety Switch, Without Seat Belt Ignition Interlock.	\$899.00	
38590	1975	DASH HARNESS Base Model, All With Seat Belt Ignition Interlock	\$899.00	
38601	1975	DASH HARNESS With Power Door Locks, Electric Rear Window Defogger, Tach & Rally Gauges Note: Used Up To 3-24-75, With Pink & Yellow Wire In L Shape Connector On Neutral Safety Switch, Without Seat Belt Ignition Interlock.	\$876.00	
38604	1975	DASH HARNESS With Power Door Locks, Rear Window Defogger, Tach & Rally Gauges Note: Used After 3-24-75, Without Pink & Yellow Wire In L Shape Connector On Neutral Safety Switch, Without Seat Belt Ignition Interlock.	\$876.00	
38600	1975	DASH HARNESS With Power Door Locks, & Electric Rear Window Defogger, Without Tach & Rally Gauges Note: Used Up To 3-24-75, With Pink & Yellow Wire In L Shape Connector On Neutral Safety Switch, Without Seal Belt Ignition Interlock.	\$876.00	
38603	1975	DASH HARNESS With Power Door Locks, & Electric Rear Window Defogger, Without Tach & Rally Gauges Note: Used After 3-24-75, Without Pink & Yellow Wire In L Shape Connector On Neutral Safety Switch, Without Seat Belt Ignition Interlock.	\$876.00	
38610	1976	DASH HARNESS Base Model, All	\$876.00	
38611	1976	DASH HARNESS With Power Door Locks, Heated Rear Window Glass Note: Used Before 1976 1/2, For Cars With 3 Wire Connector On Rear Heated Glass Switch In Dash.	\$876.00	
38614	1976	DASH HARNESS With Power Door Locks, Heated Rear Window Glass Note: Used After 1976 1/2, For Cars With 5 Wire Connector On Rear Heated Glass Switch In Dash.	\$899.00	
38612	1976	DASH HARNESS With Power Door Locks, Tach & Rally Gauges & Heated Rear Window Glass Note: Used Before 1976 1/2, For Cars With 3 Wire Connector On Rear Heated Glass Switch In Dash.	\$876.00	

Part Number	Year	Description	Price	*Rev.
38615	1976	DASH HARNESS With Power Door Locks, Tach & Rally Gauges & Heated Rear Window Glass Note: Used After 1976 1/2, For Cars With 5 Wire Connector On Rear Heated Glass Switch In Dash.	\$876.00	
38621	1977	DASH HARNESS Base Model, All	\$876.00	
38620	1977	DASH HARNESS With Electric Rear Window Defogger	\$876.00	
38626	1977	DASH HARNESS With Electric Rear Window Defogger, And Tach & Rally Gauges	\$876.00	
38631	1977	DASH HARNESS Base Model, For Export Use Only	\$940.00	
38632	1977	DASH HARNESS With Electric Rear Window Defogger, For Export Use Only	\$940.00	
38624	1978	DASH HARNESS Base Model, All	\$899.00	
38625	1978	DASH HARNESS With Electric Rear Window Defogger & Digital Clock Radio Note: With Push In Lamp Socket For Heater Control Indicator Lamp.	\$899.00	
38519	1978	DASH HARNESS With Electric Rear Window Defogger, Digital Clock Radio And Tach & Rally Gauges Note: With Push In Lamp Socket For Heater Control Indicator Lamp.	\$876.00	
38638	1978	DASH HARNESS With Electric Rear Window Defogger & Digital Clock Radio Note: With Twist In Lamp Socket For Heater Control Indicator Lamp.	\$901.00	
38639	1978	DASH HARNESS With Electric Rear Window Defogger, Digital Clock Radio And Tach & Rally Gauges, Note: With Twist In Lamp Socket For Heater Control Indicator Lamp.	\$876.00	
38645	1979	DASH HARNESS With Manual Transmission	\$899.00	
38646	1979	DASH HARNESS With Automatic Transmission	\$899.00	
38647	1979	DASH HARNESS With Manual Transmission, And Tach & Rally Gauges	\$876.00	
38420	1979	DASH HARNESS With Automatic Transmission, And Tach & Rally Gauges	\$876.00	
38656	1980	DASH HARNESS With Manual Transmission	\$928.00	
38657	1980	DASH HARNESS With Automatic Transmission	\$928.00	
38414	1980	DASH HARNESS With Automatic Transmission, And Tach & Rally Gauges	\$928.00	
38674	1980	DASH HARNESS With Manual Transmission, And Tach & Rally Gauges	\$928.00	
38659	1981	DASH HARNESS With Manual Transmission	\$928.00	
38660	1981	DASH HARNESS With Automatic Transmission	\$928.00	
38662	1981	DASH HARNESS With Automatic Transmission, And Tach & Rally Gauges	\$928.00	
38673	1981	DASH HARNESS With Manual Transmission, And Tach & Rally Gauges	\$928.00	
DISTRIBUTOR WIRE				
36057	1967	DISTRIBUTOR WIRE Distributor Points To Coil Negative Terminal, V/8 Note: Fits All GM V/8 Points Type Distributors From Approx. 1957 To 1974.	\$18.00	C
36057	1968	DISTRIBUTOR WIRE Distributor Points To Coil Negative Terminal, V/8 Note: Fits All GM V/8 Points Type Distributors From Approx. 1957 To 1974.	\$18.00	C
36057	1969	DISTRIBUTOR WIRE Distributor Points To Coil Negative Terminal, V/8 Note: Fits All GM V/8 Points Type Distributors From Approx. 1957 To 1974.	\$18.00	C
36057	1970	DISTRIBUTOR WIRE Distributor Points To Coil Negative Terminal, V/8 Note: Fits All GM V/8 Points Type Distributors From Approx. 1957 To 1974.	\$18.00	C
36057	1971	DISTRIBUTOR WIRE Distributor Points To Coil Negative Terminal, V/8 Note: Fits All GM V/8 Points Type Distributors From Approx. 1957 To 1974.	\$18.00	C
36057	1972	DISTRIBUTOR WIRE Distributor Points To Coil Negative Terminal, V/8 Note: Fits All GM V/8 Points Type Distributors From Approx. 1957 To 1974.	\$18.00	C
36057	1973	DISTRIBUTOR WIRE Distributor Points To Coil Negative Terminal, V/8 Note: Fits All GM V/8 Points Type Distributors From Approx. 1957 To 1974.	\$18.00	C
36057	1974	DISTRIBUTOR WIRE Distributor Points To Coil Negative Terminal, V/8 Note: Fits All GM V/8 Points Type Distributors From Approx. 1957 To 1974.	\$18.00	C

Part Number	Year	Description	Price	*Rev.
DOME LIGHT LENS				
06279669	1967	DOME LIGHT LENS Note: Manufactured With Original GM Tooling, Not A Reproduction Part.	\$6.00	
06279669	1968	DOME LIGHT LENS Note: Manufactured With Original GM Tooling, Not A Reproduction Part.	\$6.00	
ENGINE HARNESS				
11205	1967	ENGINE HARNESS 6 Cylinder, Auto Trans Note: 6 Cylinder Items Are Not Returnable.	\$166.00	
11165	1967	ENGINE HARNESS 6 Cylinder, Manual Trans Note: 6 Cylinder Items Are Not Returnable.	\$166.00	
17400	1967	ENGINE HARNESS V/8, Auto Trans	\$140.00	
42087	1967	ENGINE HARNESS-HEI V/8, Auto Trans Note: This Harness Is Modified For Use With An HEI Distributor.	\$164.00	
11170	1967	ENGINE HARNESS V/8, Manual Trans	\$140.00	
42088	1967	ENGINE HARNESS-HEI V/8, Manual Trans Note: This Harness Is Modified For Use With An HEI Distributor.	\$164.00	
12210	1968	ENGINE HARNESS 6 Cylinder, Auto Trans Note: 6 Cylinder Items Are Not Returnable.	\$166.00	
12200	1968	ENGINE HARNESS 6 Cylinder, Manual Trans Note: 6 Cylinder Items Are Not Returnable.	\$166.00	
12215	1968	ENGINE HARNESS V/8, Auto Trans	\$149.00	
42089	1968	ENGINE HARNESS-HEI V/8, Auto Trans Note: This Harness Is Modified For Use With An HEI Distributor.	\$173.00	
12205	1968	ENGINE HARNESS V/8, Manual Trans	\$149.00	
42090	1968	ENGINE HARNESS-HEI V/8, Manual Trans Note: This Harness Is Modified For Use With An HEI Distributor.	\$173.00	
13460	1969	ENGINE HARNESS 6 Cylinder, Auto Trans Note: 6 Cylinder Items Are Not Returnable.	\$278.00	
13550	1969	ENGINE HARNESS 6 Cylinder, Auto Trans With Internal Reg. Alternator Note: 6 Cylinder Items Are Not Returnable.	\$290.00	
12880	1969	ENGINE HARNESS 6 Cylinder, Auto Trans With A/C Note: 6 Cylinder Items Are Not Returnable.	\$290.00	
13455	1969	ENGINE HARNESS 6 Cylinder, Auto Trans With A/C & Internal Reg. Alternator Note: 6 Cylinder Items Are Not Returnable.	\$290.00	
36155	1969	ENGINE HARNESS 6 Cylinder, Manual Trans Note: 6 Cylinder Items Are Not Returnable.	\$290.00	
36158	1969	ENGINE HARNESS 6 Cylinder, Manual Trans With Internal Reg. Alternator Note: 6 Cylinder Items Are Not Returnable.	\$290.00	
36156	1969	ENGINE HARNESS 6 Cylinder, Manual Trans With A/C Note: 6 Cylinder Items Are Not Returnable.	\$290.00	
36157	1969	ENGINE HARNESS 6 Cylinder, Manual Trans With A/C & Internal Reg. Alternator Note: 6 Cylinder Items Are Not Returnable.	\$290.00	
12885	1969	ENGINE HARNESS V/8, Auto Trans	\$212.00	
42091	1969	ENGINE HARNESS-HEI V/8, Auto Trans Note: This Harness Is Modified For Use With An HEI Distributor. In Order To Use HEI This Year, You Will Need To Bypass The Factory Installed Resistance Wire Located In Your Dash Harness. We Include A Proper Bypass Wire And Instructions For You.	\$236.00	
12890	1969	ENGINE HARNESS V/8, Auto Trans With Internal Reg. Alternator	\$212.00	

Part Number	Year	Description	Price	*Rev.
42092	1969	ENGINE HARNESS-HEI V/8, Auto Trans With Internal Reg. Alternator Note: This Harness Is Modified For Use With An HEI Distributor. In Order To Use HEI This Year, You Will Need To Bypass The Factory Installed Resistance Wire Located In Your Dash Harness. We Include A Proper Bypass Wire And Instructions For You.	\$236.00	
36159	1969	ENGINE HARNESS V/8, Manual Trans	\$212.00	
42093	1969	ENGINE HARNESS-HEI V/8, Manual Trans Note: This Harness Is Modified For Use With An HEI Distributor. In Order To Use HEI This Year, You Will Need To Bypass The Factory Installed Resistance Wire Located In Your Dash Harness. We Include A Proper Bypass Wire And Instructions For You.	\$236.00	
36160	1969	ENGINE HARNESS V/8, Manual Trans With Internal Reg. Alternator	\$212.00	
42094	1969	ENGINE HARNESS-HEI V/8, Manual Trans With Internal Reg. Alternator Note: This Harness Is Modified For Use With An HEI Distributor. In Order To Use HEI This Year, You Will Need To Bypass The Factory Installed Resistance Wire Located In Your Dash Harness. We Include A Proper Bypass Wire And Instructions For You.	\$236.00	
15735	1970	ENGINE HARNESS 6 Cylinder, All Note: 6 Cylinder Items Are Not Returnable.	\$303.00	
36161	1970	ENGINE HARNESS V/8	\$290.00	
42095	1970	ENGINE HARNESS-HEI V/8 Note: This Harness Is Modified For Use With An HEI Distributor.	\$314.00	
15700	1970	ENGINE HARNESS V/8, With A/C	\$290.00	
42096	1970	ENGINE HARNESS-HEI V/8, With A/C Note: This Harness Is Modified For Use With An HEI Distributor.	\$314.00	
36162	1970	ENGINE HARNESS V/8, With Ram Air	\$290.00	
42097	1970	ENGINE HARNESS-HEI V/8, With Ram Air Note: This Harness Is Modified For Use With An HEI Distributor.	\$314.00	
15765	1970	ENGINE HARNESS V/8, With Ram Air & A/C	\$290.00	
42098	1970	ENGINE HARNESS-HEI V/8, With Ram Air & A/C Note: This Harness Is Modified For Use With An HEI Distributor.	\$314.00	
16045	1971	ENGINE HARNESS 6 Cylinder, All Note: 6 Cylinder Items Are Not Returnable.	\$317.00	
16080	1971	ENGINE HARNESS V/8, Auto Trans	\$290.00	
42099	1971	ENGINE HARNESS-HEI V/8, Auto Trans Note: This Harness Is Modified For Use With An HEI Distributor.	\$314.00	
36164	1971	ENGINE HARNESS V/8, Auto Trans With A/C	\$290.00	
42100	1971	ENGINE HARNESS-HEI V/8, Auto Trans With A/C Note: This Harness Is Modified For Use With An HEI Distributor.	\$314.00	
15990	1971	ENGINE HARNESS V/8, Manual Trans	\$290.00	
42101	1971	ENGINE HARNESS-HEI V/8, Manual Trans Note: This Harness Is Modified For Use With An HEI Distributor.	\$314.00	
36165	1971	ENGINE HARNESS V/8, Manual Trans With A/C	\$290.00	
42102	1971	ENGINE HARNESS-HEI V/8, Manual Trans With A/C Note: This Harness Is Modified For Use With An HEI Distributor.	\$314.00	
15985	1971	ENGINE HARNESS V/8, All With Ram Air	\$290.00	
42103	1971	ENGINE HARNESS-HEI V/8, All With Ram Air Note: This Harness Is Modified For Use With An HEI Distributor.	\$314.00	
36163	1971	ENGINE HARNESS V/8, All With Ram Air & A/C	\$290.00	
42104	1971	ENGINE HARNESS-HEI V/8, All With Ram Air & A/C Note: This Harness Is Modified For Use With An HEI Distributor.	\$314.00	
16930	1972	ENGINE HARNESS 6 Cylinder, All Note: 6 Cylinder Items Are Not Returnable.	\$330.00	
16895	1972	ENGINE HARNESS V/8	\$290.00	

Part Number	Year	Description	Price	*Rev.
42105	1972	ENGINE HARNESS-HEI V/8 Note: This Harness Is Modified For Use With An HEI Distributor.	\$314.00	
16900	1972	ENGINE HARNESS V/8, With A/C	\$290.00	
42106	1972	ENGINE HARNESS-HEI V/8, With A/C Note: This Harness Is Modified For Use With An HEI Distributor.	\$314.00	
16905	1972	ENGINE HARNESS V/8, With Unitized Distributor	\$304.00	
36168	1972	ENGINE HARNESS V/8, With Unitized Distributor & A/C	\$304.00	
16925	1972	ENGINE HARNESS V/8, With Gauges & Hood Air Scoop	\$290.00	
42107	1972	ENGINE HARNESS-HEI V/8, With Gauges & Hood Air Scoop Note: This Harness Is Modified For Use With An HEI Distributor.	\$314.00	
36166	1972	ENGINE HARNESS V/8, With Gauges, Hood Air Scoop & A/C	\$290.00	
42108	1972	ENGINE HARNESS-HEI V/8, With Gauges, Hood Air Scoop & A/C Note: This Harness Is Modified For Use With An HEI Distributor.	\$314.00	
16805	1972	ENGINE HARNESS V/8, With Gauges, Unitized Distributor & Hood Air Scoop	\$317.00	
36167	1972	ENGINE HARNESS V/8, With Gauges, Unitized Distributor, Hood Air Scoop & A/C	\$317.00	
17025	1973	ENGINE HARNESS 6 Cylinder, All Note: 6 Cylinder Items Are Not Returnable.	\$345.00	
17040	1973	ENGINE HARNESS V/8, Early Production, See Note Note: With A 4 Contact Connector At Distributor Vacuum Solenoid.	\$331.00	
42109	1973	ENGINE HARNESS-HEI V/8, Early Production, See Note Note: With A 4 Contact Connector At Distributor Vacuum Solenoid. This Harness Is Modified For Use With An HEI Distributor.	\$355.00	
17090	1973	ENGINE HARNESS V/8, Late Production, See Note Note: With A 2 Contact Connector At Distributor Vacuum Solenoid.	\$331.00	
42110	1973	ENGINE HARNESS-HEI V/8, Late Production, See Note Note: This Harness Is Modified For Use With An HEI Distributor. With A 2 Contact Connector At Distributor Vacuum Solenoid.	\$355.00	
36169	1973	ENGINE HARNESS V/8 With A/C, Early Production, See Note Note: With A 4 Contact Connector At Distributor Vacuum Solenoid.	\$331.00	
42111	1973	ENGINE HARNESS-HEI V/8 With A/C, Early Production, See Note Note: With A 4 Contact Connector At Distributor Vacuum Solenoid. This Harness Is Modified For Use With An HEI Distributor	\$355.00	
36170	1973	ENGINE HARNESS V/8 With A/C, Late Production, See Note Note: With A 2 Contact Connector At Distributor Vacuum Solenoid.	\$331.00	
42112	1973	ENGINE HARNESS-HEI V/8 With A/C, Late Production, See Note Note: This Harness Is Modified For Use With An HEI Distributor. With A 2 Contact Connector At Distributor Vacuum Solenoid.	\$355.00	
17045	1973	ENGINE HARNESS V/8 With Unitized Distributor, Early Production, See Note Note: With A 4 Contact Connector At Distributor Vacuum Solenoid.	\$345.00	
17095	1973	ENGINE HARNESS V/8 With Unitized Distributor, Late Production, See Note Note: With A 2 Contact Connector At Distributor Vacuum Solenoid.	\$358.00	
36172	1973	ENGINE HARNESS V/8 With Unitized Distributor & A/C, Early Production, See Note Note: With A 4 Contact Connector At Distributor Vacuum Solenoid.	\$345.00	
36171	1973	ENGINE HARNESS V/8 With Unitized Distributor & A/C, Late Production, See Note Note: With A 2 Contact Connector At Distributor Vacuum Solenoid.	\$345.00	
17105	1974	ENGINE HARNESS 6 Cylinder, All Note: 6 Cylinder Items Are Not Returnable.	\$358.00	
17065	1974	ENGINE HARNESS V/8	\$343.00	
17120	1974	ENGINE HARNESS-HEI V/8 Note: This Harness Is To Be Used With An HEI Distributor.	\$343.00	
36173	1974	ENGINE HARNESS V/8 With A/C	\$343.00	

Part Number	Year	Description	Price	*Rev.
36174	1974	ENGINE HARNESS-HEI V/8 With A/C Note: This Harness Is To Be Used With An HEI Distributor.	\$343.00	
17120	1974	ENGINE HARNESS V/8 With H.E.I. Distributor	\$343.00	
36174	1974	ENGINE HARNESS V/8 With H.E.I. Distributor & A/C	\$343.00	
17115	1974	ENGINE HARNESS V/8 With Unitized Distributor	\$358.00	
36175	1974	ENGINE HARNESS V/8 With Unitized Distributor & A/C	\$372.00	
38597	1975	ENGINE HARNESS 6 Cylinder Note: 6 Cylinder Items Are Not Returnable.	\$317.00	
38591	1975	ENGINE HARNESS V/8, Without Catalytic Converter	\$278.00	
38593	1975	ENGINE HARNESS V/8, With Catalytic Converter	\$278.00	
38592	1975	ENGINE HARNESS V/8, With A/C, Without Catalytic Converter	\$290.00	
38594	1975	ENGINE HARNESS V/8, With A/C, With Catalytic Converter	\$290.00	
38605	1976	ENGINE HARNESS 6 Cylinder Note: 6 Cylinder Items Are Not Returnable.	\$317.00	
38609	1976	ENGINE HARNESS V/8, With A/C	\$278.00	
38392	1976	ENGINE HARNESS V/8, Without A/C	\$264.00	
38617	1977	ENGINE HARNESS 6 Cylinder Note: 6 Cylinder Items Are Not Returnable.	\$278.00	
38618	1977	ENGINE HARNESS With Oldsmobile 350R Or 403 V/8	\$278.00	
38423	1977	ENGINE HARNESS With Pontiac 301 Or 400 V/8	\$264.00	
38634	1978	ENGINE HARNESS With 231 V/6	\$304.00	
38618	1978	ENGINE HARNESS With Oldsmobile 350R Or 403 V/8	\$278.00	
38423	1978	ENGINE HARNESS With Pontiac 301 & 400 V/8	\$264.00	
38642	1978	ENGINE HARNESS With Chevy 305 & 350 V/8, & California Emissions	\$304.00	
38643	1978	ENGINE HARNESS With Chevy 305 & 350 V/8, & Federal Emissions	\$290.00	
38637	1979	ENGINE HARNESS With 231 V/6	\$304.00	
38423	1979	ENGINE HARNESS With Pontiac 301 & 400 V/8	\$264.00	
38635	1979	ENGINE HARNESS With Chevy 305 V/8	\$264.00	
38640	1979	ENGINE HARNESS With Oldsmobile 403 V/8	\$264.00	
38651	1980	ENGINE HARNESS With 231 V/6	\$278.00	
38650	1980	ENGINE HARNESS With Pontiac 260 V/8 Or 301 V/8	\$278.00	
38393	1980	ENGINE HARNESS With 260 V/8 Or & 301 V/8 Pontiac, With Tach & Rally Gauges	\$278.00	
36029	1980	ENGINE HARNESS With Chevy 305 V/8	\$278.00	
38652	1980	ENGINE HARNESS With Chevy 305 V/8, With Tach & Rally Gauges	\$290.00	
38527	1980	ENGINE HARNESS With Pontiac 260 V/8 Or 301 V/8, With Torque Converter Clutch	\$290.00	
38658	1980	ENGINE HARNESS With Pontiac 301 V/8 Turbo Charged Engine, And Tach & Rally Gauges	\$278.00	
38653	1980	ENGINE HARNESS With Pontiac 260 V/8 Or 301 V/8, With Tach & Rally Gauges And Torque Converter Clutch	\$290.00	
38668	1981	ENGINE HARNESS With 231 V/6, Without Tach & Rally Gauges	\$304.00	
38678	1981	ENGINE HARNESS With 231 V/6, And Tach & Rally Gauges	\$317.00	
38675	1981	ENGINE HARNESS With Chevy 267, 305, And 350 V/8, Without Tach & Rally Gauges	\$278.00	
38528	1981	ENGINE HARNESS With Chevy 267, & 305 And 350 V/8, With Tach & Rally Gauges	\$290.00	
38671	1981	ENGINE HARNESS With Pontiac 301 V/8 Turbo Charged Engine, Canada & Export Only	\$317.00	
28875	1981	ENGINE HARNESS With Pontiac 301 V/8 Turbo Charged Engine, With Tach & Rally Gauges	\$290.00	
38526	1981	ENGINE HARNESS With Pontiac 260 V/8 Or 301 V/8, Without Tach & Rally Gauges	\$317.00	

Part Number	Year	Description	Price	*Rev.
38665	1981	ENGINE HARNESS With Pontiac 260 V/8 Or 301 V/8, With Tach & Rally Gauges	\$290.00	
FORWARD LAMP HARNESS				
11175	1967	FORWARD LAMP HARNESS 6 Cylinder Note: 6 Cylinder Items Are Not Returnable.	\$272.00	
11265	1967	FORWARD LAMP HARNESS 6 Cylinder With Gauges Note: 6 Cylinder Items Are Not Returnable.	\$279.00	
11180	1967	FORWARD LAMP HARNESS V/8	\$245.00	
42113	1967	FORWARD LAMP HARNESS-INT REG ALT DRIVER SIDE V/8 Note: Modified For Driver Side Mounted 1972-84 Non-Serpentine Belt ("SI" Series) Internal Regulated Alternators.	\$286.00	
11185	1967	FORWARD LAMP HARNESS V/8 With Gauges	\$252.00	
42114	1967	FORWARD LAMP HARNESS-INT REG ALT DRIVER SIDE V/8 With Gauges Note: Modified For Driver Side Mounted 1972-84 Non-Serpentine Belt ("SI" Series) Internal Regulated Alternators.	\$291.00	
36058	1968	FORWARD LAMP HARNESS 6 Cylinder, Without Corner Lamp Rare Option Note: 6 Cylinder Items Are Not Returnable.	\$298.00	C
12220	1968	FORWARD LAMP HARNESS 6 Cylinder, With Corner Lamp Rare Option Note: 6 Cylinder Items Are Not Returnable. Front Parking Lamp Housing Has Two Bulbs.	\$305.00	C
36062	1968	FORWARD LAMP HARNESS 6 Cylinder, With Gauges, Without Corner Lamp Rare Option Note: 6 Cylinder Items Are Not Returnable.	\$286.00	C
12235	1968	FORWARD LAMP HARNESS 6 Cylinder, With Gauges & Corner Lamp Rare Option Note: 6 Cylinder Items Are Not Returnable. Front Parking Lamp Housing Has Two Bulbs.	\$298.00	C
36059	1968	FORWARD LAMP HARNESS V/8, Without Corner Lamp Rare Option	\$265.00	C
42115	1968	FORWARD LAMP HARNESS-INT REG ALT DRIVER SIDE V/8, Without Corner Lamp Rare Option Note: Modified For Driver Side Mounted 1972-84 Non-Serpentine Belt ("SI" Series) Internal Regulated Alternators.	\$305.00	C
12225	1968	FORWARD LAMP HARNESS V/8, With Corner Lamp Rare Option Note: Front Parking Lamp Housing Has Two Bulbs.	\$286.00	C
42116	1968	FORWARD LAMP HARNESS-INT REG ALT DRIVER SIDE V/8, With Corner Lamp Rare Option Note: Modified For Driver Side Mounted 1972-84 Non-Serpentine Belt ("SI" Series) Internal Regulated Alternators. Front Parking Lamp Housing Has Two Bulbs.	\$318.00	C
36060	1968	FORWARD LAMP HARNESS V/8, With Gauges, Without Corner Lamp Rare Option	\$265.00	C
42117	1968	FORWARD LAMP HARNESS-INT REG ALT DRIVER SIDE V/8, With Gauges, Without Corner Lamp Rare Option Note: Modified For Driver Side Mounted 1972-84 Non-Serpentine Belt ("SI" Series) Internal Regulated Alternators.	\$305.00	C
12230	1968	FORWARD LAMP HARNESS V/8, With Gauges & Corner Lamp Rare Option Note: Front Parking Lamp Housing Has Two Bulbs.	\$286.00	C
42118	1968	FORWARD LAMP HARNESS-INT REG ALT DRIVER SIDE V/8, With Gauges & Corner Lamp Rare Option Note: Modified For Driver Side Mounted 1972-84 Non-Serpentine Belt ("SI" Series) Internal Regulated Alternators. Front Parking Lamp Housing Has Two Bulbs.	\$318.00	C
12900	1969	FORWARD LAMP HARNESS All	\$265.00	
15980	1970	FORWARD LAMP HARNESS All	\$265.00	
15980	1971	FORWARD LAMP HARNESS All	\$265.00	
15980	1972	FORWARD LAMP HARNESS Without Parking Lamp Socket Assembly	\$265.00	
16765	1972	FORWARD LAMP HARNESS Includes Parking Lamp Socket Assembly	\$272.00	
16765	1973	FORWARD LAMP HARNESS All	\$272.00	
17070	1974	FORWARD LAMP HARNESS All	\$298.00	
38598	1975	FORWARD LAMP HARNESS All	\$339.00	
38380	1976	FORWARD LAMP HARNESS All	\$339.00	
38622	1977	FORWARD LAMP HARNESS All	\$325.00	
38518	1978	FORWARD LAMP HARNESS All	\$325.00	
38424	1979	FORWARD LAMP HARNESS All	\$325.00	

Part Number	Year	Description	Price	*Rev.
38649	1980	FORWARD LAMP HARNESS All	\$339.00	
38677	1981	FORWARD LAMP HARNESS With Diode Taped Into Windshield Wiper Connector	\$351.00	
38649	1981	FORWARD LAMP HARNESS Without Diode Taped Into Windshield Wiper Connector	\$339.00	
FUEL TANK SENDER WIRE				
18915	1967	FUEL TANK SENDER WIRE	\$22.00	
18915	1968	FUEL TANK SENDER WIRE	\$22.00	
13485	1969	FUEL TANK SENDER WIRE	\$22.00	
15795	1970	FUEL TANK SENDER WIRE	\$25.00	
15795	1971	FUEL TANK SENDER WIRE	\$25.00	
15795	1972	FUEL TANK SENDER WIRE	\$25.00	
15795	1973	FUEL TANK SENDER WIRE	\$25.00	
36272	1974	FUEL TANK SENDER WIRE	\$23.00	
36272	1975	FUEL TANK SENDER WIRE	\$23.00	
36272	1976	FUEL TANK SENDER WIRE	\$23.00	
36272	1977	FUEL TANK SENDER WIRE	\$23.00	
36272	1978	FUEL TANK SENDER WIRE	\$23.00	
FUEL TANK SENDING UNIT				
06428322	1969	FUEL TANK SENDING UNIT 3/8" Fuel Line, With 2nd Vent Line	\$43.00	N
GLOVE BOX LAMP KIT				
18000	1967	GLOVE BOX LAMP KIT Socket, Bulb & Wire	\$24.00	
18000	1968	GLOVE BOX LAMP KIT Socket, Bulb & Wire	\$24.00	
18000	1969	GLOVE BOX LAMP KIT Socket, Bulb & Wire	\$24.00	
GROUND WIRE-DISTRIBUTOR POINT PLATE				
38298	1967	GROUND WIRE, DISTRIBUTOR POINT PLATE From Distributor Point Plate To Distributor Housing Note: Replaces Spot Welded Wire Asm On Point Plate Side. Fits All GM V/8 Point Type Distributors From Approx. 1957-1974.	\$17.00	C
38298	1968	GROUND WIRE, DISTRIBUTOR POINT PLATE From Distributor Point Plate To Distributor Housing Note: Replaces Spot Welded Wire Asm On Point Plate Side. Fits All GM V/8 Point Type Distributors From Approx. 1957-1974.	\$17.00	C
38298	1969	GROUND WIRE, DISTRIBUTOR POINT PLATE From Distributor Point Plate To Distributor Housing Note: Replaces Spot Welded Wire Asm On Point Plate Side. Fits All GM V/8 Point Type Distributors From Approx. 1957-1974.	\$17.00	C
38298	1970	GROUND WIRE, DISTRIBUTOR POINT PLATE From Distributor Point Plate To Distributor Housing Note: Replaces Spot Welded Wire Asm On Point Plate Side. Fits All GM V/8 Point Type Distributors From Approx. 1957-1974.	\$17.00	C
38298	1971	GROUND WIRE, DISTRIBUTOR POINT PLATE From Distributor Point Plate To Distributor Housing Note: Replaces Spot Welded Wire Asm On Point Plate Side. Fits All GM V/8 Point Type Distributors From Approx. 1957-1974.	\$17.00	C
38298	1972	GROUND WIRE, DISTRIBUTOR POINT PLATE From Distributor Point Plate To Distributor Housing Note: Replaces Spot Welded Wire Asm On Point Plate Side. Fits All GM V/8 Point Type Distributors From Approx. 1957-1974.	\$17.00	C
38298	1973	GROUND WIRE, DISTRIBUTOR POINT PLATE From Distributor Point Plate To Distributor Housing Note: Replaces Spot Welded Wire Asm On Point Plate Side. Fits All GM V/8 Point Type Distributors From Approx. 1957-1974.	\$17.00	C
38298	1974	GROUND WIRE, DISTRIBUTOR POINT PLATE From Distributor Point Plate To Distributor Housing Note: Replaces Spot Welded Wire Asm On Point Plate Side. Fits All GM V/8 Point Type Distributors From Approx. 1957-1974.	\$17.00	C
HARNESSTAPE				
R0058272	1967	HARNESSTAPE 3/4" Vinyl (100 Ft. Roll) Non-Adhesive	\$12.00	
R0058276	1967	HARNESSTAPE 1" Vinyl (100 Ft. Roll) Non-Adhesive	\$13.00	
R0067108	1967	HARNESSTAPE 1 1/4" Vinyl (100 Ft. Roll) Non-Adhesive	\$15.00	
R0058272	1968	HARNESSTAPE 3/4" Vinyl (100 Ft. Roll) Non-Adhesive	\$12.00	
R0058276	1968	HARNESSTAPE 1" Vinyl (100 Ft. Roll) Non-Adhesive	\$13.00	
R0067108	1968	HARNESSTAPE 1 1/4" Vinyl (100 Ft. Roll) Non-Adhesive	\$15.00	
R0058272	1969	HARNESSTAPE 3/4" Vinyl (100 Ft. Roll) Non-Adhesive	\$12.00	

Part Number	Year	Description	Price	*Rev.
R0058276	1969	HARNESS TAPE 1" Vinyl (100 Ft. Roll) Non-Adhesive	\$13.00	
R0067108	1969	HARNESS TAPE 1 1/4" Vinyl (100 Ft. Roll) Non-Adhesive	\$15.00	
R0058272	1970	HARNESS TAPE 3/4" Vinyl (100 Ft. Roll) Non-Adhesive	\$12.00	
R0058276	1970	HARNESS TAPE 1" Vinyl (100 Ft. Roll) Non-Adhesive	\$13.00	
R0067108	1970	HARNESS TAPE 1 1/4" Vinyl (100 Ft. Roll) Non-Adhesive	\$15.00	
R0058272	1971	HARNESS TAPE 3/4" Vinyl (100 Ft. Roll) Non-Adhesive	\$12.00	
R0058276	1971	HARNESS TAPE 1" Vinyl (100 Ft. Roll) Non-Adhesive	\$13.00	
R0067108	1971	HARNESS TAPE 1 1/4" Vinyl (100 Ft. Roll) Non-Adhesive	\$15.00	
R0058272	1972	HARNESS TAPE 3/4" Vinyl (100 Ft. Roll) Non-Adhesive	\$12.00	
R0058276	1972	HARNESS TAPE 1" Vinyl (100 Ft. Roll) Non-Adhesive	\$13.00	
R0067108	1972	HARNESS TAPE 1 1/4" Vinyl (100 Ft. Roll) Non-Adhesive	\$15.00	
R0058272	1973	HARNESS TAPE 3/4" Vinyl (100 Ft. Roll) Non-Adhesive	\$12.00	
R0058276	1973	HARNESS TAPE 1" Vinyl (100 Ft. Roll) Non-Adhesive	\$13.00	
R0067108	1973	HARNESS TAPE 1 1/4" Vinyl (100 Ft. Roll) Non-Adhesive	\$15.00	
R0058272	1974	HARNESS TAPE 3/4" Vinyl (100 Ft. Roll) Non-Adhesive	\$12.00	
R0058276	1974	HARNESS TAPE 1" Vinyl (100 Ft. Roll) Non-Adhesive	\$13.00	
R0067108	1974	HARNESS TAPE 1 1/4" Vinyl (100 Ft. Roll) Non-Adhesive	\$15.00	
R0058272	1975	HARNESS TAPE 3/4" Vinyl (100 Ft. Roll) Non-Adhesive	\$12.00	
R0058276	1975	HARNESS TAPE 1" Vinyl (100 Ft. Roll) Non-Adhesive	\$13.00	
R0067108	1975	HARNESS TAPE 1 1/4" Vinyl (100 Ft. Roll) Non-Adhesive	\$15.00	
R0058272	1976	HARNESS TAPE 3/4" Vinyl (100 Ft. Roll) Non-Adhesive	\$12.00	
R0058276	1976	HARNESS TAPE 1" Vinyl (100 Ft. Roll) Non-Adhesive	\$13.00	
R0067108	1976	HARNESS TAPE 1 1/4" Vinyl (100 Ft. Roll) Non-Adhesive	\$15.00	
R0058272	1977	HARNESS TAPE 3/4" Vinyl (100 Ft. Roll) Non-Adhesive	\$12.00	
R0058276	1977	HARNESS TAPE 1" Vinyl (100 Ft. Roll) Non-Adhesive	\$13.00	
R0067108	1977	HARNESS TAPE 1 1/4" Vinyl (100 Ft. Roll) Non-Adhesive	\$15.00	
R0058272	1978	HARNESS TAPE 3/4" Vinyl (100 Ft. Roll) Non-Adhesive	\$12.00	
R0058276	1978	HARNESS TAPE 1" Vinyl (100 Ft. Roll) Non-Adhesive	\$13.00	
R0067108	1978	HARNESS TAPE 1 1/4" Vinyl (100 Ft. Roll) Non-Adhesive	\$15.00	
R0058272	1979	HARNESS TAPE 3/4" Vinyl (100 Ft. Roll) Non-Adhesive	\$12.00	
R0058276	1979	HARNESS TAPE 1" Vinyl (100 Ft. Roll) Non-Adhesive	\$13.00	
R0067108	1979	HARNESS TAPE 1 1/4" Vinyl (100 Ft. Roll) Non-Adhesive	\$15.00	
R0058272	1980	HARNESS TAPE 3/4" Vinyl (100 Ft. Roll) Non-Adhesive	\$12.00	
R0058276	1980	HARNESS TAPE 1" Vinyl (100 Ft. Roll) Non-Adhesive	\$13.00	
R0067108	1980	HARNESS TAPE 1 1/4" Vinyl (100 Ft. Roll) Non-Adhesive	\$15.00	
R0058272	1981	HARNESS TAPE 3/4" Vinyl (100 Ft. Roll) Non-Adhesive	\$12.00	
R0058276	1981	HARNESS TAPE 1" Vinyl (100 Ft. Roll) Non-Adhesive	\$13.00	
R0067108	1981	HARNESS TAPE 1 1/4" Vinyl (100 Ft. Roll) Non-Adhesive	\$15.00	
HEADLIGHT SWITCH				
01995216	1978	HEADLIGHT SWITCH	\$20.00	N
01995216	1979	HEADLIGHT SWITCH	\$20.00	N
01995216	1980	HEADLIGHT SWITCH	\$20.00	N
01995216	1981	HEADLIGHT SWITCH	\$20.00	N
HEATER HARNESS				
17270	1969	HEATER HARNESS Without A/C, From Blower Motor & Resistor To Fan Switch	\$43.00	
39319	1970	HEATER HARNESS Without A/C, From Blower Motor & Resistor To Fan Switch	\$49.00	

Part Number	Year	Description	Price	*Rev.
39320	1971	HEATER HARNESS Without A/C	\$53.00	
39320	1972	HEATER HARNESS Without A/C	\$53.00	
39320	1973	HEATER HARNESS Without A/C	\$53.00	
39320	1974	HEATER HARNESS Without A/C	\$53.00	
39320	1975	HEATER HARNESS Without A/C	\$53.00	
39320	1976	HEATER HARNESS Without A/C	\$53.00	
40127	1977	HEATER HARNESS Without A/C	\$67.00	
40127	1978	HEATER HARNESS Without A/C	\$67.00	
40127	1979	HEATER HARNESS Without A/C	\$67.00	
40127	1980	HEATER HARNESS Without A/C	\$67.00	
40127	1981	HEATER HARNESS Without A/C	\$67.00	
HOOD LAMP REPLACEMENT KIT				
18410	1967	HOOD LAMP KIT Under Hood, Includes Socket, Wire & Bulb	\$60.00	C
18410	1968	HOOD LAMP KIT Under Hood, Includes Socket, Wire & Bulb	\$60.00	C
18410	1969	HOOD LAMP KIT Under Hood, Includes Socket, Wire & Bulb	\$60.00	C
18410	1970	HOOD LAMP KIT Under Hood, Includes Socket, Wire & Bulb	\$60.00	C
18410	1971	HOOD LAMP KIT Under Hood, Includes Socket, Wire & Bulb	\$60.00	C
18410	1972	HOOD LAMP KIT Under Hood, Includes Socket, Wire & Bulb	\$60.00	C
18410	1973	HOOD LAMP KIT Under Hood, Includes Socket, Wire & Bulb	\$60.00	C
18410	1974	HOOD LAMP KIT Under Hood, Includes Socket, Wire & Bulb	\$60.00	C
18410	1975	HOOD LAMP KIT Under Hood, Includes Socket, Wire & Bulb	\$60.00	C
18410	1976	HOOD LAMP KIT Under Hood, Includes Socket, Wire & Bulb	\$60.00	C
18410	1977	HOOD LAMP KIT Under Hood, Includes Socket, Wire & Bulb	\$60.00	C
IGNITION CYLINDER AND KEYS				
20071252	1969	IGNITION CYLINDER AND KEYS Chrome, All	\$18.50	N
20071252	1970	IGNITION CYLINDER AND KEYS Chrome, All	\$18.50	N
20071252	1971	IGNITION CYLINDER AND KEYS Chrome, All	\$18.50	N
20071252	1972	IGNITION CYLINDER AND KEYS Chrome, All	\$18.50	N
20071252	1973	IGNITION CYLINDER AND KEYS Chrome, All	\$18.50	N
20071252	1974	IGNITION CYLINDER AND KEYS Chrome, All	\$18.50	N
20071252	1975	IGNITION CYLINDER AND KEYS Chrome, All	\$18.50	N
20071252	1976	IGNITION CYLINDER AND KEYS Chrome, All	\$18.50	N
20071252	1977	IGNITION CYLINDER AND KEYS Chrome, All	\$18.50	N
20071252	1978	IGNITION CYLINDER AND KEYS Chrome, All, 1st Design, Used On Columns Without Lock Cylinder Retaining Screw	\$18.50	N
07833759	1978	IGNITION CYLINDER AND KEYS Chrome, All, 2nd Design, Used On Columns With Lock Cylinder Retaining Screw	\$18.50	N
07833759	1979	IGNITION CYLINDER AND KEYS Chrome, All	\$18.50	N
07833759	1980	IGNITION CYLINDER AND KEYS Chrome, All	\$18.50	N
07833759	1981	IGNITION CYLINDER AND KEYS Chrome, All	\$18.50	N
07833759	1982	IGNITION CYLINDER AND KEYS Chrome, All	\$18.50	N
07833759	1983	IGNITION CYLINDER AND KEYS Chrome, All	\$18.50	N
07833759	1984	IGNITION CYLINDER AND KEYS Chrome, All	\$18.50	N
07833759	1985	IGNITION CYLINDER AND KEYS Chrome, All	\$18.50	N
07833759	1986	IGNITION CYLINDER AND KEYS Chrome, All	\$18.50	N
07833759	1987	IGNITION CYLINDER AND KEYS Chrome, All	\$18.50	N
07833759	1988	IGNITION CYLINDER AND KEYS Chrome, All	\$18.50	N

Part Number	Year	Description	Price	*Rev.
IGNITION SWITCH				
01990110	1969	IGNITION SWITCH All, With Tilt	\$14.00	N
01990110	1970	IGNITION SWITCH All, With Tilt	\$14.00	N
01990110	1971	IGNITION SWITCH All, With Tilt	\$14.00	N
01990110	1972	IGNITION SWITCH All, With Tilt	\$14.00	N
01990110	1973	IGNITION SWITCH All, With Tilt	\$14.00	N
01990110	1974	IGNITION SWITCH All, With Tilt	\$14.00	N
01990110	1975	IGNITION SWITCH All, With Tilt	\$14.00	N
01990110	1976	IGNITION SWITCH All, With Tilt	\$14.00	N
01990110	1977	IGNITION SWITCH All, With Tilt	\$14.00	N
01990110	1978	IGNITION SWITCH All, With Tilt	\$14.00	N
01990110	1979	IGNITION SWITCH All, With Tilt	\$14.00	N
01990110	1980	IGNITION SWITCH All, With Tilt	\$14.00	N
01990110	1981	IGNITION SWITCH All, With Tilt	\$14.00	N
01990110	1982	IGNITION SWITCH All, With Tilt	\$14.00	N
01990110	1983	IGNITION SWITCH All, With Tilt	\$14.00	N
INSTRUMENT GAUGE CLUSTER CLIP KIT				
08986000	1976	CLIP KIT All, Instrument Gauge Cluster / Printed Circuit Board Retaining Clip Note: Replaces Original GM Part Number 08986000, Includes 12 Clips Per Kit.	\$14.00	N
08986000	1977	CLIP KIT All, Instrument Gauge Cluster / Printed Circuit Board Retaining Clip Note: Replaces Original GM Part Number 08986000, Includes 12 Clips Per Kit.	\$14.00	N
08986000	1978	CLIP KIT All, Instrument Gauge Cluster / Printed Circuit Board Retaining Clip Note: Replaces Original GM Part Number 08986000, Includes 12 Clips Per Kit.	\$14.00	N
08986000	1979	CLIP KIT All, Instrument Gauge Cluster / Printed Circuit Board Retaining Clip Note: Replaces Original GM Part Number 08986000, Includes 12 Clips Per Kit.	\$14.00	N
08986000	1980	CLIP KIT All, Instrument Gauge Cluster / Printed Circuit Board Retaining Clip Note: Replaces Original GM Part Number 08986000, Includes 12 Clips Per Kit.	\$14.00	N
08986000	1981	CLIP KIT All, Instrument Gauge Cluster / Printed Circuit Board Retaining Clip Note: Replaces Original GM Part Number 08986000, Includes 12 Clips Per Kit.	\$14.00	N
08986000	1982	CLIP KIT All, Instrument Gauge Cluster / Printed Circuit Board Retaining Clip Note: Replaces Original GM Part Number 08986000, Includes 12 Clips Per Kit.	\$14.00	N
08986000	1983	CLIP KIT All, Instrument Gauge Cluster / Printed Circuit Board Retaining Clip Note: Replaces Original GM Part Number 08986000, Includes 12 Clips Per Kit.	\$14.00	N
08986000	1984	CLIP KIT All, Instrument Gauge Cluster / Printed Circuit Board Retaining Clip Note: Replaces Original GM Part Number 08986000, Includes 12 Clips Per Kit.	\$14.00	N
08986000	1985	CLIP KIT All, Instrument Gauge Cluster / Printed Circuit Board Retaining Clip Note: Replaces Original GM Part Number 08986000, Includes 12 Clips Per Kit.	\$14.00	N
08986000	1986	CLIP KIT All, Instrument Gauge Cluster / Printed Circuit Board Retaining Clip Note: Replaces Original GM Part Number 08986000, Includes 12 Clips Per Kit.	\$14.00	N

Part Number	Year	Description	Price	*Rev.
08986000	1987	CLIP KIT All, Instrument Gauge Cluster / Printed Circuit Board Retaining Clip Note: Replaces Original GM Part Number 08986000, Includes 12 Clips Per Kit.	\$14.00	N
08986000	1988	CLIP KIT All, Instrument Gauge Cluster / Printed Circuit Board Retaining Clip Note: Replaces Original GM Part Number 08986000, Includes 12 Clips Per Kit.	\$14.00	N
08986000	1989	CLIP KIT All, Instrument Gauge Cluster / Printed Circuit Board Retaining Clip Note: Replaces Original GM Part Number 08986000, Includes 12 Clips Per Kit.	\$14.00	N
KICKDOWN SWITCH				
01242101	1970	KICKDOWN SWITCH TH400 Auto Trans	\$19.00	
01242101	1971	KICKDOWN SWITCH TH400 Auto Trans	\$19.00	
01242101	1972	KICKDOWN SWITCH TH400 Auto Trans	\$19.00	
01242101	1973	KICKDOWN SWITCH TH400 Auto Trans	\$19.00	
01242101	1974	KICKDOWN SWITCH TH400 Auto Trans	\$19.00	
LOW FUEL INDICATOR MODULE				
500274	1967	LOW FUEL INDICATOR MODULE Generic "Adjustable" Low Fuel Warning Module Note: A Complete Electronic Control Unit To Activate A Warning Lamp Or Relay When Fuel Level Drops Below A User Adjustable Level. Includes instruction sheet.	\$64.00	C
500274	1968	LOW FUEL INDICATOR MODULE Generic "Adjustable" Low Fuel Warning Module Note: A Complete Electronic Control Unit To Activate A Warning Lamp Or Relay When Fuel Level Drops Below A User Adjustable Level. Includes instruction sheet.	\$64.00	C
500274	1969	LOW FUEL INDICATOR MODULE Generic "Adjustable" Low Fuel Warning Module Note: A Complete Electronic Control Unit To Activate A Warning Lamp Or Relay When Fuel Level Drops Below A User Adjustable Level. Includes instruction sheet.	\$64.00	C
500274	1970	LOW FUEL INDICATOR MODULE Generic "Adjustable" Low Fuel Warning Module Note: A Complete Electronic Control Unit To Activate A Warning Lamp Or Relay When Fuel Level Drops Below A User Adjustable Level. Includes instruction sheet.	\$64.00	C
500274	1971	LOW FUEL INDICATOR MODULE Generic "Adjustable" Low Fuel Warning Module Note: A Complete Electronic Control Unit To Activate A Warning Lamp Or Relay When Fuel Level Drops Below A User Adjustable Level. Includes instruction sheet.	\$64.00	C
500274	1972	LOW FUEL INDICATOR MODULE Generic "Adjustable" Low Fuel Warning Module Note: A Complete Electronic Control Unit To Activate A Warning Lamp Or Relay When Fuel Level Drops Below A User Adjustable Level. Includes instruction sheet.	\$64.00	C
500274	1973	LOW FUEL INDICATOR MODULE Generic "Adjustable" Low Fuel Warning Module Note: A Complete Electronic Control Unit To Activate A Warning Lamp Or Relay When Fuel Level Drops Below A User Adjustable Level. Includes instruction sheet.	\$64.00	C
500274	1974	LOW FUEL INDICATOR MODULE Generic "Adjustable" Low Fuel Warning Module Note: A Complete Electronic Control Unit To Activate A Warning Lamp Or Relay When Fuel Level Drops Below A User Adjustable Level. Includes instruction sheet.	\$64.00	C
500274	1975	LOW FUEL INDICATOR MODULE Generic "Adjustable" Low Fuel Warning Module Note: A Complete Electronic Control Unit To Activate A Warning Lamp Or Relay When Fuel Level Drops Below A User Adjustable Level. Includes instruction sheet.	\$64.00	C
500274	1976	LOW FUEL INDICATOR MODULE Generic "Adjustable" Low Fuel Warning Module Note: A Complete Electronic Control Unit To Activate A Warning Lamp Or Relay When Fuel Level Drops Below A User Adjustable Level. Includes instruction sheet.	\$64.00	C
500274	1977	LOW FUEL INDICATOR MODULE Generic "Adjustable" Low Fuel Warning Module Note: A Complete Electronic Control Unit To Activate A Warning Lamp Or Relay When Fuel Level Drops Below A User Adjustable Level. Includes instruction sheet.	\$64.00	C
NEUTRAL SAFETY AND BACKUP LAMP SWITCH				
03900503	1967	NEUTRAL SAFETY AND BACKUP LAMP SWITCH With Console Shift Pg Auto Trans	\$75.00	

Part Number	Year	Description	Price	*Rev.
03909591	1967	NEUTRAL SAFETY AND BACKUP LAMP SWITCH With Console Shift TH 350-400 Auto Trans	\$75.00	
01994235	1969	NEUTRAL SAFETY AND BACKUP LAMP SWITCH With Column Shift Auto Trans, All	\$19.00	
01994235	1970	NEUTRAL SAFETY AND BACKUP LAMP SWITCH With Column Shift Auto Trans, All	\$19.00	
01994235	1971	NEUTRAL SAFETY AND BACKUP LAMP SWITCH With Column Shift Auto Trans, All	\$19.00	
01994235	1972	NEUTRAL SAFETY AND BACKUP LAMP SWITCH With Column Shift Auto Trans, All	\$19.00	
01994235	1973	NEUTRAL SAFETY AND BACKUP LAMP SWITCH With Column Shift Auto Trans, All	\$19.00	
01994163	1974	NEUTRAL SAFETY AND BACKUP LAMP SWITCH With Auto Trans, All	\$19.00	
01994163	1975	NEUTRAL SAFETY AND BACKUP LAMP SWITCH With Auto Trans, All	\$19.00	
01994163	1976	NEUTRAL SAFETY AND BACKUP LAMP SWITCH With Auto Trans, All	\$19.00	
01994163	1977	NEUTRAL SAFETY AND BACKUP LAMP SWITCH With Auto Trans, All	\$19.00	
01994163	1978	NEUTRAL SAFETY AND BACKUP LAMP SWITCH With Auto Trans, All	\$19.00	
01994163	1979	NEUTRAL SAFETY AND BACKUP LAMP SWITCH With Auto Trans, All	\$19.00	
NEUTRAL SAFETY SWITCH				
03983965	1970	NEUTRAL SAFETY SWITCH With Manual Trans	\$58.00	C
03983965	1971	NEUTRAL SAFETY SWITCH With Manual Trans	\$58.00	C
03983965	1972	NEUTRAL SAFETY SWITCH With Manual Trans	\$58.00	M
03983965	1973	NEUTRAL SAFETY SWITCH With Manual Trans	\$58.00	
03983965	1974	NEUTRAL SAFETY SWITCH With Manual Trans	\$58.00	
03983965	1975	NEUTRAL SAFETY SWITCH With Manual Trans	\$58.00	M
03983965	1976	NEUTRAL SAFETY SWITCH With Manual Trans	\$58.00	C
03983965	1977	NEUTRAL SAFETY SWITCH With Manual Trans	\$58.00	C
03983965	1978	NEUTRAL SAFETY SWITCH With Manual Trans	\$58.00	C
NEUTRAL SAFETY SWITCH EXTENSION HARNESS				
15750	1970	NEUTRAL SAFETY SWITCH EXTENSION HARNESS From Dash Harness To Clutch Switch	\$30.00	
15750	1971	NEUTRAL SAFETY SWITCH EXTENSION HARNESS From Dash Harness To Clutch Switch	\$30.00	
15750	1972	NEUTRAL SAFETY SWITCH EXTENSION HARNESS From Dash Harness To Clutch Switch	\$30.00	
PARK LAMP JUMPER HARNESS				
38623	1977	PARK LAMP JUMPER HARNESS From Park Lamp To Forward Lamp Harness	\$30.00	
38623	1978	PARK LAMP JUMPER HARNESS From Park Lamp To Forward Lamp Harness	\$30.00	
POWER ACCESSORY FEED WIRE				
40866	1967	POWER ACCESSORY FEED WIRE Horn Relay To Power Window & Power Top Circuit Breaker	\$21.00	
14040	1967	POWER ACCESSORY FEED WIRE Power Window & Power Top, Circuit Breaker To Harness	\$25.00	
40866	1968	POWER ACCESSORY FEED WIRE Horn Relay To Power Window & Power Top Circuit Breaker	\$21.00	
14040	1968	POWER ACCESSORY FEED WIRE Power Window & Power Top, Circuit Breaker To Harness	\$25.00	
14225	1969	POWER ACCESSORY FEED WIRE Fuse Block To Power Feed Extension	\$18.00	
14315	1969	POWER ACCESSORY FEED EXTENSION WIRE Power Accessory Feed Wire To Power Seat Harness	\$38.00	
14525	1970	POWER ACCESSORY FEED WIRE Fuse Block To Power Accessories Note: Used With Multiple Power Options, Windows Seats And/Or Top.	\$21.00	
14525	1971	POWER ACCESSORY FEED WIRE Fuse Block To Power Accessories Note: Used With Multiple Power Options, Windows Seats And/Or Top.	\$21.00	
14525	1972	POWER ACCESSORY FEED WIRE Fuse Block To Power Accessories Note: Used With Multiple Power Options, Windows Seats And/Or Top.	\$21.00	
14525	1973	POWER ACCESSORY FEED WIRE Fuse Block To Power Accessories Note: Used With Multiple Power Options, Windows Seats And/Or Top.	\$21.00	
35868	1974	POWER ACCESSORY FEED WIRE Dash To Power Windows & Tachometer	\$20.00	
14525	1974	POWER ACCESSORY FEED WIRE Fuse Block To Power Accessories Note: Used With Multiple Power Options, Windows Seats And/Or Top.	\$21.00	

Part Number	Year	Description	Price	*Rev.
35868	1975	POWER ACCESSORY FEED WIRE Dash To Power Windows & Tachometer	\$20.00	
14525	1975	POWER ACCESSORY FEED WIRE Fuse Block To Power Accessories Note: Used With Multiple Power Options, Windows Seats And/Or Top.	\$21.00	
35868	1976	POWER ACCESSORY FEED WIRE Dash To Power Windows & Tachometer	\$20.00	
14525	1976	POWER ACCESSORY FEED WIRE Fuse Block To Power Accessories Note: Used With Multiple Power Options, Windows Seats And/Or Top.	\$21.00	
35868	1977	POWER ACCESSORY FEED WIRE Dash To Power Windows & Tachometer	\$20.00	
14525	1977	POWER ACCESSORY FEED WIRE Fuse Block To Power Accessories Note: Used With Multiple Power Options, Windows Seats And/Or Top.	\$21.00	
35868	1978	POWER ACCESSORY FEED WIRE Dash To Power Windows & Tachometer	\$20.00	
14525	1978	POWER ACCESSORY FEED WIRE Fuse Block To Power Accessories Note: Used With Multiple Power Options, Windows Seats And/Or Top.	\$21.00	
POWER ANTENNA HARNESS				
14390	1969	POWER ANTENNA HARNESS Rear Body Mounted	\$52.00	
POWER DOOR LOCK SWITCH				
01725099	1976	POWER DOOR LOCK SWITCH 1 Button	\$62.00	
01725099	1977	POWER DOOR LOCK SWITCH 1 Button	\$62.00	
POWER SEAT HARNESS				
14260	1968	POWER SEAT ADJUSTER FEED HARNESS Power Seat To Power Feed & Power Top Harness Connectors	\$63.00	
14255	1968	POWER SEAT HARNESS 4-Way, Drivers Side	\$166.00	
14255	1969	POWER SEAT HARNESS 4-Way, Drivers Side	\$166.00	
POWER TOP HARNESS				
14035	1967	POWER TOP HARNESS Convertible	\$78.00	
14035	1968	POWER TOP HARNESS Convertible	\$78.00	
35956	1969	POWER TOP HARNESS Convertible	\$73.00	
POWER TOP SWITCH				
03906118	1967	POWER TOP SWITCH With Power Convertible Top Note: This Is The Removable "Black Knob" Type Switch, This Allows Customers With Original Removable "Chrome Knob" Type Switches To Reuse Their Original "Chrome Knob" To Retain An Original Appearance.	\$66.00	
03906118	1968	POWER TOP SWITCH With Power Convertible Top Note: This Is The Removable "Black Knob" Type Switch, This Allows Customers With Original Removable "Chrome Knob" Type Switches To Reuse Their Original "Chrome Knob" To Retain An Original Appearance.	\$66.00	
POWER WINDOW HARNESS				
13790	1967	POWER WINDOW HARNESS Driver Side Door & Under Dash Crossover	\$219.00	
13795	1967	POWER WINDOW HARNESS Passenger Side Door	\$101.00	
14070	1967	POWER WINDOW HARNESS Rear Quarter Window (2 Required Per Car)	\$74.00	
14207	1968	POWER WINDOW HARNESS Driver Side Door & Under Dash Crossover	\$219.00	
14290	1968	POWER WINDOW HARNESS Passenger Side Door	\$101.00	
14070	1968	POWER WINDOW HARNESS Rear Quarter Window (2 Required Per Car)	\$74.00	
22175	1969	POWER WINDOW HARNESS Drivers Side Door & Under Dash Crossover	\$219.00	
14290	1969	POWER WINDOW HARNESS Passenger Side Door	\$101.00	
14070	1969	POWER WINDOW HARNESS Rear Quarter Window (2 Required Per Car)	\$74.00	
39311	1976	POWER WINDOW HARNESS From Console Mounted Power Window Switch To Intermediate Rear Lamp Harness	\$119.00	
39311	1977	POWER WINDOW HARNESS From Console Mounted Power Window Switch To Intermediate Rear Lamp Harness	\$119.00	
39311	1978	POWER WINDOW HARNESS From Console Mounted Power Window Switch To Intermediate Rear Lamp Harness	\$119.00	

Part Number	Year	Description	Price	*Rev.
39311	1979	POWER WINDOW HARNESS From Console Mounted Power Window Switch To Intermediate Rear Lamp Harness	\$119.00	
39311	1980	POWER WINDOW HARNESS From Console Mounted Power Window Switch To Intermediate Rear Lamp Harness	\$119.00	
39311	1981	POWER WINDOW HARNESS From Console Mounted Power Window Switch To Intermediate Rear Lamp Harness	\$119.00	
POWER WINDOW MOTOR ADAPTER HARNESS				
36954	1967	POWER WINDOW MOTOR ADAPTER HARNESS Adapts "T" Shaped Motor Connector To Side By Side Blade Type Motor Connector	\$22.00	C
36954	1968	POWER WINDOW MOTOR ADAPTER HARNESS Adapts "T" Shaped Motor Connector To Side By Side Blade Type Motor Connector	\$22.00	C
36954	1969	POWER WINDOW MOTOR ADAPTER HARNESS Adapts "T" Shaped Motor Connector To Side By Side Blade Type Motor Connector	\$22.00	C
36954	1970	POWER WINDOW MOTOR ADAPTER HARNESS Adapts "T" Shaped Motor Connector To Side By Side Blade Type Motor Connector	\$22.00	C
36954	1971	POWER WINDOW MOTOR ADAPTER HARNESS Adapts "T" Shaped Motor Connector To Side By Side Blade Type Motor Connector	\$22.00	C
36954	1972	POWER WINDOW MOTOR ADAPTER HARNESS Adapts "T" Shaped Motor Connector To Side By Side Blade Type Motor Connector	\$22.00	C
36954	1973	POWER WINDOW MOTOR ADAPTER HARNESS Adapts "T" Shaped Motor Connector To Side By Side Blade Type Motor Connector	\$22.00	C
36954	1974	POWER WINDOW MOTOR ADAPTER HARNESS Adapts "T" Shaped Motor Connector To Side By Side Blade Type Motor Connector	\$22.00	C
36954	1975	POWER WINDOW MOTOR ADAPTER HARNESS Adapts "T" Shaped Motor Connector To Side By Side Blade Type Motor Connector	\$22.00	C
POWER WINDOW RELAY AND ADAPTER HARNESS				
39440	1967	POWER WINDOW RELAY AND ADAPTER HARNESS Includes New Standard Type Relay And Adapter To Mate To Factory Harness	\$40.00	
39440	1968	POWER WINDOW RELAY AND ADAPTER HARNESS Includes New Standard Type Relay And Adapter To Mate To Factory Harness	\$40.00	
39440	1969	POWER WINDOW RELAY AND ADAPTER HARNESS Includes New Standard Type Relay And Adapter To Mate To Factory Harness	\$40.00	
39440	1970	POWER WINDOW RELAY AND ADAPTER HARNESS Includes New Standard Type Relay And Adapter To Mate To Factory Harness	\$40.00	
39440	1971	POWER WINDOW RELAY AND ADAPTER HARNESS Includes New Standard Type Relay And Adapter To Mate To Factory Harness	\$40.00	
39440	1972	POWER WINDOW RELAY AND ADAPTER HARNESS Includes New Standard Type Relay And Adapter To Mate To Factory Harness	\$40.00	
39440	1973	POWER WINDOW RELAY AND ADAPTER HARNESS Includes New Standard Type Relay And Adapter To Mate To Factory Harness	\$40.00	
39440	1974	POWER WINDOW RELAY AND ADAPTER HARNESS Includes New Standard Type Relay And Adapter To Mate To Factory Harness	\$40.00	
POWER WINDOW SWITCH				
04432790	1967	POWER WINDOW SWITCH 1 Button, Round Corner Style, Chrome	\$49.00	
04432791	1967	POWER WINDOW SWITCH 4 Button, Round Corner Style, Chrome	\$67.00	
04432790	1968	POWER WINDOW SWITCH 1 Button, Round Corner Style, Chrome	\$49.00	
04432791	1968	POWER WINDOW SWITCH 4 Button, Round Corner Style, Chrome	\$67.00	
04432790	1969	POWER WINDOW SWITCH 1 Button, Round Corner Style, Chrome	\$49.00	
04432791	1969	POWER WINDOW SWITCH 4 Button, Round Corner Style, Chrome	\$67.00	
04432793	1970	POWER WINDOW SWITCH 2 Button, Round Corner Style, Chrome	\$61.00	
04432793	1971	POWER WINDOW SWITCH 2 Button, Round Corner Style, Chrome	\$61.00	
04432793	1972	POWER WINDOW SWITCH 2 Button, Round Corner Style, Chrome	\$61.00	
04432793	1973	POWER WINDOW SWITCH 2 Button, Round Corner Style, Chrome	\$61.00	

Part Number	Year	Description	Price	*Rev.
04432793	1974	POWER WINDOW SWITCH 2 Button, Round Corner Style, Chrome	\$61.00	
04432793	1975	POWER WINDOW SWITCH 2 Button, Round Corner Style, Chrome	\$61.00	
04432793	1976	POWER WINDOW SWITCH 2 Button, Round Corner Style, Chrome	\$61.00	
04432793	1977	POWER WINDOW SWITCH 2 Button, Round Corner Style, Chrome	\$61.00	
01725092	1977	POWER WINDOW SWITCH 2 Button, Square Corner Style, Chrome	\$53.00	M
01725092	1978	POWER WINDOW SWITCH 2 Button, Square Corner Style, Chrome	\$53.00	M
01725092	1979	POWER WINDOW SWITCH 2 Button, Square Corner Style, Chrome	\$53.00	M
01725092	1980	POWER WINDOW SWITCH 2 Button, Square Corner Style, Chrome	\$53.00	M
01725092	1981	POWER WINDOW SWITCH 2 Button, Square Corner Style, Chrome	\$53.00	M
RALLY GAUGE TEMPERATURE EXTENSION HARNESS				
15585	1970	RALLY GAUGE TEMPERATURE EXTENSION HARNESS From Engine Harness To Sending Unit	\$25.00	
15585	1971	RALLY GAUGE TEMPERATURE EXTENSION HARNESS From Engine Harness To Sending Unit	\$25.00	
15585	1972	RALLY GAUGE TEMPERATURE EXTENSION HARNESS From Engine Harness To Sending Unit	\$25.00	
RAM AIR HOOD SCOOP DOOR SWITCH				
01242101	1972	RAM AIR HOOD SCOOP DOOR SWITCH Mounts To Bracket Near Gas Pedal	\$19.00	
RAM AIR HOOD SCOOP HARNESS				
15880	1970	RAM AIR HOOD SCOOP HARNESS Air Valve Switch To Solenoid Wire	\$37.00	
17155	1970	RAM AIR HOOD SCOOP HARNESS Solenoid To Valve Switch Wire	\$37.00	
15880	1971	RAM AIR HOOD SCOOP HARNESS Air Valve Switch To Solenoid Wire	\$37.00	
17155	1971	RAM AIR HOOD SCOOP HARNESS Solenoid To Valve Switch Wire	\$37.00	
17155	1972	RAM AIR HOOD SCOOP HARNESS Solenoid To Valve Switch Wire	\$37.00	
REAR LAMP HARNESS				
17770	1967	REAR LAMP HARNESS Convertible	\$199.00	
14100	1967	REAR LAMP HARNESS Coupe	\$199.00	
14120	1968	REAR LAMP HARNESS Convertible	\$199.00	
17775	1968	REAR LAMP HARNESS Coupe	\$199.00	
14375	1969	REAR LAMP INTERMEDIATE HARNESS Convertible, Dash To Quarter Panel	\$159.00	
14370	1969	REAR LAMP INTERMEDIATE HARNESS Coupe, Dash To Quarter Panel	\$159.00	
14380	1969	REAR LAMP HARNESS Trunk, All	\$165.00	
17170	1970	REAR LAMP INTERMEDIATE HARNESS All, Dash To Quarter Panel	\$138.00	
14550	1970	REAR LAMP HARNESS Trunk, All Note: Customer Must Reuse Their Original Conduit.	\$180.00	
17170	1971	REAR LAMP INTERMEDIATE HARNESS All, Dash To Quarter Panel	\$138.00	
14550	1971	REAR LAMP HARNESS Trunk, All Note: Customer Must Reuse Their Original Conduit.	\$180.00	
17170	1972	REAR LAMP INTERMEDIATE HARNESS Without Seat Belt Warning, Dash To Quarter Panel	\$138.00	
35924	1972	REAR LAMP INTERMEDIATE HARNESS With Seat Belt Warning, Dash To Quarter Panel	\$157.00	
14550	1972	REAR LAMP HARNESS Trunk, All Note: Customer Must Reuse Their Original Conduit.	\$180.00	
35924	1973	REAR LAMP INTERMEDIATE HARNESS Dash To Quarter Panel	\$157.00	
14550	1973	REAR LAMP HARNESS Trunk, All Note: Customer Must Reuse Their Original Conduit.	\$180.00	
21240	1974	REAR LAMP INTERMEDIATE HARNESS With Power Windows & Door Locks & Seatbelt Ignition Interlock, Dash To Qtr Panel Note: Customer Must Supply Some Of Their Original Connectors To Build This Harness.	\$275.00	
21230	1974	REAR LAMP HARNESS	\$312.00	

Part Number	Year	Description	Price	*Rev.
38577	1975	REAR LAMP INTERMEDIATE HARNESS With Power Windows & Power Door Locks, Dash To Quarter Panel	\$272.00	
38578	1975	REAR LAMP INTERMEDIATE HARNESS With Power Windows, Dash To Quarter Panel	\$264.00	
38579	1975	REAR LAMP INTERMEDIATE HARNESS With Power Door Locks, Dash To Quarter Panel	\$272.00	
38585	1975	REAR LAMP INTERMEDIATE HARNESS Without Power Windows & Power Door Locks, Dash To Quarter Panel	\$264.00	
21230	1975	REAR LAMP HARNESS Trunk, Rear Panel, All	\$312.00	
38581	1976	REAR LAMP INTERMEDIATE HARNESS With Power Windows, & Power Door Locks, Dash To Quarter Panel	\$311.00	
38582	1976	REAR LAMP INTERMEDIATE HARNESS With Power Windows, Dash To Quarter Panel	\$279.00	
38584	1976	REAR LAMP INTERMEDIATE HARNESS With Power Door Locks, Dash To Quarter Panel	\$304.00	
38586	1976	REAR LAMP INTERMEDIATE HARNESS Without Power Windows & Power Door Locks, Dash To Quarter Panel	\$264.00	
21230	1976	REAR LAMP HARNESS Trunk, Rear Panel, All	\$312.00	
38580	1977	REAR LAMP INTERMEDIATE HARNESS With Power Windows & Door Locks, Dash To Quarter Panel	\$304.00	
38582	1977	REAR LAMP INTERMEDIATE HARNESS With Power Windows, Dash To Quarter Panel	\$279.00	
38583	1977	REAR LAMP INTERMEDIATE HARNESS With Power Door Locks, Dash To Quarter Panel	\$264.00	
38586	1977	REAR LAMP INTERMEDIATE HARNESS Without Power Windows & Power Door Locks, Dash To Quarter Panel	\$264.00	
38521	1977	REAR LAMP HARNESS Trunk, Rear Panel, All	\$305.00	
38681	1978	REAR LAMP INTERMEDIATE HARNESS Without Power Windows & Power Door Locks, Dash To Quarter Panel	\$264.00	
38520	1978	REAR LAMP INTERMEDIATE HARNESS With Power Windows & Door Locks, Dash To Quarter Panel	\$305.00	
38682	1978	REAR LAMP INTERMEDIATE HARNESS With Power Windows, Dash To Quarter Panel	\$298.00	
38685	1978	REAR LAMP INTERMEDIATE HARNESS With Power Door Locks, Dash To Quarter Panel	\$318.00	
38521	1978	REAR LAMP HARNESS Trunk, Rear Panel, All	\$305.00	
38679	1979	REAR LAMP INTERMEDIATE HARNESS Without Power Windows & Power Door Locks, Dash To Quarter Panel	\$264.00	
		Note: For Export Use Only.		
38525	1979	REAR LAMP INTERMEDIATE HARNESS With Power Windows, Door Locks, Dash To Quarter Panel Export Use Only	\$291.00	
38680	1979	REAR LAMP INTERMEDIATE HARNESS With Power Windows, Dash To Quarter Panel, For Export Use Only	\$264.00	
38683	1979	REAR LAMP INTERMEDIATE HARNESS With Power Door Locks, Dash To Quarter Panel Export Use Only	\$279.00	
38681	1979	REAR LAMP INTERMEDIATE HARNESS Without Power Windows & Power Door Locks, Dash To Quarter Panel	\$264.00	
38520	1979	REAR LAMP INTERMEDIATE HARNESS With Power Windows & Door Locks, Dash To Quarter Panel	\$305.00	
38682	1979	REAR LAMP INTERMEDIATE HARNESS With Power Windows, Dash To Quarter Panel	\$298.00	
38685	1979	REAR LAMP INTERMEDIATE HARNESS With Power Door Locks, Dash To Quarter Panel	\$318.00	
38688	1979	REAR LAMP HARNESS Trunk, Rear Panel, All Export Only	\$381.00	
38686	1979	REAR LAMP HARNESS Trunk, All With Standard Tail Lamps Note: Has 4 Large Lamp Socket Holes In Tail Lamp Housings.	\$381.00	
38687	1979	REAR LAMP HARNESS Trunk, All With Deluxe Tail Lamps Note: Has 3 Large & 2 Small Lamp Socket Holes In Tail Lamp Housings.	\$381.00	
38679	1980	REAR LAMP INTERMEDIATE HARNESS Without Power Windows & Power Door Locks, Dash To Quarter Panel	\$264.00	
		Note: For Export Use Only.		
38525	1980	REAR LAMP INTERMEDIATE HARNESS With Power Windows, Door Locks, Dash To Quarter Panel Export Use Only	\$291.00	
38680	1980	REAR LAMP INTERMEDIATE HARNESS With Power Windows, Dash To Quarter Panel, For Export Use Only	\$264.00	

Part Number	Year	Description	Price	*Rev.
38683	1980	REAR LAMP INTERMEDIATE HARNESS With Power Door Locks, Dash To Quarter Panel Export Use Only	\$279.00	
38692	1980	REAR LAMP INTERMEDIATE HARNESS With Power Windows & Door Locks, Dash To Quarter Panel	\$359.00	
38681	1980	REAR LAMP INTERMEDIATE HARNESS Without Power Windows & Power Door Locks, Dash To Quarter Panel	\$264.00	
38690	1980	REAR LAMP INTERMEDIATE HARNESS With Power Windows, Dash To Quarter Panel	\$344.00	
38694	1980	REAR LAMP INTERMEDIATE HARNESS With Power Door Locks, Dash To Quarter Panel	\$344.00	
38688	1980	REAR LAMP HARNESS Trunk, All Export Only	\$381.00	
38686	1980	REAR LAMP HARNESS Trunk, All With Standard Tail Lamps Note: Has 4 Large Lamp Socket Holes In Tail Lamp Housings.	\$381.00	
38687	1980	REAR LAMP HARNESS Trunk, All With Deluxe Tail Lamps Note: Has 3 Large And 2 Small Lamp Socket Holes In Tail Lamp Housings.	\$381.00	
38679	1981	REAR LAMP INTERMEDIATE HARNESS Without Power Windows & Power Door Locks, Dash To Quarter Panel Note: For Export Use Only.	\$264.00	
38691	1981	REAR LAMP INTERMEDIATE HARNESS With Power Windows, And Door Locks, Dash To Quarter Panel Note: For Export Use Only.	\$318.00	
38689	1981	REAR LAMP INTERMEDIATE HARNESS With Power Windows, Dash To Quarter Panel Note: For Export Use Only.	\$305.00	
38693	1981	REAR LAMP INTERMEDIATE HARNESS With Power Door Locks, Dash To Quarter Panel Note: For Export Use Only.	\$279.00	
38692	1981	REAR LAMP INTERMEDIATE HARNESS With Power Windows & Door Locks, Dash To Quarter Panel	\$359.00	
38681	1981	REAR LAMP INTERMEDIATE HARNESS Without Power Windows & Power Door Locks, Dash To Quarter Panel	\$264.00	
38690	1981	REAR LAMP INTERMEDIATE HARNESS With Power Windows, Dash To Quarter Panel	\$344.00	
38694	1981	REAR LAMP INTERMEDIATE HARNESS With Power Door Locks, Dash To Quarter Panel	\$344.00	
38688	1981	REAR LAMP HARNESS Trunk, All Export Only	\$381.00	
38686	1981	REAR LAMP HARNESS Trunk, All With Standard Tail Lamps Note: Has 4 Large Lamp Socket Holes In Tail Lamp Housings.	\$381.00	
38687	1981	REAR LAMP HARNESS Trunk, All With Deluxe Tail Lamps Note: Has 3 Large And 2 Small Lamp Socket Holes In Tail Lamp Housings.	\$381.00	
REAR WINDOW DEFROSTER HARNESS				
13785	1967	REAR WINDOW DEFROSTER HARNESS	\$59.00	
14180	1968	REAR WINDOW DEFROSTER HARNESS	\$59.00	
14385	1969	REAR WINDOW DEFROSTER HARNESS	\$66.00	
38808	1970	REAR WINDOW DEFROSTER HARNESS Blower Type	\$27.00	
38808	1971	REAR WINDOW DEFROSTER HARNESS Blower Type	\$27.00	
38808	1972	REAR WINDOW DEFROSTER HARNESS Blower Type	\$27.00	
38808	1973	REAR WINDOW DEFROSTER HARNESS Blower Type	\$27.00	
38808	1974	REAR WINDOW DEFROSTER HARNESS Blower Type	\$27.00	
38808	1975	REAR WINDOW DEFROSTER HARNESS Blower Type	\$27.00	
38808	1976	REAR WINDOW DEFROSTER HARNESS Blower Type	\$27.00	
REPAIR PIGTAIL-FOR POWER WINDOW SWITCH				
36048	1967	REPAIR PIGTAIL, FOR POWER WINDOW SWITCH For Single Power Window Switches, Connector & Wire	\$25.00	
36048	1968	REPAIR PIGTAIL, FOR POWER WINDOW SWITCH For Single Power Window Switches, Connector & Wire	\$25.00	
36048	1969	REPAIR PIGTAIL, FOR POWER WINDOW SWITCH For Single Power Window Switches, Connector & Wire	\$25.00	
SCS JUMPER HARNESS				
36233	1972	SCS JUMPER HARNESS 350 C.I., With 3 Speed Or A/T, Eng. Harn To Trans Switch	\$35.00	

Part Number	Year	Description	Price	*Rev.
SPEAKER HARNESS				
33425	1967	SPEAKER HARNESS Front Stereo Speakers	\$59.00	
33430	1967	SPEAKER HARNESS 4 Stereo Speakers, Front & Rear	\$83.00	
33425	1968	SPEAKER HARNESS Front Stereo Speakers	\$59.00	
33430	1968	SPEAKER HARNESS 4 Stereo Speakers, Front & Rear	\$83.00	
33425	1969	SPEAKER HARNESS Front Stereo Speakers	\$59.00	
33430	1969	SPEAKER HARNESS 4 Stereo Speakers, Front & Rear	\$83.00	
SPEED WARNING HARNESS				
11050	1967	SPEED WARNING HARNESS	\$25.00	
11935	1968	SPEED WARNING HARNESS	\$25.00	
13385	1969	SPEED WARNING HARNESS	\$34.00	
STEERING COLUMN ADAPTER HARNESS				
36882	1967	STEERING COLUMN ADAPTER HARNESS For 1969-1974 GM & Ididit Columns (Exc. Flaming River) To Stock Dash Harness Note: Adapts Horn, Directionals, Hazard Flashers To Stock 9-Pin T/L Dash Connector.	\$27.00	
38127	1967	STEERING COLUMN ADAPTER HARNESS For 1975 & Up GM & Flaming River Columns (Exc. Ididit) To Stock Dash Harness Note: Adapts Horn, Directionals, Hazard Flashers To Stock 9-Pin T/L Dash Connector.	\$27.00	
36882	1968	STEERING COLUMN ADAPTER HARNESS For 1969-1974 GM & Ididit Columns (Exc. Flaming River) To Stock Dash Harness Note: Adapts Horn, Directionals, Hazard Flashers To Stock 9-Pin T/L Dash Connector.	\$27.00	
38127	1968	STEERING COLUMN ADAPTER HARNESS For 1975 & Up GM & Flaming River Columns (Exc. Ididit) To Stock Dash Harness Note: Adapts Horn, Directionals, Hazard Flashers To Stock 9-Pin T/L Dash Connector.	\$27.00	
STOP LAMP SWITCH				
01261219	1967	STOP LAMP SWITCH Without Cruise	\$5.80	N
01261219	1968	STOP LAMP SWITCH Without Cruise	\$5.80	N
01261219	1969	STOP LAMP SWITCH Without Cruise	\$5.80	N
01261219	1970	STOP LAMP SWITCH Without Cruise	\$5.80	N
01261219	1971	STOP LAMP SWITCH Without Cruise	\$5.80	N
01261219	1972	STOP LAMP SWITCH Without Cruise	\$5.80	N
01261219	1973	STOP LAMP SWITCH Without Cruise	\$5.80	N
01261219	1974	STOP LAMP SWITCH Without Cruise	\$5.80	N
01261219	1975	STOP LAMP SWITCH Without Cruise	\$5.80	N
01261219	1976	STOP LAMP SWITCH Without Cruise	\$5.80	N
01261219	1977	STOP LAMP SWITCH Without Cruise	\$5.80	N
01261219	1978	STOP LAMP SWITCH Without Cruise	\$5.80	N
01261219	1979	STOP LAMP SWITCH Without Cruise	\$5.80	N
01261219	1980	STOP LAMP SWITCH Without Cruise	\$5.80	N
TACHOMETER HARNESS				
11545	1967	TACHOMETER HARNESS Hood Mounted	\$52.00	
42789	1967	TACHOMETER HARNESS-HEI Hood Mounted Note: Not All Tachometers Will Operate Or Indicate Correctly When Used On An HEI Ignition System. While Some Original And Reproduction Tachometers May Give A Reading, This Does Not Necessarily Mean The Reading Is Correct.	\$52.00	
13760	1967	TACHOMETER HARNESS This Is The Harness That Is Normally Part Of The Factory Original Hood Tach	\$66.00	
12365	1968	TACHOMETER HARNESS Hood Mounted	\$52.00	

Part Number	Year	Description	Price	*Rev.
42790	1968	TACHOMETER HARNESS-HEI Hood Mounted Note: Not All Tachometers Will Operate Or Indicate Correctly When Used On An HEI Ignition System. While Some Original And Reproduction Tachometers May Give A Reading, This Does Not Necessarily Mean The Reading Is Correct.	\$52.00	
13775	1968	TACHOMETER HARNESS This Is The Harness That Is Normally Part Of The Factory Original Hood Tach	\$66.00	
12380	1969	TACHOMETER HARNESS Dash Mounted	\$33.00	
42791	1969	TACHOMETER HARNESS-HEI Dash Mounted Note: Not All Tachometers Will Operate Or Indicate Correctly When Used On An HEI Ignition System. While Some Original And Reproduction Tachometers May Give A Reading, This Does Not Necessarily Mean The Reading Is Correct.	\$33.00	
13410	1969	TACHOMETER HARNESS Hood Mounted	\$52.00	
42792	1969	TACHOMETER HARNESS-HEI Hood Mounted Note: Not All Tachometers Will Operate Or Indicate Correctly When Used On An HEI Ignition System. While Some Original And Reproduction Tachometers May Give A Reading, This Does Not Necessarily Mean The Reading Is Correct.	\$52.00	
13775	1969	TACHOMETER HARNESS This Is The Harness That Is Normally Part Of The Factory Original Hood Tach	\$66.00	
42211	1970	TACHOMETER HARNESS Hood Mounted	\$33.00	
42793	1970	TACHOMETER HARNESS-HEI Hood Mounted Note: Not All Tachometers Will Operate Or Indicate Correctly When Used On An HEI Ignition System. While Some Original And Reproduction Tachometers May Give A Reading, This Does Not Necessarily Mean The Reading Is Correct.	\$33.00	
15645	1970	TACHOMETER HARNESS Dash Mounted	\$33.00	
42794	1970	TACHOMETER HARNESS-HEI Dash Mounted Note: Not All Tachometers Will Operate Or Indicate Correctly When Used On An HEI Ignition System. While Some Original And Reproduction Tachometers May Give A Reading, This Does Not Necessarily Mean The Reading Is Correct.	\$33.00	
13775	1970	TACHOMETER HARNESS This Is The Harness That Is Normally Part Of The Factory Original Hood Tach	\$66.00	
42211	1971	TACHOMETER HARNESS Hood Mounted	\$33.00	
42795	1971	TACHOMETER HARNESS-HEI Hood Mounted Note: Not All Tachometers Will Operate Or Indicate Correctly When Used On An HEI Ignition System. While Some Original And Reproduction Tachometers May Give A Reading, This Does Not Necessarily Mean The Reading Is Correct.	\$33.00	
15645	1971	TACHOMETER HARNESS Dash Mounted	\$33.00	
42796	1971	TACHOMETER HARNESS-HEI Dash Mounted Note: Not All Tachometers Will Operate Or Indicate Correctly When Used On An HEI Ignition System. While Some Original And Reproduction Tachometers May Give A Reading, This Does Not Necessarily Mean The Reading Is Correct.	\$33.00	
42211	1972	TACHOMETER HARNESS Hood Mounted	\$33.00	
42797	1972	TACHOMETER HARNESS-HEI Hood Mounted Note: Not All Tachometers Will Operate Or Indicate Correctly When Used On An HEI Ignition System. While Some Original And Reproduction Tachometers May Give A Reading, This Does Not Necessarily Mean The Reading Is Correct.	\$33.00	
16885	1972	TACHOMETER HARNESS Dash Mounted	\$48.00	
42798	1972	TACHOMETER HARNESS-HEI Dash Mounted Note: Not All Tachometers Will Operate Or Indicate Correctly When Used On An HEI Ignition System. While Some Original And Reproduction Tachometers May Give A Reading, This Does Not Necessarily Mean The Reading Is Correct.	\$33.00	
16890	1972	TACHOMETER HARNESS Dash Mounted, With Unitized Distributor	\$48.00	
16885	1973	TACHOMETER HARNESS Dash Mounted	\$48.00	
42799	1973	TACHOMETER HARNESS-HEI Dash Mounted Note: Not All Tachometers Will Operate Or Indicate Correctly When Used On An HEI Ignition System. While Some Original And Reproduction Tachometers May Give A Reading, This Does Not Necessarily Mean The Reading Is Correct.	\$33.00	
16890	1973	TACHOMETER HARNESS Dash Mounted, With Unitized Distributor	\$48.00	
39324	1974	TACHOMETER HARNESS Dash Mounted	\$52.00	
35869	1974	TACHOMETER HARNESS-HEI Dash Mounted	\$43.00	
35869	1975	TACHOMETER HARNESS Dash Mounted	\$43.00	
35869	1976	TACHOMETER HARNESS Dash Mounted	\$43.00	

Part Number	Year	Description	Price	*Rev.
35869	1977	TACHOMETER HARNESS Dash Mounted	\$43.00	
35869	1978	TACHOMETER HARNESS Dash Mounted	\$43.00	
38644	1979	TACHOMETER HARNESS Dash Mounted	\$43.00	
TCS JUMPER HARNESS				
16005	1971	TCS JUMPER HARNESS 6 Cyl. 250 C.I., With A/T, From Eng. Horn To Trans Switch Note: 6 Cylinder Items Are Not Returnable.	\$35.00	
16020	1971	TCS JUMPER HARNESS 6 Cyl. 250 C.I., With H/T, From Eng. Horn To Trans Switch Note: 6 Cylinder Items Are Not Returnable.	\$35.00	
36232	1972	TCS JUMPER HARNESS 6 Cyl. 250 C.I., With A/T Or H/T, From Eng. Horn To Trans Sw Note: 6 Cylinder Items Are Not Returnable.	\$36.00	
TEMPERATURE SENDER JUMPER				
11120	1969	TEMPERATURE SENDER JUMPER 6 Cylinder, With A/C Note: 6 Cylinder Items Are Not Returnable.	\$17.00	
TRUNK LAMP ASSEMBLY				
28175	1967	TRUNK LAMP ASSEMBLY Convertible, Includes Extension Harness	\$48.00	
28180	1967	TRUNK LAMP ASSEMBLY Coupe, Includes Extension Harness	\$43.00	
28175	1968	TRUNK LAMP ASSEMBLY Convertible, Includes Extension Harness	\$48.00	
28180	1968	TRUNK LAMP ASSEMBLY Coupe, Includes Extension Harness	\$43.00	
28175	1969	TRUNK LAMP ASSEMBLY Convertible, Includes Extension Harness	\$48.00	
28180	1969	TRUNK LAMP ASSEMBLY Coupe, Includes Extension Harness	\$43.00	
28185	1970	TRUNK LAMP ASSEMBLY All, Includes Extension Harness	\$48.00	
28185	1971	TRUNK LAMP ASSEMBLY All, Includes Extension Harness	\$48.00	
28185	1972	TRUNK LAMP ASSEMBLY All, Includes Extension Harness	\$48.00	
28185	1973	TRUNK LAMP ASSEMBLY All, Includes Extension Harness	\$48.00	
28185	1974	TRUNK LAMP ASSEMBLY All, Includes Extension Harness	\$48.00	
28185	1975	TRUNK LAMP ASSEMBLY All, Includes Extension Harness	\$48.00	
28185	1976	TRUNK LAMP ASSEMBLY All, Includes Extension Harness	\$48.00	
28185	1977	TRUNK LAMP ASSEMBLY All, Includes Extension Harness	\$48.00	
28185	1978	TRUNK LAMP ASSEMBLY All, Includes Extension Harness	\$48.00	
28185	1979	TRUNK LAMP ASSEMBLY All, Includes Extension Harness	\$48.00	
28185	1980	TRUNK LAMP ASSEMBLY All, Includes Extension Harness	\$48.00	
28185	1981	TRUNK LAMP ASSEMBLY All, Includes Extension Harness	\$48.00	
TRUNK LAMP EXTENSION HARNESS				
28195	1967	TRUNK LAMP EXTENSION HARNESS Convertible	\$20.00	
28210	1967	TRUNK LAMP EXTENSION HARNESS Coupe	\$15.00	
28195	1968	TRUNK LAMP EXTENSION HARNESS Convertible	\$20.00	
28210	1968	TRUNK LAMP EXTENSION HARNESS Coupe	\$15.00	
28195	1969	TRUNK LAMP EXTENSION HARNESS Convertible	\$20.00	
28210	1969	TRUNK LAMP EXTENSION HARNESS Coupe	\$15.00	
14535	1970	TRUNK LAMP EXTENSION HARNESS	\$28.00	
14535	1971	TRUNK LAMP EXTENSION HARNESS	\$28.00	
14535	1972	TRUNK LAMP EXTENSION HARNESS	\$28.00	
14535	1973	TRUNK LAMP EXTENSION HARNESS	\$28.00	
14535	1974	TRUNK LAMP EXTENSION HARNESS	\$28.00	
14535	1975	TRUNK LAMP EXTENSION HARNESS	\$28.00	
14535	1976	TRUNK LAMP EXTENSION HARNESS	\$28.00	

Part Number	Year	Description	Price	*Rev.
14535	1977	TRUNK LAMP EXTENSION HARNESS	\$28.00	
TRUNK RELEASE HARNESS				
14540	1970	TRUNK RELEASE HARNESS For Electric Trunk Lid Release	\$32.00	
14540	1971	TRUNK RELEASE HARNESS For Electric Trunk Lid Release	\$32.00	
14540	1972	TRUNK RELEASE HARNESS For Electric Trunk Lid Release	\$32.00	
TURN SIGNAL LEVER WIPER SWITCH				
22510733	1982	TURN SIGNAL LEVER WIPER SWITCH Black, With Pulse Wipers, Without Cruise Control	\$20.00	N
22510732	1982	TURN SIGNAL LEVER WIPER SWITCH Black, Without Pulse Wipers, Without Cruise Control	\$20.00	N
22510144	1982	TURN SIGNAL LEVER WIPER SWITCH Chrome, With Pulse Wipers, Without Cruise Control	\$20.00	N
22510733	1983	TURN SIGNAL LEVER WIPER SWITCH Black, With Pulse Wipers, Without Cruise Control	\$20.00	N
22510732	1983	TURN SIGNAL LEVER WIPER SWITCH Black, Without Pulse Wipers, Without Cruise Control	\$20.00	N
22510144	1983	TURN SIGNAL LEVER WIPER SWITCH Chrome, With Pulse Wipers, Without Cruise Control	\$20.00	N
25111262	1984	TURN SIGNAL LEVER WIPER SWITCH Black, With Pulse Wipers, With Cruise Control	\$26.00	N
22510733	1984	TURN SIGNAL LEVER WIPER SWITCH Black, With Pulse Wipers, Without Cruise Control	\$20.00	N
22510732	1984	TURN SIGNAL LEVER WIPER SWITCH Black, Without Pulse Wipers, Without Cruise Control	\$20.00	N
22510144	1984	TURN SIGNAL LEVER WIPER SWITCH Chrome, With Pulse Wipers, Without Cruise Control	\$20.00	N
25111262	1985	TURN SIGNAL LEVER WIPER SWITCH Black, With Pulse Wipers, With Cruise Control	\$26.00	N
22510733	1985	TURN SIGNAL LEVER WIPER SWITCH Black, With Pulse Wipers, Without Cruise Control	\$20.00	N
22510732	1985	TURN SIGNAL LEVER WIPER SWITCH Black, Without Pulse Wipers, Without Cruise Control	\$20.00	N
22510144	1985	TURN SIGNAL LEVER WIPER SWITCH Chrome, With Pulse Wipers, Without Cruise Control	\$20.00	N
25111262	1986	TURN SIGNAL LEVER WIPER SWITCH Black, With Pulse Wipers, With Cruise Control	\$26.00	N
22510733	1986	TURN SIGNAL LEVER WIPER SWITCH Black, With Pulse Wipers, Without Cruise Control	\$20.00	N
22510732	1986	TURN SIGNAL LEVER WIPER SWITCH Black, Without Pulse Wipers, Without Cruise Control	\$20.00	N
22510144	1986	TURN SIGNAL LEVER WIPER SWITCH Chrome, With Pulse Wipers, Without Cruise Control	\$20.00	N
25111262	1987	TURN SIGNAL LEVER WIPER SWITCH Black, With Pulse Wipers, With Cruise Control	\$26.00	N
22510733	1987	TURN SIGNAL LEVER WIPER SWITCH Black, With Pulse Wipers, Without Cruise Control	\$20.00	N
22510732	1987	TURN SIGNAL LEVER WIPER SWITCH Black, Without Pulse Wipers, Without Cruise Control	\$20.00	N
22510144	1987	TURN SIGNAL LEVER WIPER SWITCH Chrome, With Pulse Wipers, Without Cruise Control	\$20.00	N
25111262	1988	TURN SIGNAL LEVER WIPER SWITCH Black, With Pulse Wipers, With Cruise Control	\$26.00	N
22510733	1988	TURN SIGNAL LEVER WIPER SWITCH Black, With Pulse Wipers, Without Cruise Control	\$20.00	N
22510732	1988	TURN SIGNAL LEVER WIPER SWITCH Black, Without Pulse Wipers, Without Cruise Control	\$20.00	N
25111262	1989	TURN SIGNAL LEVER WIPER SWITCH Black, With Pulse Wipers, With Cruise Control	\$26.00	N
22510733	1989	TURN SIGNAL LEVER WIPER SWITCH Black, With Pulse Wipers, Without Cruise Control	\$20.00	N
22510732	1989	TURN SIGNAL LEVER WIPER SWITCH Black, Without Pulse Wipers, Without Cruise Control	\$20.00	N
TURN SIGNAL SWITCH				
07800482	1967	TURN SIGNAL SWITCH Without Column Shift A/T, Without Tilt, Without Cornering Lights, (Delco Type, Black, White Or Green) Note: Emergency Flasher Actuator Hole In Outer Cover Is Shaped Like A Doghouse.	\$50.00	
07800482	1967	TURN SIGNAL SWITCH Without Column Shift A/T, With Tilt, Without Cornering Lights, (Delco Type, Black, White Or Green) Note: Emergency Flasher Actuator Hole In Outer Cover Is Shaped Like A Doghouse.	\$50.00	
05698897	1967	TURN SIGNAL SWITCH With Column Shift A/T, Without Tilt, Without Cornering Lights (Delco Type, Black, White Or Green) Note: Emergency Flasher Actuator Hole In Outer Cover Is Shaped Like A Doghouse.	\$50.00	
05698897	1967	TURN SIGNAL SWITCH With Column Shift A/T, With Tilt, Without Cornering Lights (Delco Type, Black, White Or Green) Note: Emergency Flasher Actuator Hole In Outer Cover Is Shaped Like A Doghouse.	\$50.00	

Part Number	Year	Description	Price	*Rev.
07800482	1967	TURN SIGNAL SWITCH With Column Shift 3 Speed MT (Delco Type, White) Note: Emergency Flasher Actuator Hole In Outer Cover Is Shaped Like A Doghouse.	\$50.00	
01893592	1967	TURN SIGNAL SWITCH Col Shift, MT, Without Cornering Lights (Delco-White), Replaces Delco Part# D6211 Note: This Is A Service Part, Adapter Pigtail Included And Is Required For Some Applications.	\$58.00	
07800482	1967	TURN SIGNAL SWITCH With Floor Shift (Delco Type, White) Note: Emergency Flasher Actuator Hole In Outer Cover Is Shaped Like A Doghouse.	\$50.00	
01893592	1967	TURN SIGNAL SWITCH Floor Shift, Without Cornering Lights (Delco-White), Replaces Delco Part# D6211 Note: This Is A Service Part, Adapter Pigtail Included And Is Required For Some Applications.	\$58.00	
07800482	1968	TURN SIGNAL SWITCH Without Column Shift A/T, Without Tilt, Without Cornering Lights, (Delco Type, Black, White Or Green) Note: Emergency Flasher Actuator Hole In Outer Cover Is Shaped Like A Doghouse.	\$50.00	
07800482	1968	TURN SIGNAL SWITCH Without Column Shift A/T, With Tilt, Without Cornering Lights, (Delco Type, Black, White Or Green) Note: Emergency Flasher Actuator Hole In Outer Cover Is Shaped Like A Doghouse.	\$50.00	
05698897	1968	TURN SIGNAL SWITCH With Column Shift A/T, Without Tilt, Without Cornering Lights (Delco Type, Black, White Or Green) Note: Emergency Flasher Actuator Hole In Outer Cover Is Shaped Like A Doghouse.	\$50.00	
05698897	1968	TURN SIGNAL SWITCH With Column Shift A/T, With Tilt, Without Cornering Lights (Delco Type, Black, White Or Green) Note: Emergency Flasher Actuator Hole In Outer Cover Is Shaped Like A Doghouse.	\$50.00	
07800482	1968	TURN SIGNAL SWITCH With Column Shift 3 Speed MT (Delco Type, White) Note: Emergency Flasher Actuator Hole In Outer Cover Is Shaped Like A Doghouse.	\$50.00	
01893592	1968	TURN SIGNAL SWITCH Col. Shift, MT, Without Cornering Lights (Delco-White), Replaces Delco Part# D6211 Note: This Is A Service Part, Adapter Pigtail Included And Is Required For Some Applications.	\$58.00	
07800482	1968	TURN SIGNAL SWITCH With Floor Shift (Delco Type, White) Note: Emergency Flasher Actuator Hole In Outer Cover Is Shaped Like A Doghouse.	\$50.00	
01893592	1968	TURN SIGNAL SWITCH Floor Shift, Without Cornering Lights (Delco-White), Replaces Delco Part# D6211 Note: This Is A Service Part, Adapter Pigtail Included And Is Required For Some Applications.	\$58.00	
01997963	1969	TURN SIGNAL SWITCH, CORRECT PART Without Cornering Lights Note: Correct Part, No Adapter Pigtail Required.	\$41.00	
01893588	1969	TURN SIGNAL SWITCH, SERVICE PART Without Cornering Lights, Replaces Delco Part# D6208 Note: This Is A Service Part, Adapter Pigtail Included Is Required For Installation.	\$58.00	
01997963	1970	TURN SIGNAL SWITCH, CORRECT PART Without Cornering Lights, Without Tilt Note: Correct Part, No Adapter Pigtail Required.	\$41.00	
01893588	1970	TURN SIGNAL SWITCH, SERVICE PART Without Cornering Lights, Without Tilt, Replaces Delco Part# D6208 Note: This Is A Service Part, Adapter Pigtail Included Is Required For Installation.	\$58.00	
01997963	1971	TURN SIGNAL SWITCH, CORRECT PART Without Cornering Lights Note: Correct Part, No Adapter Pigtail Required.	\$41.00	
01893588	1971	TURN SIGNAL SWITCH, SERVICE PART Without Cornering Lights, Replaces Delco Part# D6208 Note: This Is A Service Part, Adapter Pigtail Included Is Required For Installation.	\$58.00	
01997963	1972	TURN SIGNAL SWITCH, CORRECT PART Without Cornering Lights Note: Correct Part, No Adapter Pigtail Required.	\$41.00	
01893588	1972	TURN SIGNAL SWITCH, SERVICE PART Without Cornering Lights, Replaces Delco Part# D6208 Note: This Is A Service Part, Adapter Pigtail Included Is Required For Installation.	\$58.00	
01997963	1973	TURN SIGNAL SWITCH, CORRECT PART Without Cornering Lights Note: Correct Part, No Adapter Pigtail Required.	\$41.00	

Part Number	Year	Description	Price	*Rev.
01893588	1973	TURN SIGNAL SWITCH, SERVICE PART Without Cornering Lights, Replaces Delco Part# D6208 Note: This Is A Service Part, Adapter Pigtail Included Is Required For Installation.	\$58.00	
01997963	1974	TURN SIGNAL SWITCH, CORRECT PART Without Cornering Lights Note: Correct Part, No Adapter Pigtail Required.	\$41.00	
01893588	1974	TURN SIGNAL SWITCH, SERVICE PART Without Cornering Lights, Replaces Delco Part# D6208 Note: This Is A Service Part, Adapter Pigtail Included Is Required For Installation.	\$58.00	
01997963	1975	TURN SIGNAL SWITCH, CORRECT PART Without Cornering Lights Note: Correct Part, No Adapter Pigtail Required.	\$41.00	
01893588	1975	TURN SIGNAL SWITCH, SERVICE PART Without Cornering Lights, Replaces Delco Part# D6208 Note: This Is A Service Part, Adapter Pigtail Included Is Required For Installation.	\$58.00	
01997963	1976	TURN SIGNAL SWITCH, CORRECT PART Without Cornering Lights Note: Correct Part, No Adapter Pigtail Required.	\$41.00	
01893588	1976	TURN SIGNAL SWITCH, SERVICE PART Without Cornering Lights, Replaces Delco Part# D6208 Note: This Is A Service Part, Adapter Pigtail Included Is Required For Installation.	\$58.00	
01997983	1976	TURN SIGNAL SWITCH, SERVICE PART Replaces Delco Part# D6222 Note: This Is A Service Part, Adapter Pigtail Included Is Required For Installation.	\$32.00	
01997983	1977	TURN SIGNAL SWITCH	\$32.00	
01997983	1978	TURN SIGNAL SWITCH	\$32.00	
01997983	1979	TURN SIGNAL SWITCH	\$32.00	
01997983	1980	TURN SIGNAL SWITCH	\$32.00	
01997983	1981	TURN SIGNAL SWITCH	\$32.00	
01995963	1990	TURN SIGNAL SWITCH Replaces Delco Part# D6210A	\$56.00	
01995963	1991	TURN SIGNAL SWITCH Replaces Delco Part# D6210A	\$56.00	
01995963	1992	TURN SIGNAL SWITCH Replaces Delco Part# D6210A	\$56.00	
01995963	1993	TURN SIGNAL SWITCH Replaces Delco Part# D6210A	\$56.00	
01995963	1994	TURN SIGNAL SWITCH Replaces Delco Part# D6210A	\$56.00	
01995963	1995	TURN SIGNAL SWITCH Replaces Delco Part# D6210A	\$56.00	
01995963	1996	TURN SIGNAL SWITCH Replaces Delco Part# D6210A	\$56.00	
01995963	1997	TURN SIGNAL SWITCH Replaces Delco Part# D6210A	\$56.00	
01995963	1998	TURN SIGNAL SWITCH Replaces Delco Part# D6210A	\$56.00	
01995963	1999	TURN SIGNAL SWITCH Replaces Delco Part# D6210A	\$56.00	
WINDSHIELD WIPER MOTOR				
04911476	1967	WINDSHIELD WIPER MOTOR 2-Speed, 3-Terminal Type Motor	\$92.00	N
44609	1967	WINDSHIELD WIPER MOTOR 2-Speed, 4-Terminal Type Motor Note: This Can Be Used In Place Of The 3-Terminal Motor. The 4th Terminal Is A Keyed Hot From Wiper Fuse In Fuse Box And May Or May Not Be Used In Some Applications.	\$106.00	N
WINDSHIELD WIPER SWITCH				
01993372	1967	WINDSHIELD WIPER SWITCH	\$45.00	
01993372	1968	WINDSHIELD WIPER SWITCH	\$45.00	

Section 16

GMC Truck

Part Number	Year	Description	Price	*Rev.
AIR CONDITIONING CONTROL ASSEMBLY				
01222890	1967	AIR CONDITIONING CONTROL ASSEMBLY With A/C, Complete With Fan Switch	\$185.00	N
01222890	1968	AIR CONDITIONING CONTROL ASSEMBLY With A/C, Complete With Fan Switch	\$185.00	N
01222890	1969	AIR CONDITIONING CONTROL ASSEMBLY With A/C, Complete With Fan Switch	\$185.00	N
01222890	1970	AIR CONDITIONING CONTROL ASSEMBLY With A/C, Complete With Fan Switch	\$185.00	N
01222890	1971	AIR CONDITIONING CONTROL ASSEMBLY With A/C, Complete With Fan Switch	\$185.00	N
01222890	1972	AIR CONDITIONING CONTROL ASSEMBLY With A/C, Complete With Fan Switch	\$185.00	N
AIR CONDITIONING EXTENSION HARNESS				
39731	1973	AIR CONDITIONING EXTENSION HARNESS Suburban, With Overhead A/C, Blower Switch Harness To Blower Motor	\$42.00	M
39735	1973	AIR CONDITIONING EXTENSION HARNESS Compressor To A/C Harness	\$63.00	M
39731	1974	AIR CONDITIONING EXTENSION HARNESS Suburban, With Overhead A/C, Blower Switch Harness To Blower Motor	\$42.00	M
39735	1974	AIR CONDITIONING EXTENSION HARNESS Compressor To A/C Harness	\$63.00	M
39777	1975	AIR CONDITIONING EXTENSION HARNESS All, Except 1/2-Ton With 250 6 Cyl, Compressor To A/C Harness Note: 6 Cylinder Items Are Not Returnable.	\$63.00	M
39790	1975	AIR CONDITIONING EXTENSION HARNESS Suburban, With Overhead A/C, Blower Switch Harness To Blower Motor	\$42.00	M
39817	1976	AIR CONDITIONING EXTENSION HARNESS All 2 Wheel Drive, & 1/2, 3/4-Ton 4 Wheel Drive, Compressor To A/C Harness	\$35.00	M
39790	1976	AIR CONDITIONING EXTENSION HARNESS Suburban, With Overhead A/C, Blower Switch Harness To Blower Motor	\$42.00	M
39652	1977	AIR CONDITIONING EXTENSION HARNESS All 2 Wheel Drive, & 1/2, 3/4-Ton 4 Wheel Drive, With 350 & 400 V/8, Compressor To A/C Harness	\$83.00	M
39817	1977	AIR CONDITIONING EXTENSION HARNESS All 2 Wheel Drive, & 1/2, 3/4-Ton 4 Wheel Drive, With 454 V/8, Compressor To A/C Harness	\$35.00	M
39790	1977	AIR CONDITIONING EXTENSION HARNESS Suburban, With Overhead A/C, Blower Switch Harness To Blower Motor	\$42.00	M
39652	1978	AIR CONDITIONING EXTENSION HARNESS All 2 Wheel Drive, & 1/2, 3/4-Ton 4 Wheel Drive, With 350 & 400 V/8, Compressor To A/C Harness	\$83.00	M
39817	1978	AIR CONDITIONING EXTENSION HARNESS All 2 Wheel Drive, & 1/2, 3/4-Ton 4 Wheel Drive, With 454 V/8, Compressor To A/C Harness	\$35.00	M
39790	1978	AIR CONDITIONING EXTENSION HARNESS Suburban, With Overhead A/C, Blower Switch Harness To Blower Motor	\$42.00	M
39876	1978	AIR CONDITIONING EXTENSION HARNESS 1/2 Ton Models, With 250 6 Cyl. Compressor To A/C Harness	\$63.00	M
39879	1978	AIR CONDITIONING EXTENSION HARNESS 2 Wheel Drives, With Diesel, Compressor To A/C Harness	\$42.00	M
39901	1979	AIR CONDITIONING EXTENSION HARNESS All 2 Wheel Drive, & 1/2, 3/4-Ton 4 Wheel Drive, With 350 & 400 V/8, Compressor To A/C Harness	\$50.00	M
39900	1979	AIR CONDITIONING EXTENSION HARNESS 2 Wheel Drive 1-Ton, With 454 V/8, Compressor To A/C Harness	\$42.00	M
39790	1979	AIR CONDITIONING EXTENSION HARNESS Suburban, With Overhead A/C, Blower Switch Harness To Blower Motor	\$42.00	M
39876	1979	AIR CONDITIONING EXTENSION HARNESS 1/2 Ton Models, With 250 6 Cyl. Compressor To A/C Harness	\$63.00	M
39879	1979	AIR CONDITIONING EXTENSION HARNESS 2 Wheel Drive 1/2 Ton, With Diesel, Compressor To A/C Harness	\$42.00	M
39902	1979	AIR CONDITIONING EXTENSION HARNESS 2 Wheel Drives, With Diesel, Compressor To Fast Idle Relay	\$63.00	M
39909	1979	AIR CONDITIONING EXTENSION HARNESS 2 Wheel Drive 1/2 & 3/4-Ton, With 454 V/8, Compressor To A/C Harness	\$50.00	M
39790	1980	AIR CONDITIONING EXTENSION HARNESS Suburban, With Overhead A/C, Blower Switch Harness To Blower Motor	\$42.00	M
39876	1980	AIR CONDITIONING EXTENSION HARNESS 1/2 Ton Models, With 250 6 Cyl. Compressor To A/C Harness Note: 6 Cylinder Items Are Not Returnable.	\$63.00	M
39902	1980	AIR CONDITIONING EXTENSION HARNESS 2 Wheel Drive 1/2 Ton, With Diesel, Compressor To Fast Idle Relay	\$63.00	M

Part Number	Year	Description	Price	*Rev.
39355	1980	AIR CONDITIONING EXTENSION HARNESS With V/8 & Fast Idle Solenoid, Except 454 V/8, Compressor To A/C Harness	\$63.00	M
39933	1980	AIR CONDITIONING EXTENSION HARNESS With V/8, Without Fast Idle Solenoid, Except 454 V/8, Compressor To A/C Harness	\$63.00	M
39930	1980	AIR CONDITIONING EXTENSION HARNESS With 454 V/8, Without Fast Idle Solenoid, Compressor To A/C Harness	\$63.00	M
39931	1980	AIR CONDITIONING EXTENSION HARNESS With 454 V/8 & Fast Idle Solenoid, Compressor To A/C Harness	\$63.00	M
39790	1981	AIR CONDITIONING EXTENSION HARNESS Suburban, With Overhead A/C, Blower Switch Harness To Blower Motor	\$42.00	M
39876	1981	AIR CONDITIONING EXTENSION HARNESS 1/2 Ton Models, With 250 6 Cyl , Compressor To A/C Harness Note: 6 Cylinder Items Are Not Returnable.	\$63.00	M
39902	1981	AIR CONDITIONING EXTENSION HARNESS 2 Wheel Drives, With Diesel, With Federal Emissions, Compressor To Fast Idle Relay	\$63.00	M
39930	1981	AIR CONDITIONING EXTENSION HARNESS With 454 V/8, Without Fast Idle Solenoid, Compressor To A/C Harness	\$63.00	M
39355	1981	AIR CONDITIONING EXTENSION HARNESS Suburban 1/2 Ton, With 3 Spd Auto Trans & Overhead A/C, Compressor To A/C Harness	\$63.00	M
39956	1981	AIR CONDITIONING EXTENSION HARNESS With V/8, Without Fast Idle Solenoid, Except 454 V/8, Compressor To A/C Harness	\$63.00	M
39967	1981	AIR CONDITIONING EXTENSION HARNESS With V/8 & Fast Idle Solenoid, Except 454 V/8, Compressor To A/C Harness	\$63.00	M
39931	1981	AIR CONDITIONING EXTENSION HARNESS With 454 V/8 & Fast Idle Solenoid, Compressor To A/C Harness	\$63.00	M
39978	1981	AIR CONDITIONING EXTENSION HARNESS 2 Wheel Drives, With Diesel, Compressor To A/C Harness	\$63.00	M
39876	1982	AIR CONDITIONING EXTENSION HARNESS 1/2 Ton Models, With 250 6 Cyl. Compressor To A/C Harness Note: 6 Cylinder Items Are Not Returnable.	\$63.00	M
39930	1982	AIR CONDITIONING EXTENSION HARNESS With 454 V/8, Without Fast Idle Solenoid, Compressor To A/C Harness	\$63.00	M
39355	1982	AIR CONDITIONING EXTENSION HARNESS Suburban 1/2 Ton, With 3 Spd Auto Trans & Overhead A/C, Compressor To A/C Harness	\$63.00	M
39956	1982	AIR CONDITIONING EXTENSION HARNESS With V/8, Without Fast Idle Solenoid, Except 454 V/8, Compressor To A/C Harness	\$63.00	M
39995	1982	AIR CONDITIONING EXTENSION HARNESS With Diesel, Compressor To A/C Harness	\$63.00	M
39790	1982	AIR CONDITIONING EXTENSION HARNESS Suburban, With Overhead A/C, Blower Switch Harness To Blower Motor	\$42.00	M
39967	1982	AIR CONDITIONING EXTENSION HARNESS With V/8 & Fast Idle Solenoid, Compressor To A/C Harness	\$63.00	M
AIR CONDITIONING HARNESS				
39303	1973	AIR CONDITIONING HARNESS Includes Heater Wiring	\$270.00	M
39727	1973	AIR CONDITIONING HARNESS Suburban, With Overhead A/C, Fuse Panel To Blower Switch	\$133.00	M
39727	1974	AIR CONDITIONING HARNESS Suburban, With Overhead A/C, Fuse Panel To Blower Switch	\$133.00	M
39759	1974	AIR CONDITIONING HARNESS Includes Heater Wiring	\$291.00	M
39727	1975	AIR CONDITIONING HARNESS Suburban, With Overhead A/C, Fuse Panel To Blower Switch	\$133.00	M
39776	1975	AIR CONDITIONING HARNESS Includes Heater Wiring	\$291.00	M
39727	1976	AIR CONDITIONING HARNESS Suburban, With Overhead A/C, Fuse Panel To Blower Switch	\$133.00	M
39827	1976	AIR CONDITIONING HARNESS Includes Heater Wiring	\$291.00	M
39727	1977	AIR CONDITIONING HARNESS Suburban, With Overhead A/C, Fuse Panel To Blower Switch	\$133.00	M
39653	1977	AIR CONDITIONING HARNESS Includes Heater Wiring	\$291.00	M
39727	1978	AIR CONDITIONING HARNESS Suburban, With Overhead A/C, Fuse Panel To Blower Switch	\$133.00	M
39859	1978	AIR CONDITIONING HARNESS Includes Heater Wiring, (1st Design) Note: with a/c temp. control switch mounted on evaporator inlet pipe support bracket.	\$291.00	M
39356	1978	AIR CONDITIONING HARNESS Includes Heater Wiring, (2nd Design) Note: with a/c temp. control switch mounted near top of accumulator bottle.	\$291.00	M

Part Number	Year	Description	Price	*Rev.
39883	1979	AIR CONDITIONING HARNESS Suburban, With Overhead A/C, Fuse Panel To Blower Switch	\$133.00	M
39356	1979	AIR CONDITIONING HARNESS Includes Heater Wiring	\$291.00	M
39883	1980	AIR CONDITIONING HARNESS Suburban, With Overhead A/C, Fuse Panel To Blower Switch	\$133.00	M
39356	1980	AIR CONDITIONING HARNESS Includes Heater Wiring	\$291.00	M
39936	1981	AIR CONDITIONING HARNESS Suburban, With Overhead A/C, Fuse Panel To Blower Switch	\$133.00	M
39937	1981	AIR CONDITIONING HARNESS Includes Heater Wiring	\$291.00	M
39937	1982	AIR CONDITIONING HARNESS Includes Heater Wiring	\$291.00	M
39997	1982	AIR CONDITIONING HARNESS Suburban, With Overhead A/C, Fuse Panel To Blower Switch	\$133.00	M
ALTERNATOR CONVERSION KIT				
27555	1968	ALTERNATOR CONVERSION KIT External To Internal Regulator Conversion Harness ("SI" Series) Note: For Use With 1972-84 Non-Serpentine Belt ("SI" Series) Internal Regulated Alternators.	\$29.00	M
37787	1968	ALTERNATOR CONVERSION KIT External To Internal Regulator Conversion Harness ("CS" Series) Note: For Use With Serpentine Belt ("CS" Series) Internal Regulated Alternators.	\$34.00	M
27555	1969	ALTERNATOR CONVERSION KIT External To Internal Regulator Conversion Harness ("SI" Series) Note: For Use With 1972-84 Non-Serpentine Belt ("SI" Series) Internal Regulated Alternators.	\$29.00	M
37787	1969	ALTERNATOR CONVERSION KIT External To Internal Regulator Conversion Harness ("CS" Series) Note: For Use With Serpentine Belt ("CS" Series) Internal Regulated Alternators.	\$34.00	M
27555	1970	ALTERNATOR CONVERSION KIT External To Internal Regulator Conversion Harness ("SI" Series) Note: For Use With 1972-84 Non-Serpentine Belt ("SI" Series) Internal Regulated Alternators.	\$29.00	M
37787	1970	ALTERNATOR CONVERSION KIT External To Internal Regulator Conversion Harness ("CS" Series) Note: For Use With Serpentine Belt ("CS" Series) Internal Regulated Alternators.	\$34.00	M
27555	1971	ALTERNATOR CONVERSION KIT External To Internal Regulator Conversion Harness ("SI" Series) Note: For Use With 1972-84 Non-Serpentine Belt ("SI" Series) Internal Regulated Alternators.	\$29.00	M
37787	1971	ALTERNATOR CONVERSION KIT External To Internal Regulator Conversion Harness ("CS" Series) Note: For Use With Serpentine Belt ("CS" Series) Internal Regulated Alternators.	\$34.00	M
27555	1972	ALTERNATOR CONVERSION KIT External To Internal Regulator Conversion Harness ("SI" Series) Note: For Use With 1972-84 Non-Serpentine Belt ("SI" Series) Internal Regulated Alternators.	\$29.00	M
37787	1972	ALTERNATOR CONVERSION KIT External To Internal Regulator Conversion Harness ("CS" Series) Note: For Use With Serpentine Belt ("CS" Series) Internal Regulated Alternators.	\$34.00	M
37796	1975	ALTERNATOR CONVERSION KIT Internal Regulator "SI" Series Alternator To "CS" Series (Serpentine Belt) Alternator Note: For Use With Serpentine Belt ("CS130" Or "CS144" Type) Internal Regulated Alternators.	\$26.00	M
AMMETER GAUGE				
01500998	1947	AMMETER GAUGE Red Needle	\$74.00	N
01500998	1948	AMMETER GAUGE Red Needle	\$74.00	N
01500998	1949	AMMETER GAUGE Red Needle	\$74.00	N
01500998	1950	AMMETER GAUGE Red Needle	\$74.00	N
01500998	1951	AMMETER GAUGE Red Needle	\$74.00	N
01501198	1952	AMMETER GAUGE White Needle	\$74.00	N
01501198	1953	AMMETER GAUGE White Needle	\$74.00	N
01501740	1955	AMMETER GAUGE Used Only With Electric Type Temperature Gauge	\$85.00	N
01501735	1955	AMMETER GAUGE Used Only With Mechanical Type Temperature Gauge	\$85.00	N
01501740	1956	AMMETER GAUGE Used Only With Electric Type Temperature Gauge	\$85.00	N
01501735	1956	AMMETER GAUGE Used Only With Mechanical Type Temperature Gauge	\$85.00	N
01501740	1957	AMMETER GAUGE Used Only With Electric Type Temperature Gauge	\$85.00	N
01501735	1957	AMMETER GAUGE Used Only With Mechanical Type Temperature Gauge	\$85.00	N
01501740	1958	AMMETER GAUGE Used Only With Electric Type Temperature Gauge	\$85.00	N
01501735	1958	AMMETER GAUGE Used Only With Mechanical Type Temperature Gauge	\$85.00	N

Part Number	Year	Description	Price	*Rev.
01501740	1959	AMMETER GAUGE Used Only With Electric Type Temperature Gauge	\$85.00	N
01501735	1959	AMMETER GAUGE Used Only With Mechanical Type Temperature Gauge	\$85.00	N
01501949	1960	AMMETER GAUGE	\$74.00	N
01501949	1961	AMMETER GAUGE	\$74.00	N
01501949	1962	AMMETER GAUGE	\$74.00	N
01501949	1963	AMMETER GAUGE	\$74.00	N
01502803	1964	AMMETER GAUGE	\$74.00	N
01502803	1965	AMMETER GAUGE	\$74.00	N
01502803	1966	AMMETER GAUGE	\$74.00	N
01503428	1967	AMMETER GAUGE	\$47.00	N
44220	1967	AMMETER GAUGE With -40 / +40 Numeric Face Plate Note: This Is A Replacement For OEM Gauge 01503428 (With Discharge & Charge Graduations) In Trucks With Factory Gauge Type Clusters.	\$39.00	N
01503428	1968	AMMETER GAUGE	\$47.00	N
44220	1968	AMMETER GAUGE With -40 / +40 Numeric Face Plate Note: This Is A Replacement For OEM Gauge 01503428 (With Discharge & Charge Graduations) In Trucks With Factory Gauge Type Clusters.	\$39.00	N
01503428	1969	AMMETER GAUGE	\$47.00	N
44220	1969	AMMETER GAUGE With -40 / +40 Numeric Face Plate Note: This Is A Replacement For OEM Gauge 01503428 (With Discharge & Charge Graduations) In Trucks With Factory Gauge Type Clusters.	\$39.00	N
01503428	1970	AMMETER GAUGE	\$47.00	N
44220	1970	AMMETER GAUGE With -40 / +40 Numeric Face Plate Note: This Is A Replacement For OEM Gauge 01503428 (With Discharge & Charge Graduations) In Trucks With Factory Gauge Type Clusters.	\$39.00	N
01503428	1971	AMMETER GAUGE	\$47.00	N
44220	1971	AMMETER GAUGE With -40 / +40 Numeric Face Plate Note: This Is A Replacement For OEM Gauge 01503428 (With Discharge & Charge Graduations) In Trucks With Factory Gauge Type Clusters.	\$39.00	N
01503428	1972	AMMETER GAUGE	\$47.00	N
44220	1972	AMMETER GAUGE With -40 / +40 Numeric Face Plate Note: This Is A Replacement For OEM Gauge 01503428 (With Discharge & Charge Graduations) In Trucks With Factory Gauge Type Clusters.	\$39.00	N
06474468	1973	AMMETER GAUGE Fire Orange Needle	\$39.00	N
06474468	1974	AMMETER GAUGE Fire Orange Needle	\$39.00	N
06474468	1975	AMMETER GAUGE Fire Orange Needle	\$39.00	N
ASSEMBLY MANUAL				
39354	1982	ASSEMBLY MANUAL Factory Assembly Instruction Guide	\$54.00	M
AUXILIARY BATTERY GROUND WIRE				
39716	1973	AUXILIARY BATTERY GROUND WIRE All, With Dual Auxiliary Camper Battery Option, Secondary Battery Negative Post To Ground	\$30.00	M
39716	1974	AUXILIARY BATTERY GROUND WIRE All, With Dual Auxiliary Camper Battery Option, Secondary Battery Negative Post To Ground	\$30.00	M
39716	1975	AUXILIARY BATTERY GROUND WIRE All, With Dual Auxiliary Camper Battery Option, Secondary Battery Negative Post To Ground	\$30.00	M
39716	1976	AUXILIARY BATTERY GROUND WIRE All, With Dual Auxiliary Camper Battery Option, Secondary Battery Negative Post To Ground	\$30.00	M
39716	1977	AUXILIARY BATTERY GROUND WIRE All, With Dual Auxiliary Camper Battery Option, Secondary Battery Negative Post To Ground	\$30.00	M

Part Number	Year	Description	Price	*Rev.
39716	1978	AUXILIARY BATTERY GROUND WIRE All, With Dual Auxiliary Camper Battery Option, Secondary Battery Negative Post To Ground	\$30.00	M
39716	1979	AUXILIARY BATTERY GROUND WIRE All, With Dual Auxiliary Camper Battery Option, Secondary Battery Negative Post To Ground	\$30.00	M
39716	1980	AUXILIARY BATTERY GROUND WIRE All, With Dual Auxiliary Camper Battery Option, Secondary Battery Negative Post To Ground	\$30.00	M
39941	1981	AUXILIARY BATTERY GROUND WIRE All, With Dual Auxiliary Camper Battery Option, Secondary Battery Negative Post To Ground	\$30.00	M
39941	1982	AUXILIARY BATTERY GROUND WIRE All, With Dual Auxiliary Camper Battery Option, Secondary Battery Negative Post To Ground	\$30.00	M
AUXILIARY BATTERY HARNESS				
39720	1973	AUXILIARY BATTERY HARNESS All, With Dual Auxiliary Camper Battery Option, Secondary Battery To Junction Block & Relay	\$132.00	M
39720	1974	AUXILIARY BATTERY HARNESS All, With Dual Auxiliary Camper Battery Option, Secondary Battery To Junction Block & Relay	\$132.00	M
39785	1975	AUXILIARY BATTERY HARNESS All, With Dual Auxiliary Camper Battery Option, Secondary Battery To Junction Block & Relay	\$132.00	M
39812	1976	AUXILIARY BATTERY HARNESS All, With Dual Auxiliary Camper Battery Option, Secondary Battery To Junction Block & Relay	\$132.00	M
39812	1977	AUXILIARY BATTERY HARNESS All, With Dual Auxiliary Camper Battery Option, Secondary Battery To Junction Block & Relay	\$132.00	M
39812	1978	AUXILIARY BATTERY HARNESS All, With Dual Auxiliary Camper Battery Option, Secondary Battery To Junction Block & Relay	\$132.00	M
39884	1979	AUXILIARY BATTERY HARNESS All, With Dual Auxiliary Camper Battery Option, Secondary Battery To Junction Block & Relay	\$132.00	M
39884	1980	AUXILIARY BATTERY HARNESS All, With Dual Auxiliary Camper Battery Option, Secondary Battery To Junction Block & Relay	\$132.00	M
39942	1981	AUXILIARY BATTERY HARNESS All, With Dual Auxiliary Camper Battery Option, Secondary Battery To Junction Block & Relay	\$132.00	M
39942	1982	AUXILIARY BATTERY HARNESS All, With Dual Auxiliary Camper Battery Option, Secondary Battery To Junction Block & Relay	\$132.00	M
BACKUP LAMP SWITCH HARNESS				
39770	1974	BACKUP LAMP SWITCH HARNESS With 4 Speed Trans, Backup Lamp Switch To Extension Harness	\$48.00	M
37500	1975	BACKUP LAMP SWITCH HARNESS With 4 Speed Trans, Backup Lamp Switch To Extension Harness	\$48.00	M
37500	1976	BACKUP LAMP SWITCH HARNESS With 4 Speed Trans, Backup Lamp Switch To Extension Harness	\$48.00	M
37500	1977	BACKUP LAMP SWITCH HARNESS With 4 Speed Trans, Backup Lamp Switch To Extension Harness	\$48.00	M
37500	1978	BACKUP LAMP SWITCH HARNESS With 4 Speed Trans, Backup Lamp Switch To Extension Harness	\$48.00	M
37500	1979	BACKUP LAMP SWITCH HARNESS With 4 Speed Trans, Backup Lamp Switch To Extension Harness	\$48.00	M
37500	1980	BACKUP LAMP SWITCH HARNESS With 4 Speed Trans, Backup Lamp Switch To Extension Harness	\$48.00	M
39989	1981	BACKUP LAMP SWITCH HARNESS With 4 Speed Trans, Switch To Extension Harness	\$48.00	M
39989	1982	BACKUP LAMP SWITCH HARNESS With 4 Speed Trans, Except New Process, Switch To Extension Harness	\$48.00	M
37537	1982	BACKUP LAMP SWITCH HARNESS With New Process 4 Speed Trans, Switch To Extension Harness	\$48.00	M
BRAKE WARNING SWITCH JUMPER				
39757	1973	BRAKE WARNING SWITCH JUMPER 2 Wheel Drive, Brake Warning Switch To Front Light Harness	\$34.00	M
39758	1973	BRAKE WARNING SWITCH JUMPER 4 Wheel Drive, Brake Warning Switch To Front Light Harness	\$34.00	M
39757	1974	BRAKE WARNING SWITCH JUMPER 2 Wheel Drive, Brake Warning Switch To Front Light Harness	\$34.00	M
39758	1974	BRAKE WARNING SWITCH JUMPER 4 Wheel Drive, Brake Warning Switch To Front Light Harness	\$34.00	M
39757	1975	BRAKE WARNING SWITCH JUMPER 2 Wheel Drive, Brake Warning Switch To Front Light Harness	\$34.00	M
39758	1975	BRAKE WARNING SWITCH JUMPER 4 Wheel Drive, Brake Warning Switch To Front Light Harness	\$34.00	M
39757	1976	BRAKE WARNING SWITCH JUMPER 2 Wheel Drive, Brake Warning Switch To Front Light Harness	\$34.00	M

Part Number	Year	Description	Price	*Rev.
39758	1976	BRAKE WARNING SWITCH JUMPER 4 Wheel Drive, Brake Warning Switch To Front Light Harness	\$34.00	M
39757	1977	BRAKE WARNING SWITCH JUMPER 2 Wheel Drive, Brake Warning Switch To Front Light Harness	\$34.00	M
39758	1977	BRAKE WARNING SWITCH JUMPER 4 Wheel Drive, Brake Warning Switch To Front Light Harness	\$34.00	M
39862	1978	BRAKE WARNING SWITCH JUMPER 2 Wheel Drive, Brake Warning Switch To Front Light Harness	\$41.00	M
39863	1978	BRAKE WARNING SWITCH JUMPER 4 Wheel Drive, Brake Warning Switch To Front Light Harness	\$41.00	M
39862	1979	BRAKE WARNING SWITCH JUMPER 2 Wheel Drive, Brake Warning Switch To Front Light Harness	\$41.00	M
39863	1979	BRAKE WARNING SWITCH JUMPER 4 Wheel Drive, Brake Warning Switch To Front Light Harness	\$41.00	M
39862	1980	BRAKE WARNING SWITCH JUMPER 2 Wheel Drive, Brake Warning Switch To Front Light Harness	\$41.00	M
39863	1980	BRAKE WARNING SWITCH JUMPER 4 Wheel Drive, Brake Warning Switch To Front Light Harness	\$41.00	M
39862	1981	BRAKE WARNING SWITCH JUMPER 2 Wheel Drive, Brake Warning Switch To Front Light Harness	\$41.00	M
39863	1981	BRAKE WARNING SWITCH JUMPER 4 Wheel Drive, Brake Warning Switch To Front Light Harness	\$41.00	M
39862	1982	BRAKE WARNING SWITCH JUMPER 2 Wheel Drive, Brake Warning Switch To Front Light Harness	\$41.00	M
39863	1982	BRAKE WARNING SWITCH JUMPER 4 Wheel Drive, Brake Warning Switch To Front Light Harness	\$41.00	M
BREAKERLESS SE SINGLE WIRE ELECTRONIC IGNITION				
38131	1967	BREAKERLESS SE SINGLE WIRE ELECTRONIC IGNITION KIT For 1957-74 Breaker Point Distributors With Windowed Type Distributor Cap	\$179.00	
38131	1968	BREAKERLESS SE SINGLE WIRE ELECTRONIC IGNITION KIT For 1957-74 Breaker Point Distributors With Windowed Type Distributor Cap	\$179.00	
38131	1969	BREAKERLESS SE SINGLE WIRE ELECTRONIC IGNITION KIT For 1957-74 Breaker Point Distributors With Windowed Type Distributor Cap	\$179.00	
38131	1970	BREAKERLESS SE SINGLE WIRE ELECTRONIC IGNITION KIT For 1957-74 Breaker Point Distributors With Windowed Type Distributor Cap	\$179.00	
38131	1971	BREAKERLESS SE SINGLE WIRE ELECTRONIC IGNITION KIT For 1957-74 Breaker Point Distributors With Windowed Type Distributor Cap	\$179.00	
38131	1972	BREAKERLESS SE SINGLE WIRE ELECTRONIC IGNITION KIT For 1957-74 Breaker Point Distributors With Windowed Type Distributor Cap	\$179.00	
38131	1973	BREAKERLESS SE SINGLE WIRE ELECTRONIC IGNITION KIT For 1957-74 Breaker Point Distributors With Windowed Type Distributor Cap	\$179.00	
38131	1974	BREAKERLESS SE SINGLE WIRE ELECTRONIC IGNITION KIT For 1957-74 Breaker Point Distributors With Windowed Type Distributor Cap	\$179.00	
CAMPER POWER FEED WIRE				
39788	1975	CAMPER POWER FEED WIRE Battery Junction Block To Wiring Harness On Camper	\$34.00	M
39811	1976	CAMPER POWER FEED WIRE Battery Junction Block To Wiring Harness On Camper	\$34.00	M
39811	1977	CAMPER POWER FEED WIRE Battery Junction Block To Wiring Harness On Camper	\$34.00	M
39811	1978	CAMPER POWER FEED WIRE Battery Junction Block To Wiring Harness On Camper	\$34.00	M
39811	1979	CAMPER POWER FEED WIRE Battery Junction Block To Wiring Harness On Camper	\$34.00	M
39919	1980	CAMPER POWER FEED WIRE Battery Junction Block To Wiring Harness On Camper	\$34.00	M
39919	1981	CAMPER POWER FEED WIRE Battery Junction Block To Wiring Harness On Camper	\$34.00	M
39919	1982	CAMPER POWER FEED WIRE Battery Junction Block To Wiring Harness On Camper	\$34.00	M
CAMPER REAR LAMP HARNESS				
39717	1973	CAMPER REAR LAMP HARNESS All With Camper Option, Rear Lamp Harness On Truck, To Tail Lamp Harness On Camper Note: this harness is universal, it can be used with all types of campers.	\$101.00	M
39717	1974	CAMPER REAR LAMP HARNESS All With Camper Option, Rear Lamp Harness On Truck, To Tail Lamp Harness On Camper Note: this harness is universal, it can be used with all types of campers.	\$101.00	M
39784	1975	CAMPER REAR LAMP HARNESS All With Camper Option, Rear Lamp Harness On Truck, To Tail Lamp Harness On Camper Note: this harness is universal, it can be used with all types of campers.	\$101.00	M

Part Number	Year	Description	Price	*Rev.
39784	1976	CAMPER REAR LAMP HARNESS All With Camper Option, Rear Lamp Harness On Truck, To Tail Lamp Harness On Camper Note: this harness is universal, it can be used with all types of campers.	\$101.00	M
39784	1977	CAMPER REAR LAMP HARNESS All With Camper Option, Rear Lamp Harness On Truck, To Tail Lamp Harness On Camper Note: this harness is universal, it can be used with all types of campers.	\$101.00	M
39784	1978	CAMPER REAR LAMP HARNESS All With Camper Option, Rear Lamp Harness On Truck, To Tail Lamp Harness On Camper Note: this harness is universal, it can be used with all types of campers.	\$101.00	M
39784	1979	CAMPER REAR LAMP HARNESS All With Camper Option, Rear Lamp Harness On Truck, To Tail Lamp Harness On Camper Note: this harness is universal, it can be used with all types of campers.	\$101.00	M
39784	1980	CAMPER REAR LAMP HARNESS All With Camper Option, Rear Lamp Harness On Truck, To Tail Lamp Harness On Camper Note: this harness is universal, it can be used with all types of campers.	\$101.00	M
39784	1981	CAMPER REAR LAMP HARNESS All With Camper Option, Rear Lamp Harness On Truck, To Tail Lamp Harness On Camper Note: this harness is universal, it can be used with all types of campers.	\$101.00	M
39784	1982	CAMPER REAR LAMP HARNESS All With Camper Option, Rear Lamp Harness On Truck, To Tail Lamp Harness On Camper Note: this harness is universal, it can be used with all types of campers.	\$101.00	M
CARGO LAMP HARNESS				
39715	1973	CARGO LAMP HARNESS 2 Door Trucks, With Cargo Lamp Option	\$92.00	M
39733	1973	CARGO LAMP HARNESS 4 Door Trucks, With Cargo Lamp Option	\$92.00	M
39715	1974	CARGO LAMP HARNESS 2 Door Trucks, With Cargo Lamp Option	\$92.00	M
39733	1974	CARGO LAMP HARNESS 4 Door Trucks, With Cargo Lamp Option	\$92.00	M
39715	1975	CARGO LAMP HARNESS 2 Door Trucks, With Cargo Lamp Option	\$92.00	M
39733	1975	CARGO LAMP HARNESS 4 Door Trucks, With Cargo Lamp Option	\$92.00	M
39715	1976	CARGO LAMP HARNESS 2 Door Trucks, With Cargo Lamp Option	\$92.00	M
39804	1976	CARGO LAMP HARNESS 4 Door Trucks, With Cargo Lamp Option	\$92.00	M
39804	1977	CARGO LAMP HARNESS 4 Door Trucks, With Cargo Lamp Option	\$92.00	M
39850	1977	CARGO LAMP HARNESS 2 Door Trucks, With Cargo Lamp Option	\$92.00	M
39804	1978	CARGO LAMP HARNESS 4 Door Trucks, With Cargo Lamp Option	\$92.00	M
39850	1978	CARGO LAMP HARNESS 2 Door Trucks, With Cargo Lamp Option	\$92.00	M
39804	1979	CARGO LAMP HARNESS 4 Door Trucks, With Cargo Lamp Option	\$92.00	M
39850	1979	CARGO LAMP HARNESS 2 Door Trucks, With Cargo Lamp Option	\$92.00	M
39804	1980	CARGO LAMP HARNESS 4 Door Trucks, With Cargo Lamp Option	\$92.00	M
39850	1980	CARGO LAMP HARNESS 2 Door Trucks, With Cargo Lamp Option	\$92.00	M
39804	1981	CARGO LAMP HARNESS 4 Door Trucks, With Cargo Lamp Option	\$92.00	M
39850	1981	CARGO LAMP HARNESS 2 Door Trucks, With Cargo Lamp Option	\$92.00	M
39804	1982	CARGO LAMP HARNESS 4 Door Trucks, With Cargo Lamp Option	\$92.00	M
39850	1982	CARGO LAMP HARNESS 2 Door Trucks, With Cargo Lamp Option	\$92.00	M
CARGO LAMP SWITCH				
00329821	1973	CARGO LAMP SWITCH	\$27.00	N
00329821	1974	CARGO LAMP SWITCH	\$27.00	N
00339880	1975	CARGO LAMP SWITCH	\$21.00	N
00339880	1976	CARGO LAMP SWITCH	\$21.00	N
00339880	1977	CARGO LAMP SWITCH	\$21.00	N
00339880	1978	CARGO LAMP SWITCH	\$21.00	N

Part Number	Year	Description	Price	*Rev.
00339880	1979	CARGO LAMP SWITCH	\$21.00	N
00339880	1980	CARGO LAMP SWITCH	\$21.00	N
00339880	1981	CARGO LAMP SWITCH	\$21.00	N
00339880	1982	CARGO LAMP SWITCH	\$21.00	N
00339880	1983	CARGO LAMP SWITCH	\$21.00	N
00339880	1984	CARGO LAMP SWITCH	\$21.00	N
00339880	1985	CARGO LAMP SWITCH	\$21.00	N
00339880	1986	CARGO LAMP SWITCH	\$21.00	N
00339880	1987	CARGO LAMP SWITCH RV Body Style	\$21.00	N
CIRCUIT BREAKER				
04850166	1973	CIRCUIT BREAKER, 30 AMP Power Tailgate Window, Blazer, Jimmy & Suburban	\$14.00	M
04850166	1974	CIRCUIT BREAKER, 30 AMP Power Tailgate Window, Blazer, Jimmy & Suburban	\$14.00	M
04850166	1975	CIRCUIT BREAKER, 30 AMP Power Tailgate Window, Blazer, Jimmy & Suburban	\$14.00	M
04850166	1976	CIRCUIT BREAKER, 30 AMP Power Tailgate Window, Blazer, Jimmy & Suburban	\$14.00	M
04850166	1977	CIRCUIT BREAKER, 30 AMP Power Tailgate Window, Blazer, Jimmy & Suburban	\$14.00	M
04850166	1978	CIRCUIT BREAKER, 30 AMP Power Tailgate Window, Blazer, Jimmy & Suburban	\$14.00	M
CLASSIC AUTO FUSE SERIES-11-WAY CONNECTOR KIT				
41355	1973	CLASSIC AUTO FUSE SERIES-11-WAY CONNECTOR KIT Includes Male & Female Connectors And Terminals Note: Used With 1973-78 GMC Truck Classic Auto Fuse Series ATO Fuse Type Dash Harnesses.	\$26.00	M
41355	1974	CLASSIC AUTO FUSE SERIES-11-WAY CONNECTOR KIT Includes Male & Female Connectors And Terminals Note: Used With 1973-78 GMC Truck Classic Auto Fuse Series ATO Fuse Type Dash Harnesses.	\$26.00	M
41355	1975	CLASSIC AUTO FUSE SERIES-11-WAY CONNECTOR KIT Includes Male & Female Connectors And Terminals Note: Used With 1973-78 GMC Truck Classic Auto Fuse Series ATO Fuse Type Dash Harnesses.	\$26.00	M
41355	1976	CLASSIC AUTO FUSE SERIES-11-WAY CONNECTOR KIT Includes Male & Female Connectors And Terminals Note: Used With 1973-78 GMC Truck Classic Auto Fuse Series ATO Fuse Type Dash Harnesses.	\$26.00	M
41355	1977	CLASSIC AUTO FUSE SERIES-11-WAY CONNECTOR KIT Includes Male & Female Connectors And Terminals Note: Used With 1973-78 GMC Truck Classic Auto Fuse Series ATO Fuse Type Dash Harnesses.	\$26.00	M
41355	1978	CLASSIC AUTO FUSE SERIES-11-WAY CONNECTOR KIT Includes Male & Female Connectors And Terminals Note: Used With 1973-78 GMC Truck Classic Auto Fuse Series ATO Fuse Type Dash Harnesses.	\$26.00	M
CLASSIC AUTO FUSE SERIES-6-WAY ACCESSORY KIT				
41359	1973	CLASSIC AUTO FUSE SERIES-6-WAY ACCESSORY Includes 6-Way Accessory Fuseblock, & Terminal Bus Bars FUSEBLOCK KIT Note: Used With 1973-78 GMC Truck Classic Auto Fuse Series ATO Fuse Type Dash Harnesses.	\$21.00	M
41359	1974	CLASSIC AUTO FUSE SERIES-6-WAY ACCESSORY Includes 6-Way Accessory Fuseblock, & Terminal Bus Bars FUSEBLOCK KIT Note: Used With 1973-78 GMC Truck Classic Auto Fuse Series ATO Fuse Type Dash Harnesses.	\$21.00	M
41359	1975	CLASSIC AUTO FUSE SERIES-6-WAY ACCESSORY Includes 6-Way Accessory Fuseblock, & Terminal Bus Bars FUSEBLOCK KIT Note: Used With 1973-78 GMC Truck Classic Auto Fuse Series ATO Fuse Type Dash Harnesses.	\$21.00	M
41359	1976	CLASSIC AUTO FUSE SERIES-6-WAY ACCESSORY Includes 6-Way Accessory Fuseblock, & Terminal Bus Bars FUSEBLOCK KIT Note: Used With 1973-78 GMC Truck Classic Auto Fuse Series ATO Fuse Type Dash Harnesses.	\$21.00	M
41359	1977	CLASSIC AUTO FUSE SERIES-6-WAY ACCESSORY Includes 6-Way Accessory Fuseblock, & Terminal Bus Bars FUSEBLOCK KIT Note: Used With 1973-78 GMC Truck Classic Auto Fuse Series ATO Fuse Type Dash Harnesses.	\$21.00	M
41359	1978	CLASSIC AUTO FUSE SERIES-6-WAY ACCESSORY Includes 6-Way Accessory Fuseblock, & Terminal Bus Bars FUSEBLOCK KIT Note: Used With 1973-78 GMC Truck Classic Auto Fuse Series ATO Fuse Type Dash Harnesses.	\$21.00	M

Part Number	Year	Description	Price	*Rev.
CLASSIC AUTO FUSE SERIES-FUSE AND FLASHER KIT				
40356	1973	CLASSIC AUTO FUSE SERIES-FUSE AND FLASHER KIT Includes Flashers, Fuses & Circuit Breakers, Also Includes 1 Each Spare Fuse Note: Used With 1973-74 GMC Truck Classic Auto Fuse Series ATO Fuse Type Dash Harnesses.	\$40.00	M
40356	1974	CLASSIC AUTO FUSE SERIES-FUSE AND FLASHER KIT Includes Flashers, Fuses & Circuit Breakers, Also Includes 1 Each Spare Fuse Note: Used With 1973-74 GMC Truck Classic Auto Fuse Series ATO Fuse Type Dash Harnesses.	\$40.00	M
40357	1975	CLASSIC AUTO FUSE SERIES-FUSE AND FLASHER KIT Includes Flashers, Fuses & Circuit Breakers, Also Includes 1 Each Spare Fuse Note: Used With 1975-78 GMC Truck Classic Auto Fuse Series ATO Fuse Type Dash Harnesses.	\$40.00	M
40357	1976	CLASSIC AUTO FUSE SERIES-FUSE AND FLASHER KIT Includes Flashers, Fuses & Circuit Breakers, Also Includes 1 Each Spare Fuse Note: Used With 1975-78 GMC Truck Classic Auto Fuse Series ATO Fuse Type Dash Harnesses.	\$40.00	M
40357	1977	CLASSIC AUTO FUSE SERIES-FUSE AND FLASHER KIT Includes Flashers, Fuses & Circuit Breakers, Also Includes 1 Each Spare Fuse Note: Used With 1975-78 GMC Truck Classic Auto Fuse Series ATO Fuse Type Dash Harnesses.	\$40.00	M
40357	1978	CLASSIC AUTO FUSE SERIES-FUSE AND FLASHER KIT Includes Flashers, Fuses & Circuit Breakers, Also Includes 1 Each Spare Fuse Note: Used With 1975-78 GMC Truck Classic Auto Fuse Series ATO Fuse Type Dash Harnesses.	\$40.00	M
CLASSIC AUTO FUSE SERIES-FUSEBLOCK CONN KIT				
41358	1973	CLASSIC AUTO FUSE SERIES-FRONT OF FUSEBLOCK ACCESSORY CONNECTOR KIT Includes Front Of Fuseblock Accessory Connectors & Terminals Note: Used With 1973-78 GMC Truck Classic Auto Fuse Series ATO Fuse Type Dash Harnesses.	\$33.00	M
41358	1974	CLASSIC AUTO FUSE SERIES-FRONT OF FUSEBLOCK ACCESSORY CONNECTOR KIT Includes Front Of Fuseblock Accessory Connectors & Terminals Note: Used With 1973-78 GMC Truck Classic Auto Fuse Series ATO Fuse Type Dash Harnesses.	\$33.00	M
41358	1975	CLASSIC AUTO FUSE SERIES-FRONT OF FUSEBLOCK ACCESSORY CONNECTOR KIT Includes Front Of Fuseblock Accessory Connectors & Terminals Note: Used With 1973-78 GMC Truck Classic Auto Fuse Series ATO Fuse Type Dash Harnesses.	\$33.00	M
41358	1976	CLASSIC AUTO FUSE SERIES-FRONT OF FUSEBLOCK ACCESSORY CONNECTOR KIT Includes Front Of Fuseblock Accessory Connectors & Terminals Note: Used With 1973-78 GMC Truck Classic Auto Fuse Series ATO Fuse Type Dash Harnesses.	\$33.00	M
41358	1977	CLASSIC AUTO FUSE SERIES-FRONT OF FUSEBLOCK ACCESSORY CONNECTOR KIT Includes Front Of Fuseblock Accessory Connectors & Terminals Note: Used With 1973-78 GMC Truck Classic Auto Fuse Series ATO Fuse Type Dash Harnesses.	\$33.00	M
41358	1978	CLASSIC AUTO FUSE SERIES-FRONT OF FUSEBLOCK ACCESSORY CONNECTOR KIT Includes Front Of Fuseblock Accessory Connectors & Terminals Note: Used With 1973-78 GMC Truck Classic Auto Fuse Series ATO Fuse Type Dash Harnesses.	\$33.00	M
CLASSIC AUTO FUSE SERIES-RELAY AND CONNECTOR KIT				
41356	1973	CLASSIC AUTO FUSE SERIES-RELAY AND CONNECTOR KIT Includes Relay, 5-Way Relay Connector, Terminals & Secondary Lock Note: Used With 1973-78 GMC Truck Classic Auto Fuse Series ATO Fuse Type Dash Harnesses.	\$24.00	M
41356	1974	CLASSIC AUTO FUSE SERIES-RELAY AND CONNECTOR KIT Includes Relay, 5-Way Relay Connector, Terminals & Secondary Lock Note: Used With 1973-78 GMC Truck Classic Auto Fuse Series ATO Fuse Type Dash Harnesses.	\$24.00	M
41356	1975	CLASSIC AUTO FUSE SERIES-RELAY AND CONNECTOR KIT Includes Relay, 5-Way Relay Connector, Terminals & Secondary Lock Note: Used With 1973-78 GMC Truck Classic Auto Fuse Series ATO Fuse Type Dash Harnesses.	\$24.00	M
41356	1976	CLASSIC AUTO FUSE SERIES-RELAY AND CONNECTOR KIT Includes Relay, 5-Way Relay Connector, Terminals & Secondary Lock Note: Used With 1973-78 GMC Truck Classic Auto Fuse Series ATO Fuse Type Dash Harnesses.	\$24.00	M

Part Number	Year	Description	Price	*Rev.
41356	1977	CLASSIC AUTO FUSE SERIES-RELAY AND CONNECTOR KIT Includes Relay, 5-Way Relay Connector, Terminals & Secondary Lock Note: Used With 1973-78 GMC Truck Classic Auto Fuse Series ATO Fuse Type Dash Harnesses.	\$24.00	M
41356	1978	CLASSIC AUTO FUSE SERIES-RELAY AND CONNECTOR KIT Includes Relay, 5-Way Relay Connector, Terminals & Secondary Lock Note: Used With 1973-78 GMC Truck Classic Auto Fuse Series ATO Fuse Type Dash Harnesses.	\$24.00	M
CLOCK				
06499466	1973	CLOCK Dash Mounted	\$100.00	N
06499466	1974	CLOCK Dash Mounted	\$100.00	N
06499466	1975	CLOCK Dash Mounted	\$100.00	N
06499466	1976	CLOCK Dash Mounted	\$100.00	N
06499466	1977	CLOCK Dash Mounted	\$100.00	N
06499466	1978	CLOCK Dash Mounted	\$100.00	N
06499466	1979	CLOCK Dash Mounted	\$100.00	N
25080399	1981	CLOCK Dash Mounted	\$112.00	N
25080399	1982	CLOCK Dash Mounted	\$112.00	N
25080399	1983	CLOCK Dash Mounted	\$112.00	N
25080399	1984	CLOCK Dash Mounted	\$112.00	N
25080399	1985	CLOCK Dash Mounted	\$112.00	N
25080399	1986	CLOCK Dash Mounted	\$112.00	N
25080399	1987	CLOCK Dash Mounted	\$112.00	N
25080399	1988	CLOCK Dash Mounted	\$112.00	N
CLOCK WIRE				
39724	1973	CLOCK WIRE Fuse Panel To Optional In Dash Clock	\$30.00	M
39724	1974	CLOCK WIRE Fuse Panel To Optional In Dash Clock	\$30.00	M
39724	1975	CLOCK WIRE Fuse Panel To Optional In Dash Clock	\$30.00	M
39724	1976	CLOCK WIRE Fuse Panel To Optional In Dash Clock	\$30.00	M
39724	1977	CLOCK WIRE Fuse Panel To Optional In Dash Clock	\$30.00	M
39856	1978	CLOCK WIRE Fuse Panel To Optional In Dash Clock	\$30.00	M
39882	1979	CLOCK WIRE Fuse Panel To Optional In Dash Clock	\$30.00	M
39882	1980	CLOCK WIRE Fuse Panel To Optional In Dash Clock	\$30.00	M
39882	1981	CLOCK WIRE Fuse Panel To Optional In Dash Clock	\$30.00	M
39882	1982	CLOCK WIRE Fuse Panel To Optional In Dash Clock	\$30.00	M
CRUISE CONTROL CLUTCH SWITCH JUMPER WIRE				
39996	1982	CRUISE CONTROL CLUTCH SWITCH JUMPER WIRE With Manual Trans, Without Clutch Switch	\$30.00	M
DASH HARNESS				
37491	1973	DASH HARNESS With Warning Lights	\$735.00	M
40376	1973	DASH HARNESS-CLASSIC AUTO FUSE SERIES With Warning Lights Note: With Updated Modern ATO Series Fuseblock. Use Fuse & Flasher Kit # 40356. Also See Optional Classic Auto Fuse Accessory Kits.	\$758.00	M
35927	1973	DASH HARNESS With Gauges	\$735.00	M
40377	1973	DASH HARNESS-CLASSIC AUTO FUSE SERIES With Gauges Note: With Updated Modern ATO Series Fuseblock. Use Fuse & Flasher Kit # 40356. Also See Optional Classic Auto Fuse Accessory Kits.	\$758.00	M
37509	1974	DASH HARNESS With Warning Lights	\$748.00	M
40378	1974	DASH HARNESS-CLASSIC AUTO FUSE SERIES With Warning Lights Note: With Updated Modern ATO Series Fuseblock. Use Fuse & Flasher Kit # 40356. Also See Optional Classic Auto Fuse Accessory Kits.	\$758.00	M

Part Number	Year	Description	Price	*Rev.
37510	1974	DASH HARNESS With Gauges	\$735.00	M
40379	1974	DASH HARNESS-CLASSIC AUTO FUSE SERIES With Gauges Note: With Updated Modern ATO Series Fuseblock. Use Fuse & Flasher Kit # 40356. Also See Optional Classic Auto Fuse Accessory Kits.	\$758.00	M
37511	1975	DASH HARNESS With Warning Lights	\$735.00	M
40380	1975	DASH HARNESS-CLASSIC AUTO FUSE SERIES With Warning Lights Note: With Updated Modern ATO Series Fuseblock. Use Fuse & Flasher Kit # 40357. Also See Optional Classic Auto Fuse Accessory Kits.	\$758.00	M
37512	1975	DASH HARNESS With Gauges	\$735.00	M
40381	1975	DASH HARNESS-CLASSIC AUTO FUSE SERIES With Gauges Note: With Updated Modern ATO Series Fuseblock. Use Fuse & Flasher Kit # 40357. Also See Optional Classic Auto Fuse Accessory Kits.	\$758.00	M
35933	1976	DASH HARNESS With Warning Lights	\$735.00	M
40382	1976	DASH HARNESS-CLASSIC AUTO FUSE SERIES With Warning Lights Note: With Updated Modern ATO Series Fuseblock. Use Fuse & Flasher Kit # 40357. Also See Optional Classic Auto Fuse Accessory Kits.	\$758.00	M
35934	1976	DASH HARNESS With Gauges	\$735.00	M
40383	1976	DASH HARNESS-CLASSIC AUTO FUSE SERIES With Gauges Note: With Updated Modern ATO Series Fuseblock. Use Fuse & Flasher Kit # 40357. Also See Optional Classic Auto Fuse Accessory Kits.	\$758.00	M
37514	1977	DASH HARNESS With Warning Lights	\$735.00	M
40384	1977	DASH HARNESS-CLASSIC AUTO FUSE SERIES With Warning Lights Note: With Updated Modern ATO Series Fuseblock. Use Fuse & Flasher Kit # 40357. Also See Optional Classic Auto Fuse Accessory Kits.	\$758.00	M
37515	1977	DASH HARNESS With Gauges	\$748.00	M
40385	1977	DASH HARNESS-CLASSIC AUTO FUSE SERIES With Gauges Note: With Updated Modern ATO Series Fuseblock. Use Fuse & Flasher Kit # 40357. Also See Optional Classic Auto Fuse Accessory Kits.	\$758.00	M
40054	1977	DASH HARNESS With Diesel	\$748.00	M
40386	1977	DASH HARNESS-CLASSIC AUTO FUSE SERIES With Diesel Note: With Updated Modern ATO Series Fuseblock. Use Fuse & Flasher Kit # 40357. Also See Optional Classic Auto Fuse Accessory Kits.	\$758.00	M
38138	1978	DASH HARNESS With Warning Lights	\$768.00	M
40387	1978	DASH HARNESS-CLASSIC AUTO FUSE SERIES With Warning Lights Note: With Updated Modern ATO Series Fuseblock. Use Fuse & Flasher Kit # 40357. Also See Optional Classic Auto Fuse Accessory Kits.	\$758.00	M
37517	1978	DASH HARNESS With Gauges	\$735.00	M
40388	1978	DASH HARNESS-CLASSIC AUTO FUSE SERIES With Gauges Note: With Updated Modern ATO Series Fuseblock. Use Fuse & Flasher Kit # 40357. Also See Optional Classic Auto Fuse Accessory Kits.	\$758.00	M
38139	1978	DASH HARNESS With Diesel	\$768.00	M
40389	1978	DASH HARNESS-CLASSIC AUTO FUSE SERIES With Diesel Note: With Updated Modern ATO Series Fuseblock. Use Fuse & Flasher Kit # 40357. Also See Optional Classic Auto Fuse Accessory Kits.	\$758.00	M
38142	1979	DASH HARNESS With Warning Lights	\$787.00	M
38152	1979	DASH HARNESS 6 Cylinder, With Gauges Note: 6 Cylinder Items Are Not Returnable.	\$787.00	M
38143	1979	DASH HARNESS V/8, With Gauges	\$735.00	M
38142	1980	DASH HARNESS With Warning Lights	\$787.00	M
38152	1980	DASH HARNESS 6 Cylinder, With Gauges Note: 6 Cylinder Items Are Not Returnable.	\$787.00	M

Part Number	Year	Description	Price	*Rev.
38143	1980	DASH HARNESS V/8, With Gauges	\$735.00	M
38146	1981	DASH HARNESS With Warning Lights	\$748.00	M
38147	1981	DASH HARNESS 6 Cylinder, With Gauges Note: 6 Cylinder Items Are Not Returnable.	\$787.00	M
38148	1981	DASH HARNESS V/8, With Gauges	\$735.00	M
38146	1982	DASH HARNESS With Warning Lights	\$748.00	M
38147	1982	DASH HARNESS 6 Cylinder, With Gauges Note: 6 Cylinder Items Are Not Returnable.	\$787.00	M
38148	1982	DASH HARNESS V/8, With Gauges	\$735.00	M
DISTRIBUTOR WIRE				
36057	1967	DISTRIBUTOR WIRE Distributor Points To Coil Negative Terminal, V/8 Note: Fits All GM V/8 Points Type Distributors From Approx. 1957 To 1974.	\$18.00	C
36057	1968	DISTRIBUTOR WIRE Distributor Points To Coil Negative Terminal, V/8 Note: Fits All GM V/8 Points Type Distributors From Approx. 1957 To 1974.	\$18.00	C
36057	1969	DISTRIBUTOR WIRE Distributor Points To Coil Negative Terminal, V/8 Note: Fits All GM V/8 Points Type Distributors From Approx. 1957 To 1974.	\$18.00	C
36057	1970	DISTRIBUTOR WIRE Distributor Points To Coil Negative Terminal, V/8 Note: Fits All GM V/8 Points Type Distributors From Approx. 1957 To 1974.	\$18.00	C
36057	1971	DISTRIBUTOR WIRE Distributor Points To Coil Negative Terminal, V/8 Note: Fits All GM V/8 Points Type Distributors From Approx. 1957 To 1974.	\$18.00	C
36057	1972	DISTRIBUTOR WIRE Distributor Points To Coil Negative Terminal, V/8 Note: Fits All GM V/8 Points Type Distributors From Approx. 1957 To 1974.	\$18.00	C
36057	1973	DISTRIBUTOR WIRE Distributor Points To Coil Negative Terminal, V/8 Note: Fits All GM V/8 Points Type Distributors From Approx. 1957 To 1974.	\$18.00	C
36057	1974	DISTRIBUTOR WIRE Distributor Points To Coil Negative Terminal, V/8 Note: Fits All GM V/8 Points Type Distributors From Approx. 1957 To 1974.	\$18.00	C
DOME LAMP EXTENSION HARNESS				
39714	1973	DOME LAMP EXTENSION HARNESS All Trucks, Except Blazer & Jimmy, Front Door Jamb Switch To Cargo Lamp Or Roof Dome Lamp Harness	\$106.00	M
39738	1973	DOME LAMP EXTENSION HARNESS Blazer & Jimmy, Front Door Jamb Switch To Roof Dome Lamp Harness	\$106.00	M
39714	1974	DOME LAMP EXTENSION HARNESS All Trucks, Except Blazer & Jimmy, Front Door Jamb Switch To Cargo Lamp Or Roof Dome Lamp Harness	\$106.00	M
39738	1974	DOME LAMP EXTENSION HARNESS Blazer & Jimmy, Front Door Jamb Switch To Roof Dome Lamp Harness	\$106.00	M
39714	1975	DOME LAMP EXTENSION HARNESS All Trucks, Except Blazer & Jimmy, Front Door Jamb Switch To Cargo Lamp Or Dome Lamp Harness	\$106.00	M
39738	1975	DOME LAMP EXTENSION HARNESS Blazer & Jimmy, Front Door Jamb Switch To Dome Lamp Harness	\$106.00	M
39714	1976	DOME LAMP EXTENSION HARNESS All, Front Door Jamb Switch To Cargo Lamp Or Dome Lamp Harness	\$106.00	M
39714	1977	DOME LAMP EXTENSION HARNESS All, Front Door Jamb Switch To Cargo Lamp Or Dome Lamp Harness	\$106.00	M
39714	1978	DOME LAMP EXTENSION HARNESS All, Front Door Jamb Switch To Cargo Lamp Or Dome Lamp Harness	\$106.00	M
39346	1979	DOME LAMP EXTENSION HARNESS All, Front Door Jamb Switch To Cargo Lamp Or Dome Lamp Harness	\$106.00	M
39346	1980	DOME LAMP EXTENSION HARNESS All, Front Door Jamb Switch To Cargo Lamp Or Dome Lamp Harness	\$106.00	M
39346	1981	DOME LAMP EXTENSION HARNESS All, Front Door Jamb Switch To Cargo Lamp Or Dome Lamp Harness	\$106.00	M

Part Number	Year	Description	Price	*Rev.
39346	1982	DOME LAMP EXTENSION HARNESS All, Front Door Jamb Switch To Cargo Lamp Or Dome Lamp Harness	\$106.00	M
39346	1982	DOME LAMP EXTENSION HARNESS All, Front Door Jamb Switch To Cargo Lamp Or Dome Lamp Harness	\$106.00	M
DOME LAMP HARNESS				
39347	1973	DOME LAMP HARNESS All 2 Door Trucks, Except Blazer & Jimmy, Roof Dome Lamp To Extension Harness	\$41.00	M
39737	1973	DOME LAMP HARNESS Blazer & Jimmy, Roof Dome Lamp To Extension Harness	\$48.00	M
39732	1973	DOME LAMP HARNESS 4 Door Trucks, Roof Dome Lamp To Extension Harness	\$48.00	M
39748	1973	DOME LAMP HARNESS Suburban, Front & Rear Roof Dome Lamps, Includes Extension Harness	\$60.00	M
39347	1974	DOME LAMP HARNESS All 2 Door Trucks, Except Blazer & Jimmy, Roof Dome Lamp To Extension Harness	\$41.00	M
39737	1974	DOME LAMP HARNESS Blazer & Jimmy, Roof Dome Lamp To Extension Harness	\$48.00	M
39732	1974	DOME LAMP HARNESS 4 Door Trucks, Roof Dome Lamp To Extension Harness	\$48.00	M
39760	1974	DOME LAMP HARNESS Suburban, Front & Rear Roof Dome Lamp, Without Overhead A/C	\$60.00	M
39761	1974	DOME LAMP HARNESS Suburban, Front & Rear Roof Dome Lamp, With Overhead A/C	\$60.00	M
39347	1975	DOME LAMP HARNESS All 2 Door Trucks, Except Blazer & Jimmy, Roof Dome Lamp To Extension Harness	\$41.00	M
39737	1975	DOME LAMP HARNESS Blazer & Jimmy, Dome Lamp To Extension Harness	\$48.00	M
39775	1975	DOME LAMP HARNESS 4 Door Trucks, Roof Dome Lamp To Extension Harness	\$48.00	M
39760	1975	DOME LAMP HARNESS Suburban, Front & Rear Roof Dome Lamp, Without Overhead A/C	\$60.00	M
39761	1975	DOME LAMP HARNESS Suburban, Front & Rear Roof Dome Lamp, With Overhead A/C	\$60.00	M
39347	1976	DOME LAMP HARNESS All 2 Door Trucks, Except Blazer & Jimmy, Roof Dome Lamp To Extension Harness	\$41.00	M
39805	1976	DOME LAMP HARNESS All Trucks, Except Blazer & Jimmy, Dome & Cargo Lamp Jumper, Extension Harness To Dome/Cargo Lamp	\$41.00	M
39799	1976	DOME LAMP HARNESS Blazer & Jimmy, Extension Harness To Dome Lamp On Removable Top	\$41.00	M
39831	1976	DOME LAMP HARNESS Blazer & Jimmy, Cab Mounted Roof Dome Lamp To Extension Harness	\$53.00	M
39760	1976	DOME LAMP HARNESS Suburban, Front & Rear Roof Dome Lamp, Without Overhead A/C	\$60.00	M
39761	1976	DOME LAMP HARNESS Suburban, Front & Rear Roof Dome Lamp, With Overhead A/C	\$60.00	M
39775	1976	DOME LAMP HARNESS 4 Door Trucks, Roof Dome Lamp To Extension Harness	\$48.00	M
39347	1977	DOME LAMP HARNESS All 2 Door Trucks, Except Blazer & Jimmy, Roof Dome Lamp To Extension Harness	\$41.00	M
39760	1977	DOME LAMP HARNESS Suburban, Front & Rear Roof Dome Lamp, Without Overhead A/C	\$60.00	M
39761	1977	DOME LAMP HARNESS Suburban, Front & Rear Roof Dome Lamp, With Overhead A/C	\$60.00	M
39775	1977	DOME LAMP HARNESS 4 Door Trucks, Roof Dome Lamp To Extension Harness	\$48.00	M
39799	1977	DOME LAMP HARNESS Blazer & Jimmy, Extension Harness To Dome Lamp On Removable Top	\$41.00	M
39805	1977	DOME LAMP HARNESS All Trucks, Except Blazer & Jimmy, Dome & Cargo Lamp Jumper, Extension Harness To Dome/Cargo Lamp	\$41.00	M
39831	1977	DOME LAMP HARNESS Blazer & Jimmy, Cab Mounted Roof Dome Lamp To Extension Harness	\$53.00	M
39347	1978	DOME LAMP HARNESS All 2 Door Trucks, Except Blazer & Jimmy, Roof Dome Lamp To Extension Harness	\$41.00	M
39760	1978	DOME LAMP HARNESS Suburban, Front & Rear Roof Dome Lamp, Without Overhead A/C	\$60.00	M
39805	1978	DOME LAMP HARNESS All Trucks, Except Blazer & Jimmy, Dome & Cargo Lamp Jumper, Extension Harness To Dome/Cargo Lamp	\$41.00	M
39799	1978	DOME LAMP HARNESS Blazer & Jimmy, Extension Harness To Dome Lamp On Removable Top	\$41.00	M

Part Number	Year	Description	Price	*Rev.
39831	1978	DOME LAMP HARNESS Blazer & Jimmy, Cab Mounted Roof Dome Lamp To Extension Harness	\$53.00	M
39761	1978	DOME LAMP HARNESS Suburban, Front & Rear Roof Dome Lamp, With Overhead A/C	\$60.00	M
39775	1978	DOME LAMP HARNESS 4 Door Trucks, Roof Dome Lamp To Extension Harness	\$48.00	M
39347	1979	DOME LAMP HARNESS All 2 Door Trucks, Except Blazer & Jimmy, Roof Dome Lamp To Extension Harness	\$41.00	M
39805	1979	DOME LAMP HARNESS All Trucks, Except Blazer & Jimmy, Dome & Cargo Lamp Jumper, Extension Harness To Dome/Cargo Lamp	\$41.00	M
39799	1979	DOME LAMP HARNESS Blazer & Jimmy, Extension Harness To Dome Lamp On Removable Top	\$41.00	M
39831	1979	DOME LAMP HARNESS Blazer & Jimmy, Cab Mounted Roof Dome Lamp To Extension Harness	\$53.00	M
39760	1979	DOME LAMP HARNESS Suburban, Front & Rear Roof Dome Lamp, Without Overhead A/C	\$60.00	M
39761	1979	DOME LAMP HARNESS Suburban, Front & Rear Roof Dome Lamp, With Overhead A/C	\$60.00	M
39775	1979	DOME LAMP HARNESS 4 Door Trucks, Roof Dome Lamp To Extension Harness	\$48.00	M
39347	1980	DOME LAMP HARNESS All 2 Door Trucks, Except Blazer & Jimmy, Roof Dome Lamp To Extension Harness	\$41.00	M
39799	1980	DOME LAMP HARNESS Blazer & Jimmy, Extension Harness To Dome Lamp On Removable Top	\$41.00	M
39831	1980	DOME LAMP HARNESS Blazer & Jimmy, Cab Mounted Roof Dome Lamp To Extension Harness	\$53.00	M
39760	1980	DOME LAMP HARNESS Suburban, Front & Rear Roof Dome Lamp, Without Overhead A/C	\$60.00	M
39775	1980	DOME LAMP HARNESS 4 Door Trucks, Roof Dome Lamp To Extension Harness	\$48.00	M
39761	1980	DOME LAMP HARNESS Suburban, Front & Rear Roof Dome Lamp, With Overhead A/C	\$60.00	M
39347	1981	DOME LAMP HARNESS All 2 Door Trucks, Except Blazer & Jimmy, Roof Dome Lamp To Extension Harness	\$41.00	M
39799	1981	DOME LAMP HARNESS Blazer & Jimmy, Extension Harness To Dome Lamp On Removable Top	\$41.00	M
39831	1981	DOME LAMP HARNESS Blazer & Jimmy, Cab Mounted Roof Dome Lamp To Extension Harness	\$53.00	M
39760	1981	DOME LAMP HARNESS Suburban, Front & Rear Roof Dome Lamp, Without Overhead A/C	\$60.00	M
39775	1981	DOME LAMP HARNESS 4 Door Trucks, Roof Dome Lamp To Extension Harness	\$48.00	M
39761	1981	DOME LAMP HARNESS Suburban, Front & Rear Roof Dome Lamp, With Overhead A/C	\$60.00	M
39347	1982	DOME LAMP HARNESS All 2 Door Trucks, Except Blazer & Jimmy, Roof Dome Lamp To Extension Harness	\$41.00	M
39831	1982	DOME LAMP HARNESS Blazer & Jimmy, Cab Mounted Roof Dome Lamp To Extension Harness	\$53.00	M
39761	1982	DOME LAMP HARNESS Suburban, Front & Rear Roof Dome Lamp, With Overhead A/C	\$60.00	M
39760	1982	DOME LAMP HARNESS Suburban, Front & Rear Roof Dome Lamp, Without Overhead A/C	\$60.00	M
39775	1982	DOME LAMP HARNESS 4 Door Trucks, Roof Dome Lamp To Extension Harness	\$48.00	M
41592	1984	DOME LAMP HARNESS	\$53.00	M
41592	1985	DOME LAMP HARNESS	\$53.00	M
41592	1986	DOME LAMP HARNESS	\$53.00	M
41592	1987	DOME LAMP HARNESS	\$53.00	M
41592	1988	DOME LAMP HARNESS	\$53.00	M
41592	1989	DOME LAMP HARNESS	\$53.00	M
41592	1990	DOME LAMP HARNESS	\$53.00	M
41592	1991	DOME LAMP HARNESS	\$53.00	M
ELECTRONIC SPARK CONTROL EXTENSION HARNESS				
37535	1981	ELECTRONIC SPARK CONTROL EXTENSION HARNESS 1/2 & 3/4-Ton, With 305 V/8, Distributor To Electronic Spark Control Harness	\$67.00	M

Part Number	Year	Description	Price	*Rev.
37535	1982	ELECTRONIC SPARK CONTROL EXTENSION HARNESS 1/2 & 3/4-Ton, With 305 V/8, Engine Code H, & 700R4, Or TH350 Trans, Distributor To Electronic Spark Control Harness	\$67.00	M
ENGINE HARNESS				
35928	1973	ENGINE HARNESS 6 Cylinder, All Note: 6 Cylinder Items Are Not Returnable.	\$318.00	M
37458	1973	ENGINE HARNESS V/8, 307, 350 C.I., Auto Trans, Without Gauges	\$305.00	M
40136	1973	ENGINE HARNESS-HEI V/8, 307, 350 C.I., Auto Trans, Without Gauges Note: This Harness Is Modified For Use With An HEI Distributor.	\$322.00	M
37459	1973	ENGINE HARNESS V/8, 307, 350 C.I., Auto Trans, With Gauges	\$305.00	M
39158	1973	ENGINE HARNESS-HEI V/8, 307, 350 C.I., Auto Trans, With Gauges Note: This Harness Is Modified For Use With An HEI Distributor.	\$322.00	M
37456	1973	ENGINE HARNESS V/8, 307, 350 C.I., Manual Trans, Without Gauges	\$305.00	M
40134	1973	ENGINE HARNESS-HEI V/8, 307, 350 C.I., Manual Trans, Without Gauges Note: This Harness Is Modified For Use With An HEI Distributor.	\$322.00	M
37457	1973	ENGINE HARNESS V/8, 307, 350 C.I., Manual Trans, With Gauges	\$305.00	M
40135	1973	ENGINE HARNESS-HEI V/8, 307, 350 C.I., Manual Trans, With Gauges Note: This Harness Is Modified For Use With An HEI Distributor.	\$322.00	M
37462	1973	ENGINE HARNESS V/8, 454 C.I., Auto Trans, Without Gauges	\$305.00	M
40139	1973	ENGINE HARNESS-HEI V/8, 454 C.I., Auto Trans, Without Gauges Note: This Harness Is Modified For Use With An HEI Distributor.	\$322.00	M
37463	1973	ENGINE HARNESS V/8, 454 C.I., Auto Trans, With Gauges	\$305.00	M
39209	1973	ENGINE HARNESS-HEI V/8, 454 C.I., Auto Trans, With Gauges Note: This Harness Is Modified For Use With An HEI Distributor.	\$322.00	M
37460	1973	ENGINE HARNESS V/8, 454 C.I., Manual Trans, Without Gauges	\$305.00	M
40137	1973	ENGINE HARNESS-HEI V/8, 454 C.I., Manual Trans, Without Gauges Note: This Harness Is Modified For Use With An HEI Distributor.	\$322.00	M
37461	1973	ENGINE HARNESS V/8, 454 C.I., Manual Trans, With Gauges	\$305.00	M
40138	1973	ENGINE HARNESS-HEI V/8, 454 C.I., Manual Trans, With Gauges Note: This Harness Is Modified For Use With An HEI Distributor.	\$322.00	M
35977	1974	ENGINE HARNESS 6 Cylinder, All Note: 6 Cylinder Items Are Not Returnable.	\$359.00	M
37481	1974	ENGINE HARNESS V/8, 350 C.I., Auto Trans, Without Gauges	\$344.00	M
40140	1974	ENGINE HARNESS-HEI V/8, 350 C.I., Auto Trans, Without Gauges Note: This Harness Is Modified For Use With An HEI Distributor.	\$344.00	M
37482	1974	ENGINE HARNESS V/8, 350 C.I., Auto Trans, With Gauges	\$344.00	M
39210	1974	ENGINE HARNESS-HEI V/8, 350 C.I., Auto Trans, With Gauges Note: This Harness Is Modified For Use With An HEI Distributor.	\$344.00	M
38871	1974	ENGINE HARNESS V/8, 350 C.I., Manual Trans, Without Gauges	\$344.00	M
40144	1974	ENGINE HARNESS-HEI V/8, 350 C.I., Manual Trans, Without Gauges Note: This Harness Is Modified For Use With An HEI Distributor.	\$344.00	M
37480	1974	ENGINE HARNESS V/8, 350 C.I., Manual Trans, With Gauges	\$344.00	M
40143	1974	ENGINE HARNESS-HEI V/8, 350 C.I., Manual Trans, With Gauges Note: This Harness Is Modified For Use With An HEI Distributor.	\$344.00	M
37484	1974	ENGINE HARNESS V/8, 454 C.I., Without Gauges	\$344.00	M
40141	1974	ENGINE HARNESS-HEI V/8, 454 C.I., Without Gauges Note: This Harness Is Modified For Use With An HEI Distributor.	\$344.00	M
37485	1974	ENGINE HARNESS V/8, 454 C.I., With Gauges	\$344.00	M

Part Number	Year	Description	Price	*Rev.
40142	1974	ENGINE HARNESS-HEI V/8, 454 C.I., With Gauges Note: This Harness Is Modified For Use With An HEI Distributor.	\$344.00	M
35935	1975	ENGINE HARNESS 6 Cylinder, All Note: 6 Cylinder Items Are Not Returnable.	\$374.00	M
37496	1975	ENGINE HARNESS V/8, 350, 400 C.I., Without Gauges	\$344.00	M
37497	1975	ENGINE HARNESS V/8, 350, 400 C.I., With Gauges	\$344.00	M
37498	1975	ENGINE HARNESS V/8, 454 C.I., Without Gauges & California Emission System	\$344.00	M
38872	1975	ENGINE HARNESS V/8, 454 C.I., With Gauges, Without California Emission System	\$344.00	M
37502	1975	ENGINE HARNESS V/8, 454 C.I., 1/2 Ton, Without Gauges, With California Emission System	\$344.00	M
37503	1975	ENGINE HARNESS V/8, 454 C.I., 1/2 Ton, With Gauges & California Emission System	\$344.00	M
37506	1975	ENGINE HARNESS V/8, 454 C.I., 3/4 & 1-Ton, Without Gauges, With California Emission System	\$344.00	M
37507	1975	ENGINE HARNESS V/8, 454 C.I., 3/4 & 1-Ton, With Gauges & California Emission System	\$344.00	M
35954	1976	ENGINE HARNESS 6 Cylinder, 250 C.I. Note: 6 Cylinder Items Are Not Returnable.	\$374.00	M
35932	1976	ENGINE HARNESS 6 Cylinder, 292 C.I. Note: 6 Cylinder Items Are Not Returnable.	\$359.00	M
38135	1976	ENGINE HARNESS V/8, 350, 400 C.I.	\$318.00	M
35967	1976	ENGINE HARNESS V/8, 454 C.I., With Heavy Duty Chassis	\$344.00	M
35968	1976	ENGINE HARNESS V/8, 454 C.I., Without Heavy Duty Chassis	\$358.00	M
35969	1977	ENGINE HARNESS 6 Cylinder, 250 C.I. Note: 6 Cylinder Items Are Not Returnable.	\$374.00	M
37516	1977	ENGINE HARNESS 6 Cylinder, 292 C.I. Note: 6 Cylinder Items Are Not Returnable.	\$374.00	M
38136	1977	ENGINE HARNESS V/8, 305, 350, 400 C.I.	\$318.00	M
35970	1977	ENGINE HARNESS V/8, 454 C.I., Except Heavy Duty Chassis	\$358.00	M
35972	1977	ENGINE HARNESS V/8, 454 C.I., With Heavy Duty Chassis	\$318.00	M
35975	1978	ENGINE HARNESS 6 Cylinder, 250 C.I., Without California Emissions, & All 292 C.I. Note: 6 Cylinder Items Are Not Returnable.	\$374.00	M
35911	1978	ENGINE HARNESS 6 Cylinder, 250 C.I., With California Emissions Note: 6 Cylinder Items Are Not Returnable.	\$374.00	M
38140	1978	ENGINE HARNESS V/8, 305, 350, 400 C.I.	\$332.00	M
35973	1978	ENGINE HARNESS V/8, 454 C.I.	\$332.00	M
37520	1979	ENGINE HARNESS 6 Cylinder, 250 C.I. Note: 6 Cylinder Items Are Not Returnable.	\$387.00	M
37522	1979	ENGINE HARNESS 6 Cylinder, 292 C.I. Note: 6 Cylinder Items Are Not Returnable.	\$387.00	M
22630	1979	ENGINE HARNESS V/8, 454 C.I.	\$332.00	M
38144	1979	ENGINE HARNESS V/8, 305, 350, 400 C.I.	\$332.00	M
37520	1980	ENGINE HARNESS 6 Cylinder, 250 C.I. Note: 6 Cylinder Items Are Not Returnable.	\$387.00	M
37522	1980	ENGINE HARNESS 6 Cylinder, 292 C.I. Note: 6 Cylinder Items Are Not Returnable.	\$387.00	M
38144	1980	ENGINE HARNESS V/8, 305, 350, 400 C.I.	\$332.00	M
22630	1980	ENGINE HARNESS V/8, 454 C.I.	\$332.00	M

Part Number	Year	Description	Price	*Rev.
37528	1981	ENGINE HARNESS 6 Cylinder, 250 C.I. Note: 6 Cylinder Items Are Not Returnable.	\$387.00	M
37531	1981	ENGINE HARNESS 6 Cylinder, 292 C.I. Note: 6 Cylinder Items Are Not Returnable.	\$401.00	M
37530	1981	ENGINE HARNESS V/8, 305, 350 C.I.	\$332.00	M
37529	1981	ENGINE HARNESS V/8, 454 C.I.	\$344.00	M
37528	1982	ENGINE HARNESS 6 Cylinder, 250 C.I., With California Emissions Note: 6 Cylinder Items Are Not Returnable.	\$387.00	M
37531	1982	ENGINE HARNESS 6 Cylinder, 292 C.I. Note: 6 Cylinder Items Are Not Returnable.	\$401.00	M
37539	1982	ENGINE HARNESS 6 Cylinder, 250 C.I., Without California Emissions Note: 6 Cylinder Items Are Not Returnable.	\$401.00	M
37530	1982	ENGINE HARNESS V/8, 305, 350 C.I., With Electric Choke	\$332.00	M
38149	1982	ENGINE HARNESS V/8, 305, 350 C.I., Without Electric Choke	\$332.00	M
37529	1982	ENGINE HARNESS V/8, 454 C.I.	\$344.00	M
38883	1982	ENGINE HARNESS EXTENSION Diesel, Glow Plug Relay To Engine Harness	\$133.00	M
ENGINE INDICATOR LAMP HARNESS				
37538	1982	ENGINE INDICATOR LAMP HARNESS Diesel, Fuse Block To Dash Indicator Warning Lamps	\$147.00	M
FORWARD LAMP HARNESS				
22535	1968	FORWARD LAMP HARNESS K5, With Gauges	\$332.00	
39212	1968	FORWARD LAMP HARNESS-INT REG ALT DRIVER SIDE K5, With Gauges Note: Modified For Driver Side Mounted 1972-84 Non-Serpentine Belt ("SI" Series) Internal Regulated Alternators.	\$366.00	
39287	1968	FORWARD LAMP HARNESS-INT REG ALT PASSENGER SIDE K5, With Gauges Note: Modified For Passenger Side Mounted 1972-84 Non-Serpentine Belt ("SI" Series) Internal Regulated Alternators.	\$381.00	
22530	1968	FORWARD LAMP HARNESS Pickup, With Gauges	\$318.00	
39063	1968	FORWARD LAMP HARNESS-INT REG ALT DRIVER SIDE Pickup, With Gauges Note: Modified For Driver Side Mounted 1972-84 Non-Serpentine Belt ("SI" Series) Internal Regulated Alternators.	\$353.00	
39211	1968	FORWARD LAMP HARNESS-INT REG ALT PASSENGER SIDE Pickup, With Gauges Note: Modified For Passenger Side Mounted 1972-84 Non-Serpentine Belt ("SI" Series) Internal Regulated Alternators.	\$366.00	
22535	1969	FORWARD LAMP HARNESS K5, With Gauges	\$332.00	
39212	1969	FORWARD LAMP HARNESS-INT REG ALT DRIVER SIDE K5, With Gauges Note: Modified For Driver Side Mounted 1972-84 Non-Serpentine Belt ("SI" Series) Internal Regulated Alternators.	\$366.00	
39287	1969	FORWARD LAMP HARNESS-INT REG ALT PASSENGER SIDE K5, With Gauges Note: Modified For Passenger Side Mounted 1972-84 Non-Serpentine Belt ("SI" Series) Internal Regulated Alternators.	\$381.00	
22530	1969	FORWARD LAMP HARNESS Pickup, With Gauges	\$318.00	
39063	1969	FORWARD LAMP HARNESS-INT REG ALT DRIVER SIDE Pickup, With Gauges Note: Modified For Driver Side Mounted 1972-84 Non-Serpentine Belt ("SI" Series) Internal Regulated Alternators.	\$353.00	
39211	1969	FORWARD LAMP HARNESS-INT REG ALT PASSENGER SIDE Pickup, With Gauges Note: Modified For Passenger Side Mounted 1972-84 Non-Serpentine Belt ("SI" Series) Internal Regulated Alternators.	\$366.00	
22535	1970	FORWARD LAMP HARNESS K5, With Gauges	\$332.00	
39212	1970	FORWARD LAMP HARNESS-INT REG ALT DRIVER SIDE K5, With Gauges Note: Modified For Driver Side Mounted 1972-84 Non-Serpentine Belt ("SI" Series) Internal Regulated Alternators.	\$366.00	
39287	1970	FORWARD LAMP HARNESS-INT REG ALT PASSENGER SIDE K5, With Gauges Note: Modified For Passenger Side Mounted 1972-84 Non-Serpentine Belt ("SI" Series) Internal Regulated Alternators.	\$381.00	
22530	1970	FORWARD LAMP HARNESS Pickup, With Gauges	\$318.00	
39063	1970	FORWARD LAMP HARNESS-INT REG ALT DRIVER SIDE Pickup, With Gauges Note: Modified For Driver Side Mounted 1972-84 Non-Serpentine Belt ("SI" Series) Internal Regulated Alternators.	\$353.00	

Part Number	Year	Description	Price	*Rev.
39211	1970	FORWARD LAMP HARNESS-INT REG ALT PASSENGER SIDE Pickup, With Gauges Note: Modified For Passenger Side Mounted 1972-84 Non-Serpentine Belt ("SI" Series) Internal Regulated Alternators.	\$366.00	
22535	1971	FORWARD LAMP HARNESS K5, With Gauges	\$332.00	
39212	1971	FORWARD LAMP HARNESS-INT REG ALT DRIVER SIDE K5, With Gauges Note: Modified For Driver Side Mounted 1972-84 Non-Serpentine Belt ("SI" Series) Internal Regulated Alternators.	\$366.00	
39287	1971	FORWARD LAMP HARNESS-INT REG ALT PASSENGER SIDE K5, With Gauges Note: Modified For Passenger Side Mounted 1972-84 Non-Serpentine Belt ("SI" Series) Internal Regulated Alternators.	\$381.00	
22530	1971	FORWARD LAMP HARNESS Pickup, With Gauges	\$318.00	
39063	1971	FORWARD LAMP HARNESS-INT REG ALT DRIVER SIDE Pickup, With Gauges Note: Modified For Driver Side Mounted 1972-84 Non-Serpentine Belt ("SI" Series) Internal Regulated Alternators.	\$353.00	
39211	1971	FORWARD LAMP HARNESS-INT REG ALT PASSENGER SIDE Pickup, With Gauges Note: Modified For Passenger Side Mounted 1972-84 Non-Serpentine Belt ("SI" Series) Internal Regulated Alternators.	\$366.00	
22535	1972	FORWARD LAMP HARNESS K5, With Gauges	\$332.00	
39212	1972	FORWARD LAMP HARNESS-INT REG ALT DRIVER SIDE K5, With Gauges Note: Modified For Driver Side Mounted 1972-84 Non-Serpentine Belt ("SI" Series) Internal Regulated Alternators.	\$366.00	
39287	1972	FORWARD LAMP HARNESS-INT REG ALT PASSENGER SIDE K5, With Gauges Note: Modified For Passenger Side Mounted 1972-84 Non-Serpentine Belt ("SI" Series) Internal Regulated Alternators.	\$381.00	
22530	1972	FORWARD LAMP HARNESS Pickup, With Gauges	\$318.00	
39063	1972	FORWARD LAMP HARNESS-INT REG ALT DRIVER SIDE Pickup, With Gauges Note: Modified For Driver Side Mounted 1972-84 Non-Serpentine Belt ("SI" Series) Internal Regulated Alternators.	\$353.00	
39211	1972	FORWARD LAMP HARNESS-INT REG ALT PASSENGER SIDE Pickup, With Gauges Note: Modified For Passenger Side Mounted 1972-84 Non-Serpentine Belt ("SI" Series) Internal Regulated Alternators.	\$366.00	
35925	1973	FORWARD LAMP HARNESS	\$304.00	M
35925	1974	FORWARD LAMP HARNESS	\$304.00	M
35971	1975	FORWARD LAMP HARNESS	\$290.00	M
35971	1976	FORWARD LAMP HARNESS	\$290.00	M
35971	1977	FORWARD LAMP HARNESS	\$290.00	M
35971	1978	FORWARD LAMP HARNESS	\$290.00	M
35971	1979	FORWARD LAMP HARNESS	\$290.00	M
37524	1980	FORWARD LAMP HARNESS With Rectangular Headlights	\$304.00	M
35971	1980	FORWARD LAMP HARNESS With Round Headlights	\$290.00	M
37526	1981	FORWARD LAMP HARNESS With Single Headlights	\$330.00	M
37527	1981	FORWARD LAMP HARNESS With Dual Headlights	\$317.00	M
38150	1982	FORWARD LAMP HARNESS With Single Headlights	\$317.00	M
38151	1982	FORWARD LAMP HARNESS With Dual Headlights	\$317.00	M
FOUR WHEEL DRIVE INDICATOR LAMP EXT HARNESS				
39842	1977	FOUR WHEEL DRIVE INDICATOR LAMP EXTENSION HARNESS With Auto Trans, Transfer Case Switch To Indicator Lamp Harness	\$53.00	M
39842	1978	FOUR WHEEL DRIVE INDICATOR LAMP EXTENSION HARNESS With Auto Trans, Transfer Case Switch To Indicator Lamp Harness	\$53.00	M
39842	1979	FOUR WHEEL DRIVE INDICATOR LAMP EXTENSION HARNESS With Auto Trans, Transfer Case Switch To Indicator Lamp Harness	\$53.00	M
FRONT CORNER MARKER LAMP HARNESS				
39746	1973	FRONT CORNER MARKER LAMP HARNESS Stakebed & Flatbed	\$60.00	M
39746	1974	FRONT CORNER MARKER LAMP HARNESS Stakebed & Flatbed	\$60.00	M
39746	1975	FRONT CORNER MARKER LAMP HARNESS Stakebed & Flatbed	\$60.00	M
39746	1976	FRONT CORNER MARKER LAMP HARNESS 1-Ton, Stakebed & Flatbed, With 135.5 In. Wheel Base	\$60.00	M
39746	1977	FRONT CORNER MARKER LAMP HARNESS 1-Ton, Stakebed & Flatbed, With 135.5 In. Wheel Base	\$60.00	M

Part Number	Year	Description	Price	*Rev.
39746	1978	FRONT CORNER MARKER LAMP HARNESS 1-Ton, Stakebed & Flatbed, With 135.5 In. Wheel Base	\$60.00	M
39746	1979	FRONT CORNER MARKER LAMP HARNESS 1-Ton, Stakebed & Flatbed, With 135.5 In. Wheel Base	\$60.00	M
39746	1980	FRONT CORNER MARKER LAMP HARNESS 1-Ton, Stakebed & Flatbed, With 135.5 In. Wheel Base	\$60.00	M
39746	1981	FRONT CORNER MARKER LAMP HARNESS 1-Ton, Stakebed & Flatbed, With 135.5 In. Wheel Base	\$60.00	M
39746	1982	FRONT CORNER MARKER LAMP HARNESS 1-Ton, Stakebed & Flatbed, With 135.5 In. Wheel Base	\$60.00	M
FUEL GAUGE				
44233	1947	FUEL GAUGE 12 Volt, Red Needle, Negative Ground Note: GM Did Not Sell This Gauge Originally, This Gauge Is For Vehicles Converted Over To 12 Volts, But Still Maintains The Original Appearance. For Use On Trucks With Negative Ground System.	\$74.00	N
01517015	1947	FUEL GAUGE 6 Volt, Red Needle, Negative Ground Note: For Use On Trucks With Negative Ground System.	\$74.00	N
44233	1948	FUEL GAUGE 12 Volt, Red Needle, Negative Ground Note: GM Did Not Sell This Gauge Originally, This Gauge Is For Vehicles Converted Over To 12 Volts, But Still Maintains The Original Appearance. For Use On Trucks With Negative Ground System.	\$74.00	N
01517015	1948	FUEL GAUGE 6 Volt, Red Needle, Negative Ground Note: For Use On Trucks With Negative Ground System.	\$74.00	N
44233	1949	FUEL GAUGE 12 Volt, Red Needle, Negative Ground Note: GM Did Not Sell This Gauge Originally, This Gauge Is For Vehicles Converted Over To 12 Volts, But Still Maintains The Original Appearance. For Use On Trucks With Negative Ground System.	\$74.00	N
01517015	1949	FUEL GAUGE 6 Volt, Red Needle, Negative Ground Note: For Use On Trucks With Negative Ground System.	\$74.00	N
44233	1950	FUEL GAUGE 12 Volt, Red Needle, Negative Ground Note: GM Did Not Sell This Gauge Originally, This Gauge Is For Vehicles Converted Over To 12 Volts, But Still Maintains The Original Appearance. For Use On Trucks With Negative Ground System.	\$74.00	N
01517015	1950	FUEL GAUGE 6 Volt, Red Needle, Negative Ground Note: For Use On Trucks With Negative Ground System.	\$74.00	N
44233	1951	FUEL GAUGE 12 Volt, Red Needle, Negative Ground Note: GM Did Not Sell This Gauge Originally, This Gauge Is For Vehicles Converted Over To 12 Volts, But Still Maintains The Original Appearance. For Use On Trucks With Negative Ground System.	\$74.00	N
01517015	1951	FUEL GAUGE 6 Volt, Red Needle, Negative Ground Note: For Use On Trucks With Negative Ground System.	\$74.00	N
44229	1952	FUEL GAUGE 12 Volt, White Needle Note: GM Did Not Sell This Gauge Originally, This Gauge Is For Vehicles Converted Over To 12 Volts, But Still Maintains The Original Appearance.	\$74.00	N
01517169	1952	FUEL GAUGE 6 Volt, White Needle	\$74.00	N
44229	1953	FUEL GAUGE 12 Volt, White Needle Note: GM Did Not Sell This Gauge Originally, This Gauge Is For Vehicles Converted Over To 12 Volts, But Still Maintains The Original Appearance.	\$74.00	N
01517169	1953	FUEL GAUGE 6 Volt, White Needle	\$74.00	N
01518462	1955	FUEL GAUGE	\$85.00	N
01518462	1956	FUEL GAUGE	\$85.00	N
01518462	1957	FUEL GAUGE	\$85.00	N
01518462	1958	FUEL GAUGE	\$85.00	N
01518462	1959	FUEL GAUGE	\$85.00	N
05644548	1960	FUEL GAUGE	\$74.00	N
05644548	1961	FUEL GAUGE	\$74.00	N
05644548	1962	FUEL GAUGE	\$74.00	N
05644548	1963	FUEL GAUGE	\$74.00	N
05644735	1964	FUEL GAUGE With Gauges	\$74.00	N

Part Number	Year	Description	Price	*Rev.
05644488	1964	FUEL GAUGE With Warning Lights	\$74.00	N
05644735	1965	FUEL GAUGE With Gauges	\$74.00	N
05644488	1965	FUEL GAUGE With Warning Lights	\$74.00	N
05644735	1966	FUEL GAUGE With Gauges	\$74.00	N
05644488	1966	FUEL GAUGE With Warning Lights	\$74.00	N
06457910	1967	FUEL GAUGE	\$47.00	N
06457910	1968	FUEL GAUGE	\$47.00	N
06457910	1969	FUEL GAUGE	\$47.00	N
06457910	1970	FUEL GAUGE	\$47.00	N
06457910	1971	FUEL GAUGE	\$47.00	N
06457910	1972	FUEL GAUGE	\$47.00	N
06431698	1973	FUEL GAUGE Fire Orange Needle, With Tachometer	\$54.00	N
06431731	1973	FUEL GAUGE Fire Orange Needle, Without Tachometer	\$54.00	N
06431698	1974	FUEL GAUGE Fire Orange Needle, With Tachometer	\$54.00	N
06431731	1974	FUEL GAUGE Fire Orange Needle, Without Tachometer	\$54.00	N
06432019	1975	FUEL GAUGE Fire Orange Needle, Unleaded Fuel Only, With Tachometer	\$54.00	N
06431698	1975	FUEL GAUGE Fire Orange Needle, With Tachometer	\$54.00	N
06431731	1975	FUEL GAUGE Fire Orange Needle, Without Tachometer	\$54.00	N
06432326	1976	FUEL GAUGE Fire Orange Needle, Unleaded Fuel Only, Without Tachometer	\$54.00	N
06432019	1976	FUEL GAUGE Fire Orange Needle, Unleaded Fuel Only, With Tachometer	\$54.00	N
06431698	1976	FUEL GAUGE Fire Orange Needle, With Tachometer	\$54.00	N
06432170	1976	FUEL GAUGE Fire Orange Needle, Without Tachometer	\$54.00	N
06432326	1977	FUEL GAUGE Fire Orange Needle, Unleaded Fuel Only, Without Tachometer	\$54.00	N
06432019	1977	FUEL GAUGE Fire Orange Needle, Unleaded Fuel Only, With Tachometer	\$54.00	N
06431698	1977	FUEL GAUGE Fire Orange Needle, With Tachometer	\$54.00	N
06432170	1977	FUEL GAUGE Fire Orange Needle, Without Tachometer	\$54.00	N
06432326	1978	FUEL GAUGE Fire Orange Needle, Unleaded Fuel Only, Without Tachometer	\$54.00	N
06432019	1978	FUEL GAUGE Fire Orange Needle, Unleaded Fuel Only, With Tachometer	\$54.00	N
06431698	1978	FUEL GAUGE Fire Orange Needle, With Tachometer	\$54.00	N
06432170	1978	FUEL GAUGE Fire Orange Needle, Without Tachometer	\$54.00	N
06432326	1979	FUEL GAUGE 1st Design, Fire Orange Needle, Unleaded Fuel Only, Without Tachometer	\$54.00	N
06432019	1979	FUEL GAUGE 1st Design, Fire Orange Needle, Unleaded Fuel Only, With Tachometer	\$54.00	N
06431698	1979	FUEL GAUGE 1st Design, Fire Orange Needle, With Tachometer	\$54.00	N
06432170	1979	FUEL GAUGE 1st Design, Fire Orange Needle, Without Tachometer	\$54.00	N
06433358	1979	FUEL GAUGE 2nd Design, Light Orange Needle, Unleaded Fuel Only, Without Tachometer	\$54.00	N
06432844	1979	FUEL GAUGE 2nd Design, Light Orange Needle, With Tachometer	\$54.00	N
06433358	1980	FUEL GAUGE Light Orange Needle, Unleaded Fuel Only, Without Tachometer	\$54.00	N
06432844	1980	FUEL GAUGE Light Orange Needle, With Tachometer	\$54.00	N
06433358	1981	FUEL GAUGE Light Orange Needle, Unleaded Fuel Only, Without Tachometer	\$54.00	N
06432844	1981	FUEL GAUGE Light Orange Needle, With Tachometer	\$54.00	N
06433358	1982	FUEL GAUGE Light Orange Needle, Unleaded Fuel Only, Without Tachometer	\$54.00	N
06432844	1982	FUEL GAUGE Light Orange Needle, With Tachometer	\$54.00	N
06433358	1983	FUEL GAUGE Light Orange Needle, Unleaded Fuel Only, Without Tachometer	\$54.00	N
06432844	1983	FUEL GAUGE Light Orange Needle, With Tachometer	\$54.00	N
06433358	1984	FUEL GAUGE Light Orange Needle, Unleaded Fuel Only, Without Tachometer	\$54.00	N

Part Number	Year	Description	Price	*Rev.
06432844	1984	FUEL GAUGE Light Orange Needle, With Tachometer	\$54.00	N
06433358	1985	FUEL GAUGE Light Orange Needle, Unleaded Fuel Only, Without Tachometer	\$54.00	N
06432844	1985	FUEL GAUGE Light Orange Needle, With Tachometer	\$54.00	N
06433358	1986	FUEL GAUGE Light Orange Needle, Unleaded Fuel Only, Without Tachometer	\$54.00	N
06432844	1986	FUEL GAUGE Light Orange Needle, With Tachometer	\$54.00	N
06433358	1987	FUEL GAUGE Light Orange Needle, Unleaded Fuel Only, Without Tachometer	\$54.00	N
06432844	1987	FUEL GAUGE Light Orange Needle, With Tachometer	\$54.00	N
FUEL TANK SELECTOR SWITCH HARNESS				
39756	1973	FUEL TANK SELECTOR SWITCH HARNESS All, Except Fleetside Bed, Dash Switch To Firewall,	\$80.00	M
39756	1974	FUEL TANK SELECTOR SWITCH HARNESS All, With Fleetside Bed, Dash Switch To Firewall,	\$80.00	M
39756	1975	FUEL TANK SELECTOR SWITCH HARNESS All, With Fleetside Bed, Dash Switch To Firewall	\$80.00	M
39357	1980	FUEL TANK SELECTOR SWITCH HARNESS All, Dash Switch To Firewall	\$80.00	M
40019	1982	FUEL TANK SELECTOR SWITCH HARNESS All, Dash Switch To Firewall, (2nd Design), Firewall Connector Has 2 Wires In A -"T" -Shaped Pattern	\$80.00	M
FUEL TANK SENDER EXTENSION WIRE				
39739	1973	FUEL TANK SENDER EXTENSION WIRE Blazer & Jimmy	\$35.00	N
39739	1974	FUEL TANK SENDER EXTENSION WIRE Blazer & Jimmy	\$35.00	N
39739	1975	FUEL TANK SENDER EXTENSION WIRE Blazer & Jimmy	\$35.00	N
39739	1976	FUEL TANK SENDER EXTENSION WIRE Blazer & Jimmy	\$35.00	N
39739	1977	FUEL TANK SENDER EXTENSION WIRE Blazer & Jimmy	\$35.00	N
39739	1978	FUEL TANK SENDER EXTENSION WIRE Blazer & Jimmy	\$35.00	N
39739	1979	FUEL TANK SENDER EXTENSION WIRE Blazer & Jimmy	\$35.00	N
39739	1980	FUEL TANK SENDER EXTENSION WIRE Blazer & Jimmy	\$35.00	N
FUEL TANK SENDING UNIT				
01517500	1947	FUEL TANK SENDING UNIT Original Style, No Fuel Pick-Up Tube Note: Includes Gaskets, No Filter Sock Included As It Is Separate.	\$39.00	N
06428049	1947	FUEL TANK SENDING UNIT Replacement, With Fuel Pick-Up Tube, Includes Gaskets & Filter Sock Note: In 1947 To 1953 The Pick-Up Tube Was A Separate Item, See 01517500. On 1954 To 1959 This Is A Stock Unit But Can Also Replace 1947 To 1953.	\$39.00	N
01517500	1948	FUEL TANK SENDING UNIT Original Style, No Fuel Pick-Up Tube Note: Includes Gaskets, No Filter Sock Included As It Is Separate.	\$39.00	N
06428049	1948	FUEL TANK SENDING UNIT Replacement, With Fuel Pick-Up Tube, Includes Gaskets & Filter Sock Note: In 1947 To 1953 The Pick-Up Tube Was A Separate Item, See 01517500. On 1954 To 1959 This Is A Stock Unit But Can Also Replace 1947 To 1953.	\$39.00	N
01517500	1949	FUEL TANK SENDING UNIT Original Style, No Fuel Pick-Up Tube Note: Includes Gaskets, No Filter Sock Included As It Is Separate.	\$39.00	N
06428049	1949	FUEL TANK SENDING UNIT Replacement, With Fuel Pick-Up Tube, Includes Gaskets And Filter Sock Note: In 1947 To 1953 The Pick-Up Tube Was A Separate Item, See 01517500. On 1954 To 1959 This Is A Stock Unit But Can Also Replace 1947 To 1953.	\$39.00	N
01517500	1950	FUEL TANK SENDING UNIT Original Style, No Fuel Pick-Up Tube Note: Includes Gaskets, No Filter Sock Included As It Is Separate.	\$39.00	N
06428049	1950	FUEL TANK SENDING UNIT Replacement, With Fuel Pick-Up Tube, Includes Gaskets And Filter Sock Note: In 1947 To 1953 The Pick-Up Tube Was A Separate Item, See 01517500. On 1954 To 1959 This Is A Stock Unit But Can Also Replace 1947 To 1953.	\$39.00	N
01517500	1951	FUEL TANK SENDING UNIT Original Style, No Fuel Pick-Up Tube Note: Includes Gaskets, No Filter Sock Included As It Is Separate.	\$39.00	N

Part Number	Year	Description	Price	*Rev.
06428049	1951	FUEL TANK SENDING UNIT Replacement, With Fuel Pick-Up Tube, Includes Gaskets And Filter Sock Note: In 1947 To 1953 The Pick-Up Tube Was A Separate Item, See 01517500. On 1954 To 1959 This Is A Stock Unit But Can Also Replace 1947 To 1953.	\$39.00	N
01517500	1952	FUEL TANK SENDING UNIT Original Style, No Fuel Pick-Up Tube Note: Includes Gaskets, No Filter Sock Included As It Is Separate.	\$39.00	N
06428049	1952	FUEL TANK SENDING UNIT Replacement, With Fuel Pick-Up Tube, Includes Gaskets And Filter Sock Note: In 1947 To 1953 The Pick-Up Tube Was A Separate Item, See 01517500. On 1954 To 1959 This Is A Stock Unit But Can Also Replace 1947 To 1953.	\$39.00	N
01517500	1953	FUEL TANK SENDING UNIT Original Style, No Fuel Pick-Up Tube Note: Includes Gaskets, No Filter Sock Included As It Is Separate.	\$39.00	N
06428049	1953	FUEL TANK SENDING UNIT Replacement, With Fuel Pick-Up Tube, Includes Gaskets And Filter Sock Note: In 1947 To 1953 The Pick-Up Tube Was A Separate Item, See 01517500. On 1954 To 1959 This Is A Stock Unit But Can Also Replace 1947 To 1953.	\$39.00	N
06428049	1954	FUEL TANK SENDING UNIT Includes Gaskets And Filter Sock	\$39.00	N
06428049	1955	FUEL TANK SENDING UNIT Includes Gaskets And Filter Sock	\$39.00	N
06428049	1956	FUEL TANK SENDING UNIT Includes Gaskets And Filter Sock	\$39.00	N
06428049	1957	FUEL TANK SENDING UNIT Includes Gaskets And Filter Sock	\$39.00	N
06428049	1958	FUEL TANK SENDING UNIT Includes Gaskets And Filter Sock	\$39.00	N
06428049	1959	FUEL TANK SENDING UNIT Includes Gaskets And Filter Sock	\$39.00	N
06428058	1960	FUEL TANK SENDING UNIT Includes Gaskets And Filter Sock	\$39.00	N
06428058	1961	FUEL TANK SENDING UNIT Includes Gaskets And Filter Sock	\$39.00	N
06428058	1962	FUEL TANK SENDING UNIT Includes Gaskets And Filter Sock	\$39.00	N
06428058	1963	FUEL TANK SENDING UNIT Includes Gaskets And Filter Sock	\$39.00	N
06428058	1964	FUEL TANK SENDING UNIT Includes Gaskets And Filter Sock	\$39.00	N
06428058	1965	FUEL TANK SENDING UNIT Includes Gaskets And Filter Sock	\$39.00	N
06428058	1966	FUEL TANK SENDING UNIT Includes Gaskets And Filter Sock	\$39.00	N
06428362	1967	FUEL TANK SENDING UNIT 6 Cylinder, Includes Gaskets And Filter Sock	\$39.00	N
06428271	1967	FUEL TANK SENDING UNIT Suburban, Includes Gaskets And Filter Sock	\$39.00	N
06428361	1967	FUEL TANK SENDING UNIT V/8, Includes Gaskets And Filter Sock	\$39.00	N
06428362	1968	FUEL TANK SENDING UNIT 6 Cylinder, Includes Gaskets And Filter Sock	\$39.00	N
06428271	1968	FUEL TANK SENDING UNIT Suburban, Includes Gaskets And Filter Sock	\$39.00	N
06428361	1968	FUEL TANK SENDING UNIT V/8, Includes Gaskets And Filter Sock	\$39.00	N
06428362	1969	FUEL TANK SENDING UNIT 6 Cylinder, Includes Gaskets And Filter Sock	\$39.00	N
06428271	1969	FUEL TANK SENDING UNIT Jimmy, Suburban, Includes Gaskets And Filter Sock	\$39.00	N
06428361	1969	FUEL TANK SENDING UNIT V/8, Includes Gaskets And Filter Sock	\$39.00	N
06428362	1970	FUEL TANK SENDING UNIT 6 Cylinder, Includes Gaskets And Filter Sock	\$39.00	N
06428271	1970	FUEL TANK SENDING UNIT Jimmy, Suburban, Includes Gaskets And Filter Sock	\$39.00	N
06428361	1970	FUEL TANK SENDING UNIT V/8, Includes Gaskets And Filter Sock	\$39.00	N
06428362	1971	FUEL TANK SENDING UNIT 6 Cylinder, Includes Gaskets And Filter Sock	\$39.00	N
06428271	1971	FUEL TANK SENDING UNIT Jimmy, Suburban, Includes Gaskets And Filter Sock	\$39.00	N
06428361	1971	FUEL TANK SENDING UNIT V/8, Includes Gaskets And Filter Sock	\$39.00	N
06429117	1972	FUEL TANK SENDING UNIT Auto Trans, Includes Gaskets And Filter Sock	\$39.00	N
06428271	1972	FUEL TANK SENDING UNIT Jimmy, Suburban, Includes Gaskets And Filter Sock	\$39.00	N
06429116	1972	FUEL TANK SENDING UNIT Manual Trans, Includes Gaskets And Filter Sock	\$39.00	N

Part Number	Year	Description	Price	*Rev.
06429389	1973	FUEL TANK SENDING UNIT Suburban, 1/2, 3/4 Ton, 2 Wheel Drive, With 350 V/8 (Except Automatic Transmission, 32 Gallon Tank) 3 Outlets	\$62.00	N
06429389	1973	FUEL TANK SENDING UNIT Suburban, Jimmy, 1/2, 3/4 Ton, 2 & 4 Wheel Drive, (Except 32 Gallon Tank) 3 Outlets	\$62.00	N
25000610	1973	FUEL TANK SENDING UNIT Truck, 1/2 Ton, (250, 305, 307, 350), 2 Wheel Drive, (With H.D Chassis) (Except L.P. Gas) 2 Outlets	\$62.00	N
25000612	1973	FUEL TANK SENDING UNIT Truck, 1/2 Ton, 2 Wheel Drive, (250, 307, 350), (With Auxiliary Tank) 2 Outlets	\$62.00	N
25000610	1973	FUEL TANK SENDING UNIT Truck, 1/2 Ton, 4 Wheel Drive 2 Outlets	\$62.00	N
25000612	1973	FUEL TANK SENDING UNIT Truck, 1/2, 3/4 Ton, 4 Wheel Drive, (E.E.S. With Auxiliary Tank) 2 Outlets	\$62.00	N
25000611	1973	FUEL TANK SENDING UNIT Truck, 1/2, 3/4, 1-Ton, (350), 2 Wheel Drive, (With Auto Trans, E.E.S.) 3 Outlets	\$62.00	N
25000613	1973	FUEL TANK SENDING UNIT Truck, 1/2, 3/4, 1-Ton, (454), 2 Wheel Drive, (With E.E.S. Auxiliary Tank) 3 Outlets	\$62.00	N
25000611	1973	FUEL TANK SENDING UNIT Truck, 1/2, 3/4, 1-Ton, (454), 2 Wheel Drive, (With E.E.S.) 3 Outlets	\$62.00	N
06429439	1973	FUEL TANK SENDING UNIT Truck, 3/4 Ton, 4 Wheel Drive, (Except E.E.S.) 1 Outlet	\$62.00	N
25000610	1973	FUEL TANK SENDING UNIT Truck, 3/4 Ton, 4 Wheel Drive, (With E.E.S.) 2 Outlets	\$62.00	N
25000610	1973	FUEL TANK SENDING UNIT Truck, 3/4, 1-Ton, (250, 292, 307, 350), 2 Wheel Drive, (With E. E.S.) 2 Outlets	\$62.00	N
25000612	1973	FUEL TANK SENDING UNIT Truck, 3/4, 1-Ton, 2 Wheel Drive, (292, 307, 350), (E.E.S. With Auxiliary Tank) 2 Outlets	\$62.00	N
06429439	1973	FUEL TANK SENDING UNIT Truck, 3/4, 1-Ton, 2 Wheel Drive, (Except E.E.S., 454) 1 Outlet	\$62.00	N
06429389	1974	FUEL TANK SENDING UNIT Jimmy, 1/2 Ton, 2 & 4 Wheel Drive, With 250 6 Cylinder (Except 31 Gallon Tank) 3 Outlets	\$62.00	N
06429389	1974	FUEL TANK SENDING UNIT Suburban, 1/2 Ton, 2 Wheel Drive, With 250 6 Cylinder (Except 31, 40 Gallon Tank) 3 Outlets	\$62.00	N
06429389	1974	FUEL TANK SENDING UNIT Suburban, Jimmy, 1/2, 3/4 Ton, 2 & 4 Wheel Drive, With 305, 350 V/8 (Except Automatic Transmission, 31 or 40 Gallon Tank) 3 Outlets	\$62.00	N
25000610	1974	FUEL TANK SENDING UNIT Truck, 1/2 Ton, (250, 305, 307, 350), 2 Wheel Drive, (With H.D Chassis) (Except L.P. Gas) 2 Outlets	\$62.00	N
25000612	1974	FUEL TANK SENDING UNIT Truck, 1/2 Ton, 2 Wheel Drive, (250, 307, 350), (With Auxiliary Tank) 2 Outlets	\$62.00	N
06429439	1974	FUEL TANK SENDING UNIT Truck, 1/2 Ton, 2 Wheel Drive, With L.P. Gas 1 Outlet	\$62.00	N

Part Number	Year	Description	Price	*Rev.
25000610	1974	FUEL TANK SENDING UNIT Truck, 1/2 Ton, 4 Wheel Drive 2 Outlets	\$62.00	N
25000612	1974	FUEL TANK SENDING UNIT Truck, 1/2, 3/4 Ton, 4 Wheel Drive, (E.E.S. With Auxiliary Tank) 2 Outlets	\$62.00	N
25000613	1974	FUEL TANK SENDING UNIT Truck, 1/2, 3/4, 1-Ton, (454), 2 Wheel Drive, (With E.E.S. Auxiliary Tank) 3 Outlets	\$62.00	N
25000611	1974	FUEL TANK SENDING UNIT Truck, 1/2, 3/4, 1-Ton, (454), 2 Wheel Drive, (With E.E.S.) 3 Outlets	\$62.00	N
06429439	1974	FUEL TANK SENDING UNIT Truck, 3/4 Ton, 4 Wheel Drive, (Except E.E.S.) 1 Outlet	\$62.00	N
25000610	1974	FUEL TANK SENDING UNIT Truck, 3/4 Ton, 4 Wheel Drive, (With E.E.S.) 2 Outlets	\$62.00	N
25000610	1974	FUEL TANK SENDING UNIT Truck, 3/4, 1-Ton, (250, 292, 307, 350), 2 Wheel Drive, (With E.E.S.) 2 Outlets	\$62.00	N
25000612	1974	FUEL TANK SENDING UNIT Truck, 3/4, 1-Ton, 2 Wheel Drive, (292, 307, 350), (E.E.S. With Auxiliary Tank) 2 Outlets	\$62.00	N
06429439	1974	FUEL TANK SENDING UNIT Truck, 3/4, 1-Ton, 2 Wheel Drive, (Except E.E.S., 454) 1 Outlet	\$62.00	N
06429389	1975	FUEL TANK SENDING UNIT Jimmy, 1/2 Ton, 2 & 4 Wheel Drive, With 250 6 Cylinder (Except 31 Gallon Tank) 3 Outlets	\$62.00	N
06429389	1975	FUEL TANK SENDING UNIT Suburban, 1/2 Ton, 2 Wheel Drive, With 250 6 Cylinder (Except 31, 40 Gallon Tank) 3 Outlets	\$62.00	N
06429389	1975	FUEL TANK SENDING UNIT Suburban, Jimmy, 1/2, 3/4 Ton, 2 & 4 Wheel Drive, With 305, 350 V/8 (Except Automatic Transmission, 31 or 40 Gallon Tank) 3 Outlets	\$62.00	N
25000610	1975	FUEL TANK SENDING UNIT Truck, 1/2 Ton, (250, 305, 307, 350), 2 Wheel Drive, (With H.D Chassis) (Except L.P. Gas) 2 Outlets	\$62.00	N
25000611	1975	FUEL TANK SENDING UNIT Truck, 1/2 Ton, (454), 2 Wheel Drive, (With H.D. Chassis) 3 Outlets	\$62.00	N
25000612	1975	FUEL TANK SENDING UNIT Truck, 1/2 Ton, 2 Wheel Drive, (350 With Auxiliary Tank) (Except 117.5 W.B.) 2 Outlets	\$62.00	N
06429439	1975	FUEL TANK SENDING UNIT Truck, 1/2 Ton, 2 Wheel Drive, With L.P. Gas 1 Outlet	\$62.00	N
25000610	1975	FUEL TANK SENDING UNIT Truck, 1/2 Ton, 4 Wheel Drive 2 Outlets	\$62.00	N
25000613	1975	FUEL TANK SENDING UNIT Truck, 1/2, 3/4 Ton, (Fleetside, Wideside) (350, 400), 4 Wheel Drive, (With Auto Trans) 3 Outlets	\$62.00	N
25000611	1975	FUEL TANK SENDING UNIT Truck, 1/2, 3/4, 1-Ton, (350, 400), 4 Wheel Drive, (With Auto Trans) 3 Outlets	\$62.00	N
25000613	1975	FUEL TANK SENDING UNIT Truck, 1/2, 3/4, 1-Ton, (Fleetside) (454), 2 Wheel Drive, (Except 117.5 W.B.) 3 Outlets	\$62.00	N

Part Number	Year	Description	Price	*Rev.
06429439	1975	FUEL TANK SENDING UNIT Truck, 3/4 Ton, 4 Wheel Drive, (Except E.E.S.) 1 Outlet	\$62.00	N
25000610	1975	FUEL TANK SENDING UNIT Truck, 3/4 Ton, 4 Wheel Drive, (With E.E.S.) 2 Outlets	\$62.00	N
25000610	1975	FUEL TANK SENDING UNIT Truck, 3/4, 1-Ton, (250, 292, 307, 350), 2 Wheel Drive, (With E.E.S.) 2 Outlets	\$62.00	N
25000610	1975	FUEL TANK SENDING UNIT Truck, 3/4, 1-Ton, (292, 350), 2 Wheel Drive, (Except 25 Gallon Tank) 2 Outlets	\$62.00	N
25000611	1975	FUEL TANK SENDING UNIT Truck, 3/4, 1-Ton, (454), 2 Wheel Drive, (Except 25 Gallon Tank) 3 Outlets	\$62.00	N
06429439	1975	FUEL TANK SENDING UNIT Truck, 3/4, 1-Ton, 2 Wheel Drive, (Except E.E.S., 454) 1 Outlet	\$62.00	N
06429389	1975	FUEL TANK SENDING UNIT Truck, 3/4, 1-Ton, 2 Wheel Drive, With 292 6 Cylinder or 350 V/8, With 25 Gallon Tank 3 Outlets	\$62.00	N
06429389	1976	FUEL TANK SENDING UNIT Jimmy, 1/2 Ton, 2 & 4 Wheel Drive, With 250 6 Cylinder (Except 31 Gallon Tank) 3 Outlets	\$62.00	N
06429389	1976	FUEL TANK SENDING UNIT Suburban, 1/2 Ton, 2 Wheel Drive, With 250 6 Cylinder (Except 31, 40 Gallon Tank) 3 Outlets	\$62.00	N
06429389	1976	FUEL TANK SENDING UNIT Suburban, Jimmy, 1/2, 3/4 Ton, 2 & 4 Wheel Drive, With 305, 350 V/8 (Except Automatic Transmission, 31 or 40 Gallon Tank) 3 Outlets	\$62.00	N
25000610	1976	FUEL TANK SENDING UNIT Truck, 1/2 Ton, (250, 305, 307, 350), 2 Wheel Drive, (With H.D Chassis) (Except L.P. Gas) 2 Outlets	\$62.00	N
25000611	1976	FUEL TANK SENDING UNIT Truck, 1/2 Ton, (454), 2 Wheel Drive, (With H.D. Chassis) 3 Outlets	\$62.00	N
25000613	1976	FUEL TANK SENDING UNIT Truck, 1/2, 3/4 Ton, (Fleetside, Wideside) (350, 400), 4 Wheel Drive, (With Auto Trans) 3 Outlets	\$62.00	N
25000612	1976	FUEL TANK SENDING UNIT Truck, 1/2, 3/4 Ton, 4 Wheel Drive, (350) (With Auxiliary Tank) (Except Auto Trans) 2 Outlets	\$62.00	N
25000612	1976	FUEL TANK SENDING UNIT Truck, 1/2, 3/4, 1 Ton, 2 Wheel Drive, (292, 350) (With Auxiliary Tank) 2 Outlets	\$62.00	N
25000610	1976	FUEL TANK SENDING UNIT Truck, 1/2, 3/4, 1-Ton, (250, 292), 4 Wheel Drive 2 Outlets	\$62.00	N
25000611	1976	FUEL TANK SENDING UNIT Truck, 1/2, 3/4, 1-Ton, (350, 400), 4 Wheel Drive, (With Auto Trans) 3 Outlets	\$62.00	N
25000610	1976	FUEL TANK SENDING UNIT Truck, 1/2, 3/4, 1-Ton, (350), 4 Wheel Drive, (Except Auto Trans) 2 Outlets	\$62.00	N
25000613	1976	FUEL TANK SENDING UNIT Truck, 1/2, 3/4, 1-Ton, (454), 2 Wheel Drive, (With Auxiliary Tank) 3 Outlets	\$62.00	N
25000612	1976	FUEL TANK SENDING UNIT Truck, 3/4 Ton, 4 Wheel Drive, (292) (With Auxiliary Tank) 2 Outlets	\$62.00	N

Part Number	Year	Description	Price	*Rev.
25000610	1976	FUEL TANK SENDING UNIT Truck, 3/4, 1-Ton, (292, 350), 2 Wheel Drive, (Except 25 Gallon Tank) 2 Outlets	\$62.00	N
25000611	1976	FUEL TANK SENDING UNIT Truck, 3/4, 1-Ton, (454), 2 Wheel Drive, (Except 25 Gallon Tank) 3 Outlets	\$62.00	N
06429389	1976	FUEL TANK SENDING UNIT Truck, 3/4, 1-Ton, 2 Wheel Drive, With 292 6 Cylinder or 350 V/8, With 25 Gallon Tank 3 Outlets	\$62.00	N
06429389	1977	FUEL TANK SENDING UNIT Jimmy, 1/2 Ton, 2 & 4 Wheel Drive, With 250 6 Cylinder (Except 31 Gallon Tank) 3 Outlets	\$62.00	N
06429389	1977	FUEL TANK SENDING UNIT Suburban, 1/2 Ton, 2 Wheel Drive, With 250 6 Cylinder (Except 31, 40 Gallon Tank) 3 Outlets	\$62.00	N
06429389	1977	FUEL TANK SENDING UNIT Suburban, Jimmy, 1/2, 3/4 Ton, 2 & 4 Wheel Drive, With 305, 350 V/8 (Except Automatic Transmission, 31 or 40 Gallon Tank) 3 Outlets	\$62.00	N
25000612	1977	FUEL TANK SENDING UNIT Truck, 1 Ton, 4 Wheel Drive, (With Auxiliary Tank) 2 Outlets	\$62.00	N
25000610	1977	FUEL TANK SENDING UNIT Truck, 1/2 Ton, (250, 305, 307, 350), 2 Wheel Drive, (With H.D Chassis) (Except L.P. Gas) 2 Outlets	\$62.00	N
25000610	1977	FUEL TANK SENDING UNIT Truck, 1/2 Ton, (250, 305, 350), 2 Wheel Drive, (Except H.D Chassis) 2 Outlets	\$62.00	N
25000611	1977	FUEL TANK SENDING UNIT Truck, 1/2 Ton, (454), 2 Wheel Drive, (Except H.D. Chassis) 3 Outlets	\$62.00	N
25000613	1977	FUEL TANK SENDING UNIT Truck, 1/2 Ton, (454), 2 Wheel Drive, (With Auxiliary Tank) (Except H.D.Chassis) 3 Outlets	\$62.00	N
25000611	1977	FUEL TANK SENDING UNIT Truck, 1/2 Ton, (454), 2 Wheel Drive, (With H.D. Chassis) 3 Outlets	\$62.00	N
25000613	1977	FUEL TANK SENDING UNIT Truck, 1/2, 3/4 Ton, (Fleetside, Wideside) (350, 400), 4 Wheel Drive, (With Auto Trans) 3 Outlets	\$62.00	N
25000612	1977	FUEL TANK SENDING UNIT Truck, 1/2, 3/4 Ton, 4 Wheel Drive, (350) (With Auxiliary Tank) (Except Auto Trans) 2 Outlets	\$62.00	N
25000612	1977	FUEL TANK SENDING UNIT Truck, 1/2, 3/4, 1 Ton, 2 Wheel Drive, (292, 350) (With Auxiliary Tank) 2 Outlets	\$62.00	N
25000610	1977	FUEL TANK SENDING UNIT Truck, 1/2, 3/4, 1-Ton, (250, 292), 4 Wheel Drive 2 Outlets	\$62.00	N
25000611	1977	FUEL TANK SENDING UNIT Truck, 1/2, 3/4, 1-Ton, (350, 400), 4 Wheel Drive, (With Auto Trans) 3 Outlets	\$62.00	N
25000610	1977	FUEL TANK SENDING UNIT Truck, 1/2, 3/4, 1-Ton, (350), 4 Wheel Drive, (Except Auto Trans) 2 Outlets	\$62.00	N
25000613	1977	FUEL TANK SENDING UNIT Truck, 1/2, 3/4, 1-Ton, (454), 2 Wheel Drive, (With Auxiliary Tank) 3 Outlets	\$62.00	N
25000612	1977	FUEL TANK SENDING UNIT Truck, 3/4 Ton, 4 Wheel Drive, (292) (With Auxiliary Tank) 2 Outlets	\$62.00	N

Part Number	Year	Description	Price	*Rev.
25000610	1977	FUEL TANK SENDING UNIT Truck, 3/4, 1-Ton, (292, 350), 2 Wheel Drive, (Except 25 Gallon Tank) 2 Outlets	\$62.00	N
25000611	1977	FUEL TANK SENDING UNIT Truck, 3/4, 1-Ton, (454), 2 Wheel Drive, (Except 25 Gallon Tank) 3 Outlets	\$62.00	N
06429389	1977	FUEL TANK SENDING UNIT Truck, 3/4, 1-Ton, 2 Wheel Drive, With 292 6 Cylinder or 350 V/8, With 25 Gallon Tank 3 Outlets	\$62.00	N
25001483	1978	FUEL TANK SENDING UNIT Suburban, Jimmy, 1/2, 3/4 Ton, 250, 305, 350, (With Manual Trans), 2 & 4 Wheel Drive, (Except 31, 41 Gallon California) 3 Outlets	\$68.00	N
25000612	1978	FUEL TANK SENDING UNIT Truck, 1/2 Ton (250, 350), 2 Wheel Drive, (With Aux Tank, H.D. Suspension) (Except California) 2 Outlets	\$62.00	N
25000610	1978	FUEL TANK SENDING UNIT Truck, 1/2 Ton, (250, 350), 2 Wheel Drive, (With H.D Chassis) (Except California) 2 Outlets	\$62.00	N
25000610	1978	FUEL TANK SENDING UNIT Truck, 1/2, 3/4, 1-Ton, (250, 292), 4 Wheel Drive, (Except California) 2 Outlets	\$62.00	N
25000613	1978	FUEL TANK SENDING UNIT Truck, 1/2, 3/4, 1-Ton, (350), 4 Wheel Drive, (With Auto Trans, Auxiliary Tank) (Except California) 3 Outlets	\$62.00	N
25000610	1978	FUEL TANK SENDING UNIT Truck, 1/2, 3/4, 1-Ton, (350), 4 Wheel Drive, (With Manual Trans) (MC1, M20), (Except California) 2 Outlets	\$62.00	N
25000611	1978	FUEL TANK SENDING UNIT Truck, 1/2, 3/4, 1-Ton, (350), With Auto Trans (M38, M40), 4 Wheel Drive, (Except California) 3 Outlets	\$62.00	N
25000611	1978	FUEL TANK SENDING UNIT Truck, 1/2, 3/4, 1-Ton, (400), 4 Wheel Drive, (Except California) 3 Outlets	\$62.00	N
25000613	1978	FUEL TANK SENDING UNIT Truck, 1/2, 3/4, 1-Ton, (400), 4 Wheel Drive, (With Auxiliary Tank) (Except California) 3 Outlets	\$62.00	N
25000613	1978	FUEL TANK SENDING UNIT Truck, 1/2, 3/4, 1-Ton, (454), 2 Wheel Drive, (With Auxiliary Tank) (Except California) 3 Outlets	\$62.00	N
25000611	1978	FUEL TANK SENDING UNIT Truck, 1/2, 3/4, 1-Ton, (454), 2 Wheel Drive, (With H.D. Suspension) (Except California Rear Mounted Fuel Tank) 3 Outlets	\$62.00	N
25000612	1978	FUEL TANK SENDING UNIT Truck, 1/2, 3/4, 1-Ton, 4 Wheel Drive, With MT, (MC1, M20), (With Auxiliary Tank) (Except California) 2 Outlets	\$62.00	N
25000612	1978	FUEL TANK SENDING UNIT Truck, 3/4 Ton (Crew Cab) (292, 350), 2 Wheel Drive, (With Auxiliary Tank) 2 Outlets	\$62.00	N
25000612	1978	FUEL TANK SENDING UNIT Truck, 3/4, 1-Ton (250, 350), 2 Wheel Drive, (With Auxiliary Tank) (Except California) 2 Outlets	\$62.00	N
25000612	1978	FUEL TANK SENDING UNIT Truck, 3/4, 1-Ton (292), 4 Wheel Drive, (Auxiliary Tank) (Except California) 2 Outlets	\$62.00	N

Part Number	Year	Description	Price	*Rev.
25000610	1978	FUEL TANK SENDING UNIT Truck, 3/4, 1-Ton, (292, 350), 2 Wheel Drive, (Except California, Rear Mounted Tank) 2 Outlets	\$62.00	N
25001483	1978	FUEL TANK SENDING UNIT Truck, 3/4, 1-Ton, 250, 292, 350, 2 & 4 Wheel Drive, (With Rear Mounted Tank) (Except California) 3 Outlets	\$68.00	N
25001483	1979	FUEL TANK SENDING UNIT Suburban, Jimmy, 1/2 Ton, 250, 2 & 4 Wheel Drive, (With 20 Gallon Tank) 3 Outlets	\$68.00	N
25001483	1979	FUEL TANK SENDING UNIT Suburban, Jimmy, 1/2, 3/4 Ton, 305, 350, 2 & 4 Wheel Drive, (With Manual Trans, 20 Gallon Tank) 3 Outlets	\$68.00	N
25000610	1979	FUEL TANK SENDING UNIT Truck, 1-Ton, (292), 2 & 4 Wheel Drive, (Except California, Rear Mounted Tank) 2 Outlets	\$62.00	N
25000613	1979	FUEL TANK SENDING UNIT Truck, 1-Ton, (350), 2 & 4 Wheel Drive, (With Auto Trans, California) 3 Outlets	\$62.00	N
25000611	1979	FUEL TANK SENDING UNIT Truck, 1-Ton, (350), With Auto Trans, 2 & 4 Wheel Drive, (Except California, Rear Mounted Tank) 3 Outlets	\$62.00	N
25000610	1979	FUEL TANK SENDING UNIT Truck, 1-Ton, (350), With Manual Trans (M20), 2 & 4 Wheel Drive, (Except California, Rear Mounted Tank) 2 Outlets	\$62.00	N
25000611	1979	FUEL TANK SENDING UNIT Truck, 1-Ton, (400, 454), 2 & 4 Wheel Drive, (Except California, Rear Mounted Tank) 3 Outlets	\$62.00	N
25000613	1979	FUEL TANK SENDING UNIT Truck, 1-Ton, (400, 454), 2 & 4 Wheel Drive, (With California) 3 Outlets	\$62.00	N
25000613	1979	FUEL TANK SENDING UNIT Truck, 1/2, 3/4 Ton, (305, 350), 2 & 4 Wheel Drive, (With Auto Trans) 3 Outlets	\$62.00	N
25000613	1979	FUEL TANK SENDING UNIT Truck, 1/2, 3/4 Ton, (400), 4 Wheel Drive 3 Outlets	\$62.00	N
25000613	1979	FUEL TANK SENDING UNIT Truck, 1/2, 3/4 Ton, (454), 2 Wheel Drive, (With Auto Trans) 3 Outlets	\$62.00	N
25000611	1979	FUEL TANK SENDING UNIT Truck, 1/2, 3/4, 1-Ton, (350), With Auto Trans (M38, M40), 4 Wheel Drive, (Primary Tank), (Except California) 3 Outlets	\$62.00	N
25000611	1979	FUEL TANK SENDING UNIT Truck, 1/2, 3/4, 1-Ton, (400), 4 Wheel Drive, (Except California) 3 Outlets	\$62.00	N
25000612	1979	FUEL TANK SENDING UNIT Truck, 1/2, 3/4, 1-Ton, 4 Wheel Drive, With MT, (MC1, M20), (With Auxiliary Tank) (Except California) 2 Outlets	\$62.00	N
25000612	1979	FUEL TANK SENDING UNIT Truck, 3/4, 1-Ton (292), 4 Wheel Drive, (Auxiliary Tank) (Except California) 2 Outlets	\$62.00	N
25001483	1979	FUEL TANK SENDING UNIT Truck, 3/4, 1-Ton, 250, 292, 2 & 4 Wheel Drive, (With Rear Mounted Tank) 3 Outlets	\$68.00	N
25001483	1979	FUEL TANK SENDING UNIT Truck, 3/4, 1-Ton, 350, 2 & 4 Wheel Drive, (With Manual Trans, Rear Mounted Tank) 3 Outlets	\$68.00	N

Part Number	Year	Description	Price	*Rev.
25001483	1980	FUEL TANK SENDING UNIT Suburban, Jimmy, 1/2 Ton, 250, 2 & 4 Wheel Drive 3 Outlets	\$68.00	N
25001483	1980	FUEL TANK SENDING UNIT Suburban, Jimmy, 1/2, 3/4 Ton, 305, 350, 2 & 4 Wheel Drive, (With Manual Trans) 3 Outlets	\$68.00	N
25002009	1980	FUEL TANK SENDING UNIT Truck, 1/2, 3/4 Ton, (250, 292) With Auxiliary Tank 2 Outlets	\$77.00	N
25002010	1980	FUEL TANK SENDING UNIT Truck, 1/2, 3/4 Ton, 305, 350, 2 & 4 Wheel Drive, (With Auxiliary Tank) (Except Diesel) 3 Outlets	\$62.00	N
25002006	1980	FUEL TANK SENDING UNIT Truck, 1/2, 3/4, 1-Ton, (250, 292), 2 & 4 Wheel Drive, (Except Rear Mounted Tank) 2 Outlets	\$77.00	N
25002007	1980	FUEL TANK SENDING UNIT Truck, 1/2, 3/4, 1-Ton, 305, 350, 400, 454W, 2 & 4 Wheel Drive, (Except Rear Mounted Tank) 3 Outlets	\$77.00	N
25001483	1980	FUEL TANK SENDING UNIT Truck, 3/4, 1-Ton, 250, 292, 2 & 4 Wheel Drive, (With Rear Mounted Tank) 3 Outlets	\$68.00	N
25001483	1980	FUEL TANK SENDING UNIT Truck, 3/4, 1-Ton, 350, 2 & 4 Wheel Drive, (With Manual Trans, Rear Mounted Tank) 3 Outlets	\$68.00	N
25002010	1980	FUEL TANK SENDING UNIT Truck, 3/4, 1-Ton, 350, 400, 4 Wheel Drive, (With Auxiliary Tank) 3 Outlets	\$62.00	N
25002010	1980	FUEL TANK SENDING UNIT Truck, 3/4, 1-Ton, 350, 454, 2 Wheel Drive, (With Auxiliary Tank) 3 Outlets	\$62.00	N
25001483	1981	FUEL TANK SENDING UNIT Jimmy, 1/2 Ton, 250, 2 & 4 Wheel Drive, (Except 117 Liter Tank) 3 Outlets	\$68.00	N
25002009	1981	FUEL TANK SENDING UNIT Truck, 1/2, 3/4 Ton, (292) With Auxiliary Tank 2 Outlets	\$77.00	N
25002010	1981	FUEL TANK SENDING UNIT Truck, 1/2, 3/4 Ton, 305, 350L, 2 & 4 Wheel Drive 3 Outlets	\$62.00	N
25002007	1981	FUEL TANK SENDING UNIT Truck, 1/2, 3/4 Ton, 350L-M, 4 Wheel Drive, (With Auxiliary Tank) 3 Outlets	\$77.00	N
25002006	1981	FUEL TANK SENDING UNIT Truck, 1/2, 3/4, 1-Ton, (250, 292), 2 & 4 Wheel Drive, (Except Rear Mounted Tank) 2 Outlets	\$77.00	N
25002007	1981	FUEL TANK SENDING UNIT Truck, 1/2, 3/4, 1-Ton, 350L-M, 454W, 2 Wheel Drive, (With Auxiliary Tank) 3 Outlets	\$77.00	N
25002010	1981	FUEL TANK SENDING UNIT Truck, 3/4 Ton, 350M, 4 Wheel Drive, (With California) 3 Outlets	\$62.00	N
25001483	1981	FUEL TANK SENDING UNIT Truck, 3/4, 1-Ton, 250, 292, 2 & 4 Wheel Drive, (With Rear Mounted Tank) 3 Outlets	\$68.00	N
25002010	1981	FUEL TANK SENDING UNIT Truck, 3/4, 1-Ton, 350M, 454W, 2 Wheel Drive, (With California) 3 Outlets	\$62.00	N
25001483	1982	FUEL TANK SENDING UNIT Jimmy, 1/2 Ton, 250, 2 & 4 Wheel Drive, (Except 117 Liter Tank) 3 Outlets	\$68.00	N
25002009	1982	FUEL TANK SENDING UNIT Truck, 1/2, 3/4, 1-Ton, (250, 292), 2 & 4 Wheel Drive 2 Outlets	\$77.00	N

Part Number	Year	Description	Price	*Rev.
25002006	1982	FUEL TANK SENDING UNIT Truck, 1/2, 3/4, 1-Ton, (292), 2 & 4 Wheel Drive, With Auxiliary Tank 2 Outlets	\$77.00	N
25002010	1982	FUEL TANK SENDING UNIT Truck, 1/2, 3/4, 1-Ton, 305, 350, 454, 2 & 4 Wheel Drive 3 Outlets	\$62.00	N
25002007	1982	FUEL TANK SENDING UNIT Truck, 1/2, 3/4, 1-Ton, 305, 350L, 350M, 454, 2 & 4 Wheel Drive, (Auxiliary Tank) 3 Outlets	\$77.00	N
25002009	1983	FUEL TANK SENDING UNIT Truck, 1/2, 3/4, 1-Ton, (250, 292), 2 & 4 Wheel Drive 2 Outlets	\$77.00	N
25002006	1983	FUEL TANK SENDING UNIT Truck, 1/2, 3/4, 1-Ton, (292), 2 & 4 Wheel Drive, With Auxiliary Tank 2 Outlets	\$77.00	N
25002010	1983	FUEL TANK SENDING UNIT Truck, 1/2, 3/4, 1-Ton, 305, 350, 454, 2 & 4 Wheel Drive 3 Outlets	\$62.00	N
25002007	1983	FUEL TANK SENDING UNIT Truck, 1/2, 3/4, 1-Ton, 305, 350L, 350M, 454, 2 & 4 Wheel Drive, (Auxiliary Tank) 3 Outlets	\$77.00	N
25002009	1984	FUEL TANK SENDING UNIT Truck, 1/2, 3/4, 1-Ton, (250, 292), 2 & 4 Wheel Drive 2 Outlets	\$77.00	N
25002006	1984	FUEL TANK SENDING UNIT Truck, 1/2, 3/4, 1-Ton, (292), 2 & 4 Wheel Drive, With Auxiliary Tank 2 Outlets	\$77.00	N
25002010	1984	FUEL TANK SENDING UNIT Truck, 1/2, 3/4, 1-Ton, 305, 350, 454, 2 & 4 Wheel Drive 3 Outlets	\$62.00	N
25002007	1984	FUEL TANK SENDING UNIT Truck, 1/2, 3/4, 1-Ton, 305, 350L, 350M, 454, 2 & 4 Wheel Drive, (Auxiliary Tank) 3 Outlets	\$77.00	N
25002007	1985	FUEL TANK SENDING UNIT Truck, 1/2, 3/4 Ton, 4.3N, 305F-H, 350L, 2 & 4 Wheel Drive, (Auxiliary Tank) 3 Outlets	\$77.00	N
25002010	1985	FUEL TANK SENDING UNIT Truck, 1/2, 3/4, 1-Ton, 6 Cylinder, V/8 (Primary Tank) 3 Outlets	\$62.00	N
25002007	1986	FUEL TANK SENDING UNIT Truck, 1/2, 3/4 Ton, 4.3N, 305F-H, 350L, 2 & 4 Wheel Drive, (Auxiliary Tank) 3 Outlets	\$77.00	N
25002010	1986	FUEL TANK SENDING UNIT Truck, 1/2, 3/4, 1-Ton, 6 Cylinder, V/8 (Primary Tank) 3 Outlets	\$62.00	N
25002007	1987	FUEL TANK SENDING UNIT Truck, 1/2, 3/4 Ton, 292T, 350M, 454W, 2 & 4 Wheel Drive, (With Auxiliary Tank) 3 Outlets	\$77.00	N
25002010	1987	FUEL TANK SENDING UNIT Truck, 1/2, 3/4, 1-Ton, 292T, 350M, 454W Engines (Primary Tank) 3 Outlets	\$62.00	N
25002007	1988	FUEL TANK SENDING UNIT Truck, 1/2, 3/4 Ton, 292T, 350M, 454W, 2 & 4 Wheel Drive, (With Auxiliary Tank) 3 Outlets	\$77.00	N
25002010	1988	FUEL TANK SENDING UNIT Truck, 3/4, 1-Ton, 292T, 350M, 454W Engines (Primary Tank) 3 Outlets	\$62.00	N
25002007	1989	FUEL TANK SENDING UNIT Truck, 1/2, 3/4 Ton, 292T, 350M, 454W, 2 & 4 Wheel Drive, (With Auxiliary Tank) 3 Outlets	\$77.00	N

Part Number	Year	Description	Price	*Rev.
25002010	1989	FUEL TANK SENDING UNIT Truck, 3/4, 1-Ton, 292T, 350M, 454W Engines (Primary Tank) 3 Outlets	\$62.00	N
GAUGE CLUSTER ASSEMBLY				
44254	1947	GAUGE CLUSTER ASSEMBLY 6 Cylinder, 12 Volt, 0-60 Lbs. Oil Gauge, 100-220 Temperature Gauge	\$445.00	N
44253	1947	GAUGE CLUSTER ASSEMBLY 6 Cylinder, 6 Volt, 0-60 Lbs. Oil Gauge, 100-220 Temperature Gauge	\$445.00	N
44255	1947	GAUGE CLUSTER ASSEMBLY V/8, 12 Volt, 0-60 Lbs. Oil Gauge, 100-220 Temperature Gauge	\$445.00	N
44254	1948	GAUGE CLUSTER ASSEMBLY 6 Cylinder, 12 Volt, 0-60 Lbs. Oil Gauge, 100-220 Temperature Gauge	\$445.00	N
44253	1948	GAUGE CLUSTER ASSEMBLY 6 Cylinder, 6 Volt, 0-60 Lbs. Oil Gauge, 100-220 Temperature Gauge	\$445.00	N
44255	1948	GAUGE CLUSTER ASSEMBLY V/8, 12 Volt, 0-60 Lbs. Oil Gauge, 100-220 Temperature Gauge	\$445.00	N
44254	1949	GAUGE CLUSTER ASSEMBLY 6 Cylinder, 12 Volt, 0-60 Lbs. Oil Gauge, 100-220 Temperature Gauge	\$445.00	N
44253	1949	GAUGE CLUSTER ASSEMBLY 6 Cylinder, 6 Volt, 0-60 Lbs. Oil Gauge, 100-220 Temperature Gauge	\$445.00	N
44255	1949	GAUGE CLUSTER ASSEMBLY V/8, 12 Volt, 0-60 Lbs. Oil Gauge, 100-220 Temperature Gauge	\$445.00	N
44254	1950	GAUGE CLUSTER ASSEMBLY 6 Cylinder, 12 Volt, 0-60 Lbs. Oil Gauge, 100-220 Temperature Gauge	\$445.00	N
44253	1950	GAUGE CLUSTER ASSEMBLY 6 Cylinder, 6 Volt, 0-60 Lbs. Oil Gauge, 100-220 Temperature Gauge	\$445.00	N
44255	1950	GAUGE CLUSTER ASSEMBLY V/8, 12 Volt, 0-60 Lbs. Oil Gauge, 100-220 Temperature Gauge	\$445.00	N
44254	1951	GAUGE CLUSTER ASSEMBLY 6 Cylinder, 12 Volt, 0-60 Lbs. Oil Gauge, 100-220 Temperature Gauge	\$445.00	N
44253	1951	GAUGE CLUSTER ASSEMBLY 6 Cylinder, 6 Volt, 0-60 Lbs. Oil Gauge, 100-220 Temperature Gauge	\$445.00	N
44255	1951	GAUGE CLUSTER ASSEMBLY V/8, 12 Volt, 0-60 Lbs. Oil Gauge, 100-220 Temperature Gauge	\$445.00	N
44251	1952	GAUGE CLUSTER ASSEMBLY 6 Cylinder, 12 Volt, 0-30 Lbs. Oil Gauge, 100-212 Temperature Gauge, White Needle	\$445.00	N
44252	1952	GAUGE CLUSTER ASSEMBLY 6 Cylinder, 12 Volt, 0-30 Lbs. Oil Gauge, 100-220 Temperature Gauge, White Needle	\$445.00	N
44249	1952	GAUGE CLUSTER ASSEMBLY 6 Cylinder, 6 Volt, 0-30 Lbs. Oil Gauge, 100-212 Temperature Gauge, White Needle	\$445.00	N
44247	1952	GAUGE CLUSTER ASSEMBLY 6 Cylinder, 6 Volt, 0-30 Lbs. Oil Gauge, 100-220 Temperature Gauge, White Needle	\$445.00	N
44250	1952	GAUGE CLUSTER ASSEMBLY V/8, 12 Volt, 0-60 Lbs. Oil Gauge, 100-212 Temperature Gauge, White Needle	\$445.00	N
44248	1952	GAUGE CLUSTER ASSEMBLY V/8, 12 Volt, 0-60 Lbs. Oil Gauge, 100-220 Temperature Gauge, White Needle	\$445.00	N
44251	1953	GAUGE CLUSTER ASSEMBLY 6 Cylinder, 12 Volt, 0-30 Lbs. Oil Gauge, 100-212 Temperature Gauge, White Needle	\$445.00	N
44252	1953	GAUGE CLUSTER ASSEMBLY 6 Cylinder, 12 Volt, 0-30 Lbs. Oil Gauge, 100-220 Temperature Gauge, White Needle	\$445.00	N
44249	1953	GAUGE CLUSTER ASSEMBLY 6 Cylinder, 6 Volt, 0-30 Lbs. Oil Gauge, 100-212 Temperature Gauge, White Needle	\$445.00	N
44247	1953	GAUGE CLUSTER ASSEMBLY 6 Cylinder, 6 Volt, 0-30 Lbs. Oil Gauge, 100-220 Temperature Gauge, White Needle	\$445.00	N
44250	1953	GAUGE CLUSTER ASSEMBLY V/8, 12 Volt, 0-60 Lbs. Oil Gauge, 100-212 Temperature Gauge, White Needle	\$445.00	N
44248	1953	GAUGE CLUSTER ASSEMBLY V/8, 12 Volt, 0-60 Lbs. Oil Gauge, 100-220 Temperature Gauge, White Needle	\$445.00	N
44262	1967	GAUGE CLUSTER ASSEMBLY V/8, With Gauges & 5000 RPM Tachometer	\$707.00	N
44263	1967	GAUGE CLUSTER ASSEMBLY V/8, With Gauges & 8000 RPM Tachometer	\$707.00	N

Part Number	Year	Description	Price	*Rev.
06457882	1967	GAUGE CLUSTER ASSEMBLY With Gauges, Without Tachometer	\$584.00	N
44262	1968	GAUGE CLUSTER ASSEMBLY V/8, With Gauges & 5000 RPM Tachometer	\$707.00	N
44263	1968	GAUGE CLUSTER ASSEMBLY V/8, With Gauges & 8000 RPM Tachometer	\$707.00	N
06457882	1968	GAUGE CLUSTER ASSEMBLY With Gauges, Without Tachometer	\$584.00	N
06457909	1969	GAUGE CLUSTER ASSEMBLY V/8, With Gauges & 5000 RPM Tachometer Note: Complete Gauge Cluster Assembly, Assembled.	\$707.00	N
44264	1969	GAUGE CLUSTER ASSEMBLY V/8, With Gauges & 8000 RPM Tachometer Note: Complete Gauge Cluster Assembly, Assembled.	\$707.00	N
06458263	1969	GAUGE CLUSTER ASSEMBLY With Gauges, Without Tachometer Note: Complete Gauge Cluster Assembly, Assembled.	\$584.00	N
06457909	1970	GAUGE CLUSTER ASSEMBLY V/8, With Gauges & 5000 RPM Tachometer Note: Complete Gauge Cluster Assembly, Assembled.	\$707.00	N
44264	1970	GAUGE CLUSTER ASSEMBLY V/8, With Gauges & 8000 RPM Tachometer Note: Complete Gauge Cluster Assembly, Assembled.	\$707.00	N
06458263	1970	GAUGE CLUSTER ASSEMBLY With Gauges, Without Tachometer Note: Complete Gauge Cluster Assembly, Assembled.	\$584.00	N
06457909	1971	GAUGE CLUSTER ASSEMBLY V/8, With Gauges & 5000 RPM Tachometer Note: Complete Gauge Cluster Assembly, Assembled.	\$707.00	N
44264	1971	GAUGE CLUSTER ASSEMBLY V/8, With Gauges & 8000 RPM Tachometer Note: Complete Gauge Cluster Assembly, Assembled.	\$707.00	N
06458263	1971	GAUGE CLUSTER ASSEMBLY With Gauges, Without Tachometer Note: Complete Gauge Cluster Assembly, Assembled.	\$584.00	N
06457909	1972	GAUGE CLUSTER ASSEMBLY V/8, With Gauges & 5000 RPM Tachometer Note: Complete Gauge Cluster Assembly, Assembled.	\$707.00	N
44264	1972	GAUGE CLUSTER ASSEMBLY V/8, With Gauges & 8000 RPM Tachometer Note: Complete Gauge Cluster Assembly, Assembled.	\$707.00	N
06458263	1972	GAUGE CLUSTER ASSEMBLY With Gauges, Without Tachometer Note: Complete Gauge Cluster Assembly, Assembled.	\$584.00	N
GROUND WIRE-DISTRIBUTOR POINT PLATE				
38298	1967	GROUND WIRE, DISTRIBUTOR POINT PLATE From Distributor Point Plate To Distributor Housing Note: Replaces Spot Welded Wire Asm On Point Plate Side. Fits All GM V/8 Point Type Distributors From Approx. 1957-1974.	\$17.00	C
38298	1968	GROUND WIRE, DISTRIBUTOR POINT PLATE From Distributor Point Plate To Distributor Housing Note: Replaces Spot Welded Wire Asm On Point Plate Side. Fits All GM V/8 Point Type Distributors From Approx. 1957-1974.	\$17.00	C
38298	1969	GROUND WIRE, DISTRIBUTOR POINT PLATE From Distributor Point Plate To Distributor Housing Note: Replaces Spot Welded Wire Asm On Point Plate Side. Fits All GM V/8 Point Type Distributors From Approx. 1957-1974.	\$17.00	C
38298	1970	GROUND WIRE, DISTRIBUTOR POINT PLATE From Distributor Point Plate To Distributor Housing Note: Replaces Spot Welded Wire Asm On Point Plate Side. Fits All GM V/8 Point Type Distributors From Approx. 1957-1974.	\$17.00	C
38298	1971	GROUND WIRE, DISTRIBUTOR POINT PLATE From Distributor Point Plate To Distributor Housing Note: Replaces Spot Welded Wire Asm On Point Plate Side. Fits All GM V/8 Point Type Distributors From Approx. 1957-1974.	\$17.00	C
38298	1972	GROUND WIRE, DISTRIBUTOR POINT PLATE From Distributor Point Plate To Distributor Housing Note: Replaces Spot Welded Wire Asm On Point Plate Side. Fits All GM V/8 Point Type Distributors From Approx. 1957-1974.	\$17.00	C
38298	1973	GROUND WIRE, DISTRIBUTOR POINT PLATE From Distributor Point Plate To Distributor Housing Note: Replaces Spot Welded Wire Asm On Point Plate Side. Fits All GM V/8 Point Type Distributors From Approx. 1957-1974.	\$17.00	C
38298	1974	GROUND WIRE, DISTRIBUTOR POINT PLATE From Distributor Point Plate To Distributor Housing Note: Replaces Spot Welded Wire Asm On Point Plate Side. Fits All GM V/8 Point Type Distributors From Approx. 1957-1974.	\$17.00	C
HARNESSTAPE				
R0058272	1967	HARNESSTAPE 3/4" Vinyl (100 Ft. Roll) Non-Adhesive	\$12.00	
R0058276	1967	HARNESSTAPE 1" Vinyl (100 Ft. Roll) Non-Adhesive	\$13.00	

Part Number	Year	Description	Price	*Rev.
R0067108	1967	HARNESS TAPE 1 1/4" Vinyl (100 Ft. Roll) Non-Adhesive	\$15.00	
R0058272	1968	HARNESS TAPE 3/4" Vinyl (100 Ft. Roll) Non-Adhesive	\$12.00	
R0058276	1968	HARNESS TAPE 1" Vinyl (100 Ft. Roll) Non-Adhesive	\$13.00	
R0067108	1968	HARNESS TAPE 1 1/4" Vinyl (100 Ft. Roll) Non-Adhesive	\$15.00	
R0058272	1969	HARNESS TAPE 3/4" Vinyl (100 Ft. Roll) Non-Adhesive	\$12.00	
R0058276	1969	HARNESS TAPE 1" Vinyl (100 Ft. Roll) Non-Adhesive	\$13.00	
R0067108	1969	HARNESS TAPE 1 1/4" Vinyl (100 Ft. Roll) Non-Adhesive	\$15.00	
R0058272	1970	HARNESS TAPE 3/4" Vinyl (100 Ft. Roll) Non-Adhesive	\$12.00	
R0058276	1970	HARNESS TAPE 1" Vinyl (100 Ft. Roll) Non-Adhesive	\$13.00	
R0067108	1970	HARNESS TAPE 1 1/4" Vinyl (100 Ft. Roll) Non-Adhesive	\$15.00	
R0058272	1971	HARNESS TAPE 3/4" Vinyl (100 Ft. Roll) Non-Adhesive	\$12.00	
R0058276	1971	HARNESS TAPE 1" Vinyl (100 Ft. Roll) Non-Adhesive	\$13.00	
R0067108	1971	HARNESS TAPE 1 1/4" Vinyl (100 Ft. Roll) Non-Adhesive	\$15.00	
R0058272	1972	HARNESS TAPE 3/4" Vinyl (100 Ft. Roll) Non-Adhesive	\$12.00	
R0058276	1972	HARNESS TAPE 1" Vinyl (100 Ft. Roll) Non-Adhesive	\$13.00	
R0067108	1972	HARNESS TAPE 1 1/4" Vinyl (100 Ft. Roll) Non-Adhesive	\$15.00	
R0058272	1973	HARNESS TAPE 3/4" Vinyl (100 Ft. Roll) Non-Adhesive	\$12.00	
R0058276	1973	HARNESS TAPE 1" Vinyl (100 Ft. Roll) Non-Adhesive	\$13.00	
R0067108	1973	HARNESS TAPE 1 1/4" Vinyl (100 Ft. Roll) Non-Adhesive	\$15.00	
R0058272	1974	HARNESS TAPE 3/4" Vinyl (100 Ft. Roll) Non-Adhesive	\$12.00	
R0058276	1974	HARNESS TAPE 1" Vinyl (100 Ft. Roll) Non-Adhesive	\$13.00	
R0067108	1974	HARNESS TAPE 1 1/4" Vinyl (100 Ft. Roll) Non-Adhesive	\$15.00	
R0058272	1975	HARNESS TAPE 3/4" Vinyl (100 Ft. Roll) Non-Adhesive	\$12.00	
R0058276	1975	HARNESS TAPE 1" Vinyl (100 Ft. Roll) Non-Adhesive	\$13.00	
R0067108	1975	HARNESS TAPE 1 1/4" Vinyl (100 Ft. Roll) Non-Adhesive	\$15.00	
R0058272	1976	HARNESS TAPE 3/4" Vinyl (100 Ft. Roll) Non-Adhesive	\$12.00	
R0058276	1976	HARNESS TAPE 1" Vinyl (100 Ft. Roll) Non-Adhesive	\$13.00	
R0067108	1976	HARNESS TAPE 1 1/4" Vinyl (100 Ft. Roll) Non-Adhesive	\$15.00	
R0058272	1977	HARNESS TAPE 3/4" Vinyl (100 Ft. Roll) Non-Adhesive	\$12.00	
R0058276	1977	HARNESS TAPE 1" Vinyl (100 Ft. Roll) Non-Adhesive	\$13.00	
R0067108	1977	HARNESS TAPE 1 1/4" Vinyl (100 Ft. Roll) Non-Adhesive	\$15.00	
R0058272	1978	HARNESS TAPE 3/4" Vinyl (100 Ft. Roll) Non-Adhesive	\$12.00	
R0058276	1978	HARNESS TAPE 1" Vinyl (100 Ft. Roll) Non-Adhesive	\$13.00	
R0067108	1978	HARNESS TAPE 1 1/4" Vinyl (100 Ft. Roll) Non-Adhesive	\$15.00	
R0058272	1979	HARNESS TAPE 3/4" Vinyl (100 Ft. Roll) Non-Adhesive	\$12.00	
R0058276	1979	HARNESS TAPE 1" Vinyl (100 Ft. Roll) Non-Adhesive	\$13.00	
R0067108	1979	HARNESS TAPE 1 1/4" Vinyl (100 Ft. Roll) Non-Adhesive	\$15.00	
R0058272	1980	HARNESS TAPE 3/4" Vinyl (100 Ft. Roll) Non-Adhesive	\$12.00	
R0058276	1980	HARNESS TAPE 1" Vinyl (100 Ft. Roll) Non-Adhesive	\$13.00	
R0067108	1980	HARNESS TAPE 1 1/4" Vinyl (100 Ft. Roll) Non-Adhesive	\$15.00	
R0058272	1981	HARNESS TAPE 3/4" Vinyl (100 Ft. Roll) Non-Adhesive	\$12.00	M
R0058276	1981	HARNESS TAPE 1" Vinyl (100 Ft. Roll) Non-Adhesive	\$13.00	M
R0067108	1981	HARNESS TAPE 1 1/4" Vinyl (100 Ft. Roll) Non-Adhesive	\$15.00	M
R0058272	1982	HARNESS TAPE 3/4" Vinyl (100 Ft. Roll) Non-Adhesive	\$12.00	M
R0058276	1982	HARNESS TAPE 1" Vinyl (100 Ft. Roll) Non-Adhesive	\$13.00	M
R0067108	1982	HARNESS TAPE 1 1/4" Vinyl (100 Ft. Roll) Non-Adhesive	\$15.00	M
R0058272	1983	HARNESS TAPE 3/4" Vinyl (100 Ft. Roll) Non-Adhesive	\$12.00	M

Part Number	Year	Description	Price	*Rev.
R0058276	1983	HARNESS TAPE 1" Vinyl (100 Ft. Roll) Non-Adhesive	\$13.00	M
R0067108	1983	HARNESS TAPE 1 1/4" Vinyl (100 Ft. Roll) Non-Adhesive	\$15.00	M
R0058272	1984	HARNESS TAPE 3/4" Vinyl (100 Ft. Roll) Non-Adhesive	\$12.00	M
R0058276	1984	HARNESS TAPE 1" Vinyl (100 Ft. Roll) Non-Adhesive	\$13.00	M
R0067108	1984	HARNESS TAPE 1 1/4" Vinyl (100 Ft. Roll) Non-Adhesive	\$15.00	M
R0058272	1985	HARNESS TAPE 3/4" Vinyl (100 Ft. Roll) Non-Adhesive	\$12.00	M
R0058276	1985	HARNESS TAPE 1" Vinyl (100 Ft. Roll) Non-Adhesive	\$13.00	M
R0067108	1985	HARNESS TAPE 1 1/4" Vinyl (100 Ft. Roll) Non-Adhesive	\$15.00	M
R0058272	1986	HARNESS TAPE 3/4" Vinyl (100 Ft. Roll) Non-Adhesive	\$12.00	M
R0058276	1986	HARNESS TAPE 1" Vinyl (100 Ft. Roll) Non-Adhesive	\$13.00	M
R0067108	1986	HARNESS TAPE 1 1/4" Vinyl (100 Ft. Roll) Non-Adhesive	\$15.00	M
R0058272	1987	HARNESS TAPE 3/4" Vinyl (100 Ft. Roll) Non-Adhesive	\$12.00	M
R0058276	1987	HARNESS TAPE 1" Vinyl (100 Ft. Roll) Non-Adhesive	\$13.00	M
R0067108	1987	HARNESS TAPE 1 1/4" Vinyl (100 Ft. Roll) Non-Adhesive	\$15.00	M
R0058272	1988	HARNESS TAPE 3/4" Vinyl (100 Ft. Roll) Non-Adhesive	\$12.00	M
R0058276	1988	HARNESS TAPE 1" Vinyl (100 Ft. Roll) Non-Adhesive	\$13.00	M
R0067108	1988	HARNESS TAPE 1 1/4" Vinyl (100 Ft. Roll) Non-Adhesive	\$15.00	M
R0058272	1989	HARNESS TAPE 3/4" Vinyl (100 Ft. Roll) Non-Adhesive	\$12.00	M
R0058276	1989	HARNESS TAPE 1" Vinyl (100 Ft. Roll) Non-Adhesive	\$13.00	M
R0067108	1989	HARNESS TAPE 1 1/4" Vinyl (100 Ft. Roll) Non-Adhesive	\$15.00	M
R0058272	1990	HARNESS TAPE 3/4" Vinyl (100 Ft. Roll) Non-Adhesive	\$12.00	M
R0058276	1990	HARNESS TAPE 1" Vinyl (100 Ft. Roll) Non-Adhesive	\$13.00	M
R0067108	1990	HARNESS TAPE 1 1/4" Vinyl (100 Ft. Roll) Non-Adhesive	\$15.00	M
R0058272	1991	HARNESS TAPE 3/4" Vinyl (100 Ft. Roll) Non-Adhesive	\$12.00	M
R0058276	1991	HARNESS TAPE 1" Vinyl (100 Ft. Roll) Non-Adhesive	\$13.00	M
R0067108	1991	HARNESS TAPE 1 1/4" Vinyl (100 Ft. Roll) Non-Adhesive	\$15.00	M
HEADLAMP DIMMER SWITCH				
07844166	1984	HEADLAMP DIMMER SWITCH Column Mounted	\$13.00	N
07844166	1985	HEADLAMP DIMMER SWITCH Column Mounted	\$13.00	N
07844166	1986	HEADLAMP DIMMER SWITCH Column Mounted	\$13.00	N
07844166	1987	HEADLAMP DIMMER SWITCH Column Mounted Note: RV Model, Square Body Style.	\$13.00	N
07844166	1988	HEADLAMP DIMMER SWITCH Column Mounted Note: RV Model, Square Body Style.	\$13.00	N
07844166	1989	HEADLAMP DIMMER SWITCH Column Mounted Note: RV Model, Square Body Style.	\$13.00	N
07844166	1990	HEADLAMP DIMMER SWITCH Column Mounted Note: RV Model, Square Body Style.	\$13.00	N
07844166	1991	HEADLAMP DIMMER SWITCH Column Mounted Note: RV Model, Square Body Style.	\$13.00	N
HEADLIGHT SWITCH				
01995216	1973	HEADLIGHT SWITCH	\$20.00	N
01995216	1974	HEADLIGHT SWITCH	\$20.00	N
01995216	1975	HEADLIGHT SWITCH	\$20.00	N
01995216	1976	HEADLIGHT SWITCH	\$20.00	N
01995216	1977	HEADLIGHT SWITCH	\$20.00	N
01995216	1978	HEADLIGHT SWITCH	\$20.00	N

Part Number	Year	Description	Price	*Rev.
01995216	1979	HEADLIGHT SWITCH	\$20.00	N
01995216	1980	HEADLIGHT SWITCH	\$20.00	N
01995216	1981	HEADLIGHT SWITCH	\$20.00	N
01995216	1982	HEADLIGHT SWITCH	\$20.00	N
01995216	1983	HEADLIGHT SWITCH	\$20.00	N
01995216	1984	HEADLIGHT SWITCH	\$20.00	N
01995216	1985	HEADLIGHT SWITCH	\$20.00	N
01995216	1986	HEADLIGHT SWITCH	\$20.00	N
01995216	1987	HEADLIGHT SWITCH RV Body Style	\$20.00	N
01995216	1988	HEADLIGHT SWITCH RV Body Style	\$20.00	N
01995216	1989	HEADLIGHT SWITCH RV Body Style	\$20.00	N
01995216	1990	HEADLIGHT SWITCH RV Body Style	\$20.00	N
01995216	1991	HEADLIGHT SWITCH RV Body Style	\$20.00	N
HEATER BLOWER MOTOR RESISTOR				
03929052	1982	HEATER BLOWER MOTOR RESISTOR Suburban, Auxiliary Blower Motor, Without A/C	\$15.00	N
03929052	1983	HEATER BLOWER MOTOR RESISTOR Suburban, Auxiliary Blower Motor, Without A/C	\$15.00	N
03929052	1984	HEATER BLOWER MOTOR RESISTOR Suburban, Auxiliary Blower Motor, Without A/C	\$15.00	N
03929052	1985	HEATER BLOWER MOTOR RESISTOR Suburban, Auxiliary Blower Motor, Without A/C	\$15.00	N
03929052	1986	HEATER BLOWER MOTOR RESISTOR Suburban, Auxiliary Blower Motor, Without A/C	\$15.00	N
03929052	1987	HEATER BLOWER MOTOR RESISTOR Suburban, Auxiliary Blower Motor, Without A/C	\$15.00	N
03929052	1988	HEATER BLOWER MOTOR RESISTOR Suburban, Auxiliary Blower Motor, Without A/C	\$15.00	N
03929052	1989	HEATER BLOWER MOTOR RESISTOR Suburban, Auxiliary Blower Motor, Without A/C	\$15.00	N
03929052	1990	HEATER BLOWER MOTOR RESISTOR Suburban, Auxiliary Blower Motor, Without A/C	\$15.00	N
03929052	1991	HEATER BLOWER MOTOR RESISTOR Suburban, Auxiliary Blower Motor, Without A/C	\$15.00	N
HEATER HARNESS				
39707	1973	HEATER HARNESS Except Heavy Duty Heater, Without A/C, (For Use With 3 Terminal Heater Resistor)	\$80.00	M
39305	1973	HEATER HARNESS With Heavy Duty Heater, Without A/C, (For Use With 4 Terminal Heater Resistor)	\$94.00	M
39707	1974	HEATER HARNESS Except Heavy Duty Heater, Without A/C, (For Use With 3 Terminal Heater Resistor)	\$80.00	M
39305	1974	HEATER HARNESS With Heavy Duty Heater, Without A/C, (For Use With 4 Terminal Heater Resistor)	\$94.00	M
39707	1975	HEATER HARNESS Except Heavy Duty Heater, Without A/C, (For Use With 3 Terminal Heater Resistor)	\$80.00	M
39305	1975	HEATER HARNESS With Heavy Duty Heater, Without A/C, (For Use With 4 Terminal Heater Resistor)	\$94.00	M
39707	1976	HEATER HARNESS Except Heavy Duty Heater, Without A/C, (For Use With 3 Terminal Heater Resistor)	\$80.00	M
39305	1976	HEATER HARNESS With Heavy Duty Heater, Without A/C, (For Use With 4 Terminal Heater Resistor)	\$94.00	M
39815	1976	HEATER HARNESS All Suburban, & 2 Wheel Drive Blazer & Jimmy, With Rear Auxiliary Heater	\$87.00	M
39707	1977	HEATER HARNESS Except Heavy Duty Heater, Without A/C, (For Use With 3 Terminal Heater Resistor)	\$80.00	M
39305	1977	HEATER HARNESS With Heavy Duty Heater, Without A/C, (For Use With 4 Terminal Heater Resistor)	\$94.00	M
39815	1977	HEATER HARNESS All Suburban, & 2 Wheel Drive Blazer & Jimmy, With Rear Auxiliary Heater	\$87.00	M
39707	1978	HEATER HARNESS Except Heavy Duty Heater, Without A/C, (For Use With 3 Terminal Heater Resistor)	\$80.00	M

Part Number	Year	Description	Price	*Rev.
39305	1978	HEATER HARNESS With Heavy Duty Heater, Without A/C, (For Use With 4 Terminal Heater Resistor)	\$94.00	M
39815	1978	HEATER HARNESS All Suburban, & 2 Wheel Drive Blazer & Jimmy, With Rear Auxiliary Heater	\$87.00	M
39707	1979	HEATER HARNESS Except Heavy Duty Heater, Without A/C, (For Use With 3 Terminal Heater Resistor)	\$80.00	M
39305	1979	HEATER HARNESS With Heavy Duty Heater, Without A/C, (For Use With 4 Terminal Heater Resistor)	\$94.00	M
39910	1979	HEATER HARNESS All Suburban, & 2 Wheel Drive Blazer & Jimmy, With Rear Auxiliary Heater	\$87.00	M
39707	1980	HEATER HARNESS Except Heavy Duty Heater, Without A/C, (For Use With 3 Terminal Heater Resistor)	\$80.00	M
39305	1980	HEATER HARNESS With Heavy Duty Heater, Without A/C, (For Use With 4 Terminal Heater Resistor)	\$94.00	M
39910	1980	HEATER HARNESS All Suburban, & 2 Wheel Drive Blazer & Jimmy, With Rear Auxiliary Heater	\$87.00	M
39910	1981	HEATER HARNESS All Suburban, & 2 Wheel Drive Blazer & Jimmy, With Rear Auxiliary Heater	\$87.00	M
39934	1981	HEATER HARNESS Except Heavy Duty Heater, Without A/C, (For Use With 3 Terminal Heater Resistor)	\$80.00	M
39935	1981	HEATER HARNESS With Heavy Duty Heater, Without A/C, (For Use With 4 Terminal Heater Resistor)	\$87.00	M
39934	1982	HEATER HARNESS Except Heavy Duty Heater, Without A/C, (For Use With 3 Terminal Heater Resistor)	\$80.00	M
39935	1982	HEATER HARNESS With Heavy Duty Heater, Without A/C, (For Use With 4 Terminal Heater Resistor)	\$87.00	M
HORN WIRE				
39706	1974	HORN WIRE Used With Hi Note Horn	\$30.00	M
39789	1975	HORN WIRE Used With Hi Note Horn	\$30.00	M
IDLE SPEED SWITCH HARNESS				
37523	1979	IDLE SPEED SWITCH HARNESS 1-Ton Truck, With V/8	\$66.00	M
37523	1980	IDLE SPEED SWITCH HARNESS 1-Ton Truck, With V/8	\$66.00	M
IDLE STOP SOLENOID JUMPER WIRE				
40013	1982	IDLE STOP SOLENOID JUMPER WIRE Idle Stop Solenoid To A/C Harness	\$26.00	M
IGNITION BALLAST RESISTOR				
01957154	1955	IGNITION BALLAST RESISTOR All, 12 Volt	\$12.00	N
01957154	1956	IGNITION BALLAST RESISTOR All	\$12.00	N
01957154	1957	IGNITION BALLAST RESISTOR All	\$12.00	N
01957154	1958	IGNITION BALLAST RESISTOR All	\$12.00	N
01957154	1959	IGNITION BALLAST RESISTOR All	\$12.00	N
IGNITION CYLINDER AND KEYS				
20071252	1973	IGNITION CYLINDER AND KEYS Chrome, All	\$18.50	N
20071252	1974	IGNITION CYLINDER AND KEYS Chrome, All	\$18.50	N
20071252	1975	IGNITION CYLINDER AND KEYS Chrome, All	\$18.50	N
20071252	1976	IGNITION CYLINDER AND KEYS Chrome, All	\$18.50	N
20071252	1977	IGNITION CYLINDER AND KEYS Chrome, All	\$18.50	N
20071252	1978	IGNITION CYLINDER AND KEYS Chrome, All, 1st Design, Used On Columns Without Lock Cylinder Retaining Screw	\$18.50	N
07833759	1978	IGNITION CYLINDER AND KEYS Chrome, All, 2nd Design, Used On Columns With Lock Cylinder Retaining Screw	\$18.50	N
07833759	1979	IGNITION CYLINDER AND KEYS Chrome, All	\$18.50	N

Part Number	Year	Description	Price	*Rev.
07833759	1980	IGNITION CYLINDER AND KEYS Chrome, All	\$18.50	N
07833759	1981	IGNITION CYLINDER AND KEYS Chrome, All	\$18.50	N
07833759	1982	IGNITION CYLINDER AND KEYS Chrome, All	\$18.50	N
07833759	1983	IGNITION CYLINDER AND KEYS Chrome, All	\$18.50	N
07833759	1984	IGNITION CYLINDER AND KEYS Chrome, All	\$18.50	N
07833759	1985	IGNITION CYLINDER AND KEYS Chrome, All	\$18.50	N
07833759	1986	IGNITION CYLINDER AND KEYS Chrome, All	\$18.50	N
07833759	1987	IGNITION CYLINDER AND KEYS Chrome, All	\$18.50	N
07833759	1988	IGNITION CYLINDER AND KEYS Chrome, All	\$18.50	N
07833759	1989	IGNITION CYLINDER AND KEYS Chrome, All	\$18.50	N
07833759	1990	IGNITION CYLINDER AND KEYS Chrome, All	\$18.50	N
07833759	1991	IGNITION CYLINDER AND KEYS Chrome, All	\$18.50	N
IGNITION SWITCH				
01116570	1957	IGNITION SWITCH 6 Cylinder, With Automatic Transmission	\$62.00	N
01116570	1957	IGNITION SWITCH V/8	\$62.00	N
01116570	1958	IGNITION SWITCH 6 Cylinder, With Automatic Transmission	\$62.00	N
01116570	1958	IGNITION SWITCH V/8	\$62.00	N
01116570	1959	IGNITION SWITCH 6 Cylinder, With Automatic Transmission	\$62.00	N
01116570	1959	IGNITION SWITCH V/8	\$62.00	N
44206	1960	IGNITION SWITCH KIT Note: Includes Wiring Adapter, Ignition Switch And Instructions.	\$54.00	N
44206	1961	IGNITION SWITCH KIT Note: Includes Wiring Adapter, Ignition Switch And Instructions.	\$54.00	N
01116626	1962	IGNITION SWITCH	\$24.00	M
01116626	1963	IGNITION SWITCH	\$24.00	M
01116626	1964	IGNITION SWITCH	\$24.00	M
01116626	1965	IGNITION SWITCH	\$24.00	M
01116626	1966	IGNITION SWITCH	\$24.00	M
01990110	1973	IGNITION SWITCH All, With Tilt	\$14.00	N
01990110	1974	IGNITION SWITCH All, With Tilt	\$14.00	N
01990110	1975	IGNITION SWITCH All, With Tilt	\$14.00	N
01990110	1976	IGNITION SWITCH All, With Tilt	\$14.00	N
01990110	1977	IGNITION SWITCH All, With Tilt	\$14.00	N
01990110	1978	IGNITION SWITCH All, With Tilt	\$14.00	N
01990110	1979	IGNITION SWITCH All, With Tilt	\$14.00	N
01990110	1980	IGNITION SWITCH All, With Tilt	\$14.00	N
01990110	1981	IGNITION SWITCH All, With Tilt	\$14.00	N
01990110	1982	IGNITION SWITCH All, With Tilt	\$14.00	N
01990110	1983	IGNITION SWITCH All, With Tilt	\$14.00	N
01990110	1984	IGNITION SWITCH All, With Tilt	\$14.00	N
01990110	1985	IGNITION SWITCH All, With Tilt	\$14.00	N
01990110	1986	IGNITION SWITCH All, With Tilt	\$14.00	N
01990110	1987	IGNITION SWITCH All, With Tilt Note: Used On R & V Body Styles.	\$14.00	N
01990110	1988	IGNITION SWITCH All, With Tilt Note: Used On R & V Body Styles.	\$14.00	N

Part Number	Year	Description	Price	*Rev.
01990110	1989	IGNITION SWITCH All, With Tilt Note: Used On R & V Body Styles.	\$14.00	N
01990110	1990	IGNITION SWITCH All, With Tilt Note: Used On R & V Body Styles.	\$14.00	N
01990110	1991	IGNITION SWITCH All, With Tilt Note: Used On R & V Body Styles.	\$14.00	N
01990110	1992	IGNITION SWITCH All, With Tilt	\$14.00	N
01990110	1993	IGNITION SWITCH All, With Tilt	\$14.00	N
01990110	1994	IGNITION SWITCH All, With Tilt	\$14.00	N
INSTRUMENT GAUGE CLUSTER CLIP KIT				
08986000	1973	CLIP KIT All, Instrument Gauge Cluster / Printed Circuit Board Retaining Clip Note: Replaces Original GM Part Number 08986000, Includes 12 Clips Per Kit.	\$14.00	N
08986000	1974	CLIP KIT All, Instrument Gauge Cluster / Printed Circuit Board Retaining Clip Note: Replaces Original GM Part Number 08986000, Includes 12 Clips Per Kit.	\$14.00	N
08986000	1975	CLIP KIT All, Instrument Gauge Cluster / Printed Circuit Board Retaining Clip Note: Replaces Original GM Part Number 08986000, Includes 12 Clips Per Kit.	\$14.00	N
08986000	1976	CLIP KIT All, Instrument Gauge Cluster / Printed Circuit Board Retaining Clip Note: Replaces Original GM Part Number 08986000, Includes 12 Clips Per Kit.	\$14.00	N
08986000	1977	CLIP KIT All, Instrument Gauge Cluster / Printed Circuit Board Retaining Clip Note: Replaces Original GM Part Number 08986000, Includes 12 Clips Per Kit.	\$14.00	N
08986000	1978	CLIP KIT All, Instrument Gauge Cluster / Printed Circuit Board Retaining Clip Note: Replaces Original GM Part Number 08986000, Includes 12 Clips Per Kit.	\$14.00	N
08986000	1979	CLIP KIT All, Instrument Gauge Cluster / Printed Circuit Board Retaining Clip Note: Replaces Original GM Part Number 08986000, Includes 12 Clips Per Kit.	\$14.00	N
08986000	1980	CLIP KIT All, Instrument Gauge Cluster / Printed Circuit Board Retaining Clip Note: Replaces Original GM Part Number 08986000, Includes 12 Clips Per Kit.	\$14.00	N
08986000	1981	CLIP KIT All, Instrument Gauge Cluster / Printed Circuit Board Retaining Clip Note: Replaces Original GM Part Number 08986000, Includes 12 Clips Per Kit.	\$14.00	N
08986000	1982	CLIP KIT All, Instrument Gauge Cluster / Printed Circuit Board Retaining Clip Note: Replaces Original GM Part Number 08986000, Includes 12 Clips Per Kit.	\$14.00	N
08986000	1983	CLIP KIT All, Instrument Gauge Cluster / Printed Circuit Board Retaining Clip Note: Replaces Original GM Part Number 08986000, Includes 12 Clips Per Kit.	\$14.00	N
08986000	1984	CLIP KIT All, Instrument Gauge Cluster / Printed Circuit Board Retaining Clip Note: Replaces Original GM Part Number 08986000, Includes 12 Clips Per Kit.	\$14.00	N
08986000	1985	CLIP KIT All, Instrument Gauge Cluster / Printed Circuit Board Retaining Clip Note: Replaces Original GM Part Number 08986000, Includes 12 Clips Per Kit.	\$14.00	N
08986000	1986	CLIP KIT All, Instrument Gauge Cluster / Printed Circuit Board Retaining Clip Note: Replaces Original GM Part Number 08986000, Includes 12 Clips Per Kit.	\$14.00	N

Part Number	Year	Description	Price	*Rev.
08986000	1987	CLIP KIT All, Instrument Gauge Cluster / Printed Circuit Board Retaining Clip Note: Replaces Original GM Part Number 08986000, Includes 12 Clips Per Kit.	\$14.00	N
08986000	1988	CLIP KIT All, Instrument Gauge Cluster / Printed Circuit Board Retaining Clip Note: Replaces Original GM Part Number 08986000, Includes 12 Clips Per Kit.	\$14.00	N
08986000	1989	CLIP KIT All, Instrument Gauge Cluster / Printed Circuit Board Retaining Clip Note: Replaces Original GM Part Number 08986000, Includes 12 Clips Per Kit.	\$14.00	N
08986000	1990	CLIP KIT All, Instrument Gauge Cluster / Printed Circuit Board Retaining Clip Note: Replaces Original GM Part Number 08986000, Includes 12 Clips Per Kit.	\$14.00	N
INSTRUMENT GAUGE CLUSTER LENS				
06458266	1967	INSTRUMENT GAUGE CLUSTER LENS With Gauges & Tachometer, Without Vacuum Gauge	\$44.00	N
44274	1967	INSTRUMENT GAUGE CLUSTER LENS With Gauges, Tachometer & Vacuum Gauge	\$44.00	N
06458264	1967	INSTRUMENT GAUGE CLUSTER LENS With Gauges, Without Tachometer Or Vacuum Gauge	\$44.00	N
06430776	1967	INSTRUMENT GAUGE CLUSTER LENS With Warning Lights	\$40.00	N
06458266	1968	INSTRUMENT GAUGE CLUSTER LENS With Gauges & Tachometer, Without Vacuum Gauge	\$44.00	N
44274	1968	INSTRUMENT GAUGE CLUSTER LENS With Gauges, Tachometer & Vacuum Gauge	\$44.00	N
06458264	1968	INSTRUMENT GAUGE CLUSTER LENS With Gauges, Without Tachometer Or Vacuum Gauge	\$44.00	N
06430776	1968	INSTRUMENT GAUGE CLUSTER LENS With Warning Lights	\$40.00	N
06458266	1969	INSTRUMENT GAUGE CLUSTER LENS With Gauges & Tachometer, Without Vacuum Gauge	\$44.00	N
44274	1969	INSTRUMENT GAUGE CLUSTER LENS With Gauges, Tachometer & Vacuum Gauge	\$44.00	N
06458264	1969	INSTRUMENT GAUGE CLUSTER LENS With Gauges, Without Tachometer Or Vacuum Gauge	\$44.00	N
06430776	1969	INSTRUMENT GAUGE CLUSTER LENS With Warning Lights	\$40.00	N
06458266	1970	INSTRUMENT GAUGE CLUSTER LENS With Gauges & Tachometer, Without Vacuum Gauge	\$44.00	N
44274	1970	INSTRUMENT GAUGE CLUSTER LENS With Gauges, Tachometer & Vacuum Gauge	\$44.00	N
06458264	1970	INSTRUMENT GAUGE CLUSTER LENS With Gauges, Without Tachometer Or Vacuum Gauge	\$44.00	N
06430776	1970	INSTRUMENT GAUGE CLUSTER LENS With Warning Lights	\$40.00	N
06458266	1971	INSTRUMENT GAUGE CLUSTER LENS With Gauges & Tachometer, Without Vacuum Gauge	\$44.00	N
44274	1971	INSTRUMENT GAUGE CLUSTER LENS With Gauges, Tachometer & Vacuum Gauge	\$44.00	N
06458264	1971	INSTRUMENT GAUGE CLUSTER LENS With Gauges, Without Tachometer Or Vacuum Gauge	\$44.00	N
06430776	1971	INSTRUMENT GAUGE CLUSTER LENS With Warning Lights	\$40.00	N
06458266	1972	INSTRUMENT GAUGE CLUSTER LENS With Gauges & Tachometer, Without Vacuum Gauge	\$44.00	N
44274	1972	INSTRUMENT GAUGE CLUSTER LENS With Gauges, Tachometer & Vacuum Gauge	\$44.00	N
06458264	1972	INSTRUMENT GAUGE CLUSTER LENS With Gauges, Without Tachometer Or Vacuum Gauge	\$44.00	N
06430776	1972	INSTRUMENT GAUGE CLUSTER LENS With Warning Lights	\$40.00	N
25017378	1973	INSTRUMENT GAUGE CLUSTER LENS With Gauges & Clock	\$50.00	N
06497473	1973	INSTRUMENT GAUGE CLUSTER LENS With Gauges, Without Clock	\$50.00	N
06497472	1973	INSTRUMENT GAUGE CLUSTER LENS With Warning Lights	\$47.00	N
25017378	1974	INSTRUMENT GAUGE CLUSTER LENS With Gauges & Clock	\$50.00	N
06497473	1974	INSTRUMENT GAUGE CLUSTER LENS With Gauges, Without Clock	\$50.00	N
06497472	1974	INSTRUMENT GAUGE CLUSTER LENS With Warning Lights	\$47.00	N
25017378	1975	INSTRUMENT GAUGE CLUSTER LENS With Gauges & Clock	\$50.00	N
06497473	1975	INSTRUMENT GAUGE CLUSTER LENS With Gauges, Without Clock	\$50.00	N
06497472	1975	INSTRUMENT GAUGE CLUSTER LENS With Warning Lights	\$47.00	N
25017378	1976	INSTRUMENT GAUGE CLUSTER LENS With Gauges & Clock	\$50.00	N
06497473	1976	INSTRUMENT GAUGE CLUSTER LENS With Gauges, Without Clock	\$50.00	N

Part Number	Year	Description	Price	*Rev.
06497472	1976	INSTRUMENT GAUGE CLUSTER LENS With Warning Lights	\$47.00	N
25017378	1977	INSTRUMENT GAUGE CLUSTER LENS With Gauges & Clock	\$50.00	N
06497473	1977	INSTRUMENT GAUGE CLUSTER LENS With Gauges, Without Clock	\$50.00	N
06497472	1977	INSTRUMENT GAUGE CLUSTER LENS With Warning Lights	\$47.00	N
25017378	1978	INSTRUMENT GAUGE CLUSTER LENS With Gauges & Clock	\$50.00	N
06497473	1978	INSTRUMENT GAUGE CLUSTER LENS With Gauges, Without Clock	\$50.00	N
06497472	1978	INSTRUMENT GAUGE CLUSTER LENS With Warning Lights	\$47.00	N
25017378	1979	INSTRUMENT GAUGE CLUSTER LENS With Gauges & Clock	\$50.00	N
06497473	1979	INSTRUMENT GAUGE CLUSTER LENS With Gauges, Without Clock	\$50.00	N
06497472	1979	INSTRUMENT GAUGE CLUSTER LENS With Warning Lights	\$47.00	N
25017378	1980	INSTRUMENT GAUGE CLUSTER LENS With Gauges & Clock	\$50.00	N
06497473	1980	INSTRUMENT GAUGE CLUSTER LENS With Gauges, Without Clock	\$50.00	N
06497472	1980	INSTRUMENT GAUGE CLUSTER LENS With Warning Lights	\$47.00	N
25044306	1981	INSTRUMENT GAUGE CLUSTER LENS With Gauges & Clock	\$50.00	N
06497473	1981	INSTRUMENT GAUGE CLUSTER LENS With Gauges, Without Clock	\$50.00	N
06497472	1981	INSTRUMENT GAUGE CLUSTER LENS With Warning Lights	\$47.00	N
25044306	1982	INSTRUMENT GAUGE CLUSTER LENS With Gauges & Clock	\$50.00	N
06497473	1982	INSTRUMENT GAUGE CLUSTER LENS With Gauges, Without Clock	\$50.00	N
06497472	1982	INSTRUMENT GAUGE CLUSTER LENS With Warning Lights	\$47.00	N
25044306	1983	INSTRUMENT GAUGE CLUSTER LENS With Gauges & Clock	\$50.00	N
06497473	1983	INSTRUMENT GAUGE CLUSTER LENS With Gauges, Without Clock	\$50.00	N
06497472	1983	INSTRUMENT GAUGE CLUSTER LENS With Warning Lights	\$47.00	N
25044306	1984	INSTRUMENT GAUGE CLUSTER LENS With Gauges & Clock	\$50.00	N
06497473	1984	INSTRUMENT GAUGE CLUSTER LENS With Gauges, Without Clock	\$50.00	N
06497472	1984	INSTRUMENT GAUGE CLUSTER LENS With Warning Lights	\$47.00	N
25044306	1985	INSTRUMENT GAUGE CLUSTER LENS With Gauges & Clock	\$50.00	N
06497473	1985	INSTRUMENT GAUGE CLUSTER LENS With Gauges, Without Clock	\$50.00	N
06497472	1985	INSTRUMENT GAUGE CLUSTER LENS With Warning Lights	\$47.00	N
25044306	1986	INSTRUMENT GAUGE CLUSTER LENS With Gauges & Clock	\$50.00	N
06497473	1986	INSTRUMENT GAUGE CLUSTER LENS With Gauges, Without Clock	\$50.00	N
06497472	1986	INSTRUMENT GAUGE CLUSTER LENS With Warning Lights	\$47.00	N
25044306	1987	INSTRUMENT GAUGE CLUSTER LENS With Gauges & Clock	\$50.00	N
06497473	1987	INSTRUMENT GAUGE CLUSTER LENS With Gauges, Without Clock	\$50.00	N
06497472	1987	INSTRUMENT GAUGE CLUSTER LENS With Warning Lights	\$47.00	N
INSTRUMENT GAUGE DASH BEZEL				
01500923	1947	INSTRUMENT GAUGE DASH BEZEL Chrome Note: 2 Required Per Vehicle.	\$12.00	N
01500923	1948	INSTRUMENT GAUGE DASH BEZEL Chrome Note: 2 Required Per Vehicle.	\$12.00	N
01500923	1949	INSTRUMENT GAUGE DASH BEZEL Chrome Note: 2 Required Per Vehicle.	\$12.00	N
01500923	1950	INSTRUMENT GAUGE DASH BEZEL Chrome Note: 2 Required Per Vehicle.	\$12.00	N
01500923	1951	INSTRUMENT GAUGE DASH BEZEL Chrome Note: 2 Required Per Vehicle.	\$12.00	N
01500923	1952	INSTRUMENT GAUGE DASH BEZEL Chrome Note: 2 Required Per Vehicle.	\$12.00	N

Part Number	Year	Description	Price	*Rev.
01500923	1953	INSTRUMENT GAUGE DASH BEZEL Chrome Note: 2 Required Per Vehicle.	\$12.00	N
06482927	1967	INSTRUMENT GAUGE DASH BEZEL With Gauges, Black With Chrome Trim	\$54.00	N
06482927	1968	INSTRUMENT GAUGE DASH BEZEL With Gauges, Black With Chrome Trim	\$54.00	N
06491404	1969	INSTRUMENT GAUGE DASH BEZEL With Gauges, Black With Chrome Trim	\$54.00	N
06491402	1969	INSTRUMENT GAUGE DASH BEZEL Without Gauges, Black With Chrome Trim	\$50.00	N
06491404	1970	INSTRUMENT GAUGE DASH BEZEL With Gauges, Black With Chrome Trim	\$54.00	N
06491402	1970	INSTRUMENT GAUGE DASH BEZEL Without Gauges, Black With Chrome Trim	\$50.00	N
06491404	1971	INSTRUMENT GAUGE DASH BEZEL With Gauges, Black With Chrome Trim	\$54.00	N
06491402	1971	INSTRUMENT GAUGE DASH BEZEL Without Gauges, Black With Chrome Trim	\$50.00	N
06491404	1972	INSTRUMENT GAUGE DASH BEZEL With Gauges, Black With Chrome Trim	\$54.00	N
06491402	1972	INSTRUMENT GAUGE DASH BEZEL Without Gauges, Black With Chrome Trim	\$50.00	N
KICKDOWN HARNESS				
39721	1973	KICKDOWN EXTENSION HARNESS With 454 V/8 & 400 Trans, Transmission Switch To Dash Kickdown Harness	\$41.00	M
39722	1973	KICKDOWN HARNESS With 454 V/8 & TH400 Trans, Dash Side	\$67.00	M
39722	1974	KICKDOWN HARNESS With 454 V/8 & TH400 Trans, Dash Side	\$67.00	M
39721	1974	KICKDOWN EXTENSION HARNESS With 454 V/8 & TH400 Trans, Transmission Switch To Kickdown Harness	\$41.00	M
39786	1975	KICKDOWN HARNESS With 454 V/8 & TH400 Trans, Dash Side	\$67.00	M
39360	1975	KICKDOWN EXTENSION HARNESS With 454 V/8 & TH400 Trans, Transmission Switch To Kickdown Harness	\$41.00	M
39786	1976	KICKDOWN HARNESS With 454 V/8 & TH400 Trans, Dash Side	\$67.00	M
39360	1976	KICKDOWN EXTENSION HARNESS With 454 V/8 & TH400 Trans, Transmission Switch To Kickdown Harness	\$41.00	M
39786	1977	KICKDOWN HARNESS With 454 V/8 & TH400 Trans, Dash Side	\$67.00	M
39360	1977	KICKDOWN EXTENSION HARNESS With 454 V/8 & TH400 Trans, Transmission Switch To Kickdown Harness	\$41.00	M
39786	1978	KICKDOWN HARNESS With 454 V/8 & TH400 Trans, Dash Side	\$67.00	M
39360	1978	KICKDOWN EXTENSION HARNESS With 454 V/8 & TH400 Trans, Transmission Switch To Kickdown Harness	\$41.00	M
39359	1979	KICKDOWN HARNESS With 454 V/8 & TH400 Trans, Dash Side	\$67.00	M
39360	1979	KICKDOWN EXTENSION HARNESS With 454 V/8 & TH400 Trans, Transmission Switch To Kickdown Harness	\$41.00	M
39359	1980	KICKDOWN HARNESS With 454 V/8 & TH400 Trans, Dash Side	\$67.00	M
39360	1980	KICKDOWN EXTENSION HARNESS With 454 V/8 & TH400 Trans, Transmission Switch To Kickdown Harness	\$41.00	M
39359	1981	KICKDOWN HARNESS With 454 V/8 & TH400 Trans, Dash Side	\$67.00	M
39360	1981	KICKDOWN EXTENSION HARNESS With 454 V/8 & TH400 Trans, Transmission Switch To Kickdown Harness	\$41.00	M
39359	1982	KICKDOWN HARNESS With 454 V/8 & TH400 Trans, Dash Side	\$67.00	M
39360	1982	KICKDOWN EXTENSION HARNESS With 454 V/8 & TH400 Trans, Transmission Switch To Kickdown Harness	\$41.00	M
KICKDOWN SWITCH				
01242101	1973	KICKDOWN SWITCH M40 Auto Trans	\$19.00	
01242101	1974	KICKDOWN SWITCH M40 Auto Trans	\$19.00	
01242101	1975	KICKDOWN SWITCH M40 Auto Trans	\$19.00	
01242101	1976	KICKDOWN SWITCH M40 Auto Trans	\$19.00	
01242101	1977	KICKDOWN SWITCH M40 Auto Trans	\$19.00	
01242101	1978	KICKDOWN SWITCH M40 Auto Trans	\$19.00	

Part Number	Year	Description	Price	*Rev.
01242101	1979	KICKDOWN SWITCH M40 Auto Trans	\$19.00	
01242101	1980	KICKDOWN SWITCH M40 Auto Trans	\$19.00	
01242101	1981	KICKDOWN SWITCH M40 Auto Trans	\$19.00	
01242101	1982	KICKDOWN SWITCH M40 Auto Trans	\$19.00	
01242101	1983	KICKDOWN SWITCH M40 Auto Trans	\$19.00	
01242101	1984	KICKDOWN SWITCH M40 Auto Trans	\$19.00	
01242101	1985	KICKDOWN SWITCH M40 Auto Trans	\$19.00	
01242101	1986	KICKDOWN SWITCH M40 Auto Trans	\$19.00	
01242101	1987	KICKDOWN SWITCH M40, Auto Trans Note: Used On R & V Models, Square Body Style.	\$19.00	
01242101	1988	KICKDOWN SWITCH M40, Auto Trans Note: Used On R & V Models, Square Body Style.	\$19.00	
01242101	1989	KICKDOWN SWITCH M40, Auto Trans Note: Used On R & V Models, Square Body Style.	\$19.00	

LICENSE LAMP HARNESS

39725	1973	LICENSE LAMP HARNESS All Trucks, With Painted Step Bumper & Dual License Lamps	\$48.00	M
39725	1974	LICENSE LAMP HARNESS All Trucks, With Painted Step Bumper & Dual License Lamps	\$48.00	M
39725	1975	LICENSE LAMP HARNESS All Trucks, With Painted Step Bumper & Dual License Lamps	\$48.00	M
39725	1976	LICENSE LAMP HARNESS All Trucks With Painted Step Bumper & Dual License Lamps	\$48.00	M
39725	1977	LICENSE LAMP HARNESS All Trucks With Painted Step Bumper & Dual License Lamps	\$48.00	M
39872	1978	LICENSE LAMP HARNESS All Trucks With Painted Step Bumper & Dual License Lamps	\$48.00	M
39872	1979	LICENSE LAMP HARNESS All Trucks With Painted Step Bumper & Dual License Lamps	\$48.00	M
39912	1980	LICENSE LAMP HARNESS All Trucks, With Painted Step Bumper & Dual License Lamps	\$67.00	M
39912	1981	LICENSE LAMP HARNESS All Trucks, With Painted Step Bumper & Dual License Lamps	\$67.00	M
39912	1982	LICENSE LAMP HARNESS All Trucks, With Painted Step Bumper & Dual License Lamps	\$67.00	M

LICENSE LAMP WIRE

39814	1975	LICENSE LAMP WIRE All, 3/4 & 1-Ton, With Rear Mounted Gas Tank, Without Pickup Bed	\$21.00	M
39814	1976	LICENSE LAMP WIRE All, 3/4 & 1-Ton, With Rear Mounted Gas Tank, Without Pickup Bed	\$21.00	M
39814	1977	LICENSE LAMP WIRE All, 3/4 & 1-Ton, With Rear Mounted Gas Tank, Without Pickup Bed	\$21.00	M

LOW FUEL INDICATOR MODULE

500274	1967	LOW FUEL INDICATOR MODULE Generic "Adjustable" Low Fuel Warning Module Note: A Complete Electronic Control Unit To Activate A Warning Lamp Or Relay When Fuel Level Drops Below A User Adjustable Level. Includes instruction sheet.	\$64.00	C
500274	1968	LOW FUEL INDICATOR MODULE Generic "Adjustable" Low Fuel Warning Module Note: A Complete Electronic Control Unit To Activate A Warning Lamp Or Relay When Fuel Level Drops Below A User Adjustable Level. Includes instruction sheet.	\$64.00	C
500274	1969	LOW FUEL INDICATOR MODULE Generic "Adjustable" Low Fuel Warning Module Note: A Complete Electronic Control Unit To Activate A Warning Lamp Or Relay When Fuel Level Drops Below A User Adjustable Level. Includes instruction sheet.	\$64.00	C
500274	1970	LOW FUEL INDICATOR MODULE Generic "Adjustable" Low Fuel Warning Module Note: A Complete Electronic Control Unit To Activate A Warning Lamp Or Relay When Fuel Level Drops Below A User Adjustable Level. Includes instruction sheet.	\$64.00	C
500274	1971	LOW FUEL INDICATOR MODULE Generic "Adjustable" Low Fuel Warning Module Note: A Complete Electronic Control Unit To Activate A Warning Lamp Or Relay When Fuel Level Drops Below A User Adjustable Level. Includes instruction sheet.	\$64.00	C

Part Number	Year	Description	Price	*Rev.
500274	1972	LOW FUEL INDICATOR MODULE Generic "Adjustable" Low Fuel Warning Module Note: A Complete Electronic Control Unit To Activate A Warning Lamp Or Relay When Fuel Level Drops Below A User Adjustable Level. Includes instruction sheet.	\$64.00	C
MARKER LAMP HARNESS				
39723	1973	MARKER LAMP HARNESS All Trucks, With Roof Mounted Cab Lights	\$106.00	M
39723	1974	MARKER LAMP HARNESS All Trucks, With Roof Mounted Cab Lights	\$106.00	M
39723	1975	MARKER LAMP HARNESS All Trucks, With Roof Mounted Cab Lights	\$106.00	M
39723	1976	MARKER LAMP HARNESS All Trucks, With Roof Mounted Cab Lights	\$106.00	M
39723	1977	MARKER LAMP HARNESS All Trucks, With Roof Mounted Cab Lights	\$106.00	M
39723	1978	MARKER LAMP HARNESS All Trucks, With Roof Mounted Cab Lights	\$106.00	M
39723	1979	MARKER LAMP HARNESS All Trucks, With Roof Mounted Cab Lights	\$106.00	M
39723	1980	MARKER LAMP HARNESS All Trucks, With Roof Mounted Cab Lights	\$106.00	M
39723	1981	MARKER LAMP HARNESS All Trucks, With Roof Mounted Cab Lights	\$106.00	M
39723	1982	MARKER LAMP HARNESS All Trucks, With Roof Mounted Cab Lights	\$106.00	M
NEUTRAL SAFETY AND BACKUP LAMP SWITCH				
01994235	1973	NEUTRAL SAFETY AND BACKUP LAMP SWITCH With Column Shift TH350-400 Auto Trans	\$19.00	M
01994235	1974	NEUTRAL SAFETY AND BACKUP LAMP SWITCH With Column Shift TH350-400 Auto Trans	\$19.00	M
01994235	1975	NEUTRAL SAFETY AND BACKUP LAMP SWITCH With Column Shift TH350-400 Auto Trans	\$19.00	M
01994163	1976	NEUTRAL SAFETY AND BACKUP LAMP SWITCH With Auto Trans, All	\$19.00	M
01994163	1977	NEUTRAL SAFETY AND BACKUP LAMP SWITCH With Auto Trans, All	\$19.00	M
01994163	1978	NEUTRAL SAFETY AND BACKUP LAMP SWITCH With Auto Trans, All	\$19.00	M
01994163	1979	NEUTRAL SAFETY AND BACKUP LAMP SWITCH With Auto Trans, All	\$19.00	M
01994163	1980	NEUTRAL SAFETY AND BACKUP LAMP SWITCH With Auto Trans, All	\$19.00	M
OIL PRESSURE GAUGE				
01507135	1947	OIL PRESSURE GAUGE 0-60 Lbs., Red Needle	\$74.00	N
01507135	1948	OIL PRESSURE GAUGE 0-60 Lbs., Red Needle	\$74.00	N
01507135	1949	OIL PRESSURE GAUGE 0-60 Lbs., Red Needle	\$74.00	N
01507135	1950	OIL PRESSURE GAUGE 0-60 Lbs., Red Needle	\$74.00	N
01507135	1951	OIL PRESSURE GAUGE 0-60 Lbs., Red Needle	\$74.00	N
01507401	1952	OIL PRESSURE GAUGE 0-30 Lbs, White Needle	\$74.00	N
01507963	1952	OIL PRESSURE GAUGE 0-60 Lbs, White Needle	\$74.00	N
01507401	1953	OIL PRESSURE GAUGE 0-30 Lbs, White Needle	\$74.00	N
01507963	1953	OIL PRESSURE GAUGE 0-60 Lbs, White Needle	\$74.00	N
01508246	1955	OIL GAUGE	\$85.00	N
01508246	1956	OIL GAUGE	\$85.00	N
01508246	1957	OIL GAUGE	\$85.00	N
01508246	1958	OIL GAUGE	\$85.00	N
01508246	1959	OIL GAUGE	\$85.00	N
01509021	1960	OIL GAUGE	\$74.00	N
01509021	1961	OIL GAUGE	\$74.00	N
01509021	1962	OIL GAUGE	\$74.00	N
01509021	1963	OIL GAUGE	\$74.00	N
01582460	1964	OIL GAUGE	\$74.00	N
01582460	1965	OIL GAUGE	\$74.00	N
01582460	1966	OIL GAUGE	\$74.00	N
06460746	1967	OIL PRESSURE GAUGE 0-60 Lbs.	\$70.00	N

Part Number	Year	Description	Price	*Rev.
44221	1967	OIL PRESSURE GAUGE With 0-60 Lbs. Numeric Face Plate Note: This Is A Replacement For OEM Gauge 06460746 (With Low & High Graduations) In Trucks With Factory Gauge Type Clusters.	\$54.00	N
06460746	1968	OIL PRESSURE GAUGE 0-60 Lbs.	\$70.00	N
44221	1968	OIL PRESSURE GAUGE With 0-60 Lbs. Numeric Face Plate Note: This Is A Replacement For OEM Gauge 06460746 (With Low & High Graduations) In Trucks With Factory Gauge Type Clusters.	\$54.00	N
06460746	1969	OIL PRESSURE GAUGE 0-60 Lbs.	\$70.00	N
44221	1969	OIL PRESSURE GAUGE With 0-60 Lbs. Numeric Face Plate Note: This Is A Replacement For OEM Gauge 06460746 (With Low & High Graduations) In Trucks With Factory Gauge Type Clusters.	\$54.00	N
06460746	1970	OIL PRESSURE GAUGE 0-60 Lbs.	\$70.00	N
44221	1970	OIL PRESSURE GAUGE With 0-60 Lbs. Numeric Face Plate Note: This Is A Replacement For OEM Gauge 06460746 (With Low & High Graduations) In Trucks With Factory Gauge Type Clusters.	\$54.00	N
06460746	1971	OIL PRESSURE GAUGE 0-60 Lbs.	\$70.00	N
44221	1971	OIL PRESSURE GAUGE With 0-60 Lbs. Numeric Face Plate Note: This Is A Replacement For OEM Gauge 06460746 (With Low & High Graduations) In Trucks With Factory Gauge Type Clusters.	\$54.00	N
06460746	1972	OIL PRESSURE GAUGE 0-60 Lbs.	\$70.00	N
44221	1972	OIL PRESSURE GAUGE With 0-60 Lbs. Numeric Face Plate Note: This Is A Replacement For OEM Gauge 06460746 (With Low & High Graduations) In Trucks With Factory Gauge Type Clusters.	\$54.00	N
06463341	1973	OIL PRESSURE GAUGE Fire Orange Needle, Mechanical Type	\$54.00	N
06463341	1974	OIL PRESSURE GAUGE Fire Orange Needle, Mechanical Type	\$54.00	N
06463341	1975	OIL PRESSURE GAUGE Fire Orange Needle, Mechanical Type	\$54.00	N
06463341	1976	OIL PRESSURE GAUGE Fire Orange Needle, Mechanical Type	\$54.00	N
06463341	1977	OIL PRESSURE GAUGE Fire Orange Needle, Mechanical Type	\$54.00	N
25025164	1978	OIL PRESSURE GAUGE Fire Orange Needle, Electric Type	\$54.00	N
25025164	1979	OIL PRESSURE GAUGE 1st Design, Fire Orange Needle, Electric Type	\$54.00	N
25025563	1979	OIL PRESSURE GAUGE 2nd Design, Light Orange Needle, Electric Type	\$54.00	N
25025563	1980	OIL PRESSURE GAUGE Light Orange Needle, Electric Type	\$54.00	N
25025563	1981	OIL PRESSURE GAUGE Light Orange Needle, Electric Type	\$54.00	N
25025563	1982	OIL PRESSURE GAUGE Light Orange Needle, Electric Type	\$54.00	N
25025563	1983	OIL PRESSURE GAUGE Light Orange Needle, Electric Type	\$54.00	N
25025563	1984	OIL PRESSURE GAUGE Light Orange Needle, Electric Type	\$54.00	N
25025563	1985	OIL PRESSURE GAUGE Light Orange Needle, Electric Type	\$54.00	N
25025563	1986	OIL PRESSURE GAUGE Light Orange Needle, Electric Type	\$54.00	N
25025563	1987	OIL PRESSURE GAUGE Light Orange Needle, Electric Type	\$54.00	N
POWER ACCESSORY FEED WIRE				
20560	1973	POWER ACCESSORY FEED WIRE Suburban, Blazer & Jimmy, Junction Block To Circuit Breaker, Power Tailgate Window	\$27.00	M
20560	1974	POWER ACCESSORY FEED WIRE Suburban, Blazer & Jimmy, Junction Block To Circuit Breaker, Power Tailgate Window	\$27.00	M
39787	1975	POWER ACCESSORY FEED WIRE Suburban, Blazer & Jimmy, Junction Block To Circuit Breaker, Power Tailgate Window	\$27.00	M
39787	1976	POWER ACCESSORY FEED WIRE Suburban, Blazer & Jimmy, Junction Block To Circuit Breaker, Power Tailgate Window	\$27.00	M
39736	1977	POWER ACCESSORY FEED WIRE 2 Door Models, Junction Block To Power Window Circuit Breaker	\$27.00	M

Part Number	Year	Description	Price	*Rev.
39832	1977	POWER ACCESSORY FEED WIRE Suburban, Blazer & Jimmy, Junction Block To Circuit Breaker, Power Tailgate Window	\$34.00	M
39736	1978	POWER ACCESSORY FEED WIRE 2 Door Models, Junction Block To Power Window Circuit Breaker	\$27.00	M
39832	1978	POWER ACCESSORY FEED WIRE Suburban, Blazer & Jimmy, Junction Block To Circuit Breaker, Power Tailgate Window	\$34.00	M
40023	1979	POWER ACCESSORY FEED WIRE Fuse Box To Power Window Or Power Tailgate Window	\$27.00	M
40023	1980	POWER ACCESSORY FEED WIRE Fuse Box To Power Window Or Power Tailgate Window	\$27.00	M
40023	1981	POWER ACCESSORY FEED WIRE Fuse Box To Power Window Or Power Tailgate Window	\$27.00	M
POWER DOOR LOCK HARNESS				
39845	1977	POWER DOOR LOCK HARNESS 2 Door Models, Body Crossover, With Power Door Locks, Except Power Windows	\$272.00	M
39848	1977	POWER DOOR LOCK HARNESS 2 Door Models, Driver Side Or Passenger Side Door, With Power Door Locks, Except Power Windows	\$210.00	
39845	1978	POWER DOOR LOCK HARNESS 2 Door Models, Body Crossover, With Power Door Locks, Except Power Windows	\$272.00	M
39851	1978	POWER DOOR LOCK HARNESS 2 Door Models, Driver Side Or Passenger Side Door, With Power Door Locks, Except Power Windows	\$210.00	
39897	1979	POWER DOOR LOCK HARNESS 2 Door Models, Body Crossover, With Power Door Locks, Except Power Windows	\$272.00	M
39899	1979	POWER DOOR LOCK HARNESS 2 Door Models, Driver Side Or Passenger Side Door, With Power Door Locks, Except Power Windows	\$210.00	
39897	1980	POWER DOOR LOCK HARNESS 2 Door Models, Body Crossover, With Power Door Locks, Except Power Windows	\$272.00	M
39892	1980	POWER DOOR LOCK HARNESS 4 Door Models, Body Crossover, With Power Door Locks, Except Power Windows	\$272.00	M
39893	1980	POWER DOOR LOCK HARNESS 4 Door Models, Driver Side Or Passenger Side Rear Door, With Power Door Locks, Except Power Windows Note: Customer Must Reuse Their Original Rubber Door Jamb Boot.	\$75.00	
39899	1980	POWER DOOR LOCK HARNESS All Models, Driver Side Or Passenger Side Front Door, With Power Door Locks, Except Power Windows	\$210.00	
39951	1981	POWER DOOR LOCK HARNESS 2 Door Models, Body Crossover, With Power Door Locks, Except Power Windows	\$272.00	M
39949	1981	POWER DOOR LOCK HARNESS 4 Door Models, Body Crossover, With Power Door Locks, Except Power Windows	\$272.00	M
39893	1981	POWER DOOR LOCK HARNESS 4 Door Models, Driver Side Or Passenger Side Rear Door, With Power Door Locks, Except Power Windows Note: Customer Must Reuse Their Original Rubber Door Jamb Boot.	\$75.00	
39899	1981	POWER DOOR LOCK HARNESS All Models, Driver Side Or Passenger Side Front Door, With Power Door Locks, Except Power Windows	\$210.00	
39951	1982	POWER DOOR LOCK HARNESS 2 Door Models, Body Crossover, With Power Door Locks, Except Power Windows	\$272.00	M
39949	1982	POWER DOOR LOCK HARNESS 4 Door Models, Body Crossover, With Power Door Locks, Except Power Windows	\$272.00	M
39893	1982	POWER DOOR LOCK HARNESS 4 Door Models, Driver Side Or Passenger Side Rear Door, With Power Door Locks, Except Power Windows Note: Customer Must Reuse Their Original Rubber Door Jamb Boot.	\$75.00	
39899	1982	POWER DOOR LOCK HARNESS All Models, Driver Side Or Passenger Side Front Door, With Power Door Locks, Except Power Windows	\$210.00	
39951	1983	POWER DOOR LOCK HARNESS 2 Door Models, Body Crossover, With Power Door Locks, Except Power Windows	\$272.00	M
39949	1983	POWER DOOR LOCK HARNESS 4 Door Models, Body Crossover, With Power Door Locks, Except Power Windows	\$272.00	M

Part Number	Year	Description	Price	*Rev.
39893	1983	POWER DOOR LOCK HARNESS 4 Door Models, Driver Side Or Passenger Side Rear Door, With Power Door Locks, Except Power Windows Note: Customer Must Reuse Their Original Rubber Door Jamb Boot.	\$75.00	
39893	1983	POWER DOOR LOCK HARNESS 4 Door Models, Driver Side Or Passenger Side Rear Door, With Power Door Locks, Except Power Windows Note: Customer Must Reuse Their Original Rubber Door Jamb Boot.	\$75.00	
39899	1983	POWER DOOR LOCK HARNESS All Models, Driver Side Or Passenger Side Front Door, With Power Door Locks, Except Power Windows	\$210.00	
39951	1984	POWER DOOR LOCK HARNESS 2 Door Models, Body Crossover, With Power Door Locks, Except Power Windows	\$272.00	M
39949	1984	POWER DOOR LOCK HARNESS 4 Door Models, Body Crossover, With Power Door Locks, Except Power Windows	\$272.00	M
39893	1984	POWER DOOR LOCK HARNESS 4 Door Models, Driver Side Or Passenger Side Rear Door, With Power Door Locks, Except Power Windows Note: Customer Must Reuse Their Original Rubber Door Jamb Boot.	\$75.00	
39899	1984	POWER DOOR LOCK HARNESS All Models, Driver Side Or Passenger Side Front Door, With Power Door Locks, Except Power Windows	\$210.00	
44176	1985	POWER DOOR LOCK HARNESS 2 Door Models, Body Crossover, With Power Door Locks, Except Power Windows	\$272.00	M
44177	1985	POWER DOOR LOCK HARNESS 4 Door Models, Body Crossover, With Power Door Locks, Except Power Windows	\$272.00	M
39893	1985	POWER DOOR LOCK HARNESS 4 Door Models, Driver Side Or Passenger Side Rear Door, With Power Door Locks, Except Power Windows Note: Customer Must Reuse Their Original Rubber Door Jamb Boot.	\$75.00	
39899	1985	POWER DOOR LOCK HARNESS All Models, Driver Side Or Passenger Side Front Door, With Power Door Locks, Except Power Windows	\$210.00	
44176	1986	POWER DOOR LOCK HARNESS 2 Door Models, Body Crossover, With Power Door Locks, Except Power Windows	\$272.00	M
44177	1986	POWER DOOR LOCK HARNESS 4 Door Models, Body Crossover, With Power Door Locks, Except Power Windows	\$272.00	M
39893	1986	POWER DOOR LOCK HARNESS 4 Door Models, Driver Side Or Passenger Side Rear Door, With Power Door Locks, Except Power Windows Note: Customer Must Reuse Their Original Rubber Door Jamb Boot.	\$75.00	
39899	1986	POWER DOOR LOCK HARNESS All Models, Driver Side Or Passenger Side Front Door, With Power Door Locks, Except Power Windows	\$210.00	
44183	1987	POWER DOOR LOCK HARNESS 2 Door Models, Body Crossover, With Power Door Locks, Except Power Windows	\$272.00	M
44185	1987	POWER DOOR LOCK HARNESS 4 Door Models, Body Crossover, With Power Door Locks, Except Power Windows	\$272.00	M
44186	1987	POWER DOOR LOCK HARNESS 4 Door Models, Driver Side Or Passenger Side Rear Door, With Power Door Locks, Except Power Windows Note: Customer Must Reuse Their Original Rubber Door Jamb Boot.	\$75.00	
44184	1987	POWER DOOR LOCK HARNESS All Models, Driver Side Or Passenger Side Front Door, With Power Door Locks, Except Power Windows	\$210.00	
44185	1988	POWER DOOR LOCK HARNESS 4 Door Models, Body Crossover, With Power Door Locks, Except Power Windows	\$272.00	M
44184	1988	POWER DOOR LOCK HARNESS 4 Door Models, Driver Side Or Passenger Side Front Door, With Power Door Locks, Except Power Windows	\$210.00	
44186	1988	POWER DOOR LOCK HARNESS 4 Door Models, Driver Side Or Passenger Side Rear Door, With Power Door Locks, Except Power Windows Note: Customer Must Reuse Their Original Rubber Door Jamb Boot.	\$75.00	
44185	1989	POWER DOOR LOCK HARNESS 4 Door Models, Body Crossover, With Power Door Locks, Except Power Windows	\$272.00	M
44184	1989	POWER DOOR LOCK HARNESS 4 Door Models, Driver Side Or Passenger Side Front Door, With Power Door Locks, Except Power Windows	\$210.00	

Part Number	Year	Description	Price	*Rev.
44186	1989	POWER DOOR LOCK HARNESS 4 Door Models, Driver Side Or Passenger Side Rear Door, With Power Door Locks, Except Power Windows Note: Customer Must Reuse Their Original Rubber Door Jamb Boot.	\$75.00	
44185	1990	POWER DOOR LOCK HARNESS 4 Door Models, Body Crossover, With Power Door Locks, Except Power Windows	\$272.00	M
44184	1990	POWER DOOR LOCK HARNESS 4 Door Models, Driver Side Or Passenger Side Front Door, With Power Door Locks, Except Power Windows	\$210.00	
44186	1990	POWER DOOR LOCK HARNESS 4 Door Models, Driver Side Or Passenger Side Rear Door, With Power Door Locks, Except Power Windows Note: Customer Must Reuse Their Original Rubber Door Jamb Boot.	\$75.00	
44185	1991	POWER DOOR LOCK HARNESS 4 Door Models, Body Crossover, With Power Door Locks, Except Power Windows	\$272.00	M
44184	1991	POWER DOOR LOCK HARNESS 4 Door Models, Driver Side Or Passenger Side Front Door, With Power Door Locks, Except Power Windows	\$210.00	
44186	1991	POWER DOOR LOCK HARNESS 4 Door Models, Driver Side Or Passenger Side Rear Door, With Power Door Locks, Except Power Windows Note: Customer Must Reuse Their Original Rubber Door Jamb Boot.	\$75.00	
POWER DOOR LOCK SWITCH				
01725099	1977	POWER DOOR LOCK SWITCH 1 Button	\$62.00	M
01725099	1978	POWER DOOR LOCK SWITCH 1 Button	\$62.00	M
20031475	1979	POWER DOOR LOCK SWITCH 1-Button	\$62.00	N
20031475	1980	POWER DOOR LOCK SWITCH 1-Button	\$62.00	N
20031475	1981	POWER DOOR LOCK SWITCH 1-Button	\$62.00	N
20043224	1982	POWER DOOR LOCK SWITCH 1-Button	\$9.00	N
20043224	1983	POWER DOOR LOCK SWITCH 1-Button	\$9.00	N
20043224	1984	POWER DOOR LOCK SWITCH 1-Button	\$9.00	N
20043224	1985	POWER DOOR LOCK SWITCH 1-Button	\$9.00	N
20043224	1986	POWER DOOR LOCK SWITCH 1-Button	\$9.00	N
20043224	1987	POWER DOOR LOCK SWITCH 1-Button, RV Body Style	\$9.00	N
20043224	1988	POWER DOOR LOCK SWITCH 1-Button, RV Body Style	\$9.00	N
20043224	1989	POWER DOOR LOCK SWITCH 1-Button, RV Body Style	\$9.00	N
20043224	1990	POWER DOOR LOCK SWITCH 1-Button, RV Body Style	\$9.00	N
20043224	1991	POWER DOOR LOCK SWITCH 1-Button, RV Body Style	\$9.00	N
POWER TAILGATE WINDOW HARNESS				
39728	1973	POWER TAILGATE WINDOW HARNESS Suburban, Blazer & Jimmy, Dash Switch To Intermediate Body Harness	\$113.00	M
39729	1973	POWER TAILGATE WINDOW HARNESS Suburban, Blazer & Jimmy, Intermediate Body Harness	\$127.00	M
39768	1974	POWER TAILGATE WINDOW HARNESS Suburban, Blazer & Jimmy, Dash Switch To Intermediate Body Harness	\$113.00	M
39768	1975	POWER TAILGATE WINDOW HARNESS Suburban, Blazer & Jimmy, Dash Switch To Intermediate Body Harness	\$113.00	M
39803	1976	POWER TAILGATE WINDOW HARNESS Suburban, Blazer & Jimmy, Dash Switch To Intermediate Body Harness	\$113.00	M
39833	1977	POWER TAILGATE WINDOW HARNESS Suburban, Blazer & Jimmy, Dash Switch To Intermediate Body Harness	\$113.00	M
39830	1977	POWER TAILGATE WINDOW HARNESS Suburban, Blazer & Jimmy, Intermediate Body Harness	\$127.00	M
39833	1978	POWER TAILGATE WINDOW HARNESS Suburban, Blazer & Jimmy, Dash Switch To Intermediate Body Harness	\$113.00	M
39861	1978	POWER TAILGATE WINDOW HARNESS Suburban, Intermediate Body Harness	\$127.00	M
39864	1978	POWER TAILGATE WINDOW HARNESS Blazer & Jimmy, Intermediate Body Harness	\$127.00	M

Part Number	Year	Description	Price	*Rev.
39888	1979	POWER TAILGATE WINDOW HARNESS Suburban, Blazer & Jimmy, Dash Switch To Intermediate Body Harness	\$113.00	M
39885	1979	POWER TAILGATE WINDOW HARNESS 4 Wheel Drive Suburban, Intermediate Body Harness	\$127.00	M
39886	1979	POWER TAILGATE WINDOW HARNESS Blazer & Jimmy, Intermediate Body Harness	\$127.00	M
39887	1979	POWER TAILGATE WINDOW HARNESS 2 Wheel Drive Suburban, Intermediate Body Harness	\$127.00	M
39888	1980	POWER TAILGATE WINDOW HARNESS Suburban, Blazer & Jimmy, Dash Switch To Intermediate Body Harness	\$113.00	M
39920	1980	POWER TAILGATE WINDOW HARNESS 4 Wheel Drive Suburban, Intermediate Body Harness	\$127.00	M
39921	1980	POWER TAILGATE WINDOW HARNESS Blazer & Jimmy, Intermediate Body Harness	\$127.00	M
39922	1980	POWER TAILGATE WINDOW HARNESS 2 Wheel Drive Suburban, Intermediate Body Harness	\$127.00	M
39888	1981	POWER TAILGATE WINDOW HARNESS Suburban, Blazer & Jimmy, Dash Switch To Intermediate Body Harness	\$113.00	M
39971	1981	POWER TAILGATE WINDOW HARNESS Suburban, 4 Wheel Drive , Intermediate Body Harness	\$127.00	M
39972	1981	POWER TAILGATE WINDOW HARNESS Blazer & Jimmy, Intermediate Body Harness	\$127.00	M
39973	1981	POWER TAILGATE WINDOW HARNESS 2 Wheel Drive Suburban, Intermediate Body Harness	\$127.00	M
39990	1982	POWER TAILGATE WINDOW HARNESS Suburban, Blazer & Jimmy, Dash Switch To Intermediate Body Harness, (1st Design) Note: this harness has a 3 wire plastic connector where it plugs into body harness.	\$113.00	M
40010	1982	POWER TAILGATE WINDOW HARNESS Suburban, Intermediate Body Harness, (1st Design) Note: this harness has a 3 wire rubber molded connector where it plugs into dash switch harness.	\$127.00	M
40011	1982	POWER TAILGATE WINDOW HARNESS Blazer & Jimmy, Intermediate Body Harness, (1st Design) Note: this harness has a 3 wire rubber molded connector where it plugs into dash switch harness.	\$127.00	M
40018	1982	POWER TAILGATE WINDOW HARNESS Suburban, Blazer & Jimmy, Dash Switch To Intermediate Body Harness, (2nd Design) Note: This Harness Has A 2 Wire Rubber Molded Connector Where It Plugs Into Body Harness.	\$113.00	M
40016	1982	POWER TAILGATE WINDOW HARNESS Blazer & Jimmy, Intermediate Body Harness, (2nd Design) Note: this harness has a 2 wire rubber molded connector where it plugs into dash switch harness.	\$127.00	M
40017	1982	POWER TAILGATE WINDOW HARNESS Suburban, Intermediate Body Harness, (2nd Design) Note: this harness has a 2 wire rubber molded connector where it plugs into dash switch harness.	\$127.00	M
POWER WINDOW DOOR BOOT				
12010247	1977	POWER WINDOW OR POWER DOOR LOCK DOOR BOOT Front Door, Each Boot Comes With 2 Metal Mounting Flanges, 2 Boots Required Per Truck Note: Used On All C & K Models, Square Body Style.	\$12.00	N
12010247	1978	POWER WINDOW OR POWER DOOR LOCK DOOR BOOT Front Door, Each Boot Comes With 2 Metal Mounting Flanges, 2 Boots Required Per Truck Note: Used On All C & K Models, Square Body Style.	\$12.00	N
12010247	1979	POWER WINDOW OR POWER DOOR LOCK DOOR BOOT Front Door, Each Boot Comes With 2 Metal Mounting Flanges, 2 Boots Required Per Truck Note: Used On All C & K Models, Square Body Style.	\$12.00	N
12010247	1980	POWER WINDOW OR POWER DOOR LOCK DOOR BOOT Front Door, Each Boot Comes With 2 Metal Mounting Flanges, 2 Boots Required Per Truck Note: Used On All C & K Models, Square Body Style.	\$12.00	N
12010247	1981	POWER WINDOW OR POWER DOOR LOCK DOOR BOOT Front Door, Each Boot Comes With 2 Metal Mounting Flanges, 2 Boots Required Per Truck Note: Used On All C & K Models, Square Body Style.	\$12.00	N
12010247	1982	POWER WINDOW OR POWER DOOR LOCK DOOR BOOT Front Door, Each Boot Comes With 2 Metal Mounting Flanges, 2 Boots Required Per Truck Note: Used On All C & K Models, Square Body Style.	\$12.00	N
12010247	1983	POWER WINDOW OR POWER DOOR LOCK DOOR BOOT Front Door, Each Boot Comes With 2 Metal Mounting Flanges, 2 Boots Required Per Truck Note: Used On All C & K Models, Square Body Style.	\$12.00	N

Part Number	Year	Description	Price	*Rev.
12010247	1984	POWER WINDOW OR POWER DOOR LOCK DOOR BOOT Front Door, Each Boot Comes With 2 Metal Mounting Flanges, 2 Boots Required Per Truck Note: Used On All C & K Models, Square Body Style.	\$12.00	N
12010247	1985	POWER WINDOW OR POWER DOOR LOCK DOOR BOOT Front Door, Each Boot Comes With 2 Metal Mounting Flanges, 2 Boots Required Per Truck Note: Used On All C & K Models, Square Body Style.	\$12.00	N
12010247	1986	POWER WINDOW OR POWER DOOR LOCK DOOR BOOT Front Door, Each Boot Comes With 2 Metal Mounting Flanges, 2 Boots Required Per Truck Note: Used On All C & K Models, Square Body Style.	\$12.00	N
12010247	1987	POWER WINDOW OR POWER DOOR LOCK DOOR BOOT Front Door, Each Boot Comes With 2 Metal Mounting Flanges, 2 Boots Required Per Truck Note: Used On R & V Models, Square Body Style.	\$12.00	N
12010247	1988	POWER WINDOW OR POWER DOOR LOCK DOOR BOOT Front Door, Each Boot Comes With 2 Metal Mounting Flanges, 2 Boots Required Per Truck Note: Used On R & V Models, Square Body Style.	\$12.00	N
12010247	1989	POWER WINDOW OR POWER DOOR LOCK DOOR BOOT Front Door, Each Boot Comes With 2 Metal Mounting Flanges, 2 Boots Required Per Truck Note: Used On R & V Models, Square Body Style.	\$12.00	N
12010247	1990	POWER WINDOW OR POWER DOOR LOCK DOOR BOOT Front Door, Each Boot Comes With 2 Metal Mounting Flanges, 2 Boots Required Per Truck Note: Used On R & V Models, Square Body Style.	\$12.00	N
12010247	1991	POWER WINDOW OR POWER DOOR LOCK DOOR BOOT Front Door, Each Boot Comes With 2 Metal Mounting Flanges, 2 Boots Required Per Truck Note: Used On R & V Models, Square Body Style.	\$12.00	N
POWER WINDOW HARNESS				
39844	1977	POWER WINDOW HARNESS 2 Door Models, Body Crossover, With Power Windows, Except Power Door Locks	\$278.00	
39846	1977	POWER WINDOW HARNESS 2 Door Models, Driver Side Door, With Power Windows, Except Power Door Locks	\$210.00	
39847	1977	POWER WINDOW HARNESS 2 Door Models, Passenger Side Door, With Power Windows, Except Power Door Locks	\$210.00	
39824	1977	POWER WINDOW HARNESS 2 Door Models, Body Crossover, With Power Windows & Power Door Locks	\$278.00	
39825	1977	POWER WINDOW HARNESS 2 Door Models, Driver Side Door, With Power Windows And Power Door Locks	\$235.00	
39826	1977	POWER WINDOW HARNESS 2 Door Models, Passenger Side Door, With Power Windows And Power Door Locks	\$235.00	
39858	1978	POWER WINDOW HARNESS 2 Door Models, Body Crossover, With Power Windows, Except Power Door Locks	\$278.00	
39852	1978	POWER WINDOW HARNESS 2 Door Models, Driver Side Door, With Power Windows, Except Power Door Locks	\$210.00	
39853	1978	POWER WINDOW HARNESS 2 Door Models, Passenger Side Door, With Power Windows, Except Power Door Locks	\$210.00	
39857	1978	POWER WINDOW HARNESS 2 Door Models, Body Crossover, With Power Windows And Power Door Locks	\$278.00	
39854	1978	POWER WINDOW HARNESS 2 Door Models, Driver Side Door, With Power Windows And Power Door Locks	\$235.00	
39855	1978	POWER WINDOW HARNESS 2 Door Models, Passenger Side Door, With Power Windows And Power Door Locks	\$235.00	
38200	1979	POWER WINDOW HARNESS 2 Door Models, Body Crossover, With Power Windows, Except Power Door Locks	\$278.00	M
39852	1979	POWER WINDOW HARNESS 2 Door Models, Driver Side Door, With Power Windows, Except Power Door Locks	\$210.00	
38199	1979	POWER WINDOW HARNESS 2 Door Models, Passenger Side Door, With Power Windows, Except Power Door Locks	\$210.00	

Part Number	Year	Description	Price	*Rev.
38195	1979	POWER WINDOW HARNESS 2 Door Models, Body Crossover, With Power Windows And Power Door Locks	\$278.00	M
38196	1979	POWER WINDOW HARNESS 2 Door Models, Driver Side Door, With Power Windows And Power Door Locks	\$235.00	
38197	1979	POWER WINDOW HARNESS 2 Door Models, Passenger Side Door, With Power Windows And Power Door Locks	\$235.00	
38200	1980	POWER WINDOW HARNESS 2 Door Models, Body Crossover, With Power Windows, Except Power Door Locks	\$278.00	M
39889	1980	POWER WINDOW HARNESS 4 Door Models, Body Crossover, With Power Windows, Except Power Door Locks	\$278.00	
39852	1980	POWER WINDOW HARNESS 2 Door Models, Driver Side Door, With Power Windows, Except Power Door Locks	\$210.00	
39891	1980	POWER WINDOW HARNESS 4 Door Models, Driver Side Front Door, With Power Windows, Except Power Door Locks	\$210.00	
38199	1980	POWER WINDOW HARNESS All Models, Passenger Side Front Door, With Power Windows, Except Power Door Locks	\$210.00	
39890	1980	POWER WINDOW HARNESS 4 Door Models, Driver Side Or Passenger Side Rear Door, With Power Windows, Except Power Door Locks Note: Customer Must Reuse Their Original Rubber Door Jamb Boot.	\$90.00	
38195	1980	POWER WINDOW HARNESS 2 Door Models, Body Crossover, With Power Windows And Power Door Locks	\$278.00	M
39894	1980	POWER WINDOW HARNESS 4 Door Models, Body Crossover, With Power Windows And Power Door Locks	\$278.00	
38196	1980	POWER WINDOW HARNESS 2 Door Models, Driver Side Door, With Power Windows And Power Door Locks	\$235.00	
39895	1980	POWER WINDOW HARNESS 4 Door Models, Driver Side Front Door, With Power Windows And Power Door Locks	\$235.00	
38197	1980	POWER WINDOW HARNESS All Models, Passenger Side Front Door, With Power Windows And Power Door Locks	\$235.00	
39896	1980	POWER WINDOW HARNESS 4 Door Models, Driver Side Or Passenger Side Rear Door, With Power Windows And Power Door Locks Note: Customer Must Reuse Their Original Rubber Door Jamb Boot.	\$90.00	
39974	1981	POWER WINDOW HARNESS 2 Door Models, Body Crossover, With Power Windows, Except Power Door Locks	\$278.00	M
39976	1981	POWER WINDOW HARNESS 4 Door Models, Body Crossover, With Power Windows, Except Power Door Locks	\$278.00	
39852	1981	POWER WINDOW HARNESS 2 Door Models, Driver Side Door, With Power Windows, Except Power Door Locks	\$210.00	
39891	1981	POWER WINDOW HARNESS 4 Door Models, Driver Side Front Door, With Power Windows, Except Power Door Locks	\$210.00	
38199	1981	POWER WINDOW HARNESS All Models, Passenger Side Front Door, With Power Windows, Except Power Door Locks	\$210.00	
39890	1981	POWER WINDOW HARNESS 4 Door Models, Driver Side Or Passenger Side Rear Door, With Power Windows, Except Power Door Locks Note: Customer Must Reuse Their Original Rubber Door Jamb Boot.	\$90.00	
39977	1981	POWER WINDOW HARNESS 2 Door Models, Body Crossover, With Power Windows And Power Door Locks	\$278.00	M
39975	1981	POWER WINDOW HARNESS 4 Door Models, Body Crossover, With Power Windows And Power Door Locks	\$278.00	
38196	1981	POWER WINDOW HARNESS 2 Door Models, Driver Side Door, With Power Windows And Power Door Locks	\$235.00	
39895	1981	POWER WINDOW HARNESS 4 Door Models, Driver Side Front Door, With Power Windows And Power Door Locks	\$235.00	
38197	1981	POWER WINDOW HARNESS All Models, Passenger Side Front Door, With Power Windows And Power Door Locks	\$235.00	

Part Number	Year	Description	Price	*Rev.
39896	1981	POWER WINDOW HARNESS 4 Door Models, Driver Side Or Passenger Side Rear Door, With Power Windows And Power Door Locks Note: Customer Must Reuse Their Original Rubber Door Jamb Boot.	\$90.00	
39952	1982	POWER WINDOW HARNESS 2 Door Models, Body Crossover, With Power Windows, Except Power Door Locks	\$278.00	M
39948	1982	POWER WINDOW HARNESS 4 Door Models, Body Crossover, With Power Windows, Except Power Door Locks	\$278.00	
39958	1982	POWER WINDOW HARNESS 2 Door Models, Driver Side Door, With Power Windows, Except Power Door Locks	\$210.00	
39960	1982	POWER WINDOW HARNESS 4 Door Models, Driver Side Front Door, With Power Windows, Except Power Door Locks	\$210.00	
39965	1982	POWER WINDOW HARNESS All Models, Passenger Side Front Door, With Power Windows, Except Power Door Locks	\$210.00	
39959	1982	POWER WINDOW HARNESS 4 Door Models, Driver Side Rear Door, With Power Windows, Except Power Door Locks Note: Customer Must Reuse Their Original Rubber Door Jamb Boot.	\$90.00	
40014	1982	POWER WINDOW HARNESS 4 Door Models, Passenger Side Rear Door, With Power Windows, Except Power Door Locks Note: Customer Must Reuse Their Original Rubber Door Jamb Boot.	\$90.00	
40029	1982	POWER WINDOW HARNESS 2 Door Models, Body Crossover, With Power Windows And Power Door Locks	\$278.00	M
39950	1982	POWER WINDOW HARNESS 4 Door Models, Body Crossover, With Power Windows And Power Door Locks	\$278.00	
39963	1982	POWER WINDOW HARNESS 2 Door Models, Driver Side Door, With Power Windows And Power Door Locks	\$235.00	
39961	1982	POWER WINDOW HARNESS 4 Door Models, Driver Side Front Door, With Power Windows And Power Door Locks	\$235.00	
39964	1982	POWER WINDOW HARNESS All Models, Passenger Side Front Door, With Power Windows And Power Door Locks	\$235.00	
39962	1982	POWER WINDOW HARNESS 4 Door Models, Driver Side Rear Door, With Power Windows And Power Door Locks Note: Customer Must Reuse Their Original Rubber Door Jamb Boot.	\$110.00	
40015	1982	POWER WINDOW HARNESS 4 Door Models, Passenger Side Rear Door, With Power Windows And Power Door Locks Note: Customer Must Reuse Their Original Rubber Door Jamb Boot.	\$110.00	
39952	1983	POWER WINDOW HARNESS 2 Door Models, Body Crossover, With Power Windows, Except Power Door Locks	\$278.00	M
39948	1983	POWER WINDOW HARNESS 4 Door Models, Body Crossover, With Power Windows, Except Power Door Locks	\$278.00	
39958	1983	POWER WINDOW HARNESS 2 Door Models, Driver Side Door, With Power Windows, Except Power Door Locks	\$210.00	
39960	1983	POWER WINDOW HARNESS 4 Door Models, Driver Side Front Door, With Power Windows, Except Power Door Locks	\$210.00	
39965	1983	POWER WINDOW HARNESS All Models, Passenger Side Front Door, With Power Windows, Except Power Door Locks	\$210.00	
39959	1983	POWER WINDOW HARNESS 4 Door Models, Driver Side Rear Door, With Power Windows, Except Power Door Locks Note: Customer Must Reuse Their Original Rubber Door Jamb Boot.	\$90.00	
40014	1983	POWER WINDOW HARNESS 4 Door Models, Passenger Side Rear Door, With Power Windows, Except Power Door Locks Note: Customer Must Reuse Their Original Rubber Door Jamb Boot.	\$90.00	
40029	1983	POWER WINDOW HARNESS 2 Door Models, Body Crossover, With Power Windows And Power Door Locks	\$278.00	M
39950	1983	POWER WINDOW HARNESS 4 Door Models, Body Crossover, With Power Windows And Power Door Locks	\$278.00	

Part Number	Year	Description	Price	*Rev.
39963	1983	POWER WINDOW HARNESS 2 Door Models, Driver Side Door, With Power Windows And Power Door Locks	\$235.00	
39961	1983	POWER WINDOW HARNESS 4 Door Models, Driver Side Front Door, With Power Windows And Power Door Locks	\$235.00	
39964	1983	POWER WINDOW HARNESS All Models, Passenger Side Front Door, With Power Windows And Power Door Locks	\$235.00	
39962	1983	POWER WINDOW HARNESS 4 Door Models, Driver Side Rear Door, With Power Windows And Power Door Locks Note: Customer Must Reuse Their Original Rubber Door Jamb Boot.	\$110.00	
40015	1983	POWER WINDOW HARNESS 4 Door Models, Passenger Side Rear Door, With Power Windows And Power Door Locks Note: Customer Must Reuse Their Original Rubber Door Jamb Boot.	\$110.00	
39952	1984	POWER WINDOW HARNESS 2 Door Models, Body Crossover, With Power Windows, Except Power Door Locks	\$278.00	M
39948	1984	POWER WINDOW HARNESS 4 Door Models, Body Crossover, With Power Windows, Except Power Door Locks	\$278.00	
39958	1984	POWER WINDOW HARNESS 2 Door Models, Driver Side Door, With Power Windows, Except Power Door Locks	\$210.00	
39960	1984	POWER WINDOW HARNESS 4 Door Models, Driver Side Front Door, With Power Windows, Except Power Door Locks	\$210.00	
39965	1984	POWER WINDOW HARNESS All Models, Passenger Side Front Door, With Power Windows, Except Power Door Locks	\$210.00	
39959	1984	POWER WINDOW HARNESS 4 Door Models, Driver Side Rear Door, With Power Windows, Except Power Door Locks Note: Customer Must Reuse Their Original Rubber Door Jamb Boot.	\$90.00	
40014	1984	POWER WINDOW HARNESS 4 Door Models, Passenger Side Rear Door, With Power Windows, Except Power Door Locks Note: Customer Must Reuse Their Original Rubber Door Jamb Boot.	\$90.00	
40029	1984	POWER WINDOW HARNESS 2 Door Models, Body Crossover, With Power Windows And Power Door Locks	\$278.00	M
39950	1984	POWER WINDOW HARNESS 4 Door Models, Body Crossover, With Power Windows And Power Door Locks	\$278.00	
39963	1984	POWER WINDOW HARNESS 2 Door Models, Driver Side Door, With Power Windows And Power Door Locks	\$235.00	
39961	1984	POWER WINDOW HARNESS 4 Door Models, Driver Side Front Door, With Power Windows And Power Door Locks	\$235.00	
39964	1984	POWER WINDOW HARNESS All Models, Passenger Side Front Door, With Power Windows And Power Door Locks	\$235.00	
44163	1984	POWER WINDOW HARNESS 4 Door Models, Driver Side Rear Door, With Power Windows And Power Door Locks Note: Customer Must Reuse Their Original Rubber Door Jamb Boot.	\$110.00	
44164	1984	POWER WINDOW HARNESS 4 Door Models, Passenger Side Rear Door, With Power Windows And Power Door Locks Note: Customer Must Reuse Their Original Rubber Door Jamb Boot.	\$110.00	
44165	1985	POWER WINDOW HARNESS 2 Door Models, Body Crossover, With Power Windows, Except Power Door Locks	\$278.00	M
44172	1985	POWER WINDOW HARNESS 4 Door Models, Body Crossover, With Power Windows, Except Power Door Locks	\$278.00	
44166	1985	POWER WINDOW HARNESS 2 Door Models, Driver Side Door, With Power Windows, Except Power Door Locks	\$210.00	
44173	1985	POWER WINDOW HARNESS 4 Door Models, Driver Side Front Door, With Power Windows, Except Power Door Locks	\$210.00	
44167	1985	POWER WINDOW HARNESS All Models, Passenger Side Front Door, With Power Windows, Except Power Door Locks	\$210.00	

Part Number	Year	Description	Price	*Rev.
44174	1985	POWER WINDOW HARNESS 4 Door Models, Driver Side Rear Door, With Power Windows, Except Power Door Locks Note: Customer Must Reuse Their Original Rubber Door Jamb Boot.	\$90.00	
44175	1985	POWER WINDOW HARNESS 4 Door Models, Passenger Side Rear Door, With Power Windows, Except Power Door Locks Note: Customer Must Reuse Their Original Rubber Door Jamb Boot.	\$90.00	
44001	1985	POWER WINDOW HARNESS 2 Door Models, Body Crossover, With Power Windows And Power Door Locks	\$278.00	
44168	1985	POWER WINDOW HARNESS 4 Door Models, Body Crossover, With Power Windows And Power Door Locks	\$278.00	
44002	1985	POWER WINDOW HARNESS 2 Door Models, Driver Side Door, With Power Windows And Power Door Locks	\$235.00	
44169	1985	POWER WINDOW HARNESS 4 Door Models, Driver Side Front Door, With Power Windows And Power Door Locks	\$235.00	
44003	1985	POWER WINDOW HARNESS All Models, Passenger Side Front Door, With Power Windows And Power Door Locks	\$235.00	
44170	1985	POWER WINDOW HARNESS 4 Door Models, Driver Side Rear Door, With Power Windows And Power Door Locks Note: Customer Must Reuse Their Original Rubber Door Jamb Boot.	\$110.00	
44171	1985	POWER WINDOW HARNESS 4 Door Models, Passenger Side Rear Door, With Power Windows And Power Door Locks Note: Customer Must Reuse Their Original Rubber Door Jamb Boot.	\$110.00	
44165	1986	POWER WINDOW HARNESS 2 Door Models, Body Crossover, With Power Windows, Except Power Door Locks	\$278.00	M
44172	1986	POWER WINDOW HARNESS 4 Door Models, Body Crossover, With Power Windows, Except Power Door Locks	\$278.00	
44166	1986	POWER WINDOW HARNESS 2 Door Models, Driver Side Door, With Power Windows, Except Power Door Locks	\$210.00	
44173	1986	POWER WINDOW HARNESS 4 Door Models, Driver Side Front Door, With Power Windows, Except Power Door Locks	\$210.00	
44167	1986	POWER WINDOW HARNESS All Models, Passenger Side Front Door, With Power Windows, Except Power Door Locks	\$210.00	
44174	1986	POWER WINDOW HARNESS 4 Door Models, Driver Side Rear Door, With Power Windows, Except Power Door Locks Note: Customer Must Reuse Their Original Rubber Door Jamb Boot.	\$90.00	
44175	1986	POWER WINDOW HARNESS 4 Door Models, Passenger Side Rear Door, With Power Windows, Except Power Door Locks Note: Customer Must Reuse Their Original Rubber Door Jamb Boot.	\$90.00	
44001	1986	POWER WINDOW HARNESS 2 Door Models, Body Crossover, With Power Windows And Power Door Locks	\$278.00	
44168	1986	POWER WINDOW HARNESS 4 Door Models, Body Crossover, With Power Windows And Power Door Locks	\$278.00	
44002	1986	POWER WINDOW HARNESS 2 Door Models, Driver Side Door, With Power Windows And Power Door Locks	\$235.00	
44169	1986	POWER WINDOW HARNESS 4 Door Models, Driver Side Front Door, With Power Windows And Power Door Locks	\$235.00	
44003	1986	POWER WINDOW HARNESS All Models, Passenger Side Front Door, With Power Windows And Power Door Locks	\$235.00	
44170	1986	POWER WINDOW HARNESS 4 Door Models, Driver Side Rear Door, With Power Windows And Power Door Locks Note: Customer Must Reuse Their Original Rubber Door Jamb Boot.	\$110.00	
44171	1986	POWER WINDOW HARNESS 4 Door Models, Passenger Side Rear Door, With Power Windows And Power Door Locks Note: Customer Must Reuse Their Original Rubber Door Jamb Boot.	\$110.00	

Part Number	Year	Description	Price	*Rev.
44165	1987	POWER WINDOW HARNESS 2 Door Models, Body Crossover, With Power Windows, Except Power Door Locks	\$278.00	M
44172	1987	POWER WINDOW HARNESS 4 Door Models, Body Crossover, With Power Windows, Except Power Door Locks	\$278.00	
44166	1987	POWER WINDOW HARNESS 2 Door Models, Driver Side Door, With Power Windows, Except Power Door Locks	\$210.00	
44173	1987	POWER WINDOW HARNESS 4 Door Models, Driver Side Front Door, With Power Windows, Except Power Door Locks	\$210.00	
44167	1987	POWER WINDOW HARNESS All Models, Passenger Side Front Door, With Power Windows, Except Power Door Locks	\$210.00	
44174	1987	POWER WINDOW HARNESS 4 Door Models, Driver Side Rear Door, With Power Windows, Except Power Door Locks Note: Customer Must Reuse Their Original Rubber Door Jamb Boot.	\$90.00	
44175	1987	POWER WINDOW HARNESS 4 Door Models, Passenger Side Rear Door, With Power Windows, Except Power Door Locks Note: Customer Must Reuse Their Original Rubber Door Jamb Boot.	\$90.00	
44178	1987	POWER WINDOW HARNESS 2 Door Models, Body Crossover, With Power Windows And Power Door Locks	\$278.00	M
44181	1987	POWER WINDOW HARNESS 4 Door Models, Body Crossover, With Power Windows And Power Door Locks	\$278.00	
44179	1987	POWER WINDOW HARNESS 2 Door Models, Driver Side Door, With Power Windows And Power Door Locks	\$235.00	
44182	1987	POWER WINDOW HARNESS 4 Door Models, Driver Side Front Door, With Power Windows And Power Door Locks	\$235.00	
44180	1987	POWER WINDOW HARNESS All Models, Passenger Side Front Door, With Power Windows And Power Door Locks	\$235.00	
44170	1987	POWER WINDOW HARNESS 4 Door Models, Driver Side Rear Door, With Power Windows And Power Door Locks Note: Customer Must Reuse Their Original Rubber Door Jamb Boot.	\$110.00	
44171	1987	POWER WINDOW HARNESS 4 Door Models, Passenger Side Rear Door, With Power Windows And Power Door Locks Note: Customer Must Reuse Their Original Rubber Door Jamb Boot.	\$110.00	
44165	1988	POWER WINDOW HARNESS Blazer & Jimmy, Body Crossover, With Power Windows, Except Power Door Locks	\$278.00	M
44172	1988	POWER WINDOW HARNESS 4 Door Models, Body Crossover, With Power Windows, Except Power Door Locks	\$278.00	
44166	1988	POWER WINDOW HARNESS Blazer & Jimmy, Driver Side Door, With Power Windows, Except Power Door Locks	\$210.00	
44173	1988	POWER WINDOW HARNESS 4 Door Models, Driver Side Front Door, With Power Windows, Except Power Door Locks	\$210.00	
44167	1988	POWER WINDOW HARNESS All Models, Passenger Side Front Door, With Power Windows, Except Power Door Locks	\$210.00	
44174	1988	POWER WINDOW HARNESS 4 Door Models, Driver Side Rear Door, With Power Windows, Except Power Door Locks Note: Customer Must Reuse Their Original Rubber Door Jamb Boot.	\$90.00	
44175	1988	POWER WINDOW HARNESS 4 Door Models, Passenger Side Rear Door, With Power Windows, Except Power Door Locks Note: Customer Must Reuse Their Original Rubber Door Jamb Boot.	\$90.00	
44178	1988	POWER WINDOW HARNESS Blazer & Jimmy, Body Crossover, With Power Windows And Power Door Locks	\$278.00	M
44181	1988	POWER WINDOW HARNESS 4 Door Models, Body Crossover, With Power Windows And Power Door Locks	\$278.00	
44179	1988	POWER WINDOW HARNESS Blazer & Jimmy, Driver Side Door, With Power Windows And Power Door Locks	\$235.00	

Part Number	Year	Description	Price	*Rev.
44182	1988	POWER WINDOW HARNESS 4 Door Models, Driver Side Front Door, With Power Windows And Power Door Locks	\$235.00	
44180	1988	POWER WINDOW HARNESS All Models, Passenger Side Front Door, With Power Windows And Power Door Locks	\$235.00	
44170	1988	POWER WINDOW HARNESS 4 Door Models, Driver Side Rear Door, With Power Windows And Power Door Locks Note: Customer Must Reuse Their Original Rubber Door Jamb Boot.	\$110.00	
44171	1988	POWER WINDOW HARNESS 4 Door Models, Passenger Side Rear Door, With Power Windows And Power Door Locks Note: Customer Must Reuse Their Original Rubber Door Jamb Boot.	\$110.00	
44165	1989	POWER WINDOW HARNESS Blazer & Jimmy, Body Crossover, With Power Windows, Except Power Door Locks	\$278.00	M
44166	1989	POWER WINDOW HARNESS Blazer & Jimmy, Driver Side Door, With Power Windows, Except Power Door Locks	\$210.00	
44167	1989	POWER WINDOW HARNESS Blazer & Jimmy, Passenger Side Front Door, With Power Windows, Except Power Door Locks	\$210.00	
44178	1989	POWER WINDOW HARNESS Blazer & Jimmy, Body Crossover, With Power Windows And Power Door Locks	\$278.00	M
44181	1989	POWER WINDOW HARNESS 4 Door Models, Body Crossover, With Power Windows And Power Door Locks	\$278.00	
44179	1989	POWER WINDOW HARNESS Blazer & Jimmy, Driver Side Door, With Power Windows And Power Door Locks	\$235.00	
44182	1989	POWER WINDOW HARNESS 4 Door Models, Driver Side Front Door, With Power Windows And Power Door Locks	\$235.00	
44180	1989	POWER WINDOW HARNESS All Models, Passenger Side Front Door, With Power Windows And Power Door Locks	\$235.00	
44170	1989	POWER WINDOW HARNESS 4 Door Models, Driver Side Rear Door, With Power Windows And Power Door Locks Note: Customer Must Reuse Their Original Rubber Door Jamb Boot.	\$110.00	
44171	1989	POWER WINDOW HARNESS 4 Door Models, Passenger Side Rear Door, With Power Windows And Power Door Locks Note: Customer Must Reuse Their Original Rubber Door Jamb Boot.	\$110.00	
44165	1990	POWER WINDOW HARNESS Blazer & Jimmy, Body Crossover, With Power Windows, Except Power Door Locks	\$278.00	M
44166	1990	POWER WINDOW HARNESS Blazer & Jimmy, Driver Side Door, With Power Windows, Except Power Door Locks	\$210.00	
44167	1990	POWER WINDOW HARNESS Blazer & Jimmy, Passenger Side Front Door, With Power Windows, Except Power Door Locks	\$210.00	
44178	1990	POWER WINDOW HARNESS Blazer & Jimmy, Body Crossover, With Power Windows And Power Door Locks	\$278.00	M
44181	1990	POWER WINDOW HARNESS 4 Door Models, Body Crossover, With Power Windows And Power Door Locks	\$278.00	
44179	1990	POWER WINDOW HARNESS Blazer & Jimmy, Driver Side Door, With Power Windows And Power Door Locks	\$235.00	
44182	1990	POWER WINDOW HARNESS 4 Door Models, Driver Side Front Door, With Power Windows And Power Door Locks	\$235.00	
44180	1990	POWER WINDOW HARNESS All Models, Passenger Side Front Door, With Power Windows And Power Door Locks	\$235.00	
44170	1990	POWER WINDOW HARNESS 4 Door Models, Driver Side Rear Door, With Power Windows And Power Door Locks Note: Customer Must Reuse Their Original Rubber Door Jamb Boot.	\$110.00	
44171	1990	POWER WINDOW HARNESS 4 Door Models, Passenger Side Rear Door, With Power Windows And Power Door Locks Note: Customer Must Reuse Their Original Rubber Door Jamb Boot.	\$110.00	

Part Number	Year	Description	Price	*Rev.
44165	1991	POWER WINDOW HARNESS Blazer & Jimmy, Body Crossover, With Power Windows, Except Power Door Locks	\$278.00	M
44166	1991	POWER WINDOW HARNESS Blazer & Jimmy, Driver Side Door, With Power Windows, Except Power Door Locks	\$210.00	
44167	1991	POWER WINDOW HARNESS Blazer & Jimmy, Passenger Side Front Door, With Power Windows, Except Power Door Locks	\$210.00	
44178	1991	POWER WINDOW HARNESS Blazer & Jimmy, Body Crossover, With Power Windows And Power Door Locks	\$278.00	M
44181	1991	POWER WINDOW HARNESS 4 Door Models, Body Crossover, With Power Windows And Power Door Locks	\$278.00	
44179	1991	POWER WINDOW HARNESS Blazer & Jimmy, Driver Side Door, With Power Windows And Power Door Locks	\$235.00	
44182	1991	POWER WINDOW HARNESS 4 Door Models, Driver Side Front Door, With Power Windows And Power Door Locks	\$235.00	
44180	1991	POWER WINDOW HARNESS All Models, Passenger Side Front Door, With Power Windows And Power Door Locks	\$235.00	
44170	1991	POWER WINDOW HARNESS 4 Door Models, Driver Side Rear Door, With Power Windows And Power Door Locks	\$110.00	
Note: Customer Must Reuse Their Original Rubber Door Jamb Boot.				
44171	1991	POWER WINDOW HARNESS 4 Door Models, Passenger Side Rear Door, With Power Windows And Power Door Locks	\$110.00	
Note: Customer Must Reuse Their Original Rubber Door Jamb Boot.				

POWER WINDOW SWITCH

01725094	1977	POWER WINDOW SWITCH 1 Button, Square Corner Style, Chrome	\$21.00	M
01725092	1977	POWER WINDOW SWITCH 2 Button, Square Corner Style, Chrome	\$53.00	M
01725094	1978	POWER WINDOW SWITCH 1 Button, Square Corner Style, Chrome	\$21.00	M
01725092	1978	POWER WINDOW SWITCH 2 Button, Square Corner Style, Chrome	\$53.00	M
01725094	1979	POWER WINDOW SWITCH 1 Button, Square Corner Style, Chrome	\$21.00	M
01731231	1979	POWER WINDOW SWITCH 4 Button, Square Corner Style, Chrome	\$75.00	M
01725092	1979	POWER WINDOW SWITCH 2 Button, Square Corner Style, Chrome	\$53.00	M
01725094	1980	POWER WINDOW SWITCH 1 Button, Square Corner Style, Chrome	\$21.00	M
01731231	1980	POWER WINDOW SWITCH 4 Button, Square Corner Style, Chrome	\$75.00	M
01725092	1980	POWER WINDOW SWITCH 2 Button, Square Corner Style, Chrome	\$53.00	M
01725092	1981	POWER WINDOW SWITCH 2 Button, Square Corner Style, Chrome	\$53.00	M
20061549	1981	POWER WINDOW SWITCH 2-Button	\$14.00	N
01725094	1981	POWER WINDOW SWITCH 1 Button, Square Corner Style, Chrome	\$21.00	M
20043940	1981	POWER WINDOW SWITCH 1-Button	\$9.00	N
01731231	1981	POWER WINDOW SWITCH 4 Button, Square Corner Style, Chrome	\$75.00	M
20043940	1982	POWER WINDOW SWITCH 1-Button	\$9.00	N
20061549	1982	POWER WINDOW SWITCH 2-Button	\$14.00	N
20106968	1982	POWER WINDOW SWITCH 4-Button	\$19.00	N
20043940	1983	POWER WINDOW SWITCH 1-Button	\$9.00	N
20061549	1983	POWER WINDOW SWITCH 2-Button	\$14.00	N
20106968	1983	POWER WINDOW SWITCH 4-Button	\$19.00	N
20043940	1984	POWER WINDOW SWITCH 1-Button	\$9.00	N
20061549	1984	POWER WINDOW SWITCH 2-Button	\$14.00	N
20106968	1984	POWER WINDOW SWITCH 4-Button	\$19.00	N
20043940	1985	POWER WINDOW SWITCH 1-Button	\$9.00	N
20061549	1985	POWER WINDOW SWITCH 2-Button	\$14.00	N
20106968	1985	POWER WINDOW SWITCH 4-Button	\$19.00	N

Part Number	Year	Description	Price	*Rev.
20043940	1986	POWER WINDOW SWITCH 1-Button	\$9.00	N
20061549	1986	POWER WINDOW SWITCH 2-Button	\$14.00	N
20106968	1986	POWER WINDOW SWITCH 4-Button	\$19.00	N
20043940	1987	POWER WINDOW SWITCH 1-Button, RV Body Style	\$9.00	N
20061549	1987	POWER WINDOW SWITCH 2-Button, RV Body Style	\$14.00	N
20106968	1987	POWER WINDOW SWITCH 4-Button, RV Body Style	\$19.00	N
20043940	1988	POWER WINDOW SWITCH 1-Button, RV Body Style	\$9.00	N
20061549	1988	POWER WINDOW SWITCH 2-Button, RV Body Style	\$14.00	N
20106968	1988	POWER WINDOW SWITCH 4-Button, RV Body Style	\$19.00	N
20043940	1989	POWER WINDOW SWITCH 1-Button, RV Body Style	\$9.00	N
20061549	1989	POWER WINDOW SWITCH 2-Button, RV Body Style	\$14.00	N
20106968	1989	POWER WINDOW SWITCH 4-Button, RV Body Style	\$19.00	N
20043940	1990	POWER WINDOW SWITCH 1-Button, RV Body Style	\$9.00	N
20061549	1990	POWER WINDOW SWITCH 2-Button, RV Body Style	\$14.00	N
20106968	1990	POWER WINDOW SWITCH 4-Button, RV Body Style	\$19.00	N
20043940	1991	POWER WINDOW SWITCH 1-Button, RV Body Style	\$9.00	N
20061549	1991	POWER WINDOW SWITCH 2-Button, RV Body Style	\$14.00	N
20106968	1991	POWER WINDOW SWITCH 4-Button, RV Body Style	\$19.00	N
PRINTED CIRCUIT BOARD				
06290459	1967	PRINTED CIRCUIT BOARD With Gauges And Tach	\$42.00	N
06290458	1967	PRINTED CIRCUIT BOARD With Gauges, Without Tach	\$42.00	N
06290457	1967	PRINTED CIRCUIT BOARD With Warning Lights	\$42.00	N
06290459	1968	PRINTED CIRCUIT BOARD With Gauges And Tach	\$42.00	N
06290458	1968	PRINTED CIRCUIT BOARD With Gauges, Without Tach	\$42.00	N
06290457	1968	PRINTED CIRCUIT BOARD With Warning Lights	\$42.00	N
06290459	1969	PRINTED CIRCUIT BOARD With Gauges And Tach	\$42.00	N
06290458	1969	PRINTED CIRCUIT BOARD With Gauges, Without Tach	\$42.00	N
06290457	1969	PRINTED CIRCUIT BOARD With Warning Lights	\$42.00	N
06290459	1970	PRINTED CIRCUIT BOARD With Gauges And Tach	\$42.00	N
06290458	1970	PRINTED CIRCUIT BOARD With Gauges, Without Tach	\$42.00	N
06290457	1970	PRINTED CIRCUIT BOARD With Warning Lights	\$42.00	N
06290459	1971	PRINTED CIRCUIT BOARD With Gauges And Tach	\$42.00	N
06290458	1971	PRINTED CIRCUIT BOARD With Gauges, Without Tach	\$42.00	N
06290457	1971	PRINTED CIRCUIT BOARD With Warning Lights	\$42.00	N
06290459	1972	PRINTED CIRCUIT BOARD With Gauges And Tach	\$42.00	N
06290458	1972	PRINTED CIRCUIT BOARD With Gauges, Without Tach	\$42.00	N
06290457	1972	PRINTED CIRCUIT BOARD With Warning Lights	\$42.00	N
25044898	1981	PRINTED CIRCUIT BOARD With Gauges And Tach	\$54.00	N
25044897	1981	PRINTED CIRCUIT BOARD With Gauges, Without Tach	\$54.00	N
25044898	1982	PRINTED CIRCUIT BOARD With Gauges And Tach	\$54.00	N
25044897	1982	PRINTED CIRCUIT BOARD With Gauges, Without Tach	\$54.00	N
25044898	1983	PRINTED CIRCUIT BOARD With Gauges And Tach	\$54.00	N
25044897	1983	PRINTED CIRCUIT BOARD With Gauges, Without Tach	\$54.00	N
25044898	1984	PRINTED CIRCUIT BOARD With Gauges And Tach	\$54.00	N
25044897	1984	PRINTED CIRCUIT BOARD With Gauges, Without Tach	\$54.00	N
25044898	1985	PRINTED CIRCUIT BOARD With Gauges And Tach	\$54.00	N
25044897	1985	PRINTED CIRCUIT BOARD With Gauges, Without Tach	\$54.00	N

Part Number	Year	Description	Price	*Rev.
25044898	1986	PRINTED CIRCUIT BOARD With Gauges And Tach	\$54.00	N
25044897	1986	PRINTED CIRCUIT BOARD With Gauges, Without Tach	\$54.00	N
25044898	1987	PRINTED CIRCUIT BOARD With Gauges And Tach Note: For RV Model Square Body Style.	\$54.00	N
25044897	1987	PRINTED CIRCUIT BOARD With Gauges, Without Tach Note: For RV Model Square Body Style.	\$54.00	N
RADIO POWER WIRE				
39708	1973	RADIO POWER WIRE Fuse Box To Radio, Except Stereo	\$53.00	M
39708	1974	RADIO POWER WIRE Fuse Box To Radio, Except Stereo	\$53.00	M
REAR FENDER MARKER LAMP HARNESS				
39742	1973	REAR FENDER MARKER LAMP HARNESS Dually, With Rear Fender Marker Lamps	\$219.00	M
39742	1974	REAR FENDER MARKER LAMP HARNESS Dually, With Rear Fender Marker Lamps	\$219.00	M
39742	1975	REAR FENDER MARKER LAMP HARNESS Dually, With Rear Fender Marker Lamps	\$219.00	M
39742	1976	REAR FENDER MARKER LAMP HARNESS Dually, With Rear Fender Marker Lamps	\$219.00	M
39742	1977	REAR FENDER MARKER LAMP HARNESS Dually, With Rear Fender Marker Lamps	\$219.00	M
39742	1978	REAR FENDER MARKER LAMP HARNESS Dually, With Rear Fender Marker Lamps	\$219.00	M
REAR LAMP HARNESS				
39304	1973	REAR LAMP INTERMEDIATE HARNESS Blazer & Jimmy	\$209.00	M
38412	1973	REAR LAMP INTERMEDIATE HARNESS Fleetside & Stepside Bed, With 117.5 In. Wheel Base	\$118.00	M
38413	1973	REAR LAMP INTERMEDIATE HARNESS Fleetside & Stepside Bed, With 131.5 In. & 164.5 In. Wheel Base	\$120.00	M
39710	1973	REAR LAMP INTERMEDIATE HARNESS Suburban	\$143.00	M
39711	1973	REAR LAMP INTERMEDIATE HARNESS 2 Door, 1-Ton, Without Bed, With 159.5 In. Wheel Base	\$143.00	M
39712	1973	REAR LAMP INTERMEDIATE HARNESS 4 Door, 3/4 & 1-Ton, Without Bed, With 164.5 In. Wheel Base	\$143.00	M
35902	1973	REAR LAMP HARNESS Rear, Stepside, Except 117.5 In. Wheel Base	\$248.00	M
37624	1973	REAR LAMP HARNESS Rear, Stepside, With 117.5 In. Wheel Base	\$248.00	M
37464	1973	REAR LAMP HARNESS Rear, 2 Door, Without Bed, With 117.5 In. Wheel Base	\$248.00	M
37465	1973	REAR LAMP HARNESS Rear, 2 & 4 Door, 3/4 & 1-Ton, Without Bed, With 131.5 In. & 164.5 In. Wheel Base	\$248.00	M
35903	1973	REAR LAMP HARNESS Rear, 2 Door, 1-Ton, Without Bed, With 135.5 & 159.5 In. Wheel Base	\$248.00	M
35904	1973	REAR LAMP HARNESS Rear, Blazer & Jimmy, (2 Required Per Vehicle)	\$143.00	M
37470	1973	REAR LAMP HARNESS Rear, Fleetside	\$248.00	M
39747	1973	REAR LAMP HARNESS Rear, Suburban, Driver Side	\$143.00	M
35906	1973	REAR LAMP HARNESS Rear, Suburban, Passenger Side	\$143.00	M
35905	1973	REAR LAMP HARNESS Rear, Fleetside, With Camper Special Option	\$314.00	M
39304	1974	REAR LAMP INTERMEDIATE HARNESS Blazer & Jimmy	\$209.00	M
38412	1974	REAR LAMP INTERMEDIATE HARNESS Fleetside & Stepside Bed, With 117.5 In. Wheel Base	\$118.00	M
38413	1974	REAR LAMP INTERMEDIATE HARNESS Fleetside & Stepside Bed, With 131.5 In. & 164.5 In. Wheel Base	\$120.00	M
39711	1974	REAR LAMP INTERMEDIATE HARNESS 2 Door, 1-Ton, Without Bed, With 159.5 In. Wheel Base	\$143.00	M
39712	1974	REAR LAMP INTERMEDIATE HARNESS 4 Door, 3/4 & 1-Ton, Without Bed, With 164.5 In. Wheel Base	\$143.00	M
39772	1974	REAR LAMP INTERMEDIATE HARNESS Suburban	\$143.00	M
35902	1974	REAR LAMP HARNESS Rear, Stepside, Except 117.5 In. Wheel Base	\$248.00	M
37624	1974	REAR LAMP HARNESS Rear, Stepside, With 117.5 In. Wheel Base	\$248.00	M
35903	1974	REAR LAMP HARNESS Rear, 2 Door, 1-Ton, Without Bed, With 135.5 & 159.5 In. Wheel Base	\$248.00	M
35904	1974	REAR LAMP HARNESS Rear, Blazer & Jimmy, (2 Required Per Vehicle)	\$143.00	M
37470	1974	REAR LAMP HARNESS Rear, Fleetside	\$248.00	M

Part Number	Year	Description	Price	*Rev.
39747	1974	REAR LAMP HARNESS Rear, Suburban, Driver Side	\$143.00	M
35906	1974	REAR LAMP HARNESS Rear, Suburban, Passenger Side	\$143.00	M
35905	1974	REAR LAMP HARNESS Rear, Fleetside, With Camper Special Option, (1st Design), Except Rear Fender Marker Lamp Wiring	\$314.00	M
35976	1974	REAR LAMP HARNESS Rear, Fleetside, With Camper Special Option, (2nd Design), With Rear Fender Marker Lamp Wiring	\$314.00	M
39778	1975	REAR LAMP INTERMEDIATE HARNESS Blazer & Jimmy	\$209.00	M
39779	1975	REAR LAMP INTERMEDIATE HARNESS Fleetside & Stepside Bed, With 117.5 In. Wheel Base	\$209.00	M
39780	1975	REAR LAMP INTERMEDIATE HARNESS Fleetside & Stepside Bed, With 131.5 In. & 164.5 In. Wheel Base	\$209.00	M
39781	1975	REAR LAMP INTERMEDIATE HARNESS 2 Door, 1-Ton, Without Bed, With 159.5 In. Wheel Base	\$209.00	M
39782	1975	REAR LAMP INTERMEDIATE HARNESS 4 Door, 3/4 & 1-Ton, Without Bed, With 164.5 In. Wheel Base	\$209.00	M
39783	1975	REAR LAMP INTERMEDIATE HARNESS Suburban	\$268.00	M
35902	1975	REAR LAMP HARNESS Rear, Stepside, Except 117.5 In. Wheel Base	\$248.00	M
37624	1975	REAR LAMP HARNESS Rear, Stepside, With 117.5 In. Wheel Base	\$248.00	M
37464	1975	REAR LAMP HARNESS Rear, 2 Door, Without Bed, With 117.5 In. Wheel Base	\$248.00	M
37465	1975	REAR LAMP HARNESS Rear, 2 & 4 Door, 3/4 & 1-Ton, Without Bed, With 131.5 In. & 164.5 In. Wheel Base	\$248.00	M
35903	1975	REAR LAMP HARNESS Rear, 2 Door, 1-Ton, Without Bed, With 135.5 & 159.5 In. Wheel Base	\$248.00	M
35904	1975	REAR LAMP HARNESS Rear, Blazer & Jimmy, (2 Required Per Vehicle)	\$143.00	M
35905	1975	REAR LAMP HARNESS Rear, Fleetside, With Camper Special Option	\$314.00	M
37470	1975	REAR LAMP HARNESS Rear, Fleetside	\$248.00	M
39747	1975	REAR LAMP HARNESS Rear, Suburban, Driver Side	\$143.00	M
35906	1975	REAR LAMP HARNESS Rear, Suburban, Passenger Side	\$143.00	M
39806	1976	REAR LAMP INTERMEDIATE HARNESS Fleetside & Stepside Bed, With 117.5 In. Wheel Base	\$194.00	M
39807	1976	REAR LAMP INTERMEDIATE HARNESS Fleetside & Stepside Bed, With 131.5 In. & 135.5 In. Wheel Base	\$194.00	M
39809	1976	REAR LAMP INTERMEDIATE HARNESS Blazer & Jimmy	\$268.00	M
35907	1976	REAR LAMP INTERMEDIATE HARNESS Suburban, Except 40 Gal. Gas Tank Option	\$268.00	M
37657	1976	REAR LAMP INTERMEDIATE HARNESS 1-Ton, Stakebed & Flatbed, With 159.5 Wheel Base	\$194.00	M
37658	1976	REAR LAMP INTERMEDIATE HARNESS 4 Door, 3/4 & 1-Ton, Without Bed, With 164.5 In. Wheel Base	\$209.00	M
39810	1976	REAR LAMP INTERMEDIATE HARNESS Suburban, With 40 Gal. Gas Tank Option	\$268.00	M
35902	1976	REAR LAMP HARNESS Rear, Stepside, Except 117.5 In. Wheel Base	\$248.00	M
37624	1976	REAR LAMP HARNESS Rear, Stepside, With 117.5 In. Wheel Base	\$248.00	M
37464	1976	REAR LAMP HARNESS Rear, 2 Door, Without Bed, With 117.5 In. Wheel Base	\$248.00	M
37465	1976	REAR LAMP HARNESS Rear, 2 & 4 Door, 3/4 & 1-Ton, Without Bed, With 131.5 In. & 164.5 In. Wheel Base	\$248.00	M
35903	1976	REAR LAMP HARNESS Rear, 2 Door, 1-Ton, Without Bed, With 135.5 & 159.5 In. Wheel Base	\$248.00	M
35904	1976	REAR LAMP HARNESS Rear, Blazer & Jimmy, (2 Required Per Vehicle)	\$143.00	M
35905	1976	REAR LAMP HARNESS Rear, 1-Ton Fleetside Bed, With Dual Rear Wheels	\$314.00	M
37470	1976	REAR LAMP HARNESS Rear, Fleetside	\$248.00	M
39747	1976	REAR LAMP HARNESS Rear, Suburban, Passenger Side	\$143.00	M
35906	1976	REAR LAMP HARNESS Rear, Suburban, Driver Side	\$143.00	M
38394	1977	REAR LAMP INTERMEDIATE HARNESS Fleetside & Stepside, With 117.5 In. Wheel Base & Heavy Duty Chassis	\$194.00	M
39382	1977	REAR LAMP INTERMEDIATE HARNESS Fleetside & Stepside, With 131.5 In. Wheel Base	\$194.00	M
39818	1977	REAR LAMP INTERMEDIATE HARNESS Fleetside & Stepside, With 117.5 In. Wheel Base, Except Heavy Duty Chassis	\$194.00	M
39819	1977	REAR LAMP INTERMEDIATE HARNESS Fleetside & Stepside, 1-Ton With 135.5 In. Wheel Base	\$194.00	M

Part Number	Year	Description	Price	*Rev.
39820	1977	REAR LAMP INTERMEDIATE HARNESS 2 Door, 1-Ton, With 159.5 In. Wheel Base	\$194.00	M
39821	1977	REAR LAMP INTERMEDIATE HARNESS 4 Door Truck, 3/4 & 1-Ton	\$194.00	M
39822	1977	REAR LAMP INTERMEDIATE HARNESS Suburban	\$268.00	M
37623	1977	REAR LAMP INTERMEDIATE HARNESS Blazer & Jimmy	\$268.00	M
35902	1977	REAR LAMP HARNESS Rear, Stepside, Except 117.5 In. Wheel Base	\$248.00	M
37624	1977	REAR LAMP HARNESS Rear, Stepside, With 117.5 In. Wheel Base	\$248.00	M
35904	1977	REAR LAMP HARNESS Rear, Blazer & Jimmy, (2 Required Per Vehicle)	\$143.00	M
35905	1977	REAR LAMP HARNESS Rear, 1-Ton Fleetside Bed, With Dual Rear Wheels	\$314.00	M
37470	1977	REAR LAMP HARNESS Rear, Fleetside	\$248.00	M
39823	1977	REAR LAMP HARNESS Rear, Suburban, (2 Required Per Vehicle)	\$143.00	M
39828	1977	REAR LAMP HARNESS Rear, 2 & 4 Door, Without Bed, With 117.5, 131.5, & 164.5 In. Wheel Base	\$248.00	M
35908	1977	REAR LAMP HARNESS Rear, 2 Door, Without Bed, With 131.5, 135.5, & 159.5 In. Wheel Base	\$248.00	M
35914	1977	REAR LAMP HARNESS Rear, 1-Ton, Stakebed & Flatbed, With 135.5 In. Wheel Base	\$248.00	M
38394	1978	REAR LAMP INTERMEDIATE HARNESS Fleetside & Stepside, With 117.5 In. Wheel Base & Heavy Duty Chassis	\$194.00	M
39382	1978	REAR LAMP INTERMEDIATE HARNESS Fleetside & Stepside, With 131.5 In. Wheel Base & Heavy Duty Chassis	\$194.00	M
39818	1978	REAR LAMP INTERMEDIATE HARNESS Fleetside & Stepside, With 117.5 In. Wheel Base, Except Heavy Duty Chassis	\$194.00	M
39819	1978	REAR LAMP INTERMEDIATE HARNESS Fleetside & Stepside, 1/2-Ton With 131.5 In. Wheel Base & 1-Ton With 135.5 In. Wheel Base	\$194.00	M
39820	1978	REAR LAMP INTERMEDIATE HARNESS 2 Door, 1-Ton, With 159.5 In. Wheel Base	\$194.00	M
39821	1978	REAR LAMP INTERMEDIATE HARNESS 4 Door Truck, 3/4 & 1-Ton	\$194.00	M
39822	1978	REAR LAMP INTERMEDIATE HARNESS Suburban, Without California Emission Option	\$268.00	M
37623	1978	REAR LAMP INTERMEDIATE HARNESS Blazer & Jimmy	\$268.00	M
35913	1978	REAR LAMP INTERMEDIATE HARNESS Suburban, With California Emission Option	\$268.00	M
35902	1978	REAR LAMP HARNESS Rear, Stepside, Except 117.5 In. Wheel Base	\$248.00	M
37624	1978	REAR LAMP HARNESS Rear, Stepside, With 117.5 In. Wheel Base	\$248.00	M
35904	1978	REAR LAMP HARNESS Rear, Blazer & Jimmy, (2 Required Per Vehicle)	\$143.00	M
35905	1978	REAR LAMP HARNESS Rear, 1-Ton Fleetside Bed, With Dual Rear Wheels	\$314.00	M
37470	1978	REAR LAMP HARNESS Rear, Fleetside	\$248.00	M
39823	1978	REAR LAMP HARNESS Rear, Suburban, (2 Required Per Vehicle)	\$143.00	M
39828	1978	REAR LAMP HARNESS Rear, 2 & 4 Door, Without Bed, With 117.5, 131.5, & 164.5 In. Wheel Base	\$248.00	M
35908	1978	REAR LAMP HARNESS Rear, 2 Door, Without Bed, With 135.5, & 159.5 In. Wheel Base	\$248.00	M
35914	1978	REAR LAMP HARNESS Rear, 1-Ton, Stakebed & Flatbed, With 135.5 In. Wheel Base	\$248.00	M
39818	1979	REAR LAMP INTERMEDIATE HARNESS Fleetside & Stepside, With 117.5 In. Wheel Base, Except Heavy Duty Chassis	\$194.00	M
38394	1979	REAR LAMP INTERMEDIATE HARNESS Fleetside & Stepside, With 117.5 In. Wheel Base & Heavy Duty Chassis	\$194.00	M
39382	1979	REAR LAMP INTERMEDIATE HARNESS Fleetside & Stepside, With 131.5 In. Wheel Base & Heavy Duty Chassis	\$194.00	M
39819	1979	REAR LAMP INTERMEDIATE HARNESS Fleetside & Stepside, 1/2-Ton With 131.5 In. Wheel Base & 1-Ton With 135.5 In. Wheel Base	\$194.00	M
39820	1979	REAR LAMP INTERMEDIATE HARNESS 2 Door, 1-Ton, With 159.5 In. Wheel Base	\$194.00	M
39821	1979	REAR LAMP INTERMEDIATE HARNESS 4 Door Truck, 3/4 & 1-Ton	\$194.00	M
39822	1979	REAR LAMP INTERMEDIATE HARNESS Suburban, Without California Emission Option	\$268.00	M
35913	1979	REAR LAMP INTERMEDIATE HARNESS Suburban, With California Emission Option	\$268.00	M

Part Number	Year	Description	Price	*Rev.
39908	1979	REAR LAMP INTERMEDIATE HARNESS Blazer & Jimmy	\$268.00	M
35904	1979	REAR LAMP HARNESS Rear, Blazer & Jimmy, (2 Required Per Vehicle)	\$143.00	M
37470	1979	REAR LAMP HARNESS Rear, Fleetside	\$248.00	M
39823	1979	REAR LAMP HARNESS Rear, Suburban, (2 Required Per Vehicle)	\$143.00	M
39828	1979	REAR LAMP HARNESS Rear, 2 & 4 Door, Without Bed, With 117.5, 131.5, & 164.5 In. Wheel Base	\$248.00	M
35908	1979	REAR LAMP HARNESS Rear, 2 Door, Without Bed, With 135.5, & 159.5 In. Wheel Base	\$248.00	M
35914	1979	REAR LAMP HARNESS Rear, 1-Ton, Stakebed & Flatbed, With 135.5 In. Wheel Base	\$248.00	M
39898	1979	REAR LAMP HARNESS Rear, 1-Ton Fleetside Bed, With Dual Rear Wheels	\$248.00	M
38881	1979	REAR LAMP HARNESS Rear, Stepside	\$165.00	M
39382	1980	REAR LAMP INTERMEDIATE HARNESS Fleetside & Stepside, With 131.5 In. Wheel Base & Heavy Duty Chassis	\$194.00	M
39819	1980	REAR LAMP INTERMEDIATE HARNESS Fleetside & Stepside, 1-Ton With 135.5 In. Wheel Base	\$194.00	M
39820	1980	REAR LAMP INTERMEDIATE HARNESS 2 Door, 1-Ton, With 159.5 In. Wheel Base	\$194.00	M
39821	1980	REAR LAMP INTERMEDIATE HARNESS 4 Door Truck, 3/4 & 1-Ton	\$194.00	M
39913	1980	REAR LAMP INTERMEDIATE HARNESS Suburban, Without California Emission Option	\$268.00	M
39914	1980	REAR LAMP INTERMEDIATE HARNESS Suburban, With California Emission Option	\$268.00	M
39915	1980	REAR LAMP INTERMEDIATE HARNESS Fleetside & Stepside, With 117.5 In. Wheel Base	\$194.00	M
39916	1980	REAR LAMP INTERMEDIATE HARNESS Fleetside & Stepside, With 131.5 In. Wheel Base	\$194.00	M
39917	1980	REAR LAMP INTERMEDIATE HARNESS Blazer & Jimmy	\$268.00	M
35904	1980	REAR LAMP HARNESS Rear, Blazer & Jimmy, (2 Required Per Vehicle)	\$143.00	M
37470	1980	REAR LAMP HARNESS Rear, Fleetside	\$248.00	M
39823	1980	REAR LAMP HARNESS Rear, Suburban, (2 Required Per Vehicle)	\$143.00	M
39828	1980	REAR LAMP HARNESS Rear, 2 & 4 Door, Without Bed, With 117.5, 131.5, & 164.5 In. Wheel Base	\$248.00	M
35908	1980	REAR LAMP HARNESS Rear, 2 Door, Without Bed, With 135.5, & 159.5 In. Wheel Base	\$248.00	M
35914	1980	REAR LAMP HARNESS Rear, 1-Ton, Stakebed & Flatbed, With 135.5 In. Wheel Base	\$248.00	M
39898	1980	REAR LAMP HARNESS Rear, 1-Ton Fleetside Bed, With Dual Rear Wheels	\$248.00	M
38881	1980	REAR LAMP HARNESS Rear, Stepside	\$165.00	M
38394	1981	REAR LAMP INTERMEDIATE HARNESS Fleetside & Stepside, With 350 Diesel & 117.5 In. Wheel Base	\$194.00	M
39382	1981	REAR LAMP INTERMEDIATE HARNESS Fleetside & Stepside, 2 Wheel Drive 1/2 Ton, With 350 Diesel, & All 4 Wheel Drives, With 131.5 In. Wheel Base & Heavy Duty	\$194.00	M
39913	1981	REAR LAMP INTERMEDIATE HARNESS Suburban, Without California Emission Option	\$268.00	M
39914	1981	REAR LAMP INTERMEDIATE HARNESS Suburban, With California Emission Option	\$268.00	M
39915	1981	REAR LAMP INTERMEDIATE HARNESS Fleetside & Stepside, With 117.5 In. Wheel Base	\$194.00	M
39916	1981	REAR LAMP INTERMEDIATE HARNESS Fleetside & Stepside, With 131.5 In. Wheel Base	\$194.00	M
39917	1981	REAR LAMP INTERMEDIATE HARNESS Blazer & Jimmy	\$268.00	M
39986	1981	REAR LAMP INTERMEDIATE HARNESS 2 Door, 1-Ton, With 135.5 In. Wheel Base	\$194.00	M
39987	1981	REAR LAMP INTERMEDIATE HARNESS 2 Door, 1-Ton, With 159.5 In. Wheel Base	\$194.00	M
39988	1981	REAR LAMP INTERMEDIATE HARNESS 4 Door, 3/4 & 1-Ton, With 164.5 In. Wheel Base	\$194.00	M
35904	1981	REAR LAMP HARNESS Rear, Blazer & Jimmy, (2 Required Per Vehicle)	\$143.00	M
37470	1981	REAR LAMP HARNESS Rear, Fleetside	\$248.00	M
39823	1981	REAR LAMP HARNESS Rear, Suburban, (2 Required Per Vehicle)	\$143.00	M
39828	1981	REAR LAMP HARNESS Rear, 2 & 4 Door, Without Bed, With 117.5, 131.5, & 164.5 In. Wheel Base	\$248.00	M
35908	1981	REAR LAMP HARNESS Rear, 2 Door, Without Bed, With 135.5, & 159.5 In. Wheel Base	\$248.00	M
35914	1981	REAR LAMP HARNESS Rear, 1-Ton, Stakebed & Flatbed, With 135.5 In. Wheel Base	\$248.00	M
38881	1981	REAR LAMP HARNESS Rear, Stepside	\$165.00	M

Part Number	Year	Description	Price	*Rev.
39991	1981	REAR LAMP HARNESS Rear, 1-Ton Fleetside Bed, With Dual Rear Wheels	\$248.00	M
38394	1982	REAR LAMP INTERMEDIATE HARNESS Fleetside & Stepside, With 350 Diesel & 117.5 In. Wheel Base	\$194.00	M
39382	1982	REAR LAMP INTERMEDIATE HARNESS Fleetside & Stepside, 2 Wheel Drive 1/2 Ton, With 350 Diesel, & All 4 Wheel Drives, With 131.5 In. Wheel Base & Heavy Duty	\$194.00	M
39913	1982	REAR LAMP INTERMEDIATE HARNESS Suburban, Without California Emission Option	\$268.00	M
39914	1982	REAR LAMP INTERMEDIATE HARNESS Suburban, With California Emission Option	\$268.00	M
39915	1982	REAR LAMP INTERMEDIATE HARNESS Fleetside & Stepside, With 117.5 In. Wheel Base	\$194.00	M
39916	1982	REAR LAMP INTERMEDIATE HARNESS Fleetside & Stepside, With 131.5 In. Wheel Base	\$194.00	M
39917	1982	REAR LAMP INTERMEDIATE HARNESS Blazer & Jimmy	\$268.00	M
39986	1982	REAR LAMP INTERMEDIATE HARNESS 2 Door, 1-Ton, With 135.5 In. Wheel Base	\$194.00	M
39987	1982	REAR LAMP INTERMEDIATE HARNESS 2 Door, 1-Ton, With 159.5 In. Wheel Base	\$194.00	M
39988	1982	REAR LAMP INTERMEDIATE HARNESS 4 Door, 3/4 & 1-Ton, With 164.5 In. Wheel Base	\$194.00	M
35904	1982	REAR LAMP HARNESS Rear, Blazer & Jimmy, (2 Required Per Vehicle)	\$143.00	M
37470	1982	REAR LAMP HARNESS Rear, Fleetside	\$248.00	M
39823	1982	REAR LAMP HARNESS Rear, Suburban, (2 Required Per Vehicle)	\$143.00	M
39828	1982	REAR LAMP HARNESS Rear, 2 & 4 Door, Without Bed, With 117.5, 131.5, & 164.5 In. Wheel Base	\$248.00	M
35908	1982	REAR LAMP HARNESS Rear, 2 Door, Without Bed, With 135.5, & 159.5 In. Wheel Base	\$248.00	M
35914	1982	REAR LAMP HARNESS Rear, 1-Ton, Stakebed & Flatbed, With 135.5 In. Wheel Base	\$248.00	M
38881	1982	REAR LAMP HARNESS Rear, Stepside	\$165.00	M
39991	1982	REAR LAMP HARNESS Rear, 1-Ton Fleetside Bed, With Dual Rear Wheels	\$248.00	M
REAR MARKER LAMP HARNESS				
39834	1977	REAR MARKER LAMP HARNESS 2 Door, 3/4 Ton, With Stakebed & Flatbed, Tail Lamp Harness To Rear Marker Lamps	\$101.00	M
39835	1977	REAR MARKER LAMP HARNESS 2 Door, 1-Ton, With 135.5 In. Wheel Base, With Stakebed & Flatbed, Tail Lamp Harness To Rear Marker & Corner Lamps	\$127.00	M
39834	1978	REAR MARKER LAMP HARNESS 2 Door, 3/4 Ton, With Stakebed & Flatbed, Tail Lamp Harness To Rear Marker Lamps	\$101.00	M
39835	1978	REAR MARKER LAMP HARNESS 2 Door, 1-Ton, With 135.5 In. Wheel Base, With Stakebed & Flatbed, Tail Lamp Harness To Rear Marker & Corner Lamps	\$127.00	M
39834	1979	REAR MARKER LAMP HARNESS 2 Door, 3/4 Ton, With Stakebed & Flatbed, Tail Lamp Harness To Rear Marker Lamps	\$101.00	M
39835	1979	REAR MARKER LAMP HARNESS 2 Door, 1-Ton, With 135.5 In. Wheel Base, With Stakebed & Flatbed, Tail Lamp Harness To Rear Marker & Corner Lamps	\$127.00	M
39834	1980	REAR MARKER LAMP HARNESS 2 Door, 3/4 Ton, With Stakebed & Flatbed, Tail Lamp Harness To Rear Marker Lamps	\$101.00	M
39835	1980	REAR MARKER LAMP HARNESS 2 Door, 1-Ton, With 135.5 In. Wheel Base, With Stakebed & Flatbed, Tail Lamp Harness To Rear Marker & Corner Lamps	\$127.00	M
39834	1981	REAR MARKER LAMP HARNESS 2 Door, 3/4 Ton, With Stakebed & Flatbed, Tail Lamp Harness To Rear Marker Lamps	\$101.00	M
39835	1981	REAR MARKER LAMP HARNESS 2 Door, 1-Ton, With 135.5 In. Wheel Base, With Stakebed & Flatbed, Tail Lamp Harness To Rear Marker & Corner Lamps	\$127.00	M
39835	1982	REAR MARKER LAMP HARNESS 2 Door, 1-Ton, With 135.5 In. Wheel Base, With Stakebed & Flatbed, Tail Lamp Harness To Rear Marker & Corner Lamps	\$127.00	M
REAR WINDOW DEFROSTER EXTENSION WIRE				
40002	1982	REAR WINDOW DEFROSTER EXTENSION WIRE Suburban, Dash Harness To Tailgate Harness	\$52.00	M
40002	1982	REAR WINDOW DEFROSTER EXTENSION WIRE Suburban, Dash Harness To Tailgate Harness	\$52.00	M
REAR WINDOW DEFROSTER HARNESS				
40003	1982	REAR WINDOW DEFROSTER HARNESS Suburban, Tailgate Harness	\$66.00	M

Part Number	Year	Description	Price	*Rev.
SIDE MARKER AND LICENSE LAMP HARNESS				
39740	1973	SIDE MARKER AND LICENSE LAMP HARNESS 8ft Stakebed & Flatbed, Without Clearance Lamps	\$101.00	M
39743	1973	SIDE MARKER AND LICENSE LAMP HARNESS 8ft Stakebed & Flatbed, With Clearance Lamps	\$127.00	M
39740	1974	SIDE MARKER AND LICENSE LAMP HARNESS 8ft Stakebed & Flatbed, Without Clearance Lamps	\$101.00	M
39743	1974	SIDE MARKER AND LICENSE LAMP HARNESS 8ft Stakebed & Flatbed, With Clearance Lamps	\$127.00	M
39740	1975	SIDE MARKER AND LICENSE LAMP HARNESS 8ft Stakebed & Flatbed, Without Clearance Lamps	\$101.00	M
39743	1975	SIDE MARKER AND LICENSE LAMP HARNESS 8ft Stakebed & Flatbed, With Clearance Lamps	\$127.00	M
39740	1976	SIDE MARKER AND LICENSE LAMP HARNESS 8ft Stakebed & Flatbed, Without Clearance Lamps	\$101.00	M
39743	1976	SIDE MARKER AND LICENSE LAMP HARNESS 8ft Stakebed & Flatbed, With Clearance Lamps	\$127.00	M
SPEAKER EXTENSION WIRE				
39866	1981	SPEAKER EXTENSION WIRE Suburban, Rear Speaker To Extension Harness (2 Required Per Vehicle)	\$26.00	M
SPEAKER HARNESS				
39709	1973	SPEAKER HARNESS Radio To Center Front Speaker, Except Stereo	\$40.00	M
39726	1973	SPEAKER HARNESS Radio To Front Kick Panel Speakers, With Stereo	\$66.00	M
39749	1973	SPEAKER HARNESS All, Radio To Rear Speakers, With Stereo	\$66.00	M
39709	1974	SPEAKER HARNESS Radio To Center Front Speaker, Except Stereo	\$40.00	M
39749	1974	SPEAKER HARNESS Radio To Rear Speakers, With Stereo	\$66.00	M
39750	1974	SPEAKER HARNESS Radio To Driver Side Kick Panel Speaker	\$66.00	M
39751	1974	SPEAKER HARNESS Radio To Passenger Side Kick Panel Speaker	\$66.00	M
39709	1975	SPEAKER HARNESS Radio To Center Front Speaker, Except Stereo	\$40.00	M
39749	1975	SPEAKER HARNESS Radio To Rear Speakers, With Stereo	\$66.00	M
39794	1975	SPEAKER HARNESS Suburban, Driver Side Rear Speaker	\$66.00	M
39795	1975	SPEAKER HARNESS Suburban, Passenger Side Rear Speaker	\$66.00	M
39709	1976	SPEAKER HARNESS Radio To Center Front Speaker, Except Stereo	\$40.00	M
39749	1976	SPEAKER HARNESS Radio To Rear Speakers, With Stereo	\$66.00	M
39794	1976	SPEAKER HARNESS Suburban, Driver Side Rear Speaker	\$66.00	M
39795	1976	SPEAKER HARNESS Suburban, Passenger Side Rear Speaker	\$66.00	M
39796	1976	SPEAKER HARNESS Suburban, Radio To Rear Speaker Harness, Except Stereo	\$66.00	M
39709	1977	SPEAKER HARNESS Radio To Center Front Speaker, Except Stereo	\$40.00	M
39749	1977	SPEAKER HARNESS Radio To Rear Speakers, With Stereo	\$66.00	M
39794	1977	SPEAKER HARNESS Suburban, Driver Side Rear Speaker	\$66.00	M
39795	1977	SPEAKER HARNESS Suburban, Passenger Side Rear Speaker	\$66.00	M
39796	1977	SPEAKER HARNESS Suburban, Radio To Rear Speaker Harness, Except Stereo	\$66.00	M
39838	1977	SPEAKER HARNESS Suburban, Blazer & Jimmy, Front Section, Radio To Rear Speaker Harness	\$66.00	M
39843	1977	SPEAKER HARNESS Suburban, Rear Section, Radio Harness To Rear Speaker	\$66.00	M
39849	1977	SPEAKER HARNESS Blazer & Jimmy, Rear Section, Radio Harness To Rear Speaker	\$66.00	M
39868	1978	SPEAKER HARNESS Radio To Center Front Speaker, Except Stereo	\$40.00	M
39874	1978	SPEAKER HARNESS Suburban, With Rear Auxiliary Speaker	\$66.00	M
39875	1978	SPEAKER HARNESS Blazer & Jimmy, With Rear Auxiliary Speaker	\$66.00	M
39868	1979	SPEAKER HARNESS Radio To Center Front Speaker, Except Stereo	\$40.00	M
39874	1979	SPEAKER HARNESS Suburban, With Rear Auxiliary Speaker	\$66.00	M
39875	1979	SPEAKER HARNESS Blazer & Jimmy, With Rear Auxiliary Speaker	\$66.00	M
40044	1979	SPEAKER HARNESS C.B. Radio To Center Dash Speaker	\$66.00	M
39903	1980	SPEAKER HARNESS All Trucks, With 4 Speaker Stereo System	\$153.00	M
39904	1980	SPEAKER HARNESS Suburban With 4 Speaker Stereo System	\$153.00	M

Part Number	Year	Description	Price	*Rev.
39905	1980	SPEAKER HARNESS Blazer & Jimmy, With 4 Speaker Stereo System	\$153.00	M
39906	1980	SPEAKER HARNESS All With Front Door Speakers, (2 Required Per Vehicle)	\$66.00	M
39868	1980	SPEAKER HARNESS Radio To Center Front Speaker, Except Stereo	\$40.00	M
39875	1980	SPEAKER HARNESS Blazer & Jimmy, With Rear Auxiliary Speaker	\$66.00	M
39907	1980	SPEAKER HARNESS Suburban, With Rear Auxiliary Speaker	\$66.00	M
40044	1980	SPEAKER HARNESS C.B. Radio To Center Dash Speaker	\$66.00	M
39906	1981	SPEAKER HARNESS All With Front Door Speakers, (2 Required Per Vehicle)	\$66.00	M
39938	1981	SPEAKER HARNESS All Trucks, With 4 Speaker Stereo System	\$153.00	M
39939	1981	SPEAKER HARNESS Suburban, With 4 Speaker Stereo System	\$153.00	M
39940	1981	SPEAKER HARNESS Blazer & Jimmy, With 4 Speaker Stereo System	\$153.00	M
39868	1981	SPEAKER HARNESS Radio To Center Front Speaker, Except Stereo	\$40.00	M
40044	1981	SPEAKER HARNESS C.B. Radio To Center Dash Speaker	\$66.00	M
39954	1981	SPEAKER HARNESS Suburban, With Rear Auxiliary Speaker	\$66.00	M
39955	1981	SPEAKER HARNESS Blazer & Jimmy, With Rear Auxiliary Speaker	\$66.00	M
39938	1982	SPEAKER HARNESS All Trucks, With 4 Speaker Stereo System	\$153.00	M
39940	1982	SPEAKER HARNESS Blazer & Jimmy, With 4 Speaker Stereo System	\$153.00	M
40012	1982	SPEAKER HARNESS Suburban, With 4 Speaker Stereo System	\$153.00	M
39868	1982	SPEAKER HARNESS Radio To Center Front Speaker, Except Stereo	\$40.00	M
40044	1982	SPEAKER HARNESS C.B. Radio To Center Dash Speaker	\$66.00	M
39954	1982	SPEAKER HARNESS Suburban, With Rear Auxiliary Speaker	\$66.00	M
39955	1982	SPEAKER HARNESS Blazer & Jimmy, With Rear Auxiliary Speaker	\$66.00	M
SPEEDOMETER				
44232	1947	SPEEDOMETER 0-80 MPH, Red Needle	\$162.00	N
44240	1947	SPEEDOMETER CLUSTER 0-80 MPH, Red Needle, Complete Assembly	\$276.00	N
44232	1948	SPEEDOMETER 0-80 MPH, Red Needle	\$162.00	N
44240	1948	SPEEDOMETER CLUSTER 0-80 MPH, Red Needle, Complete Assembly	\$276.00	N
44232	1949	SPEEDOMETER 0-80 MPH, Red Needle	\$162.00	N
44240	1949	SPEEDOMETER CLUSTER 0-80 MPH, Red Needle, Complete Assembly	\$276.00	N
44232	1950	SPEEDOMETER 0-80 MPH, Red Needle	\$162.00	N
44240	1950	SPEEDOMETER CLUSTER 0-80 MPH, Red Needle, Complete Assembly	\$276.00	N
44232	1951	SPEEDOMETER 0-80 MPH, Red Needle	\$162.00	N
44240	1951	SPEEDOMETER CLUSTER 0-80 MPH, Red Needle, Complete Assembly	\$276.00	N
44228	1952	SPEEDOMETER 0-90 MPH, White Needle Note: GM Did Not Sell This Gauge Separately, This Speedometer Has A Range From 0-90 Mph With A White Needle.	\$162.00	N
44239	1952	SPEEDOMETER CLUSTER 0-90 MPH, White Needle, Complete Assembly	\$276.00	N
44228	1953	SPEEDOMETER 0-90 MPH, White Needle Note: GM Did Not Sell This Gauge Separately, This Speedometer Has A Range From 0-90 Mph With A White Needle.	\$162.00	N
44239	1953	SPEEDOMETER CLUSTER 0-90 MPH, White Needle, Complete Assembly	\$276.00	N
01583683	1955	SPEEDOMETER	\$185.00	N
01583683	1956	SPEEDOMETER	\$185.00	N
01583683	1957	SPEEDOMETER	\$185.00	N
01583683	1958	SPEEDOMETER	\$185.00	N
01583683	1959	SPEEDOMETER	\$185.00	N
01587444	1960	SPEEDOMETER	\$185.00	N
01587444	1961	SPEEDOMETER	\$185.00	N
01587444	1962	SPEEDOMETER	\$185.00	N
01587444	1963	SPEEDOMETER	\$185.00	N

Part Number	Year	Description	Price	*Rev.
06407465	1964	SPEEDOMETER	\$185.00	N
06407465	1965	SPEEDOMETER	\$185.00	N
06407465	1966	SPEEDOMETER	\$185.00	N
06492868	1967	SPEEDOMETER	\$93.00	N
06492868	1968	SPEEDOMETER	\$93.00	N
06492868	1969	SPEEDOMETER	\$93.00	N
06492868	1970	SPEEDOMETER	\$93.00	N
06492868	1971	SPEEDOMETER	\$93.00	N
06492868	1972	SPEEDOMETER	\$93.00	N
25045176	1976	SPEEDOMETER	\$139.00	N
25045176	1977	SPEEDOMETER	\$139.00	N
25045176	1978	SPEEDOMETER	\$139.00	N
25045176	1979	SPEEDOMETER 1st Design, Fire Orange Needle	\$139.00	N
25044301	1979	SPEEDOMETER 2nd Design, Light Orange Needle	\$139.00	N
25044301	1980	SPEEDOMETER	\$139.00	N
25051889	1981	SPEEDOMETER Light Orange Needle	\$139.00	N
25051889	1982	SPEEDOMETER Light Orange Needle	\$139.00	N
25051889	1983	SPEEDOMETER Light Orange Needle	\$139.00	N
25051889	1984	SPEEDOMETER Light Orange Needle	\$139.00	N
25051889	1985	SPEEDOMETER Light Orange Needle	\$139.00	N
25051889	1986	SPEEDOMETER Light Orange Needle	\$139.00	N
25051889	1987	SPEEDOMETER Light Orange Needle	\$139.00	N
STARTER SWITCH				
00820052	1938	STARTER SWITCH Foot Operated, On Starter	\$24.00	N
00820052	1939	STARTER SWITCH Foot Operated, On Starter	\$24.00	N
00820052	1940	STARTER SWITCH Foot Operated, On Starter	\$24.00	N
00820052	1941	STARTER SWITCH Foot Operated, On Starter	\$24.00	N
00820052	1942	STARTER SWITCH Foot Operated, On Starter	\$24.00	N
00820052	1946	STARTER SWITCH Foot Operated, On Starter	\$24.00	N
00820052	1947	STARTER SWITCH Foot Operated, On Starter	\$24.00	N
00820052	1948	STARTER SWITCH Foot Operated, On Starter	\$24.00	N
00820052	1949	STARTER SWITCH Foot Operated, On Starter	\$24.00	N
00820052	1950	STARTER SWITCH Foot Operated, On Starter	\$24.00	N
00820052	1951	STARTER SWITCH Foot Operated, On Starter	\$24.00	N
00820052	1952	STARTER SWITCH Foot Operated, On Starter	\$24.00	N
00820052	1953	STARTER SWITCH Foot Operated, On Starter	\$24.00	N
00820052	1954	STARTER SWITCH Foot Operated, On Starter	\$24.00	N
00820052	1955	STARTER SWITCH 1st Series, 6 Volt, Except H.T. Transmission, Foot Operated, On Starter	\$24.00	N
01930496	1955	STARTER SWITCH 2nd Series, 12 Volt, 6 Cylinder, Except H.T. Transmission, Foot Operated, On Starter	\$24.00	N
01930496	1956	STARTER SWITCH 6 Cylinder, Except H.T. Transmission, Foot Operated, On Starter	\$24.00	N
01930496	1957	STARTER SWITCH 6 Cylinder, Except H.T. Transmission, Foot Operated, On Starter	\$24.00	N
01930496	1958	STARTER SWITCH 6 Cylinder, Except H.T. Transmission, Foot Operated, On Starter	\$24.00	N
01930496	1959	STARTER SWITCH 6 Cylinder, Except H.T. Transmission, Foot Operated, On Starter	\$24.00	N
STOP LAMP SWITCH				
01261219	1973	STOP LAMP SWITCH All, Without Cruise	\$5.80	N

Part Number	Year	Description	Price	*Rev.
01261219	1974	STOP LAMP SWITCH All, Without Cruise	\$5.80	N
01261219	1975	STOP LAMP SWITCH All, Without Cruise	\$5.80	N
01261219	1976	STOP LAMP SWITCH All, Without Cruise	\$5.80	N
01261219	1977	STOP LAMP SWITCH All, Without Cruise	\$5.80	N
01261219	1978	STOP LAMP SWITCH All, Without Cruise	\$5.80	N
01261219	1979	STOP LAMP SWITCH All, Without Cruise	\$5.80	N
01261219	1980	STOP LAMP SWITCH With Manual Trans, Without Cruise	\$5.80	N
01261219	1981	STOP LAMP SWITCH With Manual Trans, Without Cruise	\$5.80	N
01261219	1982	STOP LAMP SWITCH With Manual Trans Or TH400, Without Cruise	\$5.80	N
01261219	1983	STOP LAMP SWITCH With Manual Trans Or TH400, Without Cruise	\$5.80	N
01261219	1984	STOP LAMP SWITCH With Manual Trans Or TH400, Without Cruise	\$5.80	N
01261219	1985	STOP LAMP SWITCH With Manual Trans Or TH400, Without Cruise	\$5.80	N
01261219	1986	STOP LAMP SWITCH With Manual Trans Or TH400, Without Cruise	\$5.80	N
01261219	1987	STOP LAMP SWITCH RV Body Style, With Manual Trans Or TH400, Without Cruise	\$5.80	N
01261219	1988	STOP LAMP SWITCH RV Body Style, With Manual Trans Or TH400, Without Cruise	\$5.80	N
01261219	1989	STOP LAMP SWITCH RV Body Style, With Manual Trans Or TH 400, Without Cruise	\$5.80	N
TACHOMETER				
06468228	1967	TACHOMETER V/8, 5000 RPM	\$116.00	N
44217	1967	TACHOMETER CONVERSION KIT V/8 Only, 5000 RPM Tach Note: Kit Includes: 5000 RPM Tachometer, Printed Circuit, Instrument Lens, Front & Back Gauge Housings, And Tachometer Wiring Harness.	\$331.00	N
44218	1967	TACHOMETER CONVERSION KIT V/8 Only, 8000 RPM Tach. Note: Kit Includes: 8000 RPM Tachometer, Printed Circuit, Instrument Lens, Front & Back Gauge Housings, And Tachometer Wiring Harness.	\$355.00	N
06468228	1968	TACHOMETER V/8, 5000 RPM	\$116.00	N
44217	1968	TACHOMETER CONVERSION KIT V/8 Only, 5000 RPM Tach Note: Kit Includes: 5000 RPM Tachometer, Printed Circuit, Instrument Lens, Front & Back Gauge Housings, And Tachometer Wiring Harness.	\$331.00	N
44218	1968	TACHOMETER CONVERSION KIT V/8 Only, 8000 RPM Tach. Note: Kit Includes: 8000 RPM Tachometer, Printed Circuit, Instrument Lens, Front & Back Gauge Housings, And Tachometer Wiring Harness.	\$355.00	N
06468228	1969	TACHOMETER V/8, 5000 RPM	\$116.00	N
44217	1969	TACHOMETER CONVERSION KIT V/8 Only, 5000 RPM Tach Note: Kit Includes: 5000 RPM Tachometer, Printed Circuit, Instrument Lens, Front & Back Gauge Housings, And Tachometer Wiring Harness.	\$331.00	N
44218	1969	TACHOMETER CONVERSION KIT V/8 Only, 8000 RPM Tach. Note: Kit Includes: 8000 RPM Tachometer, Printed Circuit, Instrument Lens, Front & Back Gauge Housings, And Tachometer Wiring Harness.	\$355.00	N
06468228	1970	TACHOMETER V/8, 5000 RPM	\$116.00	N
44217	1970	TACHOMETER CONVERSION KIT V/8 Only, 5000 RPM Tach Note: Kit Includes: 5000 RPM Tachometer, Printed Circuit, Instrument Lens, Front & Back Gauge Housings, And Tachometer Wiring Harness.	\$331.00	N
44218	1970	TACHOMETER CONVERSION KIT V/8 Only, 8000 RPM Tach. Note: Kit Includes: 8000 RPM Tachometer, Printed Circuit, Instrument Lens, Front & Back Gauge Housings, And Tachometer Wiring Harness.	\$355.00	N
06468228	1971	TACHOMETER V/8, 5000 RPM	\$116.00	N
44217	1971	TACHOMETER CONVERSION KIT V/8 Only, 5000 RPM Tach Note: Kit Includes: 5000 RPM Tachometer, Printed Circuit, Instrument Lens, Front & Back Gauge Housings, And Tachometer Wiring Harness.	\$331.00	N

Part Number	Year	Description	Price	*Rev.
44218	1971	TACHOMETER CONVERSION KIT V/8 Only, 8000 RPM Tach. Note: Kit Includes: 8000 RPM Tachometer, Printed Circuit, Instrument Lens, Front & Back Gauge Housings, And Tachometer Wiring Harness.	\$355.00	N
06468228	1972	TACHOMETER V/8, 5000 RPM	\$116.00	N
44217	1972	TACHOMETER CONVERSION KIT V/8 Only, 5000 RPM Tach Note: Kit Includes: 5000 RPM Tachometer, Printed Circuit, Instrument Lens, Front & Back Gauge Housings, And Tachometer Wiring Harness.	\$331.00	N
44218	1972	TACHOMETER CONVERSION KIT V/8 Only, 8000 RPM Tach. Note: Kit Includes: 8000 RPM Tachometer, Printed Circuit, Instrument Lens, Front & Back Gauge Housings, And Tachometer Wiring Harness.	\$355.00	N
05658293	1973	TACHOMETER V/8, 5000 RPM	\$127.00	N
05658293	1974	TACHOMETER V/8, 5000 RPM	\$127.00	N
05658293	1975	TACHOMETER V/8, 5000 RPM	\$127.00	N
05659232	1976	TACHOMETER V/8, 5000 RPM	\$127.00	N
05659232	1977	TACHOMETER V/8, 5000 RPM	\$127.00	N
05659232	1978	TACHOMETER V/8, 5000 RPM	\$127.00	N
05659232	1979	TACHOMETER 1st Design, V/8, 5000 RPM, With Fire Orange Pointer	\$127.00	N
25054251	1979	TACHOMETER 2nd Design, V/8, 5000 RPM, With Yellow Pointer	\$127.00	N
25054251	1980	TACHOMETER V/8, 5000 RPM	\$127.00	N
25054251	1981	TACHOMETER V/8, 5000 RPM	\$127.00	N
25054251	1982	TACHOMETER V/8, 5000 RPM	\$127.00	N
25054251	1983	TACHOMETER V/8, 5000 RPM	\$127.00	N
25054251	1984	TACHOMETER V/8, 5000 RPM	\$127.00	N
25054251	1985	TACHOMETER V/8, 5000 RPM	\$127.00	N
25054251	1986	TACHOMETER V/8, 5000 RPM	\$127.00	N
25054251	1987	TACHOMETER V/8, 5000 RPM	\$127.00	N
TACHOMETER HARNESS				
20800	1973	TACHOMETER HARNESS	\$54.00	M
39696	1973	TACHOMETER HARNESS With HEI Note: Not All Tachometers Will Operate Or Indicate Correctly When Used On An HEI Ignition System. While Some Original And Reproduction Tachometers May Give A Reading, This Does Not Necessarily Mean The Reading Is Correct.	\$54.00	M
20800	1974	TACHOMETER HARNESS	\$54.00	M
39696	1974	TACHOMETER HARNESS With HEI Note: Not All Tachometers Will Operate Or Indicate Correctly When Used On An HEI Ignition System. While Some Original And Reproduction Tachometers May Give A Reading, This Does Not Necessarily Mean The Reading Is Correct.	\$54.00	M
38281	1975	TACHOMETER HARNESS All	\$54.00	M
38281	1976	TACHOMETER HARNESS All	\$54.00	M
38282	1977	TACHOMETER HARNESS V/8	\$54.00	M
38281	1977	TACHOMETER HARNESS 6 Cylinder Note: 6 Cylinder Items Are Not Returnable.	\$54.00	M
38867	1978	TACHOMETER HARNESS All	\$54.00	M
38284	1979	TACHOMETER HARNESS All	\$54.00	M
38284	1980	TACHOMETER HARNESS All	\$54.00	M
38285	1981	TACHOMETER HARNESS All	\$54.00	M
38285	1982	TACHOMETER HARNESS All	\$54.00	M
38285	1983	TACHOMETER HARNESS All	\$54.00	M
38285	1984	TACHOMETER HARNESS All	\$54.00	M
38285	1985	TACHOMETER HARNESS All	\$54.00	M

Part Number	Year	Description	Price	*Rev.
38285	1986	TACHOMETER HARNESS All	\$54.00	M
38285	1987	TACHOMETER HARNESS All	\$54.00	M
TAILGATE MARKER LAMP HARNESS				
39741	1973	TAILGATE MARKER LAMP HARNESS Fleetside, 3/4 & 1-Ton, With Tailgate Marker Lamps	\$127.00	M
39741	1974	TAILGATE MARKER LAMP HARNESS Fleetside, 3/4 & 1-Ton, With Tailgate Marker Lamps, (1st Design) Note: This Harness Has A Single Wire Plastic Connector Where It Plugs Into Rear Lamp Harness.	\$127.00	M
39773	1974	TAILGATE MARKER LAMP HARNESS Fleetside, 3/4 & 1-Ton, With Tailgate Marker Lamps, (2nd Design) Note: This Harness Has A 2 Wire Rubber Molded Connector Where It Plugs Into Rear Lamp Harness.	\$132.00	M
39741	1975	TAILGATE MARKER LAMP HARNESS Fleetside, 3/4 & 1-Ton, With Tailgate Marker Lamps	\$127.00	M
39741	1976	TAILGATE MARKER LAMP HARNESS Fleetside, 3/4 & 1-Ton, With Tailgate Marker Lamps	\$127.00	M
39741	1977	TAILGATE MARKER LAMP HARNESS Fleetside, 3/4 & 1-Ton, With Tailgate Marker Lamps	\$127.00	M
39741	1978	TAILGATE MARKER LAMP HARNESS Fleetside, 3/4 & 1-Ton, With Tailgate Marker Lamps	\$127.00	M
39741	1979	TAILGATE MARKER LAMP HARNESS Fleetside, 3/4 & 1-Ton, With Tailgate Marker Lamps	\$127.00	M
39741	1980	TAILGATE MARKER LAMP HARNESS Fleetside, 3/4 & 1-Ton, With Tailgate Marker Lamps	\$127.00	M
39992	1981	TAILGATE MARKER LAMP HARNESS 1-Tons, With Fleetside Bed & Dual Rear Wheels	\$132.00	M
39992	1982	TAILGATE MARKER LAMP HARNESS 1-Ton, With Fleetside Bed & Dual Rear Wheels	\$132.00	M
TEMPERATURE GAUGE				
01512260	1947	TEMPERATURE GAUGE 6 Cylinder, 100-220 Degree, Red Needle, 45 Inch	\$74.00	N
44234	1947	TEMPERATURE GAUGE V/8, 100-220 Degree, Red Needle, 60 Inch Note: GM Did Not Sell This Gauge Originally, This Gauge Is For Vehicles With V/8, But Still Maintains The Original Appearance.	\$74.00	N
01512260	1948	TEMPERATURE GAUGE 6 Cylinder, 100-220 Degree, Red Needle, 45 Inch	\$74.00	N
44234	1948	TEMPERATURE GAUGE V/8, 100-220 Degree, Red Needle, 60 Inch Note: GM Did Not Sell This Gauge Originally, This Gauge Is For Vehicles With V/8, But Still Maintains The Original Appearance.	\$74.00	N
01512260	1949	TEMPERATURE GAUGE 6 Cylinder, 100-220 Degree, Red Needle, 45 Inch	\$74.00	N
44234	1949	TEMPERATURE GAUGE V/8, 100-220 Degree, Red Needle, 60 Inch Note: GM Did Not Sell This Gauge Originally, This Gauge Is For Vehicles With V/8, But Still Maintains The Original Appearance.	\$74.00	N
01512260	1950	TEMPERATURE GAUGE 6 Cylinder, 100-220 Degree, Red Needle, 45 Inch	\$74.00	N
44234	1950	TEMPERATURE GAUGE V/8, 100-220 Degree, Red Needle, 60 Inch Note: GM Did Not Sell This Gauge Originally, This Gauge Is For Vehicles With V/8, But Still Maintains The Original Appearance.	\$74.00	N
01512260	1951	TEMPERATURE GAUGE 6 Cylinder, 100-220 Degree, Red Needle, 45 Inch	\$74.00	N
44234	1951	TEMPERATURE GAUGE V/8, 100-220 Degree, Red Needle, 60 Inch Note: GM Did Not Sell This Gauge Originally, This Gauge Is For Vehicles With V/8, But Still Maintains The Original Appearance.	\$74.00	N
01512148	1952	TEMPERATURE GAUGE 6 Cylinder, 100-212 Degree, White Needle, 45 Inch	\$74.00	N
01512701	1952	TEMPERATURE GAUGE 6 Cylinder, 100-220 Degree, White Needle, 45 Inch	\$74.00	N
44230	1952	TEMPERATURE GAUGE V/8, 100-212 Degree, White Needle, 60 Inch Note: GM Did Not Sell This Gauge Originally, This Gauge Is For Vehicles With V/8, But Still Maintains The Original Appearance.	\$74.00	N
44231	1952	TEMPERATURE GAUGE V/8, 100-220 Degree, White Needle, 60 Inch Note: GM Did Not Sell This Gauge Originally, This Gauge Is For Vehicles With V/8, But Still Maintains The Original Appearance.	\$74.00	N
01512148	1953	TEMPERATURE GAUGE 6 Cylinder, 100-212 Degree, White Needle, 45 Inch	\$74.00	N
01512701	1953	TEMPERATURE GAUGE 6 Cylinder, 100-220 Degree, White Needle, 45 Inch	\$74.00	N
44230	1953	TEMPERATURE GAUGE V/8, 100-212 Degree, White Needle, 60 Inch Note: GM Did Not Sell This Gauge Originally, This Gauge Is For Vehicles With V/8, But Still Maintains The Original Appearance.	\$74.00	N
44231	1953	TEMPERATURE GAUGE V/8, 100-220 Degree, White Needle, 60 Inch Note: GM Did Not Sell This Gauge Originally, This Gauge Is For Vehicles With V/8, But Still Maintains The Original Appearance.	\$74.00	N
01513381	1955	TEMPERATURE GAUGE Electric	\$85.00	N
01513163	1955	TEMPERATURE GAUGE Mechanical, 60" Tube Length	\$85.00	N
01513381	1956	TEMPERATURE GAUGE Electric	\$85.00	N

Part Number	Year	Description	Price	*Rev.
01513163	1956	TEMPERATURE GAUGE Mechanical, 60" Tube Length	\$85.00	N
01513381	1957	TEMPERATURE GAUGE Electric	\$85.00	N
01513163	1957	TEMPERATURE GAUGE Mechanical, 60" Tube Length	\$85.00	N
01513381	1958	TEMPERATURE GAUGE Electric	\$85.00	N
01513163	1958	TEMPERATURE GAUGE Mechanical, 60" Tube Length	\$85.00	N
01513381	1959	TEMPERATURE GAUGE Electric	\$85.00	N
01513163	1959	TEMPERATURE GAUGE Mechanical, 60" Tube Length	\$85.00	N
06401218	1960	TEMPERATURE GAUGE	\$74.00	N
06401218	1961	TEMPERATURE GAUGE	\$74.00	N
06401218	1962	TEMPERATURE GAUGE	\$74.00	N
06401218	1963	TEMPERATURE GAUGE	\$74.00	N
06401220	1964	TEMPERATURE GAUGE	\$74.00	N
06401220	1965	TEMPERATURE GAUGE	\$74.00	N
06401220	1966	TEMPERATURE GAUGE	\$74.00	N
06489838	1967	TEMPERATURE GAUGE	\$47.00	N
44219	1967	TEMPERATURE GAUGE With 100-250 Fahrenheit Numeric Face Plate Note: This Is A Replacement For OEM Gauge 06489838 (With Cold / Hot Graduations) In Trucks With Factory Gauge Type Clusters.	\$39.00	N
06489838	1968	TEMPERATURE GAUGE	\$47.00	N
44219	1968	TEMPERATURE GAUGE With 100-250 Fahrenheit Numeric Face Plate Note: This Is A Replacement For OEM Gauge 06489838 (With Cold / Hot Graduations) In Trucks With Factory Gauge Type Clusters.	\$39.00	N
06489838	1969	TEMPERATURE GAUGE	\$47.00	N
44219	1969	TEMPERATURE GAUGE With 100-250 Fahrenheit Numeric Face Plate Note: This Is A Replacement For OEM Gauge 06489838 (With Cold / Hot Graduations) In Trucks With Factory Gauge Type Clusters.	\$39.00	N
06489838	1970	TEMPERATURE GAUGE	\$47.00	N
44219	1970	TEMPERATURE GAUGE With 100-250 Fahrenheit Numeric Face Plate Note: This Is A Replacement For OEM Gauge 06489838 (With Cold / Hot Graduations) In Trucks With Factory Gauge Type Clusters.	\$39.00	N
06489838	1971	TEMPERATURE GAUGE	\$47.00	N
44219	1971	TEMPERATURE GAUGE With 100-250 Fahrenheit Numeric Face Plate Note: This Is A Replacement For OEM Gauge 06489838 (With Cold / Hot Graduations) In Trucks With Factory Gauge Type Clusters.	\$39.00	N
06489838	1972	TEMPERATURE GAUGE	\$47.00	N
44219	1972	TEMPERATURE GAUGE With 100-250 Fahrenheit Numeric Face Plate Note: This Is A Replacement For OEM Gauge 06489838 (With Cold / Hot Graduations) In Trucks With Factory Gauge Type Clusters.	\$39.00	N
06490371	1973	TEMPERATURE GAUGE Fire Orange Needle	\$39.00	N
06490371	1974	TEMPERATURE GAUGE Fire Orange Needled	\$39.00	N
06490371	1975	TEMPERATURE GAUGE Fire Orange Needle	\$39.00	N
08993329	1976	TEMPERATURE GAUGE Fire Orange Needle	\$39.00	N
08993329	1977	TEMPERATURE GAUGE Fire Orange Needle	\$39.00	N
08993329	1978	TEMPERATURE GAUGE Fire Orange Needle	\$39.00	N
08993329	1979	TEMPERATURE GAUGE 1st Design, Fire Orange Needle	\$39.00	N
08993630	1979	TEMPERATURE GAUGE 2nd Design, Light Orange Needle	\$39.00	N
08993630	1980	TEMPERATURE GAUGE Light Orange Needle	\$39.00	N
08993630	1981	TEMPERATURE GAUGE Light Orange Needle	\$39.00	N
08993630	1982	TEMPERATURE GAUGE Light Orange Needle	\$39.00	N

Part Number	Year	Description	Price	*Rev.
08993630	1983	TEMPERATURE GAUGE Light Orange Needle	\$39.00	N
08993630	1984	TEMPERATURE GAUGE Light Orange Needle	\$39.00	N
08993630	1985	TEMPERATURE GAUGE Light Orange Needle	\$39.00	N
08993630	1986	TEMPERATURE GAUGE Light Orange Needle	\$39.00	N
08993630	1987	TEMPERATURE GAUGE Light Orange Needle	\$39.00	N
TRAILER LIGHT ADAPTER HARNESS				
39374	1973	TRAILER LIGHT ADAPTER HARNESS Step Side And Fleet Side Only Note: Connects Between The Intermediate And Rear Lamp Harnesses With Original Style Connectors To Easily Add Trailer Wiring Without Splicing Into Stock Harnesses.	\$92.00	M
39374	1974	TRAILER LIGHT ADAPTER HARNESS Step Side And Fleet Side Only Note: Connects Between The Intermediate And Rear Lamp Harnesses With Original Style Connectors To Easily Add Trailer Wiring Without Splicing Into Stock Harnesses.	\$92.00	M
39374	1975	TRAILER LIGHT ADAPTER HARNESS Step Side And Fleet Side Only Note: Connects Between The Intermediate And Rear Lamp Harnesses With Original Style Connectors To Easily Add Trailer Wiring Without Splicing Into Stock Harnesses.	\$92.00	M
39374	1976	TRAILER LIGHT ADAPTER HARNESS Step Side And Fleet Side Only Note: Connects Between The Intermediate And Rear Lamp Harnesses With Original Style Connectors To Easily Add Trailer Wiring Without Splicing Into Stock Harnesses.	\$92.00	M
39374	1977	TRAILER LIGHT ADAPTER HARNESS Step Side And Fleet Side Only Note: Connects Between The Intermediate And Rear Lamp Harnesses With Original Style Connectors To Easily Add Trailer Wiring Without Splicing Into Stock Harnesses.	\$92.00	M
39374	1978	TRAILER LIGHT ADAPTER HARNESS Step Side And Fleet Side Only Note: Connects Between The Intermediate And Rear Lamp Harnesses With Original Style Connectors To Easily Add Trailer Wiring Without Splicing Into Stock Harnesses.	\$92.00	M
39374	1979	TRAILER LIGHT ADAPTER HARNESS Step Side And Fleet Side Only Note: Connects Between The Intermediate And Rear Lamp Harnesses With Original Style Connectors To Easily Add Trailer Wiring Without Splicing Into Stock Harnesses.	\$92.00	M
39374	1980	TRAILER LIGHT ADAPTER HARNESS Step Side And Fleet Side Only Note: Connects Between The Intermediate And Rear Lamp Harnesses With Original Style Connectors To Easily Add Trailer Wiring Without Splicing Into Stock Harnesses.	\$92.00	M
39374	1981	TRAILER LIGHT ADAPTER HARNESS Step Side And Fleet Side Only Note: Connects Between The Intermediate And Rear Lamp Harnesses With Original Style Connectors To Easily Add Trailer Wiring Without Splicing Into Stock Harnesses.	\$92.00	M
39374	1982	TRAILER LIGHT ADAPTER HARNESS Step Side And Fleet Side Only Note: Connects Between The Intermediate And Rear Lamp Harnesses With Original Style Connectors To Easily Add Trailer Wiring Without Splicing Into Stock Harnesses.	\$92.00	M
TRANS TORQUE CONVERTER CLUTCH SOL FEED HARNESS				
39993	1982	TRANSMISSION TORQUE CONVERTER CLUTCH SOLENOID FEED HARNESS 2 Wheel Drive, 1/2 & 3/4-Ton, With 700R4 & TH350 Trans	\$127.00	M
TRANS TORQUE CONVERTER CLUTCH SOLENOID EXT WIRE				
39923	1980	TRANSMISSION TORQUE CONVERTER CLUTCH SOLENOID EXTENSION WIRE 1/2 & 3/4-Ton, With TH350 Auto Trans, Except Diesel, Trans Solenoid To Trans Clutch Solenoid Feed Harness	\$87.00	M
39966	1981	TRANSMISSION TORQUE CONVERTER CLUTCH SOLENOID EXTENSION WIRE 1/2 & 3/4-Ton, With TH350 Trans, Trans Solenoid To Trans Clutch Solenoid Feed Harness	\$87.00	M
39979	1981	TRANSMISSION TORQUE CONVERTER CLUTCH SOLENOID EXTENSION WIRE 2 Wheel Drive, With Egr Bleed Solenoid, Trans Solenoid To Clutch Solenoid Feed Harness	\$127.00	M
39994	1982	TRANSMISSION TORQUE CONVERTER CLUTCH SOLENOID EXTENSION WIRE 1/2-Ton, 2 Wheel Drive, With 250 6cyl & TH350 Trans, Trans Solenoid To Trans Clutch Solenoid Feed Harness	\$127.00	M
40000	1982	TRANSMISSION TORQUE CONVERTER CLUTCH SOLENOID EXTENSION WIRE 1/2-Ton 4 Wheel Drive, 305 & 350 V/8, With 700R4 Trans & California Emission System, Without Egr Bleed Solenoid, Trans	\$127.00	M
40001	1982	TRANSMISSION TORQUE CONVERTER CLUTCH SOLENOID EXTENSION WIRE Suburban, 1/2-Ton 4 Wheel Drive, With 350 V/8, 700R4 Trans & Federal Emissions, & All 3/4-Tons, 4 Wheel Drive, With 350 V/8	\$127.00	M

Part Number	Year	Description	Price	*Rev.
40004	1982	TRANSMISSION TORQUE CONVERTER CLUTCH SOLENOID EXTENSION WIRE 1/2 & 3/4-Ton, 2 Wheel Drive, With 700R4 Trans & California Emission System, Trans Solenoid To Clutch Solenoid Feed	\$127.00	M
40005	1982	TRANSMISSION TORQUE CONVERTER CLUTCH SOLENOID EXTENSION WIRE 1/2 & 3/4-Ton, 2 Wheel Drive, With 700R4 Trans, Without California Emission System, Trans Solenoid To Clutch Solenoid	\$127.00	M
TRANSMISSION CONTROLLED SPARK HARNESS				
39752	1973	TRANSMISSION CONTROLLED SPARK HARNESS 6 Cyl., With Auto Trans Note: 6 Cylinder Items Are Not Returnable.	\$105.00	M
39753	1973	TRANSMISSION CONTROLLED SPARK HARNESS 6 Cyl, With 3 Speed Manual Trans Note: 6 Cylinder Items Are Not Returnable.	\$105.00	M
21220	1973	TRANSMISSION CONTROLLED SPARK HARNESS V/8, With 3 Speed Manual Trans	\$105.00	M
21215	1973	TRANSMISSION CONTROLLED SPARK HARNESS V/8, With Auto Trans	\$105.00	M
39765	1974	TRANSMISSION CONTROLLED SPARK HARNESS 6 Cyl, With 3 Speed Manual Trans Note: 6 Cylinder Items Are Not Returnable.	\$105.00	M
39766	1974	TRANSMISSION CONTROLLED SPARK HARNESS V/8, With 3 Speed Manual Trans	\$105.00	M
TURN SIGNAL LEVER WIPER SWITCH				
25111262	1984	TURN SIGNAL LEVER WIPER SWITCH Black, With Pulse Wipers, With Cruise Control	\$26.00	N
22510733	1984	TURN SIGNAL LEVER WIPER SWITCH Black, With Pulse Wipers, Without Cruise Control	\$20.00	N
22510732	1984	TURN SIGNAL LEVER WIPER SWITCH Black, Without Pulse Wipers, Without Cruise Control	\$20.00	N
25031456	1984	TURN SIGNAL LEVER WIPER SWITCH Chrome, With Pulse Wipers, With Cruise Control	\$26.00	N
22510144	1984	TURN SIGNAL LEVER WIPER SWITCH Chrome, With Pulse Wipers, Without Cruise Control	\$20.00	N
25111262	1985	TURN SIGNAL LEVER WIPER SWITCH Black, With Pulse Wipers, With Cruise Control	\$26.00	N
22510733	1985	TURN SIGNAL LEVER WIPER SWITCH Black, With Pulse Wipers, Without Cruise Control	\$20.00	N
22510732	1985	TURN SIGNAL LEVER WIPER SWITCH Black, Without Pulse Wipers, Without Cruise Control	\$20.00	N
25031456	1985	TURN SIGNAL LEVER WIPER SWITCH Chrome, With Pulse Wipers, With Cruise Control	\$26.00	N
22510144	1985	TURN SIGNAL LEVER WIPER SWITCH Chrome, With Pulse Wipers, Without Cruise Control	\$20.00	N
25111262	1986	TURN SIGNAL LEVER WIPER SWITCH Black, With Pulse Wipers, With Cruise Control	\$26.00	N
22510733	1986	TURN SIGNAL LEVER WIPER SWITCH Black, With Pulse Wipers, Without Cruise Control	\$20.00	N
22510732	1986	TURN SIGNAL LEVER WIPER SWITCH Black, Without Pulse Wipers, Without Cruise Control	\$20.00	N
25031456	1986	TURN SIGNAL LEVER WIPER SWITCH Chrome, With Pulse Wipers, With Cruise Control	\$26.00	N
22510144	1986	TURN SIGNAL LEVER WIPER SWITCH Chrome, With Pulse Wipers, Without Cruise Control	\$20.00	N
25111262	1987	TURN SIGNAL LEVER WIPER SWITCH Black, With Pulse Wipers, With Cruise Control	\$26.00	N
22510733	1987	TURN SIGNAL LEVER WIPER SWITCH Black, With Pulse Wipers, Without Cruise Control	\$20.00	N
22510732	1987	TURN SIGNAL LEVER WIPER SWITCH Black, Without Pulse Wipers, Without Cruise Control	\$20.00	N
25031456	1987	TURN SIGNAL LEVER WIPER SWITCH Chrome, With Pulse Wipers, With Cruise Control	\$26.00	N
22510144	1987	TURN SIGNAL LEVER WIPER SWITCH Chrome, With Pulse Wipers, Without Cruise Control	\$20.00	N
25111262	1988	TURN SIGNAL LEVER WIPER SWITCH Black, With Pulse Wipers, With Cruise Control	\$26.00	N
22510733	1988	TURN SIGNAL LEVER WIPER SWITCH Black, With Pulse Wipers, Without Cruise Control	\$20.00	N
22510732	1988	TURN SIGNAL LEVER WIPER SWITCH Black, Without Pulse Wipers, Without Cruise Control	\$20.00	N
25031456	1988	TURN SIGNAL LEVER WIPER SWITCH Chrome, With Pulse Wipers, With Cruise Control	\$26.00	N
22510144	1988	TURN SIGNAL LEVER WIPER SWITCH Chrome, With Pulse Wipers, Without Cruise Control	\$20.00	N
25111262	1989	TURN SIGNAL LEVER WIPER SWITCH Black, With Pulse Wipers, With Cruise Control	\$26.00	N
22510733	1989	TURN SIGNAL LEVER WIPER SWITCH Black, With Pulse Wipers, Without Cruise Control	\$20.00	N
22510732	1989	TURN SIGNAL LEVER WIPER SWITCH Black, Without Pulse Wipers, Without Cruise Control	\$20.00	N
25031456	1989	TURN SIGNAL LEVER WIPER SWITCH Chrome, With Pulse Wipers, With Cruise Control	\$26.00	N
22510144	1989	TURN SIGNAL LEVER WIPER SWITCH Chrome, With Pulse Wipers, Without Cruise Control	\$20.00	N
25111262	1990	TURN SIGNAL LEVER WIPER SWITCH Black, With Pulse Wipers, With Cruise Control	\$26.00	N
22510733	1990	TURN SIGNAL LEVER WIPER SWITCH Black, With Pulse Wipers, Without Cruise Control	\$20.00	N

Part Number	Year	Description	Price	*Rev.
22510732	1990	TURN SIGNAL LEVER WIPER SWITCH Black, Without Pulse Wipers, Without Cruise Control	\$20.00	N
25031456	1990	TURN SIGNAL LEVER WIPER SWITCH Chrome, With Pulse Wipers, With Cruise Control	\$26.00	N
22510144	1990	TURN SIGNAL LEVER WIPER SWITCH Chrome, With Pulse Wipers, Without Cruise Control	\$20.00	N
25111262	1991	TURN SIGNAL LEVER WIPER SWITCH Black, With Pulse Wipers, With Cruise Control	\$26.00	N
22510733	1991	TURN SIGNAL LEVER WIPER SWITCH Black, With Pulse Wipers, Without Cruise Control	\$20.00	N
22510732	1991	TURN SIGNAL LEVER WIPER SWITCH Black, Without Pulse Wipers, Without Cruise Control	\$20.00	N
25031456	1991	TURN SIGNAL LEVER WIPER SWITCH Chrome, With Pulse Wipers, With Cruise Control	\$26.00	N
22510144	1991	TURN SIGNAL LEVER WIPER SWITCH Chrome, With Pulse Wipers, Without Cruise Control	\$20.00	N
25111262	1992	TURN SIGNAL LEVER WIPER SWITCH Black, With Pulse Wipers, With Cruise Control	\$26.00	N
22510733	1992	TURN SIGNAL LEVER WIPER SWITCH Black, With Pulse Wipers, Without Cruise Control	\$20.00	N
22510732	1992	TURN SIGNAL LEVER WIPER SWITCH Black, Without Pulse Wipers, Without Cruise Control	\$20.00	N
25031456	1992	TURN SIGNAL LEVER WIPER SWITCH Chrome, With Pulse Wipers, With Cruise Control	\$26.00	N
22510144	1992	TURN SIGNAL LEVER WIPER SWITCH Chrome, With Pulse Wipers, Without Cruise Control	\$20.00	N
25111262	1993	TURN SIGNAL LEVER WIPER SWITCH Black, With Pulse Wipers, With Cruise Control	\$26.00	N
22510733	1993	TURN SIGNAL LEVER WIPER SWITCH Black, With Pulse Wipers, Without Cruise Control	\$20.00	N
22510732	1993	TURN SIGNAL LEVER WIPER SWITCH Black, Without Pulse Wipers, Without Cruise Control	\$20.00	N
25031456	1993	TURN SIGNAL LEVER WIPER SWITCH Chrome, With Pulse Wipers, With Cruise Control	\$26.00	N
22510144	1993	TURN SIGNAL LEVER WIPER SWITCH Chrome, With Pulse Wipers, Without Cruise Control	\$20.00	N
25111262	1994	TURN SIGNAL LEVER WIPER SWITCH Black, With Pulse Wipers, With Cruise Control	\$26.00	N
22510733	1994	TURN SIGNAL LEVER WIPER SWITCH Black, With Pulse Wipers, Without Cruise Control	\$20.00	N
22510732	1994	TURN SIGNAL LEVER WIPER SWITCH Black, Without Pulse Wipers, Without Cruise Control	\$20.00	N
25031456	1994	TURN SIGNAL LEVER WIPER SWITCH Chrome, With Pulse Wipers, With Cruise Control	\$26.00	N
22510144	1994	TURN SIGNAL LEVER WIPER SWITCH Chrome, With Pulse Wipers, Without Cruise Control	\$20.00	N
TURN SIGNAL SWITCH				
00897125	1954	TURN SIGNAL HOUSING BUCKET ASSEMBLY Complete With Turn Signal Switch	\$135.00	N
00897125	1955	TURN SIGNAL HOUSING BUCKET ASSEMBLY 1st Series, Complete With Turn Signal Switch	\$135.00	N
00897126	1955	TURN SIGNAL HOUSING BUCKET ASSEMBLY Complete With Turn Signal Switch	\$135.00	N
00897126	1956	TURN SIGNAL HOUSING BUCKET ASSEMBLY Complete With Turn Signal Switch	\$135.00	N
00897151	1957	TURN SIGNAL HOUSING BUCKET ASSEMBLY Complete With Turn Signal Switch	\$135.00	N
00897151	1958	TURN SIGNAL HOUSING BUCKET ASSEMBLY Complete With Turn Signal Switch	\$135.00	N
00897151	1959	TURN SIGNAL HOUSING BUCKET ASSEMBLY Complete With Turn Signal Switch	\$135.00	N
01893596	1967	TURN SIGNAL SWITCH With Tilt & Auto Trans, Replaces Delco Part# D6214	\$58.00	
01893591	1967	TURN SIGNAL SWITCH With Tilt & Manual Trans, Replaces Delco Part# D6210	\$58.00	
01894852	1967	TURN SIGNAL SWITCH Without Tilt, Replaces Delco Part# D6216, With Black Mushroom "Hazard" Knob	\$58.00	
01997965	1967	TURN SIGNAL SWITCH Without Tilt, With Correct Red "Hazard" Knob	\$57.00	
01893596	1968	TURN SIGNAL SWITCH With Tilt & Auto Trans, Replaces Delco Part# D6214	\$58.00	
01893591	1968	TURN SIGNAL SWITCH With Tilt & Manual Trans, Replaces Delco Part# D6210	\$58.00	
01894852	1968	TURN SIGNAL SWITCH Without Tilt, Replaces Delco Part# D6216, With Black Mushroom "Hazard" Knob	\$58.00	
01997965	1968	TURN SIGNAL SWITCH Without Tilt, With Correct Red "Hazard" Knob	\$57.00	
01893596	1969	TURN SIGNAL SWITCH With Tilt & AT, Replaces Delco #D6214, With Black Mushroom "Hazard" Knob	\$58.00	
01893591	1969	TURN SIGNAL SWITCH With Tilt & MT, Replaces Delco #D6210, With Black Mushroom "Hazard" Knob	\$58.00	
01997961	1969	TURN SIGNAL SWITCH With Tilt, With Correct Red "Hazard" Knob	\$57.00	
01894852	1969	TURN SIGNAL SWITCH Without Tilt, Replaces Delco Part# D6216, With Black Mushroom "Hazard" Knob	\$58.00	

Part Number	Year	Description	Price	*Rev.
01997965	1969	TURN SIGNAL SWITCH Without Tilt, With Correct Red "Hazard" Knob	\$57.00	
01893596	1970	TURN SIGNAL SWITCH With Tilt & AT, Replaces Delco #D6214, With Black Mushroom "Hazard" Knob	\$58.00	
01893591	1970	TURN SIGNAL SWITCH With Tilt & MT, Replaces Delco #D6210, With Black Mushroom "Hazard" Knob	\$58.00	
01997961	1970	TURN SIGNAL SWITCH With Tilt, With Correct Red "Hazard" Knob	\$57.00	
01894852	1970	TURN SIGNAL SWITCH Without Tilt, Replaces Delco Part# D6216, With Black Mushroom "Hazard" Knob	\$58.00	
01997965	1970	TURN SIGNAL SWITCH Without Tilt, With Correct Red "Hazard" Knob	\$57.00	
01893596	1971	TURN SIGNAL SWITCH With Tilt & AT, Replaces Delco #D6214, With Black Mushroom "Hazard" Knob	\$58.00	
01893591	1971	TURN SIGNAL SWITCH With Tilt & MT, Replaces Delco #D6210, With Black Mushroom "Hazard" Knob	\$58.00	
01997961	1971	TURN SIGNAL SWITCH With Tilt, With Correct Red "Hazard" Knob	\$57.00	
01894852	1971	TURN SIGNAL SWITCH Without Tilt, Replaces Delco Part# D6216, With Black Mushroom "Hazard" Knob	\$58.00	
01997965	1971	TURN SIGNAL SWITCH Without Tilt, With Correct Red "Hazard" Knob	\$57.00	
01893596	1972	TURN SIGNAL SWITCH With Tilt & AT, Replaces Delco #D6214, With Black Mushroom "Hazard" Knob	\$58.00	
01893591	1972	TURN SIGNAL SWITCH With Tilt & MT, Replaces Delco #D6210, With Black Mushroom "Hazard" Knob	\$58.00	
01997961	1972	TURN SIGNAL SWITCH With Tilt, With Correct Red "Hazard" Knob	\$57.00	
01894852	1972	TURN SIGNAL SWITCH Without Tilt, Replaces Delco Part# D6216, With Black Mushroom "Hazard" Knob	\$58.00	
01997965	1972	TURN SIGNAL SWITCH Without Tilt, With Correct Red "Hazard" Knob	\$57.00	
01997975	1973	TURN SIGNAL SWITCH All	\$38.00	N
01997975	1974	TURN SIGNAL SWITCH All	\$38.00	N
01997975	1975	TURN SIGNAL SWITCH All	\$38.00	N
01997975	1976	TURN SIGNAL SWITCH All	\$38.00	N
01997985	1977	TURN SIGNAL SWITCH All Note: Correct Part, No Adapter Pigtail Required.	\$32.00	C
01997985	1978	TURN SIGNAL SWITCH All Note: Correct Part, No Adapter Pigtail Required.	\$32.00	C
01997985	1979	TURN SIGNAL SWITCH All Note: Correct Part, No Adapter Pigtail Required.	\$32.00	C
01997985	1980	TURN SIGNAL SWITCH All Note: Correct Part, No Adapter Pigtail Required.	\$32.00	C
01997985	1981	TURN SIGNAL SWITCH All Note: Correct Part, No Adapter Pigtail Required.	\$32.00	C
01997985	1982	TURN SIGNAL SWITCH All Note: Correct Part, No Adapter Pigtail Required.	\$32.00	C
01997985	1983	TURN SIGNAL SWITCH All Note: Correct Part, No Adapter Pigtail Required.	\$32.00	C
01997983	1984	TURN SIGNAL SWITCH All	\$32.00	C
01997983	1985	TURN SIGNAL SWITCH All	\$32.00	N
01997983	1986	TURN SIGNAL SWITCH All	\$32.00	N
01997983	1987	TURN SIGNAL SWITCH All	\$32.00	N
01997983	1988	TURN SIGNAL SWITCH Without Pulse Wipers	\$32.00	N
01997988	1988	TURN SIGNAL SWITCH With Pulse Wipers	\$32.00	N
01997983	1989	TURN SIGNAL SWITCH Without Pulse Wipers	\$32.00	N

Part Number	Year	Description	Price	*Rev.
01997988	1989	TURN SIGNAL SWITCH With Pulse Wipers	\$32.00	N
01997983	1990	TURN SIGNAL SWITCH Without Pulse Wipers	\$32.00	N
01997988	1990	TURN SIGNAL SWITCH With Pulse Wipers	\$32.00	N
01997983	1991	TURN SIGNAL SWITCH With Tilt Wheel	\$32.00	N
01997988	1991	TURN SIGNAL SWITCH Without Tilt Wheel	\$32.00	N
VOLTMETER GAUGE				
06474474	1976	VOLTMETER GAUGE Fire Orange Needle	\$39.00	N
06474474	1977	VOLTMETER GAUGE Fire Orange Needle	\$39.00	N
06474474	1978	VOLTMETER GAUGE Fire Orange Needle	\$39.00	N
06474474	1979	VOLTMETER GAUGE 1st Design, Fire Orange Needle	\$39.00	N
06474584	1979	VOLTMETER GAUGE 2nd Design, Light Orange Needle	\$39.00	N
06474584	1980	VOLTMETER GAUGE Light Orange Needle	\$39.00	N
06474584	1981	VOLTMETER GAUGE Light Orange Needle	\$39.00	N
06474584	1982	VOLTMETER GAUGE Light Orange Needle	\$39.00	N
06474584	1983	VOLTMETER GAUGE Light Orange Needle	\$39.00	N
06474584	1984	VOLTMETER GAUGE Light Orange Needle	\$39.00	N
06474584	1985	VOLTMETER GAUGE Light Orange Needle	\$39.00	N
06474584	1986	VOLTMETER GAUGE Light Orange Needle	\$39.00	N
06474584	1987	VOLTMETER GAUGE Light Orange Needle	\$39.00	N
WINDSHIELD WASHER PUMP				
04919332	1964	WINDSHIELD WASHER PUMP All	\$60.00	N
04919332	1965	WINDSHIELD WASHER PUMP All	\$60.00	N
04919332	1966	WINDSHIELD WASHER PUMP All	\$60.00	N
04919332	1967	WINDSHIELD WASHER PUMP All	\$60.00	N
04919332	1968	WINDSHIELD WASHER PUMP All	\$60.00	N
04919332	1969	WINDSHIELD WASHER PUMP All	\$60.00	N
04919332	1970	WINDSHIELD WASHER PUMP All	\$60.00	N
04919332	1971	WINDSHIELD WASHER PUMP All	\$60.00	N
04919332	1972	WINDSHIELD WASHER PUMP All	\$60.00	N
WINDSHIELD WIPER MOTOR				
44610	1947	WINDSHIELD WIPER MOTOR KIT 12 Volt Conversion Kit Note: Replaces Original Vacuum Operated Wiper Motor.	\$231.00	N
44611	1947	WINDSHIELD WIPER MOTOR KIT 6 Volt Conversion Kit Note: Replaces Original Vacuum Operated Wiper Motor.	\$231.00	N
44610	1948	WINDSHIELD WIPER MOTOR KIT 12 Volt Conversion Kit Note: Replaces Original Vacuum Operated Wiper Motor.	\$231.00	N
44611	1948	WINDSHIELD WIPER MOTOR KIT 6 Volt Conversion Kit Note: Replaces Original Vacuum Operated Wiper Motor.	\$231.00	N
44610	1949	WINDSHIELD WIPER MOTOR KIT 12 Volt Conversion Kit Note: Replaces Original Vacuum Operated Wiper Motor.	\$231.00	N
44611	1949	WINDSHIELD WIPER MOTOR KIT 6 Volt Conversion Kit Note: Replaces Original Vacuum Operated Wiper Motor.	\$231.00	N
44610	1950	WINDSHIELD WIPER MOTOR KIT 12 Volt Conversion Kit Note: Replaces Original Vacuum Operated Wiper Motor.	\$231.00	N
44611	1950	WINDSHIELD WIPER MOTOR KIT 6 Volt Conversion Kit Note: Replaces Original Vacuum Operated Wiper Motor.	\$231.00	N

Part Number	Year	Description	Price	*Rev.
44610	1951	WINDSHIELD WIPER MOTOR KIT 12 Volt Conversion Kit Note: Replaces Original Vacuum Operated Wiper Motor.	\$231.00	N
44611	1951	WINDSHIELD WIPER MOTOR KIT 6 Volt Conversion Kit Note: Replaces Original Vacuum Operated Wiper Motor.	\$231.00	N
44610	1952	WINDSHIELD WIPER MOTOR KIT 12 Volt Conversion Kit Note: Replaces Original Vacuum Operated Wiper Motor.	\$231.00	N
44611	1952	WINDSHIELD WIPER MOTOR KIT 6 Volt Conversion Kit Note: Replaces Original Vacuum Operated Wiper Motor.	\$231.00	N
44610	1953	WINDSHIELD WIPER MOTOR KIT 12 Volt Conversion Kit Note: Replaces Original Vacuum Operated Wiper Motor.	\$231.00	N
44611	1953	WINDSHIELD WIPER MOTOR KIT 6 Volt Conversion Kit Note: Replaces Original Vacuum Operated Wiper Motor.	\$231.00	N
44612	1954	WINDSHIELD WIPER MOTOR KIT 12 Volt Conversion Kit Note: Replaces Original Vacuum Operated Wiper Motor.	\$231.00	N
44613	1954	WINDSHIELD WIPER MOTOR KIT 6 Volt Conversion Kit Note: Replaces Original Vacuum Operated Wiper Motor.	\$231.00	N
44612	1955	WINDSHIELD WIPER MOTOR KIT 1st Series, 12 Volt Conversion Kit Note: Replaces Original Vacuum Operated Wiper Motor.	\$231.00	N
44613	1955	WINDSHIELD WIPER MOTOR KIT 1st Series, 6 Volt Conversion Kit Note: Replaces Original Vacuum Operated Wiper Motor.	\$231.00	N
04911476	1963	WINDSHIELD WIPER MOTOR 2-Speed, 3-Terminal Type Motor	\$92.00	N
44609	1963	WINDSHIELD WIPER MOTOR 2-Speed, 4-Terminal Type Motor Note: This Can Be Used In Place Of The 3-Terminal Motor. The 4th Terminal Is A Keyed Hot From Wiper Fuse In Fuse Box And May Or May Not Be Used In Some Applications.	\$106.00	N
04911476	1964	WINDSHIELD WIPER MOTOR 2-Speed, 3-Terminal Type Motor	\$92.00	N
44609	1964	WINDSHIELD WIPER MOTOR 2-Speed, 4-Terminal Type Motor Note: This Can Be Used In Place Of The 3-Terminal Motor. The 4th Terminal Is A Keyed Hot From Wiper Fuse In Fuse Box And May Or May Not Be Used In Some Applications.	\$106.00	N
04911476	1965	WINDSHIELD WIPER MOTOR 2-Speed, 3-Terminal Type Motor	\$92.00	N
44609	1965	WINDSHIELD WIPER MOTOR 2-Speed, 4-Terminal Type Motor Note: This Can Be Used In Place Of The 3-Terminal Motor. The 4th Terminal Is A Keyed Hot From Wiper Fuse In Fuse Box And May Or May Not Be Used In Some Applications.	\$106.00	N
04911476	1966	WINDSHIELD WIPER MOTOR 2-Speed, 3-Terminal Type Motor	\$92.00	N
44609	1966	WINDSHIELD WIPER MOTOR 2-Speed, 4-Terminal Type Motor Note: This Can Be Used In Place Of The 3-Terminal Motor. The 4th Terminal Is A Keyed Hot From Wiper Fuse In Fuse Box And May Or May Not Be Used In Some Applications.	\$106.00	N
04911476	1967	WINDSHIELD WIPER MOTOR 2-Speed, 3-Terminal Type Motor	\$92.00	N
44609	1967	WINDSHIELD WIPER MOTOR 2-Speed, 4-Terminal Type Motor Note: This Can Be Used In Place Of The 3-Terminal Motor. The 4th Terminal Is A Keyed Hot From Wiper Fuse In Fuse Box And May Or May Not Be Used In Some Applications.	\$106.00	N
04911476	1968	WINDSHIELD WIPER MOTOR 2-Speed, 3-Terminal Type Motor	\$92.00	N
44609	1968	WINDSHIELD WIPER MOTOR 2-Speed, 4-Terminal Type Motor Note: This Can Be Used In Place Of The 3-Terminal Motor. The 4th Terminal Is A Keyed Hot From Wiper Fuse In Fuse Box And May Or May Not Be Used In Some Applications.	\$106.00	N
04911476	1969	WINDSHIELD WIPER MOTOR 2-Speed, 3-Terminal Type Motor	\$92.00	N
44609	1969	WINDSHIELD WIPER MOTOR 2-Speed, 4-Terminal Type Motor Note: This Can Be Used In Place Of The 3-Terminal Motor. The 4th Terminal Is A Keyed Hot From Wiper Fuse In Fuse Box And May Or May Not Be Used In Some Applications.	\$106.00	N
04911476	1970	WINDSHIELD WIPER MOTOR 2-Speed, 3-Terminal Type Motor	\$92.00	N

Part Number	Year	Description	Price	*Rev.
44609	1970	WINDSHIELD WIPER MOTOR 2-Speed, 4-Terminal Type Motor Note: This Can Be Used In Place Of The 3-Terminal Motor. The 4th Terminal Is A Keyed Hot From Wiper Fuse In Fuse Box And May Or May Not Be Used In Some Applications.	\$106.00	N
04911476	1971	WINDSHIELD WIPER MOTOR 2-Speed, 3-Terminal Type Motor	\$92.00	N
44609	1971	WINDSHIELD WIPER MOTOR 2-Speed, 4-Terminal Type Motor Note: This Can Be Used In Place Of The 3-Terminal Motor. The 4th Terminal Is A Keyed Hot From Wiper Fuse In Fuse Box And May Or May Not Be Used In Some Applications.	\$106.00	N
04911476	1972	WINDSHIELD WIPER MOTOR 2-Speed, 3-Terminal Type Motor	\$92.00	N
44609	1972	WINDSHIELD WIPER MOTOR 2-Speed, 4-Terminal Type Motor Note: This Can Be Used In Place Of The 3-Terminal Motor. The 4th Terminal Is A Keyed Hot From Wiper Fuse In Fuse Box And May Or May Not Be Used In Some Applications.	\$106.00	N
WINDSHIELD WIPER SWITCH				
01994151	1973	WINDSHIELD WIPER SWITCH	\$47.00	
01994151	1974	WINDSHIELD WIPER SWITCH	\$47.00	
01994172	1975	WINDSHIELD WIPER SWITCH Without Pulse Wipers	\$47.00	N
01994172	1976	WINDSHIELD WIPER SWITCH Without Pulse Wipers	\$47.00	N
01994172	1977	WINDSHIELD WIPER SWITCH Without Pulse Wipers	\$47.00	N
14028808	1978	WINDSHIELD WIPER SWITCH With Pulse Wipers	\$35.00	N
14028807	1978	WINDSHIELD WIPER SWITCH Without Pulse Wipers	\$27.00	N
14028808	1979	WINDSHIELD WIPER SWITCH With Pulse Wipers	\$35.00	N
14028807	1979	WINDSHIELD WIPER SWITCH Without Pulse Wipers	\$27.00	N
14028808	1980	WINDSHIELD WIPER SWITCH With Pulse Wipers	\$35.00	N
14028807	1980	WINDSHIELD WIPER SWITCH Without Pulse Wipers	\$27.00	N
14028808	1981	WINDSHIELD WIPER SWITCH With Pulse Wipers	\$35.00	N
14028807	1981	WINDSHIELD WIPER SWITCH Without Pulse Wipers	\$27.00	N
14028808	1982	WINDSHIELD WIPER SWITCH With Pulse Wipers	\$35.00	N
14028807	1982	WINDSHIELD WIPER SWITCH Without Pulse Wipers	\$27.00	N
14028808	1983	WINDSHIELD WIPER SWITCH With Pulse Wipers	\$35.00	N
14028807	1983	WINDSHIELD WIPER SWITCH Without Pulse Wipers	\$27.00	N
WIRING JUNCTION BLOCK				
01865535	1940	WIRING JUNCTION BLOCK 3-Terminal, Headlamp Wire Junction	\$12.00	N
01998756	1940	WIRING JUNCTION BLOCK 4-Terminal, Headlamp Wire Junction	\$13.00	N
01998757	1940	WIRING JUNCTION BLOCK 5-Terminal, Headlamp Wire Junction	\$19.00	N
01865535	1941	WIRING JUNCTION BLOCK 3-Terminal, Headlamp Wire Junction	\$12.00	N
01998756	1941	WIRING JUNCTION BLOCK 4-Terminal, Headlamp Wire Junction	\$13.00	N
01998757	1941	WIRING JUNCTION BLOCK 5-Terminal, Headlamp Wire Junction	\$19.00	N
01865535	1942	WIRING JUNCTION BLOCK 3-Terminal, Headlamp Wire Junction	\$12.00	N
01998756	1942	WIRING JUNCTION BLOCK 4-Terminal, Headlamp Wire Junction	\$13.00	N
01998757	1942	WIRING JUNCTION BLOCK 5-Terminal, Headlamp Wire Junction	\$19.00	N
01865535	1943	WIRING JUNCTION BLOCK 3-Terminal, Headlamp Wire Junction	\$12.00	N
01998756	1943	WIRING JUNCTION BLOCK 4-Terminal, Headlamp Wire Junction	\$13.00	N
01998757	1943	WIRING JUNCTION BLOCK 5-Terminal, Headlamp Wire Junction	\$19.00	N
01865535	1944	WIRING JUNCTION BLOCK 3-Terminal, Headlamp Wire Junction	\$12.00	N
01998756	1944	WIRING JUNCTION BLOCK 4-Terminal, Headlamp Wire Junction	\$13.00	N
01998757	1944	WIRING JUNCTION BLOCK 5-Terminal, Headlamp Wire Junction	\$19.00	N
01865535	1945	WIRING JUNCTION BLOCK 3-Terminal, Headlamp Wire Junction	\$12.00	N
01998756	1945	WIRING JUNCTION BLOCK 4-Terminal, Headlamp Wire Junction	\$13.00	N

Part Number	Year	Description	Price	*Rev.
01998757	1945	WIRING JUNCTION BLOCK 5-Terminal, Headlamp Wire Junction	\$19.00	N
01865535	1946	WIRING JUNCTION BLOCK 3-Terminal, Headlamp Wire Junction	\$12.00	N
01998756	1946	WIRING JUNCTION BLOCK 4-Terminal, Headlamp Wire Junction	\$13.00	N
01998757	1946	WIRING JUNCTION BLOCK 5-Terminal, Headlamp Wire Junction	\$19.00	N
01865535	1947	WIRING JUNCTION BLOCK 3-Terminal, Headlamp Wire Junction	\$12.00	N
01998756	1947	WIRING JUNCTION BLOCK 4-Terminal, Headlamp Wire Junction	\$13.00	N
01998757	1947	WIRING JUNCTION BLOCK 5-Terminal, Headlamp Wire Junction	\$19.00	N
01865535	1948	WIRING JUNCTION BLOCK 3-Terminal, Headlamp Wire Junction	\$12.00	N
01998756	1948	WIRING JUNCTION BLOCK 4-Terminal, Headlamp Wire Junction	\$13.00	N
01998757	1948	WIRING JUNCTION BLOCK 5-Terminal, Headlamp Wire Junction	\$19.00	N
01865535	1949	WIRING JUNCTION BLOCK 3-Terminal, Headlamp Wire Junction	\$12.00	N
01998756	1949	WIRING JUNCTION BLOCK 4-Terminal, Headlamp Wire Junction	\$13.00	N
01998757	1949	WIRING JUNCTION BLOCK 5-Terminal, Headlamp Wire Junction	\$19.00	N
01865535	1950	WIRING JUNCTION BLOCK 3-Terminal, Headlamp Wire Junction	\$12.00	N
01998756	1950	WIRING JUNCTION BLOCK 4-Terminal, Headlamp Wire Junction	\$13.00	N
01998757	1950	WIRING JUNCTION BLOCK 5-Terminal, Headlamp Wire Junction	\$19.00	N
01865535	1951	WIRING JUNCTION BLOCK 3-Terminal, Headlamp Wire Junction	\$12.00	N
01998756	1951	WIRING JUNCTION BLOCK 4-Terminal, Headlamp Wire Junction	\$13.00	N
01998757	1951	WIRING JUNCTION BLOCK 5-Terminal, Headlamp Wire Junction	\$19.00	N
01865535	1952	WIRING JUNCTION BLOCK 3-Terminal, Headlamp Wire Junction	\$12.00	N
01998756	1952	WIRING JUNCTION BLOCK 4-Terminal, Headlamp Wire Junction	\$13.00	N
01998757	1952	WIRING JUNCTION BLOCK 5-Terminal, Headlamp Wire Junction	\$19.00	N
01865535	1953	WIRING JUNCTION BLOCK 3-Terminal, Headlamp Wire Junction	\$12.00	N
01998756	1953	WIRING JUNCTION BLOCK 4-Terminal, Headlamp Wire Junction	\$13.00	N
01998757	1953	WIRING JUNCTION BLOCK 5-Terminal, Headlamp Wire Junction	\$19.00	N
01998756	1954	WIRING JUNCTION BLOCK 4-Terminal, Headlamp Wire Junction	\$13.00	N
01998757	1954	WIRING JUNCTION BLOCK 5-Terminal, Headlamp Wire Junction	\$19.00	N
01998756	1955	WIRING JUNCTION BLOCK 1st Series, 4-Terminal, Headlamp Wire Junction	\$13.00	N
01998757	1955	WIRING JUNCTION BLOCK 1st Series, 5-Terminal, Headlamp Wire Junction	\$19.00	N

Section 17

GTO

Le Mans

Tempest

Part Number	Year	Description	Price	*Rev.
8 TRACK TAPE PLAYER HARNESS				
27610	1967	8 TRACK TAPE PLAYER HARNESS AM Or AM/FM Radio, Except Stereo, Tape Player To Radio	\$92.00	
27610	1968	8 TRACK TAPE PLAYER HARNESS AM Or AM/FM Radio, Except Stereo, Tape Player To Radio	\$92.00	
39703	1968	8 TRACK TAPE PLAYER HARNESS Stereo Radio & Multiplex, Tape Player To Radio	\$92.00	
40512	1969	8 TRACK TAPE PLAYER HARNESS AM/FM Radio, With Stereo, Tape Player To Radio	\$92.00	
40513	1969	8 TRACK TAPE PLAYER HARNESS AM Or AM/FM Radio, Except Stereo, Tape Player To Radio	\$92.00	
19855	1970	8 TRACK TAPE PLAYER HARNESS AM Or AM/FM Radio, Except Stereo, Tape Player To Radio Note: Customer Must Reuse Their Original Plastic Connector For The Speaker Wiring.	\$92.00	
15545	1970	8 TRACK TAPE PLAYER HARNESS AM/FM Radio, With Stereo, Tape Player To Radio Note: Customer Must Reuse Their Original Plastic Connector For The Speaker Wiring.	\$92.00	
19855	1971	8 TRACK TAPE PLAYER HARNESS AM Or AM/FM Radio, Except Stereo, Tape Player To Radio Note: Customer Must Reuse Their Original Plastic Connector For The Speaker Wiring.	\$92.00	
15545	1971	8 TRACK TAPE PLAYER HARNESS AM/FM Radio, With Stereo, Tape Player To Radio Note: Customer Must Reuse Their Original Plastic Connector For The Speaker Wiring.	\$92.00	
19855	1972	8 TRACK TAPE PLAYER HARNESS AM Or AM/FM Radio, Except Stereo, Tape Player To Radio Note: Customer Must Reuse Their Original Plastic Connector For The Speaker Wiring.	\$92.00	
15545	1972	8 TRACK TAPE PLAYER HARNESS AM/FM Radio, With Stereo, Tape Player To Radio Note: Customer Must Reuse Their Original Plastic Connector For The Speaker Wiring.	\$92.00	
AIR CONDITIONING COMPRESSOR JUMPER HARNESS				
40838	1975	AIR CONDITIONING COMPRESSOR JUMPER HARNESS 6 Cylinder, Compressor To Thermal Limiter Note: 6 Cylinder Items Are Not Returnable.	\$87.00	
40830	1976	AIR CONDITIONING COMPRESSOR JUMPER HARNESS V/8, Engine Harness To A/C Compressor	\$87.00	
40838	1976	AIR CONDITIONING COMPRESSOR JUMPER HARNESS 6 Cylinder, Compressor To Thermal Limiter Note: 6 Cylinder Items Are Not Returnable.	\$87.00	
38421	1977	AIR CONDITIONING COMPRESSOR JUMPER HARNESS Grand Le Mans And Le Mans, V/8, 350 & 400 C.I., A/C Harness To A/C Compressor	\$67.00	
38616	1977	AIR CONDITIONING COMPRESSOR JUMPER HARNESS V/8, 301 C.I., A/C Harness To A/C Compressor	\$80.00	
38619	1977	AIR CONDITIONING COMPRESSOR JUMPER HARNESS V/6, A/C Harness To A/C Compressor	\$67.00	
AIR CONDITIONING CONTROL LAMP ASSEMBLY				
40743	1966	AIR CONDITIONING CONTROL LAMP ASSEMBLY Bulb Socket & Wire, Dash Harness To A/C Control Unit	\$23.00	
40743	1967	AIR CONDITIONING CONTROL LAMP ASSEMBLY Bulb Socket & Wire, Dash Harness To A/C Control Unit	\$23.00	
AIR CONDITIONING EVAPORATOR WIRE				
40455	1961	AIR CONDITIONING EVAPORATOR WIRE With Universal A/C, Heater Feed To Evaporator	\$21.00	
AIR CONDITIONING EXTENSION HARNESS				
40508	1968	AIR CONDITIONING EXTENSION HARNESS 6 Cylinder, With Field Installed A/C, Power Feed, From Alternator Power Stud To A/C Harness & Compressor Note: 6 Cylinder Items Are Not Returnable.	\$66.00	
40509	1968	AIR CONDITIONING EXTENSION HARNESS V/8, With Field Installed A/C, Power Feed, From Alternator Power Stud To A/C Harness & Compressor	\$66.00	
17390	1969	AIR CONDITIONING EXTENSION HARNESS V/8, Power Feed & Compressor, From Alternator Power Stud To A/C Harness & Compressor	\$52.00	
17390	1970	AIR CONDITIONING EXTENSION HARNESS V/8, Power Feed & Compressor, From Alternator Power Stud To A/C Harness & Compressor	\$52.00	
39487	1971	AIR CONDITIONING EXTENSION HARNESS Compressor To Engine Harness	\$66.00	
AIR CONDITIONING HARNESS				
03580	1961	AIR CONDITIONING HARNESS Includes Heater Wiring	\$164.00	
03830	1962	AIR CONDITIONING HARNESS Includes Heater Wiring	\$171.00	
18900	1963	AIR CONDITIONING HARNESS Includes Heater Wiring	\$164.00	

Part Number	Year	Description	Price	*Rev.
04590	1964	AIR CONDITIONING HARNESS 6 Cyl, Includes Heater Wiring, (Field Installed Only) Note: 6 Cylinder Items Are Not Returnable.	\$198.00	
04595	1964	AIR CONDITIONING HARNESS V/8, Includes Heater Wiring, (Field Installed Only)	\$198.00	
05175	1964	AIR CONDITIONING HARNESS Includes Heater Wiring, 6 Cylinder & V/8, With Factory Installed A/C Note: 6 Cylinder Items Are Not Returnable.	\$172.00	
05825	1965	AIR CONDITIONING HARNESS V/8, Includes Heater Wiring, (Field Installed Only)	\$198.00	
05830	1965	AIR CONDITIONING HARNESS 6 Cylinder, Includes Heater Wiring, (Field Installed Only) Note: 6 Cylinder Items Are Not Returnable.	\$198.00	
05720	1965	AIR CONDITIONING HARNESS Includes Heater Wiring, 6 Cylinder & V/8, With Factory Installed A/C Note: 6 Cylinder Items Are Not Returnable.	\$172.00	
09570	1966	AIR CONDITIONING HARNESS V/8, Includes Heater Wiring, (Field Installed Only)	\$113.00	
10170	1966	AIR CONDITIONING HARNESS 6 Cylinder, Includes Heater Wiring, (Field Installed Only) Note: 6 Cylinder Items Are Not Returnable.	\$113.00	
30215	1966	AIR CONDITIONING HARNESS Main, Engine Compartment (Includes Heater Wiring), 6 Cylinder & V/8, With Factory Installed A/C Note: 6 Cylinder Items Are Not Returnable.	\$113.00	
09695	1966	AIR CONDITIONING HARNESS Blower Switch, Under Dash (Includes Heater Wiring), 6 Cylinder & V/8, With Factory Installed A/C Note: 6 Cylinder Items Are Not Returnable.	\$87.00	
09570	1967	AIR CONDITIONING HARNESS V/8, Includes Heater Wiring, (Field Installed Only)	\$113.00	
10170	1967	AIR CONDITIONING HARNESS 6 Cylinder, Includes Heater Wiring, (Field Installed Only) Note: 6 Cylinder Items Are Not Returnable.	\$113.00	
30215	1967	AIR CONDITIONING HARNESS Main, Engine Compartment (Includes Heater Wiring), 6 Cylinder & V/8, With Factory Installed A/C Note: 6 Cylinder Items Are Not Returnable.	\$113.00	
09695	1967	AIR CONDITIONING HARNESS Blower Switch, Under Dash (Includes Heater Wiring), 6 Cylinder & V/8, With Factory Installed A/C Note: 6 Cylinder Items Are Not Returnable.	\$87.00	
11605	1968	AIR CONDITIONING HARNESS Includes Heater Wiring	\$172.00	
40517	1969	AIR CONDITIONING HARNESS Main, Engine Compartment, With Rear Defroster (Includes Heater Wiring)	\$113.00	
40518	1969	AIR CONDITIONING HARNESS Blower Switch, Under Dash, With Rear Defroster (Includes Heater Wiring)	\$80.00	
30220	1969	AIR CONDITIONING HARNESS Main, Engine Compartment, Without Rear Defroster (Includes Heater Wiring)	\$113.00	
13355	1969	AIR CONDITIONING HARNESS Blower Switch, Under Dash, Without Rear Defroster (Includes Heater Wiring)	\$87.00	
30220	1970	AIR CONDITIONING HARNESS Main, Engine Compartment, Without Rear Defroster (Includes Heater Wiring)	\$113.00	
13355	1970	AIR CONDITIONING HARNESS Blower Switch, Under Dash, Without Rear Defroster (Includes Heater Wiring)	\$87.00	
30225	1970	AIR CONDITIONING HARNESS Main, Engine Compartment, With Rear Defroster (Includes Heater Wiring)	\$180.00	
15730	1970	AIR CONDITIONING HARNESS Blower Switch, Under Dash, With Rear Defroster (Includes Heater Wiring)	\$127.00	
30220	1971	AIR CONDITIONING HARNESS Main, Engine Compartment (Includes Heater Wiring)	\$113.00	
13355	1971	AIR CONDITIONING HARNESS Blower Switch, Under Dash (Includes Heater Wiring)	\$87.00	
15430	1971	AIR CONDITIONING HARNESS V/8, Ventura (Includes Heater Wiring)	\$199.00	
30220	1972	AIR CONDITIONING HARNESS Main, Engine Compartment (Includes Heater Wiring)	\$113.00	
13355	1972	AIR CONDITIONING HARNESS Blower Switch, Under Dash (Includes Heater Wiring)	\$87.00	

Part Number	Year	Description	Price	*Rev.
16400	1972	AIR CONDITIONING HARNESS Ventura, V/8, With Chevy 307 C.I. (Includes Heater Wiring)	\$199.00	
40611	1972	AIR CONDITIONING HARNESS Ventura, With Pontiac 350 C.I. Eng (Includes Heater Wiring)	\$221.00	
17560	1973	AIR CONDITIONING HARNESS Blower Switch, Under Dash (Includes Heater Wiring)	\$80.00	
40635	1973	AIR CONDITIONING HARNESS Main, Engine Compartment (Includes Heater Wiring), (1st Design) Note: Used On Cars Where Harness Is Routed Thru Center Of Firewall. Customer Must Supply Their Original Harness.	\$113.00	
40664	1973	AIR CONDITIONING HARNESS Main, Engine Compartment (Includes Heater Wiring), (2nd Design) Note: Used On Cars Where Harness Is Routed Thru Firewall, Outboard Of Blower Motor.	\$226.00	
40611	1973	AIR CONDITIONING HARNESS Ventura, With Pontiac 350 C.I. Eng (Includes Heater Wiring)	\$221.00	
40663	1974	AIR CONDITIONING HARNESS Blower Switch, Under Dash (Includes Heater Wiring)	\$133.00	
40664	1974	AIR CONDITIONING HARNESS Main, Engine Compartment (Includes Heater Wiring)	\$226.00	
40611	1974	AIR CONDITIONING HARNESS Ventura, V/8 (Includes Heater Wiring)	\$221.00	
37627	1975	AIR CONDITIONING HARNESS Main, Engine Compartment, V/8, With Standard A/C (Includes Heater Wiring)	\$226.00	
40685	1975	AIR CONDITIONING HARNESS Main, Engine Compartment, V/8, With Auto Temp Control A/C (Includes Heater Wiring)	\$172.00	
40687	1975	AIR CONDITIONING HARNESS Blower Switch, Under Dash, With Auto Temp Control A/C, (Includes Heater Wiring)	\$80.00	
40814	1975	AIR CONDITIONING HARNESS Main, Engine Compartment, With 6 Cylinder (Includes Heater Wiring) Note: 6 Cylinder Items Are Not Returnable.	\$172.00	
40820	1975	AIR CONDITIONING HARNESS Blower Switch, Under Dash, With Standard A/C, (Includes Heater Wiring)	\$80.00	
40834	1976	AIR CONDITIONING HARNESS V/8, Main, With Standard A/C (Includes Heater Wiring)	\$172.00	
40835	1976	AIR CONDITIONING HARNESS V/8, Main, With Automatic Temperature Control A/C (Includes Heater Wiring)	\$172.00	
40836	1976	AIR CONDITIONING HARNESS 6 Cylinder, Main (Includes Heater Wiring) Note: 6 Cylinder Items Are Not Returnable.	\$198.00	
40890	1977	AIR CONDITIONING HARNESS V/8, Main (Includes Heater Wiring) Note: Customer Must Reuse Their Original Plastic Connector That Plugs Onto The Ranco Switch.	\$184.00	
AIR CONDITIONING JUMPER HARNESS				
40503	1967	AIR CONDITIONING JUMPER HARNESS Used On Factory Production A/C Systems, This Jumper Connects Blower Relay & Clutch Switch To Ambient Switch	\$46.00	
40507	1967	AIR CONDITIONING JUMPER HARNESS Used On Field Installed A/C Systems, Blower Relay & Clutch Switch To Ambient Switch Connector	\$46.00	
40848	1976	AIR CONDITIONING JUMPER HARNESS With Automatic Temperature Control, A/C Harness To Temperature Switch	\$21.00	
AIR CONDITIONING POWER FEED WIRE				
10970	1971	AIR CONDITIONING POWER FEED WIRE Ventura, Horn Relay To A/C Fuse	\$22.00	
33865	1972	AIR CONDITIONING POWER FEED WIRE Ventura, V/8, Chevy 307 C.I., Horn Relay To A/C Fuse	\$25.00	
ALTERNATOR CONVERSION KIT				
27555	1963	ALTERNATOR CONVERSION KIT External To Internal Regulator Conversion Harness ("SI" Series) Note: For Use With 1972-84 Non-Serpentine Belt ("SI" Series) Internal Regulated Alternators.	\$29.00	
37787	1963	ALTERNATOR CONVERSION KIT External To Internal Regulator Conversion Harness ("CS" Series) Note: For Use With Serpentine Belt ("CS" Series) Internal Regulated Alternators.	\$34.00	
27555	1964	ALTERNATOR CONVERSION KIT External To Internal Regulator Conversion Harness ("SI" Series) Note: For Use With 1972-84 Non-Serpentine Belt ("SI" Series) Internal Regulated Alternators.	\$29.00	
37787	1964	ALTERNATOR CONVERSION KIT External To Internal Regulator Conversion Harness ("CS" Series) Note: For Use With Serpentine Belt ("CS" Series) Internal Regulated Alternators.	\$34.00	

Part Number	Year	Description	Price	*Rev.
27555	1965	ALTERNATOR CONVERSION KIT External To Internal Regulator Conversion Harness ("SI" Series) Note: For Use With 1972-84 Non-Serpentine Belt ("SI" Series) Internal Regulated Alternators.	\$29.00	
37787	1965	ALTERNATOR CONVERSION KIT External To Internal Regulator Conversion Harness ("CS" Series) Note: For Use With Serpentine Belt ("CS" Series) Internal Regulated Alternators.	\$34.00	
27555	1966	ALTERNATOR CONVERSION KIT External To Internal Regulator Conversion Harness ("SI" Series) Note: For Use With 1972-84 Non-Serpentine Belt ("SI" Series) Internal Regulated Alternators.	\$29.00	
37787	1966	ALTERNATOR CONVERSION KIT External To Internal Regulator Conversion Harness ("CS" Series) Note: For Use With Serpentine Belt ("CS" Series) Internal Regulated Alternators.	\$34.00	
27555	1967	ALTERNATOR CONVERSION KIT External To Internal Regulator Conversion Harness ("SI" Series) Note: For Use With 1972-84 Non-Serpentine Belt ("SI" Series) Internal Regulated Alternators.	\$29.00	
37787	1967	ALTERNATOR CONVERSION KIT External To Internal Regulator Conversion Harness ("CS" Series) Note: For Use With Serpentine Belt ("CS" Series) Internal Regulated Alternators.	\$34.00	
27555	1968	ALTERNATOR CONVERSION KIT External To Internal Regulator Conversion Harness ("SI" Series) Note: For Use With 1972-84 Non-Serpentine Belt ("SI" Series) Internal Regulated Alternators.	\$29.00	
37787	1968	ALTERNATOR CONVERSION KIT External To Internal Regulator Conversion Harness ("CS" Series) Note: For Use With Serpentine Belt ("CS" Series) Internal Regulated Alternators.	\$34.00	
27555	1969	ALTERNATOR CONVERSION KIT External To Internal Regulator Conversion Harness ("SI" Series) Note: For Use With 1972-84 Non-Serpentine Belt ("SI" Series) Internal Regulated Alternators.	\$29.00	
37787	1969	ALTERNATOR CONVERSION KIT External To Internal Regulator Conversion Harness ("CS" Series) Note: For Use With Serpentine Belt ("CS" Series) Internal Regulated Alternators.	\$34.00	
37796	1969	ALTERNATOR CONVERSION KIT Internal Regulator "SI" Series Alternator To "CS" Series (Serpentine Belt) Alternator Note: For Use With Serpentine Belt ("CS130" Or "CS144" Type) Internal Regulated Alternators.	\$26.00	
27555	1970	ALTERNATOR CONVERSION KIT External To Internal Regulator Conversion Harness ("SI" Series) Note: For Use With 1972-84 Non-Serpentine Belt ("SI" Series) Internal Regulated Alternators.	\$29.00	
37787	1970	ALTERNATOR CONVERSION KIT External To Internal Regulator Conversion Harness ("CS" Series) Note: For Use With Serpentine Belt ("CS" Series) Internal Regulated Alternators.	\$34.00	
37796	1970	ALTERNATOR CONVERSION KIT Internal Regulator "SI" Series Alternator To "CS" Series (Serpentine Belt) Alternator Note: For Use With Serpentine Belt ("CS130" Or "CS144" Type) Internal Regulated Alternators.	\$26.00	
37796	1971	ALTERNATOR CONVERSION KIT Internal Regulator "SI" Series Alternator To "CS" Series (Serpentine Belt) Alternator Note: For Use With Serpentine Belt ("CS130" Or "CS144" Type) Internal Regulated Alternators.	\$26.00	
37796	1972	ALTERNATOR CONVERSION KIT Internal Regulator "SI" Series Alternator To "CS" Series (Serpentine Belt) Alternator Note: For Use With Serpentine Belt ("CS130" Or "CS144" Type) Internal Regulated Alternators.	\$26.00	
37796	1973	ALTERNATOR CONVERSION KIT Internal Regulator "SI" Series Alternator To "CS" Series (Serpentine Belt) Alternator Note: For Use With Serpentine Belt ("CS130" Or "CS144" Type) Internal Regulated Alternators.	\$26.00	
37796	1974	ALTERNATOR CONVERSION KIT Internal Regulator "SI" Series Alternator To "CS" Series (Serpentine Belt) Alternator Note: For Use With Serpentine Belt ("CS130" Or "CS144" Type) Internal Regulated Alternators.	\$26.00	
37796	1975	ALTERNATOR CONVERSION KIT Internal Regulator "SI" Series Alternator To "CS" Series (Serpentine Belt) Alternator Note: For Use With Serpentine Belt ("CS130" Or "CS144" Type) Internal Regulated Alternators.	\$26.00	
37796	1977	ALTERNATOR CONVERSION KIT Internal Regulator "SI" Series Alternator To "CS" Series (Serpentine Belt) Alternator Note: For Use With Serpentine Belt ("CS130" Or "CS144" Type) Internal Regulated Alternators.	\$26.00	
37796	1978	ALTERNATOR CONVERSION KIT Internal Regulator "SI" Series Alternator To "CS" Series (Serpentine Belt) Alternator Note: For Use With Serpentine Belt ("CS130" Or "CS144" Type) Internal Regulated Alternators.	\$26.00	

Part Number	Year	Description	Price	*Rev.
37796	1979	ALTERNATOR CONVERSION KIT Internal Regulator "SI" Series Alternator To "CS" Series (Serpentine Belt) Alternator Note: For Use With Serpentine Belt ("CS130" Or "CS144" Type) Internal Regulated Alternators.	\$26.00	
37796	1980	ALTERNATOR CONVERSION KIT Internal Regulator "SI" Series Alternator To "CS" Series (Serpentine Belt) Alternator Note: For Use With Serpentine Belt ("CS130" Or "CS144" Type) Internal Regulated Alternators.	\$26.00	
37796	1981	ALTERNATOR CONVERSION KIT Internal Regulator "SI" Series Alternator To "CS" Series (Serpentine Belt) Alternator Note: For Use With Serpentine Belt ("CS130" Or "CS144" Type) Internal Regulated Alternators.	\$26.00	
37796	1982	ALTERNATOR CONVERSION KIT Internal Regulator "SI" Series Alternator To "CS" Series (Serpentine Belt) Alternator Note: For Use With Serpentine Belt ("CS130" Or "CS144" Type) Internal Regulated Alternators.	\$26.00	
37796	1983	ALTERNATOR CONVERSION KIT Internal Regulator "SI" Series Alternator To "CS" Series (Serpentine Belt) Alternator Note: For Use With Serpentine Belt ("CS130" Or "CS144" Type) Internal Regulated Alternators.	\$26.00	
37796	1984	ALTERNATOR CONVERSION KIT Internal Regulator "SI" Series Alternator To "CS" Series (Serpentine Belt) Alternator Note: For Use With Serpentine Belt ("CS130" Or "CS144" Type) Internal Regulated Alternators.	\$26.00	
37796	1985	ALTERNATOR CONVERSION KIT Internal Regulator "SI" Series Alternator To "CS" Series (Serpentine Belt) Alternator Note: For Use With Serpentine Belt ("CS130" Or "CS144" Type) Internal Regulated Alternators.	\$26.00	
37796	1986	ALTERNATOR CONVERSION KIT Internal Regulator "SI" Series Alternator To "CS" Series (Serpentine Belt) Alternator Note: For Use With Serpentine Belt ("CS130" Or "CS144" Type) Internal Regulated Alternators.	\$26.00	
ALTERNATOR HARNESS				
40464	1962	ALTERNATOR HARNESS With 52 Amp Alternator Option, Regulator To Alternator	\$66.00	
ASH TRAY LAMP WIRE				
40392	1968	ASH TRAY LAMP WIRE Fiber Optic Note: Lead Only, Does Not Include Lamp Socket & Retainer.	\$37.00	
40392	1969	ASH TRAY LAMP WIRE Fiber Optic Note: Lead Only, Does Not Include Lamp Socket & Retainer.	\$37.00	
40392	1970	ASH TRAY LAMP WIRE Fiber Optic Note: Lead Only, Does Not Include Lamp Socket & Retainer.	\$37.00	
40392	1971	ASH TRAY LAMP WIRE Fiber Optic Note: Lead Only, Does Not Include Lamp Socket & Retainer.	\$37.00	
12950	1971	ASH TRAY LAMP WIRE Ventura, Fiber Optic Note: Lead Only, Does Not Include Lamp Socket & Retainer.	\$30.00	
40392	1972	ASH TRAY LAMP WIRE Fiber Optic Note: Lead Only, Does Not Include Lamp Socket & Retainer.	\$37.00	
18505	1972	ASH TRAY LAMP WIRE Ventura, Fiber Optic Note: Lead Only, Does Not Include Lamp Socket & Retainer.	\$33.00	
40133	1973	ASH TRAY LAMP WIRE Fiber Optic Note: Lead Only, Does Not Include Lamp Socket & Retainer.	\$33.00	
18505	1973	ASH TRAY LAMP WIRE Ventura, Fiber Optic Note: Lead Only, Does Not Include Lamp Socket & Retainer.	\$33.00	
40133	1974	ASH TRAY LAMP WIRE Fiber Optic Note: Lead Only, Does Not Include Lamp Socket & Retainer.	\$33.00	
12950	1974	ASH TRAY LAMP WIRE Ventura, Fiber Optic Note: Lead Only, Does Not Include Lamp Socket & Retainer.	\$30.00	
40133	1975	ASH TRAY LAMP WIRE Fiber Optic Note: Lead Only, Does Not Include Lamp Socket & Retainer.	\$33.00	

Part Number	Year	Description	Price	*Rev.
40133	1976	ASH TRAY LAMP WIRE Fiber Optic Note: Lead Only, Does Not Include Lamp Socket & Retainer.	\$33.00	
40133	1977	ASH TRAY LAMP WIRE Fiber Optic Note: Lead Only, Does Not Include Lamp Socket & Retainer.	\$33.00	
ASSEMBLY MANUAL				
36358	1967	ASSEMBLY MANUAL Factory Assembly Instruction Guide	\$32.00	
38571	1969	ASSEMBLY MANUAL Factory Assembly Instruction Guide	\$32.00	
36359	1970	ASSEMBLY MANUAL Factory Assembly Instruction Guide	\$32.00	
36360	1971	ASSEMBLY MANUAL Factory Assembly Instruction Guide	\$32.00	
43247	1972	ASSEMBLY MANUAL Factory Assembly Instruction Guide	\$32.00	
43248	1973	ASSEMBLY MANUAL Factory Assembly Instruction Guide	\$32.00	
BACKUP LAMP HARNESS				
40454	1961	BACKUP LAMP HARNESS Auto Trans, Fuse Block To Backup Lamp Switch	\$41.00	
40453	1961	BACKUP LAMP HARNESS Manual Trans, Dash Harness To Backup Lamp Switch	\$60.00	
40454	1962	BACKUP LAMP HARNESS Auto Trans, Fuse Block To Backup Lamp Switch	\$41.00	
40453	1962	BACKUP LAMP HARNESS Manual Trans, Dash Harness To Backup Lamp Switch	\$60.00	
40454	1963	BACKUP LAMP HARNESS Auto Trans, Fuse Block To Backup Lamp Switch	\$41.00	
40469	1963	BACKUP LAMP HARNESS Manual Trans, Dash Harness To Backup Lamp Switch	\$60.00	
40735	1974	BACKUP LAMP HARNESS Grand AM, 2 Door Notch Back, (Includes License Lamp Wires), From Rear Lamp Harness To Backup Lamp Assembly	\$125.00	
40735	1975	BACKUP LAMP HARNESS Grand Am & Le Mans, (Includes License Lamp Wires), From Rear Lamp Harness To Backup Lamp Assembly	\$125.00	
40429	1976	BACKUP LAMP HARNESS Le Mans, (Includes License Lamp Wires), From Rear Lamp Harness To Backup Lamp Assembly	\$60.00	
40429	1977	BACKUP LAMP HARNESS Le Mans, (Includes License Lamp Wires), From Rear Lamp Harness To Backup Lamp Assembly	\$60.00	
BACKUP LAMP SWITCH				
01993662	1964	BACKUP LAMP SWITCH 4 Speed, Manual Trans	\$64.00	
01993310	1965	BACKUP LAMP SWITCH 3 Speed, Manual Trans	\$64.00	
01993309	1965	BACKUP LAMP SWITCH 4 Speed, Manual Trans	\$64.00	
01993310	1966	BACKUP LAMP SWITCH 3 Speed, Manual Trans	\$64.00	
01993309	1966	BACKUP LAMP SWITCH 4 Speed, Manual Trans	\$64.00	
01993310	1967	BACKUP LAMP SWITCH 3 Speed, Manual Trans	\$64.00	
01993309	1967	BACKUP LAMP SWITCH 4 Speed, Manual Trans	\$64.00	
03943657	1969	BACKUP LAMP SWITCH Manual Trans	\$53.00	
03943657	1970	BACKUP LAMP SWITCH Manual Trans	\$53.00	
03943657	1971	BACKUP LAMP SWITCH Manual Trans	\$53.00	
03943657	1972	BACKUP LAMP SWITCH Manual Trans	\$53.00	
BACKUP LAMP SWITCH EXTENSION HARNESS				
03820	1964	BACKUP LAMP SWITCH EXTENSION HARNESS Manual Trans, Dash Harness To Backup Lamp Switch	\$33.00	
06070	1965	BACKUP LAMP SWITCH EXTENSION HARNESS Manual Trans, Dash Harness To Backup Lamp Switch	\$33.00	
06070	1966	BACKUP LAMP SWITCH EXTENSION HARNESS Manual Trans, Dash Harness To Backup Lamp Switch	\$33.00	
10480	1967	BACKUP LAMP SWITCH EXTENSION HARNESS Manual Trans, Dash Harness To Backup Lamp Switch	\$33.00	
12695	1968	BACKUP LAMP SWITCH EXTENSION HARNESS Manual Trans, Dash Harness Side To Engine Compartment Note: Connects To Part# 12690 Backup Lamp Switch Extension Harness.	\$31.00	
12690	1968	BACKUP LAMP SWITCH EXTENSION HARNESS Manual Trans, Engine Compartment Side To Backup Lamp Switch Note: Connects To Part# 12695 Backup Lamp Switch Extension Harness.	\$31.00	

Part Number	Year	Description	Price	*Rev.
40839	1976	BACKUP LAMP SWITCH EXTENSION HARNESS 260 C.I. V/8, With 5 Speed Trans, Dash Harness To Backup Lamp Switch	\$60.00	
40842	1976	BACKUP LAMP SWITCH EXTENSION HARNESS With 5 Speed Trans, Without 260 C.I. V/8, Dash Harness To Backup Lamp Switch	\$60.00	
BACKUP LAMP SWITCH MOUNTING BRACKET				
37650	1966	BACKUP LAMP SWITCH MOUNTING BRACKET With Muncie 4 Speed Transmission	\$29.00	
37650	1967	BACKUP LAMP SWITCH MOUNTING BRACKET With Muncie 4 Speed Transmission	\$29.00	
BACKUP LAMP WIRE				
40452	1961	BACKUP LAMP WIRE Manual Trans, Fuse Block To Backup Lamp Harness	\$20.00	
40452	1962	BACKUP LAMP WIRE Manual Trans, Fuse Block To Backup Lamp Harness	\$20.00	
40452	1963	BACKUP LAMP WIRE Manual Trans, Fuse Block To Backup Lamp Harness	\$20.00	
BATTERY CABLE EXTENSION				
40670	1974	BATTERY CABLE EXTENSION Neg, Redundant Ground Cable, Firewall To Engine	\$38.00	
40681	1974	BATTERY CABLE EXTENSION Ventura, Neg, Redundant Ground Cable, Firewall To Engine	\$38.00	
40818	1975	BATTERY CABLE EXTENSION Neg, Redundant Ground Cable, With Auto Trans, Firewall To Engine	\$38.00	
40819	1975	BATTERY CABLE EXTENSION Neg, Redundant Ground Cable, With Manual Trans, Firewall To Engine	\$38.00	
40818	1976	BATTERY CABLE EXTENSION Neg, Redundant Ground Cable, With Auto Trans, Firewall To Engine	\$38.00	
40819	1976	BATTERY CABLE EXTENSION Neg, Redundant Ground Cable, With Manual Trans, Firewall To Engine	\$38.00	
40819	1977	BATTERY CABLE EXTENSION Neg, Redundant Ground Cable, With Manual Trans, Firewall To Engine	\$38.00	
40818	1977	BATTERY CABLE EXTENSION Neg, Redundant Ground Cable, With Auto Trans, Firewall To Engine	\$38.00	
BATTERY CABLE JUMPER				
40470	1963	BATTERY CABLE JUMPER Pos, 326 V/8, With Standard Battery, Fender Mounted Junction Block To Starter Motor Note: Standard Battery Option Uses A 6 Gauge Battery Cable.	\$69.00	
40475	1963	BATTERY CABLE JUMPER Pos, 326 V/8, With Heavy Duty Battery, Fender Mounted Junction Block To Starter Motor Note: Heavy Duty Battery Option Uses A 4 Gauge Battery Cable.	\$69.00	
05610	1964	BATTERY CABLE JUMPER Pos, V/8, Fender Mounted Junction Block To Starter Motor	\$69.00	
BATTERY CABLE-NEGATIVE				
03480	1961	BATTERY CABLE, SPRING RING Neg, 4 Cylinder	\$69.00	
03610	1961	BATTERY CABLE, SPRING RING Neg, V/8	\$69.00	
03480	1962	BATTERY CABLE, SPRING RING Neg, 4 Cylinder	\$69.00	
03610	1962	BATTERY CABLE, SPRING RING Neg, V/8	\$69.00	
03480	1963	BATTERY CABLE, SPRING RING Neg, 4 Cylinder, With Standard Battery	\$69.00	
04120	1963	BATTERY CABLE, SPRING RING Neg, 4 Cylinder, With Heavy Duty Battery	\$69.00	
04080	1963	BATTERY CABLE, SPRING RING Neg, V/8, Without Heavy Duty Battery, Except 421 Super Duty	\$69.00	
04265	1963	BATTERY CABLE, SPRING RING Neg, V/8, With Heavy Duty Battery, Except 421 Super Duty	\$69.00	
04395	1963	BATTERY CABLE, SPRING RING Neg, 421 Super Duty	\$69.00	
05235	1964	BATTERY CABLE, SPRING RING Neg, 6 Cylinder Note: 6 Cylinder Items Are Not Returnable.	\$69.00	
03430	1964	BATTERY CABLE, SPRING RING Neg, V/8	\$69.00	
05235	1965	BATTERY CABLE, SPRING RING Neg, 6 Cylinder Note: 6 Cylinder Items Are Not Returnable.	\$69.00	

Part Number	Year	Description	Price	*Rev.
03430	1965	BATTERY CABLE, SPRING RING Neg, V/8	\$69.00	
09205	1966	BATTERY CABLE, SPRING RING Neg, 6 Cylinder Note: 6 Cylinder Items Are Not Returnable.	\$69.00	
03430	1966	BATTERY CABLE, SPRING RING Neg, V/8	\$69.00	
09845	1967	BATTERY CABLE, SPRING RING Neg, 6 Cylinder Note: 6 Cylinder Items Are Not Returnable.	\$69.00	
03430	1967	BATTERY CABLE, SPRING RING Neg, V/8	\$69.00	
03005	1968	BATTERY CABLE, SPRING RING Neg, 6 Cylinder Note: 6 Cylinder Items Are Not Returnable.	\$69.00	
03435	1968	BATTERY CABLE, SPRING RING Neg, V/8	\$69.00	
03005	1969	BATTERY CABLE, SPRING RING Neg, 6 Cylinder Note: 6 Cylinder Items Are Not Returnable.	\$69.00	
03435	1969	BATTERY CABLE, SPRING RING Neg, V/8	\$69.00	
14605	1970	BATTERY CABLE, SPRING RING Neg, 6 Cylinder Note: 6 Cylinder Items Are Not Returnable.	\$69.00	
13655	1970	BATTERY CABLE, SIDE POST Neg, V/8	\$74.00	
03435	1970	BATTERY CABLE, SPRING RING Neg, V/8, Without Ram Air	\$69.00	
14585	1970	BATTERY CABLE, SPRING RING Neg, V/8, With Ram Air	\$69.00	
14605	1971	BATTERY CABLE, SPRING RING Neg, 6 Cylinder Note: 6 Cylinder Items Are Not Returnable.	\$69.00	
03435	1971	BATTERY CABLE, SPRING RING Neg, V/8, Except 455 Ci	\$69.00	
14585	1971	BATTERY CABLE, SPRING RING Neg, V/8, With Heavy Duty Battery Or 455 Ci Without Heavy Duty Battery	\$69.00	
39348	1971	BATTERY CABLE, SIDE POST Neg, V/8, 455 Ci, With Heavy Duty Battery	\$73.00	
14605	1972	BATTERY CABLE, SPRING RING Neg, 6 Cylinder Note: 6 Cylinder Items Are Not Returnable.	\$69.00	
03435	1972	BATTERY CABLE, SPRING RING Neg, V/8, Except 455	\$69.00	
40584	1972	BATTERY CABLE, SIDE POST Neg, V/8, 455ci, With Heavy Duty Battery	\$74.00	
40587	1973	BATTERY CABLE, SIDE POST Neg, 6 Cylinder Note: 6 Cylinder Items Are Not Returnable.	\$74.00	
22980	1973	BATTERY CABLE, SIDE POST Neg, 6 Cylinder, Ventura Note: 6 Cylinder Items Are Not Returnable.	\$74.00	
40150	1973	BATTERY CABLE, SIDE POST Neg, V/8	\$74.00	
40585	1973	BATTERY CABLE, SPRING RING Neg, V/8, Ventura, 350 Pontiac	\$74.00	
40587	1974	BATTERY CABLE, SIDE POST Neg, 6 Cylinder Note: 6 Cylinder Items Are Not Returnable.	\$74.00	
22980	1974	BATTERY CABLE, SIDE POST Neg, 6 Cylinder, Ventura Note: 6 Cylinder Items Are Not Returnable.	\$74.00	
40150	1974	BATTERY CABLE, SIDE POST Neg, V/8	\$74.00	
40585	1974	BATTERY CABLE, SPRING RING Neg, V/8, Ventura, 350 Pontiac	\$74.00	
40816	1975	BATTERY CABLE, SIDE POST Neg, 6 Cylinder Note: 6 Cylinder Items Are Not Returnable.	\$74.00	
40815	1975	BATTERY CABLE, SIDE POST Neg, V/8	\$74.00	
40816	1976	BATTERY CABLE, SIDE POST Neg, 6 Cylinder Note: 6 Cylinder Items Are Not Returnable.	\$74.00	
40815	1976	BATTERY CABLE, SIDE POST Neg, V/8	\$74.00	
40850	1977	BATTERY CABLE, SIDE POST Neg, V/6, Without Power Steering	\$74.00	
40854	1977	BATTERY CABLE, SIDE POST Neg, V/6, With Power Steering	\$74.00	

Part Number	Year	Description	Price	*Rev.
40815	1977	BATTERY CABLE, SIDE POST Neg, V/8	\$74.00	
BATTERY CABLE-POSITIVE				
03475	1961	BATTERY CABLE, SPRING RING Pos, 4 Cylinder	\$69.00	
03540	1961	BATTERY CABLE, SPRING RING Pos, V/8	\$69.00	
03530	1961	BATTERY CABLE, SPRING RING Pos, V/8, With Air Conditioning	\$69.00	
03475	1962	BATTERY CABLE, SPRING RING Pos, 4 Cylinder	\$69.00	
03540	1962	BATTERY CABLE, SPRING RING Pos, V/8, Without 35 Amp Gen	\$69.00	
03760	1962	BATTERY CABLE, SPRING RING Pos, V/8, With 35 Amp Gen	\$69.00	
03530	1962	BATTERY CABLE, SPRING RING Pos, V/8, With Air Conditioning	\$69.00	
03475	1963	BATTERY CABLE, SPRING RING Pos, 4 Cylinder	\$69.00	
04115	1963	BATTERY CABLE, SPRING RING Pos, 4 Cylinder, With Heavy Duty Battery	\$69.00	
04085	1963	BATTERY CABLE, SPRING RING Pos, V/8, Except 421 Super Duty	\$69.00	
04260	1963	BATTERY CABLE, SPRING RING Pos, V/8, With Heavy Duty Battery, Except 421 Super Duty	\$69.00	
04390	1963	BATTERY CABLE, SPRING RING Pos, 421 Super Duty	\$69.00	
04635	1964	BATTERY CABLE, SPRING RING Pos, 6 Cylinder Note: 6 Cylinder Items Are Not Returnable.	\$69.00	
05370	1964	BATTERY CABLE, SPRING RING Pos, V/8, Battery To Fender Mounted Junction Block	\$69.00	
04190	1965	BATTERY CABLE, SPRING RING Pos, 6 Cylinder Note: 6 Cylinder Items Are Not Returnable.	\$69.00	
09145	1965	BATTERY CABLE, SPRING RING Pos, V/8, Without Power Options	\$69.00	
09150	1965	BATTERY CABLE, SPRING RING Pos, V/8, With Power Options	\$69.00	
04190	1966	BATTERY CABLE, SPRING RING Pos, 6 Cylinder Note: 6 Cylinder Items Are Not Returnable.	\$69.00	
09145	1966	BATTERY CABLE, SPRING RING Pos, V/8, Without Power Options	\$69.00	
09150	1966	BATTERY CABLE, SPRING RING Pos, V/8, With Power Options	\$69.00	
04190	1967	BATTERY CABLE, SPRING RING Pos, 6 Cylinder Note: 6 Cylinder Items Are Not Returnable.	\$69.00	
09145	1967	BATTERY CABLE, SPRING RING Pos, V/8, Without Power Options	\$69.00	
09880	1967	BATTERY CABLE, SPRING RING Pos, V/8, Without Power Options & With H.O. Ram Air	\$69.00	
09150	1967	BATTERY CABLE, SPRING RING Pos, V/8, With Power Options	\$69.00	
09885	1967	BATTERY CABLE, SPRING RING Pos, V/8, With Power Options & H.O. Ram Air	\$69.00	
09110	1968	BATTERY CABLE, SPRING RING Pos, 6 Cylinder Note: 6 Cylinder Items Are Not Returnable.	\$69.00	
09895	1968	BATTERY CABLE, SPRING RING Pos, V/8, Without H.O. Ram Air	\$69.00	
22185	1968	BATTERY CABLE, SPRING RING Pos, V/8, With H.O. Ram Air	\$69.00	
09110	1969	BATTERY CABLE, SPRING RING Pos, 6 Cylinder Note: 6 Cylinder Items Are Not Returnable.	\$69.00	
04195	1969	BATTERY CABLE, SPRING RING Pos, V/8, Without H.O. Ram Air	\$69.00	
13320	1969	BATTERY CABLE, SPRING RING Pos, V/8, With H.O. Ram Air	\$69.00	
09110	1970	BATTERY CABLE, SPRING RING Pos, 6 Cylinder Note: 6 Cylinder Items Are Not Returnable.	\$69.00	
13660	1970	BATTERY CABLE, SIDE POST Pos, V/8	\$74.00	
14590	1970	BATTERY CABLE, SPRING RING Pos, V/8, Without Ram Air	\$69.00	
04195	1970	BATTERY CABLE, SPRING RING Pos, V/8, With Ram Air	\$69.00	
09110	1971	BATTERY CABLE, SPRING RING Pos, 6 Cylinder Note: 6 Cylinder Items Are Not Returnable.	\$69.00	
40148	1971	BATTERY CABLE, SPRING RING Pos, V/8, Except 455 Ci	\$69.00	

Part Number	Year	Description	Price	*Rev.
40583	1971	BATTERY CABLE, SPRING RING Pos, V/8, With Heavy Duty Battery, Except 455 Ci	\$69.00	
40581	1971	BATTERY CABLE, SPRING RING Pos, V/8, 455 H.O.	\$69.00	
39349	1971	BATTERY CABLE, SIDE POST Pos, V/8, 455 H.O., With Heavy Duty Battery	\$74.00	
40582	1971	BATTERY CABLE, SIDE POST Pos, V/8, 455 Ci, With Heavy Duty Battery	\$74.00	
09110	1972	BATTERY CABLE, SPRING RING Pos, 6 Cylinder Note: 6 Cylinder Items Are Not Returnable.	\$69.00	
16100	1972	BATTERY CABLE, SPRING RING Pos, 6 Cylinder, With A/C Note: 6 Cylinder Items Are Not Returnable.	\$69.00	
39516	1972	BATTERY CABLE, SPRING RING Pos, V/8	\$69.00	
40588	1972	BATTERY CABLE, SPRING RING Pos, V/8, 455 H.O.	\$69.00	
38426	1972	BATTERY CABLE, SIDE POST Pos, V/8, 455ci, With Heavy Duty Battery	\$74.00	
40586	1973	BATTERY CABLE, SIDE POST Pos, 6 Cylinder Note: 6 Cylinder Items Are Not Returnable.	\$74.00	
22650	1973	BATTERY CABLE, SIDE POST Pos, 6 Cylinder, Ventura Note: 6 Cylinder Items Are Not Returnable.	\$74.00	
40149	1973	BATTERY CABLE, SIDE POST Pos, V/8 350 C.I.	\$74.00	
40590	1973	BATTERY CABLE, SIDE POST Pos, V/8 455 C.I.	\$74.00	
40586	1974	BATTERY CABLE, SIDE POST Pos, 6 Cylinder Note: 6 Cylinder Items Are Not Returnable.	\$74.00	
22650	1974	BATTERY CABLE, SIDE POST Pos, 6 Cylinder, Ventura Note: 6 Cylinder Items Are Not Returnable.	\$74.00	
40149	1974	BATTERY CABLE, SIDE POST Pos, V/8, 350 C.I.	\$74.00	
40590	1974	BATTERY CABLE, SIDE POST Pos, V/8, 455 C.I.	\$74.00	
40817	1975	BATTERY CABLE, SIDE POST Pos, 6 Cylinder Note: 6 Cylinder Items Are Not Returnable.	\$74.00	
40692	1975	BATTERY CABLE, SIDE POST Pos, 350 & 400 C.I., Without Heavy Duty Battery	\$74.00	
40693	1975	BATTERY CABLE, SIDE POST Pos, 350, 400 & 455 C.I., With Heavy Duty Battery	\$74.00	
40817	1976	BATTERY CABLE, SIDE POST Pos, 6 Cylinder Note: 6 Cylinder Items Are Not Returnable.	\$74.00	
40692	1976	BATTERY CABLE, SIDE POST Pos, 350 & 400 C.I., Without Heavy Duty Battery	\$74.00	
40693	1976	BATTERY CABLE, SIDE POST Pos, 350, 400 & 455 C.I., With Heavy Duty Battery	\$74.00	
22960	1976	BATTERY CABLE, SIDE POST Pos, V/8 260 C.I., With Manual Trans	\$74.00	
40844	1976	BATTERY CABLE, SIDE POST Pos, V/8 260 C.I., With Auto Trans	\$74.00	
40849	1977	BATTERY CABLE, SIDE POST Pos, V/6, Without Power Steering	\$74.00	
40853	1977	BATTERY CABLE, SIDE POST Pos, V/6, With Power Steering	\$74.00	
40851	1977	BATTERY CABLE, SIDE POST Pos, 350 & 403 V/8 Oldsmobile Engine	\$74.00	
40855	1977	BATTERY CABLE, SIDE POST Pos, 301, 350 & 400 V/8 Pontiac Engine	\$74.00	
BREAKERLESS SE SINGLE WIRE ELECTRONIC IGNITION				
38131	1961	BREAKERLESS SE SINGLE WIRE ELECTRONIC IGNITION KIT For 1957-74 Breaker Point Distributors With Windowed Type Distributor Cap	\$179.00	
38131	1962	BREAKERLESS SE SINGLE WIRE ELECTRONIC IGNITION KIT For 1957-74 Breaker Point Distributors With Windowed Type Distributor Cap	\$179.00	
38131	1963	BREAKERLESS SE SINGLE WIRE ELECTRONIC IGNITION KIT For 1957-74 Breaker Point Distributors With Windowed Type Distributor Cap	\$179.00	
38131	1964	BREAKERLESS SE SINGLE WIRE ELECTRONIC IGNITION KIT For 1957-74 Breaker Point Distributors With Windowed Type Distributor Cap	\$179.00	
38131	1965	BREAKERLESS SE SINGLE WIRE ELECTRONIC IGNITION KIT For 1957-74 Breaker Point Distributors With Windowed Type Distributor Cap	\$179.00	

Part Number	Year	Description	Price	*Rev.
38131	1966	BREAKERLESS SE SINGLE WIRE ELECTRONIC IGNITION KIT For 1957-74 Breaker Point Distributors With Windowed Type Distributor Cap	\$179.00	
38131	1967	BREAKERLESS SE SINGLE WIRE ELECTRONIC IGNITION KIT For 1957-74 Breaker Point Distributors With Windowed Type Distributor Cap	\$179.00	
38131	1968	BREAKERLESS SE SINGLE WIRE ELECTRONIC IGNITION KIT For 1957-74 Breaker Point Distributors With Windowed Type Distributor Cap	\$179.00	
38131	1969	BREAKERLESS SE SINGLE WIRE ELECTRONIC IGNITION KIT For 1957-74 Breaker Point Distributors With Windowed Type Distributor Cap	\$179.00	
38131	1970	BREAKERLESS SE SINGLE WIRE ELECTRONIC IGNITION KIT For 1957-74 Breaker Point Distributors With Windowed Type Distributor Cap	\$179.00	
38131	1971	BREAKERLESS SE SINGLE WIRE ELECTRONIC IGNITION KIT For 1957-74 Breaker Point Distributors With Windowed Type Distributor Cap	\$179.00	
38131	1972	BREAKERLESS SE SINGLE WIRE ELECTRONIC IGNITION KIT For 1957-74 Breaker Point Distributors With Windowed Type Distributor Cap	\$179.00	
38131	1973	BREAKERLESS SE SINGLE WIRE ELECTRONIC IGNITION KIT For 1957-74 Breaker Point Distributors With Windowed Type Distributor Cap	\$179.00	
38131	1974	BREAKERLESS SE SINGLE WIRE ELECTRONIC IGNITION KIT For 1957-74 Breaker Point Distributors With Windowed Type Distributor Cap	\$179.00	
CIGARETTE LIGHTER LAMP HARNESS				
40592	1971	CIGARETTE LIGHTER LAMP HARNESS All	\$26.00	
CIGARETTE LIGHTER LAMP WIRE				
12440	1968	CIGARETTE LIGHTER LAMP WIRE	\$15.00	
CIRCUIT BREAKER				
04849850	1963	CIRCUIT BREAKER, 40 AMP Power Seat	\$14.00	
CLOCK HARNESS				
40474	1963	CLOCK HARNESS Dash Mounted	\$59.00	
04615	1964	CLOCK HARNESS Dash Mounted	\$53.00	
06065	1965	CLOCK HARNESS Dash Mounted	\$53.00	
09600	1966	CLOCK HARNESS Dash Mounted	\$43.00	
09600	1967	CLOCK HARNESS Dash Mounted	\$43.00	
01365	1971	CLOCK HARNESS Ventura, Dash Mounted	\$26.00	
01365	1972	CLOCK HARNESS Ventura, Dash Mounted	\$26.00	
01365	1973	CLOCK HARNESS Ventura, Dash Mounted	\$26.00	
01365	1974	CLOCK HARNESS Ventura, Dash Mounted	\$26.00	
CONSOLE EXTENSION HARNESS				
40164	1964	CONSOLE EXTENSION HARNESS Manual Trans, Connects Console Harness To Console Jumper Harness	\$40.00	
30180	1964	CONSOLE EXTENSION HARNESS Auto Trans, Dash To Console Harness	\$87.00	
30180	1965	CONSOLE EXTENSION HARNESS Auto Trans, Dash To Console Harness	\$87.00	
30185	1965	CONSOLE EXTENSION HARNESS Manual Trans, Dash To Console Harness	\$43.00	
30190	1966	CONSOLE EXTENSION HARNESS Auto Trans, Dash To Console Harness	\$87.00	
30195	1966	CONSOLE EXTENSION HARNESS Manual Trans, Dash To Console Harness	\$43.00	
30190	1967	CONSOLE EXTENSION HARNESS Auto Trans, Dash To Console Harness	\$87.00	
30200	1967	CONSOLE EXTENSION HARNESS Manual Trans, Dash To Console Harness	\$43.00	
CONSOLE HARNESS				
40473	1963	CONSOLE HARNESS Auto Trans, Floor Console To Dash Harness	\$87.00	
40162	1964	CONSOLE HARNESS All, With Courtesy Lamp Switch, Floor Console To Extension Harness	\$49.00	
12275	1964	CONSOLE HARNESS All, Without Courtesy Lamp Switch, Floor Console To Extension Harness	\$49.00	

Part Number	Year	Description	Price	*Rev.
12275	1965	CONSOLE HARNESS All, Floor Console To Extension Harness	\$49.00	
12275	1966	CONSOLE HARNESS All, Floor Console To Extension Harness	\$49.00	
12275	1967	CONSOLE HARNESS All, Floor Console To Extension Harness	\$49.00	
11600	1968	CONSOLE HARNESS Auto Trans, Floor Console To Dash Harness	\$87.00	
11610	1968	CONSOLE HARNESS Manual Trans, Floor Console To Dash Harness	\$27.00	
13305	1969	CONSOLE HARNESS Auto Trans, Floor Console To Dash Harness	\$26.00	
13305	1970	CONSOLE HARNESS Auto Trans, Floor Console To Dash Harness	\$26.00	
13305	1971	CONSOLE HARNESS Auto Trans, Floor Console To Dash Harness	\$26.00	
01355	1971	CONSOLE HARNESS Ventura, With Console Gauges, Floor Console To Dash Harness	\$65.00	
13305	1972	CONSOLE HARNESS Auto Trans, Floor Console To Dash Harness	\$26.00	
01355	1972	CONSOLE HARNESS Ventura, With Console Gauges, Floor Console To Dash Harness	\$65.00	
40622	1973	CONSOLE HARNESS Auto Trans, Floor Console To Dash Harness	\$52.00	
40622	1974	CONSOLE HARNESS Auto Trans, Floor Console To Dash Harness	\$52.00	
40153	1974	CONSOLE HARNESS Ventura, With Gauges, Floor Console To Dash Harness	\$74.00	
40622	1975	CONSOLE HARNESS Auto Trans, Floor Console To Dash Harness	\$52.00	
40622	1976	CONSOLE HARNESS Auto Trans, Floor Console To Dash Harness	\$52.00	
40622	1977	CONSOLE HARNESS Auto Trans, Floor Console To Dash Harness	\$52.00	
CONSOLE JUMPER HARNESS				
40163	1964	CONSOLE JUMPER HARNESS Manual Trans, Connects Dash Harness To Console Extension Harness	\$40.00	
CONSOLE SHIFT INDICATOR LAMP HARNESS				
40472	1963	CONSOLE SHIFT INDICATOR LAMP HARNESS Auto Trans, Console Harness To Shift Indicator Plate	\$41.00	
COURTESY LAMP HARNESS				
40494	1961	COURTESY LAMP HARNESS Center Roof Mounted Dome Lamp	\$38.00	
40458	1962	COURTESY LAMP HARNESS Under Dash	\$60.00	
40456	1962	COURTESY LAMP HARNESS Door Jamb Switches To Dome Lamp Ground Wire In Dash Harness	\$46.00	
		Note: For Use With Center Roof Mounted Dome Lamp.		
40494	1962	COURTESY LAMP HARNESS Center Roof Mounted Dome Lamp	\$38.00	
40494	1963	COURTESY LAMP HARNESS Center Roof Mounted Dome Lamp	\$38.00	
40478	1963	COURTESY LAMP HARNESS Under Dash, Convertible	\$60.00	
40456	1963	COURTESY LAMP HARNESS Door Jamb Switches To Dome Lamp Ground Wire In Dash Harness	\$46.00	
		Note: For Use With Center Roof Mounted Dome Lamp.		
40458	1963	COURTESY LAMP HARNESS Under Dash, Coupe	\$60.00	
40480	1964	COURTESY LAMP HARNESS Under Dash	\$38.00	
37207	1964	COURTESY LAMP HARNESS Safari 4 Door Wagon, Roof Mounted Dome Lamp, With Rear Door Jamb Switch Option	\$48.00	
37208	1964	COURTESY LAMP HARNESS Safari 4 Door Wagon, Rear Door Jamb Switches To Roof Mounted Dome Lamp Harness	\$48.00	
07055	1964	COURTESY LAMP HARNESS Tempest 4 Door Sedan, Rear Door Jamb Switches To Roof Mounted Dome Lamp Harness	\$48.00	
06885	1964	COURTESY LAMP HARNESS Center Roof Mounted Dome Lamp, All, Without Reading Lamp	\$33.00	
30210	1964	COURTESY LAMP HARNESS Center Roof Mounted Dome Lamp, All, With Reading Lamp	\$48.00	
06880	1964	COURTESY LAMP HARNESS Center Roof Mounted Dome Lamp, Tempest 4 Door Sedan	\$34.00	
07100	1964	COURTESY LAMP HARNESS Safari 4 Door Wagon, Center Roof Mounted Dome Lamp	\$35.00	
		Note: Customer Must Reuse Their Original Plastic Connector.		
39478	1965	COURTESY LAMP HARNESS Underdash, All	\$38.00	

Part Number	Year	Description	Price	*Rev.
07835	1965	COURTESY LAMP HARNESS Center Roof Mounted Dome Lamp, Tempest Wagons, Without Rear Door Jamb Switches Note: Customer Must Reuse Their Original Plastic Connector.	\$40.00	
07865	1965	COURTESY LAMP HARNESS Center Roof Mounted Dome Lamp, Tempest Wagons, With Rear Door Jamb Switches Note: Customer Must Reuse Their Original Plastic Connector.	\$43.00	
07650	1965	COURTESY LAMP HARNESS Rear Door Jamb Switches To Roof Mounted Dome Lamp Harness, All 4 Door Sedans	\$48.00	
07880	1965	COURTESY LAMP HARNESS Rear Door Jamb Switches To Roof Mounted Dome Lamp Harness, Tempest Wagons	\$48.00	
07575	1965	COURTESY LAMP HARNESS Center Roof Mounted Dome Lamp, All 4 Door Sedans	\$40.00	
07580	1965	COURTESY LAMP HARNESS Center Roof Mounted Dome Lamp, All Tempest Coupes	\$33.00	
40496	1966	COURTESY LAMP HARNESS Underdash, All	\$38.00	
07835	1966	COURTESY LAMP HARNESS Center Roof Mounted Dome Lamp, Tempest Wagons, Without Rear Door Jamb Switches Note: Customer Must Reuse Their Original Plastic Connector.	\$40.00	
07865	1966	COURTESY LAMP HARNESS Center Roof Mounted Dome Lamp, Tempest Wagons, With Rear Door Jamb Switches Note: Customer Must Reuse Their Original Plastic Connector.	\$43.00	
40152	1966	COURTESY LAMP HARNESS Coupe & Sedan, With Side Roof Rail /Reading Lamps	\$83.00	
40490	1966	COURTESY LAMP HARNESS Tempest Wagons, With Side Roof Rail /Reading Lamps	\$74.00	
17590	1966	COURTESY LAMP HARNESS Center Roof Mounted Dome Lamp, All 4 Door Sedans, Without Side Roof Rail /Reading Lamps	\$33.00	
17600	1966	COURTESY LAMP HARNESS Center Roof Mounted Dome Lamp, All Coupe & Sedans, Without Side Roof Rail /Reading Lamps	\$27.00	
07650	1966	COURTESY LAMP HARNESS Rear Door Jamb Switches To Dome Lamp Harness, All 4 Door Sedan & Hardtop	\$48.00	
07880	1966	COURTESY LAMP HARNESS Rear Door Jamb Switches To Dome Lamp Harness, All Tempest Wagons	\$48.00	
39352	1967	COURTESY LAMP HARNESS Under Dash, Without Tape Player	\$38.00	
40504	1967	COURTESY LAMP HARNESS Under Dash, With Tape Player	\$43.00	
07835	1967	COURTESY LAMP HARNESS Center Roof Mounted Dome Lamp, Tempest Wagons, Without Rear Door Jamb Switches Note: Customer Must Reuse Their Original Plastic Connector.	\$40.00	
07865	1967	COURTESY LAMP HARNESS Center Roof Mounted Dome Lamp, Tempest Wagons, With Rear Door Jamb Switches Note: Customer Must Reuse Their Original Plastic Connector.	\$43.00	
40152	1967	COURTESY LAMP HARNESS Coupe & Sedan, With Side Roof Rail /Reading Lamps	\$83.00	
40490	1967	COURTESY LAMP HARNESS Tempest Wagons, With Side Roof Rail /Reading Lamps	\$74.00	
17590	1967	COURTESY LAMP HARNESS Center Roof Mounted Dome Lamp, All 4 Door Sedans, Without Side Roof Rail /Reading Lamps	\$33.00	
17600	1967	COURTESY LAMP HARNESS Center Roof Mounted Dome Lamp, All Coupe & Sedans, Without Side Roof Rail /Reading Lamps	\$27.00	
07650	1967	COURTESY LAMP HARNESS Rear Door Jamb Switches To Dome Lamp Harness, All 4 Door Sedan & Hardtop	\$48.00	
07880	1967	COURTESY LAMP HARNESS Rear Door Jamb Switches To Dome Lamp Harness, All Tempest Wagons	\$48.00	
40526	1968	COURTESY LAMP HARNESS Center Roof Mounted Dome Lamp, 4 Door Hardtop & Sedans	\$46.00	
30205	1968	COURTESY LAMP HARNESS Center Roof Mounted Dome Lamp, All Coupes & Wagons	\$30.00	
39352	1969	COURTESY LAMP HARNESS Under Dash, Without Tape Player, Console, Or Air Conditioning	\$38.00	
39341	1969	COURTESY LAMP HARNESS Under Dash, With Tape Player, Console, Or Air Conditioning	\$46.00	
40523	1969	COURTESY LAMP HARNESS Rear Door Jamb Switches To Dome Lamp Harness, All 4 Door Sedan & Hardtop	\$46.00	

Part Number	Year	Description	Price	*Rev.
40544	1969	COURTESY LAMP HARNESS Center Roof Mounted Dome Lamp, 2 Door Coupe, With Reading Lamp	\$46.00	
30780	1969	COURTESY LAMP HARNESS Center Roof Mounted Dome Lamp, 4 Door Sedan, With Reading Lamp	\$46.00	
40545	1969	COURTESY LAMP HARNESS Center Roof Mounted Dome Lamp, 4 Door Hardtop, With Reading Lamp	\$46.00	
40547	1969	COURTESY LAMP HARNESS Center Roof Mounted Dome Lamp, 2 Door Coupe, Without Reading Lamp	\$46.00	
30945	1969	COURTESY LAMP HARNESS Center Roof Mounted Dome Lamp, 4 Door Sedan, Without Reading Lamp	\$46.00	
30950	1969	COURTESY LAMP HARNESS Center Roof Mounted Dome Lamp, 4 Door Hardtop, Without Reading Lamp	\$46.00	
30205	1969	COURTESY LAMP HARNESS Center Roof Mounted Dome Lamp, All Wagons, Without Reading Lamp	\$30.00	
39341	1970	COURTESY LAMP HARNESS Under Dash,	\$46.00	
40545	1970	COURTESY LAMP HARNESS Center Roof Mounted Dome Lamp, All, With Reading Lamp	\$46.00	
40547	1970	COURTESY LAMP HARNESS Center Roof Mounted Dome Lamp, Coupe, Without Reading Lamp	\$46.00	
30950	1970	COURTESY LAMP HARNESS Center Roof Mounted Dome Lamp, 4 Door, Without Reading Lamp	\$46.00	
30205	1970	COURTESY LAMP HARNESS Center Roof Mounted Dome Lamp, All Wagons, Without Reading Lamp	\$30.00	
40575	1971	COURTESY LAMP HARNESS Under Dash	\$78.00	
40545	1971	COURTESY LAMP HARNESS Center Roof Mounted Dome Lamp, All, With Reading Lamp	\$46.00	
30950	1971	COURTESY LAMP HARNESS Center Roof Mounted Dome Lamp, All Hard Tops & Coupes, Without Reading Lamp	\$46.00	
40738	1971	COURTESY LAMP HARNESS All, Reading Lamp To Dome Lamp Harness	\$27.00	
30205	1971	COURTESY LAMP HARNESS Center Roof Mounted Dome Lamp, All Wagons, Without Reading Lamp	\$30.00	
40559	1971	COURTESY LAMP HARNESS Ventura, 4 Door, Center Roof Mounted Dome Lamp	\$48.00	
40155	1971	COURTESY LAMP HARNESS Ventura, 2 Door, Center Roof Mounted Dome Lamp	\$40.00	
40575	1972	COURTESY LAMP HARNESS Under Dash, Convertible	\$78.00	
40545	1972	COURTESY LAMP HARNESS Center Roof Mounted Dome Lamp, All, With Reading Lamp	\$46.00	
30950	1972	COURTESY LAMP HARNESS Center Roof Mounted Dome Lamp, All Hard Tops & Coupes, Without Reading Lamp	\$46.00	
40738	1972	COURTESY LAMP HARNESS All, Reading Lamp To Dome Lamp Harness	\$27.00	
30205	1972	COURTESY LAMP HARNESS Center Roof Mounted Dome Lamp, All Wagons, Without Reading Lamp	\$30.00	
40559	1972	COURTESY LAMP HARNESS Ventura, 4 Door, Center Roof Mounted Dome Lamp	\$48.00	
40155	1972	COURTESY LAMP HARNESS Ventura, 2 Door, Center Roof Mounted Dome Lamp	\$40.00	
40624	1973	COURTESY LAMP HARNESS Under Dash, Driver Side	\$43.00	
40618	1973	COURTESY LAMP HARNESS Under Dash, Passenger Side, Without Electric Trunk Release	\$67.00	
40620	1973	COURTESY LAMP HARNESS Under Dash, Passenger Side, With Electric Trunk Release	\$67.00	
40654	1973	COURTESY LAMP HARNESS Under Dash, Passenger Side, With Ash Tray Lamp	\$67.00	
40655	1973	COURTESY LAMP HARNESS Under Dash, Passenger Side, Without Ash Tray Lamp	\$67.00	
40765	1973	COURTESY LAMP HARNESS All, Wagon, Without Reading Lamp, Center Roof Mounted Dome Lamp	\$48.00	
40766	1973	COURTESY LAMP HARNESS All, Except Wagon, Without Reading Lamp, Center Roof Mounted Dome Lamp	\$35.00	
40769	1973	COURTESY LAMP HARNESS All, Wagon, With Reading Lamp, Center Roof Mounted Dome Lamp	\$43.00	
40698	1973	COURTESY LAMP HARNESS All, Wagon, Rear Header Courtesy Lamp	\$33.00	

Part Number	Year	Description	Price	*Rev.
40559	1973	COURTESY LAMP HARNESS Ventura, 4 Door, Center Roof Mounted Dome Lamp	\$48.00	
39513	1973	COURTESY LAMP HARNESS Ventura, 2 Door Sedan, Center Roof Mounted Dome Lamp	\$45.00	
40728	1973	COURTESY LAMP HARNESS Ventura, 2 Door Hatch Back, Center Roof Mounted Dome Lamp (Includes Rear Compartment Lamp Wiring)	\$77.00	
40726	1973	COURTESY LAMP HARNESS 2 Door Hatch Back, Rear Compartment Lamp	\$27.00	
40620	1974	COURTESY LAMP HARNESS Under Dash, Passenger Side, With Electric Trunk Release	\$67.00	
40624	1974	COURTESY LAMP HARNESS Under Dash, Driver Side	\$43.00	
40654	1974	COURTESY LAMP HARNESS Under Dash, Passenger Side, With Ash Tray Lamp	\$67.00	
40655	1974	COURTESY LAMP HARNESS Under Dash, Passenger Side, Without Ash Tray Lamp	\$67.00	
40780	1974	COURTESY LAMP HARNESS 4 Door Hardtop & Wagon, Rear Door Jamb Switch To Front Door Jamb Switch, (2 Required Per Car)	\$27.00	
40766	1974	COURTESY LAMP HARNESS All, Except Wagon, Without Reading Lamp, Center Roof Mounted Dome Lamp	\$35.00	
40698	1974	COURTESY LAMP HARNESS All, Wagon, Rear Header Courtesy Lamp	\$33.00	
40530	1974	COURTESY LAMP HARNESS Ventura, 4 Door, Rear Door Jamb Switch Wiring	\$43.00	
40559	1974	COURTESY LAMP HARNESS Ventura, 4 Door, Center Roof Mounted Dome Lamp	\$48.00	
39513	1974	COURTESY LAMP HARNESS Ventura, 2 Door Sedan, Center Roof Mounted Dome Lamp	\$45.00	
40620	1975	COURTESY LAMP HARNESS Under Dash, Passenger Side, With Electric Trunk Release	\$67.00	
40624	1975	COURTESY LAMP HARNESS Under Dash, Driver Side	\$43.00	
40654	1975	COURTESY LAMP HARNESS Under Dash, Passenger Side, With Ash Tray Lamp	\$67.00	
40655	1975	COURTESY LAMP HARNESS Under Dash, Passenger Side, Without Ash Tray Lamp	\$67.00	
40780	1975	COURTESY LAMP HARNESS 4 Door Hardtop & Wagon, Rear Door Jamb Switch To Front Door Jamb Switch, (2 Required Per Car)	\$27.00	
40766	1975	COURTESY LAMP HARNESS All, Except Wagon, Without Reading Lamp, Center Roof Mounted Dome Lamp	\$35.00	
40400	1975	COURTESY LAMP HARNESS Wagon, With Reading Lamp, Center Roof Mounted Dome Lamp	\$66.00	
40401	1975	COURTESY LAMP HARNESS All, Except Wagon, With Reading Lamp, Center Roof Mounted Dome Lamp	\$43.00	
40415	1975	COURTESY LAMP HARNESS All, Wagon, Rear Header Courtesy Lamp	\$33.00	
40624	1976	COURTESY LAMP HARNESS Under Dash, Driver Side	\$43.00	
40780	1976	COURTESY LAMP HARNESS 4 Door Hardtop & Wagon, Rear Door Jamb Switch To Front Door Jamb Switch, (2 Required Per Car)	\$27.00	
40766	1976	COURTESY LAMP HARNESS All, Except Wagon, Without Reading Lamp, Center Roof Mounted Dome Lamp	\$35.00	
40400	1976	COURTESY LAMP HARNESS Wagon, With Reading Lamp, Center Roof Mounted Dome Lamp	\$66.00	
40401	1976	COURTESY LAMP HARNESS All, Except Wagon, With Reading Lamp, Center Roof Mounted Dome Lamp	\$43.00	
40415	1976	COURTESY LAMP HARNESS All, Wagon, Rear Header Courtesy Lamp	\$33.00	
40780	1977	COURTESY LAMP HARNESS 4 Door Hardtop & Wagon, Rear Door Jamb Switch To Front Door Jamb Switch, (2 Required Per Car)	\$27.00	
40766	1977	COURTESY LAMP HARNESS All, Except Wagon, Without Reading Lamp, Center Roof Mounted Dome Lamp	\$35.00	
40400	1977	COURTESY LAMP HARNESS Wagon, With Reading Lamp, Center Roof Mounted Dome Lamp	\$66.00	
40401	1977	COURTESY LAMP HARNESS All, Except Wagon, With Reading Lamp, Center Roof Mounted Dome Lamp	\$43.00	
40415	1977	COURTESY LAMP HARNESS All, Wagon, Rear Header Courtesy Lamp	\$33.00	
COURTESY LAMP JUMPER WIRE				
40505	1968	COURTESY LAMP JUMPER WIRE Convertible Only	\$26.00	

Part Number	Year	Description	Price	*Rev.
COURTESY LAMP REPAIR PIGTAIL				
43896	1964	COURTESY LAMP REPAIR PIGTAIL Convertible, 1/4 Arm Rest Courtesy Lamp, Includes Socket And 6" Of 18 Gauge, Orange & White Wire. 2 Required Per Car. Note: Original Wire Was 18 Gauge, Sometimes With A Heavy Wall Type Insulation. Repair Pigtail Is Also 18 Gauge, But Today's Insulation Is Of Much Higher Quality, And May Not Be As Thick As Some Original Cables.	\$17.00	
43896	1965	COURTESY LAMP REPAIR PIGTAIL Convertible, 1/4 Arm Rest Courtesy Lamp, Includes Socket And 6" Of 18 Gauge, Orange & White Wire. 2 Required Per Car. Note: Original Wire Was 18 Gauge, Sometimes With A Heavy Wall Type Insulation. Repair Pigtail Is Also 18 Gauge, But Today's Insulation Is Of Much Higher Quality, And May Not Be As Thick As Some Original Cables.	\$17.00	
43896	1966	COURTESY LAMP REPAIR PIGTAIL Convertible, 1/4 Arm Rest Courtesy Lamp, Includes Socket And 6" Of 18 Gauge, Orange & White Wire. 2 Required Per Car. Note: Original Wire Was 18 Gauge, Sometimes With A Heavy Wall Type Insulation. Repair Pigtail Is Also 18 Gauge, But Today's Insulation Is Of Much Higher Quality, And May Not Be As Thick As Some Original Cables.	\$17.00	
43896	1967	COURTESY LAMP REPAIR PIGTAIL Convertible, 1/4 Arm Rest Courtesy Lamp, Includes Socket And 6" Of 18 Gauge, Orange & White Wire. 2 Required Per Car. Note: Original Wire Was 18 Gauge, Sometimes With A Heavy Wall Type Insulation. Repair Pigtail Is Also 18 Gauge, But Today's Insulation Is Of Much Higher Quality, And May Not Be As Thick As Some Original Cables.	\$17.00	
43896	1968	COURTESY LAMP REPAIR PIGTAIL Convertible, 1/4 Arm Rest Courtesy Lamp, Includes Socket And 6" Of 18 Gauge, Orange & White Wire. 2 Required Per Car. Note: Original Wire Was 18 Gauge, Sometimes With A Heavy Wall Type Insulation. Repair Pigtail Is Also 18 Gauge, But Today's Insulation Is Of Much Higher Quality, And May Not Be As Thick As Some Original Cables.	\$17.00	
43896	1969	COURTESY LAMP REPAIR PIGTAIL Convertible, 1/4 Arm Rest Courtesy Lamp, Includes Socket And 6" Of 18 Gauge, Orange & White Wire. 2 Required Per Car. Note: Original Wire Was 18 Gauge, Sometimes With A Heavy Wall Type Insulation. Repair Pigtail Is Also 18 Gauge, But Today's Insulation Is Of Much Higher Quality, And May Not Be As Thick As Some Original Cables.	\$17.00	
43896	1970	COURTESY LAMP REPAIR PIGTAIL Convertible, 1/4 Arm Rest Courtesy Lamp, Includes Socket And 6" Of 18 Gauge, Orange & White Wire. 2 Required Per Car. Note: Original Wire Was 18 Gauge, Sometimes With A Heavy Wall Type Insulation. Repair Pigtail Is Also 18 Gauge, But Today's Insulation Is Of Much Higher Quality, And May Not Be As Thick As Some Original Cables.	\$17.00	
43896	1971	COURTESY LAMP REPAIR PIGTAIL Convertible, 1/4 Arm Rest Courtesy Lamp, Includes Socket And 6" Of 18 Gauge, Orange & White Wire. 2 Required Per Car. Note: Original Wire Was 18 Gauge, Sometimes With A Heavy Wall Type Insulation. Repair Pigtail Is Also 18 Gauge, But Today's Insulation Is Of Much Higher Quality, And May Not Be As Thick As Some Original Cables.	\$17.00	
43896	1972	COURTESY LAMP REPAIR PIGTAIL Convertible, 1/4 Arm Rest Courtesy Lamp, Includes Socket And 6" Of 18 Gauge, Orange & White Wire. 2 Required Per Car. Note: Original Wire Was 18 Gauge, Sometimes With A Heavy Wall Type Insulation. Repair Pigtail Is Also 18 Gauge, But Today's Insulation Is Of Much Higher Quality, And May Not Be As Thick As Some Original Cables.	\$17.00	
COURTESY LAMP WIRE				
40553	1970	COURTESY LAMP WIRE All Wagons, Rear Lamp Intermediate Harness To Rear Header Dome Lamp	\$27.00	
40758	1971	COURTESY LAMP WIRE All Wagons, Rear Lamp Intermediate Harness To Rear Header Dome Lamp	\$27.00	
40758	1972	COURTESY LAMP WIRE All Wagons, Rear Lamp Intermediate Harness To Rear Header Dome Lamp	\$27.00	
CRUISE CONTROL HARNESS				
40500	1967	CRUISE CONTROL HARNESS All, With A.c. Delco Brand Cruise Control	\$113.00	
40501	1967	CRUISE CONTROL HARNESS All, With Perfect Circle Brand Cruise Control	\$113.00	
40500	1968	CRUISE CONTROL HARNESS All, With A.c. Delco Brand Cruise Control	\$113.00	
40501	1968	CRUISE CONTROL HARNESS All, With Perfect Circle Brand Cruise Control	\$113.00	
40515	1969	CRUISE CONTROL HARNESS All	\$113.00	
40520	1970	CRUISE CONTROL HARNESS All	\$113.00	
40520	1971	CRUISE CONTROL HARNESS All	\$113.00	
40520	1972	CRUISE CONTROL HARNESS All	\$113.00	

Part Number	Year	Description	Price	*Rev.
40631	1973	CRUISE CONTROL HARNESS All, With Gauges, Except Unitized Distributor, (Includes Tach Wiring)	\$113.00	
40650	1973	CRUISE CONTROL HARNESS All, Without Gauges	\$113.00	
40657	1973	CRUISE CONTROL HARNESS All, With Gauges & Unitized Distributor, (Includes Tach Wiring)	\$133.00	
40678	1974	CRUISE CONTROL HARNESS All, With Tach, Except Unitized Distributor	\$113.00	
40679	1974	CRUISE CONTROL HARNESS All, With Tach & Unitized Distributor	\$113.00	
40683	1974	CRUISE CONTROL HARNESS All, Without Tach	\$133.00	
40679	1975	CRUISE CONTROL HARNESS All, With Tach, Without Pulse Wipers	\$113.00	
40683	1975	CRUISE CONTROL HARNESS All, Without Tach & Pulse Wipers	\$133.00	
40689	1975	CRUISE CONTROL HARNESS All, With Pulse Wipers	\$133.00	
40691	1975	CRUISE CONTROL HARNESS All, With Pulse Wipers & Tach	\$133.00	
40679	1976	CRUISE CONTROL HARNESS All, With Tach, Without Pulse Wipers	\$113.00	
40683	1976	CRUISE CONTROL HARNESS All, Without Tach & Pulse Wipers	\$133.00	
40689	1976	CRUISE CONTROL HARNESS All, With Pulse Wipers	\$133.00	
40691	1976	CRUISE CONTROL HARNESS All, With Pulse Wipers & Tach	\$133.00	
40691	1977	CRUISE CONTROL HARNESS All, With Pulse Wipers & Tach	\$133.00	
40689	1977	CRUISE CONTROL HARNESS All, With Pulse Wipers	\$133.00	
40679	1977	CRUISE CONTROL HARNESS All, With Tach, Without Pulse Wipers	\$113.00	
40683	1977	CRUISE CONTROL HARNESS All, Without Tach & Pulse Wipers	\$133.00	
DASH AND ENGINE COMPARTMENT HARNESS				
03460	1961	DASH AND ENGINE COMPARTMENT HARNESS Without Heater Note: Customer Must Supply Their Original Fuseblock, Harness Is Made To Order.	\$722.00	
03465	1961	DASH AND ENGINE COMPARTMENT HARNESS With Heater Note: Customer Must Supply Their Original Fuseblock, Harness Is Made To Order.	\$722.00	
03465	1962	DASH AND ENGINE COMPARTMENT HARNESS 1st Type, With Water Control Valve Note: Customer Must Supply Their Original Fuseblock, Harness Is Made To Order.	\$722.00	
03770	1962	DASH AND ENGINE COMPARTMENT HARNESS 2nd Type, With Connector & Wires For Heater Resistor Note: Customer Must Supply Their Original Fuseblock, Harness Is Made To Order.	\$722.00	
04070	1963	DASH AND ENGINE COMPARTMENT HARNESS 4 Cylinder Note: Customer Must Supply Their Original Fuseblock, Harness Is Made To Order.	\$722.00	
04075	1963	DASH AND ENGINE COMPARTMENT HARNESS V/8 Note: Customer Must Supply Their Original Fuseblock, Harness Is Made To Order.	\$722.00	
DASH HARNESS				
04565	1964	DASH HARNESS 6 Cylinder, Column Shift Auto Or All Manual Trans Note: 6 Cylinder Items Are Not Returnable.	\$670.00	
19845	1964	DASH HARNESS 6 Cylinder, Column Shift Auto Or All Manual Trans With A/C Note: 6 Cylinder Items Are Not Returnable.	\$670.00	
19835	1964	DASH HARNESS 6 Cylinder, Console Shift, Auto Trans Note: 6 Cylinder Items Are Not Returnable.	\$670.00	
19840	1964	DASH HARNESS 6 Cylinder, Console Shift, Auto Trans, With A/C Note: 6 Cylinder Items Are Not Returnable.	\$670.00	
04570	1964	DASH HARNESS V/8, Column Shift Auto Or All Manual Trans	\$585.00	
03335	1964	DASH HARNESS V/8, Column Shift Auto Or All Manual Trans, With A/C	\$585.00	
05010	1964	DASH HARNESS V/8, Console Shift, Auto Trans	\$585.00	
05015	1964	DASH HARNESS V/8, Console Shift, Auto Trans, With A/C	\$585.00	
05675	1965	DASH HARNESS Column Shift Auto Or All Manual Trans	\$585.00	
05680	1965	DASH HARNESS Column Shift Auto Or All Manual Trans, With A/C	\$585.00	

Part Number	Year	Description	Price	*Rev.
05690	1965	DASH HARNESS Console Shift, Auto Trans	\$585.00	
05685	1965	DASH HARNESS Console Shift, Auto Trans, With A/C	\$585.00	
09405	1966	DASH HARNESS Column Shift Auto Or All Manual Trans	\$585.00	
09520	1966	DASH HARNESS Column Shift Auto Or All Manual Trans, With Gauges	\$585.00	
09410	1966	DASH HARNESS Console Shift, Auto Trans	\$585.00	
09525	1966	DASH HARNESS Console Shift, Auto Trans, With Gauges	\$585.00	
10245	1967	DASH HARNESS Column Shift Auto Or All Manual Trans	\$585.00	
10255	1967	DASH HARNESS Column Shift Auto Or All Manual Trans, With Gauges	\$585.00	
10250	1967	DASH HARNESS Console Shift, Auto Trans	\$585.00	
10260	1967	DASH HARNESS Console Shift, Auto Trans, With Gauges	\$585.00	
17370	1968	DASH HARNESS Column Shift Auto Or All Manual Trans	\$599.00	
11465	1968	DASH HARNESS Column Shift Auto Or All Manual Trans, With Gauges Note: Customer Must Reuse Their Original Plastic Connector For The Ignition Switch.	\$599.00	
12360	1968	DASH HARNESS Console Shift, Auto Trans Note: Customer Must Reuse Their Original Plastic Connector For The Ignition Switch.	\$599.00	
11470	1968	DASH HARNESS Console Shift, Auto Trans, With Gauges Note: Customer Must Reuse Their Original Plastic Connector For The Ignition Switch.	\$599.00	
12820	1969	DASH HARNESS Without Gauges	\$599.00	
12825	1969	DASH HARNESS With Gauges	\$599.00	
15855	1970	DASH HARNESS Without Gauges	\$599.00	
15860	1970	DASH HARNESS With Gauges	\$599.00	
16210	1971	DASH HARNESS Without Gauges	\$599.00	
16655	1971	DASH HARNESS With Gauges	\$599.00	
16265	1971	DASH HARNESS Ventura, Without Gauges	\$619.00	
16270	1971	DASH HARNESS Ventura, With Gauges	\$619.00	
17275	1972	DASH HARNESS Without Gauges & Seat Belt Warning Note: Customer Must Reuse Their Original Plastic Connector For The Horn Relay.	\$639.00	
16725	1972	DASH HARNESS With Gauges & Without Seat Belt Warning Note: Customer Must Reuse Their Original Plastic Connector For The Horn Relay.	\$639.00	
17280	1972	DASH HARNESS With Gauges & Seat Belt Warning Note: Customer Must Reuse Their Original Plastic Connector For The Horn Relay.	\$639.00	
40594	1972	DASH HARNESS Ventura, All Base Models Without Seat Belt Warning	\$639.00	
40595	1972	DASH HARNESS Ventura, Auto Trans, With Floor Console, Without Seat Belt Warning	\$657.00	
40596	1972	DASH HARNESS Ventura, With A/C, Without Gauges & Seat Belt Warning	\$657.00	
40597	1972	DASH HARNESS Ventura, Auto Trans, With Gauges, Without Seat Belt Warning	\$657.00	
40598	1972	DASH HARNESS Ventura, Manual Trans, With Gauges, Without Seat Belt Warning	\$657.00	
16530	1972	DASH HARNESS Ventura, All Base Models With Seat Belt Warning	\$657.00	
40599	1972	DASH HARNESS Ventura, Auto Trans, With Floor Console & Seat Belt Warning	\$657.00	
40600	1972	DASH HARNESS Ventura, With A/C & Seat Belt Warning, Without Gauges	\$657.00	
40601	1972	DASH HARNESS Ventura, Auto Trans, With Gauges & Seat Belt Warning	\$657.00	
40602	1972	DASH HARNESS Ventura, Manual Trans, With Gauges & Seat Belt Warning	\$657.00	
17285	1973	DASH HARNESS Tempest, Le Mans & GTO Note: Customer Must Reuse Their Original Plastic Connector For The Horn Relay.	\$722.00	
18715	1973	DASH HARNESS Ventura	\$622.00	
30685	1974	DASH HARNESS Tempest & Le Mans Note: Customer Must Supply Original Dash Harness, Harness Is Made To Order.	\$722.00	

Part Number	Year	Description	Price	*Rev.
18660	1974	DASH HARNESS GTO & Ventura, Without Gauges Note: Customer Must Reuse Their Original Plastic Connector For The Seat Belt Buzzer / Timer.	\$658.00	
18655	1974	DASH HARNESS GTO & Ventura, With Gauges Note: Customer Must Reuse Their Original Plastic Connector For The Seat Belt Buzzer / Timer.	\$658.00	
40821	1975	DASH HARNESS With Seat Belt Warning, Without Gauges Note: Customer Must Supply Their Original Harness, Harness Is Made To Order.	\$734.00	
40822	1975	DASH HARNESS With Seat Belt Warning & Gauges Note: Customer Must Supply Their Original Harness, Harness Is Made To Order.	\$734.00	
40840	1975	DASH HARNESS Without Gauges & Seat Belt Warning Note: Customer Must Supply Their Original Harness, Harness Is Made To Order.	\$734.00	
40841	1975	DASH HARNESS With Gauges, Without Seat Belt Warning Note: Customer Must Supply Their Original Harness, Harness Is Made To Order.	\$734.00	
40827	1976	DASH HARNESS All Note: Customer Must Supply Their Original Harness, Harness Is Made To Order.	\$734.00	
40888	1977	DASH HARNESS All Note: Customer Must Reuse Their Original Plastic Connector For The Seat Belt Buzzer / Timer.	\$734.00	
DISTRIBUTOR WIRE				
36057	1961	DISTRIBUTOR WIRE Distributor Points To Coil Negative Terminal, V/8 Note: Fits All GM V/8 Points Type Distributors From Approx. 1957 To 1974.	\$18.00	C
36057	1962	DISTRIBUTOR WIRE Distributor Points To Coil Negative Terminal, V/8 Note: Fits All GM V/8 Points Type Distributors From Approx. 1957 To 1974.	\$18.00	C
36057	1963	DISTRIBUTOR WIRE Distributor Points To Coil Negative Terminal, V/8 Note: Fits All GM V/8 Points Type Distributors From Approx. 1957 To 1974.	\$18.00	C
36057	1964	DISTRIBUTOR WIRE Distributor Points To Coil Negative Terminal, V/8 Note: Fits All GM V/8 Points Type Distributors From Approx. 1957 To 1974.	\$18.00	C
36057	1965	DISTRIBUTOR WIRE Distributor Points To Coil Negative Terminal, V/8 Note: Fits All GM V/8 Points Type Distributors From Approx. 1957 To 1974.	\$18.00	C
36057	1966	DISTRIBUTOR WIRE Distributor Points To Coil Negative Terminal, V/8 Note: Fits All GM V/8 Points Type Distributors From Approx. 1957 To 1974.	\$18.00	C
36057	1967	DISTRIBUTOR WIRE Distributor Points To Coil Negative Terminal, V/8 Note: Fits All GM V/8 Points Type Distributors From Approx. 1957 To 1974.	\$18.00	C
36057	1968	DISTRIBUTOR WIRE Distributor Points To Coil Negative Terminal, V/8 Note: Fits All GM V/8 Points Type Distributors From Approx. 1957 To 1974.	\$18.00	C
36057	1969	DISTRIBUTOR WIRE Distributor Points To Coil Negative Terminal, V/8 Note: Fits All GM V/8 Points Type Distributors From Approx. 1957 To 1974.	\$18.00	C
36057	1970	DISTRIBUTOR WIRE Distributor Points To Coil Negative Terminal, V/8 Note: Fits All GM V/8 Points Type Distributors From Approx. 1957 To 1974.	\$18.00	C
36057	1971	DISTRIBUTOR WIRE Distributor Points To Coil Negative Terminal, V/8 Note: Fits All GM V/8 Points Type Distributors From Approx. 1957 To 1974.	\$18.00	C
36057	1972	DISTRIBUTOR WIRE Distributor Points To Coil Negative Terminal, V/8 Note: Fits All GM V/8 Points Type Distributors From Approx. 1957 To 1974.	\$18.00	C
36057	1973	DISTRIBUTOR WIRE Distributor Points To Coil Negative Terminal, V/8 Note: Fits All GM V/8 Points Type Distributors From Approx. 1957 To 1974.	\$18.00	C
36057	1974	DISTRIBUTOR WIRE Distributor Points To Coil Negative Terminal, V/8 Note: Fits All GM V/8 Points Type Distributors From Approx. 1957 To 1974.	\$18.00	C
DOOR JAMB SWITCH HARNESS				
40712	1974	DOOR JAMB SWITCH HARNESS Without Power Windows Or Door Locks	\$74.00	
40712	1975	DOOR JAMB SWITCH HARNESS Without Power Windows Or Door Locks	\$74.00	
40712	1976	DOOR JAMB SWITCH HARNESS Without Power Windows Or Door Locks	\$74.00	

Part Number	Year	Description	Price	*Rev.
40712	1977	DOOR JAMB SWITCH HARNESS Without Power Windows Or Door Locks	\$74.00	
EMISSION SYSTEM JUMPER HARNESS				
40666	1973	EMISSION SYSTEM JUMPER HARNESS Used With Late 1973 Production Engines, Time Delay Relay To Egr Solenoid	\$74.00	
40667	1973	EMISSION SYSTEM JUMPER HARNESS Ventura, Used With Late 1973 Production Engines, Time Delay Relay To Egr Solenoid	\$74.00	
ENGINE HARNESS				
05600	1964	ENGINE HARNESS 6 Cylinder, Auto Trans Note: 6 Cylinder Items Are Not Returnable.	\$215.00	
17290	1964	ENGINE HARNESS 6 Cylinder, Auto Trans, With A/C Note: 6 Cylinder Items Are Not Returnable.	\$228.00	
37971	1964	ENGINE HARNESS 6 Cylinder, Manual Trans Note: 6 Cylinder Items Are Not Returnable.	\$215.00	
37972	1964	ENGINE HARNESS 6 Cylinder, Manual Trans, With A/C Note: 6 Cylinder Items Are Not Returnable.	\$228.00	
03535	1964	ENGINE HARNESS V/8, Auto Trans	\$188.00	
40241	1964	ENGINE HARNESS-HEI V/8, Auto Trans Note: This Harness Is Modified For Use With An HEI Distributor. In Order To Use HEI This Year, You Will Need To Bypass The Factory Installed Resistance Wire Located In Your Dash Harness. We Include A Proper Bypass Wire And Instructions For You.	\$211.00	
40242	1964	ENGINE HARNESS-SI SERIES INT REG ALT, DRIVER SIDE V/8, Auto Trans	\$226.00	
40243	1964	ENGINE HARNESS-HEI AND SI SERIES INT REG ALT, DRIVER SIDE V/8, Auto Trans Note: This Harness Is Modified For Use With An HEI Distributor. In Order To Use HEI This Year, You Will Need To Bypass The Factory Installed Resistance Wire Located In Your Dash Harness. We Include A Proper Bypass Wire And Instructions For You.	\$238.00	
05185	1964	ENGINE HARNESS V/8, Auto Trans, With A/C	\$194.00	
40244	1964	ENGINE HARNESS-HEI V/8, Auto Trans, With A/C Note: This Harness Is Modified For Use With An HEI Distributor. In Order To Use HEI This Year, You Will Need To Bypass The Factory Installed Resistance Wire Located In Your Dash Harness. We Include A Proper Bypass Wire And Instructions For You.	\$218.00	
40245	1964	ENGINE HARNESS-SI SERIES INT REG ALT, DRIVER SIDE V/8, Auto Trans, With A/C	\$231.00	
40246	1964	ENGINE HARNESS-HEI AND SI SERIES INT REG ALT, DRIVER SIDE V/8, Auto Trans, With A/C Note: This Harness Is Modified For Use With An HEI Distributor. In Order To Use HEI This Year, You Will Need To Bypass The Factory Installed Resistance Wire Located In Your Dash Harness. We Include A Proper Bypass Wire And Instructions For You.	\$245.00	
37973	1964	ENGINE HARNESS V/8, Manual Trans	\$175.00	
40247	1964	ENGINE HARNESS-HEI V/8, Manual Trans Note: This Harness Is Modified For Use With An HEI Distributor. In Order To Use HEI This Year, You Will Need To Bypass The Factory Installed Resistance Wire Located In Your Dash Harness. We Include A Proper Bypass Wire And Instructions For You.	\$198.00	
40248	1964	ENGINE HARNESS-SI SERIES INT REG ALT, DRIVER SIDE V/8, Manual Trans	\$212.00	
40249	1964	ENGINE HARNESS-HEI AND SI SERIES INT REG ALT, DRIVER SIDE V/8, Manual Trans Note: This Harness Is Modified For Use With An HEI Distributor. In Order To Use HEI This Year, You Will Need To Bypass The Factory Installed Resistance Wire Located In Your Dash Harness. We Include A Proper Bypass Wire And Instructions For You.	\$226.00	
37974	1964	ENGINE HARNESS V/8, Manual Trans, With A/C	\$194.00	
40250	1964	ENGINE HARNESS-HEI V/8, Manual Trans, With A/C Note: This Harness Is Modified For Use With An HEI Distributor. In Order To Use HEI This Year, You Will Need To Bypass The Factory Installed Resistance Wire Located In Your Dash Harness. We Include A Proper Bypass Wire And Instructions For You.	\$218.00	
40251	1964	ENGINE HARNESS-SI SERIES INT REG ALT, DRIVER SIDE V/8, Manual Trans, With A/C	\$231.00	
40252	1964	ENGINE HARNESS-HEI AND SI SERIES INT REG ALT, DRIVER SIDE V/8, Manual Trans, With A/C Note: This Harness Is Modified For Use With An HEI Distributor. In Order To Use HEI This Year, You Will Need To Bypass The Factory Installed Resistance Wire Located In Your Dash Harness. We Include A Proper Bypass Wire And Instructions For You.	\$245.00	

Part Number	Year	Description	Price	*Rev.
05705	1965	ENGINE HARNESS 6 Cylinder, Auto Trans Note: 6 Cylinder Items Are Not Returnable.	\$215.00	
05710	1965	ENGINE HARNESS 6 Cylinder, Auto Trans, With A/C Note: 6 Cylinder Items Are Not Returnable.	\$228.00	
37975	1965	ENGINE HARNESS 6 Cylinder, Manual Trans Note: 6 Cylinder Items Are Not Returnable.	\$215.00	
37976	1965	ENGINE HARNESS 6 Cylinder, Manual Trans, With A/C Note: 6 Cylinder Items Are Not Returnable.	\$228.00	
05695	1965	ENGINE HARNESS V/8, Auto Trans	\$188.00	
40253	1965	ENGINE HARNESS-HEI V/8, Auto Trans	\$211.00	
40254	1965	ENGINE HARNESS-SI SERIES INT REG ALT, DRIVER SIDE V/8, Auto Trans	\$226.00	
40255	1965	ENGINE HARNESS-HEI AND SI SERIES INT REG ALT, DRIVER SIDE V/8, Auto Trans	\$238.00	
05700	1965	ENGINE HARNESS V/8, Auto Trans, With A/C	\$194.00	
40256	1965	ENGINE HARNESS-HEI V/8, Auto Trans, With A/C	\$218.00	
40257	1965	ENGINE HARNESS-SI SERIES INT REG ALT, DRIVER SIDE V/8, Auto Trans, With A/C	\$231.00	
40258	1965	ENGINE HARNESS-HEI AND SI SERIES INT REG ALT, DRIVER SIDE V/8, Auto Trans, With A/C	\$245.00	
37977	1965	ENGINE HARNESS V/8, Manual Trans	\$181.00	
40259	1965	ENGINE HARNESS-HEI V/8, Manual Trans	\$204.00	
40260	1965	ENGINE HARNESS-SI SERIES INT REG ALT, DRIVER SIDE V/8, Manual Trans	\$219.00	
40261	1965	ENGINE HARNESS-HEI AND SI SERIES INT REG ALT, DRIVER SIDE V/8, Manual Trans	\$231.00	
37978	1965	ENGINE HARNESS V/8, Manual Trans, With A/C	\$201.00	
40262	1965	ENGINE HARNESS-HEI V/8, Manual Trans, With A/C	\$223.00	
40263	1965	ENGINE HARNESS-SI SERIES INT REG ALT, DRIVER SIDE V/8, Manual Trans, With A/C	\$238.00	
40264	1965	ENGINE HARNESS-HEI AND SI SERIES INT REG ALT, DRIVER SIDE V/8, Manual Trans, With A/C	\$251.00	
10160	1966	ENGINE HARNESS 6 Cylinder Note: 6 Cylinder Items Are Not Returnable.	\$215.00	
10165	1966	ENGINE HARNESS 6 Cylinder, With A/C Note: 6 Cylinder Items Are Not Returnable.	\$249.00	
09415	1966	ENGINE HARNESS V/8	\$181.00	
40265	1966	ENGINE HARNESS-HEI V/8	\$204.00	
40266	1966	ENGINE HARNESS-SI SERIES INT REG ALT, DRIVER SIDE V/8	\$219.00	
40267	1966	ENGINE HARNESS-HEI AND SI SERIES INT REG ALT, DRIVER SIDE V/8	\$231.00	
09530	1966	ENGINE HARNESS, CUC V/8, With A/C	\$201.00	
40268	1966	ENGINE HARNESS, CUC-HEI V/8, With A/C	\$223.00	
40269	1966	ENGINE HARNESS, CUC-SI SERIES INT REG ALT, DRIVER SIDE V/8, With A/C	\$238.00	
40270	1966	ENGINE HARNESS, CUC-HEI AND SI SERIES INT REG ALT, DRIVER SIDE V/8, With A/C	\$251.00	
10340	1967	ENGINE HARNESS 6 Cylinder Note: 6 Cylinder Items Are Not Returnable.	\$243.00	
10345	1967	ENGINE HARNESS 6 Cylinder, With A/C Note: 6 Cylinder Items Are Not Returnable.	\$249.00	
10315	1967	ENGINE HARNESS 6 Cylinder, With Transistor Ignition Note: 6 Cylinder Items Are Not Returnable.	\$291.00	

Part Number	Year	Description	Price	*Rev.
10320	1967	ENGINE HARNESS 6 Cylinder, With A/C & Transistor Ignition Note: 6 Cylinder Items Are Not Returnable.	\$318.00	
10350	1967	ENGINE HARNESS V/8	\$181.00	
40271	1967	ENGINE HARNESS-HEI V/8	\$204.00	
40272	1967	ENGINE HARNESS-SI SERIES INT REG ALT, DRIVER SIDE V/8	\$219.00	
40273	1967	ENGINE HARNESS-HEI AND SI SERIES INT REG ALT, DRIVER SIDE V/8	\$231.00	
10355	1967	ENGINE HARNESS V/8, With A/C	\$201.00	
40274	1967	ENGINE HARNESS-HEI V/8, With A/C	\$223.00	
40275	1967	ENGINE HARNESS-SI SERIES INT REG ALT, DRIVER SIDE V/8, With A/C	\$238.00	
40276	1967	ENGINE HARNESS-HEI AND SI SERIES INT REG ALT, DRIVER SIDE V/8, With A/C	\$251.00	
11495	1967	ENGINE HARNESS V/8, With A/C & Ram Air	\$201.00	
40277	1967	ENGINE HARNESS-HEI V/8, With A/C & Ram Air	\$223.00	
40278	1967	ENGINE HARNESS-SI SERIES INT REG ALT, DRIVER SIDE V/8, With A/C & Ram Air	\$238.00	
40279	1967	ENGINE HARNESS-HEI AND SI SERIES INT REG ALT, DRIVER SIDE V/8, With A/C & Ram Air	\$251.00	
10330	1967	ENGINE HARNESS V/8, With A/C & Transistor Ignition	\$227.00	
40283	1967	ENGINE HARNESS-SI SERIES INT REG ALT, DRIVER SIDE V/8, With A/C & Transistor Ignition	\$264.00	
11505	1967	ENGINE HARNESS V/8, With A/C, Ram Air & Transistor Ignition	\$227.00	
40284	1967	ENGINE HARNESS-SI SERIES INT REG ALT, DRIVER SIDE V/8, With A/C, Ram Air & Transistor Ignition	\$264.00	
10325	1967	ENGINE HARNESS V/8, With Transistor Ignition	\$227.00	
40285	1967	ENGINE HARNESS-SI SERIES INT REG ALT, DRIVER SIDE V/8, With Transistor Ignition	\$264.00	
11490	1967	ENGINE HARNESS V/8, With Ram Air	\$194.00	
40280	1967	ENGINE HARNESS-HEI V/8, With Ram Air	\$218.00	
40281	1967	ENGINE HARNESS-SI SERIES INT REG ALT, DRIVER SIDE V/8, With Ram Air	\$231.00	
40282	1967	ENGINE HARNESS-HEI AND SI SERIES INT REG ALT, DRIVER SIDE V/8, With Ram Air	\$245.00	
11500	1967	ENGINE HARNESS V/8, With Ram Air & Transistor Ignition	\$227.00	
40286	1967	ENGINE HARNESS-SI SERIES INT REG ALT, DRIVER SIDE V/8, With Ram Air & Transistor Ignition	\$264.00	
11380	1968	ENGINE HARNESS 6 Cylinder Note: 6 Cylinder Items Are Not Returnable.	\$276.00	
11385	1968	ENGINE HARNESS 6 Cylinder, With A/C Note: 6 Cylinder Items Are Not Returnable.	\$291.00	
11395	1968	ENGINE HARNESS V/8	\$219.00	
40287	1968	ENGINE HARNESS-HEI V/8	\$243.00	
40288	1968	ENGINE HARNESS-SI SERIES INT REG ALT, DRIVER SIDE V/8	\$258.00	
40289	1968	ENGINE HARNESS-HEI AND SI SERIES INT REG ALT, DRIVER SIDE V/8	\$271.00	
11555	1968	ENGINE HARNESS V/8, With A/C	\$233.00	
40290	1968	ENGINE HARNESS-HEI V/8, With A/C	\$256.00	
40291	1968	ENGINE HARNESS-SI SERIES INT REG ALT, DRIVER SIDE V/8, With A/C	\$271.00	
40292	1968	ENGINE HARNESS-HEI AND SI SERIES INT REG ALT, DRIVER SIDE V/8, With A/C	\$285.00	
37979	1968	ENGINE HARNESS V/8, With Ram Air	\$233.00	
40296	1968	ENGINE HARNESS-HEI V/8, With Ram Air	\$256.00	
40297	1968	ENGINE HARNESS-SI SERIES INT REG ALT, DRIVER SIDE V/8, With Ram Air	\$271.00	
40298	1968	ENGINE HARNESS-HEI AND SI SERIES INT REG ALT, DRIVER SIDE V/8, With Ram Air	\$285.00	

Part Number	Year	Description	Price	*Rev.
11390	1968	ENGINE HARNESS V/8, With A/C & Ram Air	\$252.00	
40293	1968	ENGINE HARNESS-HEI V/8, With A/C & Ram Air	\$276.00	
40294	1968	ENGINE HARNESS-SI SERIES INT REG ALT, DRIVER SIDE V/8, With A/C & Ram Air	\$290.00	
40295	1968	ENGINE HARNESS-HEI AND SI SERIES INT REG ALT, DRIVER SIDE V/8, With A/C & Ram Air	\$304.00	
40519	1969	ENGINE HARNESS 6 Cylinder, With Internal Regulator Note: 6 Cylinder Items Are Not Returnable.	\$318.00	
13450	1969	ENGINE HARNESS 6 Cylinder, With External Regulator Note: 6 Cylinder Items Are Not Returnable.	\$318.00	
13445	1969	ENGINE HARNESS 6 Cylinder, With A/C & Internal Regulator Note: 6 Cylinder Items Are Not Returnable.	\$332.00	
12865	1969	ENGINE HARNESS 6 Cylinder, With A/C & External Regulator Note: 6 Cylinder Items Are Not Returnable.	\$332.00	
13290	1969	ENGINE HARNESS V/8, With External Regulator Note: Not Used For HEI Application.	\$259.00	
40299	1969	ENGINE HARNESS-HEI V/8, With External Regulator Note: This Harness Is Modified For Use With An HEI Distributor. In Order To Use HEI This Year, You Will Need To Bypass The Factory Installed Resistance Wire Located In Your Dash Harness. We Include A Proper Bypass Wire And Instructions For You.	\$282.00	
12870	1969	ENGINE HARNESS V/8, With Internal Regulator Note: Not Used For HEI Application.	\$259.00	
40300	1969	ENGINE HARNESS-HEI V/8, With Internal Regulator Note: This Harness Is Modified For Use With An HEI Distributor. In Order To Use HEI This Year, You Will Need To Bypass The Factory Installed Resistance Wire Located In Your Dash Harness. We Include A Proper Bypass Wire And Instructions For You.	\$282.00	
13430	1969	ENGINE HARNESS V/8, With Ram Air & External Regulator Note: Not Used For HEI Application.	\$265.00	
40301	1969	ENGINE HARNESS-HEI V/8, With Ram Air & External Regulator Note: This Harness Is Modified For Use With An HEI Distributor. In Order To Use HEI This Year, You Will Need To Bypass The Factory Installed Resistance Wire Located In Your Dash Harness. We Include A Proper Bypass Wire And Instructions For You.	\$289.00	
12875	1969	ENGINE HARNESS V/8, With Ram Air & Internal Regulator Note: Not Used For HEI Application.	\$265.00	
40302	1969	ENGINE HARNESS-HEI V/8, With Ram Air & Internal Regulator Note: This Harness Is Modified For Use With An HEI Distributor. In Order To Use HEI This Year, You Will Need To Bypass The Factory Installed Resistance Wire Located In Your Dash Harness. We Include A Proper Bypass Wire And Instructions For You.	\$289.00	
40572	1969	ENGINE HARNESS V/8, Ram Air V Tunnel Port	\$265.00	
37980	1970	ENGINE HARNESS 6 Cylinder, Auto Trans Note: 6 Cylinder Items Are Not Returnable.	\$359.00	
37981	1970	ENGINE HARNESS 6 Cylinder, Manual Trans Note: 6 Cylinder Items Are Not Returnable.	\$359.00	
15555	1970	ENGINE HARNESS 6 Cylinder, Auto Trans, With A/C Note: 6 Cylinder Items Are Not Returnable.	\$359.00	
15550	1970	ENGINE HARNESS 6 Cylinder, Manual Trans, With A/C Note: 6 Cylinder Items Are Not Returnable.	\$359.00	
15565	1970	ENGINE HARNESS V/8, Auto Trans Note: Not Used For HEI Application.	\$291.00	
40303	1970	ENGINE HARNESS-HEI V/8, Auto Trans Note: This Harness Is Modified For Use With An HEI Distributor. In Order To Use HEI This Year, You Will Need To Bypass The Factory Installed Resistance Wire Located In Your Dash Harness. We Include A Proper Bypass Wire And Instructions For You.	\$316.00	
40304	1970	ENGINE HARNESS-SI SERIES INT REG ALT, DRIVER SIDE V/8, Auto Trans	\$331.00	

Part Number	Year	Description	Price	*Rev.
40305	1970	ENGINE HARNESS-HEI AND SI SERIES INT REG ALT, DRIVER SIDE V/8, Auto Trans Note: This Harness Is Modified For Use With An HEI Distributor. In Order To Use HEI This Year, You Will Need To Bypass The Factory Installed Resistance Wire Located In Your Dash Harness. We Include A Proper Bypass Wire And Instructions For You.	\$343.00	
15560	1970	ENGINE HARNESS V/8, Manual Trans Note: Not Used For HEI Application.	\$291.00	
40309	1970	ENGINE HARNESS-HEI V/8, Manual Trans Note: This Harness Is Modified For Use With An HEI Distributor. In Order To Use HEI This Year, You Will Need To Bypass The Factory Installed Resistance Wire Located In Your Dash Harness. We Include A Proper Bypass Wire And Instructions For You.	\$316.00	
40310	1970	ENGINE HARNESS-SI SERIES INT REG ALT, DRIVER SIDE V/8, Manual Trans	\$331.00	
40311	1970	ENGINE HARNESS-HEI AND SI SERIES INT REG ALT, DRIVER SIDE V/8, Manual Trans Note: This Harness Is Modified For Use With An HEI Distributor. In Order To Use HEI This Year, You Will Need To Bypass The Factory Installed Resistance Wire Located In Your Dash Harness. We Include A Proper Bypass Wire And Instructions For You.	\$343.00	
15575	1970	ENGINE HARNESS V/8, Auto Trans, With Ram Air Note: Not Used For HEI Application.	\$291.00	
40306	1970	ENGINE HARNESS-HEI V/8, Auto Trans, With Ram Air Note: This Harness Is Modified For Use With An HEI Distributor. In Order To Use HEI This Year, You Will Need To Bypass The Factory Installed Resistance Wire Located In Your Dash Harness. We Include A Proper Bypass Wire And Instructions For You.	\$316.00	
40307	1970	ENGINE HARNESS-SI SERIES INT REG ALT, DRIVER SIDE V/8, Auto Trans, With Ram Air	\$331.00	
40308	1970	ENGINE HARNESS-HEI AND SI SERIES INT REG ALT, DRIVER SIDE V/8, Auto Trans, With Ram Air Note: This Harness Is Modified For Use With An HEI Distributor. In Order To Use HEI This Year, You Will Need To Bypass The Factory Installed Resistance Wire Located In Your Dash Harness. We Include A Proper Bypass Wire And Instructions For You.	\$343.00	
15570	1970	ENGINE HARNESS V/8, Manual Trans, With Ram Air Note: Not Used For HEI Application.	\$291.00	
40312	1970	ENGINE HARNESS-HEI V/8, Manual Trans, With Ram Air Note: This Harness Is Modified For Use With An HEI Distributor. In Order To Use HEI This Year, You Will Need To Bypass The Factory Installed Resistance Wire Located In Your Dash Harness. We Include A Proper Bypass Wire And Instructions For You.	\$316.00	
40313	1970	ENGINE HARNESS-SI SERIES INT REG ALT, DRIVER SIDE V/8, Manual Trans, With Ram Air	\$331.00	
40314	1970	ENGINE HARNESS-HEI AND SI SERIES INT REG ALT, DRIVER SIDE V/8, Manual Trans, With Ram Air Note: This Harness Is Modified For Use With An HEI Distributor. In Order To Use HEI This Year, You Will Need To Bypass The Factory Installed Resistance Wire Located In Your Dash Harness. We Include A Proper Bypass Wire And Instructions For You.	\$343.00	
37982	1971	ENGINE HARNESS 6 Cylinder Note: 6 Cylinder Items Are Not Returnable.	\$359.00	
16040	1971	ENGINE HARNESS 6 Cylinder, With A/C Note: 6 Cylinder Items Are Not Returnable.	\$359.00	
16275	1971	ENGINE HARNESS Ventura, 6 Cylinder Note: 6 Cylinder Items Are Not Returnable.	\$359.00	
16065	1971	ENGINE HARNESS V/8, Auto Trans	\$291.00	
40315	1971	ENGINE HARNESS-HEI V/8, Auto Trans	\$316.00	
16060	1971	ENGINE HARNESS V/8, Manual Trans	\$291.00	
40317	1971	ENGINE HARNESS-HEI V/8, Manual Trans	\$316.00	
37984	1971	ENGINE HARNESS V/8, Auto Trans, With A/C	\$305.00	
40316	1971	ENGINE HARNESS-HEI V/8, Auto Trans, With A/C	\$329.00	
37985	1971	ENGINE HARNESS V/8, Manual Trans, With A/C	\$305.00	
40318	1971	ENGINE HARNESS-HEI V/8, Manual Trans, With A/C	\$329.00	
15920	1971	ENGINE HARNESS V/8, All, With Ram Air	\$305.00	
40319	1971	ENGINE HARNESS-HEI V/8, All, With Ram Air	\$329.00	
37983	1971	ENGINE HARNESS V/8, All, With Ram Air & A/C	\$305.00	

Part Number	Year	Description	Price	*Rev.
40320	1971	ENGINE HARNESS-HEI V/8, All, With Ram Air & A/C	\$329.00	
40566	1971	ENGINE HARNESS Ventura, V/8, Auto Trans	\$305.00	
40322	1971	ENGINE HARNESS-HEI Ventura, V/8, Auto Trans	\$329.00	
40565	1971	ENGINE HARNESS Ventura, V/8, Manual Trans	\$305.00	
40321	1971	ENGINE HARNESS-HEI Ventura, V/8, Manual Trans	\$329.00	
40568	1971	ENGINE HARNESS Ventura, V/8, Auto Trans, With Gauges	\$305.00	
40324	1971	ENGINE HARNESS-HEI Ventura, V/8, Auto Trans, With Gauges	\$329.00	
40567	1971	ENGINE HARNESS Ventura, V/8, Manual Trans, With Gauges	\$305.00	
40323	1971	ENGINE HARNESS-HEI Ventura, V/8, Manual Trans, With Gauges	\$329.00	
16715	1972	ENGINE HARNESS 6 Cylinder Note: 6 Cylinder Items Are Not Returnable.	\$374.00	
37986	1972	ENGINE HARNESS 6 Cylinder, With A/C Note: 6 Cylinder Items Are Not Returnable.	\$374.00	
16375	1972	ENGINE HARNESS Ventura, 6 Cylinder Note: 6 Cylinder Items Are Not Returnable.	\$284.00	
16920	1972	ENGINE HARNESS V/8	\$291.00	
40325	1972	ENGINE HARNESS-HEI V/8	\$316.00	
37988	1972	ENGINE HARNESS V/8, With A/C	\$305.00	
40327	1972	ENGINE HARNESS-HEI V/8, With A/C	\$329.00	
40612	1972	ENGINE HARNESS V/8, With A/C & Gauges	\$305.00	
40326	1972	ENGINE HARNESS-HEI V/8, With A/C & Gauges	\$329.00	
16950	1972	ENGINE HARNESS V/8, 455 H.O., With Unitized Distributor	\$305.00	
37987	1972	ENGINE HARNESS V/8, 455 H.O., With Unitized Distributor & A/C	\$344.00	
16380	1972	ENGINE HARNESS Ventura, V/8, 307 C.I., Without Gauges Note: Manual Trans Requires Use Of #17355 T.C.S. Extension.	\$233.00	
40328	1972	ENGINE HARNESS-HEI Ventura, V/8, 307 C.I., Without Gauges	\$256.00	
40342	1972	ENGINE HARNESS-SI SERIES INT REG ALT, PASSENGER SIDE Ventura, V/8, 307 C.I., Without Gauges Note: This Harness Is To Be U Sed With Forward Lamp Harness Modified For Internal Regulated Alt. If Customer Is Not Changing Original Forward Lamp Harness, A Kit Is Included To Alter The Factory Harness.	\$271.00	
40344	1972	ENGINE HARNESS-HEI AND SI SERIES INT REG ALT, PASSENGER SIDE Ventura, V/8, 307 C.I., Without Gauges Note: This Harness Is To Be Used With Forward Lamp Harness Modified For Internal Regulated Alt. If Customer Is Not Changing Original Forward Lamp Harness, A Kit Is Included To Alter The Factory Harness.	\$285.00	
16385	1972	ENGINE HARNESS Ventura, V/8, 307 C.I., With Gauges Note: Manual Trans Requires Use Of #17355 T.C.S. Extension.	\$251.00	
40329	1972	ENGINE HARNESS-HEI Ventura, V/8, 307 C.I., With Gauges	\$275.00	
40343	1972	ENGINE HARNESS-SI SERIES INT REG ALT, PASSENGER SIDE Ventura, V/8, 307 C.I., With Gauges Note: This Harness Is To Be Used With Forward Lamp Harness Modified For Internal Regulated Alt. If Customer Is Not Changing Original Forward Lamp Harness, A Kit Is Included To Alter The Factory Harness.	\$289.00	
40345	1972	ENGINE HARNESS-HEI AND SI SERIES INT REG ALT, PASSENGER SIDE Ventura, V/8, 307 C.I., With Gauges Note: This Harness Is To Be Used With Forward Lamp Harness Modified For Internal Regulated Alt. If Customer Is Not Changing Original Forward Lamp Harness, A Kit Is Included To Alter The Factory Harness.	\$303.00	
40613	1972	ENGINE HARNESS Ventura, With Pontiac 350 Eng, Without A/C	\$358.00	
40330	1972	ENGINE HARNESS-HEI Ventura, With Pontiac 350 Eng, Without A/C	\$382.00	
38271	1972	ENGINE HARNESS Ventura, With Pontiac 350 Eng & A/C	\$358.00	
40331	1972	ENGINE HARNESS-HEI Ventura, With Pontiac 350 Eng & A/C	\$382.00	

Part Number	Year	Description	Price	*Rev.
16940	1973	ENGINE HARNESS 6 Cylinder Note: 6 Cylinder Items Are Not Returnable.	\$387.00	
40605	1973	ENGINE HARNESS Ventura, 6 Cyl., With Auto Trans Note: 6 Cylinder Items Are Not Returnable.	\$371.00	
40569	1973	ENGINE HARNESS Ventura, 6 Cyl., With Manual Trans Note: 6 Cylinder Items Are Not Returnable.	\$371.00	
30135	1973	ENGINE HARNESS V/8, Without Functional Hood Scoop	\$344.00	
40332	1973	ENGINE HARNESS-HEI V/8, Without Functional Hood Scoop	\$371.00	
30125	1973	ENGINE HARNESS V/8, With Functional Hood Scoop Note: Customer Must Reuse Their Original Plastic Connector For The Distributor Vacuum Solenoid Delay Relay.	\$344.00	
40333	1973	ENGINE HARNESS-HEI V/8, With Functional Hood Scoop Note: Customer Must Reuse Their Original Plastic Connector For The Distributor Vacuum Solenoid Delay Relay.	\$371.00	
30140	1973	ENGINE HARNESS V/8, With Unitized Distributor, Without Functional Hood Scoop	\$371.00	
30130	1973	ENGINE HARNESS V/8, With Unitized Distributor & Functional Hood Scoop Note: Customer Must Reuse Their Original Plastic Connector For The Distributor Vacuum Solenoid Delay Relay.	\$371.00	
17080	1973	ENGINE HARNESS V/8, With A/C, Without Functional Hood Scoop	\$344.00	
40334	1973	ENGINE HARNESS-HEI V/8, With A/C, Without Functional Hood Scoop	\$371.00	
17085	1973	ENGINE HARNESS V/8, With A/C & Unitized Distributor, Without Functional Hood Scoop	\$371.00	
17030	1973	ENGINE HARNESS V/8, With A/C & Functional Hood Scoop Note: Customer Must Reuse Their Original Plastic Connector For The Distributor Vacuum Solenoid Delay Relay.	\$344.00	
40335	1973	ENGINE HARNESS-HEI V/8, With A/C & Functional Hood Scoop Note: Customer Must Reuse Their Original Plastic Connector For The Distributor Vacuum Solenoid Delay Relay.	\$371.00	
17035	1973	ENGINE HARNESS V/8, With A/C, Unitized Distributor & Functional Hood Scoop Note: Customer Must Reuse Their Original Plastic Connector For The Distributor Vacuum Solenoid Delay Relay.	\$371.00	
40642	1973	ENGINE HARNESS Ventura, V/8 350 C.I., Without Air Conditioning Note: Customer Must Reuse Their Original Plastic Connector For The Distributor Vacuum Solenoid Delay Relay.	\$344.00	
40336	1973	ENGINE HARNESS-HEI Ventura, V/8 350 C.I., Without Air Conditioning Note: Customer Must Reuse Their Original Plastic Connector For The Distributor Vacuum Solenoid Delay Relay.	\$371.00	
40643	1973	ENGINE HARNESS Ventura, V/8 350 C.I., With Air Conditioning Note: Customer Must Reuse Their Original Plastic Connector For The Distributor Vacuum Solenoid Delay Relay.	\$344.00	
40337	1973	ENGINE HARNESS-HEI Ventura, V/8 350 C.I., With Air Conditioning Note: Customer Must Reuse Their Original Plastic Connector For The Distributor Vacuum Solenoid Delay Relay.	\$371.00	
17100	1974	ENGINE HARNESS Tempest & Le Mans, 6 Cylinder Note: 6 Cylinder Items Are Not Returnable.	\$387.00	
38008	1974	ENGINE HARNESS Ventura, 6 Cylinder, With Auto Trans Note: 6 Cylinder Items Are Not Returnable.	\$304.00	
16595	1974	ENGINE HARNESS Ventura, 6 Cylinder, With Manual Trans Note: 6 Cylinder Items Are Not Returnable.	\$304.00	
17060	1974	ENGINE HARNESS Tempest & Le Mans, V/8, Without HEI Note: Customer Must Reuse Their Original Plastic Connector For The Seat Belt Control Switch.	\$344.00	
39509	1974	ENGINE HARNESS Tempest & Le Mans, V/8, With HEI Note: Customer Must Reuse Their Original Plastic Connector For The Seat Belt Control Switch.	\$371.00	
17110	1974	ENGINE HARNESS Tempest & Le Mans, V/8, With Unitized Distributor Note: Customer Must Reuse Their Original Plastic Connector For The Seat Belt Control Switch.	\$371.00	
40671	1974	ENGINE HARNESS GTO & Ventura, V/8	\$344.00	
40338	1974	ENGINE HARNESS-HEI GTO & Ventura, V/8	\$371.00	
40672	1974	ENGINE HARNESS GTO & Ventura, V/8, With A/C	\$344.00	
40339	1974	ENGINE HARNESS-HEI GTO & Ventura, V/8, With A/C	\$371.00	

Part Number	Year	Description	Price	*Rev.
40675	1974	ENGINE HARNESS GTO & Ventura, V/8, With Functional Hood Scoop	\$344.00	
40340	1974	ENGINE HARNESS-HEI GTO & Ventura, V/8, With Functional Hood Scoop	\$371.00	
40677	1974	ENGINE HARNESS GTO & Ventura, V/8, All With Gauges	\$344.00	
40341	1974	ENGINE HARNESS-HEI GTO & Ventura, V/8, All With Gauges	\$371.00	
40813	1975	ENGINE HARNESS 6 Cylinder, With Seat Belt Ignition Interlock Note: 6 Cylinder Items Are Not Returnable.	\$387.00	
40824	1975	ENGINE HARNESS 6 Cylinder, Without Seat Belt Ignition Interlock Note: 6 Cylinder Items Are Not Returnable.	\$387.00	
37622	1975	ENGINE HARNESS V/8, With Distributor Vacuum Solenoid	\$344.00	
40686	1975	ENGINE HARNESS V/8, With Seat Belt Ignition Interlock Note: Customer Must Reuse Their Original Plastic Connector For The Seat Belt Control Switch.	\$344.00	
40823	1975	ENGINE HARNESS V/8, Without Seat Belt Ignition Interlock	\$344.00	
40833	1975	ENGINE HARNESS V/8, With A/C, Except Seat Belt Ignition Interlock	\$344.00	
40826	1975	ENGINE HARNESS V/8, With A/C & Seat Belt Ignition Interlock Note: Customer Must Reuse Their Original Plastic Connector For The Seat Belt Control Switch.	\$344.00	
40828	1976	ENGINE HARNESS 6 Cylinder Note: 6 Cylinder Items Are Not Returnable.	\$387.00	
40843	1976	ENGINE HARNESS All, V/8, Except 260 C.I. Oldsmobile	\$344.00	
40846	1976	ENGINE HARNESS V/8, 260 C.I. Oldsmobile & Auto Trans	\$344.00	
40847	1976	ENGINE HARNESS V/8, 260 C.I. Oldsmobile, With 3 Speed Column Shift Or 5 Speed Floor Shift Manual Trans	\$344.00	
38617	1977	ENGINE HARNESS V/6	\$278.00	
38618	1977	ENGINE HARNESS V/8, Olds 350 & 403 C.I.	\$278.00	
38320	1977	ENGINE HARNESS V/8, Pontiac 301, 350 & 400 C.I.	\$305.00	
FORCED AIR VENT HARNESS				
40546	1969	FORCED AIR VENT HARNESS Blower Motor In Kick Panels, To Blower Switch In Dash	\$60.00	
40546	1970	FORCED AIR VENT HARNESS Blower Motor In Kick Panels, To Blower Switch In Dash	\$60.00	
FORWARD LAMP HARNESS				
04575	1964	FORWARD LAMP HARNESS 6 Cylinder Note: 6 Cylinder Items Are Not Returnable.	\$252.00	
04580	1964	FORWARD LAMP HARNESS V/8	\$229.00	
05715	1965	FORWARD LAMP HARNESS All	\$229.00	
09365	1966	FORWARD LAMP HARNESS All	\$229.00	
10265	1967	FORWARD LAMP HARNESS All	\$229.00	
11370	1968	FORWARD LAMP HARNESS Standard	\$252.00	
12355	1968	FORWARD LAMP HARNESS With Cornering Lamps	\$279.00	
12110	1968	FORWARD LAMP HARNESS With Tilt Headlights & Cornering Lamps	\$264.00	
41589	1969	FORWARD LAMP HARNESS Tempest, Le Mans & Custom S, Without Cornering Laps	\$318.00	
13405	1969	FORWARD LAMP HARNESS Tempest, Le Mans & Custom S, With Cornering Laps	\$291.00	
41588	1969	FORWARD LAMP HARNESS GTO, Without Tilt Headlights (Includes Cornering Lamps)	\$291.00	
12895	1969	FORWARD LAMP HARNESS GTO, With Tilt Headlights (Includes Cornering Lamps)	\$305.00	
13635	1970	FORWARD LAMP HARNESS GTO Only	\$291.00	
13630	1970	FORWARD LAMP HARNESS Tempest & Le Mans	\$305.00	
15910	1971	FORWARD LAMP HARNESS Tempest, Le Mans & GTO	\$305.00	
16055	1971	FORWARD LAMP HARNESS Ventura, 6 Cylinder Note: 6 Cylinder Items Are Not Returnable.	\$332.00	
16050	1971	FORWARD LAMP HARNESS Ventura, V/8	\$332.00	

Part Number	Year	Description	Price	*Rev.
40580	1971	FORWARD LAMP HARNESS Ventura, V/8, With Gauges	\$332.00	
16720	1972	FORWARD LAMP HARNESS Tempest, Le Mans & GTO	\$305.00	
40614	1972	FORWARD LAMP HARNESS Ventura, Without Pontiac 350 C.I. Eng	\$318.00	
40346	1972	FORWARD LAMP HARNESS-SI SERIES INT REG ALT Ventura, Without Pontiac 350 C.I. Eng Note: This Harness Must Be Used Together With A New Engine Harness Also Modified For Int. Reg. Alt.	\$318.00	
40615	1972	FORWARD LAMP HARNESS Ventura, With Pontiac 350 C.I. Eng	\$318.00	
16935	1973	FORWARD LAMP HARNESS Tempest, Le Mans & GTO	\$332.00	
18150	1973	FORWARD LAMP HARNESS Grand AM	\$344.00	
40629	1973	FORWARD LAMP HARNESS Ventura	\$344.00	
30680	1974	FORWARD LAMP HARNESS Tempest & Le Mans	\$359.00	
17055	1974	FORWARD LAMP HARNESS GTO Note: Customer Must Reuse Their Original Plastic Connector For The Seat Belt Control Switch.	\$318.00	
17050	1974	FORWARD LAMP HARNESS Ventura Note: Customer Must Reuse Their Original Plastic Connector For The Seat Belt Control Switch.	\$359.00	
40684	1975	FORWARD LAMP HARNESS Le Mans	\$344.00	
40829	1976	FORWARD LAMP HARNESS Le Mans	\$344.00	
40845	1977	FORWARD LAMP HARNESS Le Mans	\$344.00	
FUEL TANK SENDER WIRE				
11910	1968	FUEL TANK SENDER WIRE Wagon	\$30.00	
11455	1968	FUEL TANK SENDER WIRE All, Except Wagon	\$33.00	
11910	1969	FUEL TANK SENDER WIRE Wagon	\$30.00	
11455	1969	FUEL TANK SENDER WIRE All, Except Wagon	\$33.00	
11910	1970	FUEL TANK SENDER WIRE Wagon	\$30.00	
15795	1970	FUEL TANK SENDER WIRE All, Except Wagon	\$25.00	
11910	1971	FUEL TANK SENDER WIRE Wagon	\$30.00	
15795	1971	FUEL TANK SENDER WIRE All, Except Wagon	\$25.00	
39704	1971	FUEL TANK SENDER WIRE Ventura	\$25.00	
11910	1972	FUEL TANK SENDER WIRE Wagon	\$30.00	
15795	1972	FUEL TANK SENDER WIRE All, Except Wagon	\$25.00	
39704	1972	FUEL TANK SENDER WIRE Ventura	\$25.00	
40623	1973	FUEL TANK SENDER WIRE All, Except Wagon	\$33.00	
40603	1973	FUEL TANK SENDER WIRE Ventura	\$33.00	
40669	1974	FUEL TANK SENDER WIRE All, Except Wagon	\$33.00	
40603	1974	FUEL TANK SENDER WIRE Ventura	\$33.00	
40669	1975	FUEL TANK SENDER WIRE All, Except Wagon	\$33.00	
40669	1976	FUEL TANK SENDER WIRE All, Except Wagon	\$33.00	
FUEL TANK SENDING UNIT				
06428034	1968	FUEL TANK SENDING UNIT 3/8" Fuel Line, Single Outlet, Except Wagon	\$43.00	N
06428035	1968	FUEL TANK SENDING UNIT 3/8" Fuel Line, With 2nd Vent Line, Except Wagon	\$43.00	N
06428034	1969	FUEL TANK SENDING UNIT 3/8" Fuel Line, Single Outlet, Except Wagon	\$43.00	N
06428035	1969	FUEL TANK SENDING UNIT 3/8" Fuel Line, With 2nd Vent Line, Except Wagon	\$43.00	N
06428034	1970	FUEL TANK SENDING UNIT 3/8" Fuel Line, Single Outlet, Except Wagon	\$43.00	N
06428838	1971	FUEL TANK SENDING UNIT 3/8" Fuel Line, Single Outlet, Except Wagon	\$43.00	N
06428837	1971	FUEL TANK SENDING UNIT 3/8" Fuel Line, With 2nd Vent Line, Except Wagon	\$43.00	N
06428845	1971	FUEL TANK SENDING UNIT Ventura, 3/8" Fuel Line, Single Line, 350 Except A/C	\$43.00	N
06428844	1971	FUEL TANK SENDING UNIT Ventura, 5/16" Fuel Line, Single Line, Except 350	\$43.00	N
06428838	1972	FUEL TANK SENDING UNIT 3/8" Fuel Line, Single Outlet, Except Wagon	\$43.00	N

Part Number	Year	Description	Price	*Rev.
06428837	1972	FUEL TANK SENDING UNIT 3/8" Fuel Line, With 2nd Vent Line, Except Wagon	\$43.00	N
06428845	1972	FUEL TANK SENDING UNIT Ventura, 3/8" Fuel Line, Single Line, 350 Except A/C	\$43.00	N
06428844	1972	FUEL TANK SENDING UNIT Ventura, 5/16" Fuel Line, Single Line, Except 350	\$43.00	N
GENERATOR TO REGULATOR HARNESS				
40465	1962	GENERATOR TO REGULATOR HARNESS With 45 Amp Gen.	\$41.00	
GLOVE BOX LAMP HARNESS				
40502	1971	GLOVE BOX LAMP HARNESS Ventura	\$30.00	
40502	1972	GLOVE BOX LAMP HARNESS Ventura	\$30.00	
40647	1973	GLOVE BOX LAMP HARNESS With Electric Trunk Release	\$50.00	
40648	1973	GLOVE BOX LAMP HARNESS Without Electric Trunk Release	\$44.00	
40652	1973	GLOVE BOX LAMP HARNESS Without Under Dash Courtesy Lamp	\$44.00	
40653	1973	GLOVE BOX LAMP HARNESS With Under Dash Courtesy Lamp	\$50.00	
40502	1973	GLOVE BOX LAMP HARNESS Ventura	\$30.00	
40652	1974	GLOVE BOX LAMP HARNESS Without Under Dash Courtesy Lamp	\$44.00	
40653	1974	GLOVE BOX LAMP HARNESS With Under Dash Courtesy Lamp	\$50.00	
40502	1974	GLOVE BOX LAMP HARNESS Ventura	\$30.00	
40648	1974	GLOVE BOX LAMP HARNESS Without Electric Trunk Release	\$44.00	
40647	1974	GLOVE BOX LAMP HARNESS With Electric Trunk Release	\$50.00	
40652	1975	GLOVE BOX LAMP HARNESS Without Under Dash Courtesy Lamp	\$44.00	
40653	1975	GLOVE BOX LAMP HARNESS With Under Dash Courtesy Lamp	\$50.00	
40647	1975	GLOVE BOX LAMP HARNESS With Electric Trunk Release	\$50.00	
40648	1975	GLOVE BOX LAMP HARNESS Without Electric Trunk Release	\$44.00	
40647	1976	GLOVE BOX LAMP HARNESS With Cigarette Lighter Lamp & Electric Trunk Release	\$50.00	
40648	1976	GLOVE BOX LAMP HARNESS With Cigarette Lighter Lamp, Without Electric Trunk Release	\$44.00	
40852	1976	GLOVE BOX LAMP HARNESS Without Cigarette Lighter Lamp Or Electric Trunk Release	\$44.00	
40647	1977	GLOVE BOX LAMP HARNESS With Electric Trunk Release	\$50.00	
40648	1977	GLOVE BOX LAMP HARNESS Without Electric Trunk Release	\$44.00	
GLOVE BOX LAMP KIT				
18000	1961	GLOVE BOX LAMP KIT Socket, Bulb & Wire	\$24.00	
18000	1962	GLOVE BOX LAMP KIT Socket, Bulb & Wire	\$24.00	
18000	1963	GLOVE BOX LAMP KIT Socket, Bulb & Wire	\$24.00	
18000	1964	GLOVE BOX LAMP KIT Socket, Bulb & Wire	\$24.00	
18000	1965	GLOVE BOX LAMP KIT Socket, Bulb & Wire	\$24.00	
18000	1966	GLOVE BOX LAMP KIT Socket, Bulb & Wire	\$24.00	
18000	1967	GLOVE BOX LAMP KIT Socket, Bulb & Wire	\$24.00	
18000	1968	GLOVE BOX LAMP KIT Socket, Bulb & Wire	\$24.00	
18000	1969	GLOVE BOX LAMP KIT Socket, Bulb & Wire	\$24.00	
GLOVE BOX LAMP WIRE				
40481	1964	GLOVE BOX LAMP WIRE Fuse Block To Switch Note: Wire Only, Switch Not Included.	\$29.00	
GROUND WIRE				
40450	1961	GROUND WIRE Heater Blower Motor Note: Heater Only.	\$21.00	
40450	1962	GROUND WIRE Heater Blower Motor Note: Heater Only.	\$21.00	

Part Number	Year	Description	Price	*Rev.
40450	1963	GROUND WIRE Heater Blower Motor Note: Heater Only.	\$21.00	
40668	1973	GROUND WIRE Dash Harness To A/C Control Head	\$21.00	
40724	1974	GROUND WIRE Power Seat	\$21.00	
40608	1974	GROUND WIRE Ventura, A/C Control Unit Ground	\$21.00	
40724	1975	GROUND WIRE Power Seat	\$21.00	
40724	1976	GROUND WIRE Power Seat	\$21.00	
40863	1977	GROUND WIRE Vanity Mirror, Passenger Side Sunshade	\$17.00	
40724	1977	GROUND WIRE Power Seat	\$21.00	
40487	1977	GROUND WIRE All, Blower Motor	\$21.00	
GROUND WIRE-DISTRIBUTOR POINT PLATE				
38298	1961	GROUND WIRE, DISTRIBUTOR POINT PLATE From Distributor Point Plate To Distributor Housing Note: Replaces Spot Welded Wire Asm On Point Plate Side. Fits All GM V/8 Point Type Distributors From Approx. 1957-1974.	\$17.00	C
38298	1962	GROUND WIRE, DISTRIBUTOR POINT PLATE From Distributor Point Plate To Distributor Housing Note: Replaces Spot Welded Wire Asm On Point Plate Side. Fits All GM V/8 Point Type Distributors From Approx. 1957-1974.	\$17.00	C
38298	1963	GROUND WIRE, DISTRIBUTOR POINT PLATE From Distributor Point Plate To Distributor Housing Note: Replaces Spot Welded Wire Asm On Point Plate Side. Fits All GM V/8 Point Type Distributors From Approx. 1957-1974.	\$17.00	C
38298	1964	GROUND WIRE, DISTRIBUTOR POINT PLATE From Distributor Point Plate To Distributor Housing Note: Replaces Spot Welded Wire Asm On Point Plate Side. Fits All GM V/8 Point Type Distributors From Approx. 1957-1974.	\$17.00	C
38298	1965	GROUND WIRE, DISTRIBUTOR POINT PLATE From Distributor Point Plate To Distributor Housing Note: Replaces Spot Welded Wire Asm On Point Plate Side. Fits All GM V/8 Point Type Distributors From Approx. 1957-1974.	\$17.00	C
38298	1966	GROUND WIRE, DISTRIBUTOR POINT PLATE From Distributor Point Plate To Distributor Housing Note: Replaces Spot Welded Wire Asm On Point Plate Side. Fits All GM V/8 Point Type Distributors From Approx. 1957-1974.	\$17.00	C
38298	1967	GROUND WIRE, DISTRIBUTOR POINT PLATE From Distributor Point Plate To Distributor Housing Note: Replaces Spot Welded Wire Asm On Point Plate Side. Fits All GM V/8 Point Type Distributors From Approx. 1957-1974.	\$17.00	C
38298	1968	GROUND WIRE, DISTRIBUTOR POINT PLATE From Distributor Point Plate To Distributor Housing Note: Replaces Spot Welded Wire Asm On Point Plate Side. Fits All GM V/8 Point Type Distributors From Approx. 1957-1974.	\$17.00	C
38298	1969	GROUND WIRE, DISTRIBUTOR POINT PLATE From Distributor Point Plate To Distributor Housing Note: Replaces Spot Welded Wire Asm On Point Plate Side. Fits All GM V/8 Point Type Distributors From Approx. 1957-1974.	\$17.00	C
38298	1970	GROUND WIRE, DISTRIBUTOR POINT PLATE From Distributor Point Plate To Distributor Housing Note: Replaces Spot Welded Wire Asm On Point Plate Side. Fits All GM V/8 Point Type Distributors From Approx. 1957-1974.	\$17.00	C
38298	1971	GROUND WIRE, DISTRIBUTOR POINT PLATE From Distributor Point Plate To Distributor Housing Note: Replaces Spot Welded Wire Asm On Point Plate Side. Fits All GM V/8 Point Type Distributors From Approx. 1957-1974.	\$17.00	C
38298	1972	GROUND WIRE, DISTRIBUTOR POINT PLATE From Distributor Point Plate To Distributor Housing Note: Replaces Spot Welded Wire Asm On Point Plate Side. Fits All GM V/8 Point Type Distributors From Approx. 1957-1974.	\$17.00	C
38298	1973	GROUND WIRE, DISTRIBUTOR POINT PLATE From Distributor Point Plate To Distributor Housing Note: Replaces Spot Welded Wire Asm On Point Plate Side. Fits All GM V/8 Point Type Distributors From Approx. 1957-1974.	\$17.00	C
38298	1974	GROUND WIRE, DISTRIBUTOR POINT PLATE From Distributor Point Plate To Distributor Housing Note: Replaces Spot Welded Wire Asm On Point Plate Side. Fits All GM V/8 Point Type Distributors From Approx. 1957-1974.	\$17.00	C
HARNESSTAPE				
R0058272	1961	HARNESSTAPE 3/4" Vinyl (100 Ft. Roll) Non-Adhesive	\$12.00	
R0058276	1961	HARNESSTAPE 1" Vinyl (100 Ft. Roll) Non-Adhesive	\$13.00	
R0067108	1961	HARNESSTAPE 1 1/4" Vinyl (100 Ft. Roll) Non-Adhesive	\$15.00	
R0058272	1962	HARNESSTAPE 3/4" Vinyl (100 Ft. Roll) Non-Adhesive	\$12.00	
R0058276	1962	HARNESSTAPE 1" Vinyl (100 Ft. Roll) Non-Adhesive	\$13.00	
R0067108	1962	HARNESSTAPE 1 1/4" Vinyl (100 Ft. Roll) Non-Adhesive	\$15.00	
R0058272	1963	HARNESSTAPE 3/4" Vinyl (100 Ft. Roll) Non-Adhesive	\$12.00	
R0058276	1963	HARNESSTAPE 1" Vinyl (100 Ft. Roll) Non-Adhesive	\$13.00	

Part Number	Year	Description	Price	*Rev.
R0067108	1963	HARNESS TAPE 1 1/4" Vinyl (100 Ft. Roll) Non-Adhesive	\$15.00	
R0058272	1964	HARNESS TAPE 3/4" Vinyl (100 Ft. Roll) Non-Adhesive	\$12.00	
R0058276	1964	HARNESS TAPE 1" Vinyl (100 Ft. Roll) Non-Adhesive	\$13.00	
R0067108	1964	HARNESS TAPE 1 1/4" Vinyl (100 Ft. Roll) Non-Adhesive	\$15.00	
R0058272	1965	HARNESS TAPE 3/4" Vinyl (100 Ft. Roll) Non-Adhesive	\$12.00	
R0058276	1965	HARNESS TAPE 1" Vinyl (100 Ft. Roll) Non-Adhesive	\$13.00	
R0067108	1965	HARNESS TAPE 1 1/4" Vinyl (100 Ft. Roll) Non-Adhesive	\$15.00	
R0058272	1966	HARNESS TAPE 3/4" Vinyl (100 Ft. Roll) Non-Adhesive	\$12.00	
R0058276	1966	HARNESS TAPE 1" Vinyl (100 Ft. Roll) Non-Adhesive	\$13.00	
R0067108	1966	HARNESS TAPE 1 1/4" Vinyl (100 Ft. Roll) Non-Adhesive	\$15.00	
R0058272	1967	HARNESS TAPE 3/4" Vinyl (100 Ft. Roll) Non-Adhesive	\$12.00	
R0058276	1967	HARNESS TAPE 1" Vinyl (100 Ft. Roll) Non-Adhesive	\$13.00	
R0067108	1967	HARNESS TAPE 1 1/4" Vinyl (100 Ft. Roll) Non-Adhesive	\$15.00	
R0058272	1968	HARNESS TAPE 3/4" Vinyl (100 Ft. Roll) Non-Adhesive	\$12.00	
R0058276	1968	HARNESS TAPE 1" Vinyl (100 Ft. Roll) Non-Adhesive	\$13.00	
R0067108	1968	HARNESS TAPE 1 1/4" Vinyl (100 Ft. Roll) Non-Adhesive	\$15.00	
R0058272	1969	HARNESS TAPE 3/4" Vinyl (100 Ft. Roll) Non-Adhesive	\$12.00	
R0058276	1969	HARNESS TAPE 1" Vinyl (100 Ft. Roll) Non-Adhesive	\$13.00	
R0067108	1969	HARNESS TAPE 1 1/4" Vinyl (100 Ft. Roll) Non-Adhesive	\$15.00	
R0058272	1970	HARNESS TAPE 3/4" Vinyl (100 Ft. Roll) Non-Adhesive	\$12.00	
R0058276	1970	HARNESS TAPE 1" Vinyl (100 Ft. Roll) Non-Adhesive	\$13.00	
R0067108	1970	HARNESS TAPE 1 1/4" Vinyl (100 Ft. Roll) Non-Adhesive	\$15.00	
R0058272	1971	HARNESS TAPE 3/4" Vinyl (100 Ft. Roll) Non-Adhesive	\$12.00	
R0058276	1971	HARNESS TAPE 1" Vinyl (100 Ft. Roll) Non-Adhesive	\$13.00	
R0067108	1971	HARNESS TAPE 1 1/4" Vinyl (100 Ft. Roll) Non-Adhesive	\$15.00	
R0058272	1972	HARNESS TAPE 3/4" Vinyl (100 Ft. Roll) Non-Adhesive	\$12.00	
R0058276	1972	HARNESS TAPE 1" Vinyl (100 Ft. Roll) Non-Adhesive	\$13.00	
R0067108	1972	HARNESS TAPE 1 1/4" Vinyl (100 Ft. Roll) Non-Adhesive	\$15.00	
R0058272	1973	HARNESS TAPE 3/4" Vinyl (100 Ft. Roll) Non-Adhesive	\$12.00	
R0058276	1973	HARNESS TAPE 1" Vinyl (100 Ft. Roll) Non-Adhesive	\$13.00	
R0067108	1973	HARNESS TAPE 1 1/4" Vinyl (100 Ft. Roll) Non-Adhesive	\$15.00	
R0058272	1974	HARNESS TAPE 3/4" Vinyl (100 Ft. Roll) Non-Adhesive	\$12.00	
R0058276	1974	HARNESS TAPE 1" Vinyl (100 Ft. Roll) Non-Adhesive	\$13.00	
R0067108	1974	HARNESS TAPE 1 1/4" Vinyl (100 Ft. Roll) Non-Adhesive	\$15.00	
R0058272	1975	HARNESS TAPE 3/4" Vinyl (100 Ft. Roll) Non-Adhesive	\$12.00	
R0058276	1975	HARNESS TAPE 1" Vinyl (100 Ft. Roll) Non-Adhesive	\$13.00	
R0067108	1975	HARNESS TAPE 1 1/4" Vinyl (100 Ft. Roll) Non-Adhesive	\$15.00	
R0058272	1976	HARNESS TAPE 3/4" Vinyl (100 Ft. Roll) Non-Adhesive	\$12.00	
R0058276	1976	HARNESS TAPE 1" Vinyl (100 Ft. Roll) Non-Adhesive	\$13.00	
R0067108	1976	HARNESS TAPE 1 1/4" Vinyl (100 Ft. Roll) Non-Adhesive	\$15.00	
R0058272	1977	HARNESS TAPE 3/4" Vinyl (100 Ft. Roll) Non-Adhesive	\$12.00	
R0058276	1977	HARNESS TAPE 1" Vinyl (100 Ft. Roll) Non-Adhesive	\$13.00	
R0067108	1977	HARNESS TAPE 1 1/4" Vinyl (100 Ft. Roll) Non-Adhesive	\$15.00	
R0058272	1978	HARNESS TAPE 3/4" Vinyl (100 Ft. Roll) Non-Adhesive	\$12.00	
R0058276	1978	HARNESS TAPE 1" Vinyl (100 Ft. Roll) Non-Adhesive	\$13.00	
R0067108	1978	HARNESS TAPE 1 1/4" Vinyl (100 Ft. Roll) Non-Adhesive	\$15.00	
R0058272	1979	HARNESS TAPE 3/4" Vinyl (100 Ft. Roll) Non-Adhesive	\$12.00	

Part Number	Year	Description	Price	*Rev.
R0058276	1979	HARNESS TAPE 1" Vinyl (100 Ft. Roll) Non-Adhesive	\$13.00	
R0067108	1979	HARNESS TAPE 1 1/4" Vinyl (100 Ft. Roll) Non-Adhesive	\$15.00	
R0058272	1980	HARNESS TAPE 3/4" Vinyl (100 Ft. Roll) Non-Adhesive	\$12.00	
R0058276	1980	HARNESS TAPE 1" Vinyl (100 Ft. Roll) Non-Adhesive	\$13.00	
R0067108	1980	HARNESS TAPE 1 1/4" Vinyl (100 Ft. Roll) Non-Adhesive	\$15.00	
R0058272	1981	HARNESS TAPE 3/4" Vinyl (100 Ft. Roll) Non-Adhesive	\$12.00	
R0058276	1981	HARNESS TAPE 1" Vinyl (100 Ft. Roll) Non-Adhesive	\$13.00	
R0067108	1981	HARNESS TAPE 1 1/4" Vinyl (100 Ft. Roll) Non-Adhesive	\$15.00	
R0058272	1982	HARNESS TAPE 3/4" Vinyl (100 Ft. Roll) Non-Adhesive	\$12.00	
R0058276	1982	HARNESS TAPE 1" Vinyl (100 Ft. Roll) Non-Adhesive	\$13.00	
R0067108	1982	HARNESS TAPE 1 1/4" Vinyl (100 Ft. Roll) Non-Adhesive	\$15.00	
R0058272	1983	HARNESS TAPE 3/4" Vinyl (100 Ft. Roll) Non-Adhesive	\$12.00	
R0058276	1983	HARNESS TAPE 1" Vinyl (100 Ft. Roll) Non-Adhesive	\$13.00	
R0067108	1983	HARNESS TAPE 1 1/4" Vinyl (100 Ft. Roll) Non-Adhesive	\$15.00	
R0058272	1984	HARNESS TAPE 3/4" Vinyl (100 Ft. Roll) Non-Adhesive	\$12.00	
R0058276	1984	HARNESS TAPE 1" Vinyl (100 Ft. Roll) Non-Adhesive	\$13.00	
R0067108	1984	HARNESS TAPE 1 1/4" Vinyl (100 Ft. Roll) Non-Adhesive	\$15.00	
R0058272	1985	HARNESS TAPE 3/4" Vinyl (100 Ft. Roll) Non-Adhesive	\$12.00	
R0058276	1985	HARNESS TAPE 1" Vinyl (100 Ft. Roll) Non-Adhesive	\$13.00	
R0067108	1985	HARNESS TAPE 1 1/4" Vinyl (100 Ft. Roll) Non-Adhesive	\$15.00	
R0058272	1986	HARNESS TAPE 3/4" Vinyl (100 Ft. Roll) Non-Adhesive	\$12.00	
R0058276	1986	HARNESS TAPE 1" Vinyl (100 Ft. Roll) Non-Adhesive	\$13.00	
R0067108	1986	HARNESS TAPE 1 1/4" Vinyl (100 Ft. Roll) Non-Adhesive	\$15.00	
HEADLAMP DELAY CONTROL HARNESS				
40574	1970	HEADLAMP DELAY CONTROL HARNESS Fuse Block To Headlamp Delay Relay	\$48.00	
40570	1970	HEADLAMP DELAY CONTROL HARNESS Field Installed, Fuse Block To Headlamp Delay Relay	\$48.00	
40570	1971	HEADLAMP DELAY CONTROL HARNESS Field Installed, Fuse Block To Headlamp Delay Relay	\$48.00	
HEADLIGHT SWITCH				
01995216	1976	HEADLIGHT SWITCH	\$20.00	N
01995216	1977	HEADLIGHT SWITCH	\$20.00	N
HEATER BLOWER MOTOR RESISTOR				
03929052	1971	HEATER BLOWER MOTOR RESISTOR	\$15.00	N
03929052	1972	HEATER BLOWER MOTOR RESISTOR	\$15.00	N
03929052	1973	HEATER BLOWER MOTOR RESISTOR	\$15.00	N
03929052	1974	HEATER BLOWER MOTOR RESISTOR	\$15.00	N
03929052	1975	HEATER BLOWER MOTOR RESISTOR	\$15.00	N
HEATER HARNESS				
40451	1961	HEATER HARNESS Without A/C, (Field Installed Only), Blower Switch In Dash To Blower Motor	\$105.00	
40463	1962	HEATER HARNESS Without A/C, (Field Installed Only)	\$105.00	
17260	1966	HEATER HARNESS Without A/C	\$41.00	
17260	1967	HEATER HARNESS Without A/C	\$41.00	
17265	1968	HEATER HARNESS Without A/C	\$48.00	
17270	1969	HEATER HARNESS Without A/C	\$43.00	
17270	1970	HEATER HARNESS Without A/C	\$43.00	
17270	1971	HEATER HARNESS Without A/C	\$43.00	

Part Number	Year	Description	Price	*Rev.
17270	1972	HEATER HARNESS Without A/C	\$43.00	
40636	1973	HEATER HARNESS Without A/C, Blower Switch To Dash Harness Feed Wire	\$67.00	
40637	1973	HEATER HARNESS Without A/C, Heater Resistor To Blower Motor, (1st Design) Note: Wires Exit Through Center Of Firewall. Customer Must Supply Their Original Harness.	\$67.00	
40662	1973	HEATER HARNESS Without A/C, Heater Resistor To Blower Motor, (2nd Design) Note: Wires Exit Through Firewall, Outboard Of Blower Motor.	\$67.00	
40661	1974	HEATER HARNESS Without A/C, Blower Switch To Dash Harness Feed Wire	\$67.00	
40662	1974	HEATER HARNESS Without A/C, Heater Resistor To Blower Motor	\$67.00	
40662	1975	HEATER HARNESS Without A/C, Heater Resistor To Blower Motor	\$67.00	
40812	1975	HEATER HARNESS Without A/C, Blower Switch To Dash Harness Feed Wire	\$67.00	
40837	1976	HEATER HARNESS Without A/C	\$67.00	
40837	1977	HEATER HARNESS Without A/C	\$67.00	
HEATER SWITCH CONNECTOR JUMPER				
03245	1961	HEATER SWITCH CONNECTOR JUMPER With Manual Heater Only Note: Used To Jump Wires Together On The Master Control Switch Connector For Manual Heater Cars.	\$17.00	
03245	1962	HEATER SWITCH CONNECTOR JUMPER With Manual Heater Note: Used To Jump Wires Together On The Master Control Switch Connector For Manual Heater Cars.	\$17.00	
HOOD LAMP REPLACEMENT KIT				
18410	1964	HOOD LAMP KIT Under Hood, Includes Socket, Wire & Bulb	\$60.00	C
18410	1965	HOOD LAMP KIT Under Hood, Includes Socket, Wire & Bulb	\$60.00	C
18410	1966	HOOD LAMP KIT Under Hood, Includes Socket, Wire & Bulb	\$60.00	C
18410	1967	HOOD LAMP KIT Under Hood, Includes Socket, Wire & Bulb	\$60.00	C
18410	1968	HOOD LAMP KIT Under Hood, Includes Socket, Wire & Bulb	\$60.00	C
18410	1969	HOOD LAMP KIT Under Hood, Includes Socket, Wire & Bulb	\$60.00	C
18410	1970	HOOD LAMP KIT Under Hood, Includes Socket, Wire & Bulb	\$60.00	C
18410	1971	HOOD LAMP KIT Under Hood, Includes Socket, Wire & Bulb	\$60.00	C
18410	1972	HOOD LAMP KIT Under Hood, Includes Socket, Wire & Bulb	\$60.00	C
18410	1973	HOOD LAMP KIT Under Hood, Includes Socket, Wire & Bulb	\$60.00	C
18410	1974	HOOD LAMP KIT Under Hood, Includes Socket, Wire & Bulb	\$60.00	C
18410	1975	HOOD LAMP KIT Under Hood, Includes Socket, Wire & Bulb	\$60.00	C
18410	1976	HOOD LAMP KIT Under Hood, Includes Socket, Wire & Bulb	\$60.00	C
18410	1977	HOOD LAMP KIT Under Hood, Includes Socket, Wire & Bulb	\$60.00	C
HOOD LAMP WIRE				
40740	1964	HOOD LAMP WIRE Fuse Block To Underhood Lamp Switch Note: Used With The Factory Type Underhood Lamp.	\$17.00	
40576	1971	HOOD LAMP WIRE Horn Relay To Under Hood Lamp Switch Note: Used With The Factory Type Underhood Lamp.	\$27.00	
40578	1971	HOOD LAMP WIRE Under Hood Lamp To Switch Note: Used With The Factory Type Underhood Lamp.	\$17.00	
40578	1972	HOOD LAMP WIRE Under Hood Lamp To Switch Note: Used With The Factory Type Underhood Lamp.	\$17.00	
40609	1972	HOOD LAMP WIRE Fuse Block To Under Hood Lamp Switch Note: Used With The Factory Type Underhood Lamp.	\$34.00	
HORN EXTENSION WIRE				
40651	1973	HORN EXTENSION WIRE Left Horn To Forward Lamp Harness	\$17.00	
40651	1975	HORN EXTENSION WIRE Left Horn To Forward Lamp Harness	\$17.00	

Part Number	Year	Description	Price	*Rev.
HORN WIRE				
40445	1961	HORN WIRE Dual Horns	\$27.00	
40445	1962	HORN WIRE Dual Horns	\$27.00	
40445	1963	HORN WIRE Dual Horns	\$27.00	
39350	1964	HORN WIRE Dual Horn	\$25.00	
40644	1973	HORN WIRE Ventura, Dual Horn Option	\$27.00	
40644	1974	HORN WIRE Ventura, Dual Horn Option	\$27.00	
IDLE STOP SOLENOID EXTENSION WIRE				
40516	1969	IDLE STOP SOLENOID EXTENSION WIRE 6 Cylinder, With 4 Bbl Carb Note: 6 Cylinder Items Are Not Returnable.	\$34.00	
40516	1970	IDLE STOP SOLENOID EXTENSION WIRE 6 Cylinder, With 4 Bbl Carb Note: 6 Cylinder Items Are Not Returnable.	\$34.00	
IDLE STOP SOLENOID HARNESS				
40477	1963	IDLE STOP SOLENOID HARNESS 4 Cylinder, 195 C.I. Engine, With Auto Trans & A/C	\$34.00	C
IDLE STOP SOLENOID WIRE				
40617	1973	IDLE STOP SOLENOID WIRE V/8, 400 & 455 C.I., Engine Harness To Solenoid	\$34.00	
40617	1973	IDLE STOP SOLENOID WIRE Ventura, V/8, 350 C.I., With Manual Trans	\$34.00	
40617	1974	IDLE STOP SOLENOID WIRE V/8, With Manual Trans	\$34.00	
40617	1974	IDLE STOP SOLENOID WIRE Ventura, V/8, 350 C.I., With Manual Trans	\$34.00	
IGNITION CYLINDER AND KEYS				
20071252	1969	IGNITION CYLINDER AND KEYS Chrome, All	\$18.50	N
20071252	1970	IGNITION CYLINDER AND KEYS Chrome, All	\$18.50	N
20071252	1971	IGNITION CYLINDER AND KEYS Chrome, All	\$18.50	N
20071252	1972	IGNITION CYLINDER AND KEYS Chrome, All	\$18.50	N
20071252	1973	IGNITION CYLINDER AND KEYS Chrome, All	\$18.50	N
20071252	1974	IGNITION CYLINDER AND KEYS Chrome, All	\$18.50	N
20071252	1975	IGNITION CYLINDER AND KEYS Chrome, All	\$18.50	N
20071252	1976	IGNITION CYLINDER AND KEYS Chrome, All	\$18.50	N
20071252	1977	IGNITION CYLINDER AND KEYS Chrome, All	\$18.50	N
20071252	1978	IGNITION CYLINDER AND KEYS Chrome, All, 1st Design, Used On Columns Without Lock Cylinder Retaining Screw	\$18.50	N
07833759	1978	IGNITION CYLINDER AND KEYS Chrome, Lemans, 2nd Design, Used On Columns With Lock Cylinder Retaining Screw	\$18.50	N
07833759	1979	IGNITION CYLINDER AND KEYS Chrome, Lemans	\$18.50	N
07833759	1980	IGNITION CYLINDER AND KEYS Chrome, Lemans	\$18.50	N
07833759	1981	IGNITION CYLINDER AND KEYS Chrome, Lemans	\$18.50	N
IGNITION SWITCH				
01990110	1969	IGNITION SWITCH All, With Tilt	\$14.00	N
01990110	1970	IGNITION SWITCH All, With Tilt	\$14.00	N
01990110	1971	IGNITION SWITCH All, With Tilt	\$14.00	N
01990110	1972	IGNITION SWITCH All, With Tilt	\$14.00	N
01990110	1973	IGNITION SWITCH All, With Tilt	\$14.00	N
01990110	1974	IGNITION SWITCH All, With Tilt	\$14.00	N
01990110	1975	IGNITION SWITCH All, With Tilt	\$14.00	N
01990110	1976	IGNITION SWITCH All, With Tilt	\$14.00	N
01990110	1977	IGNITION SWITCH All, With Tilt	\$14.00	N

Part Number	Year	Description	Price	*Rev.
01990110	1978	IGNITION SWITCH All, With Tilt	\$14.00	N
01990110	1979	IGNITION SWITCH All, With Tilt	\$14.00	N
01990110	1980	IGNITION SWITCH All, With Tilt	\$14.00	N
01990110	1981	IGNITION SWITCH All, With Tilt	\$14.00	N
01990110	1982	IGNITION SWITCH All, With Tilt	\$14.00	N
01990110	1983	IGNITION SWITCH All, With Tilt	\$14.00	N
01990110	1984	IGNITION SWITCH All, With Tilt	\$14.00	N
01990110	1985	IGNITION SWITCH All, With Tilt	\$14.00	N
01990110	1986	IGNITION SWITCH All, With Tilt	\$14.00	N
01990110	1987	IGNITION SWITCH All, With Tilt	\$14.00	N
IGNITION SWITCH JUMPER HARNESS				
40573	1969	IGNITION SWITCH JUMPER HARNESS Used With Ram Air V Tunnel Port Engine Only Note: Used To By-Pass Resistance Wire In Dash Harness.	\$30.00	
IGNITION SWITCH LAMP				
40499	1967	IGNITION SWITCH LAMP Bulb Socket & Wire	\$27.00	
IGNITION SWITCH LAMP WIRE				
40506	1968	IGNITION SWITCH LAMP WIRE Fiber Optic Cable	\$30.00	
INSTRUMENT GAUGE CLUSTER CLIP KIT				
08986000	1976	CLIP KIT Le Mans, Ventura, All, Instrument Gauge Cluster / Printed Circuit Board Retaining Clip Note: Replaces Original GM Part Number 08986000, Includes 12 Clips Per Kit.	\$14.00	N
08986000	1977	CLIP KIT Le Mans, Ventura, All, Instrument Gauge Cluster / Printed Circuit Board Retaining Clip Note: Replaces Original GM Part Number 08986000, Includes 12 Clips Per Kit.	\$14.00	N
08986000	1978	CLIP KIT Grand Am, Le Mans, All, Instrument Gauge Cluster / Printed Circuit Board Retaining Clip Note: Replaces Original GM Part Number 08986000, Includes 12 Clips Per Kit.	\$14.00	N
08986000	1979	CLIP KIT Grand Am, Le Mans, All, Instrument Gauge Cluster / Printed Circuit Board Retaining Clip Note: Replaces Original GM Part Number 08986000, Includes 12 Clips Per Kit.	\$14.00	N
08986000	1980	CLIP KIT Grand Am, Le Mans, All, Instrument Gauge Cluster / Printed Circuit Board Retaining Clip Note: Replaces Original GM Part Number 08986000, Includes 12 Clips Per Kit.	\$14.00	N
08986000	1981	CLIP KIT Grand Prix, Le Mans, All, Instrument Gauge Cluster / Printed Circuit Board Retaining Clip Note: Replaces Original GM Part Number 08986000, Includes 12 Clips Per Kit.	\$14.00	N
INSTRUMENT PANEL LAMP HARNESS				
39301	1968	INSTRUMENT PANEL LAMP HARNESS Used With Dash Mounted Tachometer Or Clock	\$40.00	
39301	1969	INSTRUMENT PANEL LAMP HARNESS Used With Dash Mounted Tachometer Or Clock	\$40.00	
39301	1970	INSTRUMENT PANEL LAMP HARNESS Used With Dash Mounted Tachometer Or Clock	\$40.00	
39301	1971	INSTRUMENT PANEL LAMP HARNESS Used With Dash Mounted Tachometer Or Clock	\$40.00	
39301	1972	INSTRUMENT PANEL LAMP HARNESS Used With Dash Mounted Tachometer Or Clock	\$40.00	
KICKDOWN HARNESS				
40485	1964	KICKDOWN HARNESS TH400 Auto Trans	\$53.00	
KICKDOWN SWITCH				
01242101	1967	KICKDOWN SWITCH TH400 Auto Trans	\$19.00	
01242101	1968	KICKDOWN SWITCH TH400 Auto Trans	\$19.00	
01242101	1969	KICKDOWN SWITCH TH400 Auto Trans	\$19.00	

Part Number	Year	Description	Price	*Rev.
01242101	1970	KICKDOWN SWITCH TH400 Auto Trans	\$19.00	
01242101	1971	KICKDOWN SWITCH TH400 Auto Trans	\$19.00	
01242101	1972	KICKDOWN SWITCH TH400 Auto Trans	\$19.00	
01242101	1973	KICKDOWN SWITCH TH400 Auto Trans	\$19.00	
01242101	1974	KICKDOWN SWITCH TH400 Auto Trans	\$19.00	
01242101	1976	KICKDOWN SWITCH Lemans, TH400, Auto Trans	\$19.00	
01242101	1977	KICKDOWN SWITCH Lemans, TH400, Auto Trans	\$19.00	
LICENSE LAMP HARNESS				
40634	1973	LICENSE LAMP HARNESS All, Except Wagon	\$33.00	
LOW FUEL INDICATOR MODULE				
500274	1961	LOW FUEL INDICATOR MODULE Generic "Adjustable" Low Fuel Warning Module Note: A Complete Electronic Control Unit To Activate A Warning Lamp Or Relay When Fuel Level Drops Below A User Adjustable Level. Includes instruction sheet.	\$64.00	C
500274	1962	LOW FUEL INDICATOR MODULE Generic "Adjustable" Low Fuel Warning Module Note: A Complete Electronic Control Unit To Activate A Warning Lamp Or Relay When Fuel Level Drops Below A User Adjustable Level. Includes instruction sheet.	\$64.00	C
500274	1963	LOW FUEL INDICATOR MODULE Generic "Adjustable" Low Fuel Warning Module Note: A Complete Electronic Control Unit To Activate A Warning Lamp Or Relay When Fuel Level Drops Below A User Adjustable Level. Includes instruction sheet.	\$64.00	C
500274	1964	LOW FUEL INDICATOR MODULE Generic "Adjustable" Low Fuel Warning Module Note: A Complete Electronic Control Unit To Activate A Warning Lamp Or Relay When Fuel Level Drops Below A User Adjustable Level. Includes instruction sheet.	\$64.00	C
500274	1965	LOW FUEL INDICATOR MODULE Generic "Adjustable" Low Fuel Warning Module Note: A Complete Electronic Control Unit To Activate A Warning Lamp Or Relay When Fuel Level Drops Below A User Adjustable Level. Includes instruction sheet.	\$64.00	C
500274	1966	LOW FUEL INDICATOR MODULE Generic "Adjustable" Low Fuel Warning Module Note: A Complete Electronic Control Unit To Activate A Warning Lamp Or Relay When Fuel Level Drops Below A User Adjustable Level. Includes instruction sheet.	\$64.00	C
500274	1967	LOW FUEL INDICATOR MODULE Generic "Adjustable" Low Fuel Warning Module Note: A Complete Electronic Control Unit To Activate A Warning Lamp Or Relay When Fuel Level Drops Below A User Adjustable Level. Includes instruction sheet.	\$64.00	C
500274	1968	LOW FUEL INDICATOR MODULE Generic "Adjustable" Low Fuel Warning Module Note: A Complete Electronic Control Unit To Activate A Warning Lamp Or Relay When Fuel Level Drops Below A User Adjustable Level. Includes instruction sheet.	\$64.00	C
500274	1969	LOW FUEL INDICATOR MODULE Generic "Adjustable" Low Fuel Warning Module Note: A Complete Electronic Control Unit To Activate A Warning Lamp Or Relay When Fuel Level Drops Below A User Adjustable Level. Includes instruction sheet.	\$64.00	C
500274	1970	LOW FUEL INDICATOR MODULE Generic "Adjustable" Low Fuel Warning Module Note: A Complete Electronic Control Unit To Activate A Warning Lamp Or Relay When Fuel Level Drops Below A User Adjustable Level. Includes instruction sheet.	\$64.00	C
500274	1971	LOW FUEL INDICATOR MODULE Generic "Adjustable" Low Fuel Warning Module Note: A Complete Electronic Control Unit To Activate A Warning Lamp Or Relay When Fuel Level Drops Below A User Adjustable Level. Includes instruction sheet.	\$64.00	C
500274	1972	LOW FUEL INDICATOR MODULE Generic "Adjustable" Low Fuel Warning Module Note: A Complete Electronic Control Unit To Activate A Warning Lamp Or Relay When Fuel Level Drops Below A User Adjustable Level. Includes instruction sheet.	\$64.00	C
500274	1973	LOW FUEL INDICATOR MODULE Generic "Adjustable" Low Fuel Warning Module Note: A Complete Electronic Control Unit To Activate A Warning Lamp Or Relay When Fuel Level Drops Below A User Adjustable Level. Includes instruction sheet.	\$64.00	C

Part Number	Year	Description	Price	*Rev.
500274	1974	LOW FUEL INDICATOR MODULE Generic "Adjustable" Low Fuel Warning Module Note: A Complete Electronic Control Unit To Activate A Warning Lamp Or Relay When Fuel Level Drops Below A User Adjustable Level. Includes instruction sheet.	\$64.00	C
500274	1975	LOW FUEL INDICATOR MODULE Generic "Adjustable" Low Fuel Warning Module Note: A Complete Electronic Control Unit To Activate A Warning Lamp Or Relay When Fuel Level Drops Below A User Adjustable Level. Includes instruction sheet.	\$64.00	C
500274	1976	LOW FUEL INDICATOR MODULE Generic "Adjustable" Low Fuel Warning Module Note: A Complete Electronic Control Unit To Activate A Warning Lamp Or Relay When Fuel Level Drops Below A User Adjustable Level. Includes instruction sheet.	\$64.00	C
500274	1977	LOW FUEL INDICATOR MODULE Generic "Adjustable" Low Fuel Warning Module Note: A Complete Electronic Control Unit To Activate A Warning Lamp Or Relay When Fuel Level Drops Below A User Adjustable Level. Includes instruction sheet.	\$64.00	C
NEUTRAL SAFETY AND BACKUP LAMP SWITCH				
01993659	1964	NEUTRAL SAFETY AND BACKUP LAMP SWITCH With Column Shift Powerglide Auto Trans	\$12.00	
09779665	1964	NEUTRAL SAFETY AND BACKUP LAMP SWITCH With Console Shift Auto Trans	\$71.00	
01993659	1965	NEUTRAL SAFETY AND BACKUP LAMP SWITCH With Column Shift Powerglide Auto Trans	\$12.00	
09779665	1965	NEUTRAL SAFETY AND BACKUP LAMP SWITCH With Console Shift Auto Trans	\$71.00	
01993659	1966	NEUTRAL SAFETY AND BACKUP LAMP SWITCH With Column Shift Powerglide Auto Trans	\$12.00	
09779665	1966	NEUTRAL SAFETY AND BACKUP LAMP SWITCH With Console Shift Auto Trans	\$71.00	
09779665	1967	NEUTRAL SAFETY AND BACKUP LAMP SWITCH With Console Shift Auto Trans	\$71.00	
09779665	1968	NEUTRAL SAFETY AND BACKUP LAMP SWITCH With Wood Insert Console Shift Auto Trans	\$71.00	
01994235	1969	NEUTRAL SAFETY AND BACKUP LAMP SWITCH With Column Shift Auto Trans, All	\$19.00	
01994235	1970	NEUTRAL SAFETY AND BACKUP LAMP SWITCH With Column Shift Auto Trans, All	\$19.00	
01994235	1971	NEUTRAL SAFETY AND BACKUP LAMP SWITCH With Column Shift Auto Trans, All	\$19.00	
01994235	1972	NEUTRAL SAFETY AND BACKUP LAMP SWITCH With Column Shift Auto Trans, All	\$19.00	
01994235	1973	NEUTRAL SAFETY AND BACKUP LAMP SWITCH With Column Shift Auto Trans, All	\$19.00	
01994163	1974	NEUTRAL SAFETY AND BACKUP LAMP SWITCH With Auto Trans, All	\$19.00	
NEUTRAL SAFETY SWITCH				
03983965	1971	NEUTRAL SAFETY SWITCH Ventura, 3 Speed	\$58.00	C
03983965	1972	NEUTRAL SAFETY SWITCH Ventura, 3 Speed	\$58.00	C
03983965	1973	NEUTRAL SAFETY SWITCH Ventura, All Manual Trans	\$58.00	C
03983965	1974	NEUTRAL SAFETY SWITCH Ventura, All Manual Trans	\$58.00	C
03983965	1975	NEUTRAL SAFETY SWITCH Ventura, All Manual Trans	\$58.00	M
03983965	1976	NEUTRAL SAFETY SWITCH Ventura, All Manual Trans	\$58.00	M
03983965	1977	NEUTRAL SAFETY SWITCH Ventura, All Manual Trans	\$58.00	M
03983965	1977	NEUTRAL SAFETY SWITCH Phoenix, All Manual Trans	\$58.00	N
03983965	1978	NEUTRAL SAFETY SWITCH Phoenix, All Manual Trans	\$58.00	N
03983965	1979	NEUTRAL SAFETY SWITCH Phoenix, All Manual Trans	\$58.00	N
NEUTRAL SAFETY SWITCH EXTENSION HARNESS				
39344	1969	NEUTRAL SAFETY SWITCH EXTENSION HARNESS Manual Trans, Dash To Clutch Switch	\$30.00	
39344	1970	NEUTRAL SAFETY SWITCH EXTENSION HARNESS Manual Trans, Dash To Clutch Switch	\$30.00	
39344	1971	NEUTRAL SAFETY SWITCH EXTENSION HARNESS Manual Trans, Dash To Clutch Switch	\$30.00	
15230	1971	NEUTRAL SAFETY SWITCH EXTENSION HARNESS Ventura, Manual Trans, Dash To Clutch Switch	\$25.00	
15230	1972	NEUTRAL SAFETY SWITCH EXTENSION HARNESS Ventura, Manual Trans, Dash To Clutch Switch	\$25.00	
15230	1973	NEUTRAL SAFETY SWITCH EXTENSION HARNESS Ventura, Manual Trans, Dash To Clutch Switch	\$25.00	
40831	1975	NEUTRAL SAFETY SWITCH EXTENSION HARNESS Manual Trans, Dash To Clutch Start Switch	\$34.00	
40831	1976	NEUTRAL SAFETY SWITCH EXTENSION HARNESS Manual Trans, Dash To Clutch Start Switch	\$34.00	
40831	1977	NEUTRAL SAFETY SWITCH EXTENSION HARNESS Manual Trans, Dash To Clutch Start Switch	\$34.00	

Part Number	Year	Description	Price	*Rev.
OIL PRESSURE SENDER EXTENSION				
40446	1961	OIL PRESSURE SENDER EXTENSION V/8, Engine Harness To Oil Pressure Sender	\$21.00	
40446	1962	OIL PRESSURE SENDER EXTENSION V/8, Engine Harness To Oil Pressure Sender	\$21.00	
OIL SENDING UNIT EXTENSION WIRE				
38418	1977	OIL SENDING UNIT EXTENSION WIRE Oil Pressure Sending Unit To Engine Harness	\$21.00	
PARK AND SIGNAL LAMP EXTENSION HARNESS				
40398	1971	PARK AND SIGNAL LAMP EXTENSION HARNESS Ventura, Forward Lamp Harness To Park & Turn Signal Lamp	\$48.00	
40398	1972	PARK AND SIGNAL LAMP EXTENSION HARNESS Ventura, Forward Lamp Harness To Park & Turn Signal Lamp	\$48.00	
40398	1973	PARK AND SIGNAL LAMP EXTENSION HARNESS Ventura, Forward Lamp Harness To Park & Turn Signal Lamp	\$48.00	
PARKING BRAKE EXTENSION WIRE				
40656	1973	PARKING BRAKE EXTENSION WIRE Dash Harness To Parking Brake Switch	\$15.00	
40651	1974	PARKING BRAKE EXTENSION WIRE Dash Harness To Parking Brake Switch	\$17.00	
40651	1975	PARKING BRAKE EXTENSION WIRE Dash Harness To Parking Brake Switch	\$17.00	
40651	1976	PARKING BRAKE EXTENSION WIRE Dash Harness To Parking Brake Switch	\$17.00	
PARKING BRAKE WARNING LAMP				
40742	1964	PARKING BRAKE WARNING LAMP Socket & Wire Assembly	\$30.00	
40739	1964	PARKING BRAKE WARNING LAMP HARNESS Switch To Flasher	\$17.00	
40741	1964	PARKING BRAKE WARNING LAMP Fuse Block To Switch	\$17.00	
40486	1965	PARKING BRAKE WARNING LAMP Socket & Wire Assembly	\$34.00	
40497	1966	PARKING BRAKE WARNING LAMP Socket & Wire Assembly	\$34.00	
PARKING BRAKE WARNING LAMP HARNESS				
15205	1971	PARKING BRAKE WARNING LAMP HARNESS Ventura, Dash Harness To Parking Brake Switch	\$13.00	
15205	1972	PARKING BRAKE WARNING LAMP HARNESS Ventura, Dash Harness To Parking Brake Switch	\$13.00	
PARKING LAMP GROUND WIRE				
40510	1968	PARKING LAMP GROUND WIRE Park Lamp To Ground	\$20.00	
13425	1969	PARKING LAMP GROUND WIRE Tempest & Le Mans, With Plastic Valance Panel	\$17.00	
POWER ACCESSORY FEED WIRE				
06530	1963	POWER ACCESSORY FEED WIRE Power Seat, Junction Block To Circuit Breaker	\$27.00	
40493	1963	POWER ACCESSORY FEED WIRE Circuit Breaker To Power Seat Harness	\$27.00	
06900	1964	POWER ACCESSORY FEED WIRE Circuit Breaker To Power Seat Harness	\$26.00	
05775	1965	POWER ACCESSORY FEED WIRE 6 Cylinder, Starter Solenoid To Circuit Breaker Note: 6 Cylinder Items Are Not Returnable.	\$26.00	
07700	1965	POWER ACCESSORY FEED WIRE Circuit Breaker To Power Seat Harness	\$26.00	
05775	1966	POWER ACCESSORY FEED WIRE 6 Cylinder, Starter Solenoid To Circuit Breaker Note: 6 Cylinder Items Are Not Returnable.	\$26.00	
07700	1966	POWER ACCESSORY FEED WIRE Circuit Breaker To Power Seat Harness	\$26.00	
05775	1967	POWER ACCESSORY FEED WIRE 6 Cylinder, Starter Solenoid To Circuit Breaker Note: 6 Cylinder Items Are Not Returnable.	\$26.00	
40744	1967	POWER ACCESSORY FEED WIRE Power Window, Circuit Breaker To Relay	\$26.00	
07700	1967	POWER ACCESSORY FEED WIRE Circuit Breaker To Power Seat Harness	\$26.00	
40529	1968	POWER ACCESSORY FEED WIRE Fuse Block To Power Top Or Window Harness	\$26.00	
14175	1968	POWER ACCESSORY FEED WIRE Power Feed To Power Seat Harness	\$17.00	
14325	1969	POWER ACCESSORY, IGNITION FEED WIRE Ignition Cavity On Fuse Block To Power Window Harness	\$17.00	
40168	1969	POWER ACCESSORY, BATTERY FEED WIRE Fuse Block To Power Window Or Seat Harness	\$27.00	
14175	1969	POWER ACCESSORY FEED WIRE Power Feed To Power Seat Harness	\$17.00	

Part Number	Year	Description	Price	*Rev.
14525	1970	POWER ACCESSORY FEED WIRE Fuse Block To Power Accessories Note: Used With Multiple Power Options, Windows Seats And/Or Top.	\$21.00	
14325	1970	POWER ACCESSORY, IGNITION FEED WIRE Ignition Cavity On Fuse Block To Power Window Harness	\$17.00	
14175	1970	POWER ACCESSORY FEED WIRE Power Feed To Power Seat Harness	\$17.00	
14525	1971	POWER ACCESSORY FEED WIRE Fuse Block To Power Accessories Note: Used With Multiple Power Options, Windows Seats And/Or Top.	\$21.00	
14175	1971	POWER ACCESSORY FEED WIRE Power Feed To Power Seat Harness	\$17.00	
14525	1972	POWER ACCESSORY FEED WIRE Fuse Block To Power Accessories Note: Used With Multiple Power Options, Windows Seats And/Or Top.	\$21.00	
14175	1972	POWER ACCESSORY FEED WIRE Power Feed To Power Seat Harness	\$17.00	
40776	1973	POWER ACCESSORY FEED WIRE Power Seat Adjuster To Ignition Feed Wire	\$21.00	
40768	1973	POWER ACCESSORY FEED WIRE Fuse Block To Power Seat Feed Wire	\$26.00	
35868	1974	POWER ACCESSORY FEED WIRE Dash To Power Windows & Tachometer	\$20.00	
40732	1974	POWER ACCESSORY FEED WIRE Ignition Feed Jumper To Power Seat Adjuster	\$26.00	
40776	1974	POWER ACCESSORY FEED WIRE Power Seat Adjuster To Ignition Feed Wire	\$21.00	
40768	1974	POWER ACCESSORY FEED WIRE Fuse Block To Power Seat Feed Wire	\$26.00	
35868	1975	POWER ACCESSORY FEED WIRE Dash To Power Windows & Tachometer	\$20.00	
40416	1975	POWER ACCESSORY FEED WIRE Ignition & Power Feed Jumper To Power Seat Adjuster	\$27.00	
40768	1975	POWER ACCESSORY FEED WIRE Fuse Block To Power Seat Feed Wire	\$26.00	
35868	1976	POWER ACCESSORY FEED WIRE Dash To Power Windows & Tachometer	\$20.00	
40423	1976	POWER ACCESSORY FEED WIRE Ignition & Power Feed Jumper To Power Seat Adjuster	\$27.00	
40768	1976	POWER ACCESSORY FEED WIRE Fuse Block To Power Seat Feed Wire	\$26.00	
35868	1977	POWER ACCESSORY FEED WIRE Dash To Power Windows & Tachometer	\$20.00	
40423	1977	POWER ACCESSORY FEED WIRE Ignition & Power Feed Jumper To Power Seat Adjuster	\$27.00	
40768	1977	POWER ACCESSORY FEED WIRE Fuse Block To Power Seat Feed Wire	\$26.00	
35868	1978	POWER ACCESSORY FEED WIRE Dash To Power Windows & Tachometer	\$20.00	
POWER ANTENNA HARNESS				
06800	1964	POWER ANTENNA HARNESS Rear Mounted Power Antenna, Except Convertible & Wagons, Antenna To Switch	\$46.00	
07675	1965	POWER ANTENNA HARNESS Rear Mounted Power Antenna, Antenna To Switch	\$43.00	
07675	1966	POWER ANTENNA HARNESS Rear Mounted Power Antenna, Antenna To Switch	\$43.00	
07675	1967	POWER ANTENNA HARNESS Rear Mounted Power Antenna, Antenna To Switch	\$43.00	
07675	1968	POWER ANTENNA HARNESS Rear Mounted Power Antenna, Antenna To Switch	\$43.00	
14395	1969	POWER ANTENNA HARNESS Rear Mounted Power Antenna, Antenna To Switch	\$49.00	
14395	1970	POWER ANTENNA HARNESS Rear Mounted Power Antenna, Antenna To Switch	\$49.00	
POWER DOOR LOCK HARNESS				
40560	1970	POWER DOOR LOCK HARNESS 4 Door, Driver Side Door And Under Dash Crossover	\$212.00	
40748	1970	POWER DOOR LOCK HARNESS Coupe, With Center Post, Driver Side Door And Under Dash Crossover Note: Customer Must Reuse Their Original Plastic Connector For Door Jamb Switch.	\$212.00	
40349	1970	POWER DOOR LOCK HARNESS Coupe, Without Center Post, & All Convertibles, Driver Side Door And Under Dash Crossover Note: Customer Must Reuse Their Original Plastic Connector For Door Jamb Switch.	\$221.00	
40561	1970	POWER DOOR LOCK HARNESS 4 Door, Passenger Side Door	\$180.00	
40749	1970	POWER DOOR LOCK HARNESS Coupe, With Center Post, Passenger Side Door Note: Customer Must Reuse Their Original Plastic Connector For Door Jamb Switch.	\$186.00	

Part Number	Year	Description	Price	*Rev.
40348	1970	POWER DOOR LOCK HARNESS Coupe, Without Center Post, & All Convertibles, Passenger Side Door Note: Customer Must Reuse Their Original Plastic Connector For Door Jamb Switch.	\$137.00	
40551	1970	POWER DOOR LOCK HARNESS 4 Door Hardtop, Rear Door Lock Solenoid To Intermediate Door Lock Harness, (2 Required Per Car)	\$60.00	
40552	1970	POWER DOOR LOCK HARNESS 4 Door Sedan, & Wagon, Rear Door Lock Solenoid To Intermediate Door Lock Harness, (2 Required Per Car)	\$60.00	
40561	1971	POWER DOOR LOCK HARNESS 4 Door, Passenger Side Door	\$180.00	
40560	1971	POWER DOOR LOCK HARNESS 4 Door, Driver Side Door And Under Dash Crossover	\$212.00	
40748	1971	POWER DOOR LOCK HARNESS Coupe, With Center Post, Driver Side Door And Under Dash Crossover Note: Customer Must Reuse Their Original Plastic Connector For Door Jamb Switch.	\$212.00	
40349	1971	POWER DOOR LOCK HARNESS Coupe, Without Center Post, & All Convertibles, Driver Side Door And Under Dash Crossover Note: Customer Must Reuse Their Original Plastic Connector For Door Jamb Switch.	\$221.00	
40749	1971	POWER DOOR LOCK HARNESS Coupe, With Center Post, Passenger Side Door Note: Customer Must Reuse Their Original Plastic Connector For Door Jamb Switch.	\$186.00	
40348	1971	POWER DOOR LOCK HARNESS Coupe, Without Center Post, & All Convertibles, Passenger Side Door Note: Customer Must Reuse Their Original Plastic Connector For Door Jamb Switch.	\$137.00	
40551	1971	POWER DOOR LOCK HARNESS 4 Door Hardtop, Rear Door Lock Solenoid To Intermediate Door Lock Harness, (2 Required Per Car)	\$60.00	
40552	1971	POWER DOOR LOCK HARNESS 4 Door Sedan, & Wagon, Rear Door Lock Solenoid To Intermediate Door Lock Harness, (2 Required Per Car)	\$60.00	
40560	1972	POWER DOOR LOCK HARNESS 4 Door, Driver Side Door And Under Dash Crossover	\$212.00	
40748	1972	POWER DOOR LOCK HARNESS 2 Door Sedan, Driver Side Door And Under Dash Crossover Note: Customer Must Reuse Their Original Plastic Connector For Door Jamb Switch.	\$212.00	
40349	1972	POWER DOOR LOCK HARNESS 2 Door Coupe, & Convertible, Driver Side Door And Under Dash Crossover Note: Customer Must Reuse Their Original Plastic Connector For Door Jamb Switch.	\$221.00	
40561	1972	POWER DOOR LOCK HARNESS 4 Door, Passenger Side Door	\$180.00	
40749	1972	POWER DOOR LOCK HARNESS 2 Door Sedan, Passenger Side Door Note: Customer Must Reuse Their Original Plastic Connector For Door Jamb Switch.	\$186.00	
40348	1972	POWER DOOR LOCK HARNESS 2 Door Coupe, & Convertible, Passenger Side Door Note: Customer Must Reuse Their Original Plastic Connector For Door Jamb Switch.	\$137.00	
40551	1972	POWER DOOR LOCK HARNESS 4 Door Hardtop, Rear Door Lock Solenoid To Intermediate Door Lock Harness, (2 Required Per Car)	\$60.00	
40552	1972	POWER DOOR LOCK HARNESS 4 Door Sedan, & Wagon, Rear Door Lock Solenoid To Intermediate Door Lock Harness, (2 Required Per Car)	\$60.00	
40779	1973	POWER DOOR LOCK HARNESS All, Without Power Windows, Under Dash Crossover	\$80.00	
40704	1973	POWER DOOR LOCK HARNESS All, 4 Door, With Switch Mounted In Arm Rest, Passenger Side Door	\$106.00	
40761	1973	POWER DOOR LOCK HARNESS All, 2 Door, With Switch Mounted On Trim Pad, Driver Or Passenger Side	\$106.00	
40762	1973	POWER DOOR LOCK HARNESS All, 4 Door, With Switch Mounted On Trim Pad, Driver Or Passenger Side	\$106.00	
40790	1973	POWER DOOR LOCK HARNESS All, 2 Door, With Switch Mounted In Arm Rest, Driver Or Passenger Side	\$106.00	
40764	1973	POWER DOOR LOCK HARNESS All, 4 Door, Driver Or Passenger Side Rear Door	\$60.00	
40715	1974	POWER DOOR LOCK HARNESS Center Crossover, Without Power Windows, (Includes Door Jamb Switch Wiring)	\$106.00	
40704	1974	POWER DOOR LOCK HARNESS All, 4 Door, With Switch Mounted In Arm Rest, Passenger Side Door	\$106.00	

Part Number	Year	Description	Price	*Rev.
40761	1974	POWER DOOR LOCK HARNESS All, 2 Door, With Switch Mounted On Trim Pad, Driver Or Passenger Side	\$106.00	
40762	1974	POWER DOOR LOCK HARNESS All, 4 Door, With Switch Mounted On Trim Pad, Driver Or Passenger Side	\$106.00	
40790	1974	POWER DOOR LOCK HARNESS All, 2 Door, With Switch Mounted In Arm Rest, Driver Or Passenger Side	\$106.00	
40764	1974	POWER DOOR LOCK HARNESS All, 4 Door, Driver Or Passenger Side Rear Door	\$60.00	
40715	1975	POWER DOOR LOCK HARNESS Center Crossover, Without Power Windows, (Includes Door Jamb Switch Wiring)	\$106.00	
40704	1975	POWER DOOR LOCK HARNESS All, 4 Door, With Switch Mounted In Arm Rest, Driver Or Passenger Side	\$106.00	
40761	1975	POWER DOOR LOCK HARNESS All, 2 Door, With Switch Mounted On Trim Pad, Driver Or Passenger Side	\$106.00	
40762	1975	POWER DOOR LOCK HARNESS All, 4 Door, With Switch Mounted On Trim Pad, Driver Or Passenger Side	\$106.00	
40790	1975	POWER DOOR LOCK HARNESS All, 2 Door, With Switch Mounted In Arm Rest, Driver Or Passenger Side	\$106.00	
40764	1975	POWER DOOR LOCK HARNESS All, 4 Door, Driver Or Passenger Side Rear Door	\$60.00	
40424	1976	POWER DOOR LOCK HARNESS Center Crossover, Without Power Windows, (Includes Door Jamb Switch Wiring)	\$106.00	
40409	1976	POWER DOOR LOCK HARNESS All, 2 Door, With Switch Mounted On Trim Pad, Driver Or Passenger Side	\$106.00	
40410	1976	POWER DOOR LOCK HARNESS All, 4 Door, With Switch Mounted On Trim Pad, Driver Or Passenger Side	\$106.00	
40411	1976	POWER DOOR LOCK HARNESS All, 2 Door, With Switch Mounted In Armrest, Driver Or Passenger Side	\$106.00	
40412	1976	POWER DOOR LOCK HARNESS All, 4 Door, Driver Or Passenger Side Rear Door	\$60.00	
40858	1977	POWER DOOR LOCK HARNESS Center Crossover, Without Power Windows, (Includes Door Jamb Switch Wiring)	\$106.00	
40859	1977	POWER DOOR LOCK HARNESS All, 2 Door, With Switch Mounted On Trim Pad, Driver Or Passenger Side	\$106.00	
40860	1977	POWER DOOR LOCK HARNESS All, 4 Door, With Switch Mounted On Trim Pad, Driver Or Passenger Side	\$106.00	
40861	1977	POWER DOOR LOCK HARNESS All, 4 Door, Driver Or Passenger Side Rear Door	\$60.00	
POWER DOOR LOCK INTERMEDIATE HARNESS				
40548	1970	POWER DOOR LOCK INTERMEDIATE HARNESS 4 Door Hardtop, Under Dash To Rear Door Lock Solenoid Harness, (2 Required Per Car)	\$101.00	
40747	1970	POWER DOOR LOCK INTERMEDIATE HARNESS 4 Door Sedan, & Wagon, Under Dash To Rear Door Lock Solenoid Harness, (2 Required Per Car)	\$87.00	
40548	1971	POWER DOOR LOCK INTERMEDIATE HARNESS 4 Door Hardtop, Passenger Side, Under Dash To Rear Door Lock Solenoid Harness	\$101.00	
40747	1971	POWER DOOR LOCK INTERMEDIATE HARNESS 4 Door Sedan, & Wagon, Passenger Side, Under Dash To Rear Door Lock Solenoid Harness	\$87.00	
40794	1971	POWER DOOR LOCK INTERMEDIATE HARNESS 4 Door Hardtop, Driver Side, Under Dash To Rear Door Lock Solenoid Harness	\$60.00	
40795	1971	POWER DOOR LOCK INTERMEDIATE HARNESS 4 Door Sedan, & Wagon, Driver Side, Under Dash To Rear Door Lock Solenoid Harness	\$60.00	
40548	1972	POWER DOOR LOCK INTERMEDIATE HARNESS 4 Door Hardtop, Passenger Side, Under Dash To Rear Door Lock Solenoid Harness	\$101.00	
40747	1972	POWER DOOR LOCK INTERMEDIATE HARNESS 4 Door Sedan, & Wagon, Passenger Side, Under Dash To Rear Door Lock Solenoid Harness	\$87.00	
40794	1972	POWER DOOR LOCK INTERMEDIATE HARNESS 4 Door Hardtop, Driver Side, Under Dash To Rear Door Lock Solenoid Harness	\$60.00	
40795	1972	POWER DOOR LOCK INTERMEDIATE HARNESS 4 Door Sedan, & Wagon, Driver Side, Under Dash To Rear Door Lock Solenoid Harness	\$60.00	

Part Number	Year	Description	Price	*Rev.
POWER DOOR LOCK RELAY AND ADAPTER HARNESS				
39440	1970	POWER DOOR LOCK RELAY AND ADAPTER HARNESS Includes New Standard Type Relay And Adapter To Mate To Factory Harness	\$40.00	
39440	1971	POWER DOOR LOCK RELAY AND ADAPTER HARNESS Includes New Standard Type Relay And Adapter To Mate To Factory Harness	\$40.00	
39440	1972	POWER DOOR LOCK RELAY AND ADAPTER HARNESS Includes New Standard Type Relay And Adapter To Mate To Factory Harness	\$40.00	
POWER DOOR LOCK SWITCH				
01725099	1976	POWER DOOR LOCK SWITCH 1 Button	\$62.00	
01725099	1976	POWER DOOR LOCK SWITCH Ventura, 1 Button	\$62.00	M
01725099	1977	POWER DOOR LOCK SWITCH Ventura, 1 Button	\$62.00	M
POWER SEAT BACK LOCK EXTENSION WIRE				
14510	1970	POWER SEAT BACK LOCK EXTENSION WIRE Coupe, With Center Post, (2 Required Per Car) Note: This Extension Connects Solenoid In Seat To Seat Back Lock Main Harness.	\$41.00	
40751	1970	POWER SEAT BACK LOCK EXTENSION WIRE Coupe & Convertibles, With Split Bench Seat, (2 Required Per Car) Note: This Extension Connects Solenoid In Seat To Seat Back Lock Main Harness.	\$41.00	
40752	1970	POWER SEAT BACK LOCK EXTENSION WIRE Coupe & Convertibles, With Bucket Seats, (2 Required Per Car) Note: This Extension Connects Solenoid In Seat To Seat Back Lock Main Harness.	\$41.00	
14510	1971	POWER SEAT BACK LOCK EXTENSION WIRE Coupe, With Center Post, (2 Required Per Car) Note: This Extension Connects Solenoid In Seat To Seat Back Lock Main Harness.	\$41.00	
40751	1971	POWER SEAT BACK LOCK EXTENSION WIRE Coupe & Convertibles, With Split Bench Seat, (2 Required Per Car) Note: This Extension Connects Solenoid In Seat To Seat Back Lock Main Harness.	\$41.00	
40752	1971	POWER SEAT BACK LOCK EXTENSION WIRE Coupe & Convertibles, With Bucket Seats, (2 Required Per Car) Note: This Extension Connects Solenoid In Seat To Seat Back Lock Main Harness.	\$41.00	
14510	1972	POWER SEAT BACK LOCK EXTENSION WIRE 2 Door Sedan, & Hardtop Coupe, With Bench Seat, (2 Required Per Car) Note: This Extension Connects Solenoid In Seat To Seat Back Lock Main Harness.	\$41.00	
40751	1972	POWER SEAT BACK LOCK EXTENSION WIRE Coupe & Convertibles, With Split Bench Seat, (2 Required Per Car) Note: This Extension Connects Solenoid In Seat To Seat Back Lock Main Harness.	\$41.00	
40752	1972	POWER SEAT BACK LOCK EXTENSION WIRE Coupe & Convertibles, With Bucket Seats, (2 Required Per Car) Note: This Extension Connects Solenoid In Seat To Seat Back Lock Main Harness.	\$41.00	
40721	1973	POWER SEAT BACK LOCK EXTENSION WIRE All, 2 Door, Under Dash To Seat Back Lock Harness In Seat (2 Required Per Car)	\$41.00	
POWER SEAT BACK LOCK HARNESS				
40750	1970	POWER SEAT BACK LOCK HARNESS Seat Back Lock Relay To Power Door Lock Harness	\$132.00	
40750	1971	POWER SEAT BACK LOCK HARNESS Seat Back Lock Relay To Power Door Lock Harness	\$132.00	
40750	1972	POWER SEAT BACK LOCK HARNESS Seat Back Lock Relay To Power Door Lock Harness	\$132.00	
40722	1973	POWER SEAT BACK LOCK HARNESS All, 2 Door, Under Dash Crossover Note: Customer Must Reuse Their Original Plastic Connector For Door Jamb Switch.	\$41.00	
40757	1973	POWER SEAT BACK LOCK HARNESS All, 2 Door, Seat Back Solenoid To Seat Back Lock Extension Harness, (2 Required Per Car)	\$41.00	
40722	1974	POWER SEAT BACK LOCK HARNESS All, 2 Door, Under Dash Crossover Note: Customer Must Reuse Their Original Plastic Connector For Door Jamb Switch.	\$41.00	
POWER SEAT BACK RELAY AND ADAPTER HARNESS				
39440	1970	POWER SEAT BACK RELAY AND ADAPTER HARNESS Includes New Standard Type Relay And Adapter To Mate To Factory Harness	\$40.00	

Part Number	Year	Description	Price	*Rev.
39440	1971	POWER SEAT BACK RELAY AND ADAPTER HARNESS Includes New Standard Type Relay And Adapter To Mate To Factory Harness	\$40.00	
39440	1972	POWER SEAT BACK RELAY AND ADAPTER HARNESS Includes New Standard Type Relay And Adapter To Mate To Factory Harness	\$40.00	
POWER SEAT GROUND WIRE				
07295	1965	POWER SEAT GROUND WIRE All	\$21.00	
07295	1966	POWER SEAT GROUND WIRE All	\$21.00	
07295	1967	POWER SEAT GROUND WIRE All	\$21.00	
07295	1968	POWER SEAT GROUND WIRE All	\$21.00	
07295	1969	POWER SEAT GROUND WIRE All	\$21.00	
07295	1970	POWER SEAT GROUND WIRE All	\$21.00	
07295	1971	POWER SEAT GROUND WIRE All	\$21.00	
07295	1972	POWER SEAT GROUND WIRE All	\$21.00	
07295	1973	POWER SEAT GROUND WIRE All	\$21.00	
POWER SEAT HARNESS				
37426	1963	POWER SEAT HARNESS 4 Way Bucket, Drivers Side Note: Customer Must Reuse Their Original Plastic Connector For Control Switch.	\$186.00	
06950	1964	POWER SEAT HARNESS 4 Way Bucket, Drivers Side Note: Customer Must Reuse Their Original Plastic Connector For Control Switch.	\$166.00	
06945	1964	POWER SEAT HARNESS 4 Way Bench Note: Customer Must Reuse Their Original Plastic Connector For Control Switch.	\$173.00	
07595	1965	POWER SEAT HARNESS 4-Way Bench Note: Customer Must Reuse Their Original Plastic Connector For Control Switch.	\$166.00	
07600	1965	POWER SEAT HARNESS 4 Way Bucket, Drivers Side Note: Customer Must Reuse Their Original Plastic Connector For Control Switch.	\$159.00	
07595	1966	POWER SEAT HARNESS 4-Way Bench Note: Customer Must Reuse Their Original Plastic Connector For Control Switch.	\$166.00	
07020	1966	POWER SEAT HARNESS 4 Way Bucket, Drivers Side Note: Customer Must Reuse Their Original Plastic Connector For Control Switch.	\$159.00	
32325	1967	POWER SEAT HARNESS 4-Way Bench Note: Customer Must Reuse Their Original Plastic Connector For Control Switch.	\$166.00	
07020	1967	POWER SEAT HARNESS 4 Way Bucket, Drivers Side Note: Customer Must Reuse Their Original Plastic Connector For Control Switch.	\$159.00	
32325	1968	POWER SEAT HARNESS 4-Way Bench Note: Customer Must Reuse Their Original Plastic Connector For Control Switch.	\$166.00	
07020	1968	POWER SEAT HARNESS 4 Way Bucket, Drivers Side Note: Customer Must Reuse Their Original Plastic Connector For Control Switch.	\$159.00	
07020	1969	POWER SEAT HARNESS 4 Way Bucket, Drivers Side Note: Customer Must Reuse Their Original Plastic Connector For Control Switch.	\$159.00	
14435	1969	POWER SEAT HARNESS 4-Way Bench Note: Customer Must Reuse Their Original Plastic Connector For Control Switch.	\$176.00	
07020	1970	POWER SEAT HARNESS 4 Way Bucket, Drivers Side Note: Customer Must Reuse Their Original Plastic Connector For Control Switch.	\$159.00	
14435	1970	POWER SEAT HARNESS 4-Way Bench Note: Customer Must Reuse Their Original Plastic Connector For Control Switch.	\$176.00	
07020	1971	POWER SEAT HARNESS 4 Way Bucket, Drivers Side Note: Customer Must Reuse Their Original Plastic Connector For Control Switch.	\$159.00	
14435	1971	POWER SEAT HARNESS 4-Way Bench Note: Customer Must Reuse Their Original Plastic Connector For Control Switch.	\$176.00	

Part Number	Year	Description	Price	*Rev.
07020	1972	POWER SEAT HARNESS 4 Way Bucket, Drivers Side Note: Customer Must Reuse Their Original Plastic Connector For Control Switch.	\$159.00	
14435	1972	POWER SEAT HARNESS 4-Way Bench Note: Customer Must Reuse Their Original Plastic Connector For Control Switch.	\$176.00	
40727	1973	POWER SEAT HARNESS All, With Bench Seat Note: Customer Must Reuse Their Original Plastic Connector For Control Switch.	\$190.00	
40793	1973	POWER SEAT HARNESS All, With Bucket Seat, Drivers Side Note: Customer Must Reuse Their Original Plastic Connector For Control Switch.	\$179.00	
40793	1974	POWER SEAT HARNESS All, With Bucket Seat, Drivers Side Note: Customer Must Reuse Their Original Plastic Connector For Control Switch.	\$179.00	
40727	1974	POWER SEAT HARNESS All, With Bench Seat Note: Customer Must Reuse Their Original Plastic Connector For Control Switch.	\$190.00	
40727	1975	POWER SEAT HARNESS All, With Bench Seat Note: Customer Must Reuse Their Original Plastic Connector For Control Switch.	\$190.00	
40793	1975	POWER SEAT HARNESS All, With Bucket Seat, Drivers Side Note: Customer Must Reuse Their Original Plastic Connector For Control Switch.	\$179.00	
40417	1976	POWER SEAT HARNESS All, With Bench Seat Note: Customer Must Reuse Their Original Plastic Connector For Control Switch.	\$173.00	
40418	1976	POWER SEAT HARNESS All, With Bucket Seat, Drivers Side Note: Customer Must Reuse Their Original Plastic Connector For Control Switch.	\$167.00	
40417	1977	POWER SEAT HARNESS All, With Bench Seat Note: Customer Must Reuse Their Original Plastic Connector For Control Switch.	\$173.00	
40418	1977	POWER SEAT HARNESS All, With Bucket Seat, Drivers Side Note: Customer Must Reuse Their Original Plastic Connector For Control Switch.	\$167.00	
POWER SEAT MOTOR RELAY AND ADAPTER HARNESS				
40146	1964	POWER SEAT MOTOR RELAY AND ADAPTER HARNESS Includes New Standard Type Relay And Adapter To Mate To Factory Harness	\$74.00	
40146	1965	POWER SEAT MOTOR RELAY AND ADAPTER HARNESS Includes New Standard Type Relay And Adapter To Mate To Factory Harness	\$74.00	
40146	1966	POWER SEAT MOTOR RELAY AND ADAPTER HARNESS Includes New Standard Type Relay And Adapter To Mate To Factory Harness	\$74.00	
40146	1967	POWER SEAT MOTOR RELAY AND ADAPTER HARNESS Includes New Standard Type Relay And Adapter To Mate To Factory Harness	\$74.00	
40146	1968	POWER SEAT MOTOR RELAY AND ADAPTER HARNESS Includes New Standard Type Relay And Adapter To Mate To Factory Harness	\$74.00	
40146	1969	POWER SEAT MOTOR RELAY AND ADAPTER HARNESS Includes New Standard Type Relay And Adapter To Mate To Factory Harness	\$74.00	
40146	1970	POWER SEAT MOTOR RELAY AND ADAPTER HARNESS Includes New Standard Type Relay And Adapter To Mate To Factory Harness	\$74.00	
40146	1971	POWER SEAT MOTOR RELAY AND ADAPTER HARNESS Includes New Standard Type Relay And Adapter To Mate To Factory Harness	\$74.00	
40146	1972	POWER SEAT MOTOR RELAY AND ADAPTER HARNESS Includes New Standard Type Relay And Adapter To Mate To Factory Harness	\$74.00	
40146	1973	POWER SEAT MOTOR RELAY AND ADAPTER HARNESS Includes New Standard Type Relay And Adapter To Mate To Factory Harness	\$74.00	
40146	1974	POWER SEAT MOTOR RELAY AND ADAPTER HARNESS Includes New Standard Type Relay And Adapter To Mate To Factory Harness, Except GTO	\$74.00	
40146	1975	POWER SEAT MOTOR RELAY AND ADAPTER HARNESS Includes New Standard Type Relay And Adapter To Mate To Factory Harness, Except GTO	\$74.00	
POWER TAILGATE RELAY AND ADAPTER HARNESS				
39440	1968	POWER TAILGATE RELAY AND ADAPTER HARNESS Includes New Standard Type Relay And Adapter To Mate To Factory Harness	\$40.00	

Part Number	Year	Description	Price	*Rev.
39440	1969	POWER TAILGATE RELAY AND ADAPTER HARNESS Includes New Standard Type Relay And Adapter To Mate To Factory Harness	\$40.00	
39440	1970	POWER TAILGATE RELAY AND ADAPTER HARNESS Includes New Standard Type Relay And Adapter To Mate To Factory Harness	\$40.00	
39440	1971	POWER TAILGATE RELAY AND ADAPTER HARNESS Includes New Standard Type Relay And Adapter To Mate To Factory Harness	\$40.00	
39440	1972	POWER TAILGATE RELAY AND ADAPTER HARNESS Includes New Standard Type Relay And Adapter To Mate To Factory Harness	\$40.00	
POWER TAILGATE WINDOW EXTENSION HARNESS				
40796	1970	POWER TAILGATE WINDOW EXTENSION HARNESS Tailgate Window Cutout Switch, To Tailgate Window Harness	\$40.00	
40796	1971	POWER TAILGATE WINDOW EXTENSION HARNESS Tailgate Window Cutout Switch, To Tailgate Window Harness	\$40.00	
40796	1972	POWER TAILGATE WINDOW EXTENSION HARNESS Tailgate Window Cutout Switch, To Tailgate Window Harness	\$40.00	
POWER TAILGATE WINDOW HARNESS				
37415	1961	POWER TAILGATE WINDOW HARNESS Safari 4 Door Wagon, Rear Section	\$52.00	
37415	1962	POWER TAILGATE WINDOW HARNESS Safari 4 Door Wagon, Rear Section	\$52.00	
37415	1963	POWER TAILGATE WINDOW HARNESS Safari 4 Door Wagon, Rear Section	\$52.00	
40531	1968	POWER TAILGATE WINDOW HARNESS Tempest Wagons, With Power Tailgate Window, Without Power Side Windows, Ignition Relay To Dash Switch	\$59.00	
40532	1968	POWER TAILGATE WINDOW HARNESS Tempest Wagons, With Power Tailgate Window & Power Side Windows, Ignition Relay To Dash Switch	\$66.00	
40534	1969	POWER TAILGATE WINDOW HARNESS Tempest Wagons, With Power Tailgate Window, Without Power Side Windows, Ignition Relay To Dash Switch	\$59.00	
40535	1969	POWER TAILGATE WINDOW HARNESS Tempest Wagons, With Power Tailgate Window & Power Side Windows, Ignition Relay To Dash Switch	\$66.00	
40556	1970	POWER TAILGATE WINDOW HARNESS Tempest Wagon, With Power Tailgate Window, Without Power Side Windows, Ignition Relay To Dash Switch	\$59.00	
40557	1970	POWER TAILGATE WINDOW HARNESS Tempest Wagon, With Power Tailgate Window & Power Side Windows, Ignition Relay To Dash Switch	\$66.00	
40557	1971	POWER TAILGATE WINDOW HARNESS Tempest Wagon, With Power Tailgate Window & Power Side Windows, Ignition Relay To Dash Switch	\$66.00	
40810	1971	POWER TAILGATE WINDOW HARNESS Tempest Wagon, With Power Tailgate Window, Without Power Side Windows, Ignition Relay To Dash Switch	\$59.00	
40557	1972	POWER TAILGATE WINDOW HARNESS Tempest Wagon, With Power Tailgate Window & Power Side Windows, Ignition Relay To Dash Switch	\$66.00	
40810	1972	POWER TAILGATE WINDOW HARNESS Tempest Wagon, With Power Tailgate Window, Without Power Side Windows, Ignition Relay To Dash Switch	\$59.00	
POWER TOP HARNESS				
14135	1968	POWER TOP HARNESS Hydraulic Top Motor To Switch	\$49.00	
14400	1969	POWER TOP HARNESS Tempest Custom, Hydraulic Motor	\$49.00	
POWER WINDOW HARNESS				
07200	1964	POWER WINDOW HARNESS 4 Door Sedan & Wagons, Driver Or Passenger Side Rear Door, (2 Required Per Car) Note: Customer Must Supply Their Original Rubber Boot	\$153.00	
06960	1964	POWER WINDOW HARNESS Driver Side Door	\$212.00	
06955	1964	POWER WINDOW HARNESS Passenger Side Door	\$147.00	
06990	1964	POWER WINDOW HARNESS Quarter Window, Coupe, (2 Required Per Car) Note: Customer Must Reuse Their Original Plastic 3 Terminal Connector That Attaches This Harness To Ribbon Cable.	\$87.00	
06995	1964	POWER WINDOW HARNESS Quarter Window, Convertible, (2 Required Per Car) Note: Customer Must Reuse Their Original Plastic 3 Terminal Connector That Attaches This Harness To Ribbon Cable.	\$87.00	

Part Number	Year	Description	Price	*Rev.
07630	1965	POWER WINDOW HARNESS Tempest Wagons & Sedans, Rear Doors, (2 Required Per Car) Note: Customer Must Supply Their Original Rubber Boot	\$153.00	
07610	1965	POWER WINDOW HARNESS Driver Side Door	\$219.00	
07605	1965	POWER WINDOW HARNESS Passenger Side Door	\$147.00	
07640	1965	POWER WINDOW HARNESS Quarter Window, Coupe, (2 Required Per Car) Note: Customer Must Reuse Their Original Plastic 3 Terminal Connector That Attaches This Harness To Ribbon Cable.	\$87.00	
07695	1965	POWER WINDOW HARNESS Quarter Window, Convertible, (2 Required Per Car) Note: Customer Must Reuse Their Original Plastic 3 Terminal Connector That Attaches This Harness To Ribbon Cable.	\$87.00	
32485	1966	POWER WINDOW HARNESS 4 Door Hardtop, Driver Side Rear Door Note: Customer Must Supply Their Original Rubber Boot	\$153.00	
07630	1966	POWER WINDOW HARNESS Tempest Wagons & Sedans, Rear Doors, (2 Required Per Car) Note: Customer Must Supply Their Original Rubber Boot	\$153.00	
32480	1966	POWER WINDOW HARNESS 4 Door Hardtop, Passenger Side Rear Door Note: Customer Must Supply Their Original Rubber Boot	\$153.00	
08260	1966	POWER WINDOW HARNESS Driver Side Door	\$212.00	
27310	1966	POWER WINDOW HARNESS Passenger Side Door	\$147.00	
07640	1966	POWER WINDOW HARNESS Quarter Window, Coupe, (2 Required Per Car) Note: Customer Must Reuse Their Original Plastic 3 Terminal Connector That Attaches This Harness To Ribbon Cable.	\$87.00	
07695	1966	POWER WINDOW HARNESS Quarter Window, Convertible, (2 Required Per Car) Note: Customer Must Reuse Their Original Plastic 3 Terminal Connector That Attaches This Harness To Ribbon Cable.	\$87.00	
07630	1967	POWER WINDOW HARNESS Tempest Wagons & Sedans, Rear Doors, (2 Required Per Car) Note: Customer Must Supply Their Original Rubber Boot	\$153.00	
32480	1967	POWER WINDOW HARNESS 4 Door Hardtop, Passenger Side Rear Door Note: Customer Must Supply Their Original Rubber Boot	\$153.00	
32485	1967	POWER WINDOW HARNESS 4 Door Hardtop, Driver Side Rear Door Note: Customer Must Supply Their Original Rubber Boot	\$153.00	
08260	1967	POWER WINDOW HARNESS Driver Side Door	\$212.00	
27310	1967	POWER WINDOW HARNESS Passenger Side Door	\$147.00	
07640	1967	POWER WINDOW HARNESS Quarter Window, Coupe, (2 Required Per Car) Note: Customer Must Reuse Their Original Plastic 3 Terminal Connector That Attaches This Harness To Ribbon Cable.	\$87.00	
07695	1967	POWER WINDOW HARNESS Quarter Window, Convertible, (2 Required Per Car) Note: Customer Must Reuse Their Original Plastic 3 Terminal Connector That Attaches This Harness To Ribbon Cable.	\$87.00	
40541	1968	POWER WINDOW HARNESS Rear Door, Tempest & Lemans 4 Door Hardtops, (2 Required Per Car) Note: Customer Must Supply Their Original Rubber Boot	\$153.00	
40542	1968	POWER WINDOW HARNESS Rear Door, Tempest Wagons & 4 Door Sedans, (2 Required Per Car) Note: Customer Must Supply Their Original Rubber Boot	\$153.00	
14170	1968	POWER WINDOW HARNESS Quarter Windows & Intermediate Body	\$186.00	
31135	1968	POWER WINDOW HARNESS Driver Side Door	\$219.00	
14165	1968	POWER WINDOW HARNESS Passenger Side Door	\$147.00	

Part Number	Year	Description	Price	*Rev.
14425	1969	POWER WINDOW HARNESS 4 Door, Driver Side Door And Under Dash Note: Not Available At This Time.	\$251.00	
37819	1969	POWER WINDOW HARNESS 4 Door, Passenger Side Door	\$153.00	
40541	1969	POWER WINDOW HARNESS Rear Door, Tempest & Lemans 4 Door Hardtops, (2 Required Per Car) Note: Customer Must Supply Their Original Rubber Boot	\$153.00	
40542	1969	POWER WINDOW HARNESS Rear Door, Tempest Wagons & 4 Door Sedans, (2 Required Per Car) Note: Customer Must Supply Their Original Rubber Boot	\$153.00	
39470	1969	POWER WINDOW HARNESS Driver Side Door And Under Dash Crossover	\$264.00	
37817	1969	POWER WINDOW HARNESS Passenger Side Door	\$147.00	
14405	1969	POWER WINDOW HARNESS Quarter Windows & Intermediate Body	\$186.00	
40554	1970	POWER WINDOW HARNESS 4 Door, Driver Side Door And Under Dash	\$251.00	
40555	1970	POWER WINDOW HARNESS 4 Door, Passenger Side Door	\$147.00	
40550	1970	POWER WINDOW HARNESS Rear Doors, 4 Door Hardtop, (2 Required Per Car) Note: Customer Must Supply Their Original Rubber Boot	\$147.00	
14445	1970	POWER WINDOW HARNESS Rear Doors, 4 Door Sedan, & Wagon, (2 Required Per Car) Note: Customer Must Supply Their Original Rubber Boot	\$147.00	
31140	1970	POWER WINDOW HARNESS Driver Side Door And Under Dash Crossover	\$264.00	
14470	1970	POWER WINDOW HARNESS Passenger Side Door	\$147.00	
14505	1970	POWER WINDOW HARNESS Quarter Windows & Intermediate Body	\$186.00	
40811	1971	POWER WINDOW HARNESS 4 Door, Driver Side Door And Under Dash Crossover	\$251.00	
40555	1971	POWER WINDOW HARNESS 4 Door, Passenger Side Door	\$147.00	
40801	1971	POWER WINDOW HARNESS Rear Doors, 4 Door Hardtop, (2 Required Per Car) Note: Customer Must Supply Their Original Rubber Boot	\$147.00	
40802	1971	POWER WINDOW HARNESS Rear Doors, 4 Door Sedan, & Wagon, (2 Required Per Car) Note: Customer Must Supply Their Original Rubber Boot	\$147.00	
31140	1971	POWER WINDOW HARNESS Driver Side Door And Under Dash Crossover	\$264.00	
14470	1971	POWER WINDOW HARNESS Passenger Side Door	\$147.00	
14505	1971	POWER WINDOW HARNESS Quarter Windows & Intermediate Body	\$186.00	
40811	1972	POWER WINDOW HARNESS 4 Door, Driver Side Door And Under Dash Crossover	\$251.00	
40555	1972	POWER WINDOW HARNESS 4 Door, Passenger Side Door	\$147.00	
40801	1972	POWER WINDOW HARNESS Rear Doors, 4 Door Hardtop, (2 Required Per Car) Note: Customer Must Supply Their Original Rubber Boot	\$147.00	
40802	1972	POWER WINDOW HARNESS Rear Doors, 4 Door Sedan, & Wagon, (2 Required Per Car) Note: Customer Must Supply Their Original Rubber Boot	\$147.00	
39471	1972	POWER WINDOW HARNESS Driver Side Door And Under Dash Crossover	\$264.00	
14470	1972	POWER WINDOW HARNESS Passenger Side Door	\$147.00	
14505	1972	POWER WINDOW HARNESS Quarter Windows & Intermediate Body	\$186.00	
40770	1973	POWER WINDOW HARNESS All 4 Door Cars, Without Power Door Locks, Under Dash Crossover	\$290.00	
40786	1973	POWER WINDOW HARNESS All 2 Door Cars, Without Power Door Locks, Under Dash Crossover	\$290.00	

Part Number	Year	Description	Price	*Rev.
40791	1973	POWER WINDOW HARNESS All 4 Door Cars, With Power Door Locks, Under Dash Crossover	\$290.00	
40792	1973	POWER WINDOW HARNESS All 2 Door Cars, With Power Door Locks, Under Dash Crossover	\$290.00	
40695	1973	POWER WINDOW HARNESS All, 4 Door Cars, With Switch Mounted In Arm Rest, Driver Side Door Note: Customer Must Supply Their Original Rubber Boot & Plastic Connector For The Window Switch.	\$251.00	
40771	1973	POWER WINDOW HARNESS All, 2 Door Cars, With Switch Mounted On Trim Pad, Driver Side Door Note: Customer Must Supply Their Original Rubber Boot.	\$251.00	
40772	1973	POWER WINDOW HARNESS All, 4 Door Cars, With Switch Mounted On Trim Pad, Driver Side Door Note: Customer Must Supply Their Original Rubber Boot.	\$251.00	
40788	1973	POWER WINDOW HARNESS All, 2 Door Cars, With Switch Mounted In Arm Rest, Driver Side Door Note: Customer Must Supply Their Original Rubber Boot.	\$251.00	
40703	1973	POWER WINDOW HARNESS All, 4 Door Cars, With Switch Mounted In Arm Rest, Passenger Side Door Note: Customer Must Supply Their Original Rubber Boot.	\$251.00	
40773	1973	POWER WINDOW HARNESS All, 2 Door Cars, With Switch Mounted On Trim Pad, Passenger Side Door Note: Customer Must Supply Their Original Rubber Boot.	\$251.00	
40774	1973	POWER WINDOW HARNESS All, 4 Door Cars, With Switch Mounted On Trim Pad, Passenger Side Door Note: Customer Must Supply Their Original Rubber Boot.	\$251.00	
40789	1973	POWER WINDOW HARNESS All, 2 Door Cars, With Switch Mounted In Arm Rest, Passenger Side Door Note: Customer Must Supply Their Original Rubber Boot.	\$251.00	
40775	1973	POWER WINDOW HARNESS All, 4 Door Cars, Driver Or Passenger Side Rear Door Note: Customer Must Supply Their Original Rubber Boot.	\$251.00	
40717	1974	POWER WINDOW HARNESS Center Crossover, With Power Door Locks, (Includes Door Jamb Switch Wiring)	\$290.00	
40718	1974	POWER WINDOW HARNESS Grand AM, 2 Door, Center Crossover, (Includes Door Jamb Switch Wiring)	\$290.00	
40719	1974	POWER WINDOW HARNESS Grand Am & Le Mans, 4 Door, Center Crossover, (Includes Door Jamb Switch Wiring)	\$290.00	
40695	1974	POWER WINDOW HARNESS All, 4 Door Cars, With Switch Mounted In Arm Rest, Driver Side Door Note: Customer Must Supply Their Original Rubber Boot & Plastic Connector For The Window Switch.	\$251.00	
40771	1974	POWER WINDOW HARNESS All, 2 Door Cars, With Switch Mounted On Trim Pad, Driver Side Door Note: Customer Must Supply Their Original Rubber Boot.	\$251.00	
40772	1974	POWER WINDOW HARNESS All, 4 Door Cars, With Switch Mounted On Trim Pad, Driver Side Door Note: Customer Must Supply Their Original Rubber Boot.	\$251.00	
40788	1974	POWER WINDOW HARNESS All, 2 Door Cars, With Switch Mounted In Arm Rest, Driver Side Door Note: Customer Must Supply Their Original Rubber Boot.	\$251.00	
40703	1974	POWER WINDOW HARNESS All, 4 Door Cars, With Switch Mounted In Arm Rest, Passenger Side Door Note: Customer Must Supply Their Original Rubber Boot.	\$251.00	
40773	1974	POWER WINDOW HARNESS All, 2 Door Cars, With Switch Mounted On Trim Pad, Passenger Side Door Note: Customer Must Supply Their Original Rubber Boot.	\$251.00	

Part Number	Year	Description	Price	*Rev.
40774	1974	POWER WINDOW HARNESS All, 4 Door Cars, With Switch Mounted On Trim Pad, Passenger Side Door Note: Customer Must Supply Their Original Rubber Boot.	\$251.00	
40789	1974	POWER WINDOW HARNESS All, 2 Door Cars, With Switch Mounted In Arm Rest, Passenger Side Door Note: Customer Must Supply Their Original Rubber Boot.	\$251.00	
40775	1974	POWER WINDOW HARNESS All, 4 Door Cars, Driver Or Passenger Side Rear Door Note: Customer Must Supply Their Original Rubber Boot.	\$251.00	
40717	1975	POWER WINDOW HARNESS Center Crossover, 4 Door, With Power Door Locks, (Includes Door Jamb Switch Wiring)	\$290.00	
40718	1975	POWER WINDOW HARNESS Grand Am & Le Mans, 2 Door, Center Crossover, (Includes Door Jamb Switch Wiring)	\$290.00	
40719	1975	POWER WINDOW HARNESS Grand Am & Le Mans, 4 Door, Center Crossover, (Includes Door Jamb Switch Wiring)	\$290.00	
40695	1975	POWER WINDOW HARNESS All, 4 Door Cars, With Switch Mounted In Arm Rest, Driver Side Door Note: Customer Must Supply Their Original Rubber Boot & Plastic Connector For The Window Switch.	\$251.00	
40771	1975	POWER WINDOW HARNESS All, 2 Door Cars, With Switch Mounted On Trim Pad, Driver Side Door Note: Customer Must Supply Their Original Rubber Boot.	\$251.00	
40772	1975	POWER WINDOW HARNESS All, 4 Door Cars, With Switch Mounted On Trim Pad, Driver Side Door Note: Customer Must Supply Their Original Rubber Boot.	\$251.00	
40788	1975	POWER WINDOW HARNESS All, 2 Door Cars, With Switch Mounted In Arm Rest, Driver Side Door Note: Customer Must Supply Their Original Rubber Boot.	\$251.00	
40774	1975	POWER WINDOW HARNESS All, 4 Door Cars, With Switch Mounted On Trim Pad, Passenger Side Door Note: Customer Must Supply Their Original Rubber Boot.	\$251.00	
40789	1975	POWER WINDOW HARNESS All, 2 Door Cars, With Switch Mounted In Arm Rest, Passenger Side Door Note: Customer Must Supply Their Original Rubber Boot.	\$251.00	
40775	1975	POWER WINDOW HARNESS All, 4 Door Cars, Driver Or Passenger Side Rear Door Note: Customer Must Supply Their Original Rubber Boot.	\$251.00	
40425	1976	POWER WINDOW HARNESS Le Mans, 2 Door, Center Crossover, With Power Door Locks, (Includes Door Jamb Switch Wiring)	\$290.00	
40426	1976	POWER WINDOW HARNESS Le Mans, 4 Door, Center Crossover, With Power Door Locks, (Includes Door Jamb Switch Wiring)	\$290.00	
40427	1976	POWER WINDOW HARNESS Le Mans, 2 Door, Center Crossover, Without Power Door Locks, (Includes Door Jamb Switch Wiring)	\$290.00	
40428	1976	POWER WINDOW HARNESS Le Mans, 4 Door, Center Crossover, Without Power Door Locks, (Includes Door Jamb Switch Wiring)	\$290.00	
40405	1976	POWER WINDOW HARNESS All, 2 Door Cars, With Switch Mounted On Trim Pad, Driver Side Door Note: Customer Must Supply Their Original Rubber Boot.	\$251.00	
40406	1976	POWER WINDOW HARNESS All, 4 Door Cars, With Switch Mounted On Trim Pad, Driver Side Door Note: Customer Must Supply Their Original Rubber Boot.	\$251.00	
40407	1976	POWER WINDOW HARNESS All, 2 Door Cars, With Switch Mounted In Arm Rest, Driver Side Door Note: Customer Must Supply Their Original Rubber Boot.	\$251.00	
40402	1976	POWER WINDOW HARNESS All, 2 Door Cars, With Switch Mounted On Trim Pad, Passenger Side Door Note: Customer Must Supply Their Original Rubber Boot.	\$251.00	

Part Number	Year	Description	Price	*Rev.
40403	1976	POWER WINDOW HARNESS All, 4 Door Cars, With Switch Mounted On Trim Pad, Passenger Side Door Note: Customer Must Supply Their Original Rubber Boot.	\$251.00	
40404	1976	POWER WINDOW HARNESS All, 2 Door Cars, With Switch Mounted In Arm Rest, Passenger Side Door Note: Customer Must Supply Their Original Rubber Boot.	\$251.00	
40408	1976	POWER WINDOW HARNESS All, 4 Door Cars, Driver Or Passenger Side Rear Door Note: Customer Must Supply Their Original Rubber Boot.	\$251.00	
40427	1977	POWER WINDOW HARNESS Le Mans, 2 Door, Center Crossover, Without Power Door Locks, (Includes Door Jamb Switch Wiring)	\$290.00	
40857	1977	POWER WINDOW HARNESS All, 2 Door, Center Crossover, With Power Door Locks, (Includes Door Jamb Switch Wiring) Note: Customer Must Supply Us Their Original Harness.	\$290.00	
40428	1977	POWER WINDOW HARNESS Le Mans, 4 Door, Center Crossover, Without Power Door Locks, (Includes Door Jamb Switch Wiring)	\$290.00	
40856	1977	POWER WINDOW HARNESS All, 4 Door, Center Crossover, With Power Door Locks, (Includes Door Jamb Switch Wiring) Note: Customer Must Supply Us Their Original Harness.	\$290.00	
40405	1977	POWER WINDOW HARNESS All, 2 Door Cars, With Switch Mounted On Trim Pad, Driver Side Door Note: Customer Must Supply Their Original Rubber Boot.	\$251.00	
40406	1977	POWER WINDOW HARNESS All, 4 Door Cars, With Switch Mounted On Trim Pad, Driver Side Door Note: Customer Must Supply Their Original Rubber Boot.	\$251.00	
40407	1977	POWER WINDOW HARNESS All, 2 Door Cars, With Switch Mounted In Arm Rest, Driver Side Door Note: Customer Must Supply Their Original Rubber Boot.	\$251.00	
40402	1977	POWER WINDOW HARNESS All, 2 Door Cars, With Switch Mounted On Trim Pad, Passenger Side Door Note: Customer Must Supply Their Original Rubber Boot.	\$251.00	
40403	1977	POWER WINDOW HARNESS All, 4 Door Cars, With Switch Mounted On Trim Pad, Passenger Side Door Note: Customer Must Supply Their Original Rubber Boot.	\$251.00	
40404	1977	POWER WINDOW HARNESS All, 2 Door Cars, With Switch Mounted In Arm Rest, Passenger Side Door Note: Customer Must Supply Their Original Rubber Boot.	\$251.00	
40408	1977	POWER WINDOW HARNESS All, 4 Door Cars, Driver Or Passenger Side Rear Door Note: Customer Must Supply Their Original Rubber Boot.	\$251.00	
POWER WINDOW INTERMEDIATE HARNESS				
06895	1964	POWER WINDOW INTERMEDIATE HARNESS Under Dash, Cross Over Only Note: Customer Must Reuse Their Original Plastic 6 Terminal Connector Note: Center Of Body Flat Ribbon Cable Not Available.	\$153.00	
07680	1965	POWER WINDOW INTERMEDIATE HARNESS Under Dash, Cross Over Only Note: Customer Must Reuse Their Original Plastic 6 Terminal Connector Note: Center Of Body Flat Ribbon Cable Not Available.	\$153.00	
07680	1966	POWER WINDOW INTERMEDIATE HARNESS Under Dash, Cross Over Only Note: Customer Must Reuse Their Original Plastic 6 Terminal Connector Note: Center Of Body Flat Ribbon Cable Not Available.	\$153.00	
08235	1967	POWER WINDOW INTERMEDIATE HARNESS Under Dash, Cross Over Only Note: Customer Must Reuse Their Original Plastic 6 Terminal Connector Note: Center Of Body Flat Ribbon Cable Not Available.	\$153.00	
40524	1968	POWER WINDOW INTERMEDIATE HARNESS Tempest Wagons & 4 Doors, Driver Side Front Door Harness To Harness In Rear Doors	\$153.00	

Part Number	Year	Description	Price	*Rev.
14410	1969	POWER WINDOW INTERMEDIATE HARNESS Tempest Wagons & 4 Doors, Driver Side Front Door Harness To Rear Door Harness	\$153.00	
40549	1970	POWER WINDOW INTERMEDIATE HARNESS 4 Door Hardtop, Driver Side Front Door Harness To Rear Door Harness	\$153.00	
14450	1970	POWER WINDOW INTERMEDIATE HARNESS 4 Door Sedan, & Wagons, Driver Side Front Door Harness To Rear Door Harness	\$153.00	
40549	1971	POWER WINDOW INTERMEDIATE HARNESS 4 Door Hardtop, Driver Side Front Door Harness To Rear Door Harness	\$153.00	
14450	1971	POWER WINDOW INTERMEDIATE HARNESS 4 Door Sedan, & Wagons, Driver Side Front Door Harness To Rear Door Harness	\$153.00	
40549	1972	POWER WINDOW INTERMEDIATE HARNESS 4 Door Hardtop, Driver Side Front Door Harness To Rear Door Harness	\$153.00	
14450	1972	POWER WINDOW INTERMEDIATE HARNESS 4 Door Sedan, & Wagons, Driver Side Front Door Harness To Rear Door Harness	\$153.00	
POWER WINDOW MOTOR ADAPTER HARNESS				
36954	1964	POWER WINDOW MOTOR ADAPTER HARNESS Adapts "T" Shaped Motor Connector To Side By Side Blade Type Motor Connector	\$22.00	C
36954	1961	POWER WINDOW MOTOR ADAPTER HARNESS Adapts "T" Shaped Motor Connector To Side By Side Blade Type Motor Connector	\$22.00	C
36954	1962	POWER WINDOW MOTOR ADAPTER HARNESS Adapts "T" Shaped Motor Connector To Side By Side Blade Type Motor Connector	\$22.00	C
36954	1963	POWER WINDOW MOTOR ADAPTER HARNESS Adapts "T" Shaped Motor Connector To Side By Side Blade Type Motor Connector	\$22.00	C
36954	1964	POWER WINDOW MOTOR ADAPTER HARNESS Adapts "T" Shaped Motor Connector To Side By Side Blade Type Motor Connector	\$22.00	C
36954	1965	POWER WINDOW MOTOR ADAPTER HARNESS Adapts "T" Shaped Motor Connector To Side By Side Blade Type Motor Connector	\$22.00	C
36954	1966	POWER WINDOW MOTOR ADAPTER HARNESS Adapts "T" Shaped Motor Connector To Side By Side Blade Type Motor Connector	\$22.00	C
36954	1967	POWER WINDOW MOTOR ADAPTER HARNESS Adapts "T" Shaped Motor Connector To Side By Side Blade Type Motor Connector	\$22.00	C
36954	1968	POWER WINDOW MOTOR ADAPTER HARNESS Adapts "T" Shaped Motor Connector To Side By Side Blade Type Motor Connector	\$22.00	C
36954	1969	POWER WINDOW MOTOR ADAPTER HARNESS Adapts "T" Shaped Motor Connector To Side By Side Blade Type Motor Connector	\$22.00	C
36954	1970	POWER WINDOW MOTOR ADAPTER HARNESS Adapts "T" Shaped Motor Connector To Side By Side Blade Type Motor Connector	\$22.00	C
36954	1971	POWER WINDOW MOTOR ADAPTER HARNESS Adapts "T" Shaped Motor Connector To Side By Side Blade Type Motor Connector	\$22.00	C
36954	1972	POWER WINDOW MOTOR ADAPTER HARNESS Adapts "T" Shaped Motor Connector To Side By Side Blade Type Motor Connector	\$22.00	C
36954	1973	POWER WINDOW MOTOR ADAPTER HARNESS Adapts "T" Shaped Motor Connector To Side By Side Blade Type Motor Connector	\$22.00	C
36954	1974	POWER WINDOW MOTOR ADAPTER HARNESS Adapts "T" Shaped Motor Connector To Side By Side Blade Type Motor Connector	\$22.00	C
36954	1975	POWER WINDOW MOTOR ADAPTER HARNESS Adapts "T" Shaped Motor Connector To Side By Side Blade Type Motor Connector	\$22.00	C
36954	1965	POWER WINDOW MOTOR ADAPTER HARNESS Adapts "T" Shaped Motor Connector To Side By Side Blade Type Motor Connector	\$22.00	C
36954	1966	POWER WINDOW MOTOR ADAPTER HARNESS Adapts "T" Shaped Motor Connector To Side By Side Blade Type Motor Connector	\$22.00	C
36954	1967	POWER WINDOW MOTOR ADAPTER HARNESS Adapts "T" Shaped Motor Connector To Side By Side Blade Type Motor Connector	\$22.00	C
36954	1968	POWER WINDOW MOTOR ADAPTER HARNESS Adapts "T" Shaped Motor Connector To Side By Side Blade Type Motor Connector	\$22.00	C

Part Number	Year	Description	Price	*Rev.
36954	1969	POWER WINDOW MOTOR ADAPTER HARNESS Adapts "T" Shaped Motor Connector To Side By Side Blade Type Motor Connector	\$22.00	C
36954	1970	POWER WINDOW MOTOR ADAPTER HARNESS Adapts "T" Shaped Motor Connector To Side By Side Blade Type Motor Connector	\$22.00	C
36954	1971	POWER WINDOW MOTOR ADAPTER HARNESS Adapts "T" Shaped Motor Connector To Side By Side Blade Type Motor Connector	\$22.00	C
36954	1972	POWER WINDOW MOTOR ADAPTER HARNESS Adapts "T" Shaped Motor Connector To Side By Side Blade Type Motor Connector	\$22.00	C
36954	1973	POWER WINDOW MOTOR ADAPTER HARNESS Adapts "T" Shaped Motor Connector To Side By Side Blade Type Motor Connector	\$22.00	C
36954	1974	POWER WINDOW MOTOR ADAPTER HARNESS Adapts "T" Shaped Motor Connector To Side By Side Blade Type Motor Connector	\$22.00	C
36954	1975	POWER WINDOW MOTOR ADAPTER HARNESS Adapts "T" Shaped Motor Connector To Side By Side Blade Type Motor Connector	\$22.00	C
POWER WINDOW MOTOR EXTENSION				
07170	1964	POWER WINDOW MOTOR EXTENSION Coupe, Quarter Window Harness To Motor, (2 Required Per Car)	\$25.00	
07005	1964	POWER WINDOW MOTOR EXTENSION Convertible, Quarter Window Harness To Motor, (2 Required Per Car)	\$32.00	
07655	1965	POWER WINDOW MOTOR EXTENSION Coupe, Quarter Window Harness To Motor, (2 Required Per Car)	\$25.00	
07660	1965	POWER WINDOW MOTOR EXTENSION Convertible, Quarter Window Harness To Motor, (2 Required Per Car)	\$25.00	
07655	1966	POWER WINDOW MOTOR EXTENSION Coupe, Quarter Window Harness To Motor, (2 Required Per Car)	\$25.00	
07660	1966	POWER WINDOW MOTOR EXTENSION Convertible, Quarter Window Harness To Motor, (2 Required Per Car)	\$25.00	
07655	1967	POWER WINDOW MOTOR EXTENSION Coupe, Quarter Window Harness To Motor, (2 Required Per Car)	\$25.00	
07660	1967	POWER WINDOW MOTOR EXTENSION Convertible, Quarter Window Harness To Motor, (2 Required Per Car)	\$25.00	
POWER WINDOW RELAY AND ADAPTER HARNESS				
39440	1968	POWER WINDOW RELAY AND ADAPTER HARNESS Includes New Standard Type Relay And Adapter To Mate To Factory Harness	\$40.00	
39440	1969	POWER WINDOW RELAY AND ADAPTER HARNESS Includes New Standard Type Relay And Adapter To Mate To Factory Harness	\$40.00	
39440	1970	POWER WINDOW RELAY AND ADAPTER HARNESS Includes New Standard Type Relay And Adapter To Mate To Factory Harness	\$40.00	
39440	1971	POWER WINDOW RELAY AND ADAPTER HARNESS Includes New Standard Type Relay And Adapter To Mate To Factory Harness	\$40.00	
POWER WINDOW SWITCH				
04432790	1964	POWER WINDOW SWITCH 1 Button, Round Corner Style, Chrome Note: Includes Door Panel Retainer & Escutcheon.	\$49.00	
04432791	1964	POWER WINDOW SWITCH 4 Button, Round Corner Style, Chrome Note: Includes Door Panel Retainer & Escutcheon.	\$67.00	
04432790	1965	POWER WINDOW SWITCH 1 Button, Round Corner Style, Chrome Note: Includes Door Panel Retainer & Escutcheon.	\$49.00	
04432791	1965	POWER WINDOW SWITCH 4 Button, Round Corner Style, Chrome Note: Includes Door Panel Retainer & Escutcheon.	\$67.00	
04432790	1966	POWER WINDOW SWITCH 1 Button, Round Corner Style, Chrome Note: Includes Door Panel Retainer & Escutcheon.	\$49.00	
04432791	1966	POWER WINDOW SWITCH 4 Button, Round Corner Style, Chrome Note: Includes Door Panel Retainer & Escutcheon.	\$67.00	
04432790	1967	POWER WINDOW SWITCH 1 Button, Round Corner Style, Chrome Note: Includes Door Panel Retainer & Escutcheon.	\$49.00	

Part Number	Year	Description	Price	*Rev.
04432791	1967	POWER WINDOW SWITCH 4 Button, Round Corner Style, Chrome Note: Includes Door Panel Retainer & Escutcheon.	\$67.00	
04432790	1968	POWER WINDOW SWITCH 1 Button, Round Corner Style, Chrome Note: Includes Door Panel Retainer & Escutcheon.	\$49.00	
04432791	1968	POWER WINDOW SWITCH 4 Button, Round Corner Style, Chrome Note: Includes Door Panel Retainer & Escutcheon.	\$67.00	
04432790	1969	POWER WINDOW SWITCH 1 Button, Round Corner Style, Chrome Note: Includes Door Panel Retainer & Escutcheon.	\$49.00	
04432791	1969	POWER WINDOW SWITCH 4 Button, Round Corner Style, Chrome Note: Includes Door Panel Retainer & Escutcheon.	\$67.00	
04432790	1970	POWER WINDOW SWITCH 1 Button, Round Corner Style, Chrome Note: Includes Door Panel Retainer & Escutcheon.	\$49.00	
04432791	1970	POWER WINDOW SWITCH 4 Button, Round Corner Style, Chrome Note: Includes Door Panel Retainer & Escutcheon.	\$67.00	
01725094	1976	POWER WINDOW SWITCH 1 Button, Square Corner Style, Chrome	\$21.00	M
01725094	1976	POWER WINDOW SWITCH Ventura, 1 Button, Square Corner Style, Chrome	\$21.00	M
01731231	1976	POWER WINDOW SWITCH 4 Button, Square Corner Style, Chrome	\$75.00	M
01731231	1976	POWER WINDOW SWITCH Ventura, 4 Button, Square Corner Style, Chrome	\$75.00	M
01725092	1976	POWER WINDOW SWITCH Lemans, 2 Button, Square Corner Style, Chrome	\$53.00	M
01725092	1976	POWER WINDOW SWITCH Ventura, 2 Button, Square Corner Style, Chrome	\$53.00	M
01725094	1977	POWER WINDOW SWITCH 1 Button, Square Corner Style, Chrome	\$21.00	M
01725094	1977	POWER WINDOW SWITCH Ventura, 1 Button, Square Corner Style, Chrome	\$21.00	M
01731231	1977	POWER WINDOW SWITCH Ventura, 4 Button, Square Corner Style, Chrome	\$75.00	M
01725092	1977	POWER WINDOW SWITCH Lemans, 2 Button, Square Corner Style, Chrome	\$53.00	M
01725092	1977	POWER WINDOW SWITCH Ventura, 2 Button, Square Corner Style, Chrome	\$53.00	M
01725094	1978	POWER WINDOW SWITCH 1 Button, Square Corner Style, Chrome	\$21.00	M
01725094	1978	POWER WINDOW SWITCH Ventura, 1 Button, Square Corner Style, Chrome	\$21.00	M
01731231	1978	POWER WINDOW SWITCH Ventura, 4 Button, Square Corner Style, Chrome	\$75.00	M
01725092	1978	POWER WINDOW SWITCH Lemans, 2 Button, Square Corner Style, Chrome	\$53.00	M
01725092	1978	POWER WINDOW SWITCH Ventura, 2 Button, Square Corner Style, Chrome	\$53.00	M
01731231	1979	POWER WINDOW SWITCH Ventura, 4 Button, Square Corner Style, Chrome	\$75.00	M
01725092	1979	POWER WINDOW SWITCH Ventura, 2 Button, Square Corner Style, Chrome	\$53.00	M
RADIO AND SPEAKER HARNESS				
13285	1969	RADIO AND SPEAKER HARNESS Rear Seat Speaker, Fader Control To Radio	\$66.00	
RADIO HARNESS				
40571	1970	RADIO HARNESS Stereo Tape Player Jumper, Radio To Tape Player	\$48.00	
40571	1971	RADIO HARNESS Stereo Tape Player Jumper, Radio To Tape Player	\$48.00	
RADIO LAMP WIRE				
40471	1963	RADIO LAMP WIRE All	\$27.00	
04620	1964	RADIO LAMP WIRE All	\$20.00	
04620	1965	RADIO LAMP WIRE All	\$20.00	
09615	1966	RADIO LAMP WIRE With AM	\$20.00	
09565	1966	RADIO LAMP WIRE With AM/FM	\$20.00	
09615	1967	RADIO LAMP WIRE With AM	\$20.00	
09565	1967	RADIO LAMP WIRE With AM/FM	\$20.00	
RADIO NOISE SUPPRESSION JUMPER HARNESS				
40660	1974	RADIO NOISE SUPPRESSION JUMPER HARNESS With A/C	\$53.00	

Part Number	Year	Description	Price	*Rev.
40660	1975	RADIO NOISE SUPPRESSION JUMPER HARNESS With A/C	\$53.00	
RALLY GAUGE ADAPTER HARNESS				
06230	1965	RALLY GAUGE ADAPTER HARNESS 6 Cylinder Note: 6 Cylinder Items Are Not Returnable.	\$180.00	
06235	1965	RALLY GAUGE ADAPTER HARNESS V/8	\$166.00	
RALLY GAUGE TEMPERATURE EXTENSION HARNESS				
15585	1970	RALLY GAUGE TEMPERATURE EXTENSION HARNESS From Engine Harness To Both Sending Units Note: With Rally Gauge Only.	\$25.00	
15585	1971	RALLY GAUGE TEMPERATURE EXTENSION HARNESS From Engine Harness To Both Sending Units. *Not Used With Ram Air Engine Harness Note: With Rally Gauge Only.	\$25.00	
15585	1972	RALLY GAUGE TEMPERATURE EXTENSION HARNESS From Engine Harness To Both Sending Units Note: With Rally Gauge Only.	\$25.00	
RAM AIR HOOD SCOOP HARNESS				
17255	1973	RAM AIR HOOD SCOOP HARNESS Vacuum Switch To Air Scoop Solenoid	\$34.00	
40676	1974	RAM AIR HOOD SCOOP HARNESS Vacuum Switch To Air Scoop Solenoid	\$40.00	
REAR LAMP EXTENSION HARNESS				
40483	1964	REAR LAMP EXTENSION HARNESS Safari 4 Door Wagon, Rear Lamp Harness To Backup Lamps, (Field Installed Only)	\$46.00	
04400	1964	REAR LAMP EXTENSION HARNESS Rear Lamp Harness To Backup Lamps, Except Wagon, (Field Installed Only)	\$33.00	
40483	1965	REAR LAMP EXTENSION HARNESS Safari 4 Door Wagon, Rear Lamp Harness To Backup Lamps, (Field Installed Only)	\$46.00	
REAR LAMP HARNESS				
32220	1961	REAR LAMP HARNESS Coupe & Sedan	\$186.00	
32225	1961	REAR LAMP HARNESS Safari 4 Door Wagon	\$239.00	
32205	1961	REAR LAMP INTERMEDIATE HARNESS Coupe & Sedan, Without Front Door Courtesy Lamp Switches	\$186.00	
32210	1961	REAR LAMP INTERMEDIATE HARNESS Coupe & Sedan, With Front Door Courtesy Lamp Switches	\$186.00	
32215	1961	REAR LAMP INTERMEDIATE HARNESS Safari 4 Door Wagon, With Front Door Courtesy Lamp Switches	\$239.00	
32200	1961	REAR LAMP INTERMEDIATE HARNESS Safari 4 Door Wagon, Without Front Door Courtesy Lamp Switches	\$239.00	
32225	1962	REAR LAMP HARNESS Safari 4 Door Wagon	\$239.00	
32350	1962	REAR LAMP HARNESS Tempest, Except Wagon	\$186.00	
32205	1962	REAR LAMP INTERMEDIATE HARNESS Coupe & Sedan, Without Front Door Courtesy Lamp Switches	\$186.00	
32210	1962	REAR LAMP INTERMEDIATE HARNESS Coupe & Sedan, With Front Door Courtesy Lamp Switches	\$186.00	
32200	1962	REAR LAMP INTERMEDIATE HARNESS Safari 4 Door Wagon, Without Front Door Courtesy Lamp Switches	\$239.00	
32195	1962	REAR LAMP INTERMEDIATE HARNESS Convertible, Without Power Top	\$239.00	
32710	1962	REAR LAMP INTERMEDIATE HARNESS Convertible, With Power Top	\$279.00	
32345	1963	REAR LAMP HARNESS Tempest, All Except Wagon	\$212.00	
32355	1963	REAR LAMP HARNESS Le Mans	\$212.00	
32440	1963	REAR LAMP HARNESS Safari 4 Door Wagon	\$239.00	
32450	1963	REAR LAMP INTERMEDIATE HARNESS Coupe, Sedan, Tempest & Le Mans	\$212.00	
32360	1963	REAR LAMP INTERMEDIATE HARNESS Convertible, Tempest & Le Mans	\$239.00	
34175	1963	REAR LAMP INTERMEDIATE HARNESS Safari 4 Door Wagon	\$239.00	
31240	1964	REAR LAMP HARNESS Safari 4 Door Wagon, Rear Section, With Backup Lamps, Except Power Tailgate Window	\$239.00	

Part Number	Year	Description	Price	*Rev.
31245	1964	REAR LAMP HARNESS Safari 4 Door Wagon, Rear Section, With Backup Lamps & Power Tailgate Window Note: Customer Must Supply Their Original Rubber Boot	\$259.00	
31345	1964	REAR LAMP HARNESS Safari 4 Door Wagon, Rear Section, With Power Tailgate Window, Except Backup Lamps Note: Customer Must Supply Their Original Rubber Boot	\$239.00	
17315	1964	REAR LAMP HARNESS Convertible, Le Mans & GTO, Includes Backup Lamp Extension Wiring	\$233.00	
17320	1964	REAR LAMP HARNESS Convertible, Tempest & Tempest Custom, Includes Backup Lamp Extension Wiring	\$219.00	
13945	1964	REAR LAMP HARNESS Coupe, Le Mans & GTO, Includes Backup Lamp Extension Wiring	\$212.00	
17310	1964	REAR LAMP HARNESS Coupe, Tempest & Tempest Custom, Includes Backup Lamp Extension Wiring	\$193.00	
31220	1964	REAR LAMP HARNESS Safari 4 Door Wagon, Rear Section, Without Backup Lamps Or Power Tailgate Window	\$212.00	
31360	1965	REAR LAMP HARNESS Safari 4 Door Wagon, With Power Tailgate Window Note: Customer Must Supply Their Original Rubber Boot, & Plastic Connector For Power Window Switch	\$286.00	
07850	1965	REAR LAMP HARNESS Safari 4 Door Wagon, Without Power Tailgate Window	\$239.00	
07570	1965	REAR LAMP HARNESS Convertible, Tempest, Le Mans & GTO	\$226.00	
07565	1965	REAR LAMP HARNESS Convertible, Tempest Custom	\$219.00	
07560	1965	REAR LAMP HARNESS Coupe & Sedan, All	\$193.00	
08245	1966	REAR LAMP HARNESS Tempest Wagons, Without Power Tailgate Window	\$226.00	
08250	1966	REAR LAMP HARNESS Tempest Wagons, With Power Tailgate Window Note: Customer Must Supply Their Original Rubber Boot	\$245.00	
08280	1966	REAR LAMP HARNESS Convertible, GTO	\$226.00	
08285	1966	REAR LAMP HARNESS Convertible, Tempest & Le Mans	\$226.00	
08270	1966	REAR LAMP HARNESS Convertible, Tempest Custom	\$226.00	
08275	1966	REAR LAMP HARNESS Coupe, GTO	\$212.00	
08265	1966	REAR LAMP HARNESS Coupe, Tempest, Tempest Custom & Le Mans	\$212.00	
07025	1967	REAR LAMP HARNESS Tempest Wagons, Without Power Tailgate Window	\$226.00	
07030	1967	REAR LAMP HARNESS Tempest Wagons, With Power Tailgate Window Note: Customer Must Supply Their Original Rubber Boot	\$245.00	
14055	1967	REAR LAMP HARNESS Convertible, GTO	\$239.00	
13890	1967	REAR LAMP HARNESS Convertible, Tempest & Le Mans	\$239.00	
13885	1967	REAR LAMP HARNESS Convertible, Tempest Custom	\$239.00	
14050	1967	REAR LAMP HARNESS Coupe, GTO	\$212.00	
13880	1967	REAR LAMP HARNESS Coupe, Tempest, Tempest Custom & Le Mans	\$212.00	
40527	1968	REAR LAMP HARNESS Tempest Wagons, Without Power Tailgate Window	\$226.00	
40528	1968	REAR LAMP HARNESS Tempest Wagons, With Power Tailgate Window Note: Customer Must Supply Their Original Rubber Boot	\$245.00	
14140	1968	REAR LAMP HARNESS Convertible, Tempest, Le Mans & GTO With Power Top	\$346.00	
14130	1968	REAR LAMP HARNESS Convertible, Tempest Custom	\$304.00	
14125	1968	REAR LAMP HARNESS Coupe, All 2 Door	\$265.00	
14145	1968	REAR LAMP HARNESS Tempest, Lemans 4 Door Sedan & Hardtop	\$305.00	
40521	1968	REAR LAMP INTERMEDIATE HARNESS Tempest Wagons, Without Power Tailgate Window	\$226.00	

Part Number	Year	Description	Price	*Rev.
40522	1968	REAR LAMP INTERMEDIATE HARNESS Tempest Wagons, With Power Tailgate Window	\$226.00	
40533	1969	REAR LAMP HARNESS Tempest, 2 Seat Wagon, Without Power Tailgate Window	\$226.00	
40537	1969	REAR LAMP HARNESS Tempest, 3 Seat Wagon, Without Power Tailgate Window	\$226.00	
40562	1969	REAR LAMP HARNESS Tempest, 3 Seat Wagon, With Power Tailgate Window Note: Customer Must Supply Their Original Rubber Boot.	\$245.00	
40746	1969	REAR LAMP HARNESS Tempest, 2 Seat Wagon, With Power Tailgate Window Note: Customer Must Supply Their Original Rubber Boot.	\$245.00	
14285	1969	REAR LAMP HARNESS Convertible, GTO	\$359.00	
14250	1969	REAR LAMP HARNESS Convertible, Tempest & Le Mans	\$359.00	
14245	1969	REAR LAMP HARNESS Convertible, Tempest Custom	\$359.00	
14280	1969	REAR LAMP HARNESS Coupe, GTO	\$291.00	
14235	1969	REAR LAMP HARNESS Coupe, Tempest & Le Mans 2 Door	\$291.00	
14240	1969	REAR LAMP HARNESS Tempest, Lemans 4 Door Sedan & Hardtop	\$344.00	
40538	1969	REAR LAMP INTERMEDIATE HARNESS Tempest Wagons, Without Power Tailgate Window	\$226.00	
40539	1969	REAR LAMP INTERMEDIATE HARNESS Tempest Wagons, With Power Tailgate Window	\$245.00	
40755	1970	REAR LAMP HARNESS Rear, Wagon With Power Tailgate Window Note: Customer Must Supply Their Original Rubber Boot.	\$245.00	
40756	1970	REAR LAMP HARNESS Rear, Wagon Without Power Tailgate Window Note: Customer Must Supply Their Original Rubber Boot.	\$226.00	
13685	1970	REAR LAMP HARNESS Trunk, With Lamp Monitor, Set Of 2	\$344.00	
13680	1970	REAR LAMP HARNESS Trunk, Without Lamp Monitor, Set Of 2	\$265.00	
40753	1970	REAR LAMP INTERMEDIATE HARNESS Wagon, Without Power Tailgate Window	\$226.00	
40754	1970	REAR LAMP INTERMEDIATE HARNESS Wagon, With Power Tailgate Window	\$245.00	
17335	1970	REAR LAMP INTERMEDIATE HARNESS Convertible	\$304.00	
17340	1970	REAR LAMP INTERMEDIATE HARNESS Coupe	\$239.00	
40756	1971	REAR LAMP HARNESS Rear, Wagon Without Power Tailgate Window Note: Customer Must Supply Their Original Rubber Boot.	\$226.00	
40797	1971	REAR LAMP HARNESS Rear, Wagon With Power Tailgate Window Note: Customer Must Supply Their Original Rubber Boot.	\$245.00	
13680	1971	REAR LAMP HARNESS Trunk, Without Lamp Monitor, Set Of 2	\$265.00	
40753	1971	REAR LAMP INTERMEDIATE HARNESS Wagon, Without Power Tailgate Window	\$226.00	
40754	1971	REAR LAMP INTERMEDIATE HARNESS Wagon, With Power Tailgate Window	\$245.00	
17335	1971	REAR LAMP INTERMEDIATE HARNESS Convertible	\$304.00	
17340	1971	REAR LAMP INTERMEDIATE HARNESS Coupe	\$239.00	
40803	1971	REAR LAMP HARNESS Ventura	\$236.00	
40804	1971	REAR LAMP INTERMEDIATE HARNESS Ventura, Without Under Dash Courtesy Lamps	\$202.00	
40805	1971	REAR LAMP INTERMEDIATE HARNESS Ventura, With Under Dash Courtesy Lamps	\$279.00	
40756	1972	REAR LAMP HARNESS Rear, Wagon Without Power Tailgate Window Note: Customer Must Supply Their Original Rubber Boot.	\$226.00	
40797	1972	REAR LAMP HARNESS Rear, Wagon With Power Tailgate Window Note: Customer Must Supply Their Original Rubber Boot.	\$245.00	
13680	1972	REAR LAMP HARNESS Trunk, Without Lamp Monitor, Set Of 2	\$265.00	
40753	1972	REAR LAMP INTERMEDIATE HARNESS Wagon, Without Power Tailgate Window & Seat Belt Warning	\$226.00	
40754	1972	REAR LAMP INTERMEDIATE HARNESS Wagon, With Power Tailgate Window, Without Seat Belt Warning	\$245.00	
40806	1972	REAR LAMP INTERMEDIATE HARNESS Wagon, Without Power Tailgate Window, With Seat Belt Warning	\$239.00	
40807	1972	REAR LAMP INTERMEDIATE HARNESS Wagon, With Power Tailgate Window & Seat Belt Warning	\$291.00	

Part Number	Year	Description	Price	*Rev.
17335	1972	REAR LAMP INTERMEDIATE HARNESS Convertible, Without Seat Belt Warning	\$304.00	
17340	1972	REAR LAMP INTERMEDIATE HARNESS Coupe, Without Seat Belt Warning	\$239.00	
17350	1972	REAR LAMP INTERMEDIATE HARNESS Convertible, With Seat Belt Warning	\$332.00	
17345	1972	REAR LAMP INTERMEDIATE HARNESS Coupe, With Seat Belt Warning	\$305.00	
40803	1972	REAR LAMP HARNESS Ventura	\$236.00	
40694	1972	REAR LAMP INTERMEDIATE HARNESS Ventura, With Seat Belt Warning	\$233.00	
40804	1972	REAR LAMP INTERMEDIATE HARNESS Ventura, Without Seat Belt Warning	\$202.00	
40805	1972	REAR LAMP INTERMEDIATE HARNESS Ventura, With Under Dash Courtesy Lamps, Except Seat Belt Warning	\$279.00	
40808	1972	REAR LAMP INTERMEDIATE HARNESS Ventura, With Under Dash Courtesy Lamps & Seat Belt Warning	\$279.00	
40630	1973	REAR LAMP HARNESS Wagon, Rear, Tail Lamps To Rear Body Harness	\$226.00	
40763	1973	REAR LAMP HARNESS All, Except Wagon	\$291.00	
40787	1973	REAR LAMP HARNESS Wagon, Rear Body Section, Connects Intermediate Harness To Rear Lamp Harness In Bumper Note: Customer Must Supply Us With Original Harness, Must Use A Few Parts From Original.	\$113.00	
40759	1973	REAR LAMP INTERMEDIATE HARNESS All, Le Mans, Except Wagon	\$193.00	C
40760	1973	REAR LAMP INTERMEDIATE HARNESS All, Wagons	\$199.00	
40705	1973	REAR LAMP HARNESS Ventura	\$291.00	
20955	1973	REAR LAMP INTERMEDIATE HARNESS Ventura, With Under Dash Courtesy Lamps	\$206.00	
40708	1973	REAR LAMP INTERMEDIATE HARNESS Ventura, Without Under Dash Courtesy Lamps	\$206.00	
40673	1974	REAR LAMP HARNESS Wagon, Rear, Tail Lamps To Rear Body Harness	\$219.00	
40058	1974	REAR LAMP HARNESS All, Le Mans, Except Wagon Note: This Harness Has 1 Tail Lamp Socket Per Side.	\$291.00	C
40787	1974	REAR LAMP HARNESS Wagon, Rear Body Section, Connects Intermediate Harness To Rear Lamp Harness In Bumper Note: Customer Must Supply Us With Original Harness, Must Use A Few Parts From Original.	\$113.00	
40759	1974	REAR LAMP INTERMEDIATE HARNESS All, Le Mans, Except Wagon	\$193.00	C
40760	1974	REAR LAMP INTERMEDIATE HARNESS All Wagons	\$199.00	
39340	1974	REAR LAMP HARNESS Ventura Note: This Harness Has 2 Tail Lamp Sockets And 1 Back Up Socket Per Side.	\$291.00	C
40495	1974	REAR LAMP INTERMEDIATE HARNESS Ventura Note: Customer Must Supply Us With Original Harness, Must Use A Few Parts From Original.	\$286.00	
40673	1975	REAR LAMP HARNESS Wagon, Rear, Tail Lamps To Rear Body Harness	\$219.00	
40058	1975	REAR LAMP HARNESS All, Le Mans, Except Wagon Note: This Harness Has 1 Tail Lamp Socket Per Side.	\$291.00	C
40787	1975	REAR LAMP HARNESS Wagon, Rear Body Section, Connects Intermediate Harness To Rear Lamp Harness In Bumper Note: Customer Must Supply Us With Original Harness, Must Use A Few Parts From Original.	\$113.00	
40399	1975	REAR LAMP INTERMEDIATE HARNESS All, Except Wagon	\$226.00	
40414	1975	REAR LAMP INTERMEDIATE HARNESS All Wagons	\$199.00	
40673	1976	REAR LAMP HARNESS Wagon, Rear, Tail Lamps To Rear Body Harness	\$219.00	
40488	1976	REAR LAMP HARNESS Except Wagon	\$291.00	
40787	1976	REAR LAMP HARNESS Wagon, Rear Body Section, Connects Intermediate Harness To Rear Lamp Harness In Bumper Note: Customer Must Supply Us With Original Harness, Must Use A Few Parts From Original.	\$113.00	
40399	1976	REAR LAMP INTERMEDIATE HARNESS All, Except Wagon	\$226.00	
40414	1976	REAR LAMP INTERMEDIATE HARNESS All Wagons	\$199.00	
40488	1977	REAR LAMP HARNESS Except Wagon	\$291.00	

Part Number	Year	Description	Price	*Rev.
40787	1977	REAR LAMP HARNESS Wagon, Rear Body Section, Connects Intermediate Harness To Rear Lamp Harness In Bumper Note: Customer Must Supply Us With Original Harness, Must Use A Few Parts From Original.	\$113.00	
40673	1977	REAR LAMP HARNESS Wagon, Rear, Tail Lamps To Rear Body Harness	\$219.00	
40399	1977	REAR LAMP INTERMEDIATE HARNESS All, Except Wagon	\$226.00	
40414	1977	REAR LAMP INTERMEDIATE HARNESS All Wagons	\$199.00	
REAR WINDOW DEFROSTER HARNESS				
05835	1964	REAR WINDOW DEFROSTER HARNESS	\$26.00	
05835	1965	REAR WINDOW DEFROSTER HARNESS	\$26.00	
40491	1966	REAR WINDOW DEFROSTER HARNESS	\$46.00	
40491	1967	REAR WINDOW DEFROSTER HARNESS	\$46.00	
14220	1968	REAR WINDOW DEFROSTER HARNESS	\$80.00	
40543	1969	REAR WINDOW DEFROSTER HARNESS With Electric Heated Back Glass	\$53.00	
14220	1969	REAR WINDOW DEFROSTER HARNESS Blower Type Defroster	\$80.00	
19445	1970	REAR WINDOW DEFROSTER HARNESS Resistance Wire, Used With Blower Type Defroster	\$80.00	
40056	1970	REAR WINDOW DEFROSTER HARNESS With Electric Heated Back Glass	\$41.00	
14545	1970	REAR WINDOW DEFROSTER HARNESS Blower Type Defroster	\$80.00	
40056	1971	REAR WINDOW DEFROSTER HARNESS With Electric Heated Back Glass	\$41.00	
40798	1971	REAR WINDOW DEFROSTER HARNESS Wagon, Blower Type Defroster	\$46.00	
14545	1971	REAR WINDOW DEFROSTER HARNESS All With Blower Type, Except Wagon	\$80.00	
14420	1971	REAR WINDOW DEFROSTER HARNESS Ventura, With Blower Type Defroster	\$59.00	
40056	1972	REAR WINDOW DEFROSTER HARNESS With Electric Heated Back Glass	\$41.00	
40798	1972	REAR WINDOW DEFROSTER HARNESS Wagon, Blower Type Defroster	\$46.00	
14545	1972	REAR WINDOW DEFROSTER HARNESS All With Blower Type, Except Wagon	\$80.00	
14420	1972	REAR WINDOW DEFROSTER HARNESS Ventura, With Blower Type Defroster	\$59.00	
40640	1973	REAR WINDOW DEFROSTER HARNESS Blower Type Defroster	\$46.00	
40641	1973	REAR WINDOW DEFROSTER HARNESS With Electric Heated Back Glass, Instrument Panel Switch To Fuse Box	\$46.00	
40767	1973	REAR WINDOW DEFROSTER HARNESS With Electric Heated Back Glass	\$51.00	
40781	1973	REAR WINDOW DEFROSTER HARNESS With Blower Type Defroster	\$58.00	
40707	1973	REAR WINDOW DEFROSTER HARNESS Ventura	\$67.00	
40640	1974	REAR WINDOW DEFROSTER HARNESS Blower Type Defroster	\$46.00	
40641	1974	REAR WINDOW DEFROSTER HARNESS With Electric Heated Back Glass, Instrument Panel Switch To Fuse Box	\$46.00	
40767	1974	REAR WINDOW DEFROSTER HARNESS With Electric Heated Back Glass	\$51.00	
40781	1974	REAR WINDOW DEFROSTER HARNESS With Blower Type Defroster	\$58.00	
40707	1974	REAR WINDOW DEFROSTER HARNESS Ventura	\$67.00	
40640	1975	REAR WINDOW DEFROSTER HARNESS Blower Type Defroster	\$46.00	
40682	1975	REAR WINDOW DEFROSTER HARNESS Electric Type Defroster	\$46.00	
40781	1975	REAR WINDOW DEFROSTER HARNESS With Blower Type Defroster	\$58.00	
40767	1975	REAR WINDOW DEFROSTER HARNESS With Electric Heated Back Glass	\$51.00	
40640	1976	REAR WINDOW DEFROSTER HARNESS Blower Type Defroster	\$46.00	
40682	1976	REAR WINDOW DEFROSTER HARNESS Electric Type Defroster	\$46.00	
40767	1976	REAR WINDOW DEFROSTER HARNESS With Electric Heated Back Glass	\$51.00	
40781	1976	REAR WINDOW DEFROSTER HARNESS With Blower Type Defroster	\$58.00	
40767	1977	REAR WINDOW DEFROSTER HARNESS With Electric Heated Back Glass	\$51.00	
40781	1977	REAR WINDOW DEFROSTER HARNESS With Blower Type Defroster	\$58.00	

Part Number	Year	Description	Price	*Rev.
REPAIR PIGTAIL-FOR POWER WINDOW SWITCH				
36048	1964	REPAIR PIGTAIL, FOR POWER WINDOW SWITCH For Single Power Window Switches, Connector & Wire	\$25.00	
36048	1965	REPAIR PIGTAIL, FOR POWER WINDOW SWITCH For Single Power Window Switches, Connector & Wire	\$25.00	
36048	1966	REPAIR PIGTAIL, FOR POWER WINDOW SWITCH For Single Power Window Switches, Connector & Wire	\$25.00	
36048	1967	REPAIR PIGTAIL, FOR POWER WINDOW SWITCH For Single Power Window Switches, Connector & Wire	\$25.00	
36048	1968	REPAIR PIGTAIL, FOR POWER WINDOW SWITCH For Single Power Window Switches, Connector & Wire	\$25.00	
36048	1969	REPAIR PIGTAIL, FOR POWER WINDOW SWITCH For Single Power Window Switches, Connector & Wire	\$25.00	
36048	1970	REPAIR PIGTAIL, FOR POWER WINDOW SWITCH For Single Power Window Switches, Connector & Wire	\$25.00	
REVERBERATION UNIT HARNESS				
06825	1964	REVERBERATION UNIT HARNESS Coupe & Sedan	\$119.00	
07645	1965	REVERBERATION UNIT HARNESS Coupe & Sedan	\$119.00	
07645	1966	REVERBERATION UNIT HARNESS Coupe & Sedan	\$119.00	
07645	1967	REVERBERATION UNIT HARNESS Coupe & Sedan	\$119.00	
40511	1969	REVERBERATION UNIT HARNESS	\$92.00	
SCS JUMPER HARNESS				
40610	1972	SCS GROUND WIRE V/8, With 3 Speed Or A/T Note: (S.C.S.) Stands For Speedometer Control Spark Switch.	\$26.00	
36233	1972	SCS JUMPER HARNESS 350 & 400 C.I. With 3 Speed Or A/T, Engine Harness To Trans Switch Note: (S.C.S.) Stands For Speedometer Control Spark Switch.	\$35.00	
SEAT BELT WARNING EXTENSION WIRE				
40645	1972	SEAT BELT WARNING EXTENSION WIRE Parking Brake Switch To Seat Belt Warning Harness	\$27.00	
40646	1972	SEAT BELT WARNING EXTENSION WIRE Fuse Block To Seat Belt Warning Harness	\$27.00	
SEAT BELT WARNING HARNESS				
40616	1972	SEAT BELT WARNING HARNESS With Floor Shift Trans	\$80.00	
40809	1972	SEAT BELT WARNING HARNESS Ventura, Passenger Side, Seat Sensor Switch To Seat Belt Retractor	\$34.00	
40626	1973	SEAT BELT WARNING HARNESS Manual Trans	\$67.00	
40649	1973	SEAT BELT WARNING HARNESS Wagon, With Electric Tailgate Release	\$67.00	
40701	1973	SEAT BELT WARNING HARNESS All, Passenger Side, Seat Sensor Switch To Seat Belt Retractor	\$34.00	
40702	1973	SEAT BELT WARNING HARNESS All, Driver Side, Under Dash To Seat Belt Retractor	\$34.00	
40809	1973	SEAT BELT WARNING HARNESS Ventura, Passenger Side, Seat Sensor Switch To Seat Belt Retractor	\$34.00	
40607	1974	SEAT BELT WARNING HARNESS Ventura, With Column Shift Manual Trans, Dash Harness To Clutch Start Switch	\$67.00	
40606	1974	SEAT BELT WARNING HARNESS Ventura, With Floor Shift Manual Trans, Dash Harness To Clutch Start Switch	\$67.00	
40665	1974	SEAT BELT WARNING HARNESS With Manual Trans	\$67.00	
40832	1975	SEAT BELT WARNING HARNESS Dash Harness To Seat Belt Warning Buzzer	\$53.00	
40421	1975	SEAT BELT WARNING HARNESS All, Dash Harness To Timer & Buzzer Note: Customer Must Reuse Their Original Single Wire Plastic Connector That Attaches This Harness To The Instrument Panel Harness.	\$80.00	
SEAT BELT WARNING JUMPER HARNESS				
40422	1975	SEAT BELT WARNING JUMPER HARNESS All, Driver Side Seat Belt Retractor To Seat Belt Warning Harness	\$53.00	
40438	1976	SEAT BELT WARNING JUMPER HARNESS Buzzer To Seat Belt Retractor Switch	\$41.00	
40438	1977	SEAT BELT WARNING JUMPER HARNESS Buzzer To Seat Belt Retractor Switch	\$41.00	
SEAT BELT WARNING RELAY HARNESS				
40604	1973	SEAT BELT WARNING RELAY HARNESS Ventura, Manual Trans,	\$41.00	

Part Number	Year	Description	Price	*Rev.
SHIFT INDICATOR LAMP WIRE				
40658	1973	SHIFT INDICATOR LAMP WIRE Fiber Optic, Console Shift Auto	\$26.00	
40658	1974	SHIFT INDICATOR LAMP WIRE Fiber Optic, Console Shift Auto	\$26.00	
40658	1975	SHIFT INDICATOR LAMP WIRE Fiber Optic, Console Shift Auto	\$26.00	
40658	1976	SHIFT INDICATOR LAMP WIRE Fiber Optic, Console Shift Auto	\$26.00	
40658	1977	SHIFT INDICATOR LAMP WIRE Fiber Optic, Console Shift Auto	\$26.00	
SPEAKER GROUND WIRE				
40492	1967	SPEAKER GROUND WIRE Rear Speaker, All Convertible, (2 Required Per Car With Stereo Radio Option)	\$21.00	
40492	1968	SPEAKER GROUND WIRE Rear Speaker, All Convertible, (2 Required Per Car With Stereo Radio Option)	\$21.00	
40492	1969	SPEAKER GROUND WIRE Rear Speaker, All Convertible, (2 Required Per Car With Stereo Radio Option)	\$21.00	
40492	1970	SPEAKER GROUND WIRE Rear Speaker, All Convertible, (2 Required Per Car With Stereo Radio Option)	\$21.00	
40492	1971	SPEAKER GROUND WIRE Rear Speaker, All Convertible, (2 Required Per Car With Stereo Radio Option)	\$21.00	
40492	1972	SPEAKER GROUND WIRE Rear Speaker, All Convertible, (2 Required Per Car With Stereo Radio Option)	\$21.00	
SPEAKER HARNESS				
06795	1964	SPEAKER HARNESS Single Rear Speaker, Except Convertible & Wagons	\$20.00	
07585	1965	SPEAKER HARNESS Single Rear Speaker, Except Wagons	\$25.00	
40489	1966	SPEAKER HARNESS Single Rear Speaker, Tempest Wagons	\$52.00	
07585	1966	SPEAKER HARNESS Single Rear Speaker, Except Wagons	\$25.00	
40489	1967	SPEAKER HARNESS Single Rear Speaker, Tempest Wagons	\$52.00	
07585	1967	SPEAKER HARNESS Single Rear Speaker, Except Wagons	\$25.00	
40525	1968	SPEAKER HARNESS Single Rear Speaker, Tempest Wagons	\$25.00	
07585	1968	SPEAKER HARNESS Single Rear Speaker, Except Wagons	\$25.00	
40536	1969	SPEAKER HARNESS Single Rear Speaker, Tempest Wagons, Radio To Rear Speaker	\$38.00	
40540	1969	SPEAKER HARNESS Single Rear Speaker, Except Wagons	\$38.00	
40536	1970	SPEAKER HARNESS Single Rear Speaker, Tempest Wagon, Radio To Rear Speaker	\$38.00	
40558	1970	SPEAKER HARNESS Single Rear Speaker, Except Wagons	\$33.00	
40593	1971	SPEAKER HARNESS Cassette Radio To Fader Switch	\$48.00	
40536	1971	SPEAKER HARNESS Single Rear Speaker, Tempest Wagons, Radio To Rear Speaker	\$38.00	
40558	1971	SPEAKER HARNESS Single Rear Speaker, Except Wagons	\$33.00	
39316	1971	SPEAKER HARNESS Ventura, AM Or AM/FM, With Single Center Dash Speaker, Radio To Speaker	\$49.00	
39317	1971	SPEAKER HARNESS Ventura, With Stereo, Fader Control To Radio	\$92.00	
40563	1971	SPEAKER HARNESS Ventura, AM/FM With Accessory Tape Player, Fader Control To Radio & Tape Player	\$90.00	
40564	1971	SPEAKER HARNESS Ventura, With Accessory Tape Player, Without Radio, Tape Player To Front & Rear Speaker Harness	\$60.00	
40799	1971	SPEAKER HARNESS Ventura, Single Rear Seat Speaker, Radio To Rear Speaker	\$52.00	
40536	1972	SPEAKER HARNESS Single Rear Speaker, Tempest Wagons, Radio To Rear Speaker	\$38.00	
40558	1972	SPEAKER HARNESS Single Rear Speaker, Except Wagons	\$33.00	
39316	1972	SPEAKER HARNESS Ventura, AM Or AM/FM, With Single Center Dash Speaker, Radio To Speaker	\$49.00	
39317	1972	SPEAKER HARNESS Ventura, With Stereo, Fader Control To Radio	\$92.00	
40563	1972	SPEAKER HARNESS Ventura, AM/FM With Accessory Tape Player, Fader Control To Radio & Tape Player	\$90.00	

Part Number	Year	Description	Price	*Rev.
40564	1972	SPEAKER HARNESS Ventura, With Accessory Tape Player, Without Radio, Tape Player To Front & Rear Speaker Harness	\$60.00	
40799	1972	SPEAKER HARNESS Ventura, Single Rear Seat Speaker, Radio To Rear Speaker	\$52.00	
40632	1973	SPEAKER HARNESS Le Mans, With Stereo, Radio To Rear Speaker Lead	\$33.00	
40782	1973	SPEAKER HARNESS Single Rear Speaker, Except Wagon, Radio To Speaker	\$33.00	
40783	1973	SPEAKER HARNESS Wagon, Single Rear Speaker, Radio To Speaker	\$52.00	
40784	1973	SPEAKER HARNESS With Stereo, Rear Seat Speakers, Except Wagons, Radio To Speakers	\$101.00	
40785	1973	SPEAKER HARNESS Wagon, With Stereo, Radio To Rear Speakers	\$52.00	
39316	1973	SPEAKER HARNESS Ventura, AM Or AM/FM, With Single Center Dash Speaker, Radio To Speaker	\$49.00	
40564	1973	SPEAKER HARNESS Ventura, With Accessory Tape Player, Without Radio, Tape Player To Front & Rear Speaker Harness	\$60.00	
40706	1973	SPEAKER HARNESS Ventura, 2 Door Hatchback, Single Rear Seat Speaker, Radio To Speaker	\$38.00	
40799	1973	SPEAKER HARNESS Ventura, 2 Or 4 Door Notchback Sedan, Single Rear Seat Speaker, Radio To Rear Speaker	\$52.00	
40782	1974	SPEAKER HARNESS Single Rear Speaker, Except Wagon, Radio To Speaker	\$33.00	
40783	1974	SPEAKER HARNESS Wagon, Single Rear Speaker, Radio To Speaker	\$52.00	
40784	1974	SPEAKER HARNESS With Stereo, Rear Seat Speakers, Except Wagons, Radio To Speakers	\$101.00	
40785	1974	SPEAKER HARNESS Wagon, With Stereo, Radio To Rear Speakers	\$52.00	
39315	1974	SPEAKER HARNESS Ventura, With Stereo, Radio To Front & Rear Speaker Harness	\$101.00	
39316	1974	SPEAKER HARNESS Ventura, AM Or AM/FM, With Single Center Dash Speaker, Radio To Speaker	\$49.00	
39321	1974	SPEAKER HARNESS Ventura, AM Or AM/FM, Except Stereo, Radio To Front Center & Rear Seat Speaker Harness	\$80.00	
40706	1974	SPEAKER HARNESS Ventura, 2 Door Hatchback, Single Rear Seat Speaker, Radio To Speaker	\$38.00	
40799	1974	SPEAKER HARNESS Ventura, 2 Or 4 Door Notchback Sedan, Single Rear Seat Speaker, Radio To Rear Speaker	\$52.00	
40800	1974	SPEAKER HARNESS Ventura, 2 Or 4 Door Notchback Sedan, With Stereo, Rear Seat Speaker	\$73.00	
40784	1975	SPEAKER HARNESS With Stereo, Rear Seat Speakers, Except Wagons, Radio To Speakers	\$101.00	
40785	1975	SPEAKER HARNESS Wagon, With Stereo, Radio To Rear Speakers	\$52.00	
40782	1975	SPEAKER HARNESS Single Rear Speaker, Except Wagon, Radio To Speaker	\$33.00	
40783	1975	SPEAKER HARNESS Wagon, Single Rear Speaker, Radio To Speaker	\$52.00	
40784	1976	SPEAKER HARNESS With Stereo, Rear Seat Speakers, Except Wagons, Radio To Speakers	\$101.00	
40785	1976	SPEAKER HARNESS Wagon, With Stereo, Radio To Rear Speakers	\$52.00	
40782	1976	SPEAKER HARNESS Single Rear Speaker, Except Wagon, Radio To Speaker	\$33.00	
40783	1976	SPEAKER HARNESS Wagon, Single Rear Speaker, Radio To Speaker	\$52.00	
40784	1977	SPEAKER HARNESS AM/FM Stereo, Without Digital Clock, Rear Seat Speakers, Except Wagons, Radio To Speakers	\$101.00	
40785	1977	SPEAKER HARNESS Wagon, AM/FM Stereo, Without Digital Clock, Radio To Rear Speakers	\$52.00	
40862	1977	SPEAKER HARNESS AM/FM Stereo, With Digital Clock, Except Wagons, Radio To Rear Speakers	\$53.00	
40864	1977	SPEAKER HARNESS Wagon, AM/FM Stereo, With Digital Clock, Radio To Rear Seat Speakers	\$53.00	
40782	1977	SPEAKER HARNESS Single Rear Speaker, Except Wagon, Radio To Speaker	\$33.00	
40783	1977	SPEAKER HARNESS Wagon, Single Rear Speaker, Radio To Speaker	\$52.00	

Part Number	Year	Description	Price	*Rev.
SPEAKER JUMPER WIRE				
40200	1967	SPEAKER JUMPER WIRE With Dual Rear Speakers, Except Wagon & Convertible, Connects Right Rear Speaker To Left Rear Speaker	\$34.00	
40200	1968	SPEAKER JUMPER WIRE With Dual Rear Speakers, Except Wagon & Convertible, Connects Right Rear Speaker To Left Rear Speaker	\$34.00	
13555	1969	SPEAKER JUMPER WIRE Rear Seat Speaker Jumper (14" Long) Note: From Radio Connector At Radio To Rear Seat Speaker Wire.	\$27.00	
40200	1969	SPEAKER JUMPER WIRE With Dual Rear Speakers, Except Wagon & Convertible, Connects Right Rear Speaker To Left Rear Speaker	\$34.00	
13555	1970	SPEAKER JUMPER WIRE Rear Seat Speaker Jumper (14" Long) Note: From Radio Connector At Radio To Rear Seat Speaker Wire.	\$27.00	
40200	1970	SPEAKER JUMPER WIRE With Dual Rear Speakers, Except Wagon & Convertible, Connects Right Rear Speaker To Left Rear Speaker	\$34.00	
13555	1971	SPEAKER JUMPER WIRE Rear Seat Speaker Jumper (14" Long) Note: From Radio Connector At Radio To Rear Seat Speaker Wire.	\$27.00	
40200	1971	SPEAKER JUMPER WIRE With Dual Rear Speakers, Except Wagon & Convertible, Connects Right Rear Speaker To Left Rear Speaker	\$34.00	
13555	1972	SPEAKER JUMPER WIRE Rear Seat Speaker Jumper (14" Long) Note: From Radio Connector At Radio To Rear Seat Speaker Wire.	\$27.00	
SPEED WARNING HARNESS				
06130	1965	SPEED WARNING HARNESS	\$34.00	
09610	1966	SPEED WARNING HARNESS	\$34.00	
09610	1967	SPEED WARNING HARNESS	\$34.00	
11595	1968	SPEED WARNING HARNESS	\$34.00	
13385	1969	SPEED WARNING HARNESS	\$34.00	
15655	1970	SPEED WARNING HARNESS	\$34.00	
15655	1971	SPEED WARNING HARNESS	\$34.00	
STARTER MOTOR TO JUNCTION BLOCK HARNESS				
40457	1961	STARTER MOTOR TO JUNCTION BLOCK HARNESS V/8	\$34.00	
40457	1962	STARTER MOTOR TO JUNCTION BLOCK HARNESS V/8	\$34.00	
40479	1963	STARTER MOTOR TO JUNCTION BLOCK HARNESS 421 V/8, Junction Block To Starter	\$48.00	
STEERING COLUMN ADAPTER HARNESS				
37542	1964	STEERING COLUMN ADAPTER HARNESS For 1969-1974 GM & Ididit Columns (Exc. Flaming River) To Stock Dash Harness Note: Adapts Horn & Directionals, Also Adds Hazard Flashers To Stock 8 Pin T/L Dash Connector.	\$50.00	
37009	1964	STEERING COLUMN ADAPTER HARNESS For 1975 & Up GM & Flaming River Columns (Exc. Ididit) To Stock Dash Harness Note: Adapts Horn & Directionals, Also Adds Hazard Flashers To Stock 8 Pin Dash Connector.	\$52.00	
37542	1965	STEERING COLUMN ADAPTER HARNESS For 1969-1974 GM & Ididit Columns (Exc. Flaming River) To Stock Dash Harness Note: Adapts Horn & Directionals, Also Adds Hazard Flashers To Stock 8 Pin T/L Dash Connector.	\$50.00	
37009	1965	STEERING COLUMN ADAPTER HARNESS For 1975 & Up GM & Flaming River Columns (Exc. Ididit) To Stock Dash Harness Note: Adapts Horn & Directionals, Also Adds Hazard Flashers To Stock 8 Pin Dash Connector.	\$52.00	
37542	1966	STEERING COLUMN ADAPTER HARNESS For 1969-1974 GM & Ididit Columns (Exc. Flaming River) To Stock Dash Harness Note: Adapts Horn & Directionals, Also Adds Hazard Flashers To Stock 8 Pin T/L Dash Connector.	\$50.00	
37009	1966	STEERING COLUMN ADAPTER HARNESS For 1975 & Up GM & Flaming River Columns (Exc. Ididit) To Stock Dash Harness Note: Adapts Horn & Directionals, Also Adds Hazard Flashers To Stock 8 Pin Dash Connector.	\$52.00	

Part Number	Year	Description	Price	*Rev.
36882	1967	STEERING COLUMN ADAPTER HARNESS For 1969-1974 GM & Ididit Columns (Exc. Flaming River) To Stock Dash Harness Note: Adapts Horn & Directionals, Also Adds Hazard Flashers To Stock 9-Pin T/L Dash Connector.	\$27.00	
38127	1967	STEERING COLUMN ADAPTER HARNESS For 1975 & Up GM & Flaming River Columns (Exc. Ididit) To Stock Dash Harness Note: Adapts Horn & Directionals, Also Adds Hazard Flashers To Stock 9-Pin T/L Dash Connector.	\$27.00	
36882	1968	STEERING COLUMN ADAPTER HARNESS For 1969-1974 GM & Ididit Columns (Exc. Flaming River) To Stock Dash Harness Note: Adapts Horn & Directionals, Also Adds Hazard Flashers To Stock 9-Pin T/L Dash Connector.	\$27.00	
38127	1968	STEERING COLUMN ADAPTER HARNESS For 1975 & Up GM & Flaming River Columns (Exc. Ididit) To Stock Dash Harness Note: Adapts Horn & Directionals, Also Adds Hazard Flashers To Stock 9-Pin T/L Dash Connector.	\$27.00	
STOP LAMP SWITCH JUMPER HARNESS				
40476	1963	STOP LAMP SWITCH JUMPER HARNESS Air Conditioned Cars Only	\$21.00	
SUN ROOF HARNESS				
40723	1973	SUN ROOF HARNESS All, 2 Door, With Power Windows	\$67.00	
40725	1973	SUN ROOF HARNESS All, 2 Door, Without Power Windows	\$67.00	
40723	1974	SUN ROOF HARNESS All, 2 Door, With Power Windows	\$67.00	
40419	1975	SUN ROOF HARNESS All, 2 Door, Without Power Windows	\$101.00	
40420	1975	SUN ROOF HARNESS All, 2 Door, With Power Windows	\$106.00	
40439	1976	SUN ROOF HARNESS All, 2 Door, Without Power Windows	\$101.00	
40440	1976	SUN ROOF HARNESS All, 2 Door, With Power Windows	\$106.00	
40439	1977	SUN ROOF HARNESS All, 2 Door, Without Power Windows	\$101.00	
40440	1977	SUN ROOF HARNESS All, 2 Door, With Power Windows	\$106.00	
TACHOMETER HARNESS				
04240	1963	TACHOMETER HARNESS Dash Mounted	\$60.00	
41117	1963	TACHOMETER HARNESS-HEI Dash Mounted, "Modified For HEI Distributor" Note: Not All Tachometers Will Operate Or Indicate Correctly When Used On An HEI Ignition System. While Some Original And Reproduction Tachometers May Give A Reading, This Does Not Necessarily Mean The Reading Is Correct.	\$60.00	
04440	1964	TACHOMETER HARNESS Without Transistor Ignition	\$60.00	
41118	1964	TACHOMETER HARNESS-HEI Without Transistor Ignition, "Modified For HEI Distributor" Note: Not All Tachometers Will Operate Or Indicate Correctly When Used On An HEI Ignition System. While Some Original And Reproduction Tachometers May Give A Reading, This Does Not Necessarily Mean The Reading Is Correct.	\$60.00	
05115	1964	TACHOMETER HARNESS With Transistor Ignition	\$74.00	
05115	1965	TACHOMETER HARNESS With Transistor Ignition	\$74.00	
09535	1966	TACHOMETER HARNESS 6 Cylinder Note: 6 Cylinder Items Are Not Returnable.	\$41.00	
11095	1966	TACHOMETER HARNESS V/8	\$34.00	
41119	1966	TACHOMETER HARNESS-HEI V/8, "Modified For HEI Distributor" Note: Not All Tachometers Will Operate Or Indicate Correctly When Used On An HEI Ignition System. While Some Original And Reproduction Tachometers May Give A Reading, This Does Not Necessarily Mean The Reading Is Correct.	\$34.00	
11100	1967	TACHOMETER HARNESS 6 Cylinder, Dash Mounted Note: 6 Cylinder Items Are Not Returnable.	\$41.00	
11095	1967	TACHOMETER HARNESS V/8, Dash Mounted	\$34.00	
41119	1967	TACHOMETER HARNESS-HEI V/8, Dash Mounted, "Modified For HEI Distributor" Note: Not All Tachometers Will Operate Or Indicate Correctly When Used On An HEI Ignition System. While Some Original And Reproduction Tachometers May Give A Reading, This Does Not Necessarily Mean The Reading Is Correct.	\$34.00	
11005	1967	TACHOMETER HARNESS With Transistor Ignition, Dash Mounted	\$41.00	
11040	1967	TACHOMETER HARNESS Hood Mounted	\$52.00	

Part Number	Year	Description	Price	*Rev.
41120	1967	TACHOMETER HARNESS-HEI Hood Mounted, "Modified For HEI Distributor" Note: Not All Tachometers Will Operate Or Indicate Correctly When Used On An HEI Ignition System. While Some Original And Reproduction Tachometers May Give A Reading, This Does Not Necessarily Mean The Reading Is Correct.	\$52.00	
12380	1968	TACHOMETER HARNESS Dash Mounted	\$33.00	
41121	1968	TACHOMETER HARNESS-HEI Dash Mounted, "Modified For HEI Distributor" Note: Not All Tachometers Will Operate Or Indicate Correctly When Used On An HEI Ignition System. While Some Original And Reproduction Tachometers May Give A Reading, This Does Not Necessarily Mean The Reading Is Correct.	\$33.00	
12375	1968	TACHOMETER HARNESS Hood Mounted	\$52.00	
41122	1968	TACHOMETER HARNESS-HEI Hood Mounted, "Modified For HEI Distributor" Note: Not All Tachometers Will Operate Or Indicate Correctly When Used On An HEI Ignition System. While Some Original And Reproduction Tachometers May Give A Reading, This Does Not Necessarily Mean The Reading Is Correct.	\$52.00	
40514	1969	TACHOMETER HARNESS Hood Mounted	\$52.00	
41123	1969	TACHOMETER HARNESS-HEI Hood Mounted, "Modified For HEI Distributor" Note: Not All Tachometers Will Operate Or Indicate Correctly When Used On An HEI Ignition System. While Some Original And Reproduction Tachometers May Give A Reading, This Does Not Necessarily Mean The Reading Is Correct.	\$52.00	
12380	1969	TACHOMETER HARNESS Dash Mounted	\$33.00	
41121	1969	TACHOMETER HARNESS-HEI Dash Mounted, "Modified For HEI Distributor" Note: Not All Tachometers Will Operate Or Indicate Correctly When Used On An HEI Ignition System. While Some Original And Reproduction Tachometers May Give A Reading, This Does Not Necessarily Mean The Reading Is Correct.	\$33.00	
15645	1970	TACHOMETER HARNESS Dash Mounted	\$33.00	
41124	1970	TACHOMETER HARNESS-HEI Dash Mounted, "Modified For HEI Distributor" Note: Not All Tachometers Will Operate Or Indicate Correctly When Used On An HEI Ignition System. While Some Original And Reproduction Tachometers May Give A Reading, This Does Not Necessarily Mean The Reading Is Correct.	\$33.00	
17250	1970	TACHOMETER HARNESS Hood Mounted	\$52.00	
41125	1970	TACHOMETER HARNESS-HEI Hood Mounted, "Modified For HEI Distributor" Note: Not All Tachometers Will Operate Or Indicate Correctly When Used On An HEI Ignition System. While Some Original And Reproduction Tachometers May Give A Reading, This Does Not Necessarily Mean The Reading Is Correct.	\$52.00	
15645	1971	TACHOMETER HARNESS Dash Mounted	\$33.00	
41124	1971	TACHOMETER HARNESS-HEI Dash Mounted, "Modified For HEI Distributor" Note: Not All Tachometers Will Operate Or Indicate Correctly When Used On An HEI Ignition System. While Some Original And Reproduction Tachometers May Give A Reading, This Does Not Necessarily Mean The Reading Is Correct.	\$33.00	
17250	1971	TACHOMETER HARNESS Hood Mounted	\$52.00	
41125	1971	TACHOMETER HARNESS-HEI Hood Mounted, "Modified For HEI Distributor" Note: Not All Tachometers Will Operate Or Indicate Correctly When Used On An HEI Ignition System. While Some Original And Reproduction Tachometers May Give A Reading, This Does Not Necessarily Mean The Reading Is Correct.	\$52.00	
16885	1972	TACHOMETER HARNESS Dash Mounted	\$48.00	
41126	1972	TACHOMETER HARNESS-HEI Dash Mounted, "Modified For HEI Distributor" Note: Not All Tachometers Will Operate Or Indicate Correctly When Used On An HEI Ignition System. While Some Original And Reproduction Tachometers May Give A Reading, This Does Not Necessarily Mean The Reading Is Correct.	\$48.00	
16890	1972	TACHOMETER HARNESS Dash Mounted, With Unitized Distributor	\$48.00	
17250	1972	TACHOMETER HARNESS Hood Mounted	\$52.00	
41125	1972	TACHOMETER HARNESS-HEI Hood Mounted, "Modified For HEI Distributor" Note: Not All Tachometers Will Operate Or Indicate Correctly When Used On An HEI Ignition System. While Some Original And Reproduction Tachometers May Give A Reading, This Does Not Necessarily Mean The Reading Is Correct.	\$52.00	
40627	1973	TACHOMETER HARNESS Without Cruise Control & Unitized Distributor	\$52.00	
41127	1973	TACHOMETER HARNESS-HEI Without Cruise Control & Unitized Distributor, "Modified For HEI Distributor" Note: Not All Tachometers Will Operate Or Indicate Correctly When Used On An HEI Ignition System. While Some Original And Reproduction Tachometers May Give A Reading, This Does Not Necessarily Mean The Reading Is Correct.	\$52.00	
40628	1973	TACHOMETER HARNESS With Unitized Distributor, Without Cruise Control	\$52.00	
40674	1974	TACHOMETER HARNESS Without Unitized Distributor	\$52.00	

Part Number	Year	Description	Price	*Rev.
41128	1974	TACHOMETER HARNESS-HEI Without Unitized Distributor, "Modified For HEI Distributor" Note: Not All Tachometers Will Operate Or Indicate Correctly When Used On An HEI Ignition System. While Some Original And Reproduction Tachometers May Give A Reading, This Does Not Necessarily Mean The Reading Is Correct.	\$52.00	
40680	1974	TACHOMETER HARNESS With Unitized Distributor, Except Cruise Control	\$52.00	
40680	1975	TACHOMETER HARNESS	\$52.00	
40680	1976	TACHOMETER HARNESS	\$52.00	
40680	1977	TACHOMETER HARNESS	\$52.00	
TAILGATE AJAR WARNING LAMP HARNESS				
40625	1973	TAILGATE AJAR WARNING LAMP HARNESS Wagon, Fuse Block To Dash	\$34.00	
40625	1974	TAILGATE AJAR WARNING LAMP HARNESS Wagon, Fuse Block To Dash	\$34.00	
40625	1975	TAILGATE AJAR WARNING LAMP HARNESS Wagon, Fuse Block To Dash	\$34.00	
40625	1976	TAILGATE AJAR WARNING LAMP HARNESS Wagon, Fuse Block To Dash	\$34.00	
TAILGATE ELECTRIC RELEASE HARNESS				
40621	1973	TAILGATE ELECTRIC RELEASE HARNESS Tailgate Feed To Tailgate UNlock Switch	\$34.00	
40621	1974	TAILGATE ELECTRIC RELEASE HARNESS Tailgate Feed To Tailgate UNlock Switch	\$34.00	
40621	1975	TAILGATE ELECTRIC RELEASE HARNESS Tailgate Feed To Tailgate UNlock Switch	\$34.00	
40621	1976	TAILGATE ELECTRIC RELEASE HARNESS Tailgate Feed To Tailgate UNlock Switch	\$34.00	
40621	1977	TAILGATE ELECTRIC RELEASE HARNESS Tailgate Feed To Tailgate UNlock Switch	\$34.00	
TAILGATE WARNING LAMP HARNESS				
40696	1973	TAILGATE WARNING LAMP HARNESS Wagon, Front Section, Without Electric Tailgate Release Or Rear Window Defroster	\$48.00	
40697	1973	TAILGATE WARNING LAMP HARNESS Wagon, Rear Section, Without Electric Tailgate Release Or Rear Window Defroster Note: Customer Must Supply Their Original Rubber Boot.	\$48.00	
40699	1973	TAILGATE WARNING LAMP HARNESS Wagon, Front Section, With Electric Tailgate Release	\$48.00	
40700	1973	TAILGATE WARNING LAMP HARNESS Wagon, Rear Section, With Electric Tailgate Release Or Rear Window Defroster Note: Customer Must Supply Their Original Rubber Boot.	\$48.00	
40709	1973	TAILGATE WARNING LAMP HARNESS Wagon, Front Section, With Rear Window Defroster	\$48.00	
40710	1973	TAILGATE WARNING LAMP HARNESS Wagon, Front Section, With Rear Window Defroster & Electric Tailgate Release	\$48.00	
40711	1973	TAILGATE WARNING LAMP HARNESS Wagon, Rear Section, With Rear Window Defroster & Electric Tailgate Release Note: Customer Must Supply Their Original Rubber Boot.	\$48.00	
40696	1974	TAILGATE WARNING LAMP HARNESS Wagon, Front Section, Without Electric Tailgate Release Or Rear Window Defroster	\$48.00	
40697	1974	TAILGATE WARNING LAMP HARNESS Wagon, Rear Section, Without Electric Tailgate Release Or Rear Window Defroster Note: Customer Must Supply Their Original Rubber Boot.	\$48.00	
40700	1974	TAILGATE WARNING LAMP HARNESS Wagon, Rear Section, With Electric Tailgate Release Or Rear Window Defroster Note: Customer Must Supply Their Original Rubber Boot.	\$48.00	
40709	1974	TAILGATE WARNING LAMP HARNESS Wagon, Front Section, With Blower Type Rear Window Defroster	\$48.00	
40710	1974	TAILGATE WARNING LAMP HARNESS Wagon, Front Section, With Blower Type Rear Window Defroster & Electric Tailgate Release	\$48.00	
40711	1974	TAILGATE WARNING LAMP HARNESS Wagon, Rear Section, With Blower Type Rear Window Defroster & Electric Tailgate Release Note: Customer Must Supply Their Original Rubber Boot.	\$48.00	
40736	1974	TAILGATE WARNING LAMP HARNESS Wagon, Rear Section, With Electric Type Rear Window Defroster, Without Electric Tailgate Release Note: Customer Must Supply Their Original Rubber Boot.	\$48.00	

Part Number	Year	Description	Price	*Rev.
40737	1974	TAILGATE WARNING LAMP HARNESS Wagon, Rear Section, With Electric Type Rear Window Defroster & Electric Tailgate Release Note: Customer Must Supply Their Original Rubber Boot.	\$48.00	
40699	1974	TAILGATE WARNING LAMP HARNESS Wagon, Front Section, With Electric Tailgate Release	\$48.00	
40696	1975	TAILGATE WARNING LAMP HARNESS Wagon, Front Section, Without Electric Tailgate Release Or Rear Window Defroster	\$48.00	
40699	1975	TAILGATE WARNING LAMP HARNESS Wagon, Front Section, With Electric Tailgate Release	\$48.00	
40710	1975	TAILGATE WARNING LAMP HARNESS Wagon, Front Section, With Blower Type Rear Window Defroster & Electric Tailgate Release	\$48.00	
40697	1975	TAILGATE WARNING LAMP HARNESS Wagon, Rear Section, Without Electric Tailgate Release Or Rear Window Defroster Note: Customer Must Supply Their Original Rubber Boot.	\$48.00	
40700	1975	TAILGATE WARNING LAMP HARNESS Wagon, Rear Section, With Electric Tailgate Release Or Rear Window Defroster Note: Customer Must Supply Their Original Rubber Boot.	\$48.00	
40711	1975	TAILGATE WARNING LAMP HARNESS Wagon, Rear Section, With Blower Type Rear Window Defroster & Electric Tailgate Release Note: Customer Must Supply Their Original Rubber Boot.	\$48.00	
40736	1975	TAILGATE WARNING LAMP HARNESS Wagon, Rear Section, With Electric Type Rear Window Defroster, Without Electric Tailgate Release Note: Customer Must Supply Their Original Rubber Boot.	\$48.00	
40737	1975	TAILGATE WARNING LAMP HARNESS Wagon, Rear Section, With Electric Type Rear Window Defroster & Electric Tailgate Release Note: Customer Must Supply Their Original Rubber Boot.	\$48.00	
40430	1976	TAILGATE WARNING LAMP HARNESS Wagon, Front Section, Without Electric Tailgate Release	\$48.00	
40432	1976	TAILGATE WARNING LAMP HARNESS Wagon, Front Section, With Electric Tailgate Release	\$48.00	
40434	1976	TAILGATE WARNING LAMP HARNESS Wagon, Front Section, With Blower Type Rear Window Defroster & Electric Tailgate Release	\$60.00	
40431	1976	TAILGATE WARNING LAMP HARNESS Wagon, Rear Section, Without Electric Tailgate Release Or Rear Window Defroster Note: Customer Must Supply Their Original Rubber Boot & The Plastic Connector That Attaches This Harness To The Front Harness.	\$60.00	
40433	1976	TAILGATE WARNING LAMP HARNESS Wagon, Rear Section, With Electric Tailgate Release Note: Customer Must Supply Their Original Rubber Boot.	\$60.00	
40435	1976	TAILGATE WARNING LAMP HARNESS Wagon, Rear Section, With Blower Type Rear Window Defroster & Electric Tailgate Release Note: Customer Must Supply Their Original Rubber Boot.	\$67.00	
40436	1976	TAILGATE WARNING LAMP HARNESS Wagon, Rear Section, With Electric Type Rear Window Defroster, Without Electric Tailgate Release Note: Customer Must Supply Their Original Rubber Boot.	\$60.00	
40437	1976	TAILGATE WARNING LAMP HARNESS Wagon, Rear Section, With Electric Type Rear Window Defroster & Electric Tailgate Release Note: Customer Must Supply Their Original Rubber Boot.	\$67.00	
40430	1977	TAILGATE WARNING LAMP HARNESS Wagon, Front Section, Without Electric Tailgate Release	\$48.00	
40432	1977	TAILGATE WARNING LAMP HARNESS Wagon, Front Section, With Electric Tailgate Release	\$48.00	
40434	1977	TAILGATE WARNING LAMP HARNESS Wagon, Front Section, With Blower Type Rear Window Defroster & Electric Tailgate Release	\$60.00	
40431	1977	TAILGATE WARNING LAMP HARNESS Wagon, Rear Section, Without Electric Tailgate Release Or Rear Window Defroster Note: Customer Must Supply Their Original Rubber Boot & The Plastic Connector That Attaches This Harness To The Front Harness.	\$60.00	
40433	1977	TAILGATE WARNING LAMP HARNESS Wagon, Rear Section, With Electric Tailgate Release Note: Customer Must Supply Their Original Rubber Boot.	\$60.00	

Part Number	Year	Description	Price	*Rev.
40435	1977	TAILGATE WARNING LAMP HARNESS Wagon, Rear Section, With Blower Type Rear Window Defroster & Electric Tailgate Release Note: Customer Must Supply Their Original Rubber Boot.	\$67.00	
40436	1977	TAILGATE WARNING LAMP HARNESS Wagon, Rear Section, With Electric Type Rear Window Defroster, Without Electric Tailgate Release Note: Customer Must Supply Their Original Rubber Boot.	\$60.00	
40437	1977	TAILGATE WARNING LAMP HARNESS Wagon, Rear Section, With Electric Type Rear Window Defroster & Electric Tailgate Release Note: Customer Must Supply Their Original Rubber Boot.	\$67.00	
TCS JUMPER HARNESS				
16005	1971	TCS JUMPER HARNESS 6 Cyl. 250 C.I., With A/T, From Engine Harness To Trans Switch Note: 6 Cylinder Items Are Not Returnable.	\$35.00	
16020	1971	TCS JUMPER HARNESS 6 Cyl. 250 C.I., With H/T, From Engine Harness To Trans Switch Note: 6 Cylinder Items Are Not Returnable.	\$35.00	
36232	1972	TCS JUMPER HARNESS 6 Cyl. 250 C.I., With A/T Or H/T, From Engine Harness To Trans Switch Note: 6 Cylinder Items Are Not Returnable.	\$36.00	
TCS TRANSMISSION SWITCH EXTENSION				
17355	1972	TCS TRANSMISSION SWITCH EXTENSION Ventura, Manual Trans, From Engine Harness To Trans Switch Note: Used With #16375, #16380 & #16385 Engine Harness. (T.C.S.) Stands For Transmission Controlled Spark.	\$49.00	
TEMPERATURE SENDER JUMPER				
11120	1967	TEMPERATURE SENDER JUMPER 6 Cylinder, With A/C, Engine Harness To Temperature Switch Note: 6 Cylinder Items Are Not Returnable.	\$17.00	
11120	1968	TEMPERATURE SENDER JUMPER 6 Cylinder, With A/C, Engine Harness To Temperature Switch Note: 6 Cylinder Items Are Not Returnable.	\$17.00	
11120	1969	TEMPERATURE SENDER JUMPER 6 Cylinder, With A/C, Engine Harness To Temperature Switch Note: 6 Cylinder Items Are Not Returnable.	\$17.00	
TILT COLUMN ADAPTER HARNESS				
04430	1964	TILT COLUMN ADAPTER HARNESS Turn Signal Switch Adapter	\$50.00	
04430	1965	TILT COLUMN ADAPTER HARNESS Turn Signal Switch Adapter	\$50.00	
10100	1966	TILT COLUMN ADAPTER HARNESS Turn Signal Switch Adapter	\$48.00	
TRANSISTOR IGNITION HARNESS				
33225	1964	TRANSISTOR IGNITION AMPLIFIER EXTENSION From Internal Circuit Board To Amplifier Housing Connector	\$53.00	
28380	1964	TRANSISTOR IGNITION EXTENSION HARNESS From Amplifier Box To Main T.I. Harness	\$74.00	
26855	1964	TRANSISTOR IGNITION HARNESS Main Harness, From Distributor To Ignition Switch	\$153.00	
27260	1965	TRANSISTOR IGNITION HARNESS Main Harness, From Distributor To Ignition Switch	\$153.00	
41129	1965	TRANSISTOR IGNITION AMPLIFIER EXTENSION From Internal Circuit Board To Inline Transistor Ignition Harness Connector	\$66.00	
40498	1966	TRANSISTOR IGNITION HARNESS 6 Cylinder, Main Harness, From Distributor To Ignition Switch Note: 6 Cylinder Items Are Not Returnable.	\$153.00	
28375	1966	TRANSISTOR IGNITION HARNESS V/8, Main Harness, From Distributor To Ignition Switch	\$145.00	
41129	1966	TRANSISTOR IGNITION AMPLIFIER EXTENSION From Internal Circuit Board To Inline Transistor Ignition Harness Connector	\$66.00	
40591	1970	TRANSISTOR IGNITION HARNESS (Field Installed), Main Harness, From Distributor To Ignition Switch	\$153.00	
TRANSISTOR IGNITION REPLACEMENT MODULE				
32270	1964	TRANSISTOR IGNITION REPLACEMENT MODULE Replaces Original Circuit Board In Amplifier	\$189.00	
32270	1965	TRANSISTOR IGNITION REPLACEMENT MODULE Replaces Original Circuit Board In Amplifier	\$189.00	
32270	1966	TRANSISTOR IGNITION REPLACEMENT MODULE Replaces Original Circuit Board In Amplifier	\$189.00	

Part Number	Year	Description	Price	*Rev.
TRUNK LAMP EXTENSION HARNESS				
31255	1964	TRUNK LAMP EXTENSION HARNESS	\$26.00	
31255	1965	TRUNK LAMP EXTENSION HARNESS	\$26.00	
31255	1966	TRUNK LAMP EXTENSION HARNESS	\$26.00	
31255	1967	TRUNK LAMP EXTENSION HARNESS	\$26.00	
31255	1968	TRUNK LAMP EXTENSION HARNESS	\$26.00	
13435	1969	TRUNK LAMP EXTENSION HARNESS Convertible	\$14.00	
13440	1969	TRUNK LAMP EXTENSION HARNESS Coupe	\$26.00	
28210	1971	TRUNK LAMP EXTENSION HARNESS Ventura	\$15.00	
28210	1972	TRUNK LAMP EXTENSION HARNESS Ventura	\$15.00	
28210	1973	TRUNK LAMP EXTENSION HARNESS Ventura	\$15.00	
28210	1974	TRUNK LAMP EXTENSION HARNESS Ventura	\$15.00	
TRUNK RELEASE HARNESS				
08295	1967	TRUNK RELEASE HARNESS Solenoid To Dash Switch	\$30.00	
40350	1967	TRUNK RELEASE HARNESS Clock Power Lead To Dash Switch	\$35.00	
08295	1968	TRUNK RELEASE HARNESS Solenoid To Dash Switch	\$30.00	
40350	1968	TRUNK RELEASE HARNESS Clock Power Lead To Dash Switch	\$35.00	
40350	1969	TRUNK RELEASE HARNESS Clock Power Lead To Dash Switch	\$35.00	
39705	1969	TRUNK RELEASE HARNESS Solenoid To Dash Switch	\$32.00	
40350	1970	TRUNK RELEASE HARNESS Clock Power Lead To Dash Switch	\$35.00	
40347	1970	TRUNK RELEASE HARNESS Solenoid To Dash Switch	\$35.00	
40745	1970	TRUNK RELEASE HARNESS Solenoid To Dash Switch, (Field Installed)	\$35.00	
40350	1971	TRUNK RELEASE HARNESS Clock Power Lead To Dash Switch	\$35.00	
40347	1971	TRUNK RELEASE HARNESS Solenoid To Dash Switch	\$35.00	
40745	1971	TRUNK RELEASE HARNESS Solenoid To Dash Switch, (Field Installed)	\$35.00	
40350	1972	TRUNK RELEASE HARNESS Clock Power Lead To Dash Switch	\$35.00	
40347	1972	TRUNK RELEASE HARNESS Solenoid To Dash Switch	\$35.00	
40639	1973	TRUNK RELEASE HARNESS Used With Dealer Installed Trunk Release, Fuse Box To Dash Switch	\$27.00	
40619	1973	TRUNK RELEASE HARNESS Without Glove Box Lamp, Dash Harness To Switch	\$27.00	
40777	1973	TRUNK RELEASE HARNESS Electric	\$48.00	
40639	1974	TRUNK RELEASE HARNESS Used With Dealer Installed Trunk Release, Fuse Box To Dash Switch	\$27.00	
40619	1974	TRUNK RELEASE HARNESS Without Glove Box Lamp, Dash Harness To Switch	\$27.00	
40777	1974	TRUNK RELEASE HARNESS Electric	\$48.00	
40639	1975	TRUNK RELEASE HARNESS Used With Dealer Installed Trunk Release, Fuse Box To Dash Switch	\$27.00	
40619	1975	TRUNK RELEASE HARNESS Without Glove Box Lamp, Dash Harness To Switch	\$27.00	
40777	1975	TRUNK RELEASE HARNESS Electric	\$48.00	
40619	1976	TRUNK RELEASE HARNESS Without Glove Box Lamp, Dash Harness To Switch	\$27.00	
40777	1976	TRUNK RELEASE HARNESS Electric	\$48.00	
40777	1977	TRUNK RELEASE HARNESS Electric	\$48.00	
40619	1977	TRUNK RELEASE HARNESS Without Glove Box Lamp, Dash Harness To Switch	\$27.00	
TURN SIGNAL SWITCH				
00383033	1964	TURN SIGNAL SWITCH Without Tilt	\$138.00	

Note: Includes Light Socket For Column Shift Automatic Trans, Customer To Discard If Not Needed.

Part Number	Year	Description	Price	*Rev.
01993624	1964	TURN SIGNAL SWITCH With Tilt, Replaces Delco Part# D6220	\$71.00	
00387126	1965	TURN SIGNAL SWITCH Column Shift, Auto Trans, (Boyne), Without Tilt, Replaces Delco Part# D6201	\$96.00	
00387115	1965	TURN SIGNAL SWITCH Console Shift, Auto Trans, (Boyne), Without Tilt, Replaces Delco Part# D6200 Note: This Switch Has A Metal Base.	\$96.00	
00387115	1965	TURN SIGNAL SWITCH Manual Trans, (Boyne), Without Tilt, Replaces Delco Part# D6200 Note: This Switch Has A Metal Base.	\$96.00	
01993624	1965	TURN SIGNAL SWITCH With Tilt, Replaces Delco Part# D6220	\$71.00	
00387126	1966	TURN SIGNAL SWITCH Column Shift, Auto Trans, (Boyne), Without Tilt, Replaces Delco Part# D6201	\$96.00	
00387115	1966	TURN SIGNAL SWITCH Console Shift, Auto Trans, (Boyne), Without Tilt, Replaces Delco Part# D6200 Note: This Switch Has A Metal Base.	\$96.00	
00387115	1966	TURN SIGNAL SWITCH Manual Trans, (Boyne), Without Tilt, Replaces Delco Part# D6200 Note: This Switch Has A Metal Base.	\$96.00	
01993624	1966	TURN SIGNAL SWITCH With Tilt, Replaces Delco Part# D6220	\$71.00	
07800482	1967	TURN SIGNAL SWITCH Without Column Shift A/T, Without Tilt, Without Cornering Lights, (Delco Type, Black, White Or Green) Note: Emergency Flasher Actuator Hole In Outer Cover Is Shaped Like A Doghouse.	\$50.00	
07800482	1967	TURN SIGNAL SWITCH Without Column Shift A/T, With Tilt, Without Cornering Lights, (Delco Type, Black, White Or Green) Note: Emergency Flasher Actuator Hole In Outer Cover Is Shaped Like A Doghouse.	\$50.00	
05698897	1967	TURN SIGNAL SWITCH With Column Shift A/T, Without Tilt, Without Cornering Lamps (Delco Type, Black, White Or Green) Note: Emergency Flasher Actuator Hole In Outer Cover Is Shaped Like A Doghouse.	\$50.00	
05698897	1967	TURN SIGNAL SWITCH With Column Shift A/T, With Tilt, Without Cornering Lamps (Delco Type, Black, White Or Green) Note: Emergency Flasher Actuator Hole In Outer Cover Is Shaped Like A Doghouse.	\$50.00	
07800482	1967	TURN SIGNAL SWITCH With Column Shift 3 Speed MT (Delco Type, White) Note: Emergency Flasher Actuator Hole In Outer Cover Is Shaped Like A Doghouse.	\$50.00	
01893592	1967	TURN SIGNAL SWITCH Col. Shift, MT, Without Cornering Lights (Delco-White), Replaces Delco Part# D6211 Note: This Is A Service Part, Adapter Pigtail Included And Is Required For Some Applications.	\$58.00	
07800482	1967	TURN SIGNAL SWITCH With Floor Shift (Delco Type, White) Note: Emergency Flasher Actuator Hole In Outer Cover Is Shaped Like A Doghouse.	\$50.00	
01893592	1967	TURN SIGNAL SWITCH Floor Shift, Without Cornering Lights (Delco-White), Replaces Delco Part# D6211 Note: This Is A Service Part, Adapter Pigtail Included And Is Required For Some Applications.	\$58.00	
07800482	1968	TURN SIGNAL SWITCH Without Column Shift A/T, Without Tilt, Without Cornering Lights, (Delco Type, Black, White Or Green) Note: Emergency Flasher Actuator Hole In Outer Cover Is Shaped Like A Doghouse.	\$50.00	
07800482	1968	TURN SIGNAL SWITCH Without Column Shift A/T, With Tilt, Without Cornering Lights, (Delco Type, Black, White Or Green) Note: Emergency Flasher Actuator Hole In Outer Cover Is Shaped Like A Doghouse.	\$50.00	
05698897	1968	TURN SIGNAL SWITCH With Column Shift A/T, Without Tilt, Without Cornering Lamps (Delco Type, Black, White Or Green) Note: Emergency Flasher Actuator Hole In Outer Cover Is Shaped Like A Doghouse.	\$50.00	
05698897	1968	TURN SIGNAL SWITCH With Column Shift A/T, With Tilt, Without Cornering Lamps (Delco Type, Black, White Or Green) Note: Emergency Flasher Actuator Hole In Outer Cover Is Shaped Like A Doghouse.	\$50.00	

Part Number	Year	Description	Price	*Rev.
07800482	1968	TURN SIGNAL SWITCH With Column Shift 3 Speed MT (Delco Type, White) Note: Emergency Flasher Actuator Hole In Outer Cover Is Shaped Like A Doghouse.	\$50.00	
01893592	1968	TURN SIGNAL SWITCH Col. Shift, MT, Without Cornering Lights (Delco-White), Replaces Delco Part# D6211 Note: This Is A Service Part, Adapter Pigtail Included And Is Required For Some Applications.	\$58.00	
07800482	1968	TURN SIGNAL SWITCH With Floor Shift (Delco Type, White) Note: Emergency Flasher Actuator Hole In Outer Cover Is Shaped Like A Doghouse.	\$50.00	
01893592	1968	TURN SIGNAL SWITCH Floor Shift, Without Cornering Lights (Delco-White), Replaces Delco Part# D6211 Note: This Is A Service Part, Adapter Pigtail Included And Is Required For Some Applications.	\$58.00	
01997963	1969	TURN SIGNAL SWITCH, CORRECT PART Without Cornering Lights Note: Correct Part, No Adapter Pigtail Required.	\$41.00	
01997963	1970	TURN SIGNAL SWITCH, CORRECT PART Without Cornering Lights, Without Tilt Note: Correct Part, No Adapter Pigtail Required.	\$41.00	
01997963	1971	TURN SIGNAL SWITCH, CORRECT PART Without Cornering Lights Note: Correct Part, No Adapter Pigtail Required.	\$41.00	
01997963	1972	TURN SIGNAL SWITCH, CORRECT PART Without Cornering Lights Note: Correct Part, No Adapter Pigtail Required.	\$41.00	
01997963	1973	TURN SIGNAL SWITCH, CORRECT PART Without Cornering Lights Note: Correct Part, No Adapter Pigtail Required.	\$41.00	
01997963	1974	TURN SIGNAL SWITCH, CORRECT PART Without Cornering Lights Note: Correct Part, No Adapter Pigtail Required.	\$41.00	
01893588	1969	TURN SIGNAL SWITCH, SERVICE PART Without Cornering Lights, Replaces Delco Part# D6208 Note: This Is A Service Part, Adapter Pigtail Included Is Required For Installation.	\$58.00	
01893588	1970	TURN SIGNAL SWITCH, SERVICE PART Without Cornering Lights, Without Tilt, Replaces Delco Part# D6208 Note: This Is A Service Part, Adapter Pigtail Included Is Required For Installation.	\$58.00	
01893588	1971	TURN SIGNAL SWITCH, SERVICE PART Without Cornering Lights, Replaces Delco Part# D6208 Note: This Is A Service Part, Adapter Pigtail Included Is Required For Installation.	\$58.00	
01893588	1972	TURN SIGNAL SWITCH, SERVICE PART Without Cornering Lights, Replaces Delco Part# D6208 Note: This Is A Service Part, Adapter Pigtail Included Is Required For Installation.	\$58.00	
01893588	1973	TURN SIGNAL SWITCH, SERVICE PART Without Cornering Lights, Replaces Delco Part# D6208 Note: This Is A Service Part, Adapter Pigtail Included Is Required For Installation.	\$58.00	
01893588	1974	TURN SIGNAL SWITCH, SERVICE PART Without Cornering Lights, Replaces Delco Part# D6208 Note: This Is A Service Part, Adapter Pigtail Included Is Required For Installation.	\$58.00	
UTILITY LAMP HARNESS				
40579	1971	UTILITY LAMP HARNESS For Use With The Accessory Rechargeable Utility Lamp	\$38.00	
VACUUM GAUGE LAMP HARNESS				
10135	1966	VACUUM GAUGE LAMP HARNESS Console Mounted	\$25.00	
10135	1967	VACUUM GAUGE LAMP HARNESS Console Mounted	\$25.00	
VANITY MIRROR LAMP HARNESS				
40441	1977	VANITY MIRROR LAMP HARNESS All, Passenger Side Sunshade	\$42.00	
WINDSHIELD WIPER MOTOR				
04911476	1964	WINDSHIELD WIPER MOTOR 2-Speed, 3-Terminal Type Motor	\$92.00	N
44609	1964	WINDSHIELD WIPER MOTOR F-85, 2-Speed, 4-Terminal Type Motor Note: This Can Be Used In Place Of The 3-Terminal Motor. The 4th Terminal Is A Keyed Hot From Wiper Fuse In Fuse Box And May Or May Not Be Used In Some Applications.	\$106.00	N
04911476	1965	WINDSHIELD WIPER MOTOR 2-Speed, 3-Terminal Type Motor	\$92.00	N

Part Number	Year	Description	Price	*Rev.
44609	1965	WINDSHIELD WIPER MOTOR F-85, 2-Speed, 4-Terminal Type Motor Note: This Can Be Used In Place Of The 3-Terminal Motor. The 4th Terminal Is A Keyed Hot From Wiper Fuse In Fuse Box And May Or May Not Be Used In Some Applications.	\$106.00	N
04911476	1966	WINDSHIELD WIPER MOTOR 2-Speed, 3-Terminal Type Motor	\$92.00	N
44609	1966	WINDSHIELD WIPER MOTOR F-85, 2-Speed, 4-Terminal Type Motor Note: This Can Be Used In Place Of The 3-Terminal Motor. The 4th Terminal Is A Keyed Hot From Wiper Fuse In Fuse Box And May Or May Not Be Used In Some Applications.	\$106.00	N
04911476	1967	WINDSHIELD WIPER MOTOR 2-Speed, 3-Terminal Type Motor	\$92.00	N
44609	1967	WINDSHIELD WIPER MOTOR F-85, 2-Speed, 4-Terminal Type Motor Note: This Can Be Used In Place Of The 3-Terminal Motor. The 4th Terminal Is A Keyed Hot From Wiper Fuse In Fuse Box And May Or May Not Be Used In Some Applications.	\$106.00	N
WINDSHIELD WIPER SWITCH				
01998719	1961	WINDSHIELD WIPER SWITCH Single Speed, With Washer	\$52.00	
01998719	1962	WINDSHIELD WIPER SWITCH Single Speed, With Washer	\$52.00	
01998719	1963	WINDSHIELD WIPER SWITCH Single Speed, With Washer	\$52.00	
01993541	1964	WINDSHIELD WIPER SWITCH Single Speed, With Washer	\$45.00	
01993584	1964	WINDSHIELD WIPER SWITCH Two Speed, With Washer	\$52.00	
01993541	1965	WINDSHIELD WIPER SWITCH Single Speed, With Washer	\$45.00	
01993584	1965	WINDSHIELD WIPER SWITCH Two Speed, With Washer	\$52.00	
01993584	1966	WINDSHIELD WIPER SWITCH Two Speed, With Washer	\$52.00	
01993372	1967	WINDSHIELD WIPER SWITCH 2 Speed, With Washer	\$45.00	
01993425	1968	WINDSHIELD WIPER SWITCH 2 Speed, With Washer, Without Recess Park	\$52.00	
01993371	1968	WINDSHIELD WIPER SWITCH 2 Speed, With Washer, With Recess Park	\$65.00	
01994150	1972	WINDSHIELD WIPER SWITCH Ventura	\$52.00	
01994150	1973	WINDSHIELD WIPER SWITCH Ventura	\$52.00	
01994150	1974	WINDSHIELD WIPER SWITCH Ventura	\$52.00	
WIPER MOTOR HARNESS				
40443	1961	WIPER MOTOR HARNESS 2 Speed	\$41.00	
40449	1961	WIPER MOTOR HARNESS 2 Speed, With Washer	\$48.00	
40448	1961	WIPER MOTOR HARNESS Single Speed, With Washer	\$41.00	
40442	1961	WIPER MOTOR HARNESS Single Speed	\$34.00	
40461	1962	WIPER MOTOR HARNESS 2 Speed	\$41.00	
40459	1962	WIPER MOTOR HARNESS Single Speed	\$34.00	
40462	1962	WIPER MOTOR HARNESS 2 Speed, With Washer	\$48.00	
40460	1962	WIPER MOTOR HARNESS Single Speed, With Washer	\$41.00	
40467	1963	WIPER MOTOR HARNESS 2 Speed	\$27.00	
40466	1963	WIPER MOTOR HARNESS Single Speed, With Washer	\$41.00	
40468	1963	WIPER MOTOR HARNESS 2 Speed, With Washer	\$48.00	
40484	1964	WIPER MOTOR HARNESS 2 Speed	\$27.00	
38809	1964	WIPER MOTOR HARNESS 2 Speed, With Washer	\$37.00	
40688	1975	WIPER MOTOR HARNESS With Pulse Wipers	\$67.00	
40690	1975	WIPER MOTOR HARNESS With Pulse Wipers & Tach. (Tach Wiring Included)	\$83.00	
40688	1976	WIPER MOTOR HARNESS With Pulse Wipers	\$67.00	
40690	1976	WIPER MOTOR HARNESS With Pulse Wipers & Tach. (Tach Wiring Included)	\$83.00	

Section 18

Oldsmobile Passenger

Part Number	Year	Description	Price	*Rev.
BATTERY CABLE JUMPER				
23720	1954	BATTERY CABLE JUMPER Pos, Junction Block To Starter, Without A/C	\$69.00	
26700	1955	BATTERY CABLE JUMPER Pos, Junction Block To Starter, Without A/C	\$69.00	
23595	1955	BATTERY CABLE JUMPER Pos, Junction Block To Starter, With A/C	\$69.00	
23685	1956	BATTERY CABLE JUMPER Pos, Junction Block To Starter, Without A/C	\$69.00	
23690	1956	BATTERY CABLE JUMPER Pos, Junction Block To Starter, With A/C	\$69.00	
23685	1957	BATTERY CABLE JUMPER Pos, Junction Block To Starter, Without A/C	\$69.00	
23690	1957	BATTERY CABLE JUMPER Pos, Junction Block To Starter, With A/C	\$69.00	
23685	1958	BATTERY CABLE JUMPER Pos, Junction Block To Starter, Without A/C	\$69.00	
23690	1958	BATTERY CABLE JUMPER Pos, Junction Block To Starter, With A/C	\$69.00	
26710	1959	BATTERY CABLE JUMPER Pos, Junction Block To Starter, All	\$69.00	
26710	1960	BATTERY CABLE JUMPER Pos, Junction Block To Starter, All	\$69.00	
26710	1961	BATTERY CABLE JUMPER Pos, Junction Block To Starter, All	\$69.00	
26710	1962	BATTERY CABLE JUMPER Pos, Junction Block To Starter, All	\$69.00	
27280	1963	BATTERY CABLE JUMPER Pos, Junction Block To Starter, Auto Trans	\$69.00	
28695	1963	BATTERY CABLE JUMPER Pos, Junction Block To Starter, Manual Trans	\$69.00	
27280	1964	BATTERY CABLE JUMPER Pos, Junction Block To Starter, Auto Trans	\$69.00	
28695	1964	BATTERY CABLE JUMPER Pos, Junction Block To Starter, Manual Trans	\$69.00	
04405	1964	BATTERY CABLE JUMPER Pos, Junction Block To Starter, Jetstar 88, Auto Trans	\$69.00	
27275	1964	BATTERY CABLE JUMPER Pos, Junction Block To Starter, Jetstar 88, Std. Trans	\$69.00	
21570	1965	BATTERY CABLE JUMPER Pos, Junction Block To Starter	\$69.00	
11540	1966	BATTERY CABLE JUMPER Pos, Junction Block To Starter	\$69.00	
11540	1967	BATTERY CABLE JUMPER Pos, Junction Block To Starter	\$69.00	
BATTERY CABLE-NEGATIVE				
26745	1953	BATTERY CABLE, TOP POST Neg (Braided Strap Type)	\$69.00	
27875	1954	BATTERY CABLE, TOP POST Neg (Braided Strap Type)	\$69.00	
27875	1955	BATTERY CABLE, TOP POST Neg (Braided Strap Type)	\$69.00	
27875	1956	BATTERY CABLE, TOP POST Neg (Braided Strap Type)	\$69.00	
23365	1957	BATTERY CABLE, TOP POST Neg (Braided Strap Type)	\$69.00	
23365	1958	BATTERY CABLE, TOP POST Neg (Braided Strap Type)	\$69.00	
23360	1959	BATTERY CABLE, TOP POST Neg (Braided Strap Type)	\$69.00	
23350	1960	BATTERY CABLE, TOP POST Neg	\$63.00	
23590	1961	BATTERY CABLE, TOP POST Neg (Braided Strap Type)	\$69.00	
23590	1962	BATTERY CABLE, TOP POST Neg (Braided Strap Type)	\$69.00	
28680	1963	BATTERY CABLE, TOP POST Neg	\$69.00	
28680	1964	BATTERY CABLE, TOP POST Neg	\$69.00	
29625	1965	BATTERY CABLE, TOP POST Neg	\$69.00	
29640	1966	BATTERY CABLE, SPRING RING Neg	\$69.00	
29640	1967	BATTERY CABLE, SPRING RING Neg	\$69.00	
29640	1968	BATTERY CABLE, SPRING RING Neg	\$69.00	
29585	1969	BATTERY CABLE, SPRING RING Neg, 350 C.I.	\$69.00	
29570	1969	BATTERY CABLE, SPRING RING Neg, 455 C.I.	\$69.00	
29585	1970	BATTERY CABLE, SPRING RING Neg, 350 C.I.	\$69.00	
29570	1970	BATTERY CABLE, SPRING RING Neg, 455 C.I.	\$69.00	
29690	1971	BATTERY CABLE, SIDE POST Neg, 350 C.I.	\$74.00	
29685	1971	BATTERY CABLE, SIDE POST Neg, 455 C.I.	\$74.00	

Part Number	Year	Description	Price	*Rev.
29690	1972	BATTERY CABLE, SIDE POST Neg, 350 C.I.	\$74.00	
29685	1972	BATTERY CABLE, SIDE POST Neg, 455 C.I.	\$74.00	
BATTERY CABLE-POSITIVE				
26735	1953	BATTERY CABLE, TOP POST Pos	\$63.00	
26740	1954	BATTERY CABLE, TOP POST Pos, Battery To Junction Block	\$63.00	
23600	1955	BATTERY CABLE, TOP POST Pos, Battery To Junction Block, Without A/C	\$63.00	
23680	1955	BATTERY CABLE, TOP POST Pos, Battery To Junction Block, With A/C	\$63.00	
23695	1956	BATTERY CABLE, TOP POST Pos, Battery To Junction Block, Without A/C	\$63.00	
23345	1956	BATTERY CABLE, TOP POST Pos, Battery To Junction Block, With A/C	\$63.00	
23700	1957	BATTERY CABLE, TOP POST Pos, Battery To Junction Block, Without A/C	\$63.00	
23345	1957	BATTERY CABLE, TOP POST Pos, Battery To Junction Block, With A/C	\$63.00	
26705	1958	BATTERY CABLE, TOP POST Pos, Battery To Junction Block, Without A/C	\$63.00	
23345	1958	BATTERY CABLE, TOP POST Pos, Battery To Junction Block, With A/C	\$63.00	
26890	1959	BATTERY CABLE, TOP POST Pos, Battery To Junction Block	\$63.00	
26890	1960	BATTERY CABLE, TOP POST Pos, Battery To Junction Block	\$63.00	
26880	1961	BATTERY CABLE, TOP POST Pos, Battery To Junction Block	\$63.00	
26895	1962	BATTERY CABLE, TOP POST Pos, Battery To Junction Block	\$63.00	
26885	1963	BATTERY CABLE, TOP POST Pos, Battery To Junction Block	\$63.00	
26885	1964	BATTERY CABLE, TOP POST Pos, Battery To Junction Block	\$63.00	
28665	1965	BATTERY CABLE, TOP POST Pos, Battery To Junction Block	\$69.00	
22190	1966	BATTERY CABLE, SPRING RING Pos, Battery To Junction Block	\$69.00	
22190	1967	BATTERY CABLE, SPRING RING Pos, Battery To Junction Block	\$69.00	
29615	1968	BATTERY CABLE, SPRING RING Pos, Auto Trans, 350 C.I.	\$69.00	
29605	1968	BATTERY CABLE, SPRING RING Pos, Auto Trans, 455 C.I.	\$69.00	
29630	1968	BATTERY CABLE, SPRING RING Pos, Manual Trans, All	\$69.00	
29575	1969	BATTERY CABLE, SPRING RING Pos, All With Disc Brakes	\$69.00	
29580	1969	BATTERY CABLE, SPRING RING Pos, Auto Trans, 350 C.I., Without Disc Brakes	\$69.00	
29565	1969	BATTERY CABLE, SPRING RING Pos, Auto Trans, 455 C.I., Without Disc Brakes	\$69.00	
29580	1969	BATTERY CABLE, SPRING RING Pos, Manual Trans, All Without Disc Brakes	\$69.00	
29575	1970	BATTERY CABLE, SPRING RING Pos, All With Disc Brakes	\$69.00	
29610	1970	BATTERY CABLE, SPRING RING Pos, All Without Disc Brakes	\$69.00	
29720	1971	BATTERY CABLE, SIDE POST Pos, Auto Trans, 350 C.I.	\$74.00	
29590	1971	BATTERY CABLE, SIDE POST Pos, Auto Trans, 455 C.I.	\$74.00	
29680	1971	BATTERY CABLE, SIDE POST Pos, Manual Trans, All	\$74.00	
29720	1972	BATTERY CABLE, SIDE POST Pos, 350 C.I.	\$74.00	
29590	1972	BATTERY CABLE, SIDE POST Pos, 455 C.I.	\$74.00	
CONSOLE HARNESS				
23295	1962	CONSOLE HARNESS Starfire, Without Power Windows	\$111.00	
04465	1964	CONSOLE HARNESS Manual Trans, Model J88	\$74.00	
09290	1966	CONSOLE HARNESS Auto Trans, Starfire	\$98.00	
CORNERING LAMP HARNESS				
27980	1964	CORNERING LAMP HARNESS	\$52.00	
27980	1965	CORNERING LAMP HARNESS	\$52.00	
27980	1966	CORNERING LAMP HARNESS	\$52.00	
COURTESY LAMP HARNESS				
29355	1954	COURTESY LAMP HARNESS Under Dash Courtesy Lamps	\$48.00	

Part Number	Year	Description	Price	*Rev.
29355	1955	COURTESY LAMP HARNESS Under Dash Courtesy Lamps	\$48.00	
29355	1956	COURTESY LAMP HARNESS Under Dash Courtesy Lamps	\$48.00	
29355	1957	COURTESY LAMP HARNESS Under Dash Courtesy Lamps	\$48.00	
29355	1958	COURTESY LAMP HARNESS Under Dash Courtesy Lamps	\$48.00	
32420	1959	COURTESY LAMP HARNESS Reading Lamp Jumper, Dynamic 88, All Except Wagon And Convertible	\$40.00	
32420	1959	COURTESY LAMP HARNESS Reading Lamp Jumper, Super 88	\$40.00	
32405	1959	COURTESY LAMP HARNESS Side Roof Rail Lamp, 98, Dynamic 88 & Super 88 Holiday Coupe	\$50.00	
32410	1959	COURTESY LAMP HARNESS Side Roof Rail Lamp, Dynamic 88 & Super 88 Holiday Sedan	\$50.00	
32420	1960	COURTESY LAMP HARNESS Reading Lamp Jumper, Dynamic 88, All Except Wagon And Convertible	\$40.00	
32420	1960	COURTESY LAMP HARNESS Reading Lamp Jumper, Super 88	\$40.00	
DASH AND ENGINE COMPARTMENT HARNESS				
27255	1953	DASH AND ENGINE COMPARTMENT HARNESS Auto Trans	\$861.00	
27250	1953	DASH AND ENGINE COMPARTMENT HARNESS Manual Trans	\$861.00	
27205	1954	DASH AND ENGINE COMPARTMENT HARNESS Auto Trans	\$861.00	
27200	1954	DASH AND ENGINE COMPARTMENT HARNESS Manual Trans	\$861.00	
33755	1955	DASH AND ENGINE COMPARTMENT HARNESS Auto Trans, Models 88 And 98	\$861.00	
23585	1955	DASH AND ENGINE COMPARTMENT HARNESS Auto Trans, Models 88 And 98 With A/C	\$953.00	
23585	1955	DASH AND ENGINE COMPARTMENT HARNESS Manual Trans, Models 88 And 98	\$953.00	
33765	1956	DASH AND ENGINE COMPARTMENT HARNESS Auto Trans, Models 88 And 98	\$861.00	
33760	1956	DASH AND ENGINE COMPARTMENT HARNESS Manual Trans, Models 88 And 98	\$898.00	
33775	1957	DASH AND ENGINE COMPARTMENT HARNESS Auto Trans, Model 88	\$861.00	
33780	1957	DASH AND ENGINE COMPARTMENT HARNESS Auto Trans, Models Super 88 And 98	\$861.00	
33770	1957	DASH AND ENGINE COMPARTMENT HARNESS Manual Trans, Model 88	\$861.00	
33785	1957	DASH AND ENGINE COMPARTMENT HARNESS Manual Trans, Models Super 88 And 98	\$861.00	
27535	1958	DASH AND ENGINE COMPARTMENT HARNESS Auto Trans, Model 88 Note: Customer Must Supply Their Fuseblock And Some Connectors To Build This Harness.	\$965.00	
27530	1958	DASH AND ENGINE COMPARTMENT HARNESS Auto Trans, Model Super 88 Note: Customer Must Supply Their Fuseblock And Some Connectors To Build This Harness.	\$965.00	
33795	1958	DASH AND ENGINE COMPARTMENT HARNESS Auto Trans, With Power Brakes, Model 88 Note: Customer Must Supply Their Fuseblock And Some Connectors To Build This Harness.	\$965.00	
33790	1958	DASH AND ENGINE COMPARTMENT HARNESS Auto Trans, With Power Brakes, Models Super 88 And 98 Note: Customer Must Supply Their Fuseblock And Some Connectors To Build This Harness.	\$925.00	
27525	1958	DASH AND ENGINE COMPARTMENT HARNESS Manual Trans, Model 88 Note: Customer Must Supply Their Fuseblock And Some Connectors To Build This Harness.	\$965.00	
27520	1958	DASH AND ENGINE COMPARTMENT HARNESS Manual Trans, Model Super 88 Note: Customer Must Supply Their Fuseblock And Some Connectors To Build This Harness.	\$965.00	
23320	1962	DASH AND ENGINE COMPARTMENT HARNESS With Generator, Starfire Note: Customer Must Supply Their Fuseblock And Turn Signal Switch Connector.	\$930.00	N
DASH INSTRUMENT PANEL HARNESS				
23160	1961	DASH INSTRUMENT PANEL HARNESS	\$132.00	
30655	1963	DASH INSTRUMENT PANEL HARNESS	\$132.00	
DOME LAMP FEED AND GROUND				
32400	1959	DOME LAMP FEED AND GROUND Dynamic 88 2 & 4 Door Sedan And Holiday Coupe & Super 88 4 Door Sedan	\$42.00	
32415	1959	DOME LAMP FEED AND GROUND Dynamic 88 Holiday Sedan	\$42.00	

Part Number	Year	Description	Price	*Rev.
HARNESS TAPE				
R0058272	1953	HARNESS TAPE 3/4" Vinyl (100 Ft. Roll) Non-Adhesive	\$12.00	
R0058276	1953	HARNESS TAPE 1" Vinyl (100 Ft. Roll) Non-Adhesive	\$13.00	
R0067108	1953	HARNESS TAPE 1 1/4" Vinyl (100 Ft. Roll) Non-Adhesive	\$15.00	
R0058272	1954	HARNESS TAPE 3/4" Vinyl (100 Ft. Roll) Non-Adhesive	\$12.00	
R0058276	1954	HARNESS TAPE 1" Vinyl (100 Ft. Roll) Non-Adhesive	\$13.00	
R0067108	1954	HARNESS TAPE 1 1/4" Vinyl (100 Ft. Roll) Non-Adhesive	\$15.00	
R0058272	1955	HARNESS TAPE 3/4" Vinyl (100 Ft. Roll) Non-Adhesive	\$12.00	
R0058276	1955	HARNESS TAPE 1" Vinyl (100 Ft. Roll) Non-Adhesive	\$13.00	
R0067108	1955	HARNESS TAPE 1 1/4" Vinyl (100 Ft. Roll) Non-Adhesive	\$15.00	
R0058272	1956	HARNESS TAPE 3/4" Vinyl (100 Ft. Roll) Non-Adhesive	\$12.00	
R0058276	1956	HARNESS TAPE 1" Vinyl (100 Ft. Roll) Non-Adhesive	\$13.00	
R0067108	1956	HARNESS TAPE 1 1/4" Vinyl (100 Ft. Roll) Non-Adhesive	\$15.00	
R0058272	1957	HARNESS TAPE 3/4" Vinyl (100 Ft. Roll) Non-Adhesive	\$12.00	
R0058276	1957	HARNESS TAPE 1" Vinyl (100 Ft. Roll) Non-Adhesive	\$13.00	
R0067108	1957	HARNESS TAPE 1 1/4" Vinyl (100 Ft. Roll) Non-Adhesive	\$15.00	
R0058272	1958	HARNESS TAPE 3/4" Vinyl (100 Ft. Roll) Non-Adhesive	\$12.00	
R0058276	1958	HARNESS TAPE 1" Vinyl (100 Ft. Roll) Non-Adhesive	\$13.00	
R0067108	1958	HARNESS TAPE 1 1/4" Vinyl (100 Ft. Roll) Non-Adhesive	\$15.00	
R0058272	1959	HARNESS TAPE 3/4" Vinyl (100 Ft. Roll) Non-Adhesive	\$12.00	
R0058276	1959	HARNESS TAPE 1" Vinyl (100 Ft. Roll) Non-Adhesive	\$13.00	
R0067108	1959	HARNESS TAPE 1 1/4" Vinyl (100 Ft. Roll) Non-Adhesive	\$15.00	
R0058272	1960	HARNESS TAPE 3/4" Vinyl (100 Ft. Roll) Non-Adhesive	\$12.00	
R0058276	1960	HARNESS TAPE 1" Vinyl (100 Ft. Roll) Non-Adhesive	\$13.00	
R0067108	1960	HARNESS TAPE 1 1/4" Vinyl (100 Ft. Roll) Non-Adhesive	\$15.00	
R0058272	1961	HARNESS TAPE 3/4" Vinyl (100 Ft. Roll) Non-Adhesive	\$12.00	
R0058276	1961	HARNESS TAPE 1" Vinyl (100 Ft. Roll) Non-Adhesive	\$13.00	
R0067108	1961	HARNESS TAPE 1 1/4" Vinyl (100 Ft. Roll) Non-Adhesive	\$15.00	
R0058272	1962	HARNESS TAPE 3/4" Vinyl (100 Ft. Roll) Non-Adhesive	\$12.00	
R0058276	1962	HARNESS TAPE 1" Vinyl (100 Ft. Roll) Non-Adhesive	\$13.00	
R0067108	1962	HARNESS TAPE 1 1/4" Vinyl (100 Ft. Roll) Non-Adhesive	\$15.00	
R0058272	1963	HARNESS TAPE 3/4" Vinyl (100 Ft. Roll) Non-Adhesive	\$12.00	
R0058276	1963	HARNESS TAPE 1" Vinyl (100 Ft. Roll) Non-Adhesive	\$13.00	
R0067108	1963	HARNESS TAPE 1 1/4" Vinyl (100 Ft. Roll) Non-Adhesive	\$15.00	
R0058272	1964	HARNESS TAPE 3/4" Vinyl (100 Ft. Roll) Non-Adhesive	\$12.00	
R0058276	1964	HARNESS TAPE 1" Vinyl (100 Ft. Roll) Non-Adhesive	\$13.00	
R0067108	1964	HARNESS TAPE 1 1/4" Vinyl (100 Ft. Roll) Non-Adhesive	\$15.00	
R0058272	1965	HARNESS TAPE 3/4" Vinyl (100 Ft. Roll) Non-Adhesive	\$12.00	
R0058276	1965	HARNESS TAPE 1" Vinyl (100 Ft. Roll) Non-Adhesive	\$13.00	
R0067108	1965	HARNESS TAPE 1 1/4" Vinyl (100 Ft. Roll) Non-Adhesive	\$15.00	
R0058272	1966	HARNESS TAPE 3/4" Vinyl (100 Ft. Roll) Non-Adhesive	\$12.00	
R0058276	1966	HARNESS TAPE 1" Vinyl (100 Ft. Roll) Non-Adhesive	\$13.00	
R0067108	1966	HARNESS TAPE 1 1/4" Vinyl (100 Ft. Roll) Non-Adhesive	\$15.00	
R0058272	1967	HARNESS TAPE 3/4" Vinyl (100 Ft. Roll) Non-Adhesive	\$12.00	
R0058276	1967	HARNESS TAPE 1" Vinyl (100 Ft. Roll) Non-Adhesive	\$13.00	
R0067108	1967	HARNESS TAPE 1 1/4" Vinyl (100 Ft. Roll) Non-Adhesive	\$15.00	
R0058272	1968	HARNESS TAPE 3/4" Vinyl (100 Ft. Roll) Non-Adhesive	\$12.00	

Part Number	Year	Description	Price	*Rev.
R0058276	1968	HARNESS TAPE 1" Vinyl (100 Ft. Roll) Non-Adhesive	\$13.00	
R0067108	1968	HARNESS TAPE 1 1/4" Vinyl (100 Ft. Roll) Non-Adhesive	\$15.00	
R0058272	1969	HARNESS TAPE 3/4" Vinyl (100 Ft. Roll) Non-Adhesive	\$12.00	
R0058276	1969	HARNESS TAPE 1" Vinyl (100 Ft. Roll) Non-Adhesive	\$13.00	
R0067108	1969	HARNESS TAPE 1 1/4" Vinyl (100 Ft. Roll) Non-Adhesive	\$15.00	
R0058272	1970	HARNESS TAPE 3/4" Vinyl (100 Ft. Roll) Non-Adhesive	\$12.00	
R0058276	1970	HARNESS TAPE 1" Vinyl (100 Ft. Roll) Non-Adhesive	\$13.00	
R0067108	1970	HARNESS TAPE 1 1/4" Vinyl (100 Ft. Roll) Non-Adhesive	\$15.00	
R0058272	1971	HARNESS TAPE 3/4" Vinyl (100 Ft. Roll) Non-Adhesive	\$12.00	
R0058276	1971	HARNESS TAPE 1" Vinyl (100 Ft. Roll) Non-Adhesive	\$13.00	
R0067108	1971	HARNESS TAPE 1 1/4" Vinyl (100 Ft. Roll) Non-Adhesive	\$15.00	
R0058272	1972	HARNESS TAPE 3/4" Vinyl (100 Ft. Roll) Non-Adhesive	\$12.00	
R0058276	1972	HARNESS TAPE 1" Vinyl (100 Ft. Roll) Non-Adhesive	\$13.00	
R0067108	1972	HARNESS TAPE 1 1/4" Vinyl (100 Ft. Roll) Non-Adhesive	\$15.00	
HEADLAMP DIMMER SWITCH				
01997008	1949	HEADLAMP DIMMER SWITCH Without Autronic Eye	\$12.00	N
01997008	1950	HEADLAMP DIMMER SWITCH Without Autronic Eye	\$12.00	N
01997008	1951	HEADLAMP DIMMER SWITCH Without Autronic Eye	\$12.00	N
01997008	1952	HEADLAMP DIMMER SWITCH Without Autronic Eye	\$12.00	N
01997008	1953	HEADLAMP DIMMER SWITCH Without Autronic Eye	\$12.00	N
01997008	1954	HEADLAMP DIMMER SWITCH Without Autronic Eye	\$12.00	N
01997008	1955	HEADLAMP DIMMER SWITCH Without Autronic Eye	\$12.00	N
01997008	1956	HEADLAMP DIMMER SWITCH Without Autronic Eye	\$12.00	N
01997008	1957	HEADLAMP DIMMER SWITCH Without Autronic Eye	\$12.00	N
01997008	1958	HEADLAMP DIMMER SWITCH Without Autronic Eye	\$12.00	N
01997023	1959	HEADLAMP DIMMER SWITCH Without Autronic Eye	\$16.00	N
01997023	1960	HEADLAMP DIMMER SWITCH Super 88, 98, Without Autronic Eye	\$16.00	N
01997028	1961	HEADLAMP DIMMER SWITCH Except F-85, Without Guide-Matic	\$7.50	N
01997028	1962	HEADLAMP DIMMER SWITCH Except F-85, Without Guide-Matic	\$7.50	N
HEADLIGHT BUCKET EXTENSION HARNESS				
33950	1954	HEADLIGHT BUCKET EXTENSION HARNESS Set Of 2	\$67.00	
33950	1955	HEADLIGHT BUCKET EXTENSION HARNESS Set Of 2	\$67.00	
33950	1956	HEADLIGHT BUCKET EXTENSION HARNESS Set Of 2	\$67.00	
33955	1957	HEADLIGHT BUCKET EXTENSION HARNESS Set Of 2	\$53.00	
33960	1958	HEADLIGHT BUCKET EXTENSION HARNESS Set Of 2	\$80.00	
HEADLIGHT SWITCH				
01995041	1953	HEADLIGHT SWITCH Snap On Terminal Note: Used On Vehicles With A Fused Dome, Stop Lamp, & Glove Box Light Circuit.	\$62.00	N
01995179	1967	HEADLIGHT SWITCH Except Tornado	\$20.00	N
IGNITION BALLAST RESISTOR				
01957154	1953	IGNITION BALLAST RESISTOR All, 12 Volt	\$12.00	N
01957154	1954	IGNITION BALLAST RESISTOR All, 12 Volt	\$12.00	N
01957154	1955	IGNITION BALLAST RESISTOR All, 12 Volt	\$12.00	N
01957154	1956	IGNITION BALLAST RESISTOR All	\$12.00	N
01957154	1957	IGNITION BALLAST RESISTOR All	\$12.00	N
01957154	1958	IGNITION BALLAST RESISTOR All	\$12.00	N

Part Number	Year	Description	Price	*Rev.
01957154	1959	IGNITION BALLAST RESISTOR All	\$12.00	N
01957154	1960	IGNITION BALLAST RESISTOR All	\$12.00	N
01957154	1961	IGNITION BALLAST RESISTOR All, Except F85	\$12.00	N
IGNITION CYLINDER AND KEYS				
20071252	1969	IGNITION CYLINDER AND KEYS Chrome, Delta, 98, Toronado	\$18.50	N
20071252	1970	IGNITION CYLINDER AND KEYS Chrome, Delta, 98, Toronado	\$18.50	N
20071252	1971	IGNITION CYLINDER AND KEYS Chrome, Delta, 98, Toronado	\$18.50	N
20071252	1972	IGNITION CYLINDER AND KEYS Chrome, Delta, 98, Toronado	\$18.50	N
20071252	1973	IGNITION CYLINDER AND KEYS Chrome, Delta, 98, Toronado	\$18.50	N
20071252	1974	IGNITION CYLINDER AND KEYS Chrome, Delta, 98, Toronado	\$18.50	N
20071252	1975	IGNITION CYLINDER AND KEYS Chrome, Delta, 98, Toronado	\$18.50	N
20071252	1976	IGNITION CYLINDER AND KEYS Chrome, Delta, 98, Toronado	\$18.50	N
20071252	1977	IGNITION CYLINDER AND KEYS Chrome, Delta, 98, Toronado	\$18.50	N
20071252	1978	IGNITION CYLINDER AND KEYS Chrome, Delta, 98, Toronado, 1st Design, Used On Columns Without Lock Cylinder Retaining Screw	\$18.50	N
07833759	1978	IGNITION CYLINDER AND KEYS Chrome, Delta, 98, Toronado, 2nd Design, Used On Columns With Lock Cylinder Retaining Screw	\$18.50	N
07833759	1979	IGNITION CYLINDER AND KEYS Chrome, Delta, 98, Toronado	\$18.50	N
07833759	1980	IGNITION CYLINDER AND KEYS Chrome, Delta, 98, Toronado	\$18.50	N
07833759	1981	IGNITION CYLINDER AND KEYS Chrome, Delta, 98, Toronado	\$18.50	N
07833759	1982	IGNITION CYLINDER AND KEYS Chrome, Delta, 98, Toronado	\$18.50	N
07833759	1983	IGNITION CYLINDER AND KEYS Chrome, Delta, 98, Toronado	\$18.50	N
07833759	1984	IGNITION CYLINDER AND KEYS Chrome, Delta, Toronado	\$18.50	N
07833759	1985	IGNITION CYLINDER AND KEYS Chrome, Delta, Toronado	\$18.50	N
07833759	1986	IGNITION CYLINDER AND KEYS Chrome, Custom Cruiser	\$18.50	N
07833759	1987	IGNITION CYLINDER AND KEYS Chrome, Custom Cruiser	\$18.50	N
07833759	1988	IGNITION CYLINDER AND KEYS Chrome, Custom Cruiser	\$18.50	N
IGNITION SWITCH				
44205	1965	IGNITION SWITCH KIT Note: Includes Ignition Switch, Connector And Instructions.	\$37.00	N
01990110	1969	IGNITION SWITCH All, With Tilt	\$14.00	N
01990110	1970	IGNITION SWITCH All, With Tilt	\$14.00	N
01990110	1971	IGNITION SWITCH All, With Tilt	\$14.00	N
01990110	1972	IGNITION SWITCH All, With Tilt	\$14.00	N
01990110	1973	IGNITION SWITCH All, With Tilt	\$14.00	N
01990110	1974	IGNITION SWITCH All, With Tilt	\$14.00	N
01990110	1975	IGNITION SWITCH All, With Tilt	\$14.00	N
01990110	1976	IGNITION SWITCH All, With Tilt	\$14.00	N
01990110	1977	IGNITION SWITCH All, With Tilt	\$14.00	N
01990110	1978	IGNITION SWITCH All, With Tilt	\$14.00	N
01990110	1979	IGNITION SWITCH All, With Tilt	\$14.00	N
01990110	1980	IGNITION SWITCH All, With Tilt	\$14.00	N
01990110	1981	IGNITION SWITCH All, With Tilt	\$14.00	N
01990110	1982	IGNITION SWITCH All, With Tilt	\$14.00	N
01990110	1983	IGNITION SWITCH All, With Tilt	\$14.00	N
01990110	1984	IGNITION SWITCH All, With Tilt	\$14.00	N
01990110	1985	IGNITION SWITCH All, With Tilt	\$14.00	N

Part Number	Year	Description	Price	*Rev.
01990110	1986	IGNITION SWITCH All, With Tilt	\$14.00	N
01990110	1987	IGNITION SWITCH All, With Tilt	\$14.00	N
01990110	1988	IGNITION SWITCH All, With Tilt	\$14.00	N
01990110	1989	IGNITION SWITCH All, With Tilt	\$14.00	N
01990110	1990	IGNITION SWITCH All, With Tilt	\$14.00	N
INSTRUMENT GAUGE CLUSTER CLIP KIT				
08986000	1976	CLIP KIT Delta 88, Ninety Eight, Toronado, Omega, All, Instrument Gauge Cluster / Printed Circuit Board Retaining Clip Note: Replaces Original GM Part Number 08986000, Includes 12 Clips Per Kit.	\$14.00	N
08986000	1977	CLIP KIT Delta 88, Ninety Eight, Toronado, Omega, All, Instrument Gauge Cluster / Printed Circuit Board Retaining Clip Note: Replaces Original GM Part Number 08986000, Includes 12 Clips Per Kit.	\$14.00	N
08986000	1978	CLIP KIT Delta 88, Ninety Eight, Toronado, Omega, All, Instrument Gauge Cluster / Printed Circuit Board Retaining Clip Note: Replaces Original GM Part Number 08986000, Includes 12 Clips Per Kit.	\$14.00	N
08986000	1979	CLIP KIT Delta 88, Ninety Eight, Toronado, Omega, All, Instrument Gauge Cluster / Printed Circuit Board Retaining Clip Note: Replaces Original GM Part Number 08986000, Includes 12 Clips Per Kit.	\$14.00	N
08986000	1980	CLIP KIT Delta 88, Ninety Eight, Toronado, Omega, All, Instrument Gauge Cluster / Printed Circuit Board Retaining Clip Note: Replaces Original GM Part Number 08986000, Includes 12 Clips Per Kit.	\$14.00	N
08986000	1981	CLIP KIT Delta 88, Ninety Eight, Toronado, Omega, All, Instrument Gauge Cluster / Printed Circuit Board Retaining Clip Note: Replaces Original GM Part Number 08986000, Includes 12 Clips Per Kit.	\$14.00	N
08986000	1982	CLIP KIT Delta, Custom Cruiser, Omega, All, Instrument Gauge Cluster / Printed Circuit Board Retaining Clip Note: Replaces Original GM Part Number 08986000, Includes 12 Clips Per Kit.	\$14.00	N
08986000	1983	CLIP KIT Delta, Custom Cruiser, Omega, All, Instrument Gauge Cluster / Printed Circuit Board Retaining Clip Note: Replaces Original GM Part Number 08986000, Includes 12 Clips Per Kit.	\$14.00	N
08986000	1984	CLIP KIT Delta, Custom Cruiser, Omega, All, Instrument Gauge Cluster / Printed Circuit Board Retaining Clip Note: Replaces Original GM Part Number 08986000, Includes 12 Clips Per Kit.	\$14.00	N
08986000	1985	CLIP KIT Delta, Custom Cruiser, All, Instrument Gauge Cluster / Printed Circuit Board Retaining Clip Note: Replaces Original GM Part Number 08986000, Includes 12 Clips Per Kit.	\$14.00	N
08986000	1986	CLIP KIT Custom Cruiser, All, Instrument Gauge Cluster / Printed Circuit Board Retaining Clip Note: Replaces Original GM Part Number 08986000, Includes 12 Clips Per Kit.	\$14.00	N
08986000	1987	CLIP KIT Custom Cruiser, All, Instrument Gauge Cluster / Printed Circuit Board Retaining Clip Note: Replaces Original GM Part Number 08986000, Includes 12 Clips Per Kit.	\$14.00	N
08986000	1988	CLIP KIT Custom Cruiser, All, Instrument Gauge Cluster / Printed Circuit Board Retaining Clip Note: Replaces Original GM Part Number 08986000, Includes 12 Clips Per Kit.	\$14.00	N
08986000	1989	CLIP KIT Custom Cruiser, All, Instrument Gauge Cluster / Printed Circuit Board Retaining Clip Note: Replaces Original GM Part Number 08986000, Includes 12 Clips Per Kit.	\$14.00	N
08986000	1990	CLIP KIT Custom Cruiser, All, Instrument Gauge Cluster / Printed Circuit Board Retaining Clip Note: Replaces Original GM Part Number 08986000, Includes 12 Clips Per Kit.	\$14.00	N
KICKDOWN SWITCH				
01242101	1976	KICKDOWN SWITCH Ninety-Eight, Toronado, TH400, Auto Trans	\$19.00	

Part Number	Year	Description	Price	*Rev.
01242101	1977	KICKDOWN SWITCH Ninety-Eight, Toronado, TH400, Auto Trans	\$19.00	
01242101	1978	KICKDOWN SWITCH Ninety-Eight, Toronado, TH400, Auto Trans	\$19.00	
01242101	1979	KICKDOWN SWITCH Ninety-Eight, TH400, Auto Trans	\$19.00	
01242101	1980	KICKDOWN SWITCH Ninety-Eight, TH400, Auto Trans	\$19.00	
PARK LAMP AND LEAD WIRE ASSEMBLY				
33965	1954	PARK LAMP AND LEAD WIRE ASSEMBLY Set Of 2	\$53.00	
POWER DOOR LOCK SWITCH				
01725099	1971	POWER DOOR LOCK SWITCH Delta 88, Ninety Eight, Toronado, With Switch On Trim Pad, 1 Button	\$62.00	M
01725099	1972	POWER DOOR LOCK SWITCH Delta 88, Ninety Eight, Toronado, With Switch On Trim Pad, 1 Button	\$62.00	M
01725099	1973	POWER DOOR LOCK SWITCH Delta 88, Ninety Eight, Toronado, With Switch On Trim Pad, 1 Button	\$62.00	M
01725099	1974	POWER DOOR LOCK SWITCH Delta 88, Ninety Eight, Toronado, With Switch On Trim Pad, 1 Button	\$62.00	M
01725099	1975	POWER DOOR LOCK SWITCH Delta 88, Ninety Eight, Toronado, With Switch On Trim Pad, 1 Button	\$62.00	M
01725099	1976	POWER DOOR LOCK SWITCH Delta 88, 1 Button	\$62.00	M
20043224	1977	POWER DOOR LOCK SWITCH Delta 88, Without Power Windows	\$9.00	N
20043224	1978	POWER DOOR LOCK SWITCH Delta 88, Without Power Windows	\$9.00	N
20043224	1979	POWER DOOR LOCK SWITCH Delta 88, Without Power Windows	\$9.00	N
POWER WINDOW HARNESS				
08530	1959	POWER WINDOW HARNESS Dynamic & Super 88 Holiday Coupe, Front Door & Rear Quarter Window, R.H.	\$291.00	
08520	1959	POWER WINDOW JUMPER HARNESS Left To Right Side Door & Quarter Window	\$113.00	
08520	1960	POWER WINDOW JUMPER HARNESS Left To Right Side Door & Quarter Window	\$113.00	
08765	1961	POWER WINDOW HARNESS Front Left & Right Doors	\$305.00	
08765	1962	POWER WINDOW HARNESS Front Left & Right Doors	\$305.00	
08945	1962	POWER WINDOW HARNESS Dynamic & Super 88 Celebrity 4 Door Sedan, Left Rear Door	\$132.00	
08940	1962	POWER WINDOW HARNESS Dynamic & Super 88 Celebrity 4 Door Sedans, Right Rear Door	\$132.00	
08945	1963	POWER WINDOW HARNESS Dynamic & Super 88 Celebrity 4 Door Sedan, Left Rear Door	\$132.00	
08940	1963	POWER WINDOW HARNESS Dynamic & Super 88 Celebrity 4 Door Sedans, Right Rear Door	\$132.00	
06640	1963	POWER WINDOW HARNESS Dynamic & Super 88 Holiday Coupe, Left Rear Quarter Window	\$119.00	
06635	1963	POWER WINDOW HARNESS Dynamic & Super 88 Holiday Coupe, Right Rear Quarter Window	\$119.00	
07170	1963	POWER WINDOW MOTOR EXTENSION Rear Quarter Window Harness To Motor, 2 Required Per Car	\$25.00	
08945	1964	POWER WINDOW HARNESS Dynamic, Jetstar & Super 88 Celebrity 4 Door Sedan, Left Rear Door	\$132.00	
08940	1964	POWER WINDOW HARNESS Dynamic, Jetstar & Super 88 Celebrity 4 Door Sedans, Right Rear Door	\$132.00	
07170	1964	POWER WINDOW MOTOR EXTENSION Rear Quarter Window Harness To Motor, 2 Required Per Car	\$25.00	
07370	1965	POWER WINDOW HARNESS 98, Starfire, Dynamic & Jetstar 88 Convertible Qtr. Windows (LH & RH)	\$173.00	
08045	1965	POWER WINDOW HARNESS All Coupe & Sport Coupe Quarter Windows (LH & RH)	\$212.00	
07370	1966	POWER WINDOW HARNESS 98, Starfire, Dynamic & Jetstar 88 Convertible Qtr. Windows (LH & RH)	\$173.00	
08045	1966	POWER WINDOW HARNESS All Coupe & Sport Coupe Quarter Windows (LH & RH)	\$212.00	
POWER WINDOW MOTOR ADAPTER HARNESS				
36954	1958	POWER WINDOW MOTOR ADAPTER HARNESS Adapts "T" Shaped Motor Connector To Side By Side Blade Type Motor Connector	\$22.00	C

Part Number	Year	Description	Price	*Rev.
36954	1959	POWER WINDOW MOTOR ADAPTER HARNESS Adapts "T" Shaped Motor Connector To Side By Side Blade Type Motor Connector	\$22.00	C
36954	1960	POWER WINDOW MOTOR ADAPTER HARNESS Adapts "T" Shaped Motor Connector To Side By Side Blade Type Motor Connector	\$22.00	C
36954	1961	POWER WINDOW MOTOR ADAPTER HARNESS Adapts "T" Shaped Motor Connector To Side By Side Blade Type Motor Connector	\$22.00	C
36954	1962	POWER WINDOW MOTOR ADAPTER HARNESS Adapts "T" Shaped Motor Connector To Side By Side Blade Type Motor Connector	\$22.00	C
36954	1963	POWER WINDOW MOTOR ADAPTER HARNESS Adapts "T" Shaped Motor Connector To Side By Side Blade Type Motor Connector	\$22.00	C
36954	1964	POWER WINDOW MOTOR ADAPTER HARNESS Adapts "T" Shaped Motor Connector To Side By Side Blade Type Motor Connector	\$22.00	C
36954	1965	POWER WINDOW MOTOR ADAPTER HARNESS Adapts "T" Shaped Motor Connector To Side By Side Blade Type Motor Connector	\$22.00	C
36954	1966	POWER WINDOW MOTOR ADAPTER HARNESS Adapts "T" Shaped Motor Connector To Side By Side Blade Type Motor Connector	\$22.00	C
36954	1967	POWER WINDOW MOTOR ADAPTER HARNESS Adapts "T" Shaped Motor Connector To Side By Side Blade Type Motor Connector	\$22.00	C
36954	1968	POWER WINDOW MOTOR ADAPTER HARNESS Adapts "T" Shaped Motor Connector To Side By Side Blade Type Motor Connector	\$22.00	C
36954	1969	POWER WINDOW MOTOR ADAPTER HARNESS Adapts "T" Shaped Motor Connector To Side By Side Blade Type Motor Connector	\$22.00	C
36954	1970	POWER WINDOW MOTOR ADAPTER HARNESS Adapts "T" Shaped Motor Connector To Side By Side Blade Type Motor Connector	\$22.00	C
36954	1971	POWER WINDOW MOTOR ADAPTER HARNESS Adapts "T" Shaped Motor Connector To Side By Side Blade Type Motor Connector	\$22.00	C
36954	1972	POWER WINDOW MOTOR ADAPTER HARNESS Adapts "T" Shaped Motor Connector To Side By Side Blade Type Motor Connector	\$22.00	C
POWER WINDOW SWITCH				
01731231	1971	POWER WINDOW SWITCH All, With Switch On Door Panel, 4 Button, Square Corner Style, Chrome	\$75.00	M
01731231	1972	POWER WINDOW SWITCH All, With Switch On Door Panel, 4 Button, Square Corner Style, Chrome	\$75.00	M
01731231	1973	POWER WINDOW SWITCH Delta 88, 4 Button, Square Corner Style, Chrome	\$75.00	M
01731231	1974	POWER WINDOW SWITCH Delta 88, 4 Button, Square Corner Style, Chrome	\$75.00	M
01731231	1975	POWER WINDOW SWITCH Delta 88, 4 Button, Square Corner Style, Chrome	\$75.00	M
01725094	1976	POWER WINDOW SWITCH Delta 88, 1 Button, Square Corner Style, Chrome	\$21.00	M
01725094	1976	POWER WINDOW SWITCH Omega, 1 Button, Square Corner Style, Chrome	\$21.00	M
01731231	1976	POWER WINDOW SWITCH Delta 88, 4 Button, Square Corner Style, Chrome	\$75.00	M
01725094	1977	POWER WINDOW SWITCH Delta 88, 1 Button, Square Corner Style, Chrome	\$21.00	M
01725094	1977	POWER WINDOW SWITCH Omega, 1 Button, Square Corner Style, Chrome	\$21.00	M
01731231	1977	POWER WINDOW SWITCH Delta 88, 4 Button, Square Corner Style, Chrome	\$75.00	M
01725092	1977	POWER WINDOW SWITCH Delta 88, 2 Button, Square Corner Style, Chrome	\$53.00	M
01725094	1978	POWER WINDOW SWITCH Delta 88, 1 Button, Square Corner Style, Chrome	\$21.00	M
01725094	1978	POWER WINDOW SWITCH Omega, 1 Button, Square Corner Style, Chrome	\$21.00	M
01731231	1978	POWER WINDOW SWITCH Delta 88, 4 Button, Square Corner Style, Chrome	\$75.00	M
01725092	1978	POWER WINDOW SWITCH Delta 88, 2 Button, Square Corner Style, Chrome	\$53.00	M
01725094	1979	POWER WINDOW SWITCH Delta 88, 1 Button, Square Corner Style, Chrome	\$21.00	M
01725094	1979	POWER WINDOW SWITCH Omega, 4 Dr Sedan, 1 Button, Square Corner Style, Chrome	\$21.00	M
01731231	1979	POWER WINDOW SWITCH Delta 88, 4 Button, Square Corner Style, Chrome	\$75.00	M
01725092	1979	POWER WINDOW SWITCH Delta 88, 2 Button, Square Corner Style, Chrome	\$53.00	M

Part Number	Year	Description	Price	*Rev.
REAR LAMP HARNESS				
34320	1959	REAR LAMP HARNESS Front Section, 98 4-Door	\$159.00	
32435	1959	REAR LAMP HARNESS Front Section, 98 Convertible	\$186.00	
34310	1959	REAR LAMP HARNESS Front Section, 98 Holiday Coupe	\$159.00	
34325	1959	REAR LAMP HARNESS Front Section, Dynamic 88, All Except Wagon & Convertible And Super 88 Holiday Coupe	\$159.00	
34315	1959	REAR LAMP HARNESS Front Section, Dynamic 88 & Super 88 Convertible	\$194.00	
32385	1959	REAR LAMP HARNESS Front Section, Super 88 Holiday Sedan & 4-Door Sedan	\$159.00	
34330	1959	REAR LAMP HARNESS Rear Section, All Except Wagons	\$159.00	
34305	1960	REAR LAMP HARNESS Front Section, 88 & Super 88 Convertible	\$186.00	
32375	1960	REAR LAMP HARNESS Front Section, 98 Holiday Sedan & 4-Door Sedan	\$159.00	
34300	1960	REAR LAMP HARNESS Front Section, 98 Convertible	\$186.00	
32380	1960	REAR LAMP HARNESS Front Section, 98 Holiday Coupe	\$159.00	
32365	1960	REAR LAMP HARNESS Front Section, Dynamic 88 2 & 4-Door Sedan, Holiday Coupe & Sedan And Super 88 Holiday Coupe	\$159.00	
32370	1960	REAR LAMP HARNESS Front Section, Dynamic 88 4-Door Sedan, Super 88 Holiday Sedan	\$159.00	
34295	1960	REAR LAMP HARNESS Rear Section, All Except Wagons	\$159.00	
STARTER SOLENOID JUMPER WIRE				
27515	1953	STARTER SOLENOID JUMPER WIRE Main Harness To Starter	\$20.00	
STOP LAMP SWITCH				
01997922	1951	STOP LAMP SWITCH	\$8.00	N
01997922	1952	STOP LAMP SWITCH	\$8.00	N
01997922	1953	STOP LAMP SWITCH Except Power Brakes	\$8.00	N
01997922	1954	STOP LAMP SWITCH Except Power Brakes	\$8.00	N
01997922	1955	STOP LAMP SWITCH Except Power Brakes	\$8.00	N
01997922	1956	STOP LAMP SWITCH Except Power Brakes	\$8.00	N
01997922	1957	STOP LAMP SWITCH Except Power Brakes	\$8.00	N
01997922	1958	STOP LAMP SWITCH Except Power Brakes	\$8.00	N
TRUNK LAMP EXTENSION WIRE				
36239	1971	TRUNK LAMP EXTENSION WIRE Trunk Lamp To Rear Lamp Harness Connector, All Delta 88 & Ninety-Eight	\$25.00	
TURN SIGNAL LEVER WIPER SWITCH				
22510144	1982	TURN SIGNAL LEVER WIPER SWITCH All, Chrome, With Pulse Wipers, Without Cruise Control	\$20.00	N
22510144	1983	TURN SIGNAL LEVER WIPER SWITCH All, Chrome, With Pulse Wipers, Without Cruise Control	\$20.00	N
22510733	1984	TURN SIGNAL LEVER WIPER SWITCH All, Black, With Pulse Wipers, Without Cruise Control	\$20.00	N
22510732	1984	TURN SIGNAL LEVER WIPER SWITCH All, Black, Without Pulse Wipers, Without Cruise Control	\$20.00	N
22510144	1984	TURN SIGNAL LEVER WIPER SWITCH All, Chrome, With Pulse Wipers, Without Cruise Control	\$20.00	N
22510733	1985	TURN SIGNAL LEVER WIPER SWITCH All, Black, With Pulse Wipers, Without Cruise Control	\$20.00	N
22510732	1985	TURN SIGNAL LEVER WIPER SWITCH All, Black, Without Pulse Wipers, Without Cruise Control	\$20.00	N
22510144	1985	TURN SIGNAL LEVER WIPER SWITCH All, Chrome, With Pulse Wipers, Without Cruise Control	\$20.00	N
22510733	1986	TURN SIGNAL LEVER WIPER SWITCH All, Black, With Pulse Wipers, Without Cruise Control	\$20.00	N
22510732	1986	TURN SIGNAL LEVER WIPER SWITCH All, Black, Without Pulse Wipers, Without Cruise Control	\$20.00	N
22510144	1986	TURN SIGNAL LEVER WIPER SWITCH All, Chrome, With Pulse Wipers, Without Cruise Control	\$20.00	N
25031456	1986	TURN SIGNAL LEVER WIPER SWITCH Toronado, Chrome, With Pulse Wipers, With Cruise Control	\$26.00	N
22510733	1987	TURN SIGNAL LEVER WIPER SWITCH All, Black, With Pulse Wipers, Without Cruise Control	\$20.00	N
22510732	1987	TURN SIGNAL LEVER WIPER SWITCH All, Black, Without Pulse Wipers, Without Cruise Control	\$20.00	N

Part Number	Year	Description	Price	*Rev.
22510144	1987	TURN SIGNAL LEVER WIPER SWITCH All, Chrome, With Pulse Wipers, Without Cruise Control	\$20.00	N
25031456	1987	TURN SIGNAL LEVER WIPER SWITCH Toronado, Chrome, With Pulse Wipers, With Cruise Control	\$26.00	N
22510144	1988	TURN SIGNAL LEVER WIPER SWITCH All, Chrome, With Pulse Wipers, Without Cruise Control	\$20.00	N
25111262	1988	TURN SIGNAL LEVER WIPER SWITCH Toronado, Black, With Pulse Wipers, With Cruise Control	\$26.00	N
25031456	1988	TURN SIGNAL LEVER WIPER SWITCH Toronado, Chrome, With Pulse Wipers, With Cruise Control	\$26.00	N
22510144	1989	TURN SIGNAL LEVER WIPER SWITCH All, Chrome, With Pulse Wipers, Without Cruise Control	\$20.00	N
25111262	1989	TURN SIGNAL LEVER WIPER SWITCH Toronado, Black, With Pulse Wipers, With Cruise Control	\$26.00	N
25031456	1989	TURN SIGNAL LEVER WIPER SWITCH Toronado, Chrome, With Pulse Wipers, With Cruise Control	\$26.00	N
22510144	1990	TURN SIGNAL LEVER WIPER SWITCH All, Chrome, With Pulse Wipers, Without Cruise Control	\$20.00	N
TURN SIGNAL SWITCH				
07800482	1967	TURN SIGNAL SWITCH All, Except Column Shift A/T, Without Tilt, Without Cornering Lights, (Delco Type, White) Note: Emergency Flasher Actuator Hole In Outer Cover Is Shaped Like A Doghouse.	\$50.00	
05698897	1967	TURN SIGNAL SWITCH With Column Shift A/T, Without Tilt, Without Cornering Lights, (Delco Type, Black, White Or Green) Note: Emergency Flasher Actuator Hole In Outer Cover Is Shaped Like A Doghouse.	\$50.00	
05698897	1967	TURN SIGNAL SWITCH With Column Shift A/T, With Tilt, Without Cornering Lights, (Delco Type, Black, White Or Green) Note: Emergency Flasher Actuator Hole In Outer Cover Is Shaped Like A Doghouse.	\$50.00	
07800482	1968	TURN SIGNAL SWITCH All, Except Column Shift A/T, Without Tilt, Without Cornering Lights, (Delco Type, White) Note: Emergency Flasher Actuator Hole In Outer Cover Is Shaped Like A Doghouse.	\$50.00	
05698897	1968	TURN SIGNAL SWITCH With Column Shift A/T, Without Tilt, Without Cornering Lights, (Delco Type, Black, White Or Green) Note: Emergency Flasher Actuator Hole In Outer Cover Is Shaped Like A Doghouse.	\$50.00	
05698897	1968	TURN SIGNAL SWITCH With Column Shift A/T, With Tilt, Without Cornering Lights, (Delco Type, Black, White Or Green) Note: Emergency Flasher Actuator Hole In Outer Cover Is Shaped Like A Doghouse.	\$50.00	
WINDSHIELD WASHER PUMP				
04919332	1963	WINDSHIELD WASHER PUMP 88, With Single Speed Wiper Motor	\$60.00	N
04919332	1964	WINDSHIELD WASHER PUMP J88, D88, Delta, With Single Speed Wiper Motor	\$60.00	N
04919332	1965	WINDSHIELD WASHER PUMP J88, D88, Delta, With Single Speed Wiper Motor	\$60.00	N
WINDSHIELD WIPER SWITCH				
01993543	1959	WINDSHIELD WIPER SWITCH Super 88, 2 Speed With Washer	\$45.00	M
01993543	1959	WINDSHIELD WIPER SWITCH 88, With Wide Arc, 2 Speed With Washer	\$45.00	M
01993543	1960	WINDSHIELD WIPER SWITCH 2 Speed With Washer	\$45.00	M
01993543	1961	WINDSHIELD WIPER SWITCH 2 Speed With Washer, Except F-85	\$45.00	M
01993371	1967	WINDSHIELD WIPER SWITCH Oldsmobile Passenger, Delmont, Delta, Ninety Eight, With Washer	\$65.00	

Section 19

Pontiac Fullsize Grand Prix

Part Number	Year	Description	Price	*Rev.
AIR CONDITIONING EXTENSION HARNESS				
06260	1958	AIR CONDITIONING EXTENSION HARNESS Clutch Wire, With Cool Pack	\$41.00	
03735	1958	AIR CONDITIONING EXTENSION HARNESS With 6 Cylinder, Compressor Adapter Note: 6 Cylinder Items Are Not Returnable.	\$41.00	
06260	1959	AIR CONDITIONING EXTENSION HARNESS Clutch Wire, With Cool Pack	\$41.00	
03735	1959	AIR CONDITIONING EXTENSION HARNESS With 6 Cylinder, Compressor Adapter Note: 6 Cylinder Items Are Not Returnable.	\$41.00	
03735	1960	AIR CONDITIONING EXTENSION HARNESS With 6 Cylinder, Compressor Adapter Note: 6 Cylinder Items Are Not Returnable.	\$41.00	
03735	1961	AIR CONDITIONING EXTENSION HARNESS With 6 Cylinder, Compressor Adapter Note: 6 Cylinder Items Are Not Returnable.	\$41.00	
AIR CONDITIONING HARNESS				
02270	1956	AIR CONDITIONING HARNESS Includes Heater Wiring	\$212.00	
02595	1957	AIR CONDITIONING HARNESS Includes Heater Wiring	\$212.00	
02780	1958	AIR CONDITIONING HARNESS Includes Heater Wiring	\$263.00	
02870	1959	AIR CONDITIONING HARNESS With Circulaire, Includes Heater Wiring	\$263.00	
02915	1959	AIR CONDITIONING HARNESS With Cool Pack, Includes Heater Wiring	\$94.00	
03220	1960	AIR CONDITIONING HARNESS With Circulaire, Includes Heater Wiring	\$263.00	
03170	1960	AIR CONDITIONING HARNESS With Cool Pack, Includes Heater Wiring	\$125.00	
03605	1961	AIR CONDITIONING HARNESS With Circulaire, Includes Heater Wiring	\$263.00	
03585	1961	AIR CONDITIONING HARNESS With Cool Pack, Includes Heater Wiring	\$120.00	
03835	1962	AIR CONDITIONING HARNESS With Cool Pack, (Universal), Includes Heater Wiring	\$94.00	
04425	1963	AIR CONDITIONING HARNESS Field Installed, Includes Heater Wiring	\$263.00	
05180	1964	AIR CONDITIONING HARNESS Factory Installed, Includes Heater Wiring	\$212.00	
04585	1964	AIR CONDITIONING HARNESS Field Installed, Includes Heater Wiring	\$263.00	
05820	1965	AIR CONDITIONING HARNESS Field Installed, Includes Heater Wiring	\$212.00	
05725	1965	AIR CONDITIONING HARNESS Standard, Includes Heater Wiring	\$186.00	
05880	1965	AIR CONDITIONING HARNESS With Auto Temp Control, Includes Heater Wiring	\$263.00	
38178	1970	AIR CONDITIONING HARNESS Grand Prix, Dash Side, With Heated Rear Defogger (Use With #38177)	\$106.00	
38177	1970	AIR CONDITIONING HARNESS Grand Prix, Engine Side, With Heated Rear Defogger (Use With #38178)	\$159.00	
ALTERNATOR CONVERSION KIT				
27555	1969	ALTERNATOR CONVERSION KIT External To Internal Regulator Conversion Harness ("SI" Series) Note: For Use With 1972-84 Non-Serpentine Belt ("SI" Series) Internal Regulated Alternators.	\$29.00	
37787	1969	ALTERNATOR CONVERSION KIT External To Internal Regulator Conversion Harness ("CS" Series) Note: For Use With Serpentine Belt ("CS" Series) Internal Regulated Alternators.	\$34.00	
27555	1970	ALTERNATOR CONVERSION KIT External To Internal Regulator Conversion Harness ("SI" Series) Note: For Use With 1972-84 Non-Serpentine Belt ("SI" Series) Internal Regulated Alternators.	\$29.00	
37787	1970	ALTERNATOR CONVERSION KIT External To Internal Regulator Conversion Harness ("CS" Series) Note: For Use With Serpentine Belt ("CS" Series) Internal Regulated Alternators.	\$34.00	
ASSEMBLY MANUAL				
43252	1969	ASSEMBLY MANUAL Pontiac Passenger, Factory Assembly Instruction Guide	\$32.00	
36359	1970	ASSEMBLY MANUAL Grand Prix, Factory Assembly Instruction Guide	\$32.00	
43541	1970	ASSEMBLY MANUAL Pontiac Passenger, Factory Assembly Instruction Guide	\$32.00	
36360	1971	ASSEMBLY MANUAL Grand Prix, Factory Assembly Instruction Guide	\$32.00	
43542	1971	ASSEMBLY MANUAL Pontiac Passenger, Factory Assembly Instruction Guide	\$32.00	

Part Number	Year	Description	Price	*Rev.
43543	1973	ASSEMBLY MANUAL Pontiac Passenger, Factory Assembly Instruction Guide	\$32.00	
43544	1974	ASSEMBLY MANUAL Pontiac Passenger, Factory Assembly Instruction Guide	\$32.00	
43545	1975	ASSEMBLY MANUAL Pontiac Passenger, Factory Assembly Instruction Guide	\$32.00	
43546	1976	ASSEMBLY MANUAL Pontiac Passenger, Factory Assembly Instruction Guide	\$32.00	
AUXILIARY GAUGE PANEL HARNESS				
07105	1964	AUXILIARY GAUGE PANEL HARNESS With Auxiliary Gauges	\$75.00	
06240	1965	AUXILIARY GAUGE PANEL HARNESS With Auxiliary Gauges	\$73.00	
BACKUP LAMP SWITCH				
01993662	1960	BACKUP LAMP SWITCH 4 Speed, Manual Trans	\$64.00	
01993662	1961	BACKUP LAMP SWITCH 4 Speed, Manual Trans	\$64.00	
01993662	1962	BACKUP LAMP SWITCH 4 Speed, Manual Trans	\$64.00	
01993662	1963	BACKUP LAMP SWITCH 4 Speed, Manual Trans	\$64.00	
01993662	1964	BACKUP LAMP SWITCH 4 Speed, Manual Trans	\$64.00	
01993310	1965	BACKUP LAMP SWITCH 3 Speed, Manual Trans	\$64.00	
01993309	1965	BACKUP LAMP SWITCH 4 Speed, Manual Trans	\$64.00	
01993310	1966	BACKUP LAMP SWITCH 3 Speed, Manual Trans	\$64.00	
01993309	1966	BACKUP LAMP SWITCH 4 Speed, Manual Trans	\$64.00	
01993310	1967	BACKUP LAMP SWITCH 3 Speed, Manual Trans	\$64.00	
01993309	1967	BACKUP LAMP SWITCH 4 Speed, Manual Trans	\$64.00	
03943657	1969	BACKUP LAMP SWITCH Manual Trans	\$53.00	
03943657	1970	BACKUP LAMP SWITCH Manual Trans	\$53.00	
03943657	1971	BACKUP LAMP SWITCH Manual Trans	\$53.00	
03943657	1972	BACKUP LAMP SWITCH Manual Trans	\$53.00	
BACKUP LAMP SWITCH EXTENSION HARNESS				
12695	1968	BACKUP LAMP SWITCH EXTENSION HARNESS Manual Trans, Dash Harness Side To Engine Compartment Note: Connects To Part# 12690 Backup Lamp Switch Extension Harness.	\$31.00	
12690	1968	BACKUP LAMP SWITCH EXTENSION HARNESS Manual Trans, Engine Compartment Side To Backup Lamp Switch Note: Connects To Part# 12695 Backup Lamp Switch Extension Harness.	\$31.00	
BATTERY CABLE JUMPER				
02800	1959	BATTERY CABLE JUMPER Pos, V/8, Junction Block To Starter	\$69.00	
02800	1960	BATTERY CABLE JUMPER Pos, V/8, Junction Block To Starter	\$69.00	
03635	1961	BATTERY CABLE JUMPER Pos, V/8, Junction Block To Starter, Except Super Duty	\$69.00	
02800	1961	BATTERY CABLE JUMPER Pos, V/8, Junction Block To Starter, Super Duty	\$69.00	
03635	1962	BATTERY CABLE JUMPER Pos, V/8, Junction Block To Starter, Except Super Duty	\$69.00	
02800	1962	BATTERY CABLE JUMPER Pos, V/8, Junction Block To Starter, Super Duty	\$69.00	
04015	1963	BATTERY CABLE JUMPER Pos, V/8, Junction Block To Starter, Exc. 421 C.I. Super Duty	\$69.00	
23340	1963	BATTERY CABLE JUMPER Pos, Junction Block To Starter, All 421 C.I. Super Duty	\$69.00	
04015	1964	BATTERY CABLE JUMPER Pos, V/8, Junction Block To Starter, All	\$69.00	
BATTERY CABLE-NEGATIVE				
27875	1955	BATTERY CABLE, TOP POST Neg (Braided Strap Type)	\$69.00	
27875	1956	BATTERY CABLE, TOP POST Neg (Braided Strap Type)	\$69.00	
27875	1957	BATTERY CABLE, TOP POST Neg (Braided Strap Type)	\$69.00	
29715	1958	BATTERY CABLE, TOP POST Neg	\$69.00	
03470	1961	BATTERY CABLE, SPRING RING Neg, With A/C	\$69.00	
02920	1961	BATTERY CABLE, SPRING RING Neg, Without A/C	\$69.00	

Part Number	Year	Description	Price	*Rev.
03470	1962	BATTERY CABLE, SPRING RING Neg, With A/C	\$69.00	
02920	1962	BATTERY CABLE, SPRING RING Neg, Without A/C	\$69.00	
02920	1963	BATTERY CABLE, SPRING RING Neg, All	\$69.00	
03430	1964	BATTERY CABLE, SPRING RING Neg, All	\$69.00	
03430	1965	BATTERY CABLE, SPRING RING Neg, All	\$69.00	
03430	1966	BATTERY CABLE, SPRING RING Neg, All	\$69.00	
03430	1967	BATTERY CABLE, SPRING RING Neg, All	\$69.00	
03430	1968	BATTERY CABLE, SPRING RING Neg, All	\$69.00	
03425	1969	BATTERY CABLE, SPRING RING Neg, All, Except Grand Prix	\$69.00	
12575	1969	BATTERY CABLE, SPRING RING Neg, Grand Prix	\$81.00	
13675	1970	BATTERY CABLE, SIDE POST Neg, Grand Prix, With 455 C.I.	\$69.00	
12575	1970	BATTERY CABLE, SPRING RING Neg, Grand Prix, Except 455 C.I.	\$81.00	
14640	1970	BATTERY CABLE, SPRING RING Neg, Grand Prix, With 455 C.I.	\$81.00	
39348	1971	BATTERY CABLE, SIDE POST Neg, Grand Prix, With 455 C.I.	\$73.00	
12575	1971	BATTERY CABLE, SPRING RING Neg, Grand Prix, Except 455 C.I.	\$81.00	
BATTERY CABLE-POSITIVE				
30405	1955	BATTERY CABLE, TOP POST Pos, Battery To Starter	\$69.00	
30440	1956	BATTERY CABLE, TOP POST Pos, Battery To Starter	\$69.00	
30440	1957	BATTERY CABLE, TOP POST Pos, Battery To Starter	\$69.00	
29710	1958	BATTERY CABLE, TOP POST Pos, Manual Trans	\$69.00	
34710	1961	BATTERY CABLE, SPRING RING Pos, Battery To Junction Block, All	\$69.00	
34710	1962	BATTERY CABLE, SPRING RING Pos, Battery To Junction Block, All	\$69.00	
34710	1963	BATTERY CABLE, SPRING RING Pos, Battery To Junction Block, All, Except Grand Prix	\$69.00	
04020	1963	BATTERY CABLE, SPRING RING Pos, Battery To Junction Block, Grand Prix	\$69.00	
34710	1964	BATTERY CABLE, SPRING RING Pos, Battery To Junction Block, All, Except Grand Prix	\$69.00	
04020	1964	BATTERY CABLE, SPRING RING Pos, Battery To Junction Block, Grand Prix	\$69.00	
05920	1965	BATTERY CABLE, SPRING RING Pos, V/8, With Power Options	\$69.00	N
05895	1965	BATTERY CABLE, SPRING RING Pos, V/8, Without Power Options	\$65.00	N
05920	1966	BATTERY CABLE, SPRING RING Pos, V/8, With Power Options	\$69.00	N
05895	1966	BATTERY CABLE, SPRING RING Pos, V/8, Without Power Options	\$65.00	N
05920	1967	BATTERY CABLE, SPRING RING Pos, V/8, With Power Options	\$69.00	N
05895	1967	BATTERY CABLE, SPRING RING Pos, V/8, Without Power Options	\$65.00	N
04200	1969	BATTERY CABLE, SPRING RING Pos, All, Except Grand Prix	\$69.00	
12515	1969	BATTERY CABLE, SPRING RING Pos, Grand Prix	\$81.00	
12515	1970	BATTERY CABLE, SPRING RING Pos, Grand Prix, Except 455 C.I.	\$81.00	
13670	1970	BATTERY CABLE, SIDE POST Pos, Grand Prix, With 455 C.I.	\$69.00	
14600	1970	BATTERY CABLE, SPRING RING Pos, Grand Prix, With 455 C.I.	\$81.00	
BREAKERLESS SE SINGLE WIRE ELECTRONIC IGNITION				
38131	1957	BREAKERLESS SE SINGLE WIRE ELECTRONIC IGNITION KIT For 1957-74 Breaker Point Distributors With Windowed Type Distributor Cap	\$179.00	
38131	1958	BREAKERLESS SE SINGLE WIRE ELECTRONIC IGNITION KIT For 1957-74 Breaker Point Distributors With Windowed Type Distributor Cap	\$179.00	
38131	1959	BREAKERLESS SE SINGLE WIRE ELECTRONIC IGNITION KIT For 1957-74 Breaker Point Distributors With Windowed Type Distributor Cap	\$179.00	
38131	1960	BREAKERLESS SE SINGLE WIRE ELECTRONIC IGNITION KIT For 1957-74 Breaker Point Distributors With Windowed Type Distributor Cap	\$179.00	
38131	1961	BREAKERLESS SE SINGLE WIRE ELECTRONIC IGNITION KIT For 1957-74 Breaker Point Distributors With Windowed Type Distributor Cap	\$179.00	

Part Number	Year	Description	Price	*Rev.
38131	1962	BREAKERLESS SE SINGLE WIRE ELECTRONIC IGNITION KIT For 1957-74 Breaker Point Distributors With Windowed Type Distributor Cap	\$179.00	
38131	1963	BREAKERLESS SE SINGLE WIRE ELECTRONIC IGNITION KIT For 1957-74 Breaker Point Distributors With Windowed Type Distributor Cap	\$179.00	
38131	1964	BREAKERLESS SE SINGLE WIRE ELECTRONIC IGNITION KIT For 1957-74 Breaker Point Distributors With Windowed Type Distributor Cap	\$179.00	
38131	1965	BREAKERLESS SE SINGLE WIRE ELECTRONIC IGNITION KIT For 1957-74 Breaker Point Distributors With Windowed Type Distributor Cap	\$179.00	
38131	1966	BREAKERLESS SE SINGLE WIRE ELECTRONIC IGNITION KIT For 1957-74 Breaker Point Distributors With Windowed Type Distributor Cap	\$179.00	
38131	1967	BREAKERLESS SE SINGLE WIRE ELECTRONIC IGNITION KIT For 1957-74 Breaker Point Distributors With Windowed Type Distributor Cap	\$179.00	
38131	1968	BREAKERLESS SE SINGLE WIRE ELECTRONIC IGNITION KIT For 1957-74 Breaker Point Distributors With Windowed Type Distributor Cap	\$179.00	
38131	1969	BREAKERLESS SE SINGLE WIRE ELECTRONIC IGNITION KIT For 1957-74 Breaker Point Distributors With Windowed Type Distributor Cap	\$179.00	
38131	1970	BREAKERLESS SE SINGLE WIRE ELECTRONIC IGNITION KIT For 1957-74 Breaker Point Distributors With Windowed Type Distributor Cap	\$179.00	
38131	1971	BREAKERLESS SE SINGLE WIRE ELECTRONIC IGNITION KIT For 1957-74 Breaker Point Distributors With Windowed Type Distributor Cap	\$179.00	
38131	1972	BREAKERLESS SE SINGLE WIRE ELECTRONIC IGNITION KIT For 1957-74 Breaker Point Distributors With Windowed Type Distributor Cap	\$179.00	
38131	1973	BREAKERLESS SE SINGLE WIRE ELECTRONIC IGNITION KIT For 1957-74 Breaker Point Distributors With Windowed Type Distributor Cap	\$179.00	
38131	1974	BREAKERLESS SE SINGLE WIRE ELECTRONIC IGNITION KIT For 1957-74 Breaker Point Distributors With Windowed Type Distributor Cap	\$179.00	
CLOCK HARNESS				
05765	1965	CLOCK HARNESS Dash Harness To Clock	\$26.00	
CONSOLE HARNESS				
05595	1964	CONSOLE HARNESS Auto Trans	\$166.00	
36836	1964	CONSOLE HARNESS Manual Trans	\$133.00	
06190	1965	CONSOLE HARNESS Auto Trans	\$133.00	
00970	1965	CONSOLE HARNESS Manual Trans	\$34.00	
10045	1966	CONSOLE HARNESS Auto Trans	\$74.00	
09555	1966	CONSOLE HARNESS Manual Trans	\$34.00	
10045	1967	CONSOLE HARNESS Auto Trans	\$74.00	
11135	1967	CONSOLE HARNESS Manual Trans	\$34.00	
10045	1968	CONSOLE HARNESS Auto Trans	\$74.00	
11135	1968	CONSOLE HARNESS Manual Trans	\$34.00	
COURTESY LAMP HARNESS				
32405	1959	COURTESY LAMP HARNESS Side Roof Rail Lamp, Bonneville 2 Door Sport Coupe	\$50.00	
32410	1959	COURTESY LAMP HARNESS Side Roof Rail Lamp, Bonneville & Star Chief 4 Door Vista	\$50.00	
32420	1960	COURTESY LAMP HARNESS Reading Lamp Jumper, Bonneville 4 Door Safari	\$40.00	
32420	1960	COURTESY LAMP HARNESS Reading Lamp Jumper, Catalina, All Except Convertible	\$40.00	
32420	1960	COURTESY LAMP HARNESS Reading Lamp Jumper, Star Chief 2 & 4 Door Sport Sedan	\$40.00	
08005	1965	COURTESY LAMP HARNESS Center Roof Mounted Dome Lamp	\$49.00	
08030	1965	COURTESY LAMP HARNESS Roof Rail Lamp, Bonneville & Star Chief 4 Door Vista	\$60.00	
08005	1966	COURTESY LAMP HARNESS Center Roof Mounted Dome Lamp	\$49.00	
08030	1966	COURTESY LAMP HARNESS Roof Rail Lamp, Bonneville & Star Chief 4 Door Vista	\$60.00	
08005	1967	COURTESY LAMP HARNESS Center Roof Mounted Dome Lamp	\$49.00	

Part Number	Year	Description	Price	*Rev.
DASH AND ENGINE COMPARTMENT HARNESS				
02210	1955	DASH AND ENGINE COMPARTMENT HARNESS With Directional Signals	\$995.00	
02265	1956	DASH AND ENGINE COMPARTMENT HARNESS With Directional Signals	\$995.00	
02420	1957	DASH AND ENGINE COMPARTMENT HARNESS	\$995.00	
02675	1958	DASH AND ENGINE COMPARTMENT HARNESS	\$995.00	
02795	1959	DASH AND ENGINE COMPARTMENT HARNESS Without A/C Note: Customer Must Supply Their Original Fuseblock.	\$902.00	
00985	1959	DASH AND ENGINE COMPARTMENT HARNESS With A/C Note: Customer Must Supply Their Original Fuseblock.	\$953.00	
03225	1960	DASH AND ENGINE COMPARTMENT HARNESS With Manual Control Heater Note: Customer Must Supply Their Original Fuseblock.	\$902.00	
03055	1960	DASH AND ENGINE COMPARTMENT HARNESS With Push Button Control Heater Note: Customer Must Supply Their Original Fuseblock.	\$902.00	
03060	1960	DASH AND ENGINE COMPARTMENT HARNESS With A/C Note: Customer Must Supply Their Original Fuseblock.	\$928.00	
03440	1961	DASH INSTRUMENT CLUSTER EXTENSION HARNESS	\$143.00	
03445	1961	DASH AND ENGINE COMPARTMENT HARNESS With Manual Control Heater Note: Customer Must Supply Their Original Fuseblock.	\$902.00	
03450	1961	DASH AND ENGINE COMPARTMENT HARNESS With Push Button Control Heater Note: Customer Must Supply Their Original Fuseblock.	\$928.00	
03455	1961	DASH AND ENGINE COMPARTMENT HARNESS With A/C Note: Customer Must Supply Their Original Fuseblock.	\$928.00	
03440	1962	DASH INSTRUMENT CLUSTER EXTENSION HARNESS	\$143.00	
03775	1962	DASH AND ENGINE COMPARTMENT HARNESS With Push Button Control Heater Note: Customer Must Supply Their Original Fuseblock.	\$902.00	
04040	1962	DASH AND ENGINE COMPARTMENT HARNESS With A/C & Alternator Note: Customer Must Supply Their Original Fuseblock.	\$928.00	
03780	1962	DASH AND ENGINE COMPARTMENT HARNESS With A/C & Generator Note: Customer Must Supply Their Original Fuseblock.	\$928.00	
DASH AND ENGINE HARNESS				
04065	1963	DASH AND ENGINE HARNESS Without A/C Note: Customer Must Supply Their Original Fuseblock.	\$902.00	
04310	1963	DASH AND ENGINE HARNESS With A/C Note: Customer Must Supply Their Original Fuseblock.	\$928.00	
DASH HARNESS				
04545	1964	DASH HARNESS Column Shift Auto Or All Manual Trans Note: Requires Customers Original Dash Harness.	\$871.00	
04550	1964	DASH HARNESS Column Shift Auto Or All Manual Trans, With A/C Note: Requires Customers Original Dash Harness.	\$902.00	
05120	1964	DASH HARNESS Console Shift, Auto Trans Note: Requires Customers Original Dash Harness.	\$871.00	
05125	1964	DASH HARNESS Console Shift, Auto Trans, With A/C Note: Requires Customers Original Dash Harness.	\$902.00	
00975	1965	DASH HARNESS Column Shift Auto Or All Manual Trans Note: Requires Customers Original Dash Harness.	\$871.00	
05980	1965	DASH HARNESS Column Shift Auto Or All Manual Trans, With Standard A/C Note: Requires Customers Original Dash Harness.	\$902.00	

**Pontiac Fullsize
Grand Prix**



**Phone (562) 926-9552
Fax (562) 926-9572**

Part Number	Year	Description	Price	*Rev.
09265	1965	DASH HARNESS Column Shift Auto Or All Manual Trans, With Auto Temp A/C Note: Requires Customers Original Dash Harness.	\$902.00	
05990	1965	DASH HARNESS Console Shift, Auto Trans Note: Requires Customers Original Dash Harness.	\$871.00	
05985	1965	DASH HARNESS Console Shift, Auto Trans, With Standard A/C Note: Requires Customers Original Dash Harness.	\$902.00	
00980	1965	DASH HARNESS Console Shift, Auto Trans, With Auto Temp Control A/C Note: Requires Customers Original Dash Harness.	\$928.00	
09335	1966	DASH HARNESS Column Shift Auto Or All Manual Trans Note: Requires Customers Original Dash Harness.	\$928.00	
09350	1966	DASH HARNESS Column Shift Auto Or All Manual Trans, With Gauges Note: Requires Customers Original Dash Harness.	\$928.00	
09340	1966	DASH HARNESS Console Shift, Auto Trans Note: Requires Customers Original Dash Harness.	\$928.00	
09355	1966	DASH HARNESS Console Shift, Auto Trans, With Gauges Note: Requires Customers Original Dash Harness.	\$928.00	
10360	1967	DASH HARNESS Column Shift Auto Or All Manual Trans Note: Requires Customers Original Dash Harness.	\$928.00	
10515	1967	DASH HARNESS Column Shift Auto Or All Manual Trans, With Gauges Note: Requires Customers Original Dash Harness.	\$928.00	
10365	1967	DASH HARNESS Console Shift, Auto Trans Note: Requires Customers Original Dash Harness.	\$928.00	
10520	1967	DASH HARNESS Console Shift, Auto Trans, With Gauges Note: Requires Customers Original Dash Harness.	\$928.00	
11330	1968	DASH HARNESS Column Shift Auto Or All Manual Trans Note: Requires Customers Original Dash Harness.	\$928.00	
11340	1968	DASH HARNESS Column Shift Auto Or All Manual Trans, With Gauges Note: Requires Customers Original Dash Harness.	\$928.00	
11335	1968	DASH HARNESS Console Shift, Auto Trans Note: Requires Customers Original Dash Harness.	\$928.00	
11345	1968	DASH HARNESS Console Shift, Auto Trans, With Gauges Note: Requires Customers Original Dash Harness.	\$928.00	
12810	1969	DASH HARNESS Passenger Note: This Harness Contains A Resistance Wire In It And Must Be Modified If Using With A GM H.E.I. Distributor.	\$928.00	
12815	1969	DASH HARNESS Passenger, With Gauges Note: This Harness Contains A Resistance Wire In It And Must Be Modified If Using With A GM H.E.I. Distributor.	\$928.00	
13530	1969	DASH HARNESS Grand Prix Note: This Harness Contains A Resistance Wire In It And Must Be Modified If Using With A GM H.E.I. Distributor.	\$928.00	
13535	1969	DASH HARNESS Grand Prix, With Gauges Note: This Harness Contains A Resistance Wire In It And Must Be Modified If Using With A GM H.E.I. Distributor.	\$928.00	
15835	1970	DASH HARNESS Passenger Note: This Harness Contains A Resistance Wire In It And Must Be Modified If Using With A GM H.E.I. Distributor.	\$928.00	
15840	1970	DASH HARNESS Passenger, With Gauges Note: This Harness Contains A Resistance Wire In It And Must Be Modified If Using With A GM H.E.I. Distributor.	\$928.00	
15845	1970	DASH HARNESS Grand Prix Note: This Harness Contains A Resistance Wire In It And Must Be Modified If Using With A GM H.E.I. Distributor.	\$928.00	
15850	1970	DASH HARNESS Grand Prix, With Gauges Note: This Harness Contains A Resistance Wire In It And Must Be Modified If Using With A GM H.E.I. Distributor.	\$928.00	
16215	1971	DASH HARNESS Passenger, All	\$928.00	

Part Number	Year	Description	Price	*Rev.
16225	1971	DASH HARNESS Grand Prix	\$928.00	
16670	1971	DASH HARNESS Grand Prix, With Gauges	\$928.00	
DISTRIBUTOR WIRE				
36057	1957	DISTRIBUTOR WIRE Distributor Points To Coil Negative Terminal, V/8 Note: Fits All GM V/8 Points Type Distributors From Approx. 1957 To 1974.	\$18.00	C
36057	1958	DISTRIBUTOR WIRE Distributor Points To Coil Negative Terminal, V/8 Note: Fits All GM V/8 Points Type Distributors From Approx. 1957 To 1974.	\$18.00	C
36057	1959	DISTRIBUTOR WIRE Distributor Points To Coil Negative Terminal, V/8 Note: Fits All GM V/8 Points Type Distributors From Approx. 1957 To 1974.	\$18.00	C
36057	1960	DISTRIBUTOR WIRE Distributor Points To Coil Negative Terminal, V/8 Note: Fits All GM V/8 Points Type Distributors From Approx. 1957 To 1974.	\$18.00	C
36057	1961	DISTRIBUTOR WIRE Distributor Points To Coil Negative Terminal, V/8 Note: Fits All GM V/8 Points Type Distributors From Approx. 1957 To 1974.	\$18.00	C
36057	1962	DISTRIBUTOR WIRE Distributor Points To Coil Negative Terminal, V/8 Note: Fits All GM V/8 Points Type Distributors From Approx. 1957 To 1974.	\$18.00	C
36057	1963	DISTRIBUTOR WIRE Distributor Points To Coil Negative Terminal, V/8 Note: Fits All GM V/8 Points Type Distributors From Approx. 1957 To 1974.	\$18.00	C
36057	1964	DISTRIBUTOR WIRE Distributor Points To Coil Negative Terminal, V/8 Note: Fits All GM V/8 Points Type Distributors From Approx. 1957 To 1974.	\$18.00	C
36057	1965	DISTRIBUTOR WIRE Distributor Points To Coil Negative Terminal, V/8 Note: Fits All GM V/8 Points Type Distributors From Approx. 1957 To 1974.	\$18.00	C
36057	1966	DISTRIBUTOR WIRE Distributor Points To Coil Negative Terminal, V/8 Note: Fits All GM V/8 Points Type Distributors From Approx. 1957 To 1974.	\$18.00	C
36057	1967	DISTRIBUTOR WIRE Distributor Points To Coil Negative Terminal, V/8 Note: Fits All GM V/8 Points Type Distributors From Approx. 1957 To 1974.	\$18.00	C
36057	1968	DISTRIBUTOR WIRE Distributor Points To Coil Negative Terminal, V/8 Note: Fits All GM V/8 Points Type Distributors From Approx. 1957 To 1974.	\$18.00	C
36057	1969	DISTRIBUTOR WIRE Distributor Points To Coil Negative Terminal, V/8 Note: Fits All GM V/8 Points Type Distributors From Approx. 1957 To 1974.	\$18.00	C
36057	1970	DISTRIBUTOR WIRE Distributor Points To Coil Negative Terminal, V/8 Note: Fits All GM V/8 Points Type Distributors From Approx. 1957 To 1974.	\$18.00	C
36057	1971	DISTRIBUTOR WIRE Distributor Points To Coil Negative Terminal, V/8 Note: Fits All GM V/8 Points Type Distributors From Approx. 1957 To 1974.	\$18.00	C
36057	1972	DISTRIBUTOR WIRE Distributor Points To Coil Negative Terminal, V/8 Note: Fits All GM V/8 Points Type Distributors From Approx. 1957 To 1974.	\$18.00	C
36057	1973	DISTRIBUTOR WIRE Distributor Points To Coil Negative Terminal, V/8 Note: Fits All GM V/8 Points Type Distributors From Approx. 1957 To 1974.	\$18.00	C
36057	1974	DISTRIBUTOR WIRE Distributor Points To Coil Negative Terminal, V/8 Note: Fits All GM V/8 Points Type Distributors From Approx. 1957 To 1974.	\$18.00	C
DOME LAMP FEED AND GROUND				
32415	1959	DOME LAMP FEED AND GROUND Catalina 4 Door Vista	\$42.00	
32400	1959	DOME LAMP FEED AND GROUND Bonneville, Catalina & Star Chief 4 Dr Sedan & Safari And 2 Dr Sport Coupe & Sedan	\$42.00	
ENGINE HARNESS				
04555	1964	ENGINE HARNESS V/8, (Original 2 Wire Voltage Regulator) Note: Requires Use Of Customers Bulkhead Connector.	\$243.00	
36213	1964	ENGINE HARNESS V/8, (Updated 4 Wire Voltage Regulator) Note: Requires Use Of Customers Bulkhead Connector.	\$243.00	

Part Number	Year	Description	Price	*Rev.
05190	1964	ENGINE HARNESS V/8, With A/C (Original 2 Wire Voltage Regulator) Note: Requires Use Of Customers Bulkhead Connector.	\$256.00	
36214	1964	ENGINE HARNESS V/8, With A/C (Updated 4 Wire Voltage Regulator) Note: Requires Use Of Customers Bulkhead Connector.	\$256.00	
05925	1965	ENGINE HARNESS V/8, (Original 2 Wire Voltage Regulator) Note: Requires Use Of Customers Bulkhead Connector.	\$243.00	
36215	1965	ENGINE HARNESS V/8, (Updated Wire 4 Voltage Regulator) Note: Requires Use Of Customers Bulkhead Connector.	\$243.00	
05930	1965	ENGINE HARNESS V/8, With Standard A/C (Original 2 Wire Voltage Regulator) Note: Requires Use Of Customers Bulkhead Connector.	\$249.00	
36216	1965	ENGINE HARNESS V/8, With Standard A/C (Updated 4 Wire Voltage Regulator) Note: Requires Use Of Customers Bulkhead Connector.	\$256.00	
06050	1965	ENGINE HARNESS V/8, With Auto Temp Control A/C (Original 2 Wire Voltage Regulator) Note: Requires Use Of Customers Bulkhead Connector.	\$256.00	
36217	1965	ENGINE HARNESS V/8, With Auto Temp Control A/C (Updated 4 Wire Voltage Regulator) Note: Requires Use Of Customers Bulkhead Connector.	\$256.00	
09345	1966	ENGINE HARNESS V/8, (Original 2 Wire Voltage Regulator) Note: Requires Use Of Customers Bulkhead Connector.	\$243.00	
36218	1966	ENGINE HARNESS V/8, (Updated 4 Wire Voltage Regulator) Note: Requires Use Of Customers Bulkhead Connector.	\$243.00	
09545	1966	ENGINE HARNESS V/8, With Standard A/C (Original 2 Wire Voltage Regulator) Note: Requires Use Of Customers Bulkhead Connector.	\$256.00	
36219	1966	ENGINE HARNESS V/8, With Standard A/C (Updated 4 Wire Voltage Regulator) Note: Requires Use Of Customers Bulkhead Connector.	\$256.00	
09550	1966	ENGINE HARNESS V/8, With Auto Temp Control A/C (Original 2 Wire Voltage Regulator) Note: Requires Use Of Customers Bulkhead Connector.	\$256.00	
36220	1966	ENGINE HARNESS V/8, With Auto Temp Control A/C (Updated 4 Wire Voltage Regulator) Note: Requires Use Of Customers Bulkhead Connector.	\$256.00	
10230	1967	ENGINE HARNESS V/8, (Original 2 Wire Voltage Regulator) Note: Requires Use Of Customers Bulkhead Connector.	\$243.00	
36221	1967	ENGINE HARNESS V/8, (Updated 4 Wire Voltage Regulator) Note: Requires Use Of Customers Bulkhead Connector.	\$243.00	
10235	1967	ENGINE HARNESS V/8, With Standard A/C (Original 2 Wire Voltage Regulator) Note: Requires Use Of Customers Bulkhead Connector.	\$256.00	
36222	1967	ENGINE HARNESS V/8, With Standard A/C (Updated 4 Wire Voltage Regulator) Note: Requires Use Of Customers Bulkhead Connector.	\$256.00	
10240	1967	ENGINE HARNESS V/8, With Auto Temp Control A/C (Original 2 Wire Voltage Regulator) Note: Requires Use Of Customers Bulkhead Connector.	\$256.00	
36223	1967	ENGINE HARNESS V/8, With Auto Temp Control A/C (Updated 4 Wire Voltage Regulator) Note: Requires Use Of Customers Bulkhead Connector.	\$256.00	
10290	1967	ENGINE HARNESS V/8, With T.I. (Original 2 Wire Voltage Regulator) Note: Requires Use Of Customers Bulkhead Connector.	\$276.00	
36224	1967	ENGINE HARNESS V/8, With T.I. (Updated 4 Wire Voltage Regulator) Note: Requires Use Of Customers Bulkhead Connector.	\$276.00	

**Pontiac Fullsize
Grand Prix**



**Phone (562) 926-9552
Fax (562) 926-9572**

Part Number	Year	Description	Price	*Rev.
10295	1967	ENGINE HARNESS V/8, With T.I. & Standard A/C (Original 2 Wire Voltage Regulator) Note: Requires Use Of Customers Bulkhead Connector.	\$276.00	
36225	1967	ENGINE HARNESS V/8, With T.I. & Standard A/C (Updated 4 Wire Voltage Regulator) Note: Requires Use Of Customers Bulkhead Connector.	\$276.00	
10300	1967	ENGINE HARNESS V/8, With T.I. & Auto Temp Control A/C (Original 2 Wire Voltage Regulator) Note: Requires Use Of Customers Bulkhead Connector.	\$276.00	
36226	1967	ENGINE HARNESS V/8, With T.I. & Auto Temp Control A/C (Updated 4 Wire Voltage Regulator) Note: Requires Use Of Customers Bulkhead Connector.	\$276.00	
11355	1968	ENGINE HARNESS V/8 (Original 2 Wire Voltage Regulator)	\$291.00	
36227	1968	ENGINE HARNESS V/8 (Updated 4 Wire Voltage Regulator)	\$291.00	
11350	1968	ENGINE HARNESS V/8, With A/C (Original 2 Wire Voltage Regulator)	\$305.00	
36228	1968	ENGINE HARNESS V/8 With A/C (Updated 4 Wire Voltage Regulator)	\$305.00	
12175	1968	ENGINE HARNESS V/8, With Internal Regulator	\$305.00	
12180	1968	ENGINE HARNESS V/8, With Internal Regulator & A/C	\$305.00	
12840	1969	ENGINE HARNESS Passenger, V/8	\$291.00	
12845	1969	ENGINE HARNESS Passenger, V/8, With Gauges	\$291.00	
12850	1969	ENGINE HARNESS Passenger, V/8, With Internal Regulator	\$305.00	
12855	1969	ENGINE HARNESS Passenger, V/8, With Internal Regulator & Gauges	\$305.00	
12860	1969	ENGINE HARNESS Passenger, V/8, With Heavy Duty Alternator (62 Amp)	\$305.00	
13480	1969	ENGINE HARNESS Passenger, V/8, With Heavy Duty Alternator (62 Amp) & Gauges	\$305.00	
13290	1969	ENGINE HARNESS Grand Prix, V/8	\$259.00	
12870	1969	ENGINE HARNESS Grand Prix, V/8, With Internal Regulator	\$259.00	
13705	1970	ENGINE HARNESS Passenger, V/8, Auto Trans	\$318.00	
13650	1970	ENGINE HARNESS Passenger, V/8, Manual Trans	\$318.00	
13700	1970	ENGINE HARNESS Passenger, V/8, Auto Trans, With Gauges	\$318.00	
13690	1970	ENGINE HARNESS Passenger, V/8, Manual Trans, With Gauges	\$318.00	
15580	1970	ENGINE HARNESS Passenger, V/8, Auto Trans & Heavy Duty Alternator (62 Amp)	\$318.00	
13710	1970	ENGINE HARNESS Passenger, V/8, Manual Trans & Heavy Duty Alternator (62 Amp)	\$318.00	
15565	1970	ENGINE HARNESS Grand Prix, V/8, Auto Trans	\$291.00	
15560	1970	ENGINE HARNESS Grand Prix, V/8, Manual Trans	\$291.00	
16070	1971	ENGINE HARNESS Passenger, V/8, 350 C.I. Auto Trans	\$318.00	
15915	1971	ENGINE HARNESS Passenger, V/8, 350 C.I., Manual Trans	\$318.00	
16705	1971	ENGINE HARNESS Passenger, V/8, All With Unitized Distributor	\$344.00	
16065	1971	ENGINE HARNESS Grand Prix, V/8, Auto Trans	\$291.00	
37984	1971	ENGINE HARNESS Grand Prix, V/8, Auto Trans, With A/C	\$305.00	
16060	1971	ENGINE HARNESS Grand Prix, V/8, Manual Trans	\$291.00	
37985	1971	ENGINE HARNESS Grand Prix, V/8, Manual Trans, With A/C	\$305.00	
16075	1971	ENGINE HARNESS Grand Prix, V/8, All With Unitized Distributor	\$344.00	
16955	1972	ENGINE HARNESS Passenger, V/8	\$318.00	
16970	1972	ENGINE HARNESS Passenger, V/8, With Unitized Distributor	\$344.00	
16945	1972	ENGINE HARNESS Grand Prix, V/8	\$318.00	
16950	1972	ENGINE HARNESS Grand Prix, V/8, With Unitized Distributor	\$305.00	

Part Number	Year	Description	Price	*Rev.
41514	1973	ENGINE HARNESS V/8, Except Grand Prix, Early Production, Without Unitized Distributor Note: With A 4 Contact Connector At Distributor Vacuum Solenoid. Customer Must Reuse Their Original Plastic Connector For The Distributor Vacuum Solenoid Relay.	\$344.00	
41515	1973	ENGINE HARNESS V/8, Except Grand Prix, Early Production, With Unitized Distributor Note: With A 4 Contact Connector At Distributor Vacuum Solenoid. Customer Must Reuse Their Original Plastic Connector For The Distributor Vacuum Solenoid Relay.	\$371.00	
17080	1973	ENGINE HARNESS V/8, All, Late Production, Without Unitized Distributor Note: With A 2 Contact Connector At Distributor Vacuum Solenoid.	\$344.00	
17085	1973	ENGINE HARNESS V/8, All, Late Production, With Unitized Distributor Note: With A 2 Contact Connector At Distributor Vacuum Solenoid.	\$371.00	
17030	1973	ENGINE HARNESS V/8, Grand Prix, Early Production, Without Unitized Distributor Note: With A 4 Contact Connector At Distributor Vacuum Solenoid. Customer Must Reuse Their Original Plastic Connector For The Distributor Vacuum Solenoid Relay.	\$344.00	
17035	1973	ENGINE HARNESS V/8, Grand Prix, Early Production, With Unitized Distributor Note: With A 4 Contact Connector At Distributor Vacuum Solenoid. Customer Must Reuse Their Original Plastic Connector For The Distributor Vacuum Solenoid Relay.	\$371.00	
17060	1974	ENGINE HARNESS V/8, All, Without Unitized Distributor Note: Customer Must Reuse Their Original Plastic Connector For The Seat Belt Control Switch.	\$344.00	
17110	1974	ENGINE HARNESS V/8, All, With Unitized Distributor Note: Customer Must Reuse Their Original Plastic Connector For The Seat Belt Control Switch.	\$371.00	
39509	1974	ENGINE HARNESS V/8, All, With HEI Distributor Note: Customer Must Reuse Their Original Plastic Connector For The Seat Belt Control Switch.	\$371.00	
40824	1975	ENGINE HARNESS 6 Cylinder, Without Seat Belt Interlock Note: 6 Cylinder Items Are Not Returnable.	\$387.00	
40813	1975	ENGINE HARNESS 6 Cylinder, With Seat Belt Interlock Note: 6 Cylinder Items Are Not Returnable.	\$387.00	
40823	1975	ENGINE HARNESS V/8, All, Without Seat Belt Interlock	\$344.00	
40686	1975	ENGINE HARNESS V/8, All, With Seat Belt Interlock Note: Customer Must Reuse Their Original Plastic Connector For The Seat Belt Control Switch.	\$344.00	
40833	1975	ENGINE HARNESS V/8, All, With A/C, Without Seat Belt Interlock	\$344.00	
41524	1975	ENGINE HARNESS V/8, All, With A/C & Seat Belt Interlock Note: Customer Must Reuse Their Original Plastic Connector For The Seat Belt Control Switch.	\$344.00	
37622	1975	ENGINE HARNESS V/8, All, Without Catalytic Converter	\$344.00	
41525	1975	ENGINE HARNESS V/8, All, With Catalytic Converter	\$371.00	
40828	1976	ENGINE HARNESS 6 Cylinder, All Note: 6 Cylinder Items Are Not Returnable.	\$387.00	
40843	1976	ENGINE HARNESS V/8, All	\$344.00	
41534	1977	ENGINE HARNESS 6 Cylinder Note: 6 Cylinder Items Are Not Returnable.	\$371.00	
41535	1977	ENGINE HARNESS V/8, 350 C.I. & 403 C.I. Oldsmobile Engines, Except California Emission System	\$344.00	
41536	1977	ENGINE HARNESS V/8, 350 C.I. & 403 C.I. Oldsmobile Engines, With California Emission System	\$344.00	
41537	1977	ENGINE HARNESS V/8, 301 C.I., 350 C.I. & 400 C.I. Pontiac Engines	\$344.00	
38320	1977	ENGINE HARNESS V/8, Grand Prix, With 301 C.I., 350 C.I. & 400 C.I. Pontiac Engines	\$305.00	
38618	1977	ENGINE HARNESS V/8, Grand Prix, With 350 C.I. & 403 C.I. Oldsmobile Engines	\$278.00	

Part Number	Year	Description	Price	*Rev.
41542	1978	ENGINE HARNESS 6 Cylinder Note: 6 Cylinder Items Are Not Returnable.	\$371.00	
41543	1978	ENGINE HARNESS V/8, 350 C.I. Buick Engine	\$344.00	
41535	1978	ENGINE HARNESS V/8, 350 C.I. & 403 C.I. Oldsmobile Engines	\$344.00	
41537	1978	ENGINE HARNESS V/8, 301 C.I., 350 C.I. & 400 C.I. Pontiac Engines	\$344.00	
FORWARD LAMP HARNESS				
04060	1963	FORWARD LAMP HARNESS	\$239.00	
04560	1964	FORWARD LAMP HARNESS Note: Requires Use Of Customers Bulkhead Connector.	\$265.00	
05615	1965	FORWARD LAMP HARNESS Note: Requires Use Of Customers Bulkhead Connector.	\$318.00	
09360	1966	FORWARD LAMP HARNESS Note: Requires Use Of Customers Bulkhead Connector.	\$318.00	
10305	1967	FORWARD LAMP HARNESS Passenger Note: Requires Use Of Customers Bulkhead Connector.	\$318.00	
10310	1967	FORWARD LAMP HARNESS Grand Prix Note: Requires Use Of Customers Bulkhead Connector.	\$344.00	
11360	1968	FORWARD LAMP HARNESS Passenger	\$344.00	
11365	1968	FORWARD LAMP HARNESS Grand Prix	\$344.00	
13400	1969	FORWARD LAMP HARNESS Passenger	\$344.00	
12905	1969	FORWARD LAMP HARNESS Grand Prix	\$344.00	
13695	1970	FORWARD LAMP HARNESS Passenger	\$344.00	
13620	1970	FORWARD LAMP HARNESS Grand Prix	\$344.00	
15895	1971	FORWARD LAMP HARNESS Passenger	\$344.00	
13625	1970	FORWARD LAMP HARNESS Grand Prix, With Cornering Lamps	\$344.00	
15900	1971	FORWARD LAMP HARNESS Grand Prix	\$344.00	
43909	1972	FORWARD LAMP HARNESS All, Without Cornering Lamps, Except Grand Prix	\$264.00	
43910	1972	FORWARD LAMP HARNESS All, With Cornering Lamps, Except Grand Prix	\$264.00	
43911	1972	FORWARD LAMP HARNESS All, Grand Prix, Without Cornering Lamps	\$264.00	
40391	1972	FORWARD LAMP HARNESS All, Grand Prix, With Cornering Lamps	\$264.00	
41516	1973	FORWARD LAMP HARNESS All, Without Cornering Lamps, Except Grand Prix	\$396.00	
41517	1973	FORWARD LAMP HARNESS All, With Cornering Lamps, Except Grand Prix	\$396.00	
41518	1973	FORWARD LAMP HARNESS All, Grand Prix, Without Cornering Lamps	\$396.00	
41519	1973	FORWARD LAMP HARNESS All, Grand Prix, With Cornering Lamps	\$396.00	
41520	1974	FORWARD LAMP HARNESS All, Without Cornering Lamps, Except Grand Prix	\$396.00	
41521	1974	FORWARD LAMP HARNESS All, With Cornering Lamps, Except Grand Prix	\$396.00	
41522	1974	FORWARD LAMP HARNESS All, Grand Prix, Without Cornering Lamps	\$396.00	
41523	1974	FORWARD LAMP HARNESS All, Grand Prix, With Cornering Lamps	\$396.00	
41526	1975	FORWARD LAMP HARNESS All, Without Cornering Lamps, Except Grand Prix Note: Used On Cars With Round Headlamps.	\$396.00	
41527	1975	FORWARD LAMP HARNESS All, With Cornering Lamps, Except Grand Prix Note: Used On Cars With Round Headlamps.	\$396.00	
41528	1975	FORWARD LAMP HARNESS All, Without Cornering Lamps, Except Grand Prix Note: Used On Cars With Rectangular Headlamps.	\$396.00	
41529	1975	FORWARD LAMP HARNESS All, With Cornering Lamps, Except Grand Prix Note: Used On Cars With Rectangular Headlamps.	\$396.00	
41530	1975	FORWARD LAMP HARNESS All, Grand Prix, Without Cornering Lamps	\$396.00	
41531	1975	FORWARD LAMP HARNESS All, Grand Prix, With Cornering Lamps	\$396.00	

Part Number	Year	Description	Price	*Rev.
41526	1976	FORWARD LAMP HARNESS All, Without Cornering Lamps, Except Grand Prix Note: Used On Cars With Round Headlamps.	\$396.00	
41527	1976	FORWARD LAMP HARNESS All, With Cornering Lamps, Except Grand Prix Note: Used On Cars With Round Headlamps.	\$396.00	
41528	1976	FORWARD LAMP HARNESS All, Without Cornering Lamps, Except Grand Prix Note: Used On Cars With Rectangular Headlamps.	\$396.00	
41529	1976	FORWARD LAMP HARNESS All, With Cornering Lamps, Except Grand Prix Note: Used On Cars With Rectangular Headlamps.	\$396.00	
41532	1976	FORWARD LAMP HARNESS All, Grand Prix, Without Cornering Lamps	\$396.00	
41533	1976	FORWARD LAMP HARNESS All, Grand Prix, With Cornering Lamps	\$396.00	
41538	1977	FORWARD LAMP HARNESS All, Without Cornering Lamps, Except Grand Prix	\$396.00	
41539	1977	FORWARD LAMP HARNESS All, With Cornering Lamps, Except Grand Prix	\$396.00	
41540	1977	FORWARD LAMP HARNESS All, Grand Prix, Without Cornering Lamps	\$396.00	
41541	1977	FORWARD LAMP HARNESS All, Grand Prix, With Cornering Lamps	\$396.00	
41544	1978	FORWARD LAMP HARNESS All, Without Cornering Lamps	\$396.00	
41545	1978	FORWARD LAMP HARNESS All, With Cornering Lamps	\$396.00	
FUEL TANK SENDING UNIT				
06428035	1969	FUEL TANK SENDING UNIT Grand Prix, V/8, 3/8" Fuel Line, With 2nd Vent Line	\$43.00	N
GLOVE BOX LAMP KIT				
18000	1963	GLOVE BOX LAMP KIT Socket, Bulb & Wire	\$24.00	
18000	1964	GLOVE BOX LAMP KIT Socket, Bulb & Wire	\$24.00	
18000	1965	GLOVE BOX LAMP KIT Socket, Bulb & Wire	\$24.00	
18000	1966	GLOVE BOX LAMP KIT Socket, Bulb & Wire	\$24.00	
18000	1967	GLOVE BOX LAMP KIT Socket, Bulb & Wire	\$24.00	
GROUND WIRE-DISTRIBUTOR POINT PLATE				
38298	1957	GROUND WIRE, DISTRIBUTOR POINT PLATE From Distributor Point Plate To Distributor Housing Note: Replaces Spot Welded Wire Asm On Point Plate Side. Fits All GM V/8 Point Type Distributors From Approx. 1957-1974.	\$17.00	C
38298	1958	GROUND WIRE, DISTRIBUTOR POINT PLATE From Distributor Point Plate To Distributor Housing Note: Replaces Spot Welded Wire Asm On Point Plate Side. Fits All GM V/8 Point Type Distributors From Approx. 1957-1974.	\$17.00	C
38298	1959	GROUND WIRE, DISTRIBUTOR POINT PLATE From Distributor Point Plate To Distributor Housing Note: Replaces Spot Welded Wire Asm On Point Plate Side. Fits All GM V/8 Point Type Distributors From Approx. 1957-1974.	\$17.00	C
38298	1960	GROUND WIRE, DISTRIBUTOR POINT PLATE From Distributor Point Plate To Distributor Housing Note: Replaces Spot Welded Wire Asm On Point Plate Side. Fits All GM V/8 Point Type Distributors From Approx. 1957-1974.	\$17.00	C
38298	1961	GROUND WIRE, DISTRIBUTOR POINT PLATE From Distributor Point Plate To Distributor Housing Note: Replaces Spot Welded Wire Asm On Point Plate Side. Fits All GM V/8 Point Type Distributors From Approx. 1957-1974.	\$17.00	C
38298	1962	GROUND WIRE, DISTRIBUTOR POINT PLATE From Distributor Point Plate To Distributor Housing Note: Replaces Spot Welded Wire Asm On Point Plate Side. Fits All GM V/8 Point Type Distributors From Approx. 1957-1974.	\$17.00	C
38298	1963	GROUND WIRE, DISTRIBUTOR POINT PLATE From Distributor Point Plate To Distributor Housing Note: Replaces Spot Welded Wire Asm On Point Plate Side. Fits All GM V/8 Point Type Distributors From Approx. 1957-1974.	\$17.00	C
38298	1964	GROUND WIRE, DISTRIBUTOR POINT PLATE From Distributor Point Plate To Distributor Housing Note: Replaces Spot Welded Wire Asm On Point Plate Side. Fits All GM V/8 Point Type Distributors From Approx. 1957-1974.	\$17.00	C
38298	1965	GROUND WIRE, DISTRIBUTOR POINT PLATE From Distributor Point Plate To Distributor Housing Note: Replaces Spot Welded Wire Asm On Point Plate Side. Fits All GM V/8 Point Type Distributors From Approx. 1957-1974.	\$17.00	C
38298	1966	GROUND WIRE, DISTRIBUTOR POINT PLATE From Distributor Point Plate To Distributor Housing Note: Replaces Spot Welded Wire Asm On Point Plate Side. Fits All GM V/8 Point Type Distributors From Approx. 1957-1974.	\$17.00	C
38298	1967	GROUND WIRE, DISTRIBUTOR POINT PLATE From Distributor Point Plate To Distributor Housing Note: Replaces Spot Welded Wire Asm On Point Plate Side. Fits All GM V/8 Point Type Distributors From Approx. 1957-1974.	\$17.00	C

Part Number	Year	Description	Price	*Rev.
38298	1968	GROUND WIRE, DISTRIBUTOR POINT PLATE From Distributor Point Plate To Distributor Housing Note: Replaces Spot Welded Wire Asm On Point Plate Side. Fits All GM V/8 Point Type Distributors From Approx. 1957-1974.	\$17.00	C
38298	1969	GROUND WIRE, DISTRIBUTOR POINT PLATE From Distributor Point Plate To Distributor Housing Note: Replaces Spot Welded Wire Asm On Point Plate Side. Fits All GM V/8 Point Type Distributors From Approx. 1957-1974.	\$17.00	C
38298	1970	GROUND WIRE, DISTRIBUTOR POINT PLATE From Distributor Point Plate To Distributor Housing Note: Replaces Spot Welded Wire Asm On Point Plate Side. Fits All GM V/8 Point Type Distributors From Approx. 1957-1974.	\$17.00	C
38298	1971	GROUND WIRE, DISTRIBUTOR POINT PLATE From Distributor Point Plate To Distributor Housing Note: Replaces Spot Welded Wire Asm On Point Plate Side. Fits All GM V/8 Point Type Distributors From Approx. 1957-1974.	\$17.00	C
38298	1972	GROUND WIRE, DISTRIBUTOR POINT PLATE From Distributor Point Plate To Distributor Housing Note: Replaces Spot Welded Wire Asm On Point Plate Side. Fits All GM V/8 Point Type Distributors From Approx. 1957-1974.	\$17.00	C
38298	1973	GROUND WIRE, DISTRIBUTOR POINT PLATE From Distributor Point Plate To Distributor Housing Note: Replaces Spot Welded Wire Asm On Point Plate Side. Fits All GM V/8 Point Type Distributors From Approx. 1957-1974.	\$17.00	C
38298	1974	GROUND WIRE, DISTRIBUTOR POINT PLATE From Distributor Point Plate To Distributor Housing Note: Replaces Spot Welded Wire Asm On Point Plate Side. Fits All GM V/8 Point Type Distributors From Approx. 1957-1974.	\$17.00	C

HARNESS TAPE

R0058272	1955	HARNESS TAPE 3/4" Vinyl (100 Ft. Roll) Non-Adhesive	\$12.00	
R0058276	1955	HARNESS TAPE 1" Vinyl (100 Ft. Roll) Non-Adhesive	\$13.00	
R0067108	1955	HARNESS TAPE 1 1/4" Vinyl (100 Ft. Roll) Non-Adhesive	\$15.00	
R0058272	1956	HARNESS TAPE 3/4" Vinyl (100 Ft. Roll) Non-Adhesive	\$12.00	
R0058276	1956	HARNESS TAPE 1" Vinyl (100 Ft. Roll) Non-Adhesive	\$13.00	
R0067108	1956	HARNESS TAPE 1 1/4" Vinyl (100 Ft. Roll) Non-Adhesive	\$15.00	
R0058272	1957	HARNESS TAPE 3/4" Vinyl (100 Ft. Roll) Non-Adhesive	\$12.00	
R0058276	1957	HARNESS TAPE 1" Vinyl (100 Ft. Roll) Non-Adhesive	\$13.00	
R0067108	1957	HARNESS TAPE 1 1/4" Vinyl (100 Ft. Roll) Non-Adhesive	\$15.00	
R0058272	1958	HARNESS TAPE 3/4" Vinyl (100 Ft. Roll) Non-Adhesive	\$12.00	
R0058276	1958	HARNESS TAPE 1" Vinyl (100 Ft. Roll) Non-Adhesive	\$13.00	
R0067108	1958	HARNESS TAPE 1 1/4" Vinyl (100 Ft. Roll) Non-Adhesive	\$15.00	
R0058272	1959	HARNESS TAPE 3/4" Vinyl (100 Ft. Roll) Non-Adhesive	\$12.00	
R0058276	1959	HARNESS TAPE 1" Vinyl (100 Ft. Roll) Non-Adhesive	\$13.00	
R0067108	1959	HARNESS TAPE 1 1/4" Vinyl (100 Ft. Roll) Non-Adhesive	\$15.00	
R0058272	1960	HARNESS TAPE 3/4" Vinyl (100 Ft. Roll) Non-Adhesive	\$12.00	
R0058276	1960	HARNESS TAPE 1" Vinyl (100 Ft. Roll) Non-Adhesive	\$13.00	
R0067108	1960	HARNESS TAPE 1 1/4" Vinyl (100 Ft. Roll) Non-Adhesive	\$15.00	
R0058272	1961	HARNESS TAPE 3/4" Vinyl (100 Ft. Roll) Non-Adhesive	\$12.00	
R0058276	1961	HARNESS TAPE 1" Vinyl (100 Ft. Roll) Non-Adhesive	\$13.00	
R0067108	1961	HARNESS TAPE 1 1/4" Vinyl (100 Ft. Roll) Non-Adhesive	\$15.00	
R0058272	1962	HARNESS TAPE 3/4" Vinyl (100 Ft. Roll) Non-Adhesive	\$12.00	
R0058276	1962	HARNESS TAPE 1" Vinyl (100 Ft. Roll) Non-Adhesive	\$13.00	
R0067108	1962	HARNESS TAPE 1 1/4" Vinyl (100 Ft. Roll) Non-Adhesive	\$15.00	
R0058272	1963	HARNESS TAPE 3/4" Vinyl (100 Ft. Roll) Non-Adhesive	\$12.00	
R0058276	1963	HARNESS TAPE 1" Vinyl (100 Ft. Roll) Non-Adhesive	\$13.00	
R0067108	1963	HARNESS TAPE 1 1/4" Vinyl (100 Ft. Roll) Non-Adhesive	\$15.00	
R0058272	1964	HARNESS TAPE 3/4" Vinyl (100 Ft. Roll) Non-Adhesive	\$12.00	
R0058276	1964	HARNESS TAPE 1" Vinyl (100 Ft. Roll) Non-Adhesive	\$13.00	
R0067108	1964	HARNESS TAPE 1 1/4" Vinyl (100 Ft. Roll) Non-Adhesive	\$15.00	
R0058272	1965	HARNESS TAPE 3/4" Vinyl (100 Ft. Roll) Non-Adhesive	\$12.00	
R0058276	1965	HARNESS TAPE 1" Vinyl (100 Ft. Roll) Non-Adhesive	\$13.00	

Part Number	Year	Description	Price	*Rev.
R0067108	1965	HARNESS TAPE 1 1/4" Vinyl (100 Ft. Roll) Non-Adhesive	\$15.00	
R0058272	1966	HARNESS TAPE 3/4" Vinyl (100 Ft. Roll) Non-Adhesive	\$12.00	
R0058276	1966	HARNESS TAPE 1" Vinyl (100 Ft. Roll) Non-Adhesive	\$13.00	
R0067108	1966	HARNESS TAPE 1 1/4" Vinyl (100 Ft. Roll) Non-Adhesive	\$15.00	
R0058272	1967	HARNESS TAPE 3/4" Vinyl (100 Ft. Roll) Non-Adhesive	\$12.00	
R0058276	1967	HARNESS TAPE 1" Vinyl (100 Ft. Roll) Non-Adhesive	\$13.00	
R0067108	1967	HARNESS TAPE 1 1/4" Vinyl (100 Ft. Roll) Non-Adhesive	\$15.00	
R0058272	1968	HARNESS TAPE 3/4" Vinyl (100 Ft. Roll) Non-Adhesive	\$12.00	
R0058276	1968	HARNESS TAPE 1" Vinyl (100 Ft. Roll) Non-Adhesive	\$13.00	
R0067108	1968	HARNESS TAPE 1 1/4" Vinyl (100 Ft. Roll) Non-Adhesive	\$15.00	
R0058272	1969	HARNESS TAPE 3/4" Vinyl (100 Ft. Roll) Non-Adhesive	\$12.00	
R0058276	1969	HARNESS TAPE 1" Vinyl (100 Ft. Roll) Non-Adhesive	\$13.00	
R0067108	1969	HARNESS TAPE 1 1/4" Vinyl (100 Ft. Roll) Non-Adhesive	\$15.00	
R0058272	1970	HARNESS TAPE 3/4" Vinyl (100 Ft. Roll) Non-Adhesive	\$12.00	
R0058276	1970	HARNESS TAPE 1" Vinyl (100 Ft. Roll) Non-Adhesive	\$13.00	
R0067108	1970	HARNESS TAPE 1 1/4" Vinyl (100 Ft. Roll) Non-Adhesive	\$15.00	
R0058272	1971	HARNESS TAPE 3/4" Vinyl (100 Ft. Roll) Non-Adhesive	\$12.00	
R0058276	1971	HARNESS TAPE 1" Vinyl (100 Ft. Roll) Non-Adhesive	\$13.00	
R0067108	1971	HARNESS TAPE 1 1/4" Vinyl (100 Ft. Roll) Non-Adhesive	\$15.00	
R0058272	1972	HARNESS TAPE 3/4" Vinyl (100 Ft. Roll) Non-Adhesive	\$12.00	
R0058276	1972	HARNESS TAPE 1" Vinyl (100 Ft. Roll) Non-Adhesive	\$13.00	
R0067108	1972	HARNESS TAPE 1 1/4" Vinyl (100 Ft. Roll) Non-Adhesive	\$15.00	
R0058272	1973	HARNESS TAPE 3/4" Vinyl (100 Ft. Roll) Non-Adhesive	\$12.00	
R0058276	1973	HARNESS TAPE 1" Vinyl (100 Ft. Roll) Non-Adhesive	\$13.00	
R0067108	1973	HARNESS TAPE 1 1/4" Vinyl (100 Ft. Roll) Non-Adhesive	\$15.00	
R0058272	1974	HARNESS TAPE 3/4" Vinyl (100 Ft. Roll) Non-Adhesive	\$12.00	
R0058276	1974	HARNESS TAPE 1" Vinyl (100 Ft. Roll) Non-Adhesive	\$13.00	
R0067108	1974	HARNESS TAPE 1 1/4" Vinyl (100 Ft. Roll) Non-Adhesive	\$15.00	
R0058272	1975	HARNESS TAPE 3/4" Vinyl (100 Ft. Roll) Non-Adhesive	\$12.00	
R0058276	1975	HARNESS TAPE 1" Vinyl (100 Ft. Roll) Non-Adhesive	\$13.00	
R0067108	1975	HARNESS TAPE 1 1/4" Vinyl (100 Ft. Roll) Non-Adhesive	\$15.00	
R0058272	1976	HARNESS TAPE 3/4" Vinyl (100 Ft. Roll) Non-Adhesive	\$12.00	
R0058276	1976	HARNESS TAPE 1" Vinyl (100 Ft. Roll) Non-Adhesive	\$13.00	
R0067108	1976	HARNESS TAPE 1 1/4" Vinyl (100 Ft. Roll) Non-Adhesive	\$15.00	
R0058272	1977	HARNESS TAPE 3/4" Vinyl (100 Ft. Roll) Non-Adhesive	\$12.00	
R0058276	1977	HARNESS TAPE 1" Vinyl (100 Ft. Roll) Non-Adhesive	\$13.00	
R0067108	1977	HARNESS TAPE 1 1/4" Vinyl (100 Ft. Roll) Non-Adhesive	\$15.00	
R0058272	1978	HARNESS TAPE 3/4" Vinyl (100 Ft. Roll) Non-Adhesive	\$12.00	
R0058276	1978	HARNESS TAPE 1" Vinyl (100 Ft. Roll) Non-Adhesive	\$13.00	
R0067108	1978	HARNESS TAPE 1 1/4" Vinyl (100 Ft. Roll) Non-Adhesive	\$15.00	
HEATER AND A/C INDICATOR LAMP HARNESS				
09595	1966	HEATER AND A/C INDICATOR LAMP HARNESS Dash Harness To Heater Or A/C Control Panel Indicator	\$26.00	
IGNITION BALLAST RESISTOR				
01957154	1955	IGNITION BALLAST RESISTOR All	\$12.00	N
01957154	1956	IGNITION BALLAST RESISTOR All	\$12.00	N
01957154	1957	IGNITION BALLAST RESISTOR All	\$12.00	N

Part Number	Year	Description	Price	*Rev.
01957154	1958	IGNITION BALLAST RESISTOR All	\$12.00	N
01957154	1959	IGNITION BALLAST RESISTOR All	\$12.00	N
IGNITION CYLINDER AND KEYS				
20071252	1969	IGNITION CYLINDER AND KEYS Chrome, Catalina, Bonneville, Grand Prix	\$18.50	N
20071252	1970	IGNITION CYLINDER AND KEYS Chrome, Catalina, Bonneville, Grand Prix	\$18.50	N
20071252	1971	IGNITION CYLINDER AND KEYS Chrome, Catalina, Bonneville, Grand Prix	\$18.50	N
20071252	1972	IGNITION CYLINDER AND KEYS Chrome, Catalina, Bonneville, Grand Prix	\$18.50	N
20071252	1973	IGNITION CYLINDER AND KEYS Chrome, Catalina, Bonneville, Grand Prix	\$18.50	N
20071252	1974	IGNITION CYLINDER AND KEYS Chrome, Catalina, Bonneville, Grand Prix	\$18.50	N
20071252	1975	IGNITION CYLINDER AND KEYS Chrome, Catalina, Bonneville, Grand Prix	\$18.50	N
20071252	1976	IGNITION CYLINDER AND KEYS Chrome, Catalina, Bonneville, Grand Prix	\$18.50	N
20071252	1977	IGNITION CYLINDER AND KEYS Chrome, Catalina, Bonneville, Grand Prix	\$18.50	N
20071252	1978	IGNITION CYLINDER AND KEYS Chrome, Catalina, Bonneville, Grand Prix, 1st Design, Used On Columns Without Lock Cylinder Retaining Screw	\$18.50	N
07833759	1978	IGNITION CYLINDER AND KEYS Chrome, Catalina, Bonneville, Grand Prix, 2nd Design, Used On Columns With Lock Cylinder Retaining Screw	\$18.50	N
07833759	1979	IGNITION CYLINDER AND KEYS Chrome, Catalina, Bonneville, Grand Prix	\$18.50	N
07833759	1980	IGNITION CYLINDER AND KEYS Chrome, Catalina, Bonneville, Grand Prix	\$18.50	N
07833759	1981	IGNITION CYLINDER AND KEYS Chrome, Catalina, Bonneville, Grand Prix	\$18.50	N
07833759	1982	IGNITION CYLINDER AND KEYS Chrome, Bonneville, Grand Prix	\$18.50	N
07833759	1983	IGNITION CYLINDER AND KEYS Chrome, Bonneville, Grand Prix, Parisienne	\$18.50	N
07833759	1984	IGNITION CYLINDER AND KEYS Chrome, Bonneville, Grand Prix, Parisienne	\$18.50	N
07833759	1985	IGNITION CYLINDER AND KEYS Chrome, Bonneville, Grand Prix, Parisienne	\$18.50	N
07833759	1986	IGNITION CYLINDER AND KEYS Chrome, Bonneville, Grand Prix, Parisienne	\$18.50	N
07833759	1987	IGNITION CYLINDER AND KEYS Chrome, Grand Prix, Safari	\$18.50	N
07833759	1988	IGNITION CYLINDER AND KEYS Chrome, Safari	\$18.50	N
07833759	1989	IGNITION CYLINDER AND KEYS Chrome, Safari	\$18.50	N
IGNITION SWITCH				
01990110	1969	IGNITION SWITCH All, With Tilt	\$14.00	N
01990110	1970	IGNITION SWITCH All, With Tilt	\$14.00	N
01990110	1971	IGNITION SWITCH All, With Tilt	\$14.00	N
01990110	1972	IGNITION SWITCH All, With Tilt	\$14.00	N
01990110	1973	IGNITION SWITCH All, With Tilt	\$14.00	N
01990110	1974	IGNITION SWITCH All, With Tilt	\$14.00	N
01990110	1975	IGNITION SWITCH All, With Tilt	\$14.00	N
01990110	1976	IGNITION SWITCH All, With Tilt	\$14.00	N
01990110	1977	IGNITION SWITCH All, With Tilt	\$14.00	N
01990110	1978	IGNITION SWITCH All, With Tilt	\$14.00	N
01990110	1979	IGNITION SWITCH All, With Tilt	\$14.00	N
01990110	1980	IGNITION SWITCH All, With Tilt	\$14.00	N
01990110	1981	IGNITION SWITCH All, With Tilt	\$14.00	N
01990110	1982	IGNITION SWITCH All, With Tilt	\$14.00	N
01990110	1983	IGNITION SWITCH All, With Tilt	\$14.00	N
01990110	1984	IGNITION SWITCH All, With Tilt	\$14.00	N
01990110	1985	IGNITION SWITCH All, With Tilt	\$14.00	N
01990110	1986	IGNITION SWITCH All, With Tilt	\$14.00	N
01990110	1987	IGNITION SWITCH All, With Tilt	\$14.00	N

Part Number	Year	Description	Price	*Rev.
01990110	1988	IGNITION SWITCH All, With Tilt	\$14.00	N
01990110	1989	IGNITION SWITCH All, With Tilt	\$14.00	N
01990110	1990	IGNITION SWITCH All, With Tilt	\$14.00	N
INSTRUMENT CLUSTER LAMP EXTENSION HARNESS				
04270	1963	INSTRUMENT CLUSTER LAMP EXTENSION HARNESS Dash Harness To Ammeter, Clock & Fuel Gauges Lamps	\$40.00	
INSTRUMENT GAUGE CLUSTER CLIP KIT				
08986000	1976	CLIP KIT All, Instrument Gauge Cluster / Printed Circuit Board Retaining Clip Note: Replaces Original GM Part Number 08986000, Includes 12 Clips Per Kit.	\$14.00	N
08986000	1977	CLIP KIT All, Instrument Gauge Cluster / Printed Circuit Board Retaining Clip Note: Replaces Original GM Part Number 08986000, Includes 12 Clips Per Kit.	\$14.00	N
08986000	1978	CLIP KIT All, Instrument Gauge Cluster / Printed Circuit Board Retaining Clip Note: Replaces Original GM Part Number 08986000, Includes 12 Clips Per Kit.	\$14.00	N
08986000	1979	CLIP KIT All, Instrument Gauge Cluster / Printed Circuit Board Retaining Clip Note: Replaces Original GM Part Number 08986000, Includes 12 Clips Per Kit.	\$14.00	N
08986000	1980	CLIP KIT All, Instrument Gauge Cluster / Printed Circuit Board Retaining Clip Note: Replaces Original GM Part Number 08986000, Includes 12 Clips Per Kit.	\$14.00	N
08986000	1981	CLIP KIT All, Instrument Gauge Cluster / Printed Circuit Board Retaining Clip Note: Replaces Original GM Part Number 08986000, Includes 12 Clips Per Kit.	\$14.00	N
08986000	1982	CLIP KIT Bonneville, Grand Prix, All, Instrument Gauge Cluster / Printed Circuit Board Retaining Clip Note: Replaces Original GM Part Number 08986000, Includes 12 Clips Per Kit.	\$14.00	N
08986000	1983	CLIP KIT Bonneville, Grand Prix, Parisienne, All, Instrument Gauge Cluster / Printed Circuit Board Retaining Clip Note: Replaces Original GM Part Number 08986000, Includes 12 Clips Per Kit.	\$14.00	N
08986000	1984	CLIP KIT Bonneville, Grand Prix, Parisienne, All, Instrument Gauge Cluster / Printed Circuit Board Retaining Clip Note: Replaces Original GM Part Number 08986000, Includes 12 Clips Per Kit.	\$14.00	N
08986000	1985	CLIP KIT Bonneville, Grand Prix, Parisienne, All, Instrument Gauge Cluster / Printed Circuit Board Retaining Clip Note: Replaces Original GM Part Number 08986000, Includes 12 Clips Per Kit.	\$14.00	N
08986000	1986	CLIP KIT Bonneville, Grand Prix, Parisienne, All, Instrument Gauge Cluster / Printed Circuit Board Retaining Clip Note: Replaces Original GM Part Number 08986000, Includes 12 Clips Per Kit.	\$14.00	N
08986000	1987	CLIP KIT Grand Prix, Safari, All, Instrument Gauge Cluster / Printed Circuit Board Retaining Clip Note: Replaces Original GM Part Number 08986000, Includes 12 Clips Per Kit.	\$14.00	N
08986000	1988	CLIP KIT Safari, All, Instrument Gauge Cluster / Printed Circuit Board Retaining Clip Note: Replaces Original GM Part Number 08986000, Includes 12 Clips Per Kit.	\$14.00	N
08986000	1989	CLIP KIT Safari, All, Instrument Gauge Cluster / Printed Circuit Board Retaining Clip Note: Replaces Original GM Part Number 08986000, Includes 12 Clips Per Kit.	\$14.00	N
KICKDOWN SWITCH				
01242101	1966	KICKDOWN SWITCH TH400 Auto Trans, Except Grand Prix	\$19.00	
01242101	1967	KICKDOWN SWITCH TH400 Auto Trans, Except Grand Prix	\$19.00	
01242101	1968	KICKDOWN SWITCH TH400 Auto Trans, Except Grand Prix	\$19.00	

Part Number	Year	Description	Price	*Rev.
01242101	1969	KICKDOWN SWITCH TH400 Auto Trans, Except Grand Prix	\$19.00	
01242101	1970	KICKDOWN SWITCH TH400 Auto Trans, Except Grand Prix	\$19.00	
01242101	1971	KICKDOWN SWITCH TH400 Auto Trans, Except Grand Prix	\$19.00	
01242101	1972	KICKDOWN SWITCH TH400 Auto Trans, Except Grand Prix	\$19.00	
01242101	1973	KICKDOWN SWITCH TH400 Auto Trans	\$19.00	
01242101	1974	KICKDOWN SWITCH TH400 Auto Trans	\$19.00	
01242101	1976	KICKDOWN SWITCH Catalina, Grand Prix, TH400, Auto Trans	\$19.00	
01242101	1977	KICKDOWN SWITCH Catalina, Grand Prix, TH400, Auto Trans	\$19.00	
LOW FUEL INDICATOR MODULE				
500274	1964	LOW FUEL INDICATOR MODULE Generic "Adjustable" Low Fuel Warning Module Note: A Complete Electronic Control Unit To Activate A Warning Lamp Or Relay When Fuel Level Drops Below A User Adjustable Level. Includes instruction sheet.	\$64.00	C
500274	1965	LOW FUEL INDICATOR MODULE Generic "Adjustable" Low Fuel Warning Module Note: A Complete Electronic Control Unit To Activate A Warning Lamp Or Relay When Fuel Level Drops Below A User Adjustable Level. Includes instruction sheet.	\$64.00	C
500274	1966	LOW FUEL INDICATOR MODULE Generic "Adjustable" Low Fuel Warning Module Note: A Complete Electronic Control Unit To Activate A Warning Lamp Or Relay When Fuel Level Drops Below A User Adjustable Level. Includes instruction sheet.	\$64.00	C
500274	1967	LOW FUEL INDICATOR MODULE Generic "Adjustable" Low Fuel Warning Module Note: A Complete Electronic Control Unit To Activate A Warning Lamp Or Relay When Fuel Level Drops Below A User Adjustable Level. Includes instruction sheet.	\$64.00	C
500274	1968	LOW FUEL INDICATOR MODULE Generic "Adjustable" Low Fuel Warning Module Note: A Complete Electronic Control Unit To Activate A Warning Lamp Or Relay When Fuel Level Drops Below A User Adjustable Level. Includes instruction sheet.	\$64.00	C
500274	1969	LOW FUEL INDICATOR MODULE Generic "Adjustable" Low Fuel Warning Module Note: A Complete Electronic Control Unit To Activate A Warning Lamp Or Relay When Fuel Level Drops Below A User Adjustable Level. Includes instruction sheet.	\$64.00	C
500274	1970	LOW FUEL INDICATOR MODULE Generic "Adjustable" Low Fuel Warning Module Note: A Complete Electronic Control Unit To Activate A Warning Lamp Or Relay When Fuel Level Drops Below A User Adjustable Level. Includes instruction sheet.	\$64.00	C
500274	1971	LOW FUEL INDICATOR MODULE Generic "Adjustable" Low Fuel Warning Module Note: A Complete Electronic Control Unit To Activate A Warning Lamp Or Relay When Fuel Level Drops Below A User Adjustable Level. Includes instruction sheet.	\$64.00	C
500274	1972	LOW FUEL INDICATOR MODULE Generic "Adjustable" Low Fuel Warning Module Note: A Complete Electronic Control Unit To Activate A Warning Lamp Or Relay When Fuel Level Drops Below A User Adjustable Level. Includes instruction sheet.	\$64.00	C
500274	1973	LOW FUEL INDICATOR MODULE Generic "Adjustable" Low Fuel Warning Module Note: A Complete Electronic Control Unit To Activate A Warning Lamp Or Relay When Fuel Level Drops Below A User Adjustable Level. Includes instruction sheet.	\$64.00	C
500274	1974	LOW FUEL INDICATOR MODULE Generic "Adjustable" Low Fuel Warning Module Note: A Complete Electronic Control Unit To Activate A Warning Lamp Or Relay When Fuel Level Drops Below A User Adjustable Level. Includes instruction sheet.	\$64.00	C
500274	1975	LOW FUEL INDICATOR MODULE Generic "Adjustable" Low Fuel Warning Module Note: A Complete Electronic Control Unit To Activate A Warning Lamp Or Relay When Fuel Level Drops Below A User Adjustable Level. Includes instruction sheet.	\$64.00	C
500274	1976	LOW FUEL INDICATOR MODULE Generic "Adjustable" Low Fuel Warning Module Note: A Complete Electronic Control Unit To Activate A Warning Lamp Or Relay When Fuel Level Drops Below A User Adjustable Level. Includes instruction sheet.	\$64.00	C
500274	1977	LOW FUEL INDICATOR MODULE Generic "Adjustable" Low Fuel Warning Module Note: A Complete Electronic Control Unit To Activate A Warning Lamp Or Relay When Fuel Level Drops Below A User Adjustable Level. Includes instruction sheet.	\$64.00	C

Part Number	Year	Description	Price	*Rev.
NEUTRAL SAFETY AND BACKUP LAMP SWITCH				
01993659	1965	NEUTRAL SAFETY AND BACKUP LAMP SWITCH With Column Shift Powerglide Auto Trans	\$12.00	
09779665	1965	NEUTRAL SAFETY AND BACKUP LAMP SWITCH With Console Shift Auto Trans	\$71.00	
01993659	1966	NEUTRAL SAFETY AND BACKUP LAMP SWITCH With Column Shift Powerglide Auto Trans	\$12.00	
09779665	1966	NEUTRAL SAFETY AND BACKUP LAMP SWITCH With Console Shift Auto Trans	\$71.00	
09779665	1967	NEUTRAL SAFETY AND BACKUP LAMP SWITCH With Console Shift Auto Trans	\$71.00	
09779665	1968	NEUTRAL SAFETY AND BACKUP LAMP SWITCH With Console Shift Auto Trans	\$71.00	
01994235	1969	NEUTRAL SAFETY AND BACKUP LAMP SWITCH With Column Shift Auto Trans, All	\$19.00	
01994235	1970	NEUTRAL SAFETY AND BACKUP LAMP SWITCH With Column Shift Auto Trans, All	\$19.00	
01994235	1971	NEUTRAL SAFETY AND BACKUP LAMP SWITCH With Column Shift Auto Trans, All	\$19.00	
01994235	1972	NEUTRAL SAFETY AND BACKUP LAMP SWITCH With Column Shift Auto Trans, All	\$19.00	
01994235	1973	NEUTRAL SAFETY AND BACKUP LAMP SWITCH With Column Shift Auto Trans, All	\$19.00	
01994163	1974	NEUTRAL SAFETY AND BACKUP LAMP SWITCH With Auto Trans, All	\$19.00	
NEUTRAL SAFETY SWITCH				
03983965	1970	NEUTRAL SAFETY SWITCH With 3 Speed Manual Trans	\$58.00	
03983965	1971	NEUTRAL SAFETY SWITCH With 3 Speed Manual Trans	\$58.00	
03983965	1972	NEUTRAL SAFETY SWITCH With 3 Speed Manual Trans	\$58.00	
POWER ACCESSORY FEED WIRE				
08790	1961	POWER ACCESSORY FEED WIRE Power Seat Circuit Breaker To Battery Junction Block	\$33.00	
POWER DOOR LOCK RELAY AND ADAPTER HARNESS				
39440	1970	POWER DOOR LOCK RELAY AND ADAPTER HARNESS Includes New Standard Type Relay And Adapter To Mate To Factory Harness	\$40.00	
39440	1971	POWER DOOR LOCK RELAY AND ADAPTER HARNESS Includes New Standard Type Relay And Adapter To Mate To Factory Harness	\$40.00	
39440	1972	POWER DOOR LOCK RELAY AND ADAPTER HARNESS Includes New Standard Type Relay And Adapter To Mate To Factory Harness	\$40.00	
POWER DOOR LOCK SWITCH				
01725099	1976	POWER DOOR LOCK SWITCH 1 Button	\$62.00	M
POWER SEAT BACK RELAY AND ADAPTER HARNESS				
39440	1970	POWER SEAT BACK RELAY AND ADAPTER HARNESS Includes New Standard Type Relay And Adapter To Mate To Factory Harness	\$40.00	
39440	1971	POWER SEAT BACK RELAY AND ADAPTER HARNESS Includes New Standard Type Relay And Adapter To Mate To Factory Harness	\$40.00	
39440	1972	POWER SEAT BACK RELAY AND ADAPTER HARNESS Includes New Standard Type Relay And Adapter To Mate To Factory Harness	\$40.00	
POWER SEAT MOTOR RELAY AND ADAPTER HARNESS				
40146	1964	POWER SEAT MOTOR RELAY AND ADAPTER HARNESS Includes New Standard Type Relay And Adapter To Mate To Factory Harness	\$74.00	
40146	1965	POWER SEAT MOTOR RELAY AND ADAPTER HARNESS Includes New Standard Type Relay And Adapter To Mate To Factory Harness	\$74.00	
40146	1966	POWER SEAT MOTOR RELAY AND ADAPTER HARNESS Includes New Standard Type Relay And Adapter To Mate To Factory Harness	\$74.00	
40146	1967	POWER SEAT MOTOR RELAY AND ADAPTER HARNESS Includes New Standard Type Relay And Adapter To Mate To Factory Harness	\$74.00	
40146	1968	POWER SEAT MOTOR RELAY AND ADAPTER HARNESS Includes New Standard Type Relay And Adapter To Mate To Factory Harness	\$74.00	
40146	1969	POWER SEAT MOTOR RELAY AND ADAPTER HARNESS Includes New Standard Type Relay And Adapter To Mate To Factory Harness	\$74.00	
40146	1970	POWER SEAT MOTOR RELAY AND ADAPTER HARNESS Includes New Standard Type Relay And Adapter To Mate To Factory Harness	\$74.00	

Part Number	Year	Description	Price	*Rev.
40146	1971	POWER SEAT MOTOR RELAY AND ADAPTER HARNESS Includes New Standard Type Relay And Adapter To Mate To Factory Harness	\$74.00	
40146	1972	POWER SEAT MOTOR RELAY AND ADAPTER HARNESS Includes New Standard Type Relay And Adapter To Mate To Factory Harness	\$74.00	
40146	1973	POWER SEAT MOTOR RELAY AND ADAPTER HARNESS Includes New Standard Type Relay And Adapter To Mate To Factory Harness	\$74.00	
40146	1974	POWER SEAT MOTOR RELAY AND ADAPTER HARNESS Includes New Standard Type Relay And Adapter To Mate To Factory Harness	\$74.00	
40146	1975	POWER SEAT MOTOR RELAY AND ADAPTER HARNESS Includes New Standard Type Relay And Adapter To Mate To Factory Harness	\$74.00	
POWER TAILGATE JUMPER HARNESS				
06515	1963	POWER TAILGATE JUMPER HARNESS Bonneville & Catalina 4 Door Safari, Dash To Tailgate Harness	\$74.00	
POWER WINDOW HARNESS				
08530	1959	POWER WINDOW HARNESS Bonneville & Catalina Sport Coupe, Front Door & Rear Quarter Window, R.H.	\$291.00	
08520	1959	POWER WINDOW JUMPER HARNESS Left To Right Side Door & Quarter Window	\$113.00	
08520	1960	POWER WINDOW JUMPER HARNESS Left To Right Side Door & Quarter Window	\$113.00	
08765	1961	POWER WINDOW HARNESS Front Left & Right Doors	\$305.00	
08765	1962	POWER WINDOW HARNESS Front Left & Right Doors	\$305.00	
08945	1962	POWER WINDOW HARNESS Bonneville 4 Door Safari Wagon, Catalina & Star Chief 4 Door Sedans, Left Rear Door	\$132.00	
08940	1962	POWER WINDOW HARNESS Bonneville 4 Door Safari Wagon, Catalina & Star Chief 4 Door Sedans, Right Rear Door	\$132.00	
08945	1963	POWER WINDOW HARNESS Bonneville 4 Door Safari Wagon, Catalina & Star Chief 4 Door Sedans, Left Rear Door	\$132.00	
08940	1963	POWER WINDOW HARNESS Bonneville 4 Door Safari Wagon, Catalina & Star Chief 4 Door Sedans, Right Rear Door	\$132.00	
06630	1963	POWER WINDOW HARNESS Bonneville & Catalina Convertible, Left Rear Quarter Window	\$119.00	
08945	1964	POWER WINDOW HARNESS Bonneville 4 Door Safari Wagon, Catalina & Star Chief 4 Door Sedans, Left Rear Door	\$132.00	
08940	1964	POWER WINDOW HARNESS Bonneville 4 Door Safari Wagon, Catalina & Star Chief 4 Door Sedans, Right Rear Door	\$132.00	
06625	1963	POWER WINDOW HARNESS Bonneville & Catalina Convertible, Right Rear Quarter Window	\$119.00	
06620	1963	POWER WINDOW HARNESS Catalina Sport Sedan, Left Rear Quarter Window	\$132.00	
06615	1963	POWER WINDOW HARNESS Catalina Sport Sedan, Right Rear Quarter Window	\$132.00	
06640	1963	POWER WINDOW HARNESS All Sport Coupe, Left Rear Quarter Window	\$119.00	
06635	1963	POWER WINDOW HARNESS All Sport Coupe, Right Rear Quarter Window	\$119.00	
07170	1963	POWER WINDOW MOTOR EXTENSION Rear Quarter Window Harness To Motor, 2 Required Per Car	\$25.00	
06630	1964	POWER WINDOW HARNESS Bonneville & Catalina Convertible, Left Rear Quarter Window	\$119.00	
06625	1964	POWER WINDOW HARNESS Bonneville & Catalina Convertible, Right Rear Quarter Window	\$119.00	
06620	1964	POWER WINDOW HARNESS Catalina Sport Sedan, Left Rear Quarter Window	\$132.00	
06615	1964	POWER WINDOW HARNESS Catalina Sport Sedan, Right Rear Quarter Window	\$132.00	
07170	1964	POWER WINDOW MOTOR EXTENSION Rear Quarter Window Harness To Motor, 2 Required Per Car	\$25.00	
08045	1965	POWER WINDOW HARNESS All Coupe & Sport Coupe Quarter Windows (LH & RH)	\$212.00	
07370	1965	POWER WINDOW HARNESS Bonneville & Catalina Convertible Quarter Windows (LH & RH)	\$173.00	
08085	1965	POWER WINDOW HARNESS Catalina 2 Door Sedan Quarter Windows (LH & RH)	\$186.00	
08045	1966	POWER WINDOW HARNESS All Coupe & Sport Coupe Quarter Windows (LH & RH)	\$212.00	
07370	1966	POWER WINDOW HARNESS Bonneville, Catalina & 2+2 Convertible Qtr. Windows (LH & RH)	\$173.00	
08085	1966	POWER WINDOW HARNESS Catalina 2 Door Sedan Quarter Windows (LH & RH)	\$186.00	

Part Number	Year	Description	Price	*Rev.
POWER WINDOW MOTOR ADAPTER HARNESS				
36954	1958	POWER WINDOW MOTOR ADAPTER HARNESS Adapts "T" Shaped Motor Connector To Side By Side Blade Type Motor Connector	\$22.00	C
36954	1959	POWER WINDOW MOTOR ADAPTER HARNESS Adapts "T" Shaped Motor Connector To Side By Side Blade Type Motor Connector	\$22.00	C
36954	1960	POWER WINDOW MOTOR ADAPTER HARNESS Adapts "T" Shaped Motor Connector To Side By Side Blade Type Motor Connector	\$22.00	C
36954	1961	POWER WINDOW MOTOR ADAPTER HARNESS Adapts "T" Shaped Motor Connector To Side By Side Blade Type Motor Connector	\$22.00	C
36954	1962	POWER WINDOW MOTOR ADAPTER HARNESS Adapts "T" Shaped Motor Connector To Side By Side Blade Type Motor Connector	\$22.00	C
36954	1963	POWER WINDOW MOTOR ADAPTER HARNESS Adapts "T" Shaped Motor Connector To Side By Side Blade Type Motor Connector	\$22.00	C
36954	1964	POWER WINDOW MOTOR ADAPTER HARNESS Adapts "T" Shaped Motor Connector To Side By Side Blade Type Motor Connector	\$22.00	C
36954	1965	POWER WINDOW MOTOR ADAPTER HARNESS Adapts "T" Shaped Motor Connector To Side By Side Blade Type Motor Connector	\$22.00	C
36954	1966	POWER WINDOW MOTOR ADAPTER HARNESS Adapts "T" Shaped Motor Connector To Side By Side Blade Type Motor Connector	\$22.00	C
36954	1967	POWER WINDOW MOTOR ADAPTER HARNESS Adapts "T" Shaped Motor Connector To Side By Side Blade Type Motor Connector	\$22.00	C
36954	1968	POWER WINDOW MOTOR ADAPTER HARNESS Adapts "T" Shaped Motor Connector To Side By Side Blade Type Motor Connector	\$22.00	C
36954	1969	POWER WINDOW MOTOR ADAPTER HARNESS Adapts "T" Shaped Motor Connector To Side By Side Blade Type Motor Connector	\$22.00	C
36954	1970	POWER WINDOW MOTOR ADAPTER HARNESS Adapts "T" Shaped Motor Connector To Side By Side Blade Type Motor Connector	\$22.00	C
36954	1971	POWER WINDOW MOTOR ADAPTER HARNESS Adapts "T" Shaped Motor Connector To Side By Side Blade Type Motor Connector	\$22.00	C
36954	1972	POWER WINDOW MOTOR ADAPTER HARNESS Adapts "T" Shaped Motor Connector To Side By Side Blade Type Motor Connector	\$22.00	C
36954	1973	POWER WINDOW MOTOR ADAPTER HARNESS Adapts "T" Shaped Motor Connector To Side By Side Blade Type Motor Connector	\$22.00	C
36954	1974	POWER WINDOW MOTOR ADAPTER HARNESS Adapts "T" Shaped Motor Connector To Side By Side Blade Type Motor Connector	\$22.00	C
36954	1975	POWER WINDOW MOTOR ADAPTER HARNESS Adapts "T" Shaped Motor Connector To Side By Side Blade Type Motor Connector	\$22.00	C
POWER WINDOW RELAY AND ADAPTER HARNESS				
39440	1968	POWER WINDOW RELAY AND ADAPTER HARNESS Includes New Standard Type Relay And Adapter To Mate To Factory Harness	\$40.00	
39440	1969	POWER WINDOW RELAY AND ADAPTER HARNESS Includes New Standard Type Relay And Adapter To Mate To Factory Harness	\$40.00	
39440	1970	POWER WINDOW RELAY AND ADAPTER HARNESS Includes New Standard Type Relay And Adapter To Mate To Factory Harness	\$40.00	
39440	1971	POWER WINDOW RELAY AND ADAPTER HARNESS Includes New Standard Type Relay And Adapter To Mate To Factory Harness	\$40.00	
POWER WINDOW SWITCH				
04432790	1964	POWER WINDOW SWITCH 1 Button, Round Corner Style, Chrome	\$49.00	
04432791	1964	POWER WINDOW SWITCH 4 Button, Round Corner Style, Chrome	\$67.00	
04432790	1965	POWER WINDOW SWITCH 1 Button, Round Corner Style, Chrome	\$49.00	
04432791	1965	POWER WINDOW SWITCH 4 Button, Round Corner Style, Chrome	\$67.00	
04432790	1966	POWER WINDOW SWITCH 1 Button, Round Corner Style, Chrome	\$49.00	
04432791	1966	POWER WINDOW SWITCH 4 Button, Round Corner Style, Chrome	\$67.00	

Part Number	Year	Description	Price	*Rev.
04432790	1967	POWER WINDOW SWITCH 1 Button, Round Corner Style, Chrome	\$49.00	
04432791	1967	POWER WINDOW SWITCH 4 Button, Round Corner Style, Chrome	\$67.00	
04432790	1968	POWER WINDOW SWITCH 1 Button, Round Corner Style, Chrome	\$49.00	
04432791	1968	POWER WINDOW SWITCH 4 Button, Round Corner Style, Chrome	\$67.00	
04432790	1969	POWER WINDOW SWITCH 1 Button, Round Corner Style, Chrome	\$49.00	
04432791	1969	POWER WINDOW SWITCH 4 Button, Round Corner Style, Chrome	\$67.00	
04432790	1970	POWER WINDOW SWITCH 1 Button, Round Corner Style, Chrome	\$49.00	
04432791	1970	POWER WINDOW SWITCH 4 Button, Round Corner Style, Chrome	\$67.00	
01725094	1976	POWER WINDOW SWITCH Catalina, Bonneville, 1 Button, Square Corner Style, Chrome	\$21.00	M
01725094	1977	POWER WINDOW SWITCH Catalina, Bonneville, 1 Button, Square Corner Style, Chrome	\$21.00	M
01725094	1978	POWER WINDOW SWITCH Catalina, Bonneville, 1 Button, Square Corner Style, Chrome	\$21.00	M
01725094	1979	POWER WINDOW SWITCH Catalina, Bonneville, 1 Button, Square Corner Style, Chrome	\$21.00	M
01731231	1976	POWER WINDOW SWITCH Catalina, Without Custom Trim, 4 Button, Square Corner Style, Chrome	\$75.00	M
01731231	1977	POWER WINDOW SWITCH Catalina, 4 Button, Square Corner Style, Chrome	\$75.00	M
01731231	1978	POWER WINDOW SWITCH Catalina, 4 Button, Square Corner Style, Chrome	\$75.00	M
01731231	1979	POWER WINDOW SWITCH Catalina, 4 Button, Square Corner Style, Chrome	\$75.00	M
01725092	1977	POWER WINDOW SWITCH Catalina, 2 Button, Square Corner Style, Chrome	\$53.00	M
01725092	1978	POWER WINDOW SWITCH Catalina, 2 Button, Square Corner Style, Chrome	\$53.00	M
01725092	1979	POWER WINDOW SWITCH Catalina, 2 Button, Square Corner Style, Chrome	\$53.00	M
20061549	1982	POWER WINDOW SWITCH 2-Button, Without Custom Door Panels (Option Codes Yt1 Or Yt3)	\$14.00	N
20061549	1983	POWER WINDOW SWITCH 2-Button, Without Custom Door Panels (Option Codes Yt1 Or Yt3)	\$14.00	N
20061549	1984	POWER WINDOW SWITCH 2-Button, Without Custom Door Panels (Option Codes Yt1 Or Yt3)	\$14.00	N
20061549	1985	POWER WINDOW SWITCH 2-Button, Without Custom Door Panels (Option Codes Yt1 Or Yt3)	\$14.00	N
20061549	1986	POWER WINDOW SWITCH 2-Button, Without Custom Door Panels (Option Codes Yt1 Or Yt3)	\$14.00	N
20061549	1987	POWER WINDOW SWITCH 2-Button, Without Custom Door Panels (Option Codes Yt1 Or Yt3)	\$14.00	N
REAR LAMP HARNESS				
06500	1963	REAR LAMP INTERMEDIATE HARNESS Grand Prix	\$180.00	
08980	1963	REAR LAMP HARNESS Grand Prix, Rear Panel	\$173.00	
06500	1964	REAR LAMP INTERMEDIATE HARNESS Grand Prix	\$180.00	
06840	1964	REAR LAMP HARNESS Grand Prix, Rear Panel	\$180.00	
SPEAKER HARNESS				
33345	1978	SPEAKER HARNESS Front Stereo Speakers	\$48.00	
SPEED WARNING HARNESS				
43264	1963	SPEED WARNING HARNESS	\$56.00	
43264	1964	SPEED WARNING HARNESS	\$56.00	
09560	1966	SPEED WARNING HARNESS	\$41.00	
09560	1967	SPEED WARNING HARNESS	\$41.00	
09560	1968	SPEED WARNING HARNESS	\$41.00	
13500	1969	SPEED WARNING HARNESS	\$27.00	
13645	1970	SPEED WARNING HARNESS	\$27.00	

Part Number	Year	Description	Price	*Rev.
TACHOMETER HARNESS				
04000	1962	TACHOMETER HARNESS	\$59.00	
04250	1963	TACHOMETER HARNESS	\$59.00	
04320	1963	TACHOMETER HARNESS With Transistorized Ignition	\$72.00	
04605	1964	TACHOMETER HARNESS	\$59.00	
04610	1964	TACHOMETER HARNESS With Transistorized Ignition	\$72.00	
06245	1965	TACHOMETER HARNESS	\$59.00	
06250	1965	TACHOMETER HARNESS With Transistorized Ignition	\$72.00	
06245	1966	TACHOMETER HARNESS	\$59.00	
10050	1966	TACHOMETER HARNESS With Transistorized Ignition	\$72.00	
11040	1967	TACHOMETER HARNESS Hood Mounted	\$52.00	
11040	1968	TACHOMETER HARNESS Hood Mounted	\$52.00	
TRANSISTOR IGNITION HARNESS				
36003	1963	TRANSISTOR IGNITION EXTENSION HARNESS Used With GM Part# 1115008 Amplifier Control Unit	\$60.00	
36002	1963	TRANSISTOR IGNITION HARNESS	\$147.00	
33225	1964	TRANSISTOR IGNITION AMPLIFIER EXTENSION From Internal Circuit Board To Amplifier Housing Connector	\$53.00	
28380	1964	TRANSISTOR IGNITION EXTENSION HARNESS	\$74.00	
35941	1964	TRANSISTOR IGNITION HARNESS	\$159.00	
36838	1965	TRANSISTOR IGNITION HARNESS	\$198.00	
36837	1966	TRANSISTOR IGNITION HARNESS	\$198.00	
TRANSISTOR IGNITION REPLACEMENT MODULE				
32270	1963	TRANSISTOR IGNITION REPLACEMENT MODULE Replaces Original Circuit Board In Amplifier	\$189.00	
32270	1964	TRANSISTOR IGNITION REPLACEMENT MODULE Replaces Original Circuit Board In Amplifier	\$189.00	
32270	1965	TRANSISTOR IGNITION REPLACEMENT MODULE Replaces Original Circuit Board In Amplifier	\$189.00	
32270	1966	TRANSISTOR IGNITION REPLACEMENT MODULE Replaces Original Circuit Board In Amplifier	\$189.00	
TRUNK LAMP EXTENSION HARNESS				
13440	1969	TRUNK LAMP EXTENSION HARNESS Grand Prix, Coupe	\$26.00	
36239	1971	TRUNK LAMP EXTENSION WIRE Trunk Lamp To Rear Lamp Harness Connector	\$25.00	
36239	1972	TRUNK LAMP EXTENSION WIRE Trunk Lamp To Rear Lamp Harness Connector	\$25.00	
TRUNK RELEASE HARNESS				
14570	1970	TRUNK RELEASE HARNESS For Electric Trunk Lid Release, Except Grand Prix	\$48.00	
TURN SIGNAL LEVER WIPER SWITCH				
22510733	1982	TURN SIGNAL LEVER WIPER SWITCH Grand Prix, Black, With Pulse Wipers, Without Cruise Control	\$20.00	N
22510732	1982	TURN SIGNAL LEVER WIPER SWITCH Grand Prix, Black, Without Pulse Wipers, Without Cruise Control	\$20.00	N
22510144	1982	TURN SIGNAL LEVER WIPER SWITCH Grand Prix, Chrome, With Pulse Wipers, Without Cruise Control	\$20.00	N
22510733	1983	TURN SIGNAL LEVER WIPER SWITCH Grand Prix, Black, With Pulse Wipers, Without Cruise Control	\$20.00	N
22510732	1983	TURN SIGNAL LEVER WIPER SWITCH Grand Prix, Black, Without Pulse Wipers, Without Cruise Control	\$20.00	N
22510144	1983	TURN SIGNAL LEVER WIPER SWITCH Grand Prix, Chrome, With Pulse Wipers, Without Cruise Control	\$20.00	N
22510733	1984	TURN SIGNAL LEVER WIPER SWITCH All, Black, With Pulse Wipers, Without Cruise Control	\$20.00	N
22510732	1984	TURN SIGNAL LEVER WIPER SWITCH All, Black, Without Pulse Wipers, Without Cruise Control	\$20.00	N
22510144	1984	TURN SIGNAL LEVER WIPER SWITCH All, Chrome, With Pulse Wipers, Without Cruise Control	\$20.00	N
22510733	1985	TURN SIGNAL LEVER WIPER SWITCH All, Black, With Pulse Wipers, Without Cruise Control	\$20.00	N
22510732	1985	TURN SIGNAL LEVER WIPER SWITCH All, Black, Without Pulse Wipers, Without Cruise Control	\$20.00	N
22510144	1985	TURN SIGNAL LEVER WIPER SWITCH All, Chrome, With Pulse Wipers, Without Cruise Control	\$20.00	N
22510733	1986	TURN SIGNAL LEVER WIPER SWITCH All, Black, With Pulse Wipers, Without Cruise Control	\$20.00	N
22510732	1986	TURN SIGNAL LEVER WIPER SWITCH All, Black, Without Pulse Wipers, Without Cruise Control	\$20.00	N

Part Number	Year	Description	Price	*Rev.
22510144	1986	TURN SIGNAL LEVER WIPER SWITCH All, Chrome, With Pulse Wipers, Without Cruise Control	\$20.00	N
22510733	1987	TURN SIGNAL LEVER WIPER SWITCH All, Black, With Pulse Wipers, Without Cruise Control	\$20.00	N
22510732	1987	TURN SIGNAL LEVER WIPER SWITCH All, Black, Without Pulse Wipers, Without Cruise Control	\$20.00	N
22510144	1987	TURN SIGNAL LEVER WIPER SWITCH All, Chrome, With Pulse Wipers, Without Cruise Control	\$20.00	N
22510144	1988	TURN SIGNAL LEVER WIPER SWITCH All, Chrome, With Pulse Wipers, Without Cruise Control	\$20.00	N
22510144	1989	TURN SIGNAL LEVER WIPER SWITCH All, Chrome, With Pulse Wipers, Without Cruise Control	\$20.00	N
TURN SIGNAL SWITCH				
01993624	1965	TURN SIGNAL SWITCH With Tilt, Replaces Delco Part# D6220	\$71.00	
01993624	1966	TURN SIGNAL SWITCH With Tilt, Replaces Delco Part# D6220	\$71.00	
07800482	1967	TURN SIGNAL SWITCH All, Except Column Shift A/T, Without Cornering Lights, (Delco Type, White) Note: Emergency Flasher Actuator Hole In Outer Cover Is Shaped Like A Doghouse.	\$50.00	
01893592	1967	TURN SIGNAL SWITCH Without Cornering Lights (Delco-White), Replaces Delco Part# D6211 Note: This Is A Service Part, Adapter Pigtail Included And Is Required For Some Applications.	\$58.00	
05698897	1967	TURN SIGNAL SWITCH With Column Shift A/T, Without Tilt, Without Cornering Lamps (Delco Type, Black, White Or Green) Note: Emergency Flasher Actuator Hole In Outer Cover Is Shaped Like A Doghouse.	\$50.00	
05698897	1967	TURN SIGNAL SWITCH With Column Shift A/T, With Tilt, Without Cornering Lamps (Delco Type, Black, White Or Green) Note: Emergency Flasher Actuator Hole In Outer Cover Is Shaped Like A Doghouse.	\$50.00	
07800482	1968	TURN SIGNAL SWITCH All, Except Column Shift A/T, Without Cornering Lights, (Delco Type, White) Note: Emergency Flasher Actuator Hole In Outer Cover Is Shaped Like A Doghouse.	\$50.00	
01893592	1968	TURN SIGNAL SWITCH Without Cornering Lights (Delco-White), Replaces Delco Part# D6211 Note: This Is A Service Part, Adapter Pigtail Included And Is Required For Some Applications.	\$58.00	
05698897	1968	TURN SIGNAL SWITCH Column Shift A/T, Without Tilt, Without Cornering Lamps (Delco Type, Black, White Or Green) Note: Emergency Flasher Actuator Hole In Outer Cover Is Shaped Like A Doghouse.	\$50.00	
05698897	1968	TURN SIGNAL SWITCH Column Shift A/T, With Tilt, Without Cornering Lamps (Delco Type, Black, White Or Green) Note: Emergency Flasher Actuator Hole In Outer Cover Is Shaped Like A Doghouse.	\$50.00	
01997963	1969	TURN SIGNAL SWITCH, CORRECT PART Without Cornering Lights Note: Correct Part, No Adapter Pigtail Required.	\$41.00	
01893588	1969	TURN SIGNAL SWITCH, SERVICE PART Without Cornering Lights, Replaces Delco Part# D6208 Note: This Is A Service Part, Adapter Pigtail Included Is Required For Installation.	\$58.00	
01997963	1970	TURN SIGNAL SWITCH, CORRECT PART Without Cornering Lights, Without Tilt Note: Correct Part, No Adapter Pigtail Required.	\$41.00	
01893588	1970	TURN SIGNAL SWITCH, SERVICE PART Without Cornering Lights, Without Tilt, Replaces Delco Part# D6208 Note: This Is A Service Part, Adapter Pigtail Included Is Required For Installation.	\$58.00	
01997963	1971	TURN SIGNAL SWITCH, CORRECT PART Without Cornering Lights Note: Correct Part, No Adapter Pigtail Required.	\$41.00	
01893588	1971	TURN SIGNAL SWITCH, SERVICE PART Without Cornering Lights, Replaces Delco Part# D6208 Note: This Is A Service Part, Adapter Pigtail Included Is Required For Installation.	\$58.00	
01997963	1972	TURN SIGNAL SWITCH, CORRECT PART Without Cornering Lights Note: Correct Part, No Adapter Pigtail Required.	\$41.00	
01893588	1972	TURN SIGNAL SWITCH, SERVICE PART Without Cornering Lights Note: This Is A Service Part, Adapter Pigtail Included Is Required For Installation.	\$58.00	

Part Number	Year	Description	Price	*Rev.
VACUUM GAUGE LAMP HARNESS				
06185	1965	VACUUM GAUGE LAMP HARNESS Dash Harness To Vacuum Gauge	\$26.00	
WINDSHIELD WIPER SWITCH				
01998719	1959	WINDSHIELD WIPER SWITCH Single Speed, With Washer	\$52.00	
01998719	1960	WINDSHIELD WIPER SWITCH Single Speed, With Washer	\$52.00	
01998719	1961	WINDSHIELD WIPER SWITCH Single Speed, With Washer	\$52.00	
01998719	1962	WINDSHIELD WIPER SWITCH Single Speed, With Washer	\$52.00	
01993592	1963	WINDSHIELD WIPER SWITCH Single Speed, With Washer Note: Once our current stock runs out, this item will be discontinued.	\$52.00	
01993541	1964	WINDSHIELD WIPER SWITCH Single Speed, With Washer	\$45.00	
01993687	1965	WINDSHIELD WIPER SWITCH Single Speed, With Washer	\$54.00	
01993371	1967	WINDSHIELD WIPER SWITCH With Washer	\$65.00	
01993371	1968	WINDSHIELD WIPER SWITCH With Washer	\$65.00	
WIRING JUNCTION BLOCK				
01865535	1939	WIRING JUNCTION BLOCK 3-Terminal, Headlamp Wire Junction	\$12.00	N
01998756	1939	WIRING JUNCTION BLOCK 4-Terminal, Headlamp Wire Junction	\$13.00	N
01998757	1939	WIRING JUNCTION BLOCK 5-Terminal, Headlamp Wire Junction	\$19.00	N
01865535	1940	WIRING JUNCTION BLOCK 3-Terminal, Headlamp Wire Junction	\$12.00	N
01998756	1940	WIRING JUNCTION BLOCK 4-Terminal, Headlamp Wire Junction	\$13.00	N
01998757	1940	WIRING JUNCTION BLOCK 5-Terminal, Headlamp Wire Junction	\$19.00	N
01865535	1941	WIRING JUNCTION BLOCK 3-Terminal, Headlamp Wire Junction	\$12.00	N
01998756	1941	WIRING JUNCTION BLOCK 4-Terminal, Headlamp Wire Junction	\$13.00	N
01998757	1941	WIRING JUNCTION BLOCK 5-Terminal, Headlamp Wire Junction	\$19.00	N
01865535	1942	WIRING JUNCTION BLOCK 3-Terminal, Headlamp Wire Junction	\$12.00	N
01998756	1942	WIRING JUNCTION BLOCK 4-Terminal, Headlamp Wire Junction	\$13.00	N
01998757	1942	WIRING JUNCTION BLOCK 5-Terminal, Headlamp Wire Junction	\$19.00	N
01865535	1943	WIRING JUNCTION BLOCK 3-Terminal, Headlamp Wire Junction	\$12.00	N
01998756	1943	WIRING JUNCTION BLOCK 4-Terminal, Headlamp Wire Junction	\$13.00	N
01998757	1943	WIRING JUNCTION BLOCK 5-Terminal, Headlamp Wire Junction	\$19.00	N
01865535	1944	WIRING JUNCTION BLOCK 3-Terminal, Headlamp Wire Junction	\$12.00	N
01998756	1944	WIRING JUNCTION BLOCK 4-Terminal, Headlamp Wire Junction	\$13.00	N
01998757	1944	WIRING JUNCTION BLOCK 5-Terminal, Headlamp Wire Junction	\$19.00	N
01865535	1945	WIRING JUNCTION BLOCK 3-Terminal, Headlamp Wire Junction	\$12.00	N
01998756	1945	WIRING JUNCTION BLOCK 4-Terminal, Headlamp Wire Junction	\$13.00	N
01998757	1945	WIRING JUNCTION BLOCK 5-Terminal, Headlamp Wire Junction	\$19.00	N
01865535	1946	WIRING JUNCTION BLOCK 3-Terminal, Headlamp Wire Junction	\$12.00	N
01998756	1946	WIRING JUNCTION BLOCK 4-Terminal, Headlamp Wire Junction	\$13.00	N
01998757	1946	WIRING JUNCTION BLOCK 5-Terminal, Headlamp Wire Junction	\$19.00	N
01865535	1947	WIRING JUNCTION BLOCK 3-Terminal, Headlamp Wire Junction	\$12.00	N
01998756	1947	WIRING JUNCTION BLOCK 4-Terminal, Headlamp Wire Junction	\$13.00	N
01998757	1947	WIRING JUNCTION BLOCK 5-Terminal, Headlamp Wire Junction	\$19.00	N
01865535	1948	WIRING JUNCTION BLOCK 3-Terminal, Headlamp Wire Junction	\$12.00	N
01998756	1948	WIRING JUNCTION BLOCK 4-Terminal, Headlamp Wire Junction	\$13.00	N
01998757	1948	WIRING JUNCTION BLOCK 5-Terminal, Headlamp Wire Junction	\$19.00	N
01865535	1949	WIRING JUNCTION BLOCK 3-Terminal, Headlamp Wire Junction	\$12.00	N
01998756	1949	WIRING JUNCTION BLOCK 4-Terminal, Headlamp Wire Junction	\$13.00	N

Pontiac Fullsize
Grand Prix



Phone (562) 926-9552
Fax (562) 926-9572

Part Number	Year	Description	Price	*Rev.
01998757	1949	WIRING JUNCTION BLOCK 5-Terminal, Headlamp Wire Junction	\$19.00	N
01865535	1950	WIRING JUNCTION BLOCK 3-Terminal, Headlamp Wire Junction	\$12.00	N
01998756	1950	WIRING JUNCTION BLOCK 4-Terminal, Headlamp Wire Junction	\$13.00	N
01998757	1950	WIRING JUNCTION BLOCK 5-Terminal, Headlamp Wire Junction	\$19.00	N
01865535	1951	WIRING JUNCTION BLOCK 3-Terminal, Headlamp Wire Junction	\$12.00	N
01998756	1951	WIRING JUNCTION BLOCK 4-Terminal, Headlamp Wire Junction	\$13.00	N
01998757	1951	WIRING JUNCTION BLOCK 5-Terminal, Headlamp Wire Junction	\$19.00	N
01865535	1952	WIRING JUNCTION BLOCK 3-Terminal, Headlamp Wire Junction	\$12.00	N
01998756	1952	WIRING JUNCTION BLOCK 4-Terminal, Headlamp Wire Junction	\$13.00	N
01998757	1952	WIRING JUNCTION BLOCK 5-Terminal, Headlamp Wire Junction	\$19.00	N
01865535	1953	WIRING JUNCTION BLOCK 3-Terminal, Headlamp Wire Junction	\$12.00	N
01998756	1953	WIRING JUNCTION BLOCK 4-Terminal, Headlamp Wire Junction	\$13.00	N
01998757	1953	WIRING JUNCTION BLOCK 5-Terminal, Headlamp Wire Junction	\$19.00	N
01865535	1954	WIRING JUNCTION BLOCK 3-Terminal, Headlamp Wire Junction	\$12.00	N
01998756	1954	WIRING JUNCTION BLOCK 4-Terminal, Headlamp Wire Junction	\$13.00	N
01998757	1954	WIRING JUNCTION BLOCK 5-Terminal, Headlamp Wire Junction	\$19.00	N

Section 20

***Skylark
Special
GS***

Part Number	Year	Description	Price	*Rev.
AIR CONDITIONING HARNESS				
35958	1964	AIR CONDITIONING HARNESS Includes Heater Wiring	\$176.00	
35958	1965	AIR CONDITIONING HARNESS Includes Heater Wiring	\$176.00	
35871	1966	AIR CONDITIONING HARNESS Includes Heater Wiring	\$171.00	
35871	1967	AIR CONDITIONING HARNESS Includes Heater Wiring	\$171.00	
35872	1968	AIR CONDITIONING EXTENSION WIRE Blower Motor To Engine Harness	\$18.00	
35942	1968	AIR CONDITIONING HARNESS Includes Heater Wiring	\$171.00	
32310	1969	AIR CONDITIONING HARNESS Includes Heater Wiring	\$171.00	
32310	1970	AIR CONDITIONING HARNESS Includes Heater Wiring	\$171.00	
32310	1971	AIR CONDITIONING HARNESS Includes Heater Wiring	\$171.00	
32310	1972	AIR CONDITIONING HARNESS Includes Heater Wiring	\$171.00	
ALTERNATOR CONVERSION KIT				
27555	1964	ALTERNATOR CONVERSION KIT External To Internal Regulator Conversion Harness ("SI" Series) Note: For Use With 1972-84 Non-Serpentine Belt ("SI" Series) Internal Regulated Alternators.	\$29.00	
37787	1964	ALTERNATOR CONVERSION KIT External To Internal Regulator Conversion Harness ("CS" Series) Note: For Use With Serpentine Belt ("CS" Series) Internal Regulated Alternators.	\$34.00	
27555	1965	ALTERNATOR CONVERSION KIT External To Internal Regulator Conversion Harness ("SI" Series) Note: For Use With 1972-84 Non-Serpentine Belt ("SI" Series) Internal Regulated Alternators.	\$29.00	
37787	1965	ALTERNATOR CONVERSION KIT External To Internal Regulator Conversion Harness ("CS" Series) Note: For Use With Serpentine Belt ("CS" Series) Internal Regulated Alternators.	\$34.00	
27555	1966	ALTERNATOR CONVERSION KIT External To Internal Regulator Conversion Harness ("SI" Series) Note: For Use With 1972-84 Non-Serpentine Belt ("SI" Series) Internal Regulated Alternators.	\$29.00	
37787	1966	ALTERNATOR CONVERSION KIT External To Internal Regulator Conversion Harness ("CS" Series) Note: For Use With Serpentine Belt ("CS" Series) Internal Regulated Alternators.	\$34.00	
27555	1967	ALTERNATOR CONVERSION KIT External To Internal Regulator Conversion Harness ("SI" Series) Note: For Use With 1972-84 Non-Serpentine Belt ("SI" Series) Internal Regulated Alternators.	\$29.00	
37787	1967	ALTERNATOR CONVERSION KIT External To Internal Regulator Conversion Harness ("CS" Series) Note: For Use With Serpentine Belt ("CS" Series) Internal Regulated Alternators.	\$34.00	
27555	1968	ALTERNATOR CONVERSION KIT External To Internal Regulator Conversion Harness ("SI" Series) Note: For Use With 1972-84 Non-Serpentine Belt ("SI" Series) Internal Regulated Alternators.	\$29.00	
37787	1968	ALTERNATOR CONVERSION KIT External To Internal Regulator Conversion Harness ("CS" Series) Note: For Use With Serpentine Belt ("CS" Series) Internal Regulated Alternators.	\$34.00	
27555	1969	ALTERNATOR CONVERSION KIT External To Internal Regulator Conversion Harness ("SI" Series) Note: For Use With 1972-84 Non-Serpentine Belt ("SI" Series) Internal Regulated Alternators.	\$29.00	
37787	1969	ALTERNATOR CONVERSION KIT External To Internal Regulator Conversion Harness ("CS" Series) Note: For Use With Serpentine Belt ("CS" Series) Internal Regulated Alternators.	\$34.00	
27555	1970	ALTERNATOR CONVERSION KIT External To Internal Regulator Conversion Harness ("SI" Series) Note: For Use With 1972-84 Non-Serpentine Belt ("SI" Series) Internal Regulated Alternators.	\$29.00	
37787	1970	ALTERNATOR CONVERSION KIT External To Internal Regulator Conversion Harness ("CS" Series) Note: For Use With Serpentine Belt ("CS" Series) Internal Regulated Alternators.	\$34.00	
27555	1971	ALTERNATOR CONVERSION KIT External To Internal Regulator Conversion Harness ("SI" Series) Note: For Use With 1972-84 Non-Serpentine Belt ("SI" Series) Internal Regulated Alternators.	\$29.00	
37787	1971	ALTERNATOR CONVERSION KIT External To Internal Regulator Conversion Harness ("CS" Series) Note: For Use With Serpentine Belt ("CS" Series) Internal Regulated Alternators.	\$34.00	
27555	1972	ALTERNATOR CONVERSION KIT External To Internal Regulator Conversion Harness ("SI" Series) Note: For Use With 1972-84 Non-Serpentine Belt ("SI" Series) Internal Regulated Alternators.	\$29.00	
37787	1972	ALTERNATOR CONVERSION KIT External To Internal Regulator Conversion Harness ("CS" Series) Note: For Use With Serpentine Belt ("CS" Series) Internal Regulated Alternators.	\$34.00	

Part Number	Year	Description	Price	*Rev.
ASSEMBLY MANUAL				
36361	1963	ASSEMBLY MANUAL Factory Assembly Instruction Guide	\$32.00	
36362	1964	ASSEMBLY MANUAL Factory Assembly Instruction Guide	\$32.00	
36363	1968	ASSEMBLY MANUAL Factory Assembly Instruction Guide	\$32.00	
36364	1969	ASSEMBLY MANUAL Factory Assembly Instruction Guide	\$32.00	
36365	1970	ASSEMBLY MANUAL Factory Assembly Instruction Guide	\$32.00	
36366	1971	ASSEMBLY MANUAL Factory Assembly Instruction Guide	\$32.00	
36367	1972	ASSEMBLY MANUAL Factory Assembly Instruction Guide	\$32.00	
BACKUP LAMP SWITCH				
01993662	1964	BACKUP LAMP SWITCH 4 Speed, Manual Trans	\$64.00	
01993662	1965	BACKUP LAMP SWITCH 4 Speed, Manual Trans	\$64.00	
01993662	1966	BACKUP LAMP SWITCH 4 Speed, Manual Trans	\$64.00	
01993406	1967	BACKUP LAMP SWITCH All Manual Trans, Except Column Shift	\$64.00	
01993406	1968	BACKUP LAMP SWITCH All Manual Trans, Except Column Shift	\$64.00	
03943657	1969	BACKUP LAMP SWITCH All Manual Trans	\$53.00	
03943657	1970	BACKUP LAMP SWITCH All Manual Trans	\$53.00	
03943657	1971	BACKUP LAMP SWITCH All Manual Trans	\$53.00	
03943657	1972	BACKUP LAMP SWITCH All Manual Trans	\$53.00	
BACKUP LAMP SWITCH MOUNTING BRACKET				
37650	1964	BACKUP LAMP SWITCH MOUNTING BRACKET With Muncie 4 Speed Transmission	\$29.00	
37650	1965	BACKUP LAMP SWITCH MOUNTING BRACKET With Muncie 4 Speed Transmission	\$29.00	
37650	1966	BACKUP LAMP SWITCH MOUNTING BRACKET With Muncie 4 Speed Transmission	\$29.00	
37650	1967	BACKUP LAMP SWITCH MOUNTING BRACKET With Muncie 4 Speed Transmission	\$29.00	
37650	1968	BACKUP LAMP SWITCH MOUNTING BRACKET With Muncie 4 Speed Transmission	\$29.00	
BACKUP LAMP SWITCH MOUNTING KIT				
39504	1967	BACKUP LAMP SWITCH MOUNTING KIT With Manual Transmission Note: Kit Contains The Bracket, Rod With 2 Clips, Shield & Bolts.	\$46.00	
39504	1968	BACKUP LAMP SWITCH MOUNTING KIT With Manual Transmission Note: Kit Contains The Bracket, Rod With 2 Clips, Shield & Bolts.	\$46.00	
BATTERY CABLE JUMPER				
21690	1961	BATTERY CABLE JUMPER Pos, Junction Block To Starter Solenoid	\$69.00	
31935	1962	BATTERY CABLE JUMPER Pos, Junction Block To Starter Solenoid	\$69.00	
31935	1963	BATTERY CABLE JUMPER Pos, Junction Block To Starter Solenoid	\$69.00	
10525	1965	BATTERY CABLE JUMPER Pos, V/8, Gran Sport, Junction Block To Starter Solenoid	\$69.00	
10525	1966	BATTERY CABLE JUMPER Pos, V/8, Gran Sport, Junction Block To Starter Solenoid	\$69.00	
BATTERY CABLE-NEGATIVE				
03940	1961	BATTERY CABLE, SPRING RING Neg, With Secondary Ground Wire	\$69.00	
03260	1961	BATTERY CABLE, SPRING RING Neg, Without Secondary Ground Wire	\$69.00	
03940	1962	BATTERY CABLE, SPRING RING Neg, With Secondary Ground Wire	\$69.00	
04210	1963	BATTERY CABLE, SPRING RING Neg	\$69.00	
05350	1964	BATTERY CABLE, SPRING RING Neg, V/6	\$69.00	
04535	1964	BATTERY CABLE, SPRING RING Neg, V/8	\$69.00	
05350	1965	BATTERY CABLE, SPRING RING Neg, V/6 & V/8, Except Gran Sport	\$69.00	
05350	1966	BATTERY CABLE, SPRING RING Neg, V/6 & V/8, Except Gran Sport	\$69.00	
05340	1966	BATTERY CABLE, SPRING RING Neg, V/8, Gran Sport	\$69.00	
05350	1967	BATTERY CABLE, SPRING RING Neg, V/6	\$69.00	

Part Number	Year	Description	Price	*Rev.
04535	1967	BATTERY CABLE, SPRING RING Neg, V/8, Except Gran Sport	\$69.00	
09815	1967	BATTERY CABLE, SPRING RING Neg, V/8, Gran Sport	\$69.00	
04445	1968	BATTERY CABLE, SPRING RING Neg, 6 Cylinder Note: 6 Cylinder Items Are Not Returnable.	\$69.00	
04535	1968	BATTERY CABLE, SPRING RING Neg, V/8, 350 C.I.	\$69.00	
09815	1968	BATTERY CABLE, SPRING RING Neg, V/8, 400 C.i	\$69.00	
04445	1969	BATTERY CABLE, SPRING RING Neg, 6 Cylinder Note: 6 Cylinder Items Are Not Returnable.	\$69.00	
23650	1969	BATTERY CABLE, SPRING RING Neg, V/8, 350 C.I.	\$69.00	
09815	1969	BATTERY CABLE, SPRING RING Neg, V/8, 400 C.I.	\$69.00	
14645	1970	BATTERY CABLE, SPRING RING Neg, 6 Cylinder Note: 6 Cylinder Items Are Not Returnable.	\$69.00	
14650	1970	BATTERY CABLE, SPRING RING Neg, V/8, 350 C.I.	\$69.00	
14655	1970	BATTERY CABLE, SPRING RING Neg, V/8, 455 C.I.	\$69.00	
14645	1971	BATTERY CABLE, SPRING RING Neg, 6 Cylinder Note: 6 Cylinder Items Are Not Returnable.	\$69.00	
14650	1971	BATTERY CABLE, SPRING RING Neg, V/8, 350 C.I.	\$69.00	
14655	1971	BATTERY CABLE, SPRING RING Neg, V/8, 455 C.I.	\$69.00	
41371	1972	BATTERY CABLE, SIDE POST Neg, V/8, 350 C.I.	\$74.00	
39497	1972	BATTERY CABLE, SIDE POST Neg, V/8, 455 C.I.	\$59.00	
BATTERY CABLE-POSITIVE				
34715	1961	BATTERY CABLE, SPRING RING Pos, Battery To Junction Block	\$69.00	
34715	1962	BATTERY CABLE, SPRING RING Pos, Battery To Junction Block	\$69.00	
26875	1963	BATTERY CABLE, SPRING RING Pos, Battery To Junction Block	\$69.00	
05435	1964	BATTERY CABLE, SPRING RING Pos, V/6 & V/8	\$69.00	
23665	1965	BATTERY CABLE, SPRING RING Pos, V/6	\$69.00	
09890	1965	BATTERY CABLE, SPRING RING Pos, V/8, Except Gran Sport	\$69.00	
23665	1966	BATTERY CABLE, SPRING RING Pos, V/6	\$69.00	
09890	1966	BATTERY CABLE, SPRING RING Pos, V/8, Except Gran Sport	\$69.00	
23705	1966	BATTERY CABLE, SPRING RING Pos, V/8, Gran Sport, Battery To Junction Block	\$69.00	
23665	1967	BATTERY CABLE, SPRING RING Pos, V/6	\$69.00	
23665	1967	BATTERY CABLE, SPRING RING Pos, V8, 300-340 C.I., Except Gran Sport	\$69.00	
10370	1967	BATTERY CABLE, SPRING RING Pos, V/8, 400 C.I. & Gran Sport Note: Now Includes Molded Plastic And Metal Retainers.	\$150.00	C
09905	1968	BATTERY CABLE, SPRING RING Pos, 6 Cylinder Note: 6 Cylinder Items Are Not Returnable.	\$69.00	
09910	1968	BATTERY CABLE, SPRING RING Pos, V/8, 350 C.I.	\$69.00	
10370	1968	BATTERY CABLE, SPRING RING Pos, V/8, 400 C.I. & Gran Sport Note: Now Includes Molded Plastic And Metal Retainers.	\$150.00	C
09905	1969	BATTERY CABLE, SPRING RING Pos, 6 Cylinder Note: 6 Cylinder Items Are Not Returnable.	\$69.00	
23660	1969	BATTERY CABLE, SPRING RING Pos, V/8, 350 C.I.	\$69.00	
13300	1969	BATTERY CABLE, SPRING RING Pos, V/8, 400 C.I. & Gran Sport Note: Now Includes Molded Plastic And Metal Retainers.	\$150.00	C
09905	1970	BATTERY CABLE, SPRING RING Pos, 6 Cylinder Note: 6 Cylinder Items Are Not Returnable.	\$69.00	
14610	1970	BATTERY CABLE, SPRING RING Pos, V/8, 350 C.I.	\$69.00	

Part Number	Year	Description	Price	*Rev.
13300	1970	BATTERY CABLE, SPRING RING Pos, V/8, 455 C.I. Note: Now Includes Molded Plastic And Metal Retainers.	\$150.00	C
09905	1971	BATTERY CABLE, SPRING RING Pos, 6 Cylinder Note: 6 Cylinder Items Are Not Returnable.	\$69.00	
14610	1971	BATTERY CABLE, SPRING RING Pos, V/8, 350 C.I.	\$69.00	
13300	1971	BATTERY CABLE, SPRING RING Pos, V/8, 455 C.I. Note: Now Includes Molded Plastic And Metal Retainers.	\$150.00	C
41370	1972	BATTERY CABLE, SIDE POST Pos, V/8, 350 C.I.	\$74.00	
39496	1972	BATTERY CABLE, SIDE POST Pos, V/8, 455 C.I. Note: Now Includes Molded Plastic And Metal Retainers.	\$150.00	C
BREAKERLESS SE SINGLE WIRE ELECTRONIC IGNITION				
38131	1964	BREAKERLESS SE SINGLE WIRE ELECTRONIC IGNITION KIT For 1957-74 Breaker Point Distributors With Windowed Type Distributor Cap	\$179.00	
38131	1965	BREAKERLESS SE SINGLE WIRE ELECTRONIC IGNITION KIT For 1957-74 Breaker Point Distributors With Windowed Type Distributor Cap	\$179.00	
38131	1966	BREAKERLESS SE SINGLE WIRE ELECTRONIC IGNITION KIT For 1957-74 Breaker Point Distributors With Windowed Type Distributor Cap	\$179.00	
38131	1967	BREAKERLESS SE SINGLE WIRE ELECTRONIC IGNITION KIT For 1957-74 Breaker Point Distributors With Windowed Type Distributor Cap	\$179.00	
38131	1968	BREAKERLESS SE SINGLE WIRE ELECTRONIC IGNITION KIT For 1957-74 Breaker Point Distributors With Windowed Type Distributor Cap	\$179.00	
38131	1969	BREAKERLESS SE SINGLE WIRE ELECTRONIC IGNITION KIT For 1957-74 Breaker Point Distributors With Windowed Type Distributor Cap	\$179.00	
38131	1970	BREAKERLESS SE SINGLE WIRE ELECTRONIC IGNITION KIT For 1957-74 Breaker Point Distributors With Windowed Type Distributor Cap	\$179.00	
38131	1971	BREAKERLESS SE SINGLE WIRE ELECTRONIC IGNITION KIT For 1957-74 Breaker Point Distributors With Windowed Type Distributor Cap	\$179.00	
38131	1972	BREAKERLESS SE SINGLE WIRE ELECTRONIC IGNITION KIT For 1957-74 Breaker Point Distributors With Windowed Type Distributor Cap	\$179.00	
38131	1973	BREAKERLESS SE SINGLE WIRE ELECTRONIC IGNITION KIT For 1957-74 Breaker Point Distributors With Windowed Type Distributor Cap	\$179.00	
38131	1974	BREAKERLESS SE SINGLE WIRE ELECTRONIC IGNITION KIT For 1957-74 Breaker Point Distributors With Windowed Type Distributor Cap	\$179.00	
CIRCUIT BREAKER				
04849850	1964	CIRCUIT BREAKER, 40 AMP Power Seat, Windows & Tailgate Window	\$14.00	
COURTESY LAMP HARNESS				
06890	1964	COURTESY LAMP HARNESS Skylark Coupe, With Dual Rear Sail Panel Lights	\$60.00	
07135	1964	COURTESY LAMP JUMPER HARNESS Rear Header Courtesy Lamp, 4 Door Wagon Only	\$48.00	
06880	1964	COURTESY LAMP HARNESS Center Roof Mounted Dome Lamp, Skylark & Special 4door Sedan	\$34.00	
06885	1964	COURTESY LAMP HARNESS Center Roof Mounted Dome Lamp, Special 2 Door Sedan	\$33.00	
07575	1965	COURTESY LAMP HARNESS Center Roof Mounted Dome Lamp, Skylark & Special 4 Door Sedan	\$40.00	
07580	1965	COURTESY LAMP HARNESS Center Roof Mounted Dome Lamp, Skylark & Special Coupes	\$33.00	
07710	1965	COURTESY LAMP HARNESS With Dual Rear Sail Panel Lights	\$53.00	
07710	1966	COURTESY LAMP HARNESS With Dual Rear Sail Panel Lights	\$53.00	
07710	1967	COURTESY LAMP HARNESS With Dual Rear Sail Panel Lights	\$53.00	

Part Number	Year	Description	Price	*Rev.
COURTESY LAMP REPAIR PIGTAIL				
43896	1964	COURTESY LAMP REPAIR PIGTAIL Convertible, 1/4 Arm Rest Courtesy Lamp, Includes Socket And 6" Of 18 Gauge, Orange & White Wire. 2 Required Per Car. Note: Original Wire Was 18 Gauge, Sometimes With A Heavy Wall Type Insulation. Repair Pigtail Is Also 18 Gauge, But Today's Insulation Is Of Much Higher Quality, And May Not Be As Thick As Some Original Cables.	\$17.00	
43896	1965	COURTESY LAMP REPAIR PIGTAIL Convertible, 1/4 Arm Rest Courtesy Lamp, Includes Socket And 6" Of 18 Gauge, Orange & White Wire. 2 Required Per Car. Note: Original Wire Was 18 Gauge, Sometimes With A Heavy Wall Type Insulation. Repair Pigtail Is Also 18 Gauge, But Today's Insulation Is Of Much Higher Quality, And May Not Be As Thick As Some Original Cables.	\$17.00	
43896	1966	COURTESY LAMP REPAIR PIGTAIL Convertible, 1/4 Arm Rest Courtesy Lamp, Includes Socket And 6" Of 18 Gauge, Orange & White Wire. 2 Required Per Car. Note: Original Wire Was 18 Gauge, Sometimes With A Heavy Wall Type Insulation. Repair Pigtail Is Also 18 Gauge, But Today's Insulation Is Of Much Higher Quality, And May Not Be As Thick As Some Original Cables.	\$17.00	
43896	1967	COURTESY LAMP REPAIR PIGTAIL Convertible, 1/4 Arm Rest Courtesy Lamp, Includes Socket And 6" Of 18 Gauge, Orange & White Wire. 2 Required Per Car. Note: Original Wire Was 18 Gauge, Sometimes With A Heavy Wall Type Insulation. Repair Pigtail Is Also 18 Gauge, But Today's Insulation Is Of Much Higher Quality, And May Not Be As Thick As Some Original Cables.	\$17.00	
43896	1968	COURTESY LAMP REPAIR PIGTAIL Convertible, 1/4 Arm Rest Courtesy Lamp, Includes Socket And 6" Of 18 Gauge, Orange & White Wire. 2 Required Per Car. Note: Original Wire Was 18 Gauge, Sometimes With A Heavy Wall Type Insulation. Repair Pigtail Is Also 18 Gauge, But Today's Insulation Is Of Much Higher Quality, And May Not Be As Thick As Some Original Cables.	\$17.00	
43896	1969	COURTESY LAMP REPAIR PIGTAIL Convertible, 1/4 Arm Rest Courtesy Lamp, Includes Socket And 6" Of 18 Gauge, Orange & White Wire. 2 Required Per Car. Note: Original Wire Was 18 Gauge, Sometimes With A Heavy Wall Type Insulation. Repair Pigtail Is Also 18 Gauge, But Today's Insulation Is Of Much Higher Quality, And May Not Be As Thick As Some Original Cables.	\$17.00	
43896	1970	COURTESY LAMP REPAIR PIGTAIL Convertible, 1/4 Arm Rest Courtesy Lamp, Includes Socket And 6" Of 18 Gauge, Orange & White Wire. 2 Required Per Car. Note: Original Wire Was 18 Gauge, Sometimes With A Heavy Wall Type Insulation. Repair Pigtail Is Also 18 Gauge, But Today's Insulation Is Of Much Higher Quality, And May Not Be As Thick As Some Original Cables.	\$17.00	
43896	1971	COURTESY LAMP REPAIR PIGTAIL Convertible, 1/4 Arm Rest Courtesy Lamp, Includes Socket And 6" Of 18 Gauge, Orange & White Wire. 2 Required Per Car. Note: Original Wire Was 18 Gauge, Sometimes With A Heavy Wall Type Insulation. Repair Pigtail Is Also 18 Gauge, But Today's Insulation Is Of Much Higher Quality, And May Not Be As Thick As Some Original Cables.	\$17.00	
43896	1972	COURTESY LAMP REPAIR PIGTAIL Convertible, 1/4 Arm Rest Courtesy Lamp, Includes Socket And 6" Of 18 Gauge, Orange & White Wire. 2 Required Per Car. Note: Original Wire Was 18 Gauge, Sometimes With A Heavy Wall Type Insulation. Repair Pigtail Is Also 18 Gauge, But Today's Insulation Is Of Much Higher Quality, And May Not Be As Thick As Some Original Cables.	\$17.00	
DASH HARNESS				
04500	1964	DASH HARNESS	\$658.00	
06165	1965	DASH HARNESS Column Shift, Auto Trans Or Floor Shift Manual Trans	\$684.00	
06225	1965	DASH HARNESS Console Shift, Auto Trans	\$658.00	
06090	1965	DASH HARNESS Console Shift, Manual Trans	\$684.00	
10225	1966	DASH HARNESS Column Shift, Auto Trans Or Floor Shift Manual Trans	\$684.00	
10270	1966	DASH HARNESS Console Shift, Auto Trans	\$658.00	
10275	1966	DASH HARNESS Console Shift, Manual Trans	\$684.00	
11140	1967	DASH HARNESS Column Shift, Auto Trans Or Floor Shift Manual Trans	\$658.00	
11145	1967	DASH HARNESS Console Shift, Auto Trans	\$696.00	
11150	1967	DASH HARNESS Console Shift, Manual Trans	\$670.00	
12130	1968	DASH HARNESS Column Shift Auto Trans Or All Manual Trans	\$670.00	
12135	1968	DASH HARNESS Console Shift, Auto Trans	\$696.00	
12725	1969	DASH HARNESS Column Shift Auto Trans Or All Manual Trans	\$684.00	
12730	1969	DASH HARNESS Console Shift, Auto Trans	\$696.00	

Part Number	Year	Description	Price	*Rev.
13715	1970	DASH HARNESS Column Shift Auto Or All Manual Trans	\$690.00	
15740	1970	DASH HARNESS Console Shift, Auto Trans	\$696.00	
19170	1970	DASH HARNESS Column Shift Auto Or All Manual Trans, With Gauges	\$690.00	
19175	1970	DASH HARNESS Console Shift, Auto Trans, With Gauges	\$696.00	
19180	1971	DASH HARNESS With Warning Lights	\$709.00	
15945	1971	DASH HARNESS With Gauges	\$690.00	
18290	1972	DASH HARNESS Note: Applications With Gauges Require Part# 41575 Dash Instrument Cluster Harness (41575 Requires Customers Original).	\$709.00	
41575	1972	DASH INSTRUMENT CLUSTER HARNESS With Gauges Note: Customer Must Supply Their Original Harness For Cluster Connector.	\$132.00	
DISTRIBUTOR WIRE				
36057	1964	DISTRIBUTOR WIRE Distributor Points To Coil Negative Terminal, V/8 Note: Fits All GM V/8 Points Type Distributors From Approx. 1957 To 1974.	\$18.00	C
36057	1965	DISTRIBUTOR WIRE Distributor Points To Coil Negative Terminal, V/8 Note: Fits All GM V/8 Points Type Distributors From Approx. 1957 To 1974.	\$18.00	C
36057	1966	DISTRIBUTOR WIRE Distributor Points To Coil Negative Terminal, V/8 Note: Fits All GM V/8 Points Type Distributors From Approx. 1957 To 1974.	\$18.00	C
36057	1967	DISTRIBUTOR WIRE Distributor Points To Coil Negative Terminal, V/8 Note: Fits All GM V/8 Points Type Distributors From Approx. 1957 To 1974.	\$18.00	C
36057	1968	DISTRIBUTOR WIRE Distributor Points To Coil Negative Terminal, V/8 Note: Fits All GM V/8 Points Type Distributors From Approx. 1957 To 1974.	\$18.00	C
36057	1969	DISTRIBUTOR WIRE Distributor Points To Coil Negative Terminal, V/8 Note: Fits All GM V/8 Points Type Distributors From Approx. 1957 To 1974.	\$18.00	C
36057	1970	DISTRIBUTOR WIRE Distributor Points To Coil Negative Terminal, V/8 Note: Fits All GM V/8 Points Type Distributors From Approx. 1957 To 1974.	\$18.00	C
36057	1971	DISTRIBUTOR WIRE Distributor Points To Coil Negative Terminal, V/8 Note: Fits All GM V/8 Points Type Distributors From Approx. 1957 To 1974.	\$18.00	C
36057	1972	DISTRIBUTOR WIRE Distributor Points To Coil Negative Terminal, V/8 Note: Fits All GM V/8 Points Type Distributors From Approx. 1957 To 1974.	\$18.00	C
36057	1973	DISTRIBUTOR WIRE Distributor Points To Coil Negative Terminal, V/8 Note: Fits All GM V/8 Points Type Distributors From Approx. 1957 To 1974.	\$18.00	C
36057	1974	DISTRIBUTOR WIRE Distributor Points To Coil Negative Terminal, V/8 Note: Fits All GM V/8 Points Type Distributors From Approx. 1957 To 1974.	\$18.00	C
ENGINE HARNESS				
04505	1964	ENGINE HARNESS 6 Cylinder (V/6) Note: 6 Cylinder Items Are Not Returnable.	\$275.00	
04510	1964	ENGINE HARNESS V/8	\$237.00	
43090	1964	ENGINE HARNESS-HEI V/8 Note: This Harness Is Modified For Use With An HEI Distributor.	\$262.00	
43091	1964	ENGINE HARNESS-SI SERIES INT REG ALT V/8 Note: Modified For 1972-84 Non-Serpentine Belt ("SI" Series) Internal Regulated Alternators Mounted In The Factory Location.	\$276.00	
43092	1964	ENGINE HARNESS-HEI AND SI SERIES INT REG ALT V/8 Note: Modified For HEI & 1972-84 Non-Serpentine Belt ("SI" Series) Internal Regulated Alternators Mounted In The Factory Location.	\$289.00	
06180	1965	ENGINE HARNESS 6 Cylinder (V/6) Note: 6 Cylinder Items Are Not Returnable.	\$275.00	
05940	1965	ENGINE HARNESS V/8, 300 C.I. Engine Only, Includes Starter Solenoid Wiring	\$237.00	

Part Number	Year	Description	Price	*Rev.
43093	1965	ENGINE HARNESS-HEI V/8, 300 C.I. Engine Only, Includes Starter Solenoid Wiring Note: This Harness Is Modified For Use With An HEI Distributor.	\$262.00	
43094	1965	ENGINE HARNESS-SI SERIES INT REG ALT V/8, 300 C.I. Engine Only, Includes Starter Solenoid Wiring Note: Modified For 1972-84 Non-Serpentine Belt ("SI" Series) Internal Regulated Alternators Mounted In The Factory Location.	\$276.00	
43095	1965	ENGINE HARNESS-HEI AND SI SERIES INT REG ALT V/8, 300 C.I. Engine Only, Includes Starter Solenoid Wiring Note: Modified For HEI & 1972-84 Non-Serpentine Belt ("SI" Series) Internal Regulated Alternators Mounted In The Factory Location.	\$289.00	
06100	1965	ENGINE HARNESS V/8, 400 C.I. GS, Does Not Include Starter Solenoid Wiring	\$237.00	
43096	1965	ENGINE HARNESS-HEI V/8, 400 C.I. GS, Does Not Include Starter Solenoid Wiring Note: This Harness Is Modified For Use With An HEI Distributor.	\$262.00	
43097	1965	ENGINE HARNESS-SI SERIES INT REG ALT V/8, 400 C.I. GS, Does Not Include Starter Solenoid Wiring Note: Modified For 1972-84 Non-Serpentine Belt ("SI" Series) Internal Regulated Alternators Mounted In The Factory Location.	\$276.00	
43098	1965	ENGINE HARNESS-HEI AND SI SERIES INT REG ALT V/8, 400 C.I. GS, Does Not Include Starter Solenoid Wiring Note: Modified For HEI & 1972-84 Non-Serpentine Belt ("SI" Series) Internal Regulated Alternators Mounted In The Factory Location.	\$289.00	
09470	1966	ENGINE HARNESS 6 Cylinder (V/6) Note: 6 Cylinder Items Are Not Returnable.	\$275.00	
09475	1966	ENGINE HARNESS V/8, 300-340 C.I.	\$237.00	
43099	1966	ENGINE HARNESS-HEI V/8, 300-340 C.I. Note: This Harness Is Modified For Use With An HEI Distributor.	\$262.00	
43100	1966	ENGINE HARNESS-SI SERIES INT REG ALT V/8, 300-340 C.I. Note: Modified For 1972-84 Non-Serpentine Belt ("SI" Series) Internal Regulated Alternators Mounted In The Factory Location.	\$276.00	
43101	1966	ENGINE HARNESS-HEI AND SI SERIES INT REG ALT V/8, 300-340 C.I. Note: Modified For HEI & 1972-84 Non-Serpentine Belt ("SI" Series) Internal Regulated Alternators Mounted In The Factory Location.	\$289.00	
09480	1966	ENGINE HARNESS V/8, 400-425 C.I. GS	\$237.00	
43102	1966	ENGINE HARNESS-HEI V/8, 400-425 C.I. GS Note: This Harness Is Modified For Use With An HEI Distributor.	\$262.00	
43103	1966	ENGINE HARNESS-SI SERIES INT REG ALT V/8, 400-425 C.I. GS Note: Modified For 1972-84 Non-Serpentine Belt ("SI" Series) Internal Regulated Alternators Mounted In The Factory Location.	\$276.00	
43104	1966	ENGINE HARNESS-HEI AND SI SERIES INT REG ALT V/8, 400-425 C.I. GS Note: Modified For HEI & 1972-84 Non-Serpentine Belt ("SI" Series) Internal Regulated Alternators Mounted In The Factory Location.	\$289.00	
10695	1967	ENGINE HARNESS 6 Cylinder (V/6) Note: 6 Cylinder Items Are Not Returnable.	\$275.00	
19130	1967	ENGINE HARNESS V/8, 300-340 C.I.	\$237.00	
43105	1967	ENGINE HARNESS-HEI V/8, 300-340 C.I. Note: This Harness Is Modified For Use With An HEI Distributor.	\$262.00	
43106	1967	ENGINE HARNESS-SI SERIES INT REG ALT V/8, 300-340 C.I. Note: Modified For 1972-84 Non-Serpentine Belt ("SI" Series) Internal Regulated Alternators Mounted In The Factory Location.	\$276.00	
43107	1967	ENGINE HARNESS-HEI AND SI SERIES INT REG ALT V/8, 300-340 C.I. Note: Modified For HEI & 1972-84 Non-Serpentine Belt ("SI" Series) Internal Regulated Alternators Mounted In The Factory Location.	\$289.00	
11325	1967	ENGINE HARNESS V/8, 400 C.I. GS	\$237.00	
43108	1967	ENGINE HARNESS-HEI V/8, 400 C.I. GS Note: This Harness Is Modified For Use With An HEI Distributor.	\$262.00	
43109	1967	ENGINE HARNESS-SI SERIES INT REG ALT V/8, 400 C.I. GS Note: Modified For 1972-84 Non-Serpentine Belt ("SI" Series) Internal Regulated Alternators Mounted In The Factory Location.	\$276.00	

Part Number	Year	Description	Price	*Rev.
43110	1967	ENGINE HARNESS-HEI AND SI SERIES INT REG ALT V/8, 400 C.I. GS Note: Modified For HEI & 1972-84 Non-Serpentine Belt ("SI" Series) Internal Regulated Alternators Mounted In The Factory Location.	\$289.00	
12630	1968	ENGINE HARNESS 6 Cylinder (L6) Note: 6 Cylinder Items Are Not Returnable.	\$310.00	
12140	1968	ENGINE HARNESS V/8, 350 C.I.	\$264.00	
43111	1968	ENGINE HARNESS-HEI V/8, 350 C.I. Note: This Harness Is Modified For Use With An HEI Distributor.	\$288.00	
43112	1968	ENGINE HARNESS-SI SERIES INT REG ALT V/8, 350 C.I. Note: Modified For 1972-84 Non-Serpentine Belt ("SI" Series) Internal Regulated Alternators Mounted In The Factory Location.	\$303.00	
43113	1968	ENGINE HARNESS-HEI AND SI SERIES INT REG ALT V/8, 350 C.I. Note: Modified For HEI & 1972-84 Non-Serpentine Belt ("SI" Series) Internal Regulated Alternators Mounted In The Factory Location.	\$316.00	
12145	1968	ENGINE HARNESS V/8, 400 C.I. GS	\$264.00	
43114	1968	ENGINE HARNESS-HEI V/8, 400 C.I. GS Note: This Harness Is Modified For Use With An HEI Distributor.	\$288.00	
43115	1968	ENGINE HARNESS-SI SERIES INT REG ALT V/8, 400 C.I. GS Note: Modified For 1972-84 Non-Serpentine Belt ("SI" Series) Internal Regulated Alternators Mounted In The Factory Location.	\$303.00	
43116	1968	ENGINE HARNESS-HEI AND SI SERIES INT REG ALT V/8, 400 C.I. GS Note: Modified For HEI & 1972-84 Non-Serpentine Belt ("SI" Series) Internal Regulated Alternators Mounted In The Factory Location.	\$316.00	
12735	1969	ENGINE HARNESS 6 Cylinder (L6) Note: 6 Cylinder Items Are Not Returnable.	\$310.00	
13465	1969	ENGINE HARNESS 6 Cylinder (L6), With A/C Note: 6 Cylinder Items Are Not Returnable.	\$310.00	
12740	1969	ENGINE HARNESS V/8, 350 C.I.	\$264.00	
43117	1969	ENGINE HARNESS-HEI V/8, 350 C.I. Note: This Harness Is Modified For Use With An HEI Distributor.	\$288.00	
43118	1969	ENGINE HARNESS-SI SERIES INT REG ALT V/8, 350 C.I. Note: Modified For 1972-84 Non-Serpentine Belt ("SI" Series) Internal Regulated Alternators Mounted In The Factory Location.	\$303.00	
43119	1969	ENGINE HARNESS-HEI AND SI SERIES INT REG ALT V/8, 350 C.I. Note: Modified For HEI & 1972-84 Non-Serpentine Belt ("SI" Series) Internal Regulated Alternators Mounted In The Factory Location.	\$316.00	
13470	1969	ENGINE HARNESS V/8, 350 C.I. With A/C	\$278.00	
43120	1969	ENGINE HARNESS-HEI V/8, 350 C.I. With A/C Note: This Harness Is Modified For Use With An HEI Distributor.	\$302.00	
43121	1969	ENGINE HARNESS-SI SERIES INT REG ALT V/8, 350 C.I. With A/C Note: Modified For 1972-84 Non-Serpentine Belt ("SI" Series) Internal Regulated Alternators Mounted In The Factory Location.	\$316.00	
43122	1969	ENGINE HARNESS-HEI AND SI SERIES INT REG ALT V/8, 350 C.I. With A/C Note: Modified For HEI & 1972-84 Non-Serpentine Belt ("SI" Series) Internal Regulated Alternators Mounted In The Factory Location.	\$329.00	
12745	1969	ENGINE HARNESS V/8, 400 C.I.	\$264.00	
43123	1969	ENGINE HARNESS-HEI V/8, 400 C.I. Note: This Harness Is Modified For Use With An HEI Distributor.	\$288.00	
43124	1969	ENGINE HARNESS-SI SERIES INT REG ALT V/8, 400 C.I. Note: Modified For 1972-84 Non-Serpentine Belt ("SI" Series) Internal Regulated Alternators Mounted In The Factory Location.	\$303.00	
43125	1969	ENGINE HARNESS-HEI AND SI SERIES INT REG ALT V/8, 400 C.I. Note: Modified For HEI & 1972-84 Non-Serpentine Belt ("SI" Series) Internal Regulated Alternators Mounted In The Factory Location.	\$316.00	
13475	1969	ENGINE HARNESS V/8, 400 C.I. With A/C	\$278.00	

Part Number	Year	Description	Price	*Rev.
43126	1969	ENGINE HARNESS-HEI V/8, 400 C.I. With A/C Note: This Harness Is Modified For Use With An HEI Distributor.	\$302.00	
43127	1969	ENGINE HARNESS-SI SERIES INT REG ALT V/8, 400 C.I. With A/C Note: Modified For 1972-84 Non-Serpentine Belt ("SI" Series) Internal Regulated Alternators Mounted In The Factory Location.	\$316.00	
43128	1969	ENGINE HARNESS-HEI AND SI SERIES INT REG ALT V/8, 400 C.I. With A/C Note: Modified For HEI & 1972-84 Non-Serpentine Belt ("SI" Series) Internal Regulated Alternators Mounted In The Factory Location.	\$329.00	
13725	1970	ENGINE HARNESS 6 Cylinder (L6), Auto Trans Note: 6 Cylinder Items Are Not Returnable.	\$310.00	
13750	1970	ENGINE HARNESS 6 Cylinder (L6), Auto Trans With A/C Note: 6 Cylinder Items Are Not Returnable.	\$310.00	
36259	1970	ENGINE HARNESS 6 Cylinder (L6), Manual Trans Note: 6 Cylinder Items Are Not Returnable.	\$310.00	
13720	1970	ENGINE HARNESS 6 Cylinder (L6), Manual Trans With A/C Note: 6 Cylinder Items Are Not Returnable.	\$310.00	
34970	1970	ENGINE HARNESS V/8, 350 C.I. Auto Trans	\$264.00	
43129	1970	ENGINE HARNESS-HEI V/8, 350 C.I. Auto Trans Note: This Harness Is Modified For Use With An HEI Distributor.	\$288.00	
43130	1970	ENGINE HARNESS-SI SERIES INT REG ALT V/8, 350 C.I. Auto Trans Note: Modified For 1972-84 Non-Serpentine Belt ("SI" Series) Internal Regulated Alternators Mounted In The Factory Location.	\$303.00	
43131	1970	ENGINE HARNESS-HEI AND SI SERIES INT REG ALT V/8, 350 C.I. Auto Trans Note: Modified For HEI & 1972-84 Non-Serpentine Belt ("SI" Series) Internal Regulated Alternators Mounted In The Factory Location.	\$316.00	
13730	1970	ENGINE HARNESS V/8, 350 C.I. Auto Trans With A/C	\$264.00	
43132	1970	ENGINE HARNESS-HEI V/8, 350 C.I. Auto Trans With A/C Note: This Harness Is Modified For Use With An HEI Distributor.	\$288.00	
43133	1970	ENGINE HARNESS-SI SERIES INT REG ALT V/8, 350 C.I. Auto Trans With A/C Note: Modified For 1972-84 Non-Serpentine Belt ("SI" Series) Internal Regulated Alternators Mounted In The Factory Location.	\$303.00	
43134	1970	ENGINE HARNESS-HEI AND SI SERIES INT REG ALT V/8, 350 C.I. Auto Trans With A/C Note: Modified For HEI & 1972-84 Non-Serpentine Belt ("SI" Series) Internal Regulated Alternators Mounted In The Factory Location.	\$316.00	
36250	1970	ENGINE HARNESS V/8, 350 C.I. Manual Trans	\$278.00	
43135	1970	ENGINE HARNESS-HEI V/8, 350 C.I. Manual Trans Note: This Harness Is Modified For Use With An HEI Distributor.	\$302.00	
43136	1970	ENGINE HARNESS-SI SERIES INT REG ALT V/8, 350 C.I. Manual Trans Note: Modified For 1972-84 Non-Serpentine Belt ("SI" Series) Internal Regulated Alternators Mounted In The Factory Location.	\$316.00	
43137	1970	ENGINE HARNESS-HEI AND SI SERIES INT REG ALT V/8, 350 C.I. Manual Trans Note: Modified For HEI & 1972-84 Non-Serpentine Belt ("SI" Series) Internal Regulated Alternators Mounted In The Factory Location.	\$329.00	
15830	1970	ENGINE HARNESS V/8, 350 C.I. Manual Trans With A/C	\$278.00	
43138	1970	ENGINE HARNESS-HEI V/8, 350 C.I. Manual Trans With A/C Note: This Harness Is Modified For Use With An HEI Distributor.	\$302.00	
43139	1970	ENGINE HARNESS-SI SERIES INT REG ALT V/8, 350 C.I. Manual Trans With A/C Note: Modified For 1972-84 Non-Serpentine Belt ("SI" Series) Internal Regulated Alternators Mounted In The Factory Location.	\$316.00	
43140	1970	ENGINE HARNESS-HEI AND SI SERIES INT REG ALT V/8, 350 C.I. Manual Trans With A/C Note: Modified For HEI & 1972-84 Non-Serpentine Belt ("SI" Series) Internal Regulated Alternators Mounted In The Factory Location.	\$329.00	
13740	1970	ENGINE HARNESS V/8, 455 C.I. Auto Trans	\$264.00	
43141	1970	ENGINE HARNESS-HEI V/8, 455 C.I. Auto Trans Note: This Harness Is Modified For Use With An HEI Distributor.	\$288.00	

Part Number	Year	Description	Price	*Rev.
43142	1970	ENGINE HARNESS-SI SERIES INT REG ALT V/8, 455 C.I. Auto Trans Note: Modified For 1972-84 Non-Serpentine Belt ("SI" Series) Internal Regulated Alternators Mounted In The Factory Location.	\$303.00	
43143	1970	ENGINE HARNESS-HEI AND SI SERIES INT REG ALT V/8, 455 C.I. Auto Trans Note: Modified For HEI & 1972-84 Non-Serpentine Belt ("SI" Series) Internal Regulated Alternators Mounted In The Factory Location.	\$316.00	
13745	1970	ENGINE HARNESS V/8, 455 C.I. Auto Trans With A/C	\$264.00	
43144	1970	ENGINE HARNESS-HEI V/8, 455 C.I. Auto Trans With A/C Note: This Harness Is Modified For Use With An HEI Distributor.	\$288.00	
43145	1970	ENGINE HARNESS-SI SERIES INT REG ALT V/8, 455 C.I. Auto Trans With A/C Note: Modified For 1972-84 Non-Serpentine Belt ("SI" Series) Internal Regulated Alternators Mounted In The Factory Location.	\$303.00	
43146	1970	ENGINE HARNESS-HEI AND SI SERIES INT REG ALT V/8, 455 C.I. Auto Trans With A/C Note: Modified For HEI & 1972-84 Non-Serpentine Belt ("SI" Series) Internal Regulated Alternators Mounted In The Factory Location.	\$316.00	
36256	1970	ENGINE HARNESS V/8, 455 C.I. Manual Trans	\$278.00	
43147	1970	ENGINE HARNESS-HEI V/8, 455 C.I. Manual Trans Note: This Harness Is Modified For Use With An HEI Distributor.	\$302.00	
43148	1970	ENGINE HARNESS-SI SERIES INT REG ALT V/8, 455 C.I. Manual Trans Note: Modified For 1972-84 Non-Serpentine Belt ("SI" Series) Internal Regulated Alternators Mounted In The Factory Location.	\$316.00	
43149	1970	ENGINE HARNESS-HEI AND SI SERIES INT REG ALT V/8, 455 C.I. Manual Trans Note: Modified For HEI & 1972-84 Non-Serpentine Belt ("SI" Series) Internal Regulated Alternators Mounted In The Factory Location.	\$329.00	
13735	1970	ENGINE HARNESS V/8, 455 C.I. Manual Trans With A/C	\$278.00	
43150	1970	ENGINE HARNESS-HEI V/8, 455 C.I. Manual Trans With A/C Note: This Harness Is Modified For Use With An HEI Distributor.	\$302.00	
43151	1970	ENGINE HARNESS-SI SERIES INT REG ALT V/8, 455 C.I. Manual Trans With A/C Note: Modified For 1972-84 Non-Serpentine Belt ("SI" Series) Internal Regulated Alternators Mounted In The Factory Location.	\$316.00	
43152	1970	ENGINE HARNESS-HEI AND SI SERIES INT REG ALT V/8, 455 C.I. Manual Trans With A/C Note: Modified For HEI & 1972-84 Non-Serpentine Belt ("SI" Series) Internal Regulated Alternators Mounted In The Factory Location.	\$329.00	
15940	1971	ENGINE HARNESS 6 Cylinder (L6) Note: 6 Cylinder Items Are Not Returnable.	\$310.00	
33010	1971	ENGINE HARNESS V/8, 350 C.I.	\$278.00	
43153	1971	ENGINE HARNESS-HEI V/8, 350 C.I. Note: This Harness Is Modified For Use With An HEI Distributor.	\$302.00	
43154	1971	ENGINE HARNESS-SI SERIES INT REG ALT V/8, 350 C.I. Note: Modified For 1972-84 Non-Serpentine Belt ("SI" Series) Internal Regulated Alternators Mounted In The Factory Location.	\$316.00	
43155	1971	ENGINE HARNESS-HEI AND SI SERIES INT REG ALT V/8, 350 C.I. Note: Modified For HEI & 1972-84 Non-Serpentine Belt ("SI" Series) Internal Regulated Alternators Mounted In The Factory Location.	\$329.00	
33015	1971	ENGINE HARNESS V/8, 350 C.I. With A/C	\$278.00	
43156	1971	ENGINE HARNESS-HEI V/8, 350 C.I. With A/C Note: This Harness Is Modified For Use With An HEI Distributor.	\$302.00	
43157	1971	ENGINE HARNESS-SI SERIES INT REG ALT V/8, 350 C.I. With A/C Note: Modified For 1972-84 Non-Serpentine Belt ("SI" Series) Internal Regulated Alternators Mounted In The Factory Location.	\$316.00	
43158	1971	ENGINE HARNESS-HEI AND SI SERIES INT REG ALT V/8, 350 C.I. With A/C Note: Modified For HEI & 1972-84 Non-Serpentine Belt ("SI" Series) Internal Regulated Alternators Mounted In The Factory Location.	\$329.00	
19135	1971	ENGINE HARNESS V/8, 455 C.I.	\$278.00	
43159	1971	ENGINE HARNESS-HEI V/8, 455 C.I. Note: This Harness Is Modified For Use With An HEI Distributor.	\$302.00	

Part Number	Year	Description	Price	*Rev.
43160	1971	ENGINE HARNESS-SI SERIES INT REG ALT V/8, 455 C.I. Note: Modified For 1972-84 Non-Serpentine Belt ("SI" Series) Internal Regulated Alternators Mounted In The Factory Location.	\$316.00	
43161	1971	ENGINE HARNESS-HEI AND SI SERIES INT REG ALT V/8, 455 C.I. Note: Modified For HEI & 1972-84 Non-Serpentine Belt ("SI" Series) Internal Regulated Alternators Mounted In The Factory Location.	\$329.00	
33005	1971	ENGINE HARNESS V/8, 455 C.I. With A/C	\$278.00	
43162	1971	ENGINE HARNESS-HEI V/8, 455 C.I. With A/C Note: This Harness Is Modified For Use With An HEI Distributor.	\$302.00	
43163	1971	ENGINE HARNESS-SI SERIES INT REG ALT V/8, 455 C.I. With A/C Note: Modified For 1972-84 Non-Serpentine Belt ("SI" Series) Internal Regulated Alternators Mounted In The Factory Location.	\$316.00	
43164	1971	ENGINE HARNESS-HEI AND SI SERIES INT REG ALT V/8, 455 C.I. With A/C Note: Modified For HEI & 1972-84 Non-Serpentine Belt ("SI" Series) Internal Regulated Alternators Mounted In The Factory Location.	\$329.00	
32095	1972	ENGINE HARNESS 6 Cylinder (L6) Note: 6 Cylinder Items Are Not Returnable.	\$310.00	
32100	1972	ENGINE HARNESS V/8, 350 C.I.	\$278.00	
43165	1972	ENGINE HARNESS-HEI V/8, 350 C.I. Note: This Harness Is Modified For Use With An HEI Distributor.	\$302.00	
43166	1972	ENGINE HARNESS-SI SERIES INT REG ALT V/8, 350 C.I. Note: Modified For 1972-84 Non-Serpentine Belt ("SI" Series) Internal Regulated Alternators Mounted In The Factory Location.	\$316.00	
43167	1972	ENGINE HARNESS-HEI AND SI SERIES INT REG ALT V/8, 350 C.I. Note: Modified For HEI & 1972-84 Non-Serpentine Belt ("SI" Series) Internal Regulated Alternators Mounted In The Factory Location.	\$329.00	
32105	1972	ENGINE HARNESS V/8, 350 C.I. With A/C	\$278.00	
43168	1972	ENGINE HARNESS-HEI V/8, 350 C.I. With A/C Note: This Harness Is Modified For Use With An HEI Distributor.	\$302.00	
43169	1972	ENGINE HARNESS-SI SERIES INT REG ALT V/8, 350 C.I. With A/C Note: Modified For 1972-84 Non-Serpentine Belt ("SI" Series) Internal Regulated Alternators Mounted In The Factory Location.	\$316.00	
43170	1972	ENGINE HARNESS-HEI AND SI SERIES INT REG ALT V/8, 350 C.I. With A/C Note: Modified For HEI & 1972-84 Non-Serpentine Belt ("SI" Series) Internal Regulated Alternators Mounted In The Factory Location.	\$329.00	
32110	1972	ENGINE HARNESS V/8, 455 C.I.	\$278.00	
43171	1972	ENGINE HARNESS-HEI V/8, 455 C.I. Note: This Harness Is Modified For Use With An HEI Distributor.	\$302.00	
43172	1972	ENGINE HARNESS-SI SERIES INT REG ALT V/8, 455 C.I. Note: Modified For 1972-84 Non-Serpentine Belt ("SI" Series) Internal Regulated Alternators Mounted In The Factory Location.	\$316.00	
43173	1972	ENGINE HARNESS-HEI AND SI SERIES INT REG ALT V/8, 455 C.I. Note: Modified For HEI & 1972-84 Non-Serpentine Belt ("SI" Series) Internal Regulated Alternators Mounted In The Factory Location.	\$329.00	
32115	1972	ENGINE HARNESS V/8, 455 C.I. With A/C	\$278.00	
43174	1972	ENGINE HARNESS-HEI V/8, 455 C.I. With A/C Note: This Harness Is Modified For Use With An HEI Distributor.	\$302.00	
43175	1972	ENGINE HARNESS-SI SERIES INT REG ALT V/8, 455 C.I. With A/C Note: Modified For 1972-84 Non-Serpentine Belt ("SI" Series) Internal Regulated Alternators Mounted In The Factory Location.	\$316.00	
43176	1972	ENGINE HARNESS-HEI AND SI SERIES INT REG ALT V/8, 455 C.I. With A/C Note: Modified For HEI & 1972-84 Non-Serpentine Belt ("SI" Series) Internal Regulated Alternators Mounted In The Factory Location.	\$329.00	
FORWARD LAMP HARNESS				
04515	1964	FORWARD LAMP HARNESS Auto Trans	\$250.00	
05760	1964	FORWARD LAMP HARNESS Manual Trans	\$264.00	

Part Number	Year	Description	Price	*Rev.
05945	1965	FORWARD LAMP HARNESS Auto Trans, Except Gran Sport	\$250.00	
05950	1965	FORWARD LAMP HARNESS Manual Trans, Except Gran Sport	\$264.00	
06125	1965	FORWARD LAMP HARNESS 3 & 4 Speed Manual Trans, 225 & 300 C.I., Except Gran Sport	\$264.00	
06095	1965	FORWARD LAMP HARNESS Gran Sport, All	\$264.00	
35770	1966	FORWARD LAMP HARNESS Without Tachometer	\$250.00	
09960	1966	FORWARD LAMP HARNESS With Tachometer	\$264.00	
18488	1966	FORWARD LAMP HARNESS Gran Sport Only	\$264.00	
11210	1967	FORWARD LAMP HARNESS	\$264.00	
12150	1968	FORWARD LAMP HARNESS	\$264.00	
12750	1969	FORWARD LAMP HARNESS	\$264.00	
13755	1970	FORWARD LAMP HARNESS	\$264.00	
15905	1971	FORWARD LAMP HARNESS	\$264.00	
15905	1972	FORWARD LAMP HARNESS	\$264.00	
FUEL TANK SENDING UNIT				
06428034	1968	FUEL TANK SENDING UNIT 3/8" Fuel Line, Single Outlet, Except Wagon	\$43.00	N
06428034	1969	FUEL TANK SENDING UNIT 3/8" Fuel Line, Single Outlet, Except Wagon	\$43.00	N
06428034	1970	FUEL TANK SENDING UNIT 3/8" Fuel Line, Single Outlet, Except Wagon	\$43.00	N
06428035	1968	FUEL TANK SENDING UNIT 3/8" Fuel Line, With 2nd Vent Line, Except Wagon	\$43.00	N
06428035	1969	FUEL TANK SENDING UNIT 3/8" Fuel Line, With 2nd Vent Line, Except Wagon	\$43.00	N
06428035	1970	FUEL TANK SENDING UNIT 3/8" Fuel Line, With 2nd Vent Line, Except Wagon	\$43.00	N
06428838	1971	FUEL TANK SENDING UNIT 3/8" Fuel Line, Single Outlet, Except Wagon	\$43.00	N
06428838	1972	FUEL TANK SENDING UNIT 3/8" Fuel Line, Single Outlet, Except Wagon	\$43.00	N
06428837	1971	FUEL TANK SENDING UNIT 3/8" Fuel Line, With 2nd Vent Line, Except Wagon	\$43.00	N
06428837	1972	FUEL TANK SENDING UNIT 3/8" Fuel Line, With 2nd Vent Line, Except Wagon	\$43.00	N
FUEL TANK SENDING UNIT WIRE				
39339	1970	FUEL TANK SENDING UNIT WIRE	\$38.00	
39339	1971	FUEL TANK SENDING UNIT WIRE	\$38.00	
39339	1972	FUEL TANK SENDING UNIT WIRE	\$38.00	
GLOVE BOX LAMP KIT				
18000	1964	GLOVE BOX LAMP KIT Socket, Bulb & Wire	\$24.00	
18000	1965	GLOVE BOX LAMP KIT Socket, Bulb & Wire	\$24.00	
18000	1966	GLOVE BOX LAMP KIT Socket, Bulb & Wire	\$24.00	
18000	1967	GLOVE BOX LAMP KIT Socket, Bulb & Wire	\$24.00	
18000	1968	GLOVE BOX LAMP KIT Socket, Bulb & Wire	\$24.00	
18000	1969	GLOVE BOX LAMP KIT Socket, Bulb & Wire	\$24.00	
18000	1961	GLOVE BOX LAMP KIT Socket, Bulb & Wire	\$24.00	
18000	1962	GLOVE BOX LAMP KIT Socket, Bulb & Wire	\$24.00	
18000	1963	GLOVE BOX LAMP KIT Socket, Bulb & Wire	\$24.00	
GROUND WIRE-DISTRIBUTOR POINT PLATE				
38298	1964	GROUND WIRE, DISTRIBUTOR POINT PLATE From Distributor Point Plate To Distributor Housing Note: Replaces Spot Welded Wire Asm On Point Plate Side. Fits All GM V/8 Point Type Distributors From Approx. 1957-1974.	\$17.00	C
38298	1965	GROUND WIRE, DISTRIBUTOR POINT PLATE From Distributor Point Plate To Distributor Housing Note: Replaces Spot Welded Wire Asm On Point Plate Side. Fits All GM V/8 Point Type Distributors From Approx. 1957-1974.	\$17.00	C
38298	1966	GROUND WIRE, DISTRIBUTOR POINT PLATE From Distributor Point Plate To Distributor Housing Note: Replaces Spot Welded Wire Asm On Point Plate Side. Fits All GM V/8 Point Type Distributors From Approx. 1957-1974.	\$17.00	C

Part Number	Year	Description	Price	*Rev.
38298	1967	GROUND WIRE, DISTRIBUTOR POINT PLATE From Distributor Point Plate To Distributor Housing Note: Replaces Spot Welded Wire Asm On Point Plate Side. Fits All GM V/8 Point Type Distributors From Approx. 1957-1974.	\$17.00	C
38298	1968	GROUND WIRE, DISTRIBUTOR POINT PLATE From Distributor Point Plate To Distributor Housing Note: Replaces Spot Welded Wire Asm On Point Plate Side. Fits All GM V/8 Point Type Distributors From Approx. 1957-1974.	\$17.00	C
38298	1969	GROUND WIRE, DISTRIBUTOR POINT PLATE From Distributor Point Plate To Distributor Housing Note: Replaces Spot Welded Wire Asm On Point Plate Side. Fits All GM V/8 Point Type Distributors From Approx. 1957-1974.	\$17.00	C
38298	1970	GROUND WIRE, DISTRIBUTOR POINT PLATE From Distributor Point Plate To Distributor Housing Note: Replaces Spot Welded Wire Asm On Point Plate Side. Fits All GM V/8 Point Type Distributors From Approx. 1957-1974.	\$17.00	C
38298	1971	GROUND WIRE, DISTRIBUTOR POINT PLATE From Distributor Point Plate To Distributor Housing Note: Replaces Spot Welded Wire Asm On Point Plate Side. Fits All GM V/8 Point Type Distributors From Approx. 1957-1974.	\$17.00	C
38298	1972	GROUND WIRE, DISTRIBUTOR POINT PLATE From Distributor Point Plate To Distributor Housing Note: Replaces Spot Welded Wire Asm On Point Plate Side. Fits All GM V/8 Point Type Distributors From Approx. 1957-1974.	\$17.00	C
38298	1973	GROUND WIRE, DISTRIBUTOR POINT PLATE From Distributor Point Plate To Distributor Housing Note: Replaces Spot Welded Wire Asm On Point Plate Side. Fits All GM V/8 Point Type Distributors From Approx. 1957-1974.	\$17.00	C
38298	1974	GROUND WIRE, DISTRIBUTOR POINT PLATE From Distributor Point Plate To Distributor Housing Note: Replaces Spot Welded Wire Asm On Point Plate Side. Fits All GM V/8 Point Type Distributors From Approx. 1957-1974.	\$17.00	C
HARNESS TAPE				
R0058272	1961	HARNESS TAPE 3/4" Vinyl (100 Ft. Roll) Non-Adhesive	\$12.00	
R0058276	1961	HARNESS TAPE 1" Vinyl (100 Ft. Roll) Non-Adhesive	\$13.00	
R0067108	1961	HARNESS TAPE 1 1/4" Vinyl (100 Ft. Roll) Non-Adhesive	\$15.00	
R0058272	1962	HARNESS TAPE 3/4" Vinyl (100 Ft. Roll) Non-Adhesive	\$12.00	
R0058276	1962	HARNESS TAPE 1" Vinyl (100 Ft. Roll) Non-Adhesive	\$13.00	
R0067108	1962	HARNESS TAPE 1 1/4" Vinyl (100 Ft. Roll) Non-Adhesive	\$15.00	
R0058272	1963	HARNESS TAPE 3/4" Vinyl (100 Ft. Roll) Non-Adhesive	\$12.00	
R0058276	1963	HARNESS TAPE 1" Vinyl (100 Ft. Roll) Non-Adhesive	\$13.00	
R0067108	1963	HARNESS TAPE 1 1/4" Vinyl (100 Ft. Roll) Non-Adhesive	\$15.00	
R0058272	1964	HARNESS TAPE 3/4" Vinyl (100 Ft. Roll) Non-Adhesive	\$12.00	
R0058276	1964	HARNESS TAPE 1" Vinyl (100 Ft. Roll) Non-Adhesive	\$13.00	
R0067108	1964	HARNESS TAPE 1 1/4" Vinyl (100 Ft. Roll) Non-Adhesive	\$15.00	
R0058272	1965	HARNESS TAPE 3/4" Vinyl (100 Ft. Roll) Non-Adhesive	\$12.00	
R0058276	1965	HARNESS TAPE 1" Vinyl (100 Ft. Roll) Non-Adhesive	\$13.00	
R0067108	1965	HARNESS TAPE 1 1/4" Vinyl (100 Ft. Roll) Non-Adhesive	\$15.00	
R0058272	1966	HARNESS TAPE 3/4" Vinyl (100 Ft. Roll) Non-Adhesive	\$12.00	
R0058276	1966	HARNESS TAPE 1" Vinyl (100 Ft. Roll) Non-Adhesive	\$13.00	
R0067108	1966	HARNESS TAPE 1 1/4" Vinyl (100 Ft. Roll) Non-Adhesive	\$15.00	
R0058272	1967	HARNESS TAPE 3/4" Vinyl (100 Ft. Roll) Non-Adhesive	\$12.00	
R0058276	1967	HARNESS TAPE 1" Vinyl (100 Ft. Roll) Non-Adhesive	\$13.00	
R0067108	1967	HARNESS TAPE 1 1/4" Vinyl (100 Ft. Roll) Non-Adhesive	\$15.00	
R0058272	1968	HARNESS TAPE 3/4" Vinyl (100 Ft. Roll) Non-Adhesive	\$12.00	
R0058276	1968	HARNESS TAPE 1" Vinyl (100 Ft. Roll) Non-Adhesive	\$13.00	
R0067108	1968	HARNESS TAPE 1 1/4" Vinyl (100 Ft. Roll) Non-Adhesive	\$15.00	
R0058272	1969	HARNESS TAPE 3/4" Vinyl (100 Ft. Roll) Non-Adhesive	\$12.00	
R0058276	1969	HARNESS TAPE 1" Vinyl (100 Ft. Roll) Non-Adhesive	\$13.00	
R0067108	1969	HARNESS TAPE 1 1/4" Vinyl (100 Ft. Roll) Non-Adhesive	\$15.00	
R0058272	1970	HARNESS TAPE 3/4" Vinyl (100 Ft. Roll) Non-Adhesive	\$12.00	
R0058276	1970	HARNESS TAPE 1" Vinyl (100 Ft. Roll) Non-Adhesive	\$13.00	
R0067108	1970	HARNESS TAPE 1 1/4" Vinyl (100 Ft. Roll) Non-Adhesive	\$15.00	

Part Number	Year	Description	Price	*Rev.
R0058272	1971	HARNESS TAPE 3/4" Vinyl (100 Ft. Roll) Non-Adhesive	\$12.00	
R0058276	1971	HARNESS TAPE 1" Vinyl (100 Ft. Roll) Non-Adhesive	\$13.00	
R0067108	1971	HARNESS TAPE 1 1/4" Vinyl (100 Ft. Roll) Non-Adhesive	\$15.00	
R0058272	1972	HARNESS TAPE 3/4" Vinyl (100 Ft. Roll) Non-Adhesive	\$12.00	
R0058276	1972	HARNESS TAPE 1" Vinyl (100 Ft. Roll) Non-Adhesive	\$13.00	
R0067108	1972	HARNESS TAPE 1 1/4" Vinyl (100 Ft. Roll) Non-Adhesive	\$15.00	
R0058272	1973	HARNESS TAPE 3/4" Vinyl (100 Ft. Roll) Non-Adhesive	\$12.00	
R0058276	1973	HARNESS TAPE 1" Vinyl (100 Ft. Roll) Non-Adhesive	\$13.00	
R0067108	1973	HARNESS TAPE 1 1/4" Vinyl (100 Ft. Roll) Non-Adhesive	\$15.00	
R0058272	1974	HARNESS TAPE 3/4" Vinyl (100 Ft. Roll) Non-Adhesive	\$12.00	
R0058276	1974	HARNESS TAPE 1" Vinyl (100 Ft. Roll) Non-Adhesive	\$13.00	
R0067108	1974	HARNESS TAPE 1 1/4" Vinyl (100 Ft. Roll) Non-Adhesive	\$15.00	
R0058272	1975	HARNESS TAPE 3/4" Vinyl (100 Ft. Roll) Non-Adhesive	\$12.00	
R0058276	1975	HARNESS TAPE 1" Vinyl (100 Ft. Roll) Non-Adhesive	\$13.00	
R0067108	1975	HARNESS TAPE 1 1/4" Vinyl (100 Ft. Roll) Non-Adhesive	\$15.00	
R0058272	1976	HARNESS TAPE 3/4" Vinyl (100 Ft. Roll) Non-Adhesive	\$12.00	
R0058276	1976	HARNESS TAPE 1" Vinyl (100 Ft. Roll) Non-Adhesive	\$13.00	
R0067108	1976	HARNESS TAPE 1 1/4" Vinyl (100 Ft. Roll) Non-Adhesive	\$15.00	
R0058272	1977	HARNESS TAPE 3/4" Vinyl (100 Ft. Roll) Non-Adhesive	\$12.00	
R0058276	1977	HARNESS TAPE 1" Vinyl (100 Ft. Roll) Non-Adhesive	\$13.00	
R0067108	1977	HARNESS TAPE 1 1/4" Vinyl (100 Ft. Roll) Non-Adhesive	\$15.00	
HEADLIGHT SWITCH				
01995096	1963	HEADLIGHT SWITCH All	\$31.00	
01995179	1964	HEADLIGHT SWITCH	\$20.00	N
01995179	1965	HEADLIGHT SWITCH	\$20.00	N
01995179	1966	HEADLIGHT SWITCH	\$20.00	N
01995179	1967	HEADLIGHT SWITCH	\$20.00	N
01995216	1970	HEADLIGHT SWITCH	\$20.00	N
01995216	1971	HEADLIGHT SWITCH	\$20.00	N
01995216	1972	HEADLIGHT SWITCH	\$20.00	N
01995216	1973	HEADLIGHT SWITCH	\$20.00	N
01995216	1974	HEADLIGHT SWITCH	\$20.00	N
01995216	1975	HEADLIGHT SWITCH	\$20.00	N
HEATER BLOWER MOTOR RESISTOR				
03929052	1968	HEATER BLOWER MOTOR RESISTOR Without A/C	\$15.00	N
03929052	1969	HEATER BLOWER MOTOR RESISTOR Without A/C	\$15.00	N
03929052	1970	HEATER BLOWER MOTOR RESISTOR Without A/C	\$15.00	N
03929052	1971	HEATER BLOWER MOTOR RESISTOR Without A/C	\$15.00	N
03929052	1972	HEATER BLOWER MOTOR RESISTOR Without A/C	\$15.00	N
HOOD LAMP REPLACEMENT KIT				
18410	1964	HOOD LAMP KIT Under Hood, Includes Socket, Wire & Bulb	\$60.00	C
18410	1965	HOOD LAMP KIT Under Hood, Includes Socket, Wire & Bulb	\$60.00	C
18410	1966	HOOD LAMP KIT Under Hood, Includes Socket, Wire & Bulb	\$60.00	C
18410	1967	HOOD LAMP KIT Under Hood, Includes Socket, Wire & Bulb	\$60.00	C
18410	1968	HOOD LAMP KIT Under Hood, Includes Socket, Wire & Bulb	\$60.00	C
18410	1969	HOOD LAMP KIT Under Hood, Includes Socket, Wire & Bulb	\$60.00	C

Part Number	Year	Description	Price	*Rev.
18410	1970	HOOD LAMP KIT Under Hood, Includes Socket, Wire & Bulb	\$60.00	C
18410	1971	HOOD LAMP KIT Under Hood, Includes Socket, Wire & Bulb	\$60.00	C
18410	1972	HOOD LAMP KIT Under Hood, Includes Socket, Wire & Bulb	\$60.00	C
18410	1973	HOOD LAMP KIT Under Hood, Includes Socket, Wire & Bulb	\$60.00	C
18410	1974	HOOD LAMP KIT Under Hood, Includes Socket, Wire & Bulb	\$60.00	C
18410	1975	HOOD LAMP KIT Under Hood, Includes Socket, Wire & Bulb	\$60.00	C
18410	1976	HOOD LAMP KIT Under Hood, Includes Socket, Wire & Bulb	\$60.00	C
18410	1977	HOOD LAMP KIT Under Hood, Includes Socket, Wire & Bulb	\$60.00	C
IDLE STOP SOLENOID CONTROL HARNESS				
31825	1972	IDLE STOP SOLENOID CONTROL HARNESS V/8	\$38.00	
IGNITION CYLINDER AND KEYS				
20071252	1969	IGNITION CYLINDER AND KEYS Chrome, All	\$18.50	N
20071252	1970	IGNITION CYLINDER AND KEYS Chrome, All	\$18.50	N
20071252	1971	IGNITION CYLINDER AND KEYS Chrome, All	\$18.50	N
20071252	1972	IGNITION CYLINDER AND KEYS Chrome, All	\$18.50	N
20071252	1973	IGNITION CYLINDER AND KEYS Chrome, All	\$18.50	N
20071252	1974	IGNITION CYLINDER AND KEYS Chrome, All	\$18.50	N
20071252	1975	IGNITION CYLINDER AND KEYS Chrome, All	\$18.50	N
20071252	1976	IGNITION CYLINDER AND KEYS Chrome, All	\$18.50	N
20071252	1977	IGNITION CYLINDER AND KEYS Chrome, All	\$18.50	N
20071252	1978	IGNITION CYLINDER AND KEYS Chrome, All, 1st Design, Used On Columns Without Lock Cylinder Retaining Screw	\$18.50	N
07833759	1978	IGNITION CYLINDER AND KEYS Chrome, Century, Regal, Skylark, 2nd Design, Used On Columns With Lock Cylinder Retaining Screw	\$18.50	N
07833759	1979	IGNITION CYLINDER AND KEYS Chrome, Century, Regal, Skylark	\$18.50	N
07833759	1980	IGNITION CYLINDER AND KEYS Chrome, Century, Regal	\$18.50	N
07833759	1981	IGNITION CYLINDER AND KEYS Chrome, Century, Regal	\$18.50	N
07833759	1982	IGNITION CYLINDER AND KEYS Chrome, Regal	\$18.50	N
07833759	1983	IGNITION CYLINDER AND KEYS Chrome, Regal	\$18.50	N
07833759	1984	IGNITION CYLINDER AND KEYS Chrome, Regal	\$18.50	N
07833759	1985	IGNITION CYLINDER AND KEYS Chrome, Regal	\$18.50	N
07833759	1986	IGNITION CYLINDER AND KEYS Chrome, Regal	\$18.50	N
07833759	1987	IGNITION CYLINDER AND KEYS Chrome, Regal	\$18.50	N
IGNITION SWITCH				
44205	1963	IGNITION SWITCH KIT Special Note: Includes Ignition Switch, Connector And Instructions.	\$37.00	N
44205	1964	IGNITION SWITCH KIT Special Note: Includes Ignition Switch, Connector And Instructions.	\$37.00	N
44205	1965	IGNITION SWITCH KIT Special Note: Includes Ignition Switch, Connector And Instructions.	\$37.00	N
01990110	1969	IGNITION SWITCH All, With Tilt	\$14.00	N
01990110	1970	IGNITION SWITCH All, With Tilt	\$14.00	N
01990110	1971	IGNITION SWITCH All, With Tilt	\$14.00	N
01990110	1972	IGNITION SWITCH All, With Tilt	\$14.00	N
01990110	1973	IGNITION SWITCH All, With Tilt	\$14.00	N
01990110	1974	IGNITION SWITCH All, With Tilt	\$14.00	N
01990110	1975	IGNITION SWITCH All, With Tilt	\$14.00	N

Part Number	Year	Description	Price	*Rev.
01990110	1976	IGNITION SWITCH All, With Tilt	\$14.00	N
01990110	1977	IGNITION SWITCH All, With Tilt	\$14.00	N
01990110	1978	IGNITION SWITCH All, With Tilt	\$14.00	N
01990110	1979	IGNITION SWITCH All, With Tilt	\$14.00	N
01990110	1980	IGNITION SWITCH All, With Tilt	\$14.00	N
01990110	1981	IGNITION SWITCH All, With Tilt	\$14.00	N
01990110	1982	IGNITION SWITCH All, With Tilt	\$14.00	N
01990110	1983	IGNITION SWITCH All, With Tilt	\$14.00	N
01990110	1984	IGNITION SWITCH All, With Tilt	\$14.00	N
01990110	1985	IGNITION SWITCH All, With Tilt	\$14.00	N
01990110	1986	IGNITION SWITCH All, With Tilt	\$14.00	N
01990110	1987	IGNITION SWITCH All, With Tilt	\$14.00	N
KICKDOWN SWITCH				
01242101	1968	KICKDOWN SWITCH Skylark, TH400, Auto Trans	\$19.00	
01242101	1969	KICKDOWN SWITCH Skylark, TH400, Auto Trans	\$19.00	
01242101	1970	KICKDOWN SWITCH Skylark, TH400, Auto Trans	\$19.00	
01242101	1971	KICKDOWN SWITCH Skylark, TH400, Auto Trans	\$19.00	
01242101	1972	KICKDOWN SWITCH Skylark, TH400, Auto Trans	\$19.00	
01242101	1973	KICKDOWN SWITCH Century, Regal, TH400, Auto Trans	\$19.00	
01242101	1974	KICKDOWN SWITCH Century, Regal, TH400, Auto Trans	\$19.00	
01242101	1975	KICKDOWN SWITCH Century, Regal, TH400, Auto Trans	\$19.00	
01242101	1977	KICKDOWN SWITCH Century, Regal, TH400, Auto Trans	\$19.00	
LOW FUEL INDICATOR MODULE				
500274	1964	LOW FUEL INDICATOR MODULE Generic "Adjustable" Low Fuel Warning Module Note: A Complete Electronic Control Unit To Activate A Warning Lamp Or Relay When Fuel Level Drops Below A User Adjustable Level. Includes instruction sheet.	\$64.00	C
500274	1965	LOW FUEL INDICATOR MODULE Generic "Adjustable" Low Fuel Warning Module Note: A Complete Electronic Control Unit To Activate A Warning Lamp Or Relay When Fuel Level Drops Below A User Adjustable Level. Includes instruction sheet.	\$64.00	C
500274	1966	LOW FUEL INDICATOR MODULE Generic "Adjustable" Low Fuel Warning Module Note: A Complete Electronic Control Unit To Activate A Warning Lamp Or Relay When Fuel Level Drops Below A User Adjustable Level. Includes instruction sheet.	\$64.00	C
500274	1967	LOW FUEL INDICATOR MODULE Generic "Adjustable" Low Fuel Warning Module Note: A Complete Electronic Control Unit To Activate A Warning Lamp Or Relay When Fuel Level Drops Below A User Adjustable Level. Includes instruction sheet.	\$64.00	C
500274	1968	LOW FUEL INDICATOR MODULE Generic "Adjustable" Low Fuel Warning Module Note: A Complete Electronic Control Unit To Activate A Warning Lamp Or Relay When Fuel Level Drops Below A User Adjustable Level. Includes instruction sheet.	\$64.00	C
500274	1969	LOW FUEL INDICATOR MODULE Generic "Adjustable" Low Fuel Warning Module Note: A Complete Electronic Control Unit To Activate A Warning Lamp Or Relay When Fuel Level Drops Below A User Adjustable Level. Includes instruction sheet.	\$64.00	C
500274	1970	LOW FUEL INDICATOR MODULE Generic "Adjustable" Low Fuel Warning Module Note: A Complete Electronic Control Unit To Activate A Warning Lamp Or Relay When Fuel Level Drops Below A User Adjustable Level. Includes instruction sheet.	\$64.00	C
500274	1971	LOW FUEL INDICATOR MODULE Generic "Adjustable" Low Fuel Warning Module Note: A Complete Electronic Control Unit To Activate A Warning Lamp Or Relay When Fuel Level Drops Below A User Adjustable Level. Includes instruction sheet.	\$64.00	C
500274	1972	LOW FUEL INDICATOR MODULE Generic "Adjustable" Low Fuel Warning Module Note: A Complete Electronic Control Unit To Activate A Warning Lamp Or Relay When Fuel Level Drops Below A User Adjustable Level. Includes instruction sheet.	\$64.00	C

Part Number	Year	Description	Price	*Rev.
500274	1973	LOW FUEL INDICATOR MODULE Generic "Adjustable" Low Fuel Warning Module Note: A Complete Electronic Control Unit To Activate A Warning Lamp Or Relay When Fuel Level Drops Below A User Adjustable Level. Includes instruction sheet.	\$64.00	C
500274	1974	LOW FUEL INDICATOR MODULE Generic "Adjustable" Low Fuel Warning Module Note: A Complete Electronic Control Unit To Activate A Warning Lamp Or Relay When Fuel Level Drops Below A User Adjustable Level. Includes instruction sheet.	\$64.00	C
500274	1975	LOW FUEL INDICATOR MODULE Generic "Adjustable" Low Fuel Warning Module Note: A Complete Electronic Control Unit To Activate A Warning Lamp Or Relay When Fuel Level Drops Below A User Adjustable Level. Includes instruction sheet.	\$64.00	C
500274	1976	LOW FUEL INDICATOR MODULE Generic "Adjustable" Low Fuel Warning Module Note: A Complete Electronic Control Unit To Activate A Warning Lamp Or Relay When Fuel Level Drops Below A User Adjustable Level. Includes instruction sheet.	\$64.00	C
500274	1977	LOW FUEL INDICATOR MODULE Generic "Adjustable" Low Fuel Warning Module Note: A Complete Electronic Control Unit To Activate A Warning Lamp Or Relay When Fuel Level Drops Below A User Adjustable Level. Includes instruction sheet.	\$64.00	C
NEUTRAL SAFETY AND BACKUP LAMP SWITCH				
01993659	1964	NEUTRAL SAFETY AND BACKUP LAMP SWITCH With Column Shift Powerglide Auto Trans	\$12.00	
01993659	1965	NEUTRAL SAFETY AND BACKUP LAMP SWITCH With Column Shift Powerglide Auto Trans	\$12.00	
01993659	1966	NEUTRAL SAFETY AND BACKUP LAMP SWITCH With Column Shift Powerglide Auto Trans	\$12.00	
01994235	1969	NEUTRAL SAFETY AND BACKUP LAMP SWITCH With Column Shift Auto Trans, All	\$19.00	
01994235	1970	NEUTRAL SAFETY AND BACKUP LAMP SWITCH With Column Shift Auto Trans, All	\$19.00	
01994235	1971	NEUTRAL SAFETY AND BACKUP LAMP SWITCH With Column Shift Auto Trans, All	\$19.00	
01994235	1972	NEUTRAL SAFETY AND BACKUP LAMP SWITCH With Column Shift Auto Trans, All	\$19.00	
NEUTRAL SAFETY SWITCH				
03983965	1973	NEUTRAL SAFETY SWITCH Apollo, With 3 Speed Manual Trans	\$58.00	N
03983965	1974	NEUTRAL SAFETY SWITCH Apollo, With 3 Speed Manual Trans	\$58.00	N
03983965	1975	NEUTRAL SAFETY SWITCH Apollo, With 3 Speed Manual Trans	\$58.00	N
03983965	1975	NEUTRAL SAFETY SWITCH Skylark, With 3 Speed Manual Trans	\$58.00	N
03983965	1976	NEUTRAL SAFETY SWITCH Skylark, With 3 Speed Manual Trans	\$58.00	N
03983965	1977	NEUTRAL SAFETY SWITCH Skylark, With 3 Speed Manual Trans	\$58.00	N
03983965	1978	NEUTRAL SAFETY SWITCH Skylark, With 3 Speed Manual Trans	\$58.00	N
03983965	1979	NEUTRAL SAFETY SWITCH Skylark, With 3 Speed Manual Trans	\$58.00	N
NEUTRAL SAFETY SWITCH EXTENSION HARNESS				
41401	1969	NEUTRAL SAFETY SWITCH EXTENSION HARNESS Manual Trans, From Clutch Switch To Dash Harness	\$46.00	
41401	1970	NEUTRAL SAFETY SWITCH EXTENSION HARNESS Manual Trans, From Clutch Switch To Dash Harness	\$46.00	
41401	1971	NEUTRAL SAFETY SWITCH EXTENSION HARNESS Manual Trans, From Clutch Switch To Dash Harness	\$46.00	
41401	1969	NEUTRAL SAFETY SWITCH EXTENSION HARNESS Manual Trans, From Clutch Switch To Dash Harness	\$46.00	
POWER DOOR LOCK SWITCH				
01725099	1971	POWER DOOR LOCK SWITCH 1 Button	\$62.00	
01725099	1972	POWER DOOR LOCK SWITCH 1 Button	\$62.00	
01725099	1973	POWER DOOR LOCK SWITCH 1 Button	\$62.00	
01725099	1973	POWER DOOR LOCK SWITCH Century, Regal, 1 Button	\$62.00	M
01725099	1974	POWER DOOR LOCK SWITCH 1 Button	\$62.00	
01725099	1975	POWER DOOR LOCK SWITCH 1 Button	\$62.00	
01725099	1974	POWER DOOR LOCK SWITCH Century, Regal, 1 Button	\$62.00	M
01725099	1975	POWER DOOR LOCK SWITCH Century, Regal, 1 Button	\$62.00	M
01725099	1976	POWER DOOR LOCK SWITCH 1 Button	\$62.00	
20031475	1977	POWER DOOR LOCK SWITCH Century, Regal	\$62.00	N

Part Number	Year	Description	Price	*Rev.
01725099	1976	POWER DOOR LOCK SWITCH Century, Regal, 1 Button	\$62.00	M
01725099	1977	POWER DOOR LOCK SWITCH 1 Button	\$62.00	
POWER FEED WIRE				
06565	1963	POWER FEED WIRE Junction Block To Circuit Breaker	\$20.00	
POWER SEAT HARNESS				
06945	1964	POWER SEAT HARNESS 4 Way Bench	\$173.00	
07600	1965	POWER SEAT HARNESS 4 Way Bucket, Drivers Side	\$159.00	
07595	1965	POWER SEAT HARNESS 4-Way Bench Note: Requires Customers Original Harness.	\$166.00	
07595	1966	POWER SEAT HARNESS 4-Way Bench Note: Requires Customers Original Harness.	\$166.00	
07595	1967	POWER SEAT HARNESS 4-Way Bench Note: Requires Customers Original Harness.	\$166.00	
POWER SEAT MOTOR RELAY AND ADAPTER HARNESS				
40146	1964	POWER SEAT MOTOR RELAY AND ADAPTER HARNESS Includes New Standard Type Relay And Adapter To Mate To Factory Harness	\$74.00	
40146	1965	POWER SEAT MOTOR RELAY AND ADAPTER HARNESS Includes New Standard Type Relay And Adapter To Mate To Factory Harness	\$74.00	
40146	1966	POWER SEAT MOTOR RELAY AND ADAPTER HARNESS Includes New Standard Type Relay And Adapter To Mate To Factory Harness	\$74.00	
40146	1967	POWER SEAT MOTOR RELAY AND ADAPTER HARNESS Includes New Standard Type Relay And Adapter To Mate To Factory Harness	\$74.00	
40146	1968	POWER SEAT MOTOR RELAY AND ADAPTER HARNESS Includes New Standard Type Relay And Adapter To Mate To Factory Harness	\$74.00	
40146	1969	POWER SEAT MOTOR RELAY AND ADAPTER HARNESS Includes New Standard Type Relay And Adapter To Mate To Factory Harness	\$74.00	
40146	1970	POWER SEAT MOTOR RELAY AND ADAPTER HARNESS Includes New Standard Type Relay And Adapter To Mate To Factory Harness	\$74.00	
40146	1971	POWER SEAT MOTOR RELAY AND ADAPTER HARNESS Includes New Standard Type Relay And Adapter To Mate To Factory Harness	\$74.00	
40146	1972	POWER SEAT MOTOR RELAY AND ADAPTER HARNESS Includes New Standard Type Relay And Adapter To Mate To Factory Harness	\$74.00	
40146	1973	POWER SEAT MOTOR RELAY AND ADAPTER HARNESS Includes New Standard Type Relay And Adapter To Mate To Factory Harness	\$74.00	
40146	1974	POWER SEAT MOTOR RELAY AND ADAPTER HARNESS Includes New Standard Type Relay And Adapter To Mate To Factory Harness	\$74.00	
40146	1975	POWER SEAT MOTOR RELAY AND ADAPTER HARNESS Includes New Standard Type Relay And Adapter To Mate To Factory Harness	\$74.00	
POWER TAILGATE RELAY AND ADAPTER HARNESS				
39440	1970	POWER TAILGATE RELAY AND ADAPTER HARNESS Includes New Standard Type Relay And Adapter To Mate To Factory Harness	\$40.00	
39440	1971	POWER TAILGATE RELAY AND ADAPTER HARNESS Includes New Standard Type Relay And Adapter To Mate To Factory Harness	\$40.00	
POWER TOP HARNESS				
41364	1965	POWER TOP HARNESS Convertible, From Switch To Body Harness Connector	\$75.00	
41364	1966	POWER TOP HARNESS Convertible, From Switch To Body Harness Connector	\$75.00	
41364	1967	POWER TOP HARNESS Convertible, From Switch To Body Harness Connector	\$75.00	
43246	1968	POWER TOP HARNESS From Power Top Switch To Body Harness Connector	\$99.00	
43246	1969	POWER TOP HARNESS From Power Top Switch To Body Harness Connector	\$99.00	
41581	1970	POWER TOP OR TAILGATE WINDOW HARNESS From Power Top Or Tailgate Window Switch To Body Harness Connector.	\$87.00	

Part Number	Year	Description	Price	*Rev.
41581	1971	POWER TOP OR TAILGATE WINDOW HARNESS From Power Top Or Tailgate Window Switch To Body Harness Connector	\$87.00	
41581	1972	POWER TOP OR TAILGATE WINDOW HARNESS From Power Top Or Tailgate Window Switch To Body Harness Connector	\$87.00	
POWER WINDOW HARNESS				
06670	1963	POWER WINDOW HARNESS Left Rear Quarter Window, Skylark 2 Door Coupe	\$105.00	
06665	1963	POWER WINDOW HARNESS Right Rear Quarter Window, Skylark 2 Door Coupe	\$105.00	
06690	1963	POWER WINDOW HARNESS Left Rear Quarter Window, Convertible	\$105.00	
06685	1963	POWER WINDOW HARNESS Right Rear Quarter Window, Convertible	\$105.00	
06960	1964	POWER WINDOW HARNESS Driver Side Door	\$212.00	
06955	1964	POWER WINDOW HARNESS Passenger Side Door	\$147.00	
06965	1964	POWER WINDOW INTERMEDIATE HARNESS Under Dash, Crossover Note: Customer Must Reuse Their Original Plastic 3 Terminal Connector That Attaches This Harness To Ribbon Cable.	\$132.00	
06990	1964	POWER WINDOW HARNESS Quarter Window, Sport Coupe, 2 Required Per Car Note: Customer Must Reuse Their Original Plastic 3 Terminal Connector That Attaches This Harness To Ribbon Cable.	\$87.00	
06995	1964	POWER WINDOW HARNESS Quarter Window, Convertible, 2 Required Per Car Note: Customer Must Reuse Their Original Plastic 3 Terminal Connector That Attaches This Harness To Ribbon Cable.	\$87.00	
07170	1964	POWER WINDOW MOTOR EXTENSION Coupe, Quarter Window Harness To Motor, 2 Req. Per Car	\$25.00	
07005	1964	POWER WINDOW MOTOR EXTENSION Convertible, Quarter Window Harness To Motor, 2 Req. Per Car	\$32.00	
07610	1965	POWER WINDOW HARNESS Driver Side Door	\$219.00	
07605	1965	POWER WINDOW HARNESS Passenger Side Door	\$147.00	
08200	1965	POWER WINDOW INTERMEDIATE HARNESS Under Dash, Crossover	\$132.00	
07640	1965	POWER WINDOW HARNESS Quarter Window, Coupe, 2 Required Per Car Note: Customer Must Reuse Their Original Plastic 3 Terminal Connector That Attaches This Harness To Ribbon Cable.	\$87.00	
07695	1965	POWER WINDOW HARNESS Quarter Window, Convertible, 2 Required Per Car Note: Customer Must Reuse Their Original Plastic 3 Terminal Connector That Attaches This Harness To Ribbon Cable.	\$87.00	
07655	1965	POWER WINDOW MOTOR EXTENSION Coupe, Quarter Window Harness To Motor, 2 Req. Per Car	\$25.00	
07660	1965	POWER WINDOW MOTOR EXTENSION Convertible, Quarter Window Harness To Motor, 2 Req. Per Car	\$25.00	
08260	1966	POWER WINDOW HARNESS Driver Side Door	\$212.00	
27310	1966	POWER WINDOW HARNESS Passenger Side Door, All	\$147.00	
08200	1966	POWER WINDOW INTERMEDIATE HARNESS Under Dash, Crossover	\$132.00	
07640	1966	POWER WINDOW HARNESS Quarter Window, Coupe, 2 Required Per Car Note: Customer Must Reuse Their Original Plastic 3 Terminal Connector That Attaches This Harness To Ribbon Cable.	\$87.00	
07695	1966	POWER WINDOW HARNESS Quarter Window, Convertible, 2 Required Per Car Note: Customer Must Reuse Their Original Plastic 3 Terminal Connector That Attaches This Harness To Ribbon Cable.	\$87.00	
07655	1966	POWER WINDOW MOTOR EXTENSION Coupe, Quarter Window Harness To Motor, 2 Req. Per Car	\$25.00	
07660	1966	POWER WINDOW MOTOR EXTENSION Convertible, Quarter Window Harness To Motor, 2 Req. Per Car	\$25.00	
08260	1967	POWER WINDOW HARNESS Driver Side Door	\$212.00	
27310	1967	POWER WINDOW HARNESS Passenger Side Door, All	\$147.00	
07640	1967	POWER WINDOW HARNESS Quarter Window, Coupe, 2 Required Per Car Note: Customer Must Reuse Their Original Plastic 3 Terminal Connector That Attaches This Harness To Ribbon Cable.	\$87.00	
07695	1967	POWER WINDOW HARNESS Quarter Window, Convertible, 2 Required Per Car Note: Customer Must Reuse Their Original Plastic 3 Terminal Connector That Attaches This Harness To Ribbon Cable.	\$87.00	
07655	1967	POWER WINDOW MOTOR EXTENSION Coupe, Quarter Window Harness To Motor, 2 Req. Per Car	\$25.00	
07660	1967	POWER WINDOW MOTOR EXTENSION Convertible, Quarter Window Harness To Motor, 2 Req. Per Car	\$25.00	
31135	1968	POWER WINDOW HARNESS Driver Side Door	\$219.00	
14165	1968	POWER WINDOW HARNESS Passenger Side Door	\$147.00	
14170	1968	POWER WINDOW HARNESS Quarter Windows & Intermediate Body	\$186.00	

Part Number	Year	Description	Price	*Rev.
39470	1969	POWER WINDOW HARNESS Driver Side Door And Under Dash Crossover	\$264.00	
37817	1969	POWER WINDOW HARNESS Passenger Side Door	\$147.00	
14405	1969	POWER WINDOW HARNESS Quarter Windows & Intermediate Body	\$186.00	
31140	1970	POWER WINDOW HARNESS Driver Side Door And Under Dash Crossover	\$264.00	
14470	1970	POWER WINDOW HARNESS Passenger Side Door	\$147.00	
14505	1970	POWER WINDOW HARNESS Quarter Windows & Intermediate Body	\$186.00	
31140	1971	POWER WINDOW HARNESS Driver Side Door And Under Dash Crossover	\$264.00	
14470	1971	POWER WINDOW HARNESS Passenger Side Door	\$147.00	
14505	1971	POWER WINDOW HARNESS Quarter Windows & Intermediate Body	\$186.00	
39471	1972	POWER WINDOW HARNESS Driver Side Door And Under Dash Crossover	\$264.00	
14470	1972	POWER WINDOW HARNESS Passenger Side Door	\$147.00	
14505	1972	POWER WINDOW HARNESS Quarter Windows & Intermediate Body	\$186.00	
POWER WINDOW MOTOR ADAPTER HARNESS				
36954	1964	POWER WINDOW MOTOR ADAPTER HARNESS Adapts "T" Shaped Motor Connector To Side By Side Blade Type Motor Connector	\$22.00	C
36954	1965	POWER WINDOW MOTOR ADAPTER HARNESS Adapts "T" Shaped Motor Connector To Side By Side Blade Type Motor Connector	\$22.00	C
36954	1966	POWER WINDOW MOTOR ADAPTER HARNESS Adapts "T" Shaped Motor Connector To Side By Side Blade Type Motor Connector	\$22.00	C
36954	1967	POWER WINDOW MOTOR ADAPTER HARNESS Adapts "T" Shaped Motor Connector To Side By Side Blade Type Motor Connector	\$22.00	C
36954	1968	POWER WINDOW MOTOR ADAPTER HARNESS Adapts "T" Shaped Motor Connector To Side By Side Blade Type Motor Connector	\$22.00	C
36954	1969	POWER WINDOW MOTOR ADAPTER HARNESS Adapts "T" Shaped Motor Connector To Side By Side Blade Type Motor Connector	\$22.00	C
36954	1970	POWER WINDOW MOTOR ADAPTER HARNESS Adapts "T" Shaped Motor Connector To Side By Side Blade Type Motor Connector	\$22.00	C
36954	1971	POWER WINDOW MOTOR ADAPTER HARNESS Adapts "T" Shaped Motor Connector To Side By Side Blade Type Motor Connector	\$22.00	C
36954	1972	POWER WINDOW MOTOR ADAPTER HARNESS Adapts "T" Shaped Motor Connector To Side By Side Blade Type Motor Connector	\$22.00	C
36954	1973	POWER WINDOW MOTOR ADAPTER HARNESS Adapts "T" Shaped Motor Connector To Side By Side Blade Type Motor Connector	\$22.00	C
36954	1974	POWER WINDOW MOTOR ADAPTER HARNESS Adapts "T" Shaped Motor Connector To Side By Side Blade Type Motor Connector	\$22.00	C
36954	1975	POWER WINDOW MOTOR ADAPTER HARNESS Adapts "T" Shaped Motor Connector To Side By Side Blade Type Motor Connector	\$22.00	C
POWER WINDOW RELAY AND ADAPTER HARNESS				
39440	1970	POWER WINDOW RELAY AND ADAPTER HARNESS Includes New Standard Type Relay And Adapter To Mate To Factory Harness	\$40.00	
39440	1971	POWER WINDOW RELAY AND ADAPTER HARNESS Includes New Standard Type Relay And Adapter To Mate To Factory Harness	\$40.00	
POWER WINDOW SWITCH				
04432790	1964	POWER WINDOW SWITCH 1 Button, Round Corner Style, Chrome	\$49.00	
04432791	1964	POWER WINDOW SWITCH 4 Button, Round Corner Style, Chrome	\$67.00	
04432790	1965	POWER WINDOW SWITCH 1 Button, Round Corner Style, Chrome	\$49.00	
04432791	1965	POWER WINDOW SWITCH 4 Button, Round Corner Style, Chrome	\$67.00	
04432790	1966	POWER WINDOW SWITCH 1 Button, Round Corner Style, Chrome	\$49.00	
04432791	1966	POWER WINDOW SWITCH 4 Button, Round Corner Style, Chrome	\$67.00	
04432790	1967	POWER WINDOW SWITCH 1 Button, Round Corner Style, Chrome	\$49.00	
04432791	1967	POWER WINDOW SWITCH 4 Button, Round Corner Style, Chrome	\$67.00	

Part Number	Year	Description	Price	*Rev.
04432790	1968	POWER WINDOW SWITCH 1 Button, Round Corner Style, Chrome	\$49.00	
04432791	1968	POWER WINDOW SWITCH 4 Button, Round Corner Style, Chrome	\$67.00	
04432790	1969	POWER WINDOW SWITCH 1 Button, Round Corner Style, Chrome	\$49.00	
04432791	1969	POWER WINDOW SWITCH 4 Button, Round Corner Style, Chrome	\$67.00	
04432790	1970	POWER WINDOW SWITCH 1 Button, Round Corner Style, Chrome	\$49.00	
04432791	1970	POWER WINDOW SWITCH 4 Button, Round Corner Style, Chrome	\$67.00	
01725094	1971	POWER WINDOW SWITCH 1 Button, Square Corner Style, Chrome	\$21.00	M
01731231	1971	POWER WINDOW SWITCH Skylark, 4 Button, Square Corner Style, Chrome	\$75.00	M
01725094	1972	POWER WINDOW SWITCH 1 Button, Square Corner Style, Chrome	\$21.00	M
01731231	1972	POWER WINDOW SWITCH Skylark, 4 Button, Square Corner Style, Chrome	\$75.00	M
01725094	1973	POWER WINDOW SWITCH Century, 1 Button, Square Corner Style, Chrome	\$21.00	M
01725094	1973	POWER WINDOW SWITCH Regal, 1 Button, Square Corner Style, Chrome	\$21.00	M
01731231	1973	POWER WINDOW SWITCH Century, Regal, 4 Button, Square Corner Style, Chrome	\$75.00	M
01725092	1973	POWER WINDOW SWITCH Regal, Century, 2 Button, Square Corner Style, Chrome	\$53.00	M
01725094	1974	POWER WINDOW SWITCH Century, 1 Button, Square Corner Style, Chrome	\$21.00	M
01725094	1974	POWER WINDOW SWITCH Regal, 1 Button, Square Corner Style, Chrome	\$21.00	M
01731231	1974	POWER WINDOW SWITCH Century, Regal, 4 Button, Square Corner Style, Chrome	\$75.00	M
01725092	1974	POWER WINDOW SWITCH Regal, Century, 2 Button, Square Corner Style, Chrome	\$53.00	M
01725094	1975	POWER WINDOW SWITCH Apollo, 1 Button, Square Corner Style, Chrome	\$21.00	M
01725094	1975	POWER WINDOW SWITCH Century, 1 Button, Square Corner Style, Chrome	\$21.00	M
01725094	1975	POWER WINDOW SWITCH Regal, 1 Button, Square Corner Style, Chrome	\$21.00	M
01725094	1975	POWER WINDOW SWITCH Skylark, 1 Button, Square Corner Style, Chrome	\$21.00	M
01731231	1975	POWER WINDOW SWITCH Century, Regal, 4 Button, Square Corner Style, Chrome	\$75.00	M
01731231	1975	POWER WINDOW SWITCH Apollo, 4 Button, Square Corner Style, Chrome	\$75.00	M
01725092	1975	POWER WINDOW SWITCH Regal, Century, 2 Button, Square Corner Style, Chrome	\$53.00	M
01725092	1975	POWER WINDOW SWITCH Apollo, 2 Button, Square Corner Style, Chrome	\$53.00	M
01725094	1976	POWER WINDOW SWITCH Skylark, 1 Button, Square Corner Style, Chrome	\$21.00	M
01725094	1976	POWER WINDOW SWITCH Century, 1 Button, Square Corner Style, Chrome	\$21.00	M
01725094	1976	POWER WINDOW SWITCH Regal, 1 Button, Square Corner Style, Chrome	\$21.00	M
01731231	1976	POWER WINDOW SWITCH Century, Regal, 4 Button, Square Corner Style, Chrome	\$75.00	M
01731231	1976	POWER WINDOW SWITCH Skylark, 4 Button, Square Corner Style, Chrome	\$75.00	M
01725092	1976	POWER WINDOW SWITCH Regal, Century, 2 Button, Square Corner Style, Chrome	\$53.00	M
01725092	1976	POWER WINDOW SWITCH Skylark, 2 Button, Square Corner Style, Chrome	\$53.00	M
01725094	1977	POWER WINDOW SWITCH Skylark, 1 Button, Square Corner Style, Chrome	\$21.00	M
01725094	1977	POWER WINDOW SWITCH Century, 1 Button, Square Corner Style, Chrome	\$21.00	M
01725094	1977	POWER WINDOW SWITCH Regal, 1 Button, Square Corner Style, Chrome	\$21.00	M
01731231	1977	POWER WINDOW SWITCH Century, Regal, 4 Button, Square Corner Style, Chrome	\$75.00	M
01731231	1977	POWER WINDOW SWITCH Skylark, 4 Button, Square Corner Style, Chrome	\$75.00	M
01725092	1977	POWER WINDOW SWITCH Regal, Century, 2 Button, Square Corner Style, Chrome	\$53.00	M
01725092	1977	POWER WINDOW SWITCH Skylark, 2 Button, Square Corner Style, Chrome	\$53.00	M
01725094	1978	POWER WINDOW SWITCH Skylark, 1 Button, Square Corner Style, Chrome	\$21.00	M
01725094	1978	POWER WINDOW SWITCH Century, 1 Button, Square Corner Style, Chrome	\$21.00	M
01725094	1978	POWER WINDOW SWITCH Regal, 1 Button, Square Corner Style, Chrome	\$21.00	M
01731231	1978	POWER WINDOW SWITCH Skylark, 4 Button, Square Corner Style, Chrome	\$75.00	M
01725092	1978	POWER WINDOW SWITCH Regal, Century, 2 Button, Square Corner Style, Chrome	\$53.00	M
01725092	1978	POWER WINDOW SWITCH Skylark, 2 Button, Square Corner Style, Chrome	\$53.00	M
01725094	1979	POWER WINDOW SWITCH Skylark, 4 Dr Sedan, 1 Button, Square Corner Style, Chrome	\$21.00	M

Part Number	Year	Description	Price	*Rev.
01731231	1979	POWER WINDOW SWITCH Skylark, 4 Button, Square Corner Style, Chrome	\$75.00	M
01725092	1979	POWER WINDOW SWITCH Skylark, 2 Button, Square Corner Style, Chrome	\$53.00	M
REAR LAMP HARNESS				
19070	1964	REAR LAMP HARNESS Rear, Coupe & Sedan, All	\$211.00	
19080	1964	REAR LAMP HARNESS Rear, Convertible, Skylark	\$264.00	
19075	1964	REAR LAMP HARNESS Rear, Convertible, Special	\$225.00	
07930	1965	REAR LAMP HARNESS Rear, Coupe, Skylark	\$225.00	
07730	1965	REAR LAMP HARNESS Rear, Coupe, Special	\$211.00	
07725	1965	REAR LAMP HARNESS Rear, Convertible, Skylark	\$264.00	
07720	1965	REAR LAMP HARNESS Rear, Convertible, Special	\$225.00	
19085	1966	REAR LAMP HARNESS Rear, Coupe, All	\$211.00	
19095	1966	REAR LAMP HARNESS Rear, Convertible, Skylark	\$264.00	
19090	1966	REAR LAMP HARNESS Rear, Convertible, Special	\$251.00	
13910	1967	REAR LAMP HARNESS Rear, Coupe, All	\$211.00	
13920	1967	REAR LAMP HARNESS Rear, Convertible, Skylark	\$264.00	
13915	1967	REAR LAMP HARNESS Rear, Convertible, Special	\$251.00	
19105	1968	REAR LAMP INTERMEDIATE HARNESS All 2 Door Coupes	\$264.00	
19110	1968	REAR LAMP INTERMEDIATE HARNESS Convertible	\$264.00	
19100	1968	REAR LAMP HARNESS Rear, All	\$211.00	
19120	1969	REAR LAMP INTERMEDIATE HARNESS Coupe	\$211.00	
19125	1969	REAR LAMP INTERMEDIATE HARNESS Convertible	\$264.00	
19115	1969	REAR LAMP HARNESS Rear, All	\$211.00	
18860	1970	REAR LAMP INTERMEDIATE HARNESS Coupe	\$211.00	
18865	1970	REAR LAMP INTERMEDIATE HARNESS Convertible	\$225.00	
18470	1970	REAR LAMP HARNESS Rear, All	\$225.00	
18860	1971	REAR LAMP INTERMEDIATE HARNESS Coupe	\$211.00	
18865	1971	REAR LAMP INTERMEDIATE HARNESS Convertible	\$225.00	
18470	1971	REAR LAMP HARNESS Rear, All	\$225.00	
18860	1972	REAR LAMP INTERMEDIATE HARNESS Coupe	\$211.00	
18865	1972	REAR LAMP INTERMEDIATE HARNESS Convertible	\$225.00	
32300	1972	REAR LAMP HARNESS Rear, All	\$225.00	
REPAIR PIGTAIL-FOR POWER WINDOW SWITCH				
36048	1964	REPAIR PIGTAIL, FOR POWER WINDOW SWITCH For Single Power Window Switches, Connector & Wire	\$25.00	
36048	1965	REPAIR PIGTAIL, FOR POWER WINDOW SWITCH For Single Power Window Switches, Connector & Wire	\$25.00	
36048	1966	REPAIR PIGTAIL, FOR POWER WINDOW SWITCH For Single Power Window Switches, Connector & Wire	\$25.00	
36048	1967	REPAIR PIGTAIL, FOR POWER WINDOW SWITCH For Single Power Window Switches, Connector & Wire	\$25.00	
36048	1968	REPAIR PIGTAIL, FOR POWER WINDOW SWITCH For Single Power Window Switches, Connector & Wire	\$25.00	
36048	1969	REPAIR PIGTAIL, FOR POWER WINDOW SWITCH For Single Power Window Switches, Connector & Wire	\$25.00	
36048	1970	REPAIR PIGTAIL, FOR POWER WINDOW SWITCH For Single Power Window Switches, Connector & Wire	\$25.00	
SPEAKER WIRE				
07705	1965	SPEAKER WIRE Single Rear Seat Speaker, All 2 And 4 Doors	\$25.00	
07705	1966	SPEAKER WIRE Single Rear Seat Speaker, All 2 And 4 Doors	\$25.00	
STEERING COLUMN ADAPTER HARNESS				
37542	1964	STEERING COLUMN ADAPTER HARNESS For 1969-1974 GM & Ididit Columns (Exc. Flaming River) To Stock Dash Harness	\$50.00	
Note: Adapts Horn, Directionals, Hazard Flashers To Stock 8 Pin T/L Dash Connector.				

Part Number	Year	Description	Price	*Rev.
37009	1964	STEERING COLUMN ADAPTER HARNESS For 1975 & Up GM & Flaming River Columns (Exc. Ididit) To Stock Dash Harness Note: Adapts Horn, Directionals, Hazard Flashers To Stock 8 Pin Dash Connector.	\$52.00	
37542	1965	STEERING COLUMN ADAPTER HARNESS For 1969-1974 GM & Ididit Columns (Exc. Flaming River) To Stock Dash Harness Note: Adapts Horn, Directionals, Hazard Flashers To Stock 8 Pin T/L Dash Connector.	\$50.00	
37009	1965	STEERING COLUMN ADAPTER HARNESS For 1975 & Up GM & Flaming River Columns (Exc. Ididit) To Stock Dash Harness Note: Adapts Horn, Directionals, Hazard Flashers To Stock 8 Pin Dash Connector.	\$52.00	
37542	1966	STEERING COLUMN ADAPTER HARNESS For 1969-1974 GM & Ididit Columns (Exc. Flaming River) To Stock Dash Harness Note: Adapts Horn, Directionals, Hazard Flashers To Stock 8 Pin T/L Dash Connector.	\$50.00	
37009	1966	STEERING COLUMN ADAPTER HARNESS For 1975 & Up GM & Flaming River Columns (Exc. Ididit) To Stock Dash Harness Note: Adapts Horn, Directionals, Hazard Flashers To Stock 8 Pin Dash Connector.	\$52.00	
36882	1967	STEERING COLUMN ADAPTER HARNESS For 1969-1974 GM & Ididit Columns (Exc. Flaming River) To Stock Dash Harness Note: Adapts Horn, Directionals, Hazard Flashers To Stock 9-Pin T/L Dash Connector.	\$27.00	
38127	1967	STEERING COLUMN ADAPTER HARNESS For 1975 & Up GM & Flaming River Columns (Exc. Ididit) To Stock Dash Harness Note: Adapts Horn, Directionals, Hazard Flashers To Stock 9-Pin T/L Dash Connector.	\$27.00	
36882	1968	STEERING COLUMN ADAPTER HARNESS For 1969-1974 GM & Ididit Columns (Exc. Flaming River) To Stock Dash Harness Note: Adapts Horn, Directionals, Hazard Flashers To Stock 9-Pin T/L Dash Connector.	\$27.00	
38127	1968	STEERING COLUMN ADAPTER HARNESS For 1975 & Up GM & Flaming River Columns (Exc. Ididit) To Stock Dash Harness Note: Adapts Horn, Directionals, Hazard Flashers To Stock 9-Pin T/L Dash Connector.	\$27.00	
STOP LAMP SWITCH				
01261219	1964	STOP LAMP SWITCH Without Cruise	\$5.80	N
01261219	1965	STOP LAMP SWITCH Without Cruise	\$5.80	N
01261219	1966	STOP LAMP SWITCH Without Cruise	\$5.80	N
01261219	1967	STOP LAMP SWITCH Without Cruise	\$5.80	N
01261219	1968	STOP LAMP SWITCH Without Cruise	\$5.80	N
01261219	1969	STOP LAMP SWITCH Without Cruise	\$5.80	N
01261219	1970	STOP LAMP SWITCH Without Cruise	\$5.80	N
01261219	1971	STOP LAMP SWITCH Without Cruise	\$5.80	N
01261219	1972	STOP LAMP SWITCH Without Cruise	\$5.80	N
01261219	1973	STOP LAMP SWITCH Without Cruise	\$5.80	N
01261219	1974	STOP LAMP SWITCH Without Cruise	\$5.80	N
01261219	1975	STOP LAMP SWITCH Without Cruise	\$5.80	N
01261219	1976	STOP LAMP SWITCH Without Power Brakes Or Cruise	\$5.80	N
01261219	1977	STOP LAMP SWITCH Without Power Brakes Or Cruise	\$5.80	N
01261219	1978	STOP LAMP SWITCH Without Power Brakes Or Cruise	\$5.80	N
01261219	1979	STOP LAMP SWITCH Without Power Brakes Or Cruise	\$5.80	N
TACHOMETER EXTENSION HARNESS				
28985	1968	TACHOMETER EXTENSION HARNESS Engine Side, Coil To Dash	\$25.00	
28985	1969	TACHOMETER EXTENSION HARNESS Engine Side, Coil To Dash	\$25.00	
28985	1970	TACHOMETER EXTENSION HARNESS Engine Side, Coil To Dash	\$25.00	
28985	1971	TACHOMETER EXTENSION HARNESS Engine Side, Coil To Dash	\$25.00	
28985	1972	TACHOMETER EXTENSION HARNESS Engine Side, Coil To Dash	\$25.00	

Part Number	Year	Description	Price	*Rev.
TACHOMETER HARNESS				
28990	1968	TACHOMETER HARNESS Dash Side, Console Mounted Tach	\$69.00	
28990	1969	TACHOMETER HARNESS Dash Side, Console Mounted Tach	\$69.00	
39486	1972	TACHOMETER EXTENSION HARNESS Dash Side, Dash Mounted Tach To Coil Extension Harness	\$28.00	
TILT COLUMN ADAPTER HARNESS				
05200	1964	TILT COLUMN ADAPTER HARNESS Blinker Switch Adapter	\$60.00	
05200	1965	TILT COLUMN ADAPTER HARNESS Blinker Switch Adapter	\$60.00	
05200	1966	TILT COLUMN ADAPTER HARNESS Blinker Switch Adapter	\$60.00	
TURN SIGNAL SWITCH				
01993624	1964	TURN SIGNAL SWITCH With Tilt, Replaces Delco Part# D6220	\$71.00	
00387115	1965	TURN SIGNAL SWITCH Without Tilt (Stamped "BPC"), Replaces Delco Part# D6200 Note: This Switch Has A Metal Base.	\$96.00	
01993624	1965	TURN SIGNAL SWITCH With Tilt, Replaces Delco Part# D6220	\$71.00	
00387115	1966	TURN SIGNAL SWITCH Without Tilt (Stamped "BPC"), Replaces Delco Part# D6200 Note: This Switch Has A Metal Base.	\$96.00	
01993624	1966	TURN SIGNAL SWITCH With Tilt, Replaces Delco Part# D6220	\$71.00	
01893592	1967	TURN SIGNAL SWITCH Without Cornering Lights, Replaces Delco Part# D6211 Note: This Is A Service Part, Adapter Pigtail Included And Is Required For Some Applications.	\$58.00	
07800482	1967	TURN SIGNAL SWITCH All, Except Column Shift A/T, Without Cornering Lamps (Delco Type, White Or Green) Note: Emergency Flasher Actuator Hole In Outer Cover Is Shaped Like A Doghouse.	\$50.00	
05698897	1967	TURN SIGNAL SWITCH Column Shift A/T, (Delco Type, Black, White Or Green) Without Tilt, Without Cornering Lamps Note: Emergency Flasher Actuator Hole In Outer Cover Is Shaped Like A Doghouse.	\$50.00	
05698897	1967	TURN SIGNAL SWITCH Column Shift A/T, (Delco Type, Black, White Or Green) With Tilt, Without Cornering Lamps Note: Emergency Flasher Actuator Hole In Outer Cover Is Shaped Like A Doghouse.	\$50.00	
01893592	1968	TURN SIGNAL SWITCH Without Cornering Lights, Replaces Delco Part# D6211 Note: This Is A Service Part, Adapter Pigtail Included And Is Required For Some Applications.	\$58.00	
07800482	1968	TURN SIGNAL SWITCH All, Except Column Shift A/T, Without Cornering Lamps (Delco Type, White Or Green) Note: Emergency Flasher Actuator Hole In Outer Cover Is Shaped Like A Doghouse.	\$50.00	
05698897	1968	TURN SIGNAL SWITCH Column Shift A/T, (Delco Type, Black, White Or Green) Without Tilt, Without Cornering Lamps Note: Emergency Flasher Actuator Hole In Outer Cover Is Shaped Like A Doghouse.	\$50.00	
05698897	1968	TURN SIGNAL SWITCH Column Shift A/T, (Delco Type, Black, White Or Green) With Tilt, Without Cornering Lamps Note: Emergency Flasher Actuator Hole In Outer Cover Is Shaped Like A Doghouse.	\$50.00	
01997938	1969	TURN SIGNAL SWITCH, CORRECT PART Without Cornering Lights Note: Correct Part, No Adapter Pigtail Required.	\$56.00	
01893588	1969	TURN SIGNAL SWITCH, SERVICE PART Without Cornering Lights, Replaces Delco Part# D6208 Note: This Is A Service Part, Adapter Pigtail Included Is Required For Installation.	\$58.00	
01997938	1970	TURN SIGNAL SWITCH, CORRECT PART Without Cornering Lights Note: Correct Part, No Adapter Pigtail Required.	\$56.00	
01893588	1970	TURN SIGNAL SWITCH, SERVICE PART Without Cornering Lights, Replaces Delco Part# D6208 Note: This Is A Service Part, Adapter Pigtail Included Is Required For Installation.	\$58.00	
01997938	1971	TURN SIGNAL SWITCH, CORRECT PART Without Cornering Lights Note: Correct Part, No Adapter Pigtail Required.	\$56.00	
01893588	1971	TURN SIGNAL SWITCH, SERVICE PART Without Cornering Lights, Replaces Delco Part# D6208 Note: This Is A Service Part, Adapter Pigtail Included Is Required For Installation.	\$58.00	

Part Number	Year	Description	Price	*Rev.
01997938	1972	TURN SIGNAL SWITCH, CORRECT PART Without Cornering Lights Note: Correct Part, No Adapter Pigtail Required.	\$56.00	
01893588	1972	TURN SIGNAL SWITCH, SERVICE PART Without Cornering Lights, Replaces Delco Part# D6208 Note: This Is A Service Part, Adapter Pigtail Included Is Required For Installation.	\$58.00	
WINDSHIELD WASHER PUMP				
04919332	1963	WINDSHIELD WASHER PUMP All	\$60.00	N
04919332	1964	WINDSHIELD WASHER PUMP All	\$60.00	N
04919332	1965	WINDSHIELD WASHER PUMP All	\$60.00	N
04919332	1966	WINDSHIELD WASHER PUMP All	\$60.00	N
04919332	1967	WINDSHIELD WASHER PUMP All	\$60.00	N
04919332	1968	WINDSHIELD WASHER PUMP Without Recessed Park Wipers	\$60.00	N
04919332	1969	WINDSHIELD WASHER PUMP Without Recessed Park Wipers	\$60.00	N
04919332	1970	WINDSHIELD WASHER PUMP Without Recessed Park Wipers	\$60.00	N
04919332	1971	WINDSHIELD WASHER PUMP Without Recessed Park Wipers	\$60.00	N
04919332	1972	WINDSHIELD WASHER PUMP Without Recessed Park Wipers	\$60.00	N
04919332	1973	WINDSHIELD WASHER PUMP Apollo, Without Recessed Park Wipers	\$60.00	N
04919332	1974	WINDSHIELD WASHER PUMP Apollo, Without Recessed Park Wipers	\$60.00	N
WINDSHIELD WIPER MOTOR				
04911476	1964	WINDSHIELD WIPER MOTOR 2-Speed, 3-Terminal Type Motor	\$92.00	N
44609	1964	WINDSHIELD WIPER MOTOR 2-Speed, 4-Terminal Type Motor Note: This Can Be Used In Place Of The 3-Terminal Motor. The 4th Terminal Is A Keyed Hot From Wiper Fuse In Fuse Box And May Or May Not Be Used In Some Applications.	\$106.00	N
04911476	1965	WINDSHIELD WIPER MOTOR 2-Speed, 3-Terminal Type Motor	\$92.00	N
44609	1965	WINDSHIELD WIPER MOTOR 2-Speed, 4-Terminal Type Motor Note: This Can Be Used In Place Of The 3-Terminal Motor. The 4th Terminal Is A Keyed Hot From Wiper Fuse In Fuse Box And May Or May Not Be Used In Some Applications.	\$106.00	N
04911476	1966	WINDSHIELD WIPER MOTOR 2-Speed, 3-Terminal Type Motor	\$92.00	N
44609	1966	WINDSHIELD WIPER MOTOR 2-Speed, 4-Terminal Type Motor Note: This Can Be Used In Place Of The 3-Terminal Motor. The 4th Terminal Is A Keyed Hot From Wiper Fuse In Fuse Box And May Or May Not Be Used In Some Applications.	\$106.00	N
04911476	1967	WINDSHIELD WIPER MOTOR 2-Speed, 3-Terminal Type Motor	\$92.00	N
44609	1967	WINDSHIELD WIPER MOTOR 2-Speed, 4-Terminal Type Motor Note: This Can Be Used In Place Of The 3-Terminal Motor. The 4th Terminal Is A Keyed Hot From Wiper Fuse In Fuse Box And May Or May Not Be Used In Some Applications.	\$106.00	N
WINDSHIELD WIPER SWITCH				
01993608	1963	WINDSHIELD WIPER SWITCH Single Speed, With Washer Note: Once our current stock runs out, this item will be discontinued.	\$52.00	
01993633	1964	WINDSHIELD WIPER SWITCH Single Speed, With Washer Note: Once our current stock runs out, this item will be discontinued.	\$46.00	
01993632	1964	WINDSHIELD WIPER SWITCH 2 Speed, With Washer Note: Once our current stock runs out, this item will be discontinued.	\$46.00	
01993306	1965	WINDSHIELD WIPER SWITCH Single Speed, With Washer Note: Once our current stock runs out, this item will be discontinued.	\$52.00	
01993372	1967	WINDSHIELD WIPER SWITCH	\$45.00	

Section 21

Wire & Components

Rolls of Wire

25 Foot rolls of wire offered in all of the popular gauge sizes and colors (including hard-to-find stripes)

XLPE Type GXL Wire

Meets SAE Spec J-1128

125° Celsius Heat Rating



We now offer 25 foot rolls of USA Made XLPE Type GXL (cross-linked polyethylene insulated) automotive grade primary wire in all of the popular gauge sizes and colors (**including hard-to-find stripes**). This is the exact same wire we use in all of our harnesses, and the same grade of wire you would find in cars and trucks being manufactured today. OEM's now use this wire due to it's high heat rating of 125° Celsius. Harnesses manufactured in the '60's and '70's utilized PVC Type wire that only had a heat rating of 80° Celsius; thus the reason most original harnesses tend to melt and become brittle with age. We use XLPE Type GXL wire to avoid these types of problems. This is the best automotive grade wire money can buy.

Simply browse the next few pages to see our extensive list of color and gauge combinations. Keep in mind the price listed is for a 25 foot roll and please order by part number when ordering.

Special pricing is available on 1,000 feet of any one wire gauge and color, please call for a price quote.

Part Number	Year	Description	Price	*Rev.
COMPONENTS				
44208	Universal	CLIP, SMALL WIRE ROUTING SHEET METAL EDGE KIT Designed To Route Single Cables 14 Thru 20 Gauge. GM Part Number 03833476. Includes 4 Clips Per Kit. Note: Can Be Installed On Sheet Metal Thickness Of .028 Minimum To .133 Maximum. Spring Steel Phosphate Coated, Barb Construction For Retention, Vinyl Coated For Cable Protection Against Chafing.	\$16.00	N
44209	Universal	CLIP, MEDIUM WIRE ROUTING SHEET METAL EDGE KIT Designed To Route Multiple Cables 14 Thru 20 Gauge. GM Part Number 03772788. Includes 4 Clips Per Kit. Note: Can Be Installed On Sheet Metal Thickness Of .028 Minimum To .133 Maximum. Spring Steel Phosphate Coated, Barb Construction For Retention, Vinyl Coated For Cable Protection Against Chafing.	\$16.00	N
SPARK PLUG WIRE SEPARATOR SET				
500333	Universal	SPARK PLUG WIRE SEPARATOR SET, BLACK	\$12.00	N
500336	Universal	SPARK PLUG WIRE SEPARATOR SET, BLUE	\$12.00	N
500334	Universal	SPARK PLUG WIRE SEPARATOR SET, RED	\$12.00	N
500335	Universal	SPARK PLUG WIRE SEPARATOR SET, YELLOW	\$12.00	N
WIRE				
R0041400	Universal	18 GA BLACK GXL WIRE 25 Foot Roll	\$17.00	
R0041401	Universal	18 GA BLACK/BLUE LT GXL WIRE 25 Foot Roll	\$18.00	
R0041402	Universal	18 GA BLACK/GREEN LT GXL WIRE 25 Foot Roll	\$18.00	
R0041403	Universal	18 GA BLACK/ORANGE GXL WIRE 25 Foot Roll	\$18.00	
R0041404	Universal	18 GA BLACK/PINK GXL WIRE 25 Foot Roll	\$18.00	
R0041405	Universal	18 GA BLACK/RED GXL WIRE 25 Foot Roll	\$18.00	
R0041406	Universal	18 GA BLACK/TAN GXL WIRE 25 Foot Roll	\$18.00	
R0041407	Universal	18 GA BLACK/VIOLET GXL WIRE 25 Foot Roll	\$18.00	
R0041408	Universal	18 GA BLACK/WHITE GXL WIRE 25 Foot Roll	\$18.00	
R0041409	Universal	18 GA BLACK/YELLOW GXL WIRE 25 Foot Roll	\$18.00	
R0041410	Universal	18 GA BLUE DK GXL WIRE 25 Foot Roll	\$17.00	
R0041411	Universal	18 GA BLUE DK/BLACK GXL WIRE 25 Foot Roll	\$18.00	
R0041412	Universal	18 GA BLUE DK/GRAY GXL WIRE 25 Foot Roll	\$18.00	
R0041413	Universal	18 GA BLUE DK/RED GXL WIRE 25 Foot Roll	\$18.00	
R0041414	Universal	18 GA BLUE DK/WHITE GXL WIRE 25 Foot Roll	\$18.00	
R0041415	Universal	18 GA BLUE LT GXL WIRE 25 Foot Roll	\$17.00	
R0041416	Universal	18 GA BLUE LT/BLACK GXL WIRE 25 Foot Roll	\$18.00	
R0041417	Universal	18 GA BLUE LT/RED GXL WIRE 25 Foot Roll	\$18.00	
R0041418	Universal	18 GA BLUE LT/YELLOW GXL WIRE 25 Foot Roll	\$18.00	
R0041419	Universal	18 GA BROWN GXL WIRE 25 Foot Roll	\$17.00	
R0041420	Universal	18 GA BROWN/TAN GXL WIRE 25 Foot Roll	\$18.00	
R0041421	Universal	18 GA BROWN/WHITE GXL WIRE 25 Foot Roll	\$18.00	
R0041422	Universal	18 GA BROWN/YELLOW GXL WIRE 25 Foot Roll	\$18.00	
R0041423	Universal	18 GA GRAY GXL WIRE 25 Foot Roll	\$17.00	
R0041424	Universal	18 GA GRAY/BLACK GXL WIRE 25 Foot Roll	\$18.00	
R0041425	Universal	18 GA GRAY/RED GXL WIRE 25 Foot Roll	\$18.00	
R0041426	Universal	18 GA GRAY/WHITE GXL WIRE 25 Foot Roll	\$18.00	
R0041427	Universal	18 GA GREEN DK GXL WIRE 25 Foot Roll	\$17.00	
R0041428	Universal	18 GA GREEN DK/BLACK GXL WIRE 25 Foot Roll	\$18.00	
R0041429	Universal	18 GA GREEN DK/RED GXL WIRE 25 Foot Roll	\$18.00	
R0041430	Universal	18 GA GREEN DK/WHITE GXL WIRE 25 Foot Roll	\$18.00	
R0041431	Universal	18 GA GREEN DK/YELLOW GXL WIRE 25 Foot Roll	\$18.00	
R0041432	Universal	18 GA GREEN LT GXL WIRE 25 Foot Roll	\$17.00	

**Wire
and Components**



**Phone (562) 926-9552
Fax (562) 926-9572**

Part Number	Year	Description	Price	*Rev.
R0041433	Universal	18 GA GREEN LT/BLACK GXL WIRE 25 Foot Roll	\$18.00	
R0041434	Universal	18 GA GREEN LT/ORANGE GXL WIRE 25 Foot Roll	\$18.00	
R0041435	Universal	18 GA GREEN LT/WHITE GXL WIRE 25 Foot Roll	\$18.00	
R0041436	Universal	18 GA GREEN LT/YELLOW GXL WIRE 25 Foot Roll	\$18.00	
R0041437	Universal	18 GA ORANGE GXL WIRE 25 Foot Roll	\$17.00	
R0041438	Universal	18 GA ORANGE/BLACK GXL WIRE 25 Foot Roll	\$18.00	
R0041439	Universal	18 GA ORANGE/BLUE DK GXL WIRE 25 Foot Roll	\$18.00	
R0041440	Universal	18 GA PINK GXL WIRE 25 Foot Roll	\$17.00	
R0041441	Universal	18 GA PINK/BLACK GXL WIRE 25 Foot Roll	\$18.00	
R0041442	Universal	18 GA PINK/WHITE GXL WIRE 25 Foot Roll	\$18.00	
R0041443	Universal	18 GA PURPLE GXL WIRE 25 Foot Roll	\$17.00	
R0041444	Universal	18 GA PURPLE/WHITE GXL WIRE 25 Foot Roll	\$18.00	
R0041445	Universal	18 GA RED GXL WIRE 25 Foot Roll	\$17.00	
R0041446	Universal	18 GA RED/BLACK GXL WIRE 25 Foot Roll	\$18.00	
R0041447	Universal	18 GA RED/BLUE DK GXL WIRE 25 Foot Roll	\$18.00	
R0041448	Universal	18 GA RED/GREEN LT GXL WIRE 25 Foot Roll	\$18.00	
R0041449	Universal	18 GA RED/WHITE GXL WIRE 25 Foot Roll	\$18.00	
R0041450	Universal	18 GA TAN GXL WIRE 25 Foot Roll	\$17.00	
R0041451	Universal	18 GA TAN/BLACK GXL WIRE 25 Foot Roll	\$18.00	
R0041452	Universal	18 GA TAN/WHITE GXL WIRE 25 Foot Roll	\$18.00	
R0041453	Universal	18 GA WHITE GXL WIRE 25 Foot Roll	\$17.00	
R0041454	Universal	18 GA WHITE/BLACK GXL WIRE 25 Foot Roll	\$18.00	
R0041455	Universal	18 GA WHITE/BLUE DK GXL WIRE 25 Foot Roll	\$18.00	
R0041456	Universal	18 GA WHITE/GREEN DK GXL WIRE 25 Foot Roll	\$18.00	
R0041457	Universal	18 GA WHITE/RED GXL WIRE 25 Foot Roll	\$18.00	
R0041458	Universal	18 GA YELLOW GXL WIRE 25 Foot Roll	\$17.00	
R0041459	Universal	18 GA YELLOW/BLACK GXL WIRE 25 Foot Roll	\$18.00	
R0041460	Universal	18 GA YELLOW/GREEN LT GXL WIRE 25 Foot Roll	\$18.00	
R0041461	Universal	18 GA YELLOW/WHITE GXL WIRE 25 Foot Roll	\$18.00	
R0041462	Universal	16 GA BLACK GXL WIRE 25 Foot Roll	\$18.00	
R0041463	Universal	16 GA BLACK/BLUE LT GXL WIRE 25 Foot Roll	\$19.00	
R0041464	Universal	16 GA BLACK/GREEN LT GXL WIRE 25 Foot Roll	\$19.00	
R0041465	Universal	16 GA BLACK/ORANGE GXL WIRE 25 Foot Roll	\$19.00	
R0041466	Universal	16 GA BLACK/PINK GXL WIRE 25 Foot Roll	\$19.00	
R0041467	Universal	16 GA BLACK/RED GXL WIRE 25 Foot Roll	\$19.00	
R0041468	Universal	16 GA BLACK/WHITE GXL WIRE 25 Foot Roll	\$19.00	
R0041469	Universal	16 GA BLACK/YELLOW GXL WIRE 25 Foot Roll	\$19.00	
R0041470	Universal	16 GA BLUE DK GXL WIRE 25 Foot Roll	\$18.00	
R0041471	Universal	16 GA BLUE DK/WHITE GXL WIRE 25 Foot Roll	\$19.00	
R0041472	Universal	16 GA BLUE DK/YELLOW GXL WIRE 25 Foot Roll	\$19.00	
R0041473	Universal	16 GA BLUE LT GXL WIRE 25 Foot Roll	\$18.00	
R0041474	Universal	16 GA BLUE LT/BLACK GXL WIRE 25 Foot Roll	\$19.00	
R0041475	Universal	16 GA BLUE LT/YELLOW GXL WIRE 25 Foot Roll	\$19.00	
R0041476	Universal	16 GA BROWN GXL WIRE 25 Foot Roll	\$18.00	
R0041477	Universal	16 GA BROWN/BLUE DARK GXL WIRE 25 Foot Roll	\$19.00	
R0041478	Universal	16 GA BROWN/WHITE GXL WIRE 25 Foot Roll	\$19.00	
R0041479	Universal	16 GA GRAY GXL WIRE 25 Foot Roll	\$18.00	

**Wire
and Components**



**Phone (562) 926-9552
Fax (562) 926-9572**

Part Number	Year	Description	Price	*Rev.
R0041480	Universal	16 GA GREEN DK GXL WIRE 25 Foot Roll	\$18.00	
R0041481	Universal	16 GA GREEN DK/RED GXL WIRE 25 Foot Roll	\$19.00	
R0041482	Universal	16 GA GREEN DK/WHITE GXL WIRE 25 Foot Roll	\$19.00	
R0041483	Universal	16 GA GREEN LT GXL WIRE 25 Foot Roll	\$18.00	
R0041484	Universal	16 GA GREEN LT/BLACK GXL WIRE 25 Foot Roll	\$19.00	
R0041485	Universal	16 GA ORANGE GXL WIRE 25 Foot Roll	\$18.00	
R0041486	Universal	16 GA ORANGE/BLACK GXL WIRE 25 Foot Roll	\$19.00	
R0041487	Universal	16 GA ORANGE/YELLOW GXL WIRE 25 Foot Roll	\$19.00	
R0041488	Universal	16 GA PINK GXL WIRE 25 Foot Roll	\$18.00	
R0041489	Universal	16 GA PINK/BLACK GXL WIRE 25 Foot Roll	\$19.00	
R0041490	Universal	16 GA PINK/WHITE GXL WIRE 25 Foot Roll	\$19.00	
R0041491	Universal	16 GA PURPLE GXL WIRE 25 Foot Roll	\$18.00	
R0041492	Universal	16 GA PURPLE/WHITE GXL WIRE 25 Foot Roll	\$19.00	
R0041493	Universal	16 GA RED GXL WIRE 25 Foot Roll	\$18.00	
R0041494	Universal	16 GA RED/BLACK GXL WIRE 25 Foot Roll	\$19.00	
R0041495	Universal	16 GA RED/WHITE GXL WIRE 25 Foot Roll	\$19.00	
R0041679	Universal	16 GA RED/YELLOW GXL WIRE 25 Foot Roll	\$19.00	
R0041496	Universal	16 GA TAN GXL WIRE 25 Foot Roll	\$18.00	
R0041497	Universal	16 GA TAN/WHITE GXL WIRE 25 Foot Roll	\$19.00	
R0041498	Universal	16 GA WHITE GXL WIRE 25 Foot Roll	\$18.00	
R0041499	Universal	16 GA WHITE/BLACK GXL WIRE 25 Foot Roll	\$19.00	
R0041500	Universal	16 GA WHITE/RED GXL WIRE 25 Foot Roll	\$19.00	
R0041501	Universal	16 GA YELLOW GXL WIRE 25 Foot Roll	\$18.00	
R0041502	Universal	16 GA YELLOW/BLACK GXL WIRE 25 Foot Roll	\$19.00	
R0041503	Universal	16 GA YELLOW/ORANGE GXL WIRE 25 Foot Roll	\$19.00	
R0041504	Universal	14 GA BLACK GXL WIRE 25 Foot Roll	\$20.00	
R0041505	Universal	14 GA BLACK/BLUE LT GXL WIRE 25 Foot Roll	\$21.00	
R0041506	Universal	14 GA BLACK/LIGHT GREEN GXL WIRE 25 Foot Roll	\$21.00	
R0041507	Universal	14 GA BLACK/ORANGE GXL WIRE 25 Foot Roll	\$21.00	
R0041508	Universal	14 GA BLACK/PINK GXL WIRE 25 Foot Roll	\$21.00	
R0041509	Universal	14 GA BLACK/RED GXL WIRE 25 Foot Roll	\$21.00	
R0041510	Universal	14 GA BLACK/TAN GXL WIRE 25 Foot Roll	\$21.00	
R0041511	Universal	14 GA BLACK/WHITE GXL WIRE 25 Foot Roll	\$21.00	
R0041512	Universal	14 GA BLACK/YELLOW GXL WIRE 25 Foot Roll	\$21.00	
R0041513	Universal	14 GA BLUE DK GXL WIRE 25 Foot Roll	\$20.00	
R0041514	Universal	14 GA BLUE DK/WHITE GXL WIRE 25 Foot Roll	\$21.00	
R0041515	Universal	14 GA BLUE LT GXL WIRE 25 Foot Roll	\$20.00	
R0041516	Universal	14 GA BLUE LT/BLACK GXL WIRE 25 Foot Roll	\$21.00	
R0041517	Universal	14 GA BLUE LT/YELLOW GXL WIRE 25 Foot Roll	\$21.00	
R0041518	Universal	14 GA BROWN GXL WIRE 25 Foot Roll	\$20.00	
R0041519	Universal	14 GA BROWN/WHITE GXL WIRE 25 Foot Roll	\$21.00	
R0041520	Universal	14 GA GRAY GXL WIRE 25 Foot Roll	\$20.00	
R0041521	Universal	14 GA GRAY/BLACK GXL WIRE 25 Foot Roll	\$21.00	
R0041522	Universal	14 GA GRAY/WHITE GXL WIRE 25 Foot Roll	\$21.00	
R0041523	Universal	14 GA GREEN DK GXL WIRE 25 Foot Roll	\$20.00	
R0041524	Universal	14 GA GREEN DK/RED GXL WIRE 25 Foot Roll	\$21.00	
R0041525	Universal	14 GA GREEN DK/WHITE GXL WIRE 25 Foot Roll	\$21.00	

**Wire
and Components**



**Phone (562) 926-9552
Fax (562) 926-9572**

Part Number	Year	Description	Price	*Rev.
R0041526	Universal	14 GA GREEN LT GXL WIRE 25 Foot Roll	\$20.00	
R0041527	Universal	14 GA GREEN LT/WHITE GXL WIRE 25 Foot Roll	\$21.00	
R0041528	Universal	14 GA GREEN LT / BLACK GXL WIRE 25 Foot Roll	\$21.00	
R0041529	Universal	14 GA ORANGE GXL WIRE 25 Foot Roll	\$20.00	
R0041530	Universal	14 GA ORANGE/BLACK GXL WIRE 25 Foot Roll	\$21.00	
R0041531	Universal	14 GA PINK GXL WIRE 25 Foot Roll	\$20.00	
R0041532	Universal	14 GA PINK/BLACK GXL WIRE 25 Foot Roll	\$21.00	
R0041533	Universal	14 GA PINK/WHITE GXL WIRE 25 Foot Roll	\$21.00	
R0041534	Universal	14 GA PURPLE GXL WIRE 25 Foot Roll	\$20.00	
R0041535	Universal	14 GA PURPLE/WHITE GXL WIRE 25 Foot Roll	\$21.00	
R0041536	Universal	14 GA RED GXL WIRE 25 Foot Roll	\$20.00	
R0041537	Universal	14 GA RED/BLACK GXL WIRE 25 Foot Roll	\$21.00	
R0041538	Universal	14 GA RED/WHITE GXL WIRE 25 Foot Roll	\$21.00	
R0041539	Universal	14 GA TAN GXL WIRE 25 Foot Roll	\$20.00	
R0041540	Universal	14 GA TAN/WHITE GXL WIRE 25 Foot Roll	\$21.00	
R0041541	Universal	14 GA WHITE GXL WIRE 25 Foot Roll	\$20.00	
R0041542	Universal	14 GA WHITE/BLUE DK GXL WIRE 25 Foot Roll	\$21.00	
R0041543	Universal	14 GA YELLOW GXL WIRE 25 Foot Roll	\$20.00	
R0041544	Universal	14 GA YELLOW/BLACK GXL WIRE 25 Foot Roll	\$21.00	
R0041545	Universal	12 GA BLACK GXL WIRE 25 Foot Roll	\$22.00	
R0041546	Universal	12 GA BLACK/ORANGE GXL WIRE 25 Foot Roll	\$24.00	
R0041547	Universal	12 GA BLACK/PINK GXL WIRE 25 Foot Roll	\$24.00	
R0041548	Universal	12 GA BLACK/RED GXL WIRE 25 Foot Roll	\$24.00	
R0041549	Universal	12 GA BLACK/WHITE GXL WIRE 25 Foot Roll	\$24.00	
R0041550	Universal	12 GA BLACK/YELLOW GXL WIRE 25 Foot Roll	\$24.00	
R0041551	Universal	12 GA BLUE DK/WHITE GXL WIRE 25 Foot Roll	\$24.00	
R0041552	Universal	12 GA BLUE LIGHT GXL WIRE 25 Foot Roll	\$22.00	
R0041553	Universal	12 GA BROWN GXL WIRE 25 Foot Roll	\$22.00	
R0041554	Universal	12 GA BROWN/WHITE GXL WIRE 25 Foot Roll	\$24.00	
R0041555	Universal	12 GA GREEN DK/RED GXL WIRE 25 Foot Roll	\$24.00	
R0041556	Universal	12 GA GREEN LT/BLACK GXL WIRE 25 Foot Roll	\$24.00	
R0041557	Universal	12 GA ORANGE GXL WIRE 25 Foot Roll	\$22.00	
R0041558	Universal	12 GA ORANGE/BLACK GXL WIRE 25 Foot Roll	\$24.00	
R0041559	Universal	12 GA PINK GXL WIRE 25 Foot Roll	\$22.00	
R0041560	Universal	12 GA PINK/BLACK GXL WIRE 25 Foot Roll	\$24.00	
R0041561	Universal	12 GA PINK/WHITE GXL WIRE 25 Foot Roll	\$24.00	
R0041562	Universal	12 GA PURPLE GXL WIRE 25 Foot Roll	\$22.00	
R0041563	Universal	12 GA PURPLE/WHITE GXL WIRE 25 Foot Roll	\$24.00	
R0041564	Universal	12 GA RED GXL WIRE 25 Foot Roll	\$22.00	
R0041565	Universal	12 GA RED/BLACK GXL WIRE 25 Foot Roll	\$24.00	
R0041566	Universal	12 GA RED/WHITE GXL WIRE 25 Foot Roll	\$24.00	
R0041567	Universal	12 GA RED/YELLOW GXL WIRE 25 Foot Roll	\$24.00	
R0041568	Universal	12 GA TAN/WHITE GXL WIRE 25 Foot Roll	\$24.00	
R0041569	Universal	12 GA WHITE GXL WIRE 25 Foot Roll	\$22.00	
R0041570	Universal	12 GA YELLOW GXL WIRE 25 Foot Roll	\$22.00	
R0041571	Universal	12 GA YELLOW/GREEN LT GXL WIRE 25 Foot Roll	\$24.00	
R0041572	Universal	10 GA BLACK GXL WIRE 25 Foot Roll	\$25.00	

**Wire
and Components**



Phone (562) 926-9552
Fax (562) 926-9572

Part Number	Year	Description	Price	*Rev.
R0041573	Universal	10 GA BLACK/RED GXL WIRE 25 Foot Roll	\$26.00	
R0041574	Universal	10 GA BLACK/WHITE GXL WIRE 25 Foot Roll	\$26.00	
R0041575	Universal	10 GA ORANGE/BLACK GXL WIRE 25 Foot Roll	\$26.00	
R0041585	Universal	10 GA PINK GXL WIRE 25 Foot Roll	\$25.00	
R0041576	Universal	10 GA PURPLE GXL WIRE 25 Foot Roll	\$25.00	
R0041577	Universal	10 GA RED GXL WIRE 25 Foot Roll	\$25.00	
R0041578	Universal	10 GA RED/WHITE GXL WIRE 25 Foot Roll	\$26.00	
R0041579	Universal	10 GA YELLOW GXL WIRE 25 Foot Roll	\$25.00	
R0041580	Universal	10 GA YELLOW/BLACK GXL WIRE 25 Foot Roll	\$26.00	
R0041581	Universal	8 GA BLACK GXL WIRE 25 Foot Roll	\$36.00	
R0041582	Universal	8 GA ORANGE GXL WIRE 25 Foot Roll	\$36.00	
R0041583	Universal	8 GA RED GXL WIRE 25 Foot Roll	\$36.00	
R0041584	Universal	8 GA YELLOW GXL WIRE 25 Foot Roll	\$36.00	

Section 22

Miscellaneous Product Announcements & Technical Bulletins

Alternator Conversion Kits

**See car line catalogs
for specific applications**

Alternator Conversion Kit External to "SI" Type Internal

Our most popular Alternator Conversion Kit. This kit makes it easy to convert from an External Regulated Alternator to an "SI" Type Internal Regulated Alternator. Kit includes both adapters and an instruction sheet.

Easy to install:

1) Disconnect the external voltage regulator leads and plug our "Special Regulator Adapter" into the voltage regulator lead wires. 2) Disconnect the alternator lead wires. 3) Install new "SI" Type Internal Regulated alternator. 4) Plug one end of our "Alternator Adapter" into the original alternator lead wires and the other into the alternator.

Typical application is '63-'74 GM Cars & Trucks, see carline catalogs for specific application information.

Part #27555

Retail \$29.00



Alternator Conversion Kit External to "CS" Type Internal

This kit makes it easy to convert from an External Regulated Alternator to a "CS" Type Internal Regulated Alternator. Kit includes both adapters and an instruction sheet.

Easy to install:

1) Disconnect the external voltage regulator leads and plug our "Special Regulator Adapter" into the voltage regulator lead wires. 2) Disconnect the alternator lead wires. 3) Install new "SI" Type Internal Regulated alternator. 4) Plug one end of our "Alternator Adapter" into the original alternator lead wires and the other into the alternator.

Typical application is '63-'74 GM Cars & Trucks, see carline catalogs for specific application information.

Part #37787

Retail \$34.00



Alternator Conversion Kit "SI" Type Internal to CS130/CS144 Type Internal

Allows for an easy conversion from an "SI" type internal regulated alternator to a "CS130" or "CS144" type internal regulated alternator. Simple to install, the mating end of the adapter pigtail plugs perfectly to the original alternator connector, and the other end plugs right into any "CS130" or "CS144" type alternator. Kit includes adapter pigtail and an instruction sheet.

Typical application is '69-'84 GM Cars & Trucks, see carline catalogs for specific application information.

Part #37796

Retail \$26.00



Alternator Conversion Kits

See car line catalogs for specific applications

Alternator Conversion Kit

"SI" Type Internal to "CS130D" Type Internal

Allows for an easy conversion from an "SI" type internal regulated alternator to a "CS130D" type internal regulated alternator. Simple to install, the mating end of the adapter pigtail plugs perfectly to the original alternator connector, and the other end plugs right into any "CS130D" type alternator. Kit includes adapter pigtail and an instruction sheet.

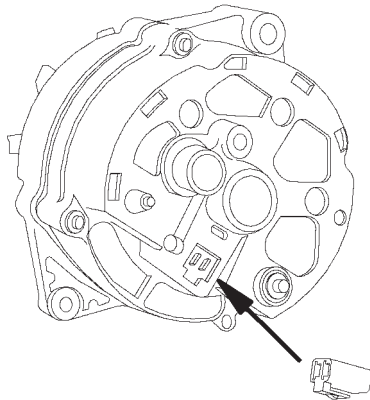
Typical application is '69-'84 GM Cars & Trucks, see carline catalogs for specific application information.

Part #39472

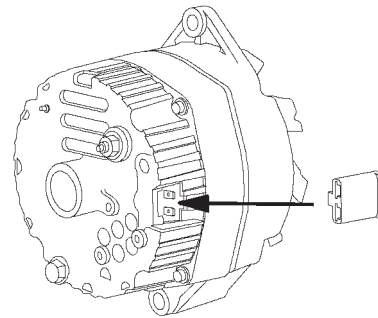
Retail \$27.00



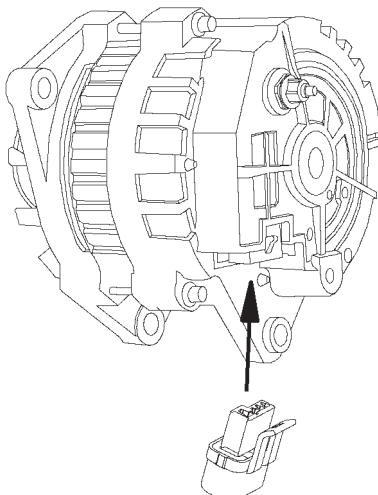
Alternator Identification



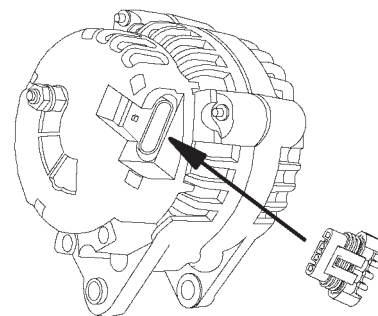
1963-1974
External Regulated Alternator



1969-1984 "SI" Type
Internal Regulated Alternator



1984-1999 "CS130" & "CS144" Type
Internal Regulated Alternator



1994-Newer "CS130D" Type
Internal Regulated Alternator

Breakerless SE Single Wire Ignition

Simple 1 Wire Hook-Up, just connect the original points wire to the module

Completely stock appearance

Emissions Legal in all 50 States

Three year warranty

The Breakerless SE allows you to convert any 1957 to 1974 GM, AMC or Jeep V8 breaker point type distributor (with a windowed type distributor cap) to a reliable solid-state electronic ignition, utilizing a fully integrated trigger and power module that fits completely inside the distributor.

Unlike competitive systems though, no additional wires protrude from the distributor, only the original points wire. The result is a state-of-the-art ignition with an absolutely stock appearance. The Breakerless SE is so unique that it's patented !



Outstanding features of this unit include:

- Single wire operation to preserve stock appearance and simplify wiring.
- Active dwell control maintains high rpm spark energy while reducing coil heating at idle.
- Auto-standby prevents coil damage or dead battery if the ignition is accidentally left on.
- Hall effect rotary-vane sensor design compensates for worn bearings and distributor end play. Magnetic sensor is unaffected by oil, dirt or other contaminants, unlike optical systems.
- Over-voltage/over-current protected against damage from high amp battery chargers, reversed battery, or improper wiring.
- Constructed with premium quality components. Sealed, hi-temp thermoplastic housing provides exceptional resistance against moisture and vibration.
- No distributor modification, disassembly, or removal is required.

Kit comes complete with everything you'll need to install the Breakerless SE Single Wire Ignition. Kit includes: 1 Module, 1 (two-piece) vane, all necessary installation hardware and a comprehensive instruction sheet.

Part #38131
Retail \$179.00

**For more info on this product
visit www.breakerless.com**

Transistor Ignition Replacement Module

Drop-In Replacement Module fits all Chevrolet & Pontiac cars equipped with the rare and optional Transistor Ignition System

Drops into the Original Finned Amplifier Housing

Quicker Starts

Improved Performance

M&H's Transistor Ignition Replacement Module is a drop-in performance upgrade, and provides state-of-the-art ignition technology. This replacement module generates twice the coil primary voltage providing up to 10% more available secondary voltage with the factory T.I. coil. It also can be used with point type or aftermarket coils or M&H's own T.I. Replacement Coil. It provides output protection against failure caused by broken or disconnected plug wires, and has an extended temperature range to over 300-degrees. The state-of-the-art electronics are completely sealed in thermoplastic to keep water and contaminants out. Superior construction provides superior performance, just like all M&H Electric's products.



Simple to Install

- Remove the backing plate from your original amplifier housing
- Remove wiring from original circuit board and unscrew it from the housing
- Thoroughly clean the inside of the housing
- Screw in M&H's new T.I. Replacement Module and attach the wiring
- ***That's it, you'll enjoy Quicker Starts and Improved Performance***

Fits all Chevrolet & Pontiac cars with Transistor Ignition

**Part #32270
Retail \$172.00**