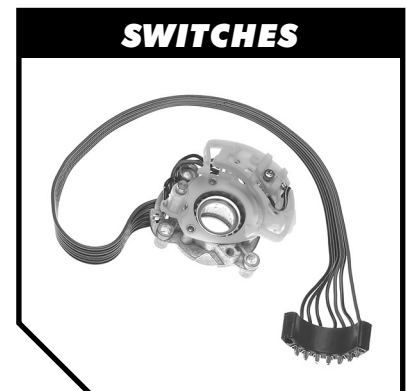




Electrical Restoration Products

**Cutlass
4-4-2/F-85**



Phone 562.926.9552
Fax 562.926.9572
sparky@wiringharness.com

www.wiringharness.com

Part #CUT

Buy with Confidence !

Made in the U.S.A.

All of our harnesses are hand assembled in the U.S.A.

Correct Color Wires

Our harnesses always match the original factory color codes and gauge sizes. We use U.S.A. made Cross Linked Polyethylene type GXL wire which is much more tolerant to heat than the original PVC type GPT wire that was used from the factory.

Dip Soldered (when applicable)

All terminals are dip soldered (when applicable) to limit resistance loss.

Correct Connectors & Terminals

With over 300,000 connectors and terminals in stock you can be sure the harness you receive will look identical to the original.

Correct Non-Adhesive & Cloth Tapes

All harnesses are wrapped with the correct non-adhesive or cloth woven tapes to assure a 100% factory appearance.

Technical Support

We don't expect our customers to be "wiring-wizards", you can call us direct with any technical questions you may have.

Custom Modifications

Custom modifications are available to allow you to convert from an external regulated alternator to an internal regulated alternator. This modification is available for most '63 and up GM cars and trucks. We can also convert many of our engine harnesses to work with H.E.I. distributors and electric chokes. Our modifications retain the factory appearance. Call our Customer Service Department for more details.

Reproduction Switches

We manufacture an extensive line of reproduction switches. These include Turn Signal, Backup Light, Neutral Safety, Wiper, Headlight Switches and others. As with all of our restoration products our switches will fit and function perfectly, just like the originals.

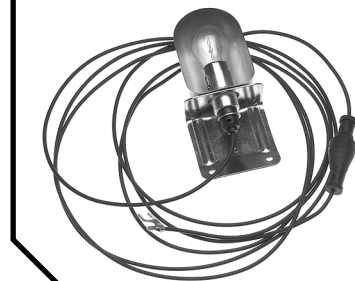
Guarantee & Warranty

We are so confident in the quality of all of our restoration products that we offer the following guarantee and warranty. If you are not 100% satisfied with the quality of any of our restoration products we will give you a full refund. Just return the unused item within 30 days of receipt for a full refund. We also offer a full 1 year replacement warranty on all of the products we sell (see our product warranty sheet for more info).

Method of Payment

We accept Visa, Master Card, American Express and Discover. If you prefer to pre-pay your order, we accept Money Orders, Cashiers Checks or Personal Checks. C.O.D. shipments are also available.

LIGHTING KITS



1 WIRE IGNITION



HARNESS TAPE



"M&H Harnesses are perfect reproductions created with correct color wires from Original GM wiring schematics".

**MUSCLECAR ENTHUSIAST
MAGAZINE**

www.wiringharness.com

Alternator Conversion Kits

**See car line catalogs
for specific applications**

Alternator Conversion Kit External to "SI" Type Internal

Our most popular Alternator Conversion Kit. This kit makes it easy to convert from an External Regulated Alternator to an "SI" Type Internal Regulated Alternator. Kit includes both adapters and an instruction sheet.

Easy to install:

1) Disconnect the external voltage regulator leads and plug our "Special Regulator Adapter" into the voltage regulator lead wires. 2) Disconnect the alternator lead wires. 3) Install new "SI" Type Internal Regulated alternator. 4) Plug one end of our "Alternator Adapter" into the original alternator lead wires and the other into the alternator.

Typical application is '63-'74 GM Cars & Trucks, see carline catalogs for specific application information.

Part #27555

Retail \$29.00



Alternator Conversion Kit External to "CS" Type Internal

This kit makes it easy to convert from an External Regulated Alternator to a "CS" Type Internal Regulated Alternator. Kit includes both adapters and an instruction sheet.

Easy to install:

1) Disconnect the external voltage regulator leads and plug our "Special Regulator Adapter" into the voltage regulator lead wires. 2) Disconnect the alternator lead wires. 3) Install new "SI" Type Internal Regulated alternator. 4) Plug one end of our "Alternator Adapter" into the original alternator lead wires and the other into the alternator.

Typical application is '63-'74 GM Cars & Trucks, see carline catalogs for specific application information.

Part #37787

Retail \$34.00



Alternator Conversion Kit "SI" Type Internal to CS130/CS144 Type Internal

Allows for an easy conversion from an "SI" type internal regulated alternator to a "CS130" or "CS144" type internal regulated alternator. Simple to install, the mating end of the adapter pigtail plugs perfectly to the original alternator connector, and the other end plugs right into any "CS130" or "CS144" type alternator. Kit includes adapter pigtail and an instruction sheet.

Typical application is '69-'84 GM Cars & Trucks, see carline catalogs for specific application information.

Part #37796

Retail \$26.00



Alternator Conversion Kits

See car line catalogs
for specific applications

Alternator Conversion Kit

"SI" Type Internal to "CS130D" Type Internal

Allows for an easy conversion from an "SI" type internal regulated alternator to a "CS130D" type internal regulated alternator. Simple to install, the mating end of the adapter pigtail plugs perfectly to the original alternator connector, and the other end plugs right into any "CS130D" type alternator. Kit includes adapter pigtail and an instruction sheet.

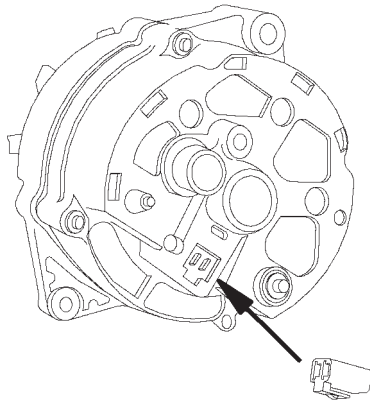
Typical application is '69-'84 GM Cars & Trucks, see carline catalogs for specific application information.

Part #39472

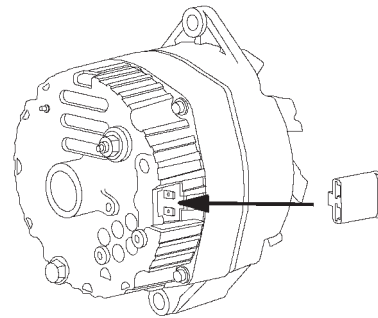
Retail \$27.00



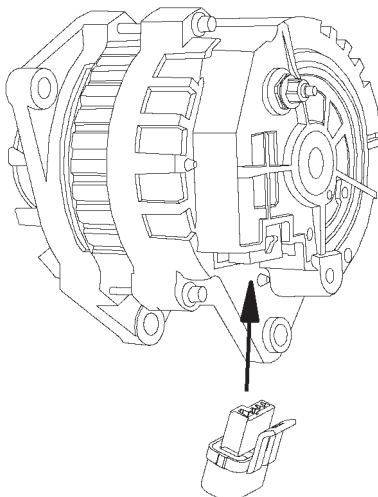
Alternator Identification



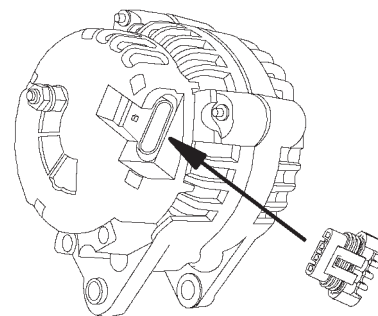
1963-1974
External Regulated Alternator



1969-1984 "SI" Type
Internal Regulated Alternator



1984-1999 "CS130" & "CS144" Type
Internal Regulated Alternator



1994-Newer "CS130D" Type
Internal Regulated Alternator

Cutlass
4-4-2/F-85



Phone (562) 926-9552
Fax (562) 926-9572

Part Number	Year	Description	Price	*Rev.
AIR CONDITIONING EXTENSION HARNESS				
36203	1972	AIR CONDITIONING EXTENSION HARNESS Thermo Limiter Jumper, Used With #16690 A/C Harness	\$46.00	
36203	1973	AIR CONDITIONING EXTENSION HARNESS Thermo Limiter Jumper	\$46.00	
36203	1974	AIR CONDITIONING EXTENSION HARNESS Thermo Limiter Jumper	\$46.00	
36203	1975	AIR CONDITIONING EXTENSION HARNESS Thermo Limiter Jumper	\$46.00	
AIR CONDITIONING HARNESS				
06045	1964	AIR CONDITIONING HARNESS V/8, Includes Heater Wiring	\$173.00	
09370	1965	AIR CONDITIONING HARNESS V/8, Includes Heater Wiring	\$173.00	
09450	1966	AIR CONDITIONING HARNESS V/8, Includes Heater Wiring	\$173.00	
10600	1967	AIR CONDITIONING HARNESS V/8, Includes Heater Wiring	\$176.00	
12705	1968	AIR CONDITIONING HARNESS V/8, Includes Heater Wiring	\$180.00	
13325	1969	AIR CONDITIONING HARNESS V/8, Includes Heater Wiring	\$180.00	
18560	1970	AIR CONDITIONING HARNESS V/8, Includes Heater Wiring	\$180.00	
16035	1971	AIR CONDITIONING HARNESS 6 Cylinder, Includes Heater Wiring Note: 6 Cylinder Items Are Not Returnable.	\$198.00	
15935	1971	AIR CONDITIONING HARNESS V/8, Includes Heater Wiring	\$180.00	
16690	1972	AIR CONDITIONING HARNESS V/8, Includes Heater Wiring, Must Be Used With #36203 A/C Extension	\$180.00	
ALTERNATOR CONVERSION KIT				
27555	1963	ALTERNATOR CONVERSION KIT External To Internal Regulator Conversion Harness ("SI" Series) Note: For Use With 1972-84 Non-Serpentine Belt ("SI" Series) Internal Regulated Alternators.	\$29.00	
37787	1963	ALTERNATOR CONVERSION KIT External To Internal Regulator Conversion Harness ("CS" Series) Note: For Use With Serpentine Belt ("CS" Series) Internal Regulated Alternators.	\$34.00	
27555	1964	ALTERNATOR CONVERSION KIT External To Internal Regulator Conversion Harness ("SI" Series) Note: For Use With 1972-84 Non-Serpentine Belt ("SI" Series) Internal Regulated Alternators.	\$29.00	
37787	1964	ALTERNATOR CONVERSION KIT External To Internal Regulator Conversion Harness ("CS" Series) Note: For Use With Serpentine Belt ("CS" Series) Internal Regulated Alternators.	\$34.00	
27555	1965	ALTERNATOR CONVERSION KIT External To Internal Regulator Conversion Harness ("SI" Series) Note: For Use With 1972-84 Non-Serpentine Belt ("SI" Series) Internal Regulated Alternators.	\$29.00	
37787	1965	ALTERNATOR CONVERSION KIT External To Internal Regulator Conversion Harness ("CS" Series) Note: For Use With Serpentine Belt ("CS" Series) Internal Regulated Alternators.	\$34.00	
27555	1966	ALTERNATOR CONVERSION KIT External To Internal Regulator Conversion Harness ("SI" Series) Note: For Use With 1972-84 Non-Serpentine Belt ("SI" Series) Internal Regulated Alternators.	\$29.00	
37787	1966	ALTERNATOR CONVERSION KIT External To Internal Regulator Conversion Harness ("CS" Series) Note: For Use With Serpentine Belt ("CS" Series) Internal Regulated Alternators.	\$34.00	
27555	1967	ALTERNATOR CONVERSION KIT External To Internal Regulator Conversion Harness ("SI" Series) Note: For Use With 1972-84 Non-Serpentine Belt ("SI" Series) Internal Regulated Alternators.	\$29.00	
37787	1967	ALTERNATOR CONVERSION KIT External To Internal Regulator Conversion Harness ("CS" Series) Note: For Use With Serpentine Belt ("CS" Series) Internal Regulated Alternators.	\$34.00	
27555	1968	ALTERNATOR CONVERSION KIT External To Internal Regulator Conversion Harness ("SI" Series) Note: For Use With 1972-84 Non-Serpentine Belt ("SI" Series) Internal Regulated Alternators.	\$29.00	
37787	1968	ALTERNATOR CONVERSION KIT External To Internal Regulator Conversion Harness ("CS" Series) Note: For Use With Serpentine Belt ("CS" Series) Internal Regulated Alternators.	\$34.00	
27555	1969	ALTERNATOR CONVERSION KIT External To Internal Regulator Conversion Harness ("SI" Series) Note: For Use With 1972-84 Non-Serpentine Belt ("SI" Series) Internal Regulated Alternators.	\$29.00	
37787	1969	ALTERNATOR CONVERSION KIT External To Internal Regulator Conversion Harness ("CS" Series) Note: For Use With Serpentine Belt ("CS" Series) Internal Regulated Alternators.	\$34.00	

Part Number	Year	Description	Price	*Rev.
37796	1969	ALTERNATOR CONVERSION KIT Internal Regulator "SI" Series Alternator To "CS" Series (Serpentine Belt) Alternator Note: For Use With Serpentine Belt ("CS130" Or "CS144" Type) Internal Regulated Alternators.	\$26.00	
27555	1970	ALTERNATOR CONVERSION KIT External To Internal Regulator Conversion Harness ("SI" Series) Note: For Use With 1972-84 Non-Serpentine Belt ("SI" Series) Internal Regulated Alternators.	\$29.00	
37787	1970	ALTERNATOR CONVERSION KIT External To Internal Regulator Conversion Harness ("CS" Series) Note: For Use With Serpentine Belt ("CS" Series) Internal Regulated Alternators.	\$34.00	
37796	1970	ALTERNATOR CONVERSION KIT Internal Regulator "SI" Series Alternator To "CS" Series (Serpentine Belt) Alternator Note: For Use With Serpentine Belt ("CS130" Or "CS144" Type) Internal Regulated Alternators.	\$26.00	
27555	1971	ALTERNATOR CONVERSION KIT External To Internal Regulator Conversion Harness ("SI" Series) Note: For Use With 1972-84 Non-Serpentine Belt ("SI" Series) Internal Regulated Alternators.	\$29.00	
37787	1971	ALTERNATOR CONVERSION KIT External To Internal Regulator Conversion Harness ("CS" Series) Note: For Use With Serpentine Belt ("CS" Series) Internal Regulated Alternators.	\$34.00	
37796	1971	ALTERNATOR CONVERSION KIT Internal Regulator "SI" Series Alternator To "CS" Series (Serpentine Belt) Alternator Note: For Use With Serpentine Belt ("CS130" Or "CS144" Type) Internal Regulated Alternators.	\$26.00	
27555	1972	ALTERNATOR CONVERSION KIT External To Internal Regulator Conversion Harness ("SI" Series) Note: For Use With 1972-84 Non-Serpentine Belt ("SI" Series) Internal Regulated Alternators.	\$29.00	
37787	1972	ALTERNATOR CONVERSION KIT External To Internal Regulator Conversion Harness ("CS" Series) Note: For Use With Serpentine Belt ("CS" Series) Internal Regulated Alternators.	\$34.00	
37796	1972	ALTERNATOR CONVERSION KIT Internal Regulator "SI" Series Alternator To "CS" Series (Serpentine Belt) Alternator Note: For Use With Serpentine Belt ("CS130" Or "CS144" Type) Internal Regulated Alternators.	\$26.00	
37796	1973	ALTERNATOR CONVERSION KIT Internal Regulator "SI" Series Alternator To "CS" Series (Serpentine Belt) Alternator Note: For Use With Serpentine Belt ("CS130" Or "CS144" Type) Internal Regulated Alternators.	\$26.00	
37796	1974	ALTERNATOR CONVERSION KIT Internal Regulator "SI" Series Alternator To "CS" Series (Serpentine Belt) Alternator Note: For Use With Serpentine Belt ("CS130" Or "CS144" Type) Internal Regulated Alternators.	\$26.00	
37796	1975	ALTERNATOR CONVERSION KIT Internal Regulator "SI" Series Alternator To "CS" Series (Serpentine Belt) Alternator Note: For Use With Serpentine Belt ("CS130" Or "CS144" Type) Internal Regulated Alternators.	\$26.00	
37796	1976	ALTERNATOR CONVERSION KIT Internal Regulator "SI" Series Alternator To "CS" Series (Serpentine Belt) Alternator Note: For Use With Serpentine Belt ("CS130" Or "CS144" Type) Internal Regulated Alternators.	\$26.00	
37796	1977	ALTERNATOR CONVERSION KIT Internal Regulator "SI" Series Alternator To "CS" Series (Serpentine Belt) Alternator Note: For Use With Serpentine Belt ("CS130" Or "CS144" Type) Internal Regulated Alternators.	\$26.00	
37796	1978	ALTERNATOR CONVERSION KIT Internal Regulator "SI" Series Alternator To "CS" Series (Serpentine Belt) Alternator Note: For Use With Serpentine Belt ("CS130" Or "CS144" Type) Internal Regulated Alternators.	\$26.00	
37796	1979	ALTERNATOR CONVERSION KIT Internal Regulator "SI" Series Alternator To "CS" Series (Serpentine Belt) Alternator Note: For Use With Serpentine Belt ("CS130" Or "CS144" Type) Internal Regulated Alternators.	\$26.00	
37796	1980	ALTERNATOR CONVERSION KIT Internal Regulator "SI" Series Alternator To "CS" Series (Serpentine Belt) Alternator Note: For Use With Serpentine Belt ("CS130" Or "CS144" Type) Internal Regulated Alternators.	\$26.00	
37796	1981	ALTERNATOR CONVERSION KIT Internal Regulator "SI" Series Alternator To "CS" Series (Serpentine Belt) Alternator Note: For Use With Serpentine Belt ("CS130" Or "CS144" Type) Internal Regulated Alternators.	\$26.00	

Cutlass
4-4-2/F-85



Phone (562) 926-9552
Fax (562) 926-9572

Part Number	Year	Description	Price	*Rev.
37796	1982	ALTERNATOR CONVERSION KIT Internal Regulator "SI" Series Alternator To "CS" Series (Serpentine Belt) Alternator Note: For Use With Serpentine Belt ("CS130" Or "CS144" Type) Internal Regulated Alternators.	\$26.00	
37796	1983	ALTERNATOR CONVERSION KIT Internal Regulator "SI" Series Alternator To "CS" Series (Serpentine Belt) Alternator Note: For Use With Serpentine Belt ("CS130" Or "CS144" Type) Internal Regulated Alternators.	\$26.00	
37796	1984	ALTERNATOR CONVERSION KIT Internal Regulator "SI" Series Alternator To "CS" Series (Serpentine Belt) Alternator Note: For Use With Serpentine Belt ("CS130" Or "CS144" Type) Internal Regulated Alternators.	\$26.00	
37796	1985	ALTERNATOR CONVERSION KIT Internal Regulator "SI" Series Alternator To "CS" Series (Serpentine Belt) Alternator Note: For Use With Serpentine Belt ("CS130" Or "CS144" Type) Internal Regulated Alternators.	\$26.00	
37796	1986	ALTERNATOR CONVERSION KIT Internal Regulator "SI" Series Alternator To "CS" Series (Serpentine Belt) Alternator Note: For Use With Serpentine Belt ("CS130" Or "CS144" Type) Internal Regulated Alternators.	\$26.00	
ANTI-DIESEL SOLENOID EXTENSION WIRE				
16760	1972	ANTI-DIESEL SOLENOID EXTENSION WIRE	\$22.00	
ASH TRAY LAMP WIRE				
09375	1966	ASH TRAY LAMP WIRE	\$21.00	
09375	1967	ASH TRAY LAMP WIRE	\$21.00	
12120	1968	ASH TRAY LAMP WIRE	\$25.00	
ASSEMBLY MANUAL				
43238	1963	ASSEMBLY MANUAL Factory Assembly Instruction Guide	\$32.00	
36368	1965	ASSEMBLY MANUAL Factory Assembly Instruction Guide	\$32.00	
36369	1966	ASSEMBLY MANUAL Factory Assembly Instruction Guide	\$32.00	
36370	1967	ASSEMBLY MANUAL Factory Assembly Instruction Guide	\$32.00	
36371	1968	ASSEMBLY MANUAL Factory Assembly Instruction Guide	\$32.00	
36372	1969	ASSEMBLY MANUAL Factory Assembly Instruction Guide	\$32.00	
36373	1970	ASSEMBLY MANUAL Factory Assembly Instruction Guide	\$32.00	
36374	1971	ASSEMBLY MANUAL Factory Assembly Instruction Guide	\$32.00	
36375	1972	ASSEMBLY MANUAL Factory Assembly Instruction Guide	\$32.00	
36376	1973	ASSEMBLY MANUAL Factory Assembly Instruction Guide	\$32.00	
36377	1974	ASSEMBLY MANUAL Factory Assembly Instruction Guide	\$32.00	
36378	1975	ASSEMBLY MANUAL Factory Assembly Instruction Guide	\$32.00	
43239	1976	ASSEMBLY MANUAL Factory Assembly Instruction Guide	\$32.00	
BACKUP LAMP SWITCH				
01993310	1964	BACKUP LAMP SWITCH 3 Speed, Manual Trans	\$64.00	
01993661	1964	BACKUP LAMP SWITCH 4 Speed, Manual Trans	\$64.00	
01993310	1965	BACKUP LAMP SWITCH 3 Speed, Manual Trans	\$64.00	
01993661	1965	BACKUP LAMP SWITCH 4 Speed, Manual Trans	\$64.00	
01993310	1966	BACKUP LAMP SWITCH 3 Speed, Manual Trans	\$64.00	
01993661	1966	BACKUP LAMP SWITCH 4 Speed, Manual Trans	\$64.00	
01993310	1967	BACKUP LAMP SWITCH 3 Speed, Manual Trans	\$64.00	
01993661	1967	BACKUP LAMP SWITCH 4 Speed, Manual Trans	\$64.00	
01993310	1968	BACKUP LAMP SWITCH 3 Speed, Manual Trans	\$64.00	
01993661	1968	BACKUP LAMP SWITCH 4 Speed, Manual Trans	\$64.00	
03943657	1969	BACKUP LAMP SWITCH Manual Trans	\$53.00	
03943657	1970	BACKUP LAMP SWITCH Manual Trans	\$53.00	

Cutlass
4-4-2/F-85



Phone (562) 926-9552
Fax (562) 926-9572

Part Number	Year	Description	Price	*Rev.
03943657	1971	BACKUP LAMP SWITCH Manual Trans	\$53.00	
03943657	1972	BACKUP LAMP SWITCH Manual Trans	\$53.00	
BACKUP LAMP SWITCH EXTENSION HARNESS				
05100	1964	BACKUP LAMP SWITCH EXTENSION HARNESS 4 Speed Manual Trans, Dash Harness To Backup Lamp Switch	\$54.00	
05100	1965	BACKUP LAMP SWITCH EXTENSION HARNESS 4 Speed Manual Trans, Dash Harness To Backup Lamp Switch	\$54.00	
06070	1966	BACKUP LAMP SWITCH EXTENSION HARNESS 3 Speed Manual Trans, Dash Harness To Backup Lamp Switch	\$33.00	
05100	1966	BACKUP LAMP SWITCH EXTENSION HARNESS 4 Speed Manual Trans, Dash Harness To Backup Lamp Switch	\$54.00	
10480	1967	BACKUP LAMP SWITCH EXTENSION HARNESS 3 Speed Manual Trans, Dash Harness To Backup Lamp Switch	\$33.00	
11130	1967	BACKUP LAMP SWITCH EXTENSION HARNESS 4 Speed Manual Trans, Dash Harness To Backup Lamp Switch	\$48.00	
11130	1968	BACKUP LAMP SWITCH EXTENSION HARNESS 4 Speed Manual Trans, Dash Harness To Backup Lamp Switch	\$48.00	
BACKUP LAMP SWITCH MOUNTING BRACKET				
37650	1964	BACKUP LAMP SWITCH MOUNTING BRACKET With Muncie 4 Speed Transmission	\$29.00	
37650	1965	BACKUP LAMP SWITCH MOUNTING BRACKET With Muncie 4 Speed Transmission	\$29.00	
37650	1966	BACKUP LAMP SWITCH MOUNTING BRACKET With Muncie 4 Speed Transmission	\$29.00	
37650	1967	BACKUP LAMP SWITCH MOUNTING BRACKET With Muncie 4 Speed Transmission	\$29.00	
37650	1968	BACKUP LAMP SWITCH MOUNTING BRACKET With Muncie 4 Speed Transmission	\$29.00	
BACKUP LAMP SWITCH MOUNTING KIT				
39504	1966	BACKUP LAMP SWITCH MOUNTING KIT With Manual Transmission Note: Kit Contains The Bracket, Rod With 2 Clips, Shield & Bolts.	\$46.00	
39504	1967	BACKUP LAMP SWITCH MOUNTING KIT With Manual Transmission Note: Kit Contains The Bracket, Rod With 2 Clips, Shield & Bolts.	\$46.00	
39504	1968	BACKUP LAMP SWITCH MOUNTING KIT With Manual Transmission Note: Kit Contains The Bracket, Rod With 2 Clips, Shield & Bolts.	\$46.00	
BATTERY CABLE JUMPER				
21565	1966	BATTERY CABLE JUMPER Neg, V/8, With 442 & Outside Air Induction, Engine To Frame	\$38.00	
21565	1967	BATTERY CABLE JUMPER Neg, V/8, With 442 & Outside Air Induction, Engine To Frame	\$38.00	
21690	1961	BATTERY CABLE JUMPER Pos, Junction Block To Starter Solenoid	\$69.00	
21690	1962	BATTERY CABLE JUMPER Pos, Junction Block To Starter Solenoid	\$69.00	
21690	1963	BATTERY CABLE JUMPER Pos, Junction Block To Starter Solenoid	\$69.00	
05130	1964	BATTERY CABLE JUMPER Pos, V/8, Junction Block To Starter Solenoid	\$69.00	
05875	1965	BATTERY CABLE JUMPER Pos, V/8, Junction Block To Starter Solenoid, Except 442	\$69.00	
11540	1965	BATTERY CABLE JUMPER Pos, V/8, Junction Block To Starter Solenoid, With 442	\$69.00	
05875	1966	BATTERY CABLE JUMPER Pos, V/8, Junction Block To Starter Solenoid, Except 442	\$69.00	
11540	1966	BATTERY CABLE JUMPER Pos, V/8, Junction Block To Starter Solenoid, With 442	\$69.00	
05875	1967	BATTERY CABLE JUMPER Pos, V/8, Junction Block To Starter Solenoid, Auto Trans, Except 442	\$69.00	
21550	1967	BATTERY CABLE JUMPER Pos, V/8, Junction Block To Starter Solenoid, Manual Trans, Except 442	\$69.00	
11540	1967	BATTERY CABLE JUMPER Pos, V/8, Junction Block To Starter Solenoid, With 442	\$69.00	
BATTERY CABLE-NEGATIVE				
04445	1964	BATTERY CABLE, SPRING RING Neg, V/6	\$69.00	
04380	1964	BATTERY CABLE, SPRING RING Neg, V/8	\$69.00	
04445	1965	BATTERY CABLE, SPRING RING Neg, V/6	\$69.00	
04380	1965	BATTERY CABLE, SPRING RING Neg, V/8, Except 442	\$69.00	
05605	1965	BATTERY CABLE, TOP POST Neg, V/8, With 442	\$69.00	
09230	1966	BATTERY CABLE, SPRING RING Neg, 6 Cylinder Note: 6 Cylinder Items Are Not Returnable.	\$69.00	

Cutlass
4-4-2/F-85



Phone (562) 926-9552
Fax (562) 926-9572

Part Number	Year	Description	Price	*Rev.
09230	1966	BATTERY CABLE, SPRING RING Neg, V/8, Except 442	\$69.00	
09805	1966	BATTERY CABLE, SPRING RING Neg, V/8, With 442	\$69.00	
21540	1966	BATTERY CABLE, TOP POST Neg, V/8, With 442 & Outside Air Induction	\$74.00	
09230	1967	BATTERY CABLE, SPRING RING Neg, 6 Cylinder Note: 6 Cylinder Items Are Not Returnable.	\$69.00	
09230	1967	BATTERY CABLE, SPRING RING Neg, V/8, Except 442	\$69.00	
09805	1967	BATTERY CABLE, SPRING RING Neg, V/8, With 442	\$69.00	
21540	1967	BATTERY CABLE, TOP POST Neg, V/8, With 442 & Outside Air Induction	\$74.00	
12460	1968	BATTERY CABLE, SPRING RING Neg, 6 Cylinder Note: 6 Cylinder Items Are Not Returnable.	\$69.00	
12475	1968	BATTERY CABLE, SPRING RING Neg, V/8, 350 C.I.	\$69.00	
12470	1968	BATTERY CABLE, SPRING RING Neg, V/8, 400 C.I.	\$69.00	
12460	1969	BATTERY CABLE, SPRING RING Neg, 6 Cylinder Note: 6 Cylinder Items Are Not Returnable.	\$69.00	
12475	1969	BATTERY CABLE, SPRING RING Neg, V/8, 350 C.I., With 2 Bbl. Carburetor	\$69.00	
12470	1969	BATTERY CABLE, SPRING RING Neg, V/8, 350 C.I., With 4 Bbl. Carburetor & Auto Trans	\$69.00	
12475	1969	BATTERY CABLE, SPRING RING Neg, V/8, 350 C.I., With 4 Bbl. Carburetor & Manual Trans	\$69.00	
12470	1969	BATTERY CABLE, SPRING RING Neg, V/8, 400-455 C.I.	\$69.00	
12460	1970	BATTERY CABLE, SPRING RING Neg, 6 Cylinder Note: 6 Cylinder Items Are Not Returnable.	\$69.00	
12475	1970	BATTERY CABLE, SPRING RING Neg, V/8, 350 C.I., With 2 Bbl. Carburetor & Auto Trans	\$69.00	
12470	1970	BATTERY CABLE, SPRING RING Neg, V/8, 350 C.I., With 4 Bbl. Carburetor & Auto Trans	\$69.00	
12475	1970	BATTERY CABLE, SPRING RING Neg, V/8, 350 C.I., With Manual Trans	\$69.00	
15670	1970	BATTERY CABLE, TOP POST Neg, V/8, 455 C.I.	\$94.00	
12460	1971	BATTERY CABLE, SPRING RING Neg, 6 Cylinder Note: 6 Cylinder Items Are Not Returnable.	\$69.00	
12475	1971	BATTERY CABLE, SPRING RING Neg, V/8, 350 C.I.	\$69.00	
21765	1971	BATTERY CABLE, TOP POST Neg, V/8, 455 C.I.	\$81.00	
29675	1972	BATTERY CABLE, SIDE POST Neg, V/8, 350 C.I.	\$74.00	
29740	1972	BATTERY CABLE, SIDE POST Neg, V/8, 455 C.I.	\$74.00	
22195	1973	BATTERY CABLE, SIDE POST Neg, V/8, 350 C.I.	\$74.00	
22830	1973	BATTERY CABLE, SIDE POST Neg, V/8, 455 C.I.	\$74.00	
22195	1974	BATTERY CABLE, SIDE POST Neg, V/8, 350 C.I.	\$74.00	
22830	1974	BATTERY CABLE, SIDE POST Neg, V/8, 455 C.I.	\$74.00	
BATTERY CABLE-POSITIVE				
04640	1964	BATTERY CABLE, SPRING RING Pos, V/6	\$69.00	
05420	1964	BATTERY CABLE, SPRING RING Pos, V/8	\$69.00	
04640	1965	BATTERY CABLE, SPRING RING Pos, V/6	\$69.00	
05420	1965	BATTERY CABLE, SPRING RING Pos, V/8, Except 442	\$69.00	
06205	1965	BATTERY CABLE, TOP POST Pos, V/8, With 442	\$69.00	
04640	1966	BATTERY CABLE, SPRING RING Pos, 6 Cylinder Note: 6 Cylinder Items Are Not Returnable.	\$69.00	
09445	1966	BATTERY CABLE, SPRING RING Pos, V/8, Except 442	\$69.00	
09800	1966	BATTERY CABLE, SPRING RING Pos, V/8, With 442	\$69.00	
22215	1966	BATTERY CABLE, TOP POST Pos, V/8, With 442 & Outside Air Induction	\$148.00	
09825	1967	BATTERY CABLE, SPRING RING Pos, 6 Cylinder Note: 6 Cylinder Items Are Not Returnable.	\$69.00	

Part Number	Year	Description	Price	*Rev.
09445	1967	BATTERY CABLE, SPRING RING Pos, V/8, Except 442	\$69.00	
09800	1967	BATTERY CABLE, SPRING RING Pos, V/8, With 442	\$69.00	
22215	1967	BATTERY CABLE, TOP POST Pos, V/8, With 442 & Outside Air Induction	\$148.00	
09825	1968	BATTERY CABLE, SPRING RING Pos, 6 Cylinder Note: 6 Cylinder Items Are Not Returnable.	\$69.00	
12465	1968	BATTERY CABLE, SPRING RING Pos, V/8, 350 C.I., With 2 Bbl. Carburetor & Auto Trans	\$69.00	
09900	1968	BATTERY CABLE, SPRING RING Pos, V/8, 350 C.I., With 4 Bbl. Carburetor & Auto Trans	\$69.00	
09915	1968	BATTERY CABLE, SPRING RING Pos, V/8, 350 C.I., With Manual Trans	\$69.00	
09900	1968	BATTERY CABLE, SPRING RING Pos, V/8, 400 C.I.	\$69.00	
09825	1969	BATTERY CABLE, SPRING RING Pos, 6 Cylinder Note: 6 Cylinder Items Are Not Returnable.	\$69.00	
12530	1969	BATTERY CABLE, SPRING RING Pos, V/8, 350 C.I., With 2 Bbl. Carburetor & Auto Trans, Except 442	\$69.00	
12525	1969	BATTERY CABLE, SPRING RING Pos, V/8, 350 C.I. With 4 Bbl. Carburetor & Manual Trans, Except 442	\$69.00	
12520	1969	BATTERY CABLE, SPRING RING Pos, V/8, 350 C.I., With Manual Trans, Except 442	\$69.00	
12525	1969	BATTERY CABLE, SPRING RING Pos, V/8, 400-455 C.I., All 442	\$69.00	
09825	1970	BATTERY CABLE, SPRING RING Pos, 6 Cylinder Note: 6 Cylinder Items Are Not Returnable.	\$69.00	
14575	1970	BATTERY CABLE, SPRING RING Pos, V/8, 350 C.I., With 2 Bbl. Carburetor & Auto Trans	\$69.00	
14580	1970	BATTERY CABLE, SPRING RING Pos, V/8, 350 C.I., With 4 Bbl. Carburetor & Auto Trans	\$69.00	
14575	1970	BATTERY CABLE, SPRING RING Pos, V/8, 350 C.I., With Manual Trans	\$69.00	
14580	1970	BATTERY CABLE, SPRING RING Pos, V/8, 455 C.I.	\$69.00	
09825	1971	BATTERY CABLE, SPRING RING Pos, 6 Cylinder Note: 6 Cylinder Items Are Not Returnable.	\$69.00	
14575	1971	BATTERY CABLE, SPRING RING Pos, V/8, 350 C.I.	\$69.00	
21770	1971	BATTERY CABLE, SPRING RING Pos, V/8, 455 C.I.	\$69.00	
21795	1972	BATTERY CABLE, SIDE POST Pos, V/8, 350 C.I.	\$74.00	
21800	1972	BATTERY CABLE, SIDE POST Pos, V/8, 455 C.I.	\$74.00	
22840	1973	BATTERY CABLE, SIDE POST Pos, V/8, 350 C.I.	\$74.00	
22835	1973	BATTERY CABLE, SIDE POST Pos, V/8, 455 C.I.	\$74.00	
22865	1974	BATTERY CABLE, SIDE POST Pos, V/8, 350 C.I.	\$74.00	
22860	1974	BATTERY CABLE, SIDE POST Pos, V/8, 455 C.I.	\$74.00	
BREAKERLESS SE SINGLE WIRE ELECTRONIC IGNITION				
38131	1964	BREAKERLESS SE SINGLE WIRE ELECTRONIC IGNITION KIT For 1957-74 Breaker Point Distributors With Windowed Type Distributor Cap	\$179.00	
38131	1965	BREAKERLESS SE SINGLE WIRE ELECTRONIC IGNITION KIT For 1957-74 Breaker Point Distributors With Windowed Type Distributor Cap	\$179.00	
38131	1966	BREAKERLESS SE SINGLE WIRE ELECTRONIC IGNITION KIT For 1957-74 Breaker Point Distributors With Windowed Type Distributor Cap	\$179.00	
38131	1967	BREAKERLESS SE SINGLE WIRE ELECTRONIC IGNITION KIT For 1957-74 Breaker Point Distributors With Windowed Type Distributor Cap	\$179.00	
38131	1968	BREAKERLESS SE SINGLE WIRE ELECTRONIC IGNITION KIT For 1957-74 Breaker Point Distributors With Windowed Type Distributor Cap	\$179.00	
38131	1969	BREAKERLESS SE SINGLE WIRE ELECTRONIC IGNITION KIT For 1957-74 Breaker Point Distributors With Windowed Type Distributor Cap	\$179.00	
38131	1970	BREAKERLESS SE SINGLE WIRE ELECTRONIC IGNITION KIT For 1957-74 Breaker Point Distributors With Windowed Type Distributor Cap	\$179.00	
38131	1971	BREAKERLESS SE SINGLE WIRE ELECTRONIC IGNITION KIT For 1957-74 Breaker Point Distributors With Windowed Type Distributor Cap	\$179.00	

Cutlass
4-4-2/F-85



Phone (562) 926-9552
Fax (562) 926-9572

Part Number	Year	Description	Price	*Rev.
38131	1972	BREAKERLESS SE SINGLE WIRE ELECTRONIC IGNITION KIT For 1957-74 Breaker Point Distributors With Windowed Type Distributor Cap	\$179.00	
38131	1973	BREAKERLESS SE SINGLE WIRE ELECTRONIC IGNITION KIT For 1957-74 Breaker Point Distributors With Windowed Type Distributor Cap	\$179.00	
38131	1974	BREAKERLESS SE SINGLE WIRE ELECTRONIC IGNITION KIT For 1957-74 Breaker Point Distributors With Windowed Type Distributor Cap	\$179.00	
CAPACITOR DISCHARGE JUMPER WIRE				
11375	1967	CAPACITOR DISCHARGE JUMPER WIRE From Dash Harness To Amplifier Harness	\$22.00	
CIRCUIT BREAKER				
04850166	1962	CIRCUIT BREAKER, 30 AMP Power Door Locks, Seat, Top & Windows	\$14.00	
04850166	1963	CIRCUIT BREAKER, 30 AMP Power Door Locks, Seat, Top & Windows	\$14.00	
04850166	1964	CIRCUIT BREAKER, 30 AMP Power Door Locks, Seat, Top & Windows	\$14.00	
04850166	1965	CIRCUIT BREAKER, 30 AMP Power Door Locks, Seat, Top & Windows	\$14.00	
04850166	1966	CIRCUIT BREAKER, 30 AMP Power Door Locks, Seat, Top & Windows	\$14.00	
04850166	1967	CIRCUIT BREAKER, 30 AMP Power Door Locks, Seat, Top & Windows	\$14.00	
04850166	1968	CIRCUIT BREAKER, 30 AMP Power Door Locks, Seat, Top & Windows	\$14.00	
04850166	1969	CIRCUIT BREAKER, 30 AMP Power Door Locks, Seat, Top & Windows	\$14.00	
04850166	1970	CIRCUIT BREAKER, 30 AMP Power Door Locks, Seat, Top & Windows	\$14.00	
CLOCK LAMP WIRE				
09970	1966	CLOCK LAMP WIRE Dash Mounted	\$17.00	
09970	1967	CLOCK LAMP WIRE Dash Mounted	\$17.00	
11090	1968	CLOCK LAMP WIRE Dash Mounted	\$17.00	
11090	1969	CLOCK LAMP WIRE Dash Mounted	\$17.00	
11090	1970	CLOCK LAMP WIRE Dash Mounted	\$17.00	
11090	1971	CLOCK LAMP WIRE Dash Mounted	\$17.00	
11090	1972	CLOCK LAMP WIRE Dash Mounted	\$17.00	
CONSOLE EXTENSION HARNESS				
04455	1964	CONSOLE EXTENSION HARNESS Auto Trans, From Dash To Console Harness	\$94.00	
04450	1964	CONSOLE EXTENSION HARNESS Manual Trans, From Dash To Console Harness	\$74.00	
04455	1965	CONSOLE EXTENSION HARNESS Auto Trans, From Dash To Console Harness	\$94.00	
04450	1965	CONSOLE EXTENSION HARNESS Manual Trans, From Dash To Console Harness	\$74.00	
09435	1966	CONSOLE EXTENSION HARNESS Auto Trans, From Dash To Console Harness	\$94.00	
09420	1966	CONSOLE EXTENSION HARNESS Manual Trans, From Dash To Console Harness	\$60.00	
10490	1967	CONSOLE EXTENSION HARNESS Auto Trans, From Dash To Console Harness	\$105.00	
12770	1968	CONSOLE EXTENSION HARNESS Auto Trans, From Dash To Console Harness	\$105.00	
13420	1969	CONSOLE EXTENSION HARNESS Auto Trans, From Dash To Console Harness	\$105.00	
15695	1970	CONSOLE EXTENSION HARNESS Auto Trans, From Dash To Console Harness	\$105.00	
15995	1971	CONSOLE EXTENSION HARNESS Auto Trans, From Dash To Console Harness	\$53.00	
15995	1972	CONSOLE EXTENSION HARNESS Auto Trans, From Dash To Console Harness	\$53.00	
CONSOLE HARNESS				
04460	1964	CONSOLE HARNESS Auto Trans	\$98.00	
04465	1964	CONSOLE HARNESS Manual Trans	\$74.00	
04460	1965	CONSOLE HARNESS Auto Trans	\$98.00	
04465	1965	CONSOLE HARNESS Manual Trans	\$74.00	
09430	1966	CONSOLE HARNESS Auto Trans	\$101.00	
10485	1967	CONSOLE HARNESS Auto Trans	\$94.00	
10485	1968	CONSOLE HARNESS Auto Trans	\$94.00	

Cutlass
4-4-2/F-85



Phone (562) 926-9552
Fax (562) 926-9572

Part Number	Year	Description	Price	*Rev.
10485	1969	CONSOLE HARNESS Auto Trans	\$94.00	
15590	1970	CONSOLE HARNESS Auto Trans	\$80.00	
16000	1971	CONSOLE HARNESS Auto Trans	\$87.00	
16000	1972	CONSOLE HARNESS Auto Trans	\$87.00	
COURTESY LAMP HARNESS				
04470	1964	COURTESY LAMP HARNESS Under Dash	\$67.00	
06890	1964	COURTESY LAMP HARNESS Cutlass Holiday Coupe, With Dual Rear Sail Panel Lights	\$60.00	
06885	1964	COURTESY LAMP HARNESS Center Roof Mounted Dome Lamp, F-85 Coupe	\$33.00	
06880	1964	COURTESY LAMP HARNESS Center Roof Mounted Dome Lamp, F-85 4 Door Sedan	\$34.00	
07110	1964	COURTESY LAMP HARNESS With Dual Rear Sail Panel Lights, F-85 Vista Cruiser Wagon	\$67.00	
04470	1965	COURTESY LAMP HARNESS Under Dash	\$67.00	
07710	1965	COURTESY LAMP HARNESS With Dual Rear Sail Panel Lights	\$53.00	
07580	1965	COURTESY LAMP HARNESS Center Roof Mounted Dome Lamp, All Cutlass & F-85 Coupes	\$33.00	
07575	1965	COURTESY LAMP HARNESS Center Roof Mounted Dome Lamp, F-85 4 Door Sedan	\$40.00	
04470	1966	COURTESY LAMP HARNESS Under Dash	\$67.00	
07710	1966	COURTESY LAMP HARNESS With Dual Rear Sail Panel Lights	\$53.00	
04470	1967	COURTESY LAMP HARNESS Under Dash	\$67.00	
07710	1967	COURTESY LAMP HARNESS With Dual Rear Sail Panel Lights	\$53.00	
12765	1968	COURTESY LAMP HARNESS Under Dash	\$83.00	
13415	1969	COURTESY LAMP HARNESS Under Dash	\$83.00	
15600	1970	COURTESY LAMP HARNESS Under Dash	\$83.00	
15600	1971	COURTESY LAMP HARNESS Under Dash	\$83.00	
15600	1972	COURTESY LAMP HARNESS Under Dash	\$83.00	
COURTESY LAMP REPAIR PIGTAIL				
43896	1964	COURTESY LAMP REPAIR PIGTAIL Convertible, 1/4 Arm Rest Courtesy Lamp, Includes Socket And 6" Of 18 Gauge, Orange & White Wire. 2 Required Per Car. Note: Original Wire Was 18 Gauge, Sometimes With A Heavy Wall Type Insulation. Repair Pigtail Is Also 18 Gauge, But Today's Insulation Is Of Much Higher Quality, And May Not Be As Thick As Some Original Cables.	\$17.00	
43896	1965	COURTESY LAMP REPAIR PIGTAIL Convertible, 1/4 Arm Rest Courtesy Lamp, Includes Socket And 6" Of 18 Gauge, Orange & White Wire. 2 Required Per Car. Note: Original Wire Was 18 Gauge, Sometimes With A Heavy Wall Type Insulation. Repair Pigtail Is Also 18 Gauge, But Today's Insulation Is Of Much Higher Quality, And May Not Be As Thick As Some Original Cables.	\$17.00	
43896	1966	COURTESY LAMP REPAIR PIGTAIL Convertible, 1/4 Arm Rest Courtesy Lamp, Includes Socket And 6" Of 18 Gauge, Orange & White Wire. 2 Required Per Car. Note: Original Wire Was 18 Gauge, Sometimes With A Heavy Wall Type Insulation. Repair Pigtail Is Also 18 Gauge, But Today's Insulation Is Of Much Higher Quality, And May Not Be As Thick As Some Original Cables.	\$17.00	
43896	1967	COURTESY LAMP REPAIR PIGTAIL Convertible, 1/4 Arm Rest Courtesy Lamp, Includes Socket And 6" Of 18 Gauge, Orange & White Wire. 2 Required Per Car. Note: Original Wire Was 18 Gauge, Sometimes With A Heavy Wall Type Insulation. Repair Pigtail Is Also 18 Gauge, But Today's Insulation Is Of Much Higher Quality, And May Not Be As Thick As Some Original Cables.	\$17.00	
43896	1968	COURTESY LAMP REPAIR PIGTAIL Convertible, 1/4 Arm Rest Courtesy Lamp, Includes Socket And 6" Of 18 Gauge, Orange & White Wire. 2 Required Per Car. Note: Original Wire Was 18 Gauge, Sometimes With A Heavy Wall Type Insulation. Repair Pigtail Is Also 18 Gauge, But Today's Insulation Is Of Much Higher Quality, And May Not Be As Thick As Some Original Cables.	\$17.00	
43896	1969	COURTESY LAMP REPAIR PIGTAIL Convertible, 1/4 Arm Rest Courtesy Lamp, Includes Socket And 6" Of 18 Gauge, Orange & White Wire. 2 Required Per Car. Note: Original Wire Was 18 Gauge, Sometimes With A Heavy Wall Type Insulation. Repair Pigtail Is Also 18 Gauge, But Today's Insulation Is Of Much Higher Quality, And May Not Be As Thick As Some Original Cables.	\$17.00	

Cutlass
4-4-2/F-85



Phone (562) 926-9552
Fax (562) 926-9572

Part Number	Year	Description	Price	*Rev.
43896	1970	COURTESY LAMP REPAIR PIGTAIL Convertible, 1/4 Arm Rest Courtesy Lamp, Includes Socket And 6" Of 18 Gauge, Orange & White Wire. 2 Required Per Car. Note: Original Wire Was 18 Gauge, Sometimes With A Heavy Wall Type Insulation. Repair Pigtail Is Also 18 Gauge, But Today's Insulation Is Of Much Higher Quality, And May Not Be As Thick As Some Original Cables.	\$17.00	
43896	1971	COURTESY LAMP REPAIR PIGTAIL Convertible, 1/4 Arm Rest Courtesy Lamp, Includes Socket And 6" Of 18 Gauge, Orange & White Wire. 2 Required Per Car. Note: Original Wire Was 18 Gauge, Sometimes With A Heavy Wall Type Insulation. Repair Pigtail Is Also 18 Gauge, But Today's Insulation Is Of Much Higher Quality, And May Not Be As Thick As Some Original Cables.	\$17.00	
43896	1972	COURTESY LAMP REPAIR PIGTAIL Convertible, 1/4 Arm Rest Courtesy Lamp, Includes Socket And 6" Of 18 Gauge, Orange & White Wire. 2 Required Per Car. Note: Original Wire Was 18 Gauge, Sometimes With A Heavy Wall Type Insulation. Repair Pigtail Is Also 18 Gauge, But Today's Insulation Is Of Much Higher Quality, And May Not Be As Thick As Some Original Cables.	\$17.00	
CRUISE CONTROL HARNESS				
05770	1965	CRUISE CONTROL HARNESS	\$87.00	
10055	1966	CRUISE CONTROL HARNESS	\$87.00	
11115	1967	CRUISE CONTROL HARNESS	\$87.00	
12270	1968	CRUISE CONTROL HARNESS	\$87.00	
13280	1969	CRUISE CONTROL HARNESS	\$118.00	
15610	1970	CRUISE CONTROL HARNESS	\$118.00	
15610	1971	CRUISE CONTROL HARNESS	\$118.00	
16730	1972	CRUISE CONTROL HARNESS	\$118.00	
DASH HARNESS				
04335	1964	DASH HARNESS Auto Trans	\$661.00	
04330	1964	DASH HARNESS Manual Trans	\$648.00	
05205	1965	DASH HARNESS All Note: Customer Must Supply Their Original Fuseblock.	\$630.00	
10645	1966	DASH HARNESS Cutlass Note: Customer Must Supply Their Original Fuseblock.	\$648.00	
18300	1966	DASH HARNESS Cutlass, With Gauges Note: Customer Must Supply Their Original Fuseblock.	\$661.00	
10640	1966	DASH HARNESS F-85 Note: Customer Must Supply Their Original Fuseblock.	\$661.00	
10495	1966	DASH HARNESS F-85, With Gauges Note: Customer Must Supply Their Original Fuseblock.	\$661.00	
10285	1967	DASH HARNESS Auto Trans Note: Customer Must Supply Their Original Fuseblock.	\$630.00	
11615	1967	DASH HARNESS Manual Trans Note: Customer Must Supply Their Original Fuseblock.	\$648.00	
11620	1967	DASH HARNESS All With Gauges Note: Customer Must Supply Their Original Fuseblock.	\$630.00	
12760	1968	DASH HARNESS Auto Trans	\$648.00	
12755	1968	DASH HARNESS Manual Trans	\$661.00	
13250	1968	DASH HARNESS All With Gauges	\$648.00	
12775	1969	DASH HARNESS Auto Trans	\$648.00	
13495	1969	DASH HARNESS Manual Trans	\$661.00	
12720	1969	DASH HARNESS All With Gauges	\$648.00	
15660	1970	DASH HARNESS Auto Trans	\$661.00	
13570	1970	DASH HARNESS Manual Trans	\$661.00	
15665	1970	DASH HARNESS All With Gauges	\$661.00	

Cutlass
4-4-2/F-85



Phone (562) 926-9552
Fax (562) 926-9572

Part Number	Year	Description	Price	*Rev.
15820	1971	DASH HARNESS Auto Trans	\$661.00	
15815	1971	DASH HARNESS Manual Trans	\$695.00	
15825	1971	DASH HARNESS All With Gauges	\$661.00	
16700	1972	DASH HARNESS Auto Trans	\$661.00	
16695	1972	DASH HARNESS Manual Trans	\$695.00	
16880	1972	DASH HARNESS All With Gauges	\$695.00	
DISTRIBUTOR WIRE				
36057	1964	DISTRIBUTOR WIRE Distributor Points To Coil Negative Terminal, V/8 Note: Fits All GM V/8 Points Type Distributors From Approx. 1957 To 1974.	\$18.00	C
36057	1965	DISTRIBUTOR WIRE Distributor Points To Coil Negative Terminal, V/8 Note: Fits All GM V/8 Points Type Distributors From Approx. 1957 To 1974.	\$18.00	C
36057	1966	DISTRIBUTOR WIRE Distributor Points To Coil Negative Terminal, V/8 Note: Fits All GM V/8 Points Type Distributors From Approx. 1957 To 1974.	\$18.00	C
36057	1967	DISTRIBUTOR WIRE Distributor Points To Coil Negative Terminal, V/8 Note: Fits All GM V/8 Points Type Distributors From Approx. 1957 To 1974.	\$18.00	C
36057	1968	DISTRIBUTOR WIRE Distributor Points To Coil Negative Terminal, V/8 Note: Fits All GM V/8 Points Type Distributors From Approx. 1957 To 1974.	\$18.00	C
36057	1969	DISTRIBUTOR WIRE Distributor Points To Coil Negative Terminal, V/8 Note: Fits All GM V/8 Points Type Distributors From Approx. 1957 To 1974.	\$18.00	C
36057	1970	DISTRIBUTOR WIRE Distributor Points To Coil Negative Terminal, V/8 Note: Fits All GM V/8 Points Type Distributors From Approx. 1957 To 1974.	\$18.00	C
36057	1971	DISTRIBUTOR WIRE Distributor Points To Coil Negative Terminal, V/8 Note: Fits All GM V/8 Points Type Distributors From Approx. 1957 To 1974.	\$18.00	C
36057	1972	DISTRIBUTOR WIRE Distributor Points To Coil Negative Terminal, V/8 Note: Fits All GM V/8 Points Type Distributors From Approx. 1957 To 1974.	\$18.00	C
36057	1973	DISTRIBUTOR WIRE Distributor Points To Coil Negative Terminal, V/8 Note: Fits All GM V/8 Points Type Distributors From Approx. 1957 To 1974.	\$18.00	C
36057	1974	DISTRIBUTOR WIRE Distributor Points To Coil Negative Terminal, V/8 Note: Fits All GM V/8 Points Type Distributors From Approx. 1957 To 1974.	\$18.00	C
ENGINE HARNESS				
04350	1964	ENGINE HARNESS 6 Cylinder (V/6) Note: 6 Cylinder Items Are Not Returnable.	\$220.00	
04355	1964	ENGINE HARNESS V/8	\$172.00	
43177	1964	ENGINE HARNESS-HEI V/8 Note: This Harness Is Modified For Use With An HEI Distributor.	\$196.00	
43178	1964	ENGINE HARNESS-SI SERIES INT REG ALT V/8 Note: Modified For 1972-84 Non-Serpentine Belt ("SI" Series) Internal Regulated Alternators Mounted In The Factory Location.	\$210.00	
43179	1964	ENGINE HARNESS-HEI AND SI SERIES INT REG ALT V/8 Note: Modified For HEI & 1972-84 Non-Serpentine Belt ("SI" Series) Internal Regulated Alternators Mounted In The Factory Location.	\$224.00	
05210	1965	ENGINE HARNESS 6 Cylinder (V/6) Note: 6 Cylinder Items Are Not Returnable.	\$220.00	
05215	1965	ENGINE HARNESS V/8	\$172.00	
43180	1965	ENGINE HARNESS-HEI V/8 Note: This Harness Is Modified For Use With An HEI Distributor.	\$196.00	
43181	1965	ENGINE HARNESS-SI SERIES INT REG ALT V/8 Note: Modified For 1972-84 Non-Serpentine Belt ("SI" Series) Internal Regulated Alternators Mounted In The Factory Location.	\$210.00	

Cutlass
4-4-2/F-85



Phone (562) 926-9552
Fax (562) 926-9572

Part Number	Year	Description	Price	*Rev.
43182	1965	ENGINE HARNESS-HEI AND SI SERIES INT REG ALT V/8 Note: Modified For HEI & 1972-84 Non-Serpentine Belt ("SI" Series) Internal Regulated Alternators Mounted In The Factory Location.	\$224.00	
09280	1966	ENGINE HARNESS 6 Cylinder, Auto Trans Note: 6 Cylinder Items Are Not Returnable.	\$220.00	
10140	1966	ENGINE HARNESS 6 Cylinder, Manual Trans Note: 6 Cylinder Items Are Not Returnable.	\$220.00	
10180	1966	ENGINE HARNESS V/8, Cutlass	\$172.00	
43183	1966	ENGINE HARNESS-HEI V/8, Cutlass Note: This Harness Is Modified For Use With An HEI Distributor.	\$196.00	
43184	1966	ENGINE HARNESS-SI SERIES INT REG ALT V/8, Cutlass Note: Modified For 1972-84 Non-Serpentine Belt ("SI" Series) Internal Regulated Alternators Mounted In The Factory Location.	\$210.00	
43185	1966	ENGINE HARNESS-HEI AND SI SERIES INT REG ALT V/8, Cutlass Note: Modified For HEI & 1972-84 Non-Serpentine Belt ("SI" Series) Internal Regulated Alternators Mounted In The Factory Location.	\$224.00	
10500	1966	ENGINE HARNESS V/8, Cutlass, With Gauges	\$184.00	
43186	1966	ENGINE HARNESS-HEI V/8, Cutlass, With Gauges Note: This Harness Is Modified For Use With An HEI Distributor.	\$209.00	
43187	1966	ENGINE HARNESS-SI SERIES INT REG ALT V/8, Cutlass, With Gauges Note: Modified For 1972-84 Non-Serpentine Belt ("SI" Series) Internal Regulated Alternators Mounted In The Factory Location.	\$224.00	
43188	1966	ENGINE HARNESS-HEI AND SI SERIES INT REG ALT V/8, Cutlass, With Gauges Note: Modified For HEI & 1972-84 Non-Serpentine Belt ("SI" Series) Internal Regulated Alternators Mounted In The Factory Location.	\$236.00	
10155	1966	ENGINE HARNESS V/8, F-85	\$172.00	
43189	1966	ENGINE HARNESS-HEI V/8, F-85 Note: This Harness Is Modified For Use With An HEI Distributor.	\$196.00	
43190	1966	ENGINE HARNESS-SI SERIES INT REG ALT V/8, F-85 Note: Modified For 1972-84 Non-Serpentine Belt ("SI" Series) Internal Regulated Alternators Mounted In The Factory Location.	\$210.00	
43191	1966	ENGINE HARNESS-HEI AND SI SERIES INT REG ALT V/8, F-85 Note: Modified For HEI & 1972-84 Non-Serpentine Belt ("SI" Series) Internal Regulated Alternators Mounted In The Factory Location.	\$224.00	
10505	1966	ENGINE HARNESS V/8, F-85, With Gauges	\$184.00	
43192	1966	ENGINE HARNESS-HEI V/8, F-85, With Gauges Note: This Harness Is Modified For Use With An HEI Distributor.	\$209.00	
43193	1966	ENGINE HARNESS-SI SERIES INT REG ALT V/8, F-85, With Gauges Note: Modified For 1972-84 Non-Serpentine Belt ("SI" Series) Internal Regulated Alternators Mounted In The Factory Location.	\$224.00	
43194	1966	ENGINE HARNESS-HEI AND SI SERIES INT REG ALT V/8, F-85, With Gauges Note: Modified For HEI & 1972-84 Non-Serpentine Belt ("SI" Series) Internal Regulated Alternators Mounted In The Factory Location.	\$236.00	
10380	1967	ENGINE HARNESS 6 Cylinder, Auto Trans Note: 6 Cylinder Items Are Not Returnable.	\$220.00	
10385	1967	ENGINE HARNESS 6 Cylinder, Manual Trans Note: 6 Cylinder Items Are Not Returnable.	\$220.00	
10390	1967	ENGINE HARNESS V/8	\$172.00	
43195	1967	ENGINE HARNESS-HEI V/8 Note: This Harness Is Modified For Use With An HEI Distributor.	\$196.00	
43196	1967	ENGINE HARNESS-SI SERIES INT REG ALT V/8 Note: Modified For 1972-84 Non-Serpentine Belt ("SI" Series) Internal Regulated Alternators Mounted In The Factory Location.	\$210.00	

Cutlass
4-4-2/F-85



Phone (562) 926-9552
Fax (562) 926-9572

Part Number	Year	Description	Price	*Rev.
43197	1967	ENGINE HARNESS-HEI AND SI SERIES INT REG ALT V/8 Note: Modified For HEI & 1972-84 Non-Serpentine Belt ("SI" Series) Internal Regulated Alternators Mounted In The Factory Location.	\$224.00	
10745	1967	ENGINE HARNESS V/8, With Gauges	\$184.00	
43198	1967	ENGINE HARNESS-HEI V/8, With Gauges Note: This Harness Is Modified For Use With An HEI Distributor.	\$209.00	
43199	1967	ENGINE HARNESS-SI SERIES INT REG ALT V/8, With Gauges Note: Modified For 1972-84 Non-Serpentine Belt ("SI" Series) Internal Regulated Alternators Mounted In The Factory Location.	\$224.00	
43200	1967	ENGINE HARNESS-HEI AND SI SERIES INT REG ALT V/8, With Gauges Note: Modified For HEI & 1972-84 Non-Serpentine Belt ("SI" Series) Internal Regulated Alternators Mounted In The Factory Location.	\$236.00	
11580	1968	ENGINE HARNESS 6 Cylinder Note: 6 Cylinder Items Are Not Returnable.	\$188.00	
11585	1968	ENGINE HARNESS V/8	\$147.00	
43201	1968	ENGINE HARNESS-HEI V/8 Note: This Harness Is Modified For Use With An HEI Distributor.	\$171.00	
16170	1968	ENGINE HARNESS V/8, With Carburetor Idle Stop Solenoid	\$147.00	
43202	1968	ENGINE HARNESS-HEI V/8, With Carburetor Idle Stop Solenoid Note: This Harness Is Modified For Use With An HEI Distributor.	\$171.00	
11590	1968	ENGINE HARNESS V/8, With Carburetor Idle Stop Solenoid & Gauges	\$147.00	
43203	1968	ENGINE HARNESS-HEI V/8, With Carburetor Idle Stop Solenoid & Gauges Note: This Harness Is Modified For Use With An HEI Distributor.	\$171.00	
12640	1968	ENGINE HARNESS V/8, With Transistor Ignition & Gauges	\$166.00	
11580	1969	ENGINE HARNESS 6 Cylinder Note: 6 Cylinder Items Are Not Returnable.	\$188.00	
11585	1969	ENGINE HARNESS V/8	\$147.00	
43206	1969	ENGINE HARNESS-HEI V/8 Note: This Harness Is Modified For Use With An HEI Distributor.	\$171.00	
16170	1969	ENGINE HARNESS V/8, With Carburetor Idle Stop Solenoid (4 Bbl.) Note: On 2 Bbl. Carb Cars With Idle Stop Solenoid Use Part# 11585 Engine Harness And Part# 12800 Idle Stop Control Wire.	\$147.00	
43207	1969	ENGINE HARNESS-HEI V/8, With Carburetor Idle Stop Solenoid (4 Bbl.) Note: This Harness Is Modified For Use With An HEI Distributor. On 2 Bbl. Carb Cars With Idle Stop Solenoid Use Part# 11585 Engine Harness And Part# 12800 Idle Stop Control Wire.	\$171.00	
11590	1969	ENGINE HARNESS V/8, With Carburetor Idle Stop Solenoid (4 Bbl.) & Gauges Note: On 2 Bbl. Carb Cars With Idle Stop Solenoid Use Part# 11585 Engine Harness And Part# 12800 Idle Stop Control Wire.	\$147.00	
43208	1969	ENGINE HARNESS-HEI V/8, With Carburetor Idle Stop Solenoid (4 Bbl.) & Gauges Note: This Harness Is Modified For Use With An HEI Distributor. On 2 Bbl. Carb Cars With Idle Stop Solenoid Use Part# 11585 Engine Harness And Part# 12800 Idle Stop Control Wire.	\$171.00	
12640	1969	ENGINE HARNESS V/8, With Transistor Ignition & Gauges	\$166.00	
15785	1970	ENGINE HARNESS 6 Cylinder, Auto Trans Note: 6 Cylinder Items Are Not Returnable.	\$194.00	
15790	1970	ENGINE HARNESS 6 Cylinder, Manual Trans Note: 6 Cylinder Items Are Not Returnable.	\$194.00	
15675	1970	ENGINE HARNESS V/8, Auto Trans	\$166.00	
43209	1970	ENGINE HARNESS-HEI V/8, Auto Trans Note: This Harness Is Modified For Use With An HEI Distributor.	\$190.00	
15680	1970	ENGINE HARNESS V/8, Manual Trans	\$166.00	
43210	1970	ENGINE HARNESS-HEI V/8, Manual Trans Note: This Harness Is Modified For Use With An HEI Distributor.	\$190.00	

Cutlass
4-4-2/F-85



Phone (562) 926-9552
Fax (562) 926-9572

Part Number	Year	Description	Price	*Rev.
16101	1971	ENGINE HARNESS 6 Cylinder, Auto Trans Note: 6 Cylinder Items Are Not Returnable.	\$199.00	
16015	1971	ENGINE HARNESS 6 Cylinder, Manual Trans Note: 6 Cylinder Items Are Not Returnable.	\$199.00	
15865	1971	ENGINE HARNESS V/8, Auto Trans	\$166.00	
43211	1971	ENGINE HARNESS-HEI V/8, Auto Trans Note: This Harness Is Modified For Use With An HEI Distributor.	\$190.00	
16320	1971	ENGINE HARNESS V/8, Manual Trans	\$166.00	
43212	1971	ENGINE HARNESS-HEI V/8, Manual Trans Note: This Harness Is Modified For Use With An HEI Distributor.	\$190.00	
16630	1972	ENGINE HARNESS V/8, Auto Trans	\$226.00	
43213	1972	ENGINE HARNESS-HEI V/8, Auto Trans Note: This Harness Is Modified For Use With An HEI Distributor.	\$250.00	
43214	1972	ENGINE HARNESS-SI SERIES INT REG ALT V/8, Auto Trans Note: Modified For 1972-84 Non-Serpentine Belt ("SI" Series) Internal Regulated Alternators Mounted In The Factory Location.	\$264.00	
43215	1972	ENGINE HARNESS-HEI AND SI SERIES INT REG ALT V/8, Auto Trans Note: Modified For HEI & 1972-84 Non-Serpentine Belt ("SI" Series) Internal Regulated Alternators Mounted In The Factory Location.	\$278.00	
16625	1972	ENGINE HARNESS V/8, Manual Trans	\$226.00	
43216	1972	ENGINE HARNESS-HEI V/8, Manual Trans Note: This Harness Is Modified For Use With An HEI Distributor.	\$250.00	
43217	1972	ENGINE HARNESS-SI SERIES INT REG ALT V/8, Manual Trans Note: Modified For 1972-84 Non-Serpentine Belt ("SI" Series) Internal Regulated Alternators Mounted In The Factory Location.	\$264.00	
43218	1972	ENGINE HARNESS-HEI AND SI SERIES INT REG ALT V/8, Manual Trans Note: Modified For HEI & 1972-84 Non-Serpentine Belt ("SI" Series) Internal Regulated Alternators Mounted In The Factory Location.	\$278.00	
FORWARD LAMP HARNESS				
04340	1964	FORWARD LAMP HARNESS 6 Cylinder (V/6) Note: 6 Cylinder Items Are Not Returnable.	\$249.00	
04345	1964	FORWARD LAMP HARNESS V/8	\$219.00	
05220	1965	FORWARD LAMP HARNESS 6 Cylinder (V/6) Note: 6 Cylinder Items Are Not Returnable.	\$249.00	
05225	1965	FORWARD LAMP HARNESS V/8	\$219.00	
10625	1966	FORWARD LAMP HARNESS 6 Cylinder Note: 6 Cylinder Items Are Not Returnable.	\$249.00	
10630	1966	FORWARD LAMP HARNESS V/8	\$219.00	
10510	1966	FORWARD LAMP HARNESS V/8, With Gauges	\$226.00	
10395	1967	FORWARD LAMP HARNESS All	\$219.00	
12335	1968	FORWARD LAMP HARNESS 6 Cylinder Note: 6 Cylinder Items Are Not Returnable.	\$318.00	
12340	1968	FORWARD LAMP HARNESS V/8	\$265.00	
43204	1968	FORWARD LAMP HARNESS-INT REG ALT V/8 Note: Modified For 1972-84 Non-Serpentine Belt ("SI" Series) Internal Regulated Alternators Mounted In The Factory Location.	\$304.00	
12350	1968	FORWARD LAMP HARNESS V/8, With A/C	\$291.00	
43205	1968	FORWARD LAMP HARNESS-INT REG ALT V/8, With A/C Note: Modified For 1972-84 Non-Serpentine Belt ("SI" Series) Internal Regulated Alternators Mounted In The Factory Location.	\$304.00	
12785	1969	FORWARD LAMP HARNESS 6 Cylinder Note: 6 Cylinder Items Are Not Returnable.	\$304.00	
12790	1969	FORWARD LAMP HARNESS V/8	\$291.00	

Cutlass
4-4-2/F-85



Phone (562) 926-9552
Fax (562) 926-9572

Part Number	Year	Description	Price	*Rev.
12795	1969	FORWARD LAMP HARNESS V/8, With A/C	\$291.00	
13255	1969	FORWARD LAMP HARNESS V/8, With Internal Regulator Alternator	\$265.00	
13260	1969	FORWARD LAMP HARNESS V/8, With A/C & Internal Regulator Alternator	\$265.00	
13585	1970	FORWARD LAMP HARNESS 6 Cylinder Note: 6 Cylinder Items Are Not Returnable.	\$304.00	
13590	1970	FORWARD LAMP HARNESS V/8	\$291.00	
13595	1970	FORWARD LAMP HARNESS V/8, With A/C	\$265.00	
13600	1970	FORWARD LAMP HARNESS V/8, With Internal Regulator Alternator	\$265.00	
13605	1970	FORWARD LAMP HARNESS V/8, With A/C & Internal Regulator Alternator	\$265.00	
15965	1971	FORWARD LAMP HARNESS 6 Cylinder Note: 6 Cylinder Items Are Not Returnable.	\$318.00	
15870	1971	FORWARD LAMP HARNESS V/8	\$291.00	
15875	1971	FORWARD LAMP HARNESS V/8, With Internal Regulator Alternator	\$291.00	
16635	1972	FORWARD LAMP HARNESS All	\$259.00	
FUEL TANK SENDER WIRE				
01040	1968	FUEL TANK SENDER WIRE All, Except Wagons	\$20.00	
11910	1968	FUEL TANK SENDER WIRE Wagon	\$30.00	
01040	1969	FUEL TANK SENDER WIRE All, Except Wagons	\$20.00	
11910	1969	FUEL TANK SENDER WIRE Wagon	\$30.00	
01040	1970	FUEL TANK SENDER WIRE All, Except Wagons	\$20.00	
11910	1970	FUEL TANK SENDER WIRE Wagon	\$30.00	
01040	1971	FUEL TANK SENDER WIRE All, Except Wagons	\$20.00	
11910	1971	FUEL TANK SENDER WIRE Wagon	\$30.00	
01040	1972	FUEL TANK SENDER WIRE All, Except Wagons	\$20.00	
11910	1972	FUEL TANK SENDER WIRE Wagon	\$30.00	
FUEL TANK SENDING UNIT				
06428034	1968	FUEL TANK SENDING UNIT 3/8" Fuel Line, Single Outlet, Except Wagon	\$43.00	N
06428034	1969	FUEL TANK SENDING UNIT 3/8" Fuel Line, Single Outlet, Except Wagon	\$43.00	N
06428034	1970	FUEL TANK SENDING UNIT 3/8" Fuel Line, Single Outlet, Except Wagon	\$43.00	N
06428838	1971	FUEL TANK SENDING UNIT 3/8" Fuel Line, Single Outlet, Except Wagon	\$43.00	N
06428837	1971	FUEL TANK SENDING UNIT 3/8" Fuel Line, With 2nd Vent Line, Except Wagon	\$43.00	N
06428838	1972	FUEL TANK SENDING UNIT 3/8" Fuel Line, Single Outlet, Except Wagon	\$43.00	N
06428837	1972	FUEL TANK SENDING UNIT 3/8" Fuel Line, With 2nd Vent Line, Except Wagon	\$43.00	N
GLOVE BOX LAMP KIT				
18000	1961	GLOVE BOX LAMP KIT Socket, Bulb & Wire	\$24.00	
18000	1962	GLOVE BOX LAMP KIT Socket, Bulb & Wire	\$24.00	
18000	1963	GLOVE BOX LAMP KIT Socket, Bulb & Wire	\$24.00	
18000	1964	GLOVE BOX LAMP KIT Socket, Bulb & Wire	\$24.00	
18000	1965	GLOVE BOX LAMP KIT Socket, Bulb & Wire	\$24.00	
18000	1966	GLOVE BOX LAMP KIT Socket, Bulb & Wire	\$24.00	
18000	1967	GLOVE BOX LAMP KIT Socket, Bulb & Wire	\$24.00	
18000	1968	GLOVE BOX LAMP KIT Socket, Bulb & Wire	\$24.00	
18000	1969	GLOVE BOX LAMP KIT Socket, Bulb & Wire	\$24.00	
GLOVE BOX LAMP WIRE				
06075	1966	GLOVE BOX LAMP WIRE	\$17.00	
11665	1968	GLOVE BOX LAMP WIRE	\$27.00	

Part Number	Year	Description	Price	*Rev.
11665	1969	GLOVE BOX LAMP WIRE	\$27.00	
GROUND WIRE				
11070	1967	GROUND WIRE Instrument Cluster	\$18.00	
11125	1967	GROUND WIRE Stereo Tape Player, Player To Dash	\$13.00	
11070	1968	GROUND WIRE Instrument Cluster	\$18.00	
12255	1968	GROUND WIRE Map Light	\$13.00	
11125	1968	GROUND WIRE Stereo Tape Player, Player To Dash	\$13.00	
11070	1969	GROUND WIRE Instrument Cluster	\$18.00	
12255	1969	GROUND WIRE Map Light	\$13.00	
11125	1969	GROUND WIRE Stereo Tape Player, Player To Dash	\$13.00	
11125	1970	GROUND WIRE Stereo Tape Player, Player To Dash	\$13.00	
11125	1971	GROUND WIRE Stereo Tape Player, Player To Dash	\$13.00	
GROUND WIRE-DISTRIBUTOR POINT PLATE				
38298	1964	GROUND WIRE, DISTRIBUTOR POINT PLATE From Distributor Point Plate To Distributor Housing Note: Replaces Spot Welded Wire Asm On Point Plate Side. Fits All GM V/8 Point Type Distributors From Approx. 1957-1974.	\$17.00	C
38298	1965	GROUND WIRE, DISTRIBUTOR POINT PLATE From Distributor Point Plate To Distributor Housing Note: Replaces Spot Welded Wire Asm On Point Plate Side. Fits All GM V/8 Point Type Distributors From Approx. 1957-1974.	\$17.00	C
38298	1966	GROUND WIRE, DISTRIBUTOR POINT PLATE From Distributor Point Plate To Distributor Housing Note: Replaces Spot Welded Wire Asm On Point Plate Side. Fits All GM V/8 Point Type Distributors From Approx. 1957-1974.	\$17.00	C
38298	1967	GROUND WIRE, DISTRIBUTOR POINT PLATE From Distributor Point Plate To Distributor Housing Note: Replaces Spot Welded Wire Asm On Point Plate Side. Fits All GM V/8 Point Type Distributors From Approx. 1957-1974.	\$17.00	C
38298	1968	GROUND WIRE, DISTRIBUTOR POINT PLATE From Distributor Point Plate To Distributor Housing Note: Replaces Spot Welded Wire Asm On Point Plate Side. Fits All GM V/8 Point Type Distributors From Approx. 1957-1974.	\$17.00	C
38298	1969	GROUND WIRE, DISTRIBUTOR POINT PLATE From Distributor Point Plate To Distributor Housing Note: Replaces Spot Welded Wire Asm On Point Plate Side. Fits All GM V/8 Point Type Distributors From Approx. 1957-1974.	\$17.00	C
38298	1970	GROUND WIRE, DISTRIBUTOR POINT PLATE From Distributor Point Plate To Distributor Housing Note: Replaces Spot Welded Wire Asm On Point Plate Side. Fits All GM V/8 Point Type Distributors From Approx. 1957-1974.	\$17.00	C
38298	1971	GROUND WIRE, DISTRIBUTOR POINT PLATE From Distributor Point Plate To Distributor Housing Note: Replaces Spot Welded Wire Asm On Point Plate Side. Fits All GM V/8 Point Type Distributors From Approx. 1957-1974.	\$17.00	C
38298	1972	GROUND WIRE, DISTRIBUTOR POINT PLATE From Distributor Point Plate To Distributor Housing Note: Replaces Spot Welded Wire Asm On Point Plate Side. Fits All GM V/8 Point Type Distributors From Approx. 1957-1974.	\$17.00	C
38298	1973	GROUND WIRE, DISTRIBUTOR POINT PLATE From Distributor Point Plate To Distributor Housing Note: Replaces Spot Welded Wire Asm On Point Plate Side. Fits All GM V/8 Point Type Distributors From Approx. 1957-1974.	\$17.00	C
38298	1974	GROUND WIRE, DISTRIBUTOR POINT PLATE From Distributor Point Plate To Distributor Housing Note: Replaces Spot Welded Wire Asm On Point Plate Side. Fits All GM V/8 Point Type Distributors From Approx. 1957-1974.	\$17.00	C
HARNESS TAPE				
R0058272	1961	HARNESS TAPE 3/4" Vinyl (100 Ft. Roll) Non-Adhesive	\$12.00	
R0058276	1961	HARNESS TAPE 1" Vinyl (100 Ft. Roll) Non-Adhesive	\$13.00	
R0067108	1961	HARNESS TAPE 1 1/4" Vinyl (100 Ft. Roll) Non-Adhesive	\$15.00	
R0058272	1962	HARNESS TAPE 3/4" Vinyl (100 Ft. Roll) Non-Adhesive	\$12.00	
R0058276	1962	HARNESS TAPE 1" Vinyl (100 Ft. Roll) Non-Adhesive	\$13.00	
R0067108	1962	HARNESS TAPE 1 1/4" Vinyl (100 Ft. Roll) Non-Adhesive	\$15.00	
R0058272	1963	HARNESS TAPE 3/4" Vinyl (100 Ft. Roll) Non-Adhesive	\$12.00	
R0058276	1963	HARNESS TAPE 1" Vinyl (100 Ft. Roll) Non-Adhesive	\$13.00	
R0067108	1963	HARNESS TAPE 1 1/4" Vinyl (100 Ft. Roll) Non-Adhesive	\$15.00	
R0058272	1964	HARNESS TAPE 3/4" Vinyl (100 Ft. Roll) Non-Adhesive	\$12.00	
R0058276	1964	HARNESS TAPE 1" Vinyl (100 Ft. Roll) Non-Adhesive	\$13.00	

Cutlass
4-4-2/F-85



Phone (562) 926-9552
Fax (562) 926-9572

Part Number	Year	Description	Price	*Rev.
R0067108	1964	HARNESS TAPE 1 1/4" Vinyl (100 Ft. Roll) Non-Adhesive	\$15.00	
R0058272	1965	HARNESS TAPE 3/4" Vinyl (100 Ft. Roll) Non-Adhesive	\$12.00	
R0058276	1965	HARNESS TAPE 1" Vinyl (100 Ft. Roll) Non-Adhesive	\$13.00	
R0067108	1965	HARNESS TAPE 1 1/4" Vinyl (100 Ft. Roll) Non-Adhesive	\$15.00	
R0058272	1966	HARNESS TAPE 3/4" Vinyl (100 Ft. Roll) Non-Adhesive	\$12.00	
R0058276	1966	HARNESS TAPE 1" Vinyl (100 Ft. Roll) Non-Adhesive	\$13.00	
R0067108	1966	HARNESS TAPE 1 1/4" Vinyl (100 Ft. Roll) Non-Adhesive	\$15.00	
R0058272	1967	HARNESS TAPE 3/4" Vinyl (100 Ft. Roll) Non-Adhesive	\$12.00	
R0058276	1967	HARNESS TAPE 1" Vinyl (100 Ft. Roll) Non-Adhesive	\$13.00	
R0067108	1967	HARNESS TAPE 1 1/4" Vinyl (100 Ft. Roll) Non-Adhesive	\$15.00	
R0058272	1968	HARNESS TAPE 3/4" Vinyl (100 Ft. Roll) Non-Adhesive	\$12.00	
R0058276	1968	HARNESS TAPE 1" Vinyl (100 Ft. Roll) Non-Adhesive	\$13.00	
R0067108	1968	HARNESS TAPE 1 1/4" Vinyl (100 Ft. Roll) Non-Adhesive	\$15.00	
R0058272	1969	HARNESS TAPE 3/4" Vinyl (100 Ft. Roll) Non-Adhesive	\$12.00	
R0058276	1969	HARNESS TAPE 1" Vinyl (100 Ft. Roll) Non-Adhesive	\$13.00	
R0067108	1969	HARNESS TAPE 1 1/4" Vinyl (100 Ft. Roll) Non-Adhesive	\$15.00	
R0058272	1970	HARNESS TAPE 3/4" Vinyl (100 Ft. Roll) Non-Adhesive	\$12.00	
R0058276	1970	HARNESS TAPE 1" Vinyl (100 Ft. Roll) Non-Adhesive	\$13.00	
R0067108	1970	HARNESS TAPE 1 1/4" Vinyl (100 Ft. Roll) Non-Adhesive	\$15.00	
R0058272	1971	HARNESS TAPE 3/4" Vinyl (100 Ft. Roll) Non-Adhesive	\$12.00	
R0058276	1971	HARNESS TAPE 1" Vinyl (100 Ft. Roll) Non-Adhesive	\$13.00	
R0067108	1971	HARNESS TAPE 1 1/4" Vinyl (100 Ft. Roll) Non-Adhesive	\$15.00	
R0058272	1972	HARNESS TAPE 3/4" Vinyl (100 Ft. Roll) Non-Adhesive	\$12.00	
R0058276	1972	HARNESS TAPE 1" Vinyl (100 Ft. Roll) Non-Adhesive	\$13.00	
R0067108	1972	HARNESS TAPE 1 1/4" Vinyl (100 Ft. Roll) Non-Adhesive	\$15.00	
R0058272	1973	HARNESS TAPE 3/4" Vinyl (100 Ft. Roll) Non-Adhesive	\$12.00	
R0058276	1973	HARNESS TAPE 1" Vinyl (100 Ft. Roll) Non-Adhesive	\$13.00	
R0067108	1973	HARNESS TAPE 1 1/4" Vinyl (100 Ft. Roll) Non-Adhesive	\$15.00	
R0058272	1974	HARNESS TAPE 3/4" Vinyl (100 Ft. Roll) Non-Adhesive	\$12.00	
R0058276	1974	HARNESS TAPE 1" Vinyl (100 Ft. Roll) Non-Adhesive	\$13.00	
R0067108	1974	HARNESS TAPE 1 1/4" Vinyl (100 Ft. Roll) Non-Adhesive	\$15.00	
R0058272	1975	HARNESS TAPE 3/4" Vinyl (100 Ft. Roll) Non-Adhesive	\$12.00	
R0058276	1975	HARNESS TAPE 1" Vinyl (100 Ft. Roll) Non-Adhesive	\$13.00	
R0067108	1975	HARNESS TAPE 1 1/4" Vinyl (100 Ft. Roll) Non-Adhesive	\$15.00	
R0058272	1976	HARNESS TAPE 3/4" Vinyl (100 Ft. Roll) Non-Adhesive	\$12.00	
R0058276	1976	HARNESS TAPE 1" Vinyl (100 Ft. Roll) Non-Adhesive	\$13.00	
R0067108	1976	HARNESS TAPE 1 1/4" Vinyl (100 Ft. Roll) Non-Adhesive	\$15.00	
HEADLIGHT SWITCH				
01995179	1964	HEADLIGHT SWITCH	\$20.00	N
01995179	1965	HEADLIGHT SWITCH	\$20.00	N
01995179	1966	HEADLIGHT SWITCH	\$20.00	N
01995179	1967	HEADLIGHT SWITCH	\$20.00	N
01995216	1969	HEADLIGHT SWITCH	\$20.00	N
01995216	1970	HEADLIGHT SWITCH	\$20.00	N
01995216	1971	HEADLIGHT SWITCH	\$20.00	N
01995216	1972	HEADLIGHT SWITCH	\$20.00	N

Cutlass
4-4-2/F-85



Phone (562) 926-9552
Fax (562) 926-9572

Part Number	Year	Description	Price	*Rev.
HEATER HARNESS				
43914	1964	HEATER HARNESS Without A/C	\$41.00	
43914	1965	HEATER HARNESS Without A/C	\$41.00	
43914	1966	HEATER HARNESS Without A/C	\$41.00	
18305	1967	HEATER HARNESS Without A/C	\$41.00	
12115	1968	HEATER HARNESS Without A/C	\$41.00	
12115	1969	HEATER HARNESS Without A/C	\$41.00	
18310	1970	HEATER HARNESS Without A/C	\$41.00	
18310	1971	HEATER HARNESS Without A/C	\$41.00	
18310	1972	HEATER HARNESS Without A/C	\$41.00	
HOOD LAMP EXTENSION WIRE				
10070	1968	HOOD LAMP EXTENSION WIRE Underhood Light (Original Factory Type Only)	\$20.00	
13270	1969	HOOD LAMP EXTENSION WIRE Underhood Light (Original Factory Type Only)	\$20.00	
HOOD LAMP REPLACEMENT KIT				
18410	1964	HOOD LAMP KIT Under Hood, Includes Socket, Wire & Bulb	\$60.00	C
18410	1965	HOOD LAMP KIT Under Hood, Includes Socket, Wire & Bulb	\$60.00	C
18410	1966	HOOD LAMP KIT Under Hood, Includes Socket, Wire & Bulb	\$60.00	C
18410	1967	HOOD LAMP KIT Under Hood, Includes Socket, Wire & Bulb	\$60.00	C
18410	1968	HOOD LAMP KIT Under Hood, Includes Socket, Wire & Bulb	\$60.00	C
18410	1969	HOOD LAMP KIT Under Hood, Includes Socket, Wire & Bulb	\$60.00	C
18410	1970	HOOD LAMP KIT Under Hood, Includes Socket, Wire & Bulb	\$60.00	C
18410	1971	HOOD LAMP KIT Under Hood, Includes Socket, Wire & Bulb	\$60.00	C
18410	1972	HOOD LAMP KIT Under Hood, Includes Socket, Wire & Bulb	\$60.00	C
18410	1973	HOOD LAMP KIT Under Hood, Includes Socket, Wire & Bulb	\$60.00	C
18410	1974	HOOD LAMP KIT Under Hood, Includes Socket, Wire & Bulb	\$60.00	C
18410	1975	HOOD LAMP KIT Under Hood, Includes Socket, Wire & Bulb	\$60.00	C
18410	1976	HOOD LAMP KIT Under Hood, Includes Socket, Wire & Bulb	\$60.00	C
18410	1977	HOOD LAMP KIT Under Hood, Includes Socket, Wire & Bulb	\$60.00	C
HORN WIRE EXTENSION HARNESS				
11550	1967	HORN WIRE EXTENSION HARNESS With W-30 Option	\$17.00	
IDLE STOP CONTROL WIRE				
12800	1969	IDLE STOP CONTROL WIRE 2 Bbl. Carburetor Only, From Carburetor Solenoid To Fuse Block Note: To Be Used With Engine Harness Part# 11585.	\$22.00	
IGNITION CYLINDER AND KEYS				
20071252	1969	IGNITION CYLINDER AND KEYS Chrome, All	\$18.50	N
20071252	1970	IGNITION CYLINDER AND KEYS Chrome, All	\$18.50	N
20071252	1971	IGNITION CYLINDER AND KEYS Chrome, All	\$18.50	N
20071252	1972	IGNITION CYLINDER AND KEYS Chrome, All	\$18.50	N
20071252	1973	IGNITION CYLINDER AND KEYS Chrome, All	\$18.50	N
20071252	1974	IGNITION CYLINDER AND KEYS Chrome, All	\$18.50	N
20071252	1975	IGNITION CYLINDER AND KEYS Chrome, All	\$18.50	N
20071252	1976	IGNITION CYLINDER AND KEYS Chrome, All	\$18.50	N
20071252	1977	IGNITION CYLINDER AND KEYS Chrome, All	\$18.50	N
20071252	1978	IGNITION CYLINDER AND KEYS Chrome, All, 1st Design, Used On Columns Without Lock Cylinder Retaining Screw	\$18.50	N

Cutlass
4-4-2/F-85



Phone (562) 926-9552
Fax (562) 926-9572

Part Number	Year	Description	Price	*Rev.
07833759	1978	IGNITION CYLINDER AND KEYS Chrome, All, 2nd Design, Used On Columns With Lock Cylinder Retaining Screw	\$18.50	N
07833759	1979	IGNITION CYLINDER AND KEYS Chrome, All	\$18.50	N
07833759	1980	IGNITION CYLINDER AND KEYS Chrome, All	\$18.50	N
07833759	1981	IGNITION CYLINDER AND KEYS Chrome, All	\$18.50	N
07833759	1982	IGNITION CYLINDER AND KEYS Chrome, All	\$18.50	N
07833759	1983	IGNITION CYLINDER AND KEYS Chrome, All	\$18.50	N
07833759	1984	IGNITION CYLINDER AND KEYS Chrome, All	\$18.50	N
07833759	1985	IGNITION CYLINDER AND KEYS Chrome, All	\$18.50	N
07833759	1986	IGNITION CYLINDER AND KEYS Chrome, All	\$18.50	N
07833759	1987	IGNITION CYLINDER AND KEYS Chrome, All	\$18.50	N
07833759	1988	IGNITION CYLINDER AND KEYS Chrome, All	\$18.50	N
IGNITION SWITCH				
44205	1965	IGNITION SWITCH KIT F-85 Note: Includes Ignition Switch, Connector And Instructions.	\$37.00	N
01990110	1969	IGNITION SWITCH All, With Tilt	\$14.00	N
01990110	1970	IGNITION SWITCH All, With Tilt	\$14.00	N
01990110	1971	IGNITION SWITCH All, With Tilt	\$14.00	N
01990110	1972	IGNITION SWITCH All, With Tilt	\$14.00	N
01990110	1973	IGNITION SWITCH All, With Tilt	\$14.00	N
01990110	1974	IGNITION SWITCH All, With Tilt	\$14.00	N
01990110	1975	IGNITION SWITCH All, With Tilt	\$14.00	N
01990110	1976	IGNITION SWITCH All, With Tilt	\$14.00	N
01990110	1977	IGNITION SWITCH All, With Tilt	\$14.00	N
01990110	1978	IGNITION SWITCH All, With Tilt	\$14.00	N
01990110	1979	IGNITION SWITCH All, With Tilt	\$14.00	N
01990110	1980	IGNITION SWITCH All, With Tilt	\$14.00	N
01990110	1981	IGNITION SWITCH All, With Tilt	\$14.00	N
01990110	1982	IGNITION SWITCH All, With Tilt	\$14.00	N
01990110	1983	IGNITION SWITCH All, With Tilt	\$14.00	N
01990110	1984	IGNITION SWITCH All, With Tilt	\$14.00	N
01990110	1985	IGNITION SWITCH All, With Tilt	\$14.00	N
01990110	1986	IGNITION SWITCH All, With Tilt	\$14.00	N
01990110	1987	IGNITION SWITCH All, With Tilt	\$14.00	N
01990110	1988	IGNITION SWITCH All, With Tilt	\$14.00	N
INSTRUMENT GAUGE CLUSTER CLIP KIT				
08986000	1976	CLIP KIT Cutlass, All, Instrument Gauge Cluster / Printed Circuit Board Retaining Clip Note: Replaces Original GM Part Number 08986000, Includes 12 Clips Per Kit.	\$14.00	N
08986000	1977	CLIP KIT Cutlass, All, Instrument Gauge Cluster / Printed Circuit Board Retaining Clip Note: Replaces Original GM Part Number 08986000, Includes 12 Clips Per Kit.	\$14.00	N
08986000	1978	CLIP KIT Cutlass, All, Instrument Gauge Cluster / Printed Circuit Board Retaining Clip Note: Replaces Original GM Part Number 08986000, Includes 12 Clips Per Kit.	\$14.00	N
08986000	1979	CLIP KIT Cutlass, All, Instrument Gauge Cluster / Printed Circuit Board Retaining Clip Note: Replaces Original GM Part Number 08986000, Includes 12 Clips Per Kit.	\$14.00	N

Cutlass
4-4-2/F-85



Phone (562) 926-9552
Fax (562) 926-9572

Part Number	Year	Description	Price	*Rev.
08986000	1980	CLIP KIT Cutlass, All, Instrument Gauge Cluster / Printed Circuit Board Retaining Clip Note: Replaces Original GM Part Number 08986000, Includes 12 Clips Per Kit.	\$14.00	N
08986000	1981	CLIP KIT Cutlass, All, Instrument Gauge Cluster / Printed Circuit Board Retaining Clip Note: Replaces Original GM Part Number 08986000, Includes 12 Clips Per Kit.	\$14.00	N
08986000	1982	CLIP KIT Cutlass, All, Instrument Gauge Cluster / Printed Circuit Board Retaining Clip Note: Replaces Original GM Part Number 08986000, Includes 12 Clips Per Kit.	\$14.00	N
08986000	1983	CLIP KIT Cutlass, All, Instrument Gauge Cluster / Printed Circuit Board Retaining Clip Note: Replaces Original GM Part Number 08986000, Includes 12 Clips Per Kit.	\$14.00	N
08986000	1984	CLIP KIT Cutlass, All, Instrument Gauge Cluster / Printed Circuit Board Retaining Clip Note: Replaces Original GM Part Number 08986000, Includes 12 Clips Per Kit.	\$14.00	N
08986000	1985	CLIP KIT Cutlass, All, Instrument Gauge Cluster / Printed Circuit Board Retaining Clip Note: Replaces Original GM Part Number 08986000, Includes 12 Clips Per Kit.	\$14.00	N
08986000	1986	CLIP KIT Cutlass, All, Instrument Gauge Cluster / Printed Circuit Board Retaining Clip Note: Replaces Original GM Part Number 08986000, Includes 12 Clips Per Kit.	\$14.00	N
08986000	1987	CLIP KIT Cutlass, All, Instrument Gauge Cluster / Printed Circuit Board Retaining Clip Note: Replaces Original GM Part Number 08986000, Includes 12 Clips Per Kit.	\$14.00	N
08986000	1988	CLIP KIT Cutlass, All, Instrument Gauge Cluster / Printed Circuit Board Retaining Clip Note: Replaces Original GM Part Number 08986000, Includes 12 Clips Per Kit.	\$14.00	N
KICKDOWN SWITCH				
01242101	1969	KICKDOWN SWITCH TH400 Auto Trans	\$19.00	
01242101	1970	KICKDOWN SWITCH TH400 Auto Trans	\$19.00	
01242101	1971	KICKDOWN SWITCH TH400 Auto Trans	\$19.00	
01242101	1972	KICKDOWN SWITCH TH400 Auto Trans	\$19.00	
01242101	1973	KICKDOWN SWITCH TH400 Auto Trans	\$19.00	
01242101	1974	KICKDOWN SWITCH TH400 Auto Trans	\$19.00	
01242101	1975	KICKDOWN SWITCH TH400 Auto Trans	\$19.00	
01242101	1976	KICKDOWN SWITCH TH400, Auto Trans	\$19.00	
01242101	1977	KICKDOWN SWITCH TH400, Auto Trans	\$19.00	
LOW FUEL INDICATOR MODULE				
500274	1964	LOW FUEL INDICATOR MODULE Generic "Adjustable" Low Fuel Warning Module Note: A Complete Electronic Control Unit To Activate A Warning Lamp Or Relay When Fuel Level Drops Below A User Adjustable Level. Includes instruction sheet.	\$64.00	C
500274	1965	LOW FUEL INDICATOR MODULE Generic "Adjustable" Low Fuel Warning Module Note: A Complete Electronic Control Unit To Activate A Warning Lamp Or Relay When Fuel Level Drops Below A User Adjustable Level. Includes instruction sheet.	\$64.00	C
500274	1966	LOW FUEL INDICATOR MODULE Generic "Adjustable" Low Fuel Warning Module Note: A Complete Electronic Control Unit To Activate A Warning Lamp Or Relay When Fuel Level Drops Below A User Adjustable Level. Includes instruction sheet.	\$64.00	C
500274	1967	LOW FUEL INDICATOR MODULE Generic "Adjustable" Low Fuel Warning Module Note: A Complete Electronic Control Unit To Activate A Warning Lamp Or Relay When Fuel Level Drops Below A User Adjustable Level. Includes instruction sheet.	\$64.00	C

Part Number	Year	Description	Price	*Rev.
500274	1968	LOW FUEL INDICATOR MODULE Generic "Adjustable" Low Fuel Warning Module Note: A Complete Electronic Control Unit To Activate A Warning Lamp Or Relay When Fuel Level Drops Below A User Adjustable Level. Includes instruction sheet.	\$64.00	C
500274	1969	LOW FUEL INDICATOR MODULE Generic "Adjustable" Low Fuel Warning Module Note: A Complete Electronic Control Unit To Activate A Warning Lamp Or Relay When Fuel Level Drops Below A User Adjustable Level. Includes instruction sheet.	\$64.00	C
500274	1970	LOW FUEL INDICATOR MODULE Generic "Adjustable" Low Fuel Warning Module Note: A Complete Electronic Control Unit To Activate A Warning Lamp Or Relay When Fuel Level Drops Below A User Adjustable Level. Includes instruction sheet.	\$64.00	C
500274	1971	LOW FUEL INDICATOR MODULE Generic "Adjustable" Low Fuel Warning Module Note: A Complete Electronic Control Unit To Activate A Warning Lamp Or Relay When Fuel Level Drops Below A User Adjustable Level. Includes instruction sheet.	\$64.00	C
500274	1972	LOW FUEL INDICATOR MODULE Generic "Adjustable" Low Fuel Warning Module Note: A Complete Electronic Control Unit To Activate A Warning Lamp Or Relay When Fuel Level Drops Below A User Adjustable Level. Includes instruction sheet.	\$64.00	C
500274	1973	LOW FUEL INDICATOR MODULE Generic "Adjustable" Low Fuel Warning Module Note: A Complete Electronic Control Unit To Activate A Warning Lamp Or Relay When Fuel Level Drops Below A User Adjustable Level. Includes instruction sheet.	\$64.00	C
500274	1974	LOW FUEL INDICATOR MODULE Generic "Adjustable" Low Fuel Warning Module Note: A Complete Electronic Control Unit To Activate A Warning Lamp Or Relay When Fuel Level Drops Below A User Adjustable Level. Includes instruction sheet.	\$64.00	C
500274	1975	LOW FUEL INDICATOR MODULE Generic "Adjustable" Low Fuel Warning Module Note: A Complete Electronic Control Unit To Activate A Warning Lamp Or Relay When Fuel Level Drops Below A User Adjustable Level. Includes instruction sheet.	\$64.00	C
500274	1976	LOW FUEL INDICATOR MODULE Generic "Adjustable" Low Fuel Warning Module Note: A Complete Electronic Control Unit To Activate A Warning Lamp Or Relay When Fuel Level Drops Below A User Adjustable Level. Includes instruction sheet.	\$64.00	C
500274	1977	LOW FUEL INDICATOR MODULE Generic "Adjustable" Low Fuel Warning Module Note: A Complete Electronic Control Unit To Activate A Warning Lamp Or Relay When Fuel Level Drops Below A User Adjustable Level. Includes instruction sheet.	\$64.00	C
NEUTRAL SAFETY AND BACKUP LAMP SWITCH				
01993659	1964	NEUTRAL SAFETY AND BACKUP LAMP SWITCH With Column Shift Powerglide Auto Trans	\$12.00	
01993659	1965	NEUTRAL SAFETY AND BACKUP LAMP SWITCH With Column Shift Powerglide Auto Trans	\$12.00	
01993659	1966	NEUTRAL SAFETY AND BACKUP LAMP SWITCH With Column Shift Powerglide Auto Trans	\$12.00	
09779665	1968	NEUTRAL SAFETY AND BACKUP LAMP SWITCH With Console Shift Hurst Auto Trans	\$71.00	
01994235	1969	NEUTRAL SAFETY AND BACKUP LAMP SWITCH With Column Shift Auto Trans, All	\$19.00	
01994235	1970	NEUTRAL SAFETY AND BACKUP LAMP SWITCH With Column Shift Auto Trans, All	\$19.00	
01994235	1971	NEUTRAL SAFETY AND BACKUP LAMP SWITCH With Column Shift Auto Trans, All	\$19.00	
01994235	1972	NEUTRAL SAFETY AND BACKUP LAMP SWITCH With Column Shift Auto Trans, All	\$19.00	
01994235	1973	NEUTRAL SAFETY AND BACKUP LAMP SWITCH With Column Shift Auto Trans, All	\$19.00	
01994163	1974	NEUTRAL SAFETY AND BACKUP LAMP SWITCH With Auto Trans, All	\$19.00	
01994163	1975	NEUTRAL SAFETY AND BACKUP LAMP SWITCH With Auto Trans, All	\$19.00	
NEUTRAL SAFETY SWITCH				
03983965	1973	NEUTRAL SAFETY SWITCH Omega, With 3 Speed Manual Trans	\$58.00	N
03983965	1974	NEUTRAL SAFETY SWITCH Omega, With 3 Speed Manual Trans	\$58.00	N
03983965	1975	NEUTRAL SAFETY SWITCH Omega, With 3 Speed Manual Trans	\$58.00	N
03983965	1976	NEUTRAL SAFETY SWITCH Omega, With Manual Trans	\$58.00	N
03983965	1977	NEUTRAL SAFETY SWITCH Omega, With Manual Trans	\$58.00	N
03983965	1978	NEUTRAL SAFETY SWITCH Omega, With Manual Trans	\$58.00	N
03983965	1979	NEUTRAL SAFETY SWITCH Omega, With Manual Trans	\$58.00	N

Cutlass
4-4-2/F-85



Phone (562) 926-9552
Fax (562) 926-9572

Part Number	Year	Description	Price	*Rev.
NEUTRAL SAFETY SWITCH EXTENSION HARNESS				
13490	1969	NEUTRAL SAFETY SWITCH EXTENSION HARNESS Manual Trans, From Clutch Switch To Dash Harness	\$23.00	
13490	1970	NEUTRAL SAFETY SWITCH EXTENSION HARNESS Manual Trans, From Clutch Switch To Dash Harness	\$23.00	
13490	1971	NEUTRAL SAFETY SWITCH EXTENSION HARNESS Manual Trans, From Clutch Switch To Dash Harness	\$23.00	
13490	1972	NEUTRAL SAFETY SWITCH EXTENSION HARNESS Manual Trans, From Clutch Switch To Dash Harness	\$23.00	
OIL PRESSURE SENDER EXTENSION WIRE				
10400	1966	OIL PRESSURE SENDER EXTENSION WIRE V/8, With A/C	\$13.00	
10400	1967	OIL PRESSURE SENDER EXTENSION WIRE V/8, With A/C	\$13.00	
POWER ANTENNA HARNESS				
06195	1966	POWER ANTENNA HARNESS Rear Mounted, Except Wagons	\$52.00	
06195	1967	POWER ANTENNA HARNESS Rear Mounted, Except Wagons	\$52.00	
30700	1968	POWER ANTENNA HARNESS Rear Mounted, Except Wagons	\$43.00	
30700	1969	POWER ANTENNA HARNESS Rear Mounted, Except Wagons	\$43.00	
POWER DOOR LOCK RELAY AND ADAPTER HARNESS				
39440	1970	POWER DOOR LOCK RELAY AND ADAPTER HARNESS Includes New Standard Type Relay And Adapter To Mate To Factory Harness	\$40.00	
POWER DOOR LOCK SWITCH				
20031475	1977	POWER DOOR LOCK SWITCH	\$62.00	N
01725099	1971	POWER DOOR LOCK SWITCH 1 Button	\$62.00	
01725099	1972	POWER DOOR LOCK SWITCH 1 Button	\$62.00	
01725099	1973	POWER DOOR LOCK SWITCH 1 Button	\$62.00	
01725099	1974	POWER DOOR LOCK SWITCH 1 Button	\$62.00	
01725099	1975	POWER DOOR LOCK SWITCH 1 Button	\$62.00	
01725099	1976	POWER DOOR LOCK SWITCH 1 Button	\$62.00	
01725099	1976	POWER DOOR LOCK SWITCH Omega, 1 Button	\$62.00	M
01725099	1977	POWER DOOR LOCK SWITCH Omega, 1 Button	\$62.00	M
01725099	1979	POWER DOOR LOCK SWITCH Omega, 1 Button	\$62.00	M
POWER FEED EXTENSION				
07700	1965	POWER FEED EXTENSION Circuit Breaker To Power Seat Harness	\$26.00	
07700	1966	POWER FEED EXTENSION Circuit Breaker To Power Seat Harness	\$26.00	
07700	1967	POWER FEED EXTENSION Circuit Breaker To Power Seat Harness	\$26.00	
05195	1967	POWER FEED EXTENSION Battery Junction Block To Circuit Breaker	\$27.00	
12320	1968	POWER FEED EXTENSION Battery Junction Block To Circuit Breaker	\$22.00	
13275	1969	POWER FEED EXTENSION Battery Junction Block To Circuit Breaker	\$17.00	
13275	1970	POWER FEED EXTENSION Battery Junction Block To Circuit Breaker	\$17.00	
13275	1971	POWER FEED EXTENSION Battery Junction Block To Circuit Breaker	\$17.00	
POWER SEAT BACK RELAY AND ADAPTER HARNESS				
39440	1970	POWER SEAT BACK RELAY AND ADAPTER HARNESS Includes New Standard Type Relay And Adapter To Mate To Factory Harness	\$40.00	
POWER SEAT HARNESS				
07600	1965	POWER SEAT HARNESS 4 Way Bucket, Drivers Side	\$159.00	
07595	1965	POWER SEAT HARNESS 4-Way Bench Note: Requires Customers Original Harness.	\$166.00	
07595	1966	POWER SEAT HARNESS 4-Way Bench Note: Requires Customers Original Harness.	\$166.00	

Cutlass
4-4-2/F-85



Phone (562) 926-9552
Fax (562) 926-9572

Part Number	Year	Description	Price	*Rev.
07595	1967	POWER SEAT HARNESS 4-Way Bench Note: Requires Customers Original Harness.	\$166.00	
POWER SEAT MOTOR RELAY AND ADAPTER HARNESS				
40146	1964	POWER SEAT MOTOR RELAY AND ADAPTER HARNESS Includes New Standard Type Relay And Adapter To Mate To Factory Harness	\$74.00	
40146	1965	POWER SEAT MOTOR RELAY AND ADAPTER HARNESS Includes New Standard Type Relay And Adapter To Mate To Factory Harness	\$74.00	
40146	1966	POWER SEAT MOTOR RELAY AND ADAPTER HARNESS Includes New Standard Type Relay And Adapter To Mate To Factory Harness	\$74.00	
40146	1967	POWER SEAT MOTOR RELAY AND ADAPTER HARNESS Includes New Standard Type Relay And Adapter To Mate To Factory Harness	\$74.00	
40146	1968	POWER SEAT MOTOR RELAY AND ADAPTER HARNESS Includes New Standard Type Relay And Adapter To Mate To Factory Harness	\$74.00	
40146	1969	POWER SEAT MOTOR RELAY AND ADAPTER HARNESS Includes New Standard Type Relay And Adapter To Mate To Factory Harness	\$74.00	
40146	1970	POWER SEAT MOTOR RELAY AND ADAPTER HARNESS Includes New Standard Type Relay And Adapter To Mate To Factory Harness	\$74.00	
40146	1971	POWER SEAT MOTOR RELAY AND ADAPTER HARNESS Includes New Standard Type Relay And Adapter To Mate To Factory Harness	\$74.00	
40146	1972	POWER SEAT MOTOR RELAY AND ADAPTER HARNESS Includes New Standard Type Relay And Adapter To Mate To Factory Harness	\$74.00	
40146	1973	POWER SEAT MOTOR RELAY AND ADAPTER HARNESS Includes New Standard Type Relay And Adapter To Mate To Factory Harness	\$74.00	
40146	1974	POWER SEAT MOTOR RELAY AND ADAPTER HARNESS Includes New Standard Type Relay And Adapter To Mate To Factory Harness	\$74.00	
40146	1975	POWER SEAT MOTOR RELAY AND ADAPTER HARNESS Includes New Standard Type Relay And Adapter To Mate To Factory Harness	\$74.00	
POWER TAILGATE RELAY AND ADAPTER HARNESS				
39440	1968	POWER TAILGATE RELAY AND ADAPTER HARNESS Includes New Standard Type Relay And Adapter To Mate To Factory Harness	\$40.00	
39440	1969	POWER TAILGATE RELAY AND ADAPTER HARNESS Includes New Standard Type Relay And Adapter To Mate To Factory Harness	\$40.00	
39440	1970	POWER TAILGATE RELAY AND ADAPTER HARNESS Includes New Standard Type Relay And Adapter To Mate To Factory Harness	\$40.00	
39440	1971	POWER TAILGATE RELAY AND ADAPTER HARNESS Includes New Standard Type Relay And Adapter To Mate To Factory Harness	\$40.00	
39440	1972	POWER TAILGATE RELAY AND ADAPTER HARNESS Includes New Standard Type Relay And Adapter To Mate To Factory Harness	\$40.00	
POWER TOP HARNESS				
18395	1964	POWER TOP HARNESS Convertible, From Switch To Body Harness Connector	\$83.00	
05805	1965	POWER TOP HARNESS Convertible, From Switch To Body Harness Connector	\$83.00	
09425	1966	POWER TOP HARNESS Convertible, From Switch To Body Harness Connector	\$82.00	
09425	1967	POWER TOP HARNESS Convertible, From Switch To Body Harness Connector	\$82.00	
15605	1970	POWER TOP HARNESS Convertible, From Switch To Body Harness Connector	\$82.00	
15605	1971	POWER TOP HARNESS Convertible, From Switch To Body Harness Connector	\$82.00	
16735	1972	POWER TOP HARNESS Convertible, From Switch To Body Harness Connector	\$82.00	
POWER WINDOW HARNESS				
06680	1963	POWER WINDOW HARNESS Left Rear Quarter Window, Cutlass Convertible	\$105.00	
06675	1963	POWER WINDOW HARNESS Right Rear Quarter Window, Cutlass Convertible	\$105.00	
06670	1963	POWER WINDOW HARNESS Left Rear Quarter Window, Cutlass & Jetfire Coupe	\$105.00	
06665	1963	POWER WINDOW HARNESS Right Rear Quarter Window, Cutlass & Jetfire Coupe	\$105.00	
06960	1964	POWER WINDOW HARNESS Driver Side Door	\$212.00	

Cutlass
4-4-2/F-85



Phone (562) 926-9552
Fax (562) 926-9572

Part Number	Year	Description	Price	*Rev.
06955	1964	POWER WINDOW HARNESS Passenger Side Door	\$147.00	
07000	1964	POWER WINDOW INTERMEDIATE HARNESS Under Dash, Crossover	\$132.00	
06995	1964	POWER WINDOW HARNESS Quarter Window, Convertible, 2 Required Per Car Note: Customer Must Reuse Their Original Plastic 3 Terminal Connector That Attaches This Harness To Ribbon Cable.	\$87.00	
06990	1964	POWER WINDOW HARNESS Quarter Window, Sport Coupe, 2 Required Per Car Note: Customer Must Reuse Their Original Plastic 3 Terminal Connector That Attaches This Harness To Ribbon Cable.	\$87.00	
07005	1964	POWER WINDOW MOTOR EXTENSION Convertible, Quarter Window Harness To Motor, 2 Req. Per Car	\$32.00	
07170	1964	POWER WINDOW MOTOR EXTENSION Coupe, Quarter Window Harness To Motor, 2 Req. Per Car	\$25.00	
07610	1965	POWER WINDOW HARNESS Driver Side Door	\$219.00	
07605	1965	POWER WINDOW HARNESS Passenger Side Door	\$147.00	
07715	1965	POWER WINDOW INTERMEDIATE HARNESS Under Dash, Crossover	\$137.00	
07695	1965	POWER WINDOW HARNESS Quarter Window, Cutlass Convertible, 2 Required Per Car Note: Customer Must Reuse Their Original Plastic 3 Terminal Connector That Attaches This Harness To Ribbon Cable.	\$87.00	
07640	1965	POWER WINDOW HARNESS Quarter Window, Cutlass Coupes, 2 Required Per Car Note: Customer Must Reuse Their Original Plastic 3 Terminal Connector That Attaches This Harness To Ribbon Cable.	\$87.00	
07660	1965	POWER WINDOW MOTOR EXTENSION Convertible, Quarter Window Harness To Motor, 2 Req. Per Car	\$25.00	
07655	1965	POWER WINDOW MOTOR EXTENSION Coupe, Quarter Window Harness To Motor, 2 Req. Per Car	\$25.00	
08260	1966	POWER WINDOW HARNESS Driver Side Door	\$212.00	
27310	1966	POWER WINDOW HARNESS Passenger Side Door	\$147.00	
07715	1966	POWER WINDOW INTERMEDIATE HARNESS Under Dash, Crossover	\$137.00	
07695	1966	POWER WINDOW HARNESS Quarter Window, Cutlass Convertible, 2 Required Per Car Note: Customer Must Reuse Their Original Plastic 3 Terminal Connector That Attaches This Harness To Ribbon Cable.	\$87.00	
07640	1966	POWER WINDOW HARNESS Quarter Window, Cutlass Coupes, 2 Required Per Car Note: Customer Must Reuse Their Original Plastic 3 Terminal Connector That Attaches This Harness To Ribbon Cable.	\$87.00	
07660	1966	POWER WINDOW MOTOR EXTENSION Convertible, Quarter Window Harness To Motor, 2 Req. Per Car	\$25.00	
07655	1966	POWER WINDOW MOTOR EXTENSION Coupe, Quarter Window Harness To Motor, 2 Req. Per Car	\$25.00	
08260	1967	POWER WINDOW HARNESS Driver Side Door	\$212.00	
27310	1967	POWER WINDOW HARNESS Passenger Side Door	\$147.00	
07715	1967	POWER WINDOW INTERMEDIATE HARNESS Under Dash, Crossover	\$137.00	
07695	1967	POWER WINDOW HARNESS Quarter Window, Cutlass Convertible, 2 Required Per Car Note: Customer Must Reuse Their Original Plastic 3 Terminal Connector That Attaches This Harness To Ribbon Cable.	\$87.00	
07640	1967	POWER WINDOW HARNESS Quarter Window, Cutlass Coupes, 2 Required Per Car Note: Customer Must Reuse Their Original Plastic 3 Terminal Connector That Attaches This Harness To Ribbon Cable.	\$87.00	
07660	1967	POWER WINDOW MOTOR EXTENSION Convertible, Quarter Window Harness To Motor, 2 Req. Per Car	\$25.00	
07655	1967	POWER WINDOW MOTOR EXTENSION Coupe, Quarter Window Harness To Motor, 2 Req. Per Car	\$25.00	
31135	1968	POWER WINDOW HARNESS Driver Side Door	\$219.00	
14165	1968	POWER WINDOW HARNESS Passenger Side Door	\$147.00	
14170	1968	POWER WINDOW HARNESS Quarter Windows & Intermediate Body	\$186.00	
39470	1969	POWER WINDOW HARNESS Driver Side Door And Under Dash Crossover	\$264.00	
37817	1969	POWER WINDOW HARNESS Passenger Side Door	\$147.00	
14405	1969	POWER WINDOW HARNESS Quarter Windows & Intermediate Body	\$186.00	
31140	1970	POWER WINDOW HARNESS Driver Side Door And Under Dash Crossover	\$264.00	
14470	1970	POWER WINDOW HARNESS Passenger Side Door	\$147.00	
14505	1970	POWER WINDOW HARNESS Quarter Windows & Intermediate Body	\$186.00	
31140	1971	POWER WINDOW HARNESS Driver Side Door And Under Dash Crossover	\$264.00	
14470	1971	POWER WINDOW HARNESS Passenger Side Door	\$147.00	
14505	1971	POWER WINDOW HARNESS Quarter Windows & Intermediate Body	\$186.00	
39471	1972	POWER WINDOW HARNESS Driver Side Door And Under Dash Crossover	\$264.00	

Cutlass
4-4-2/F-85



Phone (562) 926-9552
Fax (562) 926-9572

Part Number	Year	Description	Price	*Rev.
14470	1972	POWER WINDOW HARNESS Passenger Side Door	\$147.00	
14505	1972	POWER WINDOW HARNESS Quarter Windows & Intermediate Body	\$186.00	
POWER WINDOW MOTOR ADAPTER HARNESS				
36954	1964	POWER WINDOW MOTOR ADAPTER HARNESS Adapts "T" Shaped Motor Connector To Side By Side Blade Type Motor Connector	\$22.00	C
36954	1965	POWER WINDOW MOTOR ADAPTER HARNESS Adapts "T" Shaped Motor Connector To Side By Side Blade Type Motor Connector	\$22.00	C
36954	1966	POWER WINDOW MOTOR ADAPTER HARNESS Adapts "T" Shaped Motor Connector To Side By Side Blade Type Motor Connector	\$22.00	C
36954	1967	POWER WINDOW MOTOR ADAPTER HARNESS Adapts "T" Shaped Motor Connector To Side By Side Blade Type Motor Connector	\$22.00	C
36954	1968	POWER WINDOW MOTOR ADAPTER HARNESS Adapts "T" Shaped Motor Connector To Side By Side Blade Type Motor Connector	\$22.00	C
36954	1969	POWER WINDOW MOTOR ADAPTER HARNESS Adapts "T" Shaped Motor Connector To Side By Side Blade Type Motor Connector	\$22.00	C
36954	1970	POWER WINDOW MOTOR ADAPTER HARNESS Adapts "T" Shaped Motor Connector To Side By Side Blade Type Motor Connector	\$22.00	C
36954	1971	POWER WINDOW MOTOR ADAPTER HARNESS Adapts "T" Shaped Motor Connector To Side By Side Blade Type Motor Connector	\$22.00	C
36954	1972	POWER WINDOW MOTOR ADAPTER HARNESS Adapts "T" Shaped Motor Connector To Side By Side Blade Type Motor Connector	\$22.00	C
36954	1973	POWER WINDOW MOTOR ADAPTER HARNESS Adapts "T" Shaped Motor Connector To Side By Side Blade Type Motor Connector	\$22.00	C
36954	1974	POWER WINDOW MOTOR ADAPTER HARNESS Adapts "T" Shaped Motor Connector To Side By Side Blade Type Motor Connector	\$22.00	C
36954	1975	POWER WINDOW MOTOR ADAPTER HARNESS Adapts "T" Shaped Motor Connector To Side By Side Blade Type Motor Connector	\$22.00	C
POWER WINDOW RELAY AND ADAPTER HARNESS				
39440	1967	POWER WINDOW RELAY AND ADAPTER HARNESS Includes New Standard Type Relay And Adapter To Mate To Factory Harness	\$40.00	
39440	1968	POWER WINDOW RELAY AND ADAPTER HARNESS Includes New Standard Type Relay And Adapter To Mate To Factory Harness	\$40.00	
39440	1969	POWER WINDOW RELAY AND ADAPTER HARNESS Includes New Standard Type Relay And Adapter To Mate To Factory Harness	\$40.00	
39440	1970	POWER WINDOW RELAY AND ADAPTER HARNESS Includes New Standard Type Relay And Adapter To Mate To Factory Harness	\$40.00	
39440	1971	POWER WINDOW RELAY AND ADAPTER HARNESS Includes New Standard Type Relay And Adapter To Mate To Factory Harness	\$40.00	
39440	1972	POWER WINDOW RELAY AND ADAPTER HARNESS Includes New Standard Type Relay And Adapter To Mate To Factory Harness	\$40.00	
POWER WINDOW SWITCH				
20061549	1982	POWER WINDOW SWITCH 2-Button, Without Custom Door Panels (Option Codes Yt1 Or Yt3)	\$14.00	N
20061549	1983	POWER WINDOW SWITCH 2-Button, Without Custom Door Panels (Option Codes Yt1 Or Yt3)	\$14.00	N
20061549	1984	POWER WINDOW SWITCH 2-Button, Without Custom Door Panels (Option Codes Yt1 Or Yt3)	\$14.00	N
20061549	1985	POWER WINDOW SWITCH 2-Button, Without Custom Door Panels (Option Codes Yt1 Or Yt3)	\$14.00	N
20061549	1986	POWER WINDOW SWITCH 2-Button, Without Custom Door Panels (Option Codes Yt1 Or Yt3)	\$14.00	N
04432790	1964	POWER WINDOW SWITCH 1 Button, Round Corner Style, Chrome	\$49.00	
04432791	1964	POWER WINDOW SWITCH 4 Button, Round Corner Style, Chrome	\$67.00	
04432790	1965	POWER WINDOW SWITCH 1 Button, Round Corner Style, Chrome	\$49.00	

Effective Date: 4/10/2024

*Revision Key: N=NEW ITEM
C=CHANGED DESCRIPTION/APPLICATION

P=PRICE CHANGE
M=MORE APPLICATIONS

Page: 24

Cutlass
4-4-2/F-85



Phone (562) 926-9552
Fax (562) 926-9572

Part Number	Year	Description	Price	*Rev.
04432791	1965	POWER WINDOW SWITCH 4 Button, Round Corner Style, Chrome	\$67.00	
04432790	1966	POWER WINDOW SWITCH 1 Button, Round Corner Style, Chrome	\$49.00	
04432791	1966	POWER WINDOW SWITCH 4 Button, Round Corner Style, Chrome	\$67.00	
04432790	1967	POWER WINDOW SWITCH 1 Button, Round Corner Style, Chrome	\$49.00	
04432791	1967	POWER WINDOW SWITCH 4 Button, Round Corner Style, Chrome	\$67.00	
04432790	1968	POWER WINDOW SWITCH 1 Button, Round Corner Style, Chrome	\$49.00	
04432791	1968	POWER WINDOW SWITCH 4 Button, Round Corner Style, Chrome	\$67.00	
04432790	1969	POWER WINDOW SWITCH 1 Button, Round Corner Style, Chrome	\$49.00	
04432791	1969	POWER WINDOW SWITCH 4 Button, Round Corner Style, Chrome	\$67.00	
04432790	1970	POWER WINDOW SWITCH 1 Button, Round Corner Style, Chrome	\$49.00	
04432791	1970	POWER WINDOW SWITCH 4 Button, Round Corner Style, Chrome	\$67.00	
01731231	1971	POWER WINDOW SWITCH All, With Switch On Door Panel, 4 Button, Square Corner Style, Chrome	\$75.00	M
01731231	1972	POWER WINDOW SWITCH All, With Switch On Door Panel, 4 Button, Square Corner Style, Chrome	\$75.00	M
01731231	1973	POWER WINDOW SWITCH 4 Button, Square Corner Style, Chrome	\$75.00	M
01725092	1973	POWER WINDOW SWITCH Cutlass, 2 Button, Square Corner Style, Chrome	\$53.00	M
01725092	1973	POWER WINDOW SWITCH Omega, 2 Button, Square Corner Style, Chrome	\$53.00	M
01731231	1974	POWER WINDOW SWITCH 4 Button, Square Corner Style, Chrome	\$75.00	M
01725092	1974	POWER WINDOW SWITCH Cutlass, 2 Button, Square Corner Style, Chrome	\$53.00	M
01725092	1974	POWER WINDOW SWITCH Omega, 2 Button, Square Corner Style, Chrome	\$53.00	M
01731231	1975	POWER WINDOW SWITCH 4 Button, Square Corner Style, Chrome	\$75.00	M
01731231	1975	POWER WINDOW SWITCH Omega, 4 Button, Square Corner Style, Chrome	\$75.00	M
01725092	1975	POWER WINDOW SWITCH Cutlass, 2 Button, Square Corner Style, Chrome	\$53.00	M
01725092	1975	POWER WINDOW SWITCH Omega, 2 Button, Square Corner Style, Chrome	\$53.00	M
01725094	1976	POWER WINDOW SWITCH 1 Button, Square Corner Style, Chrome	\$21.00	M
01731231	1976	POWER WINDOW SWITCH 4 Button, Square Corner Style, Chrome	\$75.00	M
01731231	1976	POWER WINDOW SWITCH Omega, 4 Button, Square Corner Style, Chrome	\$75.00	M
01725092	1976	POWER WINDOW SWITCH Cutlass, 2 Button, Square Corner Style, Chrome	\$53.00	M
01725092	1976	POWER WINDOW SWITCH Omega, 2 Button, Square Corner Style, Chrome	\$53.00	M
01725094	1977	POWER WINDOW SWITCH 1 Button, Square Corner Style, Chrome	\$21.00	M
01731231	1977	POWER WINDOW SWITCH 4 Button, Square Corner Style, Chrome	\$75.00	M
01731231	1977	POWER WINDOW SWITCH Omega, 4 Button, Square Corner Style, Chrome	\$75.00	M
01725092	1977	POWER WINDOW SWITCH Cutlass, 2 Button, Square Corner Style, Chrome	\$53.00	M
01725092	1977	POWER WINDOW SWITCH Omega, 2 Button, Square Corner Style, Chrome	\$53.00	M
01725094	1978	POWER WINDOW SWITCH 1 Button, Square Corner Style, Chrome	\$21.00	M
01731231	1978	POWER WINDOW SWITCH Omega, 4 Button, Square Corner Style, Chrome	\$75.00	M
01725092	1978	POWER WINDOW SWITCH Cutlass, 2 Button, Square Corner Style, Chrome	\$53.00	M
01725092	1978	POWER WINDOW SWITCH Omega, 2 Button, Square Corner Style, Chrome	\$53.00	M
01731231	1979	POWER WINDOW SWITCH Omega, 4 Button, Square Corner Style, Chrome	\$75.00	M
01725092	1979	POWER WINDOW SWITCH Omega, 2 Button, Square Corner Style, Chrome	\$53.00	M
REAR LAMP HARNESS				
04600	1964	REAR LAMP EXTENSION HARNESS From Rear Body Connector To Backup Lamps	\$33.00	
04600	1965	REAR LAMP EXTENSION HARNESS From Rear Body Connector To Backup Lamps	\$33.00	
04600	1966	REAR LAMP EXTENSION HARNESS From Rear Body Connector To Backup Lamps	\$33.00	
07195	1964	REAR LAMP HARNESS Convertible	\$237.00	
07190	1964	REAR LAMP HARNESS Coupe	\$198.00	

Cutlass
4-4-2/F-85



Phone (562) 926-9552
Fax (562) 926-9572

Part Number	Year	Description	Price	*Rev.
07740	1965	REAR LAMP HARNESS Convertible	\$237.00	
07735	1965	REAR LAMP HARNESS Coupe	\$198.00	
07435	1966	REAR LAMP HARNESS Convertible	\$237.00	
07015	1966	REAR LAMP HARNESS Coupe	\$198.00	
13905	1967	REAR LAMP HARNESS Cutlass Supreme & 442, Convertible	\$237.00	
13900	1967	REAR LAMP HARNESS Cutlass Supreme & 442, Coupe	\$198.00	
14030	1967	REAR LAMP HARNESS F-85 & Cutlass, Convertible (Except Supreme & 442)	\$237.00	
13895	1967	REAR LAMP HARNESS F-85 & Cutlass, Coupe (Except Supreme & 442)	\$198.00	
14160	1968	REAR LAMP HARNESS Convertible	\$264.00	
14155	1968	REAR LAMP HARNESS 2 Door Coupe	\$225.00	
14150	1968	REAR LAMP HARNESS 4 Door Coupe	\$225.00	
14360	1969	REAR LAMP INTERMEDIATE HARNESS Convertible	\$193.00	
14355	1969	REAR LAMP INTERMEDIATE HARNESS Coupe	\$147.00	
14365	1969	REAR LAMP HARNESS Rear Panel, All	\$133.00	
18315	1970	REAR LAMP INTERMEDIATE HARNESS Convertible	\$193.00	
14460	1970	REAR LAMP INTERMEDIATE HARNESS Coupe	\$147.00	
14455	1970	REAR LAMP HARNESS Rear Panel, All	\$133.00	
18315	1971	REAR LAMP INTERMEDIATE HARNESS Convertible	\$193.00	
14460	1971	REAR LAMP INTERMEDIATE HARNESS Coupe	\$147.00	
14455	1971	REAR LAMP HARNESS Rear Panel, All	\$133.00	
18315	1972	REAR LAMP INTERMEDIATE HARNESS Convertible, Without Seat Belt Warning	\$193.00	
17185	1972	REAR LAMP INTERMEDIATE HARNESS Convertible, With Seat Belt Warning	\$245.00	
14460	1972	REAR LAMP INTERMEDIATE HARNESS Coupe, Without Seat Belt Warning	\$147.00	
17180	1972	REAR LAMP INTERMEDIATE HARNESS Coupe, With Seat Belt Warning	\$219.00	
14455	1972	REAR LAMP HARNESS Rear Panel, All	\$133.00	
REAR WINDOW DEFROSTER HARNESS				
05245	1964	REAR WINDOW DEFROSTER HARNESS From Switch To Blower Motor Connector	\$94.00	
05245	1965	REAR WINDOW DEFROSTER HARNESS From Switch To Blower Motor Connector	\$94.00	
10690	1966	REAR WINDOW DEFROSTER HARNESS From Switch To Blower Motor Connector	\$87.00	
10690	1967	REAR WINDOW DEFROSTER HARNESS From Switch To Blower Motor Connector	\$87.00	
13295	1968	REAR WINDOW DEFROSTER HARNESS From Switch To Blower Motor Connector	\$74.00	
13295	1969	REAR WINDOW DEFROSTER HARNESS From Switch To Blower Motor Connector	\$74.00	
17175	1970	REAR WINDOW DEFROSTER HARNESS From Switch To Blower Motor Connector	\$87.00	
15950	1971	REAR WINDOW DEFROSTER HARNESS From Switch To Relay	\$118.00	
15955	1971	REAR WINDOW DEFROSTER HARNESS Relay Jumper, Used With Part# 15950 On A/C Equipped Cars	\$53.00	
16745	1972	REAR WINDOW DEFROSTER HARNESS From Switch To Relay	\$113.00	
16750	1972	REAR WINDOW DEFROSTER HARNESS Relay Jumper, Used With Part# 16745 On A/C Equipped Cars	\$53.00	
REPAIR PIGTAIL-FOR POWER WINDOW SWITCH				
36048	1964	REPAIR PIGTAIL, FOR POWER WINDOW SWITCH For Single Power Window Switches, Connector & Wire	\$25.00	
36048	1965	REPAIR PIGTAIL, FOR POWER WINDOW SWITCH For Single Power Window Switches, Connector & Wire	\$25.00	
36048	1966	REPAIR PIGTAIL, FOR POWER WINDOW SWITCH For Single Power Window Switches, Connector & Wire	\$25.00	
36048	1967	REPAIR PIGTAIL, FOR POWER WINDOW SWITCH For Single Power Window Switches, Connector & Wire	\$25.00	
36048	1968	REPAIR PIGTAIL, FOR POWER WINDOW SWITCH For Single Power Window Switches, Connector & Wire	\$25.00	
36048	1969	REPAIR PIGTAIL, FOR POWER WINDOW SWITCH For Single Power Window Switches, Connector & Wire	\$25.00	
36048	1970	REPAIR PIGTAIL, FOR POWER WINDOW SWITCH For Single Power Window Switches, Connector & Wire	\$25.00	

Cutlass
4-4-2/F-85



Phone (562) 926-9552
Fax (562) 926-9572

Part Number	Year	Description	Price	*Rev.
STEERING COLUMN ADAPTER HARNESS				
37542	1964	STEERING COLUMN ADAPTER HARNESS For 1969-1974 GM & Ididit Columns (Exc. Flaming River) To Stock Dash Harness Note: Adapts Horn, Directionals, Hazard Flashers To Stock 8 Pin T/L Dash Connector.	\$50.00	
37009	1964	STEERING COLUMN ADAPTER HARNESS For 1975 & Up GM & Flaming River Columns (Exc. Ididit) To Stock Dash Harness Note: Adapts Horn, Directionals, Hazard Flashers To Stock 8 Pin Dash Connector.	\$52.00	
37542	1965	STEERING COLUMN ADAPTER HARNESS For 1969-1974 GM & Ididit Columns (Exc. Flaming River) To Stock Dash Harness Note: Adapts Horn, Directionals, Hazard Flashers To Stock 8 Pin T/L Dash Connector.	\$50.00	
37009	1965	STEERING COLUMN ADAPTER HARNESS For 1975 & Up GM & Flaming River Columns (Exc. Ididit) To Stock Dash Harness Note: Adapts Horn, Directionals, Hazard Flashers To Stock 8 Pin Dash Connector.	\$52.00	
37542	1966	STEERING COLUMN ADAPTER HARNESS For 1969-1974 GM & Ididit Columns (Exc. Flaming River) To Stock Dash Harness Note: Adapts Horn, Directionals, Hazard Flashers To Stock 8 Pin T/L Dash Connector.	\$50.00	
37009	1966	STEERING COLUMN ADAPTER HARNESS For 1975 & Up GM & Flaming River Columns (Exc. Ididit) To Stock Dash Harness Note: Adapts Horn, Directionals, Hazard Flashers To Stock 8 Pin Dash Connector.	\$52.00	
36882	1967	STEERING COLUMN ADAPTER HARNESS For 1969-1974 GM & Ididit Columns (Exc. Flaming River) To Stock Dash Harness Note: Adapts Horn, Directionals, Hazard Flashers To Stock 9-Pin T/L Dash Connector.	\$27.00	
38127	1967	STEERING COLUMN ADAPTER HARNESS For 1975 & Up GM & Flaming River Columns (Exc. Ididit) To Stock Dash Harness Note: Adapts Horn, Directionals, Hazard Flashers To Stock 9-Pin T/L Dash Connector.	\$27.00	
36882	1968	STEERING COLUMN ADAPTER HARNESS For 1969-1974 GM & Ididit Columns (Exc. Flaming River) To Stock Dash Harness Note: Adapts Horn, Directionals, Hazard Flashers To Stock 9-Pin T/L Dash Connector.	\$27.00	
38127	1968	STEERING COLUMN ADAPTER HARNESS For 1975 & Up GM & Flaming River Columns (Exc. Ididit) To Stock Dash Harness Note: Adapts Horn, Directionals, Hazard Flashers To Stock 9-Pin T/L Dash Connector.	\$27.00	
STOP LAMP SWITCH				
01261219	1964	STOP LAMP SWITCH Without Cruise	\$5.80	N
01261219	1965	STOP LAMP SWITCH Without Cruise	\$5.80	N
01261219	1966	STOP LAMP SWITCH Without Cruise	\$5.80	N
01261219	1967	STOP LAMP SWITCH Without Cruise	\$5.80	N
01261219	1968	STOP LAMP SWITCH Without Cruise	\$5.80	N
01261219	1969	STOP LAMP SWITCH Without Cruise	\$5.80	N
01261219	1970	STOP LAMP SWITCH Without Cruise	\$5.80	N
01261219	1971	STOP LAMP SWITCH Without Cruise	\$5.80	N
01261219	1972	STOP LAMP SWITCH Without Cruise	\$5.80	N
01261219	1973	STOP LAMP SWITCH Without Cruise	\$5.80	N
01261219	1974	STOP LAMP SWITCH Without Cruise	\$5.80	N
01261219	1975	STOP LAMP SWITCH Without Cruise	\$5.80	N
01261219	1976	STOP LAMP SWITCH Without Power Brakes Or Cruise	\$5.80	N
01261219	1977	STOP LAMP SWITCH Without Power Brakes Or Cruise	\$5.80	N
01261219	1978	STOP LAMP SWITCH Without Power Brakes Or Cruise	\$5.80	N
01261219	1979	STOP LAMP SWITCH Without Power Brakes Or Cruise	\$5.80	N
TACHOMETER HARNESS				
10150	1966	TACHOMETER HARNESS 6 Cylinder Note: 6 Cylinder Items Are Not Returnable.	\$52.00	

Cutlass
4-4-2/F-85



Phone (562) 926-9552
Fax (562) 926-9572

Part Number	Year	Description	Price	*Rev.
10145	1966	TACHOMETER HARNESS V/8	\$52.00	
13265	1969	TACHOMETER HARNESS V/8	\$30.00	
15810	1970	TACHOMETER HARNESS V/8	\$52.00	
15810	1971	TACHOMETER HARNESS V/8	\$52.00	
15810	1972	TACHOMETER HARNESS V/8	\$52.00	
TRANSMISSION KICKDOWN CONTROL WIRE				
05755	1965	TRANSMISSION KICKDOWN CONTROL WIRE V/8, From Carburetor Throttle Switch To Transmission	\$25.00	
05755	1966	TRANSMISSION KICKDOWN CONTROL WIRE V/8, From Carburetor Throttle Switch To Transmission	\$25.00	
05755	1967	TRANSMISSION KICKDOWN CONTROL WIRE V/8, From Carburetor Throttle Switch To Transmission	\$25.00	
TRUNK RELEASE JUMPER WIRE				
15615	1970	TRUNK RELEASE JUMPER WIRE From Glove Box Lamp Lead To Trunk Release Switch	\$17.00	
15615	1971	TRUNK RELEASE JUMPER WIRE From Glove Box Lamp Lead To Trunk Release Switch	\$17.00	
15615	1972	TRUNK RELEASE JUMPER WIRE From Glove Box Lamp Lead To Trunk Release Switch	\$17.00	
TURN SIGNAL LEVER WIPER SWITCH				
22510733	1982	TURN SIGNAL LEVER WIPER SWITCH Black, With Pulse Wipers, Without Cruise Control	\$20.00	N
22510732	1982	TURN SIGNAL LEVER WIPER SWITCH Black, Without Pulse Wipers, Without Cruise Control	\$20.00	N
22510144	1982	TURN SIGNAL LEVER WIPER SWITCH Chrome, With Pulse Wipers, Without Cruise Control	\$20.00	N
22510733	1983	TURN SIGNAL LEVER WIPER SWITCH Black, With Pulse Wipers, Without Cruise Control	\$20.00	N
22510732	1983	TURN SIGNAL LEVER WIPER SWITCH Black, Without Pulse Wipers, Without Cruise Control	\$20.00	N
22510144	1983	TURN SIGNAL LEVER WIPER SWITCH Chrome, With Pulse Wipers, Without Cruise Control	\$20.00	N
22510733	1984	TURN SIGNAL LEVER WIPER SWITCH Black, With Pulse Wipers, Without Cruise Control	\$20.00	N
22510732	1984	TURN SIGNAL LEVER WIPER SWITCH Black, Without Pulse Wipers, Without Cruise Control	\$20.00	N
22510144	1984	TURN SIGNAL LEVER WIPER SWITCH Chrome, With Pulse Wipers, Without Cruise Control	\$20.00	N
22510733	1985	TURN SIGNAL LEVER WIPER SWITCH Black, With Pulse Wipers, Without Cruise Control	\$20.00	N
22510732	1985	TURN SIGNAL LEVER WIPER SWITCH Black, Without Pulse Wipers, Without Cruise Control	\$20.00	N
22510144	1985	TURN SIGNAL LEVER WIPER SWITCH Chrome, With Pulse Wipers, Without Cruise Control	\$20.00	N
22510733	1986	TURN SIGNAL LEVER WIPER SWITCH Black, With Pulse Wipers, Without Cruise Control	\$20.00	N
22510732	1986	TURN SIGNAL LEVER WIPER SWITCH Black, Without Pulse Wipers, Without Cruise Control	\$20.00	N
22510144	1986	TURN SIGNAL LEVER WIPER SWITCH Chrome, With Pulse Wipers, Without Cruise Control	\$20.00	N
22510733	1987	TURN SIGNAL LEVER WIPER SWITCH Black, With Pulse Wipers, Without Cruise Control	\$20.00	N
22510732	1987	TURN SIGNAL LEVER WIPER SWITCH Black, Without Pulse Wipers, Without Cruise Control	\$20.00	N
22510144	1987	TURN SIGNAL LEVER WIPER SWITCH Chrome, With Pulse Wipers, Without Cruise Control	\$20.00	N
22510733	1988	TURN SIGNAL LEVER WIPER SWITCH Black, With Pulse Wipers, Without Cruise Control	\$20.00	N
22510732	1988	TURN SIGNAL LEVER WIPER SWITCH Black, Without Pulse Wipers, Without Cruise Control	\$20.00	N
22510144	1988	TURN SIGNAL LEVER WIPER SWITCH Chrome, With Pulse Wipers, Without Cruise Control	\$20.00	N
TURN SIGNAL SWITCH				
01993624	1964	TURN SIGNAL SWITCH With Tilt, Replaces Delco Part# D6220	\$71.00	
00387115	1965	TURN SIGNAL SWITCH Boyne Without Tilt & Cornering Lamps Stamped "Bpc", Replaces Delco Part# D6200 Note: This Switch Has A Metal Base.	\$96.00	
01993624	1965	TURN SIGNAL SWITCH With Tilt, Replaces Delco Part# D6220	\$71.00	
00387115	1966	TURN SIGNAL SWITCH Boyne Without Tilt Stamped "Bpc", Replaces Delco Part# D6200 Note: This Switch Has A Metal Base.	\$96.00	
01993624	1966	TURN SIGNAL SWITCH With Tilt, Replaces Delco Part# D6220	\$71.00	
01893592	1967	TURN SIGNAL SWITCH Without Cornering Lights, Without Tilt (Delco-White), Replaces Delco Part# D6211 Note: This Is A Service Part, Adapter Pigtail Included And Is Required For Some Applications.	\$58.00	

Part Number	Year	Description	Price	*Rev.
07800482	1967	TURN SIGNAL SWITCH Without Column Shift A/T, (Delco Type, White) Note: Emergency Flasher Actuator Hole In Outer Cover Is Shaped Like A Doghouse.	\$50.00	
05698897	1967	TURN SIGNAL SWITCH With Column Shift A/T, Without Tilt, Without Cornering Lights, (Delco Type, Black, White Or Green) Note: Emergency Flasher Actuator Hole In Outer Cover Is Shaped Like A Doghouse.	\$50.00	
05698897	1967	TURN SIGNAL SWITCH With Column Shift A/T, With Tilt, Without Cornering Lights, (Delco Type, Black, White Or Green) Note: Emergency Flasher Actuator Hole In Outer Cover Is Shaped Like A Doghouse.	\$50.00	
01893592	1968	TURN SIGNAL SWITCH Without Cornering Lights, Without Tilt (Delco-White), Replaces Delco Part# D6211 Note: This Is A Service Part, Adapter Pigtail Included And Is Required For Some Applications.	\$58.00	
07800482	1967	TURN SIGNAL SWITCH Without Column Shift A/T, (Delco Type, White) Note: Emergency Flasher Actuator Hole In Outer Cover Is Shaped Like A Doghouse.	\$50.00	
05698897	1968	TURN SIGNAL SWITCH Without Tilt, Without Cornering Lights, Column Shift A/T, (Delco Type, Black, White Or Green) Note: Emergency Flasher Actuator Hole In Outer Cover Is Shaped Like A Doghouse.	\$50.00	
05698897	1968	TURN SIGNAL SWITCH With Tilt, Without Cornering Lights, Column Shift A/T, (Delco Type, Black, White Or Green) Note: Emergency Flasher Actuator Hole In Outer Cover Is Shaped Like A Doghouse.	\$50.00	
01997963	1969	TURN SIGNAL SWITCH, CORRECT PART Without Cornering Lights, Without Tilt Note: Correct Part, No Adapter Pigtail Required.	\$41.00	
01893588	1969	TURN SIGNAL SWITCH, SERVICE PART Without Cornering Lights, Without Tilt, Replaces Delco Part# D6208 Note: This Is A Service Part, Adapter Pigtail Included Is Required For Installation.	\$58.00	
01997963	1970	TURN SIGNAL SWITCH, CORRECT PART Without Cornering Lights, Without Tilt Note: Correct Part, No Adapter Pigtail Required.	\$41.00	
01893588	1970	TURN SIGNAL SWITCH, SERVICE PART Without Cornering Lights, Without Tilt, Replaces Delco Part# D6208 Note: This Is A Service Part, Adapter Pigtail Included Is Required For Installation.	\$58.00	
01997963	1971	TURN SIGNAL SWITCH, CORRECT PART Without Cornering Lights, Without Tilt Note: Correct Part, No Adapter Pigtail Required.	\$41.00	
01893588	1971	TURN SIGNAL SWITCH, SERVICE PART Without Cornering Lights, Without Tilt, Replaces Delco Part# D6208 Note: This Is A Service Part, Adapter Pigtail Included Is Required For Installation.	\$58.00	
01997963	1972	TURN SIGNAL SWITCH, CORRECT PART Without Cornering Lights, Without Tilt Note: Correct Part, No Adapter Pigtail Required.	\$41.00	
01893588	1972	TURN SIGNAL SWITCH, SERVICE PART Without Cornering Lights, Without Tilt, Replaces Delco Part# D6208 Note: This Is A Service Part, Adapter Pigtail Included Is Required For Installation.	\$58.00	
01997963	1973	TURN SIGNAL SWITCH, CORRECT PART Without Cornering Lights, Without Tilt Note: Correct Part, No Adapter Pigtail Required.	\$41.00	
01893588	1973	TURN SIGNAL SWITCH, SERVICE PART Without Cornering Lights, Without Tilt, Replaces Delco Part# D6208 Note: This Is A Service Part, Adapter Pigtail Included Is Required For Installation.	\$58.00	
01997963	1974	TURN SIGNAL SWITCH, CORRECT PART Without Cornering Lights, Without Tilt Note: Correct Part, No Adapter Pigtail Required.	\$41.00	
01893588	1974	TURN SIGNAL SWITCH, SERVICE PART Without Cornering Lights, Without Tilt, Replaces Delco Part# D6208 Note: This Is A Service Part, Adapter Pigtail Included Is Required For Installation.	\$58.00	
01997963	1975	TURN SIGNAL SWITCH, CORRECT PART Without Cornering Lights, Without Tilt Note: Correct Part, No Adapter Pigtail Required.	\$41.00	

Part Number	Year	Description	Price	*Rev.
01893588	1975	TURN SIGNAL SWITCH, SERVICE PART Without Cornering Lights, Without Tilt, Replaces Delco Part# D6208	\$58.00	
Note: This Is A Service Part, Adapter Pigtail Included Is Required For Installation.				
WINDSHIELD WASHER PUMP				
04919332	1963	WINDSHIELD WASHER PUMP F-85, Except J/Fire	\$60.00	N
04919332	1964	WINDSHIELD WASHER PUMP F-85, With Single Speed Wiper Motor	\$60.00	N
04919332	1965	WINDSHIELD WASHER PUMP F-85, With Single Speed Wiper Motor	\$60.00	N
04919332	1966	WINDSHIELD WASHER PUMP F-85, With Rectangular Type Wiper Motor	\$60.00	N
04919332	1967	WINDSHIELD WASHER PUMP F-85, With Rectangular Type Wiper Motor	\$60.00	N
04919332	1968	WINDSHIELD WASHER PUMP F-85, With Rectangular Type Wiper Motor	\$60.00	N
04919332	1969	WINDSHIELD WASHER PUMP F-85, Without Recessed Park Wipers	\$60.00	N
04919332	1970	WINDSHIELD WASHER PUMP F-85, Without Recessed Park Wipers	\$60.00	N
04919332	1971	WINDSHIELD WASHER PUMP F-85, Without Recessed Park Wipers	\$60.00	N
04919332	1972	WINDSHIELD WASHER PUMP F-85, Without Recessed Park Wipers	\$60.00	N
04919332	1973	WINDSHIELD WASHER PUMP Omega, All	\$60.00	N
04919332	1974	WINDSHIELD WASHER PUMP Omega, All	\$60.00	N
WINDSHIELD WIPER MOTOR				
04911476	1966	WINDSHIELD WIPER MOTOR F-85, 2-Speed, 3-Terminal Type Motor	\$92.00	N
44609	1966	WINDSHIELD WIPER MOTOR F-85, 2-Speed, 4-Terminal Type Motor Note: This Can Be Used In Place Of The 3-Terminal Motor. The 4th Terminal Is A Keyed Hot From Wiper Fuse In Fuse Box And May Or May Not Be Used In Some Applications.	\$106.00	N
04911476	1967	WINDSHIELD WIPER MOTOR F-85, 2-Speed, 3-Terminal Type Motor	\$92.00	N
44609	1967	WINDSHIELD WIPER MOTOR F-85, 2-Speed, 4-Terminal Type Motor Note: This Can Be Used In Place Of The 3-Terminal Motor. The 4th Terminal Is A Keyed Hot From Wiper Fuse In Fuse Box And May Or May Not Be Used In Some Applications.	\$106.00	N
WINDSHIELD WIPER SWITCH				
01993541	1961	WINDSHIELD WIPER SWITCH Single Speed, With Washer	\$45.00	
01993568	1962	WINDSHIELD WIPER SWITCH Single Speed, With Washer Note: Once our current stock runs out, this item will be discontinued.	\$52.00	
01993568	1963	WINDSHIELD WIPER SWITCH Single Speed, With Washer Note: Once our current stock runs out, this item will be discontinued.	\$52.00	
01993633	1964	WINDSHIELD WIPER SWITCH Single Speed, With Washer Note: Once our current stock runs out, this item will be discontinued.	\$46.00	
01993633	1965	WINDSHIELD WIPER SWITCH Single Speed, With Washer Note: Once our current stock runs out, this item will be discontinued.	\$46.00	
01993372	1967	WINDSHIELD WIPER SWITCH	\$45.00	
WIPER MOTOR HARNESS				
15885	1971	WIPER MOTOR HARNESS Wiper Washer Demand Jumper	\$41.00	